
Electrical Circuit Diagrams

3200
4100
4200
4300
4400
7300
7400
7500
7600
8500
8600

Start Date: 03/11/2004 End Date: 09/30/2005

Navistar, Inc.

2701 Navistar Drive, Lisle, IL 60532 USA

TABLE OF CONTENTS

2. INSTRUCTIONS AND CHARTS (CHAPTER 2)	1
2.1. CIRCUIT NUMBER IDENTIFICATION AND LOCATION CHART, P. 1.....	1
2.2. CIRCUIT NUMBER IDENTIFICATION AND LOCATION CHART, P. 2.....	2
2.3. CIRCUIT NUMBER IDENTIFICATION AND LOCATION CHART, P. 3.....	3
2.4. CIRCUIT NUMBER IDENTIFICATION AND LOCATION CHART, P. 4.....	4
2.5. CIRCUIT NUMBER IDENTIFICATION AND LOCATION CHART, P. 5.....	5
2.6. NAVPAK/ECM I6 ENGINE CONTROLLER CONNECTOR PIN NUMBER IDENTIFICATION, P. 6.....	6
2.7. CIRCUIT DIAGRAM INSTRUCTIONS, P. 7.....	7
2.8. CIRCUIT DIAGRAM INSTRUCTIONS, P. 8.....	8
2.9. SCHEMATIC SYMBOL CHART, P. 9.....	9
2.10. RELAY FUNCTIONS, P. 10.....	10
2.11. LAMP BULB CHART, P. 11.....	11
2.12. INTERNATIONAL V8 AND I6 ECM CONTROLLER CONNECTORS PIN NUMBER IDENTIFICATION, P. 12.....	12
3. 12 VOLT POWER DISTRIBUTION CIRCUIT DIAGRAMS (CHAPTER 3)	13
3.1. ACCESSORY, P. 1.....	13
3.2. BATTERY FEEDS, CAB, P. 2.....	14
3.3. BATTERY, P. 3.....	15
3.4. 1708 DATA LINK CHASSIS, P. 4.....	16
3.5. SWITCH DATA LINK, P. 5.....	17
3.6. DRIVETRAIN 1939 DATA LINK (CAB), P. 6.....	18
3.7. DRIVETRAIN 1939 DATA LINK (CHASSIS), P. 7.....	19
3.8. GROUNDS CHASSIS, P. 8.....	20
3.9. GROUNDS CHASSIS, P. 9.....	21
3.10. GROUNDS IP, P. 10.....	22
3.11. GROUNDS IP, P. 11.....	23
3.12. IGNITION CAB, P. 12.....	24
3.13. IGNITION CAB, P. 13.....	25
3.14. IGNITION FEEDS, CHASSIS, P. 14.....	26
3.15. START, P. 15.....	27
4. CAB ACCESSORIES (CHAPTER 4)	28
4.1. CIGAR LIGHTER AND POWER FEEDS, P. 1.....	28
4.2. CB POWER, P. 2.....	29
4.3. COMPASS AND TEMPERATURE DISPLAY, P. 3.....	30
4.4. FRONT DOORS WINDOWS AND LOCKS (POWER), P. 4.....	31
4.5. CREW DOORS WINDOWS AND LOCKS (POWER), P. 5.....	32
4.6. HORN, DUAL ELECTRIC, P. 6.....	33
4.7. MIRRORS (HEATED, LIGHTED AND POWER), P. 7.....	34
4.8. RADIO (ENTERTAINMENT), SPEAKERS, P. 8.....	35
4.9. WINDSHIELD WIPER AND WASHER PUMP, P. 9.....	36
4.10. 2-WAY RADIO, P. 10.....	37
4.11. SWITCH PACK, OPTIONAL GAUGE PACK, P. 11.....	38
4.12. LIGHTED AIR SHIELD, P. 12.....	39
4.13. ROOF AUX. LOAD, P. 13.....	40
4.14. SATELLITE COMMUNICATION QUALCOMM-MCT AND IMCT SYSTEMS, P. 14.....	41
4.15. SELF CONTAINED AIR SEAT, P. 15.....	42
4.16. DIGITAL CLOCK PTC, P. 16.....	43
4.17. TRANSMISSION ALLISON LCT COLUMN SHIFTER, P. 17.....	44

TABLE OF CONTENTS (CONT.)

4.18.	HEATED SEATS FOR 7700 MODELS ONLY, P. 18.....	45
4.19.	BACKUP CAMERA, P. 19.....	46
4.20.	XATA COMPUTER, P. 20.....	47
4.21.	KEYLESS IGNITION SYSTEM, P. 21.....	48
5.	12V CHARGING + CRANKING SYSTEM (CHAPTER 5).....	49
5.1.	I6 EGR ENGINES, P. 1.....	49
5.2.	V8 AVNT ENGINES, P. 2.....	50
5.3.	CATERPILLAR, CUMMINS ISM ENGINES, P. 3.....	51
5.4.	I6 HEUI ENGINES, P. 4.....	52
5.5.	CATERPILLAR ENGINES, CUMMINS ISM AND WITH EATON ULTRASHIFT/DM2, P. 5.....	53
5.6.	I6 EGR ENGINES WITH AIR START, P. 6.....	54
6.	FANS AND ENGINE ACCESSORIES (CHAPTER 6).....	55
6.1.	FAN WIRING, P. 1.....	55
6.2.	ETHER START, P. 2.....	56
6.3.	SNOW VALVE, P. 3.....	57
6.4.	FAN WIRING, CATERPILLAR AND CUMMINS, P. 4.....	58
7.	ELECTRONIC ENGINES (CHAPTER 7).....	59
7.1.	ELECTRONIC ENGINE CONTROLS, I6-EGR ENGINES, P. 1.....	59
7.2.	ELECTRONIC ENGINE CONTROLS, I6-EGR ENGINE CRUISE CONTROL AND BODY BUILDER CONNECTIONS, P. 2.....	60
7.3.	ELECTRONIC ENGINE CONTROLS, (V8-AVNT) ENGINES, P. 3.....	61
7.4.	ELECTRONIC ENGINE CONTROLS, V8-AVNT ENGINE CRUISE CONTROL AND BODY BUILDER CONNECTIONS, P. 4.....	62
7.5.	CATERPILLAR C10, C11, C12, AND C13 ENGINES, P. 5.....	63
7.6.	CUMMINS ISM ENGINE, P. 6.....	64
7.7.	I6 HEUI ENGINE, P. 7.....	65
7.8.	I6 HEUI ENGINE CRUISE CONTROL AND BODY BUILDER CONNECTIONS WITH MANUAL TRANSMISSION, P. 8.....	66
8.	GAUGES WITH AND WITHOUT INTEGRAL WARNING LIGHT (CHAPTER 8).....	67
8.1.	IP/GAUGE LIST, P. 1.....	67
8.2.	WARNING LIGHT LIST, P. 2.....	68
8.3.	WARNING LIGHTS CONTROLLED BY ENGINE, TRANSMISSION, ABS CONTROLLER, P. 3.....	69
8.4.	ENGINE OIL PRESSURE AND TEMP, SPEEDOMETER, TACH, VOLTMETER AND WATER TEMP GAUGE CIRCUITS, P. 4.....	70
8.5.	IP/GAUGES AND WARNING LIGHTS — GAUGE CLUSTER, P. 5.....	71
8.6.	AIR PRESSURE INPUT CIRCUIT, P. 6.....	72
8.7.	AXLE TEMPERATURE, FWD REAR AND REAR AXLES, GAUGE INPUT CIRCUIT, P. 7.....	73
8.8.	FUEL GAUGE INPUT CIRCUIT (SINGLE TANK) DIFFERENTIAL LOCK WARNING LAMPS, P. 8.....	74
8.9.	GAUGES AND WARNING LIGHTS — FUEL FILTER RESTRICTION AND WATER IN FUEL LIGHTS, P. 9.....	75
8.10.	GAUGES AND WARNING LIGHTS — PARK BRAKE LIGHT AND TRANSMISSION OIL TEMP. GAUGE, P. 10.....	76
8.11.	GAUGES AND WARNING LIGHTS — AMMETER, P. 11.....	77
8.12.	ENGINE OIL TEMPERATURE GAUGE WITH CATERPILLAR, P. 12.....	78
8.13.	FRONT AXLE ENGAGEMENT LAMP, P. 13.....	79

TABLE OF CONTENTS (CONT.)

9. LIGHTS (CHAPTER 9)	80
9.1. BACK UP LIGHTS, P. 1.....	80
9.2. LIGHT SYSTEMS — CLEARANCE, MARKER, PARK, TAIL, TURN AND STOP LAMPS, P. 2...	81
9.3. LIGHT SYSTEMS — CLEARANCE, MARKER, PARK, TAIL, TURN AND STOP LAMPS (CONT.), P. 3.....	82
9.4. LIGHT SYSTEMS — TURN SIGNAL AND STOP SWITCHES, P. 4.....	83
9.5. DOME LIGHT, MAP LIGHT, P. 5.....	84
9.6. DOME LIGHT, MAP LIGHT (CONT.), P. 6.....	85
9.7. FOG LIGHT AND WORK LIGHT, P. 7.....	86
9.8. HEADLIGHTS, P. 8.....	87
9.9. AUX. HEADLIGHTS, AUX. PARK, AUX. TURN, P. 9.....	88
9.10. PANEL LIGHTS, P. 10.....	89
10. CHASSIS ACCESSORIES (CHAPTER 10)	90
10.1. AIR DRYER AND HEATED DRAIN VALVE, P. 1.....	90
10.2. ANTILOCK BRAKE SYSTEM (ABS), AIR, P. 2.....	91
10.3. ANTILOCK BRAKE SYSTEM (ABS), AIR, TRACTION CONTROL, P. 3.....	92
10.4. ANTILOCK BRAKE SYSTEM (ABS), HYDRAULIC, P. 4.....	93
10.5. ANTILOCK BRAKE SYSTEM (ABS), HYDRAULIC (CONT.), P. 5.....	94
10.6. ANTILOCK BRAKE SYSTEM (ABS), HYDRAULIC (CONT.), P. 6.....	95
10.7. TWO SPEED AXLE SWITCH WITH MANUAL TRANSMISSION AND I6 HEUI FUEL HEATER N/WARN LIGHTS, P. 7.....	96
10.8. BRAKE SYSTEM, HYDRAULIC, P. 8.....	97
10.9. FUEL TRANSFER PUMP, P. 9.....	98
10.10. BACK OF CAB BODY BUILDER AND TRAILER STOP, TAIL, MARKER, P. 10.....	99
10.11. BODY BUILDER AND TRAILER TURNS, CENTER PIN ABS, CENTER PIN AUX, P. 11.....	100
10.12. BODY BUILDER AND TRAILER SOCKET BACK OF CAB SOCKETS, P. 12.....	101
10.13. BODY BUILDER AND TRAILER SOCKET END OF FRAME (EOF) SOCKET AND BODY BUILDER, P. 13.....	102
10.14. AIR SOLENOID 4-WAY PACK, P. 14.....	103
10.15. REMOTE POWER UNITS, SOLENOID PACKS, REMOTE ENGINE SPEED CONTROLLER, P. 15.....	104
10.16. HYD POWER PARK, P. 16.....	105
10.17. AIR SUSPENSION, P. 17.....	106
10.18. AUX. TRAILER, ACC CONTROLLED, P. 18.....	107
10.19. AUX. TRAILER, BATTERY CONTROLLED, P. 19.....	108
10.20. LIFT AXLES (NON-STEERABLE), P. 20.....	109
10.21. LIFT AXLES (STEERABLE), P. 21.....	110
10.22. AIR ACTUATED PARK BRAKE, P. 22.....	111
10.23. ANTILOCK BRAKE SYSTEM, WABCO AIR, P. 23.....	112
10.24. ANTILOCK BRAKE SYSTEM, WABCO AIR, P. 24.....	113
10.25. LIFT AXLES, WITH NON-STEERABLE FOR SS MODELS, P. 25.....	114
10.26. FUEL / WATER SEPARATOR WITH 12VDC FUEL PREHEATER, P. 26.....	115
10.27. ELECTRONIC TRAILER BRAKE ACCOMMODATION, P. 27.....	116
10.28. LECTRASHIFT ACCOMMODATION, P. 28.....	117
10.29. AUXILIARY 40 AMP CIRCUIT, P. 29.....	118
10.30. HOURMETER, CUSTOMER MOUNTED PTO, P. 30.....	119
10.31. REMOTE START/ STOP, P. 31.....	120
10.32. LIFT AXLE WITH 14RAR, P. 32.....	121
10.33. LIFT GATE, P. 33.....	122
10.34. LIFT AXLE MULTIPLEX, P. 34.....	123

TABLE OF CONTENTS (CONT.)

11. TRANSMISSIONS (CHAPTER 11)	124
11.1. ALLISON LCT TRANSMISSION OR ALLISON 1000, 2000, 2400, P. 1.....	124
11.2. ALLISON MD TRANSMISSION, P. 2.....	125
11.3. ALLISON MD TRANSMISSION (WTEC), P. 3.....	126
11.4. ALLISON MD TRANSMISSION (CONT.), P. 4.....	127
11.5. TRANSMISSION, WTEC MD W/AUTO NEUTRAL, P. 5.....	128
11.6. EATON AUTOSHIFT TRANSMISSION, P. 6.....	129
11.7. EATON AUTOSHIFT TRANSMISSION (CONT.), P. 7.....	130
11.8. EATON LIGHTNING TRANSMISSION, P. 8.....	131
11.9. ALLISON HD TRANSMISSION, P. 9.....	132
11.10. ALLISON HD TRANSMISSION, P. 10.....	133
11.11. ALLISON HD TRANSMISSION, P. 11.....	134
11.12. ALLISON HD TRANSMISSION WITH AUTO NEUTRAL, P. 12.....	135
11.13. ALLISON HD TRANSMISSION WITH AUTO NEUTRAL AND WITH 0013WUA, P. 13.....	136
11.14. ALLISON LCT TRANSMISSION (ALLISON 1000, 2000, 2400) WITH I6 HEUI, P. 14.....	137
11.15. TRANSMISSION RETARDER CONTROL WIRING WITH MD XMSN, HARD WIRED EFFECTS, P. 15.....	138
11.16. TRANSMISSION RETARDER CONTROL WIRING WITH MD XMSN, HARD WIRED EFFECTS, P. 16.....	139
12. AIR CONDITIONING (CHAPTER 12)	140
12.1. HVAC SYSTEMS, P. 1.....	140
12.2. AIR CONDITIONING (ONLY), P. 2.....	141
12.3. AUTOTHERM SYSTEMS, P. 3.....	142
13. CONNECTOR COMPOSITES (CHAPTER 13)	143
13.1. CONNECTOR COMPOSITES (10M), (71), (72), (345F), P. 1.....	143
13.2. CONNECTOR COMPOSITES (420F), (420M), (520), (521), (522), (523), (524), P. 2.....	144
13.3. CONNECTOR COMPOSITES (1002), (1003), (1010), P. 3.....	145
13.4. CONNECTOR COMPOSITE (1011), P. 4.....	146
13.5. CONNECTOR COMPOSITE (1012), P. 5.....	147
13.6. CONNECTOR COMPOSITE (1013), P. 6.....	148
13.7. CONNECTOR COMPOSITE (1014), P. 7.....	149
13.8. CONNECTOR COMPOSITES (1018), (1019M), (1020M), (1021M), (1022M), P. 8.....	150
13.9. CONNECTOR COMPOSITES (1027M, F), (1100), (1101A), (1101), (1102), P. 9.....	151
13.10. CONNECTOR COMPOSITES (1104), (1106), (1200), (1210), P. 10.....	152
13.11. CONNECTOR COMPOSITES (1300), (1301), (1400), (1402), (1410), (1500), (1510), P. 11...	153
13.12. CONNECTOR COMPOSITES (1553), (1554F), (1555), (1600), (1601), (1650), P. 12.....	154
13.13. CONNECTOR COMPOSITES (1652), (1657M), (1658), (1659), (1800), P. 13.....	155
13.14. CONNECTOR COMPOSITES (1804), (1807), (1808), (1809), (1810), (1811), (1812), (1813), (1814), (1815), P. 14.....	156
13.15. CONNECTOR COMPOSITES (1820), (1822), (1823), (1824), (1828), (1860), (1861), (1901M), (1915), P. 15.....	157
13.16. CONNECTOR COMPOSITES (1918), (1935), (1920), (2000), (2002M), (2003M), (2004M), (2005M), P. 16.....	158
13.17. CONNECTOR COMPOSITES (2006M), (2007F), (2021F), (2021M), (2022F), (2022M), (2111M), (2112M), (2113M), (2114M), (2115M), (2116M), (2117M), (2301M), (2302M), (2303M), P. 17.....	159
13.18. CONNECTOR COMPOSITES (2304M), (2305M), (2306M), (2307F), (2308F), (2502F), (2502M), (2503F, M), (2600F, M), P. 18.....	160

TABLE OF CONTENTS (CONT.)

13.19. CONNECTOR COMPOSITES (2601M, F), (2602M, F), (3000M), (3000F), (3002M), (3003), (3100M), (3200F, M), (3201M), (3202), (3203M), P. 19.....	161
13.20. CONNECTOR COMPOSITES (3204M, F), (3209), (3210M), (3211M), (4000), P. 20.....	162
13.21. CONNECTOR COMPOSITE (4001), P. 21.....	163
13.22. CONNECTOR COMPOSITE (4002), P. 22.....	164
13.23. CONNECTOR COMPOSITE (4003), P. 23.....	165
13.24. CONNECTOR COMPOSITES (4004), (4007), (4008), P. 24.....	166
13.25. CONNECTOR COMPOSITE (4014), P. 25.....	167
13.26. CONNECTOR COMPOSITE (4014/1700), P. 26.....	168
13.27. CONNECTOR COMPOSITES (4015), (4017), (4018), (4019), (4020), (4021), (4022), (4023), P. 27.....	169
13.28. CONNECTOR COMPOSITES (4024), (4030), (4031), (4032), (4033), (4040), (4041), P. 28...	170
13.29. CONNECTOR COMPOSITES (4070), (4071), (4087), (4098), (4101), P. 29.....	171
13.30. CONNECTOR COMPOSITE (4103), P. 30.....	172
13.31. CONNECTOR COMPOSITES (4105), (4111), (4120), (4301), P. 31.....	173
13.32. CONNECTOR COMPOSITES (4305), (4410), (4410B), (4410C), (4410D), (4410E), (4410H), (4410M), (4411), P. 32.....	174
13.33. CONNECTOR COMPOSITES (4411A), (4411B), (4412), (4415), (4450), (4450A), (4460A), (4460), P. 33.....	175
13.34. CONNECTOR COMPOSITE (4705), P. 34.....	176
13.35. CONNECTOR COMPOSITES (4810), (4712F), (4820), (4713F), (4830), (4840), (4850), P. 35.....	177
13.36. CONNECTOR COMPOSITES (4900), (4910), (4950), (4951), P. 36.....	178
13.37. CONNECTOR COMPOSITES (6007), (6011), P. 37.....	179
13.38. CONNECTOR COMPOSITES (6013M), (6014), P. 38.....	180
13.39. CONNECTOR COMPOSITES (6015), (6020), (6021), P. 39.....	181
13.40. CONNECTOR COMPOSITES (6200), (6316), (6323), (6332), (6333), (6334), (6400), (6401M), (6401), (6406), (6407), (6407D), (6409), (6500), P. 40.....	182
13.41. CONNECTOR COMPOSITES (6550), (6703), (6704), (6708), (7103), (7104), (7104A), (7105), (7106), (7111), P. 41.....	183
13.42. CONNECTOR COMPOSITES (7200), (7202), (7203), P. 42.....	184
13.43. CONNECTOR COMPOSITES (7204), (7205), (7206), (7211), (7212), (7213), P. 43.....	185
13.44. CONNECTOR COMPOSITES (7214), (7300), (7301), P. 44.....	186
13.45. CONNECTOR COMPOSITES (7302), (7304), (7305), (7306), (7500), (7502), (7600), (7601), P. 45.....	187
13.46. CONNECTOR COMPOSITES (7603), (7604), (7605), (7606), (7607), (7608), (7609), (7610), (7611), (7612), (7613), (7615), (7700), (7702), (7703), (7703A), P. 46.....	188
13.47. CONNECTOR COMPOSITES (7800), (7801M), (7803), (7900), (7901), P. 47.....	189
13.48. CONNECTOR COMPOSITES (7905), (7906), (8000), (8001), (8102), (8150), (8151), (8200), P. 48.....	190
13.49. CONNECTOR COMPOSITES (8201), (8301), (8310), (8311), (8312), (8400), (8500), (8501), (8502), (8502A), P. 49.....	191
13.50. CONNECTOR COMPOSITES (8503), (8503A), (8505), (8506), (8507), (8508), (8509), (8600), (8601), (8602), P. 50.....	192
13.51. CONNECTOR COMPOSITES (8700), (8701), (8800), (8801), (8802), (8803), (8805), P. 51...	193
13.52. CONNECTOR COMPOSITES (9001), (9002), (9100), (9101), (9102), (9103), (9104), (9254), (9255), P. 52.....	194
13.53. CONNECTOR COMPOSITES (9260), (9261), (9262), (9263), (9264), (9265), (9303A), P. 53.....	195
13.54. CONNECTOR COMPOSITES (9405), (9501), (9502), (9503), (9504), (9505), (9506), P. 54...	196

TABLE OF CONTENTS (CONT.)

13.55. CONNECTOR COMPOSITES (9507), (9508), (9509), (9510), (9511), (9512), (9513), (9514), (9515), P. 55.....	197
13.56. CONNECTOR COMPOSITES (9516), (9517), (9518), (9519), P. 56.....	198
13.57. CONNECTOR COMPOSITE (9700), P. 57.....	199
13.58. CONNECTOR COMPOSITE (9700), P. 58.....	200
13.59. CONNECTOR COMPOSITES (9715), (9715A), (9715B), P. 59.....	201
13.60. CONNECTOR COMPOSITES (9716), (9716A), (9716B), P. 60.....	202
13.61. CONNECTOR COMPOSITES (9717A), (9717B), P. 61.....	203
13.62. CONNECTOR COMPOSITES (9718), (9719), (9720), (9733), (9734), (9736), (9754), (9762), (9763), P. 62.....	204
13.63. CONNECTOR COMPOSITES (9777), (9778), (9800), P. 63.....	205
13.64. CONNECTOR COMPOSITES (9870), (9871), (9811), (9812), (9814), (9815), (9830), (9850), (9860), (9865M), (9900), (9900A), (9913A), P. 64.....	206
13.65. CONNECTOR COMPOSITES (9913B), (9914), (4100), (4109), (4112), (6502), (7107), (7208), (7615), P. 65.....	207

INSTRUCTIONS AND CHARTS (CHAPTER 2)

2.1. CIRCUIT NUMBER IDENTIFICATION AND LOCATION CHART, P. 1

INTERNATIONAL TRUCK AND ENGINE CORPORATION THIS PRINT IS PROVIDED ON A RESTRICTED BASIS AND IS NOT TO BE USED IN ANY WAY DETRIMENTAL TO THE INTEREST OF INTERNATIONAL TRUCK AND ENGINE CORPORATION.	ELECTRICAL CIRCUIT DIAGRAM CHAPTER 1 INTERNATIONAL CIRCUIT NUMBER IDENTIFICATION AND LOCATION																																
PREFIX DESIGNATIONS																																	
<table border="1" style="width: 100%; border-collapse: collapse;"> <thead> <tr> <th style="width: 15%;">PREFIX</th> <th>LOCATION</th> </tr> </thead> <tbody> <tr><td>A</td><td>Cab-Instrument Panel Module</td></tr> <tr><td>B</td><td>Cab-Driver Control Module</td></tr> <tr><td>C</td><td>Cab-Header/Clearance Lights</td></tr> <tr><td>D</td><td>Cab-Roof/Rear Panel</td></tr> <tr><td>E</td><td>Cab-Left Door/Doors</td></tr> <tr><td>F</td><td>Cab-Right Door/Doors</td></tr> <tr><td>H</td><td>Cab-Sleeper</td></tr> <tr><td>J</td><td>Cab-Dash(outside)</td></tr> <tr><td>K</td><td>Engine/Radiator</td></tr> <tr><td>L</td><td>Transmission</td></tr> <tr><td>M</td><td>Chassis/Front End (Cab Dash Panel Forward)</td></tr> <tr><td>N</td><td>Chassis/Center Section (Cab Dash Panel to Cab RR Xmbr)</td></tr> <tr><td>P</td><td>Chassis/Wheel Base Section</td></tr> <tr><td>R</td><td>Chassis/Suspension/Rear Axle/Axles</td></tr> <tr><td>S</td><td>Chassis/AF Section/Stop/Tail/Turn Lights</td></tr> </tbody> </table>		PREFIX	LOCATION	A	Cab-Instrument Panel Module	B	Cab-Driver Control Module	C	Cab-Header/Clearance Lights	D	Cab-Roof/Rear Panel	E	Cab-Left Door/Doors	F	Cab-Right Door/Doors	H	Cab-Sleeper	J	Cab-Dash(outside)	K	Engine/Radiator	L	Transmission	M	Chassis/Front End (Cab Dash Panel Forward)	N	Chassis/Center Section (Cab Dash Panel to Cab RR Xmbr)	P	Chassis/Wheel Base Section	R	Chassis/Suspension/Rear Axle/Axles	S	Chassis/AF Section/Stop/Tail/Turn Lights
PREFIX	LOCATION																																
A	Cab-Instrument Panel Module																																
B	Cab-Driver Control Module																																
C	Cab-Header/Clearance Lights																																
D	Cab-Roof/Rear Panel																																
E	Cab-Left Door/Doors																																
F	Cab-Right Door/Doors																																
H	Cab-Sleeper																																
J	Cab-Dash(outside)																																
K	Engine/Radiator																																
L	Transmission																																
M	Chassis/Front End (Cab Dash Panel Forward)																																
N	Chassis/Center Section (Cab Dash Panel to Cab RR Xmbr)																																
P	Chassis/Wheel Base Section																																
R	Chassis/Suspension/Rear Axle/Axles																																
S	Chassis/AF Section/Stop/Tail/Turn Lights																																
CIRCUIT NUMBER AND IDENTIFICATIONS																																	
<table border="1" style="width: 100%; border-collapse: collapse;"> <thead> <tr> <th style="width: 15%;">CIRCUIT NUMBER</th> <th style="width: 15%;">COLOR</th> <th>DESCRIPTION</th> </tr> </thead> <tbody> <tr><td>1</td><td>LTBL</td><td>ALTERNATOR - FIELD</td></tr> <tr><td>2</td><td>RD</td><td>ALTERNATOR - CHARGE</td></tr> <tr><td>3</td><td>DKBL GY</td><td>1708 DATA LINK, SWITCH DATA LINK (+) 1708 DATA LINK, SWITCH DATA LINK (-)</td></tr> <tr><td>4</td><td></td><td>SERIAL/DATA COMMUNICATION J1922</td></tr> <tr><td>5</td><td>YL GN</td><td>DRIVE TRAIN J1939 DATA LINK (+) DRIVE TRAIN J1939 DATA LINK (-)</td></tr> <tr><td>6</td><td>GY</td><td>LOW VOLTAGE ELECTRONIC FEED (< 9 VOLTS)</td></tr> <tr><td>7</td><td>RD</td><td>ALTERNATOR - RESISTANCE</td></tr> <tr><td>8</td><td></td><td></td></tr> </tbody> </table>		CIRCUIT NUMBER	COLOR	DESCRIPTION	1	LTBL	ALTERNATOR - FIELD	2	RD	ALTERNATOR - CHARGE	3	DKBL GY	1708 DATA LINK, SWITCH DATA LINK (+) 1708 DATA LINK, SWITCH DATA LINK (-)	4		SERIAL/DATA COMMUNICATION J1922	5	YL GN	DRIVE TRAIN J1939 DATA LINK (+) DRIVE TRAIN J1939 DATA LINK (-)	6	GY	LOW VOLTAGE ELECTRONIC FEED (< 9 VOLTS)	7	RD	ALTERNATOR - RESISTANCE	8							
CIRCUIT NUMBER	COLOR	DESCRIPTION																															
1	LTBL	ALTERNATOR - FIELD																															
2	RD	ALTERNATOR - CHARGE																															
3	DKBL GY	1708 DATA LINK, SWITCH DATA LINK (+) 1708 DATA LINK, SWITCH DATA LINK (-)																															
4		SERIAL/DATA COMMUNICATION J1922																															
5	YL GN	DRIVE TRAIN J1939 DATA LINK (+) DRIVE TRAIN J1939 DATA LINK (-)																															
6	GY	LOW VOLTAGE ELECTRONIC FEED (< 9 VOLTS)																															
7	RD	ALTERNATOR - RESISTANCE																															
8																																	
CHK	DATE	CHANGE	REV	REFERENCE	DRAWN	NAME																											
PEC	16JAN01	PRODUCTION RELEASE.	A	P54304U	U00DLCK	42/43/44/85/8600 & 73/74/7500 CIRC DIAGRAMS																											
					RELEASE NO.	DATE																											
					P52778H	09AUG00																											
						PART NO.																											
						AE08-52365																											
						SHEET																											
						01																											

Figure 1 Circuit Number Identification and Location Chart

2.2. CIRCUIT NUMBER IDENTIFICATION AND LOCATION CHART, P. 2

INTERNATIONAL TRUCK AND ENGINE CORPORATION <small>THIS PRINT IS PROVIDED ON A RESTRICTED BASIS AND IS NOT TO BE USED IN ANY WAY DETRIMENTAL TO THE INTEREST OF INTERNATIONAL TRUCK AND ENGINE CORPORATION.</small>				ELECTRICAL CIRCUIT DIAGRAM CHAPTER 1 INTERNATIONAL CIRCUIT NUMBER IDENTIFICATION AND LOCATION (CONT.)			
CIRCUIT NUMBER AND IDENTIFICATIONS (CONT.)							
CIRCUIT NUMBER	COLOR	DESCRIPTION					
9	GY	ZERO VOLT REFERENCE (ZVR)					
10	WH	CHASSIS/ENGINE GROUND					
11	WH	CAB/SLEEPER GROUND					
12	LTBL	ACCESSORY FEED					
13	PK BK	IGNITION FEED IGNITION FEED (BODY BUILDER CONNECTOR)					
14	RD	BATTERY FEED					
15	RD	KEY SWITCH FEED					
16							
17	PK	STARTER CONTROL					
18	PK	GLOW PLUG/PRE-HEATER					
19	GY	ENGINE SHUTDOWN					
20	LTGN	REMOTE POWER MODULE					
21	TN	COLD START CONTROLS (ETHER)					
22							
23	TN	ENGINE FAN/SHUTTERS					
24	GY	ENGINE EXHAUST BRAKE					
25	TN	PYROMETER					
26	TN	AMMETER					
27	TN	VOLTMETER					
28	TN	INSTRUMENTS AND GAUGES					
29	TN	ENGINE WATER TEMPERATURE					
30	TN	ENGINE OIL TEMPERATURE					
31	TN	TRANSMISSION OIL TEMPERATURE					
32	TN	AXLE OIL TEMPERATURE					
CHK	DATE	CHANGE	REV	REFERENCE	DRAWN	NAME	
PEC	16JAN01	PRODUCTION RELEASE.	A	P54304U	U00JXP9	42/43/44/85/8600 & 73/74/7500 CIRC DIAGRAMS	
					RELEASE NO.	DATE	
					P52778H	09AUG00	
						PART NO.	
						AE08-52365	
						SHEET	
						02	

Figure 2 Circuit Number Identification and Location Chart (Cont.)

2.3. CIRCUIT NUMBER IDENTIFICATION AND LOCATION CHART, P. 3

INTERNATIONAL TRUCK AND ENGINE CORPORATION THIS PRINT IS PROVIDED ON A RESTRICTED BASIS AND IS NOT TO BE USED IN ANY WAY DETRIMENTAL TO THE INTEREST OF INTERNATIONAL TRUCK AND ENGINE CORPORATION.				ELECTRICAL CIRCUIT DIAGRAM CHAPTER 1 INTERNATIONAL CIRCUIT NUMBER IDENTIFICATION AND LOCATION (CONT.)				
CIRCUIT NUMBER AND IDENTIFICATIONS (CONT.)								
CIRCUIT NUMBER	COLOR	DESCRIPTION						
33	TN	ENGINE OIL LEVEL						
34	TN	COOLANT LEVEL						
35	TN	ENGINE OIL PRESSURE						
36	TN	FUEL LEVEL						
37	TN	FUEL PUMP						
38								
39	GY	AIR DRYER HEATER						
40	GY	LOW AIR PRESSURE WARNING						
41	TN	AIR TEMPERATURE						
42	GY	FRONT AXLE ENGAGED						
43	GY	POWER DIVIDER LOCK (PDL) WARNING						
44	GY	PARK BRAKE WARNING						
45	LTGN	ANTI - THEFT WARNING						
46	GY	POWER TAKE - OFF WARNING						
47	GY	SPEEDOMETER						
48	GY	TACHOMETER						
49	GY	DIFFERENTIAL LOCK WARNING						
50	YL	LIGHT SWITCH FEED						
51	YL	DIMMER SWITCH FEED						
52	YL	HEADLIGHT HI - BEAM						
53	YL	HEADLIGHT LO - BEAM						
54	BN	PARKING/MARKER LIGHTS						
55	OR	TURN SIGNAL - FEED						
56	OR YL	TURN SIGNAL LIGHTS - LEFT TURN SIGNAL LIGHTS - LEFT (BODY BUILDER CONNECTION)						
57	OR LT GN	TURN SIGNAL LIGHTS - RIGHT TURN SIGNAL LIGHTS - RIGHT (BODY BUILDER CONNECTION)						
CHK	DATE	CHANGE	REV	REFERENCE	DRAWN	NAME		
PEC	16JAN01	PRODUCTION RELEASE.	A	P54304U	U00DLCK	42/43/44/85/8600 & 73/74/7500 CIRC DIAGRAMS		
					RELEASE NO.	DATE	PART NO.	SHEET
					P52778H	15 MAY 00	AE08-52365	03

Figure 3 Circuit Number Identification and Location Chart (Cont.)

2.4. CIRCUIT NUMBER IDENTIFICATION AND LOCATION CHART, P. 4

INTERNATIONAL TRUCK AND ENGINE CORPORATION <small>THIS PRINT IS PROVIDED ON A RESTRICTED BASIS AND IS NOT TO BE USED IN ANY WAY DETRIMENTAL TO THE INTEREST OF INTERNATIONAL TRUCK AND ENGINE CORPORATION.</small>				ELECTRICAL CIRCUIT DIAGRAM CHAPTER 1 INTERNATIONAL CIRCUIT NUMBER IDENTIFICATION AND LOCATION (CONT.)			
CIRCUIT NUMBER AND IDENTIFICATIONS (CONT.)							
CIRCUIT NUMBER	COLOR	DESCRIPTION					
58	BN	CLEARANCE/IDENTIFICATION LIGHTS					
59	GY	SOLENOID					
60	OR	HAZARD LIGHTS					
61	GY	AIR SUSPENSION					
62	DKBL	PANEL LIGHTS					
63	DKBL	COURTESY/DOME LIGHTS					
64	YL	FOG/DRIVING LIGHTS					
65	OR	CAB REAR FLOOD LIGHT					
66	YL	DAYTIME RUNNING LIGHTS					
67							
68	BN	TAIL LIGHTS					
69	BN	LICENSE PLATE LIGHT					
70	OR RD	STOP LIGHTS STOP LIGHTS (BODY BUILDER CONNECTION)					
71	OR LTBL	BACK - UP LIGHTS BACK - UP LIGHTS (BODY BUILDER CONNECTION)					
72	OR	TRAILER AUXILIARY FEED - BATTERY					
73	LTGN	PWM					
74	LTGN	HEATER RECIRC MOTOR					
75	LTGN	HEATER BLOWER MOTOR					
76	LTGN	AUXILIARY FAN					
77	LTGN	AIR CONDITIONER					
78	LTGN	MIRRORS - HEATED; MOTORIZED					
79	GY	SEAT BELTS					
80	BK	SLEEPER BOX RELAY - FEED					
81	LTGN	POWER DOOR LOCKS					
CHK	DATE	CHANGE	REV	REFERENCE	DRAWN	NAME	
PEC	16JAN01	PRODUCTION RELEASE.	A	P54304U	U00DLCK	42/43/44/85/8600 & 73/74/7500 CIRC DIAGRAMS	
					RELEASE NO.	DATE	
					P52778H	15MAY00	
						PART NO.	
						AE08-52365	
						SHEET	
						04	

Figure 4 Circuit Number Identification and Location Chart (Cont.)

2.5. CIRCUIT NUMBER IDENTIFICATION AND LOCATION CHART, P. 5

INTERNATIONAL TRUCK AND ENGINE CORPORATION				ELECTRICAL CIRCUIT DIAGRAM				CHAPTER 1	
THIS PRINT IS PROVIDED ON A RESTRICTED BASIS AND IS NOT TO BE USED IN ANY WAY DETRIMENTAL TO THE INTEREST OF THE INTERNATIONAL TRUCK AND ENGINE CORPORATION.				INTERNATIONAL CIRCUIT NUMBER IDENTIFICATION AND LOCATION (CONT.)					
CIRCUIT NUMBER AND IDENTIFICATIONS (CONT.)									
CIRCUIT NUMBER	COLOR	DESCRIPTION							
82	GY	WINDSHIELD WIPER							
83	LTGN	POWER WINDOWS							
84	LTGN	CIGAR LIGHTER							
85	GY	HORN							
86	LTGN	RADIO - ENTERTAINMENT/CLOCK							
87	GY	WINDSHIELD WASHER							
88	LTGN	CLOCK/HOURMETER							
89	VT	AIR BAG							
90	GY	HYDRAULIC BRAKE PUMP							
91	VT	INTERCOMMUNICATIONS							
92	TN	TRANSMISSION CONTROLS - ELECTRONIC							
93	TN	AXLE SHIFT CONTROL							
94	GY	ANTILOCK BRAKE SYSTEM							
95	TN	EXHAUST EMISSION							
96	YL	SNOW PLOW LIGHTS/CRUISE CONTROL							
97	VT	ENGINE CONTROLS - ELECTRONIC							
98	BK	DATALINK AND DIAGNOSTICS							
99	VT	ACCELERATOR POSITION SENSOR (APS)							
100	GY	AIR HORN (ELECTRIC SOLENOID ACTUATED)							
101	TN	BRAKE APPLICATION AIR							
102	YL	FLASH TO PASS							
103	LTGN	BODY BUILDER AUX. FEED							
104	DKBL	REMOTE START/STOP							
105	LTGN	HEATED SEATS							
CHK	DATE	CHANGE	REV	REFERENCE	DRAWN	NAME			
JKP	30MAY03	ADDED 103, 104, 105 & COLOR TO 100, 101, 102.	C	58205F	U00DLCK	42/43/44/85/8600 & 73/74/7500 CIRC DIAGRAMS			
					RELEASE NO.	DATE	PART NO.	SHEET	
					P52778H	15MAY00	AE08-52365	05	

Figure 5 Circuit Number Identification and Location Chart (Cont.)

2.6. NAVPAK/ECM I6 ENGINE CONTROLLER CONNECTOR PIN NUMBER IDENTIFICATION, P. 6

INTERNATIONAL TRUSK AND ENGINE CORPORATION				ELECTRICAL CIRCUIT DIAGRAM	
THIS PRINT IS PROVIDED ON A RESTRICTED BASIS AND IS NOT TO BE USED IN ANY WAY DETRIMENTAL TO THE INTEREST OF INTERNATIONAL TRUSK AND ENGINE CORPORATION.				CHAPTER 1	
				INTERNATIONAL NAVPAK/ECM I6 ENGINE CONTROLLER CONNECTOR PIN NUMBER IDENTIFICATION	
ECM PIN #	TERM	DESCRIPTION	ECM PIN #	TERM	DESCRIPTION
12	AAT	AMBIENT AIR TEMP. SENSOR	27	IVS	IDLE VALIDATION SWITCH
33	ACD	A/C DEMAND	54	OWL	OIL/WATER WARNING LIGHT
8	APS	ACCELERATOR POS. SENSOR	25	PWR RLY	CEC MAIN POWER RELAY SIGNAL
16	ATA(+)	J1708 DATALINK (+)	31	RAS	RESUME/ACCELERATE
17	ATA(-)	J1708 DATALINK (-)	37	RPRF	PRESET SPEED
29	BAP	BAROMETRIC AIR PRESS. SENSOR	30	RPS	REMOTE ACCELERATOR POS. SENS. SIG.
43	BN01	BRAKE STATUS #1	6	RPS_RTN	REMOTE ACCELERATOR POS. SENS RTN.
44	BN02	BRAKE STATUS #2	36	RVAR	VARIABLE SPEED SWITCH
18	CAN SHLD	DRIVETRAIN J1939 DATALINK SHLD	32	SCS	SET/COAST
19	CAN(+)	DRIVETRAIN J1939 DATALINK (+)	45	SIL	SERVICE INTERVAL LIGHT
20	CAN(-)	DRIVETRAIN J1939 DATALINK (-)	34	STI	SELF TEST INPUT
15	CBE_SEL1	RETARDER/EXHAUST BRAKE REQUEST	48	SUL	SHIFT UP LIGHT
10	CLS	COOLANT LEVEL SENSOR	59	TACA	TACHOMETER A
35	COD	CRUISE ON/OFF	60	TACB	TACHOMETER B
21	DC (+)	POWER	38	TCSS	TORQUE CURVE SELECTION INPUT
22	DC (+)	POWER	28	TSA	TWO SPEED AXLE
1	DC (-)	GROUND	3	VBREF(5V)	ACCELERATOR SENSOR SUPPLY
2	DC (-)	GROUND	11	VBREF GND	ACCELERATOR SENSOR GROUND
26	DDS	DRIVELINE DISENGAGED INPUT	5	VCREF(5V)	REMOTE ACCELERATOR SENS. SUPPLY
42	DPS	GROUND	7	VCREF GND	REMOTE ACCELERATOR SENSOR GND
46	ECl	ENGINE CRANK INHIBIT	24	VIGN	IGNITION FEED
56	EDL	TRANSMISSION KICKDOWN	47	VRE	RETARDER/EXHAUST BRAKE ENABLE
53	GPL	GLOW PLUG LIGHT	39	VSS(+)	VEHICLE SPEED SENSOR (+)
4	HGE	HYD. PRESS GOVERNOR ENABLE	40	VSS(-)	VEHICLE SPEED SENSOR (-)
49	HMI	HYDRAULIC PRESS GOVERNOR IND. LT	58	VSSCALA	SPEEDOMETER SIGNAL A
13	HPS	HYDRAULIC PRESSURE SENSOR	57	VSSCALB	SPEEDOMETER SIGNAL B
41	HSO (+)	POWER	55	WARN	ENGINE WARNING LIGHT
23	HSO (-)	GROUND			

CHK	DATE	CHANGE	REV	REFERENCE	DRAWN	NAME
CNA	12SEP03	ADDED PIN # CHART.	C	58774T	U00JXP9	42/43/44/85/8600 & 73/74/7500 CIRC DIAGRAMS
					RELEASE NO.	DATE PART NO. SHEET
					P52778H	09AUG00 AE08-52365 06

Figure 6 NAVPAK/ECM I6 Engine Controller Connector Pin Number Identification

2.7. CIRCUIT DIAGRAM INSTRUCTIONS, P. 7

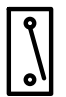
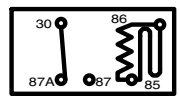
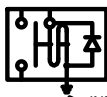

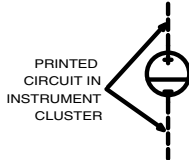
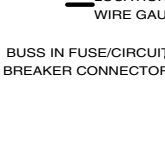
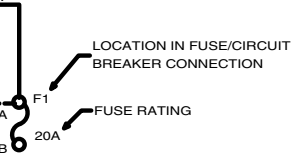
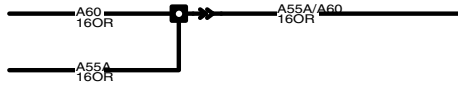
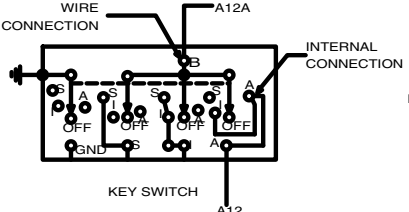
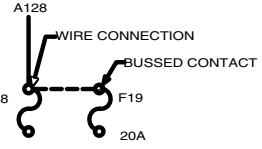
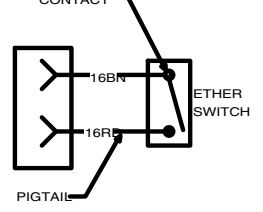
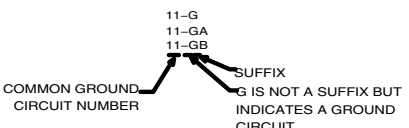
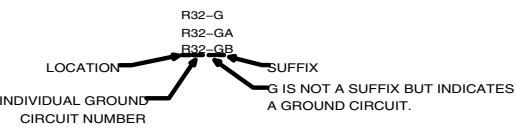
<p>INTERNATIONAL TRUCK AND ENGINE CORPORATION</p> <p>THIS PRINT IS PROVIDED ON A RESTRICTED BASIS AND IS NOT TO BE USED IN ANY WAY DETRIMENTAL TO THE INTEREST OF INTERNATIONAL TRUCK AND ENGINE CORPORATION.</p>	<p>ELECTRICAL CIRCUIT DIAGRAM CHAPTER 1</p> <p>CIRCUIT DIAGRAM INSTRUCTIONS</p>																																																								
<p>A – SWITCH AND RELAY POSITIONS AS SHOWN ON CIRCUIT DIAGRAMS INDICATE NORMAL POSITION WITH IGNITION OFF UNLESS OTHERWISE NOTED.</p> <div style="display: flex; justify-content: space-around; align-items: flex-start;"> <div style="text-align: center;">  <p>SWITCH: MANUAL/MECHANICAL</p> </div> <div style="text-align: center;">  <p>RELAY – SUPPRESSED</p> </div> <div style="text-align: center;">  <p>SWITCH MAGNETIC GROUND SUPPRESSED</p> </div> </div>	<p>B – MULTIPLE CONNECTIONS ARE DISPLAYED ON SCHEMATIC AS SHOWN. REFER TO CONNECTOR COMPOSITE WITH APPLICABLE NUMBER FOR MORE COMPLETE INFORMATION.</p> <div style="text-align: center;">  <p>12 AND/OR 12</p> </div> <p>SINGLE IN-LINE CONNECTORS DISPLAYED AS SHOWN WITH OR WITHOUT CONNECTOR NUMBER.</p>																																																								
<p>C – PHANTOM LINES INDICATE PRINTED CIRCUITS OR BUSSED CIRCUITS. THESE CIRCUITS EXIST IN THE INSTRUMENT CLUSTERS AND FUSE/CIRCUIT BREAKER CONNECTORS.</p> <div style="display: flex; justify-content: space-around;"> <div style="text-align: center;">  <p>PRINTED CIRCUIT IN INSTRUMENT CLUSTER</p> </div> <div style="text-align: center;">  <p>BUS IN FUSE/CIRCUIT BREAKER CONNECTOR</p> </div> <div style="text-align: center;">  <p>LOCATION IN FUSE/CIRCUIT BREAKER CONNECTION</p> </div> </div>	<p>LOCATION/CIRCUIT NUMBER</p> <p>WIRE GAUGE/WIRE COLOR</p> <p>FUSE RATING</p> <p>20A</p>																																																								
<p>D – MULTIPLE CIRCUIT NUMBERS ON A LINE INDICATE ONE WIRE DISTRIBUTING CURRENT TO TWO CIRCUITS.</p> <div style="text-align: center;">  </div>																																																									
<p>E – SWITCHES, RELAYS AND COMPONENTS INDICATE EXTERNAL WIRE CONNECTIONS AND/OR INTERNAL CONNECTIONS OR CONTACTS.</p> <div style="display: flex; justify-content: space-around;"> <div style="text-align: center;">  <p>INTERNAL CONNECTION</p> </div> <div style="text-align: center;">  <p>BUSSED CONTACT</p> </div> <div style="text-align: center;">  <p>ETHER SWITCH</p> </div> </div>																																																									
<p>F – CIRCUIT "11" DENOTES ANY COMMON GROUND, (MORE THAN ONE CIRCUIT). ANY INDIVIDUAL GROUND CIRCUIT IS IDENTIFIED WITH THAT PARTICULAR CIRCUIT NUMBER. (E.G CIRCUIT 97 CRUISE CONTROL, IS IDENTIFIED PER EXAMPLE).</p> <p>NOTE: FOR CIRCUIT DESCRIPTION OTHER THAN GROUNDS, NEITHER THE LETTER "G" NOR THE COLOR WHITE SHALL BE USED.</p> <p style="text-align: center;">GROUND CIRCUITS ARE DESCRIBED THIS:</p> <div style="display: flex; justify-content: space-around;"> <div style="text-align: center;">  <p>COMMON GROUND CIRCUIT NUMBER</p> <p>SUFFIX G IS NOT A SUFFIX BUT INDICATES A GROUND CIRCUIT.</p> </div> <div style="text-align: center;">  <p>INDIVIDUAL GROUND CIRCUIT NUMBER</p> <p>SUFFIX G IS NOT A SUFFIX BUT INDICATES A GROUND CIRCUIT.</p> </div> </div>																																																									
<table border="1" style="width: 100%; border-collapse: collapse; font-size: small;"> <tr> <th>CHK</th> <th>DATE</th> <th>CHANGE</th> <th>REV</th> <th>REFERENCE</th> <th>DRAWN</th> <th>NAME</th> </tr> <tr> <td>PEC</td> <td>16JAN01</td> <td>PRODUCTION RELEASE.</td> <td>A</td> <td>P54304U</td> <td>U00DLCK</td> <td>42/43/44/85/8600 & 73/74/7500 CIRC DIAGRAMS</td> </tr> <tr> <td></td> <td></td> <td></td> <td></td> <td></td> <td>RELEASE NO.</td> <td>DATE</td> </tr> <tr> <td></td> <td></td> <td></td> <td></td> <td></td> <td>P52778H</td> <td>15MAY00</td> </tr> <tr> <td></td> <td></td> <td></td> <td></td> <td></td> <td></td> <td>PART NO.</td> </tr> <tr> <td></td> <td></td> <td></td> <td></td> <td></td> <td></td> <td>AE08-52365</td> </tr> <tr> <td></td> <td></td> <td></td> <td></td> <td></td> <td></td> <td>SHEET</td> </tr> <tr> <td></td> <td></td> <td></td> <td></td> <td></td> <td></td> <td>07</td> </tr> </table>		CHK	DATE	CHANGE	REV	REFERENCE	DRAWN	NAME	PEC	16JAN01	PRODUCTION RELEASE.	A	P54304U	U00DLCK	42/43/44/85/8600 & 73/74/7500 CIRC DIAGRAMS						RELEASE NO.	DATE						P52778H	15MAY00							PART NO.							AE08-52365							SHEET							07
CHK	DATE	CHANGE	REV	REFERENCE	DRAWN	NAME																																																			
PEC	16JAN01	PRODUCTION RELEASE.	A	P54304U	U00DLCK	42/43/44/85/8600 & 73/74/7500 CIRC DIAGRAMS																																																			
					RELEASE NO.	DATE																																																			
					P52778H	15MAY00																																																			
						PART NO.																																																			
						AE08-52365																																																			
						SHEET																																																			
						07																																																			



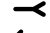

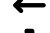

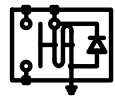








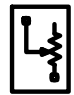



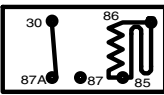



Figure 7 Circuit Diagram Instructions

2.8. CIRCUIT DIAGRAM INSTRUCTIONS, P. 8

<p>INTERNATIONAL TRUCK AND ENGINE CORPORATION</p> <p>THIS PRINT IS PROVIDED ON A RESTRICTED BASIS AND IS NOT TO BE USED IN ANY WAY DETRIMENTAL TO THE INTEREST OF INTERNATIONAL TRUCK AND ENGINE CORPORATION.</p>	<p>ELECTRICAL CIRCUIT DIAGRAM CHAPTER 1</p> <p>CIRCUIT DIAGRAM INSTRUCTIONS</p>																																
<p>G - ABBREVIATIONS: COLOR, NOUN AND ENGINE</p> <table style="width: 100%; border: none;"> <tr> <td style="width: 33%; vertical-align: top;"> <p>COLOR ABBREVIATION</p> <p>AQ - AQUA BK - BLACK BL - BLUE BN - BROWN DK GN - DARK GREEN GD - GOLD GY - GRAY GN - GREEN LT BL - LIGHT BLUE</p> </td> <td style="width: 33%; vertical-align: top;"> <p>LT GN - LIGHT GREEN OR - ORANGE PK - PINK PL - PURPLE RD - RED SIL - SILVER TN - TAN VT - VIOLET WH - WHITE YL - YELLOW</p> </td> <td style="width: 33%; vertical-align: top;"> <p>NOUN ABBREVIATION</p> <p>A ACCESSORY ACC ACCESSORY AC - AIR CONDITIONER AUX - AUXILIARY AWG - AMERICAN WIRE GAUGE B BATTERY BAT BATTERY CONN- CONNECTION OR CONNECTOR DRL - DAYTIME RUNNING LIGHTS ENG - ENGINE FWD - FORWARD GA - GAUGE</p> </td> </tr> <tr> <td style="width: 33%; vertical-align: top;"> <p>ENGINE ABBREVIATION</p> <p>ISM - MFG (CUMMINS) 10.8 LITER ELECTRONIC ENGINE CONTROL</p> <p>N14E PLUS - MFG (CUMMINS) 14 LITER ELECTRONIC ENGINE CONTROL</p> <p>C-10,C-12 - MFG (CATERPILLAR) 10.3 LITER ELECTRONIC ENGINE CONTROL</p> <p>V8-AVNT - MFG (INTERNATIONAL) V8 6.0 LITER ELECTRONIC ENGINE CONTROL</p> <p>I6-HEUI - MFG (INTERNATIONAL) NGD I6 DT466 & DT/HT530 ELECTRONIC ENGINE CONTROL</p> </td> <td style="width: 33%; vertical-align: top;"> <p>G GROUND GND GROUND I IGNITION IGN IGNITION IND - INDICATOR L - LEFT LT - LIGHT W/O - WITHOUT OPT - OPTIONAL R - RIGHT S - START OR SENDER THERMO - THERMOSTAT W/ - WITH</p> </td> <td></td> </tr> </table>		<p>COLOR ABBREVIATION</p> <p>AQ - AQUA BK - BLACK BL - BLUE BN - BROWN DK GN - DARK GREEN GD - GOLD GY - GRAY GN - GREEN LT BL - LIGHT BLUE</p>	<p>LT GN - LIGHT GREEN OR - ORANGE PK - PINK PL - PURPLE RD - RED SIL - SILVER TN - TAN VT - VIOLET WH - WHITE YL - YELLOW</p>	<p>NOUN ABBREVIATION</p> <p>A ACCESSORY ACC ACCESSORY AC - AIR CONDITIONER AUX - AUXILIARY AWG - AMERICAN WIRE GAUGE B BATTERY BAT BATTERY CONN- CONNECTION OR CONNECTOR DRL - DAYTIME RUNNING LIGHTS ENG - ENGINE FWD - FORWARD GA - GAUGE</p>	<p>ENGINE ABBREVIATION</p> <p>ISM - MFG (CUMMINS) 10.8 LITER ELECTRONIC ENGINE CONTROL</p> <p>N14E PLUS - MFG (CUMMINS) 14 LITER ELECTRONIC ENGINE CONTROL</p> <p>C-10,C-12 - MFG (CATERPILLAR) 10.3 LITER ELECTRONIC ENGINE CONTROL</p> <p>V8-AVNT - MFG (INTERNATIONAL) V8 6.0 LITER ELECTRONIC ENGINE CONTROL</p> <p>I6-HEUI - MFG (INTERNATIONAL) NGD I6 DT466 & DT/HT530 ELECTRONIC ENGINE CONTROL</p>	<p>G GROUND GND GROUND I IGNITION IGN IGNITION IND - INDICATOR L - LEFT LT - LIGHT W/O - WITHOUT OPT - OPTIONAL R - RIGHT S - START OR SENDER THERMO - THERMOSTAT W/ - WITH</p>																											
<p>COLOR ABBREVIATION</p> <p>AQ - AQUA BK - BLACK BL - BLUE BN - BROWN DK GN - DARK GREEN GD - GOLD GY - GRAY GN - GREEN LT BL - LIGHT BLUE</p>	<p>LT GN - LIGHT GREEN OR - ORANGE PK - PINK PL - PURPLE RD - RED SIL - SILVER TN - TAN VT - VIOLET WH - WHITE YL - YELLOW</p>	<p>NOUN ABBREVIATION</p> <p>A ACCESSORY ACC ACCESSORY AC - AIR CONDITIONER AUX - AUXILIARY AWG - AMERICAN WIRE GAUGE B BATTERY BAT BATTERY CONN- CONNECTION OR CONNECTOR DRL - DAYTIME RUNNING LIGHTS ENG - ENGINE FWD - FORWARD GA - GAUGE</p>																															
<p>ENGINE ABBREVIATION</p> <p>ISM - MFG (CUMMINS) 10.8 LITER ELECTRONIC ENGINE CONTROL</p> <p>N14E PLUS - MFG (CUMMINS) 14 LITER ELECTRONIC ENGINE CONTROL</p> <p>C-10,C-12 - MFG (CATERPILLAR) 10.3 LITER ELECTRONIC ENGINE CONTROL</p> <p>V8-AVNT - MFG (INTERNATIONAL) V8 6.0 LITER ELECTRONIC ENGINE CONTROL</p> <p>I6-HEUI - MFG (INTERNATIONAL) NGD I6 DT466 & DT/HT530 ELECTRONIC ENGINE CONTROL</p>	<p>G GROUND GND GROUND I IGNITION IGN IGNITION IND - INDICATOR L - LEFT LT - LIGHT W/O - WITHOUT OPT - OPTIONAL R - RIGHT S - START OR SENDER THERMO - THERMOSTAT W/ - WITH</p>																																
<table border="1" style="width: 100%; border-collapse: collapse; font-size: small;"> <tr> <th style="width: 5%;">CHK</th> <th style="width: 10%;">DATE</th> <th style="width: 20%;">CHANGE</th> <th style="width: 5%;">REV</th> <th style="width: 10%;">REFERENCE</th> <th style="width: 15%;">DRAWN</th> <th style="width: 45%;">NAME</th> </tr> <tr> <td>PEC</td> <td>16JAN01</td> <td>PRODUCTION RELEASE.</td> <td>A</td> <td>P54304U</td> <td>U00JXP9</td> <td>42/43/44/85/8600 & 73/74/7500 CIRC DIAGRAMS</td> </tr> <tr> <td></td> <td></td> <td></td> <td></td> <td></td> <td>RELEASE NO.</td> <td>DATE</td> <td>PART NO.</td> <td>SHEET</td> </tr> <tr> <td></td> <td></td> <td></td> <td></td> <td></td> <td>P52778H</td> <td>10AUG00</td> <td>AE08-52365</td> <td>08</td> </tr> </table>		CHK	DATE	CHANGE	REV	REFERENCE	DRAWN	NAME	PEC	16JAN01	PRODUCTION RELEASE.	A	P54304U	U00JXP9	42/43/44/85/8600 & 73/74/7500 CIRC DIAGRAMS						RELEASE NO.	DATE	PART NO.	SHEET						P52778H	10AUG00	AE08-52365	08
CHK	DATE	CHANGE	REV	REFERENCE	DRAWN	NAME																											
PEC	16JAN01	PRODUCTION RELEASE.	A	P54304U	U00JXP9	42/43/44/85/8600 & 73/74/7500 CIRC DIAGRAMS																											
					RELEASE NO.	DATE	PART NO.	SHEET																									
					P52778H	10AUG00	AE08-52365	08																									

Figure 8 Circuit Diagram Instructions (Cont.)

2.9. SCHEMATIC SYMBOL CHART, P. 9

INTERNATIONAL TRUCK AND ENGINE CORPORATION					ELECTRICAL CIRCUIT DIAGRAM		
THIS PRINT IS PROVIDED ON A RESTRICTED BASIS AND IS NOT TO BE USED IN ANY WAY DETRIMENTAL TO THE INTEREST OF INTERNATIONAL TRUCK AND ENGINE CORPORATION.					CHAPTER 1		
SCHEMATIC SYMBOL CHART					SCHEMATIC SYMBOL CHART		
SYMBOL	DESCRIPTION				DESCRIPTION	SYMBOL	
	MALE/FEMALE IN-LINE CONNECTION				HORN		
	FEMALE TERMINAL				SPEAKER - SOUND SYSTEM		
	MALE TERMINAL						
	GROUND				MAGNETIC SWITCH		
	FUSE						
	LIGHT EMITTING DIODE				LIGHT - SINGLE FILAMENT		
	RESISTOR						
	SWITCH CONTACT, NORMALLY OPEN				LIGHT - DOUBLE FILAMENT		
	SWITCH CONTACT, NORMALLY CLOSED						
	JUNCTION POINT				SENDER - OIL, WATER, FUEL, TEMPERATURE		
	SPLICE						
	SWITCH-PRESSURE						
	SWITCH-MANUAL/MECHANICAL						
	RELAY-SUPPRESSED						
	SOLENOID - GENERAL USAGE						
	MOTOR - ELECTRIC						
	CIGAR LIGHTER						

CHK	DATE	CHANGE	REV	REFERENCE	DRAWN	NAME
PEC	16JAN01	PRODUCTION RELEASE.	A	P54304U	U00DLCK	42/43/44/85/8600 & 73/74/7500 CIRC DIAGRAMS
					RELEASE NO.	DATE
					P52778H	19MAY00
						PART NO.
						AE08-52365
						SHEET
						09

Figure 9 Schematic Symbol Chart

2.10. RELAY FUNCTIONS, P. 10

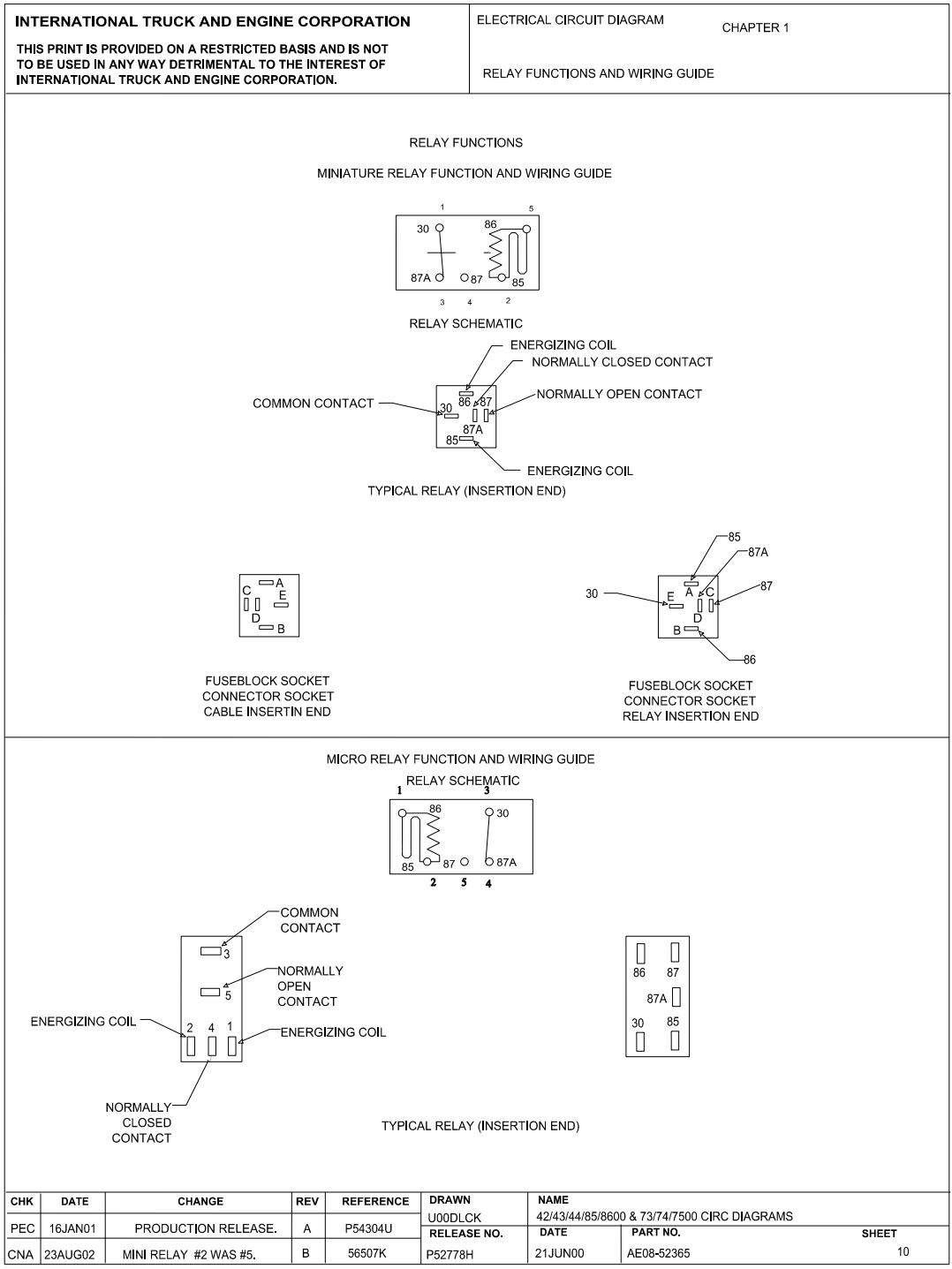


Figure 10 Relay Functions

2.11. LAMP BULB CHART, P. 11

INTERNATIONAL TRUCK AND ENGINE CORPORATION				ELECTRICAL CIRCUIT DIAGRAM CHAPTER 1			
THIS PRINT IS PROVIDED ON A RESTRICTED BASIS AND IS NOT TO BE USED IN ANY WAY DETRIMENTAL TO THE INTEREST OF INTERNATIONAL TRUCK AND ENGINE CORPORATION.				LAMP BULB CHART			
BULB APPLICATION		CANDLEPOWER OR WATTS		BULB TRADE NUMBER			
BACK-UP LIGHTS		32 CANDLEPOWER		GE1156			
CLEARANCE & IDENTIFICATION		3 CANDLEPOWER		GE193			
COURTESY LIGHT		3 CANDLEPOWER		GE168			
DOME LIGHTS		12 CANDLEPOWER		GE561			
FOG LIGHTS		55 CANDLEPOWER		VH550			
HEAD LIGHTS:							
LOW BEAMS		65 WATTS		GE9007			
HIGH BEAMS		65 WATTS		GE9007			
INSTRUMENT CLUSTER:							
GAUGE BACK LIGHT				082S270538-3			
GAUGE WARNING LED (RED)				082S272109-3			
RANGE INHIBIT LED (YELLOW)				082S272109-4			
COLD AMBIENT PROTECTION LED (YELLOW)				082S272109-4			
FUEL FILTER LED (YELLOW)				082S272109-4			
WARN ENGINE LED (YELLOW)				082S272109-4			
STOP ENGINE LED (RED)				082S272109-3			
BRAKE PRESSURE LED (RED)				082S272109-3			
BRAKE FLUID LED (RED)				082S272109-3			
WAIT TO START LED (YELLOW)				082S272109-4			
CHECK TRANSMISSION LED (YELLOW)				082S272109-4			
TRAILER ABS LED (YELLOW)				082S272109-4			
WASHER FLUID LED (YELLOW)				082S272109-4			
LEFT TURN SIGNAL LED (GREEN)				082S272109-2			
TRACTION CONTROL LED (GREEN)				082S272109-2			
WATER IN FUEL LED (YELLOW)				082S272109-4			
PARK FLUID LED LIGHT (RED)				082S272109-3			
CHECK ELECTRICAL SYSTEMS LED (YELLOW)				082S272109-4			
PARK BRAKE LED (RED)				082S272109-3			
CRUISE CTRL ACTIVE LED (GREEN)				082S272109-2			
ANTILOCK BRAKING SYSTEM LED (YELLOW)				082S272109-4			
RIGHT TURN LED (GREEN)				082S272109-2			
COOLANT LEVEL LED (RED)				082S272109-3			
SEAT BELT LED (RED)				082S272109-3			
HIGH BEAM ICON LED (BLUE)				082S272109-5			
CHECK AIR CONDITIONER LED (YELLOW)				082S272109-4			
RETARD OVER HEAT LED (RED)				082S272109-3			
PTO/THROTTLE LED (RED)				082S272109-3			
MAP LIGHT		3 CANDLEPOWER		1816			
SIDE MARKER				2458			
STOP & TURN/TAIL & LICENSE PLATE		32/3 CANDLEPOWER		1157			
TURN SIGNAL/MARKER (FENDER)				3157			
TURN SIGNAL & MARKER LIGHT				2356			
WORK (TRAILER HOOK-UP) LIGHT				4411			
CHK	DATE	CHANGE	REV	REFERENCE	DRAWN	NAME	
PEC	16JAN01	PRODUCTION RELEASE	A	P54304U	U00DLCK	42/43/44/85/8600 & 73/74/7500 CIRC DIAGRAMS	
					RELEASE NO.	DATE	PART NO.
PEC	18JUN01	REVISED DRWG SHEET.	B	P54634F	P52778H	20JUN00	AE08-52365
							SHEET
							11

Figure 11 Lamp Bulb Chart

2.12. INTERNATIONAL V8 AND I6 ECM CONTROLLER CONNECTORS PIN NUMBER IDENTIFICATION, P. 12

INTERNATIONAL TRUCK AND ENGINE CORPORATION <small>THIS PRINT IS PROVIDED ON A RESTRICTED BASIS AND IS NOT TO BE USED IN ANY WAY DETRIMENTAL TO THE INTEREST OF INTERNATIONAL TRUCK AND ENGINE CORPORATION.</small>				ELECTRICAL CIRCUIT DIAGRAM CHAPTER 1 INTERNATIONAL V8 & I6 ECM CONTROLLER CONN. PIN NUMBER IDENTIFICATION			
CONNECTOR X3 REFERENCE (6020)				CONNECTOR X4 REFERENCE (6021)			
ECM PIN#	TERM	DESCRIPTION		ECM PIN#	TERM	DESCRIPTION	
1	FPM	FUEL PUMP MONITOR		1	KL.87	BATTERY POWER	
2	FLI	FUEL LEVEL INDICATOR		2	KL.87	BATTERY POWER	
3	KL.15	IGNITION FEED		3		NOT POPULATED	
4	ECL	ENGINE COOLANT LEVEL		4	VBREF	SENSOR REFERENCE VOLTAGE	
5	MPR	MAIN POWER RELAY		5		NOT POPULATED	
6	KL.31	GROUND		6	LSI_SPARE2	LOW SPEED INPUT 2	
7	KL.31	GROUND		7		NOT POPULATED	
8	DDS	DRIVELINE DISENGAGE SWITCH		8		NOT POPULATED	
9	FPC	FUEL PUMP CONTROL		9	VSS-	VEHICLE SPEED SENSOR-	
10	TCSS	TORQUE CURVE SELECT SWITCH		10	VSS+	VEHICLE SPEED SENSOR+	
11	TACH	TACHOMETER CONTROL		11		NOT POPULATED	
12	CANI+	DRIVETRAIN J1939 DATALINK +		12	IVS	IDLE VALIDATION SWITCH	
13	CAV1-	DRIVETRAIN J1939 DATALINK -		13		NOT POPULATED	
14	RAS	RESUME/ACCELERATE		14	EFAN	ELECTRIC FAN CONTROL	
15	CANI-SHLD	DRIVETRAIN J1939 DATALINK SHLD		15	LSO_SPARE4	LOW SIDE OUTPUT 4	
16		NOT POPULATED		16		NOT POPULATED	
17	VSS-CAL	VEHICLE SPEED SENSOR CALIBRATION		17		NOT POPULATED	
18	VRE	VEHICLE RETARDER ENABLE		18	APS	ACCELERATION POSITION SENSOR	
19	RPRE	REMOTE PRESET PTO ENABLE		19		NOT POPULATED	
20	RVAR	REMOTE VARIABLE PTO ENABLE		20	ATA+	J1708 DATALINK +	
21	SCS	SET/COAST		21	ATA-	J1708 DATALINK -	
22	ESHTR	ELECTRONIC SHUTTER RELAY		22		NOT POPULATED	
23	ECI	ENGINE CRANK INHIBIT		23	GSC	GENSET SPEED CONTROL	
24	BAP	BAROMETRIC AIR PRESSURE		24	KL.318	SENSOR REFERENCE GROUND	

CHK	DATE	CHANGE	REV	REFERENCE	DRAWN	NAME
2	09SEP05	CONVERSION FROM SABER TO UG	C	59756E	UOODLCK	42/43/44/85/8800 & 73/74/7500 CIRC DIAGRAMS
					RELEASE NO.	DATE
					52778H	16JAN01
					PART NO.	SHEET
					AE08-52365	12

Figure 12 International V8 and I6 ECM Controller Connectors Pin Number Identification

12 VOLT POWER DISTRIBUTION CIRCUIT DIAGRAMS (CHAPTER 2)

3.1. ACCESSORY, P. 1

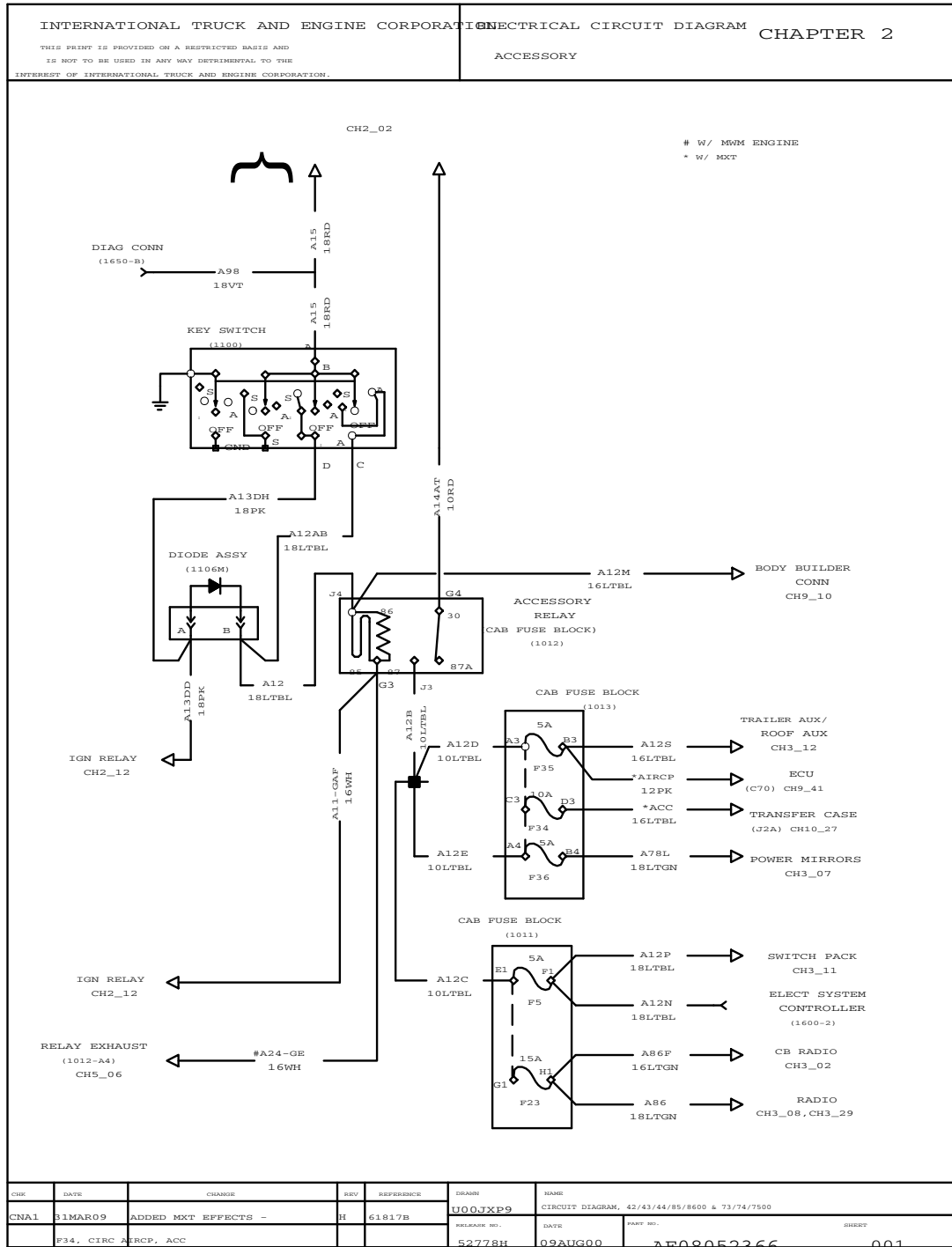


Figure 13 Accessory

3.2. BATTERY FEEDS, CAB, P. 2

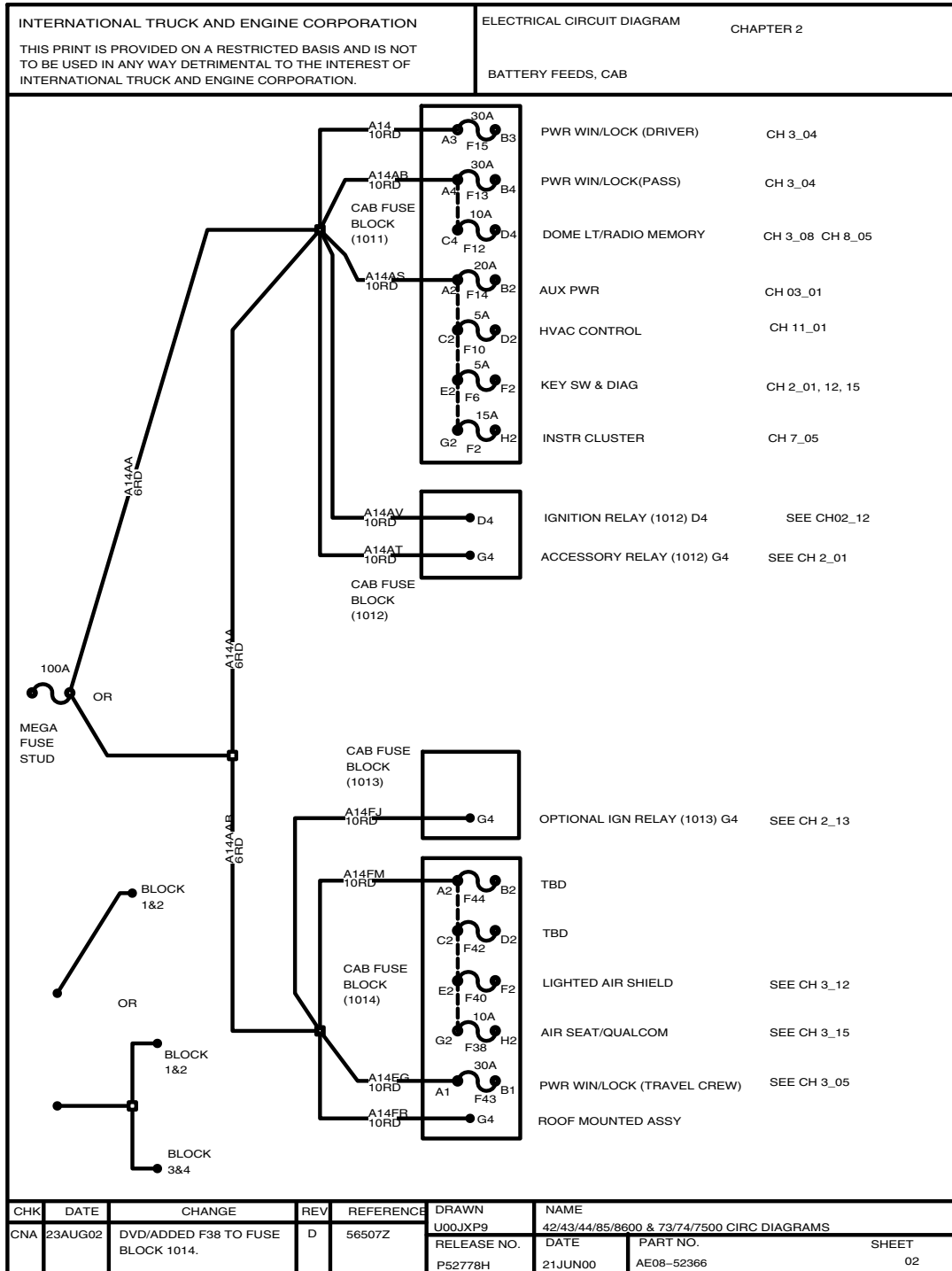


Figure 14 Battery Feeds, Cab

3.3. BATTERY, P. 3

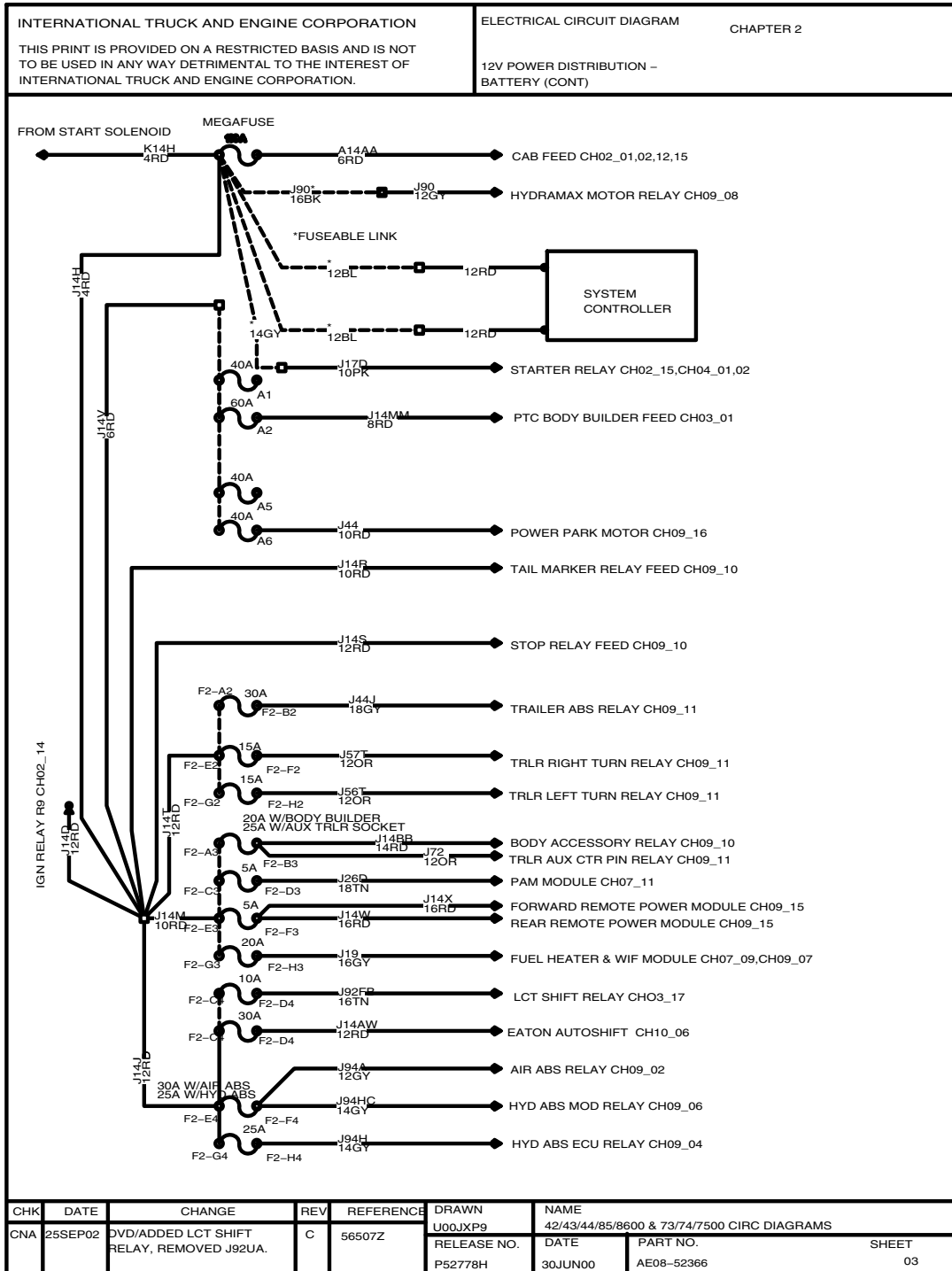


Figure 15 Battery

CHK	DATE	CHANGE	REV	REFERENCE	DRAWN	NAME		
CNA	25SEP02	DVD/ADDED LCT SHIFT RELAY, REMOVED J92UA.	C	56507Z	U00JXP9	42/43/44/85/8600 & 73/74/7500 CIRC DIAGRAMS		
					RELEASE NO.	DATE	PART NO.	SHEET
					P52778H	30JUN00	AE08-52366	03

3.4. 1708 DATA LINK CHASSIS, P. 4

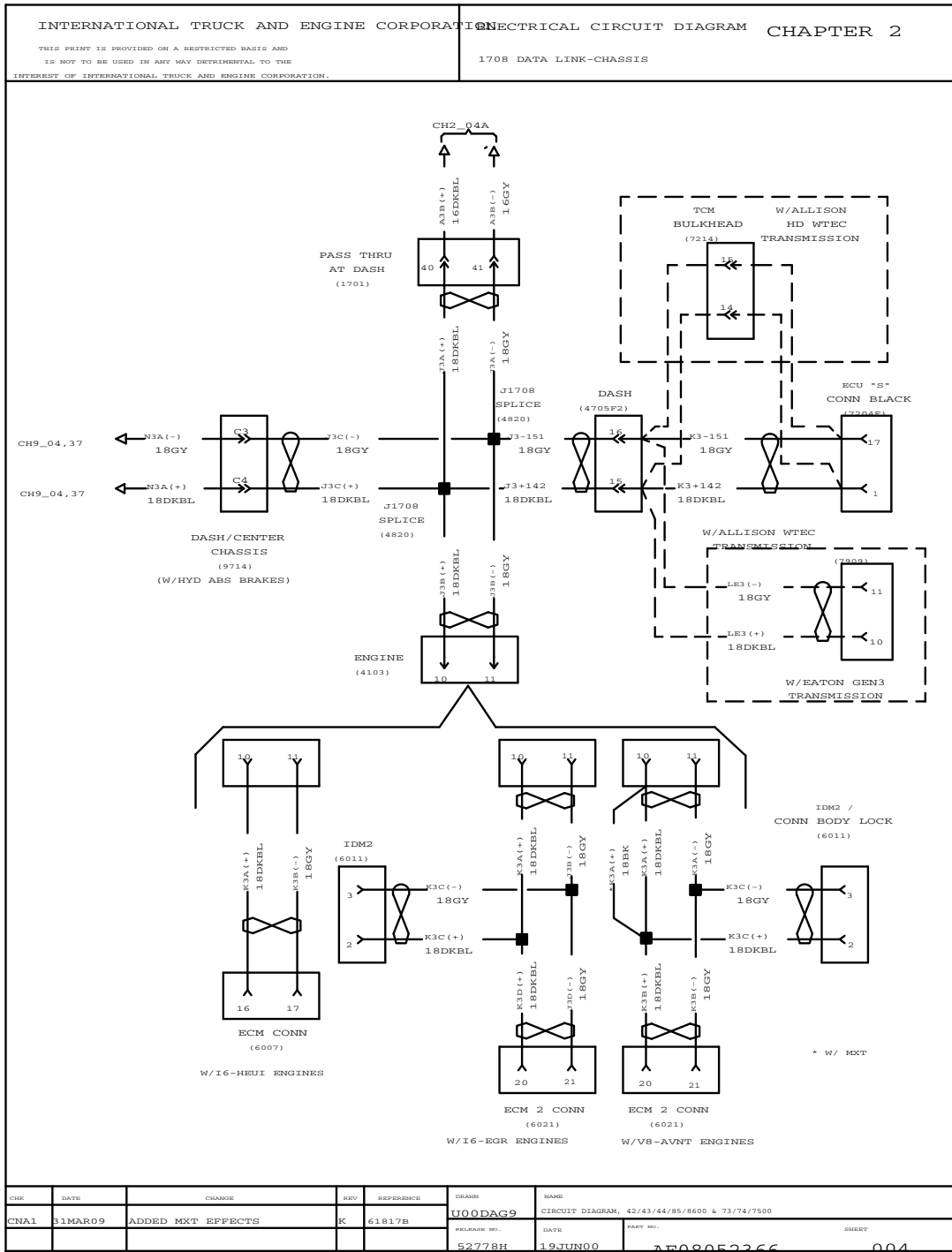


Figure 16 1708 Data Link Chassis

3.5. SWITCH DATA LINK, P. 5

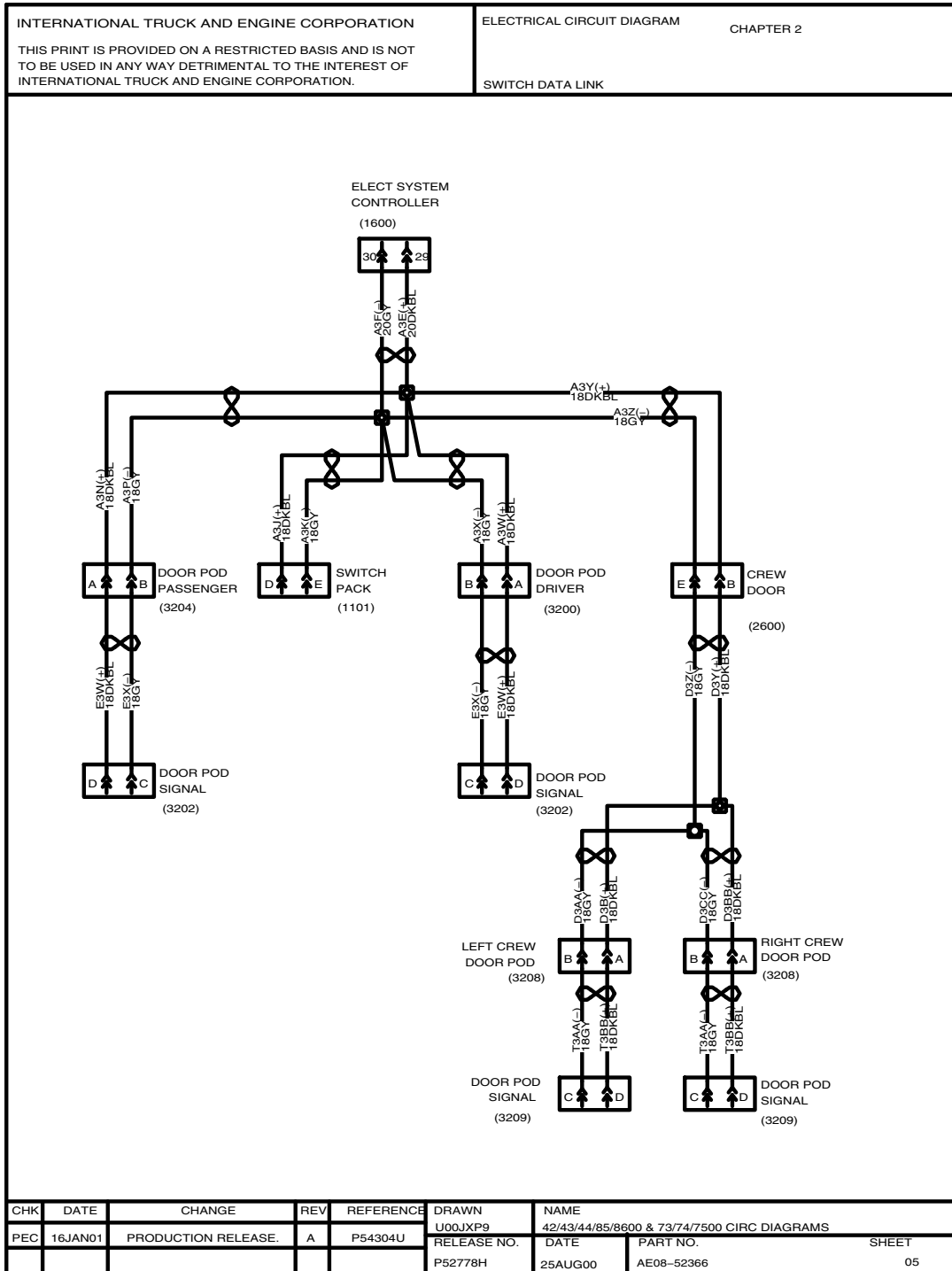


Figure 17 Switch Data Link

3.6. DRIVETRAIN 1939 DATA LINK (CAB), P. 6

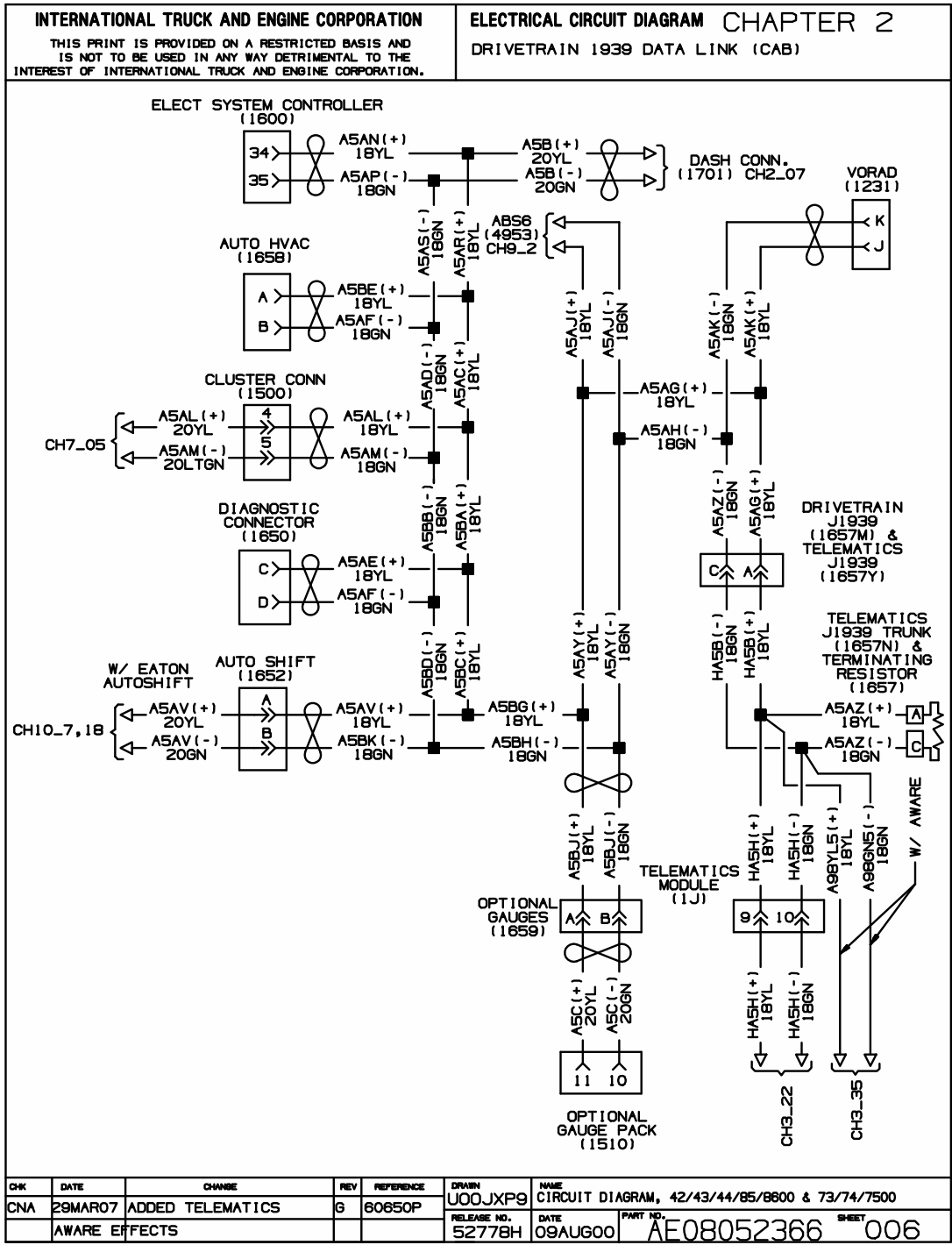


Figure 18 Drivetrain 1939 Data Link (Cab)

3.7. DRIVETRAIN 1939 DATA LINK (CHASSIS), P. 7

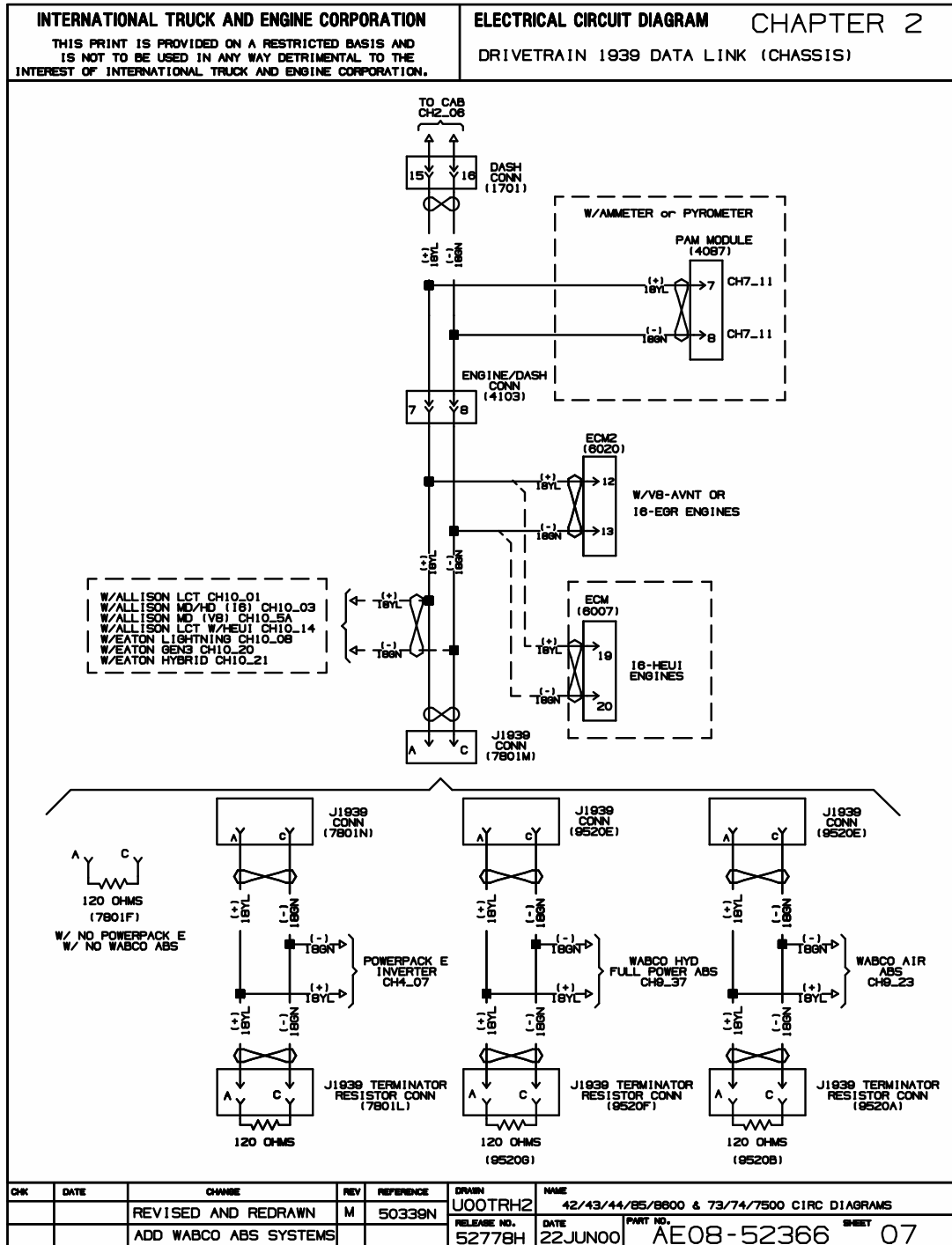


Figure 19 Drivetrain 1939 Data Link (Chassis)

3.8. GROUNDS CHASSIS, P. 8

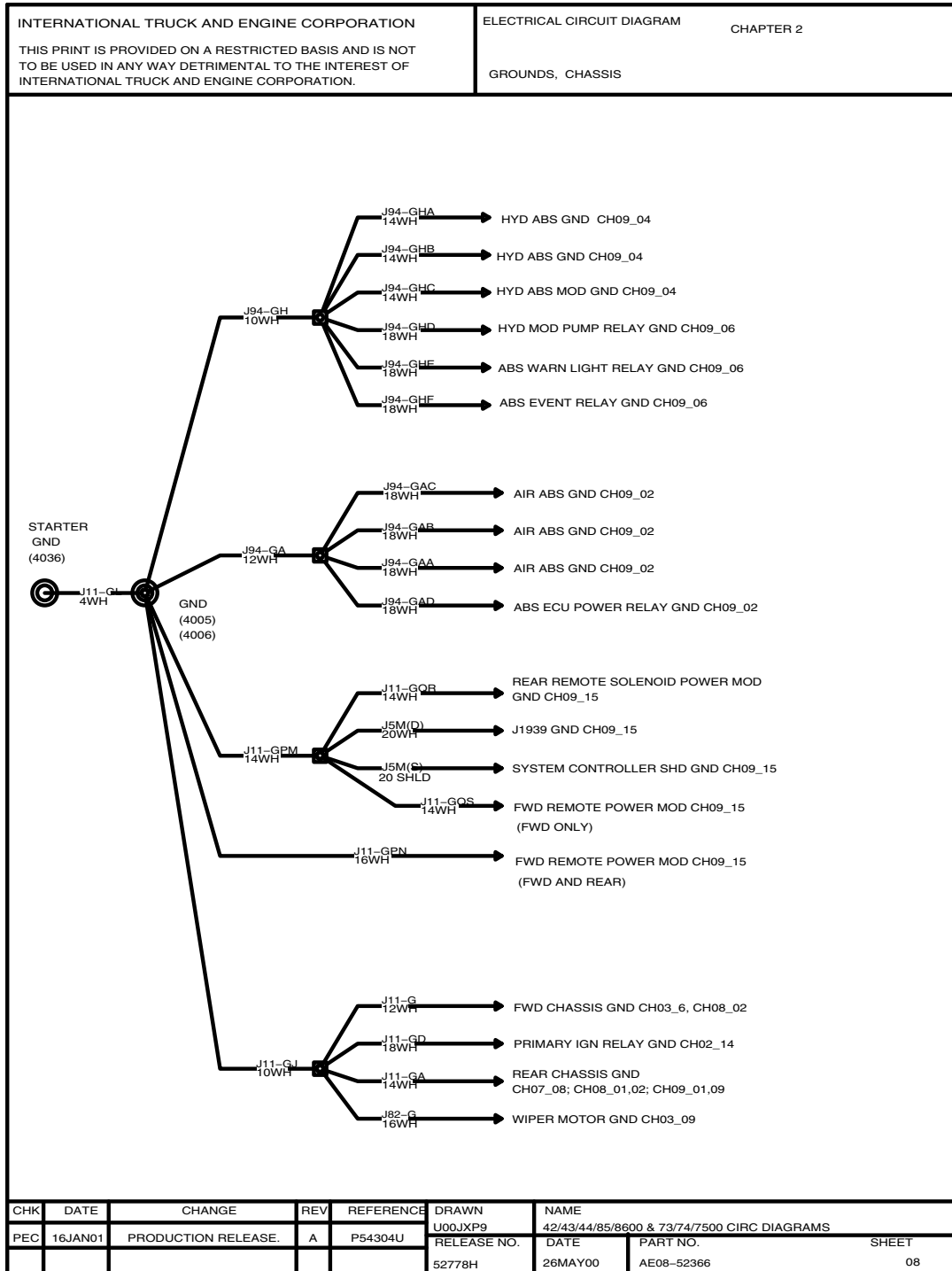


Figure 20 Grounds Chassis

3.9. GROUNDS CHASSIS, P. 9

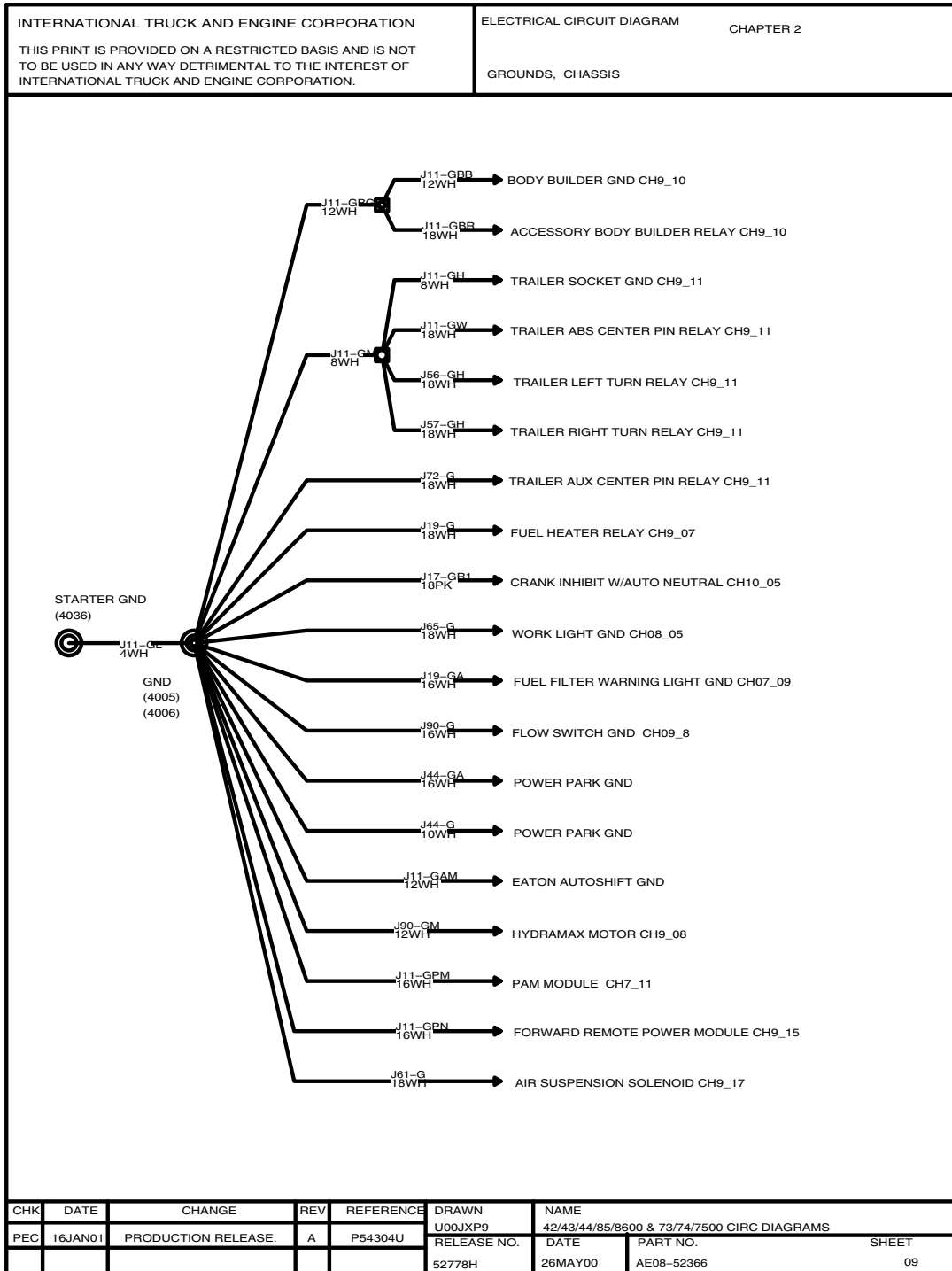


Figure 21 Grounds Chassis (Cont.)

3.10. GROUNDS IP, P. 10

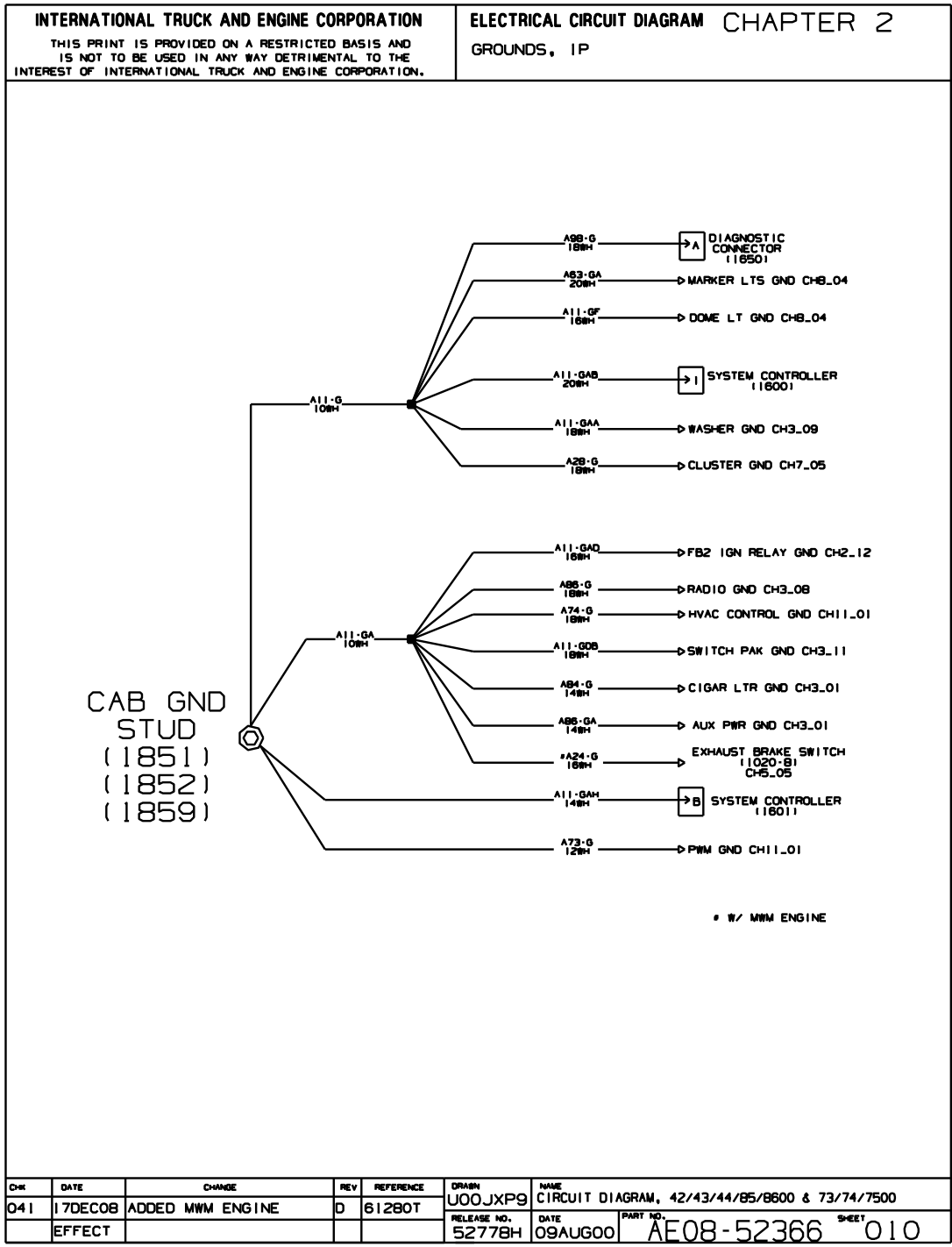


Figure 22 Grounds IP

3.11. GROUNDS IP, P. 11

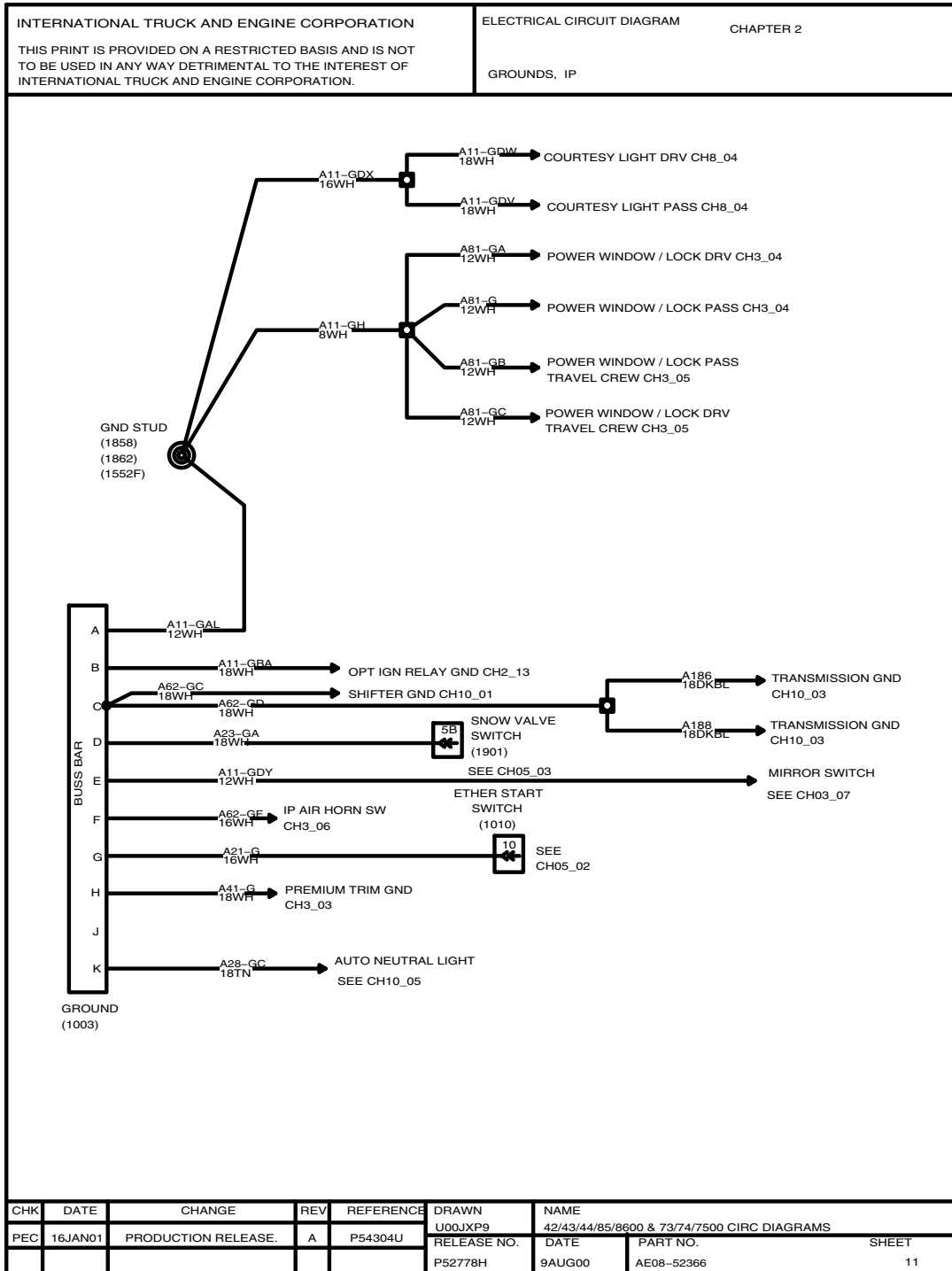


Figure 23 Grounds IP

3.12. IGNITION CAB, P. 12

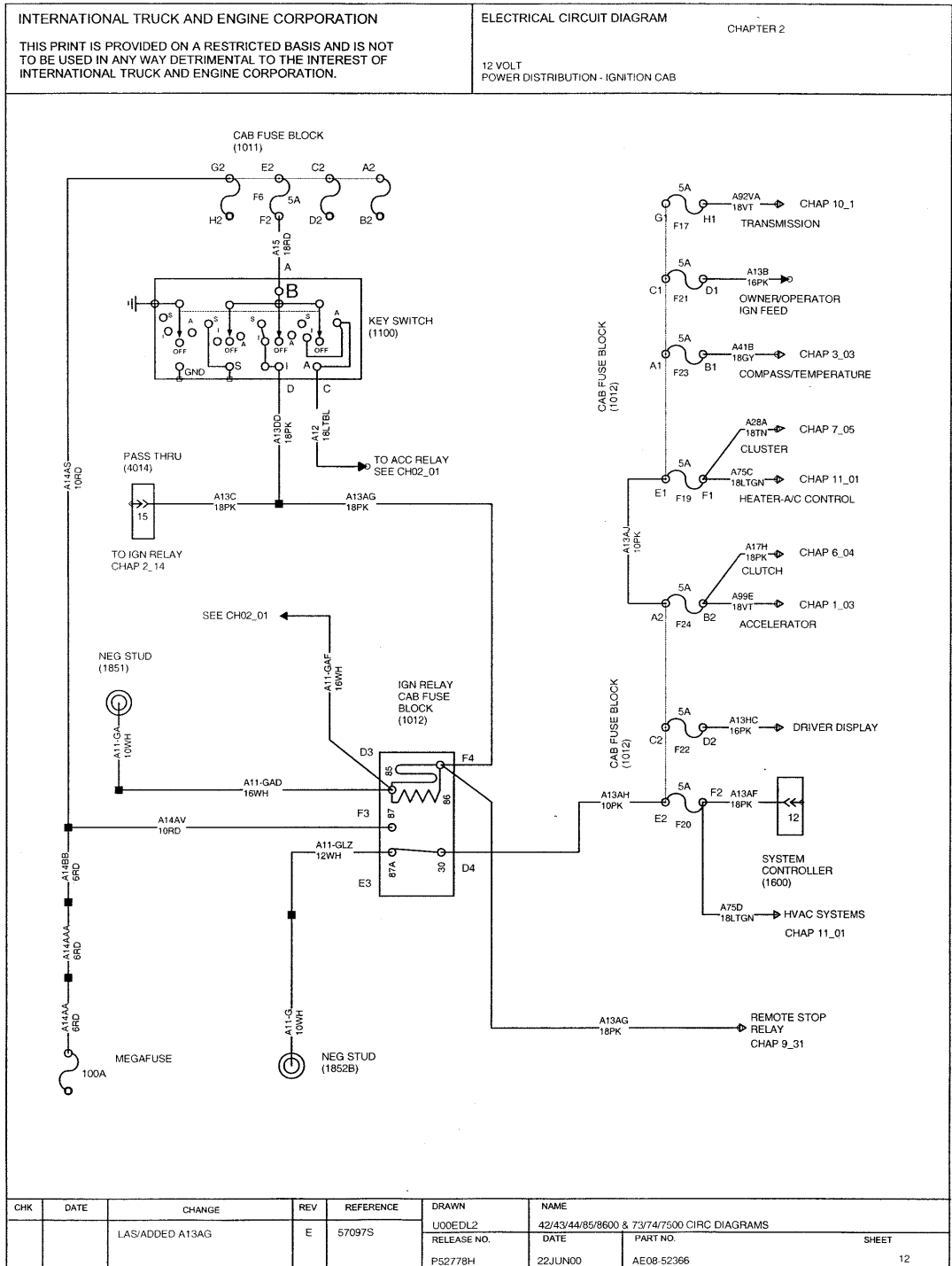


Figure 24 Ignition Cab

3.13. IGNITION CAB, P. 13

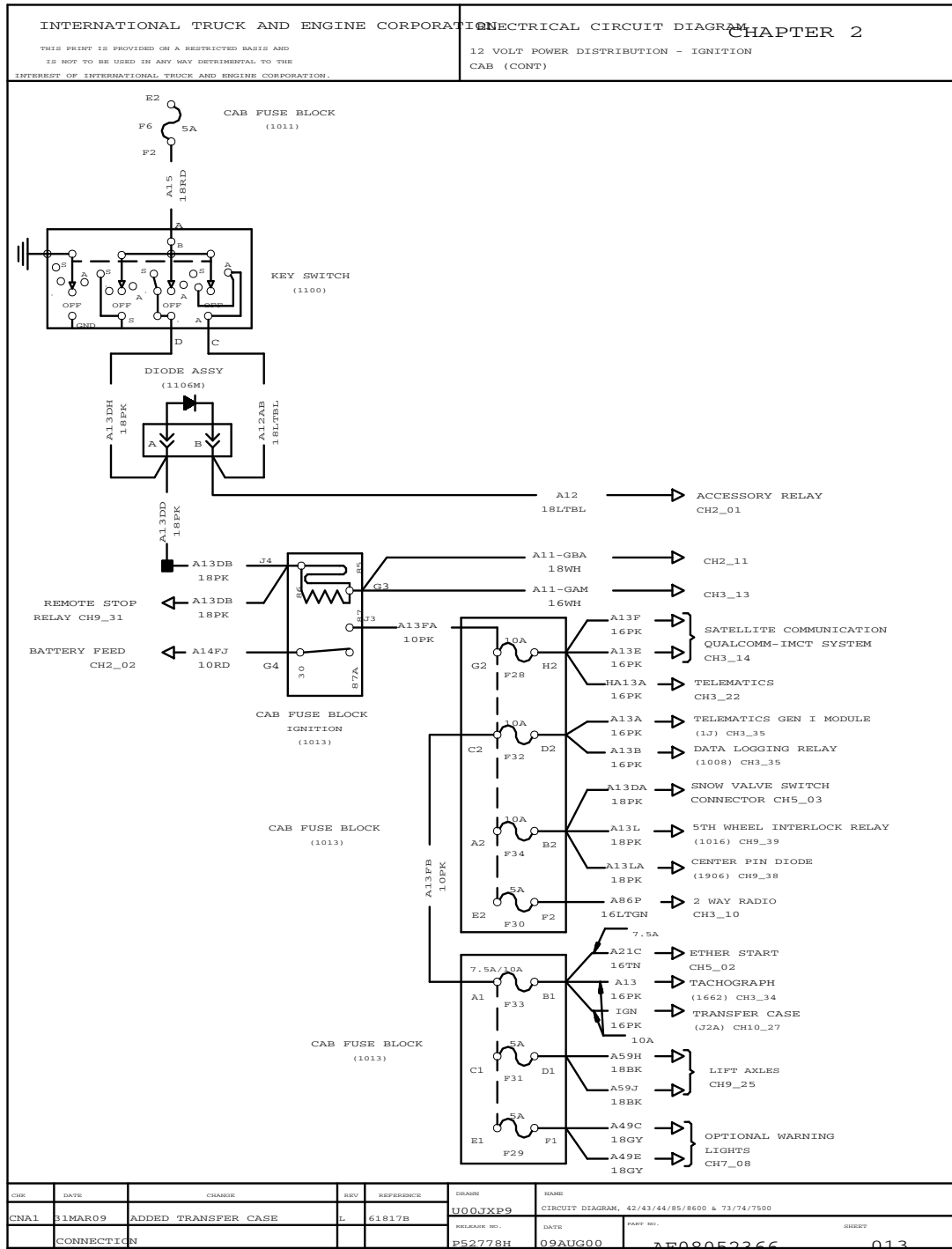


Figure 25 Ignition Cab (Cont.)

3.14. IGNITION FEEDS, CHASSIS, P. 14

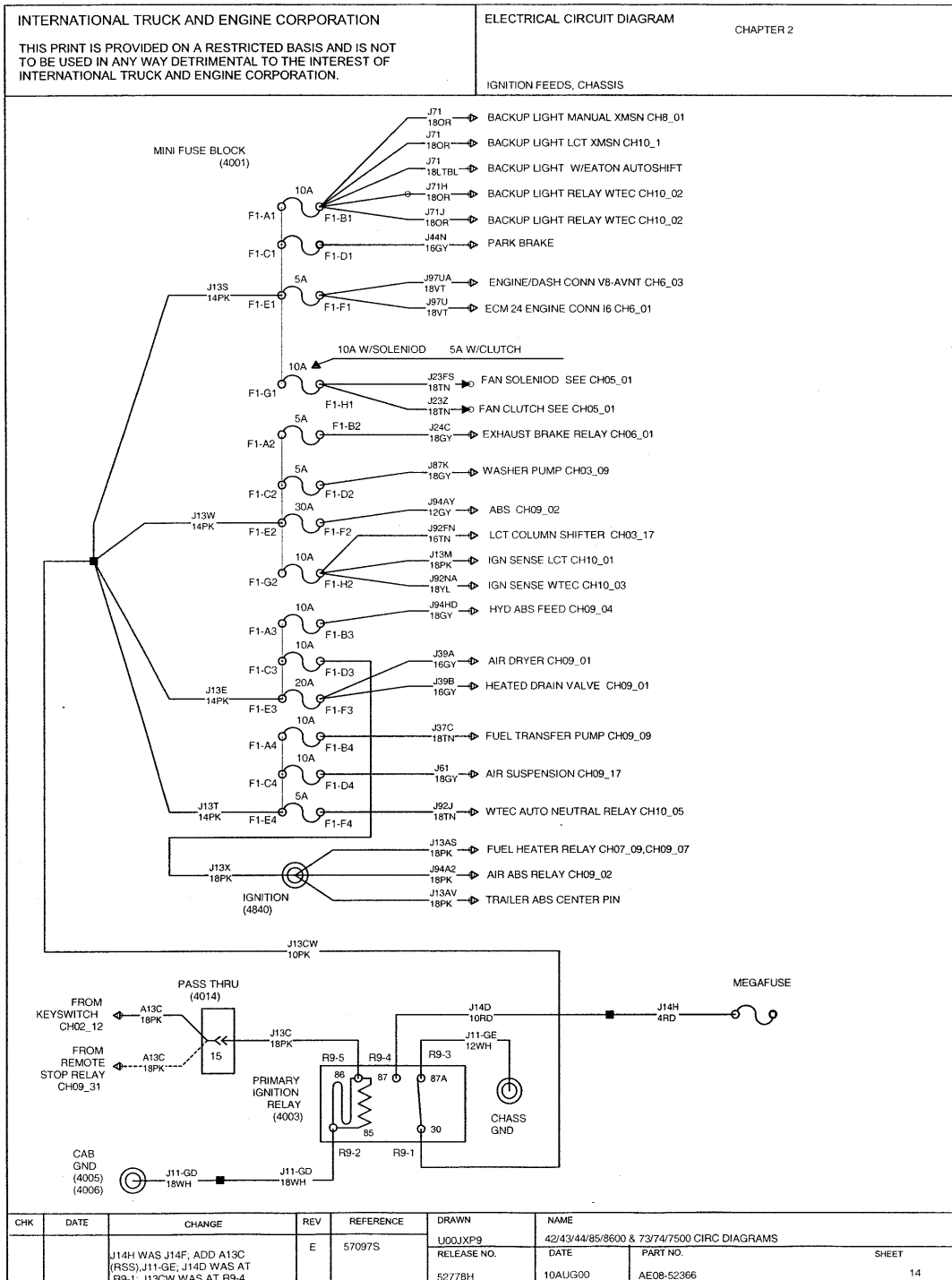


Figure 26 Ignition Feeds, Chassis

3.15. START, P. 15

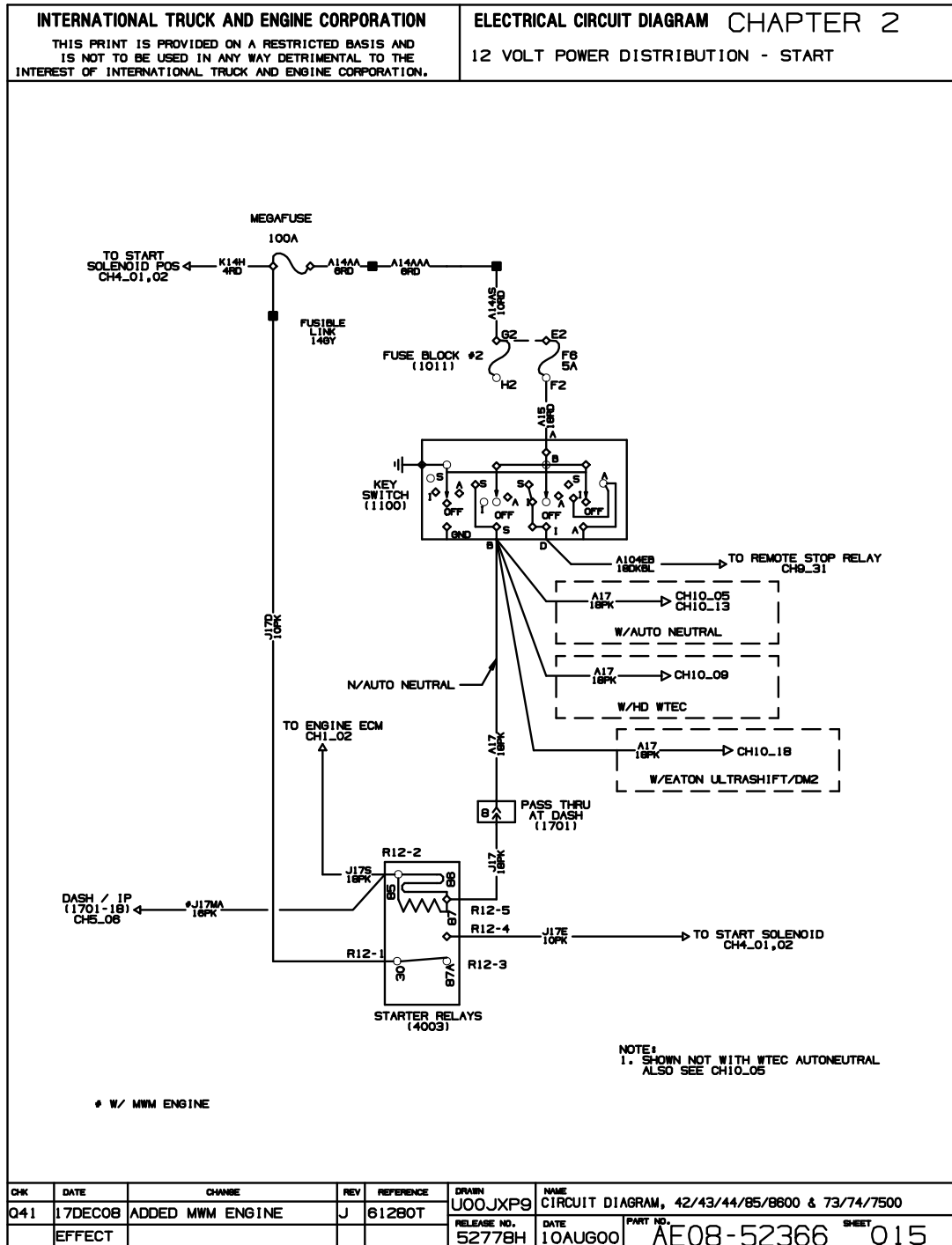


Figure 27 Start

CAB ACCESSORIES (CHAPTER 3)

4.1. CIGAR LIGHTER AND POWER FEEDS, P. 1

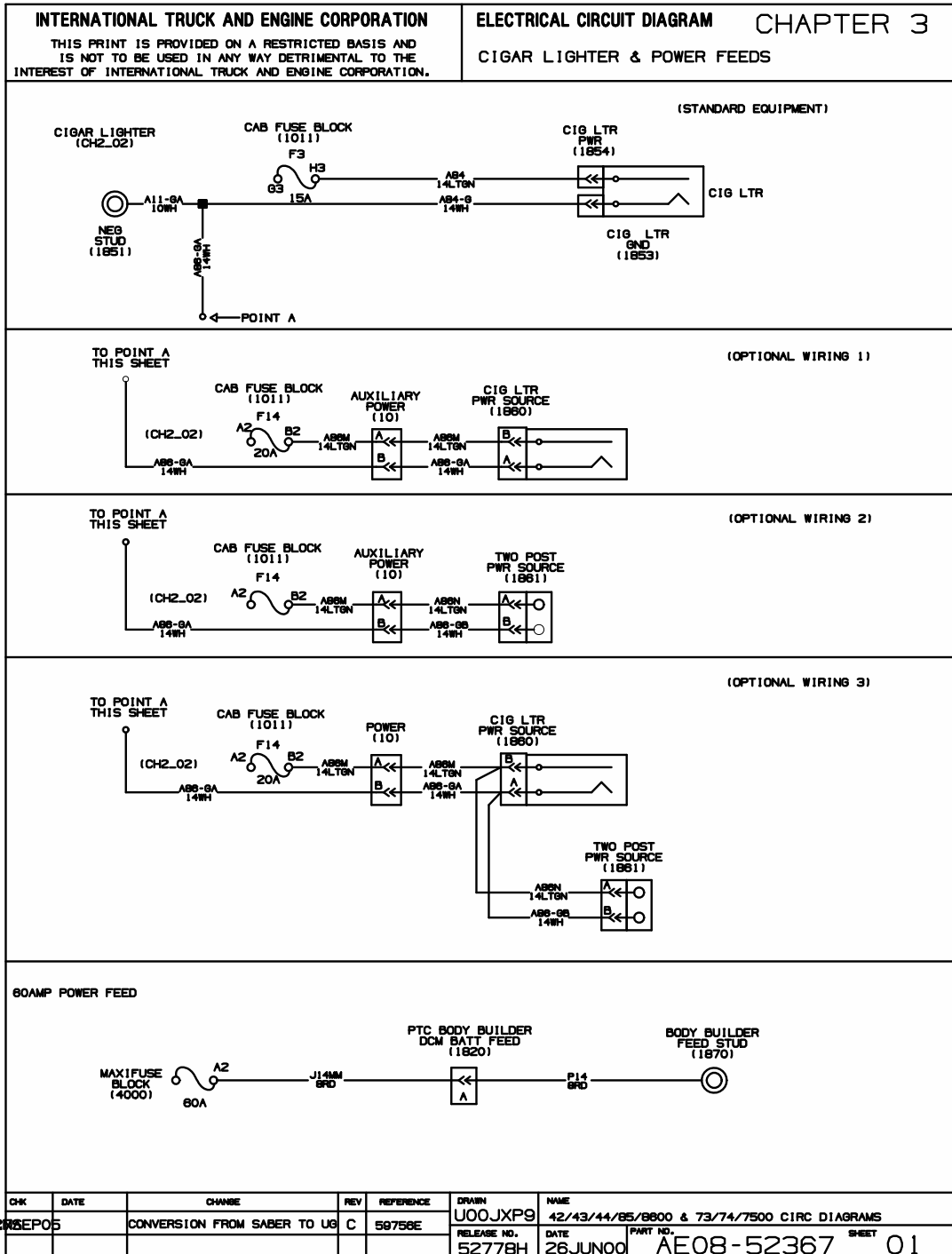


Figure 28 Cigar Lighter and Power Feeds

4.2. CB POWER, P. 2

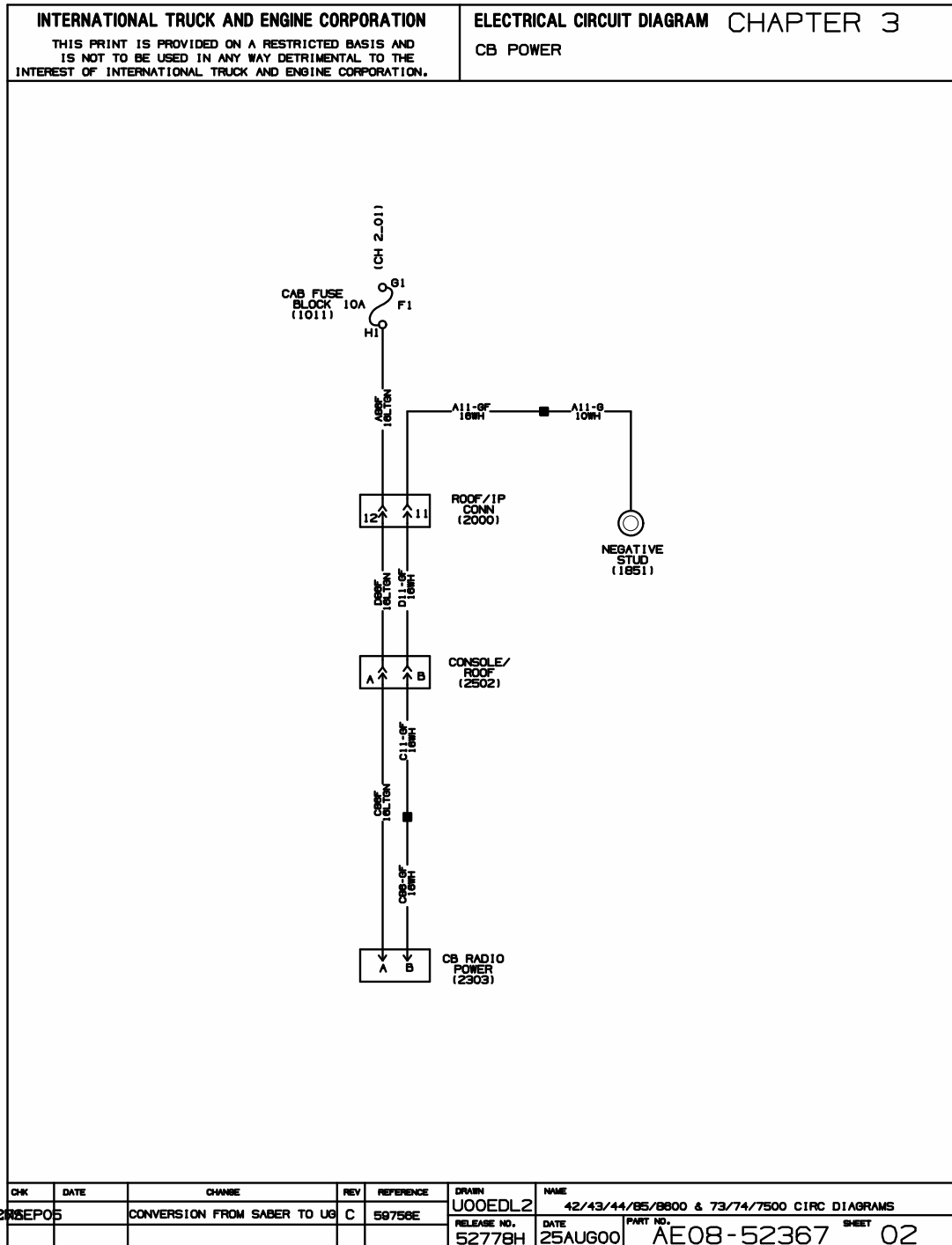


Figure 29 CB Power

4.3. COMPASS AND TEMPERATURE DISPLAY, P. 3

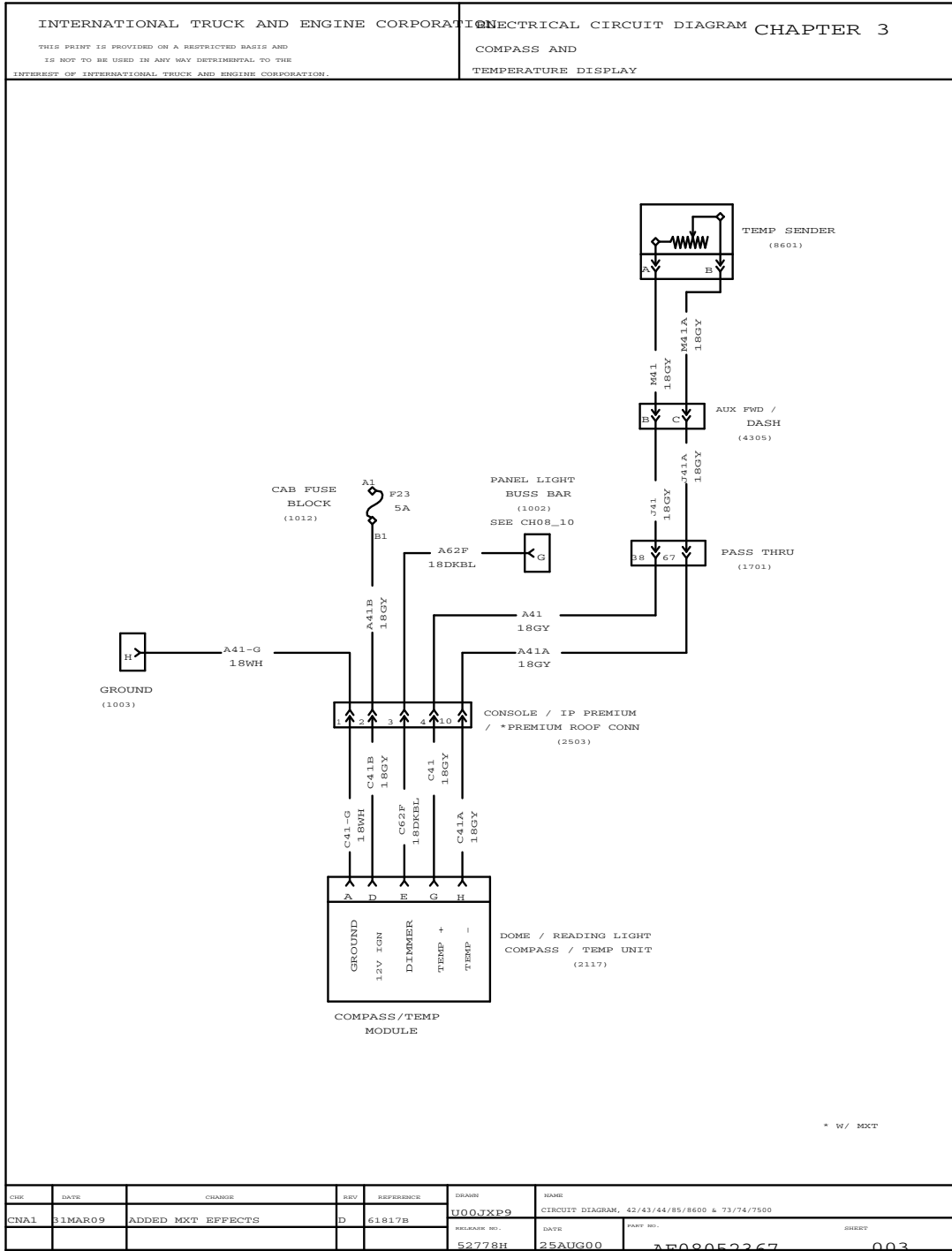


Figure 30 Compass and Temperature Display

4.4. FRONT DOORS WINDOWS AND LOCKS (POWER), P. 4

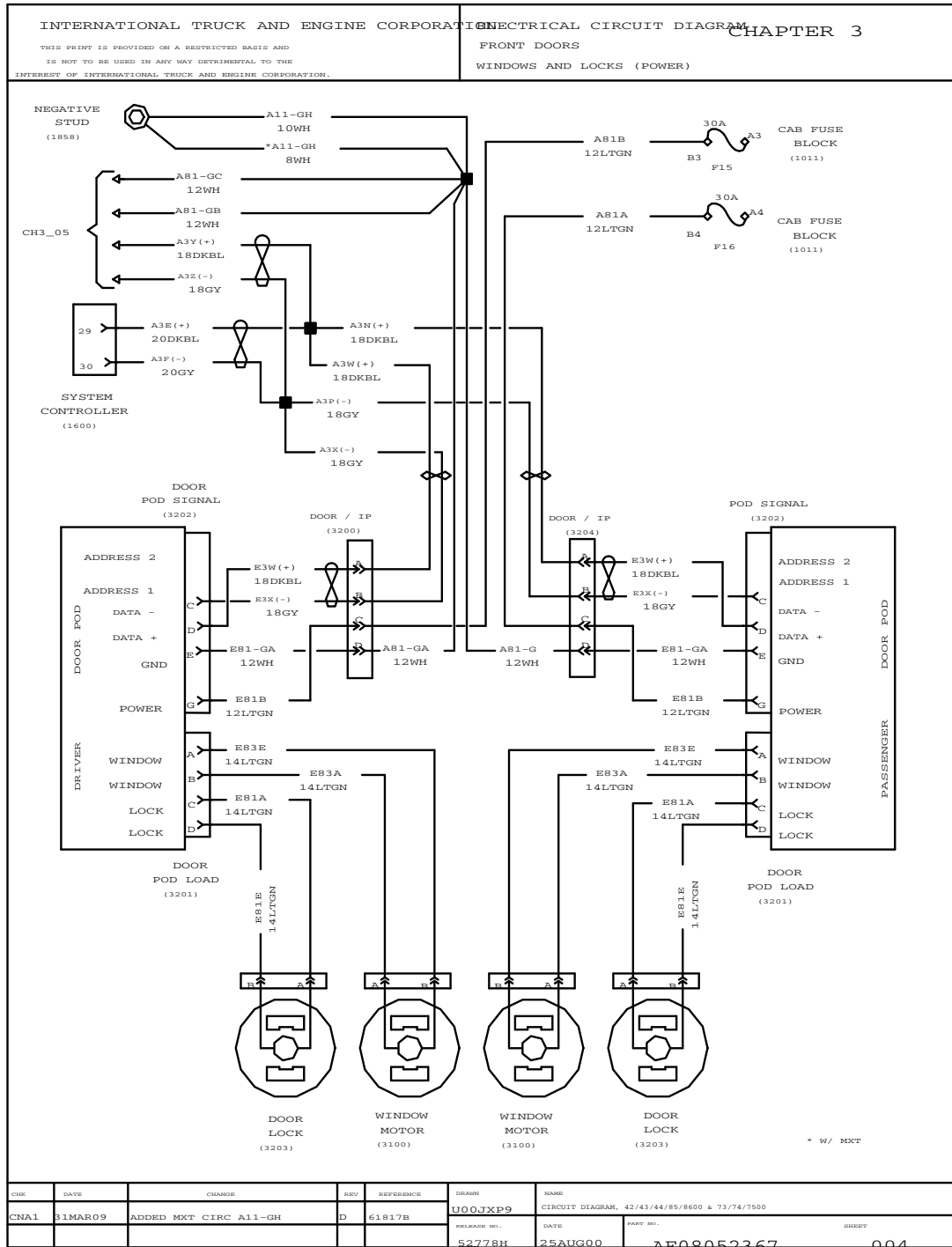


Figure 31 Front Doors Windows and Locks (Power)

4.5. CREW DOORS WINDOWS AND LOCKS (POWER), P. 5

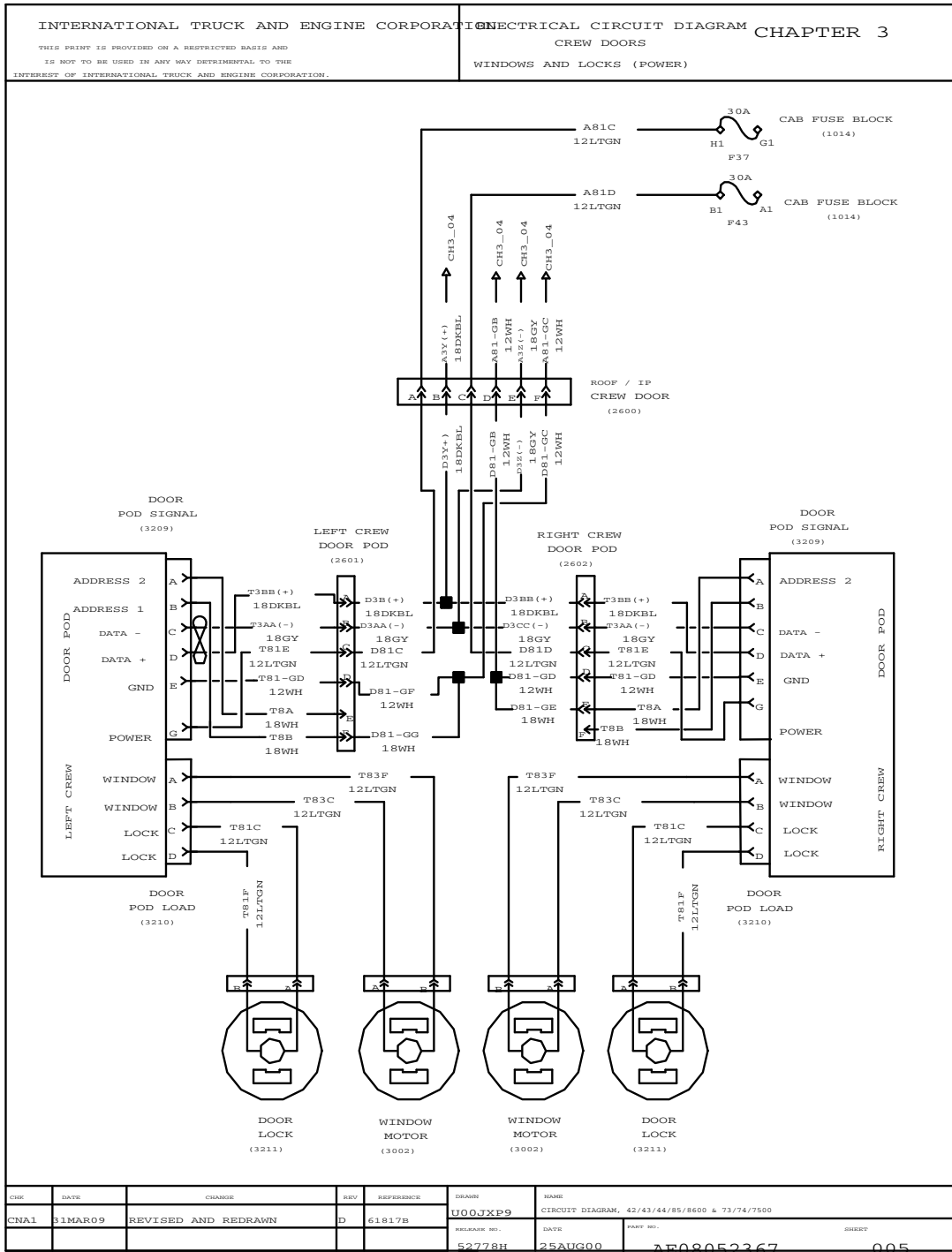


Figure 32 Crew Doors Windows and Locks (Power)

4.6. HORN, DUAL ELECTRIC, P. 6

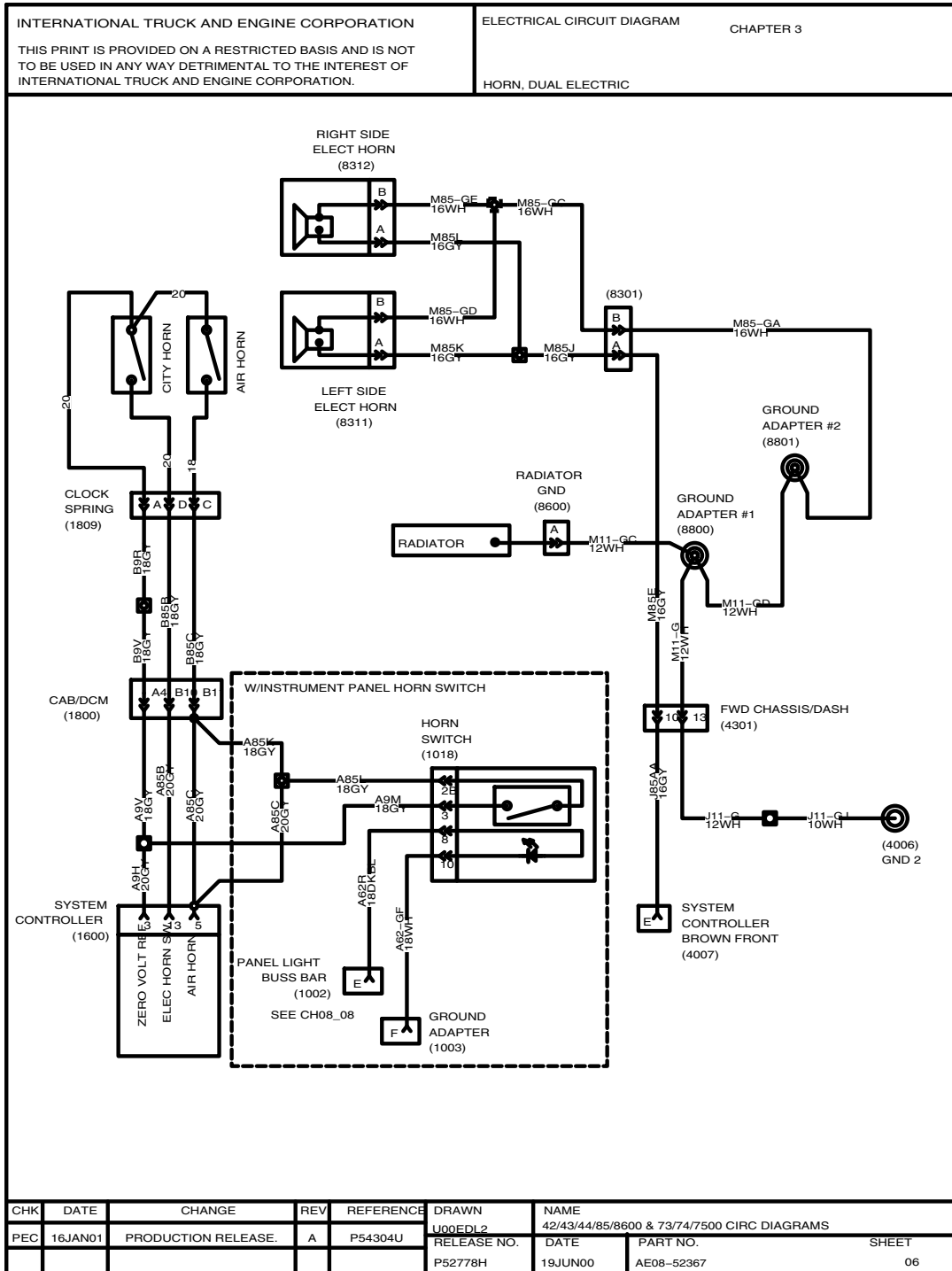


Figure 33 Horn, Dual Electric

4.7. MIRRORS (HEATED, LIGHTED AND POWER), P. 7

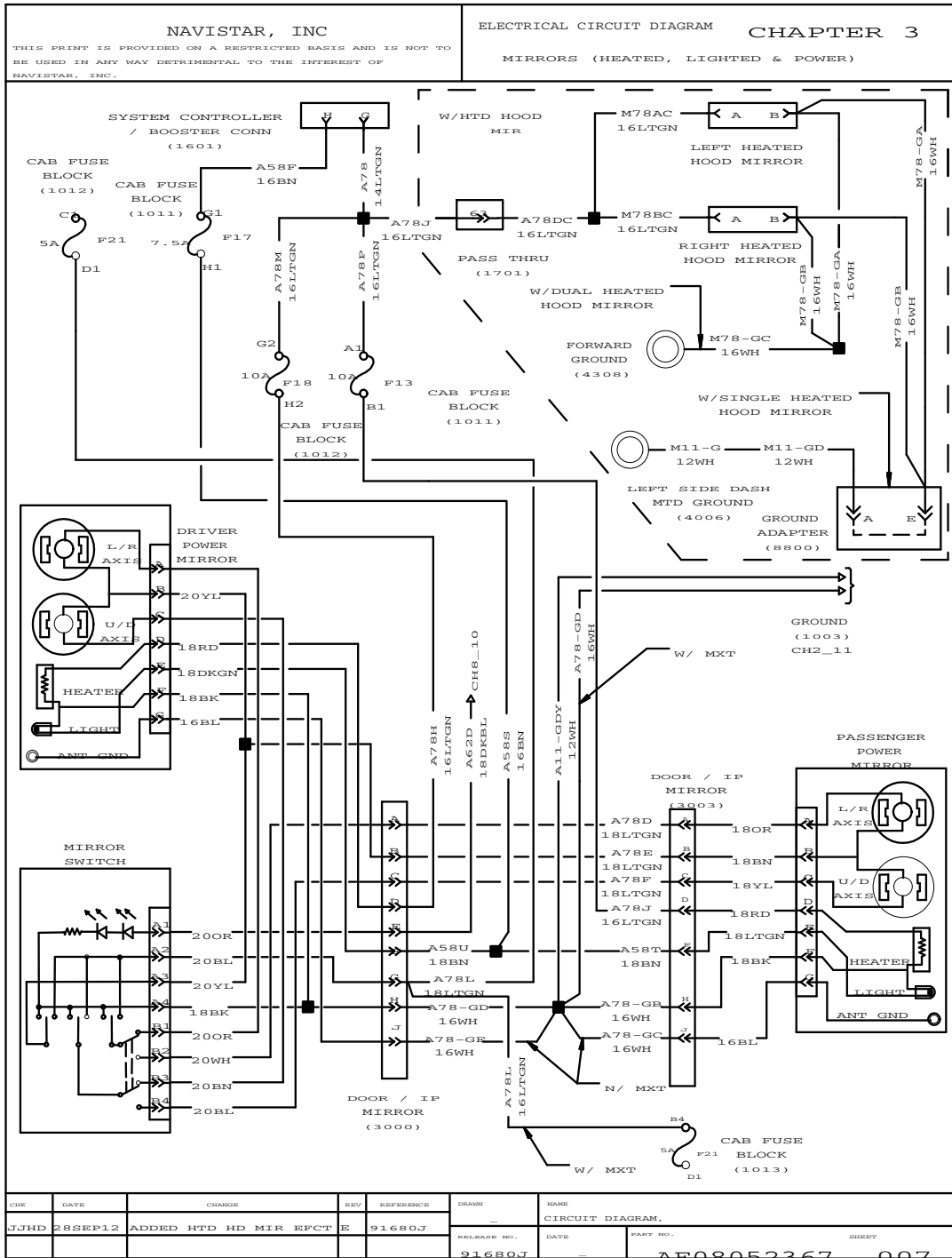


Figure 34 Mirrors (Heated, Lighted and Power)

4.8. RADIO (ENTERTAINMENT), SPEAKERS, P. 8

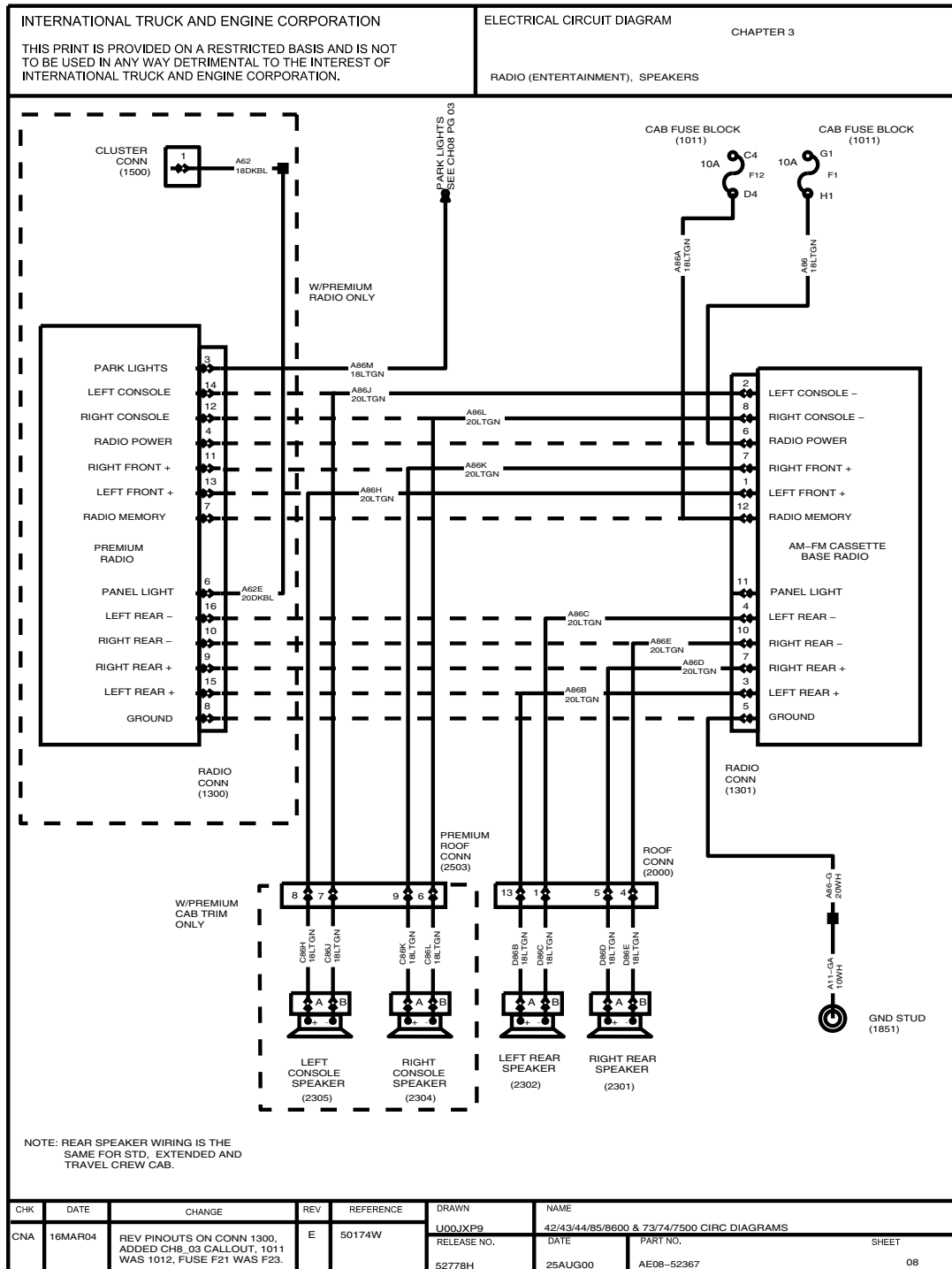


Figure 35 Radio (Entertainment), Speakers

4.9. WINDSHIELD WIPER AND WASHER PUMP, P. 9

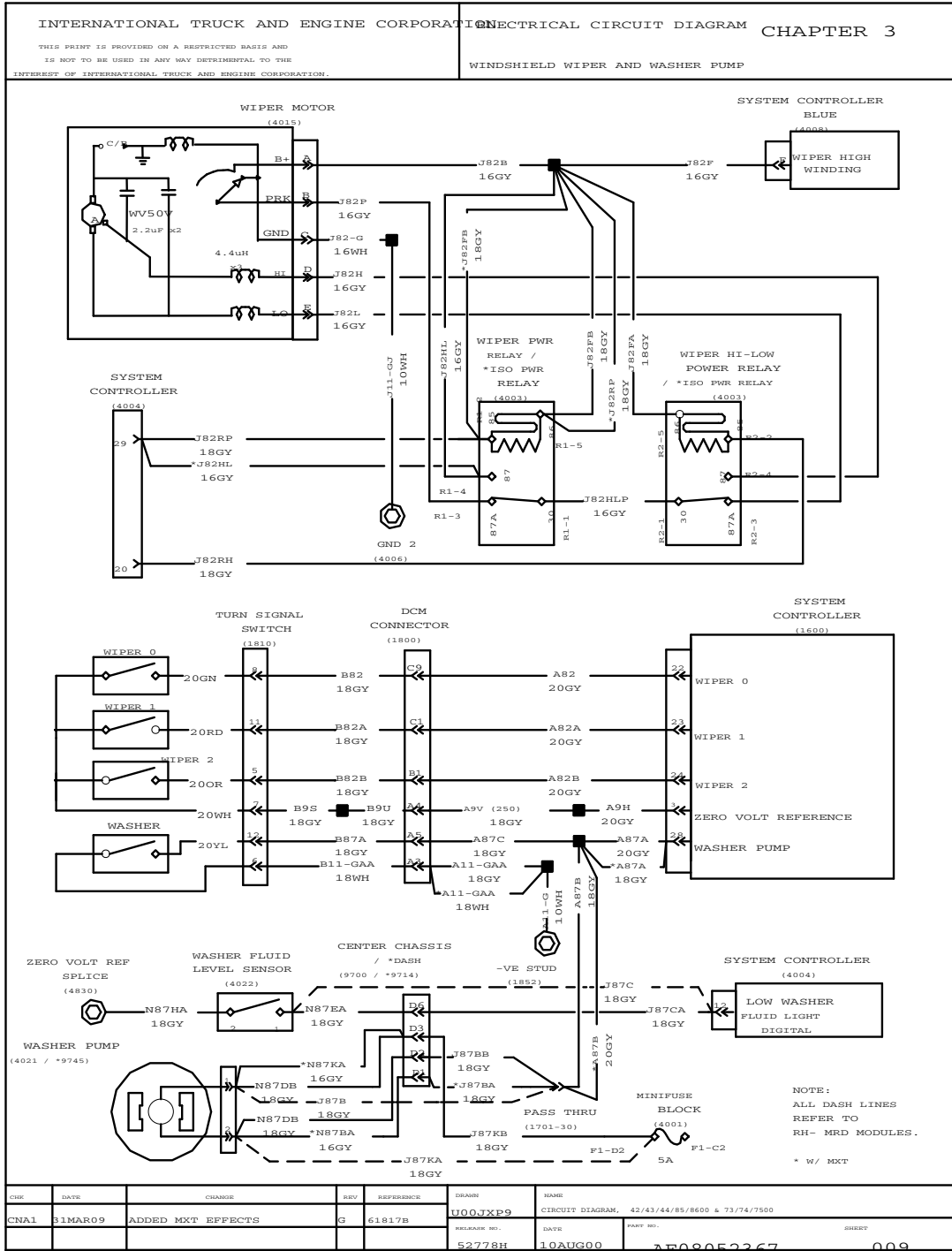


Figure 36 Windshield Wiper and Washer Pump

4.10. 2-WAY RADIO, P. 10

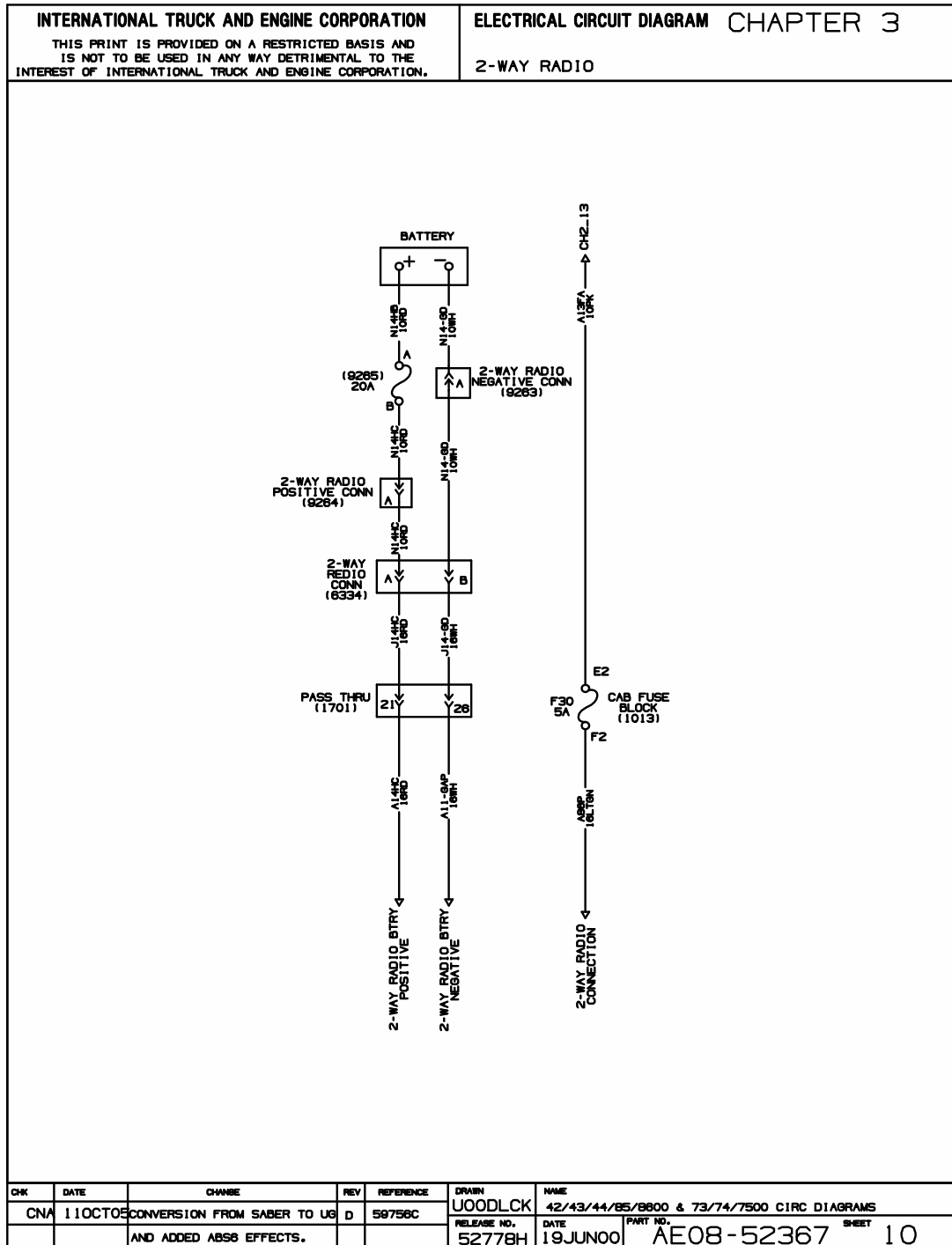


Figure 37 2-Way Radio

CHK	DATE	CHANGE	REV	REFERENCE	DRAWN	NAME
CNA	11OCT05	CONVERSION FROM SABER TO UG	D	59756C	UOODLCK	42/43/44/85/8800 & 73/74/7500 CIRC DIAGRAMS
		AND ADDED ABS8 EFFECTS.			RELEASE NO.	DATE
					52778H	19JUN00
					PART NO.	SHEET
					AE08-52367	10

4.11. SWITCH PACK, OPTIONAL GAUGE PACK, P. 11

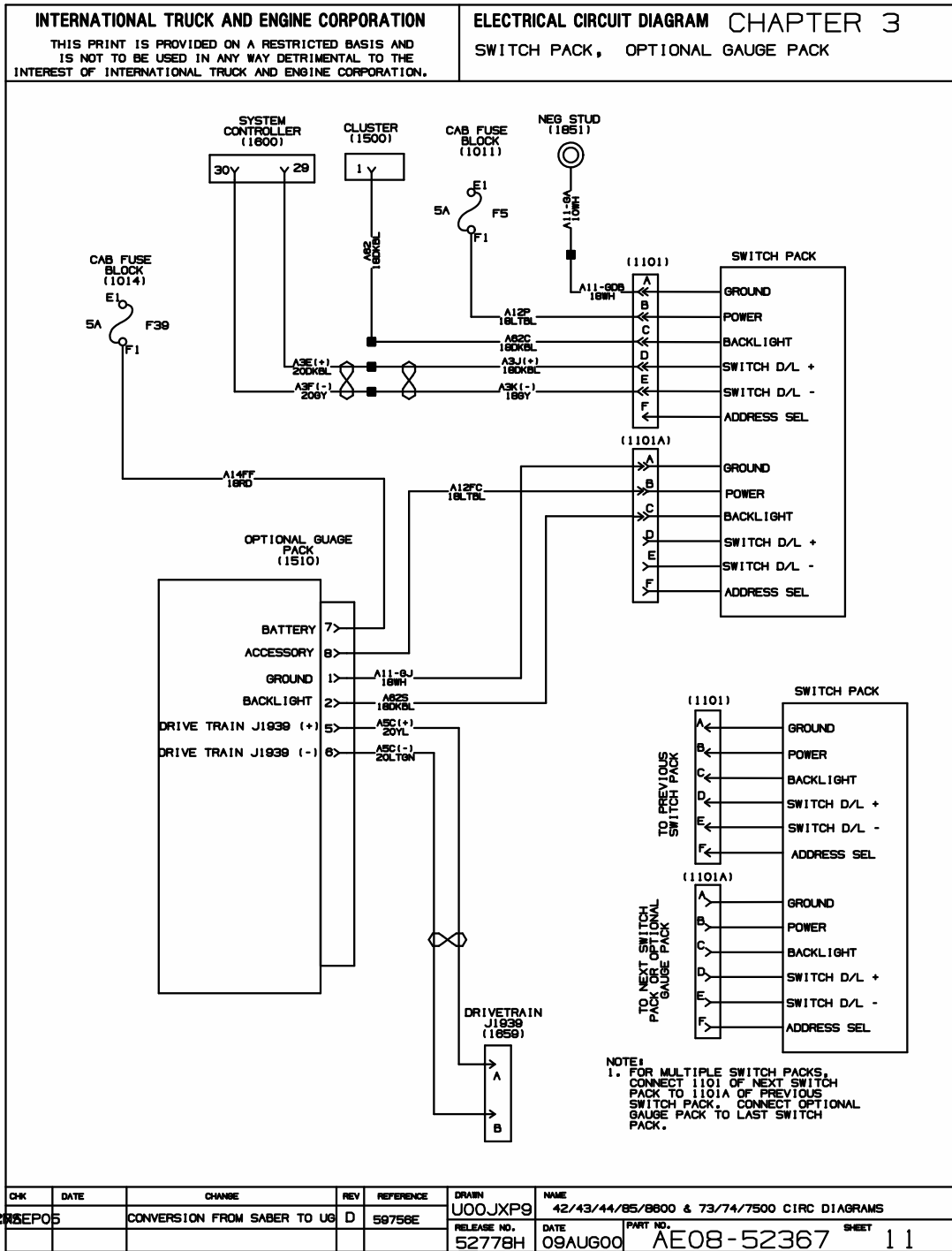


Figure 38 Switch Pack, Optional Gauge Pack

4.12. LIGHTED AIR SHIELD, P. 12

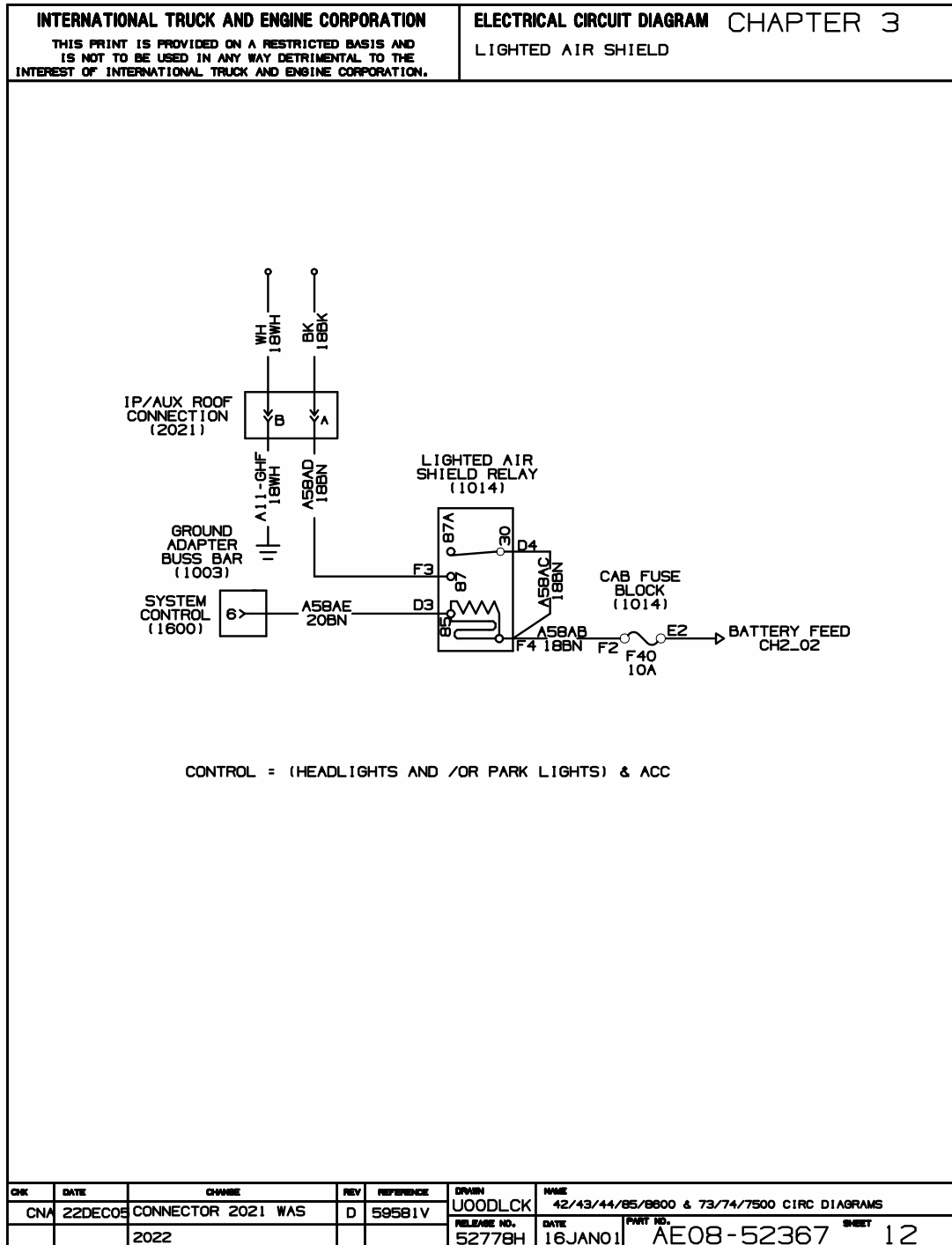


Figure 39 Lighted Air Shield

4.13. ROOF AUX. LOAD, P. 13

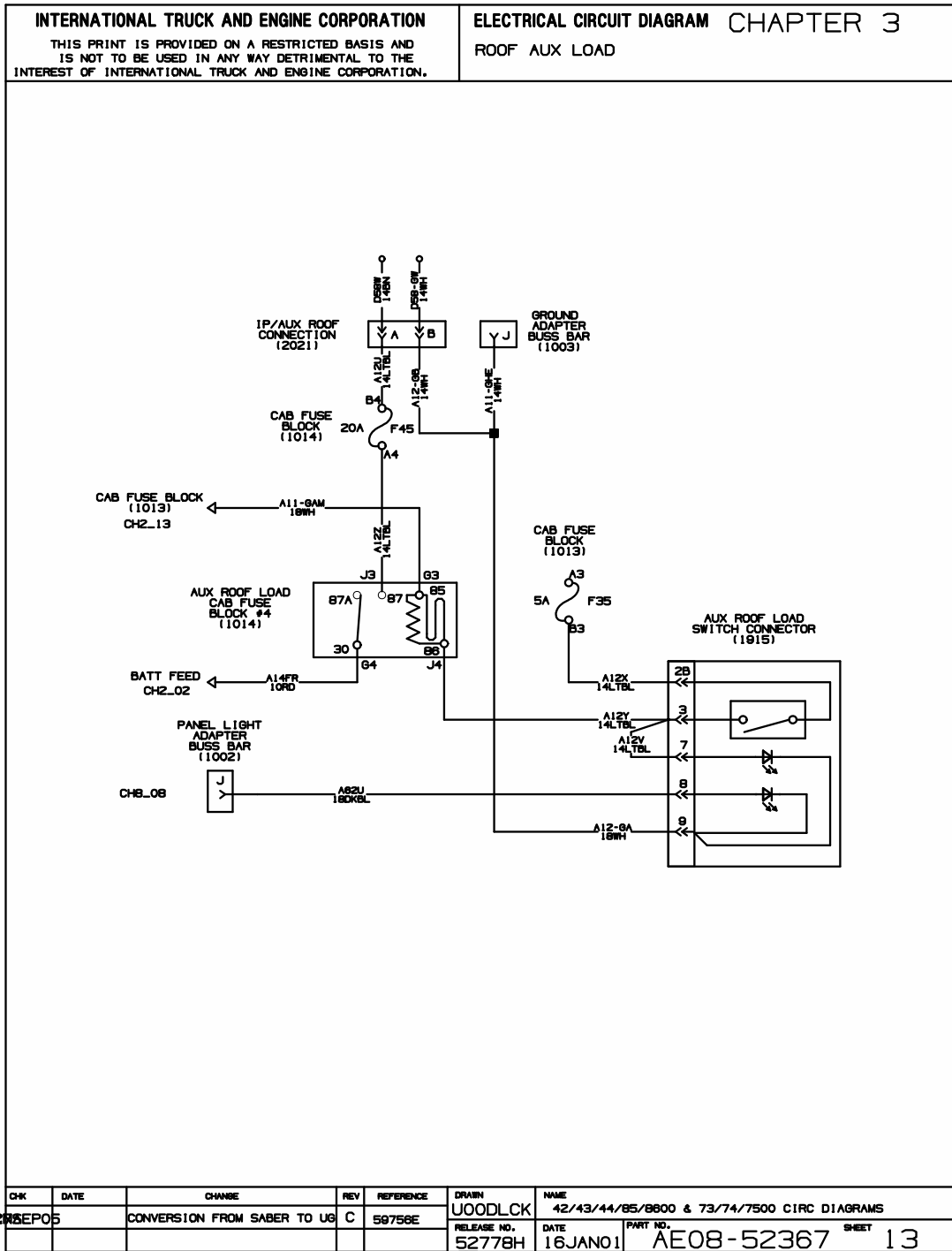


Figure 40 Roof Aux. Load

4.14. SATELLITE COMMUNICATION QUALCOMM-MCT AND IMCT SYSTEMS, P. 14

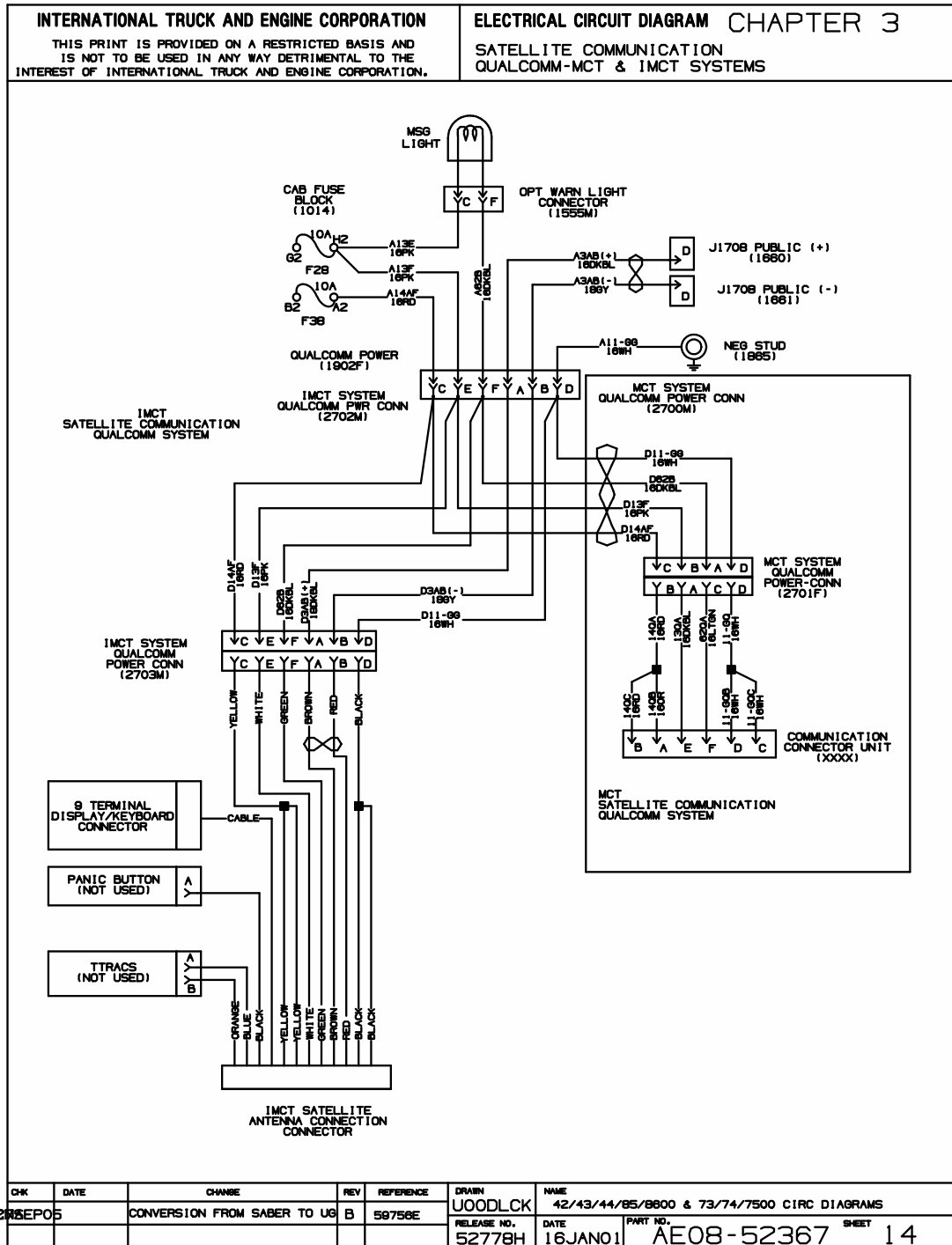


Figure 41 Satellite Communication Qualcomm-MCT and IMCT Systems

4.15. SELF CONTAINED AIR SEAT, P. 15

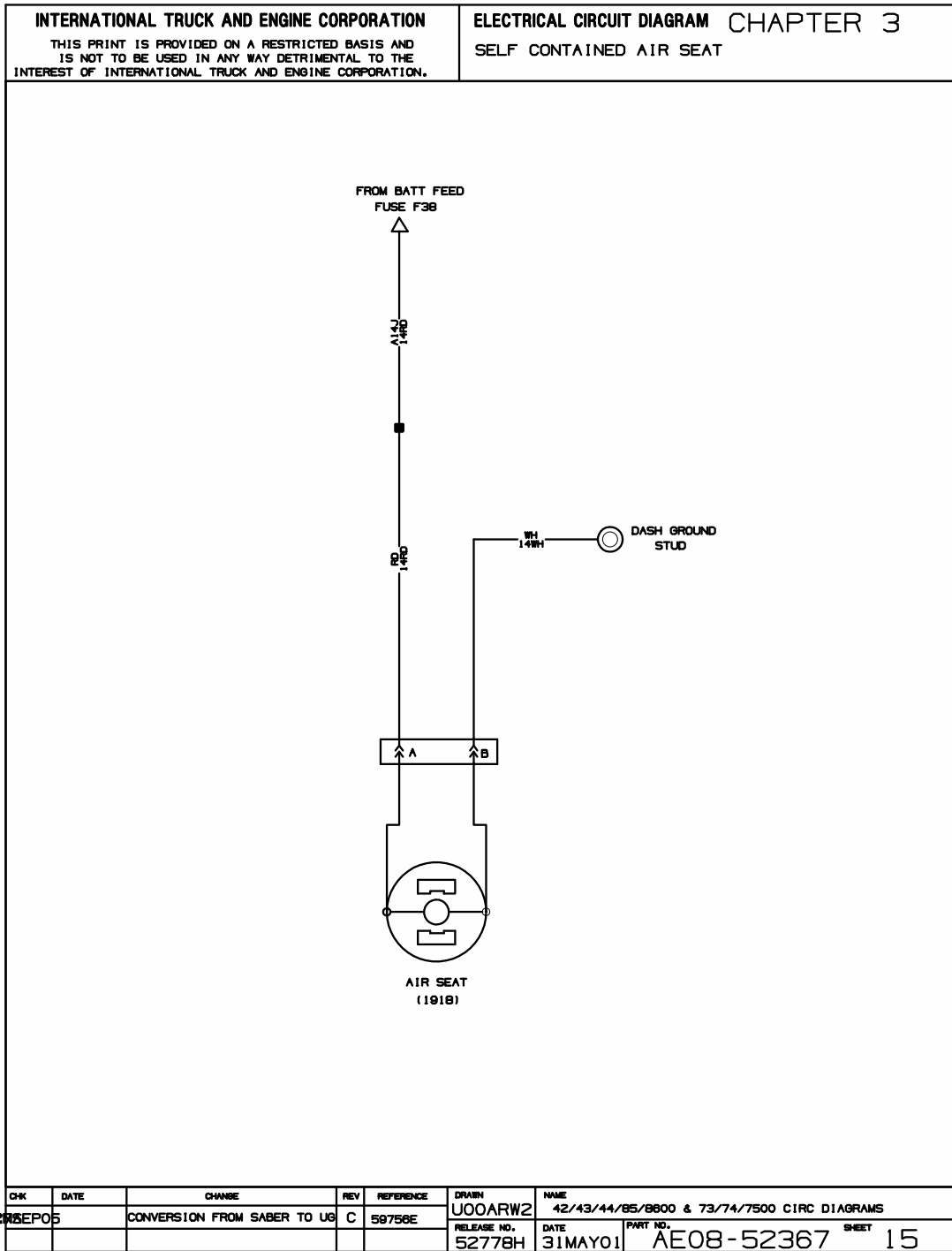


Figure 42 Self Contained Air Seat

4.16. DIGITAL CLOCK PTC, P. 16

INTERNATIONAL TRUCK AND ENGINE CORPORATION THIS PRINT IS PROVIDED ON A RESTRICTED BASIS AND IS NOT TO BE USED IN ANY WAY DETRIMENTAL TO THE INTEREST OF INTERNATIONAL TRUCK AND ENGINE CORPORATION.					ELECTRICAL CIRCUIT DIAGRAM CHAPTER 3 DIGITAL CLOCK PTC		
GEOMETRY REMOVED							
CHK	DATE	CHANGE	REV	REFERENCE	DRAWN	NAME	
2RSEPO5		CONVERSION FROM SABER TO UG	C	59758E	UOODLCK	42/43/44/85/8600 & 73/74/7500 CIRC DIAGRAMS	
					RELEASE NO.	DATE	PART NO. SHEET
					52778H	05MAY01	AE08-52367 16

Figure 43 Digital Clock PTC

4.17. TRANSMISSION ALLISON LCT COLUMN SHIFTER, P. 17

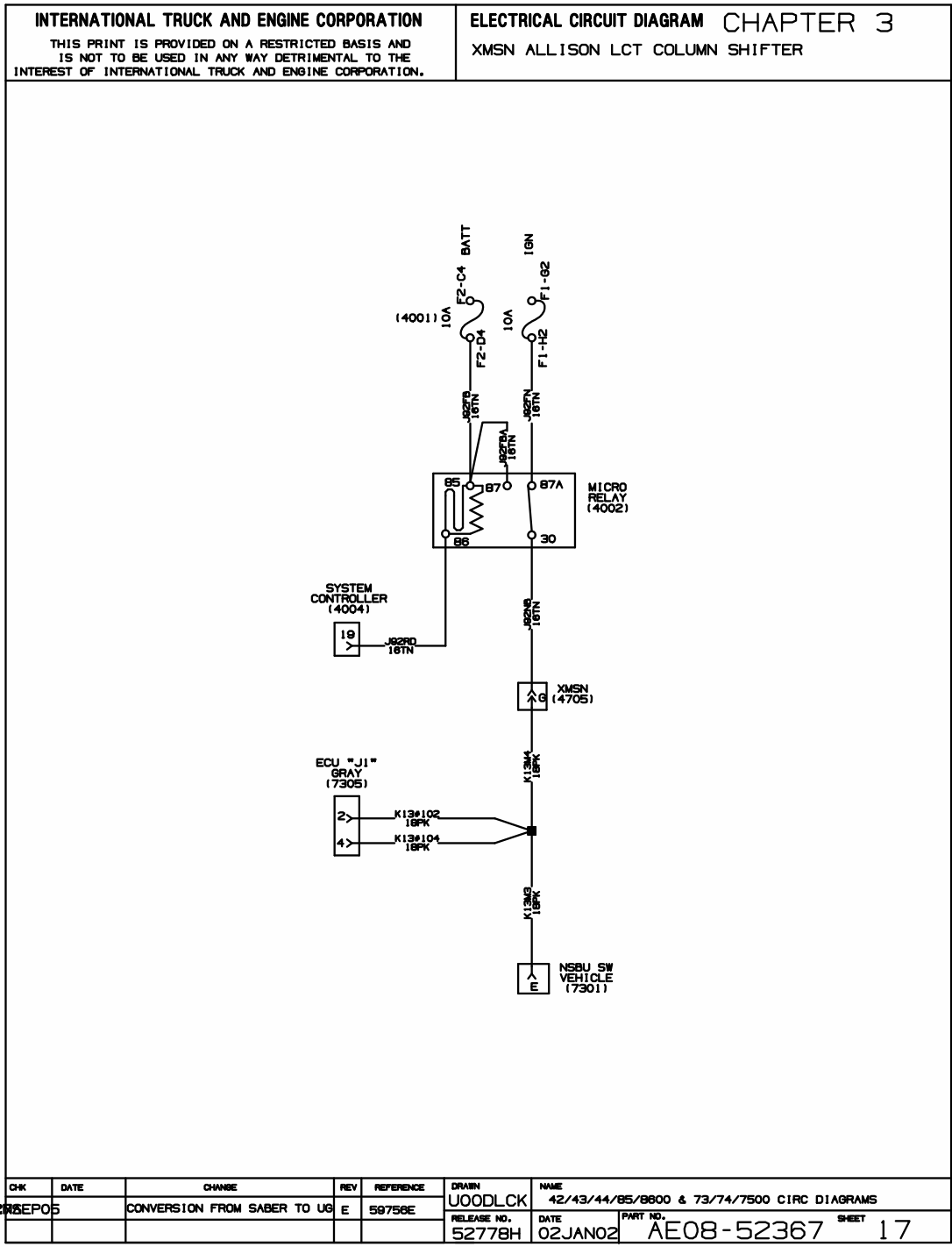


Figure 44 Transmission Allison LCT Column Shifter

4.18. HEATED SEATS FOR 7700 MODELS ONLY, P. 18

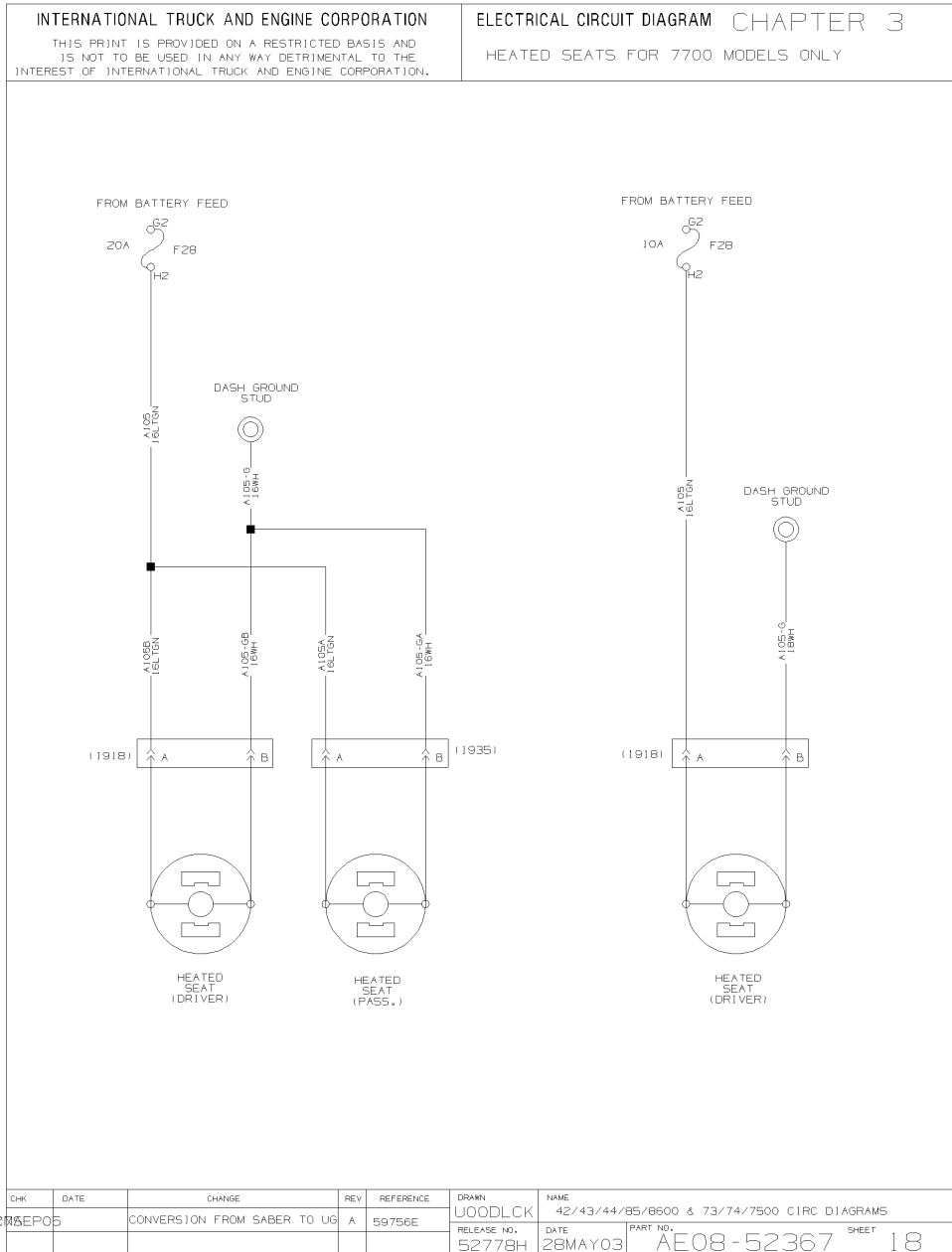


Figure 45 Heated Seats for 7700 Models Only

4.19. BACKUP CAMERA, P. 19

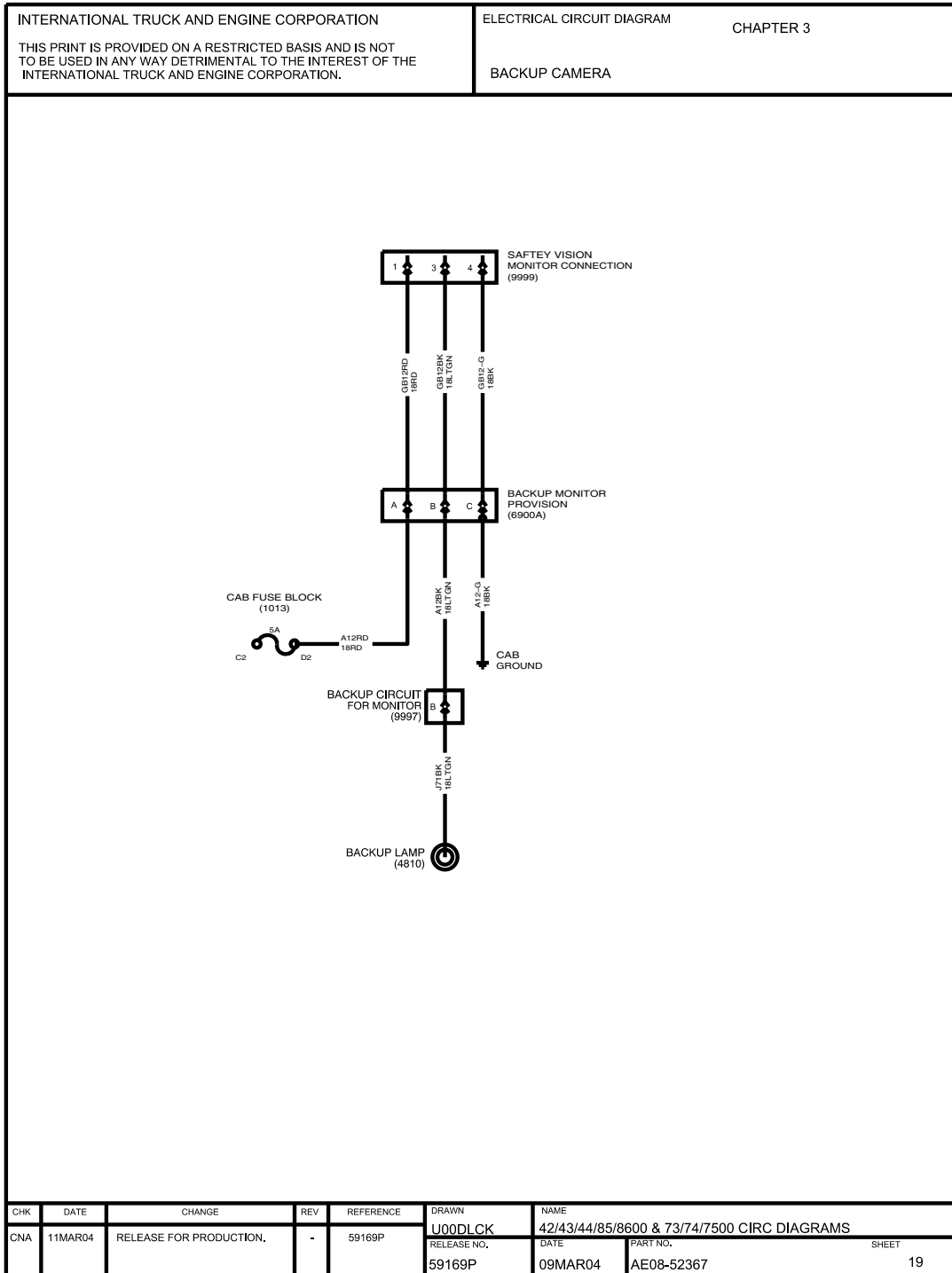


Figure 46 Backup Camera

4.20. XATA COMPUTER, P. 20

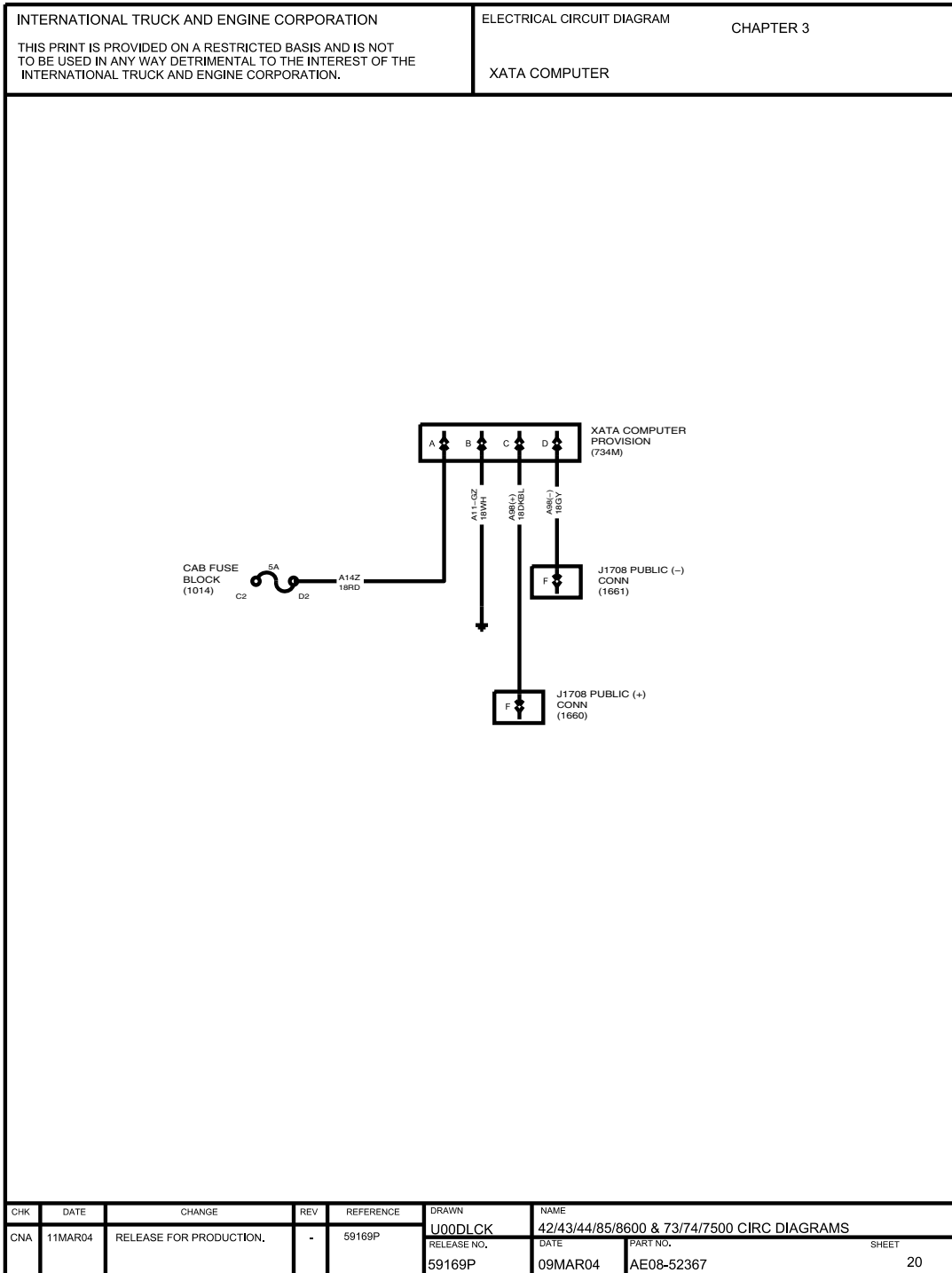


Figure 47 XATA Computer

4.21. KEYLESS IGNITION SYSTEM, P. 21

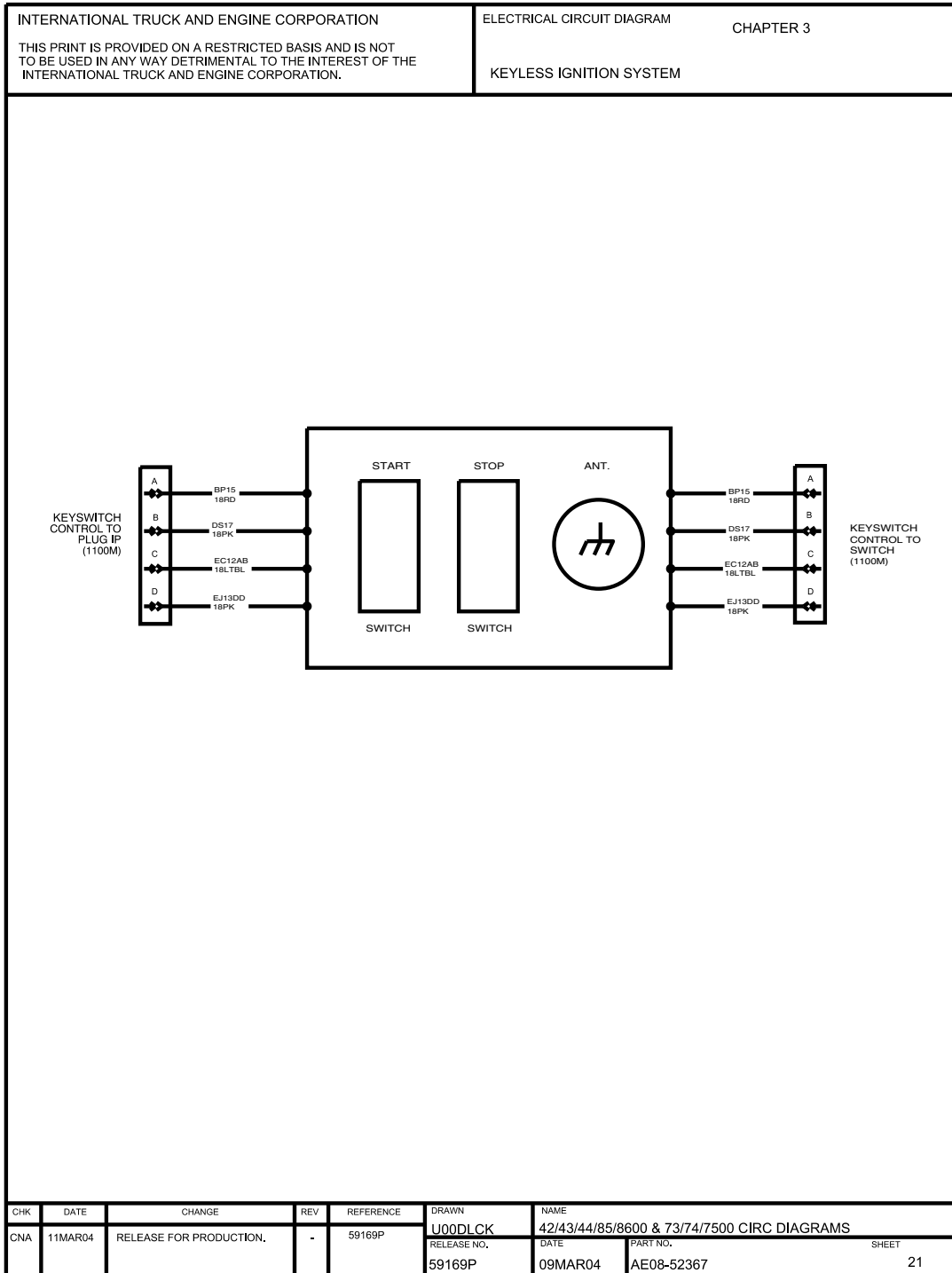


Figure 48 Keyless Ignition System

12V CHARGING + CRANKING SYSTEM (CHAPTER 4)

5.1. 16 EGR ENGINES, P. 1

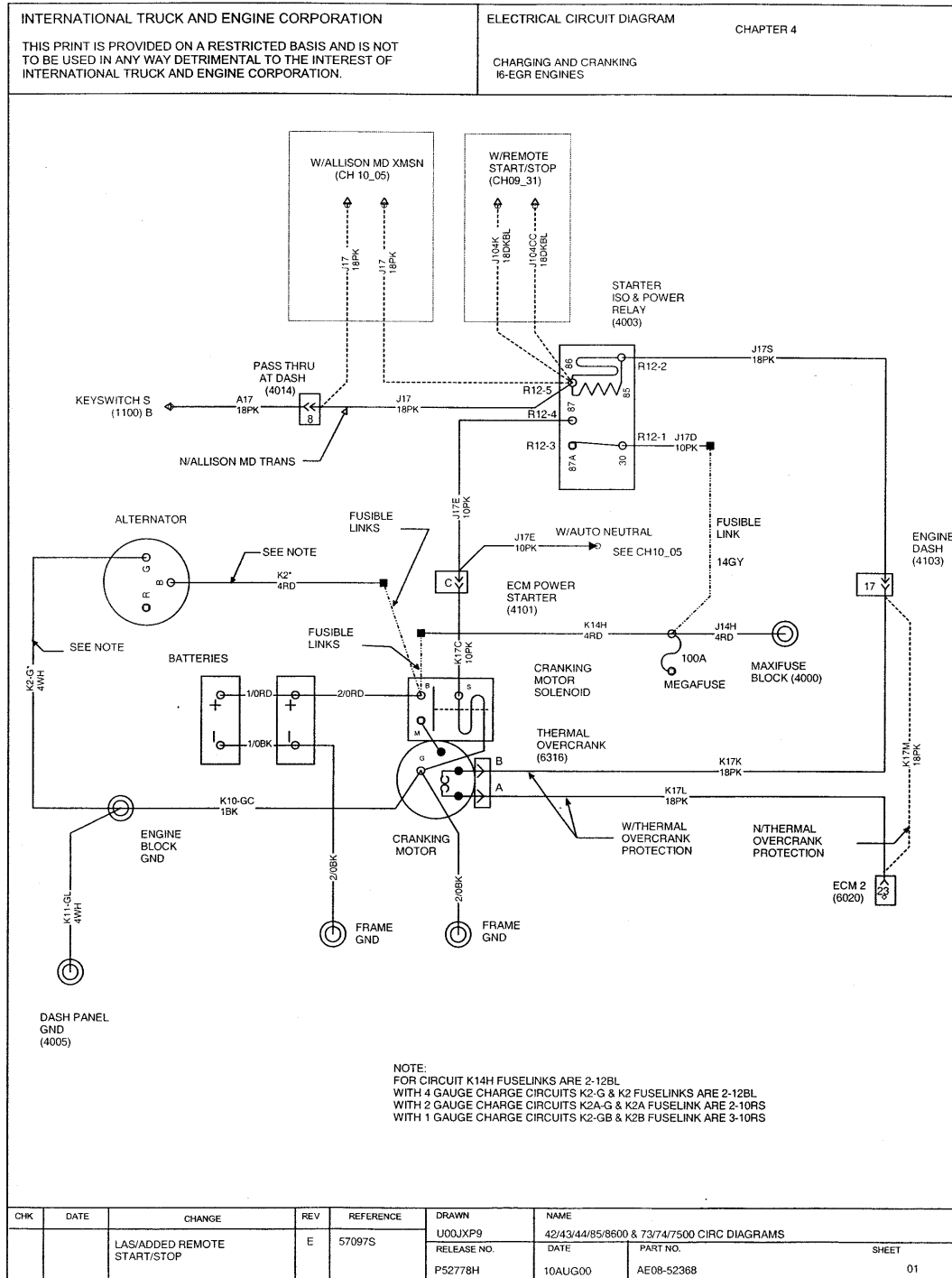


Figure 49 16 EGR Engines

5.2. V8 AVNT ENGINES, P. 2

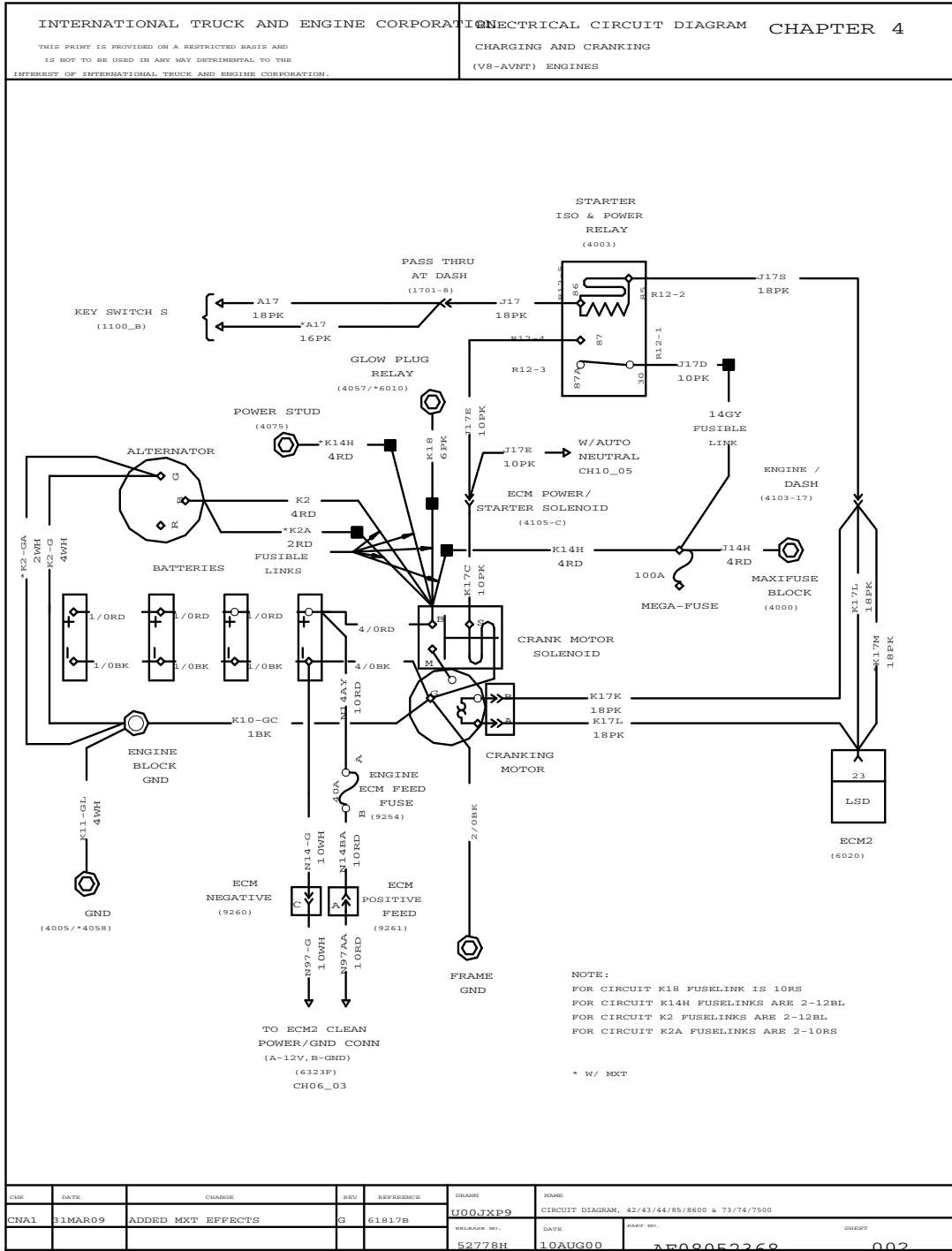


Figure 50 V8 AVNT Engines

5.3. CATERPILLAR, CUMMINS ISM ENGINES, P. 3

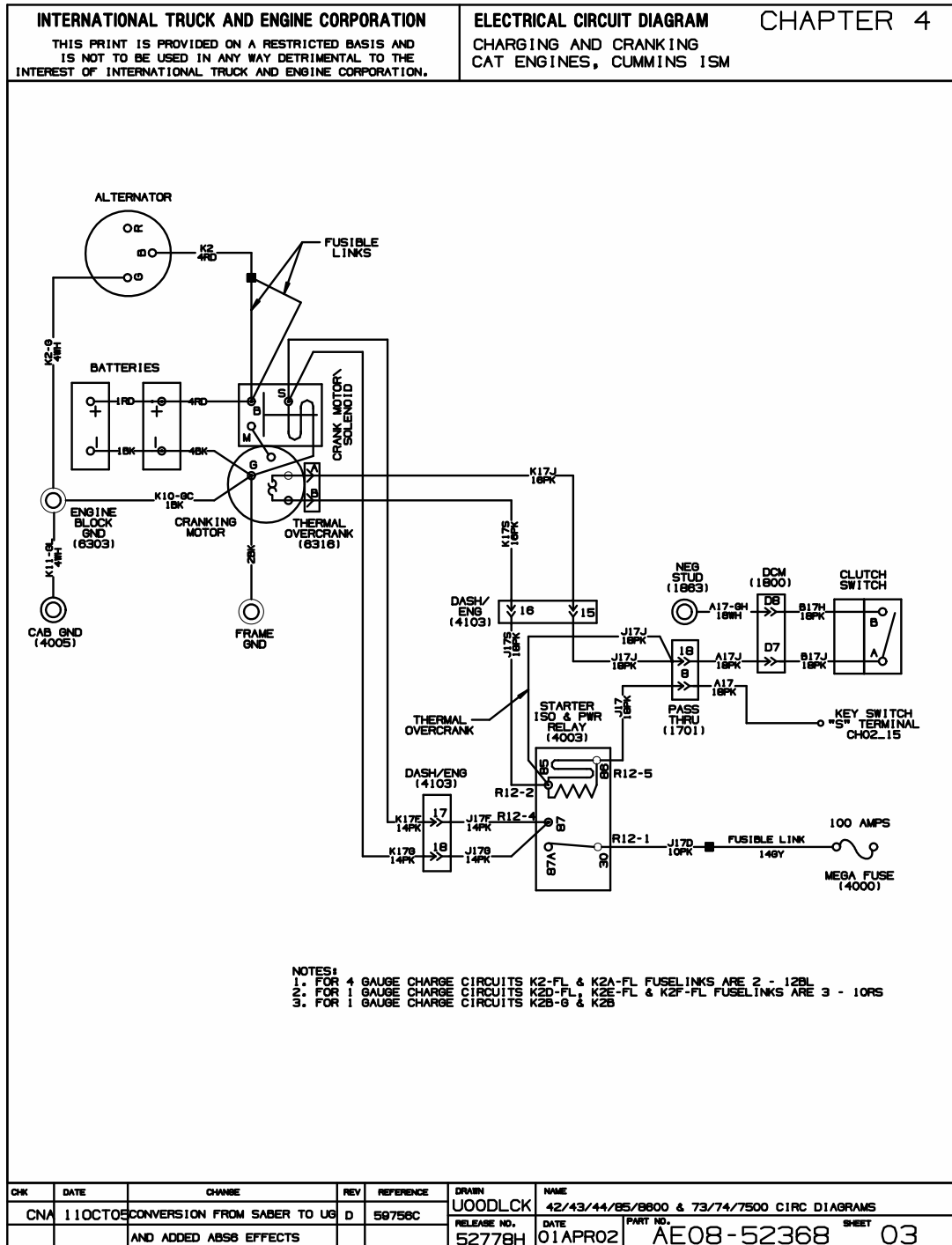


Figure 51 Caterpillar, Cummins ISM Engines

ELECTRICAL CIRCUIT DIAGRAM MANUAL

5.4. I6 HEUI ENGINES, P. 4

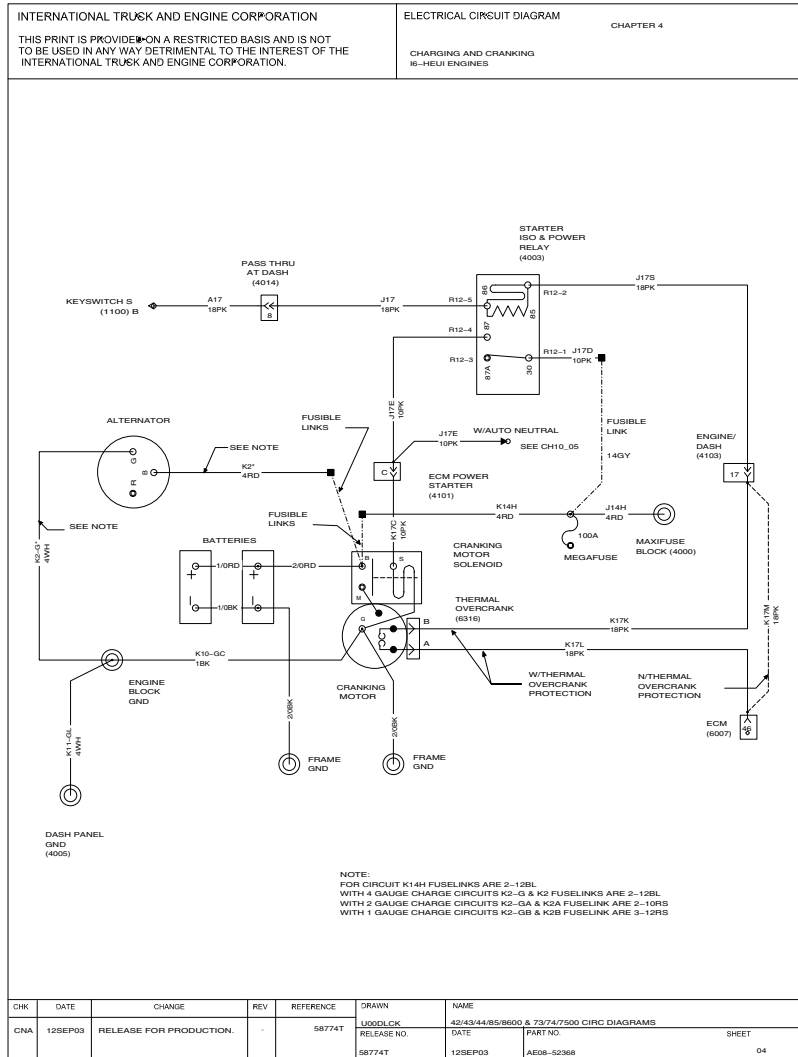


Figure 52 I6 HEUI Engines

5.5. CATERPILLAR ENGINES, CUMMINS ISM AND WITH EATON ULTRASHIFT/DM2, P. 5

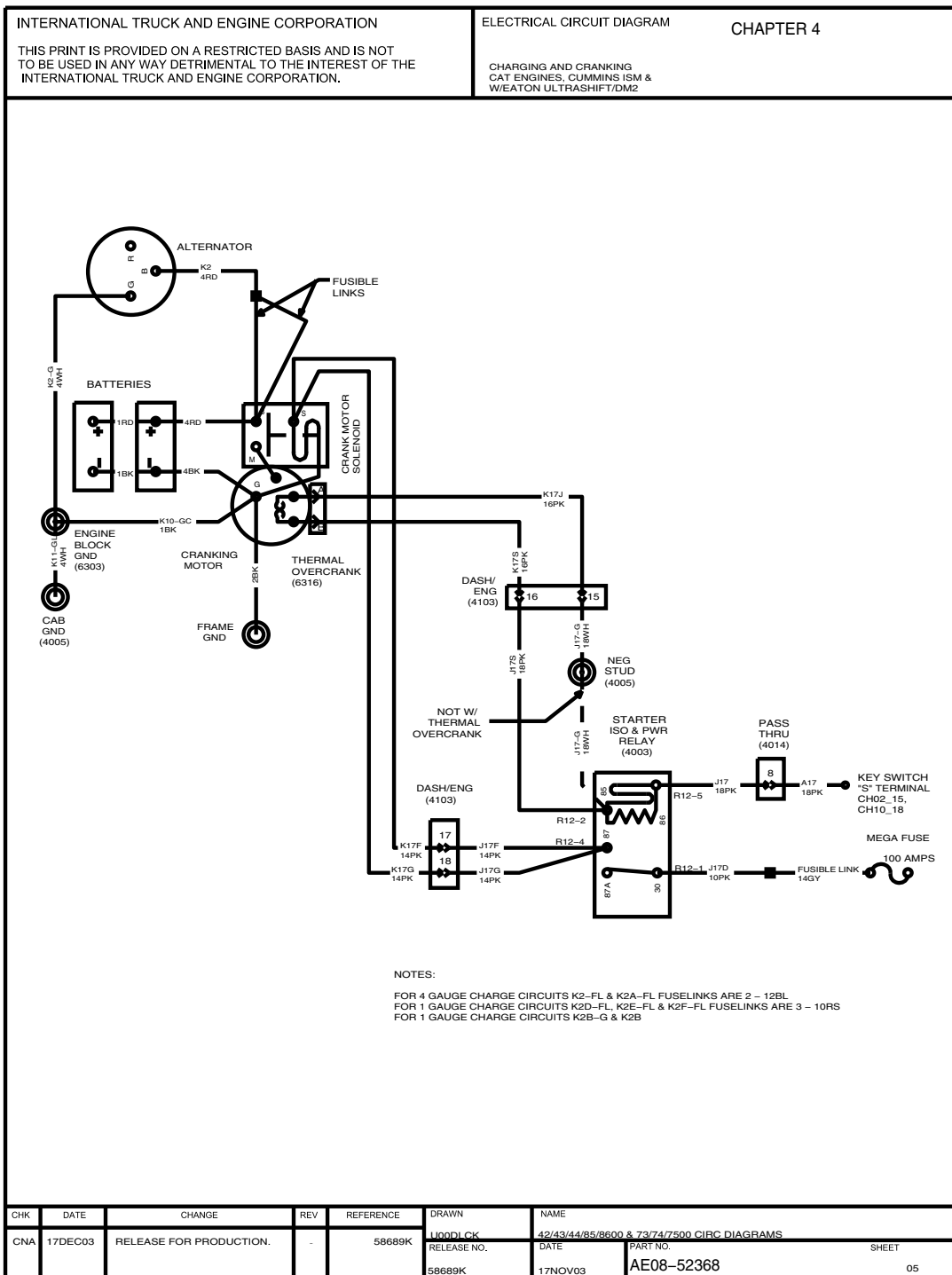


Figure 53 Caterpillar Engines, Cummins ISM and with Eaton Ultrashift/DM2

5.6. I6 EGR ENGINES WITH AIR START, P. 6

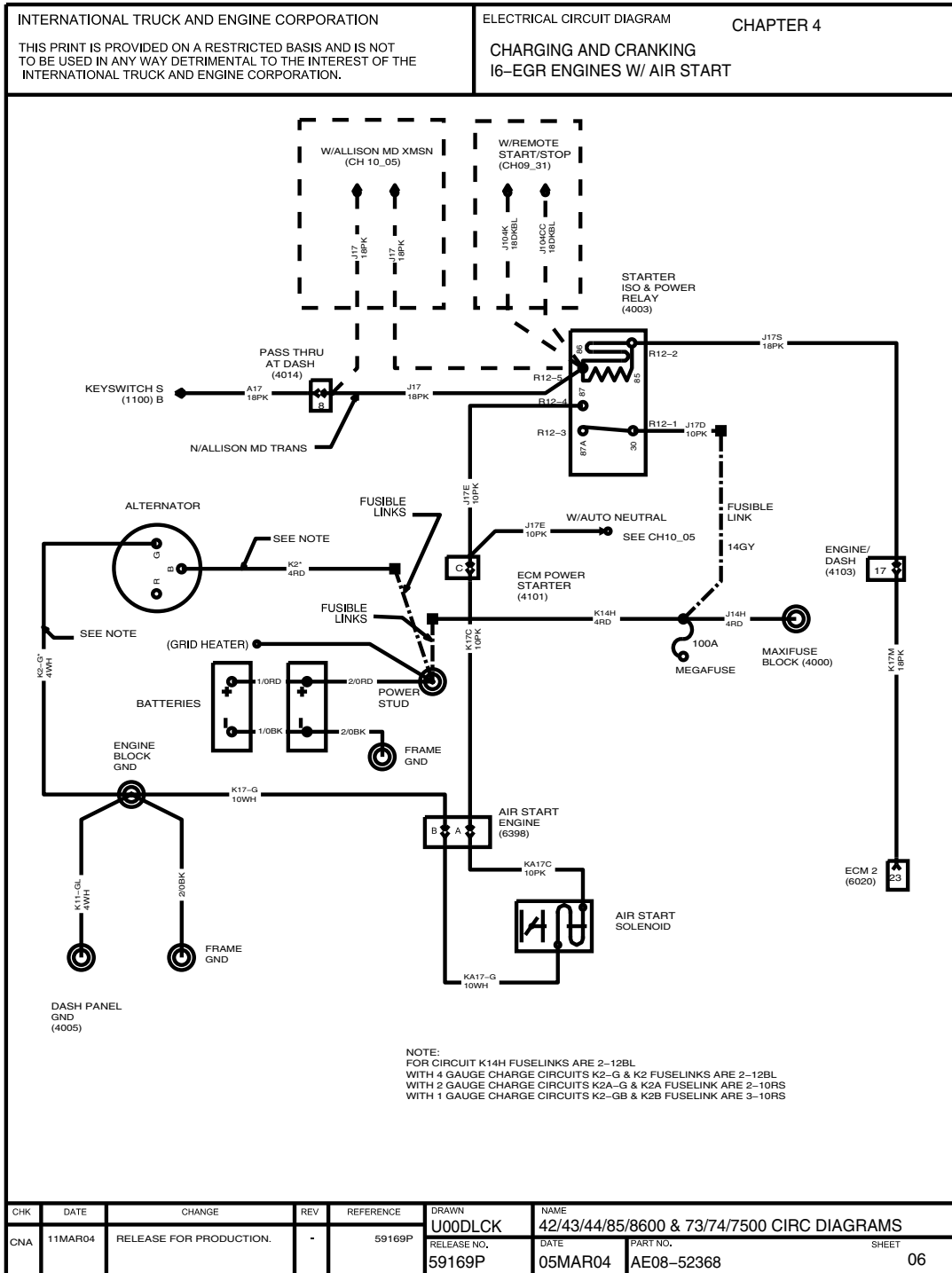


Figure 54 I6 EGR Engines with Air Start

FANS AND ENGINE ACCESSORIES (CHAPTER 5)

6.1. FAN WIRING, P. 1

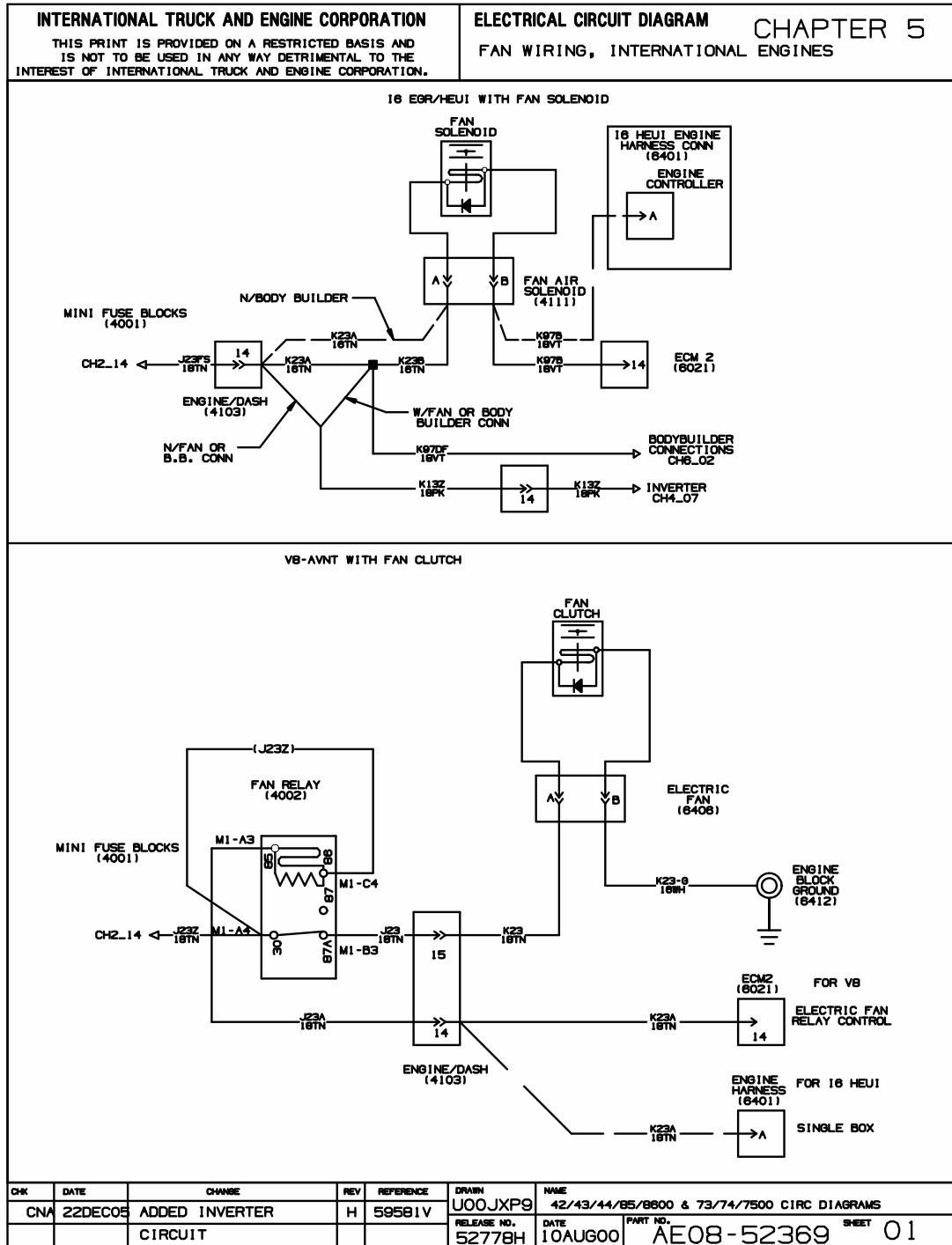


Figure 55 Fan Wiring

6.2. ETHER START, P. 2

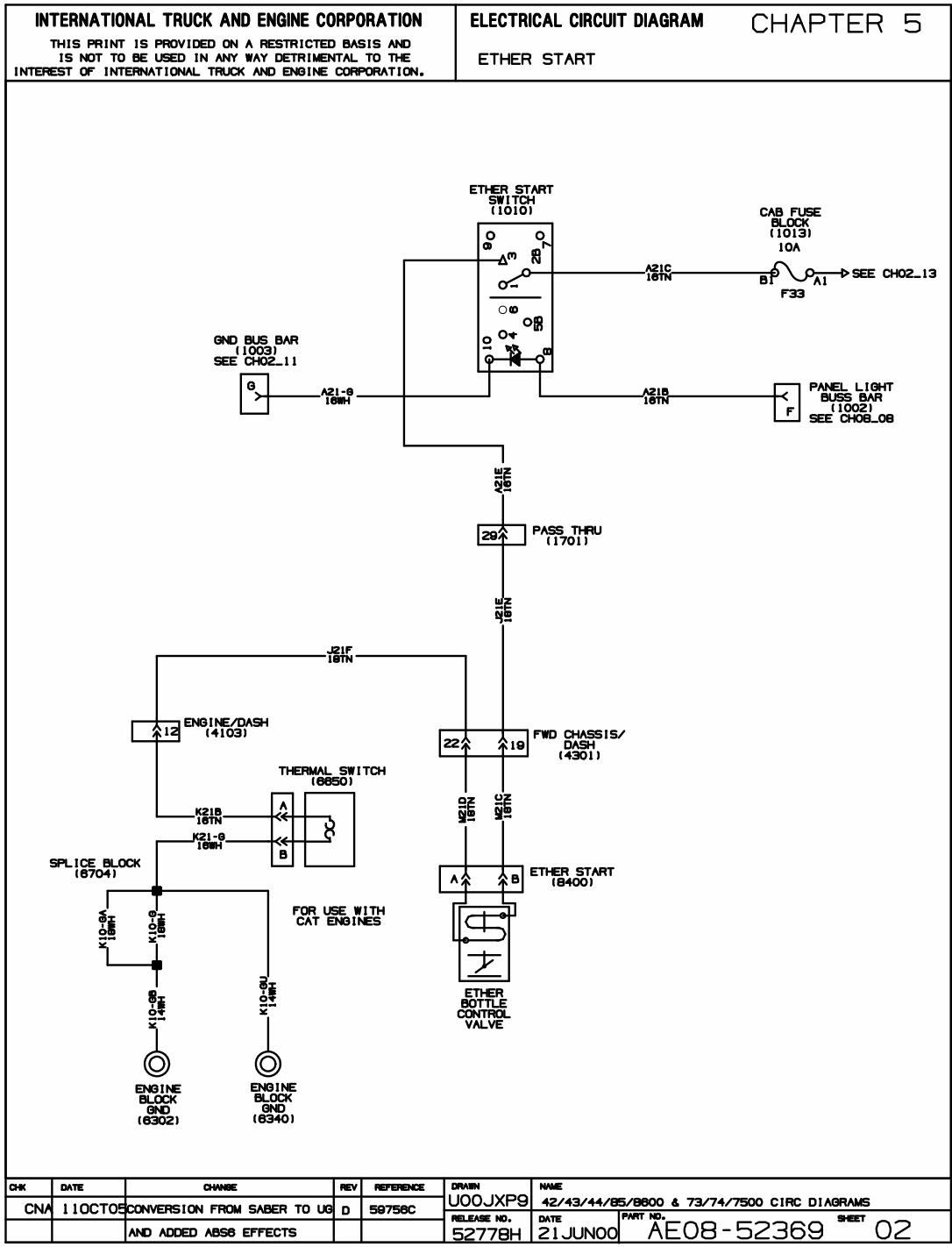


Figure 56 Ether Start

6.3. SNOW VALVE, P. 3

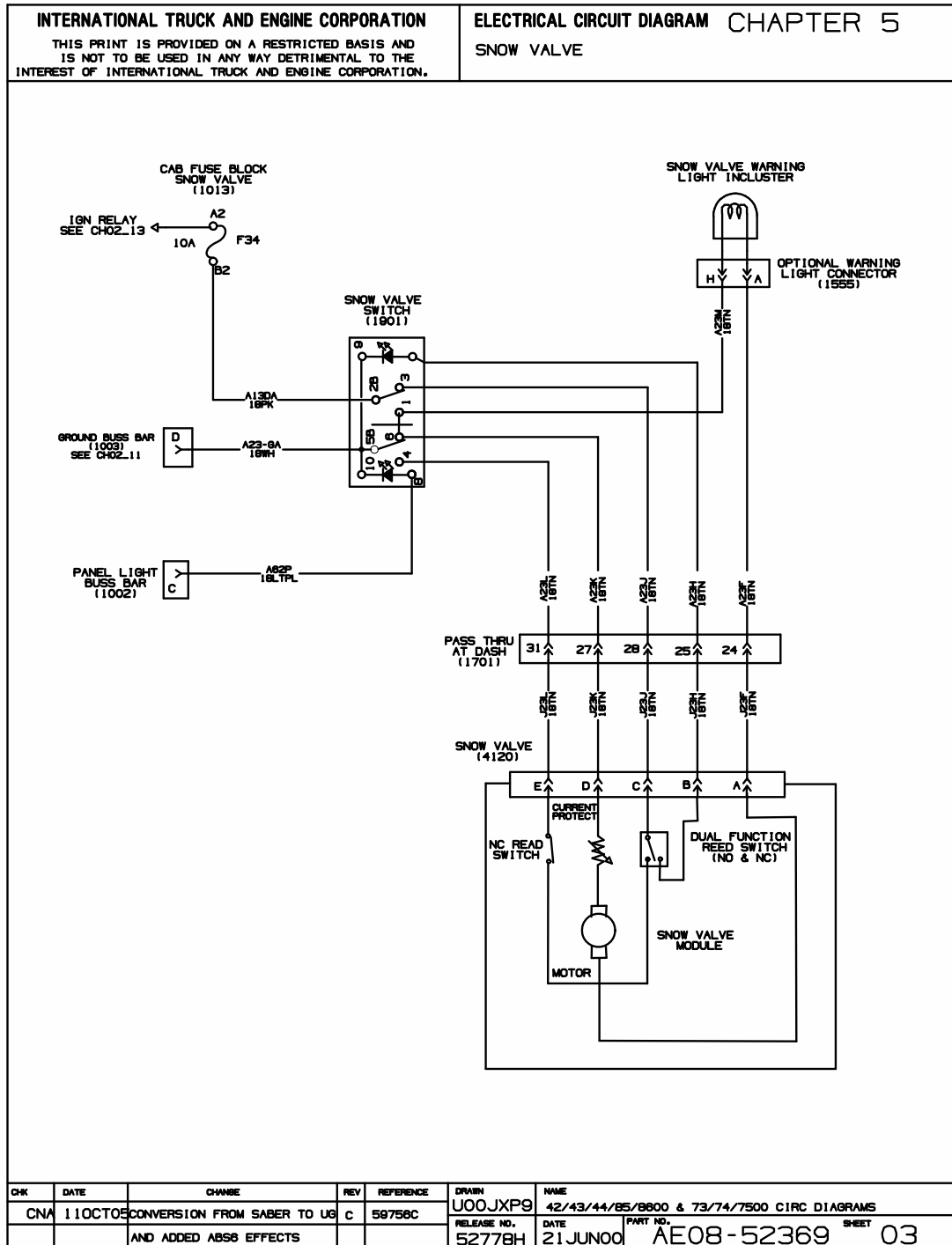


Figure 57 Snow Valve

6.4. FAN WIRING, CATERPILLAR AND CUMMINS, P. 4

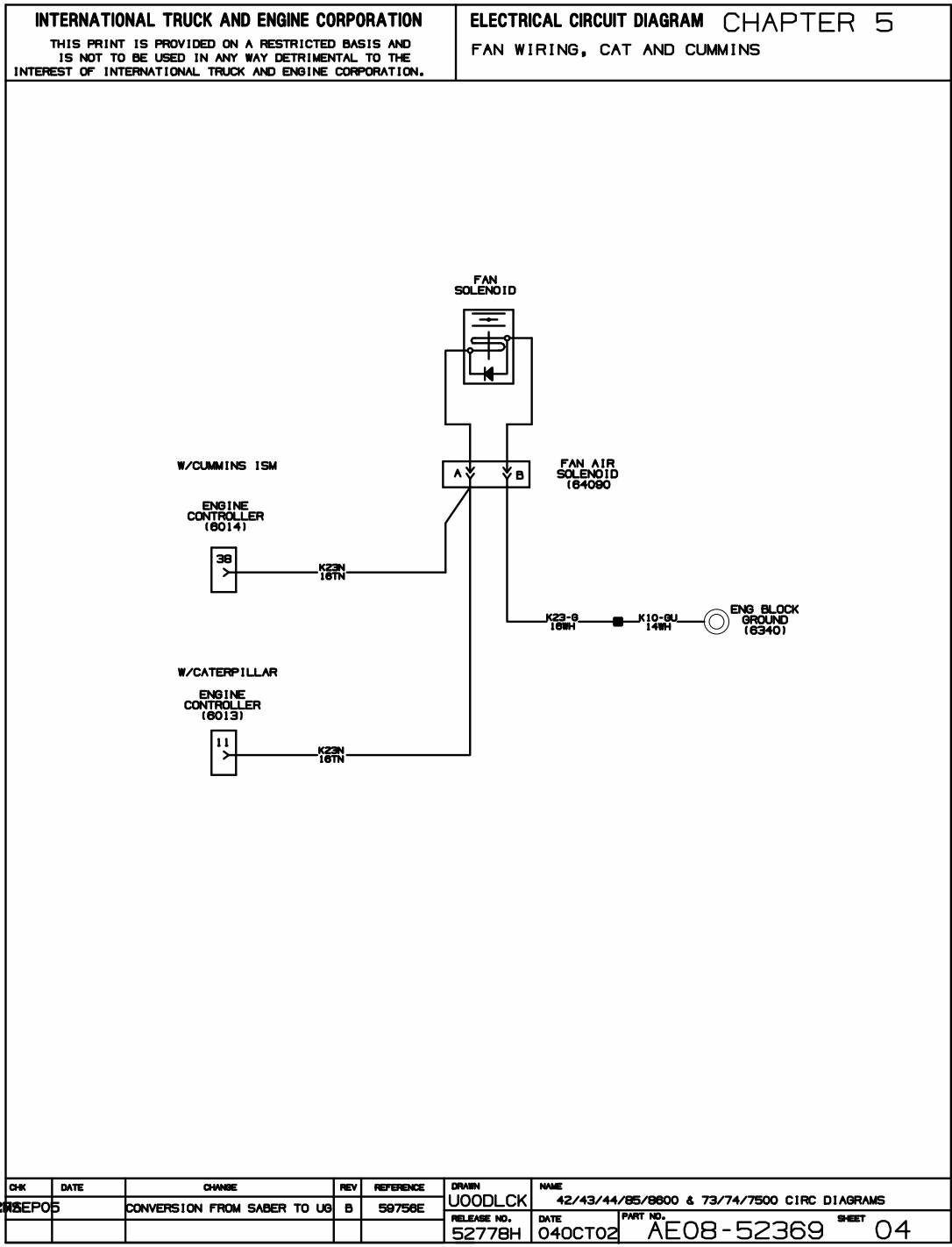


Figure 58 Fan Wiring, Caterpillar and Cummins

ELECTRONIC ENGINES (CHAPTER 6)

7.1. ELECTRONIC ENGINE CONTROLS, I6-EGR ENGINES, P. 1

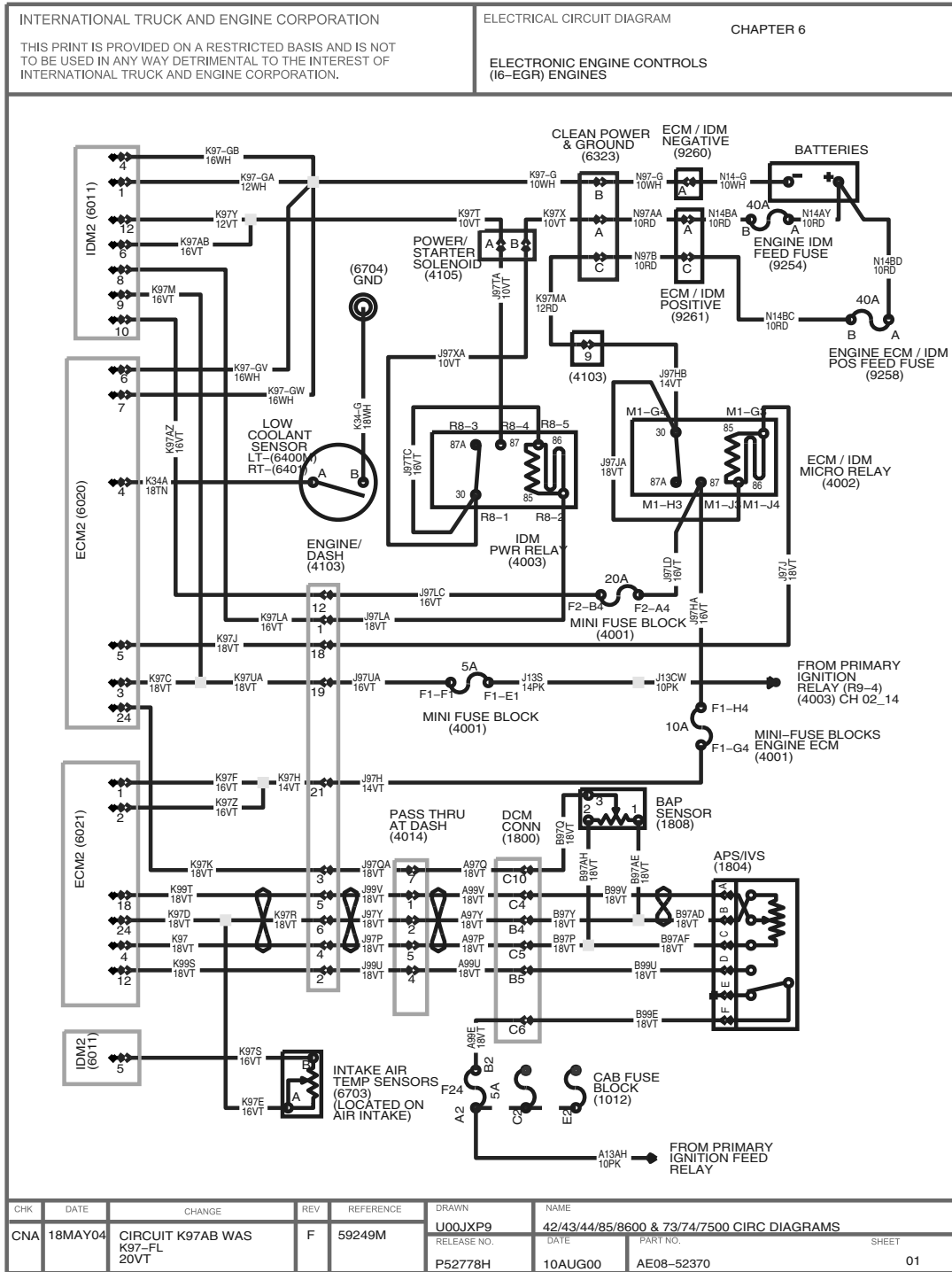


Figure 59 Electronic Engine Controls, I6-EGR Engines

7.2. ELECTRONIC ENGINE CONTROLS, I6-EGR ENGINE CRUISE CONTROL AND BODY BUILDER CONNECTIONS, P. 2

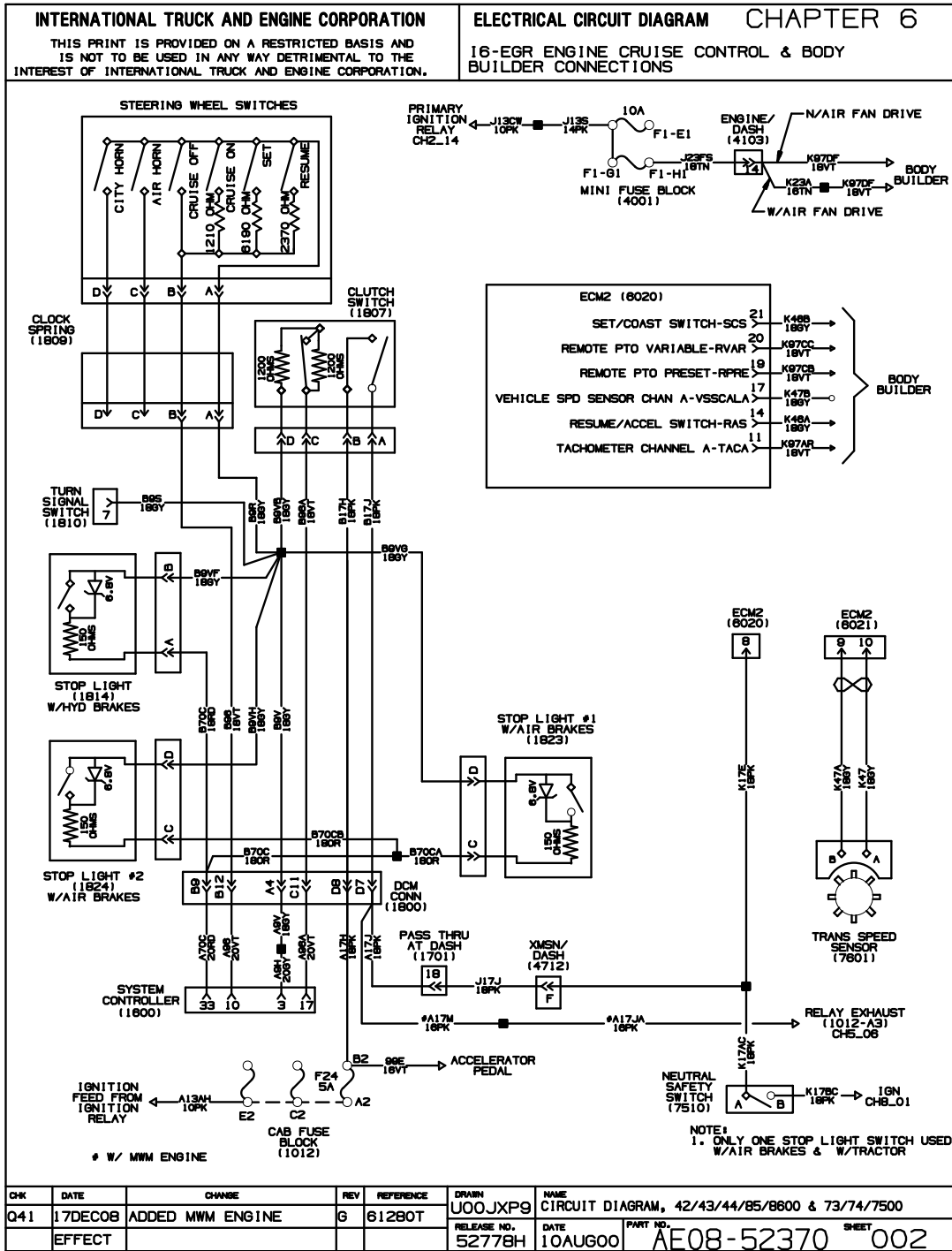


Figure 60 Electronic Engine Controls, I6-EGR Engine Cruise Control and Body Builder Connections

7.3. ELECTRONIC ENGINE CONTROLS, (V8-AVNT) ENGINES, P. 3

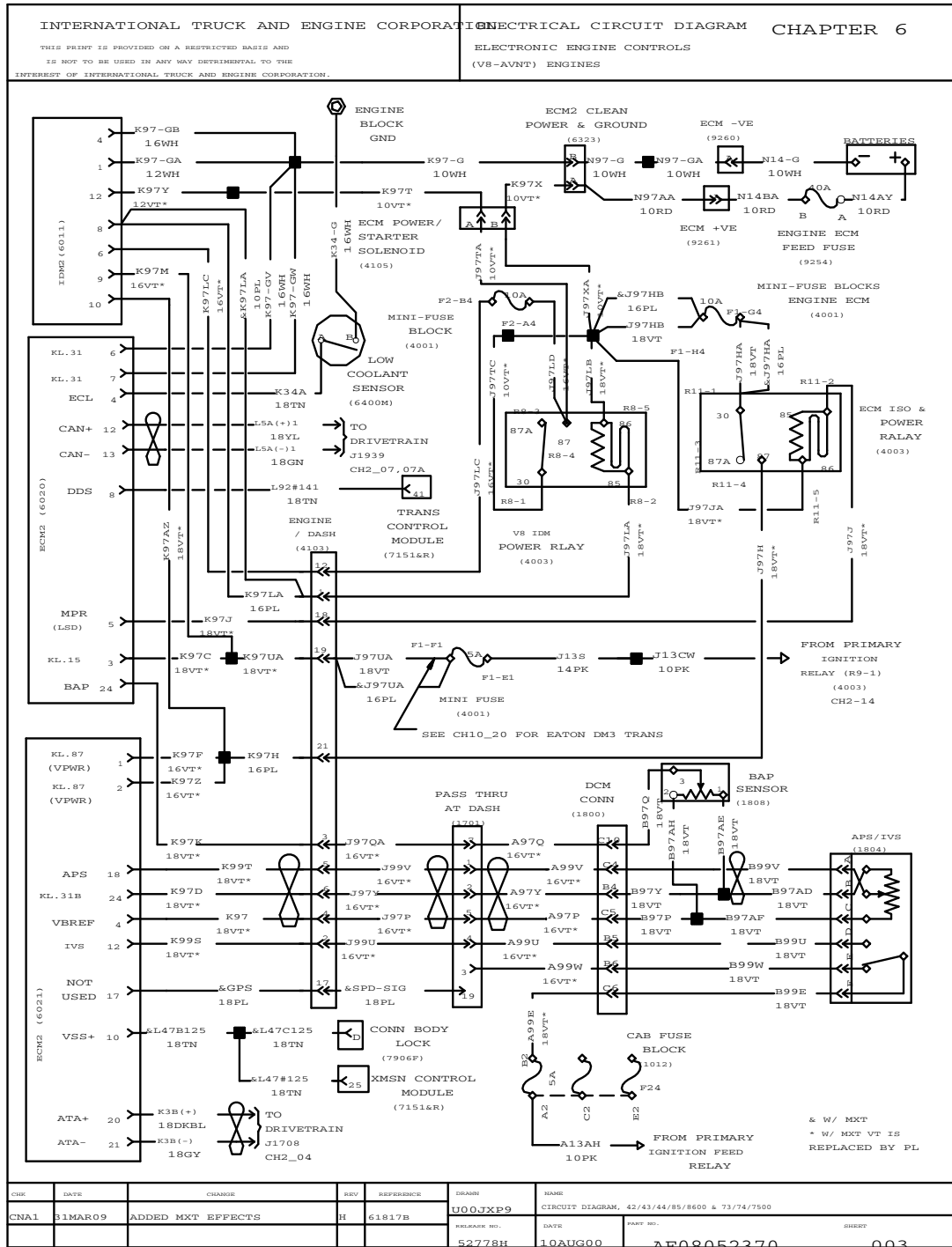


Figure 61 Electronic Engine Controls, (V8-AVNT) Engines

7.4. ELECTRONIC ENGINE CONTROLS, V8-AVNT ENGINE CRUISE CONTROL AND BODY BUILDER CONNECTIONS, P. 4

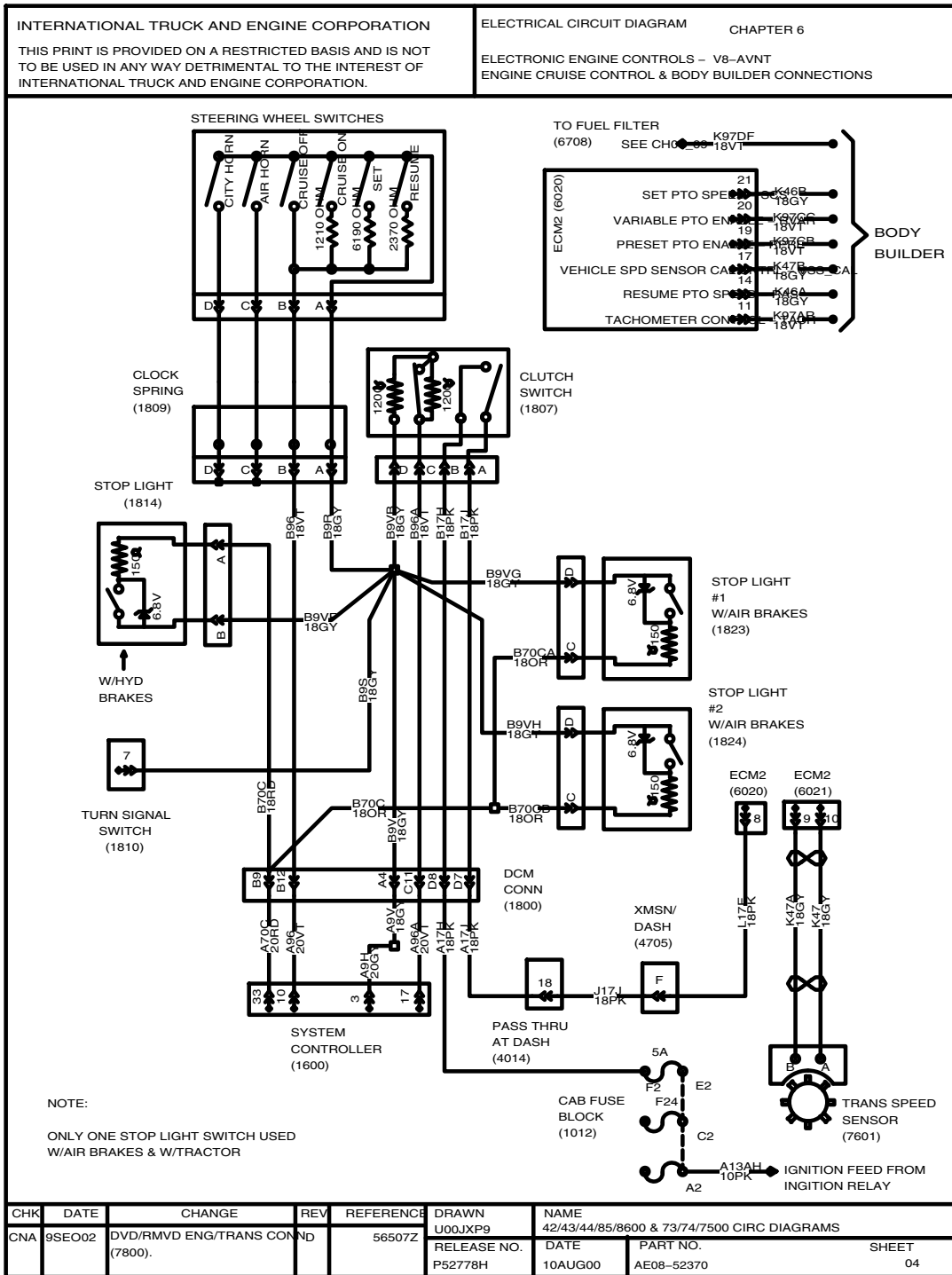


Figure 62 Electronic Engine Controls, V8-AVNT Engine Cruise Control and Body Builder Connections

7.5. CATERPILLAR C10, C11, C12, AND C13 ENGINES, P. 5

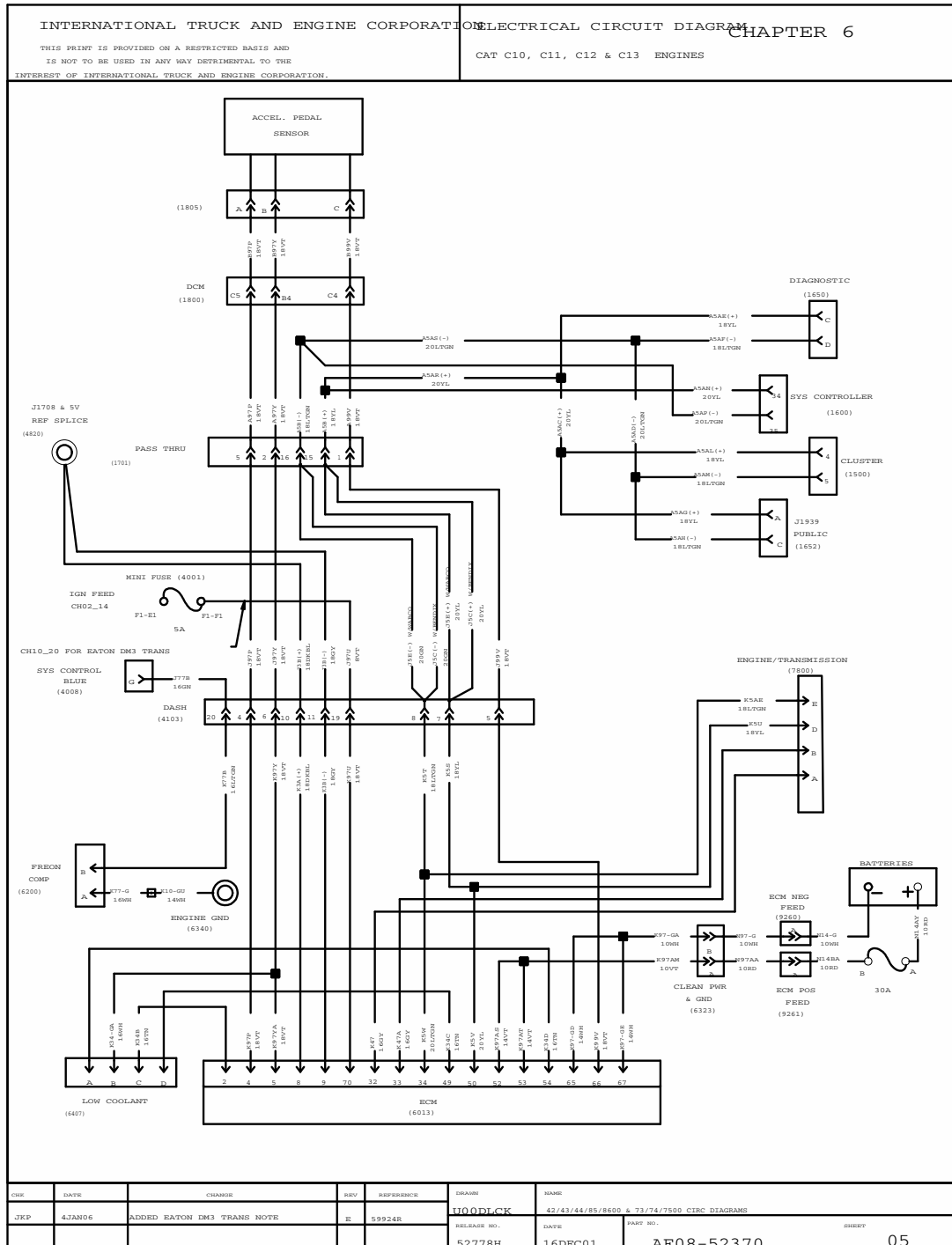


Figure 63 Caterpillar C10, C11, C12, and C13 Engines

7.7. I6 HEUI ENGINE, P. 7

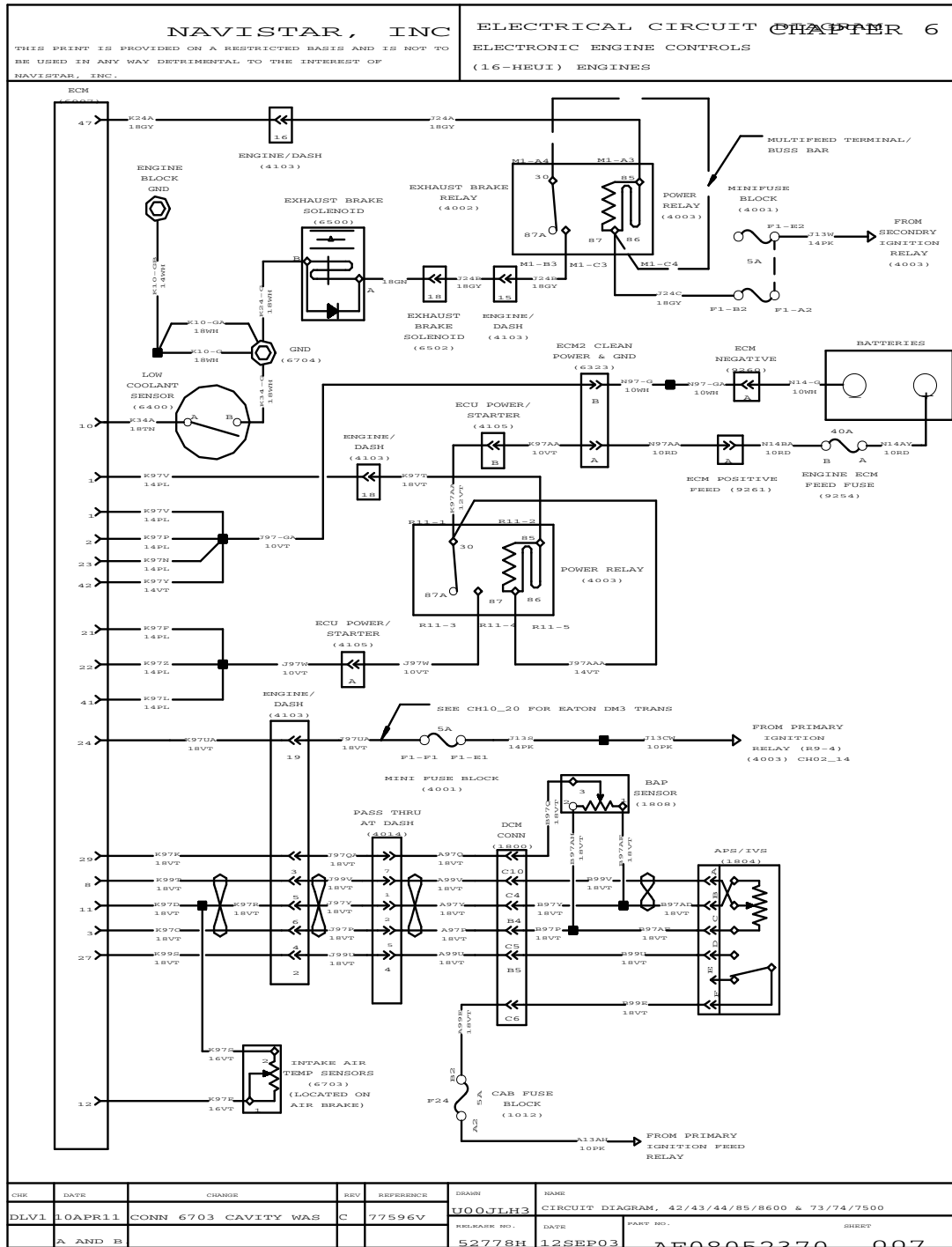


Figure 65 I6 HEUI Engine

7.8. 16 HEUI ENGINE CRUISE CONTROL AND BODY BUILDER CONNECTIONS WITH MANUAL TRANSMISSION, P. 8

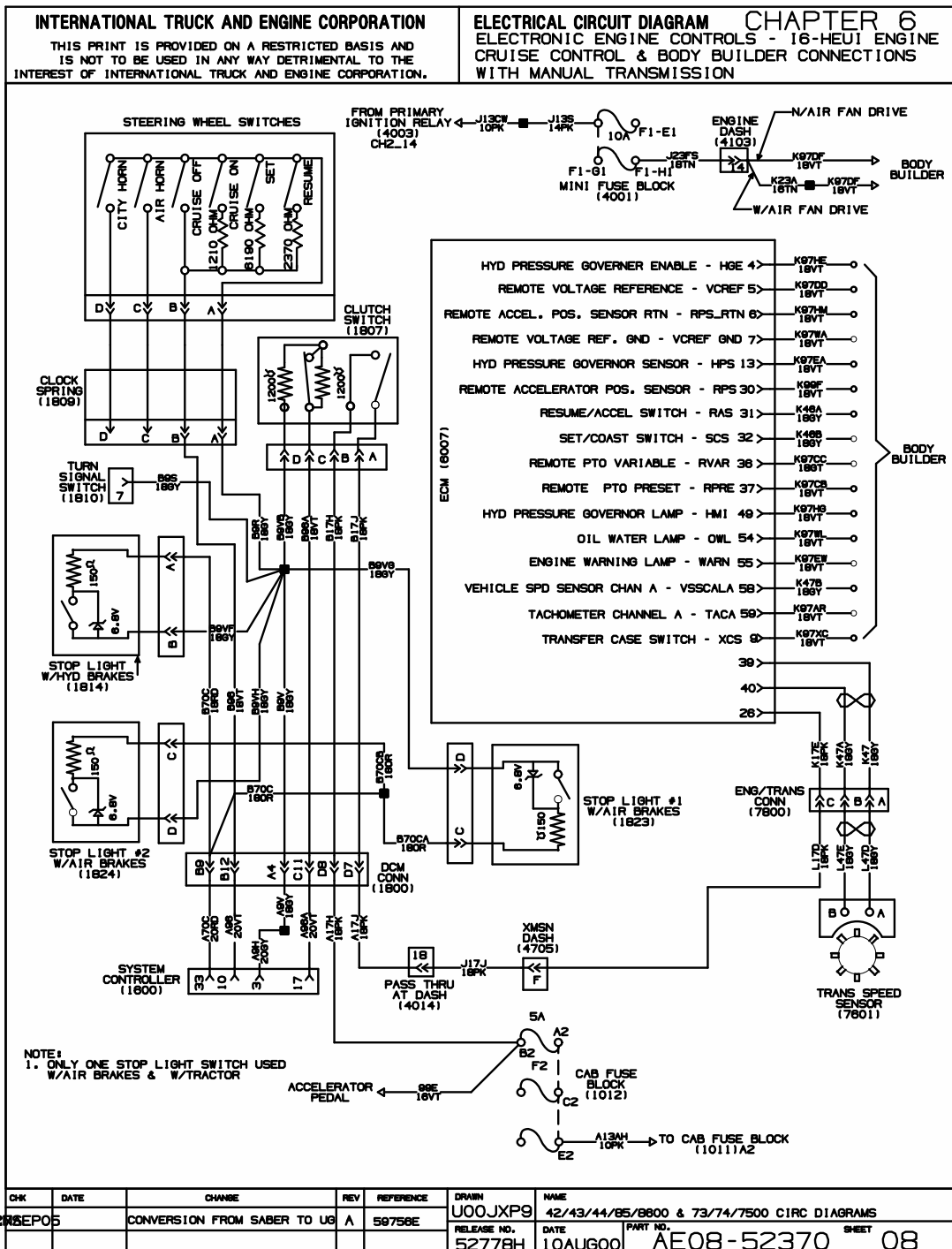


Figure 66 16 HEUI Engine Cruise Control and Body Builder Connections with Manual Transmission

8.2. WARNING LIGHT LIST, P. 2

INTERNATIONAL TRUCK AND ENGINE CORPORATION				ELECTRICAL CIRCUIT DIAGRAM CHAPTER 7			
THIS PRINT IS PROVIDED ON A RESTRICTED BASIS AND IS NOT TO BE USED IN ANY WAY DETRIMENTAL TO THE INTEREST OF INTERNATIONAL TRUCK AND ENGINE CORPORATION.				WARNING LIGHTS LIST			
IP WARNING LIGHTS							
WARNING LIGHT TITLE	SIGNAL PATH				SENSOR LOCATION		
RANGE INHIBITED	TRANS CTRLR/DRIVE TRAIN J1939/CLUSTER						
FUEL FILTER	SYSTEM CTRLR/DRIVE TRAIN J1939/CLUSTER				FUEL FILTER		
ENGINE (YELLOW LED)	ENGINE CTRLR/DRIVE TRAIN J1939/CLUSTER						
ENGINE (RED LED)	ENGINE CTRLR/DRIVE TRAIN J1939/CLUSTER						
BRAKE PRESSURE (O)	SYSTEM CTRLR/DRIVE TRAIN J1939/CLUSTER				SWITCH		
BRAKE FLUID	SYSTEM CTRLR/DRIVE TRAIN J1939/CLUSTER				BRK RESEVOIR		
TRAC CTRL	TRUCK ABS CTRLR/DRIVE TRAIN J1939/CLUSTER						
CHECK TRANS	TRANS CTRLR/DRIVE TRAIN J1939/CLUSTER						
TRAILER ABS	TRLR ABS CTRLR/DRIVE TRAIN J1939/CLUSTER						
WASHER FLUID (LEFT TURN)	SYSTEM CTRLR/DRIVE TRAIN J1939/CLUSTER				WASHER BOTTLE		
AIR BAG	DISCRETE NOT ON DATA BUS				TURN SIG SW		
WATER IN FUEL	SYSTEM CTRLR/DRIVE TRAIN J1939/CLUSTER				FUEL FILTER		
COOLANT LEVEL	ENGINE CTRLR/DRIVE TRAIN J1939/CLUSTER				SURGE TANK		
CHECK ELECT SYS	SYSTEM CTRLR/DRIVE TRAIN J1939/CLUSTER						
PARK (P)	SYSTEM CTRLR/DRIVE TRAIN J1939/CLUSTER				SWITCH		
CRUISE	SYSTEM CTRLR/DRIVE TRAIN J1939/CLUSTER						
ABS (RIGHT TURN)	TRUCK CTRLR/DRIVE TRAIN J1939/CLUSTER						
WAIT TO START	SYSTEM CTRLR/DRIVE TRAIN J1939/CLUSTER						
FASTEN BELTS	ENGINE CTRLR/DRIVE TRAIN J1939/CLUSTER						
(HIGH BEAM IND)	SYSTEM CTRLR/DRIVE TRAIN J1939/CLUSTER						
COLD AMB PROTEC	SYSTEM CTRLR/DRIVE TRAIN J1939/CLUSTER						
RETARD OVERHEAT	TRANS CTRLR/DRIVE TRAIN J1939/CLUSTER				TRANSMISSION		
CHECK AC	SYSTEM CTRLR/DRIVE TRAIN J1939/CLUSTER						
AUTO NEUTRAL	DISCRETE NOT ON DATA BUS				SWITCH		
ALTERNATOR	DISCRETE NOT ON DATA BUS						
PTO/THROTTLE	SYSTEM CTRLR/DRIVE TRAIN J1939/CLUSTER						
OPTIMIZED IDLE	DISCRETE NOT ON DATA BUS						
SNOW VALVE	DISCRETE NOT ON DATA BUS				SNOW VALVE		
FR AXLE DIFF LOCK	DISCRETE NOT ON DATA BUS				FWD RR AXLE		
RR AXLE DIFF LOCK	DISCRETE NOT ON DATA BUS				RR RR AXLE		
MESSAGE WAIT	DISCRETE NOT ON DATA BUS						
PTO	DISCRETE NOT ON DATA BUS						
CONVERTER TEMP	DISCRETE NOT ON DATA BUS						
TOUCHLOC RELEASE	DISCRETE NOT ON DATA BUS						
PARK FLUID	SYSTEM CTRLR/DRIVE TRAIN						
FR AXLE ENGAGED	DISCRETE NOT ON DATA BUS				TRANSFER CASE		
CHK	DATE	CHANGE	REV	REFERENCE	DRAWN	NAME	
50PT05		CONVERSION FROM SABER TO US	C	59758E	U00JXP9	42/43/44/85/8800 & 73/74/7500 CIRC DIAGRAMS	
					RELEASE NO.	DATE	
					5277BH	09AUG00	
					PART NO.	SHEET	
					AE08-52371	02	

Figure 68 Warning Light List

8.3. WARNING LIGHTS CONTROLLED BY ENGINE, TRANSMISSION, ABS CONTROLLER, P. 3

INTERNATIONAL TRUCK AND ENGINE CORPORATION THIS PRINT IS PROVIDED ON A RESTRICTED BASIS AND IS NOT TO BE USED IN ANY WAY DETRIMENTAL TO THE INTEREST OF INTERNATIONAL TRUCK AND ENGINE CORPORATION.	ELECTRICAL CIRCUIT DIAGRAM CHAPTER 7 WARNING LIGHTS CONTROLLED BY ENGINE, TRANSMISSION, ABS CONTROLLER						
<p>THE FOLLOWING WARNING LIGHTS ARE CONTROLLED BY THE ENGINE, TRANSMISSION, OR ABS CONTROLLER OVER THE DATA BUS AND DO NOT HAVE INDEPENDENT CIRCUITRY THAT CAN BE OR NEEDS TO BE SHOWN:</p> <p>RANGE INHIBIT</p> <p>ENGINE (YELLOW LED)</p> <p>ENGINE (RED LED)</p> <p>TRAC CTRL</p> <p>CHECK TRANS</p> <p>TRAILER ABS</p> <p>CHECK ELECTR SYS</p> <p>ABS</p> <p>WAIT TO START</p> <p>RETARD OVERHEAT</p> <p>AUTO NEUTRAL (NOT ON DATA BUS TO CLUSTER)</p> <p>OPTIMIZED IDLE (NOT ON DATA BUS TO CLUSTER)</p>							
CHK	DATE	CHANGE	REV	REFERENCE	DRAWN	NAME	
PEC	16JAN01	PRODUCTION RELEASE.	A	P54304U	U00JXP9	42/43/44/85/8600 & 73/74/7500 CIRC DIAGRAMS	
					RELEASE NO.	DATE	PART NO.
					P52778H	20JUN00	AE08-52371
						SHEET	03

Figure 69 Warning Lights Controlled by Engine, Transmission, ABS Controller

8.4. ENGINE OIL PRESSURE AND TEMP, SPEEDOMETER, TACH, VOLTMETER AND WATER TEMP GAUGE CIRCUITS, P. 4

INTERNATIONAL TRUCK AND ENGINE CORPORATION THIS PRINT IS PROVIDED ON A RESTRICTED BASIS AND IS NOT TO BE USED IN ANY WAY DETRIMENTAL TO THE INTEREST OF INTERNATIONAL TRUCK AND ENGINE CORPORATION.				ELECTRICAL CIRCUIT DIAGRAM CHAPTER 7 ENG OIL PRESS & TEMP, SPEEDOMETER, TACH, VOLTMETER & WATER TEMP GAUGE CIRCUITS			
<p>REFER TO CONSOLIDATED ENGINE/VEHICLE CONTROLLER DIAGNOSTICS MANUAL EGES-175 (DT466), EGES-190 (V8-AVNT), FOR CIRCUIT DIAGRAMS SHOWING INPUT CIRCUITRY FOR THE FOLLOWING DATALINK DRIVEN SYSTEM:</p> <p>ENGINE OIL PRESSURE GAUGE</p> <p>ENGINE OIL TEMPERATURE GAUGE</p> <p>SPEEDOMETER GAUGE</p> <p>TACHOMETER GAUGE</p> <p>WATER TEMPERATURE GAUGE</p>							
CHK	DATE	CHANGE	REV	REFERENCE	DRAWN	NAME	
PEC	16JAN01	PRODUCTION RELEASE.	A	P54304U	U00JXP9	42/43/44/85/8600 & 73/74/7500 CIRC DIAGRAMS	
					RELEASE NO.	DATE	
					P52778H	20JUN00	
						PART NO.	
						AE08-52371	
						SHEET	
						04	

Figure 70 Engine Oil Pressure and Temp, Speedometer, Tach, Voltmeter and Water Temp Gauge Circuits

8.5. IP/GAUGES AND WARNING LIGHTS — GAUGE CLUSTER, P. 5

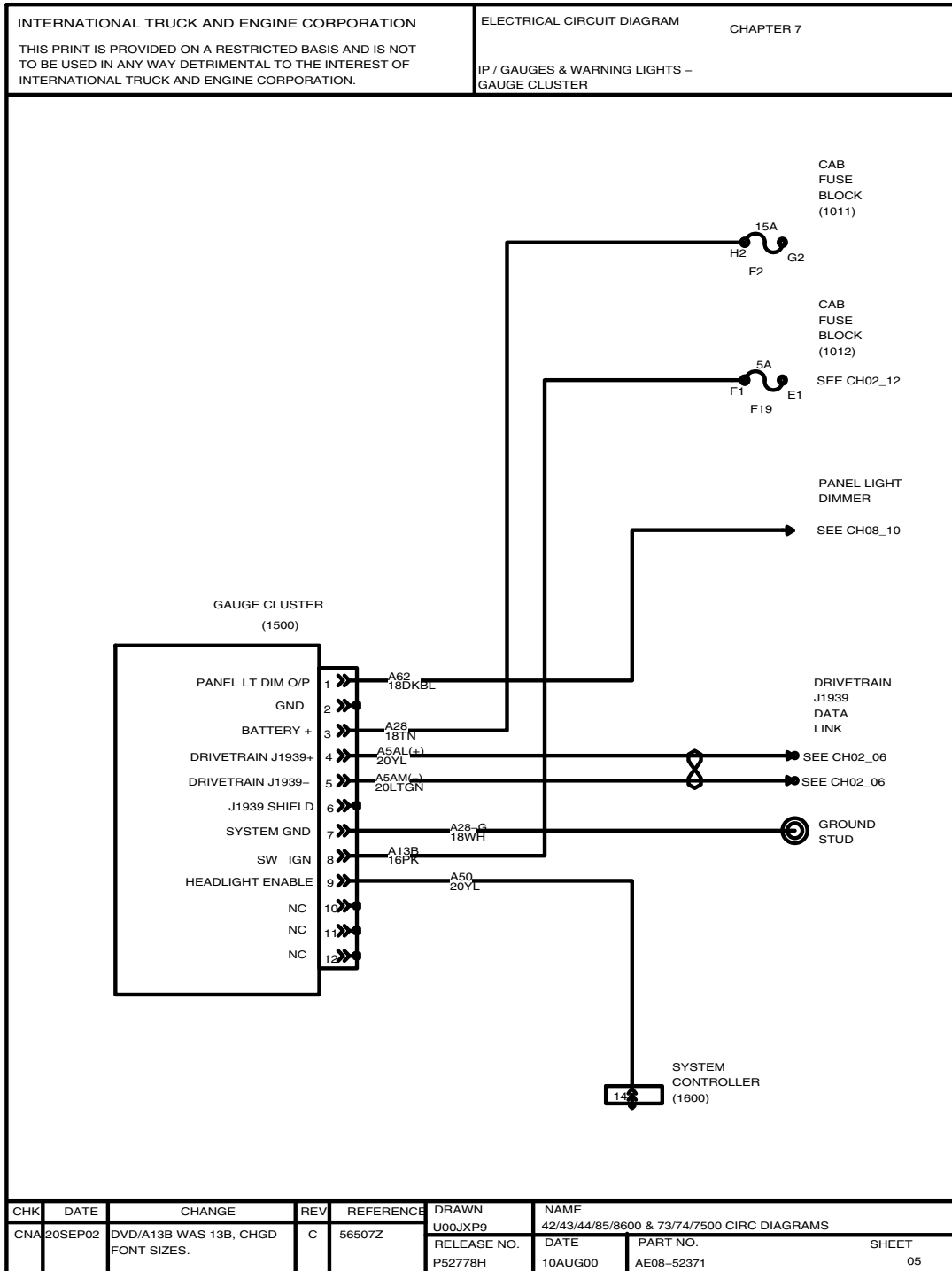


Figure 71 IP/Gauges and Warning Lights — Gauge Cluster

8.6. AIR PRESSURE INPUT CIRCUIT, P. 6

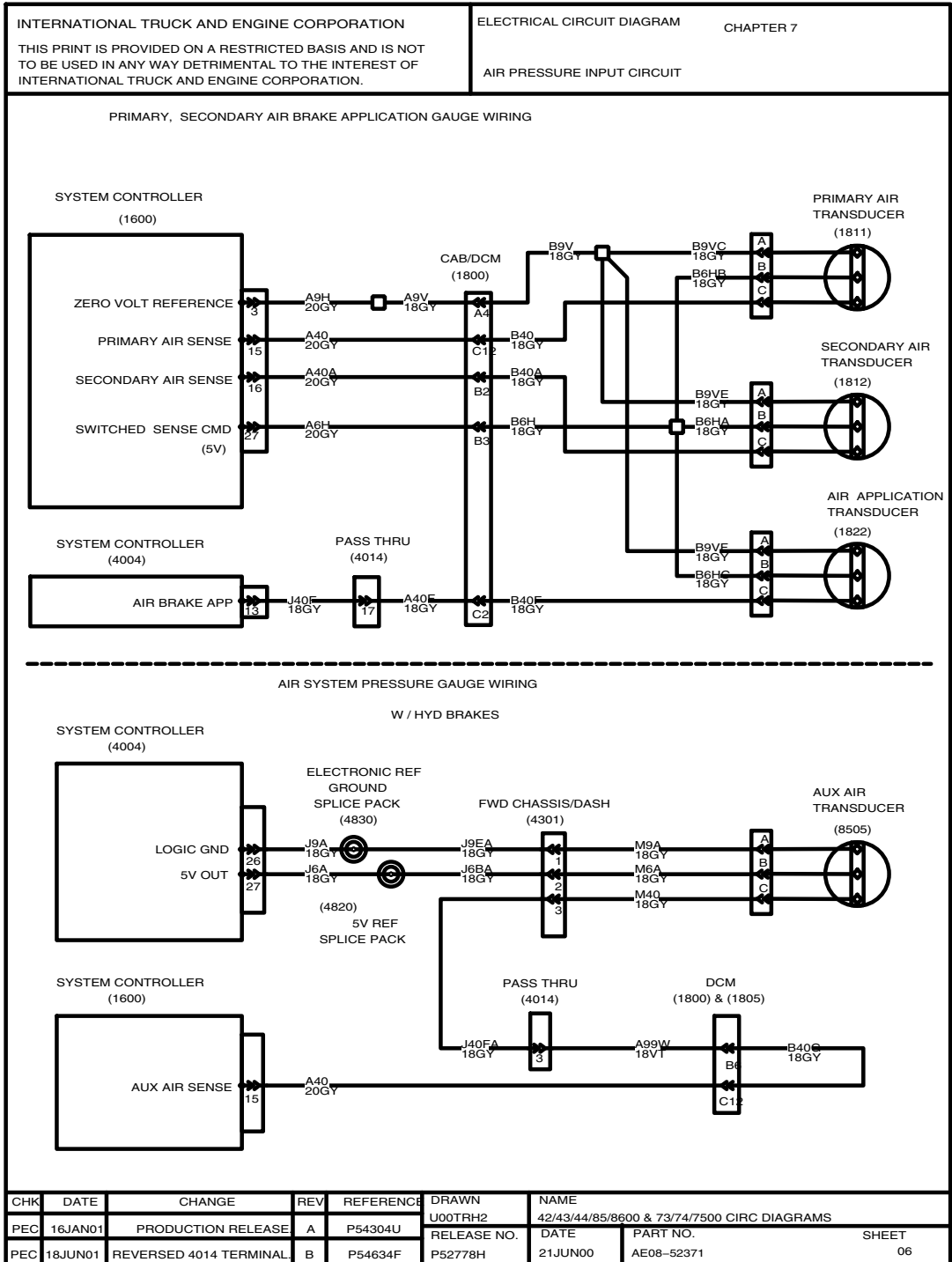


Figure 72 Air Pressure Input Circuit

8.7. AXLE TEMPERATURE, FWD REAR AND REAR AXLES, GAUGE INPUT CIRCUIT, P. 7

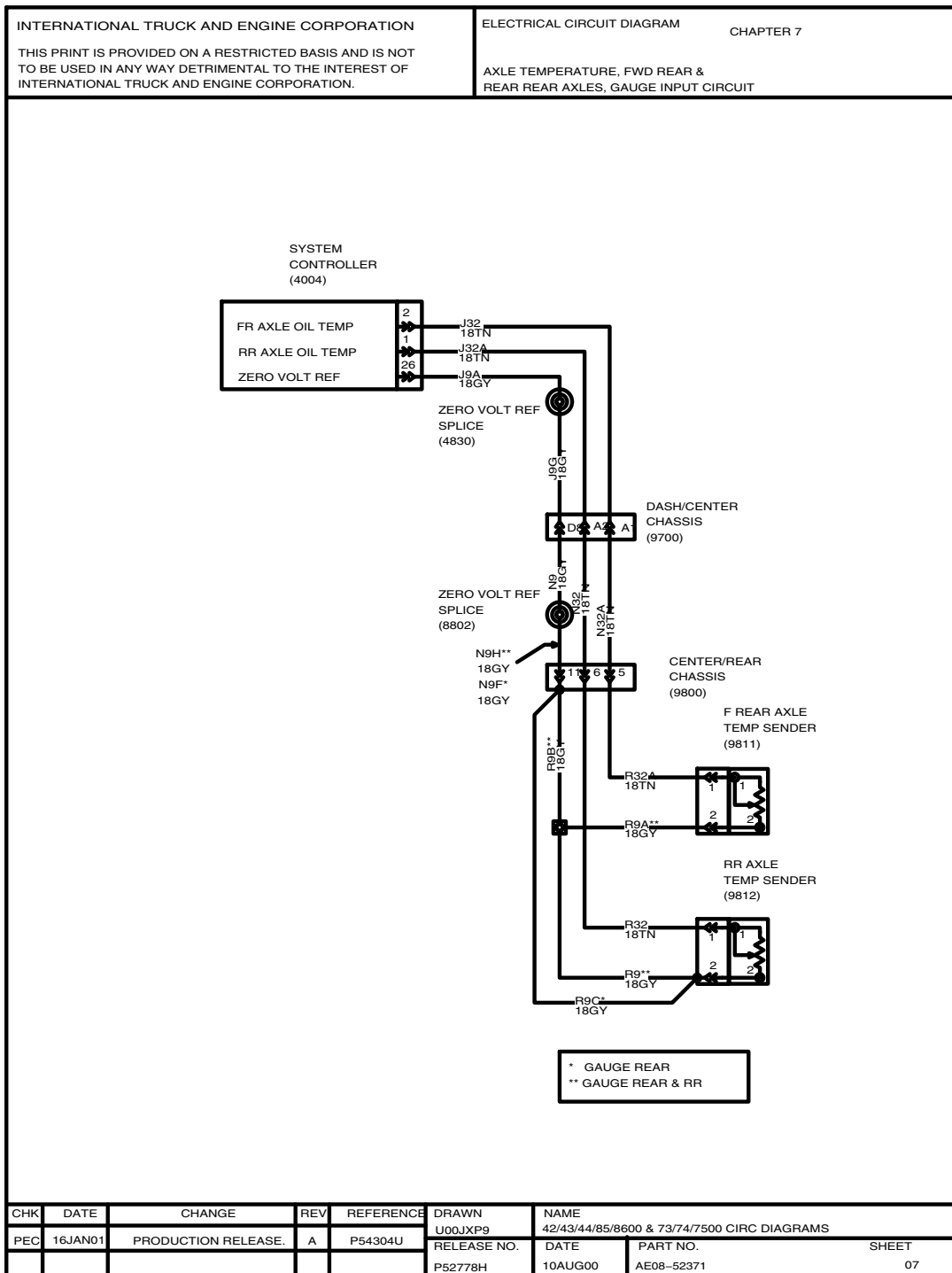


Figure 73 Axle Temperature, FWD Rear and Rear Axles, Gauge Input Circuit

8.8. FUEL GAUGE INPUT CIRCUIT (SINGLE TANK) DIFFERENTIAL LOCK WARNING LAMPS, P. 8

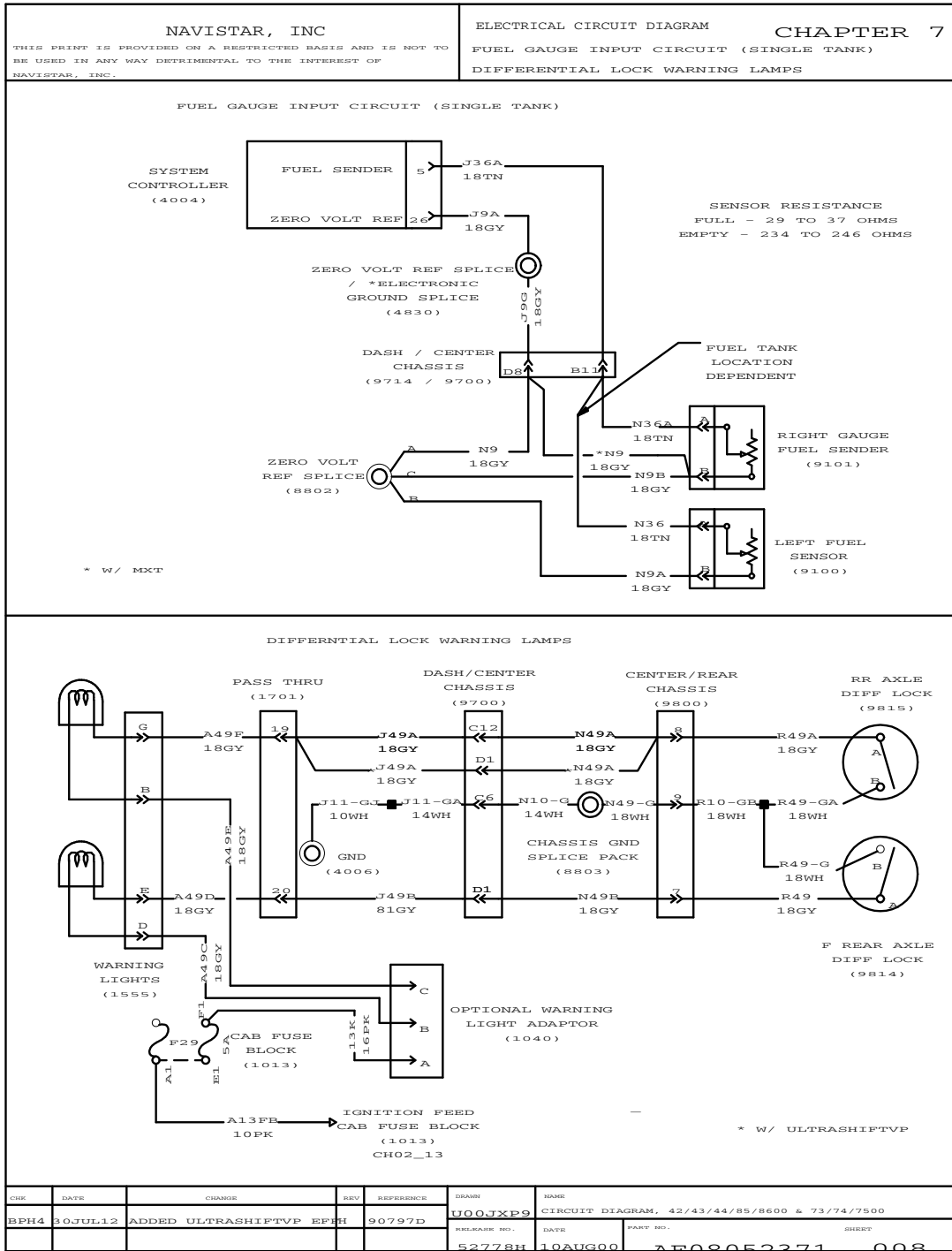


Figure 74 Fuel Gauge Input Circuit (Single Tank) Differential Lock Warning Lamps

8.9. GAUGES AND WARNING LIGHTS — FUEL FILTER RESTRICTION AND WATER IN FUEL LIGHTS, P. 9

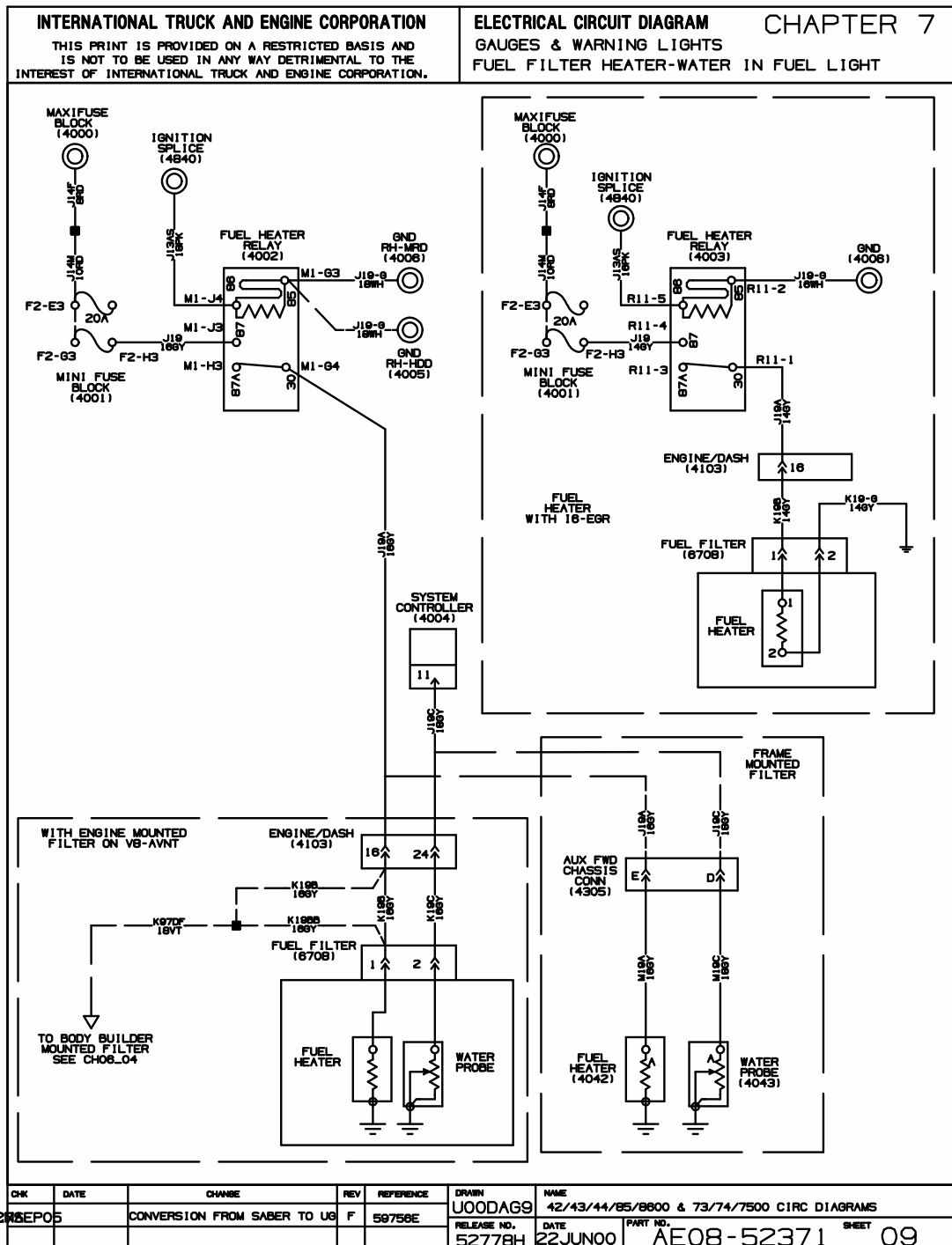


Figure 75 Gauges and Warning Lights — Fuel Filter Restriction and Water in Fuel Lights

8.10. GAUGES AND WARNING LIGHTS — PARK BRAKE LIGHT AND TRANSMISSION OIL TEMP. GAUGE, P. 10

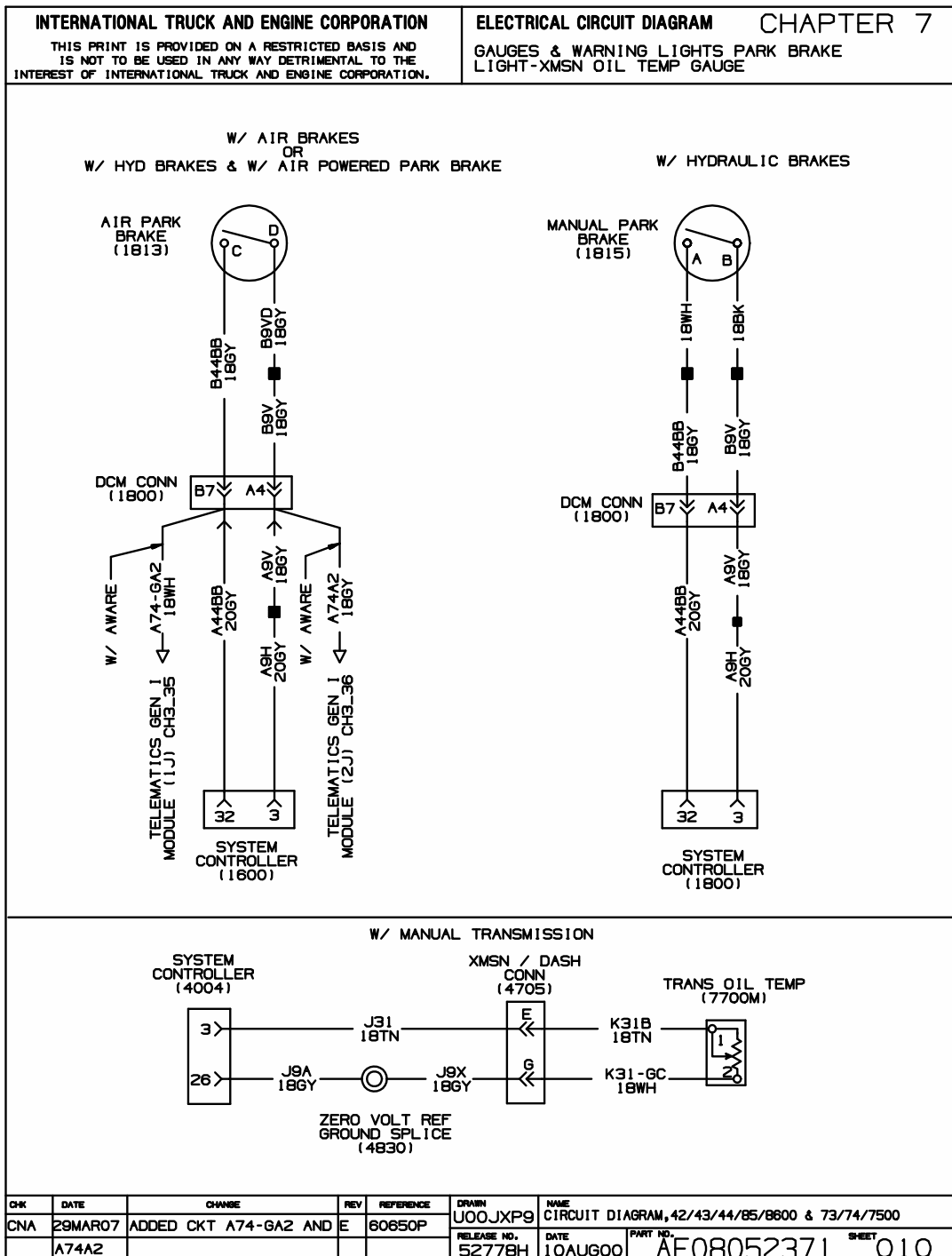


Figure 76 Gauges and Warning Lights — Park Brake Light and Transmission Oil Temp. Gauge

8.11. GAUGES AND WARNING LIGHTS — AMMETER, P. 11

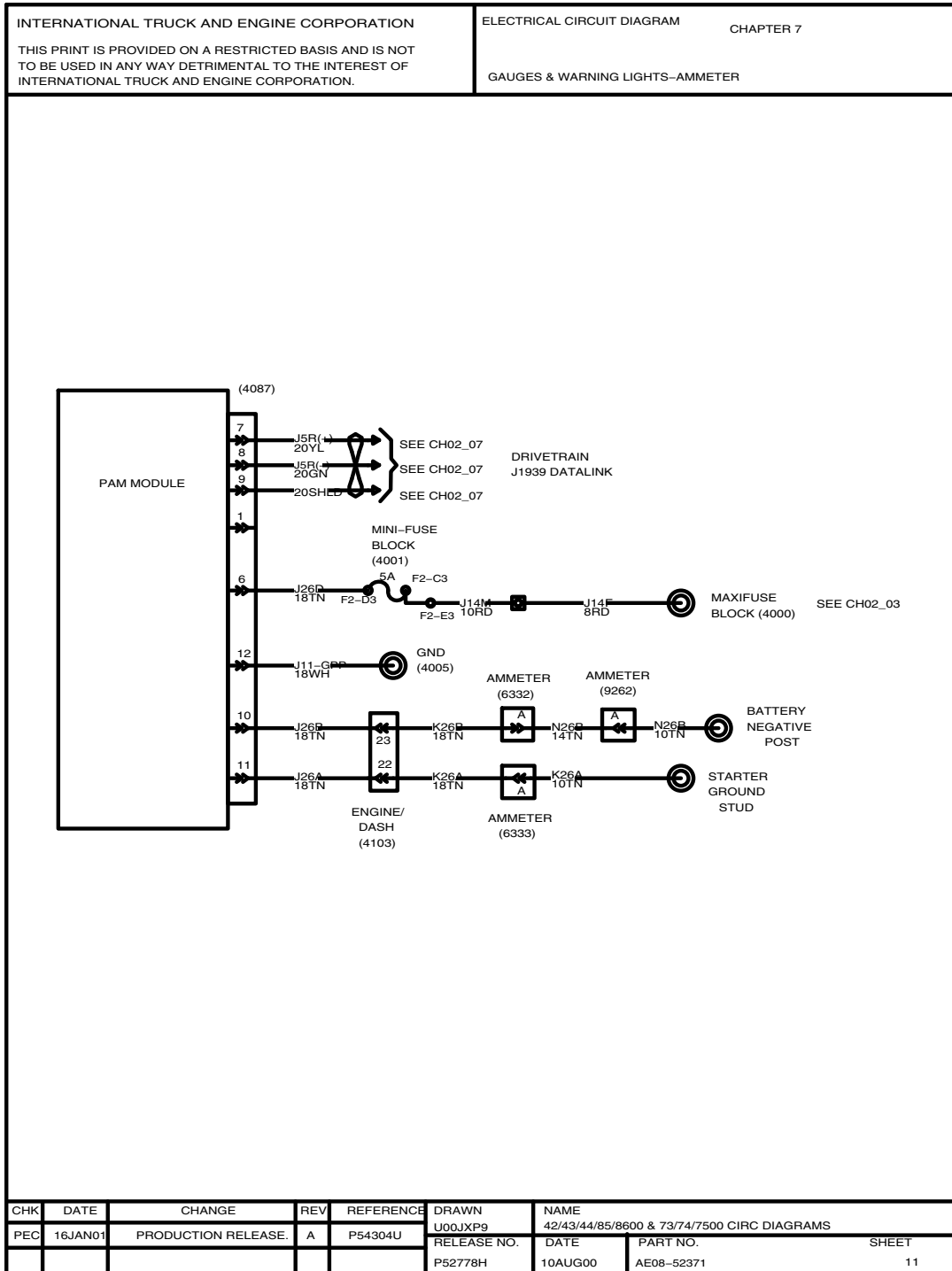


Figure 77 Gauges and Warning Lights — Ammeter

8.12. ENGINE OIL TEMPERATURE GAUGE WITH CATERPILLAR, P. 12

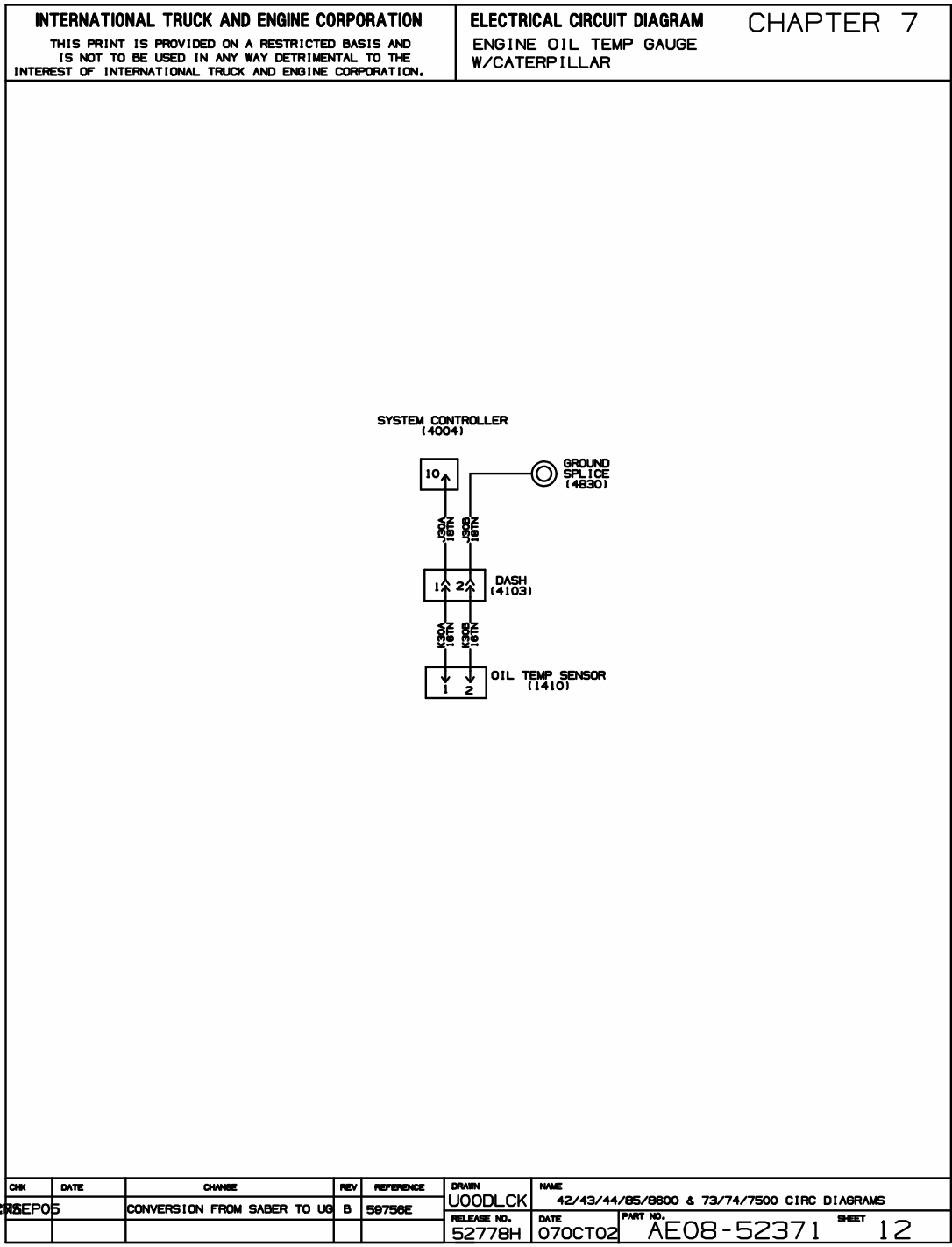


Figure 78 Engine Oil Temperature Gauge With Caterpillar

8.13. FRONT AXLE ENGAGEMENT LAMP, P. 13

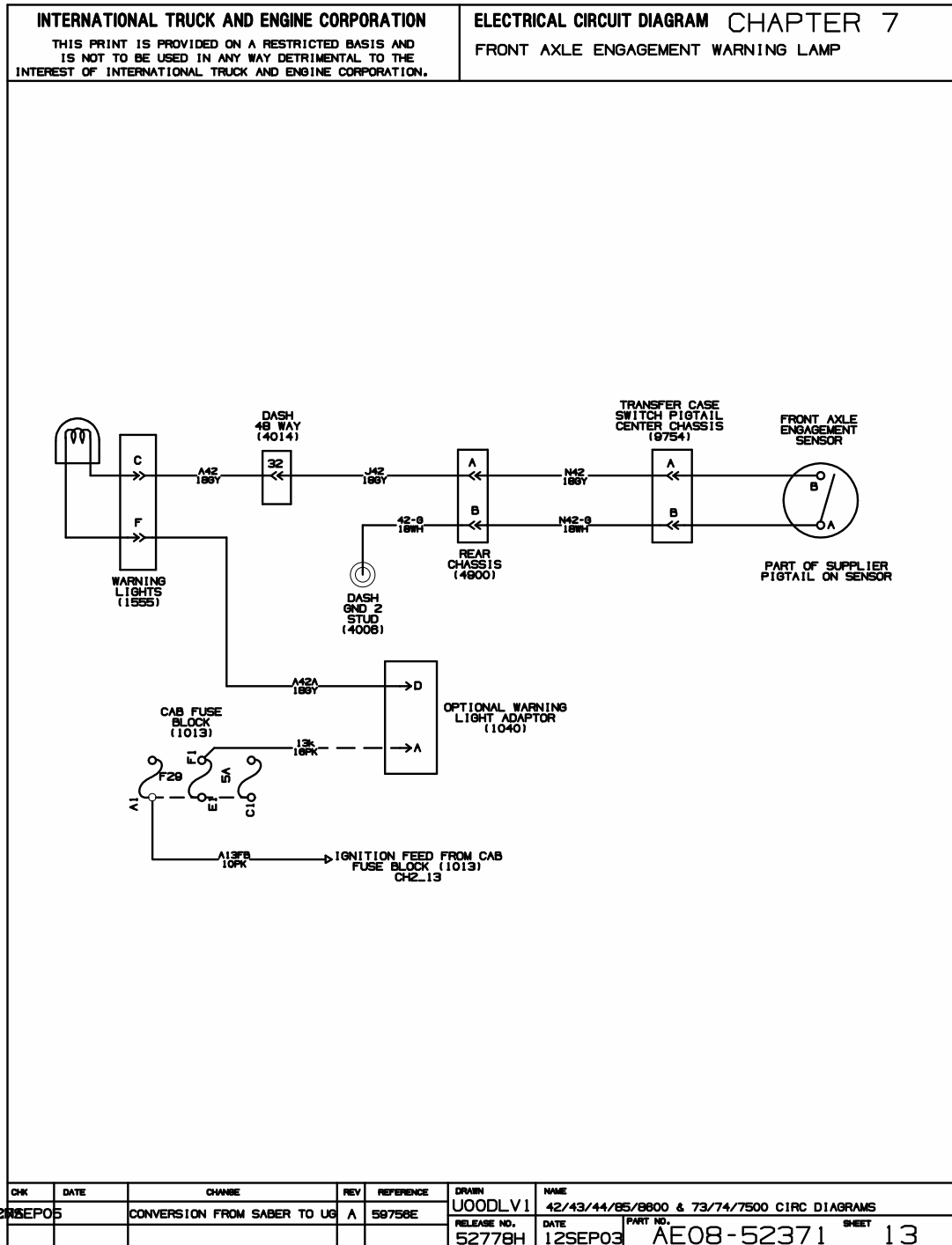
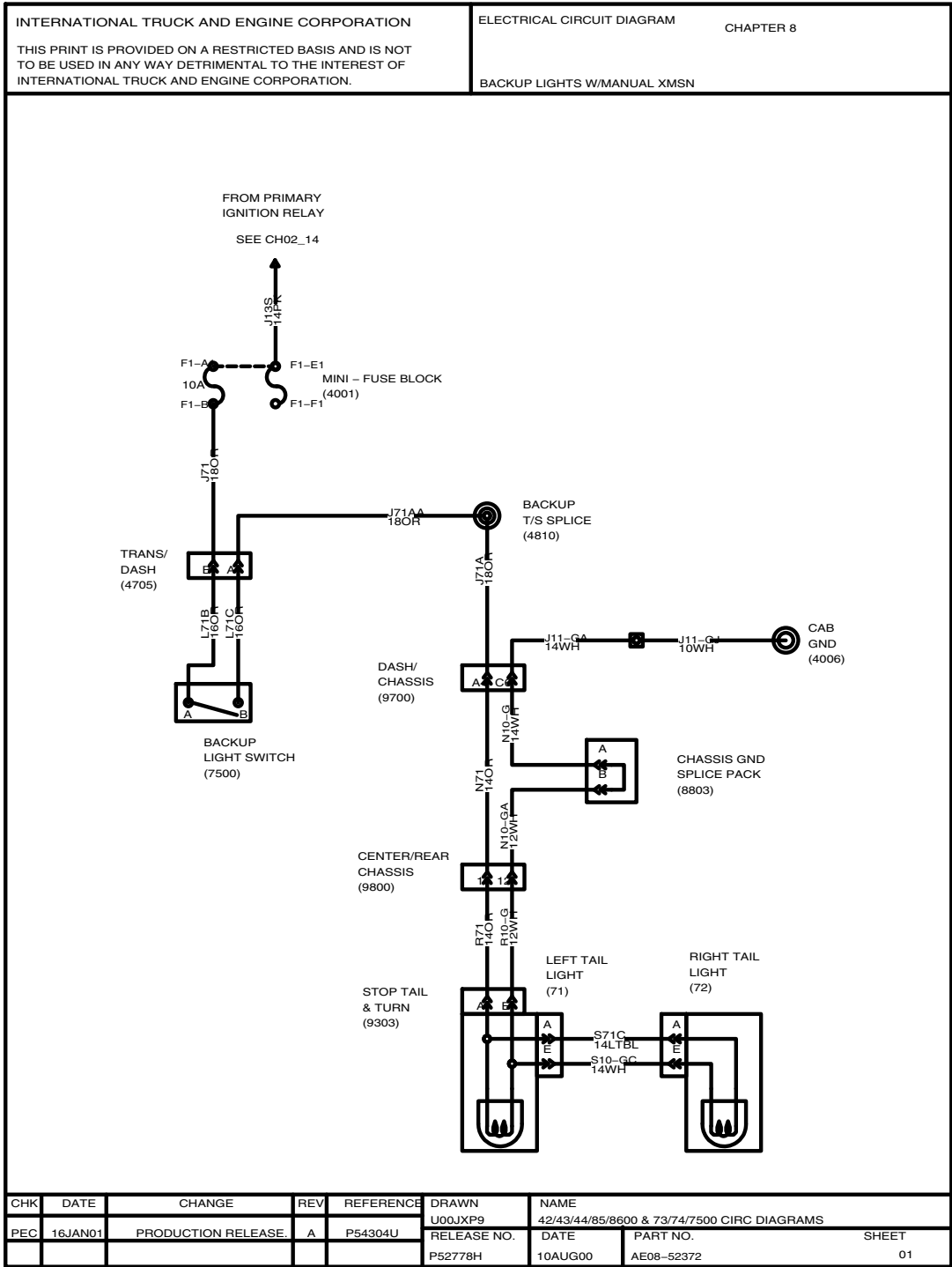


Figure 79 Front Axle Engagement Lamp

LIGHTS (CHAPTER 8)

9.1. BACK UP LIGHTS, P. 1



9.2. LIGHT SYSTEMS — CLEARANCE, MARKER, PARK, TAIL, TURN AND STOP LAMPS, P. 2

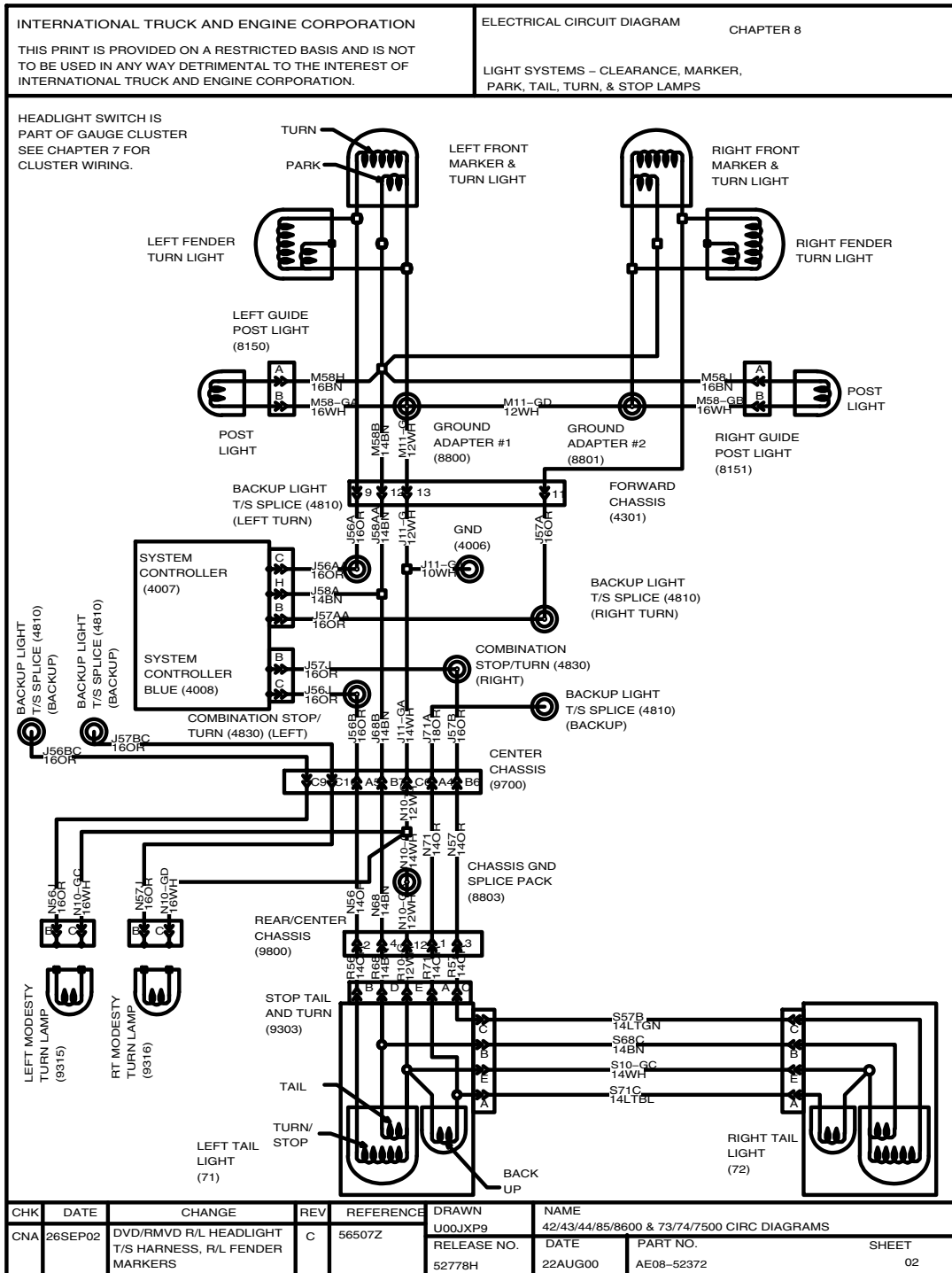


Figure 81 Light Systems — Clearance, Marker, Park, Tail, Turn and Stop Lamps

9.4. LIGHT SYSTEMS — TURN SIGNAL AND STOP SWITCHES, P. 4

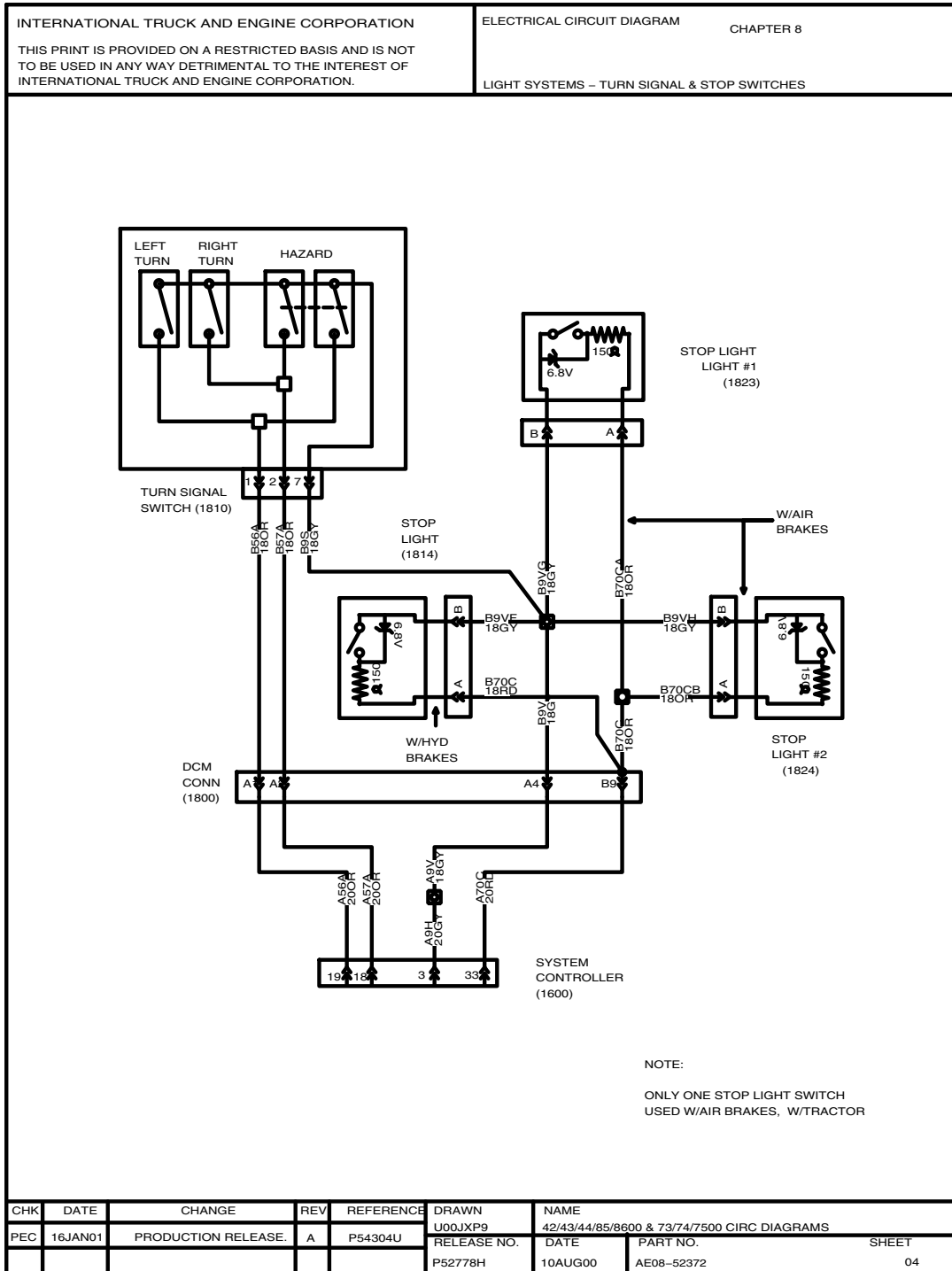


Figure 83 Light Systems — Turn Signal and Stop Switches

9.5. DOME LIGHT, MAP LIGHT, P. 5

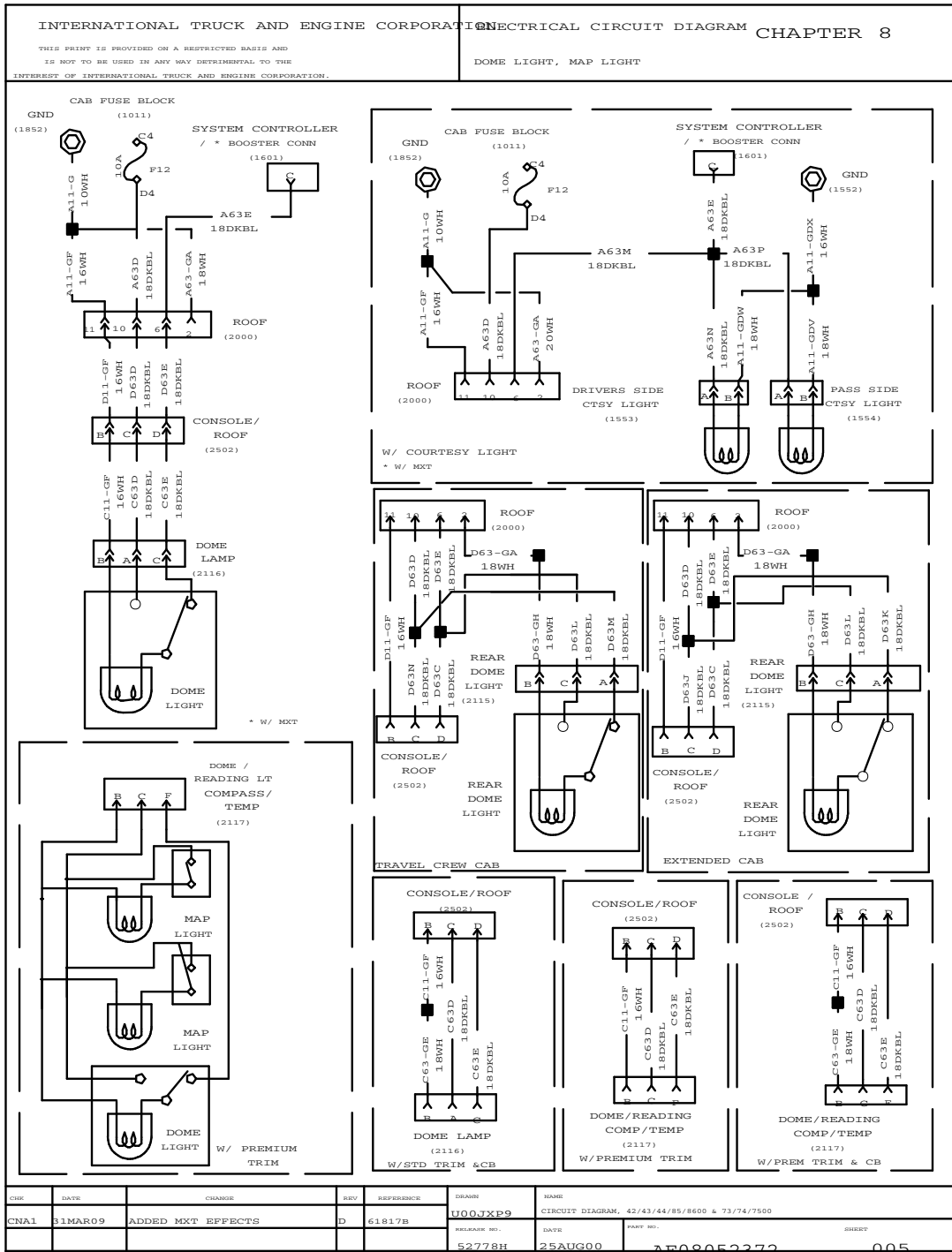


Figure 84 Dome Light, Map Light

9.6. DOME LIGHT, MAP LIGHT (CONT.), P. 6

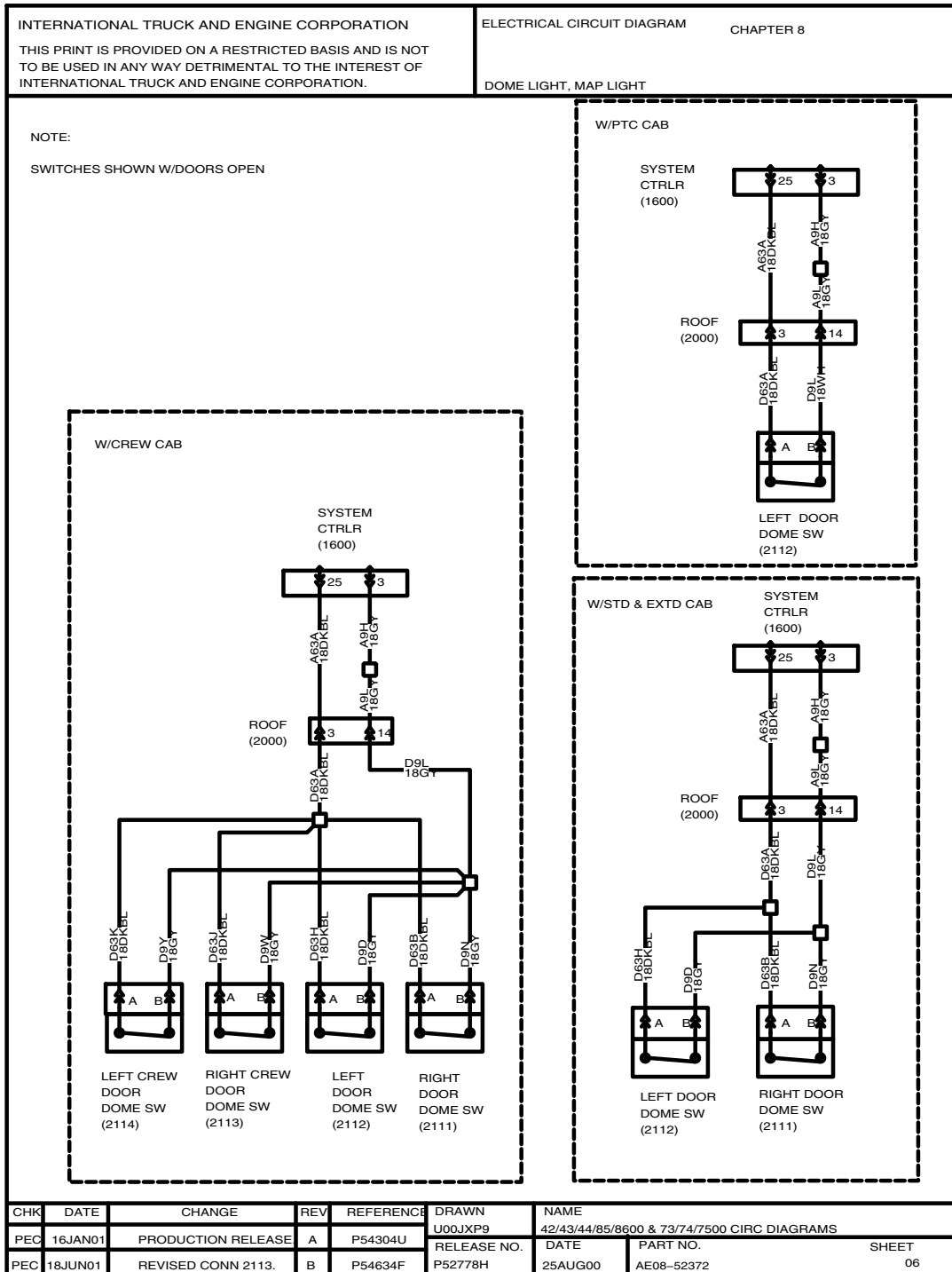


Figure 85 Dome Light, Map Light (Cont.)

9.7. FOG LIGHT AND WORK LIGHT, P. 7

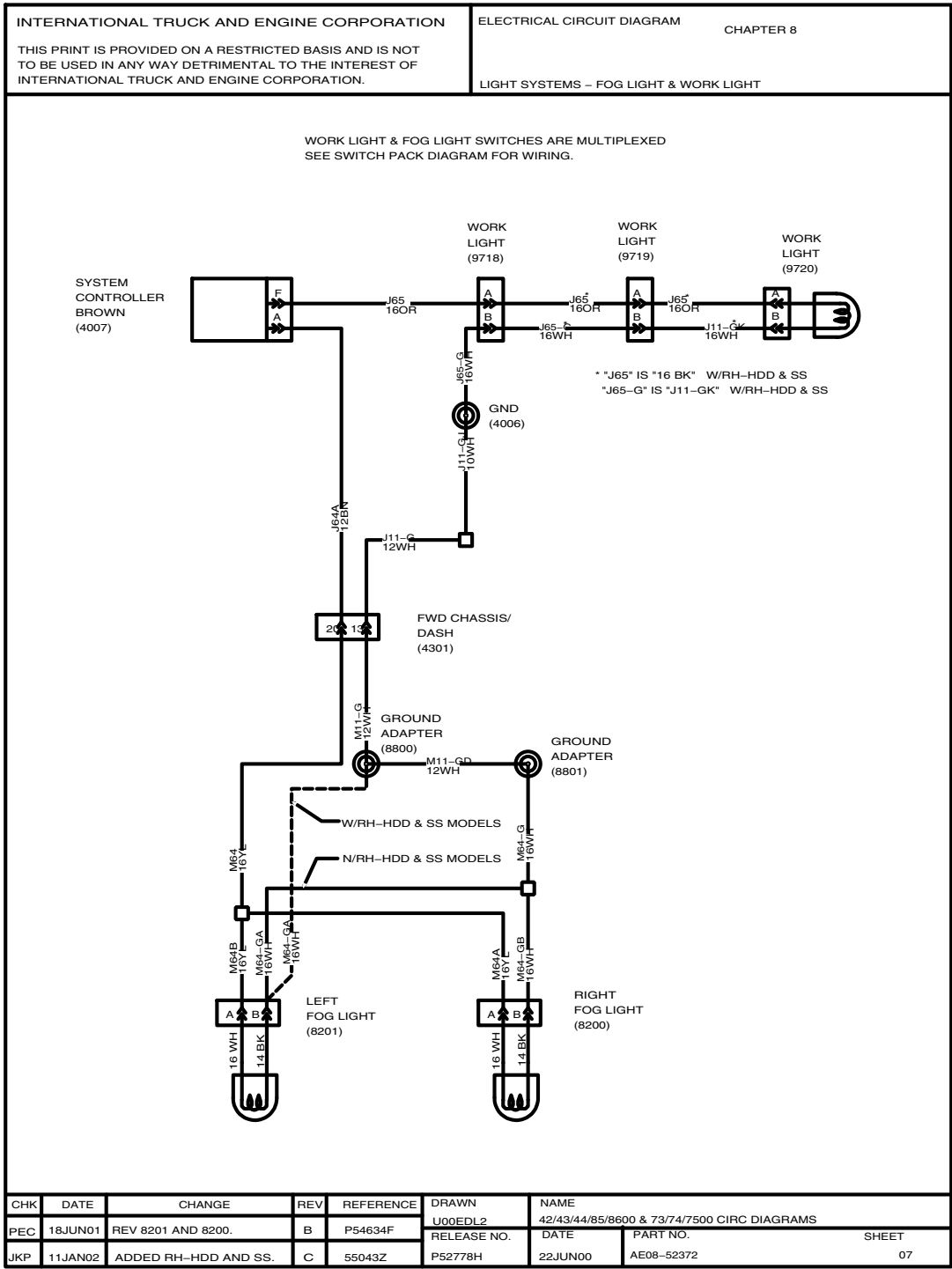


Figure 86 Fog Light and Work Light

9.8. HEADLIGHTS, P. 8

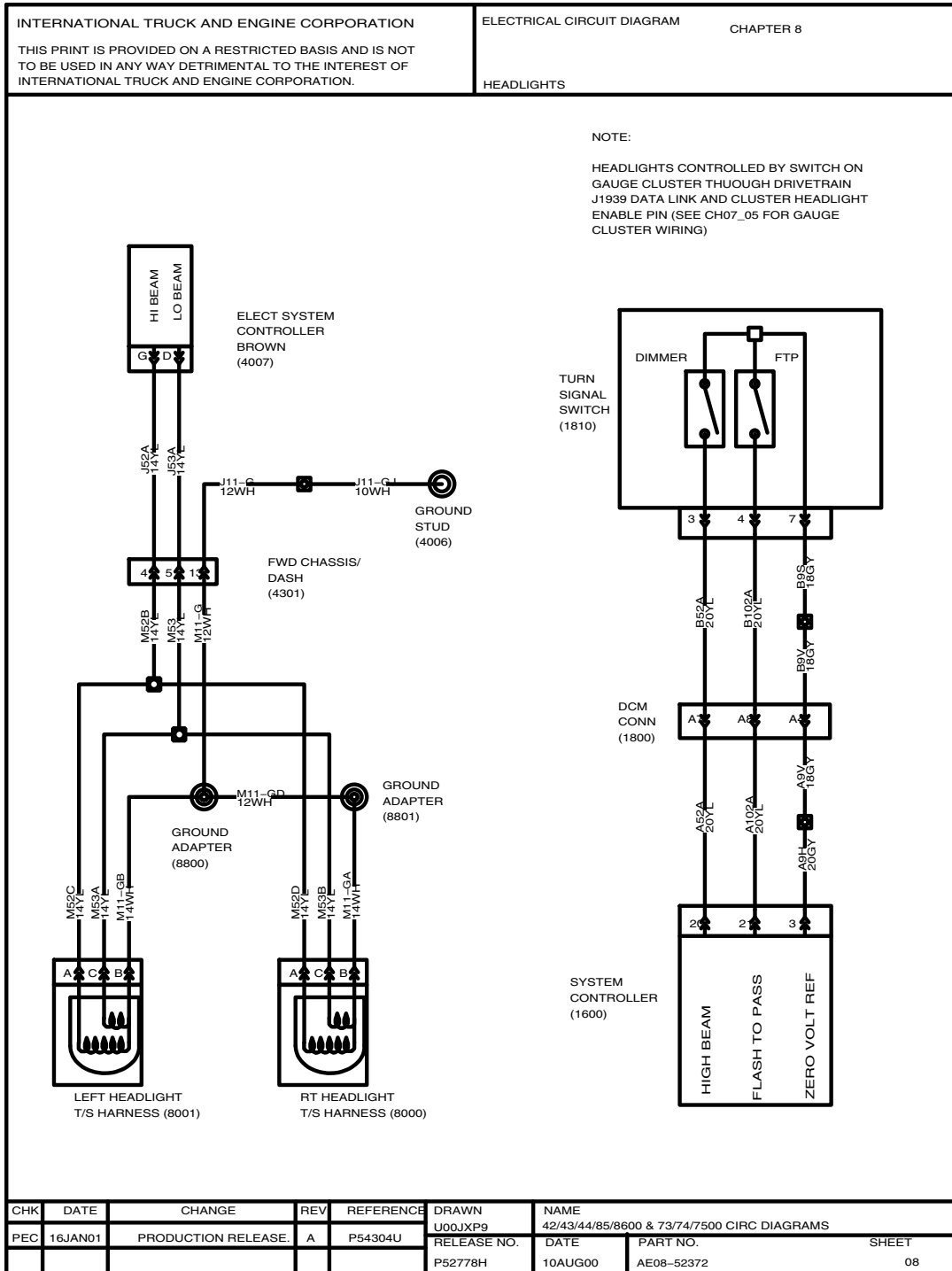


Figure 87 Headlights

9.9. AUX. HEADLIGHTS, AUX. PARK, AUX. TURN, P. 9

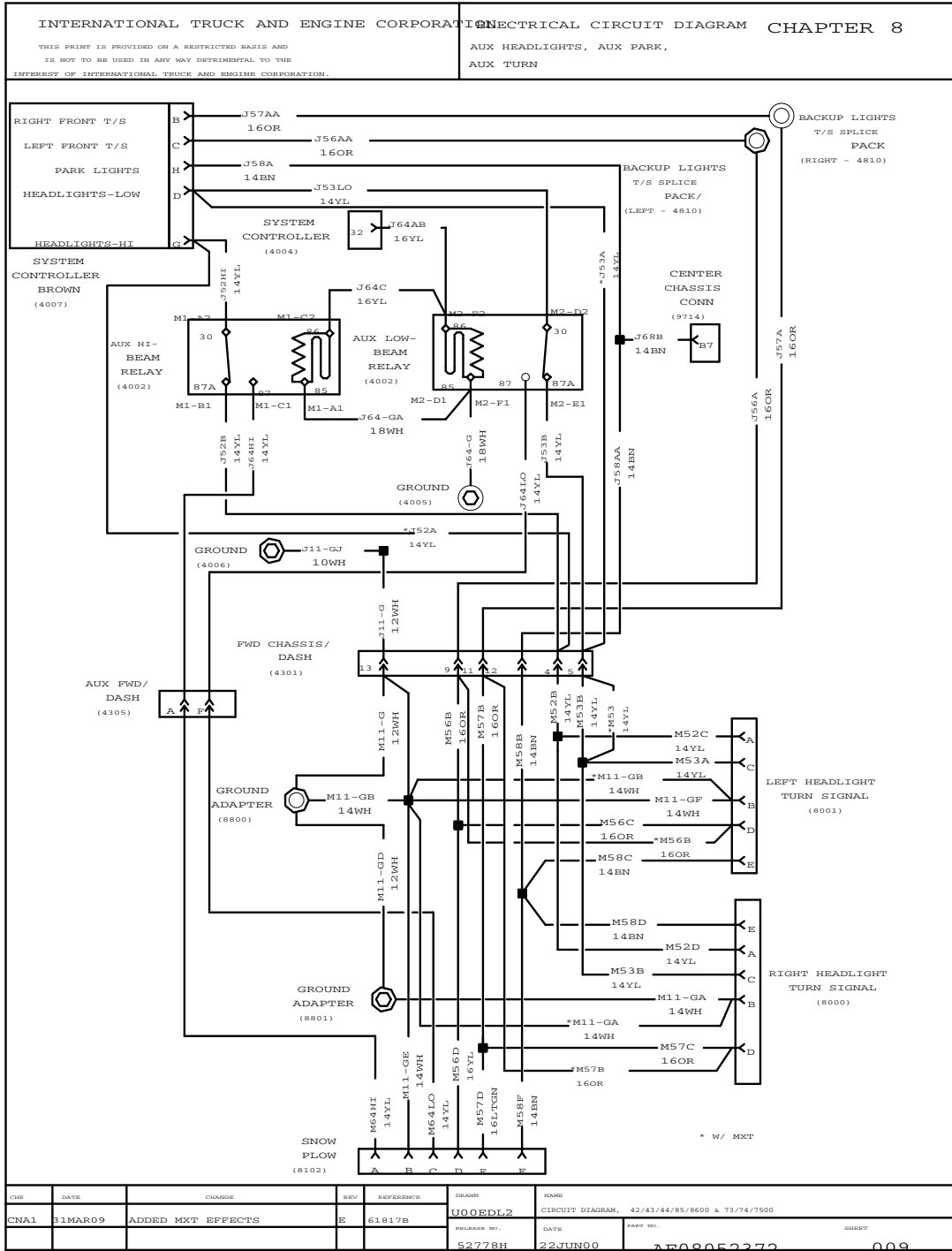


Figure 88 Aux. Headlights, Aux. Park, Aux Turn

9.10. PANEL LIGHTS, P. 10

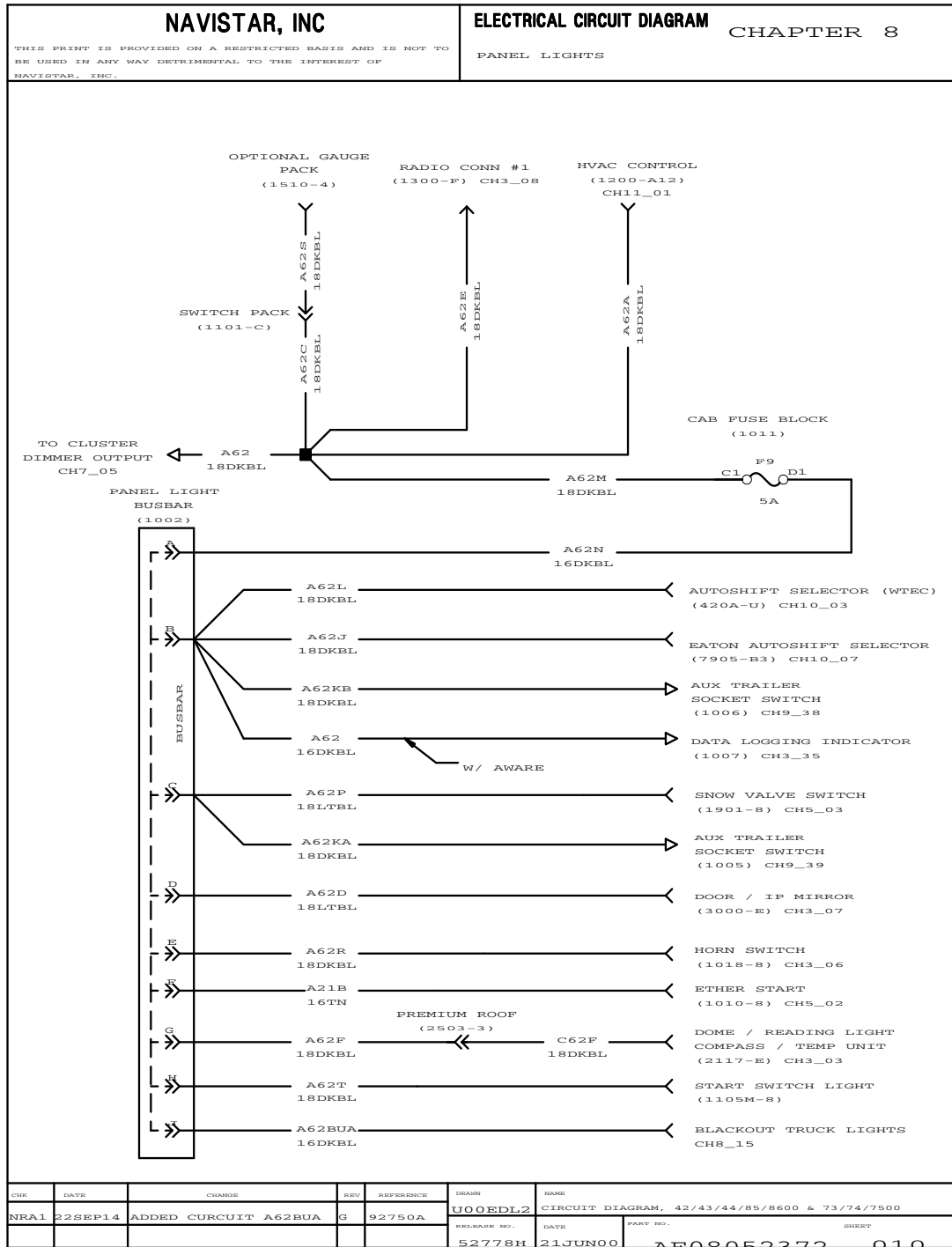


Figure 89 Panel Lights

CHASSIS ACCESSORIES (CHAPTER 9)

10.1. AIR DRYER AND HEATED DRAIN VALVE, P. 1

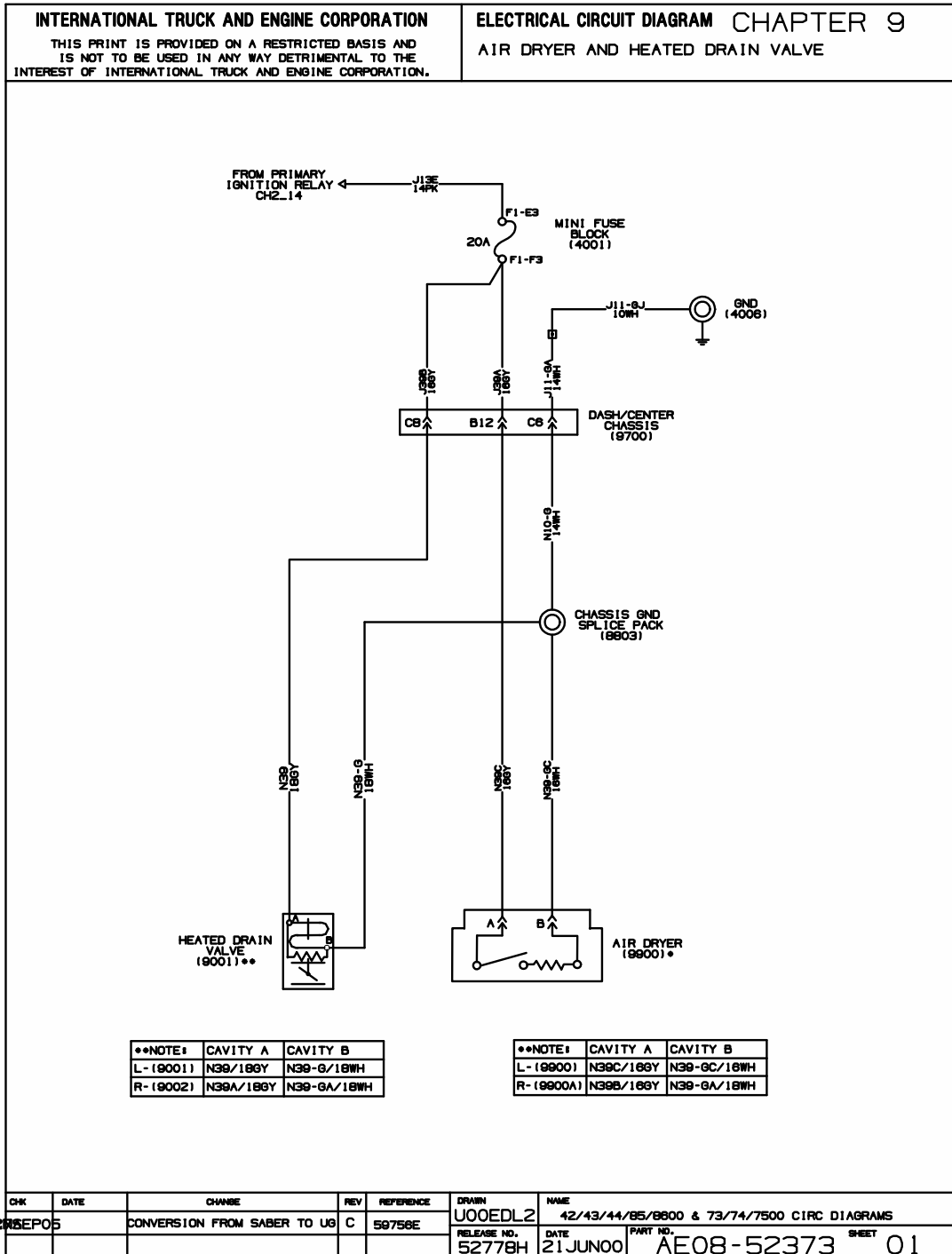


Figure 90 Air Dryer and Heated Drain Valve

10.2. ANTILOCK BRAKE SYSTEM (ABS), AIR, P. 2

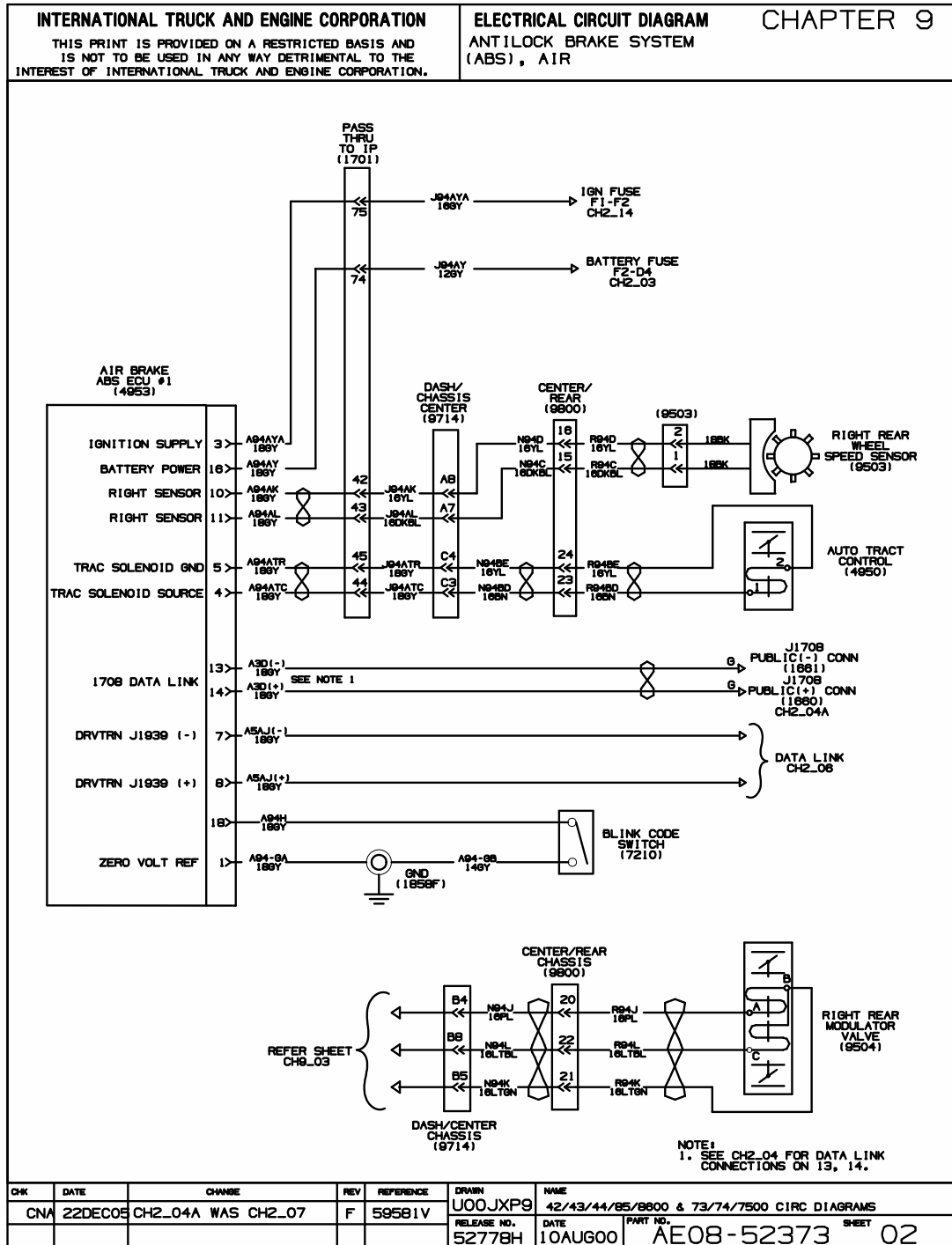


Figure 91 Antilock Brake System (ABS), Air

10.3. ANTILOCK BRAKE SYSTEM (ABS), AIR, TRACTION CONTROL, P. 3

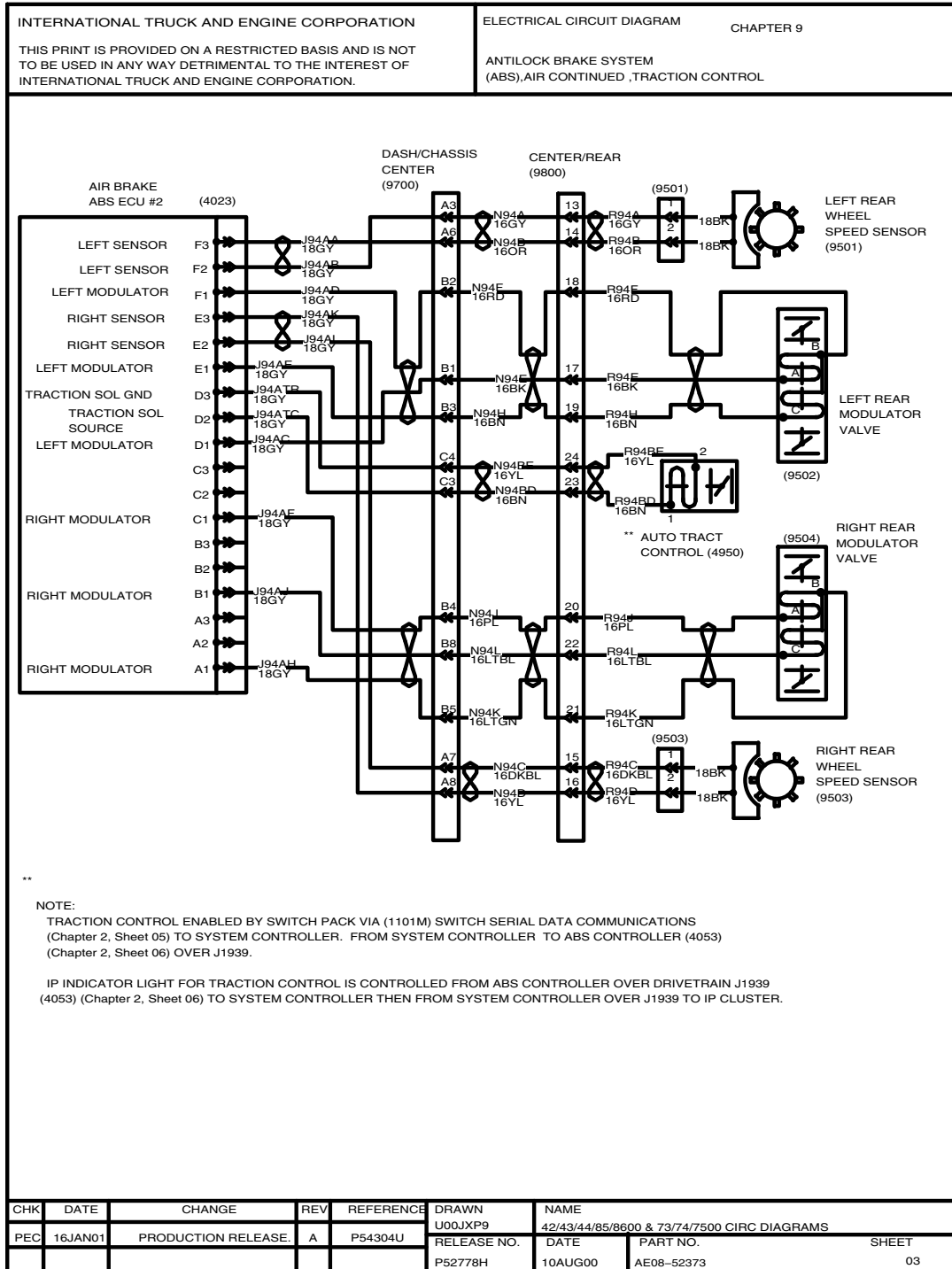


Figure 92 Antilock Brake System (ABS), Air, Traction Control

10.4. ANTILOCK BRAKE SYSTEM (ABS), HYDRAULIC, P. 4

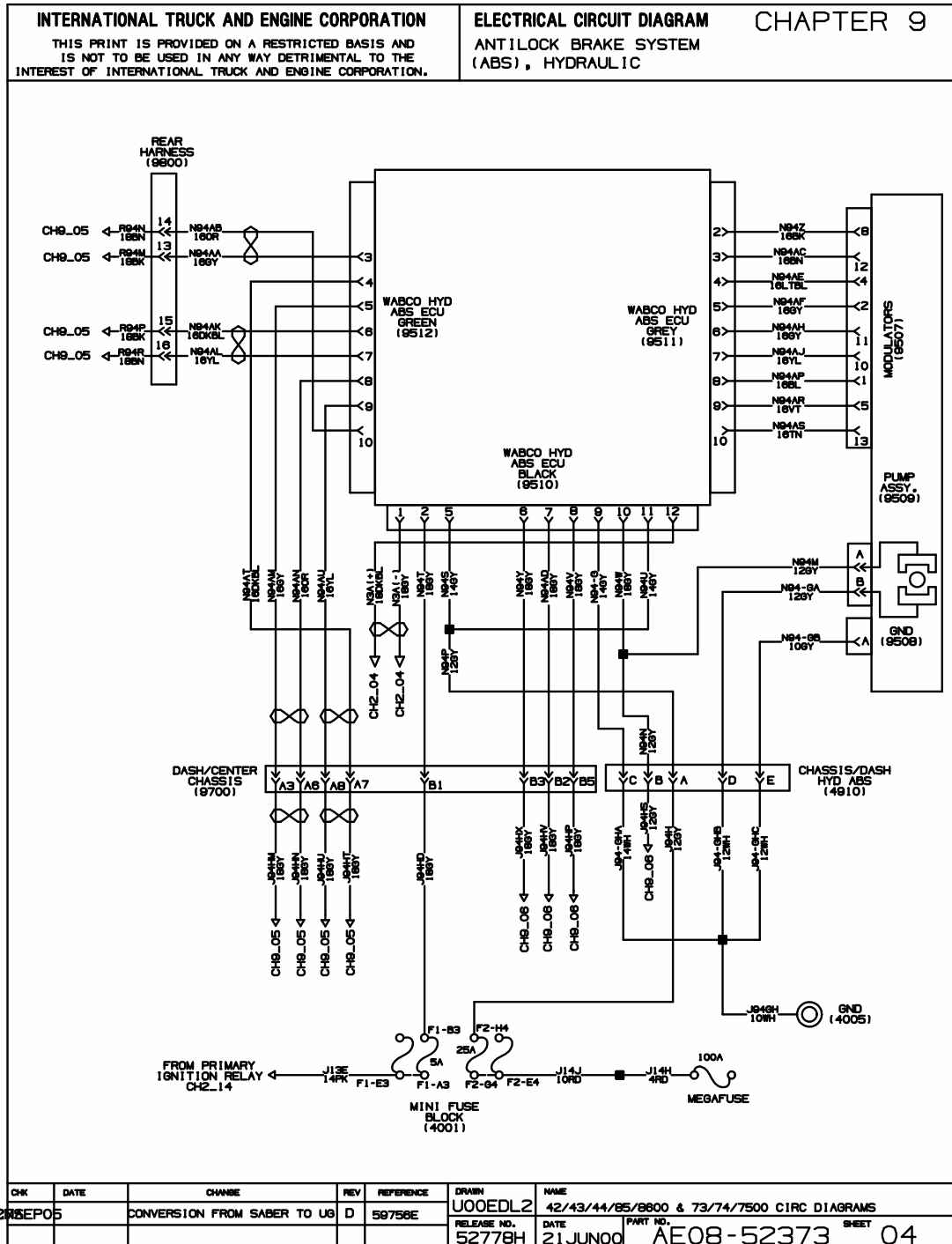


Figure 93 Antilock Brake System (ABS), Hydraulic

10.5. ANTILOCK BRAKE SYSTEM (ABS), HYDRAULIC (CONT.), P. 5

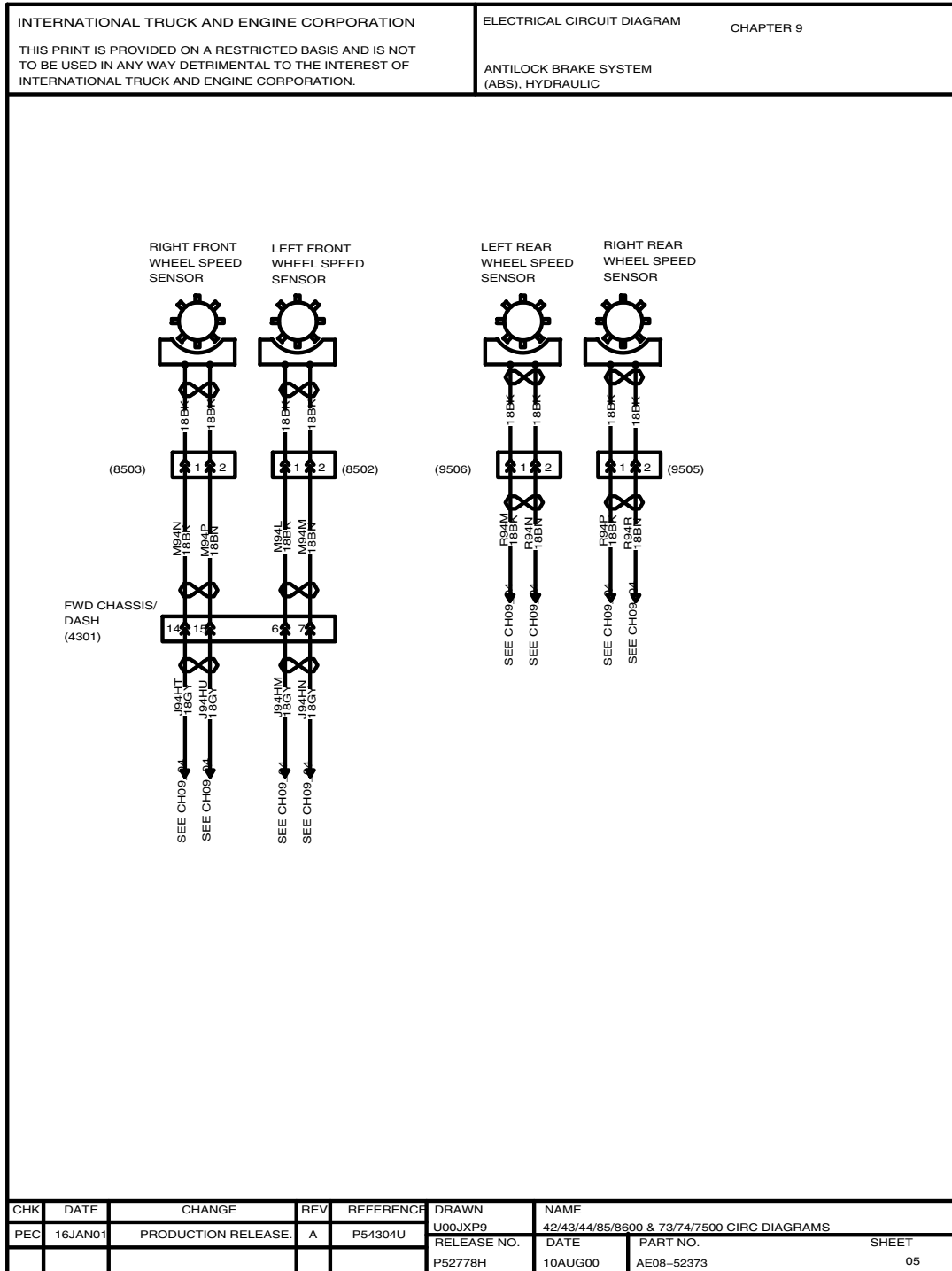


Figure 94 Antilock Brake System (ABS), Hydraulic (Cont.)

10.6. ANTILOCK BRAKE SYSTEM (ABS), HYDRAULIC (CONT.), P. 6

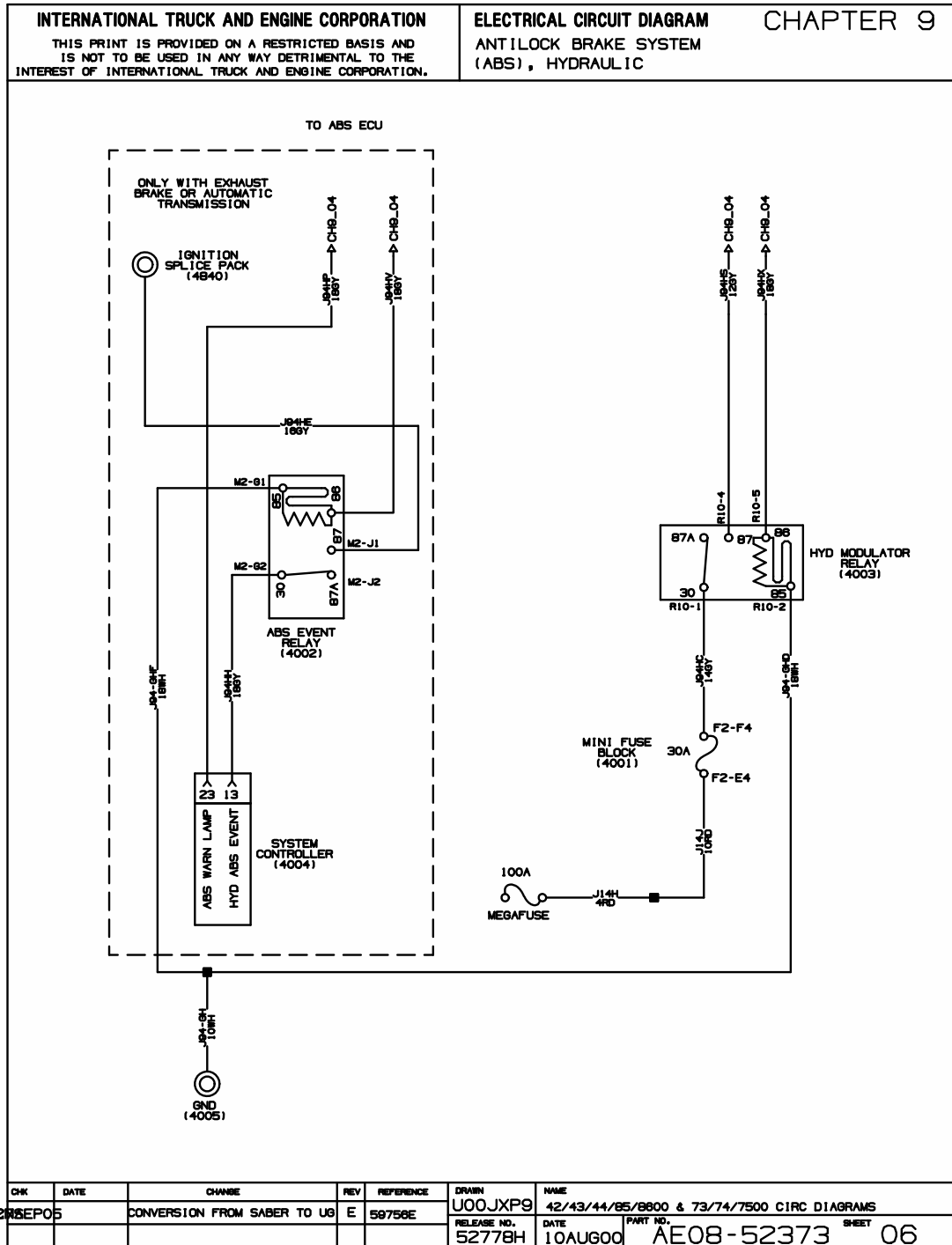


Figure 95 Antilock Brake System (ABS), Hydraulic (Cont.)

10.7. TWO SPEED AXLE SWITCH WITH MANUAL TRANSMISSION AND I6 HEUI FUEL HEATER N/WARN LIGHTS, P. 7

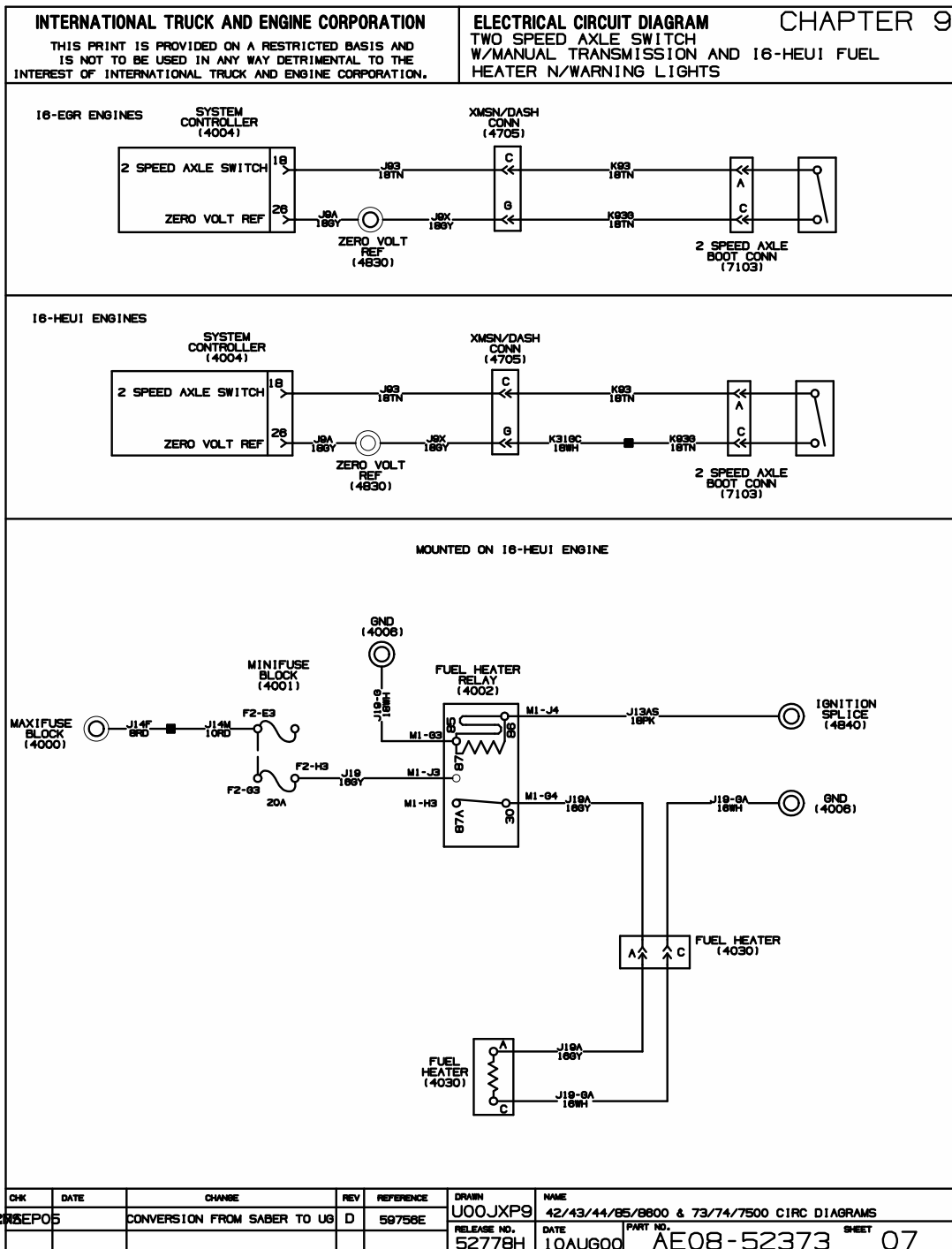


Figure 96 Two Speed Axle Switch With Manual Transmission and I6 HEUI Fuel Heater N/Warn Lights

10.8. BRAKE SYSTEM, HYDRAULIC, P. 8

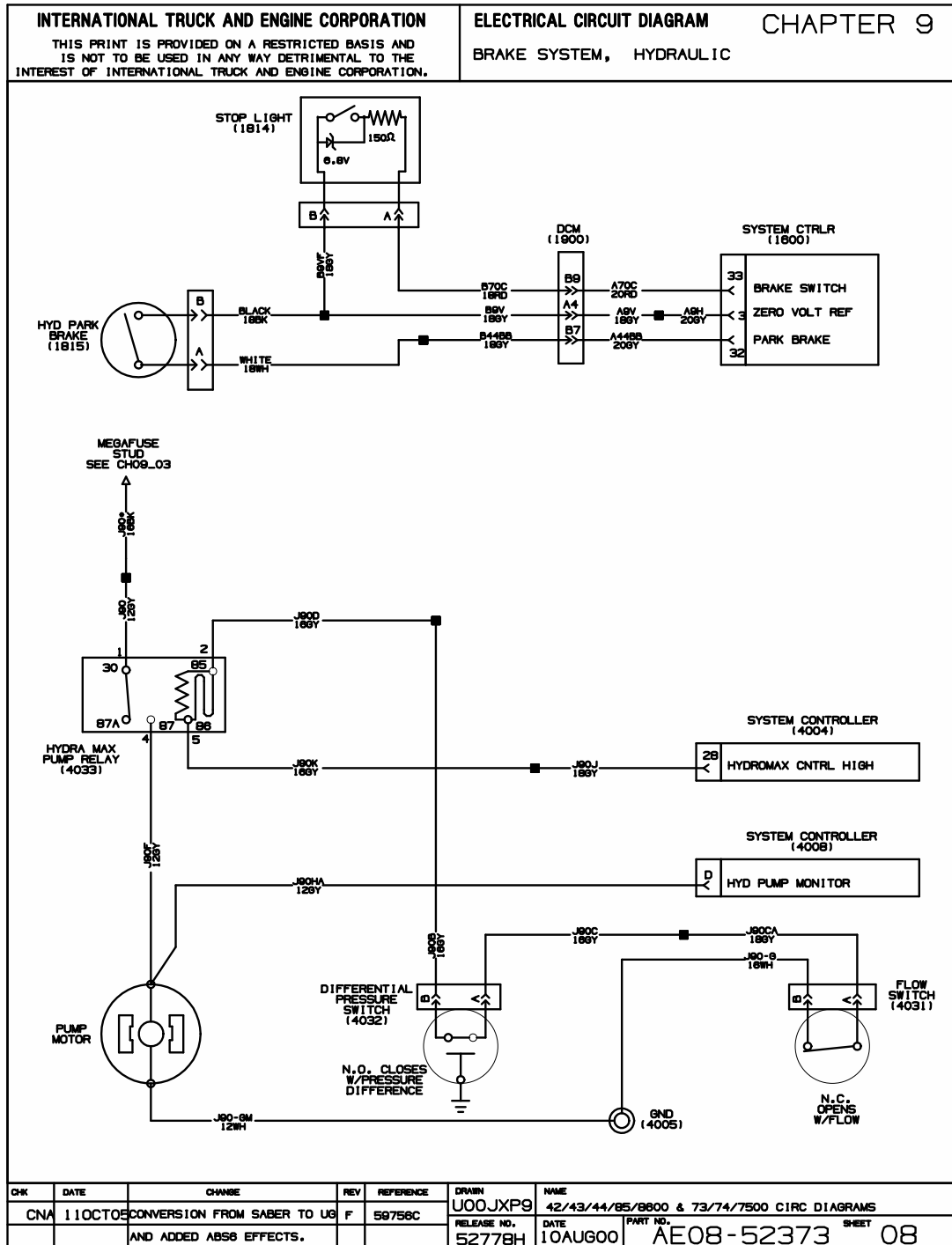


Figure 97 Brake System, Hydraulic

10.9. FUEL TRANSFER PUMP, P. 9

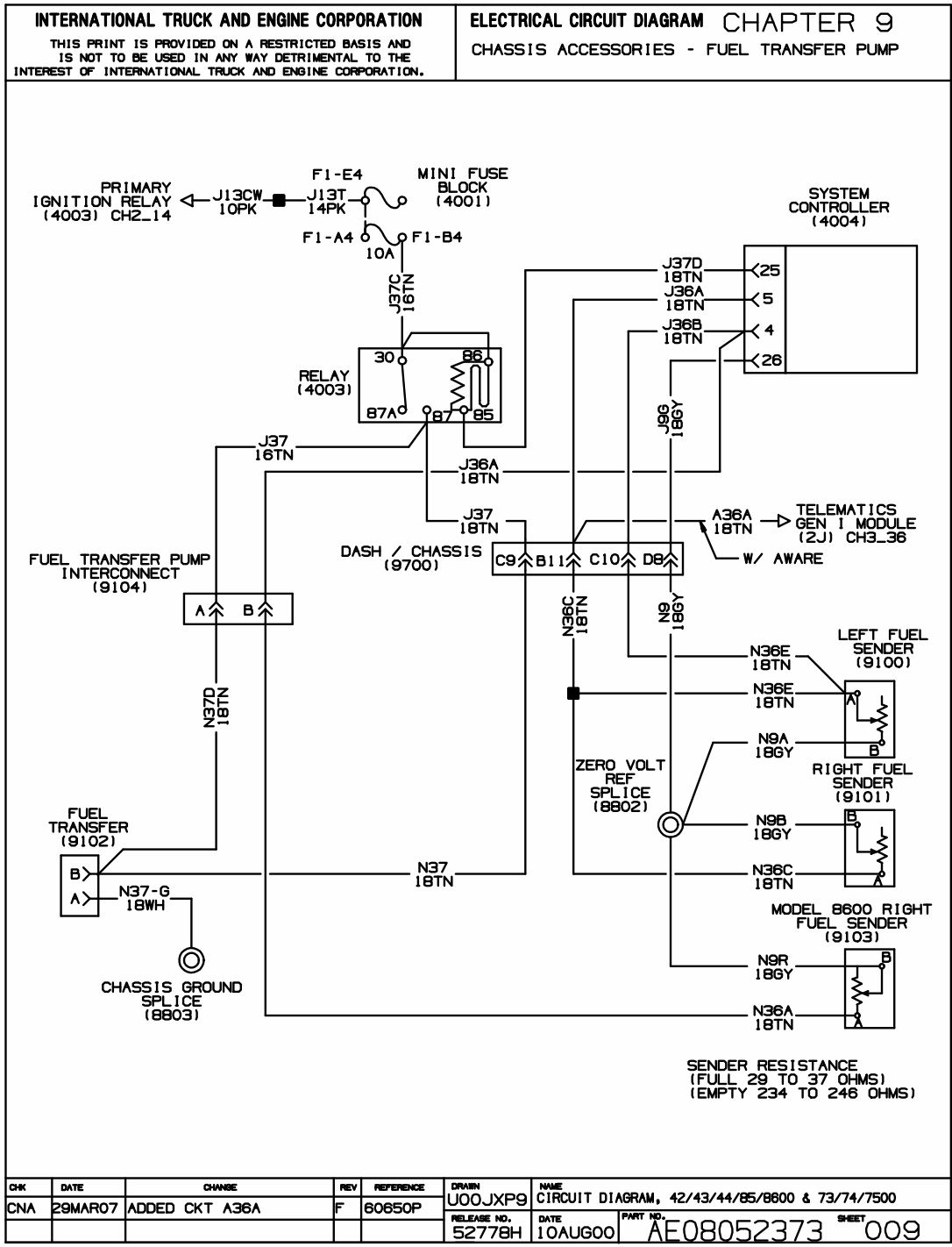


Figure 98 Fuel Transfer Pump

10.10. BACK OF CAB BODY BUILDER AND TRAILER STOP, TAIL, MARKER, P. 10

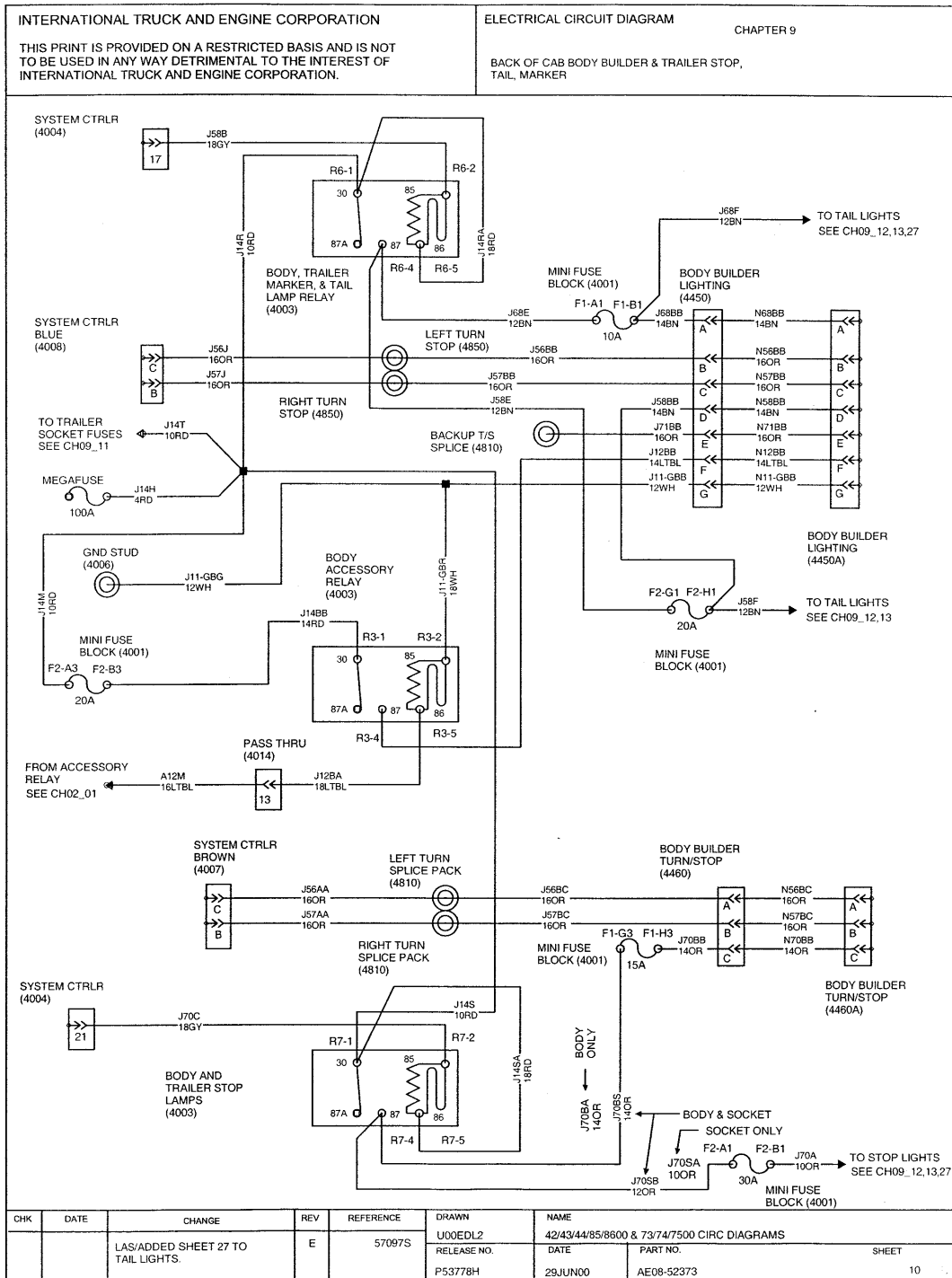


Figure 99 Back of Cab Body Builder and Trailer Stop, Tail, Marker

10.11. BODY BUILDER AND TRAILER TURNS, CENTER PIN ABS, CENTER PIN AUX, P. 11

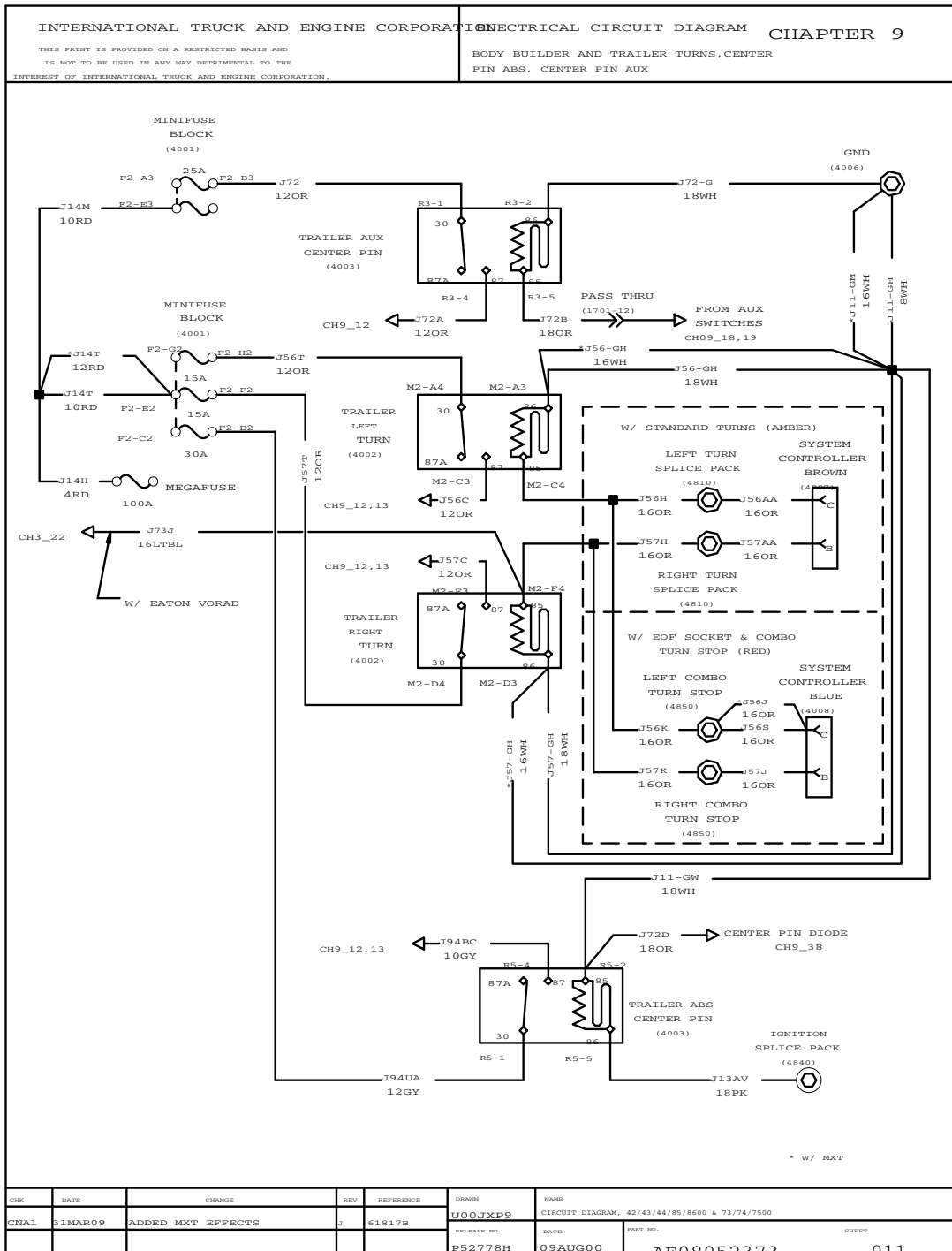


Figure 100 Body Builder and Trailer Turns, Center Pin ABS, Center Pin Aux

10.12. BODY BUILDER AND TRAILER SOCKET BACK OF CAB SOCKETS, P. 12

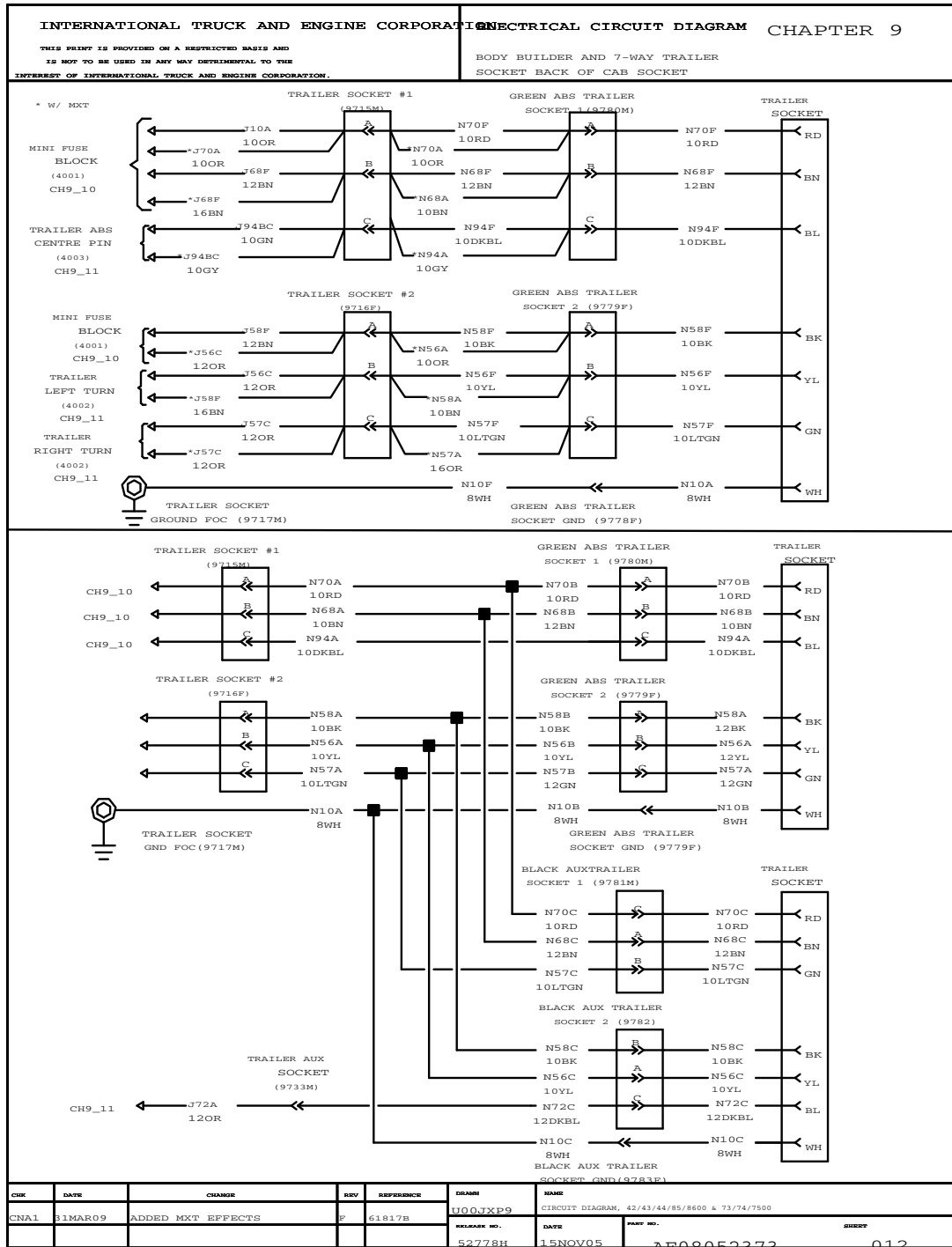


Figure 101 Body Builder and Trailer Socket Back of Cab Sockets

10.14. AIR SOLENOID 4-WAY PACK, P. 14

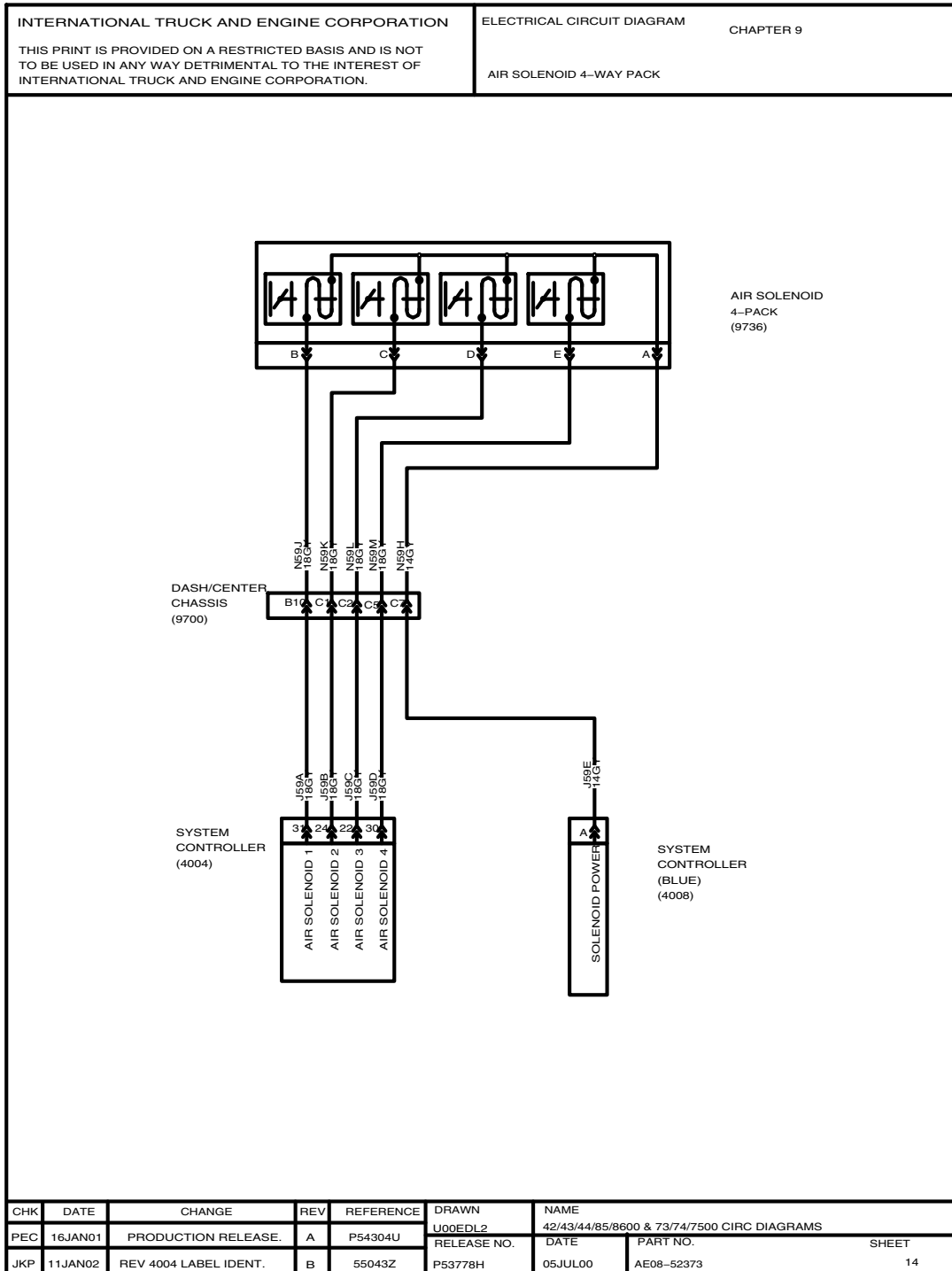


Figure 103 Air Solenoid 4-Way Pack

10.15. REMOTE POWER UNITS, SOLENOID PACKS, REMOTE ENGINE SPEED CONTROLLER, P. 15

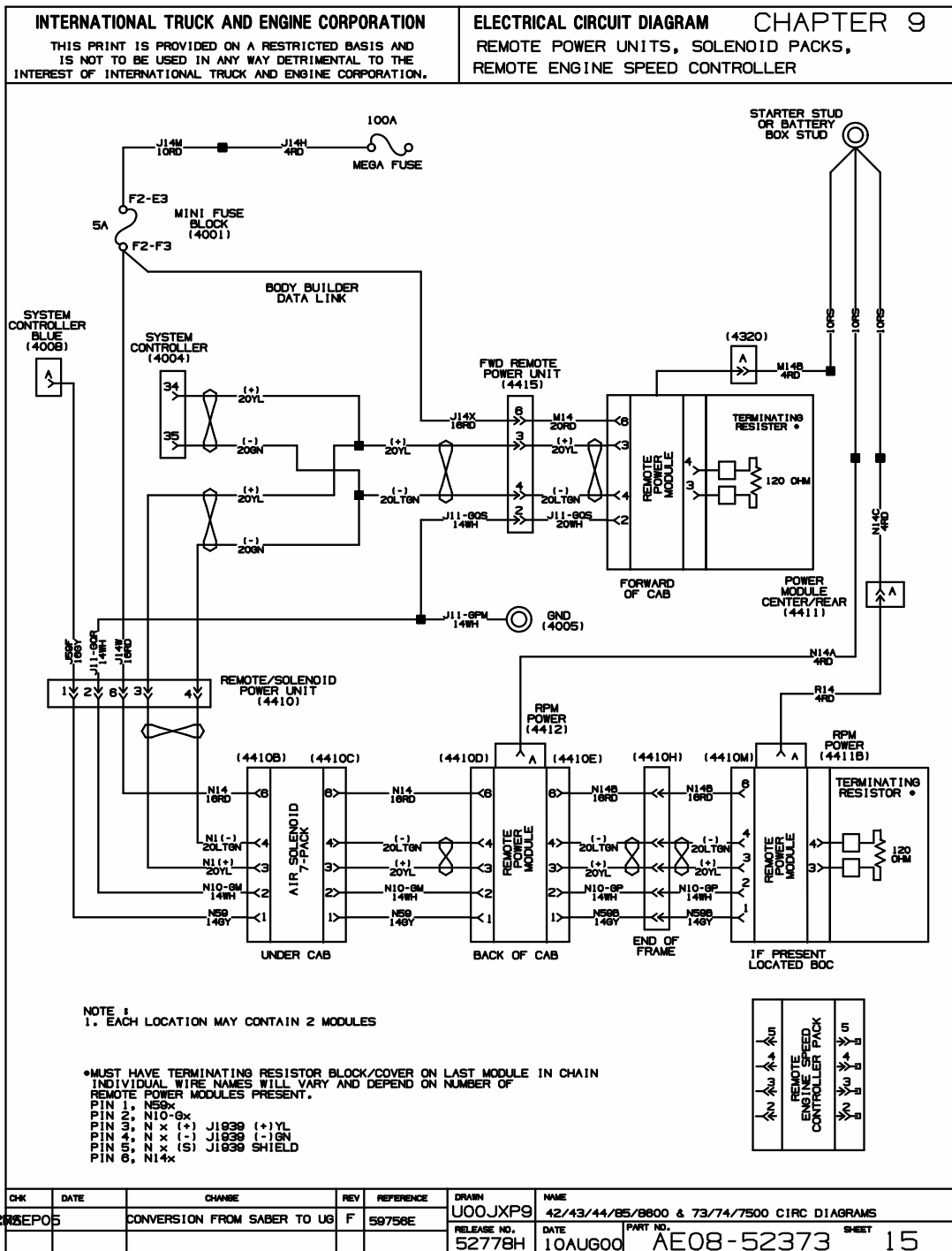


Figure 104 Remote Power Units, Solenoid Packs, Remote Engine Speed Controller

10.16. HYD POWER PARK, P. 16

INTERNATIONAL TRUCK AND ENGINE CORPORATION THIS PRINT IS PROVIDED ON A RESTRICTED BASIS AND IS NOT TO BE USED IN ANY WAY DETRIMENTAL TO THE INTEREST OF INTERNATIONAL TRUCK AND ENGINE CORPORATION.				ELECTRICAL CIRCUIT DIAGRAM CHAPTER 9 CHASSIS ACCESSORIES – HYD POWER PARK			
DIAGRAM NOT AVAILABLE							
CHK	DATE	CHANGE	REV	REFERENCE	DRAWN	NAME	
PEC	16JAN01	PRODUCTION RELEASE.	A	P54304U	U00EDL2	42/43/44/85/8600 & 73/74/7500 CIRC DIAGRAMS	
					RELEASE NO.	DATE	PART NO.
					P52778H	10JUL00	AE08-52373
							SHEET 16

Figure 105 HYD Power Park

10.17. AIR SUSPENSION, P. 17

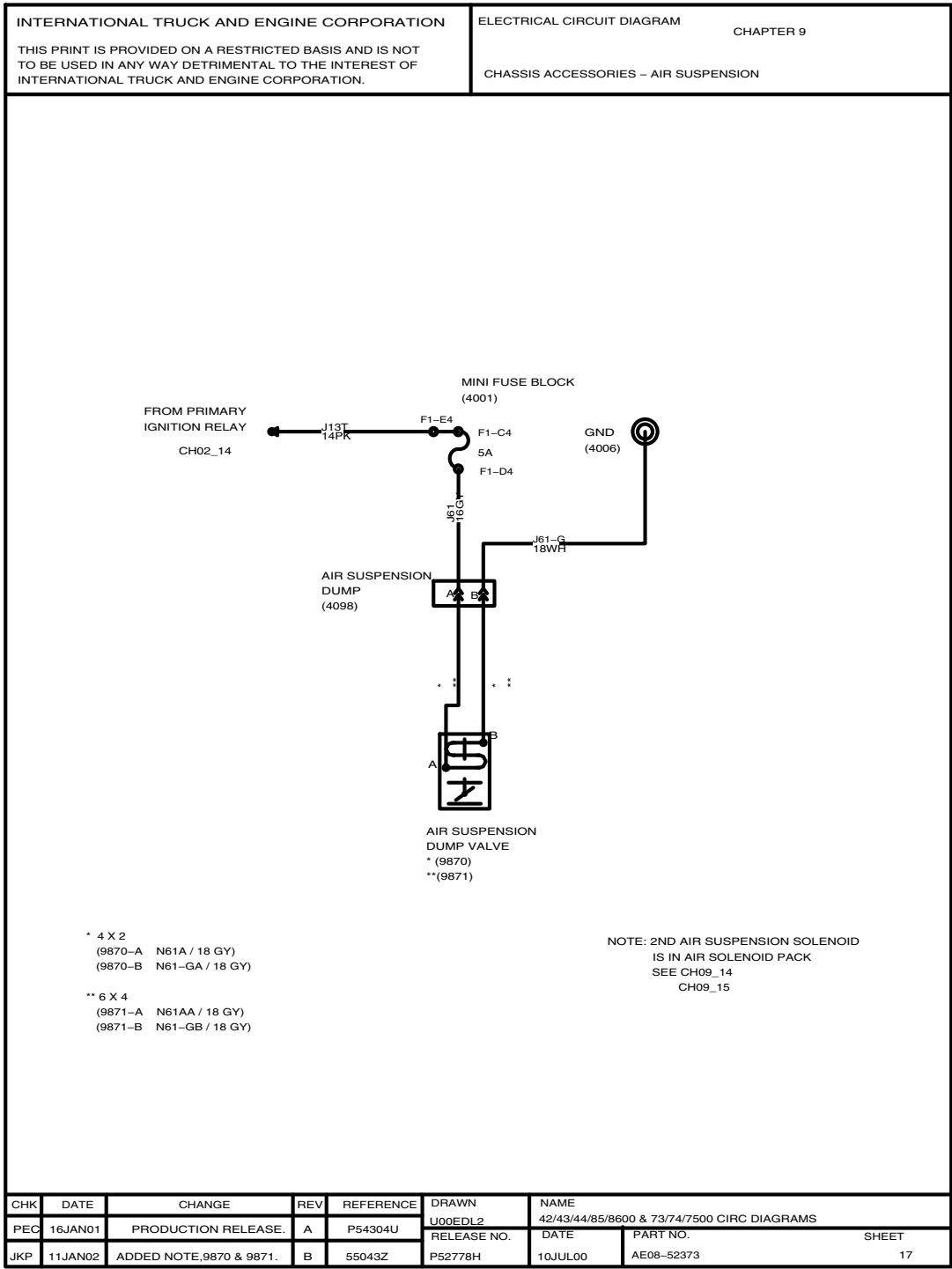


Figure 106 Air Suspension

10.18. AUX. TRAILER, ACC CONTROLLED, P. 18

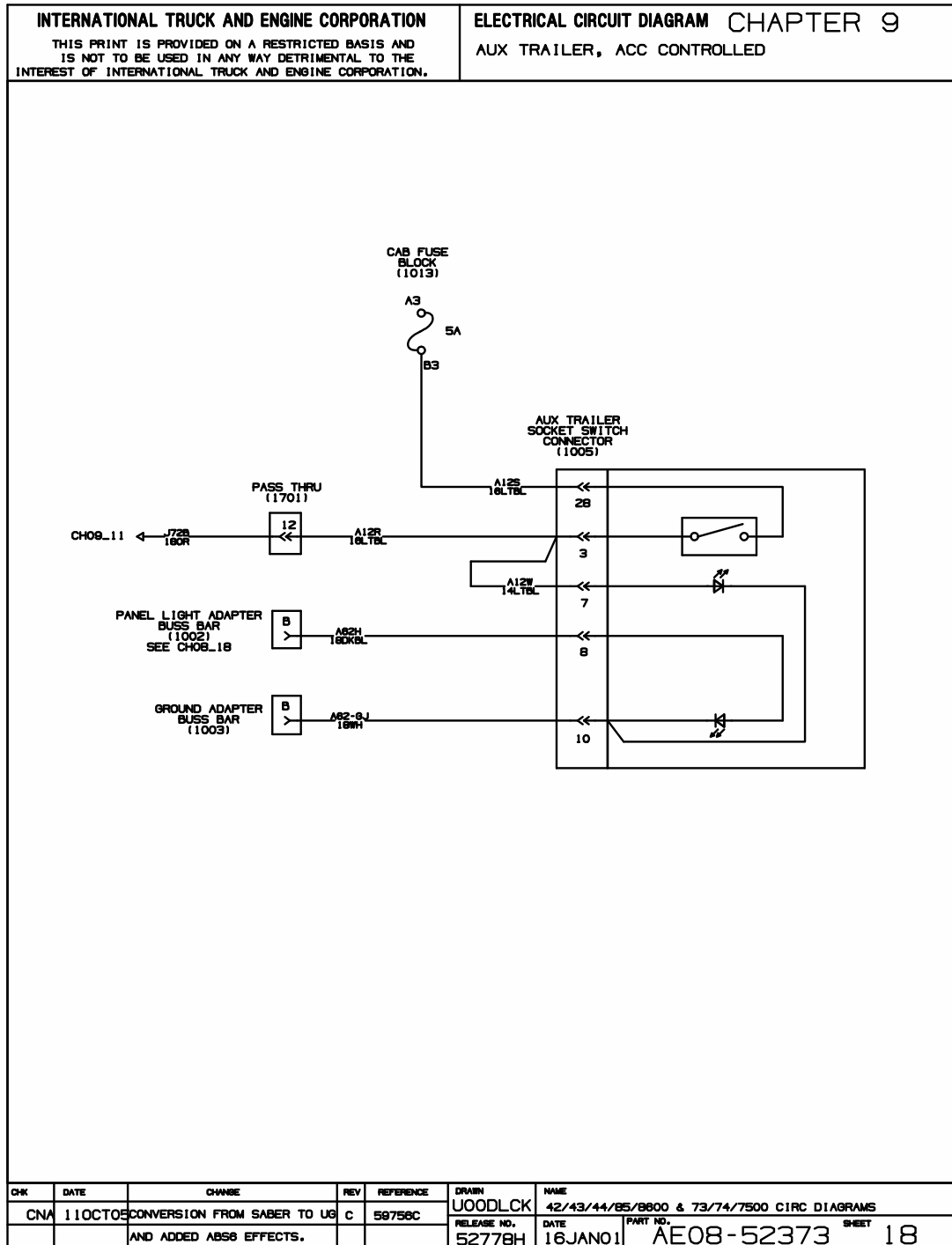


Figure 107 Aux. Trailer, Acc Controlled

10.19. AUX. TRAILER, BATTERY CONTROLLED, P. 19

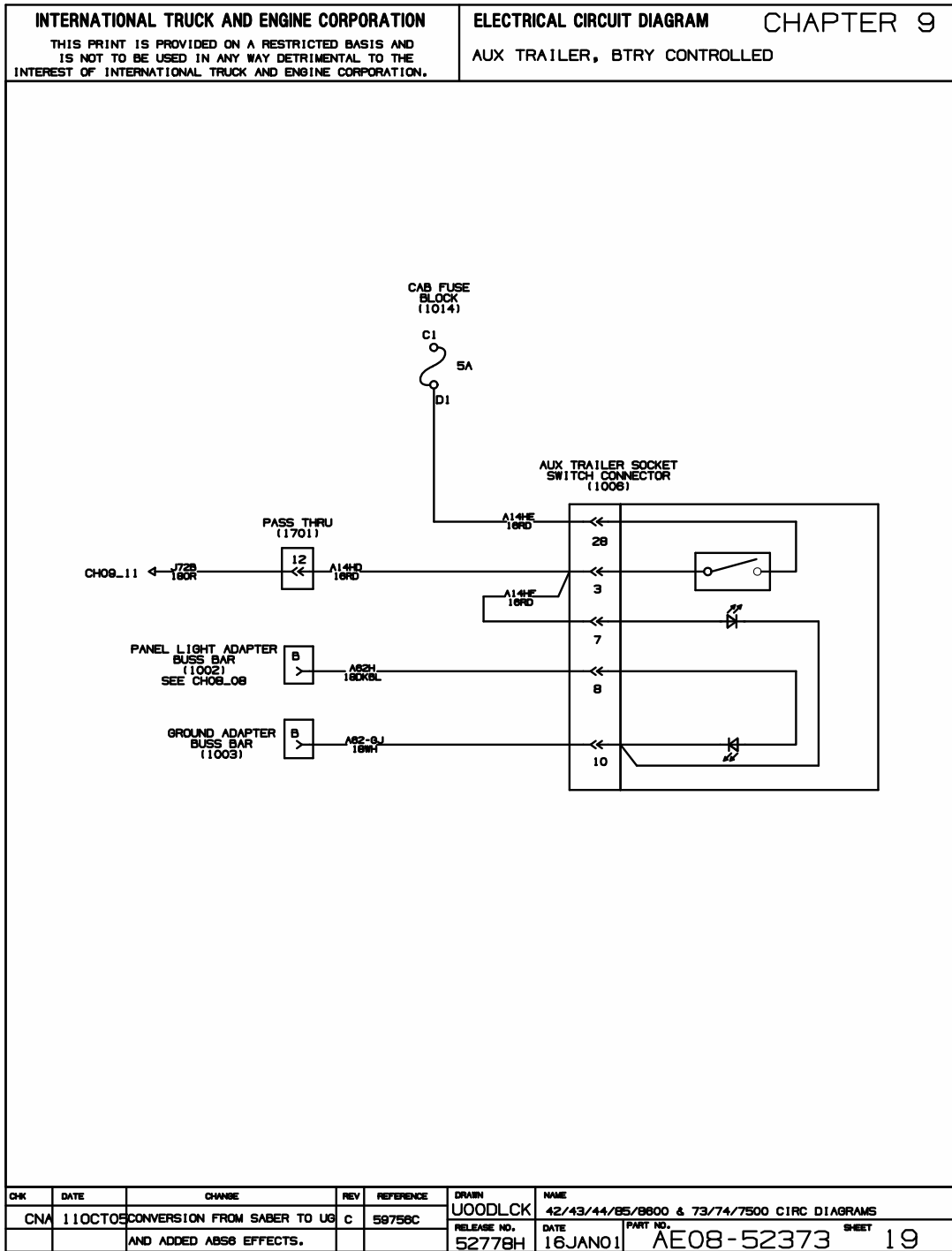


Figure 108 Aux. Trailer, Battery Controlled

10.20. LIFT AXLES (NON-STEERABLE), P. 20

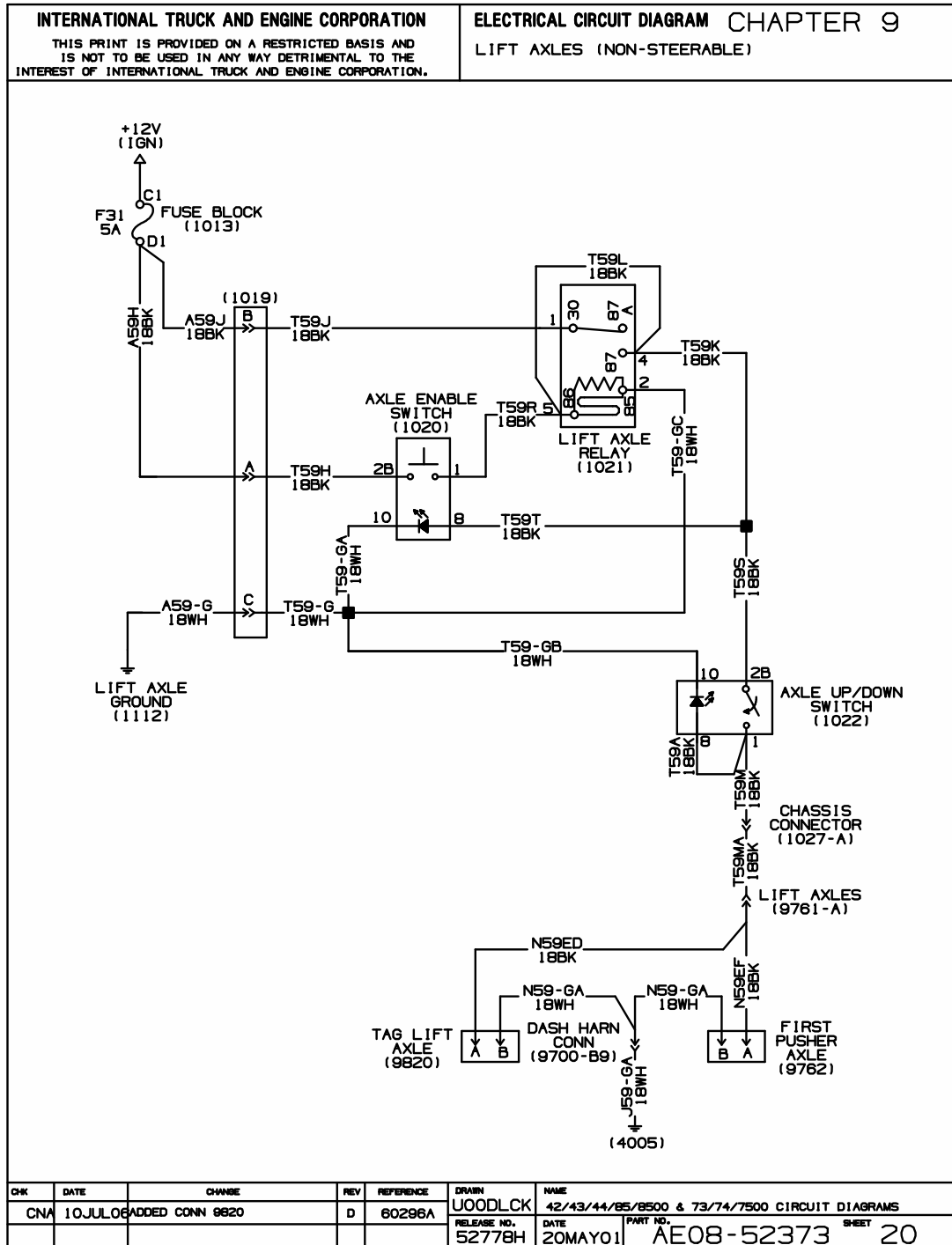


Figure 109 Lift Axles (Non-Steerable)

10.21. LIFT AXLES (STEERABLE), P. 21

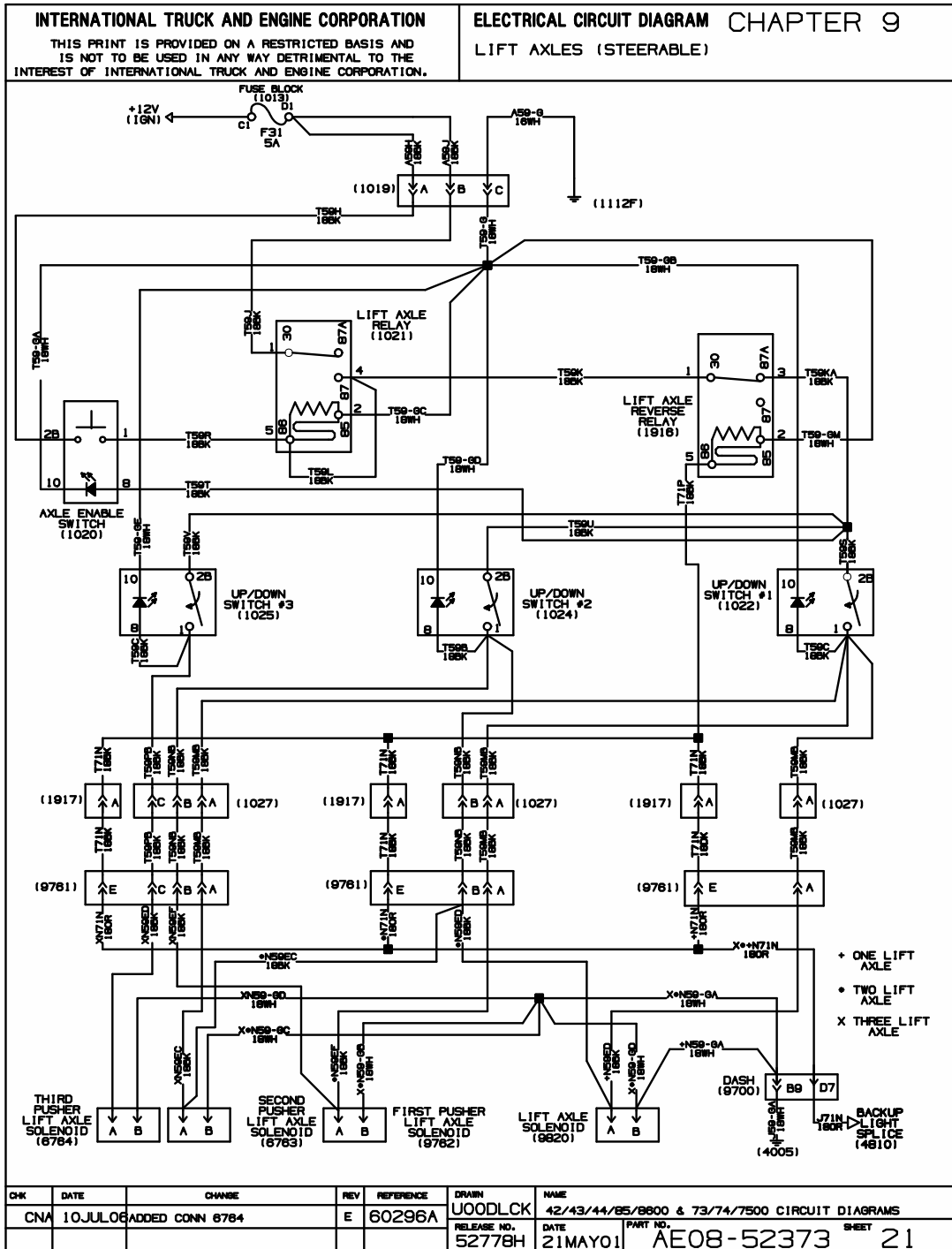


Figure 110 Lift Axles (Non-Steerable)

10.22. AIR ACTUATED PARK BRAKE, P. 22

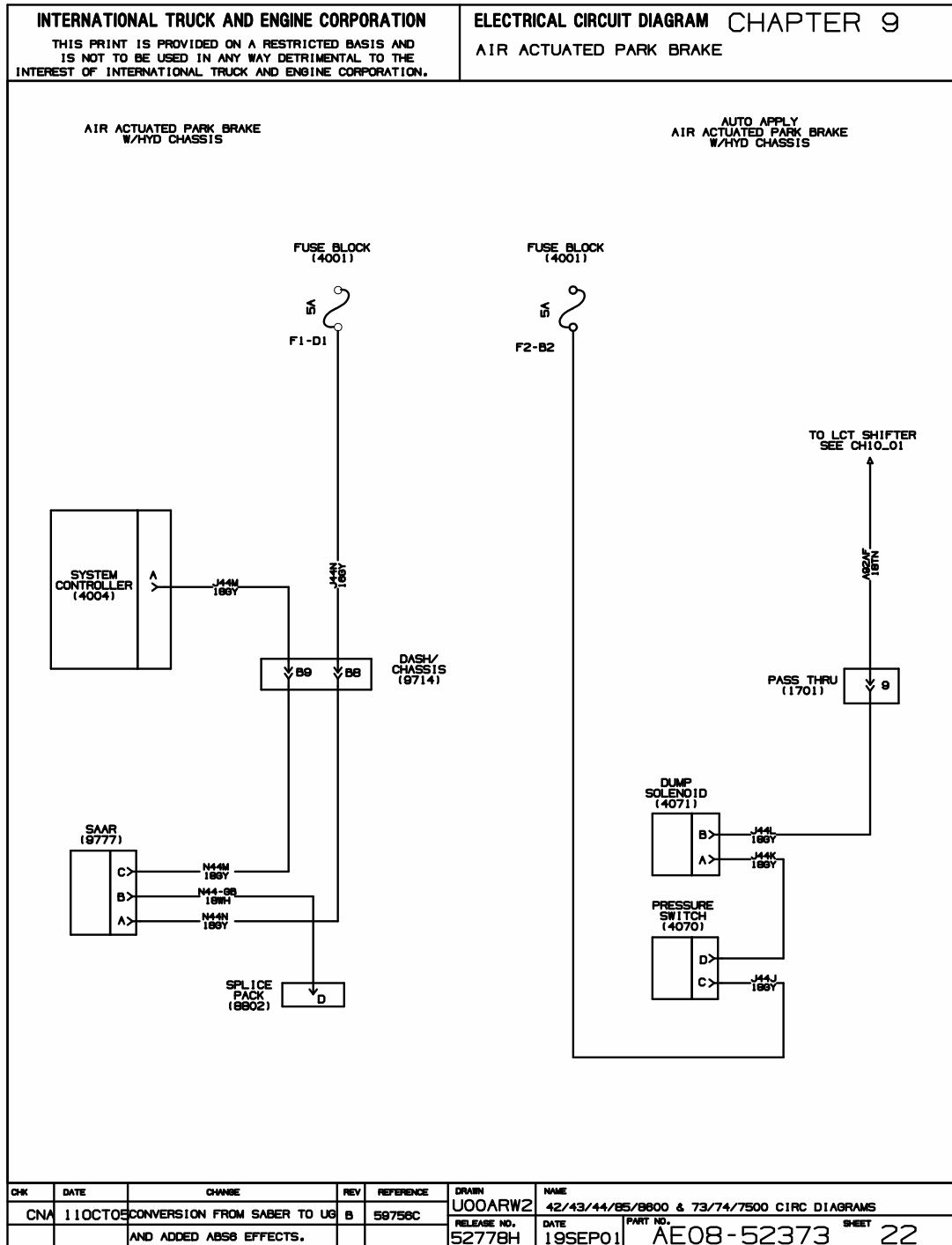


Figure 111 Air Actuated Park Brake

10.23. ANTILOCK BRAKE SYSTEM, WABCO AIR, P. 23

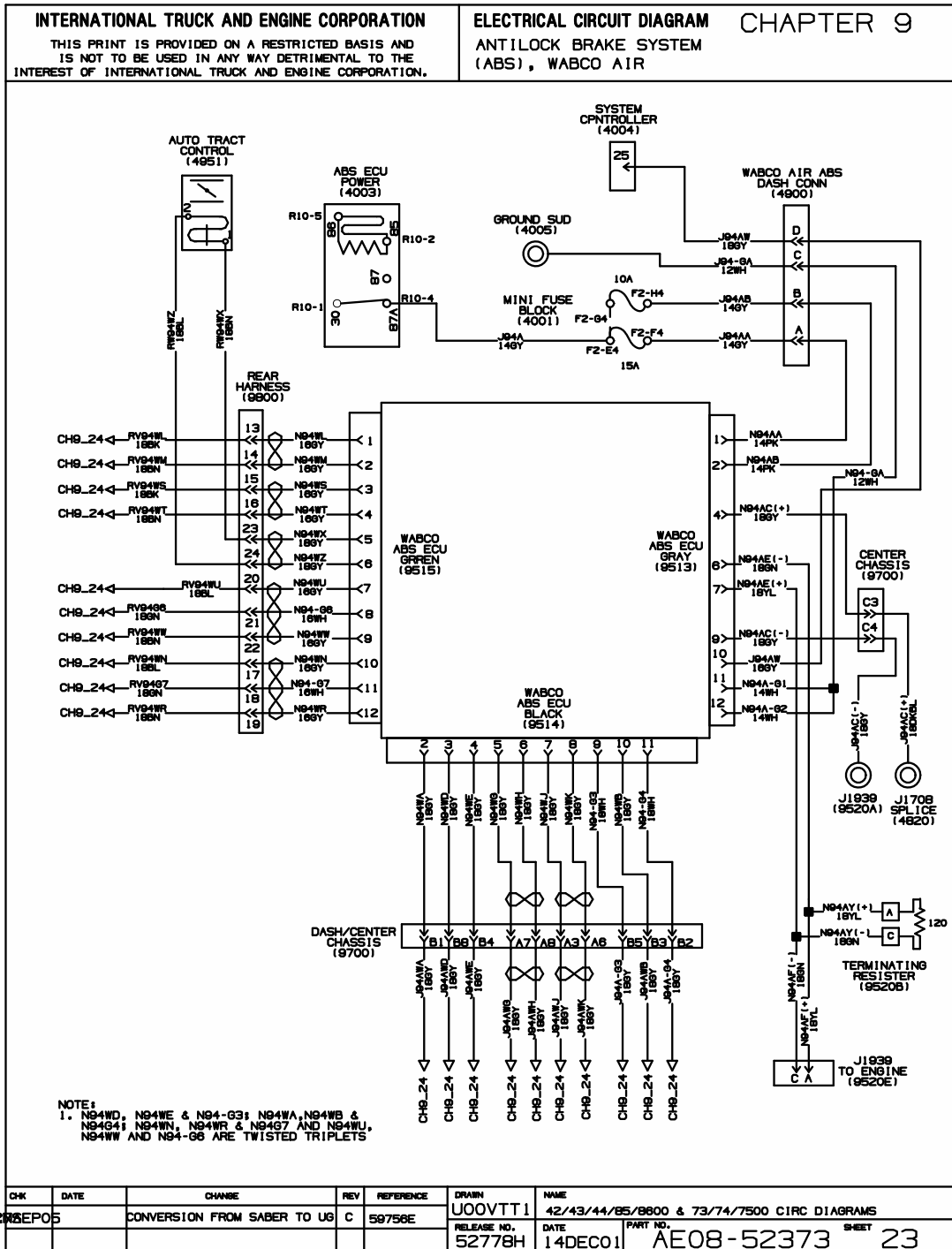


Figure 112 Antilock Brake System, WABCO Air

10.24. ANTILOCK BRAKE SYSTEM, WABCO AIR, P. 24

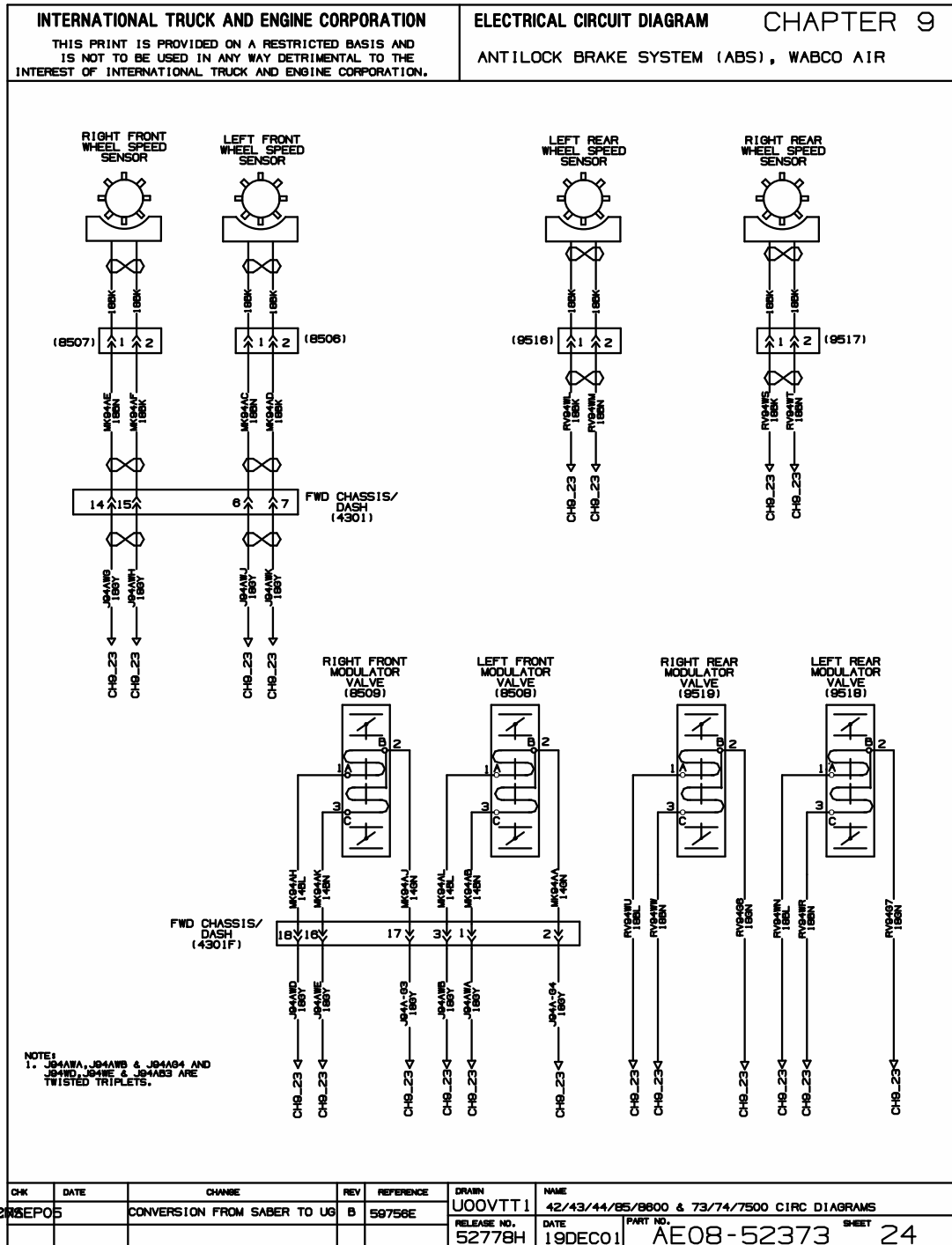


Figure 113 Antilock Brake System, WABCO Air

10.25. LIFT AXLES, WITH NON-STEERABLE FOR SS MODELS, P. 25

INTERNATIONAL TRUCK AND ENGINE CORPORATION THIS PRINT IS PROVIDED ON A RESTRICTED BASIS AND IS NOT TO BE USED IN ANY WAY DETRIMENTAL TO THE INTEREST OF INTERNATIONAL TRUCK AND ENGINE CORPORATION.				ELECTRICAL CIRCUIT DIAGRAM CHAPTER 9 LIFT AXLES, W/NON-STEERABLE FOR SS MODELS			
<p>INTENTIONALLY LEFT BLANK</p>							
CHK	DATE	CHANGE	REV	REFERENCE	DRAWN	NAME	
CNA	10JUL06	GEOMETRY REMOVED	D	60296A	UOODLCK	42/43/44/85/8800 & 73/74/7500 CIRCUIT DIAGRAMS	
					RELEASE NO.	DATE	PART NO.
					52778H	15DEC01	AE08-52373
							SHEET 25

Figure 114 Lift Axles, With Non-Steerable for SS Models

10.26. FUEL / WATER SEPARATOR WITH 12VDC FUEL PREHEATER, P. 26

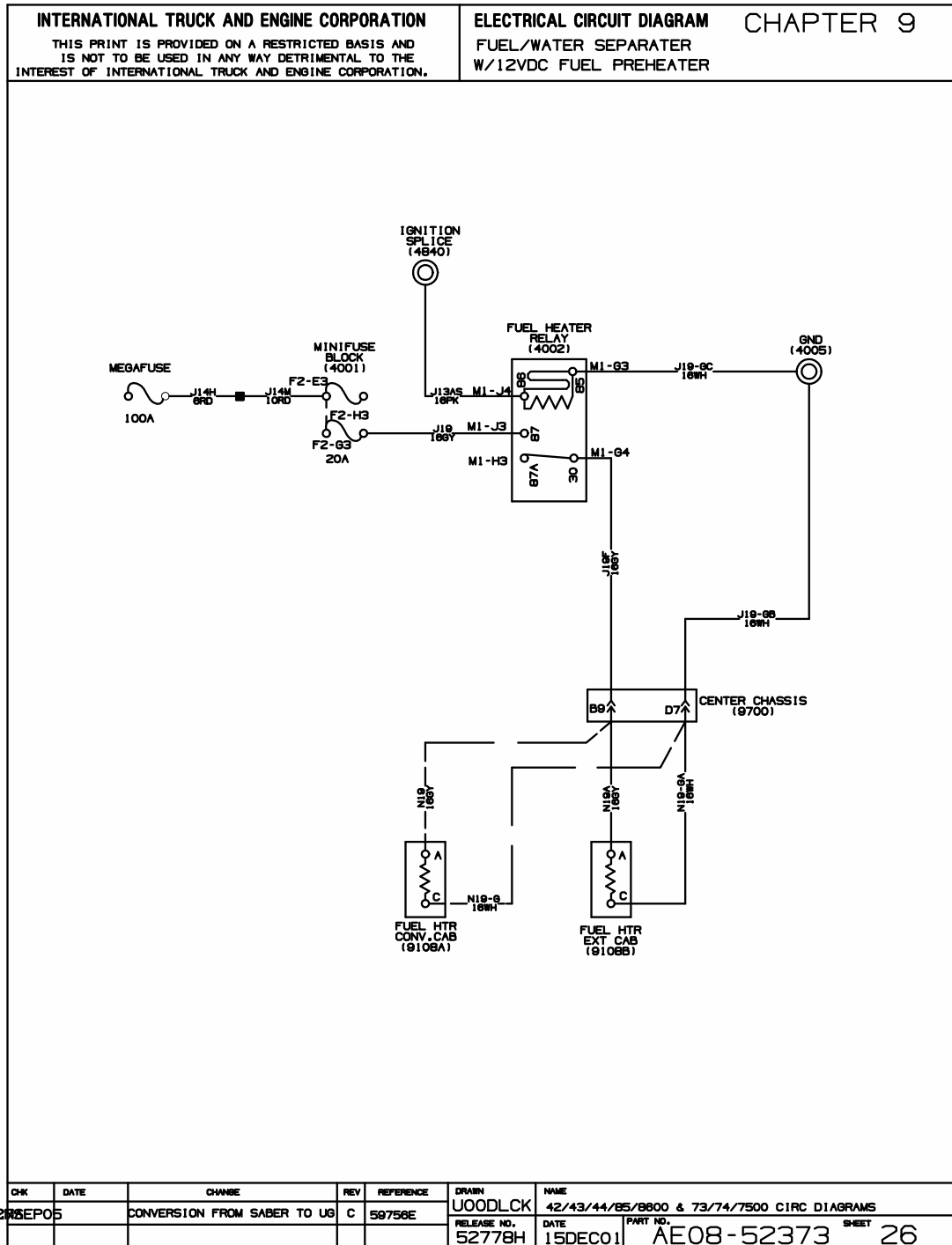


Figure 115 Fuel / Water Separator With 12VDC Fuel Preheater

10.27. ELECTRONIC TRAILER BRAKE ACCOMMODATION, P. 27

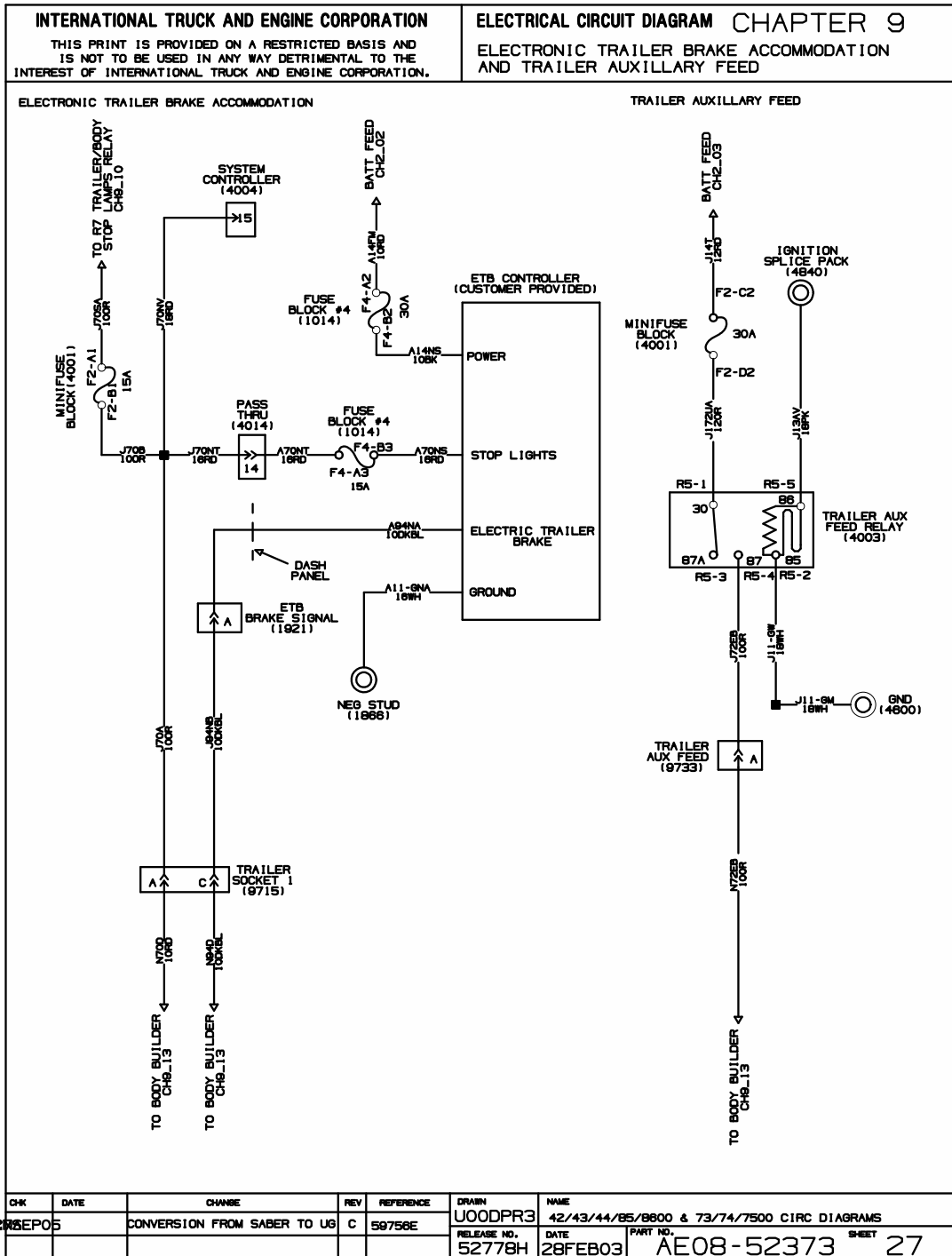


Figure 116 Electronic Trailer Brake Accommodation

10.28. LECTRASHIFT ACCOMMODATION, P. 28

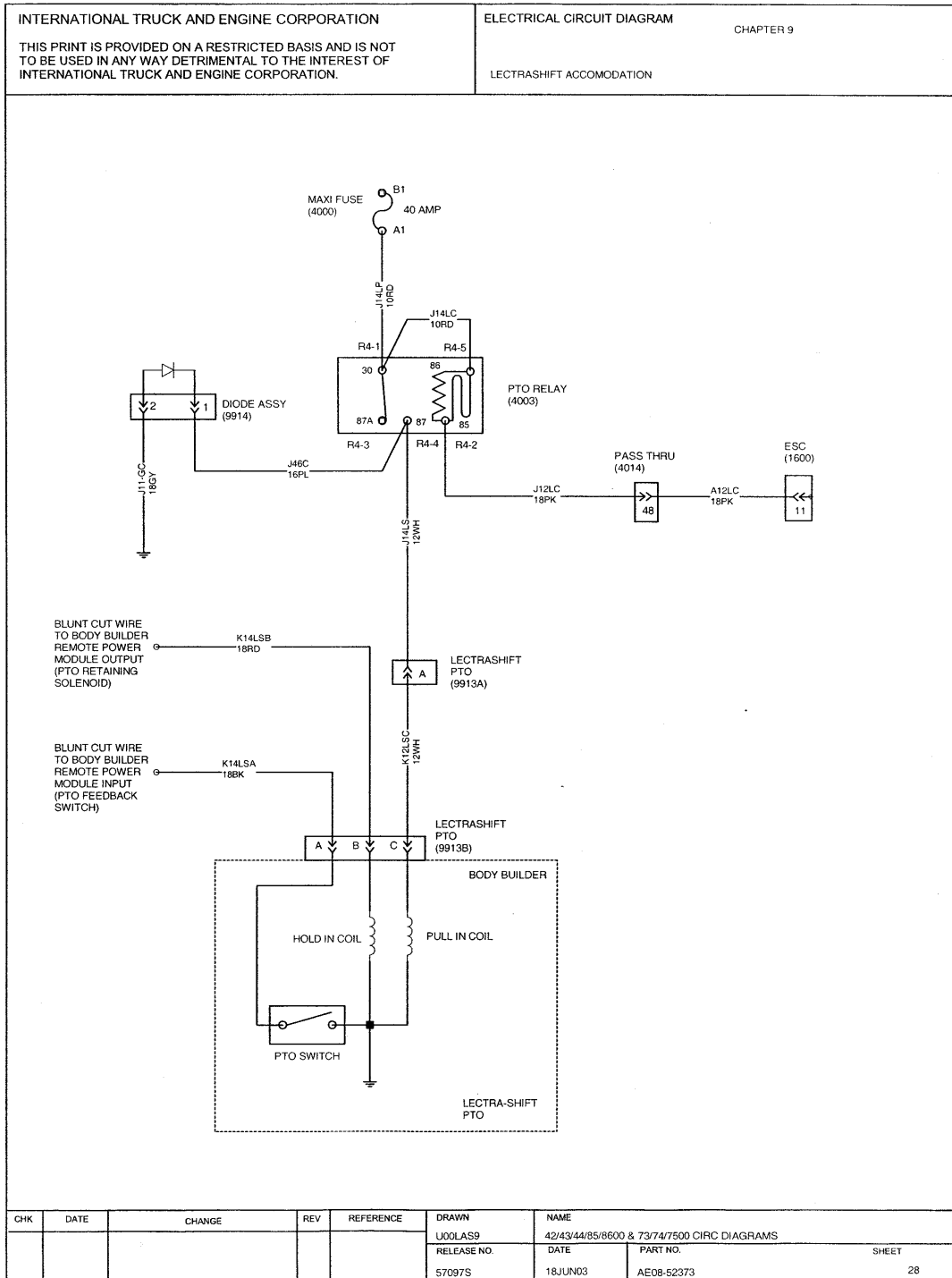


Figure 117 Lectrashift Accommodation

10.29. AUXILIARY 40 AMP CIRCUIT, P. 29

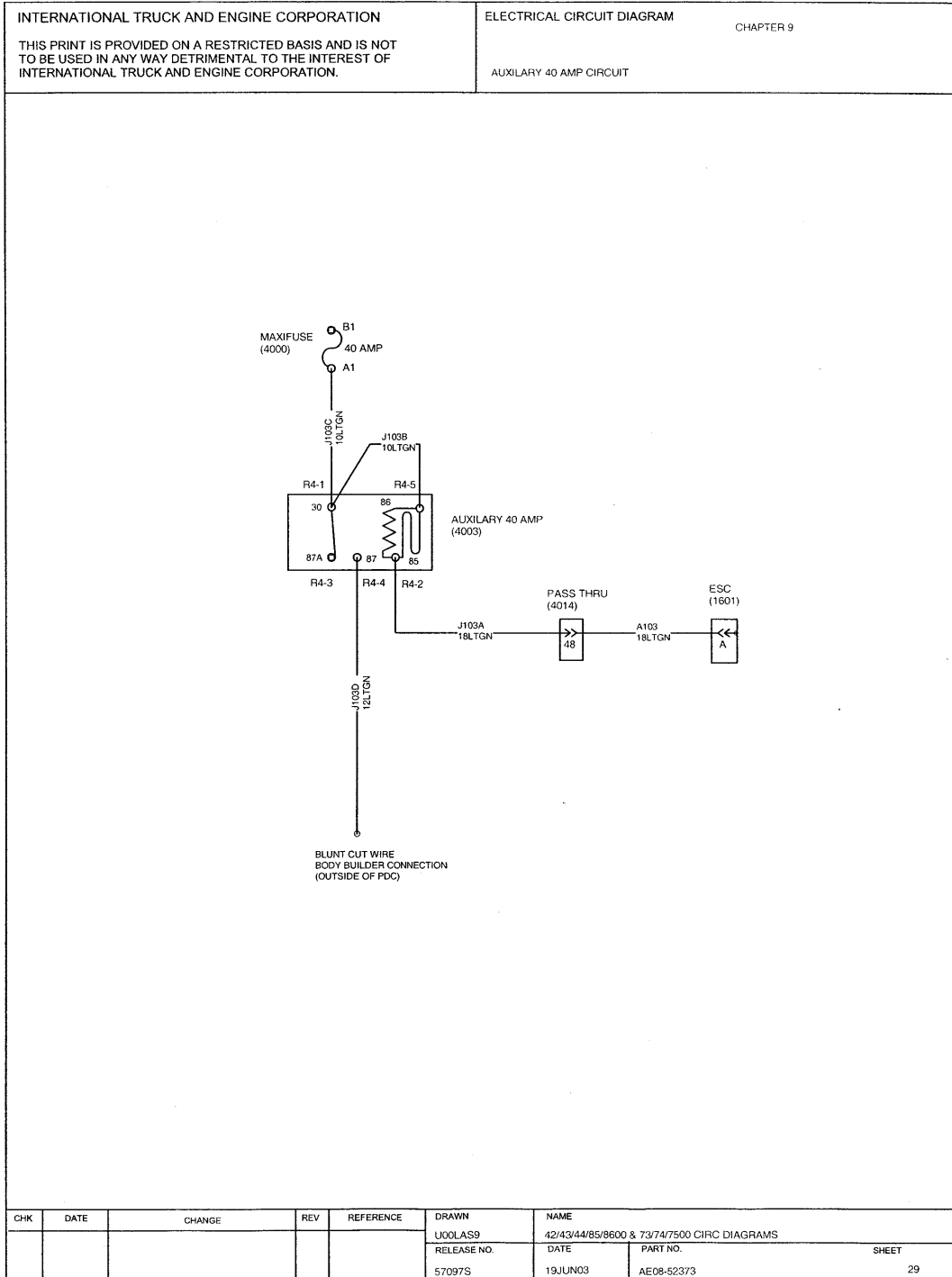


Figure 118 Auxiliary 40 Amp Circuit

10.30. HOURMETER, CUSTOMER MOUNTED PTO, P. 30

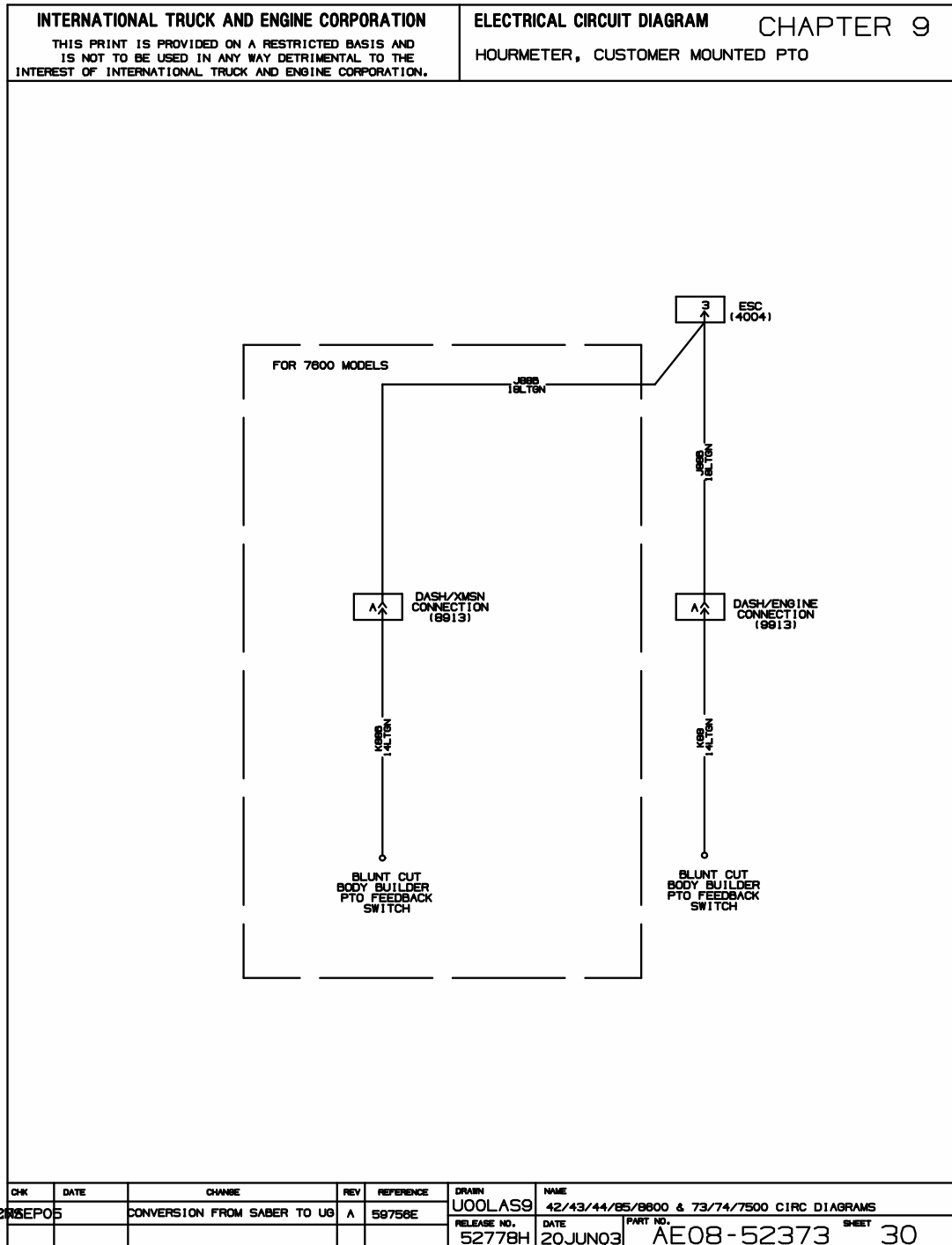


Figure 119 Hourmeter, Customer Mounted PTO

10.31. REMOTE START/ STOP, P. 31

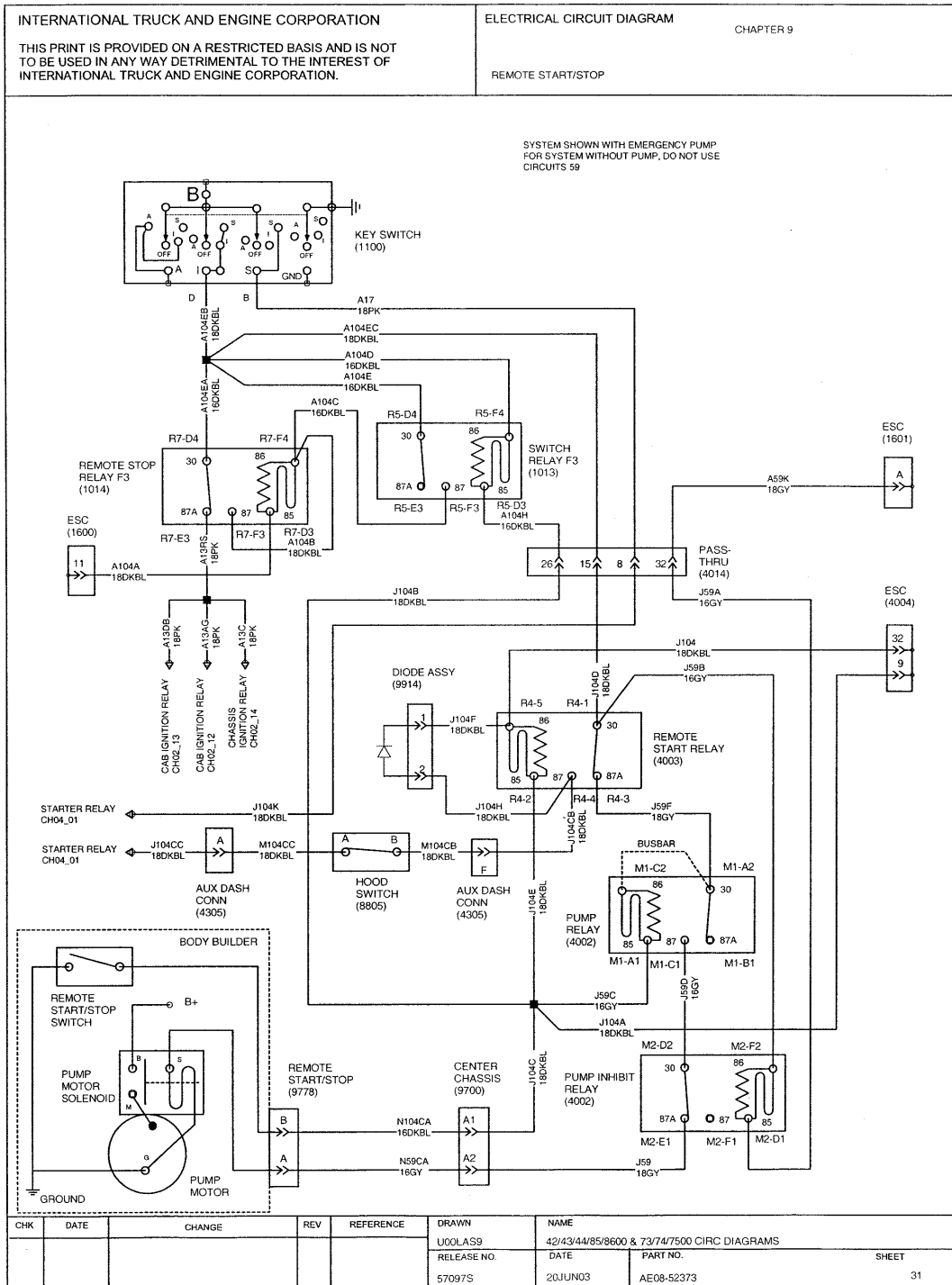


Figure 120 Remote Start/ Stop

10.32. LIFT AXLE WITH 14RAR, P. 32

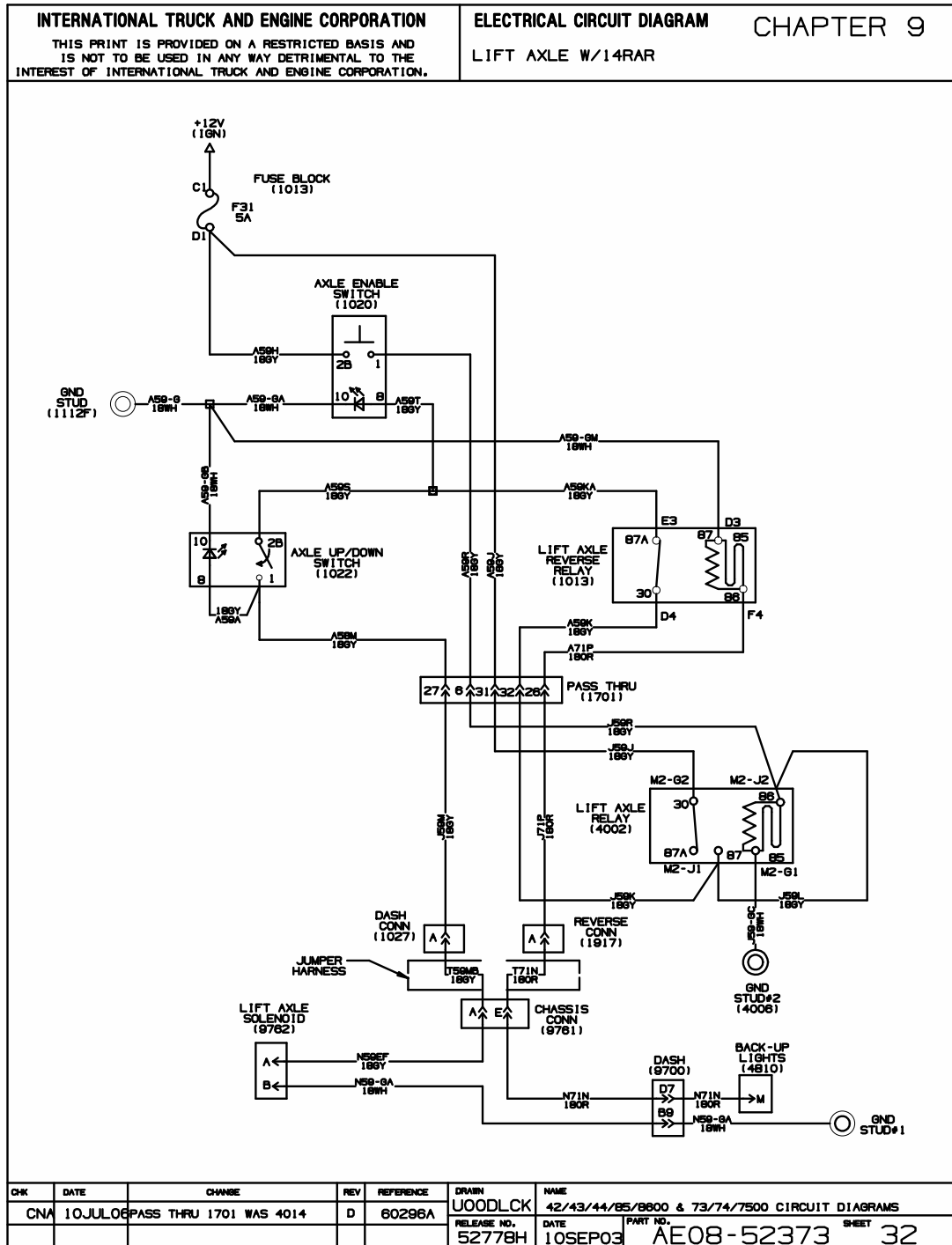
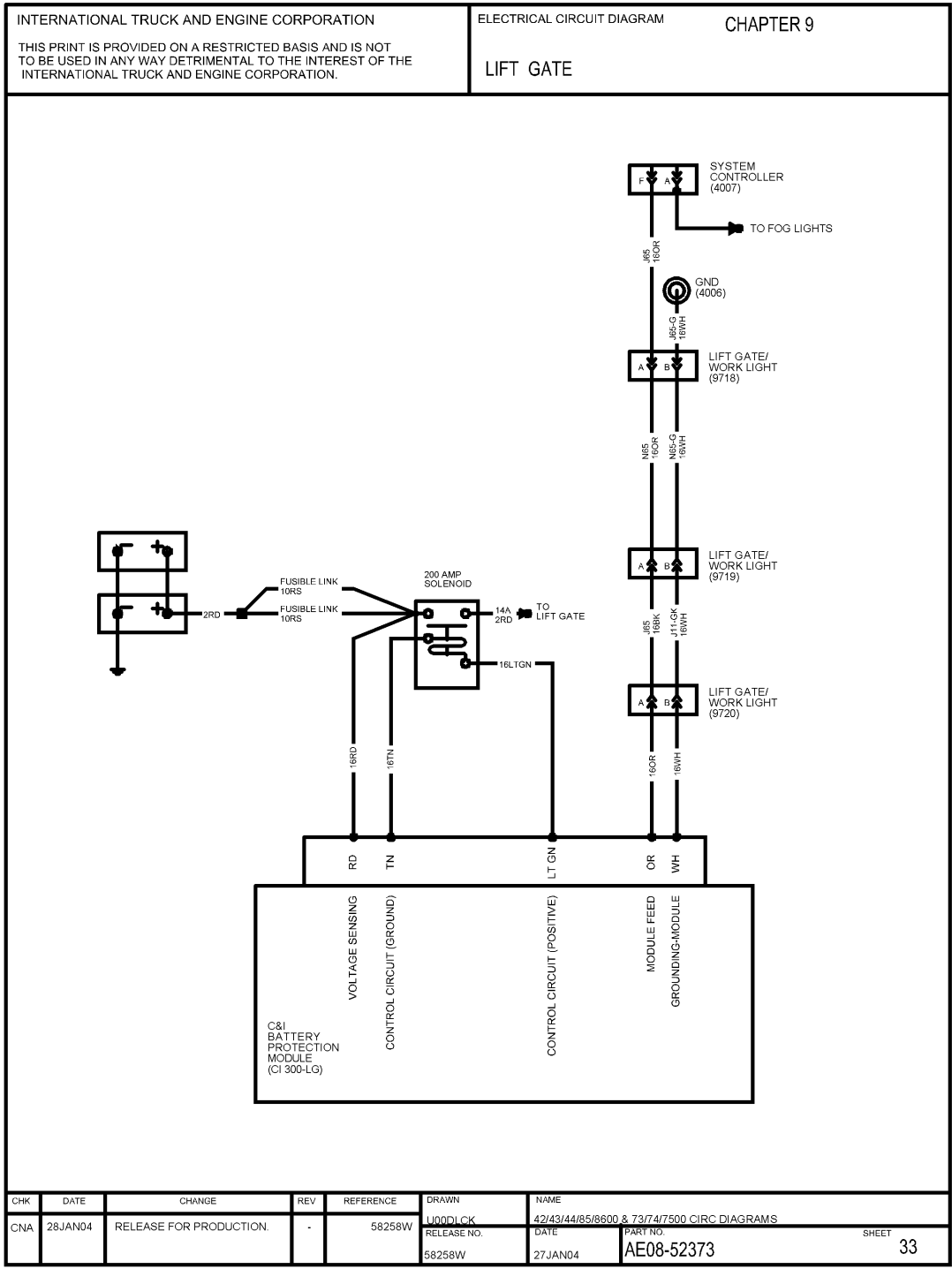


Figure 121 Lift Axle with 14RAR

10.33. LIFT GATE, P. 33



10.34. LIFT AXLE MULTIPLEX, P. 34

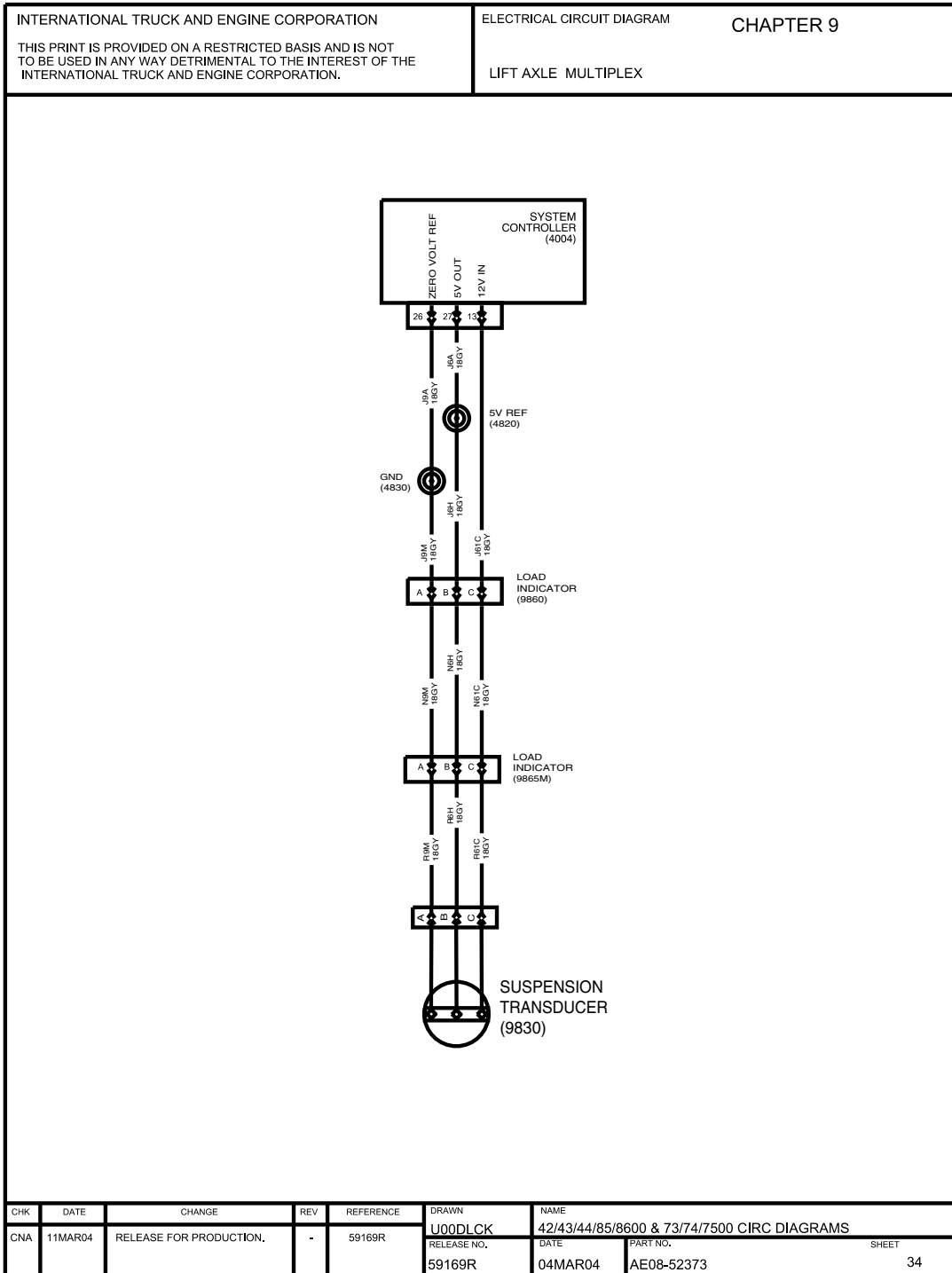


Figure 123 Lift Axle Multiplex

TRANSMISSIONS (CHAPTER 10)

11.1. ALLISON LCT TRANSMISSION OR ALLISON 1000, 2000, 2400, P. 1

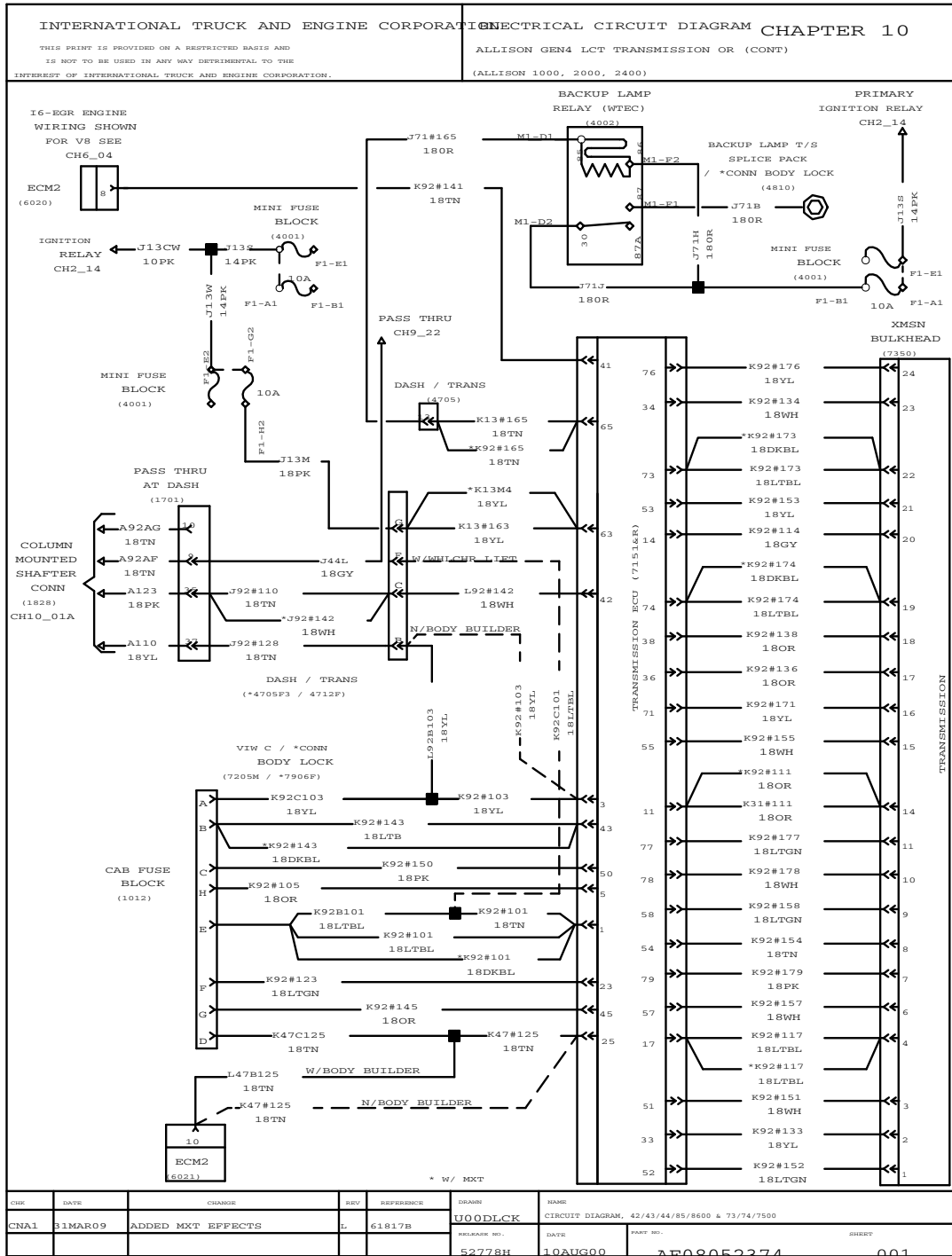


Figure 124 Allison LCT Transmission or Allison 1000, 2000, 2400

11.2. ALLISON MD TRANSMISSION, P. 2

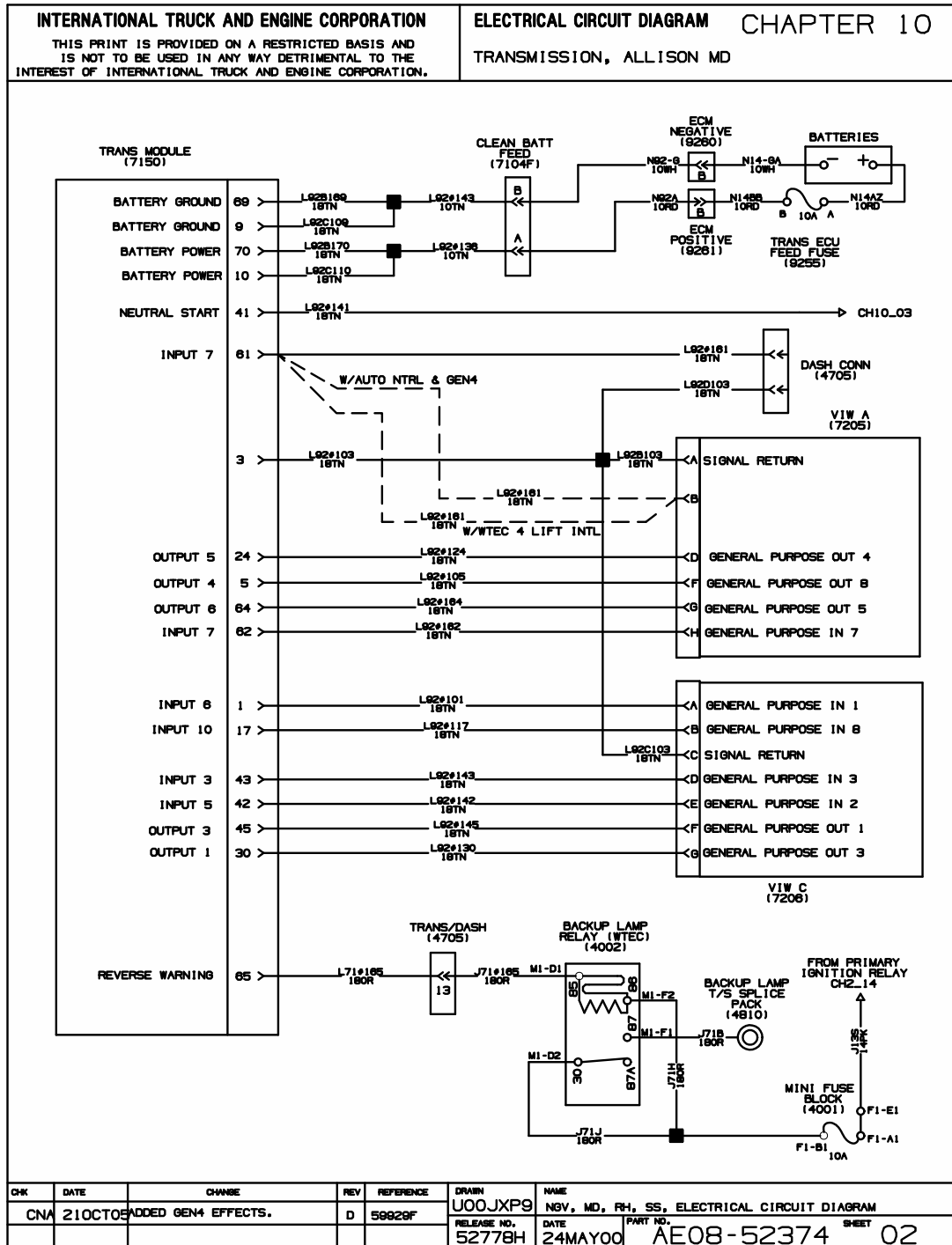


Figure 125 Allison MD Transmission

11.3. ALLISON MD TRANSMISSION (WTEC), P. 3

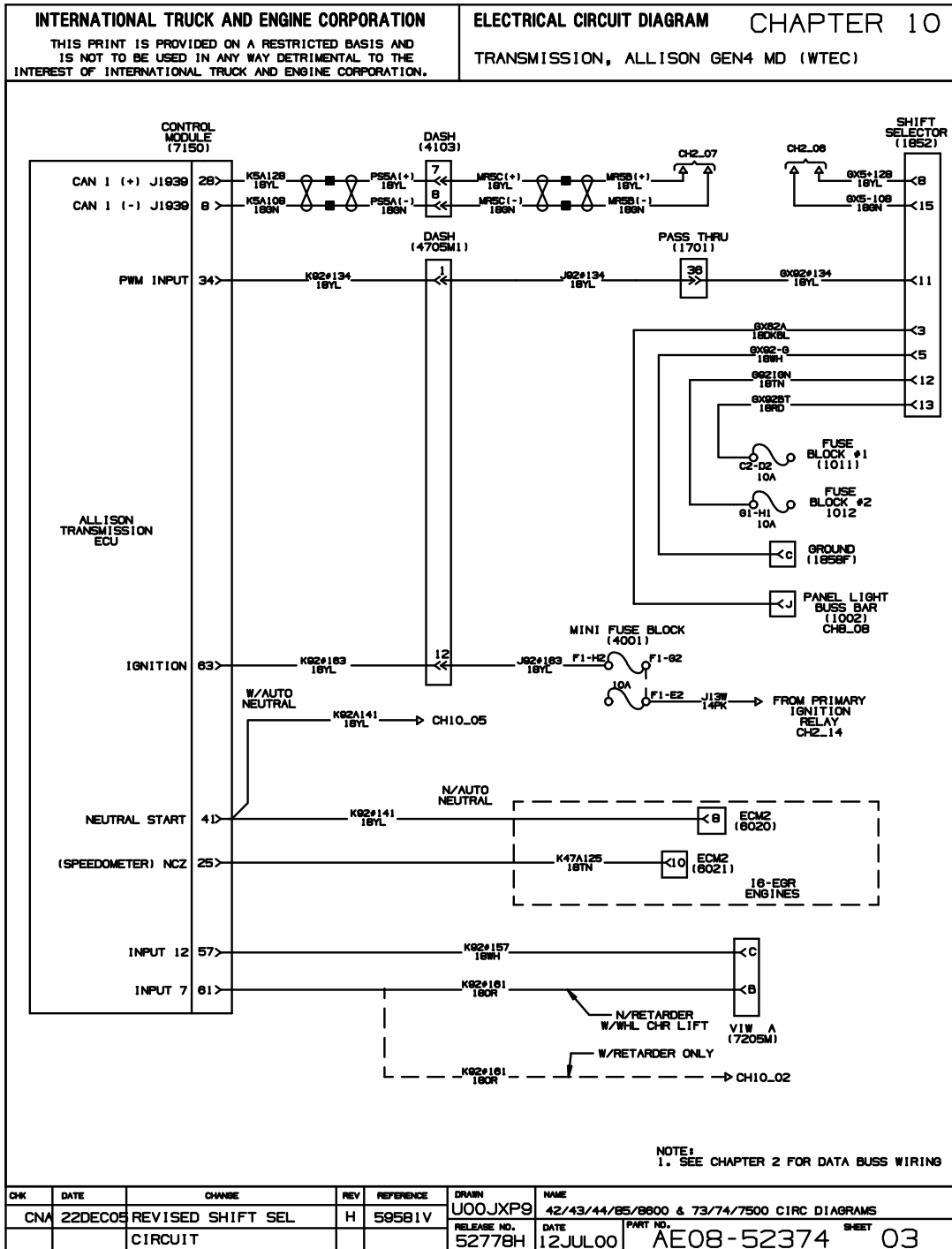


Figure 126 Allison MD Transmission (WTEC)

11.4. ALLISON MD TRANSMISSION (CONT.), P. 4

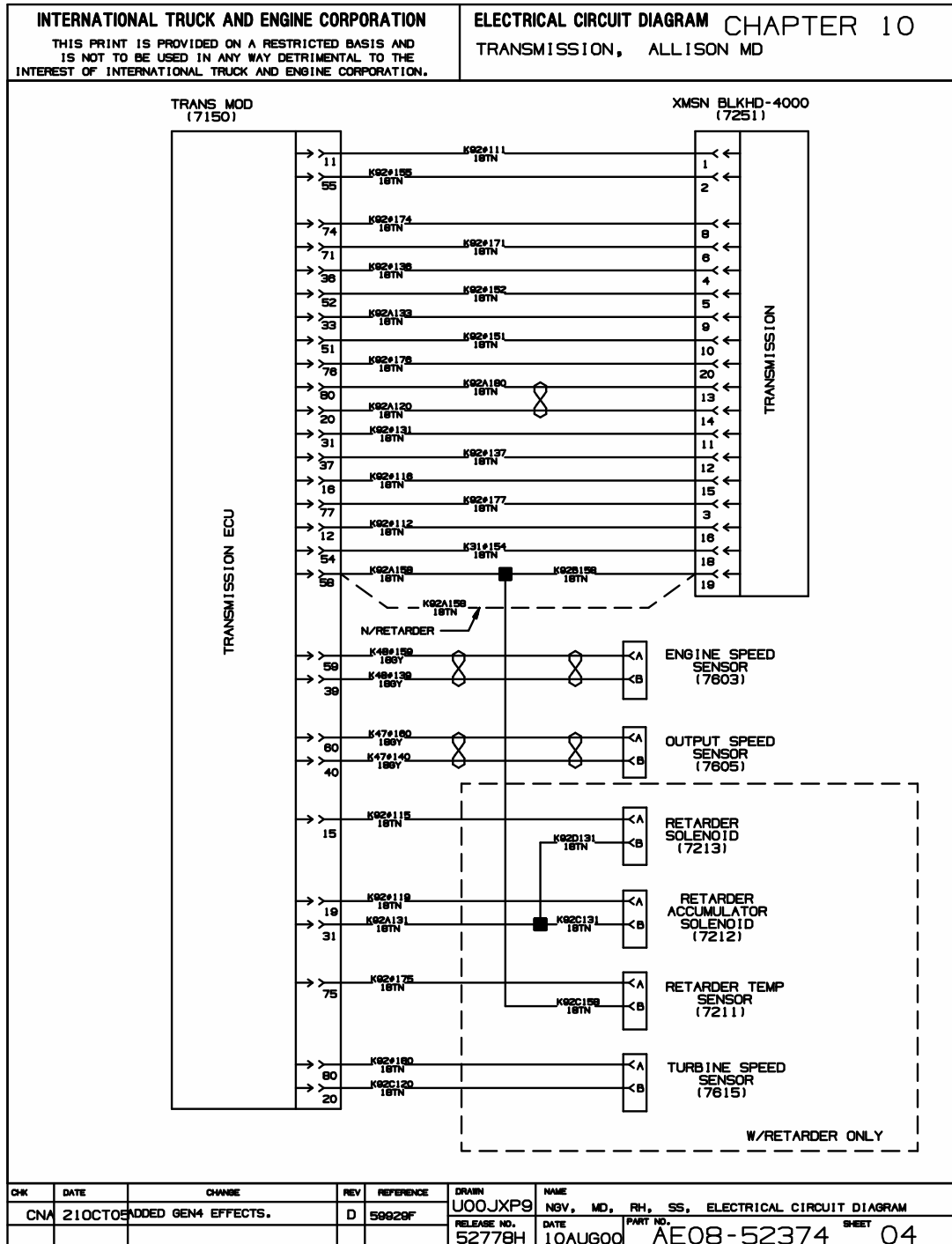


Figure 127 Allison MD Transmission (Cont.)

11.6. EATON AUTOSHIFT TRANSMISSION, P. 6

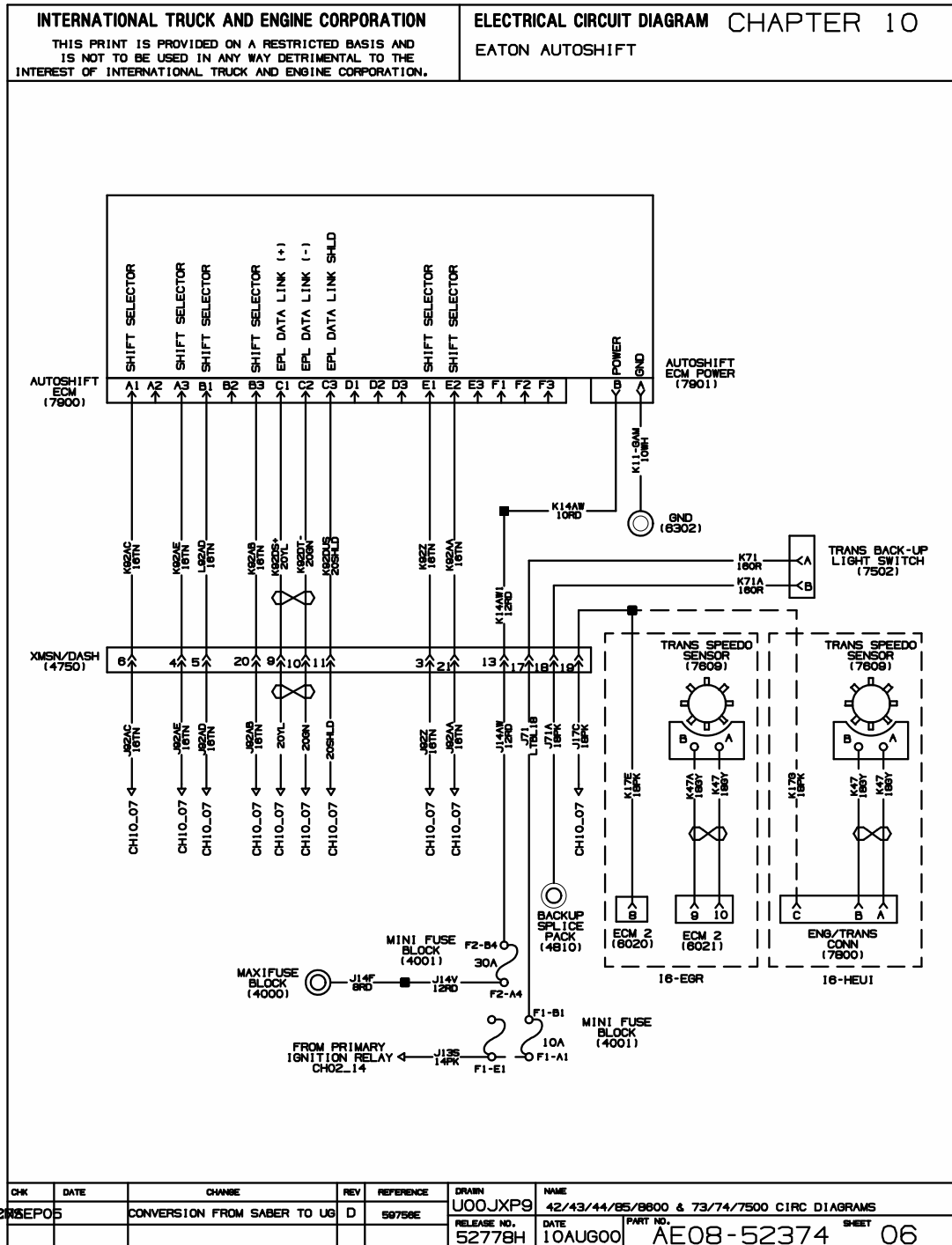


Figure 129 Eaton Autoshift Transmission

11.7. EATON AUTOSHIFT TRANSMISSION (CONT.), P. 7

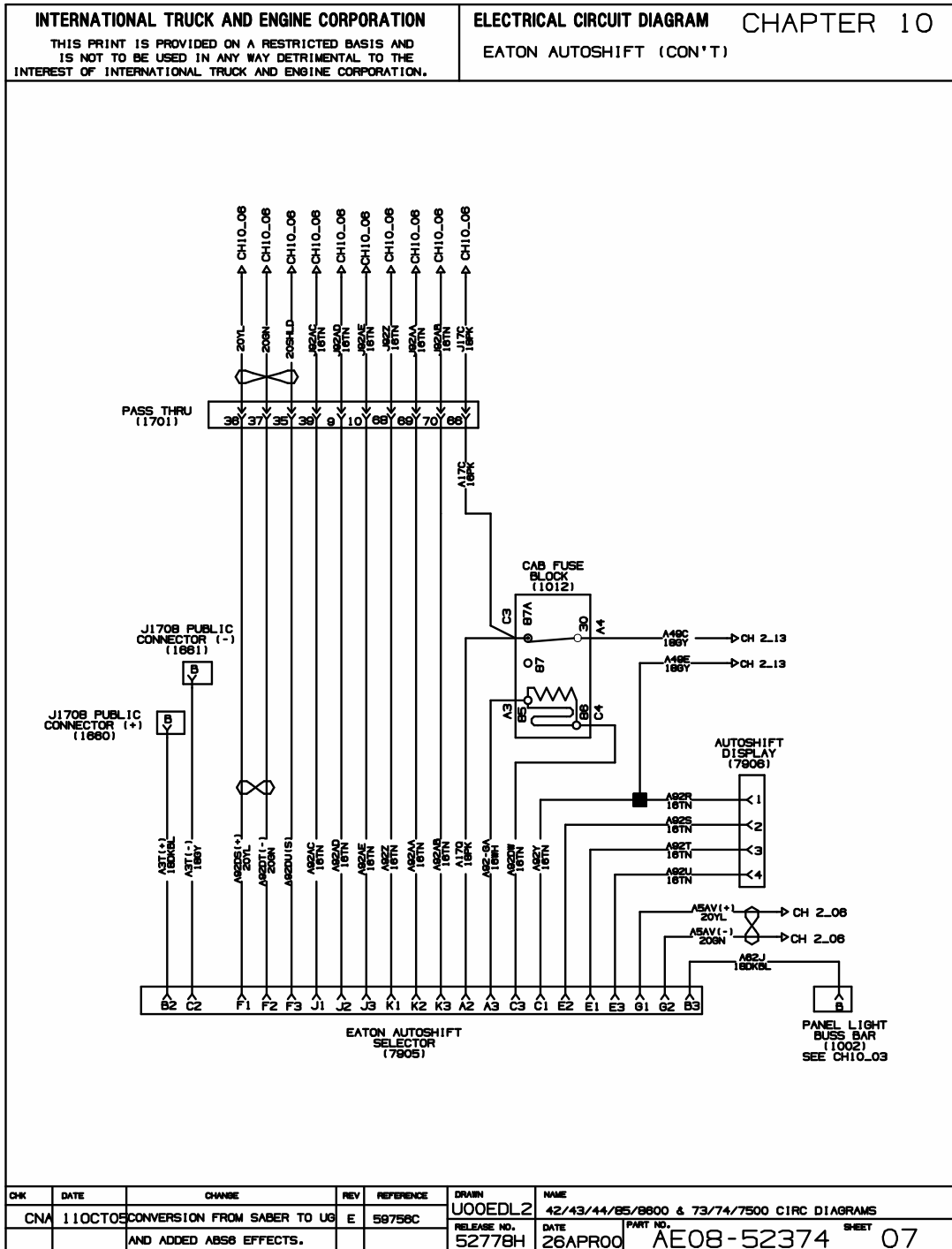


Figure 130 Eaton Autoshift Transmission (Cont.)

11.8. EATON LIGHTNING TRANSMISSION, P. 8

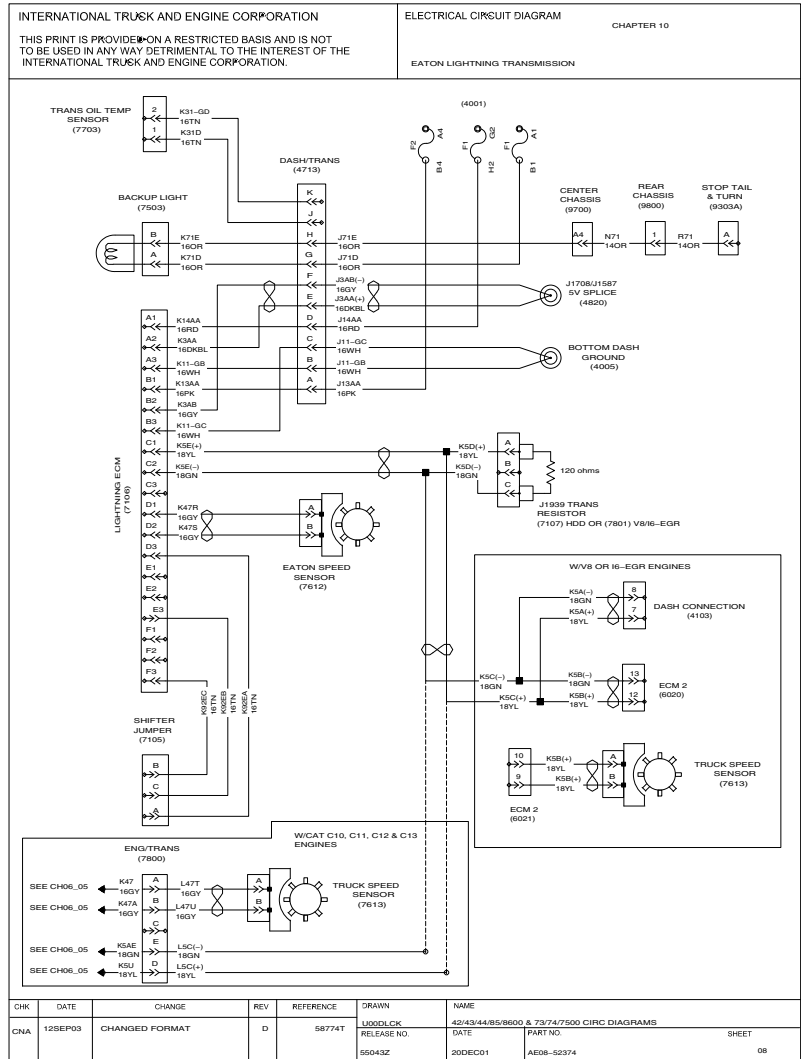


Figure 131 Eaton Lightning Transmission

11.9. ALLISON HD TRANSMISSION, P. 9

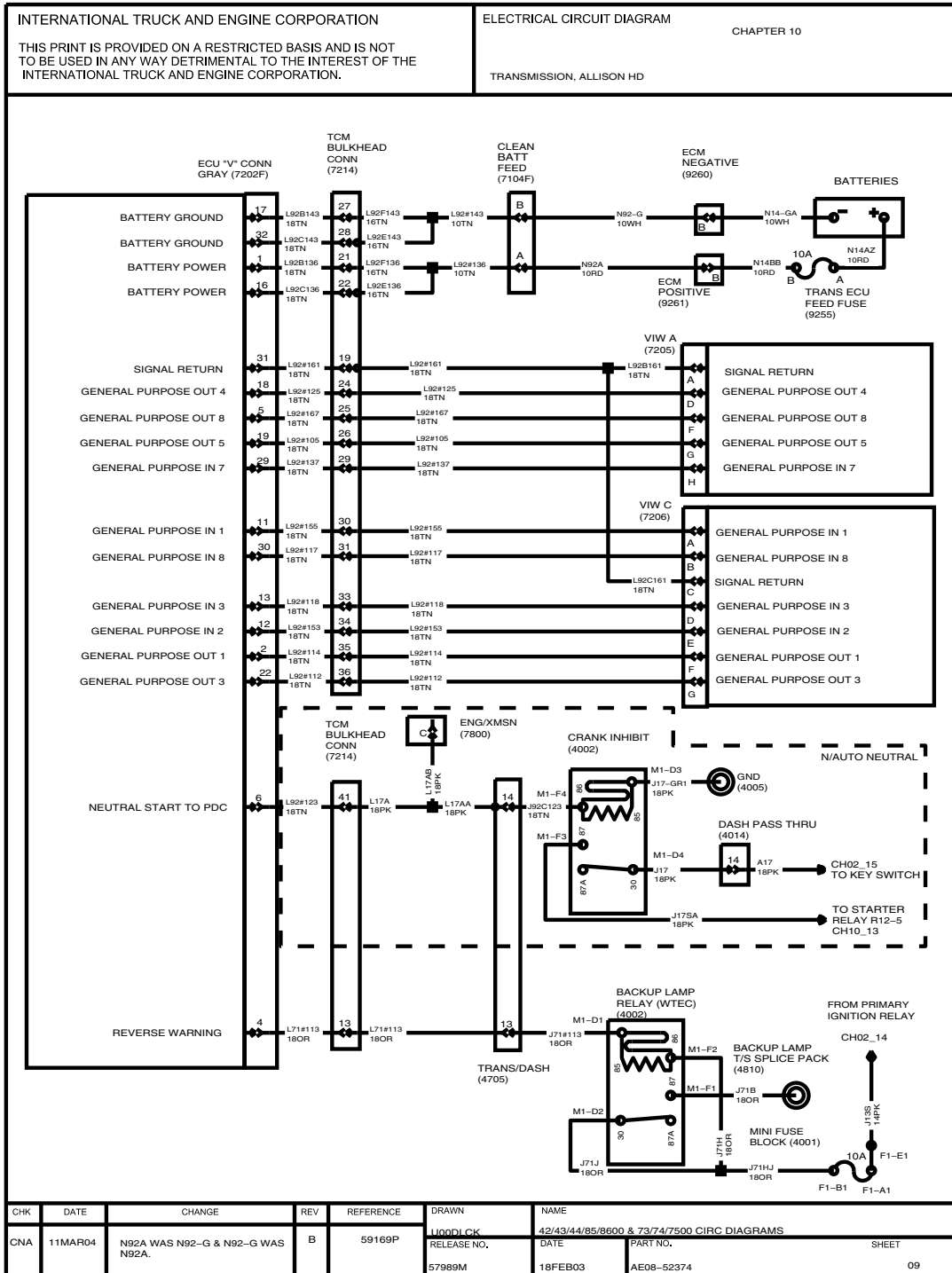


Figure 132 Allison HD Transmission

11.10. ALLISON HD TRANSMISSION, P. 10

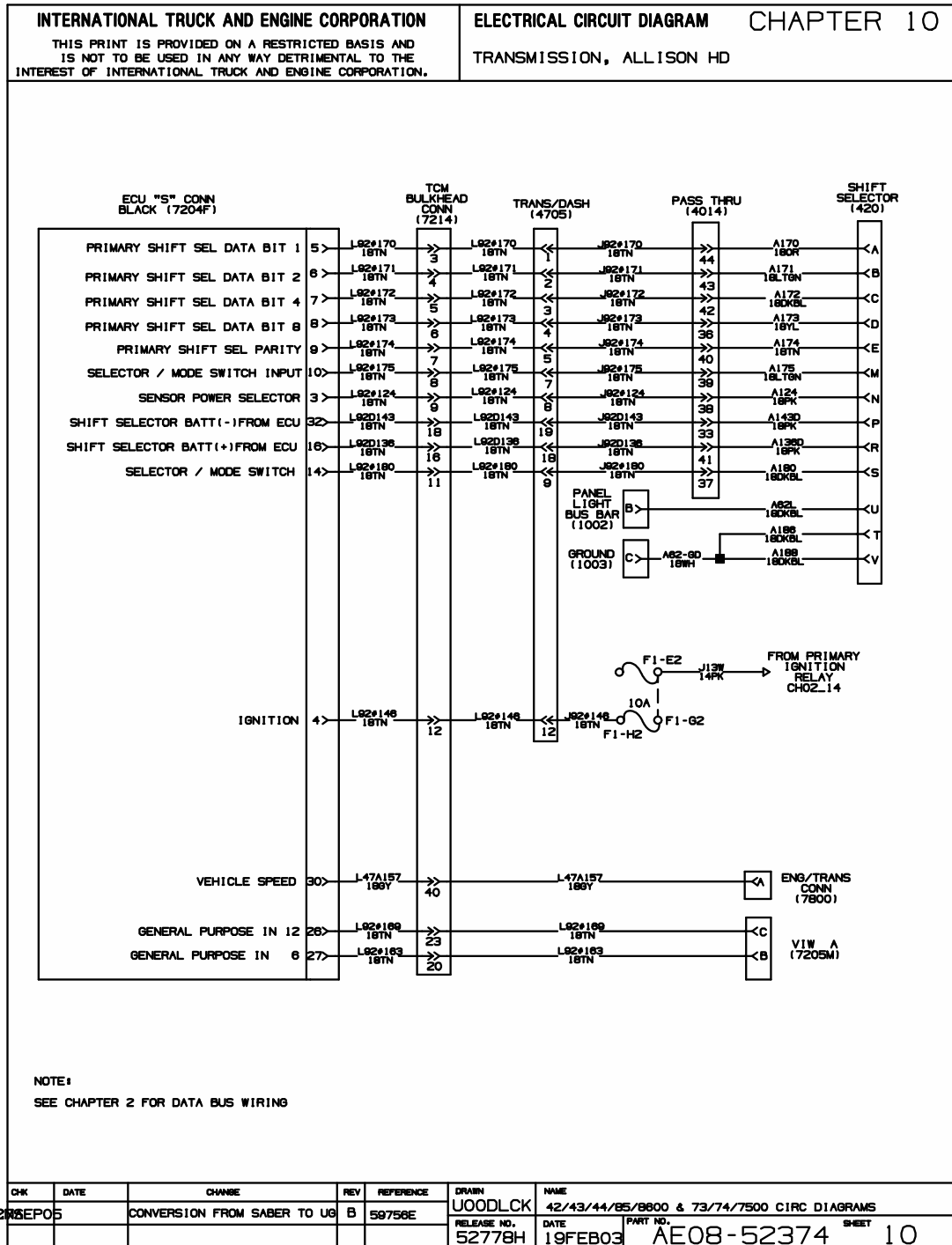
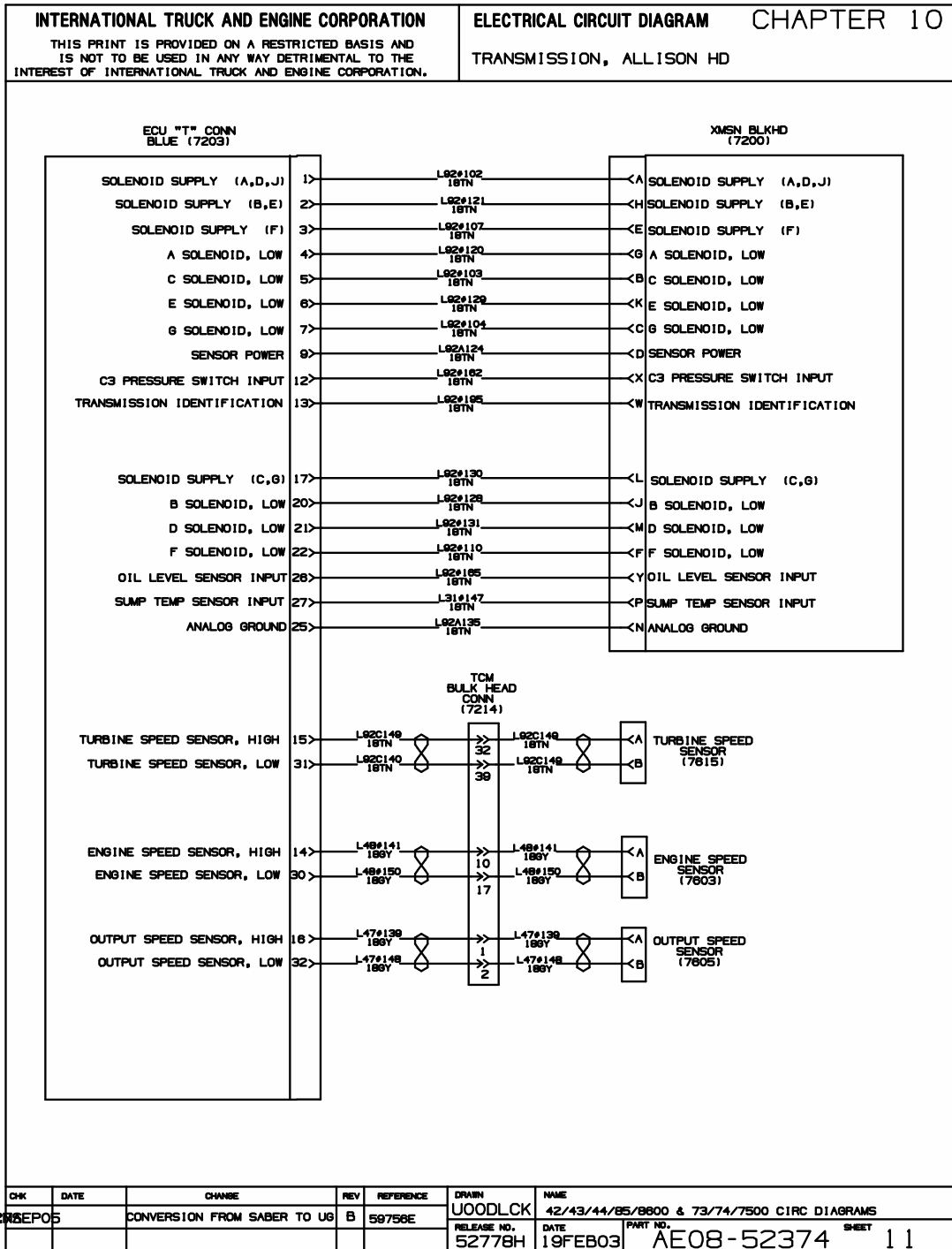


Figure 133 Allison HD Transmission (Cont.)

11.11. ALLISON HD TRANSMISSION, P. 11



CHK	DATE	CHANGE	REV	REFERENCE	DRAWN	NAME
2	09SEP05	CONVERSION FROM SABER TO UG	B	59756E	UOODLCK	42/43/44/85/8800 & 73/74/7500 CIRC DIAGRAMS
					RELEASE NO.	DATE
					5277BH	19FEB03
					PART NO.	SHEET
					AE08-52374	11

Figure 134 Allison HD Transmission (Cont.)

11.12. ALLISON HD TRANSMISSION WITH AUTO NEUTRAL, P. 12

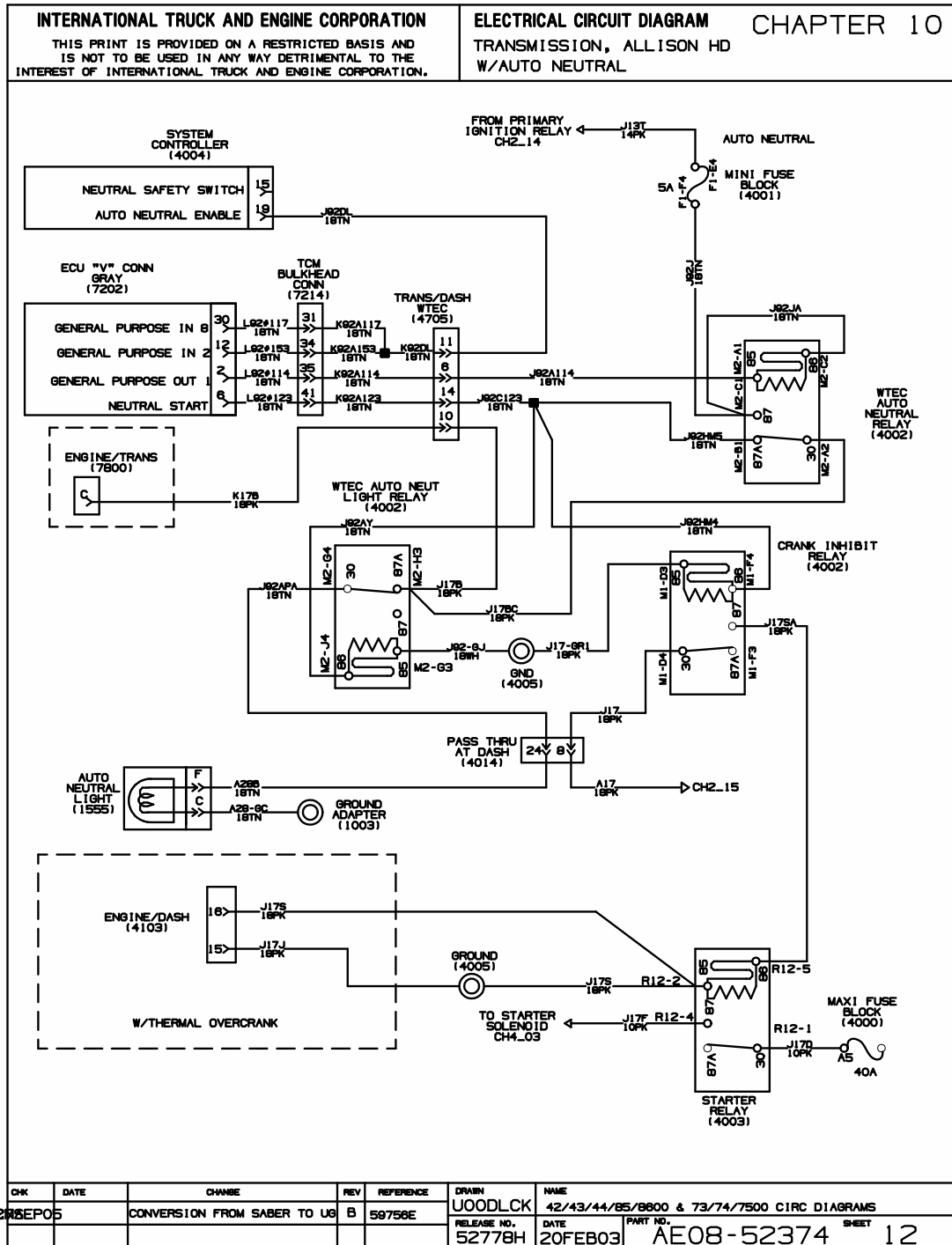


Figure 135 Allison HD Transmission With Auto Neutral

11.13. ALLISON HD TRANSMISSION WITH AUTO NEUTRAL AND WITH 0013WUA, P. 13

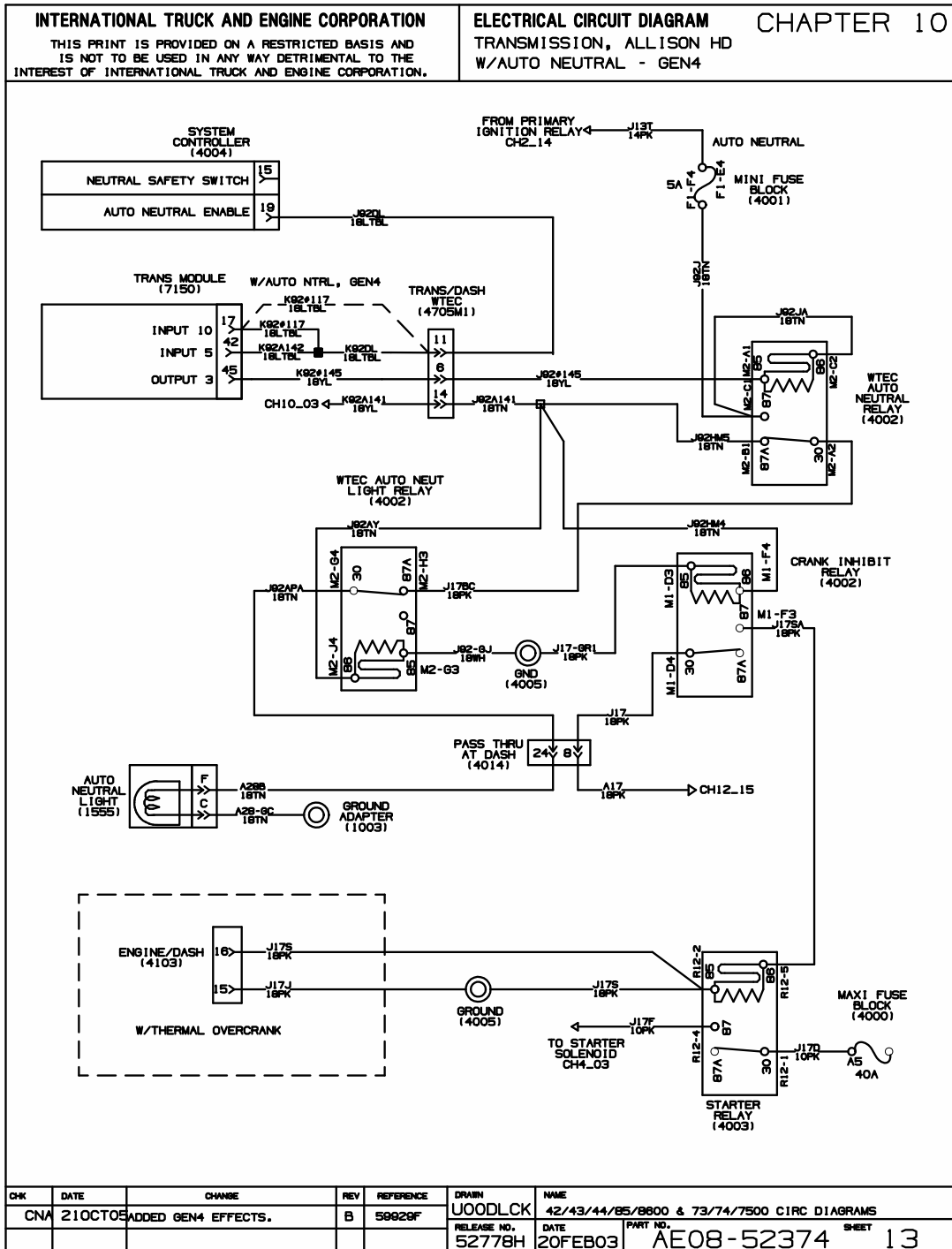


Figure 136 Allison HD Transmission With Auto Neutral and with 0013WUA

11.14. ALLISON LCT TRANSMISSION (ALLISON 1000, 2000, 2400) WITH I6 HEUI, P. 14

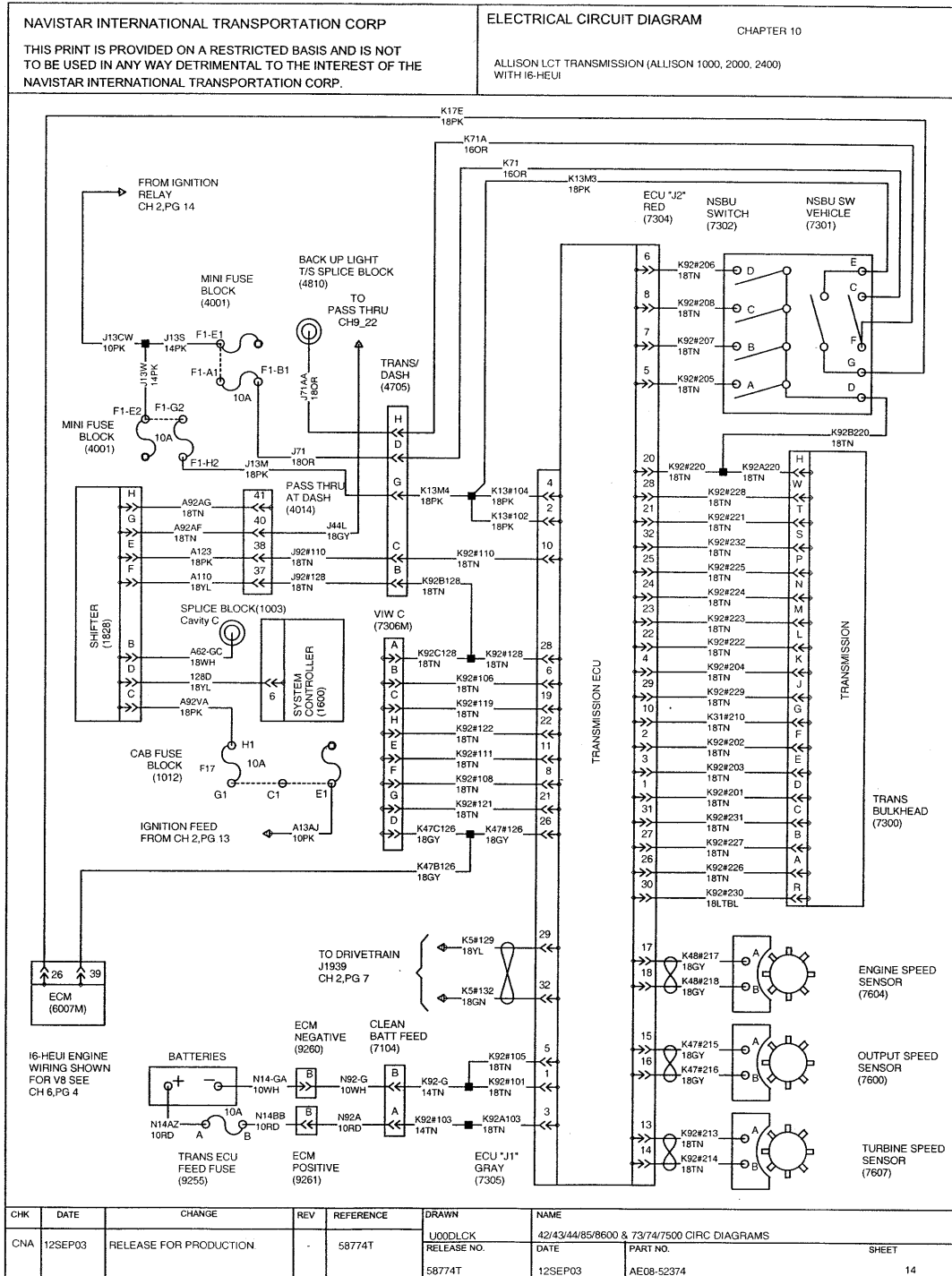


Figure 137 Allison LCT Transmission (Allison 1000, 2000, 2400) with I6 HEUI

11.15. TRANSMISSION RETARDER CONTROL WIRING WITH MD XMSN, HARD WIRED EFFECTS, P. 15

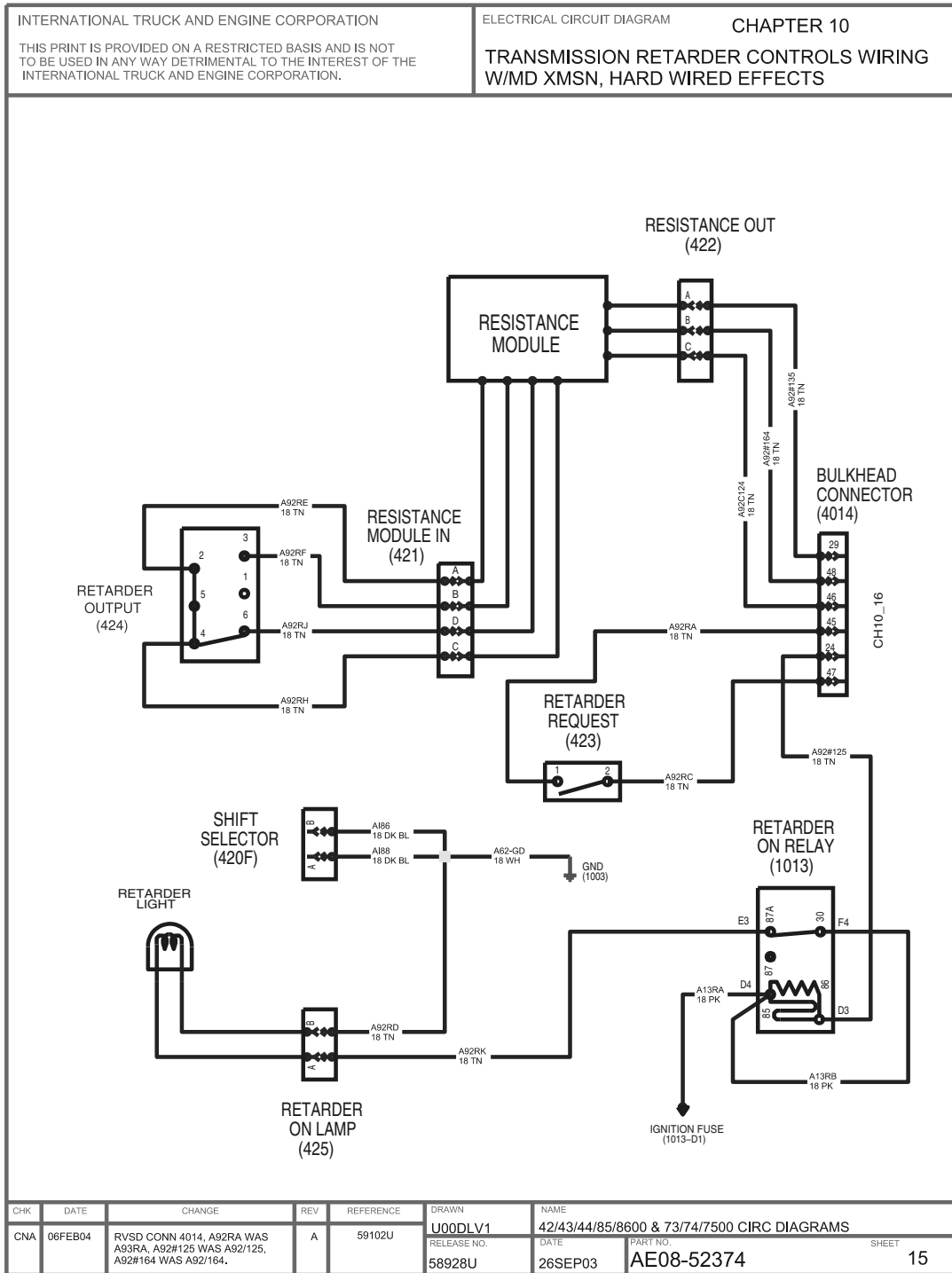


Figure 138 Transmission Retarder Control Wiring with MD Transmission, Hard Wired Effects

11.16. TRANSMISSION RETARDER CONTROL WIRING WITH MD XMSN, HARD WIRED EFFECTS, P. 16

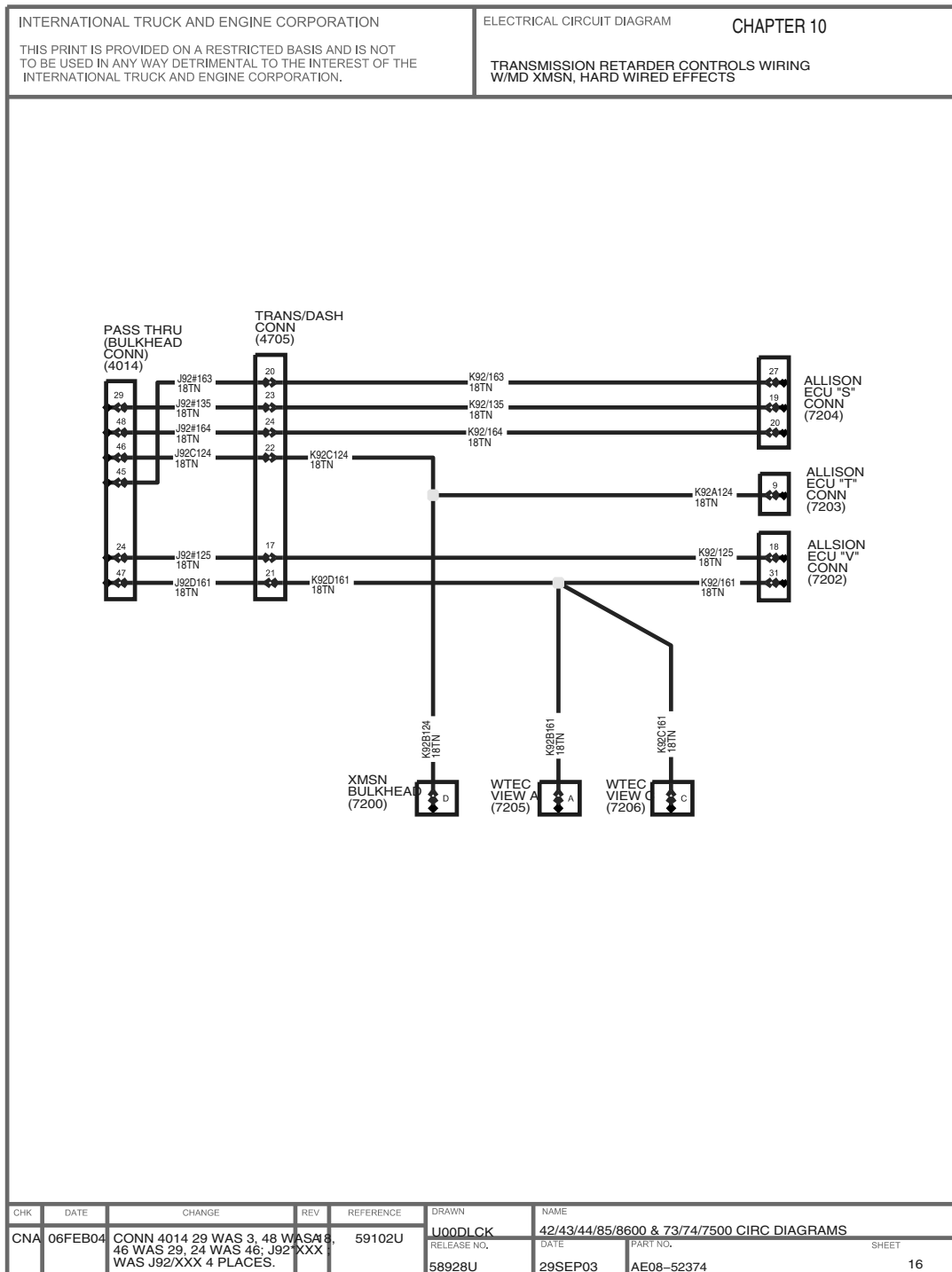


Figure 139 Transmission Retarder Control Wiring with MD Transmission, Hard Wired Effects

AIR CONDITIONING (CHAPTER 11)

12.1. HVAC SYSTEMS, P. 1

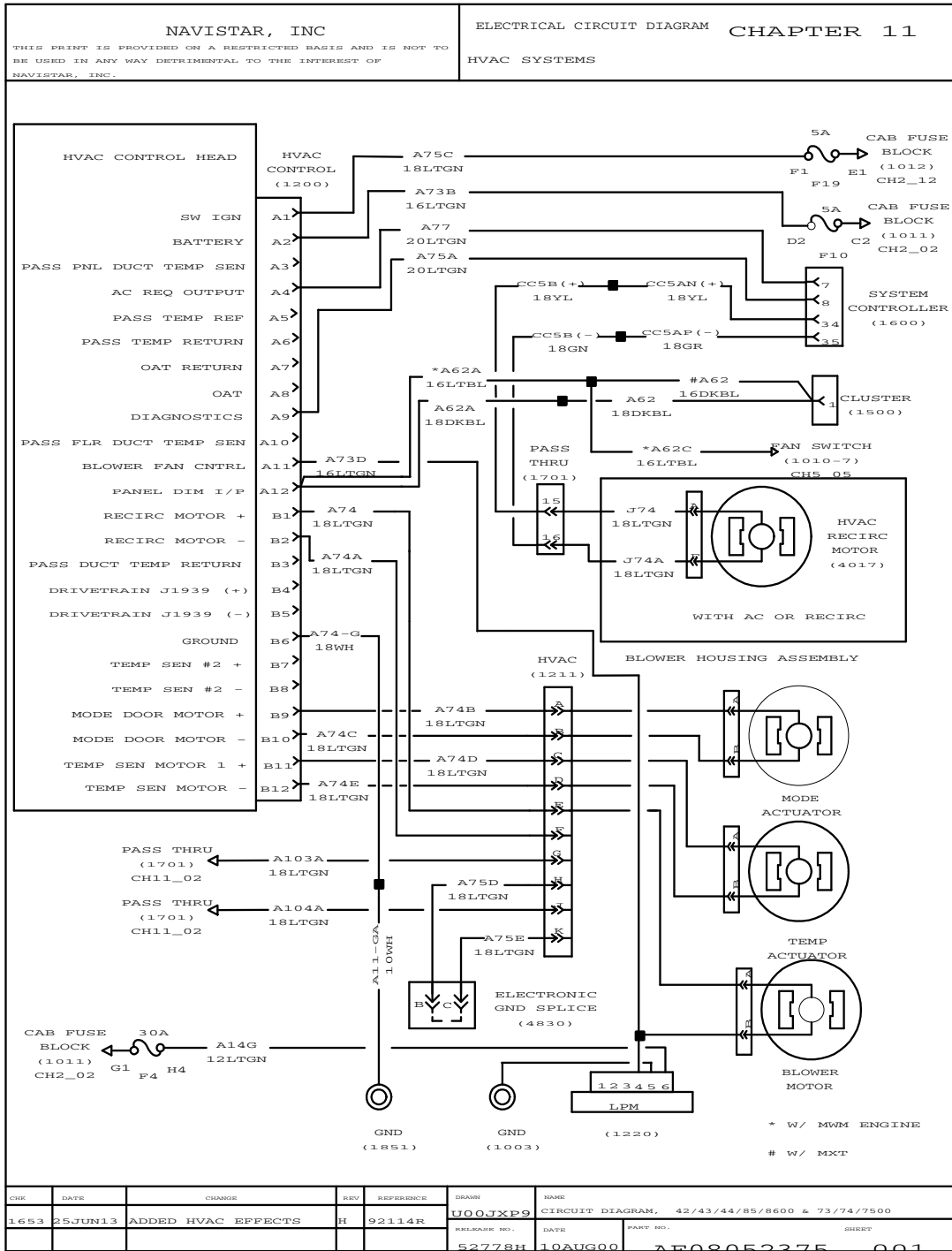


Figure 140 HVAC Systems

12.2. AIR CONDITIONING (ONLY), P. 2

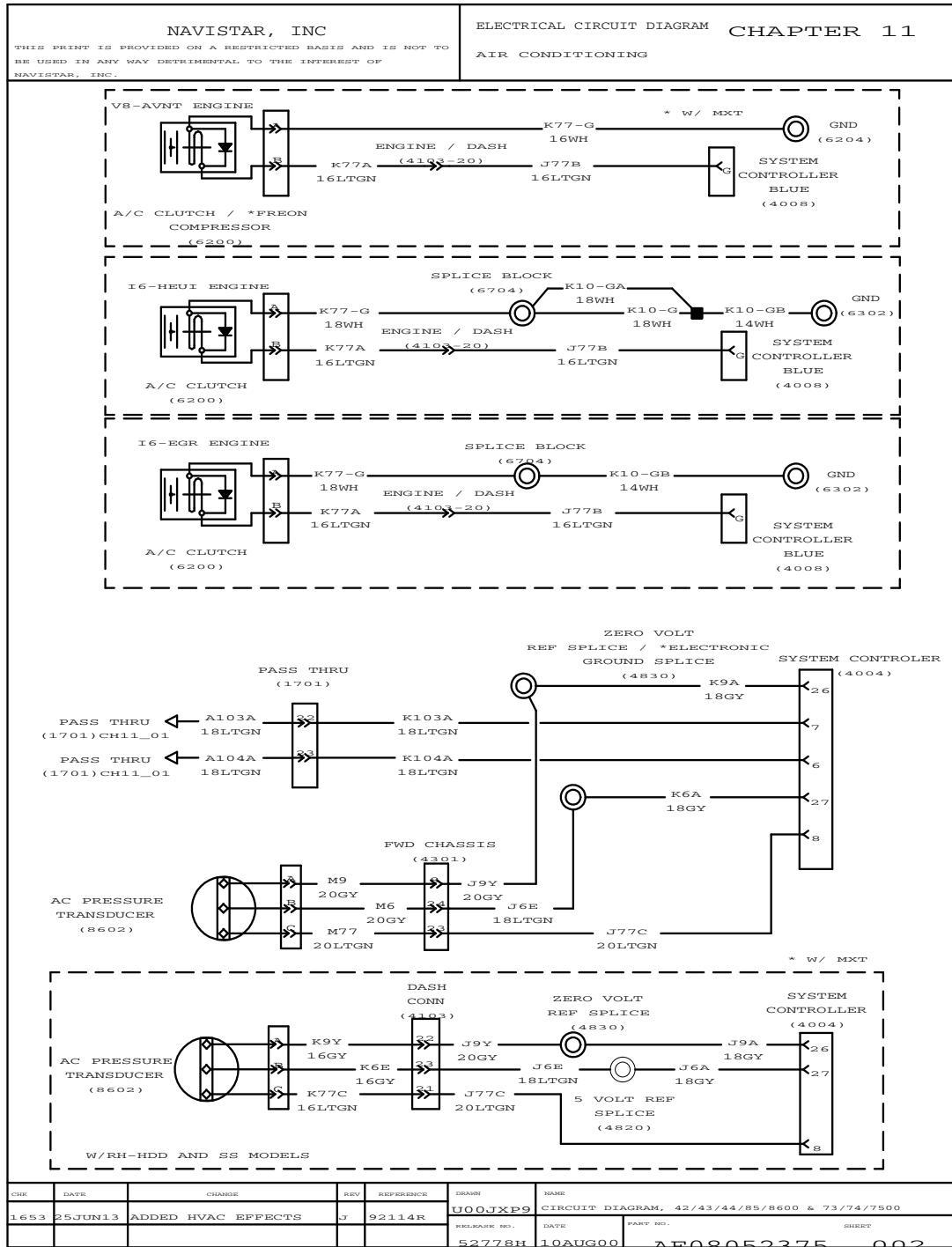


Figure 141 Air Conditioning (Only)

12.3. AUTOTHERM SYSTEMS, P. 3

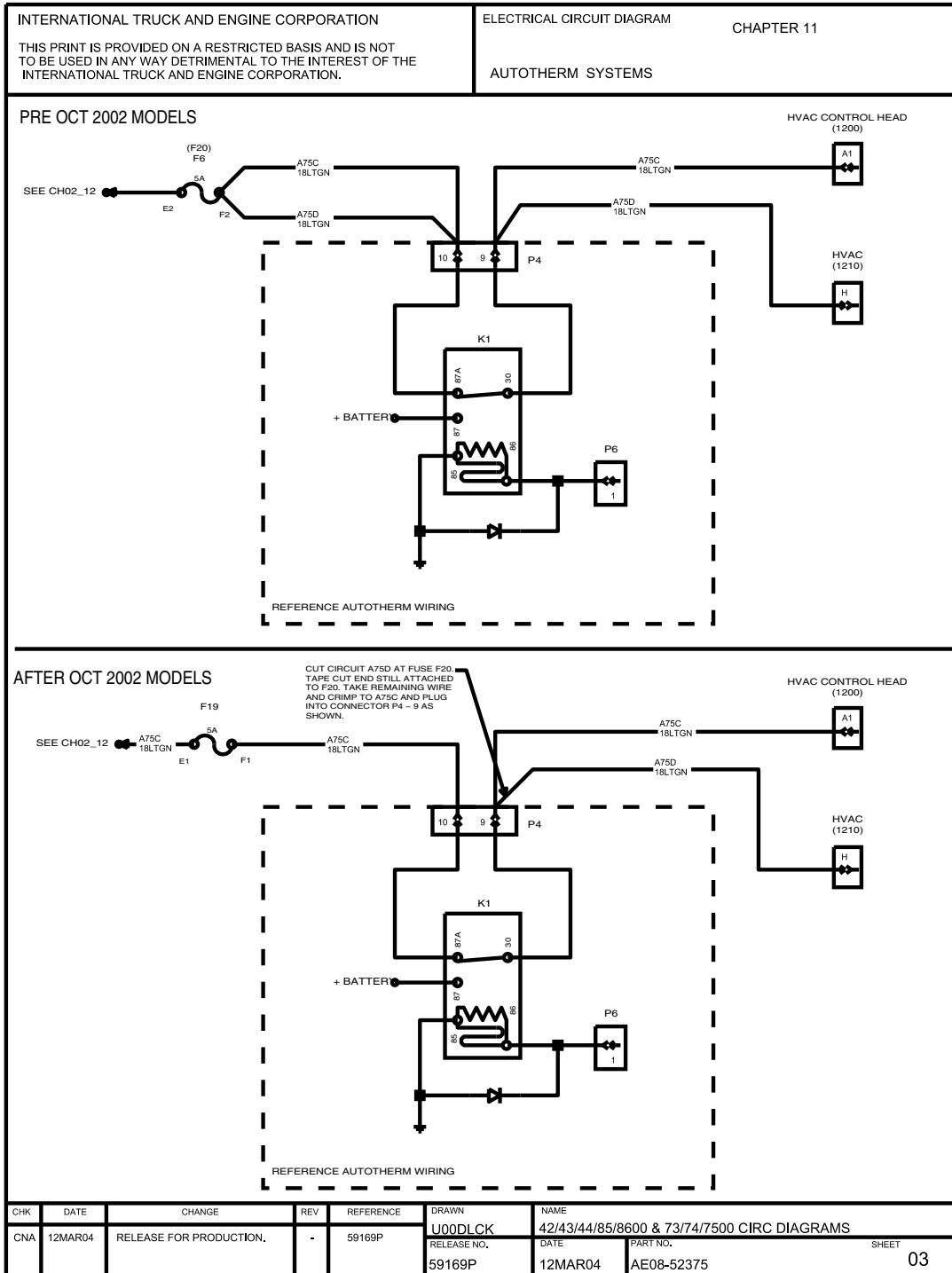


Figure 142 Air Conditioning (Only)

CONNECTOR COMPOSITES (CHAPTER 12)

13.1. CONNECTOR COMPOSITES (10M), (71), (72), (345F), P. 1

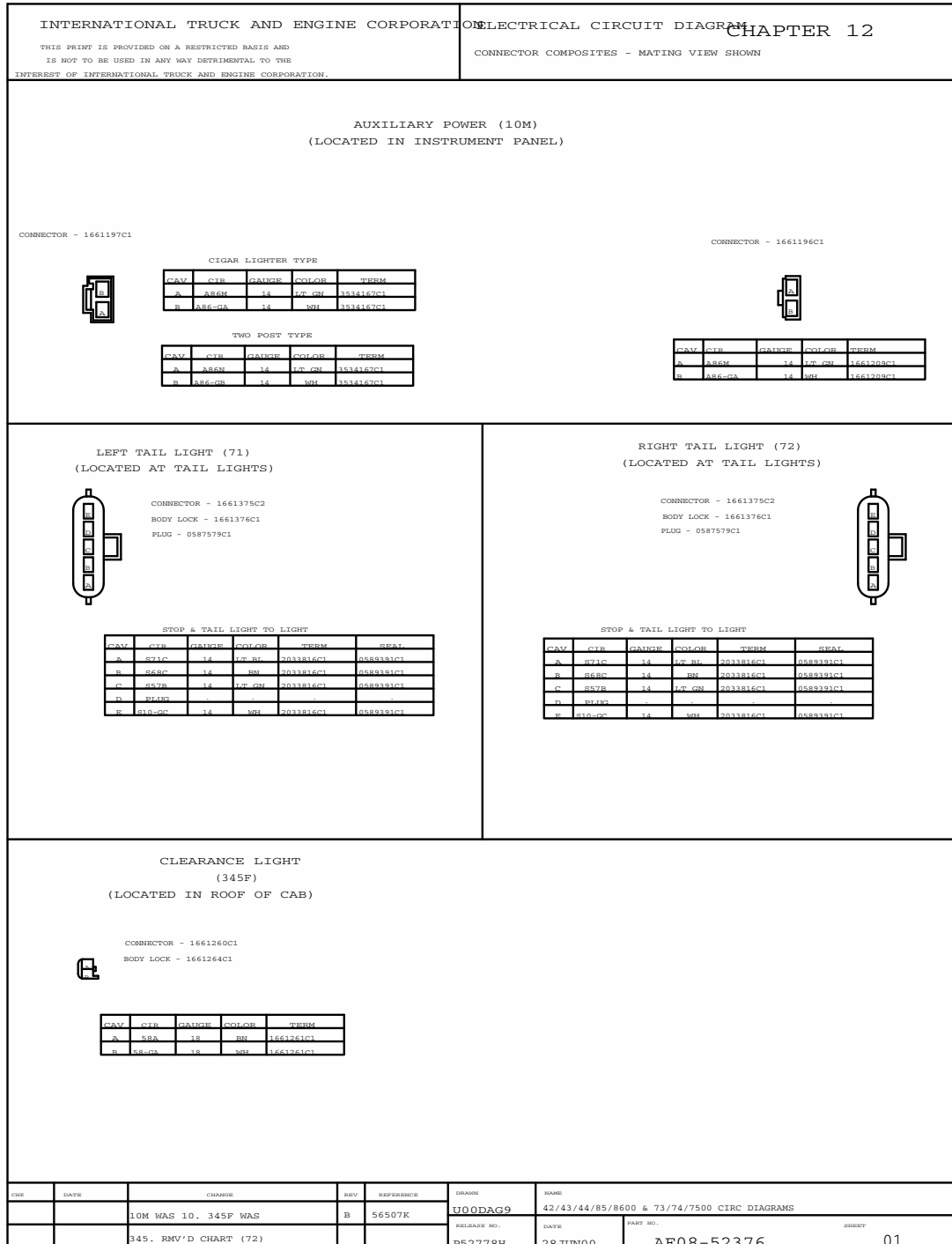


Figure 143 Connector Composites (10M), (71), (72), (345F)

13.2. CONNECTOR COMPOSITES (420F), (420M), (520), (521), (522), (523), (524), P. 2

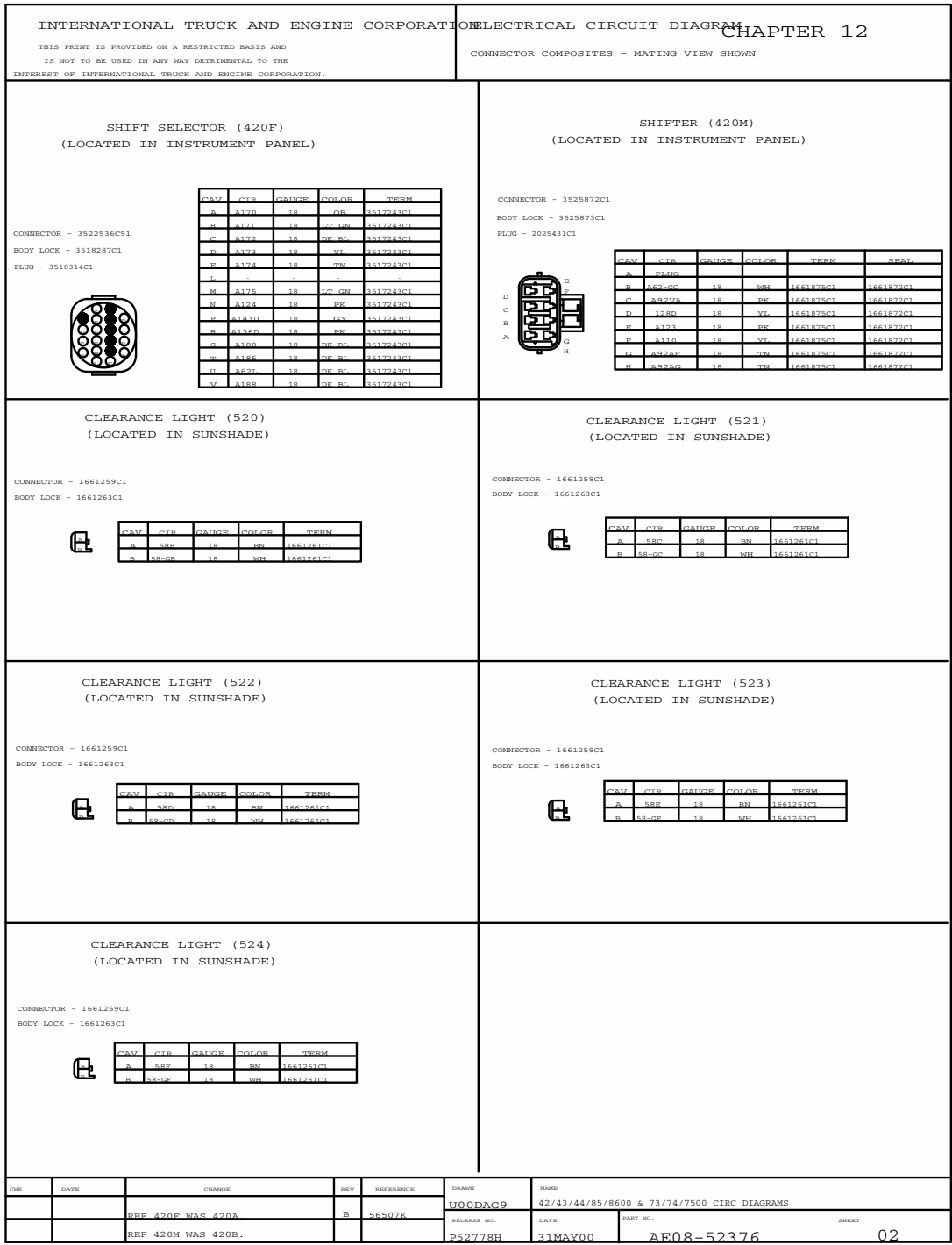


Figure 144 Connector Composites (420F), (420M), (520), (521), (522), (523), (524)

13.3. CONNECTOR COMPOSITES (1002), (1003), (1010), P. 3

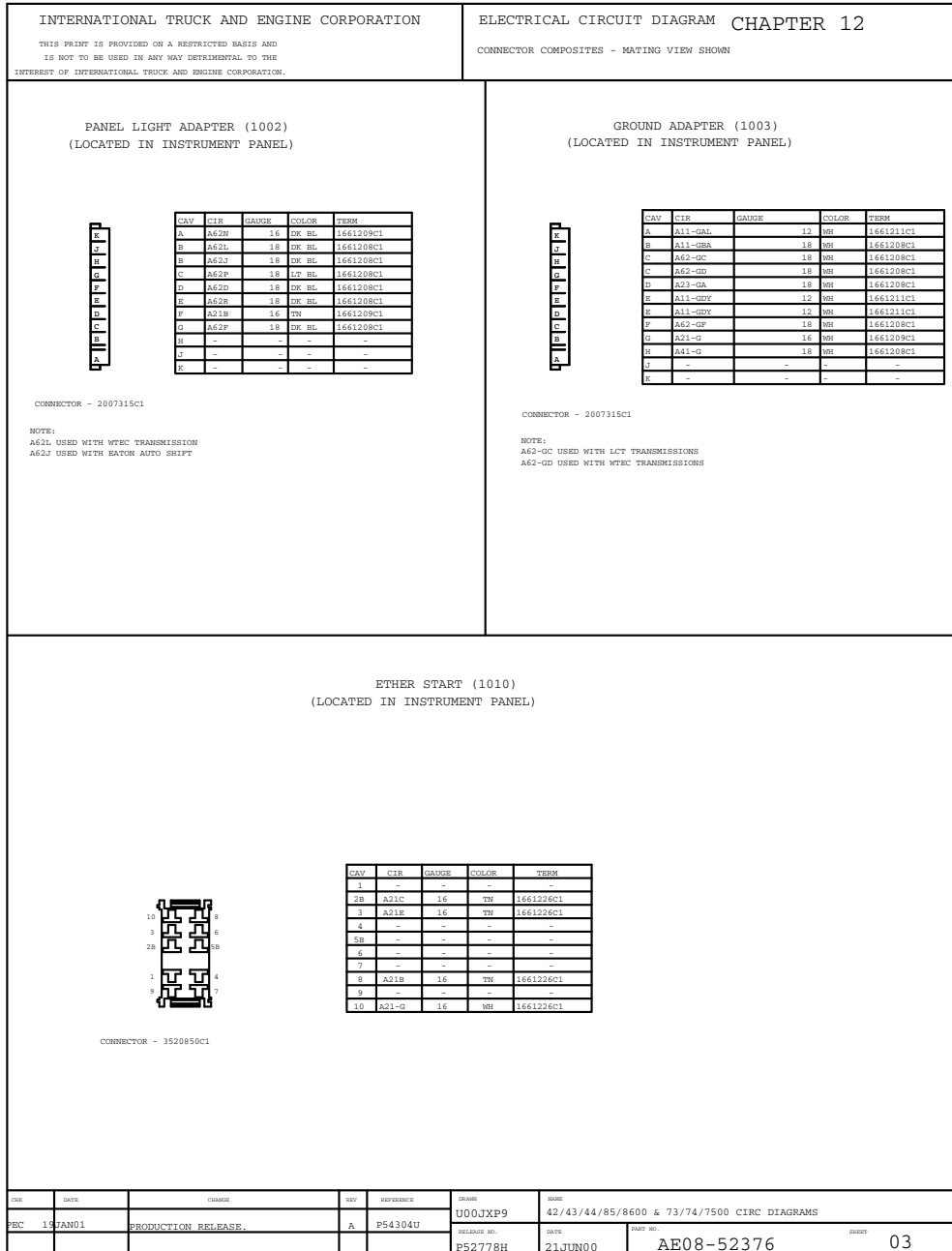


Figure 145 Connector Composites (1002), (1003), (1010)

13.4. CONNECTOR COMPOSITE (1011), P. 4

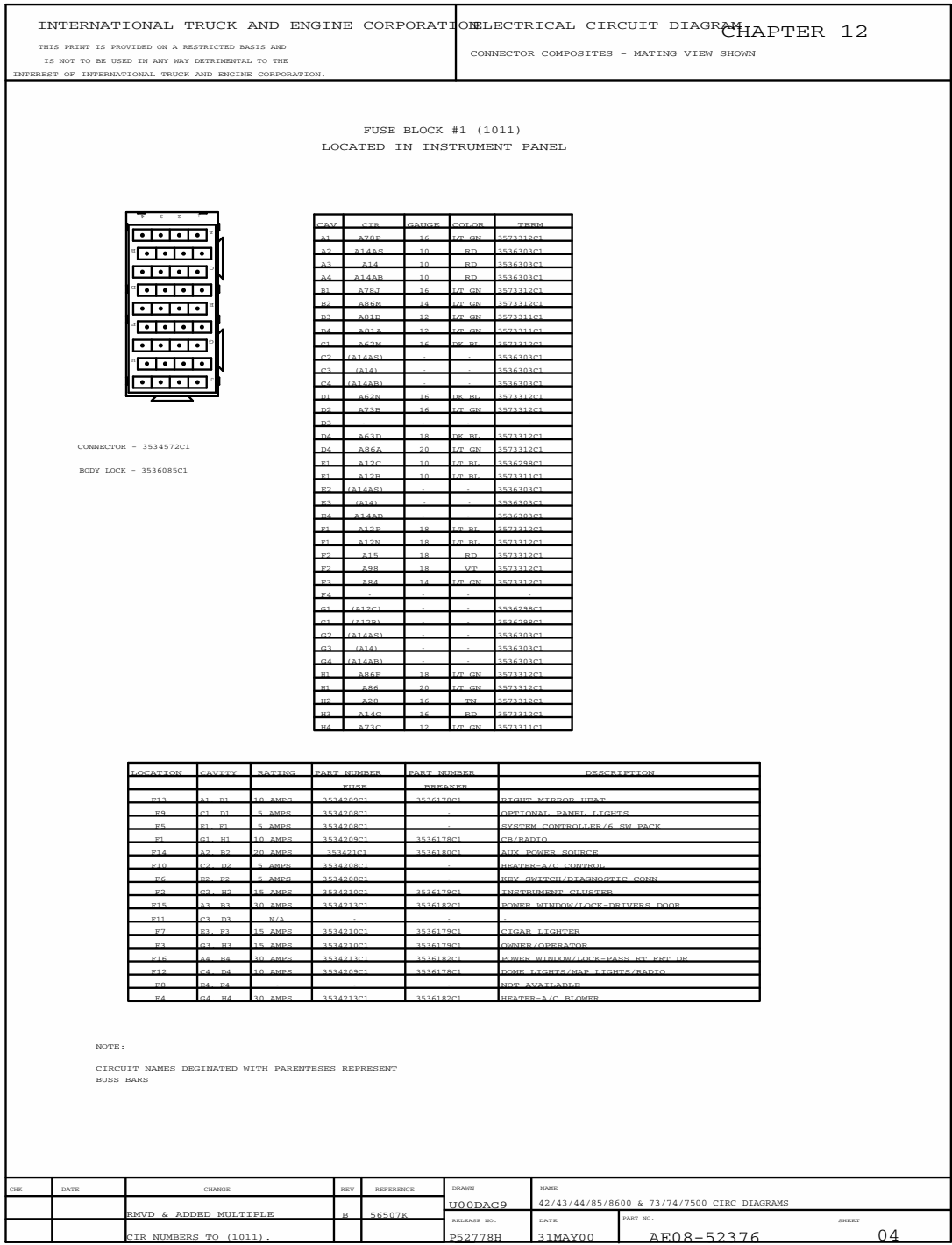


Figure 146 Connector Composite (1011)

13.5. CONNECTOR COMPOSITE (1012), P. 5

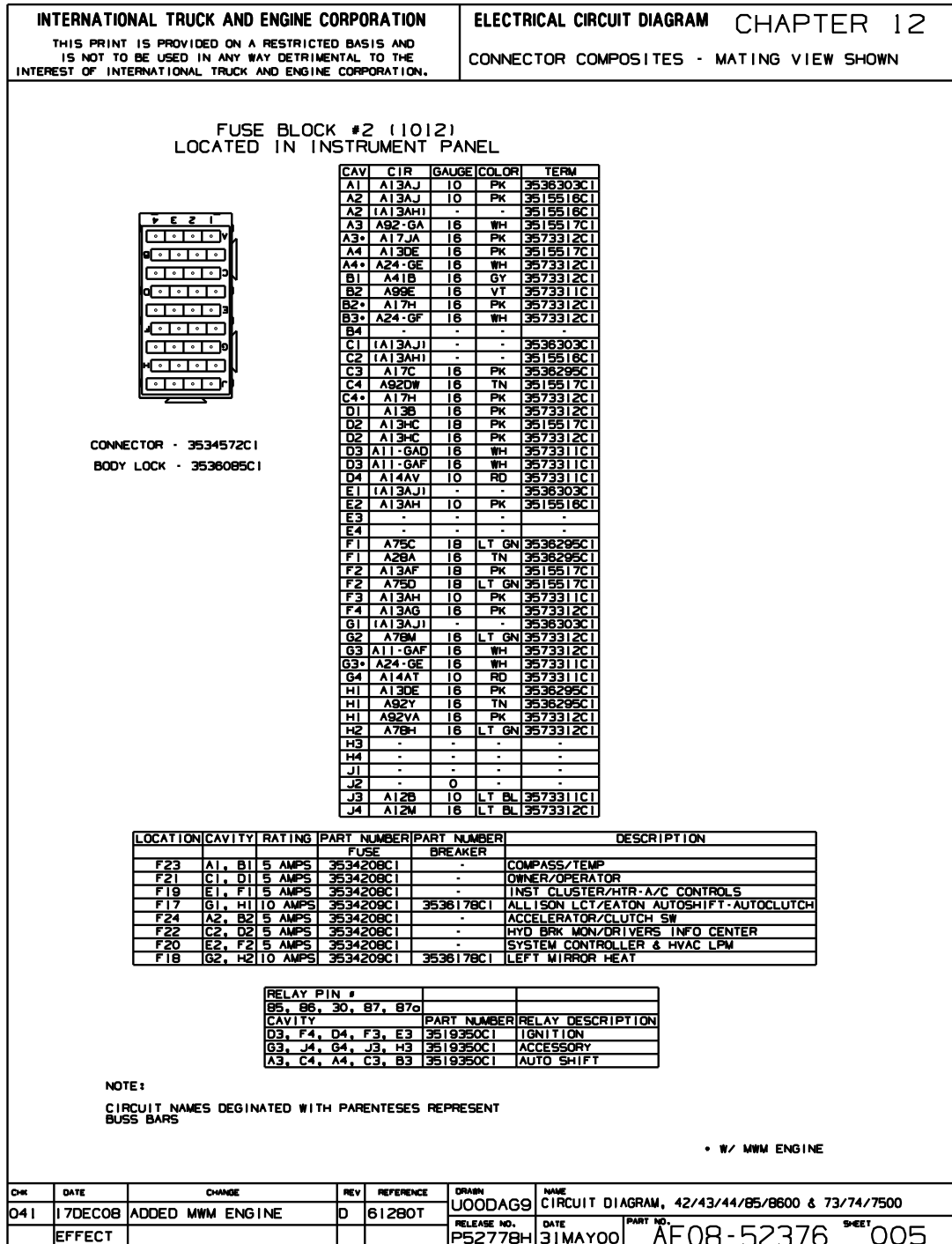


Figure 147 Connector Composite (1012)

13.6. CONNECTOR COMPOSITE (1013), P. 6

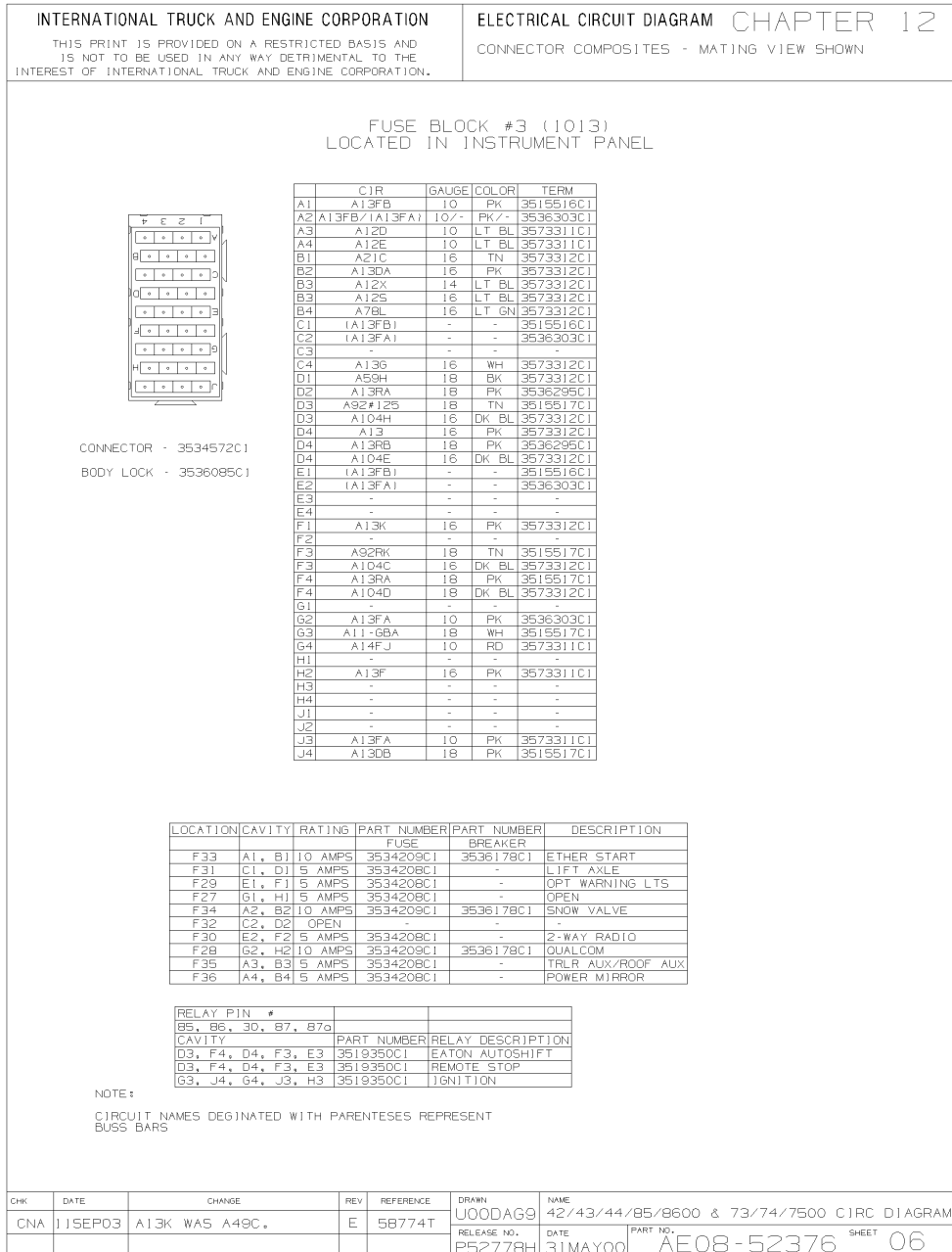


Figure 148 Connector Composite (1013)

13.7. CONNECTOR COMPOSITE (1014), P. 7

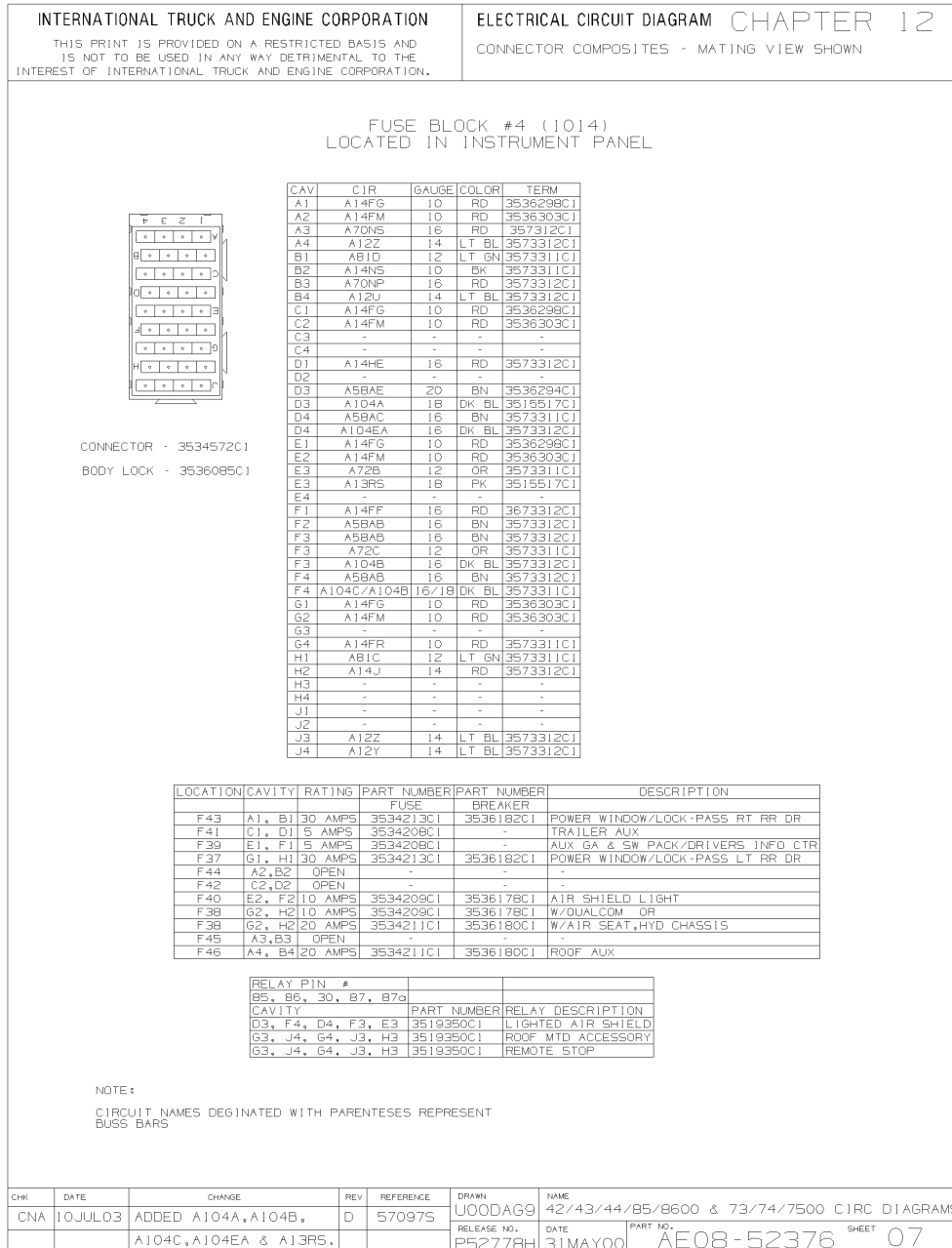


Figure 149 Connector Composite (1014)

13.8. CONNECTOR COMPOSITES (1018), (1019M), (1020M), (1021M), (1022M), P. 8

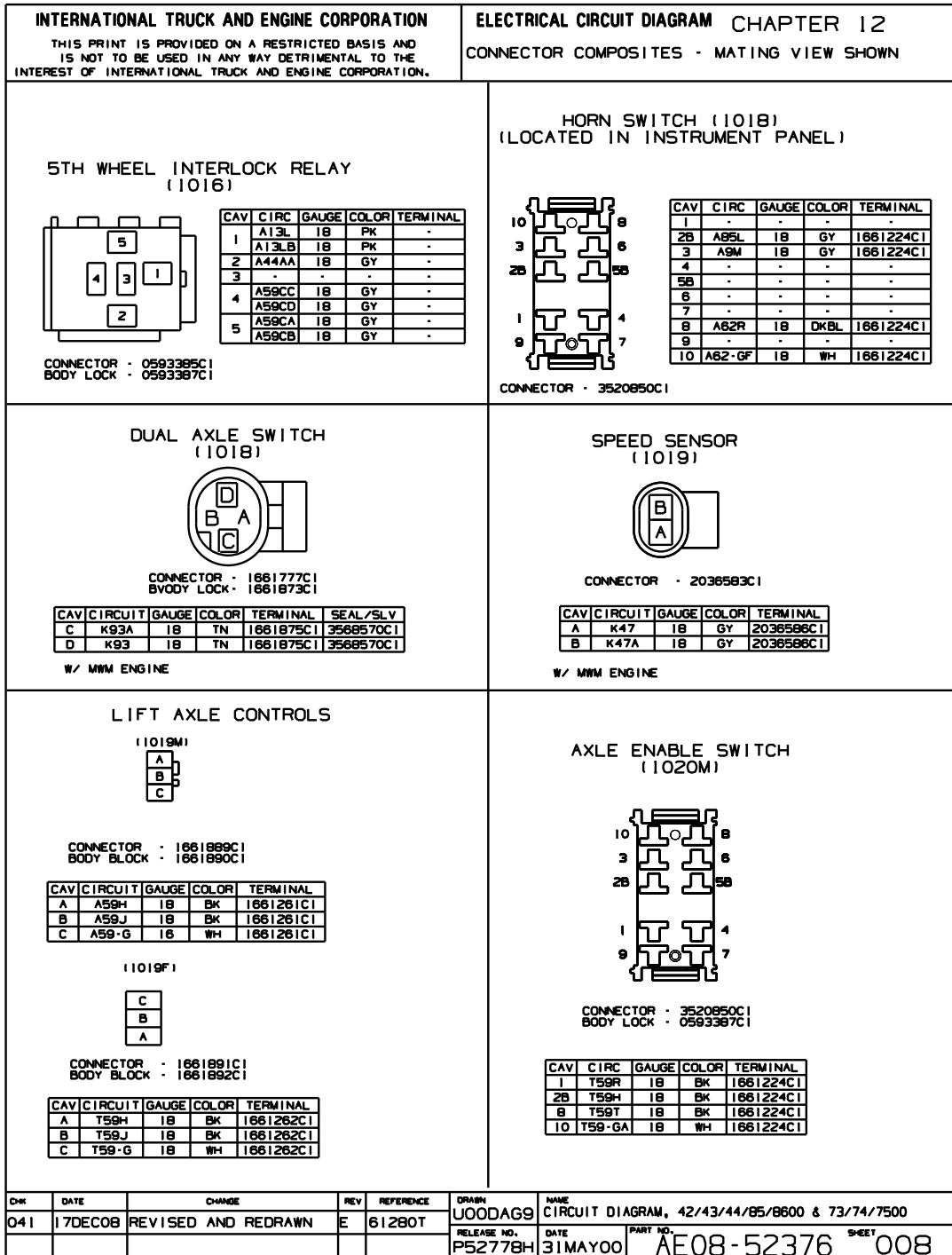


Figure 150 Connector Composites (1018), (1019M), (1020M), (1021M), (1022M)

13.9. CONNECTOR COMPOSITES (1027M, F), (1100), (1101A), (1101), (1102), P. 9

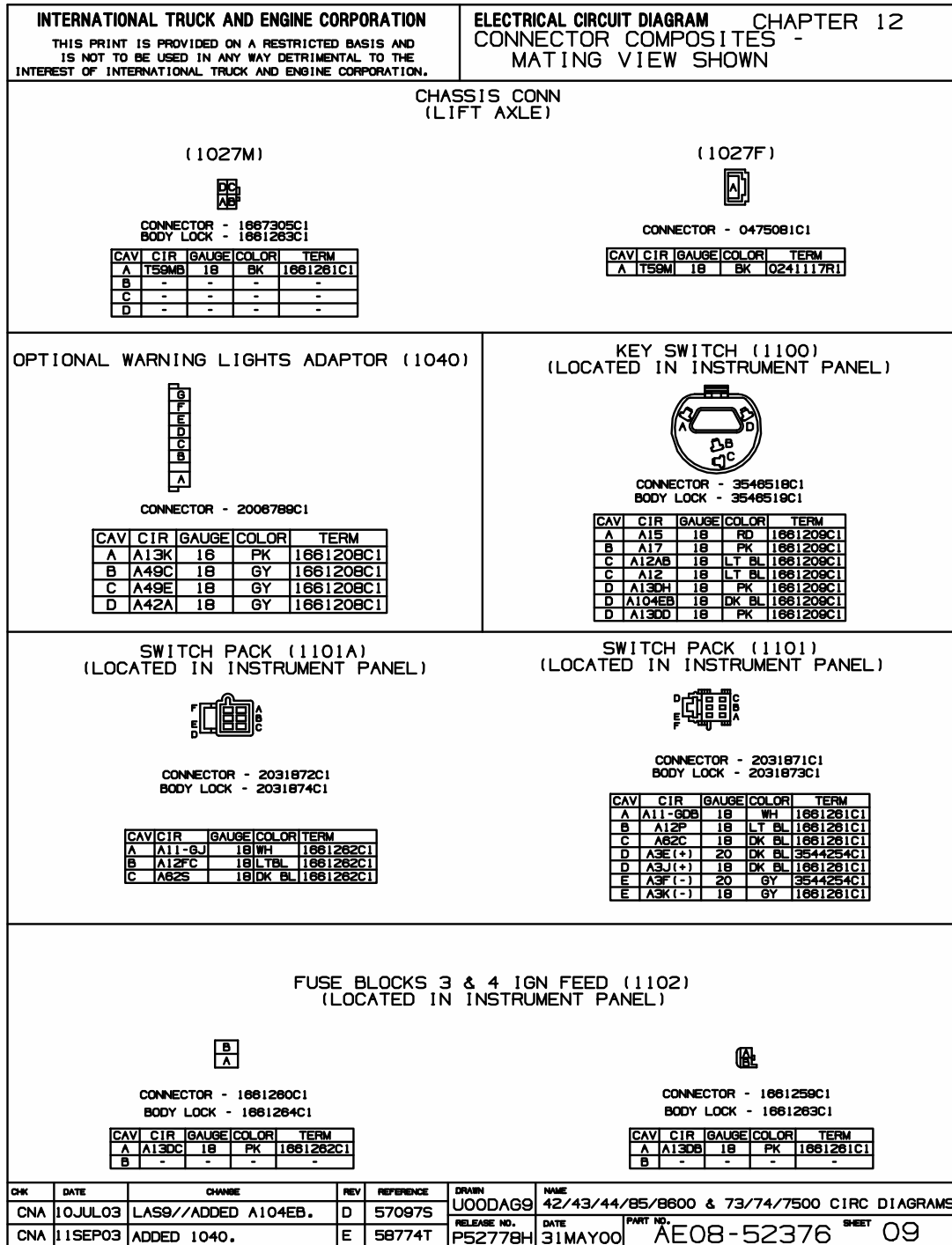


Figure 151 Connector Composites (1027M, F), (1100), (1101A), (1101), (1102)

13.10. CONNECTOR COMPOSITES (1104), (1106), (1200), (1210), P. 10

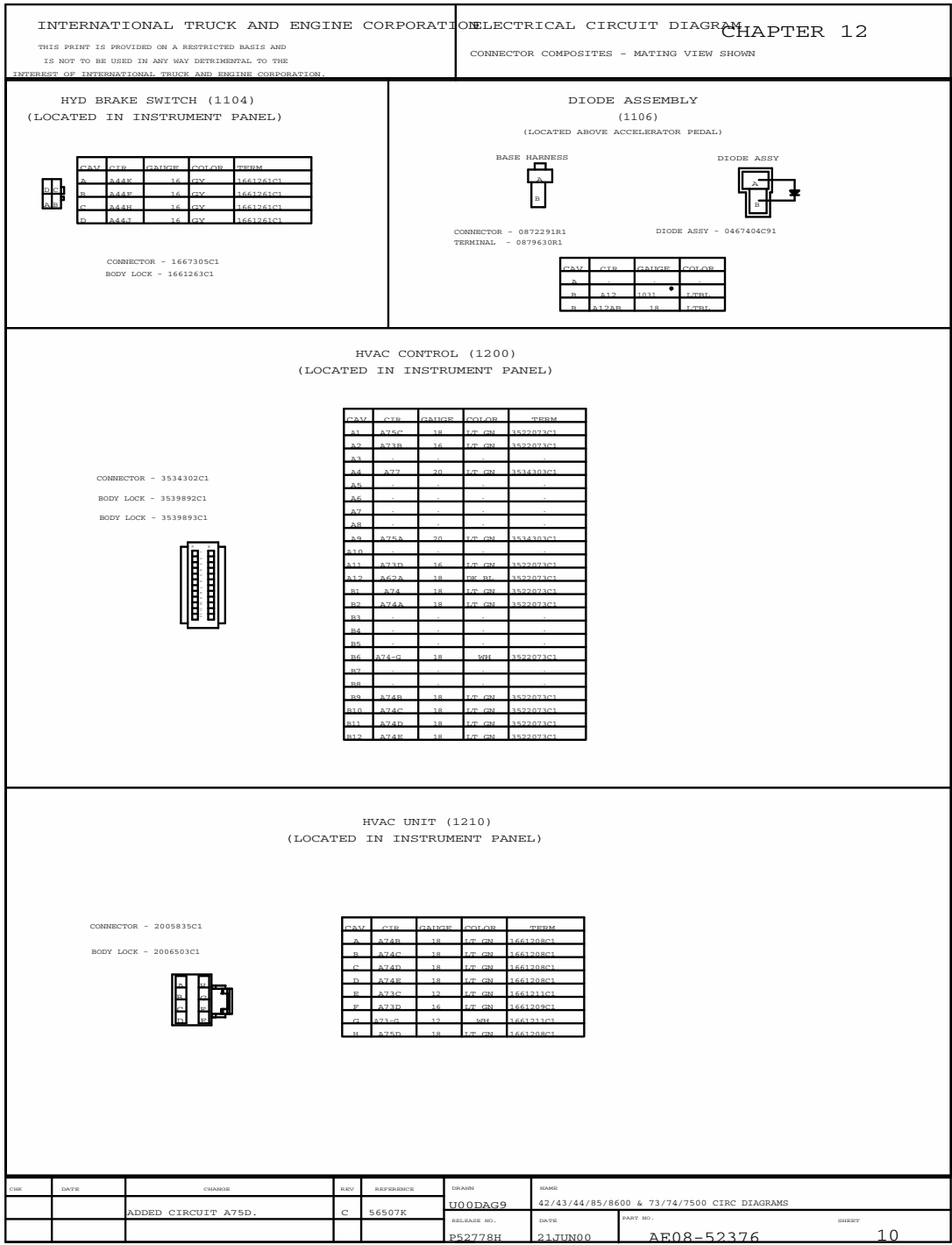


Figure 152 Connector Composites (1104), (1106), (1200), (1210)

13.11. CONNECTOR COMPOSITES (1300), (1301), (1400), (1402), (1410), (1500), (1510), P. 11

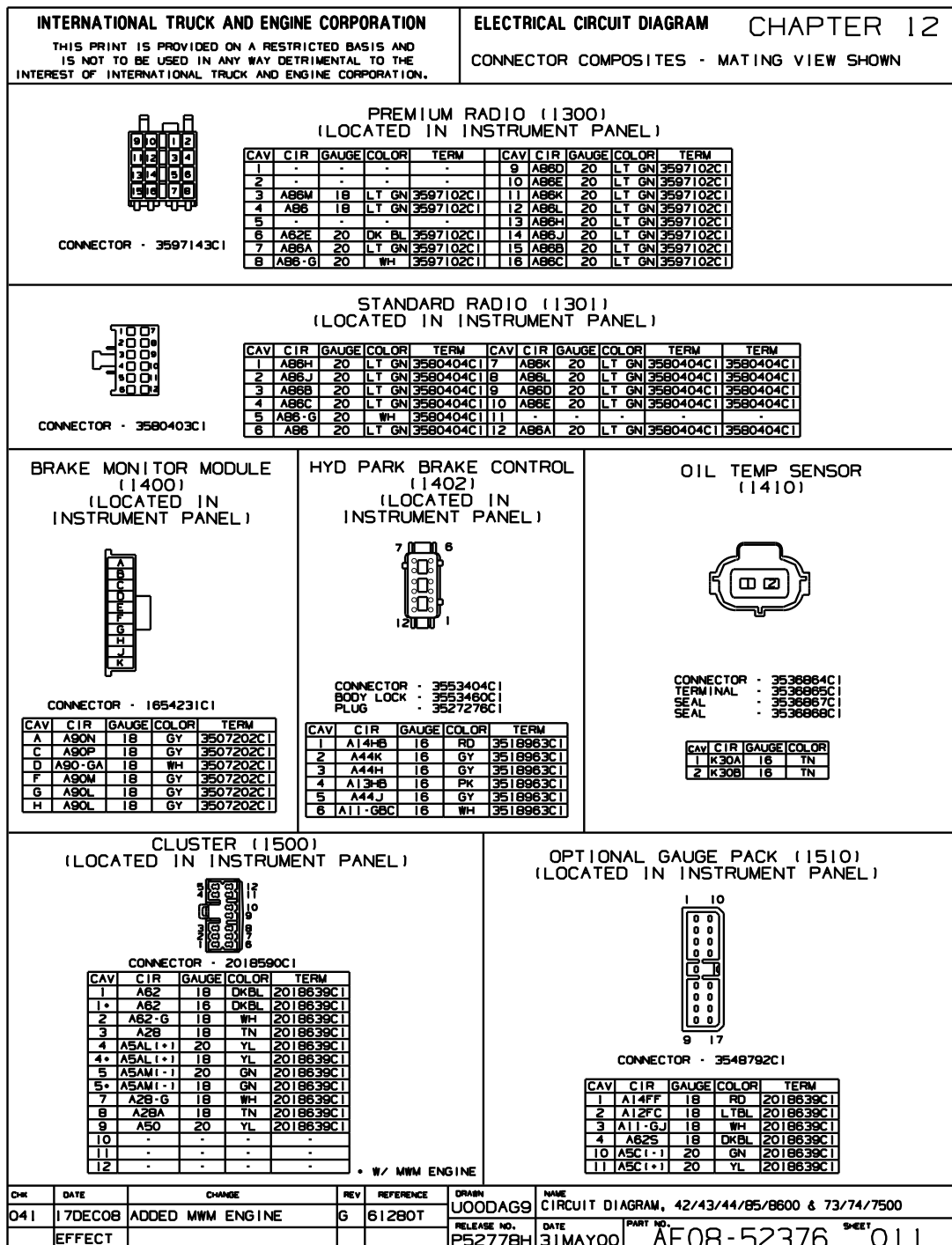


Figure 153 Connector Composites (1300), (1301), (1400), (1402), (1410), (1500), (1510)

13.12. CONNECTOR COMPOSITES (1553), (1554F), (1555), (1600), (1601), (1650), P. 12

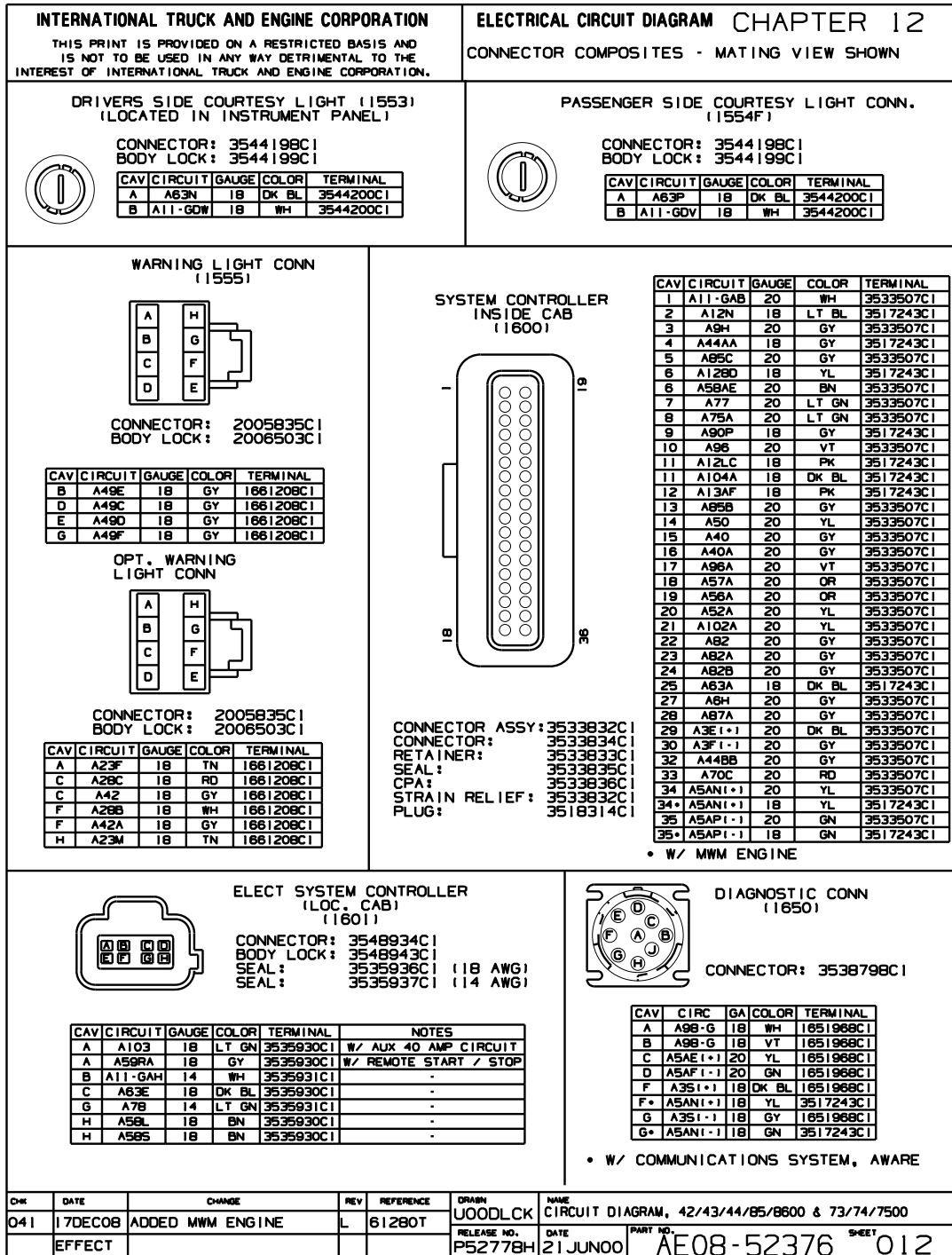


Figure 154 Connector Composites (1553), (1554F), (1555), (1600), (1601), (1650)

13.13. CONNECTOR COMPOSITES (1652), (1657M), (1658), (1659), (1800), P. 13

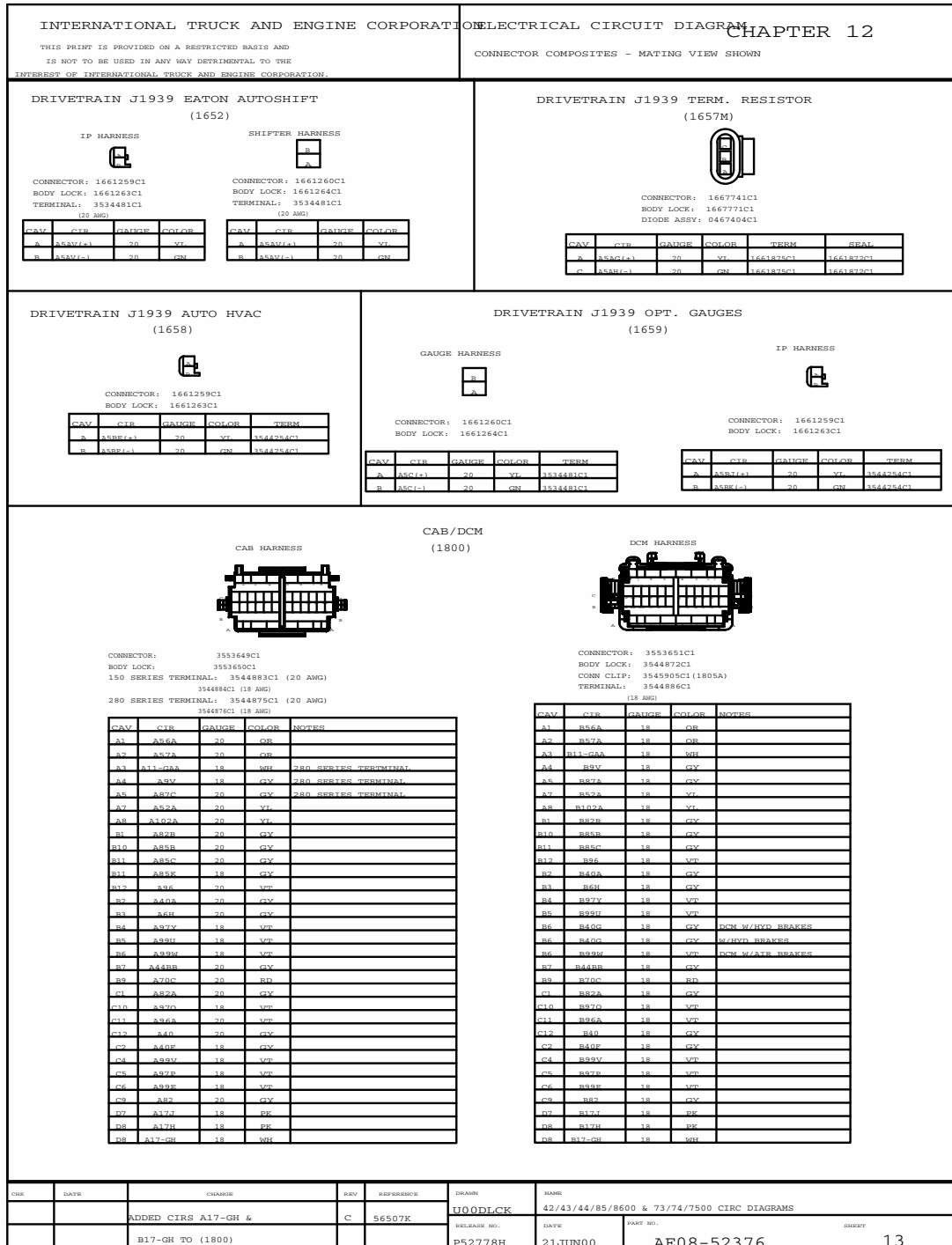


Figure 155 Connector Composites (1652), (1657M), (1658), (1659), (1800)

13.14. CONNECTOR COMPOSITES (1804), (1807), (1808), (1809), (1810), (1811), (1812), (1813), (1814), (1815), P. 14

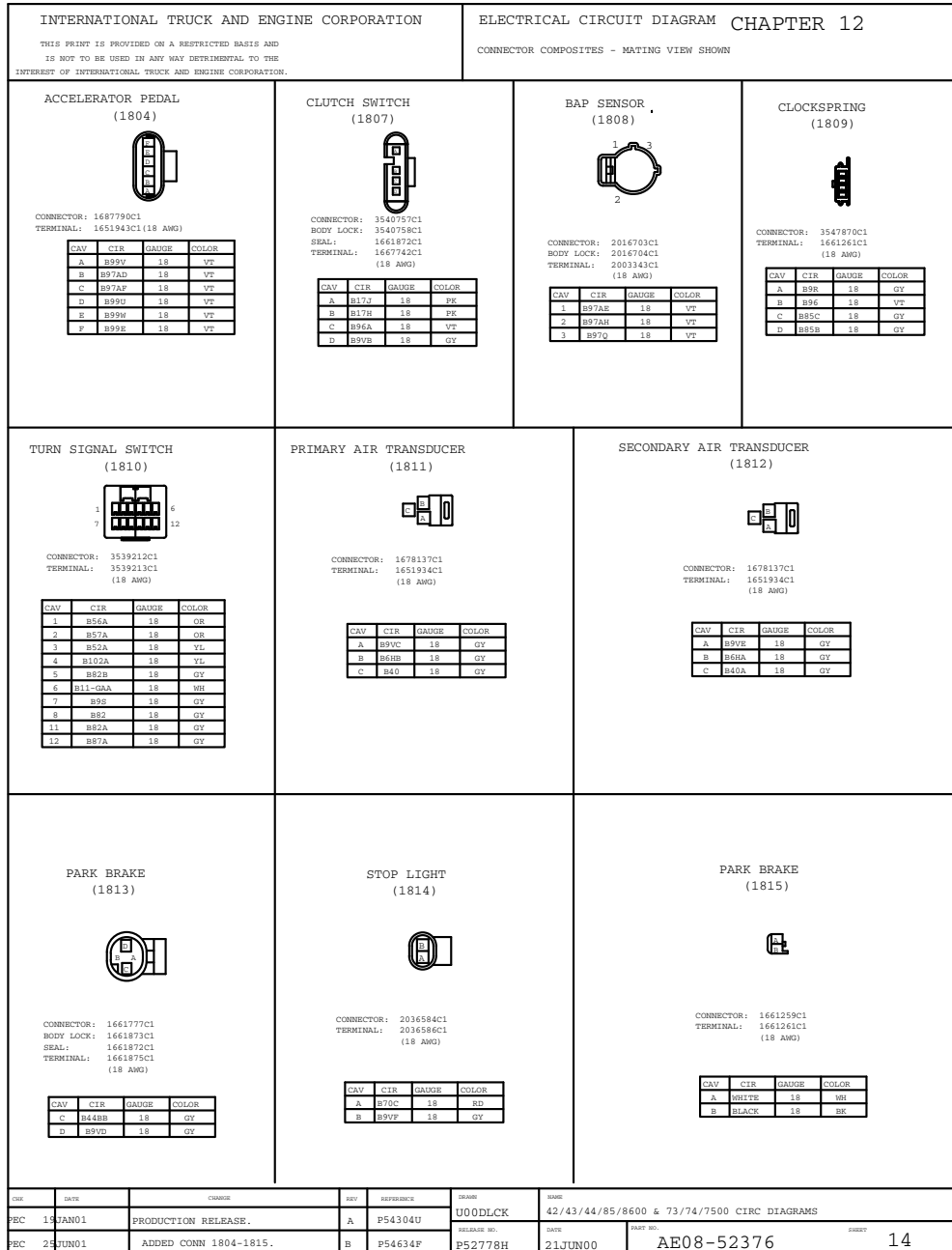


Figure 156 Connector Composites (1804), (1807), (1808), (1809), (1810), (1811), (1812), (1813), (1814), (1815)

13.15. CONNECTOR COMPOSITES (1820), (1822), (1823), (1824), (1828), (1860), (1861), (1901M), (1915), P. 15

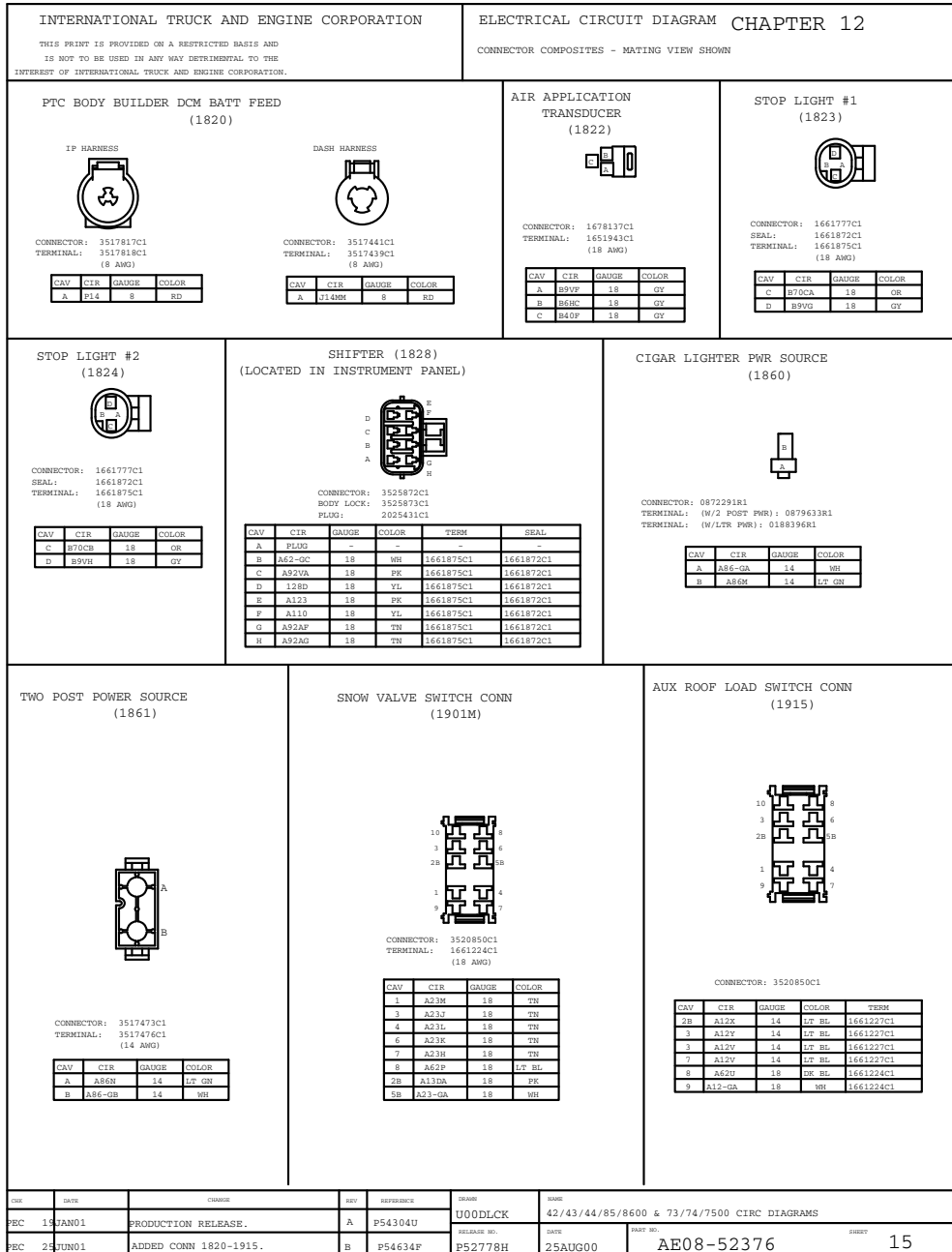


Figure 157 Connector Composites (1820), (1822), (1823), (1824), (1828), (1860), (1861), (1901M), (1915)

13.16. CONNECTOR COMPOSITES (1918), (1935), (1920), (2000), (2002M), (2003M), (2004M), (2005M), P. 16

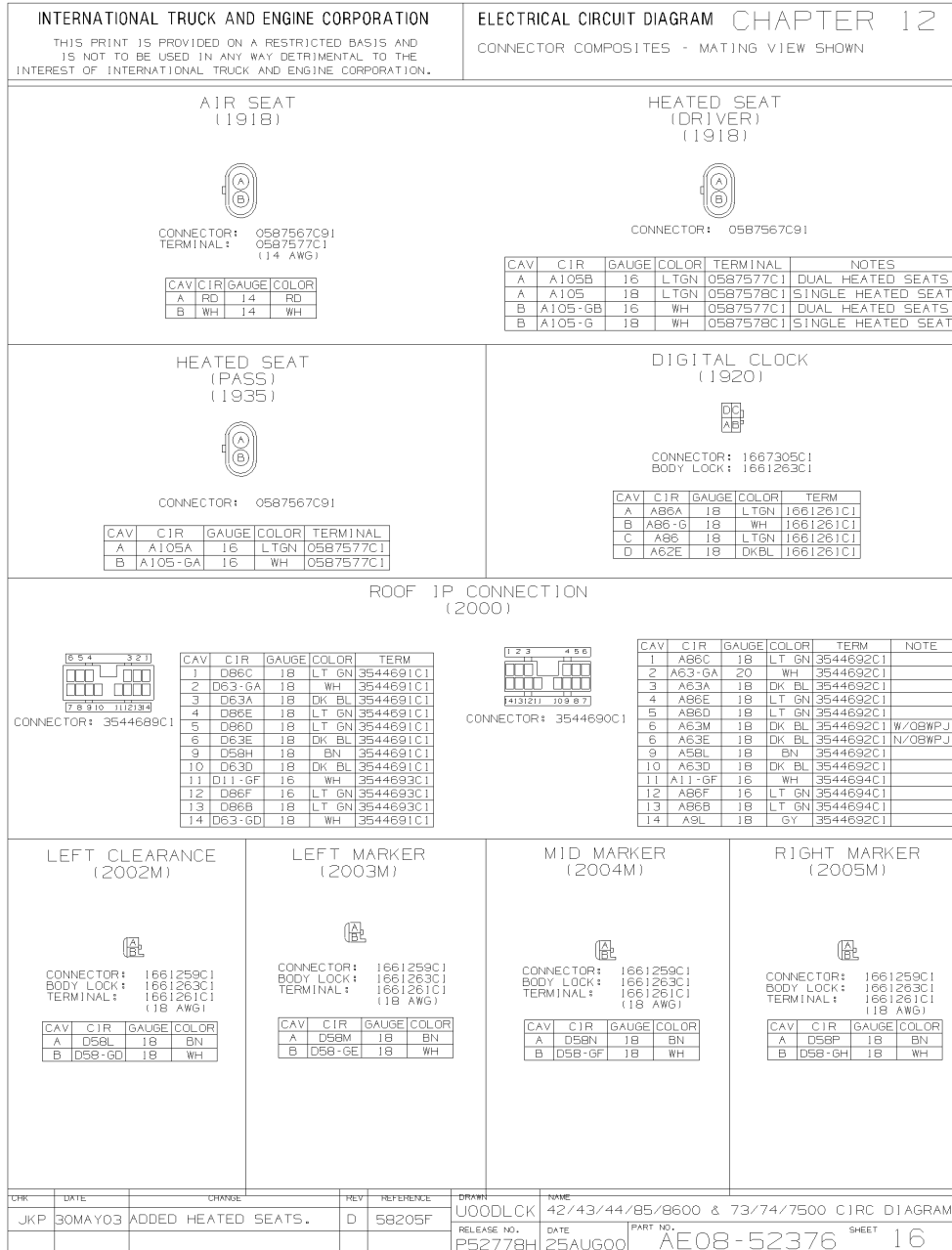


Figure 158 Connector Composites (1918), (1935), (1920), (2000), (2002M), (2003M), (2004M), (2005M)

13.17. CONNECTOR COMPOSITES (2006M), (2007F), (2021F), (2021M), (2022F), (2022M), (2111M), (2112M), (2113M), (2114M), (2115M), (2116M), (2117M), (2301M), (2302M), (2303M), P. 17

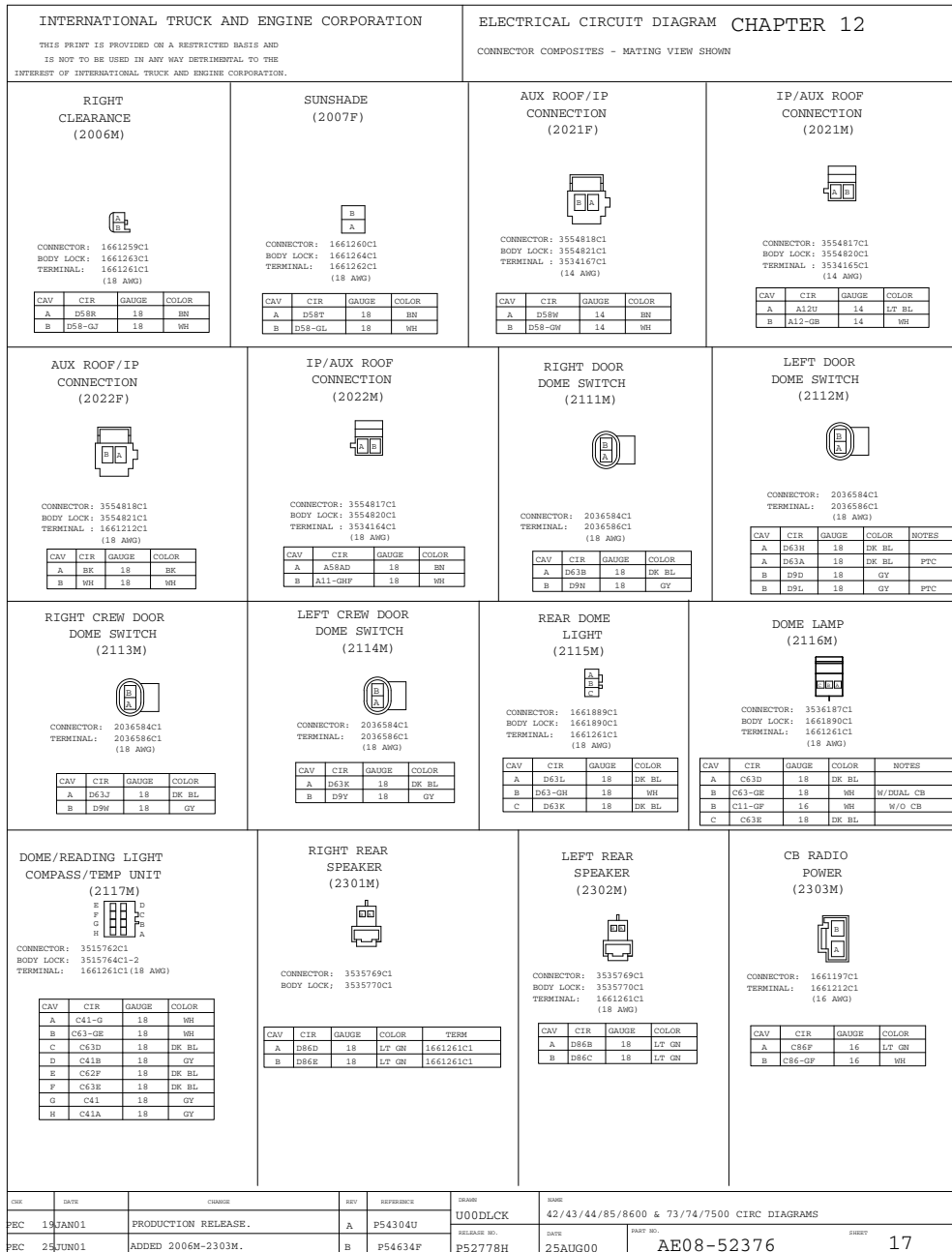


Figure 159 Connector Composites (2006M), (2007F), (2021F), (2021M), (2022F), (2022M), (2111M), (2112M), (2113M), (2114M), (2115M), (2116M), (2117M), (2301M), (2302M), (2303M)

13.18. CONNECTOR COMPOSITES (2304M), (2305M), (2306M), (2307F), (2308F), (2502F), (2502M), (2503F, M), (2600F, M), P. 18

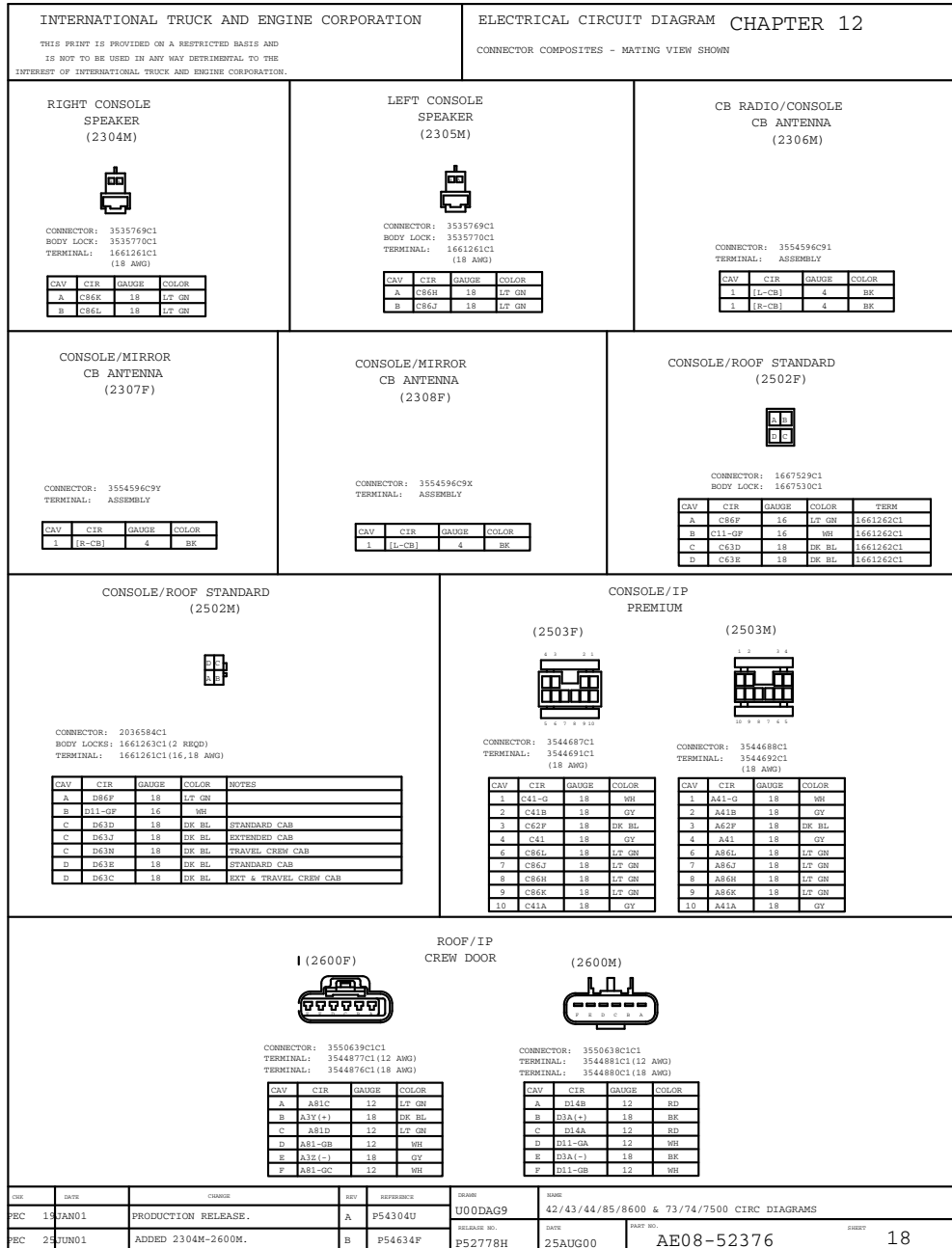


Figure 160 Connector Composites (2304M), (2305M), (2306M), (2307F), (2308F), (2502F), (2502M), (2503F, M), (2600F, M)

13.19. CONNECTOR COMPOSITES (2601M, F), (2602M, F), (3000M), (3000F), (3002M), (3003), (3100M), (3200F, M), (3201M), (3202), (3203M), P. 19

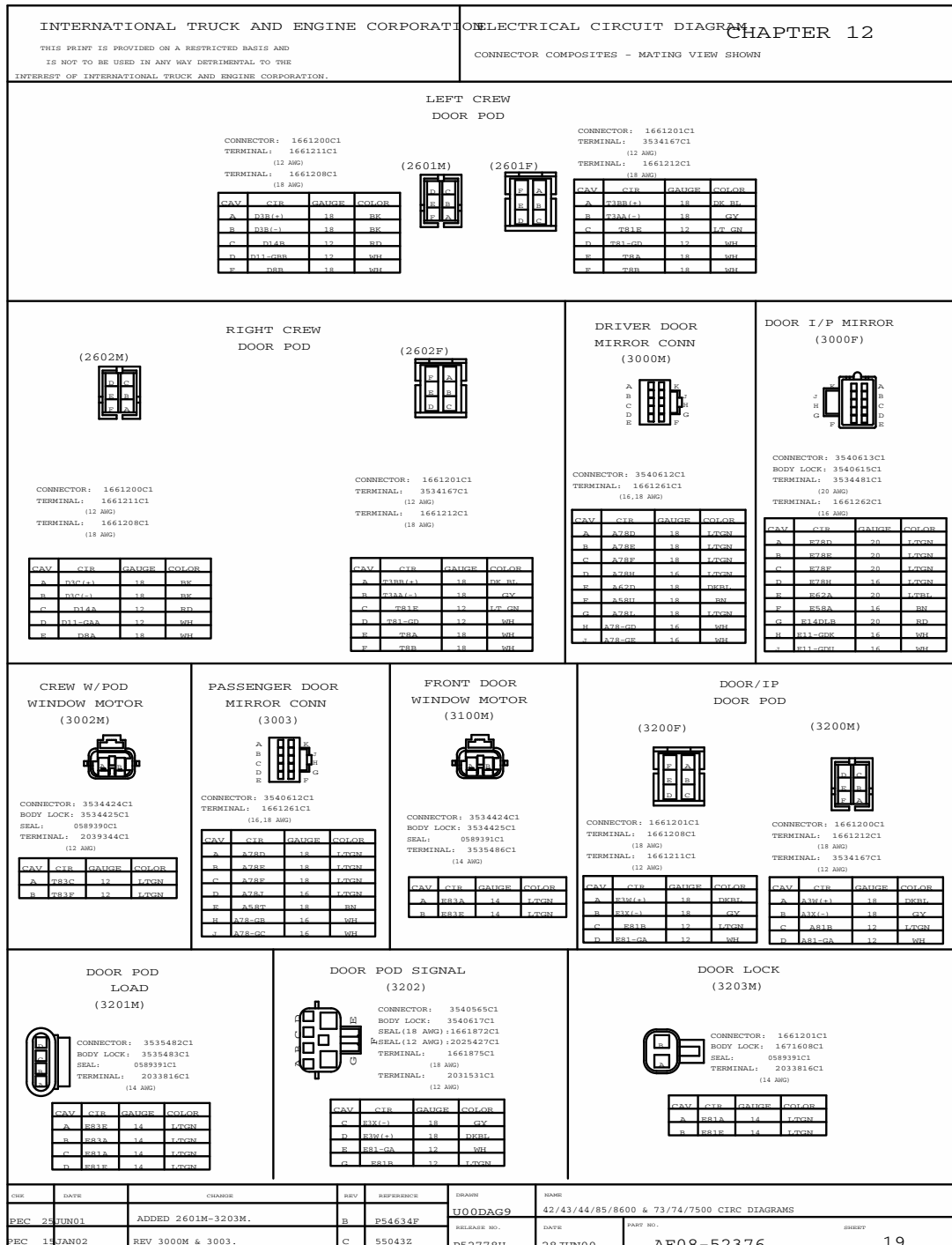


Figure 161 Connector Composites (2601M, F), (2602M, F), (3000M), (3000F), (3002M), (3003), (3100M), (3200F, M), (3201M), (3202), (3203M)

13.20. CONNECTOR COMPOSITES (3204M, F), (3209), (3210M), (3211M), (4000), P. 20

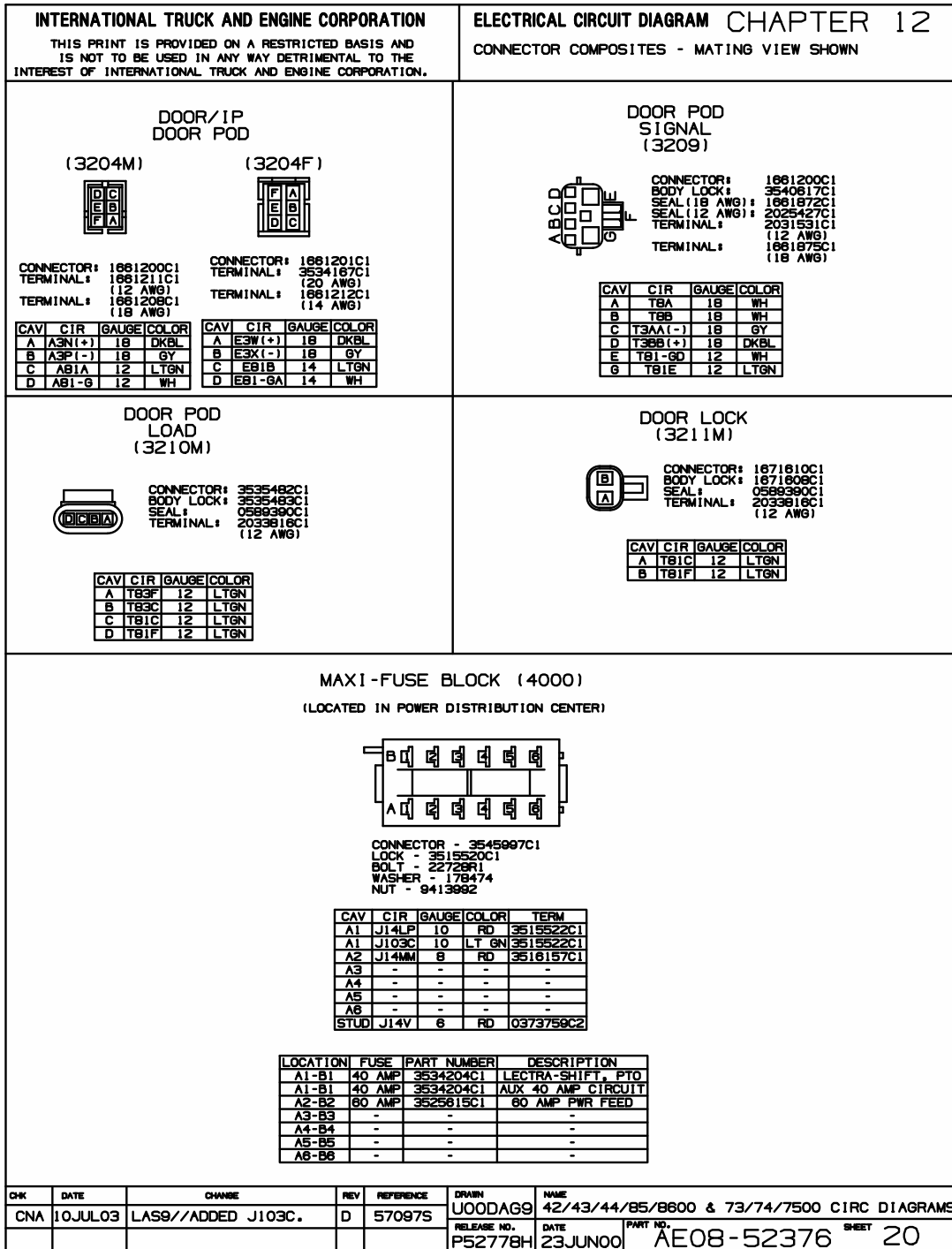


Figure 162 Connector Composites (3204M, F), (3209), (3210M), (3211M), (4000)

13.21. CONNECTOR COMPOSITE (4001), P. 21

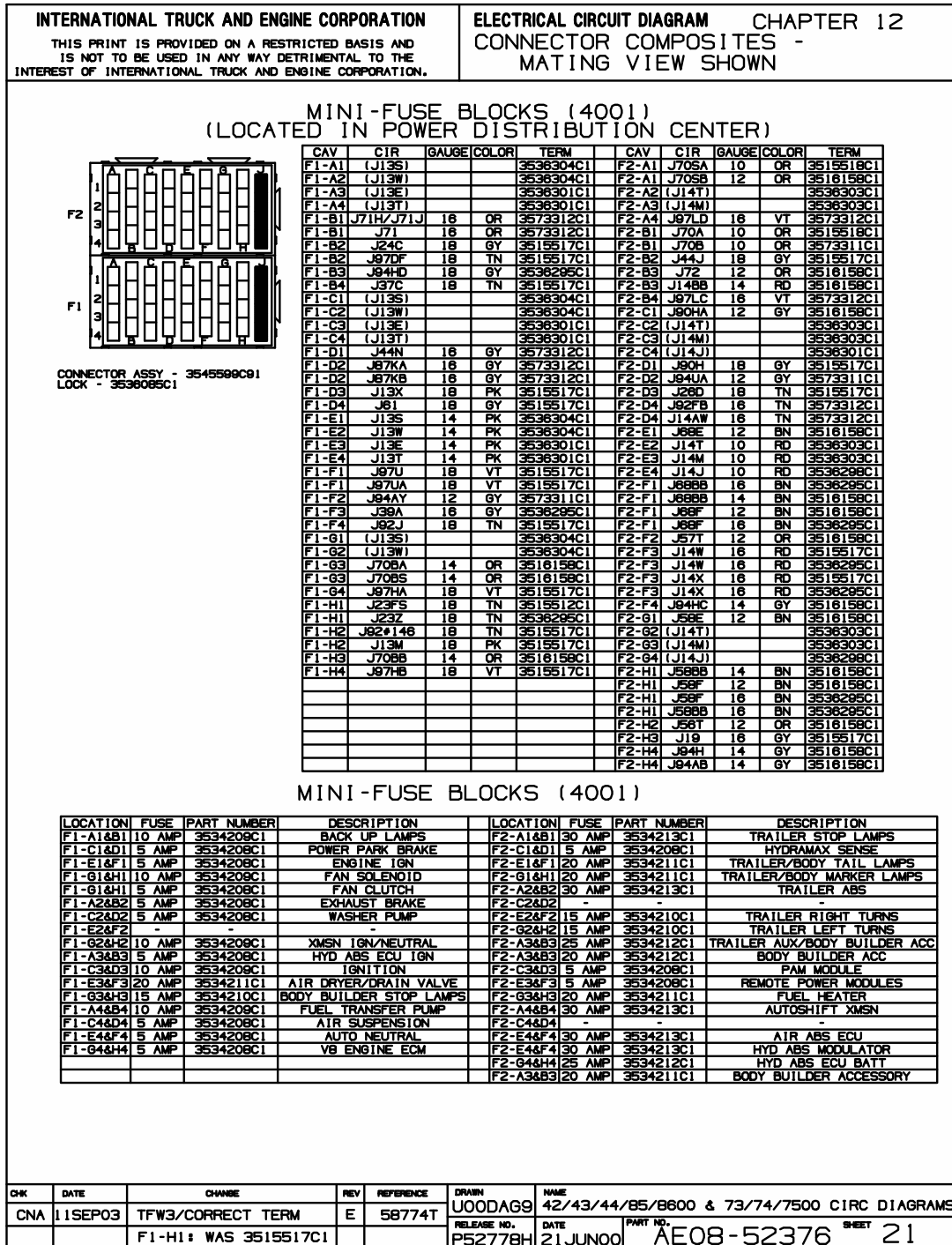


Figure 163 Connector Composite (4001)

13.22. CONNECTOR COMPOSITE (4002), P. 22

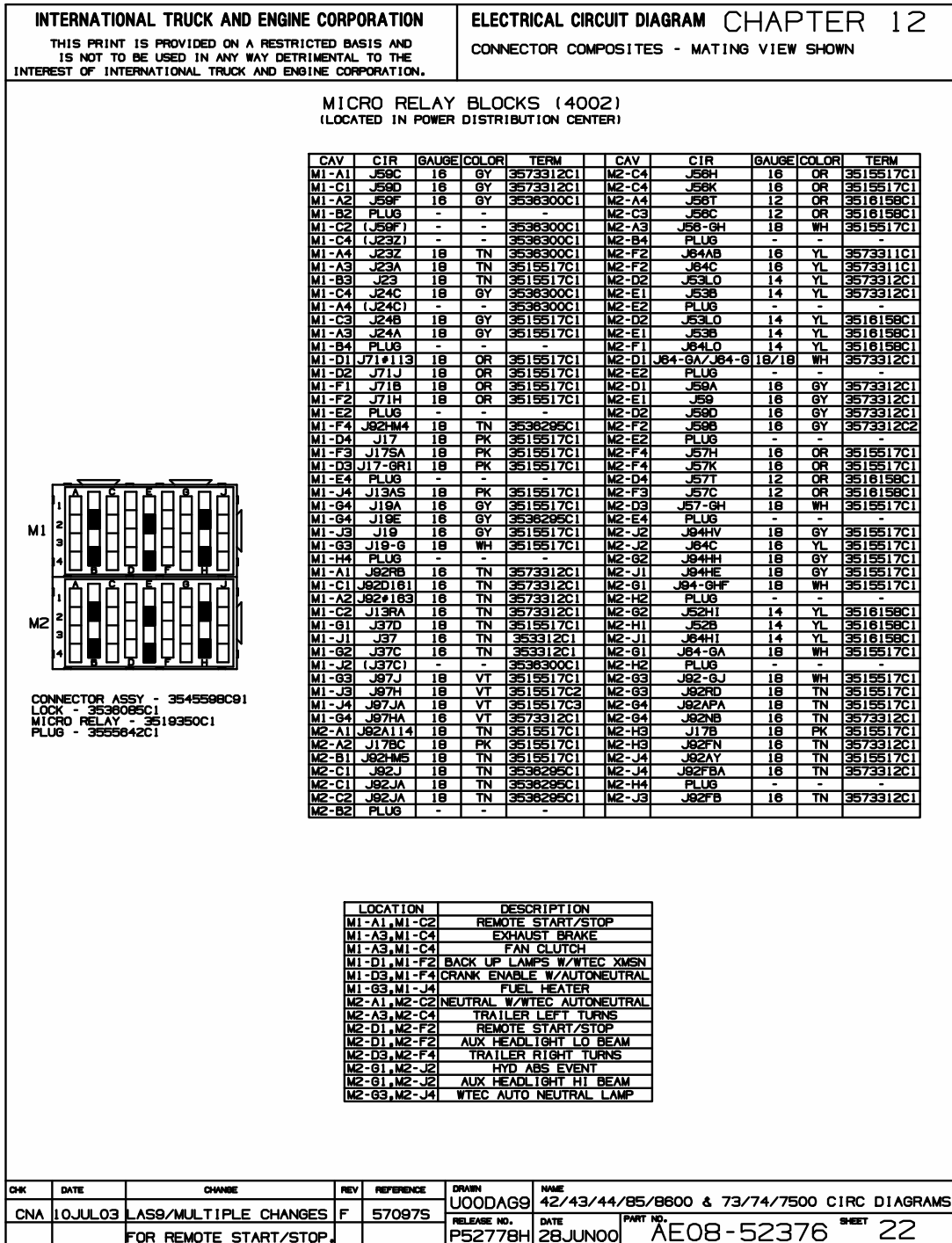
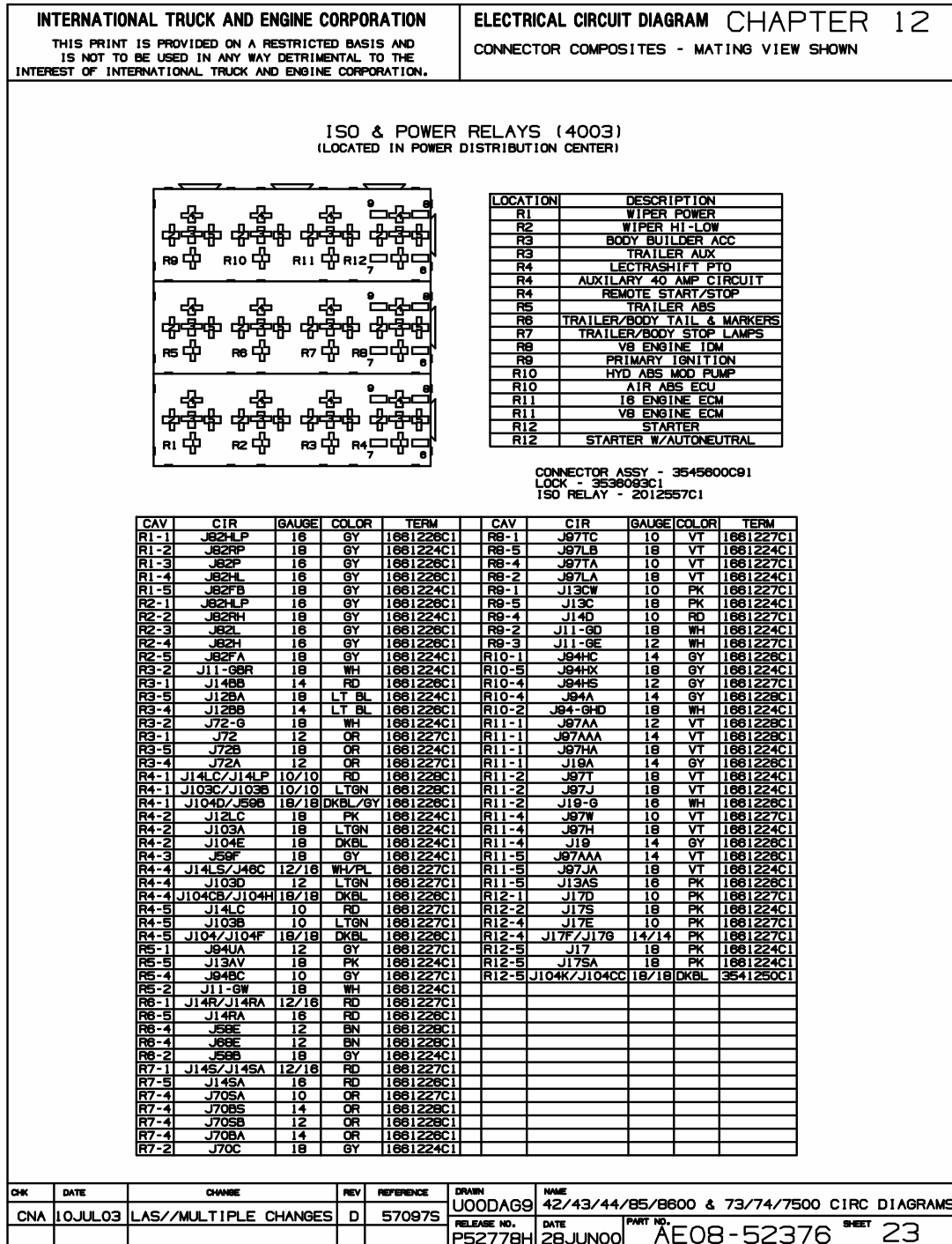


Figure 164 Connector Composite (4002)

13.23. CONNECTOR COMPOSITE (4003), P. 23



CHK	DATE	CHANGE	REV	REFERENCE	DRAWN	NAME
CNA	10JUL03	LAS//MULTIPLE CHANGES	D	57097S	U00DAG9	42/43/44/85/8600 & 73/74/7500 CIRC DIAGRAMS

RELEASE NO.	DATE	PART NO.	SHEET
P52778H	28JUN00	AE08-52376	23

Figure 165 Connector Composite (4003)

13.24. CONNECTOR COMPOSITES (4004), (4007), (4008), P. 24

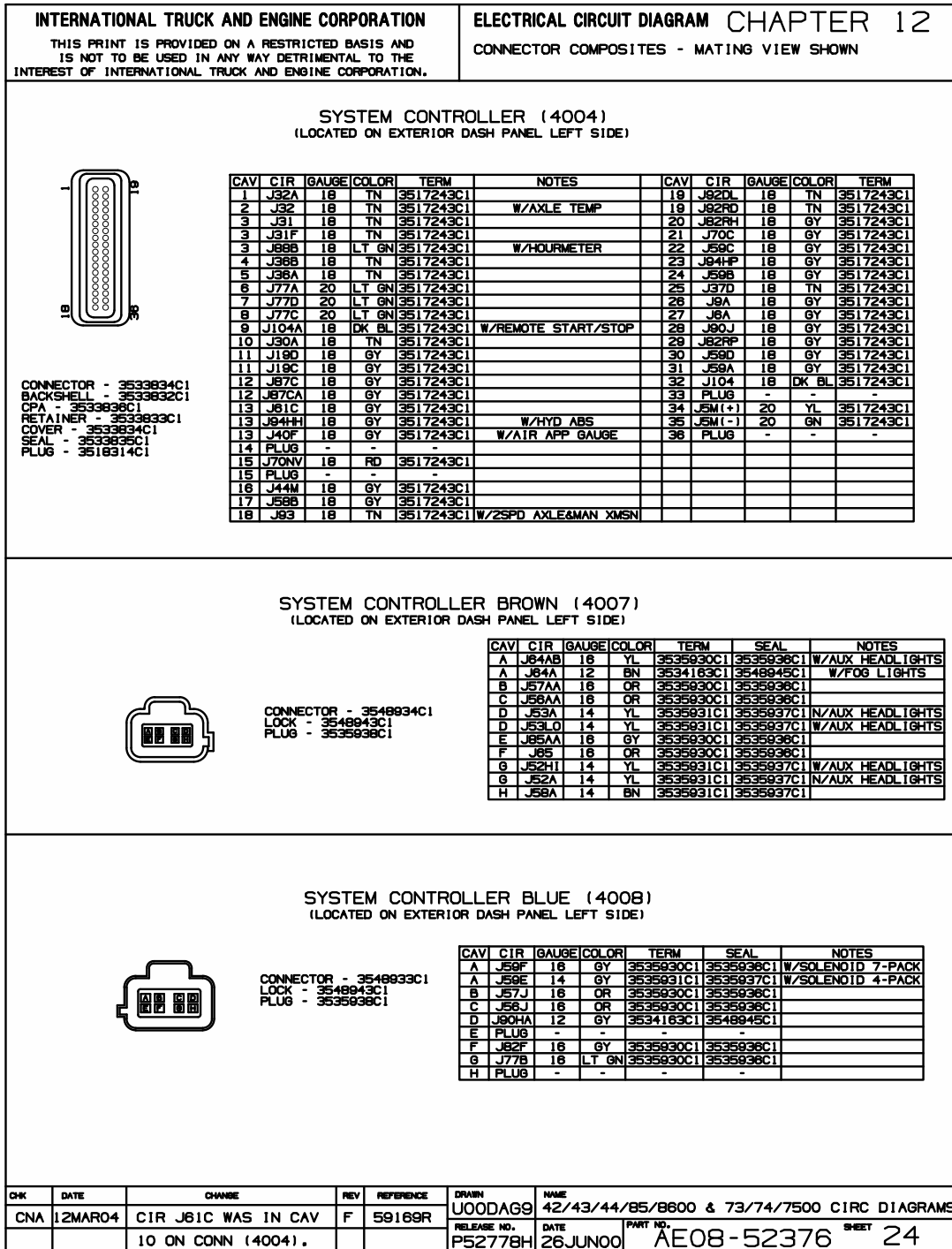


Figure 166 Connector Composites (4004), (4007), (4008)

13.25. CONNECTOR COMPOSITE (4014), P. 25

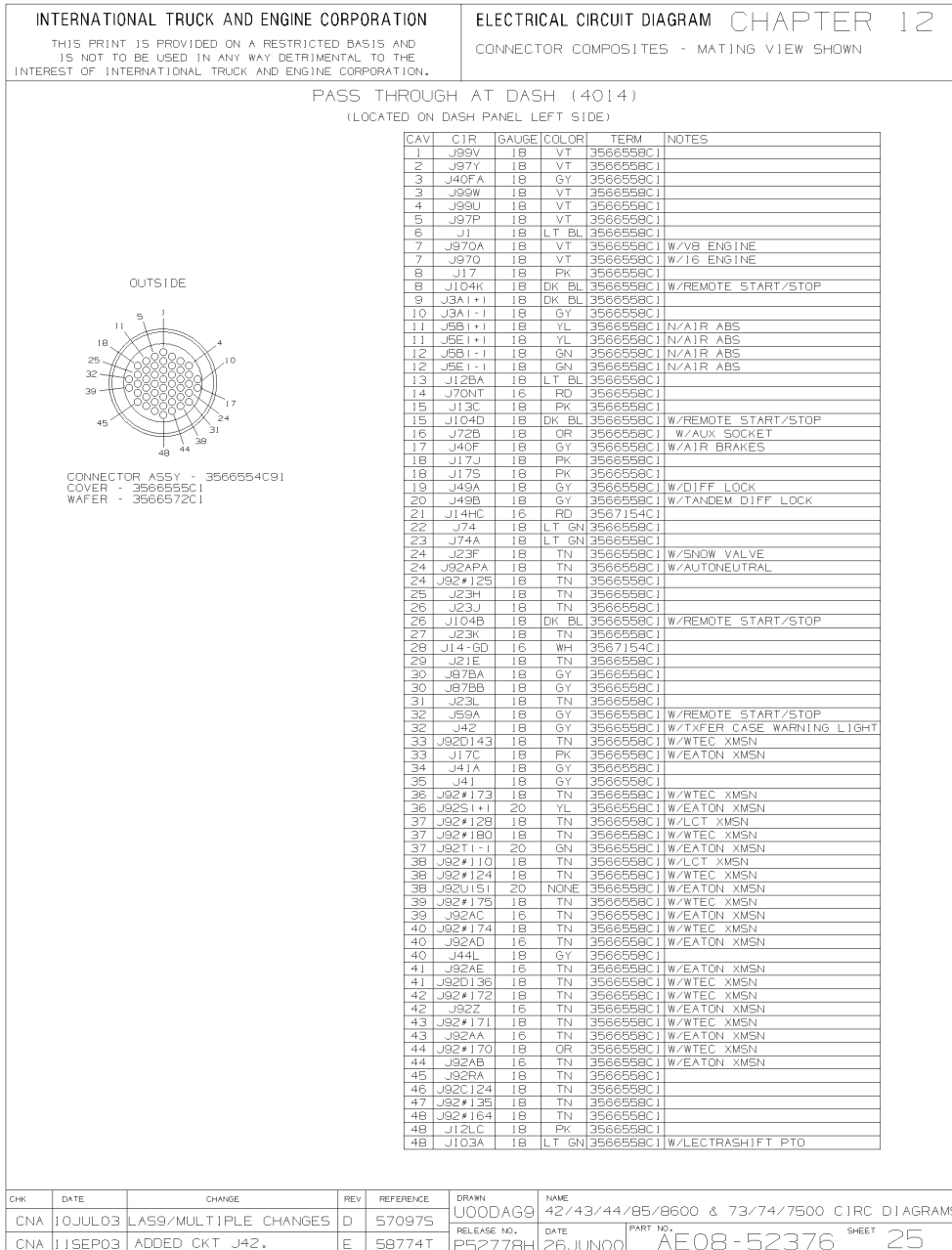


Figure 167 Connector Composite (4014)

13.26. CONNECTOR COMPOSITE (4014/1700), P. 26

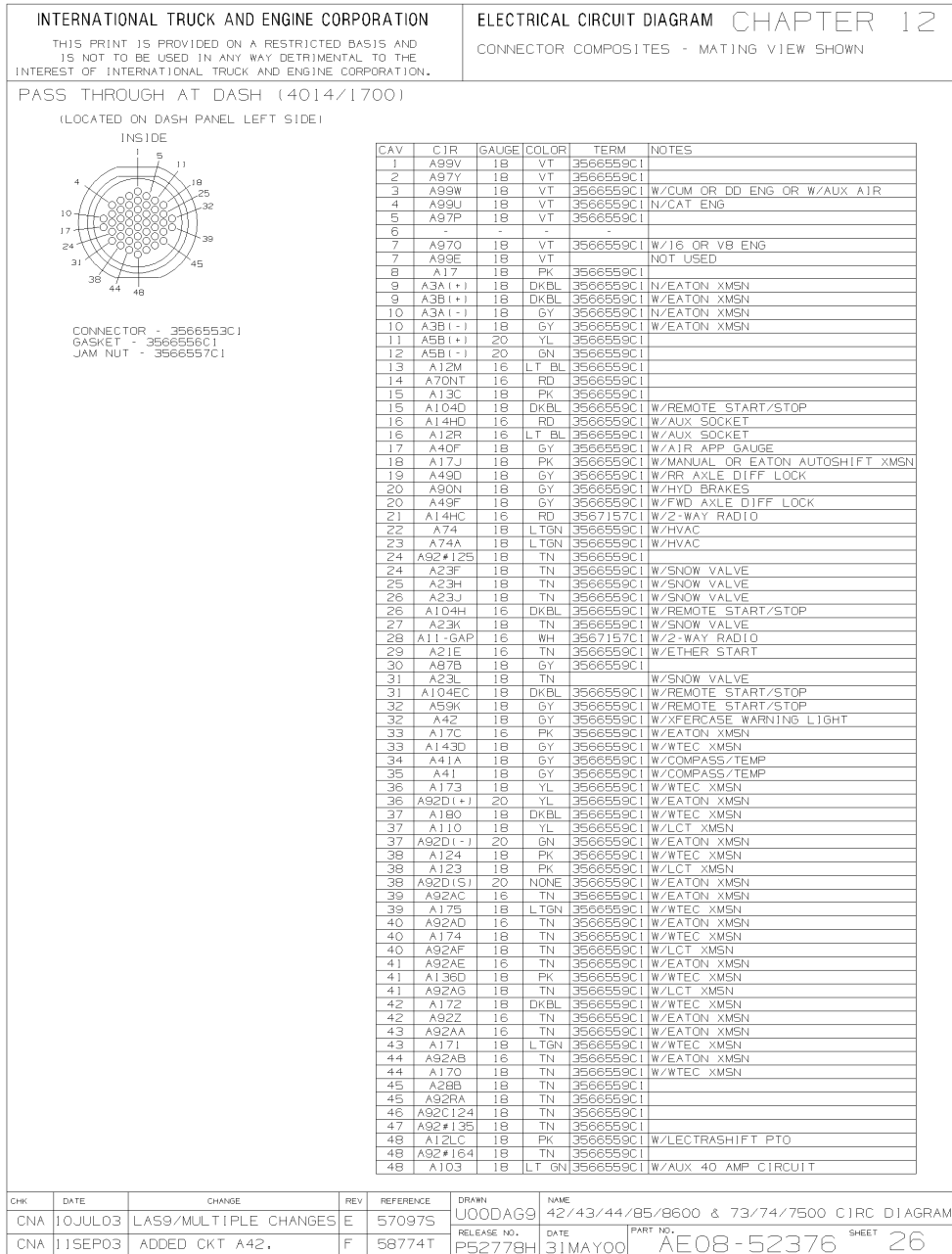


Figure 168 Connector Composite (4014/1700)

13.27. CONNECTOR COMPOSITES (4015), (4017), (4018), (4019), (4020), (4021), (4022), (4023), P. 27

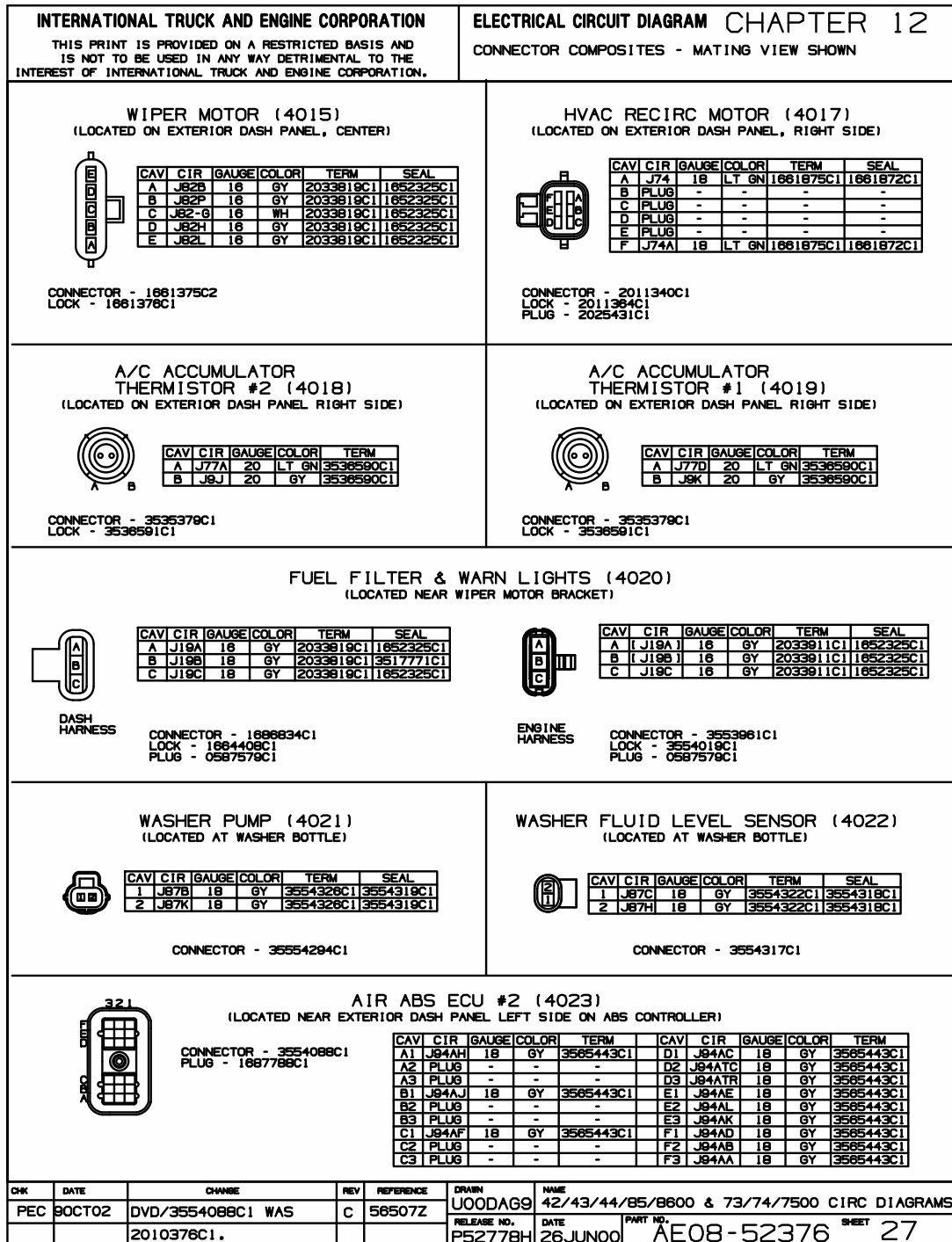


Figure 169 Connector Composites (4015), (4017), (4018), (4019), (4020), (4021), (4022), (4023)

13.28. CONNECTOR COMPOSITES (4024), (4030), (4031), (4032), (4033), (4040), (4041), P. 28

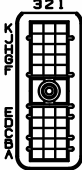



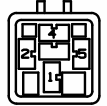

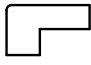
INTERNATIONAL TRUCK AND ENGINE CORPORATION				ELECTRICAL CIRCUIT DIAGRAM CHAPTER 12																																																																																																																																																																			
THIS PRINT IS PROVIDED ON A RESTRICTED BASIS AND IS NOT TO BE USED IN ANY WAY DETRIMENTAL TO THE INTEREST OF INTERNATIONAL TRUCK AND ENGINE CORPORATION.				CONNECTOR COMPOSITES - MATING VIEW SHOWN																																																																																																																																																																			
AIR ABS ECU #1 (4024) (LOCATED NEAR EXTERIOR DASH PANEL LEFT SIDE ON ABS CONTROLLER)  CONNECTOR - 3554087C1 LOCK - 1687789C1				<table border="1"> <thead> <tr> <th>CAV</th> <th>CIR</th> <th>GAUGE</th> <th>COLOR</th> <th>TERM</th> <th>CAV</th> <th>CIR</th> <th>GAUGE</th> <th>COLOR</th> <th>TERM</th> </tr> </thead> <tbody> <tr><td>A1</td><td>J84-GAC</td><td>18</td><td>WH</td><td>3565443C1</td><td>F1</td><td>J84AP</td><td>18</td><td>GY</td><td>3565443C1</td></tr> <tr><td>A2</td><td>J84-GAB</td><td>18</td><td>WH</td><td>3565443C1</td><td>F2</td><td>PLUG</td><td>-</td><td>-</td><td>-</td></tr> <tr><td>A3</td><td>J84-GAA</td><td>18</td><td>WH</td><td>3565443C1</td><td>F3</td><td>PLUG</td><td>-</td><td>-</td><td>-</td></tr> <tr><td>B1</td><td>J84AYC</td><td>18</td><td>GY</td><td>3565443C1</td><td>G1</td><td>J84AS</td><td>18</td><td>GY</td><td>3565443C1</td></tr> <tr><td>B2</td><td>PLUG</td><td>-</td><td>-</td><td>-</td><td>G2</td><td>J3D(+)</td><td>18</td><td>DK BL</td><td>3565443C1</td></tr> <tr><td>B3</td><td>PLUG</td><td>-</td><td>-</td><td>-</td><td>G3</td><td>J3D(-)</td><td>18</td><td>GY</td><td>3565443C1</td></tr> <tr><td>C1</td><td>J84AW</td><td>18</td><td>GY</td><td>3565443C1</td><td>H1</td><td>J84AR</td><td>18</td><td>GY</td><td>3565443C1</td></tr> <tr><td>C2</td><td>PLUG</td><td>-</td><td>-</td><td>-</td><td>H2</td><td>J84AT</td><td>18</td><td>GY</td><td>3565443C1</td></tr> <tr><td>C3</td><td>J5D(+)</td><td>20</td><td>YL</td><td>3565443C1</td><td>H3</td><td>J84AU</td><td>18</td><td>GY</td><td>3565443C1</td></tr> <tr><td>D1</td><td>J84AX</td><td>18</td><td>GY</td><td>3565443C1</td><td>J1</td><td>J84AM</td><td>18</td><td>GY</td><td>3565443C1</td></tr> <tr><td>D2</td><td>J5D(S)</td><td>20</td><td>NONE</td><td>3565443C1</td><td>J2</td><td>J84AN</td><td>18</td><td>GY</td><td>3565443C1</td></tr> <tr><td>D3</td><td>J5D(-)</td><td>20</td><td>GN</td><td>3565443C1</td><td>J3</td><td>PLUG</td><td>-</td><td>-</td><td>-</td></tr> <tr><td>E1</td><td>J84AV</td><td>18</td><td>GY</td><td>3565443C1</td><td>K1</td><td>PLUG</td><td>-</td><td>-</td><td>-</td></tr> <tr><td>E2</td><td>PLUG</td><td>-</td><td>-</td><td>-</td><td>K2</td><td>J84AYA</td><td>18</td><td>GY</td><td>3565443C1</td></tr> <tr><td>E3</td><td>PLUG</td><td>-</td><td>-</td><td>-</td><td>K3</td><td>J84AYB</td><td>18</td><td>GY</td><td>3565443C1</td></tr> </tbody> </table>				CAV	CIR	GAUGE	COLOR	TERM	CAV	CIR	GAUGE	COLOR	TERM	A1	J84-GAC	18	WH	3565443C1	F1	J84AP	18	GY	3565443C1	A2	J84-GAB	18	WH	3565443C1	F2	PLUG	-	-	-	A3	J84-GAA	18	WH	3565443C1	F3	PLUG	-	-	-	B1	J84AYC	18	GY	3565443C1	G1	J84AS	18	GY	3565443C1	B2	PLUG	-	-	-	G2	J3D(+)	18	DK BL	3565443C1	B3	PLUG	-	-	-	G3	J3D(-)	18	GY	3565443C1	C1	J84AW	18	GY	3565443C1	H1	J84AR	18	GY	3565443C1	C2	PLUG	-	-	-	H2	J84AT	18	GY	3565443C1	C3	J5D(+)	20	YL	3565443C1	H3	J84AU	18	GY	3565443C1	D1	J84AX	18	GY	3565443C1	J1	J84AM	18	GY	3565443C1	D2	J5D(S)	20	NONE	3565443C1	J2	J84AN	18	GY	3565443C1	D3	J5D(-)	20	GN	3565443C1	J3	PLUG	-	-	-	E1	J84AV	18	GY	3565443C1	K1	PLUG	-	-	-	E2	PLUG	-	-	-	K2	J84AYA	18	GY	3565443C1	E3	PLUG	-	-	-	K3	J84AYB	18	GY	3565443C1
CAV	CIR	GAUGE	COLOR	TERM	CAV	CIR	GAUGE	COLOR	TERM																																																																																																																																																														
A1	J84-GAC	18	WH	3565443C1	F1	J84AP	18	GY	3565443C1																																																																																																																																																														
A2	J84-GAB	18	WH	3565443C1	F2	PLUG	-	-	-																																																																																																																																																														
A3	J84-GAA	18	WH	3565443C1	F3	PLUG	-	-	-																																																																																																																																																														
B1	J84AYC	18	GY	3565443C1	G1	J84AS	18	GY	3565443C1																																																																																																																																																														
B2	PLUG	-	-	-	G2	J3D(+)	18	DK BL	3565443C1																																																																																																																																																														
B3	PLUG	-	-	-	G3	J3D(-)	18	GY	3565443C1																																																																																																																																																														
C1	J84AW	18	GY	3565443C1	H1	J84AR	18	GY	3565443C1																																																																																																																																																														
C2	PLUG	-	-	-	H2	J84AT	18	GY	3565443C1																																																																																																																																																														
C3	J5D(+)	20	YL	3565443C1	H3	J84AU	18	GY	3565443C1																																																																																																																																																														
D1	J84AX	18	GY	3565443C1	J1	J84AM	18	GY	3565443C1																																																																																																																																																														
D2	J5D(S)	20	NONE	3565443C1	J2	J84AN	18	GY	3565443C1																																																																																																																																																														
D3	J5D(-)	20	GN	3565443C1	J3	PLUG	-	-	-																																																																																																																																																														
E1	J84AV	18	GY	3565443C1	K1	PLUG	-	-	-																																																																																																																																																														
E2	PLUG	-	-	-	K2	J84AYA	18	GY	3565443C1																																																																																																																																																														
E3	PLUG	-	-	-	K3	J84AYB	18	GY	3565443C1																																																																																																																																																														
FUEL FILTER (4030) (LOCATED IN ENGINE COMPARTMENT AT FUEL FILTER)  CONNECTOR - 1687733C1 LOCK - 1687734C1 PLUG - 1675451C1				FLOW SWITCH (4031) (LOCATED NEAR BRAKE FLUID RESERVOIR)  CONNECTOR - 3519587C1																																																																																																																																																																			
DIFFERENTIAL PRESSURE SWITCH (4032) (LOCATED NEAR BRAKE FLUID RESERVOIR)  CONNECTOR ASSY INCLUDING TERMINALS & WIRES - 3518873C91				HYDRAMAX PUMP RELAY (4033) (LOCATED NEAR HYDRAMAX PUMP MOTOR)  CONNECTOR - 1681747C91																																																																																																																																																																			
WIF MODULE (4040) (LOCATED NEAR EXTERIOR DASH PANEL, LEFT SIDE)  CONNECTOR - 2036585C1 PLUG - 1687789C1 WIF MODULE - 1811164C2				FUEL FILTER (4041) (LOCATED ON FUEL FILTER)  CONNECTOR ASSY INCLUDING TERMINAL & WIRE - 1684023C91																																																																																																																																																																			
<table border="1"> <thead> <tr> <th>CAV</th> <th>CIR</th> <th>GAUGE</th> <th>COLOR</th> <th>TERM</th> </tr> </thead> <tbody> <tr><td>A</td><td>J19A</td><td>18</td><td>GY</td><td>1687733C1</td></tr> <tr><td>B</td><td>PLUG</td><td>-</td><td>-</td><td>-</td></tr> <tr><td>C</td><td>J19-6A</td><td>18</td><td>WH</td><td>1687733C1</td></tr> </tbody> </table>				CAV	CIR	GAUGE	COLOR	TERM	A	J19A	18	GY	1687733C1	B	PLUG	-	-	-	C	J19-6A	18	WH	1687733C1	<table border="1"> <thead> <tr> <th>CAV</th> <th>CIR</th> <th>GAUGE</th> <th>COLOR</th> <th>TERM</th> </tr> </thead> <tbody> <tr><td>A</td><td>J90CA</td><td>18</td><td>GY</td><td>2036586C1</td></tr> <tr><td>B</td><td>J80-6</td><td>18</td><td>WH</td><td>2036586C1</td></tr> </tbody> </table>				CAV	CIR	GAUGE	COLOR	TERM	A	J90CA	18	GY	2036586C1	B	J80-6	18	WH	2036586C1																																																																																																																													
CAV	CIR	GAUGE	COLOR	TERM																																																																																																																																																																			
A	J19A	18	GY	1687733C1																																																																																																																																																																			
B	PLUG	-	-	-																																																																																																																																																																			
C	J19-6A	18	WH	1687733C1																																																																																																																																																																			
CAV	CIR	GAUGE	COLOR	TERM																																																																																																																																																																			
A	J90CA	18	GY	2036586C1																																																																																																																																																																			
B	J80-6	18	WH	2036586C1																																																																																																																																																																			
<table border="1"> <thead> <tr> <th>CAV</th> <th>CIR</th> <th>GAUGE</th> <th>COLOR</th> <th>TERM</th> </tr> </thead> <tbody> <tr><td>A</td><td>J90C</td><td>18</td><td>GY</td><td>ASSY</td></tr> <tr><td>B</td><td>J90B</td><td>18</td><td>GY</td><td>ASSY</td></tr> </tbody> </table>				CAV	CIR	GAUGE	COLOR	TERM	A	J90C	18	GY	ASSY	B	J90B	18	GY	ASSY	<table border="1"> <thead> <tr> <th>CAV</th> <th>CIR</th> <th>GAUGE</th> <th>COLOR</th> <th>TERM</th> </tr> </thead> <tbody> <tr><td>1</td><td>J90</td><td>12</td><td>GY</td><td>1661708C1</td></tr> <tr><td>2</td><td>J90D</td><td>18</td><td>GY</td><td>1661707C1</td></tr> <tr><td>4</td><td>J90F</td><td>12</td><td>GY</td><td>1661708C1</td></tr> <tr><td>5</td><td>J90K</td><td>18</td><td>GY</td><td>1661707C1</td></tr> </tbody> </table>				CAV	CIR	GAUGE	COLOR	TERM	1	J90	12	GY	1661708C1	2	J90D	18	GY	1661707C1	4	J90F	12	GY	1661708C1	5	J90K	18	GY	1661707C1																																																																																																																								
CAV	CIR	GAUGE	COLOR	TERM																																																																																																																																																																			
A	J90C	18	GY	ASSY																																																																																																																																																																			
B	J90B	18	GY	ASSY																																																																																																																																																																			
CAV	CIR	GAUGE	COLOR	TERM																																																																																																																																																																			
1	J90	12	GY	1661708C1																																																																																																																																																																			
2	J90D	18	GY	1661707C1																																																																																																																																																																			
4	J90F	12	GY	1661708C1																																																																																																																																																																			
5	J90K	18	GY	1661707C1																																																																																																																																																																			
<table border="1"> <thead> <tr> <th>CAV</th> <th>CIR</th> <th>GAUGE</th> <th>COLOR</th> <th>TERM</th> </tr> </thead> <tbody> <tr><td>A</td><td>J19E</td><td>18</td><td>GY</td><td>2036586C1</td></tr> <tr><td>B</td><td>J19D</td><td>18</td><td>GY</td><td>2036586C1</td></tr> <tr><td>C</td><td>PLUG</td><td>-</td><td>-</td><td>-</td></tr> <tr><td>D</td><td>J19C</td><td>18</td><td>GY</td><td>2036586C1</td></tr> </tbody> </table>				CAV	CIR	GAUGE	COLOR	TERM	A	J19E	18	GY	2036586C1	B	J19D	18	GY	2036586C1	C	PLUG	-	-	-	D	J19C	18	GY	2036586C1	<table border="1"> <thead> <tr> <th>CAV</th> <th>GAUGE</th> <th>COLOR</th> <th>TERM</th> </tr> </thead> <tbody> <tr><td>A</td><td>18</td><td>GY</td><td>ASSY</td></tr> </tbody> </table>				CAV	GAUGE	COLOR	TERM	A	18	GY	ASSY																																																																																																																															
CAV	CIR	GAUGE	COLOR	TERM																																																																																																																																																																			
A	J19E	18	GY	2036586C1																																																																																																																																																																			
B	J19D	18	GY	2036586C1																																																																																																																																																																			
C	PLUG	-	-	-																																																																																																																																																																			
D	J19C	18	GY	2036586C1																																																																																																																																																																			
CAV	GAUGE	COLOR	TERM																																																																																																																																																																				
A	18	GY	ASSY																																																																																																																																																																				
CHK	DATE	CHANGE	REV	REFERENCE	DRAWN	NAME	42/43/44/85/8600 & 73/74/7500 CIRC DIAGRAMS																																																																																																																																																																
PEC	8OCT02	DVD/3554087C1 WAS	D	56507Z	U00DAG9		RELEASE NO.	DATE																																																																																																																																																															
		1687789C1					P52778H	28JUN00																																																																																																																																																															
							PART NO.	SHEET																																																																																																																																																															
							AE08-52376	28																																																																																																																																																															

Figure 170 Connector Composites (4024), (4030), (4031), (4032), (4033), (4040), (4041)

13.29. CONNECTOR COMPOSITES (4070), (4071), (4087), (4098), (4101), P. 29

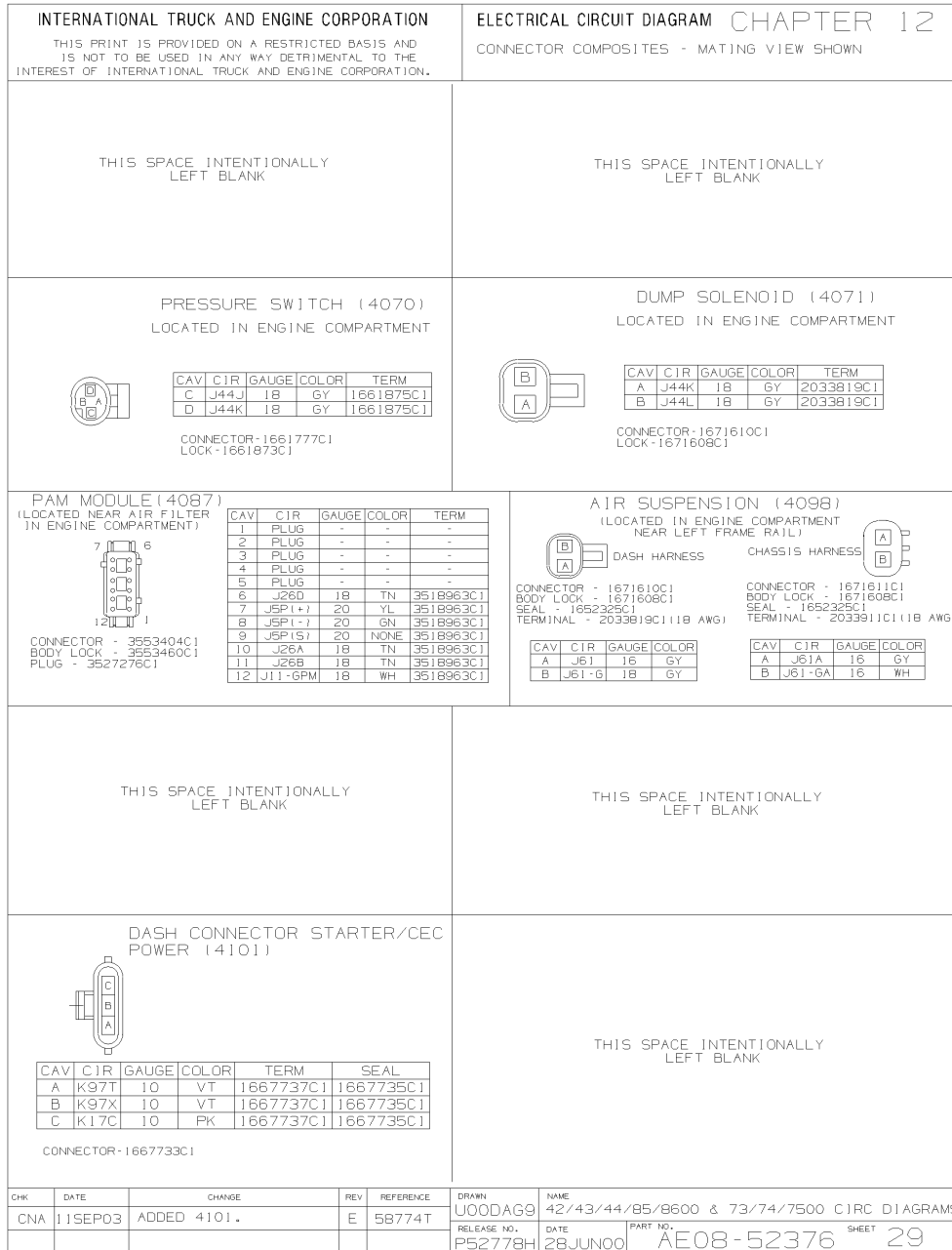


Figure 171 Connector Composites (4070), (4071), (4087), (4098), (4101)

13.30. CONNECTOR COMPOSITE (4103), P. 30

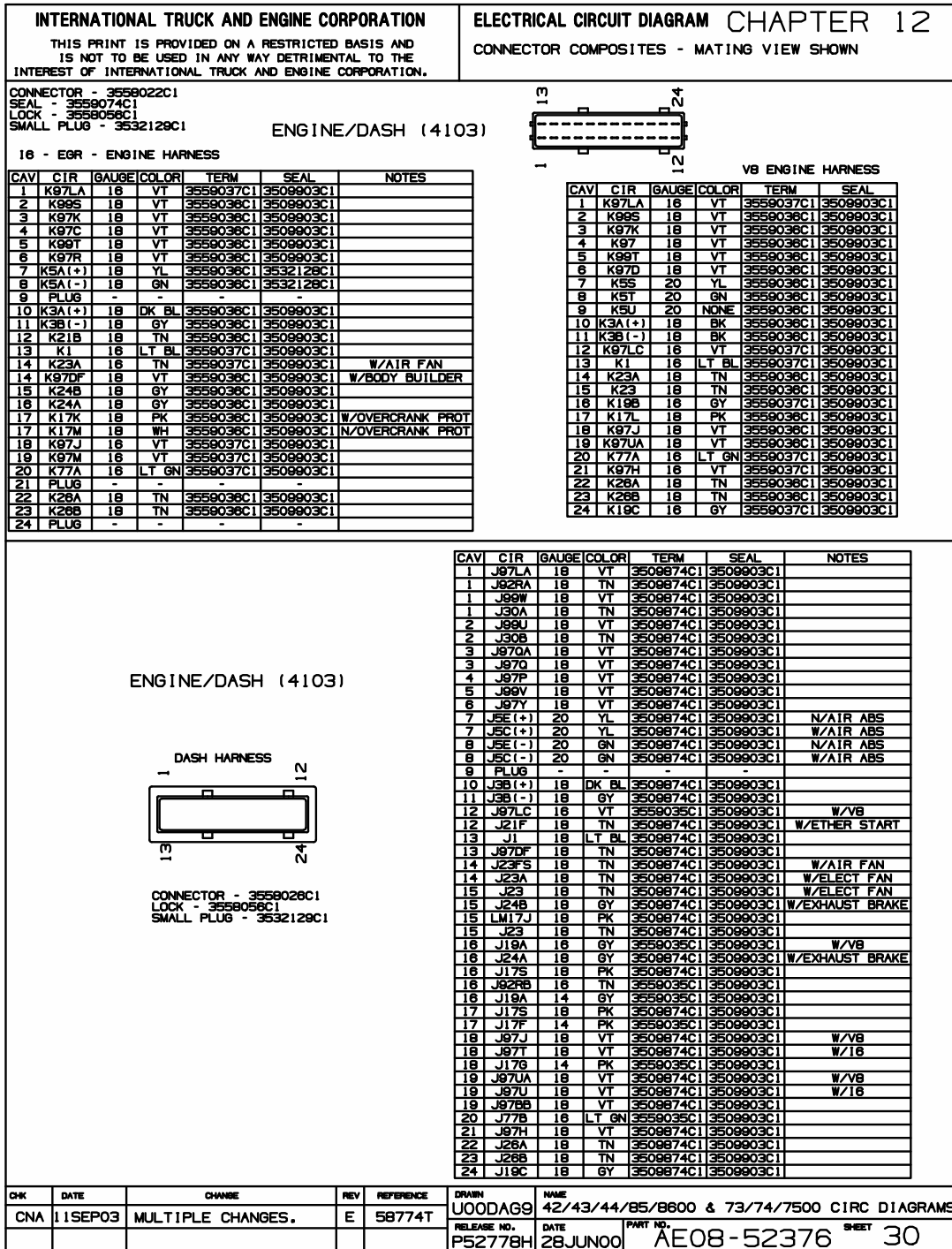
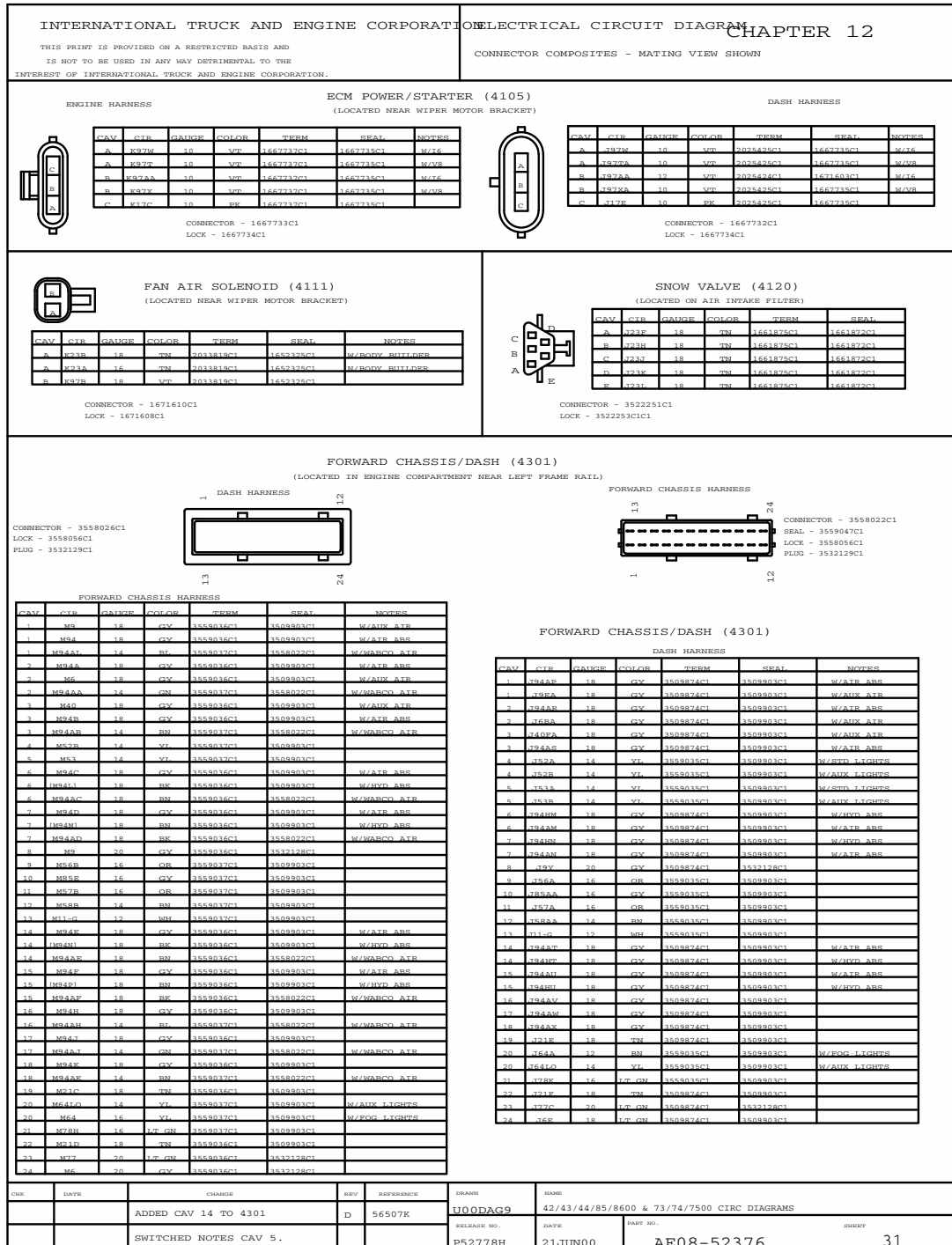


Figure 172 Connector Composite (4103)

13.31. CONNECTOR COMPOSITES (4105), (4111), (4120), (4301), P. 31



13.32. CONNECTOR COMPOSITES (4305), (4410), (4410B), (4410C), (4410D), (4410E), (4410H), (4410M), (4411), P. 32

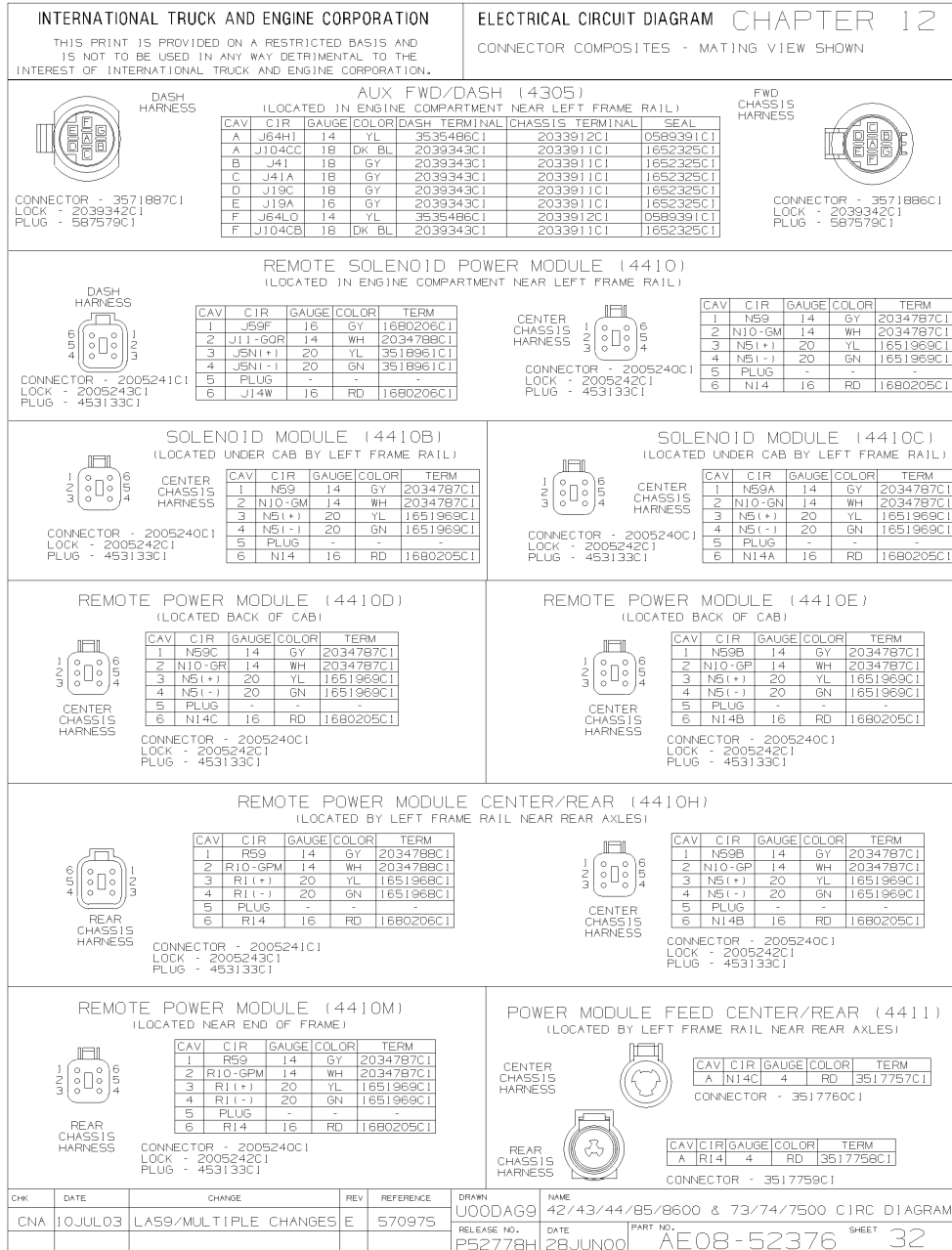


Figure 174 Connector Composites (4305), (4410), (4410B), (4410C), (4410D), (4410E), (4410H), (4410M), (4411)

13.33. CONNECTOR COMPOSITES (4411A), (4411B), (4412), (4415), (4450), (4450A), (4460A), (4460), P. 33

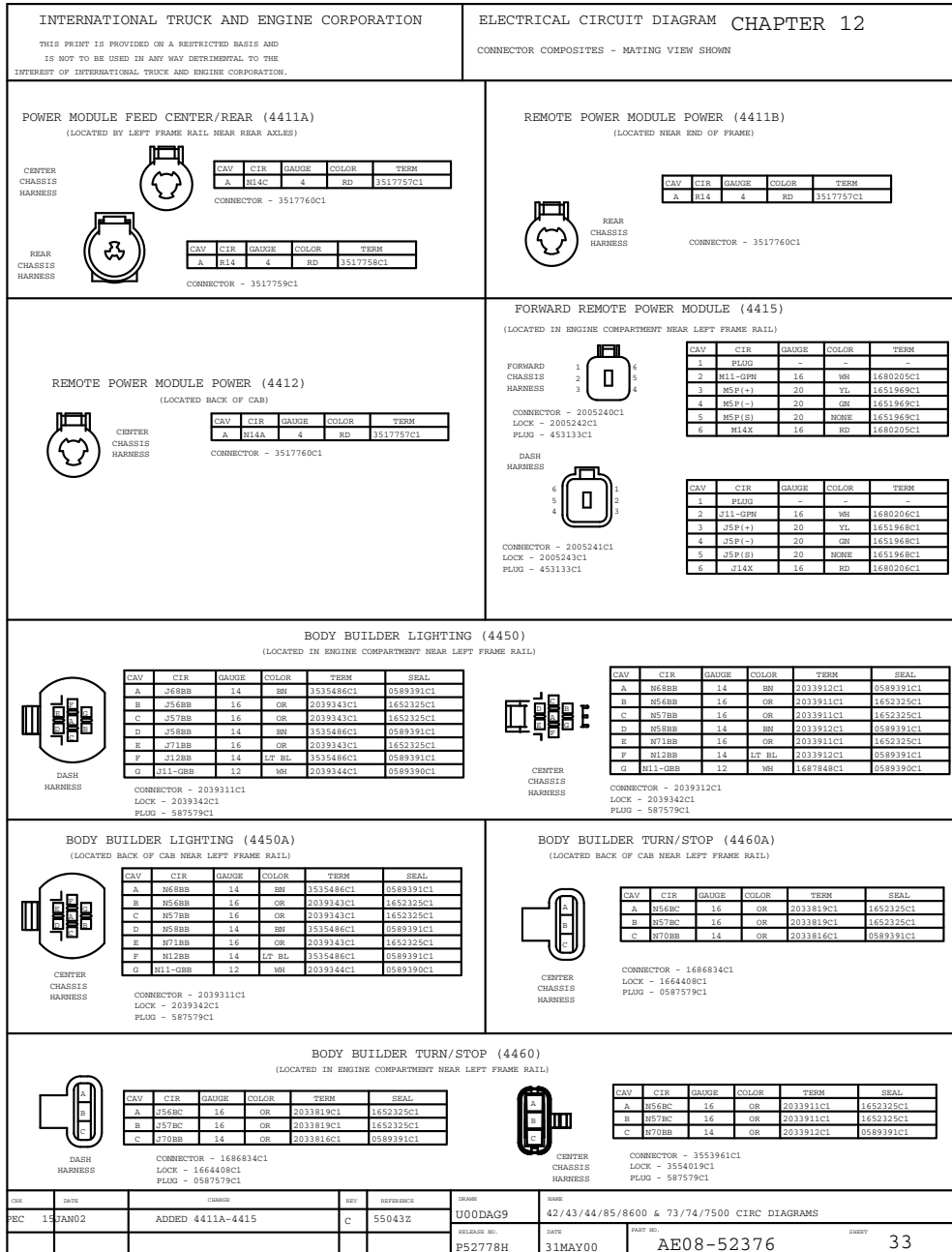


Figure 175 Connector Composites (4411A), (4411B), (4412), (4415), (4450), (4450A), (4460A), (4460)

13.34. CONNECTOR COMPOSITE (4705), P. 34

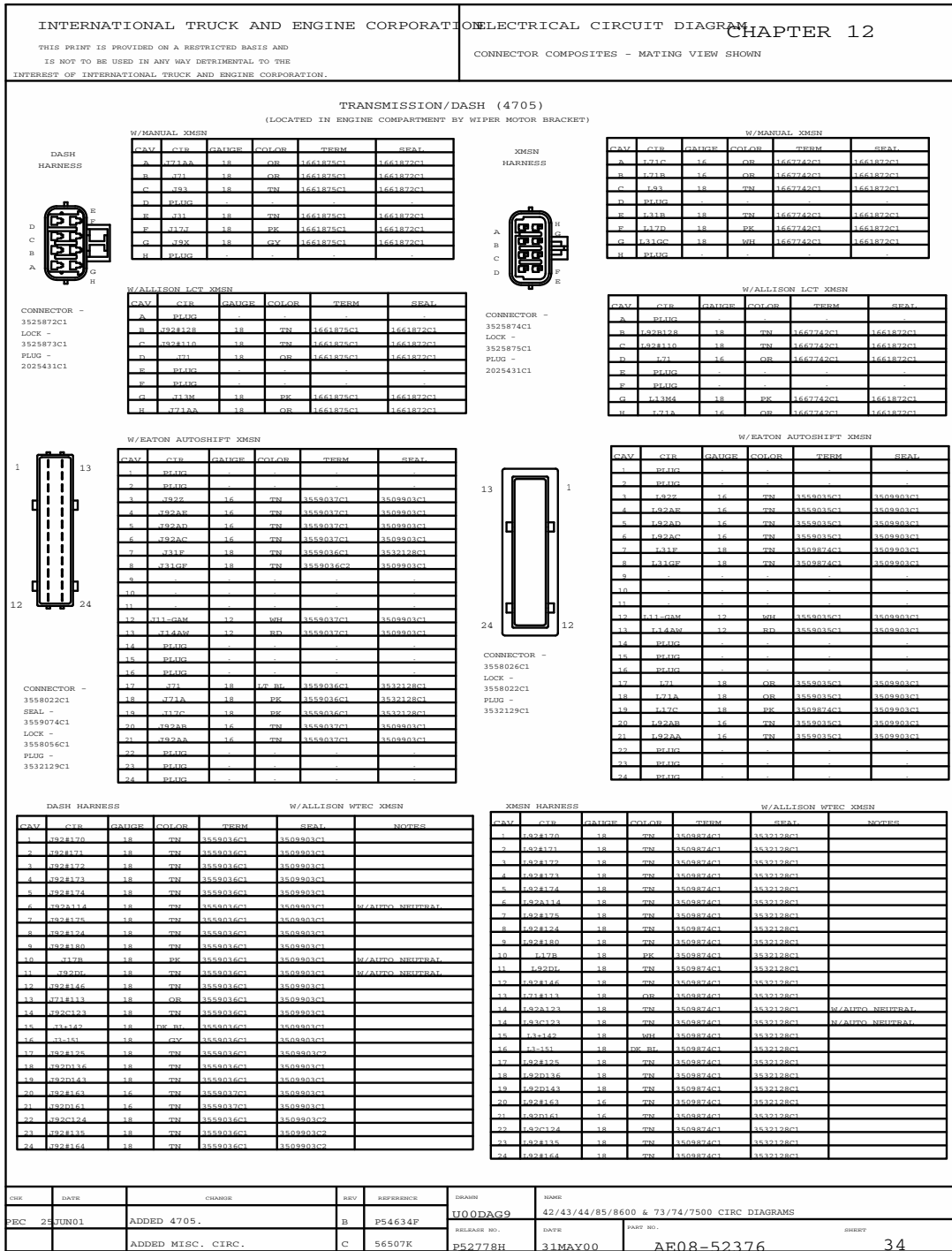


Figure 176 Connector Composite (4705)

13.35. CONNECTOR COMPOSITES (4810), (4712F), (4820), (4713F), (4830), (4840), (4850), P. 35




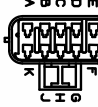



INTERNATIONAL TRUCK AND ENGINE CORPORATION THIS PRINT IS PROVIDED ON A RESTRICTED BASIS AND IS NOT TO BE USED IN ANY WAY DETRIMENTAL TO THE INTEREST OF INTERNATIONAL TRUCK AND ENGINE CORPORATION.				ELECTRICAL CIRCUIT DIAGRAM CHAPTER 12 CONNECTOR COMPOSITES - MATING VIEW SHOWN																																																																																																																																	
BACKUP LIGHT TURN SIGNAL SPLICE (4810) (LOCATED NEAR POWER DISTRIBUTION CENTER)  CONNECTOR - 3543733C1 LOCK - 3543732C1 PLUG - 3535425C1 BUS BAR - 3543736C1				TRANS/DASH (4712F) CONNECTOR - 3525874C1 LOCK - 3525875C1 PLUG - 2025431C1  <table border="1" style="width:100%; border-collapse: collapse;"> <thead> <tr> <th>CAV</th> <th>CIR</th> <th>GAUGE</th> <th>COLOR</th> <th>TERM</th> <th>SEAL</th> </tr> </thead> <tbody> <tr><td>A</td><td>K71C</td><td>18</td><td>OR</td><td>1867742C1</td><td>1861872C1</td></tr> <tr><td>A #</td><td>K71E</td><td>18</td><td>OR</td><td>1867742C1</td><td>1861872C1</td></tr> <tr><td>B</td><td>K71B</td><td>18</td><td>OR</td><td>1867742C1</td><td>1861872C1</td></tr> <tr><td>B #</td><td>K71D</td><td>18</td><td>OR</td><td>1867742C1</td><td>1861872C1</td></tr> <tr><td>B &</td><td>K82#12B</td><td>18</td><td>TN</td><td>1867742C1</td><td>3568570C1</td></tr> <tr><td>B &</td><td>K82#110</td><td>18</td><td>TN</td><td>1867742C1</td><td>3568570C1</td></tr> <tr><td>C</td><td>K89</td><td>18</td><td>TN</td><td>1867742C1</td><td>1861872C1</td></tr> <tr><td>C &</td><td>K92#110</td><td>18</td><td>TN</td><td>1867742C1</td><td>3568570C1</td></tr> <tr><td>D</td><td>K13A</td><td>18</td><td>PK</td><td>1867742C1</td><td>1861872C1</td></tr> <tr><td>D &</td><td>K71</td><td>18</td><td>OR</td><td>1867742C1</td><td>1861872C1</td></tr> <tr><td>E #</td><td>K31B</td><td>18</td><td>TN</td><td>1867742C1</td><td>1861872C1</td></tr> <tr><td>E #</td><td>K31E</td><td>18</td><td>TN</td><td>1867742C1</td><td>1861872C1</td></tr> <tr><td>F #</td><td>K17D</td><td>18</td><td>PK</td><td>1867742C1</td><td>3568570C1</td></tr> <tr><td>F #</td><td>K17E</td><td>18</td><td>PK</td><td>1867742C1</td><td>3568570C1</td></tr> <tr><td>G</td><td>K83-G</td><td>18</td><td>TN</td><td>1867742C1</td><td>1861872C1</td></tr> <tr><td>G #</td><td>K31-GC</td><td>18</td><td>WH</td><td>1867742C1</td><td>1861872C1</td></tr> <tr><td>G #</td><td>K31-GE</td><td>18</td><td>TN</td><td>1867742C1</td><td>1861872C1</td></tr> <tr><td>G &</td><td>K13M4</td><td>18</td><td>PK</td><td>1867742C1</td><td>1861872C1</td></tr> <tr><td>H #</td><td>K11-G</td><td>18</td><td>WH</td><td>1867742C1</td><td>1861872C1</td></tr> <tr><td>H &</td><td>K71A</td><td>18</td><td>OR</td><td>1867742C1</td><td>1861872C1</td></tr> </tbody> </table>				CAV	CIR	GAUGE	COLOR	TERM	SEAL	A	K71C	18	OR	1867742C1	1861872C1	A #	K71E	18	OR	1867742C1	1861872C1	B	K71B	18	OR	1867742C1	1861872C1	B #	K71D	18	OR	1867742C1	1861872C1	B &	K82#12B	18	TN	1867742C1	3568570C1	B &	K82#110	18	TN	1867742C1	3568570C1	C	K89	18	TN	1867742C1	1861872C1	C &	K92#110	18	TN	1867742C1	3568570C1	D	K13A	18	PK	1867742C1	1861872C1	D &	K71	18	OR	1867742C1	1861872C1	E #	K31B	18	TN	1867742C1	1861872C1	E #	K31E	18	TN	1867742C1	1861872C1	F #	K17D	18	PK	1867742C1	3568570C1	F #	K17E	18	PK	1867742C1	3568570C1	G	K83-G	18	TN	1867742C1	1861872C1	G #	K31-GC	18	WH	1867742C1	1861872C1	G #	K31-GE	18	TN	1867742C1	1861872C1	G &	K13M4	18	PK	1867742C1	1861872C1	H #	K11-G	18	WH	1867742C1	1861872C1	H &	K71A	18	OR	1867742C1	1861872C1
CAV	CIR	GAUGE	COLOR	TERM	SEAL																																																																																																																																
A	K71C	18	OR	1867742C1	1861872C1																																																																																																																																
A #	K71E	18	OR	1867742C1	1861872C1																																																																																																																																
B	K71B	18	OR	1867742C1	1861872C1																																																																																																																																
B #	K71D	18	OR	1867742C1	1861872C1																																																																																																																																
B &	K82#12B	18	TN	1867742C1	3568570C1																																																																																																																																
B &	K82#110	18	TN	1867742C1	3568570C1																																																																																																																																
C	K89	18	TN	1867742C1	1861872C1																																																																																																																																
C &	K92#110	18	TN	1867742C1	3568570C1																																																																																																																																
D	K13A	18	PK	1867742C1	1861872C1																																																																																																																																
D &	K71	18	OR	1867742C1	1861872C1																																																																																																																																
E #	K31B	18	TN	1867742C1	1861872C1																																																																																																																																
E #	K31E	18	TN	1867742C1	1861872C1																																																																																																																																
F #	K17D	18	PK	1867742C1	3568570C1																																																																																																																																
F #	K17E	18	PK	1867742C1	3568570C1																																																																																																																																
G	K83-G	18	TN	1867742C1	1861872C1																																																																																																																																
G #	K31-GC	18	WH	1867742C1	1861872C1																																																																																																																																
G #	K31-GE	18	TN	1867742C1	1861872C1																																																																																																																																
G &	K13M4	18	PK	1867742C1	1861872C1																																																																																																																																
H #	K11-G	18	WH	1867742C1	1861872C1																																																																																																																																
H &	K71A	18	OR	1867742C1	1861872C1																																																																																																																																
J1708 & 5 VOLT REF SPLICE (4820) (LOCATED NEAR WIPER MOTOR BRACKET)  CONNECTOR - 3543733C1 LOCK - 3543732C1 PLUG - 3535425C1 BUS BAR - 3543736C1				DASH/TRANS (4713F) CONNECTOR - 3539835C1 LOCK - 3539836C1 PLUG - 2025431C1  <table border="1" style="width:100%; border-collapse: collapse;"> <thead> <tr> <th>CAV</th> <th>CIR</th> <th>GAUGE</th> <th>COLOR</th> <th>TERM</th> <th>SEAL</th> </tr> </thead> <tbody> <tr><td>A</td><td>K13AA</td><td>18</td><td>PK</td><td>1861875C1</td><td>1861872C1</td></tr> <tr><td>B</td><td>K11-6B</td><td>18</td><td>WH</td><td>1861875C1</td><td>1861872C1</td></tr> <tr><td>C</td><td>K11-6C</td><td>18</td><td>WH</td><td>1861875C1</td><td>1861872C1</td></tr> <tr><td>D</td><td>K14AA</td><td>18</td><td>RD</td><td>1861875C1</td><td>1861872C1</td></tr> <tr><td>E</td><td>K3AA</td><td>18</td><td>DKBL</td><td>1861875C1</td><td>1861872C1</td></tr> <tr><td>F</td><td>K3AB</td><td>18</td><td>GY</td><td>1861875C1</td><td>1861872C1</td></tr> <tr><td>G</td><td>K71D</td><td>18</td><td>OR</td><td>1861875C1</td><td>1861872C1</td></tr> <tr><td>H</td><td>K71E</td><td>18</td><td>OR</td><td>1861875C1</td><td>1861872C1</td></tr> <tr><td>J</td><td>K31D</td><td>18</td><td>TN</td><td>1861875C1</td><td>1861872C1</td></tr> <tr><td>K</td><td>K31-GD</td><td>18</td><td>TN</td><td>1861875C1</td><td>1861872C1</td></tr> </tbody> </table>				CAV	CIR	GAUGE	COLOR	TERM	SEAL	A	K13AA	18	PK	1861875C1	1861872C1	B	K11-6B	18	WH	1861875C1	1861872C1	C	K11-6C	18	WH	1861875C1	1861872C1	D	K14AA	18	RD	1861875C1	1861872C1	E	K3AA	18	DKBL	1861875C1	1861872C1	F	K3AB	18	GY	1861875C1	1861872C1	G	K71D	18	OR	1861875C1	1861872C1	H	K71E	18	OR	1861875C1	1861872C1	J	K31D	18	TN	1861875C1	1861872C1	K	K31-GD	18	TN	1861875C1	1861872C1																																																												
CAV	CIR	GAUGE	COLOR	TERM	SEAL																																																																																																																																
A	K13AA	18	PK	1861875C1	1861872C1																																																																																																																																
B	K11-6B	18	WH	1861875C1	1861872C1																																																																																																																																
C	K11-6C	18	WH	1861875C1	1861872C1																																																																																																																																
D	K14AA	18	RD	1861875C1	1861872C1																																																																																																																																
E	K3AA	18	DKBL	1861875C1	1861872C1																																																																																																																																
F	K3AB	18	GY	1861875C1	1861872C1																																																																																																																																
G	K71D	18	OR	1861875C1	1861872C1																																																																																																																																
H	K71E	18	OR	1861875C1	1861872C1																																																																																																																																
J	K31D	18	TN	1861875C1	1861872C1																																																																																																																																
K	K31-GD	18	TN	1861875C1	1861872C1																																																																																																																																
RELAY COIL IGNITION SPLICE (4840) (LOCATED INSIDE POWER DISTRIBUTION CENTER)  <table border="1" style="width:100%; border-collapse: collapse;"> <thead> <tr> <th>CAV</th> <th>CIR</th> <th>GAUGE</th> <th>COLOR</th> <th>TERM</th> </tr> </thead> <tbody> <tr><td>A</td><td>J13X</td><td>18</td><td>PK</td><td>1861208C1</td></tr> <tr><td>B</td><td>J84HE</td><td>18</td><td>GY</td><td>1861208C1</td></tr> <tr><td>C</td><td>J13AS</td><td>18</td><td>PK</td><td>1861208C1</td></tr> <tr><td>E</td><td>J13AV</td><td>18</td><td>PK</td><td>1861208C1</td></tr> </tbody> </table> CONNECTOR - 2008789C1 LOCK - 2008792C1 COVER - 2008790C1 BUS BAR - 2008781C1				CAV	CIR	GAUGE	COLOR	TERM	A	J13X	18	PK	1861208C1	B	J84HE	18	GY	1861208C1	C	J13AS	18	PK	1861208C1	E	J13AV	18	PK	1861208C1	COMBINATION TURN STOP (4850) (LOCATED NEAR POWER DISTRIBUTION CENTER)  <table border="1" style="width:100%; border-collapse: collapse;"> <thead> <tr> <th>CAV</th> <th>CIR</th> <th>GAUGE</th> <th>COLOR</th> <th>TERM</th> <th>SEAL</th> </tr> </thead> <tbody> <tr><td>A</td><td>J57J</td><td>18</td><td>OR</td><td>3535303C1</td><td>3535424C1</td></tr> <tr><td>B</td><td>J57B</td><td>18</td><td>OR</td><td>3535303C1</td><td>3535424C1</td></tr> <tr><td>C</td><td>J57K</td><td>18</td><td>OR</td><td>3535303C1</td><td>3535424C1</td></tr> <tr><td>D</td><td>J57BB</td><td>18</td><td>OR</td><td>3535303C1</td><td>3535424C1</td></tr> <tr><td>E</td><td>J58J</td><td>18</td><td>OR</td><td>3535303C1</td><td>3535424C1</td></tr> <tr><td>F</td><td>J58B</td><td>18</td><td>OR</td><td>3535303C1</td><td>3535424C1</td></tr> <tr><td>G</td><td>J58K</td><td>18</td><td>OR</td><td>3535303C1</td><td>3535424C1</td></tr> <tr><td>H</td><td>J58BB</td><td>18</td><td>OR</td><td>3535303C1</td><td>3535424C1</td></tr> <tr><td>J</td><td>UNUSED</td><td>-</td><td>-</td><td>-</td><td>-</td></tr> <tr><td>K</td><td>PLUG</td><td>-</td><td>-</td><td>-</td><td>-</td></tr> <tr><td>L</td><td>PLUG</td><td>-</td><td>-</td><td>-</td><td>-</td></tr> <tr><td>M</td><td>PLUG</td><td>-</td><td>-</td><td>-</td><td>-</td></tr> </tbody> </table> CONNECTOR - 3543733C1 LOCK - 3543732C1 PLUG - 3535425C1 BUS BAR - 3543736C1				CAV	CIR	GAUGE	COLOR	TERM	SEAL	A	J57J	18	OR	3535303C1	3535424C1	B	J57B	18	OR	3535303C1	3535424C1	C	J57K	18	OR	3535303C1	3535424C1	D	J57BB	18	OR	3535303C1	3535424C1	E	J58J	18	OR	3535303C1	3535424C1	F	J58B	18	OR	3535303C1	3535424C1	G	J58K	18	OR	3535303C1	3535424C1	H	J58BB	18	OR	3535303C1	3535424C1	J	UNUSED	-	-	-	-	K	PLUG	-	-	-	-	L	PLUG	-	-	-	-	M	PLUG	-	-	-	-																							
CAV	CIR	GAUGE	COLOR	TERM																																																																																																																																	
A	J13X	18	PK	1861208C1																																																																																																																																	
B	J84HE	18	GY	1861208C1																																																																																																																																	
C	J13AS	18	PK	1861208C1																																																																																																																																	
E	J13AV	18	PK	1861208C1																																																																																																																																	
CAV	CIR	GAUGE	COLOR	TERM	SEAL																																																																																																																																
A	J57J	18	OR	3535303C1	3535424C1																																																																																																																																
B	J57B	18	OR	3535303C1	3535424C1																																																																																																																																
C	J57K	18	OR	3535303C1	3535424C1																																																																																																																																
D	J57BB	18	OR	3535303C1	3535424C1																																																																																																																																
E	J58J	18	OR	3535303C1	3535424C1																																																																																																																																
F	J58B	18	OR	3535303C1	3535424C1																																																																																																																																
G	J58K	18	OR	3535303C1	3535424C1																																																																																																																																
H	J58BB	18	OR	3535303C1	3535424C1																																																																																																																																
J	UNUSED	-	-	-	-																																																																																																																																
K	PLUG	-	-	-	-																																																																																																																																
L	PLUG	-	-	-	-																																																																																																																																
M	PLUG	-	-	-	-																																																																																																																																
ELECTRONIC REF GROUND SPLICE (4830) (LOCATED NEAR POWER DISTRIBUTION CENTER)  <table border="1" style="width:100%; border-collapse: collapse;"> <thead> <tr> <th>CAV</th> <th>CIR</th> <th>GAUGE</th> <th>COLOR</th> <th>TERM</th> <th>SEAL</th> </tr> </thead> <tbody> <tr><td>A</td><td>J8G</td><td>18</td><td>GY</td><td>3535303C1</td><td>3535424C1</td></tr> <tr><td>B</td><td>J8A</td><td>18</td><td>GY</td><td>3535303C1</td><td>3535424C1</td></tr> <tr><td>C</td><td>PLUG</td><td>-</td><td>-</td><td>-</td><td>-</td></tr> <tr><td>D</td><td>J8EA</td><td>18</td><td>GY</td><td>3535303C1</td><td>3535424C1</td></tr> <tr><td>E</td><td>PLUG</td><td>-</td><td>-</td><td>-</td><td>-</td></tr> <tr><td>F</td><td>PLUG</td><td>-</td><td>-</td><td>-</td><td>-</td></tr> <tr><td>G</td><td>J8J</td><td>20</td><td>GY</td><td>3535302C1</td><td>3535424C1</td></tr> <tr><td>H</td><td>J8K</td><td>20</td><td>GY</td><td>3535302C1</td><td>3535424C1</td></tr> <tr><td>J</td><td>J8Y</td><td>20</td><td>GY</td><td>3535302C1</td><td>3535424C1</td></tr> <tr><td>K</td><td>PLUG</td><td>-</td><td>-</td><td>-</td><td>-</td></tr> <tr><td>L</td><td>J8X</td><td>18</td><td>GY</td><td>3535303C1</td><td>3535424C1</td></tr> <tr><td>M</td><td>J87H</td><td>18</td><td>GY</td><td>3535303C1</td><td>3535424C1</td></tr> </tbody> </table> CONNECTOR - 3543730C1 LOCK - 3543732C1 PLUG - 3535425C1 BUS BAR - 3543736C1				CAV	CIR	GAUGE	COLOR	TERM	SEAL	A	J8G	18	GY	3535303C1	3535424C1	B	J8A	18	GY	3535303C1	3535424C1	C	PLUG	-	-	-	-	D	J8EA	18	GY	3535303C1	3535424C1	E	PLUG	-	-	-	-	F	PLUG	-	-	-	-	G	J8J	20	GY	3535302C1	3535424C1	H	J8K	20	GY	3535302C1	3535424C1	J	J8Y	20	GY	3535302C1	3535424C1	K	PLUG	-	-	-	-	L	J8X	18	GY	3535303C1	3535424C1	M	J87H	18	GY	3535303C1	3535424C1																																																				
CAV	CIR	GAUGE	COLOR	TERM	SEAL																																																																																																																																
A	J8G	18	GY	3535303C1	3535424C1																																																																																																																																
B	J8A	18	GY	3535303C1	3535424C1																																																																																																																																
C	PLUG	-	-	-	-																																																																																																																																
D	J8EA	18	GY	3535303C1	3535424C1																																																																																																																																
E	PLUG	-	-	-	-																																																																																																																																
F	PLUG	-	-	-	-																																																																																																																																
G	J8J	20	GY	3535302C1	3535424C1																																																																																																																																
H	J8K	20	GY	3535302C1	3535424C1																																																																																																																																
J	J8Y	20	GY	3535302C1	3535424C1																																																																																																																																
K	PLUG	-	-	-	-																																																																																																																																
L	J8X	18	GY	3535303C1	3535424C1																																																																																																																																
M	J87H	18	GY	3535303C1	3535424C1																																																																																																																																
<table border="1" style="width:100%; border-collapse: collapse;"> <thead> <tr> <th>CHK</th> <th>DATE</th> <th>CHANGE</th> <th>REV</th> <th>REFERENCE</th> <th>DRAWN</th> <th>NAME</th> </tr> </thead> <tbody> <tr> <td>CNA</td> <td>11SEP03</td> <td>ADDED 4712F</td> <td>E</td> <td>58774T</td> <td>U00EDL2</td> <td>42/43/44/85/B600 & 73/74/7500 CIRC DIAGRAMS</td> </tr> <tr> <td></td> <td></td> <td>AND 4713. MOVED 4900.</td> <td></td> <td></td> <td>RELEASE NO.</td> <td>DATE</td> </tr> <tr> <td></td> <td></td> <td></td> <td></td> <td></td> <td>P52778H</td> <td>31MAY00</td> </tr> </tbody> </table>				CHK	DATE	CHANGE	REV	REFERENCE	DRAWN	NAME	CNA	11SEP03	ADDED 4712F	E	58774T	U00EDL2	42/43/44/85/B600 & 73/74/7500 CIRC DIAGRAMS			AND 4713. MOVED 4900.			RELEASE NO.	DATE						P52778H	31MAY00	<table border="1" style="width:100%; border-collapse: collapse;"> <thead> <tr> <th>PART NO.</th> <th>SHEET</th> </tr> </thead> <tbody> <tr> <td>AE08-52376</td> <td>35</td> </tr> </tbody> </table>				PART NO.	SHEET	AE08-52376	35																																																																																														
CHK	DATE	CHANGE	REV	REFERENCE	DRAWN	NAME																																																																																																																															
CNA	11SEP03	ADDED 4712F	E	58774T	U00EDL2	42/43/44/85/B600 & 73/74/7500 CIRC DIAGRAMS																																																																																																																															
		AND 4713. MOVED 4900.			RELEASE NO.	DATE																																																																																																																															
					P52778H	31MAY00																																																																																																																															
PART NO.	SHEET																																																																																																																																				
AE08-52376	35																																																																																																																																				

Figure 177 Connector Composites (4810), (4712F), (4820), (4713F), (4830), (4840), (4850)

13.36. CONNECTOR COMPOSITES (4900), (4910), (4950), (4951), P. 36

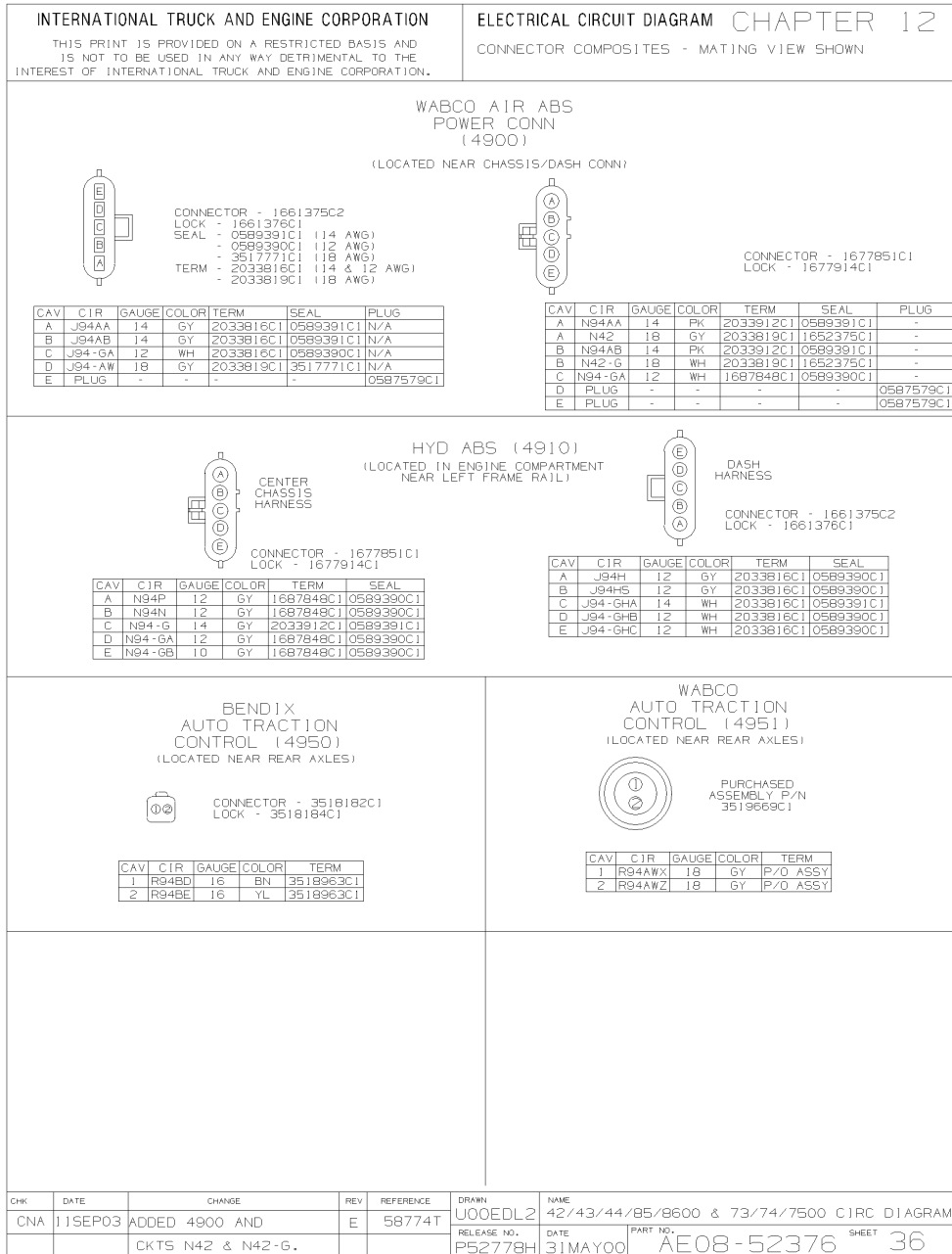


Figure 178 Connector Composites (4900), (4910), (4950), (4951)

13.37. CONNECTOR COMPOSITES (6007), (6011), P. 37

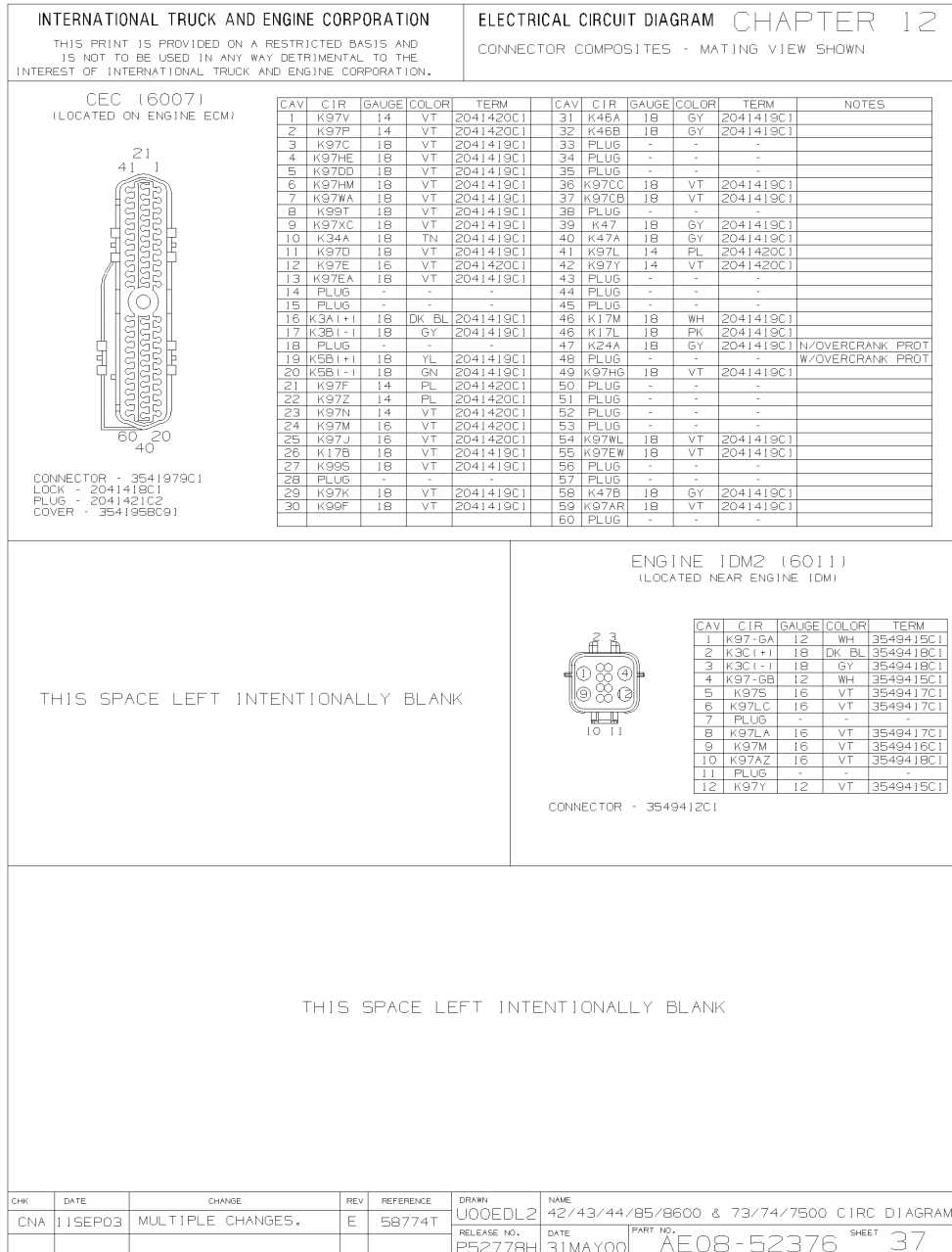


Figure 179 Connector Composites (6007), (6011)

13.38. CONNECTOR COMPOSITES (6013M), (6014), P. 38

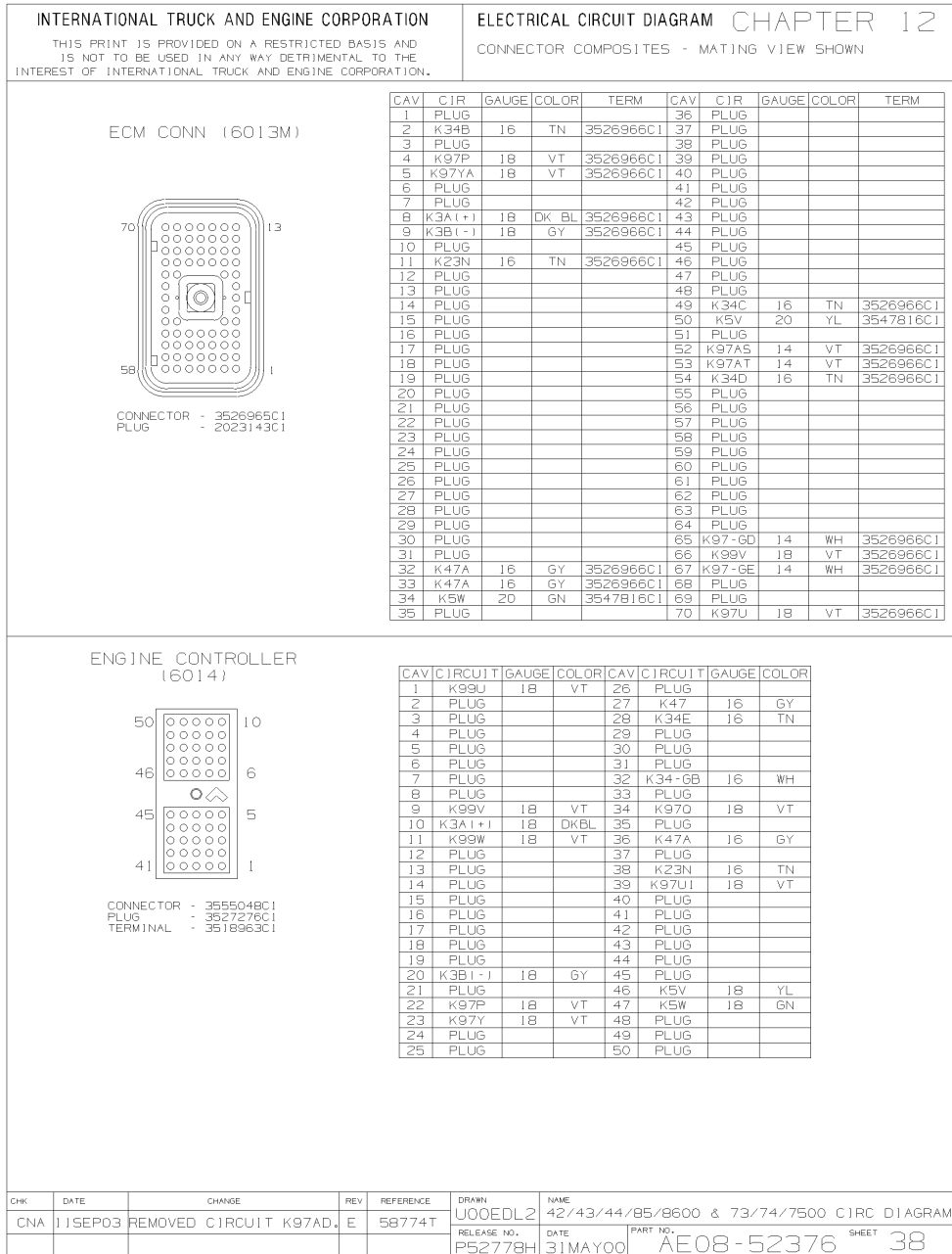


Figure 180 Connector Composites (6013M), (6014)

13.39. CONNECTOR COMPOSITES (6015), (6020), (6021), P. 39

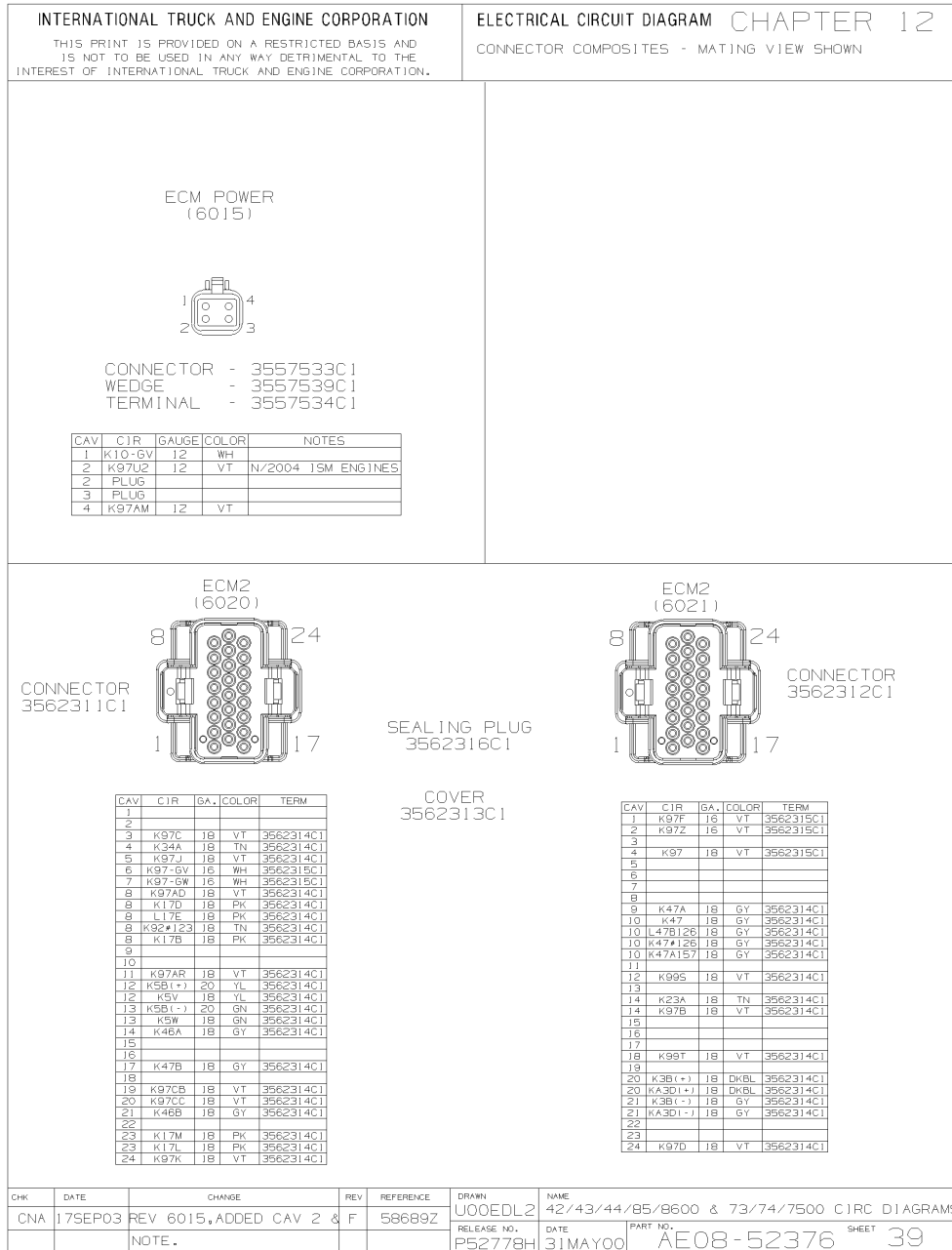


Figure 181 Connector Composites (6015), (6020), (6021)

ELECTRICAL CIRCUIT DIAGRAM MANUAL

13.40. CONNECTOR COMPOSITES (6200), (6316), (6323), (6332), (6333), (6334), (6400), (6401M), (6401), (6406), (6407), (6407D), (6409), (6500), P. 40

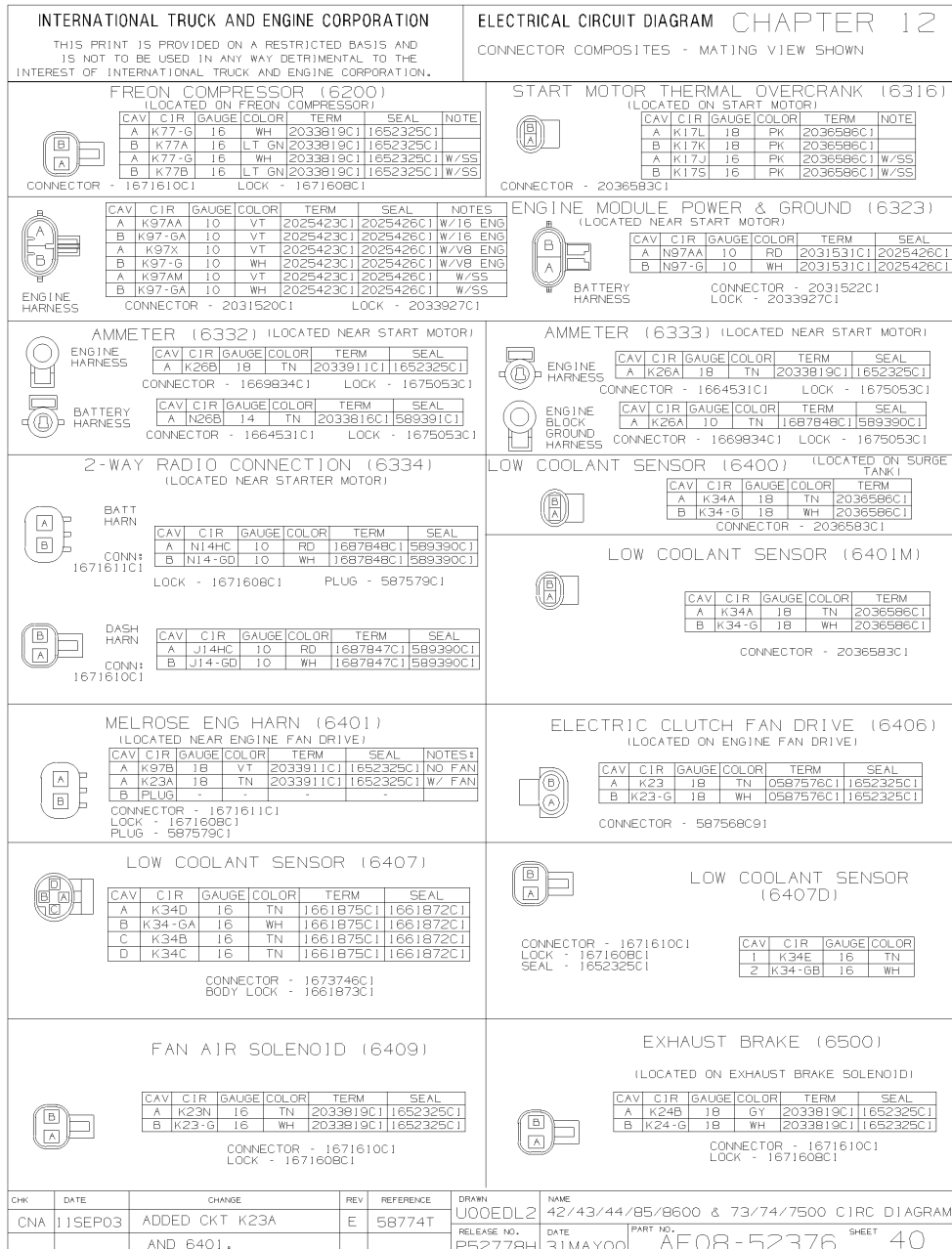


Figure 182 Connector Composites (6200), (6316), (6323), (6332), (6333), (6334), (6400), (6401M), (6401), (6406), (6407), (6407D), (6409), (6500)

13.41. CONNECTOR COMPOSITES (6550), (6703), (6704), (6708), (7103), (7104), (7104A), (7105), (7106), (7111), P. 41

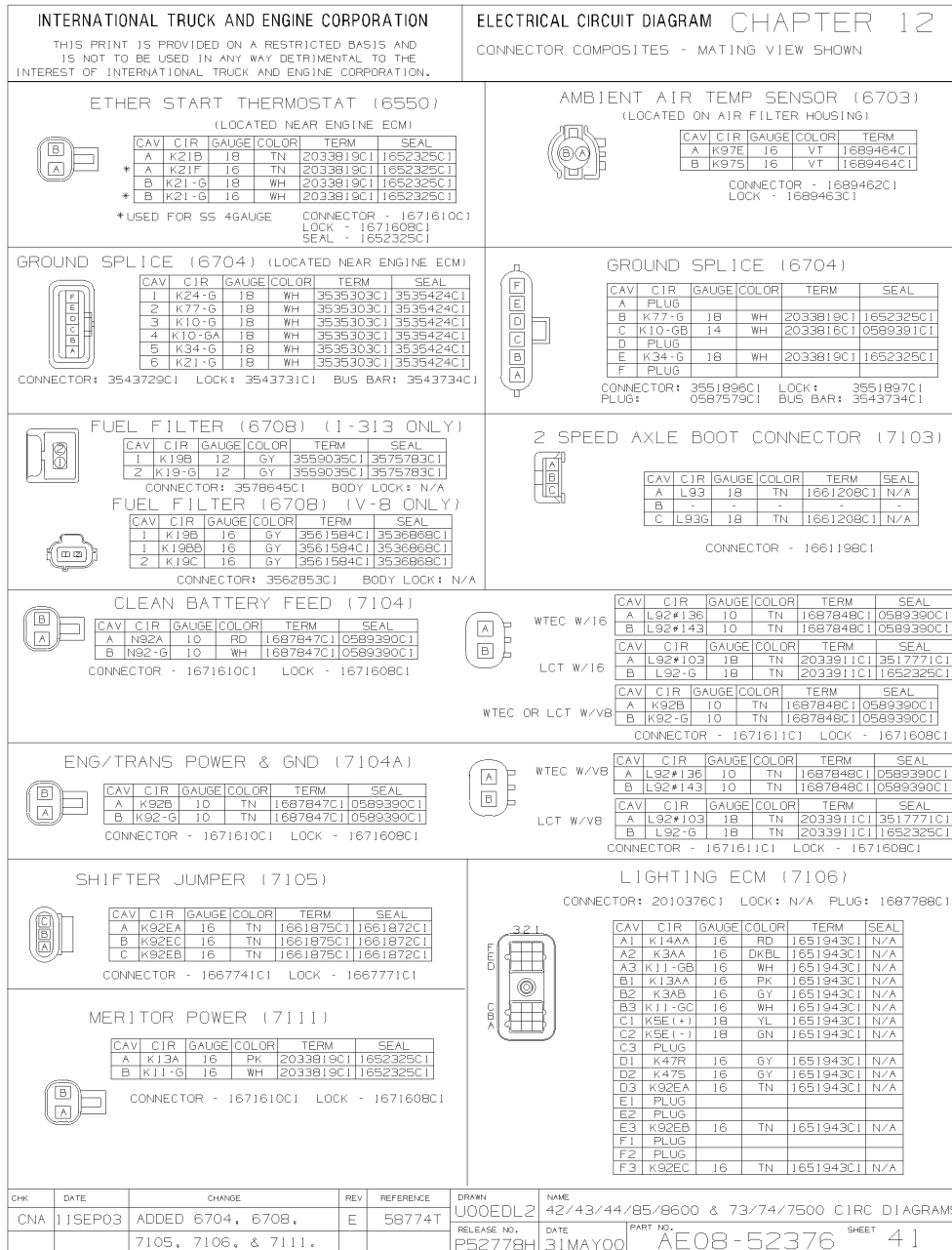


Figure 183 Connector Composites (6550), (6703), (6704), (6708), (7103), (7104), (7104A), (7105), (7106), (7111)

13.42. CONNECTOR COMPOSITES (7200), (7202), (7203), P. 42

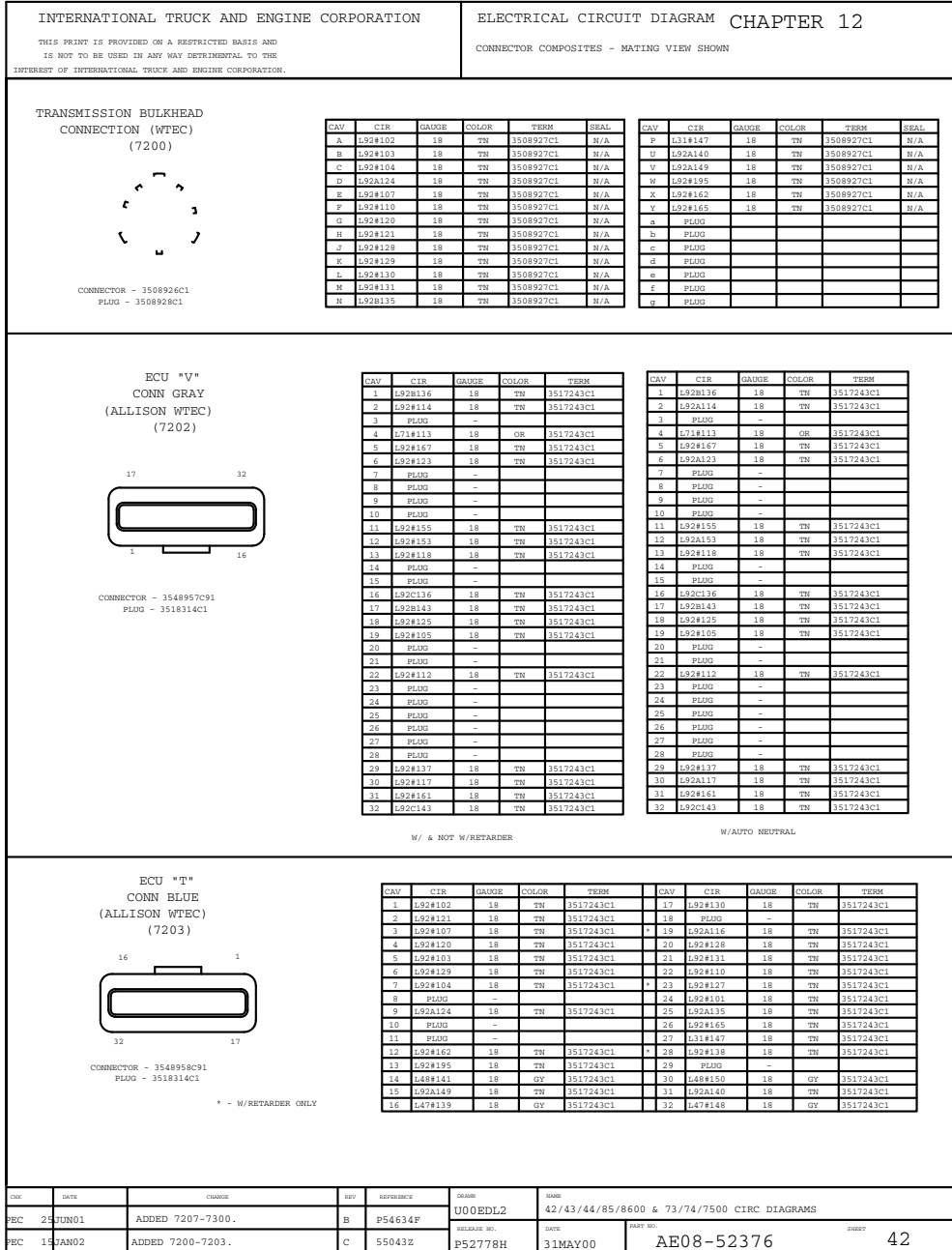


Figure 184 Connector Composites Connector Composites (7200), (7202), (7203)

13.43. CONNECTOR COMPOSITES (7204), (7205), (7206), (7211), (7212), (7213), P. 43

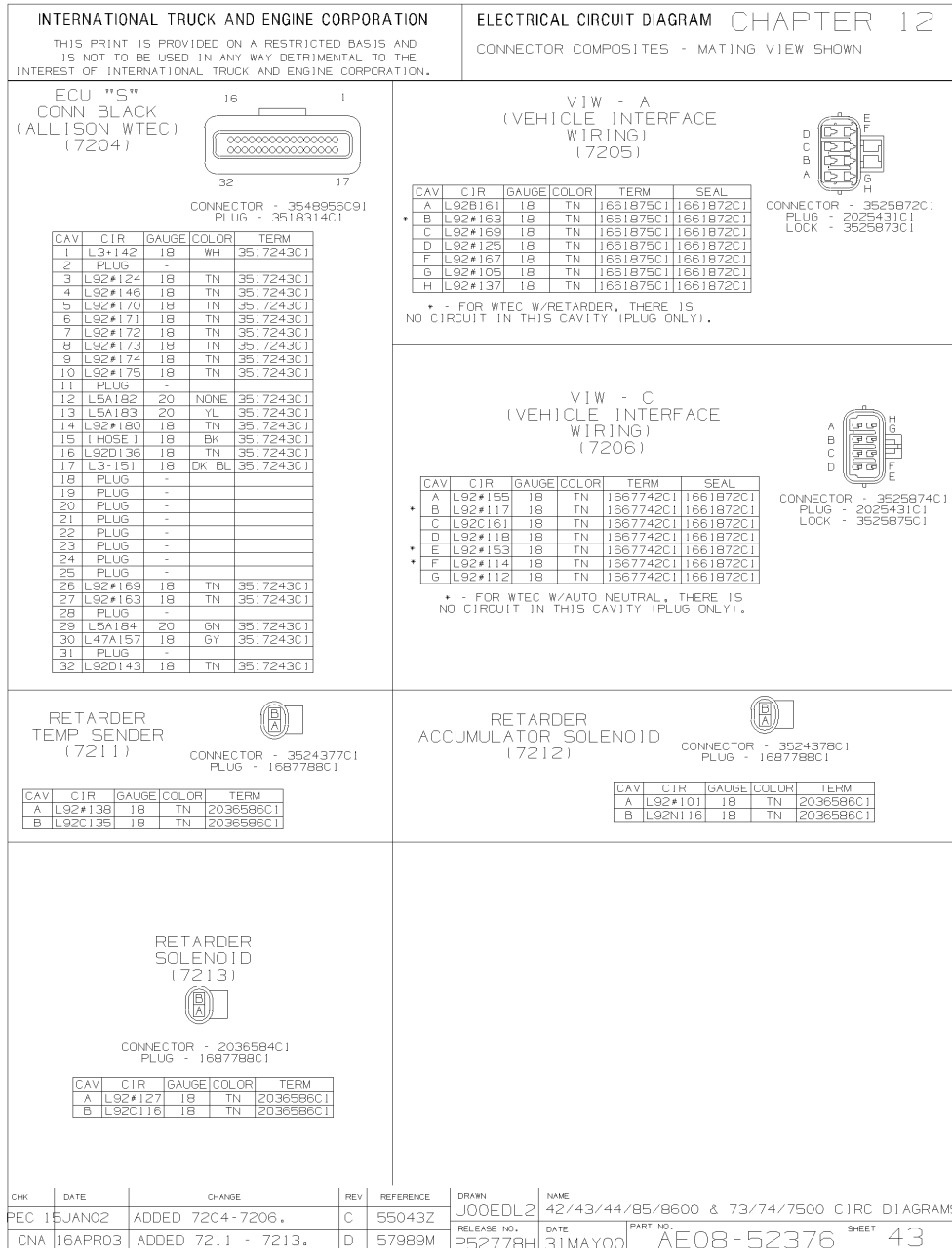


Figure 185 Connector Composites (7204), (7205), (7206), (7211), (7212), (7213)

13.44. CONNECTOR COMPOSITES (7214), (7300), (7301), P. 44

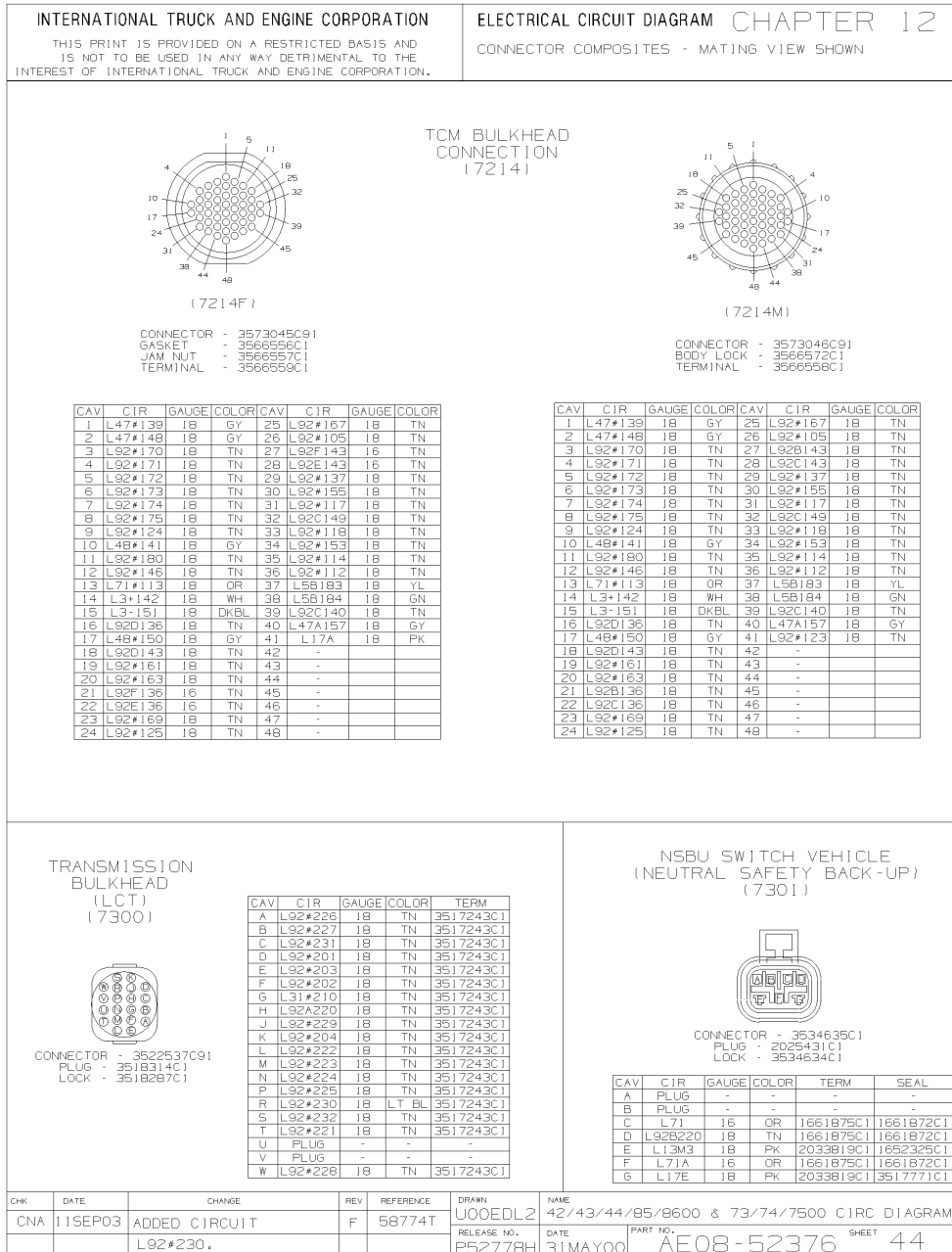


Figure 186 Connector Composites (7214), (7300), (7301)

13.45. CONNECTOR COMPOSITES (7302), (7304), (7305), (7306), (7500), (7502), (7600), (7601), P. 45


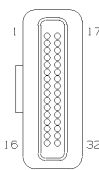
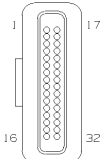
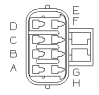






INTERNATIONAL TRUCK AND ENGINE CORPORATION		ELECTRICAL CIRCUIT DIAGRAM CHAPTER 12																																																																																																																																																																																																																												
THIS PRINT IS PROVIDED ON A RESTRICTED BASIS AND IS NOT TO BE USED IN ANY WAY DETRIMENTAL TO THE INTEREST OF INTERNATIONAL TRUCK AND ENGINE CORPORATION.		CONNECTOR COMPOSITES - MATING VIEW SHOWN																																																																																																																																																																																																																												
NSBU SWITCH (NEUTRAL SAFETY BACK-UP) (7302)		ECU - "J2" CONN RED (ALLISON LCT) (7304)																																																																																																																																																																																																																												
	<table border="1" style="width:100%; border-collapse: collapse; font-size: x-small;"> <thead> <tr><th>CAV</th><th>CIR</th><th>GAUGE</th><th>COLOR</th><th>TERM</th><th>SEAL</th></tr> </thead> <tbody> <tr><td>A</td><td>L92#205</td><td>18</td><td>TN</td><td>J661875C1</td><td>J661872C1</td></tr> <tr><td>B</td><td>L92#207</td><td>18</td><td>TN</td><td>J661875C1</td><td>J661872C1</td></tr> <tr><td>C</td><td>L92#208</td><td>18</td><td>TN</td><td>J661875C1</td><td>J661872C1</td></tr> <tr><td>D</td><td>L92#206</td><td>18</td><td>TN</td><td>J661875C1</td><td>J661872C1</td></tr> </tbody> </table>	CAV	CIR	GAUGE	COLOR	TERM	SEAL	A	L92#205	18	TN	J661875C1	J661872C1	B	L92#207	18	TN	J661875C1	J661872C1	C	L92#208	18	TN	J661875C1	J661872C1	D	L92#206	18	TN	J661875C1	J661872C1		<table border="1" style="width:100%; border-collapse: collapse; font-size: x-small;"> <thead> <tr><th>CAV</th><th>CIR</th><th>GAUGE</th><th>COLOR</th><th>TERM</th></tr> </thead> <tbody> <tr><td>1</td><td>L92#201</td><td>18</td><td>TN</td><td>3517243C1</td></tr> <tr><td>2</td><td>L92#202</td><td>18</td><td>TN</td><td>3517243C1</td></tr> <tr><td>3</td><td>L92#203</td><td>18</td><td>TN</td><td>3517243C1</td></tr> <tr><td>4</td><td>L92#204</td><td>18</td><td>TN</td><td>3517243C1</td></tr> <tr><td>5</td><td>L92#205</td><td>18</td><td>TN</td><td>3517243C1</td></tr> <tr><td>6</td><td>L92#206</td><td>18</td><td>TN</td><td>3517243C1</td></tr> <tr><td>7</td><td>L92#207</td><td>18</td><td>TN</td><td>3517243C1</td></tr> <tr><td>8</td><td>L92#208</td><td>18</td><td>TN</td><td>3517243C1</td></tr> <tr><td>9</td><td>PLUG</td><td>-</td><td>-</td><td>-</td></tr> <tr><td>10</td><td>L31#210</td><td>18</td><td>TN</td><td>3517243C1</td></tr> <tr><td>11</td><td>PLUG</td><td>-</td><td>-</td><td>-</td></tr> <tr><td>12</td><td>PLUG</td><td>-</td><td>-</td><td>-</td></tr> <tr><td>13</td><td>L92#213</td><td>18</td><td>TN</td><td>3517243C1</td></tr> <tr><td>14</td><td>L92#214</td><td>18</td><td>TN</td><td>3517243C1</td></tr> <tr><td>15</td><td>L47#215</td><td>18</td><td>GY</td><td>3517243C1</td></tr> <tr><td>16</td><td>L47#216</td><td>18</td><td>GY</td><td>3517243C1</td></tr> <tr><td>17</td><td>L48#217</td><td>18</td><td>GY</td><td>3517243C1</td></tr> <tr><td>18</td><td>L48#218</td><td>18</td><td>GY</td><td>3517243C1</td></tr> <tr><td>19</td><td>PLUG</td><td>-</td><td>-</td><td>-</td></tr> <tr><td>20</td><td>L92#220</td><td>18</td><td>TN</td><td>3517243C1</td></tr> <tr><td>21</td><td>L92#221</td><td>18</td><td>TN</td><td>3517243C1</td></tr> <tr><td>22</td><td>L92#222</td><td>18</td><td>TN</td><td>3517243C1</td></tr> <tr><td>23</td><td>L92#223</td><td>18</td><td>TN</td><td>3517243C1</td></tr> <tr><td>24</td><td>L92#224</td><td>18</td><td>TN</td><td>3517243C1</td></tr> <tr><td>25</td><td>L92#225</td><td>18</td><td>TN</td><td>3517243C1</td></tr> <tr><td>26</td><td>L92#226</td><td>18</td><td>TN</td><td>3517243C1</td></tr> <tr><td>27</td><td>L92#227</td><td>18</td><td>TN</td><td>3517243C1</td></tr> <tr><td>28</td><td>L92#228</td><td>18</td><td>TN</td><td>3517243C1</td></tr> <tr><td>29</td><td>L92#229</td><td>18</td><td>TN</td><td>3517243C1</td></tr> <tr><td>30</td><td>L92#230</td><td>18</td><td>LT BL</td><td>3517243C1</td></tr> <tr><td>31</td><td>L92#231</td><td>18</td><td>TN</td><td>3517243C1</td></tr> <tr><td>32</td><td>L92#232</td><td>18</td><td>TN</td><td>3517243C1</td></tr> </tbody> </table>	CAV	CIR	GAUGE	COLOR	TERM	1	L92#201	18	TN	3517243C1	2	L92#202	18	TN	3517243C1	3	L92#203	18	TN	3517243C1	4	L92#204	18	TN	3517243C1	5	L92#205	18	TN	3517243C1	6	L92#206	18	TN	3517243C1	7	L92#207	18	TN	3517243C1	8	L92#208	18	TN	3517243C1	9	PLUG	-	-	-	10	L31#210	18	TN	3517243C1	11	PLUG	-	-	-	12	PLUG	-	-	-	13	L92#213	18	TN	3517243C1	14	L92#214	18	TN	3517243C1	15	L47#215	18	GY	3517243C1	16	L47#216	18	GY	3517243C1	17	L48#217	18	GY	3517243C1	18	L48#218	18	GY	3517243C1	19	PLUG	-	-	-	20	L92#220	18	TN	3517243C1	21	L92#221	18	TN	3517243C1	22	L92#222	18	TN	3517243C1	23	L92#223	18	TN	3517243C1	24	L92#224	18	TN	3517243C1	25	L92#225	18	TN	3517243C1	26	L92#226	18	TN	3517243C1	27	L92#227	18	TN	3517243C1	28	L92#228	18	TN	3517243C1	29	L92#229	18	TN	3517243C1	30	L92#230	18	LT BL	3517243C1	31	L92#231	18	TN	3517243C1	32	L92#232	18	TN	3517243C1																								
CAV	CIR	GAUGE	COLOR	TERM	SEAL																																																																																																																																																																																																																									
A	L92#205	18	TN	J661875C1	J661872C1																																																																																																																																																																																																																									
B	L92#207	18	TN	J661875C1	J661872C1																																																																																																																																																																																																																									
C	L92#208	18	TN	J661875C1	J661872C1																																																																																																																																																																																																																									
D	L92#206	18	TN	J661875C1	J661872C1																																																																																																																																																																																																																									
CAV	CIR	GAUGE	COLOR	TERM																																																																																																																																																																																																																										
1	L92#201	18	TN	3517243C1																																																																																																																																																																																																																										
2	L92#202	18	TN	3517243C1																																																																																																																																																																																																																										
3	L92#203	18	TN	3517243C1																																																																																																																																																																																																																										
4	L92#204	18	TN	3517243C1																																																																																																																																																																																																																										
5	L92#205	18	TN	3517243C1																																																																																																																																																																																																																										
6	L92#206	18	TN	3517243C1																																																																																																																																																																																																																										
7	L92#207	18	TN	3517243C1																																																																																																																																																																																																																										
8	L92#208	18	TN	3517243C1																																																																																																																																																																																																																										
9	PLUG	-	-	-																																																																																																																																																																																																																										
10	L31#210	18	TN	3517243C1																																																																																																																																																																																																																										
11	PLUG	-	-	-																																																																																																																																																																																																																										
12	PLUG	-	-	-																																																																																																																																																																																																																										
13	L92#213	18	TN	3517243C1																																																																																																																																																																																																																										
14	L92#214	18	TN	3517243C1																																																																																																																																																																																																																										
15	L47#215	18	GY	3517243C1																																																																																																																																																																																																																										
16	L47#216	18	GY	3517243C1																																																																																																																																																																																																																										
17	L48#217	18	GY	3517243C1																																																																																																																																																																																																																										
18	L48#218	18	GY	3517243C1																																																																																																																																																																																																																										
19	PLUG	-	-	-																																																																																																																																																																																																																										
20	L92#220	18	TN	3517243C1																																																																																																																																																																																																																										
21	L92#221	18	TN	3517243C1																																																																																																																																																																																																																										
22	L92#222	18	TN	3517243C1																																																																																																																																																																																																																										
23	L92#223	18	TN	3517243C1																																																																																																																																																																																																																										
24	L92#224	18	TN	3517243C1																																																																																																																																																																																																																										
25	L92#225	18	TN	3517243C1																																																																																																																																																																																																																										
26	L92#226	18	TN	3517243C1																																																																																																																																																																																																																										
27	L92#227	18	TN	3517243C1																																																																																																																																																																																																																										
28	L92#228	18	TN	3517243C1																																																																																																																																																																																																																										
29	L92#229	18	TN	3517243C1																																																																																																																																																																																																																										
30	L92#230	18	LT BL	3517243C1																																																																																																																																																																																																																										
31	L92#231	18	TN	3517243C1																																																																																																																																																																																																																										
32	L92#232	18	TN	3517243C1																																																																																																																																																																																																																										
ECU - "J1" CONN GRAY (ALLISON LCT) (7305)		VIW - C (VEHICLE INTEGRATED WIRING) (ALLISON LCT) (7306)																																																																																																																																																																																																																												
	<table border="1" style="width:100%; border-collapse: collapse; font-size: x-small;"> <thead> <tr><th>CAV</th><th>CIR</th><th>GAUGE</th><th>COLOR</th><th>TERM</th></tr> </thead> <tbody> <tr><td>1</td><td>L92#101</td><td>18</td><td>TN</td><td>3517243C1</td></tr> <tr><td>2</td><td>L13#102</td><td>18</td><td>PK</td><td>3517243C1</td></tr> <tr><td>3</td><td>L92#103</td><td>18</td><td>TN</td><td>3517243C1</td></tr> <tr><td>4</td><td>L13#104</td><td>18</td><td>PK</td><td>3517243C1</td></tr> <tr><td>5</td><td>L92#105</td><td>18</td><td>TN</td><td>3517243C1</td></tr> <tr><td>6</td><td>L92#106</td><td>18</td><td>TN</td><td>3517243C1</td></tr> <tr><td>7</td><td>PLUG</td><td>-</td><td>-</td><td>-</td></tr> <tr><td>8</td><td>L92#108</td><td>18</td><td>TN</td><td>3517243C1</td></tr> <tr><td>9</td><td>PLUG</td><td>-</td><td>-</td><td>-</td></tr> <tr><td>10</td><td>L92#110</td><td>18</td><td>TN</td><td>3517243C1</td></tr> <tr><td>11</td><td>L92#111</td><td>18</td><td>TN</td><td>3517243C1</td></tr> <tr><td>12</td><td>PLUG</td><td>-</td><td>-</td><td>-</td></tr> <tr><td>13</td><td>PLUG</td><td>-</td><td>-</td><td>-</td></tr> <tr><td>14</td><td>PLUG</td><td>-</td><td>-</td><td>-</td></tr> <tr><td>15</td><td>PLUG</td><td>-</td><td>-</td><td>-</td></tr> <tr><td>16</td><td>PLUG</td><td>-</td><td>-</td><td>-</td></tr> <tr><td>17</td><td>PLUG</td><td>-</td><td>-</td><td>-</td></tr> <tr><td>18</td><td>PLUG</td><td>-</td><td>-</td><td>-</td></tr> <tr><td>19</td><td>L92#119</td><td>18</td><td>TN</td><td>3517243C1</td></tr> <tr><td>20</td><td>PLUG</td><td>-</td><td>-</td><td>-</td></tr> <tr><td>21</td><td>L92#121</td><td>18</td><td>TN</td><td>3517243C1</td></tr> <tr><td>22</td><td>L92#122</td><td>18</td><td>TN</td><td>3517243C1</td></tr> <tr><td>23</td><td>PLUG</td><td>-</td><td>-</td><td>-</td></tr> <tr><td>24</td><td>PLUG</td><td>-</td><td>-</td><td>-</td></tr> <tr><td>25</td><td>HOSE</td><td>18</td><td>BK</td><td>3517243C1</td></tr> <tr><td>26</td><td>L47#126</td><td>18</td><td>GY</td><td>3517243C1</td></tr> <tr><td>27</td><td>PLUG</td><td>-</td><td>-</td><td>-</td></tr> <tr><td>28</td><td>L92#128</td><td>18</td><td>TN</td><td>3517243C1</td></tr> <tr><td>29</td><td>L5#129</td><td>20</td><td>YL</td><td>3517243C1</td></tr> <tr><td>30</td><td>PLUG</td><td>-</td><td>-</td><td>-</td></tr> <tr><td>31</td><td>PLUG</td><td>-</td><td>-</td><td>-</td></tr> <tr><td>32</td><td>L5#132</td><td>20</td><td>GN</td><td>3517243C1</td></tr> </tbody> </table>	CAV	CIR	GAUGE	COLOR	TERM	1	L92#101	18	TN	3517243C1	2	L13#102	18	PK	3517243C1	3	L92#103	18	TN	3517243C1	4	L13#104	18	PK	3517243C1	5	L92#105	18	TN	3517243C1	6	L92#106	18	TN	3517243C1	7	PLUG	-	-	-	8	L92#108	18	TN	3517243C1	9	PLUG	-	-	-	10	L92#110	18	TN	3517243C1	11	L92#111	18	TN	3517243C1	12	PLUG	-	-	-	13	PLUG	-	-	-	14	PLUG	-	-	-	15	PLUG	-	-	-	16	PLUG	-	-	-	17	PLUG	-	-	-	18	PLUG	-	-	-	19	L92#119	18	TN	3517243C1	20	PLUG	-	-	-	21	L92#121	18	TN	3517243C1	22	L92#122	18	TN	3517243C1	23	PLUG	-	-	-	24	PLUG	-	-	-	25	HOSE	18	BK	3517243C1	26	L47#126	18	GY	3517243C1	27	PLUG	-	-	-	28	L92#128	18	TN	3517243C1	29	L5#129	20	YL	3517243C1	30	PLUG	-	-	-	31	PLUG	-	-	-	32	L5#132	20	GN	3517243C1		<table border="1" style="width:100%; border-collapse: collapse; font-size: x-small;"> <thead> <tr><th>CAV</th><th>CIR</th><th>GAUGE</th><th>COLOR</th><th>TERM</th><th>SEAL</th></tr> </thead> <tbody> <tr><td>A</td><td>L92C128</td><td>18</td><td>TN</td><td>J661875C1</td><td>J661872C1</td></tr> <tr><td>B</td><td>L92#106</td><td>18</td><td>TN</td><td>J661875C1</td><td>J661872C1</td></tr> <tr><td>C</td><td>L92#119</td><td>18</td><td>TN</td><td>J661875C1</td><td>J661872C1</td></tr> <tr><td>D</td><td>L47C126</td><td>18</td><td>GY</td><td>J661875C1</td><td>J661872C1</td></tr> <tr><td>E</td><td>L92#111</td><td>18</td><td>TN</td><td>J661875C1</td><td>J661872C1</td></tr> <tr><td>F</td><td>L92#108</td><td>18</td><td>TN</td><td>J661875C1</td><td>J661872C1</td></tr> <tr><td>G</td><td>L92#121</td><td>18</td><td>TN</td><td>J661875C1</td><td>J661872C1</td></tr> <tr><td>H</td><td>L92#122</td><td>18</td><td>TN</td><td>J661875C1</td><td>J661872C1</td></tr> </tbody> </table>	CAV	CIR	GAUGE	COLOR	TERM	SEAL	A	L92C128	18	TN	J661875C1	J661872C1	B	L92#106	18	TN	J661875C1	J661872C1	C	L92#119	18	TN	J661875C1	J661872C1	D	L47C126	18	GY	J661875C1	J661872C1	E	L92#111	18	TN	J661875C1	J661872C1	F	L92#108	18	TN	J661875C1	J661872C1	G	L92#121	18	TN	J661875C1	J661872C1	H	L92#122	18	TN	J661875C1	J661872C1
CAV	CIR	GAUGE	COLOR	TERM																																																																																																																																																																																																																										
1	L92#101	18	TN	3517243C1																																																																																																																																																																																																																										
2	L13#102	18	PK	3517243C1																																																																																																																																																																																																																										
3	L92#103	18	TN	3517243C1																																																																																																																																																																																																																										
4	L13#104	18	PK	3517243C1																																																																																																																																																																																																																										
5	L92#105	18	TN	3517243C1																																																																																																																																																																																																																										
6	L92#106	18	TN	3517243C1																																																																																																																																																																																																																										
7	PLUG	-	-	-																																																																																																																																																																																																																										
8	L92#108	18	TN	3517243C1																																																																																																																																																																																																																										
9	PLUG	-	-	-																																																																																																																																																																																																																										
10	L92#110	18	TN	3517243C1																																																																																																																																																																																																																										
11	L92#111	18	TN	3517243C1																																																																																																																																																																																																																										
12	PLUG	-	-	-																																																																																																																																																																																																																										
13	PLUG	-	-	-																																																																																																																																																																																																																										
14	PLUG	-	-	-																																																																																																																																																																																																																										
15	PLUG	-	-	-																																																																																																																																																																																																																										
16	PLUG	-	-	-																																																																																																																																																																																																																										
17	PLUG	-	-	-																																																																																																																																																																																																																										
18	PLUG	-	-	-																																																																																																																																																																																																																										
19	L92#119	18	TN	3517243C1																																																																																																																																																																																																																										
20	PLUG	-	-	-																																																																																																																																																																																																																										
21	L92#121	18	TN	3517243C1																																																																																																																																																																																																																										
22	L92#122	18	TN	3517243C1																																																																																																																																																																																																																										
23	PLUG	-	-	-																																																																																																																																																																																																																										
24	PLUG	-	-	-																																																																																																																																																																																																																										
25	HOSE	18	BK	3517243C1																																																																																																																																																																																																																										
26	L47#126	18	GY	3517243C1																																																																																																																																																																																																																										
27	PLUG	-	-	-																																																																																																																																																																																																																										
28	L92#128	18	TN	3517243C1																																																																																																																																																																																																																										
29	L5#129	20	YL	3517243C1																																																																																																																																																																																																																										
30	PLUG	-	-	-																																																																																																																																																																																																																										
31	PLUG	-	-	-																																																																																																																																																																																																																										
32	L5#132	20	GN	3517243C1																																																																																																																																																																																																																										
CAV	CIR	GAUGE	COLOR	TERM	SEAL																																																																																																																																																																																																																									
A	L92C128	18	TN	J661875C1	J661872C1																																																																																																																																																																																																																									
B	L92#106	18	TN	J661875C1	J661872C1																																																																																																																																																																																																																									
C	L92#119	18	TN	J661875C1	J661872C1																																																																																																																																																																																																																									
D	L47C126	18	GY	J661875C1	J661872C1																																																																																																																																																																																																																									
E	L92#111	18	TN	J661875C1	J661872C1																																																																																																																																																																																																																									
F	L92#108	18	TN	J661875C1	J661872C1																																																																																																																																																																																																																									
G	L92#121	18	TN	J661875C1	J661872C1																																																																																																																																																																																																																									
H	L92#122	18	TN	J661875C1	J661872C1																																																																																																																																																																																																																									
BACK-UP LIGHT SWITCH (7500)		BACK-UP LIGHT (7502)																																																																																																																																																																																																																												
	<table border="1" style="width:100%; border-collapse: collapse; font-size: x-small;"> <thead> <tr><th>CAV</th><th>CIR</th><th>GAUGE</th><th>COLOR</th><th>TERM</th><th>SEAL</th></tr> </thead> <tbody> <tr><td>A</td><td>L71B</td><td>16</td><td>OR</td><td>J661875C1</td><td>J661872C1</td></tr> <tr><td>A</td><td>K71D</td><td>16</td><td>OR</td><td>J661875C1</td><td>J661872C1</td></tr> <tr><td>B</td><td>L71C</td><td>16</td><td>OR</td><td>J661875C1</td><td>J661872C1</td></tr> <tr><td>B</td><td>L71E</td><td>16</td><td>OR</td><td>J661875C1</td><td>J661872C1</td></tr> </tbody> </table>	CAV	CIR	GAUGE	COLOR	TERM	SEAL	A	L71B	16	OR	J661875C1	J661872C1	A	K71D	16	OR	J661875C1	J661872C1	B	L71C	16	OR	J661875C1	J661872C1	B	L71E	16	OR	J661875C1	J661872C1		<table border="1" style="width:100%; border-collapse: collapse; font-size: x-small;"> <thead> <tr><th>CAV</th><th>CIR</th><th>GAUGE</th><th>COLOR</th><th>TERM</th><th>SEAL</th></tr> </thead> <tbody> <tr><td>A</td><td>L71</td><td>16</td><td>OR</td><td>J661875C1</td><td>J661872C1</td></tr> <tr><td>B</td><td>L71A</td><td>16</td><td>OR</td><td>J661875C1</td><td>J661872C1</td></tr> </tbody> </table>	CAV	CIR	GAUGE	COLOR	TERM	SEAL	A	L71	16	OR	J661875C1	J661872C1	B	L71A	16	OR	J661875C1	J661872C1																																																																																																																																																																											
CAV	CIR	GAUGE	COLOR	TERM	SEAL																																																																																																																																																																																																																									
A	L71B	16	OR	J661875C1	J661872C1																																																																																																																																																																																																																									
A	K71D	16	OR	J661875C1	J661872C1																																																																																																																																																																																																																									
B	L71C	16	OR	J661875C1	J661872C1																																																																																																																																																																																																																									
B	L71E	16	OR	J661875C1	J661872C1																																																																																																																																																																																																																									
CAV	CIR	GAUGE	COLOR	TERM	SEAL																																																																																																																																																																																																																									
A	L71	16	OR	J661875C1	J661872C1																																																																																																																																																																																																																									
B	L71A	16	OR	J661875C1	J661872C1																																																																																																																																																																																																																									
BACK-UP LIGHT SWITCH (7503)		SPEEDO SENSOR (7601)																																																																																																																																																																																																																												
	<table border="1" style="width:100%; border-collapse: collapse; font-size: x-small;"> <thead> <tr><th>CAV</th><th>CIR</th><th>GAUGE</th><th>COLOR</th><th>TERM</th><th>SEAL</th></tr> </thead> <tbody> <tr><td>A</td><td>K71D</td><td>16</td><td>OR</td><td>J661875C1</td><td>J661872C1</td></tr> <tr><td>B</td><td>K71E</td><td>16</td><td>OR</td><td>J661875C1</td><td>J661872C1</td></tr> </tbody> </table>	CAV	CIR	GAUGE	COLOR	TERM	SEAL	A	K71D	16	OR	J661875C1	J661872C1	B	K71E	16	OR	J661875C1	J661872C1		<table border="1" style="width:100%; border-collapse: collapse; font-size: x-small;"> <thead> <tr><th>CAV</th><th>CIR</th><th>GAUGE</th><th>COLOR</th><th>TERM</th></tr> </thead> <tbody> <tr><td>A</td><td>K47</td><td>18</td><td>GY</td><td>2036586C1</td></tr> <tr><td>B</td><td>K47A</td><td>18</td><td>GY</td><td>2036586C1</td></tr> </tbody> </table>	CAV	CIR	GAUGE	COLOR	TERM	A	K47	18	GY	2036586C1	B	K47A	18	GY	2036586C1																																																																																																																																																																																										
CAV	CIR	GAUGE	COLOR	TERM	SEAL																																																																																																																																																																																																																									
A	K71D	16	OR	J661875C1	J661872C1																																																																																																																																																																																																																									
B	K71E	16	OR	J661875C1	J661872C1																																																																																																																																																																																																																									
CAV	CIR	GAUGE	COLOR	TERM																																																																																																																																																																																																																										
A	K47	18	GY	2036586C1																																																																																																																																																																																																																										
B	K47A	18	GY	2036586C1																																																																																																																																																																																																																										
OUTPUT SPEED SENSOR (7600)		SPEEDO SENSOR (7601)																																																																																																																																																																																																																												
	<table border="1" style="width:100%; border-collapse: collapse; font-size: x-small;"> <thead> <tr><th>CAV</th><th>CIR</th><th>GAUGE</th><th>COLOR</th><th>TERM</th></tr> </thead> <tbody> <tr><td>A</td><td>L47#215</td><td>18</td><td>GY</td><td>2036586C1</td></tr> <tr><td>B</td><td>L47#216</td><td>18</td><td>GY</td><td>2036586C1</td></tr> </tbody> </table>	CAV	CIR	GAUGE	COLOR	TERM	A	L47#215	18	GY	2036586C1	B	L47#216	18	GY	2036586C1		<table border="1" style="width:100%; border-collapse: collapse; font-size: x-small;"> <thead> <tr><th>CAV</th><th>CIR</th><th>GAUGE</th><th>COLOR</th><th>TERM</th></tr> </thead> <tbody> <tr><td>A</td><td>K47</td><td>18</td><td>GY</td><td>2036586C1</td></tr> <tr><td>B</td><td>K47A</td><td>18</td><td>GY</td><td>2036586C1</td></tr> </tbody> </table>	CAV	CIR	GAUGE	COLOR	TERM	A	K47	18	GY	2036586C1	B	K47A	18	GY	2036586C1																																																																																																																																																																																													
CAV	CIR	GAUGE	COLOR	TERM																																																																																																																																																																																																																										
A	L47#215	18	GY	2036586C1																																																																																																																																																																																																																										
B	L47#216	18	GY	2036586C1																																																																																																																																																																																																																										
CAV	CIR	GAUGE	COLOR	TERM																																																																																																																																																																																																																										
A	K47	18	GY	2036586C1																																																																																																																																																																																																																										
B	K47A	18	GY	2036586C1																																																																																																																																																																																																																										
CONNECTION - 3534632C1 LOCK - 3534633C1	CONNECTOR - 3541172C91 PLUG - 3518314C1	CONNECTOR - 1661778C1 PLUG - 1667788C1 LOCK - 1661874C1	CONNECTOR - 1661778C1 PLUG - 1667788C1 LOCK - 1661874C1																																																																																																																																																																																																																											
CONNECTOR - 3541171C91 PLUG - 3518314C1	CONNECTOR - 3525872C1 PLUG - 2025431C1 LOCK - 3525873C1	CONNECTOR - 1661778C1 PLUG - 1667788C1 LOCK - 1661874C1	CONNECTOR - 1661778C1 PLUG - 1667788C1 LOCK - 1661874C1																																																																																																																																																																																																																											
CONNECTOR - 2036583C1	CONNECTOR - 2036583C1	CONNECTOR - 1661778C1 PLUG - 1667788C1 LOCK - 1661874C1	CONNECTOR - 1661778C1 PLUG - 1667788C1 LOCK - 1661874C1																																																																																																																																																																																																																											
CONNECTOR - 2036583C1	CONNECTOR - 2036583C1	CONNECTOR - 1661778C1 PLUG - 1667788C1 LOCK - 1661874C1	CONNECTOR - 1661778C1 PLUG - 1667788C1 LOCK - 1661874C1																																																																																																																																																																																																																											
DRAWN U00EDL2	NAME 42/43/44/95/9600 & 73/74/7500 CIRC DIAGRAMS	DRAWN U00EDL2	NAME 42/43/44/95/9600 & 73/74/7500 CIRC DIAGRAMS																																																																																																																																																																																																																											
CNA 11SEP03	MULTIPLE CHANGES.	E 58774T	P52778H 31MAY00 AE08-52376 SHEET 45																																																																																																																																																																																																																											

Figure 187 Connector Composites (7302), (7304), (7305), (7306), (7500), (7502), (7600), (7601)

13.46. CONNECTOR COMPOSITES (7603), (7604), (7605), (7606), (7607), (7608), (7609), (7610), (7611), (7612), (7613), (7615), (7700), (7702), (7703), (7703A), P. 46








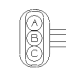








INTERNATIONAL TRUCK AND ENGINE CORPORATION				ELECTRICAL CIRCUIT DIAGRAM CHAPTER 12																																										
THIS PRINT IS PROVIDED ON A RESTRICTED BASIS AND IS NOT TO BE USED IN ANY WAY DETRIMENTAL TO THE INTEREST OF INTERNATIONAL TRUCK AND ENGINE CORPORATION.				CONNECTOR COMPOSITES - MATING VIEW SHOWN																																										
<p>ENGINE SPEED SENSOR (7603)</p>  <table border="1"> <thead> <tr> <th>CAV</th> <th>CIR</th> <th>GAUGE</th> <th>COLOR</th> <th>TERM</th> </tr> </thead> <tbody> <tr> <td>A</td> <td>L48#141</td> <td>18</td> <td>GY</td> <td>2036586C1</td> </tr> <tr> <td>B</td> <td>L48#150</td> <td>18</td> <td>GY</td> <td>2036586C1</td> </tr> </tbody> </table> <p>CONNECTOR - 2036583C1</p>				CAV	CIR	GAUGE	COLOR	TERM	A	L48#141	18	GY	2036586C1	B	L48#150	18	GY	2036586C1	<p>ENGINE SPEED SENSOR (7604)</p>  <table border="1"> <thead> <tr> <th>CAV</th> <th>CIR</th> <th>GAUGE</th> <th>COLOR</th> <th>TERM</th> </tr> </thead> <tbody> <tr> <td>A</td> <td>L48#217</td> <td>18</td> <td>GY</td> <td>2036586C1</td> </tr> <tr> <td>B</td> <td>L48#218</td> <td>18</td> <td>GY</td> <td>2036586C1</td> </tr> </tbody> </table> <p>CONNECTOR - 2036583C1</p>				CAV	CIR	GAUGE	COLOR	TERM	A	L48#217	18	GY	2036586C1	B	L48#218	18	GY	2036586C1									
CAV	CIR	GAUGE	COLOR	TERM																																										
A	L48#141	18	GY	2036586C1																																										
B	L48#150	18	GY	2036586C1																																										
CAV	CIR	GAUGE	COLOR	TERM																																										
A	L48#217	18	GY	2036586C1																																										
B	L48#218	18	GY	2036586C1																																										
<p>OUTPUT SPEED SENSOR (7605)</p>  <table border="1"> <thead> <tr> <th>CAV</th> <th>CIR</th> <th>GAUGE</th> <th>COLOR</th> <th>TERM</th> </tr> </thead> <tbody> <tr> <td>A</td> <td>L47#139</td> <td>18</td> <td>GY</td> <td>2036586C1</td> </tr> <tr> <td>B</td> <td>L47#148</td> <td>18</td> <td>GY</td> <td>2036586C1</td> </tr> </tbody> </table> <p>CONNECTOR - 2036583C1</p>				CAV	CIR	GAUGE	COLOR	TERM	A	L47#139	18	GY	2036586C1	B	L47#148	18	GY	2036586C1	<p>TRANSMISSION SPEED CONNECTION (7606)</p>  <table border="1"> <thead> <tr> <th>CAV</th> <th>CIR</th> <th>GAUGE</th> <th>COLOR</th> <th>TERM</th> </tr> </thead> <tbody> <tr> <td>A</td> <td>L47#139</td> <td>18</td> <td>GY</td> <td>2036586C1</td> </tr> <tr> <td>B</td> <td>L47#148</td> <td>18</td> <td>GY</td> <td>2036586C1</td> </tr> </tbody> </table> <p>CONNECTOR - 2036583C1</p>				CAV	CIR	GAUGE	COLOR	TERM	A	L47#139	18	GY	2036586C1	B	L47#148	18	GY	2036586C1									
CAV	CIR	GAUGE	COLOR	TERM																																										
A	L47#139	18	GY	2036586C1																																										
B	L47#148	18	GY	2036586C1																																										
CAV	CIR	GAUGE	COLOR	TERM																																										
A	L47#139	18	GY	2036586C1																																										
B	L47#148	18	GY	2036586C1																																										
<p>TRANSMISSION SPEED CONNECTION (7607)</p>  <table border="1"> <thead> <tr> <th>CAV</th> <th>CIR</th> <th>GAUGE</th> <th>COLOR</th> <th>TERM</th> </tr> </thead> <tbody> <tr> <td>A</td> <td>L92#213</td> <td>18</td> <td>TN</td> <td>2036586C1</td> </tr> <tr> <td>B</td> <td>L92#214</td> <td>18</td> <td>TN</td> <td>2036586C1</td> </tr> </tbody> </table> <p>CONNECTOR - 2036583C1</p>				CAV	CIR	GAUGE	COLOR	TERM	A	L92#213	18	TN	2036586C1	B	L92#214	18	TN	2036586C1	<p>TRANSFER CASE SPEED CONNECTION (7608)</p>  <table border="1"> <thead> <tr> <th>CAV</th> <th>CIR</th> <th>GAUGE</th> <th>COLOR</th> <th>TERM</th> </tr> </thead> <tbody> <tr> <td>A</td> <td>L47N</td> <td>16</td> <td>GY</td> <td>2036586C1</td> </tr> <tr> <td>B</td> <td>L47P</td> <td>16</td> <td>GY</td> <td>2036586C1</td> </tr> </tbody> </table> <p>CONNECTOR - 2036583C1</p>				CAV	CIR	GAUGE	COLOR	TERM	A	L47N	16	GY	2036586C1	B	L47P	16	GY	2036586C1									
CAV	CIR	GAUGE	COLOR	TERM																																										
A	L92#213	18	TN	2036586C1																																										
B	L92#214	18	TN	2036586C1																																										
CAV	CIR	GAUGE	COLOR	TERM																																										
A	L47N	16	GY	2036586C1																																										
B	L47P	16	GY	2036586C1																																										
<p>SPEED SENSOR (7609)</p>  <table border="1"> <thead> <tr> <th>CAV</th> <th>CIR</th> <th>GAUGE</th> <th>COLOR</th> <th>TERM</th> </tr> </thead> <tbody> <tr> <td>A</td> <td>L47</td> <td>18</td> <td>GY</td> <td>2036586C1</td> </tr> <tr> <td>B</td> <td>L47A</td> <td>18</td> <td>GY</td> <td>2036586C1</td> </tr> </tbody> </table> <p>CONNECTOR - 2036583C1</p>				CAV	CIR	GAUGE	COLOR	TERM	A	L47	18	GY	2036586C1	B	L47A	18	GY	2036586C1	<p>TRANSFER CASE TO TRANSMISSION (7610)</p> <p>USED ONLY WHEN TRANSFER CASE AND ALLISON WTEC ARE PRESENT</p>  <p>MATING CONNECTOR IS FEMALE SIDE OF CONNECTOR 7800.</p> <p>CONNECTOR - 1667740C1 PLUG - 2025431C1 LOCK - 1667771C1</p> <table border="1"> <thead> <tr> <th>CAV</th> <th>CIR</th> <th>GAUGE</th> <th>COLOR</th> <th>TERM</th> <th>SEAL</th> </tr> </thead> <tbody> <tr> <td>A</td> <td>PLUG</td> <td>-</td> <td>-</td> <td>-</td> <td>-</td> </tr> <tr> <td>B</td> <td>PLUG</td> <td>-</td> <td>-</td> <td>-</td> <td>-</td> </tr> <tr> <td>C</td> <td>L92DJ</td> <td>16</td> <td>TN</td> <td>1667742C1</td> <td>1661872C1</td> </tr> </tbody> </table>				CAV	CIR	GAUGE	COLOR	TERM	SEAL	A	PLUG	-	-	-	-	B	PLUG	-	-	-	-	C	L92DJ	16	TN	1667742C1	1661872C1
CAV	CIR	GAUGE	COLOR	TERM																																										
A	L47	18	GY	2036586C1																																										
B	L47A	18	GY	2036586C1																																										
CAV	CIR	GAUGE	COLOR	TERM	SEAL																																									
A	PLUG	-	-	-	-																																									
B	PLUG	-	-	-	-																																									
C	L92DJ	16	TN	1667742C1	1661872C1																																									
<p>TRANSFER CASE SPEED CONNECTION (7611)</p>  <table border="1"> <thead> <tr> <th>CAV</th> <th>CIR</th> <th>GAUGE</th> <th>COLOR</th> <th>TERM</th> </tr> </thead> <tbody> <tr> <td>A</td> <td>L47L</td> <td>16</td> <td>GY</td> <td>2036586C1</td> </tr> <tr> <td>B</td> <td>L47M</td> <td>16</td> <td>GY</td> <td>2036586C1</td> </tr> </tbody> </table> <p>CONNECTOR - 2036583C1</p>				CAV	CIR	GAUGE	COLOR	TERM	A	L47L	16	GY	2036586C1	B	L47M	16	GY	2036586C1	<p>EATON SPEED SENSOR (7612)</p>  <table border="1"> <thead> <tr> <th>CAV</th> <th>CIR</th> <th>GAUGE</th> <th>COLOR</th> <th>TERM</th> </tr> </thead> <tbody> <tr> <td>A</td> <td>K47R</td> <td>16</td> <td>GY</td> <td>2036586C1</td> </tr> <tr> <td>B</td> <td>K47S</td> <td>16</td> <td>GY</td> <td>2036586C1</td> </tr> </tbody> </table> <p>CONNECTOR - 2036583C1</p>				CAV	CIR	GAUGE	COLOR	TERM	A	K47R	16	GY	2036586C1	B	K47S	16	GY	2036586C1									
CAV	CIR	GAUGE	COLOR	TERM																																										
A	L47L	16	GY	2036586C1																																										
B	L47M	16	GY	2036586C1																																										
CAV	CIR	GAUGE	COLOR	TERM																																										
A	K47R	16	GY	2036586C1																																										
B	K47S	16	GY	2036586C1																																										
<p>TRUCK SPEED SENSOR (7613)</p>  <table border="1"> <thead> <tr> <th>CAV</th> <th>CIR</th> <th>GAUGE</th> <th>COLOR</th> <th>TERM</th> </tr> </thead> <tbody> <tr> <td>A</td> <td>K47</td> <td>18</td> <td>GY</td> <td>2036586C1</td> </tr> <tr> <td>B</td> <td>K47A</td> <td>18</td> <td>GY</td> <td>2036586C1</td> </tr> </tbody> </table> <p>CONNECTOR - 2036583C1</p>				CAV	CIR	GAUGE	COLOR	TERM	A	K47	18	GY	2036586C1	B	K47A	18	GY	2036586C1	<p>TRANSMISSION OIL TEMP SENSOR (7700)</p>  <table border="1"> <thead> <tr> <th>CAV</th> <th>CIR</th> <th>GAUGE</th> <th>COLOR</th> <th>TERM</th> <th>SEAL</th> </tr> </thead> <tbody> <tr> <td>1</td> <td>K31B</td> <td>18</td> <td>TN</td> <td>3536865C1</td> <td>3536866C1</td> </tr> <tr> <td>2</td> <td>K31G1</td> <td>18</td> <td>TN</td> <td>3536865C1</td> <td>3536866C1</td> </tr> </tbody> </table> <p>CONNECTOR - 3536864C1</p>				CAV	CIR	GAUGE	COLOR	TERM	SEAL	1	K31B	18	TN	3536865C1	3536866C1	2	K31G1	18	TN	3536865C1	3536866C1						
CAV	CIR	GAUGE	COLOR	TERM																																										
A	K47	18	GY	2036586C1																																										
B	K47A	18	GY	2036586C1																																										
CAV	CIR	GAUGE	COLOR	TERM	SEAL																																									
1	K31B	18	TN	3536865C1	3536866C1																																									
2	K31G1	18	TN	3536865C1	3536866C1																																									
<p>TURBINE SPEED SENSOR (7615)</p>  <table border="1"> <thead> <tr> <th>CAV</th> <th>CIR</th> <th>GAUGE</th> <th>COLOR</th> <th>TERM</th> </tr> </thead> <tbody> <tr> <td>A</td> <td>MR92C149</td> <td>18</td> <td>TN</td> <td>2036586C1</td> </tr> <tr> <td>B</td> <td>MR92C140</td> <td>18</td> <td>TN</td> <td>2036586C1</td> </tr> </tbody> </table> <p>CONNECTOR - 2036583C1</p>				CAV	CIR	GAUGE	COLOR	TERM	A	MR92C149	18	TN	2036586C1	B	MR92C140	18	TN	2036586C1	<p>TRANS OIL TEMP SENSOR (7702)</p>  <table border="1"> <thead> <tr> <th>CAV</th> <th>CIR</th> <th>GAUGE</th> <th>COLOR</th> <th>TERM</th> <th>SEAL</th> </tr> </thead> <tbody> <tr> <td>1</td> <td>K31F</td> <td>18</td> <td>TN</td> <td>3536865C1</td> <td>3536866C1</td> </tr> <tr> <td>2</td> <td>K31-GF</td> <td>18</td> <td>TN</td> <td>3536865C1</td> <td>3536866C1</td> </tr> </tbody> </table> <p>CONNECTOR - 3536864C1</p>				CAV	CIR	GAUGE	COLOR	TERM	SEAL	1	K31F	18	TN	3536865C1	3536866C1	2	K31-GF	18	TN	3536865C1	3536866C1						
CAV	CIR	GAUGE	COLOR	TERM																																										
A	MR92C149	18	TN	2036586C1																																										
B	MR92C140	18	TN	2036586C1																																										
CAV	CIR	GAUGE	COLOR	TERM	SEAL																																									
1	K31F	18	TN	3536865C1	3536866C1																																									
2	K31-GF	18	TN	3536865C1	3536866C1																																									
<p>TRANS OIL TEMP SENSOR (7703)</p>  <table border="1"> <thead> <tr> <th>CAV</th> <th>CIR</th> <th>GAUGE</th> <th>COLOR</th> <th>TERM</th> <th>SEAL</th> </tr> </thead> <tbody> <tr> <td>1</td> <td>K31E</td> <td>16</td> <td>TN</td> <td>3536865C1</td> <td>3536866C1</td> </tr> <tr> <td>2</td> <td>K31-GE</td> <td>16</td> <td>TN</td> <td>3536865C1</td> <td>3536866C1</td> </tr> </tbody> </table> <p>CONNECTOR - 3536864C1</p>				CAV	CIR	GAUGE	COLOR	TERM	SEAL	1	K31E	16	TN	3536865C1	3536866C1	2	K31-GE	16	TN	3536865C1	3536866C1	<p>TRANS OIL TEMP SENDER (7703A)</p>  <table border="1"> <thead> <tr> <th>CAV</th> <th>CIR</th> <th>GAUGE</th> <th>COLOR</th> <th>TERM</th> <th>SEAL</th> </tr> </thead> <tbody> <tr> <td>1</td> <td>K31D</td> <td>16</td> <td>TN</td> <td>3536865C1</td> <td>3536866C1</td> </tr> <tr> <td>2</td> <td>K31-GD</td> <td>16</td> <td>TN</td> <td>3536865C1</td> <td>3536866C1</td> </tr> </tbody> </table> <p>CONNECTOR - 3536864C1</p>				CAV	CIR	GAUGE	COLOR	TERM	SEAL	1	K31D	16	TN	3536865C1	3536866C1	2	K31-GD	16	TN	3536865C1	3536866C1			
CAV	CIR	GAUGE	COLOR	TERM	SEAL																																									
1	K31E	16	TN	3536865C1	3536866C1																																									
2	K31-GE	16	TN	3536865C1	3536866C1																																									
CAV	CIR	GAUGE	COLOR	TERM	SEAL																																									
1	K31D	16	TN	3536865C1	3536866C1																																									
2	K31-GD	16	TN	3536865C1	3536866C1																																									
CHK	DATE	CHANGE	REV	REFERENCE	DRAWN	NAME	42/43/44/95/9600 & 73/74/7500 CIR DIAGRAMS U00EDL2 RELEASE NO. P52778H DATE 31MAY00 PART NO. AE08-52376 SHEET 46																																							

Figure 188 Connector Composites (7603), (7604), (7605), (7606), (7607), (7608), (7609), (7610), (7611), (7612), (7613), (7615), (7700), (7702), (7703), (7703A)

13.47. CONNECTOR COMPOSITES (7800), (7801M), (7803), (7900), (7901), P. 47

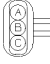




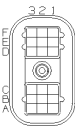

<p>INTERNATIONAL TRUCK AND ENGINE CORPORATION</p> <p>THIS PRINT IS PROVIDED ON A RESTRICTED BASIS AND IS NOT TO BE USED IN ANY WAY DETRIMENTAL TO THE INTEREST OF INTERNATIONAL TRUCK AND ENGINE CORPORATION.</p>	<p>ELECTRICAL CIRCUIT DIAGRAM CHAPTER 12</p> <p>CONNECTOR COMPOSITES - MATING VIEW SHOWN</p>																																																																																																																																																																																																																																																																																																			
<p>ENG/TRANS CONNECTOR (7800)</p>																																																																																																																																																																																																																																																																																																				
 <p>CONNECTOR - 1667740C1 PLUG - 2025431C1 LOCK - 1667771C1</p> <p>W/16 ENGINES</p> <table border="1" style="width:100%; border-collapse: collapse;"> <thead> <tr> <th>CAV</th> <th>CIR</th> <th>GAUGE</th> <th>COLOR</th> <th>TERM</th> <th>SEAL</th> </tr> </thead> <tbody> <tr> <td>A</td> <td>K47</td> <td>18</td> <td>GY</td> <td>1667742C1</td> <td>1661872C1</td> </tr> <tr> <td>B</td> <td>K47A</td> <td>18</td> <td>GY</td> <td>1667742C1</td> <td>1661872C1</td> </tr> <tr> <td>C</td> <td>K17E</td> <td>18</td> <td>VT</td> <td>1667742C1</td> <td>1661872C1</td> </tr> </tbody> </table> <p>W/V8 ENGINES</p> <table border="1" style="width:100%; border-collapse: collapse;"> <thead> <tr> <th>CAV</th> <th>CIR</th> <th>GAUGE</th> <th>COLOR</th> <th>TERM</th> <th>SEAL</th> </tr> </thead> <tbody> <tr> <td>A</td> <td>K47</td> <td>18</td> <td>GY</td> <td>1667742C1</td> <td>1661872C1</td> </tr> <tr> <td>B</td> <td>K47A</td> <td>18</td> <td>GY</td> <td>1667742C1</td> <td>1661872C1</td> </tr> <tr> <td>C</td> <td>K97AD</td> <td>18</td> <td>VT</td> <td>1667742C1</td> <td>1661872C1</td> </tr> </tbody> </table>  <p>CONNECTOR - 1667741C1 PLUG - 2025431C1 LOCK - 1667771C1</p> <p>W/EATON AUTOSHIFT</p> <table border="1" style="width:100%; border-collapse: collapse;"> <thead> <tr> <th>CAV</th> <th>CIR</th> <th>GAUGE</th> <th>COLOR</th> <th>TERM</th> <th>SEAL</th> </tr> </thead> <tbody> <tr> <td>A</td> <td>L47</td> <td>18</td> <td>GY</td> <td>1661875C1</td> <td>1661872C1</td> </tr> <tr> <td>B</td> <td>L47A</td> <td>18</td> <td>GY</td> <td>1661875C1</td> <td>1661872C1</td> </tr> <tr> <td>C</td> <td>L17C</td> <td>18</td> <td>PK</td> <td>1661875C1</td> <td>1661872C1</td> </tr> </tbody> </table> <p>W/ALLISON WTEC (W/ & NOT W/RETARDER)</p> <table border="1" style="width:100%; border-collapse: collapse;"> <thead> <tr> <th>CAV</th> <th>CIR</th> <th>GAUGE</th> <th>COLOR</th> <th>TERM</th> <th>SEAL</th> </tr> </thead> <tbody> <tr> <td>A</td> <td>L47A157</td> <td>18</td> <td>GY</td> <td>1661875C1</td> <td>1661872C1</td> </tr> <tr> <td>B</td> <td>PLUG</td> <td>-</td> <td>-</td> <td>-</td> <td>-</td> </tr> <tr> <td>C</td> <td>L17A</td> <td>18</td> <td>PK</td> <td>1661875C1</td> <td>1661872C1</td> </tr> </tbody> </table> <p>W/ALLISON WTEC W/AUTO NEUTRAL</p> <table border="1" style="width:100%; border-collapse: collapse;"> <thead> <tr> <th>CAV</th> <th>CIR</th> <th>GAUGE</th> <th>COLOR</th> <th>TERM</th> <th>SEAL</th> </tr> </thead> <tbody> <tr> <td>A</td> <td>L47A157</td> <td>18</td> <td>GY</td> <td>1661875C1</td> <td>1661872C1</td> </tr> <tr> <td>B</td> <td>PLUG</td> <td>-</td> <td>-</td> <td>-</td> <td>-</td> </tr> <tr> <td>C</td> <td>L17B</td> <td>18</td> <td>PK</td> <td>1661875C1</td> <td>1661872C1</td> </tr> </tbody> </table> <p>W/ALLISON LCT</p> <table border="1" style="width:100%; border-collapse: collapse;"> <thead> <tr> <th>CAV</th> <th>CIR</th> <th>GAUGE</th> <th>COLOR</th> <th>TERM</th> <th>SEAL</th> </tr> </thead> <tbody> <tr> <td>A</td> <td>L47B126</td> <td>18</td> <td>GY</td> <td>1661875C1</td> <td>1661872C1</td> </tr> <tr> <td>B</td> <td>PLUG</td> <td>-</td> <td>-</td> <td>-</td> <td>-</td> </tr> <tr> <td>C</td> <td>L17E</td> <td>18</td> <td>PK</td> <td>1661875C1</td> <td>1661872C1</td> </tr> </tbody> </table> <p>W/MANUAL TRANS</p> <table border="1" style="width:100%; border-collapse: collapse;"> <thead> <tr> <th>CAV</th> <th>CIR</th> <th>GAUGE</th> <th>COLOR</th> <th>TERM</th> <th>SEAL</th> </tr> </thead> <tbody> <tr> <td>A</td> <td>L47D</td> <td>18</td> <td>GY</td> <td>1661875C1</td> <td>1661872C1</td> </tr> <tr> <td>B</td> <td>L47E</td> <td>18</td> <td>GY</td> <td>1661875C1</td> <td>1661872C1</td> </tr> <tr> <td>C</td> <td>L17D</td> <td>18</td> <td>PK</td> <td>1661875C1</td> <td>1661872C1</td> </tr> </tbody> </table>  <p>CONNECTOR - 3522531C1 LOCK - 3522531C1 PLUG - 2025431C1</p> <p>W/CAT C10, CAT C12, CUMMINS</p> <table border="1" style="width:100%; border-collapse: collapse;"> <thead> <tr> <th>CAV</th> <th>CIR</th> <th>GAUGE</th> <th>COLOR</th> <th>TERM</th> <th>SEAL</th> </tr> </thead> <tbody> <tr> <td>A</td> <td>K47</td> <td>16</td> <td>GY</td> <td>1661875C1</td> <td>1661872C1</td> </tr> <tr> <td>B</td> <td>K47A</td> <td>16</td> <td>GY</td> <td>1661875C1</td> <td>1661872C1</td> </tr> <tr> <td>C</td> <td>PLUG</td> <td>-</td> <td>-</td> <td>-</td> <td>-</td> </tr> <tr> <td>D</td> <td>K5U</td> <td>18</td> <td>YL</td> <td>1661875C1</td> <td>1661872C1</td> </tr> <tr> <td>E</td> <td>K5AE</td> <td>18</td> <td>GN</td> <td>1661875C1</td> <td>1661872C1</td> </tr> </tbody> </table>	CAV	CIR	GAUGE	COLOR	TERM	SEAL	A	K47	18	GY	1667742C1	1661872C1	B	K47A	18	GY	1667742C1	1661872C1	C	K17E	18	VT	1667742C1	1661872C1	CAV	CIR	GAUGE	COLOR	TERM	SEAL	A	K47	18	GY	1667742C1	1661872C1	B	K47A	18	GY	1667742C1	1661872C1	C	K97AD	18	VT	1667742C1	1661872C1	CAV	CIR	GAUGE	COLOR	TERM	SEAL	A	L47	18	GY	1661875C1	1661872C1	B	L47A	18	GY	1661875C1	1661872C1	C	L17C	18	PK	1661875C1	1661872C1	CAV	CIR	GAUGE	COLOR	TERM	SEAL	A	L47A157	18	GY	1661875C1	1661872C1	B	PLUG	-	-	-	-	C	L17A	18	PK	1661875C1	1661872C1	CAV	CIR	GAUGE	COLOR	TERM	SEAL	A	L47A157	18	GY	1661875C1	1661872C1	B	PLUG	-	-	-	-	C	L17B	18	PK	1661875C1	1661872C1	CAV	CIR	GAUGE	COLOR	TERM	SEAL	A	L47B126	18	GY	1661875C1	1661872C1	B	PLUG	-	-	-	-	C	L17E	18	PK	1661875C1	1661872C1	CAV	CIR	GAUGE	COLOR	TERM	SEAL	A	L47D	18	GY	1661875C1	1661872C1	B	L47E	18	GY	1661875C1	1661872C1	C	L17D	18	PK	1661875C1	1661872C1	CAV	CIR	GAUGE	COLOR	TERM	SEAL	A	K47	16	GY	1661875C1	1661872C1	B	K47A	16	GY	1661875C1	1661872C1	C	PLUG	-	-	-	-	D	K5U	18	YL	1661875C1	1661872C1	E	K5AE	18	GN	1661875C1	1661872C1	<p>TERMINATING RESISTOR (7801M)</p>  <table border="1" style="width:100%; border-collapse: collapse;"> <thead> <tr> <th>CAV</th> <th>CIR</th> <th>GAUGE</th> <th>COLOR</th> <th>TERM</th> <th>SEAL</th> <th>NOTES</th> </tr> </thead> <tbody> <tr> <td>A</td> <td>K5C(+)</td> <td>18</td> <td>YL</td> <td>1661875C1</td> <td>3568570C1</td> <td></td> </tr> <tr> <td>A</td> <td>K5D(+)</td> <td>18</td> <td>YL</td> <td>1661875C1</td> <td>3568570C1</td> <td></td> </tr> <tr> <td>A</td> <td>K5C(183)</td> <td>18</td> <td>YL</td> <td>1661875C1</td> <td>3568570C1</td> <td></td> </tr> <tr> <td>A</td> <td>K5AE</td> <td>18</td> <td>GN</td> <td>1661875C1</td> <td>3568570C1</td> <td>V-BONELY</td> </tr> <tr> <td>C</td> <td>K5C(-)</td> <td>18</td> <td>GN</td> <td>1661875C1</td> <td>3568570C1</td> <td></td> </tr> <tr> <td>C</td> <td>K5D(-)</td> <td>18</td> <td>GN</td> <td>1661875C1</td> <td>3568570C1</td> <td></td> </tr> <tr> <td>C</td> <td>K5C(184)</td> <td>18</td> <td>GN</td> <td>1661875C1</td> <td>3568570C1</td> <td></td> </tr> <tr> <td>C</td> <td>K5U</td> <td>18</td> <td>YL</td> <td>1661875C1</td> <td>3568570C1</td> <td>V-BONELY</td> </tr> </tbody> </table> <p>CONNECTOR - 1667741C1 PLUG - 2025431C1 LOCK - 1667771C1</p> <p>ENG TO TRANSFER CASE HARNESS CONN (7803)</p>  <p>USED ONLY WHEN TRANSFER CASE AND ALLISON WTEC ARE PRESENT! MATING CONNECTOR IS MALE SIDE OF CONNECTOR 7800.</p> <table border="1" style="width:100%; border-collapse: collapse;"> <thead> <tr> <th>CAV</th> <th>CIR</th> <th>GAUGE</th> <th>COLOR</th> <th>TERM</th> <th>SEAL</th> </tr> </thead> <tbody> <tr> <td>A</td> <td>L47L</td> <td>16</td> <td>GY</td> <td>1661875C1</td> <td>1661872C1</td> </tr> <tr> <td>B</td> <td>L47M</td> <td>16</td> <td>GY</td> <td>1661875C1</td> <td>1661872C1</td> </tr> <tr> <td>C</td> <td>L920J</td> <td>16</td> <td>TN</td> <td>1661875C1</td> <td>1661872C1</td> </tr> </tbody> </table> <p>CONNECTOR - 1667741C1 PLUG - 2025431C1 LOCK - 1667771C1</p>	CAV	CIR	GAUGE	COLOR	TERM	SEAL	NOTES	A	K5C(+)	18	YL	1661875C1	3568570C1		A	K5D(+)	18	YL	1661875C1	3568570C1		A	K5C(183)	18	YL	1661875C1	3568570C1		A	K5AE	18	GN	1661875C1	3568570C1	V-BONELY	C	K5C(-)	18	GN	1661875C1	3568570C1		C	K5D(-)	18	GN	1661875C1	3568570C1		C	K5C(184)	18	GN	1661875C1	3568570C1		C	K5U	18	YL	1661875C1	3568570C1	V-BONELY	CAV	CIR	GAUGE	COLOR	TERM	SEAL	A	L47L	16	GY	1661875C1	1661872C1	B	L47M	16	GY	1661875C1	1661872C1	C	L920J	16	TN	1661875C1	1661872C1
CAV	CIR	GAUGE	COLOR	TERM	SEAL																																																																																																																																																																																																																																																																																															
A	K47	18	GY	1667742C1	1661872C1																																																																																																																																																																																																																																																																																															
B	K47A	18	GY	1667742C1	1661872C1																																																																																																																																																																																																																																																																																															
C	K17E	18	VT	1667742C1	1661872C1																																																																																																																																																																																																																																																																																															
CAV	CIR	GAUGE	COLOR	TERM	SEAL																																																																																																																																																																																																																																																																																															
A	K47	18	GY	1667742C1	1661872C1																																																																																																																																																																																																																																																																																															
B	K47A	18	GY	1667742C1	1661872C1																																																																																																																																																																																																																																																																																															
C	K97AD	18	VT	1667742C1	1661872C1																																																																																																																																																																																																																																																																																															
CAV	CIR	GAUGE	COLOR	TERM	SEAL																																																																																																																																																																																																																																																																																															
A	L47	18	GY	1661875C1	1661872C1																																																																																																																																																																																																																																																																																															
B	L47A	18	GY	1661875C1	1661872C1																																																																																																																																																																																																																																																																																															
C	L17C	18	PK	1661875C1	1661872C1																																																																																																																																																																																																																																																																																															
CAV	CIR	GAUGE	COLOR	TERM	SEAL																																																																																																																																																																																																																																																																																															
A	L47A157	18	GY	1661875C1	1661872C1																																																																																																																																																																																																																																																																																															
B	PLUG	-	-	-	-																																																																																																																																																																																																																																																																																															
C	L17A	18	PK	1661875C1	1661872C1																																																																																																																																																																																																																																																																																															
CAV	CIR	GAUGE	COLOR	TERM	SEAL																																																																																																																																																																																																																																																																																															
A	L47A157	18	GY	1661875C1	1661872C1																																																																																																																																																																																																																																																																																															
B	PLUG	-	-	-	-																																																																																																																																																																																																																																																																																															
C	L17B	18	PK	1661875C1	1661872C1																																																																																																																																																																																																																																																																																															
CAV	CIR	GAUGE	COLOR	TERM	SEAL																																																																																																																																																																																																																																																																																															
A	L47B126	18	GY	1661875C1	1661872C1																																																																																																																																																																																																																																																																																															
B	PLUG	-	-	-	-																																																																																																																																																																																																																																																																																															
C	L17E	18	PK	1661875C1	1661872C1																																																																																																																																																																																																																																																																																															
CAV	CIR	GAUGE	COLOR	TERM	SEAL																																																																																																																																																																																																																																																																																															
A	L47D	18	GY	1661875C1	1661872C1																																																																																																																																																																																																																																																																																															
B	L47E	18	GY	1661875C1	1661872C1																																																																																																																																																																																																																																																																																															
C	L17D	18	PK	1661875C1	1661872C1																																																																																																																																																																																																																																																																																															
CAV	CIR	GAUGE	COLOR	TERM	SEAL																																																																																																																																																																																																																																																																																															
A	K47	16	GY	1661875C1	1661872C1																																																																																																																																																																																																																																																																																															
B	K47A	16	GY	1661875C1	1661872C1																																																																																																																																																																																																																																																																																															
C	PLUG	-	-	-	-																																																																																																																																																																																																																																																																																															
D	K5U	18	YL	1661875C1	1661872C1																																																																																																																																																																																																																																																																																															
E	K5AE	18	GN	1661875C1	1661872C1																																																																																																																																																																																																																																																																																															
CAV	CIR	GAUGE	COLOR	TERM	SEAL	NOTES																																																																																																																																																																																																																																																																																														
A	K5C(+)	18	YL	1661875C1	3568570C1																																																																																																																																																																																																																																																																																															
A	K5D(+)	18	YL	1661875C1	3568570C1																																																																																																																																																																																																																																																																																															
A	K5C(183)	18	YL	1661875C1	3568570C1																																																																																																																																																																																																																																																																																															
A	K5AE	18	GN	1661875C1	3568570C1	V-BONELY																																																																																																																																																																																																																																																																																														
C	K5C(-)	18	GN	1661875C1	3568570C1																																																																																																																																																																																																																																																																																															
C	K5D(-)	18	GN	1661875C1	3568570C1																																																																																																																																																																																																																																																																																															
C	K5C(184)	18	GN	1661875C1	3568570C1																																																																																																																																																																																																																																																																																															
C	K5U	18	YL	1661875C1	3568570C1	V-BONELY																																																																																																																																																																																																																																																																																														
CAV	CIR	GAUGE	COLOR	TERM	SEAL																																																																																																																																																																																																																																																																																															
A	L47L	16	GY	1661875C1	1661872C1																																																																																																																																																																																																																																																																																															
B	L47M	16	GY	1661875C1	1661872C1																																																																																																																																																																																																																																																																																															
C	L920J	16	TN	1661875C1	1661872C1																																																																																																																																																																																																																																																																																															
<p>EATON AUTOSHIFT ECM (7900)</p>  <p>CONNECTOR - 2010376C1 PLUG - 1687788C1</p> <table border="1" style="width:100%; border-collapse: collapse;"> <thead> <tr> <th>CAV</th> <th>CIR</th> <th>GAUGE</th> <th>COLOR</th> <th>TERM</th> </tr> </thead> <tbody> <tr> <td>A1</td> <td>L92AC</td> <td>16</td> <td>TN</td> <td>1651943C1</td> </tr> <tr> <td>A2</td> <td>PLUG</td> <td>-</td> <td>-</td> <td>-</td> </tr> <tr> <td>A3</td> <td>L92AE</td> <td>16</td> <td>TN</td> <td>1651943C1</td> </tr> <tr> <td>B1</td> <td>L92AD</td> <td>16</td> <td>TN</td> <td>1651943C1</td> </tr> <tr> <td>B2</td> <td>PLUG</td> <td>-</td> <td>-</td> <td>-</td> </tr> <tr> <td>B3</td> <td>L92AB</td> <td>16</td> <td>TN</td> <td>1651943C1</td> </tr> <tr> <td>C1</td> <td>LSAX(+)</td> <td>20</td> <td>YL</td> <td>1651943C1</td> </tr> <tr> <td>C2</td> <td>LSAX(-)</td> <td>20</td> <td>GN</td> <td>1651943C1</td> </tr> <tr> <td>C3</td> <td>LSAX(S)</td> <td>20</td> <td>NONE</td> <td>1651943C1</td> </tr> <tr> <td>D1</td> <td>PLUG</td> <td>-</td> <td>-</td> <td>-</td> </tr> <tr> <td>D2</td> <td>PLUG</td> <td>-</td> <td>-</td> <td>-</td> </tr> <tr> <td>D3</td> <td>PLUG</td> <td>-</td> <td>-</td> <td>-</td> </tr> <tr> <td>E1</td> <td>L92Z</td> <td>16</td> <td>TN</td> <td>1651943C1</td> </tr> <tr> <td>E2</td> <td>L92AA</td> <td>16</td> <td>TN</td> <td>1651943C1</td> </tr> <tr> <td>E3</td> <td>PLUG</td> <td>-</td> <td>-</td> <td>-</td> </tr> <tr> <td>F1</td> <td>PLUG</td> <td>-</td> <td>-</td> <td>-</td> </tr> <tr> <td>F2</td> <td>PLUG</td> <td>-</td> <td>-</td> <td>-</td> </tr> <tr> <td>F3</td> <td>PLUG</td> <td>-</td> <td>-</td> <td>-</td> </tr> </tbody> </table>	CAV	CIR	GAUGE	COLOR	TERM	A1	L92AC	16	TN	1651943C1	A2	PLUG	-	-	-	A3	L92AE	16	TN	1651943C1	B1	L92AD	16	TN	1651943C1	B2	PLUG	-	-	-	B3	L92AB	16	TN	1651943C1	C1	LSAX(+)	20	YL	1651943C1	C2	LSAX(-)	20	GN	1651943C1	C3	LSAX(S)	20	NONE	1651943C1	D1	PLUG	-	-	-	D2	PLUG	-	-	-	D3	PLUG	-	-	-	E1	L92Z	16	TN	1651943C1	E2	L92AA	16	TN	1651943C1	E3	PLUG	-	-	-	F1	PLUG	-	-	-	F2	PLUG	-	-	-	F3	PLUG	-	-	-	<p>EATON AUTOSHIFT ECM POWER (7901)</p>  <p>CONNECTOR - 3552915C1 PLUG - 1675451C1</p> <table border="1" style="width:100%; border-collapse: collapse;"> <thead> <tr> <th>CAV</th> <th>CIR</th> <th>GAUGE</th> <th>COLOR</th> <th>TERM</th> </tr> </thead> <tbody> <tr> <td>A</td> <td>L11-GAM</td> <td>12</td> <td>WH</td> <td>1661708C1</td> </tr> <tr> <td>B</td> <td>L14AW</td> <td>12</td> <td>RD</td> <td>1661708C1</td> </tr> </tbody> </table>	CAV	CIR	GAUGE	COLOR	TERM	A	L11-GAM	12	WH	1661708C1	B	L14AW	12	RD	1661708C1																																																																																																																																																																																					
CAV	CIR	GAUGE	COLOR	TERM																																																																																																																																																																																																																																																																																																
A1	L92AC	16	TN	1651943C1																																																																																																																																																																																																																																																																																																
A2	PLUG	-	-	-																																																																																																																																																																																																																																																																																																
A3	L92AE	16	TN	1651943C1																																																																																																																																																																																																																																																																																																
B1	L92AD	16	TN	1651943C1																																																																																																																																																																																																																																																																																																
B2	PLUG	-	-	-																																																																																																																																																																																																																																																																																																
B3	L92AB	16	TN	1651943C1																																																																																																																																																																																																																																																																																																
C1	LSAX(+)	20	YL	1651943C1																																																																																																																																																																																																																																																																																																
C2	LSAX(-)	20	GN	1651943C1																																																																																																																																																																																																																																																																																																
C3	LSAX(S)	20	NONE	1651943C1																																																																																																																																																																																																																																																																																																
D1	PLUG	-	-	-																																																																																																																																																																																																																																																																																																
D2	PLUG	-	-	-																																																																																																																																																																																																																																																																																																
D3	PLUG	-	-	-																																																																																																																																																																																																																																																																																																
E1	L92Z	16	TN	1651943C1																																																																																																																																																																																																																																																																																																
E2	L92AA	16	TN	1651943C1																																																																																																																																																																																																																																																																																																
E3	PLUG	-	-	-																																																																																																																																																																																																																																																																																																
F1	PLUG	-	-	-																																																																																																																																																																																																																																																																																																
F2	PLUG	-	-	-																																																																																																																																																																																																																																																																																																
F3	PLUG	-	-	-																																																																																																																																																																																																																																																																																																
CAV	CIR	GAUGE	COLOR	TERM																																																																																																																																																																																																																																																																																																
A	L11-GAM	12	WH	1661708C1																																																																																																																																																																																																																																																																																																
B	L14AW	12	RD	1661708C1																																																																																																																																																																																																																																																																																																
<table border="1" style="width:100%; border-collapse: collapse;"> <thead> <tr> <th>CHK</th> <th>DATE</th> <th>CHANGE</th> <th>REV</th> <th>REFERENCE</th> <th>DRAWN</th> <th>NAME</th> </tr> </thead> <tbody> <tr> <td>CNA</td> <td>11SEP03</td> <td>ADDED 7801M.</td> <td>E</td> <td>58774T</td> <td>U00EDL2</td> <td>42/43/44/85/8600 & 73/74/7500 CIRC DIAGRAMS</td> </tr> <tr> <td></td> <td></td> <td></td> <td></td> <td></td> <td>RELEASE NO.</td> <td>DATE</td> </tr> <tr> <td></td> <td></td> <td></td> <td></td> <td></td> <td>P52778H</td> <td>28JUN00</td> </tr> <tr> <td></td> <td></td> <td></td> <td></td> <td></td> <td></td> <td>PART NO.</td> </tr> <tr> <td></td> <td></td> <td></td> <td></td> <td></td> <td></td> <td>AE08-52376</td> </tr> <tr> <td></td> <td></td> <td></td> <td></td> <td></td> <td></td> <td>SHEET 47</td> </tr> </tbody> </table>		CHK	DATE	CHANGE	REV	REFERENCE	DRAWN	NAME	CNA	11SEP03	ADDED 7801M.	E	58774T	U00EDL2	42/43/44/85/8600 & 73/74/7500 CIRC DIAGRAMS						RELEASE NO.	DATE						P52778H	28JUN00							PART NO.							AE08-52376							SHEET 47																																																																																																																																																																																																																																																		
CHK	DATE	CHANGE	REV	REFERENCE	DRAWN	NAME																																																																																																																																																																																																																																																																																														
CNA	11SEP03	ADDED 7801M.	E	58774T	U00EDL2	42/43/44/85/8600 & 73/74/7500 CIRC DIAGRAMS																																																																																																																																																																																																																																																																																														
					RELEASE NO.	DATE																																																																																																																																																																																																																																																																																														
					P52778H	28JUN00																																																																																																																																																																																																																																																																																														
						PART NO.																																																																																																																																																																																																																																																																																														
						AE08-52376																																																																																																																																																																																																																																																																																														
						SHEET 47																																																																																																																																																																																																																																																																																														

Figure 189 Connector Composites (7800), (7801M), (7803), (7900), (7901)

13.48. CONNECTOR COMPOSITES (7905), (7906), (8000), (8001), (8102), (8150), (8151), (8200), P. 48

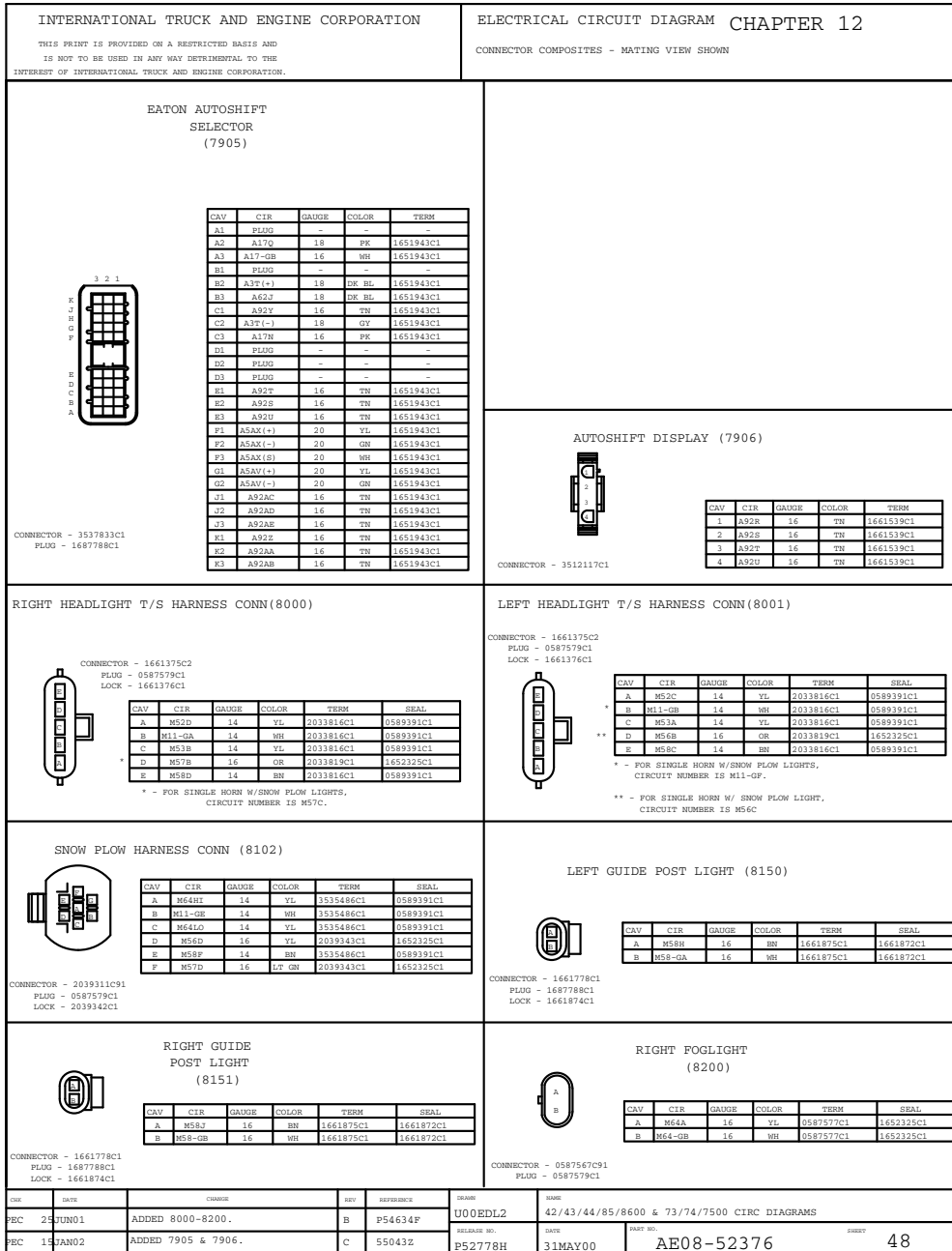


Figure 190 Connector Composites (7905), (7906), (8000), (8001), (8102), (8150), (8151), (8200)

13.49. CONNECTOR COMPOSITES (8201), (8301), (8310), (8311), (8312), (8400), (8500), (8501), (8502), (8502A), P. 49

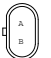




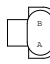
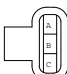
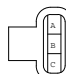
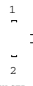

INTERNATIONAL TRUCK AND ENGINE CORPORATION				ELECTRICAL CIRCUIT DIAGRAM CHAPTER 12																																																									
THIS PRINT IS PROVIDED ON A RESTRICTED BASIS AND IS NOT TO BE USED IN ANY WAY DETRIMENTAL TO THE INTEREST OF INTERNATIONAL TRUCK AND ENGINE CORPORATION.				CONNECTOR COMPOSITES - MATING VIEW SHOWN																																																									
<p>LEFT FOGLIGHT (8201)</p>  <p>CONNECTOR - 0587567C91 PLUG - 0587579C1</p> <table border="1"> <thead> <tr> <th>CAV</th> <th>CIR</th> <th>GAUGE</th> <th>COLOR</th> <th>TERM</th> <th>SEAL</th> </tr> </thead> <tbody> <tr> <td>A</td> <td>M64B</td> <td>16</td> <td>YL</td> <td>0587577C1</td> <td>1652325C1</td> </tr> <tr> <td>B</td> <td>M64-GA</td> <td>16</td> <td>WH</td> <td>0587577C1</td> <td>1652325C1</td> </tr> </tbody> </table>				CAV	CIR	GAUGE	COLOR	TERM	SEAL	A	M64B	16	YL	0587577C1	1652325C1	B	M64-GA	16	WH	0587577C1	1652325C1	<p>ELECTRIC HORN (8301)</p>  <p>CONNECTOR - 1661778C1 PLUG - 1687788C1 LOCK - 1661874C1</p> <table border="1"> <thead> <tr> <th>CAV</th> <th>CIR</th> <th>GAUGE</th> <th>COLOR</th> <th>TERM</th> <th>SEAL</th> </tr> </thead> <tbody> <tr> <td>A</td> <td>M85E</td> <td>16</td> <td>GY</td> <td>1661875C1</td> <td>1661872C1</td> </tr> <tr> <td>B</td> <td>M85-GA</td> <td>16</td> <td>WH</td> <td>1661875C1</td> <td>1661872C1</td> </tr> </tbody> </table>				CAV	CIR	GAUGE	COLOR	TERM	SEAL	A	M85E	16	GY	1661875C1	1661872C1	B	M85-GA	16	WH	1661875C1	1661872C1																		
CAV	CIR	GAUGE	COLOR	TERM	SEAL																																																								
A	M64B	16	YL	0587577C1	1652325C1																																																								
B	M64-GA	16	WH	0587577C1	1652325C1																																																								
CAV	CIR	GAUGE	COLOR	TERM	SEAL																																																								
A	M85E	16	GY	1661875C1	1661872C1																																																								
B	M85-GA	16	WH	1661875C1	1661872C1																																																								
<p>DUAL ELECTRIC HORNS (8310)</p>  <p>CONNECTOR - 3543888C1 PLUG - 2025431C1 LOCK - 1661874C1</p> <table border="1"> <thead> <tr> <th>CAV</th> <th>CIR</th> <th>GAUGE</th> <th>COLOR</th> <th>TERM</th> <th>SEAL</th> </tr> </thead> <tbody> <tr> <td>A</td> <td>M85J</td> <td>16</td> <td>GY</td> <td>1667742C1</td> <td>1661872C1</td> </tr> <tr> <td>B</td> <td>M85-GC</td> <td>16</td> <td>WH</td> <td>1667742C1</td> <td>1661872C1</td> </tr> </tbody> </table>				CAV	CIR	GAUGE	COLOR	TERM	SEAL	A	M85J	16	GY	1667742C1	1661872C1	B	M85-GC	16	WH	1667742C1	1661872C1	<p>ELECTRIC HORN #1 (8311)</p>  <p>CONNECTOR - 1661778C1 PLUG - 1687788C1 LOCK - 1661874C1</p> <p>W/SINGLE HORN</p> <table border="1"> <thead> <tr> <th>CAV</th> <th>CIR</th> <th>GAUGE</th> <th>COLOR</th> <th>TERM</th> <th>SEAL</th> </tr> </thead> <tbody> <tr> <td>A</td> <td>M85J</td> <td>16</td> <td>GY</td> <td>1661875C1</td> <td>1661872C1</td> </tr> <tr> <td>B</td> <td>M85-GC</td> <td>16</td> <td>WH</td> <td>1661875C1</td> <td>1661872C1</td> </tr> </tbody> </table> <p>W/DUAL HORNS</p> <table border="1"> <thead> <tr> <th>CAV</th> <th>CIR</th> <th>GAUGE</th> <th>COLOR</th> <th>TERM</th> <th>SEAL</th> </tr> </thead> <tbody> <tr> <td>A</td> <td>M85K</td> <td>16</td> <td>GY</td> <td>1661875C1</td> <td>1661872C1</td> </tr> <tr> <td>B</td> <td>M85-QD</td> <td>16</td> <td>WH</td> <td>1661875C1</td> <td>1661872C1</td> </tr> </tbody> </table>				CAV	CIR	GAUGE	COLOR	TERM	SEAL	A	M85J	16	GY	1661875C1	1661872C1	B	M85-GC	16	WH	1661875C1	1661872C1	CAV	CIR	GAUGE	COLOR	TERM	SEAL	A	M85K	16	GY	1661875C1	1661872C1	B	M85-QD	16	WH	1661875C1	1661872C1
CAV	CIR	GAUGE	COLOR	TERM	SEAL																																																								
A	M85J	16	GY	1667742C1	1661872C1																																																								
B	M85-GC	16	WH	1667742C1	1661872C1																																																								
CAV	CIR	GAUGE	COLOR	TERM	SEAL																																																								
A	M85J	16	GY	1661875C1	1661872C1																																																								
B	M85-GC	16	WH	1661875C1	1661872C1																																																								
CAV	CIR	GAUGE	COLOR	TERM	SEAL																																																								
A	M85K	16	GY	1661875C1	1661872C1																																																								
B	M85-QD	16	WH	1661875C1	1661872C1																																																								
<p>ELECTRIC HORN #2 (8312)</p>  <p>CONNECTOR - 1661778C1 PLUG - 1687788C1 LOCK - 1661874C1</p> <table border="1"> <thead> <tr> <th>CAV</th> <th>CIR</th> <th>GAUGE</th> <th>COLOR</th> <th>TERM</th> <th>SEAL</th> </tr> </thead> <tbody> <tr> <td>A</td> <td>M85L</td> <td>16</td> <td>GY</td> <td>1661875C1</td> <td>1661872C1</td> </tr> <tr> <td>B</td> <td>M85-GE</td> <td>16</td> <td>WH</td> <td>1661875C1</td> <td>1661872C1</td> </tr> </tbody> </table>				CAV	CIR	GAUGE	COLOR	TERM	SEAL	A	M85L	16	GY	1661875C1	1661872C1	B	M85-GE	16	WH	1661875C1	1661872C1	<p>ETHER START (8400)</p>  <p>CONNECTOR - 0587568C91 PLUG - 0587579C1</p> <table border="1"> <thead> <tr> <th>CAV</th> <th>CIR</th> <th>GAUGE</th> <th>COLOR</th> <th>TERM</th> <th>SEAL</th> </tr> </thead> <tbody> <tr> <td>A</td> <td>M21D</td> <td>18</td> <td>TN</td> <td>0587576C1</td> <td>1652325C1</td> </tr> <tr> <td>B</td> <td>M21C</td> <td>18</td> <td>TN</td> <td>0587576C1</td> <td>1652325C1</td> </tr> </tbody> </table>				CAV	CIR	GAUGE	COLOR	TERM	SEAL	A	M21D	18	TN	0587576C1	1652325C1	B	M21C	18	TN	0587576C1	1652325C1																		
CAV	CIR	GAUGE	COLOR	TERM	SEAL																																																								
A	M85L	16	GY	1661875C1	1661872C1																																																								
B	M85-GE	16	WH	1661875C1	1661872C1																																																								
CAV	CIR	GAUGE	COLOR	TERM	SEAL																																																								
A	M21D	18	TN	0587576C1	1652325C1																																																								
B	M21C	18	TN	0587576C1	1652325C1																																																								
<p>BENDIX LEFT ABS MODULATOR (8500)</p>  <p>CONNECTOR - 1686834C1 PLUG - 0587579C1 LOCK - 1664408C1</p> <table border="1"> <thead> <tr> <th>CAV</th> <th>CIR</th> <th>GAUGE</th> <th>COLOR</th> <th>TERM</th> <th>SEAL</th> </tr> </thead> <tbody> <tr> <td>A</td> <td>M94</td> <td>18</td> <td>GY</td> <td>2033819C1</td> <td>1652325C1</td> </tr> <tr> <td>B</td> <td>M94A</td> <td>18</td> <td>GY</td> <td>2033819C1</td> <td>1652325C1</td> </tr> <tr> <td>C</td> <td>M94B</td> <td>18</td> <td>GY</td> <td>2033819C1</td> <td>1652325C1</td> </tr> </tbody> </table>				CAV	CIR	GAUGE	COLOR	TERM	SEAL	A	M94	18	GY	2033819C1	1652325C1	B	M94A	18	GY	2033819C1	1652325C1	C	M94B	18	GY	2033819C1	1652325C1	<p>BENDIX RIGHT ABS MODULATOR (8500)</p>  <p>CONNECTOR - 1686834C1 PLUG - 0587579C1 LOCK - 1664408C1</p> <table border="1"> <thead> <tr> <th>CAV</th> <th>CIR</th> <th>GAUGE</th> <th>COLOR</th> <th>TERM</th> <th>SEAL</th> </tr> </thead> <tbody> <tr> <td>A</td> <td>M94H</td> <td>18</td> <td>GY</td> <td>2033819C1</td> <td>1652325C1</td> </tr> <tr> <td>B</td> <td>M94J</td> <td>18</td> <td>GY</td> <td>2033819C1</td> <td>1652325C1</td> </tr> <tr> <td>C</td> <td>M94K</td> <td>18</td> <td>GY</td> <td>2033819C1</td> <td>1652325C1</td> </tr> </tbody> </table>				CAV	CIR	GAUGE	COLOR	TERM	SEAL	A	M94H	18	GY	2033819C1	1652325C1	B	M94J	18	GY	2033819C1	1652325C1	C	M94K	18	GY	2033819C1	1652325C1						
CAV	CIR	GAUGE	COLOR	TERM	SEAL																																																								
A	M94	18	GY	2033819C1	1652325C1																																																								
B	M94A	18	GY	2033819C1	1652325C1																																																								
C	M94B	18	GY	2033819C1	1652325C1																																																								
CAV	CIR	GAUGE	COLOR	TERM	SEAL																																																								
A	M94H	18	GY	2033819C1	1652325C1																																																								
B	M94J	18	GY	2033819C1	1652325C1																																																								
C	M94K	18	GY	2033819C1	1652325C1																																																								
<p>LEFT HYD ABS WHEEL SENSOR (8502)</p>  <p>PURCHASED ASSEMBLY P/N 3519878C1</p> <table border="1"> <thead> <tr> <th>CAV</th> <th>CIR</th> <th>GAUGE</th> <th>COLOR</th> <th>TERM</th> </tr> </thead> <tbody> <tr> <td>1</td> <td>M94L</td> <td>18</td> <td>BR</td> <td>ASSY</td> </tr> <tr> <td>2</td> <td>M94M</td> <td>18</td> <td>BR</td> <td>ASSY</td> </tr> </tbody> </table>				CAV	CIR	GAUGE	COLOR	TERM	1	M94L	18	BR	ASSY	2	M94M	18	BR	ASSY	<p>BENDIX LEFT AIR ABS WHEEL SENSOR (8502A)</p>  <p>CONNECTOR - 1684261C1 PLUG - 0453133C1 LOCK - 1684263C1</p> <table border="1"> <thead> <tr> <th>CAV</th> <th>CIR</th> <th>GAUGE</th> <th>COLOR</th> <th>TERM</th> </tr> </thead> <tbody> <tr> <td>1</td> <td>M94C</td> <td>18</td> <td>GY</td> <td>1688205C1</td> </tr> <tr> <td>2</td> <td>M94D</td> <td>18</td> <td>GY</td> <td>1688205C1</td> </tr> </tbody> </table>				CAV	CIR	GAUGE	COLOR	TERM	1	M94C	18	GY	1688205C1	2	M94D	18	GY	1688205C1																								
CAV	CIR	GAUGE	COLOR	TERM																																																									
1	M94L	18	BR	ASSY																																																									
2	M94M	18	BR	ASSY																																																									
CAV	CIR	GAUGE	COLOR	TERM																																																									
1	M94C	18	GY	1688205C1																																																									
2	M94D	18	GY	1688205C1																																																									
ONE	DATE	CHANGE	REV	REFERENCE	DESK	NAME	42/43/44/85/8600 & 73/74/7500 CIRC DIAGRAMS																																																						
PEC	15JAN01	PRODUCTION RELEASE.	A	P54304U	U00EDL2																																																								
PEC	25JUN01	ADDED 8201-8502A.	B	P54634F	P52778H	DATE	31MAY00	PART NO. AE08-52376																																																					
								ISSUE 49																																																					

Figure 191 Connector Composites (8201), (8301), (8310), (8311), (8312), (8400), (8500), (8501), (8502), (8502A)

13.50. CONNECTOR COMPOSITES (8503), (8503A), (8505), (8506), (8507), (8508), (8509), (8600), (8601), (8602), P. 50

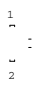

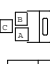
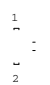
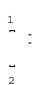

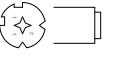


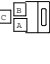
INTERNATIONAL TRUCK AND ENGINE CORPORATION				ELECTRICAL CIRCUIT DIAGRAM CHAPTER 12																																									
THIS PRINT IS PROVIDED ON A RESTRICTED BASIS AND IS NOT TO BE USED IN ANY WAY DETRIMENTAL TO THE INTEREST OF INTERNATIONAL TRUCK AND ENGINE CORPORATION.				CONNECTOR COMPOSITES - MATING VIEW SHOWN																																									
<p>RIGHT HYD ABS WHEEL SENSOR (8503)</p>  <p>PURCHASED ASSEMBLY P/N 3519878C1</p> <table border="1"> <thead> <tr> <th>CAV</th> <th>CIR</th> <th>GAUGE</th> <th>COLOR</th> <th>TERM</th> </tr> </thead> <tbody> <tr> <td>1</td> <td>M94M</td> <td>18</td> <td>BK</td> <td>ASSY</td> </tr> <tr> <td>2</td> <td>M94F</td> <td>18</td> <td>BN</td> <td>ASSY</td> </tr> </tbody> </table>				CAV	CIR	GAUGE	COLOR	TERM	1	M94M	18	BK	ASSY	2	M94F	18	BN	ASSY	<p>BENDIX RIGHT AIR ABS WHEEL SENSOR (8503A)</p>  <p>CONNECTOR - 1684261C1 PLUG - 045313C1 LOCK - 1684263C1</p> <table border="1"> <thead> <tr> <th>CAV</th> <th>CIR</th> <th>GAUGE</th> <th>COLOR</th> <th>TERM</th> </tr> </thead> <tbody> <tr> <td>1</td> <td>M94E</td> <td>18</td> <td>GY</td> <td>1680205C1</td> </tr> <tr> <td>2</td> <td>M94F</td> <td>18</td> <td>GY</td> <td>1680205C1</td> </tr> </tbody> </table>				CAV	CIR	GAUGE	COLOR	TERM	1	M94E	18	GY	1680205C1	2	M94F	18	GY	1680205C1								
CAV	CIR	GAUGE	COLOR	TERM																																									
1	M94M	18	BK	ASSY																																									
2	M94F	18	BN	ASSY																																									
CAV	CIR	GAUGE	COLOR	TERM																																									
1	M94E	18	GY	1680205C1																																									
2	M94F	18	GY	1680205C1																																									
<p>AIR COMPRESSOR FOR HYD BRAKES (8505)</p>  <p>CONNECTOR - 1678137C1</p> <table border="1"> <thead> <tr> <th>CAV</th> <th>CIR</th> <th>GAUGE</th> <th>COLOR</th> <th>TERM</th> </tr> </thead> <tbody> <tr> <td>A</td> <td>M9</td> <td>18</td> <td>GY</td> <td>1651943C1</td> </tr> <tr> <td>B</td> <td>M6</td> <td>18</td> <td>GY</td> <td>1651943C1</td> </tr> <tr> <td>C</td> <td>M40</td> <td>18</td> <td>GY</td> <td>1651943C1</td> </tr> </tbody> </table>				CAV	CIR	GAUGE	COLOR	TERM	A	M9	18	GY	1651943C1	B	M6	18	GY	1651943C1	C	M40	18	GY	1651943C1	<p>WABCO LEFT FRONT AIR ABS WHEEL SPEED SENSOR (8506)</p>  <p>PURCHASED ASSEMBLY P/N 3519878C1</p> <table border="1"> <thead> <tr> <th>CAV</th> <th>CIR</th> <th>GAUGE</th> <th>COLOR</th> <th>TERM</th> </tr> </thead> <tbody> <tr> <td>1</td> <td>M94AC</td> <td>18</td> <td>BN</td> <td>ASSY</td> </tr> <tr> <td>2</td> <td>M94AD</td> <td>18</td> <td>BK</td> <td>ASSY</td> </tr> </tbody> </table>				CAV	CIR	GAUGE	COLOR	TERM	1	M94AC	18	BN	ASSY	2	M94AD	18	BK	ASSY			
CAV	CIR	GAUGE	COLOR	TERM																																									
A	M9	18	GY	1651943C1																																									
B	M6	18	GY	1651943C1																																									
C	M40	18	GY	1651943C1																																									
CAV	CIR	GAUGE	COLOR	TERM																																									
1	M94AC	18	BN	ASSY																																									
2	M94AD	18	BK	ASSY																																									
<p>WABCO RIGHT FRONT AIR ABS WHEEL SPEED SENSOR (8507)</p>  <p>PURCHASED ASSEMBLY P/N 3519666C1</p> <table border="1"> <thead> <tr> <th>CAV</th> <th>CIR</th> <th>GAUGE</th> <th>COLOR</th> <th>TERM</th> </tr> </thead> <tbody> <tr> <td>1</td> <td>M94AE</td> <td>18</td> <td>BN</td> <td>ASSY</td> </tr> <tr> <td>2</td> <td>M94AF</td> <td>18</td> <td>BK</td> <td>ASSY</td> </tr> </tbody> </table>				CAV	CIR	GAUGE	COLOR	TERM	1	M94AE	18	BN	ASSY	2	M94AF	18	BK	ASSY	<p>WABCO LEFT FRONT AIR ABS MODULATOR (8508)</p>  <p>PURCHASED ASSEMBLY P/N 3554539C1</p> <table border="1"> <thead> <tr> <th>CAV</th> <th>CIR</th> <th>GAUGE</th> <th>COLOR</th> <th>TERM</th> </tr> </thead> <tbody> <tr> <td>1</td> <td>M94AL</td> <td>14</td> <td>BL</td> <td>ASSY</td> </tr> <tr> <td>2</td> <td>M94AA</td> <td>14</td> <td>GN</td> <td>ASSY</td> </tr> <tr> <td>3</td> <td>M94AB</td> <td>14</td> <td>BN</td> <td>ASSY</td> </tr> </tbody> </table>				CAV	CIR	GAUGE	COLOR	TERM	1	M94AL	14	BL	ASSY	2	M94AA	14	GN	ASSY	3	M94AB	14	BN	ASSY			
CAV	CIR	GAUGE	COLOR	TERM																																									
1	M94AE	18	BN	ASSY																																									
2	M94AF	18	BK	ASSY																																									
CAV	CIR	GAUGE	COLOR	TERM																																									
1	M94AL	14	BL	ASSY																																									
2	M94AA	14	GN	ASSY																																									
3	M94AB	14	BN	ASSY																																									
<p>WABCO RIGHT FRONT AIR ABS MODULATOR (8509)</p>  <p>PURCHASED ASSEMBLY P/N 3554539C1</p> <table border="1"> <thead> <tr> <th>CAV</th> <th>CIR</th> <th>GAUGE</th> <th>COLOR</th> <th>TERM</th> </tr> </thead> <tbody> <tr> <td>1</td> <td>M94AM</td> <td>14</td> <td>BL</td> <td>ASSY</td> </tr> <tr> <td>2</td> <td>M94AJ</td> <td>14</td> <td>GN</td> <td>ASSY</td> </tr> <tr> <td>3</td> <td>M94AK</td> <td>14</td> <td>BN</td> <td>ASSY</td> </tr> </tbody> </table>				CAV	CIR	GAUGE	COLOR	TERM	1	M94AM	14	BL	ASSY	2	M94AJ	14	GN	ASSY	3	M94AK	14	BN	ASSY	<p>RADIATOR GROUND (8600)</p>  <p>CONNECTOR - 0587566C91 PLUG - 0587579C1</p> <table border="1"> <thead> <tr> <th>CAV</th> <th>CIR</th> <th>GAUGE</th> <th>COLOR</th> <th>TERM</th> <th>SEAL</th> </tr> </thead> <tbody> <tr> <td>A</td> <td>M11-GC</td> <td>12</td> <td>WH</td> <td>1673747C1</td> <td>0589390C1</td> </tr> </tbody> </table>				CAV	CIR	GAUGE	COLOR	TERM	SEAL	A	M11-GC	12	WH	1673747C1	0589390C1						
CAV	CIR	GAUGE	COLOR	TERM																																									
1	M94AM	14	BL	ASSY																																									
2	M94AJ	14	GN	ASSY																																									
3	M94AK	14	BN	ASSY																																									
CAV	CIR	GAUGE	COLOR	TERM	SEAL																																								
A	M11-GC	12	WH	1673747C1	0589390C1																																								
<p>TEMP SENDER (8601)</p>  <p>CONNECTOR - 3522068C1 PLUG - 1687788C1 LOCK - 1661874C1</p> <table border="1"> <thead> <tr> <th>CAV</th> <th>CIR</th> <th>GAUGE</th> <th>COLOR</th> <th>TERM</th> <th>SEAL</th> </tr> </thead> <tbody> <tr> <td>A</td> <td>M41</td> <td>18</td> <td>GY</td> <td>1661875C1</td> <td>1661872C1</td> </tr> <tr> <td>B</td> <td>M41A</td> <td>18</td> <td>GY</td> <td>1661875C1</td> <td>1661872C1</td> </tr> </tbody> </table>				CAV	CIR	GAUGE	COLOR	TERM	SEAL	A	M41	18	GY	1661875C1	1661872C1	B	M41A	18	GY	1661875C1	1661872C1	<p>A/C TRANSDUCER (8602)</p>  <p>CONNECTOR - 1678137C1</p> <table border="1"> <thead> <tr> <th>CAV</th> <th>CIR</th> <th>GAUGE</th> <th>COLOR</th> <th>TERM</th> </tr> </thead> <tbody> <tr> <td>A</td> <td>M9</td> <td>20</td> <td>GY</td> <td>1651943C1</td> </tr> <tr> <td>B</td> <td>M6</td> <td>20</td> <td>GY</td> <td>1651943C1</td> </tr> <tr> <td>C</td> <td>M7</td> <td>20</td> <td>LT GN</td> <td>1651943C1</td> </tr> </tbody> </table>				CAV	CIR	GAUGE	COLOR	TERM	A	M9	20	GY	1651943C1	B	M6	20	GY	1651943C1	C	M7	20	LT GN	1651943C1
CAV	CIR	GAUGE	COLOR	TERM	SEAL																																								
A	M41	18	GY	1661875C1	1661872C1																																								
B	M41A	18	GY	1661875C1	1661872C1																																								
CAV	CIR	GAUGE	COLOR	TERM																																									
A	M9	20	GY	1651943C1																																									
B	M6	20	GY	1651943C1																																									
C	M7	20	LT GN	1651943C1																																									
ONE	DATE	CHANGE	REV	REFERENCE	DRWING	DATE	50																																						
PEC	19JAN01	PRODUCTION RELEASE.	A	P54304U	U00EDL2	42/43/44/85/8600 & 73/74/7500 CIRC DIAGRAMS																																							
PEC	25JUN01	ADDED 8503-8602.	B	P54634F	P52778H	31MAY00	AE08-52376																																						

Figure 192 Connector Composites (8503), (8503A), (8505), (8506), (8507), (8508), (8509), (8600), (8601), (8602)

13.51. CONNECTOR COMPOSITES (8700), (8701), (8800), (8801), (8802), (8803), (8805), P. 51

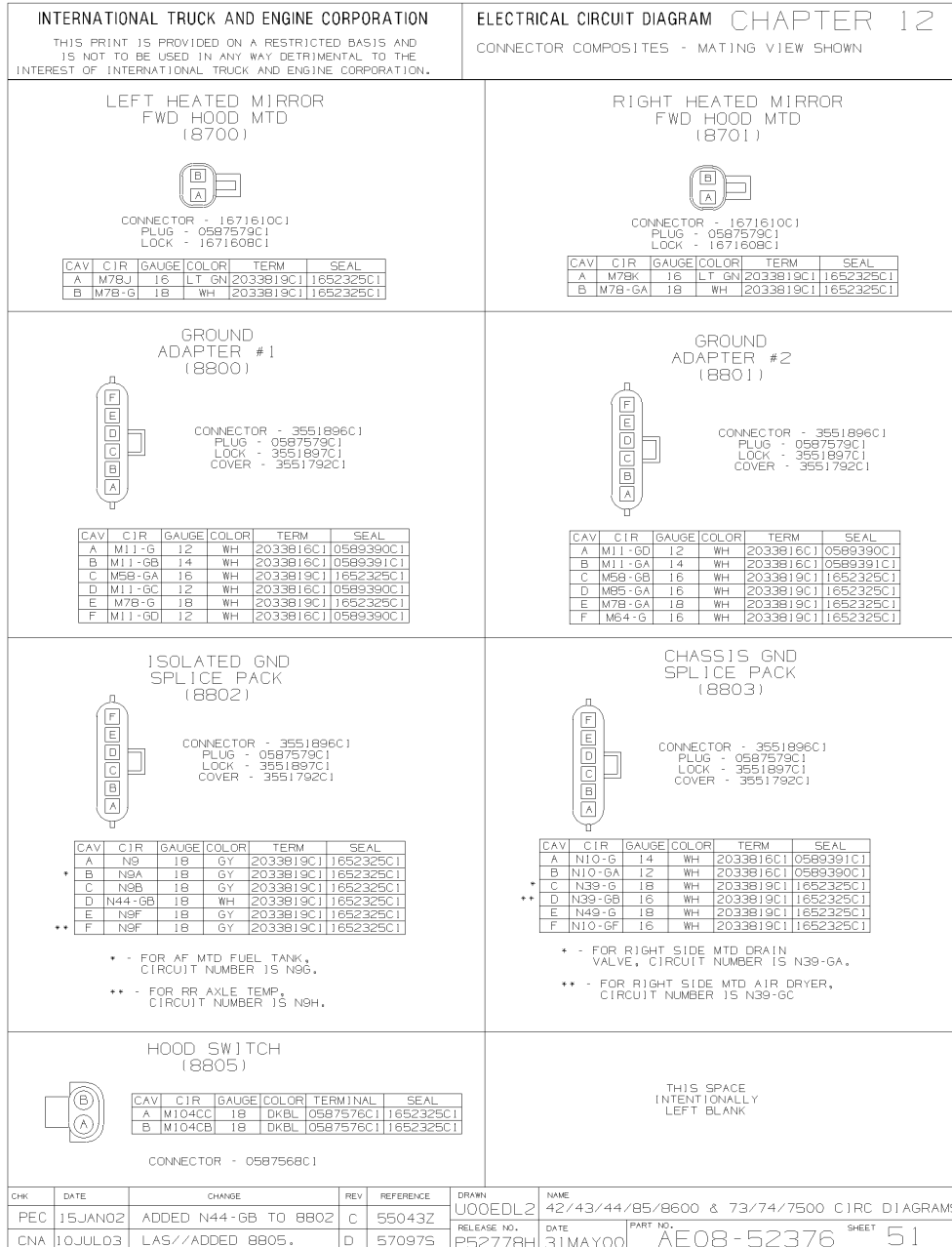


Figure 193 Connector Composites (8700), (8701), (8800), (8801), (8802), (8803), (8805)

ELECTRICAL CIRCUIT DIAGRAM MANUAL

13.52. CONNECTOR COMPOSITES (9001), (9002), (9100), (9101), (9102), (9103), (9104), (9254), (9255), P. 52



Figure 194 Connector Composites (9001), (9002), (9100), (9101), (9102), (9103), (9104), (9254), (9255)

13.53. CONNECTOR COMPOSITES (9260), (9261), (9262), (9263), (9264), (9265), (9303A), P. 53

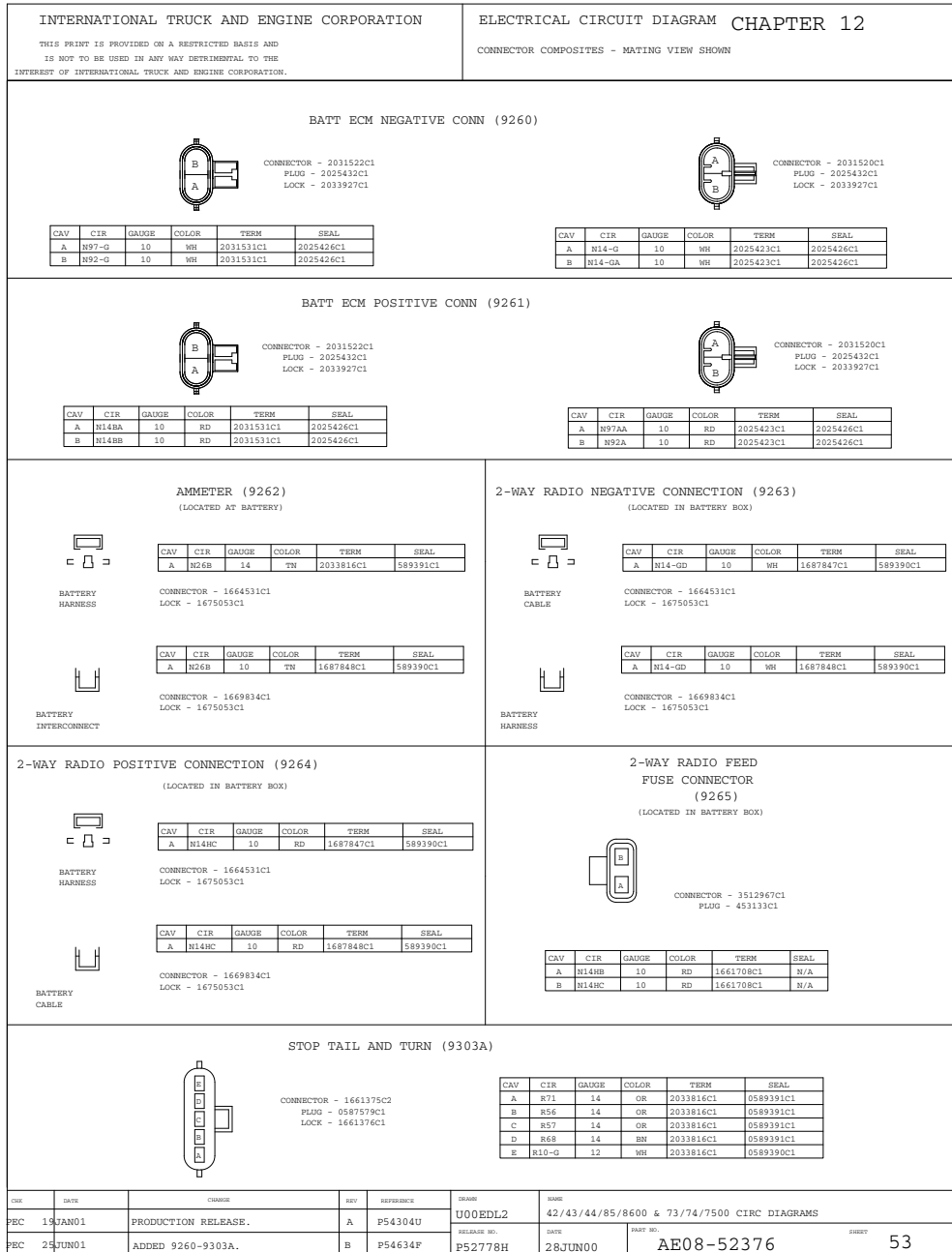


Figure 195 Connector Composites (9260), (9261), (9262), (9263), (9264), (9265), (9303A)

13.54. CONNECTOR COMPOSITES (9405), (9501), (9502), (9503), (9504), (9505), (9506), P. 54

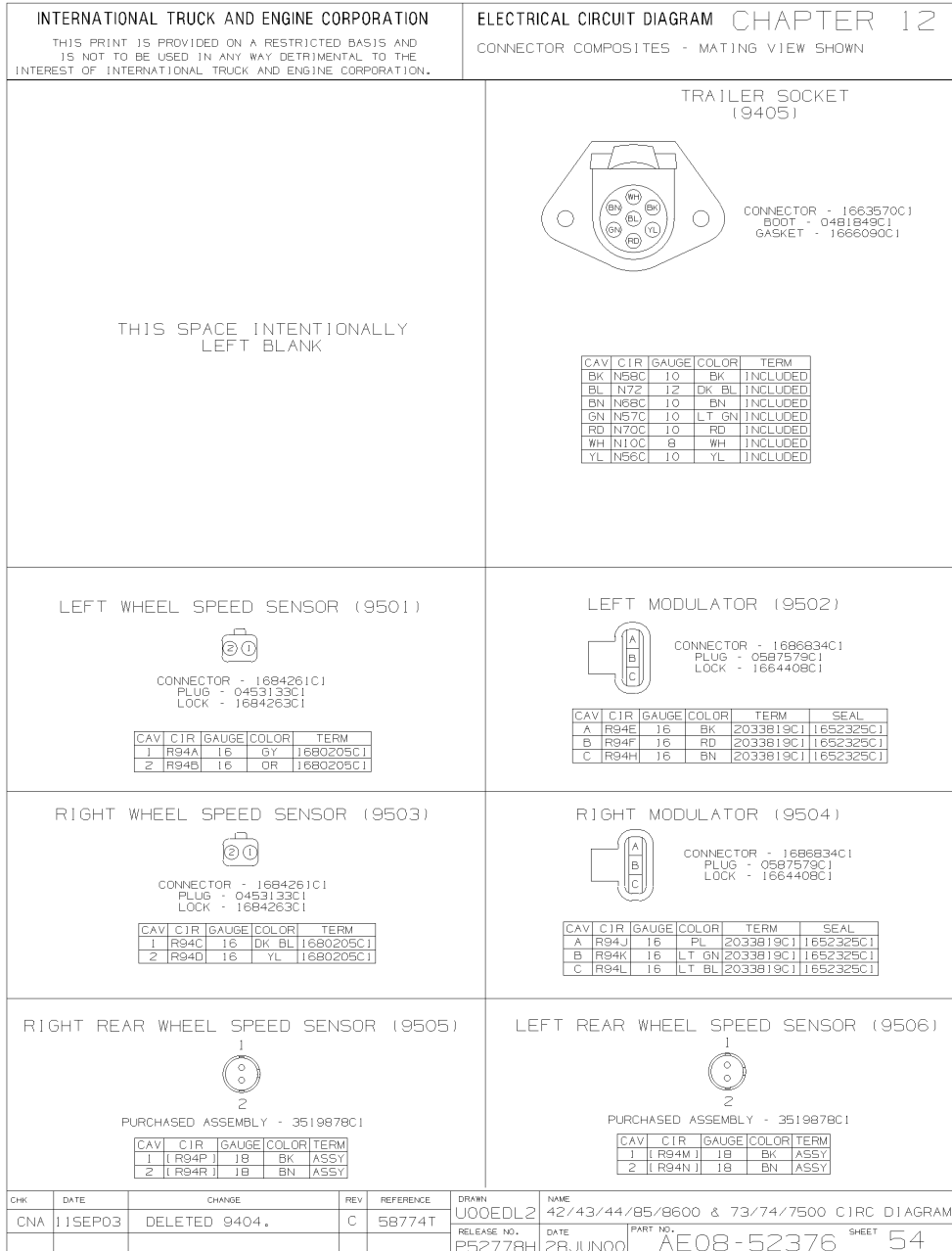


Figure 196 Connector Composites (9405), (9501), (9502), (9503), (9504), (9505), (9506)

13.55. CONNECTOR COMPOSITES (9507), (9508), (9509), (9510), (9511), (9512), (9513), (9514), (9515), P. 55

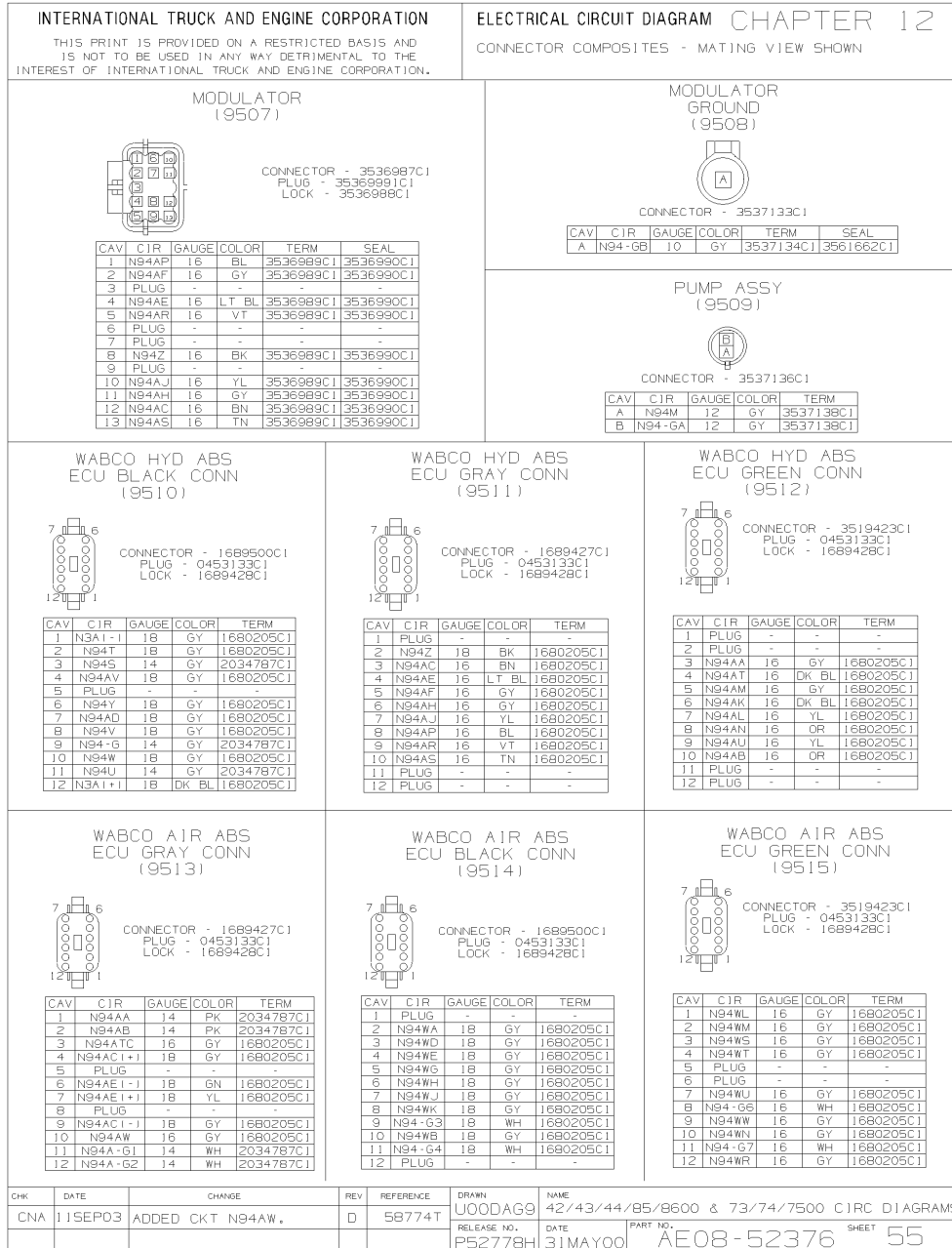


Figure 197 Connector Composites (9507), (9508), (9509), (9510), (9511), (9512), (9513), (9514), (9515)

13.56. CONNECTOR COMPOSITES (9516), (9517), (9518), (9519), P. 56

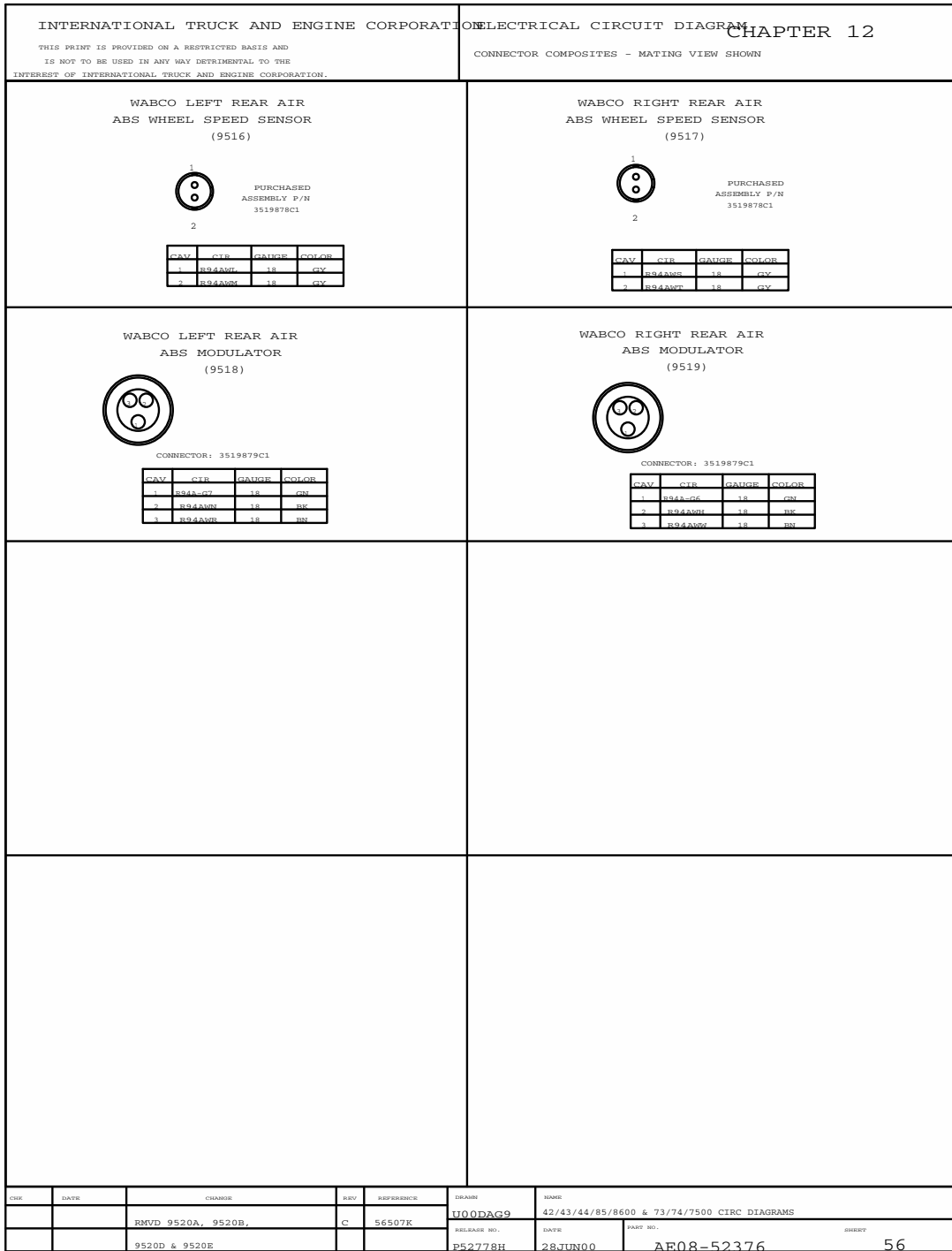


Figure 198 Connector Composites (9516), (9517), (9518), (9519)

13.57. CONNECTOR COMPOSITE (9700), P. 57

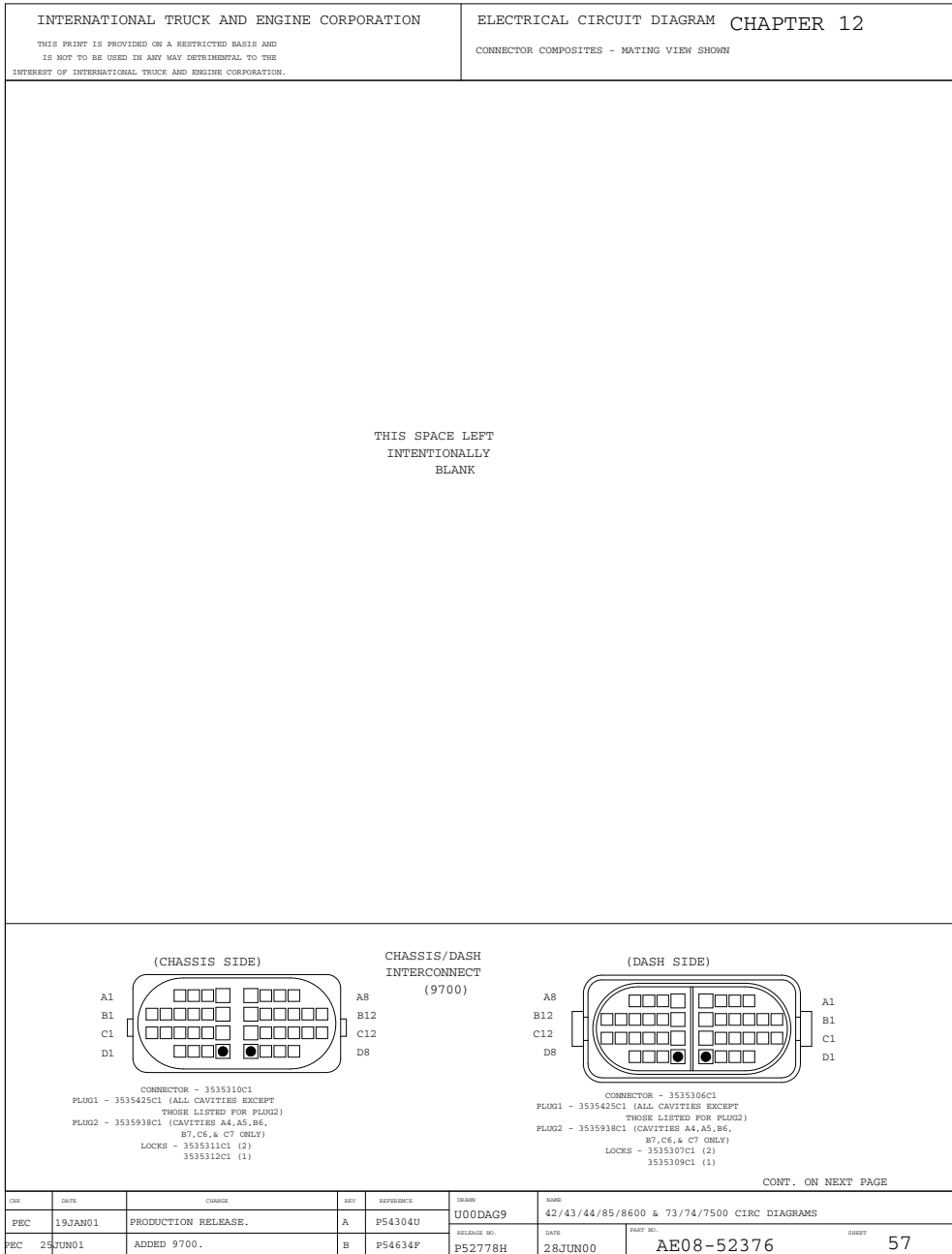


Figure 199 Connector Composite (9700)

13.58. CONNECTOR COMPOSITE (9700), P. 58

INTERNATIONAL TRUCK AND ENGINE CORPORATION						ELECTRICAL CIRCUIT DIAGRAM CHAPTER 12	
THIS PRINT IS PROVIDED ON A RESTRICTED BASIS AND IS NOT TO BE USED IN ANY WAY DETRIMENTAL TO THE INTEREST OF INTERNATIONAL TRUCK AND ENGINE CORPORATION.						CONNECTOR COMPOSITES - MATING VIEW SHOWN	
(CHASSIS SIDE)						CHASSIS/DASH INTERCONNECT (9700)	
CAV	CIR	GUAGE	COLOR	TERM	SEAL	NOTES	
A1	N32A	18	TN	3535305C1	3535424C1		
A1	N104CA	16	DK BL	3535305C1	3535424C1	W/REMOTE START/STOP	
A2	N32	18	TN	3535305C1	3535424C1		
A2	N59CA	16	GY	3535305C1	3535424C1	W/REMOTE START/STOP	
A3	N94A	16	GY	3535305C1	3535424C1	W/AIR ABS	
A3	N94AM	16	GY	3535305C1	3535424C1	W/HYD ABS	
A3	N94WJ	18	GY	3535305C1	3535310C1	W/WABCO AIR	
A4	N71	14	OR	3535934C1	3535937C1		
A5	N58	14	OR	3535934C1	3535937C1		
A6	N94B	16	OR	3535305C1	3535424C1	W/AIR ABS	
A6	N94AN	16	OR	3535305C1	3535424C1	W/HYD ABS	
A6	N94WK	18	GY	3535305C1	3535310C1	W/WABCO AIR	
A7	N94C	16	DK BL	3535305C1	3535424C1	W/AIR ABS	
A7	N94AT	16	DK BL	3535305C1	3535424C1	W/HYD ABS	
A7	N94WB	18	GY	3535305C1	3535310C1	W/WABCO AIR	
A8	N94D	16	YL	3535305C1	3535424C1	W/AIR ABS	
A8	N94AU	16	YL	3535305C1	3535424C1	W/HYD ABS	
A8	N94WH	18	GY	3535305C1	3535310C1	W/WABCO AIR	
B1	N94E	18	GY	3535305C1	3535424C1	W/AIR ABS	
B1	N94T	18	GY	3535305C1	3535424C1	W/HYD ABS	
B1	N94WA	18	GY	3535305C1	3535310C1	W/WABCO AIR	
B2	N94F	16	RD	3535305C1	3535424C1	W/AIR ABS	
B2	N94AD	18	GY	3535305C1	3535424C1	W/HYD ABS	
B2	N94-G4	18	WH	3535305C1	3535310C1	W/WABCO AIR	
B3	N94H	16	BN	3535305C1	3535424C1	W/AIR ABS	
B3	N94Y	18	GY	3535305C1	3535424C1	W/HYD ABS	
B3	N94WB	18	GY	3535305C1	3535310C1	W/WABCO AIR	
B4	N94I	16	PL	3535305C1	3535424C1	W/AIR ABS	
B4	N94WE	16	GY	3535305C1	3535310C1	W/WABCO AIR	
B5	N94V	18	LT GN	3535305C1	3535424C1	W/AIR ABS	
B5	N94V	18	GY	3535305C1	3535424C1	W/HYD ABS	
B5	N94-G3	18	WH	3535305C1	3535310C1	W/WABCO AIR	
B6	N57	14	OR	3535934C1	3535937C1		
B7	N68	14	BN	3535934C1	3535937C1		
B8	N94L	16	LT BL	3535305C1	3535424C1		
B9	N44N	18	GY	3535305C1	3535424C1		
B9	N94WD	18	GY	3535305C1	3535310C1	W/WABCO AIR	
B9	N59-GA	18	WH	3535305C1	3535310C1		
B9	N19	16	GY	3535305C1	3535424C1		
B9	N19A	16	GY	3535305C1	3535424C1		
B9	N44M	18	GY	3535305C1	3535424C1	W/AIR ABS	
B10	N59J	18	GY	3535305C1	3535424C1		
B10	N59U	18	GY	3535305C1	3535424C1		
B11	*	18	TN	3535305C1	3535424C1		
B12	**	16	GY	3535305C1	3535424C1		
C1	N59K	18	GY	3535305C1	3535424C1		
C1	N59V	18	GY	3535305C1	3535424C1		
C2	N59L	18	GY	3535305C1	3535424C1		
C2	N59W	18	GY	3535305C1	3535424C1		
C3	N94BD	16	BN	3535305C1	3535424C1	W/AIR ABS	
C3	N3A(-)	18	GY	3535305C1	3535424C1	W/HYD ABS	
C3	N94C(+)	18	GY	3535305C1	3535310C1	W/WABCO AIR	
C4	N94BE	16	YL	3535305C1	3535424C1	W/AIR ABS	
C4	N94A(+)	18	DK BL	3535305C1	3535424C1	W/HYD ABS	
C4	N94C(-)	18	GY	3535305C1	3535310C1	W/WABCO AIR	
C5	N59M	18	GY	3535305C1	3535424C1		
C5	N59X	18	GY	3535305C1	3535424C1		
C6	N10-G	14	WH	3535934C1	3535937C1		
C7	N59T	14	GY	3535934C1	3535937C1		
C7	N59T	14	GY	3535934C1	3548845C1		
C8	***	18	GY	3535305C1	3535424C1		
C9	N56J	16	OR	3535305C1	3535424C1		
C9	N37D	18	TN	3535305C1	3535424C1		
C10	****	18	TN	3535305C1	3535424C1		
C11	PLUG	-	-	-	-		
C12	N49A	18	GY	3535305C1	3535424C1		
D1	N49B	18	GY	3535305C1	3535424C1		
D2	N57BB	18	GY	3535305C1	3535424C1		
D2	N57DB	18	GY	3535305C1	3535424C1		
D3	N57KB	18	GY	3535305C1	3535424C1		
D3	N57MB	18	GY	3535305C1	3535424C1		
D8	N57CA	18	GY	3535305C1	3535424C1		
D8	N57EA	18	GY	3535305C1	3535424C1		
D7	N71N	18	OR	3535305C1	3535424C1		
D7	N19-G	16	WH	3535305C1	3535424C1		
D7	N19-GA	16	WH	3535305C1	3535424C1		
D8	N9	18	GY	3535305C1	3535424C1		

(DASH SIDE)						
CAV	CIR	GUAGE	COLOR	TERM	SEAL	NOTES
A1	J32	18	TN	3535303C1	3535424C1	
A1	J104C	18	DK BL	3535303C1	3535424C1	W/REMOTE START/STOP
A2	J32A	18	TN	3535303C1	3535424C1	
A2	J59	18	GY	3535930C1	3535936C1	W/REMOTE START/STOP
A3	J94AB	18	GY	3535303C1	3535424C1	W/AIR ABS
A3	J94HM	18	GY	3535303C1	3535424C1	W/HYD ABS
A4	J71A	18	OR	3535930C1	3535936C1	
A5	J58B	16	OR	3535930C1	3535936C1	
A6	J94AA	18	OR	3535303C1	3535424C1	W/AIR ABS
A6	J94HN	18	OR	3535303C1	3535424C1	W/HYD ABS
A7	J94AL	18	DK BL	3535303C1	3535424C1	W/AIR ABS
A7	J94HT	18	DK BL	3535303C1	3535424C1	W/HYD ABS
A8	J94AK	18	YL	3535303C1	3535424C1	W/AIR ABS
A8	J94HU	18	YL	3535303C1	3535424C1	W/HYD ABS
B1	J94AC	18	BK	3535303C1	3535424C1	W/AIR ABS
B1	J94HD	18	GY	3535303C1	3535424C1	W/HYD ABS
B2	J94AD	18	RD	3535303C1	3535424C1	W/AIR ABS
B2	J94HV	18	GY	3535303C1	3535424C1	W/HYD ABS
B3	J94AE	18	BN	3535303C1	3535424C1	W/AIR ABS
B3	J94HX	18	GY	3535303C1	3535424C1	W/HYD ABS
B4	J94AF	18	PL	3535303C1	3535424C1	W/AIR ABS
B5	J94AH	18	LT GN	3535303C1	3535424C1	W/AIR ABS
B5	J94HP	18	GY	3535303C1	3535424C1	W/HYD ABS
B6	J57B	16	OR	3535930C1	3535936C1	
B7	J88B	14	BN	3535931C1	3535937C1	
B8	J94AJ	18	GY	3535303C1	3535424C1	
B8	J44N	16	GY	3535303C1	3535424C1	
B9	N59-GA	18	WH	3535303C1	3535424C1	
B9	J44M	18	GY	3535303C1	3535424C1	
B10	J59A	18	GY	3535303C1	3535424C1	
B11	J36A	18	TN	3535303C1	3535424C1	
B12	J39A	16	GY	3535303C1	3535424C1	
C1	J59B	18	GY	3535303C1	3535424C1	
C2	J59C	18	GY	3535303C1	3535424C1	
C3	J94ATC	18	GY	3535303C1	3535424C1	W/AIR ABS
C3	J3C1(-)	18	GY	3535303C1	3535424C1	W/HYD ABS
C4	J94ATR	18	GY	3535303C1	3535424C1	W/AIR ABS
C4	J3C1(+)	18	DK BL	3535303C1	3535424C1	W/HYD ABS
C5	J59D	18	GY	3535303C1	3535424C1	
C6	J11-GA	14	WH	3535931C1	3535937C1	
C7	J58	14	GY	3535931C1	3535937C1	
C8	J36B	18	GY	3535303C1	3535424C1	
C9	J37	18	TN	3535303C1	3535424C1	
C10	J36B	18	TN	3535303C1	3535424C1	
C11	PLUG	-	-	-	-	
C12	J49A	18	GY	3535303C1	3535424C1	
D1	J49B	18	GY	3535303C1	3535424C1	
D2	J87BB	18	GY	3535303C1	3535424C1	
D3	J87KB	18	GY	3535303C1	3535424C1	
D6	J87CA	18	GY	3535303C1	3535424C1	
D7	J71N	18	OR	3535303C1	3535424C1	
D8	J8G	18	GY	3535303C1	3535424C1	

- * - FOR LEFT SIDE MTD FUEL TANKS, CIR NUM IS N38;
- FOR RIGHT SIDE MTD FUEL TANKS, CIR NUM IS N38A;
- FOR DUAL FUEL TANKS, CIR NUM IS N38B;
- ** - FOR AF MTD FUEL TANKS, CIR NUM IS N36C;
- *** - FOR LEFT SIDE MTD AIR DRYERS, CIR NUM IS N39B;
- FOR RIGHT SIDE MTD AIR DRYERS, CIR NUM IS N39C;
- **** - FOR LEFT SIDE MTD DRAIN VALVES, CIR NUM IS N39;
- FOR RIGHT SIDE MTD DRAIN VALVES, CIR NUM IS N39A;
- FOR SINGLE TANK, CIR NUM IS N36;
- FOR DUAL TANKS, CIR NUM IS N36H;

CHK	DATE	CHANGE	REV	REFERENCE	DRAWN	NAME
		ADDED CIRC EACH CHART	A	56507K	UOODLCK	42/43/44/85/8600 & 73/74/7500 CIRC DIAGRAMS
CNA	10JUL03	LAS/MULTIPLE CHANGES	B	57097S	RELEASE NO. P54634F	DATE 14JUN01 PART NO. AE08-52376 SHEET 58

Figure 200 Connector Composite (9700)

13.59. CONNECTOR COMPOSITES (9715), (9715A), (9715B), P. 59

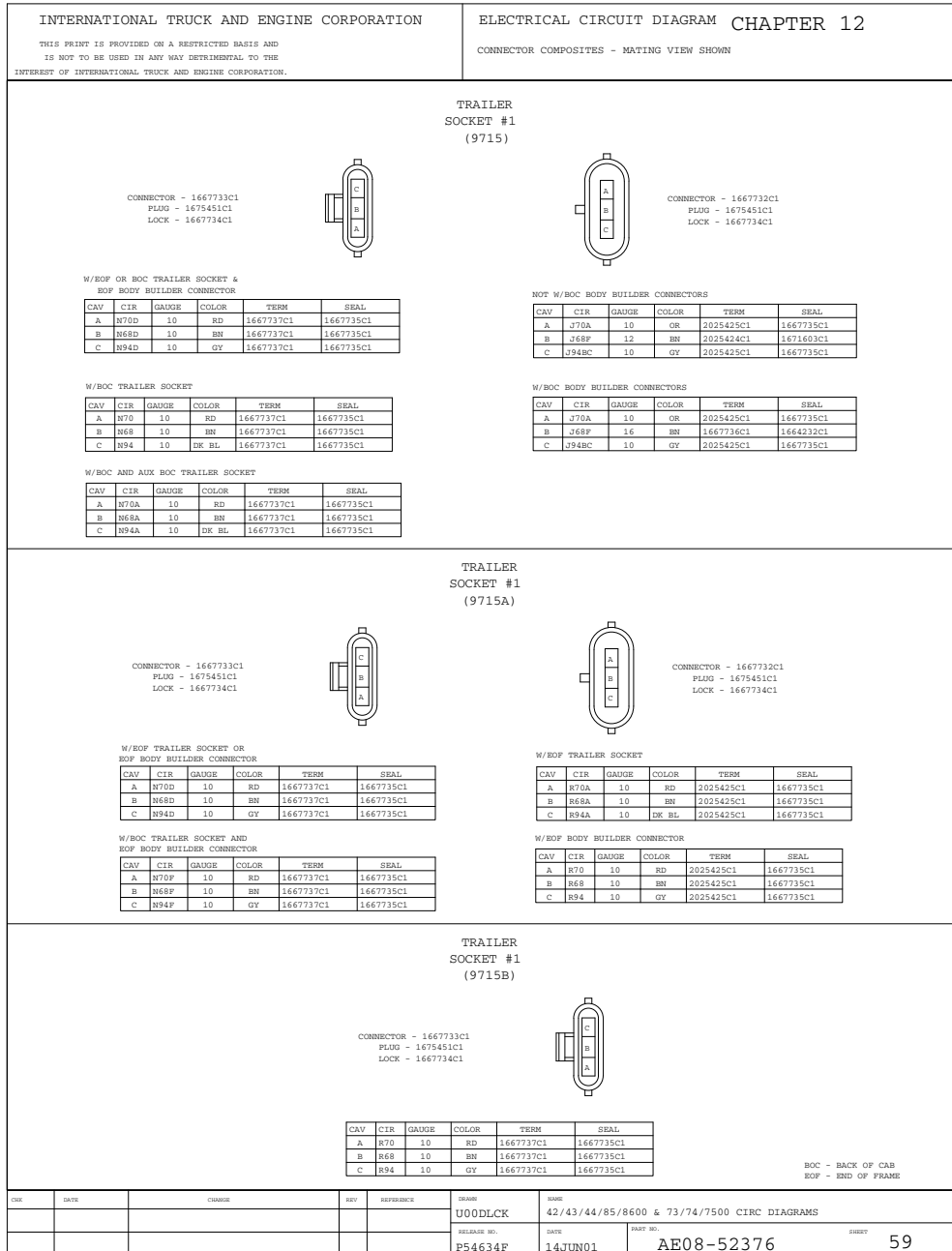


Figure 201 Connector Composites (9715), (9715A), (9715B)

13.60. CONNECTOR COMPOSITES (9716), (9716A), (9716B), P. 60

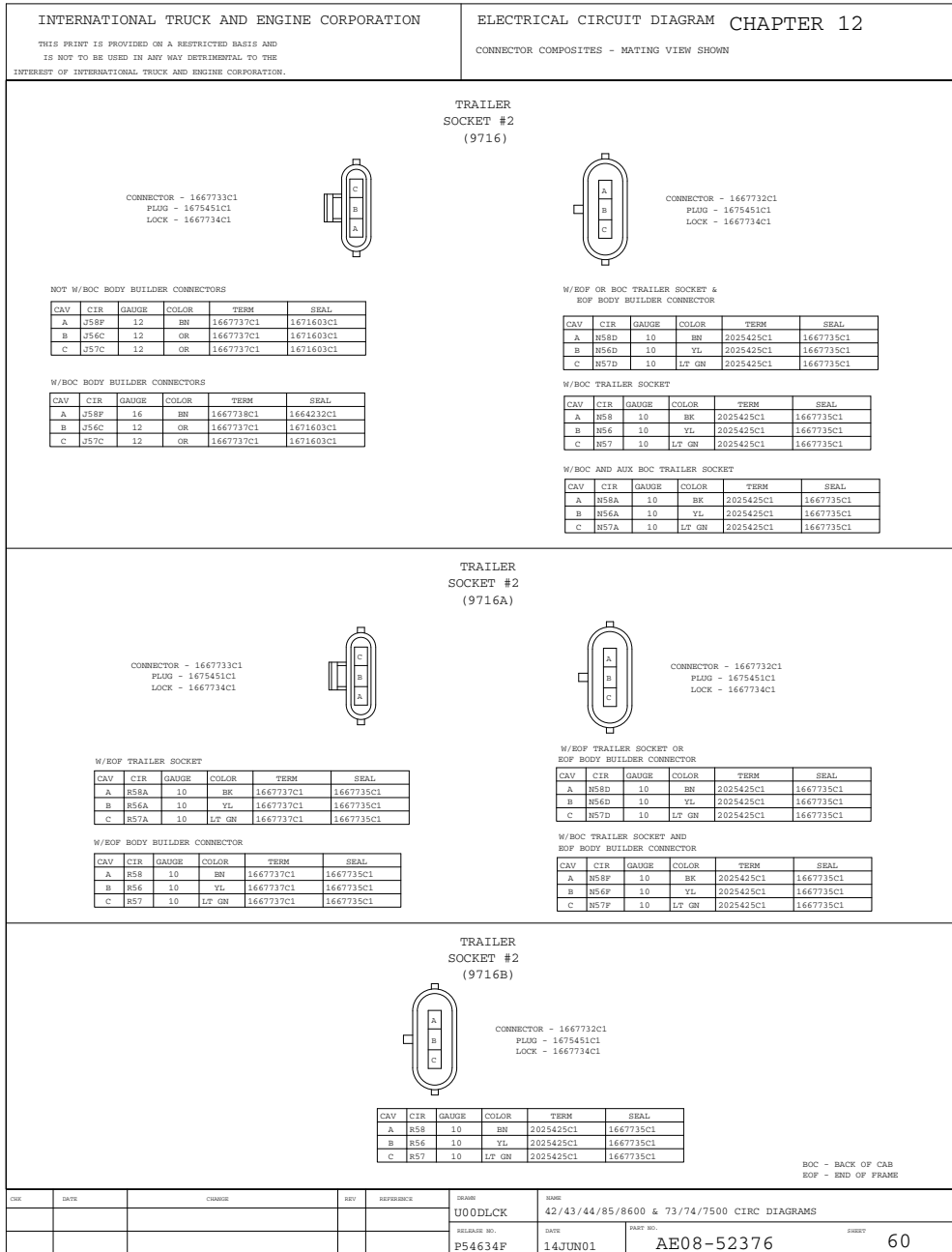


Figure 202 Connector Composites (9716), (9716A), (9716B)

13.61. CONNECTOR COMPOSITES (9717A), (9717B), P. 61

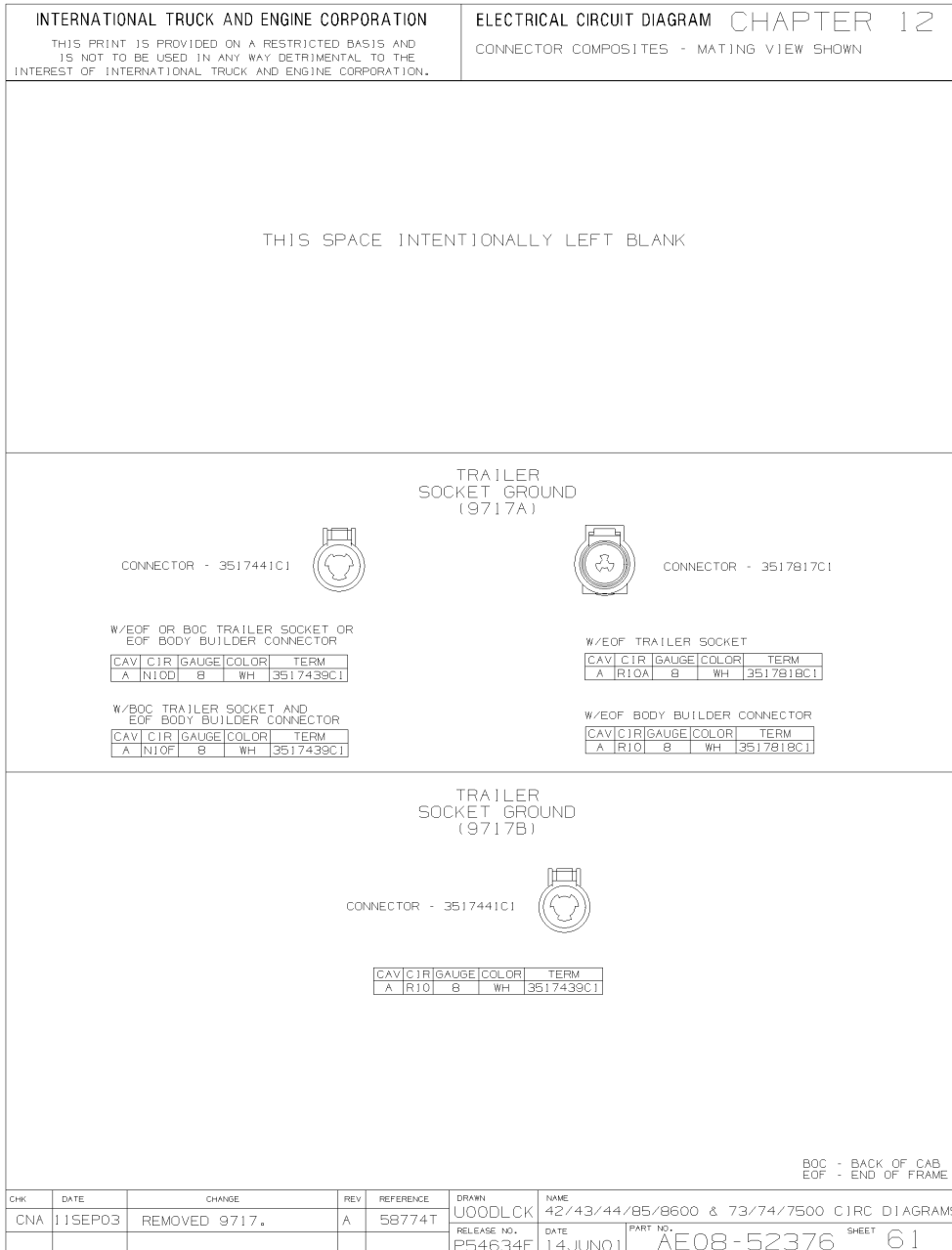


Figure 203 Connector Composites (9717A), (9717B)

ELECTRICAL CIRCUIT DIAGRAM MANUAL

13.62. CONNECTOR COMPOSITES (9718), (9719), (9720), (9733), (9734), (9736), (9754), (9762), (9763), P. 62

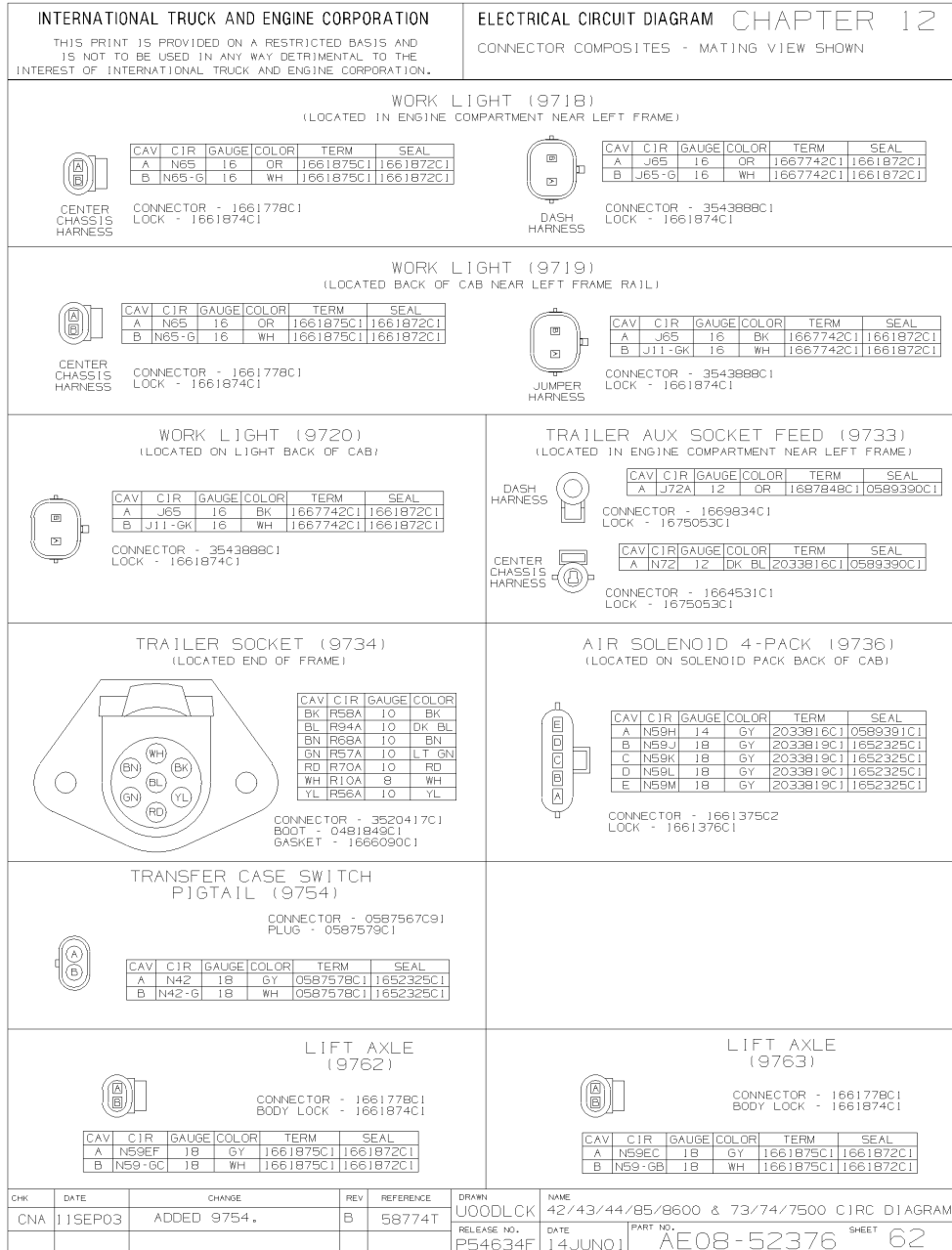


Figure 204 Connector Composites (9718), (9719), (9720), (9733), (9734), (9736), (9754), (9762), (9763)

13.63. CONNECTOR COMPOSITES (9777), (9778), (9800), P. 63

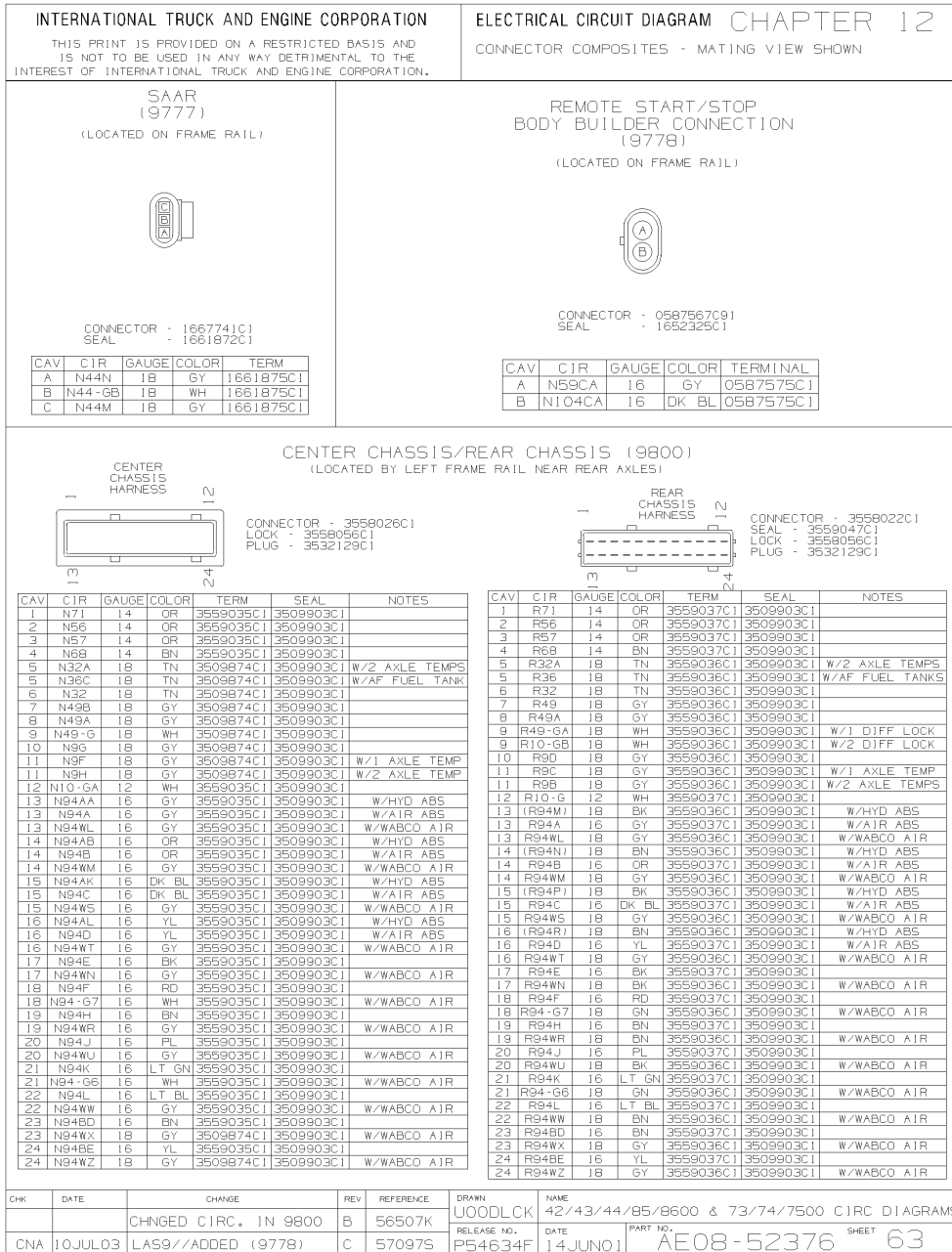


Figure 205 Connector Composites (9777), (9778), (9800)

13.64. CONNECTOR COMPOSITES (9870), (9871), (9811), (9812), (9814), (9815), (9830), (9850), (9860), (9865M), (9900), (9900A), (9913A), P. 64

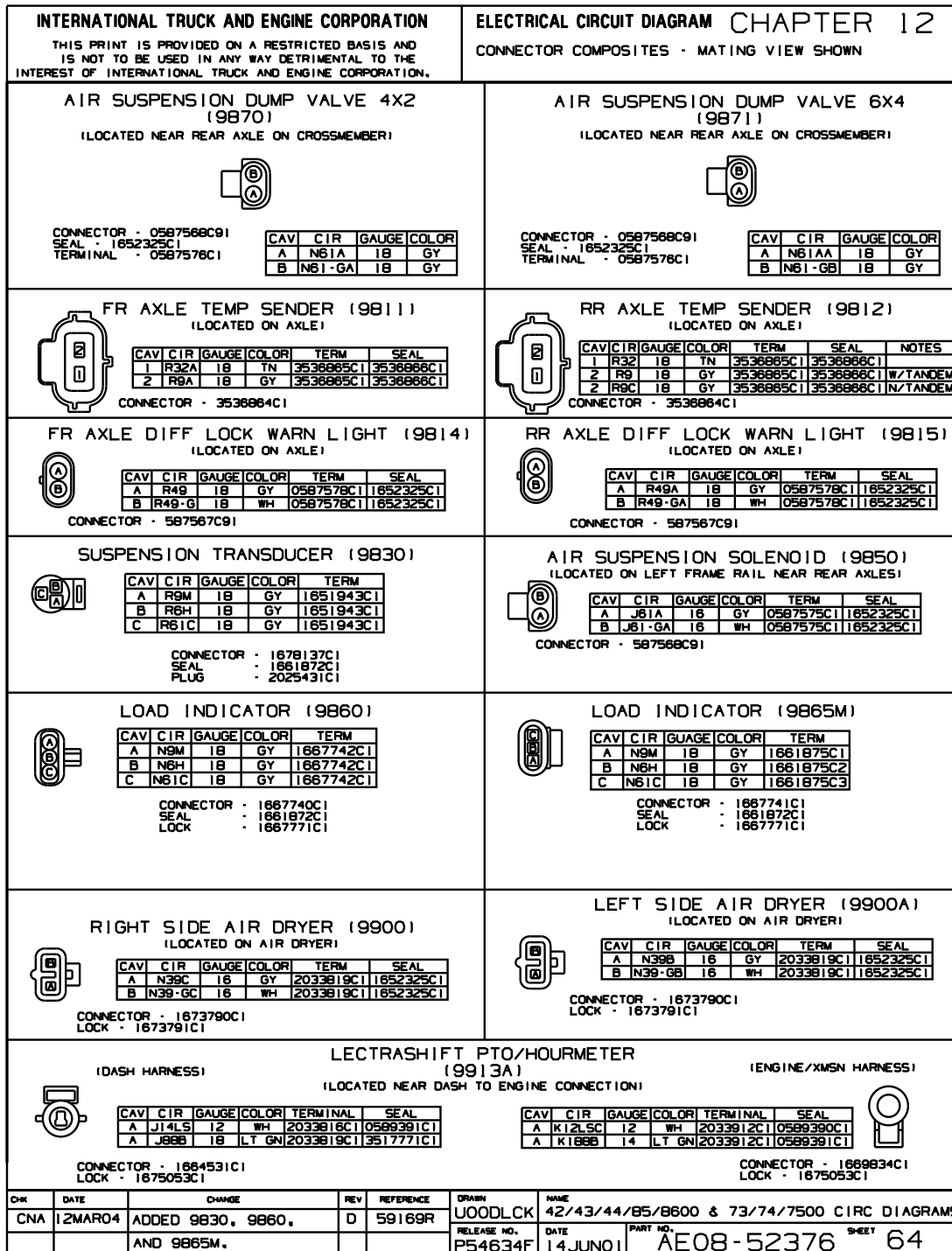


Figure 206 Connector Composites (9870), (9871), (9811), (9812), (9814), (9815), (9830), (9850), (9860), (9865M), (9900), (9900A), (9913A)

13.65. CONNECTOR COMPOSITES (9913B), (9914), (4100), (4109), (4112), (6502), (7107), (7208), (7615), P. 65

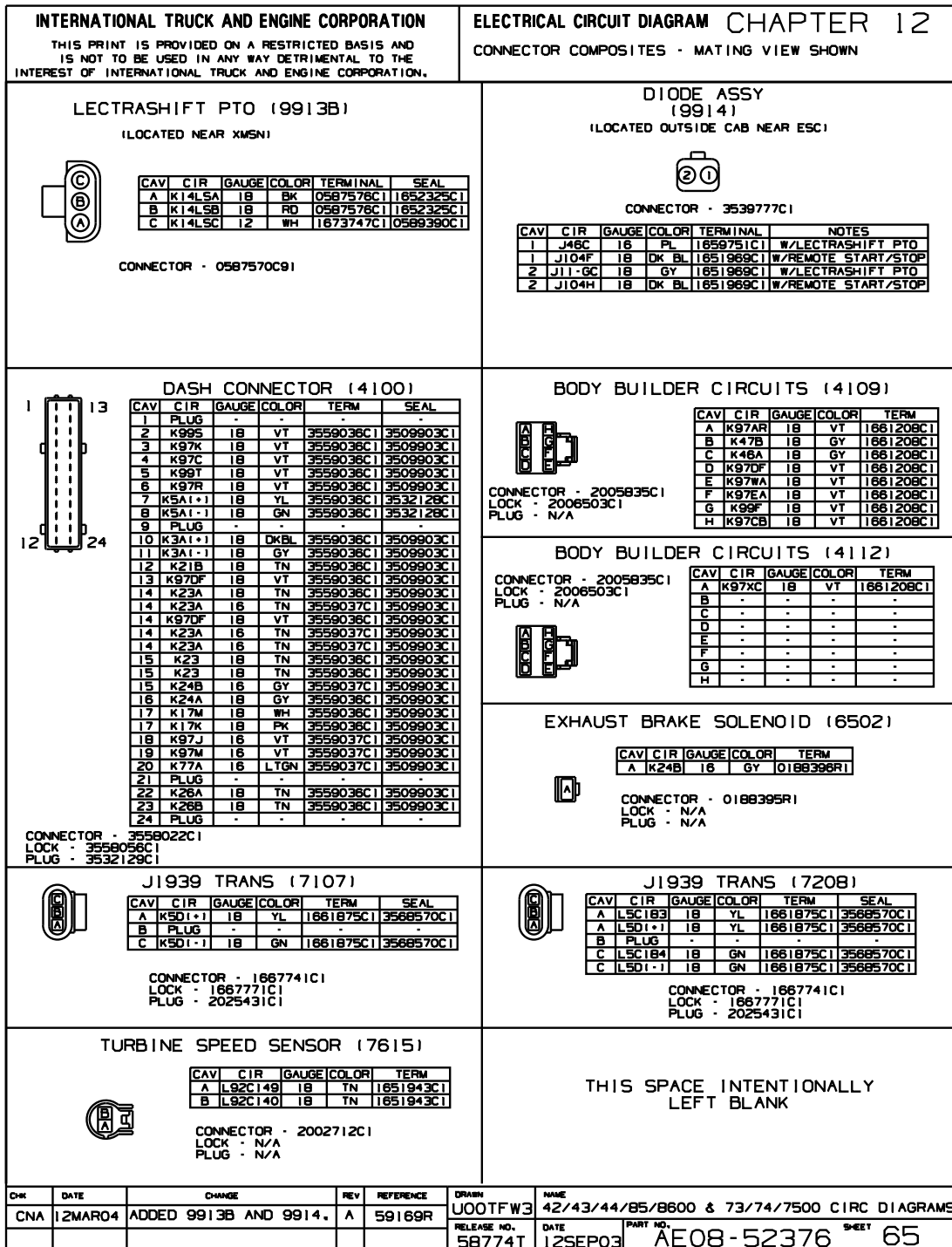


Figure 207 Connector Composites (9913B), (9914), (4100), (4109), (4112), (6502), (7107), (7208), (7615)