
**2011 – 2015 IC Bus® BE / CE Series
Electrical Circuit Diagrams
(Supersedes S08377)**

IC Bus, LLC

2701 Navistar Drive, Lisle, IL 60532 USA

TABLE OF CONTENTS

2. INSTRUCTIONS AND CHARTS (CHAPTER 2)	1
2.1. ABBREVIATIONS, P. 1.....	1
2.2. ACRONYMS, P. 2.....	2
2.3. CIRCUIT DIAGRAM INSTRUCTIONS, P. 3.....	3
2.4. CIRCUIT NUMBER IDENTIFICATION AND COLOR, P. 4.....	4
2.5. CIRCUIT NUMBER IDENTIFICATION AND COLOR (CONT.), P. 5.....	5
2.6. CIRCUIT NUMBER IDENTIFICATION AND COLOR (CONT.), P. 6.....	6
2.7. CIRCUIT NUMBER IDENTIFICATION AND COLOR (CONT.), P. 7.....	7
2.8. LAMP BULB CHART, P. 8.....	8
2.9. RELAY FUNCTION AND WIRING GUIDE, P. 9.....	9
2.10. SCHEMATIC SYMBOL CHART, P. 10.....	10
2.11. SCHEMATIC SYMBOL CHART (CONT.), P. 11.....	11
2.12. SCHEMATIC SYMBOL CHART (CONT.), P. 12.....	12
2.13. SCHEMATIC SYMBOL CHART (CONT.), P. 13.....	13
2.14. SCHEMATIC SYMBOL CHART (CONT.), P. 14.....	14
2.15. SCHEMATIC SYMBOL CHART (CONT.), P. 15.....	15
2.16. SCHEMATIC SYMBOL CHART (CONT.), P. 16.....	16
2.17. SCHEMATIC SYMBOL CHART (CONT.), P. 17.....	17
2.18. SCHEMATIC SYMBOL CHART (CONT.), P. 18.....	18
2.19. INTENTIONALLY LEFT BLANK, P. 19.....	19
2.20. BUS BODY AND FLASHER PLATE FUSE BLOCK VIEW, P. 20.....	20
2.21. CE BUS LAYOUT, P. 21.....	21
3. 12 VOLT POWER DISTRIBUTION AND DATA LINK (CHAPTER 3)	22
3.1. BATTERY FEED, P. 1.....	22
3.2. BATTERY FEED WITH 500K BAUD RATE, P. 1A.....	23
3.3. ACCESSORY FEED, P. 2.....	24
3.4. ACCESSORY FEED WITH 500K BAUD RATE, P. 2A.....	25
3.5. IGNITION FEED, P. 3.....	26
3.6. IGNITION FEED WITH 500K BAUD RATE, P. 3A.....	27
3.7. IGNITION FEED (CONT.), P. 4.....	28
3.8. IGNITION FEED WITH 500K BAUD RATE (CONT.), P. 4A.....	29
3.9. IGNITION SPLICE PACK, P. 5.....	30
3.10. BODY CIRCUIT – ACCESSORY AND IGNITION FEED, P. 6.....	31
3.11. ACCESSORY SPLICE RELAY COILS, P. 7.....	32
3.12. ACCESSORY SPLICE RELAY COILS (CONT.), P. 8.....	33
3.13. BODY CIRCUIT – MASTER DISCONNECT, P. 9.....	34
3.14. BODY CIRCUIT – NOISE SUPPRESSION, P. 10.....	35
3.15. BODY CIRCUIT – FUSE BLOCK, P. 11.....	36
3.16. BODY CIRCUIT – FUSE BLOCK (CONT.), P. 12.....	37
3.17. BODY CIRCUIT – FUSE BLOCK (CONT.), P. 13.....	38
3.18. BODY CIRCUIT – FUSE BLOCK (CONT.), P. 14.....	39
3.19. BODY CIRCUIT – FUSE BLOCK (CONT.), P. 15.....	40
3.20. BODY CIRCUIT – FUSE BLOCK (CONT.), P. 16.....	41
3.21. BODY CIRCUIT – FUSE BLOCK (CONT.), P. 17.....	42
3.22. BATTERY – PLATFORM, P. 18.....	43
3.23. BODY GROUND – PLATFORM, P. 19.....	44
3.24. GEOMETRY REMOVED, P. 20.....	45
3.25. BODY GROUND – PLATFORM (CONT.), P. 21.....	46
3.26. BODY GROUND – PLATFORM (CONT.), P. 22.....	47
3.27. BODY GROUND – PLATFORM (CONT.), P. 23.....	48

TABLE OF CONTENTS (CONT.)

3.28. BODY GROUND – ELECTRICAL PANEL, P. 24.....	49
3.29. BODY GROUND – ELECTRICAL PANEL (CONT.), P. 25.....	50
3.30. BODY GROUND – ELECTRICAL PANEL (CONT.), P. 26.....	51
3.31. BODY GROUND – ELECTRICAL PANEL (CONT.), P. 27.....	52
3.32. BODY GROUND – ELECTRICAL PANEL (CONT.), P. 28.....	53
3.33. BODY GROUND – ELECTRICAL PANEL (CONT.), P. 29.....	54
3.34. BODY GROUND – ELECTRICAL PANEL (CONT.), P. 30.....	55
3.35. BODY GROUND – FRONT CAP, P. 31.....	56
3.36. BODY GROUND – FRONT CAP (CONT.), P. 32.....	57
3.37. BODY GROUND – REAR CAP, P. 33.....	58
3.38. BODY GROUND – REAR CAP (CONT.), P. 34.....	59
3.39. BODY GROUND – SEALED ENGINE, P. 35.....	60
3.40. BODY GROUND – SEALED ENGINE (CONT.), P. 36.....	61
3.41. BODY GROUND – SEALED ENGINE (CONT.), P. 37.....	62
3.42. BODY GROUND – V8 / I6 ENGINE, P. 38.....	63
3.43. BODY GROUND – CHASSIS, P. 39.....	64
3.44. BODY GROUND – CHASSIS WITH CE BUS WITH PROPANE, P. 39A.....	65
3.45. BODY GROUND – RIGHT BODY, P. 40.....	66
3.46. BODY GROUND – RIGHT BODY (CONT.), P. 41.....	67
3.47. BODY GROUND – LEFT BODY, P. 42.....	68
3.48. BODY GROUND – LEFT BODY (CONT.), P. 43.....	69
3.49. BODY GROUND – LEFT BODY (CONT.), P. 44.....	70
3.50. BODY GROUND – LEFT BODY (CONT.), P. 45.....	71
3.51. ZERO VOLT REFERENCE SPLICE, P. 46.....	72
3.52. ZERO VOLT REFERENCE SPLICE (CONT.), P. 47.....	73
3.53. ZERO VOLT REFERENCE SPLICE (CONT.), P. 48.....	74
3.54. DC POWER EFFECTS, P. 49.....	75
3.55. BATTERY ISOLATOR, P. 50.....	76
3.56. J1939 DATA LINK PLATFORM WITH 250K PLATFORM, P. 51.....	77
3.57. J1939 DATA LINK COMPLETE PLATFORM AND DIAGNOSTIC CONNECTOR WITH 250K, P. 52.....	78
3.58. J1939 DATA LINK BASIC PLATFORM AND DIAGNOSTIC CONNECTOR WITH LCT WITH 250K, P. 53.....	79
3.59. J1939 DATA LINK BASIC PLATFORM AND DIAGNOSTIC CONNECTOR WITH WTEC WITH 250K, P. 54.....	80
3.60. J1708 DATA LINK COMPLETE – LCT, P. 55.....	81
3.61. J1708 DATA LINK BASIC WITH WTEC, P. 56.....	82
3.62. 250K EATON PROCISION WITH PAM, P. 56A.....	83
3.63. 500K EATON PROCISION WITHOUT PAM WITH 500K BAUD RATE, P. 56B.....	84
3.64. 500K DATA LINK BASIC WITH ENHANCED VCM FEATURES WITH EATON PROCISION TRANSMISSION, P. 56C.....	85
3.65. J1939 DATA LINK – I6 ENGINE, P. 57.....	86
3.66. J1939 DATA LINK – V8 ENGINE, P. 58.....	87
3.67. J1939 DATA LINK – CHASSIS, P. 59.....	88
3.68. J1939 DATA LINK WITH 250K WITH ALLISON TRANSMISSION WITHOUT PAM, P. 59A.....	89
3.69. ENGINE GROUND PANEL SPLICE, P. 60.....	90
3.70. J1939 DATA LINK BASIC WITH 250K WITH LCT TRANSMISSION WITH CE BUS WITH PROPANE, P. 61.....	91
3.71. J1939 DATA LINK BASIC WITH 250K WITH LCT TRANSMISSION WITH CE BUS WITH PROPANE (CONT.), P. 62.....	92
3.72. J1939 DATA LINK BASIC 500K BAUD RATE WITH ENHANCED VCM FEATURES, P. 63.....	93

TABLE OF CONTENTS (CONT.)

3.73.	J1939 DATA LINK BASIC 500K BAUD RATE WITH ENHANCED VCM FEATURES (CONT.), P. 64.....	94
3.74.	J1939 ISB DATA LINK BASIC WITH ENHANCED VCM FEATURES WITH 500K BAUD RATE (CONT.), P. 65.....	95
3.75.	J1939 DATA LINK BASIC WITH 500K WITH ALLISON TRANSMISSION WITH F-2017-ISB-ENGINE, P. 66.....	96
3.76.	J1939 DATA LINK WITH 500K WITH EATON PROCISION TRANSMISSION WITH F-2017-ISB-ENGINE, P. 67.....	97
3.77.	J1939 DATA LINK WITH 500K WITH ALLISON AND EATON PROCISION TRANSMISSION WITH PAM WITH F-2017-ISB-ENGINE, P. 68.....	98
3.78.	BATTERY ECM POSITIVE / NEGATIVE CONNECTION WITH F-2017-ISB-ENGINE, P. 69. . .	99
3.79.	GROUND ENGINE WITH F-2017-ISB-ENGINE, P. 70.....	100
4.	CHARGING AND CRANKING SYSTEM (CHAPTER 4).....	101
4.1.	CHARGING AND CRANKING – V8 ENGINE, P. 1.....	101
4.2.	CHARGING AND CRANKING – I6 ENGINE, P. 2.....	102
4.3.	CHARGING AND CRANKING – CUMMINS ISB ENGINE, P. 3.....	103
4.4.	CHARGING AND CRANKING WITH CE BUS WITH PROPANE, P. 4.....	104
4.5.	CHARGING AND CRANKING – CUMMINS ISB ENGINE WITH 500K BAUD RATE, P. 5.....	105
4.6.	CHARGING AND CRANKING ENHANCED WITH VCM FEATURES WITH F-2017-ISB-ENGINE, P. 6.....	106
4.7.	GRID HEATER CONNECTIONS WITH F-2017-ISB-ENGINE, P. 7.....	107
5.	GAUGES AND WARNING LIGHTS (CHAPTER 5).....	108
5.1.	IP GAUGES, P. 1.....	108
5.2.	WARNING LIGHTS, P. 2.....	109
5.3.	ENGINE OIL PRESSURE & TEMP., SPEEDOMETER, TACHOMETER, VOLTMETER & WATER TEMP. GAUGE CIRCUITRY, P. 3.....	110
5.4.	INSTRUMENT GAUGE CLUSTER, P. 4.....	111
5.5.	COOLANT TANK LEVEL, P. 5.....	112
5.6.	FUEL GAUGES, P. 6.....	113
5.7.	CHANGE TRANSMISSION OIL FILTER LIGHT AND EXHAUST AFTERTREATMENT INDICATORS, P. 7.....	114
5.8.	ENGINE COMPARTMENT TEMP. INDICATOR, P. 8.....	115
5.9.	LIFT DOOR INDICATOR, P. 9.....	116
5.10.	AMMETER, P. 10.....	117
5.11.	SEAT BELT ALARM EFFECTS, P. 11.....	118
5.12.	SEAT BELT ALARM EFFECTS WITH CE BUS WITH PROPANE, P. 11A.....	119
5.13.	COMPASS AND TEMPERATURE DISPLAY, P. 12.....	120
5.14.	SOUNDOFF PWL MONITOR INDICATORS, P. 13.....	121
5.15.	SOUNDOFF PWL MONITOR INDICATORS WITH CE BUS WITH PROPANE, P. 13A.....	122
5.16.	BODY BUILDER CONNECTIONS, P. 14.....	123
5.17.	FUEL TANK WITH CE BUS WITH PROPANE, P. 15.....	124
5.18.	FUEL TANK WITH CE BUS WITH PROPANE (CONT.), P. 16.....	125
5.19.	150A / 300A AMMETER WIRING WITH F-2017-ISB-ENGINE, P. 17.....	126
6.	PUPIL WARNING LIGHT ACTIVATION (CHAPTER 6).....	127
6.1.	RED PUPIL WARNING LIGHT CONTROLS, P. 1.....	127
6.2.	AMBER PUPIL WARNING LIGHT CONTROLS, P. 2.....	128
6.3.	FRONT PUPIL WARNING LAMPS, P. 3.....	129
6.4.	INTENTIONALLY LEFT BLANK, P. 4.....	130

TABLE OF CONTENTS (CONT.)

6.5.	REAR PUPIL WARNING LAMPS, P. 5.....	131
6.6.	PUPIL WARNING LIGHTS WITH DRIVER ALERT SIGN, P. 6.....	132
6.7.	PUPIL WARNING LIGHTS WITH DRIVER ALERT SIGN (CONT.), P. 7.....	133
6.8.	PUPIL WARNING LIGHTS WITH DRIVER ALERT SIGN (CONT.), P. 8.....	134
6.9.	FLASHER SYSTEM MASTER SWITCH, P. 9.....	135
6.10.	RIGHT SIDE MASTER FLASHER SWITCH, P. 10.....	136
6.11.	FLASHER START SWITCH EFFECTS, P. 11.....	137
6.12.	FLASHER SYSTEM OVERRIDE SWITCH, P. 12.....	138
6.13.	FLASHER OVERRIDE SWITCH EFFECTS (CONT.), P. 13.....	139
7.	EXTERNAL LIGHTS (CHAPTER 7).....	140
7.1.	BACKUP LIGHTS, P. 1.....	140
7.2.	BACKUP LIGHTS (CONT.), P. 2.....	141
7.3.	BACKUP LIGHTS ACTIVATED BY REAR EMERGENCY EXIT, P. 3.....	142
7.4.	DESTINATION SIGN WITH DUAL SWITCH, P. 4.....	143
7.5.	DESTINATION SIGN WITH SINGLE SWITCH, P. 5.....	144
7.6.	STROBE LIGHT ACTIVATED WITH IGNITION, P. 6.....	145
7.7.	STROBE LIGHT ACTIVATED WITH SWITCH, P. 7.....	146
7.8.	STROBE LIGHT ACTIVATED WITH SWITCH OR STOP ARM, P. 8.....	147
7.9.	STROBE LIGHT ACTIVATED WITH SWITCH OR PWL, P. 9.....	148
7.10.	STROBE LIGHT ACTIVATED WITH SWITCH OR SCR, P. 10.....	149
7.11.	DOUBLE STROBE LIGHT WITHOUT 7 WINDOW, P. 11.....	150
7.12.	DOUBLE STROBE LIGHT WITH 7 WINDOW, P. 12.....	151
7.13.	STROBE LIGHT INDICATOR, P. 13.....	152
7.14.	STOP / TAIL / DIRECTIONAL LIGHTS, P. 14.....	153
7.15.	STOP / TAIL / DIRECTIONAL LIGHTS (CONT.), P. 15.....	154
7.16.	STOP / TAIL / DIRECTIONAL LIGHTS WITH CHECK, P. 16.....	155
7.17.	STOP / TAIL / DIRECTIONAL LIGHTS WITH CHECK (CONT.), P. 17.....	156
7.18.	STOP / TAIL / DIRECTIONAL LIGHTS WITHOUT CHECK, P. 18.....	157
7.19.	LEFT DIRECTIONAL LIGHTS, P. 19.....	158
7.20.	LEFT DIRECTIONAL LIGHTS (CONT.), P. 20.....	159
7.21.	RIGHT DIRECTIONAL LIGHTS, P. 21.....	160
7.22.	RIGHT DIRECTIONAL LIGHTS (CONT.), P. 22.....	161
7.23.	COMBINATION SIDE DIRECTION AND MARKER LIGHTS, P. 23.....	162
7.24.	COMBINATION DIRECTIONAL / MARKER LIGHTS, P. 24.....	163
7.25.	COWL MOUNTED DIRECTIONAL LIGHT EFFECTS, P. 25.....	164
7.26.	CORNER MARKER LIGHTS, P. 26.....	165
7.27.	CLEARANCE / IDENTIFICATION LIGHTS, P. 27.....	166
7.28.	CLEARANCE / IDENTIFICATION LIGHTS (CONT.), P. 28.....	167
7.29.	INTERMEDIATE / SIDE MARKER LIGHT / 3 INCH LIGHT OVER KICKOUT WINDOW, P. 29.....	168
7.30.	INTERMEDIATE / SIDE MARKER LIGHT / 3 INCH LIGHT OVER KICKOUT WINDOW (CONT.), P. 30.....	169
7.31.	DIRECTIONAL / CLEARANCE LIGHT SPLICE, P. 31.....	170
7.32.	DIRECTIONAL / CLEARANCE LIGHT SPLICE (CONT.), P. 32.....	171
7.33.	HEAD LIGHTS, MARKER, PARK, TURN AND STOP LIGHTS, P. 33.....	172
7.34.	HEAD LIGHTS, MARKER, PARK, TURN AND STOP LIGHT – WITH PEDESTAL MOUNT LIGHTS, P. 34.....	173
7.35.	HEAD LIGHTS, MARKER, PARK, TURN AND STOP LIGHT – WITHOUT PEDESTAL MOUNT LIGHTS, P. 35.....	174

TABLE OF CONTENTS (CONT.)

7.36.	HEAD LIGHTS, MARKER, PARK, TURN AND STOP LIGHT – WITH CE BUS WITH PROPANE, P. 35A.....	175
7.37.	HEAD LAMP CONTROL, CHILD REMINDER SYSTEM, P. 36.....	176
7.38.	FOG LIGHTS, P. 37.....	177
7.39.	PEDESTRIAN LIGHTS, P. 38.....	178
7.40.	SWITCH ILLUMINATION SPLICE, P. 39.....	179
7.41.	LUGGAGE COMPARTMENT LIGHTS, P. 40.....	180
7.42.	REDUNDANT HAZARD LIGHT SWITCH, P. 41.....	181
8.	INTERNAL LIGHTS (CHAPTER 8).....	182
8.1.	GUARD DOME LIGHT, P. 1.....	182
8.2.	ACTIVITY DOME LIGHT, P. 2.....	183
8.3.	ENGINE COMPARTMENT LIGHTS, P. 3.....	184
8.4.	ELECTRICAL COMPARTMENT LIGHTS, P. 4.....	185
8.5.	FRONT AMBER CLUSTER LIGHTS, P. 5.....	186
8.6.	REAR ROW DOME LIGHT, P. 6.....	187
8.7.	DRIVER'S DOME LIGHT, P. 7.....	188
8.8.	STEP WELL LIGHTS, P. 8.....	189
8.9.	DOME LIGHT SINGLE SWITCH, P. 9.....	190
8.10.	DOME LIGHT SPLIT SWITCH, P. 10.....	191
8.11.	DOME LIGHT ACTIVATED BY TIMER, P. 11.....	192
8.12.	DOME LIGHT ACTIVATED BY EMERGENCY EXIT, P. 12.....	193
8.13.	PRIMARY SWITCH ILLUMINATION, P. 13.....	194
8.14.	PANEL LIGHTS, P. 14.....	195
8.15.	PANEL LIGHTS (CONT.), P. 15.....	196
8.16.	PANEL LIGHTS (CONT.), P. 15A.....	197
8.17.	SWITCH PANEL ILLUMINATION, P. 16.....	198
8.18.	SWITCH PANEL ILLUMINATION (CONT.), P. 17.....	199
8.19.	SWITCH PANEL ILLUMINATION (CONT.), P. 18.....	200
8.20.	SWITCH PANEL ILLUMINATION (CONT.), P. 19.....	201
8.21.	SWITCH PANEL ILLUMINATION (CONT.), P. 20.....	202
8.22.	SWITCH PANEL ILLUMINATION (CONT.), P. 21.....	203
8.23.	SWITCH PANEL ILLUMINATION (CONT.), P. 22.....	204
8.24.	DOME LIGHT FEED, P. 23.....	205
8.25.	STANDARD STAGGER DOME LIGHT WITH REAR ROW, P. 24.....	206
8.26.	STANDARD STAGGER DOME LIGHT FRONT AND REAR, WITH REAR ROW, P. 25.....	207
8.27.	DOUBLE DOME LIGHT WITH REAR ROW, P. 26.....	208
8.28.	DOUBLE DOME LIGHT WITH REAR ROW (CONT.), P. 27.....	209
8.29.	DOUBLE DOME LIGHT FRONT AND REAR (CONT.), P. 28.....	210
8.30.	DOUBLE DOME LIGHT FRONT AND REAR (CONT.), P. 29.....	211
8.31.	DOUBLE DOME LIGHT FRONT AND REAR WITH REAR ROW, SECTION 1 TO 7, P. 30....	212
8.32.	DOUBLE DOME LIGHT FRONT AND REAR WITH REAR ROW, SECTION 9 TO 13, P. 31...	213
8.33.	DOUBLE DOME LIGHT FRONT AND REAR WITH REAR ROW, P. 32.....	214
8.34.	DOME LIGHT OVER EACH SEAT, P. 33.....	215
8.35.	DOME LIGHT OVER EACH SEAT (CONT.), P. 34.....	216
8.36.	LIGHTED STEERING WHEEL SWITCHES, P. 35.....	217
8.37.	WITHOUT LIGHTED STEERING WHEEL SWITCHES, P. 36.....	218
8.38.	SWITCH PACK, P. 37.....	219
8.39.	DOME LIGHT RHEOSTAT, P. 38.....	220

TABLE OF CONTENTS (CONT.)

9. STOP ARM / CROSSING GATE (CHAPTER 9).....	221
9.1. FRONT AND REAR OR REAR ONLY STOP ARM, P. 1.....	221
9.2. FRONT AND REAR OR REAR ONLY STOP ARM, P. 2.....	222
9.3. STOP ARM EXTEND, P. 3.....	223
9.4. LEFT STOP ARM / CROSSING GATE CANCEL SWITCH, P. 4.....	224
9.5. STOP ARM HIGH / LOW INTENSITY SWITCH, P. 5.....	225
9.6. RIGHT STOP ARM / CROSSING GATE CANCEL SWITCH, P. 6.....	226
9.7. AIR CROSSING GATE (SINGLE VALVE), P. 7.....	227
9.8. AIR STOP ARM VALVE, P. 8.....	228
9.9. CROSSING GATE, P. 9.....	229
9.10. CROSSING GATE WITH CE BUS WITH PROPANE, P. 10.....	230
10. MIRROR SYSTEM (CHAPTER 10).....	231
10.1. HEATED AND MOTORIZED MIRROR, P. 1.....	231
10.2. HEATED AND MOTORIZED MIRROR (CONT.), P. 2.....	232
10.3. DRIVER SIDE HEATED AND MOTORIZED MIRROR, P. 3.....	233
10.4. PASSENGER SIDE HEATED AND MOTORIZED MIRROR P. 4.....	234
10.5. HEATED ONLY REARVIEW MIRRORS, P. 5.....	235
10.6. HEATED ONLY MIRROR WITH LOWER MOUNT DRIVER SIDE, P. 6.....	236
10.7. HEATED ONLY REARVIEW MIRRORS WITH UPPER MOUNT DRIVER SIDE, P. 7.....	237
10.8. HEATED CROSSVIEW MIRRORS, P. 8.....	238
11. ENGINE AND ENGINE SYSTEM (CHAPTER 11).....	239
11.1. ELECTRONIC ENGINE CONTROL – I6 ENGINE, P. 1.....	239
11.2. ELECTRONIC ENGINE CONTROL – I6 ENGINE (CONT.), P. 2.....	240
11.3. ELECTRONIC ENGINE CONTROL – I6 ENGINE (CONT.), P. 3.....	241
11.4. ELECTRONIC ENGINE CONTROL – I6 ENGINE (CONT.), P. 4.....	242
11.5. ELECTRONIC ENGINE CONTROL – I6 ENGINE (CONT.), P. 5.....	243
11.6. FAN AND SHUTTER WIRING (OPTIONAL), P. 6.....	244
11.7. ELECTRONIC ENGINE CONTROL – V8 ENGINE, P. 7.....	245
11.8. ELECTRONIC ENGINE CONTROL – V8 ENGINE (CONT.), P. 8.....	246
11.9. ELECTRONIC ENGINE CONTROL – V8 ENGINE (CONT.), P. 9.....	247
11.10. ELECTRONIC ENGINE CONTROL – V8 ENGINE (CONT.), P. 10.....	248
11.11. ELECTRONIC ENGINE CONTROL – V8 ENGINE (CONT.), P. 11.....	249
11.12. ELECTRONIC ENGINE CONTROL – CUMMINS ISB ENGINE , P. 12.....	250
11.13. ELECTRONIC ENGINE CONTROL – CUMMINS ISB ENGINE (CONT.), P. 13.....	251
11.14. ELECTRONIC ENGINE CONTROL – CUMMINS ISB ENGINE (CONT.), P. 14.....	252
11.15. ELECTRONIC ENGINE CONTROL – CUMMINS ISB ENGINE (CONT.), P. 14A.....	253
11.16. HEATER CONNECTIONS – CUMMINS ISB ENGINE, P. 15.....	254
11.17. HEATER CONNECTIONS – CUMMINS ISB ENGINE (CONT.), P. 16.....	255
11.18. DEF & AFTERTREATMENT WITH F-2013-ISB-ENGINE, P. 17.....	256
11.19. DEF & AFTERTREATMENT WITH F-2013-ISB-ENGINE (CONT.), P. 18.....	257
11.20. ECM SENSORS CONNECTIONS WITH F-2013-ISB-ENGINE, P. 19.....	258
11.21. INTENTIONALLY LEFT BLANK, P. 20.....	259
11.22. SCR EFFECTS – CUMMINS ISB ENGINE (CONT.), P. 21.....	260
11.23. INTENTIONALLY LEFT BLANK, P. 22.....	261
11.24. ELECTRONIC ENGINE CONTROL WITH CE BUS WITH PROPANE, P. 23.....	262
11.25. ELECTRONIC ENGINE CONTROL WITH CE BUS WITH PROPANE (CONT.), P. 24.....	263
11.26. ELECTRONIC ENGINE CONTROL WITH F-2017-ISB-ENGINE, P. 25.....	264
11.27. ELECTRONIC ENGINE CONTROL WITH F-2017-ISB-ENGINE (CONT.), P. 26.....	265
11.28. ELECTRONIC ENGINE CONTROL WITH F-2017-ISB-ENGINE (CONT.), P. 27.....	266

TABLE OF CONTENTS (CONT.)

11.29. ELECTRONIC ENGINE CONTROL WITH F-2017-ISB-ENGINE (CONT.), P. 28.....	267
11.30. DEF AND AFTERTREATMENT WITH F-2017-ISB-ENGINE, P. 29.....	268
11.31. DEF AND AFTERTREATMENT WITH F-2017-ISB-ENGINE (CONT.), P. 30.....	269
11.32. DEF AND AFTERTREATMENT WITH F-2017-ISB-ENGINE (CONT.), P. 31.....	270
11.33. FAN WIRING WITH F-2017-ISB-ENGINE, P. 32.....	271
12. TRANSMISSION AND TRANSMISSION SYSTEM (CHAPTER 12).....	272
12.1. ALLISON LCT TRANSMISSION, P. 1.....	272
12.2. ALLISON WTEC TRANSMISSION, P. 2.....	273
12.3. ALLISON LCT TRANSMISSION, P. 3.....	274
12.4. ALLISON LCT TRANSMISSION (CONT.), P. 4.....	275
12.5. ALLISON LCT GEN5 WITH ARENS SHIFTER, P. 5.....	276
12.6. ALLISON WTEC TRANSMISSION, P. 6.....	277
12.7. WTEC GEN5 TRANSMISSION SHIFT SELECTOR, P. 7.....	278
12.8. SHIFT INHIBIT RELAY, P. 8.....	279
12.9. SHIFTER INTERLOCK EFFECTS, P. 9.....	280
12.10. SHIFTER INTERLOCK EFFECTS (CONT.), P. 10.....	281
12.11. EATON HYBRID TRANSMISSION , P. 11.....	282
12.12. EATON HYBRID TRANSMISSION (CONT.), P. 12.....	283
12.13. EATON HYBRID TRANSMISSION (CONT.), P. 13.....	284
12.14. EATON HYBRID TRANSMISSION (CONT.), P. 14.....	285
12.15. TCM CONNECTIONS, P. 15.....	286
12.16. TCM CONNECTIONS (CONT.), P. 16.....	287
12.17. ALLISON LCT TRANSMISSION WITH CE BUS WITH PROPANE, P. 17.....	288
12.18. ALLISON LCT TRANSMISSION WITH CE BUS WITH PROPANE (CONT.), P. 18.....	289
12.19. EATON PROCISION TRANSMISSION WITH PUSH BUTTON AND WITH T HANDLE TRS, P. 19.....	290
12.20. EATON PROCISION TRANSMISSION WITH PUSH BUTTON AND WITH T HANDLE TRS (CONT.), P. 20.....	291
12.21. EATON PROCISION TRANSMISSION WITH PUSH BUTTON AND WITH T HANDLE TRS (CONT.), P. 21.....	292
12.22. J1939 EATON PROCISION TRANSMISSION WITH 250K, P. 22.....	293
12.23. J1939 WITH 500K EATON PROCISION TRANSMISSION WITH 4100, P. 23.....	294
12.24. ALLISON LCT TRANSMISSION WITH ISB ENGINE, P. 24.....	295
12.25. 1 / 2000 ALLISON TRANSMISSION GEN5 (LCT) WITH BCM GEN4 WITH F-2017-ISB ENGINE, P. 25.....	296
12.26. 3000 ALLISON TRANSMISSION GEN5 (WTEC) WITH BCM GEN4 WITH F-2017-ISB ENGINE, P. 26.....	297
12.27. ALLISON TRANSMISSION GEN5 (WTEC / LCT) WITH BCM GEN4 WITH F-2017-ISB ENGINE, P. 27.....	298
12.28. EATON PROCISION TRANSMISSION WITH PUSH-BUTTON WITH F-2017-ISB ENGINE, P. 28.....	299
12.29. EATON PROCISION TRANSMISSION WITH T-HANDLE-TRS WITH F-2017-ISB ENGINE, P. 29.....	300
13. CHASSIS SYSTEM (CHAPTER 13).....	301
13.1. AIR DRYER AND DRAIN VALVE, P. 1.....	301
13.2. HALDEX DRAIN VALVE WITH 500K BAUD RATE, P. 1A.....	302
13.3. FUEL HEATER SYSTEM, P. 2.....	303
13.4. FUEL HEATER SYSTEM (CONT.), P. 3.....	304
13.5. ABS – HYDRAULIC I6 ENGINE, P. 4.....	305

TABLE OF CONTENTS (CONT.)

13.6. HYDRAULIC BRAKE, P. 5.....	306
13.7. AIR PRESSURE INPUT WITH AIR SOURCE ON HYDRAULIC BRAKE, P. 6.....	307
13.8. BENDIX AIR ABS6, P. 7.....	308
13.9. INTENTIONALLY LEFT BLANK, P. 7A.....	309
13.10. BENDIX AIR ABS6 WITH CE BUS WITH PROPANE, P. 7B.....	310
13.11. BENDIX AIR ABS6 (CONT.), P. 8.....	311
13.12. BENDIX AIR ABS6 (CONT.), P. 8A.....	312
13.13. BENDIX AIR ABS6 WITH CE BUS WITH PROPANE, P. 8B.....	313
13.14. AIR PRESSURE INPUT – AIR BRAKE WITH ABS6, P. 9.....	314
13.15. AIR PRESSURE INPUT – AIR BRAKE WITH ABS6 WITH CE BUS WITH PROPANE, P. 9A...	315
13.16. AIR PRESSURE INPUT – AIR BRAKE WITH ABS6 WITH CE BUS WITH PROPANE (CONT.), P. 9B.....	316
13.17. BRAKE MONITORING (OPTIONAL), P. 10.....	317
13.18. REGEN SWITCH, P. 11.....	318
13.19. PARK BRAKE, P. 12.....	319
13.20. PARK BRAKE SIGNAL, P. 13.....	320
13.21. AIR SOLENOID EFFECTS PLATFORM, P. 14.....	321
13.22. AIR COMPRESSOR EFFECTS – I6 ENGINE, P. 15.....	322
13.23. WINDSHIELD WIPER AND WASHER, HIGH BEAM, FLASH TO PASS AND TURN SIGNAL SYSTEM, P. 16.....	323
13.24. WINDSHIELD WIPER AND WASHER, HIGH BEAM, FLASH TO PASS AND TURN SIGNAL SYSTEM (CONT.), P. 17.....	324
13.25. REMOTE HAZARD SWITCH EFFECTS, P. 18.....	325
13.26. AIR HORN, P. 19.....	326
13.27. TRACTION AIDS, P. 20.....	327
13.28. SPARE TIRE WINCH, P. 21.....	328
13.29. HEATED WIPER BLADE, P. 22.....	329
13.30. FIRE SUPPRESSION SYSTEM, P. 23.....	330
13.31. FIRE SUPPRESSION SYSTEM (CONT.), P. 24.....	331
13.32. FIRE SUPPRESSION SYSTEM WITH 12 AND 13 WINDOW BUS, P. 25.....	332
13.33. PASSENGER PULL CORD WITH 12 AND 13 WINDOW BUS, P. 26.....	333
13.34. WABCO AIR ABS, P. 27.....	334
13.35. WABCO AIR ABS (CONT.), P. 28.....	335
13.36. NEXT GENERATION HYDRAULIC BRAKES WPPB, P. 29.....	336
13.37. NEXT GENERATION HYDRAULIC BRAKES WPPB (CONT.), P. 30.....	337
13.38. NEXT GENERATION HYDRAULIC BRAKES WPPB (CONT.), P. 31.....	338
13.39. NEXT GENERATION HYDRAULIC BRAKES WPPB (CONT.), P. 32.....	339
13.40. AIR DRYER AND DRAIN VALVE WITH CE BUS WITH PROPANE, P. 33.....	340
13.41. ELECTRIC HORN WITH CE BUS WITH PROPANE, P. 34.....	341
13.42. FUEL FILTER CUMMINS STANDARD SYSTEM WITH F-2017-ISB-ENGINE, P. 35.....	342
13.43. HYDRAULIC BRAKE SYSTEM WITH F-2017-ISB-ENGINE, P. 36.....	343
13.44. HYDROMAX HYDRAULIC BRAKE SYSTEM WITH F-2017-ISB-ENGINE, P. 37.....	344
14. EMERGENCY EXIT SYSTEM (CHAPTER 14).....	345
14.1. EMERGENCY EXIT BUZZER, P. 1.....	345
14.2. KICK OUT WINDOW (LEFT BODY) SECT 1 TO 8, P. 2.....	346
14.3. KICK OUT WINDOW (LEFT BODY) SECT 9 TO 13, P. 3.....	347
14.4. KICK OUT WINDOW (RIGHT BODY) SECT 1 TO 6, P. 4.....	348
14.5. KICK OUT WINDOW (RIGHT BODY) SECT 7 TO 13, P. 5.....	349
14.6. 3 INCH RED LIGHT OVER KICK OUT WINDOW (LEFT BODY) SECT 1 TO 4, P. 6.....	350
14.7. 3 INCH RED LIGHT OVER KICK OUT WINDOW (LEFT BODY) SECT 5 TO 8, P. 7.....	351

TABLE OF CONTENTS (CONT.)

14.8.	3 INCH RED LIGHT OVER KICK OUT WINDOW (LEFT BODY) SECT 9 TO 13, P. 8.....	352
14.9.	3 INCH RED LIGHT OVER KICK OUT WINDOW (RIGHT BODY) SECT 1 TO 6, P. 9.....	353
14.10.	3 INCH RED LIGHT OVER KICK OUT WINDOW (RIGHT BODY) SECT 7 TO 13, P. 10.....	354
14.11.	ROOF HATCHES (LEFT SIDE) SECTION 1 TO 10, P. 11.....	355
14.12.	ROOF HATCHES (LEFT SIDE) SECTION 11 TO 13, P. 12.....	356
14.13.	ROOF HATCHES (LEFT SIDE) WITH STARTER INTERLOCK FOR SECTION 1 TO 4 AND 9 TO 12, P. 13.....	357
14.14.	ROOF HATCHES (LEFT SIDE) WITH STARTER INTERLOCK FOR SECTION 5 TO 8 AND 13, P. 14.....	358
14.15.	LEFT SIDE EMERGENCY DOOR, P. 15.....	359
14.16.	EMERGENCY ACCESSORY FEED CIRCUITS FOR RIGHT SIDE EMERGENCY DOOR, P. 16.....	360
14.17.	EMERGENCY ACCESSORY FEED CIRCUITS FOR RIGHT SIDE EMERGENCY DOOR (CONT.), P. 17.....	361
14.18.	RIGHT SIDE EMERGENCY EXIT DOOR, P. 18.....	362
14.19.	KICK OUT WINDOW (LEFT BODY) SECT 12 TO 13, P. 19.....	363
14.20.	3 INCH RED LIGHT OVER RIGHT SIDE EMERGENCY DOOR WITHOUT KICK OUT LIGHT, P. 20.....	364
14.21.	3 INCH RED LIGHT OVER RIGHT SIDE EMERGENCY DOOR WITH KICK OUT LIGHT, P. 21.....	365
14.22.	3 INCH RED LIGHT OVER RIGHT SED THRU ACCESSORY FEED, P. 22.....	366
14.23.	RIGHT SIDE EMERGENCY EXIT DOOR, P. 23.....	367
14.24.	EMERGENCY EXIT INDICATOR LIGHT IN CLUSTER, P. 24.....	368
15.	WHEEL CHAIR LIFT DOOR SYSTEM (CHAPTER 15).....	369
15.1.	LIFT WITH AIR BRAKE AND HYDRAULIC BRAKE WITH KEY ON, P. 1.....	369
15.2.	LIFT WITH AIR BRAKE AND HYDRAULIC BRAKE WITH KEY ON (CONT.), P. 2.....	370
15.3.	LIFT WITH AIR BRAKE WITH KEY ON / OFF, P. 3.....	371
15.4.	LIFT WITH HYDRAULIC BRAKE WITH KEY ON / OFF, P. 4.....	372
15.5.	PUPIL WARNING LIGHTS ACTIVATED BY LIFT DOOR OPEN, P. 5.....	373
15.6.	LIFT DOOR WITH STARTER INTERLOCK, P. 6.....	374
15.7.	SINGLE LIFT DOOR INTERLOCK TO BRAKE AND TRANSMISSION IN SECTION 1 TO 2, 3 TO 4, P. 7.....	375
15.8.	SINGLE LIFT DOOR INTERLOCK TO BRAKE AND TRANSMISSION IN SECTION 4 TO 5, P. 8.....	376
15.9.	SINGLE LIFT DOOR INTERLOCK TO BRAKE AND TRANSMISSION IN SECTION 4 TO 5, 5 TO 6, P. 9.....	377
15.10.	SINGLE LIFT DOOR INTERLOCK TO BRAKE AND TRANSMISSION IN SECTION 6 TO 7, P. 10.....	378
15.11.	SINGLE LIFT DOOR INTERLOCK TO BRAKE AND TRANSMISSION IN SECTION 7 TO 8, P. 11.....	379
15.12.	SINGLE LIFT DOOR INTERLOCK TO BRAKE AND TRANSMISSION IN SECTION 8 TO 9, P. 12.....	380
15.13.	SINGLE LIFT DOOR INTERLOCK TO BRAKE AND TRANSMISSION IN SECTION 9 TO 10, P. 13.....	381
15.14.	SINGLE LIFT DOOR INTERLOCK TO BRAKE AND TRANSMISSION IN SECTION 10 TO 11, P. 14.....	382
15.15.	48 INCH ALTERNATE ENTRANCE DOOR INTERLOCK TO BRAKE AND TRANSMISSION IN SECTION 7 TO 8, 8 TO 9, P. 15.....	383
15.16.	LIFT DOOR SWITCH CONNECTION, P. 16.....	384
15.17.	LIFT EXTERIOR LIGHT, P. 17.....	385

TABLE OF CONTENTS (CONT.)

15.18. LIFT INTERIOR LIGHT, P. 18.....	386
16. ENTRY DOOR (CHAPTER 16).....	387
16.1. LEFT PANEL MOUNTED DOOR CONTROL 2 AND 3 POSITION ROTARY SWITCH, P. 1....	387
16.2. RIGHT PANEL MOUNTED DOOR CONTROL 2 AND 3 POSITION ROTARY SWITCH, P. 2...	388
16.3. REDUNDANT DOOR CONTROLS, P. 3.....	389
16.4. REDUNDANT DOOR CONTROLS (CONT.), P. 4.....	390
16.5. FRONT ENTRANCE DOOR (AIR DOOR), P. 5.....	391
16.6. FRONT ENTRANCE DOOR (ELECTRIC DOOR), P. 6.....	392
16.7. FRONT ENTRANCE DOOR (WITH 500K BAUD RATE-REGULATORY), P. 6A.....	393
16.8. RIGHT ENTRANCE DOOR (MANUAL DOOR), P. 7.....	394
16.9. RIGHT ALTERNATE ENTRANCE DOOR VANDAL LOCK KEY SWITCH, P. 8.....	395
16.10. RIGHT ALTERNATE ENTRANCE DOOR VANDAL LOCK KEY SWITCH, P. 9.....	396
16.11. VANDAL LOCK FOR AIR ENTRANCE DOOR, P. 10.....	397
16.12. VANDAL LOCK FOR ELECTRIC ENTRANCE DOOR (CONT.), P. 11.....	398
16.13. LEFT ALTERNATE ENTRANCE DOOR ELECTRIC WITHOUT MASTER SWITCH, P. 12....	399
16.14. LEFT ENTRANCE DOOR ELECTRIC WITH MASTER SWITCH, P. 13.....	400
16.15. LEFT ALTERNATE ENTRANCE DOOR AIR WITH DUMP VALVE, P. 14.....	401
16.16. LEFT ALTERNATE ENTRANCE DOOR AIR WITH DUMP VALVE (CONT.), P. 15.....	402
16.17. 3 POSITION TOGGLE SWITCH, P. 16.....	403
16.18. AIR DOOR DUMP VALVE EFFECTS, P. 17.....	404
16.19. REAR DOOR ACTIVATED OPTION, P. 18.....	405
17. RADIO / PA / CELLULAR - GPS (CHAPTER 17).....	406
17.1. DASH MOUNTED 2 CHANNEL RADIO PA, P. 1.....	406
17.2. DASH MOUNTED 4 CHANNEL RADIO PA, P. 2.....	407
17.3. RADIO AND PA MOUNTED OVERHEAD, P. 3.....	408
17.4. PA HORN SYSTEM, P. 4.....	409
17.5. RADIO WITH FRONT SPEAKER, P. 5.....	410
17.6. SPEAKER WIRING FOR QUANTITY 2, P. 6.....	411
17.7. SPEAKER WIRING FOR QUANTITY 4, P. 7.....	412
17.8. LEFT SIDE SPEAKER WIRING FOR QUANTITY 6, P. 8.....	413
17.9. RIGHT SIDE SPEAKER WIRING FOR QUANTITY 6, P. 9.....	414
17.10. LEFT SIDE SPEAKER WIRING FOR QUANTITY 8, P. 10.....	415
17.11. RIGHT SIDE SPEAKER WIRING FOR QUANTITY 8, P. 11.....	416
17.12. LEFT SIDE SPEAKER WIRING FOR QUANTITY 10, P. 12.....	417
17.13. RIGHT SIDE SPEAKER WIRING FOR QUANTITY 10, P. 13.....	418
17.14. LEFT SIDE SPEAKER WIRING FOR QUANTITY 12, P. 14.....	419
17.15. RIGHT SIDE SPEAKER WIRING FOR QUANTITY 12, P. 15.....	420
17.16. TWO WAY RADIO AND VIDEO EFFECTS, P. 16.....	421
17.17. GPS PRE WIRE AND VIDEO POWER EFFECTS, P. 17.....	422
17.18. INTENTIONALLY LEFT BLANK, P. 18.....	423
18. CHILD REMINDER SYSTEM (CHAPTER 18).....	424
18.1. BUS SCAN, P. 1.....	424
18.2. BUS SCAN (CONT.), P. 2.....	425
18.3. CHILD CHECK MATE SYSTEM, P. 3.....	426
18.4. CHILD CHECK MATE SYSTEM (CONT.), P. 4.....	427
18.5. POST TRIP INSPECTION – CRS, P. 5.....	428
18.6. POST TRIP INSPECTION – CRS (CONT.), P. 6.....	429

TABLE OF CONTENTS (CONT.)

18.7.	LEAVE NO STUDENT BEHIND WITHOUT ALARM AND DOME LIGHTS ACTIVATED BY EMERGENCY EXITS, P. 7.....	430
18.8.	CHILD SAFETY ALARM, P. 8.....	431
18.9.	LEAVE NO STUDENT BEHIND WITH ALARM AND DOME LIGHTS ACTIVATED BY EMERGENCY EXITS, P. 9.....	432
19.	HEATERS / AIR CONDITIONING / ACCESSORIES (CHAPTER 19).....	433
19.1.	BOOSTER PUMP, P. 1.....	433
19.2.	LEFT FRONT PASSENGER HEATER, P. 2.....	434
19.3.	DRIVER'S HEATER, P. 3.....	435
19.4.	RIGHT FRONT PASSENGER HEATER, P. 4.....	436
19.5.	LEFT REAR PASSENGER HEATER, P. 5.....	437
19.6.	RIGHT REAR PASSENGER HEATER, P. 6.....	438
19.7.	STEP HEATER, P. 7.....	439
19.8.	DEFOG FAN LEFT SWITCH, P. 8.....	440
19.9.	DEFOG FAN RIGHT SWITCH, P. 9.....	441
19.10.	DEFOG FAN SWITCH WITH DRIVER'S FAN, P. 10.....	442
19.11.	DEFOG FAN LEFT SWITCH WITH DRIVER'S FAN, P. 11.....	443
19.12.	DEFOG FAN RIGHT SWITCH OUTPUT, P. 12.....	444
19.13.	PASSENGER CONVECTION HEATER, P. 13.....	445
19.14.	POWER VENT ROOF HATCH, P. 14.....	446
19.15.	AC COMPRESSOR CONTROL, P. 15.....	447
19.16.	AIR COMPRESSOR, P. 16.....	448
19.17.	AIR CONDITIONING, P. 17.....	449
19.18.	DRIVER'S AIR CONDITIONING, P. 18.....	450
19.19.	ESPAR COOLANT HEATER WITH RSM TANK, P. 19.....	451
19.20.	ESPAR COOLANT HEATER WITH AF FUEL TANK, P. 20.....	452
19.21.	STEPWELL HEATER, P. 21.....	453
19.22.	SELF CONTAINED AIR SEAT, P. 22.....	454
19.23.	OVERHEAD LOCKING COMPARTMENT, P. 23.....	455
19.24.	ESPAR COOLANT HEATER WITH ESPAR 7-DAY TIMER, P. 24.....	456
19.25.	ESPAR COOLANT HEATER WITH ESPAR 7-DAY TIMER (CONT.), P. 25.....	457
19.26.	ESPAR COOLANT HEATER WITH ESPAR 7-DAY TIMER (CONT.), P. 26.....	458
19.27.	ESPAR COOLANT HEATER WITH ESPAR 7-DAY TIMER (CONT.), P. 27.....	459
19.28.	FREON COMPRESSOR CONNECTIONS, P. 28.....	460
19.29.	WEBASTO COOLANT HEATER, P. 29.....	461
19.30.	WEBASTO HEATER, P. 30.....	462
19.31.	WEBASTO FUEL FIRED HEATER, P. 31.....	463
20.	CONNECTOR COMPOSITE (CHAPTER 20).....	464
20.1.	CONNECTOR COMPOSITES (0GND, 0PWR, 1A), P. 1.....	464
20.2.	CONNECTOR COMPOSITES (1BAT, 1GND, 2A, 2G), P. 2.....	465
20.3.	CONNECTOR COMPOSITES (2GA, 2GG, 3A, 4A, 50), P. 3.....	466
20.4.	CONNECTOR COMPOSITES (51, 52, 168M, 168N, 680, 995, 1000), P. 4.....	467
20.5.	CONNECTOR COMPOSITES (1002A, 1002B), P. 5.....	468
20.6.	CONNECTOR COMPOSITES (1003, 1003A, 1003B), P. 6.....	469
20.7.	CONNECTOR COMPOSITES (1004, 1005), P. 7.....	470
20.8.	CONNECTOR COMPOSITES (1005A, 1006), P. 8.....	471
20.9.	CONNECTOR COMPOSITES (1008F, 1008M, 1009, 1010, 1010F), P. 9.....	472
20.10.	CONNECTOR COMPOSITES (1011), P. 10.....	473
20.11.	CONNECTOR COMPOSITES (1011), P. 11.....	474

TABLE OF CONTENTS (CONT.)

20.12. CONNECTOR COMPOSITES (1011), P. 12.....	475
20.13. CONNECTOR COMPOSITES (1011), P. 12A.....	476
20.14. CONNECTOR COMPOSITES (1011), P. 13.....	477
20.15. CONNECTOR COMPOSITES (1011), P. 13A.....	478
20.16. CONNECTOR COMPOSITES (1014, 1014F, 1015), P. 14.....	479
20.17. CONNECTOR COMPOSITES (1016, 1017, 1018, 1018B), P. 15.....	480
20.18. CONNECTOR COMPOSITES (1019, 1020, 1021), P. 16.....	481
20.19. CONNECTOR COMPOSITES (1022, 1023, 1023A, 1024, 1024A), P. 17.....	482
20.20. CONNECTOR COMPOSITES (1025, 1026, 1028), P. 18.....	483
20.21. CONNECTOR COMPOSITES (1029, 1029A, 1043A, 1044A, 1051), P. 19.....	484
20.22. CONNECTOR COMPOSITES (1051A, 1051B, 1052, 1053, 1060, 1060A, 1062), P. 20.....	485
20.23. CONNECTOR COMPOSITES (1099, 1099A, 1099C, 1099D), P. 21.....	486
20.24. CONNECTOR COMPOSITES (1100, 1101, 1104, 1104A, 1105M, 1109, 1109A), P. 22.....	487
20.25. CONNECTOR COMPOSITES (1104A, 1105M, 1109, 1109A), P. 22A.....	488
20.26. CONNECTOR COMPOSITES (1135, 1135A, 1136), P. 23.....	489
20.27. CONNECTOR COMPOSITES (1136A, 1137, 1138), P. 24.....	490
20.28. CONNECTOR COMPOSITES (1139, 1140), P. 24A.....	491
20.29. CONNECTOR COMPOSITES (1140, 1145, 1146), P. 25.....	492
20.30. CONNECTOR COMPOSITES (1146A, 1146B, 1147, 1148, 1148A, 1200), P. 26.....	493
20.31. CONNECTOR COMPOSITES (1201, 1202, 1203), P. 27.....	494
20.32. CONNECTOR COMPOSITES (1204, 1205), P. 28.....	495
20.33. CONNECTOR COMPOSITES (1206, 1300, 1301), P. 29.....	496
20.34. CONNECTOR COMPOSITES (1400, 1401, 1402), P. 30.....	497
20.35. CONNECTOR COMPOSITES (1403, 1404), P. 31.....	498
20.36. CONNECTOR COMPOSITES (1500, 1501, 1505), P. 32.....	499
20.37. CONNECTOR COMPOSITES (1531, 1555, 1556), P. 33.....	500
20.38. CONNECTOR COMPOSITES (1600), P. 34.....	501
20.39. CONNECTOR COMPOSITES (1601), P. 35.....	502
20.40. CONNECTOR COMPOSITES (1602), P. 36.....	503
20.41. CONNECTOR COMPOSITES (1602), P. 36A.....	504
20.42. CONNECTOR COMPOSITES (1603, 1604), P. 37.....	505
20.43. CONNECTOR COMPOSITES (1606), P. 37A.....	506
20.44. CONNECTOR COMPOSITES (1650, 1651, 1657M), P. 38.....	507
20.45. CONNECTOR COMPOSITES (1660, 1661), P. 39.....	508
20.46. CONNECTOR COMPOSITES (1700), P. 40.....	509
20.47. CONNECTOR COMPOSITES (1700), P. 40A.....	510
20.48. CONNECTOR COMPOSITES (1700), P. 41.....	511
20.49. INTENTIONALLY LEFT BLANK, P. 42.....	512
20.50. CONNECTOR COMPOSITES (1701), P. 43.....	513
20.51. CONNECTOR COMPOSITES (1701), P. 43A.....	514
20.52. CONNECTOR COMPOSITES (1701), P. 44.....	515
20.53. CONNECTOR COMPOSITES (1701), P. 44A.....	516
20.54. INTENTIONALLY LEFT BLANK, P. 45.....	517
20.55. CONNECTOR COMPOSITES (1702), P. 46.....	518
20.56. CONNECTOR COMPOSITES (1702), P. 46A.....	519
20.57. CONNECTOR COMPOSITES (1702), P. 47.....	520
20.58. CONNECTOR COMPOSITES (1702), P. 47A.....	521
20.59. CONNECTOR COMPOSITES (1703), P. 48.....	522
20.60. CONNECTOR COMPOSITES (1703), P. 49.....	523
20.61. CONNECTOR COMPOSITES (1703), (1703C), P. 50.....	524
20.62. CONNECTOR COMPOSITES (1704), P. 50A.....	525

TABLE OF CONTENTS (CONT.)

20.63. CONNECTOR COMPOSITES (1804, 1809), P. 51.....	526
20.64. CONNECTOR COMPOSITES (1810, 1811A, 1812, 1812A, 1814), P. 52.....	527
20.65. CONNECTOR COMPOSITES (1823, 1824, 1828), P. 53.....	528
20.66. CONNECTOR COMPOSITES (1830, 1832, 1850), P. 54.....	529
20.67. CONNECTOR COMPOSITES (1900, 1901, 1902), P. 55.....	530
20.68. CONNECTOR COMPOSITES (1908, 1912, 1913), P. 56.....	531
21. CONNECTOR COMPOSITE (CHAPTER 21).....	532
21.1. CONNECTOR COMPOSITES (3201, 3202A, 3202B, 3203, 4000), P. 1.....	532
21.2. CONNECTOR COMPOSITES (4000A, 4000B, 4000C, 4000D), P. 2.....	533
21.3. CONNECTOR COMPOSITES (4002, 4003), P. 3.....	534
21.4. CONNECTOR COMPOSITES (4005, 4006, 4007), P. 4.....	535
21.5. CONNECTOR COMPOSITES (4007, 4008, 4009), P. 5.....	536
21.6. CONNECTOR COMPOSITES (4009, 4010, 4011, 4012), P. 5A.....	537
21.7. CONNECTOR COMPOSITES (4013, 4014, 4016), P. 5B.....	538
21.8. CONNECTOR COMPOSITES (4017, 4025, 4034), P. 6.....	539
21.9. CONNECTOR COMPOSITES (4036, 4037), P. 7.....	540
21.10. INTENTIONALLY LEFT BLANK, P. 8.....	541
21.11. CONNECTOR COMPOSITES (4037K, 4037Z, 4038, 4039, 4040), P. 9.....	542
21.12. CONNECTOR COMPOSITES (4041), P. 9A.....	543
21.13. CONNECTOR COMPOSITES (4041A, 4043, 4045, 4046), P. 9B.....	544
21.14. CONNECTOR COMPOSITES (4046, 4049, 4049A, 4050, 4050A), P. 10.....	545
21.15. CONNECTOR COMPOSITES (4051, 4052, 4087), P. 11.....	546
21.16. CONNECTOR COMPOSITES (4101, 4103), P. 11A.....	547
21.17. CONNECTOR COMPOSITES (4104, 4106, 4107, 4108), P. 11B.....	548
21.18. CONNECTOR COMPOSITES (4108, 4109, 4110, 4111), P. 11C.....	549
21.19. CONNECTOR COMPOSITES (4111M, 4112, 4115, 4116), P. 11D.....	550
21.20. CONNECTOR COMPOSITES (4052, 4200, 4201, 4202), P. 12.....	551
21.21. CONNECTOR COMPOSITES (4203, 4204, 4205), P. 13.....	552
21.22. CONNECTOR COMPOSITES (4301, 4302, 4303, *4304), P. 14.....	553
21.23. CONNECTOR COMPOSITES (4500, 4500A, 4501, 4502, 4503, 4504), P. 15.....	554
21.24. CONNECTOR COMPOSITES (4905, 4906, 4907), P. 16.....	555
21.25. CONNECTOR COMPOSITES (4908, 4909, 4910), P. 17.....	556
21.26. CONNECTOR COMPOSITES (4911, 4912, 4913, 4914), P. 18.....	557
21.27. CONNECTOR COMPOSITES (4915, 4916), P. 19.....	558
21.28. CONNECTOR COMPOSITES (4917F, 4917M), P. 19A.....	559
21.29. CONNECTOR COMPOSITES (6010), P. 20.....	560
22. CONNECTOR COMPOSITE (CHAPTER 22).....	561
22.1. CONNECTOR COMPOSITES (6011, 6012), P. 1.....	561
22.2. CONNECTOR COMPOSITES (6014, 6016, 6020M), P. 2.....	562
22.3. CONNECTOR COMPOSITES (6020M), P. 3.....	563
22.4. CONNECTOR COMPOSITES (6020M), P. 4.....	564
22.5. CONNECTOR COMPOSITES (6021), P. 4A.....	565
22.6. CONNECTOR COMPOSITES (6021), P. 4B.....	566
22.7. CONNECTOR COMPOSITES (6021, 6022), P. 4C.....	567
22.8. CONNECTOR COMPOSITES (6022, 6023, 6100), P. 5.....	568
22.9. CONNECTOR COMPOSITES (6101, 6103, 6104, 6105, 6106), P. 6.....	569
22.10. CONNECTOR COMPOSITES (6107, 6108, 6119, 6120, 6200), P. 7.....	570
22.11. CONNECTOR COMPOSITES (6201, *6201, 6260HL, 6260HR, 6261, 6262), P. 8.....	571
22.12. CONNECTOR COMPOSITES (6262NV, 6263, 6263NV, 6303), P. 9.....	572

TABLE OF CONTENTS (CONT.)

22.13. CONNECTOR COMPOSITES (6304A, 6304B, 6304M), P. 9A.....	573
22.14. CONNECTOR COMPOSITES (6306, 6307, 6308, 6309, 6310), P. 10.....	574
22.15. CONNECTOR COMPOSITES (6312, 6316M, 6321), P. 11.....	575
22.16. CONNECTOR COMPOSITES (6332, 6333, 6334), P. 12.....	576
22.17. CONNECTOR COMPOSITES (6340), P. 13.....	577
22.18. CONNECTOR COMPOSITES (6341), P. 14.....	578
22.19. CONNECTOR COMPOSITES (6350, 6365, 6365A), P. 15.....	579
22.20. CONNECTOR COMPOSITES (6365A, *6366, 6366, *6366A), P. 15A.....	580
22.21. CONNECTOR COMPOSITES (6366A, 6368, 6369, 6370), P. 15B.....	581
22.22. CONNECTOR COMPOSITES (6370, 6371, 6372, 6373), P. 15C.....	582
22.23. CONNECTOR COMPOSITES (6374, 6375, 6376, 6400), P. 15D.....	583
22.24. CONNECTOR COMPOSITES (6401, 6401B, 6405, 6406M, 6560), P. 16.....	584
22.25. CONNECTOR COMPOSITES (6561, 6704M, 6706M, 6709, 6710), P. 17.....	585
22.26. CONNECTOR COMPOSITES (6715, 6715A), P. 17A.....	586
22.27. CONNECTOR COMPOSITES (6740, 7105), P. 18.....	587
22.28. CONNECTOR COMPOSITES (7106, 7107, 7150), P. 19.....	588
22.29. INTENTIONALLY LEFT BLANK, P. 20.....	589
22.30. CONNECTOR COMPOSITES (7150), P. 21.....	590
22.31. CONNECTOR COMPOSITES (7150), P. 21A.....	591
22.32. CONNECTOR COMPOSITES (7150), P. 21B.....	592
22.33. CONNECTOR COMPOSITES (7150), P. 21C.....	593
22.34. INTENTIONALLY LEFT BLANK, P. 22.....	594
22.35. CONNECTOR COMPOSITES (7350, 7250M), P. 23.....	595
22.36. CONNECTOR COMPOSITES (7250M, 7350, 7600M, 7603M, 7604M, 7605M), P. 24.....	596
22.37. CONNECTOR COMPOSITES (7606M, 7607M, 7609M, 7701, 7801M), P. 25.....	597
22.38. CONNECTOR COMPOSITES (7801M, 7802, 7802M, 7803), P. 25A.....	598
22.39. CONNECTOR COMPOSITES (7803, 7805, 7808), P. 26.....	599
22.40. CONNECTOR COMPOSITES (7809, 7905A), P. 26A.....	600
22.41. CONNECTOR COMPOSITES (8000, 8003A, 8003B, 8004A, 8004B, 8008, 8310), P. 27.....	601
22.42. CONNECTOR COMPOSITES (8313, 8314, 8331, 8450, 8601), P. 28.....	602
22.43. CONNECTOR COMPOSITES (9001, 9003, 9004, 9005), P. 29.....	603
22.44. CONNECTOR COMPOSITES (9005, 9006, 9007, 9008, 9100, 9100A), P. 30.....	604
22.45. CONNECTOR COMPOSITES (9100, 9101), P. 31.....	605
22.46. CONNECTOR COMPOSITES (9101, 9101A, 9101B, 9257), P. 31A.....	606
22.47. CONNECTOR COMPOSITES (9260, 9261), P. 32.....	607
22.48. CONNECTOR COMPOSITES (9261, 9262, 9263), P. 32A.....	608
22.49. CONNECTOR COMPOSITES (9261, 9262, 9266, 9267, 9267A), P. 33.....	609
22.50. CONNECTOR COMPOSITES (9270F, 9501, 9503, 9506), P. 34.....	610
22.51. CONNECTOR COMPOSITES (9507, 9508, 9510), P. 35.....	611
22.52. CONNECTOR COMPOSITES (9511), P. 36.....	612
22.53. CONNECTOR COMPOSITES (9511K, 9512), P. 36A.....	613
22.54. CONNECTOR COMPOSITES (9513F, 9513M, 9514), P. 37.....	614
22.55. CONNECTOR COMPOSITES (9515, 9516, 9516A, 9517, 9517A, 9518), P. 38.....	615
22.56. CONNECTOR COMPOSITES (9519, 9520, 9521, 9522, 9525), P. 39.....	616
22.57. CONNECTOR COMPOSITES (9525, 9526, 9526A, 9527, 9527A), P. 40.....	617
22.58. CONNECTOR COMPOSITES (9530M, 9530F), P. 41.....	618
22.59. CONNECTOR COMPOSITES (9533, 9534, 9535, 9536), P. 42.....	619
22.60. CONNECTOR COMPOSITES (9537, 9538), P. 43.....	620
22.61. CONNECTOR COMPOSITES (9539, 9540, 9541F), P. 44.....	621
22.62. CONNECTOR COMPOSITES (9540, 9541F), P. 44A.....	622
22.63. CONNECTOR COMPOSITES (9541M, 9736, 9737, 9751, 9758), P. 45.....	623

TABLE OF CONTENTS (CONT.)

22.64. CONNECTOR COMPOSITES (9760, 9767), P. 45A.....	624
22.65. CONNECTOR COMPOSITES (9777, 9778, 9785F, 9785M, 9921), P. 46.....	625
22.66. CONNECTOR COMPOSITES (9995, 9996, 9997, 9998), P. 46A.....	626
22.67. CONNECTOR COMPOSITES (9999, 10047, 10048, 10049, 10050), P. 47.....	627
23. CONNECTOR COMPOSITE (CHAPTER 23).....	628
23.1. CONNECTOR COMPOSITES (10000), P. 1.....	628
23.2. INTENTIONALLY LEFT BLANK, P. 2.....	629
23.3. CONNECTOR COMPOSITES (10000), P. 3.....	630
23.4. CONNECTOR COMPOSITES (10001), P. 4.....	631
23.5. CONNECTOR COMPOSITES (10003, 10004), P. 5.....	632
23.6. CONNECTOR COMPOSITES (10004, 10009), P. 6.....	633
23.7. CONNECTOR COMPOSITES (10010, 10011, 10012), P. 7.....	634
23.8. CONNECTOR COMPOSITES (10013, 10014, 10015, 10016), P. 8.....	635
23.9. CONNECTOR COMPOSITES (10017, 10018, 10019, 10020), P. 9.....	636
23.10. CONNECTOR COMPOSITES (10021, 10022, 10023, 10024), P. 10.....	637
23.11. CONNECTOR COMPOSITES (10025A, 10025B, 10025C, 10025D), P. 11.....	638
23.12. CONNECTOR COMPOSITES (10026A, 10026B, 10026C, 10026D), P. 12.....	639
23.13. CONNECTOR COMPOSITES (10027, 10028, 10029, 10030, 10031), P. 13.....	640
23.14. CONNECTOR COMPOSITES (10032, 10033, 10034, 10035, 10036), P. 14.....	641
23.15. CONNECTOR COMPOSITES (10038, 10039, 10040, 10041, 10042), P. 15.....	642
23.16. CONNECTOR COMPOSITES (10043, 10044, 10045, 10046), P. 16.....	643
23.17. CONNECTOR COMPOSITES (10047, 10048, 10049, 10050), P. 17.....	644
23.18. CONNECTOR COMPOSITES (10051, 10051A, 10101, 10102, 10103), P. 18.....	645
23.19. CONNECTOR COMPOSITES (10104, 10105, 10106, 10108), P. 19.....	646
23.20. CONNECTOR COMPOSITES (10109, 10109A, 10112, 10113), P. 20.....	647
23.21. CONNECTOR COMPOSITES (10114, 10115, 10116, 10117), P. 21.....	648
23.22. CONNECTOR COMPOSITES (10118, 10119, 10122, 10123), P. 22.....	649
23.23. CONNECTOR COMPOSITES (10124, 10125, 10126, 10128), P. 23.....	650
23.24. CONNECTOR COMPOSITES (10129, 10142, 10143, 10156), P. 24.....	651
23.25. CONNECTOR COMPOSITES (10157, 10160, 10161), P. 25.....	652
23.26. CONNECTOR COMPOSITES (10172, 10173, 10174, 10175), P. 26.....	653
23.27. CONNECTOR COMPOSITES (10177, 10178A, 10178B), P. 27.....	654
23.28. CONNECTOR COMPOSITES (10200, 10201, 10202), P. 28.....	655
23.29. CONNECTOR COMPOSITES (10203, 10203A, 10204), P. 29.....	656
23.30. CONNECTOR COMPOSITES (10207, 10209, 10211), P. 30.....	657
23.31. CONNECTOR COMPOSITES (10212, 10215A, 10215B, 10215C, 10215D, 10215E, 10215F, 10215G, 10215H, 10216C, 10216D, 10216E, 10219), P. 31.....	658
23.32. CONNECTOR COMPOSITES (10219A, 10219B, 10221, 10224, 10226), P. 32.....	659
23.33. CONNECTOR COMPOSITES (10227, 10228, 10229), P. 33.....	660
23.34. CONNECTOR COMPOSITES (10230, 10231, 10232), P. 34.....	661
23.35. CONNECTOR COMPOSITES (10233, 10234, 10235), P. 35.....	662
23.36. CONNECTOR COMPOSITES (10236, 10237, 10238), P. 36.....	663
23.37. CONNECTOR COMPOSITES (10239, 10241, 10242), P. 37.....	664
23.38. CONNECTOR COMPOSITES (10243A, 10243B, 10244A), P. 38.....	665
23.39. CONNECTOR COMPOSITES (10244B, 10245A, 10245B), P. 39.....	666
23.40. CONNECTOR COMPOSITES (10246A, 10246B, 10247), P. 40.....	667
23.41. CONNECTOR COMPOSITES (10248, 10249, 10250), P. 41.....	668
24. CONNECTOR COMPOSITE (CHAPTER 24).....	669
24.1. CONNECTOR COMPOSITES (10253, 10254, 10255), P. 1.....	669

TABLE OF CONTENTS (CONT.)

24.2. CONNECTOR COMPOSITES (10256, 10257, 10258), P. 2.....	670
24.3. CONNECTOR COMPOSITES (10259, 10260, 10261, 10262), P. 3.....	671
24.4. CONNECTOR COMPOSITES (10263, 10264, 10265, 10266), P. 4.....	672
24.5. CONNECTOR COMPOSITES (10267A, 10267B, 10268), P. 5.....	673
24.6. CONNECTOR COMPOSITES (10269, 10270, 10271, 10272), P. 6.....	674
24.7. CONNECTOR COMPOSITES (10273, 10274, 10275, 10281, 10282), P. 7.....	675
24.8. CONNECTOR COMPOSITES (10284, 10285, 10286, 10287), P. 8.....	676
24.9. CONNECTOR COMPOSITES (10293, 10294, 10295, 10299, 10300), P. 9.....	677
24.10. CONNECTOR COMPOSITES (10301), P. 10.....	678
24.11. CONNECTOR COMPOSITES (10302), P. 11.....	679
24.12. CONNECTOR COMPOSITES (10303), P. 12.....	680
24.13. CONNECTOR COMPOSITES (10304), P. 13.....	681
24.14. CONNECTOR COMPOSITES (10305), P. 14.....	682
24.15. CONNECTOR COMPOSITES (10306), P. 15.....	683
24.16. CONNECTOR COMPOSITES (10307), P. 16.....	684
24.17. CONNECTOR COMPOSITES (10308), P. 17.....	685
24.18. CONNECTOR COMPOSITES (10309), P. 18.....	686
24.19. CONNECTOR COMPOSITES (10309), P. 18A.....	687
24.20. CONNECTOR COMPOSITES (10310), P. 19.....	688
24.21. CONNECTOR COMPOSITES (10311), P. 20.....	689
24.22. CONNECTOR COMPOSITES (10312), P. 21.....	690
24.23. CONNECTOR COMPOSITES (10314, 10315, 10316), P. 22.....	691
24.24. CONNECTOR COMPOSITES (10317, 10318, 10319), P. 23.....	692
24.25. CONNECTOR COMPOSITES (10320, 10321, 10322), P. 24.....	693
24.26. CONNECTOR COMPOSITES (10323, 10324, 10325), P. 25.....	694
24.27. CONNECTOR COMPOSITES (10327, 10328, 10329), P. 26.....	695
24.28. CONNECTOR COMPOSITES (10330, 10331, 10332), P. 27.....	696
24.29. CONNECTOR COMPOSITES (10333, 10334, 10335A), P. 28.....	697
24.30. CONNECTOR COMPOSITES (10335B, 10336), P. 29.....	698
24.31. CONNECTOR COMPOSITES (10337, 10341, 10344, 10345), P. 30.....	699
24.32. CONNECTOR COMPOSITES (10350A, 10350B), P. 31.....	700
24.33. CONNECTOR COMPOSITES (10353), P. 32.....	701
24.34. CONNECTOR COMPOSITES (10354, 10355, 10356), P. 33.....	702
24.35. CONNECTOR COMPOSITES (10357, 10358, 10358A, 10358B), P. 34.....	703
24.36. CONNECTOR COMPOSITES (10359, 10360A, 10360R, 10361), P. 35.....	704
24.37. CONNECTOR COMPOSITES (10362, 10363, 10364, 10365, 10366), P. 36.....	705
24.38. CONNECTOR COMPOSITES (10367, 10368, 10369, 10370), P. 37.....	706
24.39. CONNECTOR COMPOSITES (10371, 10372, 10375), P. 38.....	707
24.40. CONNECTOR COMPOSITES (10376, 10377, 10380), P. 39.....	708
24.41. CONNECTOR COMPOSITES (10381, 10382, 10383), P. 40.....	709
24.42. CONNECTOR COMPOSITES (10384, 10385, 10386), P. 41.....	710
24.43. CONNECTOR COMPOSITES (10387, 10388, 10389), P. 42.....	711
24.44. CONNECTOR COMPOSITES (10390, 10391), P. 43.....	712
24.45. CONNECTOR COMPOSITES (10395, 10396, 10397, 10398), P. 44.....	713
24.46. CONNECTOR COMPOSITES (10399, 10400), P. 45.....	714
24.47. INTENTIONALLY LEFT BLANK, P. 46.....	715
24.48. CONNECTOR COMPOSITES (10400A), P. 47.....	716
24.49. CONNECTOR COMPOSITES (10400B), P. 48.....	717
24.50. CONNECTOR COMPOSITES (10401), P. 49.....	718
24.51. INTENTIONALLY LEFT BLANK, P. 50.....	719
24.52. CONNECTOR COMPOSITES (10401A), P. 51.....	720

TABLE OF CONTENTS (CONT.)

24.53. CONNECTOR COMPOSITES (10401B), P. 52.....	721
24.54. CONNECTOR COMPOSITES (10402, 10405), P. 53.....	722
24.55. INTENTIONALLY LEFT BLANK, P. 54.....	723
24.56. CONNECTOR COMPOSITES (10406), P. 55.....	724
24.57. CONNECTOR COMPOSITES (10410, 10411, 10412, 10413, 10414, 10416), P. 56.....	725
24.58. CONNECTOR COMPOSITES (10417, 10417A, 10417B), P. 57.....	726
24.59. CONNECTOR COMPOSITES (10418, 10419), P. 58.....	727
24.60. CONNECTOR COMPOSITES (10419), P. 59.....	728
24.61. CONNECTOR COMPOSITES (10420, 10421), P. 60.....	729
24.62. CONNECTOR COMPOSITES (10422, 10423), P. 61.....	730
24.63. CONNECTOR COMPOSITES (10424A, 10424B, 10425A, 10425B, 10426A), P. 62.....	731
24.64. CONNECTOR COMPOSITES (10426B, 10427A, 10427B, 10428A, 10428B), P. 63.....	732
24.65. CONNECTOR COMPOSITES (10429A, 10429B, 10430A, 10430B, 10431A), P. 64.....	733
24.66. CONNECTOR COMPOSITES (10431B, 10432A, 10432B, 10433A, 10433B), P. 65.....	734
24.67. CONNECTOR COMPOSITES (10434A, 10434B, 10435A, 10435B, 10436A, 10436B), P. 66.....	735
24.68. CONNECTOR COMPOSITES (10439, 10440, 10441, 10442, 10443), P. 67.....	736
24.69. CONNECTOR COMPOSITES (10444, 10445, 10446, 10447, 10448), P. 68.....	737
24.70. CONNECTOR COMPOSITES (10449, 10450, 10451, 10454A, 10454B), P. 69.....	738
24.71. CONNECTOR COMPOSITES (10454C, 10454D, 10454E, 10454F, 10454G), P. 70.....	739
24.72. CONNECTOR COMPOSITES (10454H, 10455A, 10455B, 10455C, 10455D), P. 71.....	740
24.73. CONNECTOR COMPOSITES (10455E, 10455F, 10455G, 10455H, 10456), P. 72.....	741
24.74. CONNECTOR COMPOSITES (10456A, 10456B, 10456C, 10456D, 10456E), P. 73.....	742
24.75. CONNECTOR COMPOSITES (10456F, 10456G, 10456H, 10457), P. 74.....	743
24.76. CONNECTOR COMPOSITES (10458, 10459, 10460, 10461, 10462), P. 75.....	744
24.77. CONNECTOR COMPOSITES (10463, 10464, 10465, 10466), P. 76.....	745
24.78. CONNECTOR COMPOSITES (10467, 10468, 10469), P. 77.....	746
24.79. CONNECTOR COMPOSITES (10472, 10473), P. 78.....	747
24.80. CONNECTOR COMPOSITES (10474A, 10474B, 10474C, 10474D, 10474E), P. 79.....	748
24.81. CONNECTOR COMPOSITES (10474F, 10474G, 10474H, 10474J, 10474K), P. 80.....	749
24.82. CONNECTOR COMPOSITES (10474L, 10474M, 10474N, 10475, 10475A), P. 81.....	750
24.83. CONNECTOR COMPOSITES (10475B, 10476, 10479, 10480), P. 82.....	751
24.84. CONNECTOR COMPOSITES (10481, 10482), P. 83.....	752
24.85. CONNECTOR COMPOSITES (10483, 10484, 10485), P. 84.....	753
24.86. CONNECTOR COMPOSITES (10485, 10486, 10487), P. 85.....	754
24.87. CONNECTOR COMPOSITES (10487, 10488, 10489), P. 86.....	755
24.88. CONNECTOR COMPOSITES (10491C, 10491D, 10491E, 10492), P. 87.....	756
24.89. CONNECTOR COMPOSITES (10494A, 10494B, 10495A, 10495B, 10496A), P. 88.....	757
24.90. CONNECTOR COMPOSITES (10496B, 10497A, 10497B, 10498A, 10498B), P. 89.....	758
24.91. CONNECTOR COMPOSITES (10499A, 10499B, 10500A, 10500B), P. 90.....	759
25. CONNECTOR COMPOSITE (CHAPTER 25).....	760
25.1. CONNECTOR COMPOSITES (10501A, 10501B, 10502A, 10502B, 10503A), P. 1.....	760
25.2. CONNECTOR COMPOSITES (10503B, 10504A, 10504B, 10506, 10507, 10508), P. 2.....	761
25.3. CONNECTOR COMPOSITES (10509, 10510, 10511, 10512, 10513), P. 3.....	762
25.4. CONNECTOR COMPOSITES (10513, 10514, 10515, 10516, 10517), P. 4.....	763
25.5. CONNECTOR COMPOSITES (10700), P. 5.....	764
25.6. CONNECTOR COMPOSITES (10700), P. 6.....	765
25.7. CONNECTOR COMPOSITES (10700), P. 7.....	766
25.8. INTENTIONALLY LEFT BLANK, P. 8.....	767
25.9. CONNECTOR COMPOSITES (10701, 10703), P. 9.....	768

TABLE OF CONTENTS (CONT.)

25.10. CONNECTOR COMPOSITES (10703, 10704), P. 10.....	769
25.11. CONNECTOR COMPOSITES (10705, 10706A, 10706B), P. 11.....	770
25.12. CONNECTOR COMPOSITES (10707, 10708, 10708A), P. 12.....	771
25.13. CONNECTOR COMPOSITES (10709, 10710, 10711, 10712), P. 13.....	772
25.14. CONNECTOR COMPOSITES (10713), P. 14.....	773
25.15. CONNECTOR COMPOSITES (10714), P. 15.....	774
25.16. CONNECTOR COMPOSITES (10715A, 10715B, 10716A, 10716B, 10717A), P. 16.....	775
25.17. CONNECTOR COMPOSITES (10717B, 10718A, 10718B, 10719A, 10719B), P. 17.....	776
25.18. CONNECTOR COMPOSITES (10720A, 10720B, 10721A, 10721B, 10722A), P. 18.....	777
25.19. CONNECTOR COMPOSITES (10722B, 10723A, 10723B, 10724A, 10724B), P. 19.....	778
25.20. CONNECTOR COMPOSITES (10725A, 10725B, 10726A, 10726B, 10727A), P. 20.....	779
25.21. CONNECTOR COMPOSITES (10727B, 10730, 10731, 10732, 10733), P. 21.....	780
25.22. CONNECTOR COMPOSITES (10734, 10735, 10736, 10737, 10738), P. 22.....	781
25.23. CONNECTOR COMPOSITES (10739, 10740, 10741, 10742), P. 23.....	782
25.24. CONNECTOR COMPOSITES (10745A, 10745B, 10746A, 10746B), P. 24.....	783
25.25. CONNECTOR COMPOSITES (10747A, 10747B, 10748A, 10748B), P. 25.....	784
25.26. CONNECTOR COMPOSITES (10749A, 10749B, 10750A, 10750B), P. 26.....	785
26. CONNECTOR COMPOSITE (CHAPTER 26).....	786
26.1. CONNECTOR COMPOSITES (10751, 10751A, 10751B, 10752A, 10752B, 10757), P. 1.....	786
26.2. CONNECTOR COMPOSITES (10757, 10758, 10759), P. 2.....	787
26.3. CONNECTOR COMPOSITES (10759, 10760), P. 3.....	788
26.4. CONNECTOR COMPOSITES (10761, 10758, 10762), P. 4.....	789
26.5. CONNECTOR COMPOSITES (10765B, 10765C, 10765D, 10765E), P. 5.....	790
26.6. CONNECTOR COMPOSITES (10766A, 10766B, 10766C, 10766D), P. 6.....	791
26.7. CONNECTOR COMPOSITES (10767, 10768), P. 7.....	792
26.8. CONNECTOR COMPOSITES (10769C, 10769D, 10769E, 10769F), P. 8.....	793
26.9. CONNECTOR COMPOSITES (10770C, 10770D, 10770E, 10770F), P. 9.....	794
26.10. CONNECTOR COMPOSITES (10771A, 10771B, 10771C, 10771D), P. 10.....	795
26.11. CONNECTOR COMPOSITES (10771E, 10771F, 10771G, 10771H), P. 11.....	796
26.12. CONNECTOR COMPOSITES (10772A, 10772B, 10772C, 10772D), P. 12.....	797
26.13. CONNECTOR COMPOSITES (10772E, 10772F, 10772G, 10772H), P. 13.....	798
26.14. CONNECTOR COMPOSITES (10773A, 10773B, 10773C, 10773D), P. 14.....	799
26.15. CONNECTOR COMPOSITES (10773E, 10773F, 10773G, 10773H), P. 15.....	800
26.16. CONNECTOR COMPOSITES (10774A, 10774C, 10774D), P. 16.....	801
26.17. CONNECTOR COMPOSITES (10774E, 10774F), P. 17.....	802
26.18. CONNECTOR COMPOSITES (10774G, 10774H), P. 18.....	803
26.19. CONNECTOR COMPOSITES (10774G, 10774H), P. 19.....	804
26.20. CONNECTOR COMPOSITES (10775A, 10775B, 10775C, 10775D), P. 20.....	805
26.21. CONNECTOR COMPOSITES (10778C, 10778D, 10778E, 10778F), P. 21.....	806
26.22. CONNECTOR COMPOSITES (10779, 10779A, 10779B, 10780), P. 22.....	807
26.23. CONNECTOR COMPOSITES (10781, 10800, 10801, 10802), P. 23.....	808
26.24. CONNECTOR COMPOSITES (10803, 10804, 10805, 10806), P. 24.....	809
26.25. CONNECTOR COMPOSITES (10807A, 10807B, 10808, 10835), P. 25.....	810
26.26. CONNECTOR COMPOSITES (10836, 11500), P. 26.....	811
26.27. CONNECTOR COMPOSITES (11500), P. 27.....	812
26.28. CONNECTOR COMPOSITES (11501, 11502, 11503, 11504, 11505), P. 28.....	813
26.29. CONNECTOR COMPOSITES (11506, 11507, 11509), P. 29.....	814
26.30. CONNECTOR COMPOSITES (11511, 11512, 11513, 11514), P. 30.....	815
26.31. CONNECTOR COMPOSITES (11515, 11516, 11517, 11518), P. 31.....	816
26.32. CONNECTOR COMPOSITES (11519, 11520, 11521, 11522), P. 32.....	817

TABLE OF CONTENTS (CONT.)

26.33. CONNECTOR COMPOSITES (11523, 11524, 11525, 11526), P. 33.....	818
26.34. CONNECTOR COMPOSITES (11527, 11528, 11529, 11530), P. 34.....	819
26.35. CONNECTOR COMPOSITES (11600A, 11600B, 11600C, 11600D, 11601), P. 35.....	820

TABLE OF CONTENTS

INSTRUCTIONS AND CHARTS (CHAPTER 2)

2.1. ABBREVIATIONS, P. 1

NAVISTAR, INC <small>THIS PRINT IS PROVIDED ON A RESTRICTED BASIS AND IS NOT TO BE USED IN ANY WAY DETRIMENTAL TO THE INTEREST OF NAVISTAR, INC.</small>		ELECTRICAL CIRCUIT DIAGRAM CHAPTER 2 ABBREVIATIONS			
ACC	ACCESSORY	CUR	CURRENT	PRESS	PRESSURE
AC	AIR CONDITIONING	DPNL	DASHBOARD	RAD	RADIO
AIR CLNR	AIR CLEANER	DFTR	DEFLECTOR	RR	REAR
ALT	ALTERNATOR	DFR	DEFROSTER	RLY	RELAY
AC	ALTERNATING CURRENT	DEG	DEGREE	RES	RESISTOR
AFTR	AFTERTREATMENT	DIAG	DIAGRAM	R	RIGHT
AMM	AMMETER	DSL	DIESEL	RTR	ROTOR
AMP	AMPERE	DIFF	DIFFERENTIAL	SNSR	SENSOR
AMP HR	AMPERE HOUR	DIMR	DIMMER	SHLD	SHIELD
AMPL	AMPLIFIER	ELEC	ELECTRICAL	SHFT	SHIFTER
ARM	ARMATURE	ELEX	ELECTRONIC	SLPR	SLEEPER
ARSR	ARRESTER	ENG	ENGINE	SLV	SLEEVE
ASSY	ASSEMBLY	EXH	EXHAUST	SPKR	SPEAKER
AUX	AUXILIARY	FL	FLUID	SPR	SPRING
B/U	BACK-UP	FWD	FORWARD	STD	STANDARD
BTRY	BATTERY	FR	FRONT	STRG	STEERING
BM	BENCHMARKING	FREQ	FREQUENCY	STLITE	SATELLITE
BLK	BLOCK	GA	GAUGE	SUNSH	SUNSHADE
BOOS	BOOSTER	GEN	GENERATOR	SW	SWITCH
BOT	BOTTOM	GND	GROUND	SYS	SYSTEM
BK	BRAKE	HARN	HARNESS	TACH	TACHOMETER
BRKR	BREAKER	HDLP	HEADLAMP	TEMP	TEMPERATURE
BRTHR	BREATHER	HTD	HEATED	TERM	TERMINAL
BRI	BRIGHT	HT TR	HEAT TREAT	THROT	THROTTLE
BUZ	BUZZER	HTR	HEATER	THRU	THROUGH
CA	CABLE	HP	HORSEPOWER	TRLR	TRAILER
CD	CANDELA	HYD	HYDRAULIC	XDCR	TRANSDUCER
CP	CANDLEPOWER	ID	IDENTIFICATION	XFER	TRANSFER
CAP	CAPACITOR	IGN	IGNITION	XFMR	TRANSFORMER
CAT	CATERPILLAR	ILLUM	ILLUMINATION	XSTR	TRANSISTOR
CHAS	CHASSIS	IND	INDICATOR	XMSN	TRANSMISSION
CH	CHOKE	INST	INSTRUMENT	XMTR	TRANSMITTER
CIRC	CIRCUIT	INT	INTERMITTENT	TRK	TRUCK
CLK	CLOCK	L	LEFT	UPR	UPPER
CW	CLOCKWISE	LT	LIGHT	VLV	VALVE
CLSTR	CLUSTER	LTR	LIGHTER	VERT	VERTICAL
CL	CLUTCH	LWR	LOWER	VM	VOLTMETER
COL	COLUMN	MAG	MAGNET	VOL	VOLUME
COMM	COMMUTATOR	MOD	MODULATOR	WSHR	WASHER
CMPNT	COMPONENT	MDL	MODULE	WHL	WHEEL
CPRSR	COMPRESSOR	MOT	MOTOR	WDO	WINDOW
CONN	CONNECT	MTD	MOUNTED	WSHLD	WINDSHIELD
CONT	CONTINUED	NEG	NEGATIVE	WPR	WIPER
CSL	CONSOLE	N/	NOT WITH	W/	WITH
CONT	CONTACT	NO.	NUMBER	W/O	WITHOUT
CONT	CONTROL	PASS	PASSENGER	SECT	SECTION
CONV	CONVERTER	POSN	POSITION	INTLK	INTERLOCK
CLR	COOLER	POS	POSITIVE	QTY	QUANTITY
CTSY	COURTESY	POT	POTENTIOMETER	DIR	DIRECTIONAL
CRUS	CRUISE	PWR	POWER		

CHK	DATE	CHANGE	REV	REFERENCE	DRAWN	NAME
CNA1	18OCT11	INITIAL RELEASE.	A	73516K	300343	CIRCUIT DIAGRAM, BE,CE BUS
					RELEASE NO.	DATE
					73516K	04MAY11
					PART NO.	SHEET
					AE08065274	001

Figure 1 Abbreviations

ELECTRICAL CIRCUIT DIAGRAM MANUAL

2.2. ACRONYMS, P. 2

<p>NAVISTAR, INC <small>THIS PRINT IS PROVIDED ON A RESTRICTED BASIS AND IS NOT TO BE USED IN ANY WAY DETRIMENTAL TO THE INTEREST OF NAVISTAR, INC.</small></p>				<p>ELECTRICAL CIRCUIT DIAGRAM CHAPTER 2 ACRONYMS</p>																																																																																																																																																									
<table border="1" style="width: 100%; border-collapse: collapse;"> <thead> <tr> <th style="width: 50%;">DESCRIPTION</th> <th style="width: 50%;">ACRONYM</th> </tr> </thead> <tbody> <tr><td>ANTILOCK BRAKING SYSTEM</td><td>ABS</td></tr> <tr><td>ANTENNA COMMUNICATION UNIT</td><td>ACU</td></tr> <tr><td>ALTERNATING CURRENT</td><td>AC</td></tr> <tr><td>AXLE TO BACK OF CAB</td><td>AC</td></tr> <tr><td>AXLE TO FRAME</td><td>AF</td></tr> <tr><td>ACCELERATOR PEDAL MODULE</td><td>APM</td></tr> <tr><td>ACCELERATOR POSITION SENSOR</td><td>APS</td></tr> <tr><td>AUXILIARY POWER UNIT</td><td>APU</td></tr> <tr><td>AUTOMATIC TRACTION CONTROL</td><td>ATC</td></tr> <tr><td>AUDIO VIDEO INTERFACE</td><td>AVI</td></tr> <tr><td>BRAKE HORSEPOWER</td><td>BHP</td></tr> <tr><td>BACK OF CAB</td><td>BOC</td></tr> <tr><td>CITIZEN BAND</td><td>CB</td></tr> <tr><td>GOLD CRANKING AMPERES</td><td>CCA</td></tr> <tr><td>CLEAN POWER ELECTRICAL CONNECTOR</td><td>CEC</td></tr> <tr><td>CAB OVER ENGINE</td><td>COE</td></tr> <tr><td>DIRECT CURRENT</td><td>DC</td></tr> <tr><td>DRIVER CONTROL MODULE</td><td>DCM</td></tr> <tr><td>DIGITAL DATA LINK</td><td>DDL</td></tr> <tr><td>DIESEL OXIDATION CATALYST INLET TEMPERATURE</td><td>DOCT</td></tr> <tr><td>DIESEL PARTICULATE FILTER</td><td>DPF</td></tr> <tr><td>DIESEL TURBOCHARGED</td><td>DT</td></tr> <tr><td>DAY TIME RUNNING LIGHTS</td><td>DTRL</td></tr> <tr><td>ELECTRONIC CONTROL MODULE</td><td>ECM</td></tr> <tr><td>ELECTRONIC CONTROL UNIT</td><td>ECU</td></tr> <tr><td>EXHAUST GAS RECIRCULATION</td><td>EGR</td></tr> <tr><td>EXHAUST GAS TEMPERATURE</td><td>EGT</td></tr> <tr><td>ELECTRO MAGNETIC INTERFACE</td><td>EMI</td></tr> <tr><td>END OF FRAME</td><td>EOF</td></tr> <tr><td>ELECTRIC TRAILER BRAKE</td><td>ETB</td></tr> <tr><td>FRONT AXLE</td><td>FA</td></tr> <tr><td>FRONT END</td><td>FE</td></tr> <tr><td>FRONT OF DASH</td><td>FOD</td></tr> <tr><td>FULL POWER BRAKE</td><td>FPB</td></tr> <tr><td>GLOBAL POSITIONING SYSTEM</td><td>GPS</td></tr> <tr><td>HYDRAULIC CONTROL UNIT</td><td>HCU</td></tr> <tr><td>HEAVY DUTY</td><td>HD</td></tr> <tr><td>HEAVY DUTY DIESEL</td><td>HDD</td></tr> <tr><td>HIGH PERFORMANCE TRUCK</td><td>HPT</td></tr> <tr><td>HEATING, VENTILATION, AND AIR CONDITIONING</td><td>HVAC</td></tr> </tbody> </table> <table border="1" style="width: 100%; border-collapse: collapse; margin-top: 10px;"> <thead> <tr> <th style="width: 50%;">DESCRIPTION</th> <th style="width: 50%;">ACRONYM</th> </tr> </thead> <tbody> <tr><td>INJECTOR DRIVE MODULE</td><td>IDM</td></tr> <tr><td>INPUT / OUTPUT</td><td>I/O</td></tr> <tr><td>INTEGRATED MOBILE COMMUNICATIONS TERMINAL</td><td>IMCT</td></tr> <tr><td>INSTRUMENT PANEL</td><td>I/P</td></tr> <tr><td>INDEPENDENT POWER TAKE-OFF</td><td>IPTO</td></tr> <tr><td>LIGHT COMMERCIAL TRANSMISSION</td><td>LCT</td></tr> <tr><td>MEDIUM DUTY</td><td>MD</td></tr> <tr><td>MALFUNCTION INDICATION LAMP</td><td>MIL</td></tr> <tr><td>MULTIPLX SWITCH MODULE</td><td>MSM</td></tr> <tr><td>PYROMETER AMMETER MODULE</td><td>PAM</td></tr> <tr><td>PROGRAMMABLE LOGIC CONTROLLER</td><td>PLC</td></tr> <tr><td>POWER TAKE-OFF</td><td>PTO</td></tr> <tr><td>PULSE WIDTH MODULATION</td><td>PWM</td></tr> <tr><td>REAR AXLE</td><td>RA</td></tr> <tr><td>RADIO FREQUENCY</td><td>RF</td></tr> <tr><td>ROLL STABILITY PROGRAMM</td><td>RSP</td></tr> <tr><td>SEVERE SERVICE</td><td>SS</td></tr> <tr><td>TRANSMISSION CONTROL MODULE</td><td>TCM</td></tr> <tr><td>TERRESTRIAL COMMUNICATION UNIT</td><td>TCU</td></tr> <tr><td>TERRESTRIAL MOBILE COMMUNICATIONS TERMINAL</td><td>TMCT</td></tr> <tr><td>THERMAL OVERCRANK PROTECTION</td><td>TOCP</td></tr> <tr><td>THROTTLE POSITION SENSOR</td><td>TPS</td></tr> <tr><td>ZERO VOLT REFERENCE</td><td>ZVR</td></tr> <tr><td>VEHICLE INTERFACE MODULE</td><td>VIM</td></tr> <tr><td>TRANSMISSION COUNTRONL MODULE</td><td>TCM</td></tr> <tr><td>SINGLE LIFT DOOR</td><td>SLD</td></tr> <tr><td>SIDE EMERGENCY DOOR</td><td>SED</td></tr> <tr><td>NORMALLY CLOSED</td><td>NC</td></tr> <tr><td>PUBLIC ADDRESS</td><td>PA</td></tr> <tr><td>CHILD REMINDER SYSTEM</td><td>CRS</td></tr> <tr><td>POST TRIP INSPECTION</td><td>PTI</td></tr> <tr><td>NOISE SUPPRESSON</td><td>NS</td></tr> <tr><td>MASTER DISCONNECT</td><td>MD</td></tr> <tr><td>PUPIL WARNING LIGHTS</td><td>PWL</td></tr> </tbody> </table>						DESCRIPTION	ACRONYM	ANTILOCK BRAKING SYSTEM	ABS	ANTENNA COMMUNICATION UNIT	ACU	ALTERNATING CURRENT	AC	AXLE TO BACK OF CAB	AC	AXLE TO FRAME	AF	ACCELERATOR PEDAL MODULE	APM	ACCELERATOR POSITION SENSOR	APS	AUXILIARY POWER UNIT	APU	AUTOMATIC TRACTION CONTROL	ATC	AUDIO VIDEO INTERFACE	AVI	BRAKE HORSEPOWER	BHP	BACK OF CAB	BOC	CITIZEN BAND	CB	GOLD CRANKING AMPERES	CCA	CLEAN POWER ELECTRICAL CONNECTOR	CEC	CAB OVER ENGINE	COE	DIRECT CURRENT	DC	DRIVER CONTROL MODULE	DCM	DIGITAL DATA LINK	DDL	DIESEL OXIDATION CATALYST INLET TEMPERATURE	DOCT	DIESEL PARTICULATE FILTER	DPF	DIESEL TURBOCHARGED	DT	DAY TIME RUNNING LIGHTS	DTRL	ELECTRONIC CONTROL MODULE	ECM	ELECTRONIC CONTROL UNIT	ECU	EXHAUST GAS RECIRCULATION	EGR	EXHAUST GAS TEMPERATURE	EGT	ELECTRO MAGNETIC INTERFACE	EMI	END OF FRAME	EOF	ELECTRIC TRAILER BRAKE	ETB	FRONT AXLE	FA	FRONT END	FE	FRONT OF DASH	FOD	FULL POWER BRAKE	FPB	GLOBAL POSITIONING SYSTEM	GPS	HYDRAULIC CONTROL UNIT	HCU	HEAVY DUTY	HD	HEAVY DUTY DIESEL	HDD	HIGH PERFORMANCE TRUCK	HPT	HEATING, VENTILATION, AND AIR CONDITIONING	HVAC	DESCRIPTION	ACRONYM	INJECTOR DRIVE MODULE	IDM	INPUT / OUTPUT	I/O	INTEGRATED MOBILE COMMUNICATIONS TERMINAL	IMCT	INSTRUMENT PANEL	I/P	INDEPENDENT POWER TAKE-OFF	IPTO	LIGHT COMMERCIAL TRANSMISSION	LCT	MEDIUM DUTY	MD	MALFUNCTION INDICATION LAMP	MIL	MULTIPLX SWITCH MODULE	MSM	PYROMETER AMMETER MODULE	PAM	PROGRAMMABLE LOGIC CONTROLLER	PLC	POWER TAKE-OFF	PTO	PULSE WIDTH MODULATION	PWM	REAR AXLE	RA	RADIO FREQUENCY	RF	ROLL STABILITY PROGRAMM	RSP	SEVERE SERVICE	SS	TRANSMISSION CONTROL MODULE	TCM	TERRESTRIAL COMMUNICATION UNIT	TCU	TERRESTRIAL MOBILE COMMUNICATIONS TERMINAL	TMCT	THERMAL OVERCRANK PROTECTION	TOCP	THROTTLE POSITION SENSOR	TPS	ZERO VOLT REFERENCE	ZVR	VEHICLE INTERFACE MODULE	VIM	TRANSMISSION COUNTRONL MODULE	TCM	SINGLE LIFT DOOR	SLD	SIDE EMERGENCY DOOR	SED	NORMALLY CLOSED	NC	PUBLIC ADDRESS	PA	CHILD REMINDER SYSTEM	CRS	POST TRIP INSPECTION	PTI	NOISE SUPPRESSON	NS	MASTER DISCONNECT	MD	PUPIL WARNING LIGHTS	PWL
DESCRIPTION	ACRONYM																																																																																																																																																												
ANTILOCK BRAKING SYSTEM	ABS																																																																																																																																																												
ANTENNA COMMUNICATION UNIT	ACU																																																																																																																																																												
ALTERNATING CURRENT	AC																																																																																																																																																												
AXLE TO BACK OF CAB	AC																																																																																																																																																												
AXLE TO FRAME	AF																																																																																																																																																												
ACCELERATOR PEDAL MODULE	APM																																																																																																																																																												
ACCELERATOR POSITION SENSOR	APS																																																																																																																																																												
AUXILIARY POWER UNIT	APU																																																																																																																																																												
AUTOMATIC TRACTION CONTROL	ATC																																																																																																																																																												
AUDIO VIDEO INTERFACE	AVI																																																																																																																																																												
BRAKE HORSEPOWER	BHP																																																																																																																																																												
BACK OF CAB	BOC																																																																																																																																																												
CITIZEN BAND	CB																																																																																																																																																												
GOLD CRANKING AMPERES	CCA																																																																																																																																																												
CLEAN POWER ELECTRICAL CONNECTOR	CEC																																																																																																																																																												
CAB OVER ENGINE	COE																																																																																																																																																												
DIRECT CURRENT	DC																																																																																																																																																												
DRIVER CONTROL MODULE	DCM																																																																																																																																																												
DIGITAL DATA LINK	DDL																																																																																																																																																												
DIESEL OXIDATION CATALYST INLET TEMPERATURE	DOCT																																																																																																																																																												
DIESEL PARTICULATE FILTER	DPF																																																																																																																																																												
DIESEL TURBOCHARGED	DT																																																																																																																																																												
DAY TIME RUNNING LIGHTS	DTRL																																																																																																																																																												
ELECTRONIC CONTROL MODULE	ECM																																																																																																																																																												
ELECTRONIC CONTROL UNIT	ECU																																																																																																																																																												
EXHAUST GAS RECIRCULATION	EGR																																																																																																																																																												
EXHAUST GAS TEMPERATURE	EGT																																																																																																																																																												
ELECTRO MAGNETIC INTERFACE	EMI																																																																																																																																																												
END OF FRAME	EOF																																																																																																																																																												
ELECTRIC TRAILER BRAKE	ETB																																																																																																																																																												
FRONT AXLE	FA																																																																																																																																																												
FRONT END	FE																																																																																																																																																												
FRONT OF DASH	FOD																																																																																																																																																												
FULL POWER BRAKE	FPB																																																																																																																																																												
GLOBAL POSITIONING SYSTEM	GPS																																																																																																																																																												
HYDRAULIC CONTROL UNIT	HCU																																																																																																																																																												
HEAVY DUTY	HD																																																																																																																																																												
HEAVY DUTY DIESEL	HDD																																																																																																																																																												
HIGH PERFORMANCE TRUCK	HPT																																																																																																																																																												
HEATING, VENTILATION, AND AIR CONDITIONING	HVAC																																																																																																																																																												
DESCRIPTION	ACRONYM																																																																																																																																																												
INJECTOR DRIVE MODULE	IDM																																																																																																																																																												
INPUT / OUTPUT	I/O																																																																																																																																																												
INTEGRATED MOBILE COMMUNICATIONS TERMINAL	IMCT																																																																																																																																																												
INSTRUMENT PANEL	I/P																																																																																																																																																												
INDEPENDENT POWER TAKE-OFF	IPTO																																																																																																																																																												
LIGHT COMMERCIAL TRANSMISSION	LCT																																																																																																																																																												
MEDIUM DUTY	MD																																																																																																																																																												
MALFUNCTION INDICATION LAMP	MIL																																																																																																																																																												
MULTIPLX SWITCH MODULE	MSM																																																																																																																																																												
PYROMETER AMMETER MODULE	PAM																																																																																																																																																												
PROGRAMMABLE LOGIC CONTROLLER	PLC																																																																																																																																																												
POWER TAKE-OFF	PTO																																																																																																																																																												
PULSE WIDTH MODULATION	PWM																																																																																																																																																												
REAR AXLE	RA																																																																																																																																																												
RADIO FREQUENCY	RF																																																																																																																																																												
ROLL STABILITY PROGRAMM	RSP																																																																																																																																																												
SEVERE SERVICE	SS																																																																																																																																																												
TRANSMISSION CONTROL MODULE	TCM																																																																																																																																																												
TERRESTRIAL COMMUNICATION UNIT	TCU																																																																																																																																																												
TERRESTRIAL MOBILE COMMUNICATIONS TERMINAL	TMCT																																																																																																																																																												
THERMAL OVERCRANK PROTECTION	TOCP																																																																																																																																																												
THROTTLE POSITION SENSOR	TPS																																																																																																																																																												
ZERO VOLT REFERENCE	ZVR																																																																																																																																																												
VEHICLE INTERFACE MODULE	VIM																																																																																																																																																												
TRANSMISSION COUNTRONL MODULE	TCM																																																																																																																																																												
SINGLE LIFT DOOR	SLD																																																																																																																																																												
SIDE EMERGENCY DOOR	SED																																																																																																																																																												
NORMALLY CLOSED	NC																																																																																																																																																												
PUBLIC ADDRESS	PA																																																																																																																																																												
CHILD REMINDER SYSTEM	CRS																																																																																																																																																												
POST TRIP INSPECTION	PTI																																																																																																																																																												
NOISE SUPPRESSON	NS																																																																																																																																																												
MASTER DISCONNECT	MD																																																																																																																																																												
PUPIL WARNING LIGHTS	PWL																																																																																																																																																												
CHK	DATE	CHANGE	REV	REFERENCE	DRAWN	NAME																																																																																																																																																							
CNA1	18OCT11	INITIAL RELEASE.	A	73516K	300343	CIRCUIT DIAGRAM, BE,CE BUS																																																																																																																																																							
					RELEASE NO.	DATE																																																																																																																																																							
					73516K	04MAY11																																																																																																																																																							
						PART NO.																																																																																																																																																							
						AE08065274																																																																																																																																																							
						SHEET																																																																																																																																																							
						002																																																																																																																																																							

Figure 2 Acronyms

2.3. CIRCUIT DIAGRAM INSTRUCTIONS, P. 3

NAVISTAR, INC

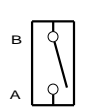
THIS PRINT IS PROVIDED ON A RESTRICTED BASIS AND IS NOT TO BE USED IN ANY WAY DETRIMENTAL TO THE INTEREST OF NAVISTAR, INC.

ELECTRICAL CIRCUIT DIAGRAM

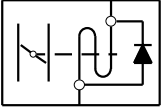
CHAPTER 2

CIRCUIT DIAGRAM INSTRUCTIONS

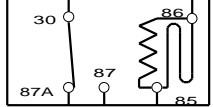
A - SWITCH AND RELAY POSITIONS AS SHOWN ON CIRCUIT DIAGRAMS INDICATE NORMAL POSITION WITH IGNITION OFF UNLESS OTHERWISE NOTED.



SWITCH, MECHANICAL

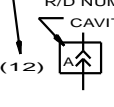


SOLENOID

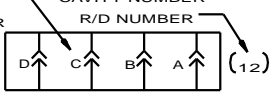


RELAY - SUPPRESSED

B - MULTIPLE CONNECTIONS ARE DISPLAYED ON SCHEMATIC AS SHOWN WITH R/D NUMBER & CAVITY NUMBER. REFER TO CONNECTOR COMPOSITE FOR MORE INFORMATION



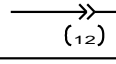
R/D NUMBER
CAVITY NUMBER



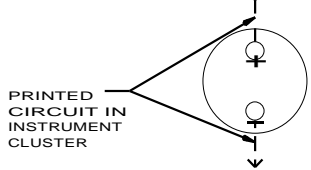
CAVITY NUMBER
R/D NUMBER

AND/OR


SINGLE IN-LINE CONNECTORS DISPLAYED AS SHOWN BELOW WITH R/D NUMBER



C - PHANTOM LINES INDICATE PRINTED CIRCUITS OR BUSSED CIRCUITS. THESE CIRCUITS EXIST IN THE INSTRUMENT CLUSTER AND FUSE / CIRCUIT BREAKER CONNECTORS.

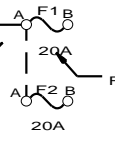


PRINTED CIRCUIT IN INSTRUMENT CLUSTER



VOLTMETER


LOCATION / CIRCUIT NUMBER
WIRE GAUGE / WIRE COLOR



FUSE RATING

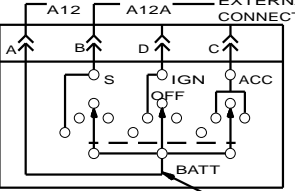
LOCATION IN FUSE / CIRCUIT BREAKER CONNECTION

D - MULTIPLE CIRCUIT NUMBERS ON A LINE INDICATE ONE CIRCUIT DISTRIBUTING CURRENT TO TWO CIRCUITS.

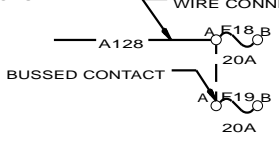


SPLICE

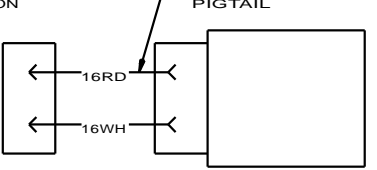
E - SWITCHES, RELAYS AND COMPONENTS INDICATE EXTERNAL WIRE CONNECTIONS AND / OR INTERNAL CONNECTIONS.



KEY SWITCH (1101M)



WIRE CONNECTION




BODY CONTROLLER (1602)

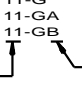
EXTERNAL WIRE CONNECTIONS

INTERNAL CONNECTION

F - CIRCUIT "11" DENOTES ANY COMMON GROUND (MORE THAN ONE CIRCUIT). ANY INDIVIDUAL GROUND CIRCUIT IS IDENTIFIED WITH THAT PARTICULAR CIRCUIT NUMBER. (E.G. CIRCUIT 32 CRUISE CONTROL IS IDENTIFIED AS PER EXAMPLE)

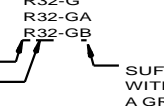


COMMON GROUND CIRCUIT NUMBER



SUFFIX BEGINNING WITH G INDICATES A GROUND CIRCUIT

LOCATION



INDIVIDUAL GROUND CIRCUIT NUMBER

SUFFIX BEGINNING WITH G INDICATES A GROUND CIRCUIT

NOTE: FOR CIRCUIT DESCRIPTION OTHER THAN GROUNDS NEITHER THE LETTER "G" NOR THE COLOR WHITE SHALL BE USED

CHK	DATE	CHANGE	REV	REFERENCE	DRAWN	NAME
		INITIAL RELEASE.	A	73516K	300343	CIRCUIT DIAGRAM, BE, CE BUS
CNA1	18OCT11				RELEASE NO.	DATE
					73516K	04MAY11
					PART NO.	SHEET
					AE08065274	003

Figure 3 Circuit Diagram Instructions

2.4. CIRCUIT NUMBER IDENTIFICATION AND COLOR, P. 4

NAVISTAR, INC		ELECTRICAL CIRCUIT DIAGRAM CHAPTER 2	
THIS PRINT IS PROVIDED ON A RESTRICTED BASIS AND IS NOT TO BE USED IN ANY WAY DETRIMENTAL TO THE INTEREST OF NAVISTAR, INC.		CIRCUIT NUMBER IDENTIFICATION AND COLOR	
CIRCUIT NUMBER	COLOR	DESCRIPTION	
1	LTBL	ALTERNATOR - FIELD	
2	RD	ALTERNATOR - CHARGE	
3	DKBL	SERIAL / DATA COMMUNICATION J1587 / J1708(+)	
	GY	SERIAL / DATA COMMUNICATION J1587 / J1708(-)	
4	DKBL	SERIAL / DATA COMMUNICATION J1922(+)	
	GY	SERIAL / DATA COMMUNICATION J1922(-)	
5	YL	SERIAL / DATA COMMUNICATION J1939 / 11 / J1939 / 15(+)	
	GN	SERIAL / DATA COMMUNICATION J1939 / 11 / J1939 / 15(-)	
6	GY	LOW VOLTAGE ELECTRONIC FEED (LESS THAN 9 VOLTS)	
7	RD	ALTERNATOR - RESISTANCE	
8			
9	GY	ZERO VOLT REFERENCE (ZVR)	
10	WH	CHASSIS / ENGINE GROUND	
11	WH	CAB / SLEEPER GROUND	
12	LTBL	ACCESSORY FEED	
13	PK	IGNITION FEED	
	BK	IGNITION FEED (BODY BUILDER CONNECTOR)	
14	RD	BATTERY FEED	
15	RD	KEY SWITCH FEED	
16			
17	PK	STARTER CONTROL	
18	PK	GLOW PLUG / PRE-HEATER	
19	GY	ENGINE SHUTDOWN	
20	LTGN	REMOTE POWER MODULE	
21	TN	COLD START CONTROLS (ETHER)	
22	TN	TIRE PRESSURE MONITORING / CONTROL	
23	TN	ENGINE FAN / SHUTTERS	
24	GY	ENGINE EXHAUST BRAKE	
25			
26	TN	AMMETER	
27	TN	VOLTMETER	
28	TN	INSTRUMENTS AND GAUGES	
29	TN	ENGINE WATER TEMPERATURE	
30	TN	ENGINE OIL TEMPERATURE	
31	TN	TRANSMISSION OIL TEMPERATURE	
32	TN	AXLE OIL TEMPERATURE	
33	TN	ENGINE OIL LEVEL	
34	TN	COOLANT LEVEL	
35	TN	ENGINE OIL PRESSURE	
36	TN	FUEL LEVEL	
37	TN	FUEL PUMP	
38	GY	LIFT AXLE	
39	GY	AIR DRYER HEATER	
40	GY	LOW AIR PRESSURE WARNING	
41	TN	AIR TEMP	
42	GY	FRONT AXLE ENGAGED	
43	GY	POWER DIVIDER LOCK (PDL) WARNING	
44	GY	PARK BRAKE WARNING	
45	LTGN	ANTI-THEFT WARNING	

CHK	DATE	CHANGE	REV	REFERENCE	DRAWN	NAME
CNA1	18OCT11	INITIAL RELEASE.	A	73516K	300343	CIRCUIT DIAGRAM, BE,CE BUS
					RELEASE NO.	DATE
					73516K	04MAY11
					PART NO.	SHEET
					AE08065274	004

Figure 4 Circuit Number Identification and Color

2.5. CIRCUIT NUMBER IDENTIFICATION AND COLOR (CONT.), P. 5

NAVISTAR, INC				ELECTRICAL CIRCUIT DIAGRAM 2	
THIS PRINT IS PROVIDED ON A RESTRICTED BASIS AND IS NOT TO BE USED IN ANY WAY DETRIMENTAL TO THE INTEREST OF NAVISTAR, INC.				CHAPTER 2	
				CIRCUIT NUMBER IDENTIFICATION AND COLOR (CONT)	
CIRCUIT NUMBER	COLOR	DESCRIPTION			
41	TN	AIR TEMPERATURE			
42	GY	FRONT AXLE ENGAGED			
43	GY	POWER DIVIDER LOCK (PDL) WARNING			
44	GY	PARK BRAKE WARNING			
45	LTGN	ANTITHEFT WARNING			
46	GY	POWER TAKEOFF WARNING			
47	GY	SPEEDOMETER			
48	GY	TACHOMETER			
49	GY	DIFFERENTIAL LOCK WARNING			
50	YL	LIGHT SWITCH FEED			
51	YL	DIMMER SWITCH FEED			
52	YL	HEADLIGHT HI - BEAM			
53	YL	HEADLIGHT LO - BEAM			
54	BN	PARKING / MARKER LIGHTS			
55	OR	TURN SIGNAL - FEED			
56	OR	TURN SIGNAL LIGHTS - LEFT			
	YL	TURN SIGNAL LIGHTS - LEFT (BODY BUILDER CONNECTION)			
57	OR	TURN SIGNAL LIGHTS - RIGHT			
	LTGN	TURN SIGNAL LIGHTS - RIGHT (BODY BUILDER CONNECTION)			
58	BN	CLEARANCE / IDENTIFICATION LIGHTS			
59	GY	SOLENOID			
60	OR	HAZARD LIGHTS			
61	GY	AIR SUSPENSION			
62	DKBL	PANEL LIGHTS			
63	DKBL	COURTESY / DOME LIGHTS			
64	YL	FOG / DRIVING LIGHTS			
65	OR	CAB REAR FLOOD LIGHTS			
66	YL	DAYTIME RUNNING LIGHT			
67	GY	OBSTACLE AVOIDANCE / REMOTE SENSOR			
68	BN	TAIL LIGHTS			
69	BN	LICENSE PLATE LIGHT			
	OR	STOP LIGHTS			
70	RD	STOP LIGHTS (BODY BUILDER CONNECTION)			
	OR	BACKUP LIGHTS			
71	LTBL	BACKUP LIGHTS (BODY BUILDER CONNECTION)			
	OR	TRAILER AUXILIARY FEED - BATTERY			
72	OR	TRAILER AUXILIARY FEED - BATTERY			
73	LTGN	PWM			
74	LTGN	HEATER RECIRC MOTOR			
75	LTGN	HEATER BLOWER MOTOR			
76	LTGN	AUXILIARY FAN			
77	LTGN	AIR CONDITIONER			
78	LTGN	MIRRORS - HEATED, MOTORIZED			
79	GY	SEAT BELTS			
80	BK	SLEEPER BOX RELAY - FEED			

CHK	DATE	CHANGE	REV	REFERENCE	DRAWN	NAME
CNA1	18OCT11	INITIAL RELEASE.	A	73516K	300343	CIRCUIT DIAGRAM, BE,CE BUS
					RELEASE NO.	DATE
					73516K	04MAY11
					PART NO.	SHEET
					AE08065274	005

Figure 5 Circuit Number Identification and Color (Cont.)

2.6. CIRCUIT NUMBER IDENTIFICATION AND COLOR (CONT.), P. 6

NAVISTAR, INC				ELECTRICAL CIRCUIT DIAGRAM			
THIS PRINT IS PROVIDED ON A RESTRICTED BASIS AND IS NOT TO BE USED IN ANY WAY DETRIMENTAL TO THE INTEREST OF NAVISTAR, INC.				CHAPTER 2			
				CIRCUIT NUMBER IDENTIFICATION AND COLOR (CONT)			
CIRCUIT NUMBER	COLOR	DESCRIPTION					
81	LTGN	POWER DOOR LOCKS					
82	GY	WINDSHIELD WIPER					
83	LTGN	POWER WINDOWS					
84	LTGN	CIGAR LIGHTER					
85	GY	HORN					
86	LTGN	RADIO - ENTERTAINMENT / CLOCK					
87	GY	WINDSHIELD WASHER					
88	LTGN	CLOCK / HOURMETER					
89	VT	AIR BAG					
89	OR	PUPIL WARNING LIGHTS					
90	GY	HYDRAULIC BRAKE PUMP					
91	VT	INTERCOMMUNICATION					
92	TN	TRANSMISSION CONTROLS - ELECTRONICS					
93	TN	AXLE SHIFT CONTROL					
94	GY	ANTILOCK BRAKE SYSTEM					
95	TN	EXHAUST EMISSION					
96	YL	SNOW PLOW LIGHTS / CRUISE CONTROLS					
97	VT	ENGINE CONTROLS - ELECTRONIC					
98	BK	DATALINK AND DIAGNOSTICS					
99	VT	ACCELERATOR POSITION SENSOR (APS)					
100	GY	AIR HORN (ELECTRIC SOLENOID ACTUATED)					
101	TN	BRAKE APPLICATION AIR					
102	YL	FLASH TO PASS					
103	LTGN	BODY BUILDER AUXILIARY FEED					
104	DKBL	REMOTE START / STOP					
105	LTGN	HEATED SEATS					
106	OR	HIGH VOLTAGE ALTERNATOR AC CHARGE					
107	GY	INTRUMENT CLUSTER ELECTRONIC FEED (5V)					
108	GY	BRAKE PAD WEAR SENSOR					
109	GY	BRAKE STROKE / SLACK ADJUSTER					
110	GY	INTRUMENT CLUSTER ELECTRONIC GROUND					
111	TN	FUEL FILTER RESTRICTION TRANSDUCER					
112	GY	LIFT GATE					
113	YL	BLACKOUT LIGHT					
114	YL	INFRARED LIGHTS					
115	LTGN	WINCH					
116	GY	FIFTH WHEEL					
117	GY	EMERGENCY EXIT - REAR DOOR - REAR OVAL WINDOW					
118	LTBL	NOISE SUPPRESSION - SOLENOID					
119	GY	STOP ARM / CROSSING GATE					
120	LTGN	DOOR CONTROL					
121	YL	ENGINE COMPARTMENT LIGHT					
122	GY	WHEEL CHAIR LIFT					
123	GY	FLASHER SYSTEM CONTROL					
124	LTGN	SPARE WIRE					
125	GY	POST TRIP INSPECTION - CRS / CHECK MATE / BUS SCAN					
126	GY	EMERGENCY EXIT - WINDOWS					
127	OR	STROBE LIGHT					

CHK	DATE	CHANGE	REV	REFERENCE	DRAWN	NAME
CNA1	18OCT11	INITIAL RELEASE.	A	73516K	300343	CIRCUIT DIAGRAM, BE,CE BUS
					RELEASE NO.	DATE
					73516K	04MAY11
					PART NO.	SHEET
					AE08065274	006

Figure 6 Circuit Number Identification and Color (Cont.)

2.7. CIRCUIT NUMBER IDENTIFICATION AND COLOR (CONT.), P. 7

NAVISTAR, INC <small>THIS PRINT IS PROVIDED ON A RESTRICTED BASIS AND IS NOT TO BE USED IN ANY WAY DETRIMENTAL TO THE INTEREST OF NAVISTAR, INC.</small>				ELECTRICAL CIRCUIT DIAGRAM CHAPTER 2 CIRCUIT NUMBER IDENTIFICATION AND COLOR (CONT)																																																																																																		
<table border="1" style="width: 100%; border-collapse: collapse;"> <thead> <tr> <th style="width: 15%;">CIRCUIT NUMBER</th> <th style="width: 15%;">COLOR</th> <th style="width: 70%;">DESCRIPTION</th> </tr> </thead> <tbody> <tr><td>128</td><td>LTBL</td><td>LIGHT MONITOR</td></tr> <tr><td>129</td><td>GY</td><td>EMERGENCY EXIT - ROOF HATCH</td></tr> <tr><td>130</td><td>GY</td><td>EMERGENCY EXIT - SIDE EMERGENCY DOOR</td></tr> <tr><td>131</td><td>DKBL</td><td>STEP LIGHT / SKIRT LIGHT</td></tr> <tr><td>132</td><td>GY</td><td>STEP HEATER</td></tr> <tr><td>133</td><td>LTGN</td><td>VANDAL LOCK - STARTER INTERRUPT</td></tr> <tr><td>134</td><td>OR</td><td>DESTINATION SIGN</td></tr> <tr><td>135</td><td>OR</td><td>LUGGAGE BOX LIGHT</td></tr> <tr><td>136</td><td>YL</td><td>ELECTRICAL PANEL LIGHT</td></tr> <tr><td>137</td><td>LTBL</td><td>CAMERA</td></tr> <tr><td>138</td><td>GY</td><td>TIRE TRACTION ASSIST</td></tr> <tr><td>139</td><td>YL</td><td>PEDESTRAIN LIGHT</td></tr> <tr><td>140</td><td>TN</td><td>BATTERY ISOLATOR</td></tr> <tr><td>141</td><td>LTGN</td><td>PASSENGER PULL SWITCH</td></tr> <tr><td>142</td><td>LTGN</td><td>TWO - WAY RADIO</td></tr> <tr><td>143</td><td>DKBL</td><td>3" RED LT - K/O WDW. SED. FR OR RR BULKHEAD</td></tr> <tr><td>144</td><td>GY</td><td>FIRST SUPPRESSION SYSTEM</td></tr> </tbody> </table> <table border="1" style="width: 100%; border-collapse: collapse;"> <thead> <tr> <th style="width: 10%;">PREFIX</th> <th style="width: 90%;">LOCATION</th> </tr> </thead> <tbody> <tr><td>A</td><td>BUS - PLATFORM</td></tr> <tr><td>B</td><td>BUS - ELECTRIC PANEL</td></tr> <tr><td>C</td><td>BUS - FRONT CAP</td></tr> <tr><td>D</td><td>BUS - REAR CAP</td></tr> <tr><td>E</td><td>BUS - LEFT BODY</td></tr> <tr><td>F</td><td>BUS - RIGHT BODY</td></tr> <tr><td>H</td><td>BUS BODY AUXILIARY HEATER</td></tr> <tr><td>J</td><td>CAB - DASH (OUTSIDE)</td></tr> <tr><td>K</td><td>ENGINE / RADIATOR</td></tr> <tr><td>L</td><td>TRANSMISSION</td></tr> <tr><td>M</td><td>CHASSIS / FRONT END (CAB DASH PANEL FORWARD)</td></tr> <tr><td>N</td><td>CHASSIS / CENTER SECTION (CAB DASH PANEL TO CAB REAR XMBR)</td></tr> <tr><td>P</td><td>CHASSIS / WHEEL BASE SECTION</td></tr> <tr><td>R</td><td>CHASSIS / SUSPENSION / REAR AXLE / AXLES</td></tr> <tr><td>S</td><td>CHASSIS / AF SECTION / STOP / TAIL / TURN LIGHTS</td></tr> <tr><td>T</td><td>TRAVEL DOORS</td></tr> <tr><td>U</td><td>HOOD MTD HEADLIGHTS / MARKER LIGHTS</td></tr> <tr><td>V</td><td>SLEEPER ROOF / BACK PANEL WIRING</td></tr> <tr><td>W</td><td>WARDROBE CABINET WIRING</td></tr> <tr><td>Y</td><td>BUS - FRONT END / SEALD ENGINE HARNESS</td></tr> </tbody> </table>							CIRCUIT NUMBER	COLOR	DESCRIPTION	128	LTBL	LIGHT MONITOR	129	GY	EMERGENCY EXIT - ROOF HATCH	130	GY	EMERGENCY EXIT - SIDE EMERGENCY DOOR	131	DKBL	STEP LIGHT / SKIRT LIGHT	132	GY	STEP HEATER	133	LTGN	VANDAL LOCK - STARTER INTERRUPT	134	OR	DESTINATION SIGN	135	OR	LUGGAGE BOX LIGHT	136	YL	ELECTRICAL PANEL LIGHT	137	LTBL	CAMERA	138	GY	TIRE TRACTION ASSIST	139	YL	PEDESTRAIN LIGHT	140	TN	BATTERY ISOLATOR	141	LTGN	PASSENGER PULL SWITCH	142	LTGN	TWO - WAY RADIO	143	DKBL	3" RED LT - K/O WDW. SED. FR OR RR BULKHEAD	144	GY	FIRST SUPPRESSION SYSTEM	PREFIX	LOCATION	A	BUS - PLATFORM	B	BUS - ELECTRIC PANEL	C	BUS - FRONT CAP	D	BUS - REAR CAP	E	BUS - LEFT BODY	F	BUS - RIGHT BODY	H	BUS BODY AUXILIARY HEATER	J	CAB - DASH (OUTSIDE)	K	ENGINE / RADIATOR	L	TRANSMISSION	M	CHASSIS / FRONT END (CAB DASH PANEL FORWARD)	N	CHASSIS / CENTER SECTION (CAB DASH PANEL TO CAB REAR XMBR)	P	CHASSIS / WHEEL BASE SECTION	R	CHASSIS / SUSPENSION / REAR AXLE / AXLES	S	CHASSIS / AF SECTION / STOP / TAIL / TURN LIGHTS	T	TRAVEL DOORS	U	HOOD MTD HEADLIGHTS / MARKER LIGHTS	V	SLEEPER ROOF / BACK PANEL WIRING	W	WARDROBE CABINET WIRING	Y	BUS - FRONT END / SEALD ENGINE HARNESS
CIRCUIT NUMBER	COLOR	DESCRIPTION																																																																																																				
128	LTBL	LIGHT MONITOR																																																																																																				
129	GY	EMERGENCY EXIT - ROOF HATCH																																																																																																				
130	GY	EMERGENCY EXIT - SIDE EMERGENCY DOOR																																																																																																				
131	DKBL	STEP LIGHT / SKIRT LIGHT																																																																																																				
132	GY	STEP HEATER																																																																																																				
133	LTGN	VANDAL LOCK - STARTER INTERRUPT																																																																																																				
134	OR	DESTINATION SIGN																																																																																																				
135	OR	LUGGAGE BOX LIGHT																																																																																																				
136	YL	ELECTRICAL PANEL LIGHT																																																																																																				
137	LTBL	CAMERA																																																																																																				
138	GY	TIRE TRACTION ASSIST																																																																																																				
139	YL	PEDESTRAIN LIGHT																																																																																																				
140	TN	BATTERY ISOLATOR																																																																																																				
141	LTGN	PASSENGER PULL SWITCH																																																																																																				
142	LTGN	TWO - WAY RADIO																																																																																																				
143	DKBL	3" RED LT - K/O WDW. SED. FR OR RR BULKHEAD																																																																																																				
144	GY	FIRST SUPPRESSION SYSTEM																																																																																																				
PREFIX	LOCATION																																																																																																					
A	BUS - PLATFORM																																																																																																					
B	BUS - ELECTRIC PANEL																																																																																																					
C	BUS - FRONT CAP																																																																																																					
D	BUS - REAR CAP																																																																																																					
E	BUS - LEFT BODY																																																																																																					
F	BUS - RIGHT BODY																																																																																																					
H	BUS BODY AUXILIARY HEATER																																																																																																					
J	CAB - DASH (OUTSIDE)																																																																																																					
K	ENGINE / RADIATOR																																																																																																					
L	TRANSMISSION																																																																																																					
M	CHASSIS / FRONT END (CAB DASH PANEL FORWARD)																																																																																																					
N	CHASSIS / CENTER SECTION (CAB DASH PANEL TO CAB REAR XMBR)																																																																																																					
P	CHASSIS / WHEEL BASE SECTION																																																																																																					
R	CHASSIS / SUSPENSION / REAR AXLE / AXLES																																																																																																					
S	CHASSIS / AF SECTION / STOP / TAIL / TURN LIGHTS																																																																																																					
T	TRAVEL DOORS																																																																																																					
U	HOOD MTD HEADLIGHTS / MARKER LIGHTS																																																																																																					
V	SLEEPER ROOF / BACK PANEL WIRING																																																																																																					
W	WARDROBE CABINET WIRING																																																																																																					
Y	BUS - FRONT END / SEALD ENGINE HARNESS																																																																																																					
CHK	DATE	CHANGE	REV	REFERENCE	DRAWN	NAME																																																																																																
CNA1	18OCT11	INITIAL RELEASE.	A	73516K	300343	CIRCUIT DIAGRAM, BE,CE BUS																																																																																																
					RELEASE NO.	DATE																																																																																																
					73516K	04MAY11																																																																																																
					PART NO.	SHEET																																																																																																
					AE08065274	007																																																																																																

Figure 7 Circuit Number Identification and Color (Cont.)

2.8. LAMP BULB CHART, P. 8

NAVISTAR, INC <small>THIS PRINT IS PROVIDED ON A RESTRICTED BASIS AND IS NOT TO BE USED IN ANY WAY DETRIMENTAL TO THE INTEREST OF NAVISTAR, INC.</small>				ELECTRICAL CIRCUIT DIAGRAM CHAPTER 2 LAMP BULB CHART																																																																			
<table border="1" style="width: 100%; border-collapse: collapse; margin-top: 20px;"> <thead> <tr> <th style="width: 60%;">BULB APPLICATION</th> <th style="width: 20%;">CANDLE POWER OR WATT</th> <th style="width: 20%;">BULB TRADE NUMBER</th> </tr> </thead> <tbody> <tr><td>BACK-UP LIGHT</td><td>32 CP</td><td>GE1156</td></tr> <tr><td>CLEARANCE & IDENTIFICATION</td><td>3 CP</td><td>GE168</td></tr> <tr><td>COURTESY LIGHT</td><td>21 CP</td><td>1142</td></tr> <tr><td>DOVE LIGHTS</td><td>21 CP</td><td>1142</td></tr> <tr><td>FOG LIGHT</td><td>100 WATT</td><td>4921-1</td></tr> <tr><td>LOW BEAMS</td><td>55 WATT</td><td>GE9007</td></tr> <tr><td>HIGH BEAMS</td><td>65 WATT</td><td>GE9007</td></tr> <tr><td>MAP LIGHT</td><td>3 CP</td><td>1816</td></tr> <tr><td>GAUGE BACKLIGHT</td><td>2 CP</td><td>194</td></tr> <tr><td>SIDE MARKER</td><td>-</td><td>2548</td></tr> <tr><td>STOP & TURN / TAIL & LICENSE PLATE</td><td>32/3 CP</td><td>3157</td></tr> <tr><td>TURN SIGNAL / MARKER (FENDER)</td><td>32/3 CP</td><td>3157</td></tr> <tr><td>TURN SIGNAL & MARKER LIGHT</td><td>-</td><td>2356</td></tr> <tr><td>BACK-UP LIGHTS-UPPER AND LOWER BUNK READING LIGHT</td><td>15 CP</td><td>1003</td></tr> <tr><td>CABINET / WARDROBE LIGHT</td><td>5 W</td><td>7575</td></tr> <tr><td>UNDER BUNK LIGHT</td><td>21 CP / 2 (12CP)</td><td>577 / 211</td></tr> <tr><td>DOVE LIGHT</td><td>15 WATT</td><td>F15T8-CW</td></tr> <tr><td>SLEEPER FLOOR LIGHT</td><td>4 CP</td><td>W5W</td></tr> <tr><td>HEATER AND AIR CONDITIONER CONTROL</td><td>3 CP</td><td>168</td></tr> <tr><td>LUGGAGE COMPARTMENT LIGHT</td><td>6 CP</td><td>99</td></tr> <tr><td>READING LIGHT</td><td>15 CP</td><td>1003</td></tr> </tbody> </table>						BULB APPLICATION	CANDLE POWER OR WATT	BULB TRADE NUMBER	BACK-UP LIGHT	32 CP	GE1156	CLEARANCE & IDENTIFICATION	3 CP	GE168	COURTESY LIGHT	21 CP	1142	DOVE LIGHTS	21 CP	1142	FOG LIGHT	100 WATT	4921-1	LOW BEAMS	55 WATT	GE9007	HIGH BEAMS	65 WATT	GE9007	MAP LIGHT	3 CP	1816	GAUGE BACKLIGHT	2 CP	194	SIDE MARKER	-	2548	STOP & TURN / TAIL & LICENSE PLATE	32/3 CP	3157	TURN SIGNAL / MARKER (FENDER)	32/3 CP	3157	TURN SIGNAL & MARKER LIGHT	-	2356	BACK-UP LIGHTS-UPPER AND LOWER BUNK READING LIGHT	15 CP	1003	CABINET / WARDROBE LIGHT	5 W	7575	UNDER BUNK LIGHT	21 CP / 2 (12CP)	577 / 211	DOVE LIGHT	15 WATT	F15T8-CW	SLEEPER FLOOR LIGHT	4 CP	W5W	HEATER AND AIR CONDITIONER CONTROL	3 CP	168	LUGGAGE COMPARTMENT LIGHT	6 CP	99	READING LIGHT	15 CP	1003
BULB APPLICATION	CANDLE POWER OR WATT	BULB TRADE NUMBER																																																																					
BACK-UP LIGHT	32 CP	GE1156																																																																					
CLEARANCE & IDENTIFICATION	3 CP	GE168																																																																					
COURTESY LIGHT	21 CP	1142																																																																					
DOVE LIGHTS	21 CP	1142																																																																					
FOG LIGHT	100 WATT	4921-1																																																																					
LOW BEAMS	55 WATT	GE9007																																																																					
HIGH BEAMS	65 WATT	GE9007																																																																					
MAP LIGHT	3 CP	1816																																																																					
GAUGE BACKLIGHT	2 CP	194																																																																					
SIDE MARKER	-	2548																																																																					
STOP & TURN / TAIL & LICENSE PLATE	32/3 CP	3157																																																																					
TURN SIGNAL / MARKER (FENDER)	32/3 CP	3157																																																																					
TURN SIGNAL & MARKER LIGHT	-	2356																																																																					
BACK-UP LIGHTS-UPPER AND LOWER BUNK READING LIGHT	15 CP	1003																																																																					
CABINET / WARDROBE LIGHT	5 W	7575																																																																					
UNDER BUNK LIGHT	21 CP / 2 (12CP)	577 / 211																																																																					
DOVE LIGHT	15 WATT	F15T8-CW																																																																					
SLEEPER FLOOR LIGHT	4 CP	W5W																																																																					
HEATER AND AIR CONDITIONER CONTROL	3 CP	168																																																																					
LUGGAGE COMPARTMENT LIGHT	6 CP	99																																																																					
READING LIGHT	15 CP	1003																																																																					
CHK	DATE	CHANGE	REV	REFERENCE	DRAWN	NAME																																																																	
CNA1	18OCT11	INITIAL RELEASE.	A	73516K	300343	CIRCUIT DIAGRAM, BE,CE BUS																																																																	
					RELEASE NO.	DATE																																																																	
					73516K	04MAY11																																																																	
					PART NO.	SHEET																																																																	
					AE08065274	008																																																																	

Figure 8 Lamp Bulb Chart

2.9. RELAY FUNCTION AND WIRING GUIDE, P. 9

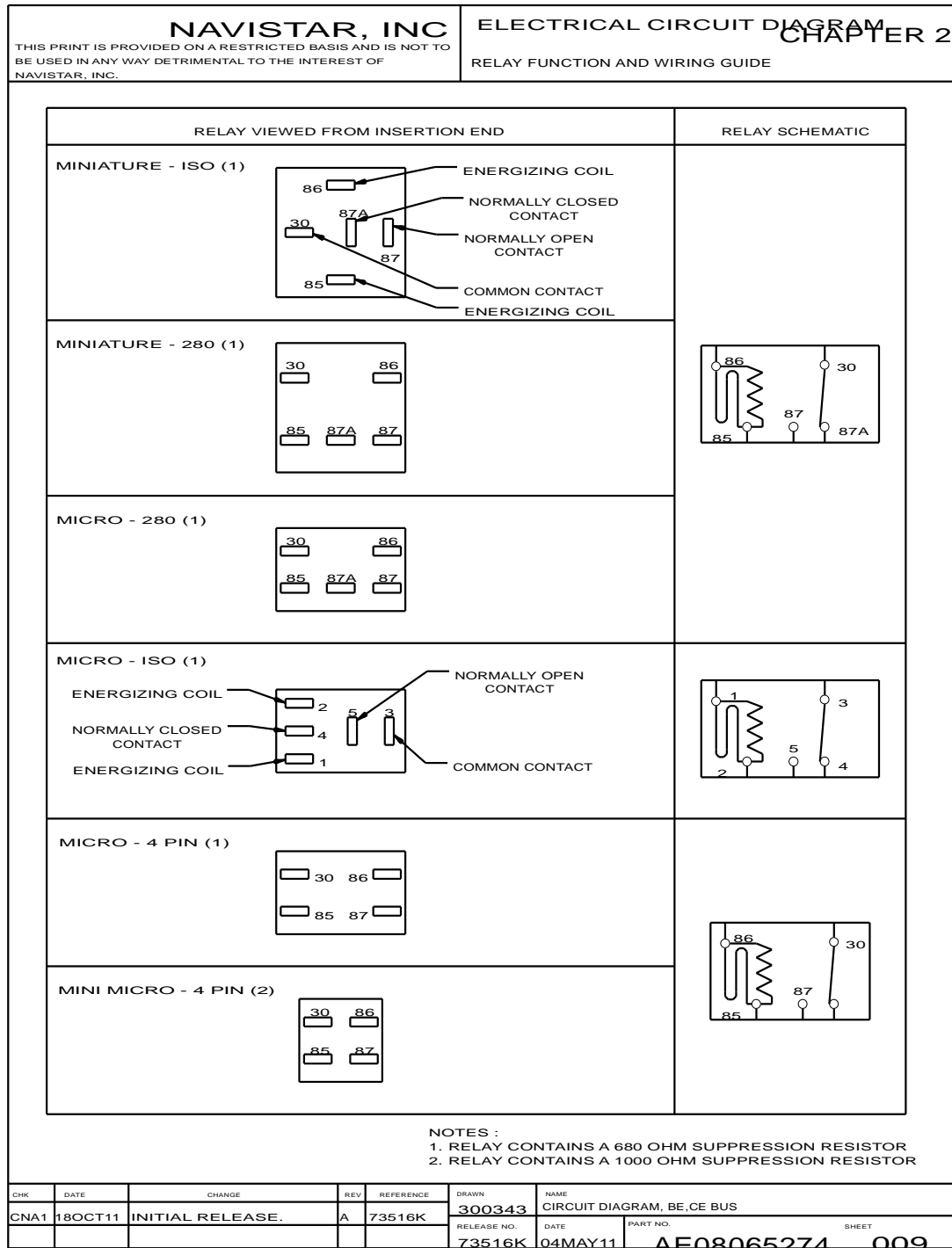


Figure 9 Relay Function and Wiring Guide

2.10. SCHEMATIC SYMBOL CHART, P. 10

NAVISTAR, INC					ELECTRICAL CIRCUIT DIAGRAM				
THIS PRINT IS PROVIDED ON A RESTRICTED BASIS AND IS NOT TO BE USED IN ANY WAY DETRIMENTAL TO THE INTEREST OF NAVISTAR, INC.					CHAPTER 2				
SCHEMATIC SYMBOL CHART									
SYMBOL		DESCRIPTION			SYMBOL		DESCRIPTION		
		AIR DRYER					CIGAR LIGHTER		
		ALARM			TYPE 1 TYPE 2 OR 3		CIRCUIT BREAKER		
		ALTERNATOR					DIODE		
		AMMETER					DIODE, LIGHT EMITTING		
		BATTERY					FAN SOLENOID		
		BLUNT CUT CIRCUIT					FEMALE TERMINAL		
		BUSBAR					FUSE		
CHK	DATE	CHANGE	REV	REFERENCE	DRAWN	NAME			
CNA1	18OCT11	INITIAL RELEASE.	A	73516K	300343	CIRCUIT DIAGRAM, BE,CE BUS			
					RELEASE NO.	DATE	PART NO.	SHEET	
					73516K	04MAY11	AE08065274	010	

Figure 10 Schematic Symbol Chart

2.11. SCHEMATIC SYMBOL CHART (CONT.), P. 11

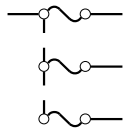
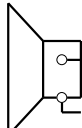

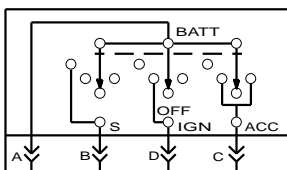
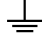
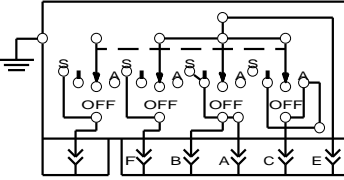

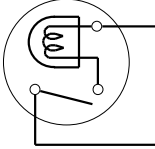
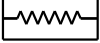
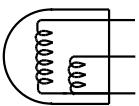
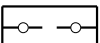
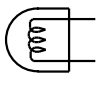
NAVISTAR, INC					ELECTRICAL CIRCUIT DIAGRAM		
THIS PRINT IS PROVIDED ON A RESTRICTED BASIS AND IS NOT TO BE USED IN ANY WAY DETRIMENTAL TO THE INTEREST OF NAVISTAR, INC.					CHAPTER 2		
SCHEMATIC SYMBOL CHART (CONT)							
SYMBOL		DESCRIPTION		SYMBOL		DESCRIPTION	
		FUSES W/ BUSBAR				HORN	
		FUSIBLE LINK				KEY SWITCH	
		GROUND N/ STUD				KEY SWITCH, COMPLEX	
		GROUND W/ STUD				LIGHT W/ SWITCH	
		HEATER				LIGHT, DOUBLE FILAMENT	
		HOLDER, FUSE W/ BUSBAR				LIGHT, SINGLE FILAMENT	
CHK	DATE	CHANGE	REV	REFERENCE	DRAWN	NAME	
CNA1	18OCT11	INITIAL RELEASE.	A	73516K	300343	CIRCUIT DIAGRAM, BE,CE BUS	
					RELEASE NO.	DATE	PART NO. SHEET
					73516K	04MAY11	AE08065274 011

Figure 11 Schematic Symbol Chart (Cont.)

2.12. SCHEMATIC SYMBOL CHART (CONT.), P. 12

NAVISTAR, INC				ELECTRICAL CIRCUIT DIAGRAM			
THIS PRINT IS PROVIDED ON A RESTRICTED BASIS AND IS NOT TO BE USED IN ANY WAY DETRIMENTAL TO THE INTEREST OF NAVISTAR, INC.				CHAPTER 2			
SCHEMATIC SYMBOL CHART (CONT)				SCHEMATIC SYMBOL CHART (CONT)			
SYMBOL		DESCRIPTION		SYMBOL		DESCRIPTION	
		MALE TERMINAL				RESISTOR	
		MOTOR				SENDER - FUEL, OIL, TEMP, WATER	
		PASS THRU CONNECTION				SENSOR, PRESSURE. ABS 6	
		PRESSURE SWITCH				SENSOR, MAGNETIC	
		RELAY, FIVE TERMINAL				SENSOR, YAW	
		RELAY, FOUR TERMINAL				SOLENOID	
		RELAY, LATCHING				SOLENOID W/ DIODE	
CHK	DATE	CHANGE	REV	REFERENCE	DRAWN	NAME	
CNA1	18OCT11	INITIAL RELEASE.	A	73516K	300343	CIRCUIT DIAGRAM, BE,CE BUS	
					RELEASE NO.	DATE	PART NO.
					73516K	04MAY11	AE08065274
							SHEET 012

Figure 12 Schematic Symbol Chart (Cont.)

2.13. SCHEMATIC SYMBOL CHART (CONT.), P. 13

NAVISTAR, INC				ELECTRICAL CIRCUIT DIAGRAM			
THIS PRINT IS PROVIDED ON A RESTRICTED BASIS AND IS NOT TO BE USED IN ANY WAY DETRIMENTAL TO THE INTEREST OF NAVISTAR, INC.				CHAPTER 2			
SCHEMATIC SYMBOL CHART (CONT)				SCHEMATIC SYMBOL CHART (CONT)			
SYMBOL		DESCRIPTION		SYMBOL		DESCRIPTION	
		SPEAKER				SWITCH, PUSH BUTTON	
		SPLICE				TERMINATING RESISTOR	
		STUD				THERMOSTAT	
		START MOTOR W/ TOCP				VALVE, ETHER BOTTLE	
		SWITCH, MECHANICAL (NORMALLY OPEN)				VALVE, MODULATOR	
		SWITCH, MECHANICAL (NORMALLY CLOSED)				THERMISTOR	
CHK	DATE	CHANGE	REV	REFERENCE	DRAWN	NAME	
CNA1	18OCT11	INITIAL RELEASE.	A	73516K	300343	CIRCUIT DIAGRAM, BE,CE BUS	
					RELEASE NO.	DATE	PART NO. SHEET
					73516K	04MAY11	AE08065274 013

Figure 13 Schematic Symbol Chart (Cont.)

2.14. SCHEMATIC SYMBOL CHART (CONT.), P. 14

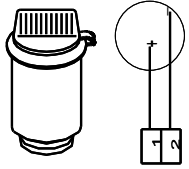
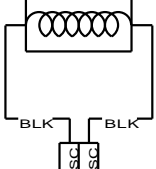
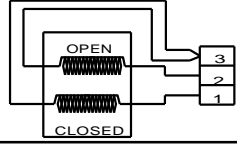
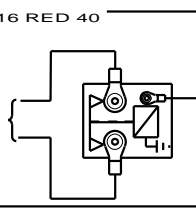
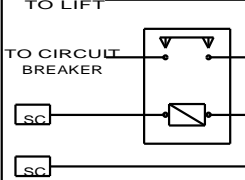
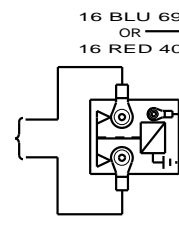
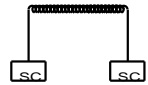
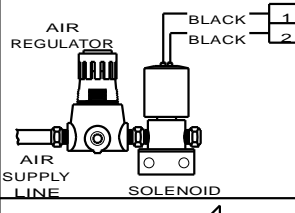
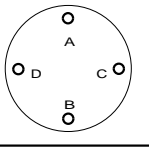
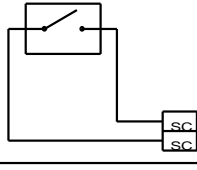
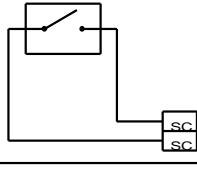

NAVISTAR, INC					ELECTRICAL CIRCUIT DIAGRAM 2				
THIS PRINT IS PROVIDED ON A RESTRICTED BASIS AND IS NOT TO BE USED IN ANY WAY DETRIMENTAL TO THE INTEREST OF NAVISTAR, INC.					CHAPTER 2 SCHEMATIC SYMBOL CHART (CONT)				
SYMBOL		DESCRIPTION			SYMBOL		DESCRIPTION		
		DC OUTLET					AIR DUMP VALVE		
		AIR DOOR CYLINDER					MASTER DISCONNECT		
		LIFT SOLENOID					MASTER DISCONNECT		
		HEATED WIPER BLADES					AIR REGULATOR AND SOLENOID		
		REVERSING KEY SWITCH CENTER POSITION "OFF"					FOOT SWITCH FOR AIR HORN		
		FOOT SWITCH FOR AIR HORN					BACK-UP ALARM		
CHK	DATE	CHANGE	REV	REFERENCE	DRAWN	NAME			
CNA1	18OCT11	INITIAL RELEASE.	A	73516K	300343	CIRCUIT DIAGRAM, BE,CE BUS			
					RELEASE NO.	DATE	PART NO.	SHEET	
					73516K	04MAY11	AE08065274	014	

Figure 14 Schematic Symbol Chart (Cont.)

2.15. SCHEMATIC SYMBOL CHART (CONT.), P. 15

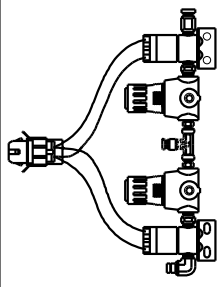
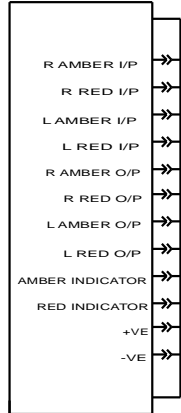
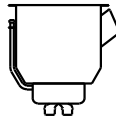
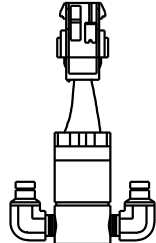
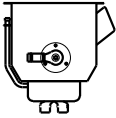
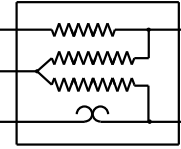


NAVISTAR, INC				ELECTRICAL CIRCUIT DIAGRAM			
THIS PRINT IS PROVIDED ON A RESTRICTED BASIS AND IS NOT TO BE USED IN ANY WAY DETRIMENTAL TO THE INTEREST OF NAVISTAR, INC.				CHAPTER 2			
				SCHEMATIC SYMBOL CHART (CONT)			
SYMBOL				SYMBOL			
	DUAL ELECT SOLENOID W/ AIR REGULATOR				PILOT LIGHT RELAY		
	RIGHT TRACTION SANDER				AIR HORN SOLENOID		
	LEFT TRACTION SANDER				RESISTOR BLOCK		
	RADIO				CAMERA		
CHK	DATE	CHANGE	REV	REFERENCE	DRAWN	NAME	
CNA1	18OCT11	INITIAL RELEASE.	A	73516K	300343	CIRCUIT DIAGRAM, BE,CE BUS	
					RELEASE NO.	DATE	PART NO.
					73516K	04MAY11	AE08065274
						SHEET	015

Figure 15 Schematic Symbol Chart (Cont.)

2.16. SCHEMATIC SYMBOL CHART (CONT.), P. 16

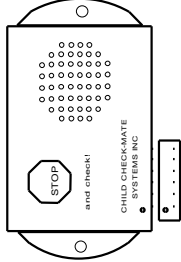
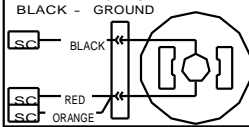
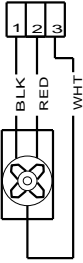
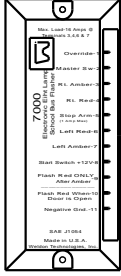
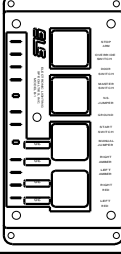
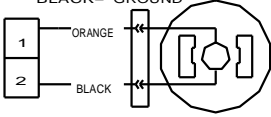
NAVISTAR, INC				ELECTRICAL CIRCUIT DIAGRAM			
THIS PRINT IS PROVIDED ON A RESTRICTED BASIS AND IS NOT TO BE USED IN ANY WAY DETRIMENTAL TO THE INTEREST OF NAVISTAR, INC.				CHAPTER 2 SCHEMATIC SYMBOL CHART (CONT)			
		CHILD CHECK MATE				STEP / DEFROST HEATER MOTOR	
		DRIVER'S HEATER MOTOR				ELECTRONIC EIGHT LAMP SCHOOL BUS FLASHER	
						ELECTRONIC LIGHTING SPECIALTIES, INC.	
						BOOSTER PUMP MOTOR	
CHK	DATE	CHANGE	REV	REFERENCE	DRAWN	NAME	
CNA1	18OCT11	INITIAL RELEASE.	A	73516K	300343	CIRCUIT DIAGRAM, BE,CE BUS	
					RELEASE NO.	DATE	PART NO.
					73516K	04MAY11	AE08065274
							SHEET 016

Figure 16 Schematic Symbol Chart (Cont.)

2.17. SCHEMATIC SYMBOL CHART (CONT.), P. 17

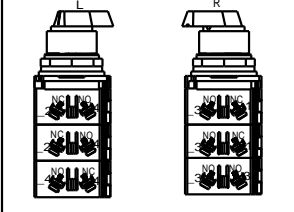
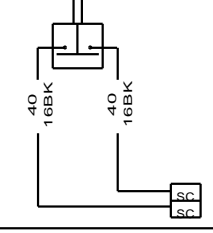
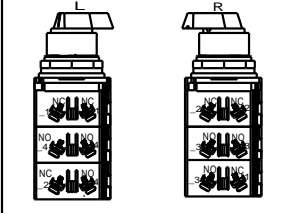
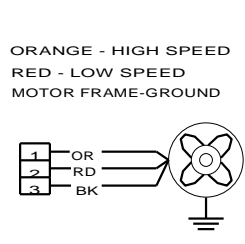
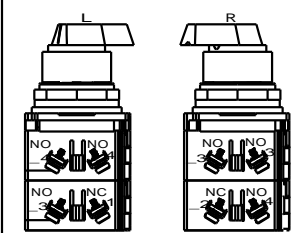
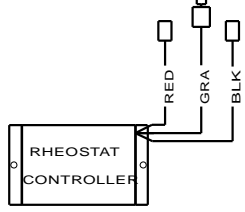
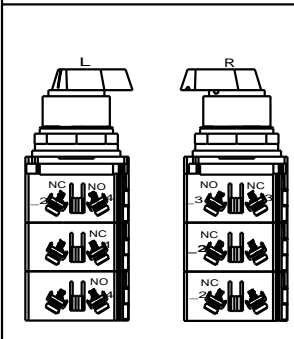
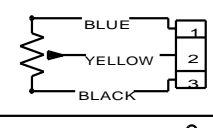
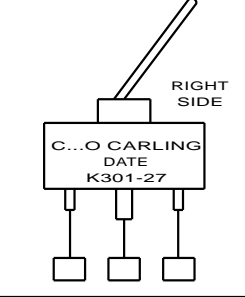
NAVISTAR, INC					ELECTRICAL CIRCUIT DIAGRAM 2				
THIS PRINT IS PROVIDED ON A RESTRICTED BASIS AND IS NOT TO BE USED IN ANY WAY DETRIMENTAL TO THE INTEREST OF NAVISTAR, INC.					CHAPTER 2 SCHEMATIC SYMBOL CHART (CONT)				
SYMBOL		DESCRIPTION			SYMBOL		DESCRIPTION		
		2-POSITION ELECTRIC ENTRANCE DOOR SWITCH					MANUAL DOOR SWITCH		
		3-POSITION ELECTRIC ENTRANCE DOOR SWITCH					FRONT / REAR POWER VENT		
		2-POSITION ROTARY AIR DOOR SWITCH					DOME LIGHT RHEOSTAT		
		3-POSITION ROTARY AIR DOOR SWITCH					PANEL DIMMER		
		3-POSITION ROTARY AIR DOOR SWITCH					3-POSITION DOOR SWITCH IN L DRIVER'S SWITCH PANEL		
CHK	DATE	CHANGE	REV	REFERENCE	DRAWN	NAME			
CNA1	18OCT11	INITIAL RELEASE.	A	73516K	300343	CIRCUIT DIAGRAM, BE,CE BUS			
					RELEASE NO.	DATE	PART NO.	SHEET	
					73516K	04MAY11	AE08065274	017	

Figure 17 Schematic Symbol Chart (Cont.)

2.18. SCHEMATIC SYMBOL CHART (CONT.), P. 18

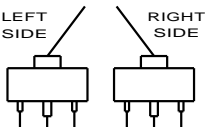
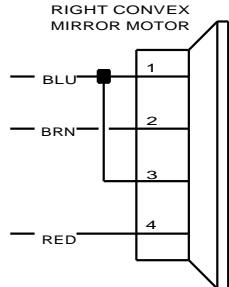
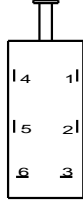
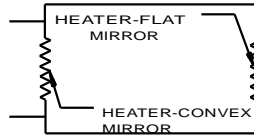
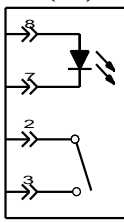
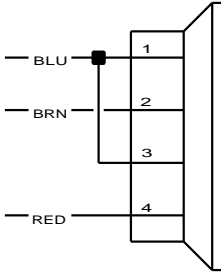
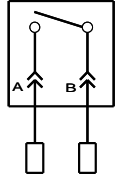

NAVISTAR, INC					ELECTRICAL CIRCUIT DIAGRAM CHAPTER 2				
THIS PRINT IS PROVIDED ON A RESTRICTED BASIS AND IS NOT TO BE USED IN ANY WAY DETRIMENTAL TO THE INTEREST OF NAVISTAR, INC.					SCHEMATIC SYMBOL CHART (CONT)				
SYMBOL		DESCRIPTION			SYMBOL		DESCRIPTION		
		3-POSITION DOOR SWITCH IN L DRIVER'S SWITCH PANEL					MOTORIZED HEATED MIRROR		
		LIFT DOOR SWITCH							
		ROCKER SWITCH					DEACTIVATION SWITCH		
		ELECTRIC DOOR CONTROL LIMIT SWITCHING							
CHK	DATE	CHANGE	REV	REFERENCE	DRAWN	NAME			
CNA1	18OCT11	INITIAL RELEASE.	A	73516K	300343	CIRCUIT DIAGRAM, BE,CE BUS			
					RELEASE NO.	DATE	PART NO.	SHEET	
					73516K	04MAY11	AE08065274	018	

Figure 18 Schematic Symbol Chart (Cont.)

2.19. INTENTIONALLY LEFT BLANK, P. 19

<p>NAVISTAR, INC THIS PRINT IS PROVIDED ON A RESTRICTED BASIS AND IS NOT TO BE USED IN ANY WAY DETRIMENTAL TO THE INTEREST OF NAVISTAR, INC.</p>				<p>ELECTRICAL CIRCUIT DIAGRAM CHAPTER 2 INTENTIONALLY LEFT BLANK</p>			
<p>INTENTIONALLY LEFT BLANK</p>							
CHK	DATE	CHANGE	REV	REFERENCE	DRAWN	NAME	
MJV04	22MAR20	REMOVED GEOMETRY.	C	95381N	300343	CIRCUIT DIAGRAM, BE,CE BUS	
					RELEASE NO.	DATE	PART NO.
					73516K	04MAY11	AE08065274
							SHEET 019

Figure 19 Intentionally Left Blank

2.20. BUS BODY AND FLASHER PLATE FUSE BLOCK VIEW, P. 20

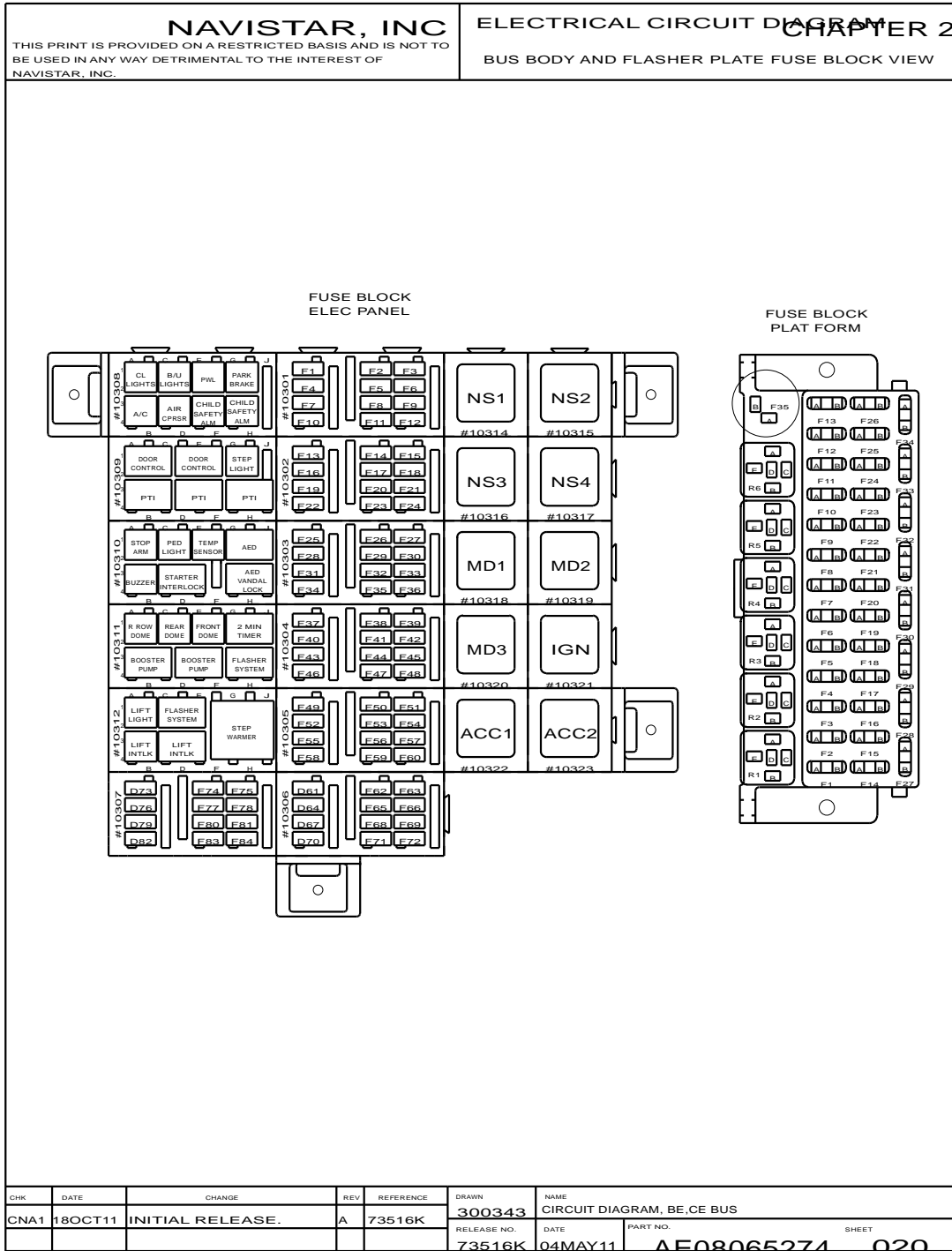


Figure 20 Bus Body and Flasher Plate Fuse Block View

2.21. CE BUS LAYOUT, P. 21

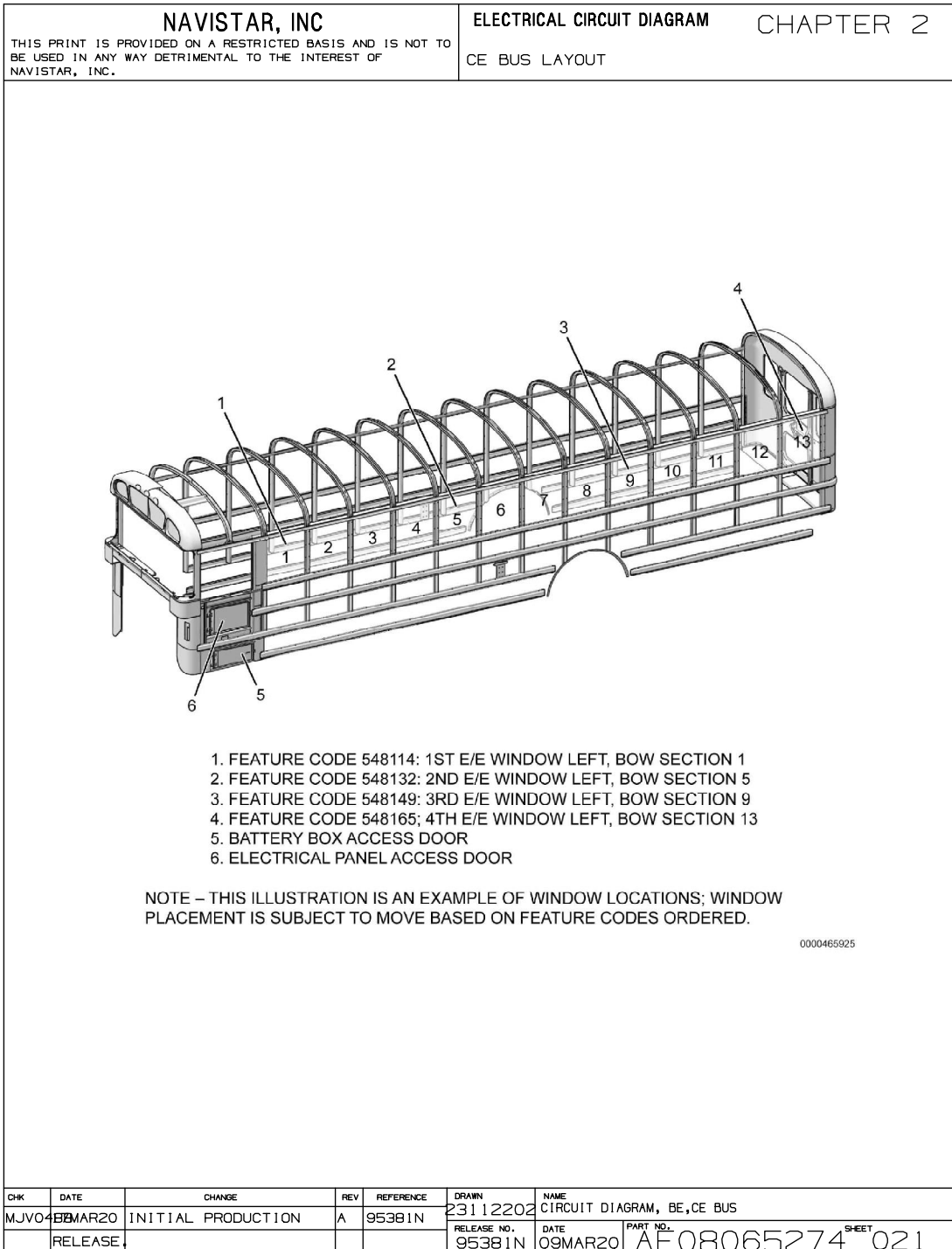


Figure 21 CE Bus Layout

12 VOLT POWER DISTRIBUTION AND DATA LINK (CHAPTER 3)

3.1. BATTERY FEED, P. 1

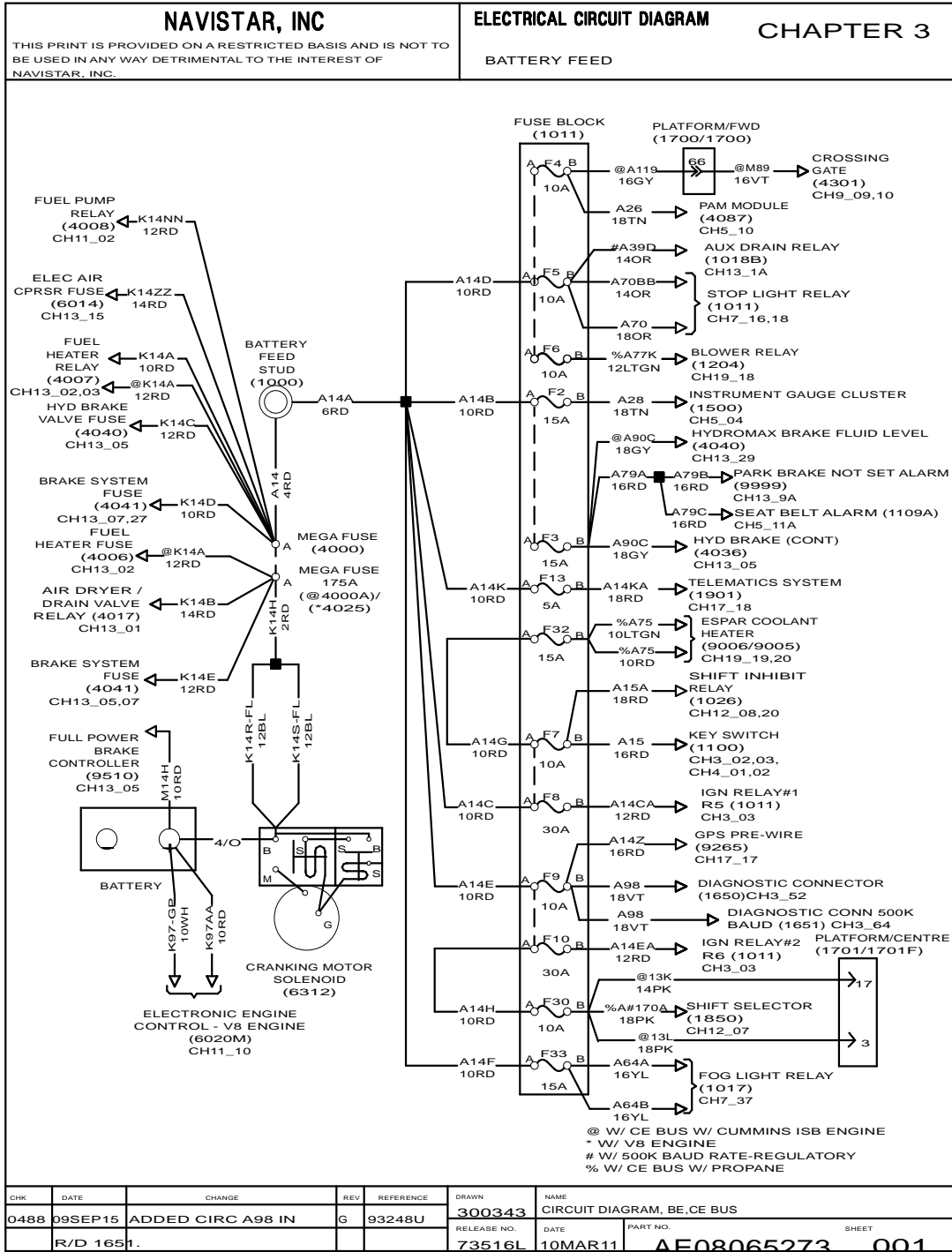


Figure 22 Battery Feed

3.2. BATTERY FEED WITH 500K BAUD RATE, P. 1A

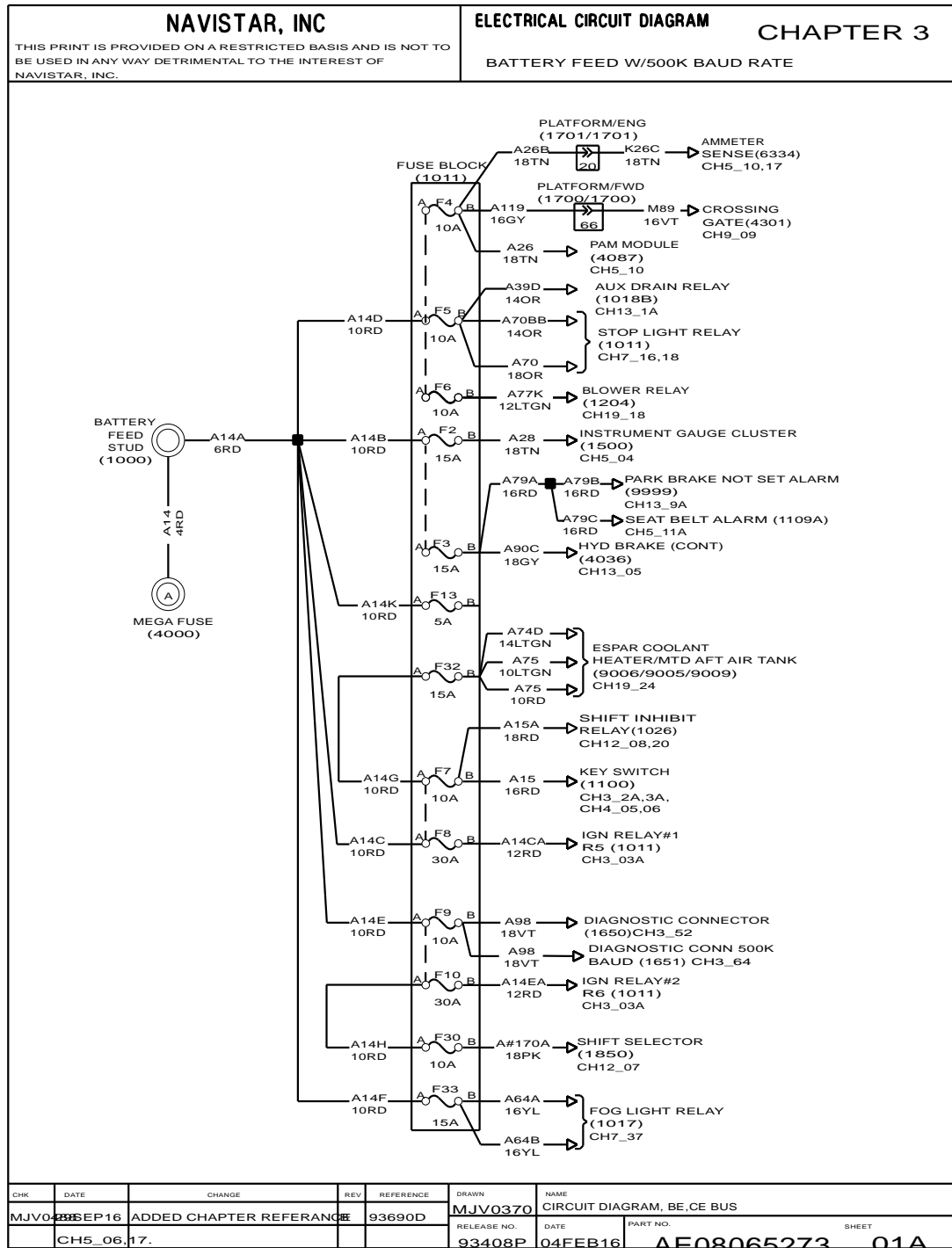


Figure 23 Battery Feed with 500K Baud Rate

3.3. ACCESSORY FEED, P. 2

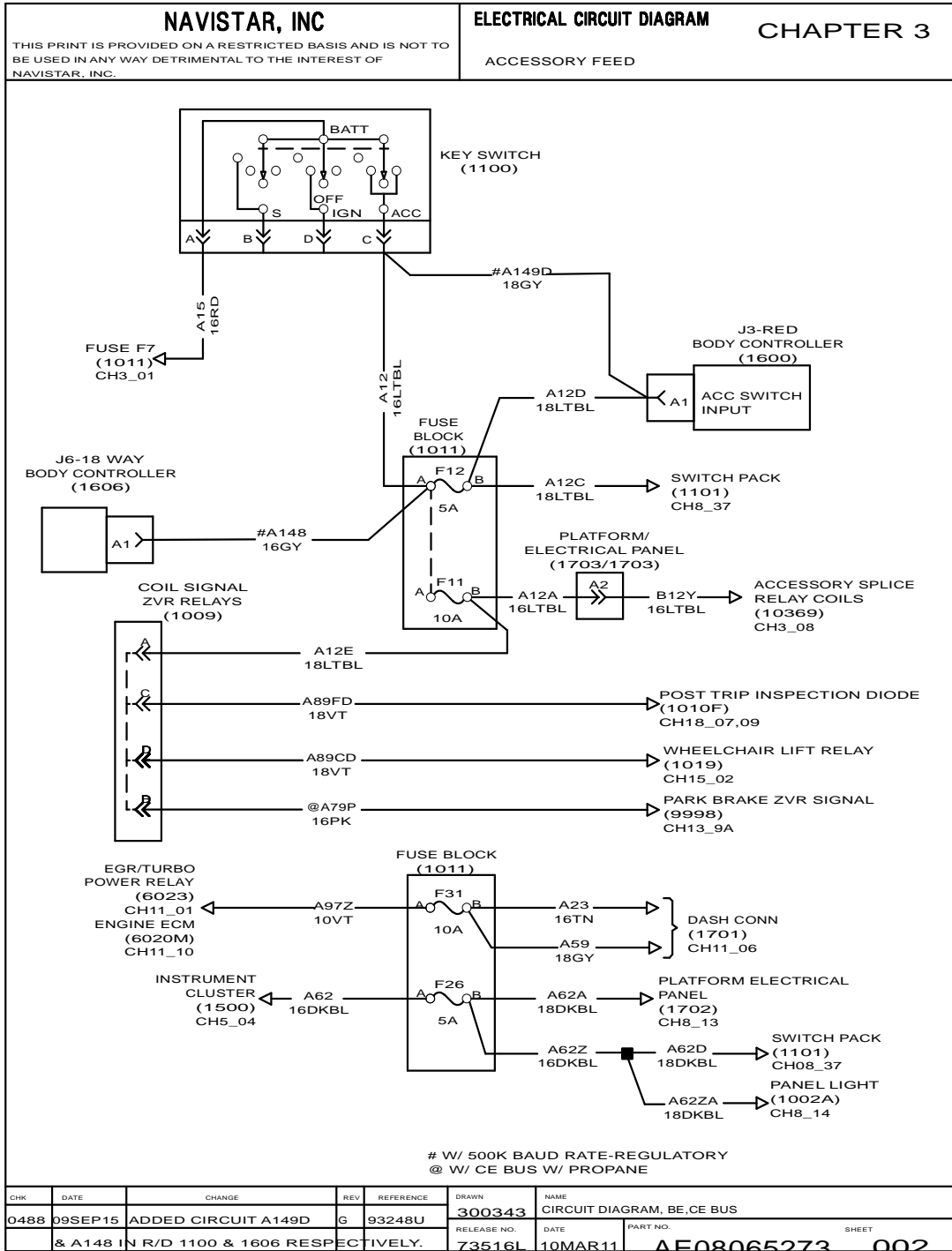


Figure 24 Accessory Feed

3.4. ACCESSORY FEED WITH 500K BAUD RATE, P. 2A

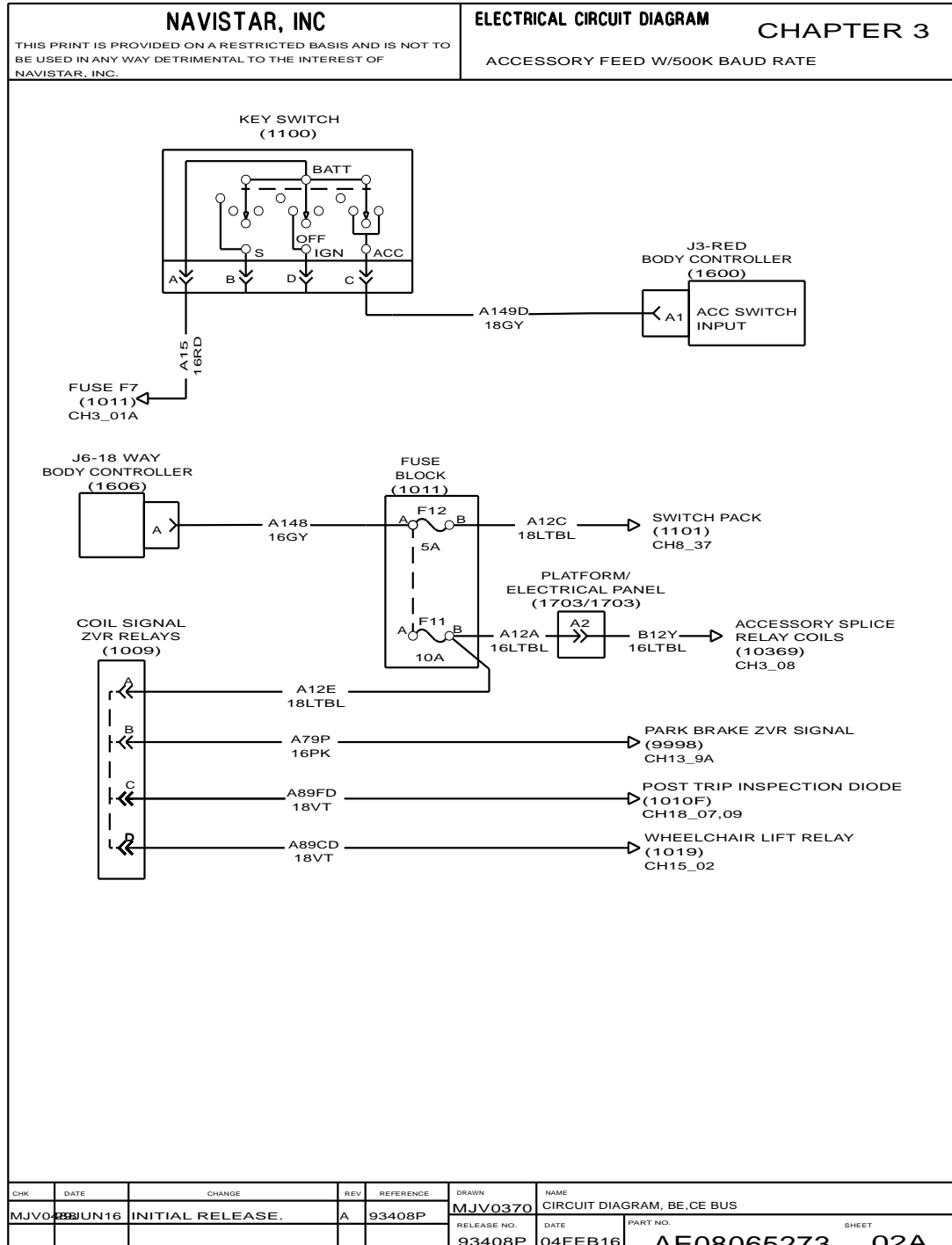


Figure 25 Accessory Feed with 500K Baud Rate

3.5. IGNITION FEED, P. 3

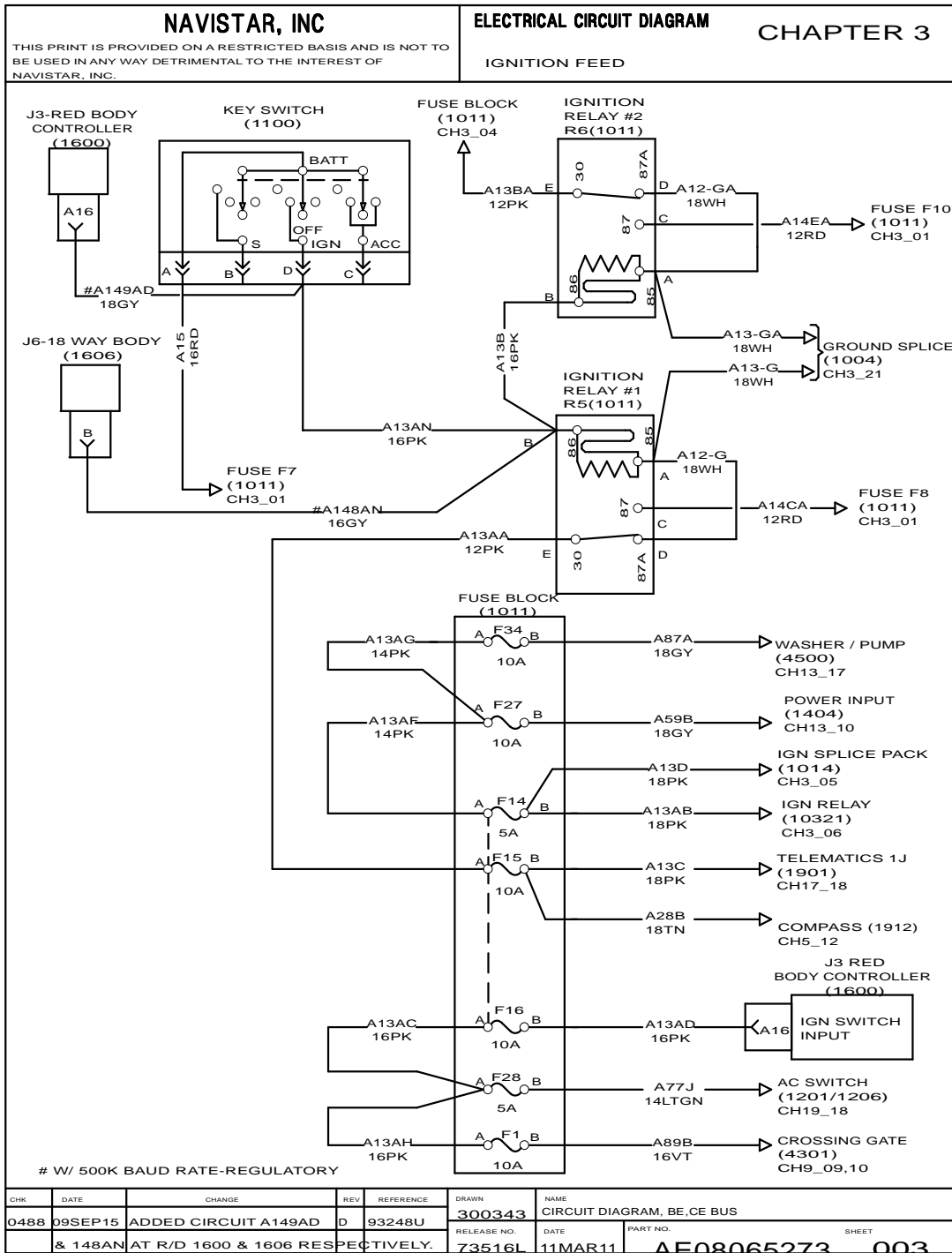


Figure 26 Ignition Feed

3.6. IGNITION FEED WITH 500K BAUD RATE, P. 3A

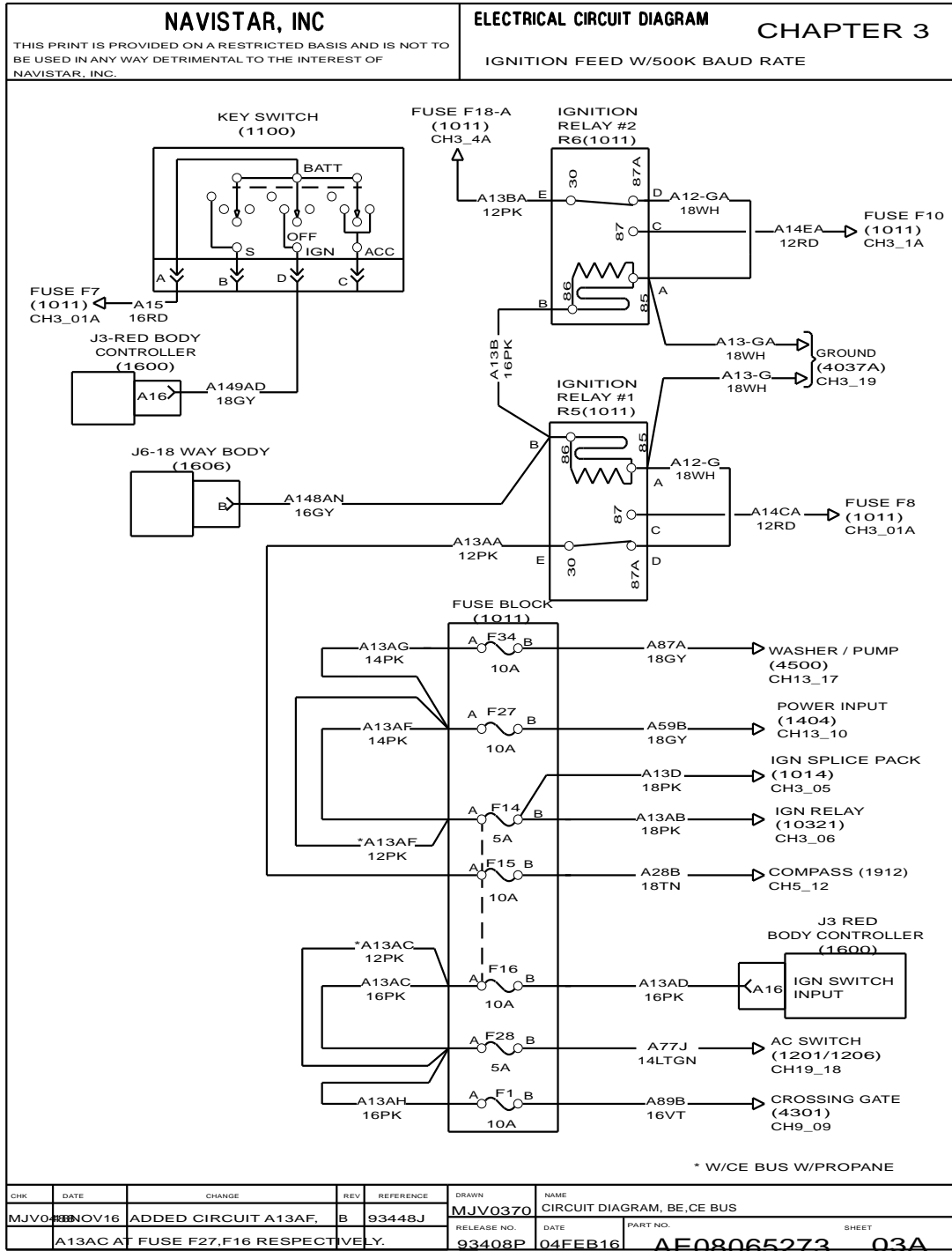


Figure 27 Ignition Feed with 500K Baud Rate

3.7. IGNITION FEED (CONT.), P. 4

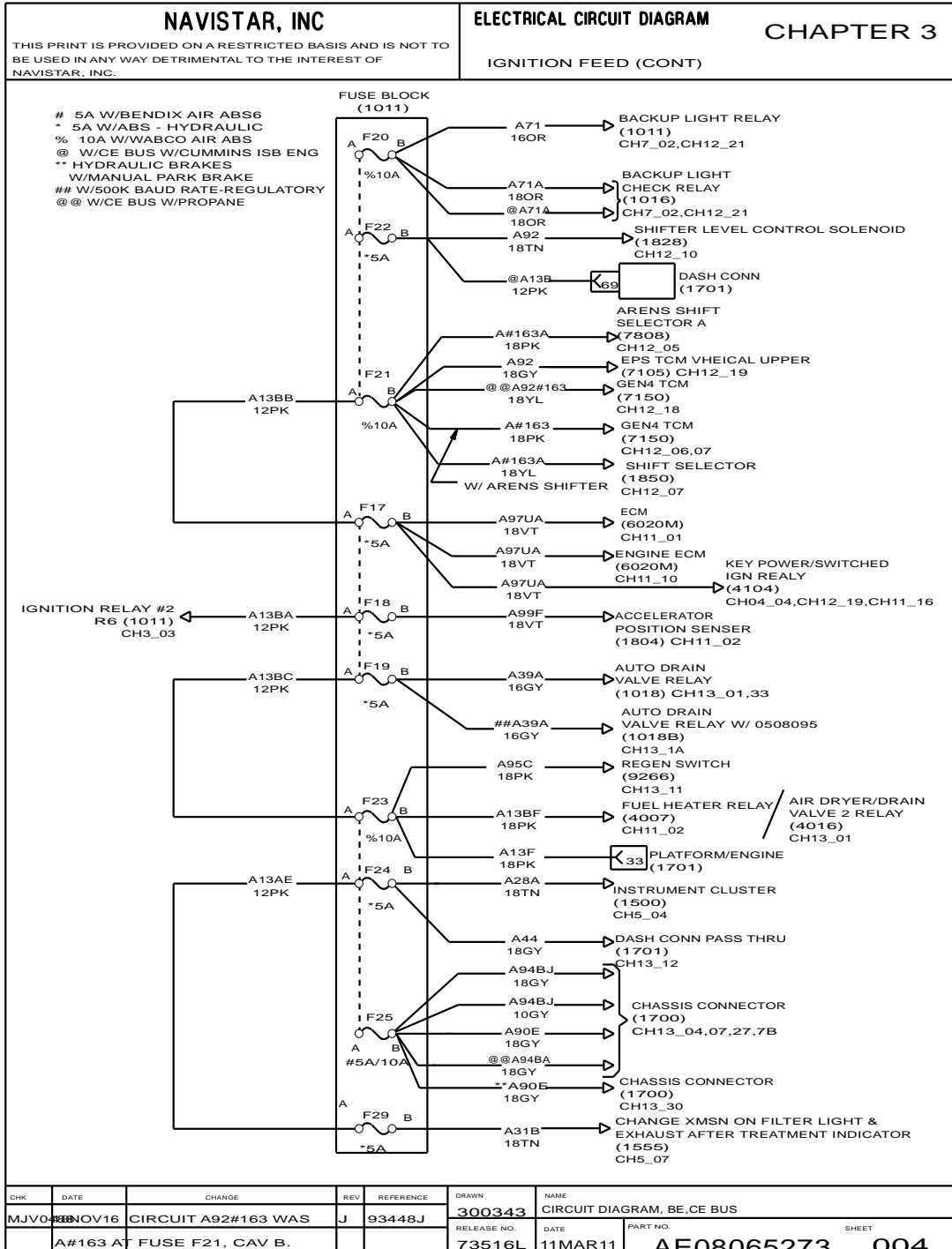


Figure 28 Ignition Feed (Cont.)

3.8. IGNITION FEED WITH 500K BAUD RATE (CONT.), P. 4A

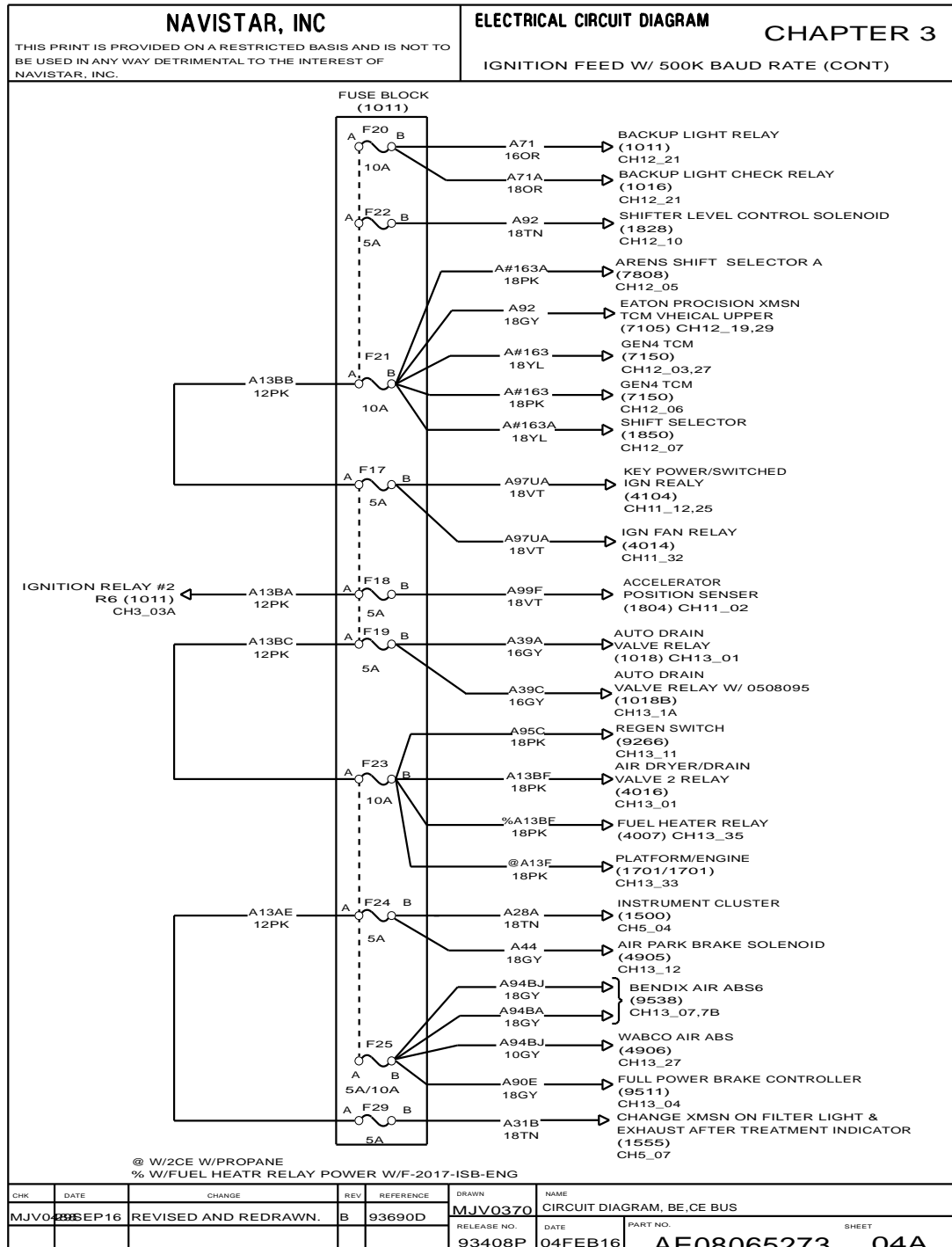


Figure 29 Ignition Feed with 500K Baud Rate (Cont.)

3.9. IGNITION SPLICE PACK, P. 5

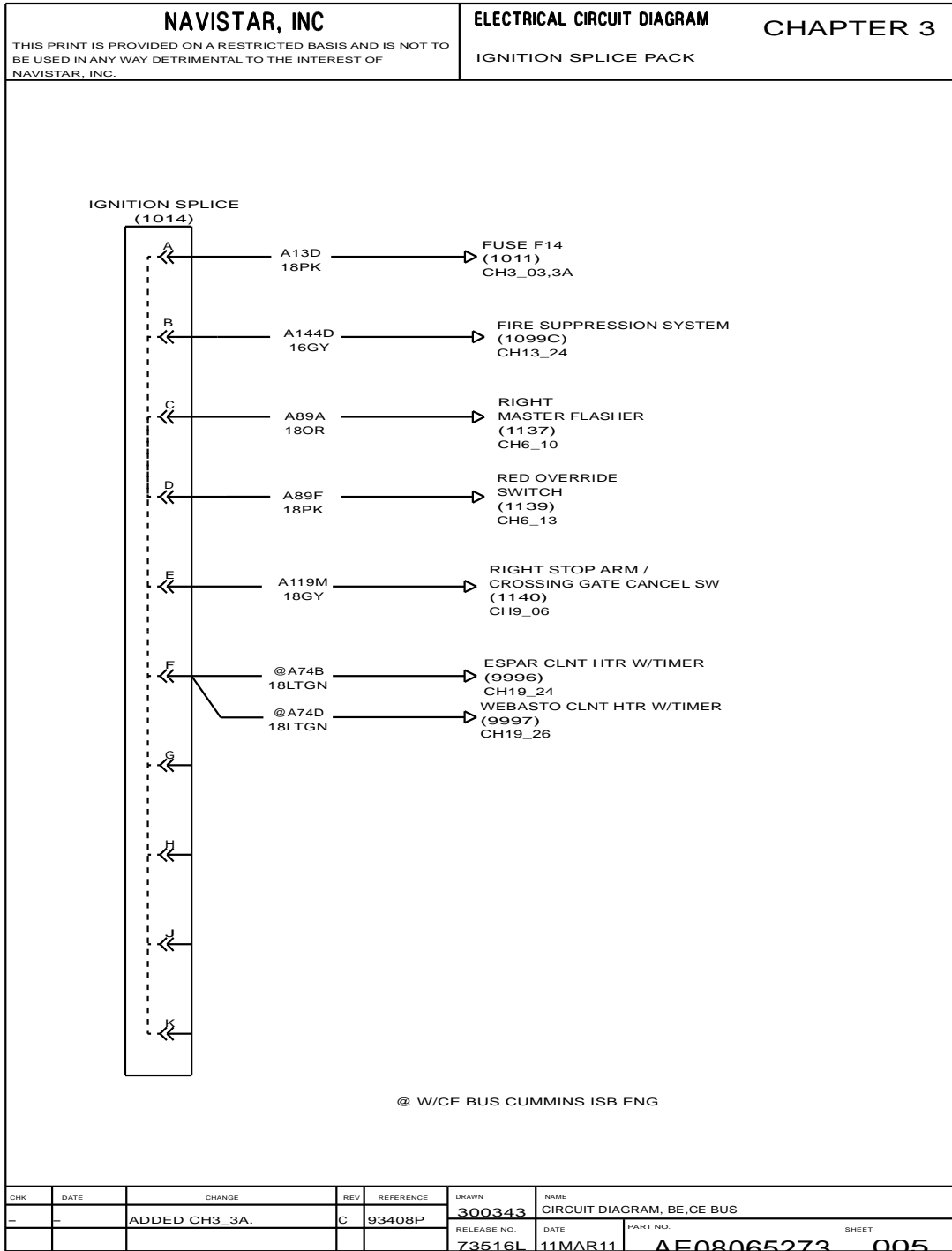


Figure 30 Ignition Splice Pack

3.10. BODY CIRCUIT – ACCESSORY AND IGNITION FEED, P. 6

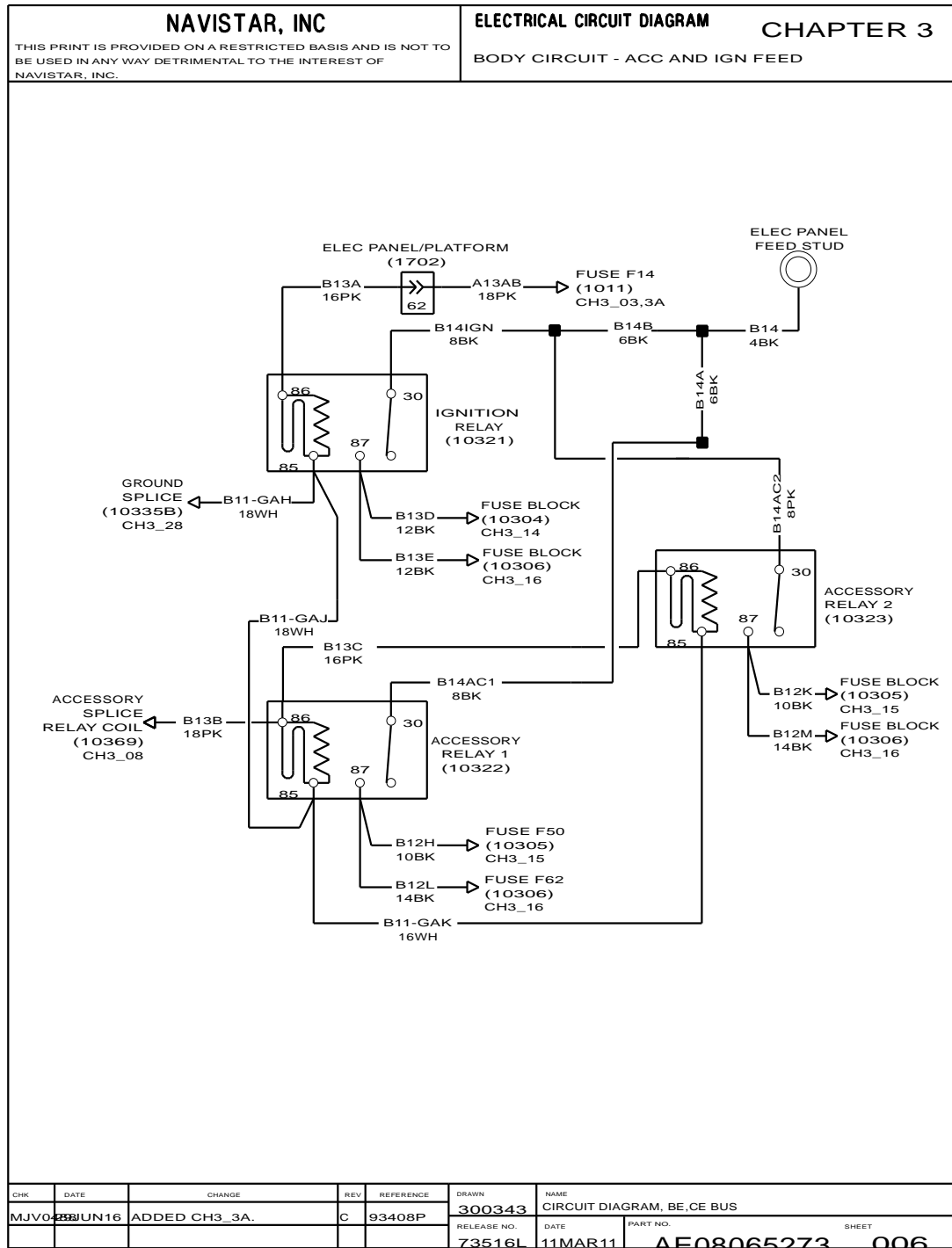


Figure 31 Body Circuit – Accessory and Ignition Feed

3.11. ACCESSORY SPLICE RELAY COILS, P. 7

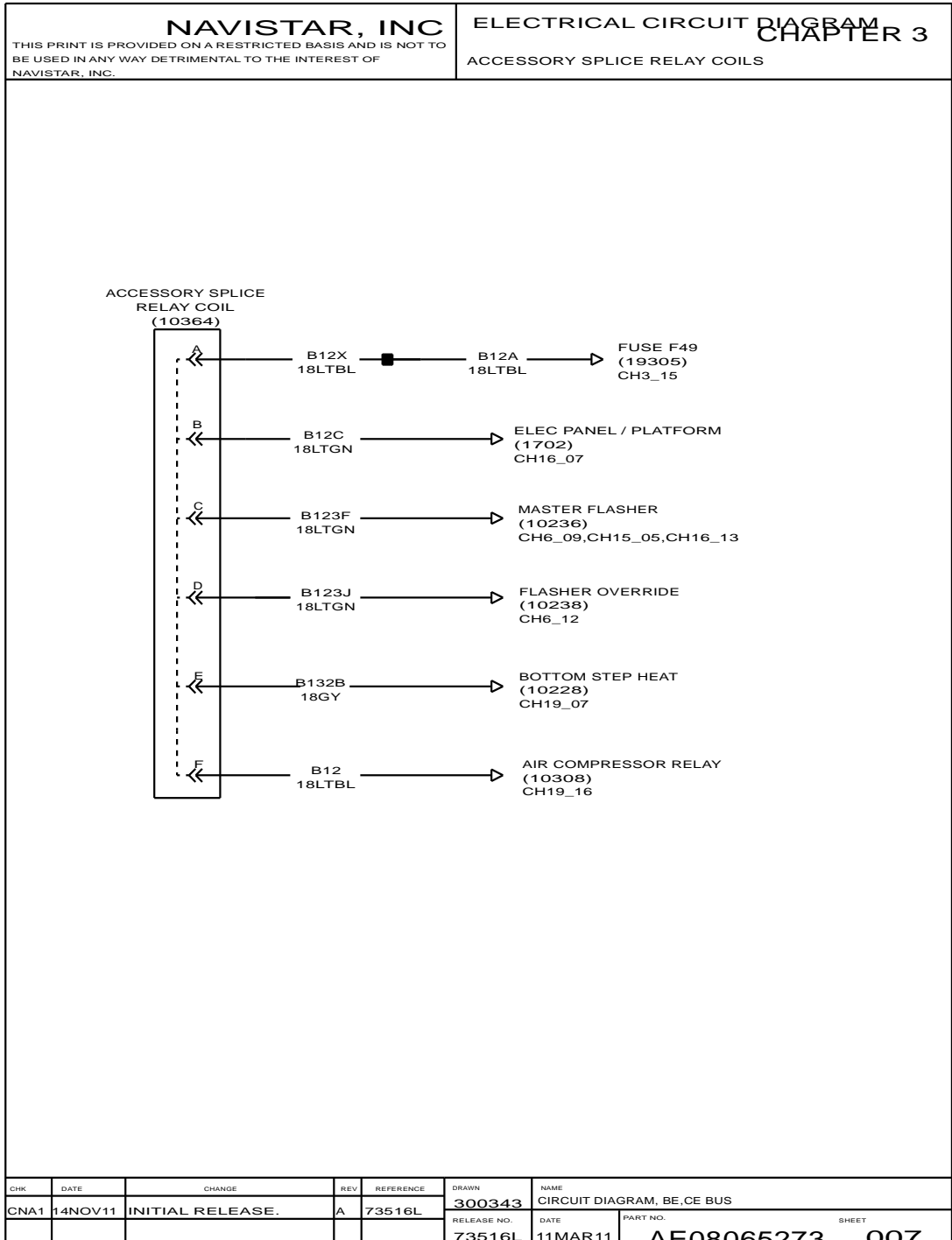


Figure 32 Accessory Splice Relay Coils

3.12. ACCESSORY SPLICE RELAY COILS (CONT.), P. 8

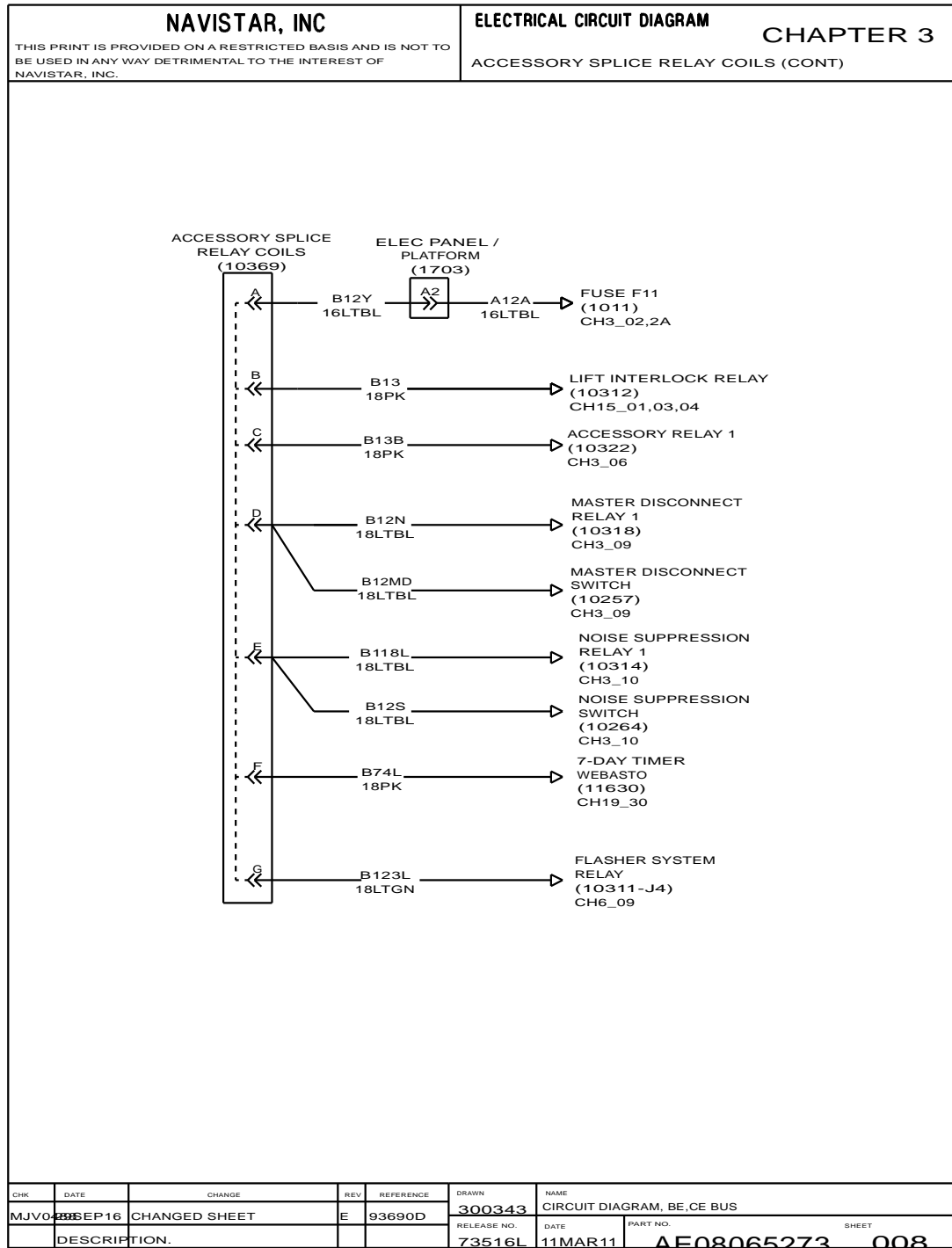


Figure 33 Accessory Splice Relay Coils (Cont.)

3.13. BODY CIRCUIT – MASTER DISCONNECT, P. 9

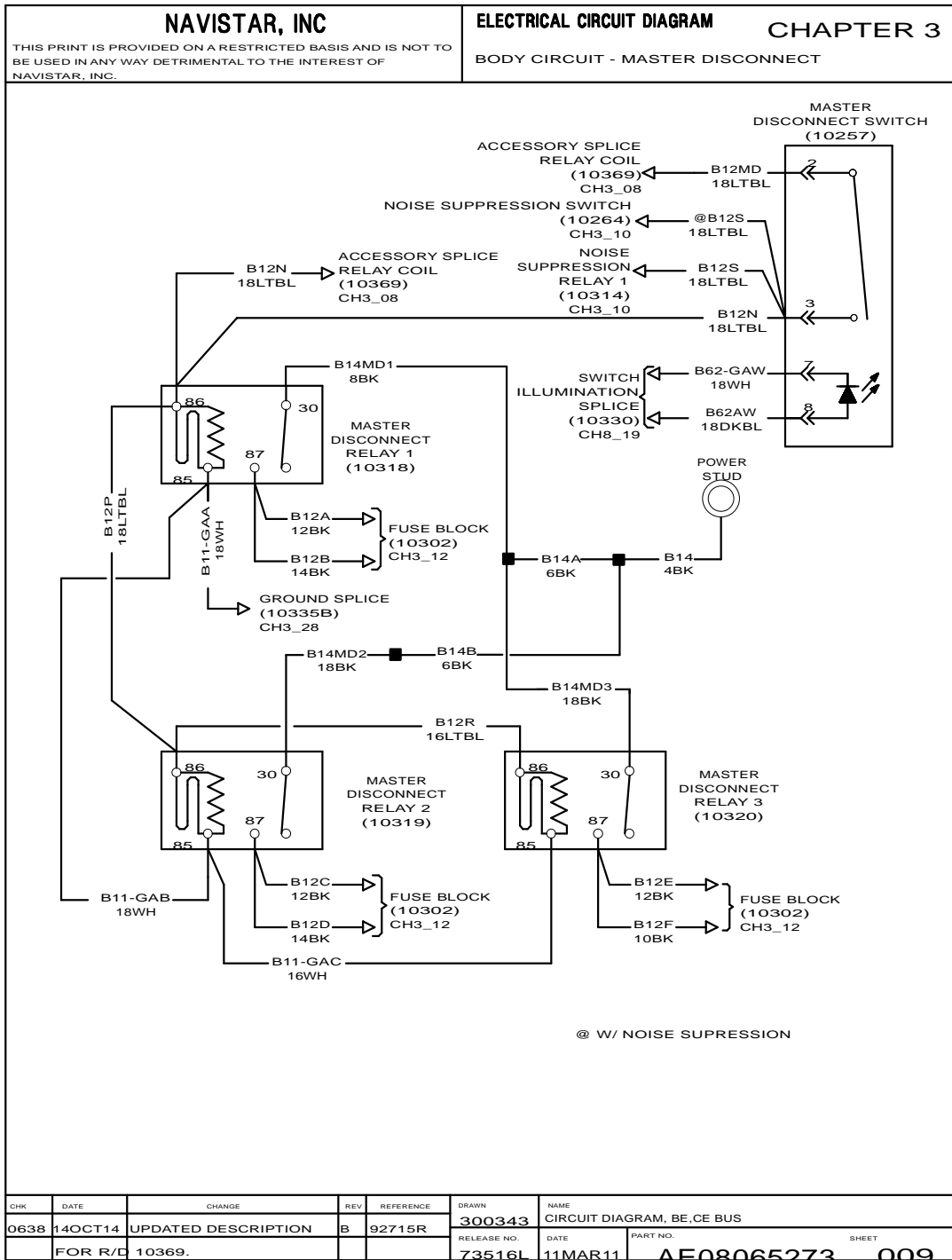


Figure 34 Body Circuit – Master Disconnect

3.14. BODY CIRCUIT – NOISE SUPPRESSION, P. 10

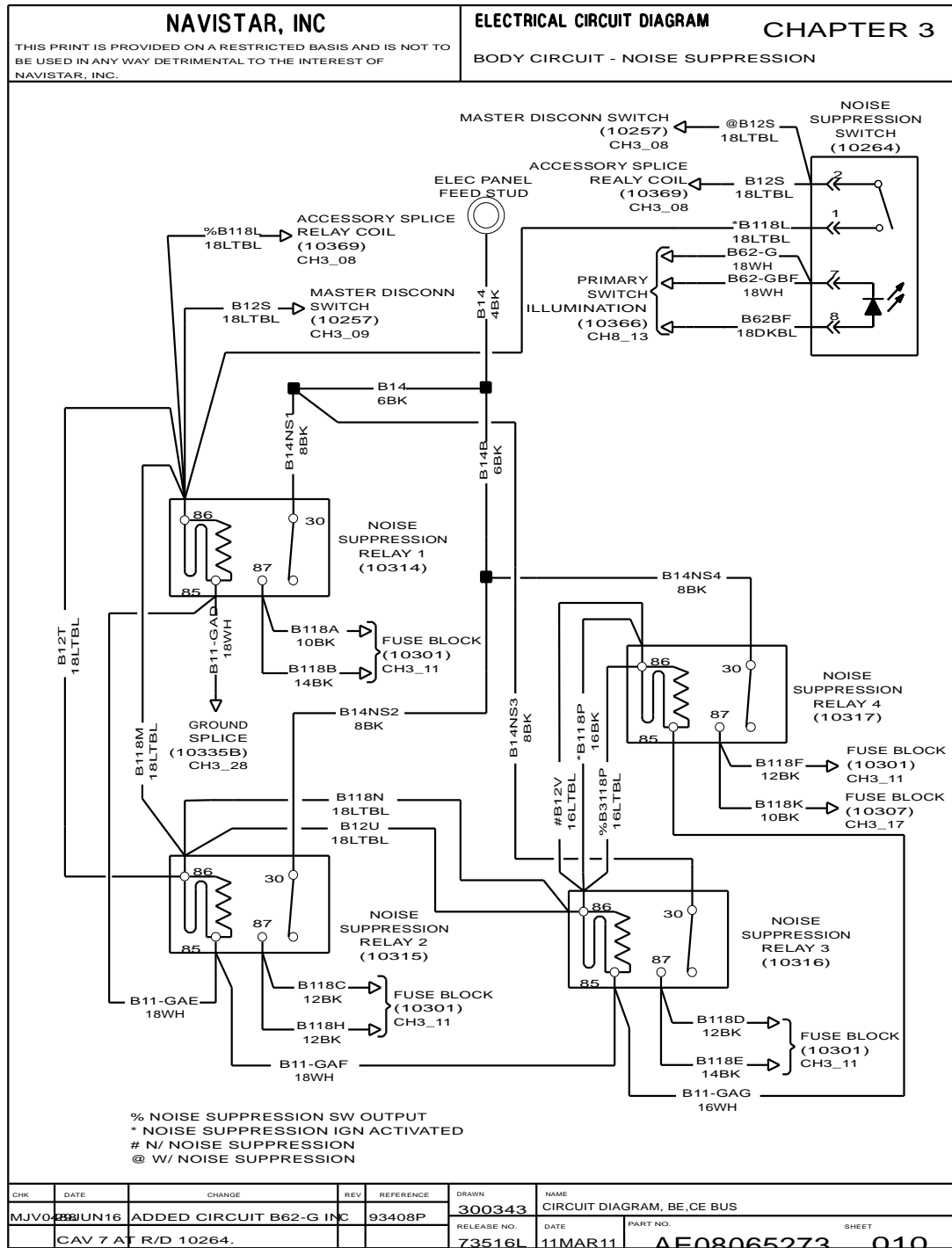


Figure 35 Body Circuit – Noise Suppression

3.15. BODY CIRCUIT – FUSE BLOCK, P. 11

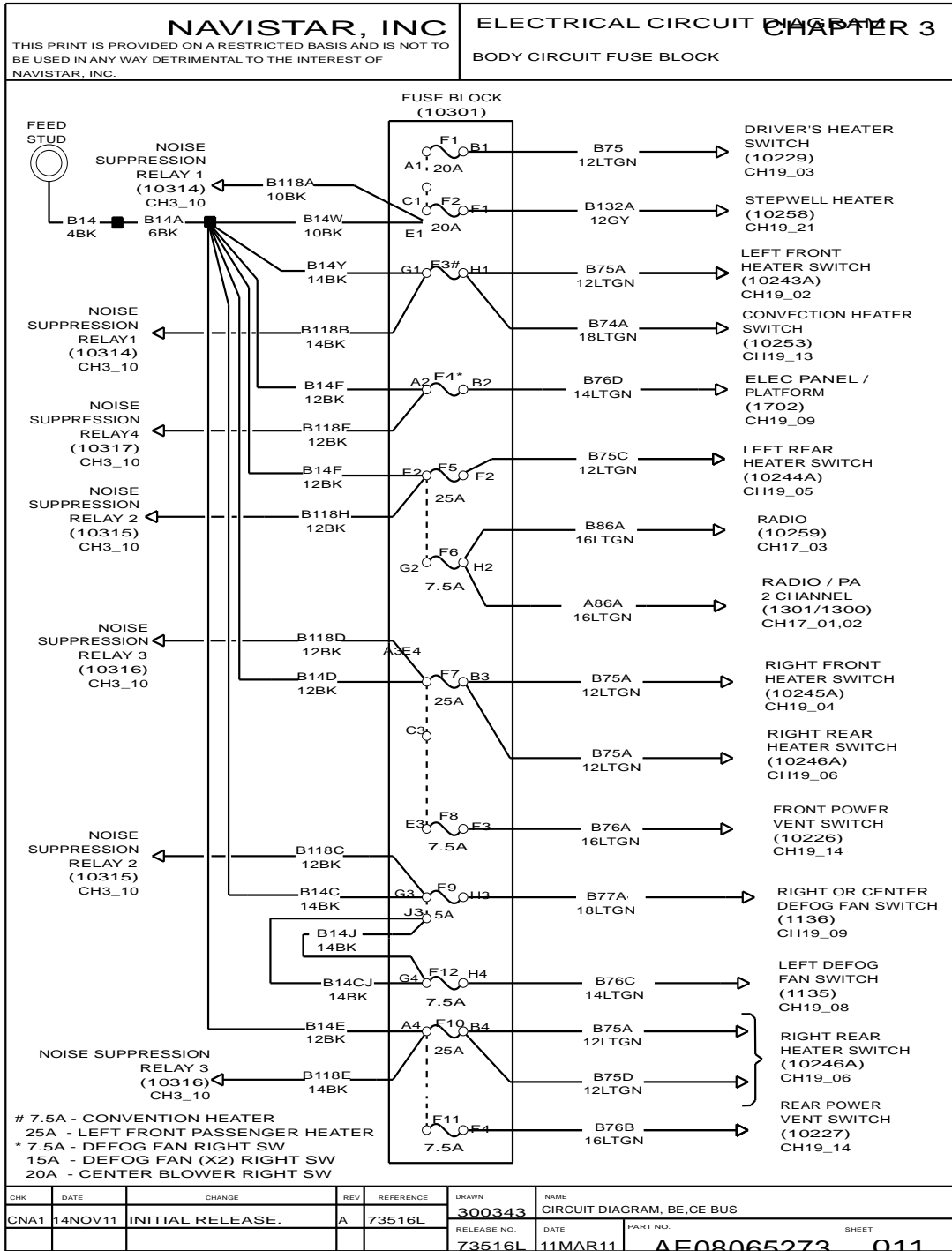


Figure 36 Body Circuit – Fuse Block

3.16. BODY CIRCUIT – FUSE BLOCK (CONT.), P. 12

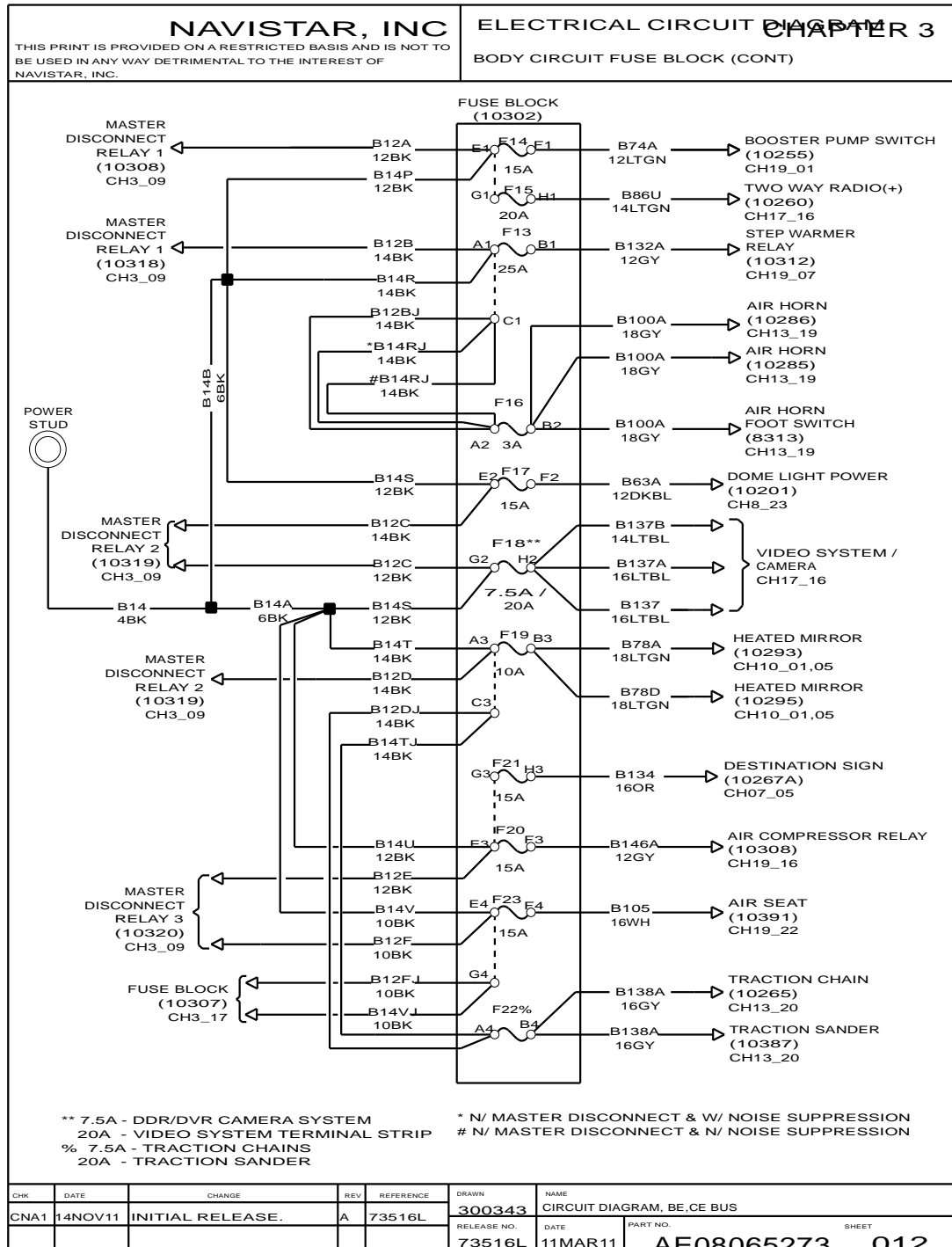


Figure 37 Body Circuit – Fuse Block (Cont.)

3.17. BODY CIRCUIT – FUSE BLOCK (CONT.), P. 13

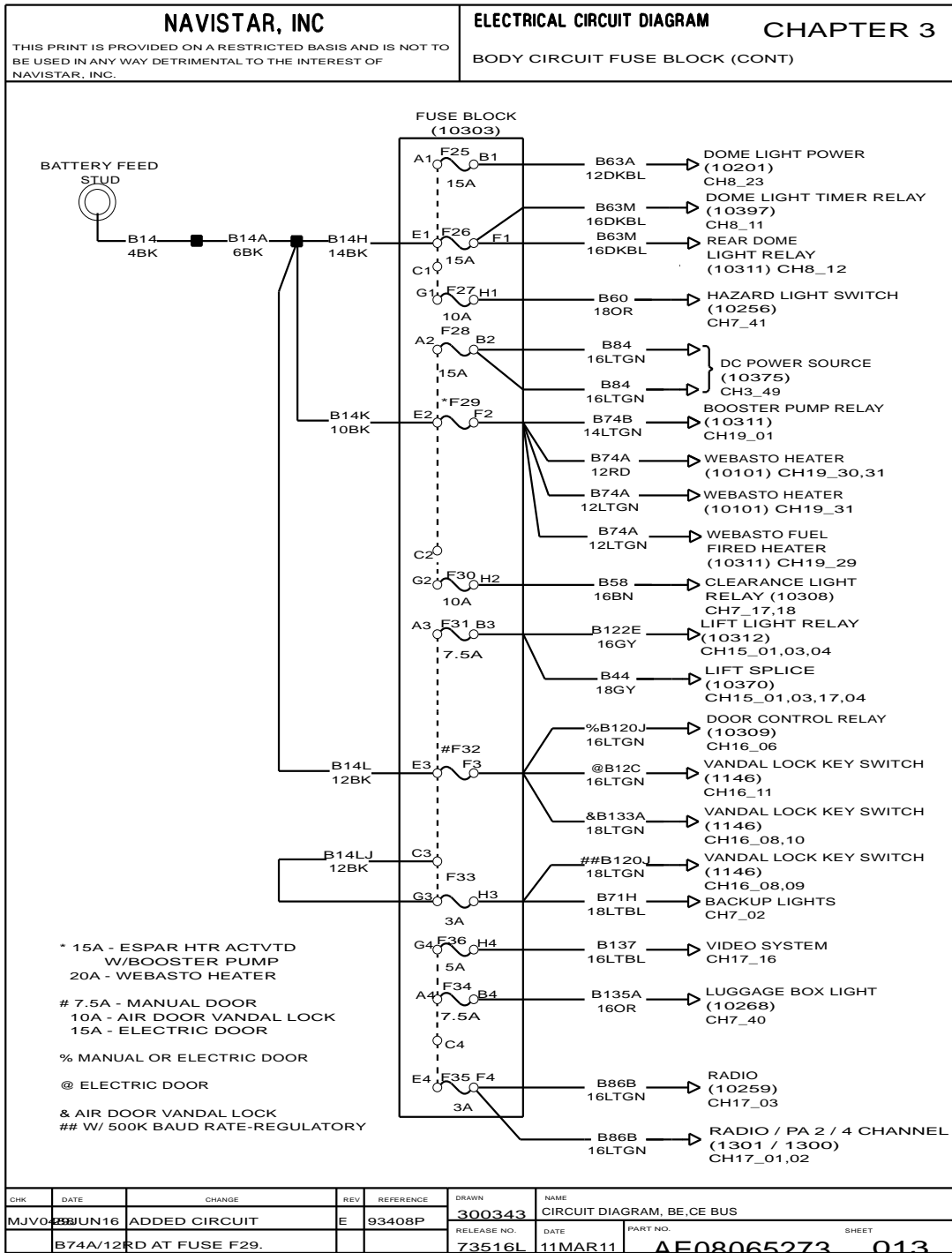


Figure 38 Body Circuit – Fuse Block (Cont.)

3.18. BODY CIRCUIT – FUSE BLOCK (CONT.), P. 14

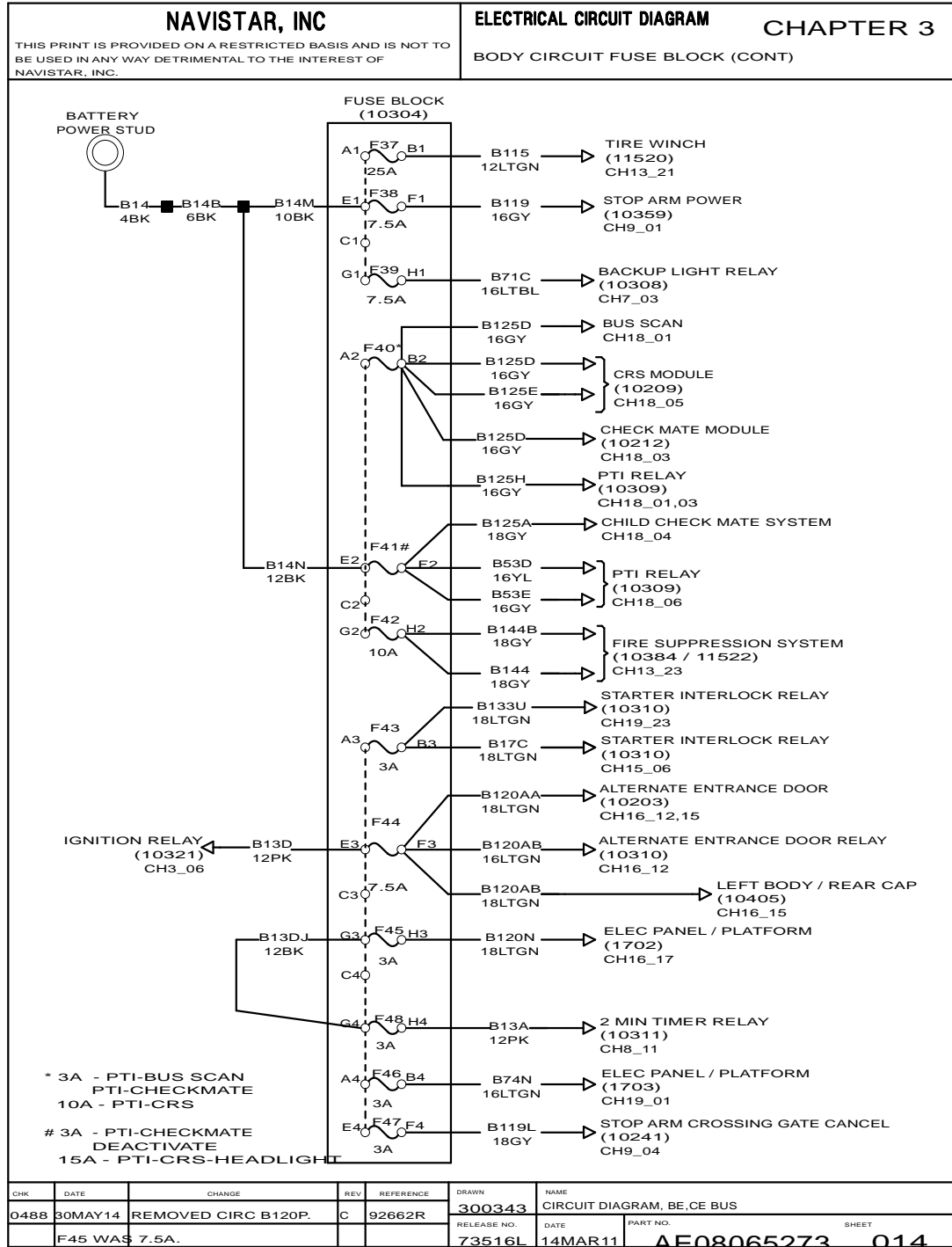


Figure 39 Body Circuit – Fuse Block (Cont.)

3.19. BODY CIRCUIT – FUSE BLOCK (CONT.), P. 15

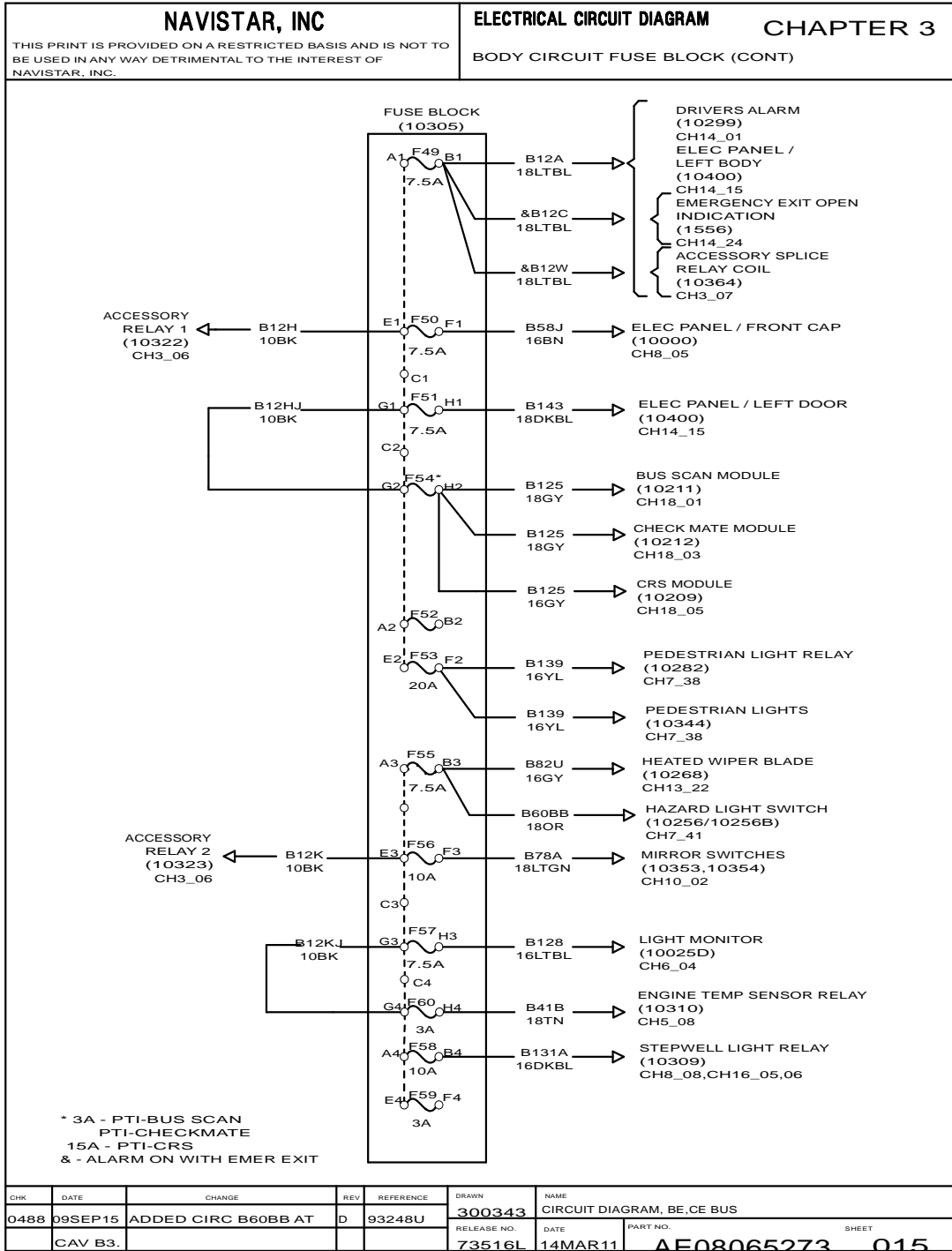


Figure 40 Body Circuit – Fuse Block (Cont.)

3.20. BODY CIRCUIT – FUSE BLOCK (CONT.), P. 16

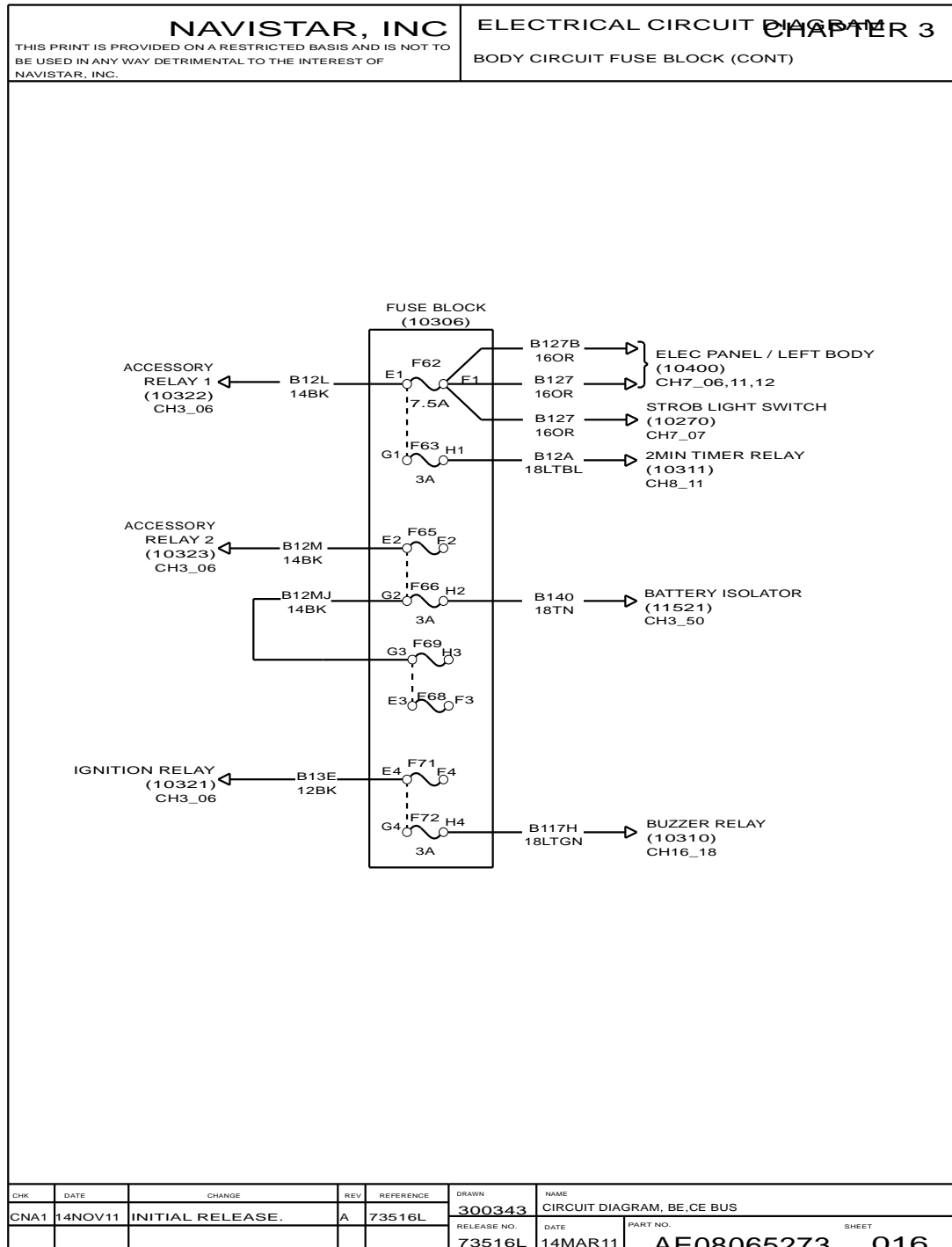


Figure 41 Body Circuit – Fuse Block (Cont.)

3.21. BODY CIRCUIT – FUSE BLOCK (CONT.), P. 17

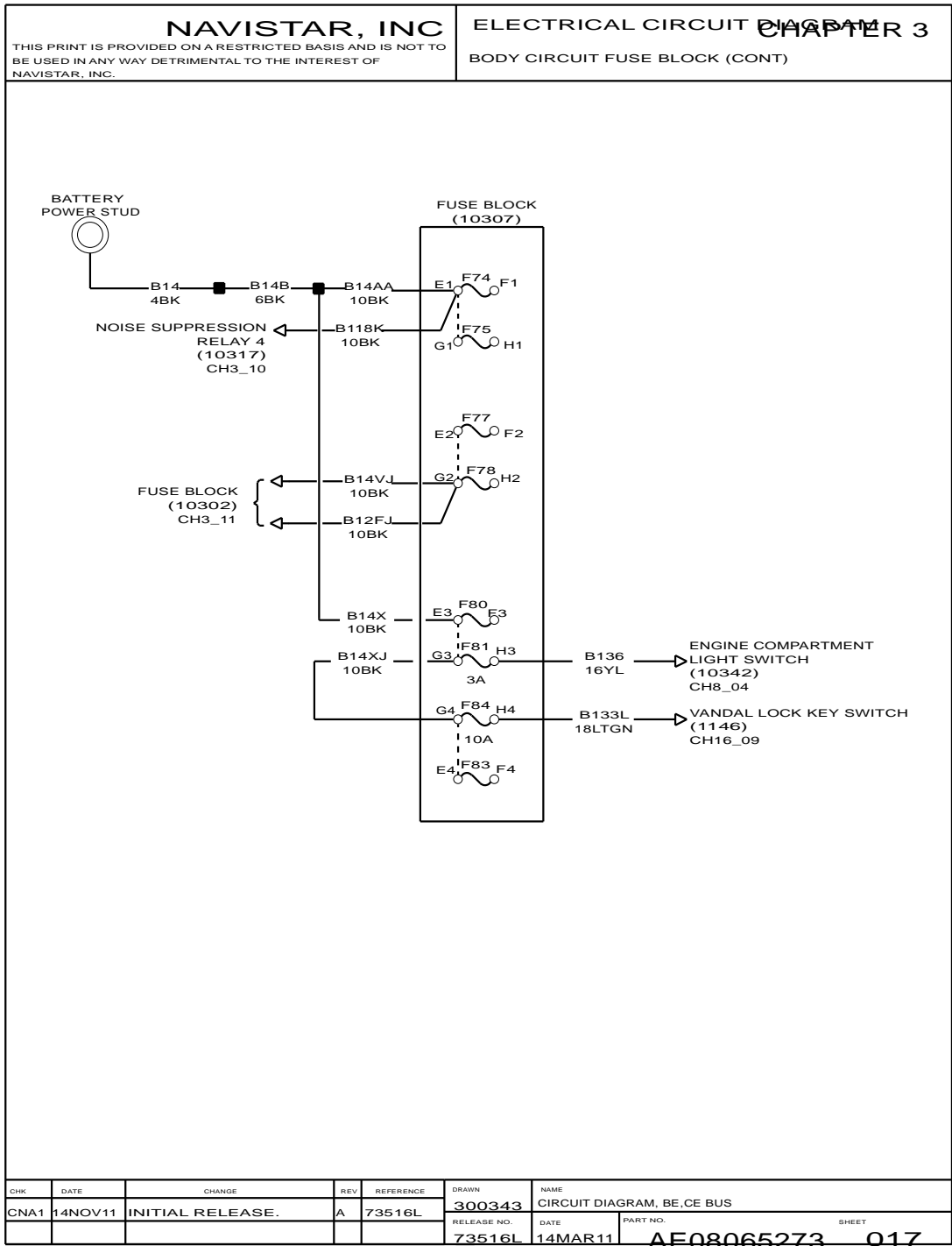


Figure 42 Body Circuit – Fuse Block (Cont.)

3.22. BATTERY – PLATFORM, P. 18

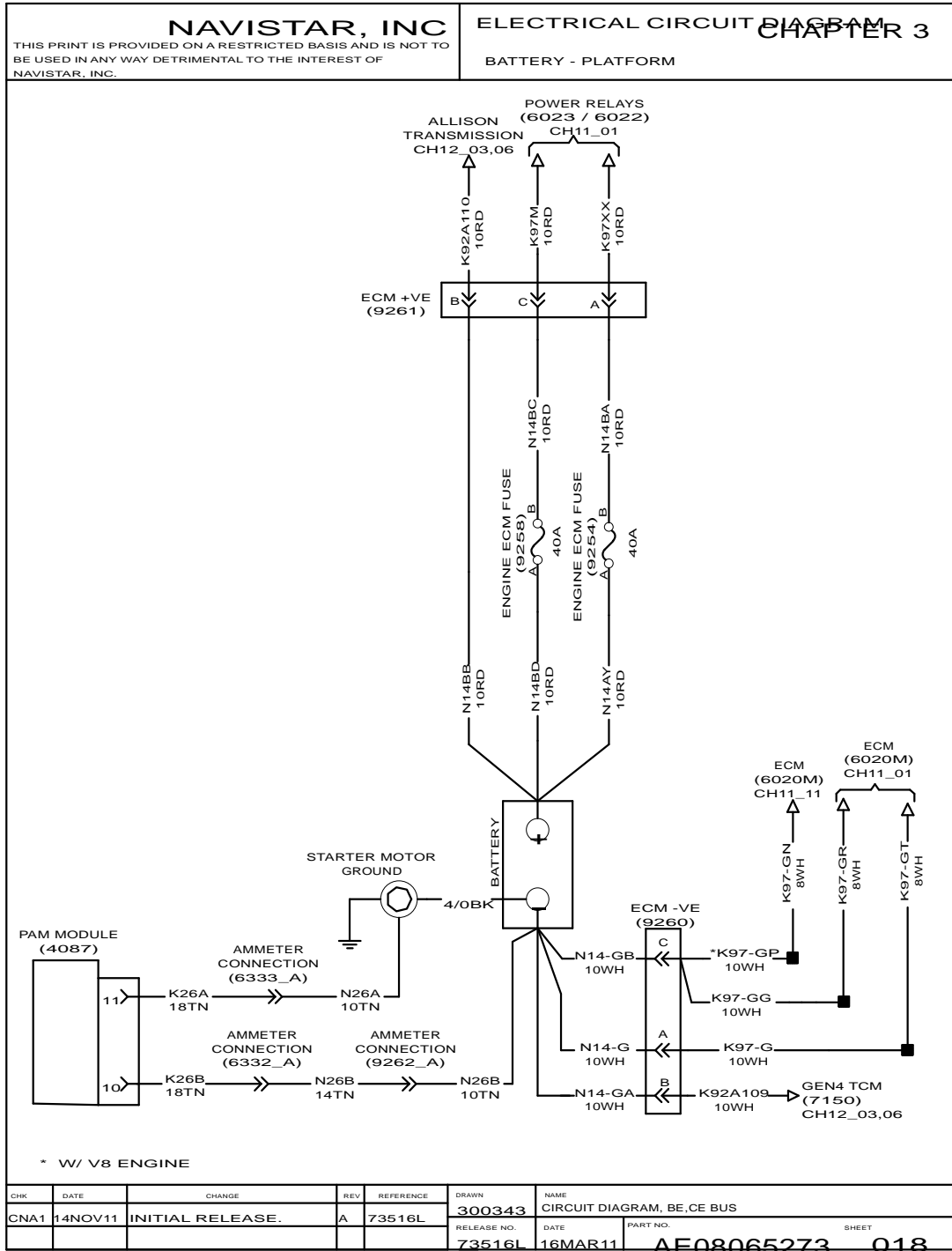


Figure 43 Battery – Platform

3.23. BODY GROUND – PLATFORM, P. 19

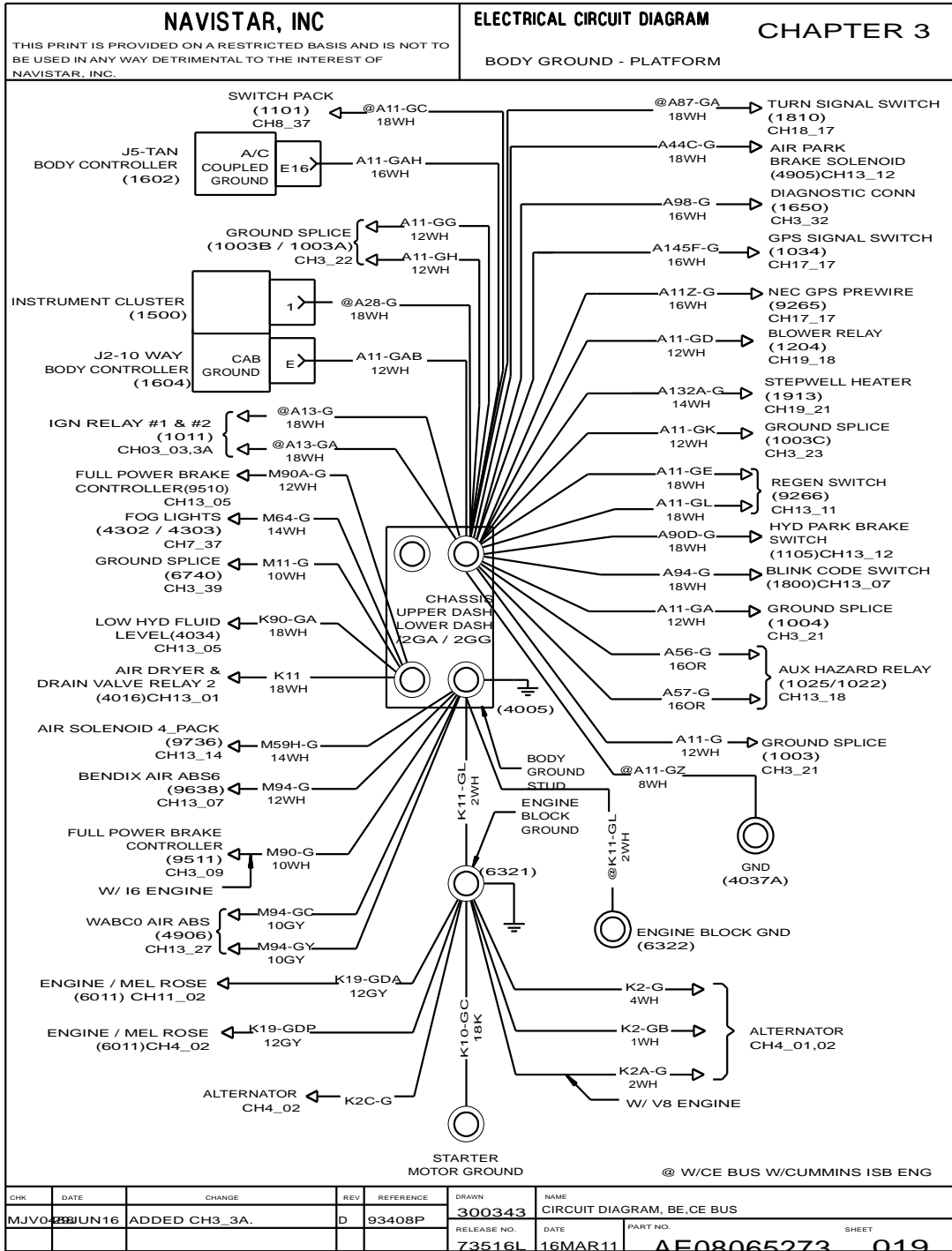


Figure 44 Body Ground – Platform

3.24. GEOMETRY REMOVED, P. 20

NAVISTAR, INC				ELECTRICAL CIRCUIT DIAGRAM			
THIS PRINT IS PROVIDED ON A RESTRICTED BASIS AND IS NOT TO BE USED IN ANY WAY DETRIMENTAL TO THE INTEREST OF NAVISTAR, INC.				CHAPTER 3			
				BODY GROUND - PLATFORM (CONT)			
<p style="font-size: 24px; margin: 0;">INTENTIONALLY LEFT BLANK</p>							
CHK	DATE	CHANGE	REV	REFERENCE	DRAWN	NAME	
CNA1	14NOV11	INITIAL RELEASE.	A	73516L	300343	CIRCUIT DIAGRAM, BE,CE BUS	
					RELEASE NO.	DATE	PART NO.
					73516L	16MAR11	AE08065273
							SHEET 020

Figure 45 Geometry Removed

3.25. BODY GROUND – PLATFORM (CONT.), P. 21

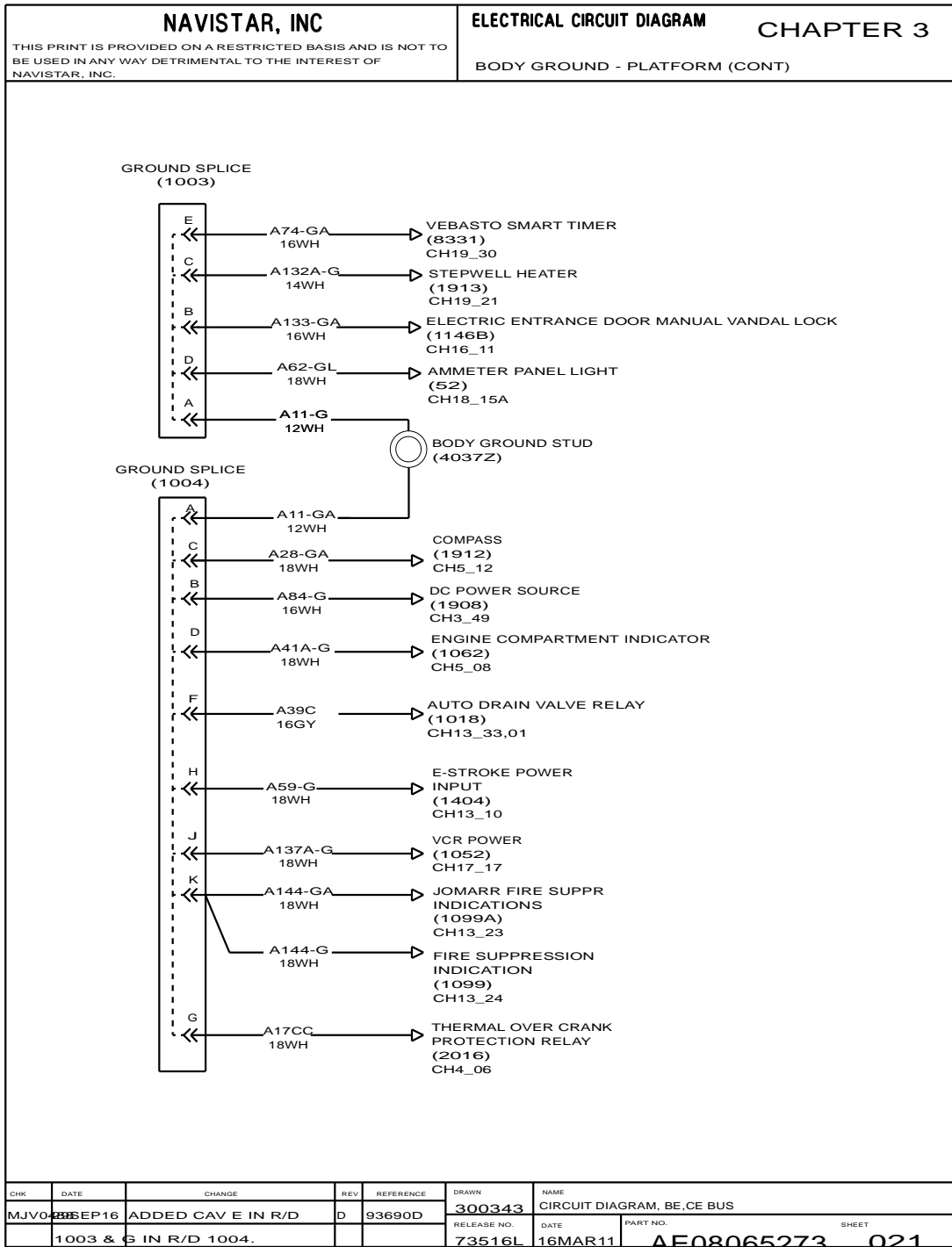


Figure 46 Body Ground – Platform (Cont.)

3.26. BODY GROUND – PLATFORM (CONT.), P. 22

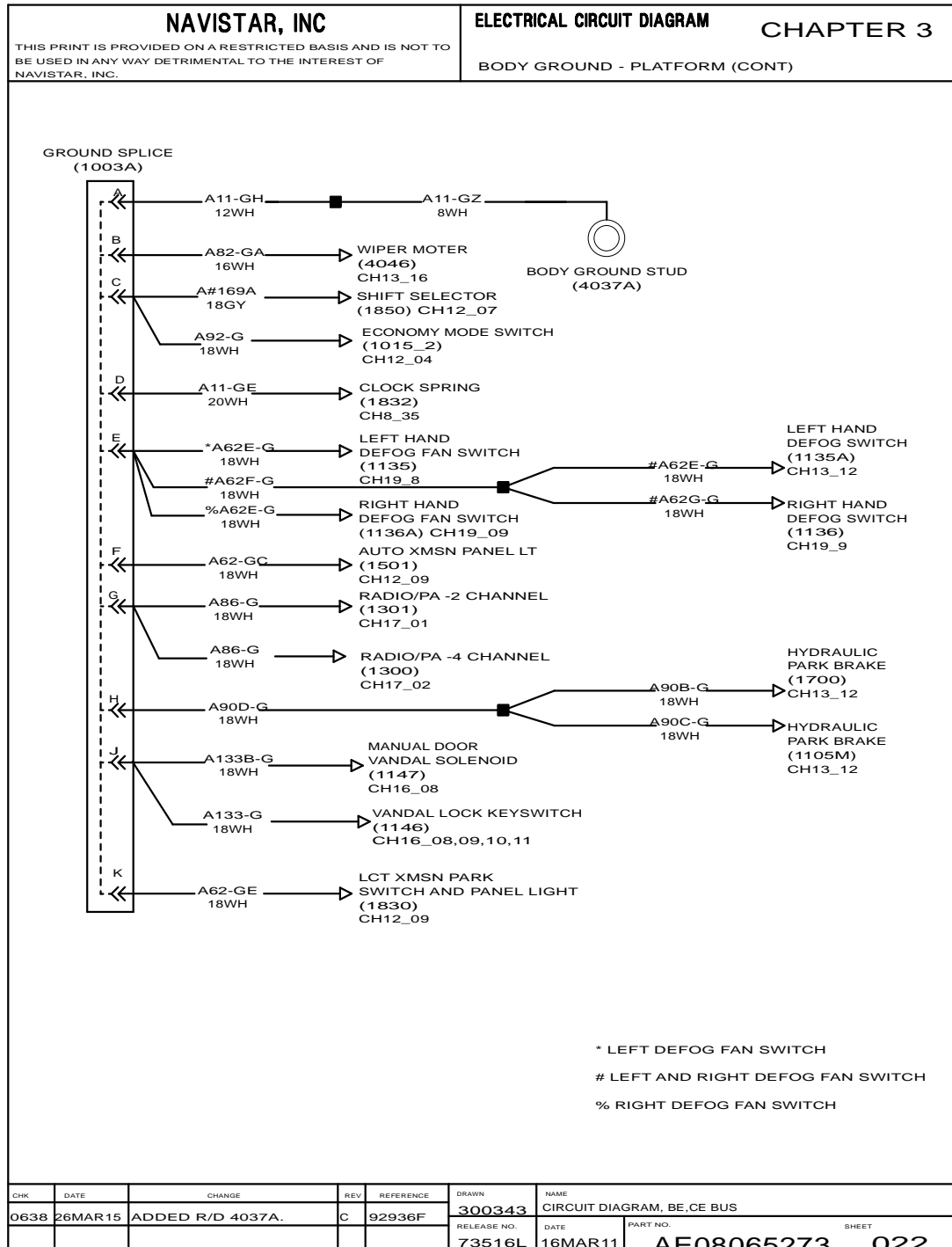


Figure 47 Body Ground – Platform (Cont.)

3.27. BODY GROUND – PLATFORM (CONT.), P. 23

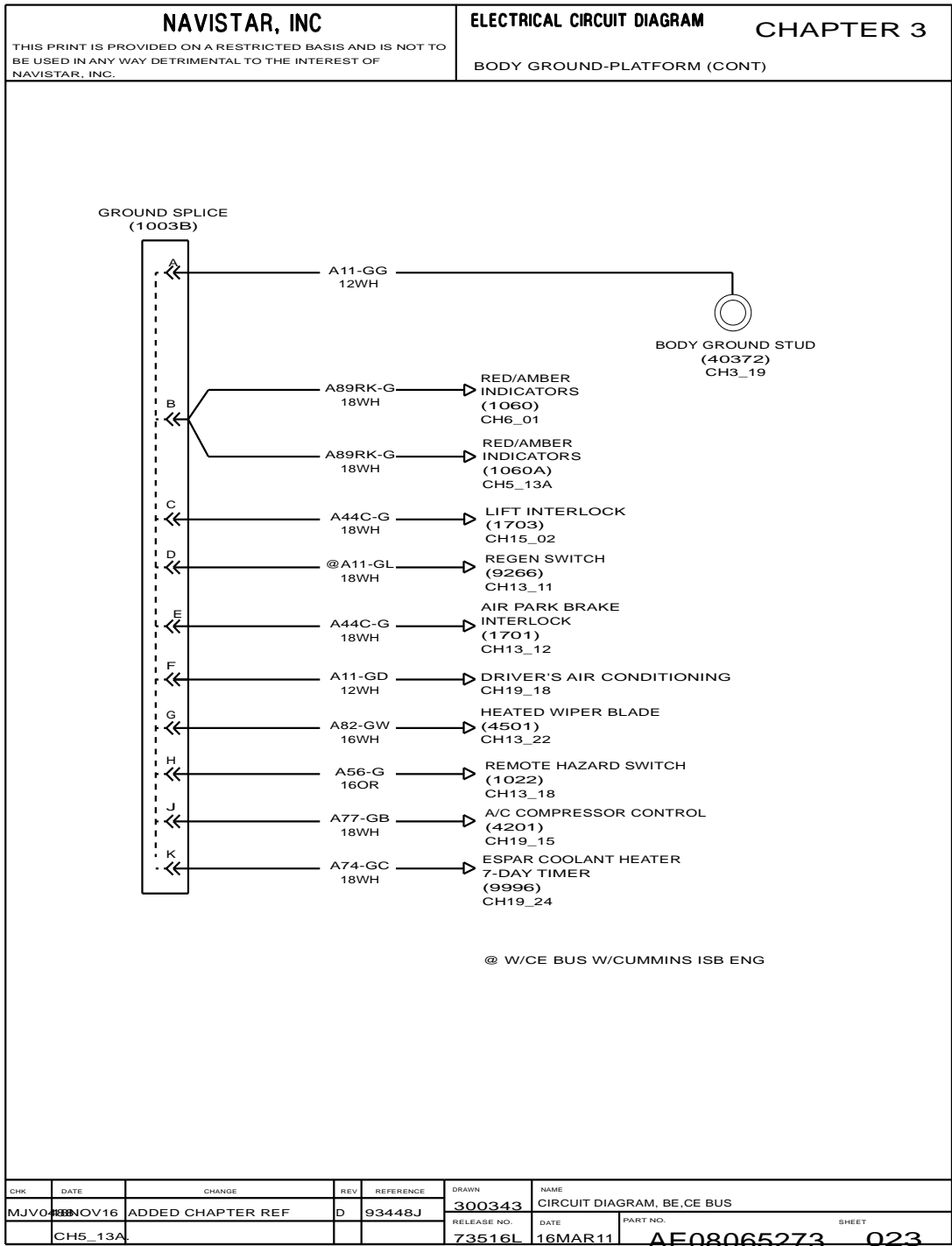


Figure 48 Body Ground – Platform (Cont.)

3.28. BODY GROUND – ELECTRICAL PANEL, P. 24

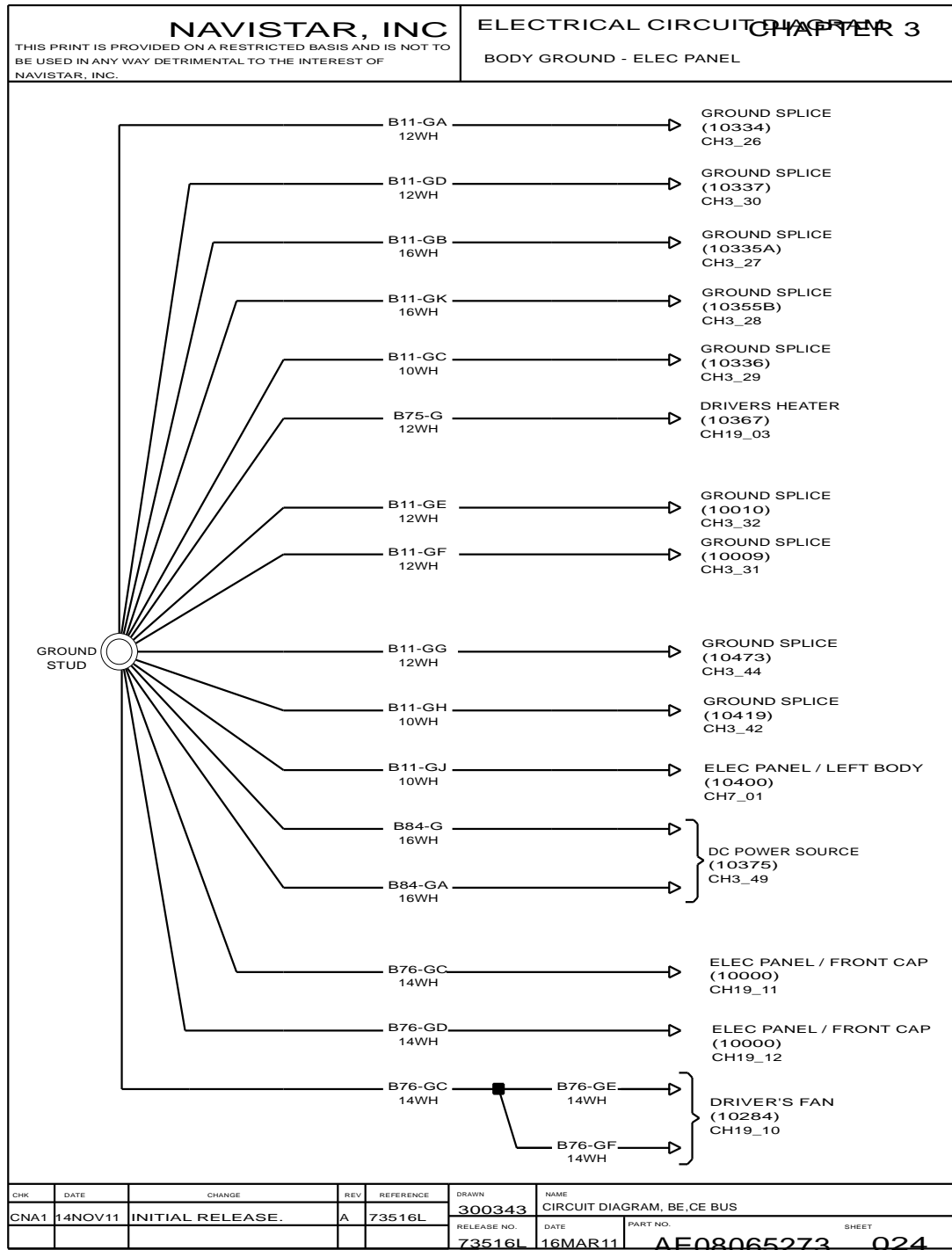


Figure 49 Body Ground – Electrical Panel

3.29. BODY GROUND – ELECTRICAL PANEL (CONT.), P. 25

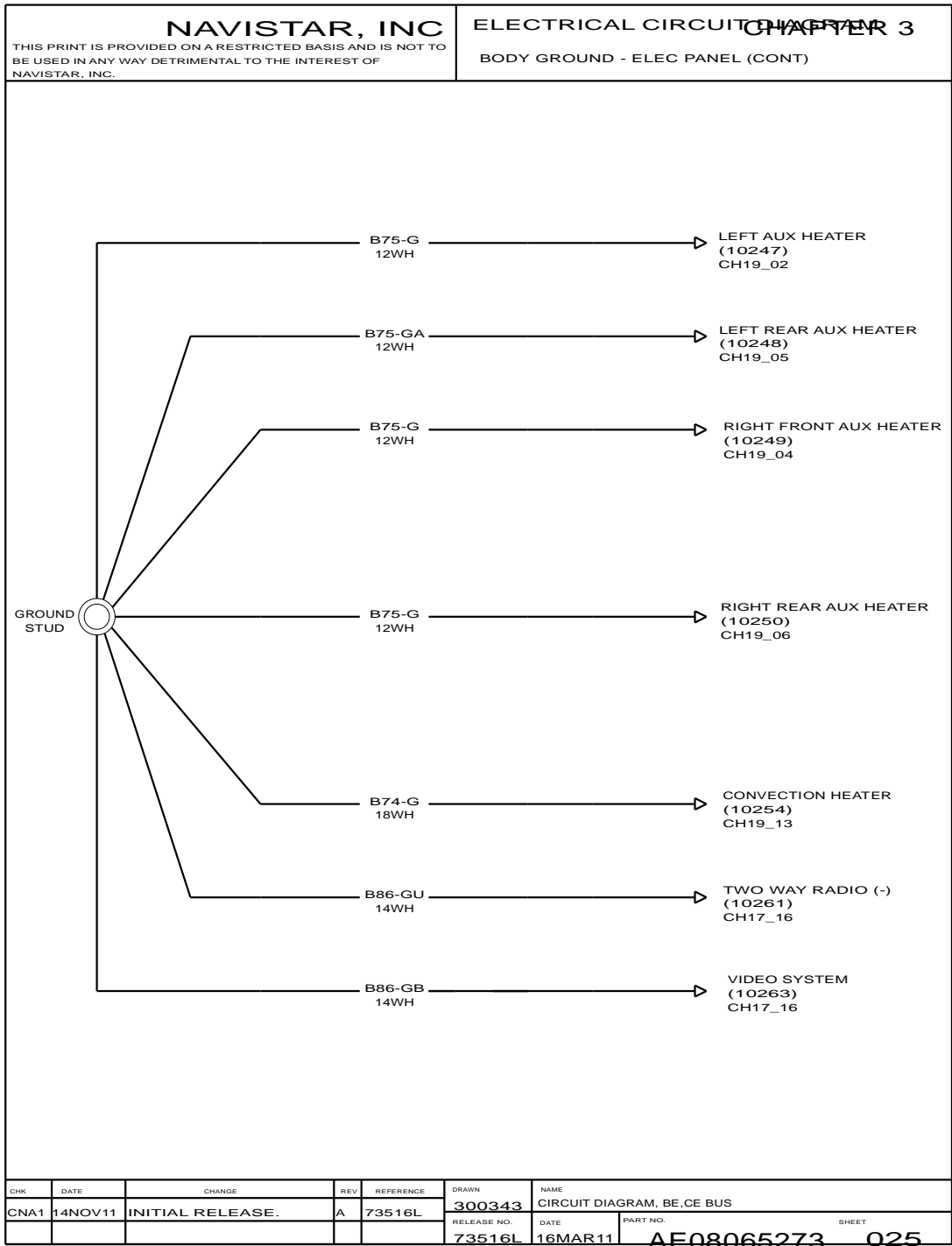


Figure 50 Body Ground – Electrical Panel (Cont.)

3.30. BODY GROUND – ELECTRICAL PANEL (CONT.), P. 26

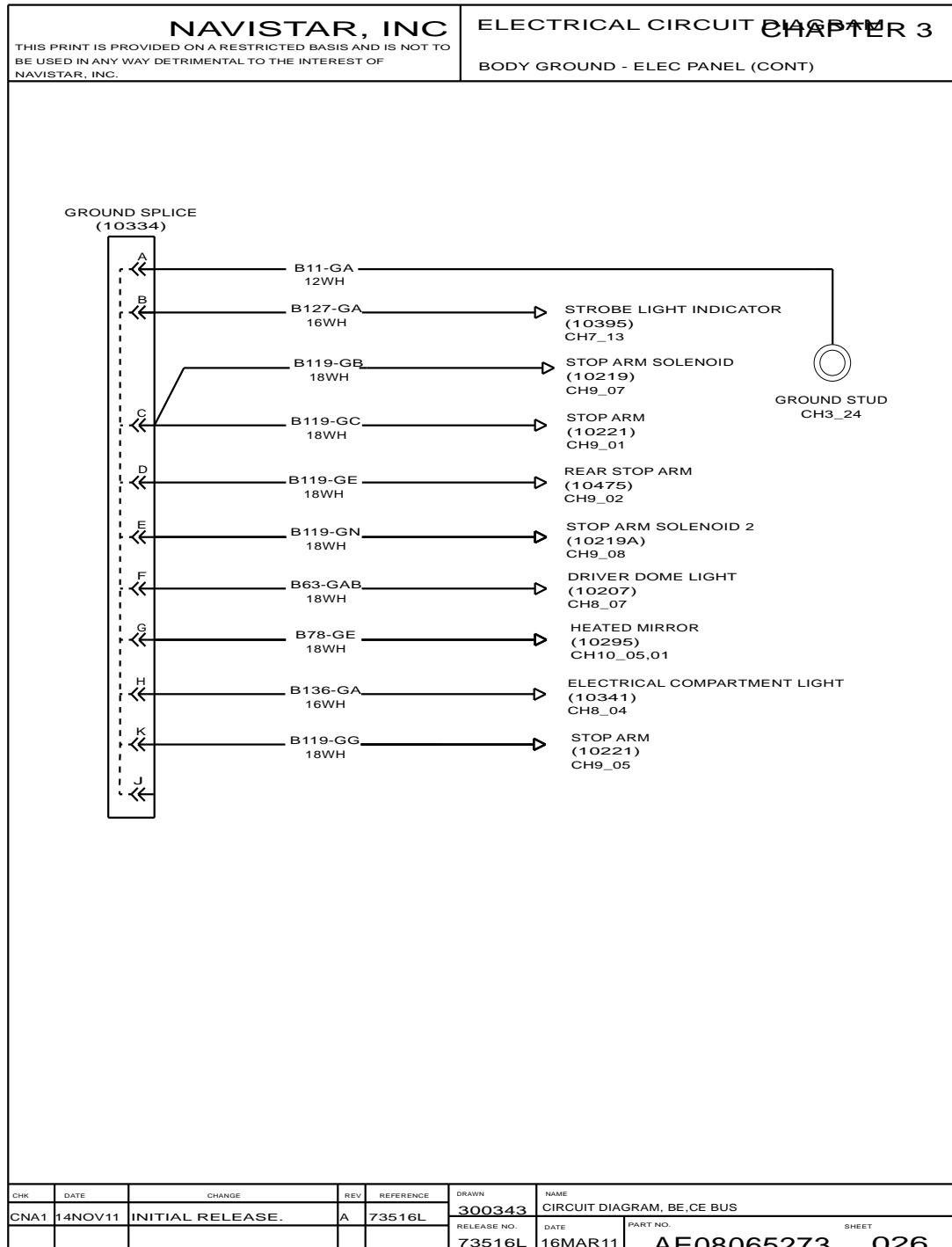


Figure 51 Body Ground – Electrical Panel (Cont.)

3.31. BODY GROUND – ELECTRICAL PANEL (CONT.), P. 27

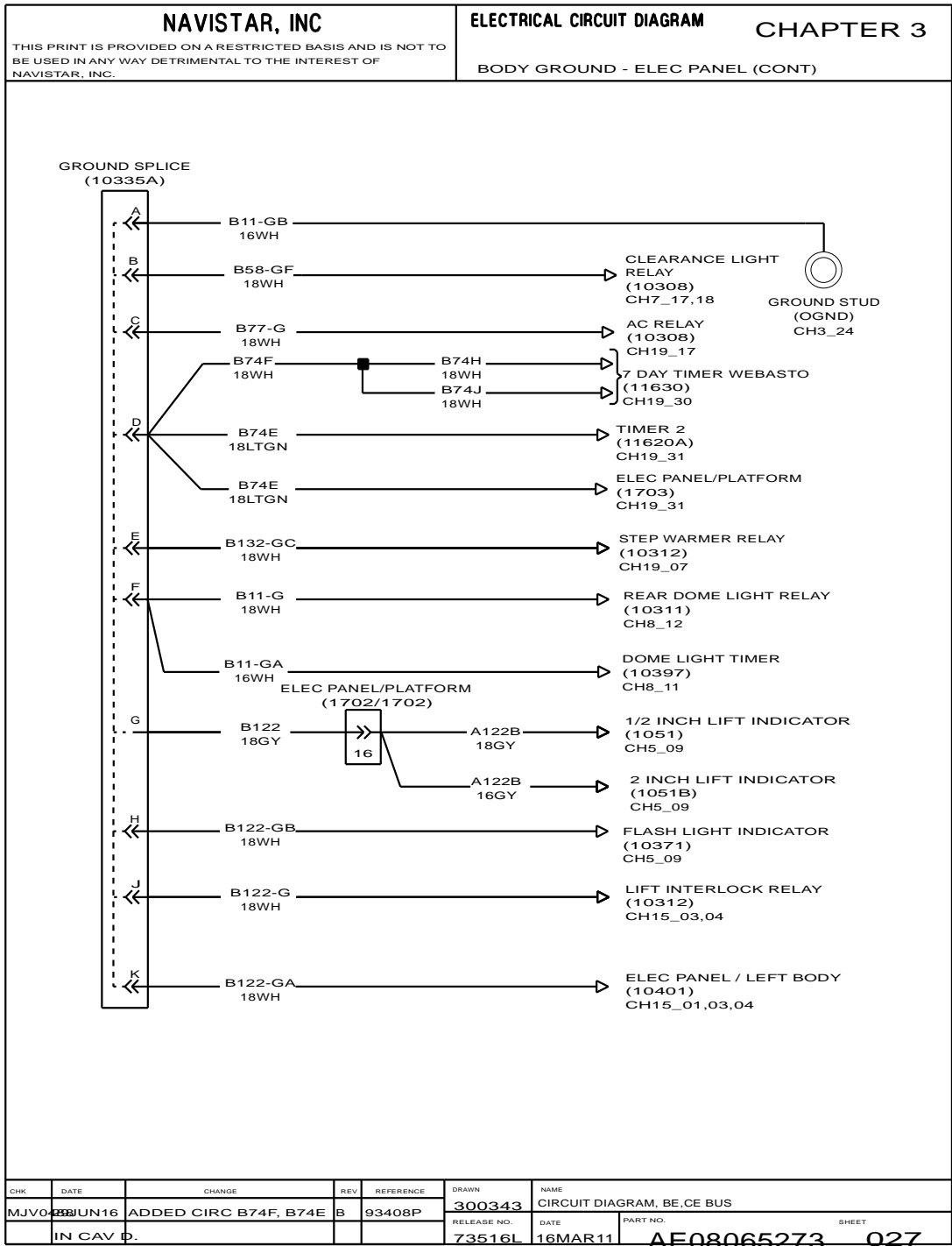


Figure 52 Body Ground – Electrical Panel (Cont.)

3.32. BODY GROUND – ELECTRICAL PANEL (CONT.), P. 28

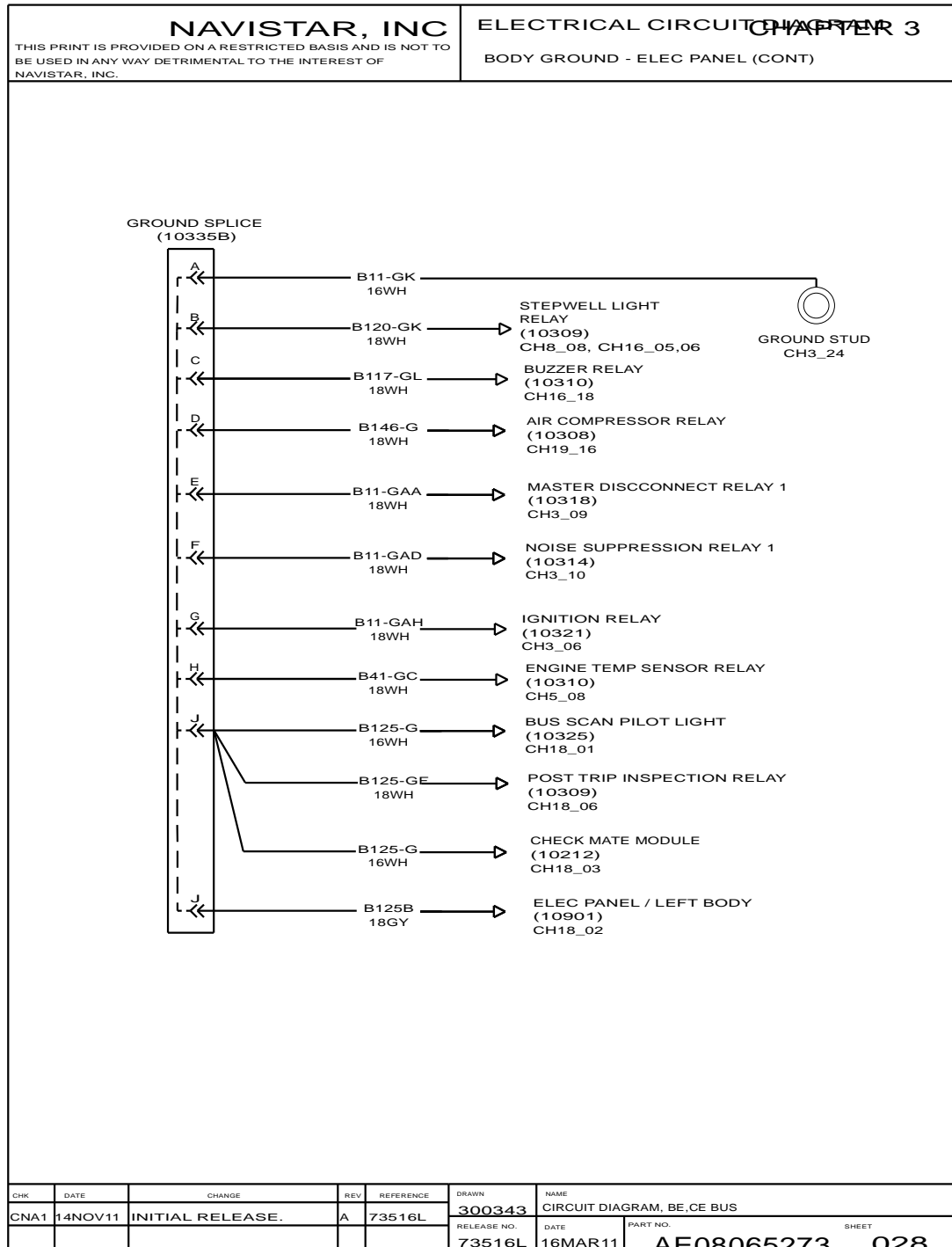


Figure 53 Body Ground – Electrical Panel (Cont.)

3.33. BODY GROUND – ELECTRICAL PANEL (CONT.), P. 29

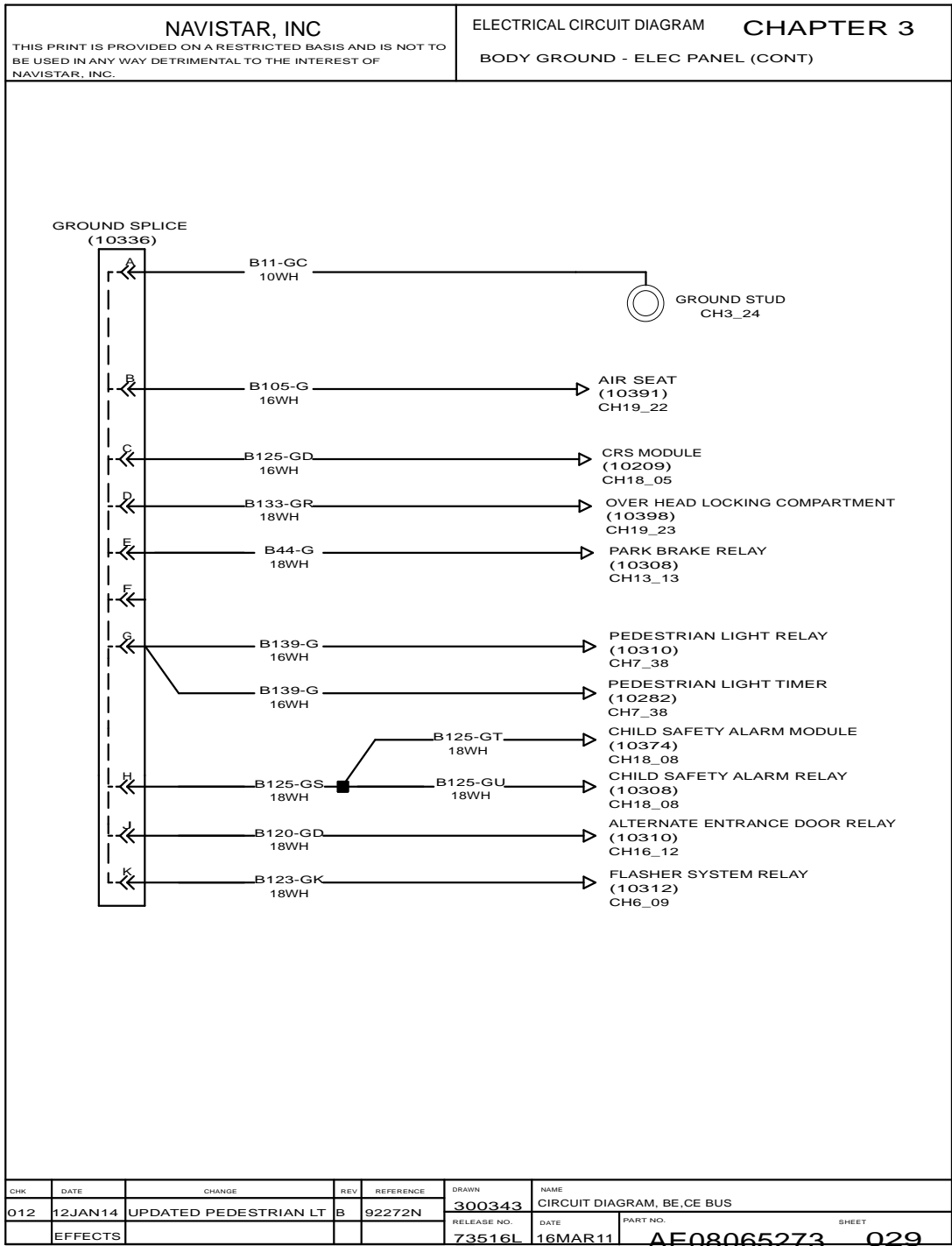


Figure 54 Body Ground – Electrical Panel (Cont.)

3.34. BODY GROUND – ELECTRICAL PANEL (CONT.), P. 30

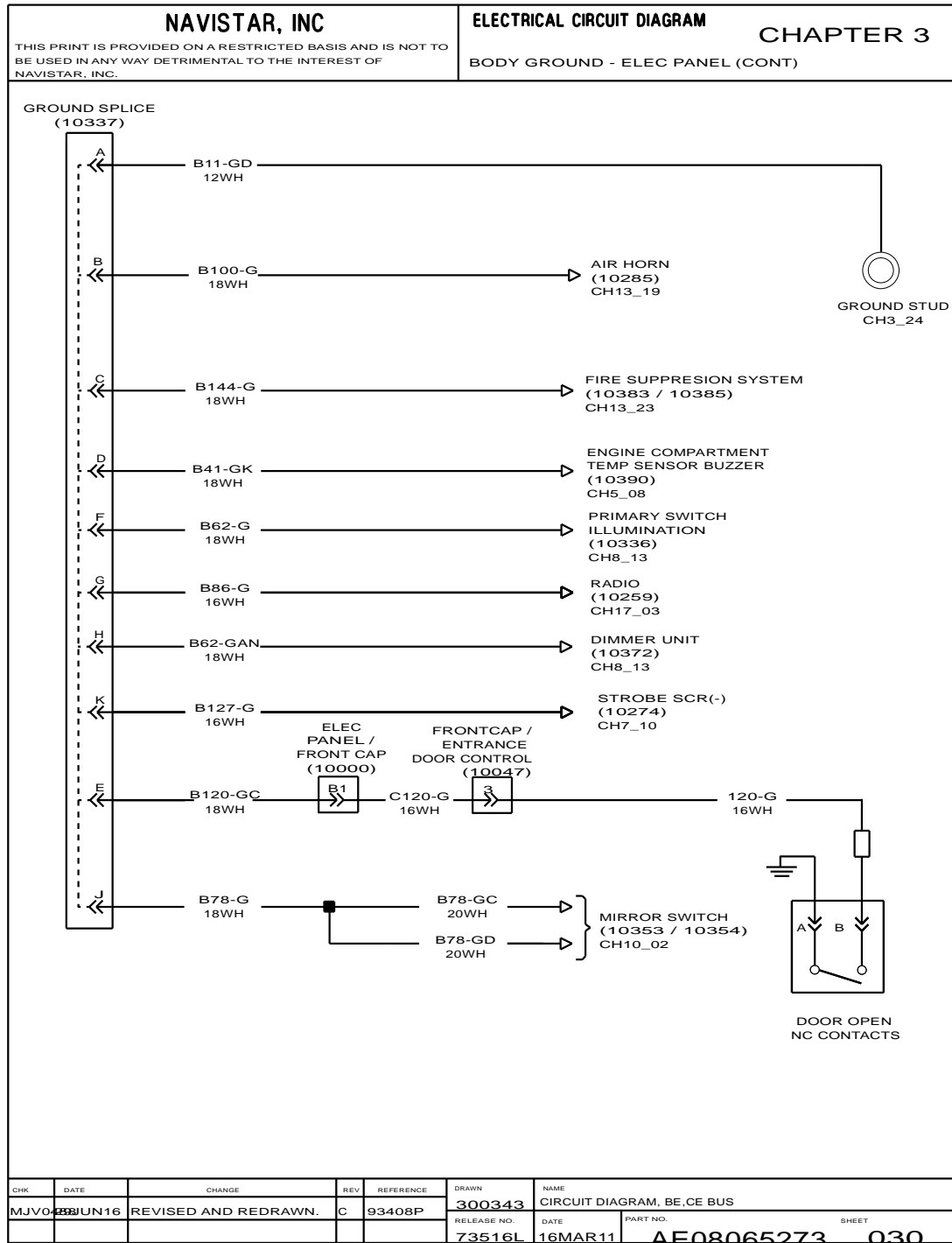


Figure 55 Body Ground – Electrical Panel (Cont.)

3.35. BODY GROUND – FRONT CAP, P. 31

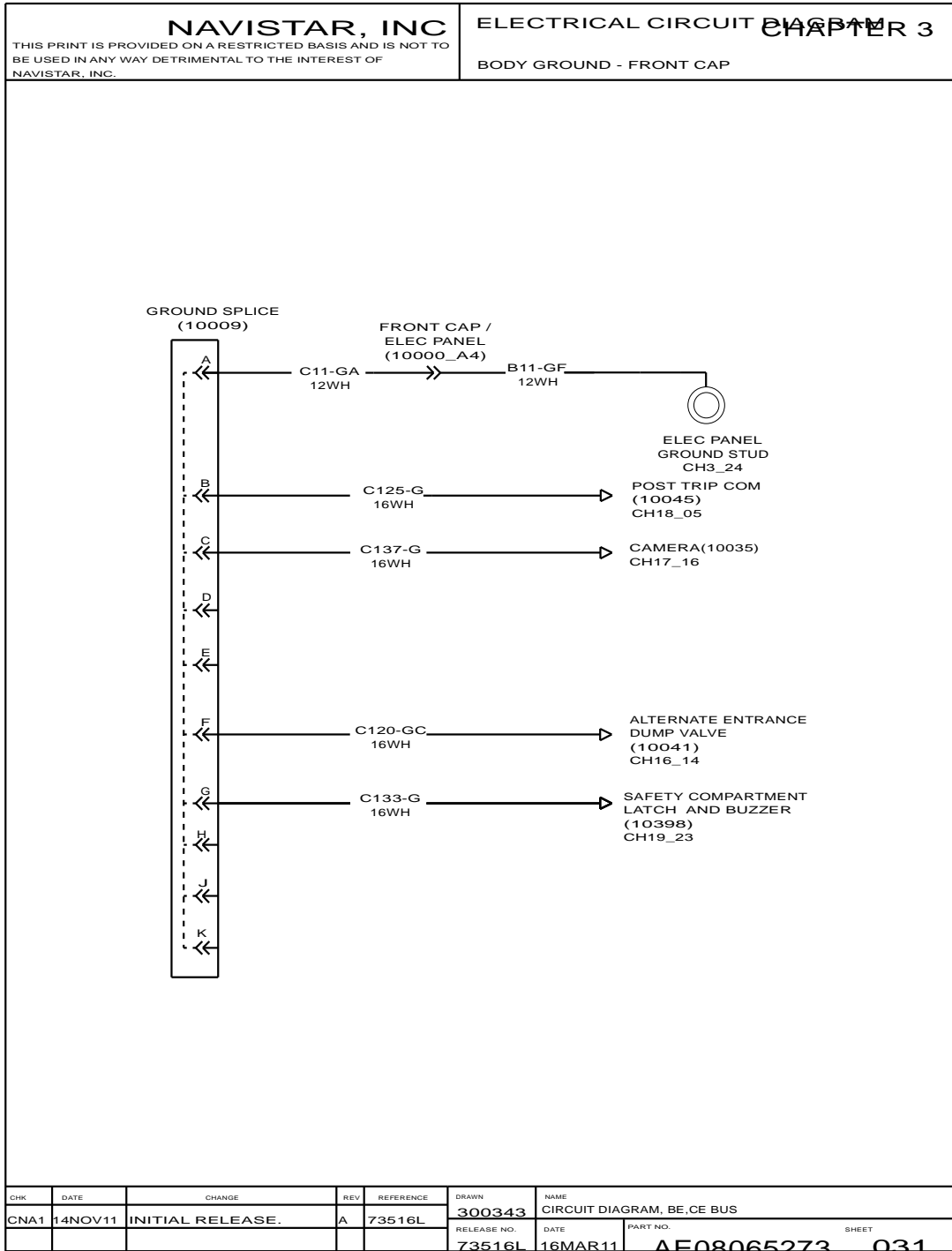


Figure 56 Body Ground – Front Cap

3.36. BODY GROUND – FRONT CAP (CONT.), P. 32

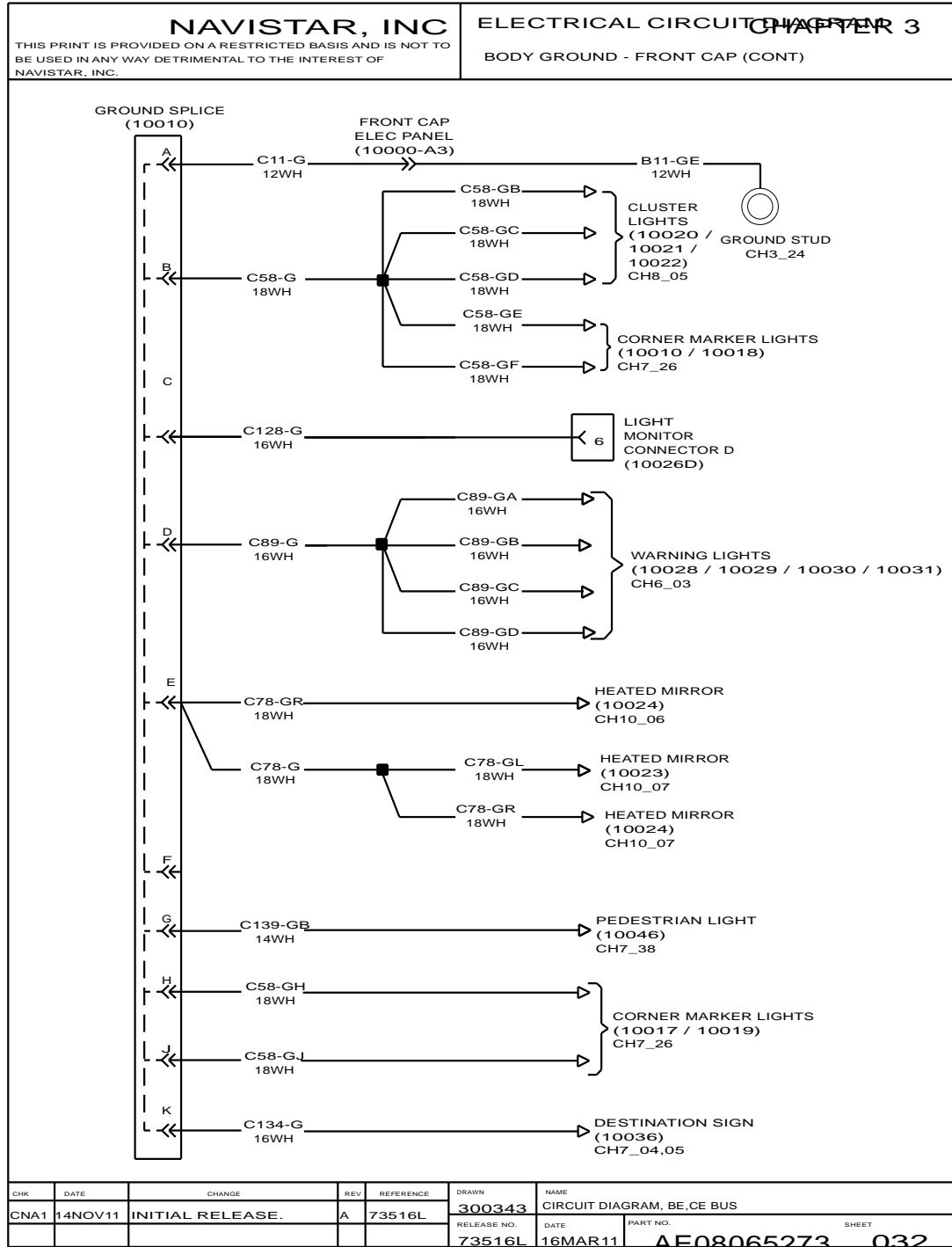


Figure 57 Body Ground – Front Cap (Cont.)

3.37. BODY GROUND – REAR CAP, P. 33

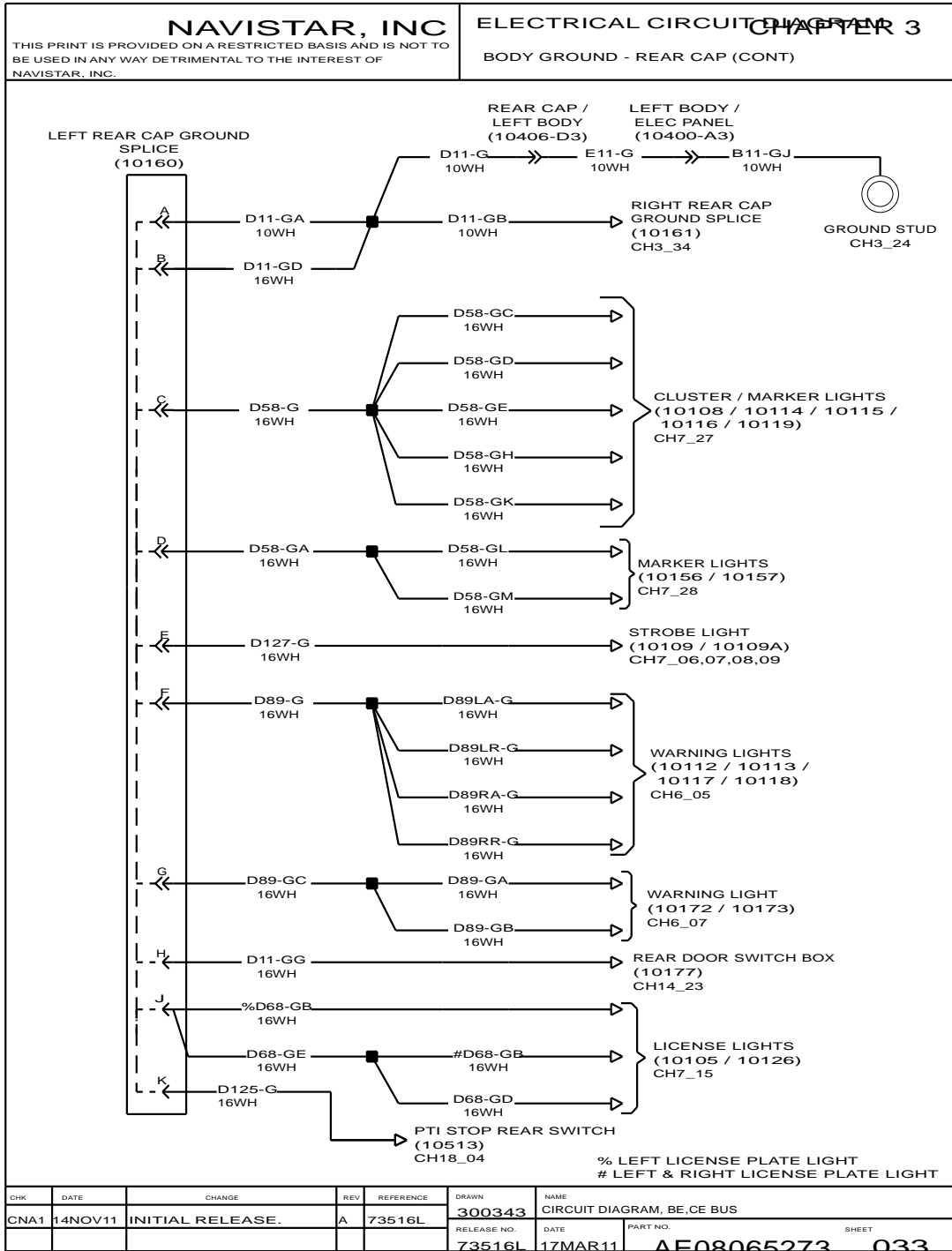


Figure 58 Body Ground – Rear Cap

3.38. BODY GROUND – REAR CAP (CONT.), P. 34

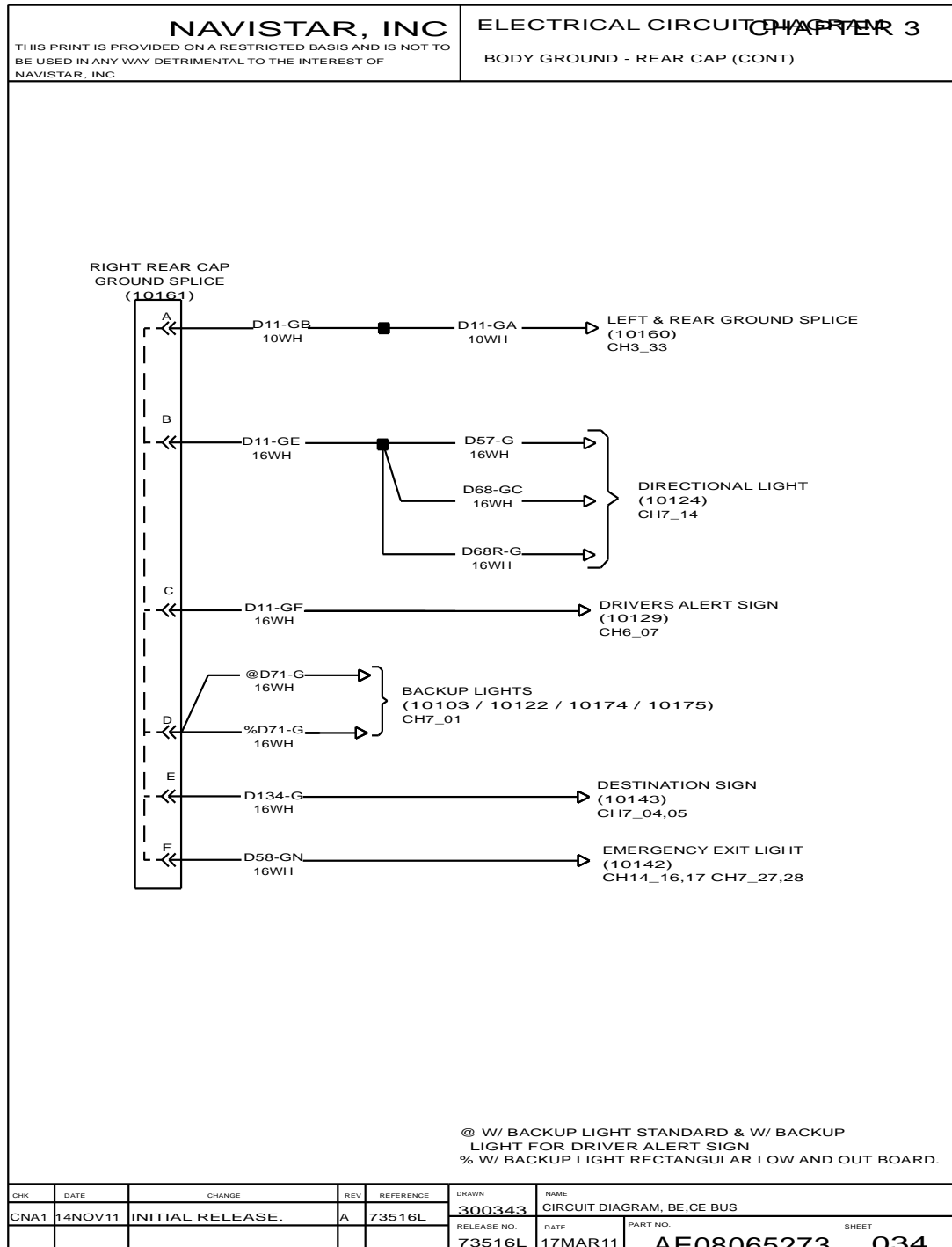


Figure 59 Body Ground – Rear Cap (Cont.)

3.39. BODY GROUND – SEALED ENGINE, P. 35

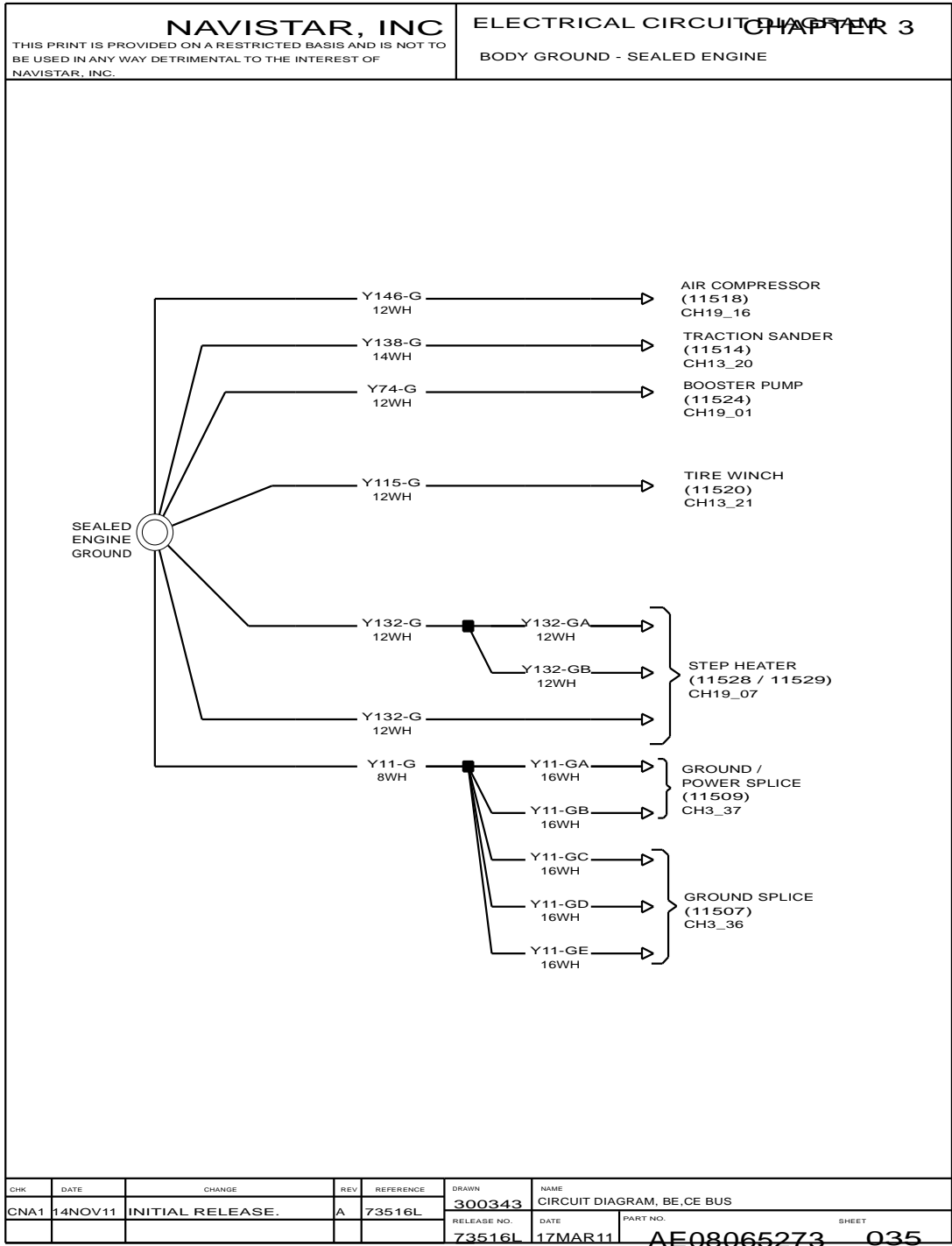


Figure 60 Body Ground – Sealed Engine

3.40. BODY GROUND – SEALED ENGINE (CONT.), P. 36

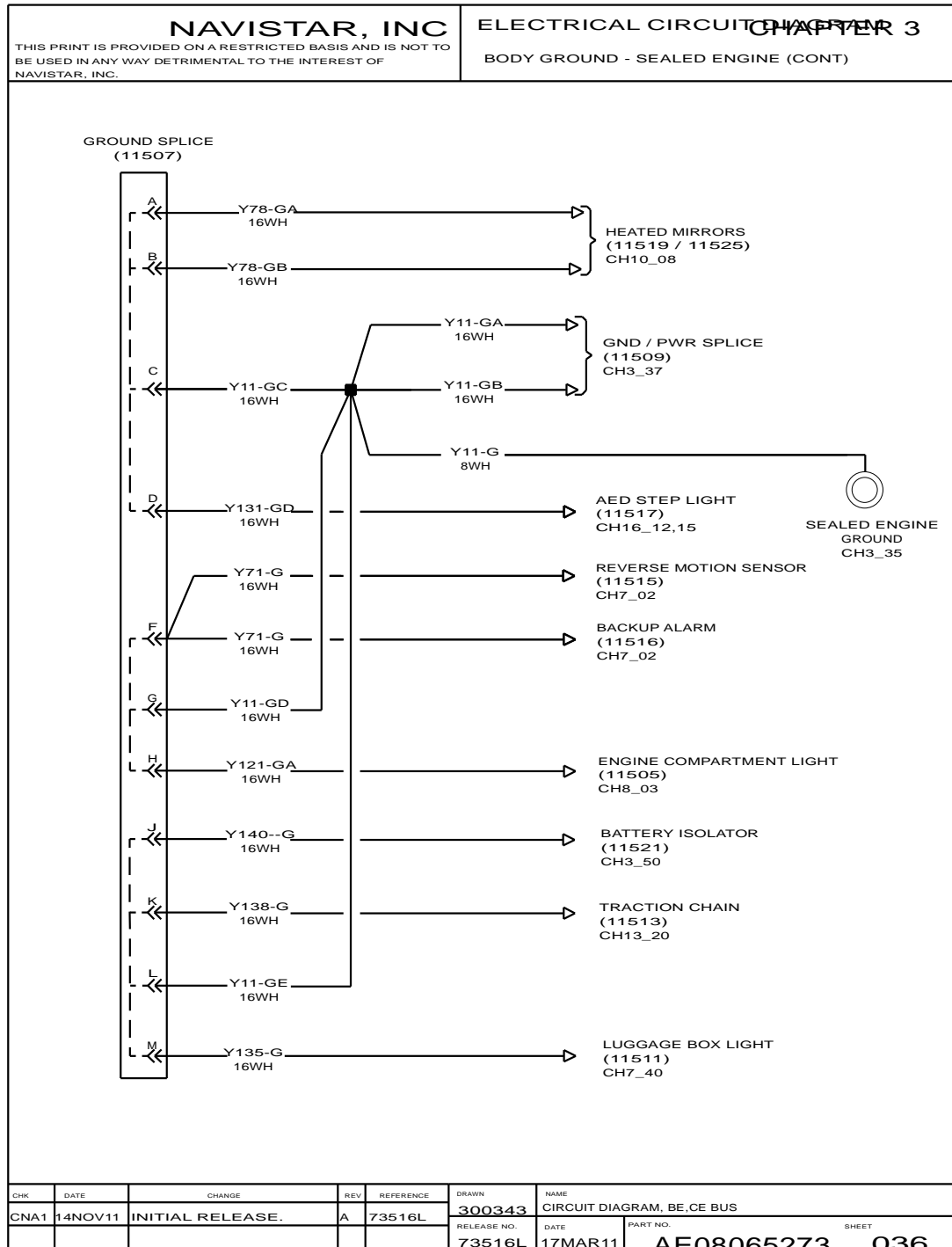


Figure 61 Body Ground – Sealed Engine (Cont.)

3.41. BODY GROUND – SEALED ENGINE (CONT.), P. 37

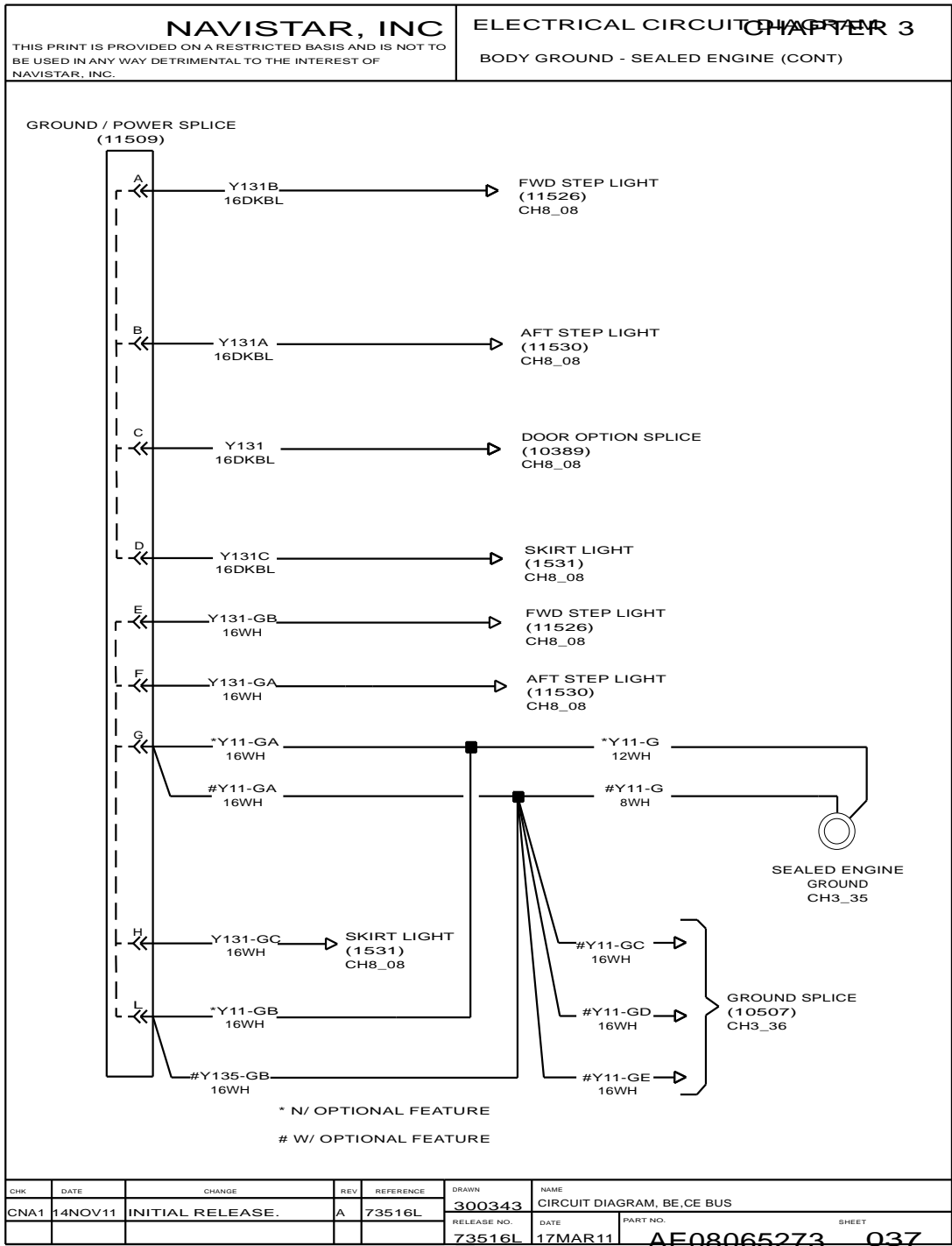


Figure 62 Body Ground – Sealed Engine (Cont.)

3.42. BODY GROUND – V8 / I6 ENGINE, P. 38

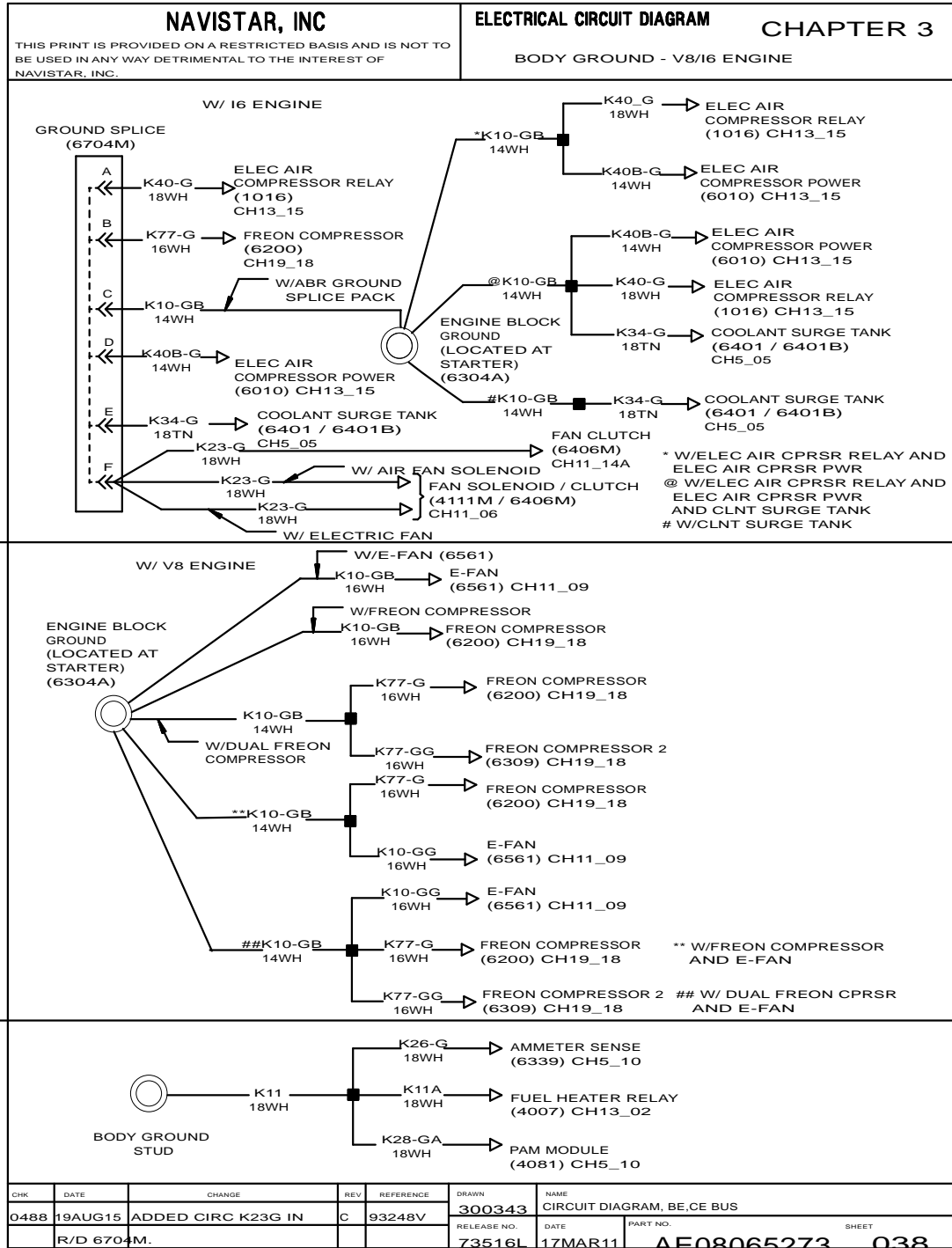


Figure 63 Body Ground – V8 / I6 Engine

3.43. BODY GROUND – CHASSIS, P. 39

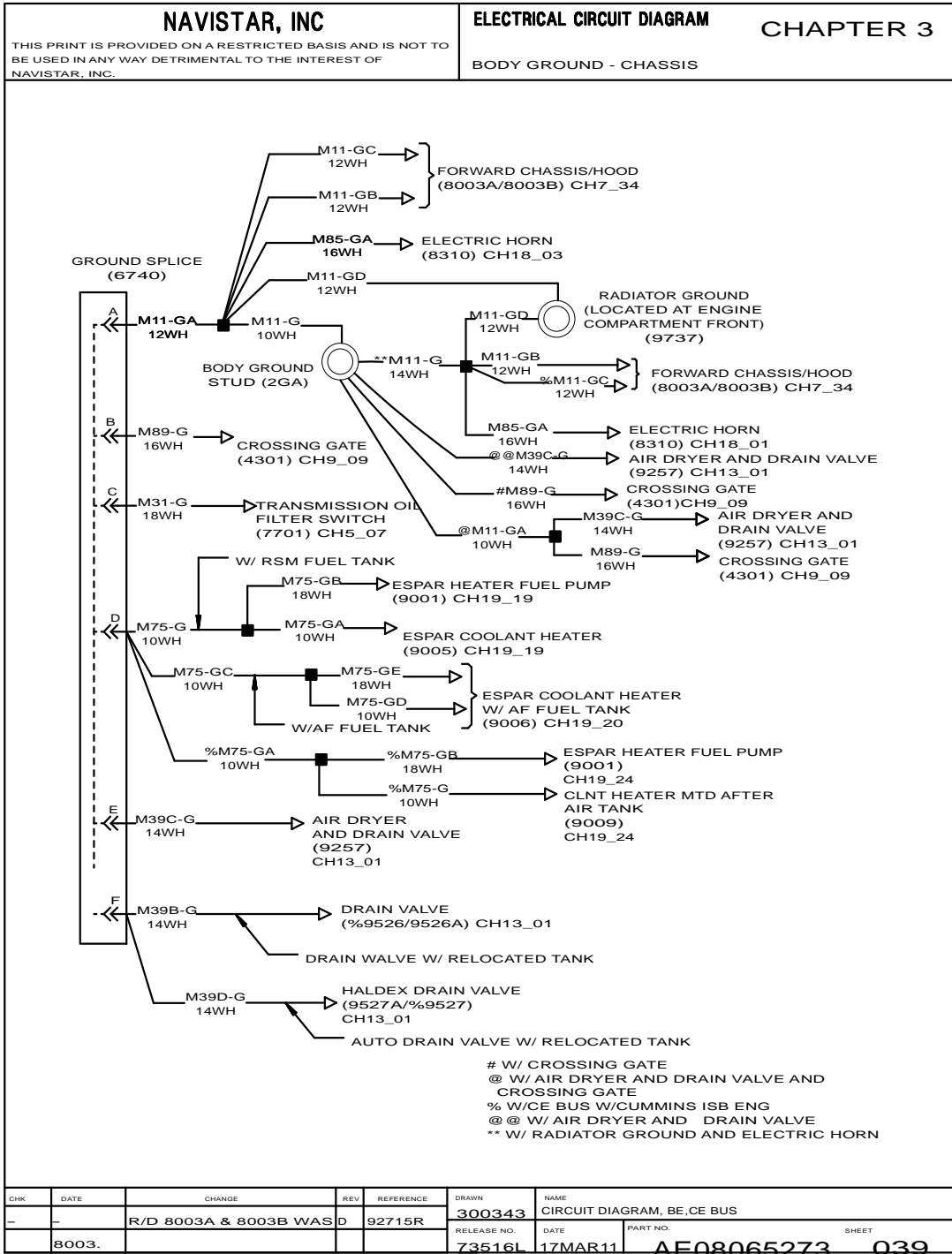


Figure 64 Body Ground – Chassis

3.44. BODY GROUND – CHASSIS WITH CE BUS WITH PROPANE, P. 39A

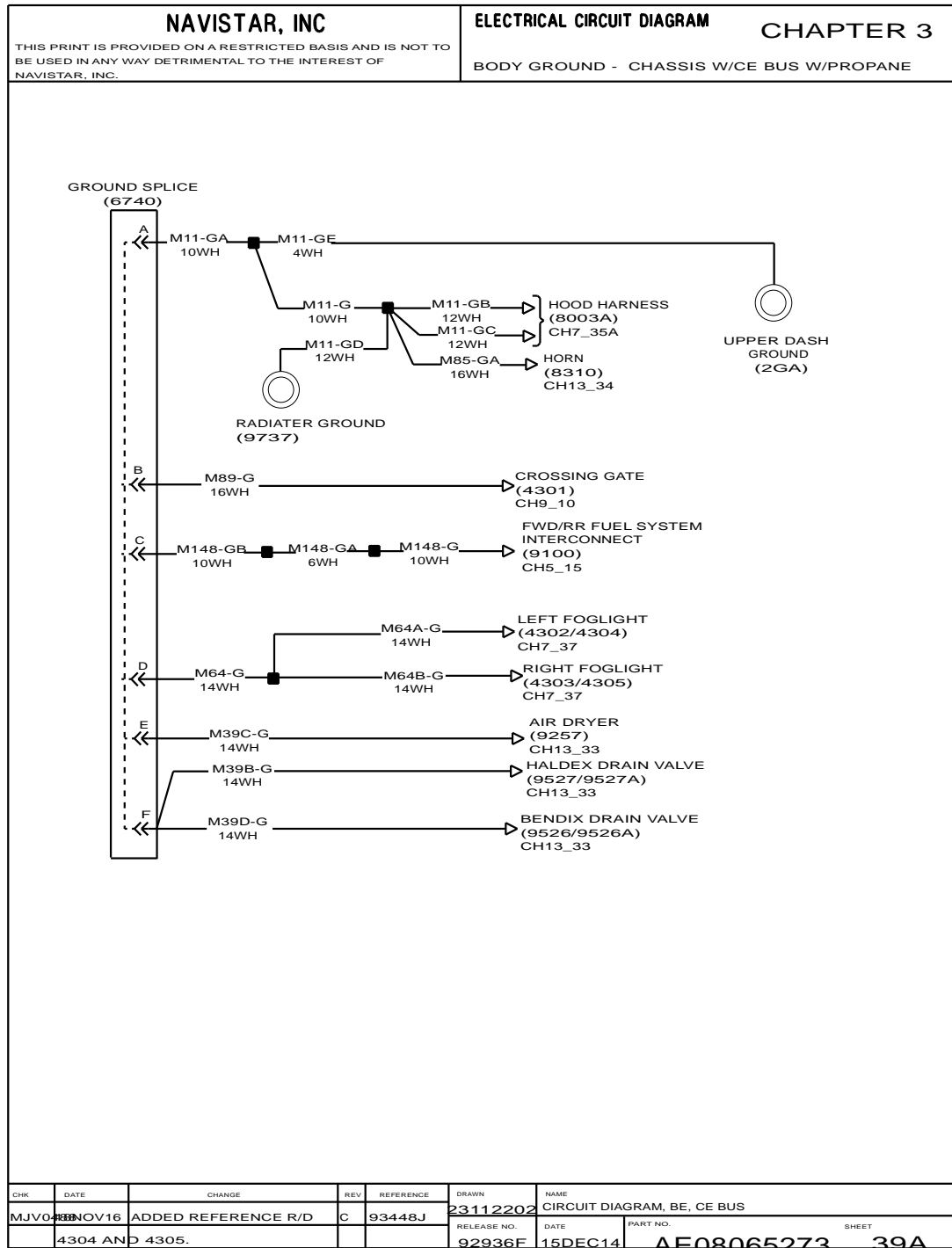


Figure 65 Body Ground – Chassis with CE Bus with Propane

3.45. BODY GROUND – RIGHT BODY, P. 40

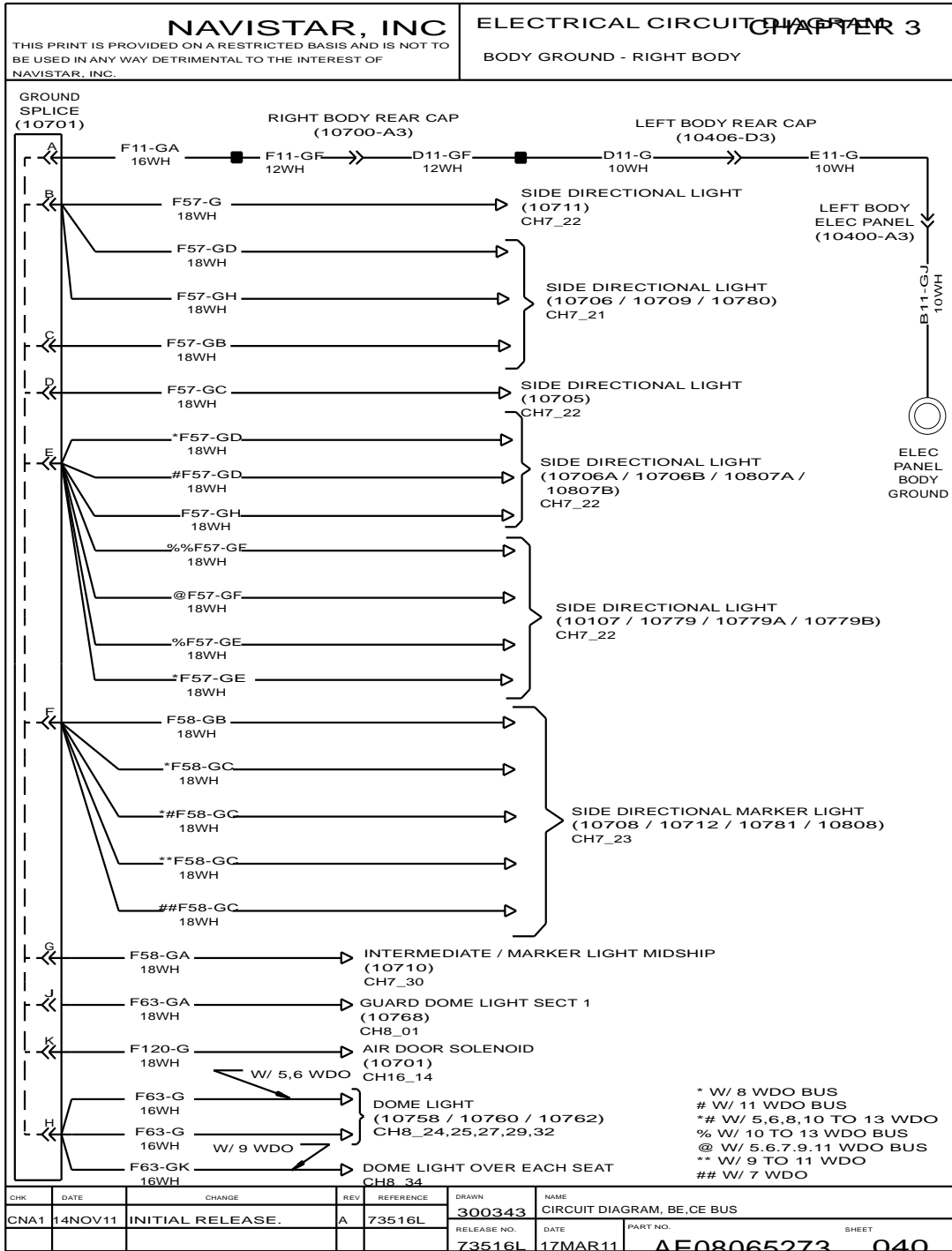


Figure 66 Body Ground – Right Body

3.46. BODY GROUND – RIGHT BODY (CONT.), P. 41

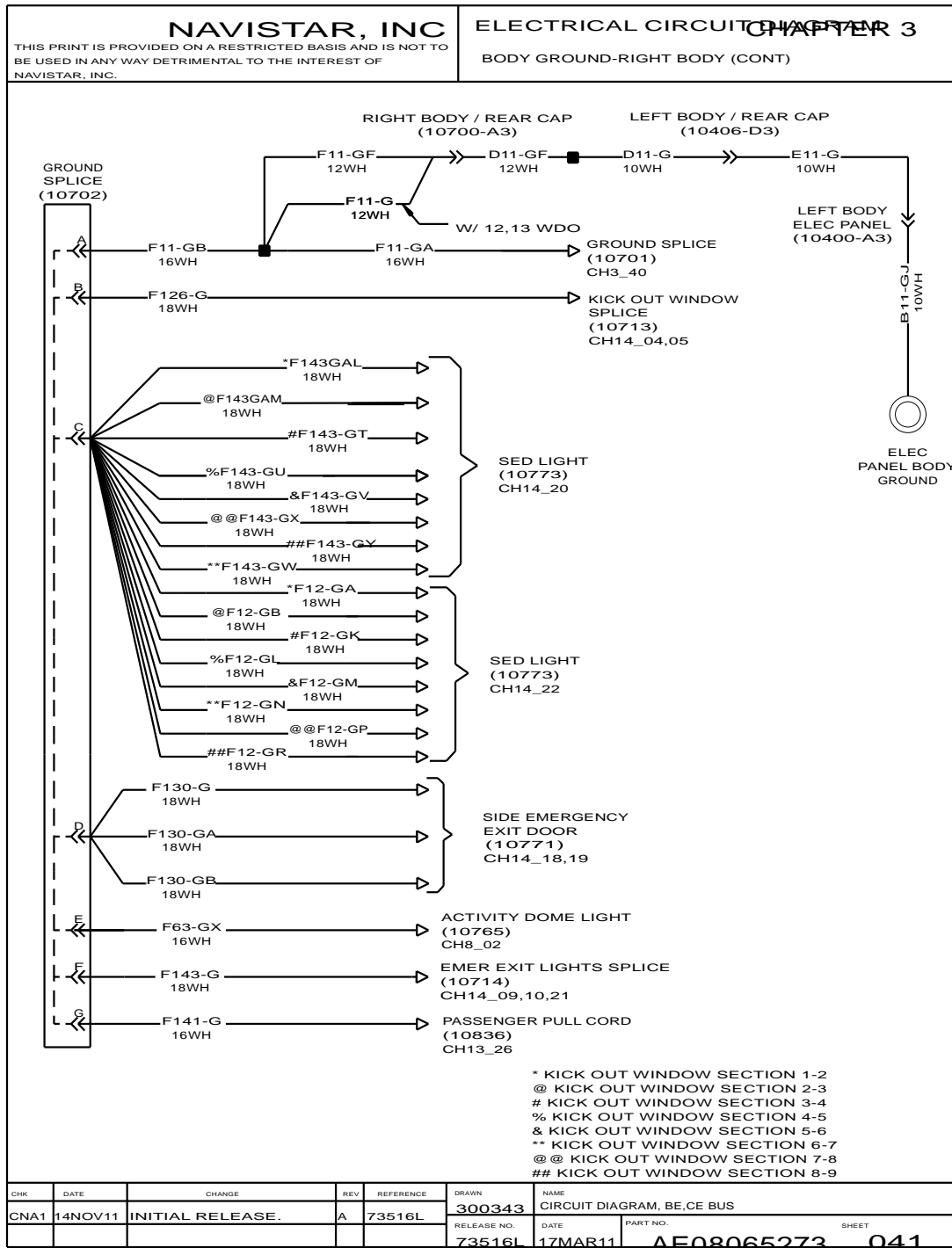


Figure 67 Body Ground – Right Body (Cont.)

3.47. BODY GROUND – LEFT BODY, P. 42

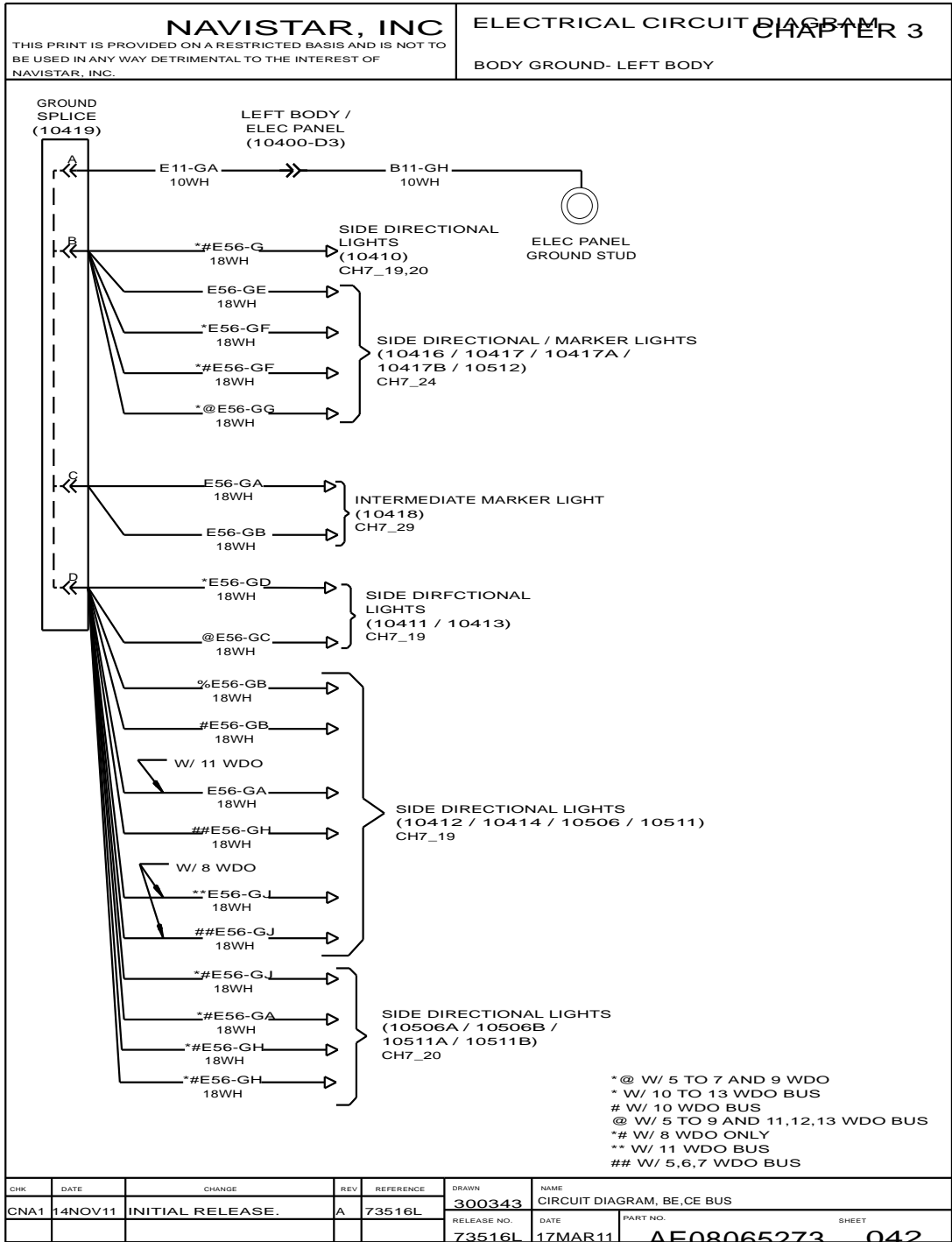


Figure 68 Body Ground – Left Body

3.48. BODY GROUND – LEFT BODY (CONT.), P. 43

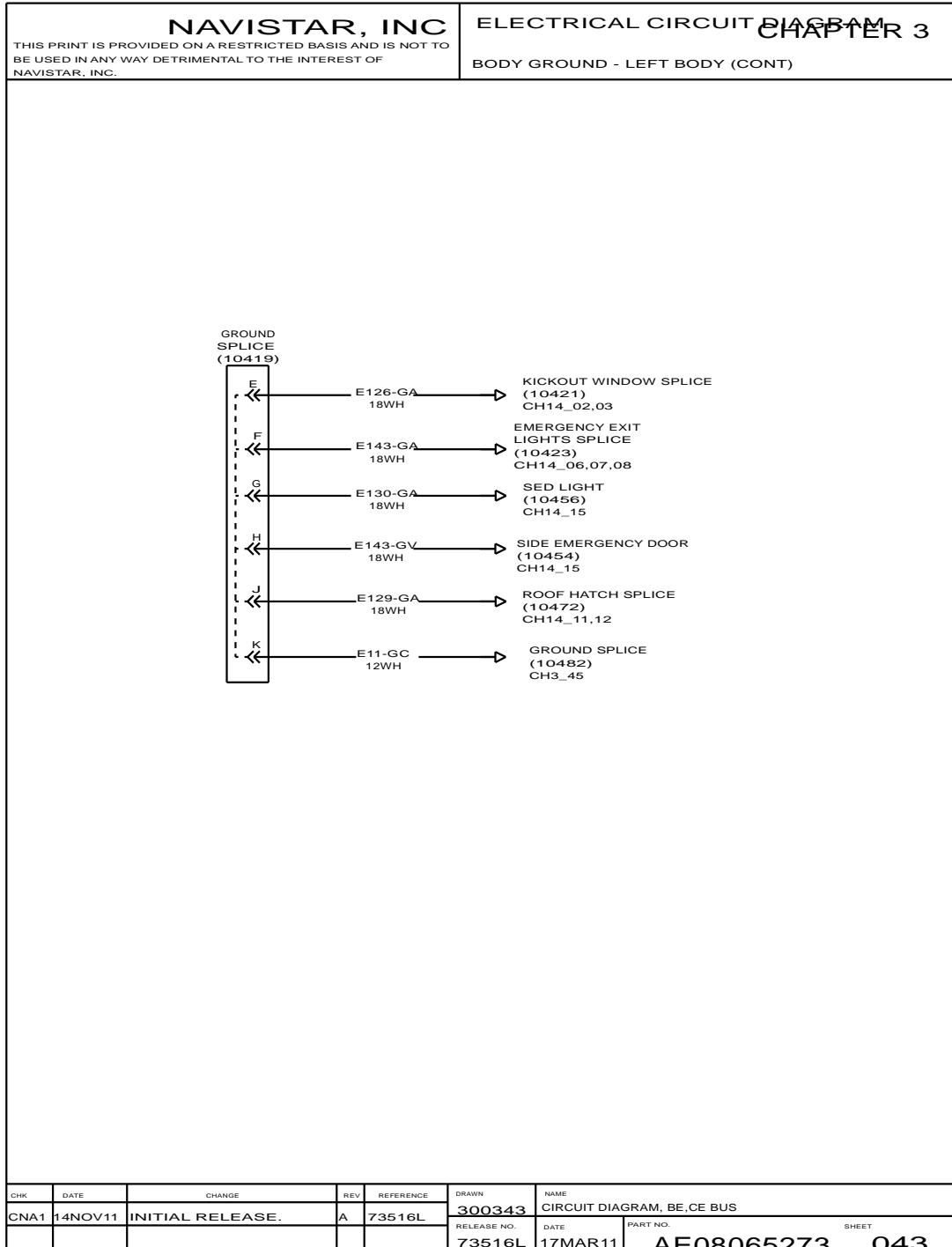


Figure 69 Body Ground – Left Body (Cont.)

3.49. BODY GROUND – LEFT BODY (CONT.), P. 44

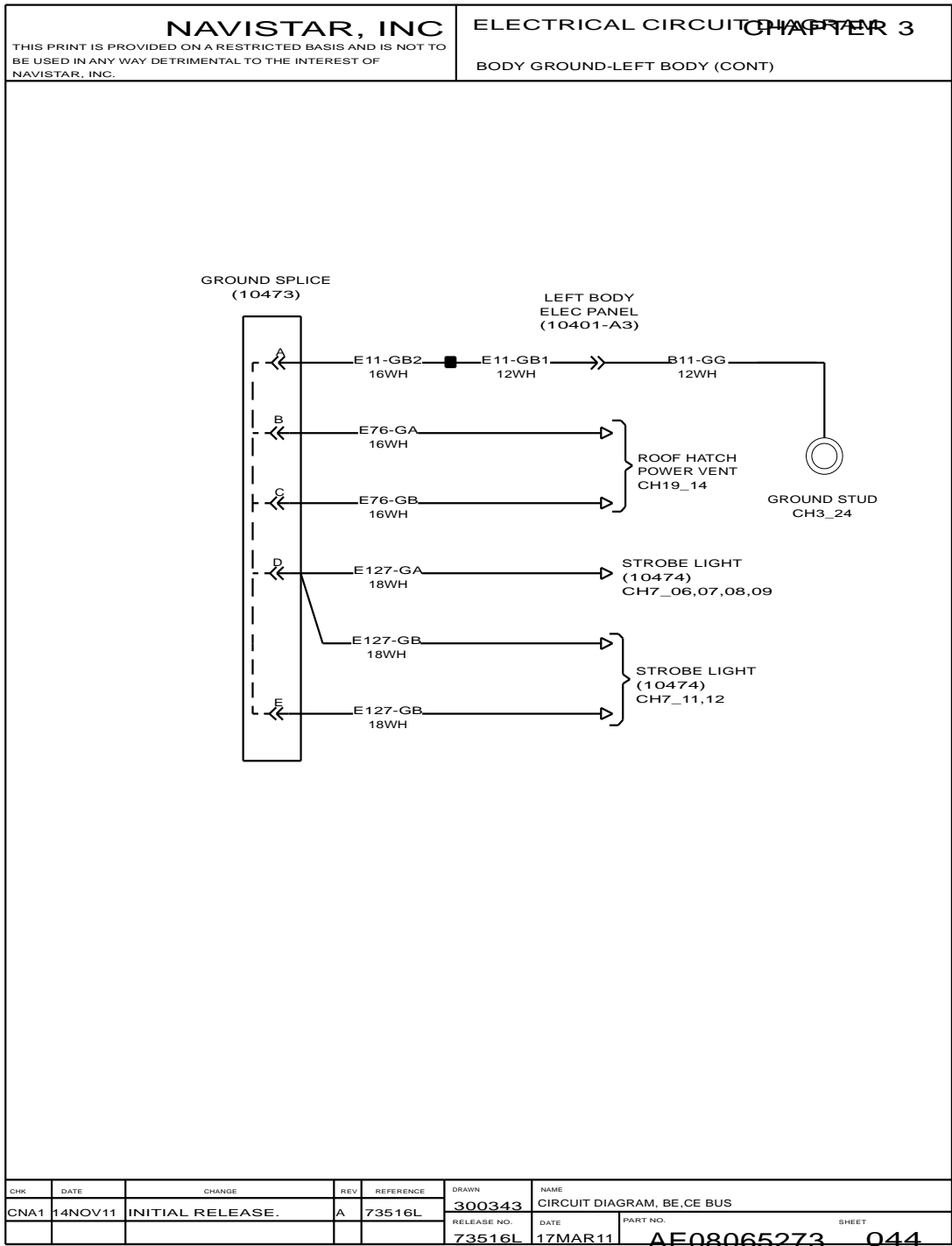


Figure 70 Body Ground – Left Body (Cont.)

3.50. BODY GROUND – LEFT BODY (CONT.), P. 45

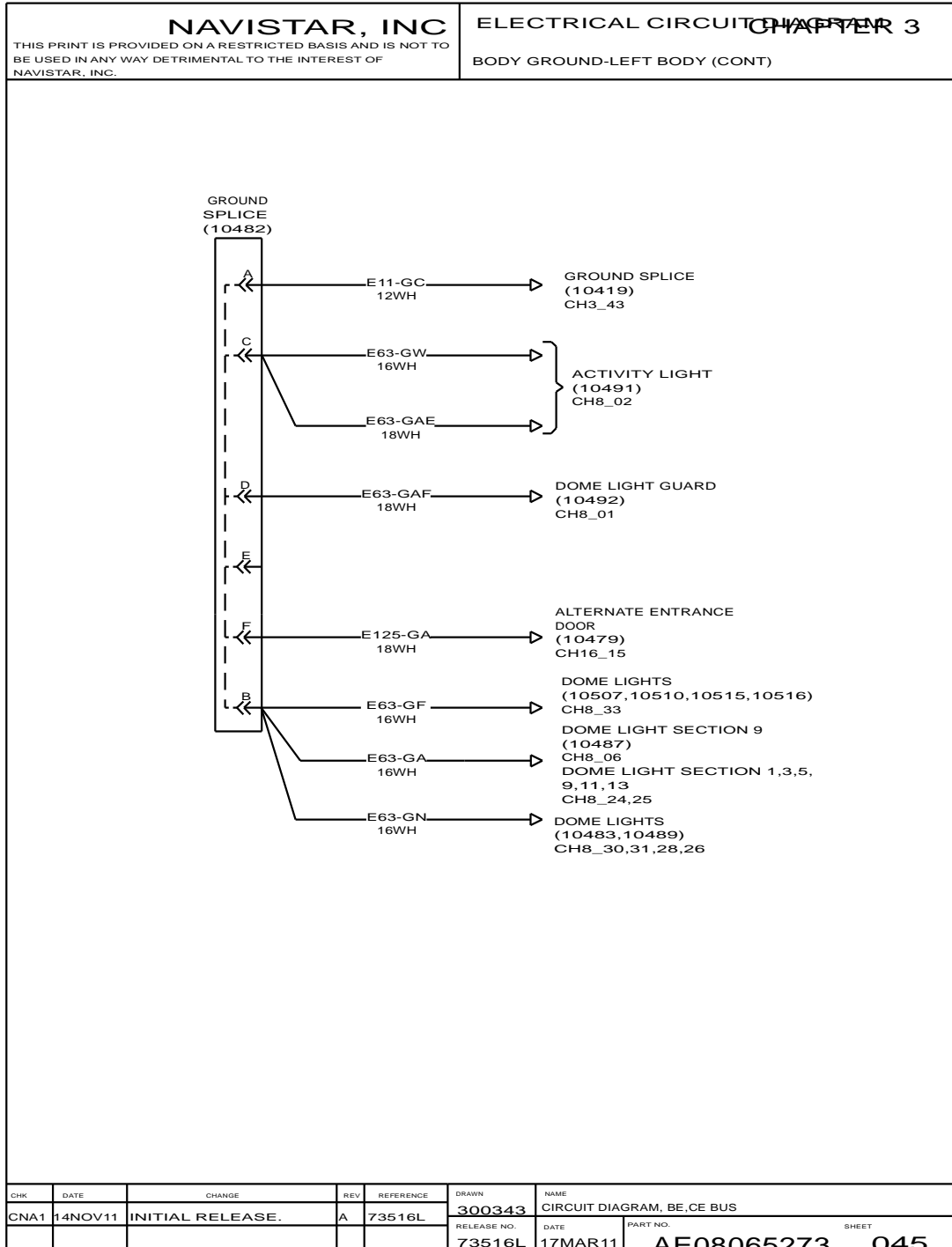


Figure 71 Body Ground – Left Body (Cont.)

3.51. ZERO VOLT REFERENCE SPLICE, P. 46

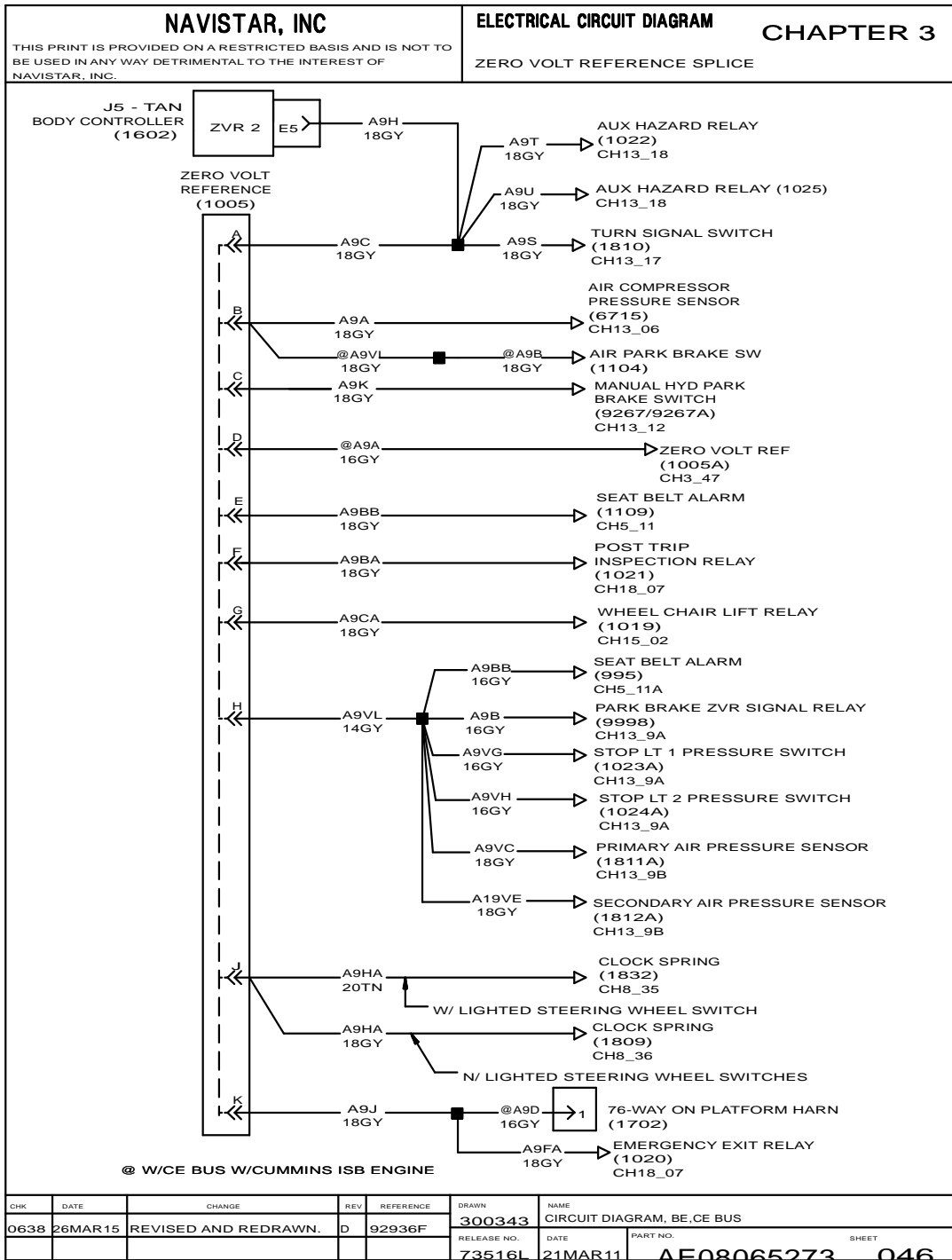


Figure 72 Zero Volt Reference Splice

3.52. ZERO VOLT REFERENCE SPLICE (CONT.), P. 47

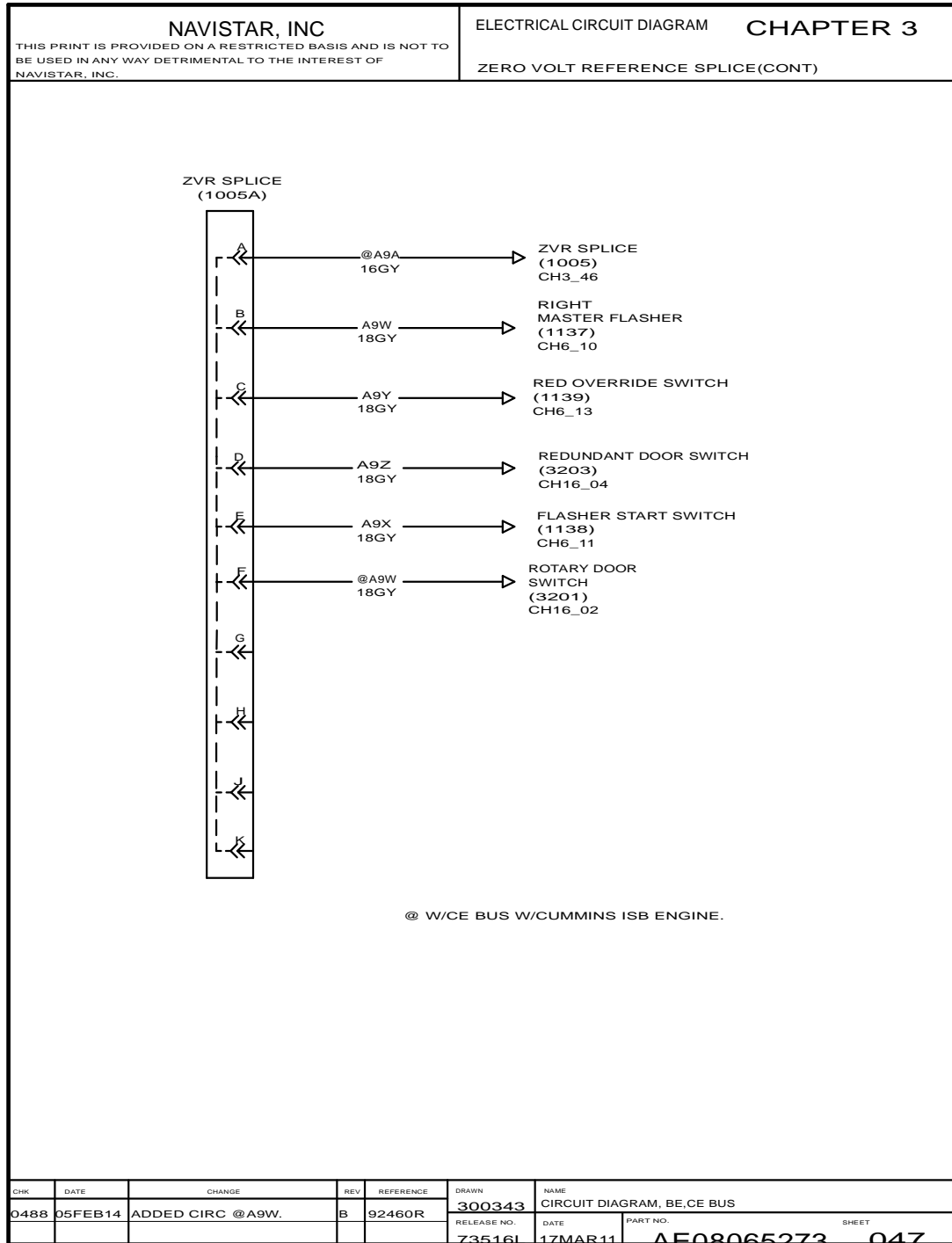


Figure 73 Zero Volt Reference Splice (Cont.)

3.53. ZERO VOLT REFERENCE SPLICE (CONT.), P. 48

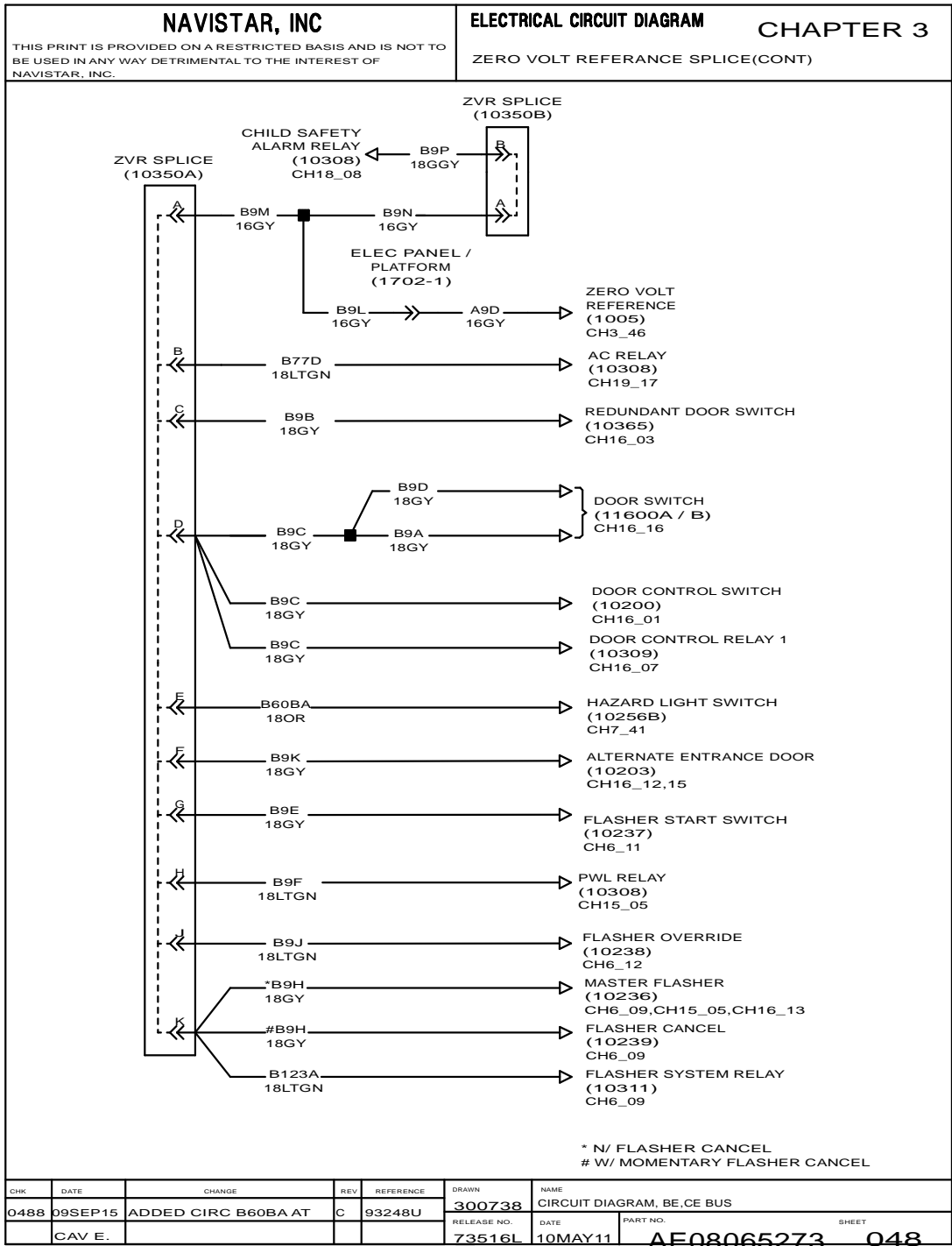


Figure 74 Zero Volt Reference Splice (Cont.)

3.54. DC POWER EFFECTS, P. 49

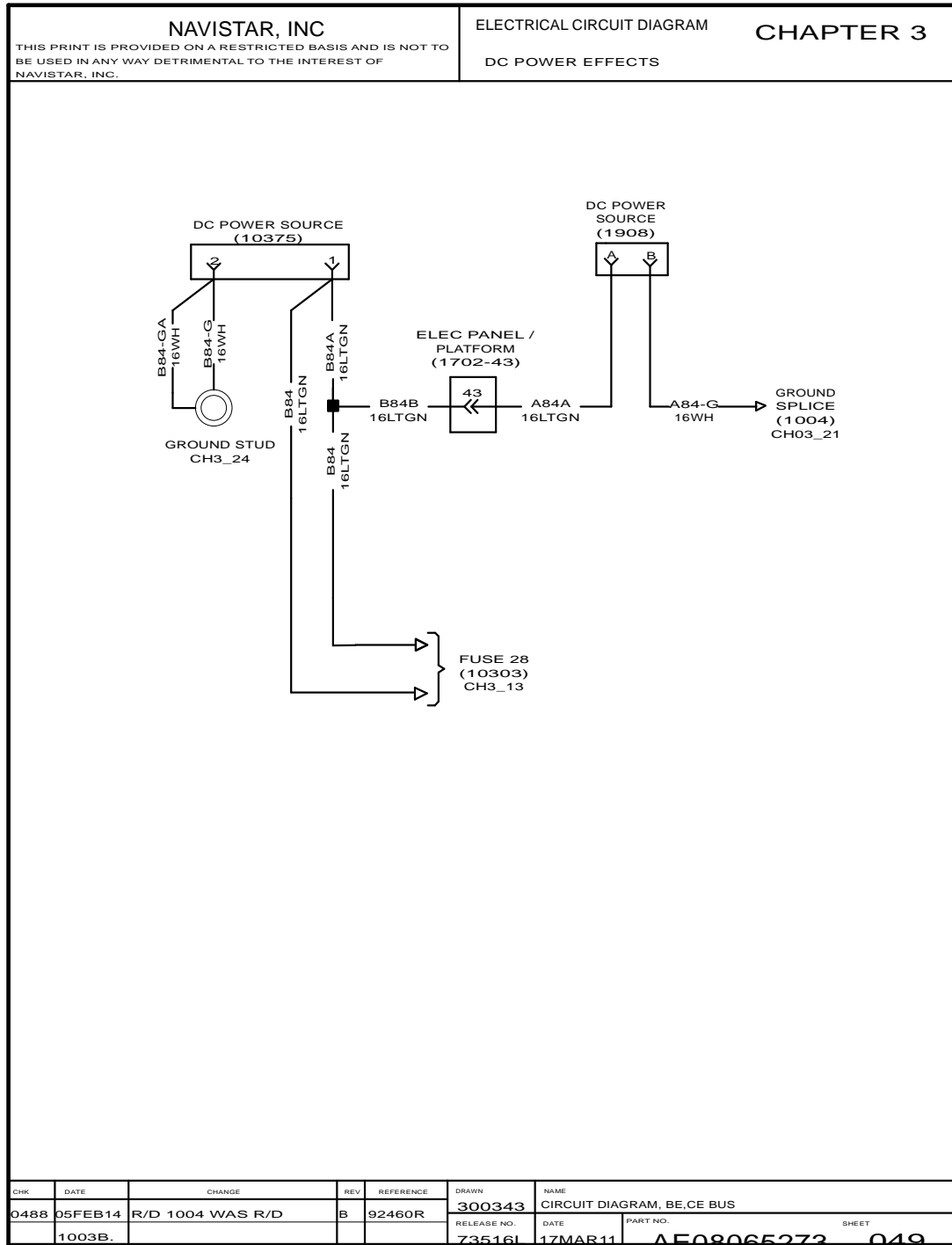


Figure 75 DC Power Effects

3.55. BATTERY ISOLATOR, P. 50

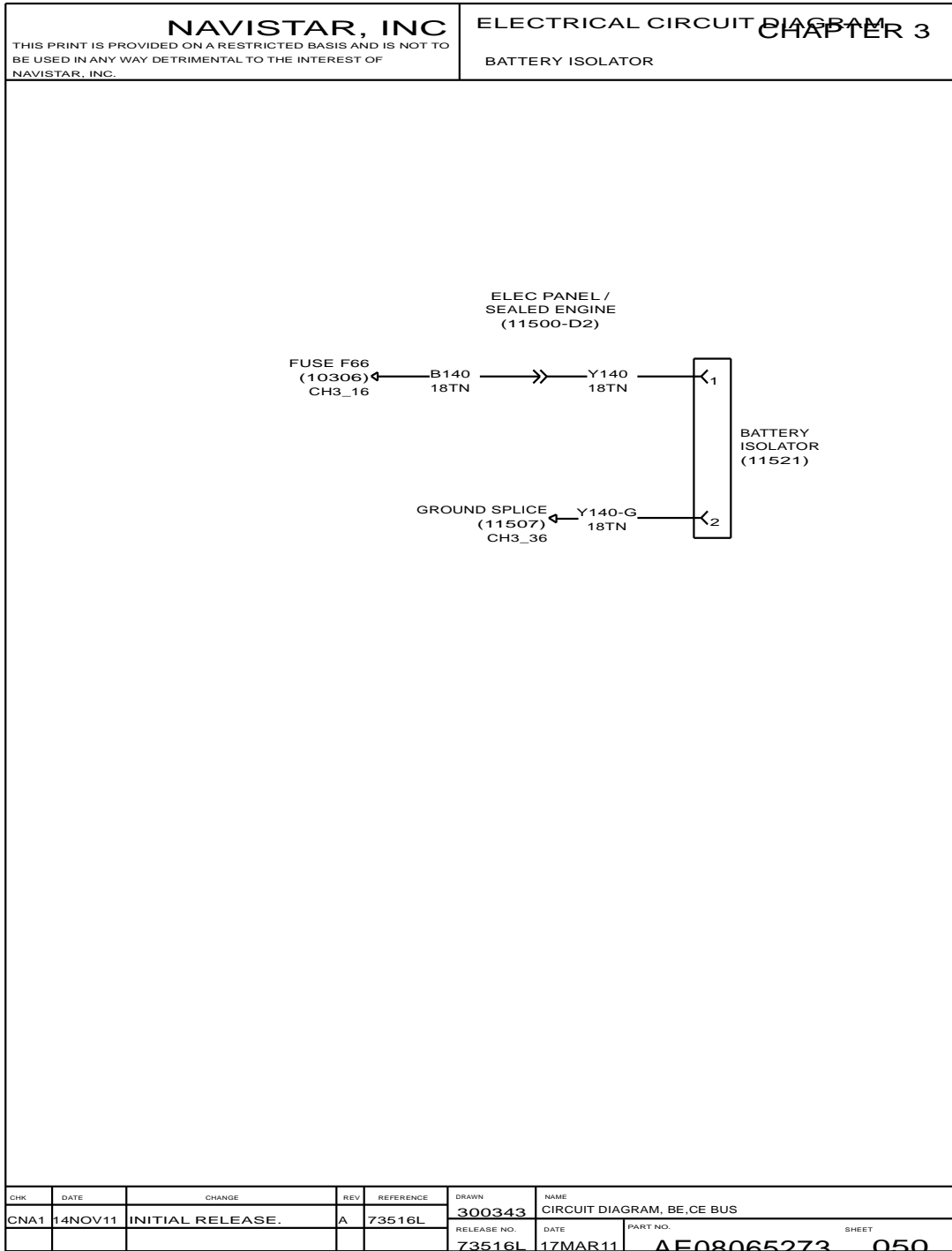


Figure 76 Battery Isolator

3.56. J1939 DATA LINK PLATFORM WITH 250K PLATFORM, P. 51

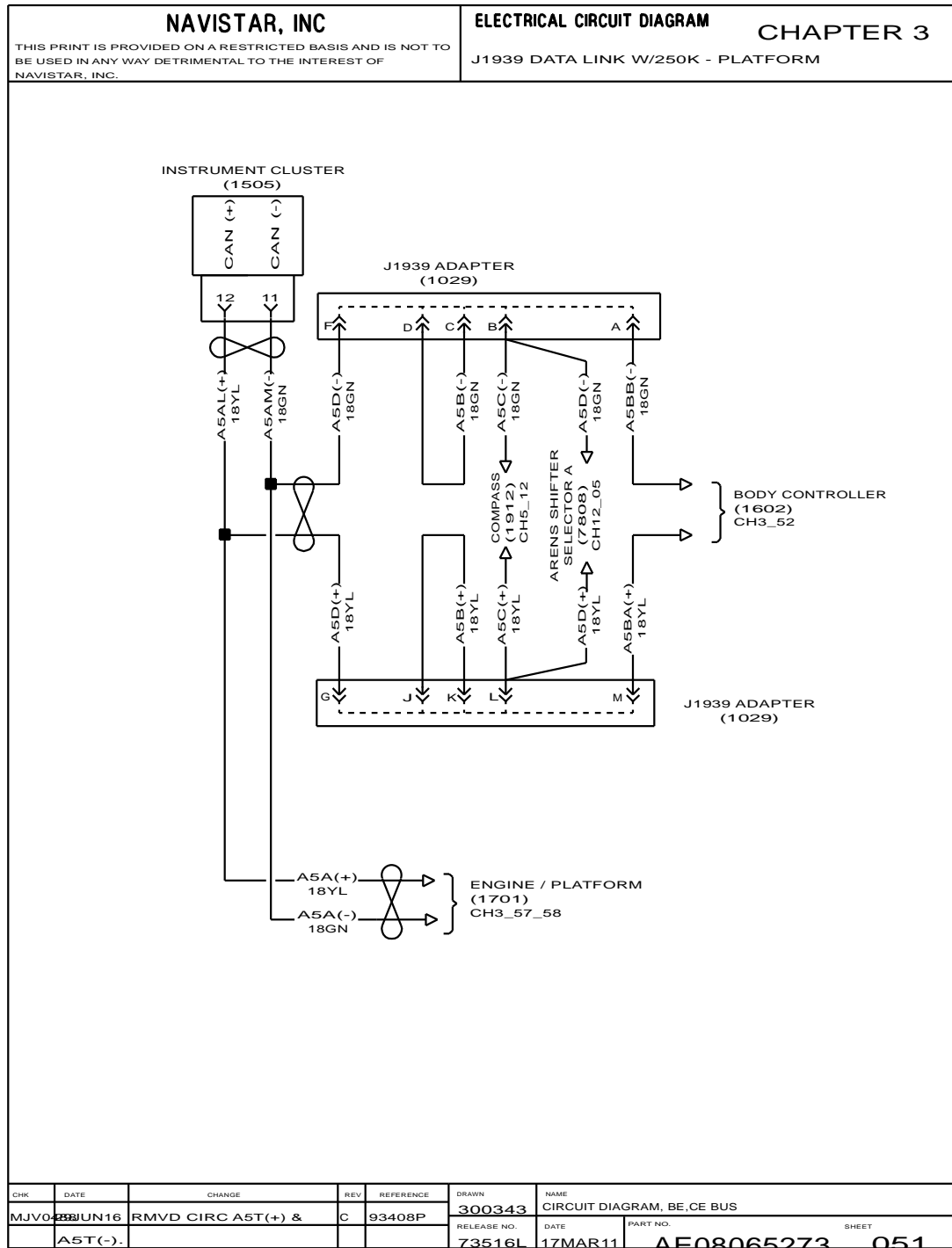


Figure 77 J1939 Data Link with 250K Platform

3.57. J1939 DATA LINK COMPLETE PLATFORM AND DIAGNOSTIC CONNECTOR WITH 250K, P. 52

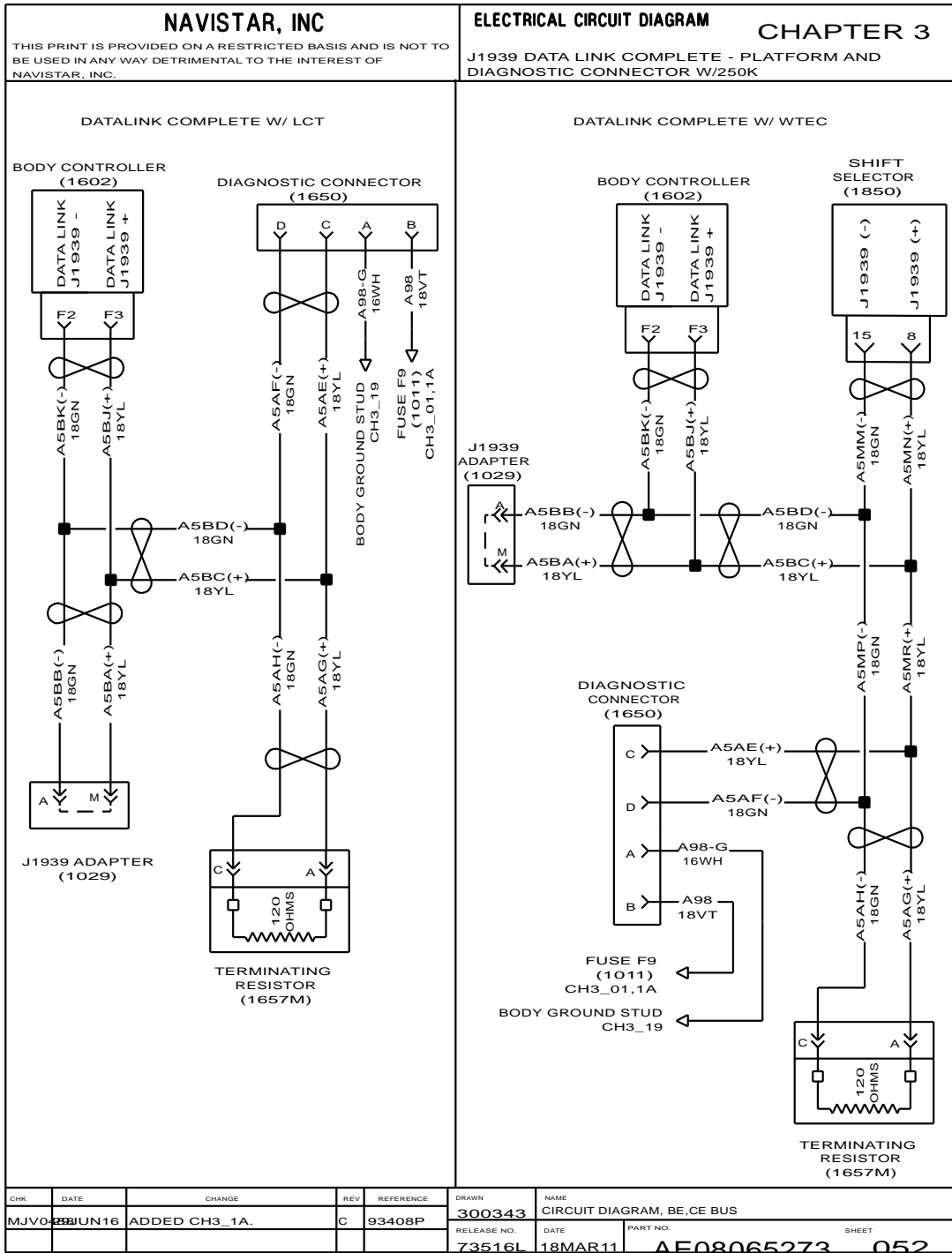


Figure 78 J1939 Data Link Complete Platform and Diagnostic Connector with 250K

3.58. J1939 DATA LINK BASIC PLATFORM AND DIAGNOSTIC CONNECTOR WITH LCT WITH 250K, P. 53

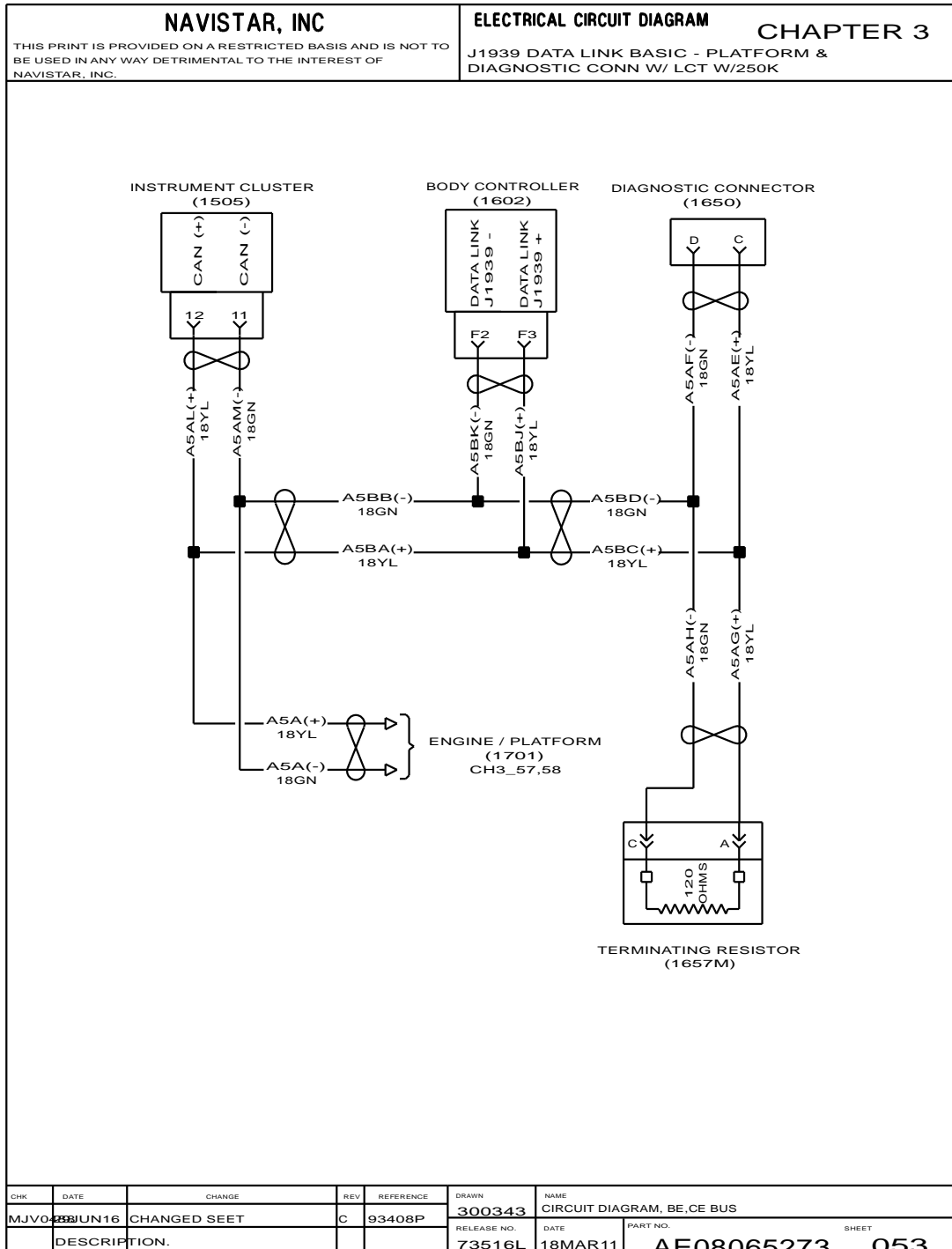


Figure 79 J1939 Data Link Basic Platform and Diagnostic Connector with LCT with 250K

CHK	DATE	CHANGE	REV	REFERENCE	DRAWN	NAME
					300343	CIRCUIT DIAGRAM, BE,CE BUS
MJVO	23 JUN 16	CHANGED SEET	C	93408P	RELEASE NO.	DATE
					73516L	18 MAR 11
DESCRIPTION:					PART NO.	SHEET
					AE08065273	053

3.59. J1939 DATA LINK BASIC PLATFORM AND DIAGNOSTIC CONNECTOR WITH WTEC WITH 250K, P. 54

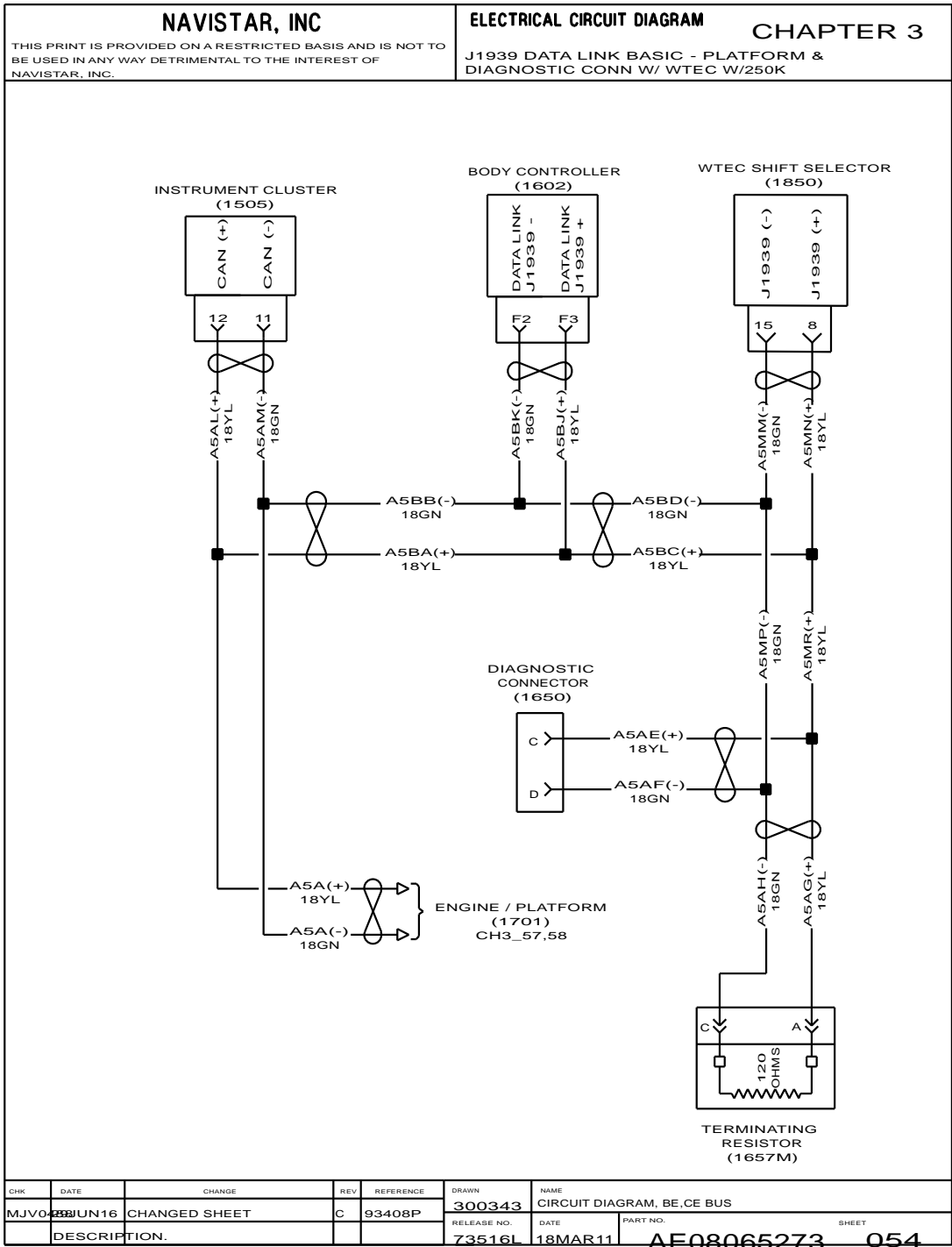


Figure 80 J1939 Data Link Basic Platform and Diagnostic Connector with WTEC with 250K

3.60. J1708 DATA LINK COMPLETE – LCT, P. 55

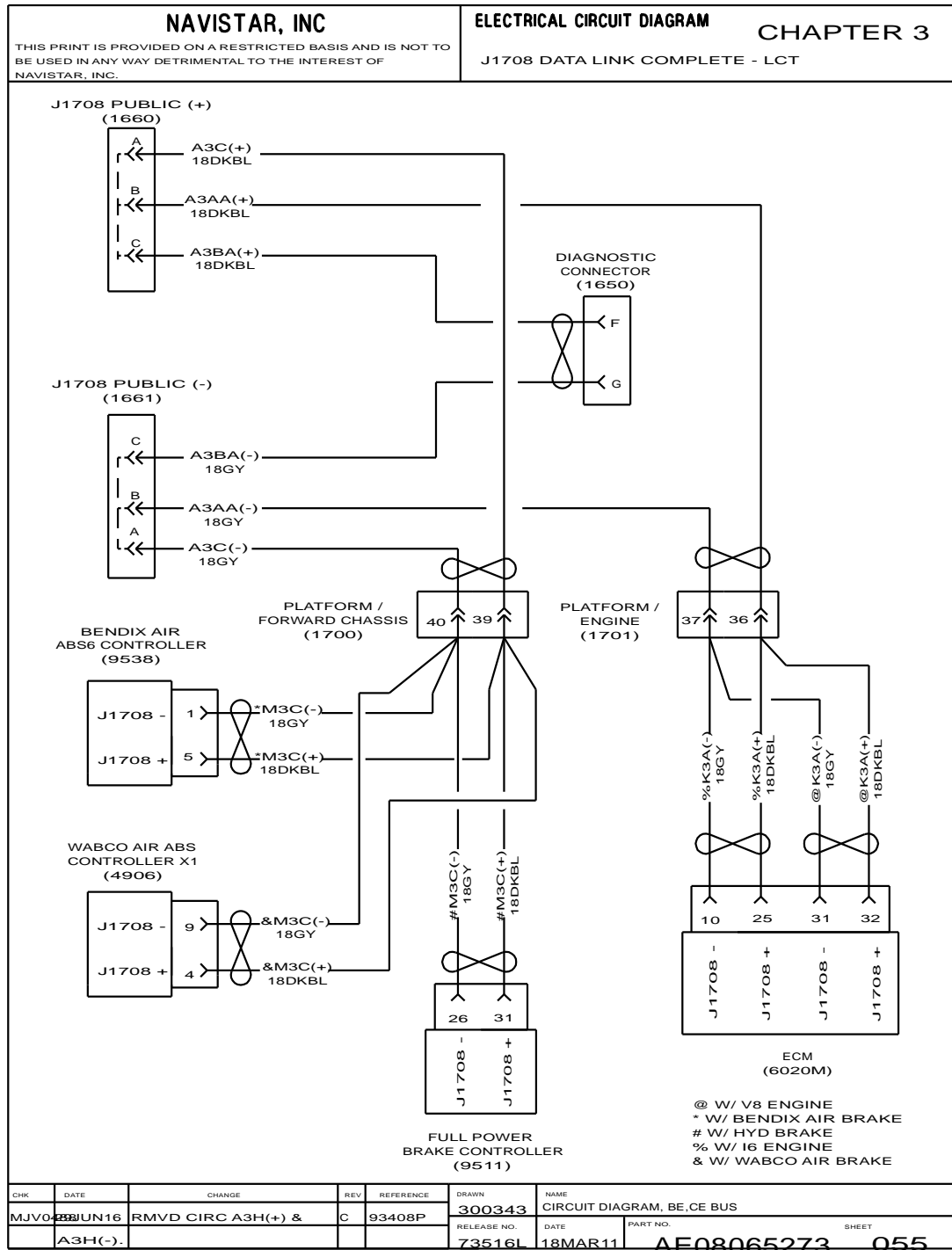


Figure 81 J1708 Data Link Complete – LCT

3.61. J1708 DATA LINK BASIC WITH WTEC, P. 56

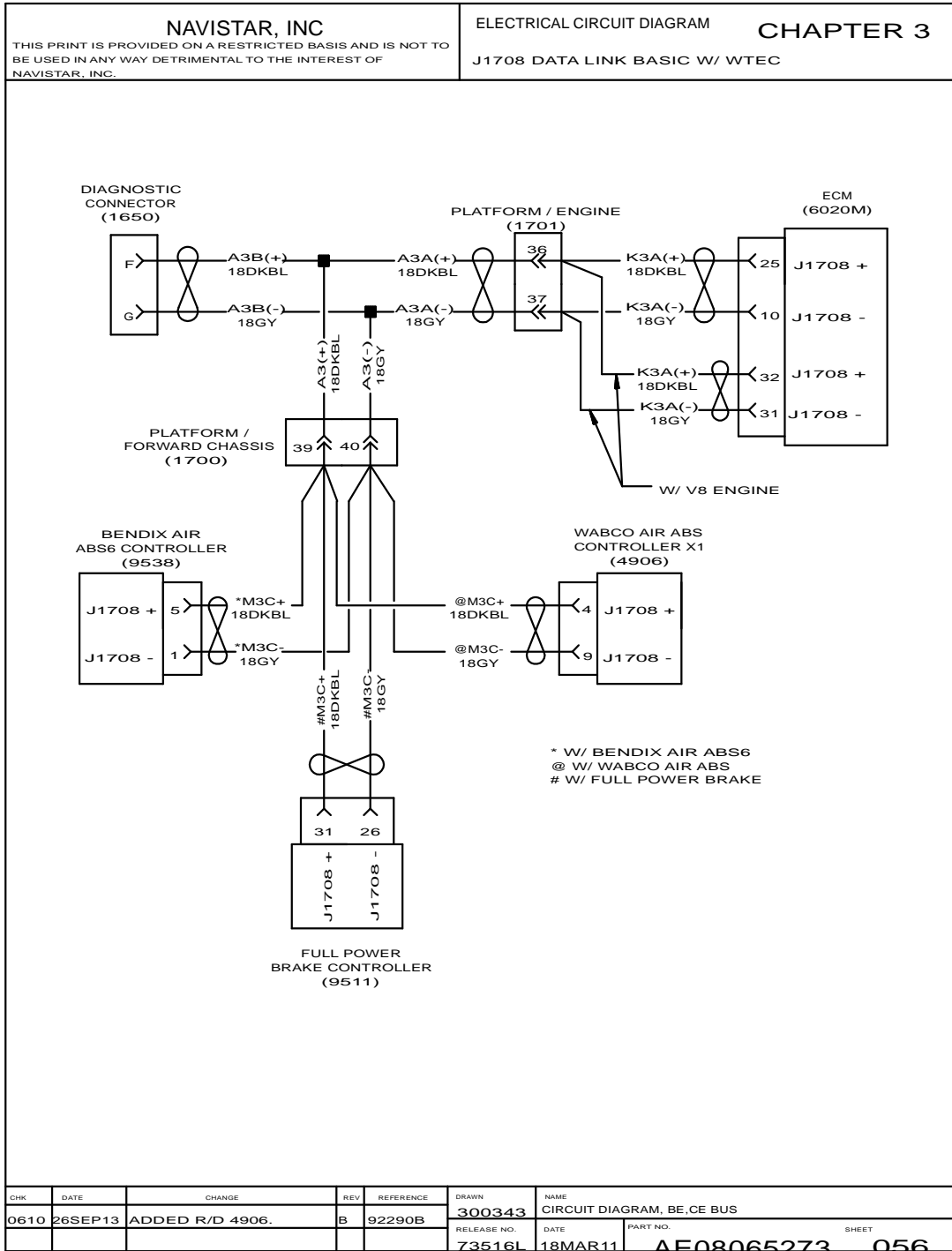


Figure 82 J1708 Data Link Basic with WTEC

3.62. 250K EATON PROCISION WITH PAM, P. 56A

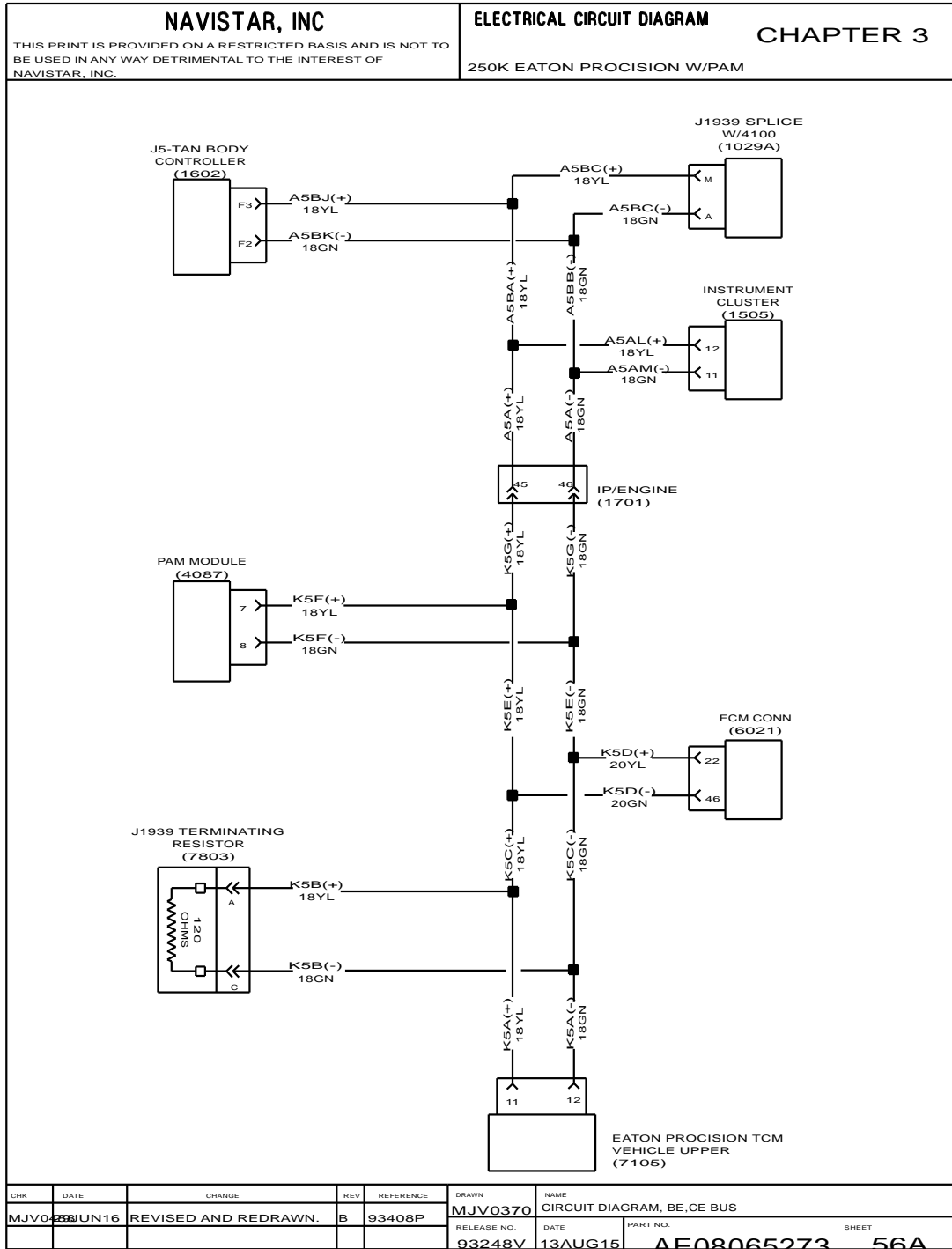


Figure 83 250K Eaton Precision with PAM

3.63. 500K EATON PROCISSION WITHOUT PAM WITH 500K BAUD RATE, P. 56B

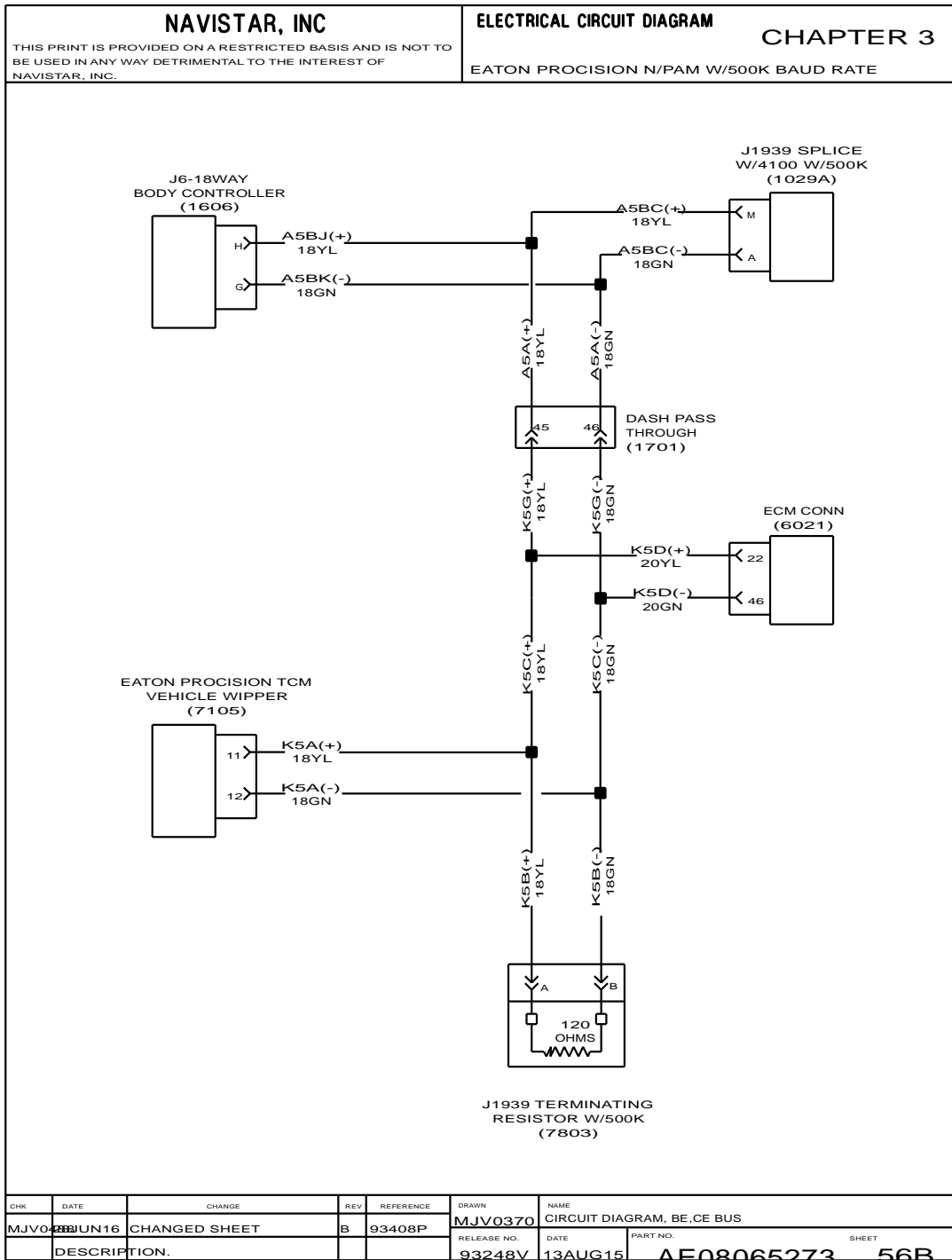


Figure 84 500K Eaton Procission without PAM with 500K Baud Rate

3.64. 500K DATA LINK BASIC WITH ENHANCED VCM FEATURES WITH EATON PROCISSION TRANSMISSION, P. 56C

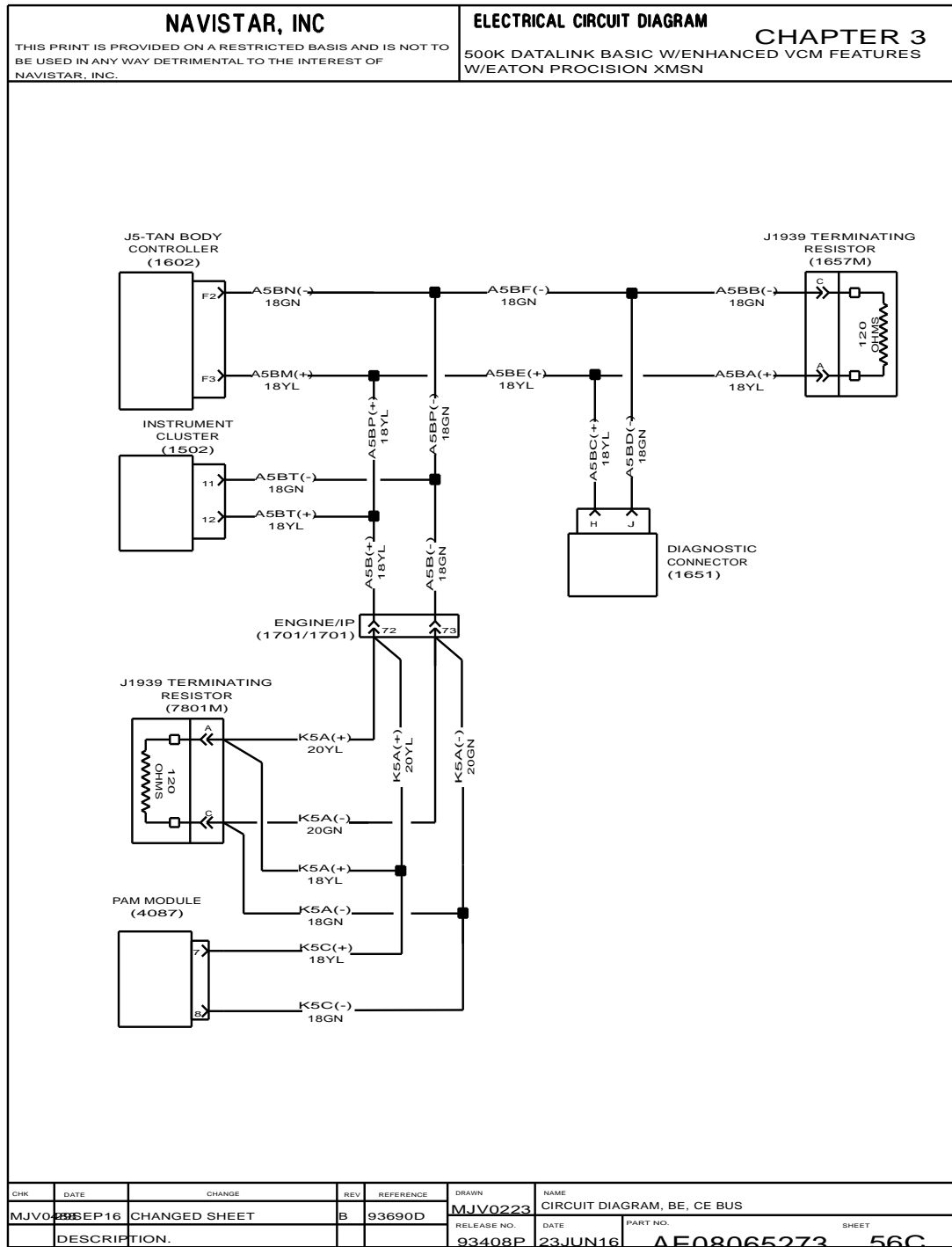


Figure 85 500K Data Link Basic with Enhanced VCM Features with Eaton Procission Transmission

3.65. J1939 DATA LINK – I6 ENGINE, P. 57

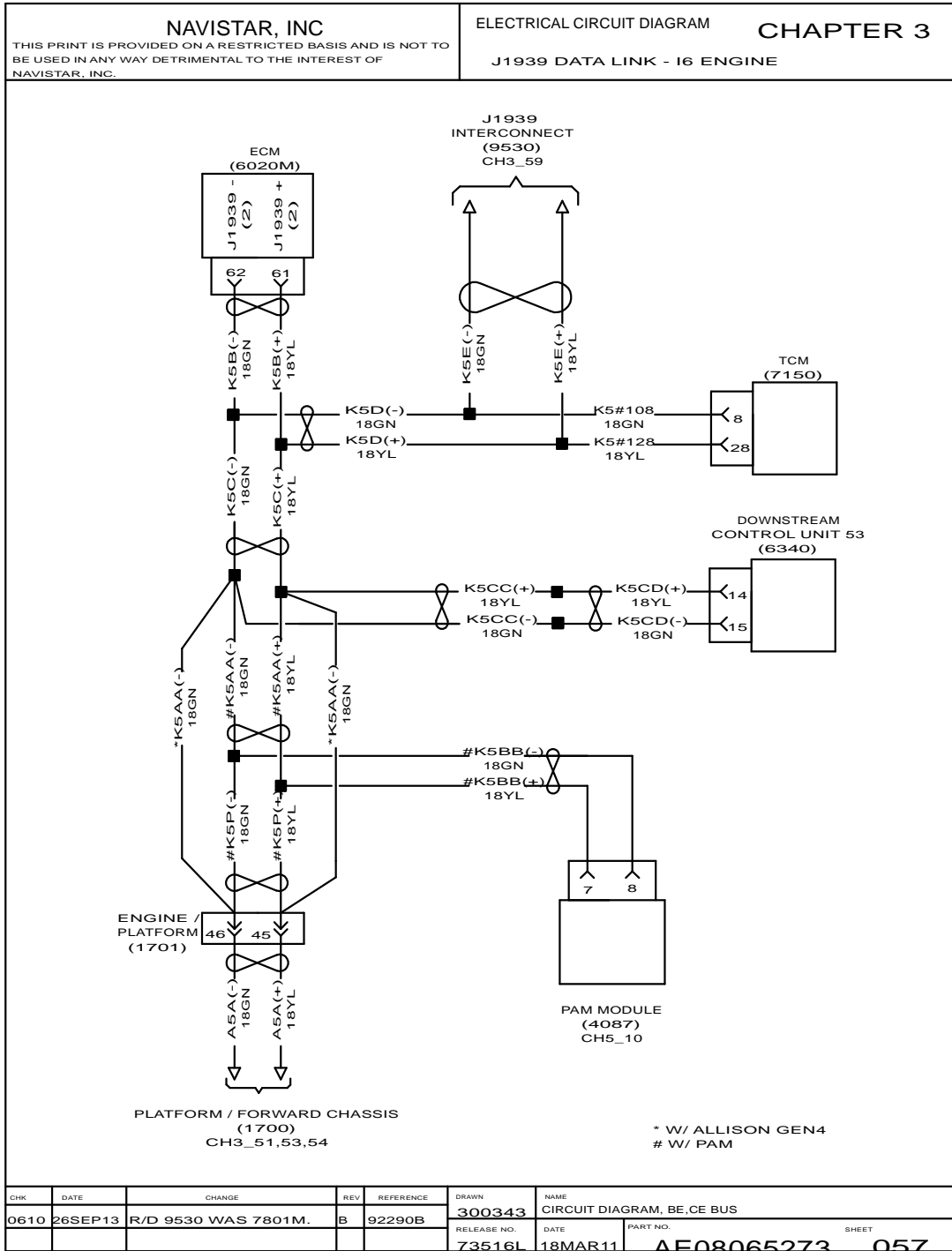


Figure 86 J1939 Data Link – I6 Engine

3.66. J1939 DATA LINK – V8 ENGINE, P. 58

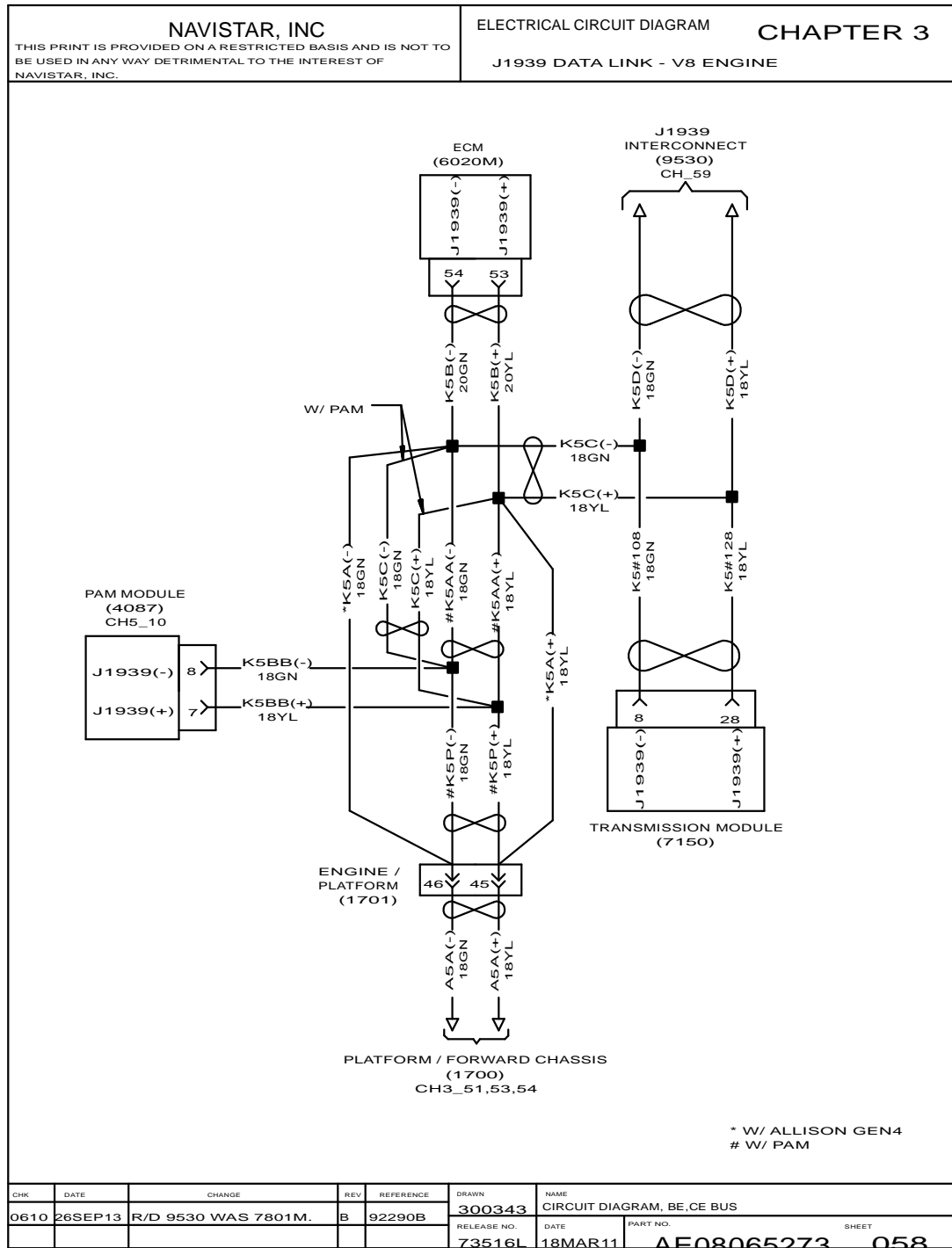


Figure 87 J1939 Data Link – V8 Engine

3.67. J1939 DATA LINK – CHASSIS, P. 59

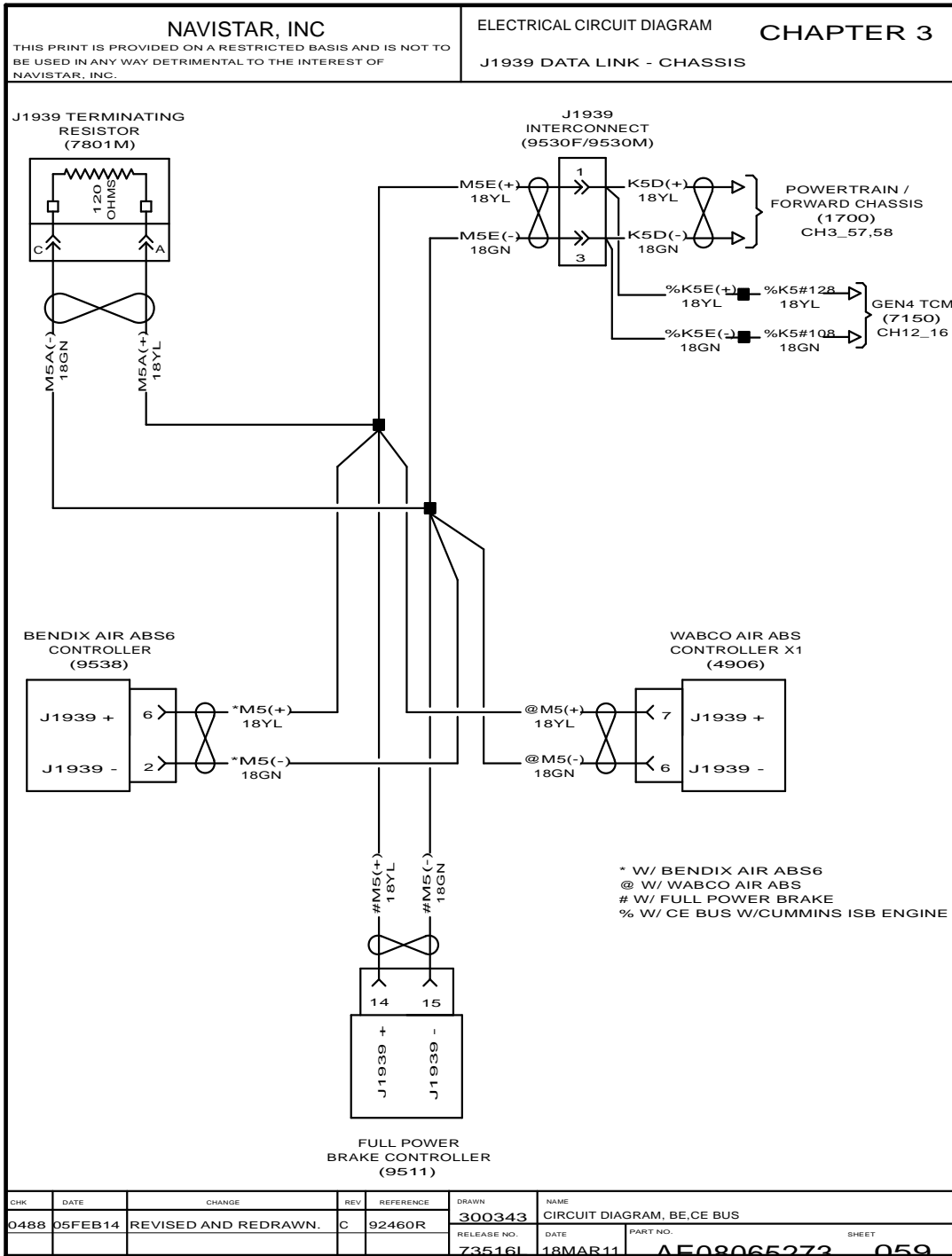


Figure 88 J1939 Data Link – Chassis

3.68. J1939 DATA LINK WITH 250K WITH ALLISON TRANSMISSION WITHOUT PAM, P. 59A

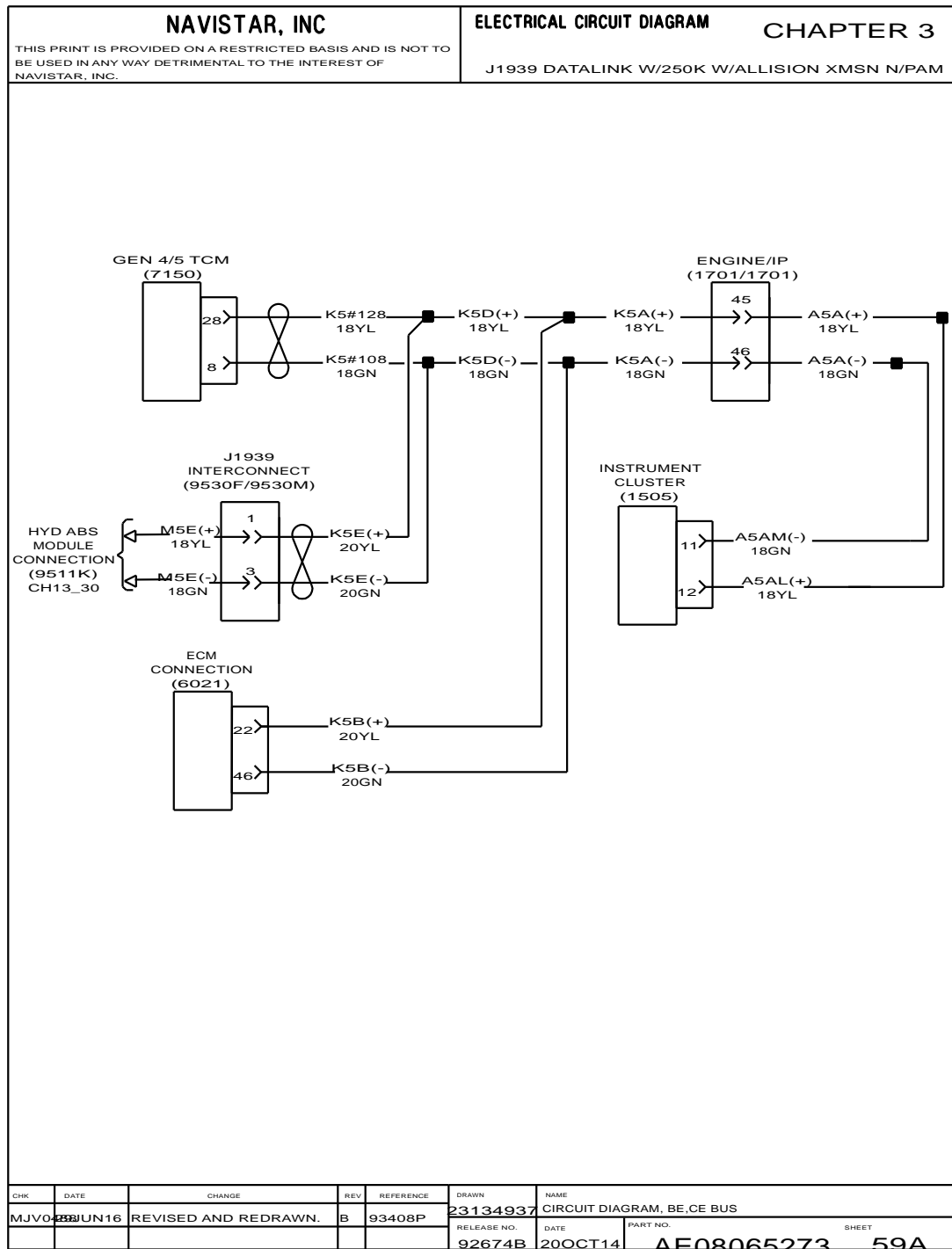


Figure 89 J1939 Data Link with 250K with Allison Transmission without PAM

3.69. ENGINE GROUND PANEL SPLICE, P. 60

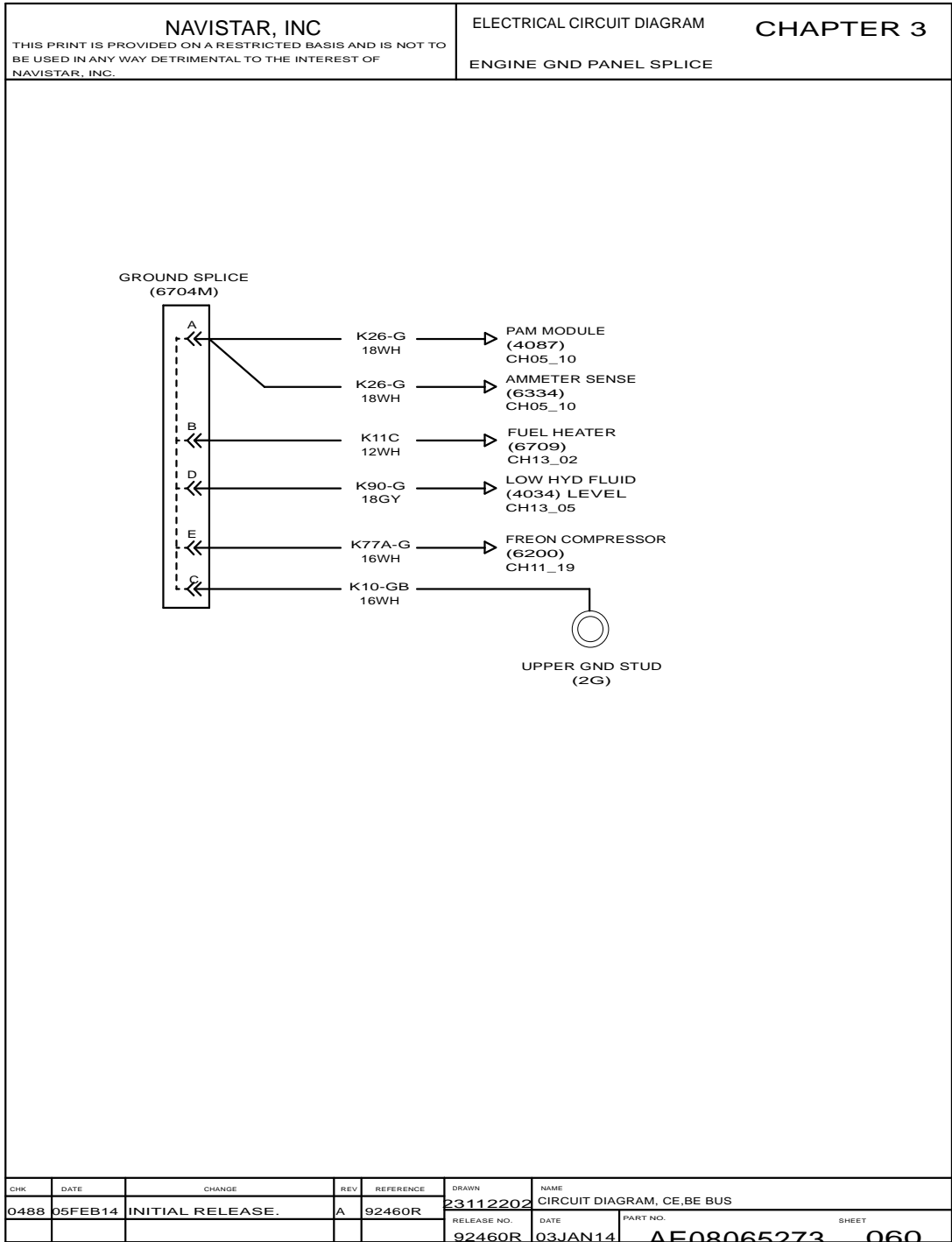


Figure 90 Engine Ground Panel Splice

3.70. J1939 DATA LINK BASIC WITH 250K WITH LCT TRANSMISSION WITH CE BUS WITH PROPANE, P. 61

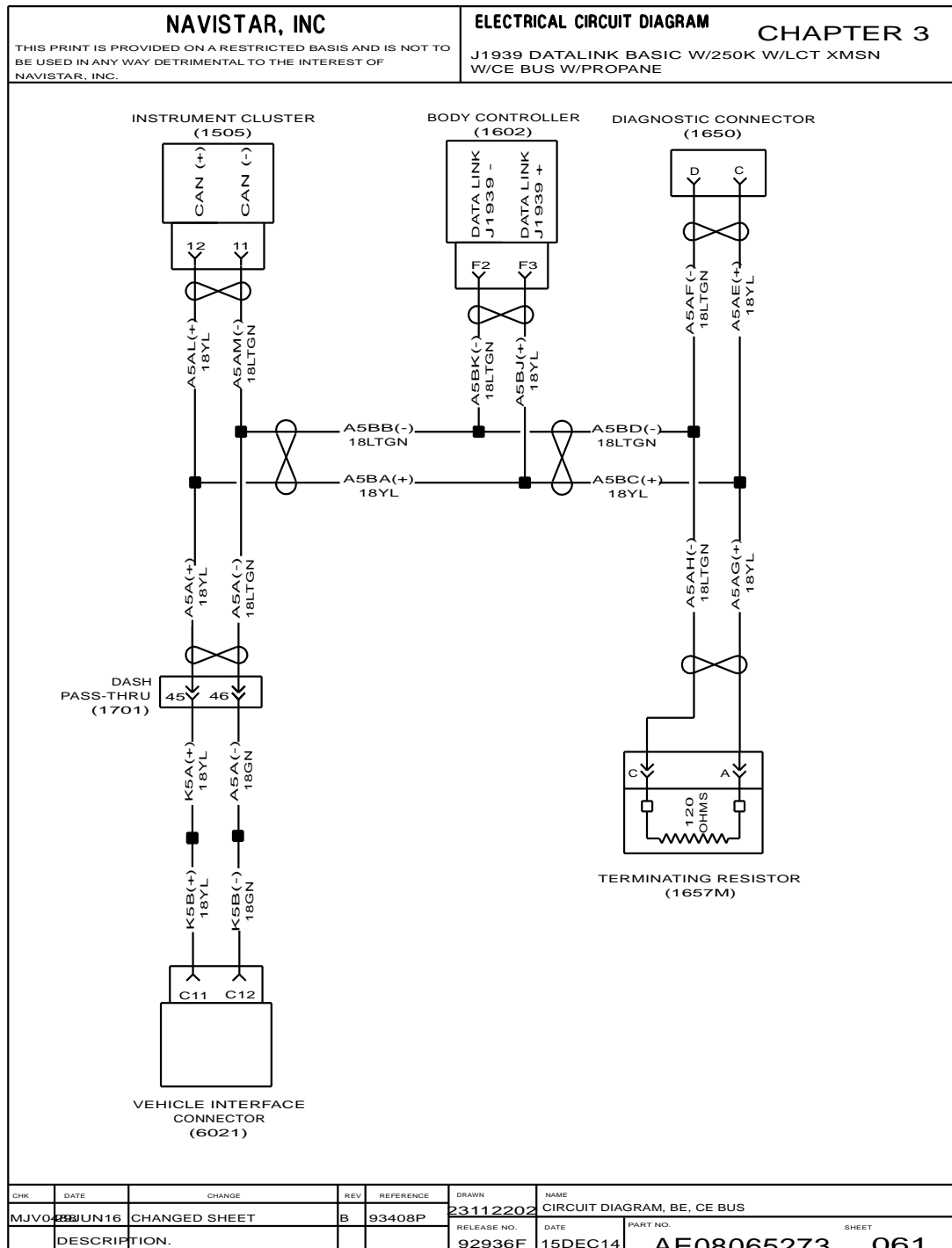


Figure 91 J1939 Data Link Basic with 250K with LCT Transmission with CE Bus with Propane

3.71. J1939 DATA LINK BASIC WITH 250K WITH LCT TRANSMISSION WITH CE BUS WITH PROPANE (CONT.), P. 62

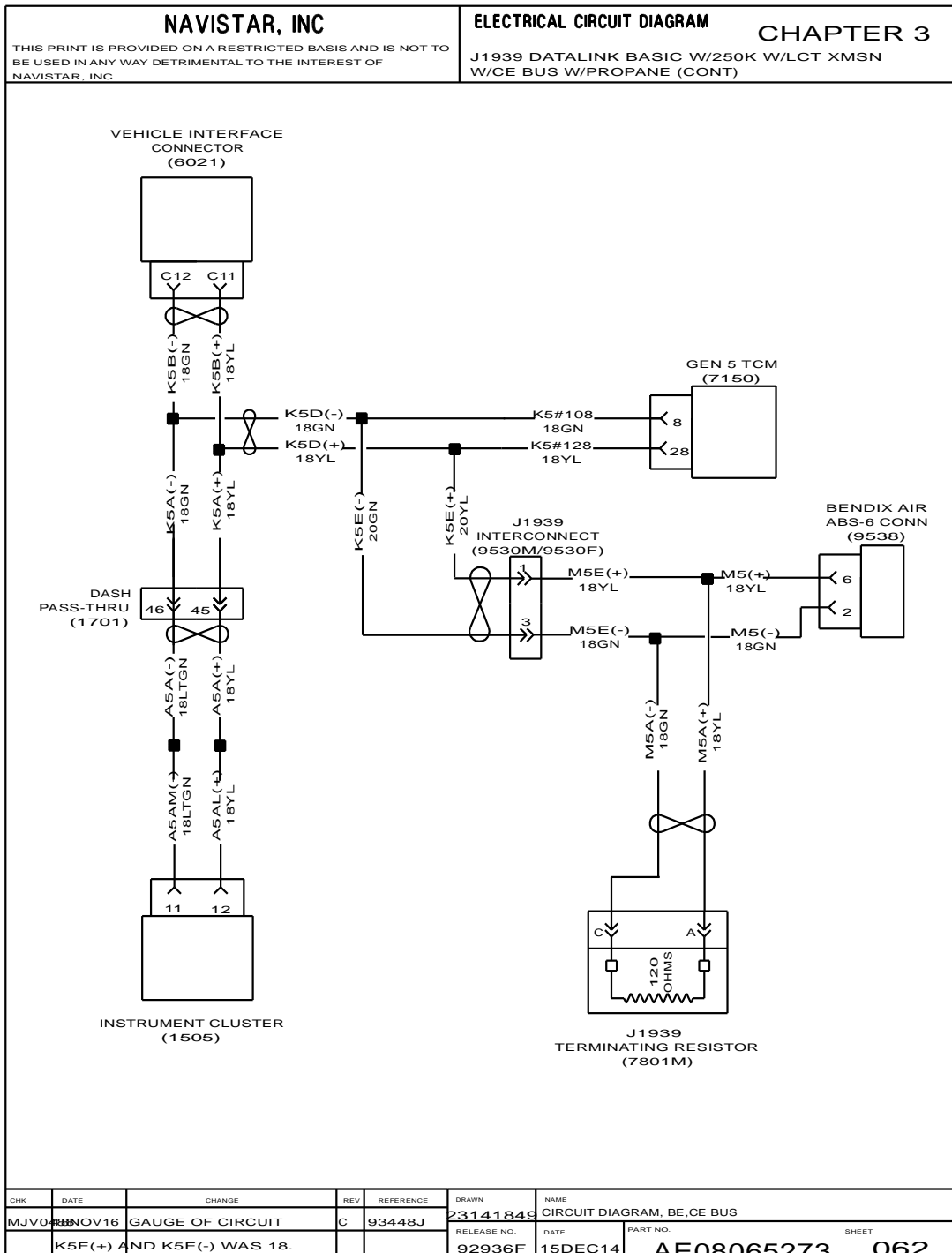


Figure 92 J1939 Data Link Basic with 250K with LCT Transmission with CE Bus with Propane (Cont.)

3.72. J1939 DATA LINK BASIC 500K BAUD RATE WITH ENHANCED VCM FEATURES, P. 63

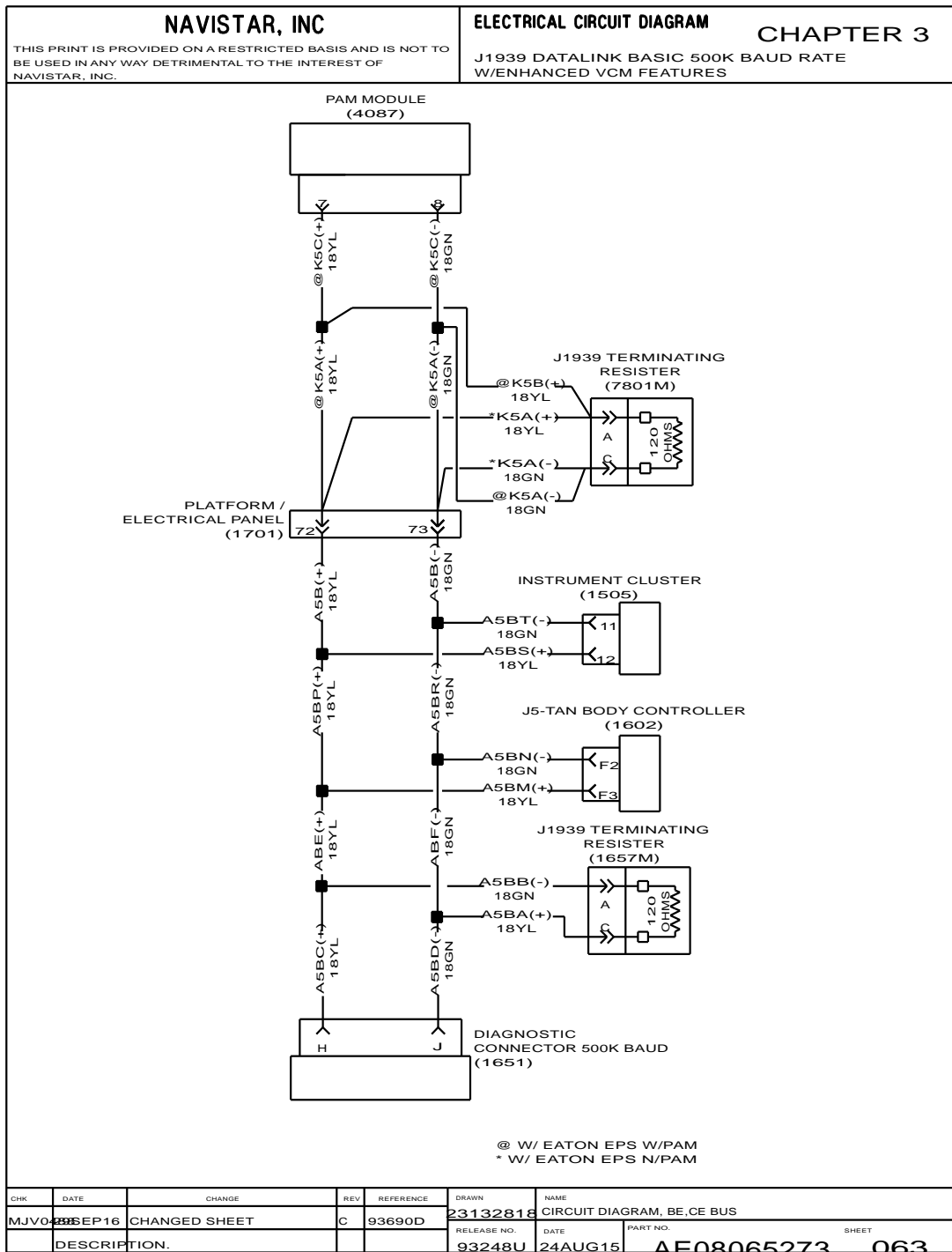


Figure 93 J1939 Data Link Basic 500K Baud Rate with Enhanced VCM Features

3.73. J1939 DATA LINK BASIC 500K BAUD RATE WITH ENHANCED VCM FEATURES (CONT.), P. 64

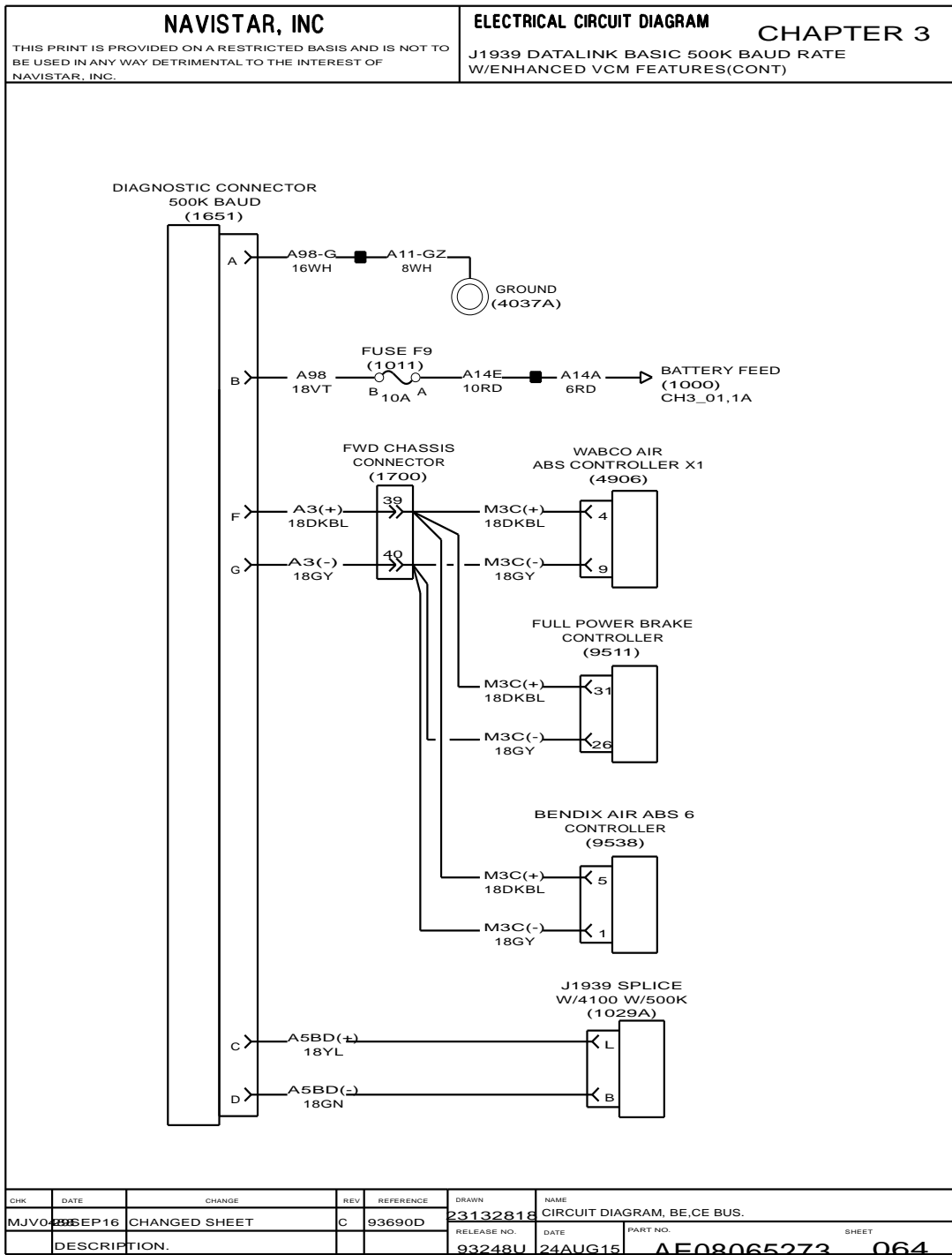


Figure 94 J1939 Data Link Basic 500K Baud Rate with Enhanced VCM Features (Cont.)

3.74. J1939 ISB DATA LINK BASIC WITH ENHANCED VCM FEATURES WITH 500K BAUD RATE (CONT.), P. 65

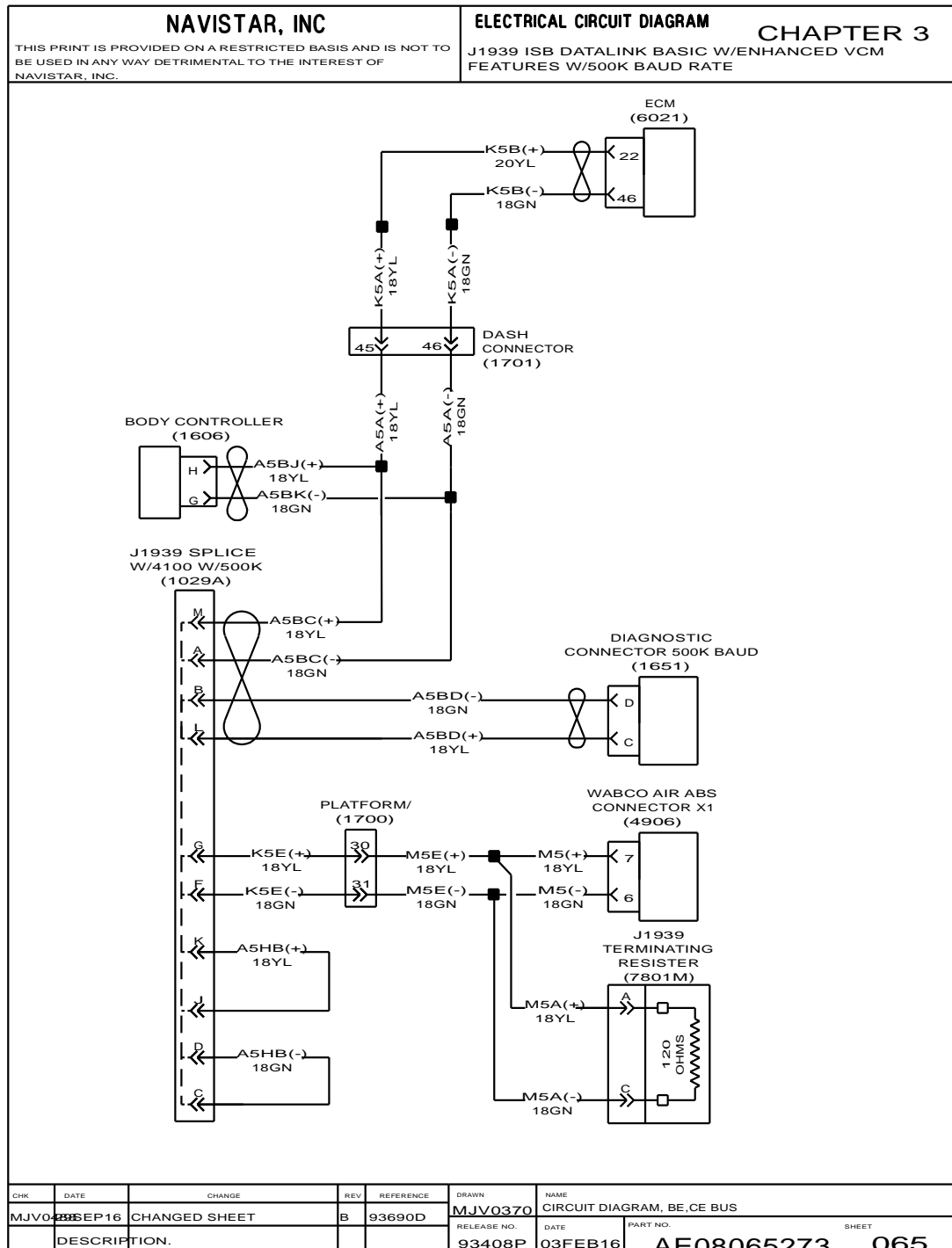


Figure 95 J1939 ISB Data Link Basic with Enhanced VCM Features with 500K Baud Rate (Cont.)

3.75. J1939 DATA LINK BASIC WITH 500K WITH ALLISON TRANSMISSION WITH F-2017-ISB-ENGINE, P. 66

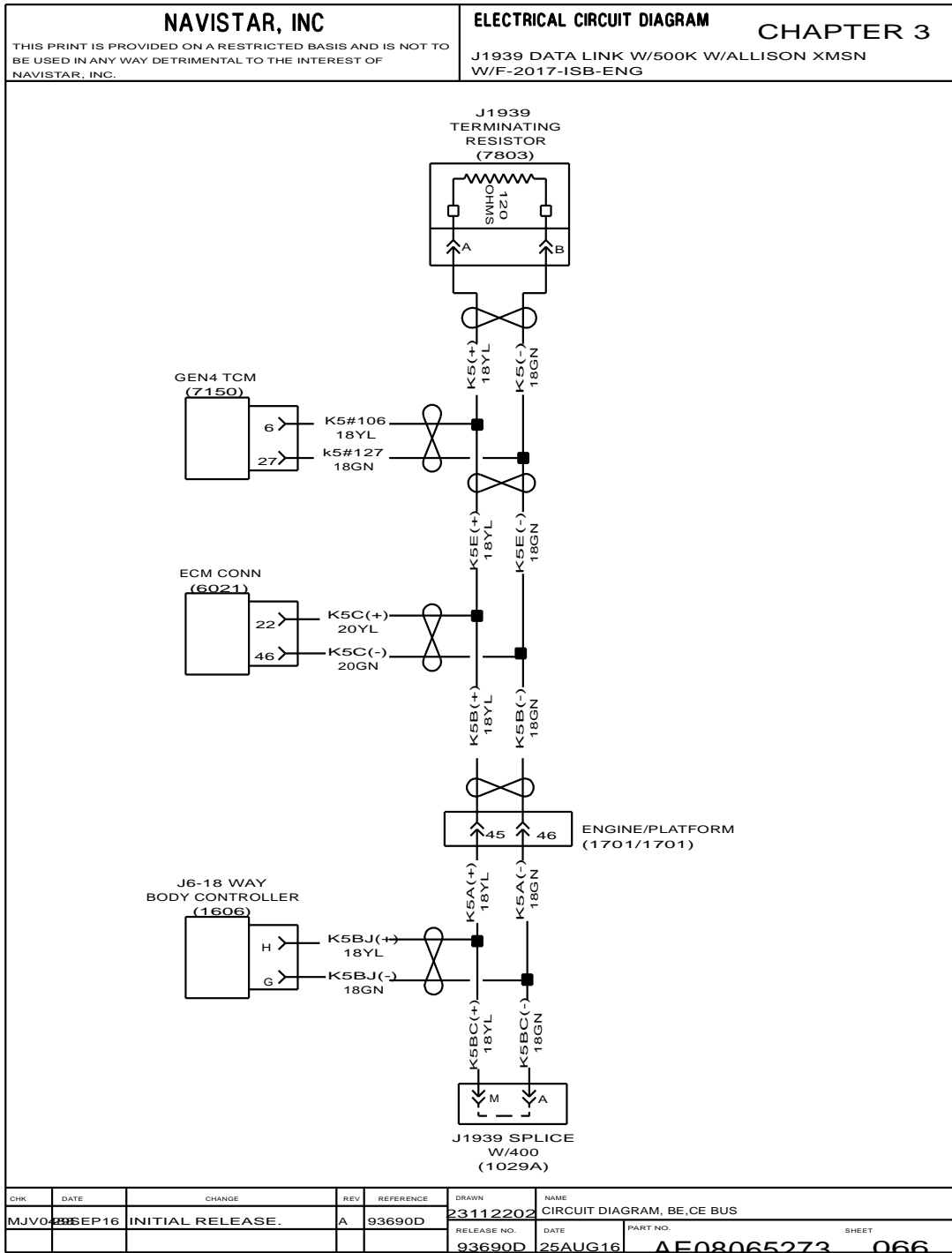


Figure 96 J1939 Data Link Basic with 500K with Allison Transmission with F-2017-ISB-Engine

3.76. J1939 DATA LINK WITH 500K WITH EATON PROCISION TRANSMISSION WITH F-2017-ISB-ENGINE, P. 67

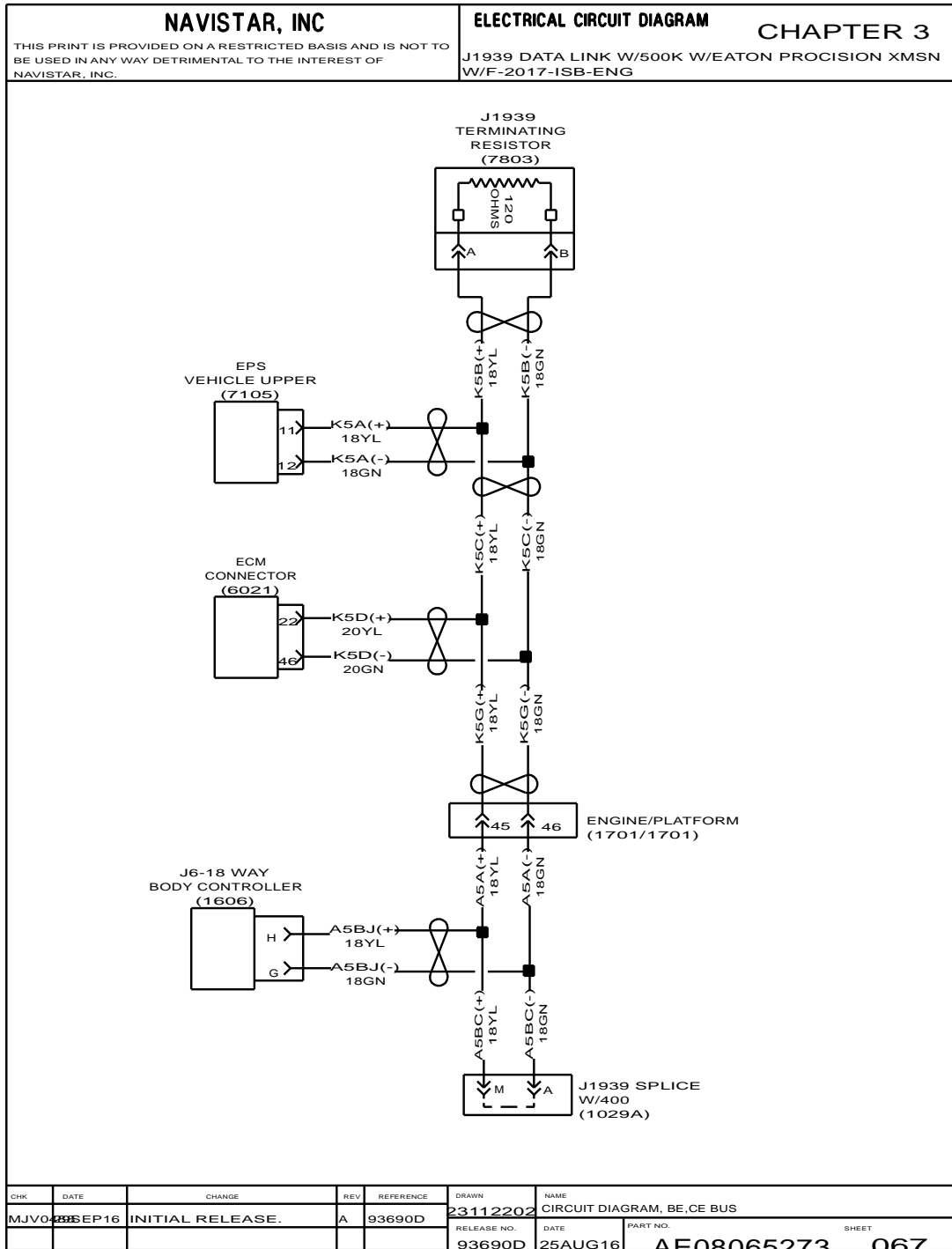


Figure 97 J1939 Data Link with 500K with Eaton Procision Transmission with F-2017-ISB-Engine

3.77. J1939 DATA LINK WITH 500K WITH ALLISON AND EATON PROCISION TRANSMISSION WITH PAM WITH F-2017-ISB-ENGINE, P. 68

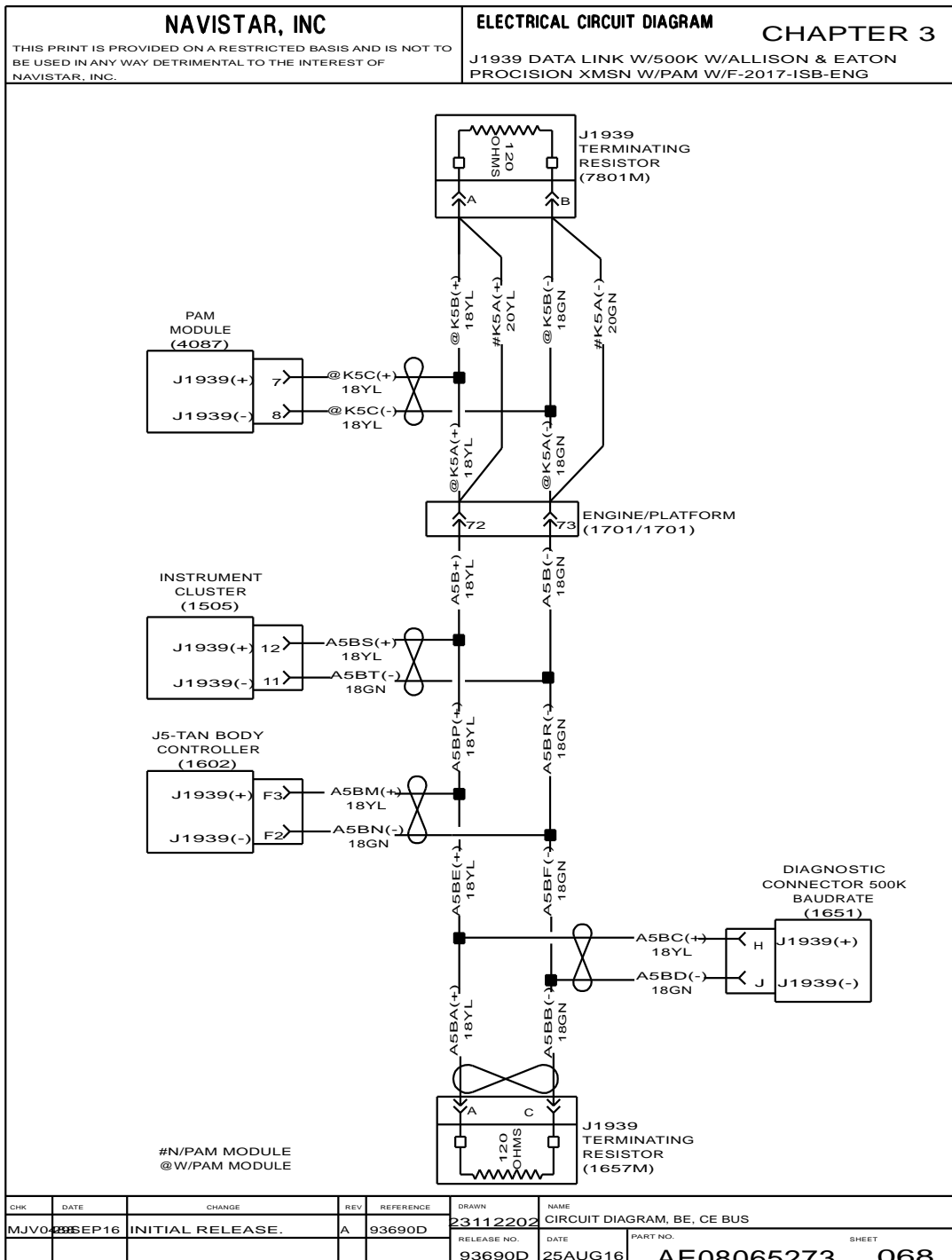


Figure 98 J1939 Data Link with 500K with Allison and Eaton Procision Transmission with PAM with F-2017-ISB-Engine

3.78. BATTERY ECM POSITIVE / NEGATIVE CONNECTION WITH F-2017-ISB-ENGINE,
P. 69

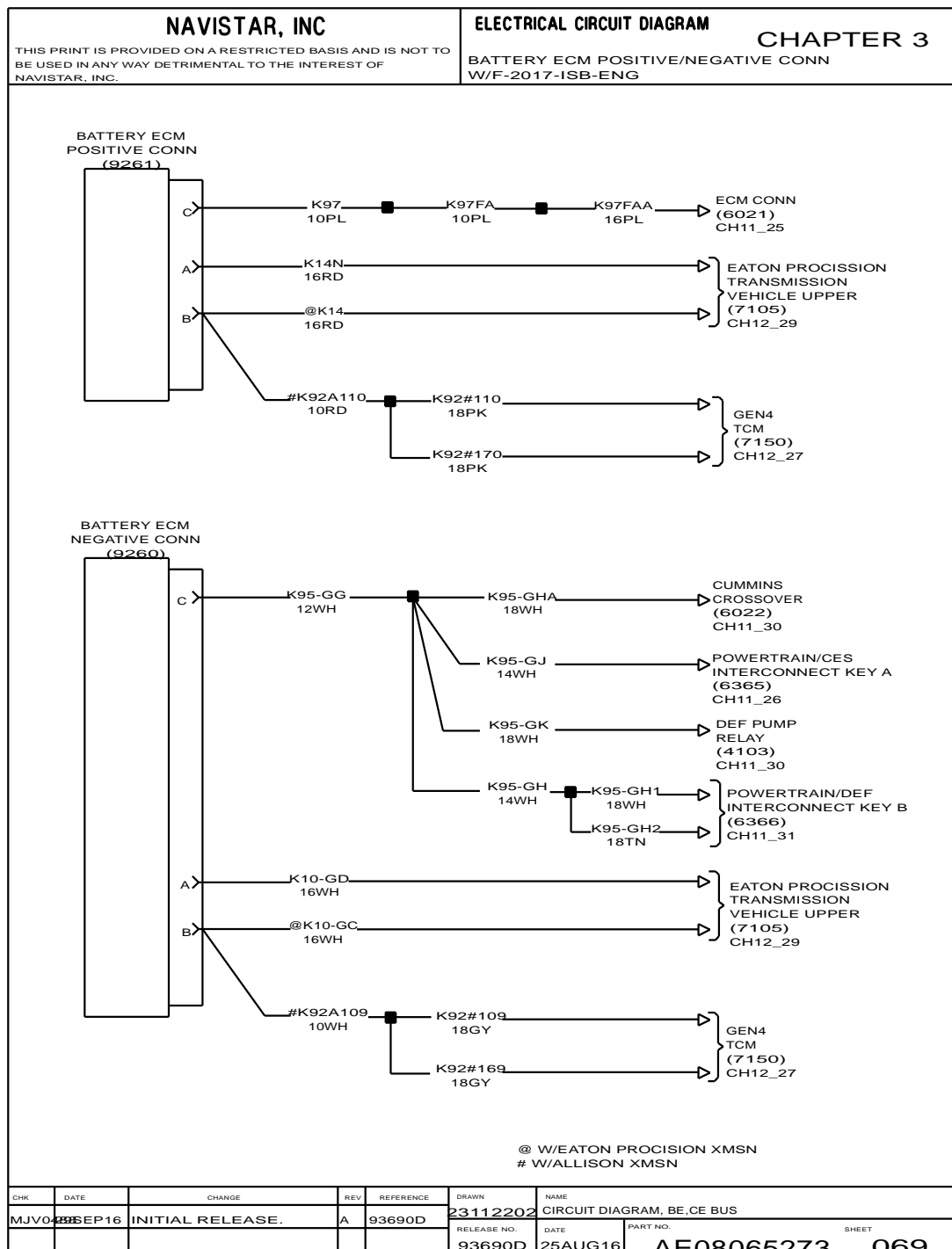


Figure 99 Battery ECM Positive / Negative Connection with F-2017-ISB-Engine

3.79. GROUND ENGINE WITH F-2017-ISB-ENGINE, P. 70

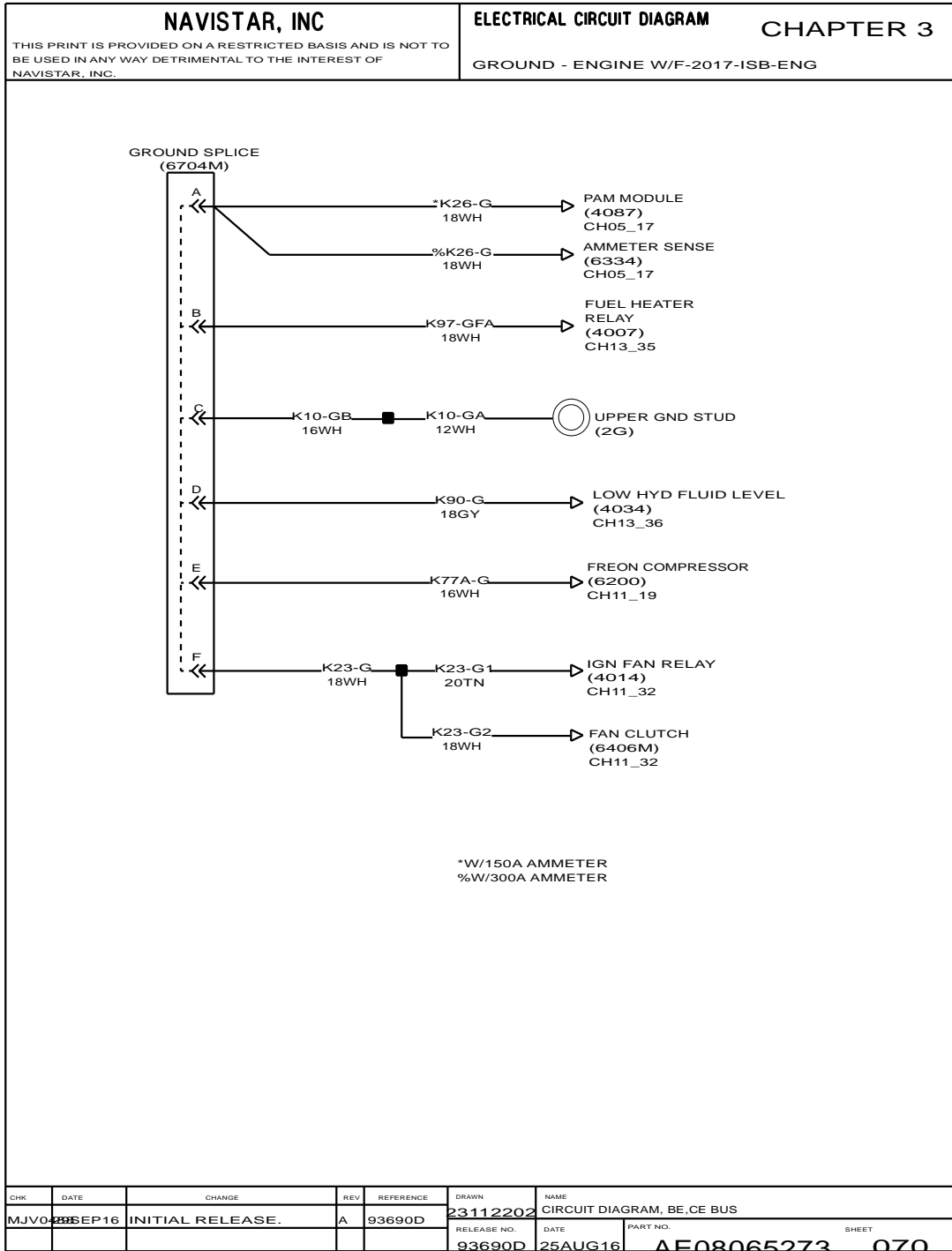


Figure 100 Ground Engine with F-2017-ISB-Engine

CHARGING AND CRANKING SYSTEM (CHAPTER 4)

4.1. CHARGING AND CRANKING – V8 ENGINE, P. 1

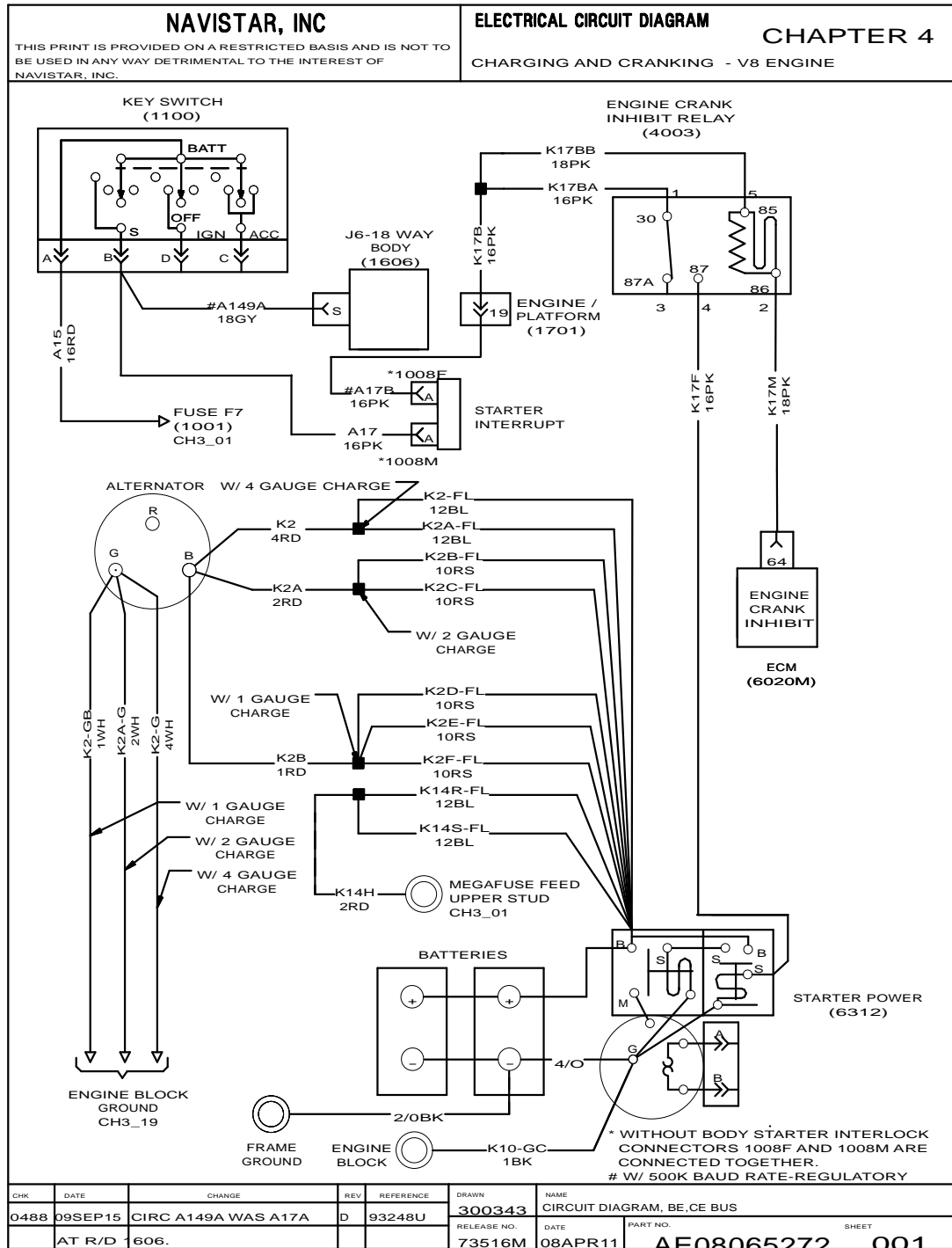


Figure 101 Charging and Cranking – V8 Engine

4.2. CHARGING AND CRANKING – I6 ENGINE, P. 2

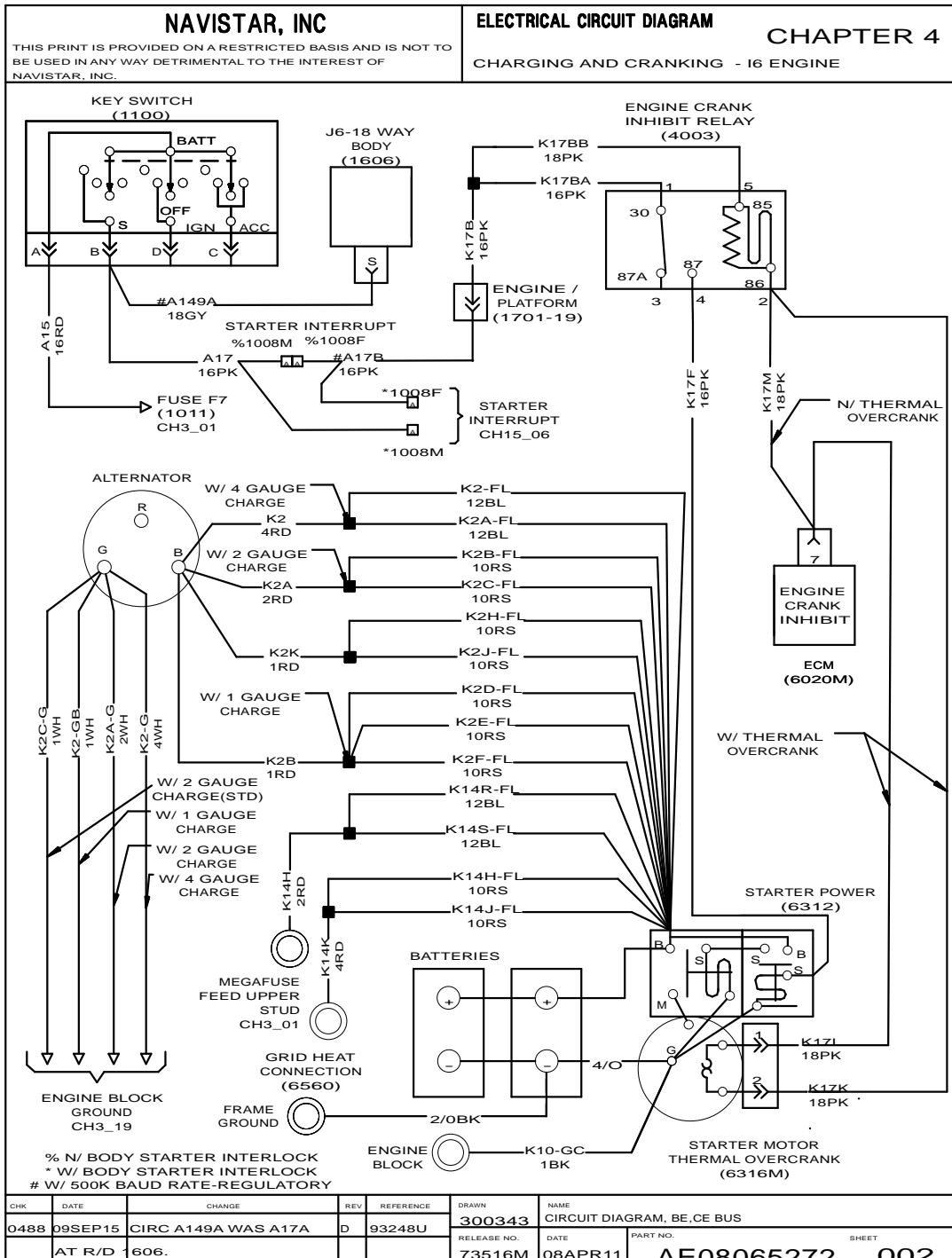


Figure 102 Charging and Cranking – I6 Engine

4.3. CHARGING AND CRANKING – CUMMINS ISB ENGINE, P. 3

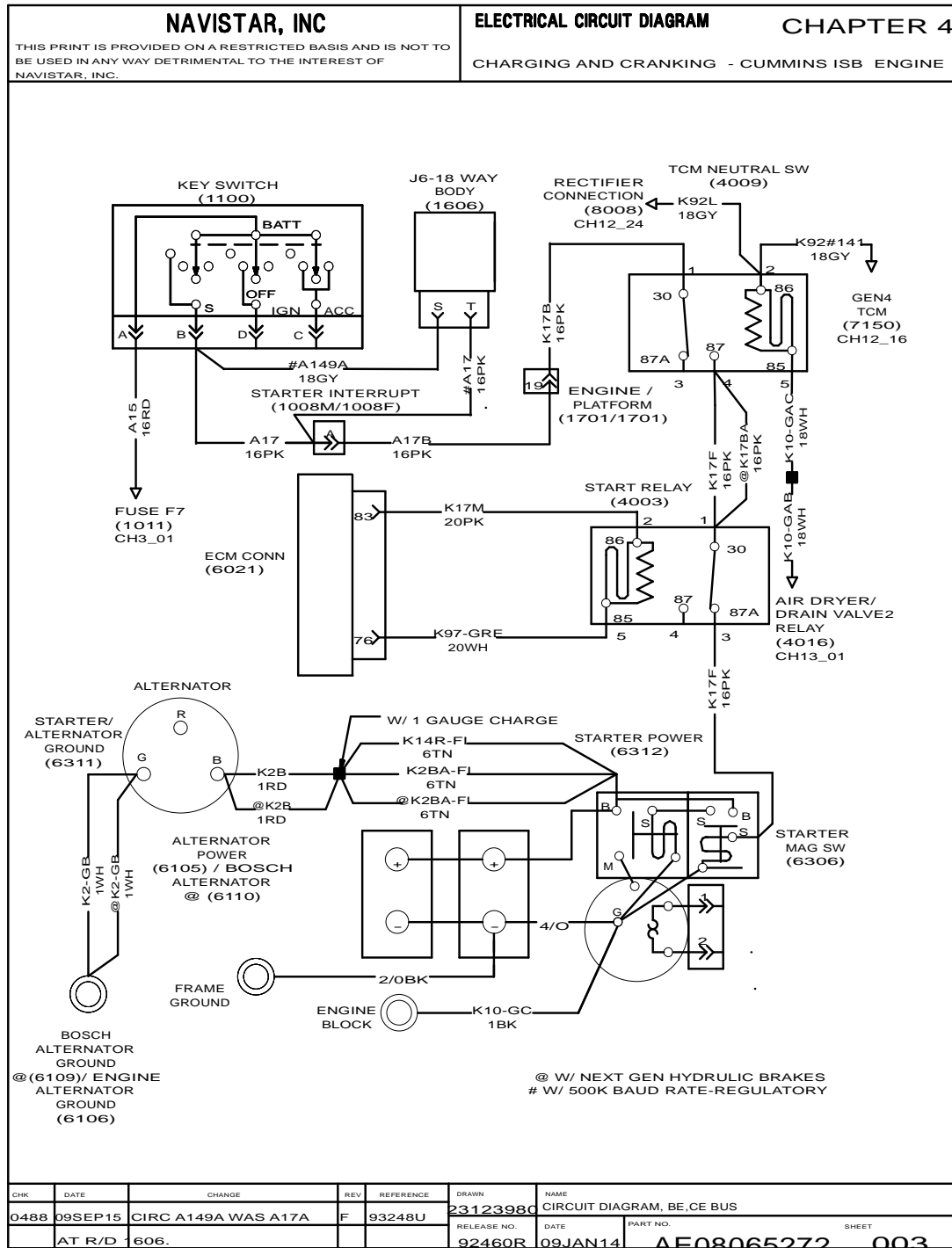


Figure 103 Charging and Cranking – Cummins ISB Engine

4.4. CHARGING AND CRANKING WITH CE BUS WITH PROPANE, P. 4

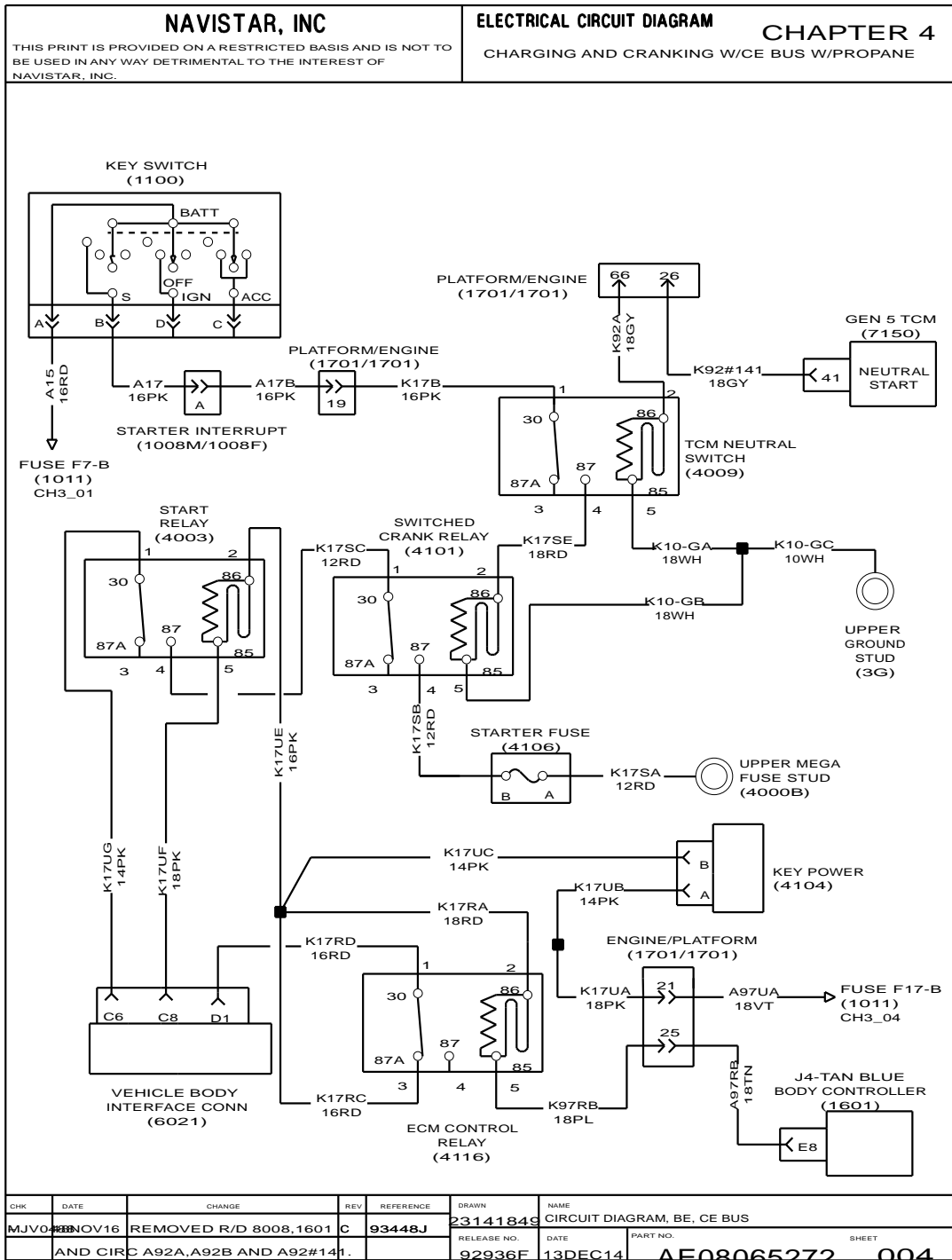


Figure 104 Charging and Cranking with CE Bus with Propane

4.5. CHARGING AND CRANKING – CUMMINS ISB ENGINE WITH 500K BAUD RATE, P. 5

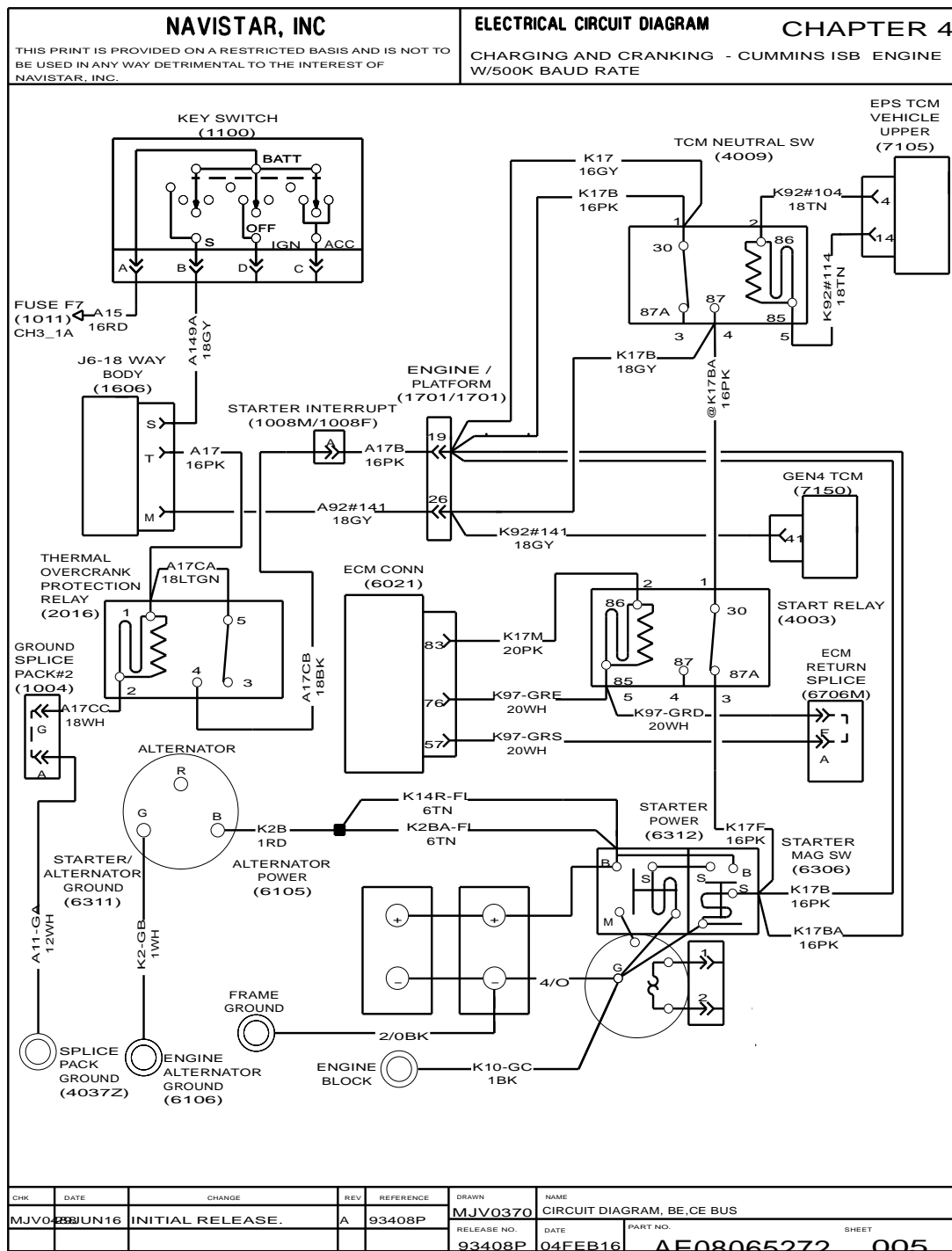


Figure 105 Charging and Cranking – Cummins ISB Engine with 500K Baud Rate

4.6. CHARGING AND CRANKING ENHANCED WITH VCM FEATURES WITH F-2017-ISB-ENGINE, P. 6

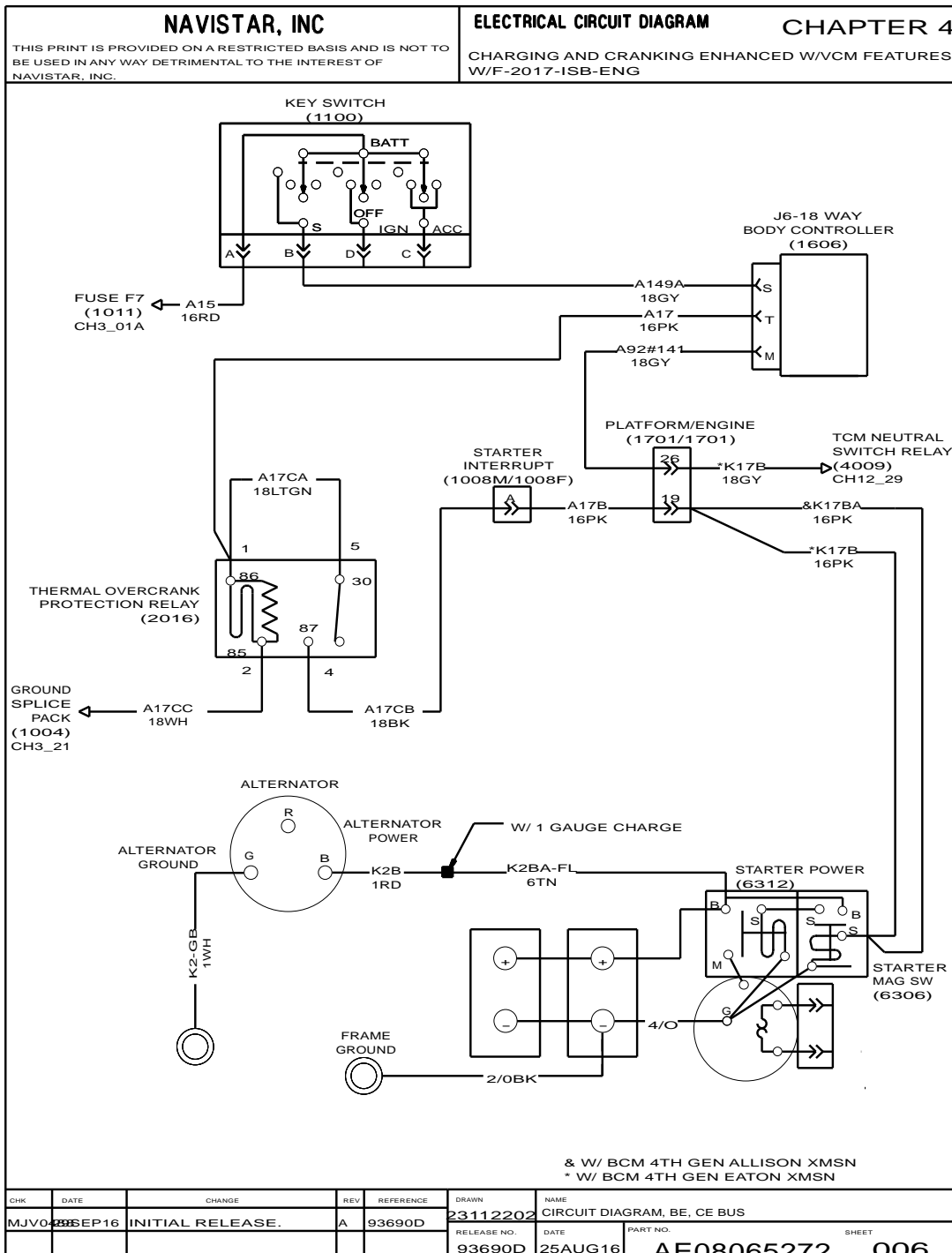


Figure 106 Charging and Cranking Enhanced with VCM Features with F-2017-ISB-Engine

4.7. GRID HEATER CONNECTIONS WITH F-2017-ISB-ENGINE, P. 7

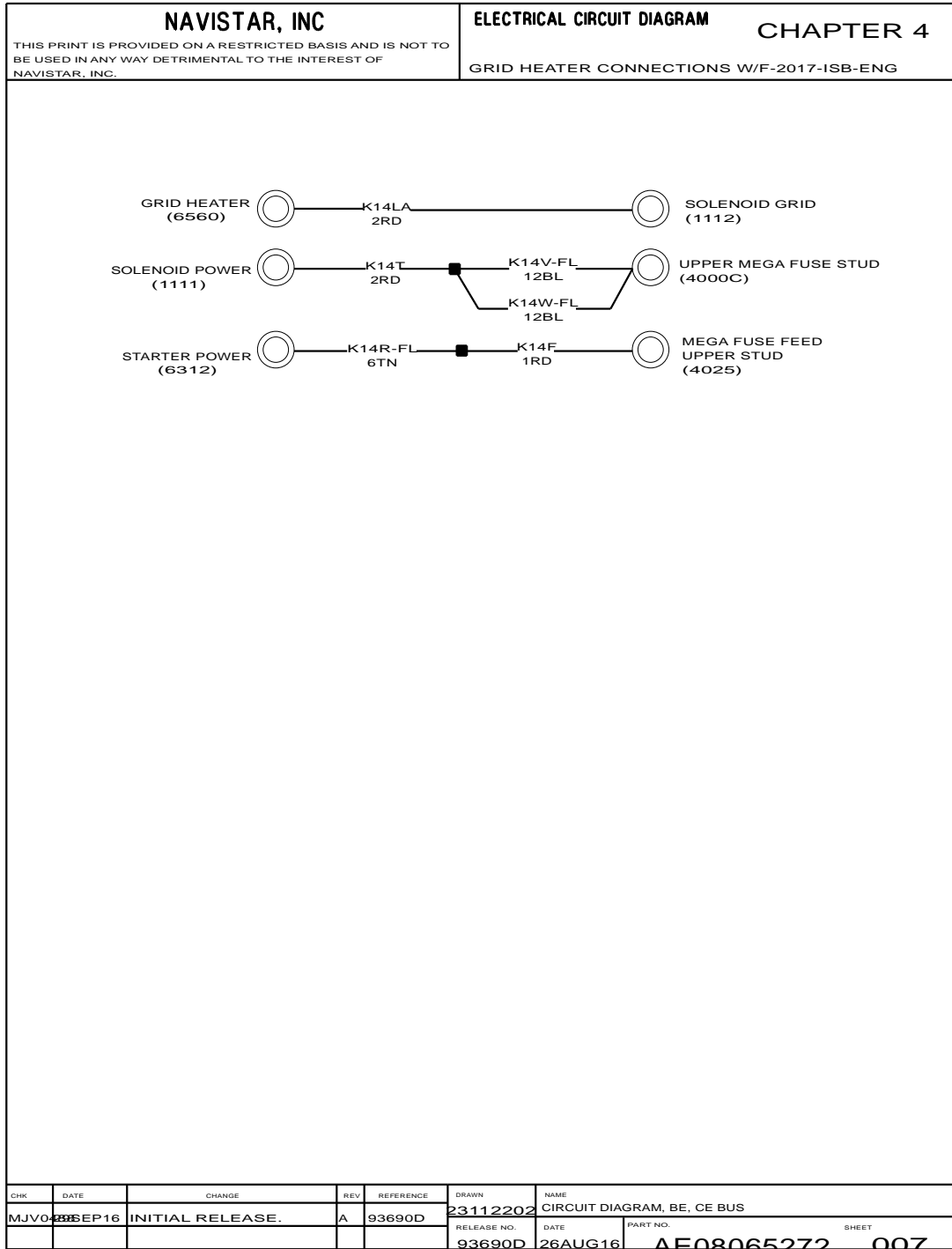


Figure 107 Grid Heater Connections with F-2017-ISB-Engine

GAUGES AND WARNING LIGHTS (CHAPTER 5)

5.1. IP GAUGES, P. 1

NAVISTAR, INC		ELECTRICAL CIRCUIT DIAGRAM																																																					
THIS PRINT IS PROVIDED ON A RESTRICTED BASIS AND IS NOT TO BE USED IN ANY WAY DETRIMENTAL TO THE INTEREST OF NAVISTAR, INC.		CHAPTER 5																																																					
		IP GAUGES																																																					
<table border="1" style="width: 100%; border-collapse: collapse;"> <thead> <tr> <th colspan="4" style="text-align: center;">INSTRUMENT PANEL GAUGES</th> </tr> <tr> <th style="width: 15%;">GAUGE</th> <th style="width: 10%;">WARNING LIGHT</th> <th style="width: 55%;">SIGNAL PATH</th> <th style="width: 20%;">SENSOR LOCATION</th> </tr> </thead> <tbody> <tr> <td>RPM (TACH)</td> <td style="text-align: center;">NO</td> <td>ENGINE CTRL / DRIVE TRAIN / J1939 CLUSTER</td> <td>ENGINE COMPARTMENT</td> </tr> <tr> <td>MPH / KPH (SPEED)</td> <td style="text-align: center;">NO</td> <td>ENGINE CTRL / DRIVE TRAIN / J1939 CLUSTER</td> <td>TRANSMISSION</td> </tr> <tr> <td>FUEL</td> <td style="text-align: center;">YES</td> <td>SYSTEM CTRL / DRIVE TRAIN / J1939 CLUSTER</td> <td>FUEL TANK</td> </tr> <tr> <td>N/A</td> <td style="text-align: center;">YES</td> <td>SYSTEM CTRL / DRIVE TRAIN / J1939 CLUSTER</td> <td>N/A</td> </tr> <tr> <td>AIR1 (PRES)</td> <td style="text-align: center;">YES</td> <td>SYSTEM CTRL / DRIVE TRAIN / J1939 CLUSTER</td> <td>INSIDE CAB - DASH PNL</td> </tr> <tr> <td>AIR2 (PRES)</td> <td style="text-align: center;">YES</td> <td>SYSTEM CTRL / DRIVE TRAIN / J1939 CLUSTER</td> <td>STEERING COL AREA</td> </tr> <tr> <td>WATER (TEMP)</td> <td style="text-align: center;">YES</td> <td>ENGINE CTRL / DRIVE TRAIN / J1939 CLUSTER</td> <td>ENGINE COMPARTMENT</td> </tr> <tr> <td>ENGINE OIL (TEMP)</td> <td style="text-align: center;">YES</td> <td>ENGINE CTRL / DRIVE TRAIN / J1939 CLUSTER</td> <td>ENGINE COMPARTMENT</td> </tr> <tr> <td>OIL (PRES)</td> <td style="text-align: center;">YES</td> <td>ENGINE CTRL / DRIVE TRAIN / J1939 CLUSTER</td> <td>ENGINE COMPARTMENT</td> </tr> <tr> <td>XMSN (TEMP)</td> <td style="text-align: center;">YES</td> <td>XMSN CTRL / SYSTEM CTRL / DRIVE TRAIN / J1939 CLUSTER</td> <td>TRANSMISSION</td> </tr> <tr> <td>AMMETER</td> <td style="text-align: center;">NO</td> <td>PAM MODULE / DRIVE TRAIN J1939 / CLUSTER</td> <td>ENGINE COMPARTMENT</td> </tr> </tbody> </table>				INSTRUMENT PANEL GAUGES				GAUGE	WARNING LIGHT	SIGNAL PATH	SENSOR LOCATION	RPM (TACH)	NO	ENGINE CTRL / DRIVE TRAIN / J1939 CLUSTER	ENGINE COMPARTMENT	MPH / KPH (SPEED)	NO	ENGINE CTRL / DRIVE TRAIN / J1939 CLUSTER	TRANSMISSION	FUEL	YES	SYSTEM CTRL / DRIVE TRAIN / J1939 CLUSTER	FUEL TANK	N/A	YES	SYSTEM CTRL / DRIVE TRAIN / J1939 CLUSTER	N/A	AIR1 (PRES)	YES	SYSTEM CTRL / DRIVE TRAIN / J1939 CLUSTER	INSIDE CAB - DASH PNL	AIR2 (PRES)	YES	SYSTEM CTRL / DRIVE TRAIN / J1939 CLUSTER	STEERING COL AREA	WATER (TEMP)	YES	ENGINE CTRL / DRIVE TRAIN / J1939 CLUSTER	ENGINE COMPARTMENT	ENGINE OIL (TEMP)	YES	ENGINE CTRL / DRIVE TRAIN / J1939 CLUSTER	ENGINE COMPARTMENT	OIL (PRES)	YES	ENGINE CTRL / DRIVE TRAIN / J1939 CLUSTER	ENGINE COMPARTMENT	XMSN (TEMP)	YES	XMSN CTRL / SYSTEM CTRL / DRIVE TRAIN / J1939 CLUSTER	TRANSMISSION	AMMETER	NO	PAM MODULE / DRIVE TRAIN J1939 / CLUSTER	ENGINE COMPARTMENT
INSTRUMENT PANEL GAUGES																																																							
GAUGE	WARNING LIGHT	SIGNAL PATH	SENSOR LOCATION																																																				
RPM (TACH)	NO	ENGINE CTRL / DRIVE TRAIN / J1939 CLUSTER	ENGINE COMPARTMENT																																																				
MPH / KPH (SPEED)	NO	ENGINE CTRL / DRIVE TRAIN / J1939 CLUSTER	TRANSMISSION																																																				
FUEL	YES	SYSTEM CTRL / DRIVE TRAIN / J1939 CLUSTER	FUEL TANK																																																				
N/A	YES	SYSTEM CTRL / DRIVE TRAIN / J1939 CLUSTER	N/A																																																				
AIR1 (PRES)	YES	SYSTEM CTRL / DRIVE TRAIN / J1939 CLUSTER	INSIDE CAB - DASH PNL																																																				
AIR2 (PRES)	YES	SYSTEM CTRL / DRIVE TRAIN / J1939 CLUSTER	STEERING COL AREA																																																				
WATER (TEMP)	YES	ENGINE CTRL / DRIVE TRAIN / J1939 CLUSTER	ENGINE COMPARTMENT																																																				
ENGINE OIL (TEMP)	YES	ENGINE CTRL / DRIVE TRAIN / J1939 CLUSTER	ENGINE COMPARTMENT																																																				
OIL (PRES)	YES	ENGINE CTRL / DRIVE TRAIN / J1939 CLUSTER	ENGINE COMPARTMENT																																																				
XMSN (TEMP)	YES	XMSN CTRL / SYSTEM CTRL / DRIVE TRAIN / J1939 CLUSTER	TRANSMISSION																																																				
AMMETER	NO	PAM MODULE / DRIVE TRAIN J1939 / CLUSTER	ENGINE COMPARTMENT																																																				
<p>NOTE: 1. WARNING LIGHTS ARE PART OF THE GAUGES & LOCATED IN THE GAUGE CLUSTER.</p>																																																							
CHK	DATE	CHANGE	REV	REFERENCE	DRAWN	NAME																																																	
CNA1	18OCT11	INITIAL RELEASE.	A	73516N	300343	CIRCUIT DIAGRAM, BE,CE BUS																																																	
					RELEASE NO.	DATE	PART NO.	SHEET																																															
					73516N	21FEB11	AE08065276	001																																															

Figure 108 IP Gauges

5.2. WARNING LIGHTS, P. 2

<p>NAVISTAR, INC THIS PRINT IS PROVIDED ON A RESTRICTED BASIS AND IS NOT TO BE USED IN ANY WAY DETRIMENTAL TO THE INTEREST OF NAVISTAR, INC.</p>		<p>ELECTRICAL CIRCUIT DIAGRAM CHAPTER 5 WARNING LIGHTS</p>	
IP WARNING LIGHTS			
WARNING LIGHT TITLE	SIGNAL PATH	SENSOR LOCATION	
RANGE INHIBITED LCT	XMSN CTRL / DRIVE TRAIN J1939 / CLUSTER		
FUEL FILTER	ECM / DRIVE TRAIN J1939 / CLUSTER	FUEL FILTER	
ENGINE (YELLOW LED)	ENGINE CTRL / DRIVE TRAIN J1939 / CLUSTER		
ENGINE (RED LED)	ENGINE CTRL / DRIVE TRAIN J1939 / CLUSTER		
BRAKE PRESSURE (AIR)	SYSTEM CTRL / DRIVE TRAIN J1939 / CLUSTER	SWITCH	
BRAKE PRESSURE (HYDR)	HYD BRAKE ECU CTRL / DRIVE TRAIN J1939 / CLUSTER	SWITCH	
BRAKE / PARK / BRAKE FLUID	HYD BRAKE ECU CTRL / DRIVE TRAIN J1939 / CLUSTER		
PARK (HYD BRAKE) (P)	HYD BRAKE ECU CTRL / DRIVE TRAIN J1939 / CLUSTER	SAHR TRAVEL SWITCH	
BRAKE FLUID HYD BRAKE	HYD BRAKE ECU CTRL / DRIVE TRAIN J1939 / CLUSTER	BRAKE RESERVOIR	
TRACTION CONTROL	TRUCK ABS CTRL / DRIVE TRAIN J1939 / CLUSTER		
CHECK XMSN	TRUCK ABS CTRL / DRIVE TRAIN J1939 / CLUSTER		
(LEFT TURN)	SYSTEM CTRL / DRIVE TRAIN J1939 / CLUSTER	TURN SIG SWITCH	
WATER IN FUEL	ECM / DRIVE TRAIN J1939 / CLUSTER	FUEL FILTER	
COOLANT LEVEL	ENGINE CTRL / DRIVE TRAIN J1939 / CLUSTER	SURGE TANK	
CHECK ELEC SYSTEM	SYSTEM CTRL / DRIVE TRAIN J1939 / CLUSTER		
PARK (AIR BRAKE) (P)	SYSTEM CTRL / DRIVE TRAIN J1939 / CLUSTER	PARK BRAKE VALVE	
ABS	TRUCK CTRL / DRIVE TRAIN J1939 / CLUSTER		
(RIGHT TURN)	SYSTEM CTRL / DRIVE TRAIN J1939 / CLUSTER		
WAIT TO START	ENGINE CTRL / DRIVE TRAIN J1939 / CLUSTER		
(HIGH BEAM IND)	SYSTEM CTRL / DRIVE TRAIN J1939 / CLUSTER		
LIFT DOOR	SYSTEM CTRL / DRIVE TRAIN J1939 / CLUSTER	LIFT DOOR SWITCH	
ECON	XMSN CTRL / DRIVE TRAIN J1939 / CLUSTER		
SERVICE (P)	SYSTEM CTRL / DRIVE TRAIN J1939 / CLUSTER		
AMBER FLASHER	SYSTEM CTRL / DRIVE TRAIN J1939 / CLUSTER		
RED FLASHER	SYSTEM CTRL / DRIVE TRAIN J1939 / CLUSTER		
EMERG EXIT	SYSTEM CTRL / DRIVE TRAIN J1939 / CLUSTER		
MALFUNCTION INDICATOR LAMP (MIL)	ECM / DRIVE TRAIN J1939 / CLUSTER		
CHANGE OIL (TEXT MESSAGE)	ECM / DRIVE TRAIN J1939 / CLUSTER		
CHK	DATE	CHANGE	REV REFERENCE
—	—	INITIAL RELEASE.	A 73516N
DRAWN		NAME	
300343		CIRCUIT DIAGRAM, BE,CE BUS	
RELEASE NO.	DATE	PART NO.	SHEET
73516N	21FEB11	AE08065276	002

Figure 109 Warning Lights

5.3. ENGINE OIL PRESSURE & TEMP., SPEEDOMETER, TACHOMETER, VOLTMETER & WATER TEMP. GAUGE CIRCUITRY, P. 3

<p>NAVISTAR, INC</p> <p><small>THIS PRINT IS PROVIDED ON A RESTRICTED BASIS AND IS NOT TO BE USED IN ANY WAY DETRIMENTAL TO THE INTEREST OF NAVISTAR, INC.</small></p>	<p>ELECTRICAL CIRCUIT CHAPTER 5</p> <p>ENGINE OIL PRESSURE & TEMP, SPEEDOMETER, TACH, VOLTMETER & WATER TEMP GAUGE CIRC</p>						
<p>REFER TO CONSOLIDATED ENGINE / VEHICLE CONTROLLER DIAGNOSTICS MANUAL EGES - 16, FOR CIRCUIT DIAGRAMS SHOWING INPUT CIRCUITRY FOR THE FOLLOWING DATALINK DRIVEN SYSTEMS. ENGINE OIL PRESSURE GAUGE ENGINE OIL TEMPERATURE GAUGE SPEEDOMETER GAUGE TACHOMETER GAUGE WATER TEMPERATURE GAUGE</p>							
<small>CHK</small>	<small>DATE</small>	<small>CHANGE</small>	<small>REV</small>	<small>REFERENCE</small>	<small>DRAWN</small>	<small>NAME</small>	
CNA1	18OCT11	INITIAL RELEASE.	A	73516N	300343	CIRCUIT DIAGRAM, BE,CE BUS	
					<small>RELEASE NO.</small>	<small>DATE</small>	<small>PART NO.</small>
					73516N	21FEB11	AE08065276
							<small>SHEET</small> 003

Figure 110 Engine Oil Pressure & Temp., Speedometer, Tachometer, Voltmeter & Water Temp. Gauge Circuitry

5.4. INSTRUMENT GAUGE CLUSTER, P. 4

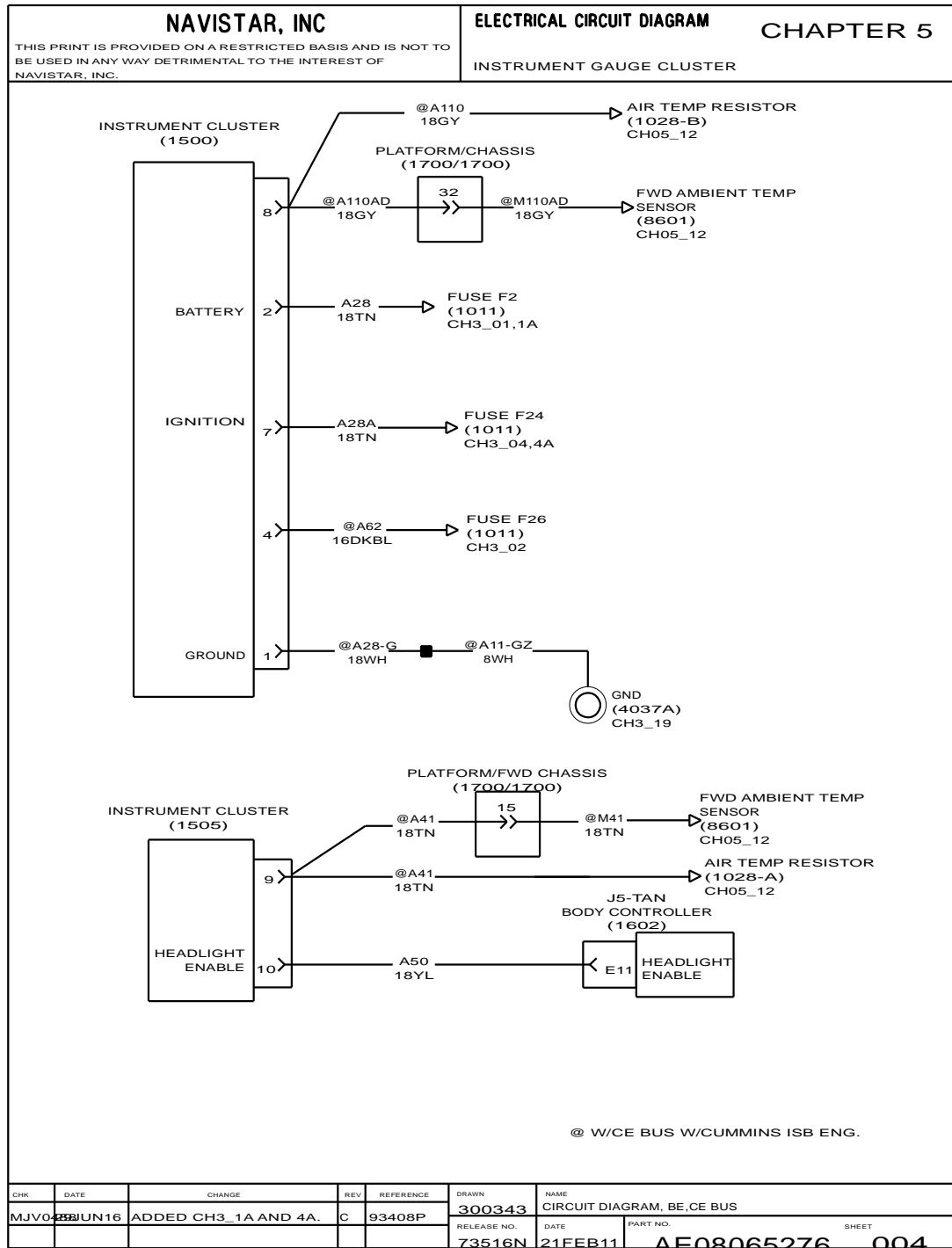


Figure 111 Instrument Gauge Cluster

5.5. COOLANT TANK LEVEL, P. 5

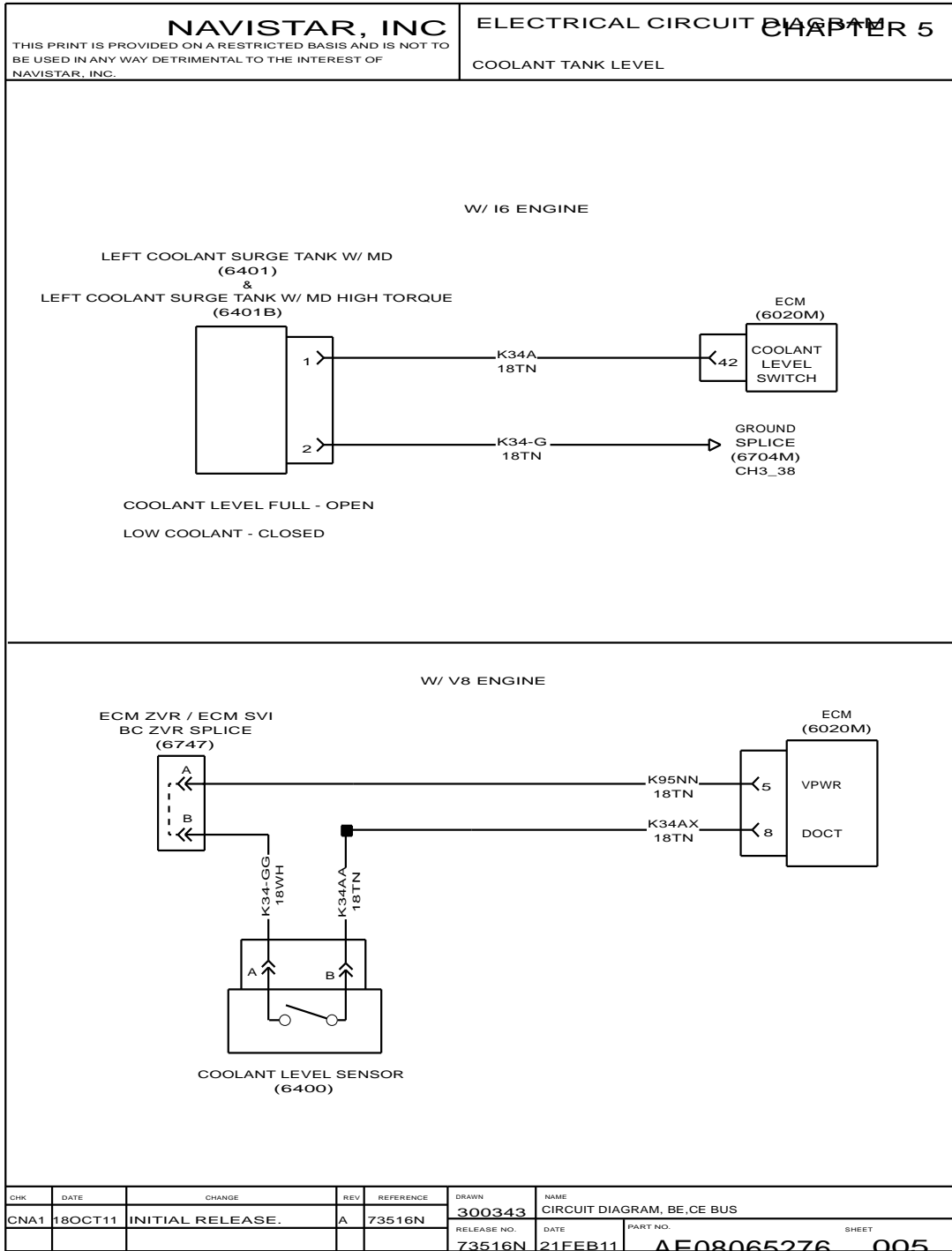


Figure 112 Coolant Tank Level

5.6. FUEL GAUGES, P. 6

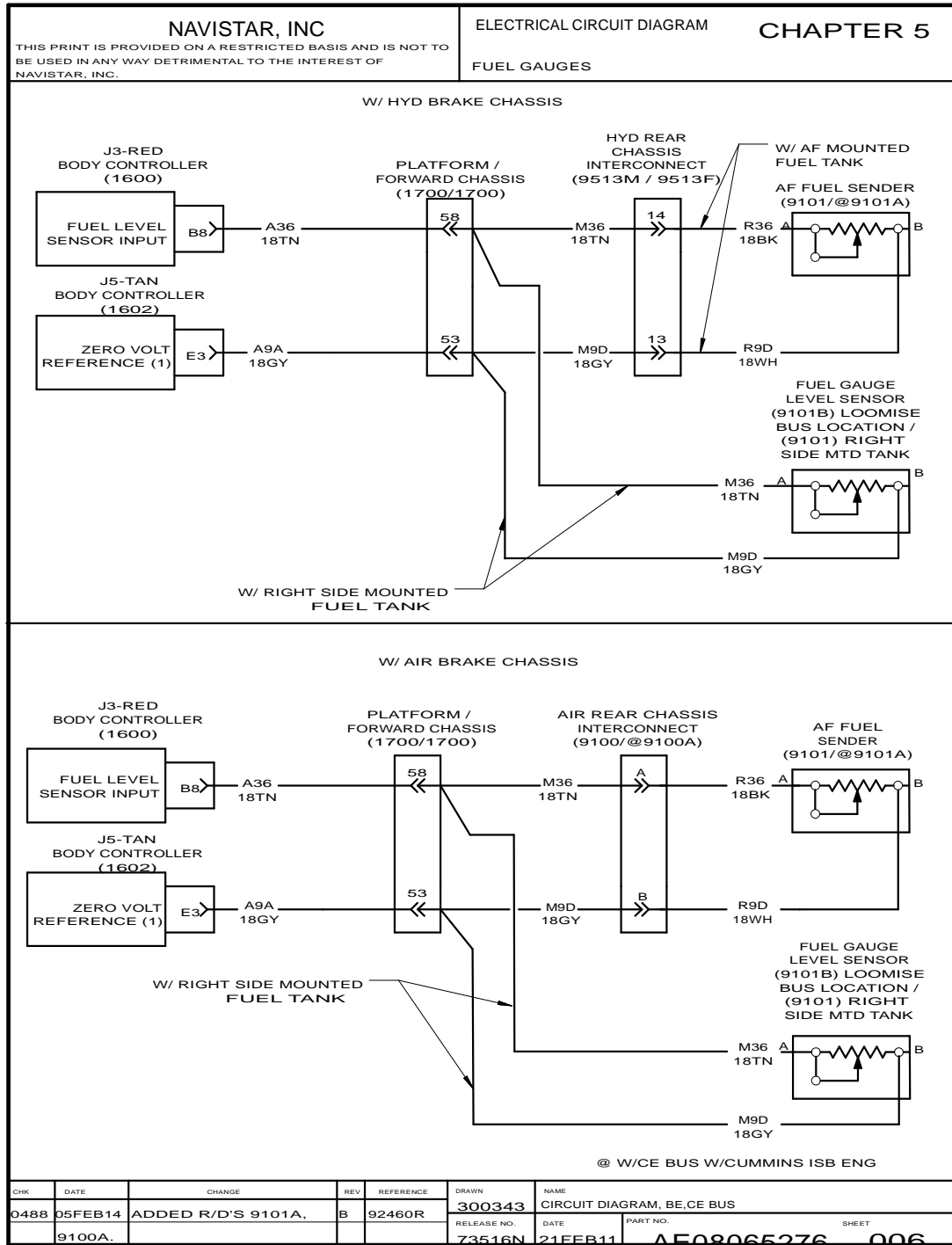


Figure 113 Fuel Gauges

5.7. CHANGE TRANSMISSION OIL FILTER LIGHT AND EXHAUST AFTERTREATMENT INDICATORS, P. 7

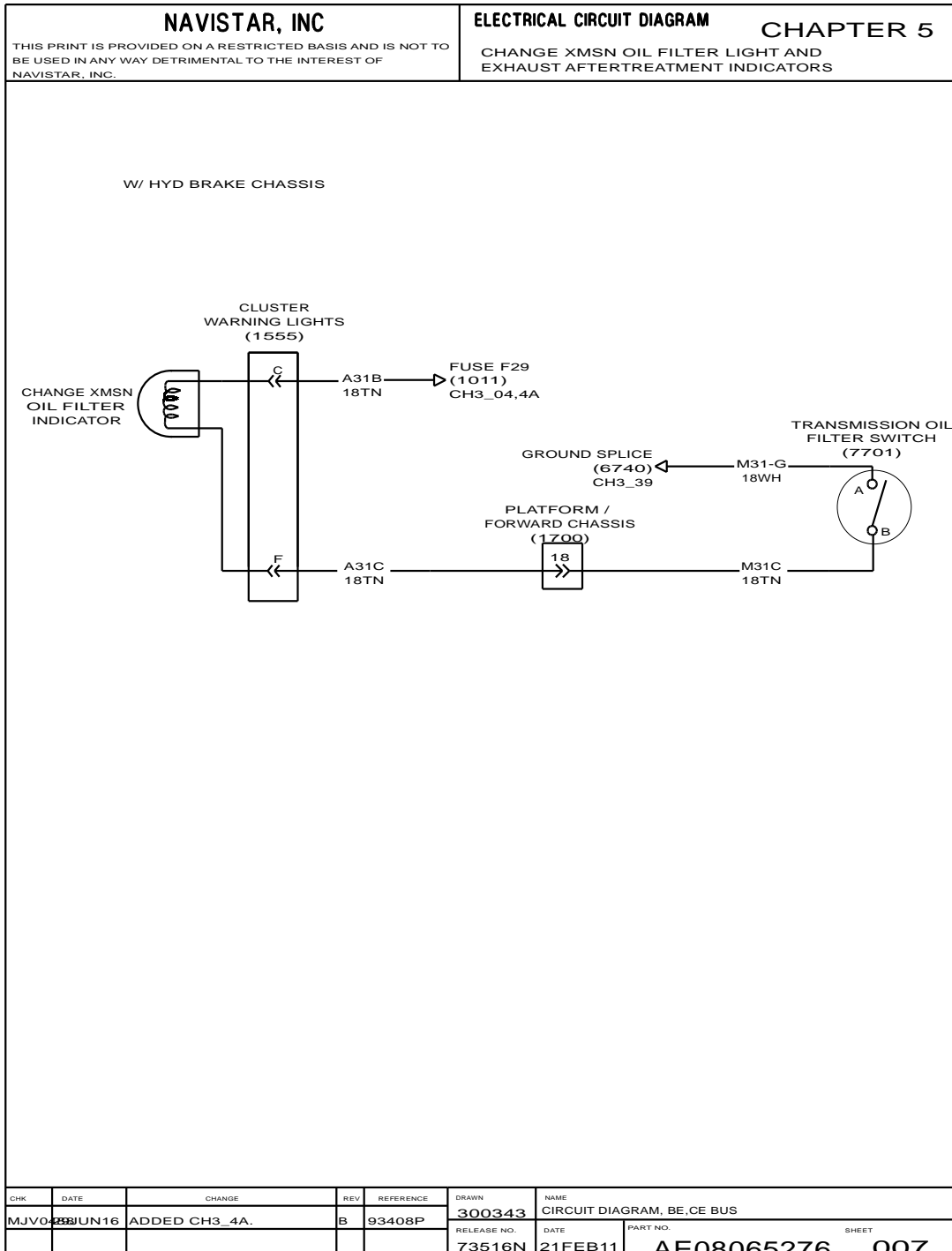


Figure 114 Change Transmission Oil Filter Light and Exhaust Aftertreatment Indicators

5.8. ENGINE COMPARTMENT TEMP. INDICATOR, P. 8

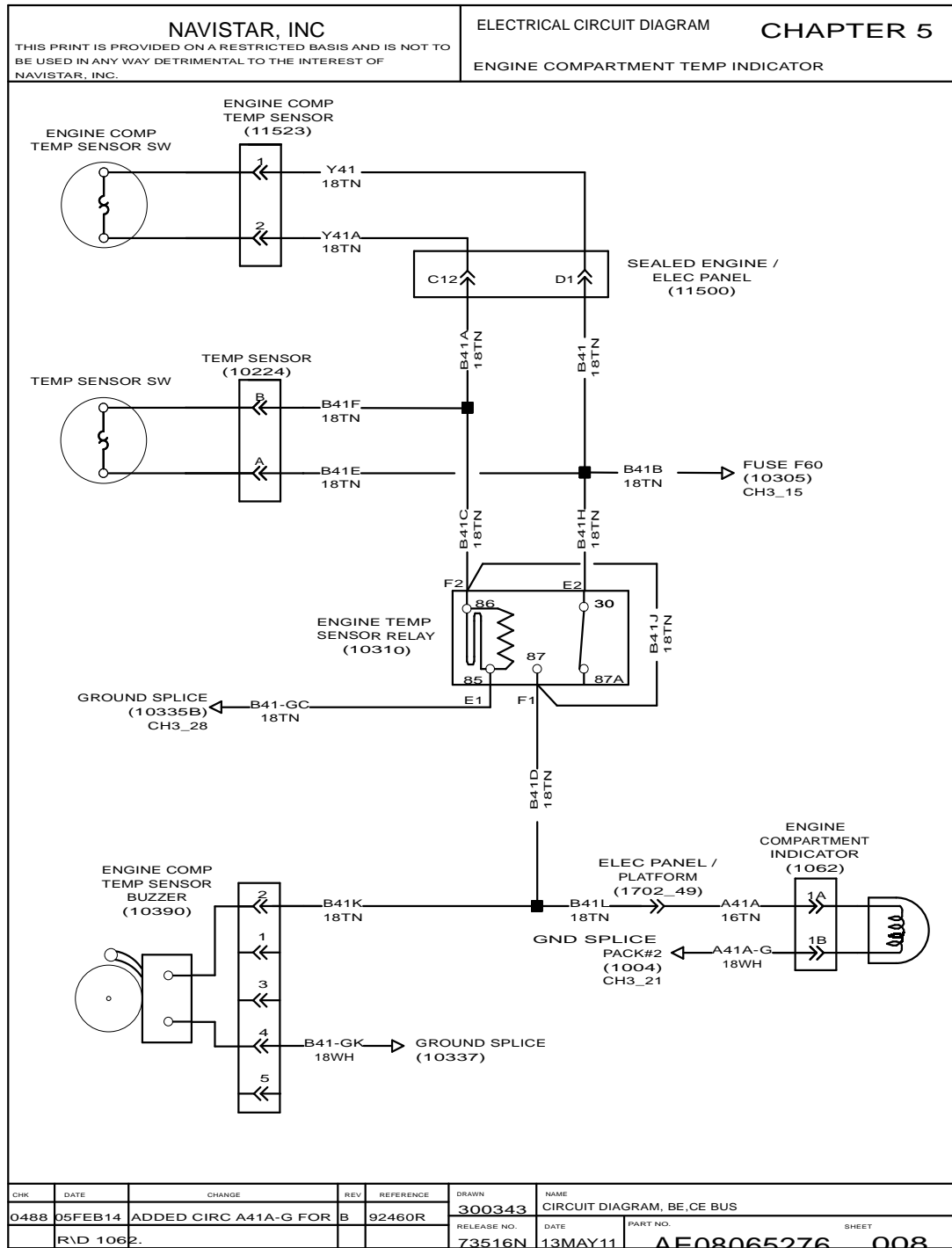


Figure 115 Engine Compartment Temp. Indicator

5.9. LIFT DOOR INDICATOR, P. 9

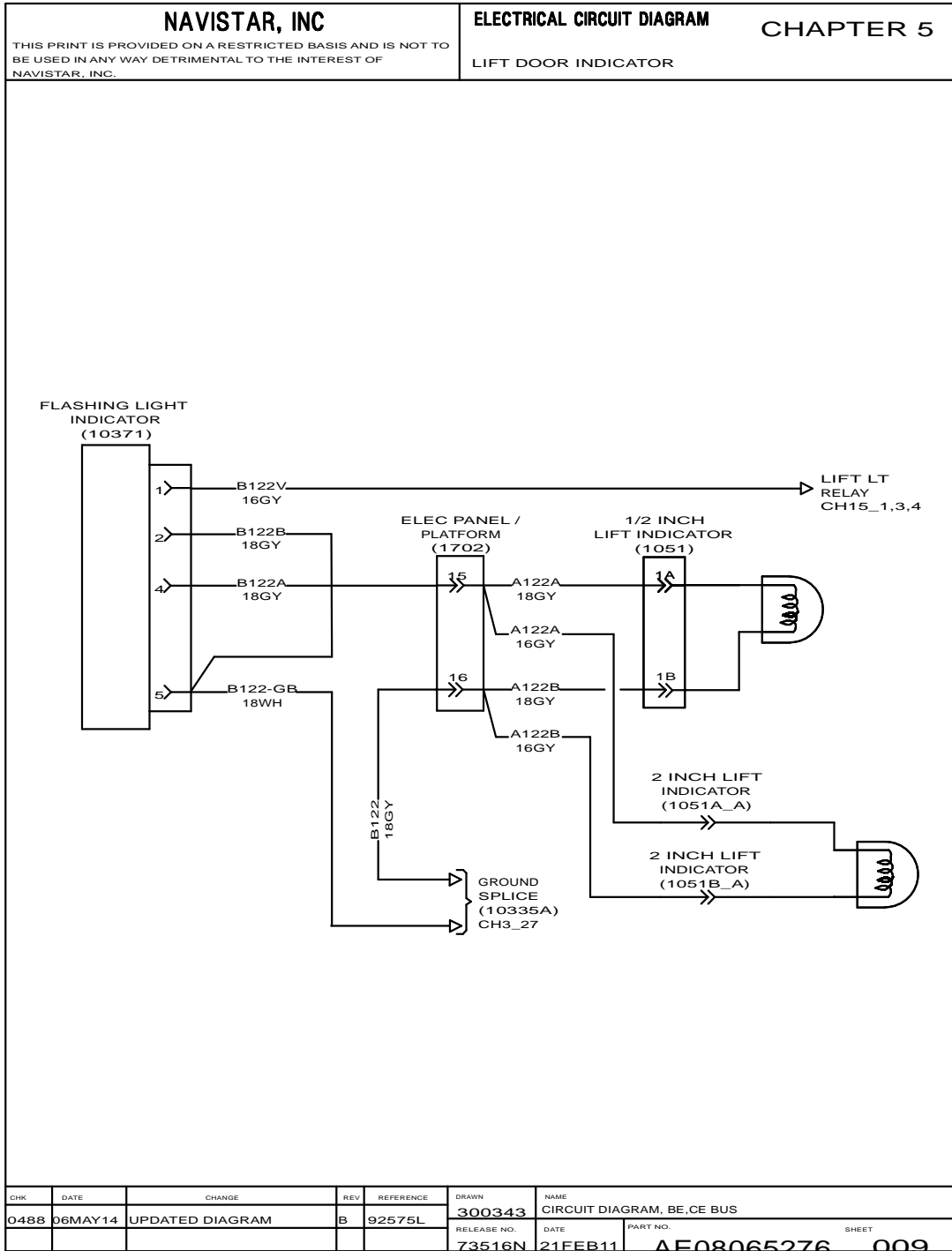


Figure 116 Lift Door Indicator

5.10. AMMETER, P. 10

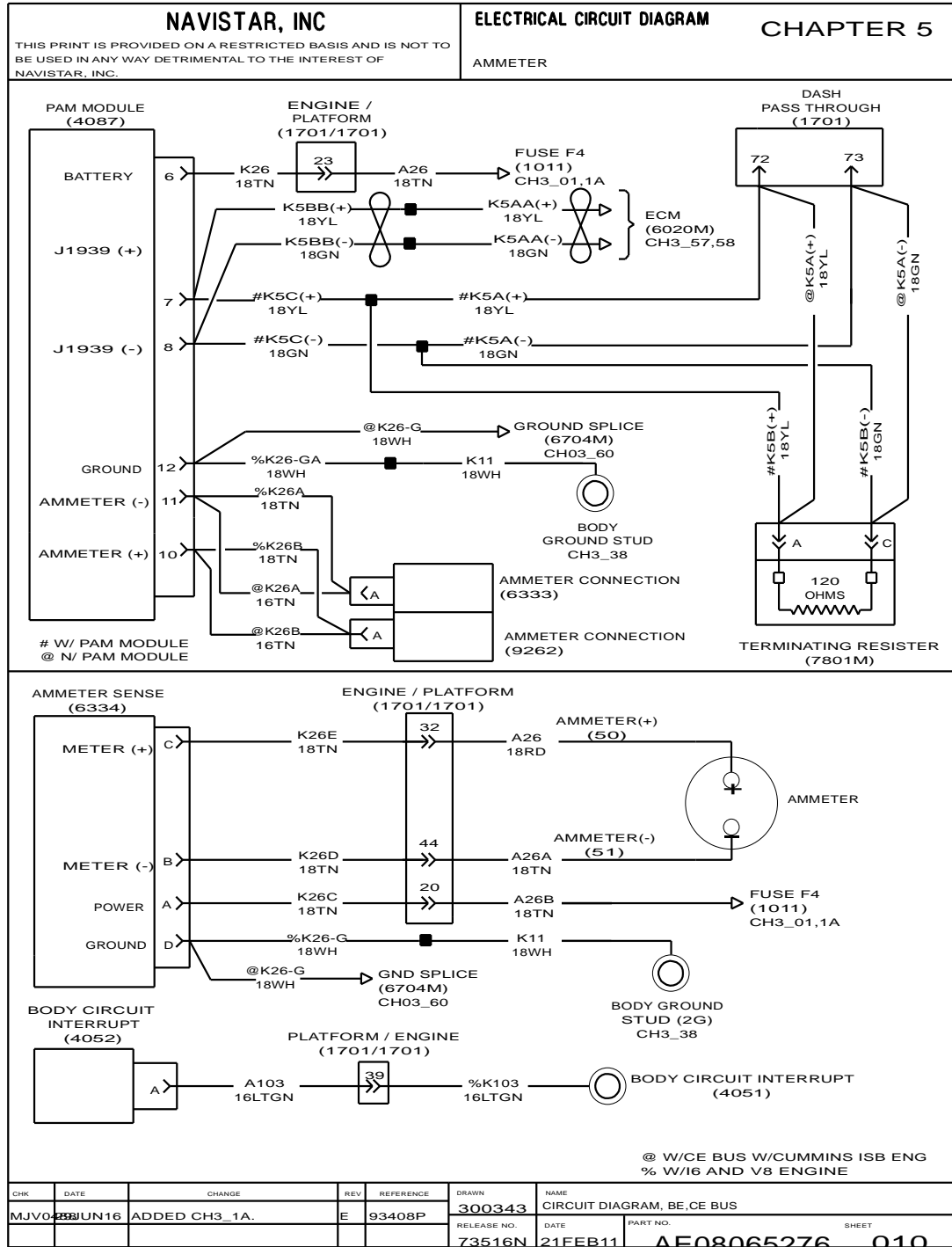


Figure 117 Ammeter

5.11. SEAT BELT ALARM EFFECTS, P. 11

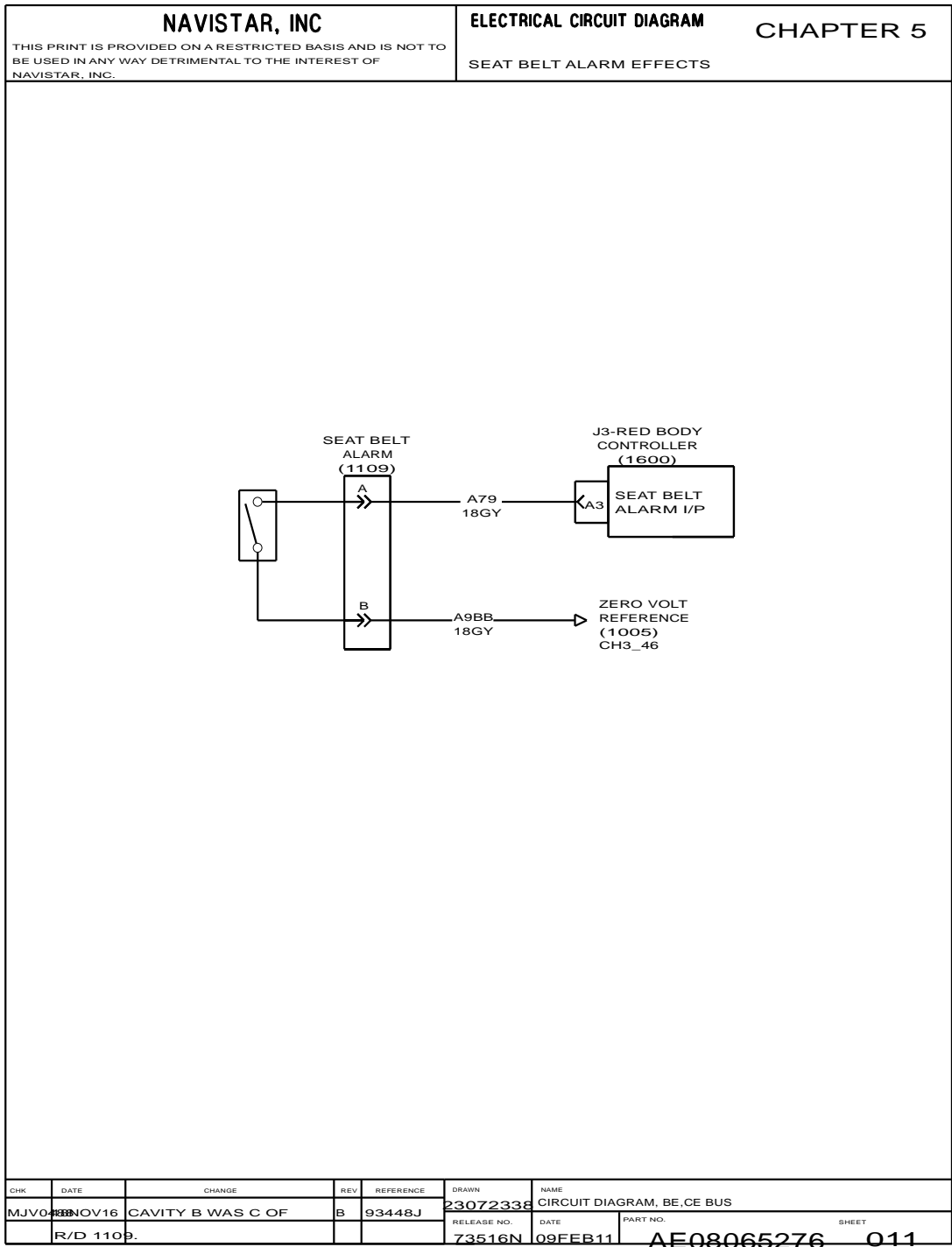


Figure 118 Seat Belt Alarm Effects

5.12. SEAT BELT ALARM EFFECTS WITH CE BUS WITH PROPANE, P. 11A

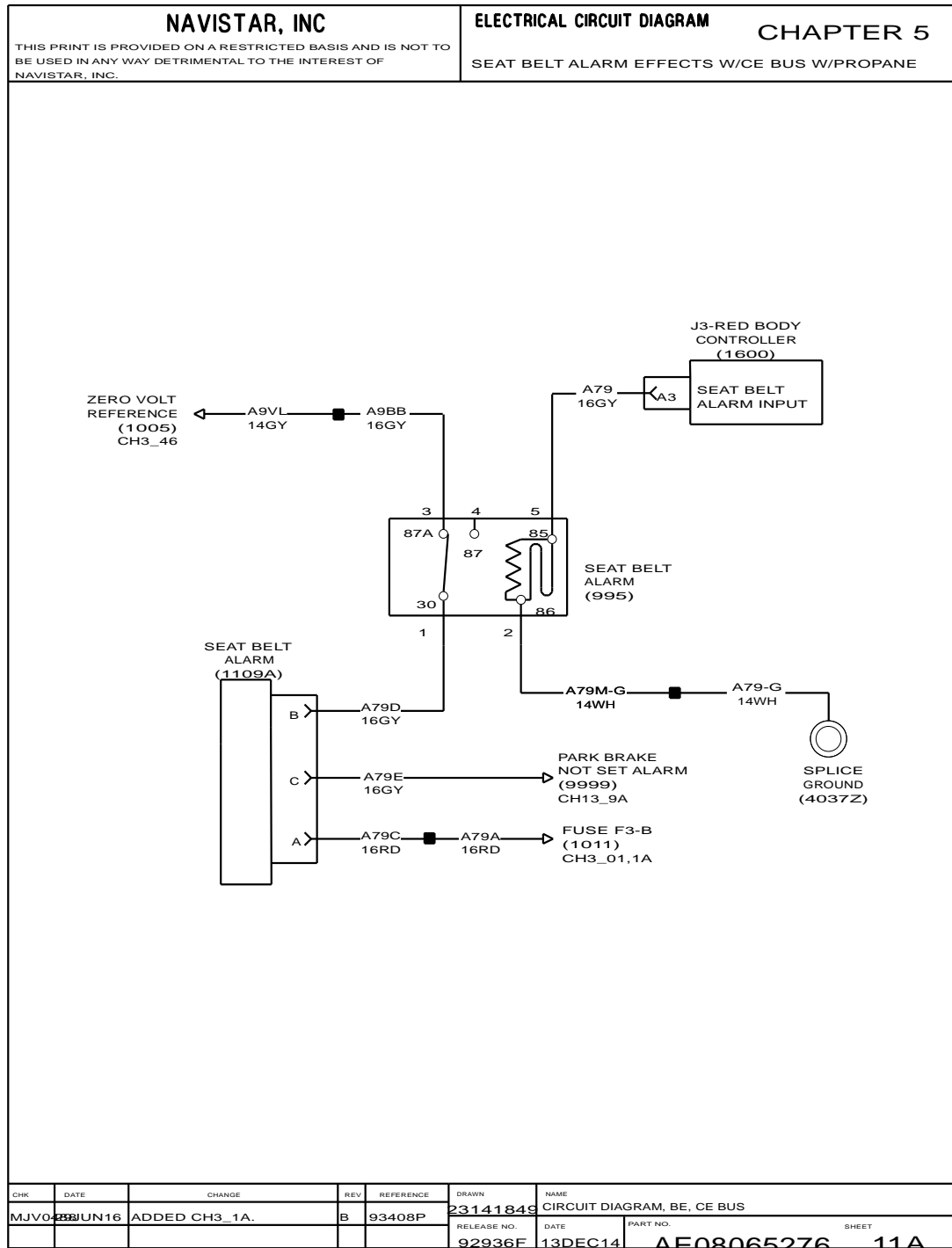


Figure 119 Seat Belt Alarm Effects with CE Bus with Propane

5.13. COMPASS AND TEMPERATURE DISPLAY, P. 12

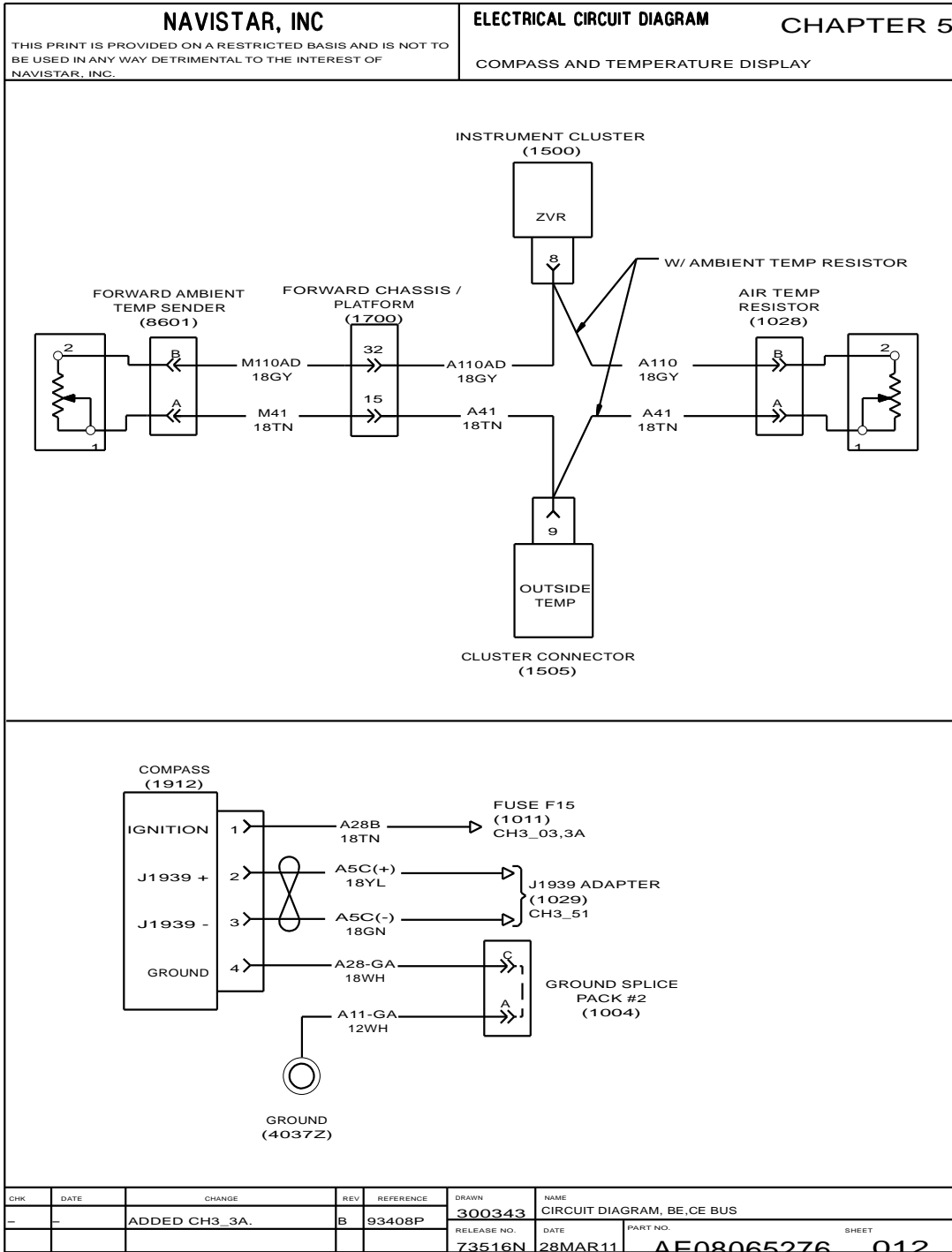


Figure 120 Compass and Temperature Display

5.14. SOUNDOFF PWL MONITOR INDICATORS, P. 13

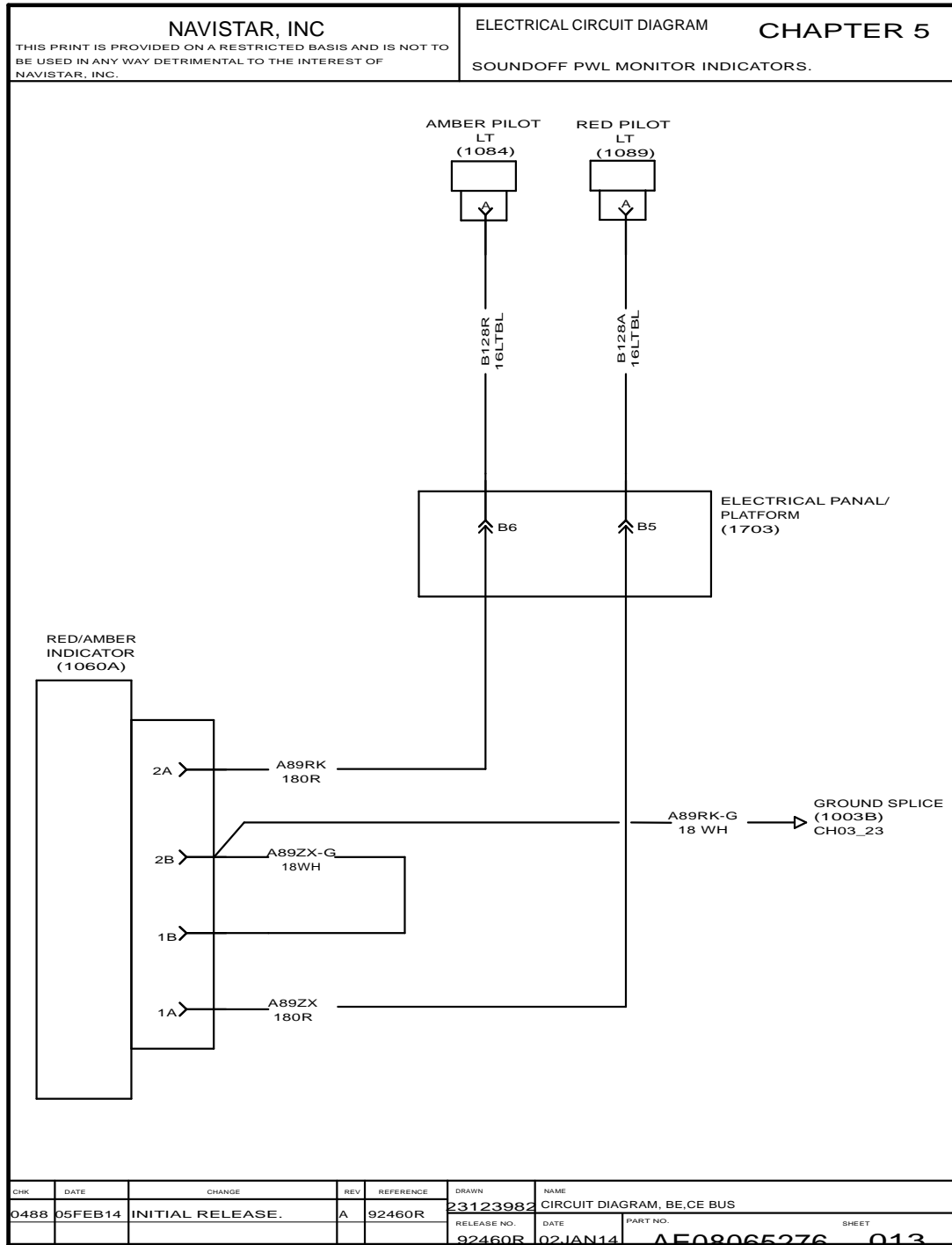


Figure 121 Soundoff PWL Monitor Indicators

5.15. SOUNDOFF PWL MONITOR INDICATORS WITH CE BUS WITH PROPANE, P. 13A

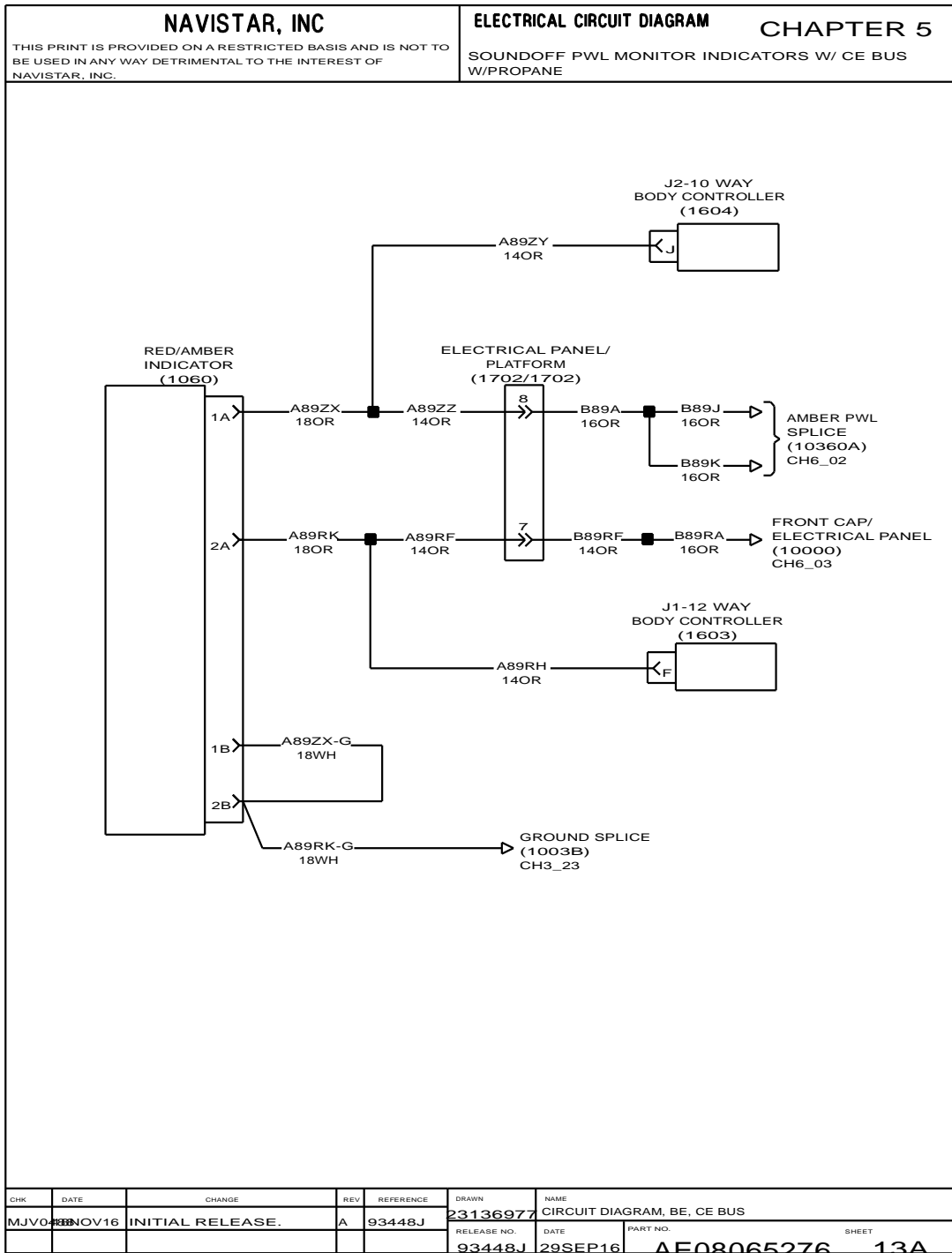


Figure 122 Soundoff PWL Monitor Indicators with CE Bus with Propane

5.16. BODY BUILDER CONNECTIONS, P. 14

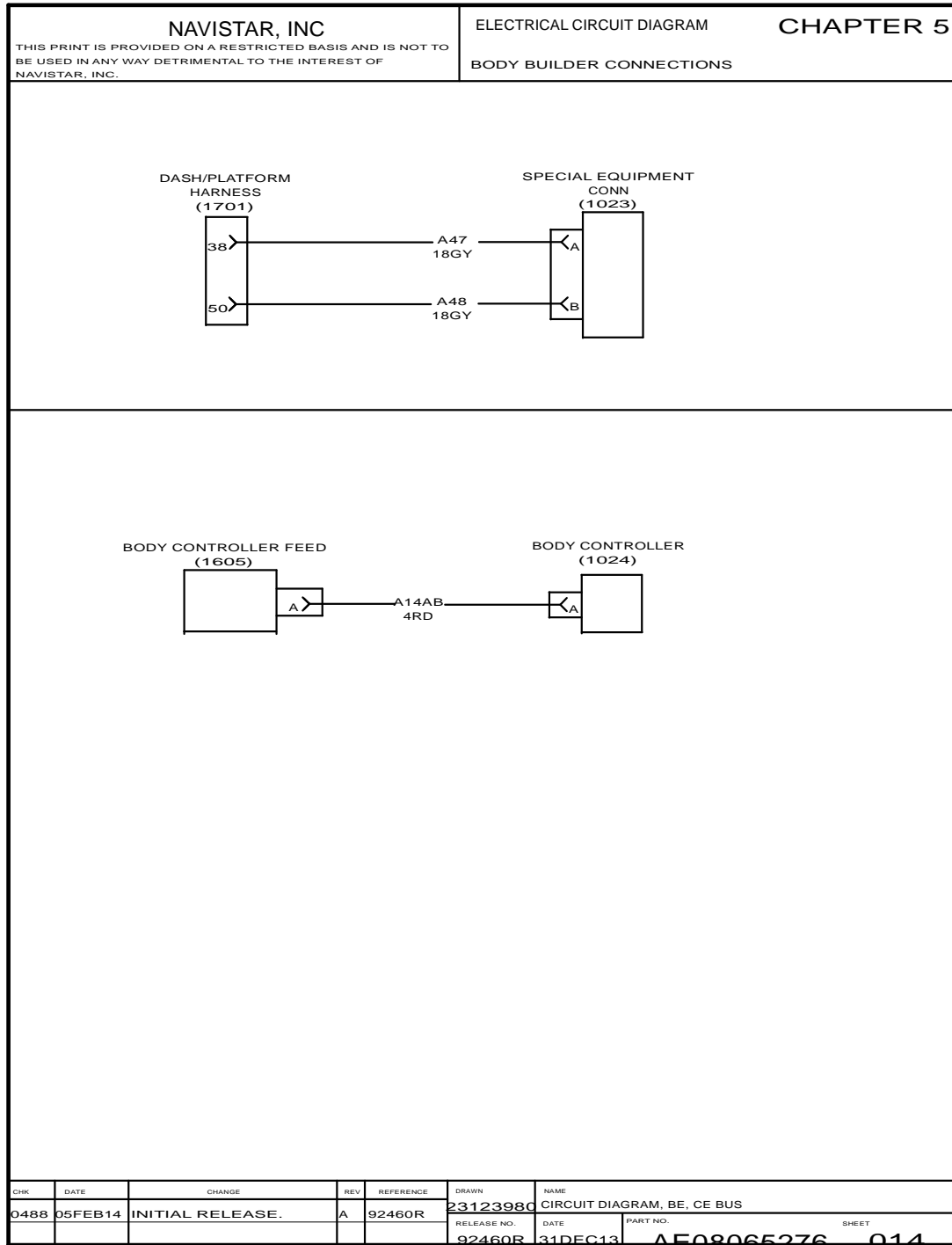


Figure 123 Body Builder Connections

5.17. FUEL TANK WITH CE BUS WITH PROPANE, P. 15

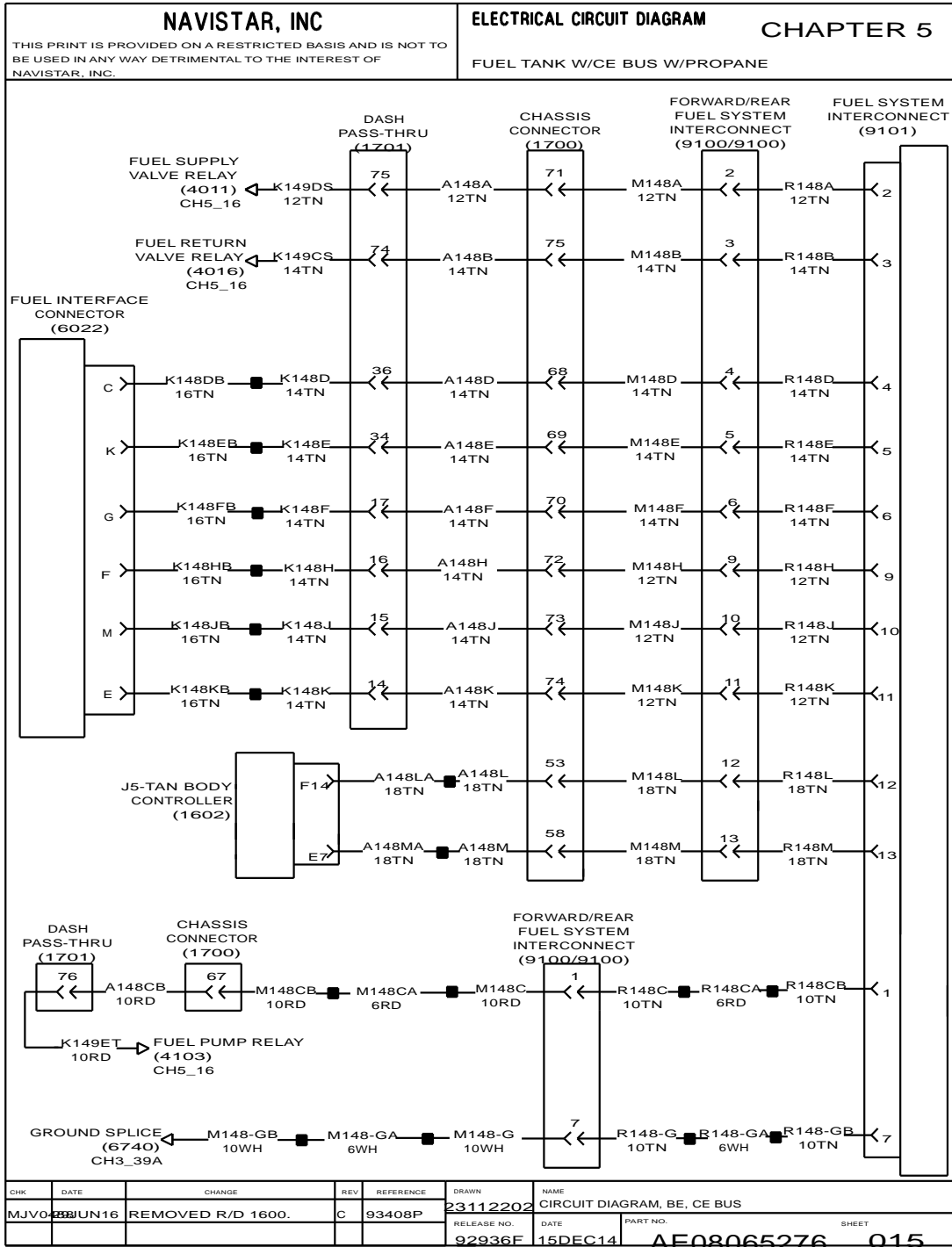


Figure 124 Fuel Tank with CE Bus with Propane

5.18. FUEL TANK WITH CE BUS WITH PROPANE (CONT.), P. 16

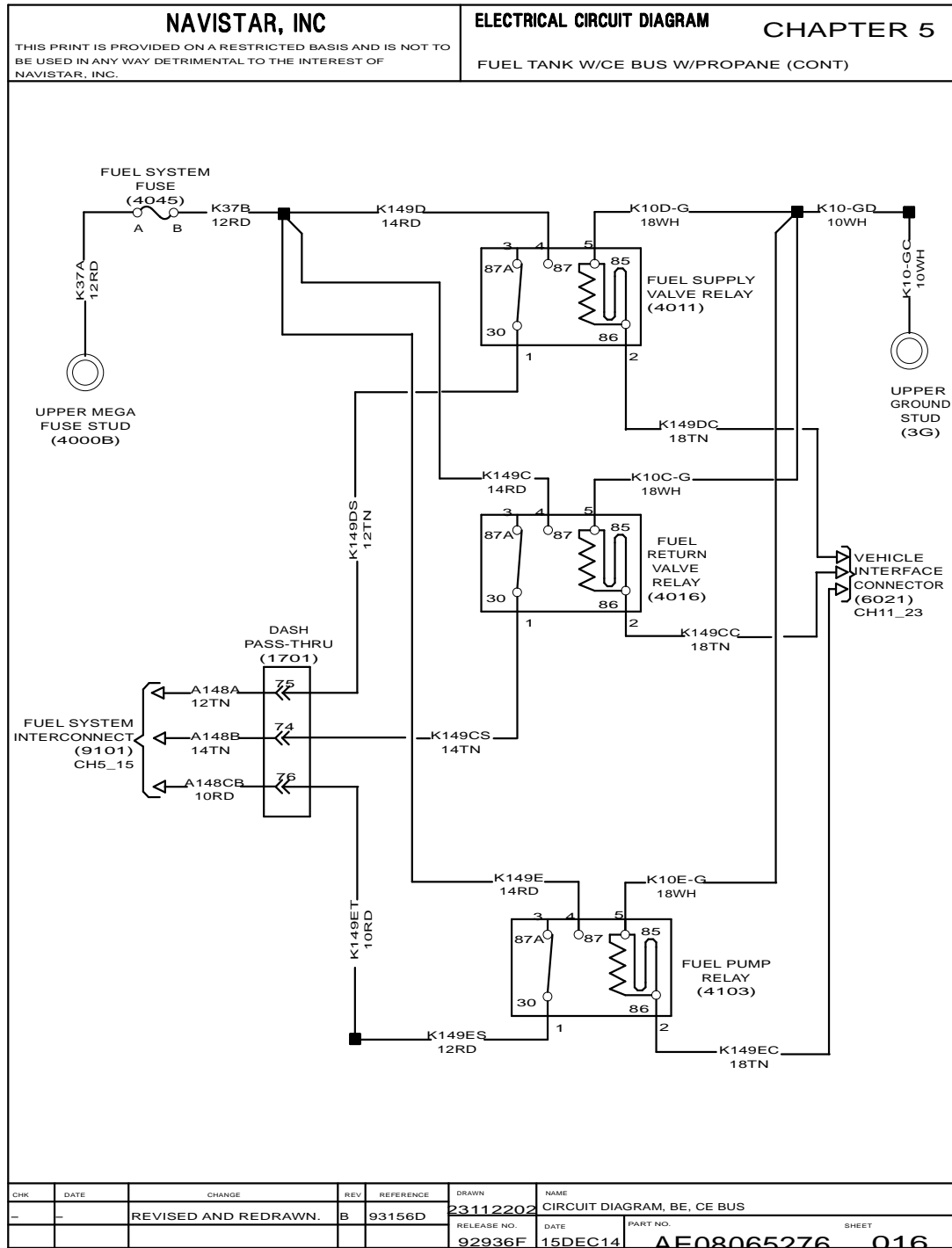


Figure 125 Fuel Tank with CE Bus with Propane (Cont.)

5.19. 150A / 300A AMMETER WIRING WITH F-2017-ISB-ENGINE, P. 17

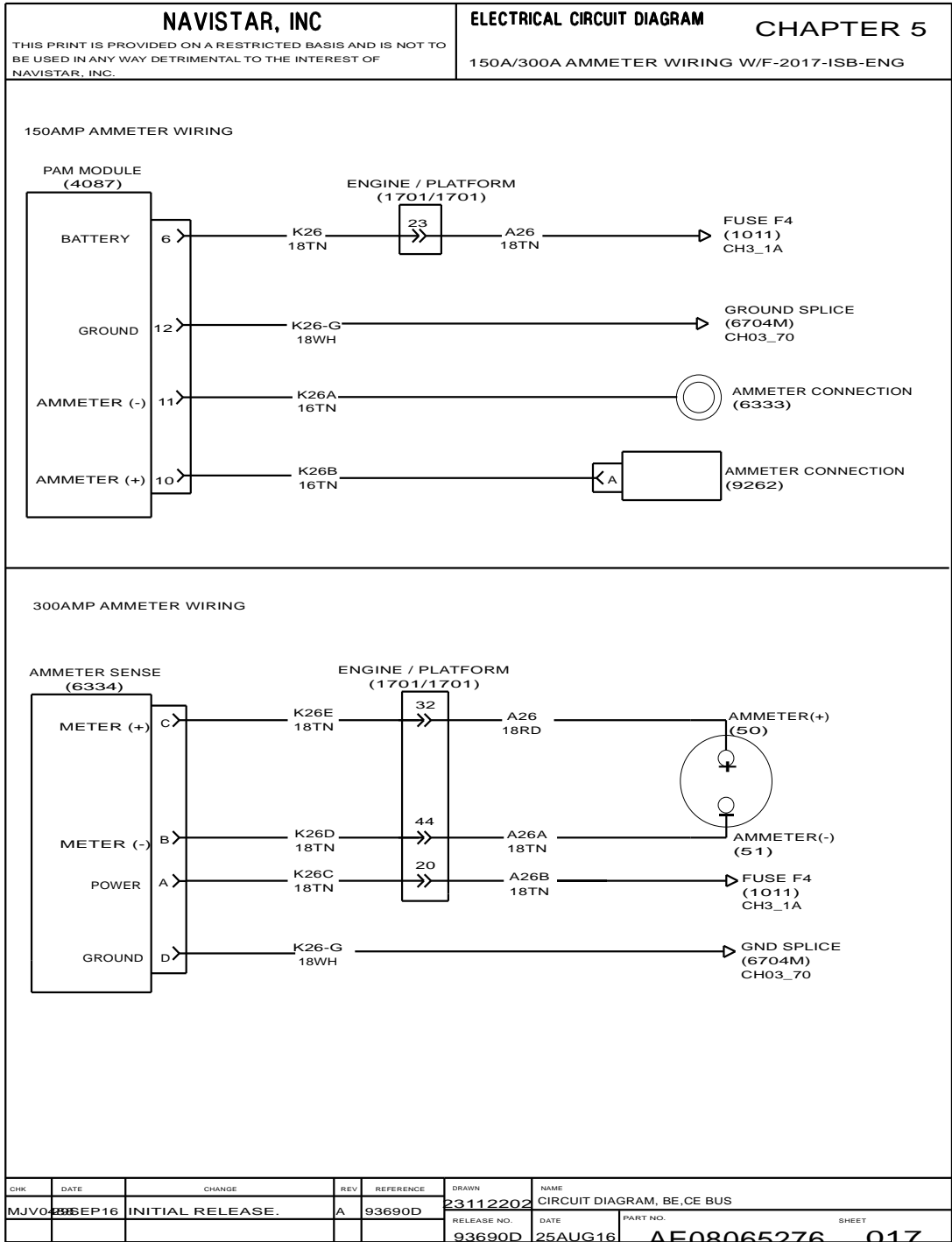


Figure 126 150A / 300A Ammeter Wiring with F-2017-ISB-Engine

PUPIL WARNING LIGHT ACTIVATION (CHAPTER 6)

6.1. RED PUPIL WARNING LIGHT CONTROLS, P. 1

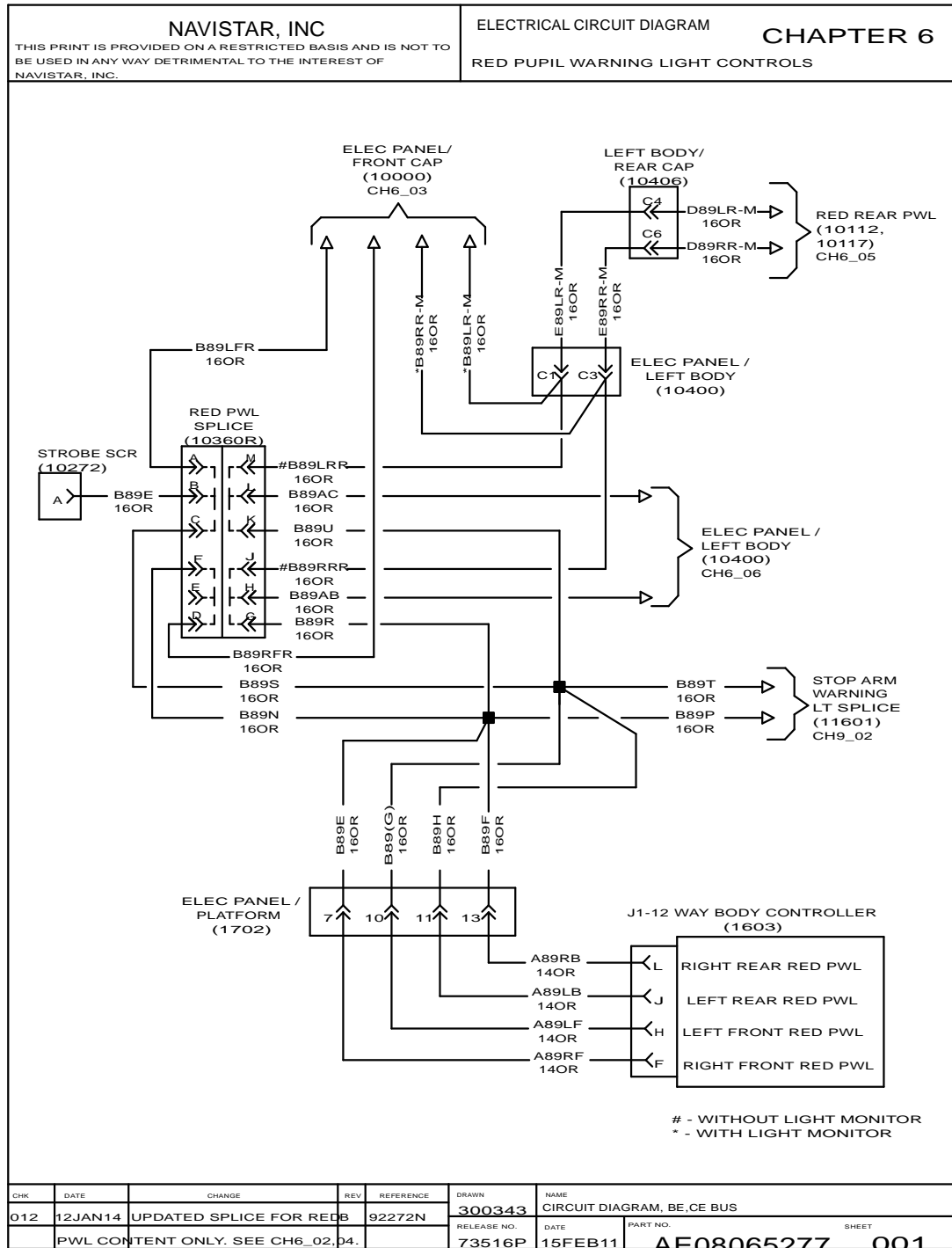


Figure 127 Red Pupil Warning Light Controls

6.2. AMBER PUPIL WARNING LIGHT CONTROLS, P. 2

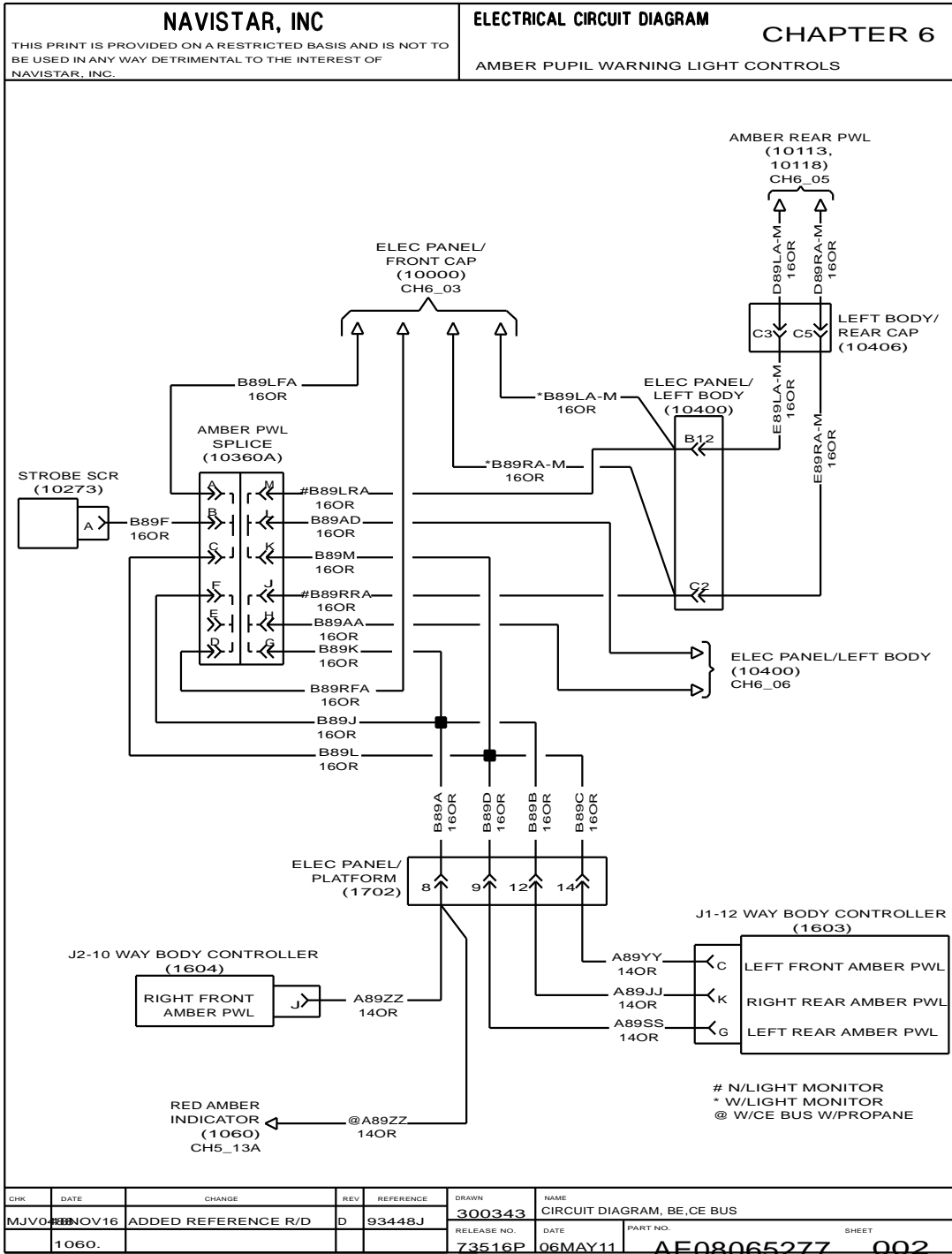


Figure 128 Amber Pupil Warning Light Controls

6.3. FRONT PUPIL WARNING LAMPS, P. 3

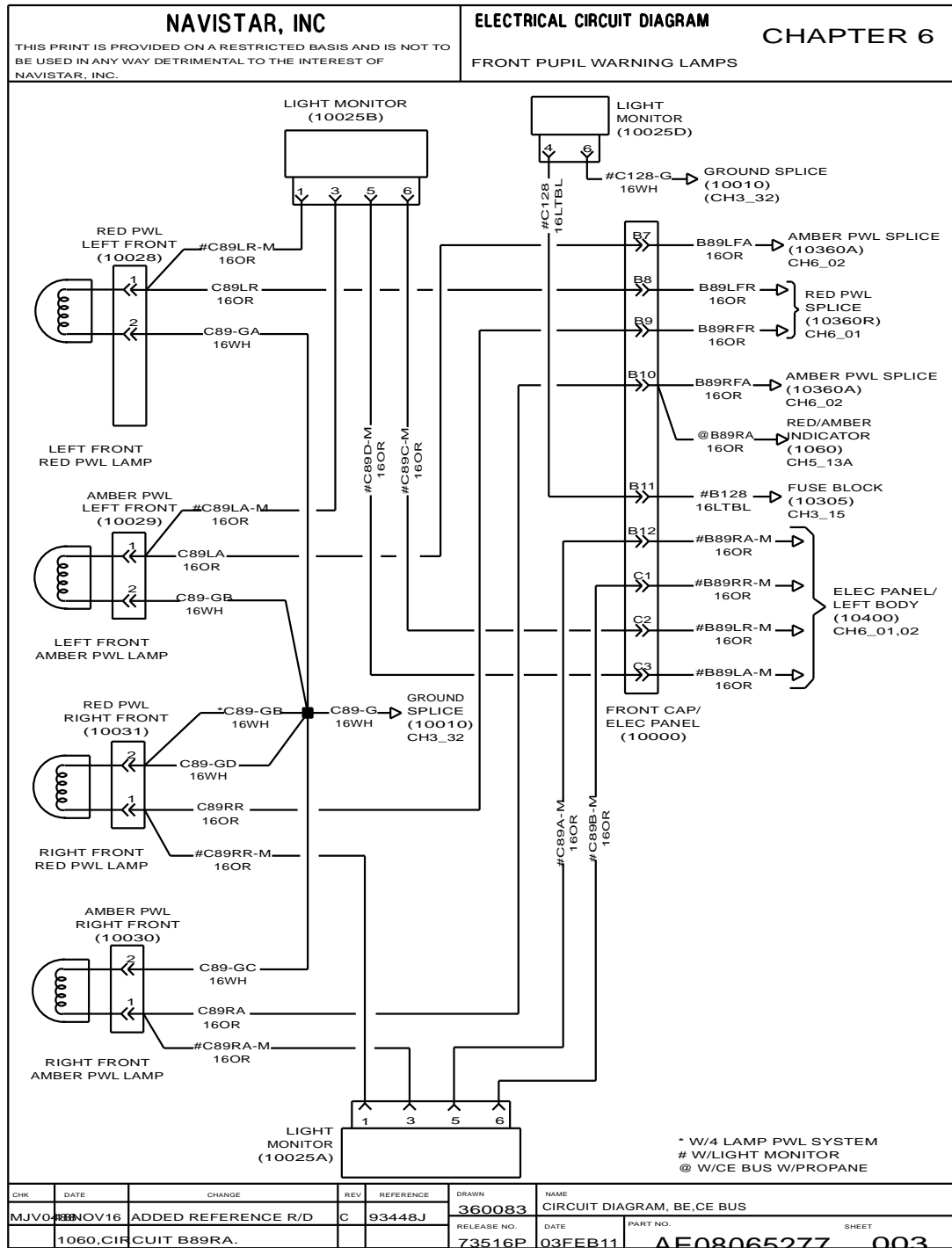


Figure 129 Front Pupil Warning Lamps

6.4. INTENTIONALLY LEFT BLANK, P. 4

NAVISTAR, INC <small>THIS PRINT IS PROVIDED ON A RESTRICTED BASIS AND IS NOT TO BE USED IN ANY WAY DETRIMENTAL TO THE INTEREST OF NAVISTAR, INC.</small>				ELECTRICAL CIRCUIT DIAGRAM		CHAPTER 6	
<p style="font-size: 24px; font-weight: bold;">INTENTIONALLY LEFT BLANK</p>							
CHK	DATE	CHANGE	REV	REFERENCE	DRAWN	NAME	
012	12JAN14	MOVED CONTENT TO	B	92272N	360083	CIRCUIT DIAGRAM, BE,CE BUS	
					RELEASE NO.	DATE	PART NO.
	CH6_01_02.				73516P	03FEB11	AE08065277
						SHEET	004

Figure 130 Intentionally Left Blank

6.5. REAR PUPIL WARNING LAMPS, P. 5

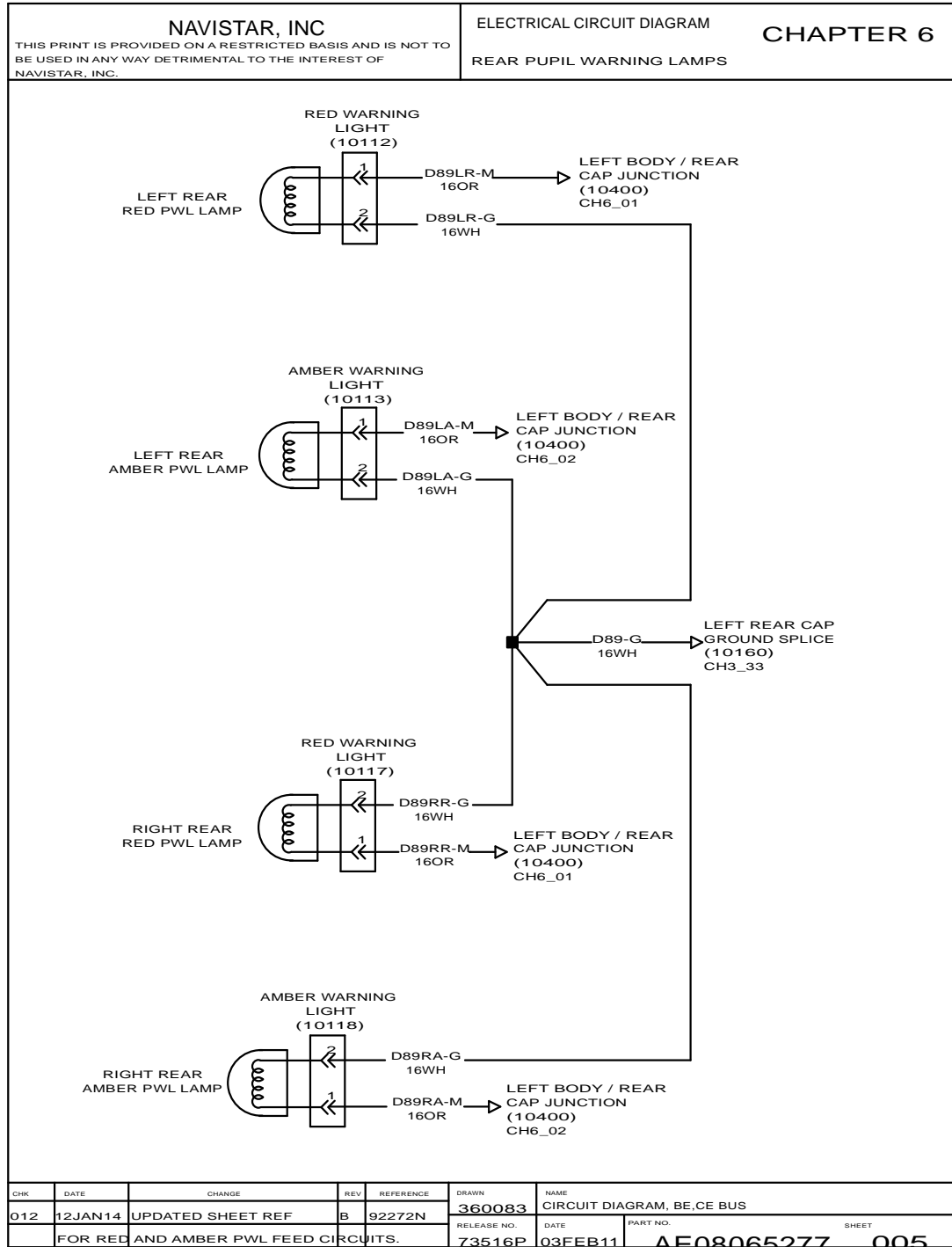


Figure 131 Rear Pupil Warning Lamps

6.6. PUPIL WARNING LIGHTS WITH DRIVER ALERT SIGN, P. 6

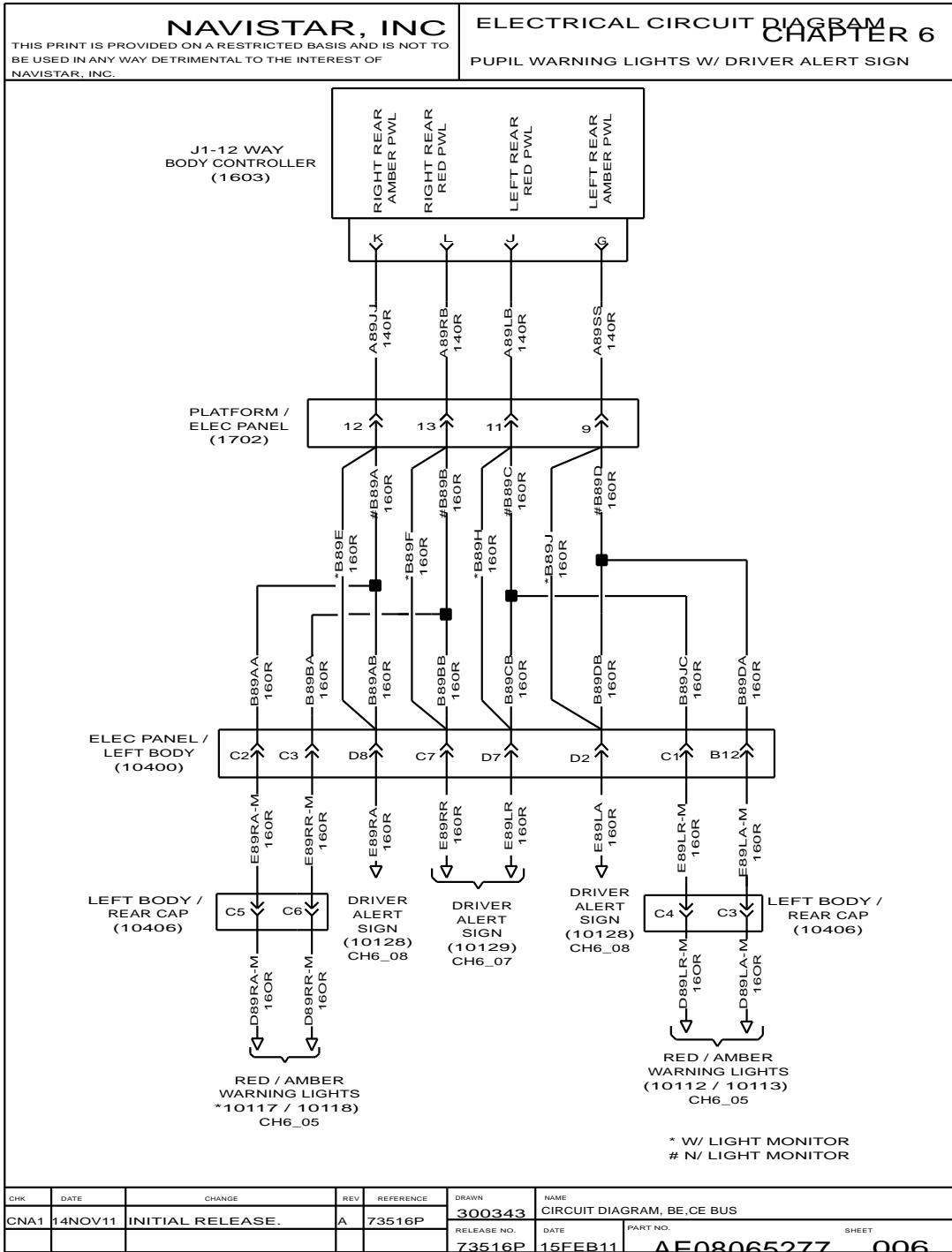


Figure 132 Pupil Warning Lights with Driver Alert Sign

6.7. PUPIL WARNING LIGHTS WITH DRIVER ALERT SIGN (CONT.), P. 7

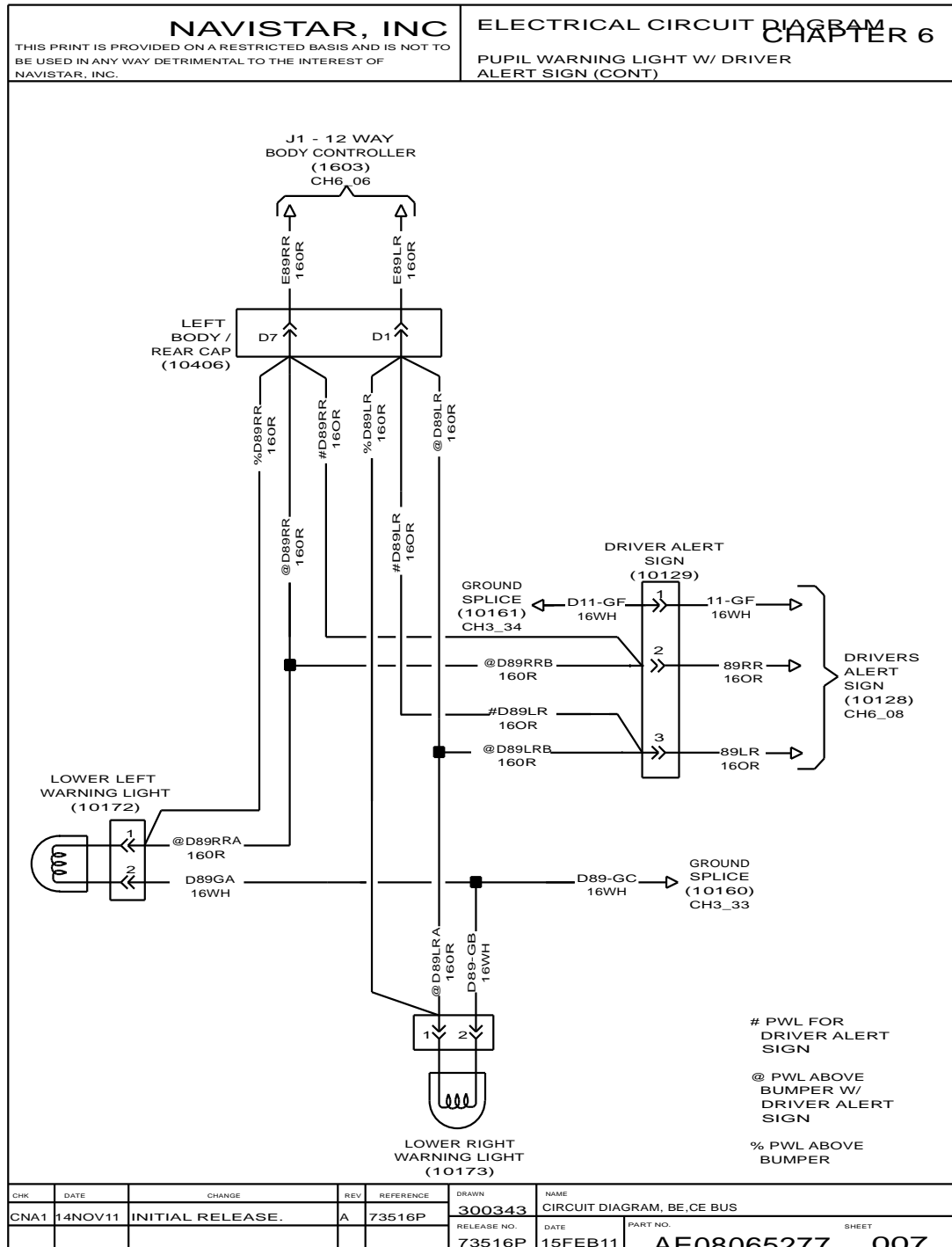


Figure 133 Pupil Warning Lights with Driver Alert Sign (Cont.)

6.8. PUPIL WARNING LIGHTS WITH DRIVER ALERT SIGN (CONT.), P. 8

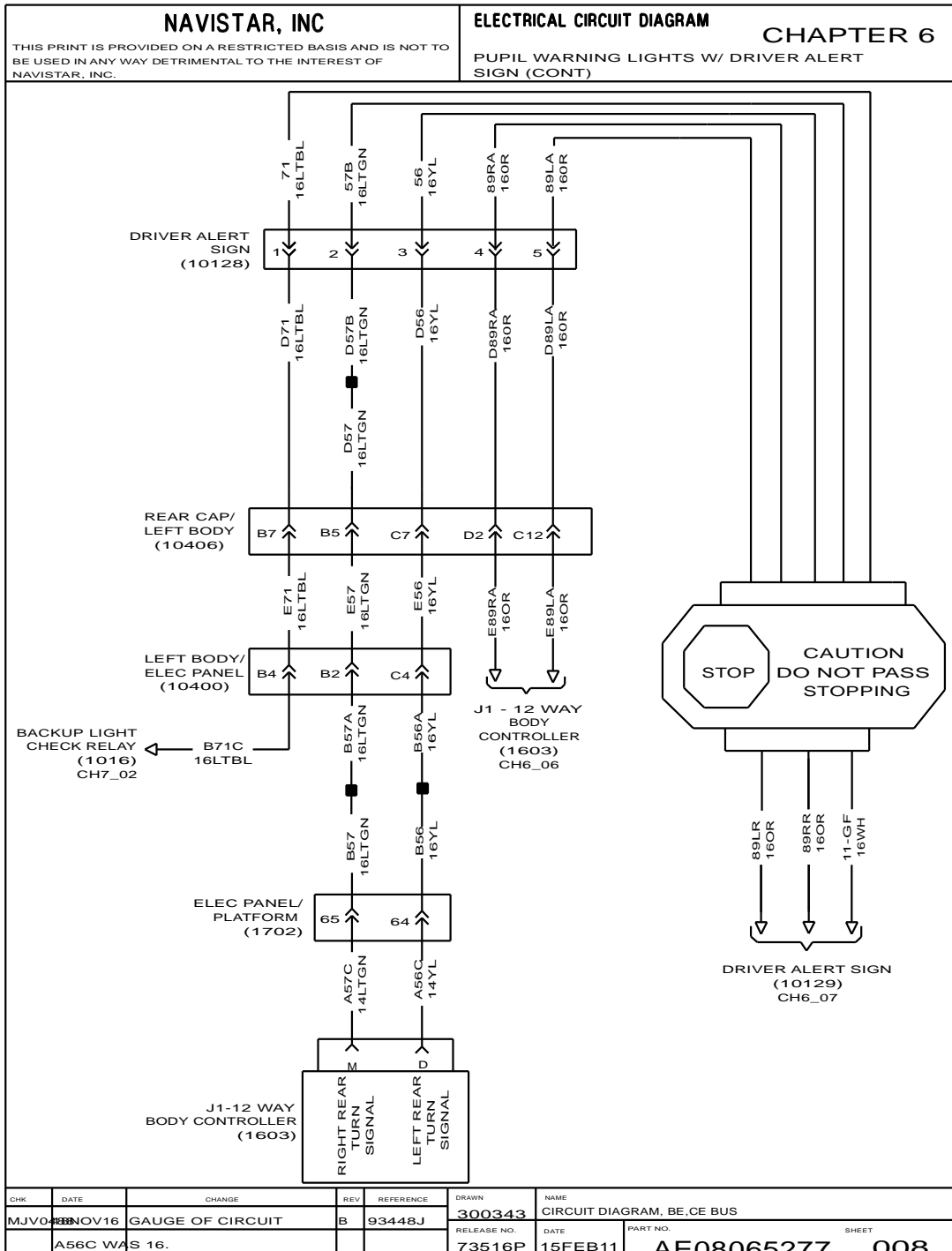


Figure 134 Pupil Warning Lights with Driver Alert Sign (Cont.)

6.9. FLASHER SYSTEM MASTER SWITCH, P. 9

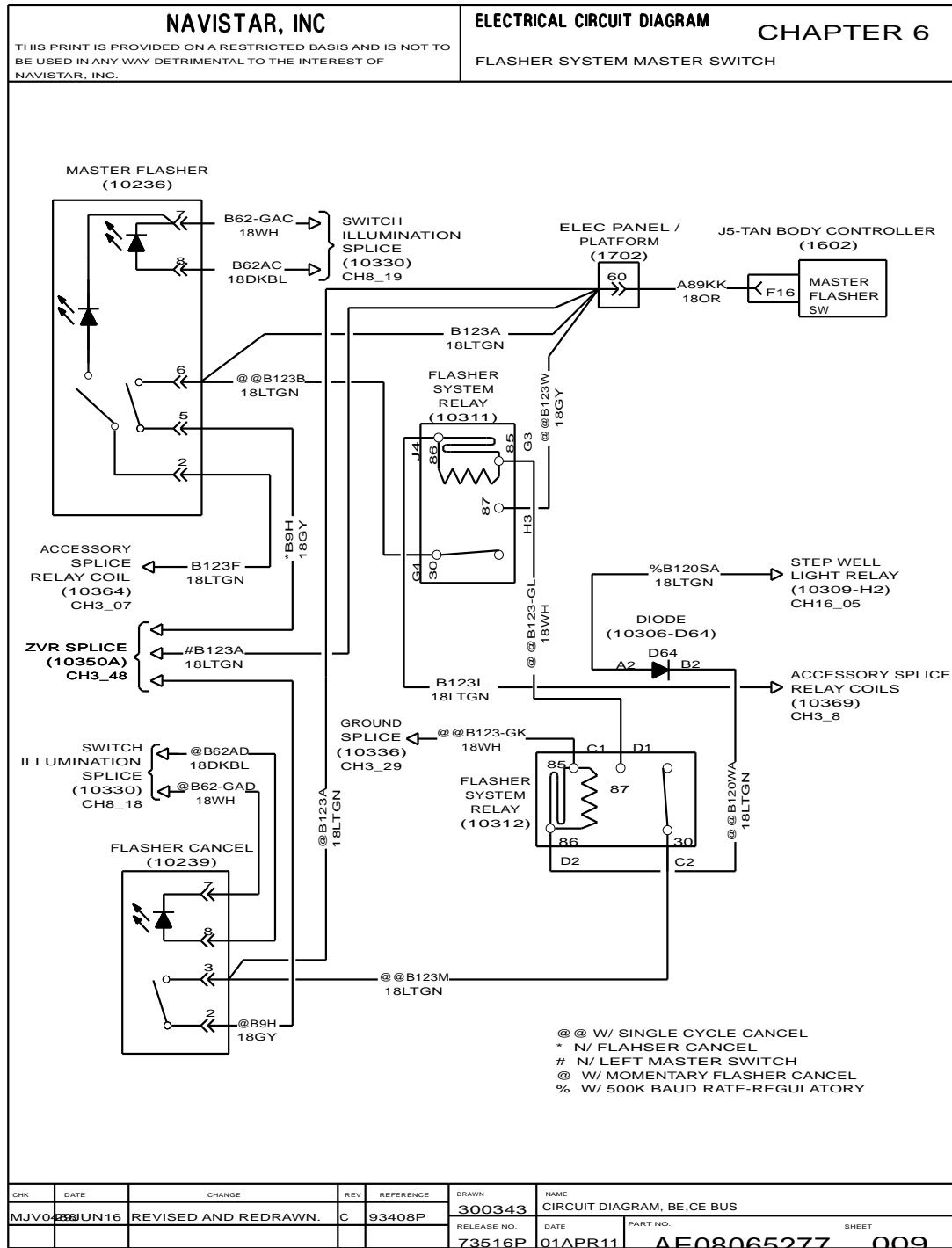


Figure 135 Flasher System Master Switch

6.10. RIGHT SIDE MASTER FLASHER SWITCH, P. 10

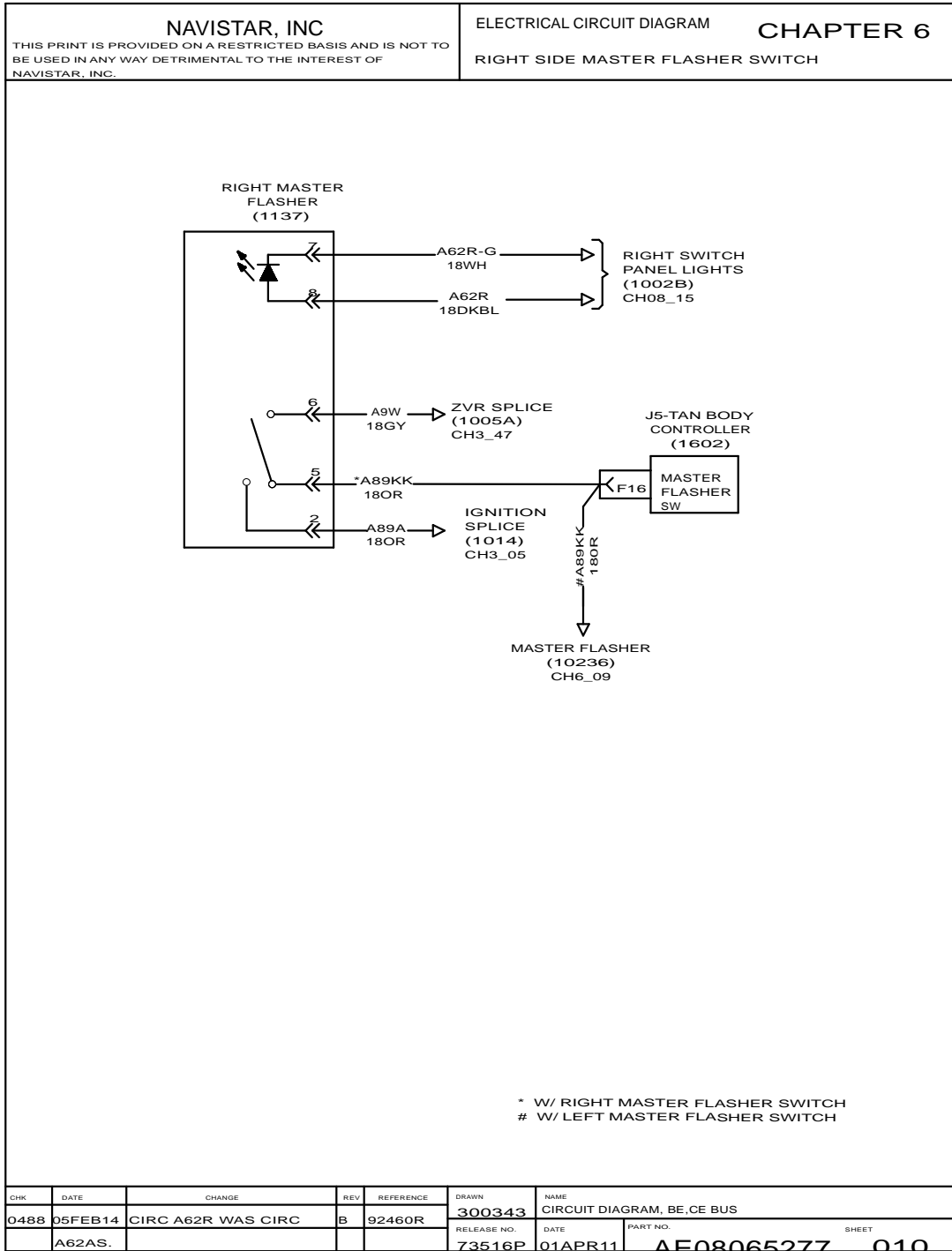


Figure 136 Right Side Master Flasher Switch

6.11. FLASHER START SWITCH EFFECTS, P. 11

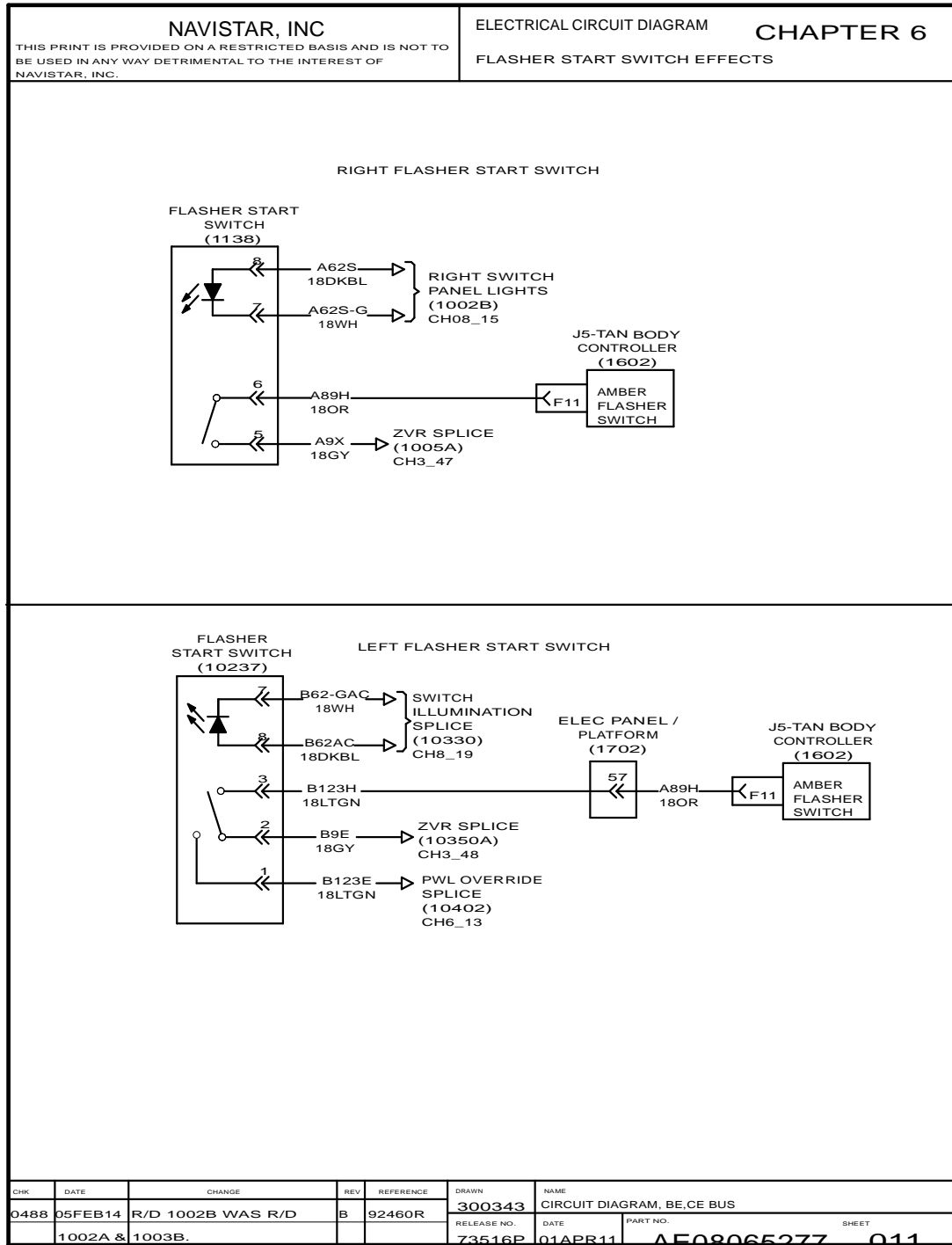


Figure 137 Flasher Start Switch Effects

6.12. FLASHER SYSTEM OVERRIDE SWITCH, P. 12

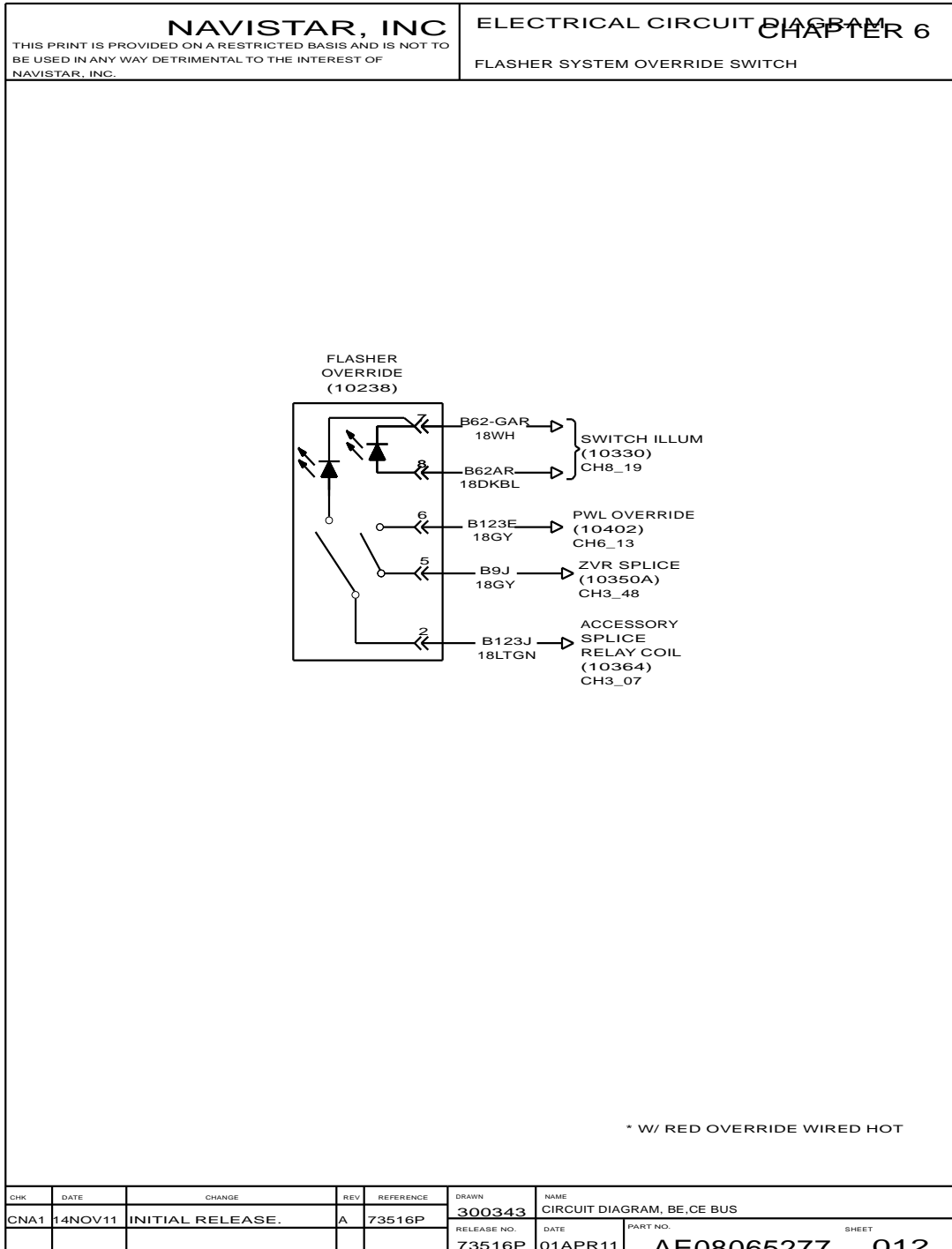


Figure 138 Flasher System Override Switch

6.13. FLASHER OVERRIDE SWITCH EFFECTS (CONT.), P. 13

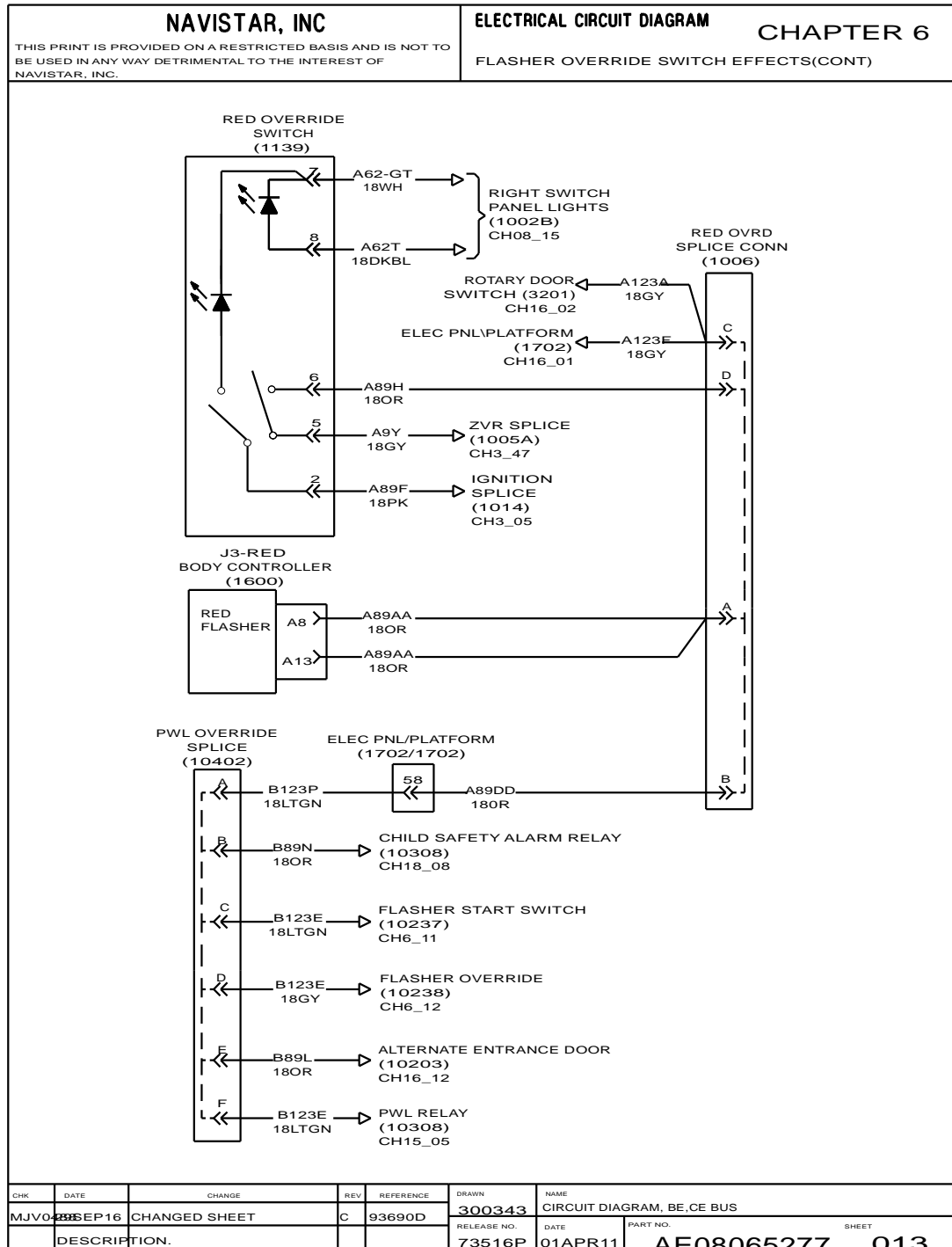


Figure 139 Flasher Override Switch Effects (Cont.)

EXTERNAL LIGHTS (CHAPTER 7)

7.1. BACKUP LIGHTS, P. 1

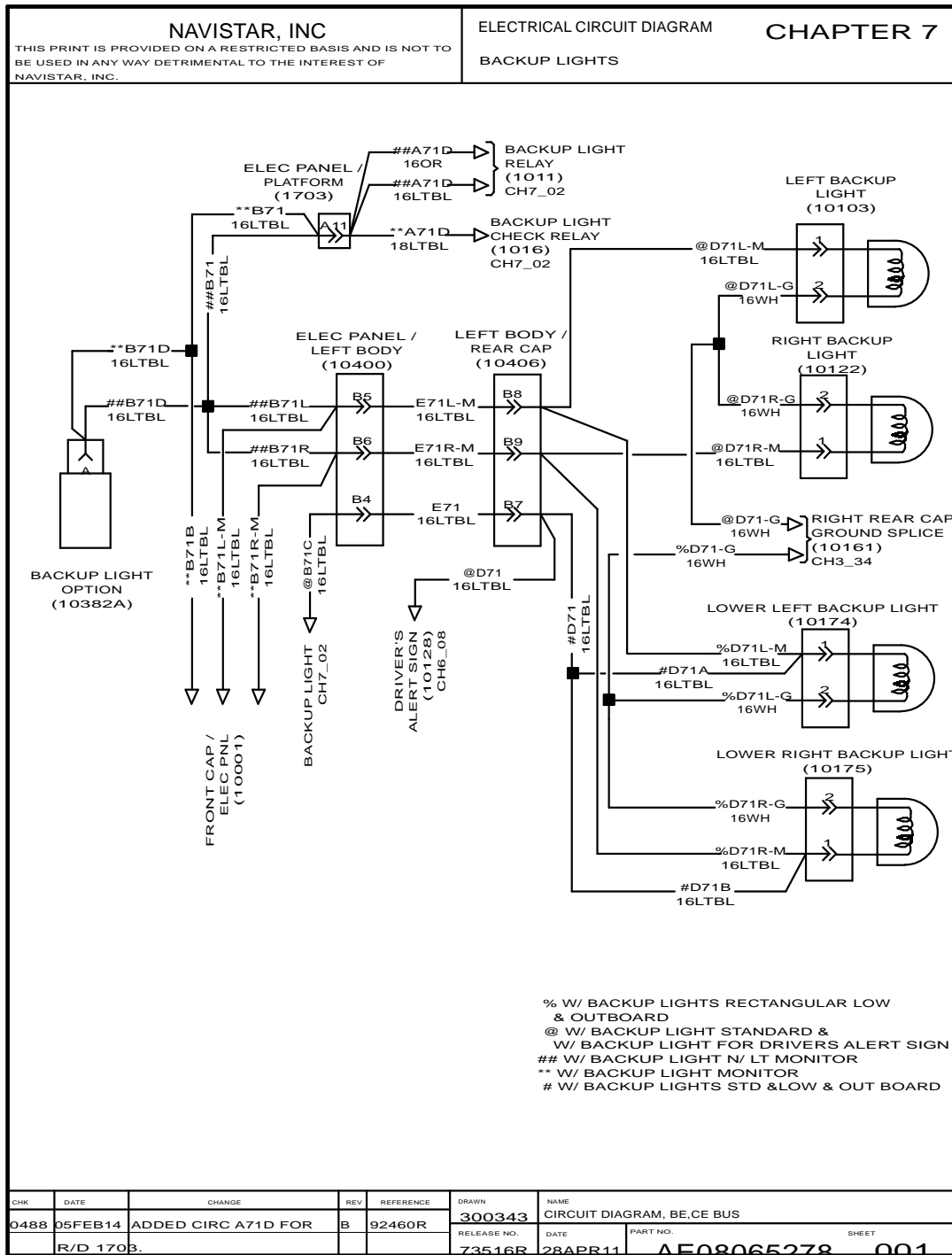


Figure 140 Backup Lights

7.2. BACKUP LIGHTS (CONT.), P. 2

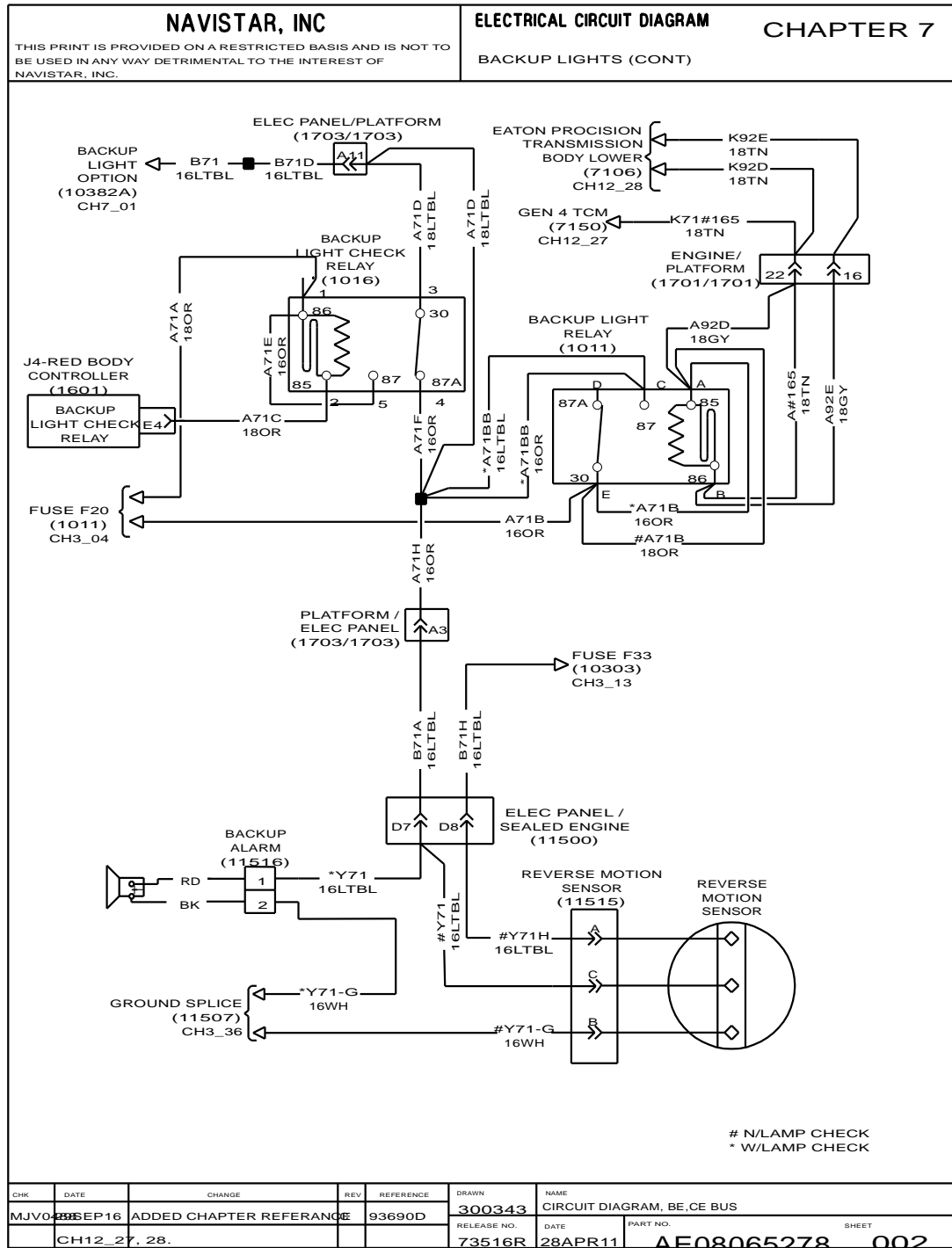


Figure 141 Backup Lights (Cont.)

7.3. BACKUP LIGHTS ACTIVATED BY REAR EMERGENCY EXIT, P. 3

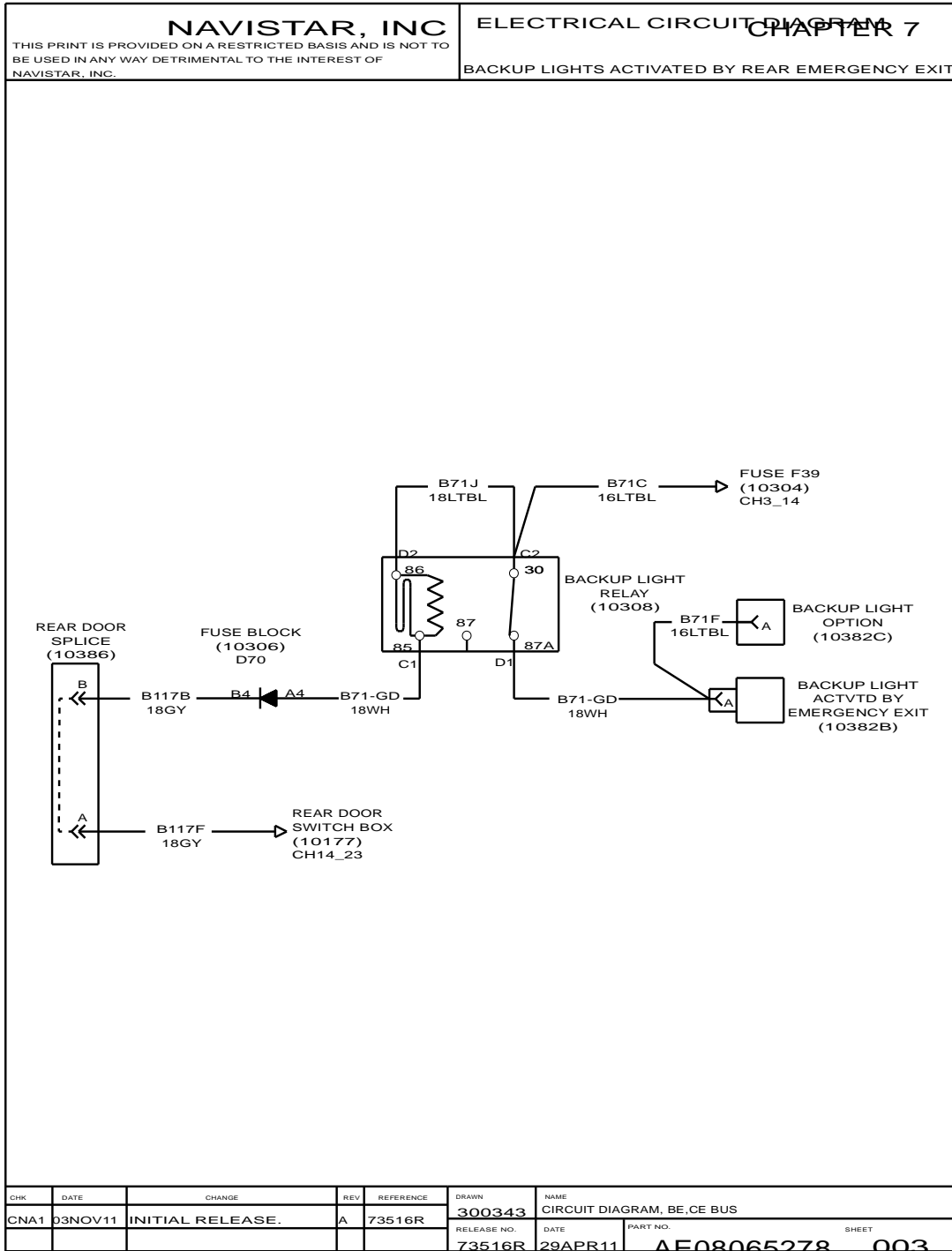


Figure 142 Backup Lights Activated By Rear Emergency Exit

7.4. DESTINATION SIGN WITH DUAL SWITCH, P. 4

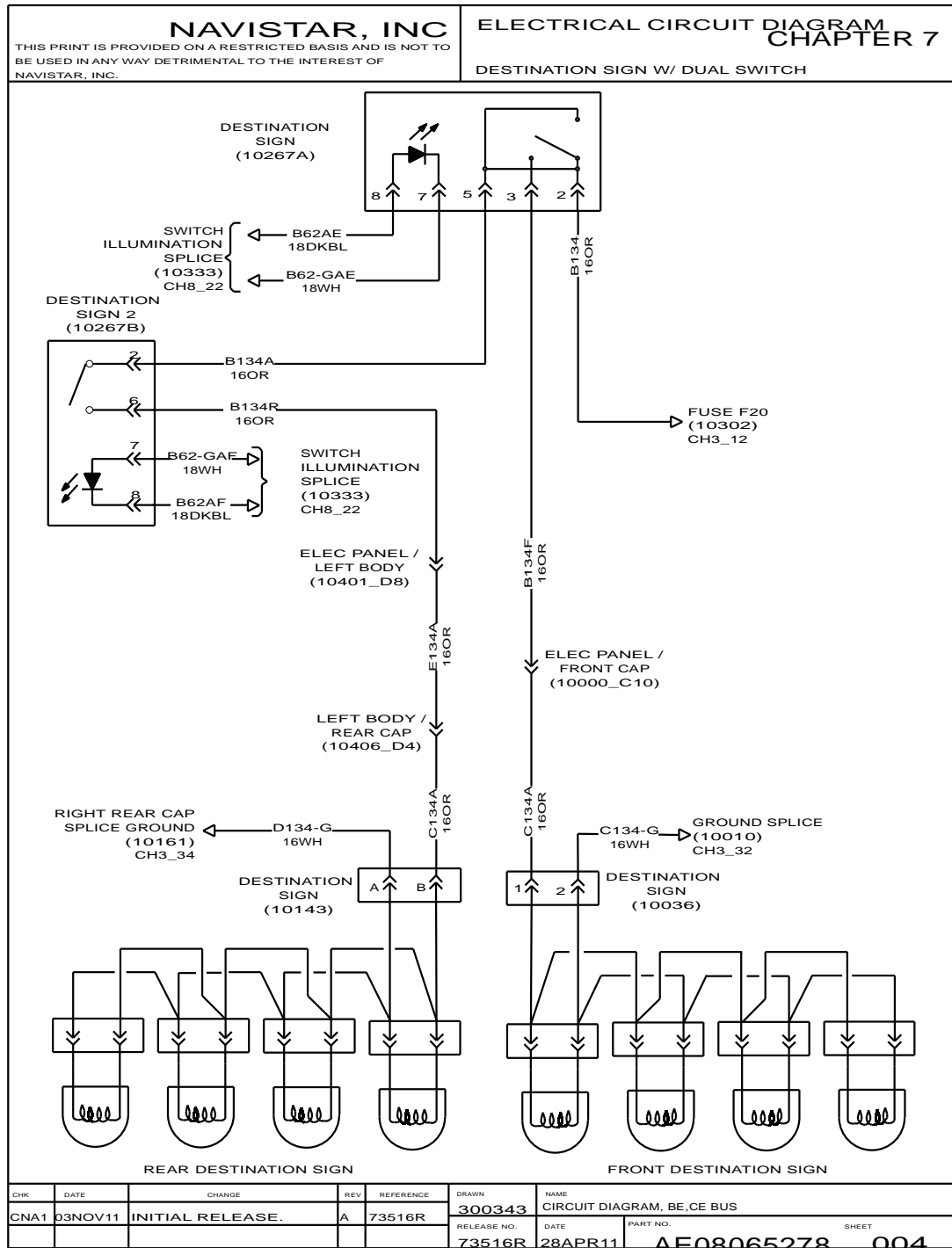


Figure 143 Destination Sign with Dual Switch

7.5. DESTINATION SIGN WITH SINGLE SWITCH, P. 5

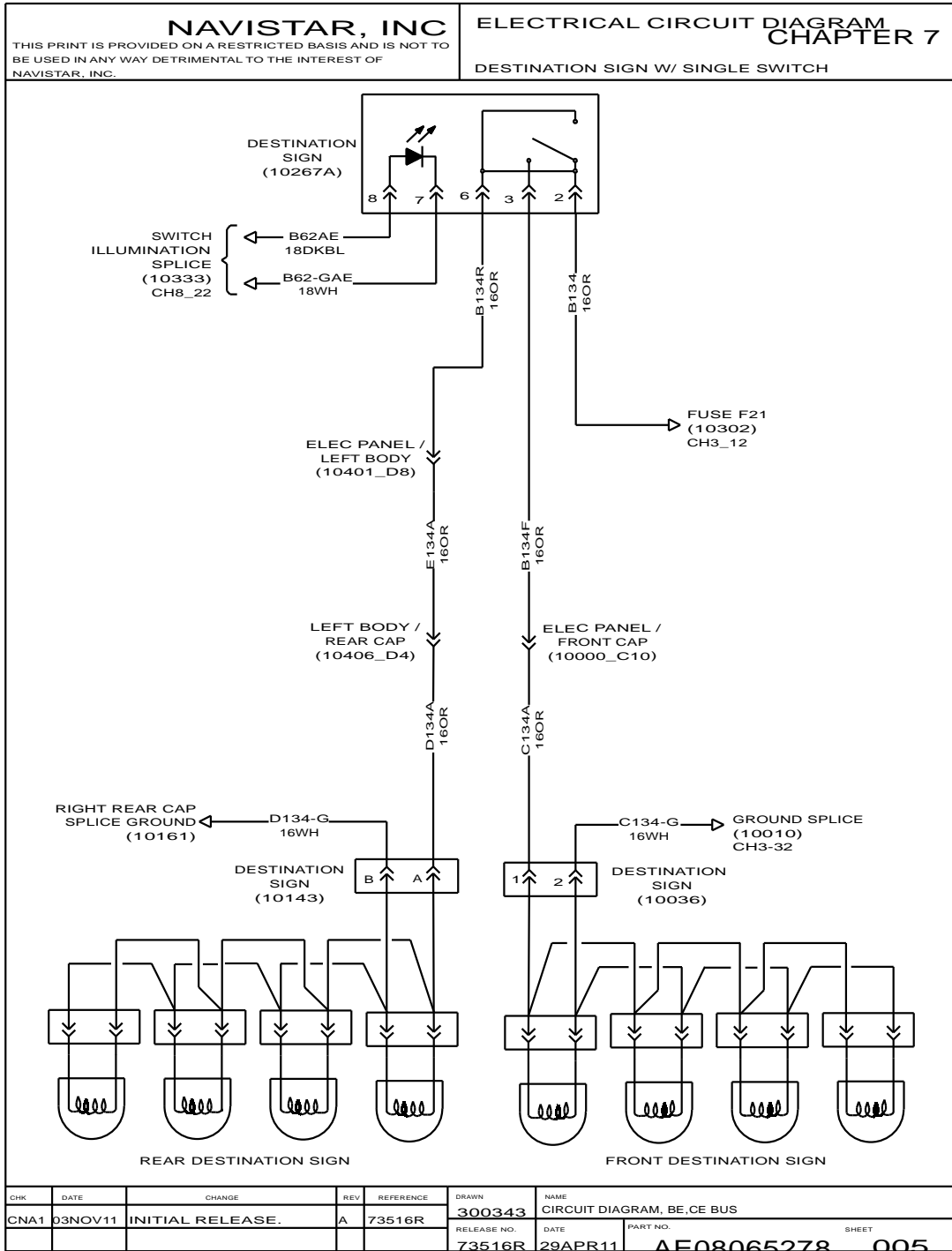


Figure 144 Destination Sign with Single Switch

7.6. STROBE LIGHT ACTIVATED WITH IGNITION, P. 6

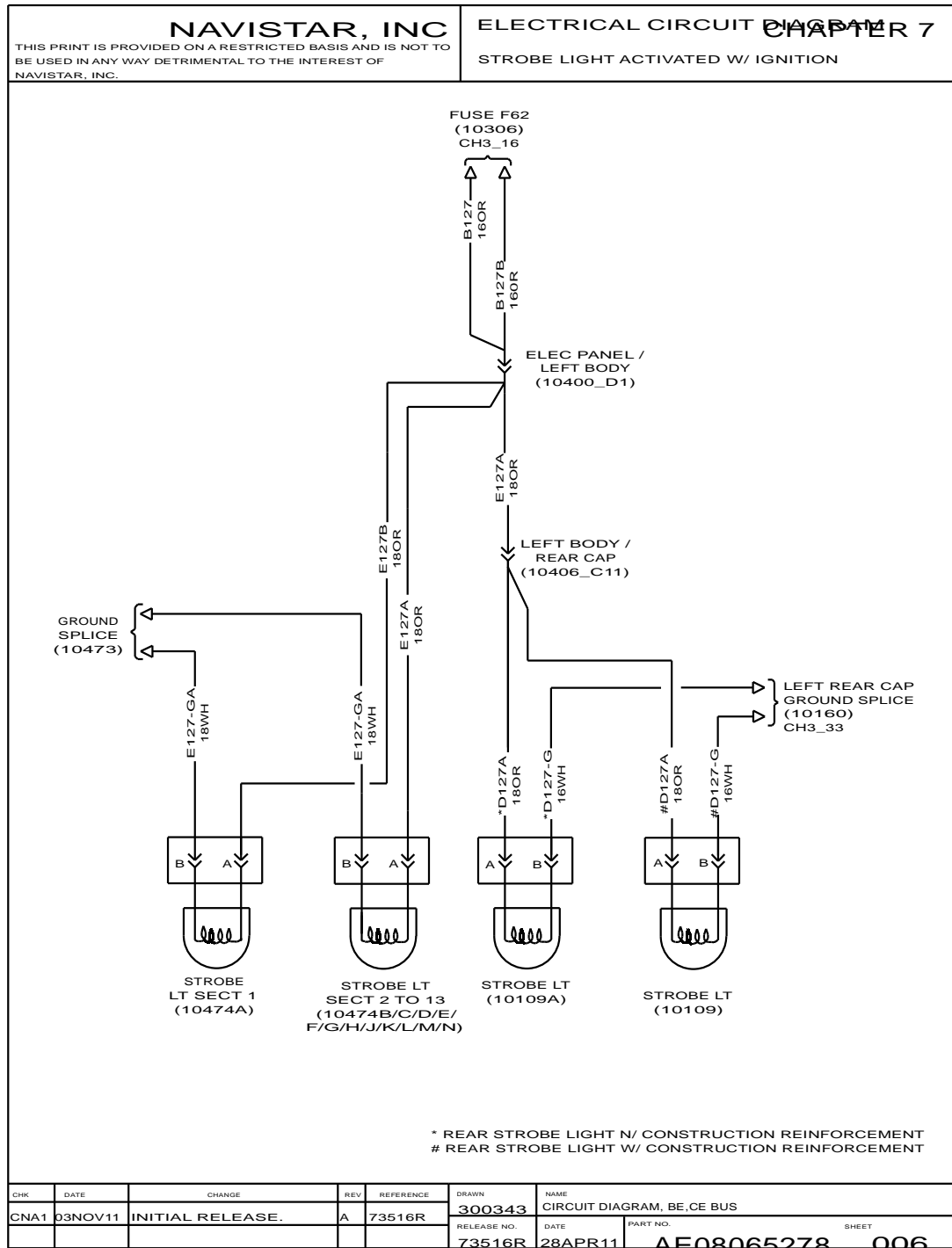


Figure 145 Strobe Light Activated with Ignition

7.7. STROBE LIGHT ACTIVATED WITH SWITCH, P. 7

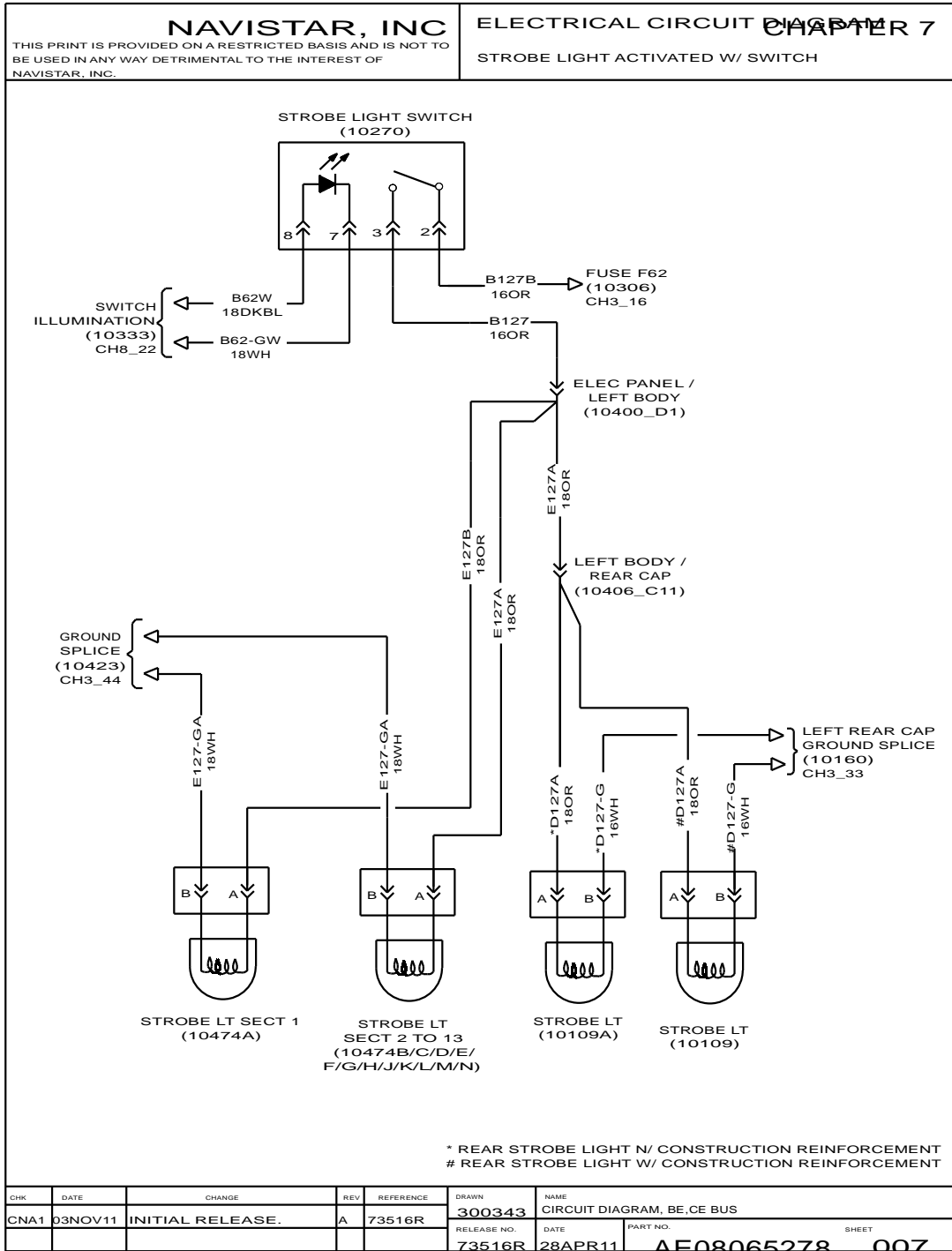
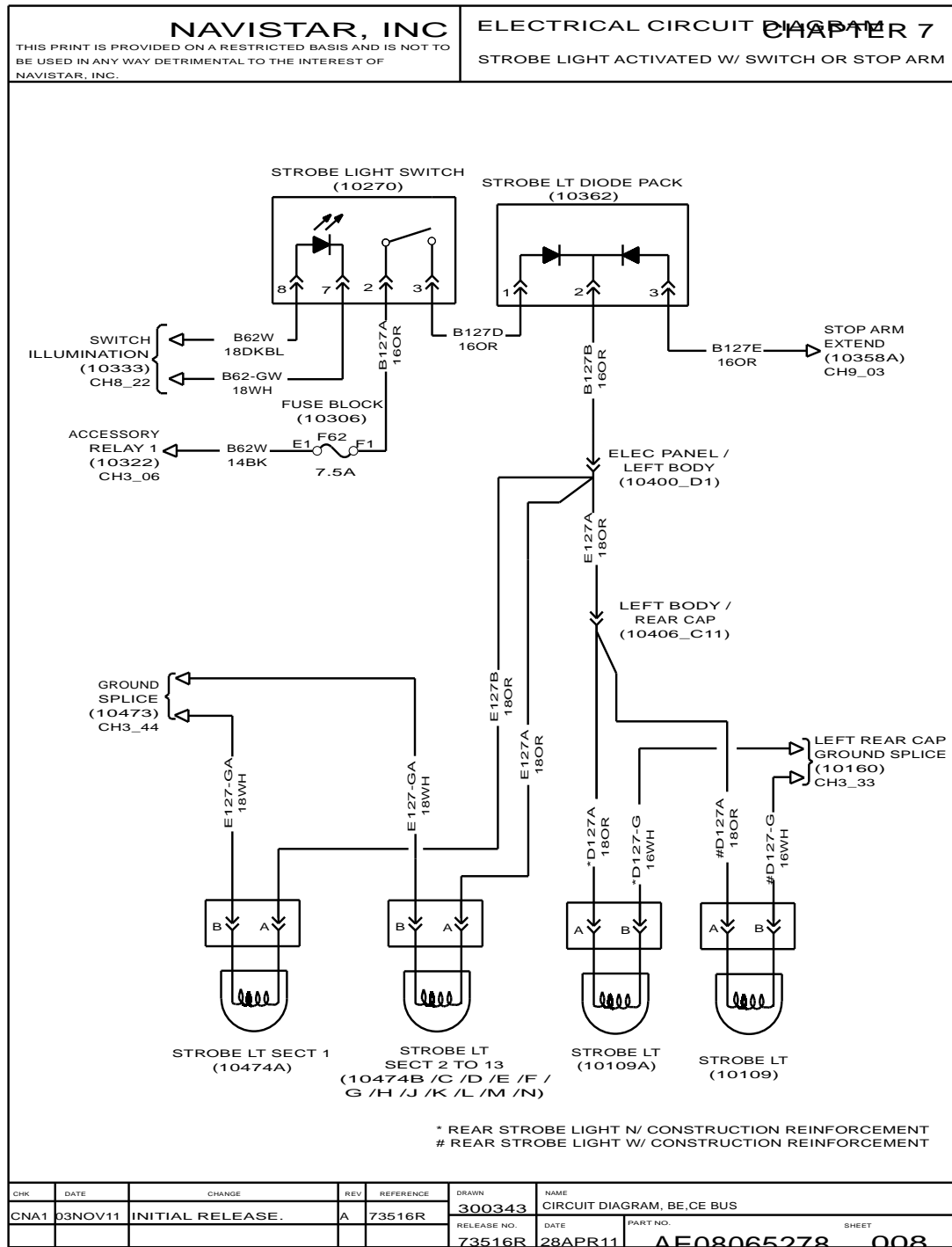


Figure 146 Strobe Light Activated with Switch

7.8. STROBE LIGHT ACTIVATED WITH SWITCH OR STOP ARM, P. 8



7.9. STROBE LIGHT ACTIVATED WITH SWITCH OR PWL, P. 9

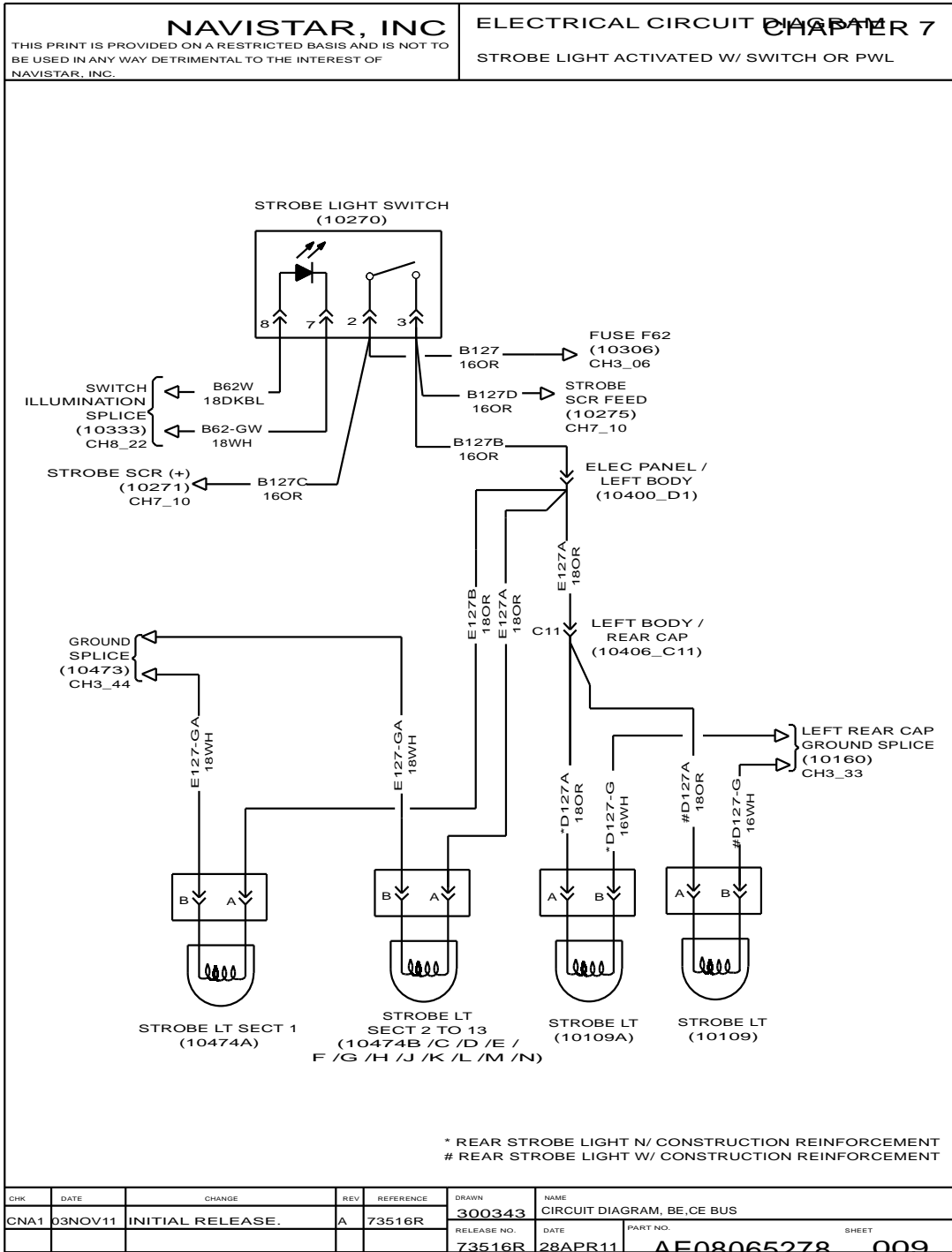


Figure 148 Strobe Light Activated with Switch or PWL

7.10. STROBE LIGHT ACTIVATED WITH SWITCH OR SCR, P. 10

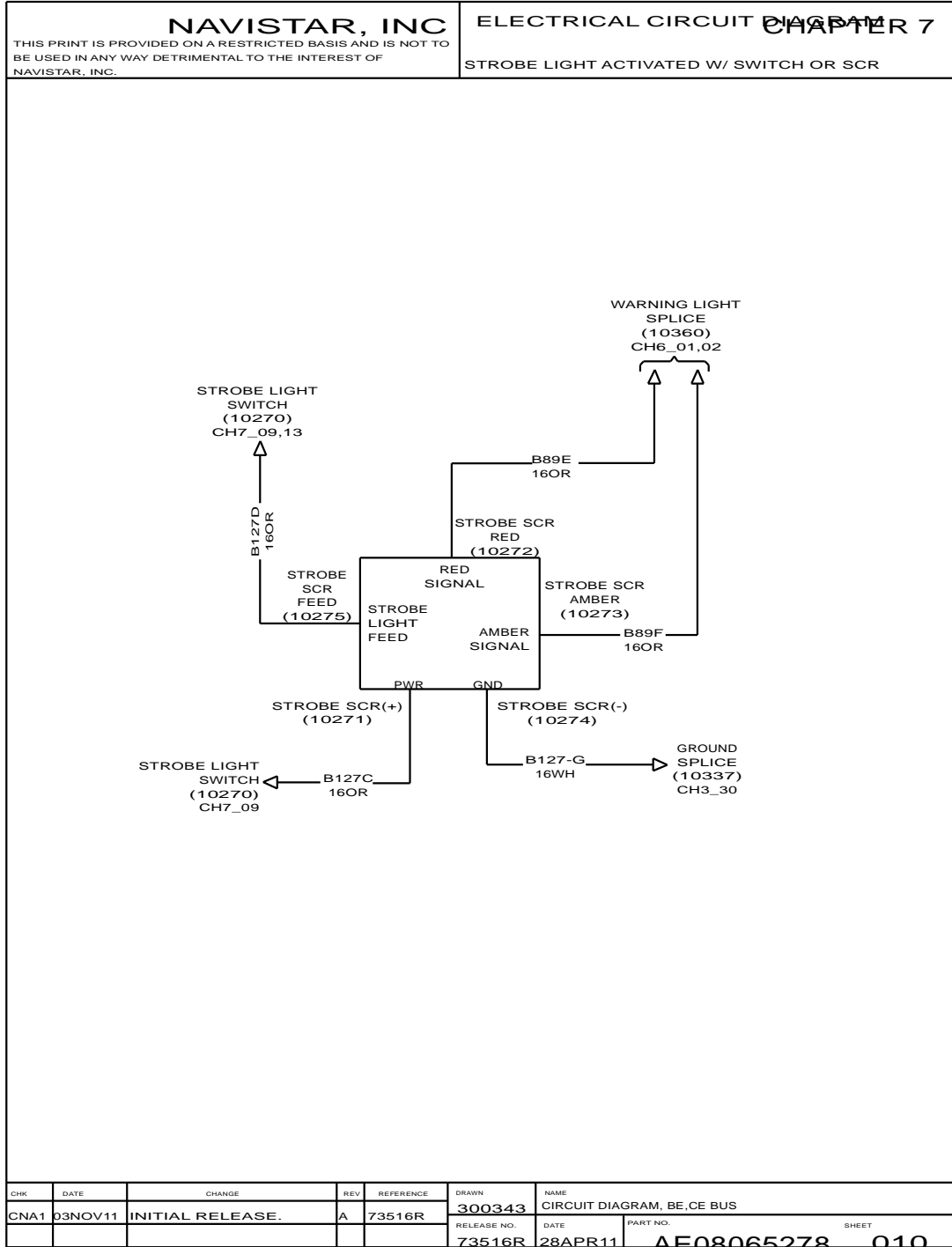


Figure 149 Strobe Light Activated with Switch or SCR

7.11. DOUBLE STROBE LIGHT WITHOUT 7 WINDOW, P. 11

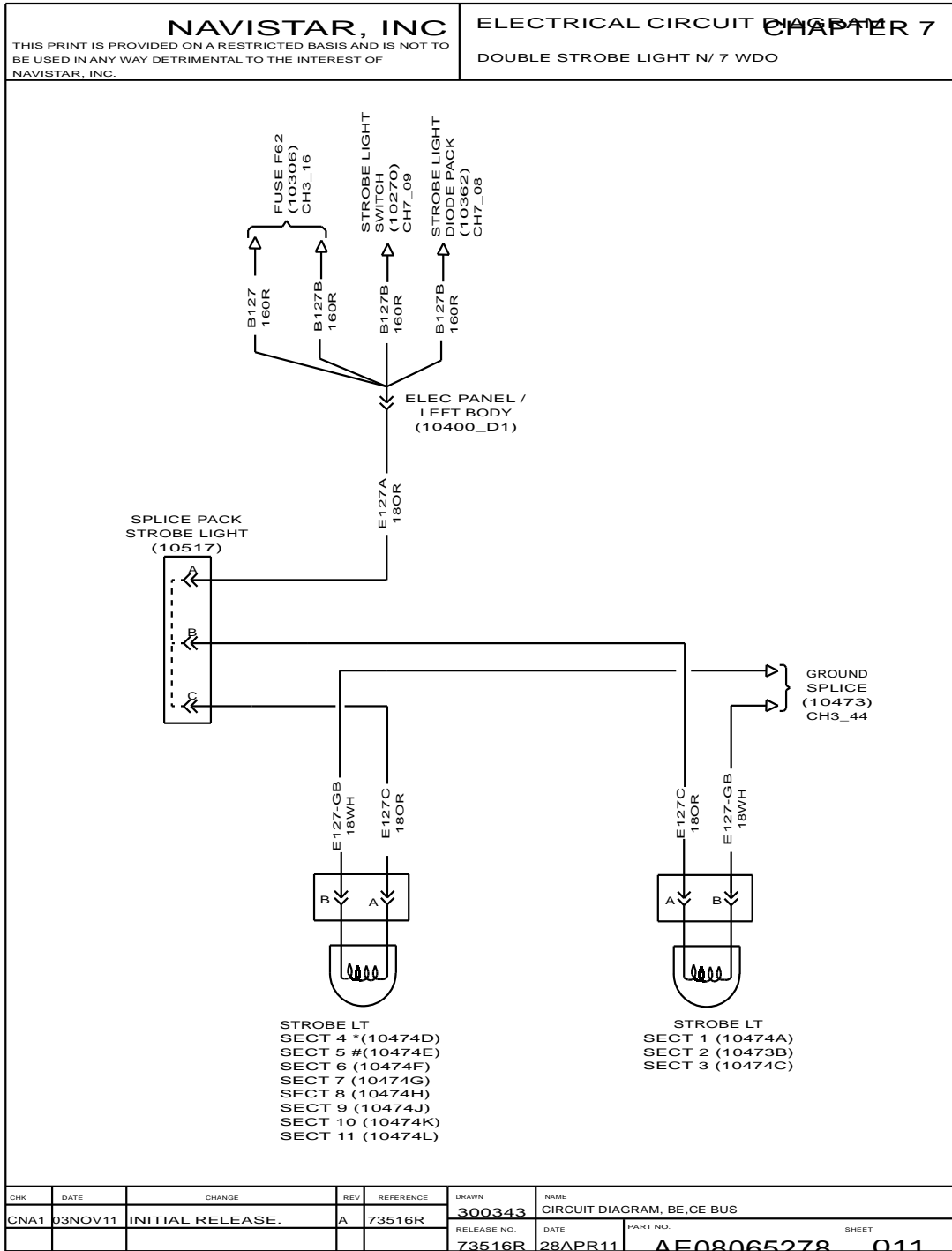


Figure 150 Double Strobe Light without 7 Window

7.12. DOUBLE STROBE LIGHT WITH 7 WINDOW, P. 12

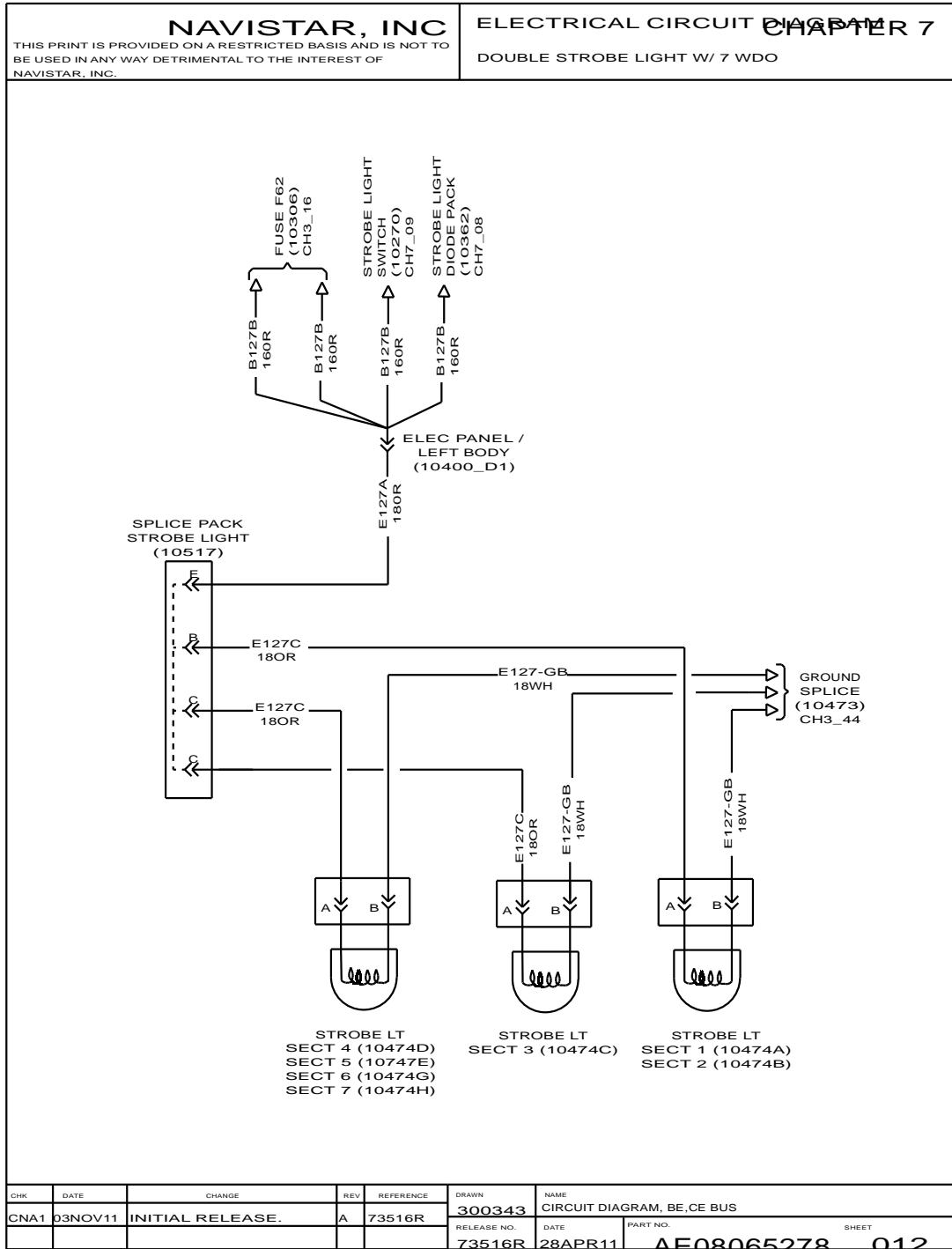


Figure 151 Double Strobe Light with 7 Window

7.13. STROBE LIGHT INDICATOR, P. 13

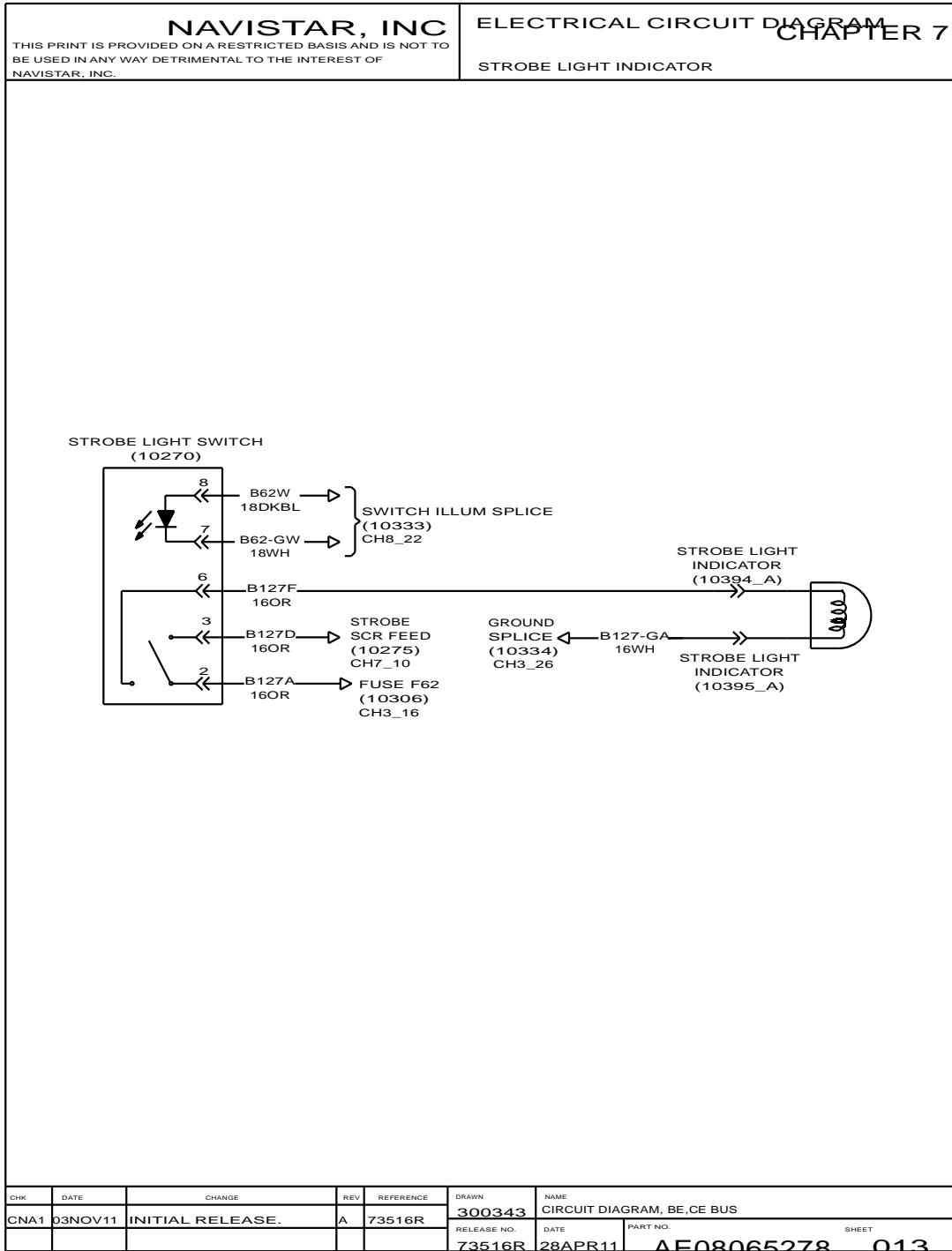


Figure 152 Strobe Light Indicator

7.14. STOP / TAIL / DIRECTIONAL LIGHTS, P. 14

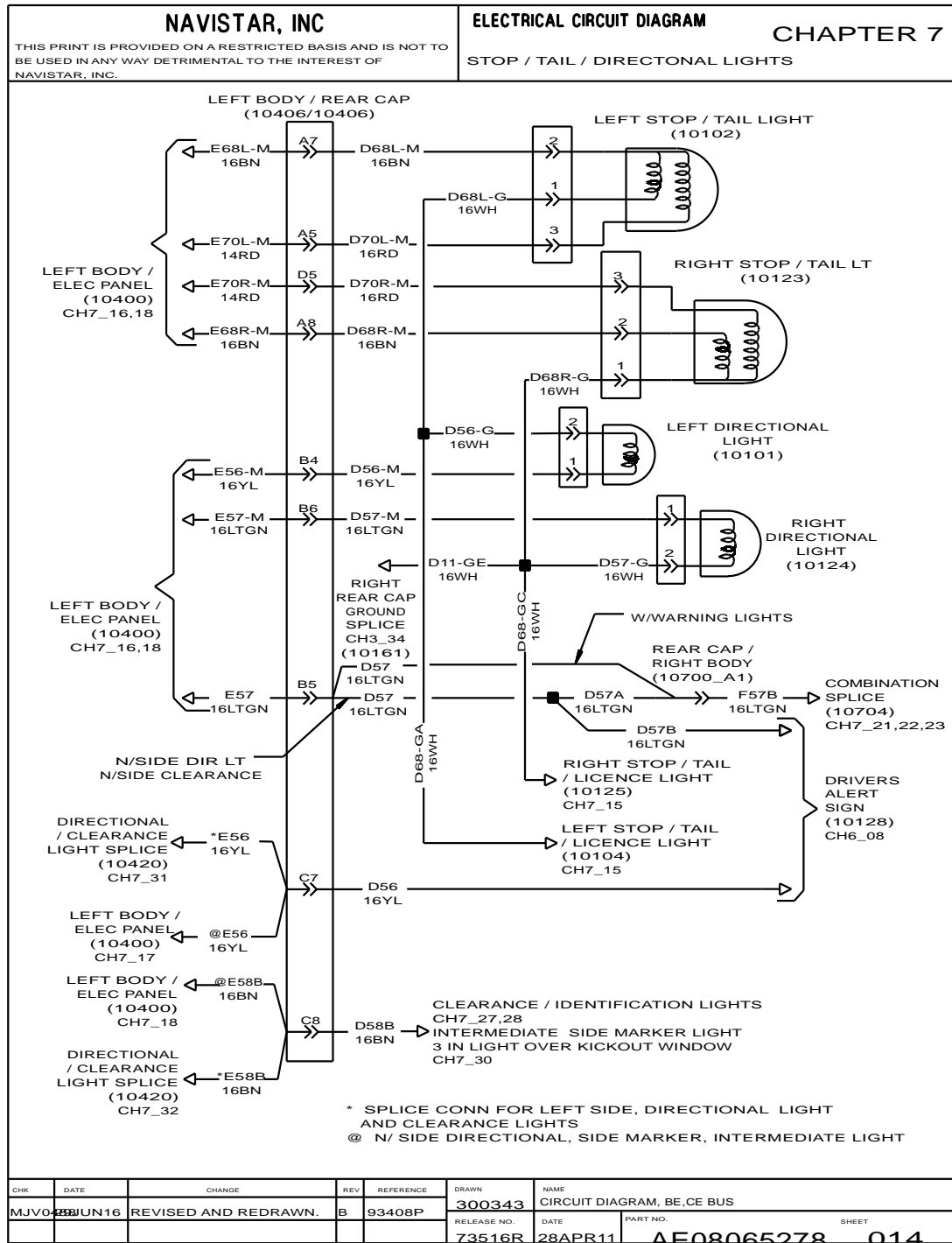


Figure 153 Stop / Tail / Directional Lights

7.15. STOP / TAIL / DIRECTIONAL LIGHTS (CONT.), P. 15

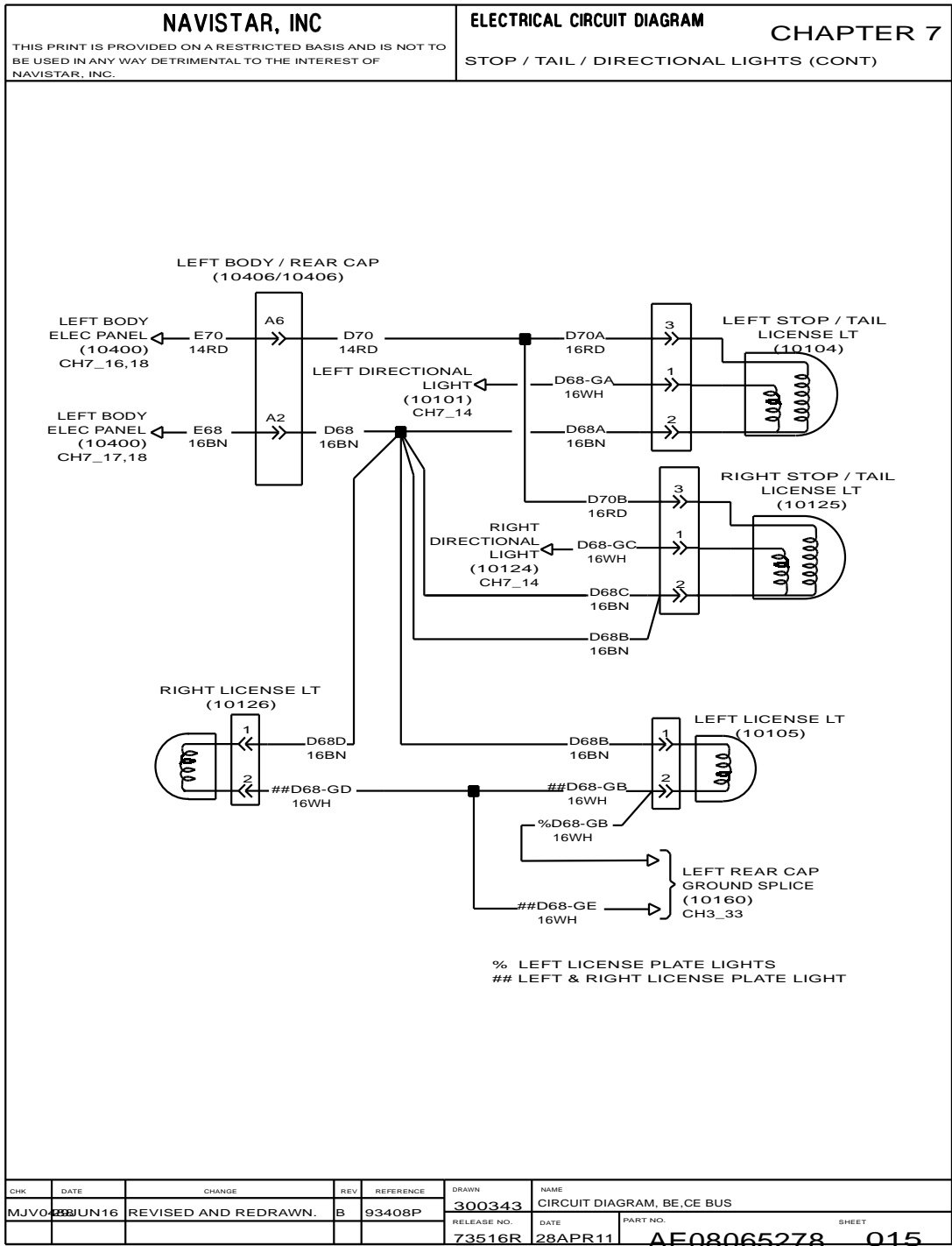


Figure 154 Stop / Tail / Directional Lights (Cont.)

7.16. STOP / TAIL / DIRECTIONAL LIGHTS WITH CHECK, P. 16

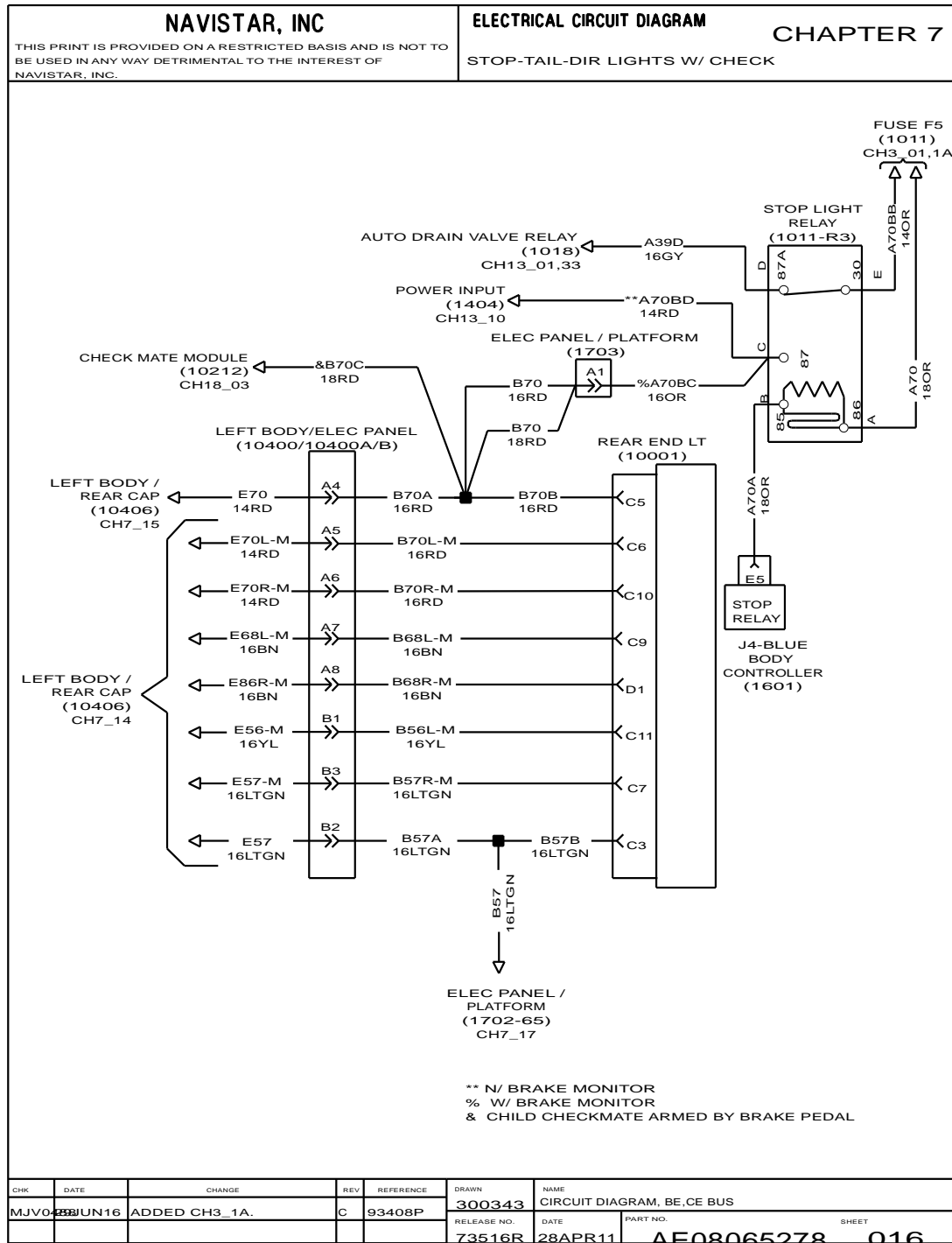


Figure 155 Stop / Tail / Directional Lights with Check

7.17. STOP / TAIL / DIRECTIONAL LIGHTS WITH CHECK (CONT.), P. 17

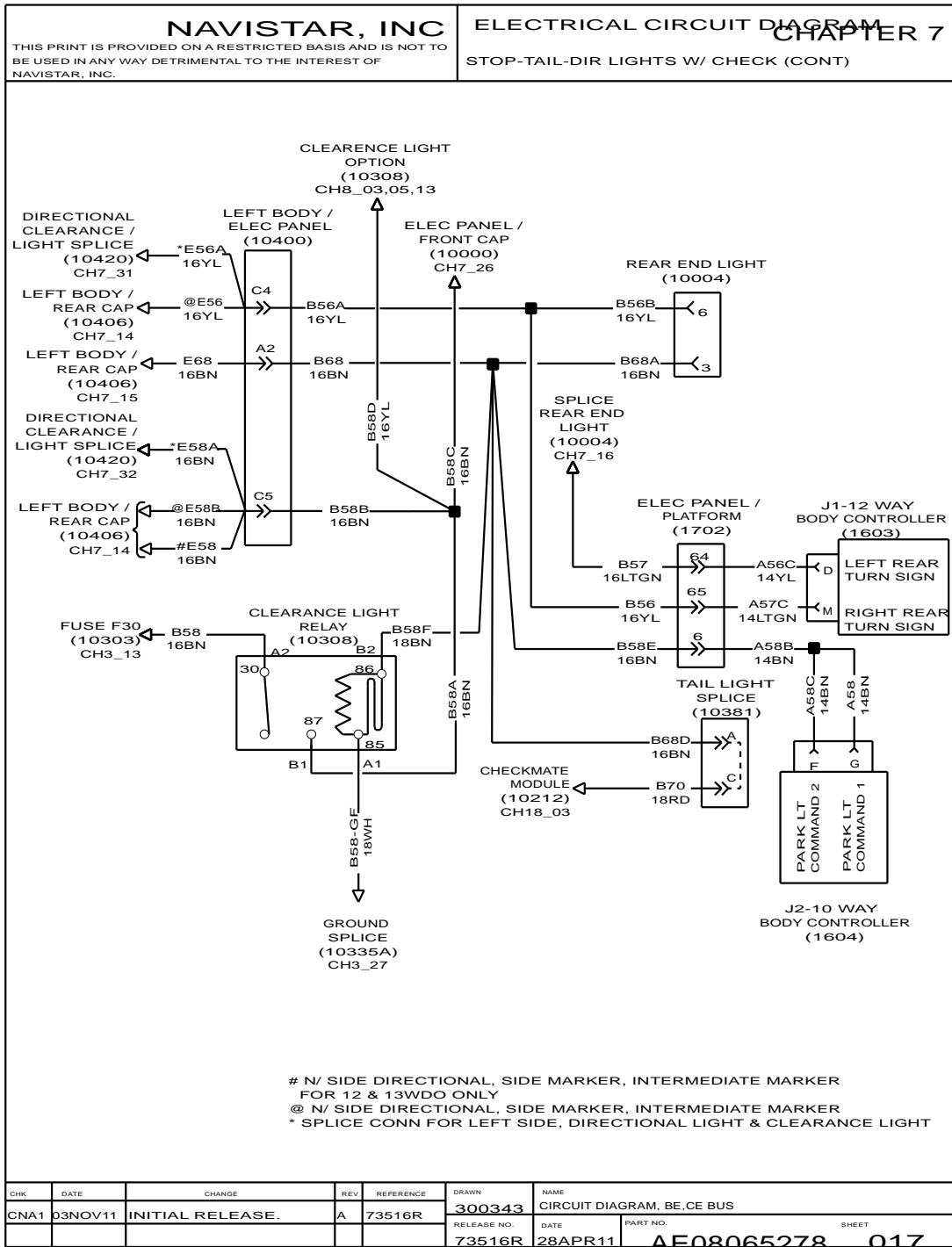


Figure 156 Stop / Tail / Directional Lights with Check (Cont.)

7.18. STOP / TAIL / DIRECTIONAL LIGHTS WITHOUT CHECK, P. 18

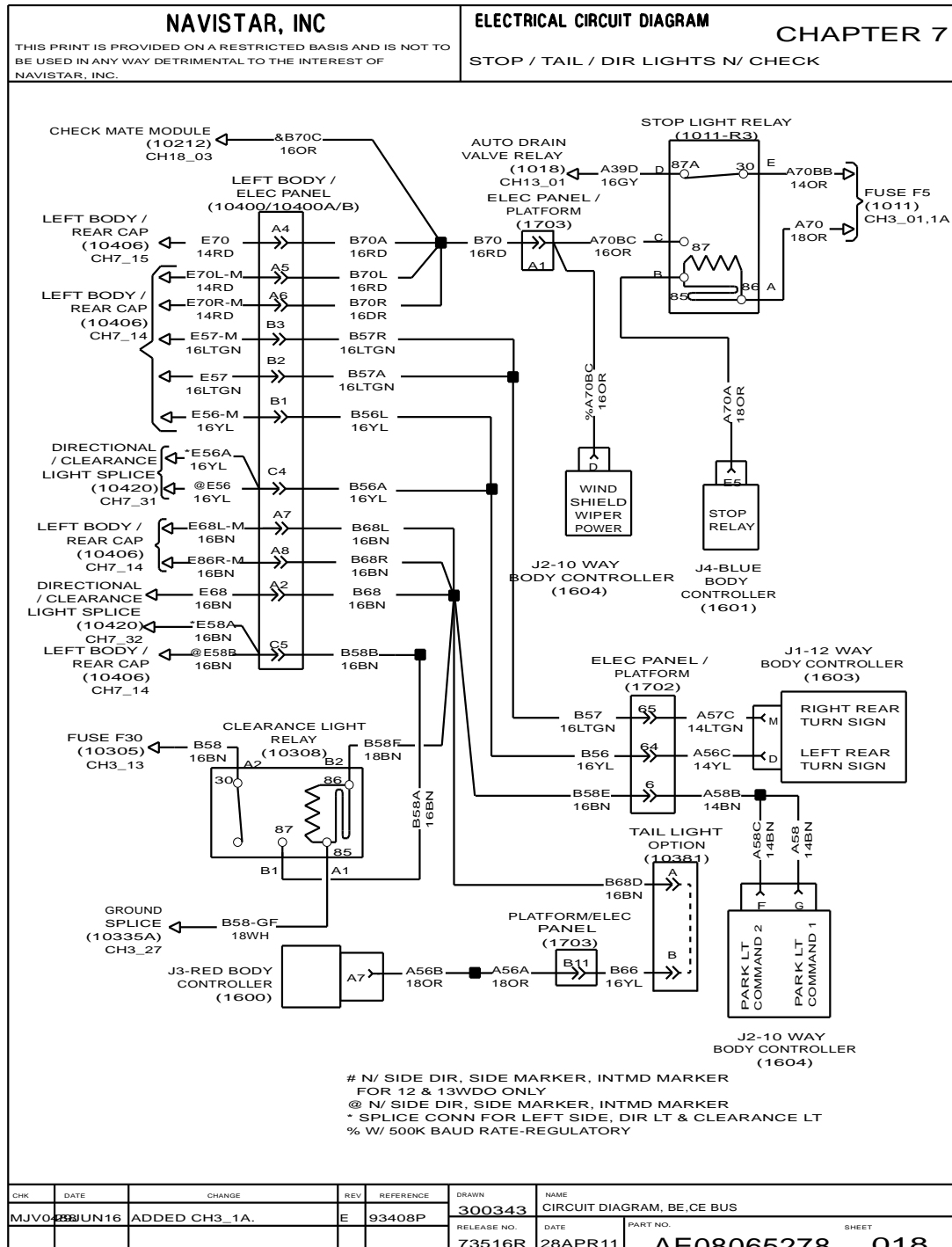


Figure 157 Stop / Tail / Directional Lights without Check

7.19. LEFT DIRECTIONAL LIGHTS, P. 19

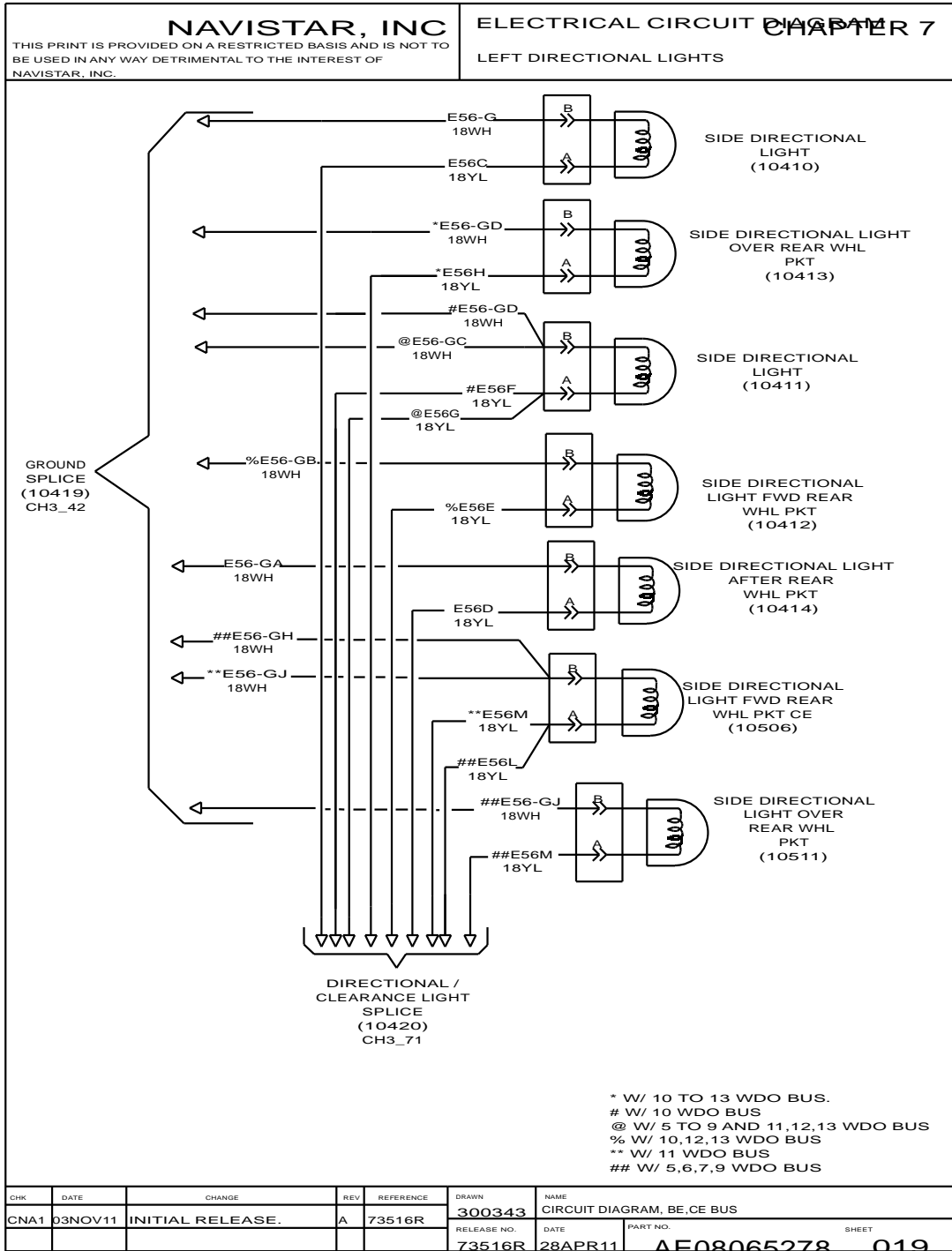


Figure 158 Left Directional Lights

7.20. LEFT DIRECTIONAL LIGHTS (CONT.), P. 20

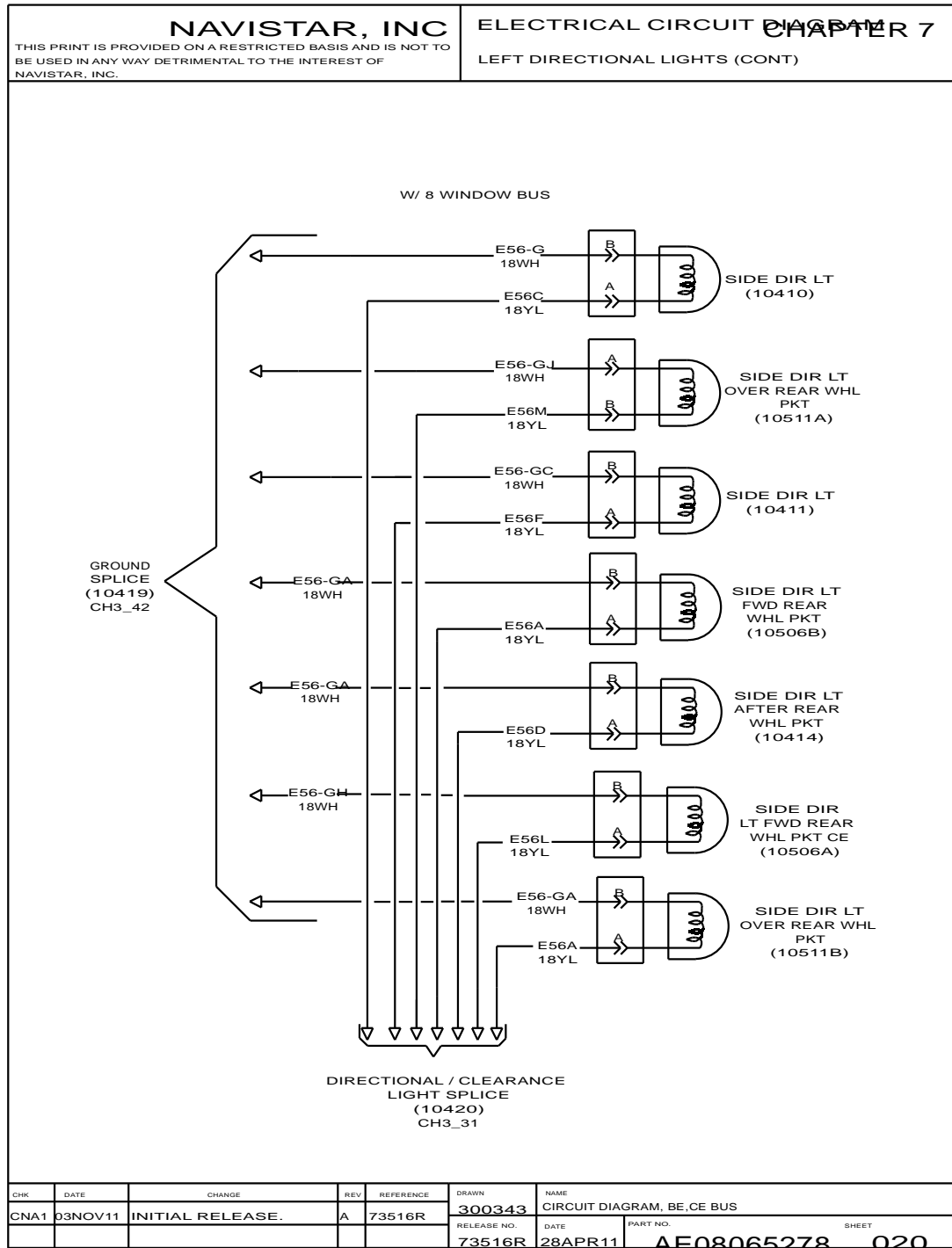


Figure 159 Left Directional Lights (Cont.)

7.21. RIGHT DIRECTIONAL LIGHTS, P. 21

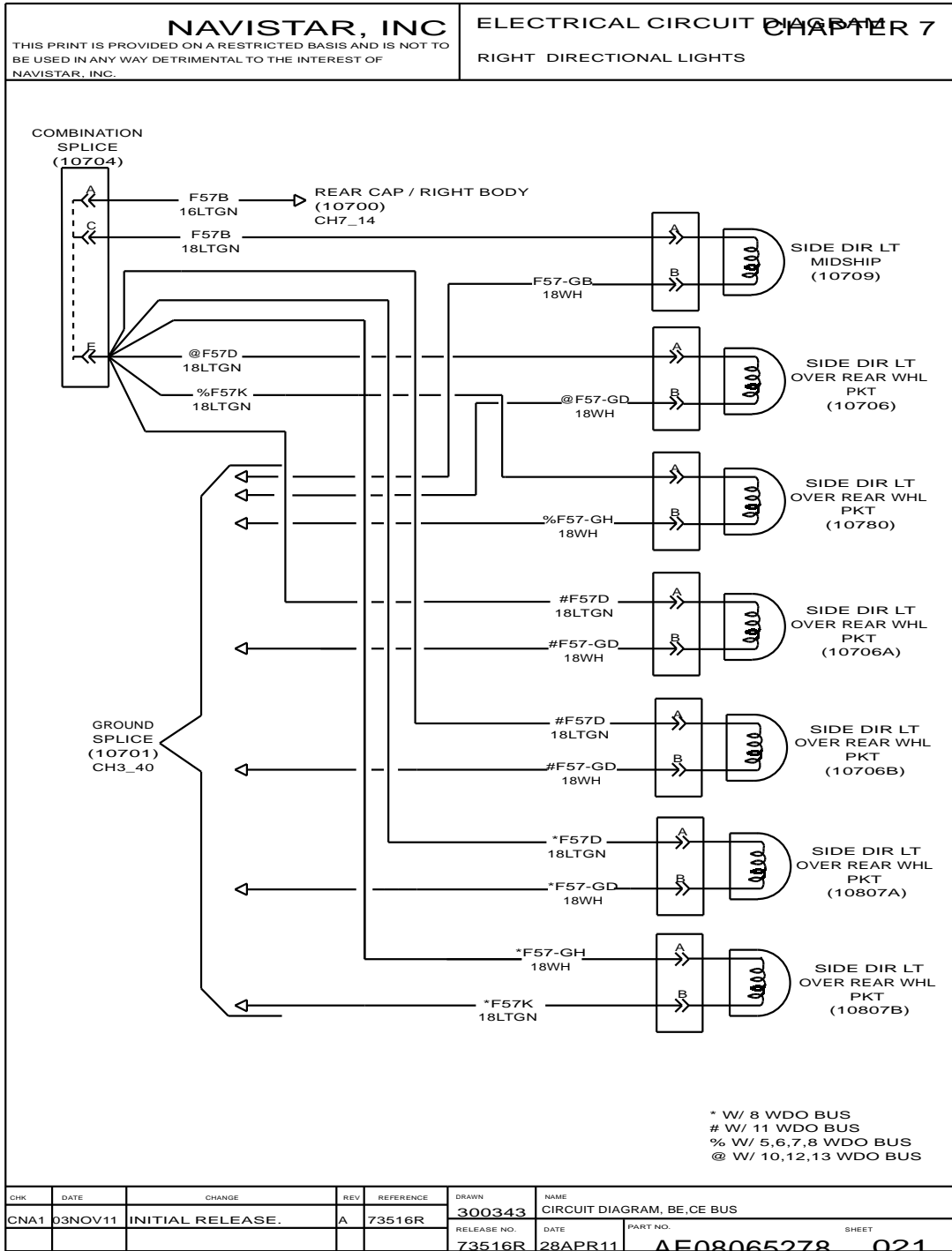


Figure 160 Right Directional Lights

7.22. RIGHT DIRECTIONAL LIGHTS (CONT.), P. 22

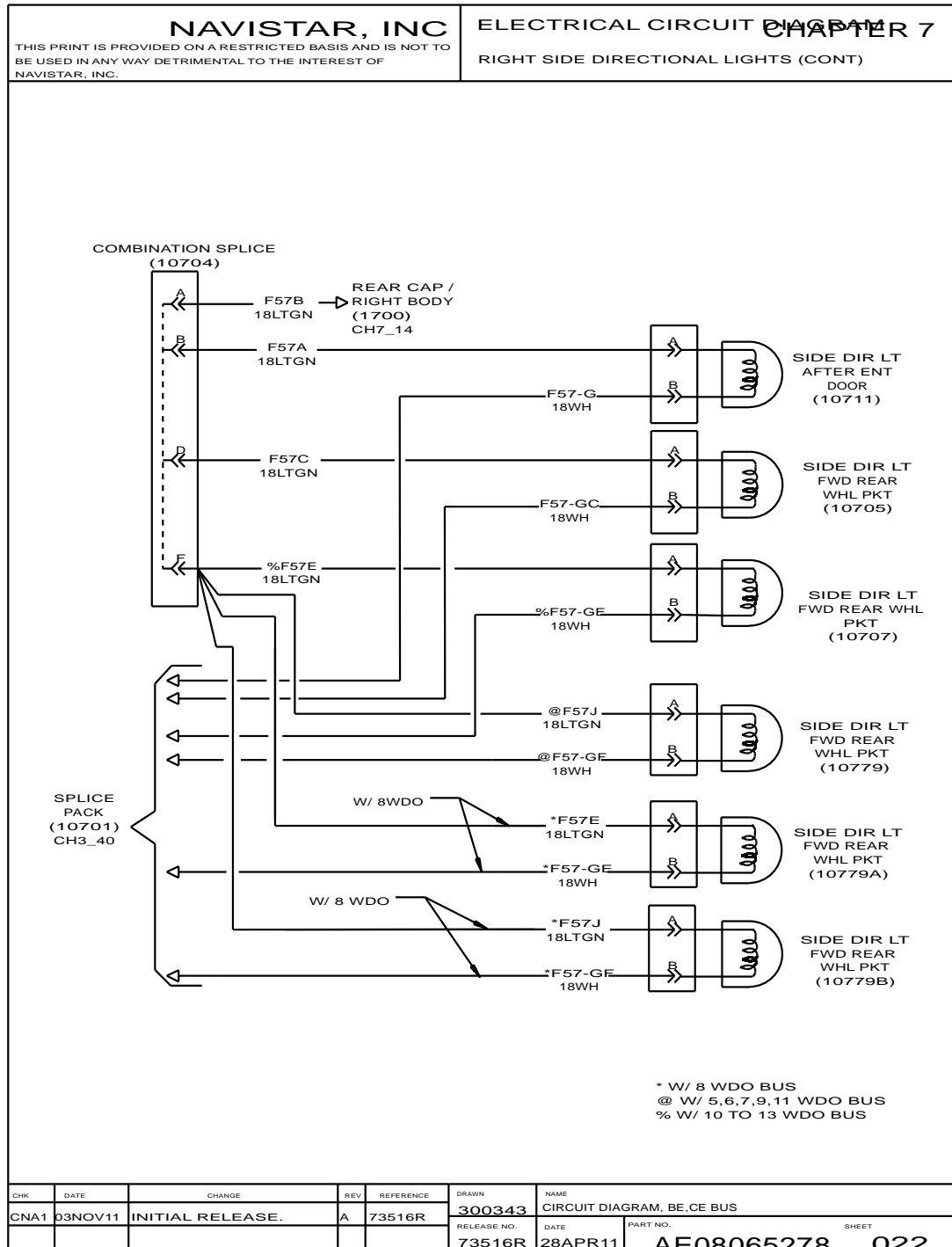


Figure 161 Right Directional Lights (Cont.)

7.23. COMBINATION SIDE DIRECTION AND MARKER LIGHTS, P. 23

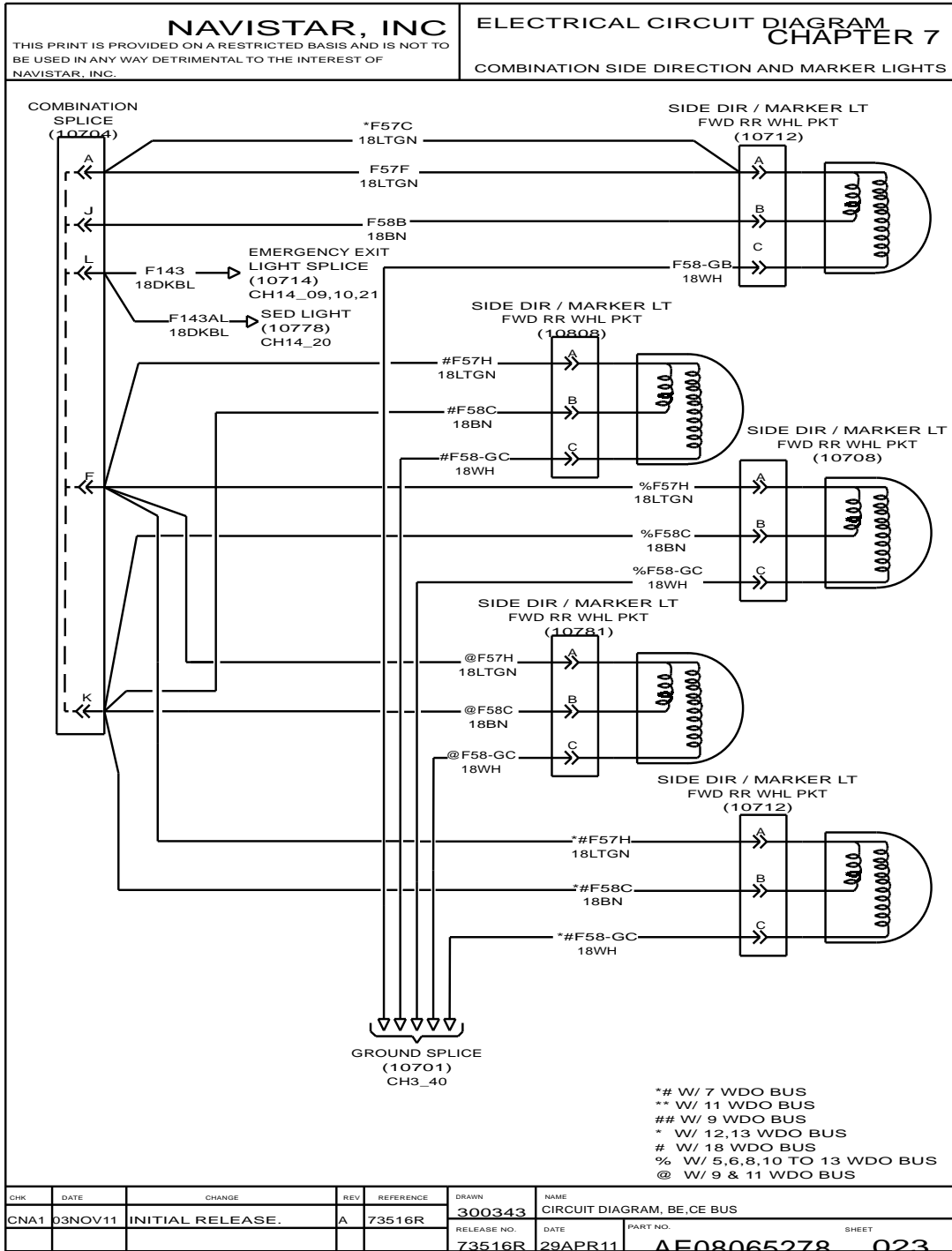


Figure 162 Combination Side Direction and Marker Lights

7.24. COMBINATION DIRECTIONAL / MARKER LIGHTS, P. 24

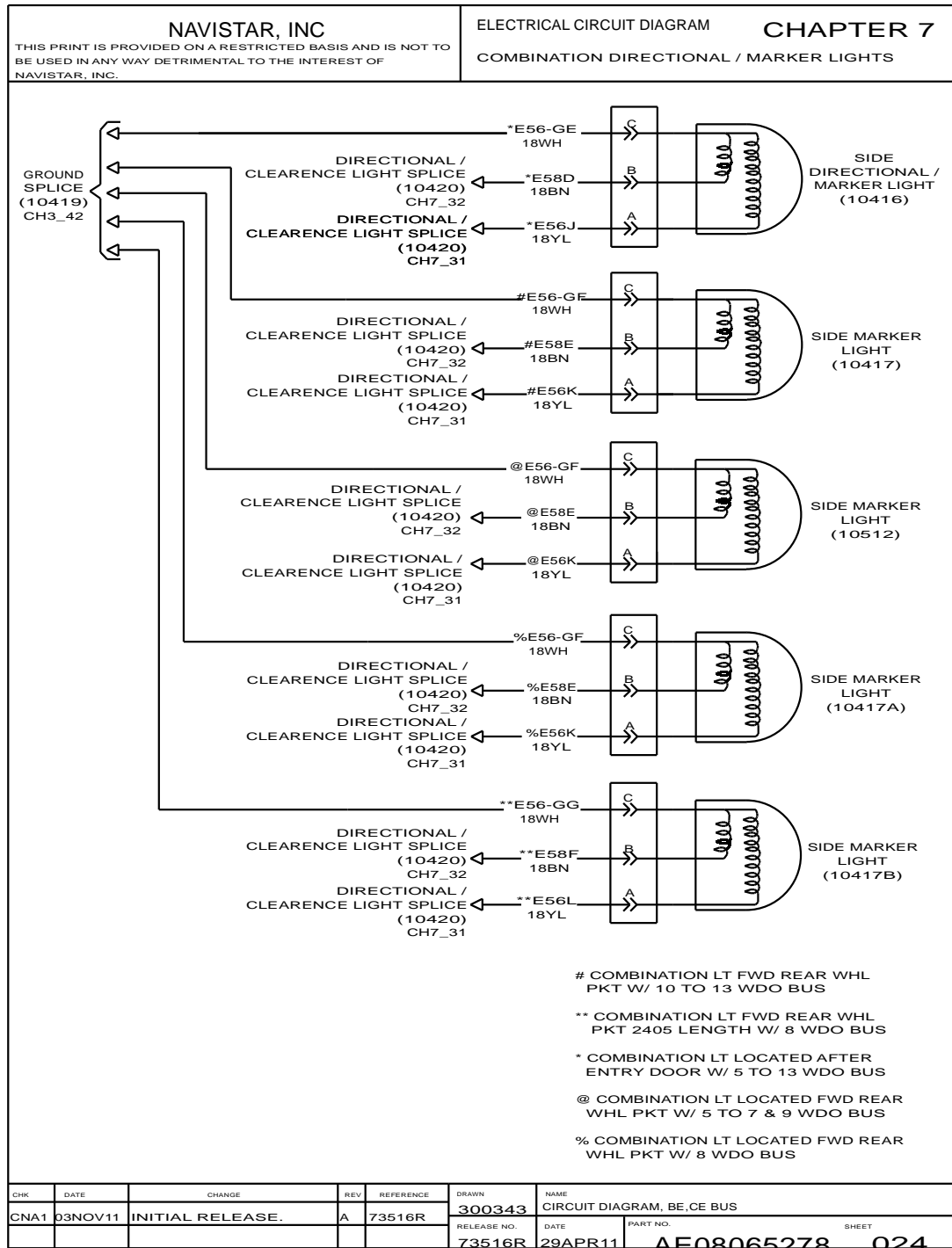


Figure 163 Combination Directional / Marker Lights

7.25. COWL MOUNTED DIRECTIONAL LIGHT EFFECTS, P. 25

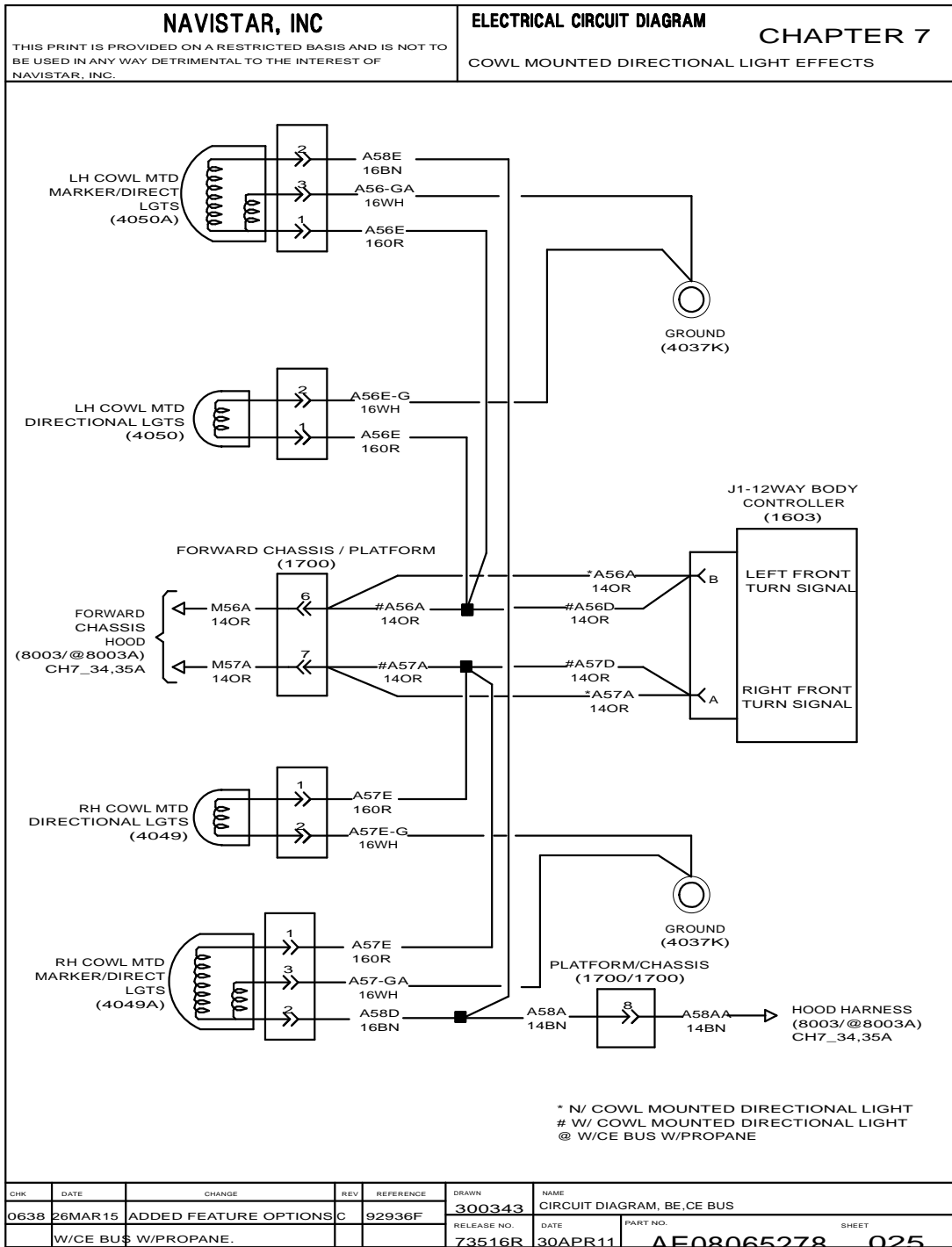


Figure 164 Cowl Mounted Directional Light Effects

7.26. CORNER MARKER LIGHTS, P. 26

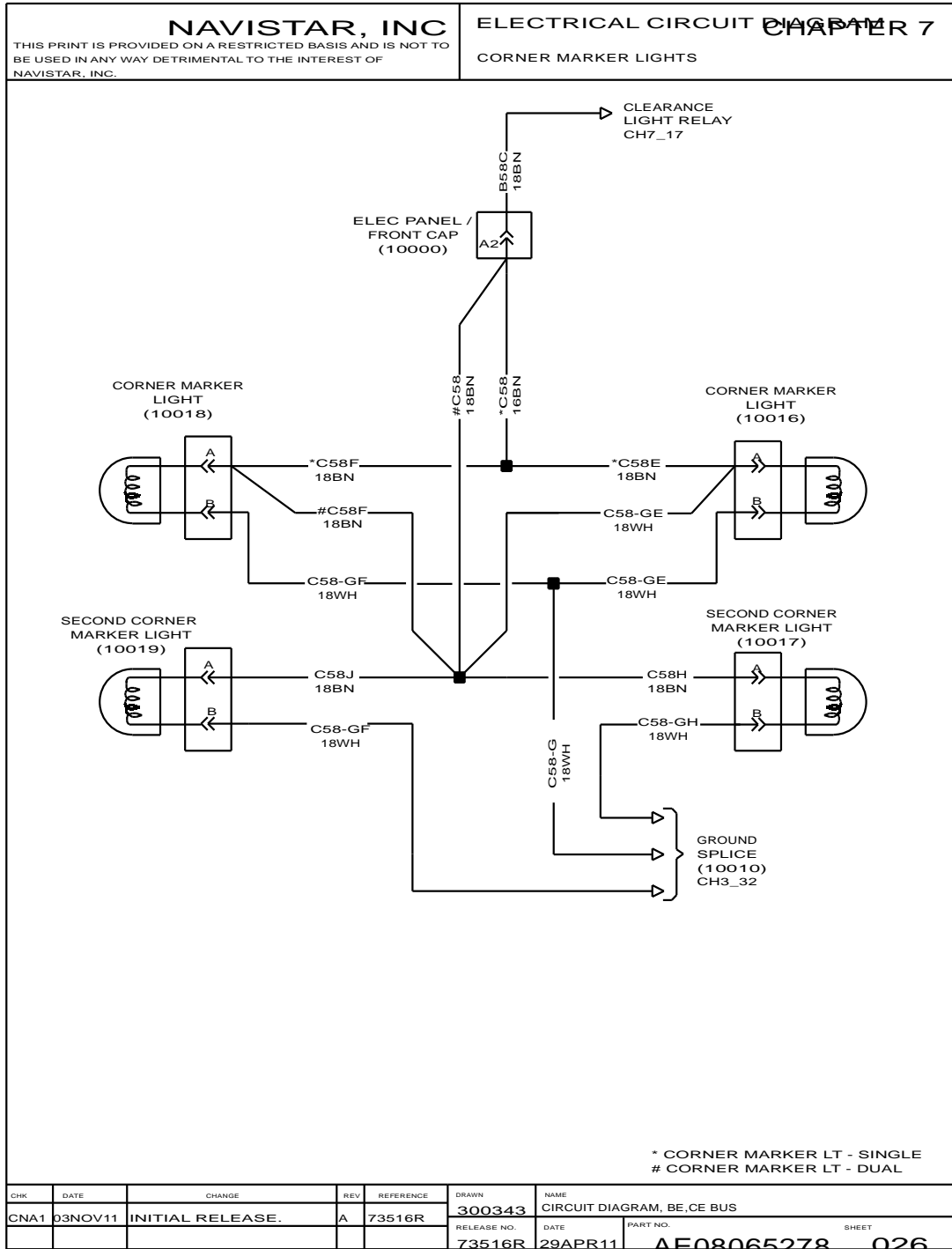


Figure 165 Corner Marker Lights

7.27. CLEARANCE / IDENTIFICATION LIGHTS, P. 27

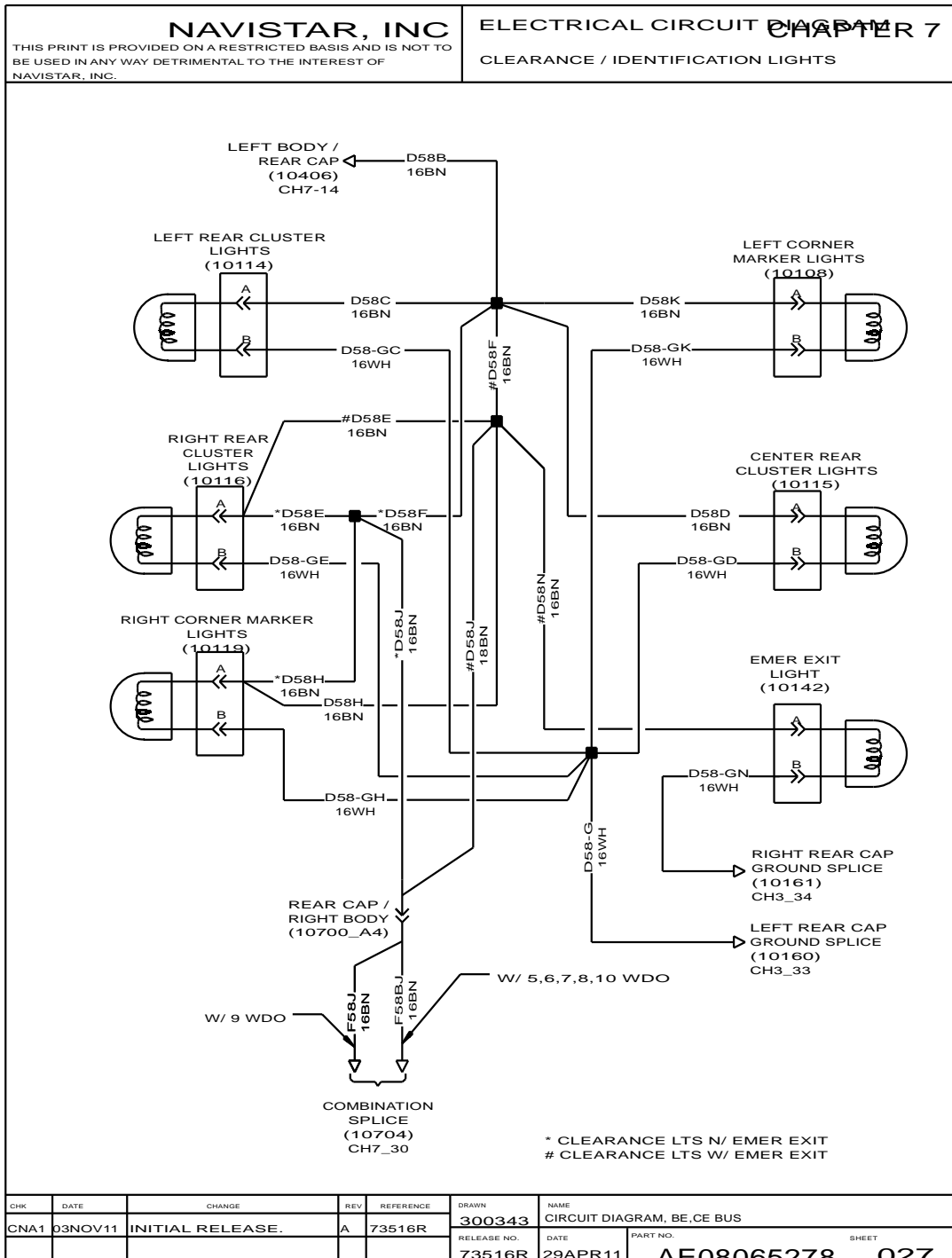


Figure 166 Clearance / Identification Lights

7.28. CLEARANCE / IDENTIFICATION LIGHTS (CONT.), P. 28

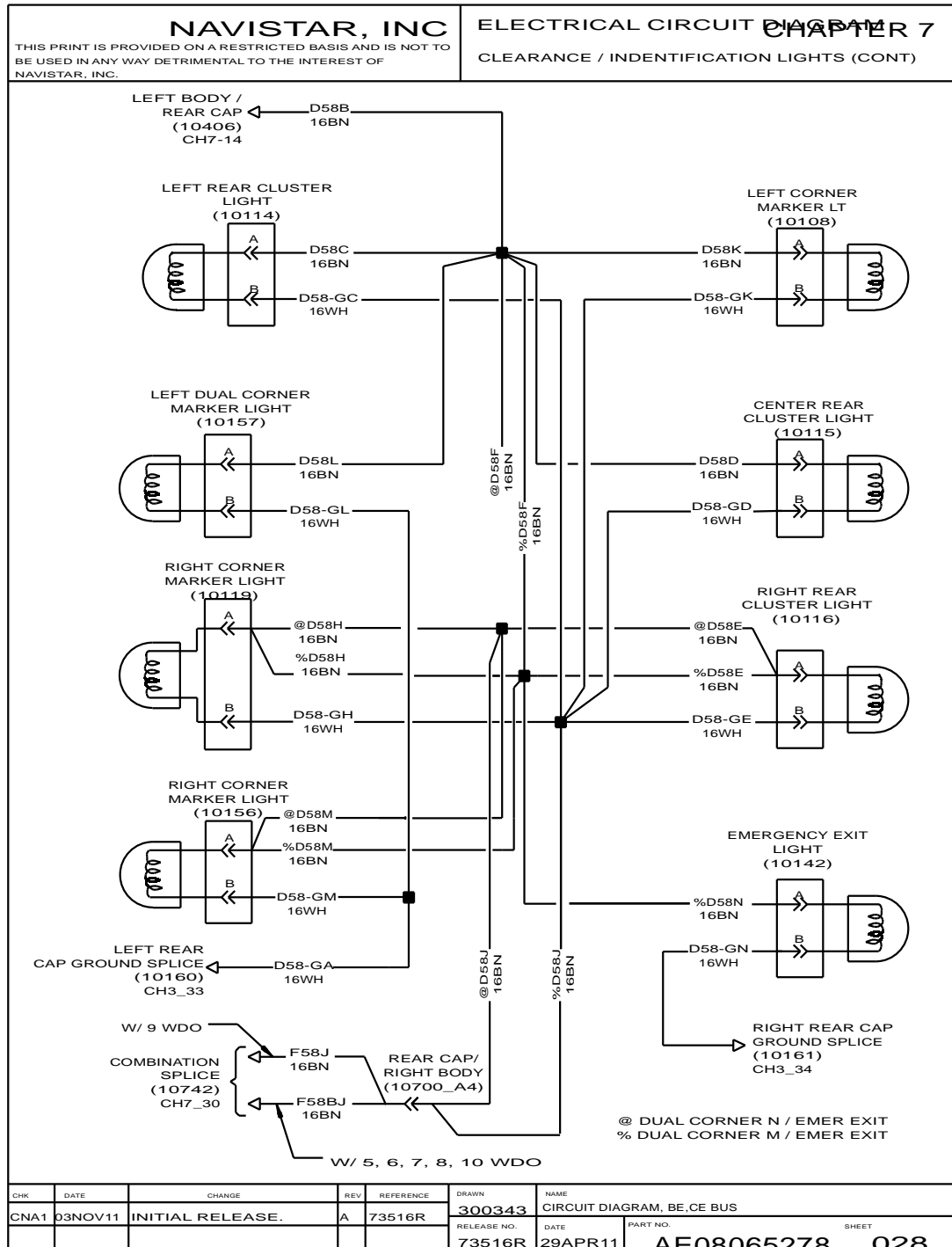


Figure 167 Clearance / Identification Lights (Cont.)

7.29. INTERMEDIATE / SIDE MARKER LIGHT / 3 INCH LIGHT OVER KICKOUT WINDOW, P. 29

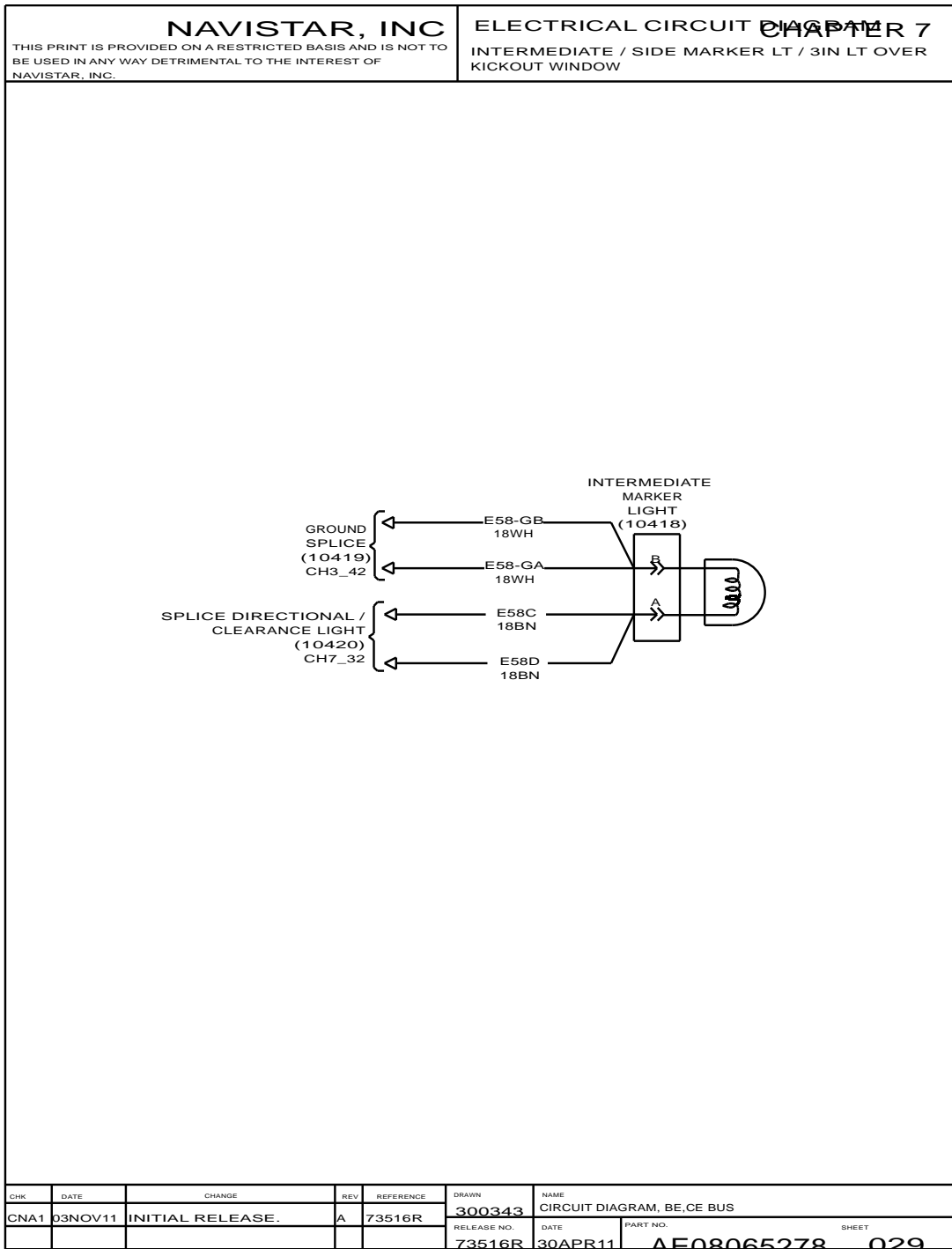


Figure 168 Intermediate / Side Marker Light / 3 Inch Light Over Kickout Window

7.30. INTERMEDIATE / SIDE MARKER LIGHT / 3 INCH LIGHT OVER KICKOUT WINDOW (CONT.), P. 30

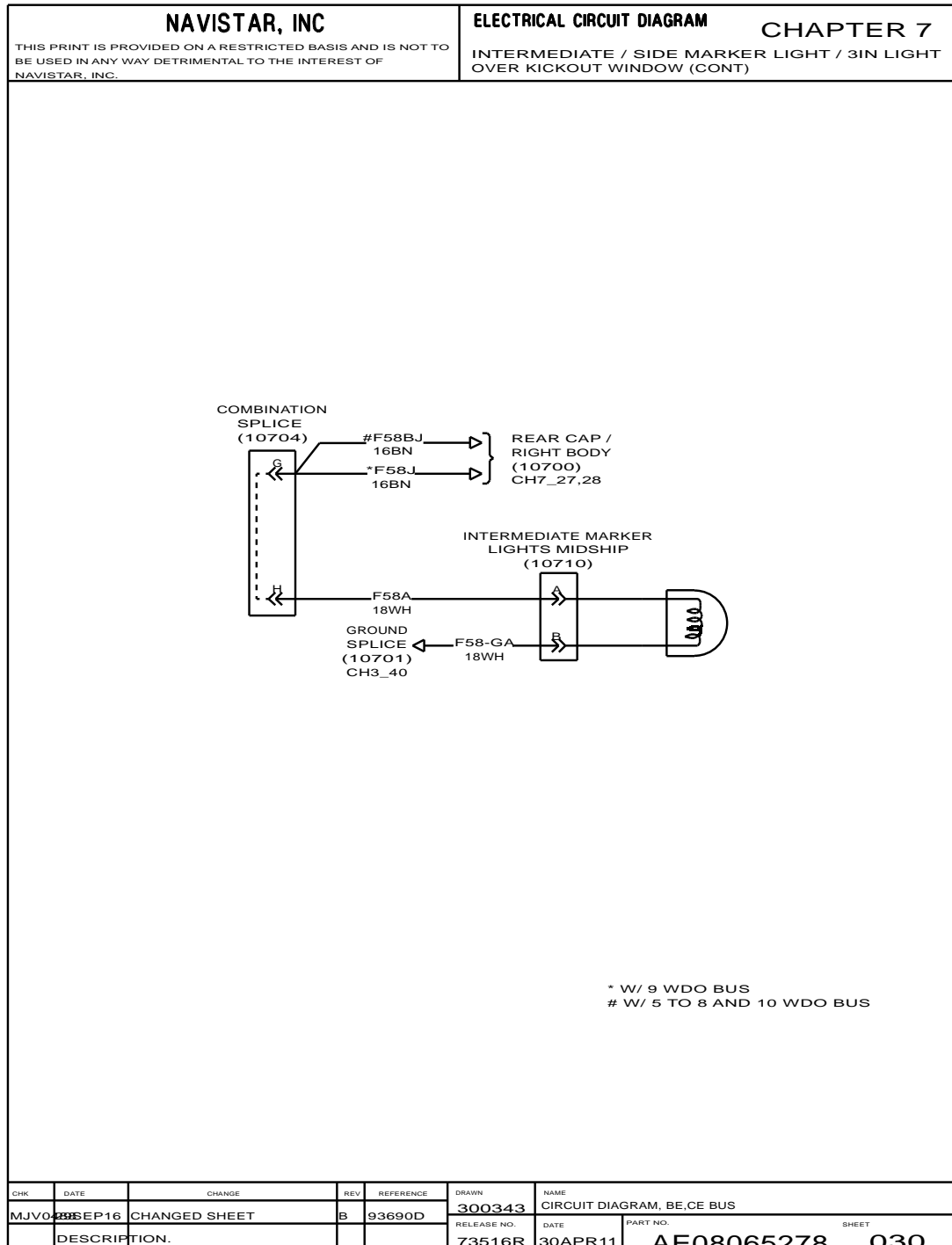


Figure 169 Intermediate / Side Marker Light / 3 Inch Light Over Kickout Window (Cont.)

7.31. DIRECTIONAL / CLEARANCE LIGHT SPLICE, P. 31

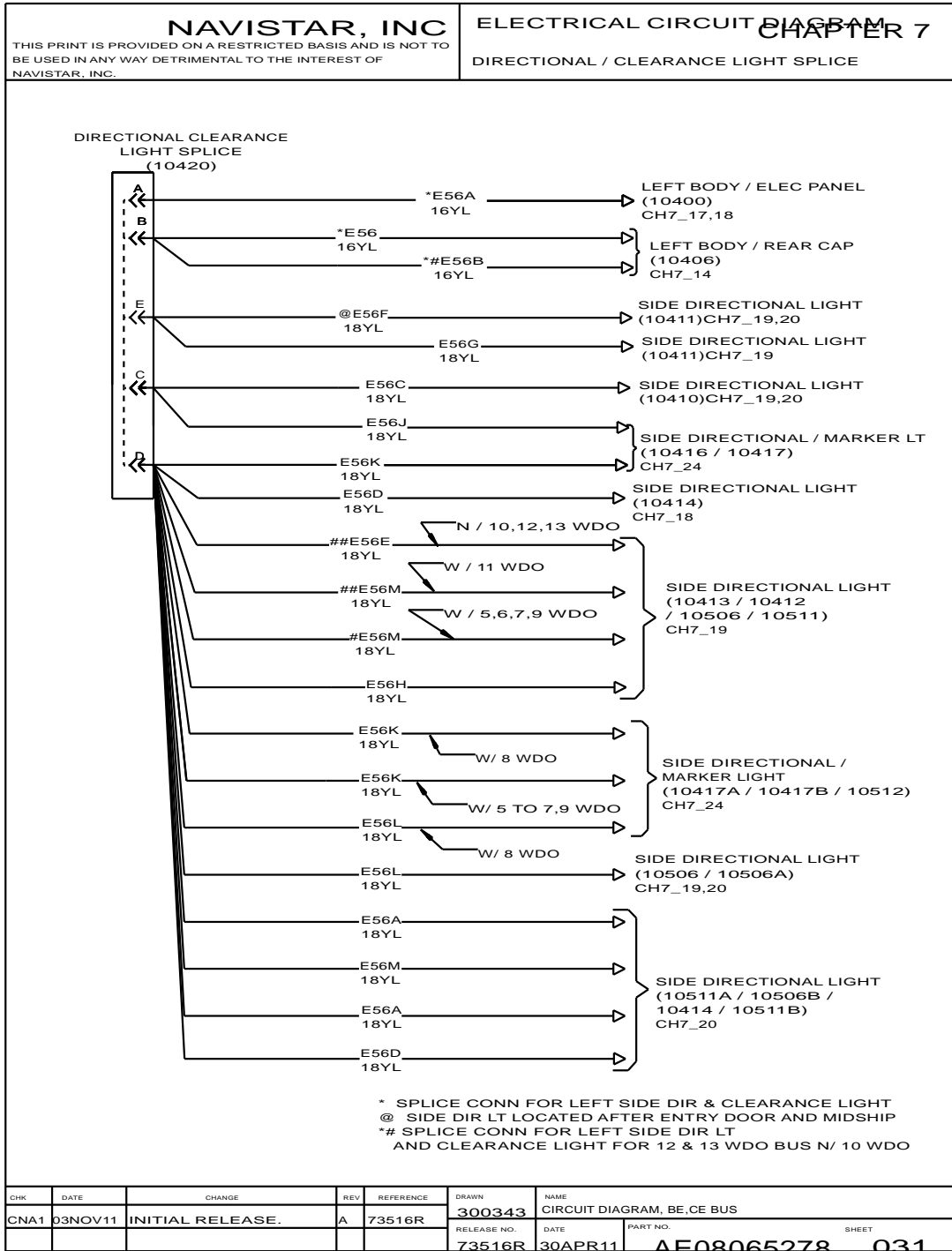


Figure 170 Directional / Clearance Light Splice

7.32. DIRECTIONAL / CLEARANCE LIGHT SPLICE (CONT.), P. 32

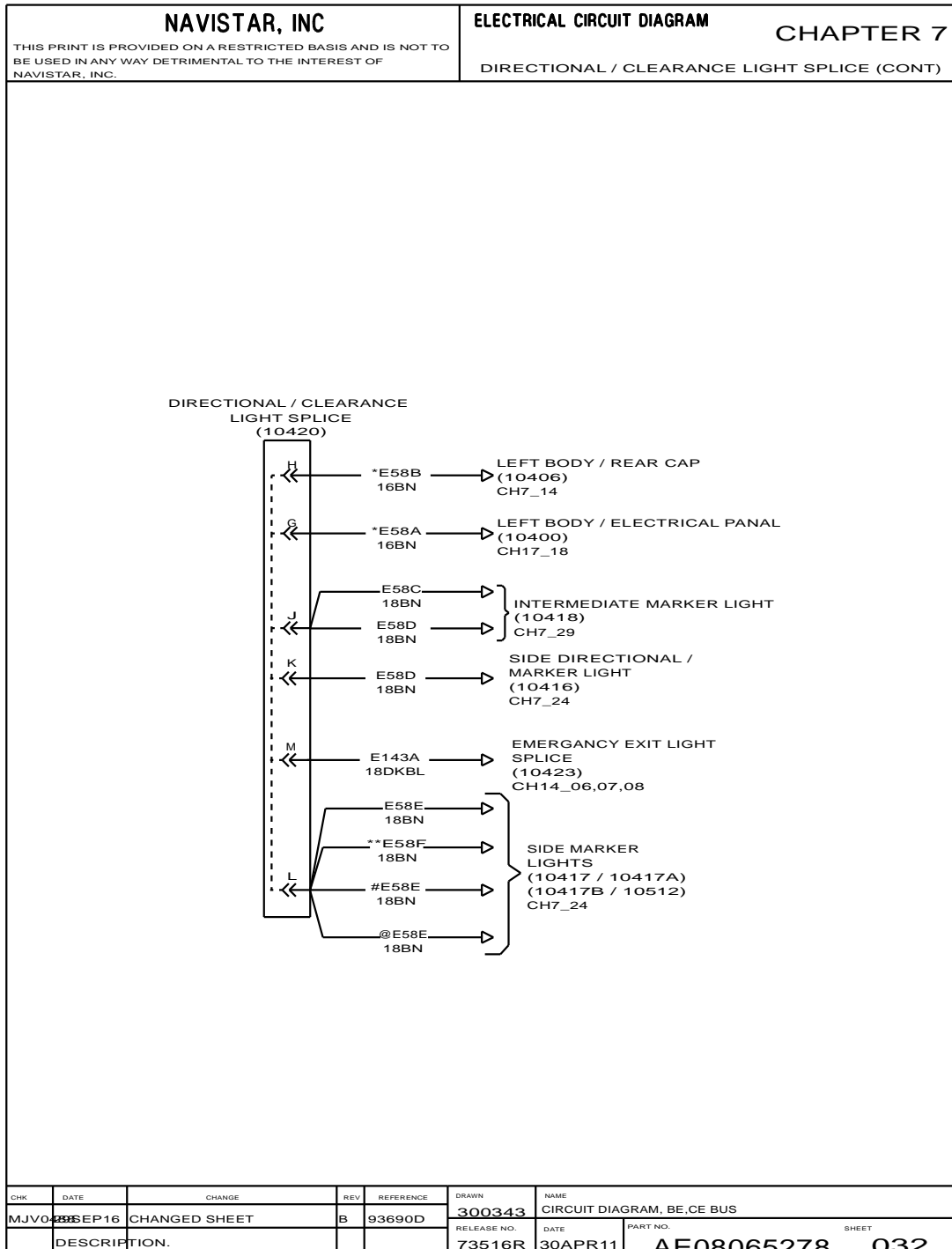


Figure 171 Directional / Clearance Light Splice (Cont.)

7.33. HEAD LIGHTS, MARKER, PARK, TURN AND STOP LIGHTS, P. 33

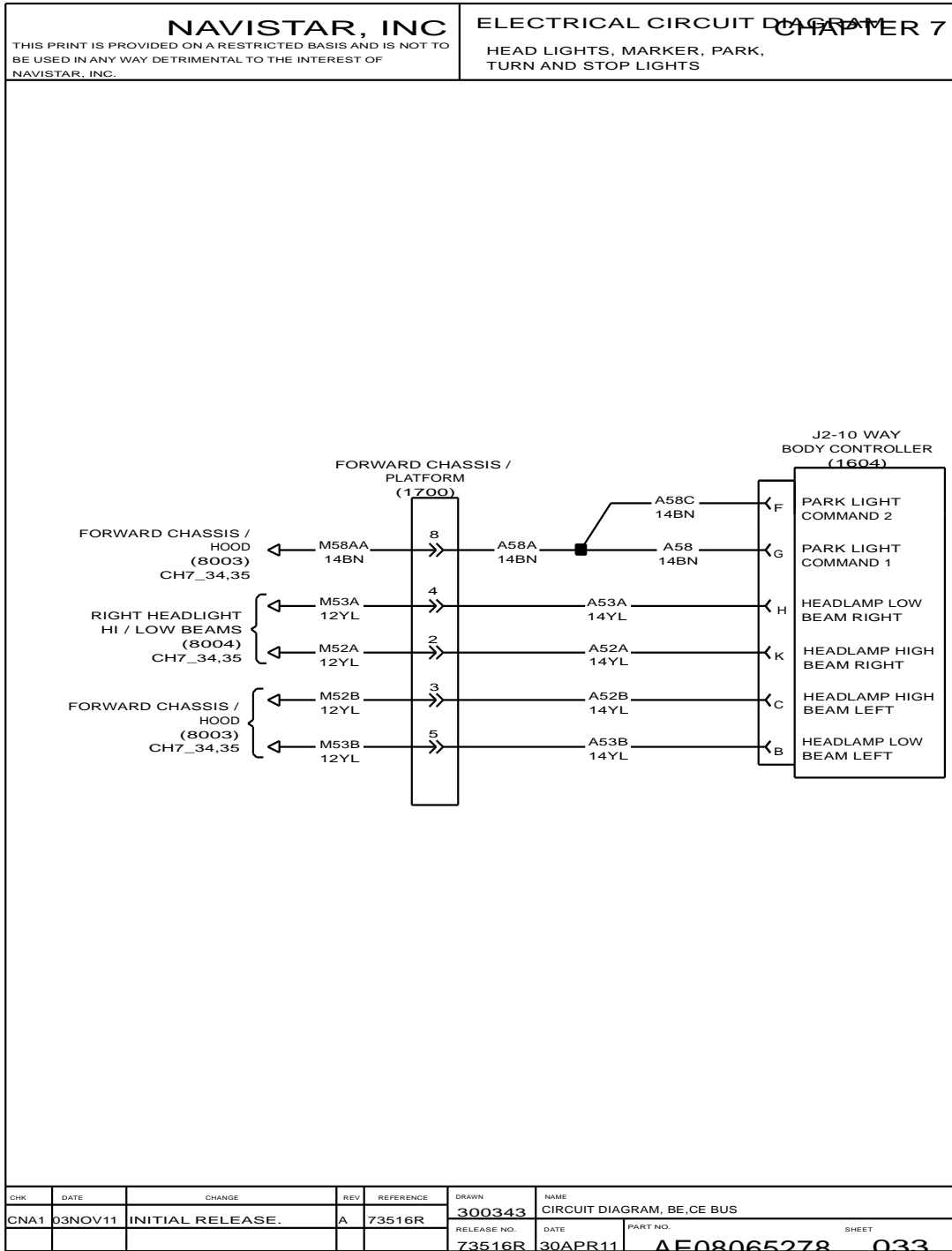


Figure 172 Head Lights, Marker, Park, Turn and Stop Lights

7.34. HEAD LIGHTS, MARKER, PARK, TURN AND STOP LIGHT – WITH PEDESTAL MOUNT LIGHTS, P. 34

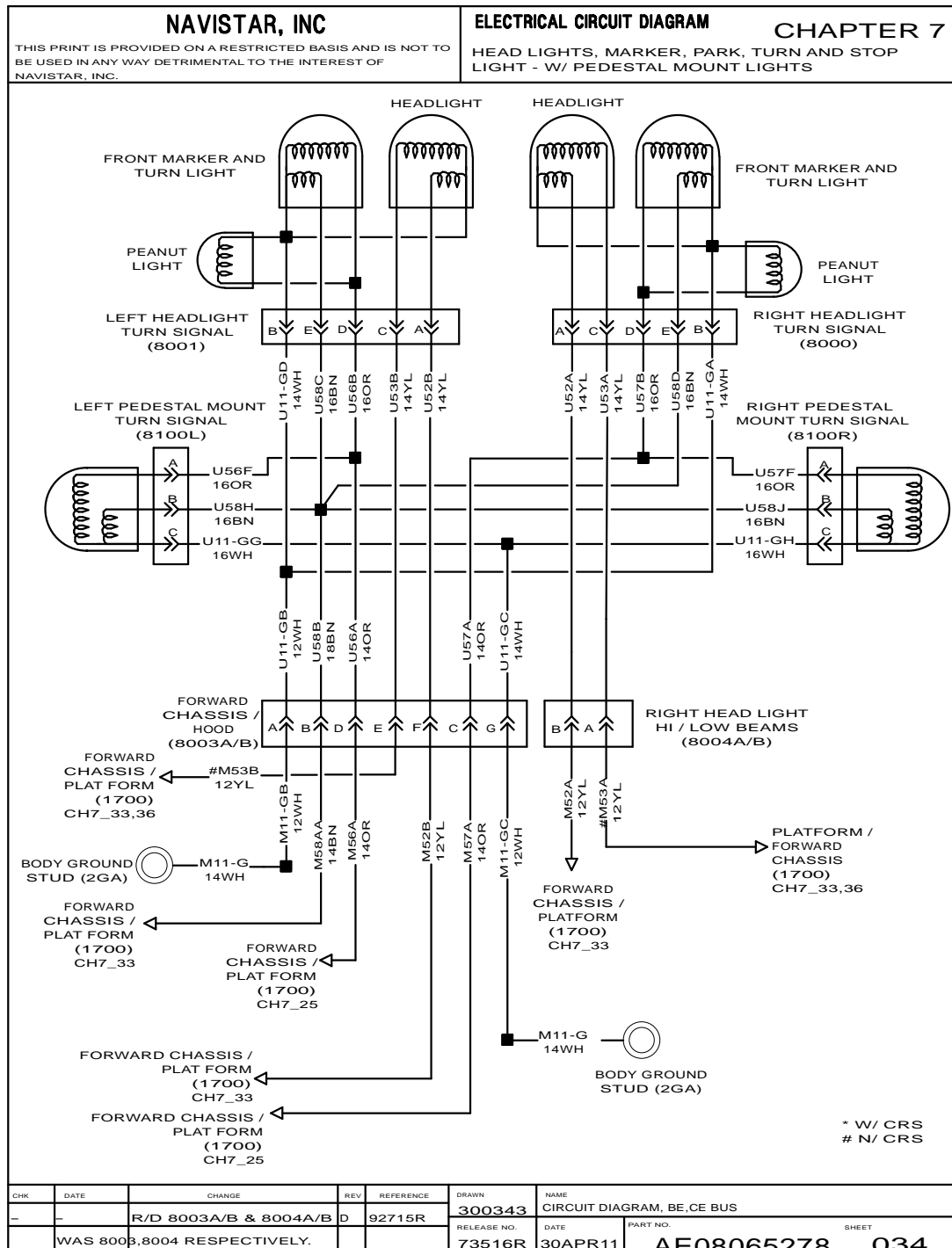


Figure 173 Head Lights, Marker, Park, Turn and Stop Light – with Pedestal Mount Lights

7.35. HEAD LIGHTS, MARKER, PARK, TURN AND STOP LIGHT – WITHOUT PEDESTAL MOUNT LIGHTS, P. 35

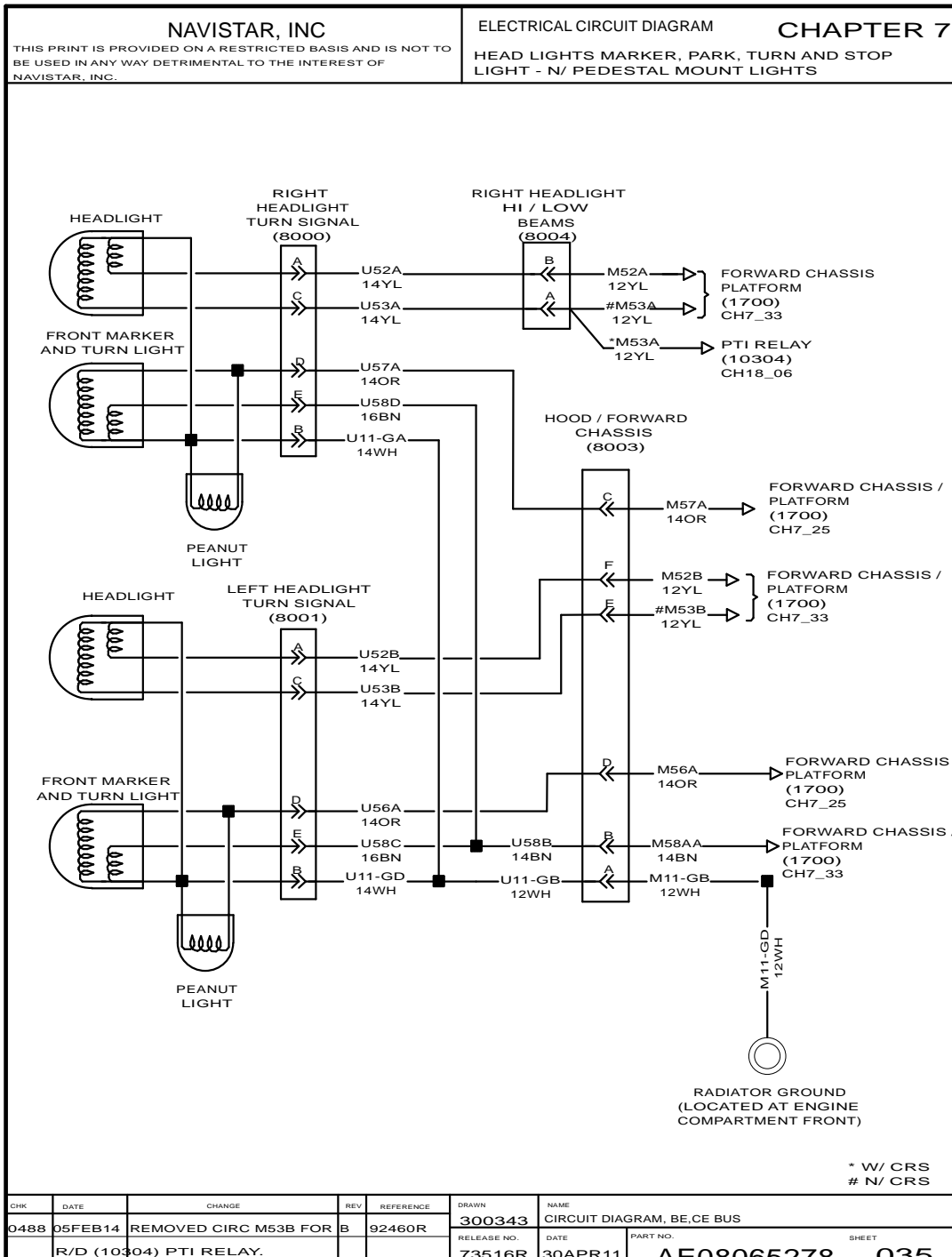


Figure 174 Head Lights, Marker, Park, Turn and Stop Light – without Pedestal Mount Lights

7.36. HEAD LIGHTS, MARKER, PARK, TURN AND STOP LIGHT – WITH CE BUS WITH PROPANE, P. 35A

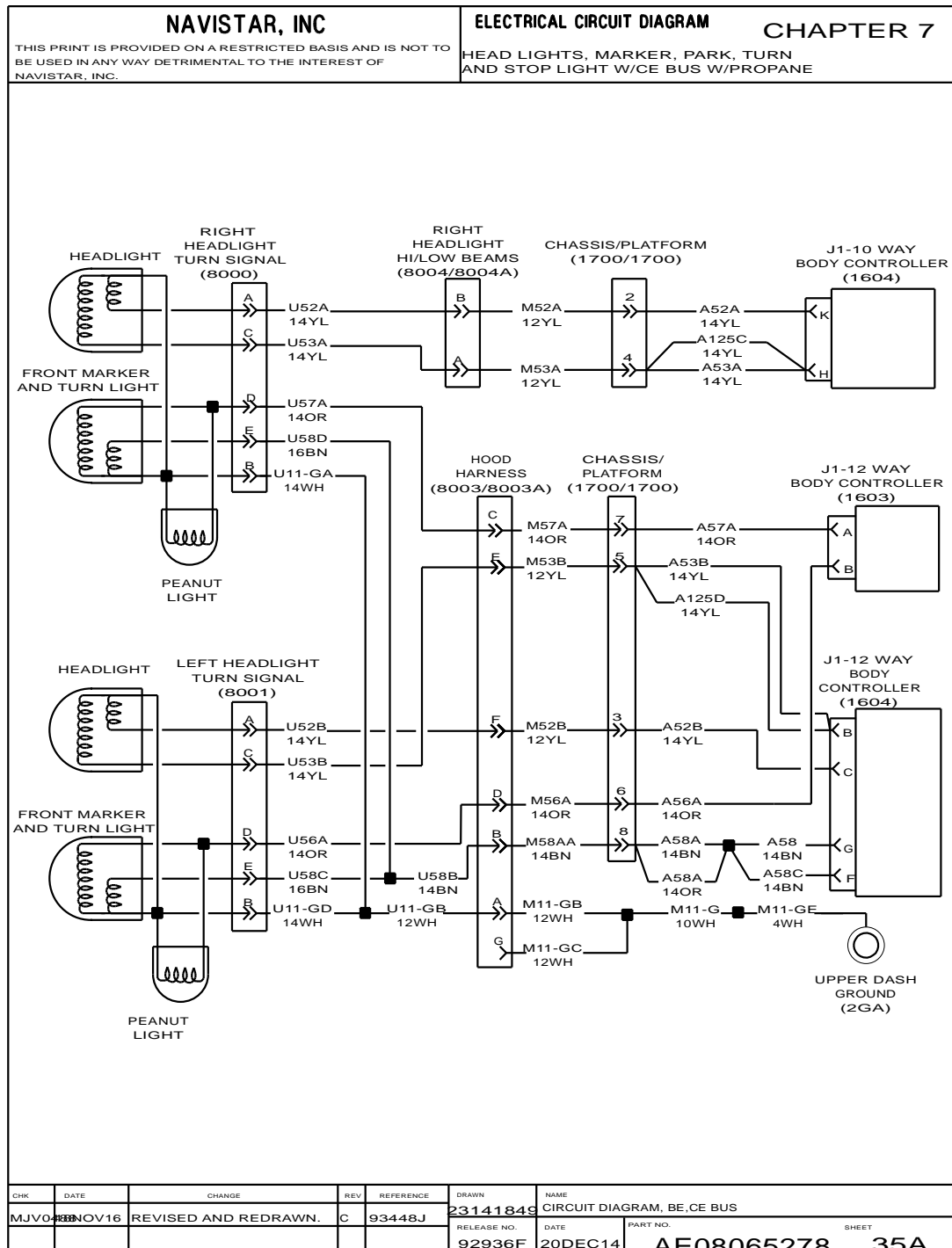


Figure 175 Head Lights, Marker, Park, Turn and Stop Light – with CE Bus with Propane

7.37. HEAD LAMP CONTROL, CHILD REMINDER SYSTEM, P. 36

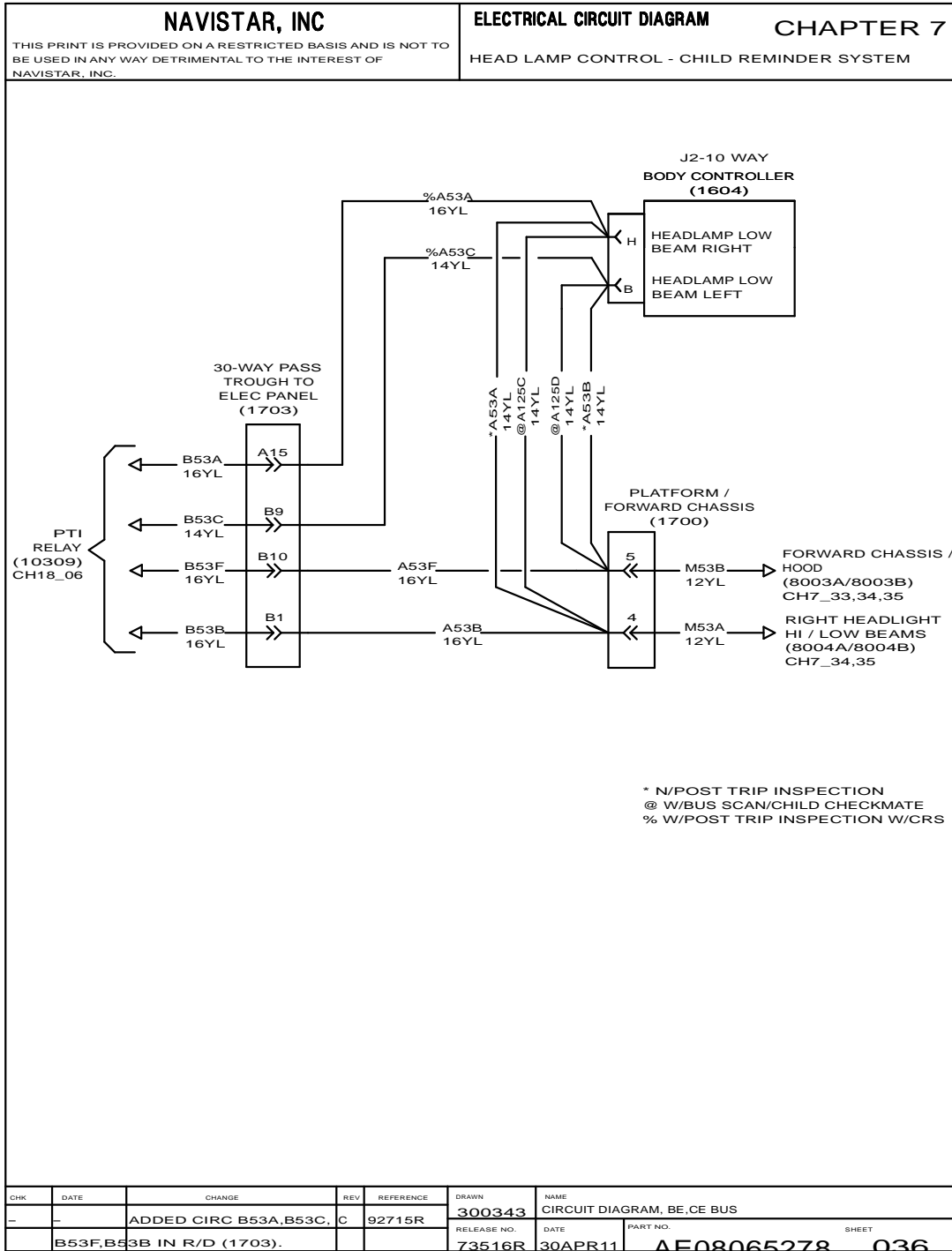


Figure 176 Head Lamp Control, Child Reminder System

7.38. FOG LIGHTS, P. 37

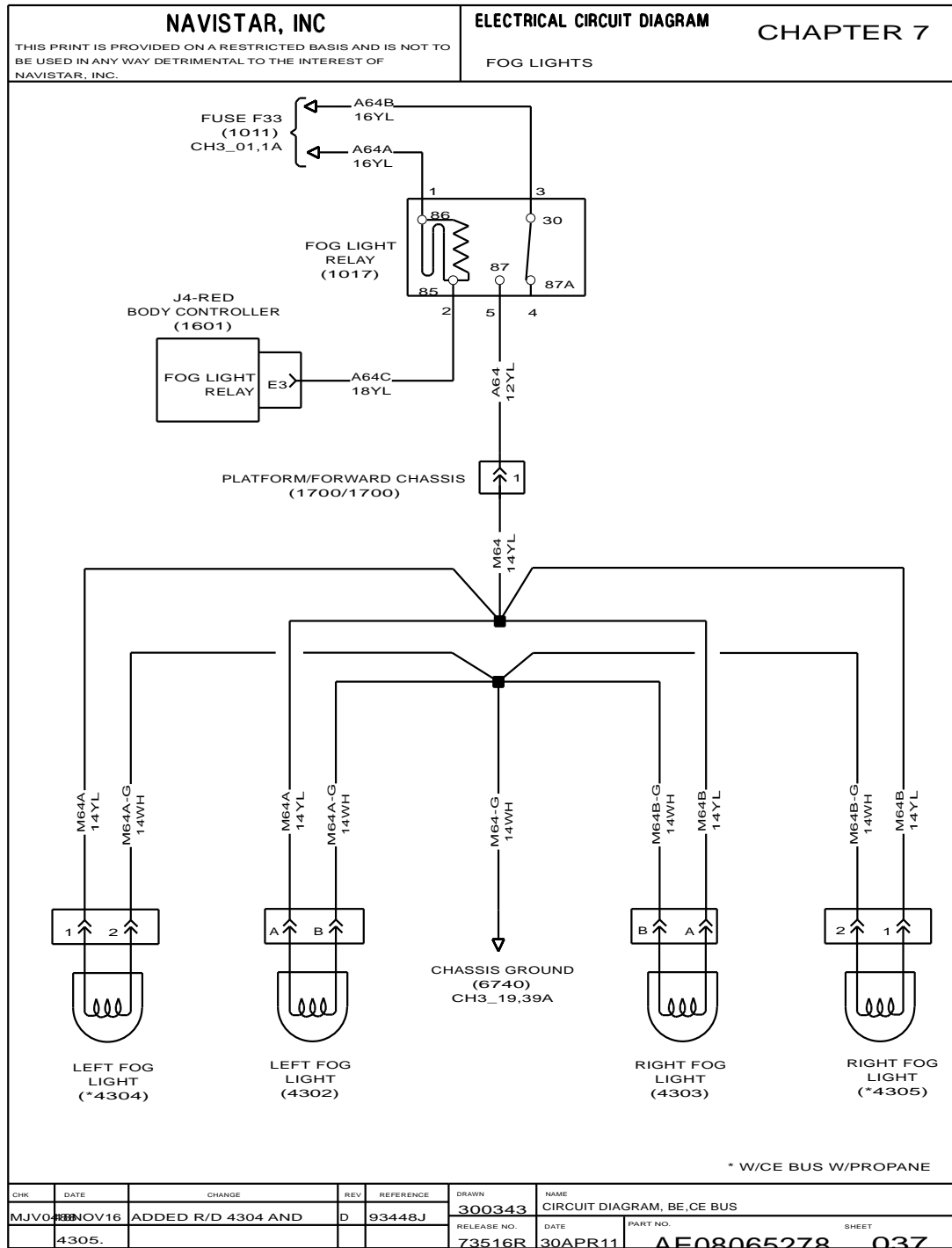


Figure 177 Fog Lights

7.39. PEDESTRIAN LIGHTS, P. 38

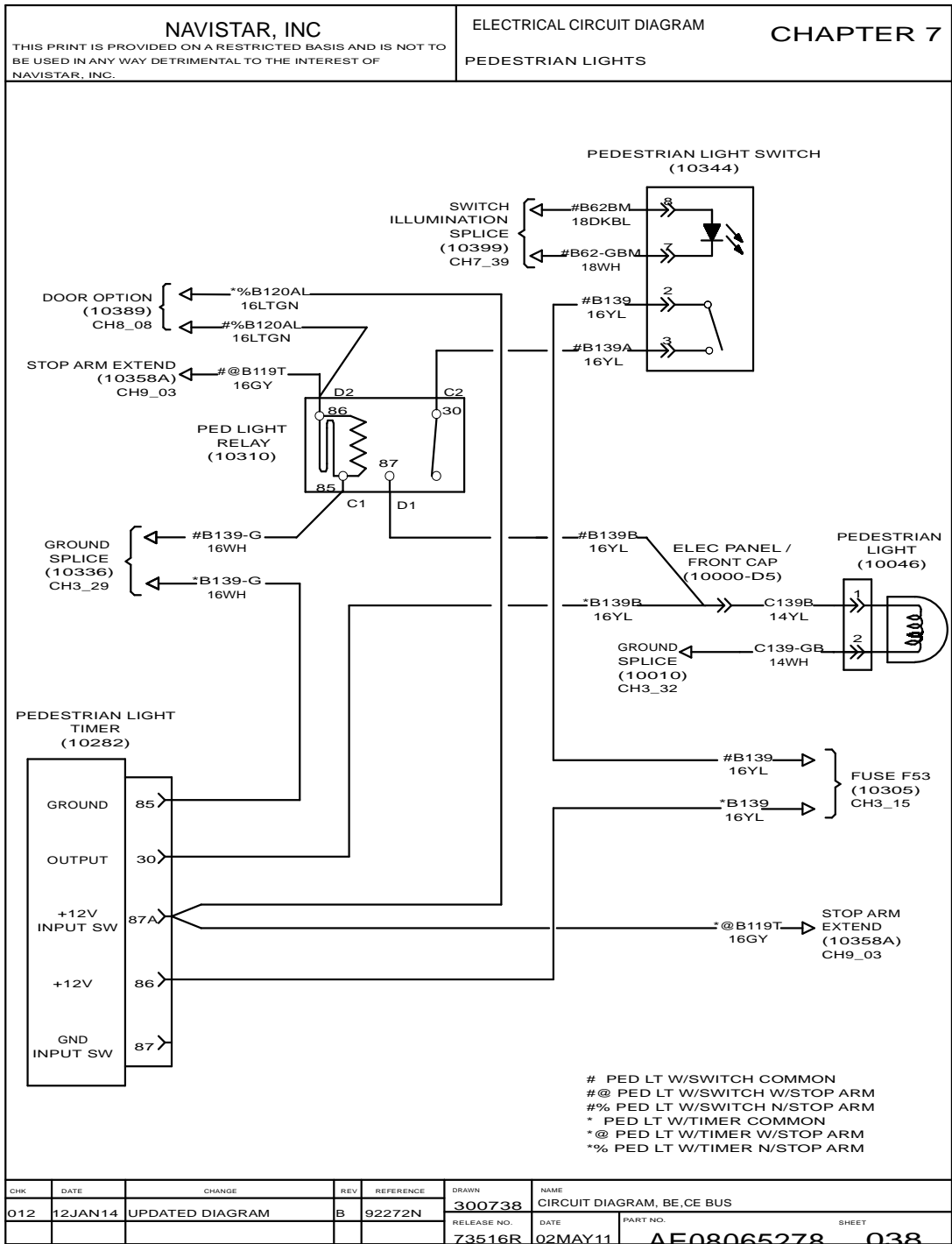


Figure 178 Pedestrian Lights

7.40. SWITCH ILLUMINATION SPLICE, P. 39

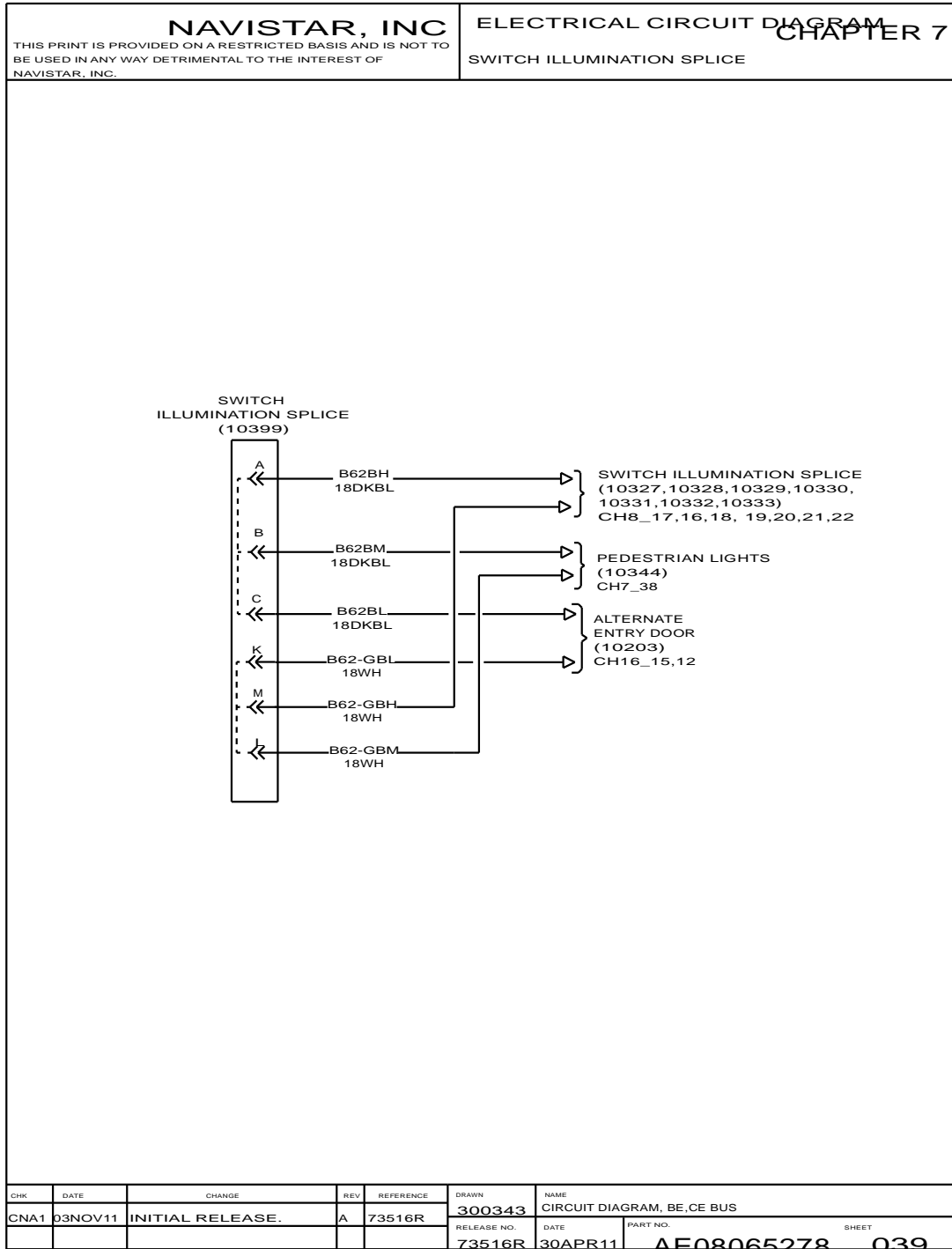


Figure 179 Switch Illumination Splice

7.41. LUGGAGE COMPARTMENT LIGHTS, P. 40

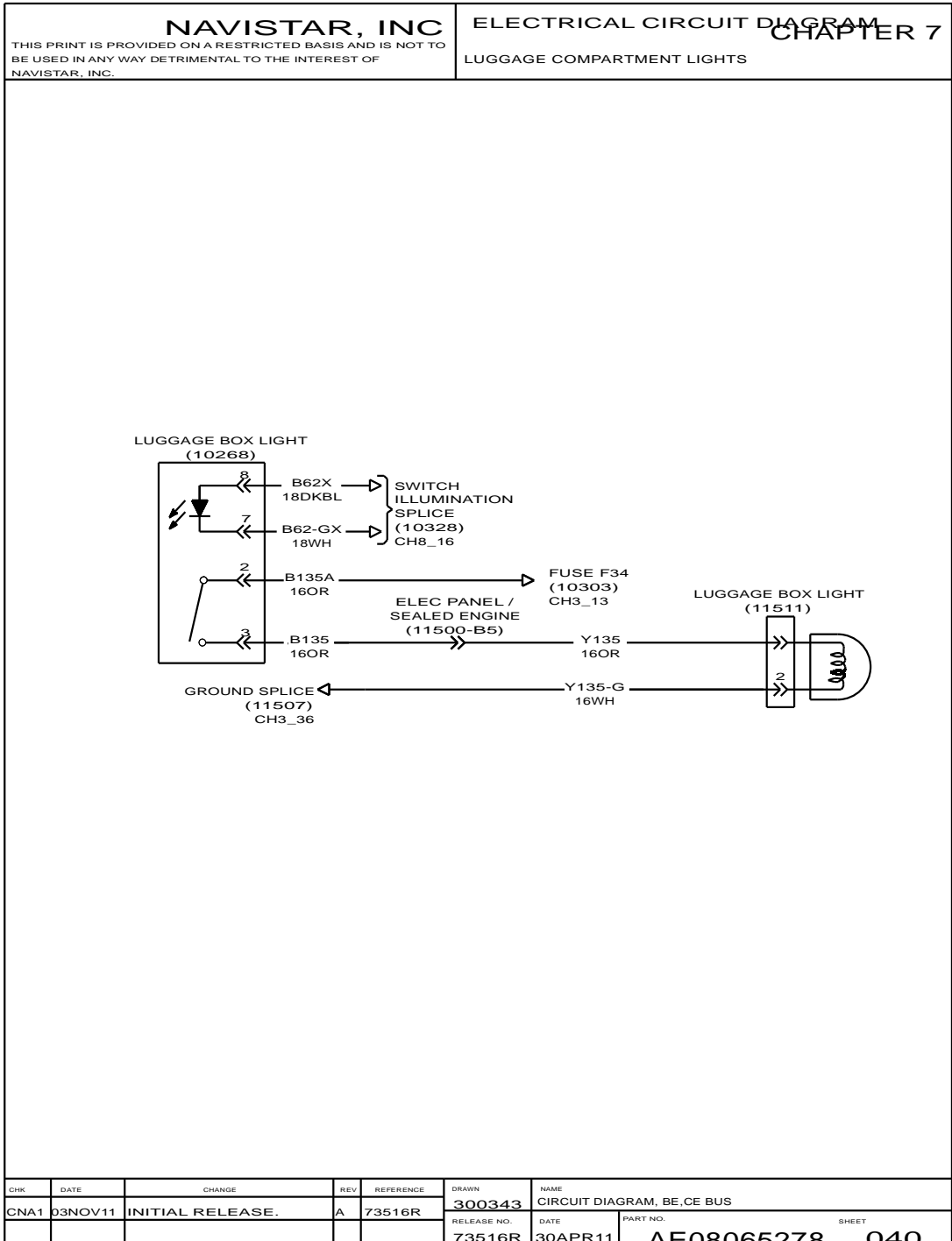


Figure 180 Luggage Compartment Lights

7.42. REDUNDANT HAZARD LIGHT SWITCH, P. 41

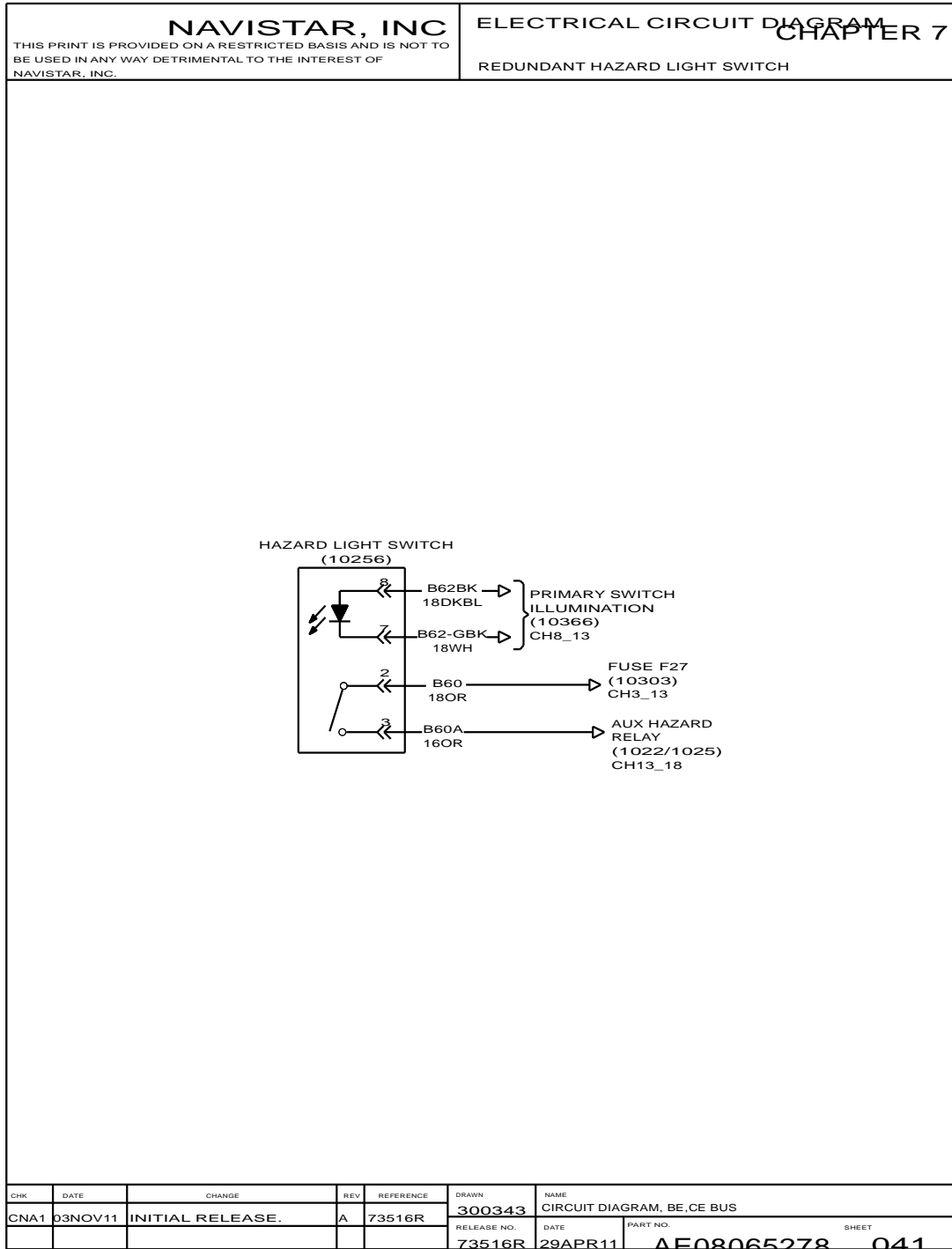


Figure 181 Redundant Hazard Light Switch

INTERNAL LIGHTS (CHAPTER 8)

8.1. GUARD DOME LIGHT, P. 1

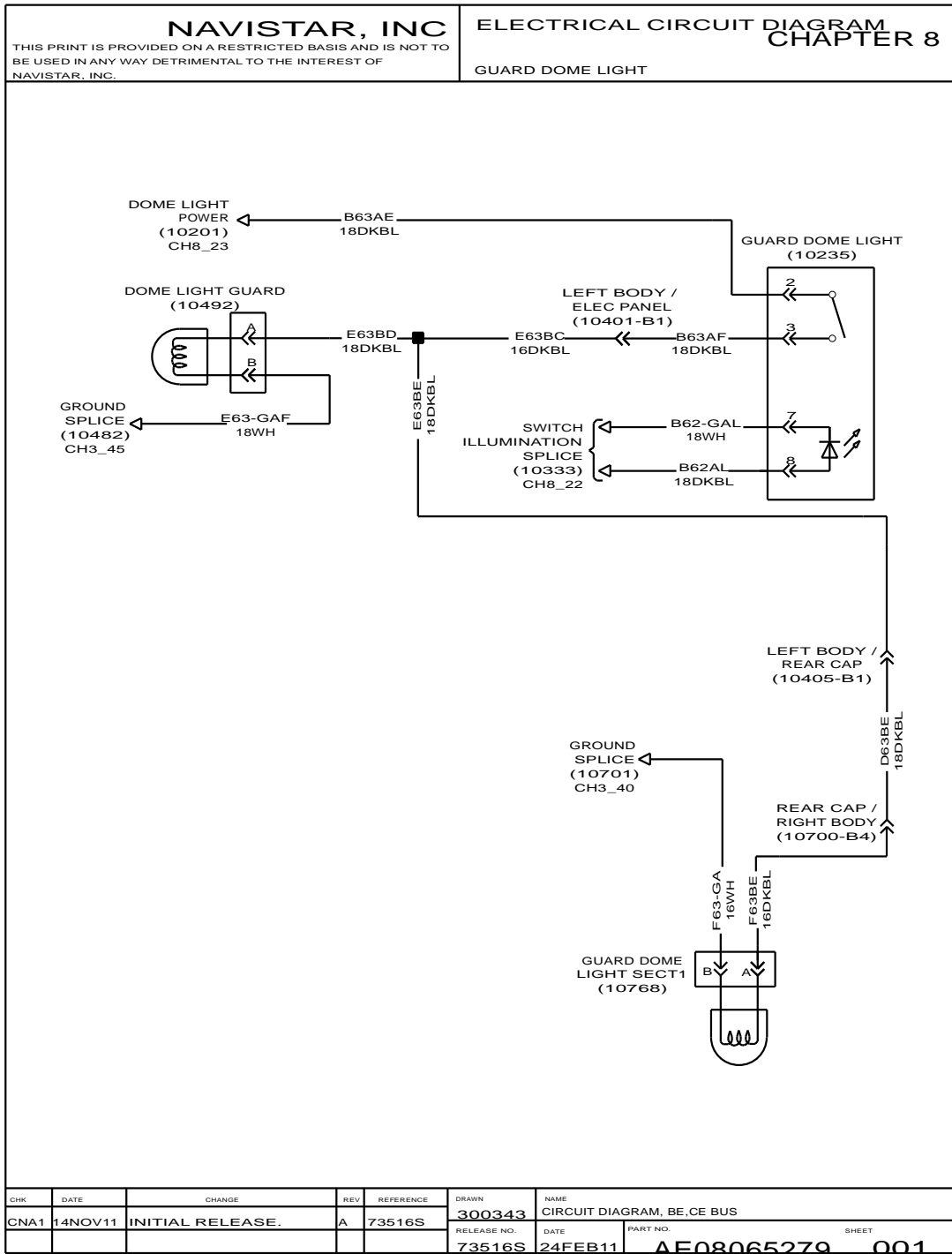


Figure 182 Guard Dome Light

8.2. ACTIVITY DOME LIGHT, P. 2

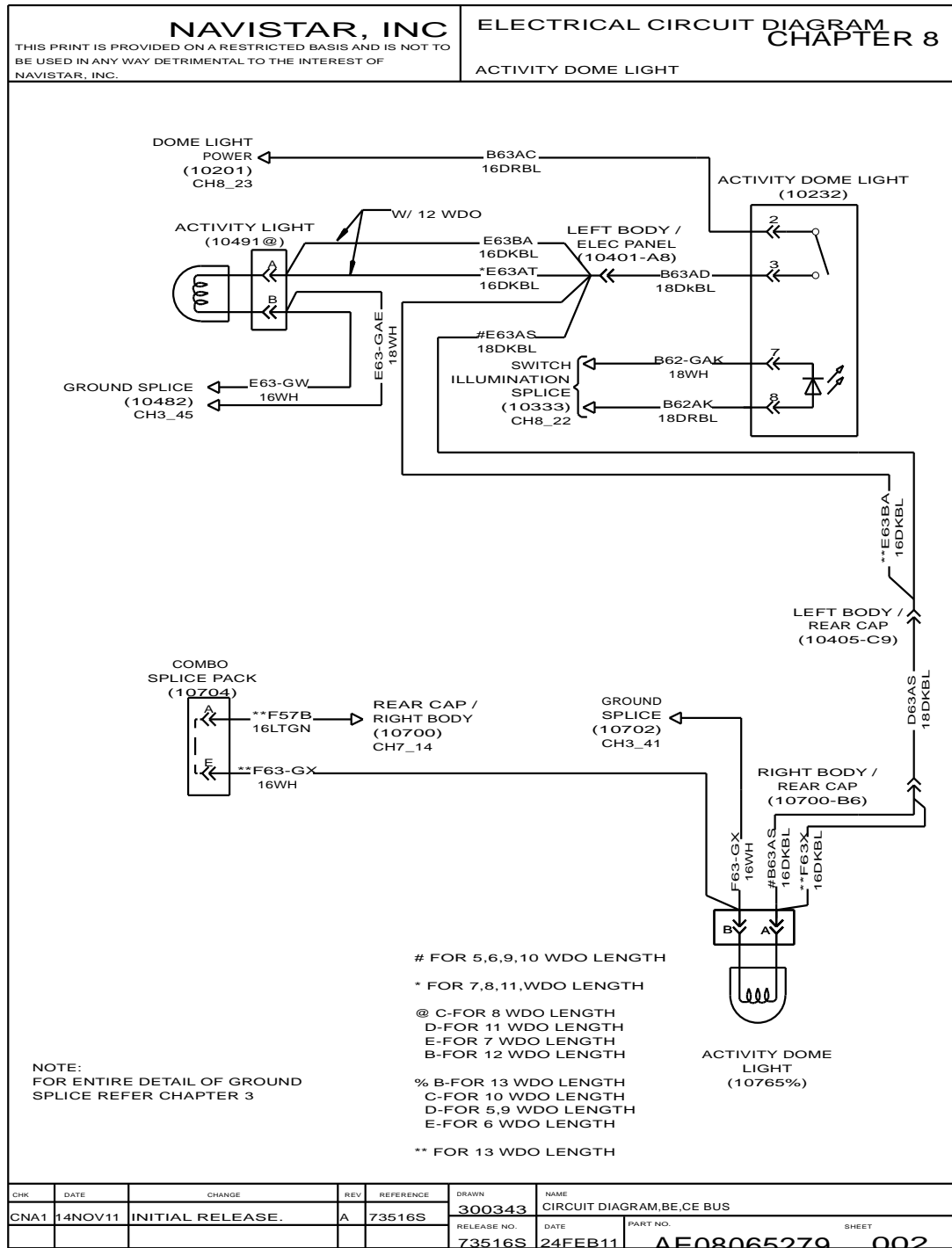


Figure 183 Activity Dome Light

8.3. ENGINE COMPARTMENT LIGHTS, P. 3

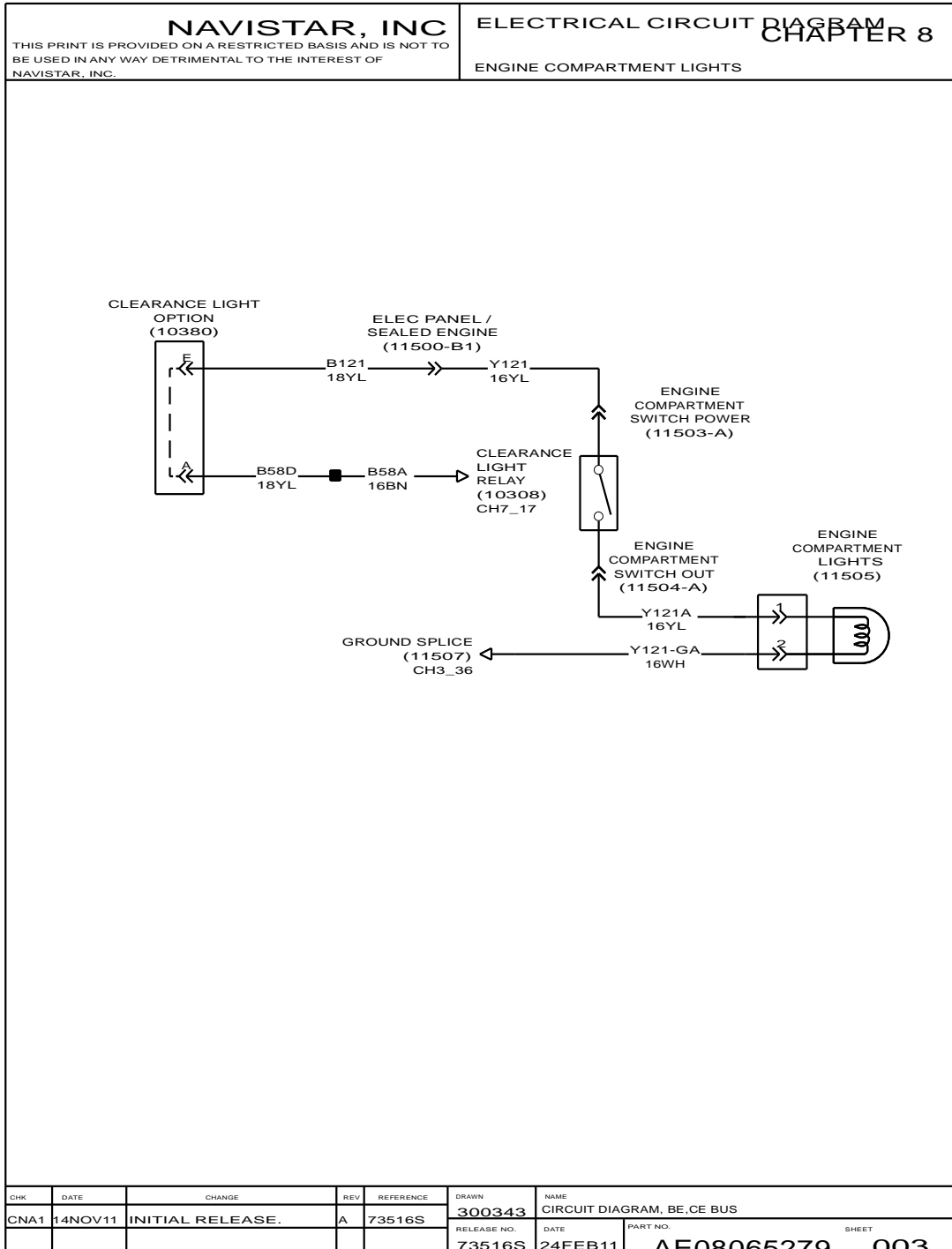


Figure 184 Engine Compartment Lights

8.4. ELECTRICAL COMPARTMENT LIGHTS, P. 4

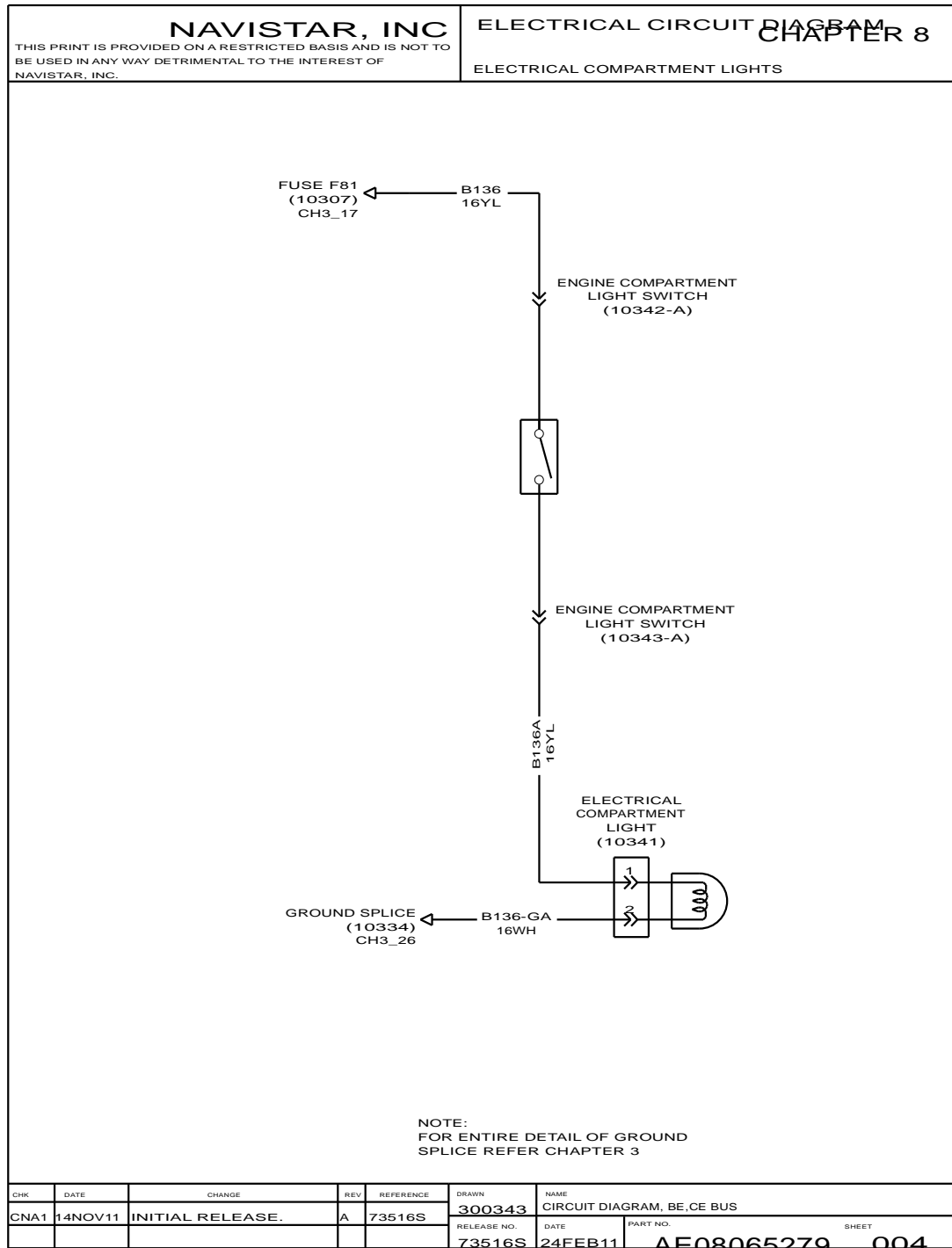


Figure 185 Electrical Compartment Lights

8.5. FRONT AMBER CLUSTER LIGHTS, P. 5

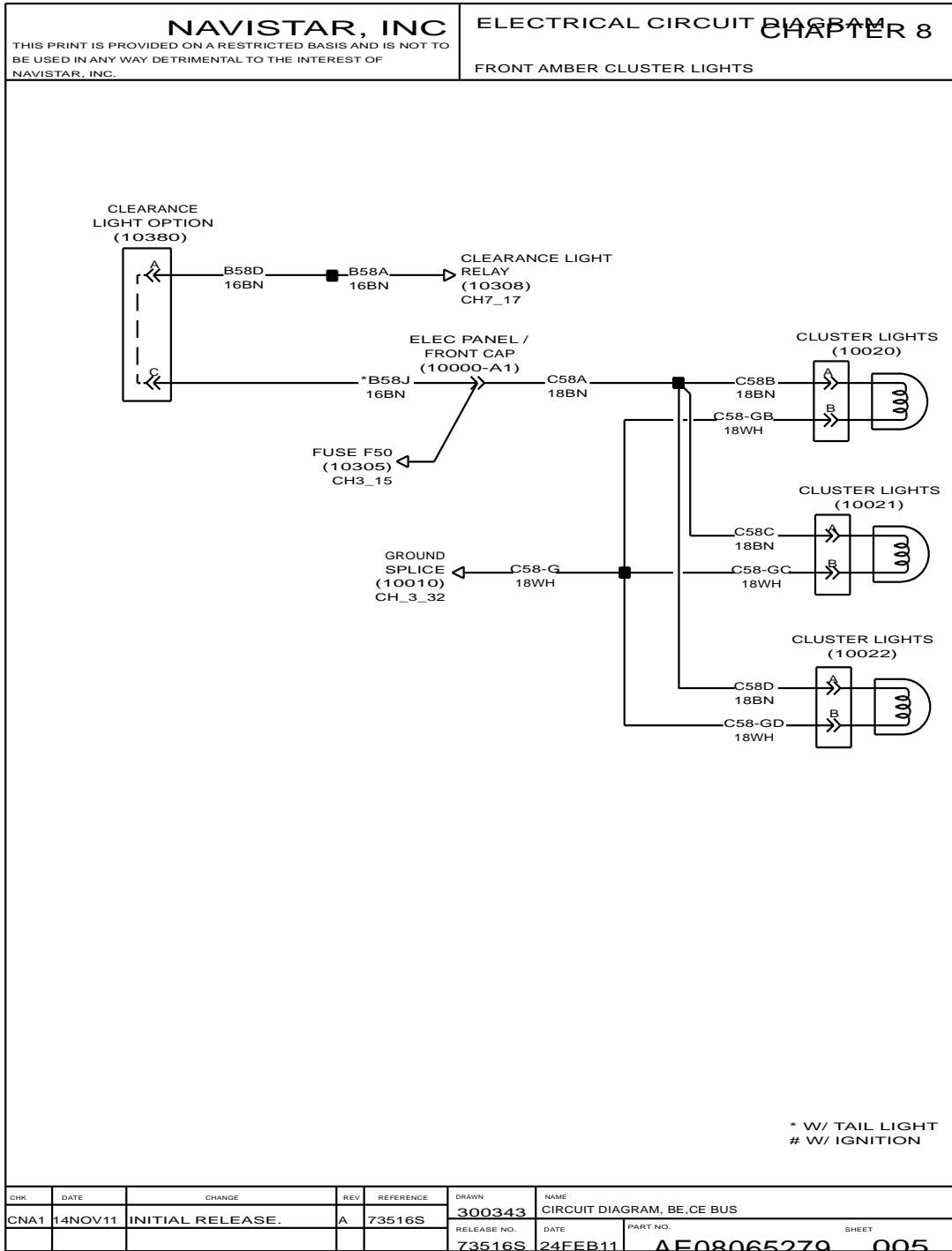


Figure 186 Front Amber Cluster Lights

8.6. REAR ROW DOME LIGHT, P. 6

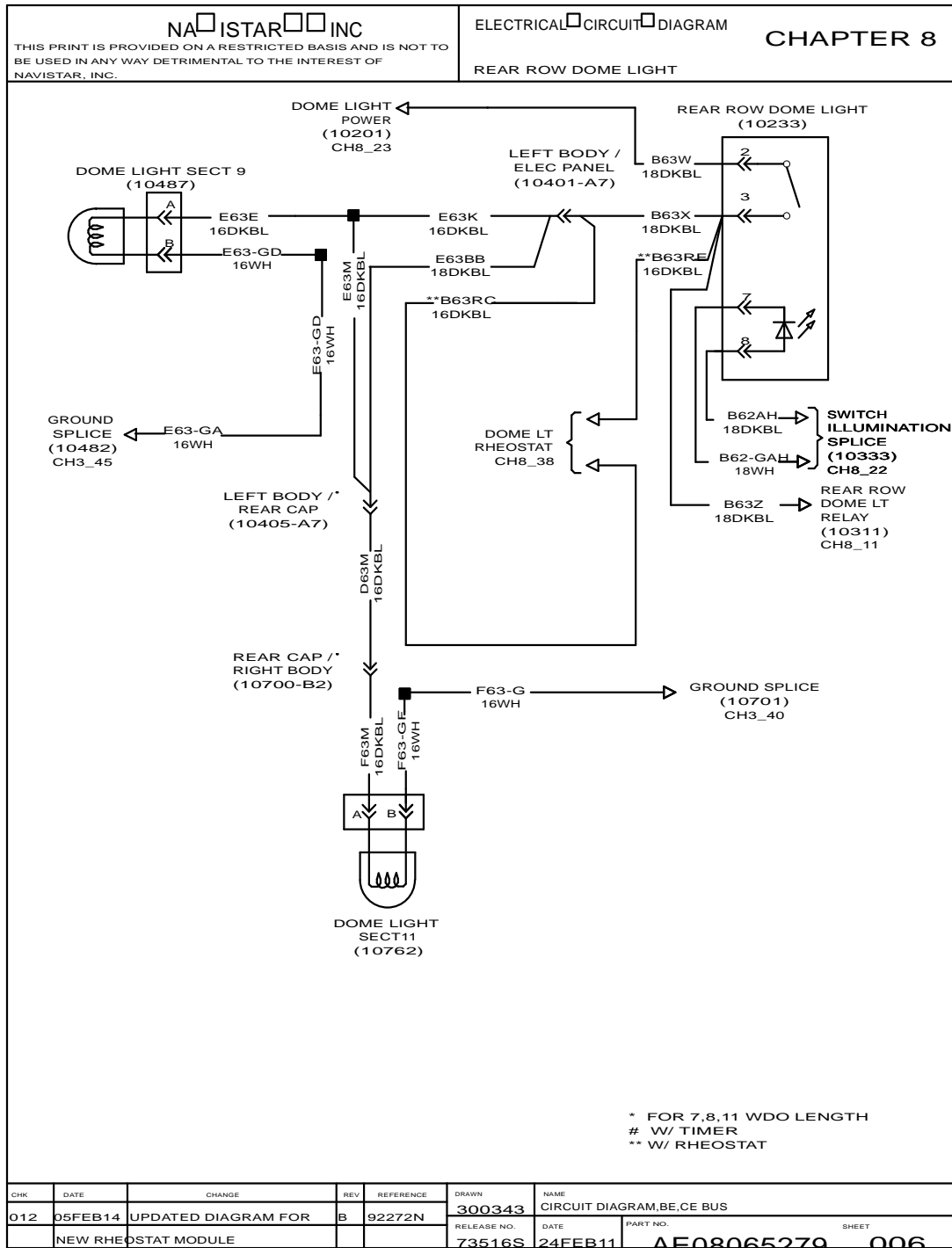


Figure 187 Rear Row Dome Light

8.7. DRIVER'S DOME LIGHT, P. 7

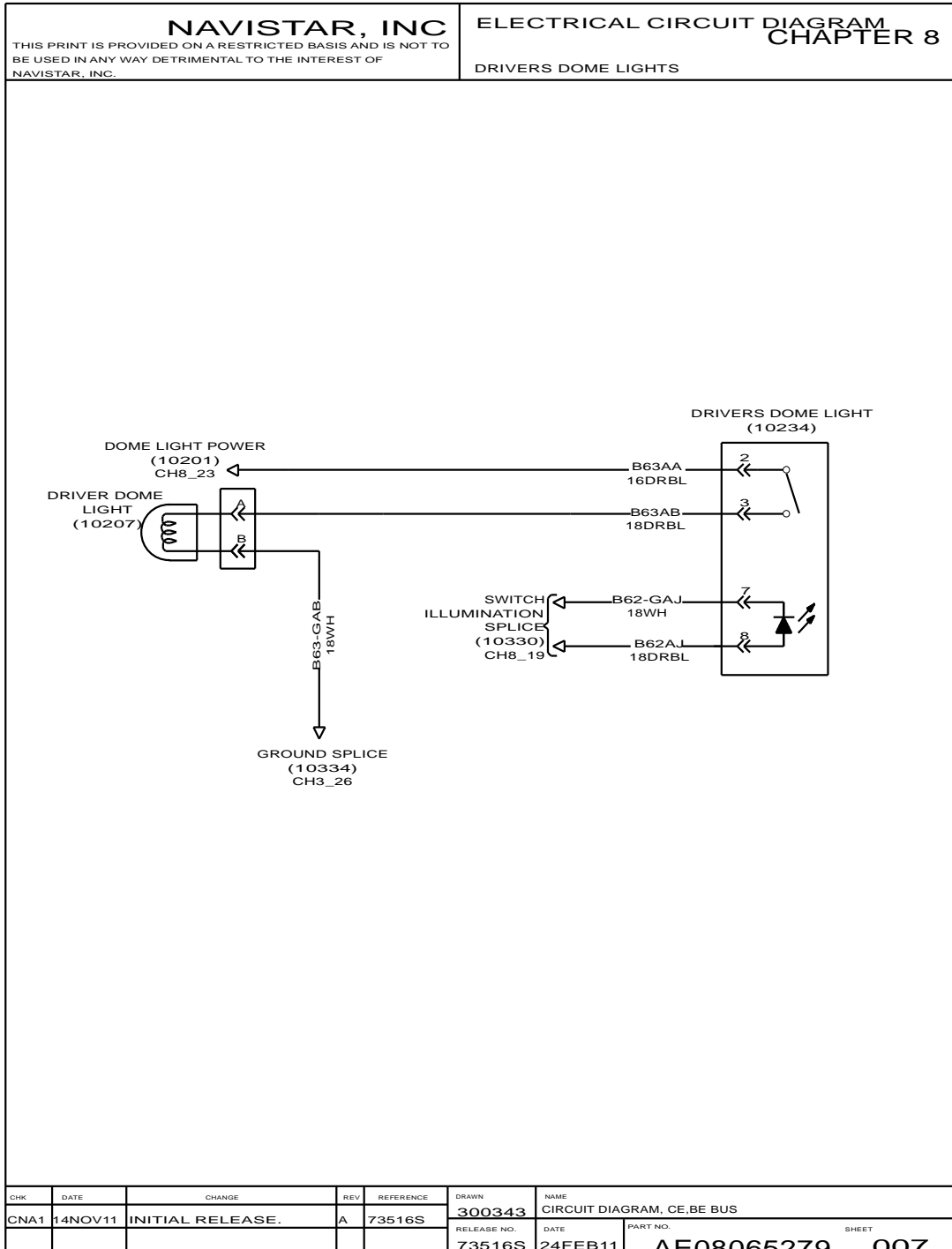


Figure 188 Driver's Dome Light

8.8. STEP WELL LIGHTS, P. 8

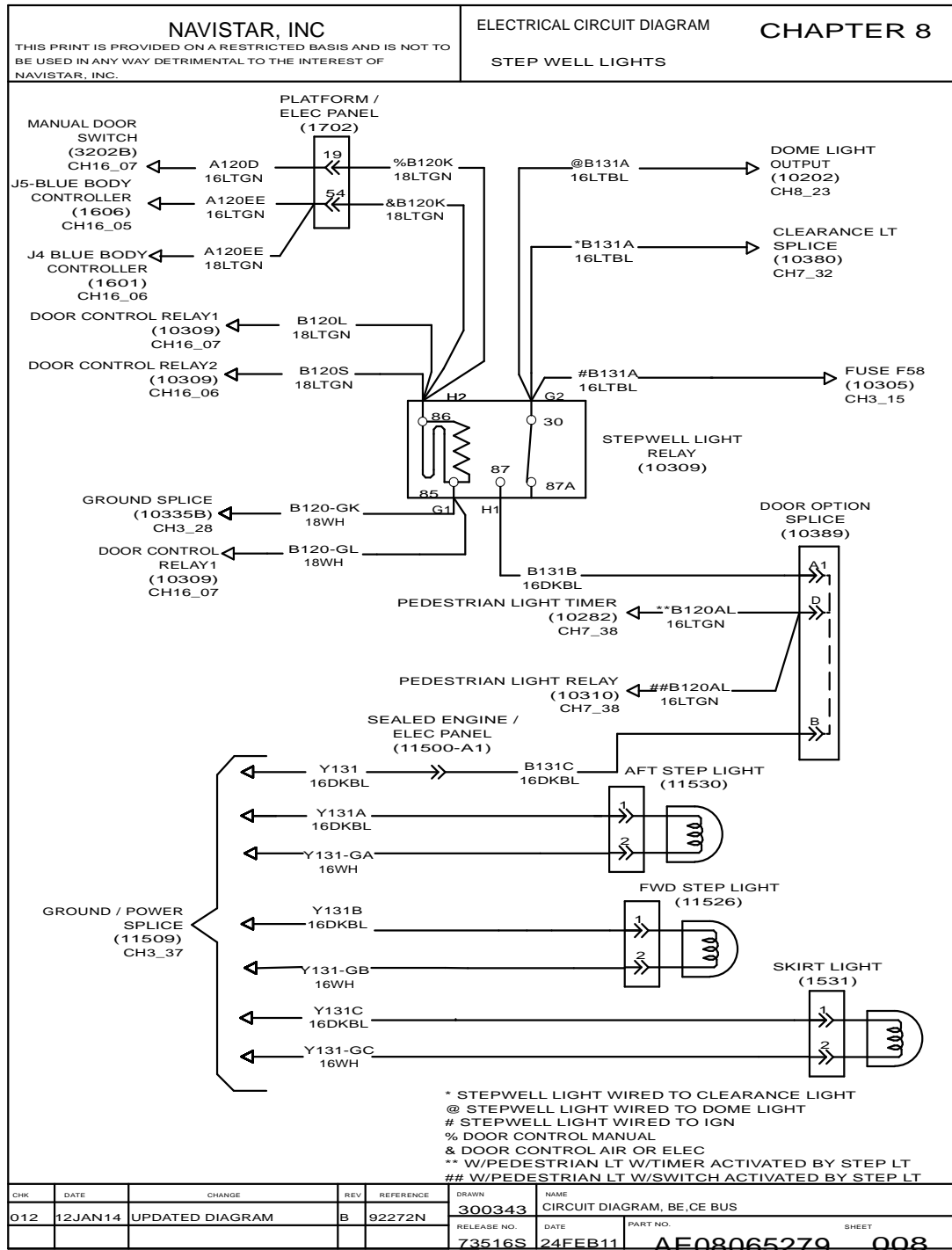


Figure 189 Step Well Lights

8.9. DOME LIGHT SINGLE SWITCH, P. 9

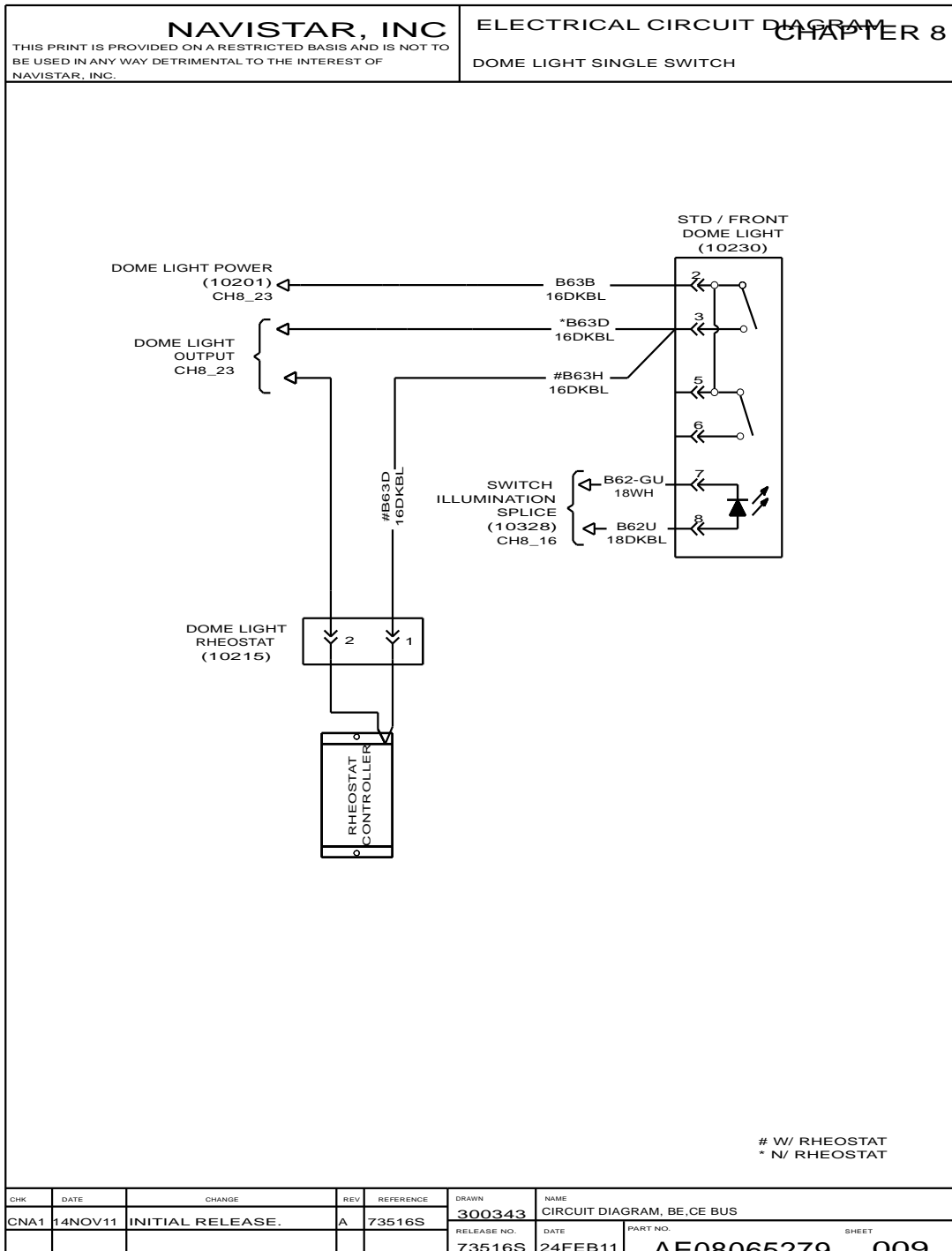


Figure 190 Dome Light Single Switch

8.10. DOME LIGHT SPLIT SWITCH, P. 10

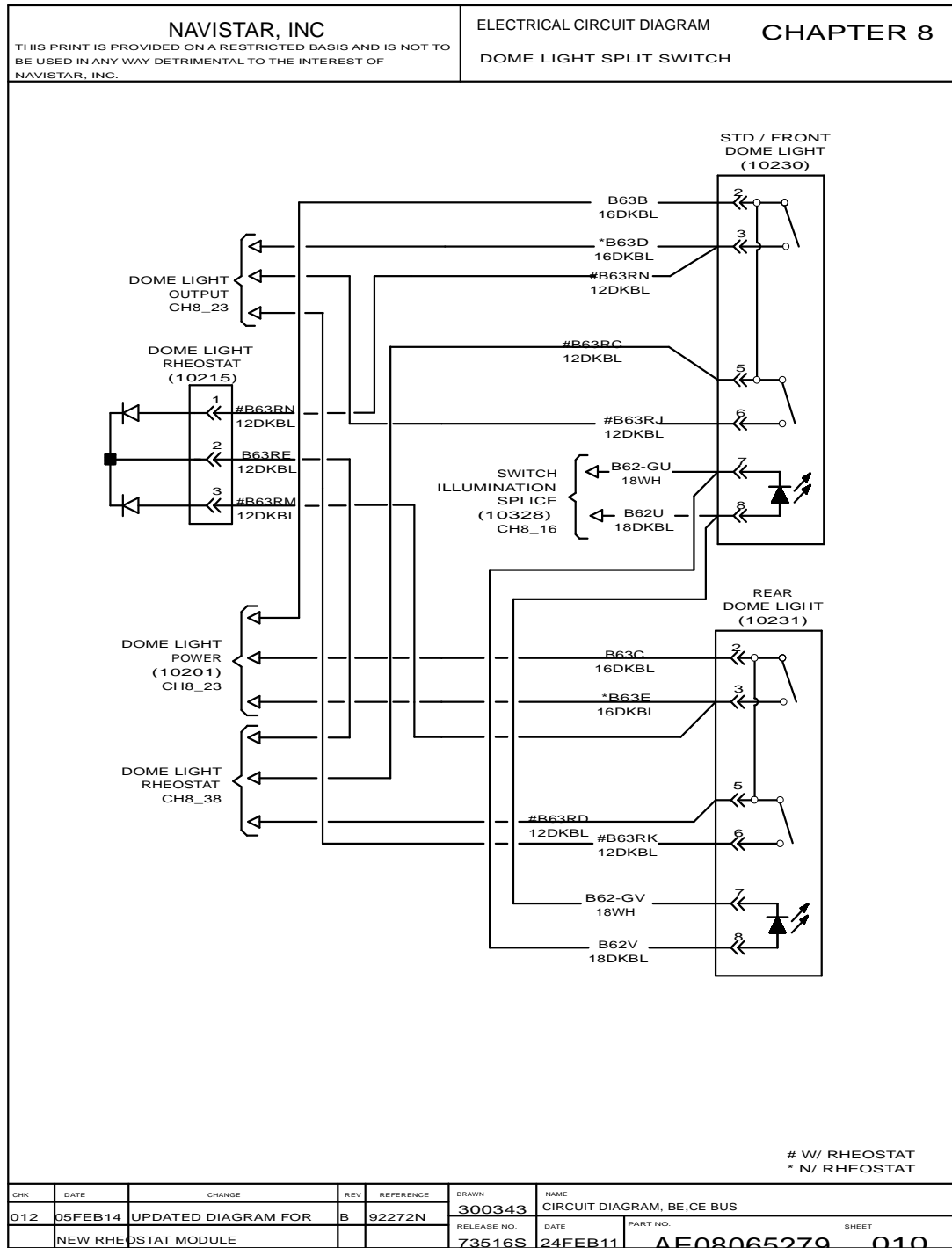


Figure 191 Dome Light Split Switch

8.11. DOME LIGHT ACTIVATED BY TIMER, P. 11

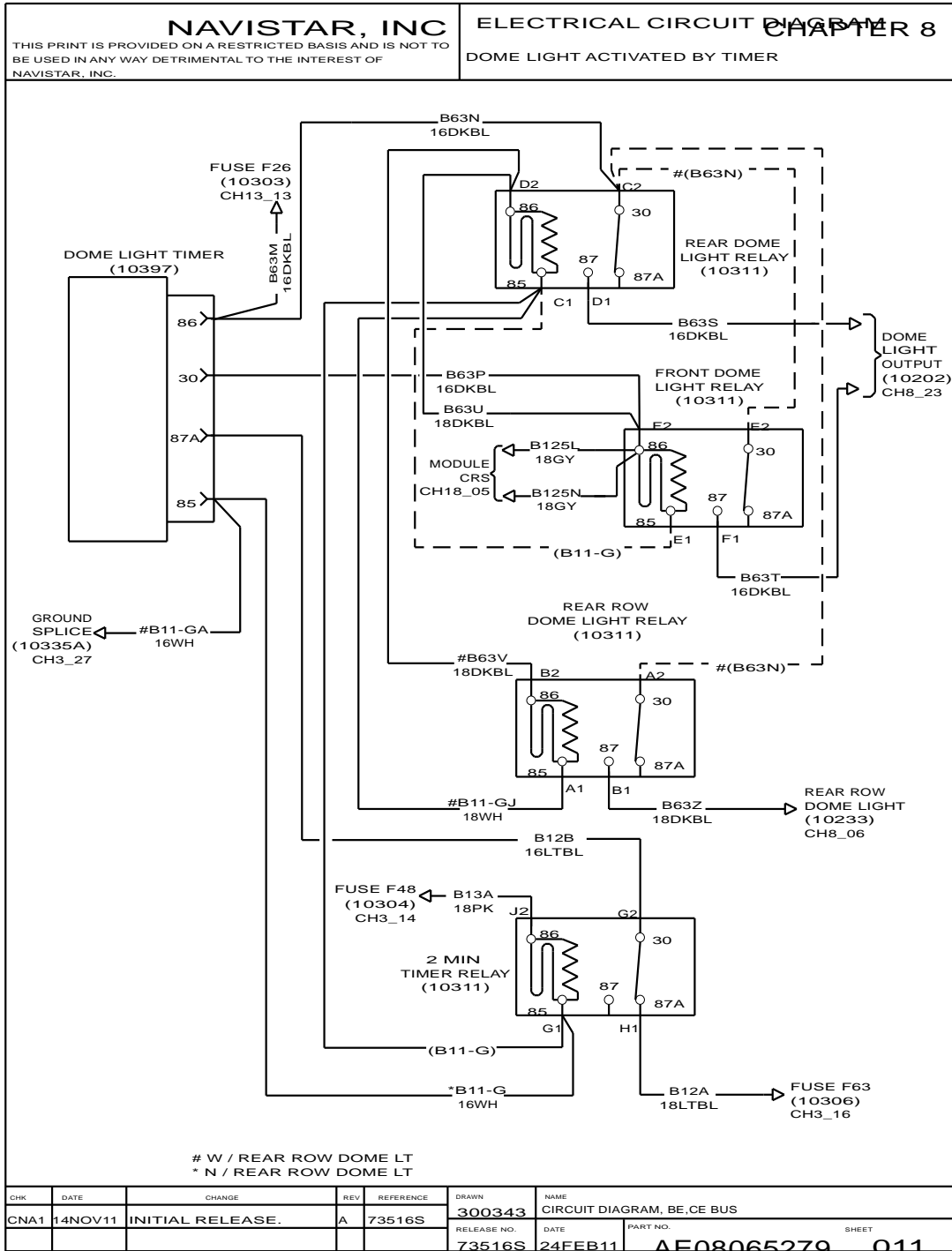


Figure 192 Dome Light Activated By Timer

8.12. DOME LIGHT ACTIVATED BY EMERGENCY EXIT, P. 12

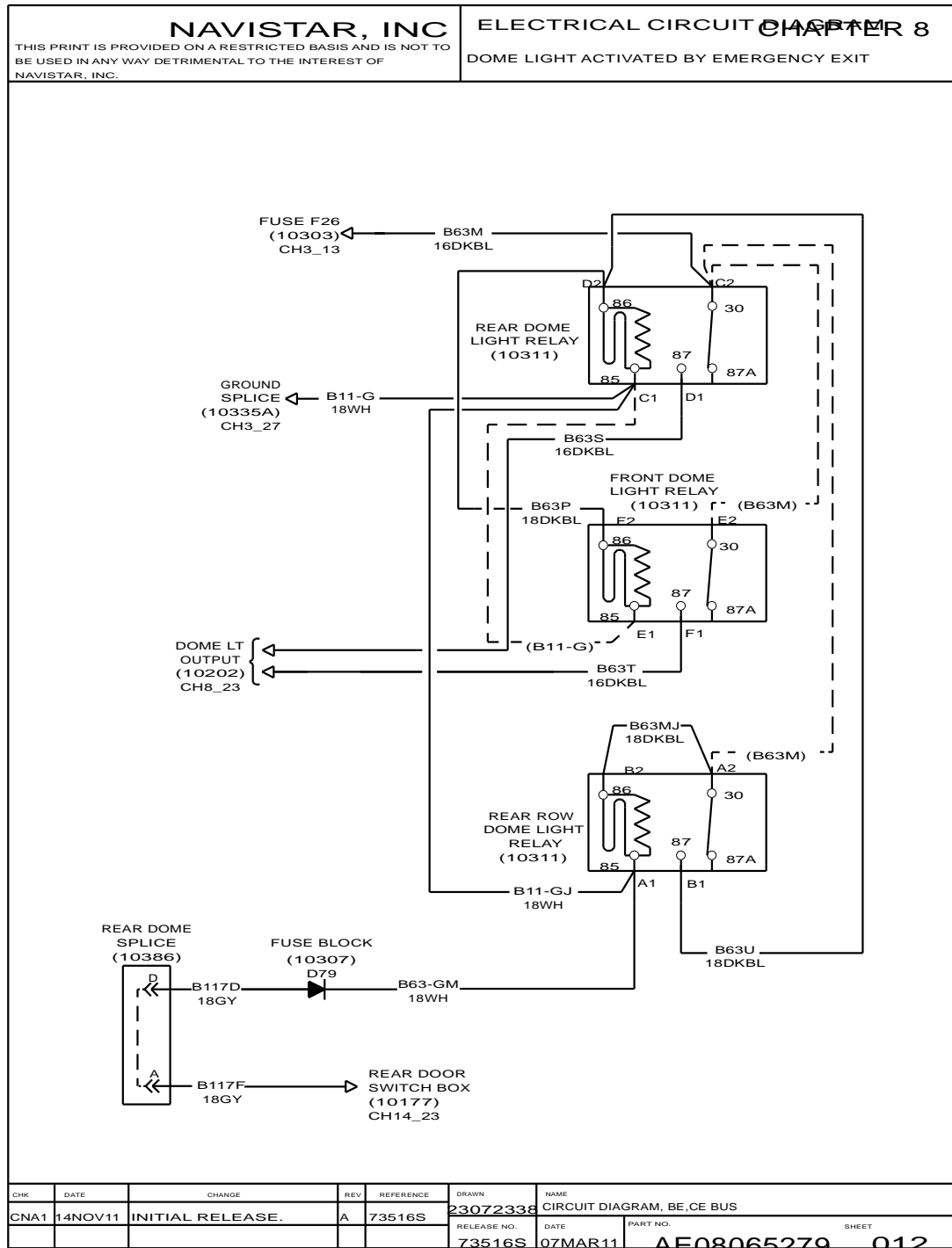


Figure 193 Dome Light Activated By Emergency Exit

8.13. PRIMARY SWITCH ILLUMINATION, P. 13

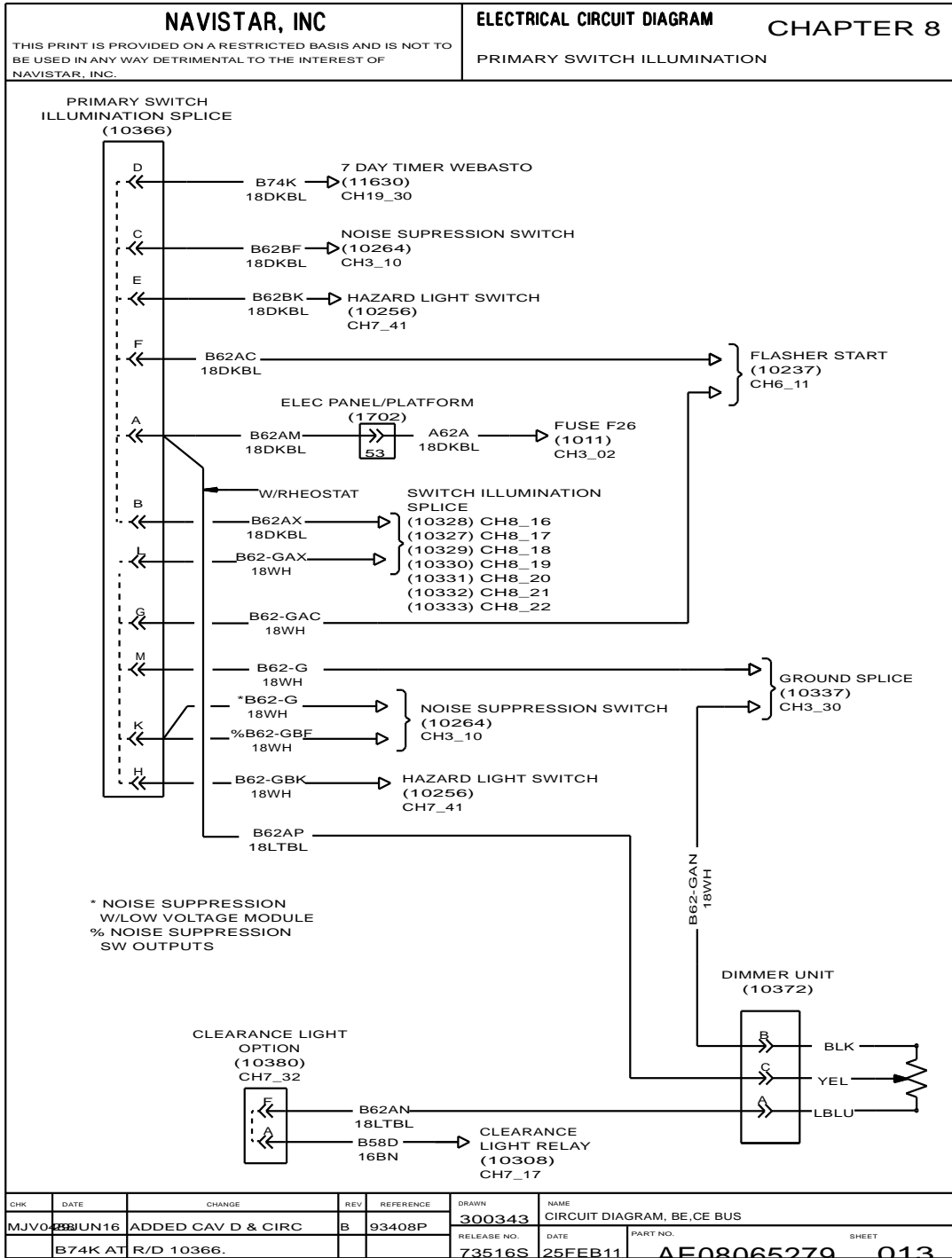


Figure 194 Primary Switch Illumination

8.14. PANEL LIGHTS, P. 14

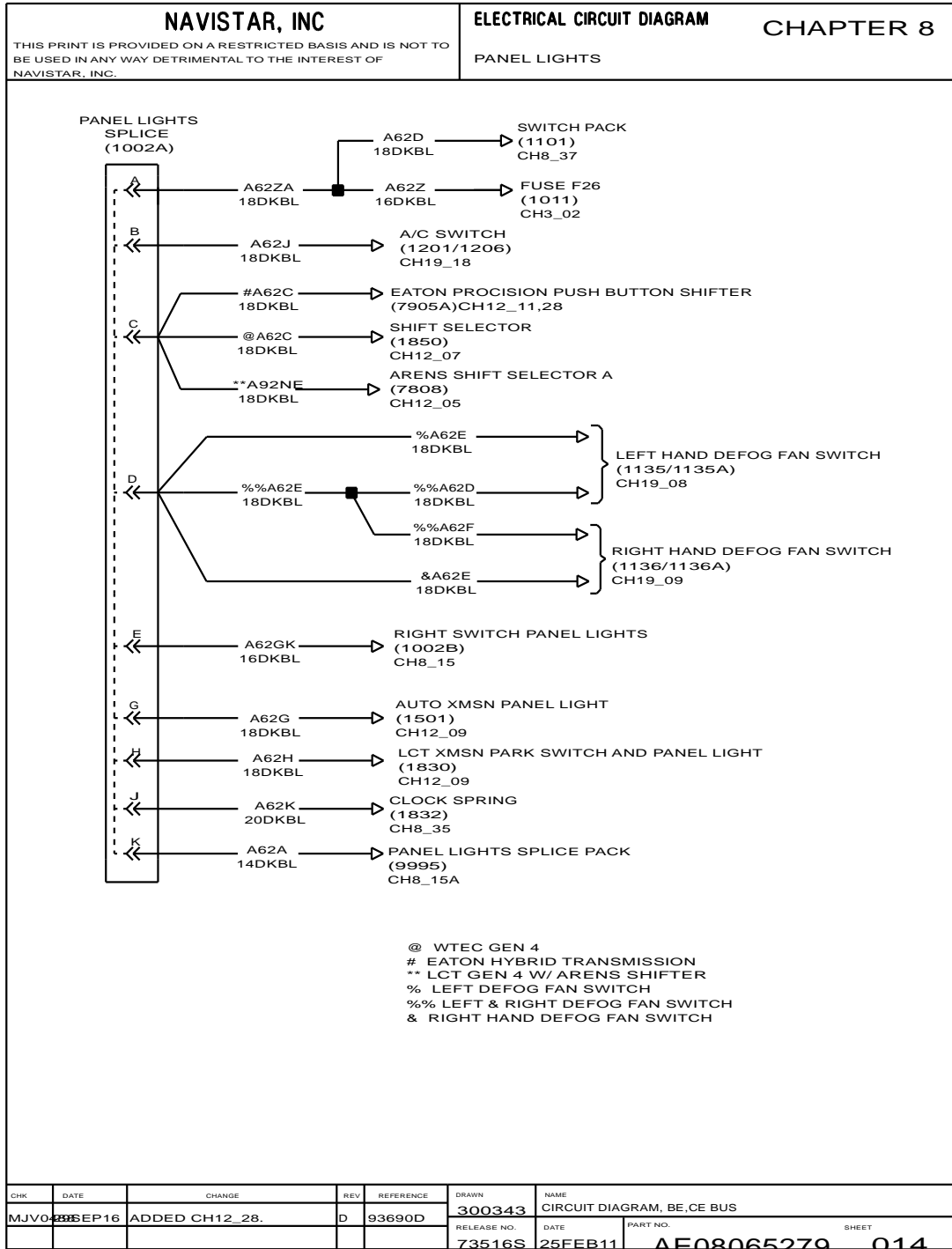


Figure 195 Panel Lights

8.15. PANEL LIGHTS (CONT.), P. 15

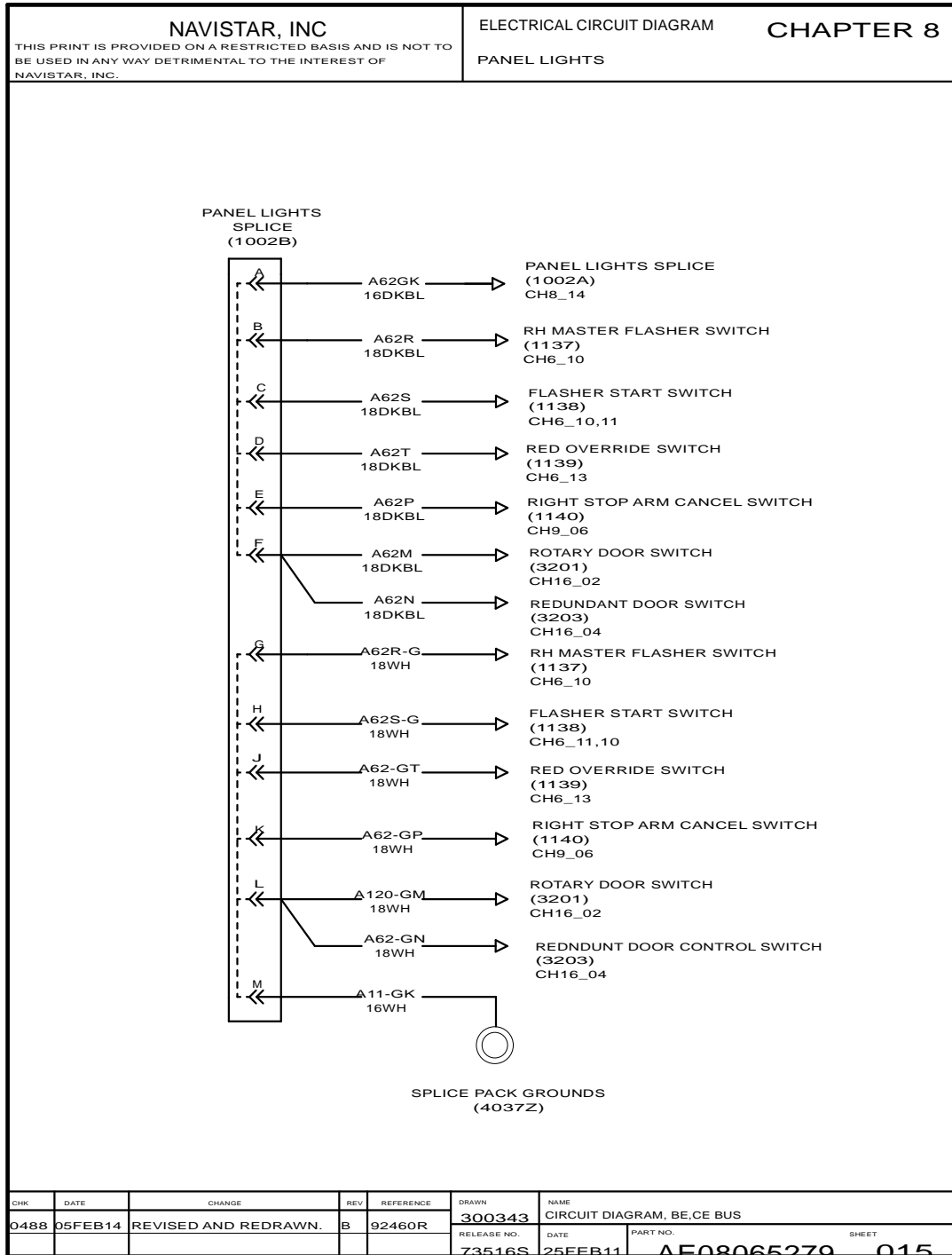


Figure 196 Panel Lights (Cont.)

8.16. PANEL LIGHTS (CONT.), P. 15A

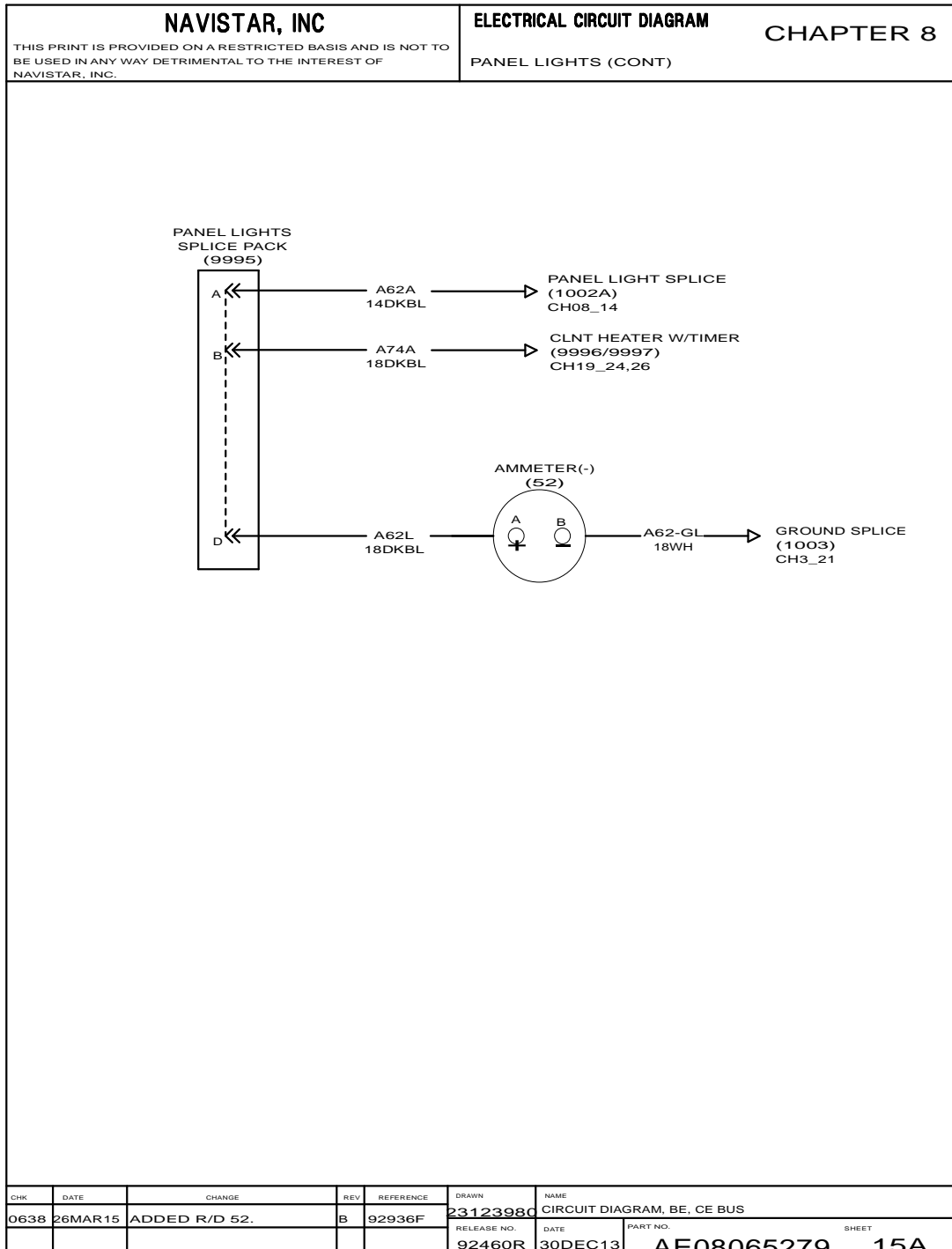


Figure 197 Panel Lights (Cont.)

8.17. SWITCH PANEL ILLUMINATION, P. 16

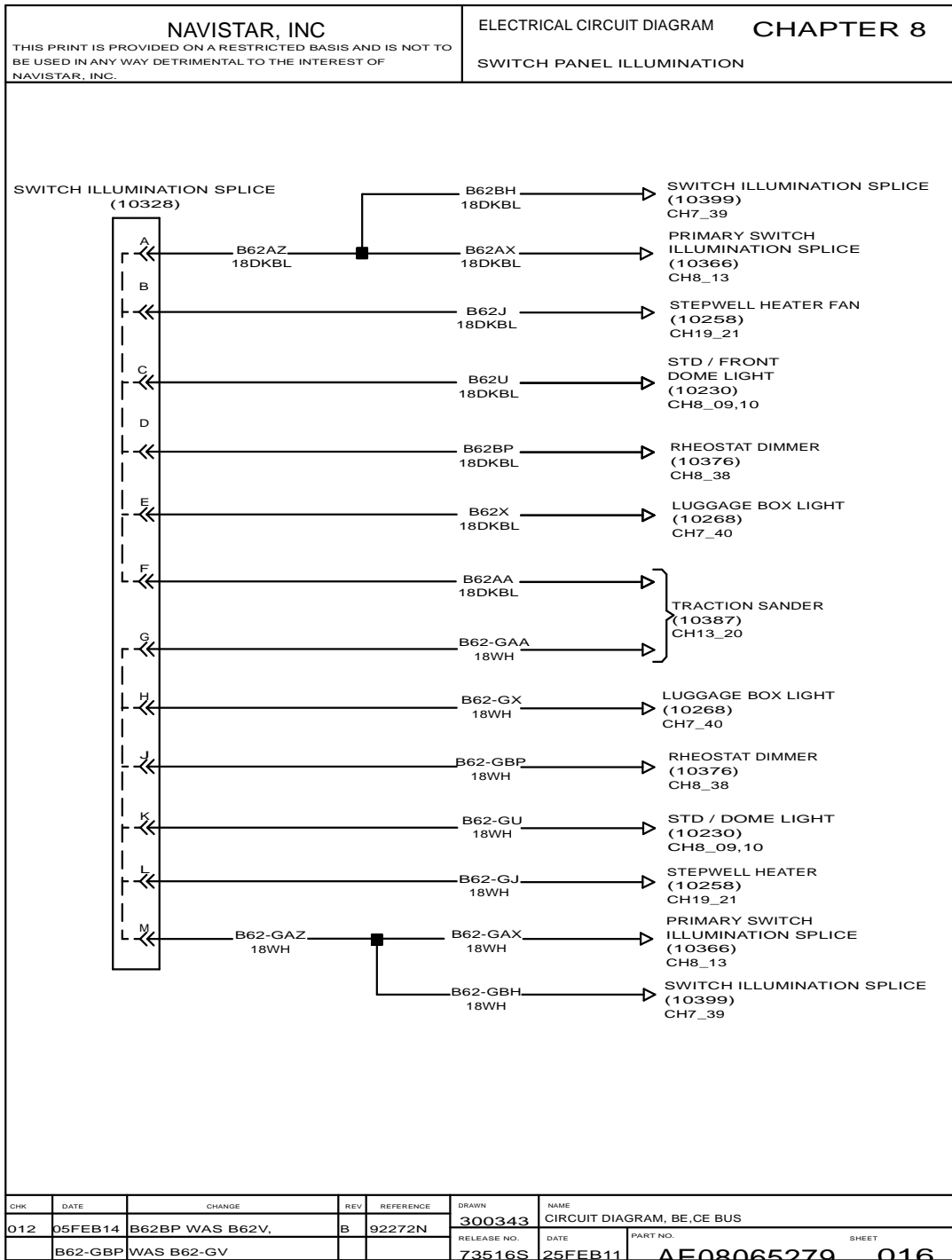


Figure 198 Switch Panel Illumination

8.18. SWITCH PANEL ILLUMINATION (CONT.), P. 17

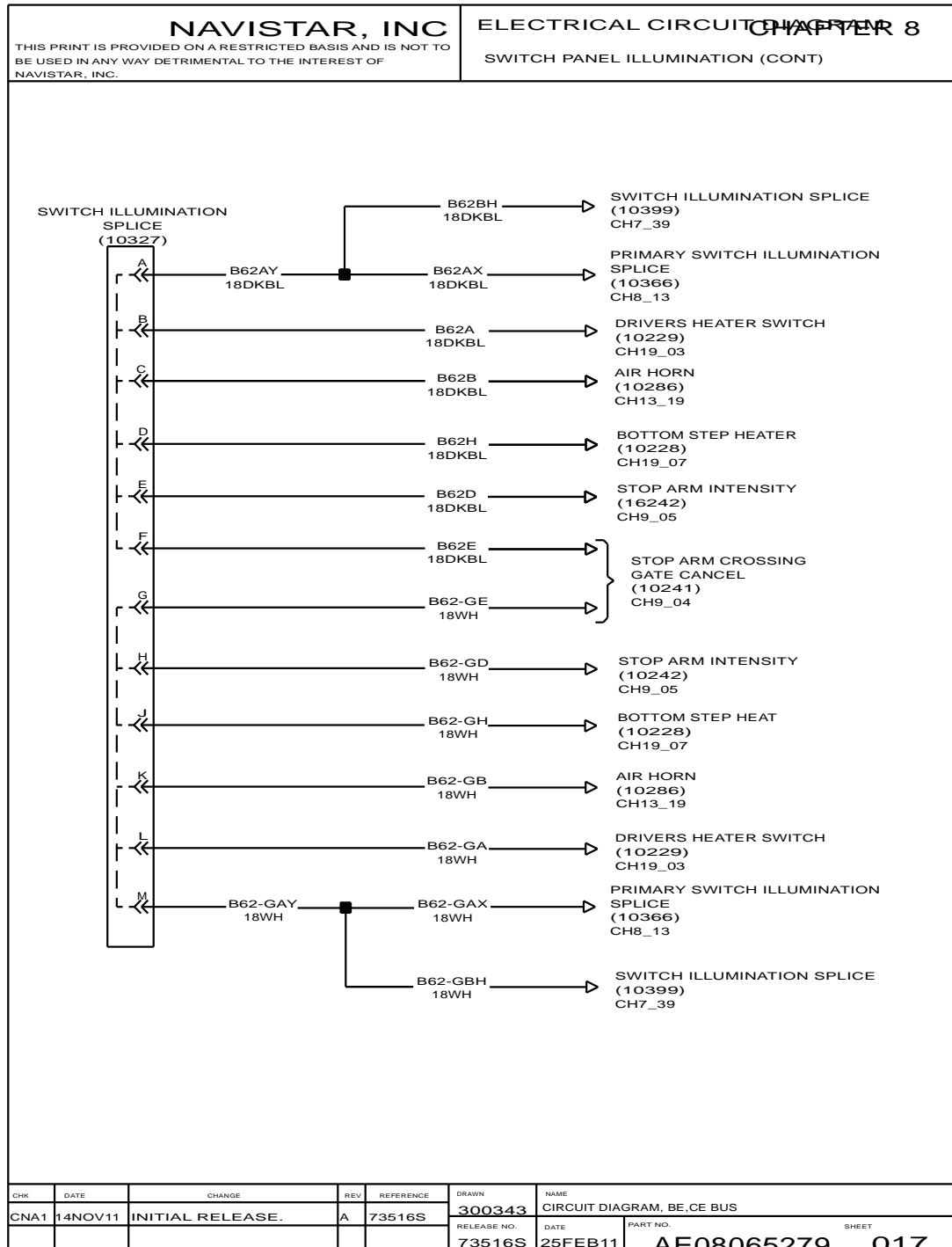


Figure 199 Switch Panel Illumination (Cont.)

8.19. SWITCH PANEL ILLUMINATION (CONT.), P. 18

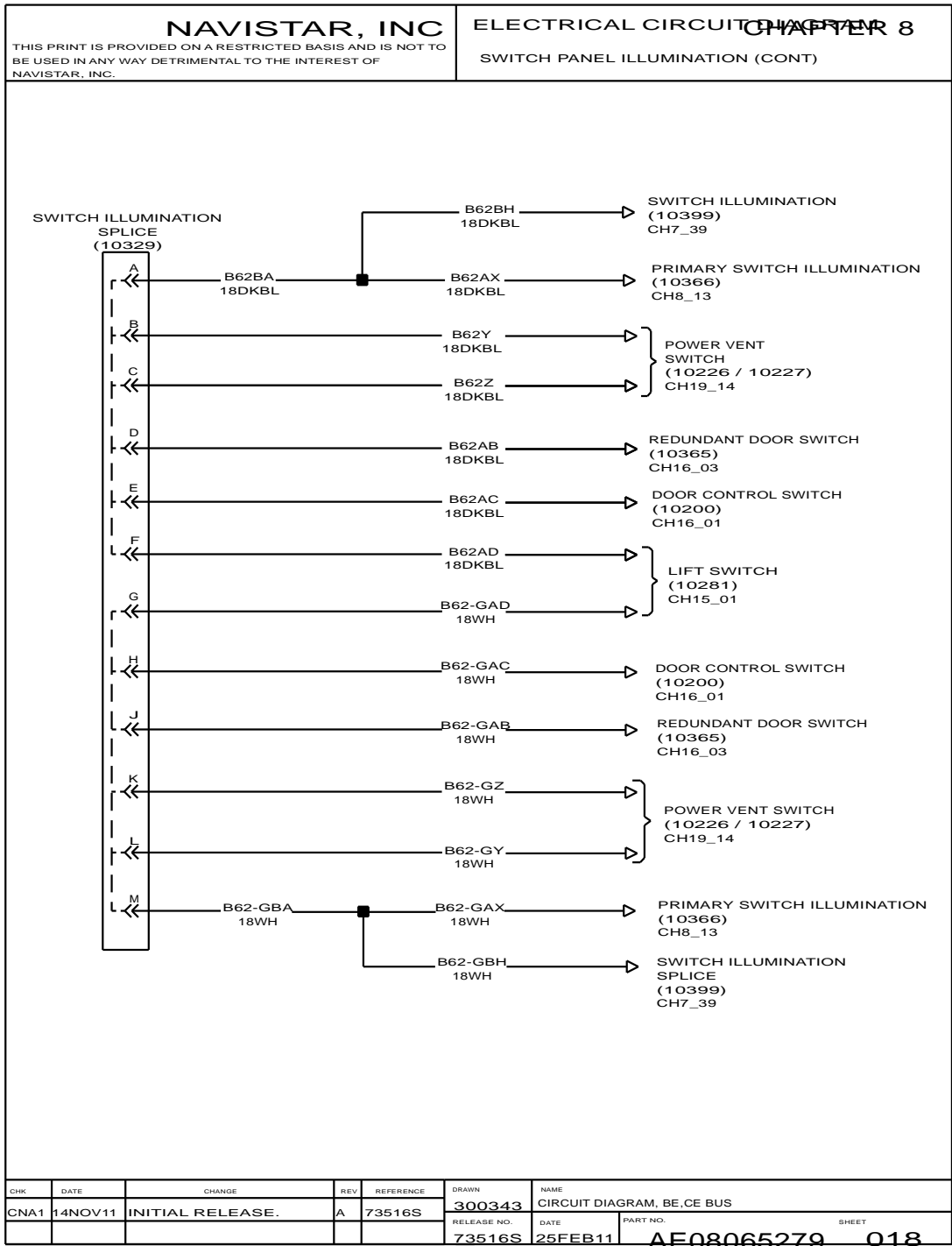


Figure 200 Switch Panel Illumination (Cont.)

8.20. SWITCH PANEL ILLUMINATION (CONT.), P. 19

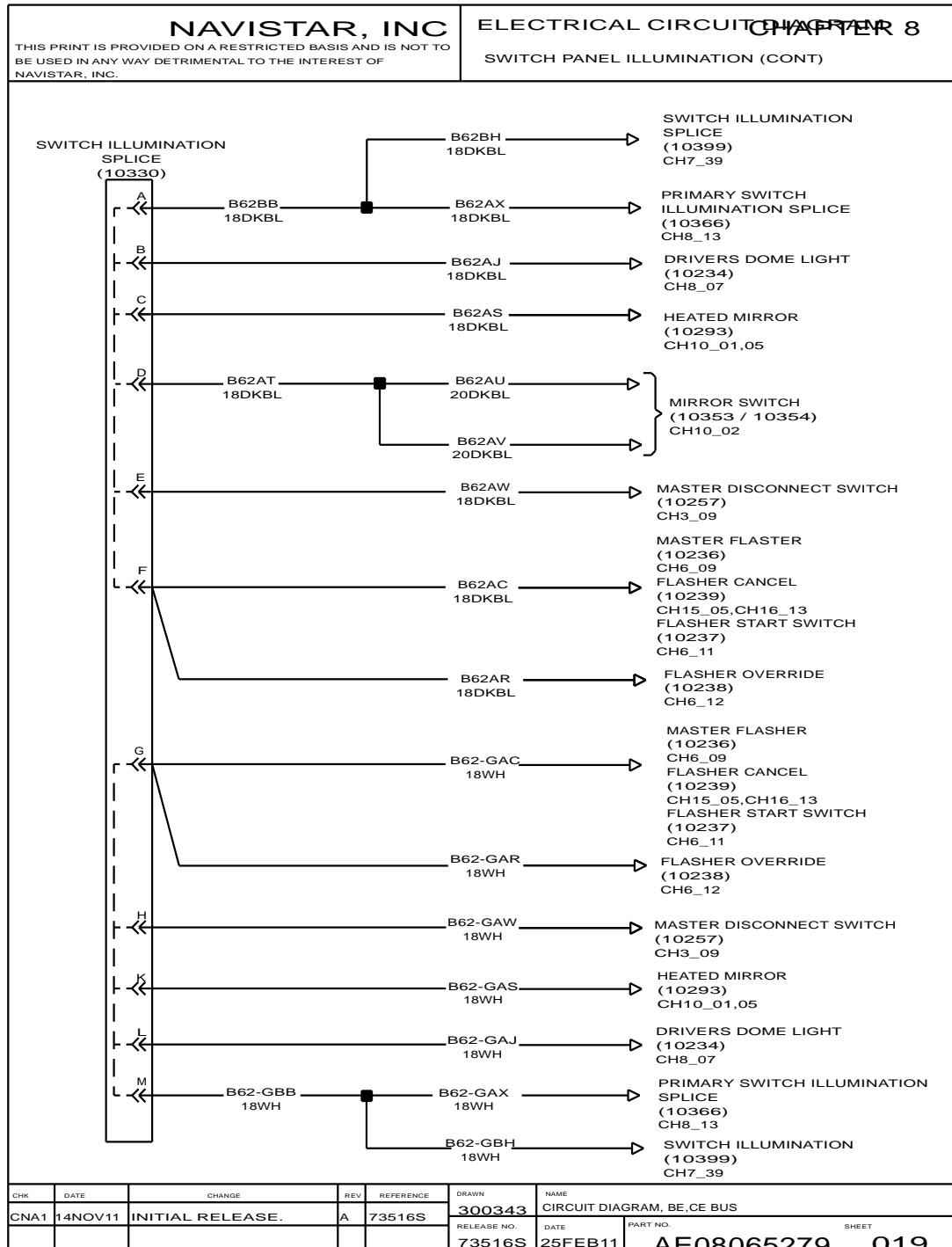


Figure 201 Switch Panel Illumination (Cont.)

8.21. SWITCH PANEL ILLUMINATION (CONT.), P. 20

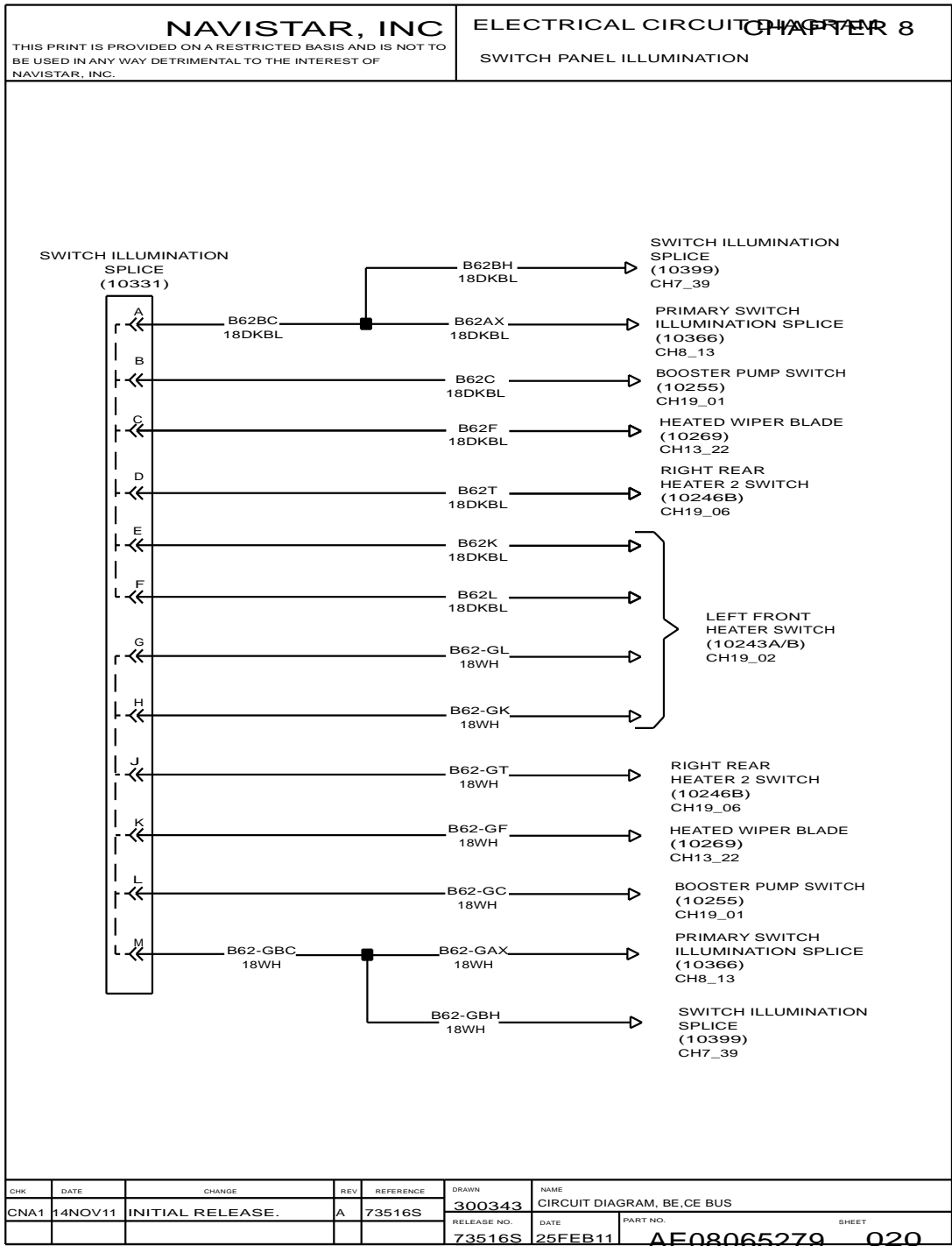


Figure 202 Switch Panel Illumination (Cont.)

8.22. SWITCH PANEL ILLUMINATION (CONT.), P. 21

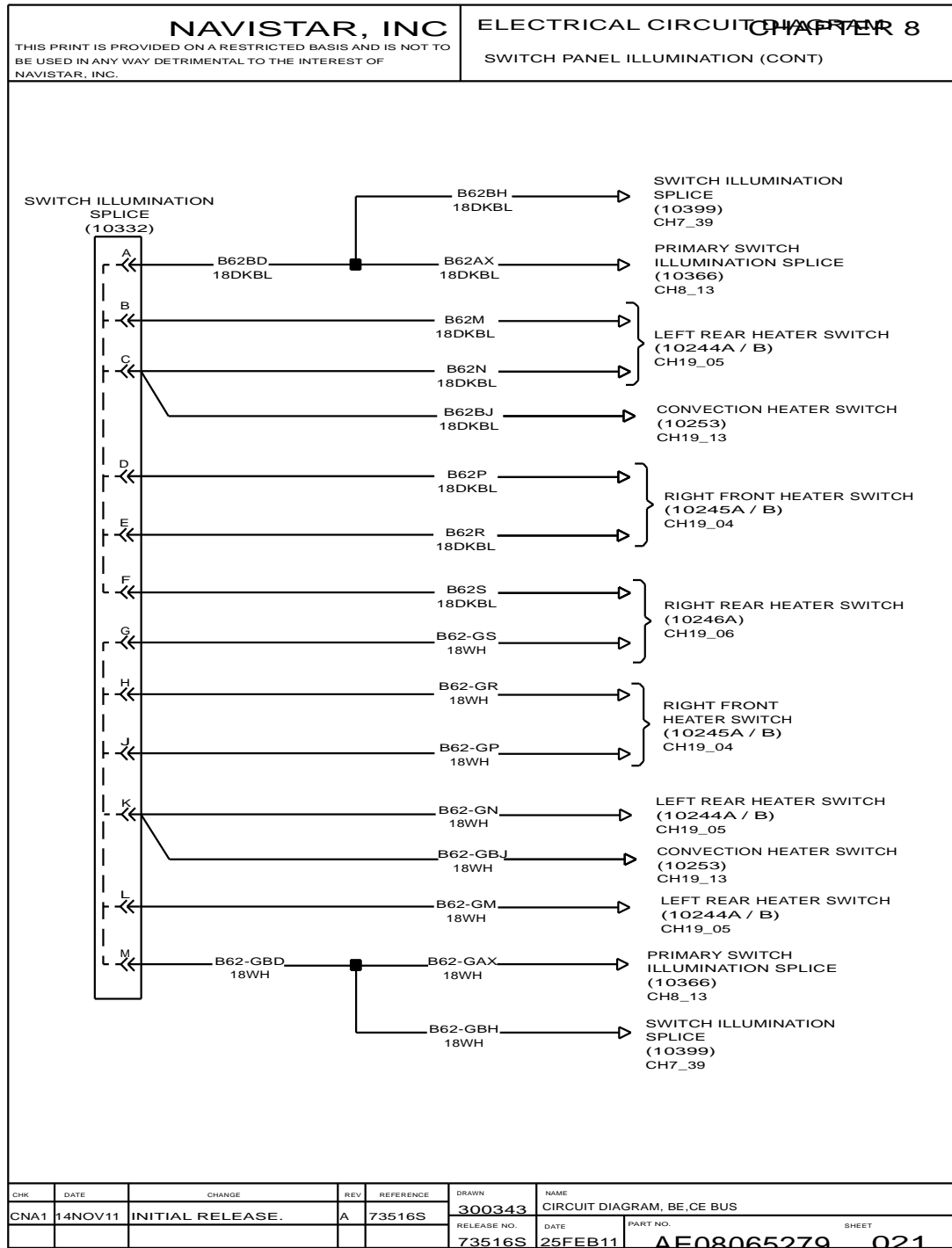


Figure 203 Switch Panel Illumination (Cont.)

8.23. SWITCH PANEL ILLUMINATION (CONT.), P. 22

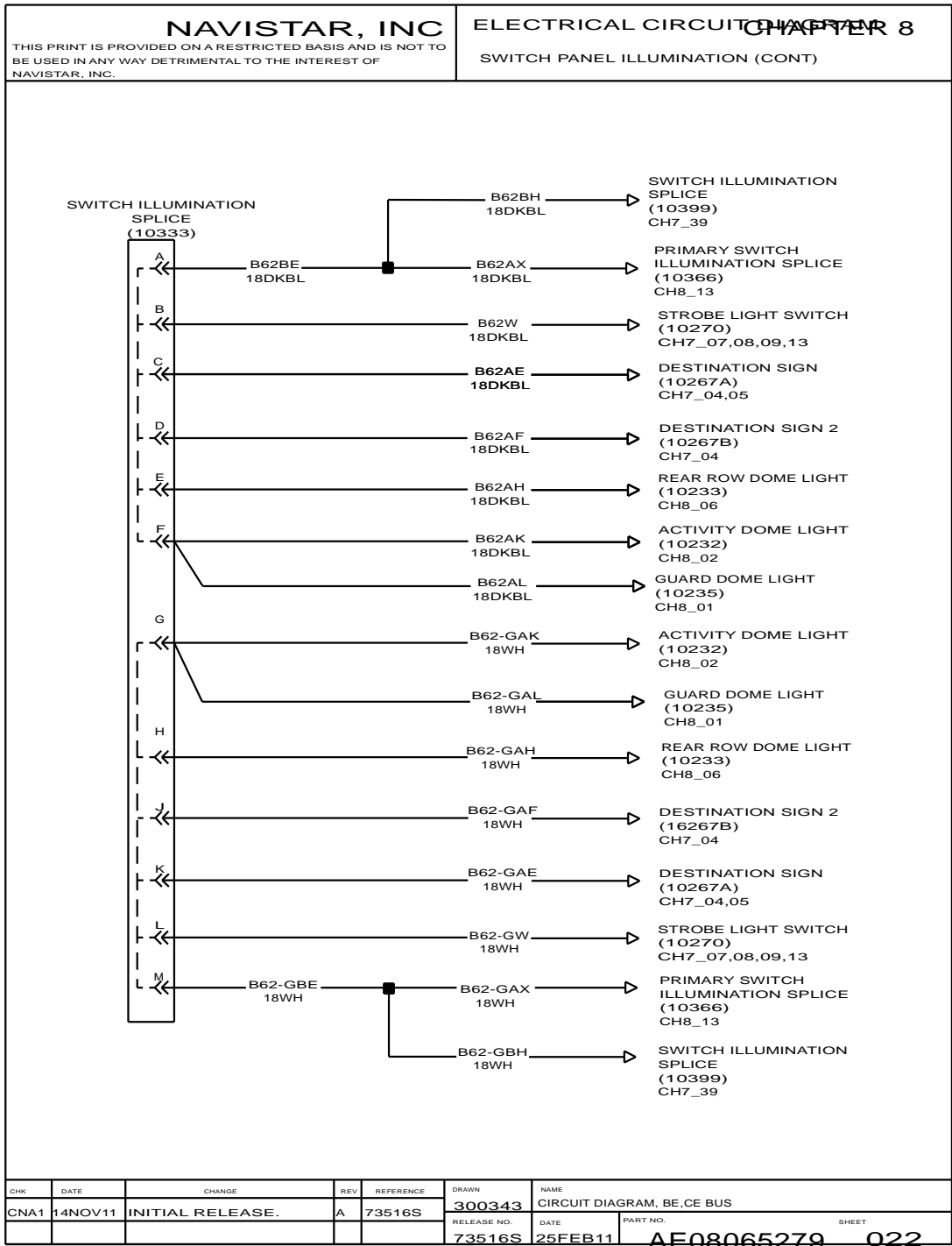


Figure 204 Switch Panel Illumination (Cont.)

8.24. DOME LIGHT FEED, P. 23

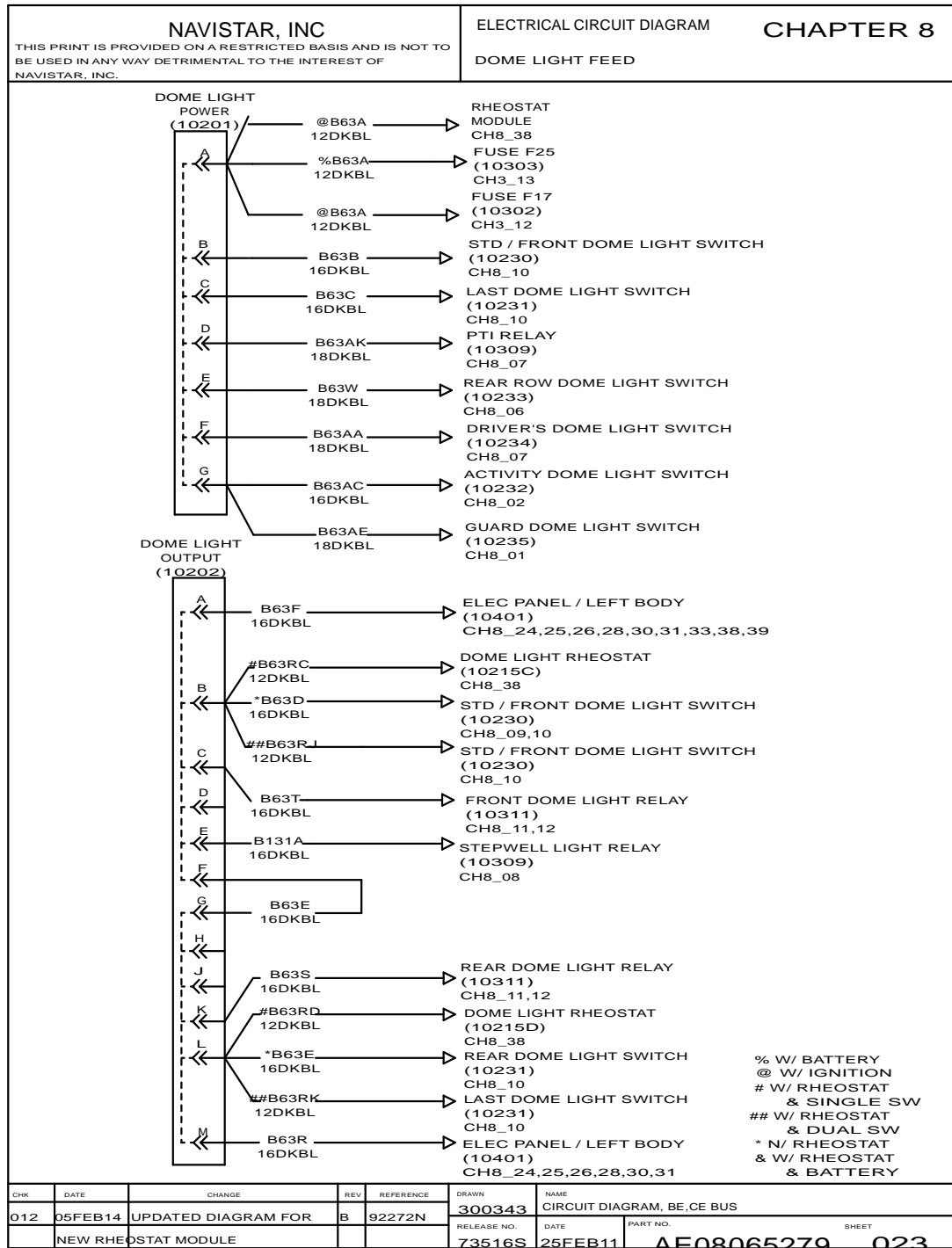


Figure 205 Dome Light Feed

8.25. STANDARD STAGGER DOME LIGHT WITH REAR ROW, P. 24

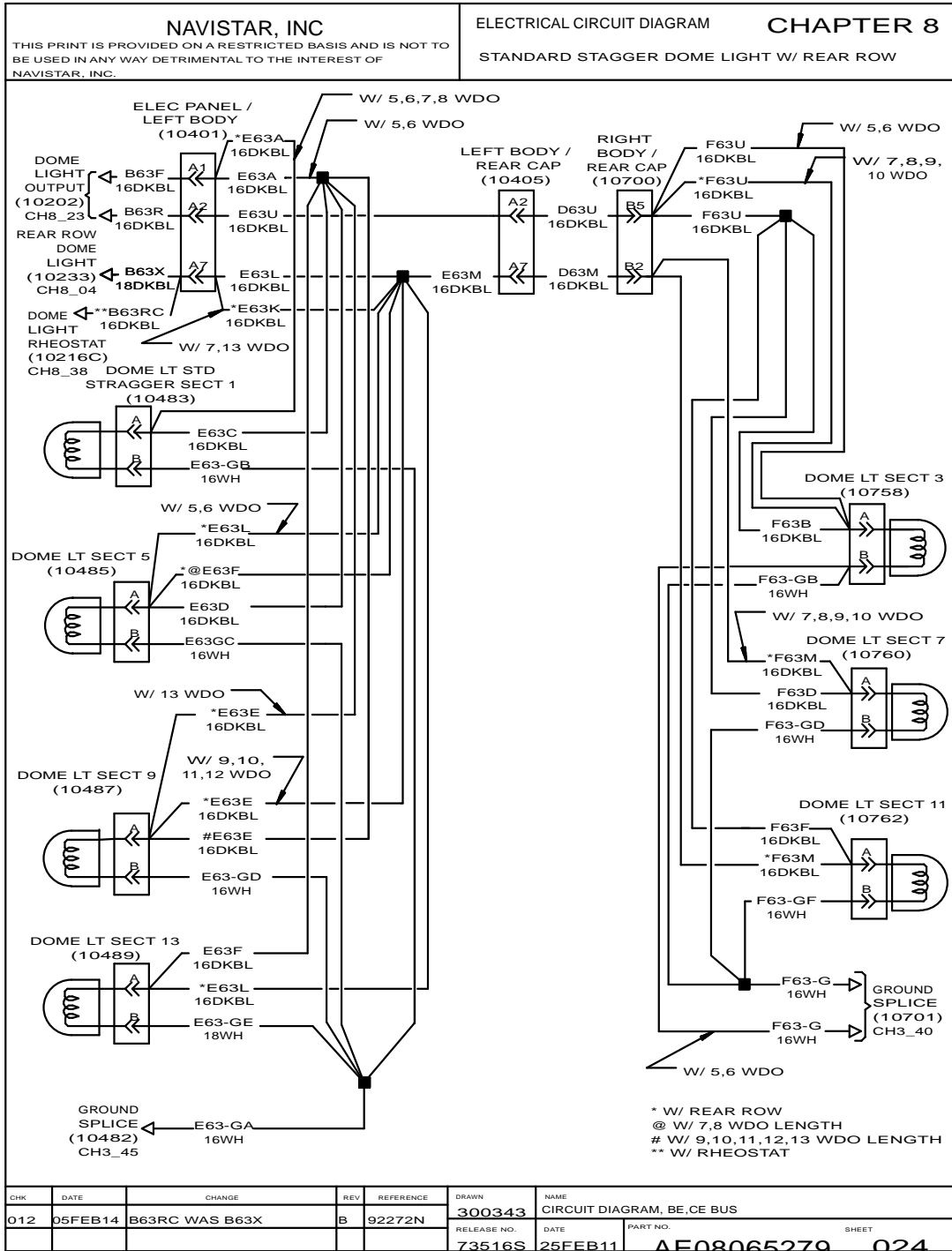


Figure 206 Standard Stagger Dome Light with Rear Row

8.26. STANDARD STAGGER DOME LIGHT FRONT AND REAR, WITH REAR ROW, P. 25

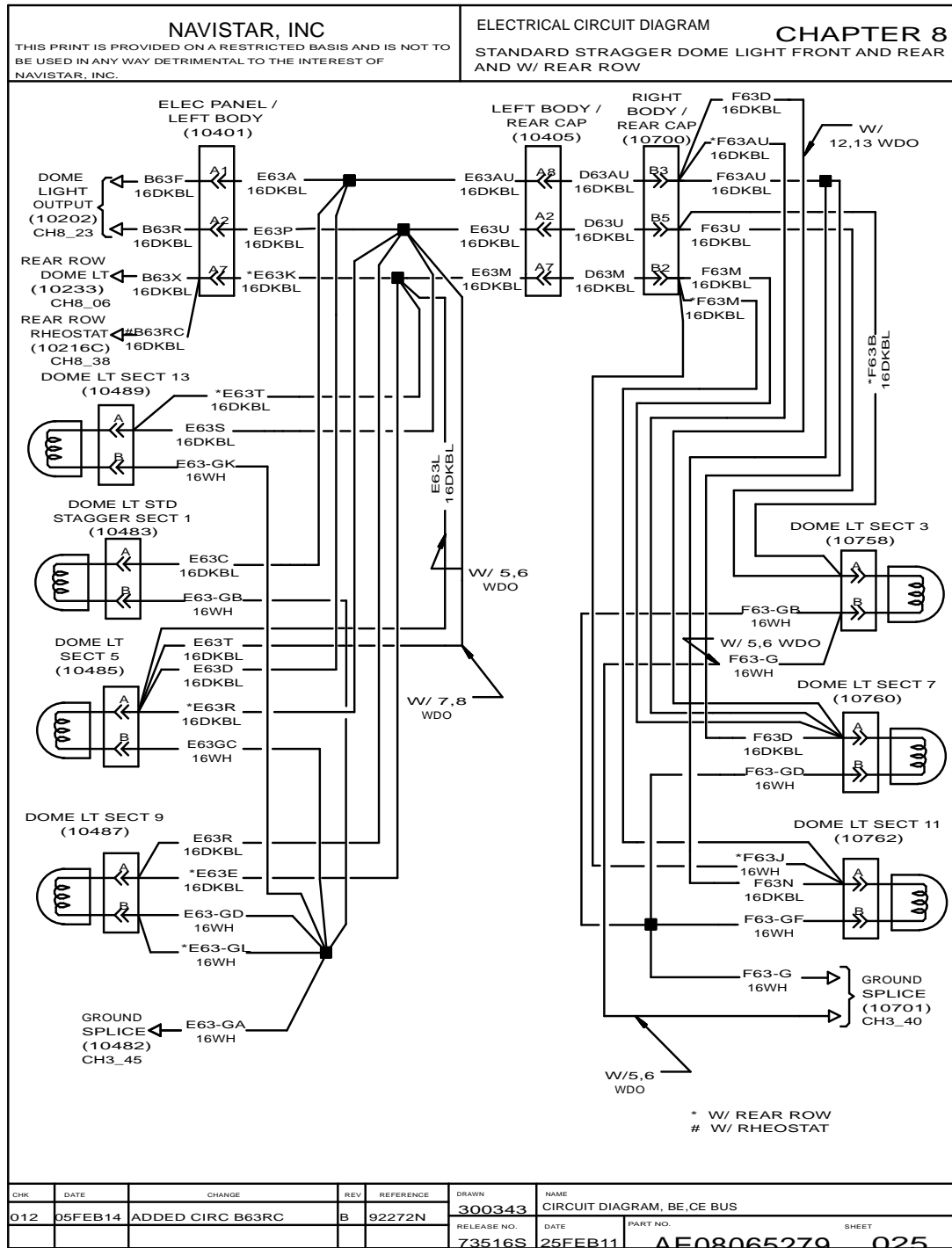


Figure 207 Standard Stagger Dome Light Front and Rear, with Rear Row

8.27. DOUBLE DOME LIGHT WITH REAR ROW, P. 26

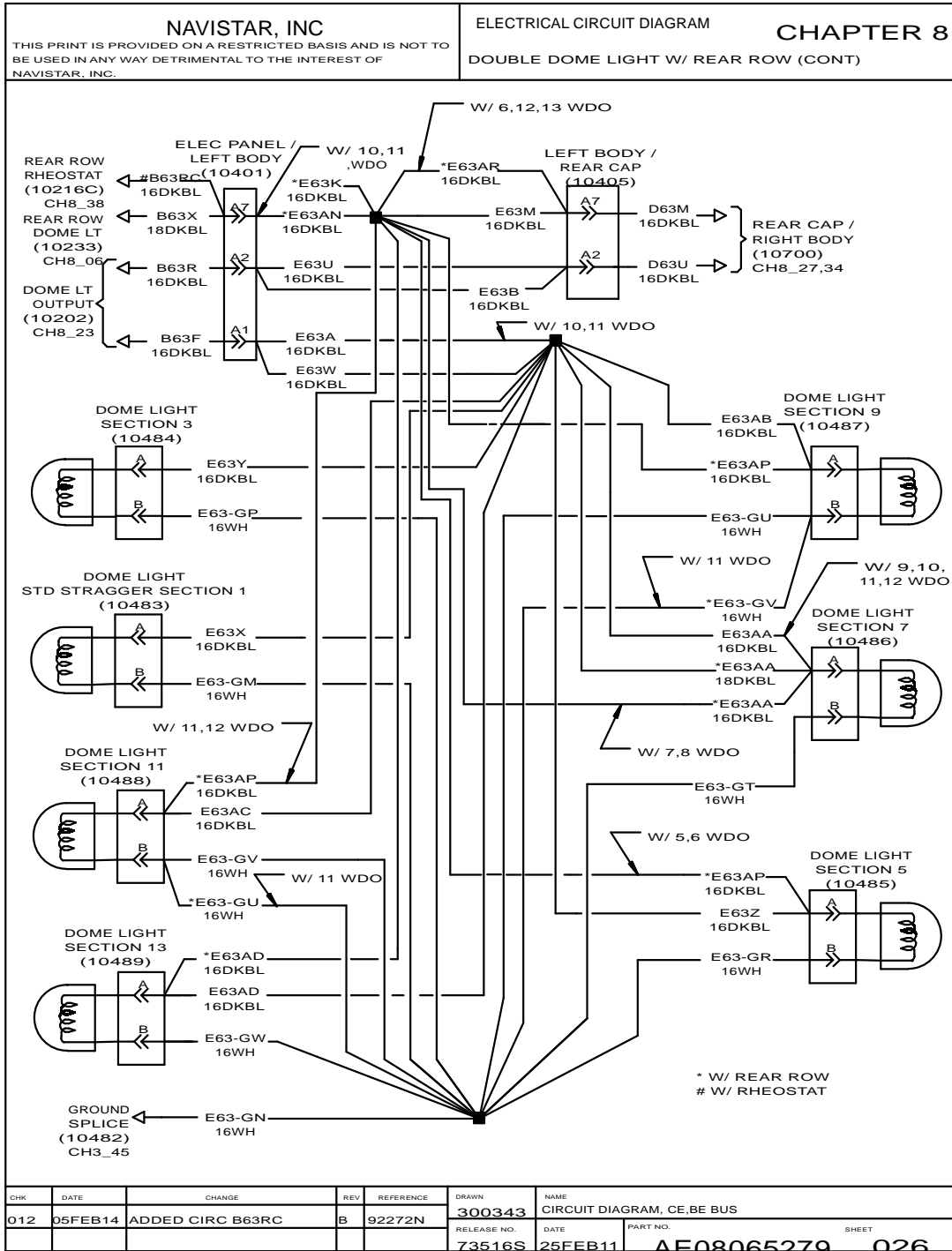


Figure 208 Double Dome Light with Rear Row

8.28. DOUBLE DOME LIGHT WITH REAR ROW (CONT.), P. 27

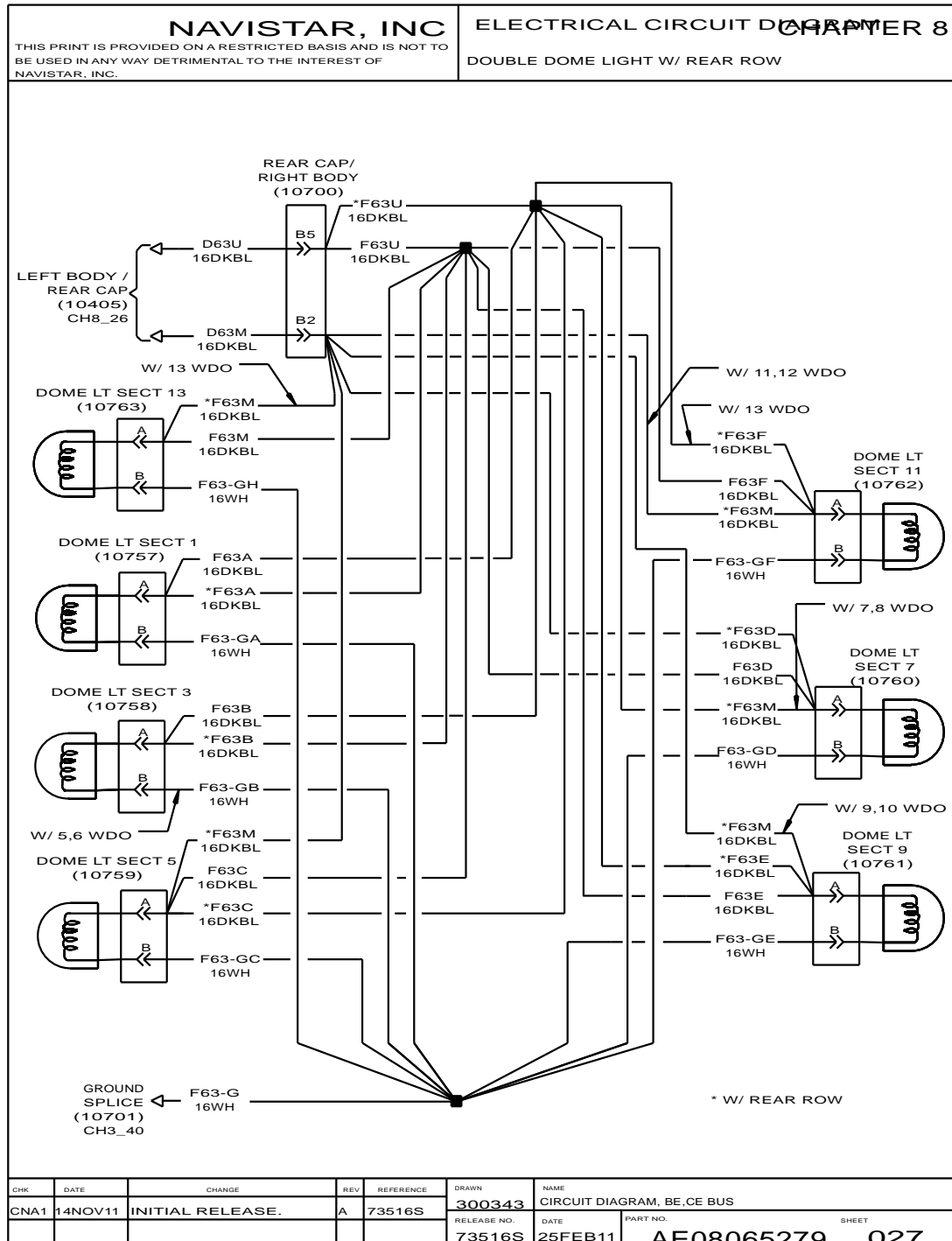


Figure 209 Double Dome Light with Rear Row (Cont.)

8.29. DOUBLE DOME LIGHT FRONT AND REAR (CONT.), P. 28

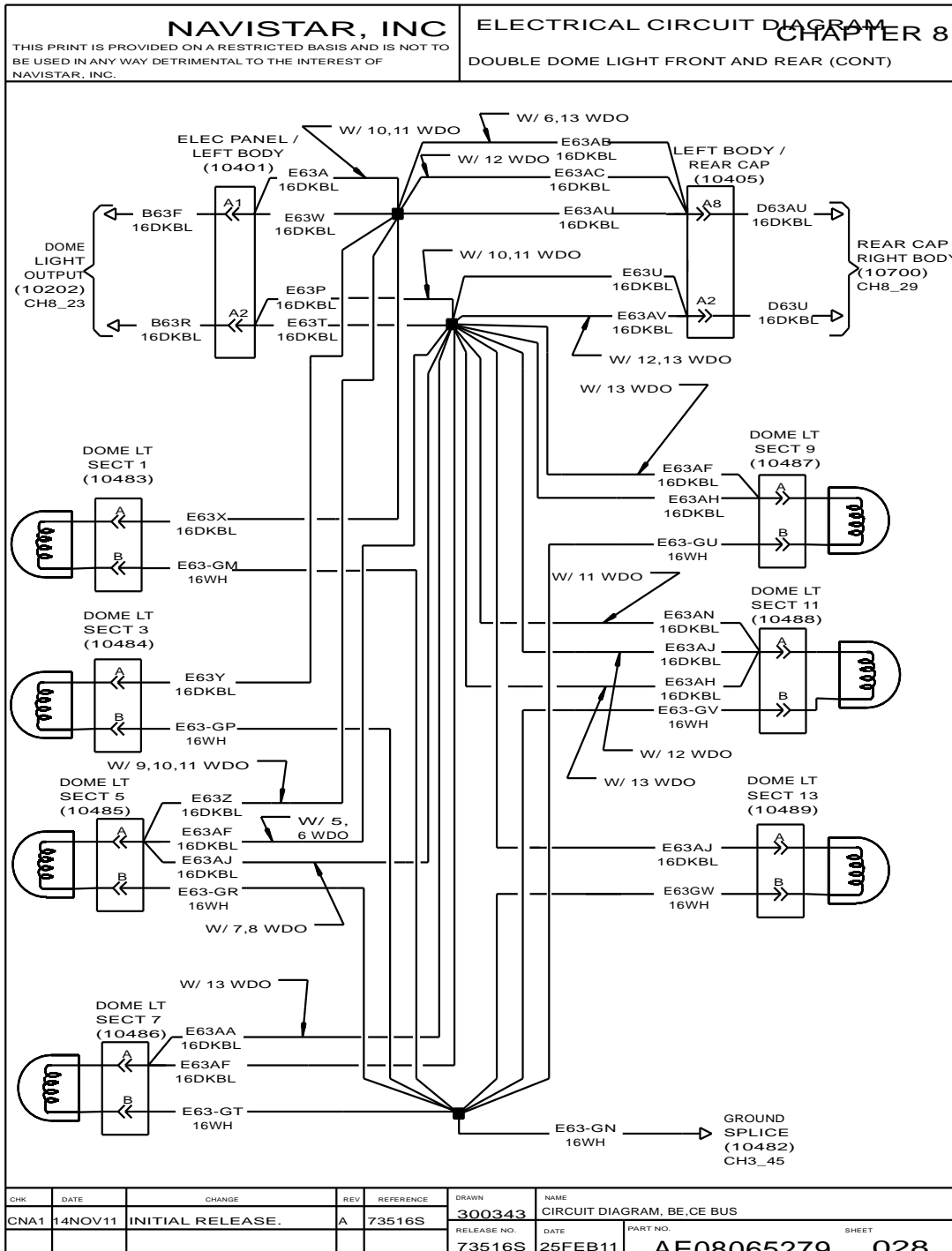


Figure 210 Double Dome Light Front and Rear (Cont.)

8.30. DOUBLE DOME LIGHT FRONT AND REAR (CONT.), P. 29

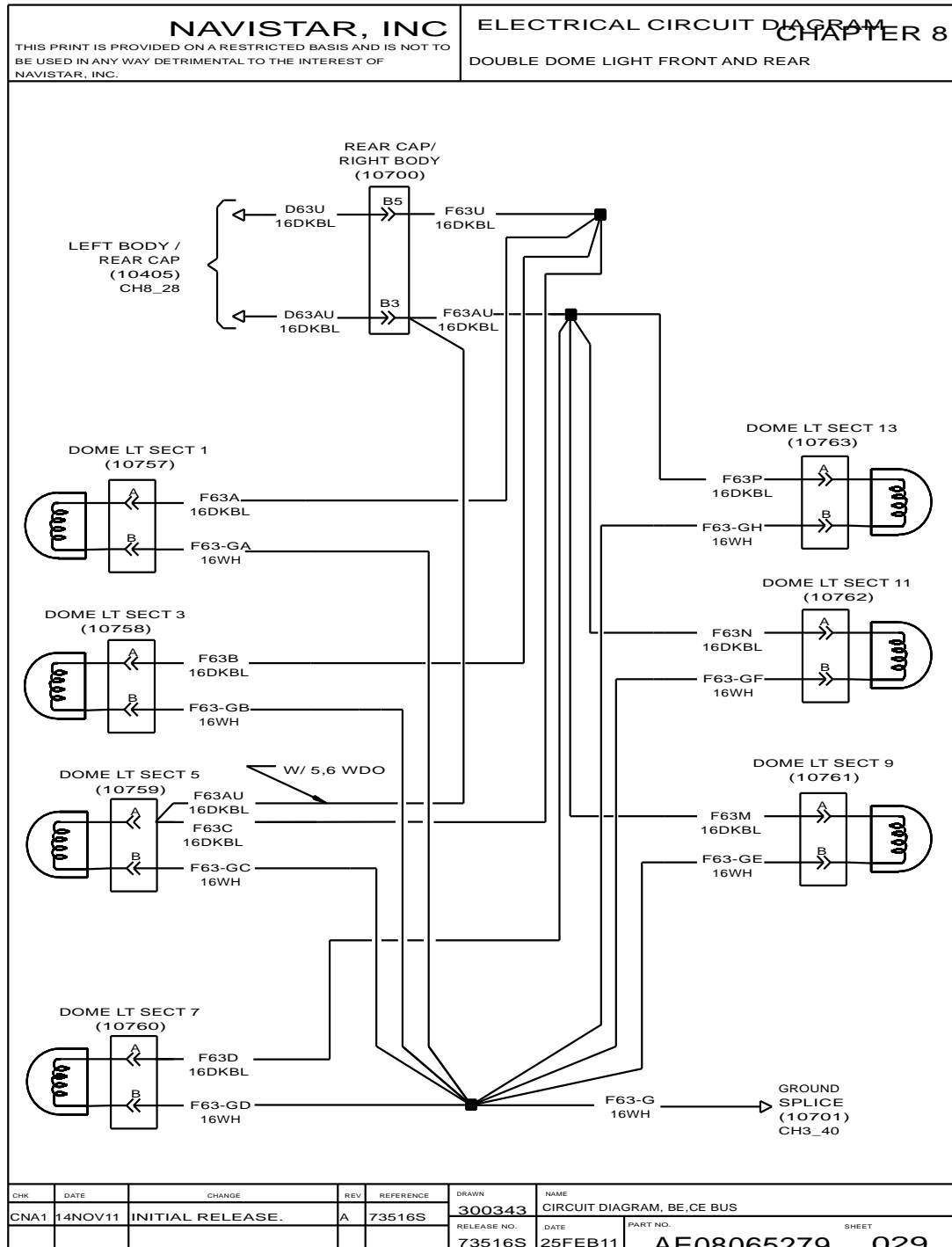


Figure 211 Double Dome Light Front and Rear (Cont.)

8.31. DOUBLE DOME LIGHT FRONT AND REAR WITH REAR ROW, SECTION 1 TO 7, P. 30

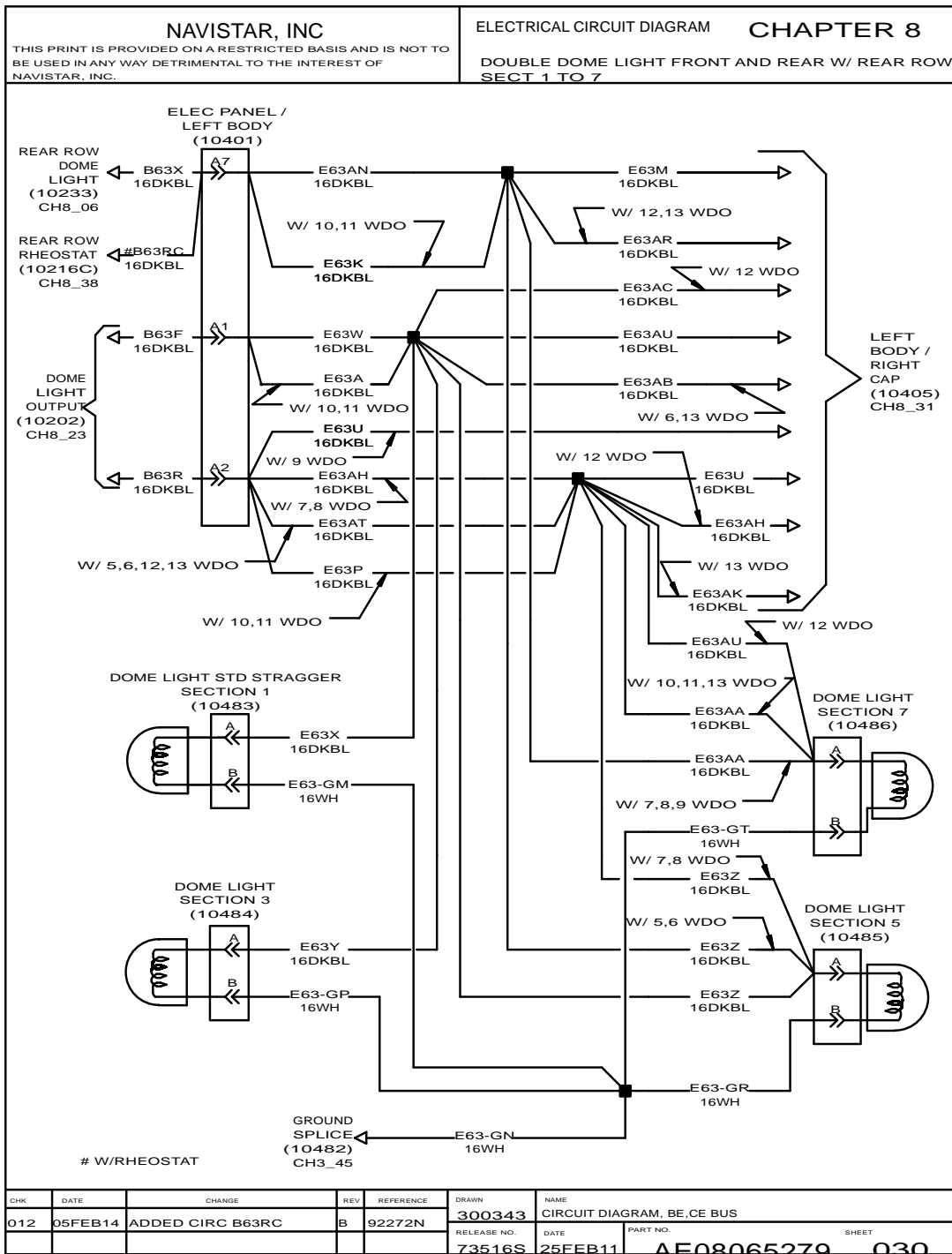


Figure 212 Double Dome Light Front and Rear with Rear Row, Section 1 to 7

8.32. DOUBLE DOME LIGHT FRONT AND REAR WITH REAR ROW, SECTION 9 TO 13, P. 31

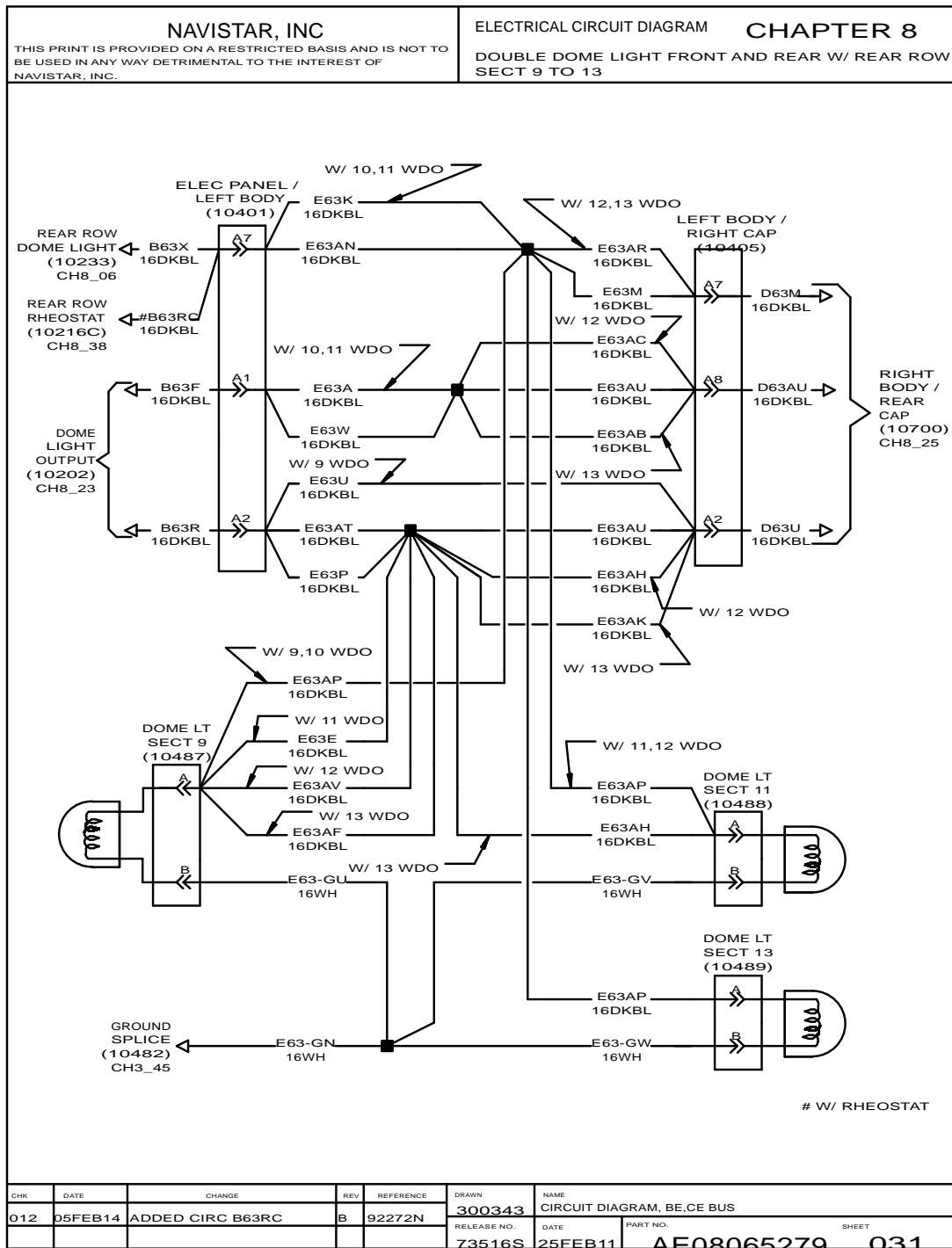


Figure 213 Double Dome Light Front and Rear with Rear Row, Section 9 to 13

8.33. DOUBLE DOME LIGHT FRONT AND REAR WITH REAR ROW, P. 32

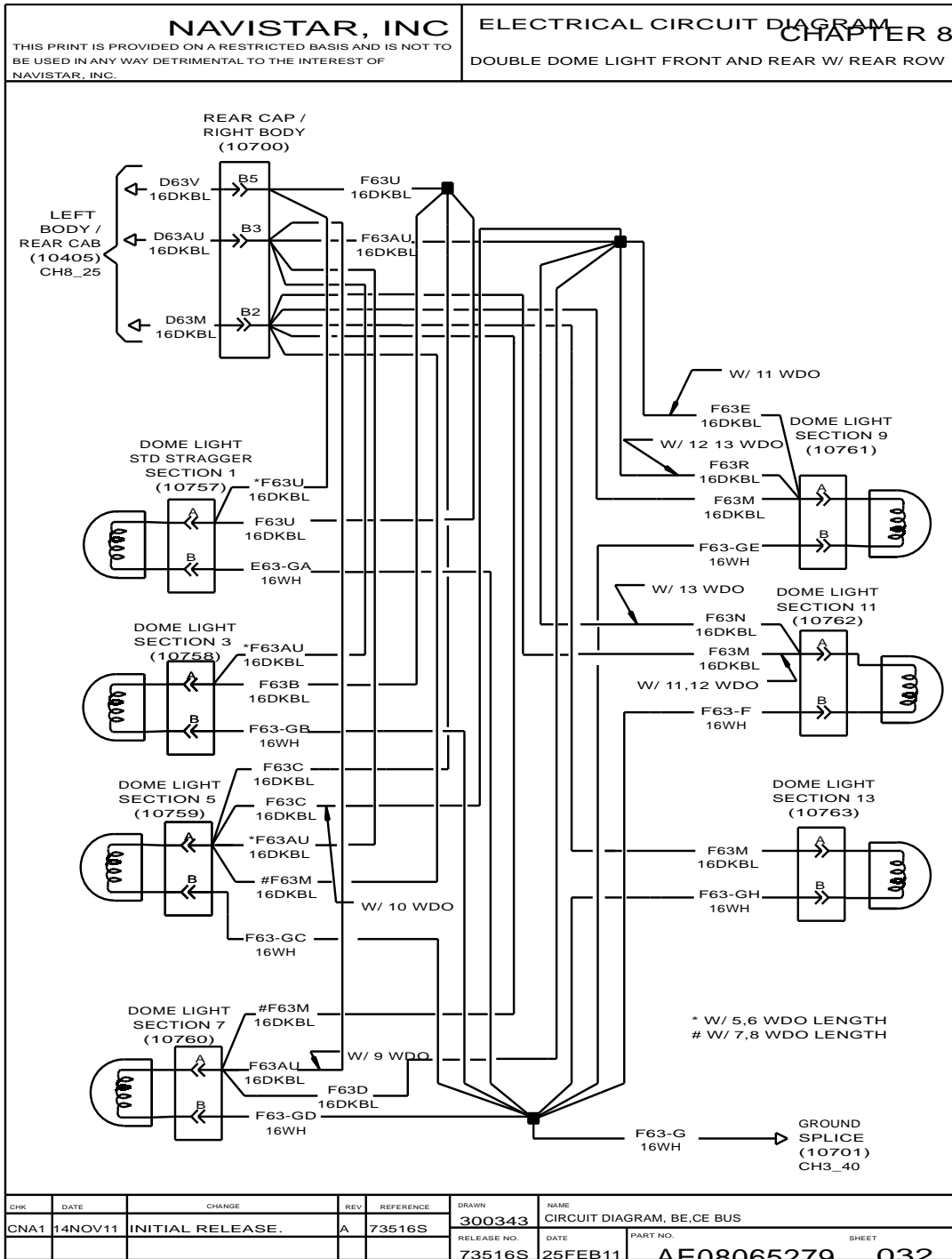


Figure 214 Double Dome Light Front and Rear with Rear Row

8.34. DOME LIGHT OVER EACH SEAT, P. 33

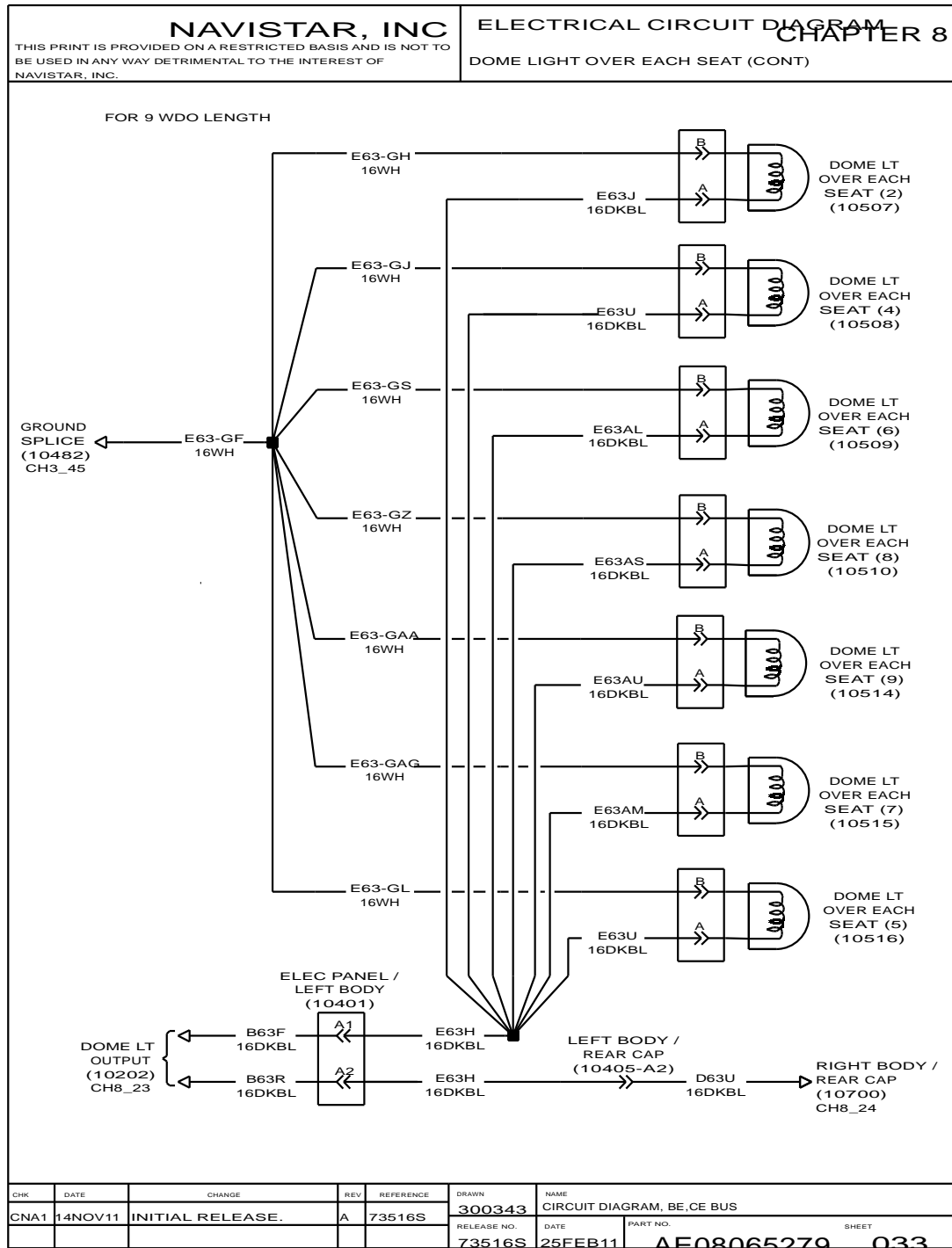


Figure 215 Dome Light Over Each Seat

8.35. DOME LIGHT OVER EACH SEAT (CONT.), P. 34

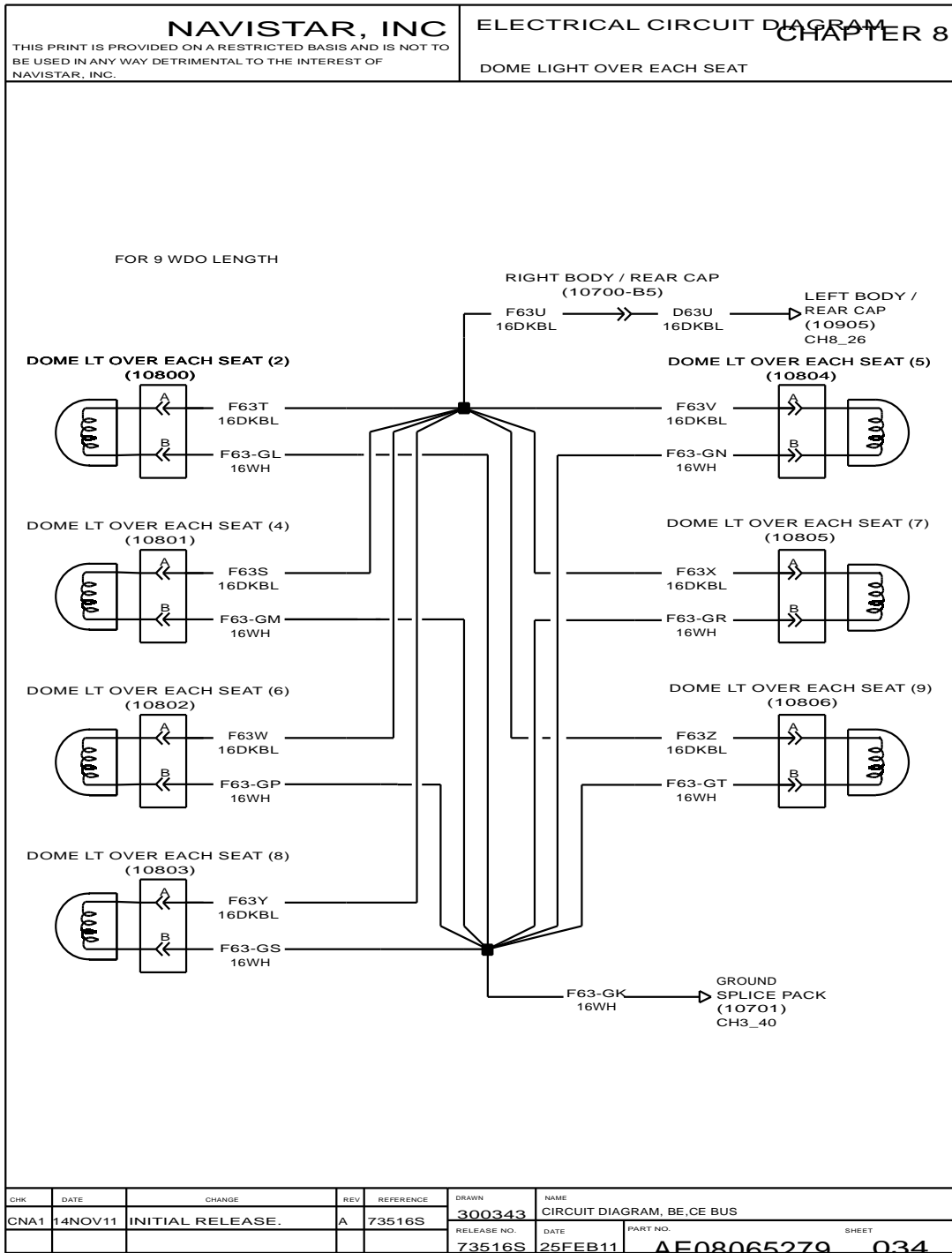


Figure 216 Dome Light Over Each Seat (Cont.)

8.36. LIGHTED STEERING WHEEL SWITCHES, P. 35

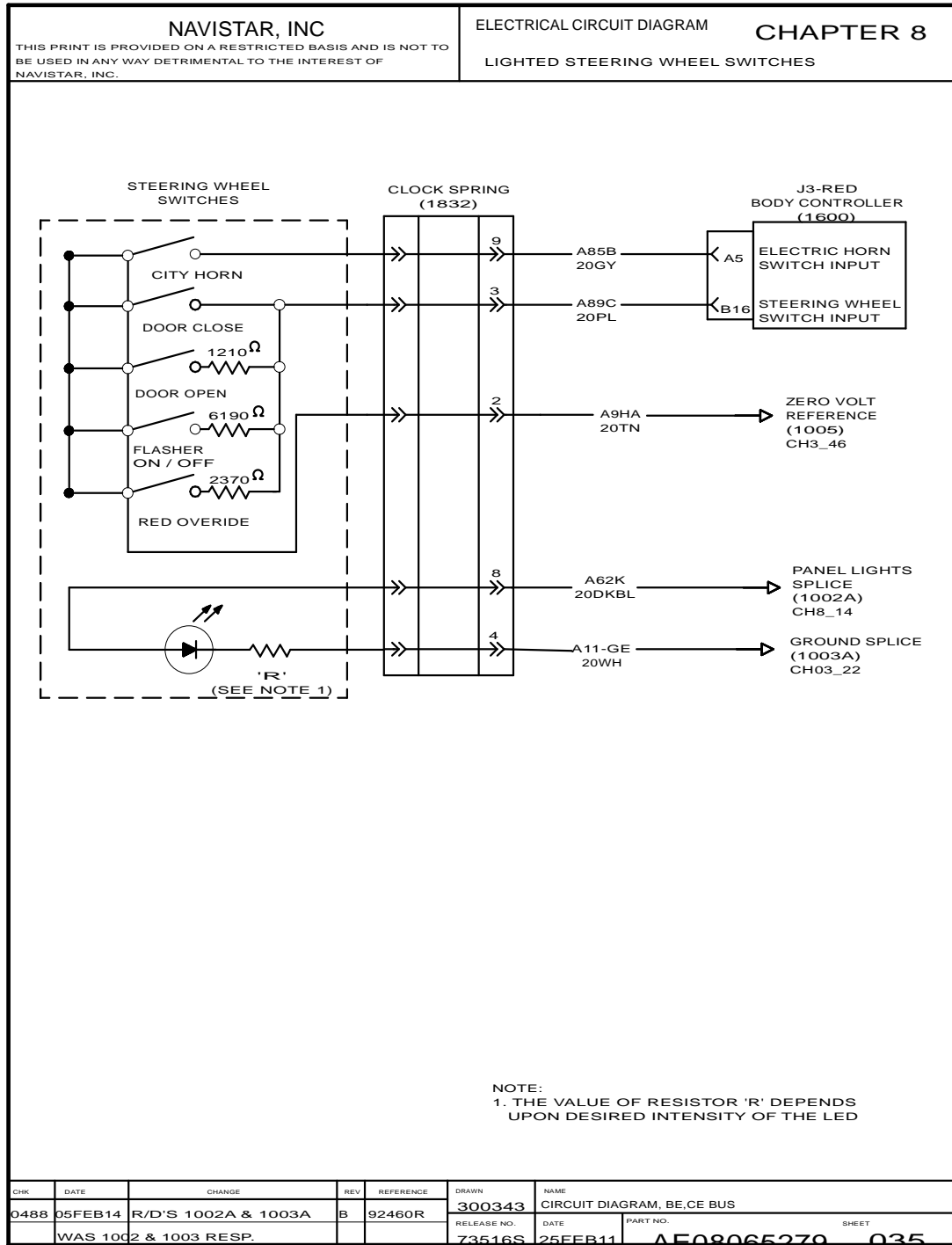


Figure 217 Lighted Steering Wheel Switches

8.37. WITHOUT LIGHTED STEERING WHEEL SWITCHES, P. 36

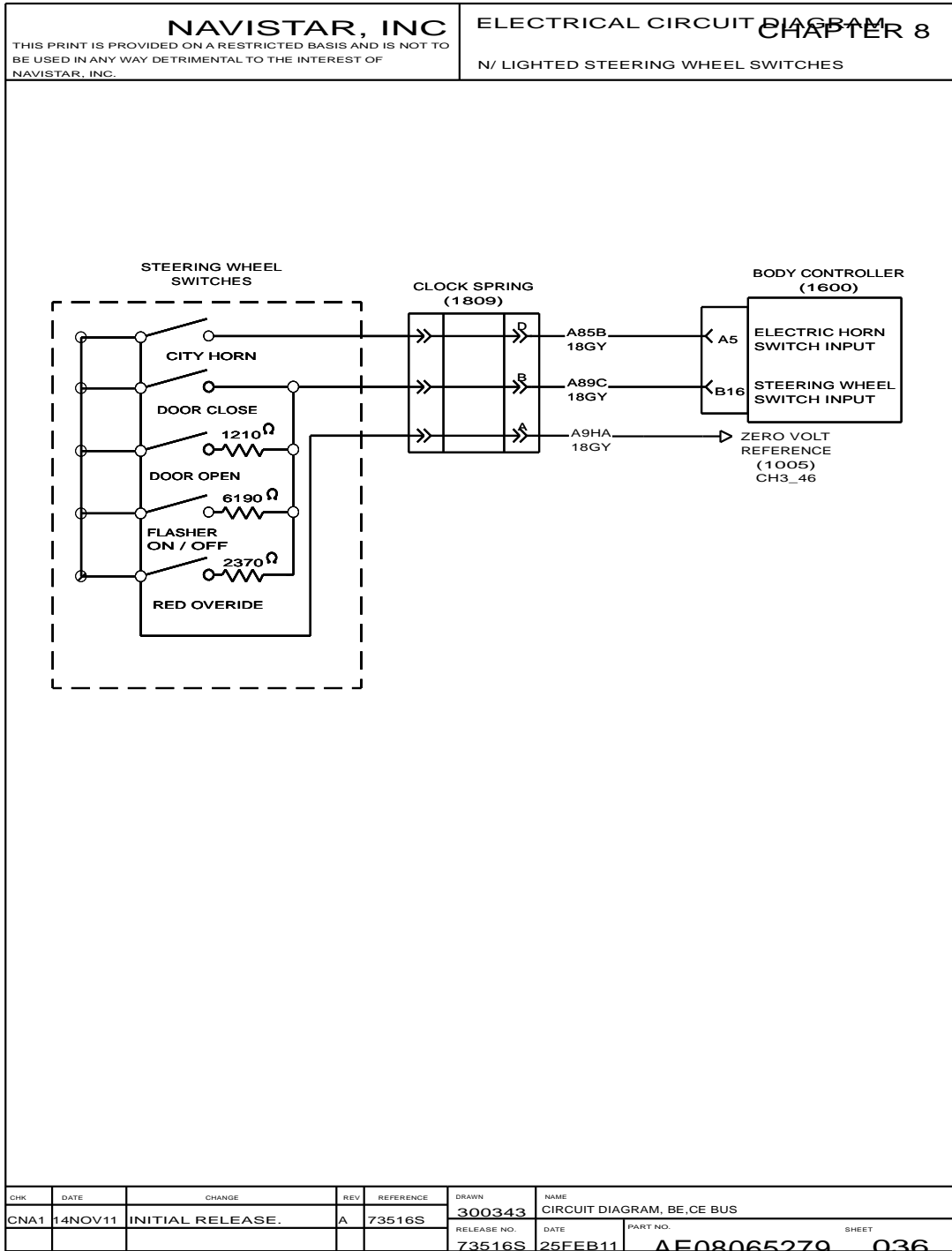


Figure 218 Without Lighted Steering Wheel Switches

8.38. SWITCH PACK, P. 37

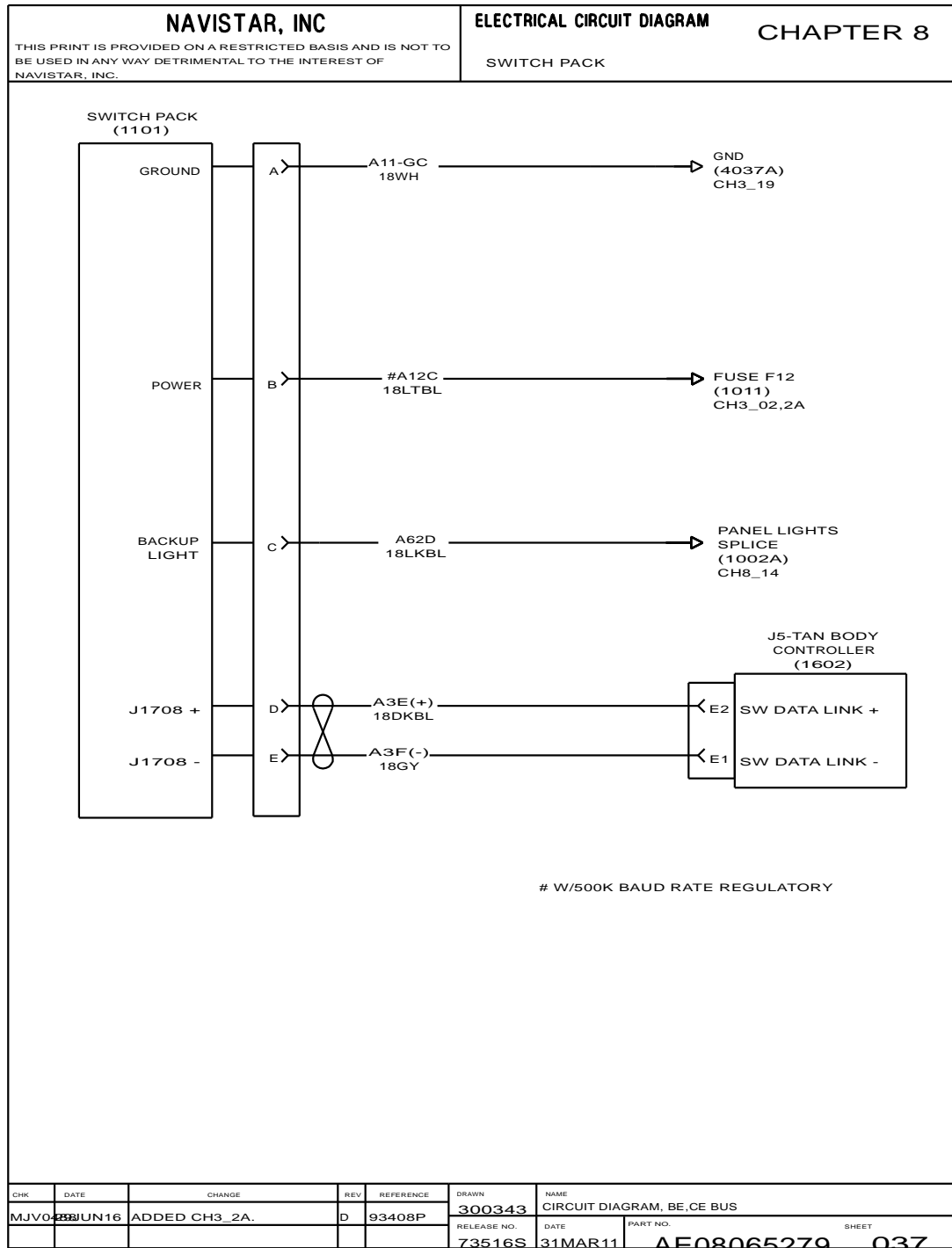


Figure 219 Switch Pack

8.39. DOME LIGHT RHEOSTAT, P. 38

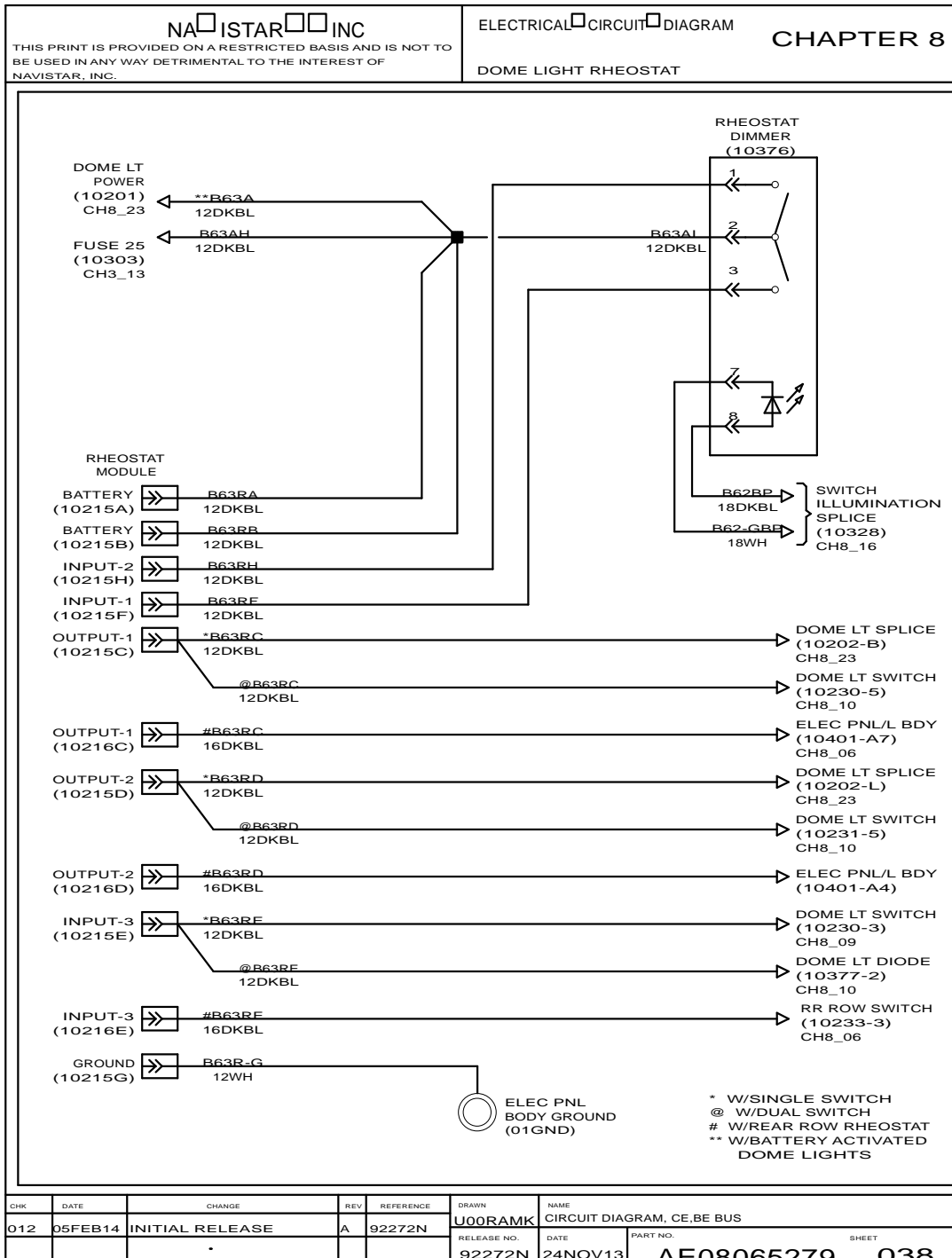


Figure 220 Dome Light Rheostat

STOP ARM / CROSSING GATE (CHAPTER 9)

9.1. FRONT AND REAR OR REAR ONLY STOP ARM, P. 1

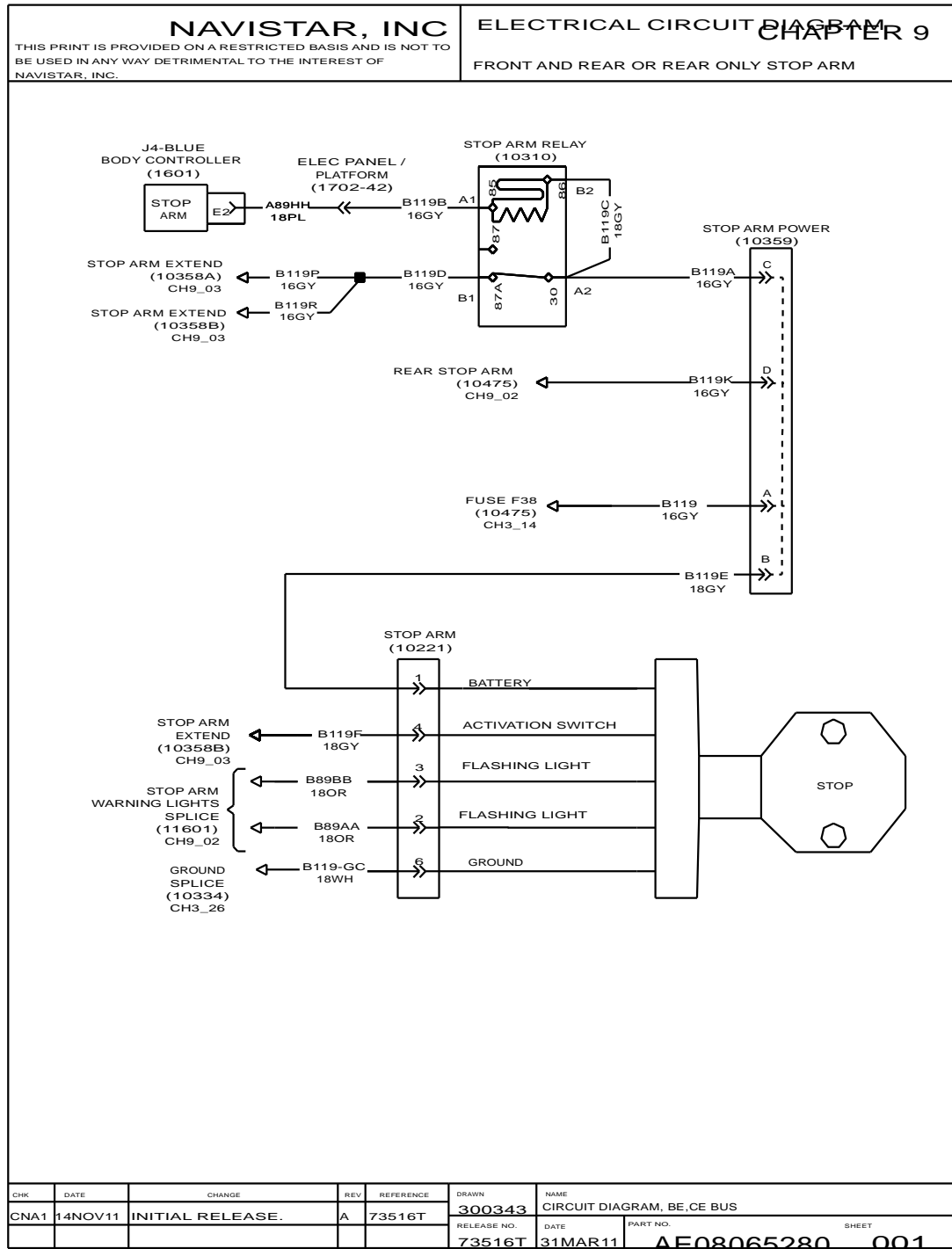


Figure 221 Front and Rear or Rear Only Stop Arm

9.2. FRONT AND REAR OR REAR ONLY STOP ARM, P. 2

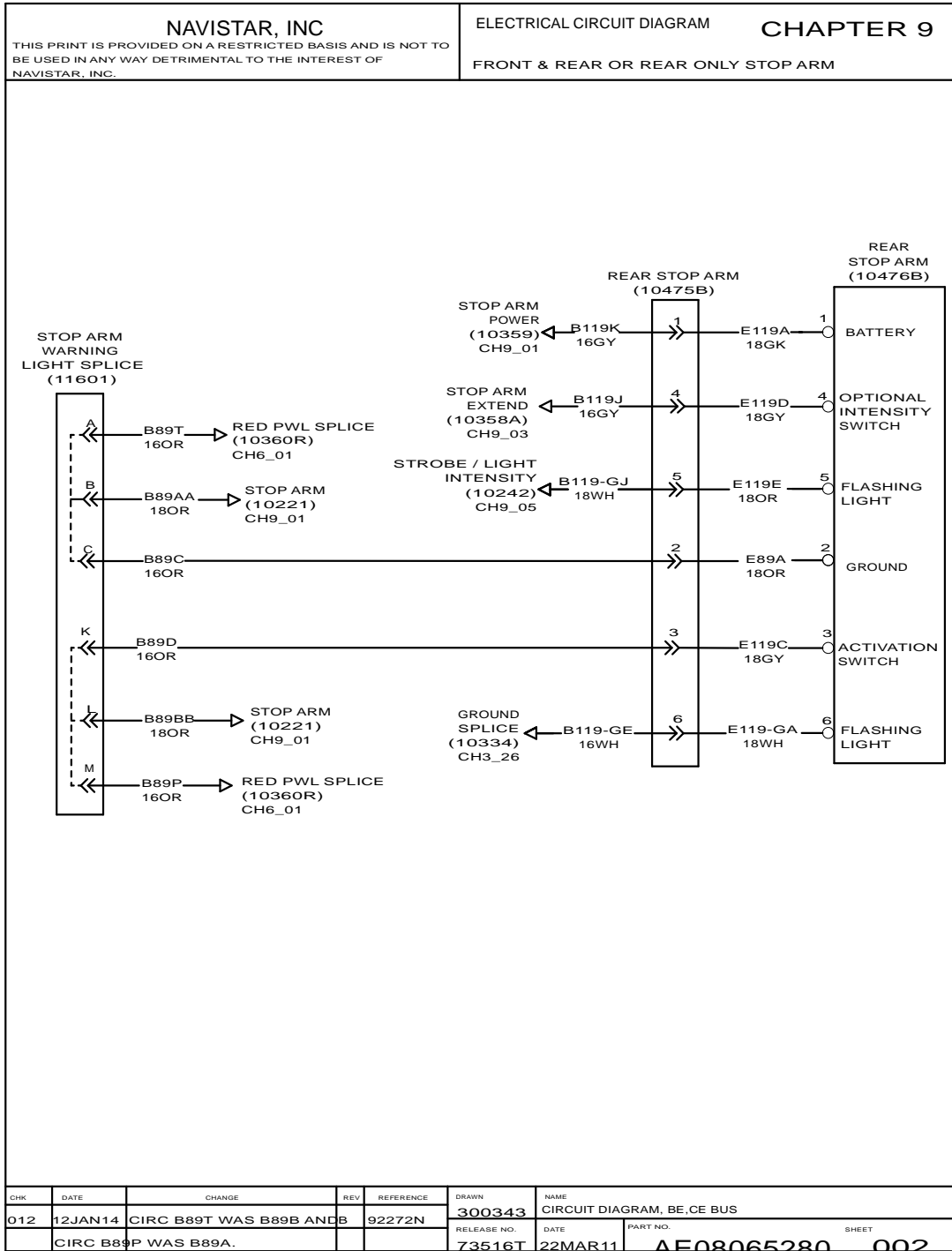


Figure 222 Front and Rear or Rear Only Stop Arm

9.3. STOP ARM EXTEND, P. 3

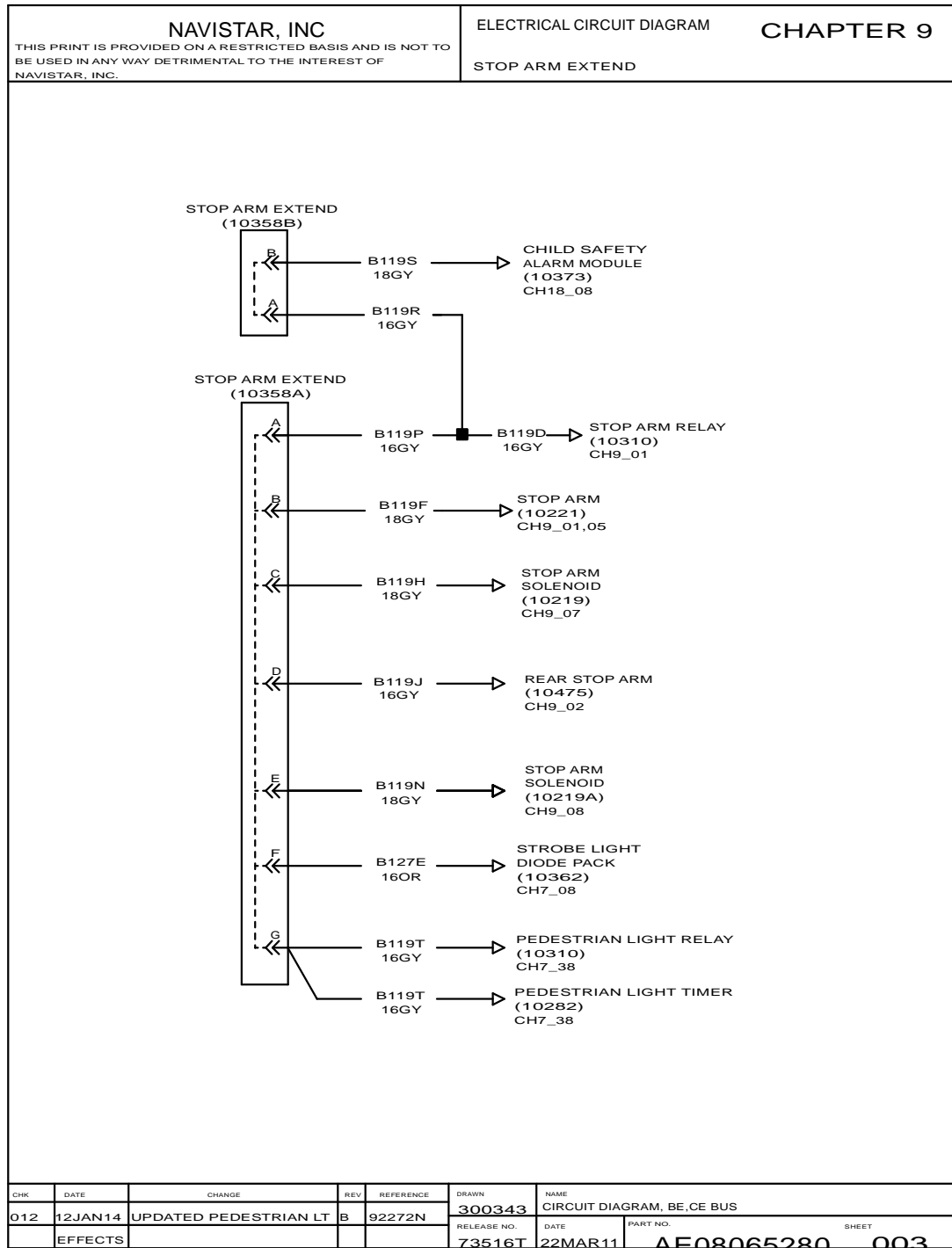


Figure 223 Stop Arm Extend

9.4. LEFT STOP ARM / CROSSING GATE CANCEL SWITCH, P. 4

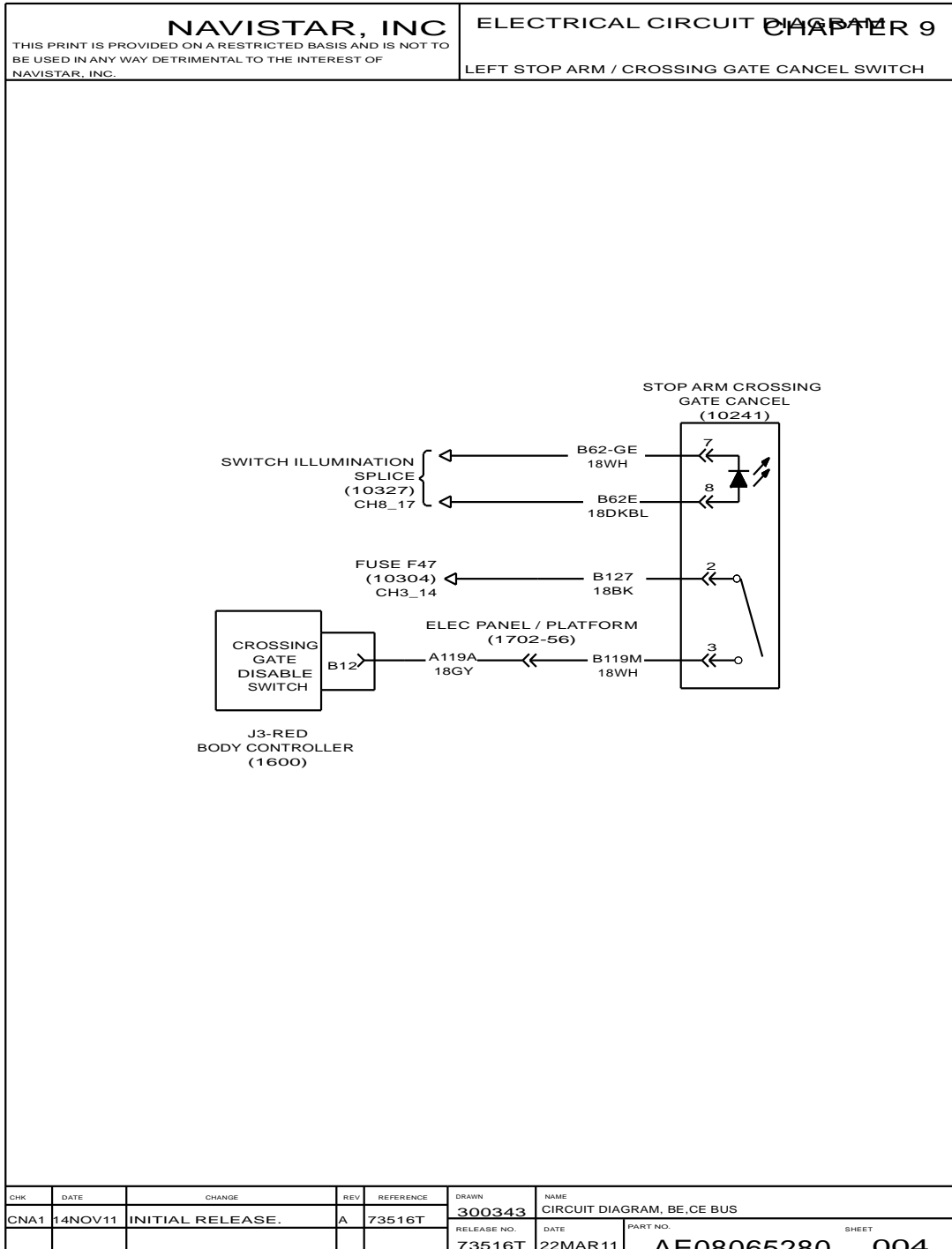


Figure 224 Left Stop Arm / Crossing Gate Cancel Switch

9.5. STOP ARM HIGH / LOW INTENSITY SWITCH, P. 5

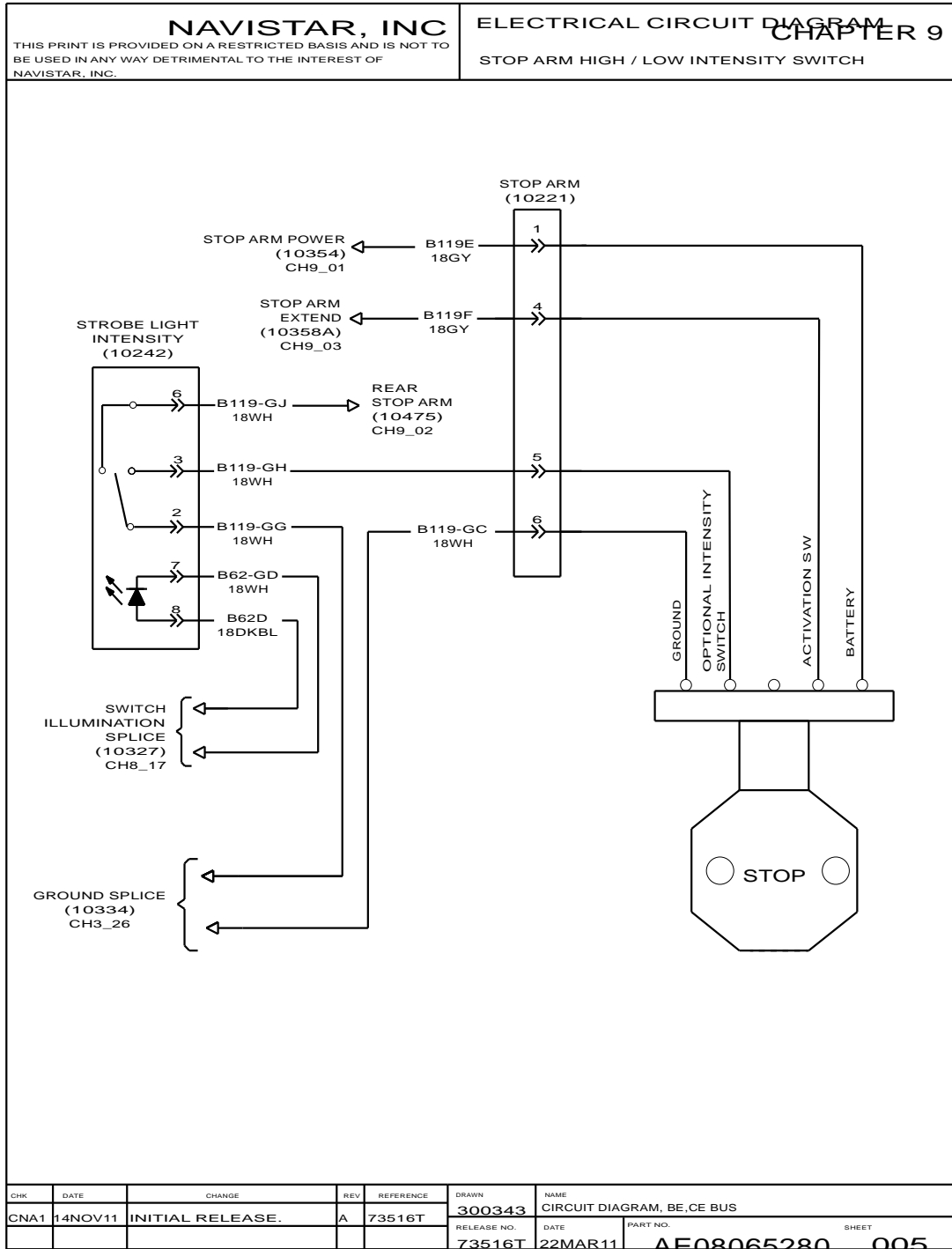


Figure 225 Stop Arm High / Low Intensity Switch

9.6. RIGHT STOP ARM / CROSSING GATE CANCEL SWITCH, P. 6

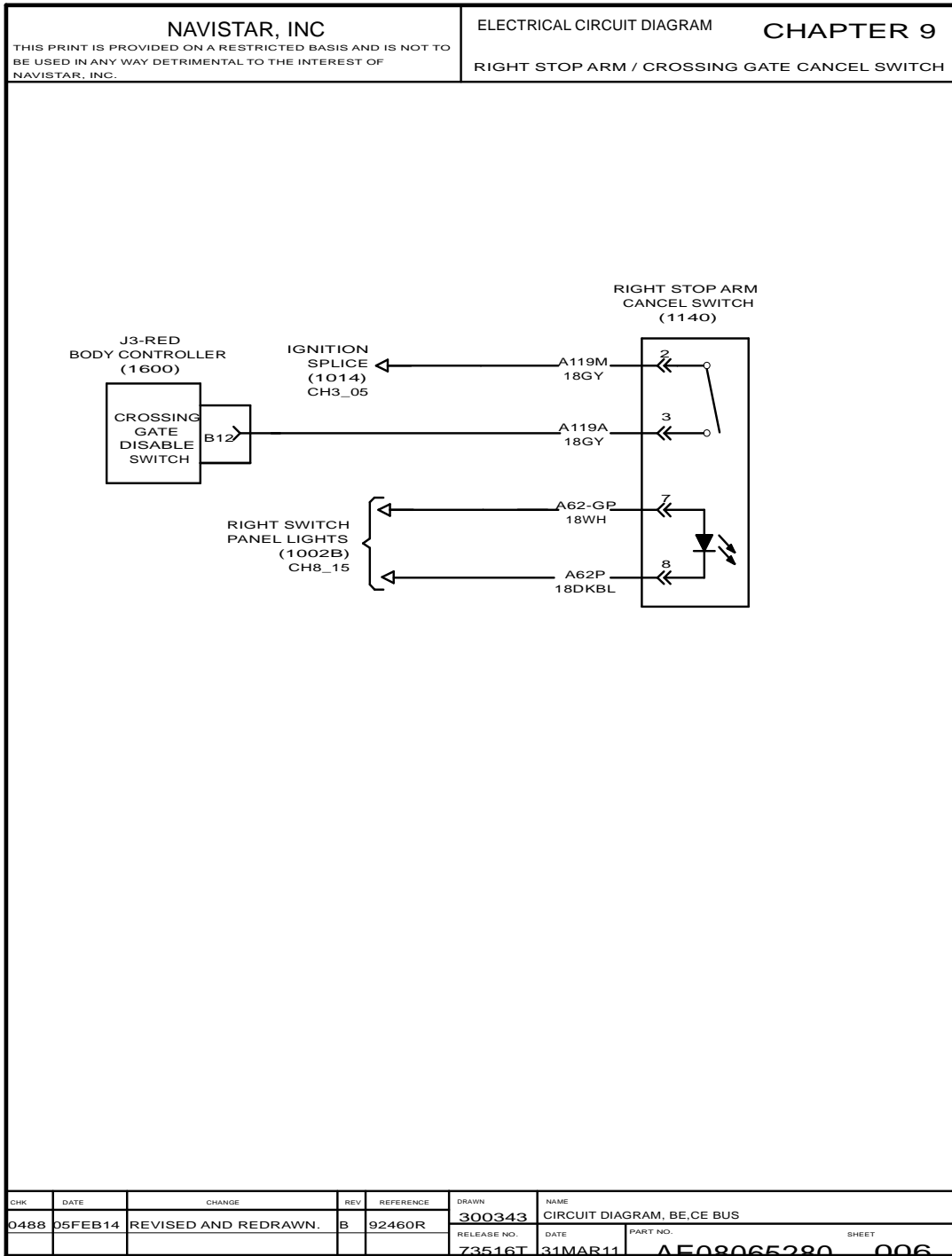


Figure 226 Right Stop Arm / Crossing Gate Cancel Switch

9.7. AIR CROSSING GATE (SINGLE VALVE), P. 7

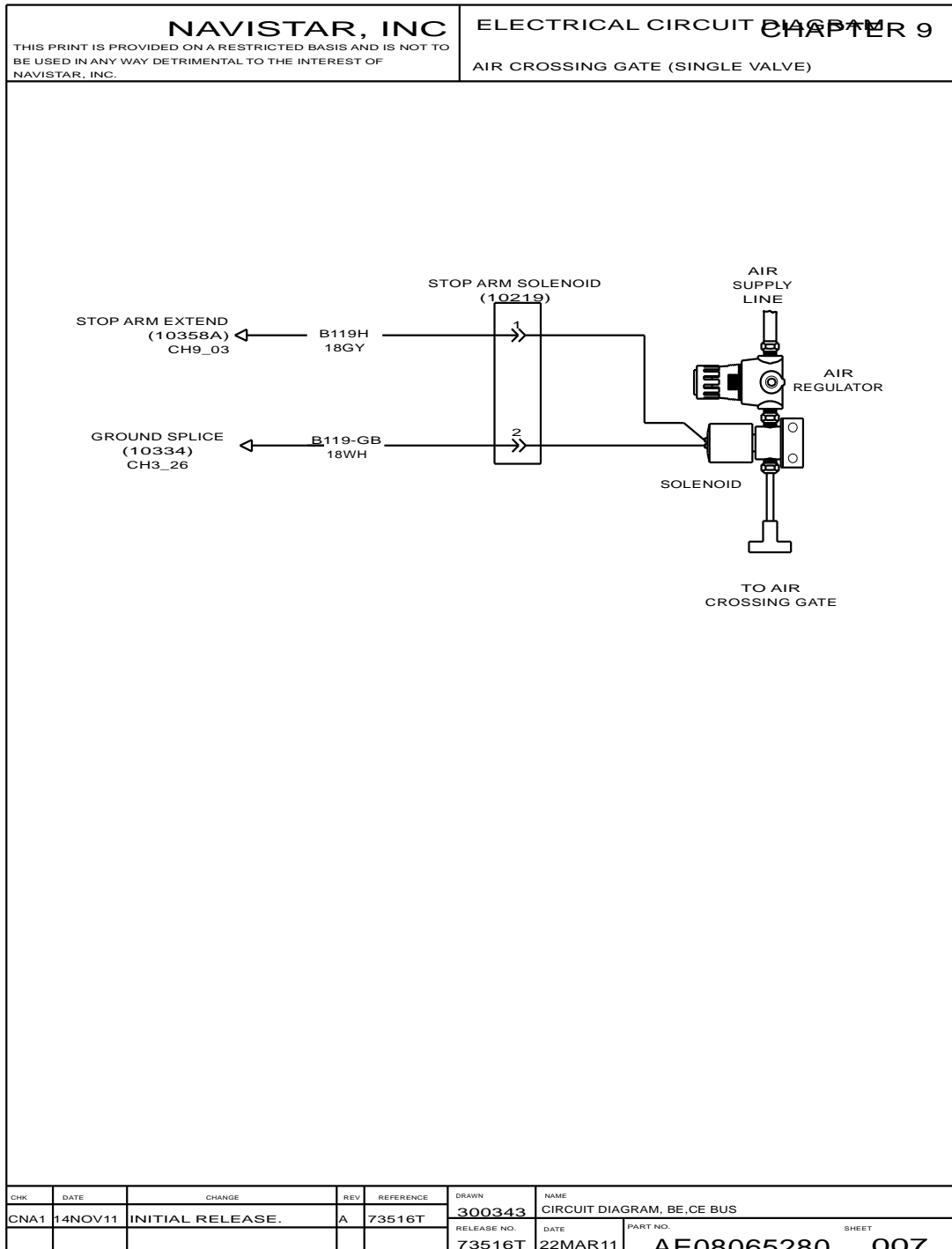


Figure 227 Air Crossing Gate (Single Valve)

9.8. AIR STOP ARM VALVE, P. 8

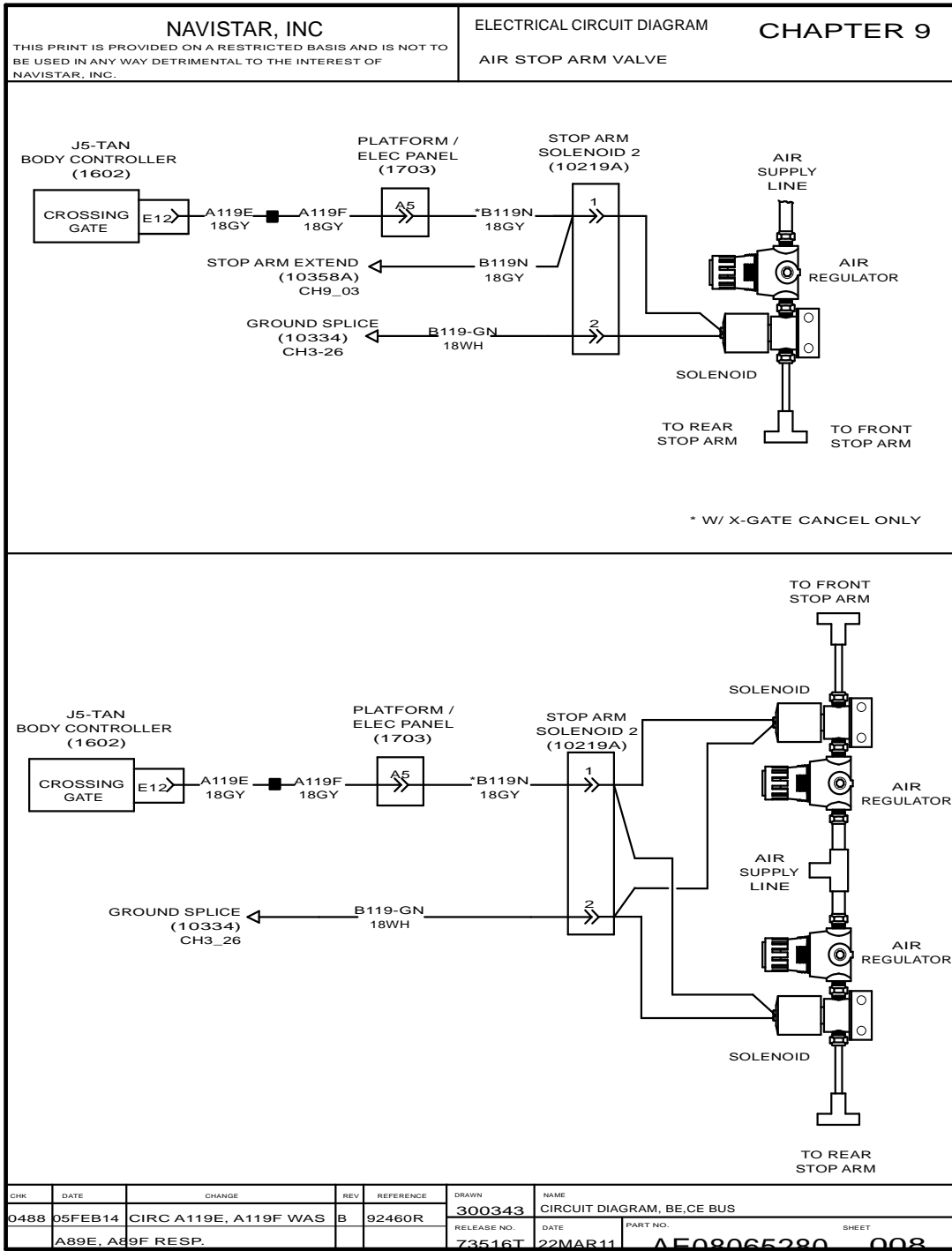


Figure 228 Air Stop Arm Valve

9.9. CROSSING GATE, P. 9

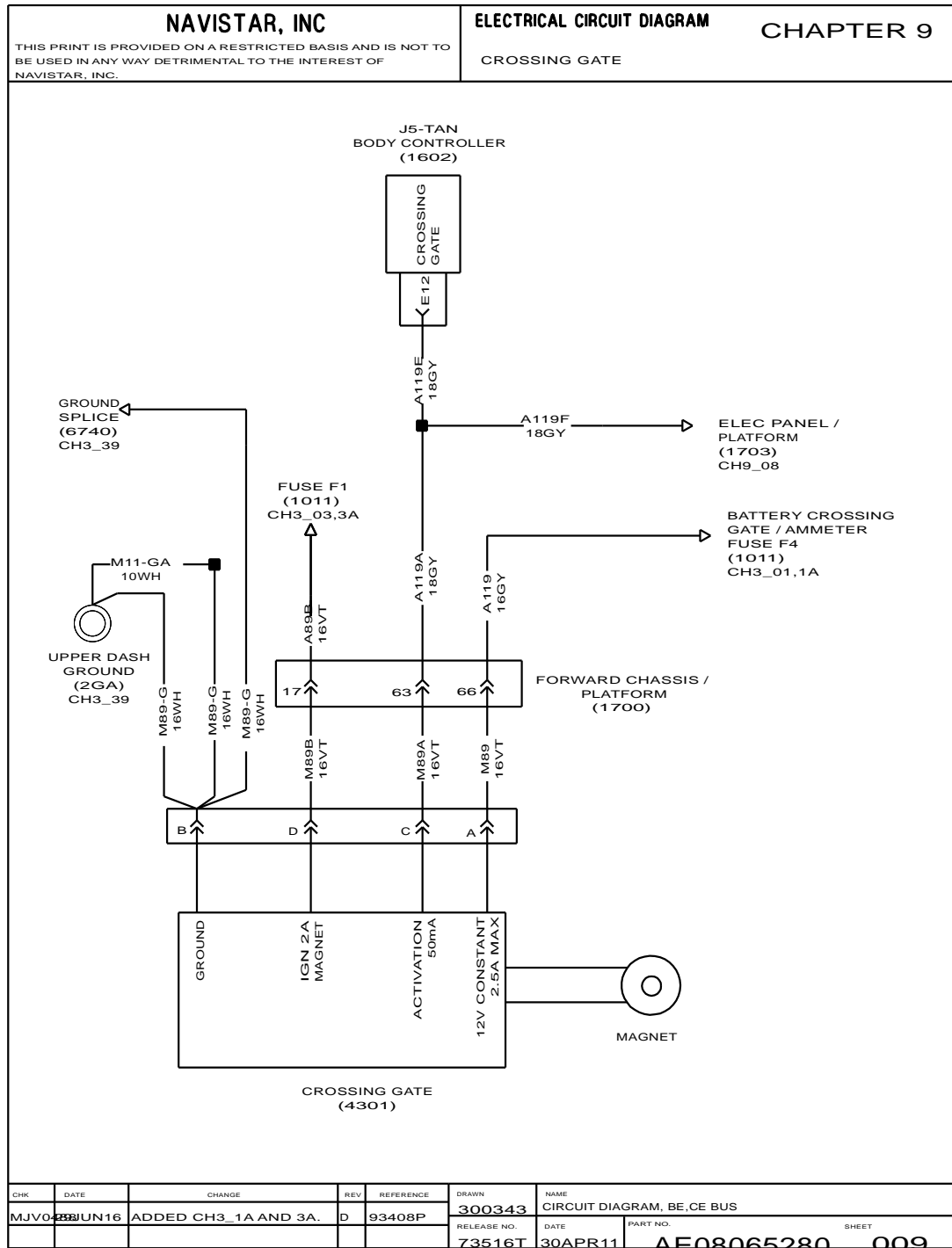


Figure 229 Crossing Gate

9.10. CROSSING GATE WITH CE BUS WITH PROPANE, P. 10

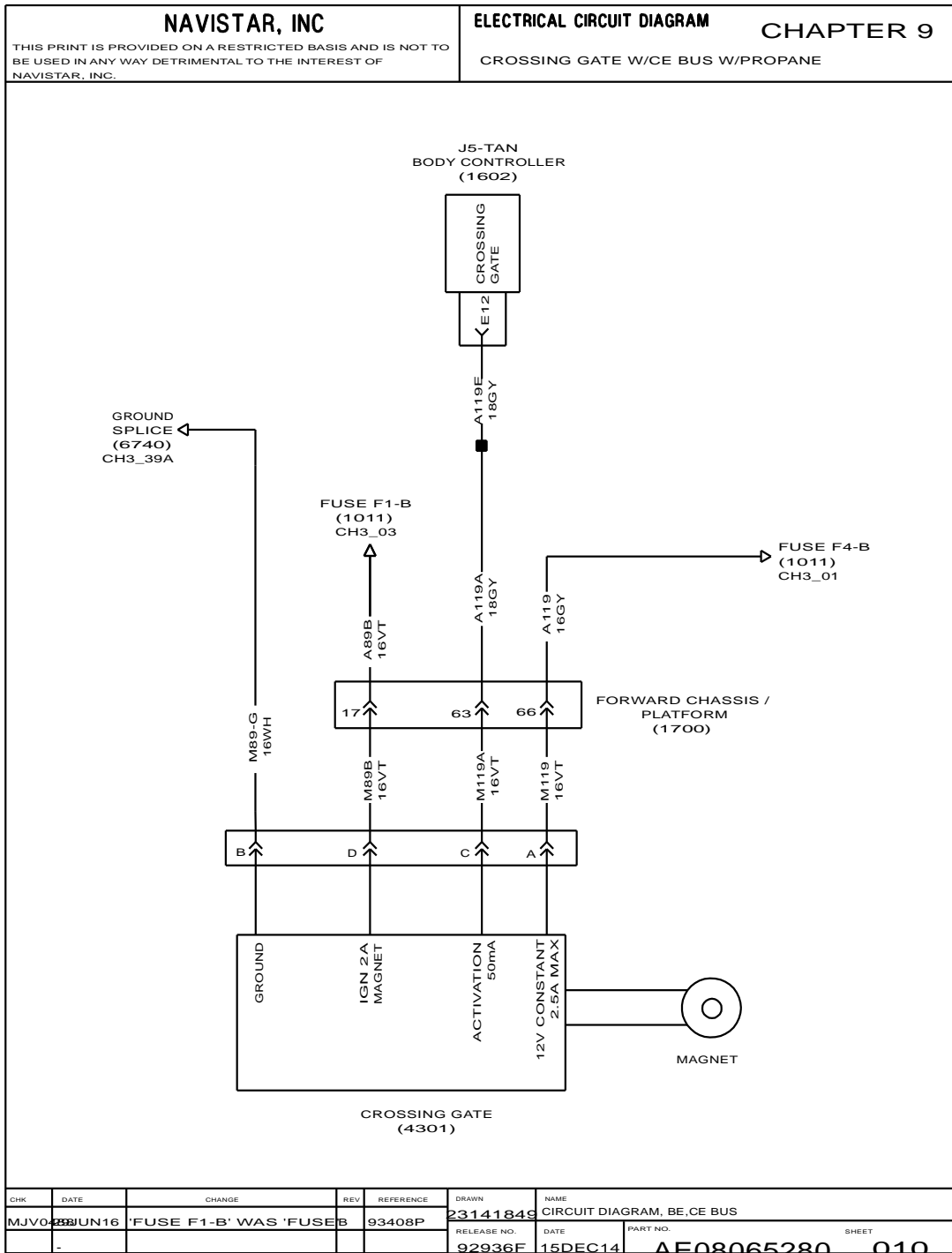


Figure 230 Crossing Gate with CE Bus with Propane

MIRROR SYSTEM (CHAPTER 10)

10.1. HEATED AND MOTORIZED MIRROR, P. 1

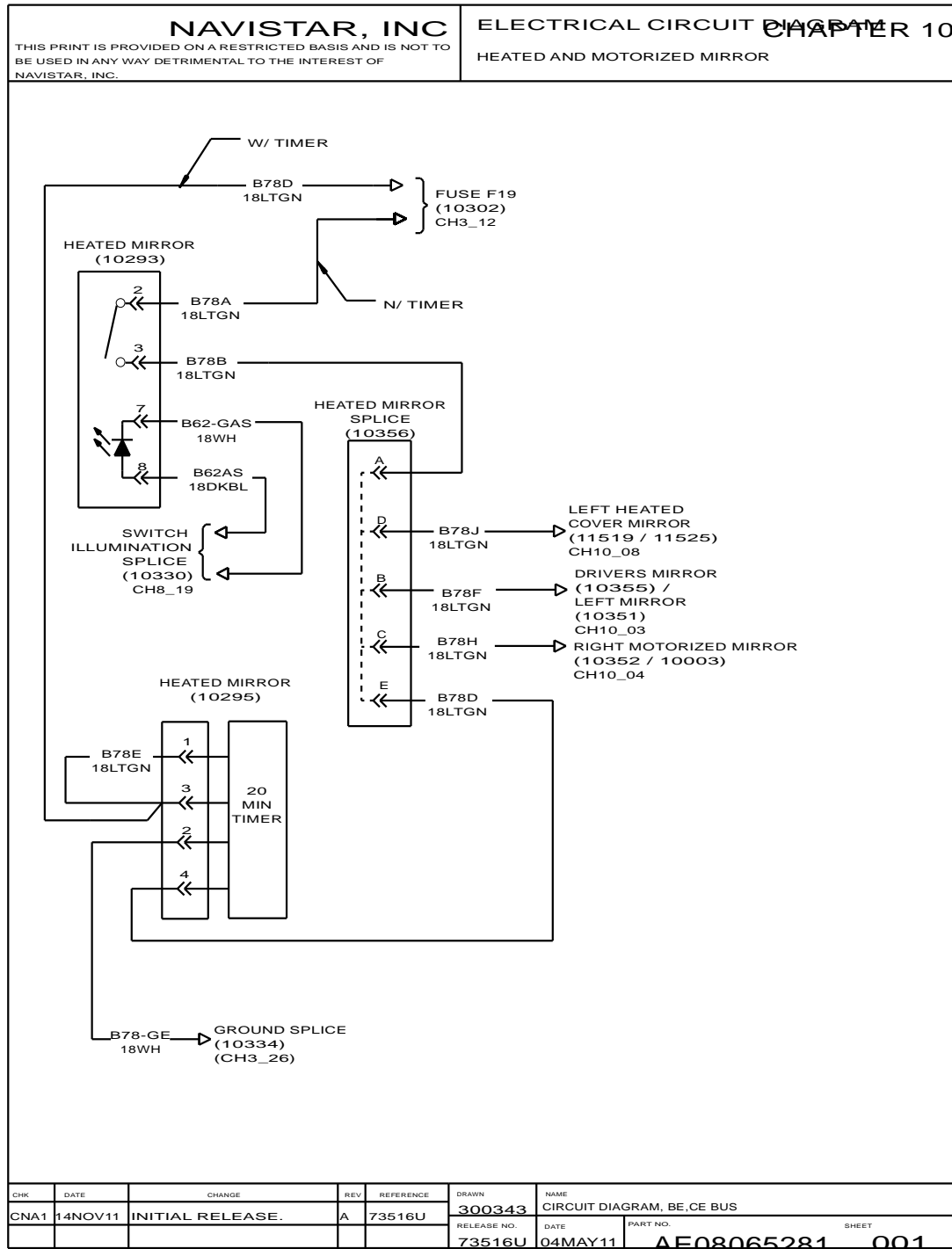


Figure 231 Heated and Motorized Mirror

10.2. HEATED AND MOTORIZED MIRROR (CONT.), P. 2

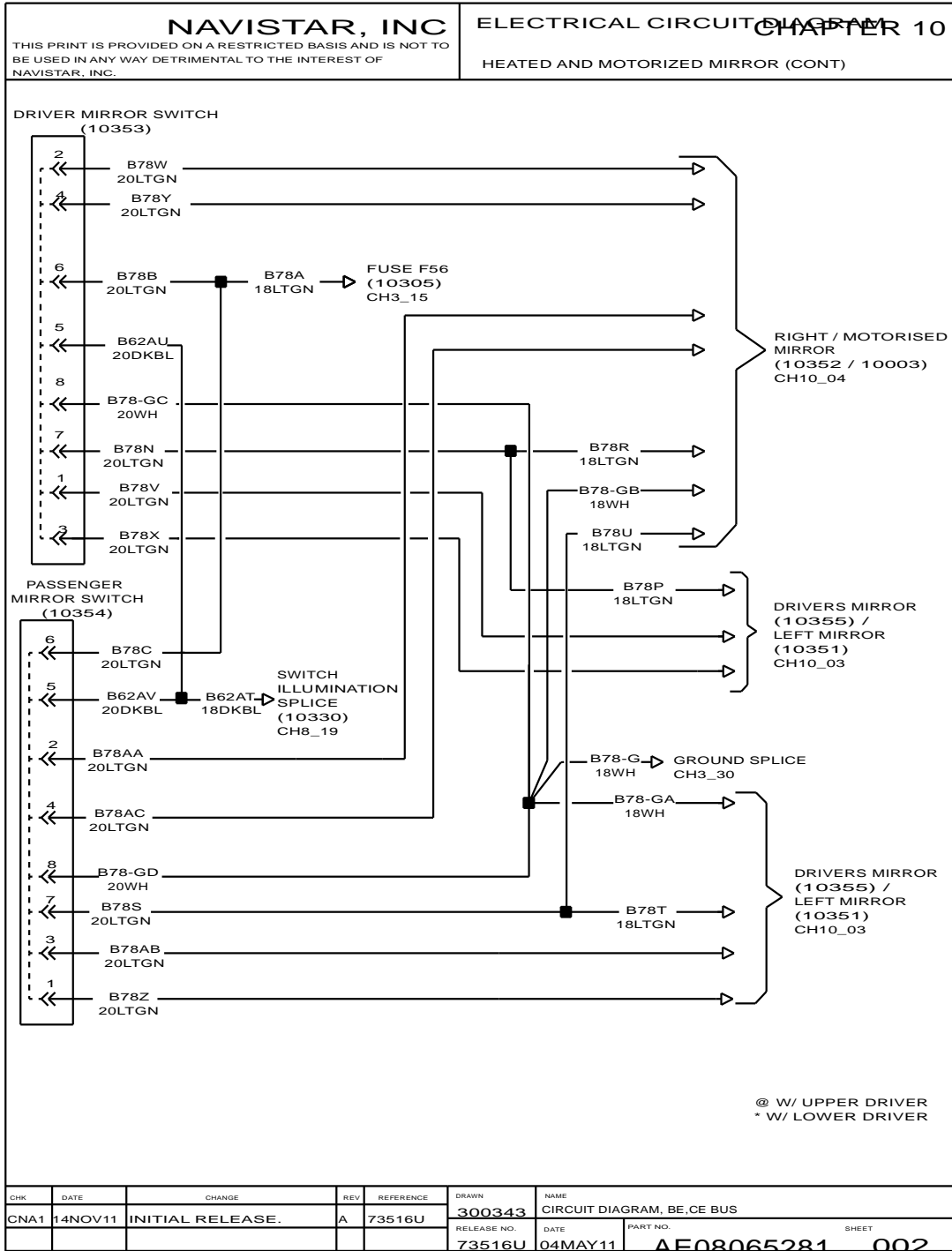
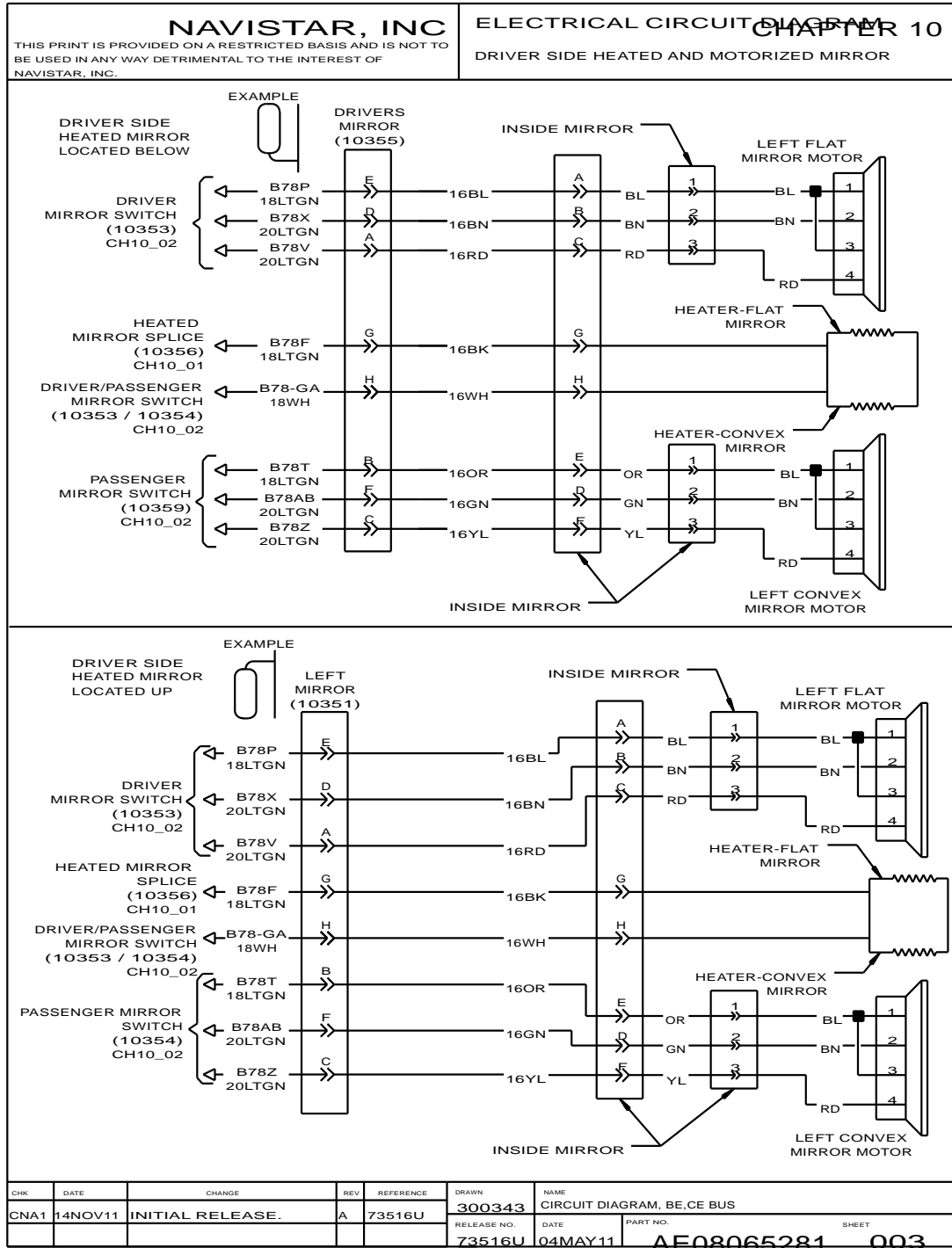


Figure 232 Heated and Motorized Mirror (Cont.)

10.3. DRIVER SIDE HEATED AND MOTORIZED MIRROR, P. 3



10.4. PASSENGER SIDE HEATED AND MOTORIZED MIRROR P. 4

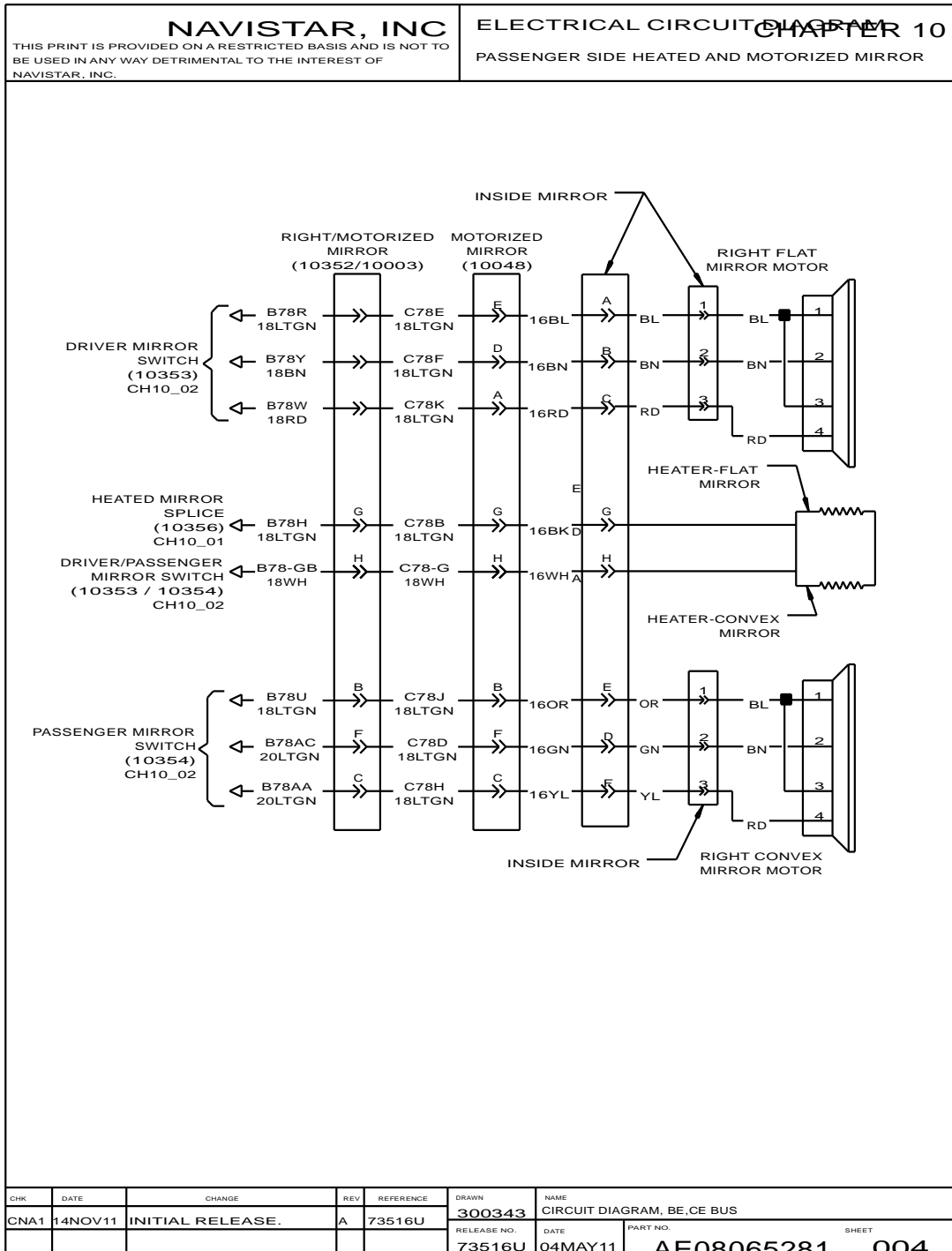


Figure 234 Passenger Side Heated and Motorized Mirror

10.5. HEATED ONLY REARVIEW MIRRORS, P. 5

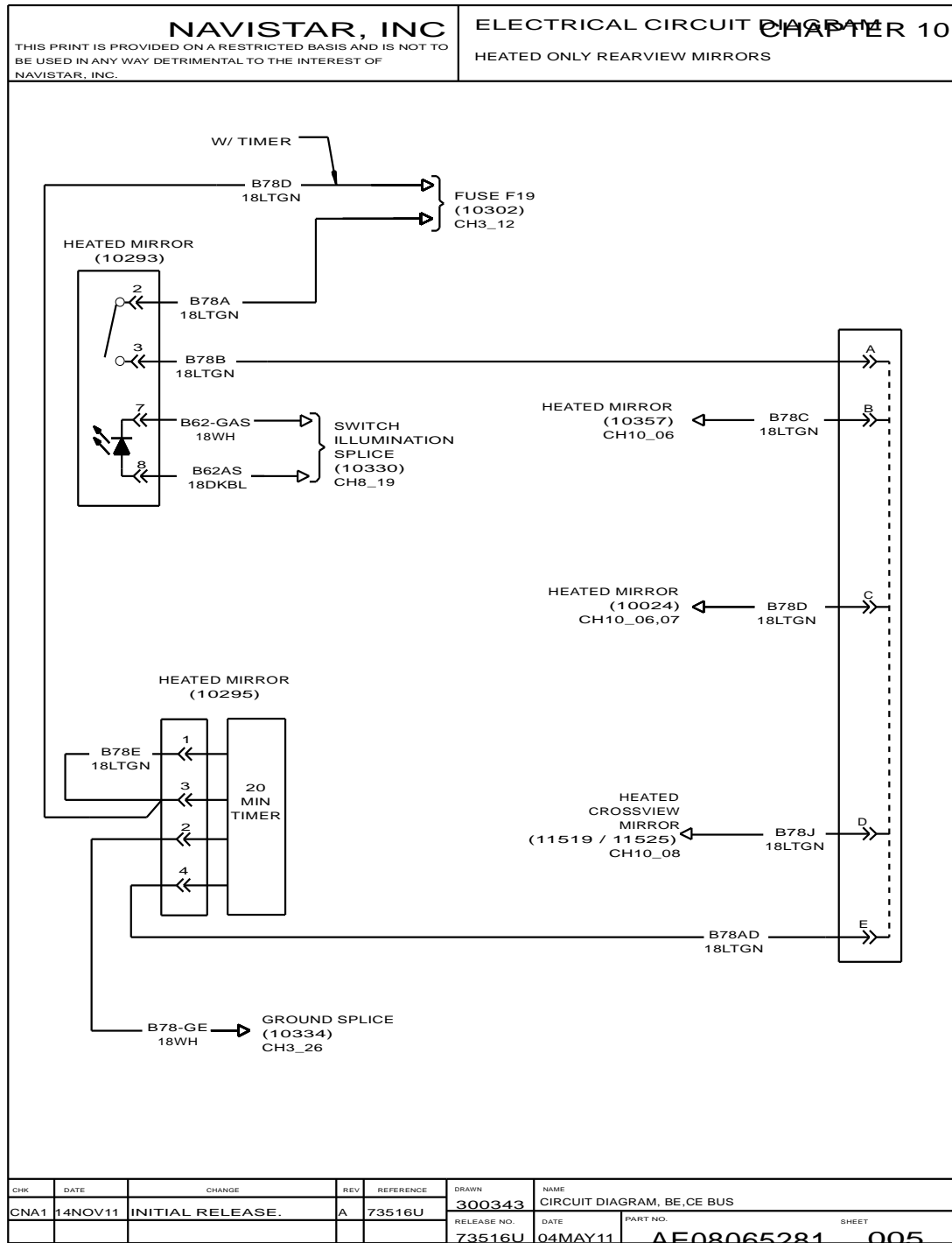


Figure 235 Heated Only Rearview Mirrors

CHK	DATE	CHANGE	REV	REFERENCE	DRAWN	NAME	
CNA1	14NOV11	INITIAL RELEASE.	A	73516U	300343	CIRCUIT DIAGRAM, BE,CE BUS	
					RELEASE NO.	DATE	PART NO.
					73516U	04MAY11	AE08065281
							SHEET 005

10.6. HEATED ONLY MIRROR WITH LOWER MOUNT DRIVER SIDE, P. 6

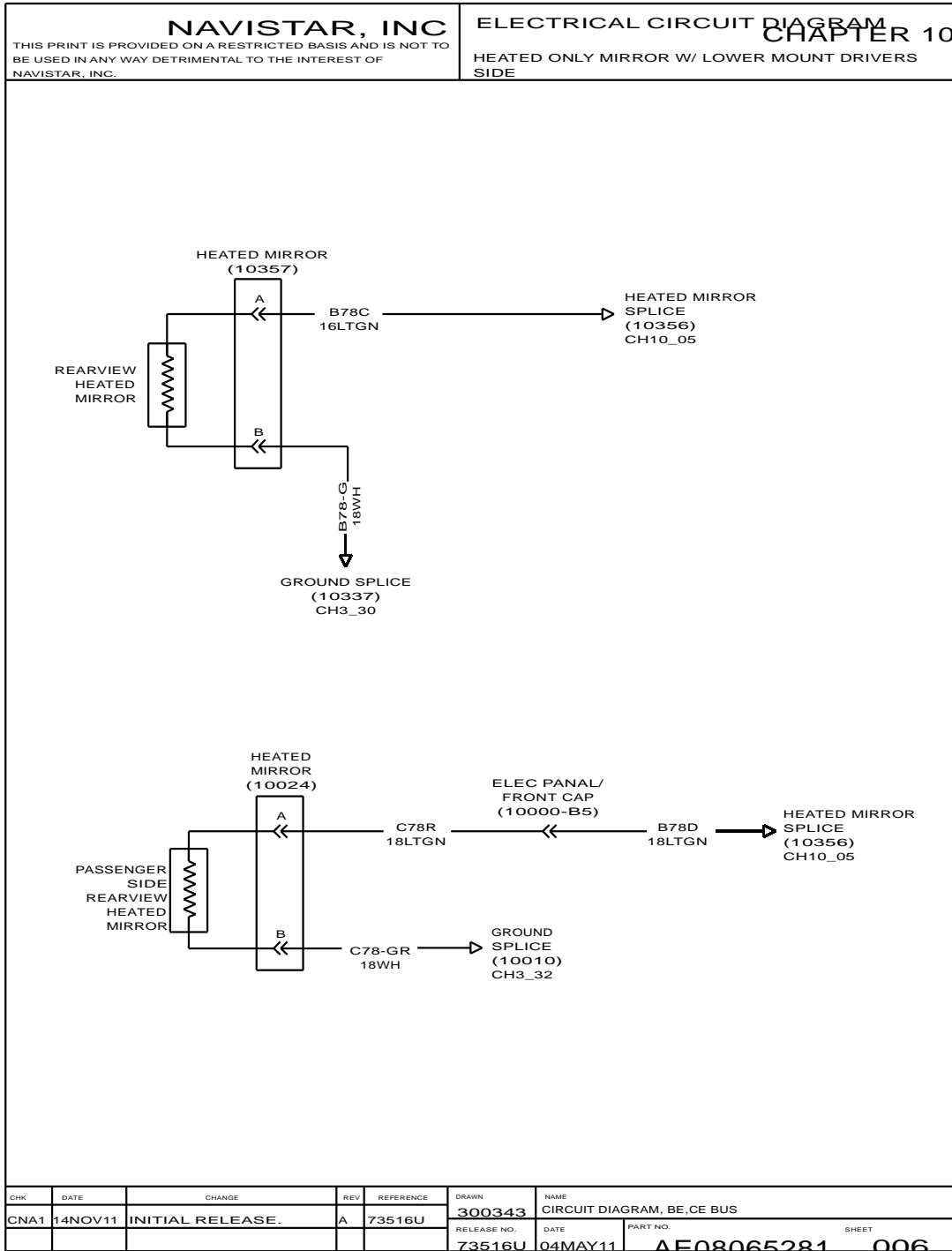


Figure 236 Heated Only Mirror with Lower Mount Driver Side

10.7. HEATED ONLY REARVIEW MIRRORS WITH UPPER MOUNT DRIVER SIDE, P. 7

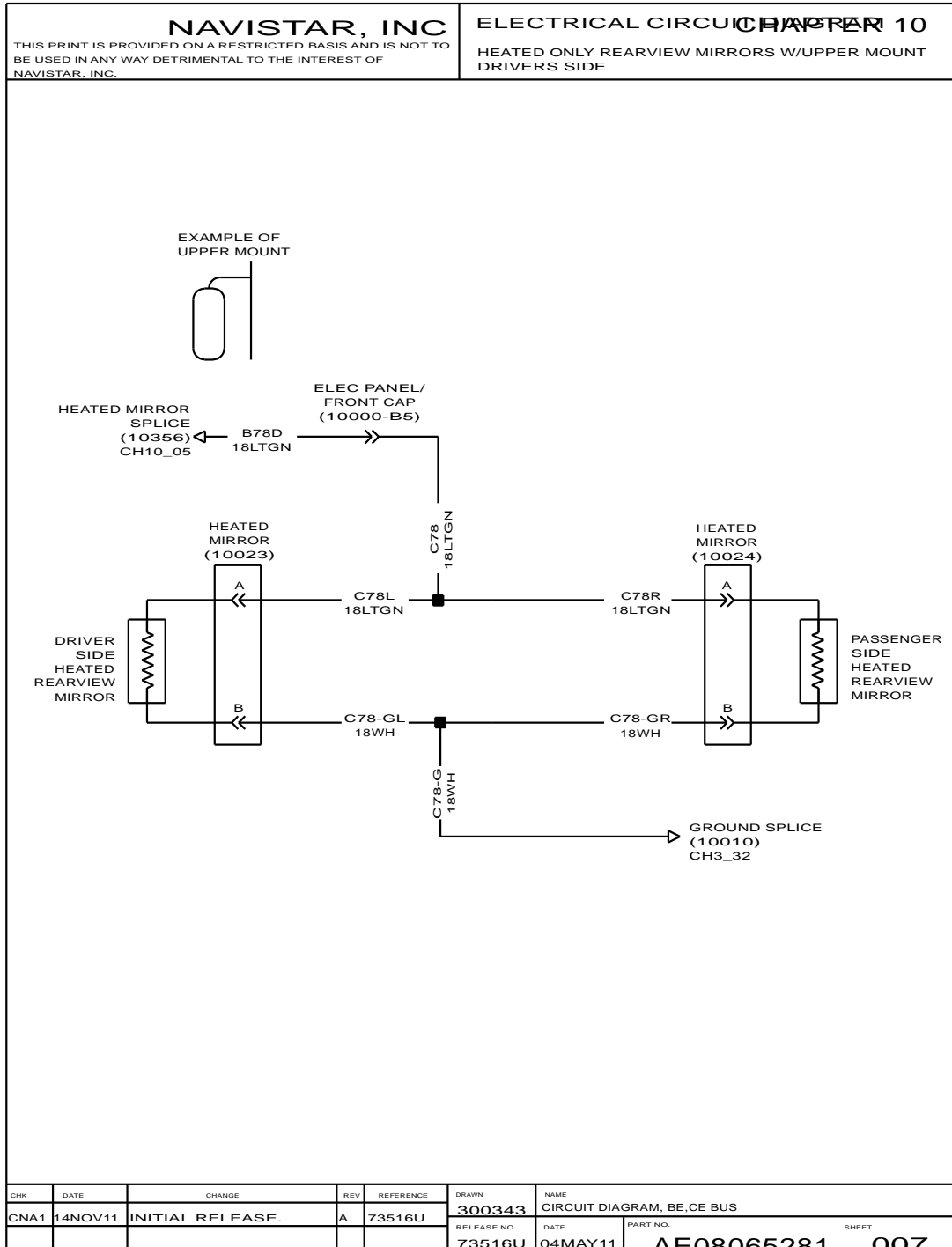


Figure 237 Heated Only Rearview Mirrors with Upper Mount Driver Side

10.8. HEATED CROSSVIEW MIRRORS, P. 8

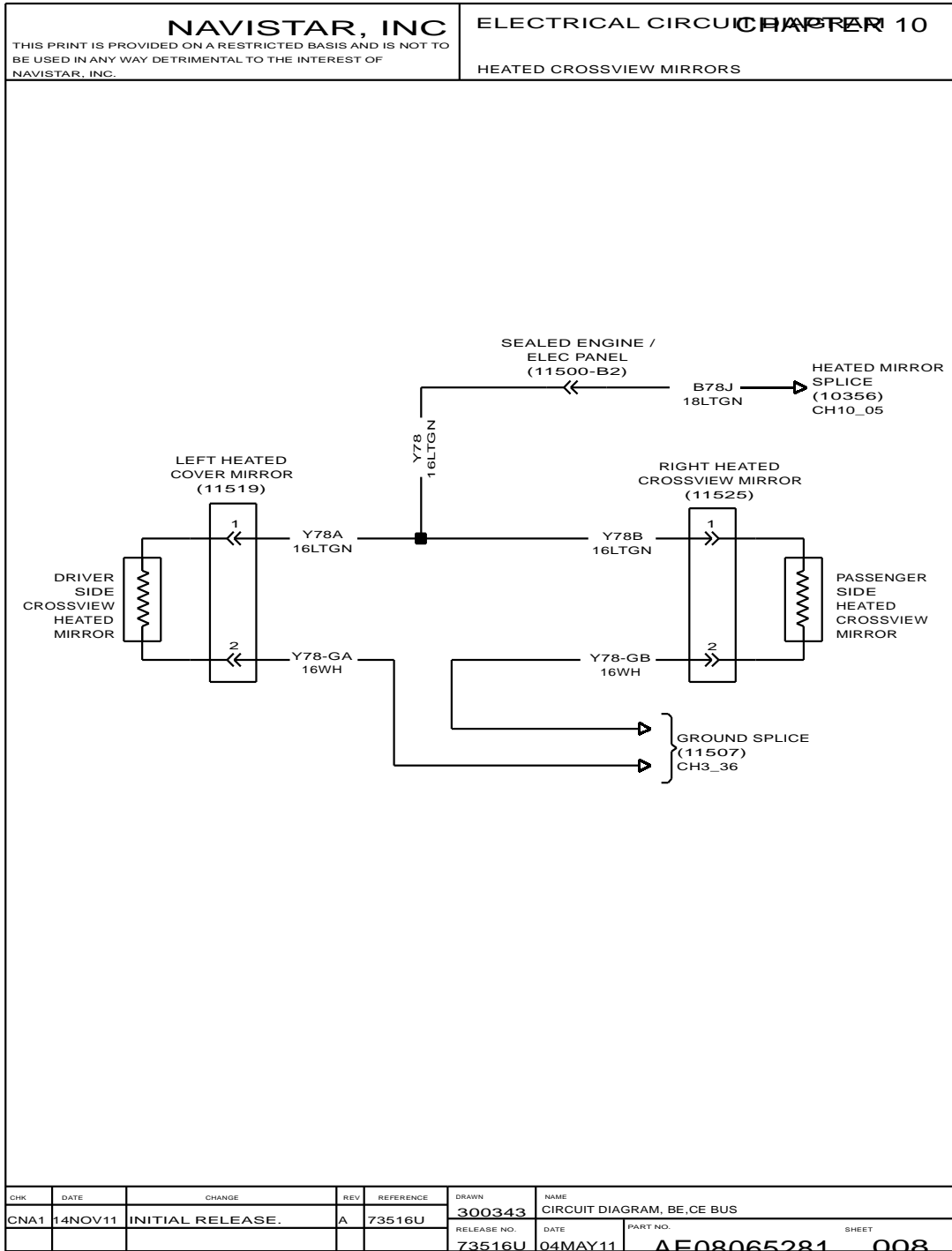


Figure 238 Heated Crossview Mirrors

ENGINE AND ENGINE SYSTEM (CHAPTER 11)

11.1. ELECTRONIC ENGINE CONTROL – I6 ENGINE, P. 1

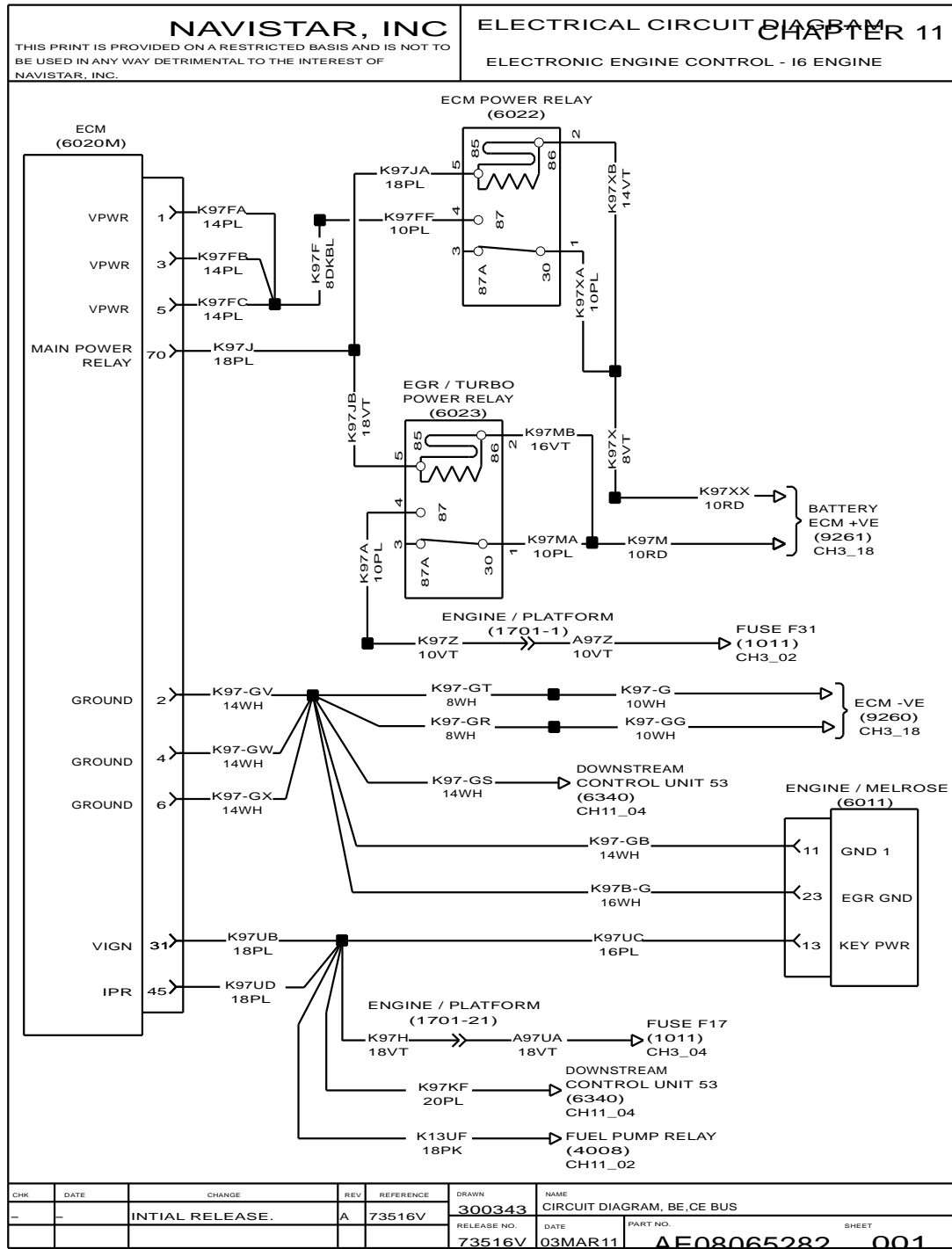


Figure 239 Electronic Engine Control – I6 Engine

11.2. ELECTRONIC ENGINE CONTROL – I6 ENGINE (CONT.), P. 2

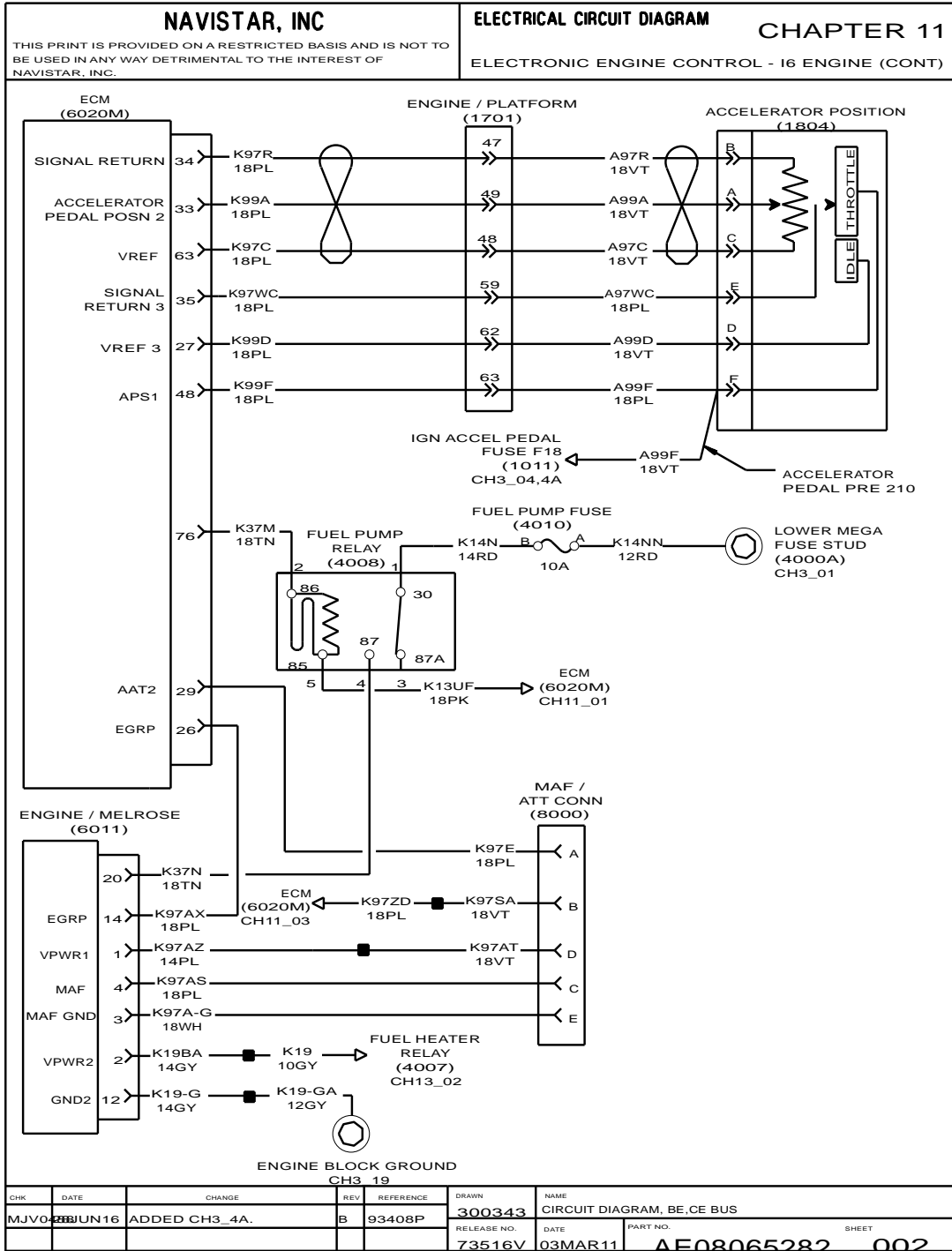


Figure 240 Electronic Engine Control – I6 Engine (Cont.)

11.3. ELECTRONIC ENGINE CONTROL – I6 ENGINE (CONT.), P. 3

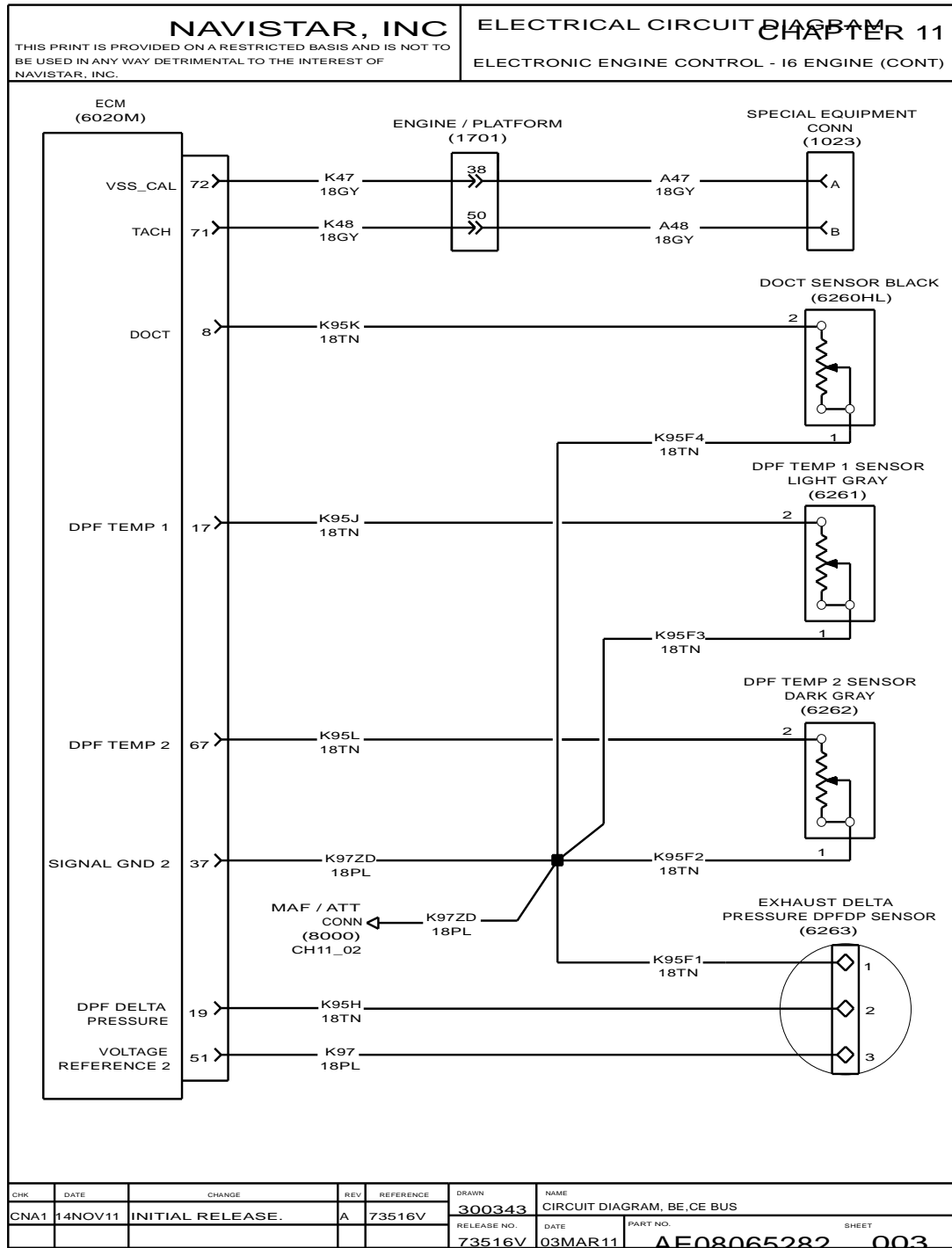


Figure 241 Electronic Engine Control – I6 Engine (Cont.)

11.4. ELECTRONIC ENGINE CONTROL – I6 ENGINE (CONT.), P. 4

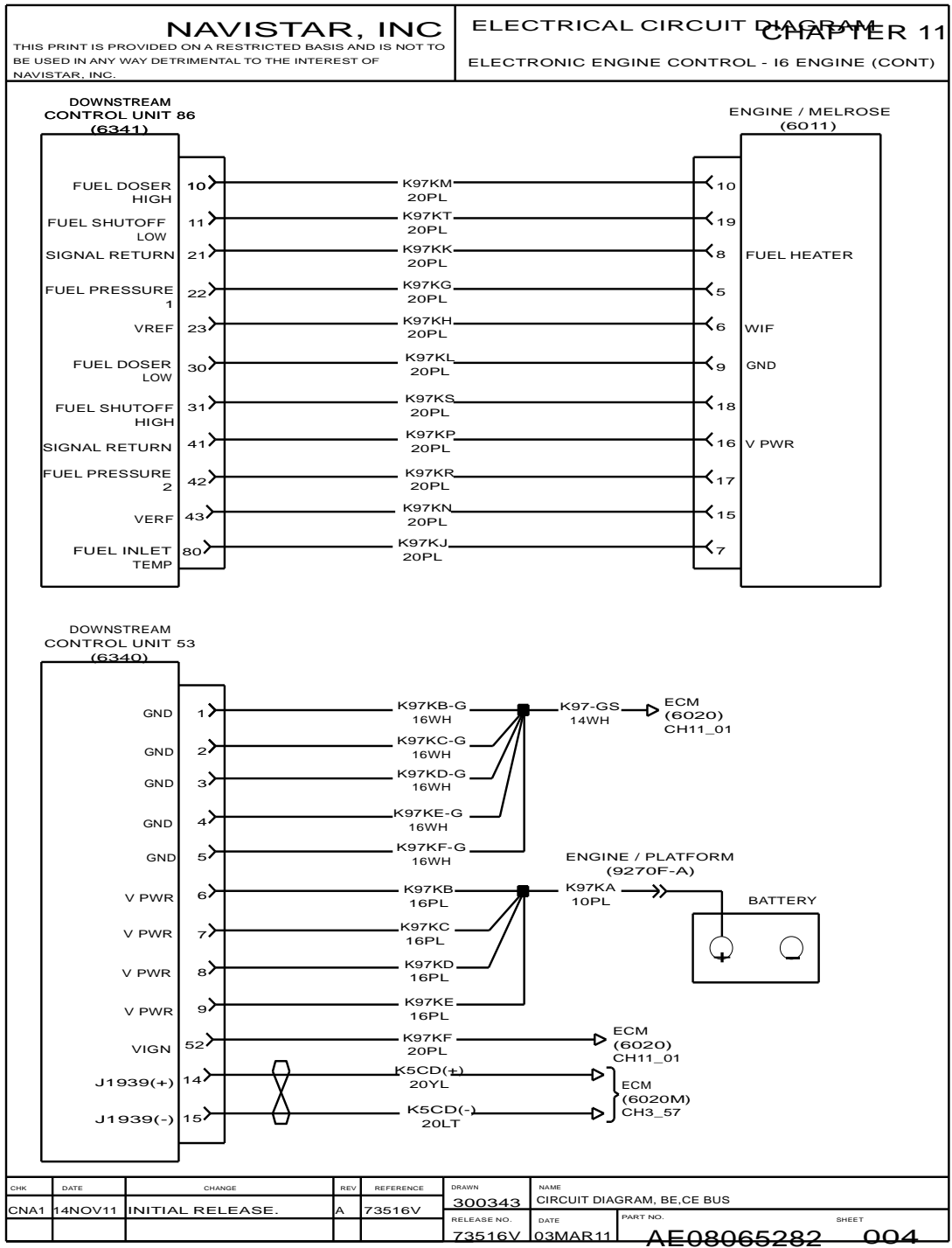


Figure 242 Electronic Engine Control – I6 Engine (Cont.)

11.5. ELECTRONIC ENGINE CONTROL – I6 ENGINE (CONT.), P. 5

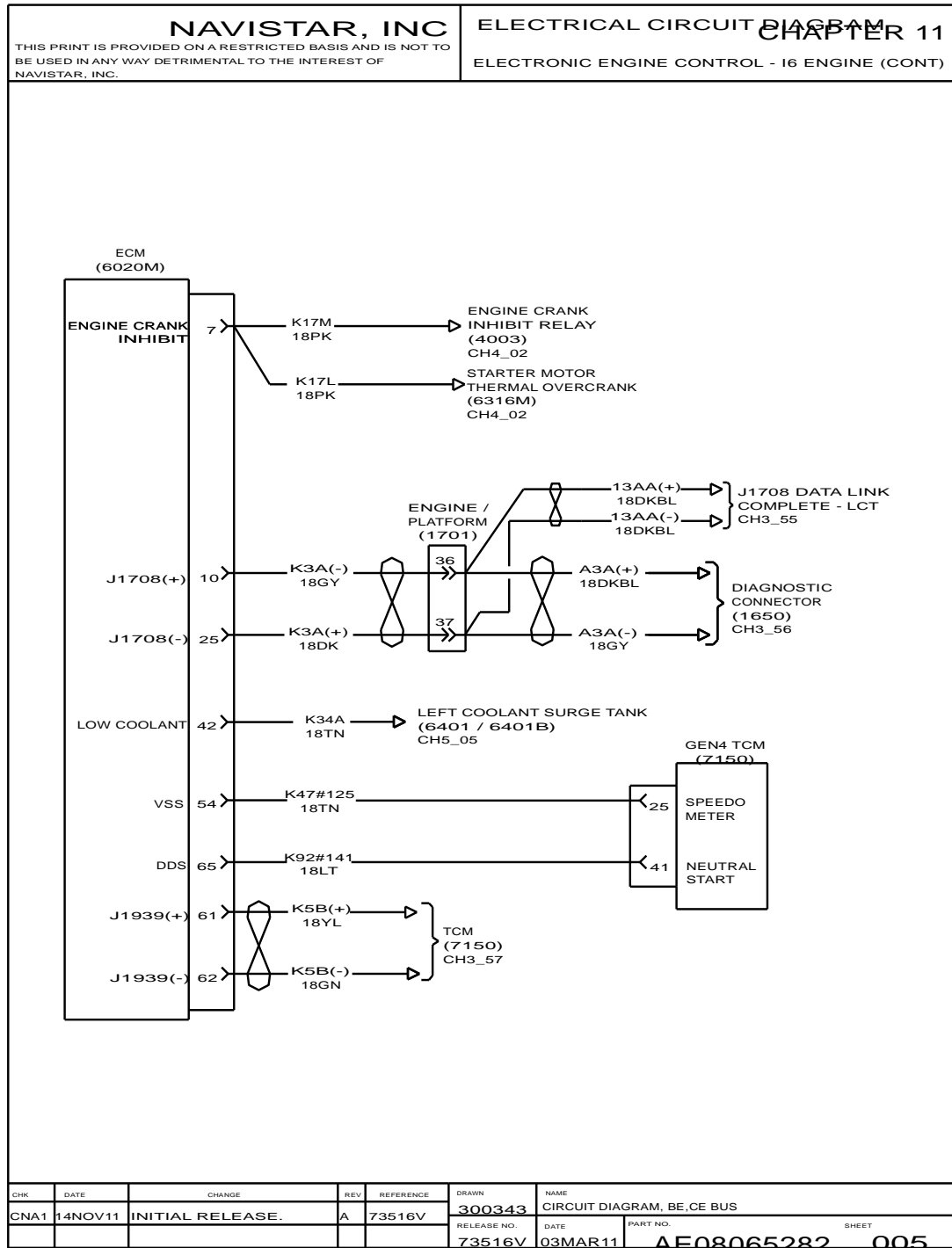
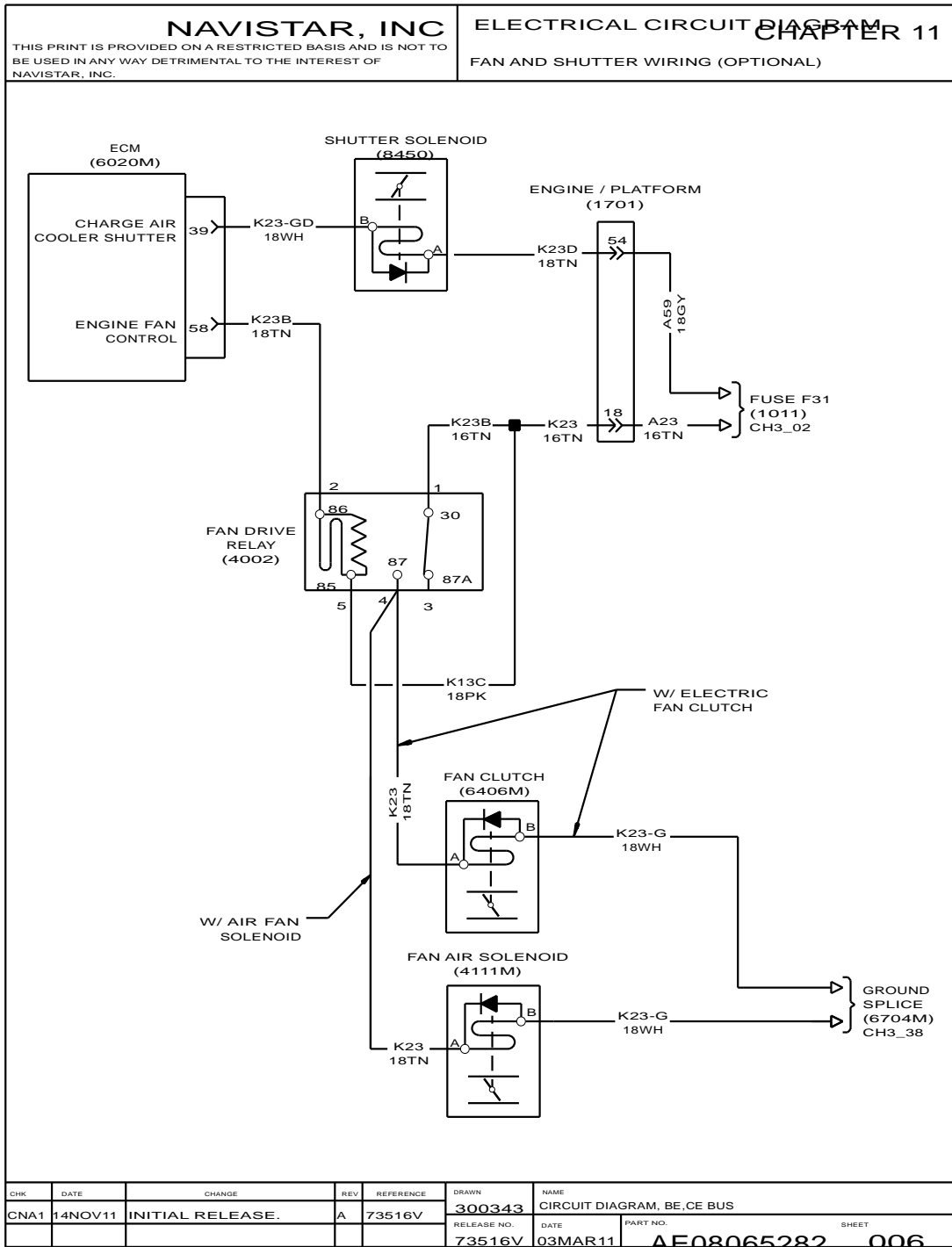


Figure 243 Electronic Engine Control – I6 Engine (Cont.)

11.6. FAN AND SHUTTER WIRING (OPTIONAL), P. 6



11.7. ELECTRONIC ENGINE CONTROL – V8 ENGINE, P. 7

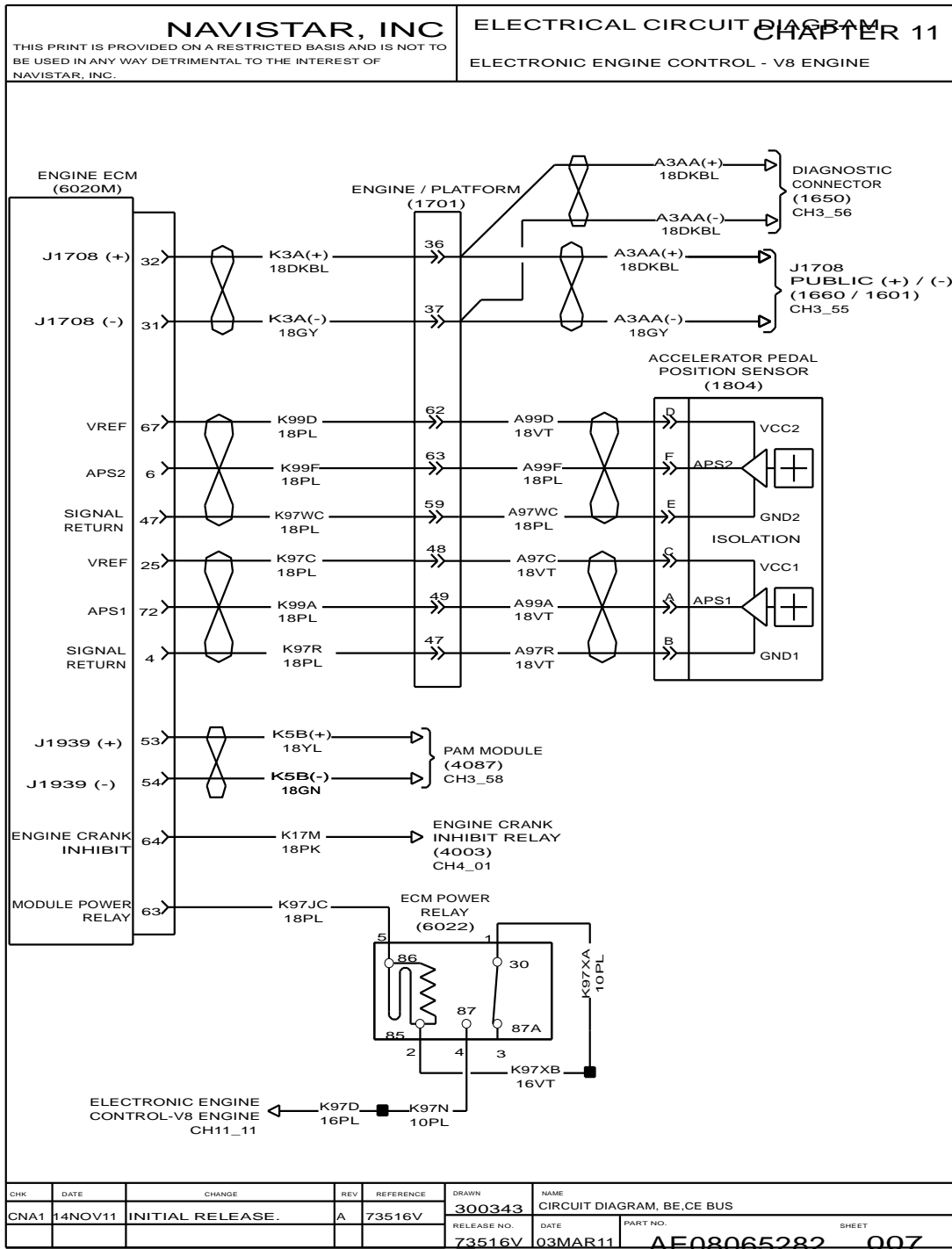


Figure 245 Electronic Engine Control – V8 Engine

11.8. ELECTRONIC ENGINE CONTROL – V8 ENGINE (CONT.), P. 8

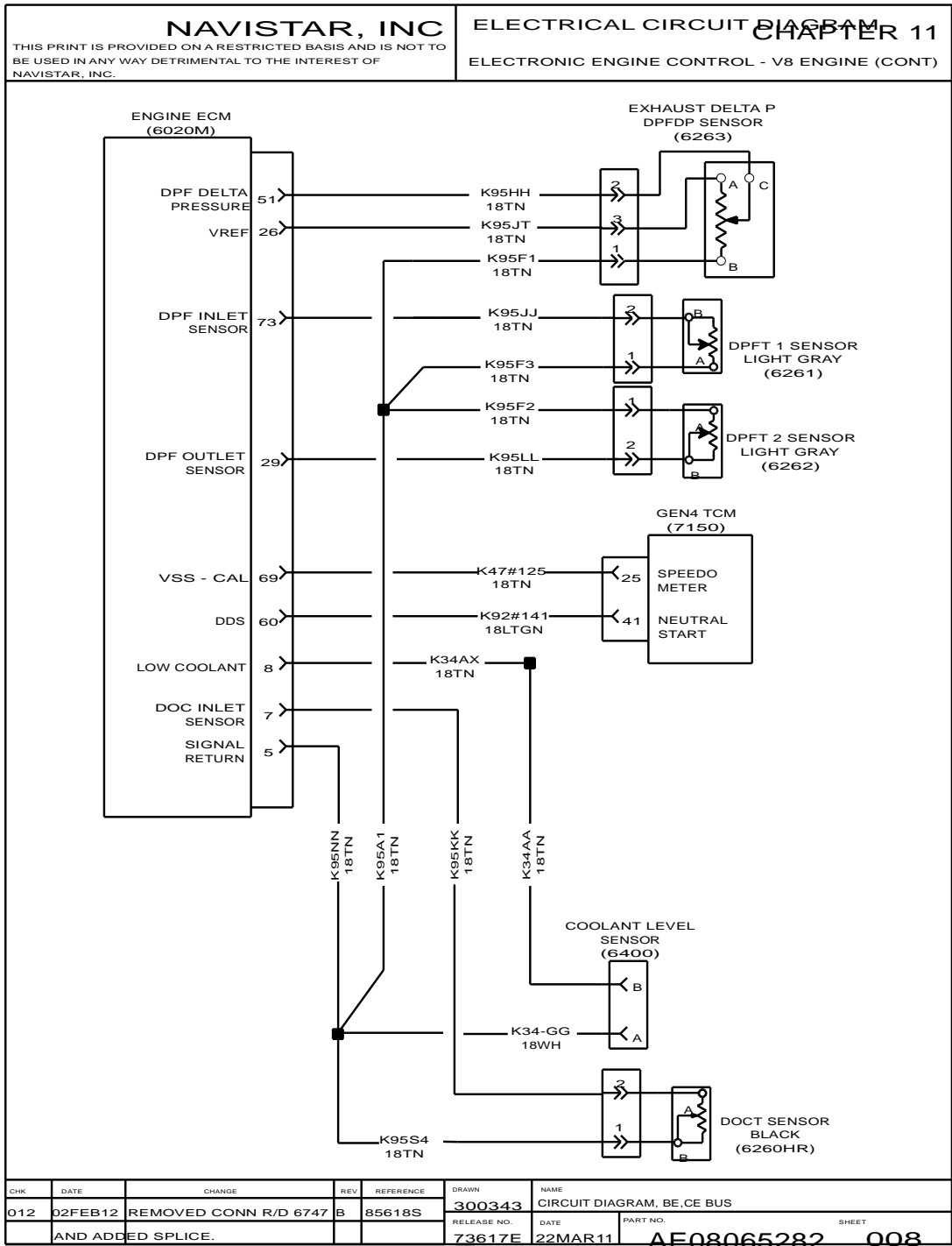


Figure 246 Electronic Engine Control – V8 Engine (Cont.)

11.9. ELECTRONIC ENGINE CONTROL – V8 ENGINE (CONT.), P. 9

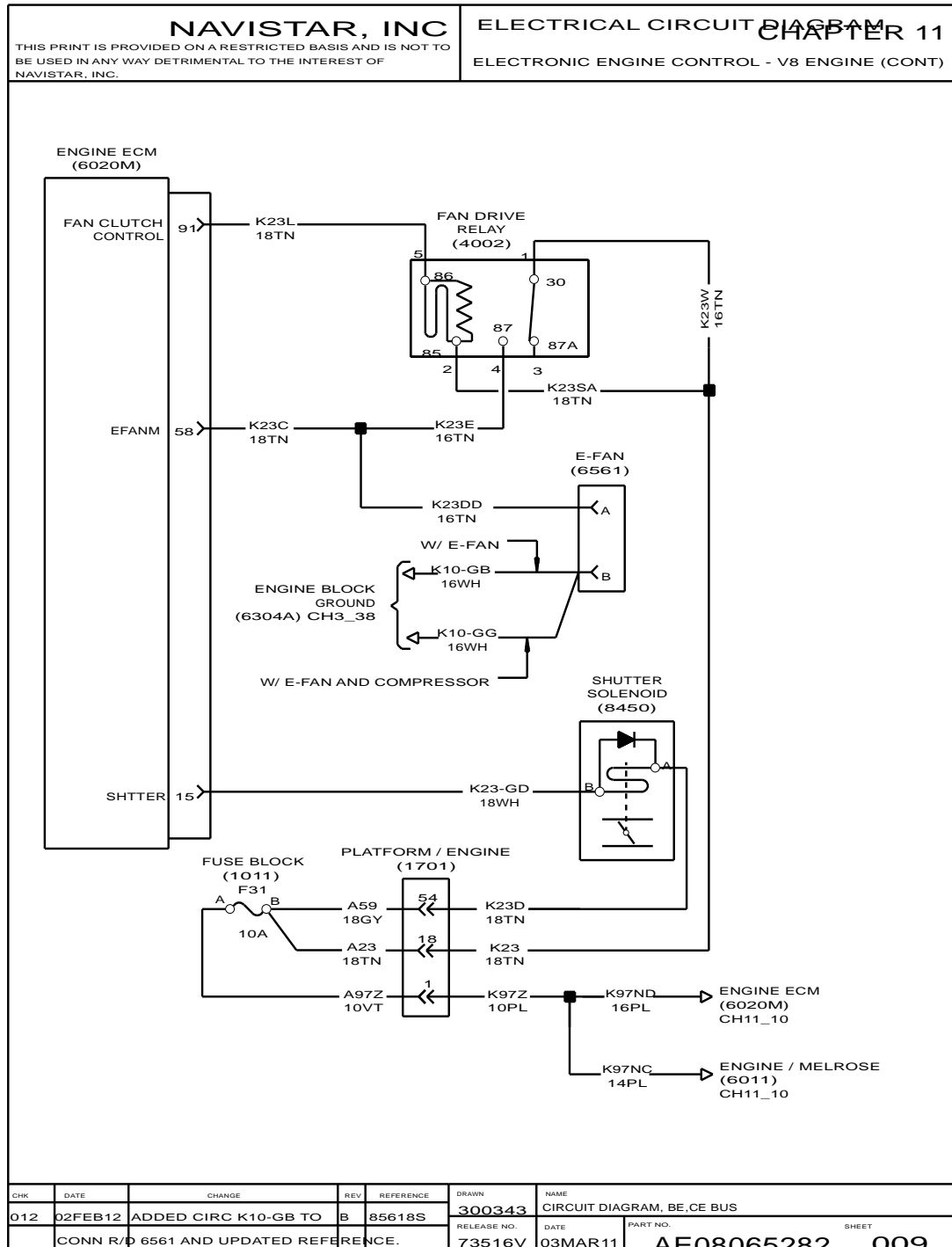


Figure 247 Electronic Engine Control – V8 Engine (Cont.)

11.10. ELECTRONIC ENGINE CONTROL – V8 ENGINE (CONT.), P. 10

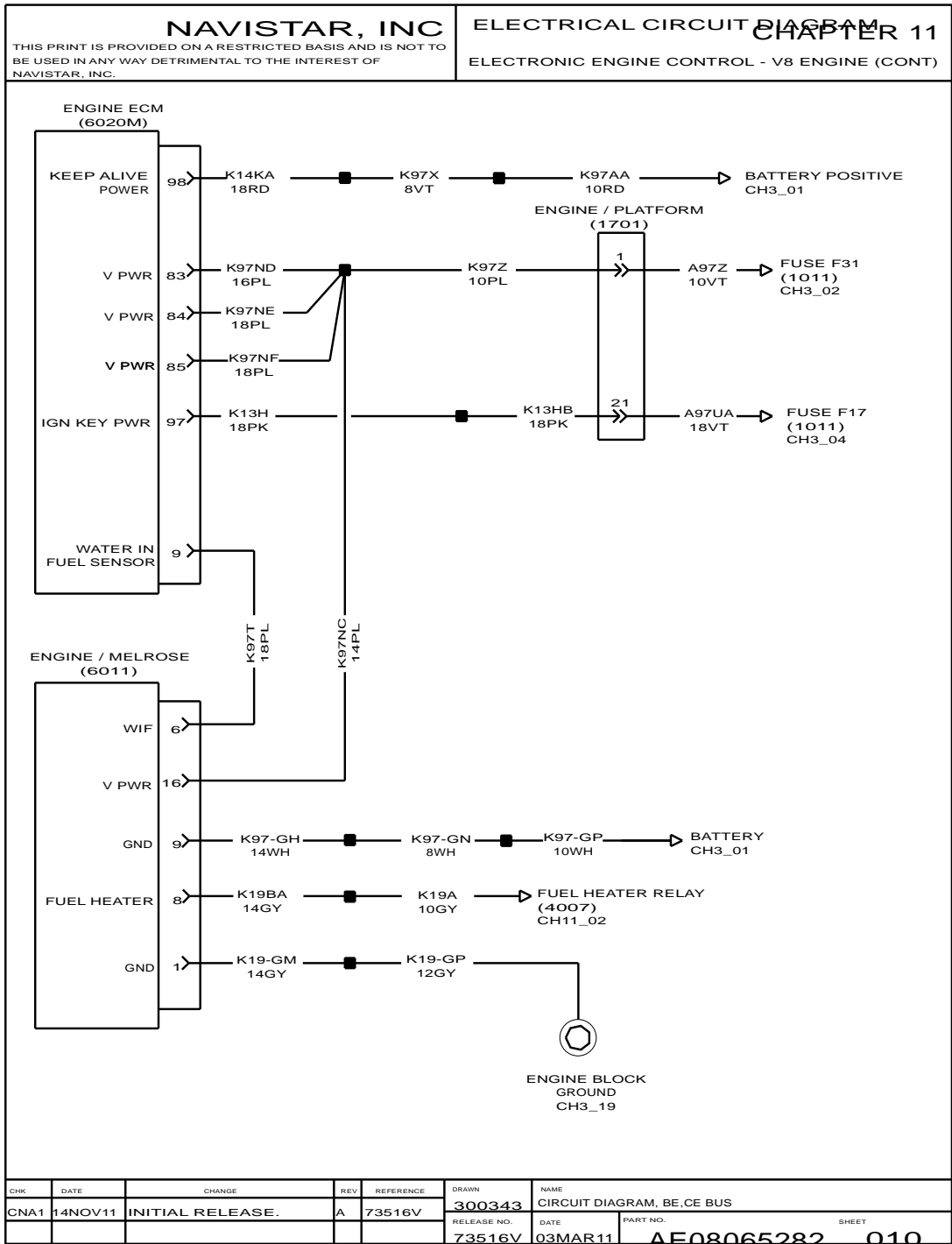


Figure 248 Electronic Engine Control – V8 Engine (Cont.)

11.11. ELECTRONIC ENGINE CONTROL – V8 ENGINE (CONT.), P. 11

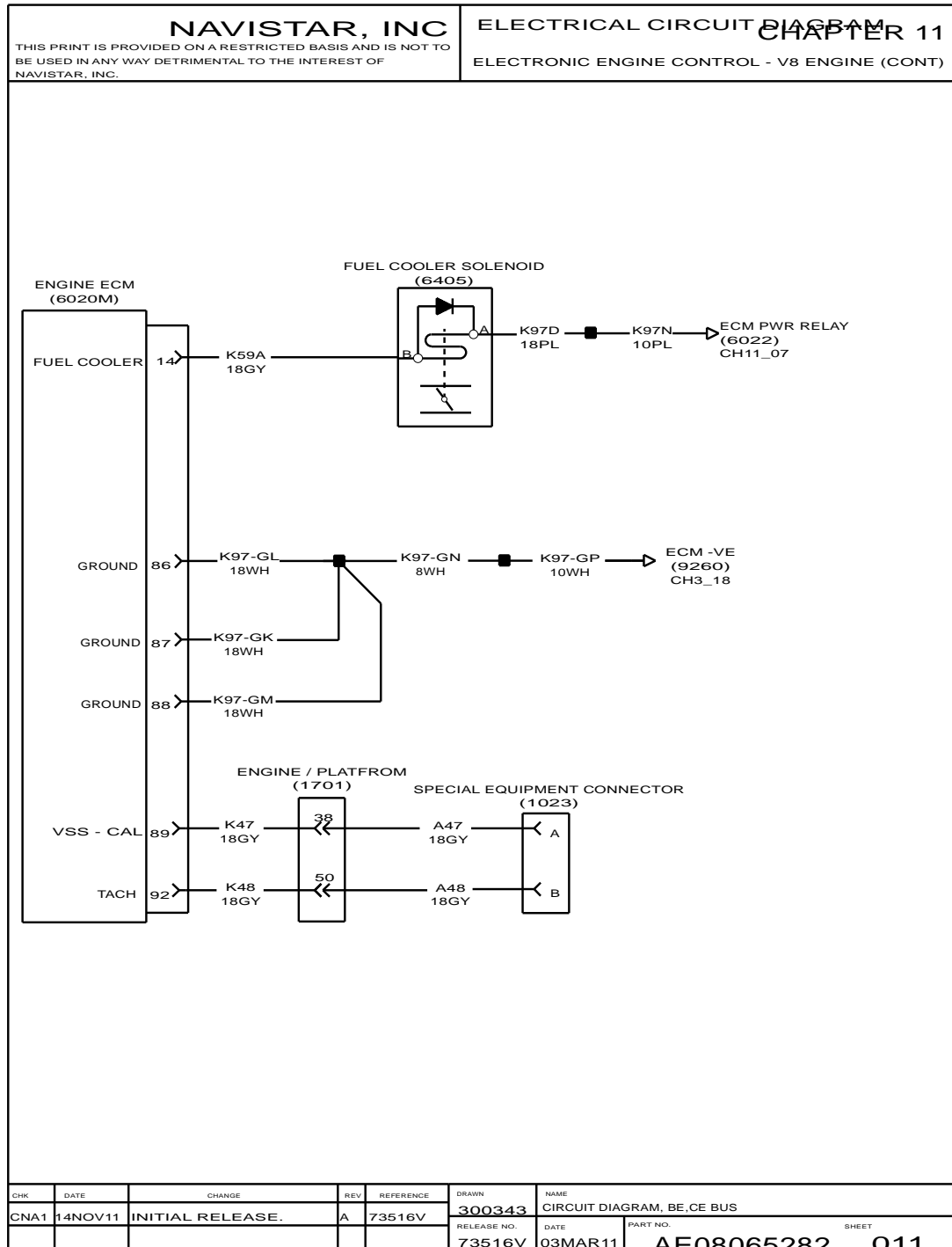


Figure 249 Electronic Engine Control – V8 Engine (Cont.)

11.12. ELECTRONIC ENGINE CONTROL – CUMMINS ISB ENGINE , P. 12

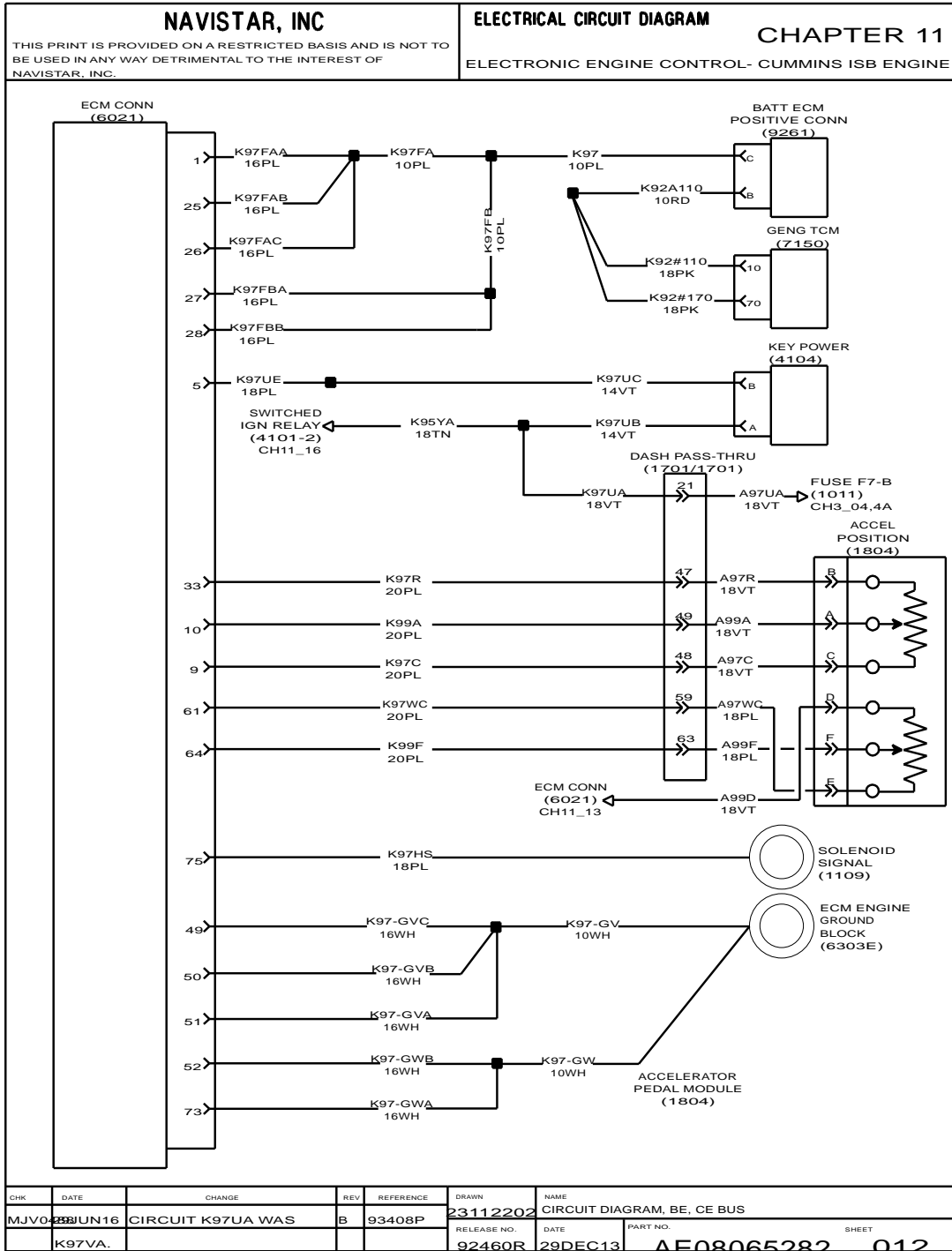


Figure 250 Electronic Engine Control – Cummins ISB Engine

11.13. ELECTRONIC ENGINE CONTROL – CUMMINS ISB ENGINE (CONT.), P. 13

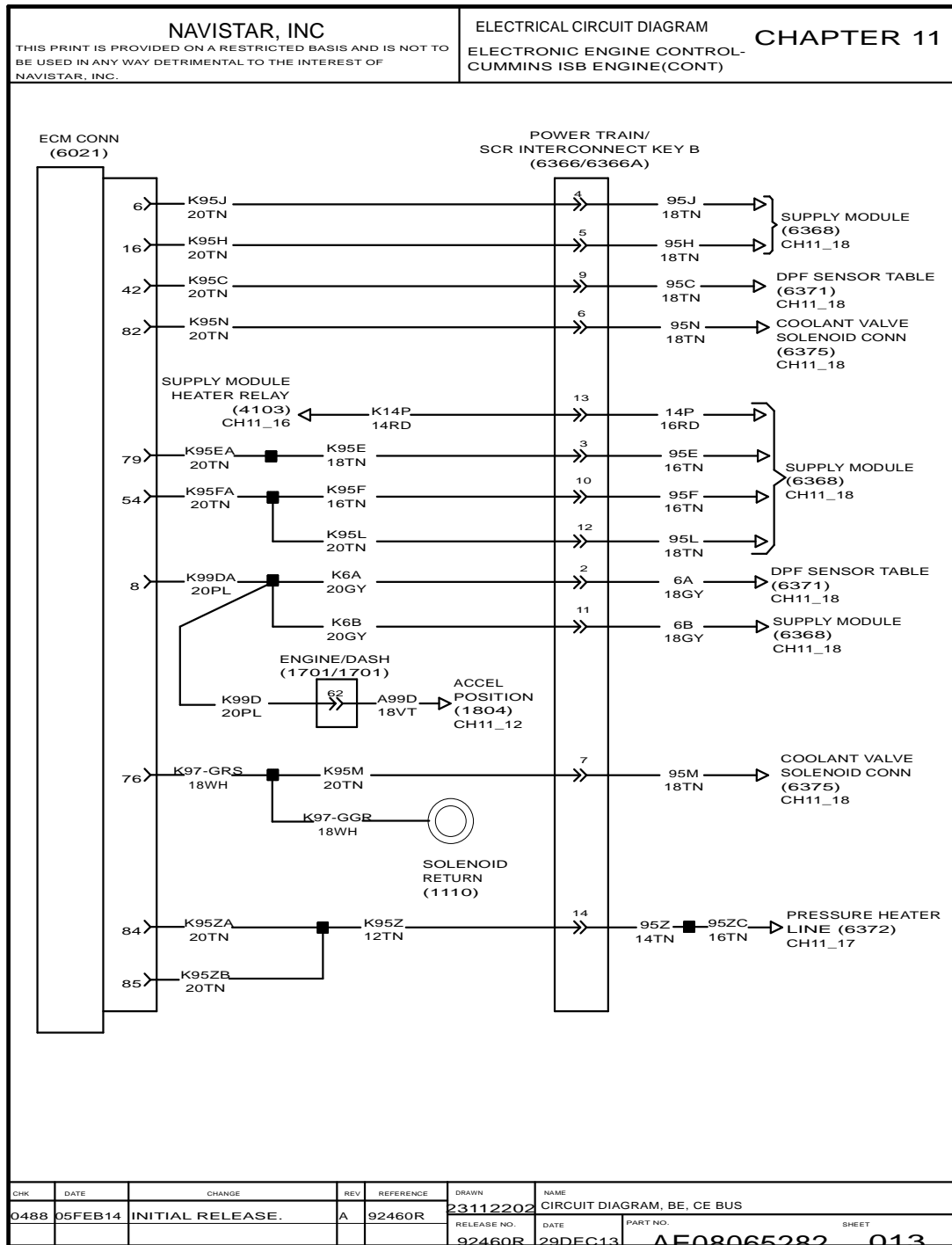


Figure 251 Electronic Engine Control – Cummins ISB Engine (Cont.)

11.14. ELECTRONIC ENGINE CONTROL – CUMMINS ISB ENGINE (CONT.), P. 14

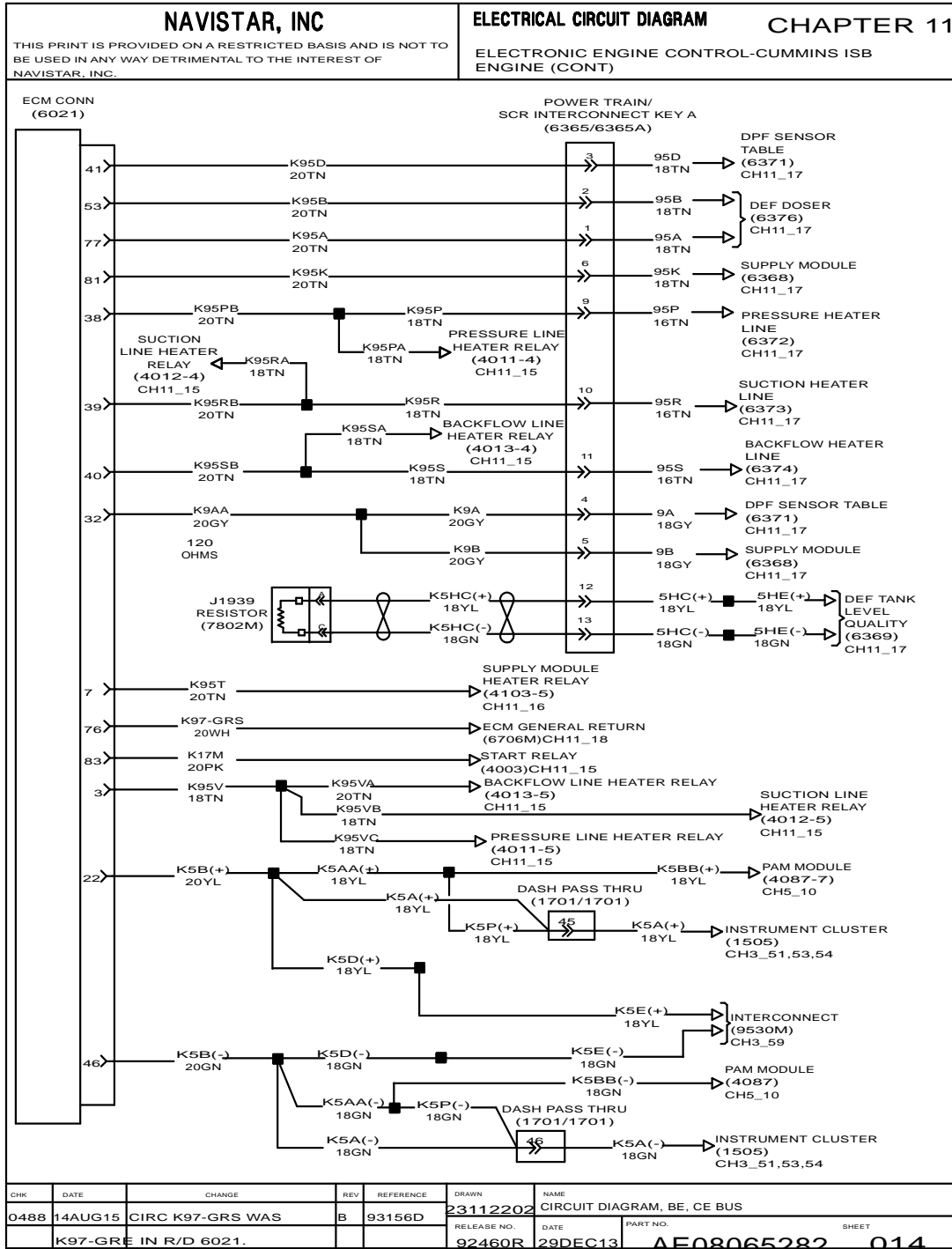


Figure 252 Electronic Engine Control – Cummins ISB Engine (Cont.)

11.15. ELECTRONIC ENGINE CONTROL – CUMMINS ISB ENGINE (CONT.), P. 14A

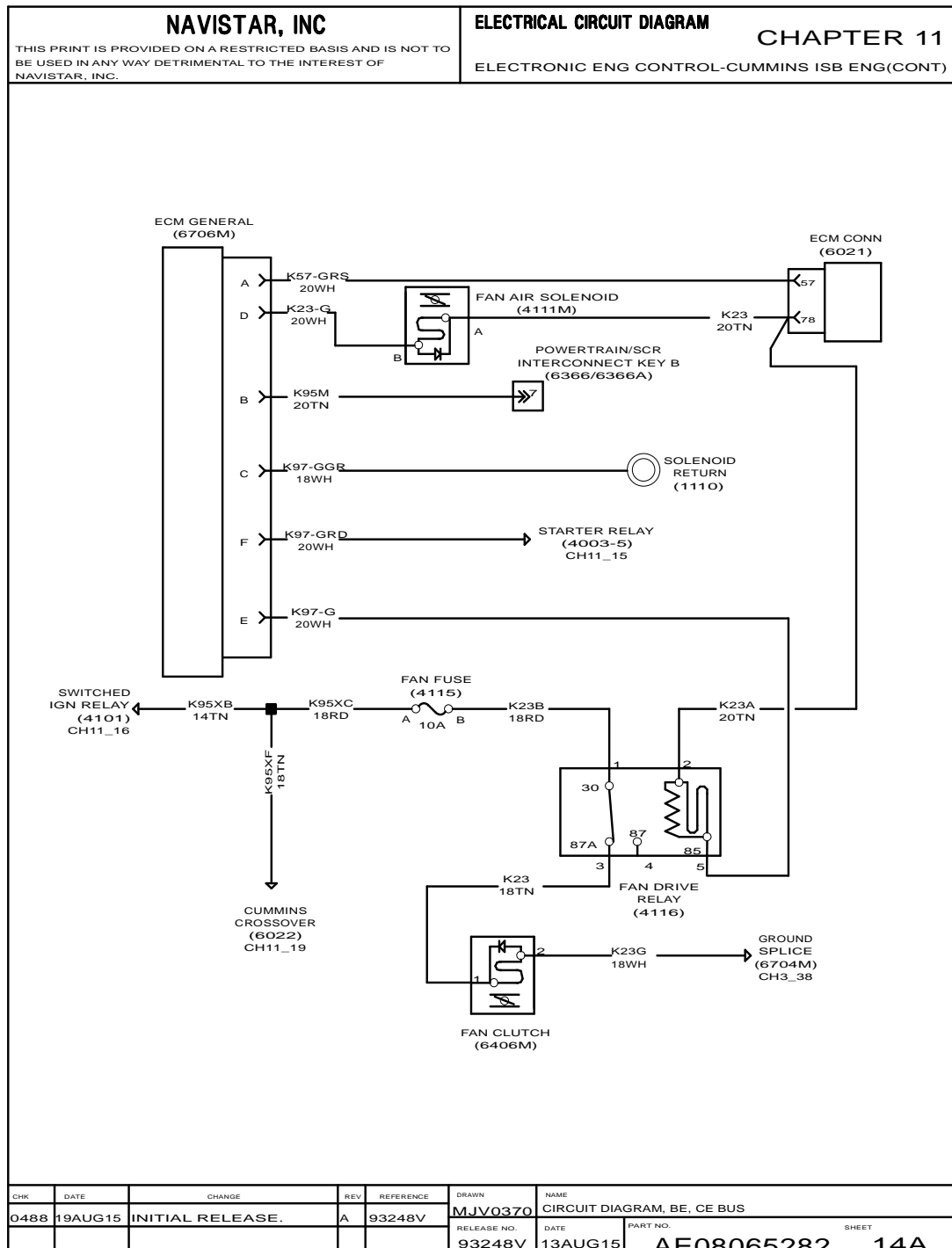


Figure 253 Electronic Engine Control – Cummins ISB Engine (Cont.)

11.16. HEATER CONNECTIONS – CUMMINS ISB ENGINE, P. 15

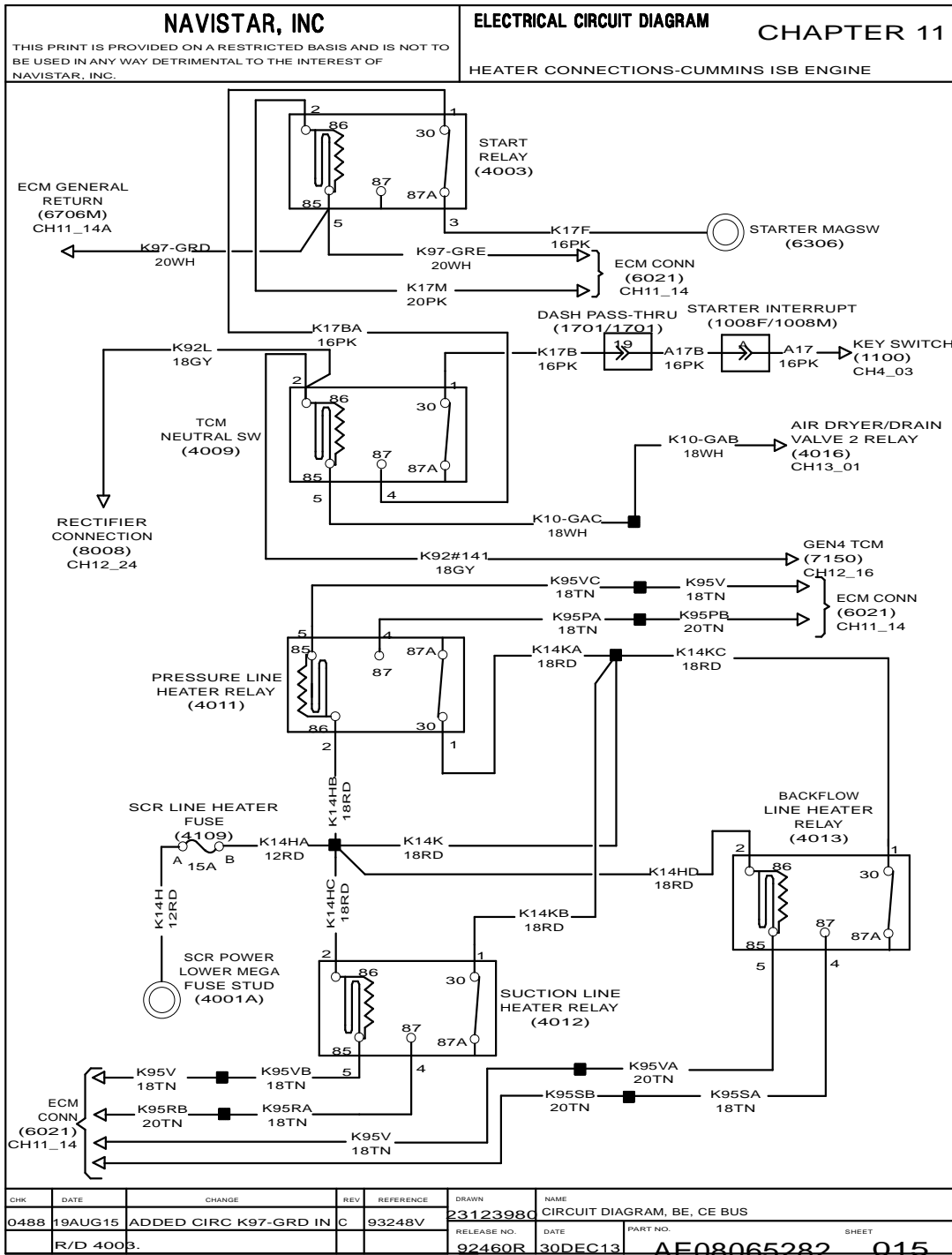


Figure 254 Heater Connections – Cummins ISB Engine

11.17. HEATER CONNECTIONS – CUMMINS ISB ENGINE (CONT.), P. 16

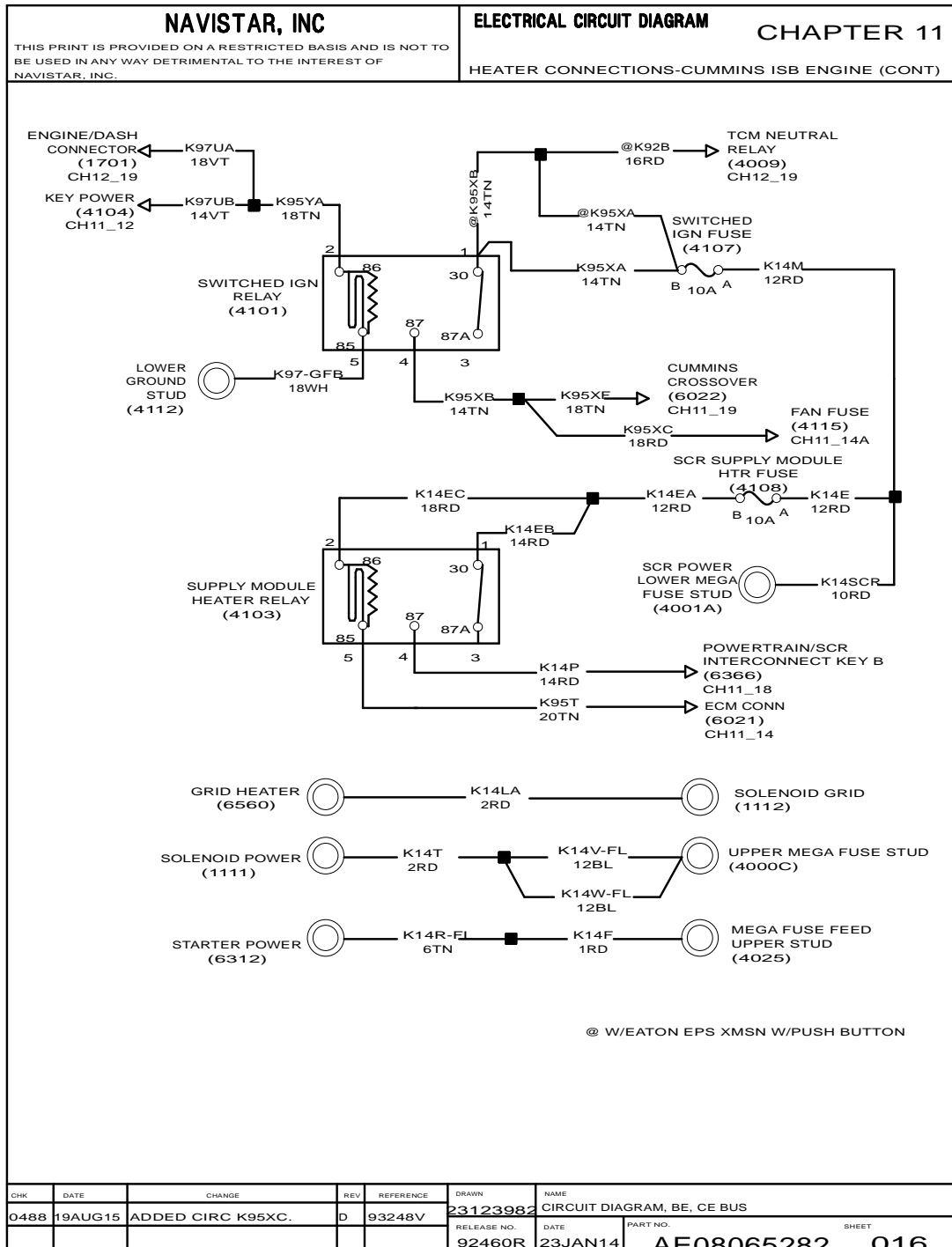


Figure 255 Heater Connections – Cummins ISB Engine (Cont.)

11.18. DEF & AFTERTREATMENT WITH F-2013-ISB-ENGINE, P. 17

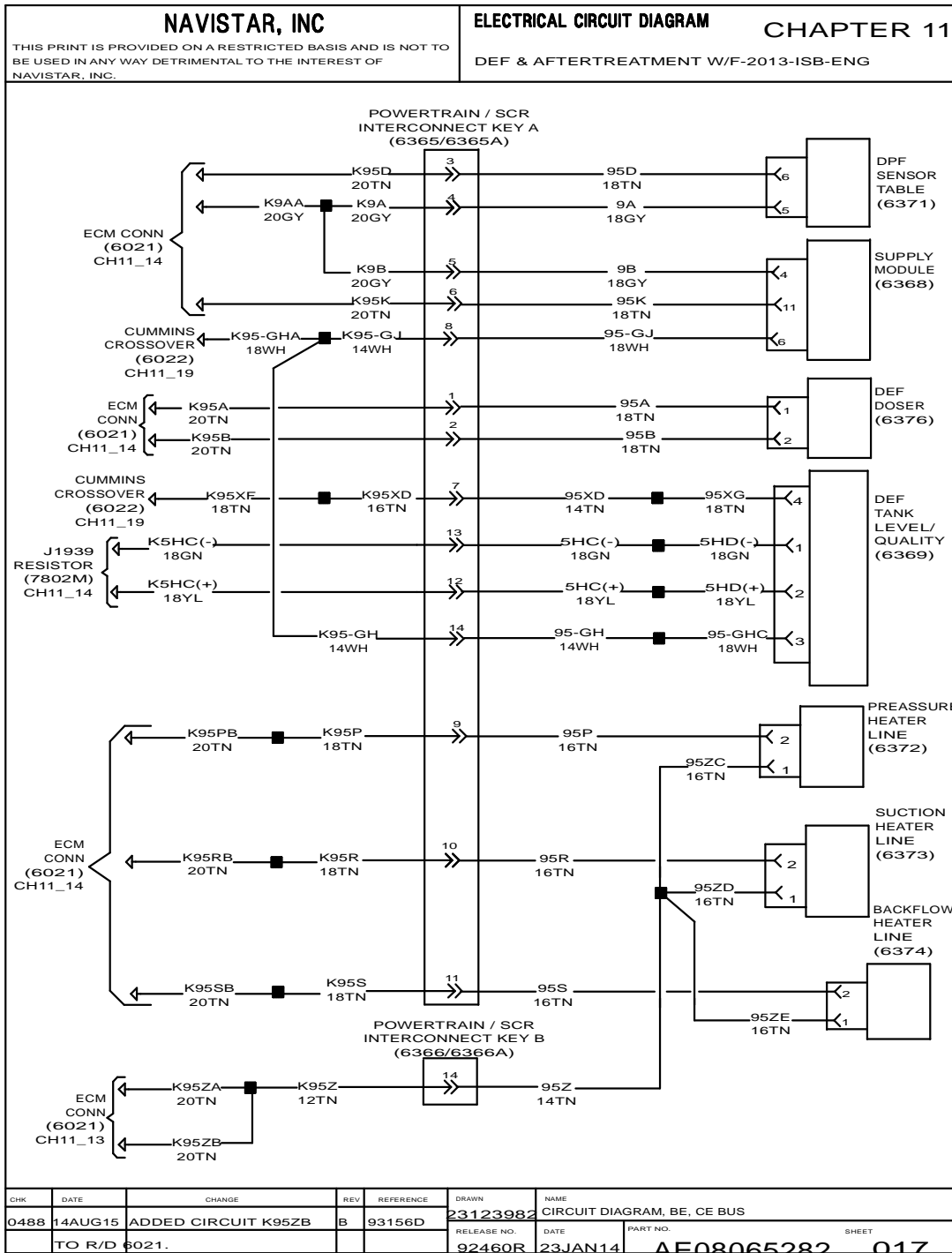


Figure 256 DEF & Aftertreatment with F-2013-ISB-Engine

11.19. DEF & AFTERTREATMENT WITH F-2013-ISB-ENGINE (CONT.), P. 18

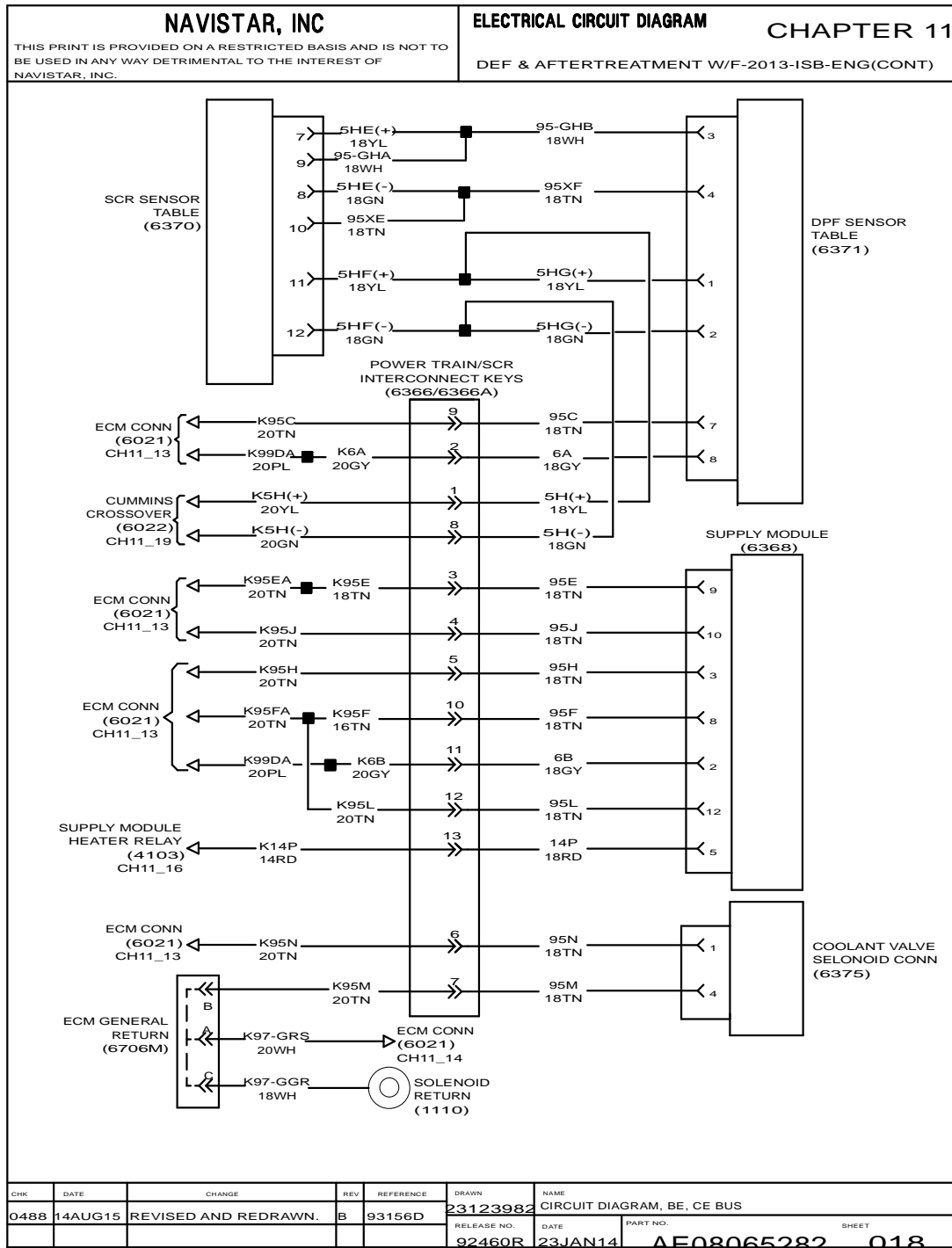


Figure 257 DEF & Aftertreatment with F-2013-ISB-Engine (Cont.)

11.20. ECM SENSORS CONNECTIONS WITH F-2013-ISB-ENGINE, P. 19

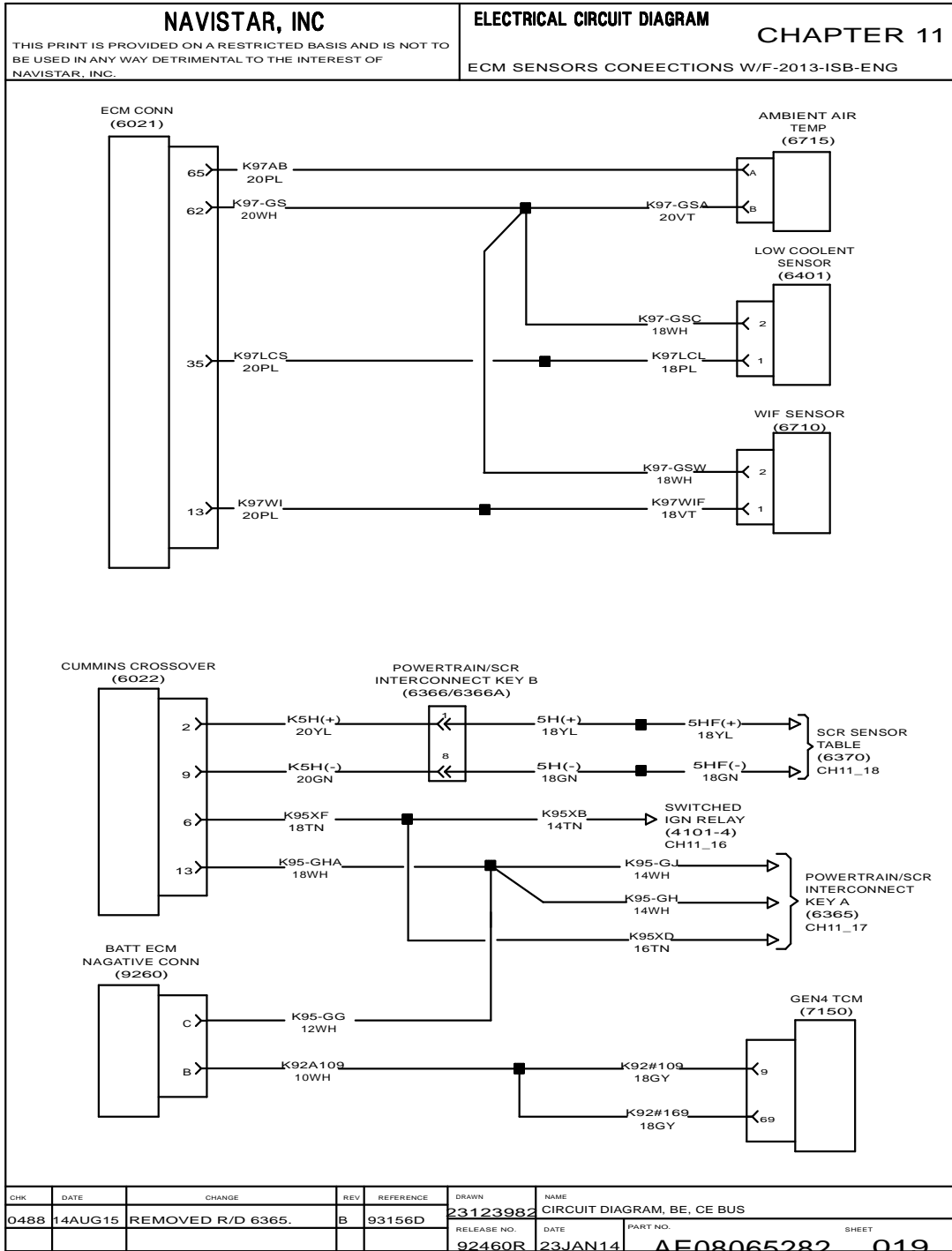


Figure 258 ECM Sensors Connections with F-2013-ISB-Engine

11.21. INTENTIONALLY LEFT BLANK, P. 20

NAVISTAR, INC				ELECTRICAL CIRCUIT DIAGRAM		CHAPTER 11	
THIS PRINT IS PROVIDED ON A RESTRICTED BASIS AND IS NOT TO BE USED IN ANY WAY DETRIMENTAL TO THE INTEREST OF NAVISTAR, INC.				INTENTIONALLY LEFT BLANK			
INTENTIONALLY LEFT BLANK							
CHK	DATE	CHANGE	REV	REFERENCE	DRAWN	NAME	
0488	14AUG15	REMOVED GEOMETRY.	B	93156D	2312398C	CIRCUIT DIAGRAM, BE, CE BUS	
					RELEASE NO.	DATE	PART NO. SHEET
					92460R	30DEC13	AE08065282 020

Figure 259 Intentionally Left Blank

11.22. SCR EFFECTS – CUMMINS ISB ENGINE (CONT.), P. 21

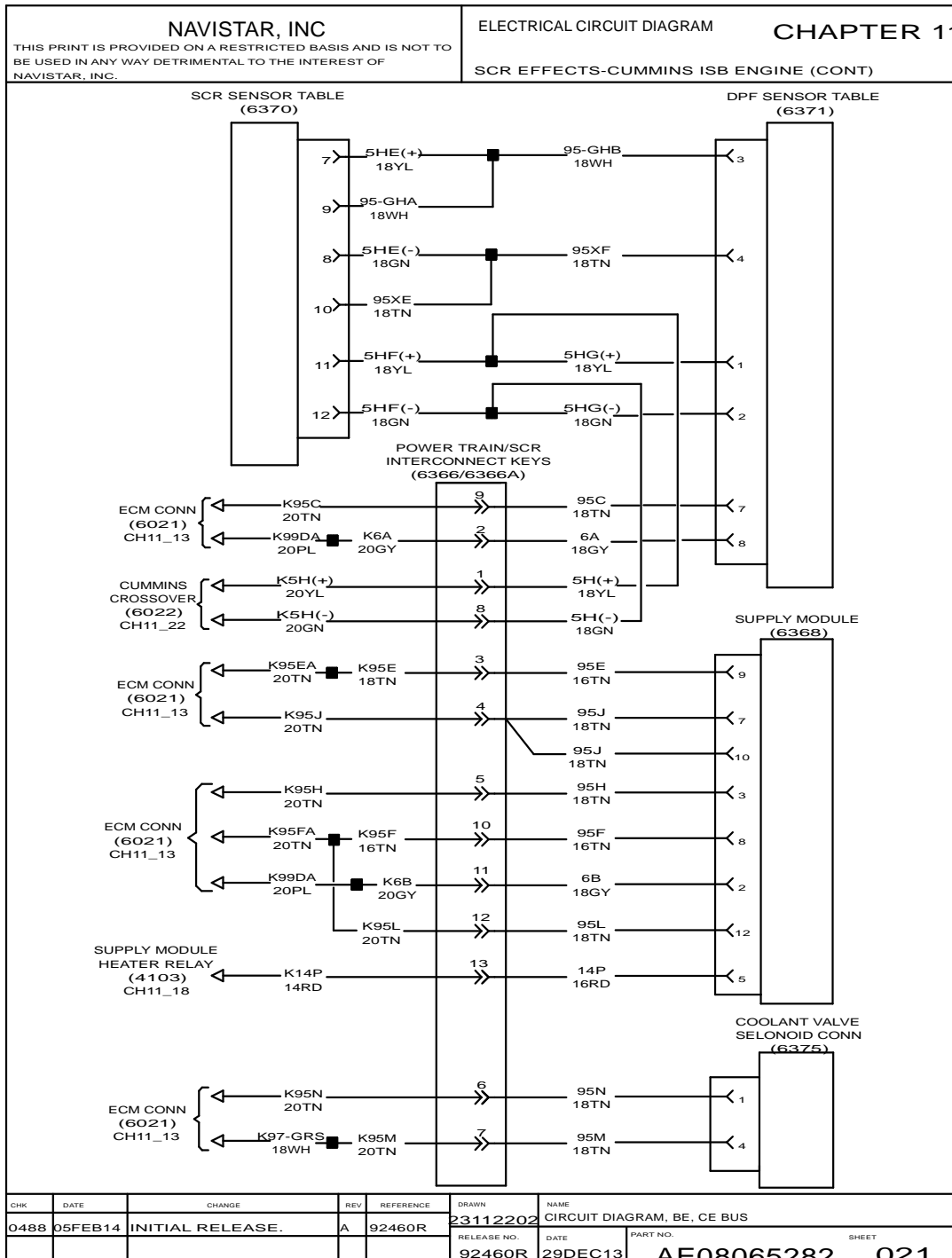


Figure 260 SCR Effects – Cummins ISB Engine (Cont.)

11.23. INTENTIONALLY LEFT BLANK, P. 22

NAVISTAR, INC				ELECTRICAL CIRCUIT DIAGRAM		CHAPTER 11	
THIS PRINT IS PROVIDED ON A RESTRICTED BASIS AND IS NOT TO BE USED IN ANY WAY DETRIMENTAL TO THE INTEREST OF NAVISTAR, INC.				INTENTIONALLY LEFT BLANK			
INTENTIONALLY LEFT BLANK							
CHK	DATE	CHANGE	REV	REFERENCE	DRAWN	NAME	
0488	14AUG15	REMOVED GEOMETRY.	B	93156D	23112202	CIRCUIT DIAGRAM, BE, CE BUS	
					RELEASE NO.	DATE	PART NO. SHEET
					92460R	31DEC13	AE08065282 022

Figure 261 Intentionally Left Blank

11.24. ELECTRONIC ENGINE CONTROL WITH CE BUS WITH PROPANE, P. 23

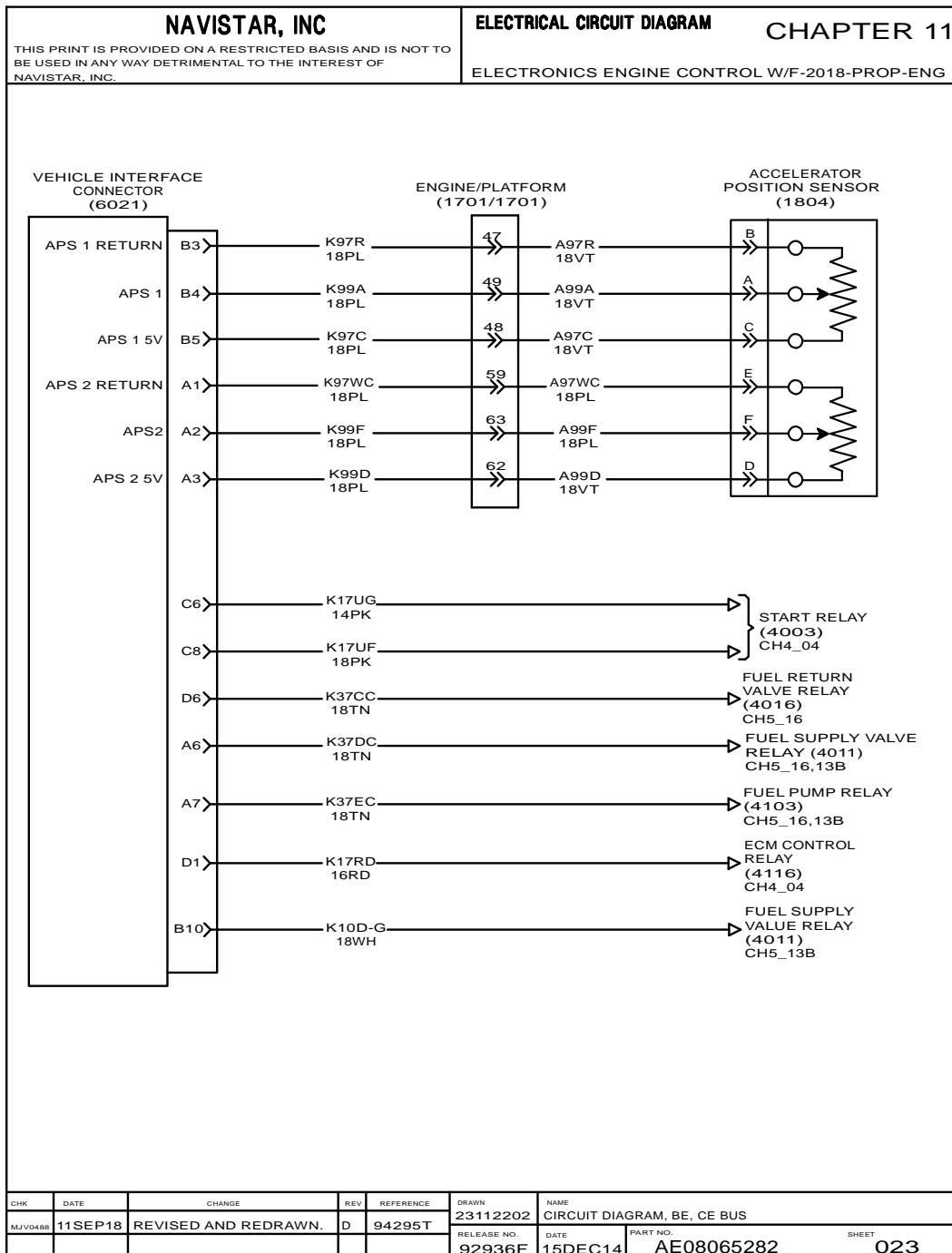


Figure 262 Electronic Engine Control with CE Bus with Propane

11.25. ELECTRONIC ENGINE CONTROL WITH CE BUS WITH PROPANE (CONT.), P. 24

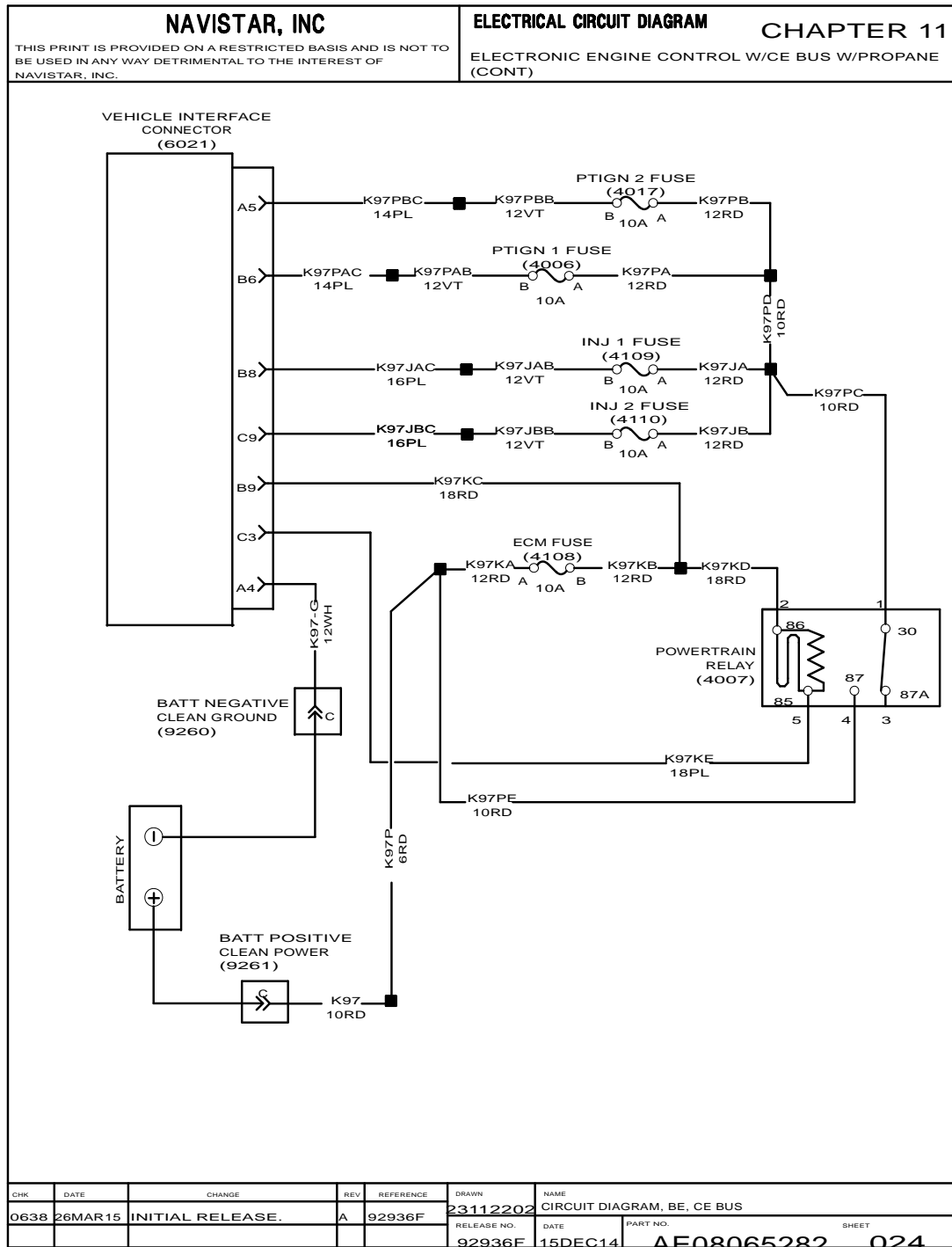


Figure 263 Electronic Engine Control with CE Bus with Propane (Cont.)

11.26. ELECTRONIC ENGINE CONTROL WITH F-2017-ISB-ENGINE, P. 25

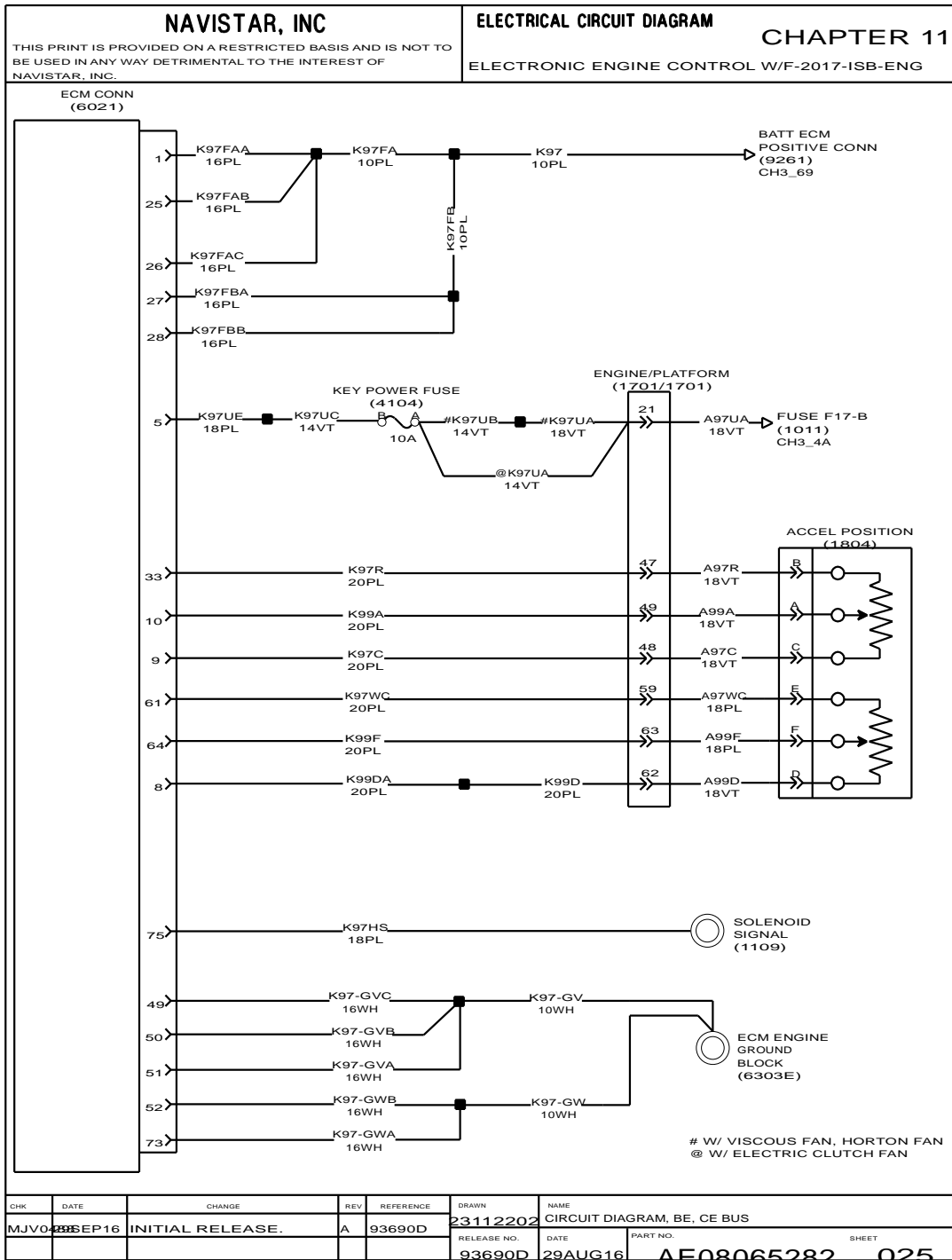


Figure 264 Electronic Engine Control with F-2017-ISB-Engine

11.27. ELECTRONIC ENGINE CONTROL WITH F-2017-ISB-ENGINE (CONT.), P. 26

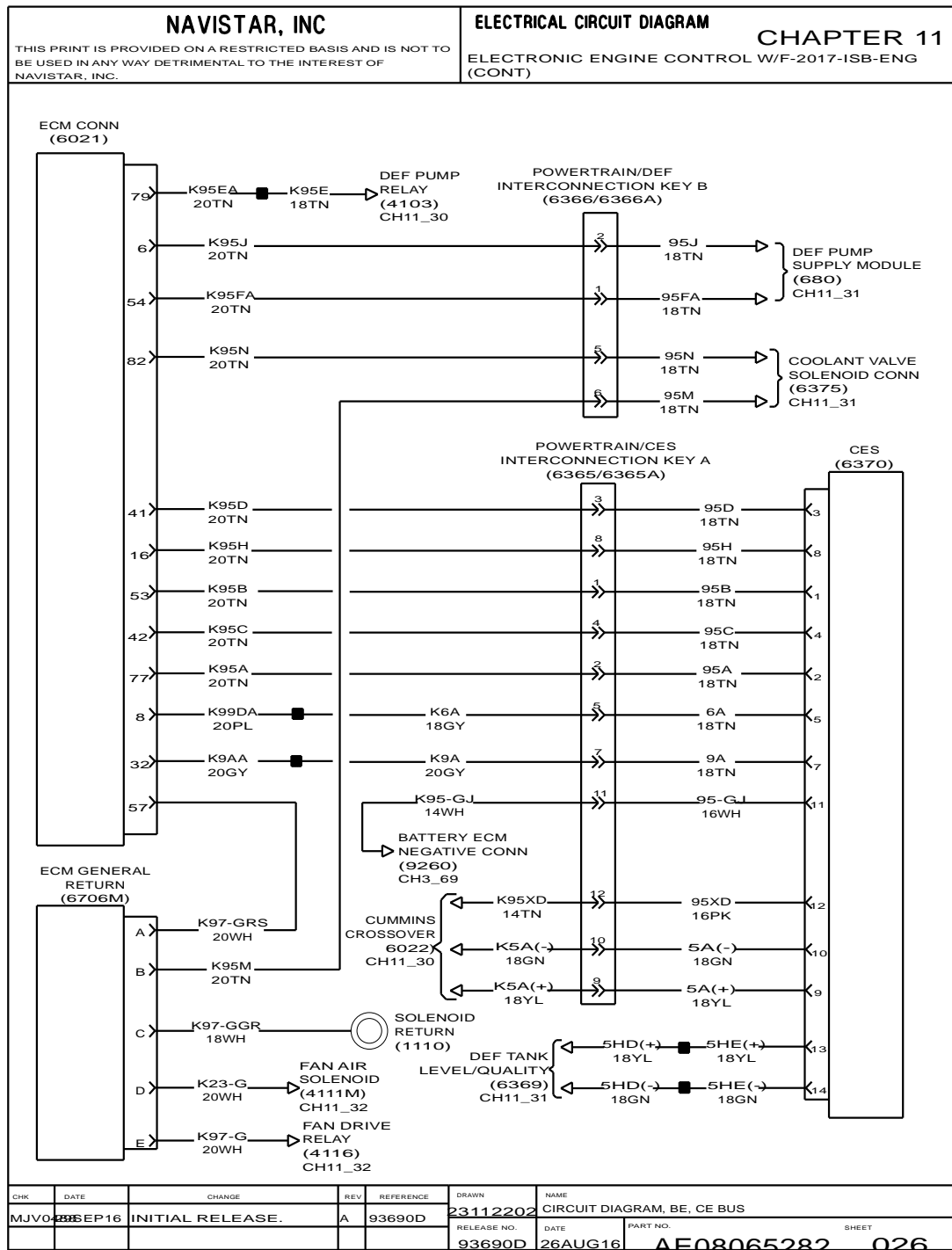


Figure 265 Electronic Engine Control with F-2017-ISB-Engine (Cont.)

11.28. ELECTRONIC ENGINE CONTROL WITH F-2017-ISB-ENGINE (CONT.), P. 27

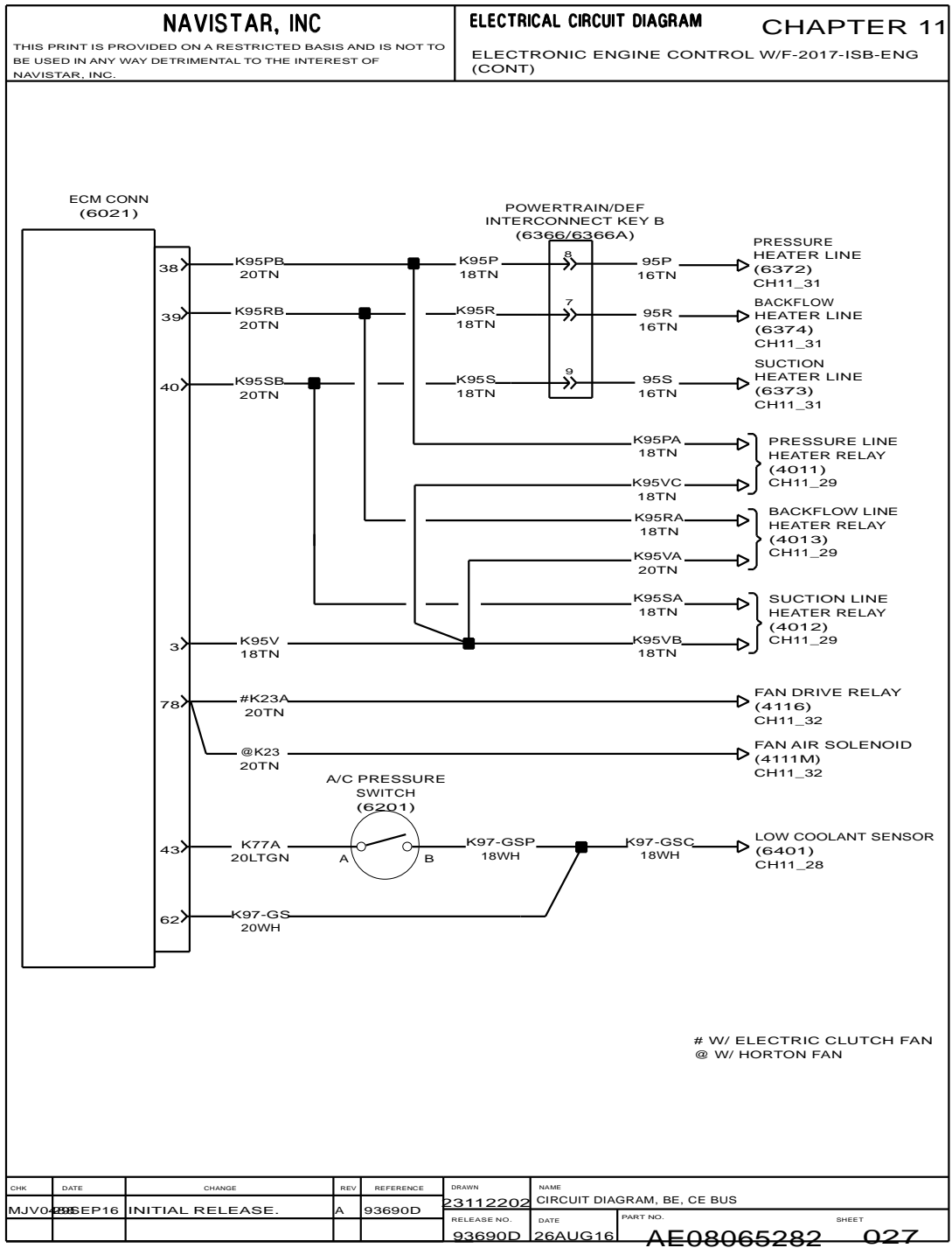


Figure 266 Electronic Engine Control with F-2017-ISB-Engine (Cont.)

11.29. ELECTRONIC ENGINE CONTROL WITH F-2017-ISB-ENGINE (CONT.), P. 28

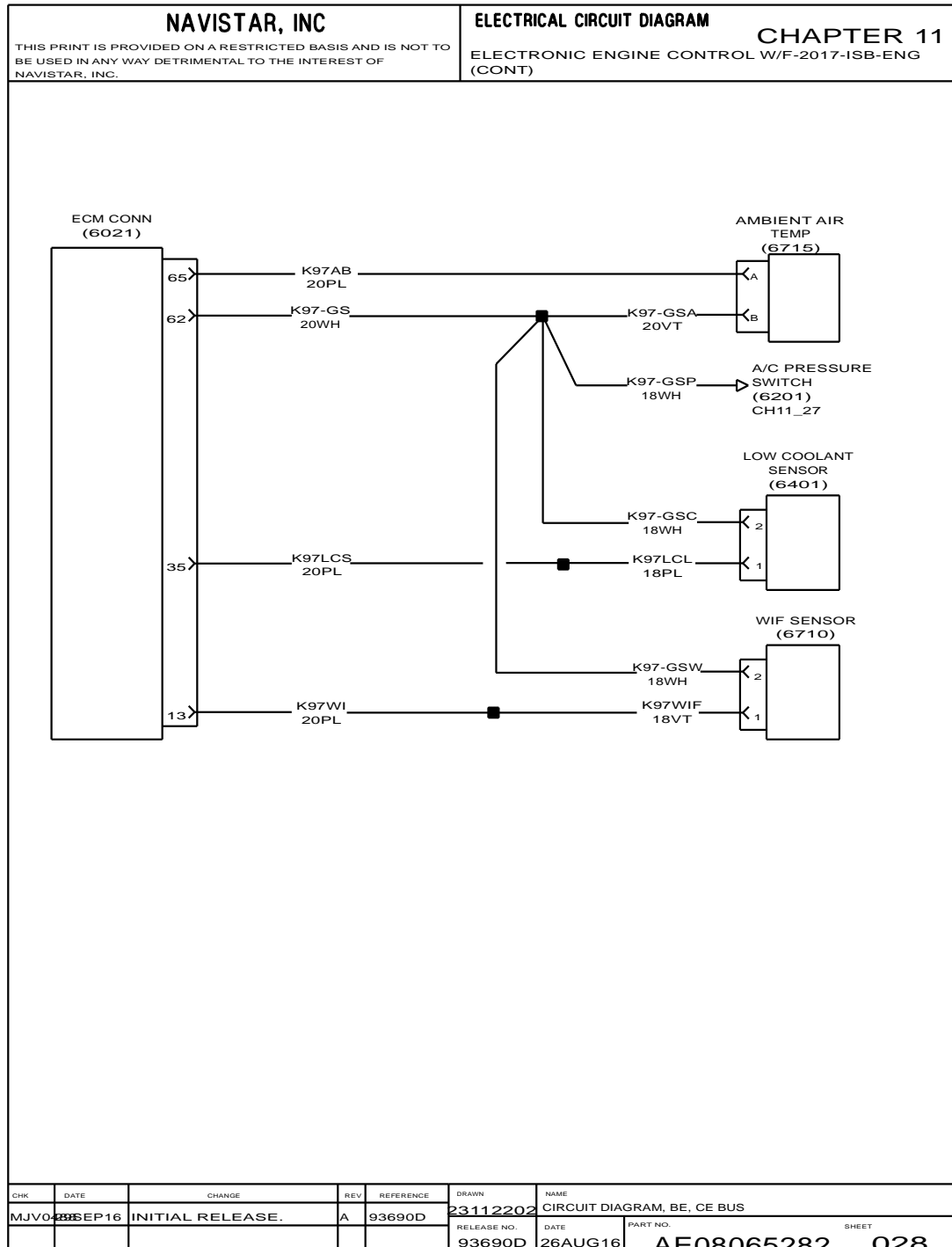


Figure 267 Electronic Engine Control with F-2017-ISB-Engine (Cont.)

11.30. DEF AND AFTERTREATMENT WITH F-2017-ISB-ENGINE, P. 29

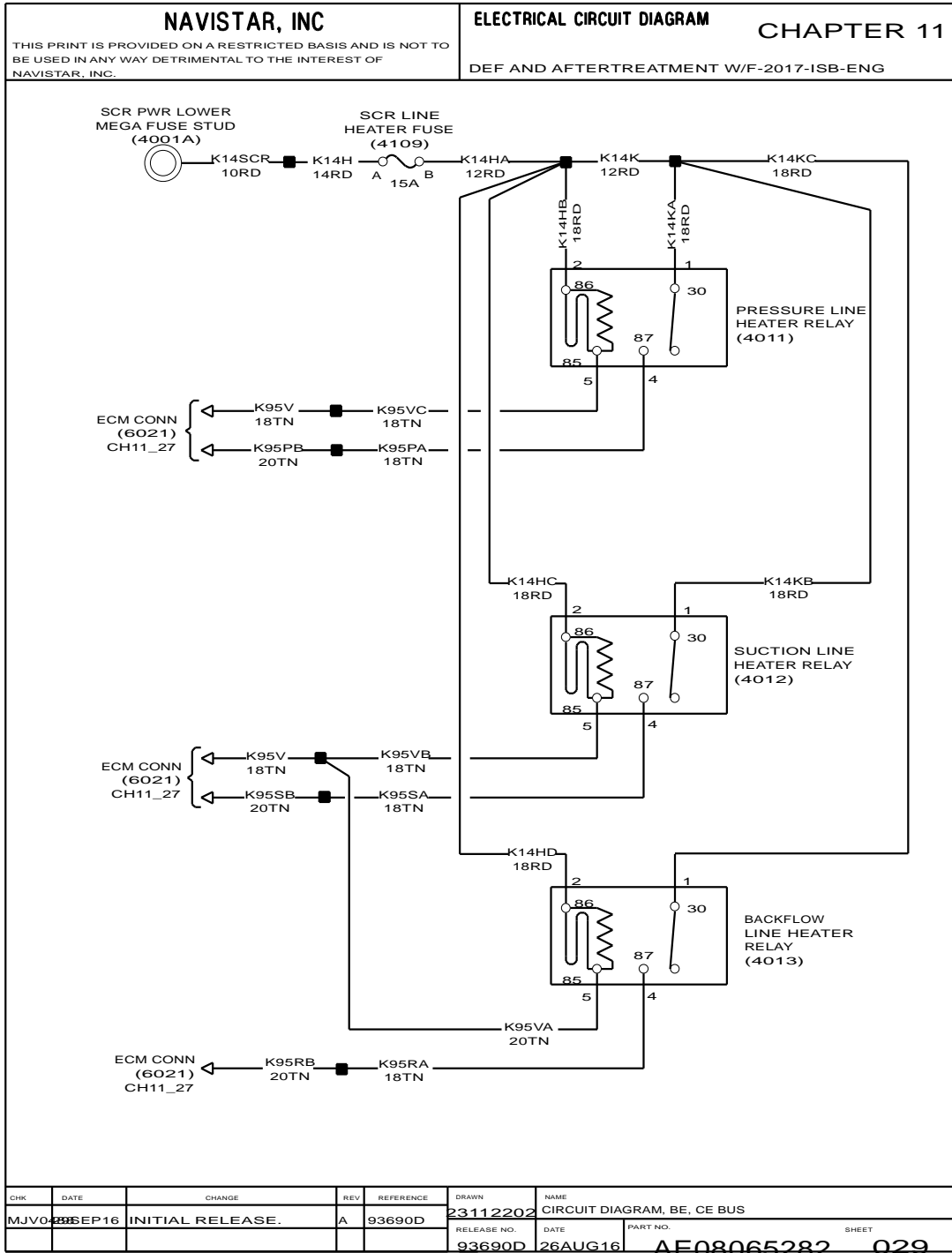


Figure 268 DEF and Aftertreatment with F-2017-ISB-Engine

11.31. DEF AND AFTERTREATMENT WITH F-2017-ISB-ENGINE (CONT.), P. 30

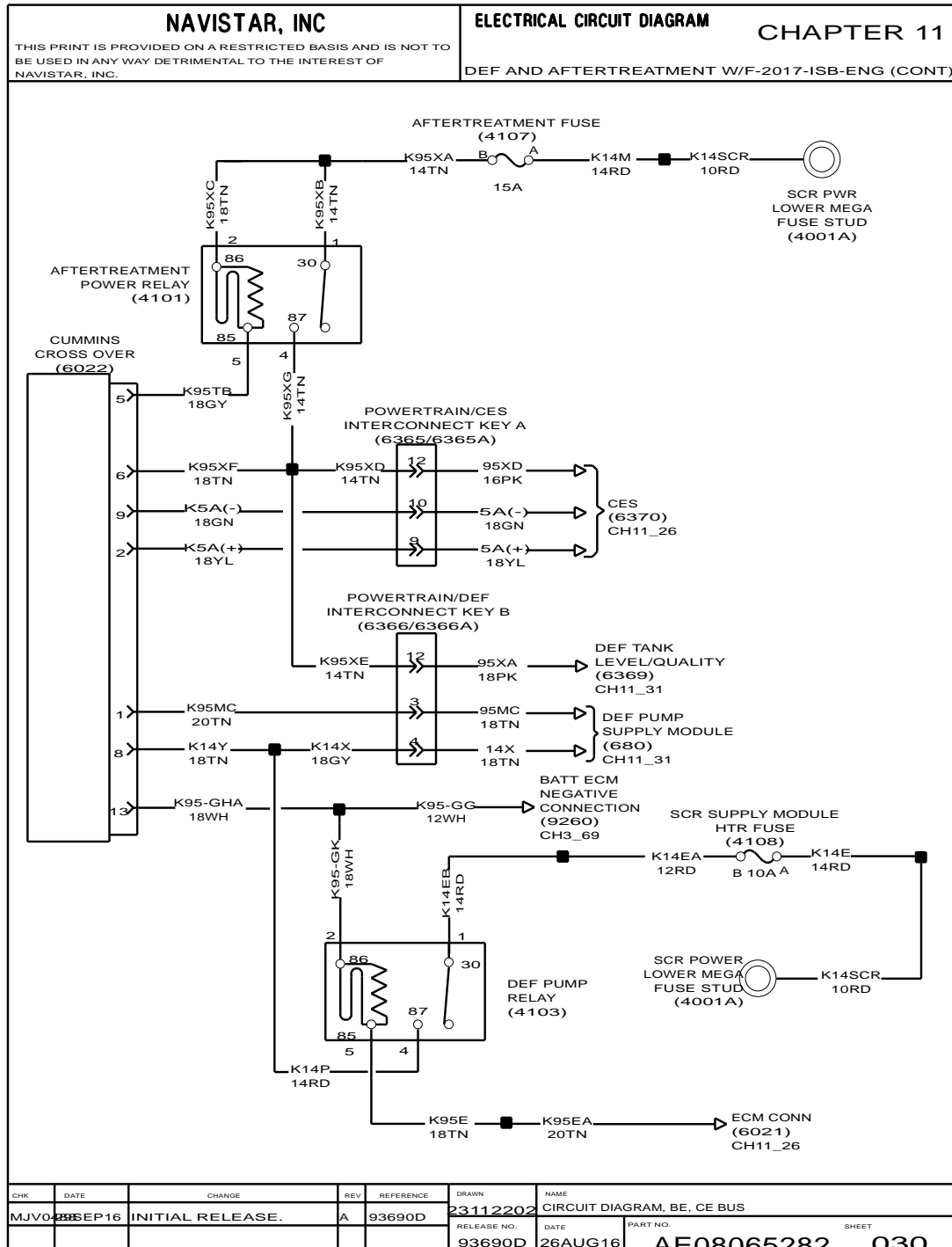


Figure 269 DEF and Aftertreatment with F-2017-ISB-Engine (Cont.)

11.32. DEF AND AFTERTREATMENT WITH F-2017-ISB-ENGINE (CONT.), P. 31

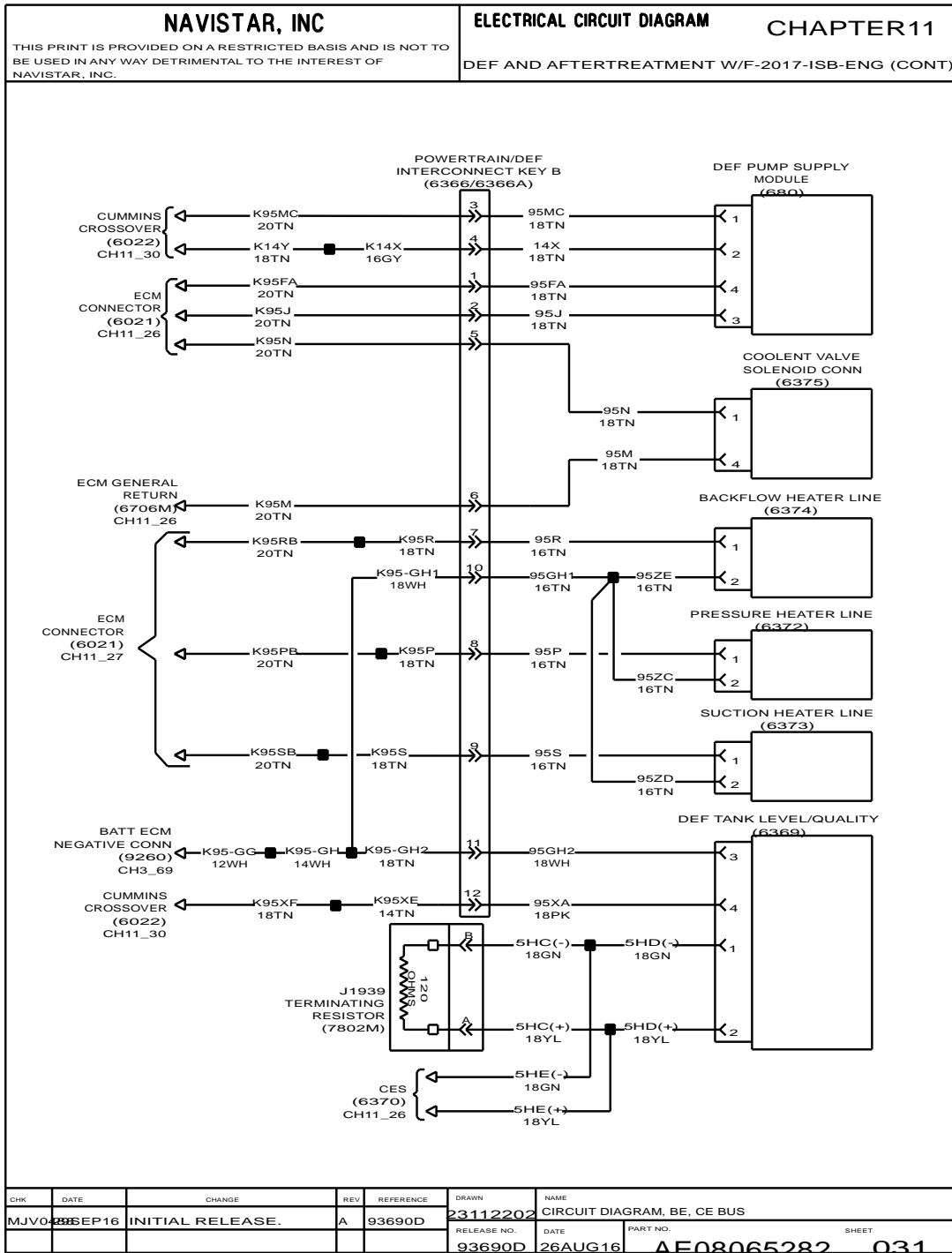


Figure 270 DEF and Aftertreatment with F-2017-ISB-Engine (Cont.)

11.33. FAN WIRING WITH F-2017-ISB-ENGINE, P. 32

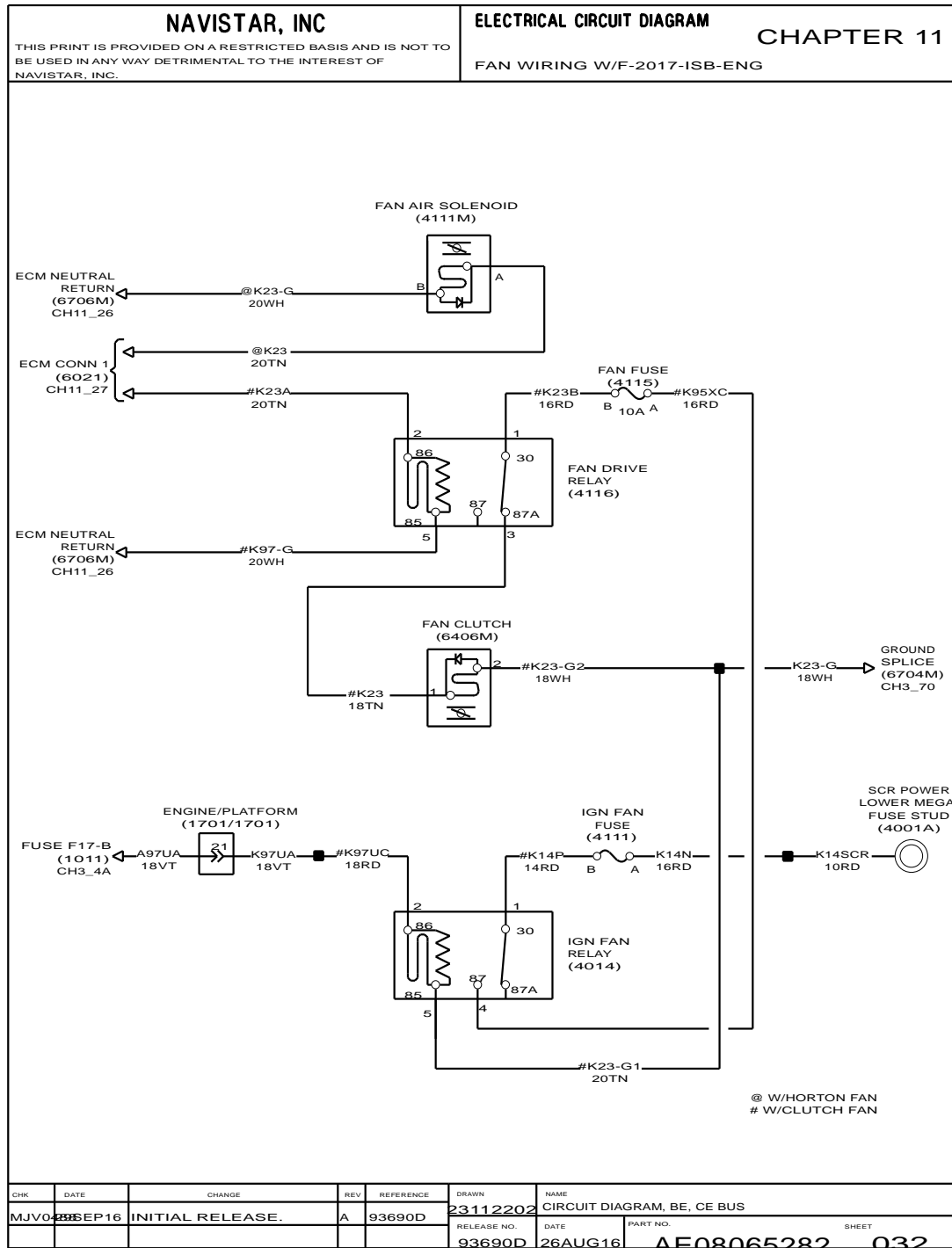


Figure 271 Fan Wiring with F-2017-ISB-Engine

TRANSMISSION AND TRANSMISSION SYSTEM (CHAPTER 12)

12.1. ALLISON LCT TRANSMISSION, P. 1

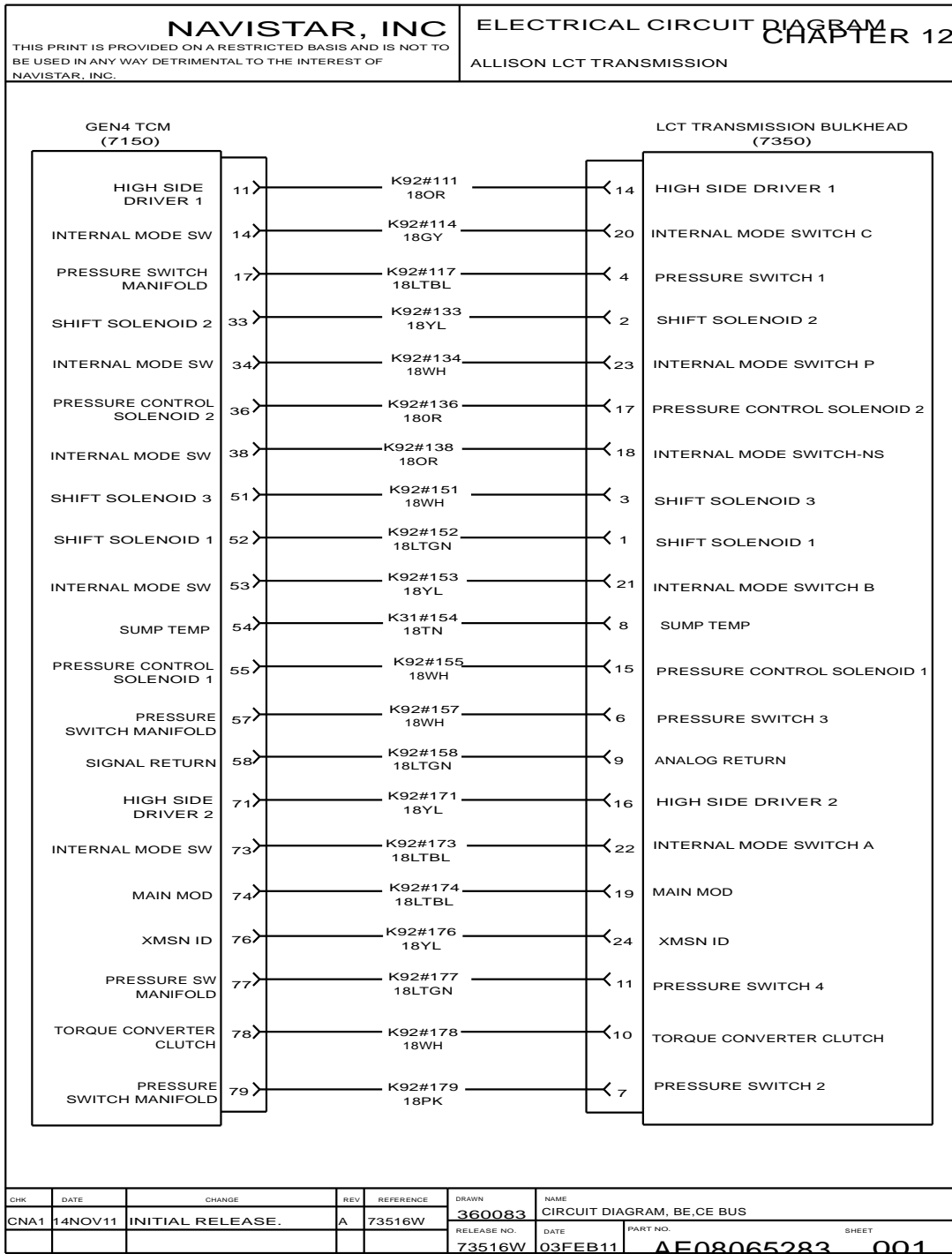


Figure 272 Allison LCT Transmission

12.2. ALLISON WTEC TRANSMISSION, P. 2

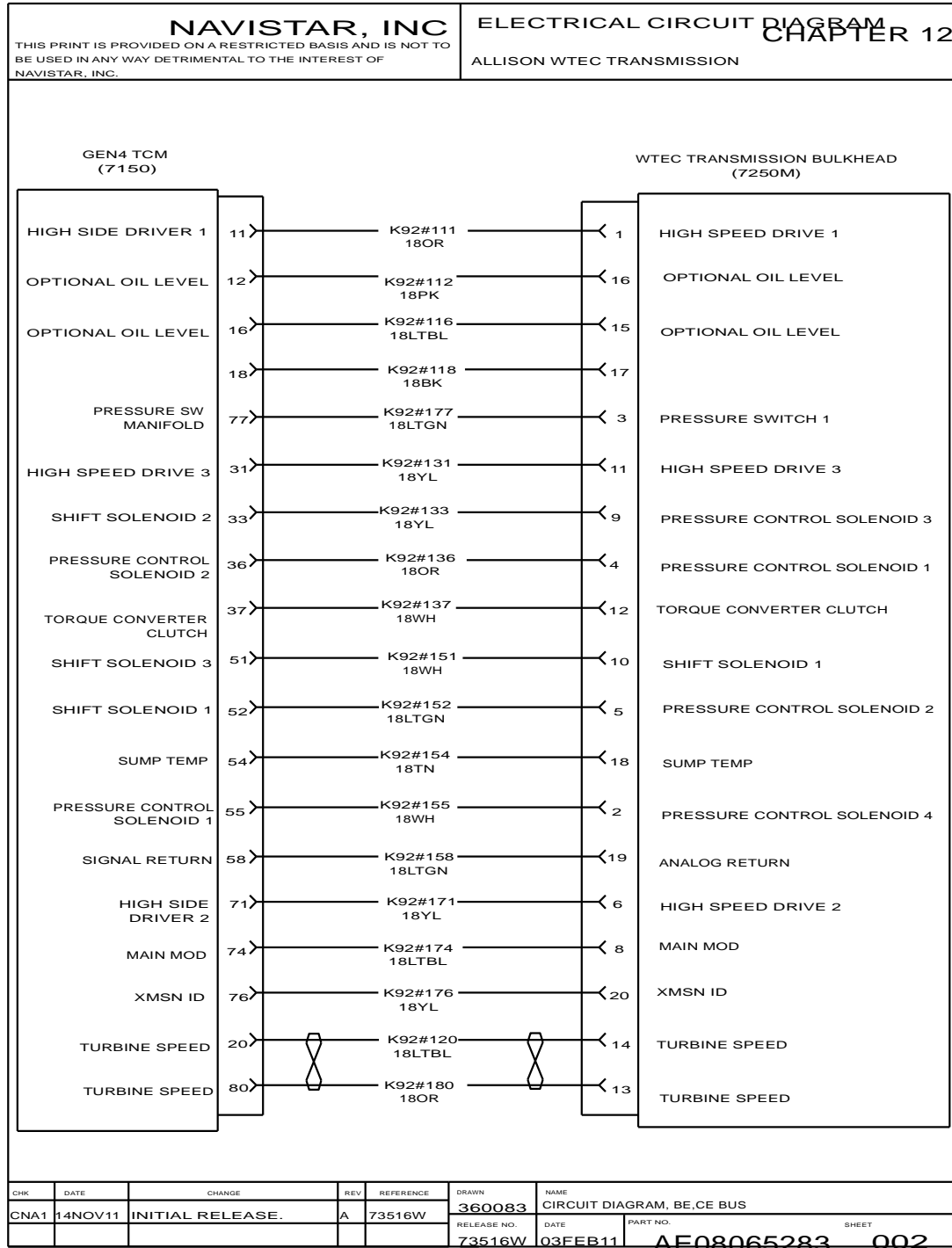


Figure 273 Allison WTEC Transmission

12.3. ALLISON LCT TRANSMISSION, P. 3

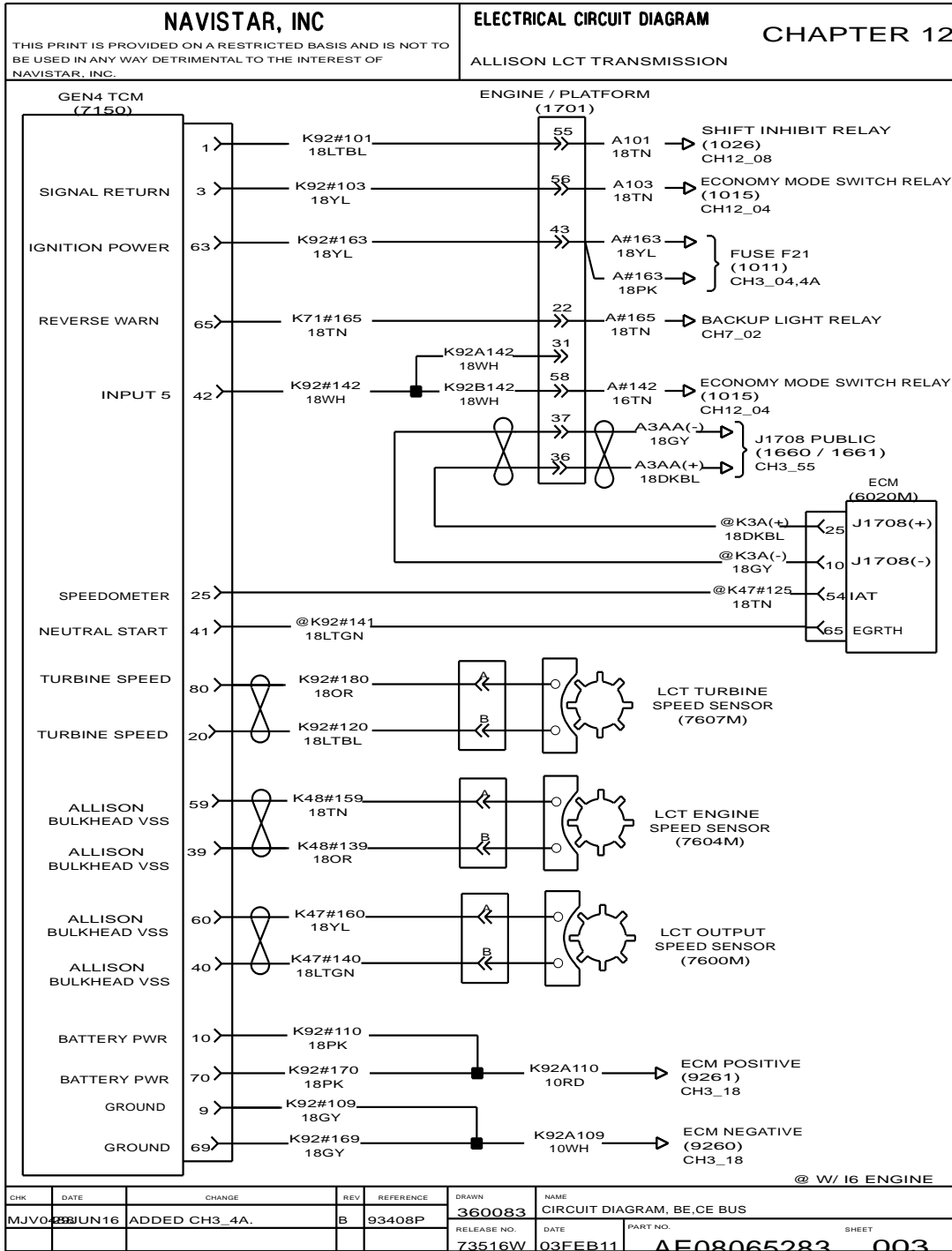


Figure 274 Allison LCT Transmission

12.4. ALLISON LCT TRANSMISSION (CONT.), P. 4

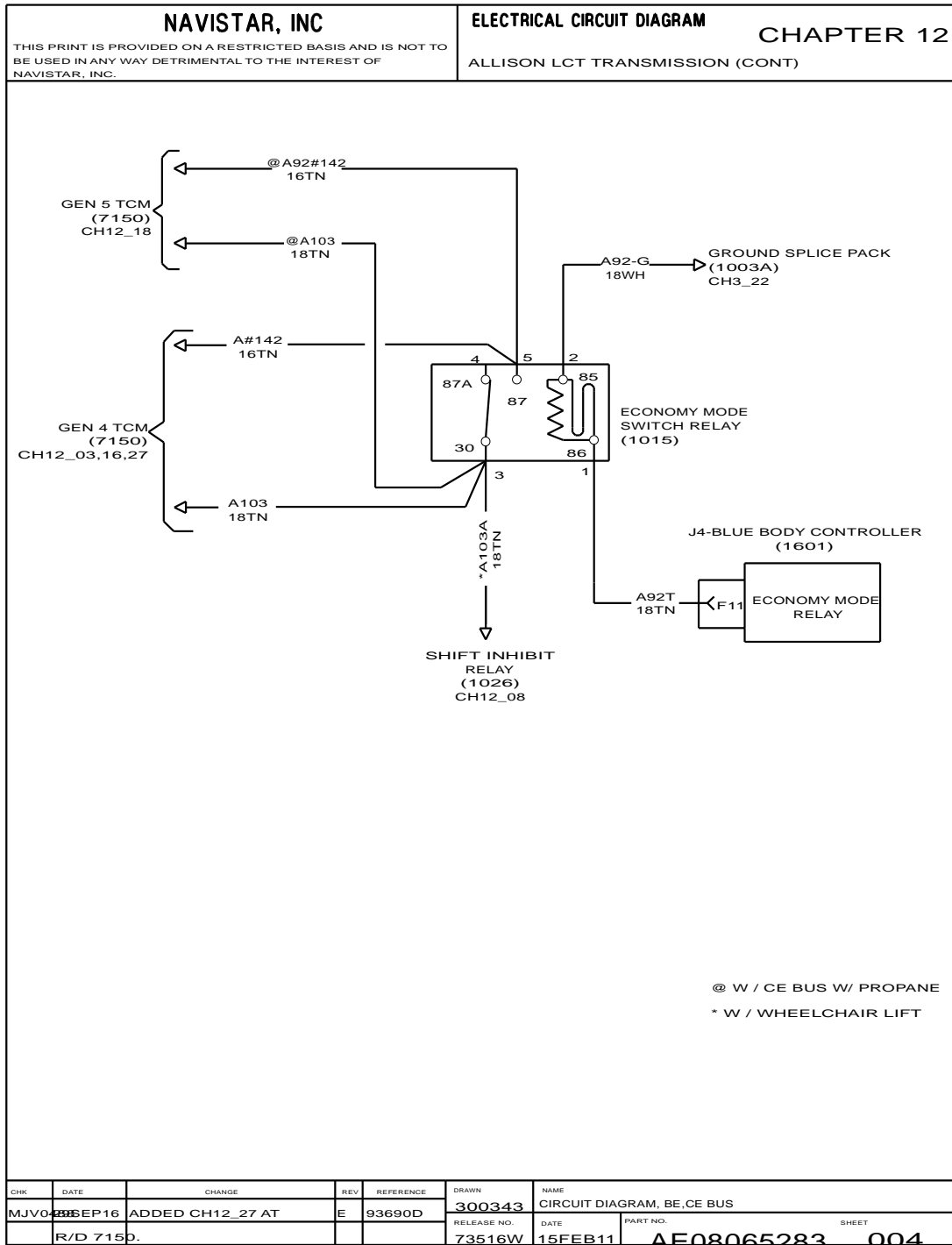


Figure 275 Allison LCT Transmission (Cont.)

12.5. ALLISON LCT GEN5 WITH ARENS SHIFTER, P. 5

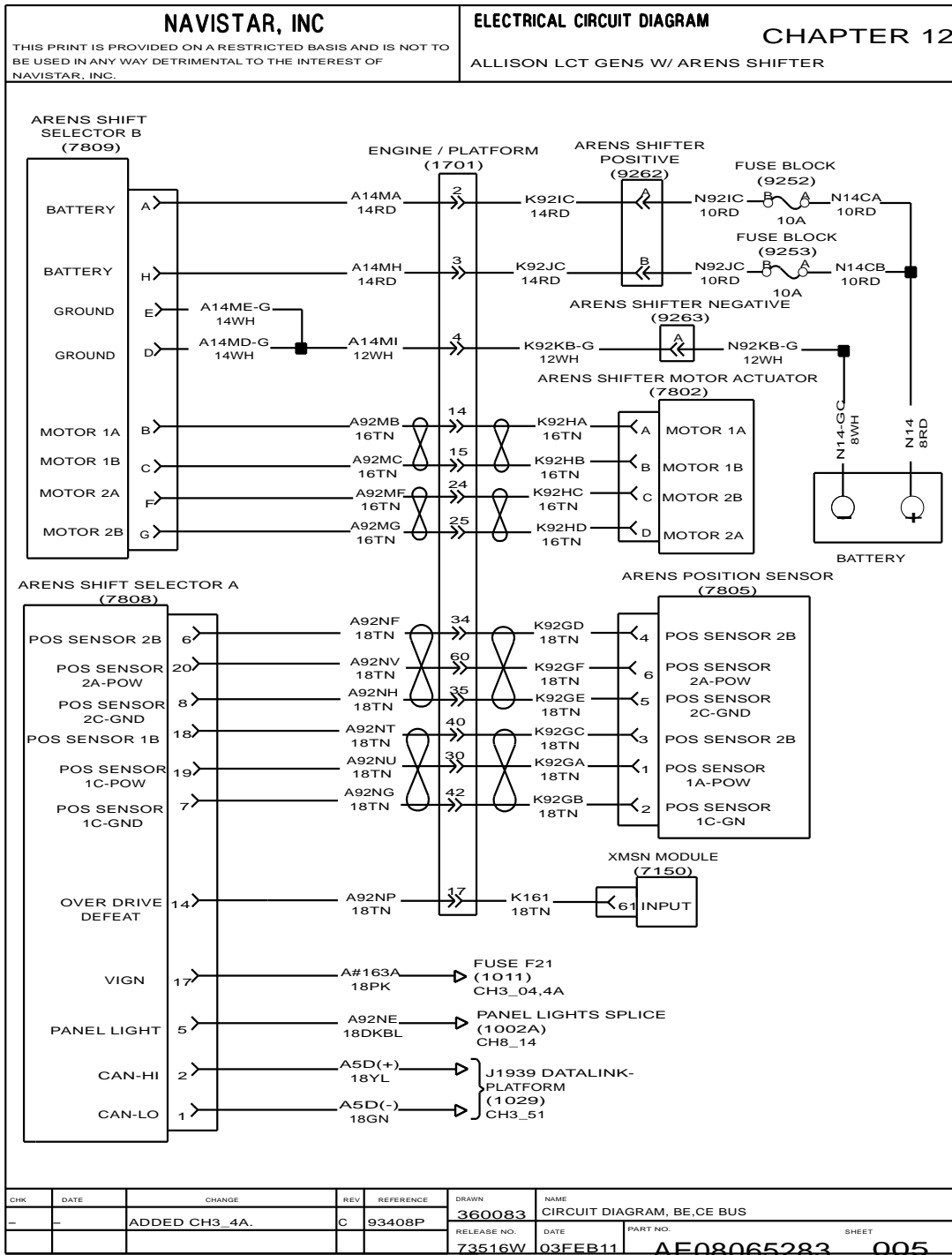


Figure 276 Allison LCT Gen5 with Arens Shifter

12.6. ALLISON WTEC TRANSMISSION, P. 6

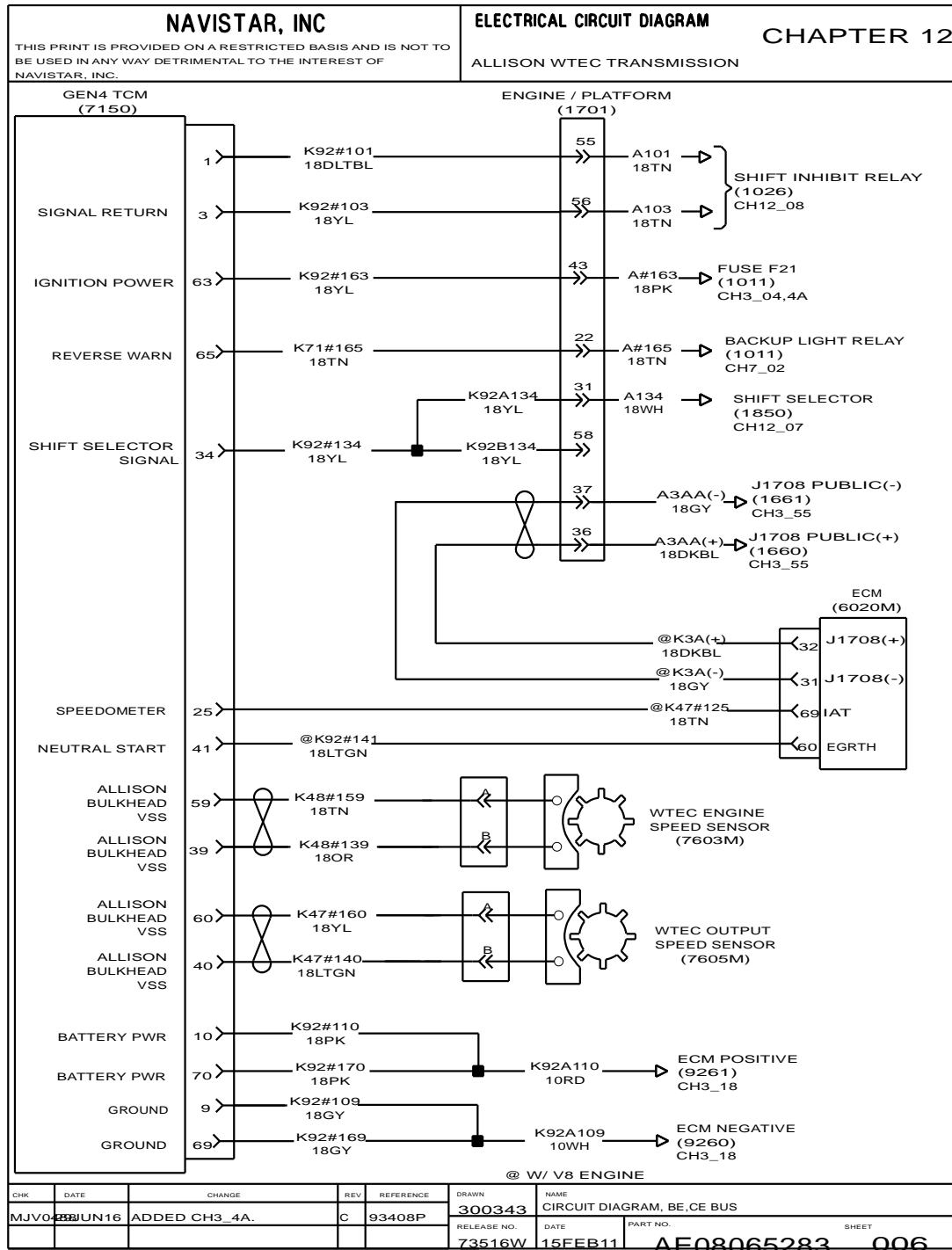


Figure 277 Allison WTEC Transmission

12.7. WTEC GEN5 TRANSMISSION SHIFT SELECTOR, P. 7

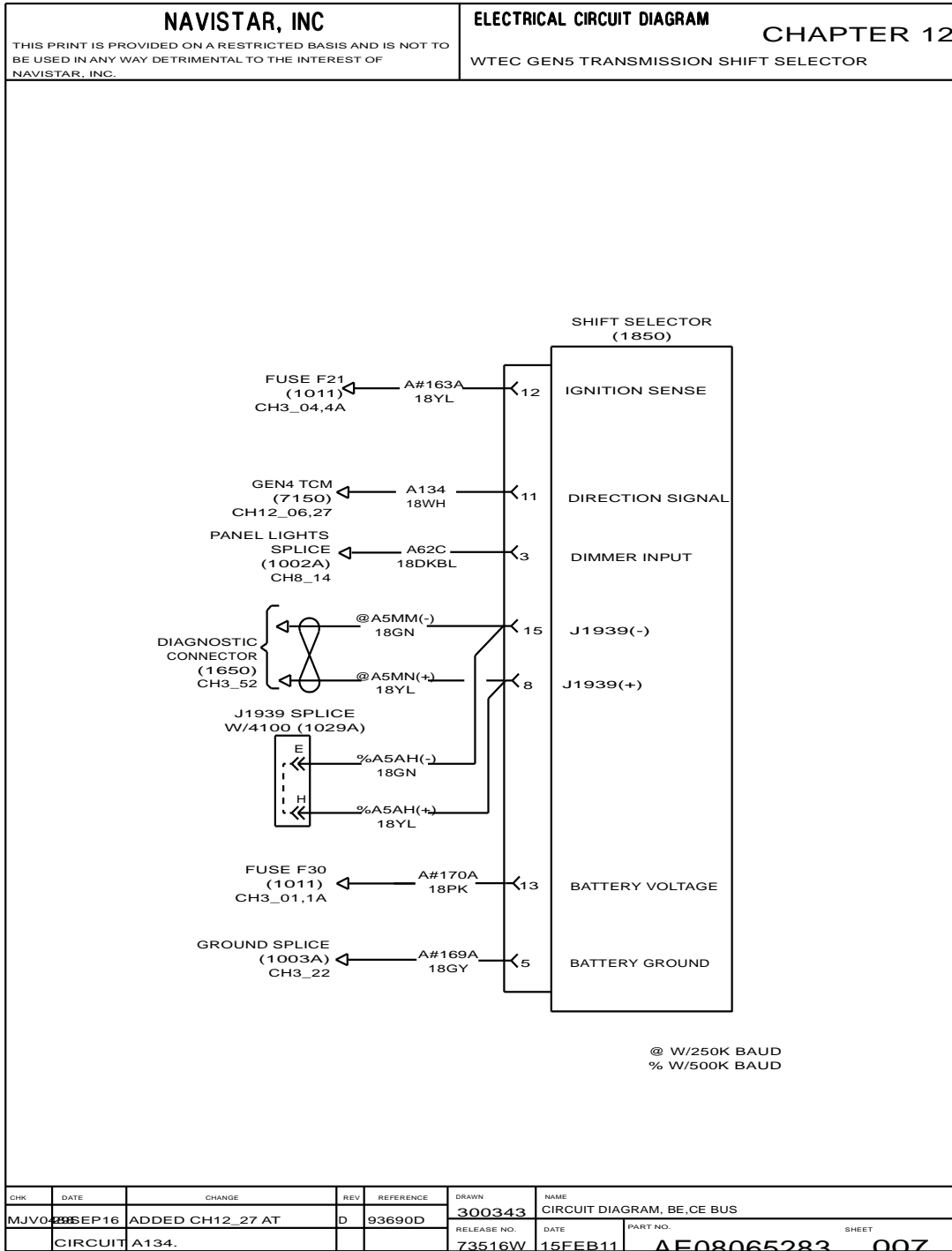


Figure 278 WTEC Gen5 Transmission Shift Selector

12.8. SHIFT INHIBIT RELAY, P. 8

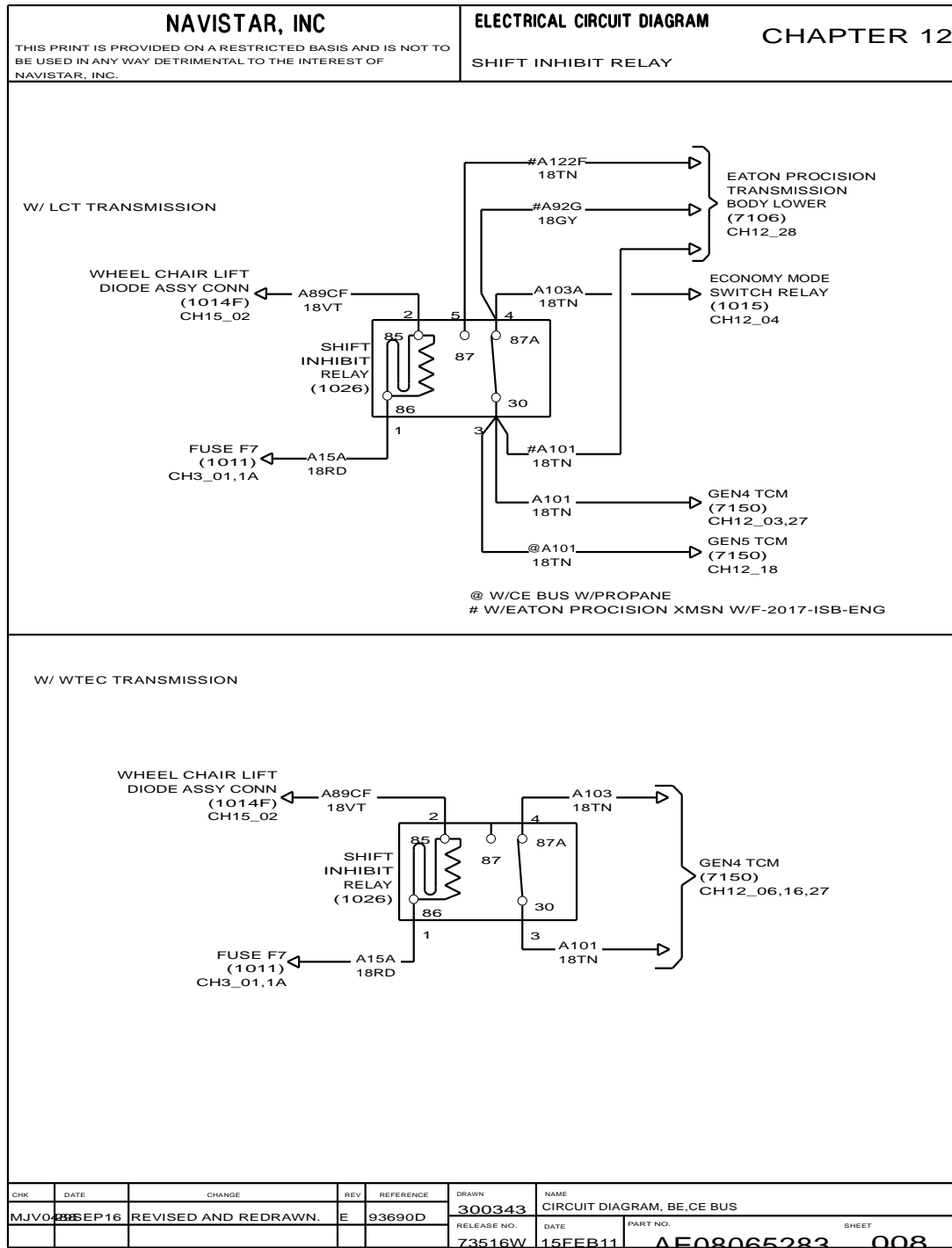


Figure 279 Shift Inhibit Relay

12.9. SHIFTER INTERLOCK EFFECTS, P. 9

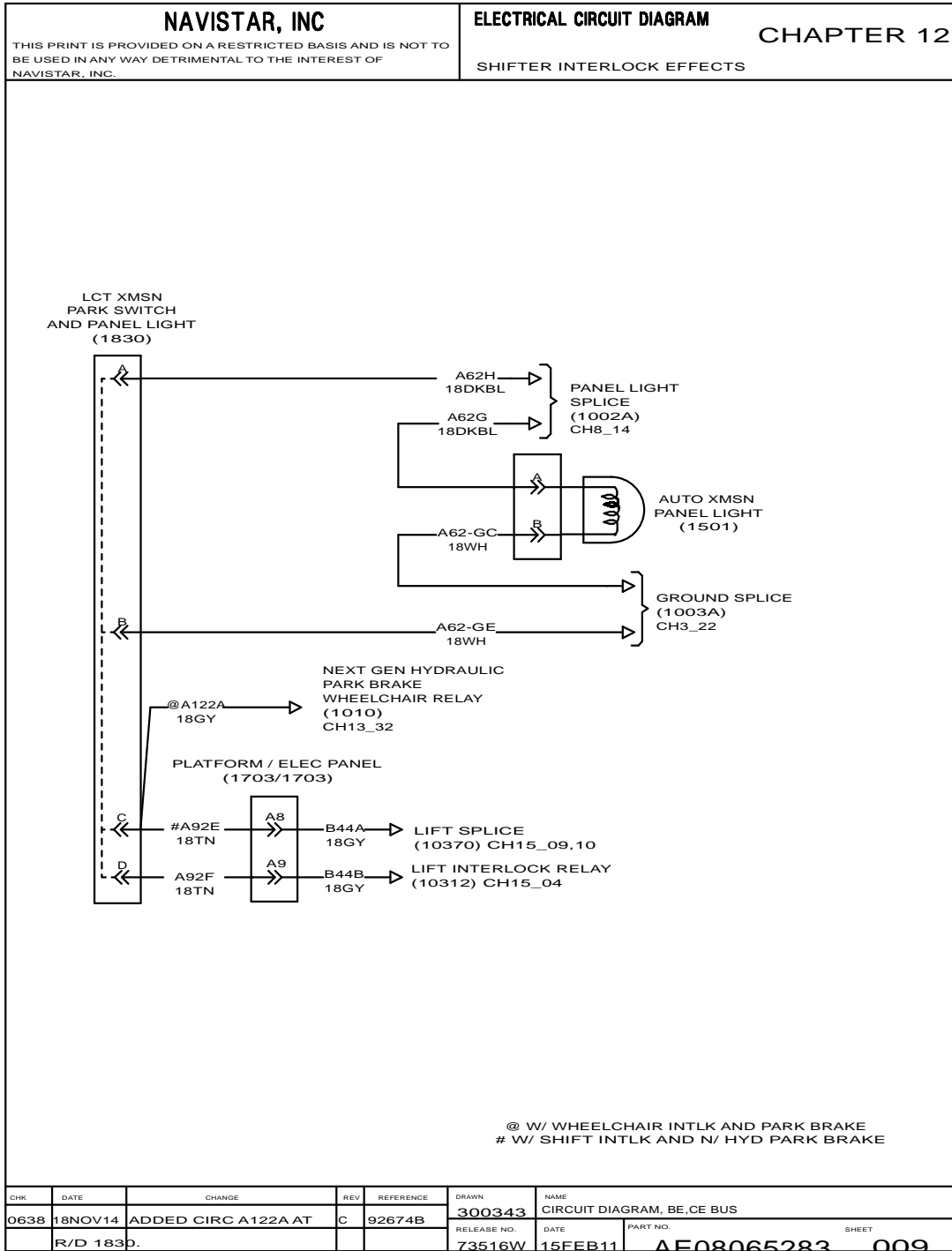


Figure 280 Shifter Interlock Effects

12.10. SHIFTER INTERLOCK EFFECTS (CONT.), P. 10

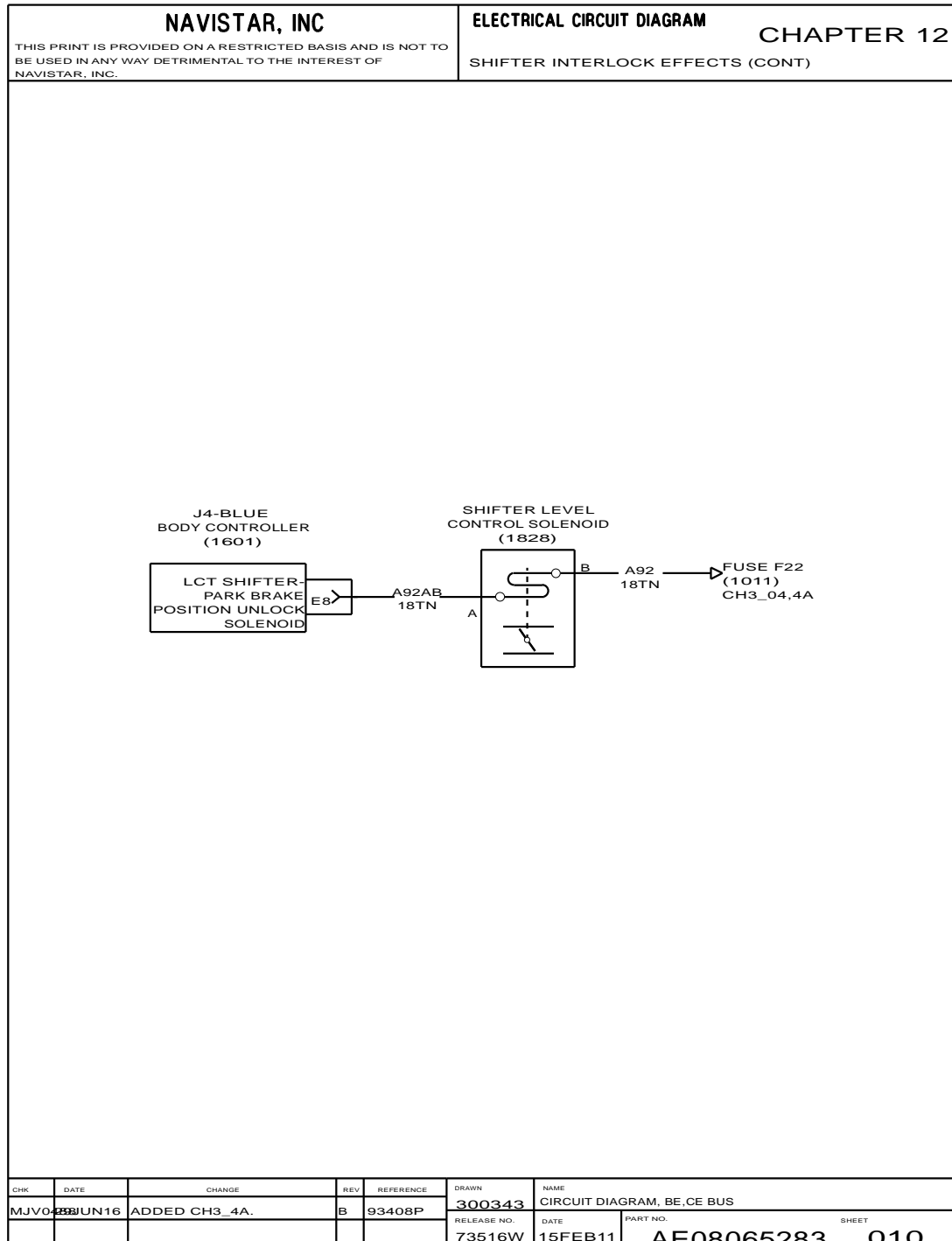


Figure 281 Shifter Interlock Effects (Cont.)

12.11. EATON HYBRID TRANSMISSION , P. 11

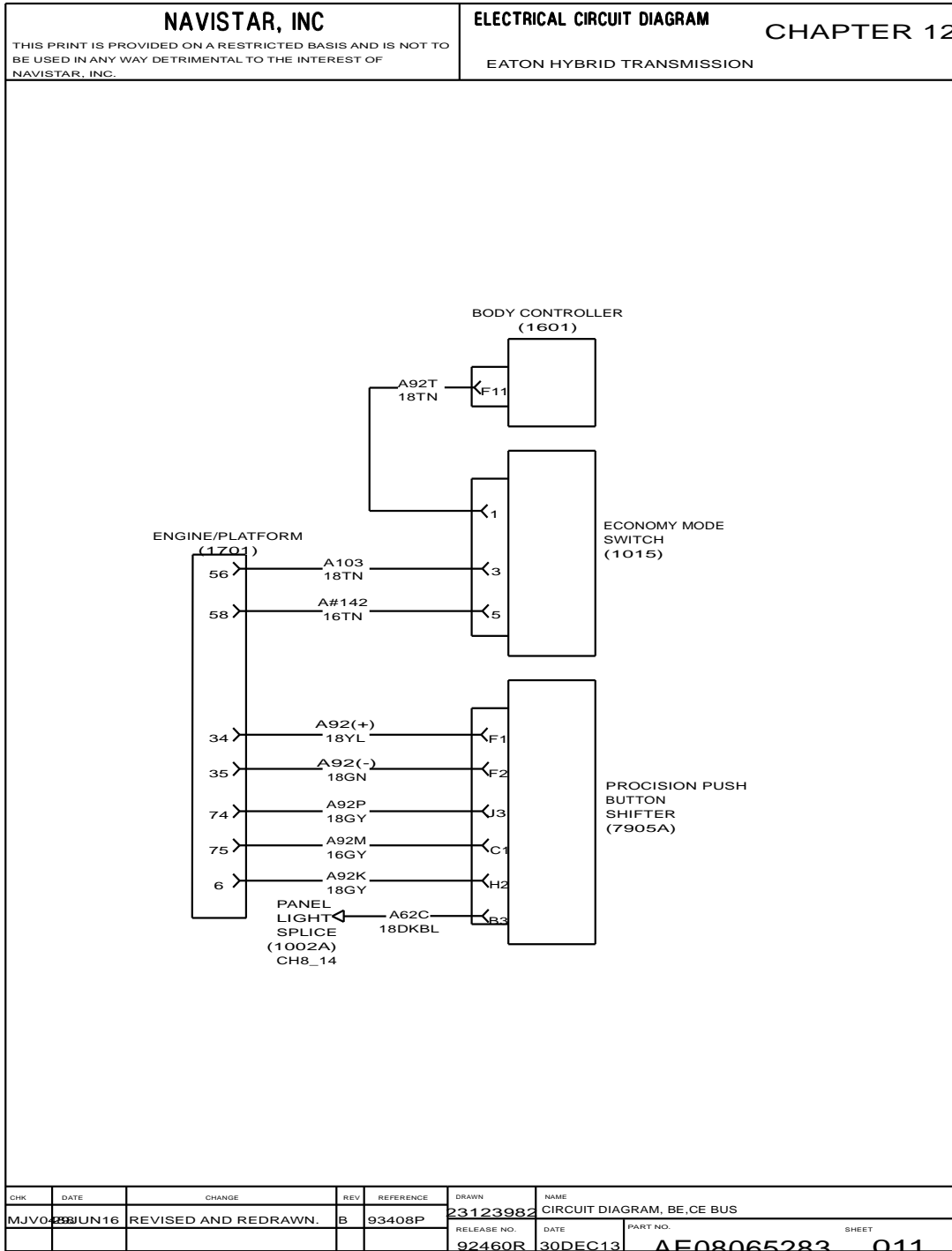


Figure 282 Eaton Hybrid Transmission

12.12. EATON HYBRID TRANSMISSION (CONT.), P. 12

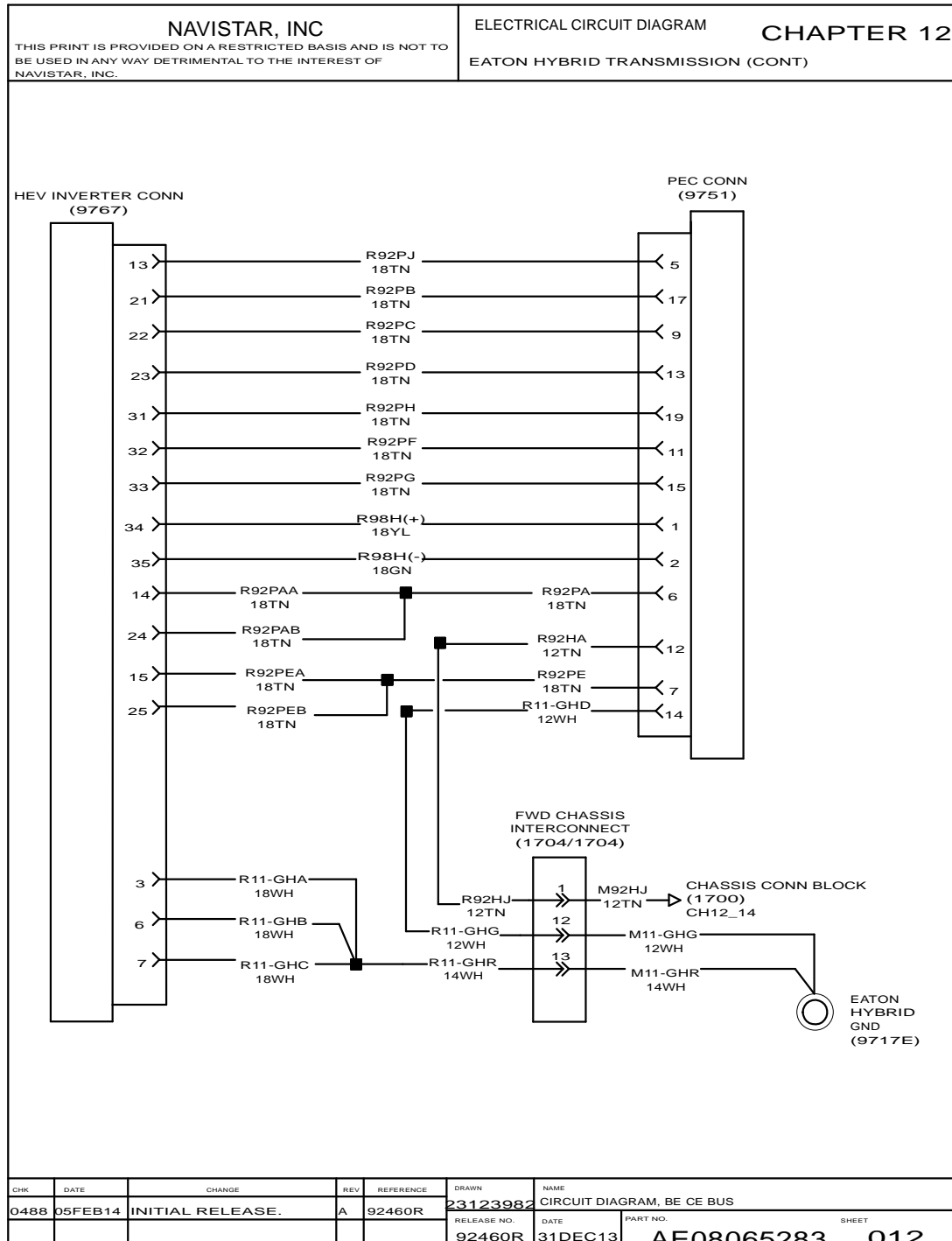


Figure 283 Eaton Hybrid Transmission (Cont.)

12.13. EATON HYBRID TRANSMISSION (CONT.), P. 13

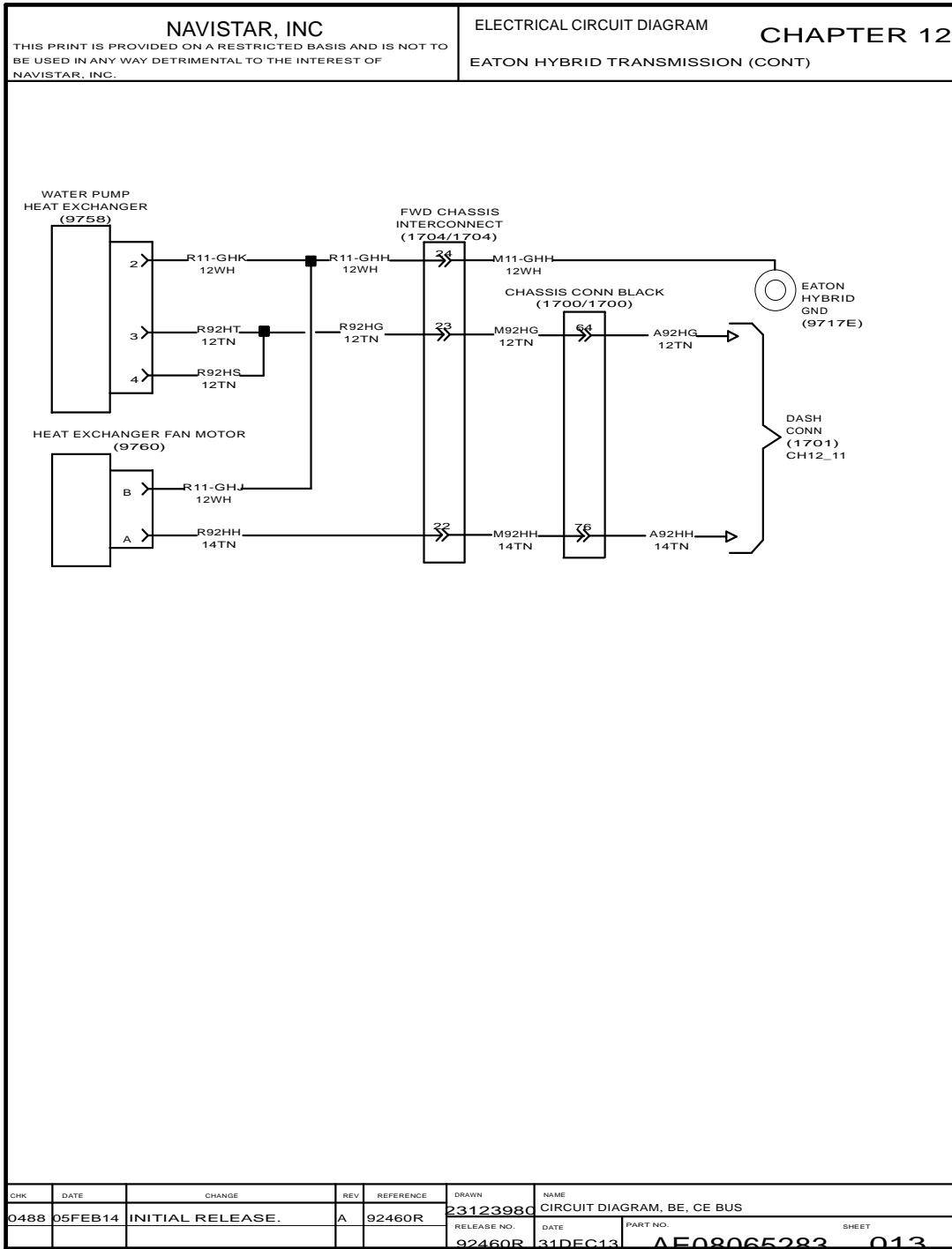


Figure 284 Eaton Hybrid Transmission (Cont.)

12.14. EATON HYBRID TRANSMISSION (CONT.), P. 14

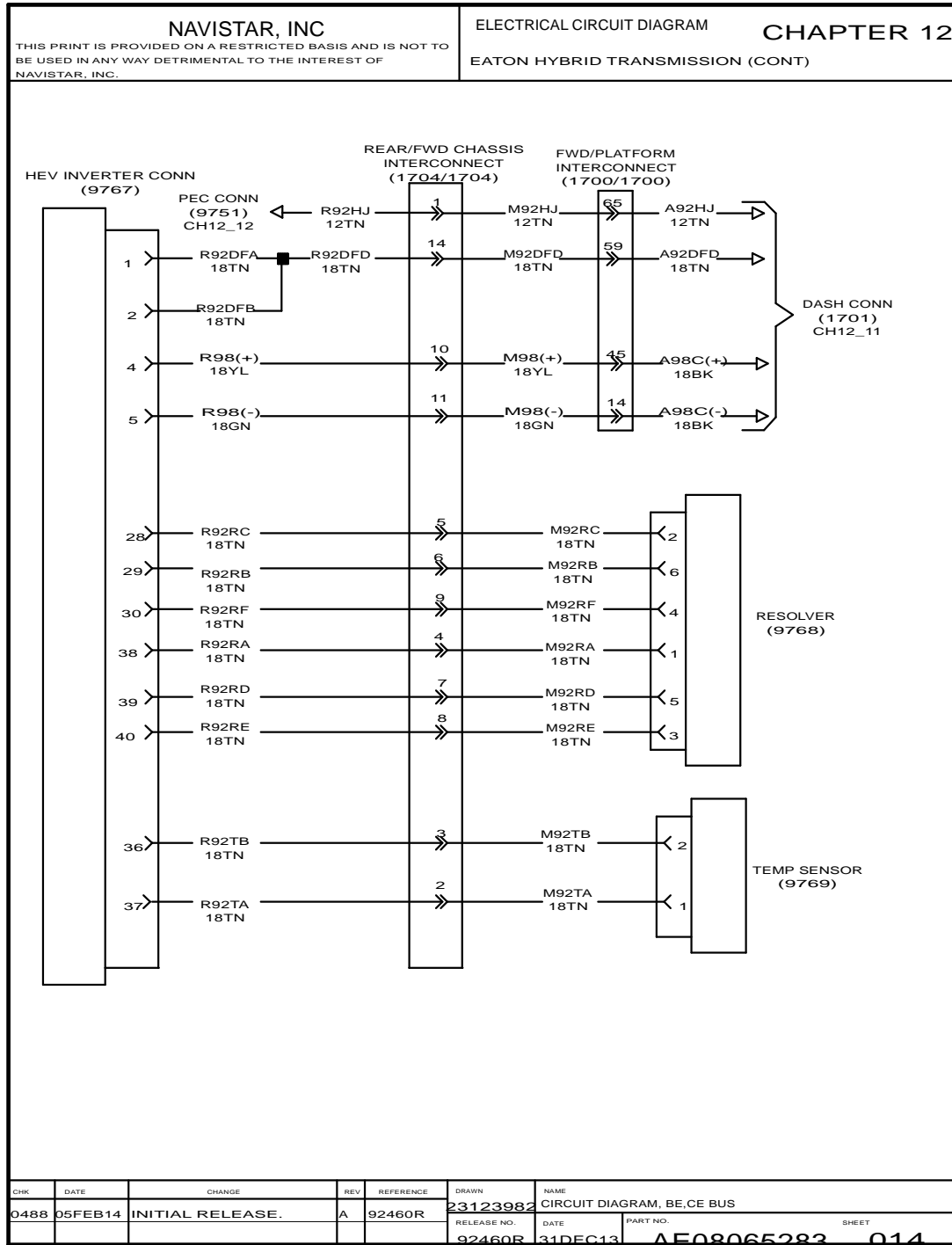


Figure 285 Eaton Hybrid Transmission (Cont.)

12.15. TCM CONNECTIONS, P. 15

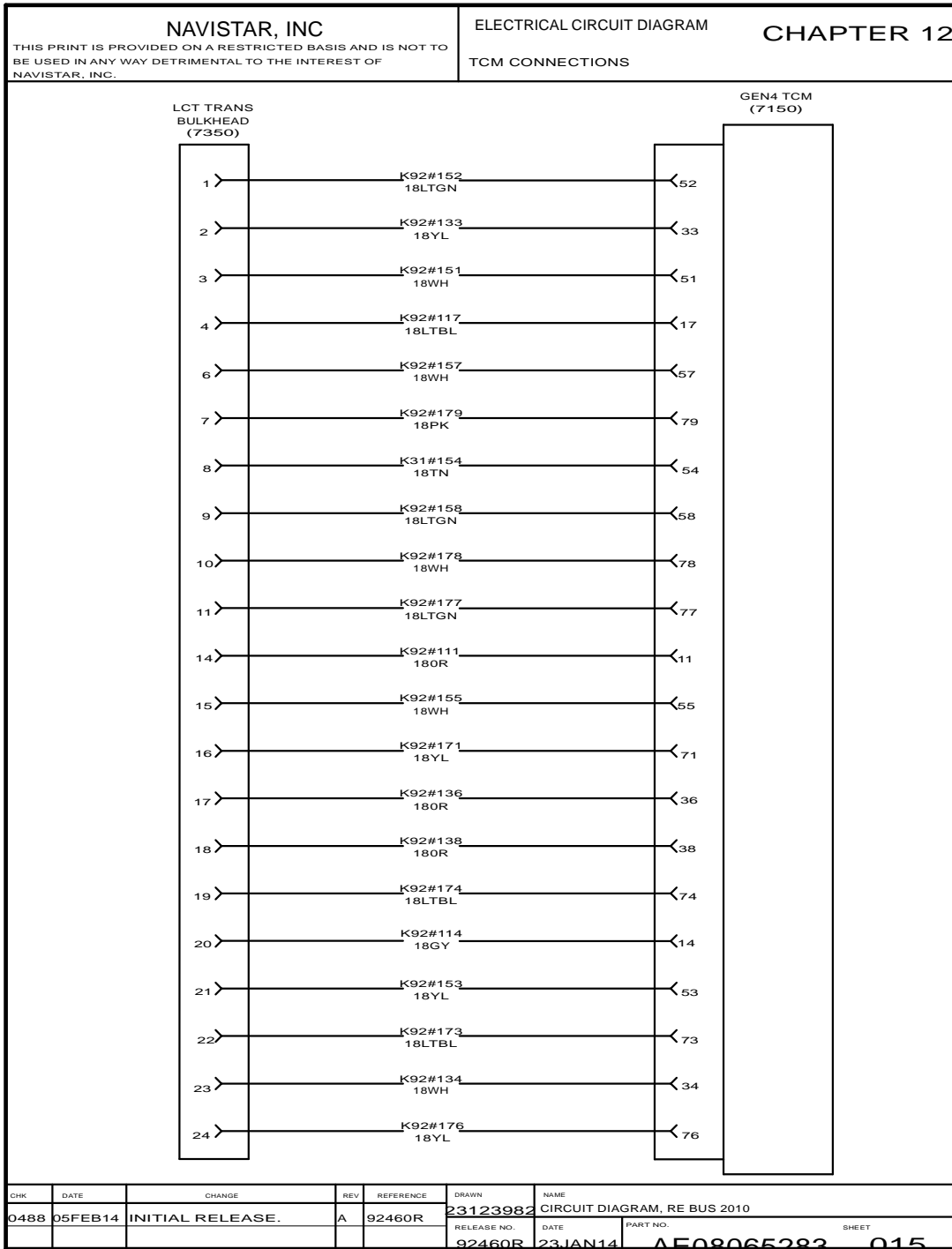


Figure 286 TCM Connections

12.16. TCM CONNECTIONS (CONT.), P. 16

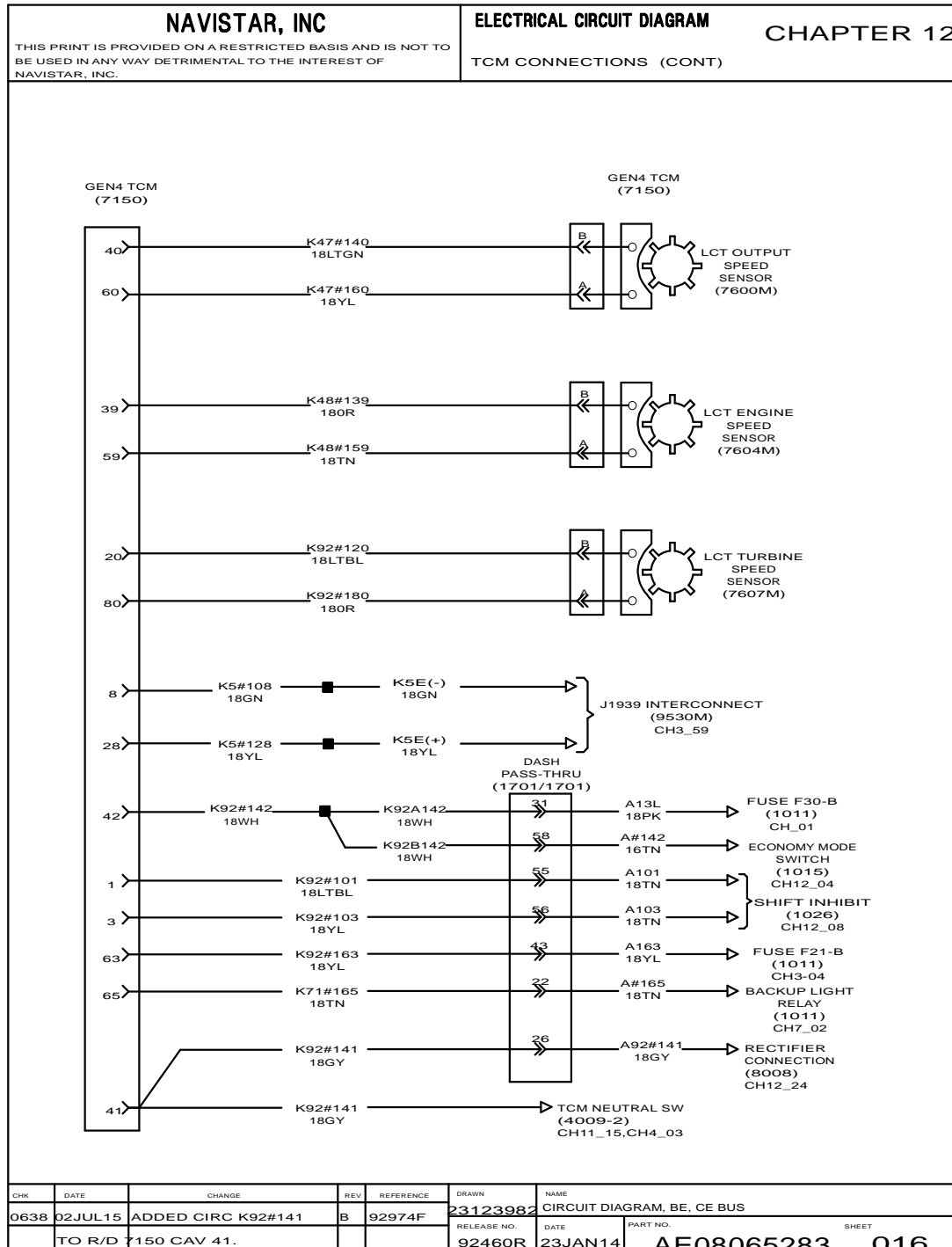


Figure 287 TCM Connections (Cont.)

12.17. ALLISON LCT TRANSMISSION WITH CE BUS WITH PROPANE, P. 17

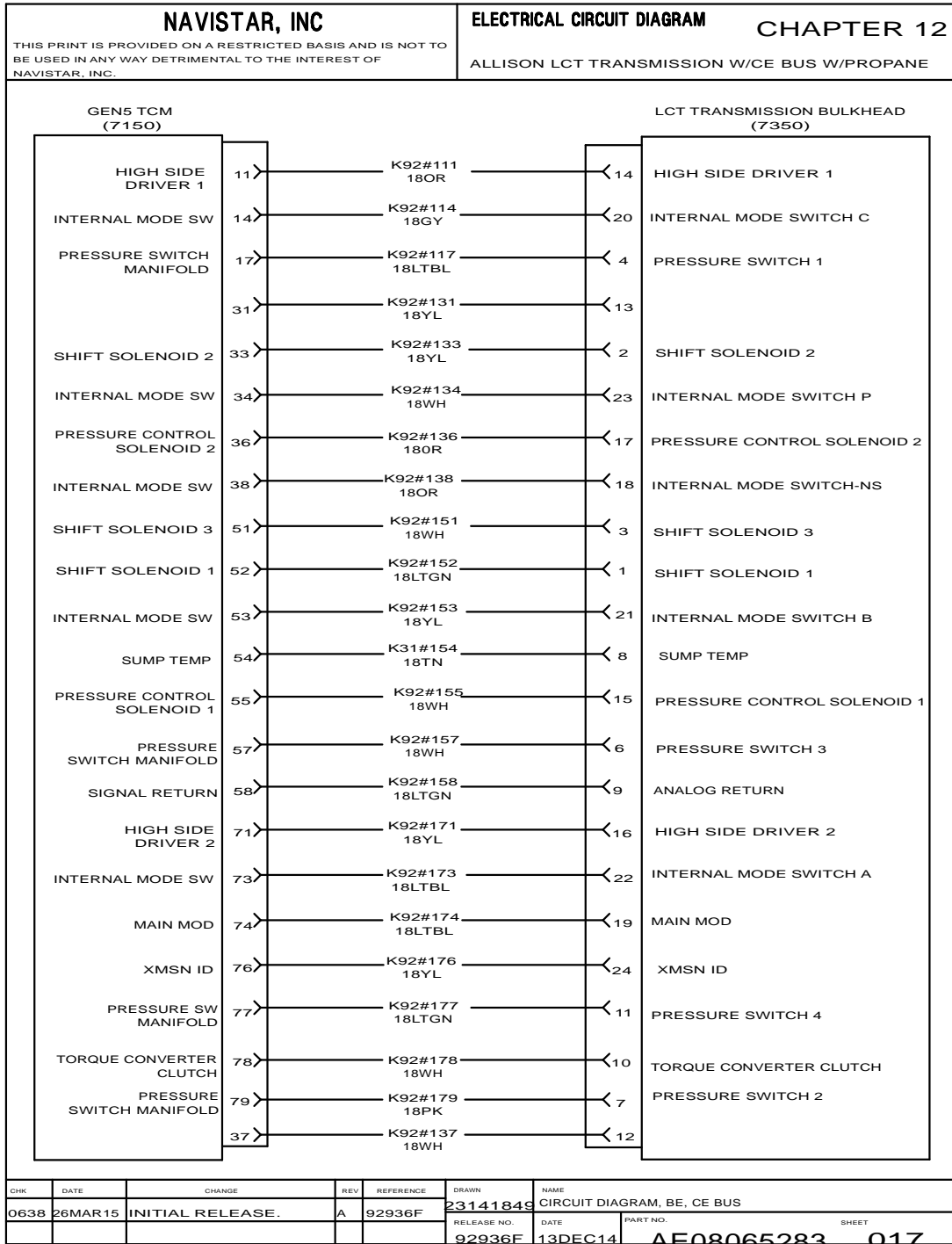


Figure 288 Allison LCT Transmission with CE Bus with Propane

12.18. ALLISON LCT TRANSMISSION WITH CE BUS WITH PROPANE (CONT.), P. 18

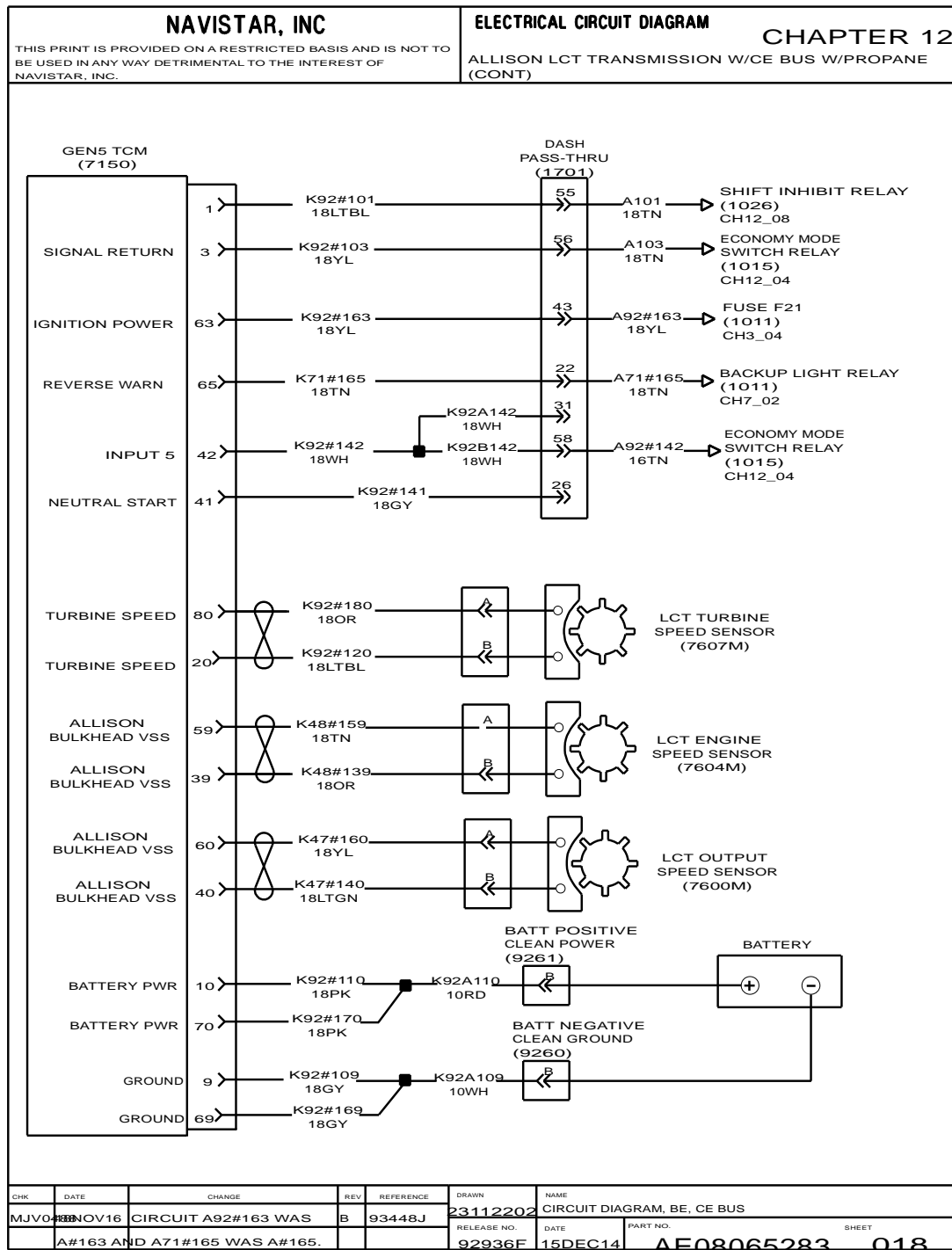


Figure 289 Allison LCT Transmission with CE Bus with Propane (Cont.)

12.19. EATON PROCISION TRANSMISSION WITH PUSH BUTTON AND WITH T HANDLE TRS, P. 19

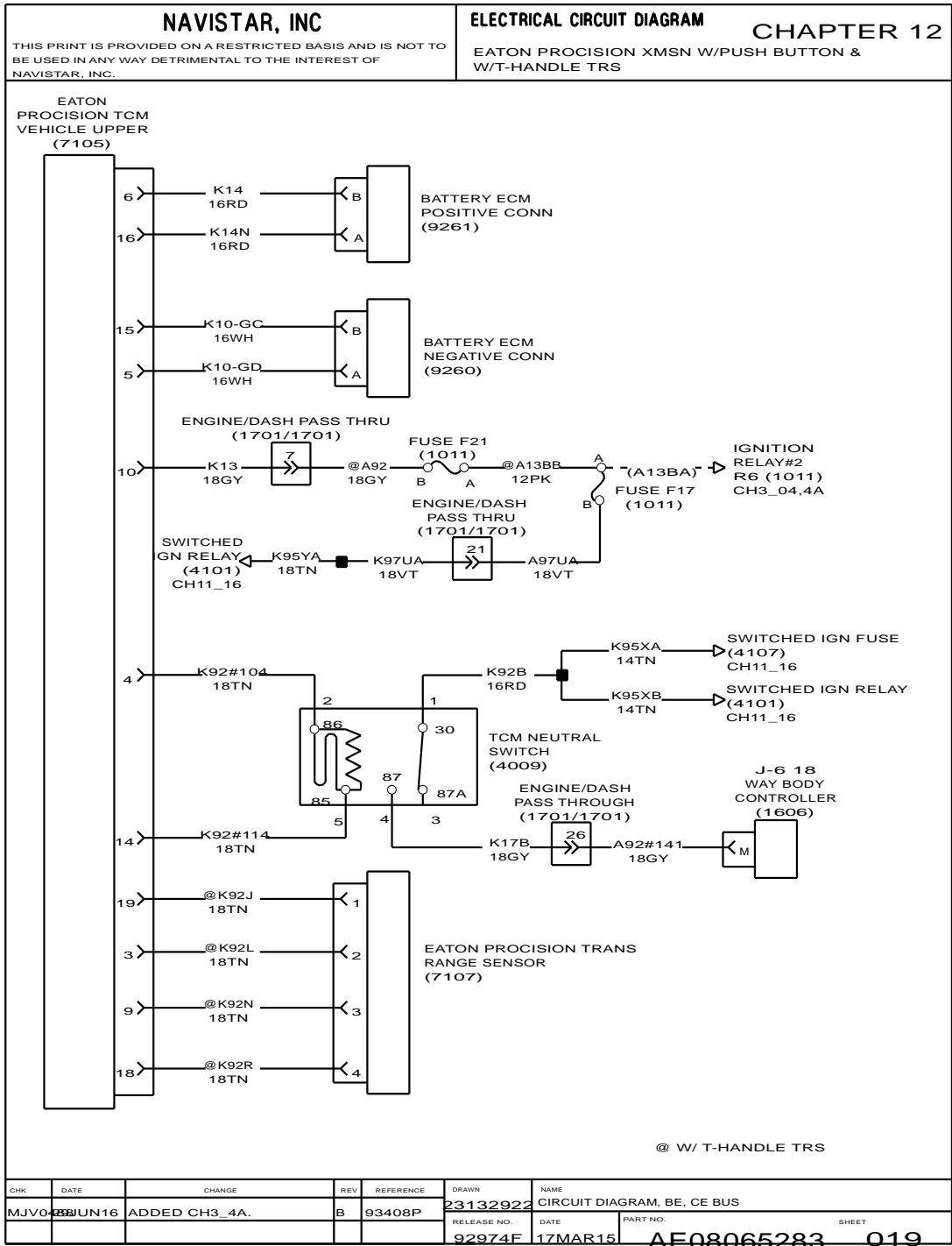


Figure 290 Eaton Procision Transmission with Push Button and with T Handle TRS

12.20. EATON PROCISION TRANSMISSION WITH PUSH BUTTON AND WITH T HANDLE TRS (CONT.), P. 20

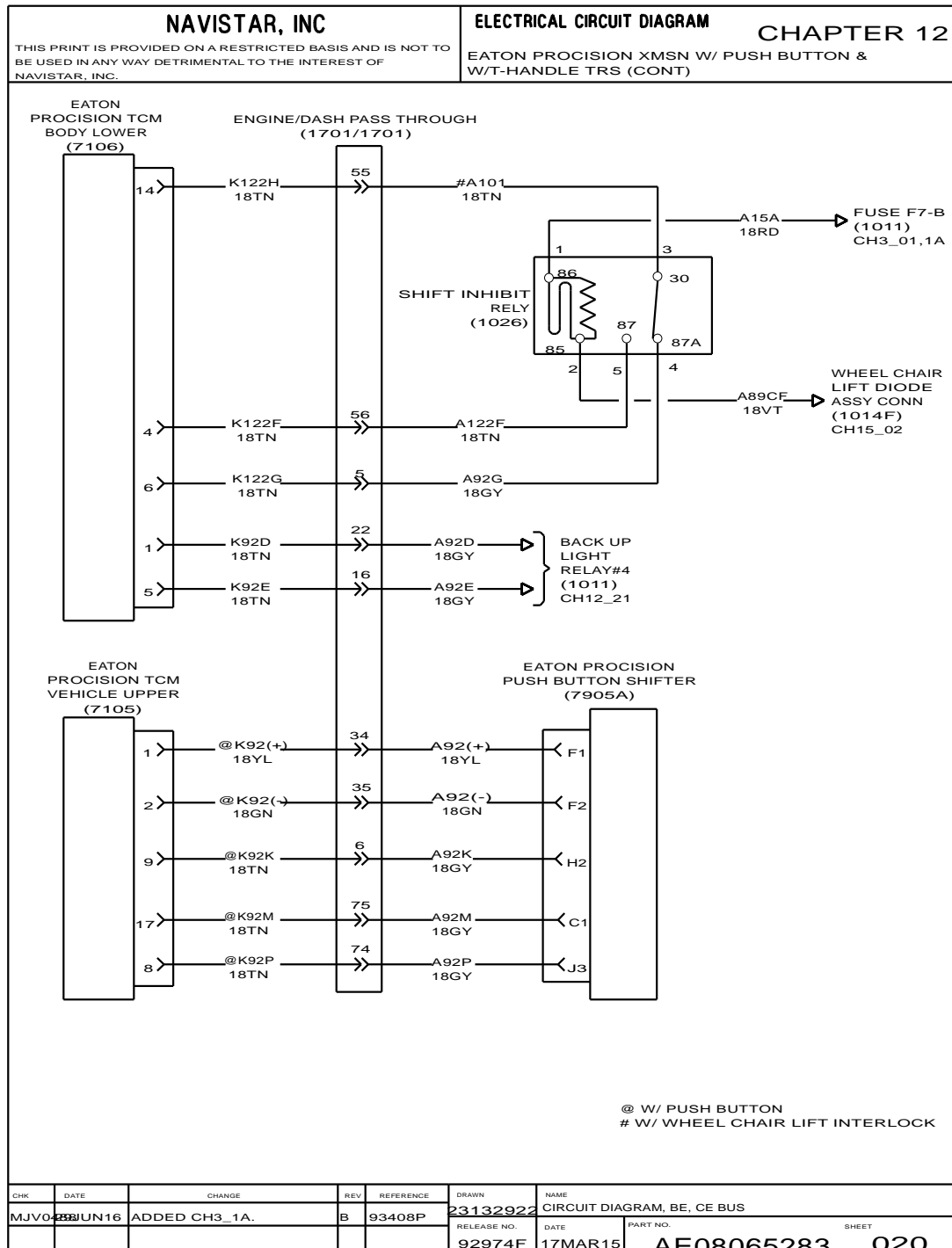


Figure 291 Eaton Procision Transmission with Push Button and with T Handle TRS (Cont.)

12.21. EATON PROCISION TRANSMISSION WITH PUSH BUTTON AND WITH T HANDLE TRS (CONT.), P. 21

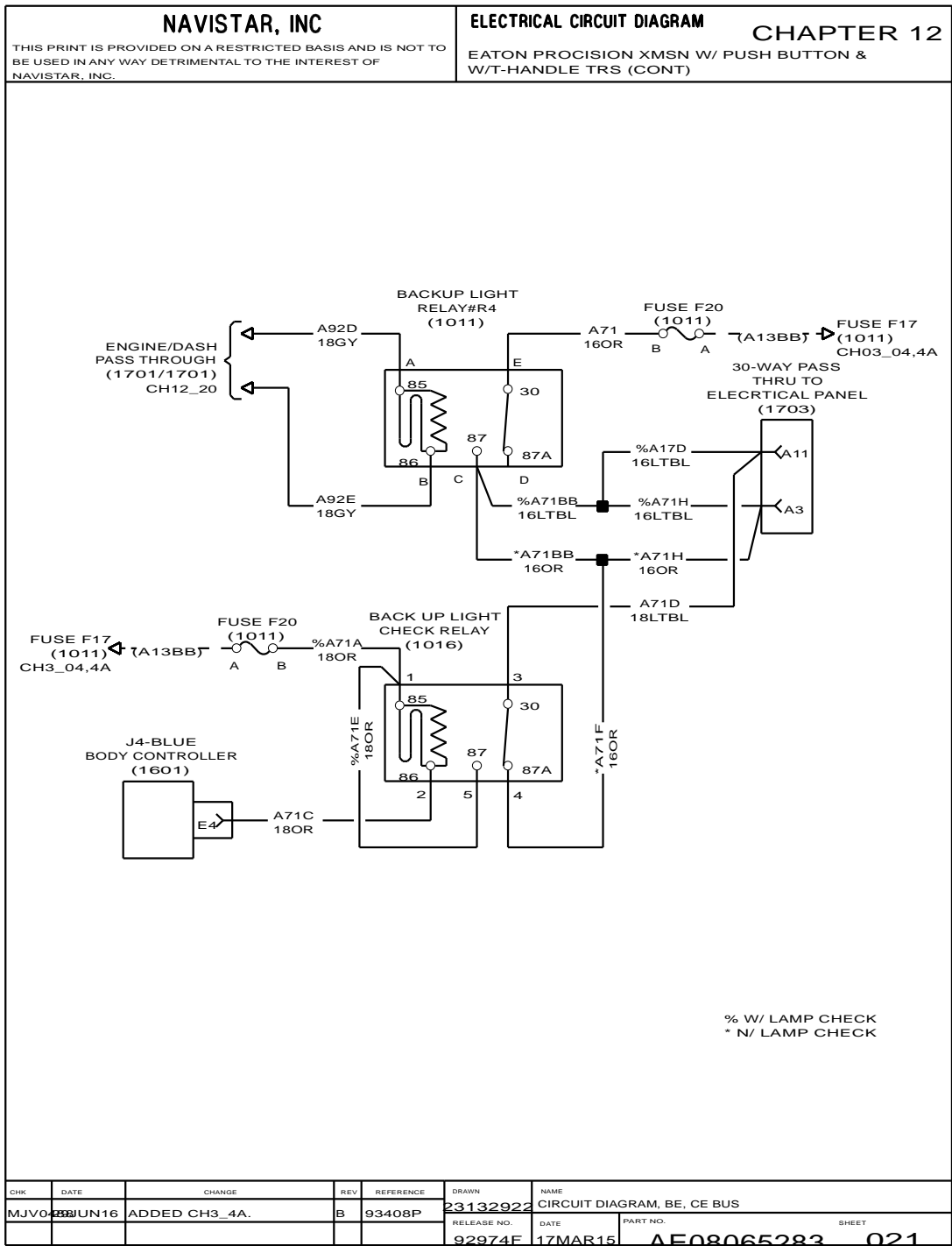


Figure 292 Eaton Procision Transmission with Push Button and with T Handle TRS (Cont.)

12.22. J1939 EATON PROCISSION TRANSMISSION WITH 250K, P. 22

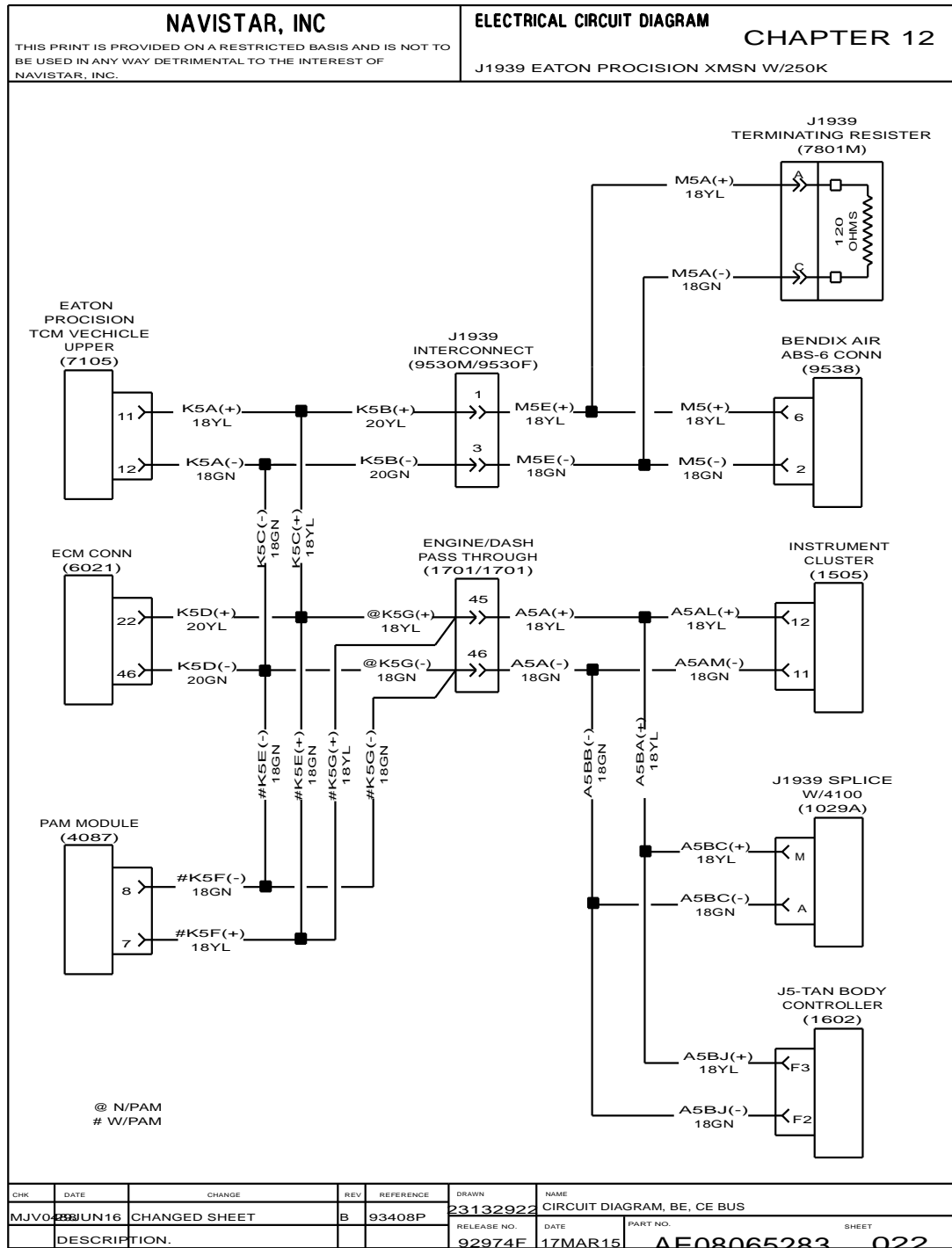


Figure 293 J1939 Eaton Procision Transmission with 250K

12.23. J1939 WITH 500K EATON PROCISION TRANSMISSION WITH 4100, P. 23

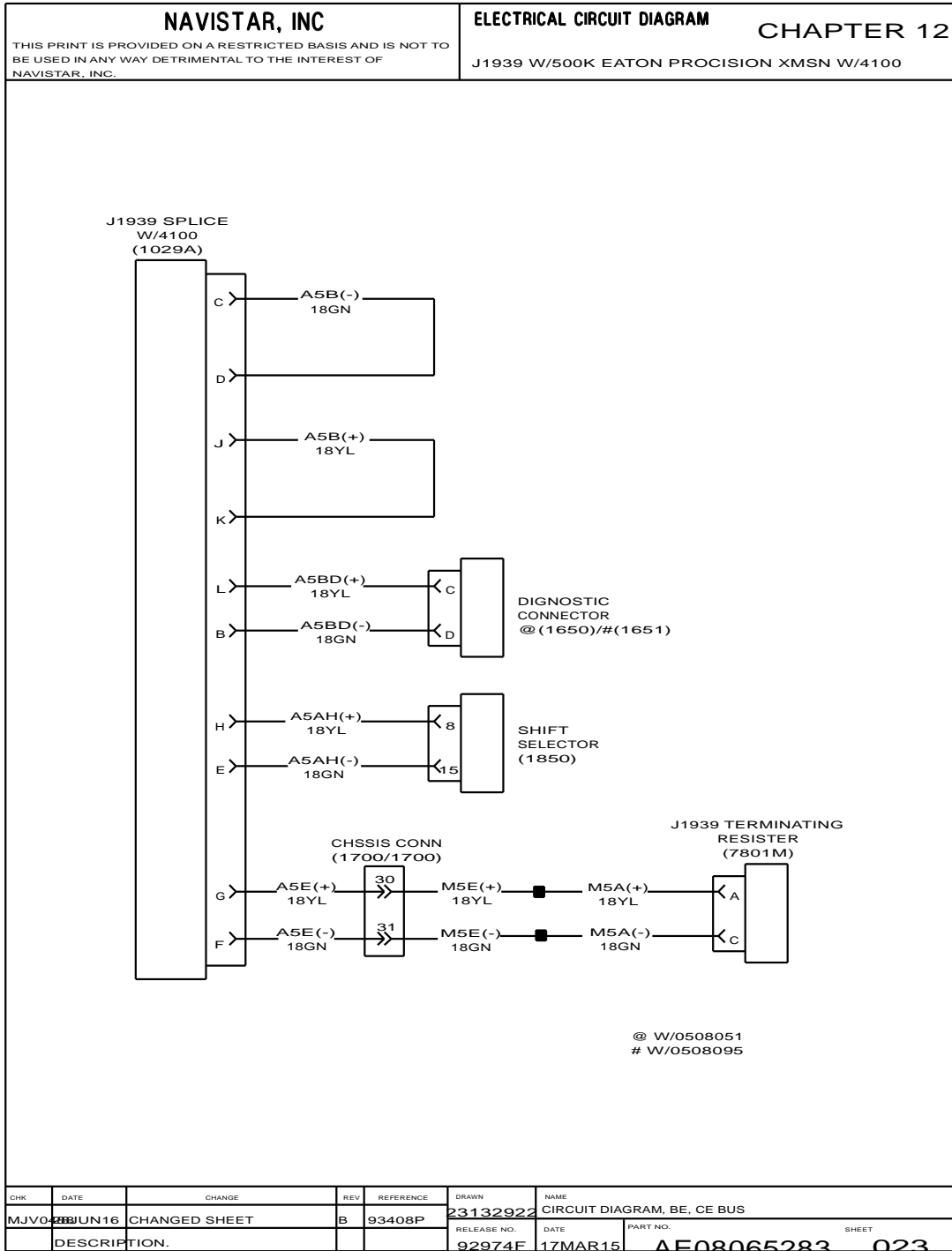


Figure 294 J1939 with 500K Eaton Procision Transmission with 4100

12.24. ALLISON LCT TRANSMISSION WITH ISB ENGINE, P. 24

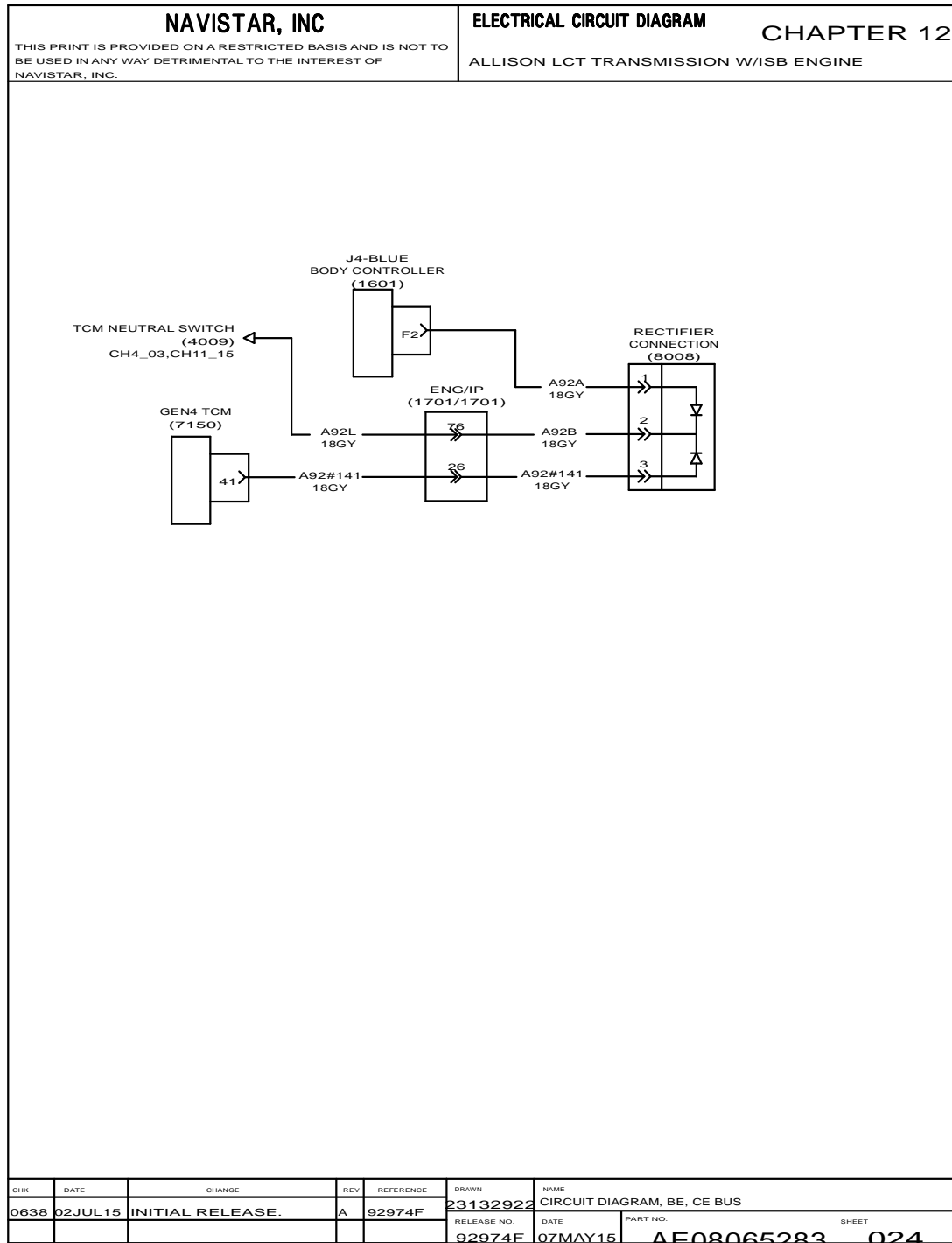


Figure 295 Allison LCT Transmission with ISB Engine

12.25. 1 / 2000 ALLISON TRANSMISSION GEN5 (LCT) WITH BCM GEN4 WITH F-2017-ISB ENGINE, P. 25

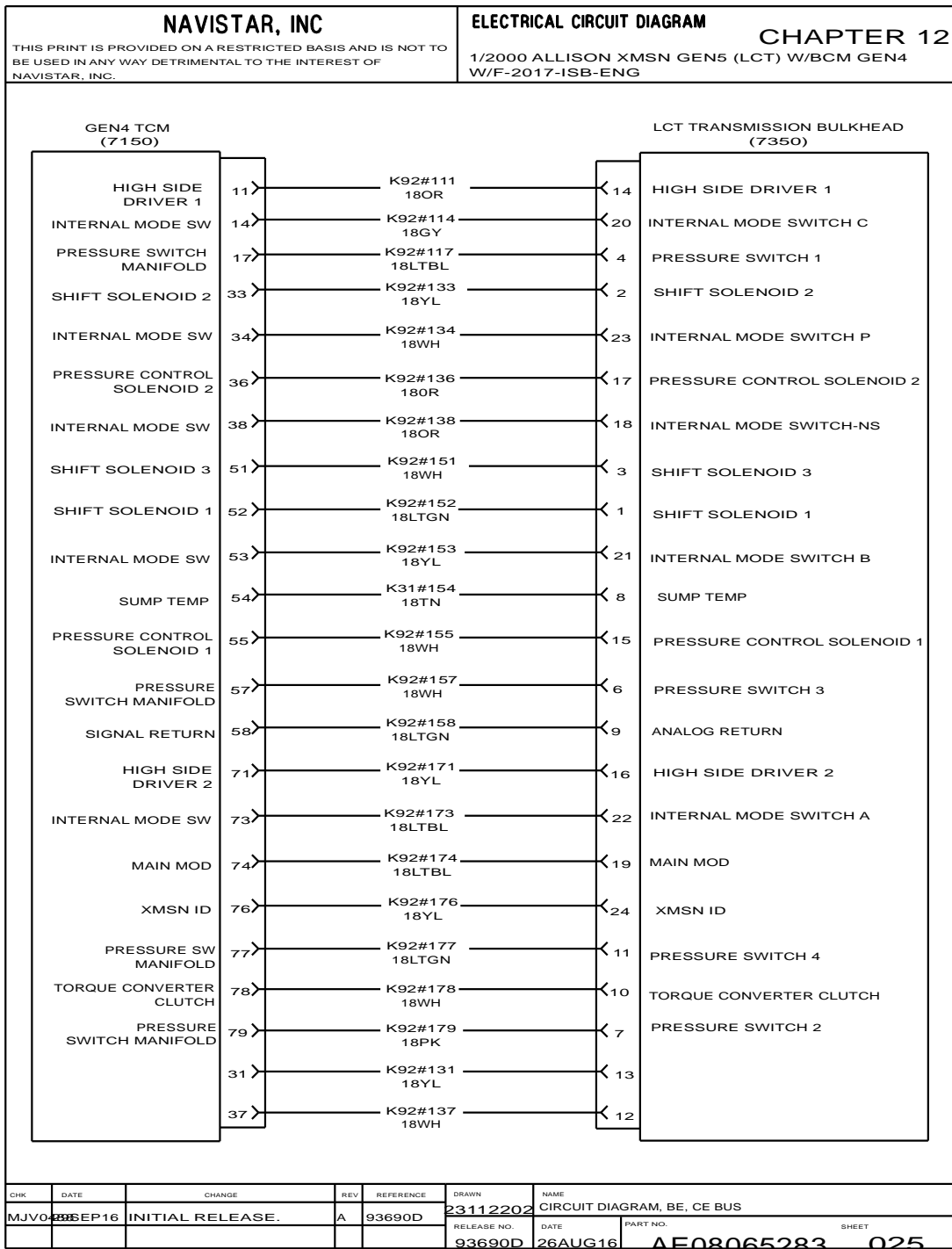


Figure 296 1 / 2000 Allison Transmission Gen5 (LCT) with BCM Gen4 with F-2017-ISB Engine

12.26. 3000 ALLISON TRANSMISSION GEN5 (WTEC) WITH BCM GEN4 WITH F-2017-ISB ENGINE, P. 26

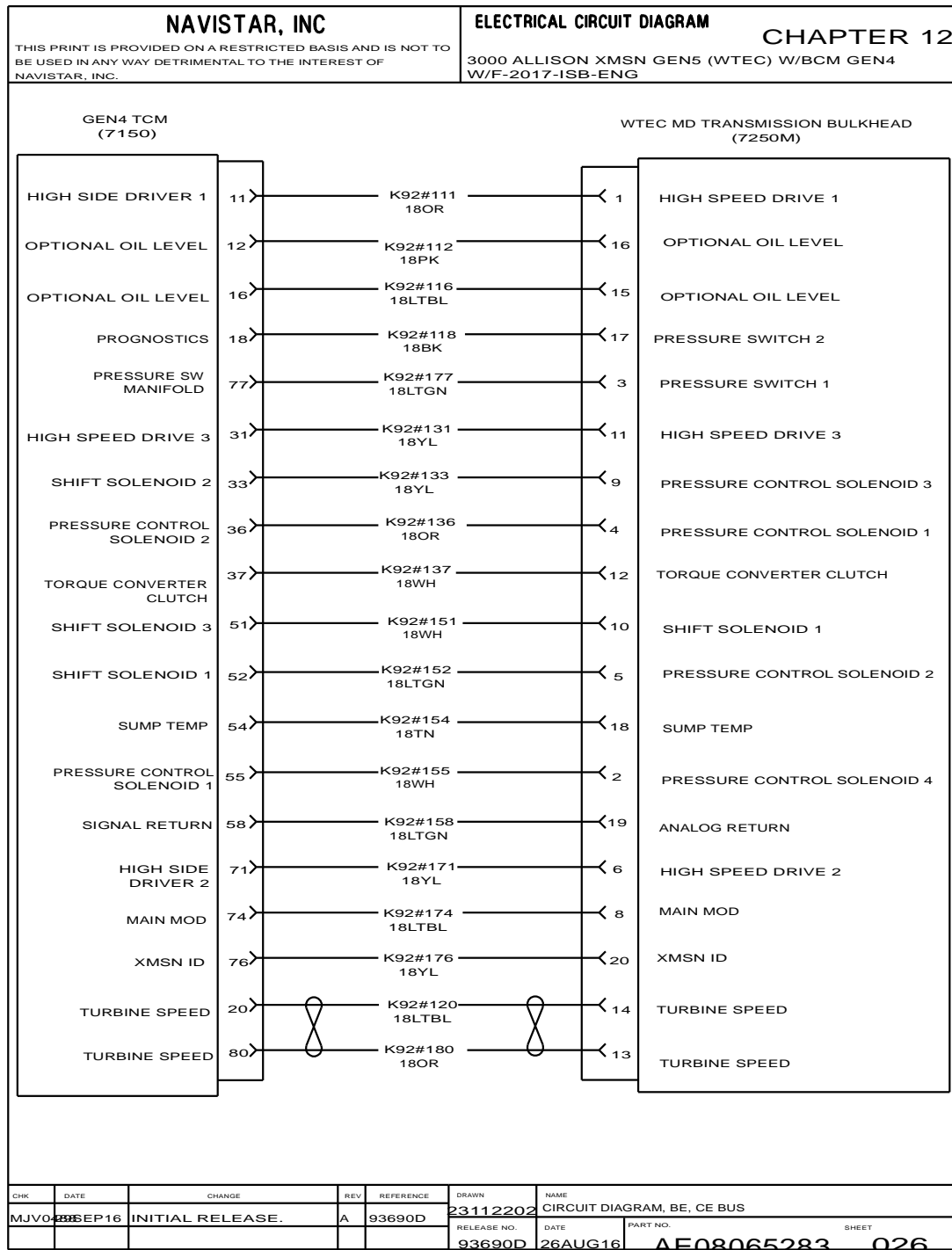


Figure 297 3000 Allison Transmission Gen5 (WTEC) with BCM Gen4 with F-2017-ISB Engine

12.27. ALLISON TRANSMISSION GEN5 (WTEC / LCT) WITH BCM GEN4 WITH F-2017-ISB ENGINE, P. 27

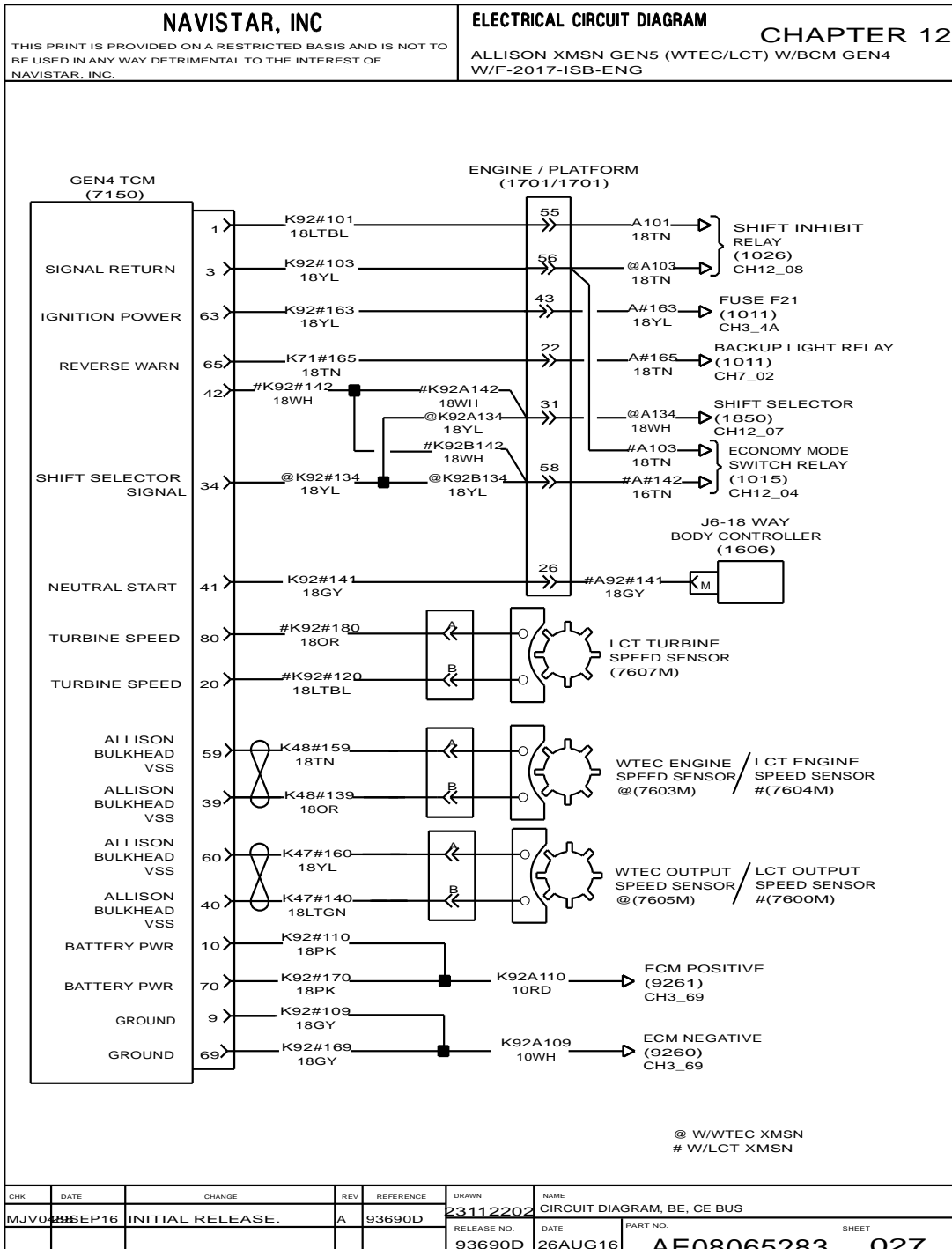


Figure 298 Allison Transmission Gen5 (WTEC / LCT) with BCM Gen4 with F-2017-ISB Engine

12.28. EATON PROCISION TRANSMISSION WITH PUSH-BUTTON WITH F-2017-ISB ENGINE, P. 28

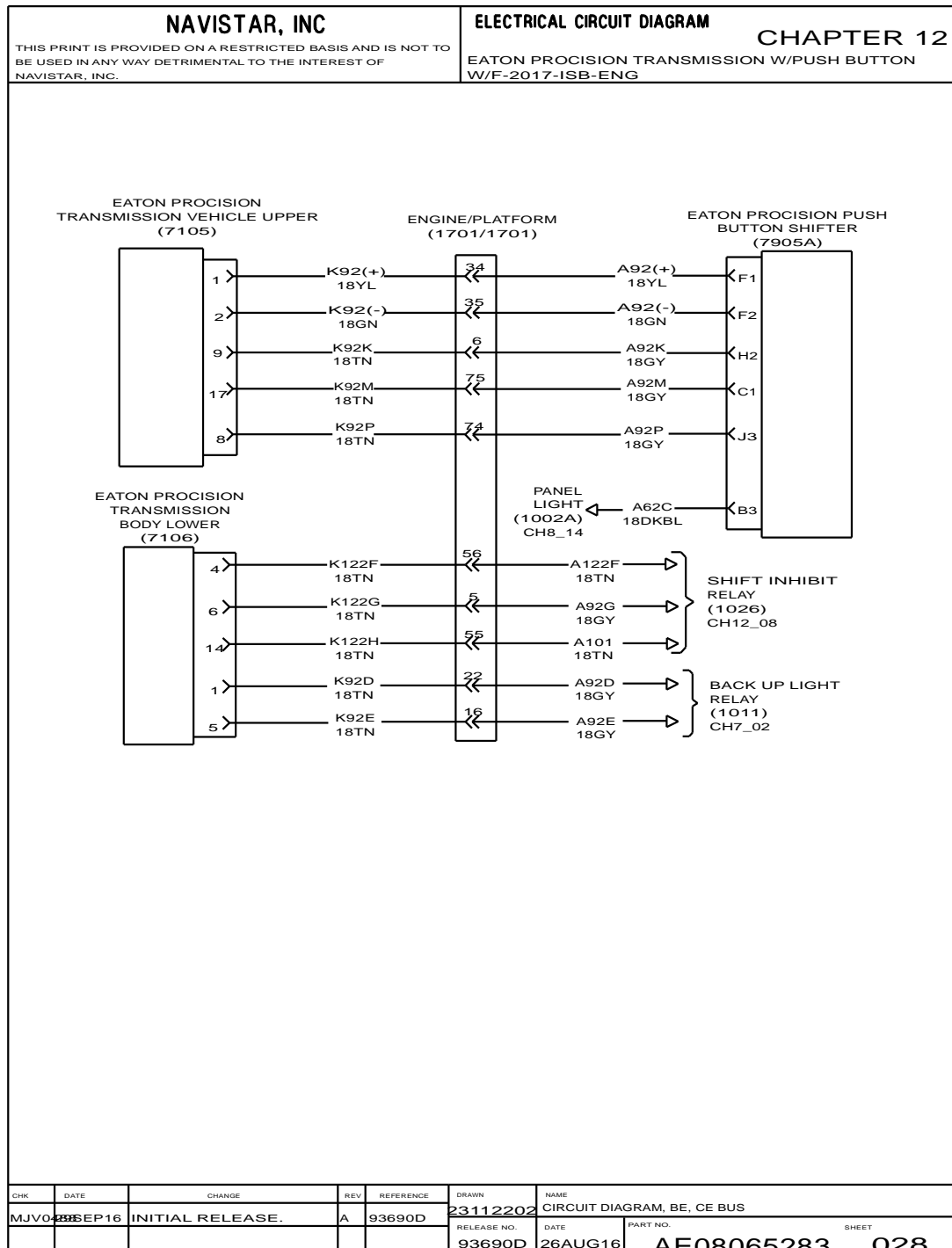


Figure 299 Eaton Procision Transmission with Push-Button with F-2017-ISB Engine

12.29. EATON PROCISSION TRANSMISSION WITH T-HANDLE-TRS WITH F-2017-ISB ENGINE, P. 29

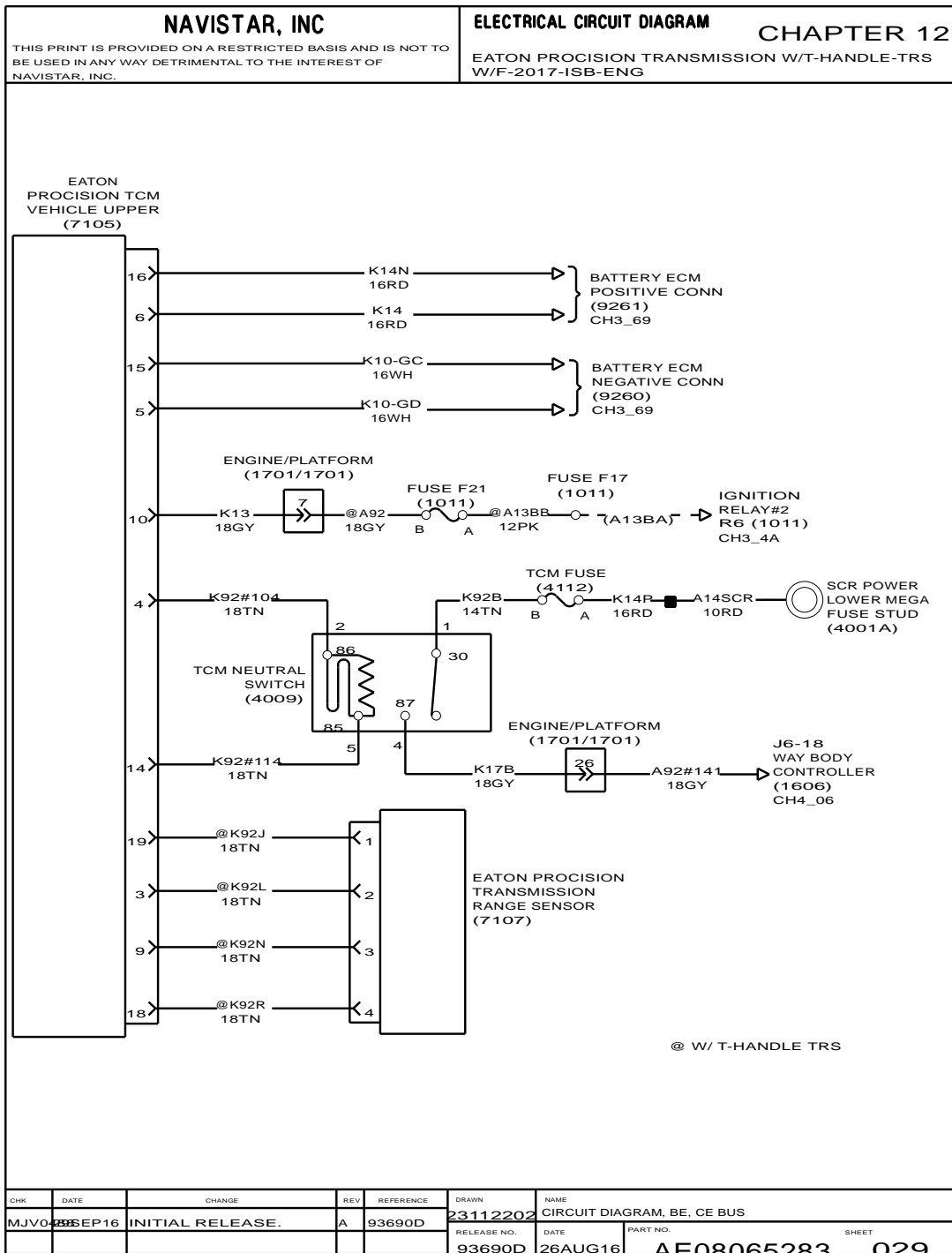


Figure 300 Eaton ProciSSION Transmission with T-Handle-TRS with F-2017-ISB Engine

CHASSIS SYSTEM (CHAPTER 13)

13.1. AIR DRYER AND DRAIN VALVE, P. 1

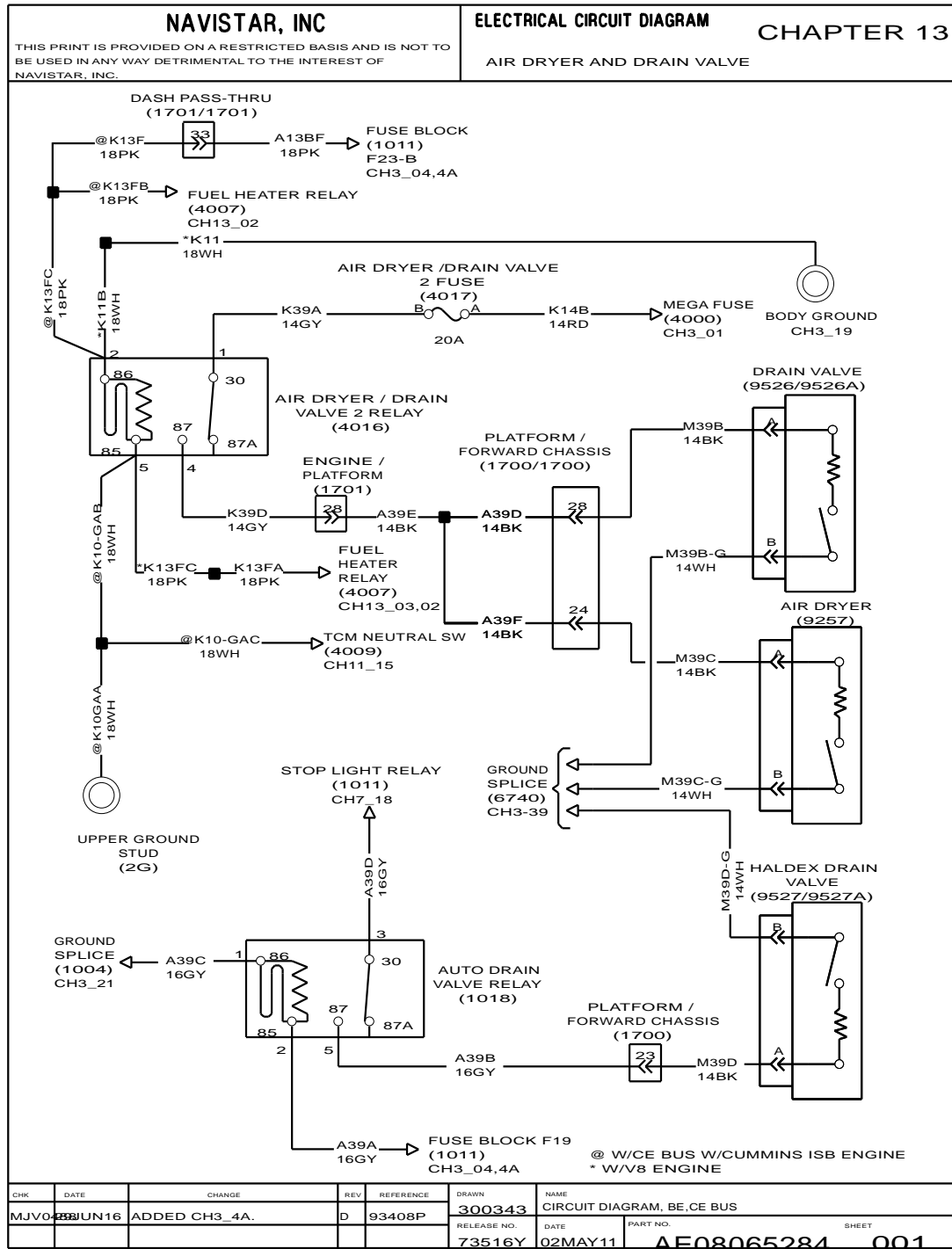


Figure 301 Air Dryer and Drain Valve

13.2. HALDEX DRAIN VALVE WITH 500K BAUD RATE, P. 1A

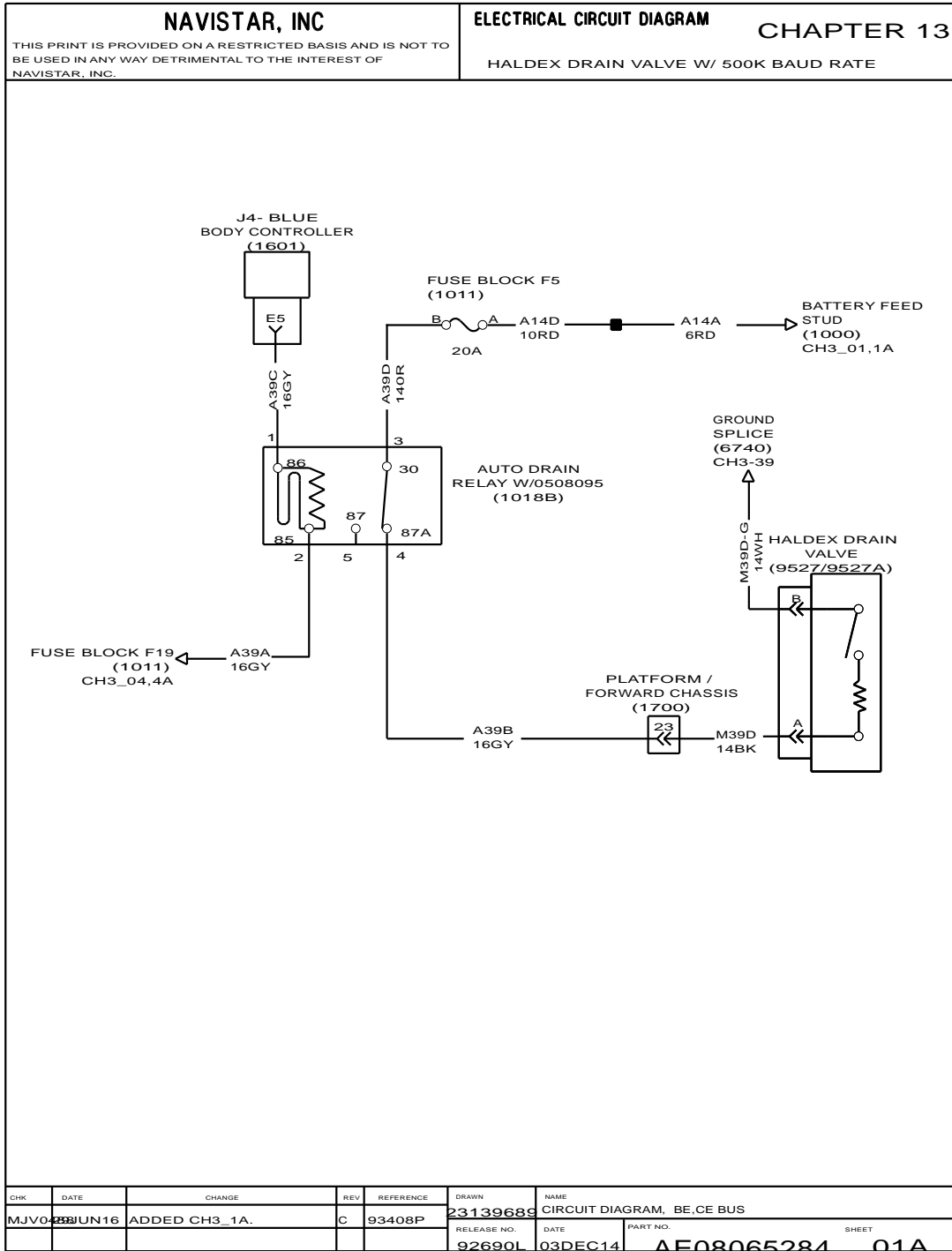


Figure 302 Haldex Drain Valve with 500K Baud Rate

13.3. FUEL HEATER SYSTEM, P. 2

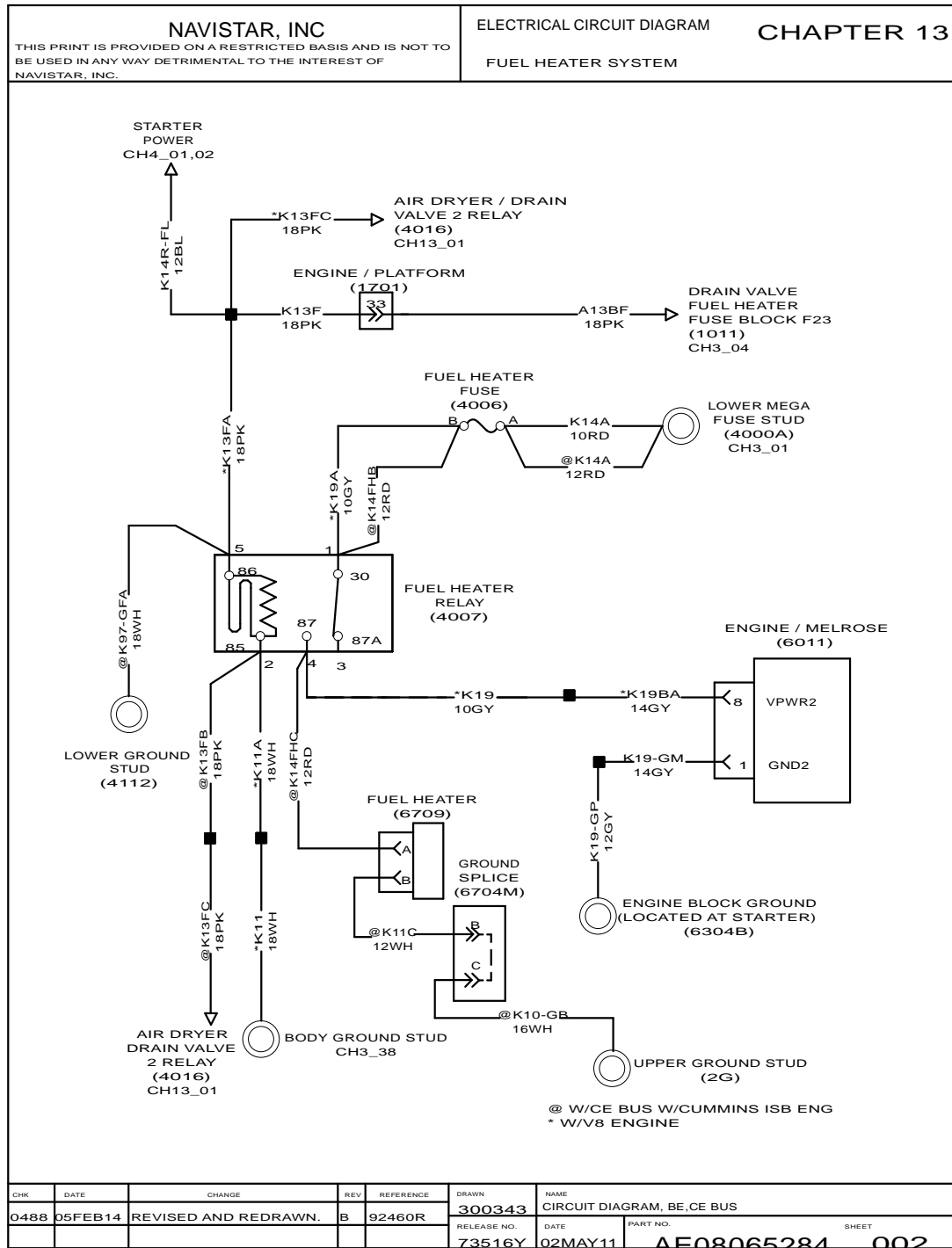


Figure 303 Fuel Heater System

13.4. FUEL HEATER SYSTEM (CONT.), P. 3

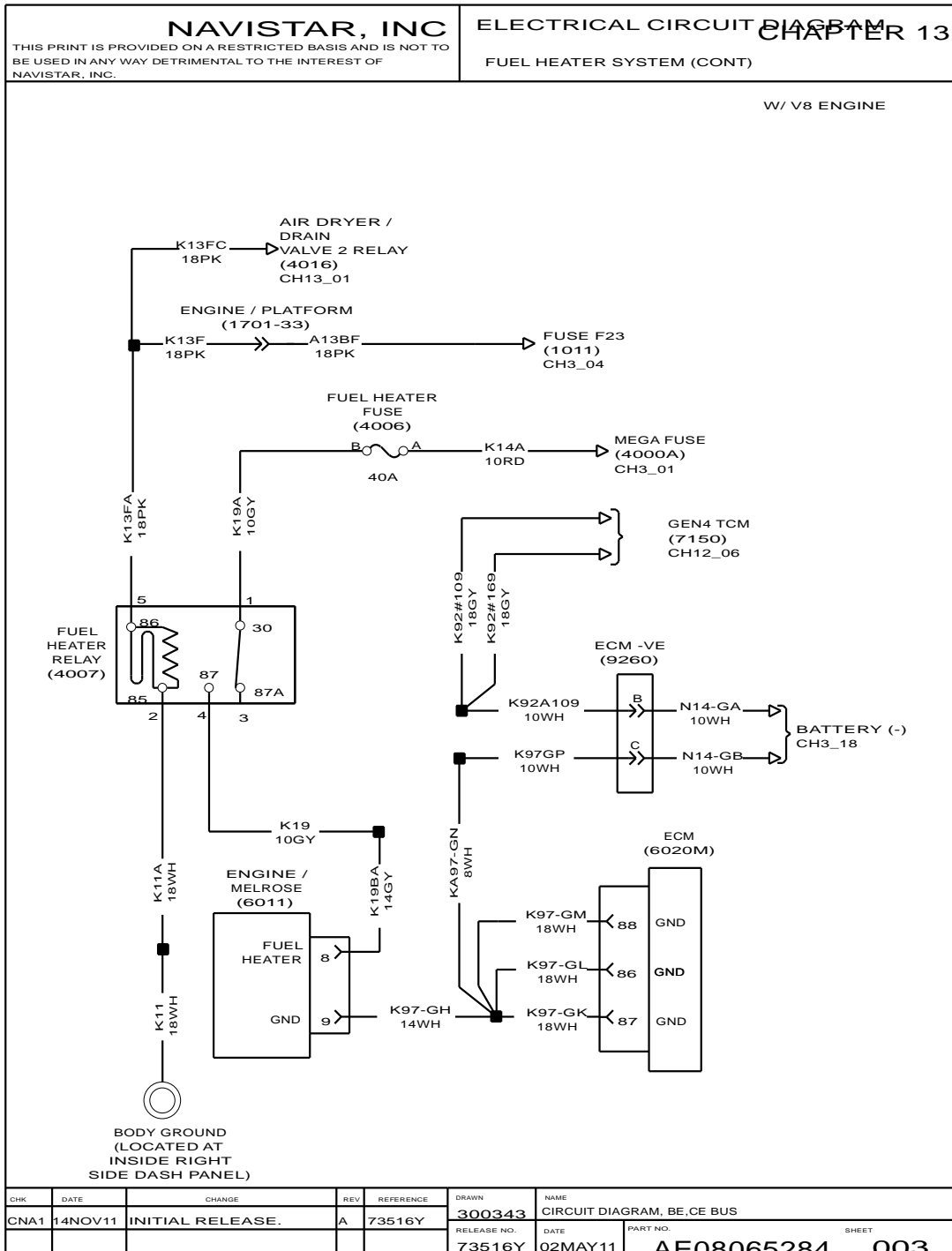


Figure 304 Fuel Heater System (Cont.)

13.5. ABS – HYDRAULIC I6 ENGINE, P. 4

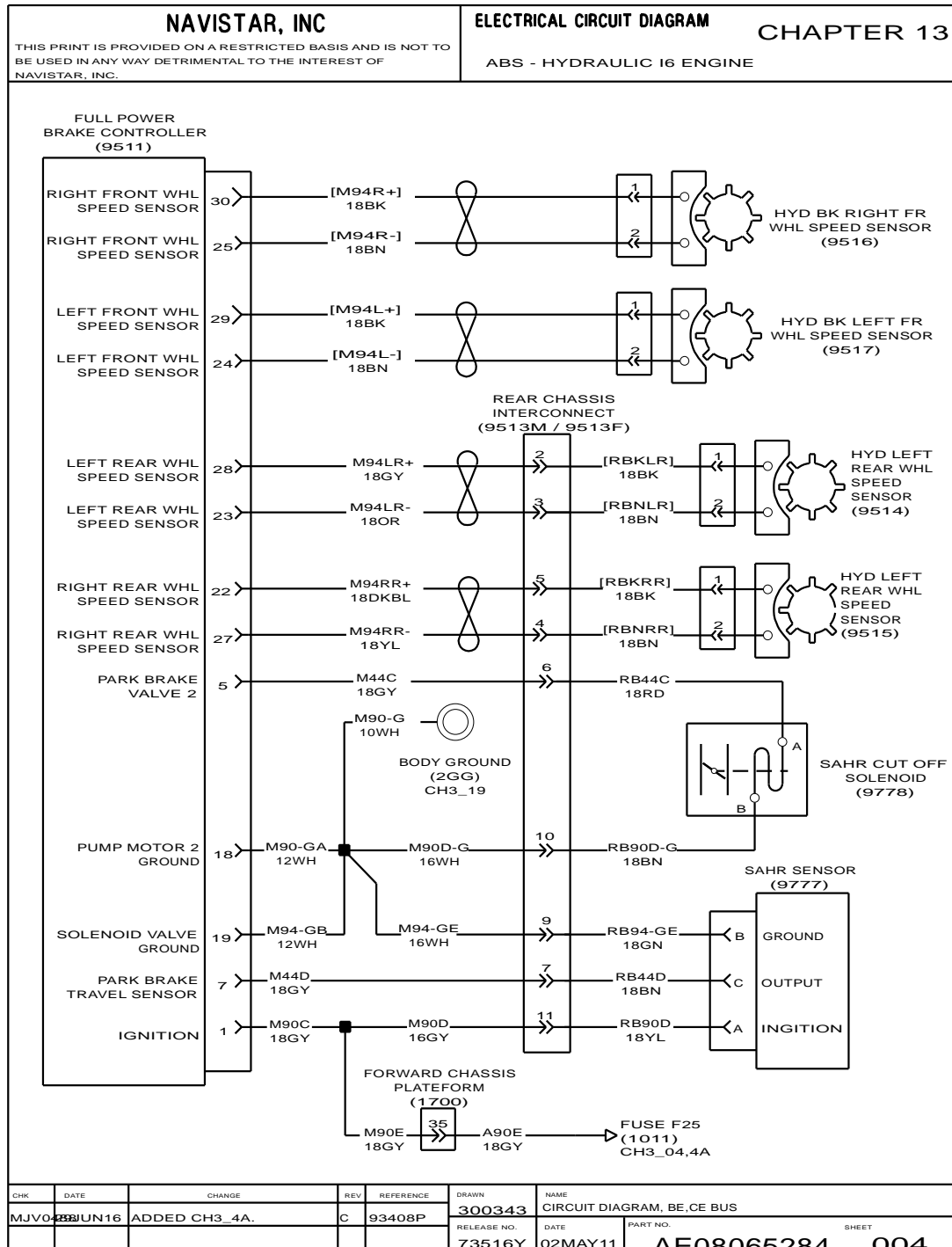


Figure 305 ABS – Hydraulic I6 Engine

13.6. HYDRAULIC BRAKE, P. 5

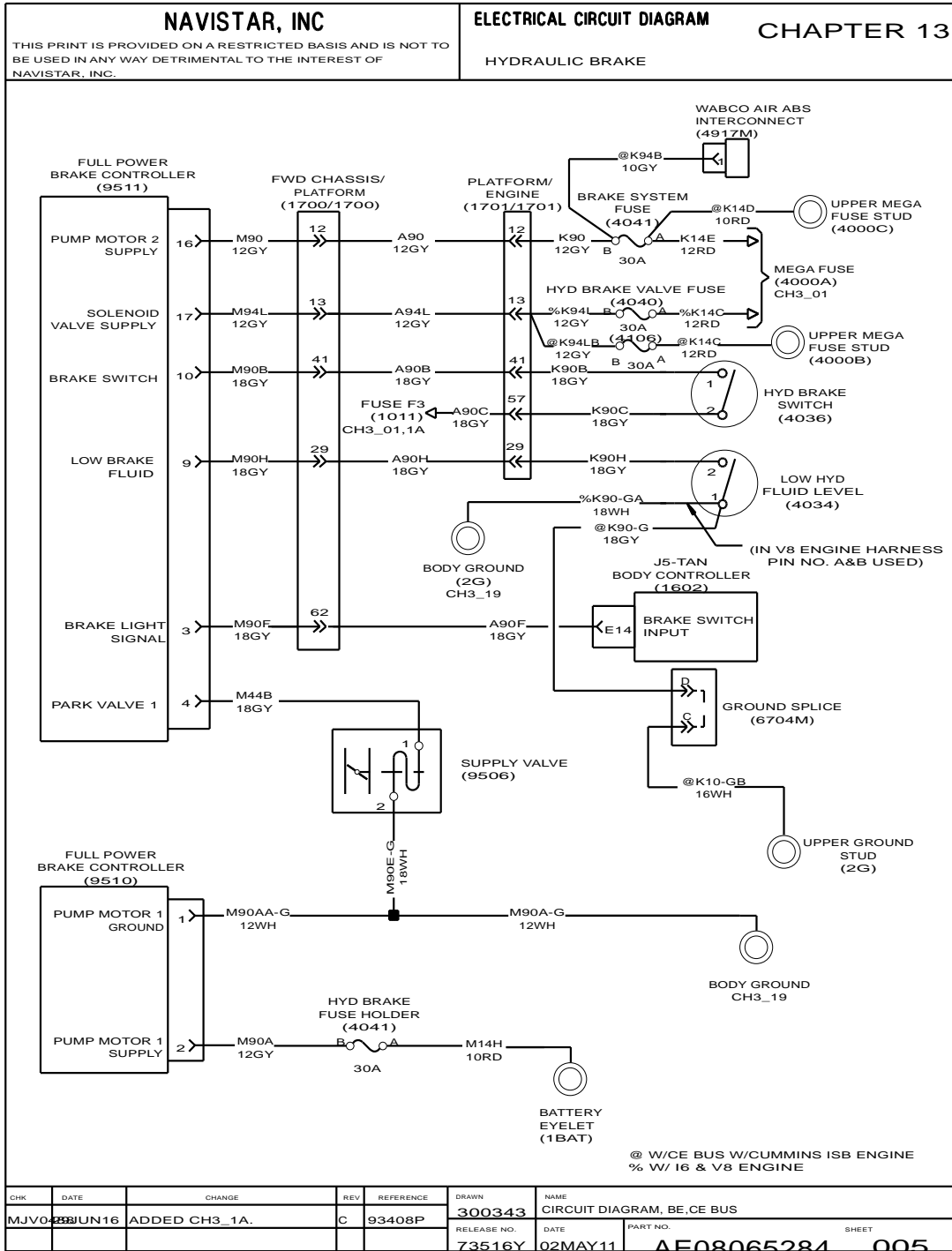


Figure 306 Hydraulic Brake

13.7. AIR PRESSURE INPUT WITH AIR SOURCE ON HYDRAULIC BRAKE, P. 6

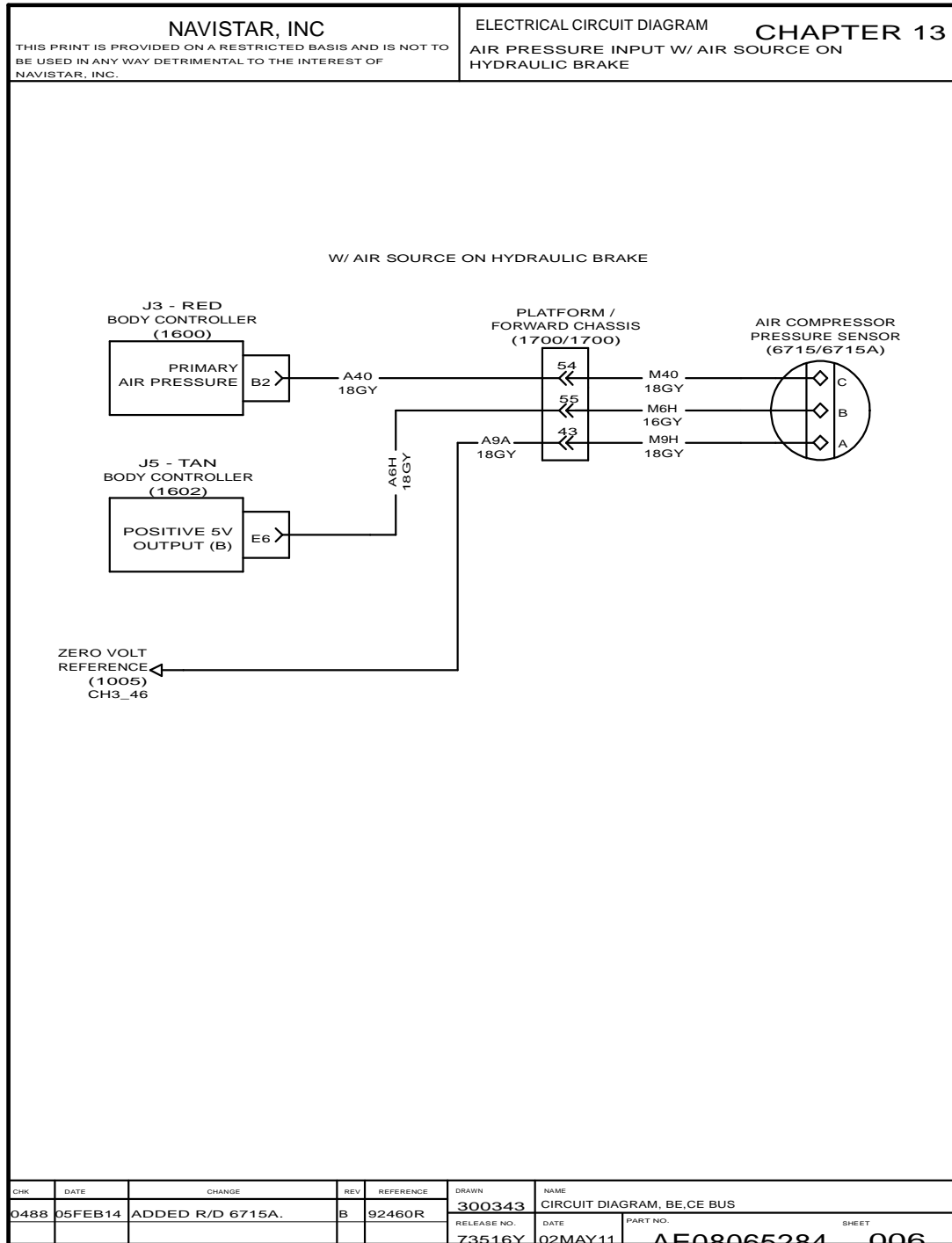


Figure 307 Air Pressure Input with Air Source On Hydraulic Brake

13.8. BENDIX AIR ABS6, P. 7

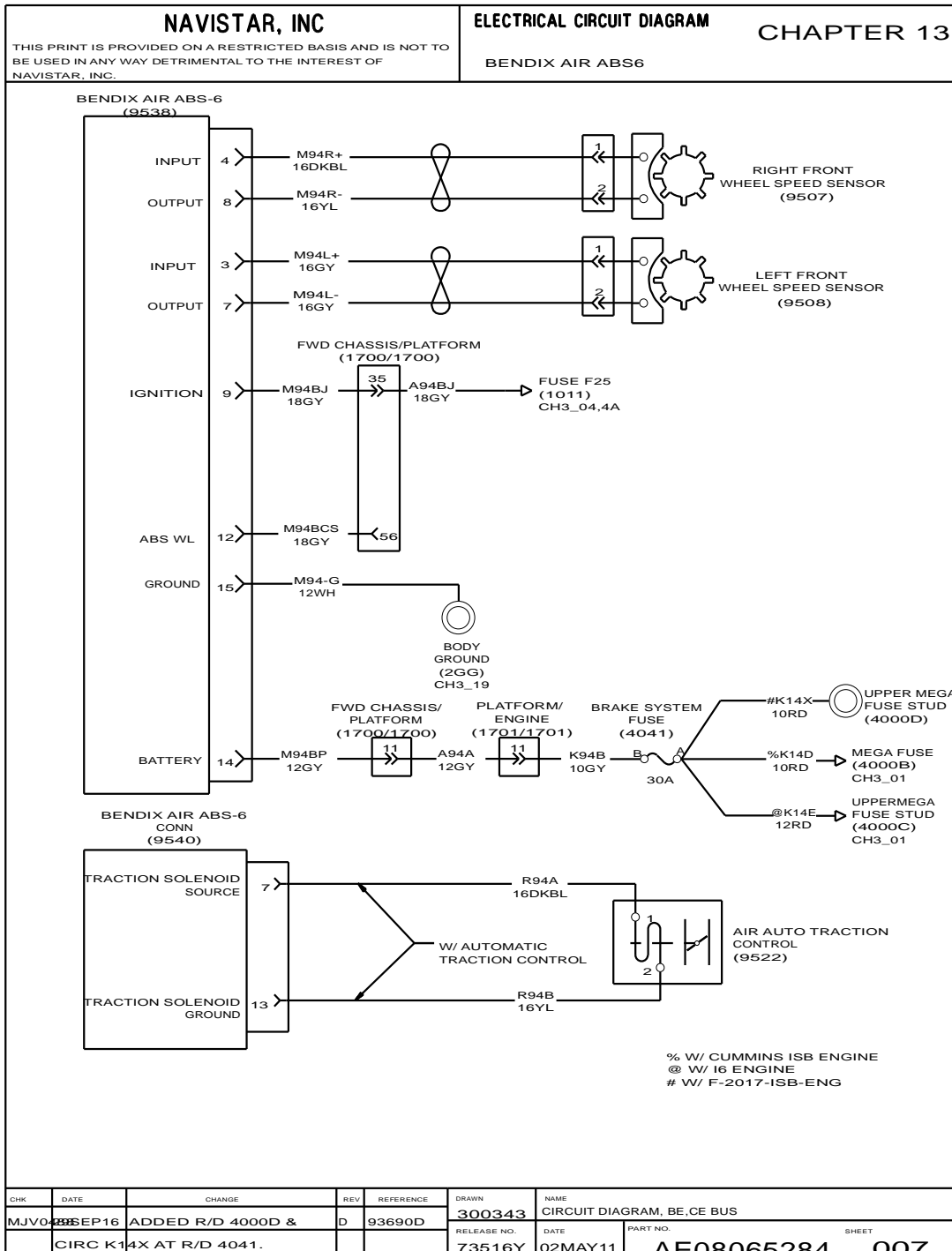


Figure 308 Bendix Air ABS6

13.9. INTENTIONALLY LEFT BLANK, P. 7A

NAVISTAR, INC				ELECTRICAL CIRCUIT DIAGRAM				CHAPTER 13	
THIS PRINT IS PROVIDED ON A RESTRICTED BASIS AND IS NOT TO BE USED IN ANY WAY DETRIMENTAL TO THE INTEREST OF NAVISTAR, INC.				INTENTIONALLY LEFT BLANK					
INTENTIONALLY LEFT BLANK									
CHK	DATE	CHANGE	REV	REFERENCE	DRAWN	NAME			
MJVO	03NOV16	INITIAL RELEASE.	A	93448J	MJV0370	CIRCUIT DIAGRAM, BE,CE BUS			
					RELEASE NO.	DATE	PART NO.	SHEET	
					93448J	03NOV16	AE08065284	07A	

Figure 309 Intentionally Left Blank

13.10. BENDIX AIR ABS6 WITH CE BUS WITH PROPANE, P. 7B

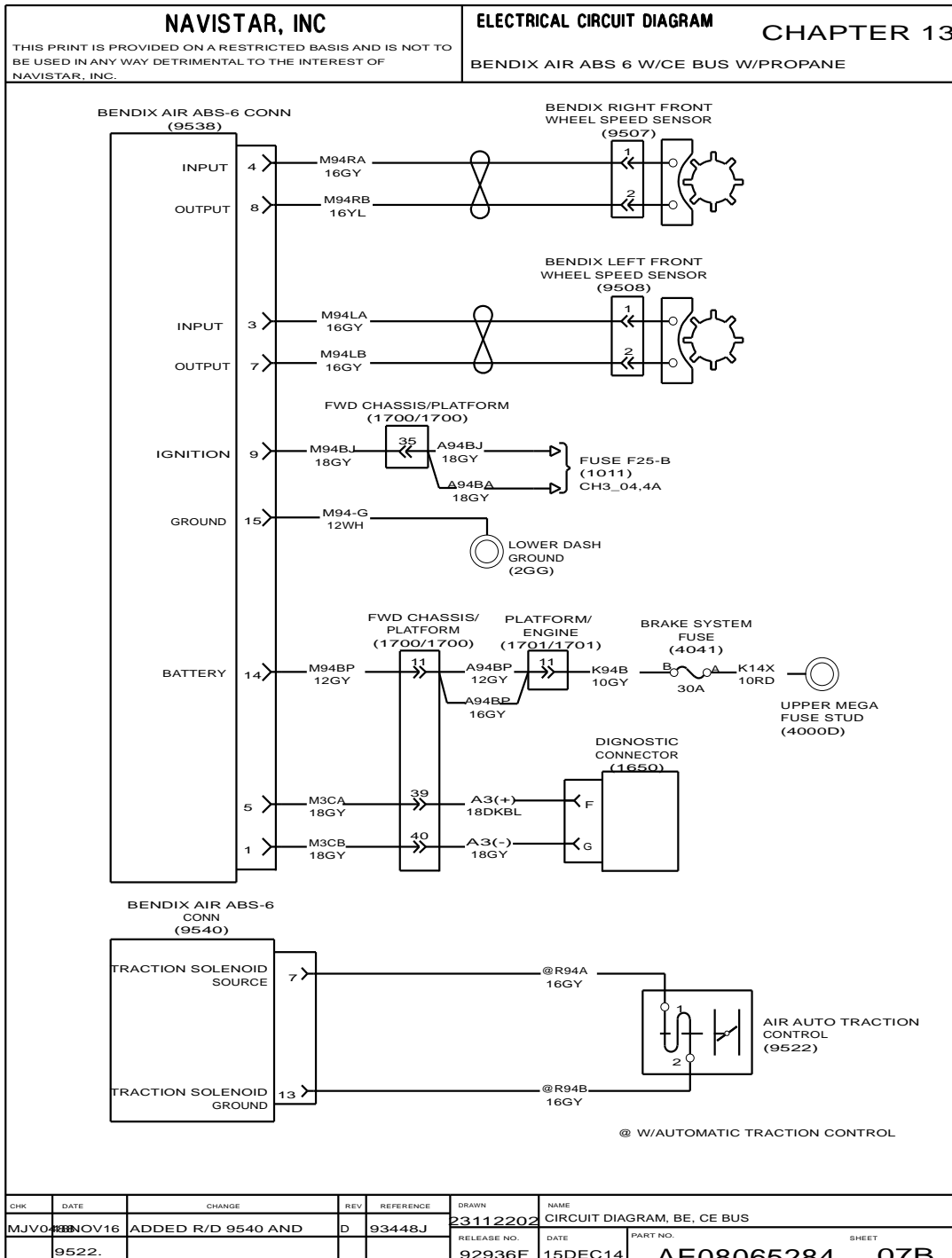
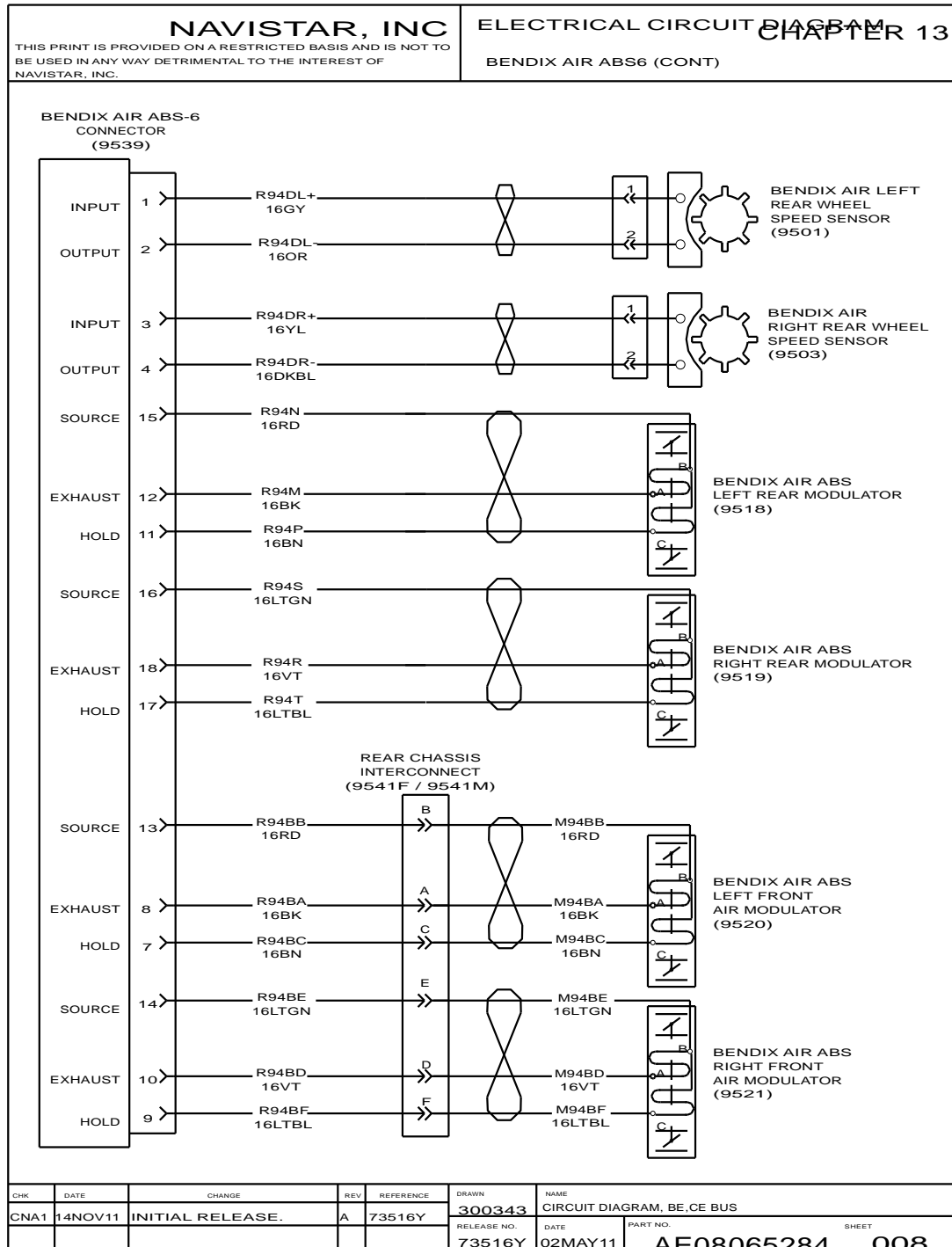


Figure 310 Bendix Air ABS6 with CE Bus with Propane

13.11. BENDIX AIR ABS6 (CONT.), P. 8



13.12. BENDIX AIR ABS6 (CONT.), P. 8A

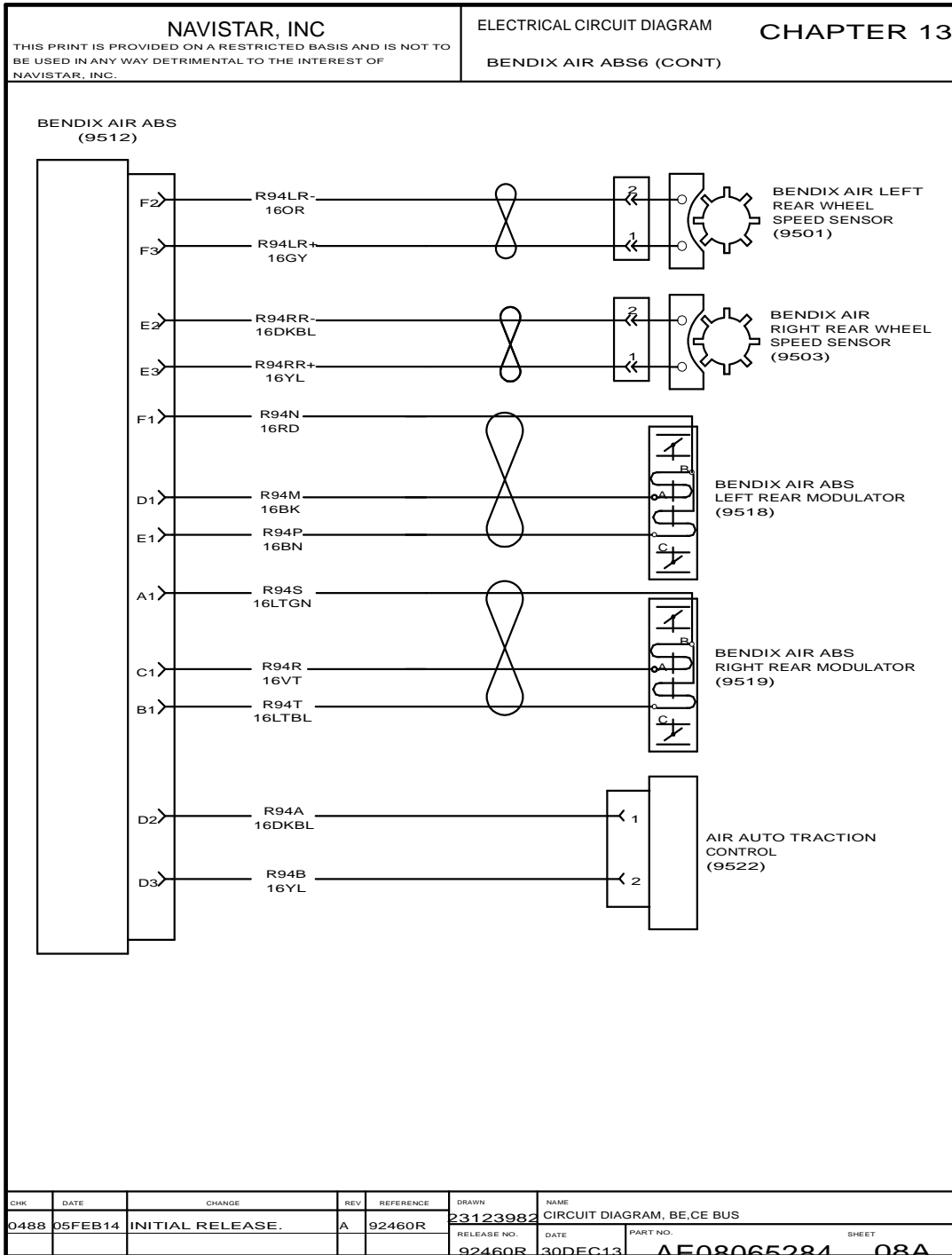


Figure 312 Bendix Air ABS6 (Cont.)

13.13. BENDIX AIR ABS6 WITH CE BUS WITH PROPANE, P. 8B

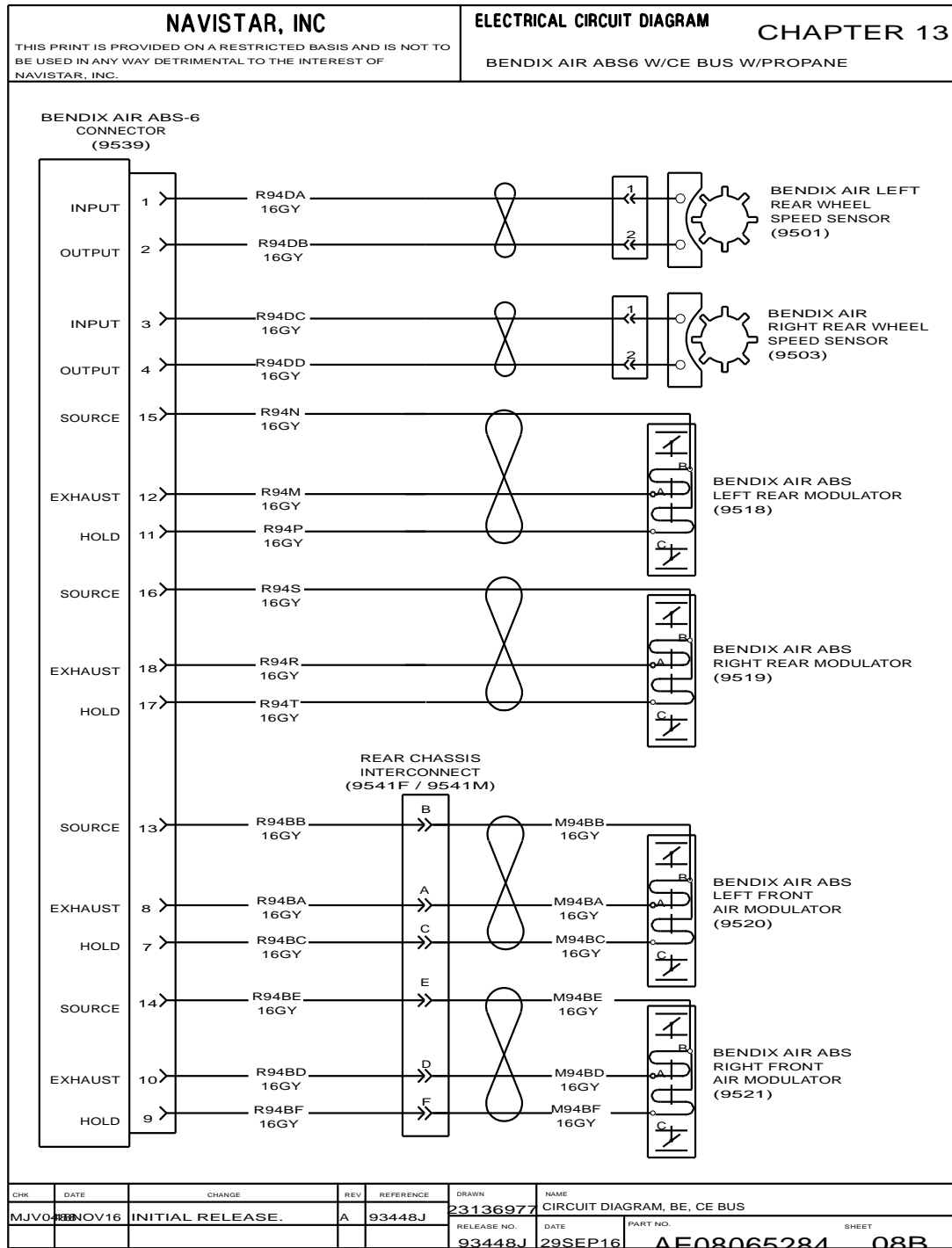


Figure 313 Bendix Air ABS6 with CE Bus with Propane

13.14. AIR PRESSURE INPUT – AIR BRAKE WITH ABS6, P. 9

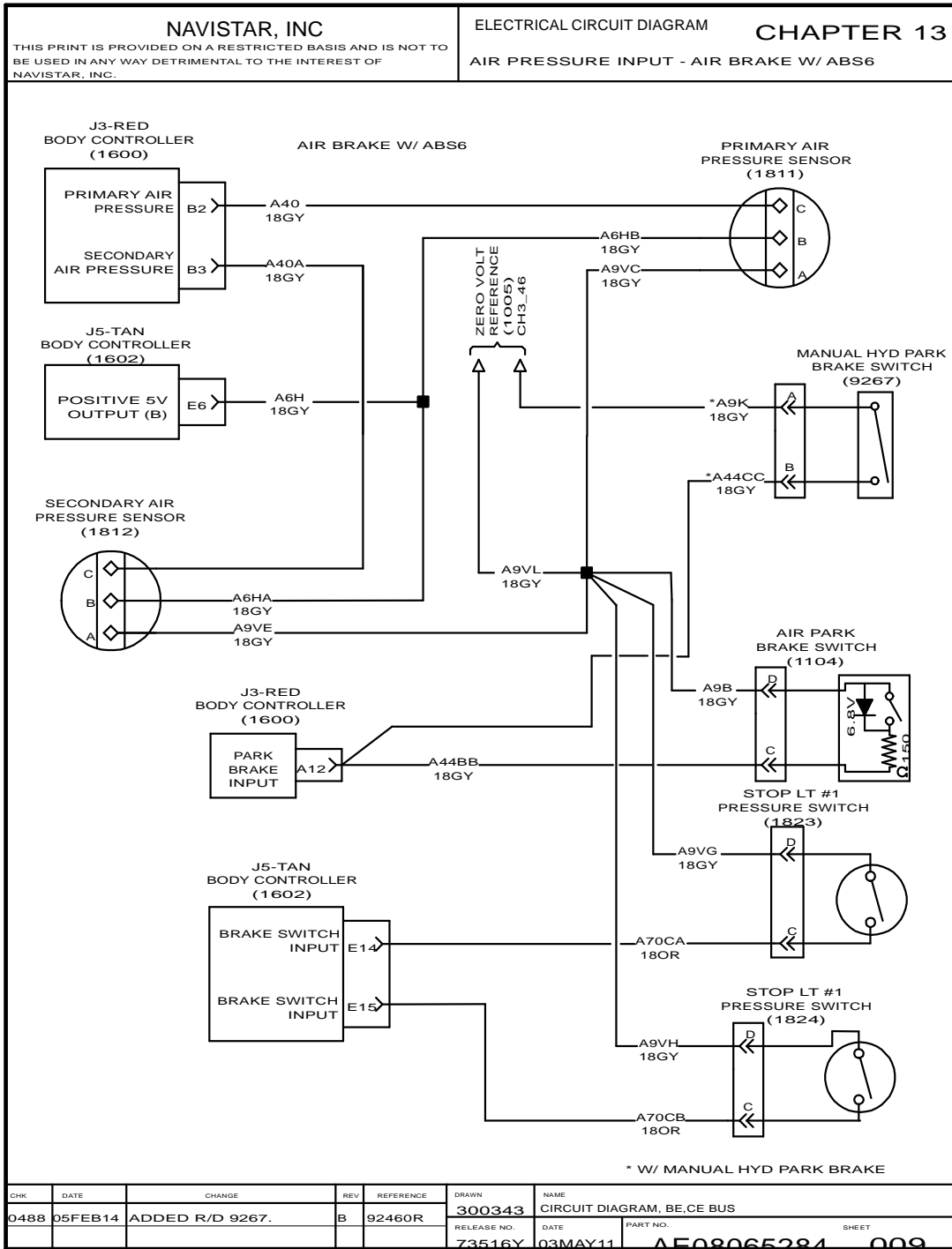


Figure 314 Air Pressure Input – Air Brake with ABS6

13.15. AIR PRESSURE INPUT – AIR BRAKE WITH ABS6 WITH CE BUS WITH PROPANE, P. 9A

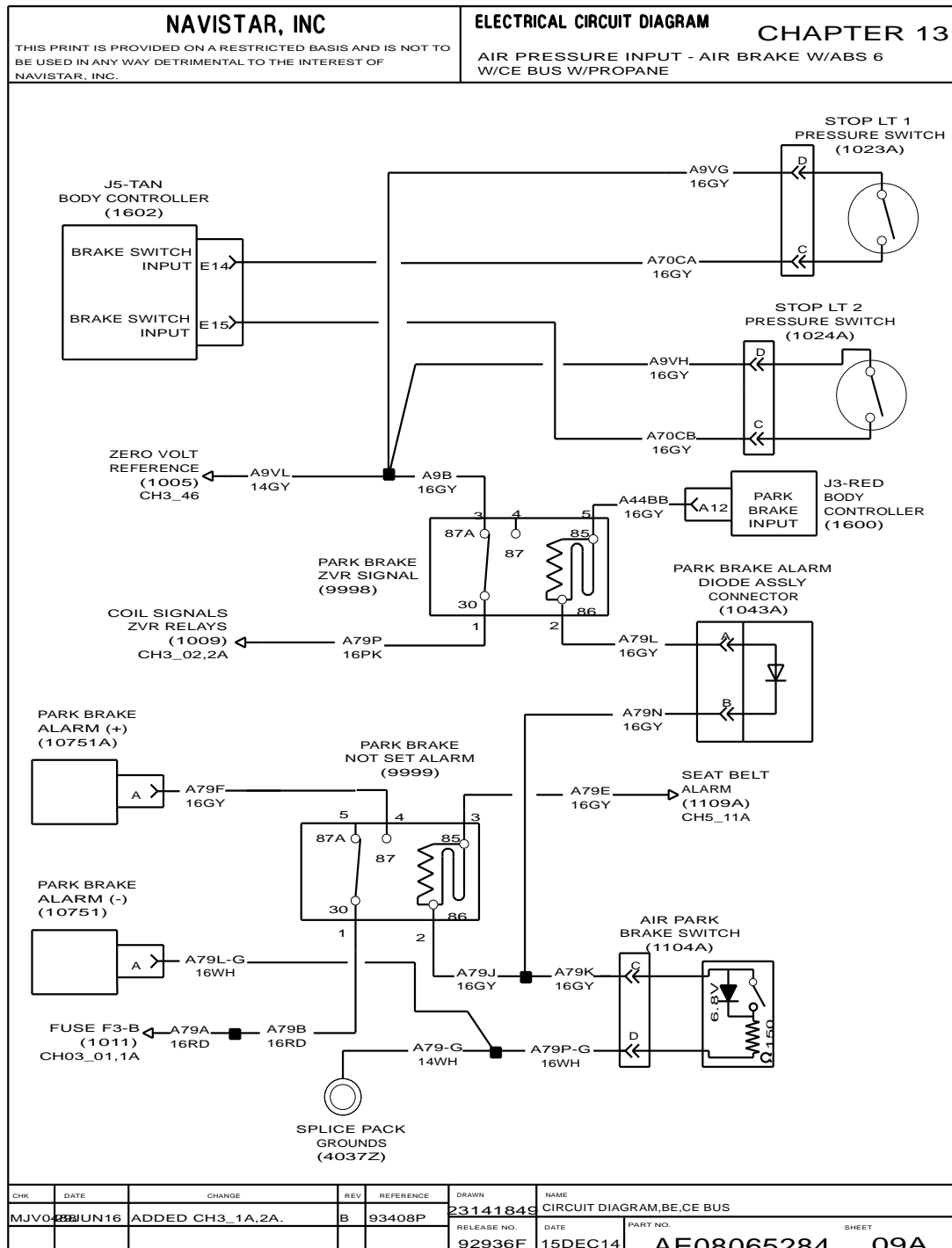


Figure 315 Air Pressure Input – Air Brake with ABS6 with CE Bus with Propane

13.16. AIR PRESSURE INPUT – AIR BRAKE WITH ABS6 WITH CE BUS WITH PROPANE (CONT.), P. 9B

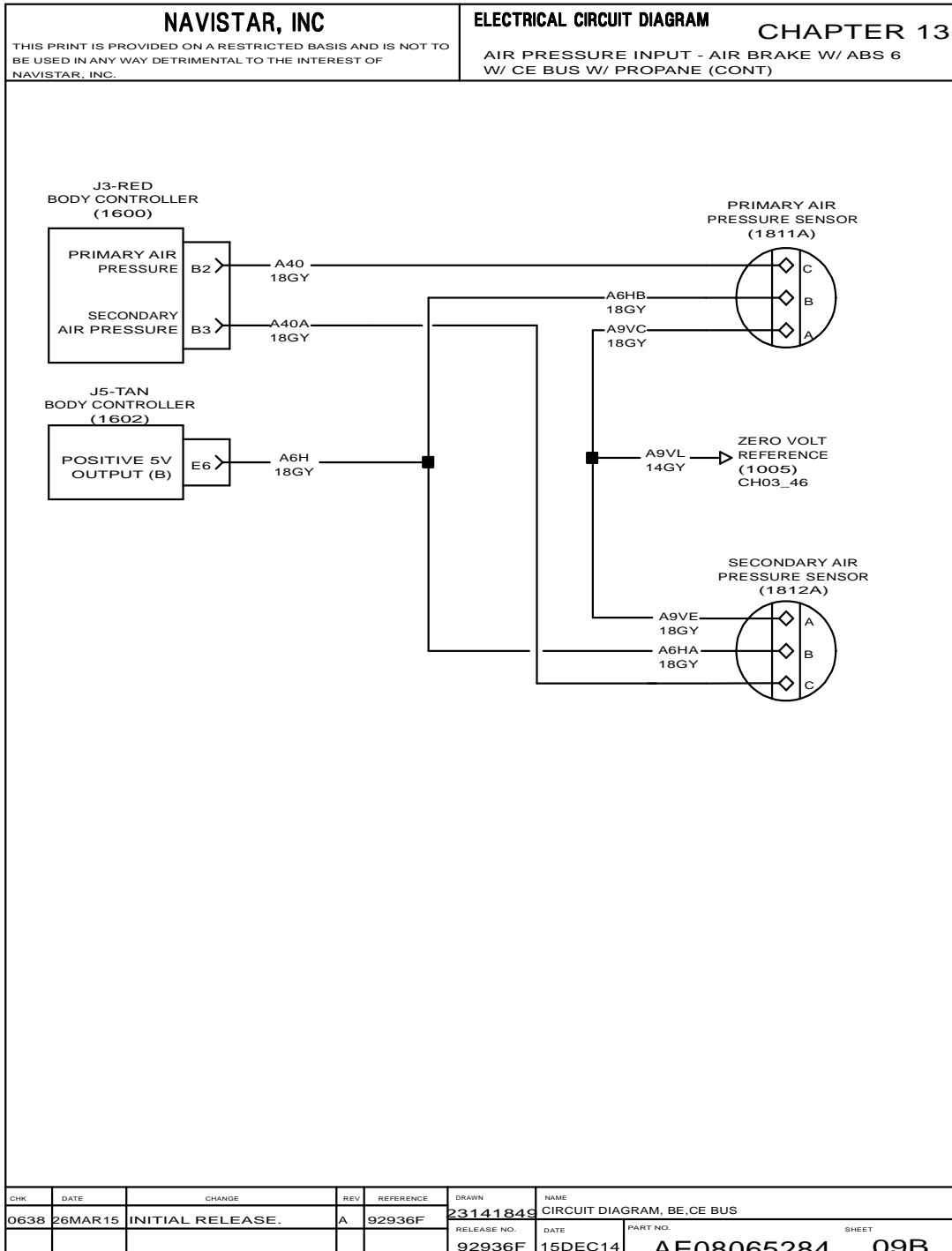


Figure 316 Air Pressure Input – Air Brake with ABS6 with CE Bus with Propane (Cont.)

13.17. BRAKE MONITORING (OPTIONAL), P. 10

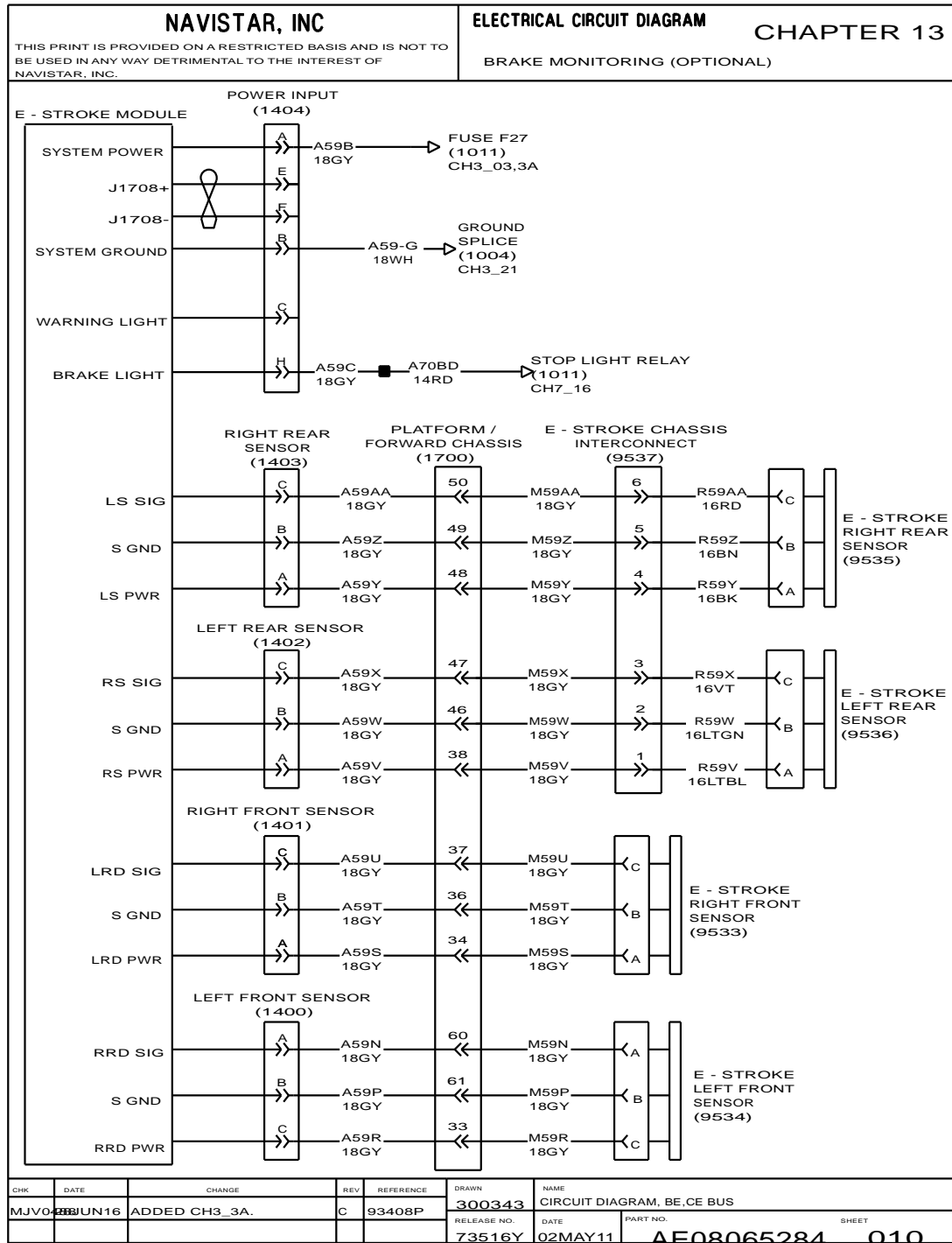


Figure 317 Brake Monitoring (Optional)

13.18. REGEN SWITCH, P. 11

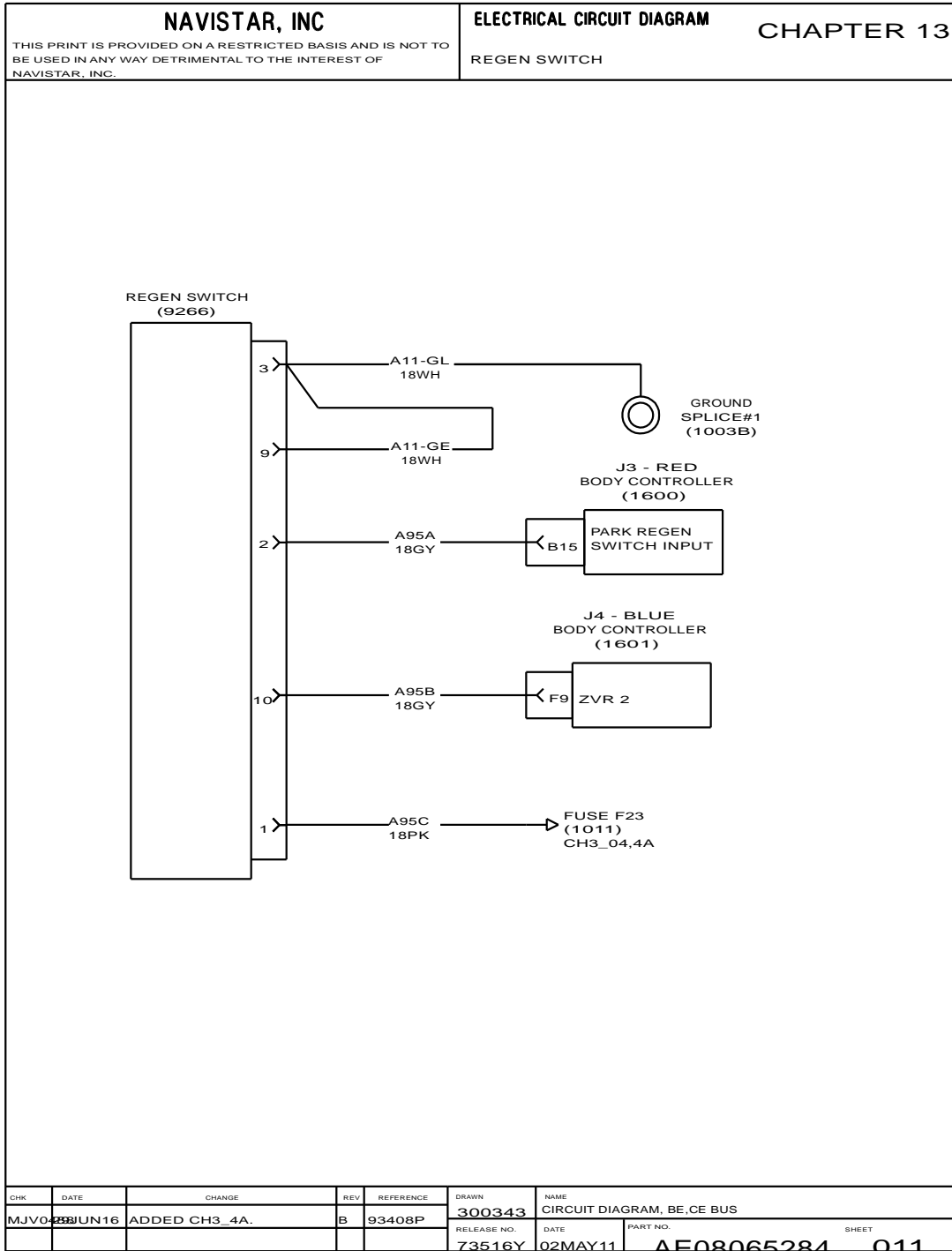


Figure 318 Regen Switch

13.19. PARK BRAKE, P. 12

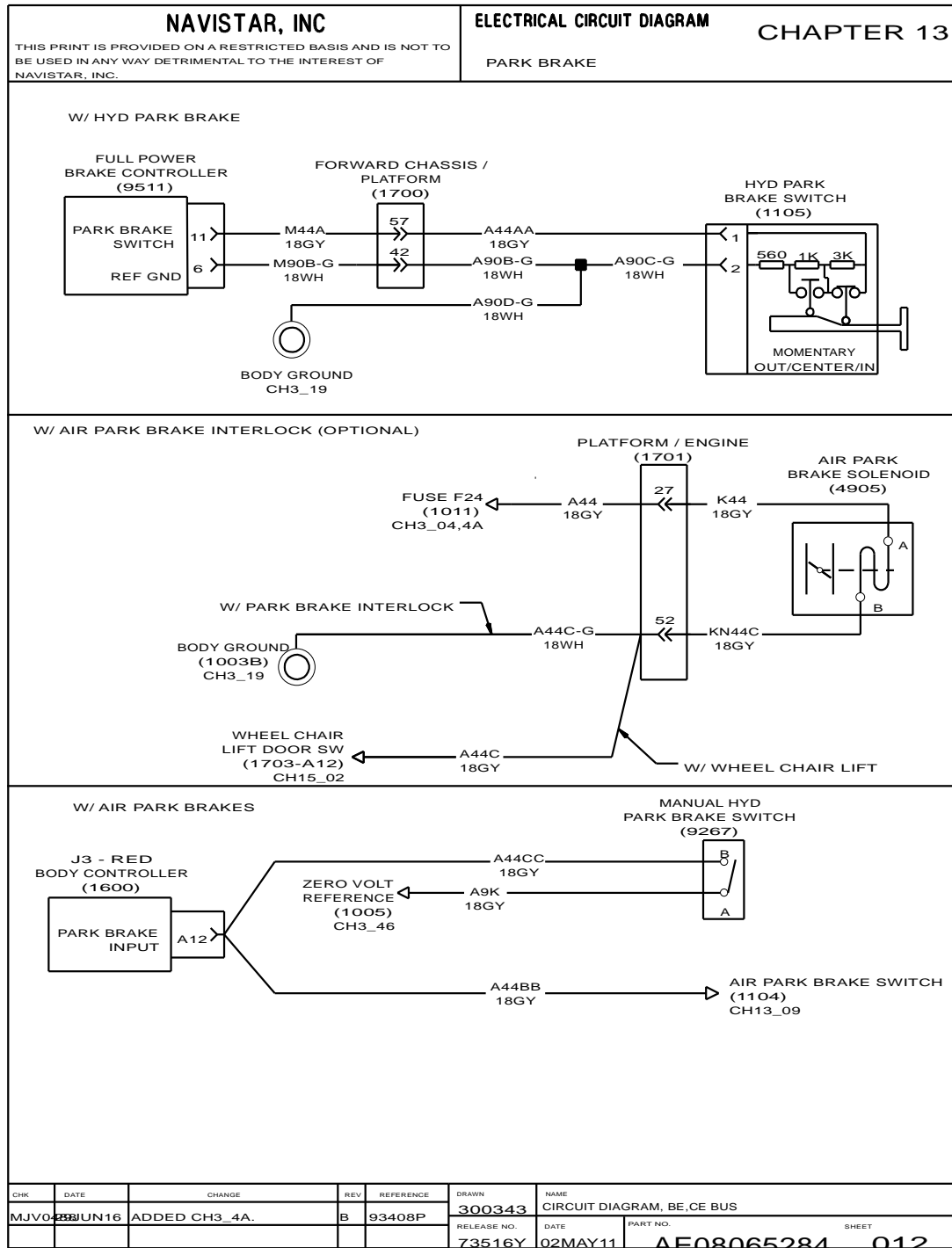


Figure 319 Park Brake

13.20. PARK BRAKE SIGNAL, P. 13

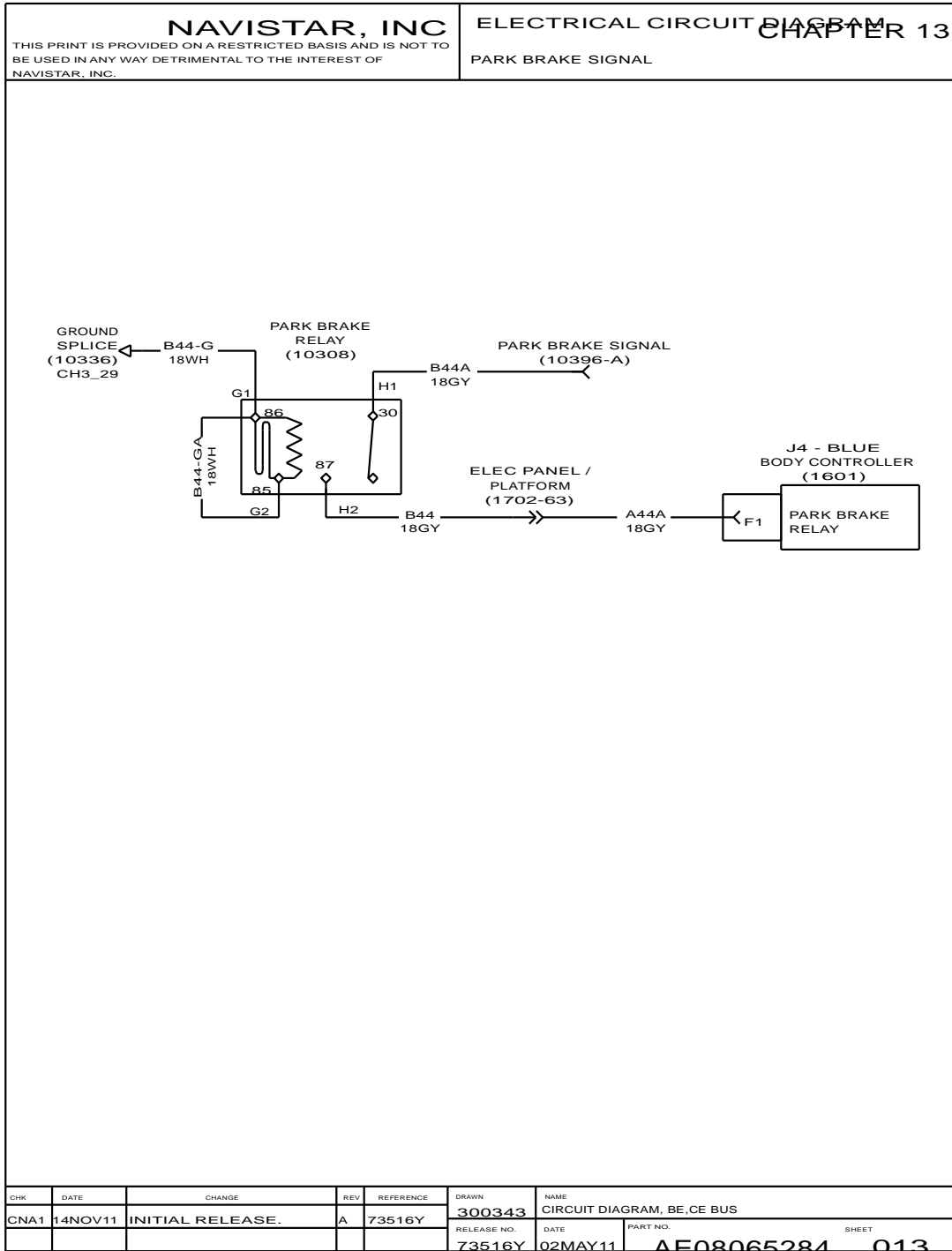


Figure 320 Park Brake Signal

13.21. AIR SOLENOID EFFECTS PLATFORM, P. 14

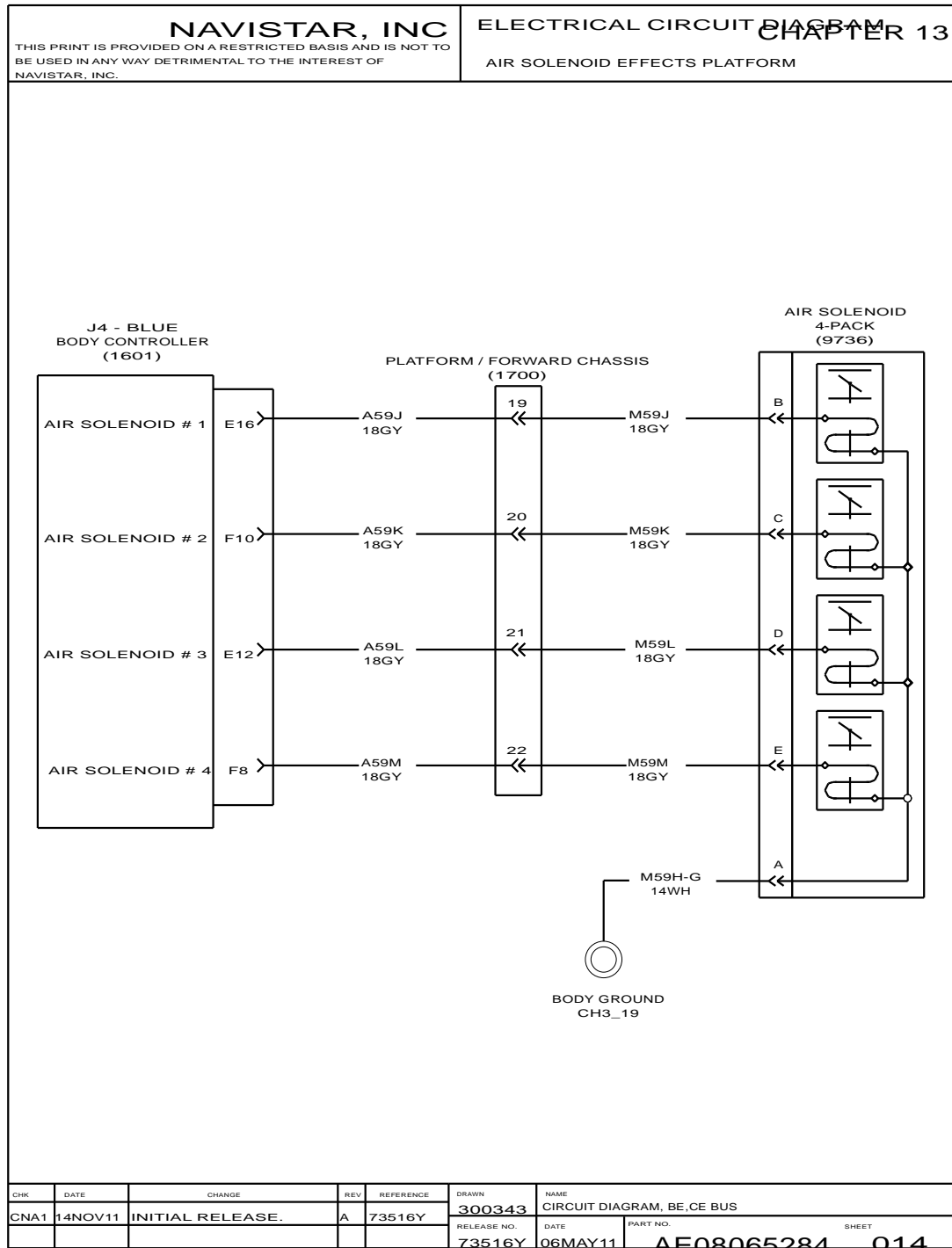


Figure 321 Air Solenoid Effects Platform

13.22. AIR COMPRESSOR EFFECTS – I6 ENGINE, P. 15

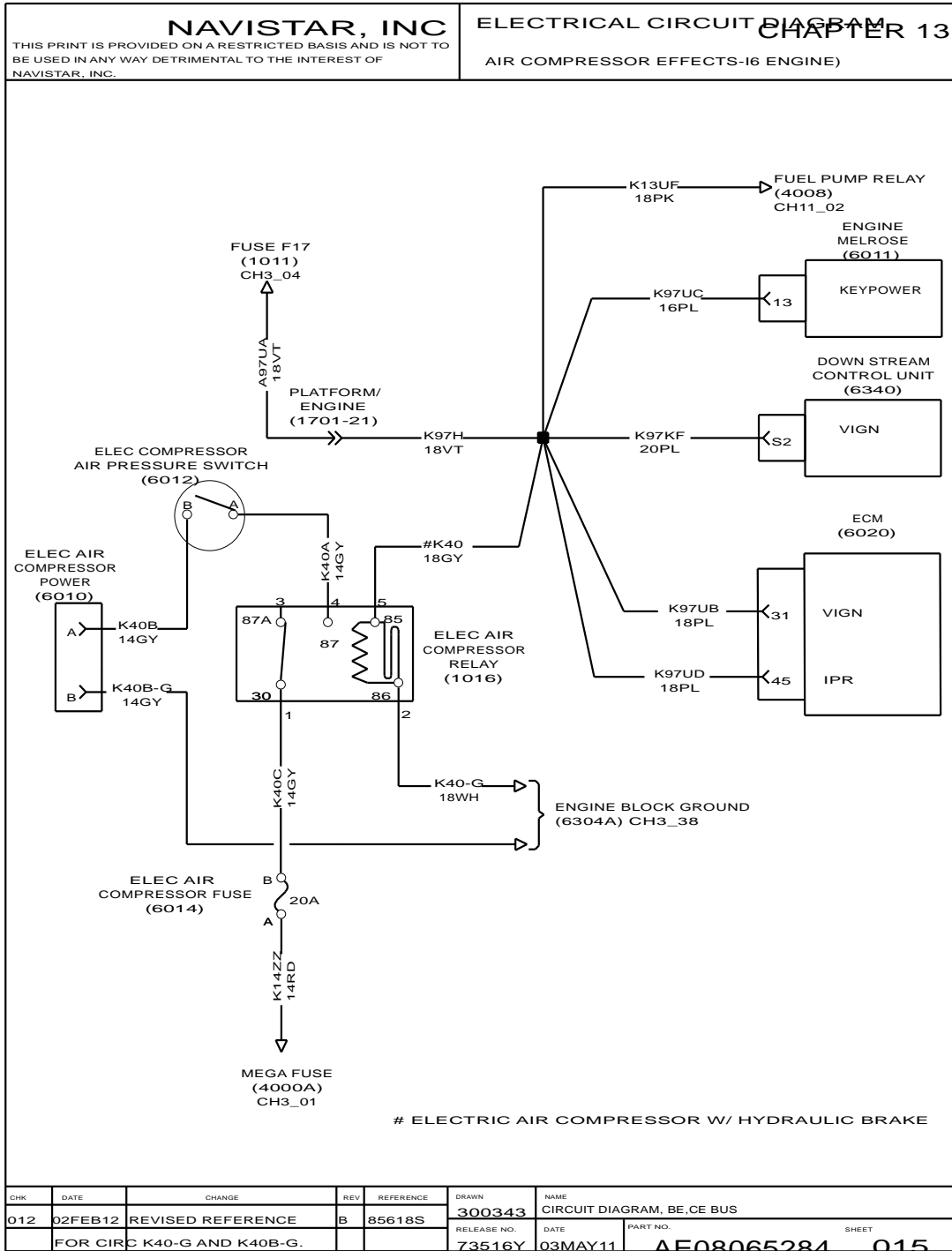


Figure 322 Air Compressor Effects – I6 Engine

13.23. WINDSHIELD WIPER AND WASHER, HIGH BEAM, FLASH TO PASS AND TURN SIGNAL SYSTEM, P. 16

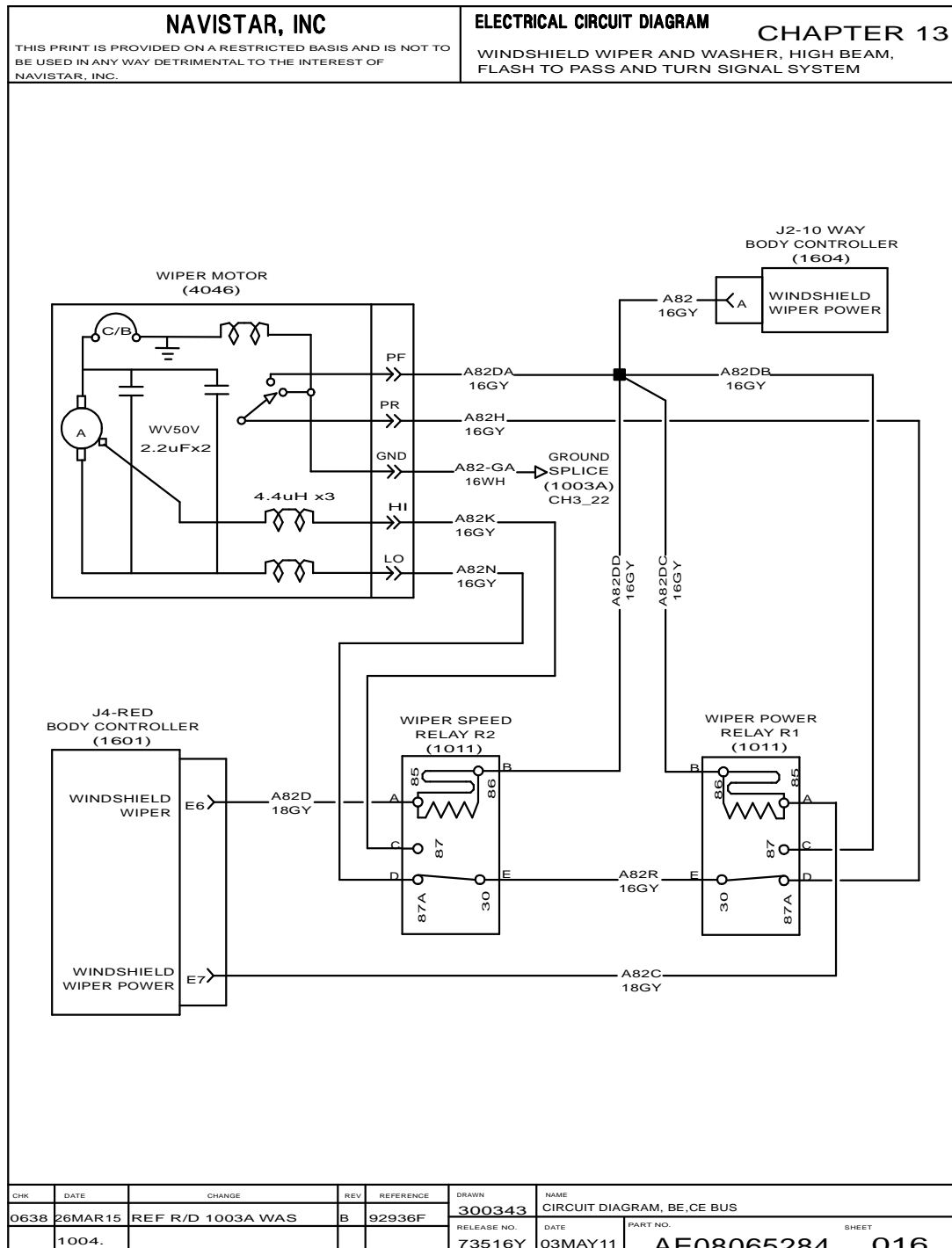


Figure 323 Windshield Wiper and Washer, High Beam, Flash To Pass and Turn Signal System

13.24. WINDSHIELD WIPER AND WASHER, HIGH BEAM, FLASH TO PASS AND TURN SIGNAL SYSTEM (CONT.), P. 17

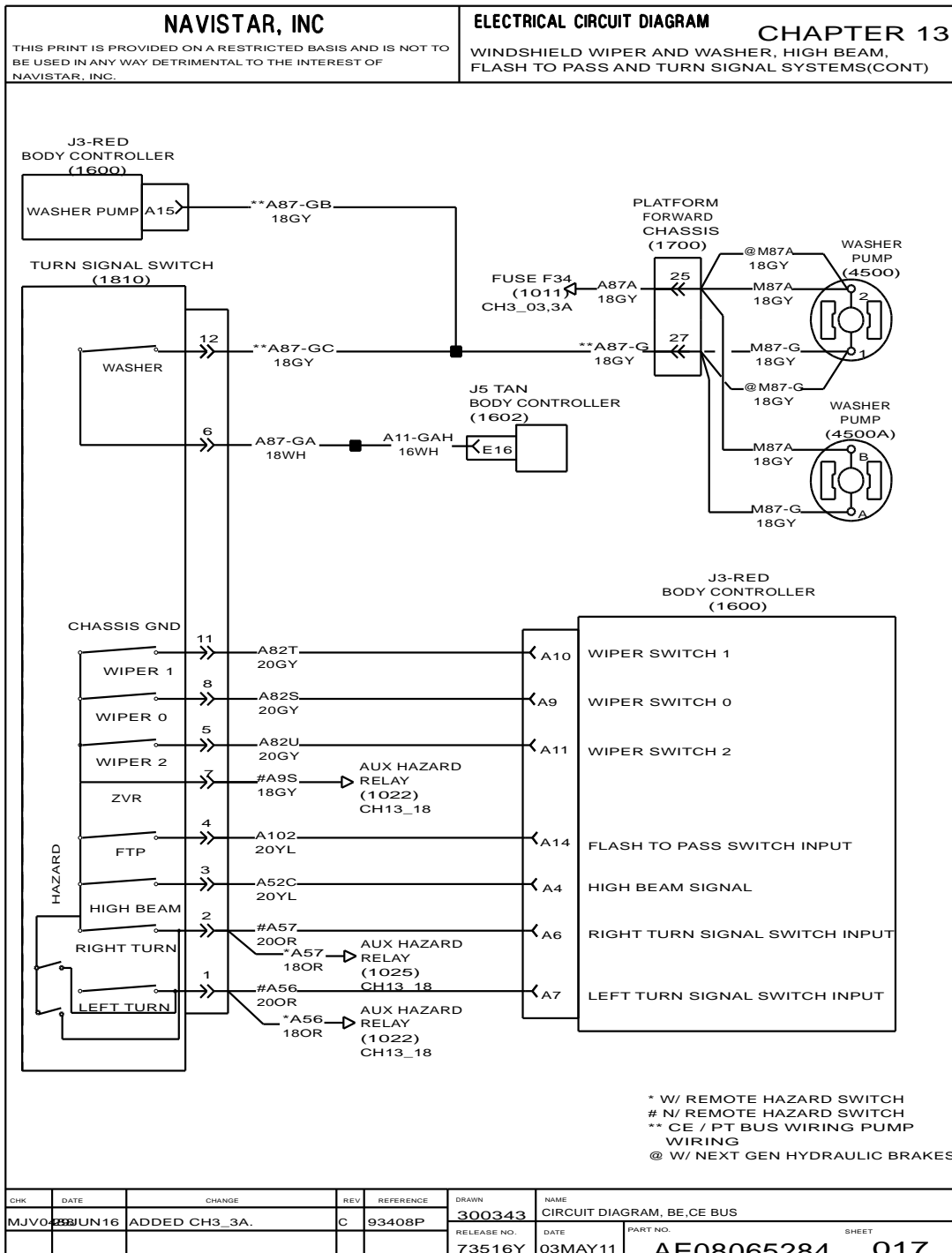


Figure 324 Windshield Wiper and Washer, High Beam, Flash To Pass and Turn Signal System (Cont.)

13.25. REMOTE HAZARD SWITCH EFFECTS, P. 18

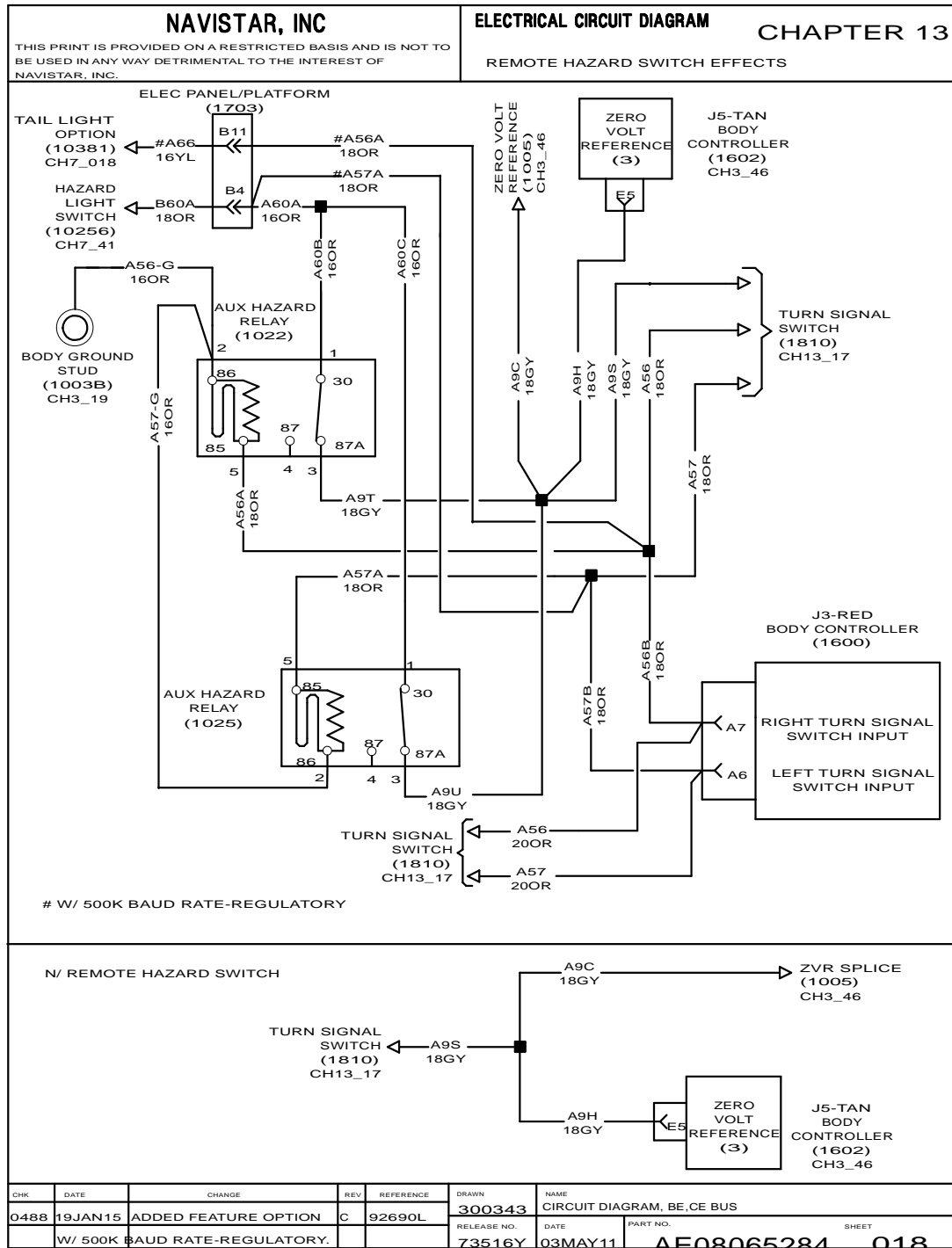


Figure 325 Remote Hazard Switch Effects

13.26. AIR HORN, P. 19

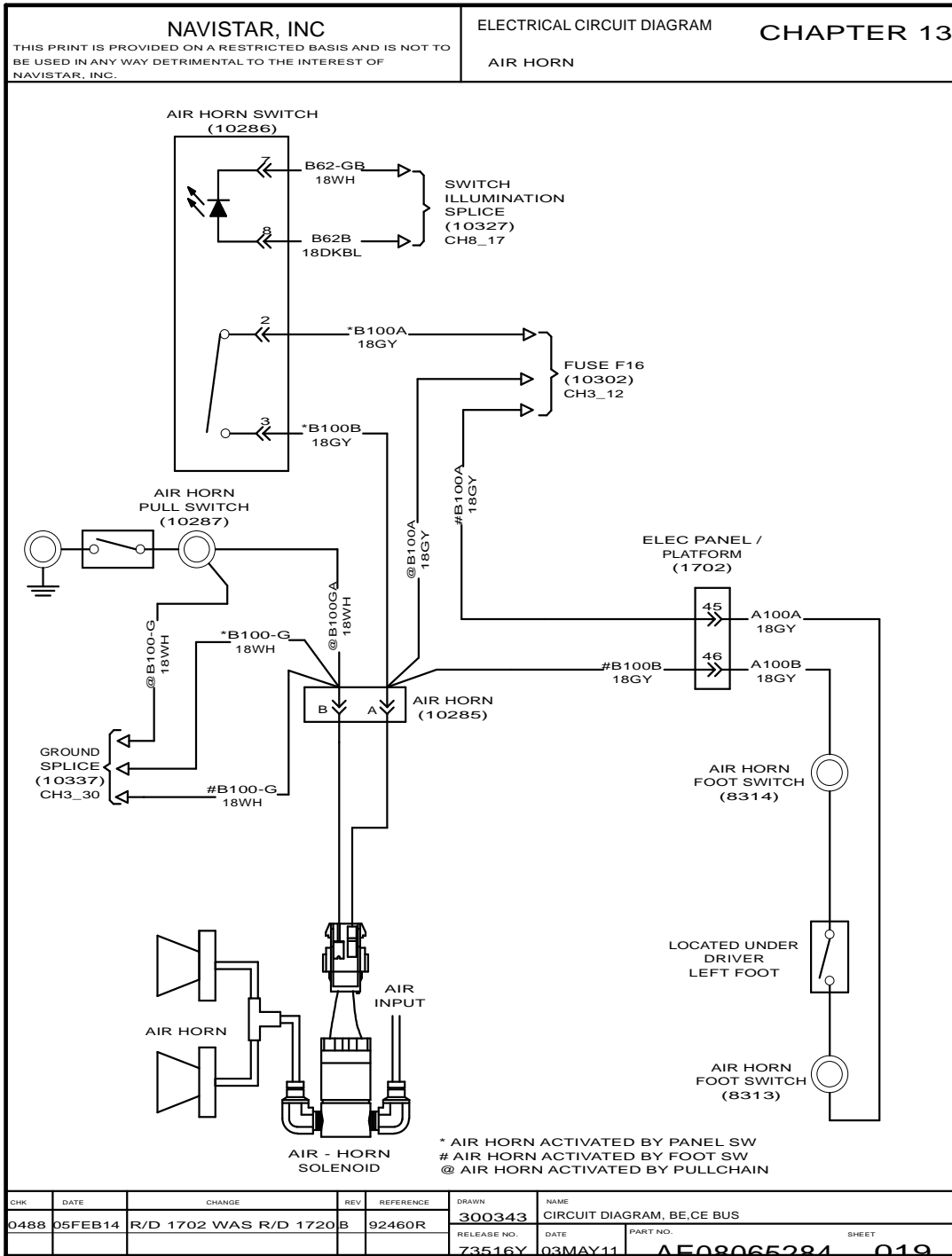


Figure 326 Air Horn

13.27. TRACTION AIDS, P. 20

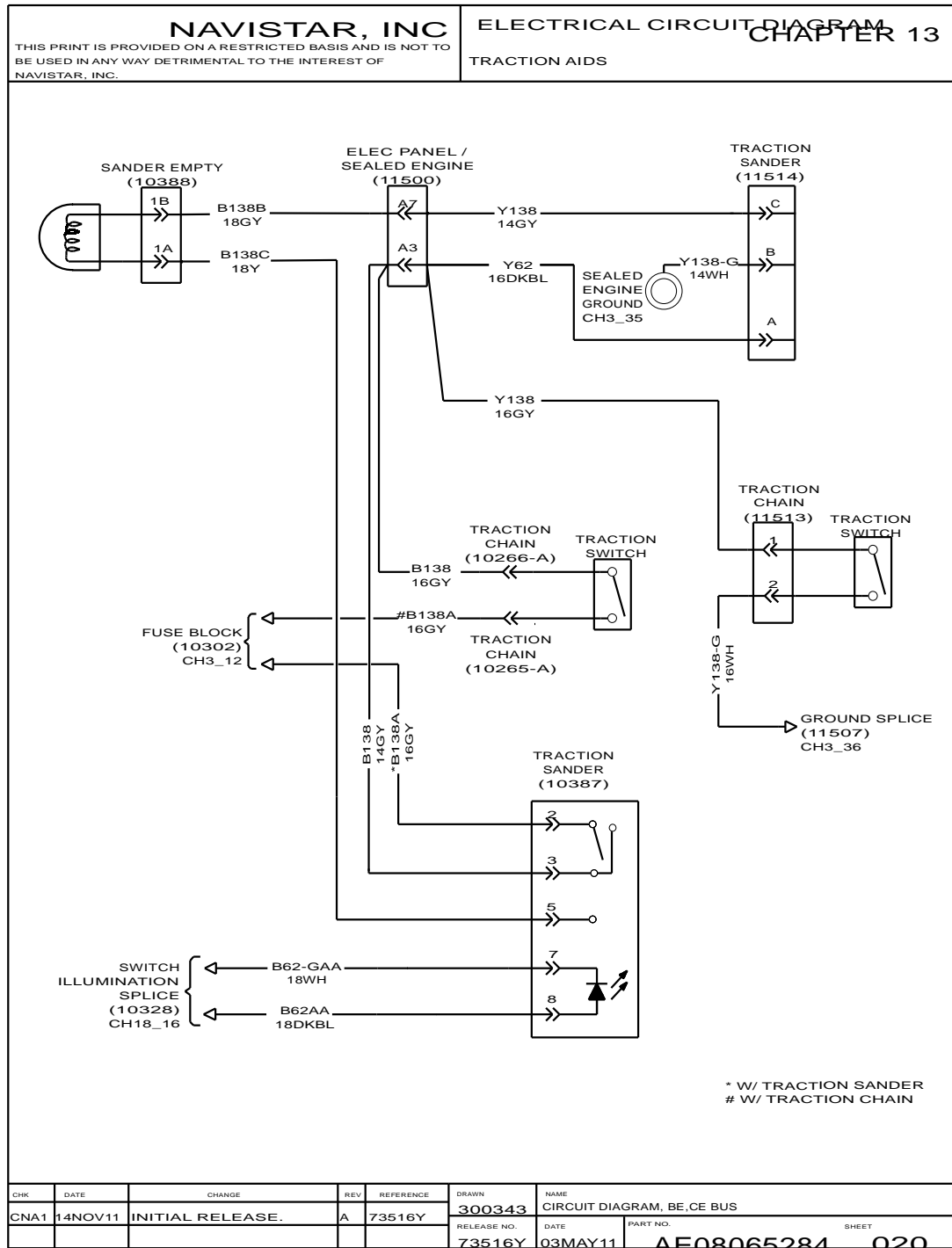


Figure 327 Traction Aids

13.28. SPARE TIRE WINCH, P. 21

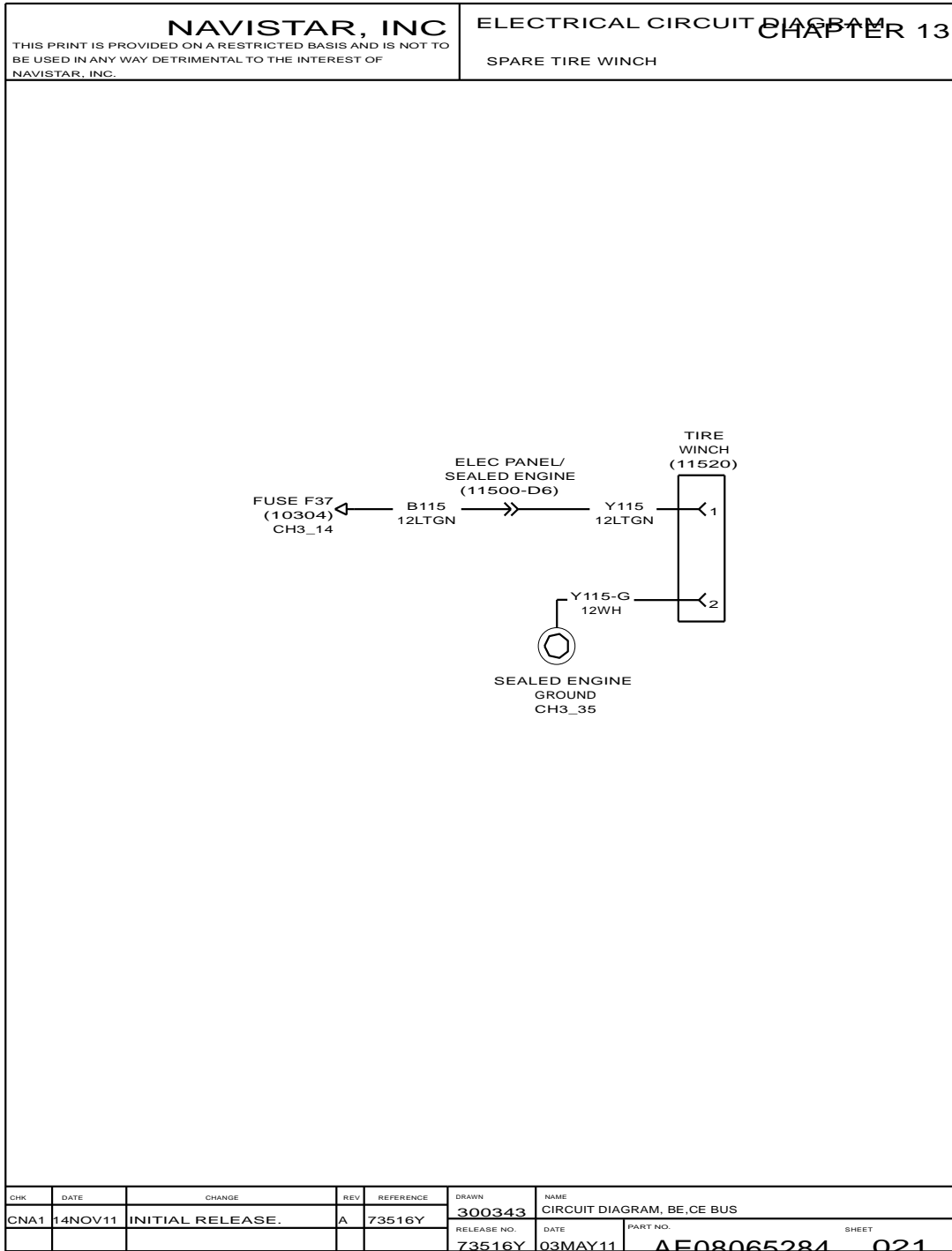


Figure 328 Spare Tire Winch

13.29. HEATED WIPER BLADE, P. 22

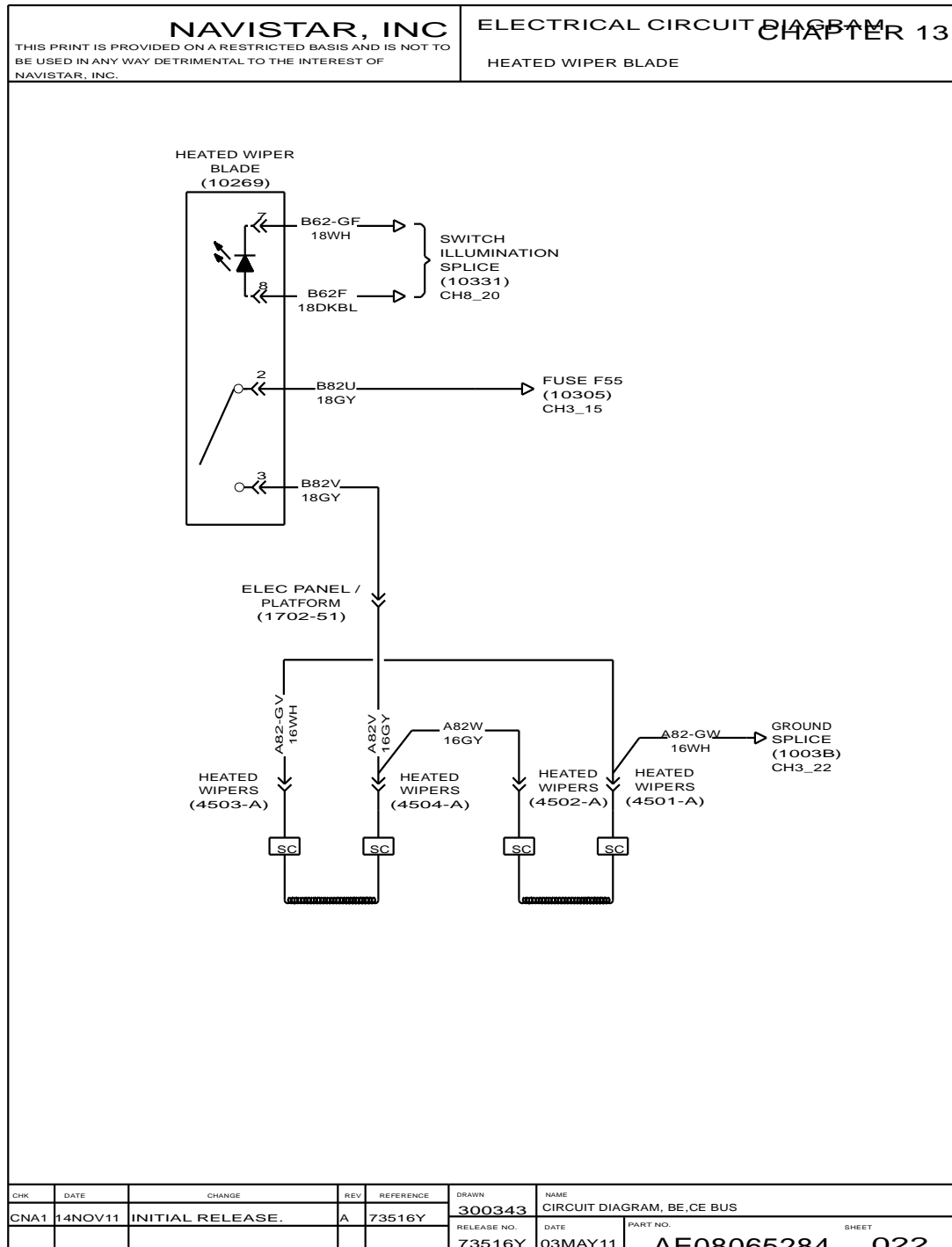


Figure 329 Heated Wiper Blade

CHK	DATE	CHANGE	REV	REFERENCE	DRAWN	NAME		
CNA1	14NOV11	INITIAL RELEASE.	A	73516Y	300343	CIRCUIT DIAGRAM, BE,CE BUS		
					RELEASE NO.	DATE	PART NO.	SHEET
					73516Y	03MAY11	AE08065284	022

13.30. FIRE SUPPRESSION SYSTEM, P. 23

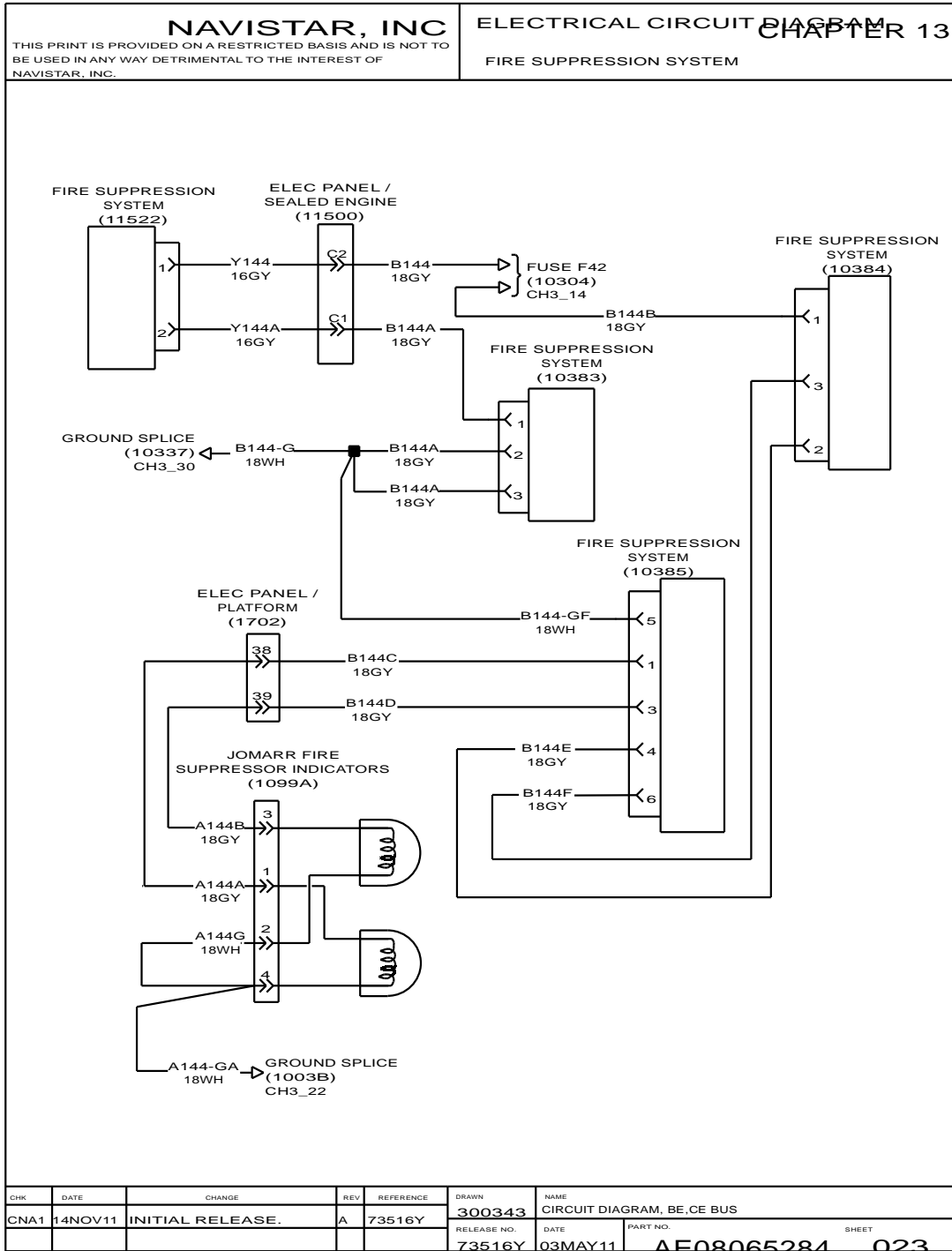


Figure 330 Fire Suppression System

13.31. FIRE SUPPRESSION SYSTEM (CONT.), P. 24

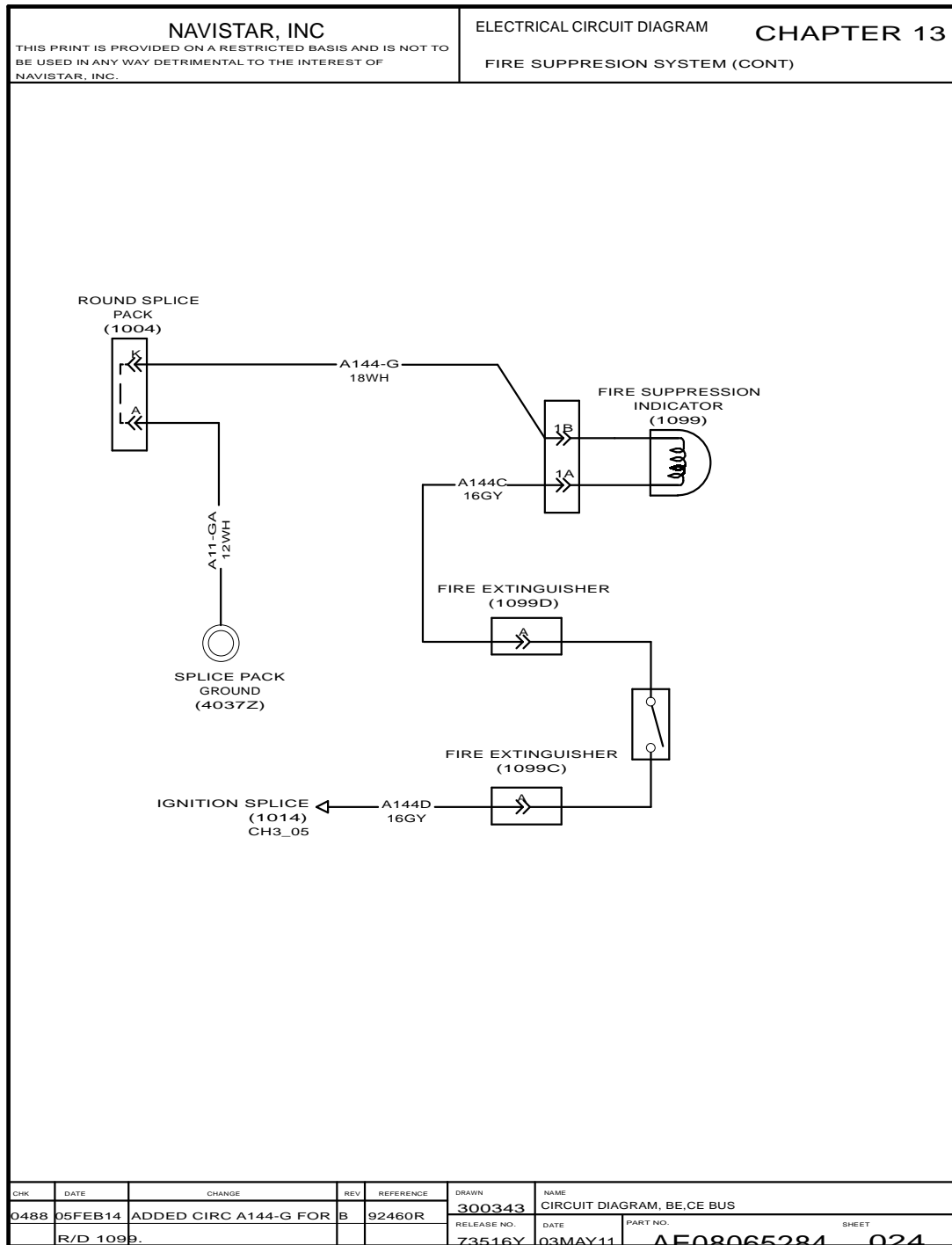


Figure 331 Fire Suppression System (Cont.)

13.32. FIRE SUPPRESSION SYSTEM WITH 12 AND 13 WINDOW BUS, P. 25

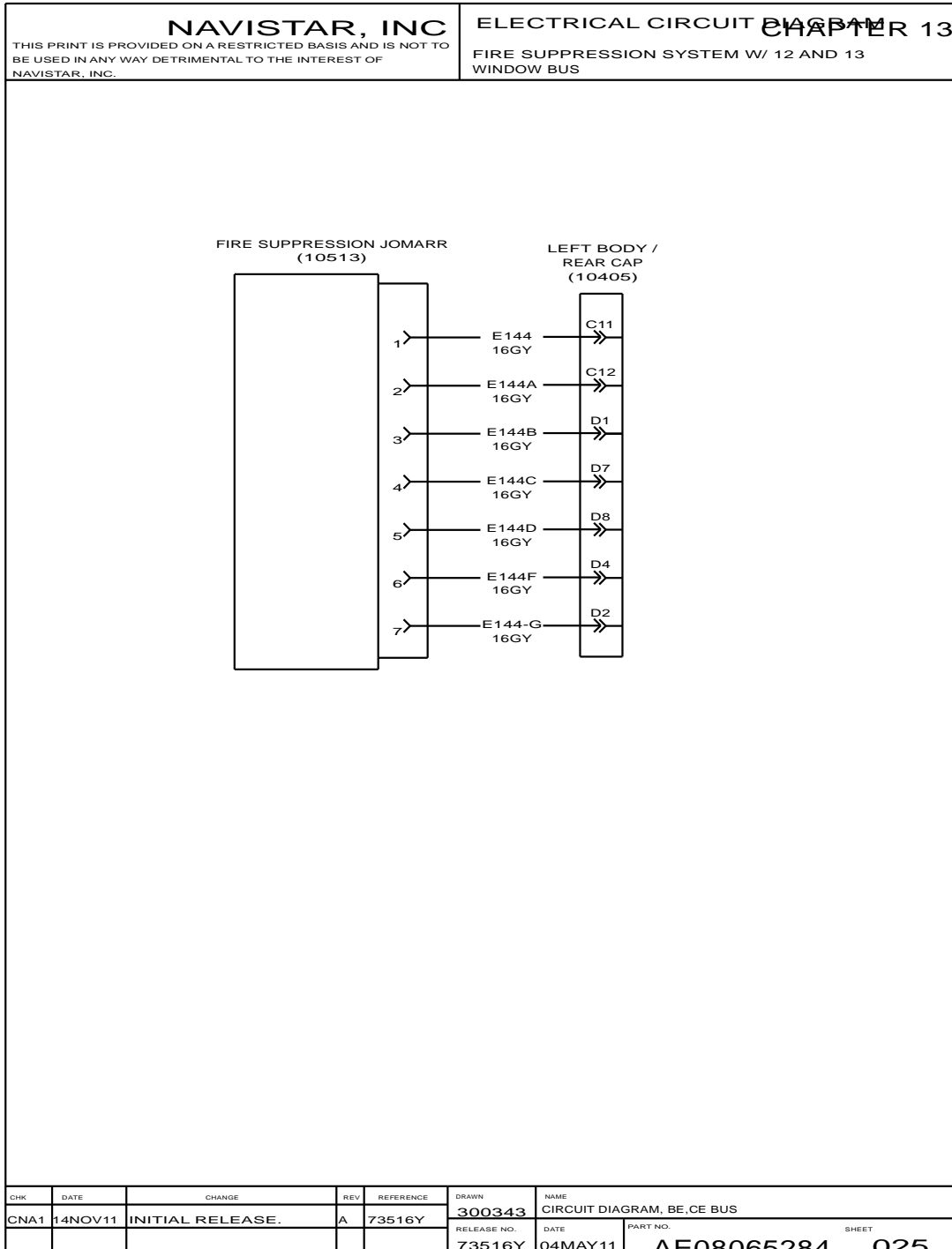


Figure 332 Fire Suppression System with 12 and 13 Window Bus

13.33. PASSENGER PULL CORD WITH 12 AND 13 WINDOW BUS, P. 26

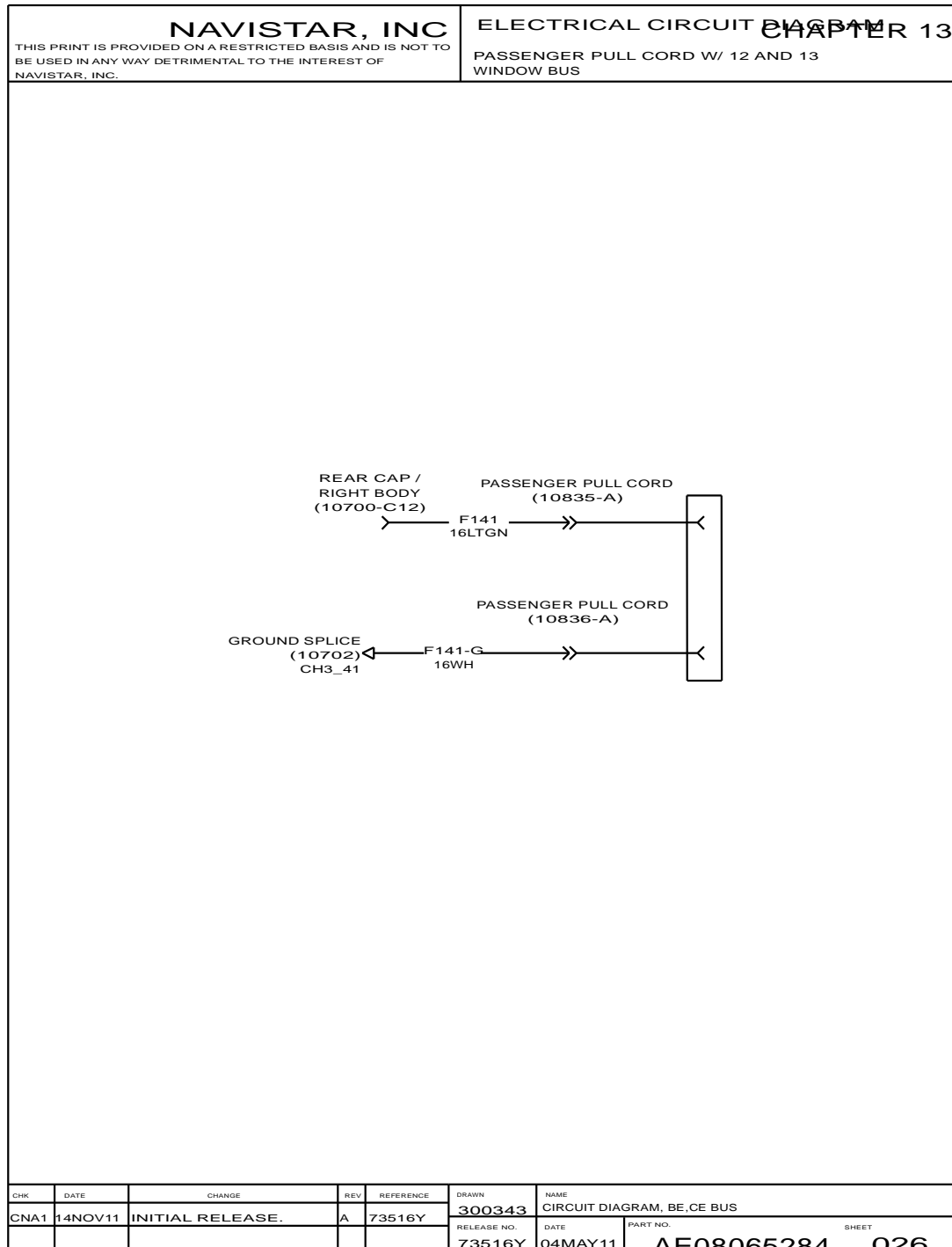


Figure 333 Passenger Pull Cord with 12 and 13 Window Bus

13.34. WABCO AIR ABS, P. 27

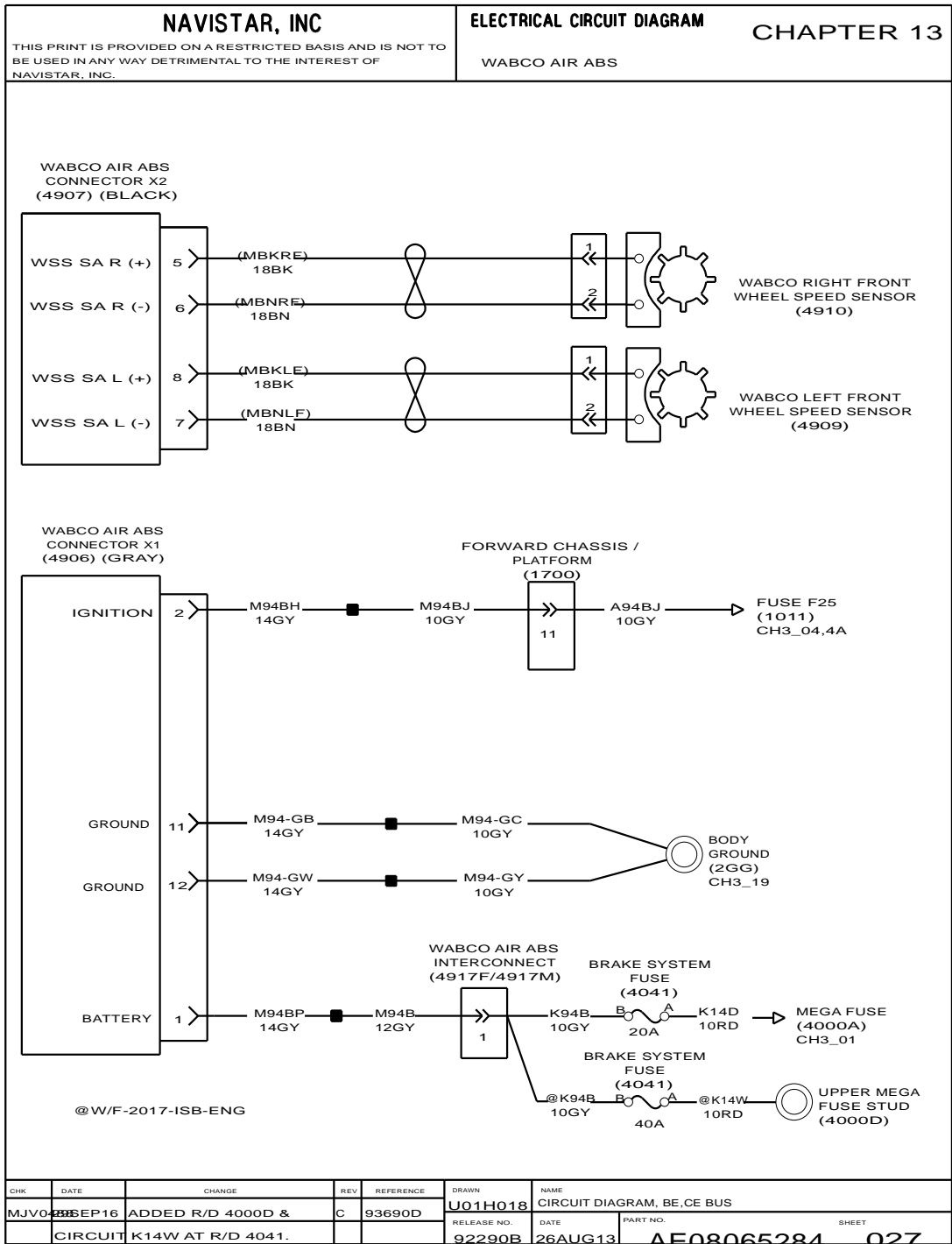


Figure 334 WABCO Air ABS

13.35. WABCO AIR ABS (CONT.), P. 28

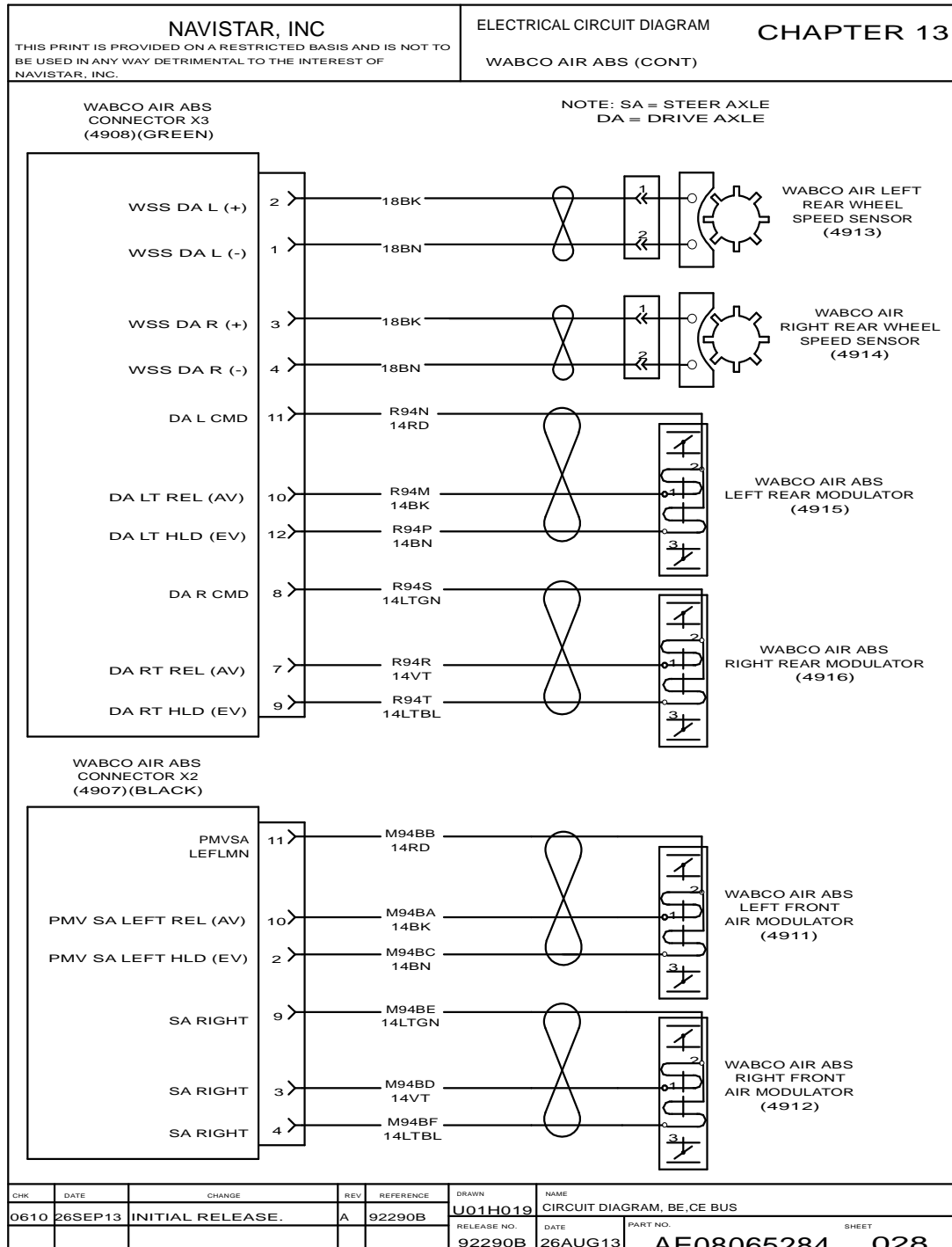


Figure 335 WABCO Air ABS (Cont.)

13.36. NEXT GENERATION HYDRAULIC BRAKES WPPB, P. 29

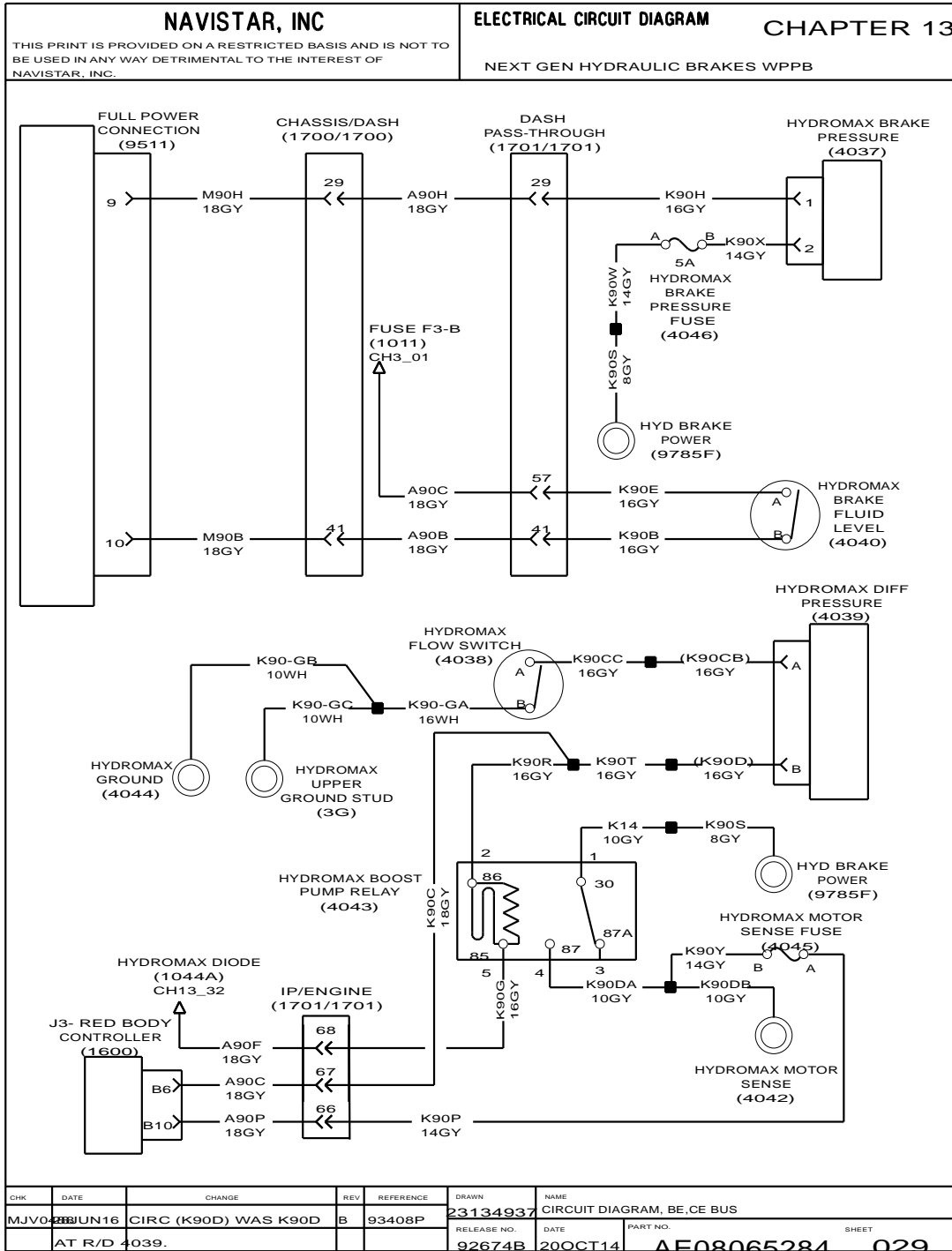


Figure 336 Next Generation Hydraulic Brakes WPPB

13.37. NEXT GENERATION HYDRAULIC BRAKES WPPB (CONT.), P. 30

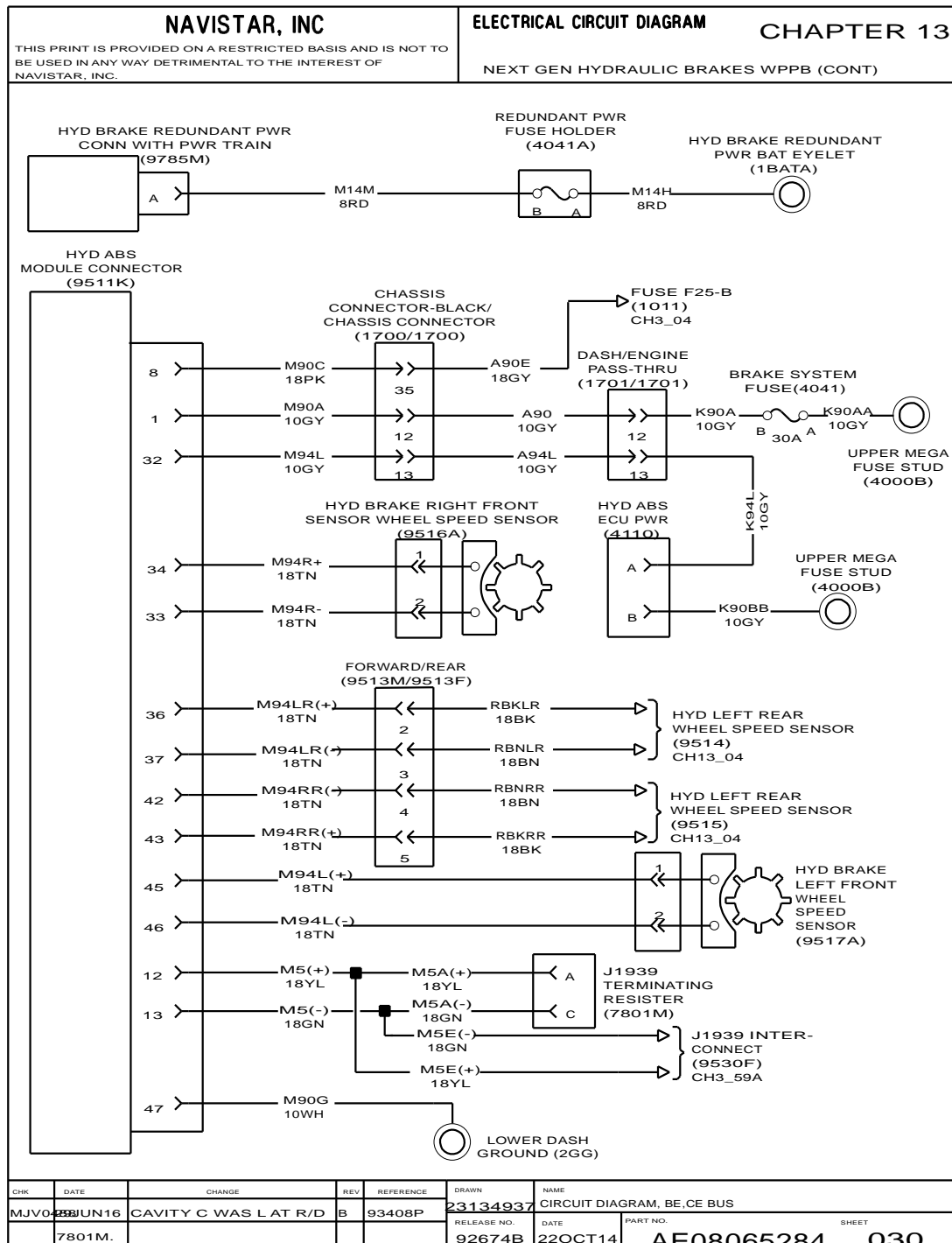


Figure 337 Next Generation Hydraulic Brakes WPPB (Cont.)

13.38. NEXT GENERATION HYDRAULIC BRAKES WPPB (CONT.), P. 31

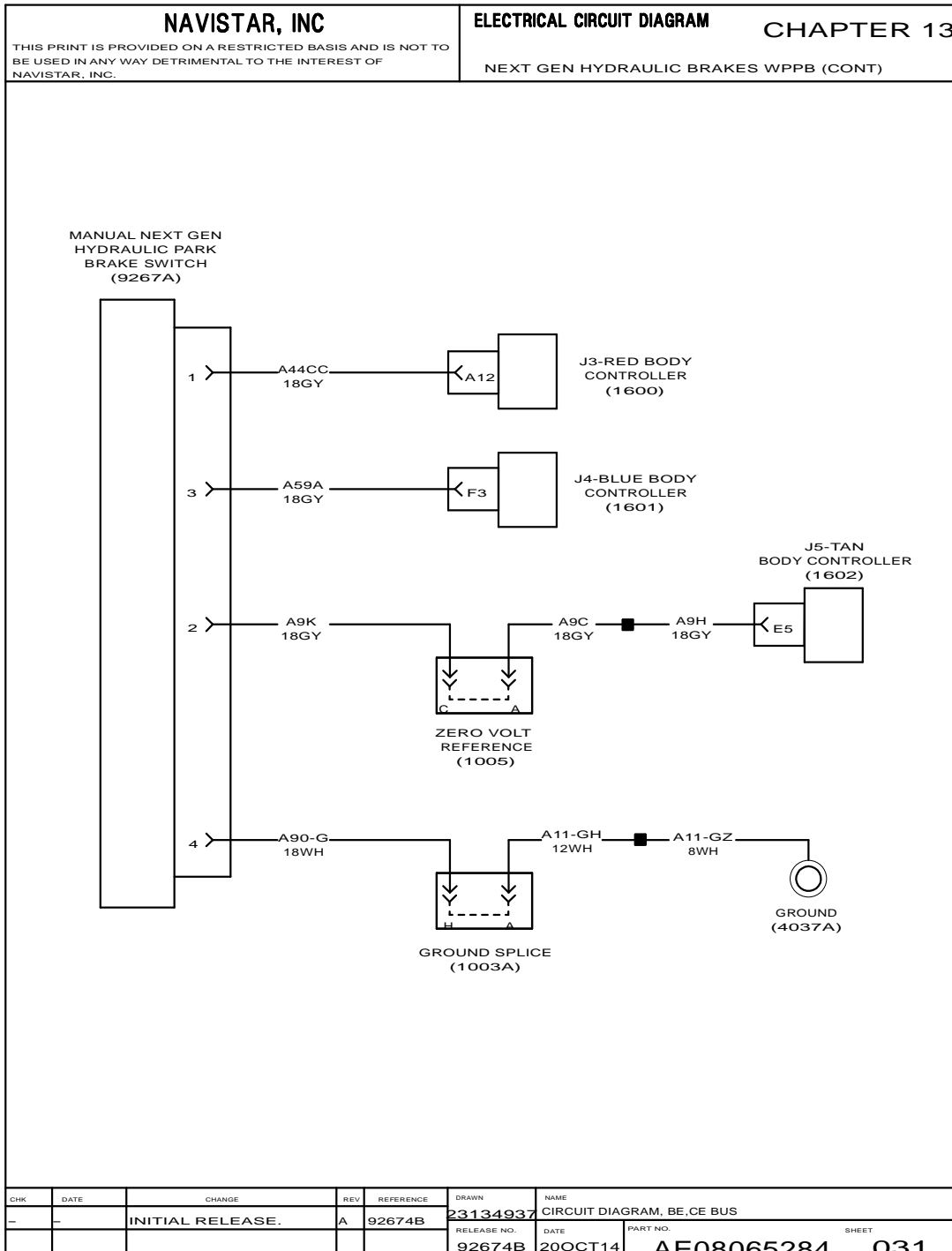


Figure 338 Next Generation Hydraulic Brakes WPPB (Cont.)

13.39. NEXT GENERATION HYDRAULIC BRAKES WPPB (CONT.), P. 32

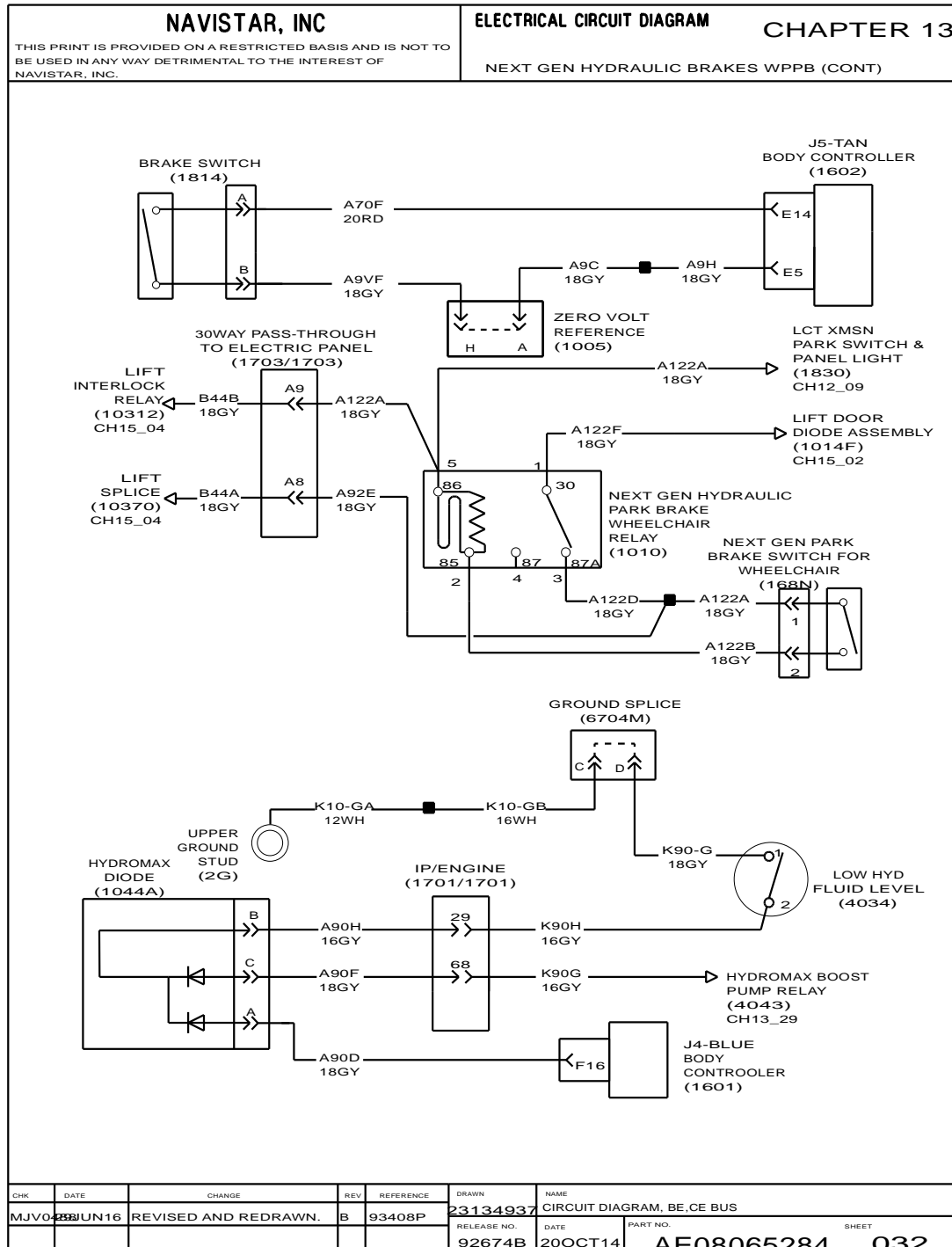


Figure 339 Next Generation Hydraulic Brakes WPPB (Cont.)

13.40. AIR DRYER AND DRAIN VALVE WITH CE BUS WITH PROPANE, P. 33

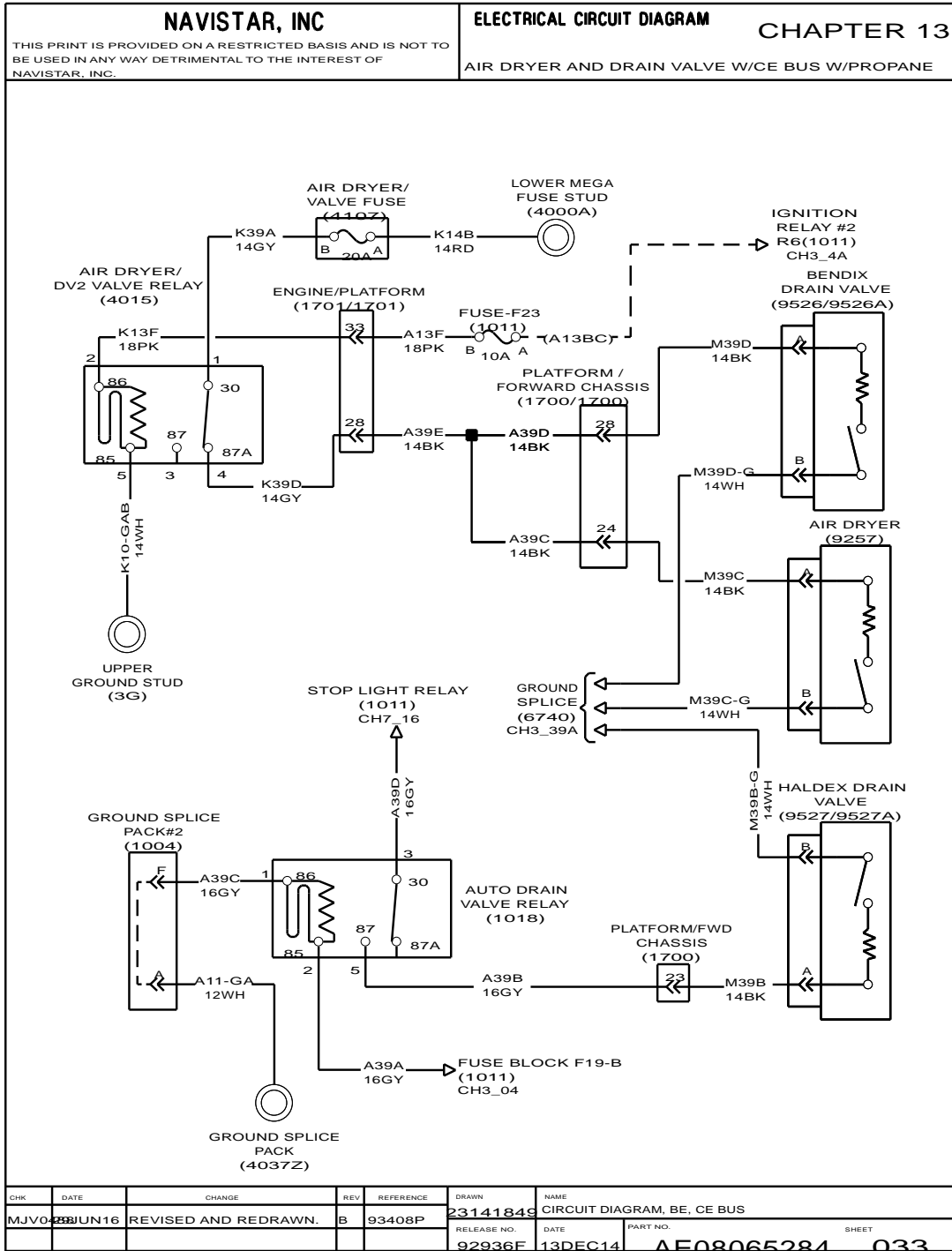


Figure 340 Air Dryer and Drain Valve with CE Bus with Propane

13.41. ELECTRIC HORN WITH CE BUS WITH PROPANE, P. 34

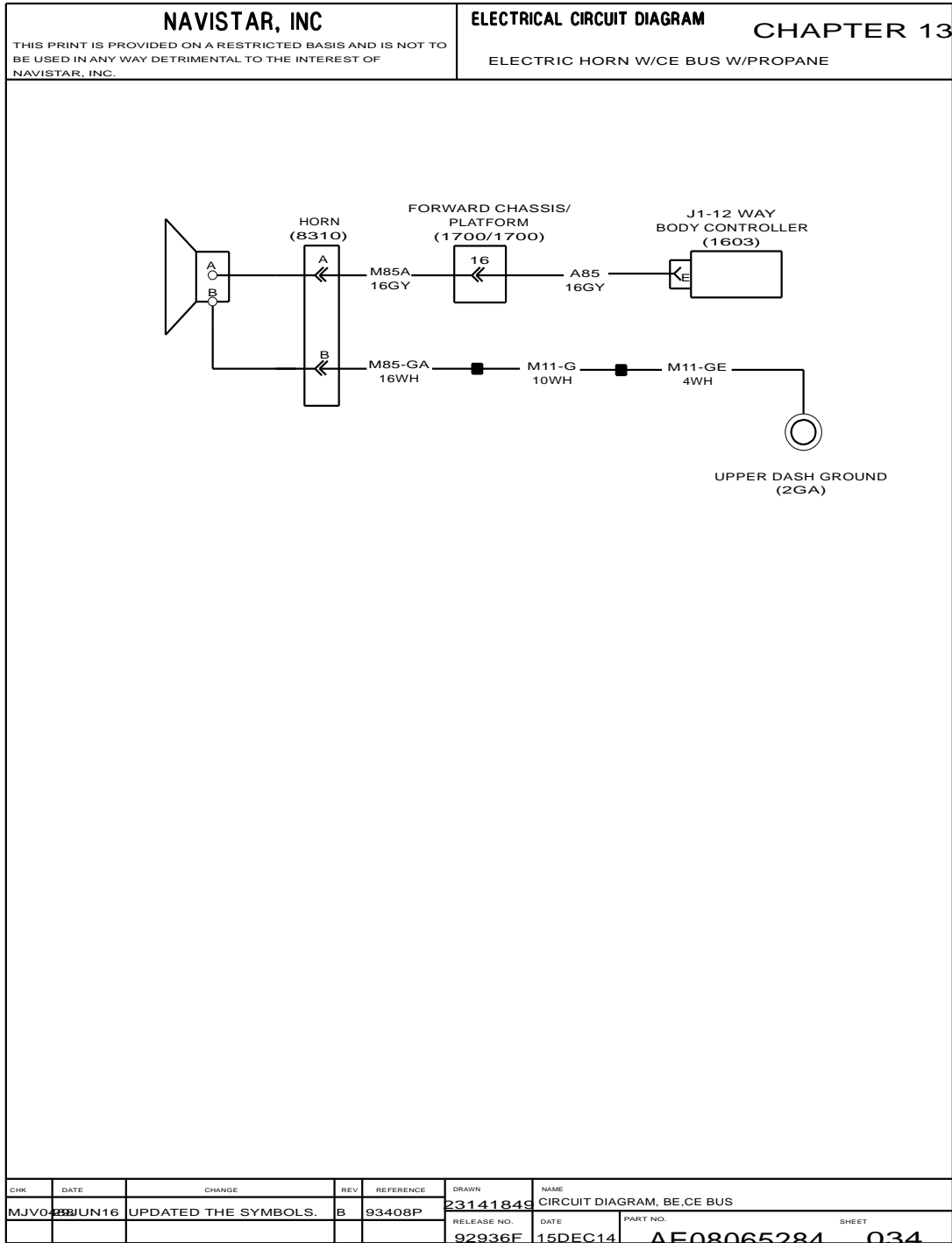


Figure 341 Electric Horn with CE Bus with Propane

13.42. FUEL FILTER CUMMINS STANDARD SYSTEM WITH F-2017-ISB-ENGINE, P. 35

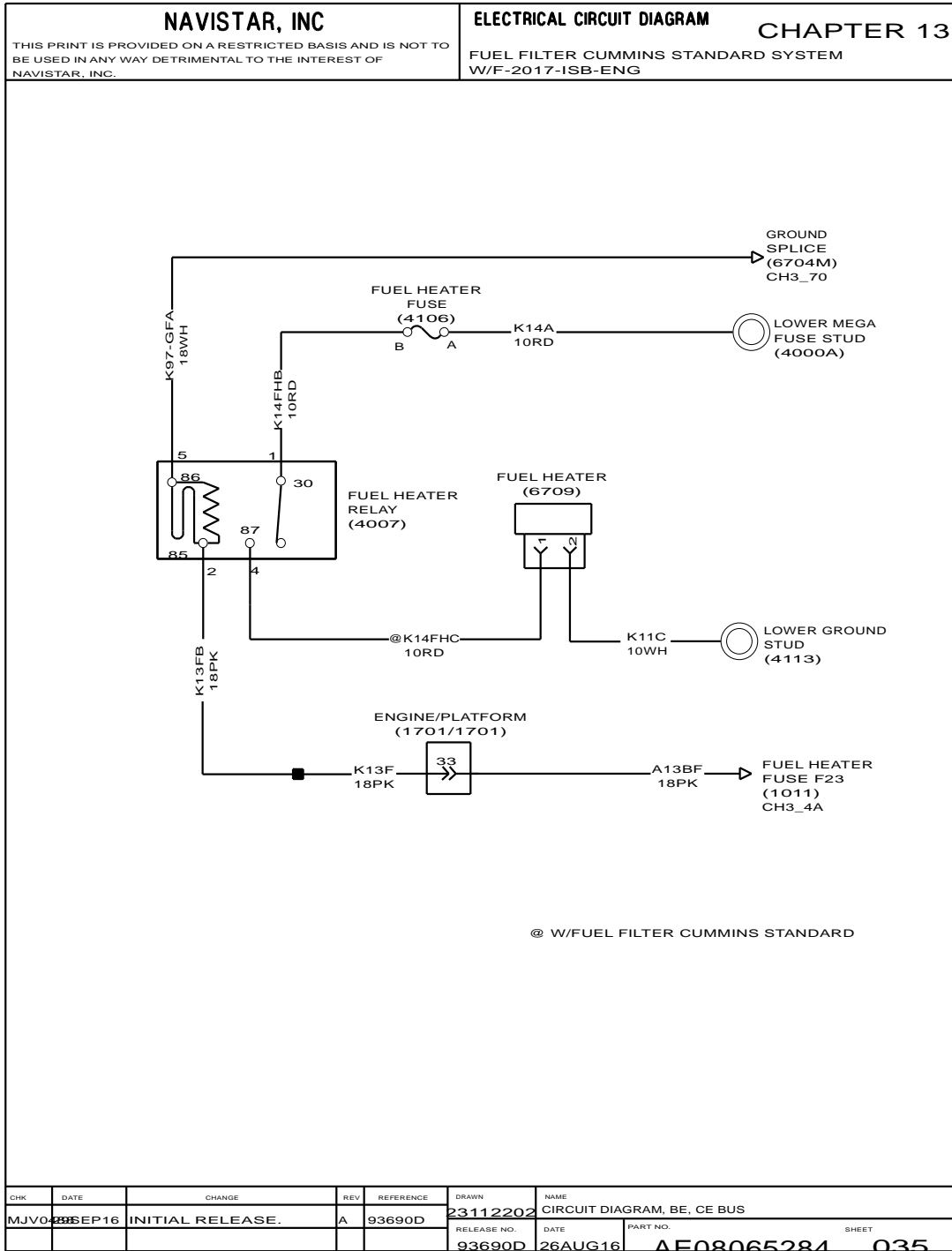


Figure 342 Fuel Filter Cummins Standard System with F-2017-ISB-Engine

13.43. HYDRAULIC BRAKE SYSTEM WITH F-2017-ISB-ENGINE, P. 36

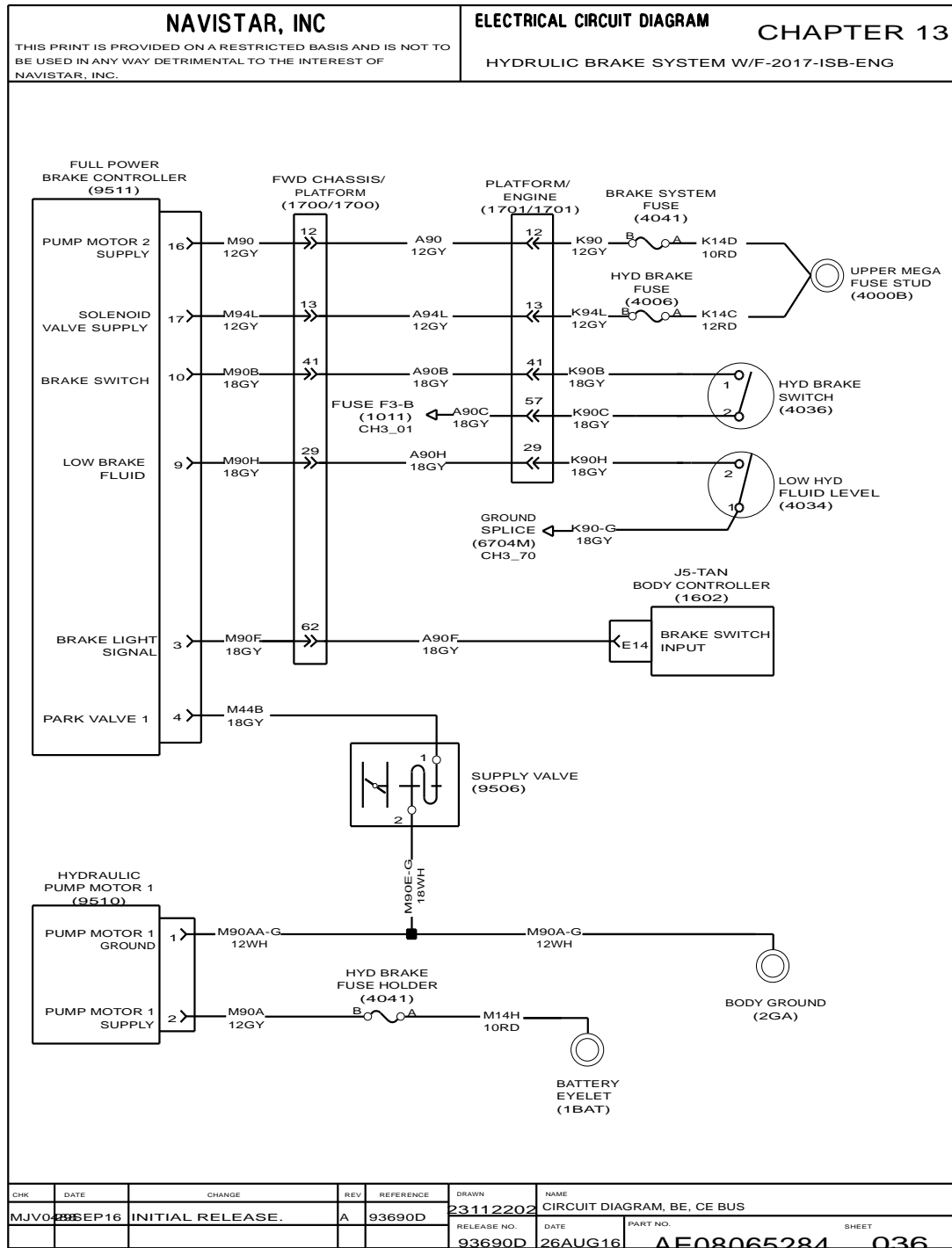


Figure 343 Hydraulic Brake System with F-2017-ISB-Engine

13.44. HYDROMAX HYDRAULIC BRAKE SYSTEM WITH F-2017-ISB-ENGINE, P. 37

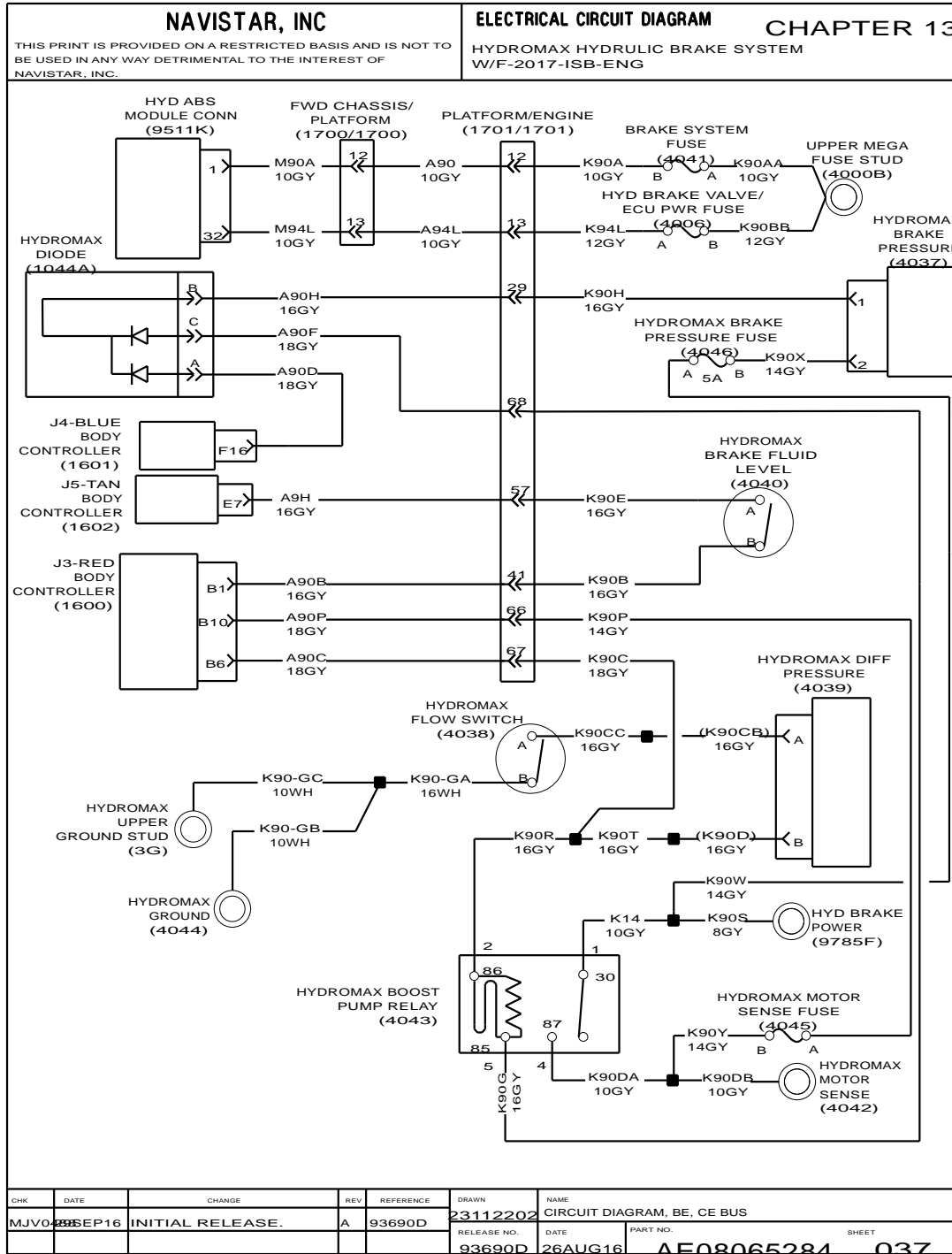


Figure 344 Hydromax Hydraulic Brake System with F-2017-ISB-Engine

EMERGENCY EXIT SYSTEM (CHAPTER 14)

14.1. EMERGENCY EXIT BUZZER, P. 1

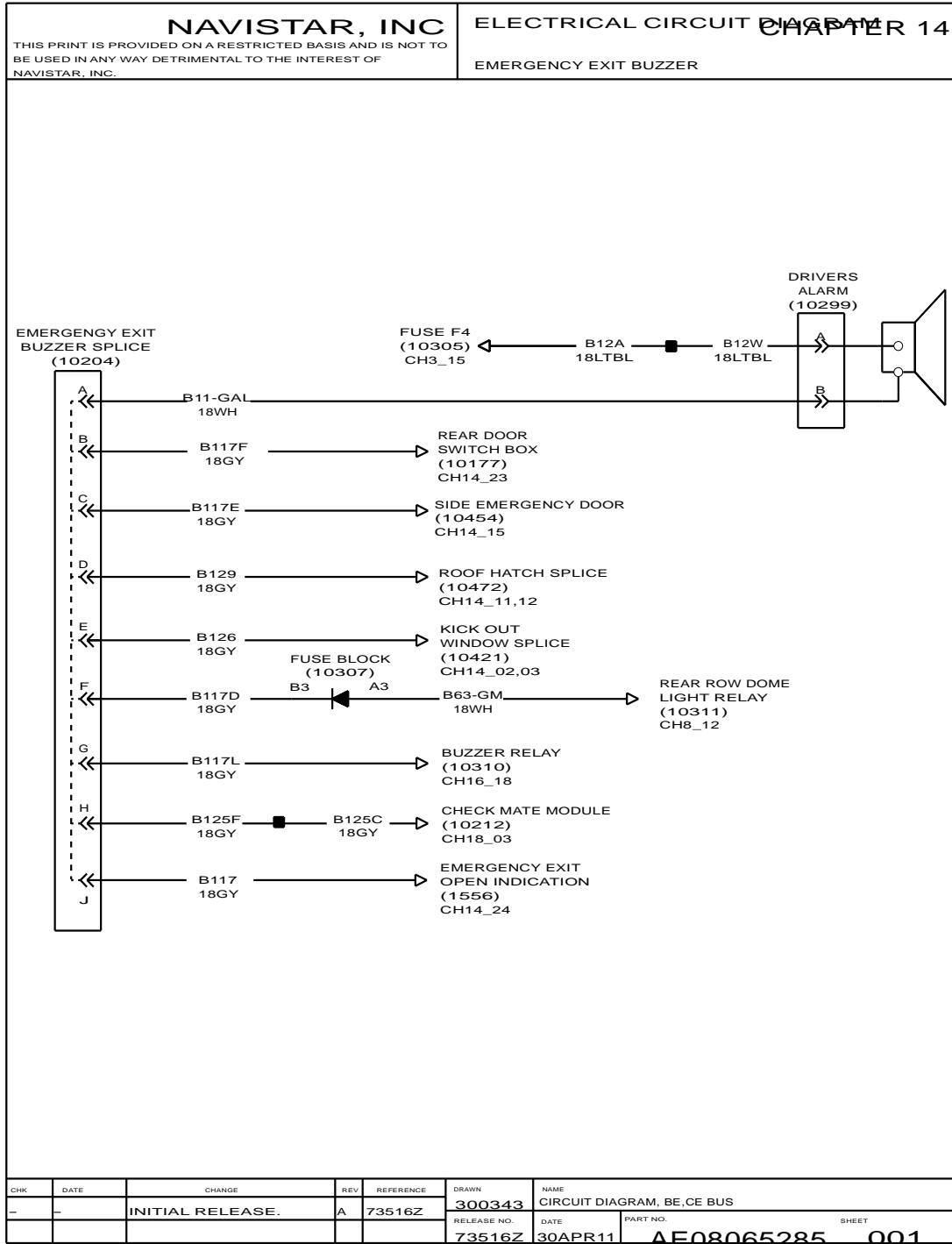


Figure 345 Emergency Exit Buzzer

14.2. KICK OUT WINDOW (LEFT BODY) SECT 1 TO 8, P. 2

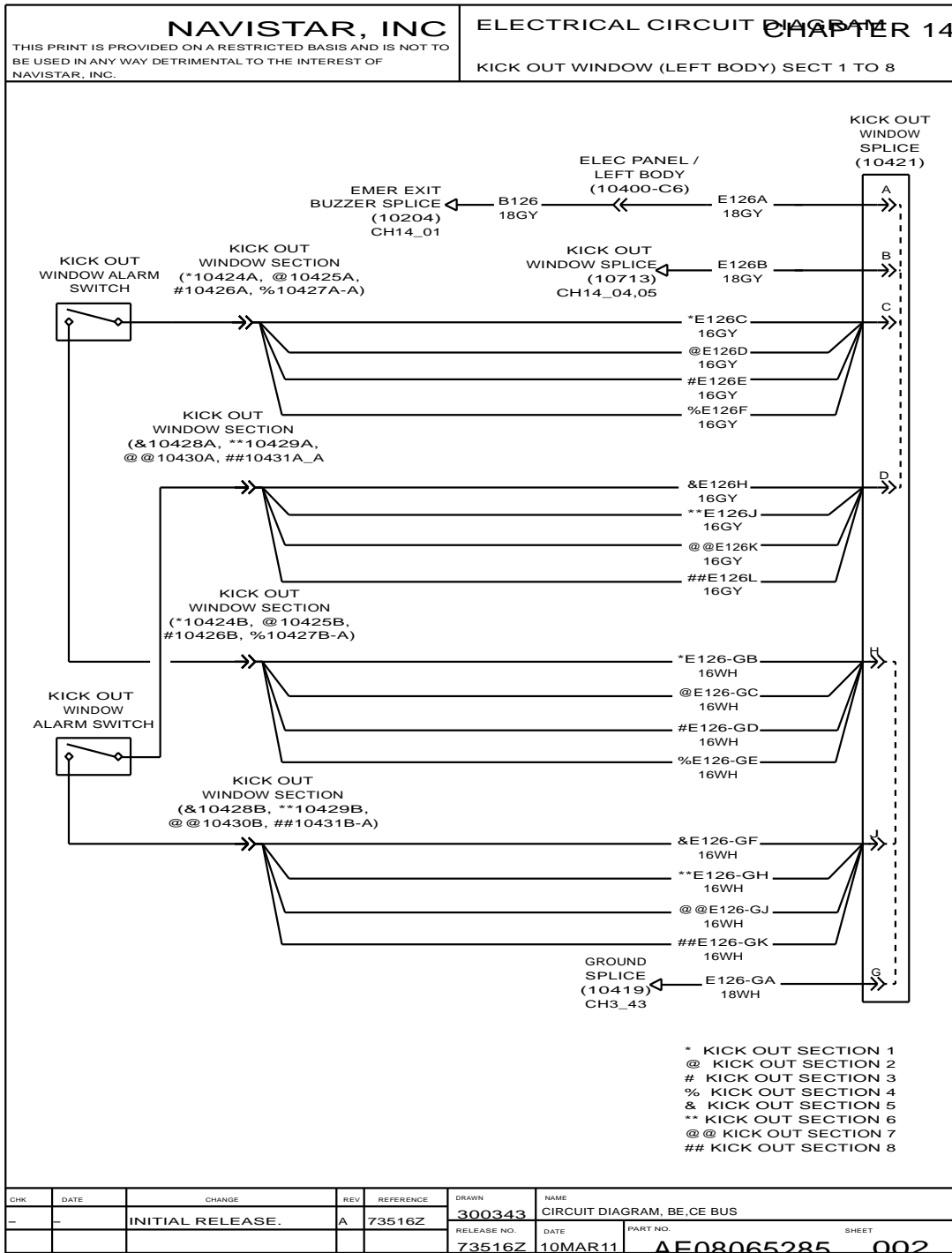


Figure 346 Kick Out Window (Left Body) Sect 1 to 8

14.3. KICK OUT WINDOW (LEFT BODY) SECT 9 TO 13, P. 3

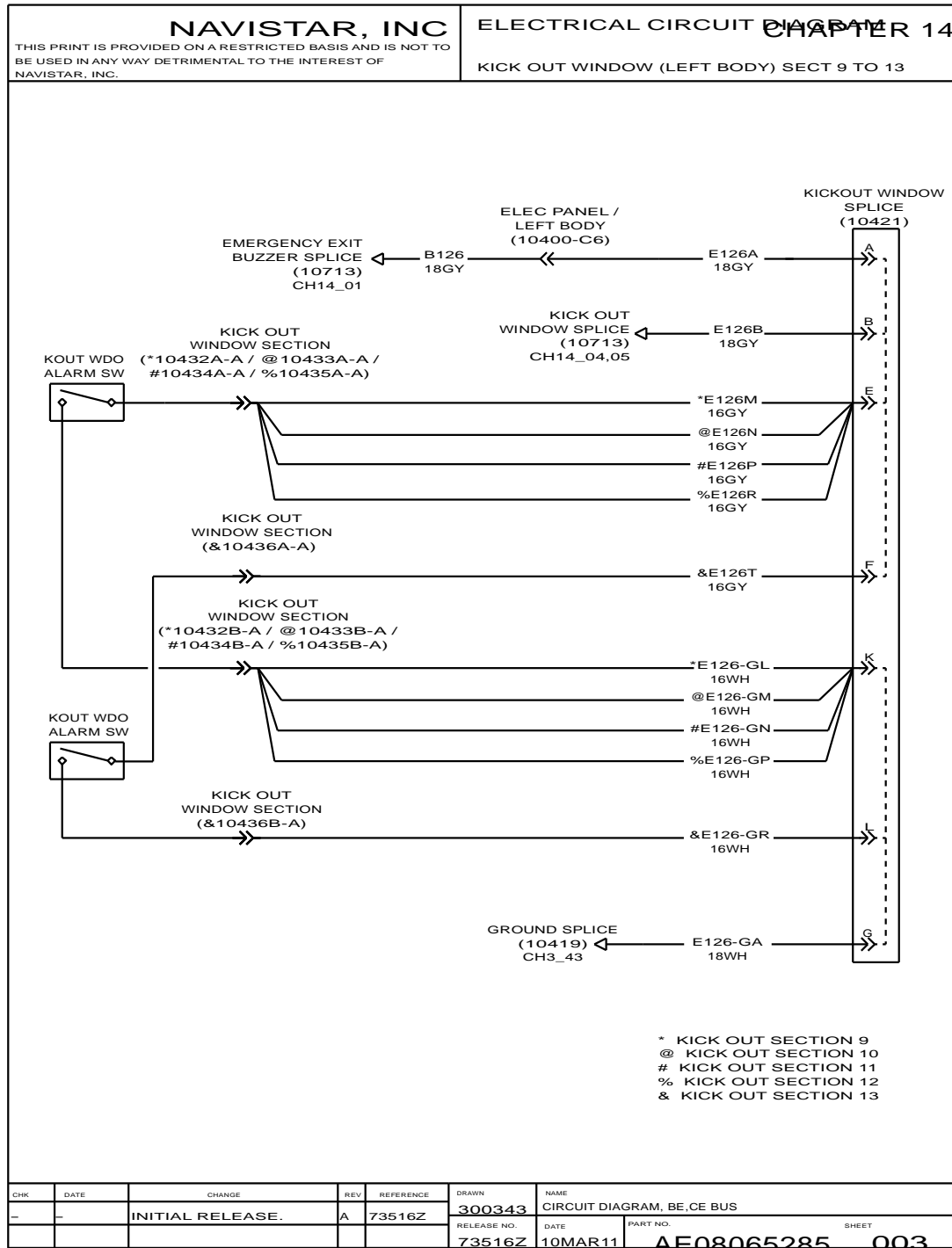


Figure 347 Kick Out Window (Left Body) Sect 9 to 13

14.4. KICK OUT WINDOW (RIGHT BODY) SECT 1 TO 6, P. 4

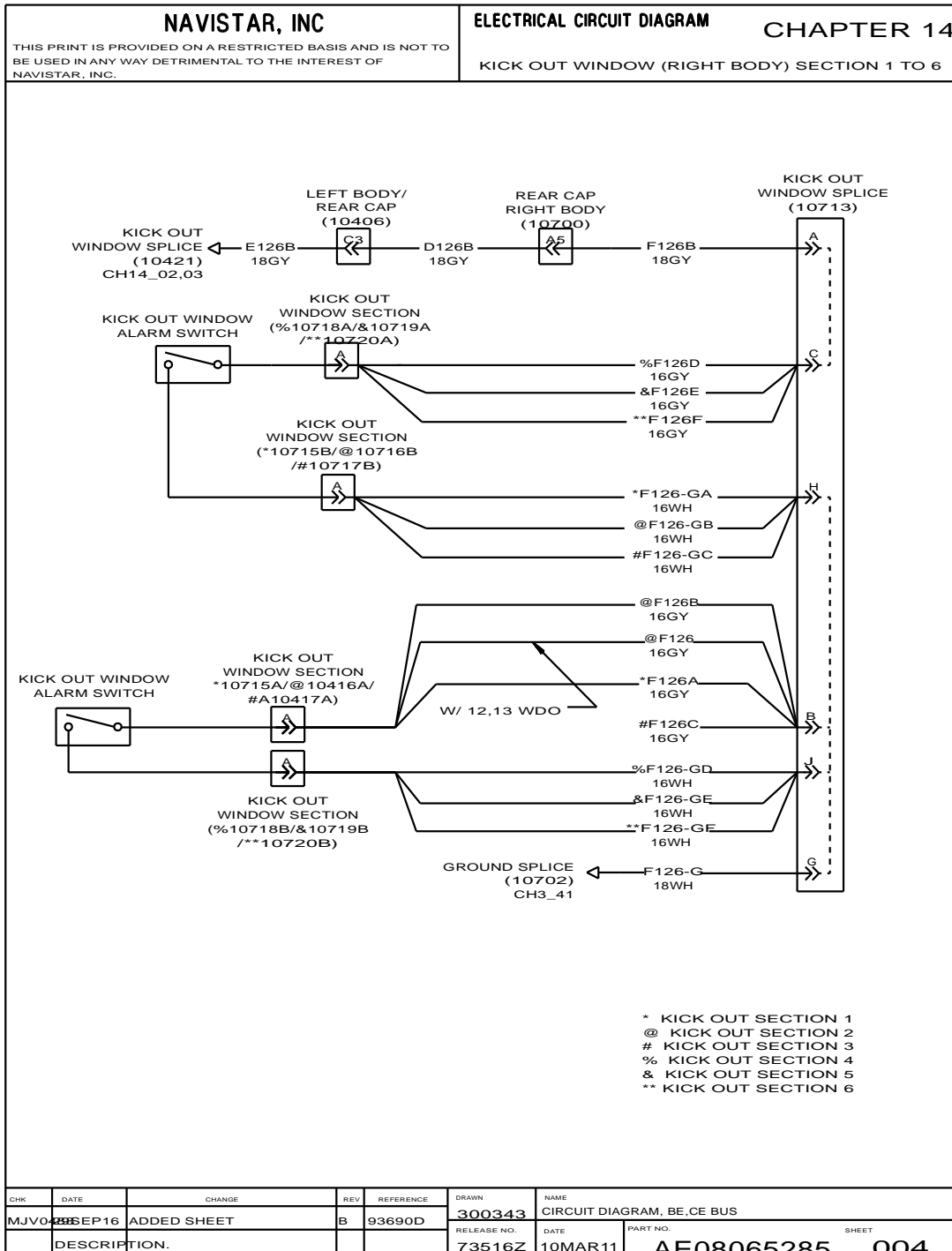


Figure 348 Kick Out Window (Right Body) Sect 1 to 6

14.5. KICK OUT WINDOW (RIGHT BODY) SECT 7 TO 13, P. 5

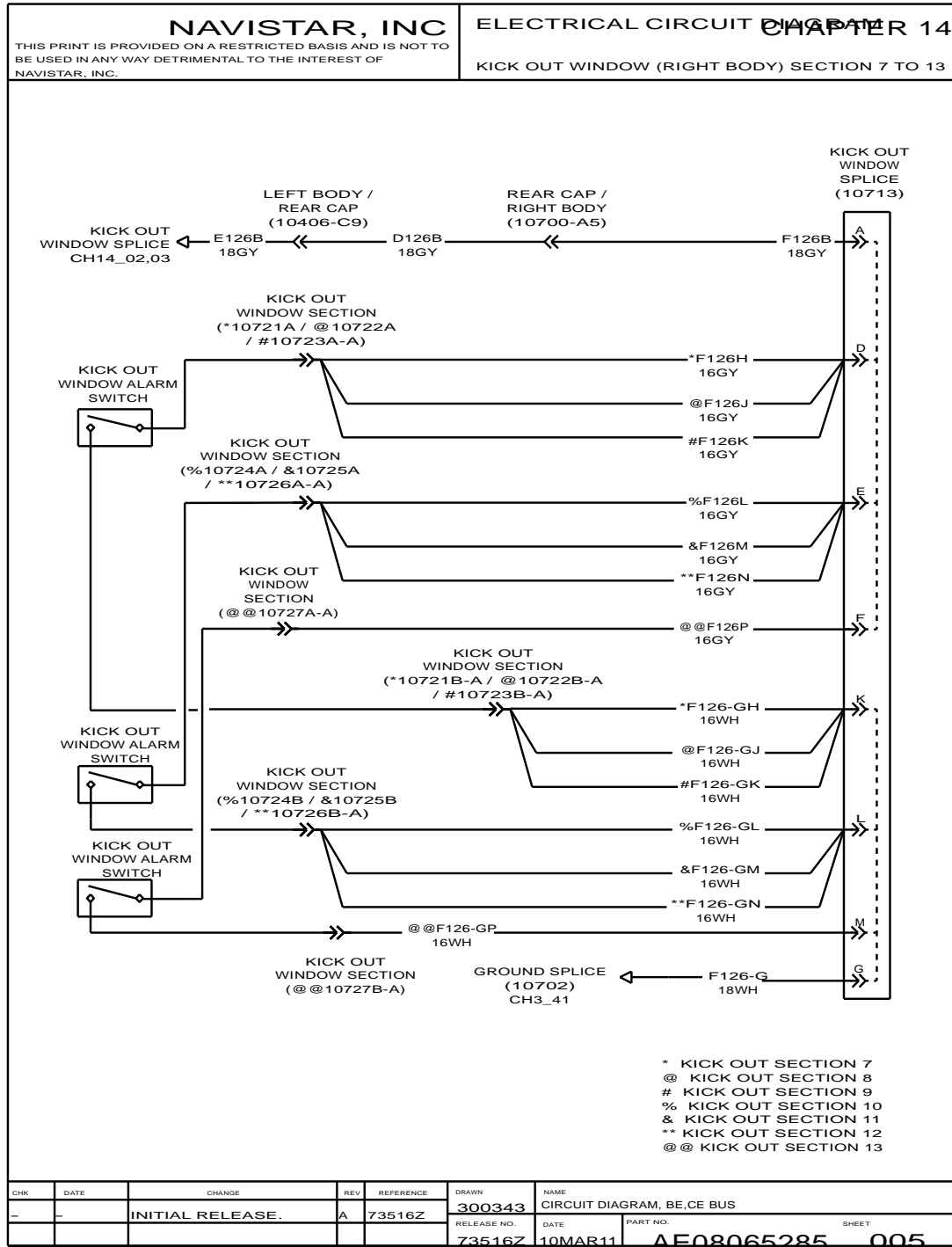


Figure 349 Kick Out Window (Right Body) Sect 7 to 13

14.6. 3 INCH RED LIGHT OVER KICK OUT WINDOW (LEFT BODY) SECT 1 TO 4, P. 6

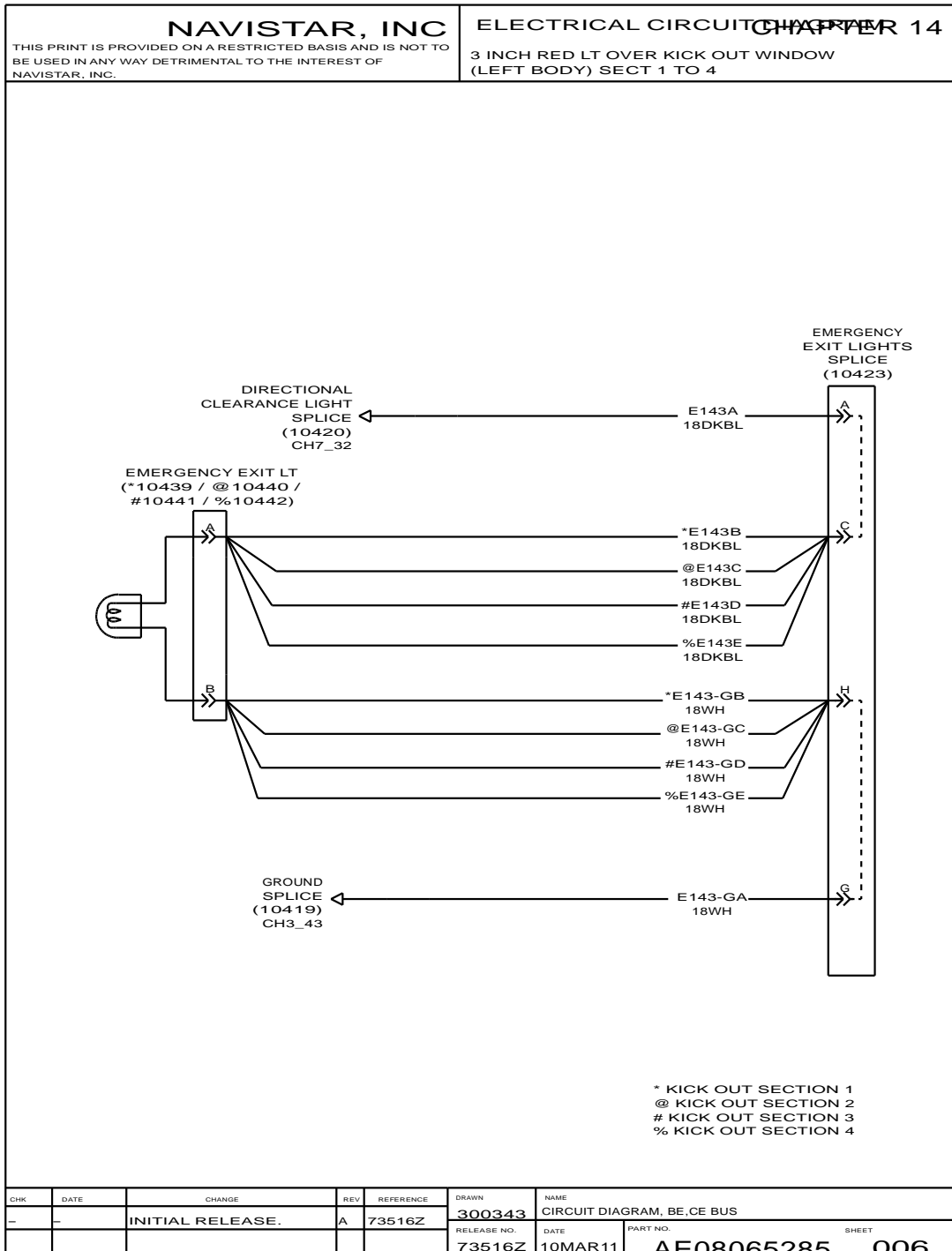


Figure 350 3 Inch Red Light Over Kick Out Window (Left Body) Sect 1 to 4

14.7. 3 INCH RED LIGHT OVER KICK OUT WINDOW (LEFT BODY) SECT 5 TO 8, P. 7

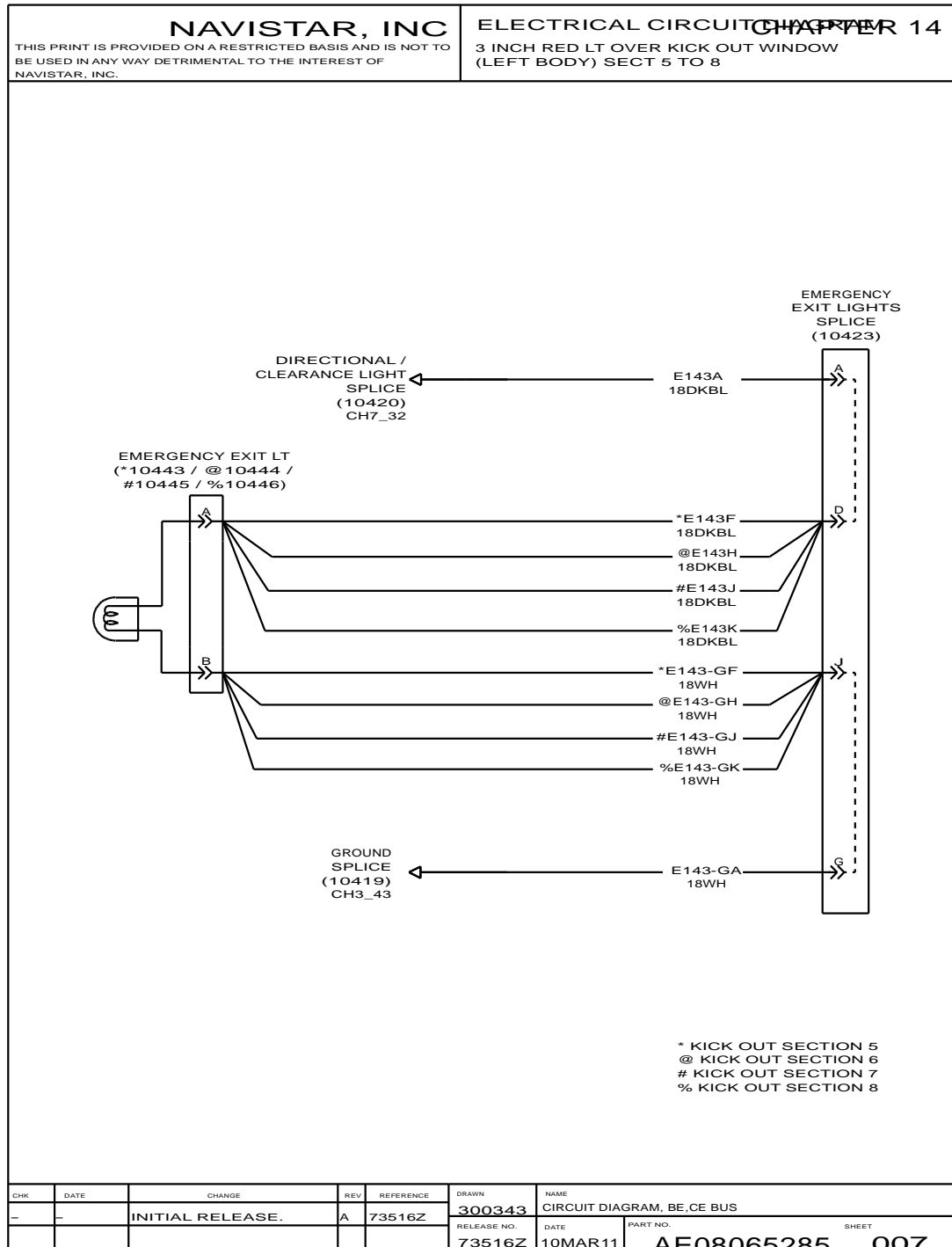


Figure 351 3 Inch Red Light Over Kick Out Window (Left Body) Sect 5 to 8

14.8. 3 INCH RED LIGHT OVER KICK OUT WINDOW (LEFT BODY) SECT 9 TO 13, P. 8

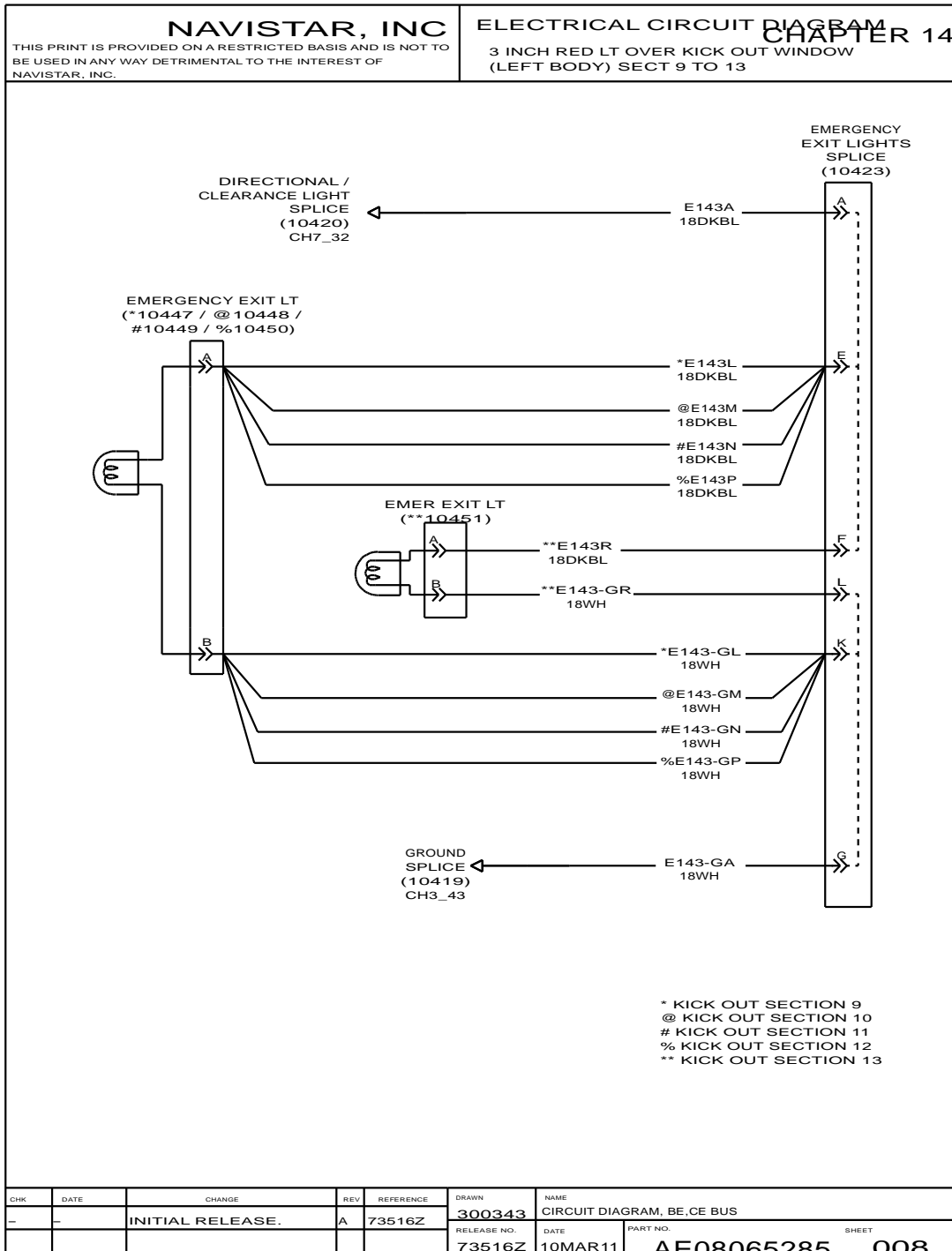


Figure 352 3 Inch Red Light Over Kick Out Window (Left Body) Sect 9 to 13

14.9. 3 INCH RED LIGHT OVER KICK OUT WINDOW (RIGHT BODY) SECT 1 TO 6, P. 9

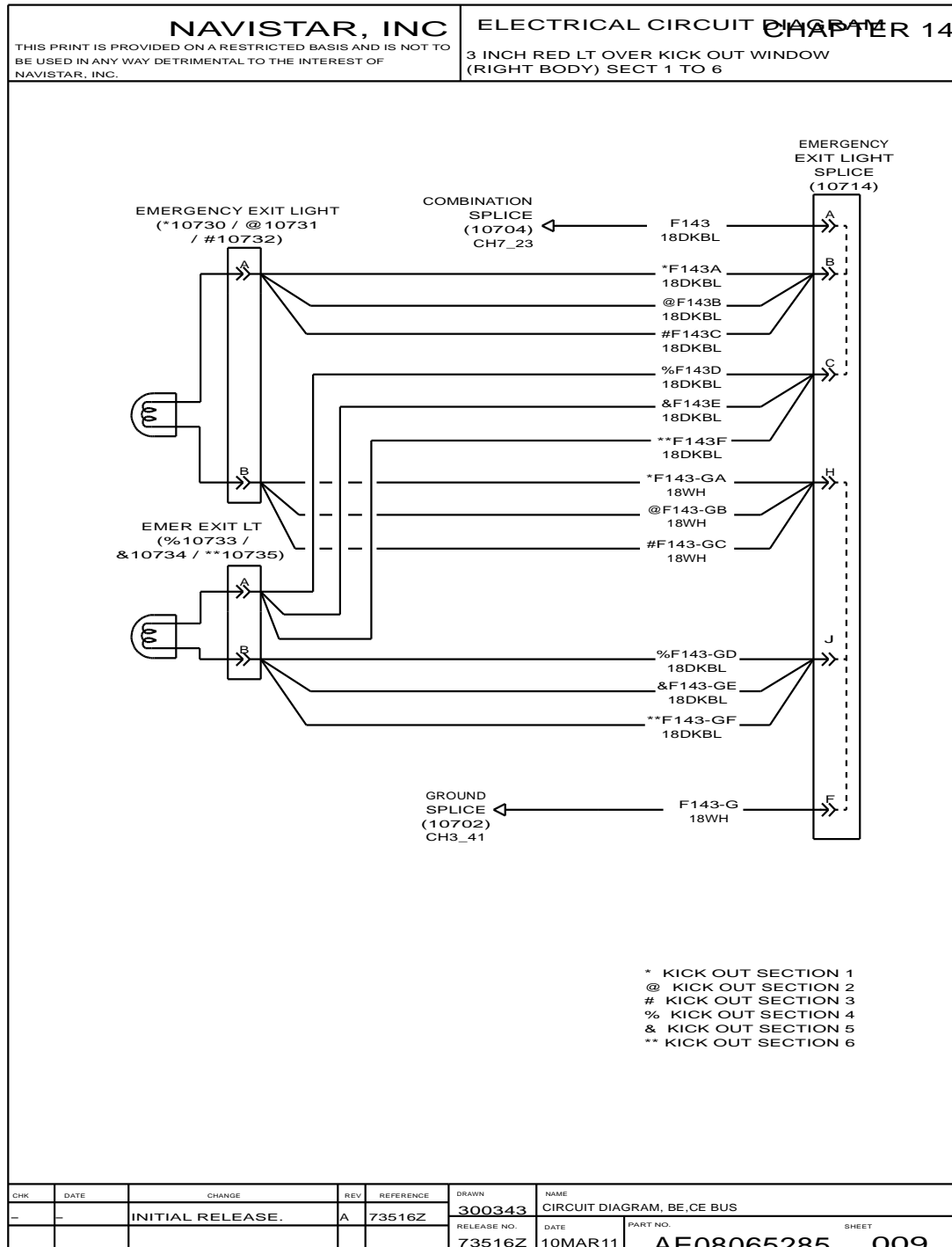


Figure 353 3 Inch Red Light Over Kick Out Window (Right Body) Sect 1 to 6

14.10. 3 INCH RED LIGHT OVER KICK OUT WINDOW (RIGHT BODY) SECT 7 TO 13, P. 10

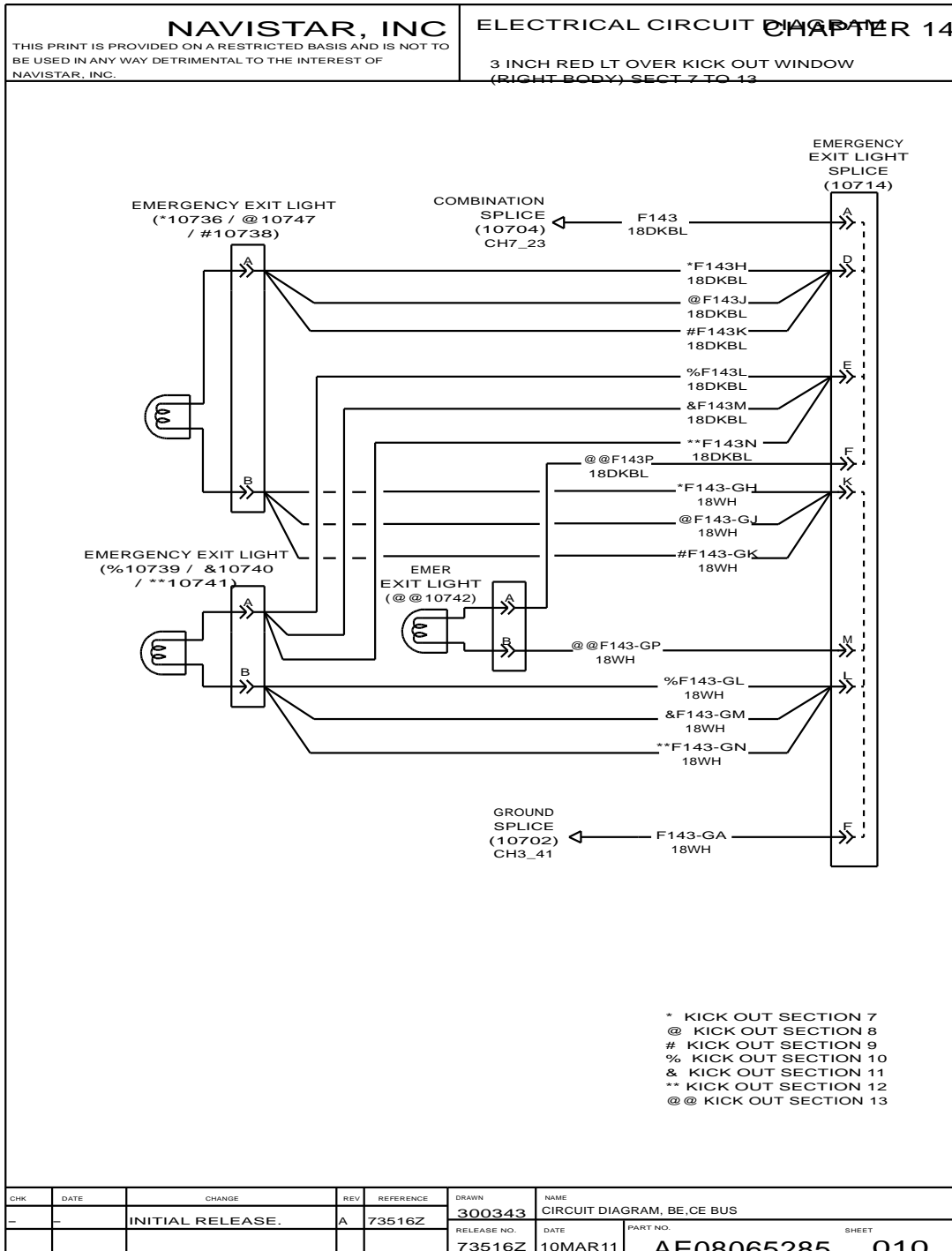


Figure 354 3 Inch Red Light Over Kick Out Window (Right Body) Sect 7 to 13

14.11. ROOF HATCHES (LEFT SIDE) SECTION 1 TO 10, P. 11

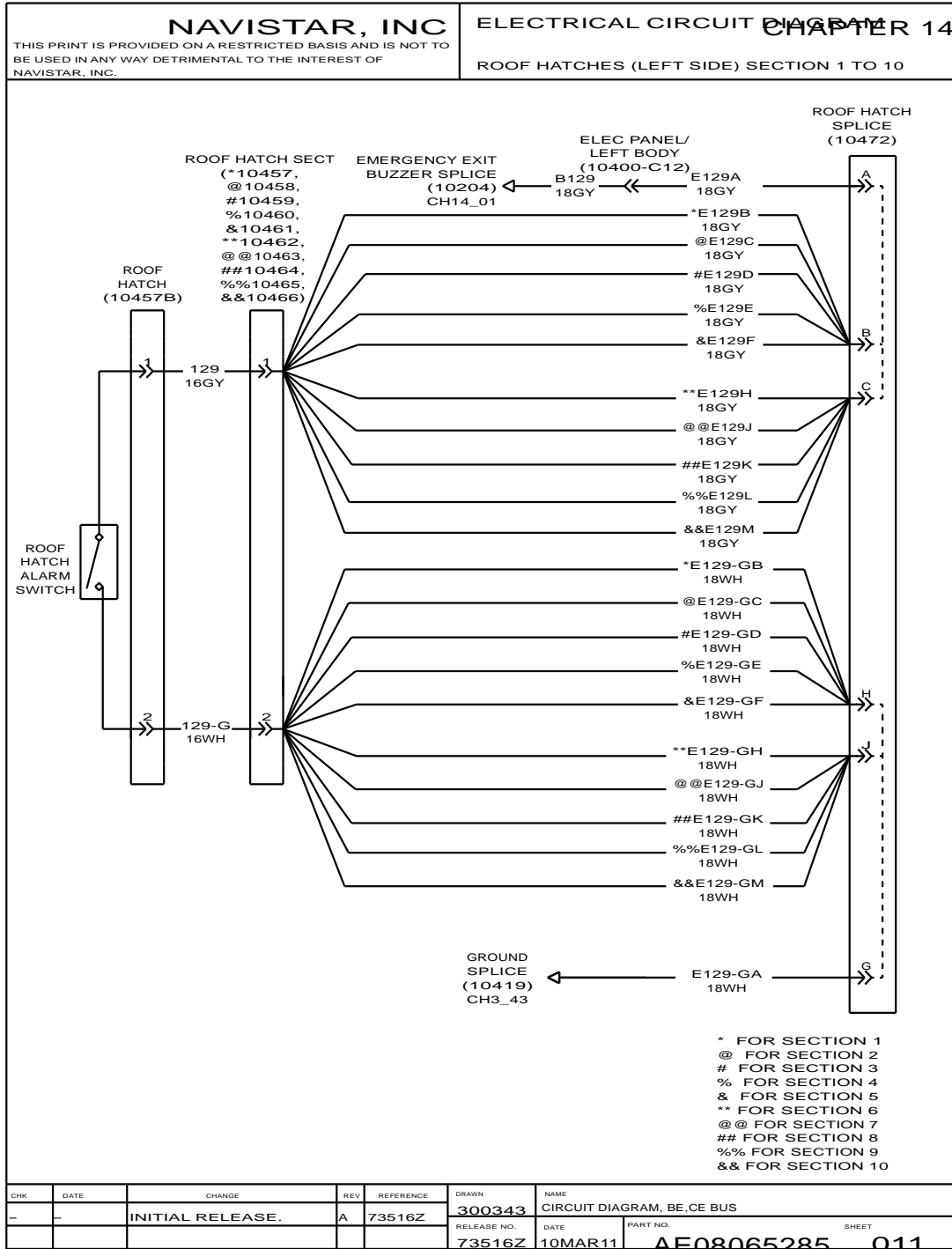


Figure 355 Roof Hatches (Left Side) Section 1 to 10

14.12. ROOF HATCHES (LEFT SIDE) SECTION 11 TO 13, P. 12

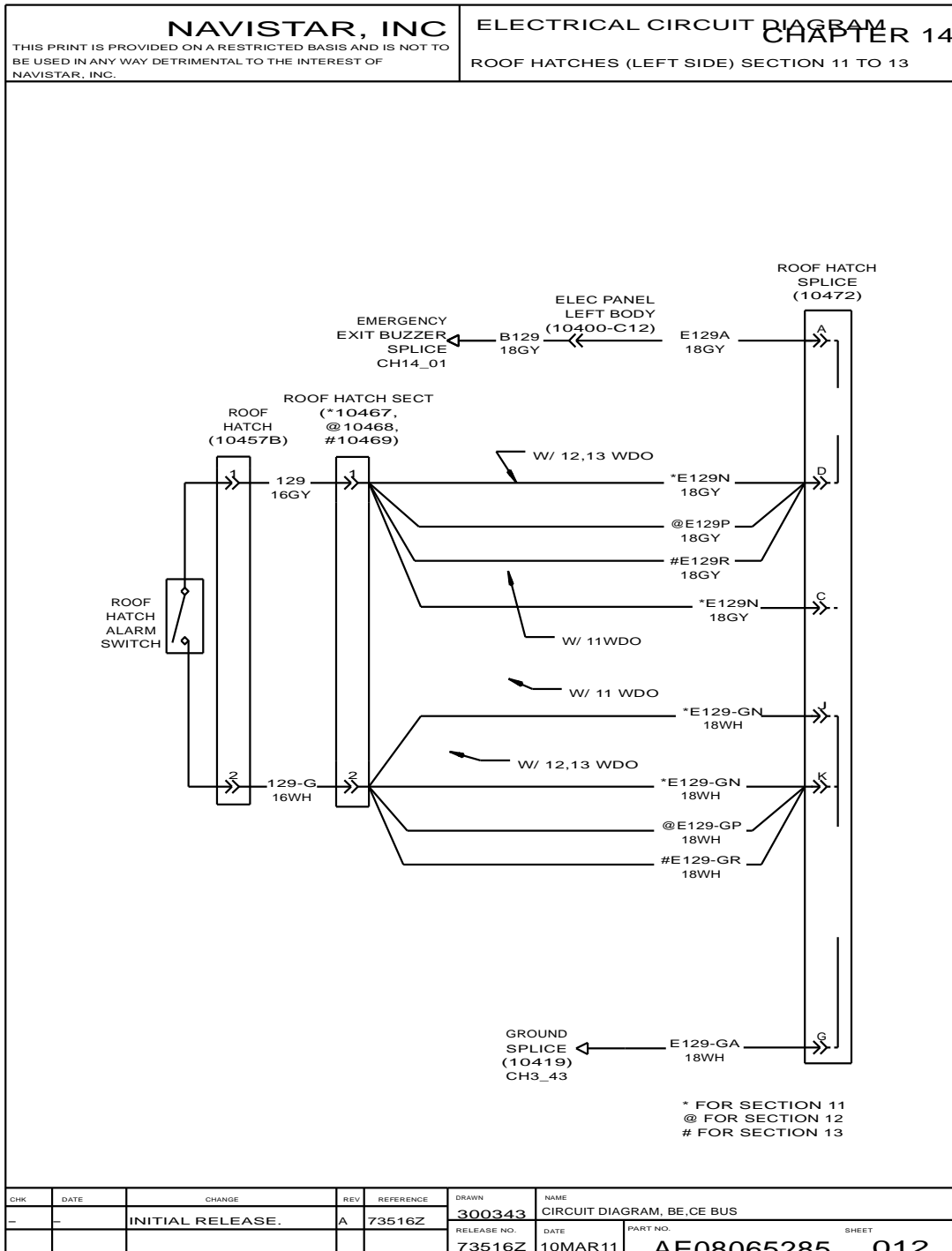


Figure 356 Roof Hatches (Left Side) Section 11 to 13

14.13. ROOF HATCHES (LEFT SIDE) WITH STARTER INTERLOCK FOR SECTION 1 TO 4 AND 9 TO 12, P. 13

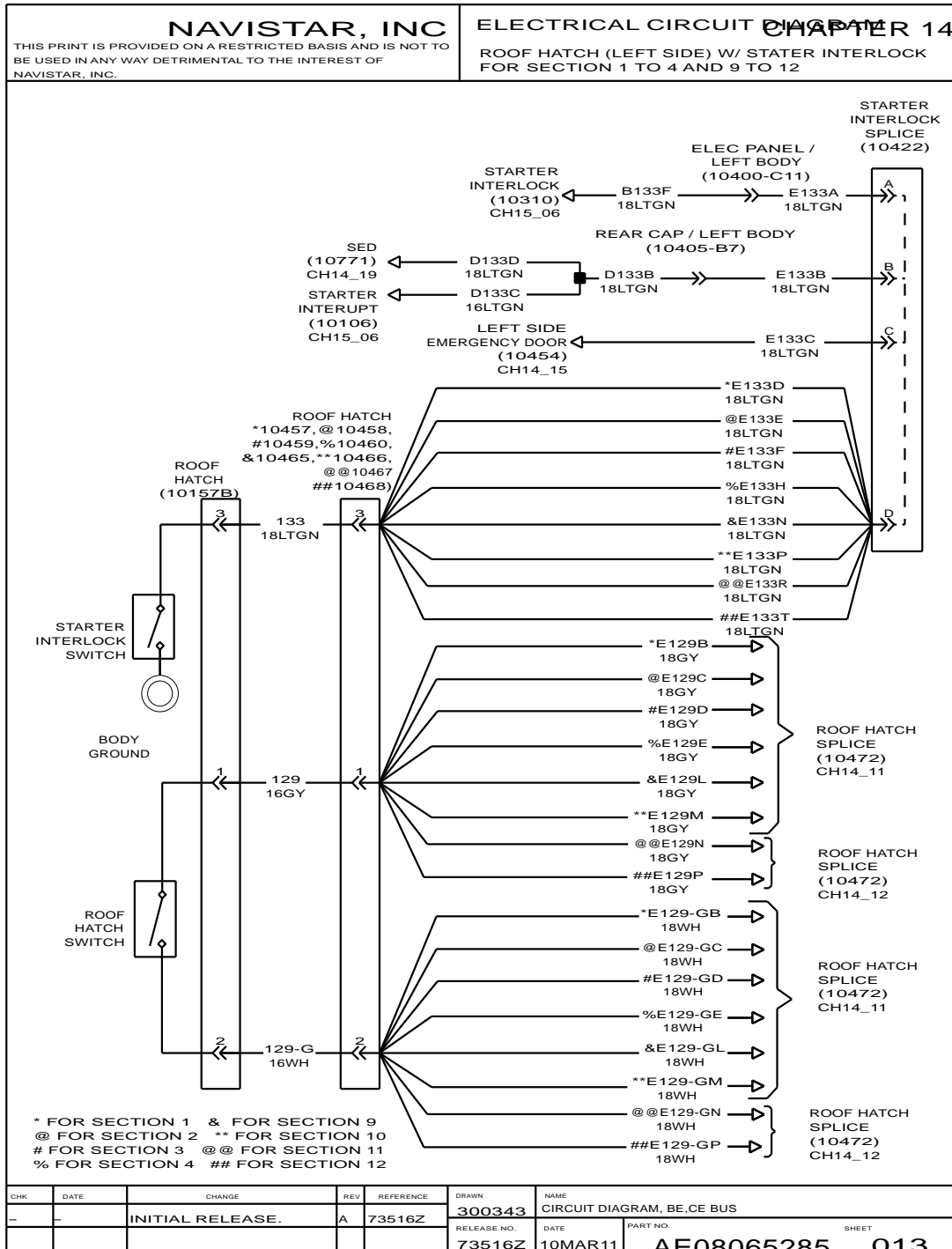


Figure 357 Roof Hatches (Left Side) with Starter Interlock For Section 1 to 4 and 9 to 12

14.14. ROOF HATCHES (LEFT SIDE) WITH STARTER INTERLOCK FOR SECTION 5 TO 8 AND 13, P. 14

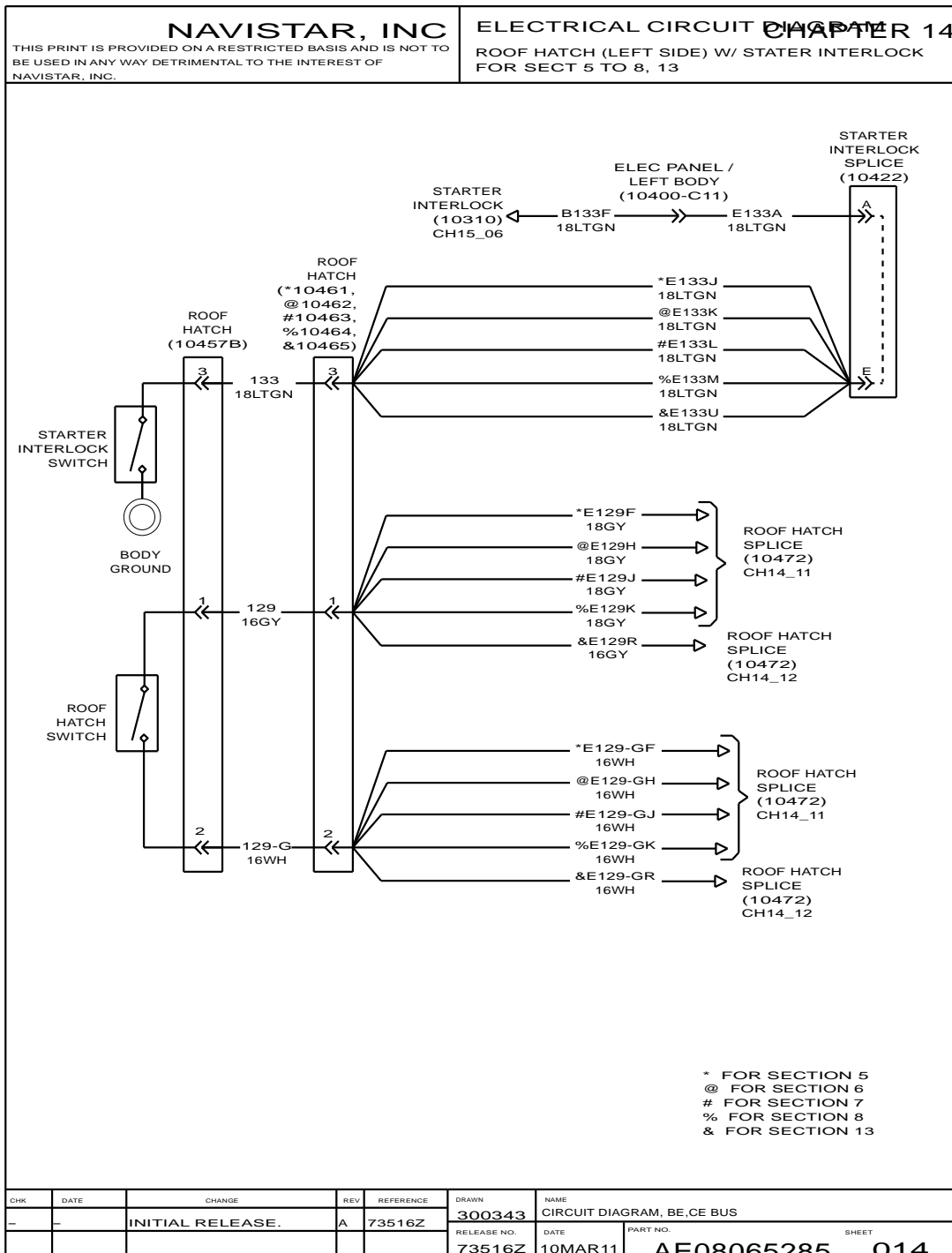


Figure 358 Roof Hatches (Left Side) with Starter Interlock For Section 5 to 8 and 13

14.15. LEFT SIDE EMERGENCY DOOR, P. 15

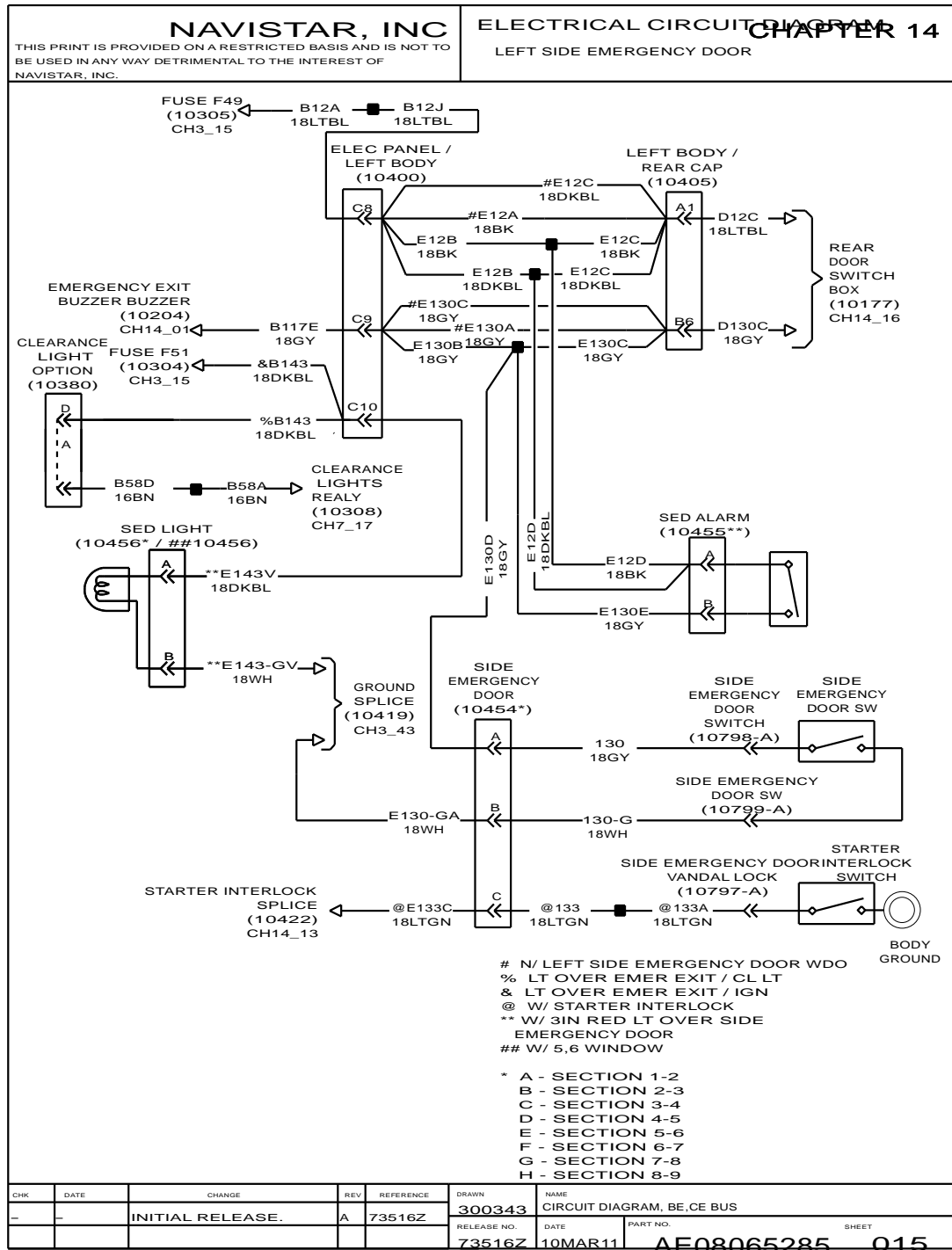


Figure 359 Left Side Emergency Door

14.16. EMERGENCY ACCESSORY FEED CIRCUITS FOR RIGHT SIDE EMERGENCY DOOR, P. 16

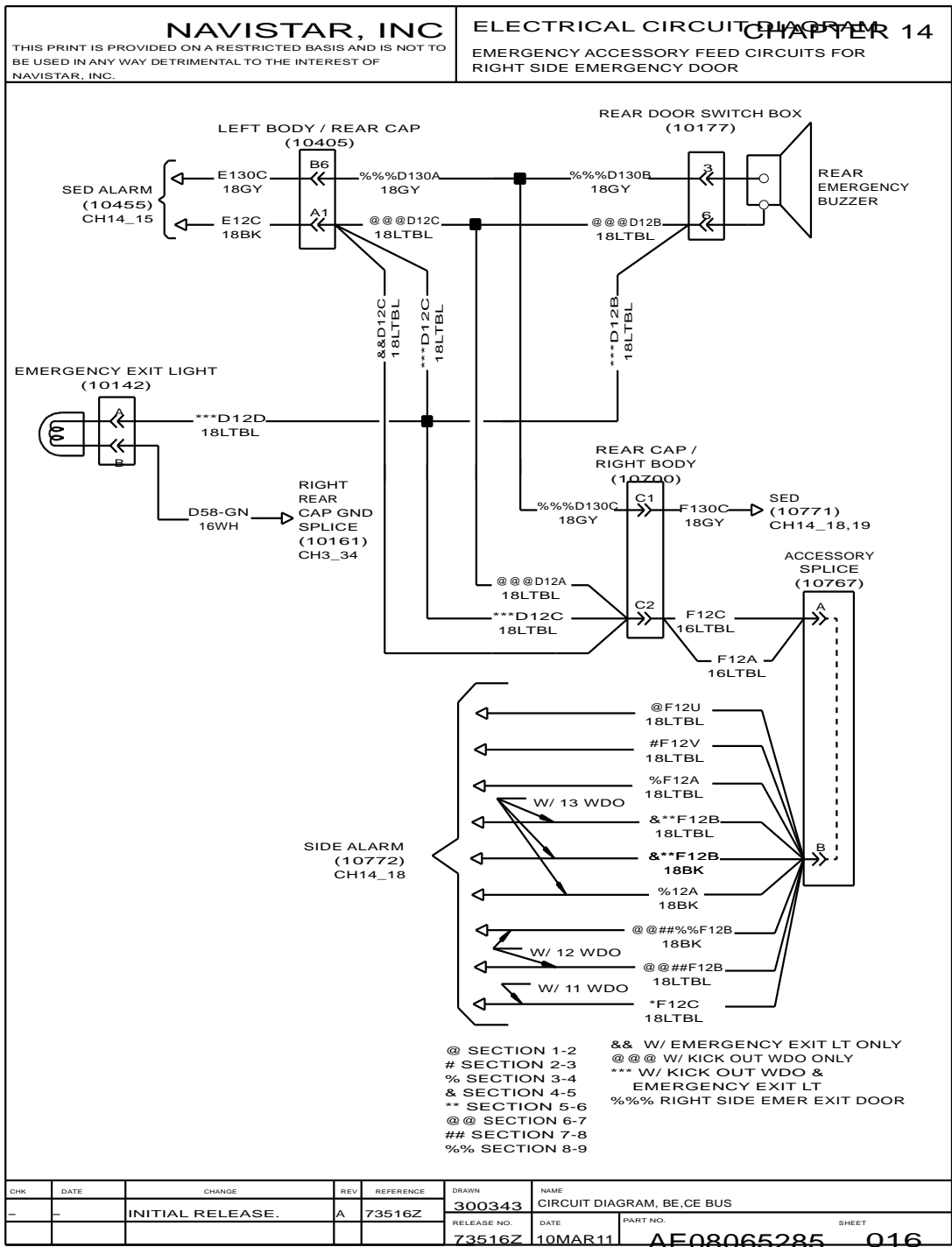


Figure 360 Emergency Accessory Feed Circuits for Right Side Emergency Door

14.17. EMERGENCY ACCESSORY FEED CIRCUITS FOR RIGHT SIDE EMERGENCY DOOR (CONT.), P. 17

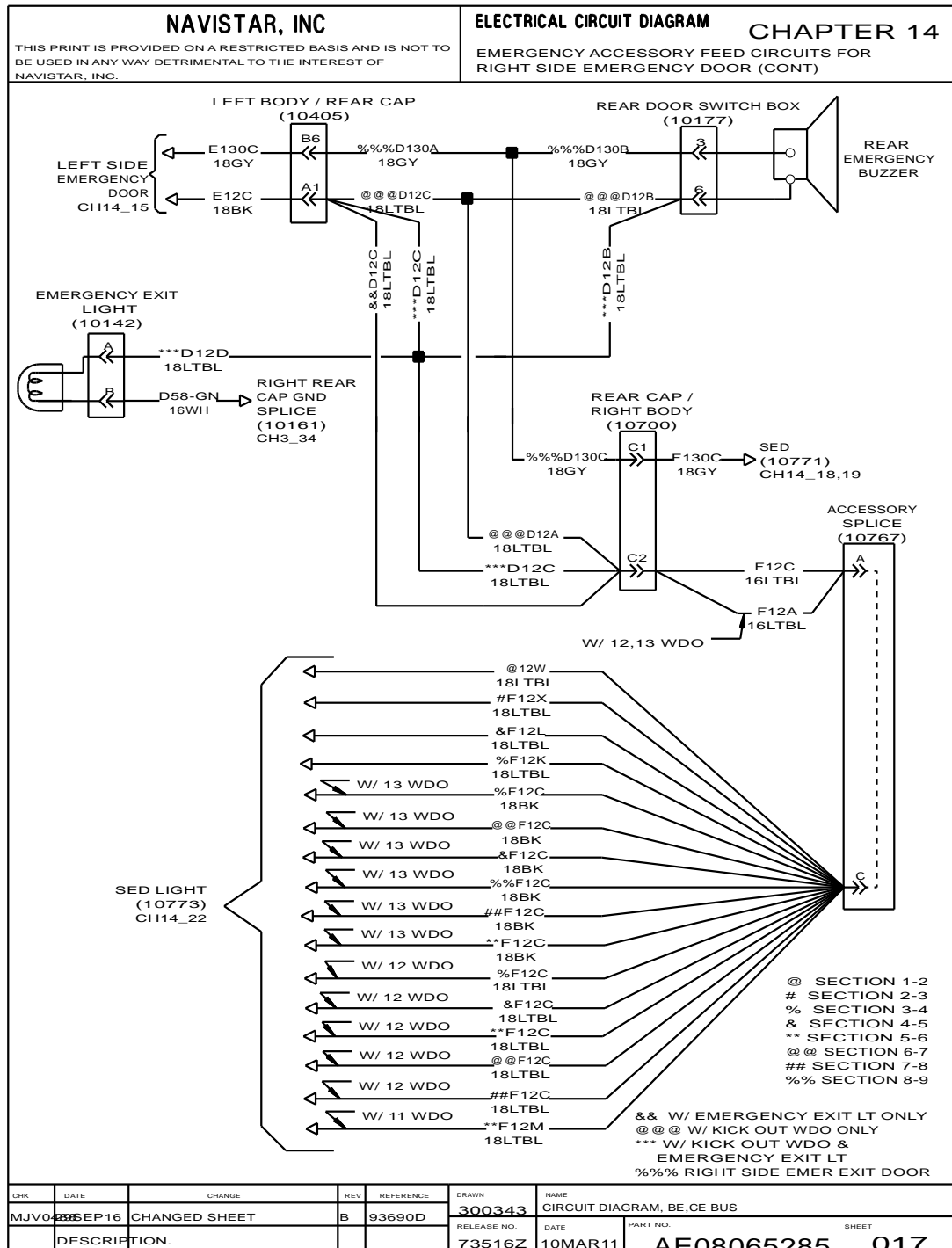


Figure 361 Emergency Accessory Feed Circuits for Right Side Emergency Door (Cont.)

14.18. RIGHT SIDE EMERGENCY EXIT DOOR, P. 18

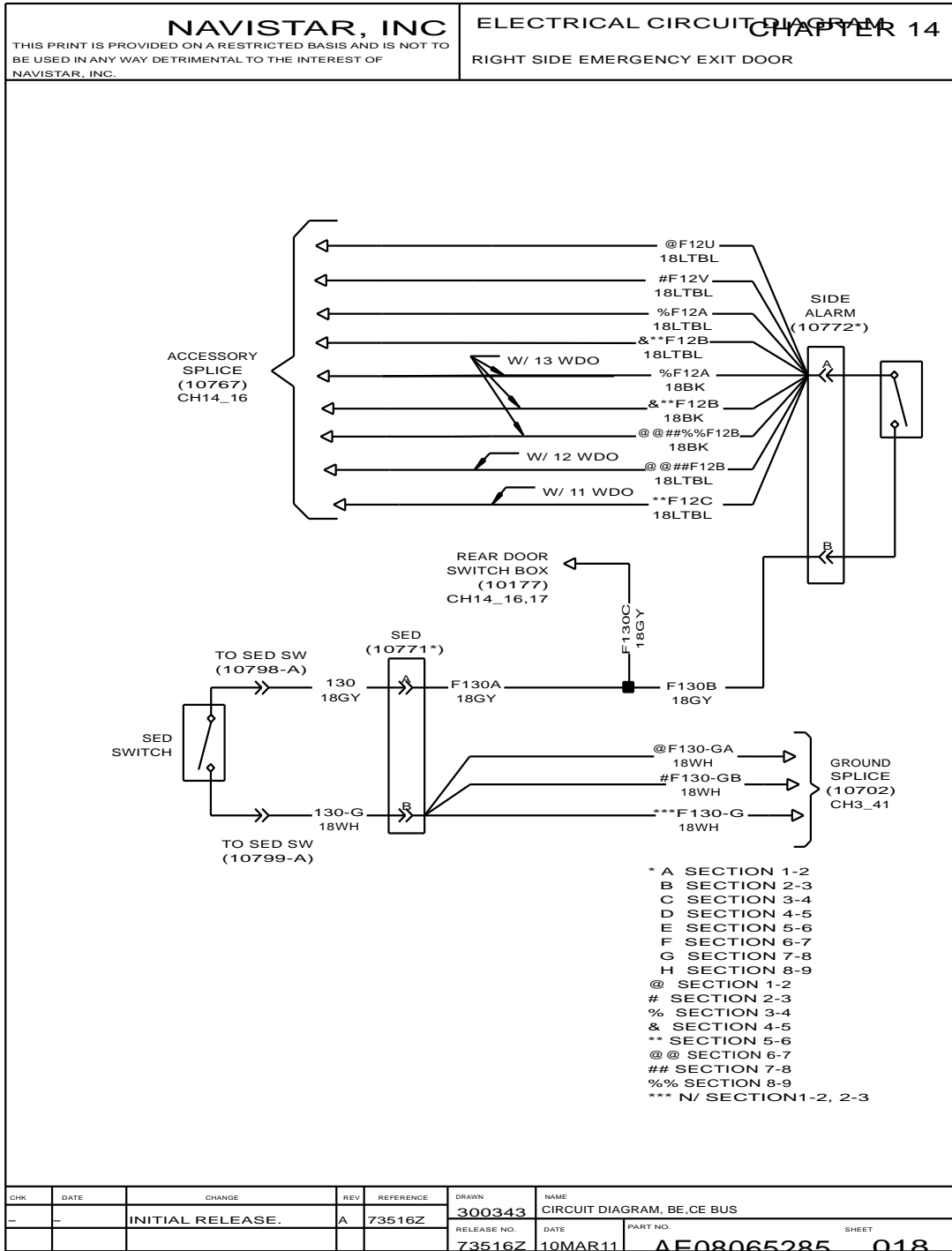


Figure 362 Right Side Emergency Exit Door

14.19. KICK OUT WINDOW (LEFT BODY) SECT 12 TO 13, P. 19

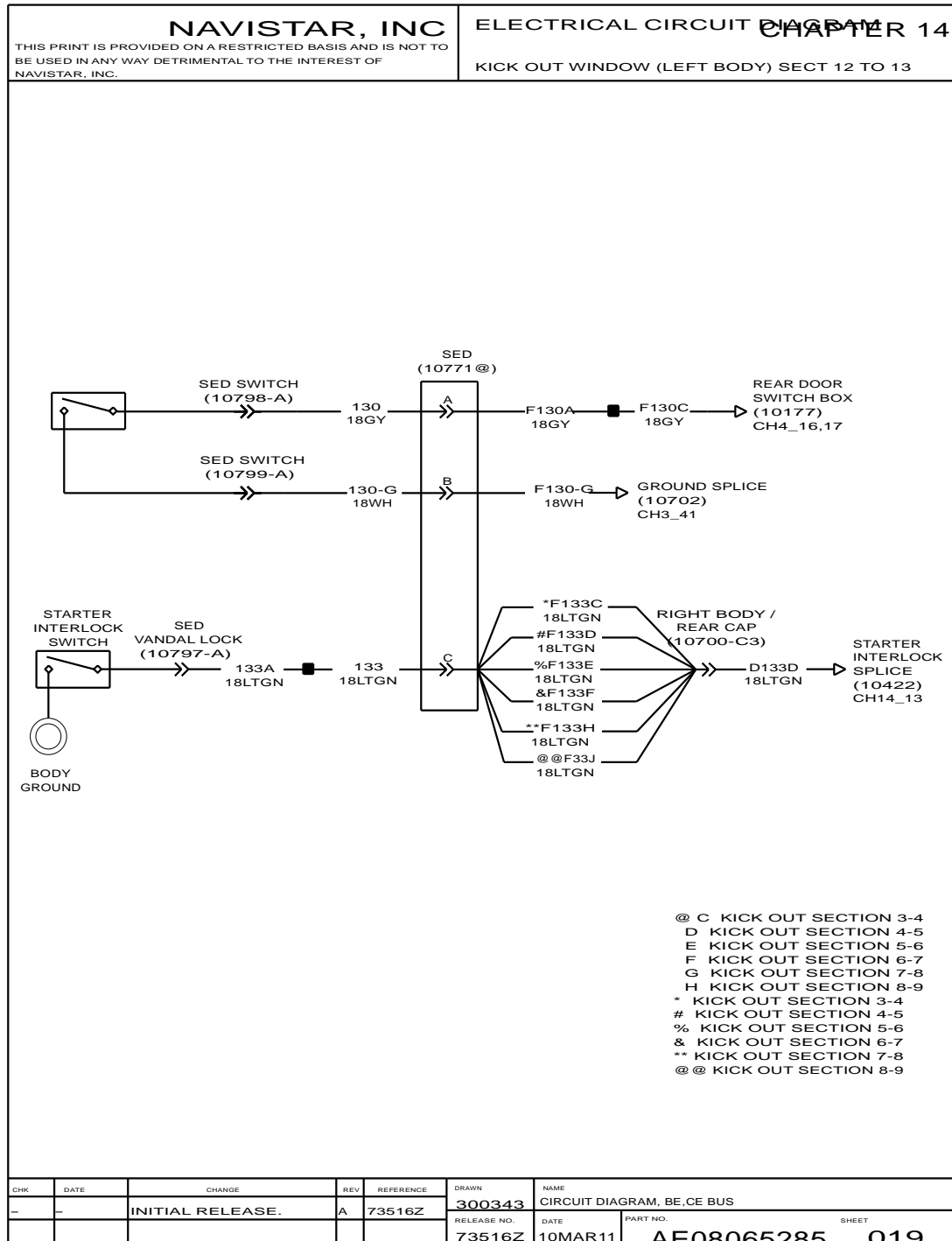


Figure 363 Kick Out Window (Left Body) Sect 12 to 13

14.20. 3 INCH RED LIGHT OVER RIGHT SIDE EMERGENCY DOOR WITHOUT KICK OUT LIGHT, P. 20

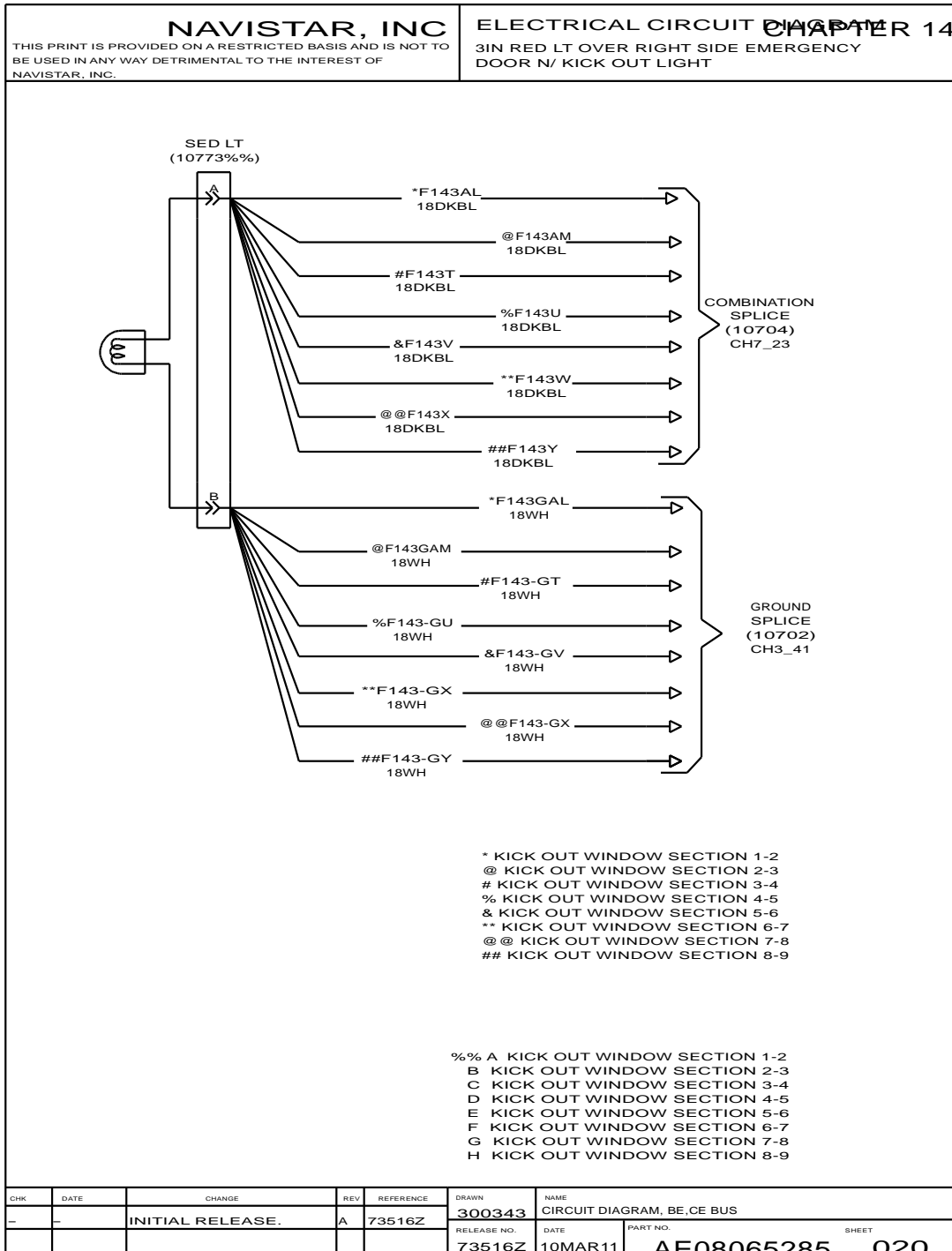


Figure 364 3 Inch Red Light Over Right Side Emergency Door without Kick Out Light

14.21. 3 INCH RED LIGHT OVER RIGHT SIDE EMERGENCY DOOR WITH KICK OUT LIGHT, P. 21

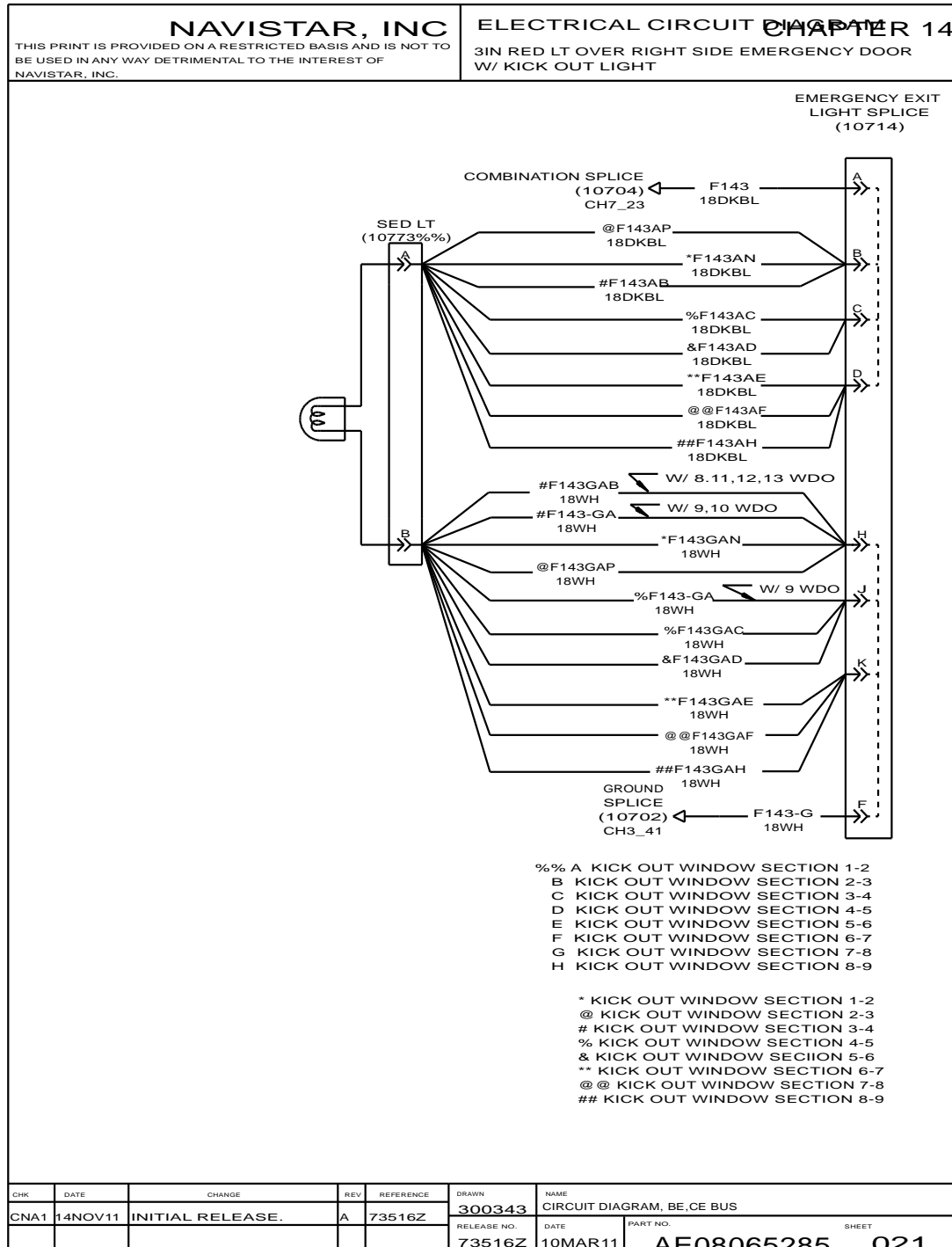


Figure 365 3 Inch Red Light Over Right Side Emergency Door with Kick Out Light

14.22. 3 INCH RED LIGHT OVER RIGHT SED THRU ACCESSORY FEED, P. 22

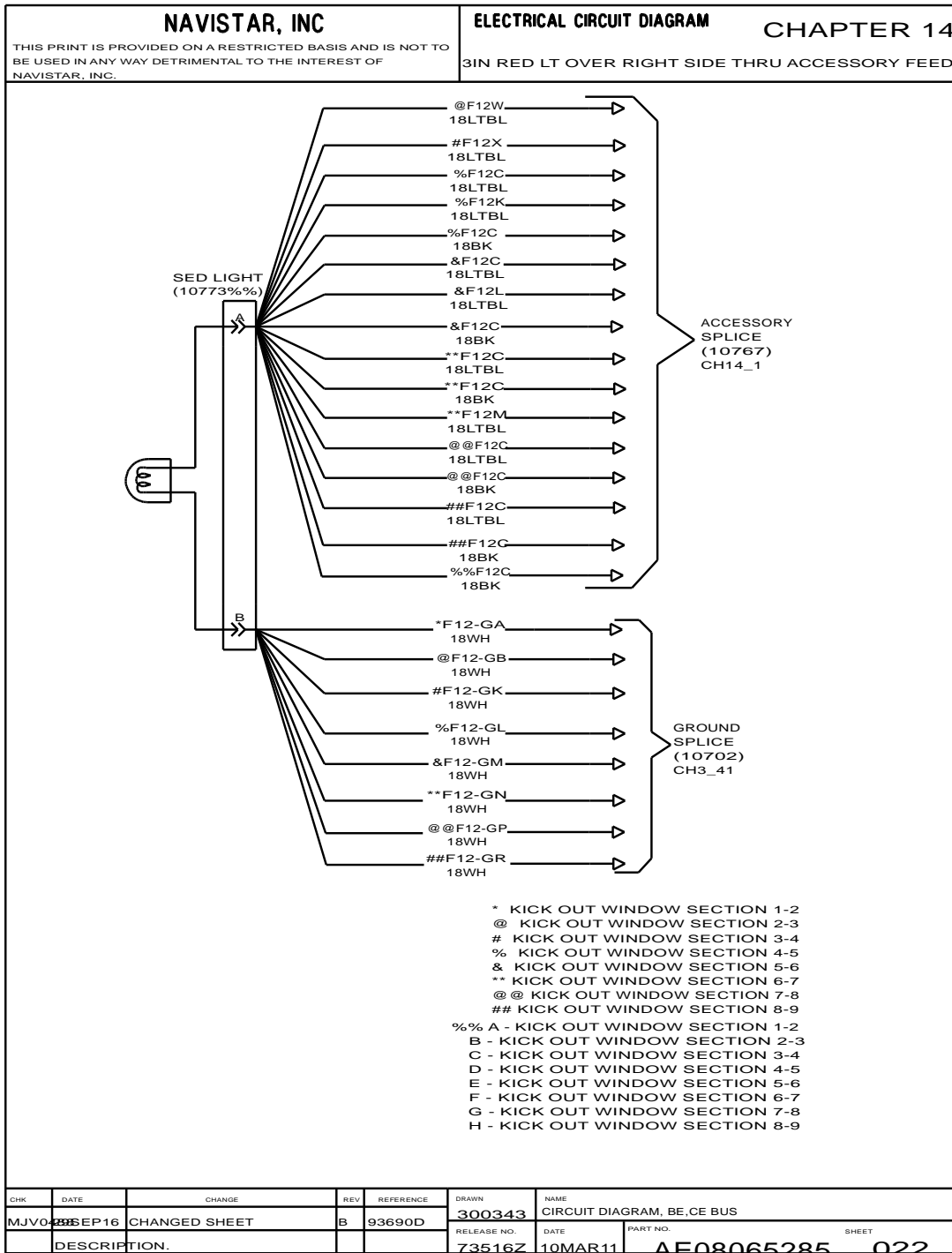


Figure 366 3 Inch Red Light Over Right SED Thru Accessory Feed

14.23. RIGHT SIDE EMERGENCY EXIT DOOR, P. 23

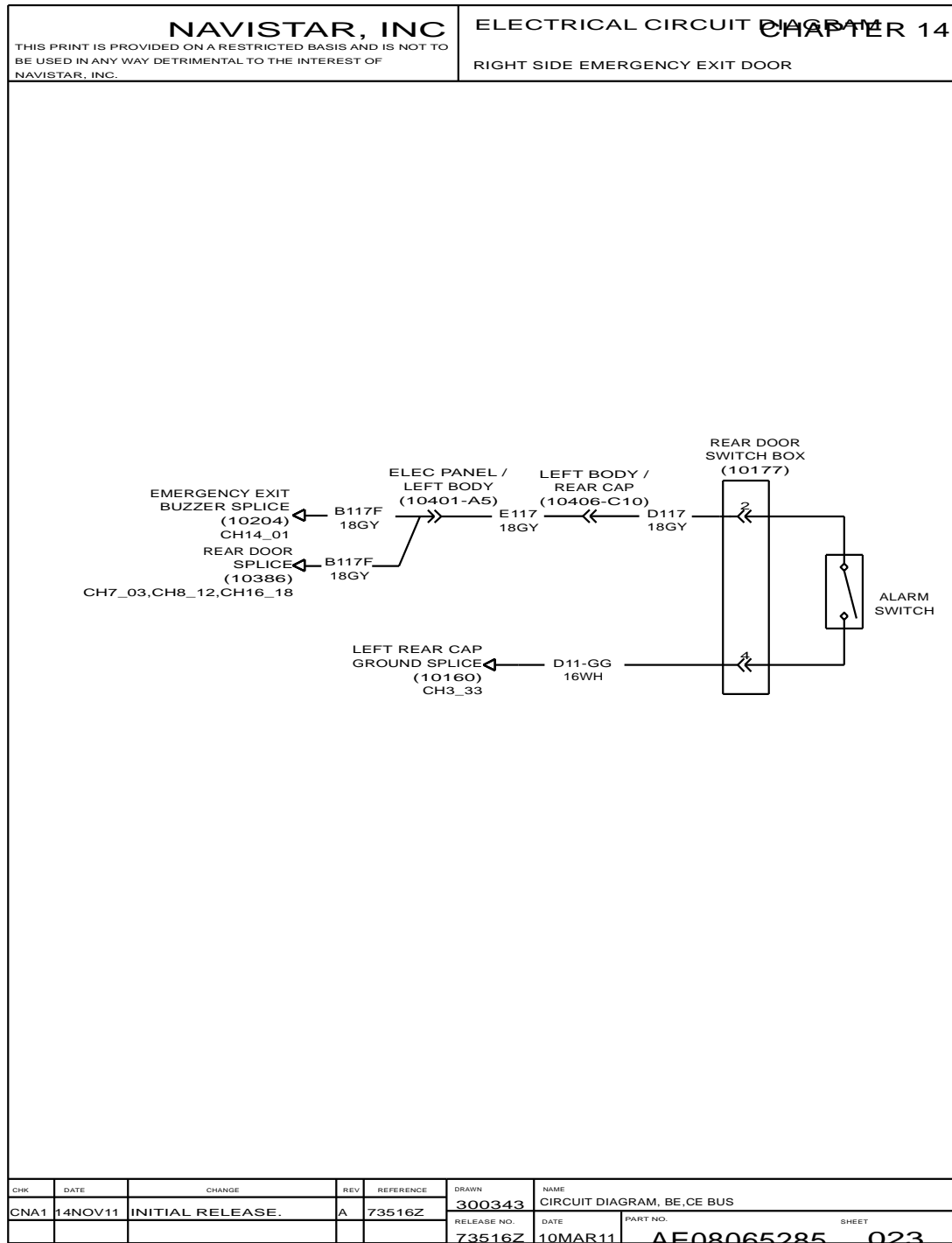


Figure 367 Right Side Emergency Exit Door

14.24. EMERGENCY EXIT INDICATOR LIGHT IN CLUSTER, P. 24

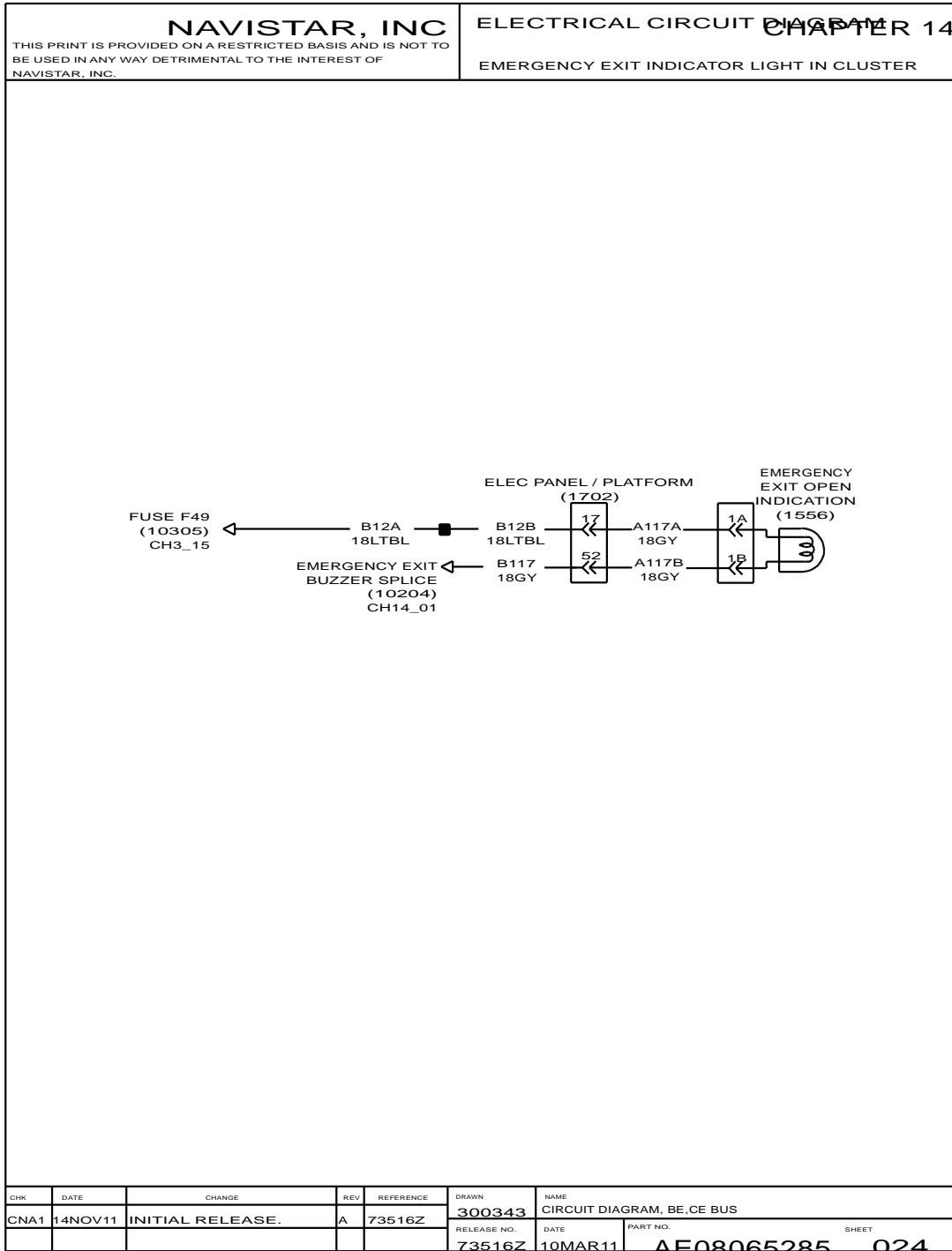


Figure 368 Emergency Exit Indicator Light In Cluster

WHEEL CHAIR LIFT DOOR SYSTEM (CHAPTER 15)

15.1. LIFT WITH AIR BRAKE AND HYDRAULIC BRAKE WITH KEY ON, P. 1

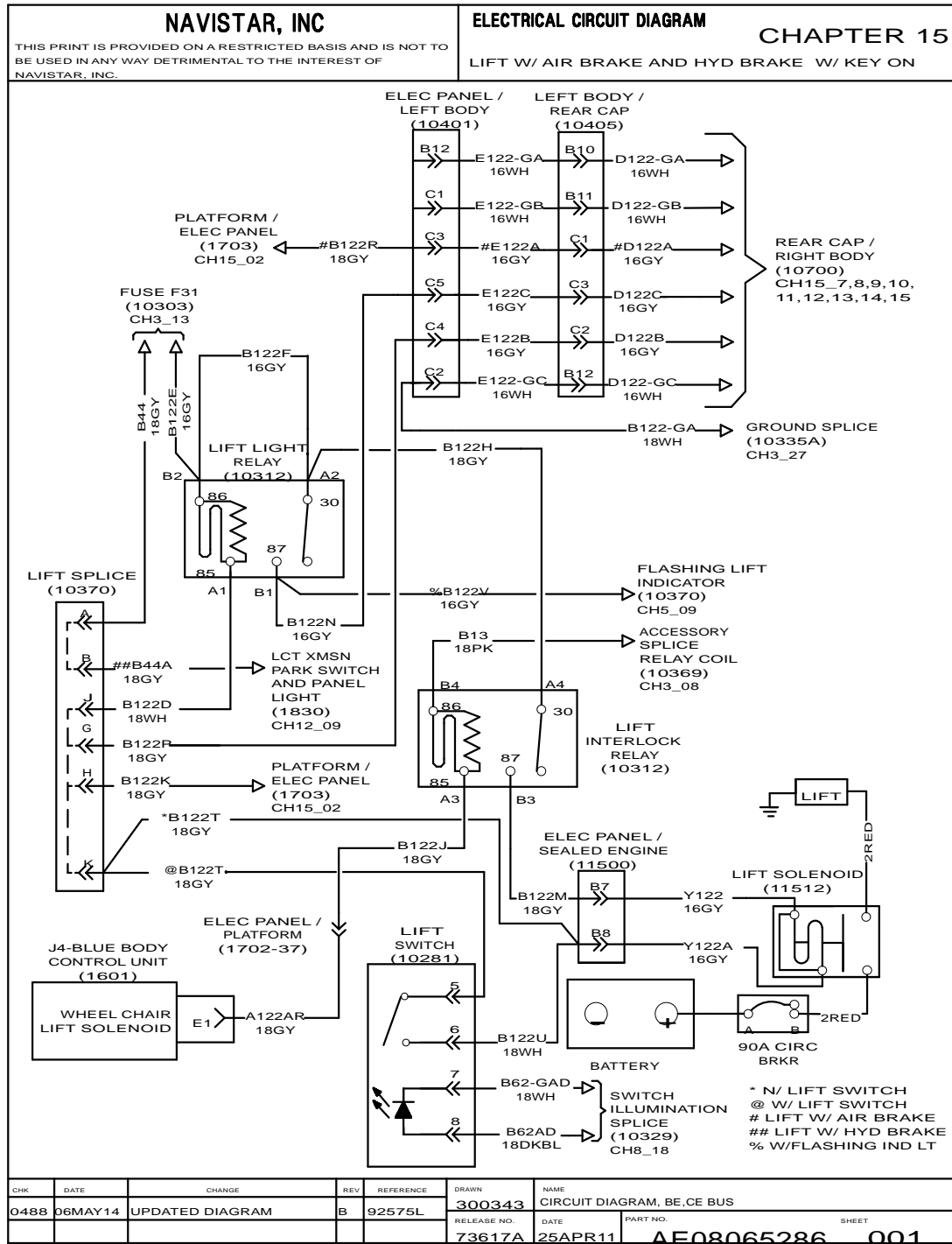


Figure 369 Lift with Air Brake and Hydraulic Brake with Key On

15.2. LIFT WITH AIR BRAKE AND HYDRAULIC BRAKE WITH KEY ON (CONT.), P. 2

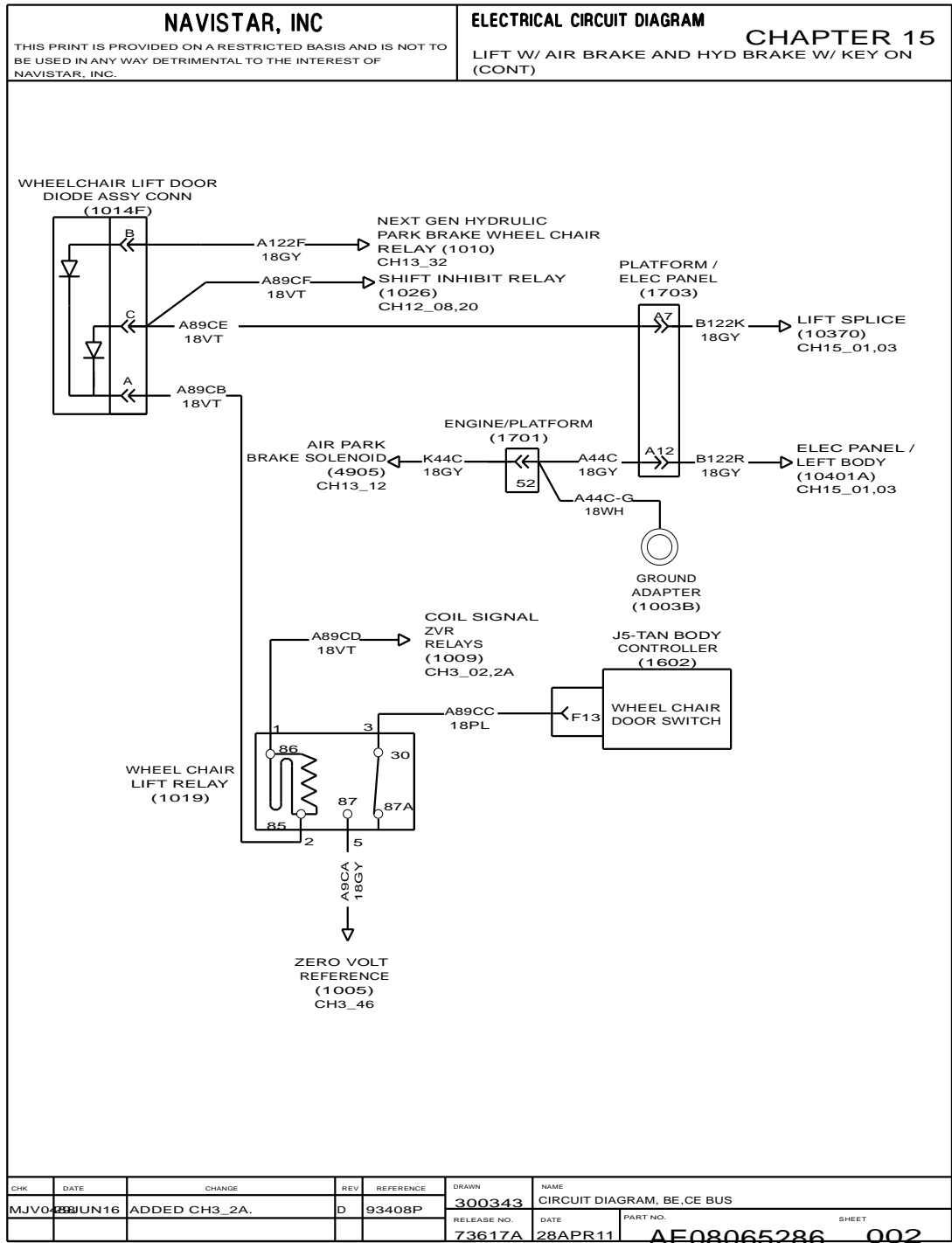


Figure 370 Lift with Air Brake and Hydraulic Brake with Key On (Cont.)

15.3. LIFT WITH AIR BRAKE WITH KEY ON / OFF, P. 3

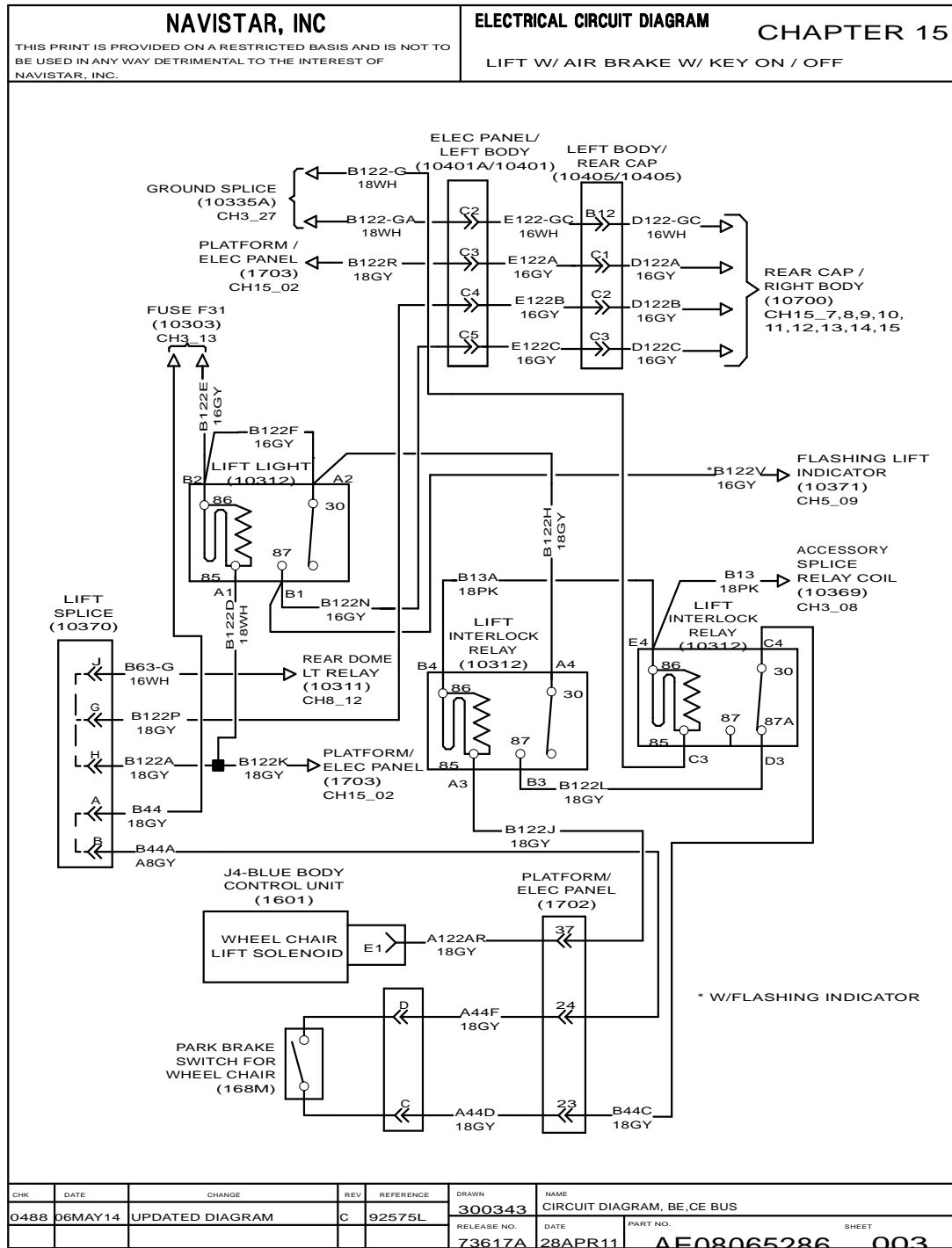


Figure 371 Lift with Air Brake with Key On / Off

15.4. LIFT WITH HYDRAULIC BRAKE WITH KEY ON / OFF, P. 4

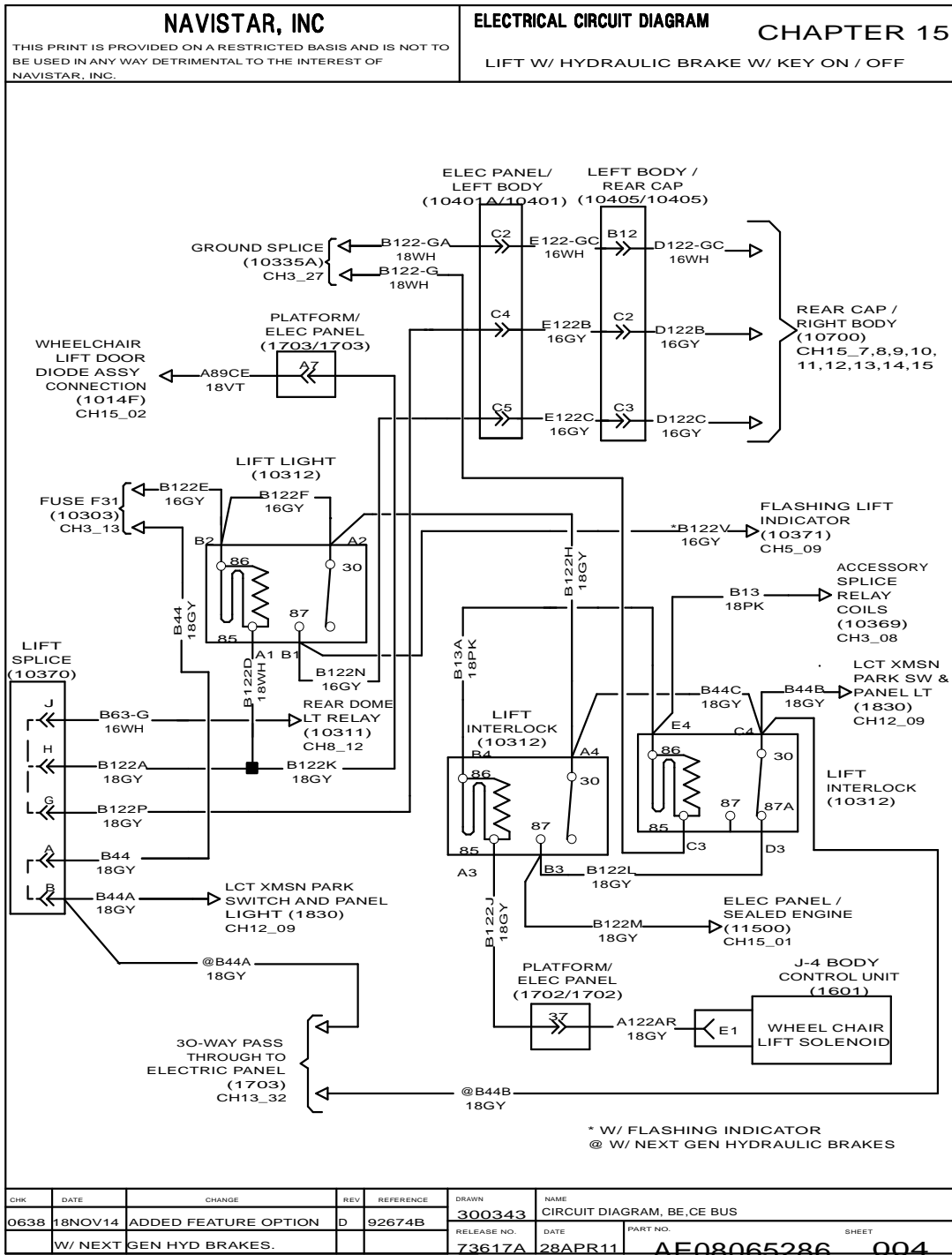


Figure 372 Lift with Hydraulic Brake with Key On / Off

15.5. PUPIL WARNING LIGHTS ACTIVATED BY LIFT DOOR OPEN, P. 5

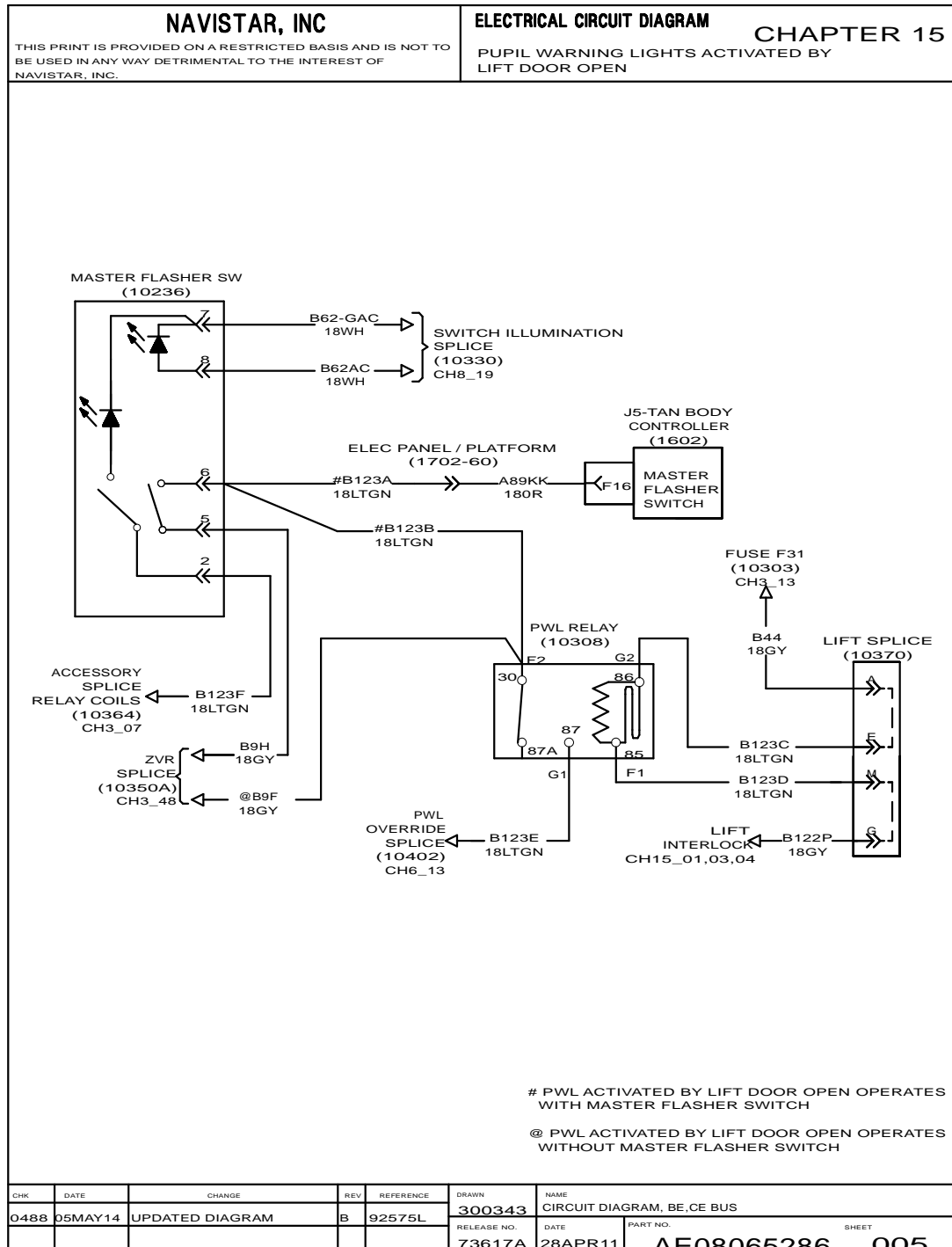


Figure 373 Pupil Warning Lights Activated By Lift Door Open

15.6. LIFT DOOR WITH STARTER INTERLOCK, P. 6

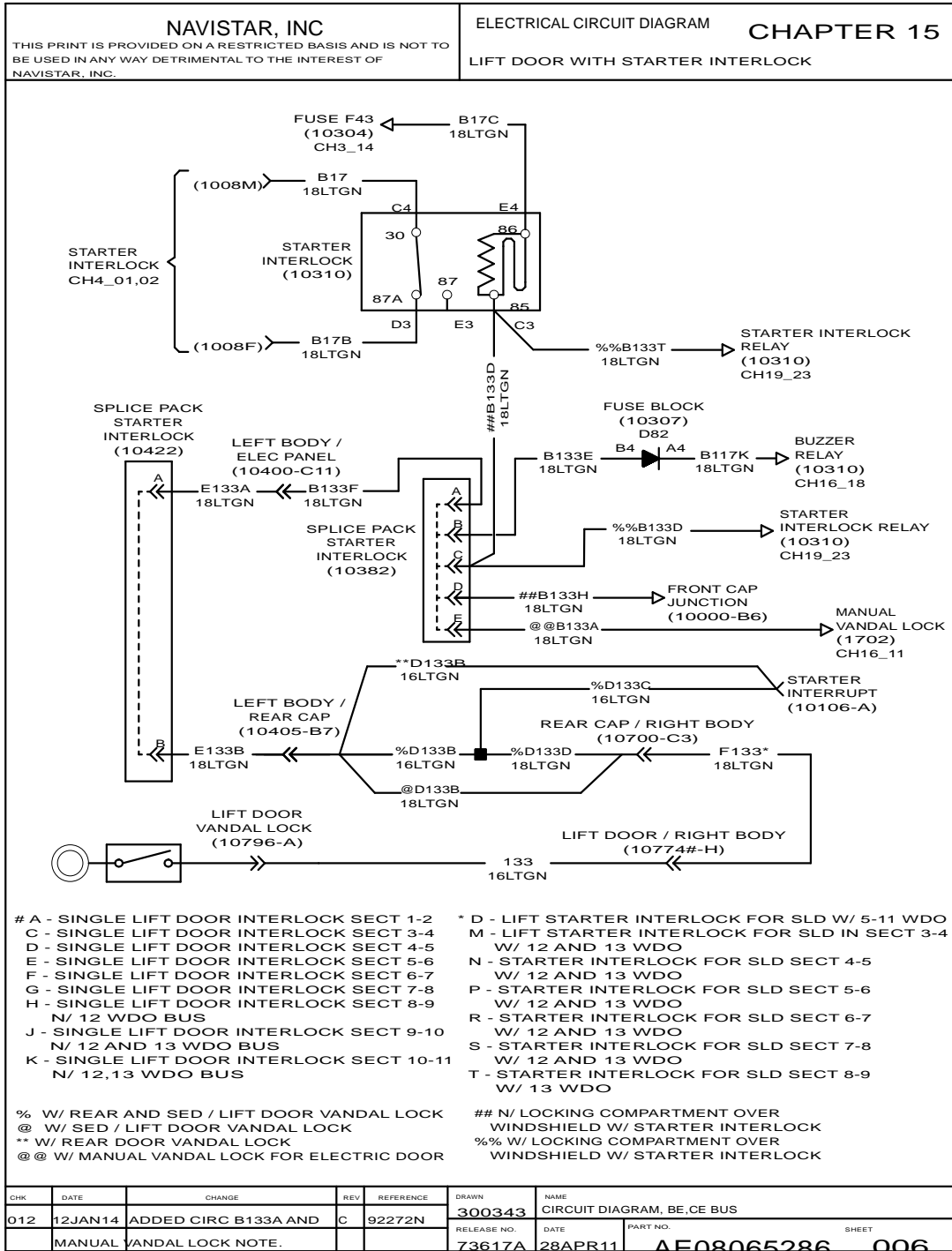


Figure 374 Lift Door With Starter Interlock

15.7. SINGLE LIFT DOOR INTERLOCK TO BRAKE AND TRANSMISSION IN SECTION 1 TO 2, 3 TO 4, P. 7

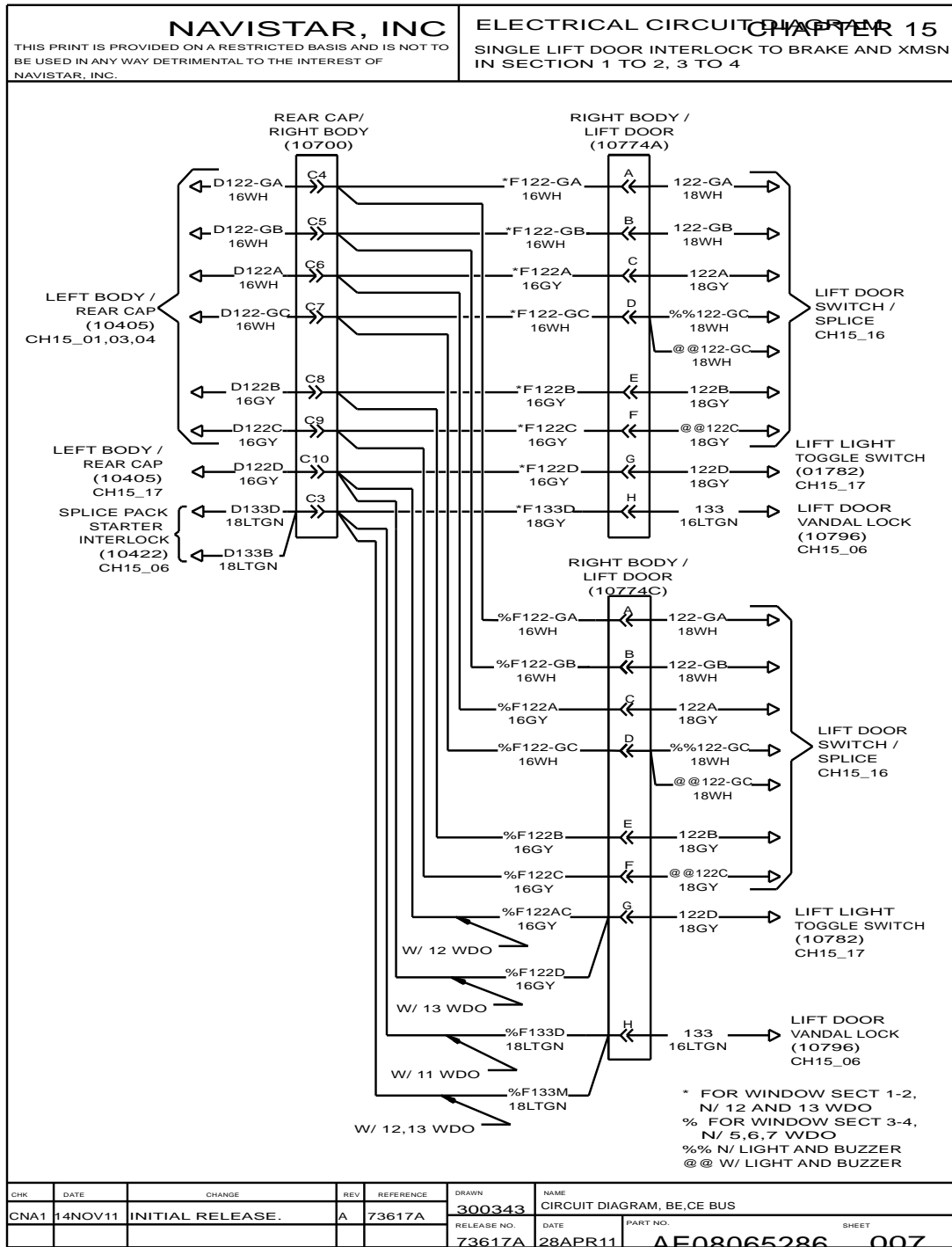


Figure 375 Single Lift Door Interlock to Brake and Transmission In Section 1 to 2, 3 to 4

15.8. SINGLE LIFT DOOR INTERLOCK TO BRAKE AND TRANSMISSION IN SECTION 4 TO 5, P. 8

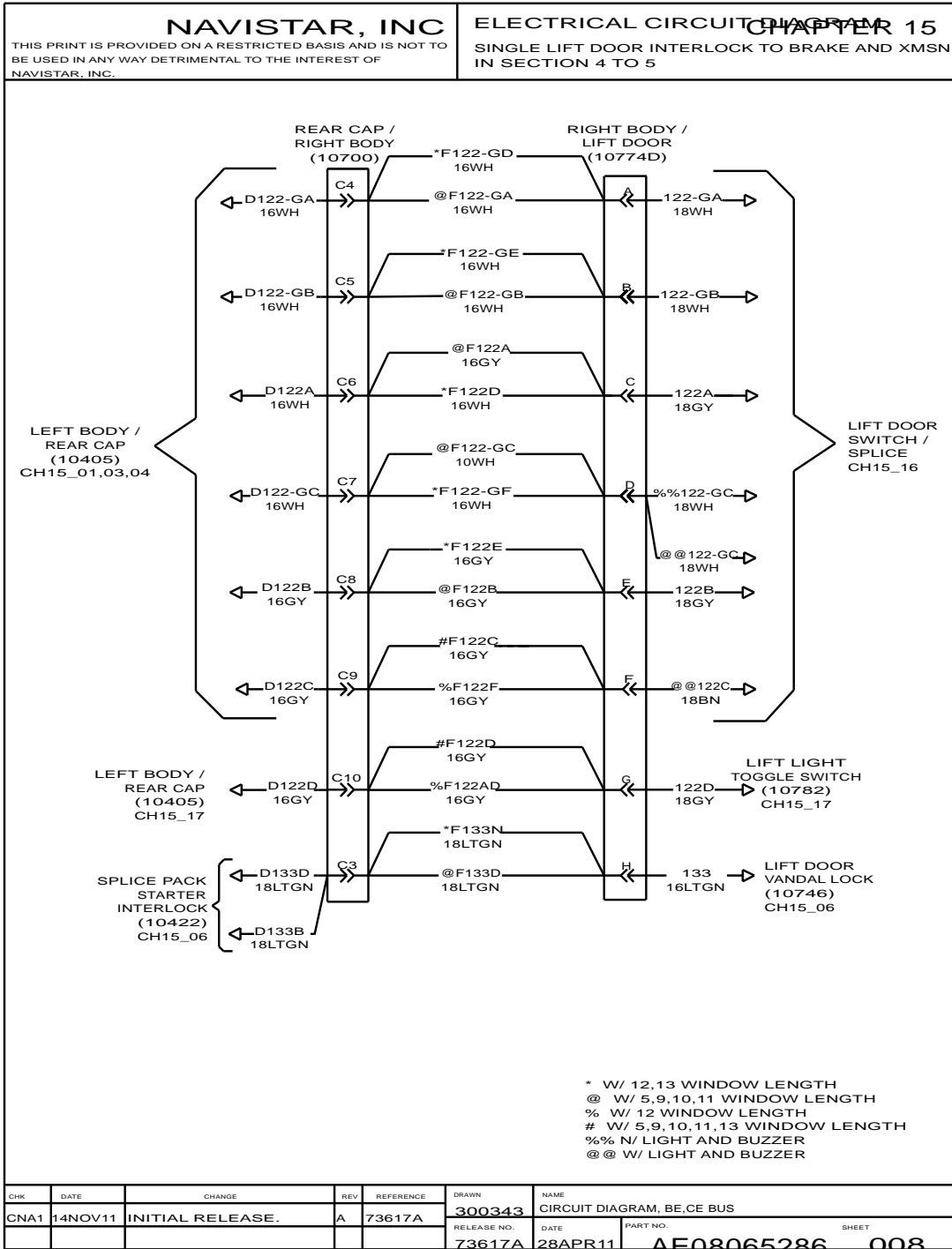


Figure 376 Single Lift Door Interlock to Brake and Transmission In Section 4 to 5

15.9. SINGLE LIFT DOOR INTERLOCK TO BRAKE AND TRANSMISSION IN SECTION 4 TO 5, 5 TO 6, P. 9

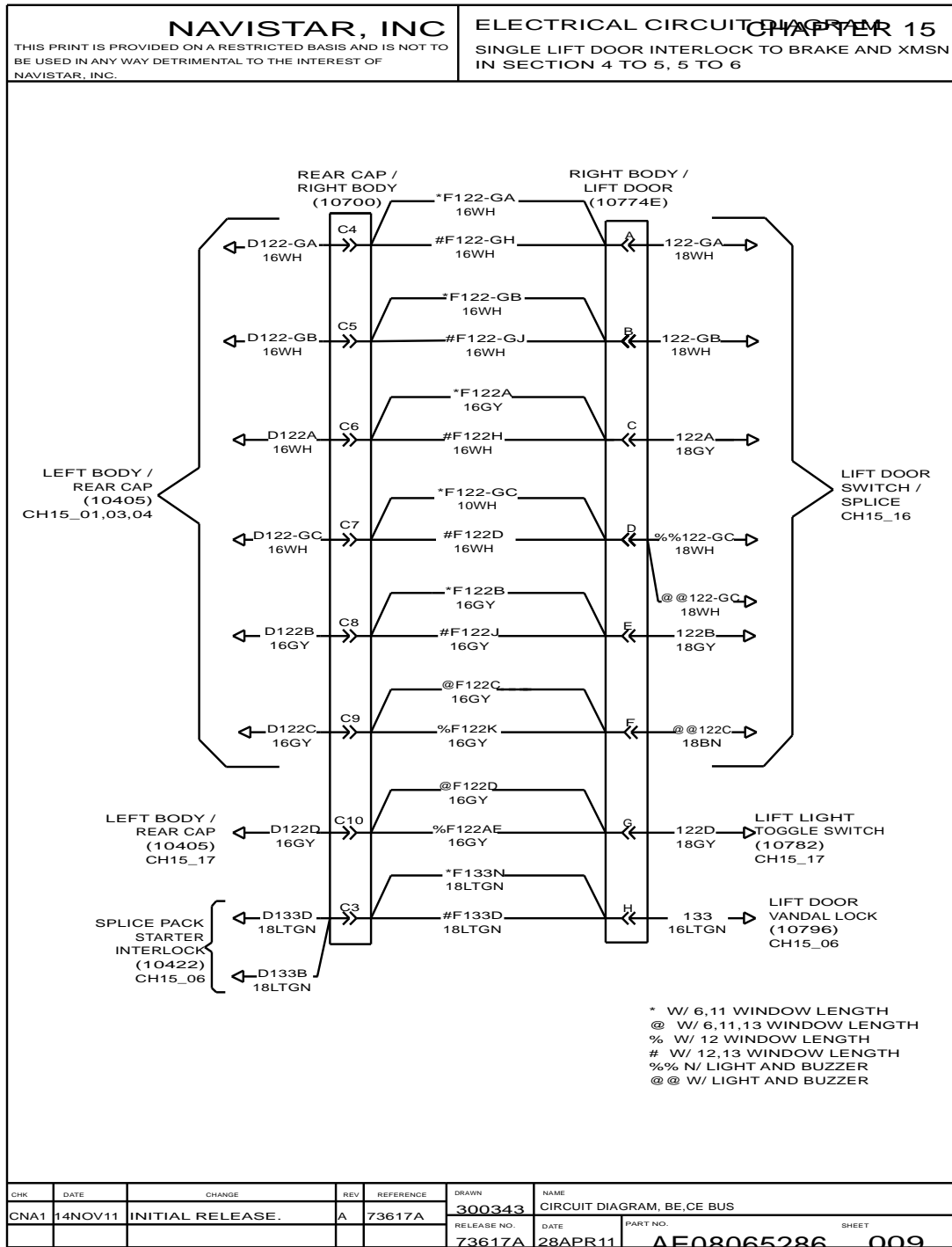


Figure 377 Single Lift Door Interlock to Brake and Transmission In Section 4 to 5, 5 to 6

15.10. SINGLE LIFT DOOR INTERLOCK TO BRAKE AND TRANSMISSION IN SECTION 6 TO 7, P. 10

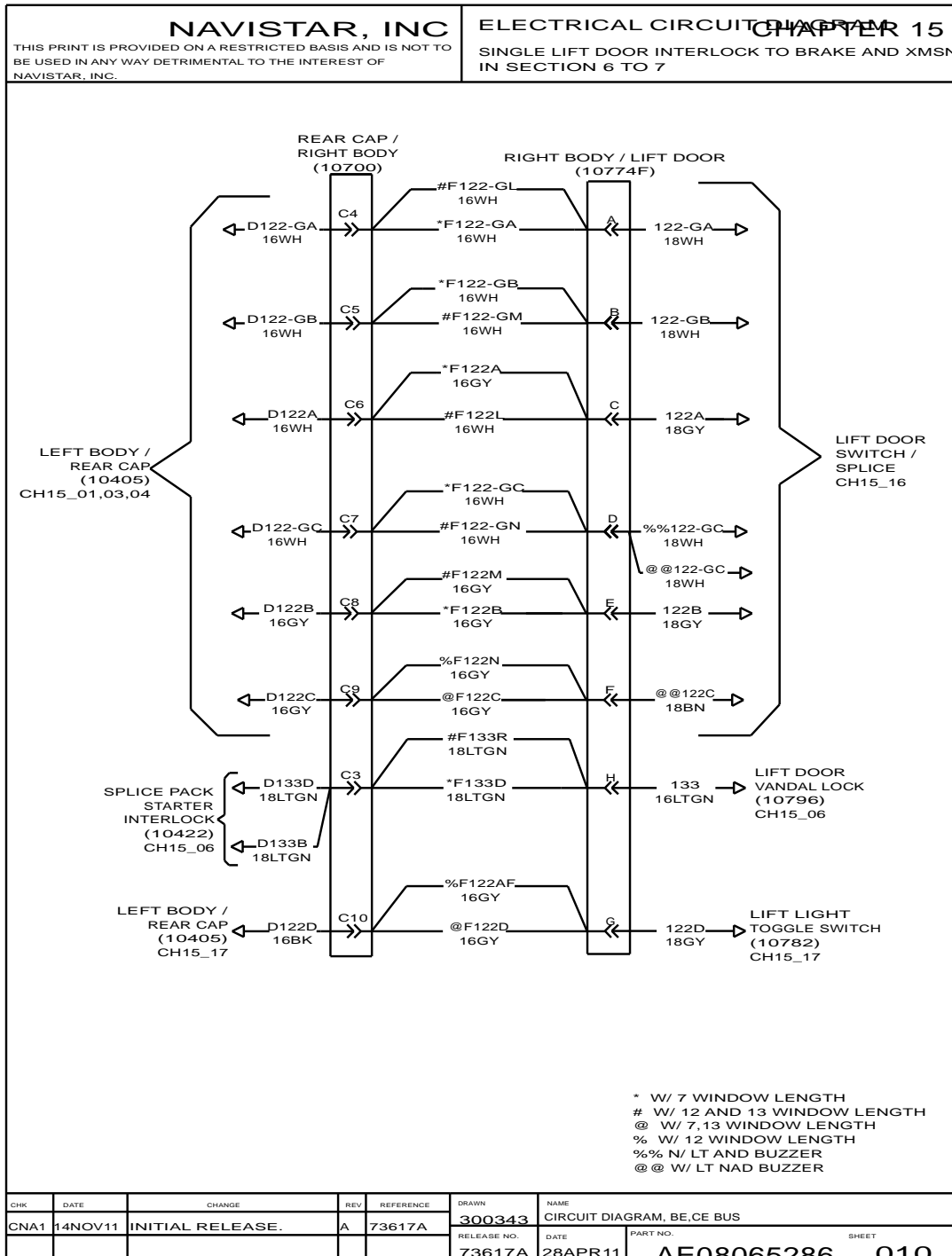


Figure 378 Single Lift Door Interlock to Brake and Transmission In Section 6 to 7

15.11. SINGLE LIFT DOOR INTERLOCK TO BRAKE AND TRANSMISSION IN SECTION 7 TO 8, P. 11

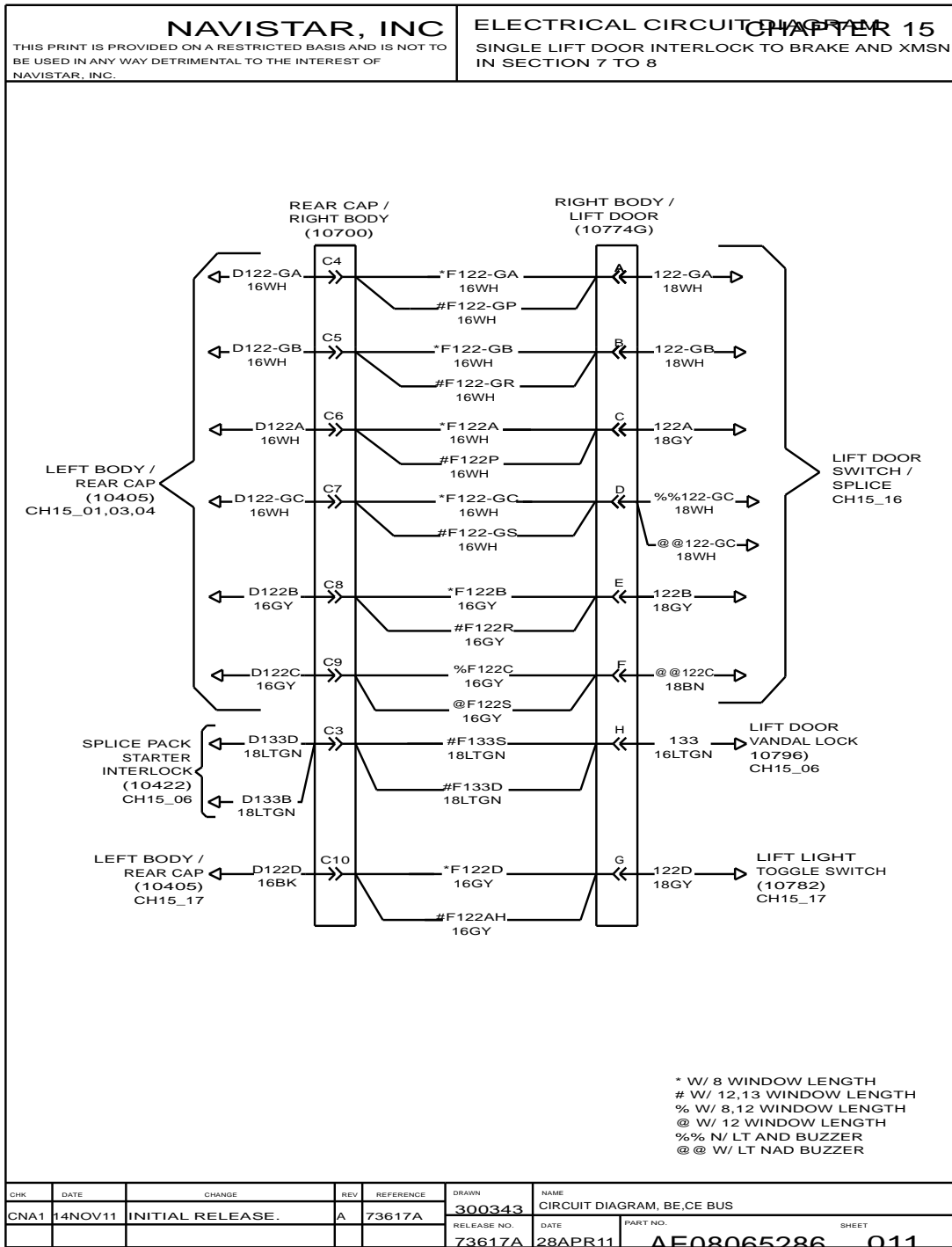


Figure 379 Single Lift Door Interlock to Brake and Transmission In Section 7 to 8

15.12. SINGLE LIFT DOOR INTERLOCK TO BRAKE AND TRANSMISSION IN SECTION 8 TO 9, P. 12

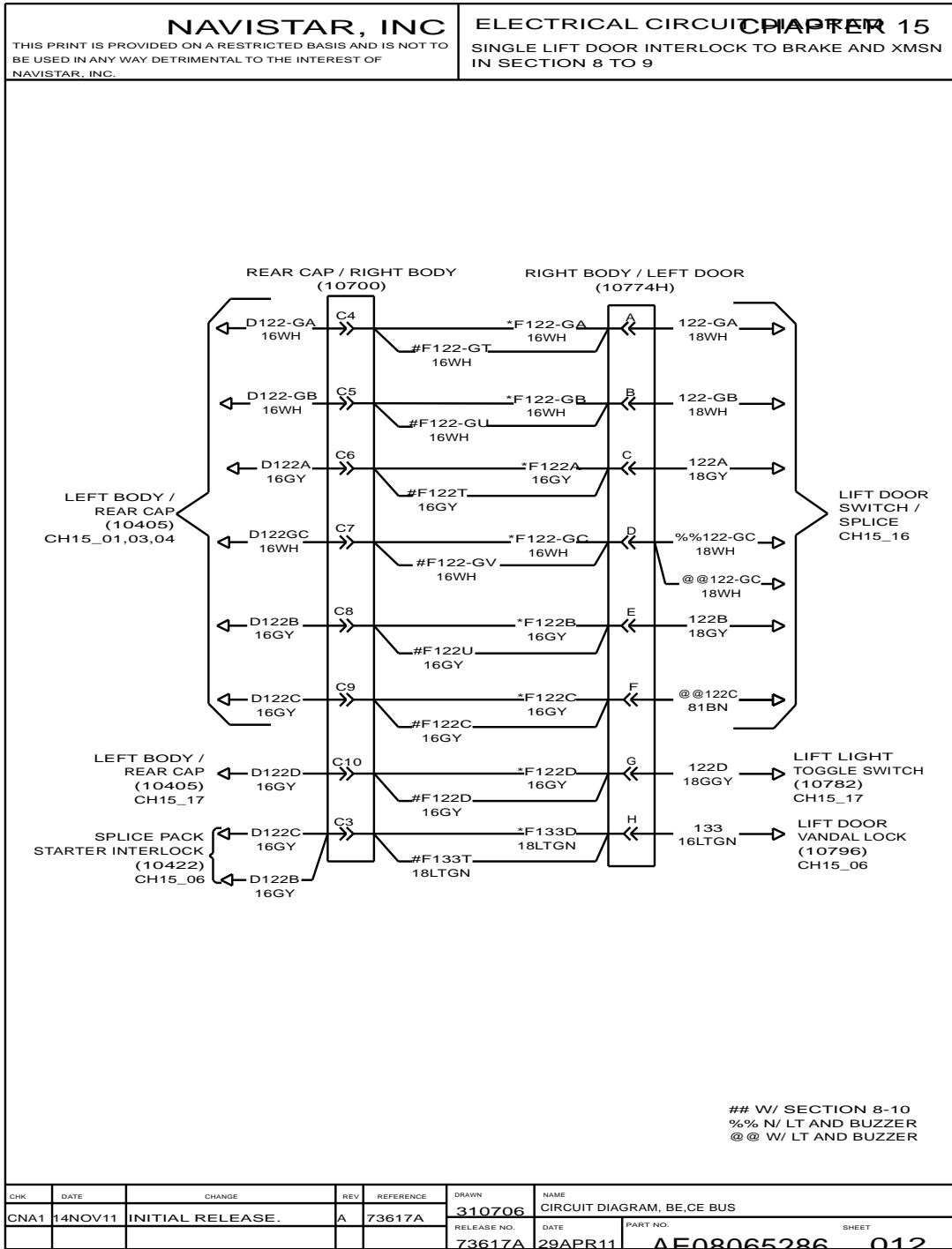


Figure 380 Single Lift Door Interlock to Brake and Transmission In Section 8 to 9

15.13. SINGLE LIFT DOOR INTERLOCK TO BRAKE AND TRANSMISSION IN SECTION 9 TO 10, P. 13

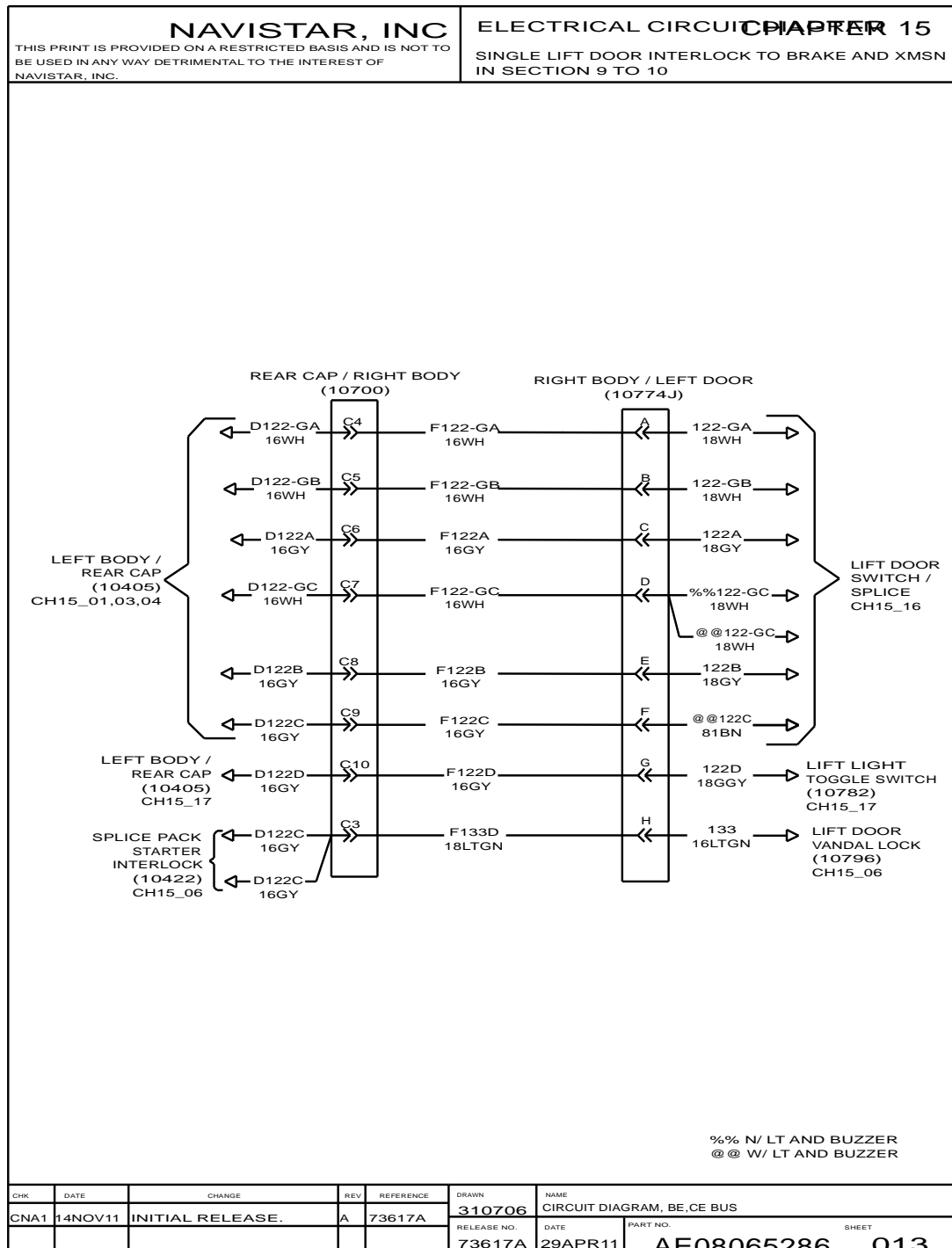


Figure 381 Single Lift Door Interlock to Brake and Transmission In Section 9 to 10

15.14. SINGLE LIFT DOOR INTERLOCK TO BRAKE AND TRANSMISSION IN SECTION 10 TO 11, P. 14

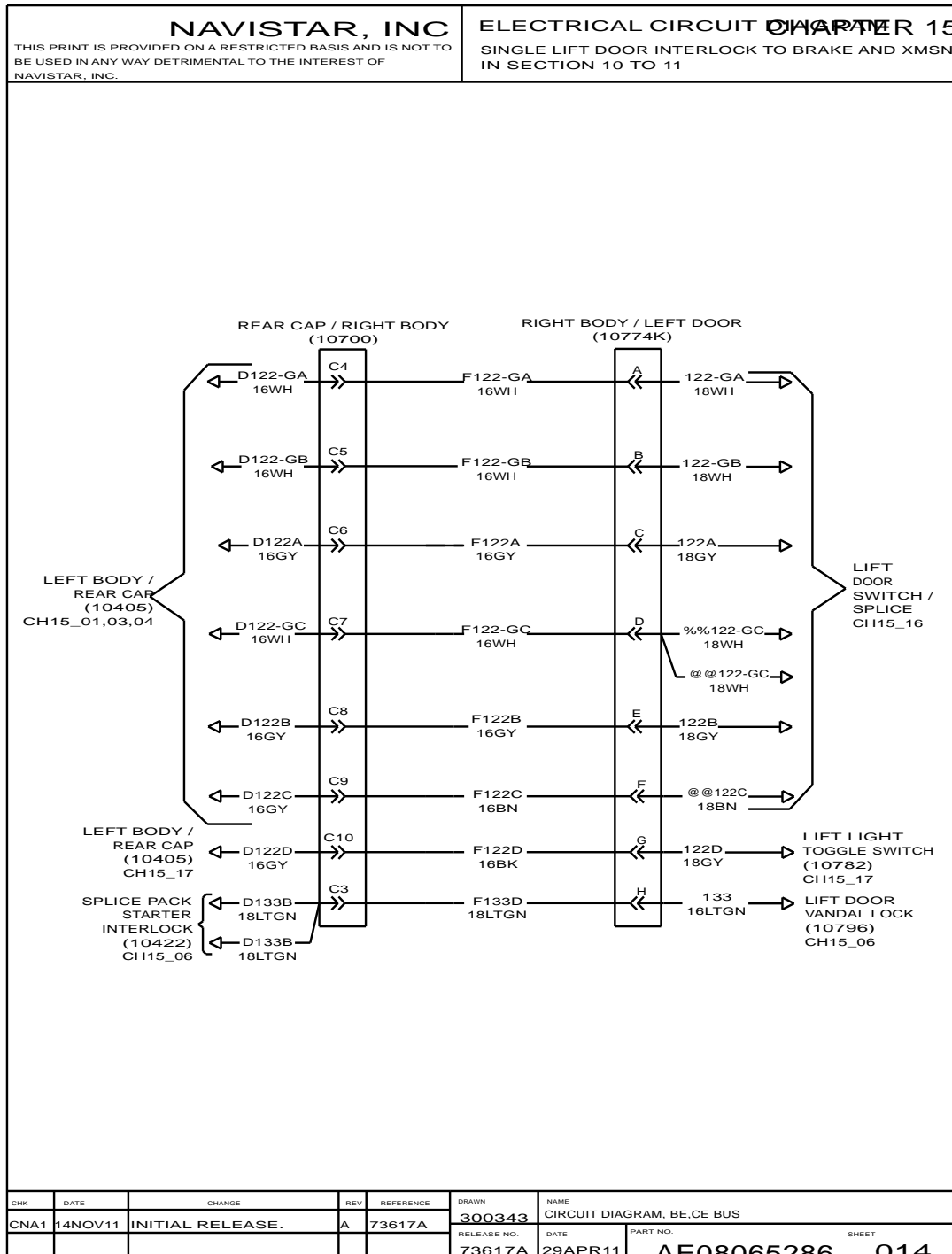


Figure 382 Single Lift Door Interlock to Brake and Transmission In Section 10 to 11

15.15. 48 INCH ALTERNATE ENTRANCE DOOR INTERLOCK TO BRAKE AND TRANSMISSION IN SECTION 7 TO 8, 8 TO 9, P. 15

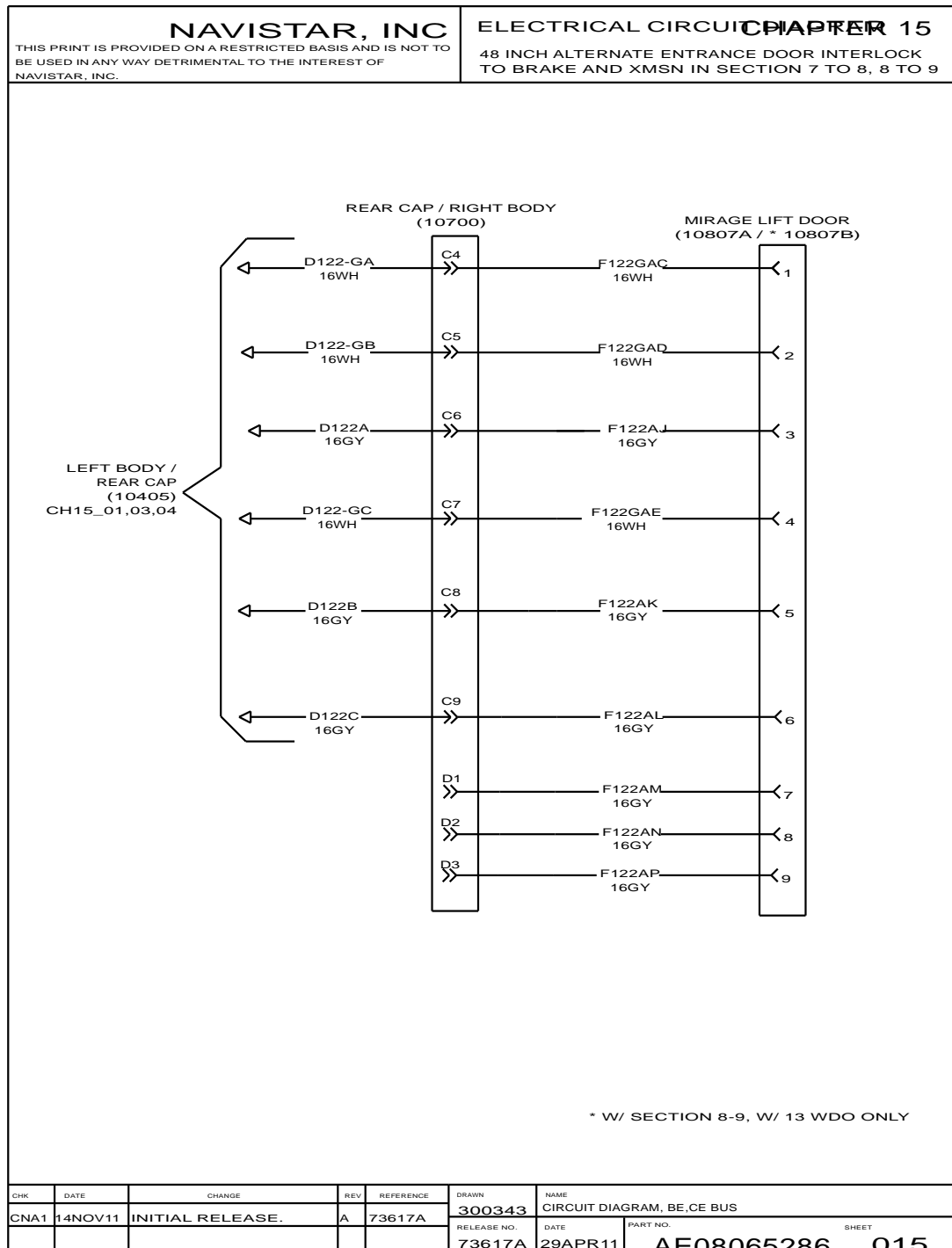


Figure 383 48 Inch Alternate Entrance Door Interlock to Brake and Transmission In Section 7 to 8, 8 to 9

15.16. LIFT DOOR SWITCH CONNECTION, P. 16

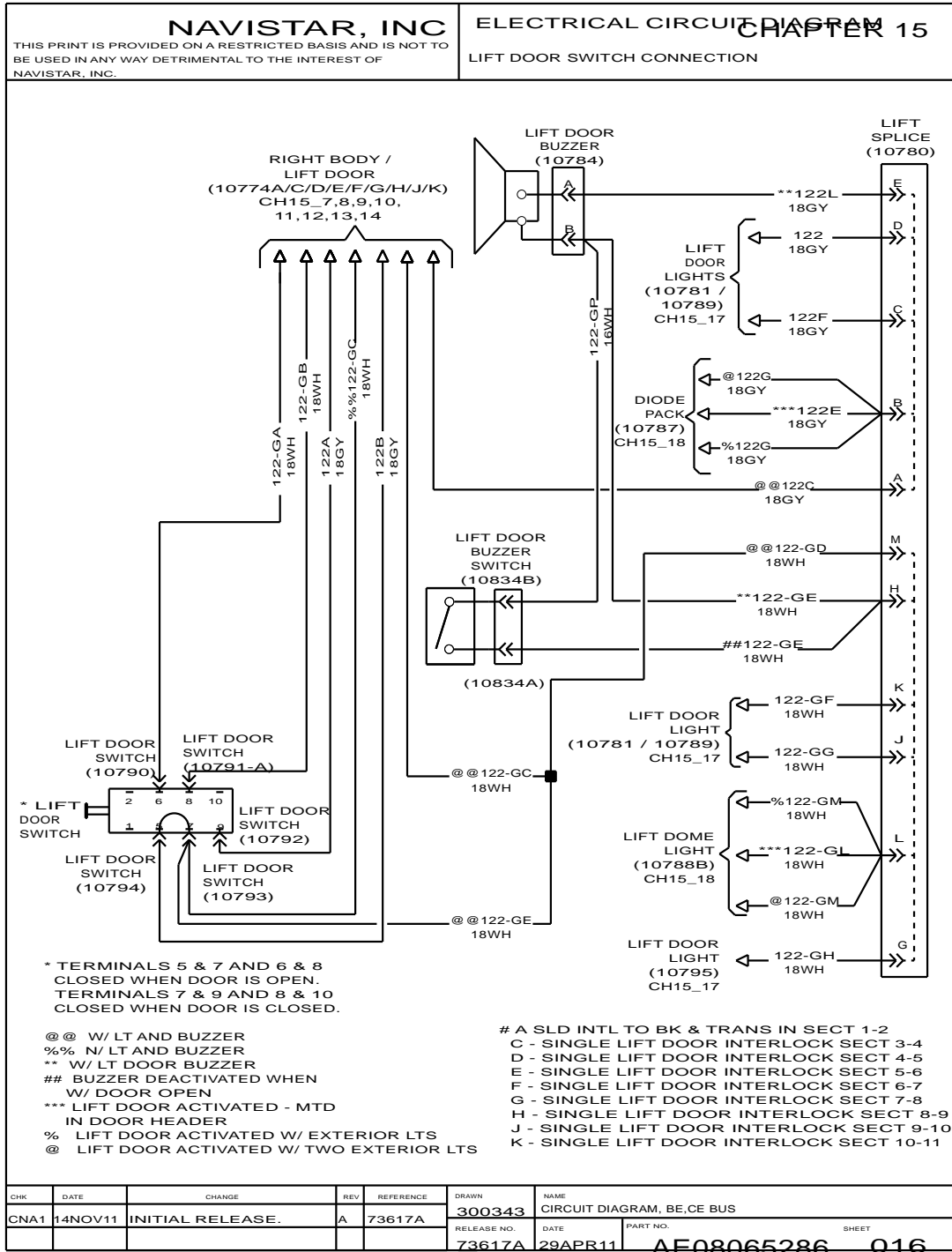


Figure 384 Lift Door Switch Connection

15.17. LIFT EXTERIOR LIGHT, P. 17

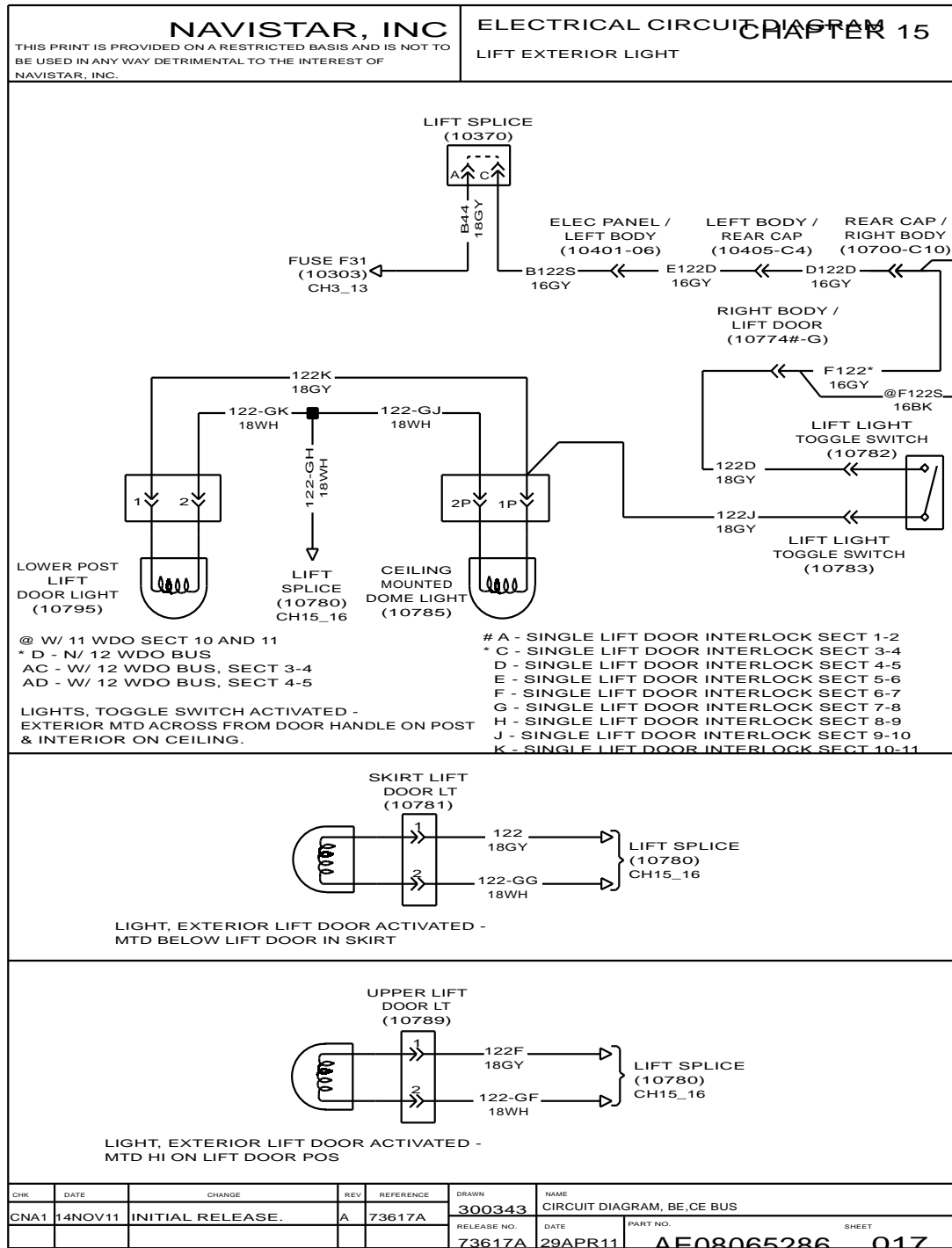


Figure 385 Lift Exterior Light

15.18. LIFT INTERIOR LIGHT, P. 18

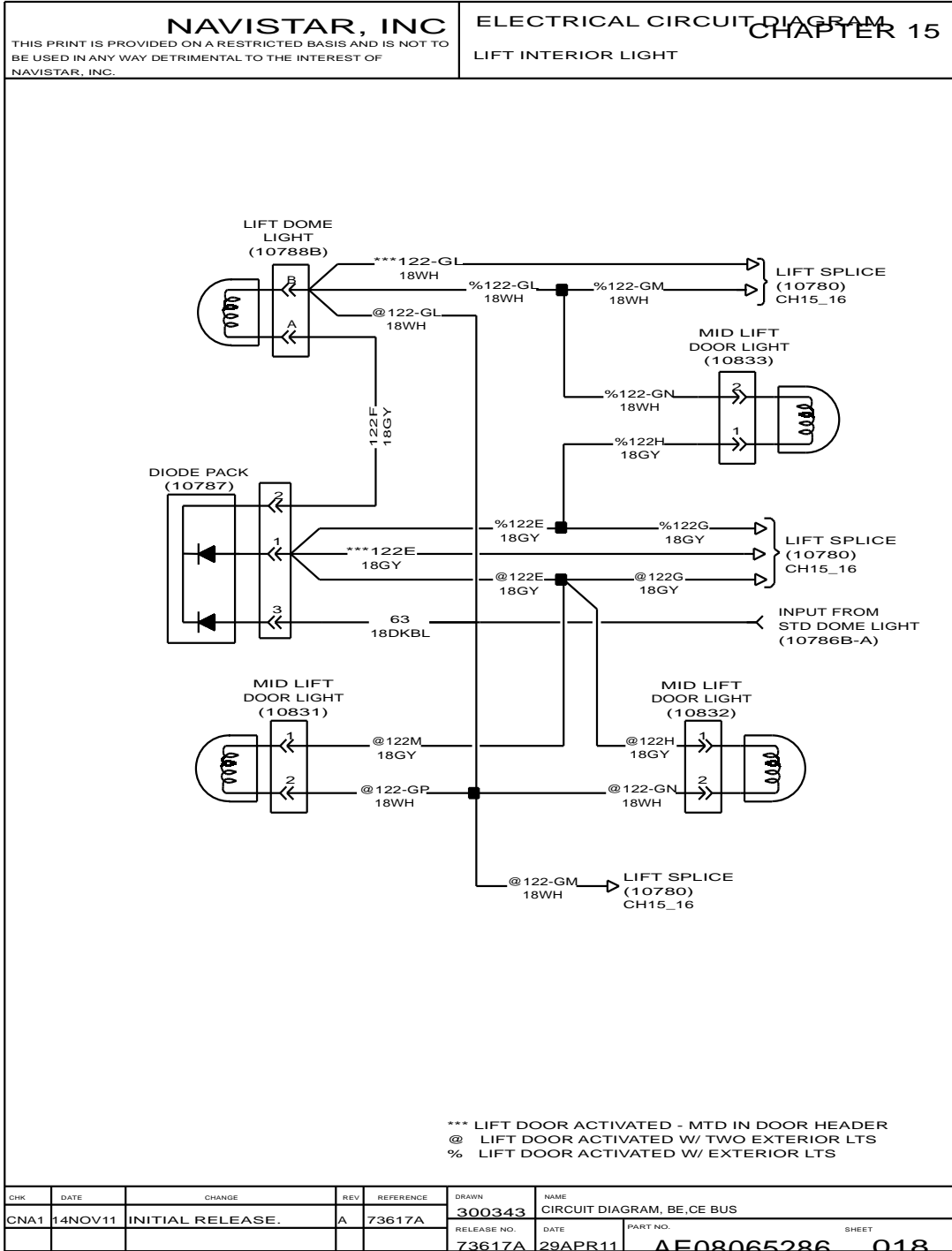


Figure 386 Lift Interior Light

ENTRY DOOR (CHAPTER 16)

16.1. LEFT PANEL MOUNTED DOOR CONTROL 2 AND 3 POSITION ROTARY SWITCH, P. 1

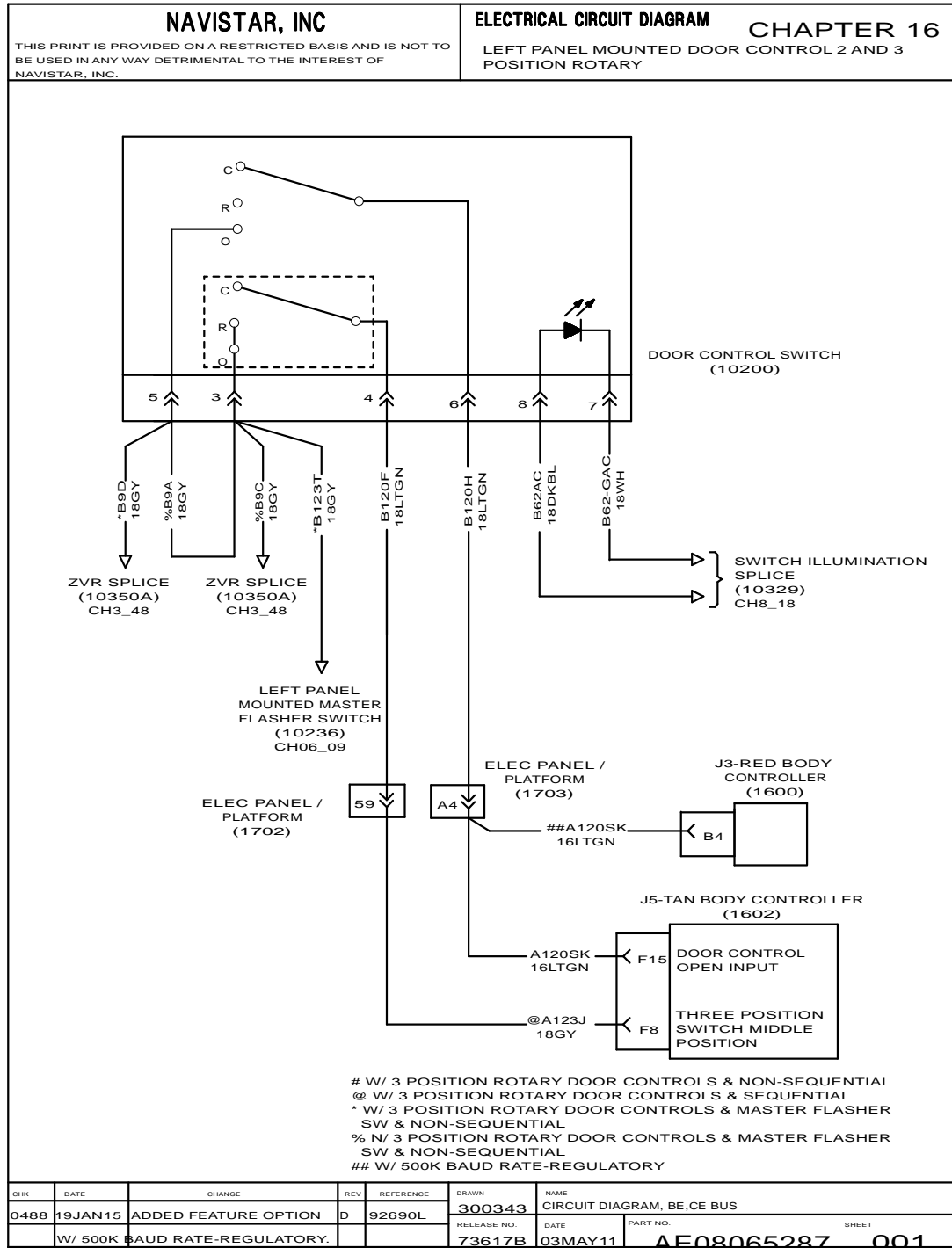


Figure 387 Left Panel Mounted Door Control 2 and 3 Position Rotary Switch

16.2. RIGHT PANEL MOUNTED DOOR CONTROL 2 AND 3 POSITION ROTARY SWITCH, P. 2

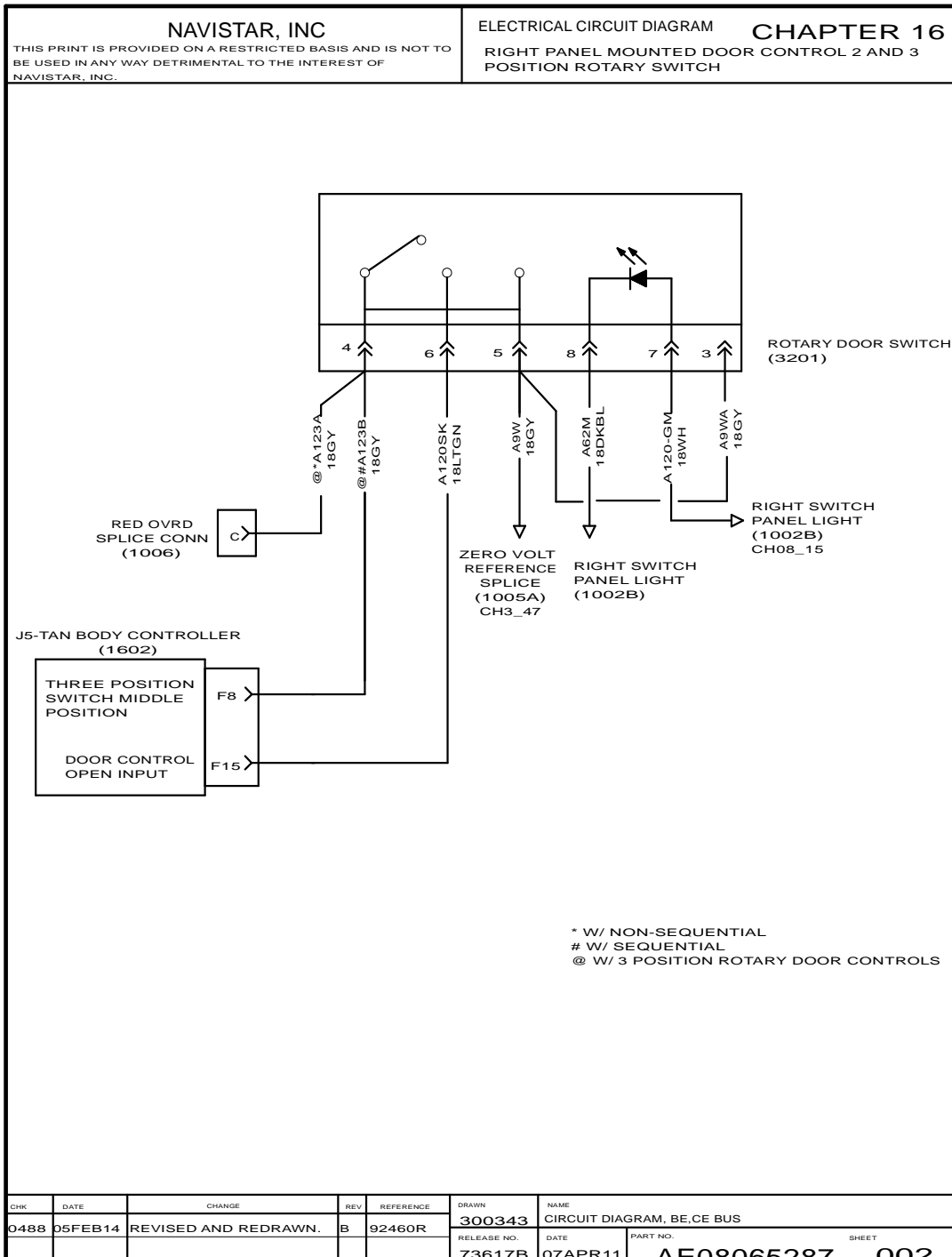


Figure 388 Right Panel Mounted Door Control 2 and 3 Position Rotary Switch

16.3. REDUNDANT DOOR CONTROLS, P. 3

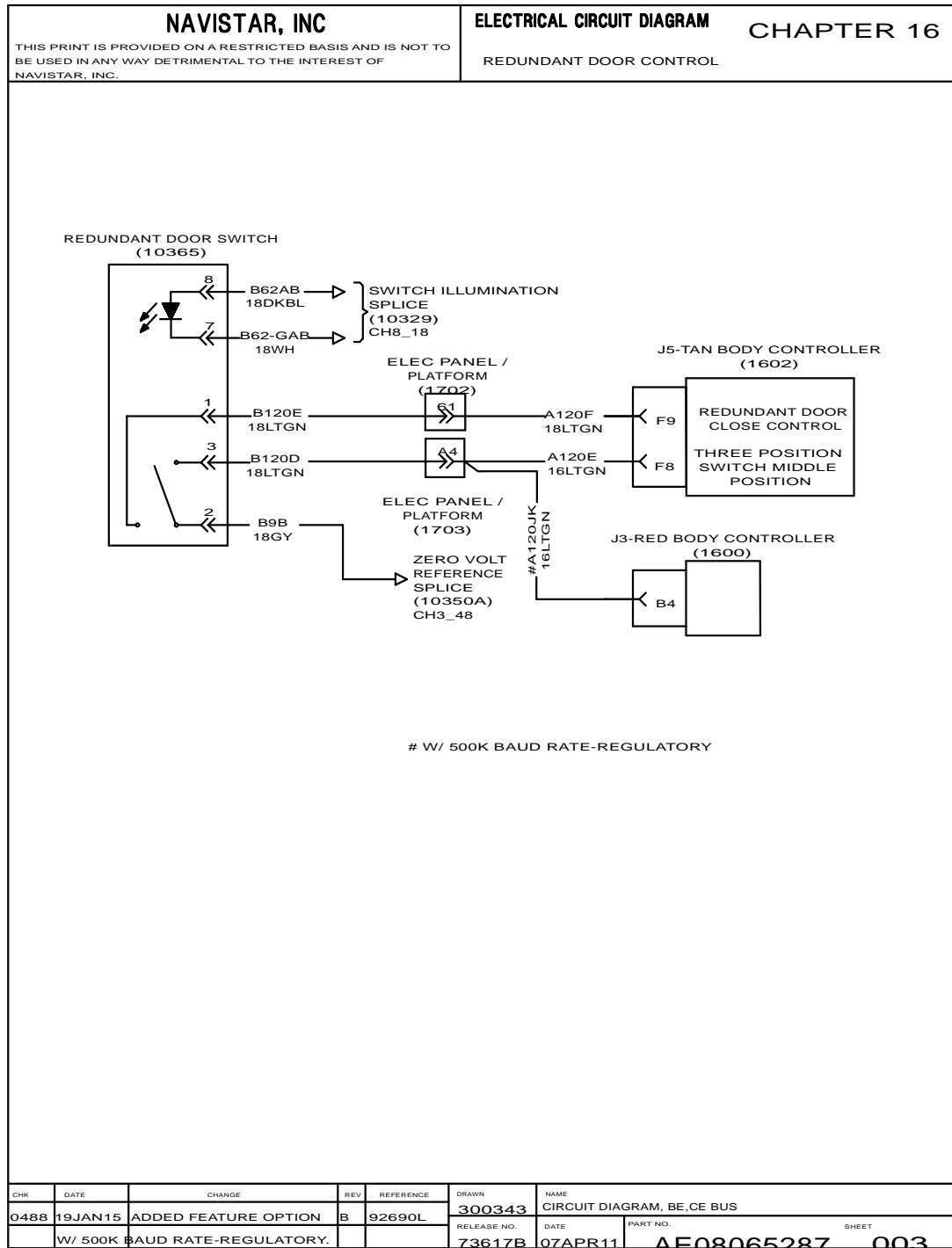


Figure 389 Redundant Door Controls

16.4. REDUNDANT DOOR CONTROLS (CONT.), P. 4

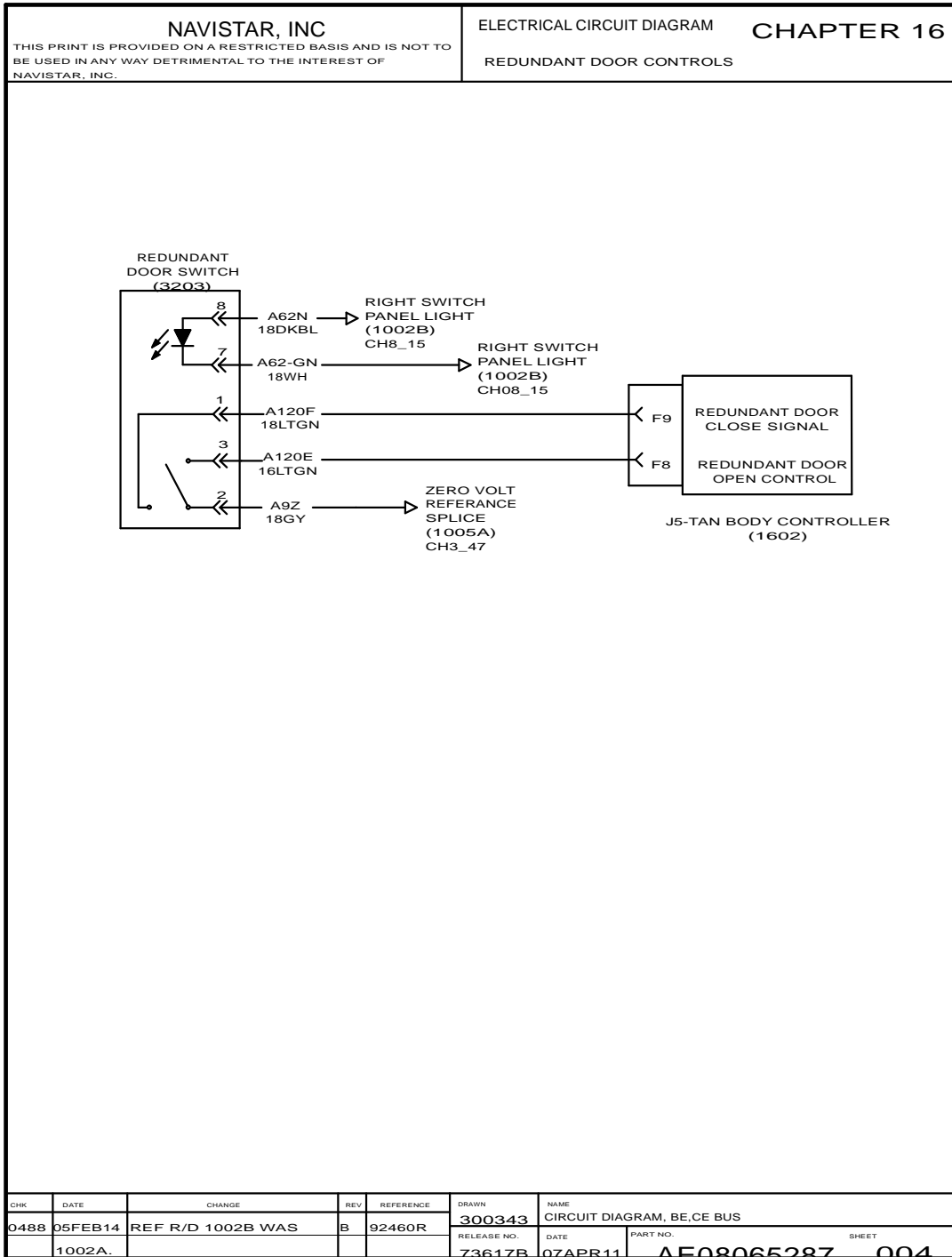


Figure 390 Redundant Door Controls (Cont.)

16.5. FRONT ENTRANCE DOOR (AIR DOOR), P. 5

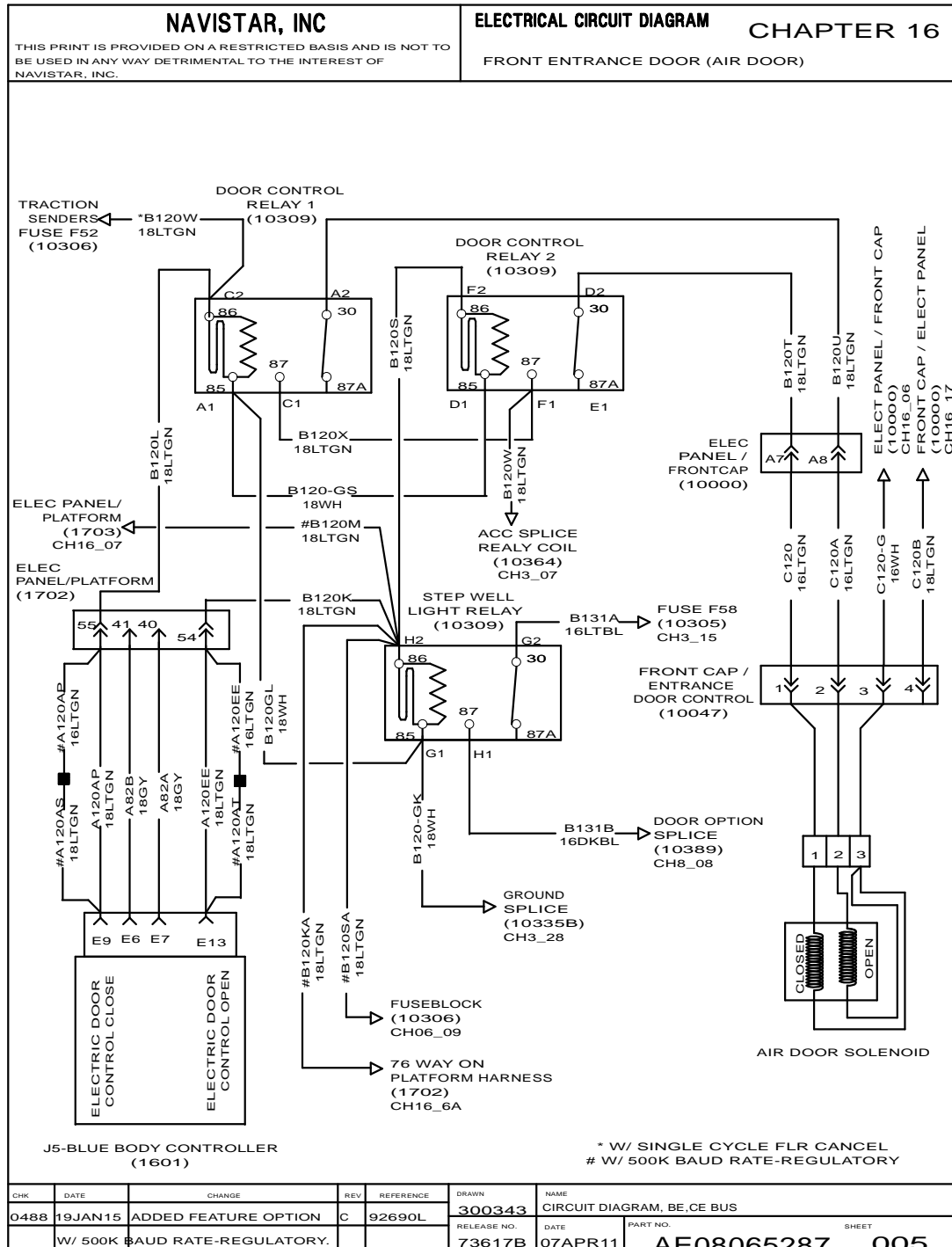


Figure 391 Front Entrance Door (Air Door)

16.6. FRONT ENTRANCE DOOR (ELECTRIC DOOR), P. 6

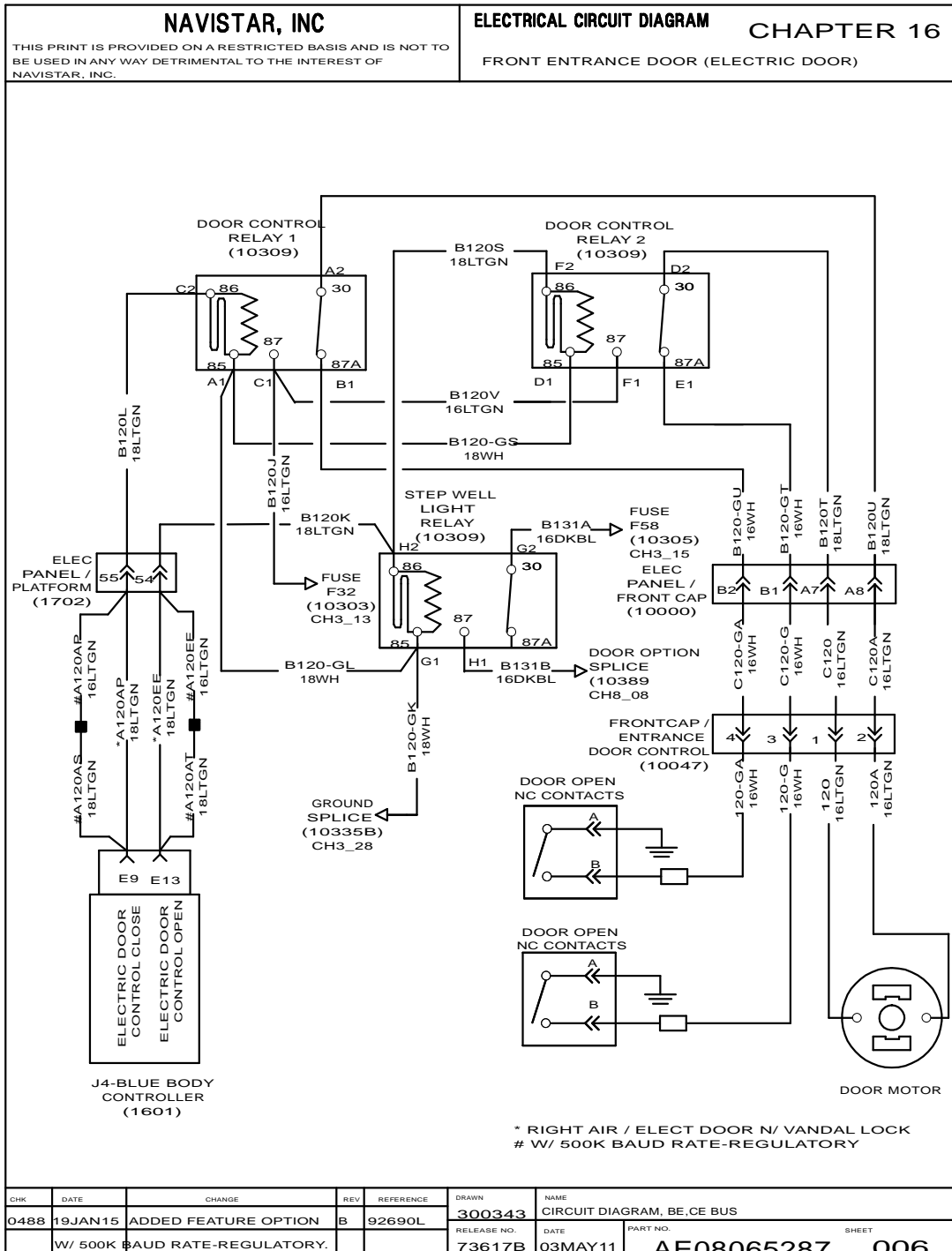


Figure 392 Front Entrance Door (Electric Door)

16.7. FRONT ENTRANCE DOOR (WITH 500K BAUD RATE-REGULATORY), P. 6A

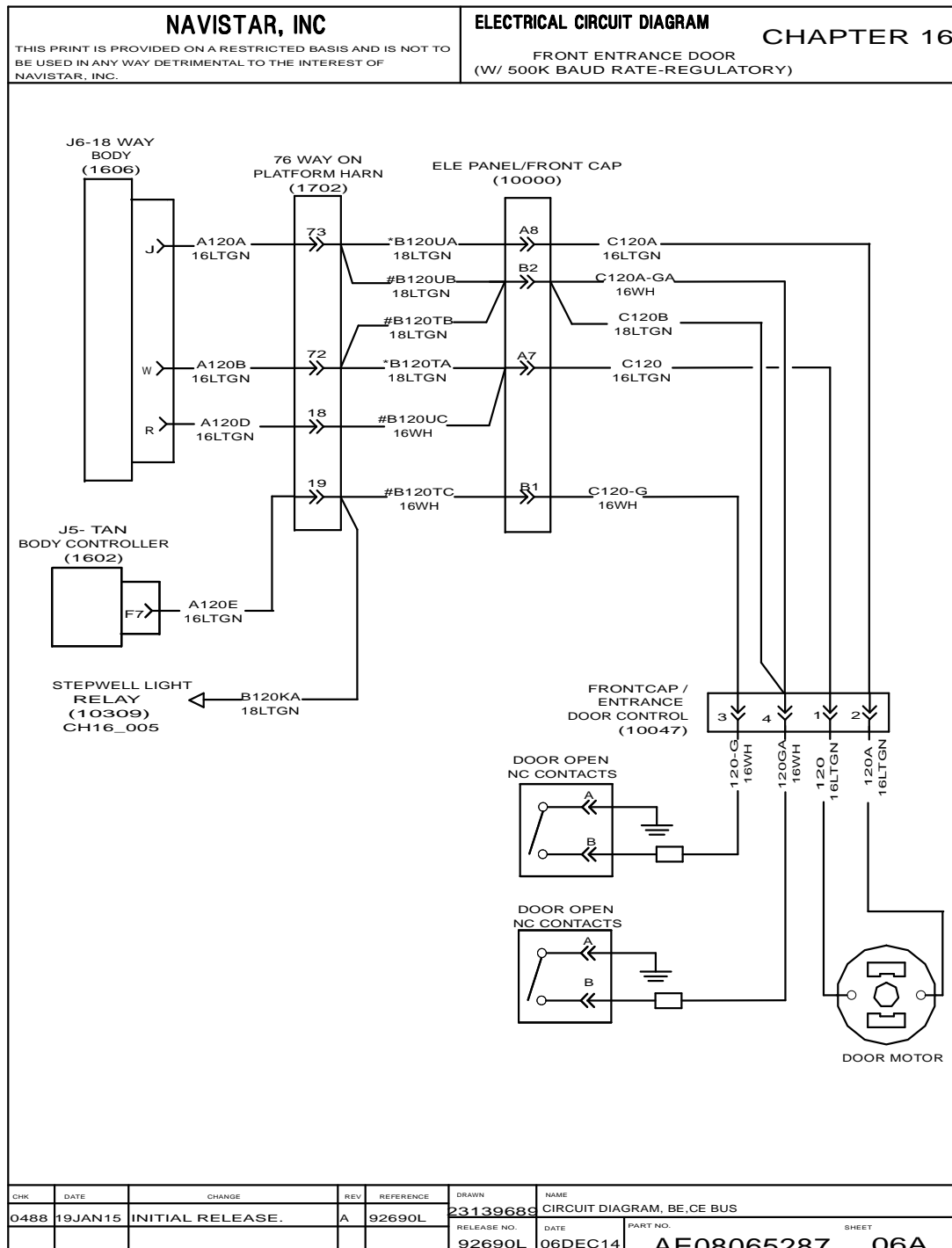


Figure 393 Front Entrance Door (with 500K Baud Rate-Regulatory)

16.8. RIGHT ENTRANCE DOOR (MANUAL DOOR), P. 7

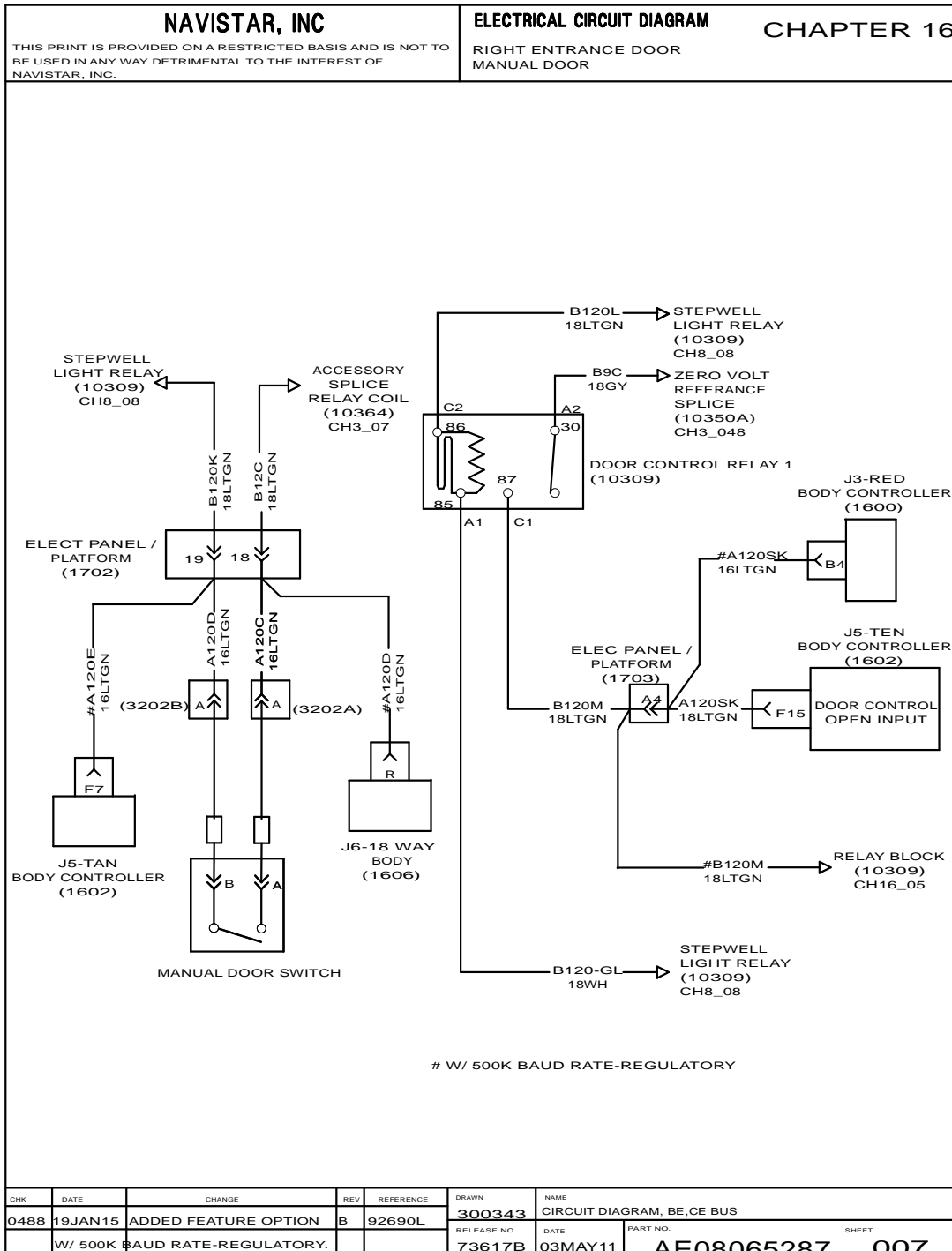


Figure 394 Right Entrance Door (Manual Door)

16.9. RIGHT ALTERNATE ENTRANCE DOOR VANDAL LOCK KEY SWITCH, P. 8

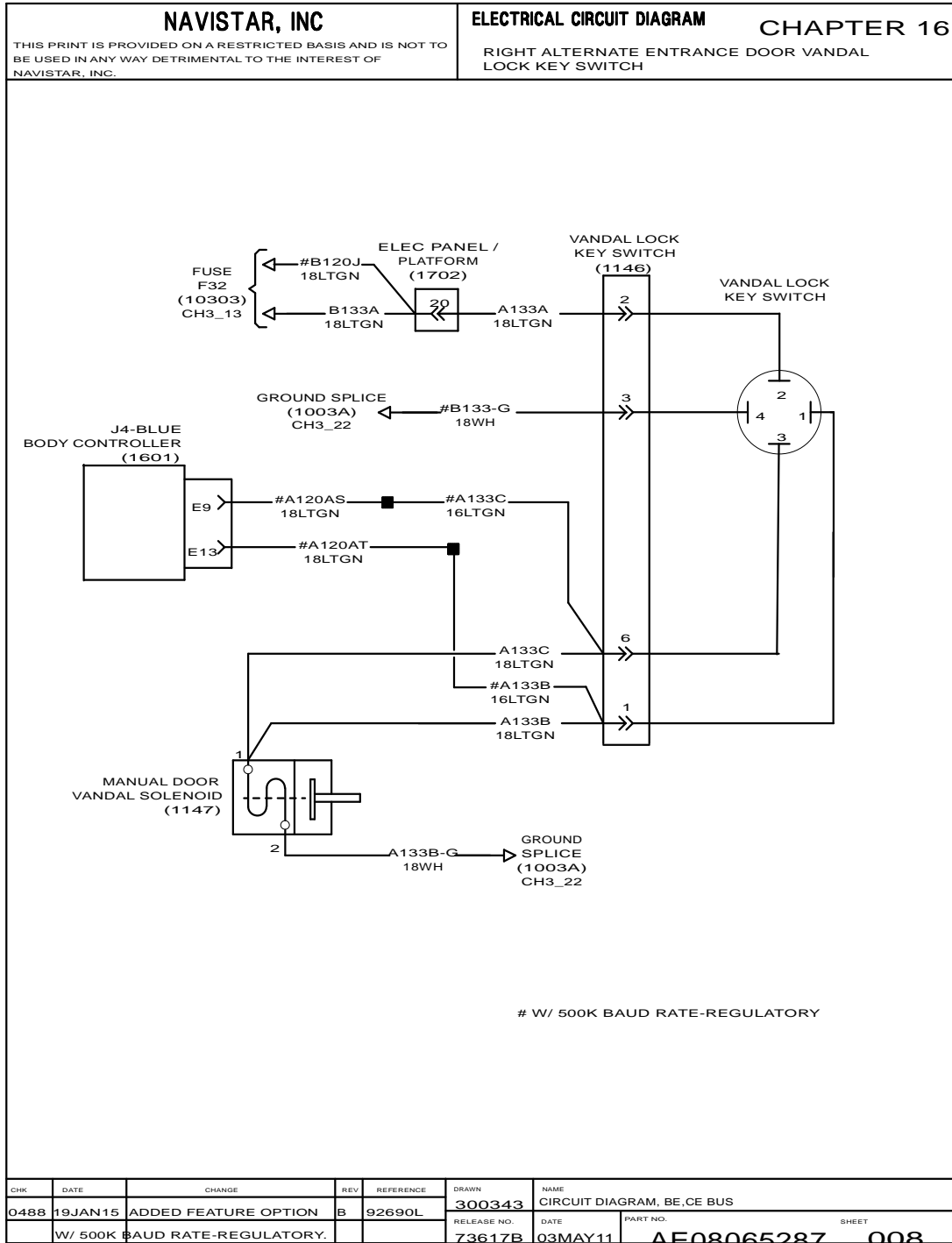


Figure 395 Right Alternate Entrance Door Vandal Lock Key Switch

16.10. RIGHT ALTERNATE ENTRANCE DOOR VANDAL LOCK KEY SWITCH, P. 9

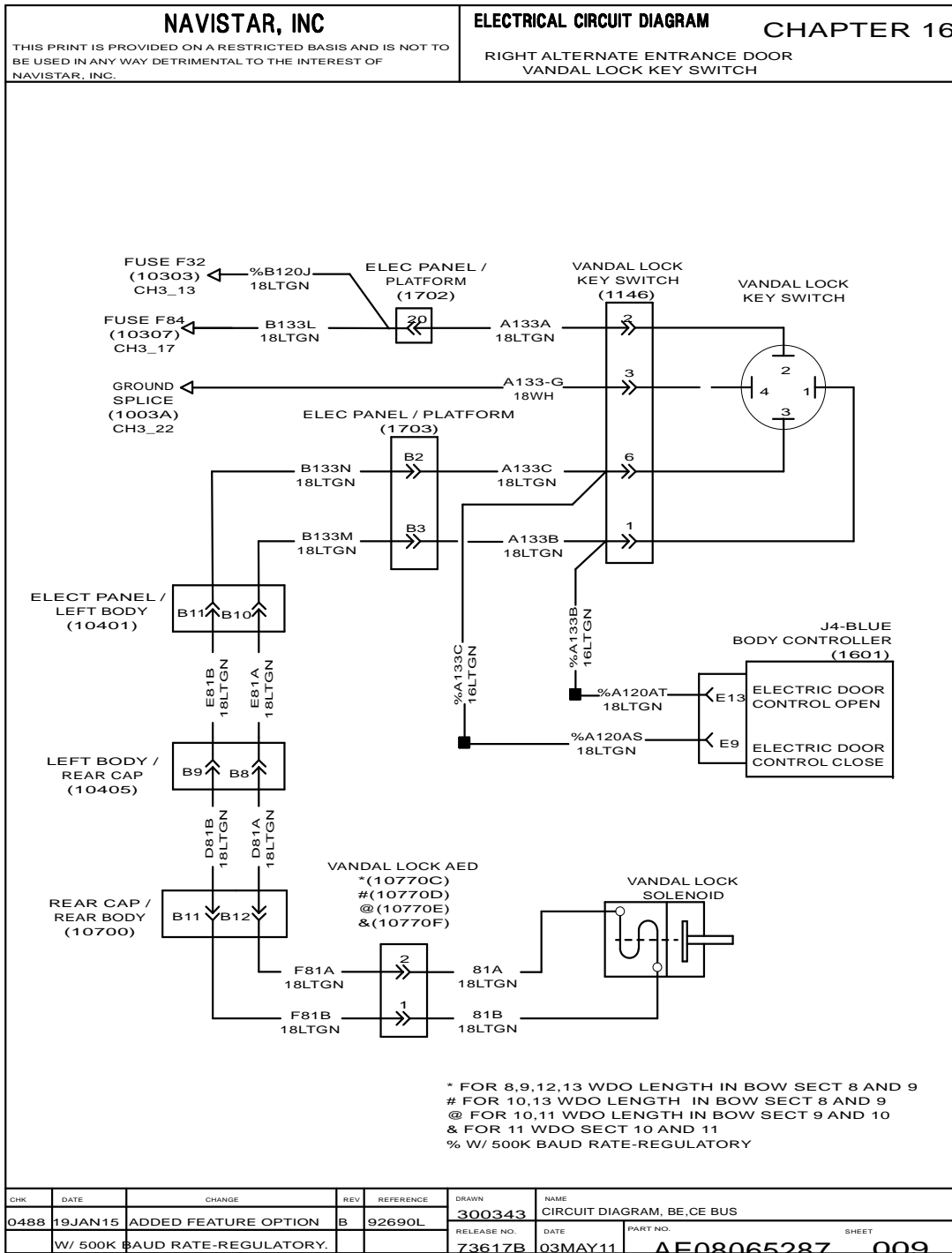


Figure 396 Right Alternate Entrance Door Vandal Lock Key Switch

16.11. VANDAL LOCK FOR AIR ENTRANCE DOOR, P. 10

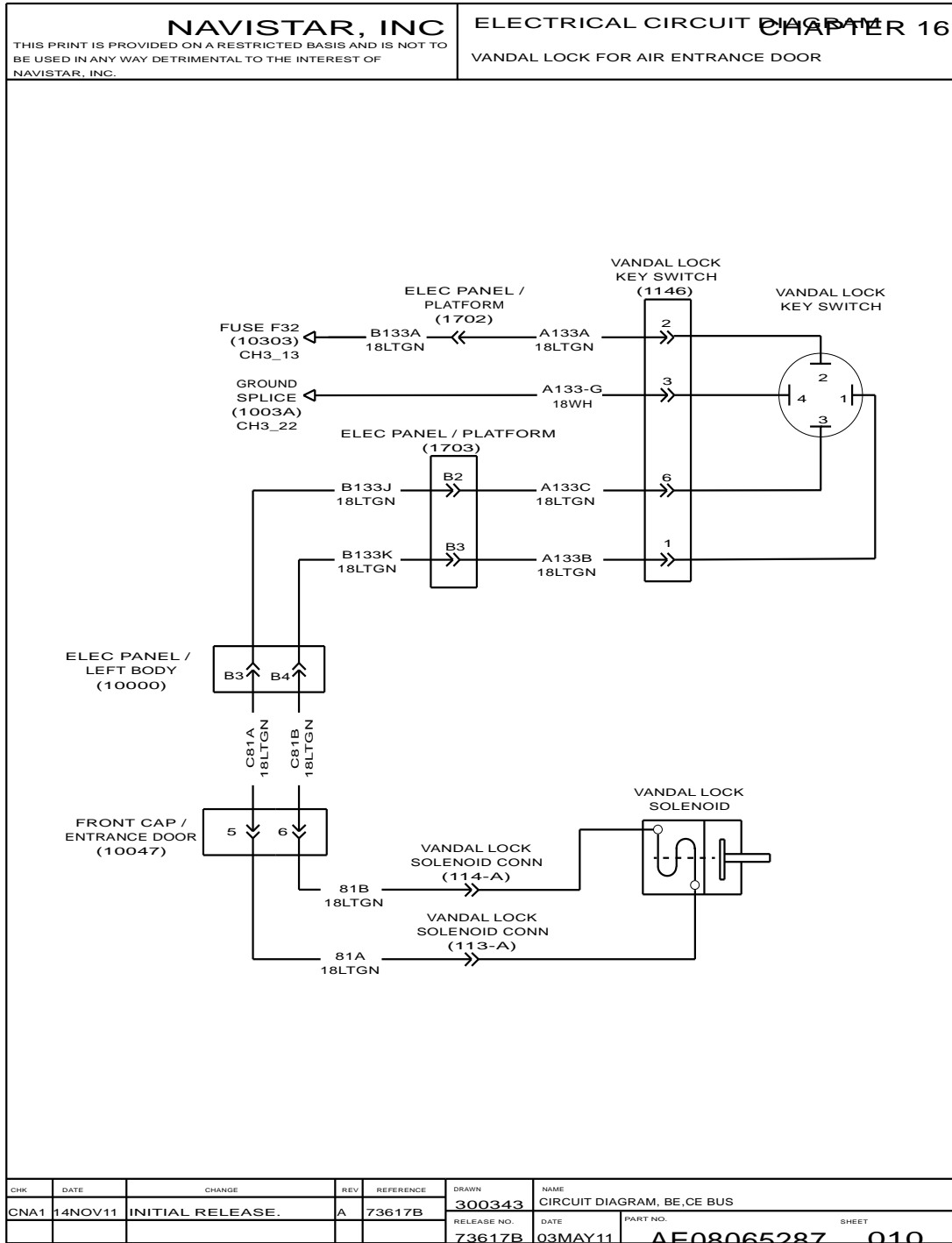


Figure 397 Vandal Lock For Air Entrance Door

CHK	DATE	CHANGE	REV	REFERENCE	DRAWN	NAME
CNA1	14NOV11	INITIAL RELEASE.	A	73617B	300343	CIRCUIT DIAGRAM, BE,CE BUS
					RELEASE NO.	DATE
					73617B	03MAY11
					PART NO.	SHEET
					AE08065287	010

16.12. VANDAL LOCK FOR ELECTRIC ENTRANCE DOOR (CONT.), P. 11

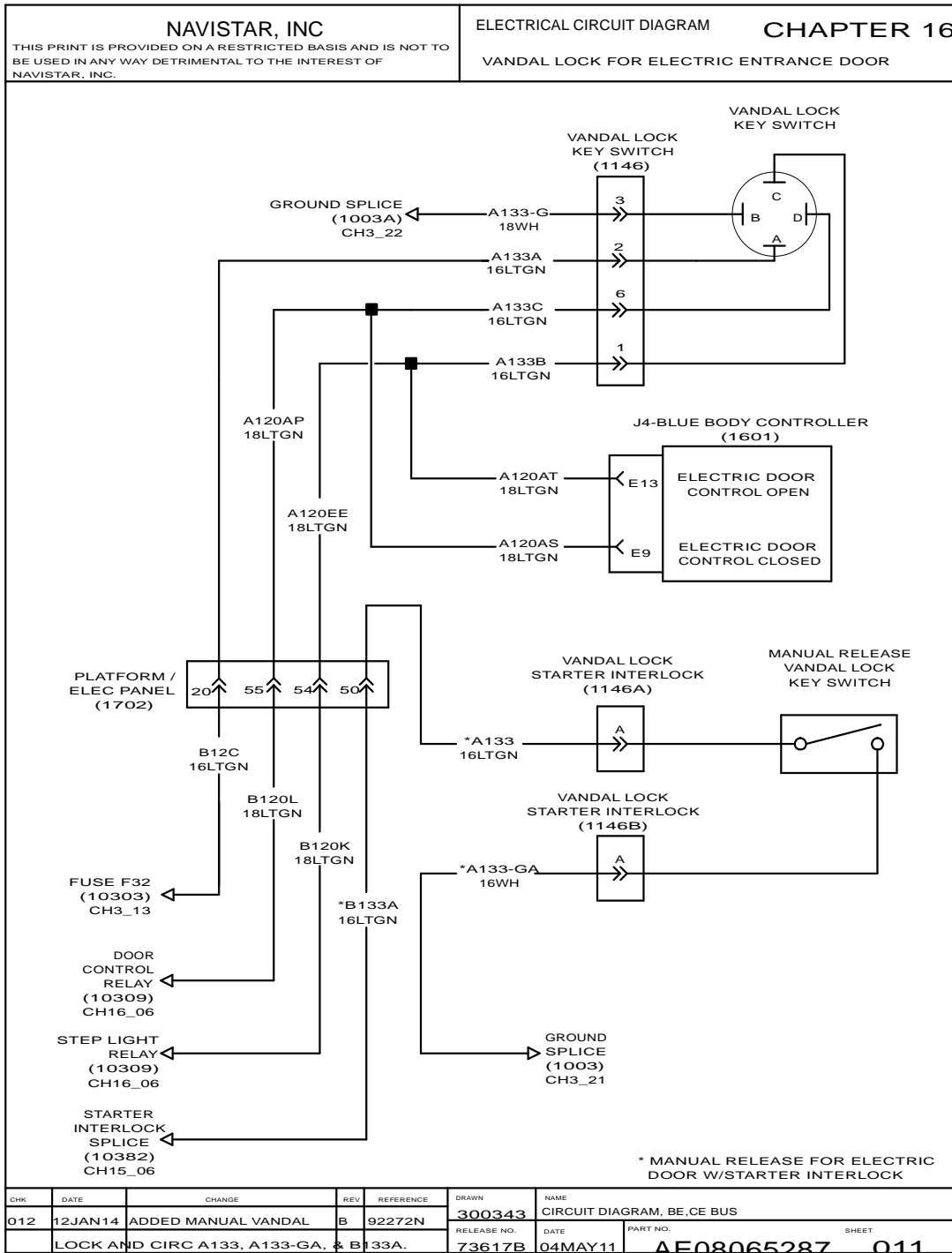


Figure 398 Vandal Lock For Electric Entrance Door (Cont.)

16.13. LEFT ALTERNATE ENTRANCE DOOR ELECTRIC WITHOUT MASTER SWITCH, P. 12

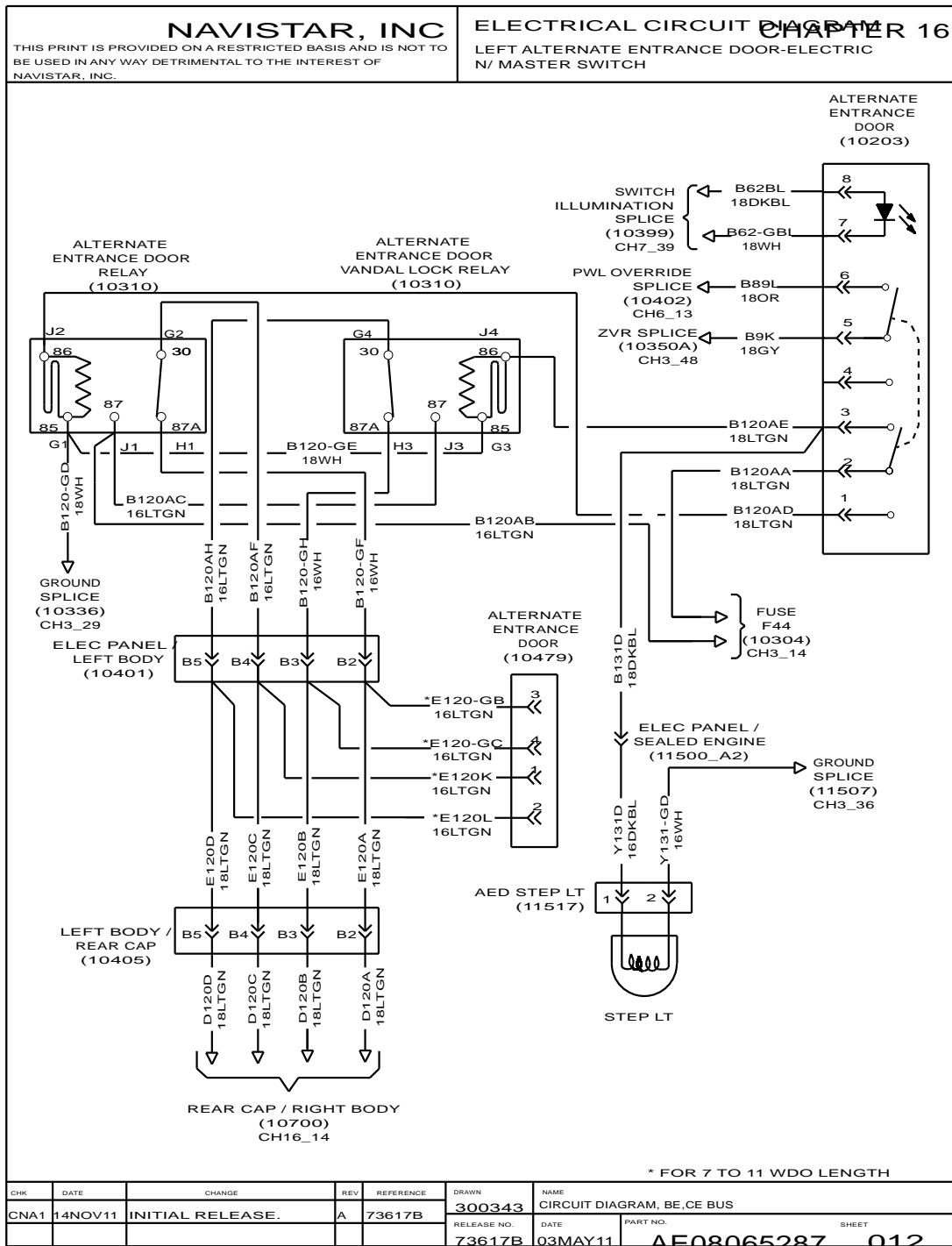


Figure 399 Left Alternate Entrance Door Electric without Master Switch

16.14. LEFT ENTRANCE DOOR ELECTRIC WITH MASTER SWITCH, P. 13

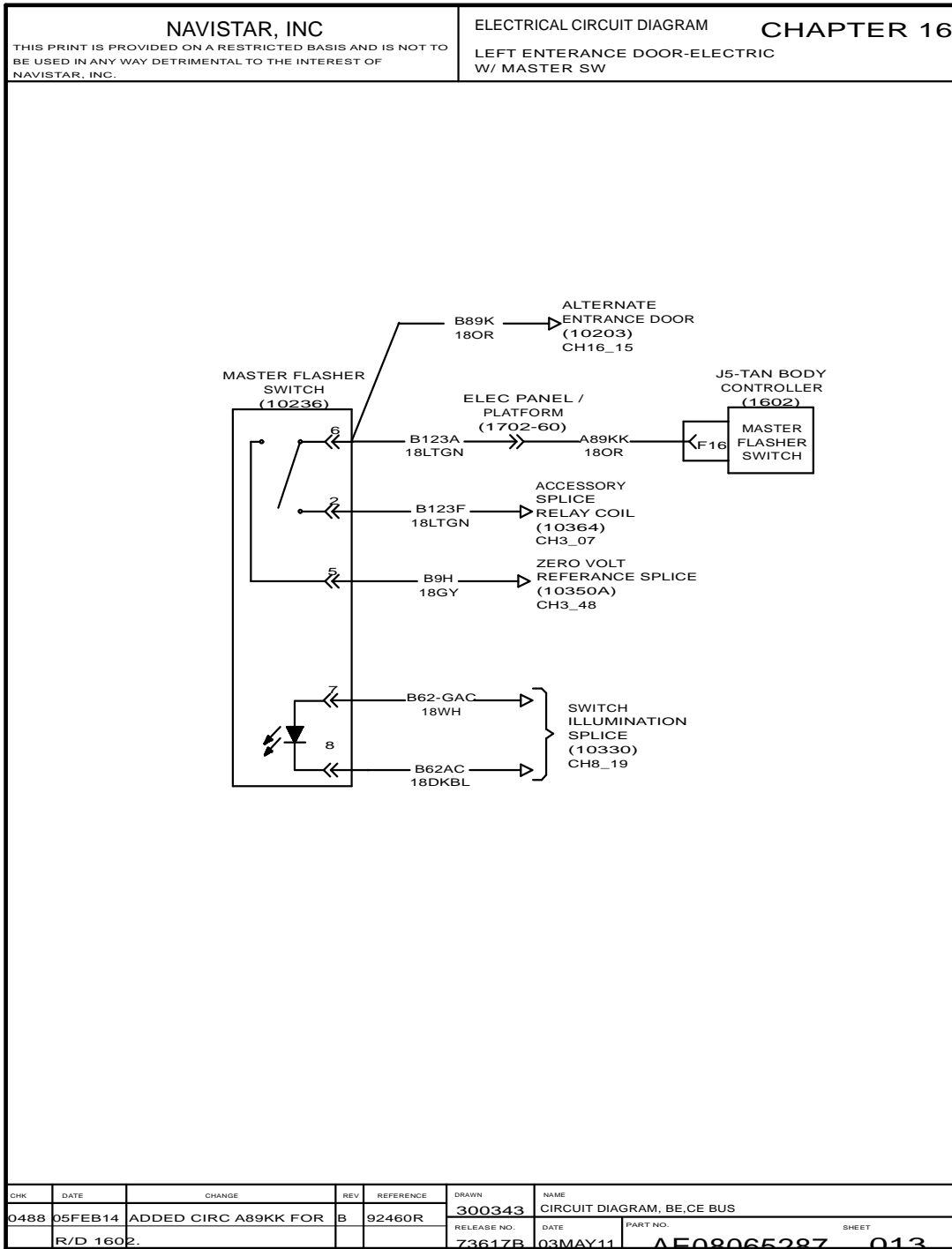


Figure 400 Left Entrance Door Electric with Master Switch

16.15. LEFT ALTERNATE ENTRANCE DOOR AIR WITH DUMP VALVE, P. 14

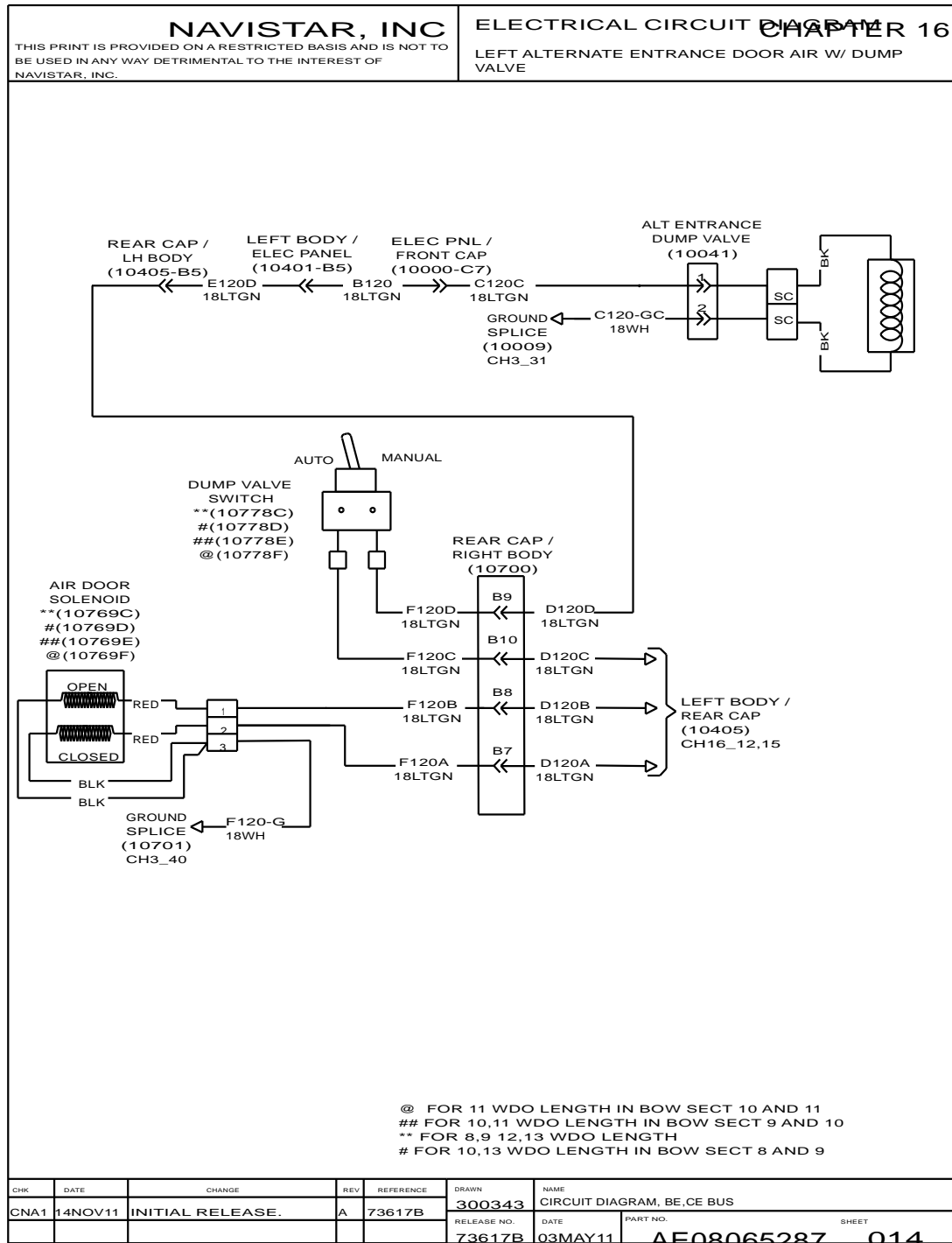


Figure 401 Left Alternate Entrance Door Air with Dump Valve

16.16. LEFT ALTERNATE ENTRANCE DOOR AIR WITH DUMP VALVE (CONT.), P. 15

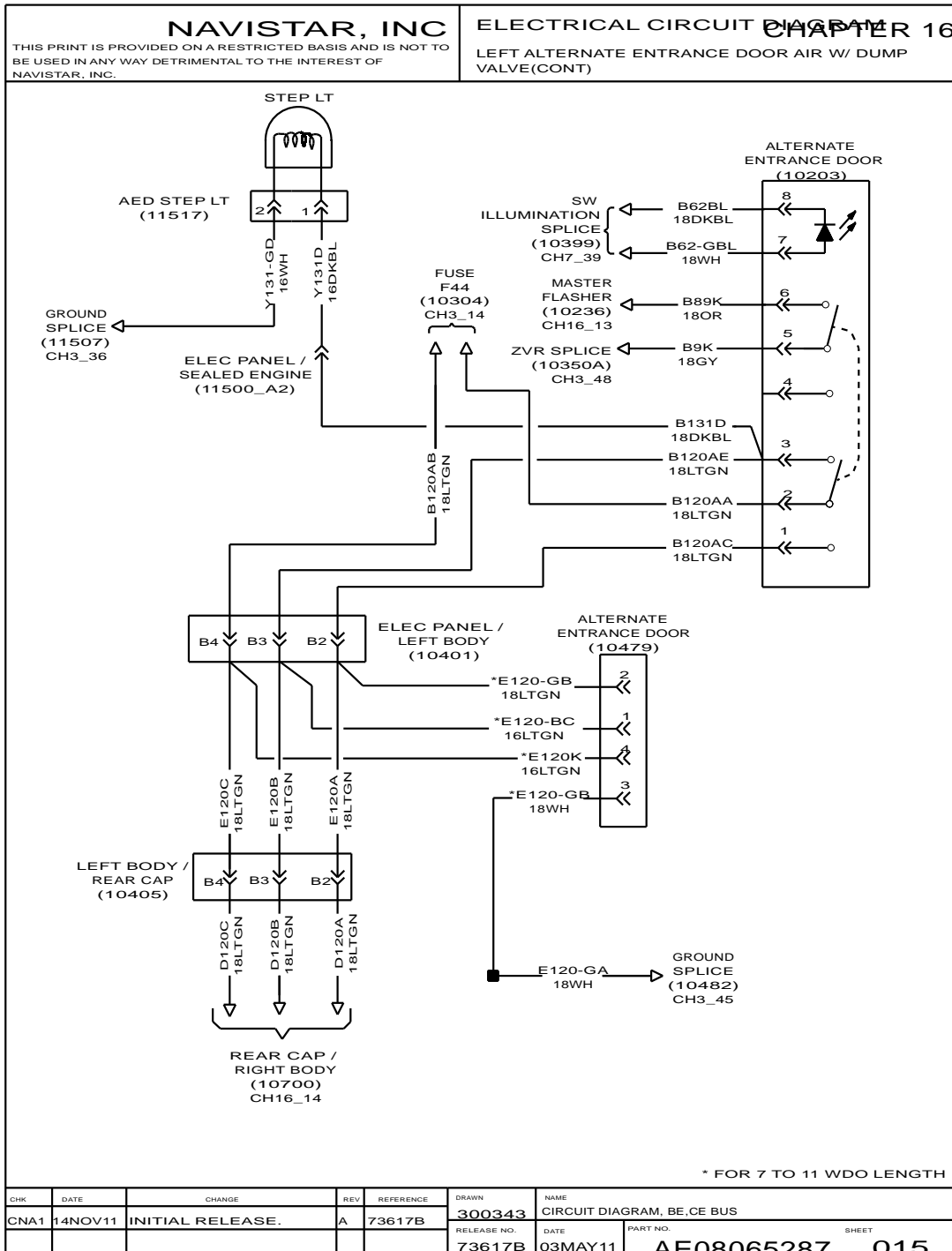


Figure 402 Left Alternate Entrance Door Air with Dump Valve (Cont.)

16.17. 3 POSITION TOGGLE SWITCH, P. 16

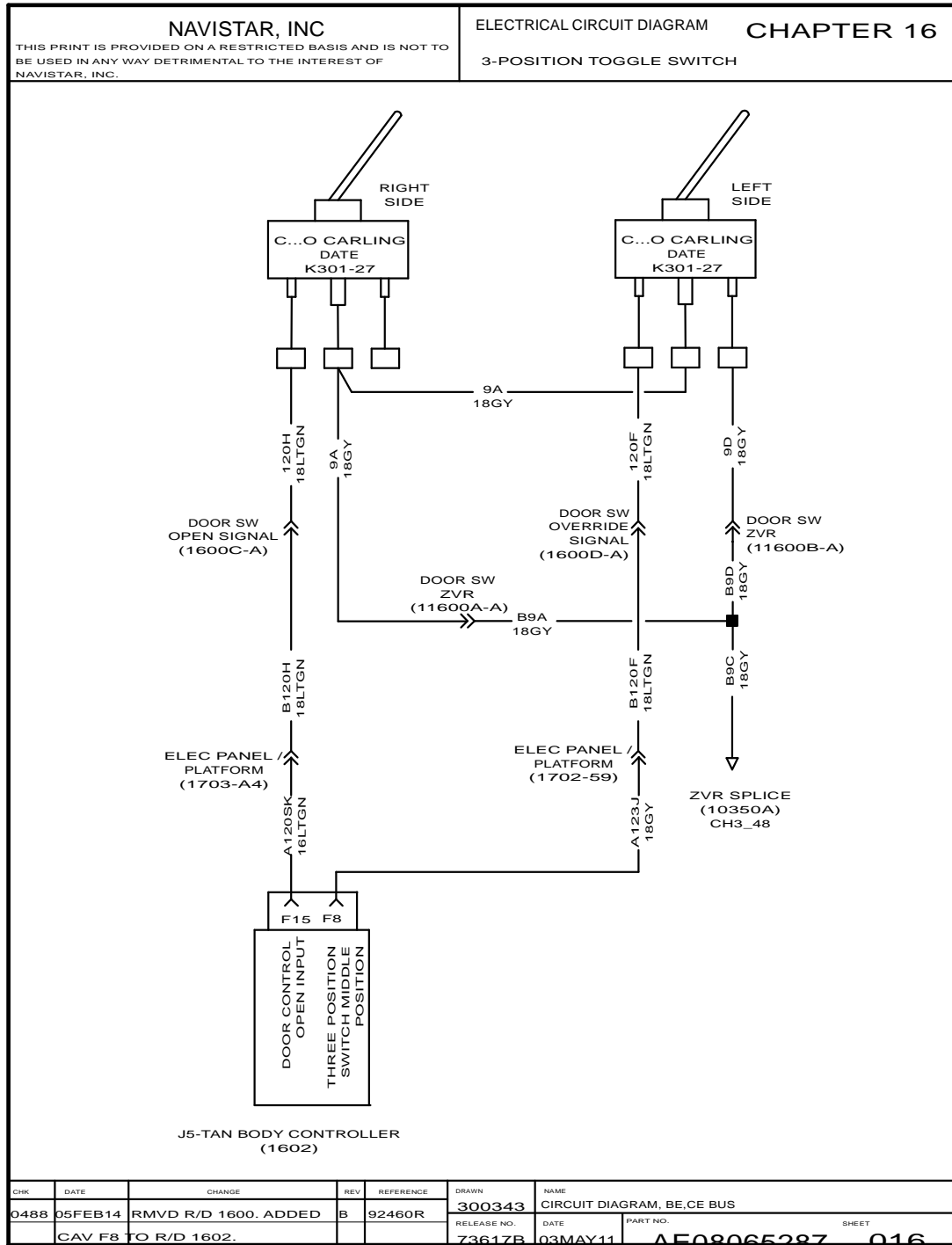


Figure 403 3 Position Toggle Switch

16.18. AIR DOOR DUMP VALVE EFFECTS, P. 17

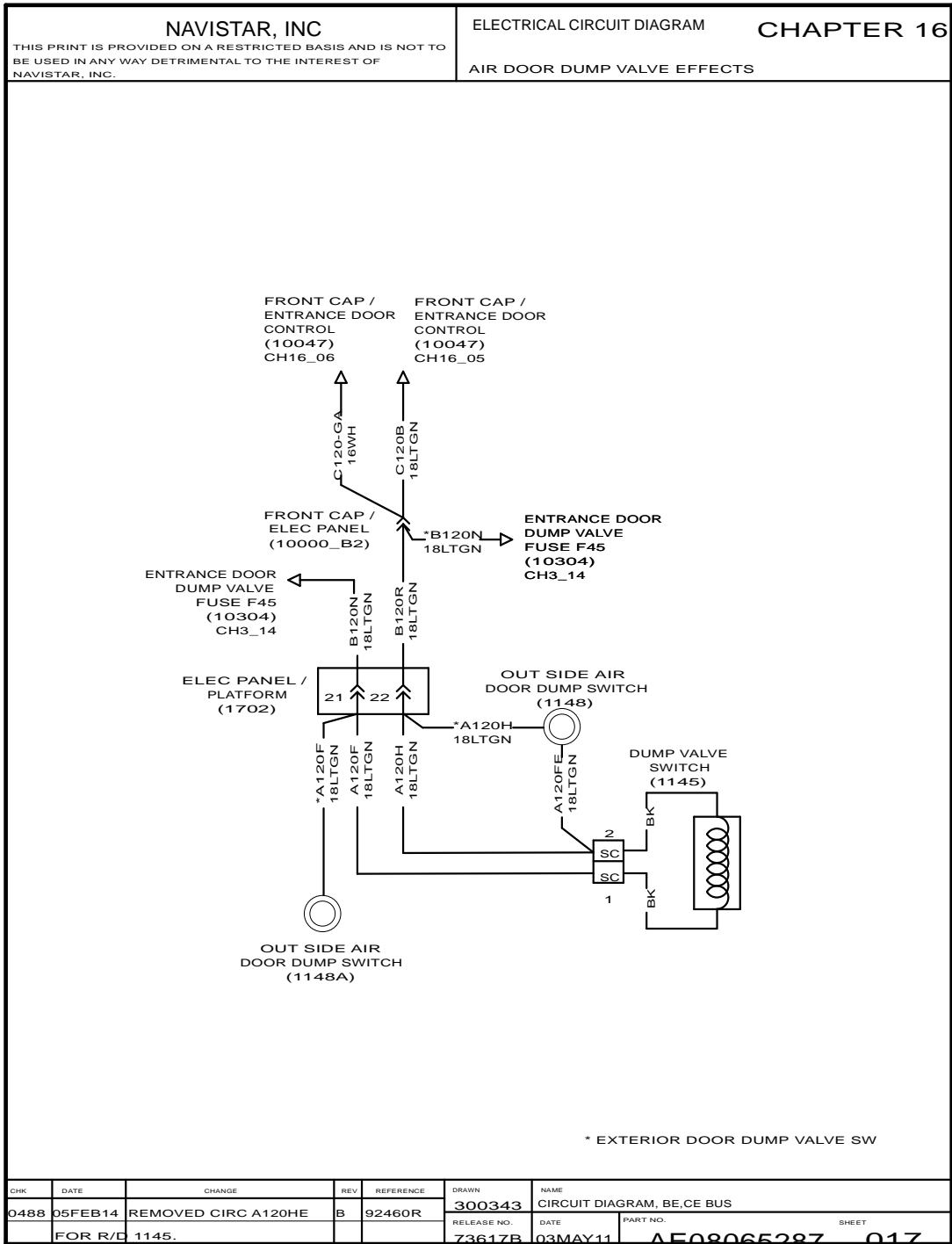


Figure 404 Air Door Dump Valve Effects

16.19. REAR DOOR ACTIVATED OPTION, P. 18

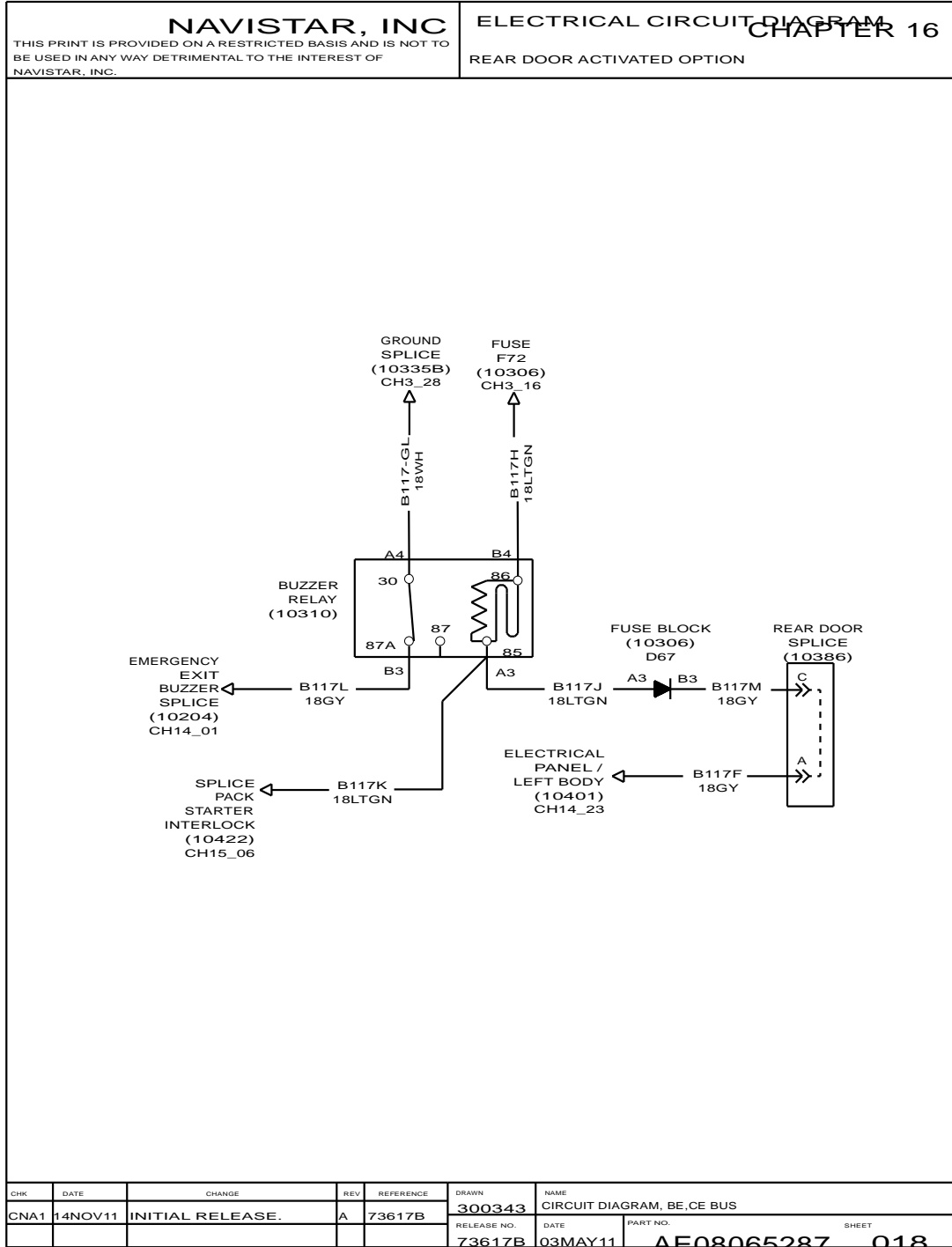


Figure 405 Rear Door Activated Option

RADIO / PA / CELLULAR - GPS (CHAPTER 17)

17.1. DASH MOUNTED 2 CHANNEL RADIO PA, P. 1

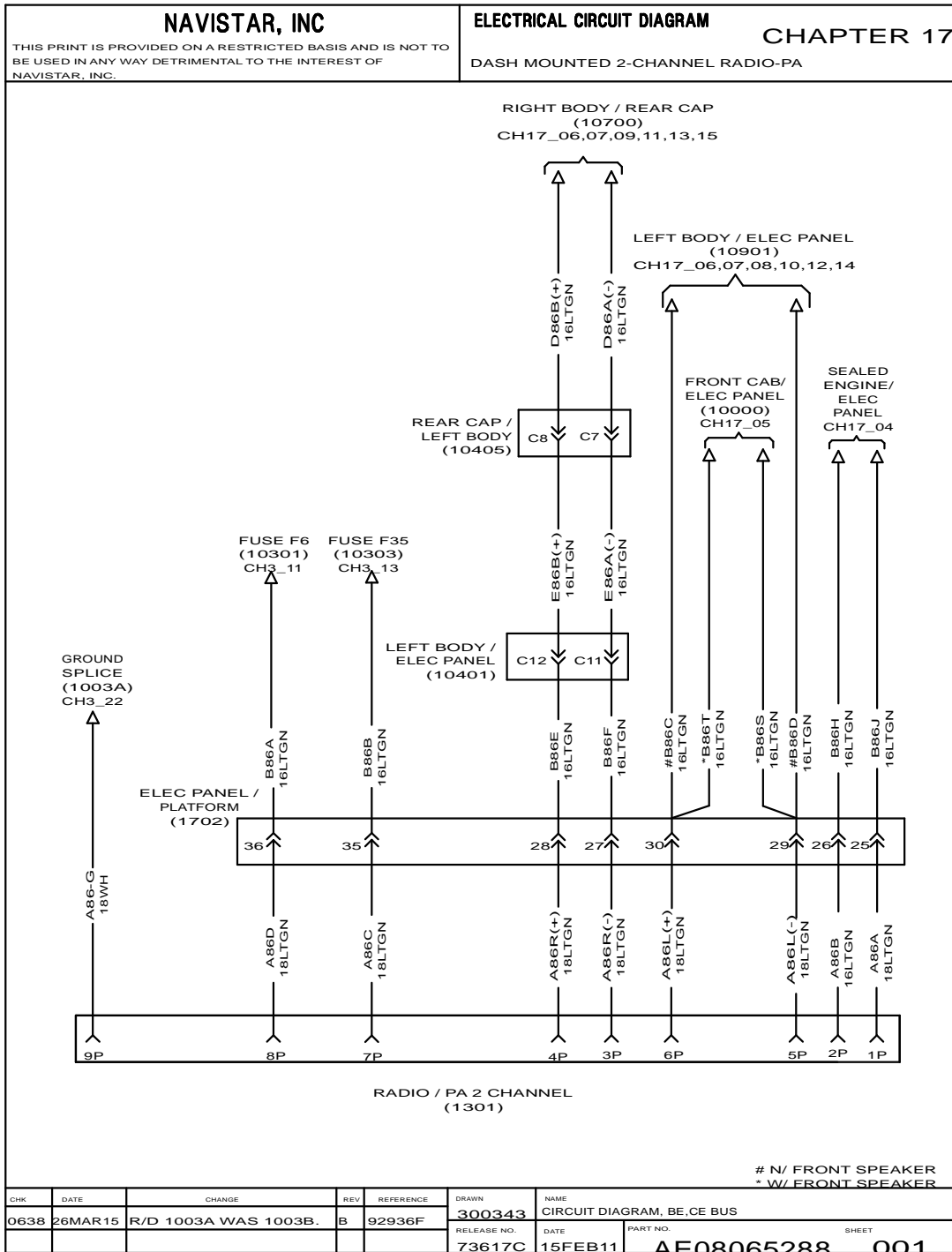


Figure 406 Dash Mounted 2 Channel Radio PA

17.2. DASH MOUNTED 4 CHANNEL RADIO PA, P. 2

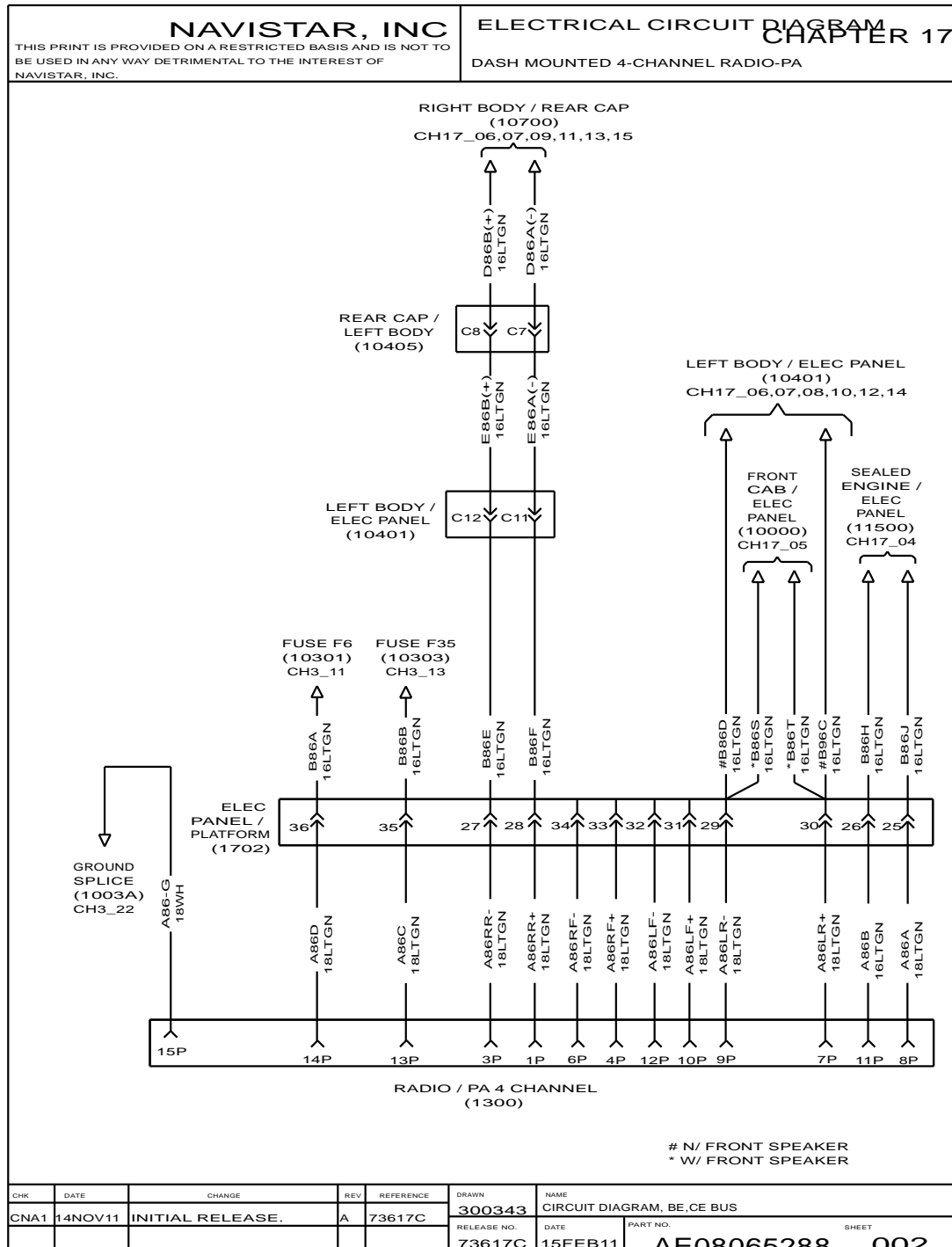


Figure 407 Dash Mounted 4 Channel Radio PA

17.3. RADIO AND PA MOUNTED OVERHEAD, P. 3

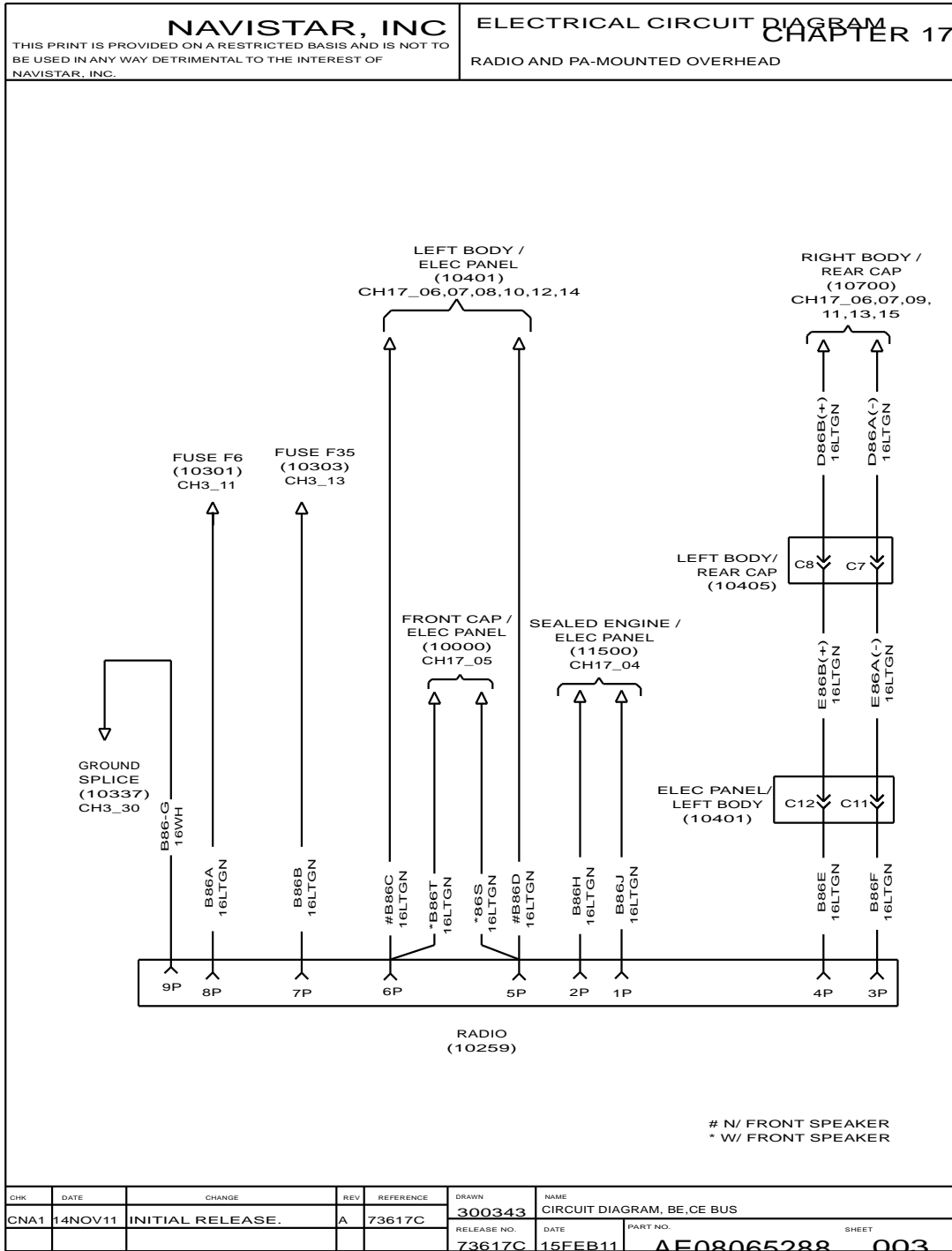


Figure 408 Radio and PA Mounted Overhead

17.4. PA HORN SYSTEM, P. 4

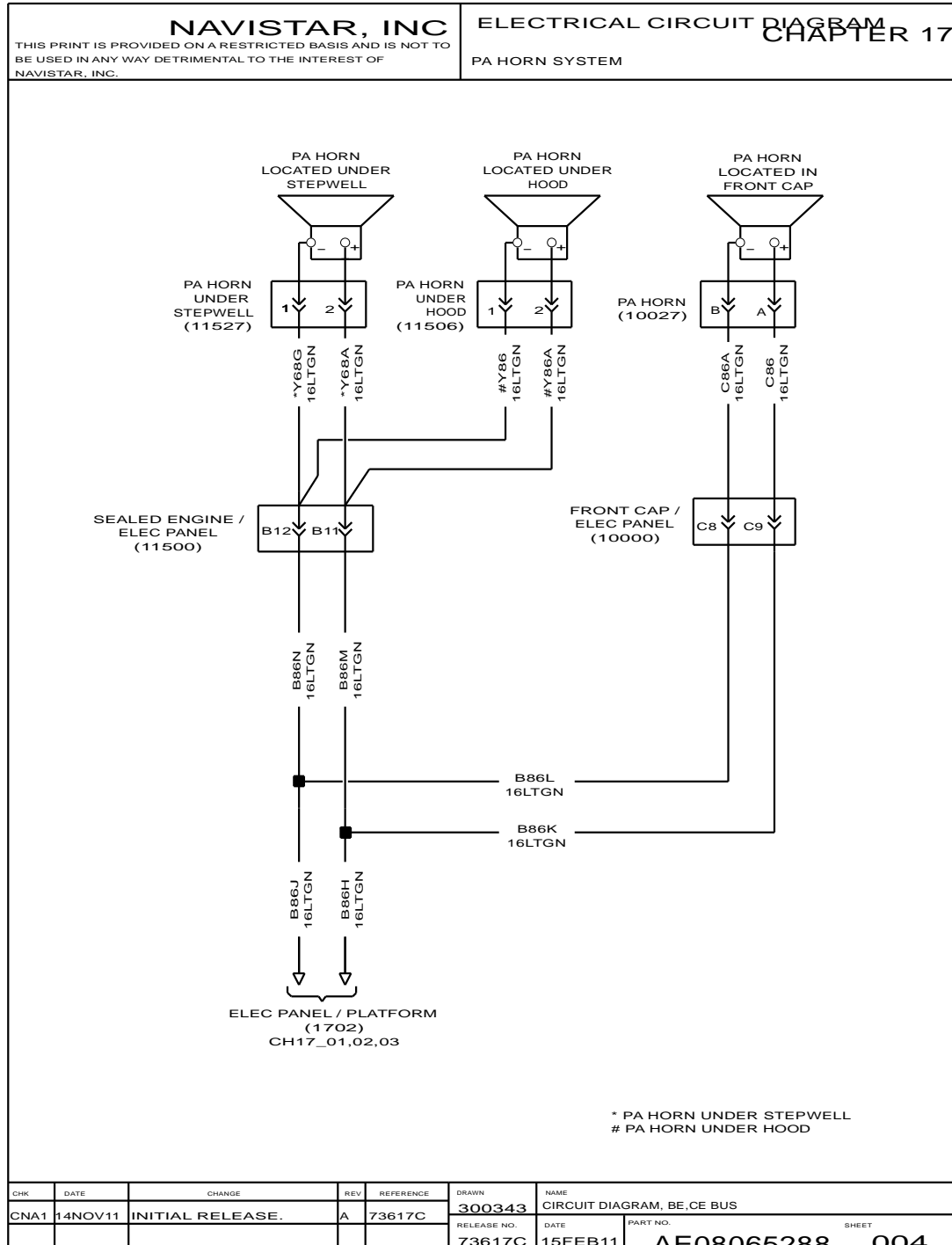


Figure 409 PA Horn System

17.5. RADIO WITH FRONT SPEAKER, P. 5

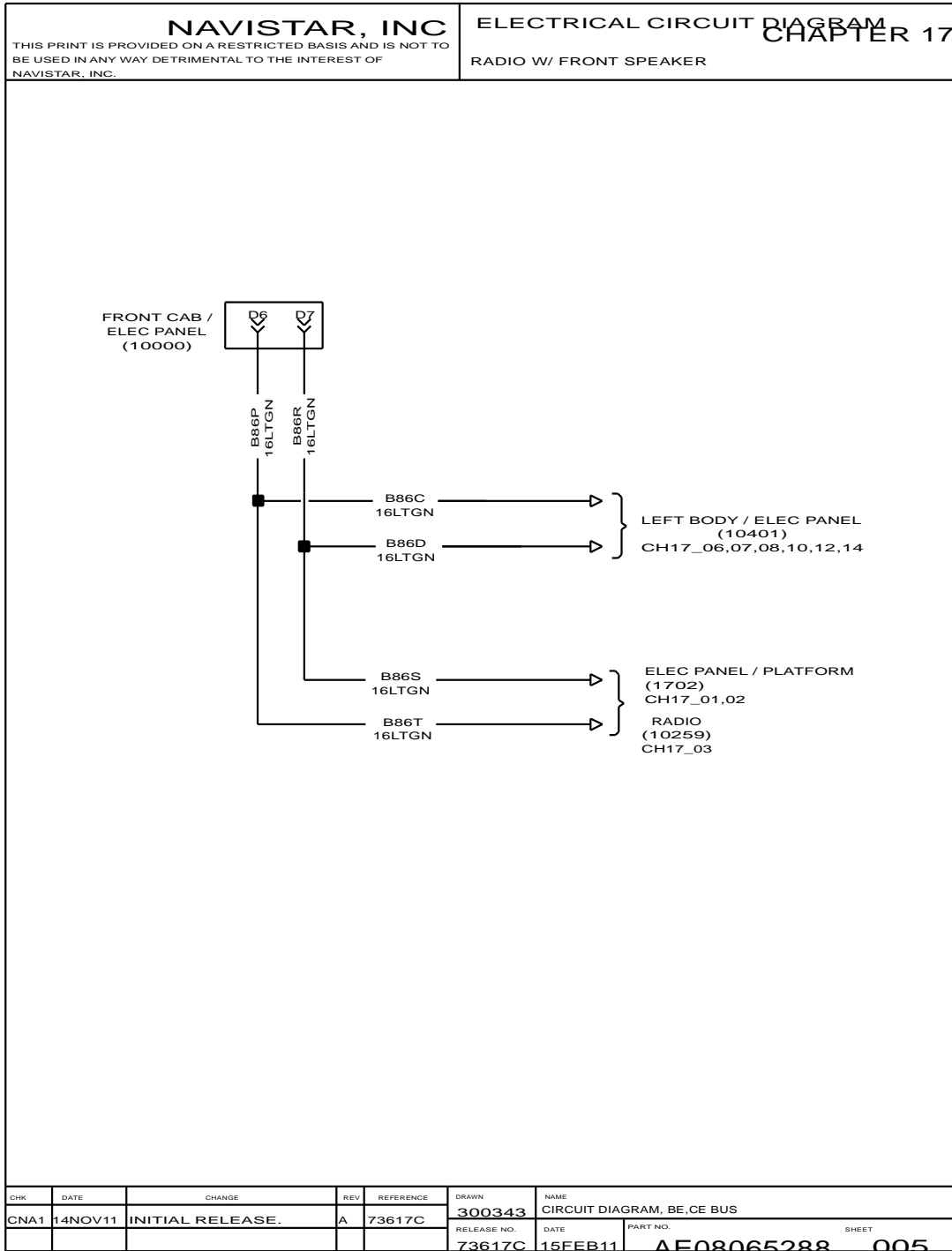


Figure 410 Radio with Front Speaker

17.6. SPEAKER WIRING FOR QUANTITY 2, P. 6

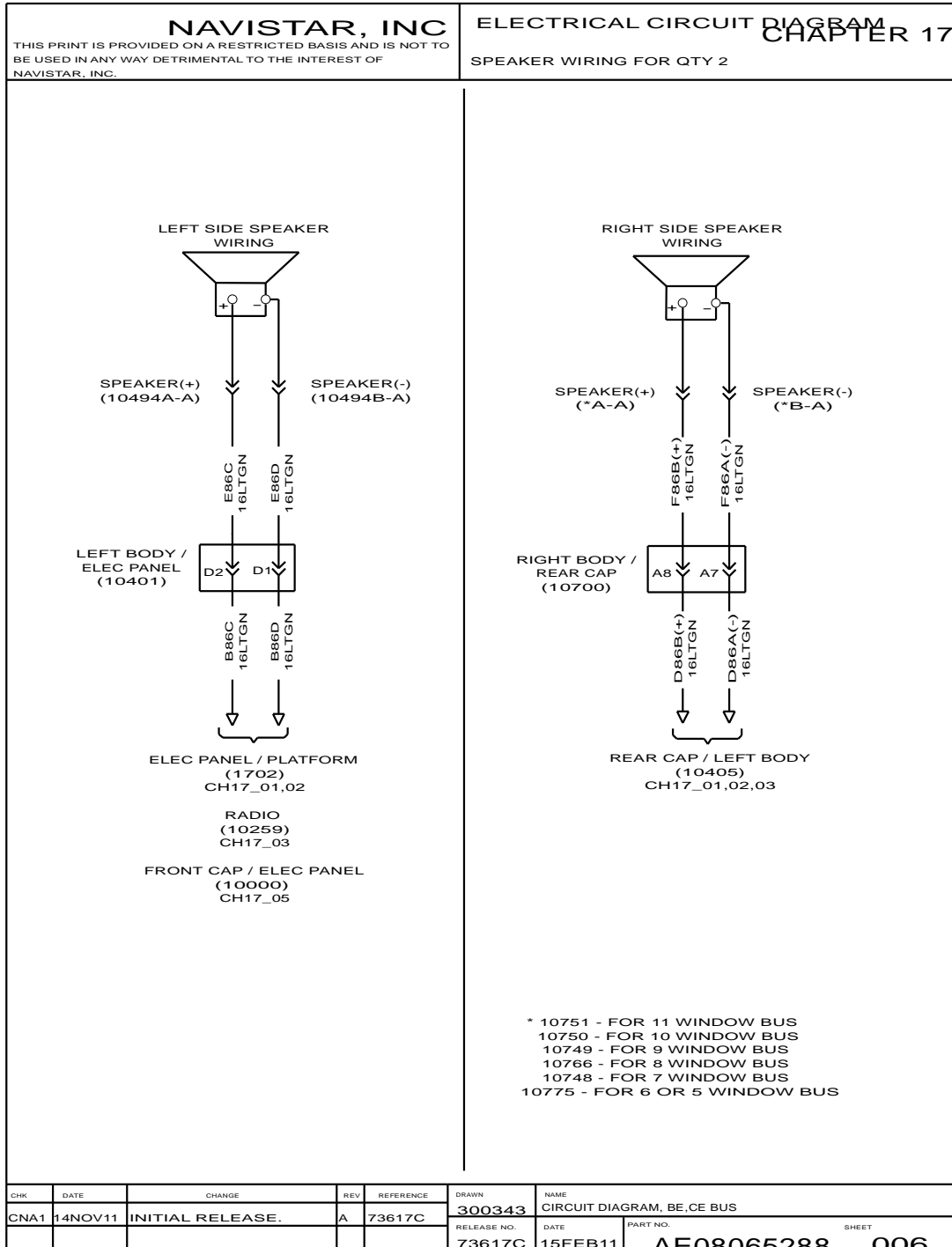


Figure 411 Speaker Wiring For Quantity 2

17.7. SPEAKER WIRING FOR QUANTITY 4, P. 7

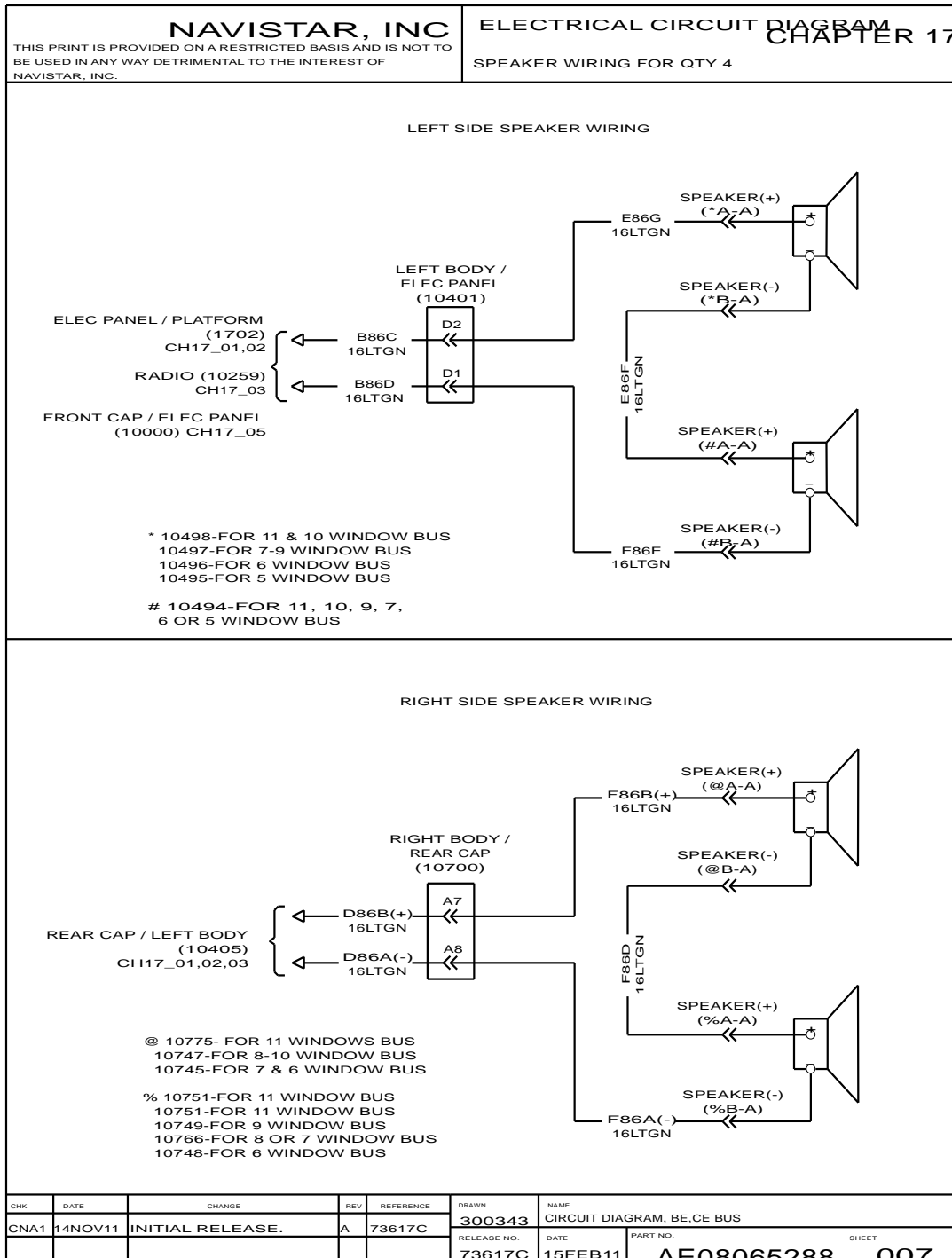


Figure 412 Speaker Wiring For Quantity 4

17.8. LEFT SIDE SPEAKER WIRING FOR QUANTITY 6, P. 8

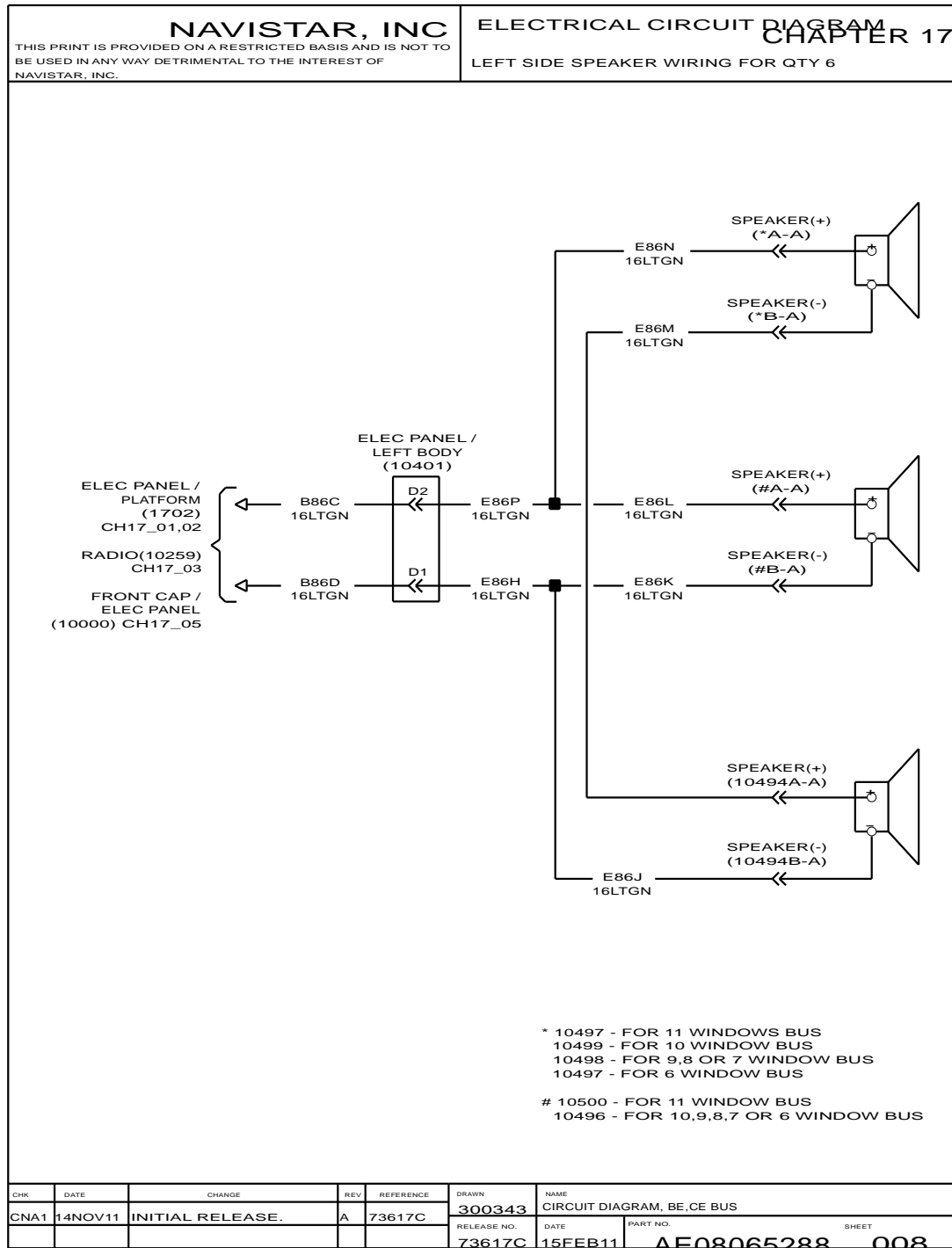


Figure 413 Left Side Speaker Wiring For Quantity 6

17.9. RIGHT SIDE SPEAKER WIRING FOR QUANTITY 6, P. 9

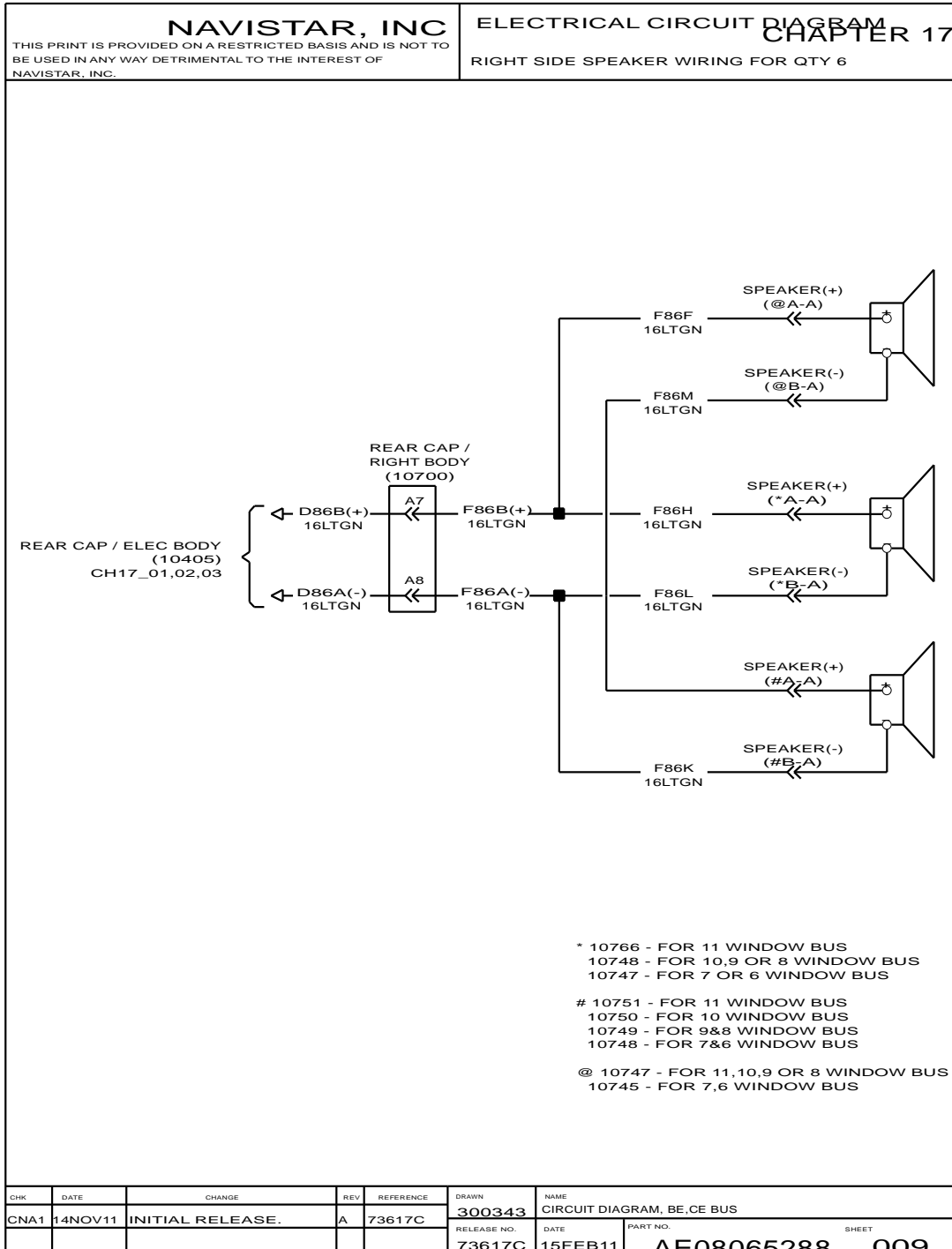


Figure 414 Right Side Speaker Wiring For Quantity 6

17.10. LEFT SIDE SPEAKER WIRING FOR QUANTITY 8, P. 10

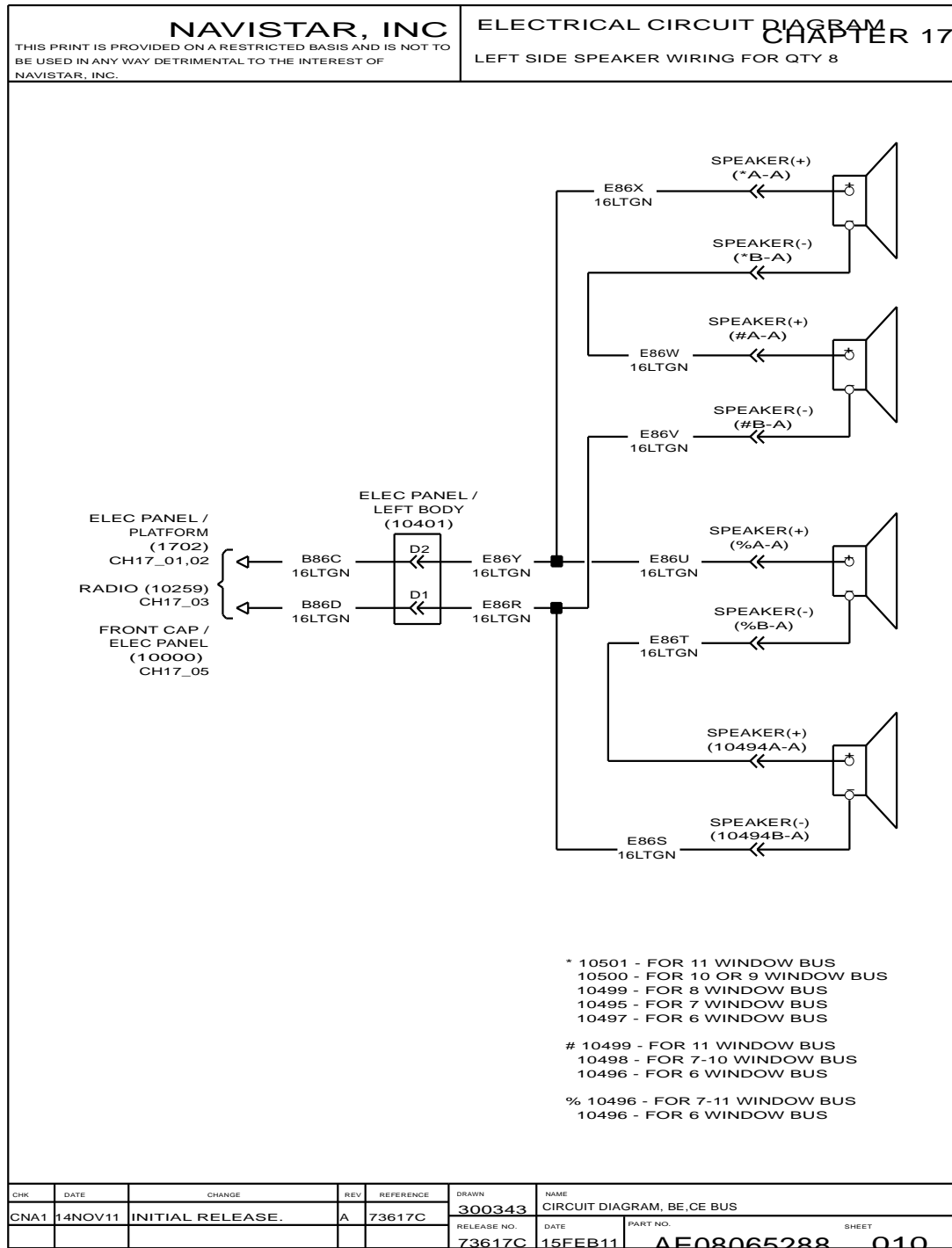


Figure 415 Left Side Speaker Wiring For Quantity 8

17.11. RIGHT SIDE SPEAKER WIRING FOR QUANTITY 8, P. 11

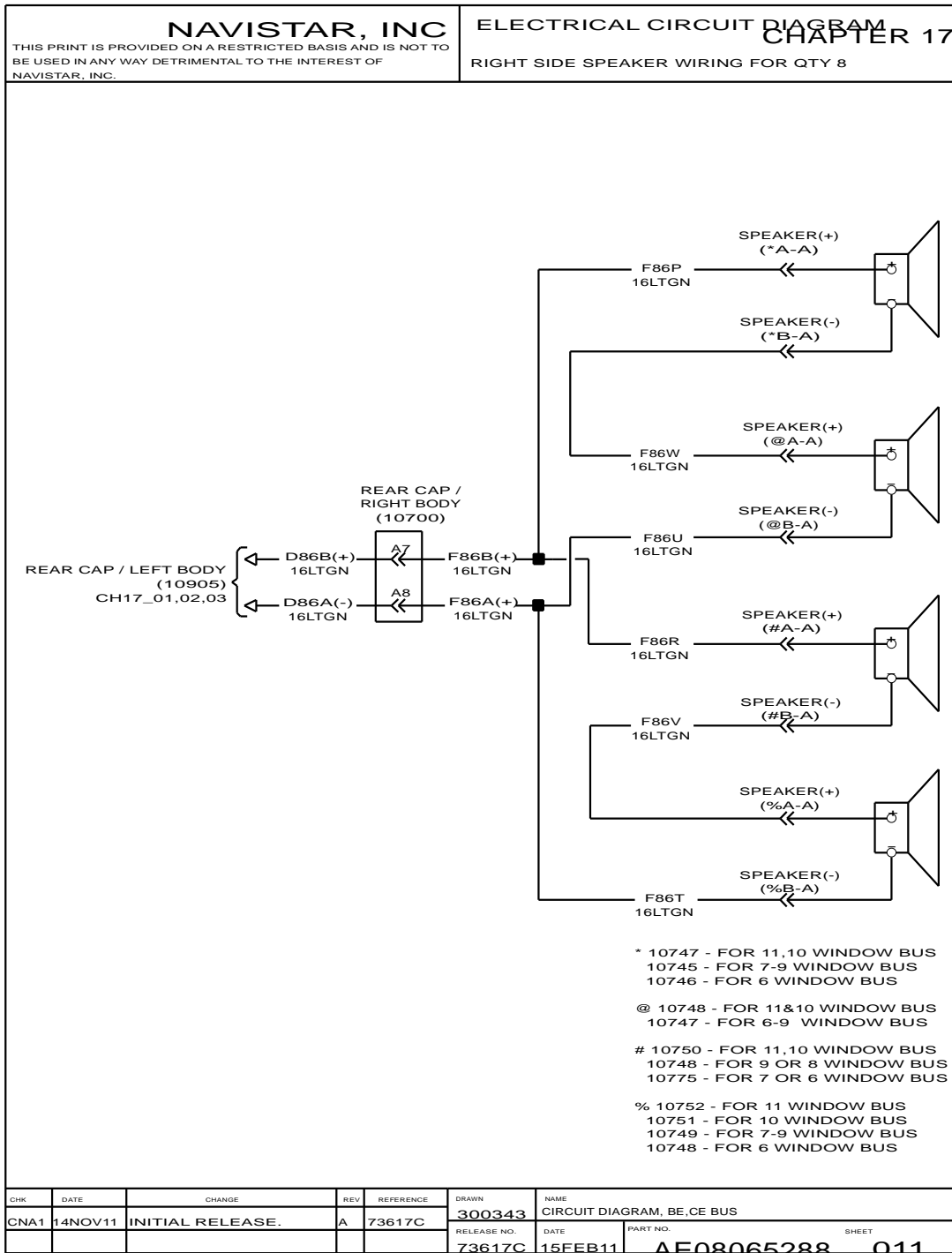


Figure 416 Right Side Speaker Wiring For Quantity 8

17.12. LEFT SIDE SPEAKER WIRING FOR QUANTITY 10, P. 12

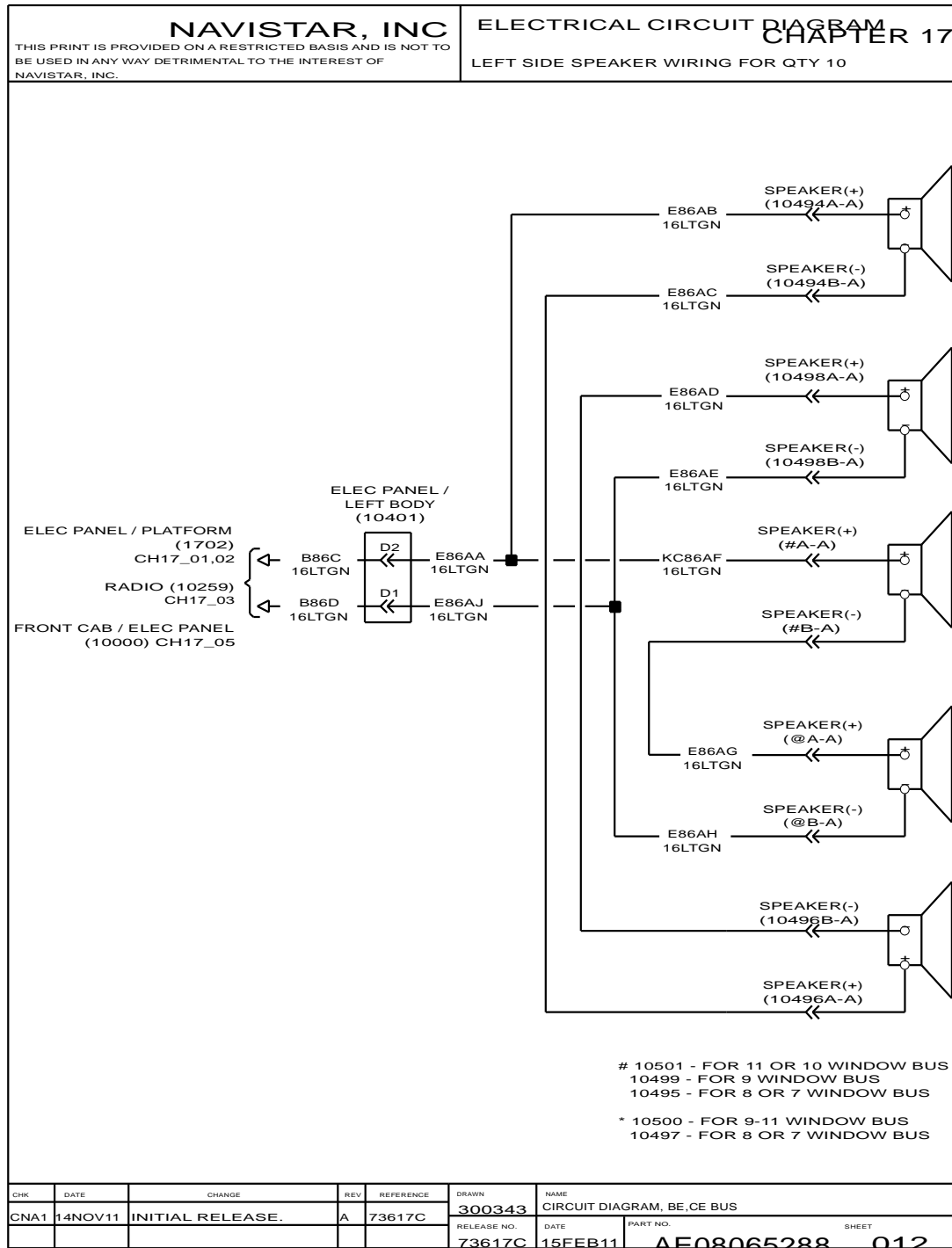


Figure 417 Left Side Speaker Wiring For Quantity 10

17.13. RIGHT SIDE SPEAKER WIRING FOR QUANTITY 10, P. 13

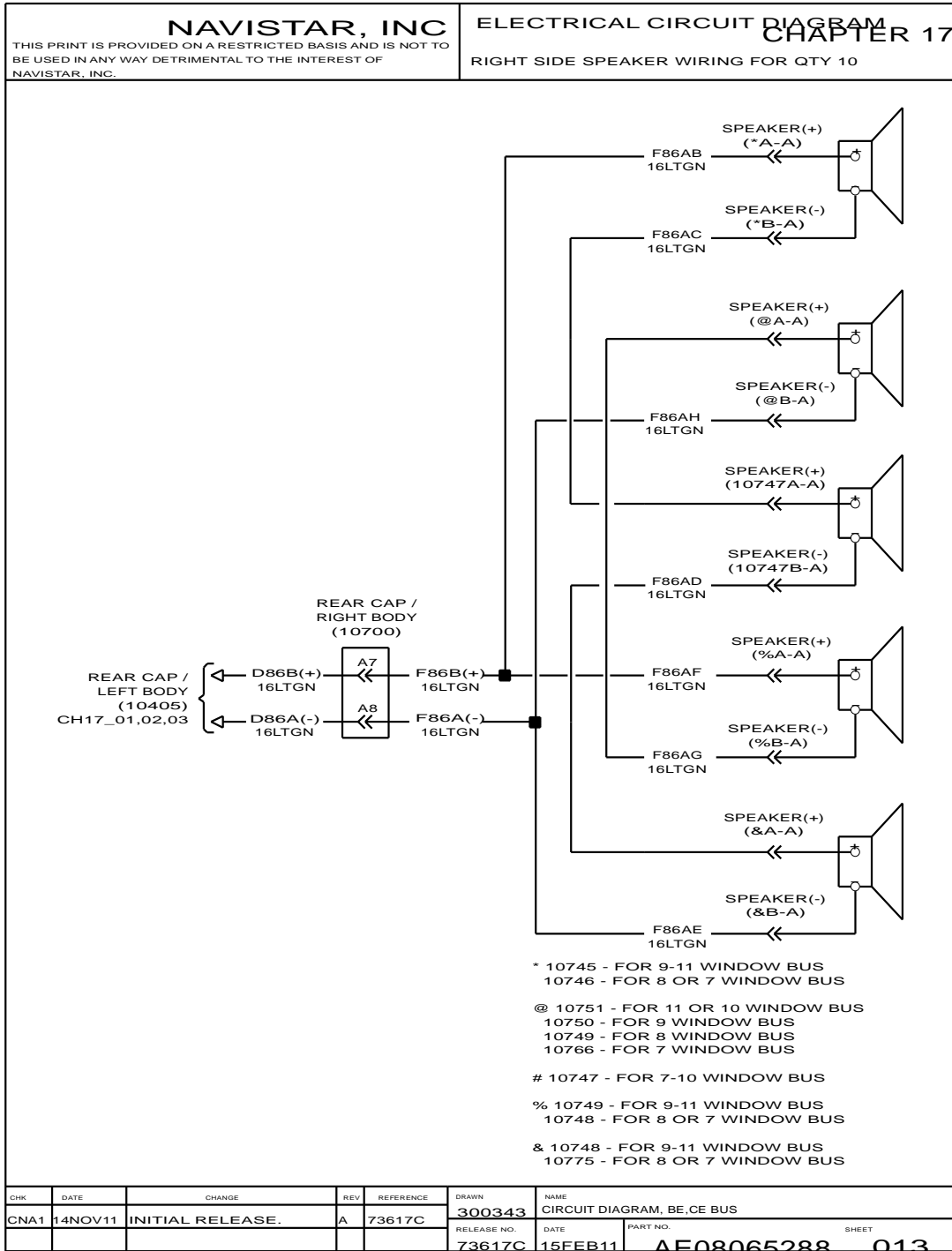


Figure 418 Right Side Speaker Wiring For Quantity 10

17.14. LEFT SIDE SPEAKER WIRING FOR QUANTITY 12, P. 14

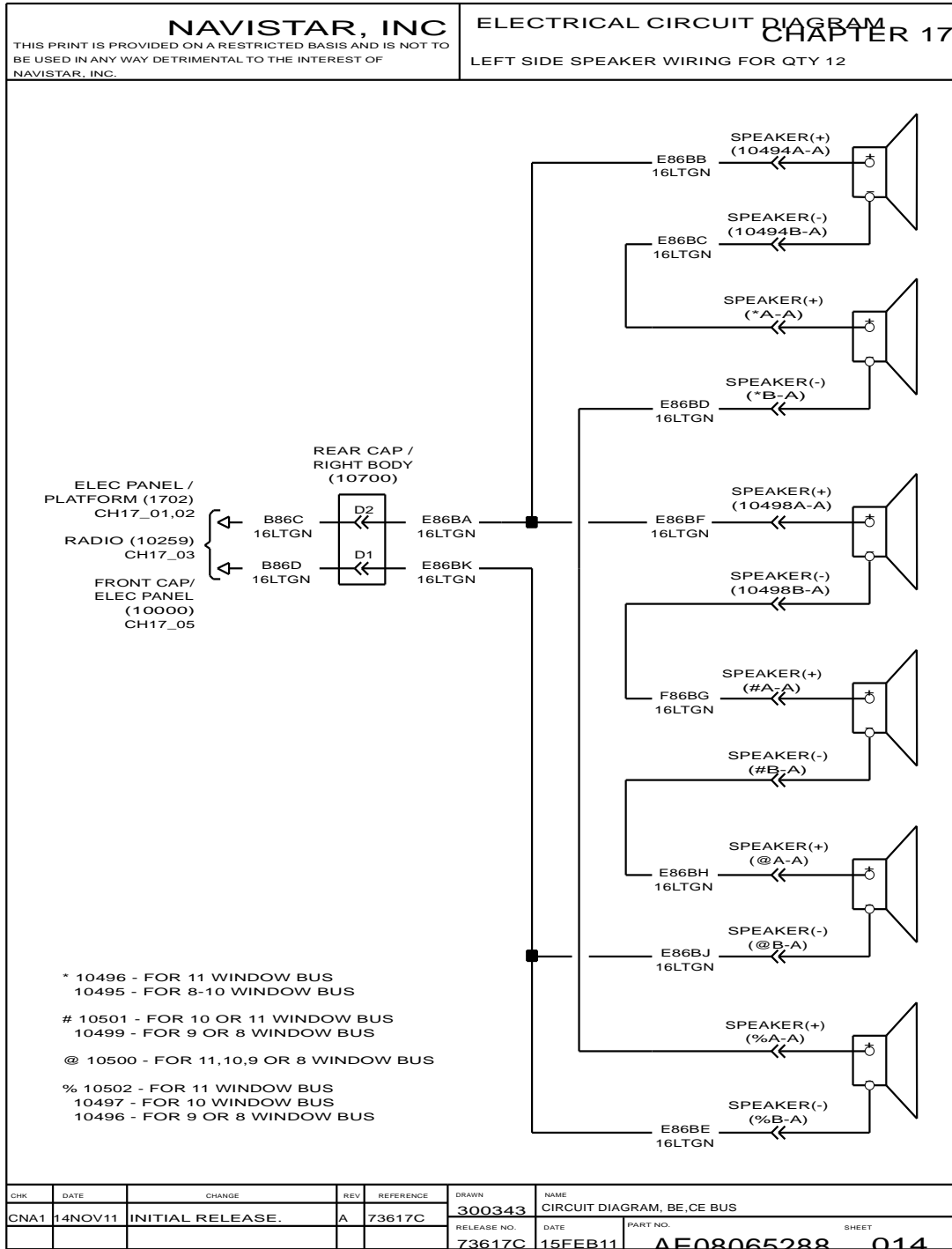


Figure 419 Left Side Speaker Wiring For Quantity 12

17.15. RIGHT SIDE SPEAKER WIRING FOR QUANTITY 12, P. 15

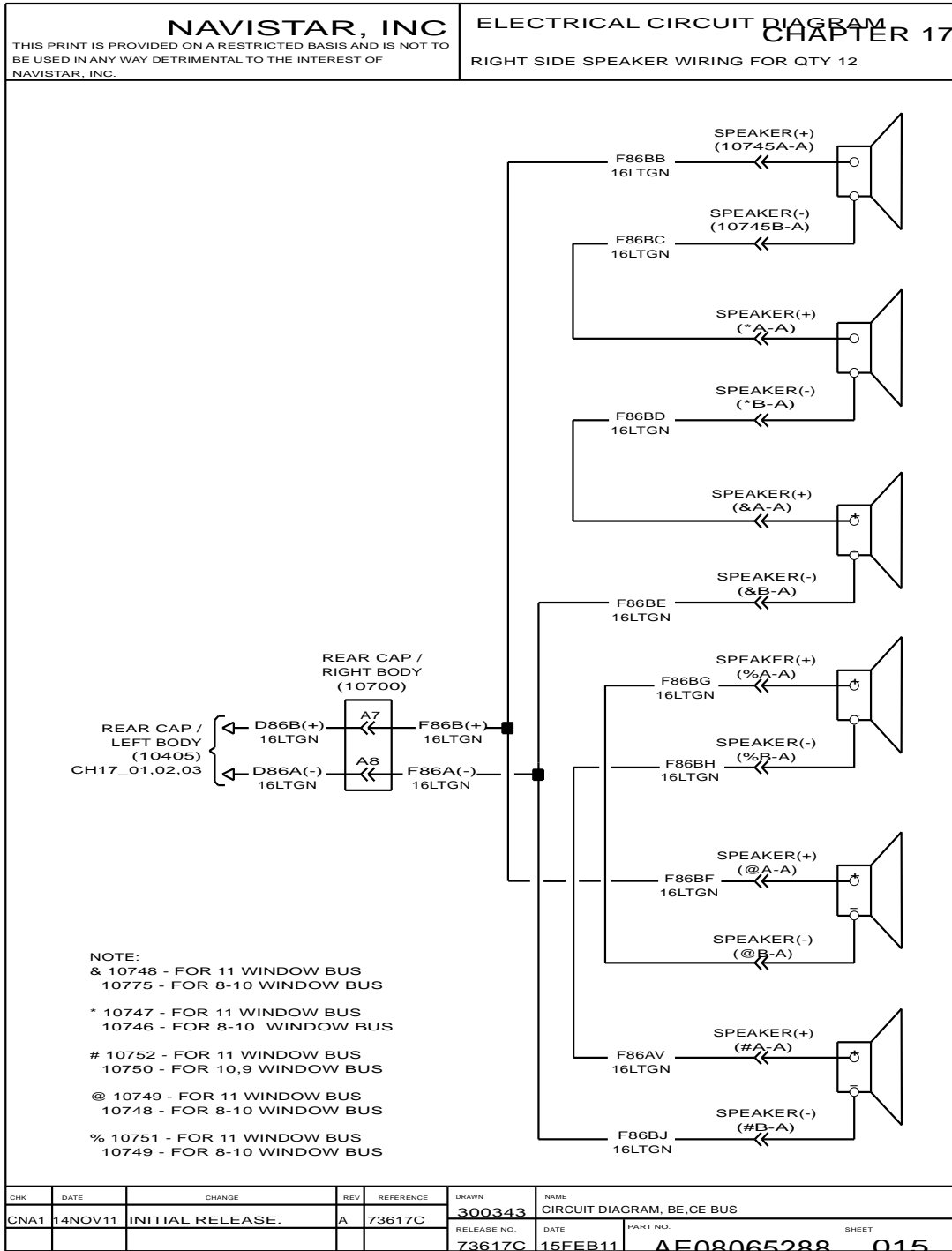


Figure 420 Right Side Speaker Wiring For Quantity 12

17.16. TWO WAY RADIO AND VIDEO EFFECTS, P. 16

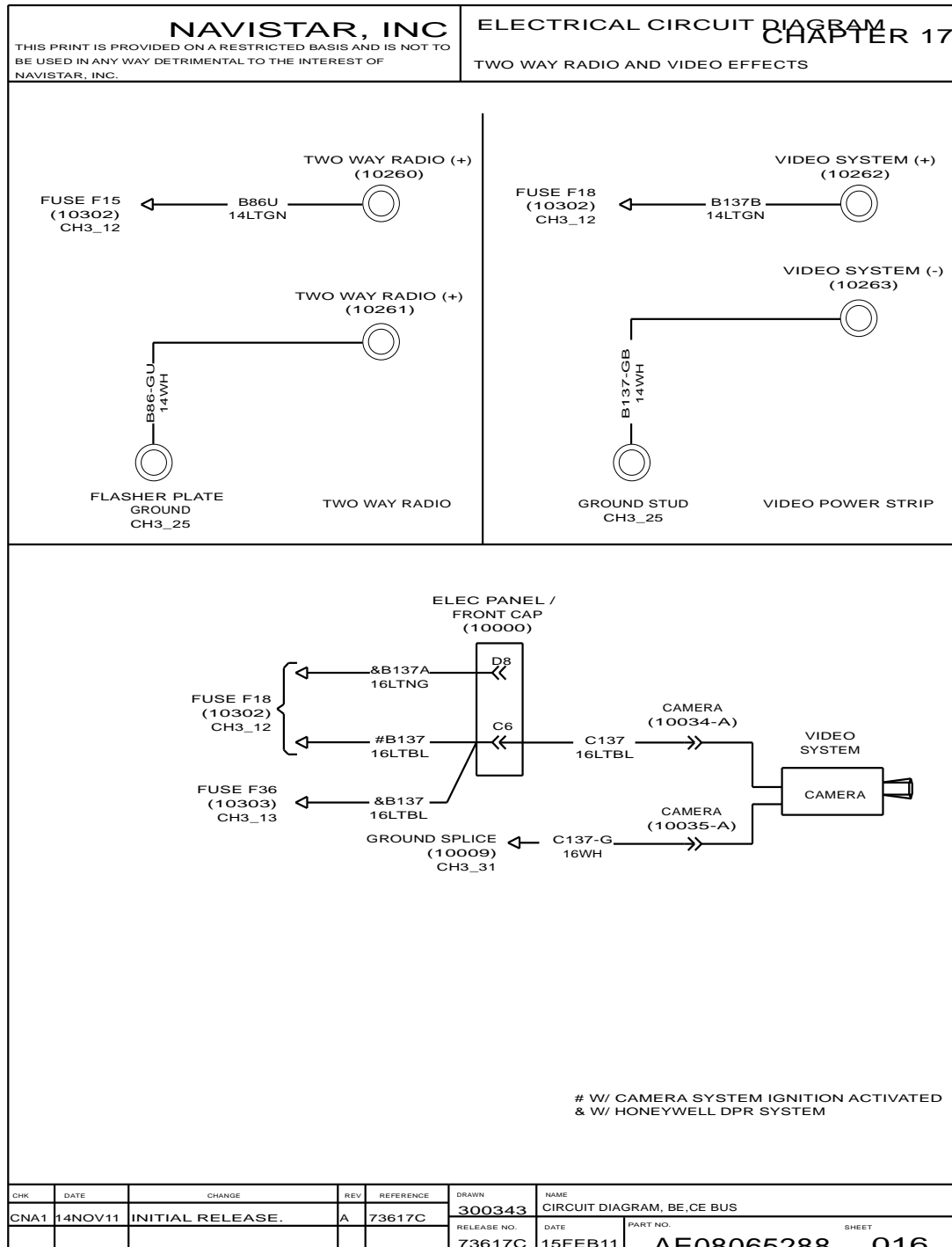


Figure 421 Two Way Radio and Video Effects

17.17. GPS PRE WIRE AND VIDEO POWER EFFECTS, P. 17

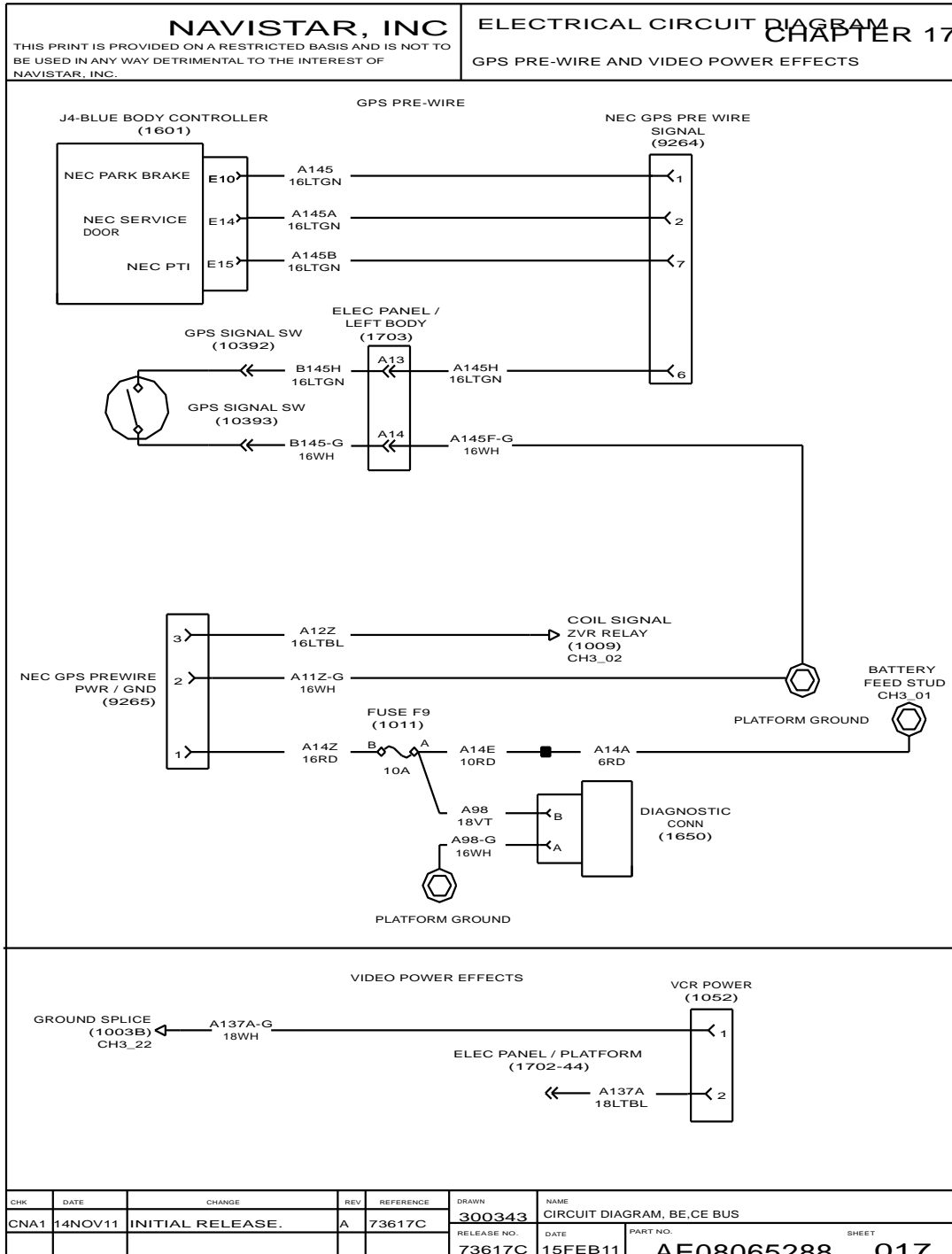


Figure 422 GPS Pre Wire and Video Power Effects

17.18. INTENTIONALLY LEFT BLANK, P. 18

NAVISTAR, INC				ELECTRICAL CIRCUIT DIAGRAM		CHAPTER 17	
THIS PRINT IS PROVIDED ON A RESTRICTED BASIS AND IS NOT TO BE USED IN ANY WAY DETRIMENTAL TO THE INTEREST OF NAVISTAR, INC.				INTENTIONALLY LEFT BLANK			
INTENTIONALLY LEFT BLANK							
CHK	DATE	CHANGE	REV	REFERENCE	DRAWN	NAME	
0638	26MAR15	REMOVED GEOMETRY.	B	92936F	300343	CIRCUIT DIAGRAM, BE,CE BUS	
					RELEASE NO.	DATE	PART NO. SHEET
					73617C	15FEB11	AE08065288 018

Figure 423 Intentionally Left Blank

CHILD REMINDER SYSTEM (CHAPTER 18)

18.1. BUS SCAN, P. 1

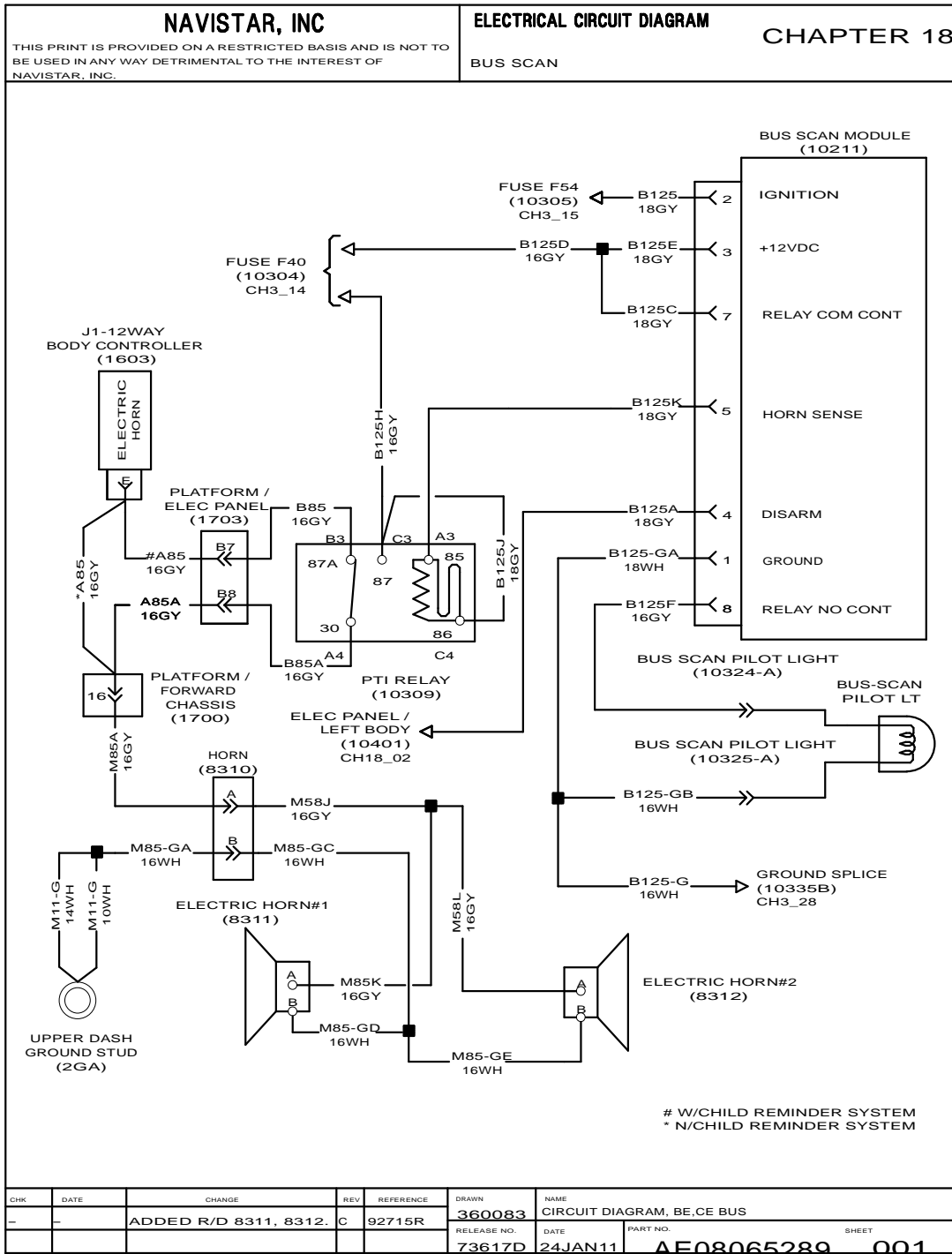


Figure 424 Bus Scan

18.2. BUS SCAN (CONT.), P. 2

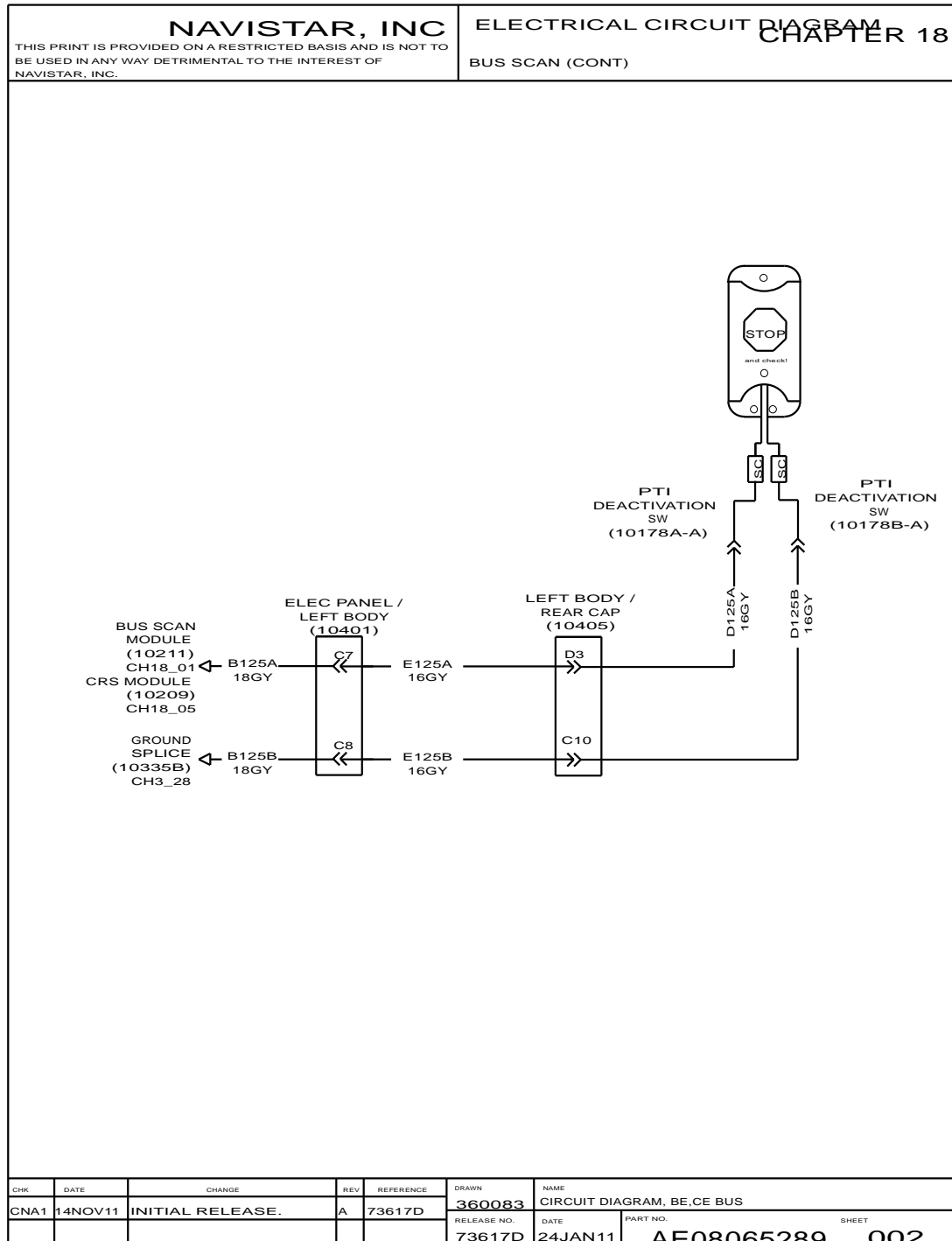


Figure 425 Bus Scan (Cont.)

18.3. CHILD CHECK MATE SYSTEM, P. 3

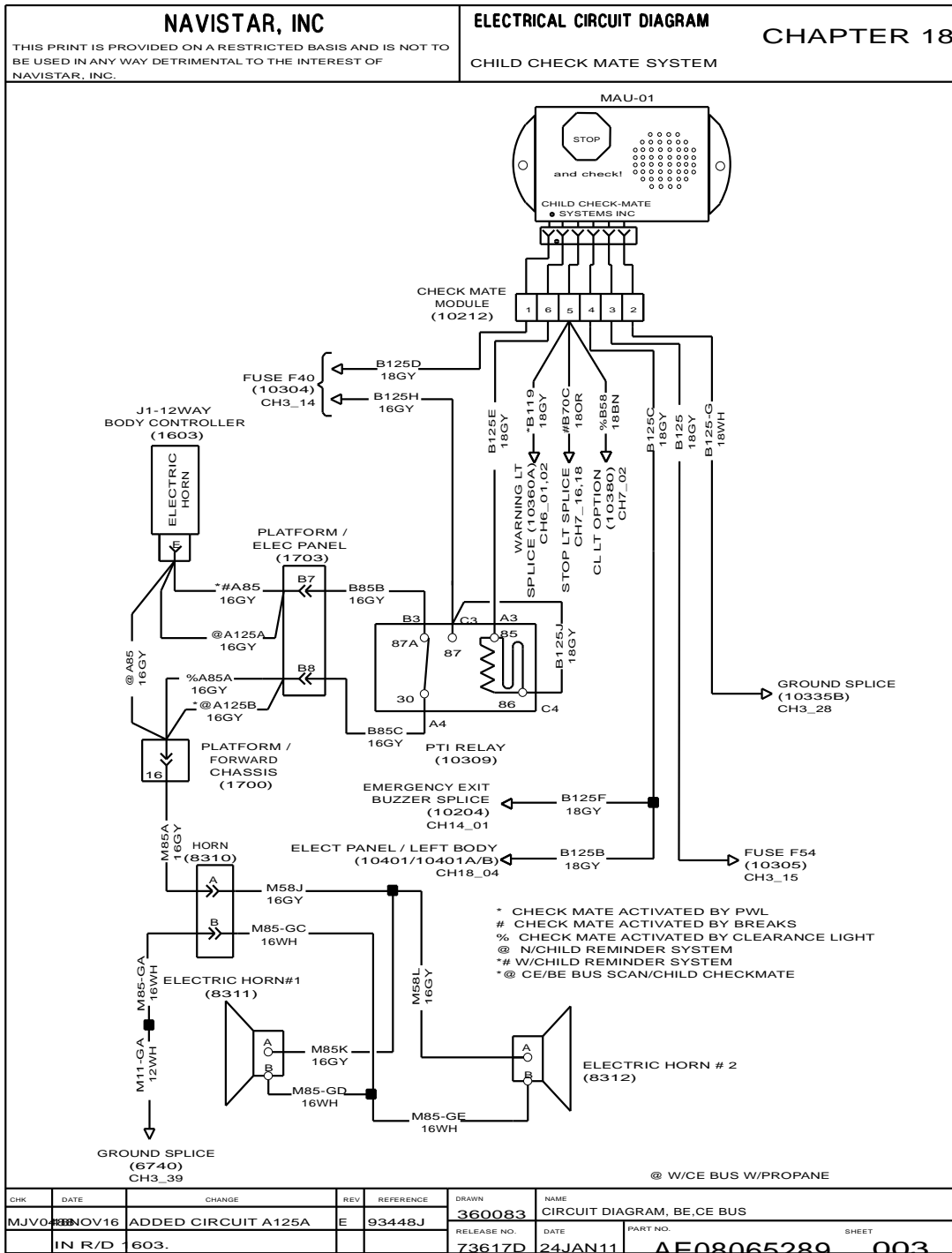


Figure 426 Child Check Mate System

18.4. CHILD CHECK MATE SYSTEM (CONT.), P. 4

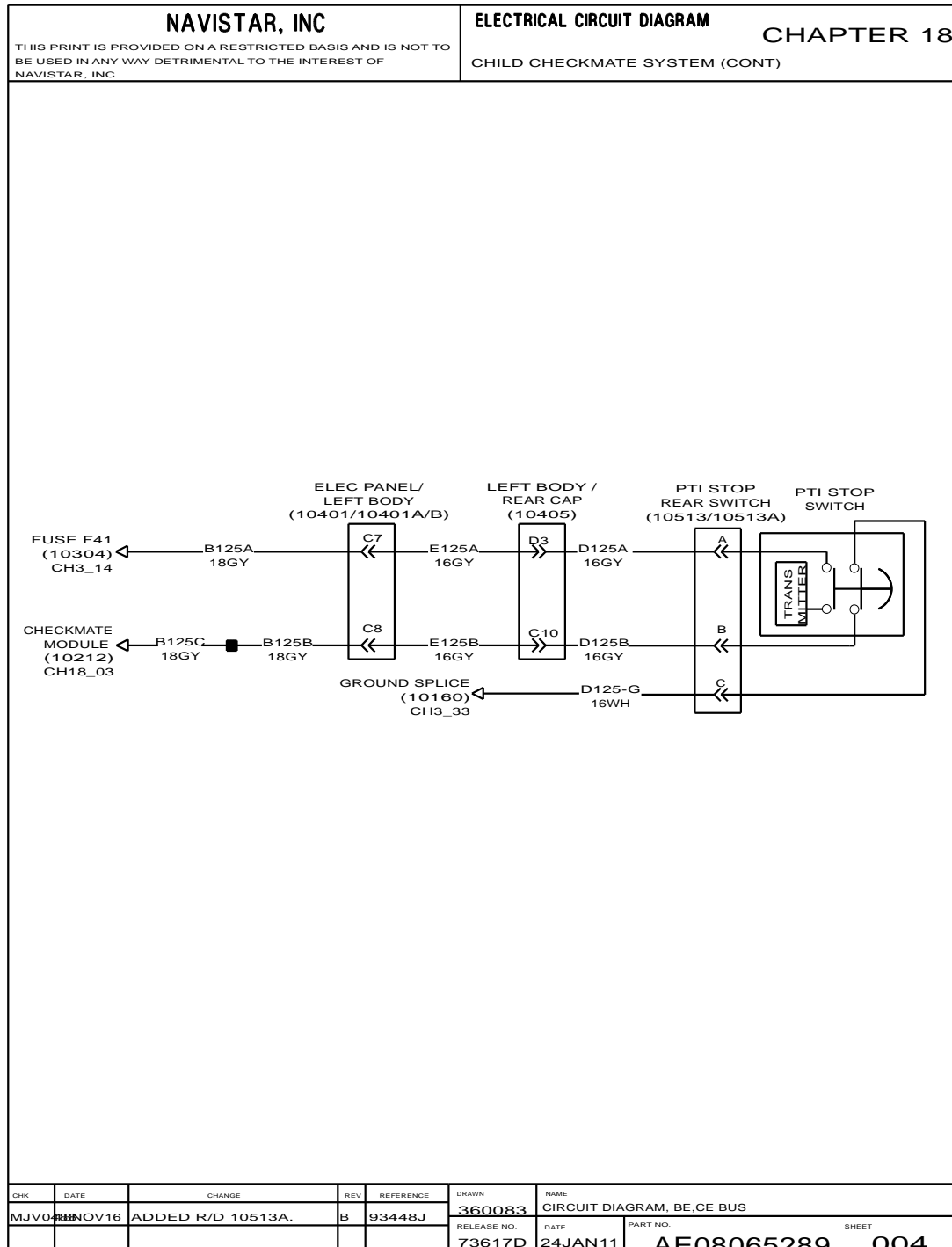


Figure 427 Child Check Mate System (Cont.)

18.5. POST TRIP INSPECTION – CRS, P. 5

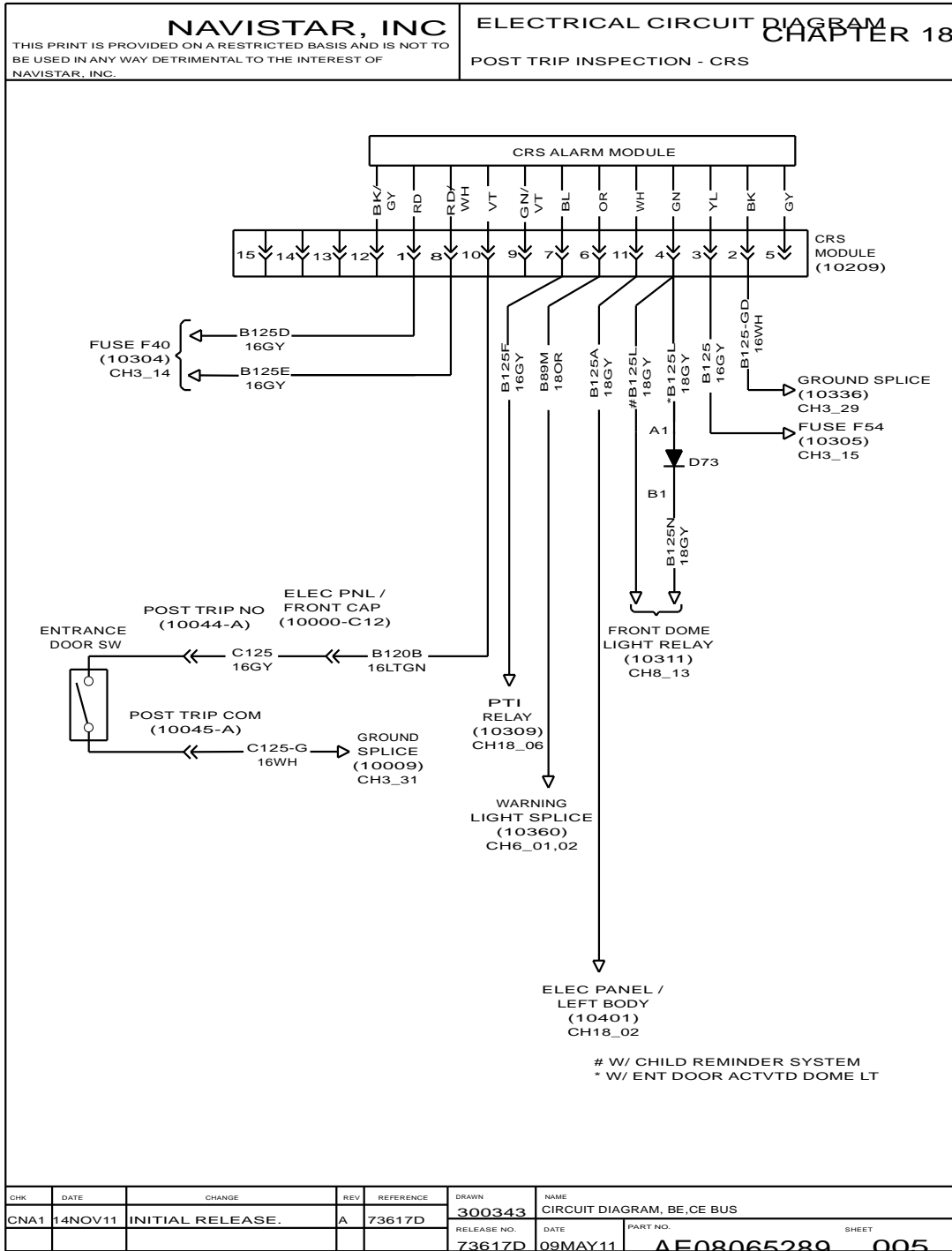


Figure 428 Post Trip Inspection – CRS

18.6. POST TRIP INSPECTION – CRS (CONT.), P. 6

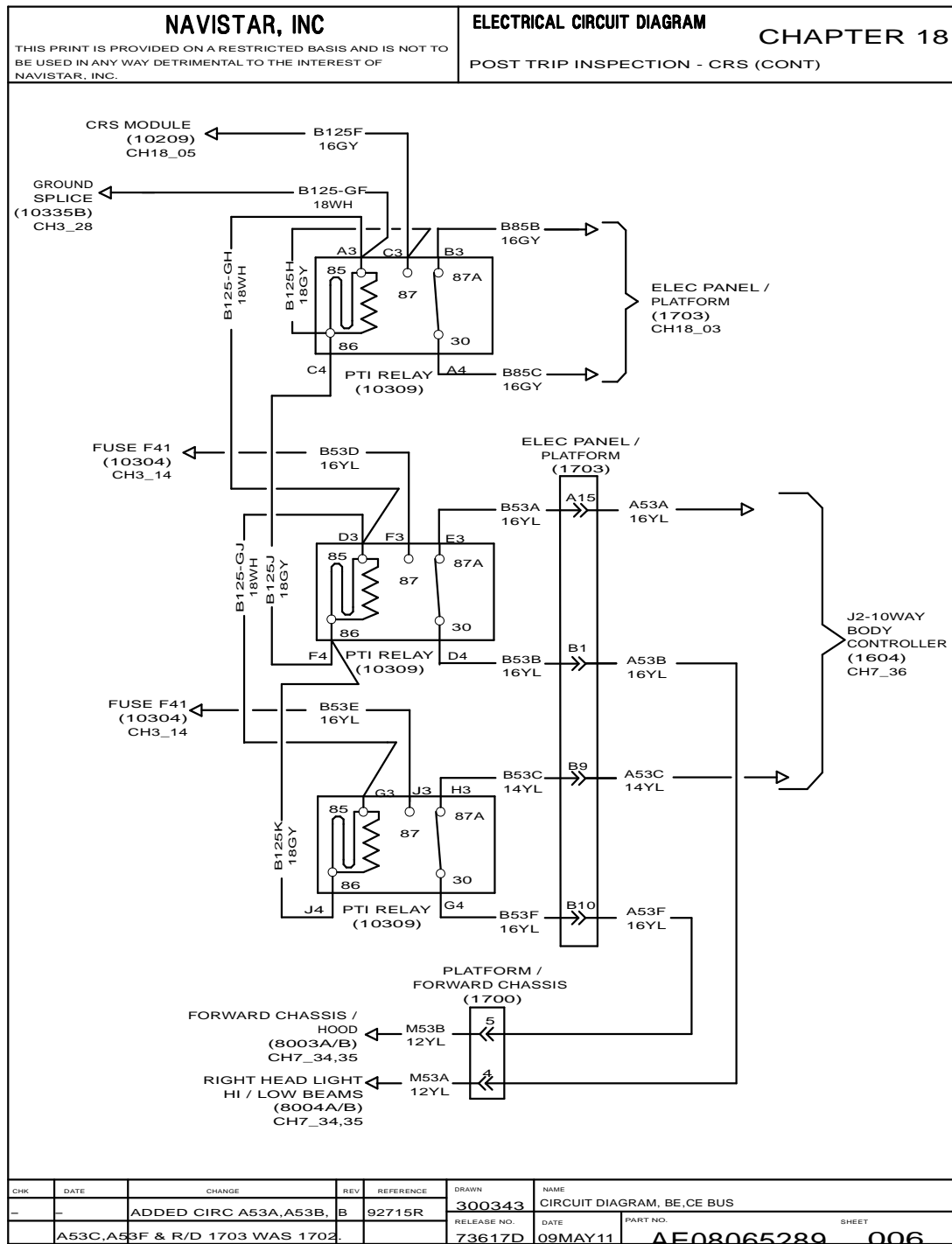


Figure 429 Post Trip Inspection – CRS (Cont.)

18.7. LEAVE NO STUDENT BEHIND WITHOUT ALARM AND DOME LIGHTS ACTIVATED BY EMERGENCY EXITS, P. 7

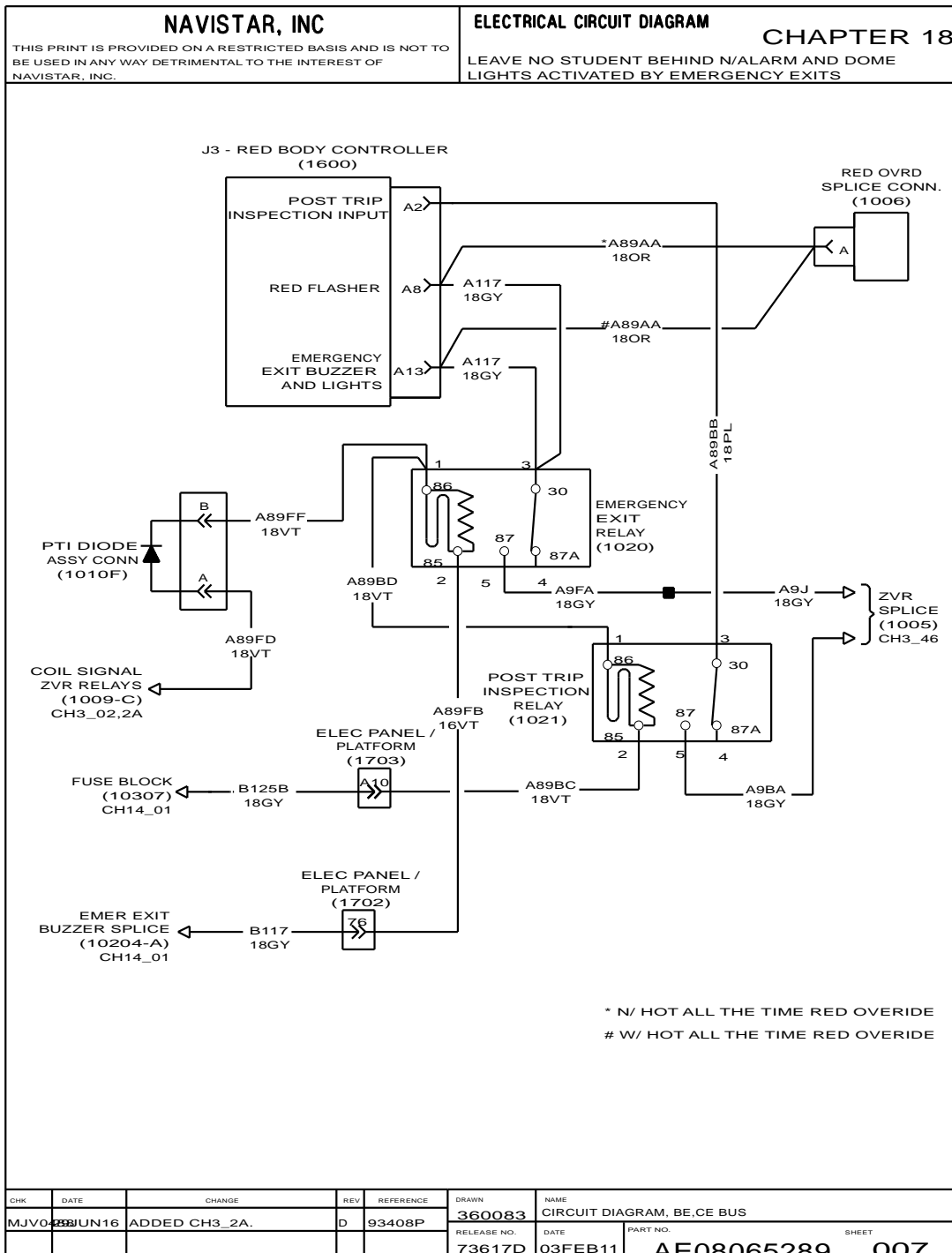


Figure 430 Leave No Student Behind without Alarm and Dome Lights Activated by Emergency Exits

18.8. CHILD SAFETY ALARM, P. 8

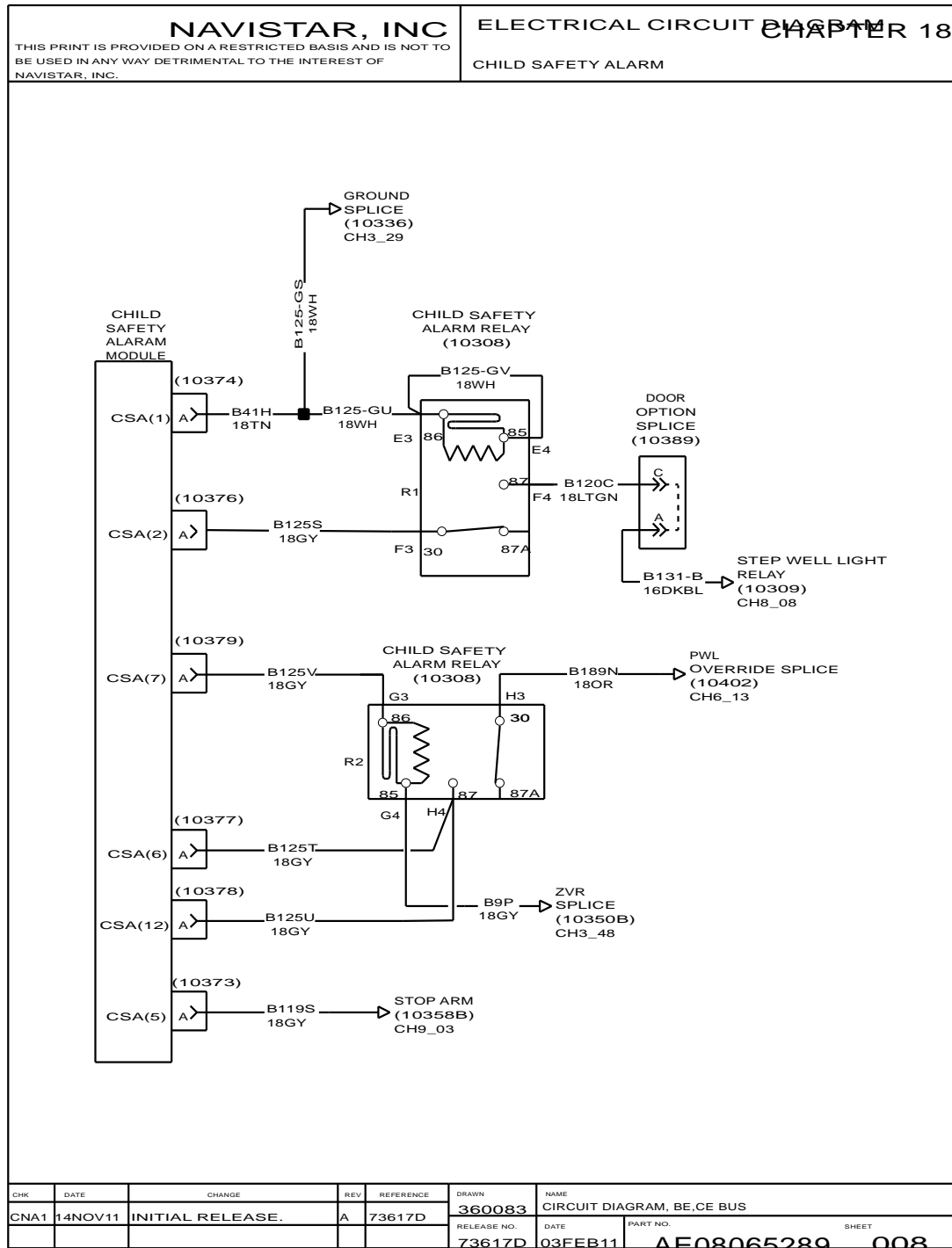


Figure 431 Child Safety Alarm

CHK	DATE	CHANGE	REV	REFERENCE	DRAWN	NAME
CNA1	14NOV11	INITIAL RELEASE.	A	73617D	360083	CIRCUIT DIAGRAM, BE,CE BUS
					RELEASE NO.	DATE
					73617D	03FEB11
					PART NO.	SHEET
					AE08065289	008

18.9. LEAVE NO STUDENT BEHIND WITH ALARM AND DOME LIGHTS ACTIVATED BY EMERGENCY EXITS, P. 9

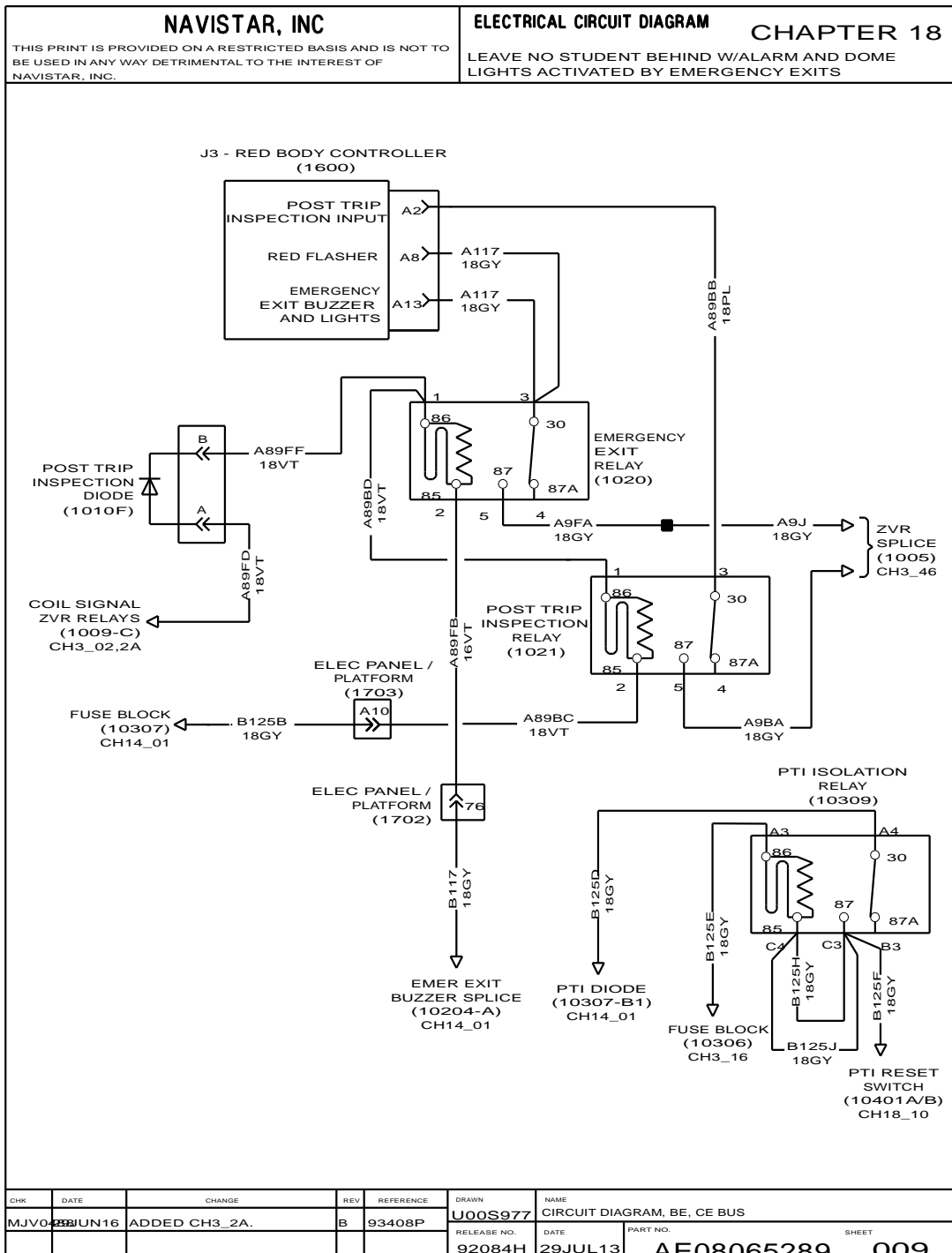


Figure 432 Leave No Student Behind with Alarm and Dome Lights Activated by Emergency Exits

HEATERS / AIR CONDITIONING / ACCESSORIES (CHAPTER 19)

19.1. BOOSTER PUMP, P. 1

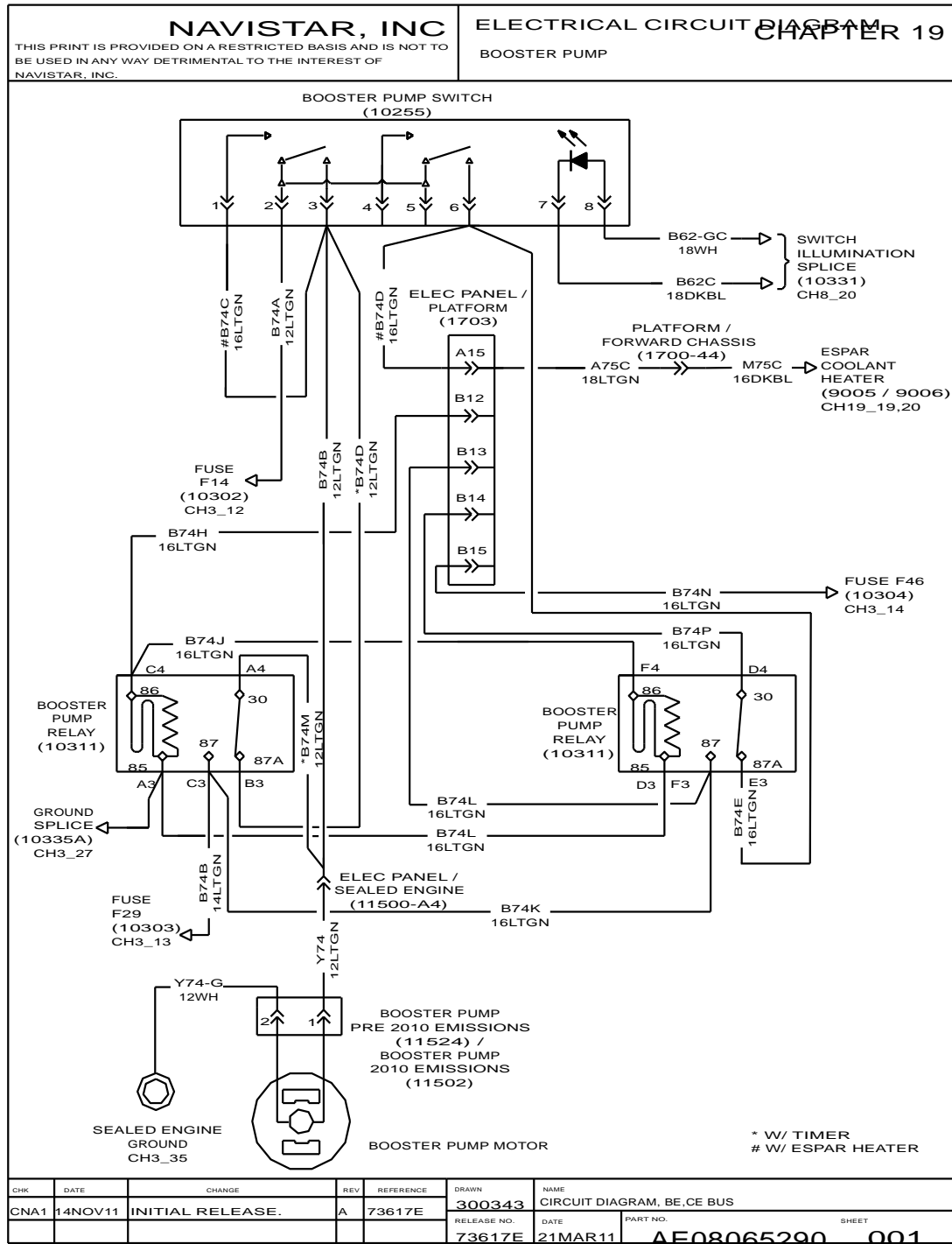


Figure 433 Booster Pump

19.2. LEFT FRONT PASSENGER HEATER, P. 2

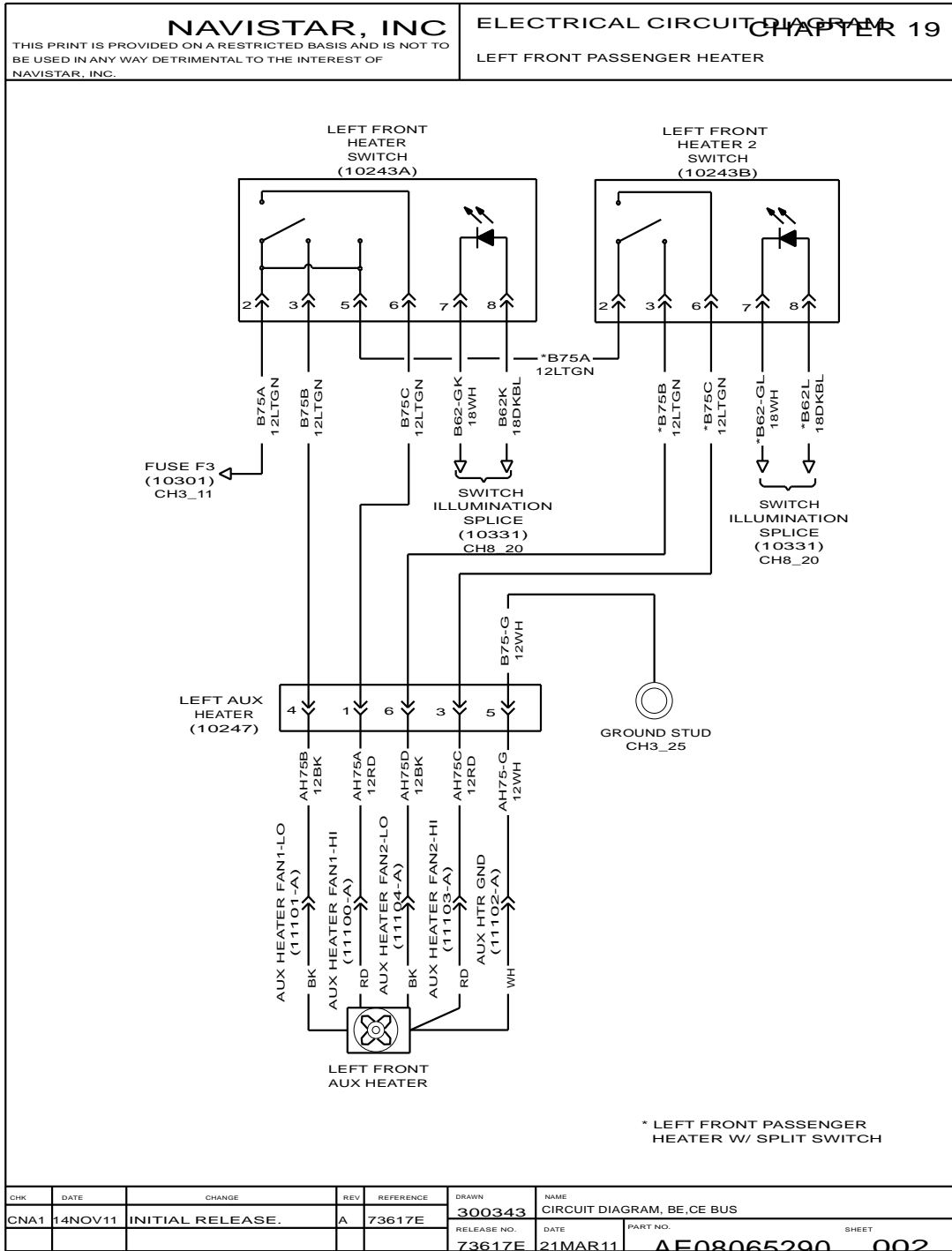


Figure 434 Left Front Passenger Heater

19.3. DRIVER'S HEATER, P. 3

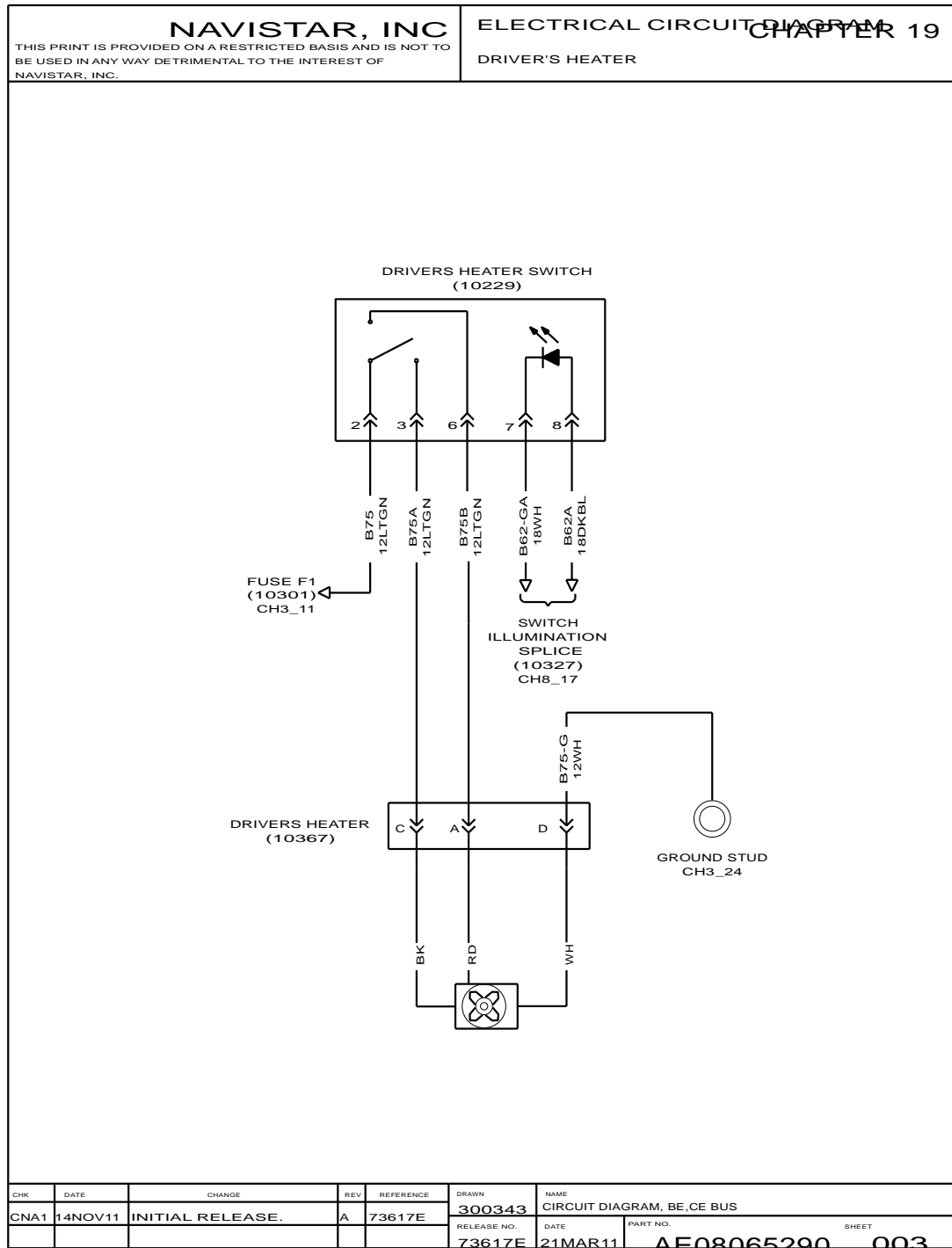
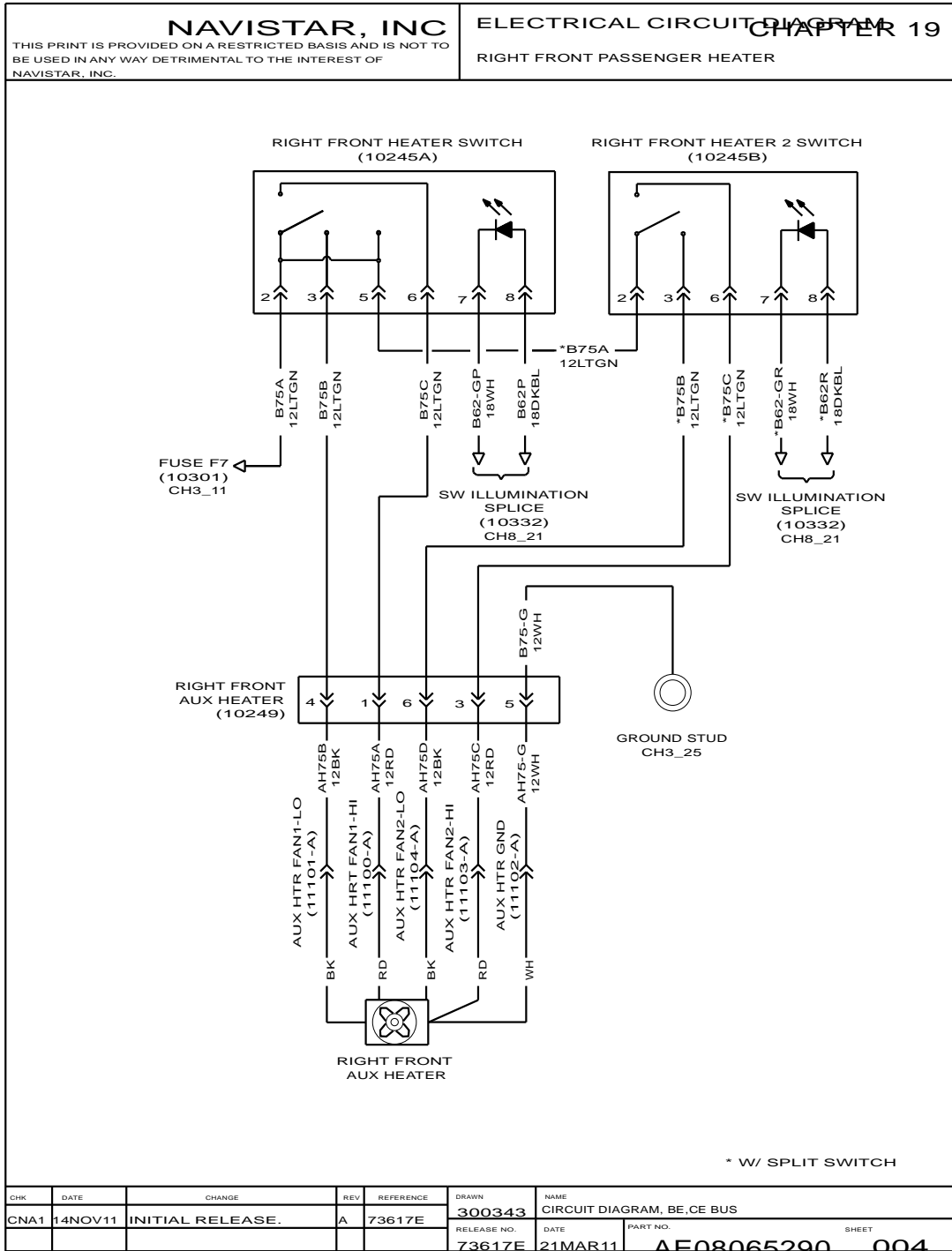
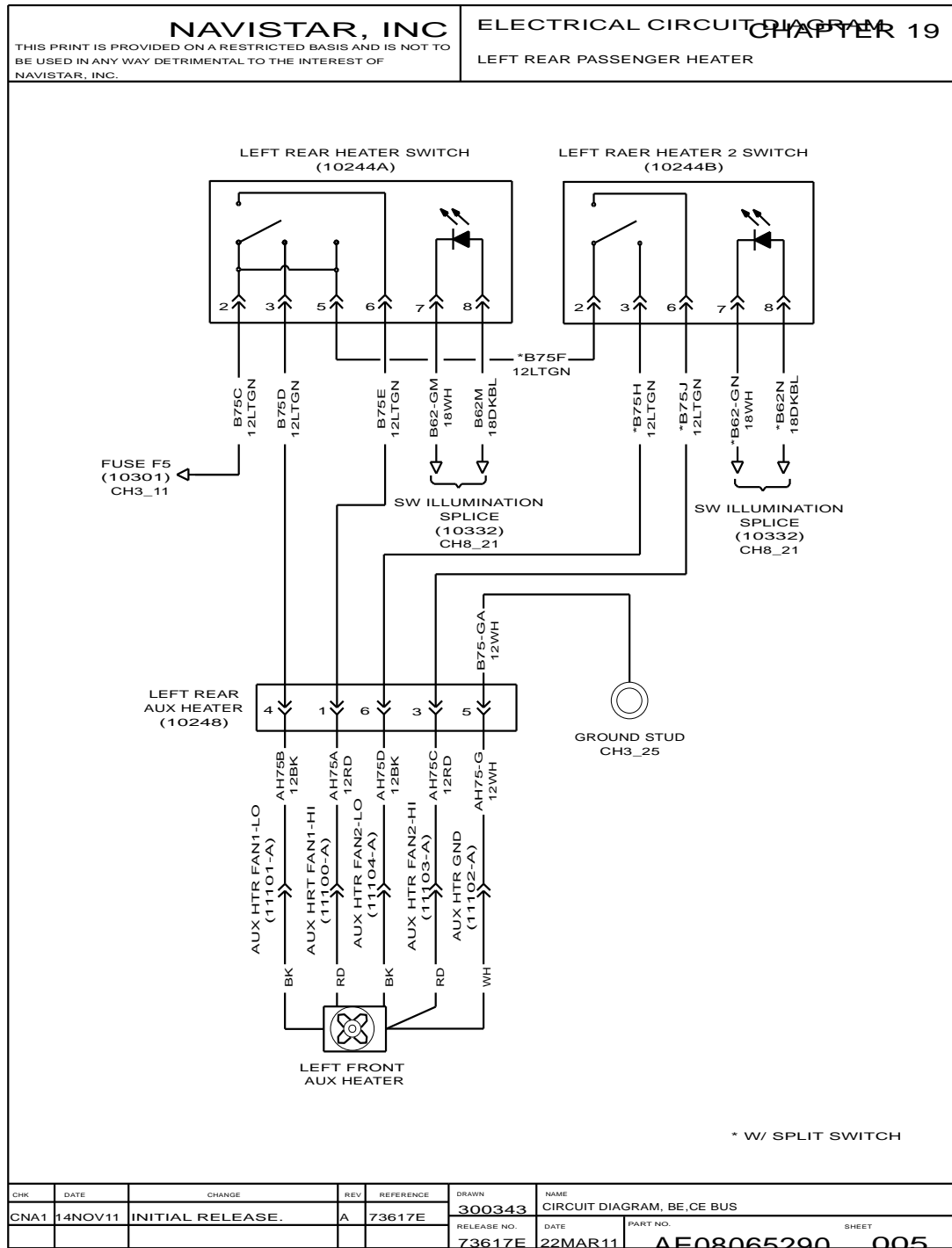


Figure 435 Driver's Heater

19.4. RIGHT FRONT PASSENGER HEATER, P. 4



19.5. LEFT REAR PASSENGER HEATER, P. 5



19.6. RIGHT REAR PASSENGER HEATER, P. 6

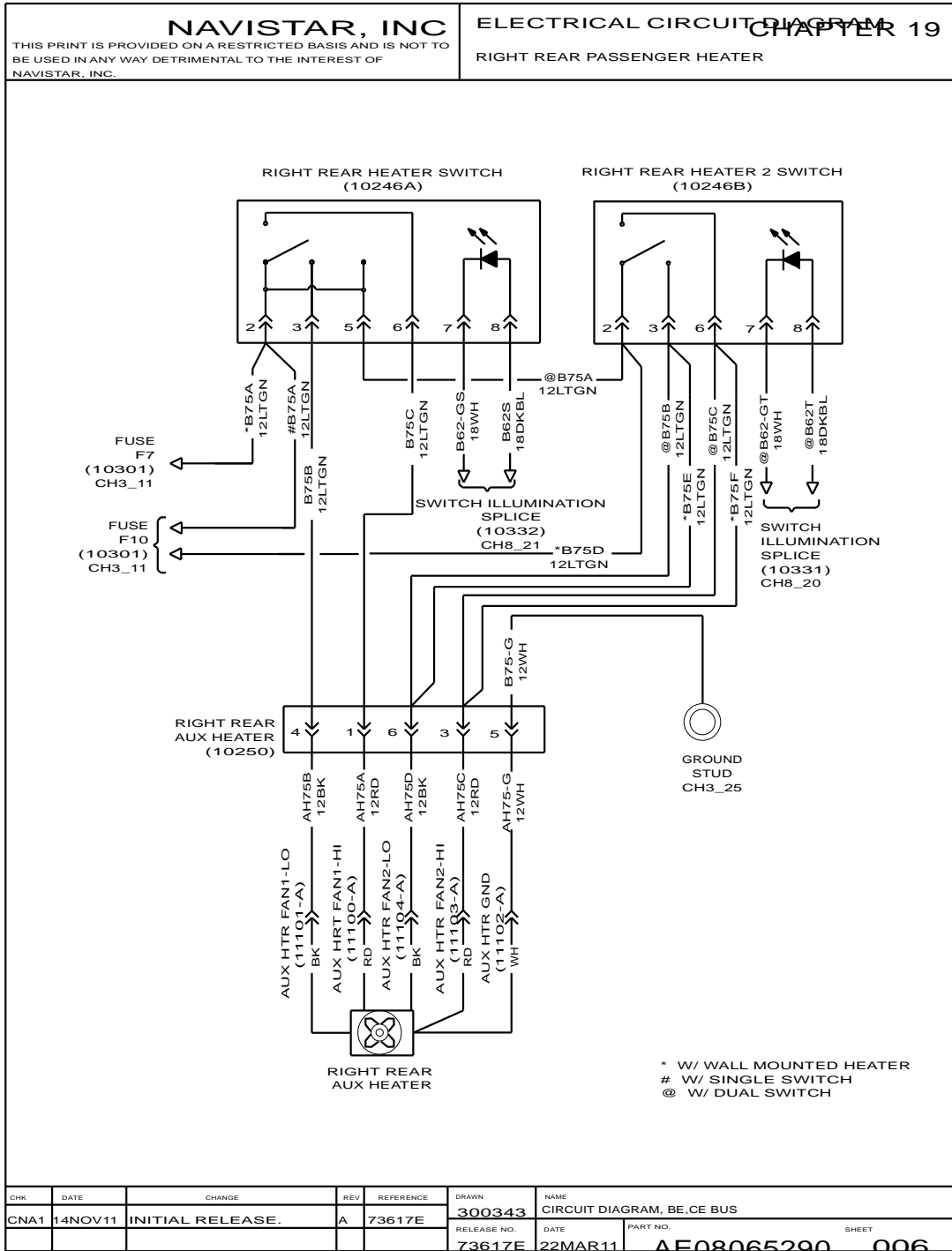


Figure 438 Right Rear Passenger Heater

19.7. STEP HEATER, P. 7

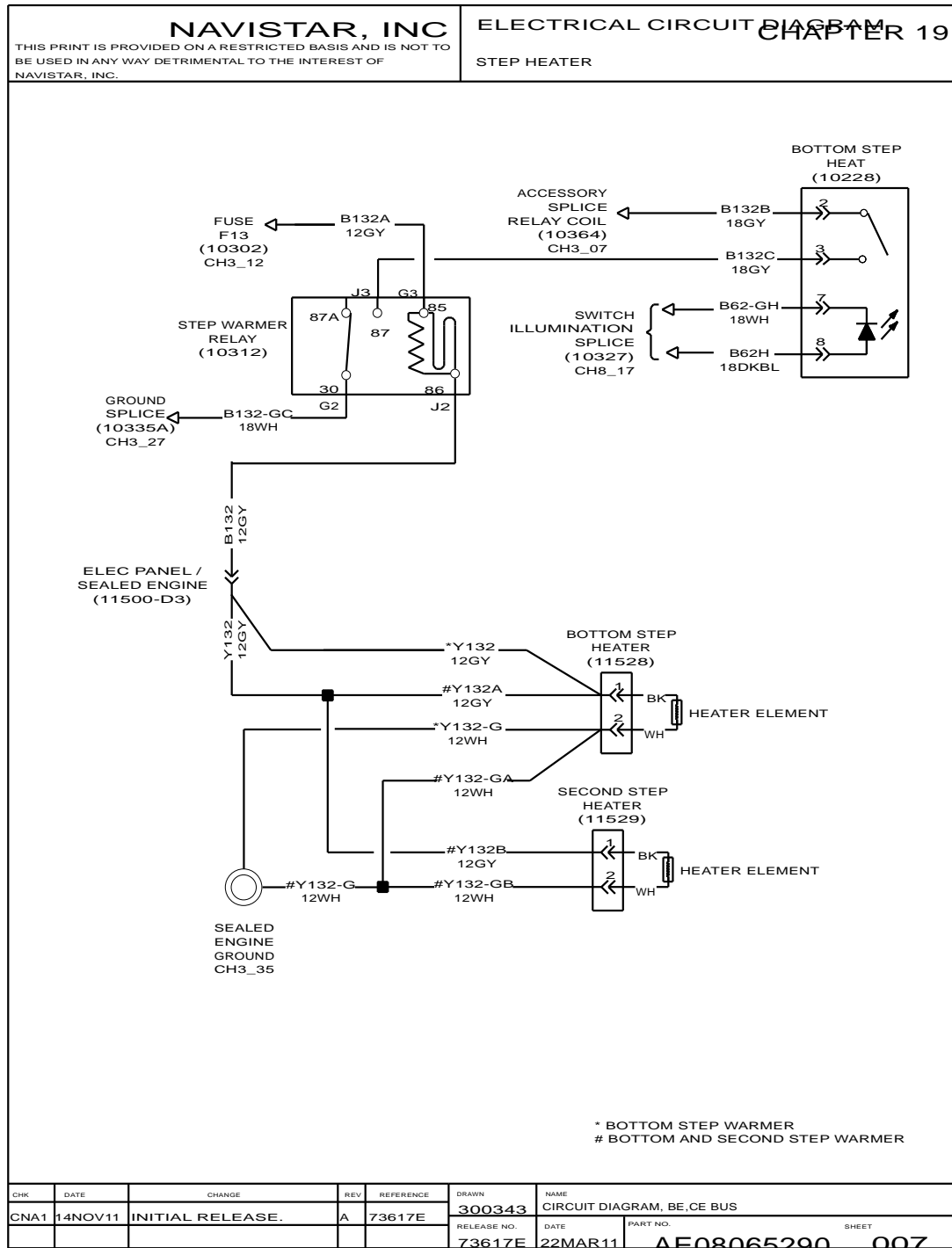


Figure 439 Step Heater

19.8. DEFOG FAN LEFT SWITCH, P. 8

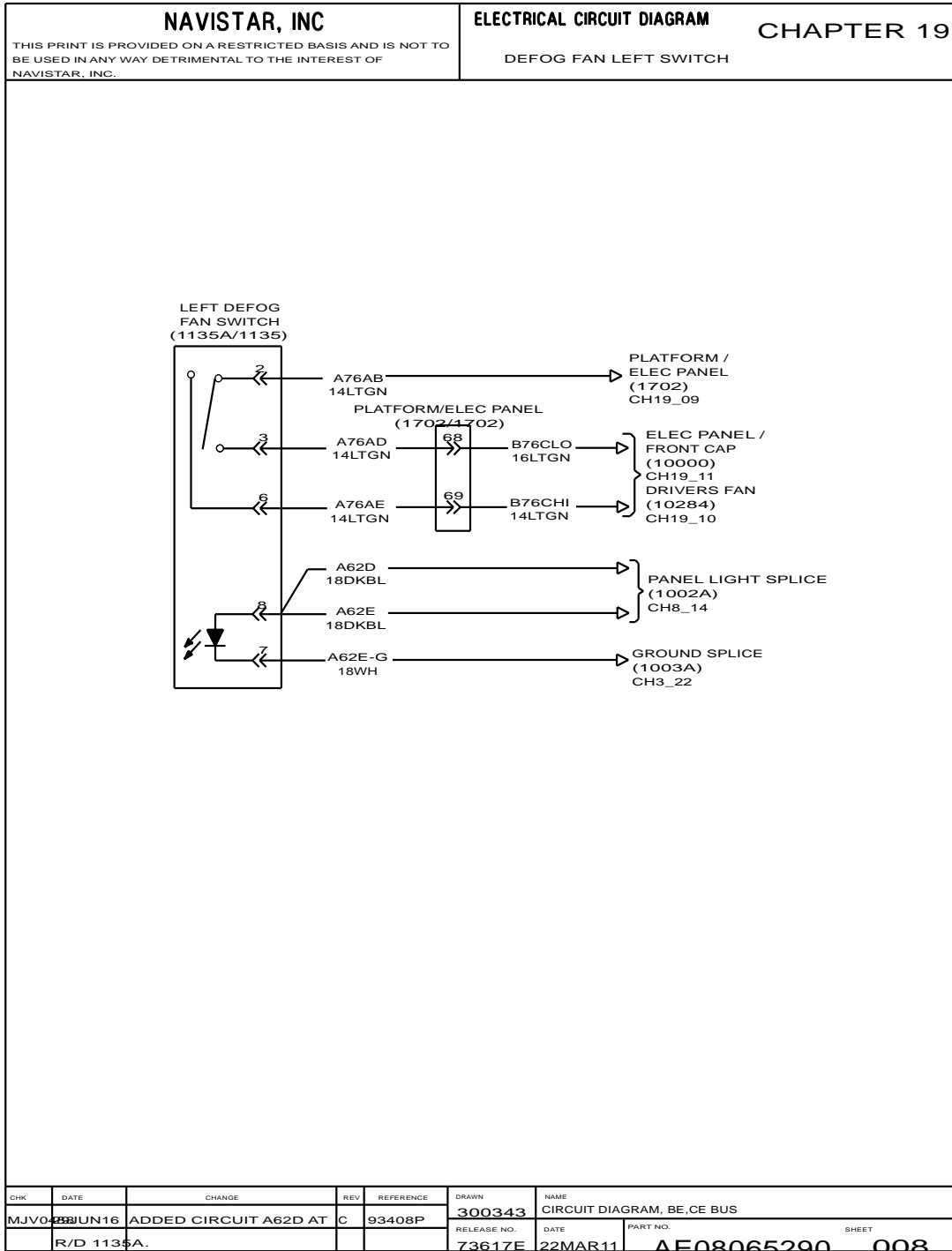


Figure 440 Defog Fan Left Switch

19.9. DEFOG FAN RIGHT SWITCH, P. 9

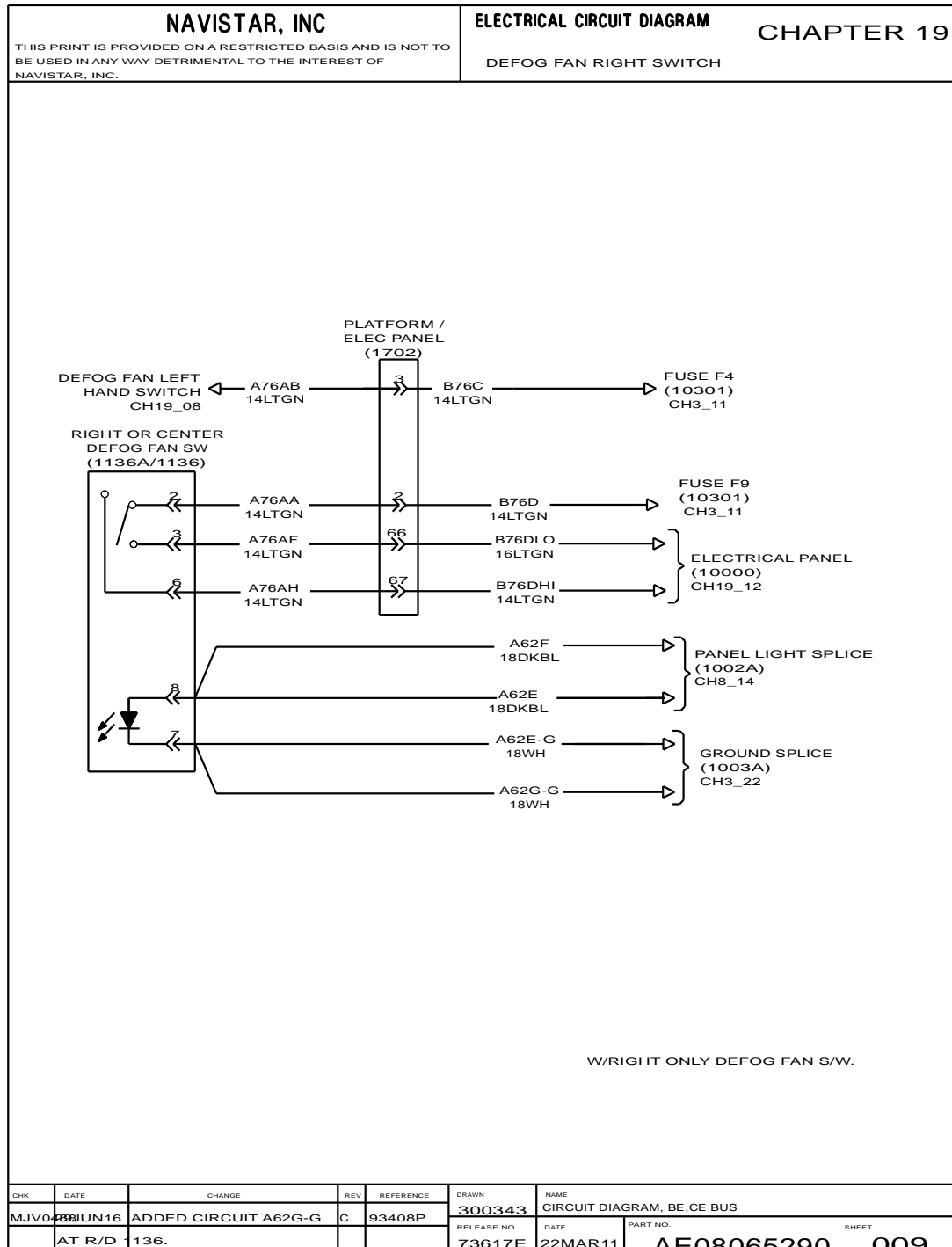


Figure 441 Defog Fan Right Switch

19.10. DEFOG FAN SWITCH WITH DRIVER'S FAN, P. 10

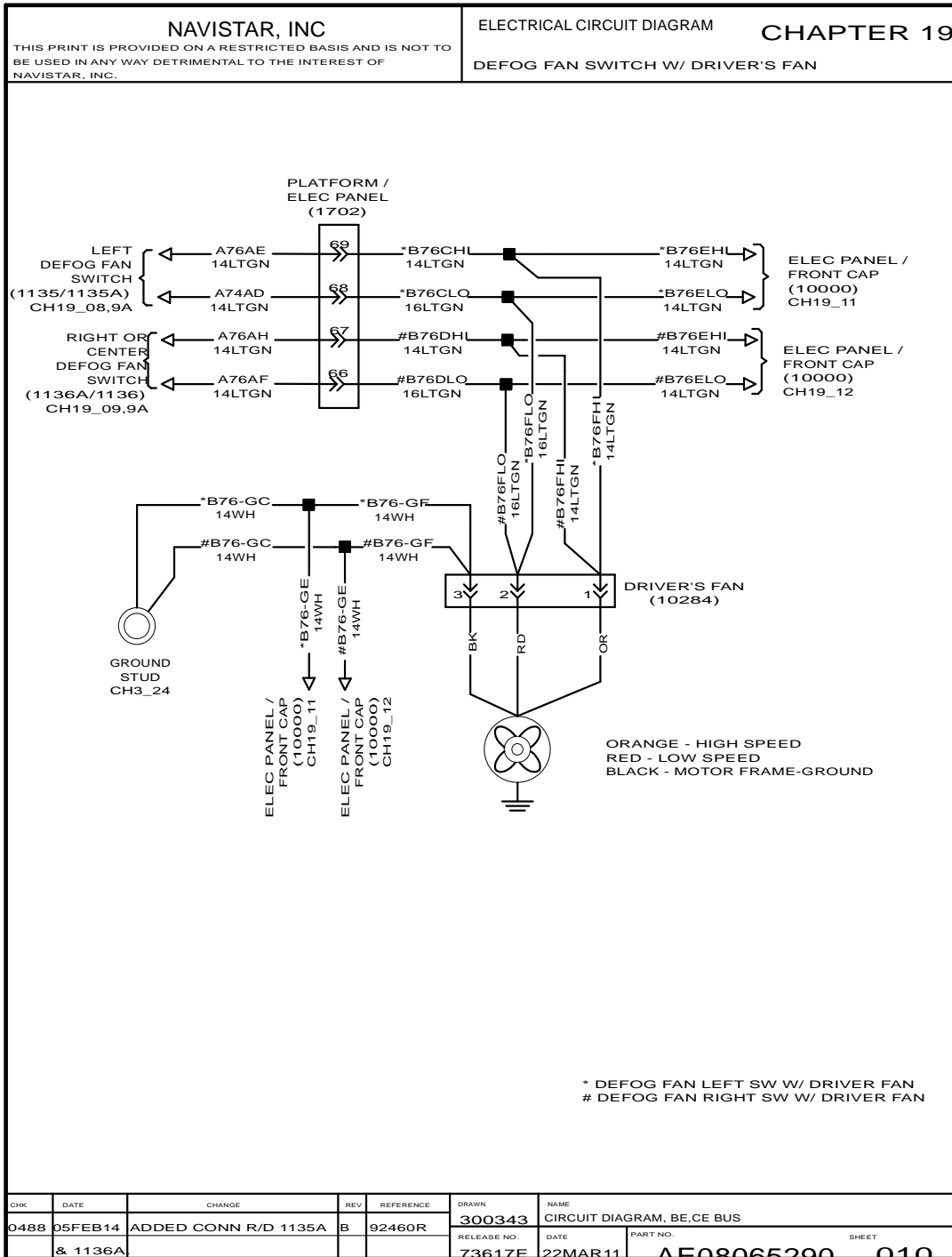


Figure 442 Defog Fan Switch with Driver's Fan

19.11. DEFOG FAN LEFT SWITCH WITH DRIVER'S FAN, P. 11

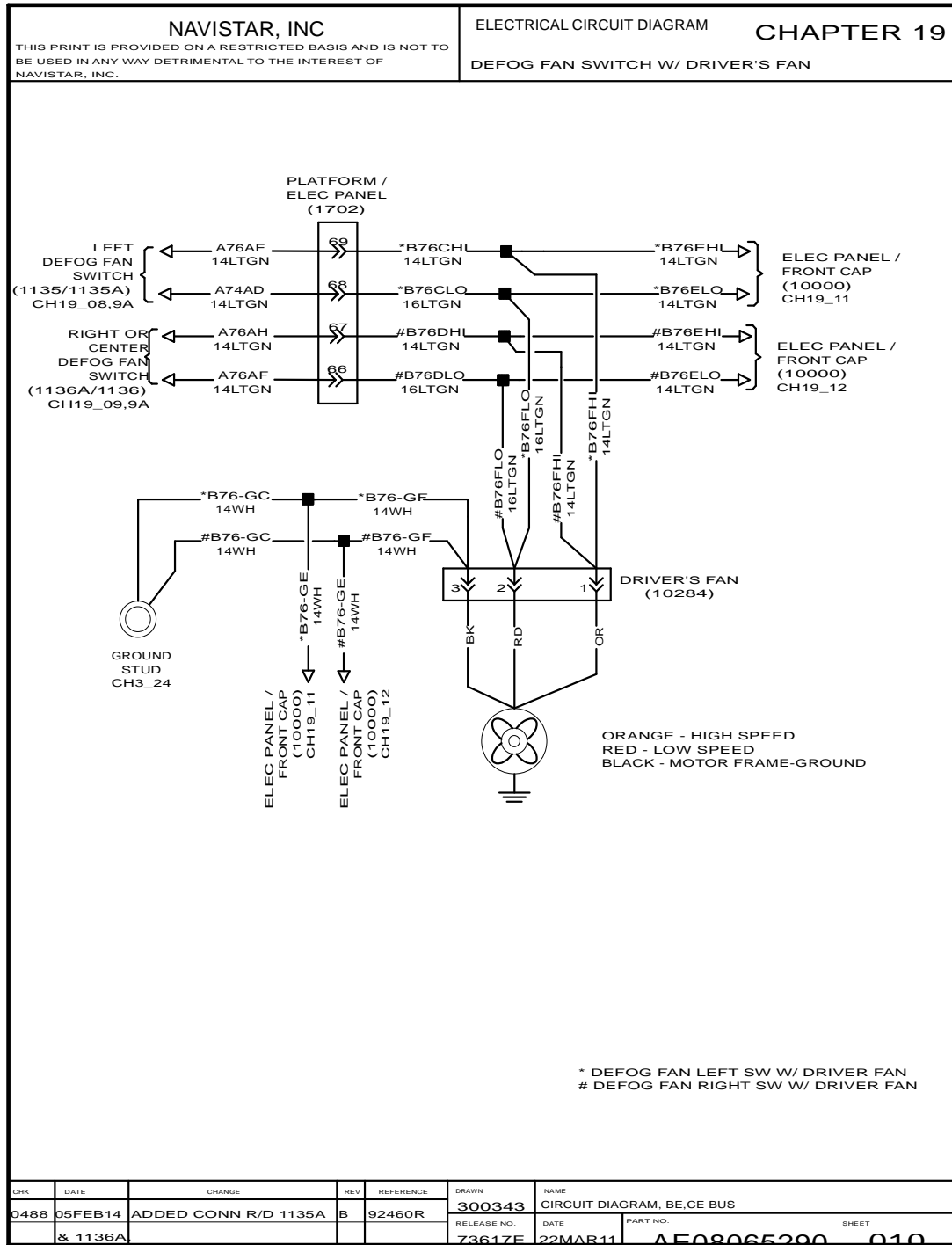


Figure 443 Defog Fan Left Switch with Driver's Fan

19.12. DEFOG FAN RIGHT SWITCH OUTPUT, P. 12

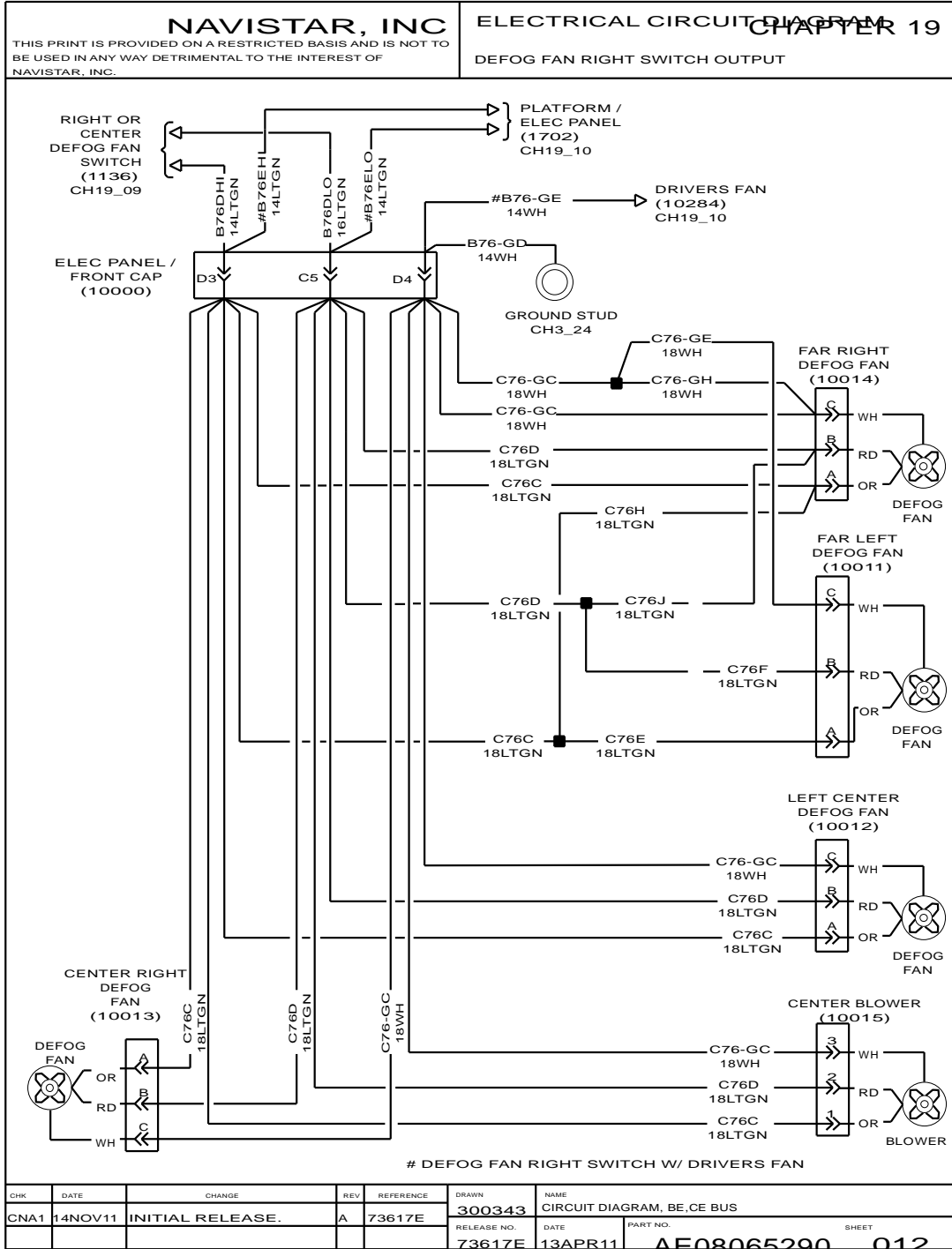


Figure 444 Defog Fan Right Switch Output

19.13. PASSENGER CONVECTION HEATER, P. 13

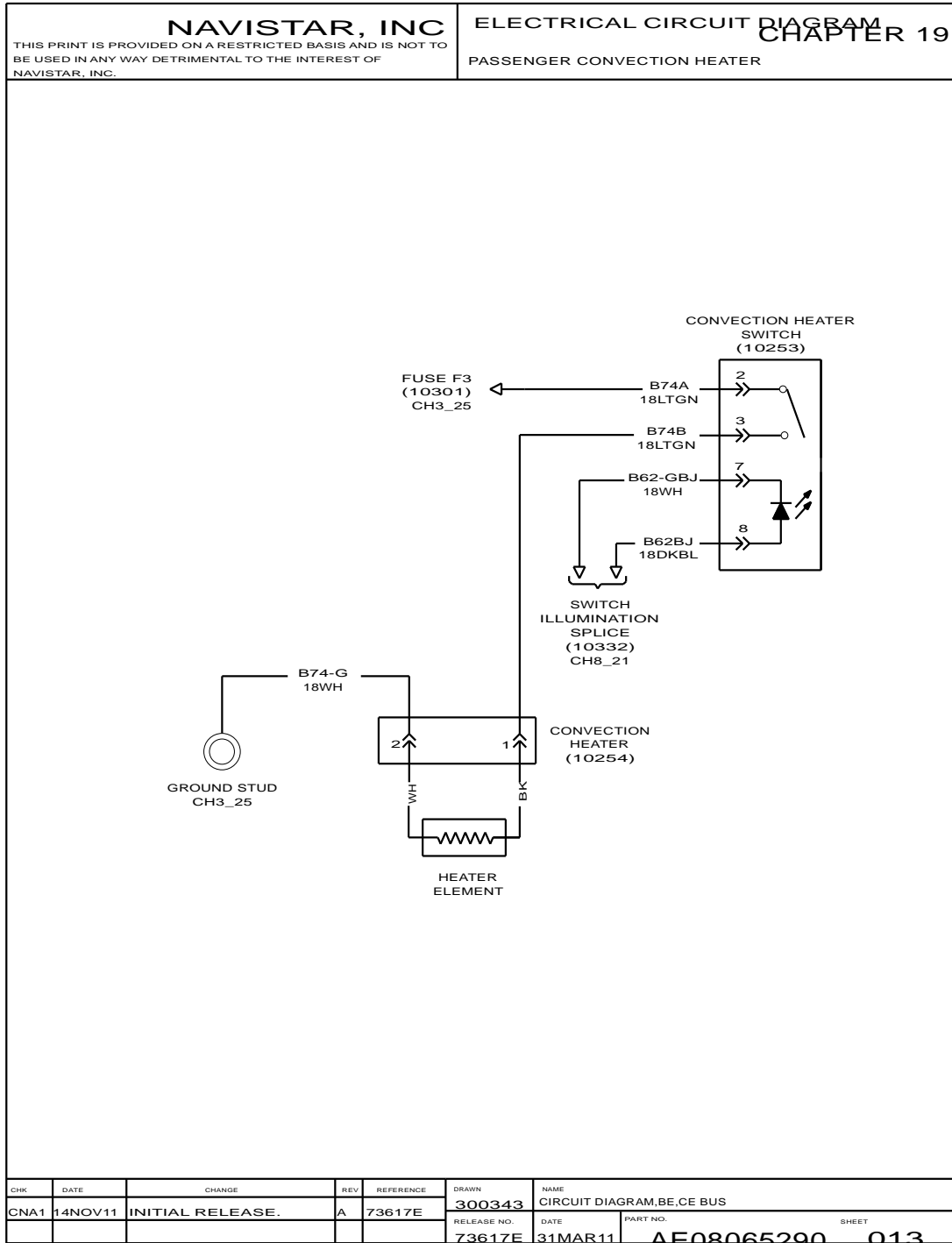


Figure 445 Passenger Convection Heater

19.14. POWER VENT ROOF HATCH, P. 14

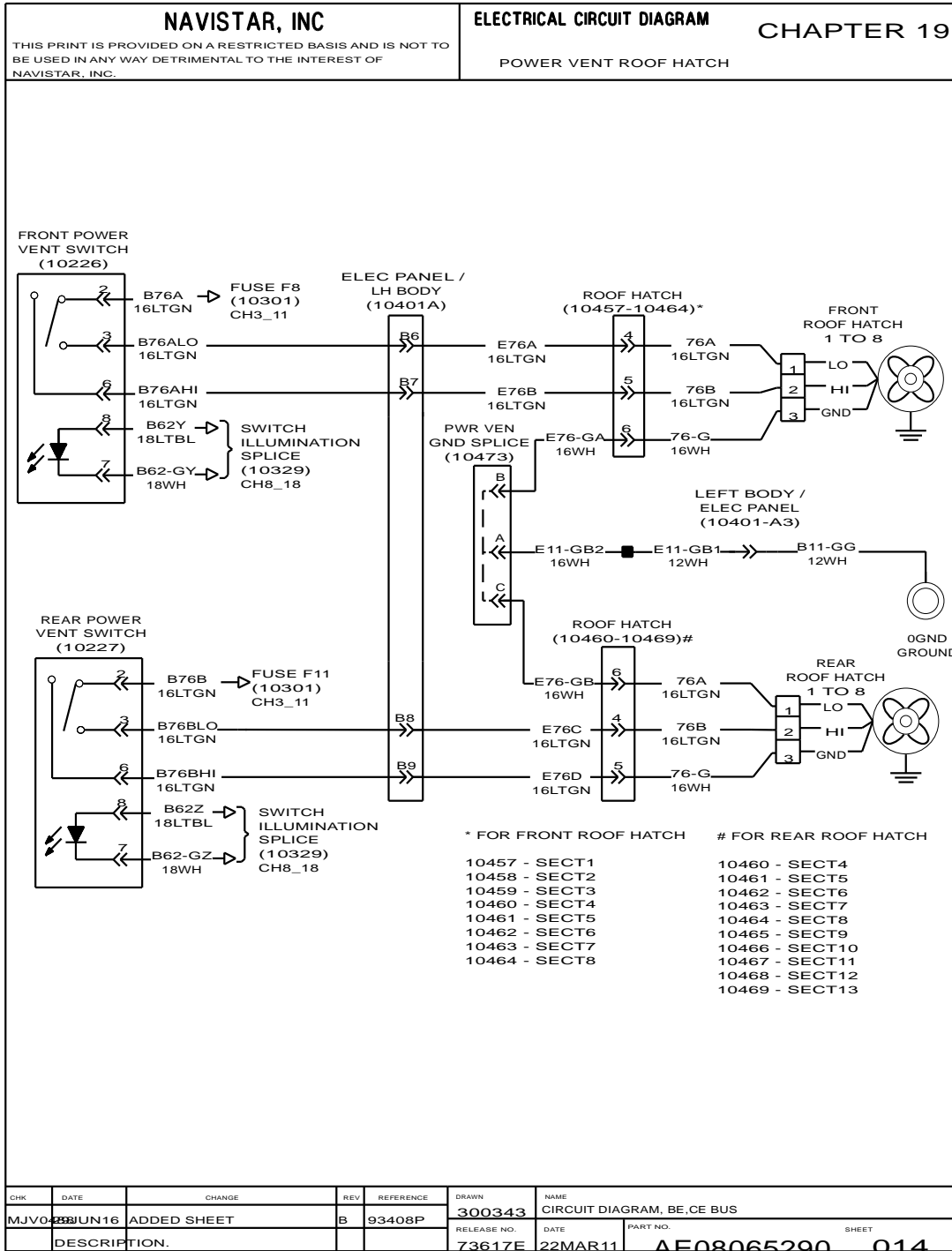


Figure 446 Power Vent Roof Hatch

19.15. AC COMPRESSOR CONTROL, P. 15

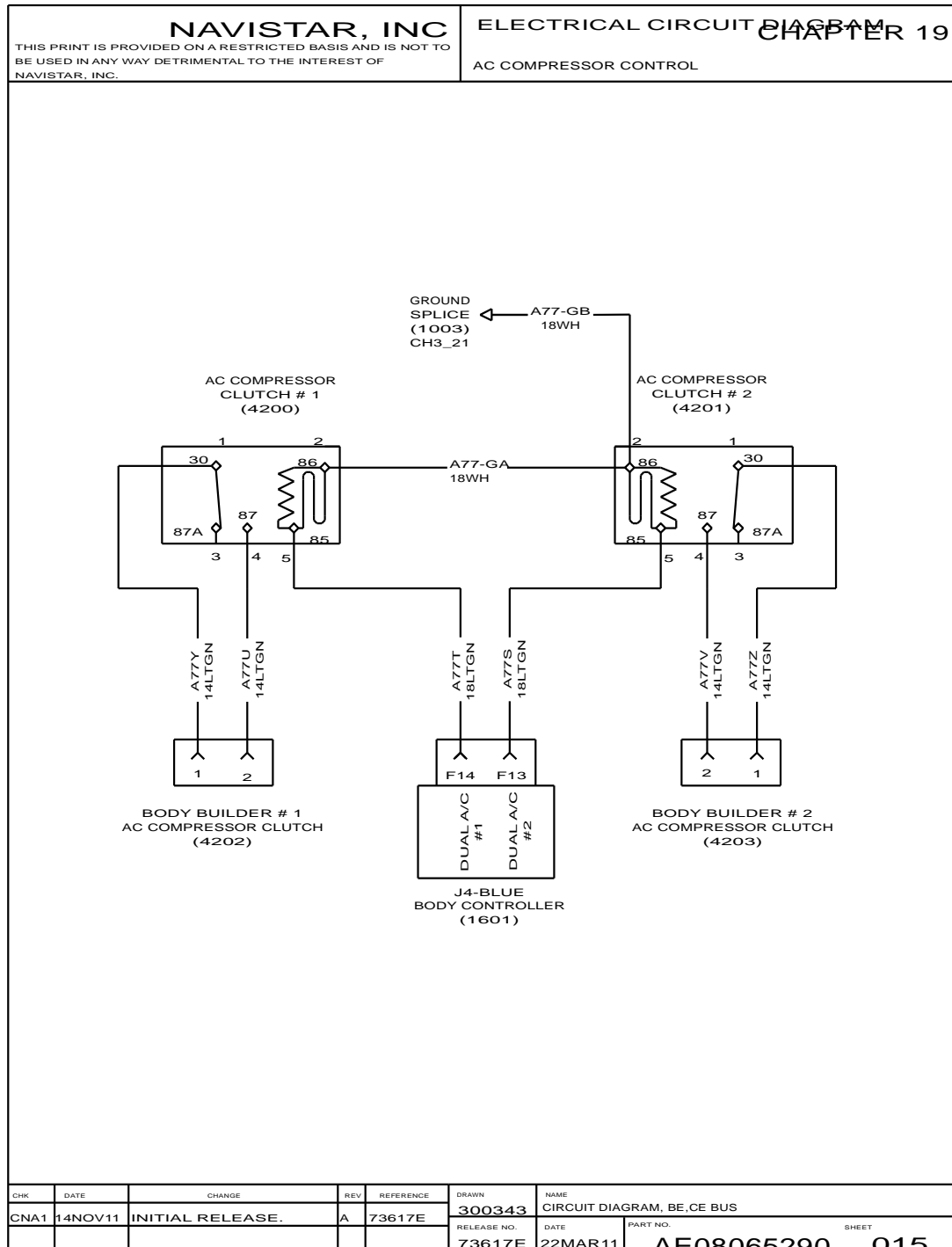
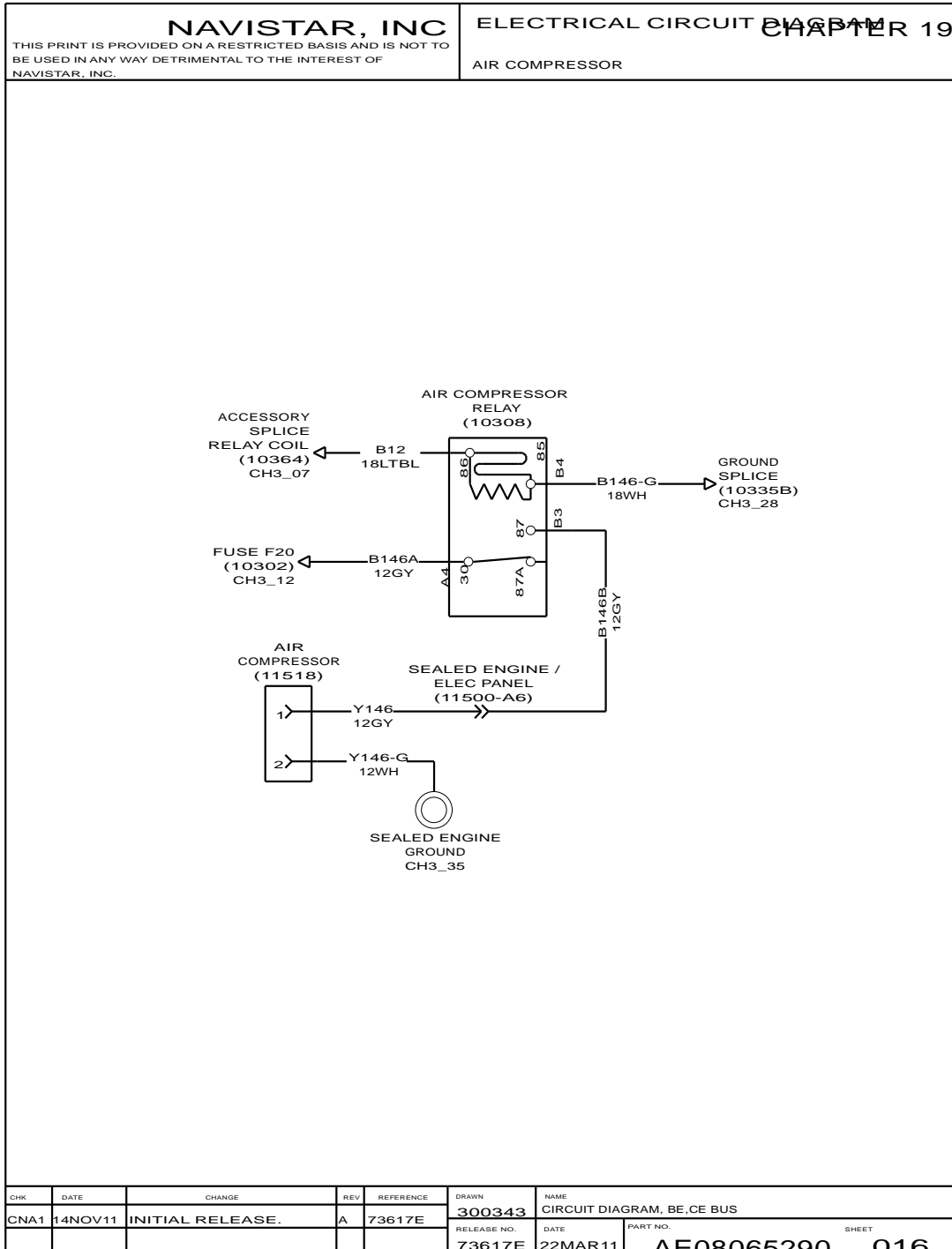


Figure 447 AC Compressor Control

19.16. AIR COMPRESSOR, P. 16



19.17. AIR CONDITIONING, P. 17

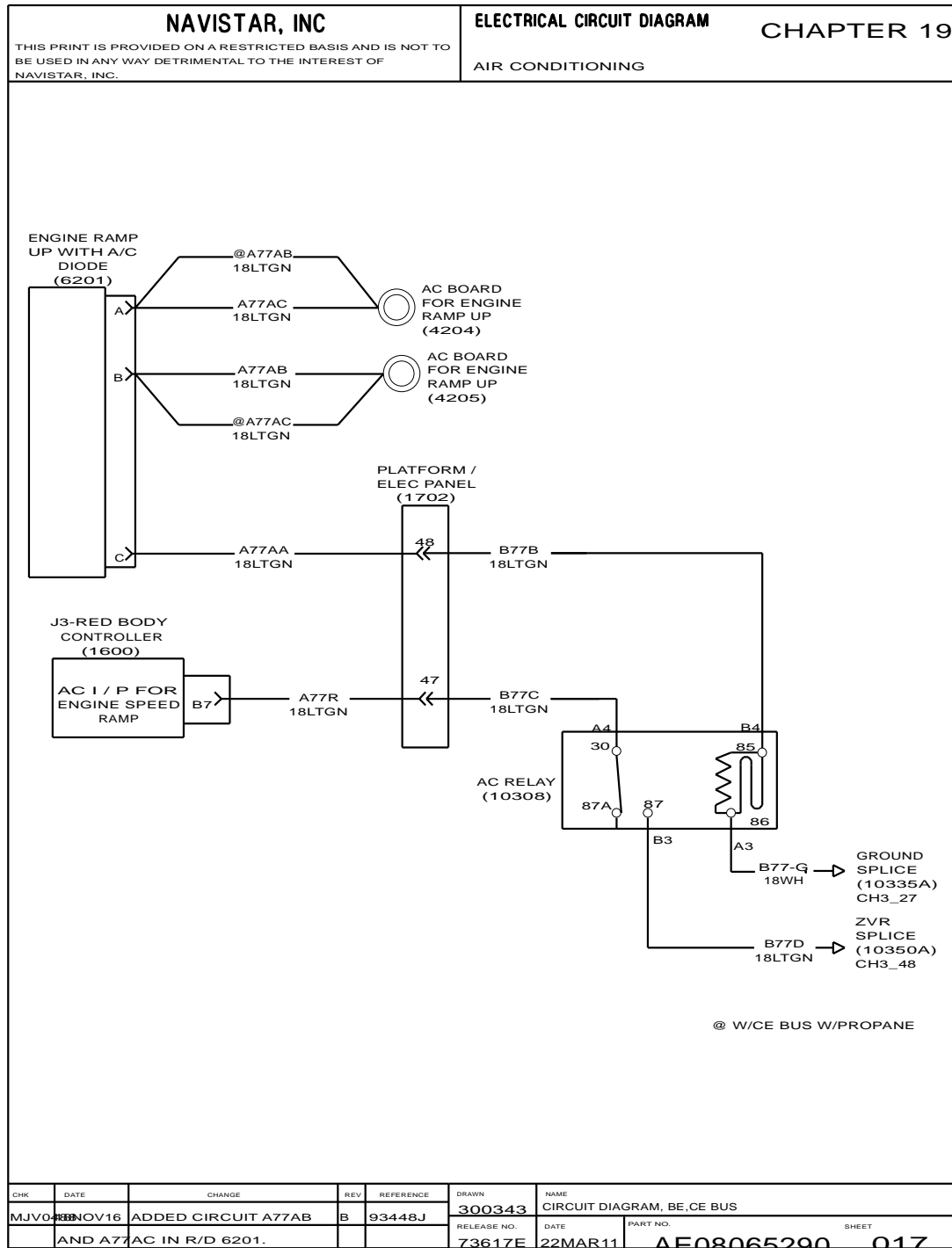


Figure 449 Air Conditioning

19.18. DRIVER'S AIR CONDITIONING, P. 18

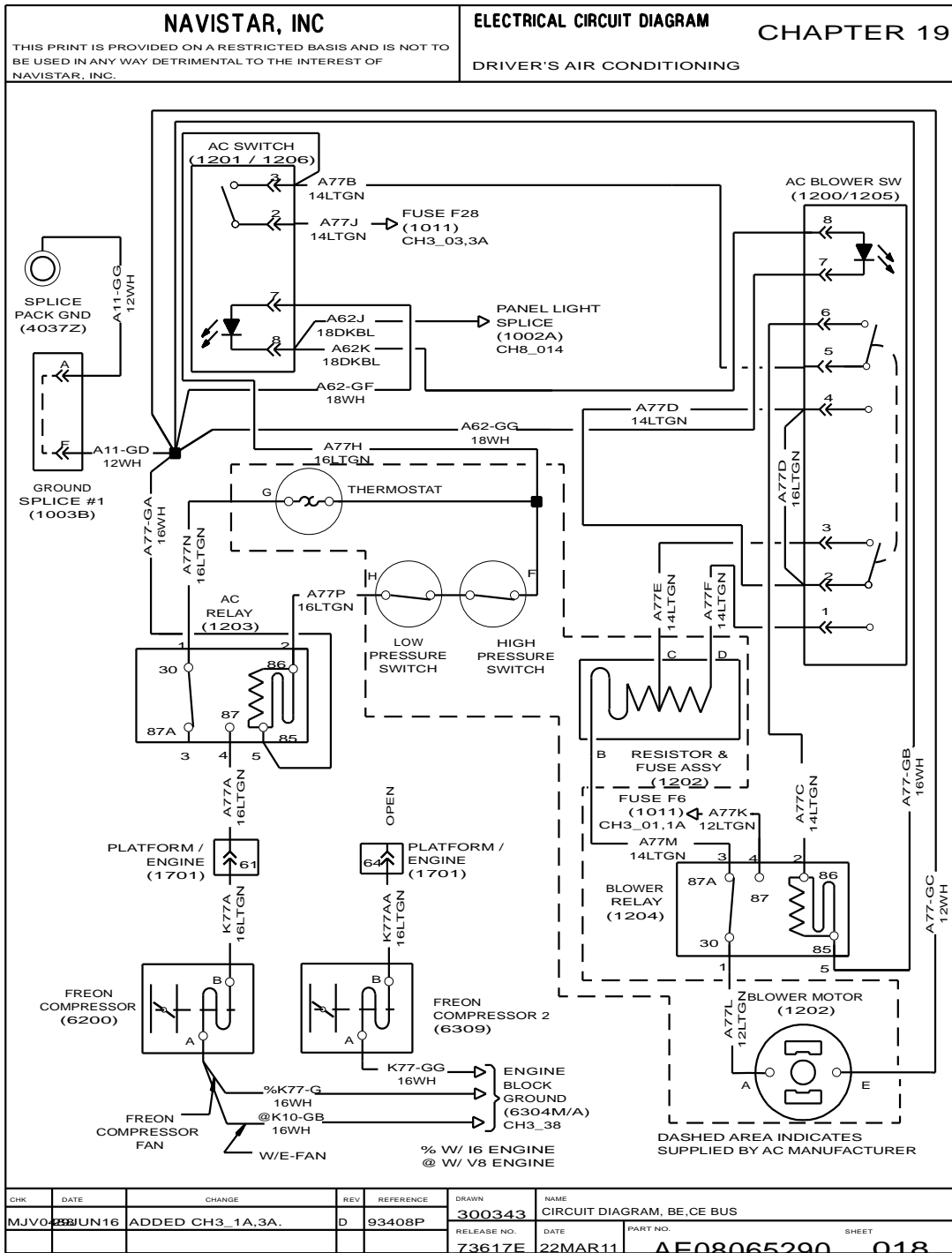


Figure 450 Driver's Air Conditioning

19.19. ESPAR COOLANT HEATER WITH RSM TANK, P. 19

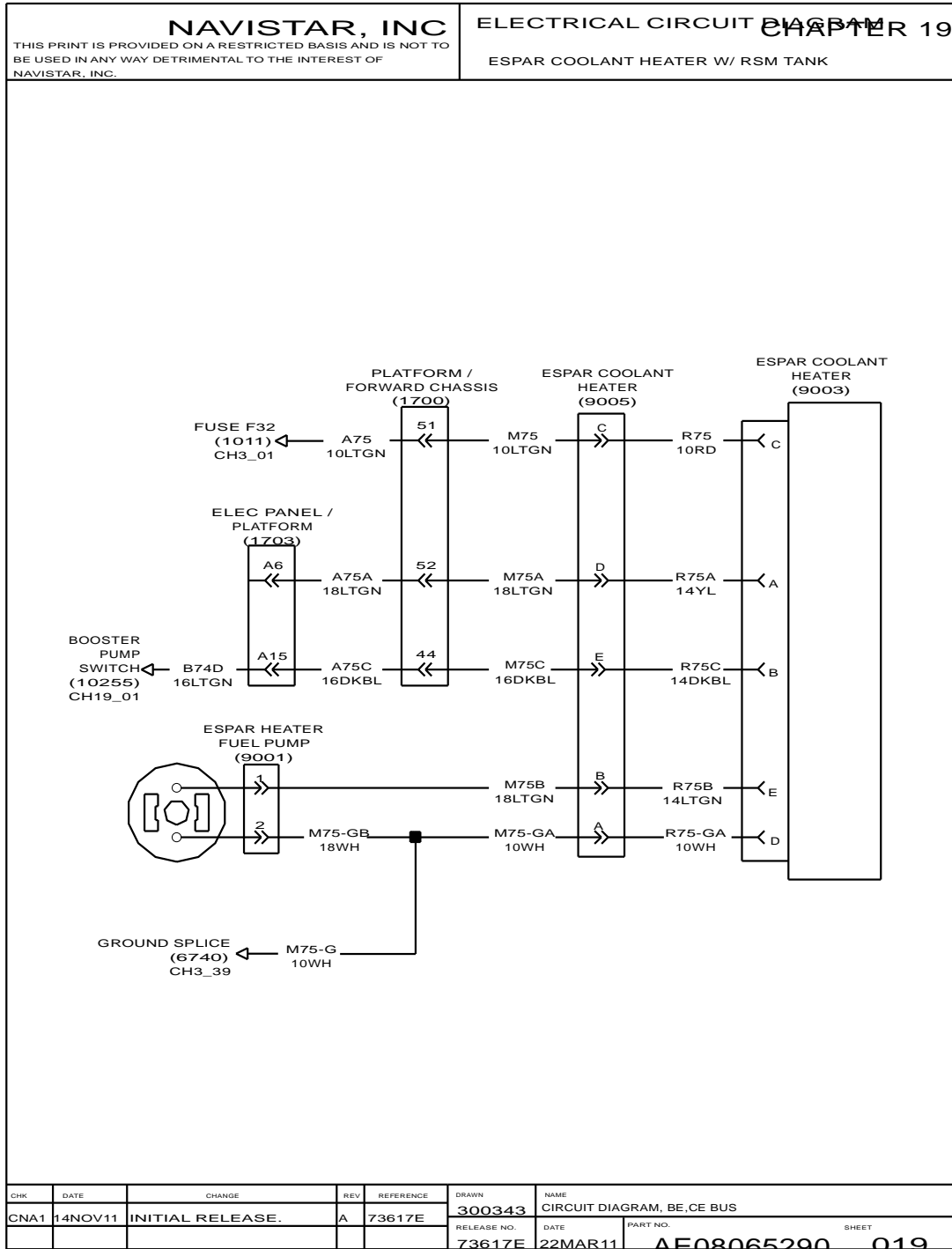


Figure 451 ESPAR Coolant Heater with RSM Tank

19.20. ESPAR COOLANT HEATER WITH AF FUEL TANK, P. 20

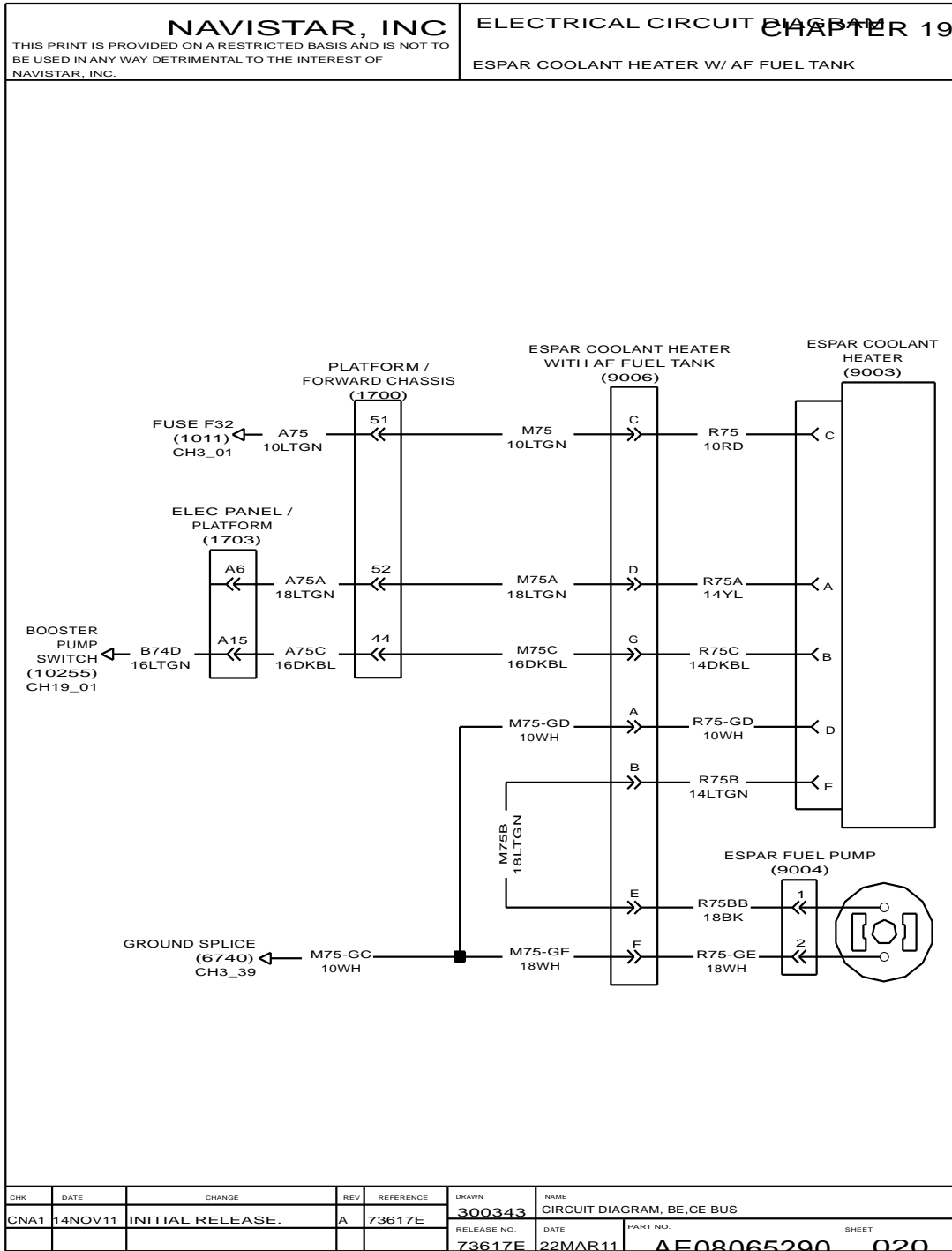


Figure 452 ESPAR Coolant Heater with AF Fuel Tank

19.21. STEPWELL HEATER, P. 21

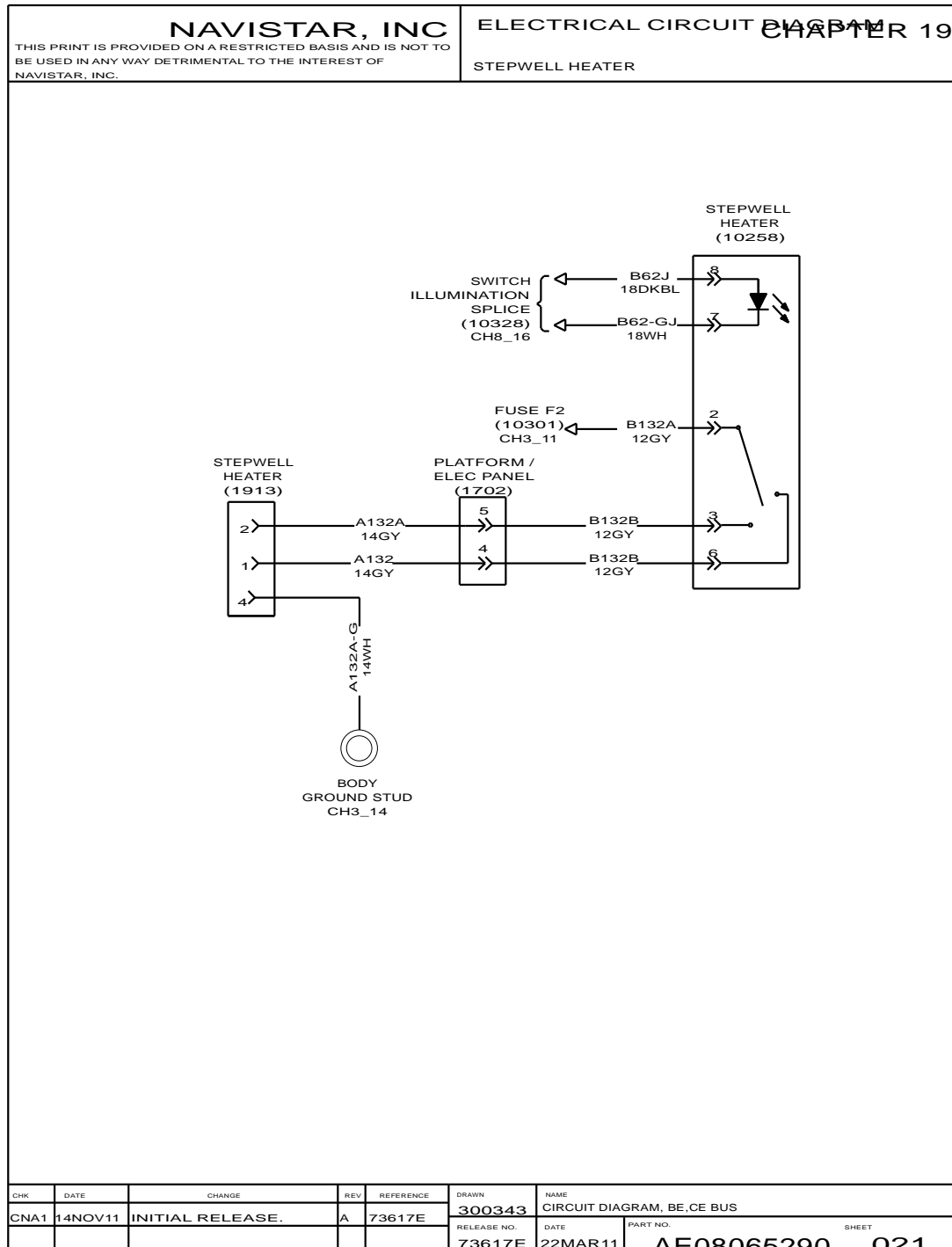


Figure 453 Stepwell Heater

19.22. SELF CONTAINED AIR SEAT, P. 22

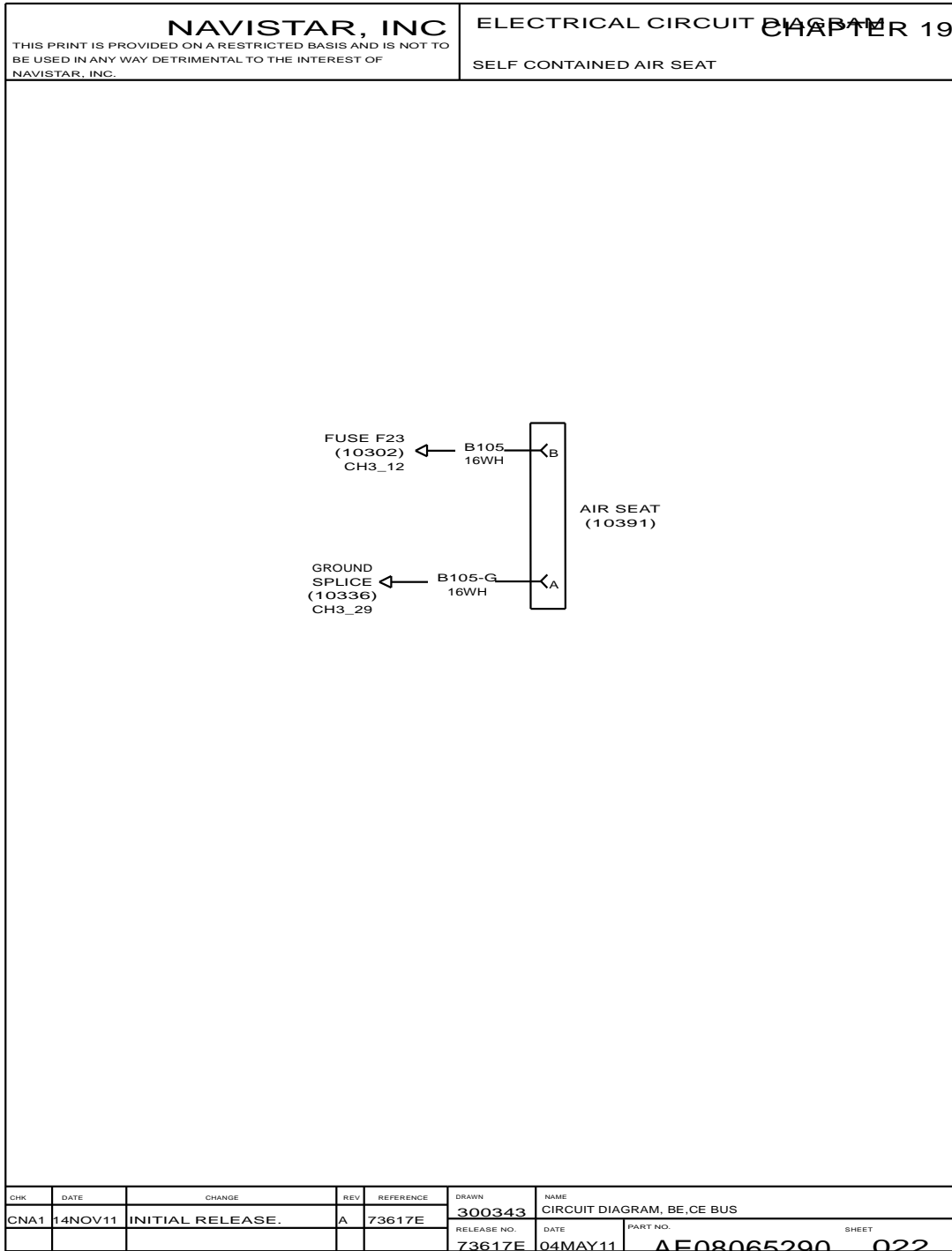


Figure 454 Self Contained Air Seat

19.23. OVERHEAD LOCKING COMPARTMENT, P. 23

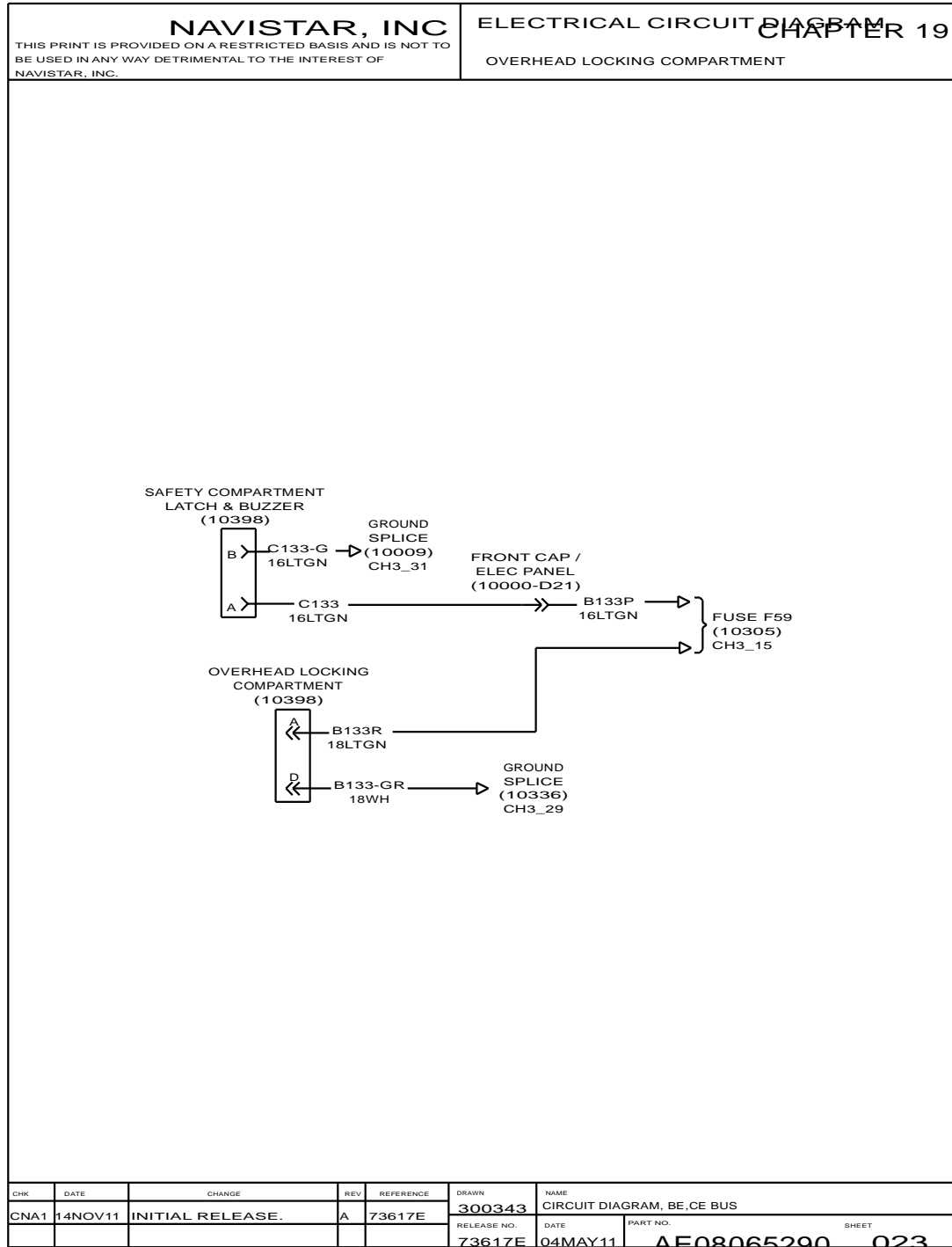


Figure 455 Overhead Locking Compartment

19.24. ESPAR COOLANT HEATER WITH ESPAR 7-DAY TIMER, P. 24

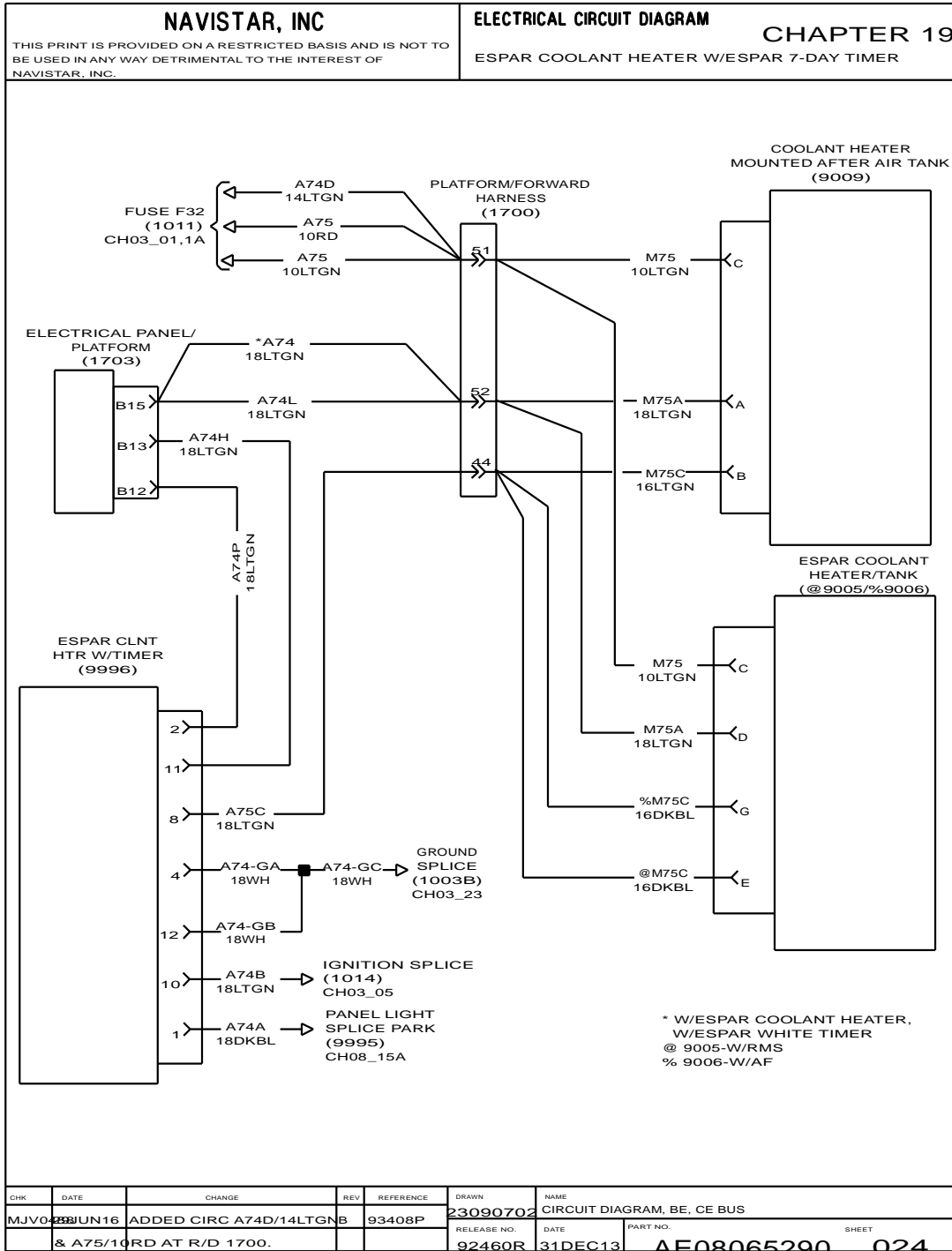


Figure 456 ESPAR Coolant Heater with ESPAR 7-Day Timer

19.25. ESPAR COOLANT HEATER WITH ESPAR 7-DAY TIMER (CONT.), P. 25

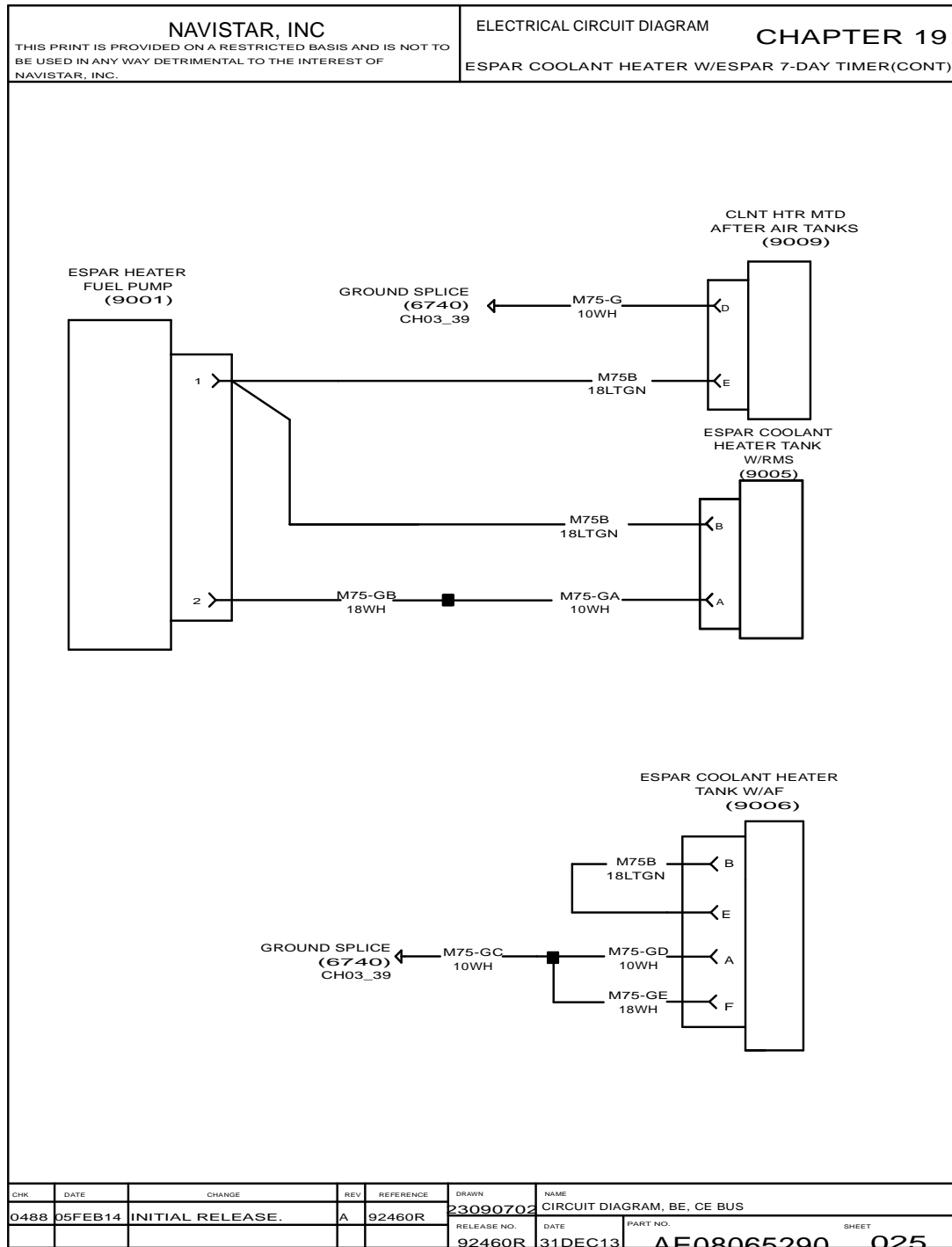


Figure 457 ESPAR Coolant Heater with ESPAR 7-Day Timer (Cont.)

19.26. ESPAR COOLANT HEATER WITH ESPAR 7-DAY TIMER (CONT.), P. 26

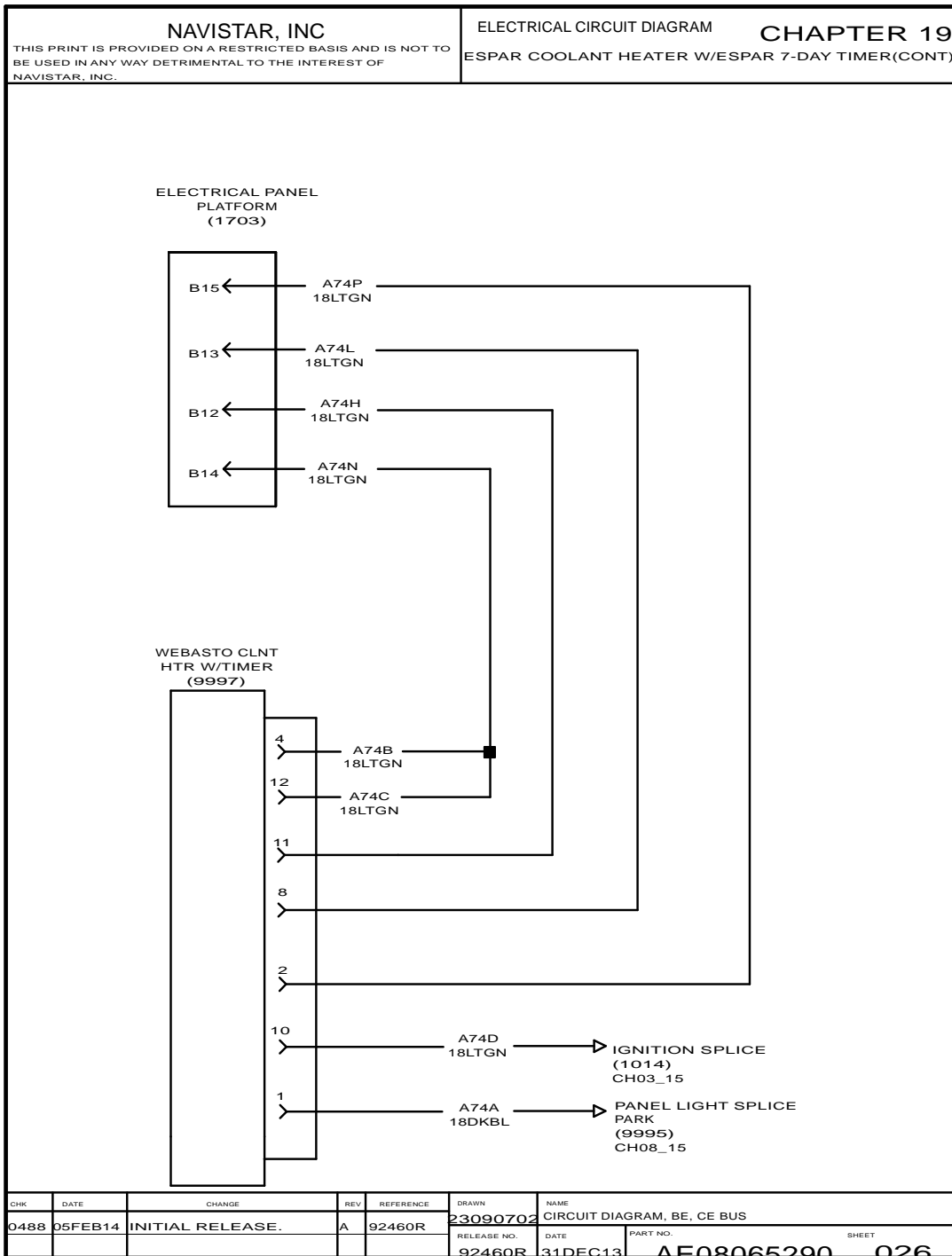


Figure 458 ESPAR Coolant Heater with ESPAR 7-Day Timer (Cont.)

19.27. ESPAR COOLANT HEATER WITH ESPAR 7-DAY TIMER (CONT.), P. 27

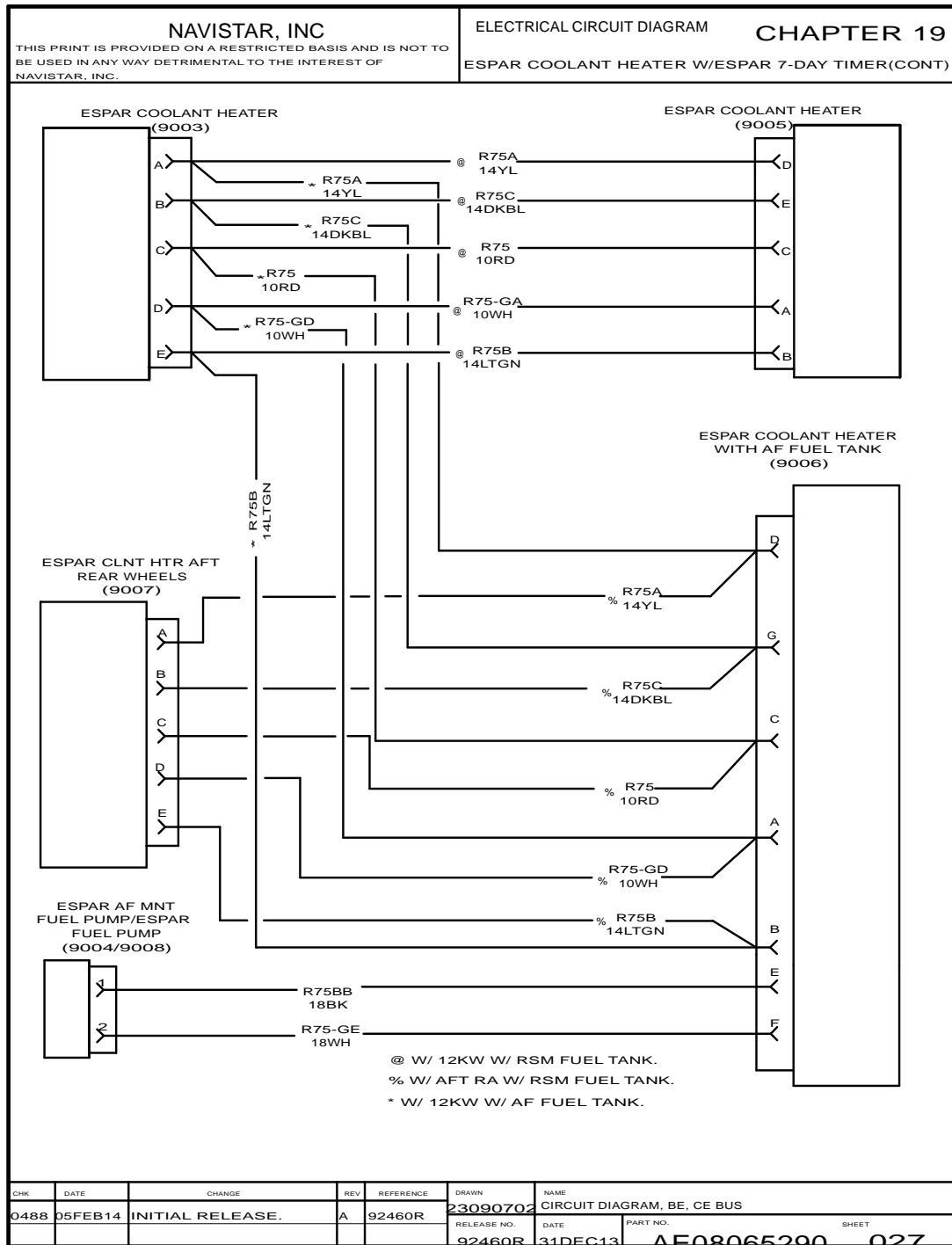


Figure 459 ESPAR Coolant Heater with ESPAR 7-Day Timer (Cont.)

19.28. FREON COMPRESSOR CONNECTIONS, P. 28

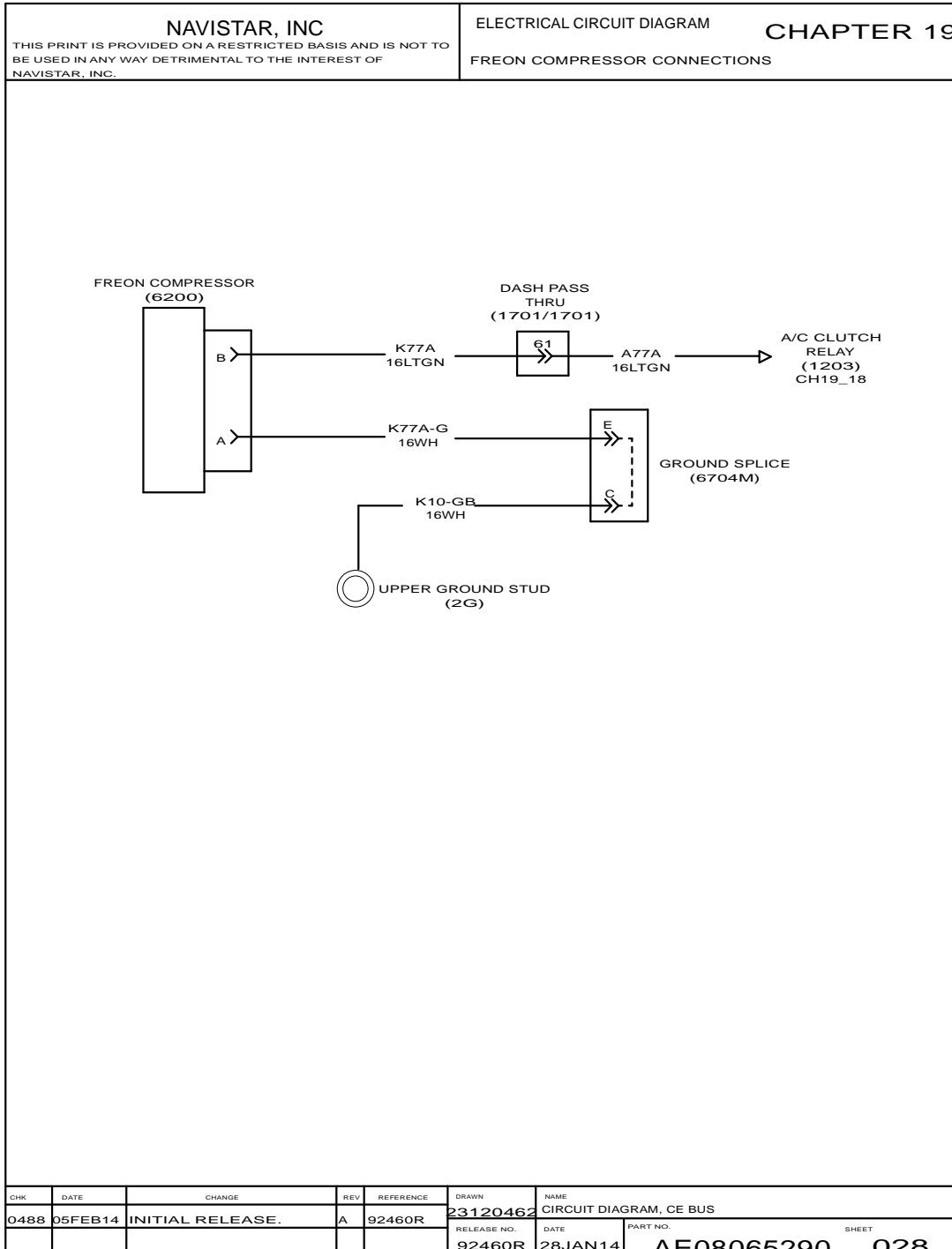


Figure 460 Freon Compressor Connections

19.29. WEBASTO COOLANT HEATER, P. 29

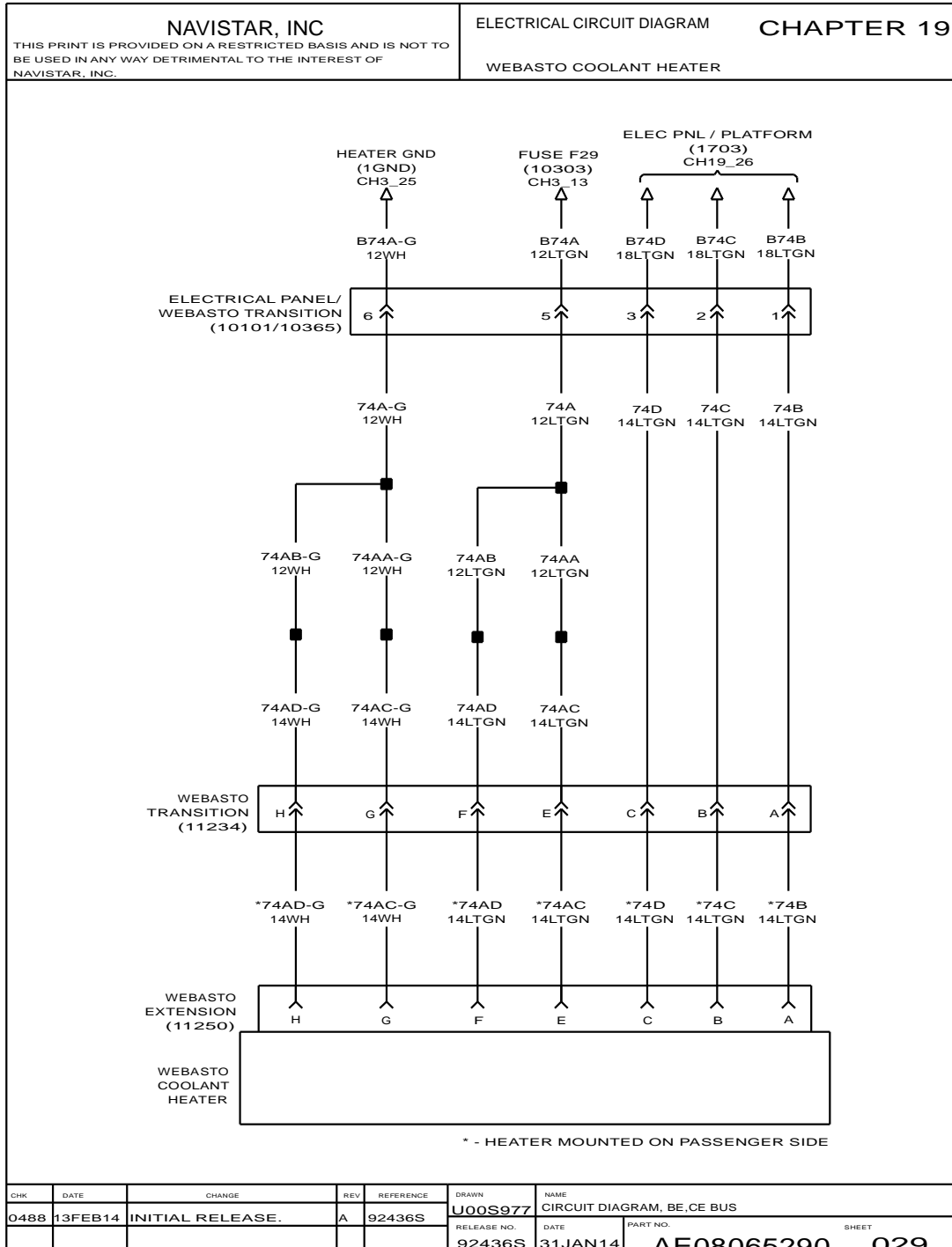


Figure 461 Webasto Coolant Heater

19.30. WEBASTO HEATER, P. 30

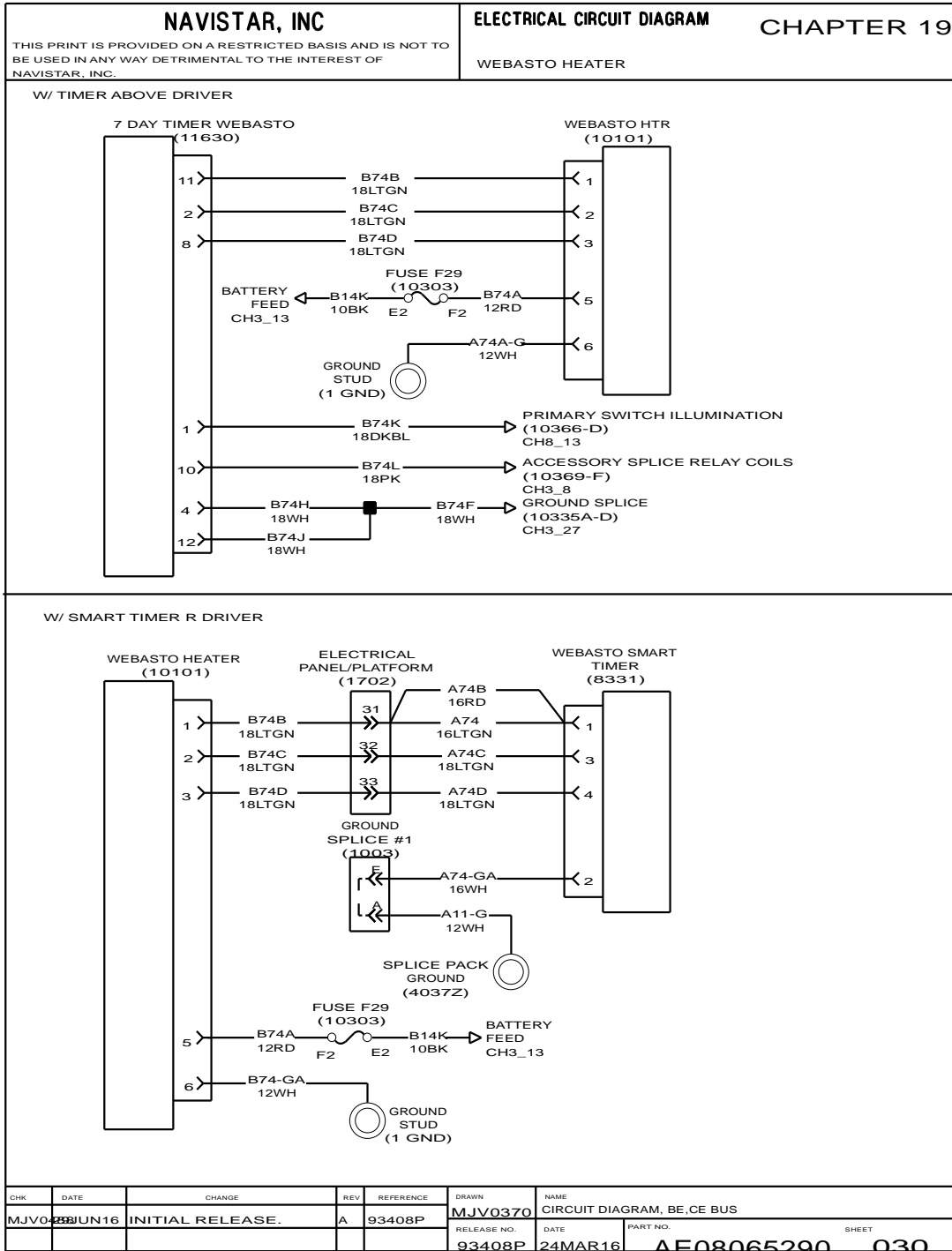


Figure 462 Webasto Heater

19.31. WEBASTO FUEL FIRED HEATER, P. 31

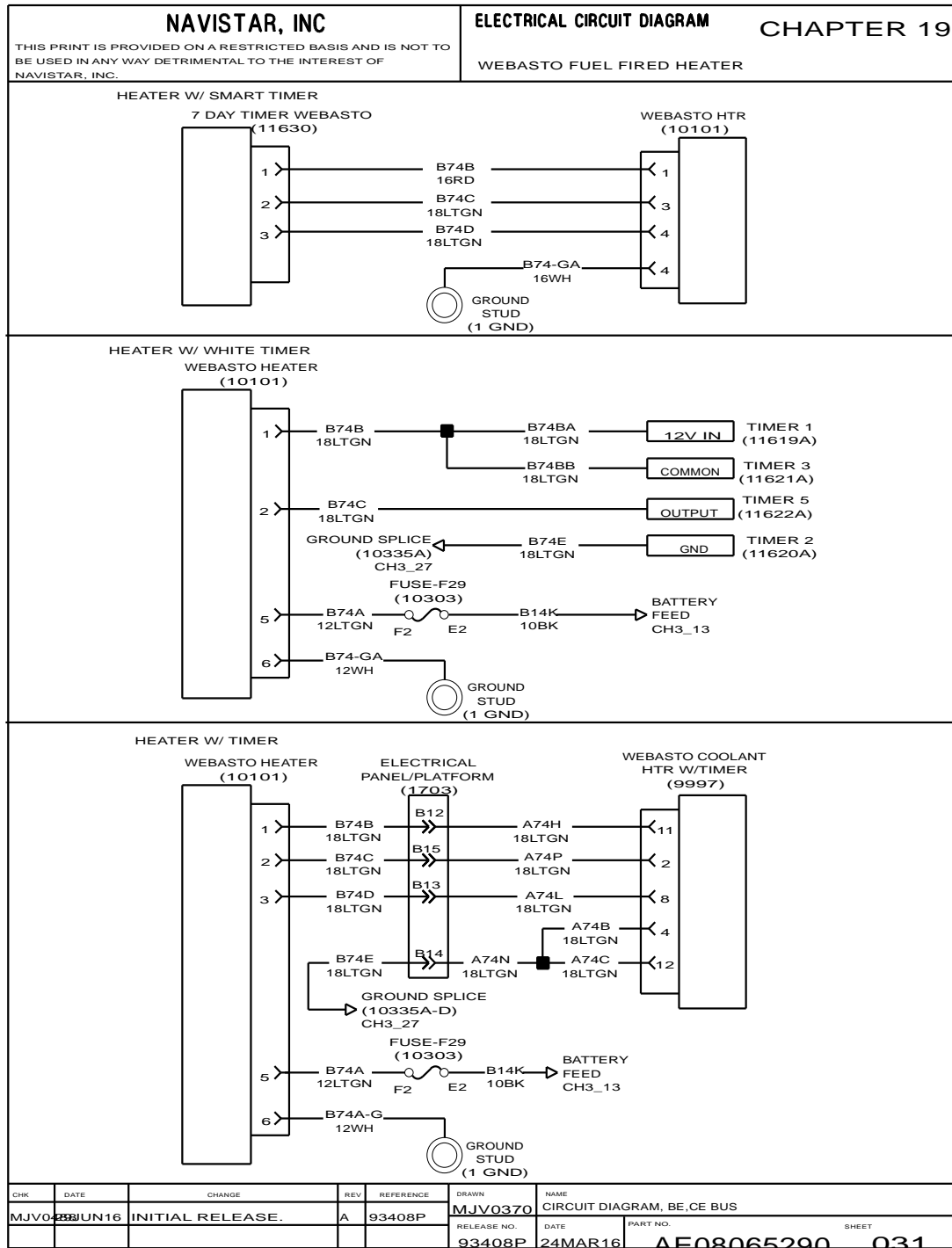


Figure 463 Webasto Fuel Fired Heater

CONNECTOR COMPOSITE (CHAPTER 20)

20.1. CONNECTOR COMPOSITES (0GND, 0PWR, 1A), P. 1

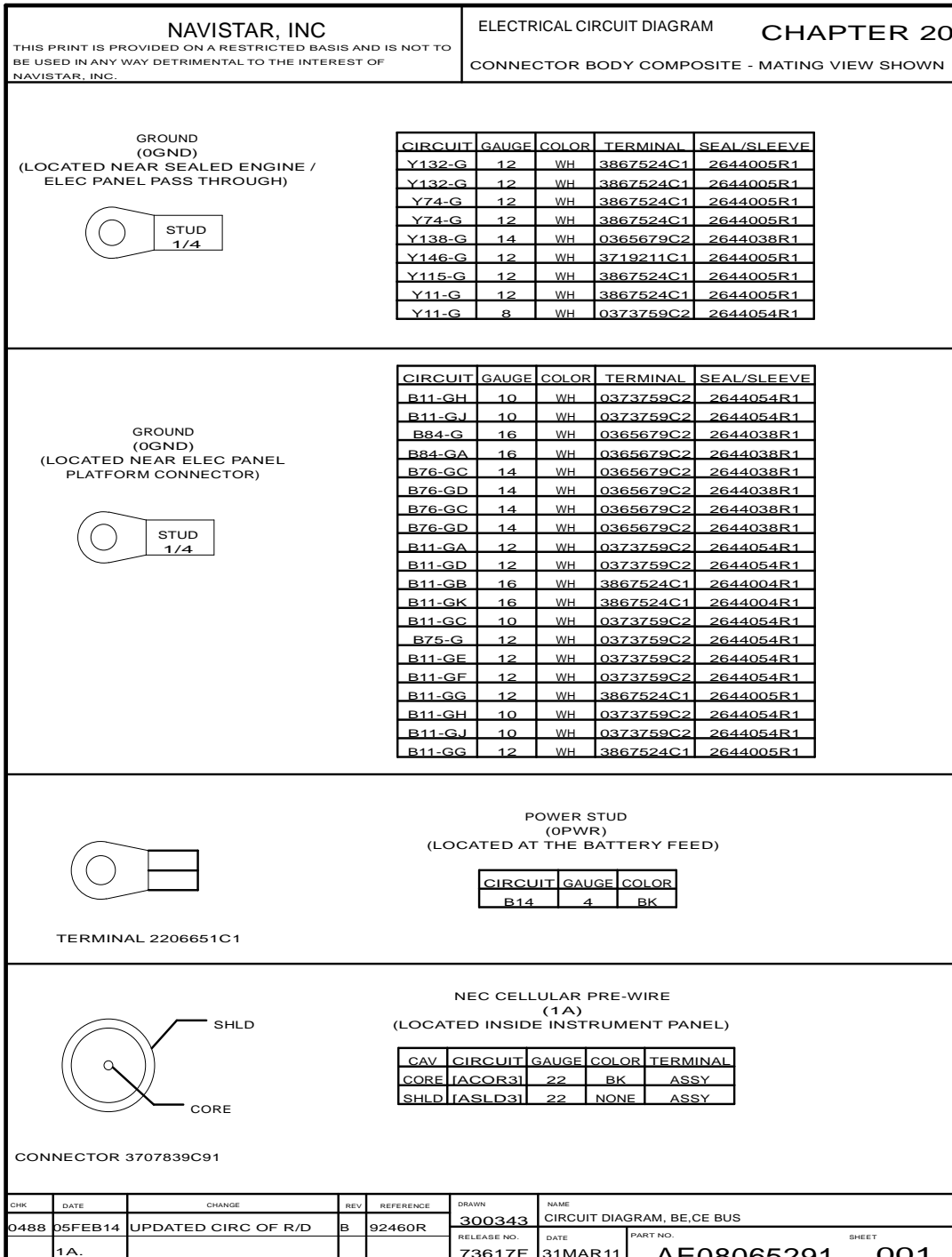


Figure 464 Connector Composites (0GND, 0PWR, 1A)

20.2. CONNECTOR COMPOSITES (1BAT, 1GND, 2A, 2G), P. 2

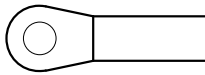
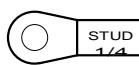
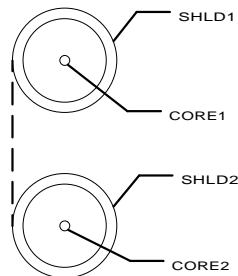
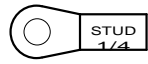
NAVISTAR, INC				ELECTRICAL CIRCUIT DIAGRAM				CHAPTER 20																																																																									
THIS PRINT IS PROVIDED ON A RESTRICTED BASIS AND IS NOT TO BE USED IN ANY WAY DETRIMENTAL TO THE INTEREST OF NAVISTAR, INC.				CONNECTOR BODY COMPOSITE MATING VIEW SHOWN																																																																													
				BATTERY EYELET (1BAT) (LOCATED NEAR TO BATTERY)																																																																													
				<table border="1" style="width:100%; border-collapse: collapse; font-size: x-small;"> <thead> <tr> <th>CIRCUIT</th> <th>GAUGE</th> <th>COLOR</th> <th>TERMINAL</th> <th>SEAL/SLEEVE</th> </tr> </thead> <tbody> <tr> <td>M14H</td> <td>10</td> <td>RD</td> <td>0365684C2</td> <td>2644005R1</td> </tr> </tbody> </table>				CIRCUIT	GAUGE	COLOR	TERMINAL	SEAL/SLEEVE	M14H	10	RD	0365684C2	2644005R1																																																																
CIRCUIT	GAUGE	COLOR	TERMINAL	SEAL/SLEEVE																																																																													
M14H	10	RD	0365684C2	2644005R1																																																																													
				GROUND STUD (1GND) (LOCATED NEAR CHECK MATE MODULE)																																																																													
				<table border="1" style="width:100%; border-collapse: collapse; font-size: x-small;"> <thead> <tr> <th>CIRCUIT</th> <th>GAUGE</th> <th>COLOR</th> <th>TERMINAL</th> <th>SEAL/SLEEVE</th> </tr> </thead> <tbody> <tr><td>B63-GRA</td><td>12</td><td>WH</td><td>3719211C1</td><td>2644005R1</td></tr> <tr><td>B75-GA</td><td>12</td><td>WH</td><td>3719211C1</td><td>2644005R1</td></tr> <tr><td>B75-GB</td><td>12</td><td>WH</td><td>3719211C1</td><td>2644005R1</td></tr> <tr><td>B75-GC</td><td>12</td><td>WH</td><td>3719211C1</td><td>2644005R1</td></tr> <tr><td>B75-GD</td><td>12</td><td>WH</td><td>3719211C1</td><td>2644005R1</td></tr> <tr><td>B74-G</td><td>18</td><td>WH</td><td>3728984C1</td><td>2644038R1</td></tr> <tr><td>B74-GA</td><td>16</td><td>WH</td><td>3867524C1</td><td>2644005R1</td></tr> <tr><td>B74-GA</td><td>12</td><td>WH</td><td>3719211C1</td><td>2644005R1</td></tr> <tr><td>B74A-G</td><td>12</td><td>WH</td><td>3719211C1</td><td>2644005R1</td></tr> <tr><td>B86-GU</td><td>14</td><td>WH</td><td>3728984C1</td><td>2644038R1</td></tr> <tr><td>B118-GA</td><td>14</td><td>WH</td><td>3728984C1</td><td>2644005R1</td></tr> <tr><td>B137-GB</td><td>14</td><td>WH</td><td>3728984C1</td><td>2644038R1</td></tr> <tr><td>B120-GV</td><td>16</td><td>WH</td><td>3728984C1</td><td>2644005R1</td></tr> </tbody> </table>				CIRCUIT	GAUGE	COLOR	TERMINAL	SEAL/SLEEVE	B63-GRA	12	WH	3719211C1	2644005R1	B75-GA	12	WH	3719211C1	2644005R1	B75-GB	12	WH	3719211C1	2644005R1	B75-GC	12	WH	3719211C1	2644005R1	B75-GD	12	WH	3719211C1	2644005R1	B74-G	18	WH	3728984C1	2644038R1	B74-GA	16	WH	3867524C1	2644005R1	B74-GA	12	WH	3719211C1	2644005R1	B74A-G	12	WH	3719211C1	2644005R1	B86-GU	14	WH	3728984C1	2644038R1	B118-GA	14	WH	3728984C1	2644005R1	B137-GB	14	WH	3728984C1	2644038R1	B120-GV	16	WH	3728984C1	2644005R1				
CIRCUIT	GAUGE	COLOR	TERMINAL	SEAL/SLEEVE																																																																													
B63-GRA	12	WH	3719211C1	2644005R1																																																																													
B75-GA	12	WH	3719211C1	2644005R1																																																																													
B75-GB	12	WH	3719211C1	2644005R1																																																																													
B75-GC	12	WH	3719211C1	2644005R1																																																																													
B75-GD	12	WH	3719211C1	2644005R1																																																																													
B74-G	18	WH	3728984C1	2644038R1																																																																													
B74-GA	16	WH	3867524C1	2644005R1																																																																													
B74-GA	12	WH	3719211C1	2644005R1																																																																													
B74A-G	12	WH	3719211C1	2644005R1																																																																													
B86-GU	14	WH	3728984C1	2644038R1																																																																													
B118-GA	14	WH	3728984C1	2644005R1																																																																													
B137-GB	14	WH	3728984C1	2644038R1																																																																													
B120-GV	16	WH	3728984C1	2644005R1																																																																													
				NEC GPS / CELLULAR PRE WIRE (2A) (LOCATED INSIDE INSTRUMENT PANEL)																																																																													
				<table border="1" style="width:100%; border-collapse: collapse; font-size: x-small;"> <thead> <tr> <th>CAV</th> <th>CIRCUIT</th> <th>GAUGE</th> <th>COLOR</th> <th>TERMINAL</th> </tr> </thead> <tbody> <tr><td>CORE1</td><td>[ACOR1]</td><td>22</td><td>BK</td><td>ASSY</td></tr> <tr><td>CORE2</td><td>[ACOR2]</td><td>22</td><td>BK</td><td>ASSY</td></tr> <tr><td>SHLD1</td><td>[ASLD1]</td><td>22</td><td>NONE</td><td>ASSY</td></tr> <tr><td>SHLD2</td><td>[ASLD2]</td><td>22</td><td>NONE</td><td>ASSY</td></tr> </tbody> </table>				CAV	CIRCUIT	GAUGE	COLOR	TERMINAL	CORE1	[ACOR1]	22	BK	ASSY	CORE2	[ACOR2]	22	BK	ASSY	SHLD1	[ASLD1]	22	NONE	ASSY	SHLD2	[ASLD2]	22	NONE	ASSY																																																	
CAV	CIRCUIT	GAUGE	COLOR	TERMINAL																																																																													
CORE1	[ACOR1]	22	BK	ASSY																																																																													
CORE2	[ACOR2]	22	BK	ASSY																																																																													
SHLD1	[ASLD1]	22	NONE	ASSY																																																																													
SHLD2	[ASLD2]	22	NONE	ASSY																																																																													
CONNECTOR 3707840C91																																																																																	
W/ I6 & V8 ENGINE				UPPER GROUND STUD (2G) (LOCATED NEAR DASH PASS THRU)																																																																													
				<table border="1" style="width:100%; border-collapse: collapse; font-size: x-small;"> <thead> <tr> <th>CIRCUIT</th> <th>GAUGE</th> <th>COLOR</th> <th>TERMINAL</th> <th>SEAL/SLEEVE</th> </tr> </thead> <tbody> <tr><td>K11</td><td>18</td><td>WH</td><td>0365679C2</td><td>2644055R1</td></tr> <tr><td>K11</td><td>18</td><td>WH</td><td>0365679C2</td><td>2644005R1</td></tr> <tr><td>K11</td><td>18</td><td>WH</td><td>0365679C2</td><td>2644005R1</td></tr> <tr><td>K11</td><td>18</td><td>WH</td><td>0365679C2</td><td>2644005R1</td></tr> <tr><td>K90-GA</td><td>18</td><td>WH</td><td>0365679C2</td><td>2644005R1</td></tr> <tr><td>K11</td><td>18</td><td>WH</td><td>0365679C2</td><td>2644005R1</td></tr> <tr><td>K90-GA</td><td>18</td><td>WH</td><td>0365679C2</td><td>2644005R1</td></tr> </tbody> </table>				CIRCUIT	GAUGE	COLOR	TERMINAL	SEAL/SLEEVE	K11	18	WH	0365679C2	2644055R1	K11	18	WH	0365679C2	2644005R1	K11	18	WH	0365679C2	2644005R1	K11	18	WH	0365679C2	2644005R1	K90-GA	18	WH	0365679C2	2644005R1	K11	18	WH	0365679C2	2644005R1	K90-GA	18	WH	0365679C2	2644005R1																																		
CIRCUIT	GAUGE	COLOR	TERMINAL	SEAL/SLEEVE																																																																													
K11	18	WH	0365679C2	2644055R1																																																																													
K11	18	WH	0365679C2	2644005R1																																																																													
K11	18	WH	0365679C2	2644005R1																																																																													
K11	18	WH	0365679C2	2644005R1																																																																													
K90-GA	18	WH	0365679C2	2644005R1																																																																													
K11	18	WH	0365679C2	2644005R1																																																																													
K90-GA	18	WH	0365679C2	2644005R1																																																																													
CHK	DATE	CHANGE	REV	REFERENCE	DRAWN	NAME																																																																											
0488	18JUN15	UPDATED 1GND WIRE	C	93030F	300343	CIRCUIT DIAGRAM, BE,CE BUS																																																																											
CHART.					RELEASE NO.	DATE	PART NO.	SHEET																																																																									
					73617F	31MAR11	AE08065291	002																																																																									

Figure 465 Connector Composites (1BAT, 1GND, 2A, 2G)

20.3. CONNECTOR COMPOSITES (2GA, 2GG, 3A, 4A, 50), P. 3

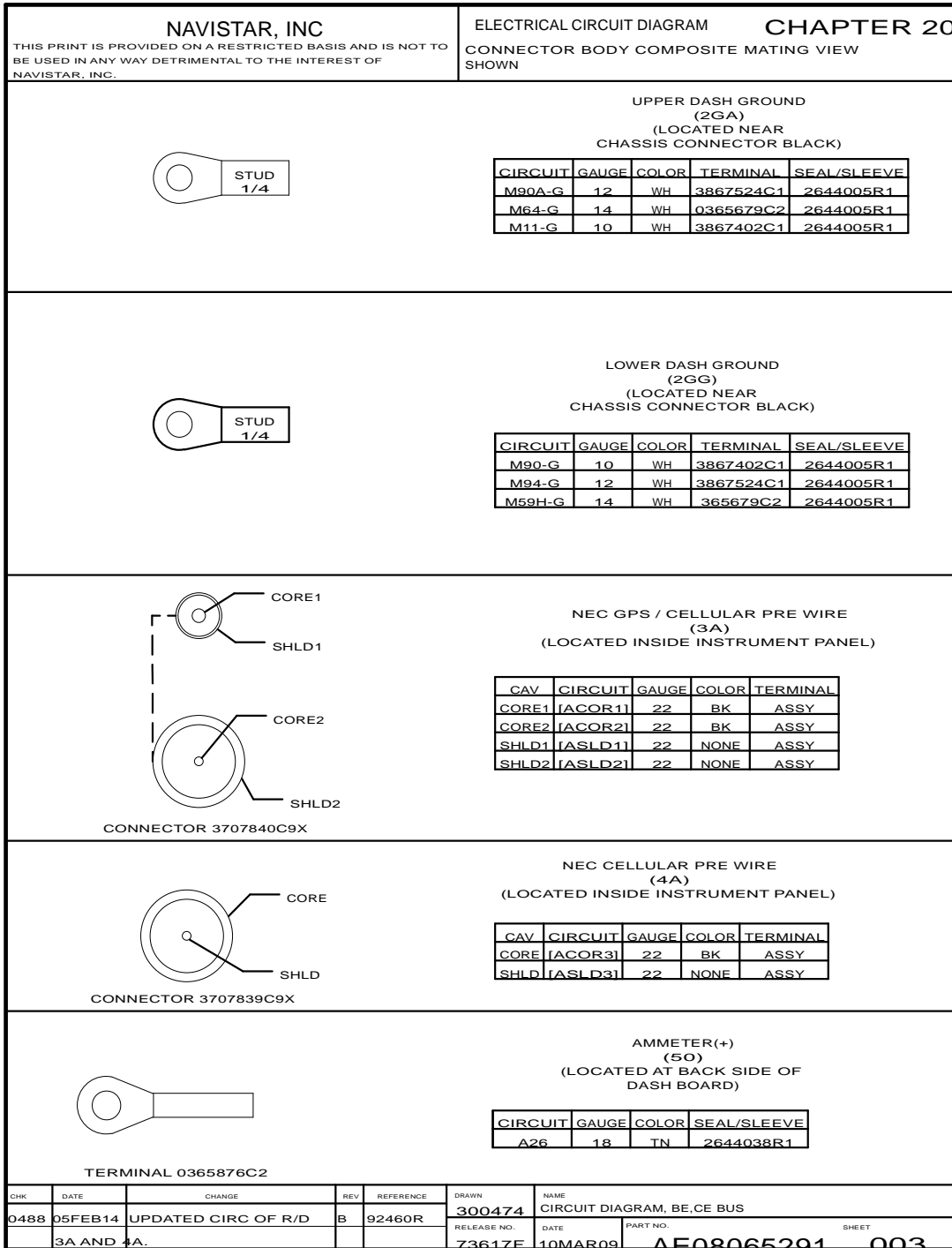


Figure 466 Connector Composites (2GA, 2GG, 3A, 4A, 50)

20.4. CONNECTOR COMPOSITES (51, 52, 168M, 168N, 680, 995, 1000), P. 4

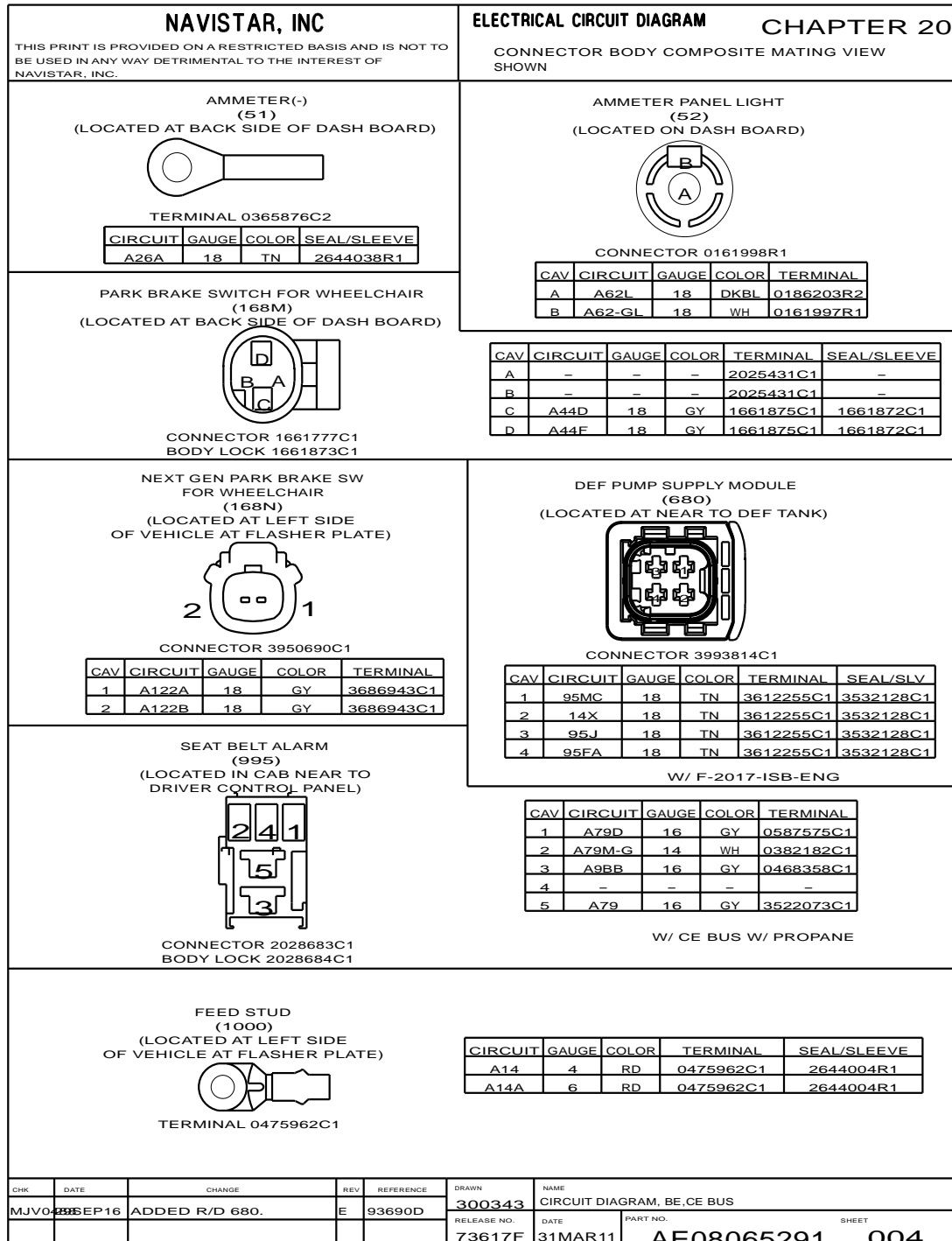



Figure 467 Connector Composites (51, 52, 168M, 168N, 680, 995, 1000)

20.5. CONNECTOR COMPOSITES (1002A, 1002B), P. 5

NAVISTAR, INC		ELECTRICAL CIRCUIT DIAGRAM		CHAPTER 20	
THIS PRINT IS PROVIDED ON A RESTRICTED BASIS AND IS NOT TO BE USED IN ANY WAY DETRIMENTAL TO THE INTEREST OF NAVISTAR, INC.		CONNECTOR BODY COMPOSITE MATING VIEW SHOWN			

PANEL LIGHT
(1002A)
(LOCATED AT LEFT SIDE
OF INSTRUMENT PANEL)

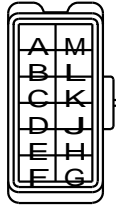


CONNECTOR 2007315C1
BODY LOCK 2007316C1

CAV	CIRCUIT	GAUGE	COLOR	TERMINAL
A	A62ZA	18	DKBL	1661208C1
B%	A62J	18	DKBL	1661208C1
C#	A62C	18	DKBL	1661208C1
C*	A92NE	18	DKBL	1661208C1
D	A62E	18	DKBL	1661208C1
E	A62GK	16	DKBL	1661209C1
F	-	-	-	-
G	A62G	18	DKBL	1661208C1
H@	A62H	18	DKBL	1661208C1
J	A62K	20	DKBL	1661208C1
K*&	A62A	14	DKBL	3566715C1

W/WTEC GEN 5 W/CE BUS N/PROPANE
* W/LCT GEN5 W/ARENS SHIFTER W/CE BUS N/PROPANE
& W/EATON HYBRID TRANSMISSION
% DRIVER A/C W/RIGHT HAND FLASHER SW W/CE BUS N/PROPANE
@ W/SHIFTER INTERLOCK W/CE BUS N/PROPANE
*& PANEL LIGHT SPLICE PACK W/CE BUS W/PROPANE

RIGHT SWITCH
PANEL LIGHTS
(1002B)



CONNECTOR 3700745C1
BODY LOCK 3700749C1

CAV	CIRCUIT	GAUGE	COLOR	TERMINAL
A	A62GK	16	DKBL	3534165C1
B	A62R	18	DKBL	3534164C1
C	A62S	18	DKBL	3534164C1
D	A62T	18	DKBL	3534164C1
E	A62P	18	DKBL	3534164C1
F#	A62M	18	DKBL	3534164C1
F*	A62N	18	DKBL	3534164C1
G	A62R-G	18	WH	3534164C1
H	A62S-G	18	WH	3534164C1
J	A62-GT	18	WH	3534164C1
K	A62-GP	18	WH	3534164C1
L#	A120-GM	18	WH	3534164C1
L*	A62-GN	18	WH	3534164C1
M	A11-GK	16	WH	3534165C1

RIGHT SWITCH PANEL 2-POSN ROTARY DOOR SWITCH
* RIGHT SIDE REDUNDANT DOOR CONTROLS

CHK	DATE	CHANGE	REV	REFERENCE	DRAWN	NAME
MJVO	NOV16	ADDED EFFECTS OF	D	93448J	300343	CIRCUIT DIAGRAM, BE,CE BUS
	PROPANE	ENGINE.			RELEASE NO. 73617F	DATE 31MAR11
					PART NO. AE08065291	SHEET 005

Figure 468 Connector Composites (1002A, 1002B)

20.6. CONNECTOR COMPOSITES (1003, 1003A, 1003B), P. 6

NAVISTAR, INC		ELECTRICAL CIRCUIT DIAGRAM		CHAPTER 20	
THIS PRINT IS PROVIDED ON A RESTRICTED BASIS AND IS NOT TO BE USED IN ANY WAY DETRIMENTAL TO THE INTEREST OF NAVISTAR, INC.		CONNECTOR BODY COMPOSITE MATING VIEW SHOWN			

CONNECTOR 2007315C1
BODY LOCK 2007316C1

GROUND SPLICE PACK (1003)
(LOCATED AT LEFT SIDE OF INSTRUMENT PANEL)

CAV	CIRCUIT	GAUGE	COLOR	TERMINAL
A	A11-G	12	WH	3566715C1
B	A133-GA	16	WH	1661209C1
C	A132A-G	14	WH	3566715C1
D&	A62-GL	18	WH	1661208C1
E&	A74GA	16	WH	1661209C1
F	-	-	-	-
G	-	-	-	-
H	-	-	-	-
J	-	-	-	-
K	-	-	-	-

& W/CE BUS N/PROPANE

CONNECTOR 2007315C1
BODY LOCK 2007316C1

GROUND SPLICE (1003A)
(LOCATED AT LEFT SIDE OF INSTRUMENT PANEL)

CAV	CIRCUIT	GAUGE	COLOR	TERMINAL
A&	A11-GH	12	WH	3566715C1
B	A82-GA	16	WH	1661209C1
C	A#169A	18	GY	1661208C1
C	A92-G	18	WH	1661208C1
D	A11-GE	20	WH	1661208C1
E	A62E-G	18	WH	1661208C1
E	A62F-G	18	WH	1661208C1
F	A62-GC	18	WH	1661208C1
G	A86-G	18	WH	1661208C1
H&	A90D-G	18	WH	1661208C1
H&	A90-G	18	WH	1661208C1
J	A133B-G	18	WH	1661208C1
J	A133-G	18	WH	1661208C1
K&	A62-GE	18	WH	1661208C1

& W/CE BUS N/PROPANE

CONNECTOR 2007315C1
BODY LOCK 2007316C1

GROUND SPLICE (1003B)
(LOCATED AT RIGHT SIDE OF INSTRUMENT PANEL)

CAV	CIRCUIT	GAUGE	COLOR	TERMINAL
A	A11-GG	12	WH	3566715C1
B	A89RK-G	18	WH	1661208C1
C	A44C-G	18	WH	1661208C1
D#	A11-GL	18	WH	1661208C1
E	A44C-G	18	WH	1661208C1
F#	A11-GD	12	WH	3566715C1
G#	A82-GW	16	WH	1661209C1
H	A56-G	16	OR	1661209C1
J#	A77-GB	18	WH	1661208C1
K#	A74-GA	16	WH	1661209C1
K*	A74-GC	18	WH	1661208C1

* ELECTRIC DOOR W/0508095 W/CE BUS N/PROPANE
W/CE BUS N/PROPANE

CHK	DATE	CHANGE	REV	REFERENCE	DRAWN	NAME	
MJVO	16NOV16	ADDED EFFECTS OF	F	93448J	300343	CIRCUIT DIAGRAM, BE,CE BUS	
	PROPANE	ENGINE.			RELEASE NO.	DATE	PART NO.
					73617F	31MAR11	AE08065291
							SHEET
							006

Figure 469 Connector Composites (1003, 1003A, 1003B)

20.7. CONNECTOR COMPOSITES (1004, 1005), P. 7

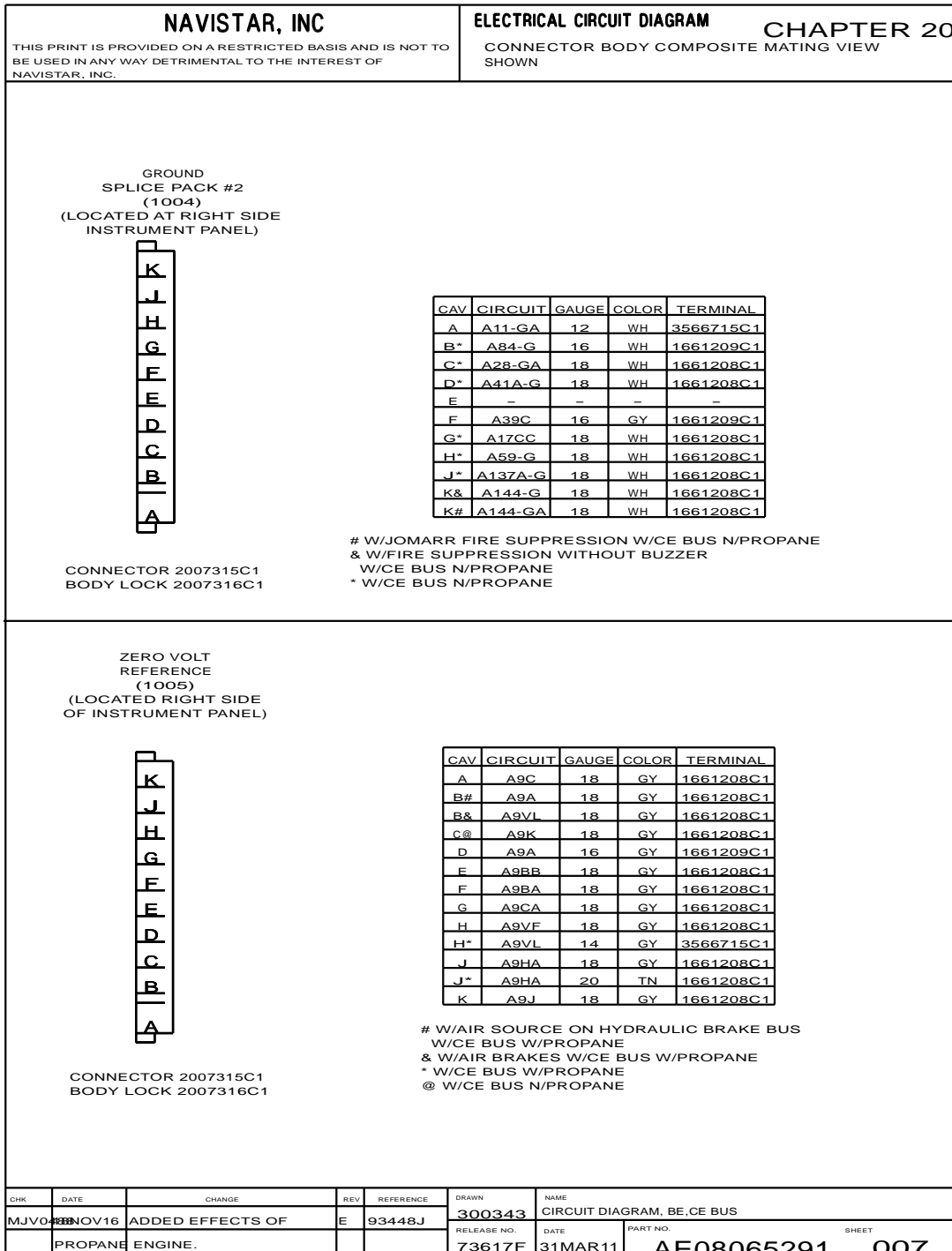


Figure 470 Connector Composites (1004, 1005)

20.8. CONNECTOR COMPOSITES (1005A, 1006), P. 8

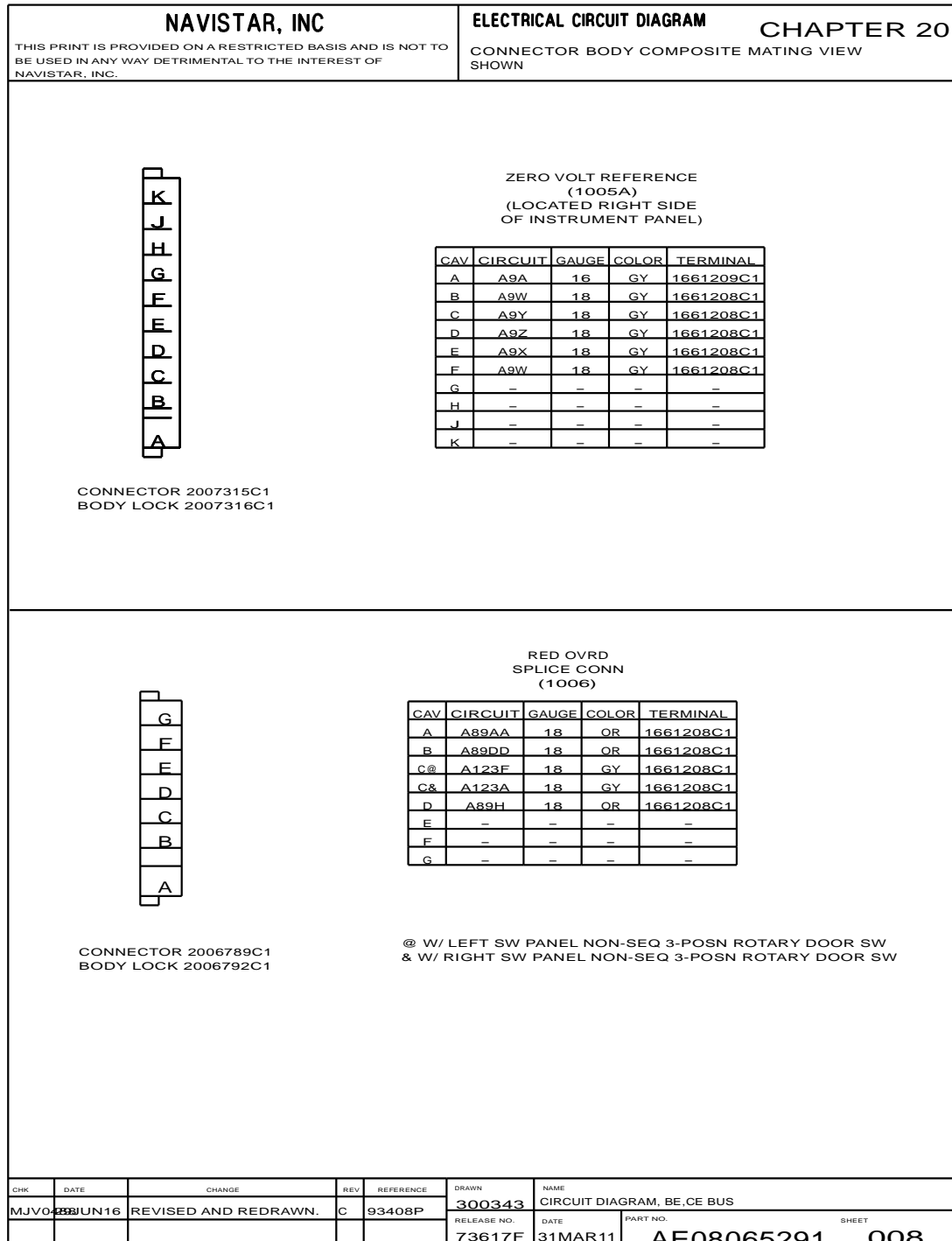


Figure 471 Connector Composites (1005A, 1006)

20.9. CONNECTOR COMPOSITES (1008F, 1008M, 1009, 1010, 1010F), P. 9

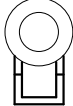
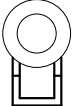

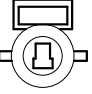
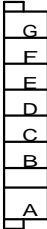
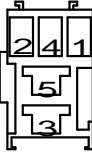

NAVISTAR, INC <small>THIS PRINT IS PROVIDED ON A RESTRICTED BASIS AND IS NOT TO BE USED IN ANY WAY DETRIMENTAL TO THE INTEREST OF NAVISTAR, INC.</small>		ELECTRICAL CIRCUIT DIAGRAM		CHAPTER 20																																																																							
 CONNECTOR 1669834C1 BODY LOCK 1675053C1		STARTER INTERRUPT (1008F) (LOCATED AT LEFT SIDE OF VEHICLE AT FLASHER PLATE)																																																																									
		<table border="1" style="width:100%; border-collapse: collapse;"> <thead> <tr> <th>CAV</th> <th>CIRCUIT</th> <th>GAUGE</th> <th>COLOR</th> <th>TERMINAL</th> <th>SEAL/SLEEVE</th> </tr> </thead> <tbody> <tr> <td>A #</td> <td>A17B</td> <td>16</td> <td>PK</td> <td>2033911C1</td> <td>1652325C1</td> </tr> </tbody> </table>				CAV	CIRCUIT	GAUGE	COLOR	TERMINAL	SEAL/SLEEVE	A #	A17B	16	PK	2033911C1	1652325C1																																																										
CAV	CIRCUIT	GAUGE	COLOR	TERMINAL	SEAL/SLEEVE																																																																						
A #	A17B	16	PK	2033911C1	1652325C1																																																																						
# W/ TRANSMISSION N/ EATON HYBRID																																																																											
 CONNECTOR 1664531C1 BODY LOCK 1675053C1		STARTER INTERRUPT (1008F) (LOCATED AT LEFT SIDE OF VEHICLE AT FLASHER PLATE)																																																																									
		<table border="1" style="width:100%; border-collapse: collapse;"> <thead> <tr> <th>CAV</th> <th>CIRCUIT</th> <th>GAUGE</th> <th>COLOR</th> <th>TERMINAL</th> <th>SEAL/SLEEVE</th> </tr> </thead> <tbody> <tr> <td>A</td> <td>B17B</td> <td>18</td> <td>LTGN</td> <td>2033819C1</td> <td>1652325C1</td> </tr> </tbody> </table>				CAV	CIRCUIT	GAUGE	COLOR	TERMINAL	SEAL/SLEEVE	A	B17B	18	LTGN	2033819C1	1652325C1																																																										
CAV	CIRCUIT	GAUGE	COLOR	TERMINAL	SEAL/SLEEVE																																																																						
A	B17B	18	LTGN	2033819C1	1652325C1																																																																						
 CONNECTOR 1664531C1 BODY LOCK 1675053C1		STARTER INTERRUPT (1008M) (LOCATED AT LEFT SIDE OF VEHICLE AT FLASHER PLATE)																																																																									
		<table border="1" style="width:100%; border-collapse: collapse;"> <thead> <tr> <th>CAV</th> <th>CIRCUIT</th> <th>GAUGE</th> <th>COLOR</th> <th>TERMINAL</th> <th>SEAL/SLEEVE</th> </tr> </thead> <tbody> <tr> <td>A</td> <td>A17</td> <td>16</td> <td>PK</td> <td>2033819C1</td> <td>1652325C1</td> </tr> </tbody> </table>				CAV	CIRCUIT	GAUGE	COLOR	TERMINAL	SEAL/SLEEVE	A	A17	16	PK	2033819C1	1652325C1																																																										
CAV	CIRCUIT	GAUGE	COLOR	TERMINAL	SEAL/SLEEVE																																																																						
A	A17	16	PK	2033819C1	1652325C1																																																																						
 CONNECTOR 1669834C1 BODY LOCK 1675053C1		STARTER INTERRUPT (1008M) (LOCATED AT LEFT SIDE OF VEHICLE AT FLASHER PLATE)																																																																									
		<table border="1" style="width:100%; border-collapse: collapse;"> <thead> <tr> <th>CAV</th> <th>CIRCUIT</th> <th>GAUGE</th> <th>COLOR</th> <th>TERMINAL</th> <th>SEAL/SLEEVE</th> </tr> </thead> <tbody> <tr> <td>A</td> <td>B17</td> <td>18</td> <td>LTGN</td> <td>2033911C1</td> <td>1652325C1</td> </tr> </tbody> </table>				CAV	CIRCUIT	GAUGE	COLOR	TERMINAL	SEAL/SLEEVE	A	B17	18	LTGN	2033911C1	1652325C1																																																										
CAV	CIRCUIT	GAUGE	COLOR	TERMINAL	SEAL/SLEEVE																																																																						
A	B17	18	LTGN	2033911C1	1652325C1																																																																						
COIL SIGNAL-ZERO VOLT REFERENCE RELAYS (1009) (LOCATED AT LEFT SIDE OF VEHICLE AT FLASHER PLATE)			NEXT GEN HYDRAULIC PARK BRAKE WHEELCHAIR RELAY (1010) (LOCATED AT LEFT SIDE OF VEHICLE AT FLASHER PLATE)																																																																								
 CONNECTOR 2006789C1 BODY LOCK 2006792C1			 CONNECTOR 2028683C1 BODY LOCK 2028684C1																																																																								
<table border="1" style="width:100%; border-collapse: collapse;"> <thead> <tr> <th>CAV</th> <th>CIRCUIT</th> <th>GAUGE</th> <th>COLOR</th> <th>TERMINAL</th> </tr> </thead> <tbody> <tr> <td>A</td> <td>A12E</td> <td>18</td> <td>LT BL</td> <td>1661208C1</td> </tr> <tr> <td>B</td> <td>A79P</td> <td>16</td> <td>PK</td> <td>1661209C1</td> </tr> <tr> <td>C</td> <td>A89FD</td> <td>18</td> <td>VT</td> <td>1661208C1</td> </tr> <tr> <td>D</td> <td>A89CD</td> <td>18</td> <td>VT</td> <td>1661208C1</td> </tr> <tr> <td>E</td> <td>PLUG</td> <td>-</td> <td>-</td> <td>-</td> </tr> <tr> <td>F</td> <td>PLUG</td> <td>-</td> <td>-</td> <td>-</td> </tr> <tr> <td>G</td> <td>PLUG</td> <td>-</td> <td>-</td> <td>-</td> </tr> </tbody> </table>			CAV	CIRCUIT	GAUGE	COLOR	TERMINAL	A	A12E	18	LT BL	1661208C1	B	A79P	16	PK	1661209C1	C	A89FD	18	VT	1661208C1	D	A89CD	18	VT	1661208C1	E	PLUG	-	-	-	F	PLUG	-	-	-	G	PLUG	-	-	-	<table border="1" style="width:100%; border-collapse: collapse;"> <thead> <tr> <th>CAV</th> <th>CIRCUIT</th> <th>GAUGE</th> <th>COLOR</th> <th>TERMINAL</th> </tr> </thead> <tbody> <tr> <td>1</td> <td>A122F</td> <td>18</td> <td>GY</td> <td>2025418C1</td> </tr> <tr> <td>2</td> <td>A122B</td> <td>18</td> <td>GY</td> <td>2025418C1</td> </tr> <tr> <td>3</td> <td>A122D</td> <td>18</td> <td>GY</td> <td>1659673C1</td> </tr> <tr> <td>4</td> <td>PLUG</td> <td>-</td> <td>-</td> <td>-</td> </tr> <tr> <td>5</td> <td>A122A</td> <td>18</td> <td>GY</td> <td>1659673C1</td> </tr> </tbody> </table>			CAV	CIRCUIT	GAUGE	COLOR	TERMINAL	1	A122F	18	GY	2025418C1	2	A122B	18	GY	2025418C1	3	A122D	18	GY	1659673C1	4	PLUG	-	-	-	5	A122A	18	GY	1659673C1
CAV	CIRCUIT	GAUGE	COLOR	TERMINAL																																																																							
A	A12E	18	LT BL	1661208C1																																																																							
B	A79P	16	PK	1661209C1																																																																							
C	A89FD	18	VT	1661208C1																																																																							
D	A89CD	18	VT	1661208C1																																																																							
E	PLUG	-	-	-																																																																							
F	PLUG	-	-	-																																																																							
G	PLUG	-	-	-																																																																							
CAV	CIRCUIT	GAUGE	COLOR	TERMINAL																																																																							
1	A122F	18	GY	2025418C1																																																																							
2	A122B	18	GY	2025418C1																																																																							
3	A122D	18	GY	1659673C1																																																																							
4	PLUG	-	-	-																																																																							
5	A122A	18	GY	1659673C1																																																																							
<table border="1" style="width:100%; border-collapse: collapse;"> <thead> <tr> <th>CAV</th> <th>CIRCUIT</th> <th>GAUGE</th> <th>COLOR</th> <th>TERMINAL</th> </tr> </thead> <tbody> <tr> <td>A</td> <td>A89FD</td> <td>18</td> <td>VT</td> <td>0879630R1</td> </tr> <tr> <td>B</td> <td>A89FF</td> <td>18</td> <td>VT</td> <td>0879630R1</td> </tr> </tbody> </table>			CAV	CIRCUIT	GAUGE	COLOR	TERMINAL	A	A89FD	18	VT	0879630R1	B	A89FF	18	VT	0879630R1	POST STRIP INSPECTION DIODE ASSY CONNECTOR (1010F) (LOCATED AT LEFT SIDE OF VEHICLE AT FLASHER PLATE)																																																									
CAV	CIRCUIT	GAUGE	COLOR	TERMINAL																																																																							
A	A89FD	18	VT	0879630R1																																																																							
B	A89FF	18	VT	0879630R1																																																																							
			 CONNECTOR 0872291R1																																																																								
CHK	DATE	CHANGE	REV	REFERENCE	DRAWN	NAME																																																																					
0638	18NOV14	ADDED R/D 1010.	D	92674B	300343	CIRCUIT DIAGRAM, BE,CE BUS																																																																					
	ADDED CIRC A79P.				RELEASE NO.	DATE																																																																					
					73617F	31MAR11																																																																					
					PART NO.	SHEET																																																																					
					AE08065291	009																																																																					

Figure 472 Connector Composites (1008F, 1008M, 1009, 1010, 1010F)

20.10. CONNECTOR COMPOSITES (1011), P. 10

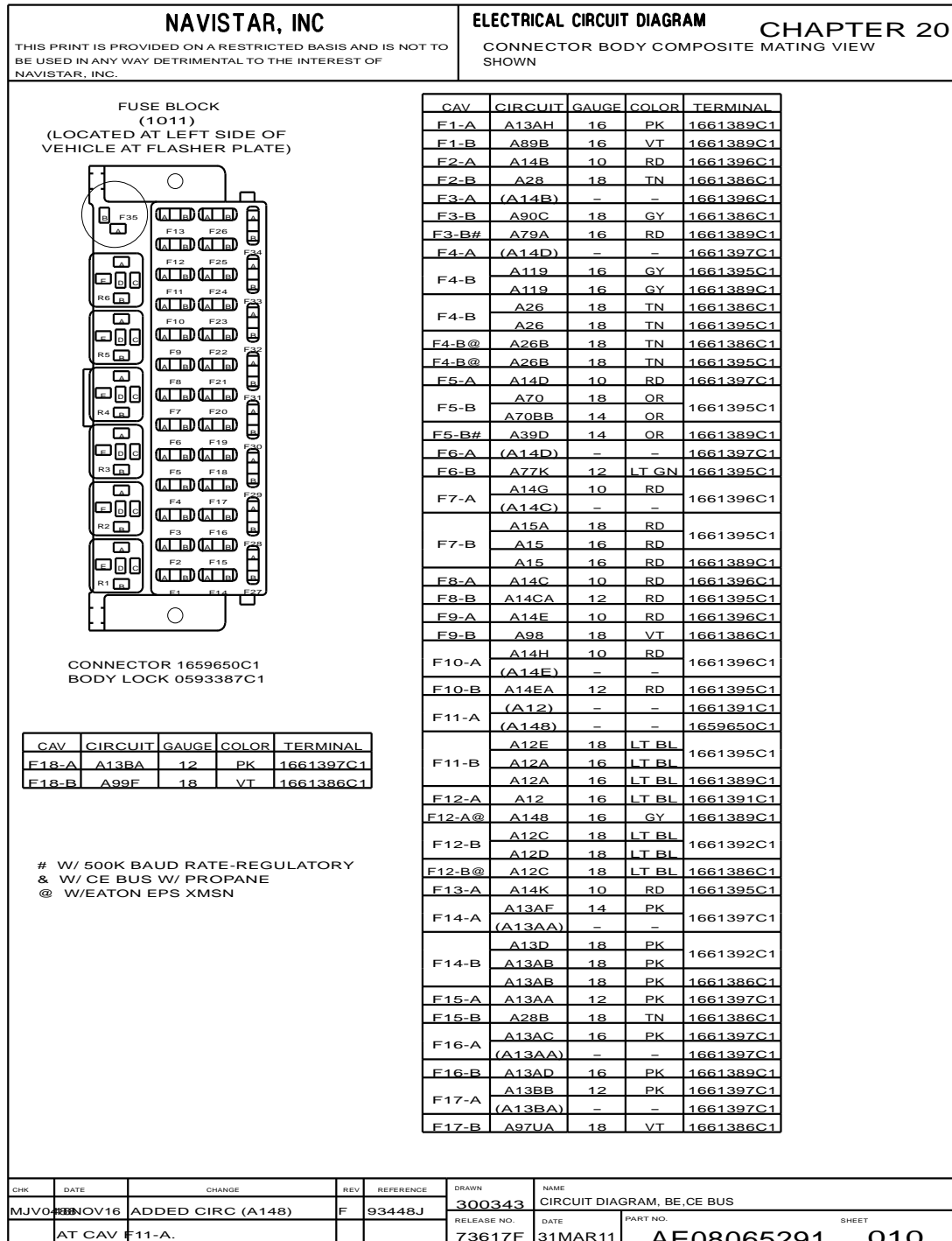


Figure 473 Connector Composites (1011)

20.11. CONNECTOR COMPOSITES (1011), P. 11

NAVISTAR, INC				ELECTRICAL CIRCUIT DIAGRAM				CHAPTER 20																																																																																																																																																																																																																																																																																									
THIS PRINT IS PROVIDED ON A RESTRICTED BASIS AND IS NOT TO BE USED IN ANY WAY DETRIMENTAL TO THE INTEREST OF NAVISTAR, INC.				CONNECTOR BODY COMPOSITE MATING VIEW SHOWN																																																																																																																																																																																																																																																																																													
CONTINUED FROM SHEET 10																																																																																																																																																																																																																																																																																																	
FUSE BLOCK (1011)																																																																																																																																																																																																																																																																																																	
<table border="1" style="width:100%; border-collapse: collapse;"> <thead> <tr> <th>CAV</th> <th>CIRCUIT</th> <th>GAUGE</th> <th>COLOR</th> <th>TERMINAL</th> </tr> </thead> <tbody> <tr><td>F19-A</td><td>A13BC</td><td>12</td><td>PK</td><td>1661397C1</td></tr> <tr><td></td><td>(A13BA)</td><td>-</td><td>-</td><td>1661397C1</td></tr> <tr><td>F19-B</td><td>A39A</td><td>16</td><td>GY</td><td>1661389C1</td></tr> <tr><td>F20-A</td><td>(A13BB)</td><td>-</td><td>-</td><td>1661397C1</td></tr> <tr><td>F20-B</td><td>A71</td><td>16</td><td>OR</td><td>1661389C1</td></tr> <tr><td>F20-B</td><td>A71</td><td>16</td><td>OR</td><td>1661395C1</td></tr> <tr><td>F20-B</td><td>A71A</td><td>18</td><td>OR</td><td>1661395C1</td></tr> <tr><td>F21-A</td><td>A13BB</td><td>12</td><td>PK</td><td>1661397C1</td></tr> <tr><td>F21-B</td><td>A#163</td><td>18</td><td>YL</td><td>1661386C1</td></tr> <tr><td>F21-B</td><td>A#163</td><td>18</td><td>YL</td><td>1661392C1</td></tr> <tr><td>F21-B</td><td>A#163</td><td>18</td><td>PK</td><td>1661392C1</td></tr> <tr><td>F21-B</td><td>A#163A</td><td>18</td><td>YL</td><td>1661392C1</td></tr> <tr><td>F21-B</td><td>A#163A</td><td>18</td><td>PK</td><td>1661392C1</td></tr> <tr><td>F21-B</td><td>A92</td><td>18</td><td>GY</td><td>1661386C1</td></tr> <tr><td>F22-A</td><td>(A13BB)</td><td>-</td><td>-</td><td>1661397C1</td></tr> <tr><td>F22-B</td><td>A92</td><td>18</td><td>TN</td><td>1661386C1</td></tr> <tr><td>F23-A</td><td>A13BC</td><td>12</td><td>PK</td><td>1661397C1</td></tr> <tr><td>F23-B</td><td>A13BF</td><td>18</td><td>PK</td><td>1661386C1</td></tr> <tr><td>F23-B</td><td>A13BF</td><td>18</td><td>PK</td><td>1661392C1</td></tr> <tr><td>F23-B</td><td>A95C</td><td>18</td><td>PK</td><td>1661392C1</td></tr> <tr><td>F24-A</td><td>A13AE</td><td>12</td><td>PK</td><td>1661397C1</td></tr> <tr><td>F24-A</td><td>(A13BC)</td><td>-</td><td>-</td><td>1661397C1</td></tr> <tr><td>F24-B</td><td>A28A</td><td>18</td><td>TN</td><td>1661392C1</td></tr> <tr><td>F24-B</td><td>A44</td><td>18</td><td>GY</td><td>1661392C1</td></tr> <tr><td>F25-A</td><td>(A13BC)</td><td>-</td><td>-</td><td>1661397C1</td></tr> <tr><td>F25-B</td><td>A90E</td><td>18</td><td>GY</td><td>1661386C1</td></tr> <tr><td>F25-B</td><td>A94BJ</td><td>18</td><td>GY</td><td>1661386C1</td></tr> <tr><td>F25-B</td><td>A94BJ</td><td>10</td><td>GY</td><td>1661395C1</td></tr> <tr><td>F25-B*</td><td>A94BA</td><td>18</td><td>GY</td><td>1661386C1</td></tr> <tr><td>F26-A</td><td>A62</td><td>16</td><td>DK BL</td><td>1661389C1</td></tr> <tr><td>F26-B</td><td>A62A</td><td>18</td><td>DK BL</td><td>1661395C1</td></tr> <tr><td>F26-B</td><td>A62Z</td><td>16</td><td>DK BL</td><td>1661395C1</td></tr> <tr><td>F27-A</td><td>A13AF</td><td>14</td><td>PK</td><td>1661395C1</td></tr> <tr><td>F27-A</td><td>A13AG</td><td>14</td><td>PK</td><td>1661395C1</td></tr> <tr><td>F27-B</td><td>A59B</td><td>18</td><td>GY</td><td>1661386C1</td></tr> <tr><td>F28-A</td><td>A13AC</td><td>16</td><td>PK</td><td>1661395C1</td></tr> <tr><td>F28-A</td><td>A13AH</td><td>16</td><td>PK</td><td>1661395C1</td></tr> <tr><td>F28-B</td><td>A77J</td><td>14</td><td>LT GN</td><td>1661389C1</td></tr> <tr><td>F29-A</td><td>A13AE</td><td>12</td><td>PK</td><td>1661395C1</td></tr> <tr><td>F29-B</td><td>A31B</td><td>18</td><td>TN</td><td>1661386C1</td></tr> <tr><td>F30-A</td><td>A14H</td><td>10</td><td>RD</td><td>1661395C1</td></tr> <tr><td>F30-B</td><td>A#170A</td><td>18</td><td>PK</td><td>1661386C1</td></tr> <tr><td>F31-A</td><td>A97Z</td><td>10</td><td>VT</td><td>1661395C1</td></tr> <tr><td>F31-B</td><td>A23</td><td>16</td><td>TN</td><td>1661395C1</td></tr> <tr><td>F31-B</td><td>A59</td><td>18</td><td>GY</td><td>1661395C1</td></tr> <tr><td>F32-A</td><td>A14G</td><td>10</td><td>RD</td><td>1661395C1</td></tr> </tbody> </table>					CAV	CIRCUIT	GAUGE	COLOR	TERMINAL	F19-A	A13BC	12	PK	1661397C1		(A13BA)	-	-	1661397C1	F19-B	A39A	16	GY	1661389C1	F20-A	(A13BB)	-	-	1661397C1	F20-B	A71	16	OR	1661389C1	F20-B	A71	16	OR	1661395C1	F20-B	A71A	18	OR	1661395C1	F21-A	A13BB	12	PK	1661397C1	F21-B	A#163	18	YL	1661386C1	F21-B	A#163	18	YL	1661392C1	F21-B	A#163	18	PK	1661392C1	F21-B	A#163A	18	YL	1661392C1	F21-B	A#163A	18	PK	1661392C1	F21-B	A92	18	GY	1661386C1	F22-A	(A13BB)	-	-	1661397C1	F22-B	A92	18	TN	1661386C1	F23-A	A13BC	12	PK	1661397C1	F23-B	A13BF	18	PK	1661386C1	F23-B	A13BF	18	PK	1661392C1	F23-B	A95C	18	PK	1661392C1	F24-A	A13AE	12	PK	1661397C1	F24-A	(A13BC)	-	-	1661397C1	F24-B	A28A	18	TN	1661392C1	F24-B	A44	18	GY	1661392C1	F25-A	(A13BC)	-	-	1661397C1	F25-B	A90E	18	GY	1661386C1	F25-B	A94BJ	18	GY	1661386C1	F25-B	A94BJ	10	GY	1661395C1	F25-B*	A94BA	18	GY	1661386C1	F26-A	A62	16	DK BL	1661389C1	F26-B	A62A	18	DK BL	1661395C1	F26-B	A62Z	16	DK BL	1661395C1	F27-A	A13AF	14	PK	1661395C1	F27-A	A13AG	14	PK	1661395C1	F27-B	A59B	18	GY	1661386C1	F28-A	A13AC	16	PK	1661395C1	F28-A	A13AH	16	PK	1661395C1	F28-B	A77J	14	LT GN	1661389C1	F29-A	A13AE	12	PK	1661395C1	F29-B	A31B	18	TN	1661386C1	F30-A	A14H	10	RD	1661395C1	F30-B	A#170A	18	PK	1661386C1	F31-A	A97Z	10	VT	1661395C1	F31-B	A23	16	TN	1661395C1	F31-B	A59	18	GY	1661395C1	F32-A	A14G	10	RD	1661395C1	<table border="1" style="width:100%; border-collapse: collapse;"> <thead> <tr> <th>CAV</th> <th>CIRCUIT</th> <th>GAUGE</th> <th>COLOR</th> <th>TERMINAL</th> </tr> </thead> <tbody> <tr><td>F32-B#</td><td>A75</td><td>10</td><td>RD</td><td>1661395C1</td></tr> <tr><td>F32-B</td><td>A75</td><td>10</td><td>LT GN</td><td>1661395C1</td></tr> <tr><td>F32-B</td><td>A74D</td><td>14</td><td>LT GN</td><td>1661389C1</td></tr> <tr><td>F33-A</td><td>A14F</td><td>10</td><td>RD</td><td>1661395C1</td></tr> <tr><td>F33-B</td><td>A64A</td><td>16</td><td>YL</td><td>1661395C1</td></tr> <tr><td>F33-B</td><td>A64B</td><td>16</td><td>YL</td><td>1661395C1</td></tr> <tr><td>F34-A</td><td>A13AG</td><td>14</td><td>PK</td><td>1661389C1</td></tr> <tr><td>F34-B</td><td>A87A</td><td>18</td><td>GY</td><td>1661386C1</td></tr> </tbody> </table>					CAV	CIRCUIT	GAUGE	COLOR	TERMINAL	F32-B#	A75	10	RD	1661395C1	F32-B	A75	10	LT GN	1661395C1	F32-B	A74D	14	LT GN	1661389C1	F33-A	A14F	10	RD	1661395C1	F33-B	A64A	16	YL	1661395C1	F33-B	A64B	16	YL	1661395C1	F34-A	A13AG	14	PK	1661389C1	F34-B	A87A	18	GY	1661386C1
CAV	CIRCUIT	GAUGE	COLOR	TERMINAL																																																																																																																																																																																																																																																																																													
F19-A	A13BC	12	PK	1661397C1																																																																																																																																																																																																																																																																																													
	(A13BA)	-	-	1661397C1																																																																																																																																																																																																																																																																																													
F19-B	A39A	16	GY	1661389C1																																																																																																																																																																																																																																																																																													
F20-A	(A13BB)	-	-	1661397C1																																																																																																																																																																																																																																																																																													
F20-B	A71	16	OR	1661389C1																																																																																																																																																																																																																																																																																													
F20-B	A71	16	OR	1661395C1																																																																																																																																																																																																																																																																																													
F20-B	A71A	18	OR	1661395C1																																																																																																																																																																																																																																																																																													
F21-A	A13BB	12	PK	1661397C1																																																																																																																																																																																																																																																																																													
F21-B	A#163	18	YL	1661386C1																																																																																																																																																																																																																																																																																													
F21-B	A#163	18	YL	1661392C1																																																																																																																																																																																																																																																																																													
F21-B	A#163	18	PK	1661392C1																																																																																																																																																																																																																																																																																													
F21-B	A#163A	18	YL	1661392C1																																																																																																																																																																																																																																																																																													
F21-B	A#163A	18	PK	1661392C1																																																																																																																																																																																																																																																																																													
F21-B	A92	18	GY	1661386C1																																																																																																																																																																																																																																																																																													
F22-A	(A13BB)	-	-	1661397C1																																																																																																																																																																																																																																																																																													
F22-B	A92	18	TN	1661386C1																																																																																																																																																																																																																																																																																													
F23-A	A13BC	12	PK	1661397C1																																																																																																																																																																																																																																																																																													
F23-B	A13BF	18	PK	1661386C1																																																																																																																																																																																																																																																																																													
F23-B	A13BF	18	PK	1661392C1																																																																																																																																																																																																																																																																																													
F23-B	A95C	18	PK	1661392C1																																																																																																																																																																																																																																																																																													
F24-A	A13AE	12	PK	1661397C1																																																																																																																																																																																																																																																																																													
F24-A	(A13BC)	-	-	1661397C1																																																																																																																																																																																																																																																																																													
F24-B	A28A	18	TN	1661392C1																																																																																																																																																																																																																																																																																													
F24-B	A44	18	GY	1661392C1																																																																																																																																																																																																																																																																																													
F25-A	(A13BC)	-	-	1661397C1																																																																																																																																																																																																																																																																																													
F25-B	A90E	18	GY	1661386C1																																																																																																																																																																																																																																																																																													
F25-B	A94BJ	18	GY	1661386C1																																																																																																																																																																																																																																																																																													
F25-B	A94BJ	10	GY	1661395C1																																																																																																																																																																																																																																																																																													
F25-B*	A94BA	18	GY	1661386C1																																																																																																																																																																																																																																																																																													
F26-A	A62	16	DK BL	1661389C1																																																																																																																																																																																																																																																																																													
F26-B	A62A	18	DK BL	1661395C1																																																																																																																																																																																																																																																																																													
F26-B	A62Z	16	DK BL	1661395C1																																																																																																																																																																																																																																																																																													
F27-A	A13AF	14	PK	1661395C1																																																																																																																																																																																																																																																																																													
F27-A	A13AG	14	PK	1661395C1																																																																																																																																																																																																																																																																																													
F27-B	A59B	18	GY	1661386C1																																																																																																																																																																																																																																																																																													
F28-A	A13AC	16	PK	1661395C1																																																																																																																																																																																																																																																																																													
F28-A	A13AH	16	PK	1661395C1																																																																																																																																																																																																																																																																																													
F28-B	A77J	14	LT GN	1661389C1																																																																																																																																																																																																																																																																																													
F29-A	A13AE	12	PK	1661395C1																																																																																																																																																																																																																																																																																													
F29-B	A31B	18	TN	1661386C1																																																																																																																																																																																																																																																																																													
F30-A	A14H	10	RD	1661395C1																																																																																																																																																																																																																																																																																													
F30-B	A#170A	18	PK	1661386C1																																																																																																																																																																																																																																																																																													
F31-A	A97Z	10	VT	1661395C1																																																																																																																																																																																																																																																																																													
F31-B	A23	16	TN	1661395C1																																																																																																																																																																																																																																																																																													
F31-B	A59	18	GY	1661395C1																																																																																																																																																																																																																																																																																													
F32-A	A14G	10	RD	1661395C1																																																																																																																																																																																																																																																																																													
CAV	CIRCUIT	GAUGE	COLOR	TERMINAL																																																																																																																																																																																																																																																																																													
F32-B#	A75	10	RD	1661395C1																																																																																																																																																																																																																																																																																													
F32-B	A75	10	LT GN	1661395C1																																																																																																																																																																																																																																																																																													
F32-B	A74D	14	LT GN	1661389C1																																																																																																																																																																																																																																																																																													
F33-A	A14F	10	RD	1661395C1																																																																																																																																																																																																																																																																																													
F33-B	A64A	16	YL	1661395C1																																																																																																																																																																																																																																																																																													
F33-B	A64B	16	YL	1661395C1																																																																																																																																																																																																																																																																																													
F34-A	A13AG	14	PK	1661389C1																																																																																																																																																																																																																																																																																													
F34-B	A87A	18	GY	1661386C1																																																																																																																																																																																																																																																																																													
* W/ AIR BRAKES W/ ABS-6 W/ PARK BRAKE BUZZER # W/ ESPAR CLNT HTR W/ MULTIMAX TIMER																																																																																																																																																																																																																																																																																																	
CONTINUED ON SHEET 12																																																																																																																																																																																																																																																																																																	
CHK	DATE	CHANGE	REV	REFERENCE	DRAWN	NAME																																																																																																																																																																																																																																																																																											
MJV	11NOV16	ADDED CIRC A92	G	93448J	300343	CIRCUIT DIAGRAM, BE,CE BUS																																																																																																																																																																																																																																																																																											
	AT CAV	F21-B.			RELEASE NO.	DATE	PART NO.	SHEET																																																																																																																																																																																																																																																																																									
					73617F	31MAR11	AE08065291	011																																																																																																																																																																																																																																																																																									

Figure 474 Connector Composites (1011)

20.12. CONNECTOR COMPOSITES (1011), P. 12

NAVISTAR, INC					ELECTRICAL CIRCUIT DIAGRAM					CHAPTER 20	
THIS PRINT IS PROVIDED ON A RESTRICTED BASIS AND IS NOT TO BE USED IN ANY WAY DETRIMENTAL TO THE INTEREST OF NAVISTAR, INC.					CONNECTOR BODY COMPOSITE MATING VIEW SHOWN						
CONTINUED FROM SHEET 11											
	CAV	CIRCUIT	GAUGE	COLOR	TERMINAL		CAV	CIRCUIT	GAUGE	COLOR	TERMINAL
	R1-A	A82C	18	GY	1659673C1		R5-A	A12-G	18	WH	1661709C1
	R1-B	A82DC	16	GY	1661709C1			A13-G	18	WH	
	R1-C@	A82DB	16	GY	1661709C1		R5-B	A13B	16	PK	1661710C1
	R1-D	A82H	16	GY	1659673C1			A13AN	16	PK	
	R1-E	A82R	16	GY	1661709C1		R5B@	A148AN	16	GY	1661710C1
	R2-A@	A82D	18	GY	1659673C1		R5-C	A14CA	12	RD	1661710C1
	R2-B	A82DD	16	GY	1661709C1		R5-D	A12-G	18	WH	1659673C1
	R2-C	A82K	16	GY	1659673C1		R5-E	A13AA	12	PK	1661710C1
	R2-D	A82N	16	GY	1659673C1		R6-A	A12-GA	18	WH	1661709C1
	R2-E	A82R	16	GY	1661709C1			A13-GA	18	WH	
	R3-A	A70	18	OR	1659673C1		R6-B	A13B	16	PK	1661709C1
	R3-B	A70A	18	OR	1659673C1		R6-C	A14EA	12	RD	1661710C1
	R3-C	A70BC	16	OR	1661709C1		R6-D	A12-GA	18	WH	1659673C1
	R3-C	A70BD	14	RD	1661709C1		R6-E	A13BA	12	PK	1661710C1
	R3-D	A39D	16	GY	1661709C1						
	R3-E	A70BB	14	OR	1661709C1						
	R4-A	A71B	18	OR	1659673C1						
	R4-A	A71B	16	OR	1661709C1						
	R4-A@	A92D	18	GY	1659673C1						
	R4-B	A#165	18	TN	1659673C1						
	R4-B@	A92E	18	GY	1659673C1						
	R4-C	A71BB	16	OR	1661709C1						
	R4-C	A71BB	16	LTBL	1661709C1						
	R4-E	A71B	18	OR	1661709C1						
	R4-E	A71	16	OR	1661709C1						
	R4-E	A71B	16	OR	1661710C1						
	R4-E	A71	16	OR	1661710C1						
@ START WIRING W/0508095											
CONTINUED ON SHEET 12A											
CHK	DATE	CHANGE	REV	REFERENCE	DRAWN	NAME					
MJV	NOV16	REVISED AND REDRAWN.	G	93448J	300343	CIRCUIT DIAGRAM, BE,CE BUS					
					RELEASE NO.	DATE	PART NO.	SHEET			
					73617F	31MAR11	AE08065291	012			

Figure 475 Connector Composites (1011)

20.13. CONNECTOR COMPOSITES (1011), P. 12A

NAVISTAR, INC				ELECTRICAL CIRCUIT DIAGRAM				CHAPTER 20																																																																																																																													
THIS PRINT IS PROVIDED ON A RESTRICTED BASIS AND IS NOT TO BE USED IN ANY WAY DETRIMENTAL TO THE INTEREST OF NAVISTAR, INC.				CONNECTOR BODY COMPOSITE MATING VIEW SHOWN																																																																																																																																	
CONTINUED FROM SHEET 12																																																																																																																																					
<table border="1" style="width:100%; border-collapse: collapse;"> <thead> <tr> <th style="width:10%;">LOCATION</th> <th style="width:70%;">FUSE DESCRIPTION</th> <th style="width:20%;">RATING</th> </tr> </thead> <tbody> <tr><td>F1</td><td>IGNITION CROSSING GATE</td><td>10A</td></tr> <tr><td>F2</td><td>BATTERY INSTRUMENT CLUSTER</td><td>15A</td></tr> <tr><td>F3**</td><td>BATTERY HYD BRAKE</td><td>5A**</td></tr> <tr><td>F4</td><td>BATTERY CROSSING GATE / AMMETER</td><td>10A</td></tr> <tr><td>F5</td><td>BATTERY STOP LIGHTS</td><td>10A</td></tr> <tr><td>F6</td><td>BATTERY AIR CONDITIONER BLOWER MOTOR</td><td>30A</td></tr> <tr><td>F7</td><td>BATTERY KEY SWITCH</td><td>10A</td></tr> <tr><td>F8</td><td>BATTERY IGNITION #1 RELAY</td><td>30A</td></tr> <tr><td>F9</td><td>BATTERY DIAGNOSTIC CONNECTOR</td><td>10A</td></tr> <tr><td>F10</td><td>BATTERY IGNITION #2 RELAY</td><td>30A</td></tr> <tr><td>F11**</td><td>ACC BODY BUILDER CONNECTOR</td><td>5A**</td></tr> <tr><td>F12**</td><td>ACC SWITCH PACK / SYSTEM CONTROLLER</td><td>5A**</td></tr> <tr><td>F13**</td><td>BATTERY AWARE</td><td>5A**</td></tr> <tr><td>F14**</td><td>IGNITION BODY BUILDER CONNECTOR</td><td>5A**</td></tr> <tr><td>F15</td><td>IGNITION COMPASS MODULE / AWARE</td><td>10A</td></tr> <tr><td>F16</td><td>IGNITION SYSTEM CONTROLLER</td><td>10A</td></tr> <tr><td>F17**</td><td>IGNITION ENGINE ELECTRONICS</td><td>5A**</td></tr> <tr><td>F18**</td><td>IGNITION ACCEL PEDAL</td><td>5A**</td></tr> <tr><td>F19**</td><td>IGNITION AUTO DRAIN VALVE</td><td>5A**</td></tr> <tr><td>F20</td><td>IGNITION BACK-UP LIGHTS</td><td>10A</td></tr> <tr><td>F21</td><td>IGNITION XMSN CONTROL MODULE</td><td>10A</td></tr> <tr><td>F22**</td><td>IGNITION XMSN SHIFTER - LCT</td><td>5A**</td></tr> <tr><td>F23</td><td>IGNITION AIR DRYER, DRAIN VALVE, FUEL HEATER</td><td>10A</td></tr> <tr><td>F24**</td><td>IGNITION INSTRUMENT CLUSTER</td><td>5A**</td></tr> <tr><td>✓ F25**</td><td>IGNITION ANTILOCK BRAKE SYSTEM</td><td>5A**</td></tr> <tr><td>&F25**</td><td>IGNITION ANTILOCK BRAKE SYSTEM</td><td>10A**</td></tr> <tr><td>F26**</td><td>PANEL LIGHTS</td><td>5A**</td></tr> <tr><td>F27</td><td>IGNITION BRAKE MONITOR</td><td>10A</td></tr> <tr><td>F28**</td><td>AIR CONDITIONER CLUTCH</td><td>5A**</td></tr> <tr><td>F29**</td><td>IGNITION CHANGE XMSN FILTER</td><td>5A**</td></tr> <tr><td>F30</td><td>BATTERY WTEC SHIFT SELECTOR</td><td>10A</td></tr> <tr><td>F31</td><td>FAN / SHUTTER</td><td>10A</td></tr> <tr><td>F32</td><td>BATTERY COOLANT HEAT</td><td>20A</td></tr> <tr><td>F33</td><td>BATTERY FOG LIGHTS</td><td>15A</td></tr> <tr><td>F34</td><td>IGNITION WINDSHIELD WASHER PUMP</td><td>10A</td></tr> </tbody> </table>						LOCATION	FUSE DESCRIPTION	RATING	F1	IGNITION CROSSING GATE	10A	F2	BATTERY INSTRUMENT CLUSTER	15A	F3**	BATTERY HYD BRAKE	5A**	F4	BATTERY CROSSING GATE / AMMETER	10A	F5	BATTERY STOP LIGHTS	10A	F6	BATTERY AIR CONDITIONER BLOWER MOTOR	30A	F7	BATTERY KEY SWITCH	10A	F8	BATTERY IGNITION #1 RELAY	30A	F9	BATTERY DIAGNOSTIC CONNECTOR	10A	F10	BATTERY IGNITION #2 RELAY	30A	F11**	ACC BODY BUILDER CONNECTOR	5A**	F12**	ACC SWITCH PACK / SYSTEM CONTROLLER	5A**	F13**	BATTERY AWARE	5A**	F14**	IGNITION BODY BUILDER CONNECTOR	5A**	F15	IGNITION COMPASS MODULE / AWARE	10A	F16	IGNITION SYSTEM CONTROLLER	10A	F17**	IGNITION ENGINE ELECTRONICS	5A**	F18**	IGNITION ACCEL PEDAL	5A**	F19**	IGNITION AUTO DRAIN VALVE	5A**	F20	IGNITION BACK-UP LIGHTS	10A	F21	IGNITION XMSN CONTROL MODULE	10A	F22**	IGNITION XMSN SHIFTER - LCT	5A**	F23	IGNITION AIR DRYER, DRAIN VALVE, FUEL HEATER	10A	F24**	IGNITION INSTRUMENT CLUSTER	5A**	✓ F25**	IGNITION ANTILOCK BRAKE SYSTEM	5A**	&F25**	IGNITION ANTILOCK BRAKE SYSTEM	10A**	F26**	PANEL LIGHTS	5A**	F27	IGNITION BRAKE MONITOR	10A	F28**	AIR CONDITIONER CLUTCH	5A**	F29**	IGNITION CHANGE XMSN FILTER	5A**	F30	BATTERY WTEC SHIFT SELECTOR	10A	F31	FAN / SHUTTER	10A	F32	BATTERY COOLANT HEAT	20A	F33	BATTERY FOG LIGHTS	15A	F34	IGNITION WINDSHIELD WASHER PUMP	10A	<table border="1" style="width:100%; border-collapse: collapse;"> <thead> <tr> <th style="width:10%;">LOCATION</th> <th style="width:90%;">RELAY DESCRIPTION</th> </tr> </thead> <tbody> <tr><td>R1</td><td>WIPER POWER RELAY</td></tr> <tr><td>R2</td><td>WIPER SPEED RELAY</td></tr> <tr><td>R3</td><td>STOP LIGHT RELAY</td></tr> <tr><td>R4</td><td>AIR SOLENOID POWER RELAY</td></tr> <tr><td>R5</td><td>IGNITION #1 RELAY</td></tr> <tr><td>R6</td><td>IGNITION #2 RELAY</td></tr> </tbody> </table>						LOCATION	RELAY DESCRIPTION	R1	WIPER POWER RELAY	R2	WIPER SPEED RELAY	R3	STOP LIGHT RELAY	R4	AIR SOLENOID POWER RELAY	R5	IGNITION #1 RELAY	R6	IGNITION #2 RELAY
LOCATION	FUSE DESCRIPTION	RATING																																																																																																																																			
F1	IGNITION CROSSING GATE	10A																																																																																																																																			
F2	BATTERY INSTRUMENT CLUSTER	15A																																																																																																																																			
F3**	BATTERY HYD BRAKE	5A**																																																																																																																																			
F4	BATTERY CROSSING GATE / AMMETER	10A																																																																																																																																			
F5	BATTERY STOP LIGHTS	10A																																																																																																																																			
F6	BATTERY AIR CONDITIONER BLOWER MOTOR	30A																																																																																																																																			
F7	BATTERY KEY SWITCH	10A																																																																																																																																			
F8	BATTERY IGNITION #1 RELAY	30A																																																																																																																																			
F9	BATTERY DIAGNOSTIC CONNECTOR	10A																																																																																																																																			
F10	BATTERY IGNITION #2 RELAY	30A																																																																																																																																			
F11**	ACC BODY BUILDER CONNECTOR	5A**																																																																																																																																			
F12**	ACC SWITCH PACK / SYSTEM CONTROLLER	5A**																																																																																																																																			
F13**	BATTERY AWARE	5A**																																																																																																																																			
F14**	IGNITION BODY BUILDER CONNECTOR	5A**																																																																																																																																			
F15	IGNITION COMPASS MODULE / AWARE	10A																																																																																																																																			
F16	IGNITION SYSTEM CONTROLLER	10A																																																																																																																																			
F17**	IGNITION ENGINE ELECTRONICS	5A**																																																																																																																																			
F18**	IGNITION ACCEL PEDAL	5A**																																																																																																																																			
F19**	IGNITION AUTO DRAIN VALVE	5A**																																																																																																																																			
F20	IGNITION BACK-UP LIGHTS	10A																																																																																																																																			
F21	IGNITION XMSN CONTROL MODULE	10A																																																																																																																																			
F22**	IGNITION XMSN SHIFTER - LCT	5A**																																																																																																																																			
F23	IGNITION AIR DRYER, DRAIN VALVE, FUEL HEATER	10A																																																																																																																																			
F24**	IGNITION INSTRUMENT CLUSTER	5A**																																																																																																																																			
✓ F25**	IGNITION ANTILOCK BRAKE SYSTEM	5A**																																																																																																																																			
&F25**	IGNITION ANTILOCK BRAKE SYSTEM	10A**																																																																																																																																			
F26**	PANEL LIGHTS	5A**																																																																																																																																			
F27	IGNITION BRAKE MONITOR	10A																																																																																																																																			
F28**	AIR CONDITIONER CLUTCH	5A**																																																																																																																																			
F29**	IGNITION CHANGE XMSN FILTER	5A**																																																																																																																																			
F30	BATTERY WTEC SHIFT SELECTOR	10A																																																																																																																																			
F31	FAN / SHUTTER	10A																																																																																																																																			
F32	BATTERY COOLANT HEAT	20A																																																																																																																																			
F33	BATTERY FOG LIGHTS	15A																																																																																																																																			
F34	IGNITION WINDSHIELD WASHER PUMP	10A																																																																																																																																			
LOCATION	RELAY DESCRIPTION																																																																																																																																				
R1	WIPER POWER RELAY																																																																																																																																				
R2	WIPER SPEED RELAY																																																																																																																																				
R3	STOP LIGHT RELAY																																																																																																																																				
R4	AIR SOLENOID POWER RELAY																																																																																																																																				
R5	IGNITION #1 RELAY																																																																																																																																				
R6	IGNITION #2 RELAY																																																																																																																																				
** USE FUSE ONLY NOTE : ALL OTHERS HAVE OPTION FOR FUSE OR CIRCUIT BREAKER																																																																																																																																					
& W/WABCO AIR ABS ✓ W/WABCO HYD OR BENDIX AIR ABS																																																																																																																																					
CHK	DATE	CHANGE	REV	REFERENCE	DRAWN	NAME																																																																																																																															
-	-	INITIAL RELEASE.	A	92674B	MJV0370	CIRCUIT DIAGRAM, BE,CE BUS																																																																																																																															
					RELEASE NO.	DATE	PART NO.	SHEET																																																																																																																													
					92674B	11NOV14	AE08065291	12A																																																																																																																													

Figure 476 Connector Composites (1011)

20.14. CONNECTOR COMPOSITES (1011), P. 13

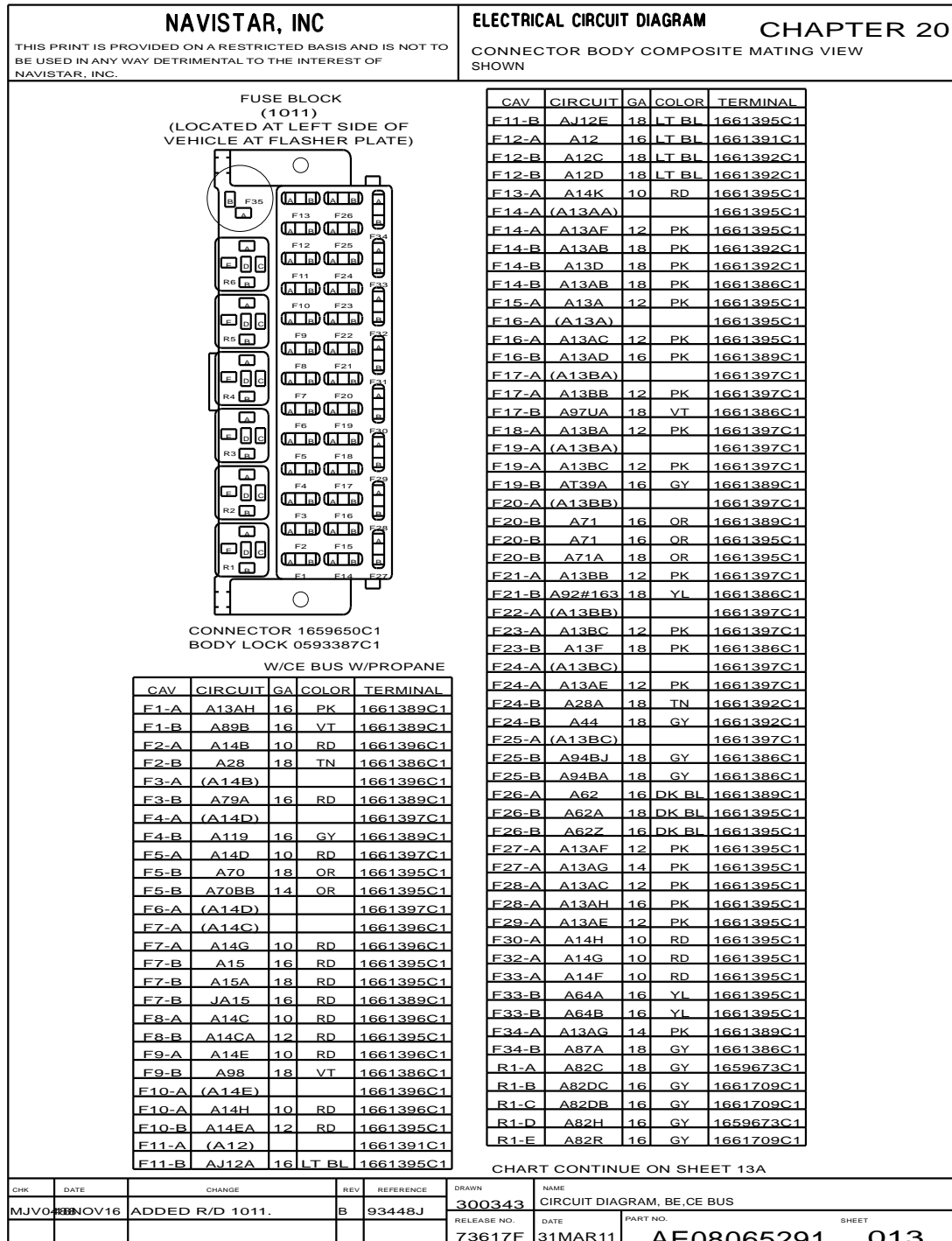


Figure 477 Connector Composites (1011)

20.15. CONNECTOR COMPOSITES (1011), P. 13A

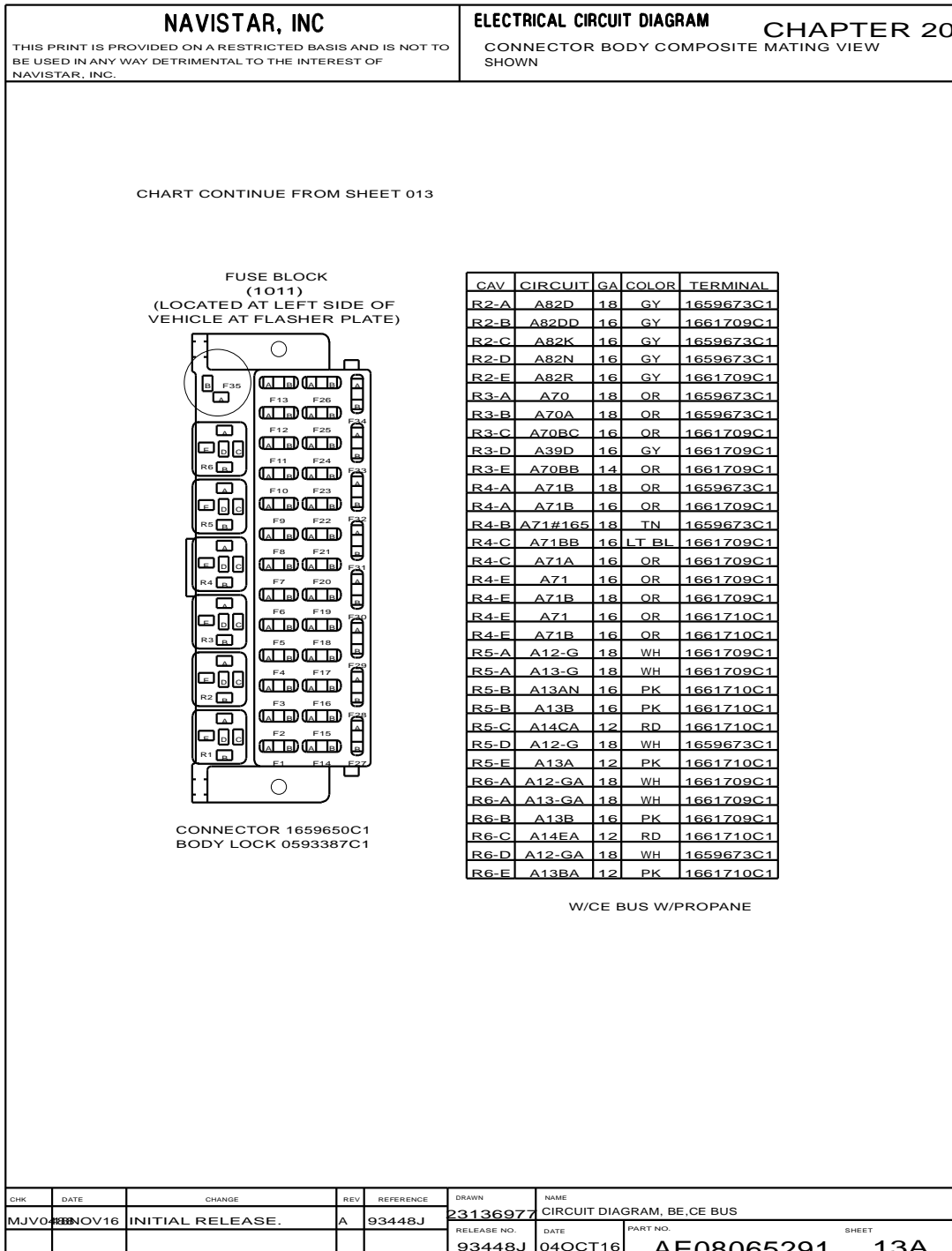


Figure 478 Connector Composites (1011)

20.16. CONNECTOR COMPOSITES (1014, 1014F, 1015), P. 14

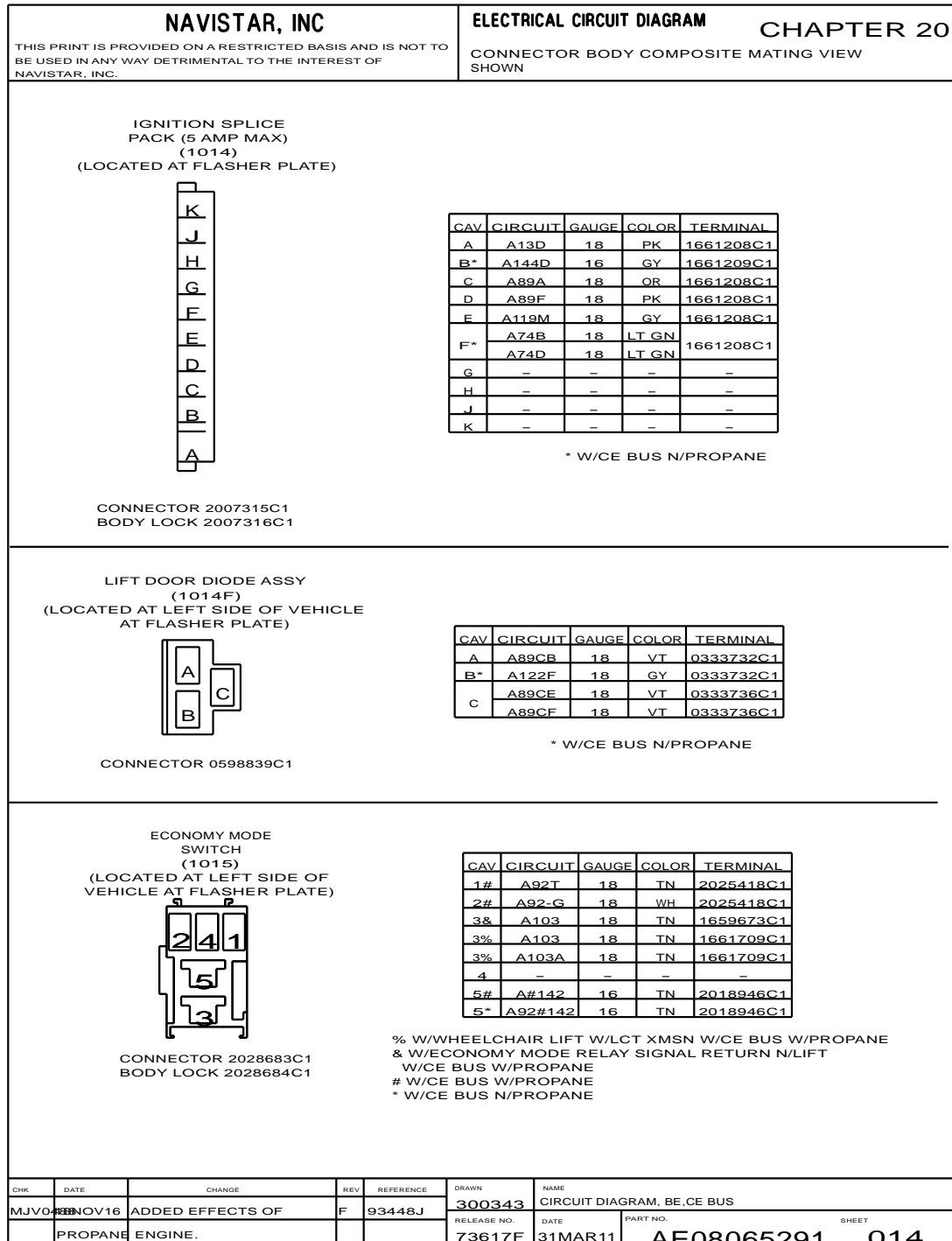


Figure 479 Connector Composites (1014, 1014F, 1015)

20.17. CONNECTOR COMPOSITES (1016, 1017, 1018, 1018B), P. 15

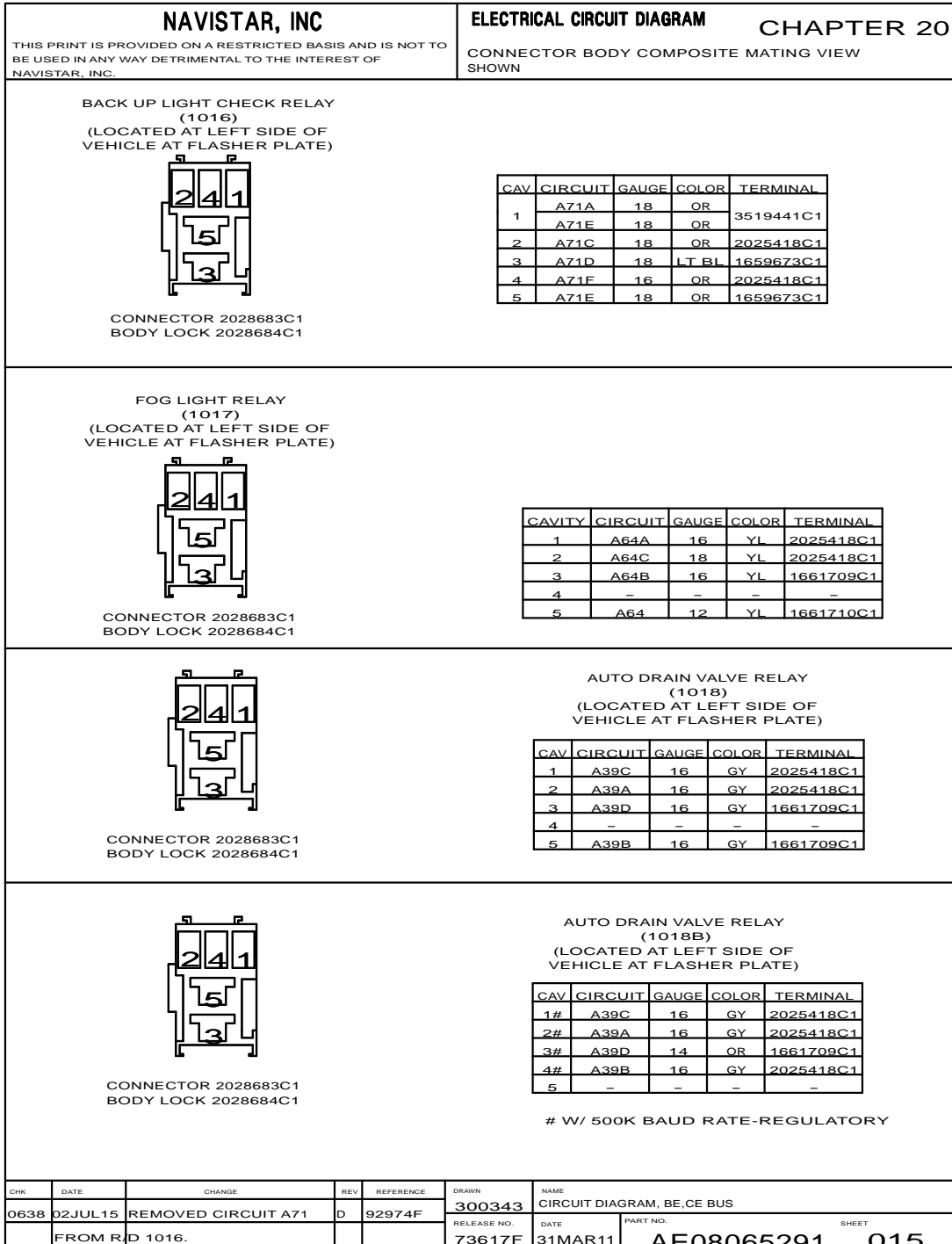


Figure 480 Connector Composites (1016, 1017, 1018, 1018B)

20.18. CONNECTOR COMPOSITES (1019, 1020, 1021), P. 16

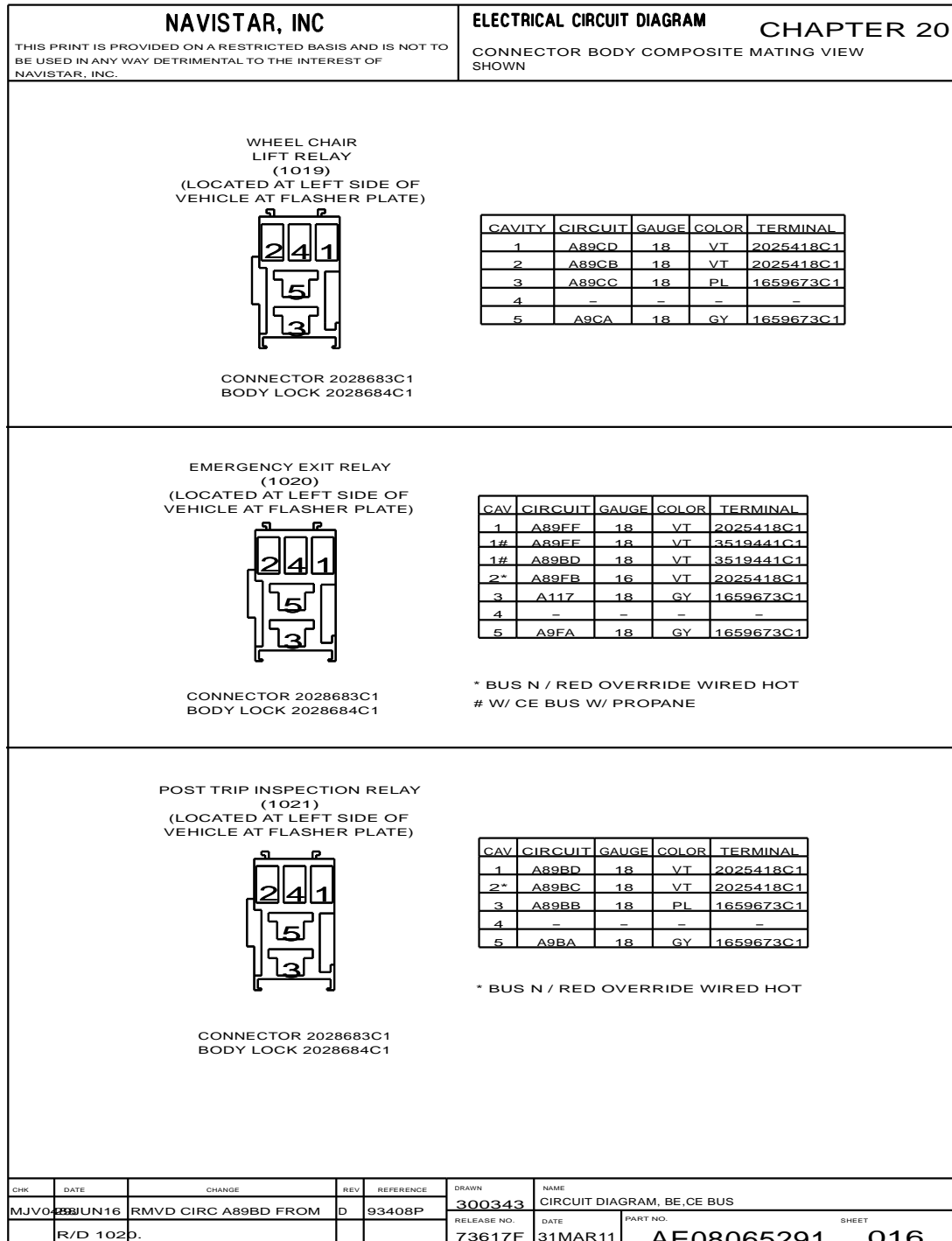


Figure 481 Connector Composites (1019, 1020, 1021)

20.19. CONNECTOR COMPOSITES (1022, 1023, 1023A, 1024, 1024A), P. 17

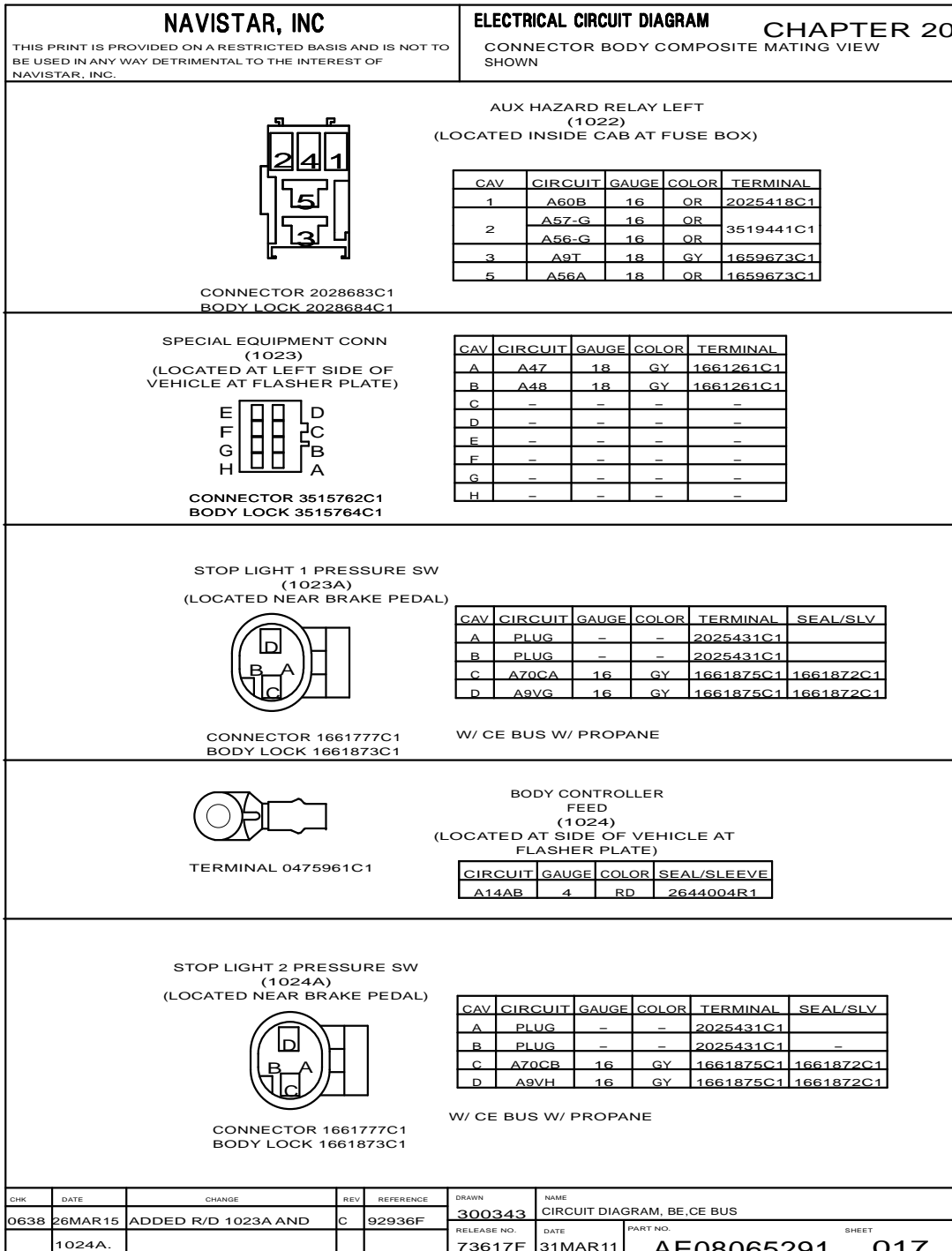


Figure 482 Connector Composites (1022, 1023, 1023A, 1024, 1024A)

20.20. CONNECTOR COMPOSITES (1025, 1026, 1028), P. 18

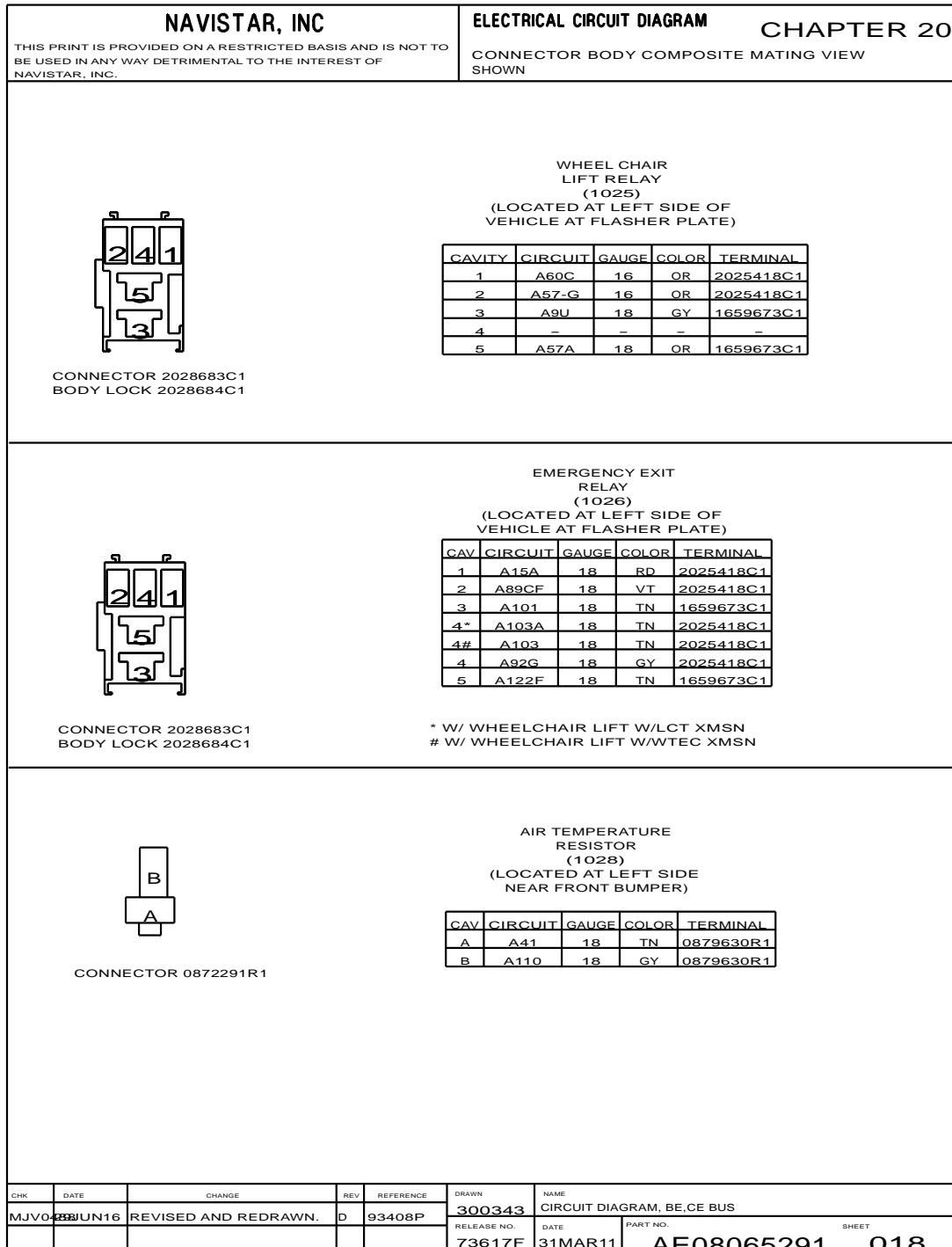


Figure 483 Connector Composites (1025, 1026, 1028)

20.21. CONNECTOR COMPOSITES (1029, 1029A, 1043A, 1044A, 1051), P. 19

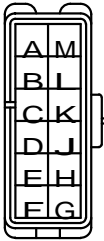
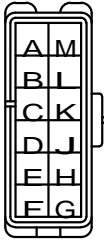
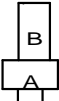
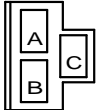
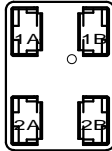
<p style="text-align: center;">NAVISTAR, INC</p> <p style="font-size: small;">THIS PRINT IS PROVIDED ON A RESTRICTED BASIS AND IS NOT TO BE USED IN ANY WAY DETRIMENTAL TO THE INTEREST OF NAVISTAR, INC.</p>	<p style="text-align: center;">ELECTRICAL CIRCUIT DIAGRAM</p> <p style="text-align: right;">CHAPTER 20</p> <p style="text-align: center;">CONNECTOR BODY COMPOSITE MATING VIEW SHOWN</p>																																																																																																																																												
<p style="text-align: center;">J1939 SPLICE (1029) (LOCATED NEAR DASH PANEL)</p>  <p style="text-align: center;">CONNECTOR 3601838C1 BODY LOCK 3601839C1</p> <table border="1" style="width:100%; border-collapse: collapse; font-size: x-small;"> <thead> <tr> <th>CAV</th><th>CIRCUIT</th><th>GAUGE</th><th>COLOR</th><th>TERMINAL</th></tr> </thead> <tbody> <tr><td>A</td><td>A5BB(-)</td><td>18</td><td>GN</td><td>3534164C1</td></tr> <tr><td>B*</td><td>A5D(-)</td><td>18</td><td>GN</td><td>3534164C1</td></tr> <tr><td>B#</td><td>A5C(-)</td><td>18</td><td>GN</td><td>3534164C1</td></tr> <tr><td>C</td><td>A5B(-)</td><td>18</td><td>GN</td><td>3534164C1</td></tr> <tr><td>D</td><td>A5B(-)</td><td>18</td><td>GN</td><td>3534164C1</td></tr> <tr><td>E</td><td>-</td><td>-</td><td>-</td><td>-</td></tr> <tr><td>F</td><td>A5D(-)</td><td>18</td><td>GN</td><td>3534164C1</td></tr> <tr><td>G</td><td>A5D(+)</td><td>18</td><td>YL</td><td>3534164C1</td></tr> <tr><td>H</td><td>-</td><td>-</td><td>-</td><td>-</td></tr> <tr><td>J</td><td>A5B(+)</td><td>18</td><td>YL</td><td>3534164C1</td></tr> <tr><td>K</td><td>A5B(+)</td><td>18</td><td>YL</td><td>3534164C1</td></tr> <tr><td>L*</td><td>A5D(+)</td><td>18</td><td>YL</td><td>3534164C1</td></tr> <tr><td>L#</td><td>A5C(+)</td><td>18</td><td>YL</td><td>3534164C1</td></tr> <tr><td>M</td><td>A5BA(+)</td><td>18</td><td>YL</td><td>3534164C1</td></tr> </tbody> </table> <p style="font-size: x-small;">* W/ LCT W/ GEN 4 # W/ AMBIENT TEMP AND COMPASS SENSORS</p>	CAV	CIRCUIT	GAUGE	COLOR	TERMINAL	A	A5BB(-)	18	GN	3534164C1	B*	A5D(-)	18	GN	3534164C1	B#	A5C(-)	18	GN	3534164C1	C	A5B(-)	18	GN	3534164C1	D	A5B(-)	18	GN	3534164C1	E	-	-	-	-	F	A5D(-)	18	GN	3534164C1	G	A5D(+)	18	YL	3534164C1	H	-	-	-	-	J	A5B(+)	18	YL	3534164C1	K	A5B(+)	18	YL	3534164C1	L*	A5D(+)	18	YL	3534164C1	L#	A5C(+)	18	YL	3534164C1	M	A5BA(+)	18	YL	3534164C1	<p style="text-align: center;">J1939 SPLICE W/4100 (1029A) (LOCATED NEAR DASH PANEL)</p>  <p style="text-align: center;">CONNECTOR 3601838C1 BODY LOCK 3601839C1</p> <table border="1" style="width:100%; border-collapse: collapse; font-size: x-small;"> <thead> <tr> <th>CAV</th><th>CIRCUIT</th><th>GAUGE</th><th>COLOR</th><th>TERMINAL</th></tr> </thead> <tbody> <tr><td>A</td><td>A5BC(-)</td><td>18</td><td>GN</td><td>3534164C1</td></tr> <tr><td>B</td><td>A5BD(-)</td><td>18</td><td>GN</td><td>3534164C1</td></tr> <tr><td>C</td><td>A5B(-)</td><td>18</td><td>GN</td><td>3534164C1</td></tr> <tr><td>D</td><td>A5B(-)</td><td>18</td><td>GN</td><td>3534164C1</td></tr> <tr><td>E</td><td>A5AH(-)</td><td>18</td><td>GN</td><td>3534164C1</td></tr> <tr><td>F</td><td>A5E(-)</td><td>18</td><td>GN</td><td>3534164C1</td></tr> <tr><td>G</td><td>A5E(+)</td><td>18</td><td>YL</td><td>3534164C1</td></tr> <tr><td>H</td><td>A5AH(+)</td><td>18</td><td>YL</td><td>3534164C1</td></tr> <tr><td>J</td><td>A5B(+)</td><td>18</td><td>YL</td><td>3534164C1</td></tr> <tr><td>K</td><td>A5B(+)</td><td>18</td><td>YL</td><td>3534164C1</td></tr> <tr><td>L</td><td>A5BD(+)</td><td>18</td><td>YL</td><td>3534164C1</td></tr> <tr><td>M</td><td>A5BC(+)</td><td>18</td><td>YL</td><td>3534164C1</td></tr> </tbody> </table>	CAV	CIRCUIT	GAUGE	COLOR	TERMINAL	A	A5BC(-)	18	GN	3534164C1	B	A5BD(-)	18	GN	3534164C1	C	A5B(-)	18	GN	3534164C1	D	A5B(-)	18	GN	3534164C1	E	A5AH(-)	18	GN	3534164C1	F	A5E(-)	18	GN	3534164C1	G	A5E(+)	18	YL	3534164C1	H	A5AH(+)	18	YL	3534164C1	J	A5B(+)	18	YL	3534164C1	K	A5B(+)	18	YL	3534164C1	L	A5BD(+)	18	YL	3534164C1	M	A5BC(+)	18	YL	3534164C1
CAV	CIRCUIT	GAUGE	COLOR	TERMINAL																																																																																																																																									
A	A5BB(-)	18	GN	3534164C1																																																																																																																																									
B*	A5D(-)	18	GN	3534164C1																																																																																																																																									
B#	A5C(-)	18	GN	3534164C1																																																																																																																																									
C	A5B(-)	18	GN	3534164C1																																																																																																																																									
D	A5B(-)	18	GN	3534164C1																																																																																																																																									
E	-	-	-	-																																																																																																																																									
F	A5D(-)	18	GN	3534164C1																																																																																																																																									
G	A5D(+)	18	YL	3534164C1																																																																																																																																									
H	-	-	-	-																																																																																																																																									
J	A5B(+)	18	YL	3534164C1																																																																																																																																									
K	A5B(+)	18	YL	3534164C1																																																																																																																																									
L*	A5D(+)	18	YL	3534164C1																																																																																																																																									
L#	A5C(+)	18	YL	3534164C1																																																																																																																																									
M	A5BA(+)	18	YL	3534164C1																																																																																																																																									
CAV	CIRCUIT	GAUGE	COLOR	TERMINAL																																																																																																																																									
A	A5BC(-)	18	GN	3534164C1																																																																																																																																									
B	A5BD(-)	18	GN	3534164C1																																																																																																																																									
C	A5B(-)	18	GN	3534164C1																																																																																																																																									
D	A5B(-)	18	GN	3534164C1																																																																																																																																									
E	A5AH(-)	18	GN	3534164C1																																																																																																																																									
F	A5E(-)	18	GN	3534164C1																																																																																																																																									
G	A5E(+)	18	YL	3534164C1																																																																																																																																									
H	A5AH(+)	18	YL	3534164C1																																																																																																																																									
J	A5B(+)	18	YL	3534164C1																																																																																																																																									
K	A5B(+)	18	YL	3534164C1																																																																																																																																									
L	A5BD(+)	18	YL	3534164C1																																																																																																																																									
M	A5BC(+)	18	YL	3534164C1																																																																																																																																									
<p style="text-align: center;">PARK BRAKE ALARM DIODE ASSY CONN (1043A) (LOCATED INSIDE CABIN HARNESS)</p>  <p style="text-align: center;">CONNECTOR 0872291R1</p> <table border="1" style="width:100%; border-collapse: collapse; font-size: x-small;"> <thead> <tr> <th>CAV</th><th>CIRCUIT</th><th>GAUGE</th><th>COLOR</th><th>TERMINAL</th></tr> </thead> <tbody> <tr><td>A</td><td>A79L</td><td>16</td><td>GY</td><td>0188396R1</td></tr> <tr><td>B</td><td>A79N</td><td>16</td><td>GY</td><td>0188396R1</td></tr> </tbody> </table> <p style="font-size: x-small;">W/ CE BUS W/ PROPANE</p>	CAV	CIRCUIT	GAUGE	COLOR	TERMINAL	A	A79L	16	GY	0188396R1	B	A79N	16	GY	0188396R1	<p style="text-align: center;">HYDROMAX DIODE (1044A) (LOCATED NEAR DASH PANEL)</p>  <p style="text-align: center;">CONNECTOR 0598839C1</p> <table border="1" style="width:100%; border-collapse: collapse; font-size: x-small;"> <thead> <tr> <th>CAV</th><th>CIRCUIT</th><th>GAUGE</th><th>COLOR</th><th>TERMINAL</th></tr> </thead> <tbody> <tr><td>A</td><td>A90D</td><td>18</td><td>GY</td><td>0333732C1</td></tr> <tr><td>B</td><td>A90H</td><td>16</td><td>GY</td><td>0333732C1</td></tr> <tr><td>C</td><td>A90F</td><td>18</td><td>GY</td><td>0333732C1</td></tr> </tbody> </table>	CAV	CIRCUIT	GAUGE	COLOR	TERMINAL	A	A90D	18	GY	0333732C1	B	A90H	16	GY	0333732C1	C	A90F	18	GY	0333732C1																																																																																																									
CAV	CIRCUIT	GAUGE	COLOR	TERMINAL																																																																																																																																									
A	A79L	16	GY	0188396R1																																																																																																																																									
B	A79N	16	GY	0188396R1																																																																																																																																									
CAV	CIRCUIT	GAUGE	COLOR	TERMINAL																																																																																																																																									
A	A90D	18	GY	0333732C1																																																																																																																																									
B	A90H	16	GY	0333732C1																																																																																																																																									
C	A90F	18	GY	0333732C1																																																																																																																																									
<table border="1" style="width:100%; border-collapse: collapse; font-size: x-small;"> <thead> <tr> <th>CAV</th><th>CIRCUIT</th><th>GAUGE</th><th>CIRCUIT</th><th>TERMINAL</th></tr> </thead> <tbody> <tr><td>1A</td><td>A122A</td><td>18</td><td>GY</td><td>1661224C1</td></tr> <tr><td>1B</td><td>A122B</td><td>18</td><td>GY</td><td>1661224C1</td></tr> <tr><td>2A</td><td>-</td><td>-</td><td>-</td><td>-</td></tr> <tr><td>2B</td><td>-</td><td>-</td><td>-</td><td>-</td></tr> </tbody> </table>	CAV	CIRCUIT	GAUGE	CIRCUIT	TERMINAL	1A	A122A	18	GY	1661224C1	1B	A122B	18	GY	1661224C1	2A	-	-	-	-	2B	-	-	-	-	<p style="text-align: center;">1/2 INCH LIFT INDICATOR (1051) (LOCATED NEAR DASH PANEL)</p>  <p style="text-align: center;">CONNECTOR 2206669C1</p>																																																																																																																			
CAV	CIRCUIT	GAUGE	CIRCUIT	TERMINAL																																																																																																																																									
1A	A122A	18	GY	1661224C1																																																																																																																																									
1B	A122B	18	GY	1661224C1																																																																																																																																									
2A	-	-	-	-																																																																																																																																									
2B	-	-	-	-																																																																																																																																									
<table border="1" style="width:100%; border-collapse: collapse;"> <tr> <th>CHK</th><th>DATE</th><th>CHANGE</th><th>REV</th><th>REFERENCE</th><th>DRAWN</th><th>NAME</th></tr> <tr> <td>0638</td><td>02JUL15</td><td>ADDED R/D 1029A, RMVD</td><td>D</td><td>92974F</td><td>300343</td><td>CIRCUIT DIAGRAM, BE,CE BUS</td></tr> <tr> <td></td><td></td><td>CIRC A5T(-)FROM R/D 1029.</td><td></td><td></td><td>RELEASE NO. 73617F</td><td>DATE 31MAR11 PART NO. AE08065291 SHEET 019</td></tr> </table>					CHK	DATE	CHANGE	REV	REFERENCE	DRAWN	NAME	0638	02JUL15	ADDED R/D 1029A, RMVD	D	92974F	300343	CIRCUIT DIAGRAM, BE,CE BUS			CIRC A5T(-)FROM R/D 1029.			RELEASE NO. 73617F	DATE 31MAR11 PART NO. AE08065291 SHEET 019																																																																																																																				
CHK	DATE	CHANGE	REV	REFERENCE	DRAWN	NAME																																																																																																																																							
0638	02JUL15	ADDED R/D 1029A, RMVD	D	92974F	300343	CIRCUIT DIAGRAM, BE,CE BUS																																																																																																																																							
		CIRC A5T(-)FROM R/D 1029.			RELEASE NO. 73617F	DATE 31MAR11 PART NO. AE08065291 SHEET 019																																																																																																																																							

Figure 484 Connector Composites (1029, 1029A, 1043A, 1044A, 1051)

20.22. CONNECTOR COMPOSITES (1051A, 1051B, 1052, 1053, 1060, 1060A, 1062), P. 20

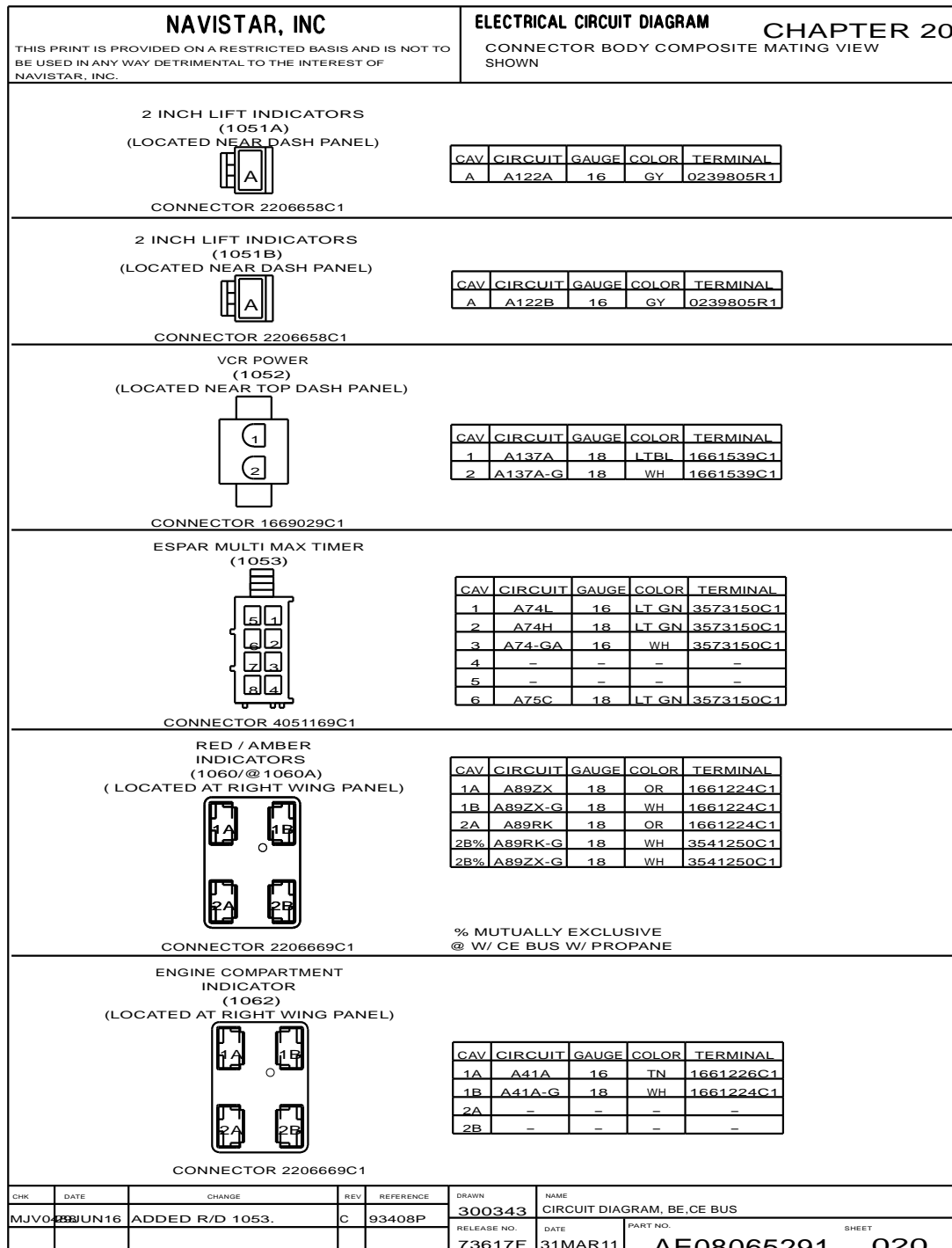


Figure 485 Connector Composites (1051A, 1051B, 1052, 1053, 1060, 1060A, 1062)

20.23. CONNECTOR COMPOSITES (1099, 1099A, 1099C, 1099D), P. 21

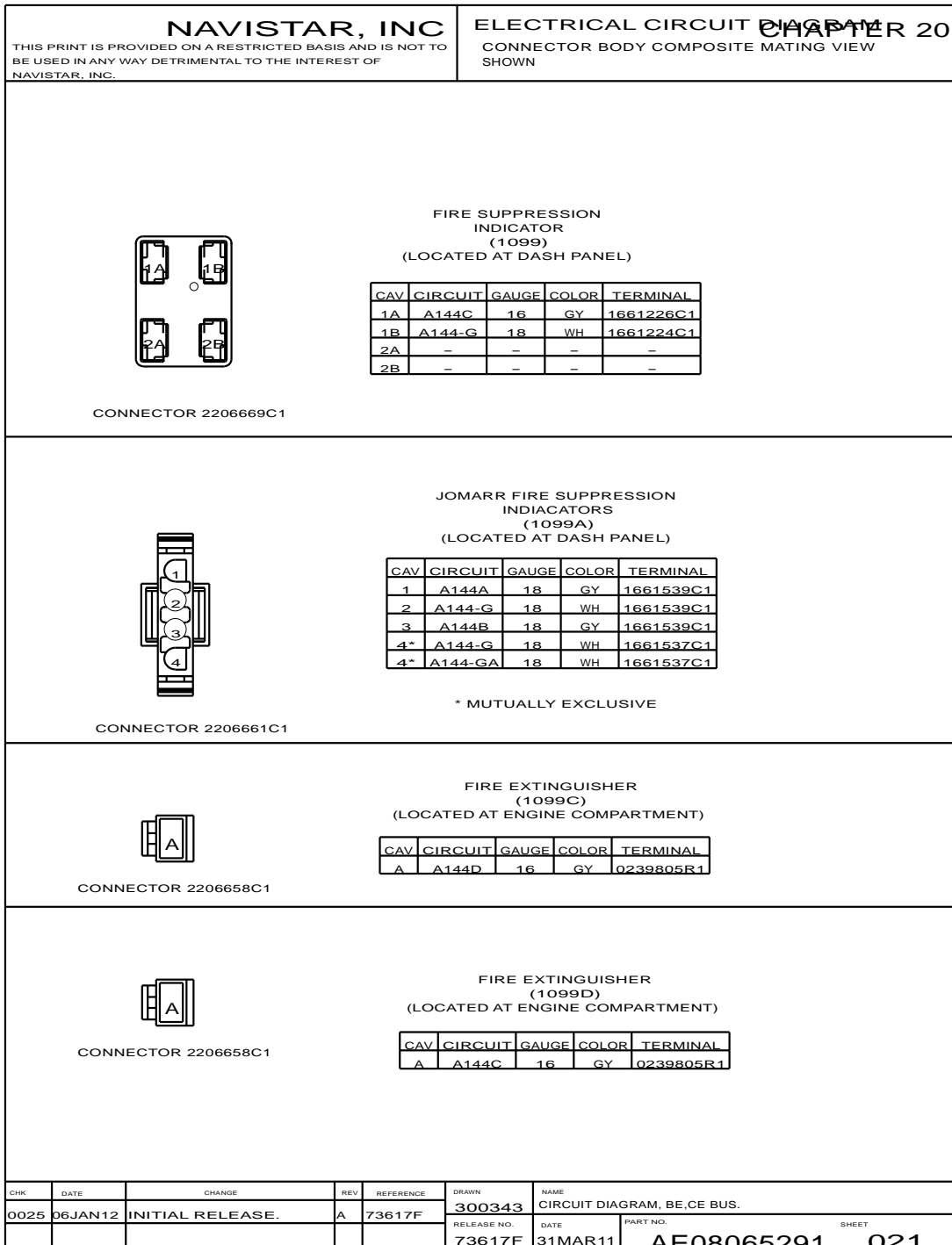


Figure 486 Connector Composites (1099, 1099A, 1099C, 1099D)

20.24. CONNECTOR COMPOSITES (1100, 1101, 1104, 1104A, 1105M, 1109, 1109A), P. 22

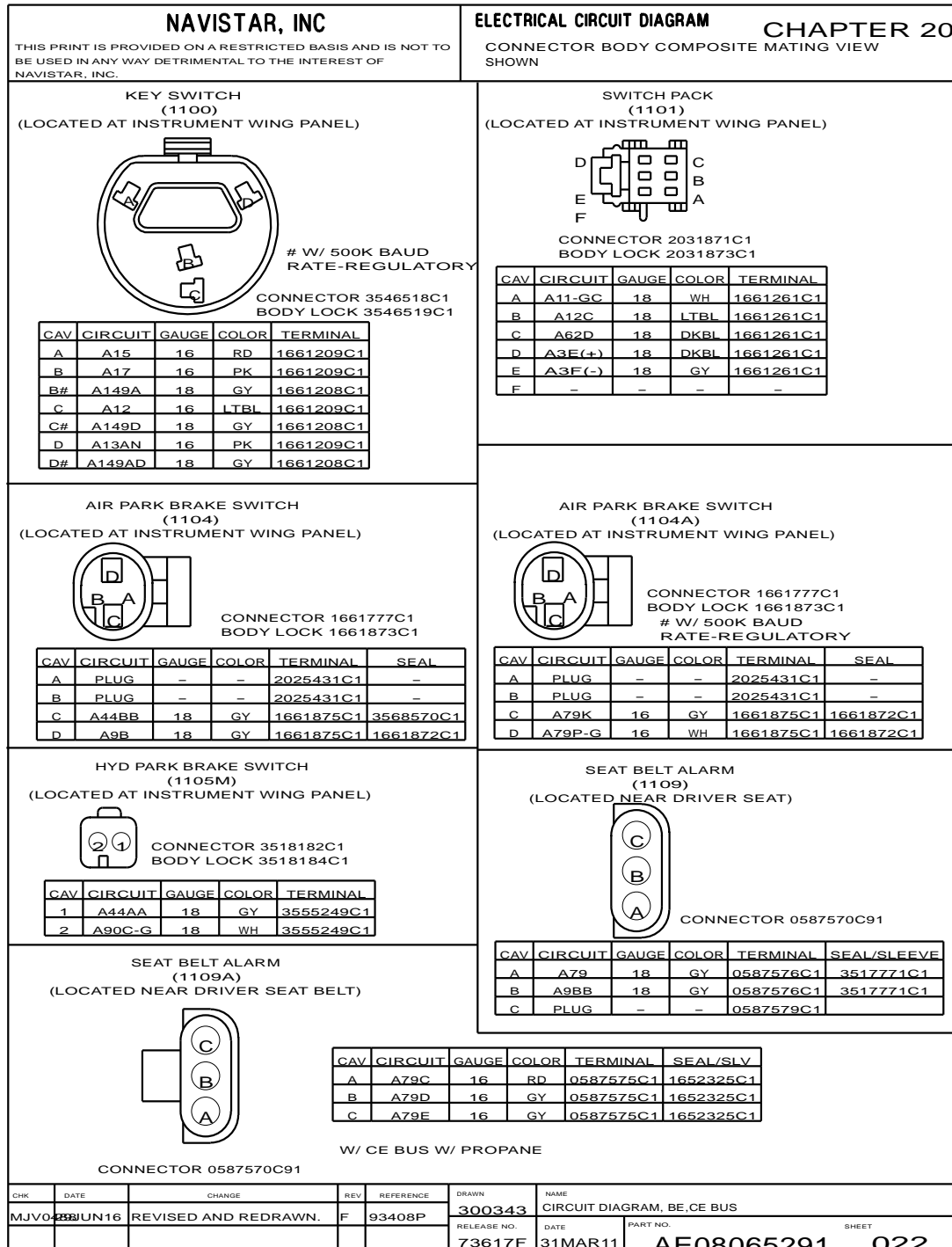


Figure 487 Connector Composites (1100, 1101, 1104, 1104A, 1105M, 1109, 1109A)

20.25. CONNECTOR COMPOSITES (1104A, 1105M, 1109, 1109A), P. 22A



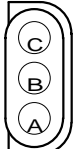
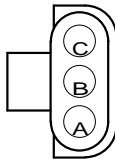
NAVISTAR, INC				ELECTRICAL CIRCUIT DIAGRAM				CHAPTER 20																																	
THIS PRINT IS PROVIDED ON A RESTRICTED BASIS AND IS NOT TO BE USED IN ANY WAY DETRIMENTAL TO THE INTEREST OF NAVISTAR, INC.				CONNECTOR BODY COMPOSITE MATING VIEW SHOWN																																					
<p>AIR PARK BRAKE (1104A) (LOCATED AT OUTSIDE LEFT SIDE DASH PANEL)</p>  <table border="1" style="margin-left: auto; margin-right: auto; font-size: x-small;"> <thead> <tr><th>CAV</th><th>CIRCUIT</th><th>GAUGE</th><th>COLOR</th><th>TERMINAL</th><th>SEAL/SLV</th></tr> </thead> <tbody> <tr><td>A</td><td>PLUG</td><td>-</td><td>-</td><td>2025431C1</td><td></td></tr> <tr><td>B</td><td>PLUG</td><td>-</td><td>-</td><td>2025431C1</td><td></td></tr> <tr><td>C</td><td>A79K</td><td>16</td><td>GY</td><td>1661875C1</td><td>1661872C1</td></tr> <tr><td>D</td><td>A79P-G</td><td>16</td><td>WH</td><td>1661875C1</td><td>1661872C1</td></tr> </tbody> </table> <p style="text-align: center;">CONNECTOR 1661777C1 BODY LOCK 1661873C1</p> <p style="text-align: center;">W/ CE BUS W/ PROPANE</p>												CAV	CIRCUIT	GAUGE	COLOR	TERMINAL	SEAL/SLV	A	PLUG	-	-	2025431C1		B	PLUG	-	-	2025431C1		C	A79K	16	GY	1661875C1	1661872C1	D	A79P-G	16	WH	1661875C1	1661872C1
CAV	CIRCUIT	GAUGE	COLOR	TERMINAL	SEAL/SLV																																				
A	PLUG	-	-	2025431C1																																					
B	PLUG	-	-	2025431C1																																					
C	A79K	16	GY	1661875C1	1661872C1																																				
D	A79P-G	16	WH	1661875C1	1661872C1																																				
<p>HYD PARK BRAKE SWITCH (1105M) (LOCATED AT INSTRUMENT WING PANEL)</p>  <table border="1" style="margin-left: auto; margin-right: auto; font-size: x-small;"> <thead> <tr><th>CAV</th><th>CIRCUIT</th><th>GAUGE</th><th>COLOR</th><th>TERMINAL</th></tr> </thead> <tbody> <tr><td>1</td><td>A44AA</td><td>18</td><td>GY</td><td>3555249C1</td></tr> <tr><td>2</td><td>A90C-G</td><td>18</td><td>WH</td><td>3555249C1</td></tr> </tbody> </table> <p style="text-align: center;">CONNECTOR 3518182C1 BODY LOCK 3518184C1</p>												CAV	CIRCUIT	GAUGE	COLOR	TERMINAL	1	A44AA	18	GY	3555249C1	2	A90C-G	18	WH	3555249C1															
CAV	CIRCUIT	GAUGE	COLOR	TERMINAL																																					
1	A44AA	18	GY	3555249C1																																					
2	A90C-G	18	WH	3555249C1																																					
<p>SEAT BELT ALARM (1109) (LOCATED NEAR DRIVER SEAT)</p>  <table border="1" style="margin-left: auto; margin-right: auto; font-size: x-small;"> <thead> <tr><th>CAV</th><th>CIRCUIT</th><th>GAUGE</th><th>COLOR</th><th>TERMINAL</th><th>SEAL/SLEEVE</th></tr> </thead> <tbody> <tr><td>A</td><td>A79</td><td>18</td><td>GY</td><td>0587576C1</td><td>3517771C1</td></tr> <tr><td>B</td><td>A9BB</td><td>18</td><td>GY</td><td>0587576C1</td><td>3517771C1</td></tr> <tr><td>C</td><td>PLUG</td><td>-</td><td>-</td><td>-</td><td>0587579C1</td></tr> </tbody> </table> <p style="text-align: center;">CONNECTOR 0587570C91</p>												CAV	CIRCUIT	GAUGE	COLOR	TERMINAL	SEAL/SLEEVE	A	A79	18	GY	0587576C1	3517771C1	B	A9BB	18	GY	0587576C1	3517771C1	C	PLUG	-	-	-	0587579C1						
CAV	CIRCUIT	GAUGE	COLOR	TERMINAL	SEAL/SLEEVE																																				
A	A79	18	GY	0587576C1	3517771C1																																				
B	A9BB	18	GY	0587576C1	3517771C1																																				
C	PLUG	-	-	-	0587579C1																																				
<p>SEAT BELT ALARM (1109A) (LOCATED NEAR DRIVER SEAT BELT)</p>  <table border="1" style="margin-left: auto; margin-right: auto; font-size: x-small;"> <thead> <tr><th>CAV</th><th>CIRCUIT</th><th>GAUGE</th><th>COLOR</th><th>TERMINAL</th><th>SEAL/SLV</th></tr> </thead> <tbody> <tr><td>A</td><td>A79C</td><td>16</td><td>RD</td><td>0587575C1</td><td>1652325C1</td></tr> <tr><td>B</td><td>A79D</td><td>16</td><td>GY</td><td>0587575C1</td><td>1652325C1</td></tr> <tr><td>C</td><td>A79E</td><td>16</td><td>GY</td><td>0587575C1</td><td>1652325C1</td></tr> </tbody> </table> <p style="text-align: center;">CONNECTOR 0587570C91</p> <p style="text-align: center;">W/ CE BUS W/ PROPANE</p>												CAV	CIRCUIT	GAUGE	COLOR	TERMINAL	SEAL/SLV	A	A79C	16	RD	0587575C1	1652325C1	B	A79D	16	GY	0587575C1	1652325C1	C	A79E	16	GY	0587575C1	1652325C1						
CAV	CIRCUIT	GAUGE	COLOR	TERMINAL	SEAL/SLV																																				
A	A79C	16	RD	0587575C1	1652325C1																																				
B	A79D	16	GY	0587575C1	1652325C1																																				
C	A79E	16	GY	0587575C1	1652325C1																																				
CHK	DATE	CHANGE	REV	REFERENCE	DRAWN	NAME																																			
0638	26MAR15	INITIAL RELEASE.	A	92936F	MJV0370	CIRCUIT DIAGRAM, BE,CE BUS																																			
RELEASE NO.		DATE		PART NO.		SHEET																																			
92936F		13DEC14		AE08065291		22A																																			

Figure 488 Connector Composites (1104A, 1105M, 1109, 1109A)

20.26. CONNECTOR COMPOSITES (1135, 1135A, 1136), P. 23

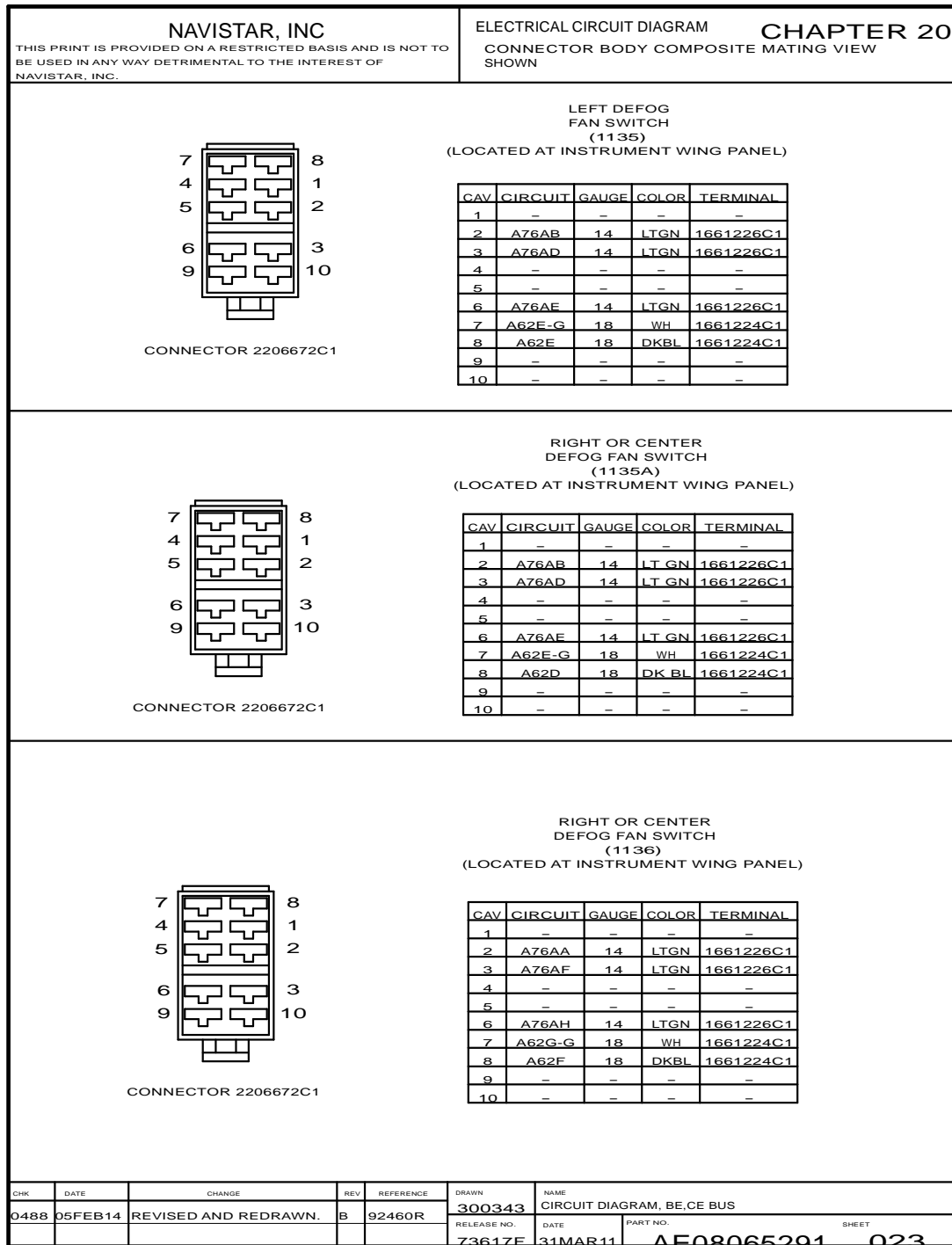
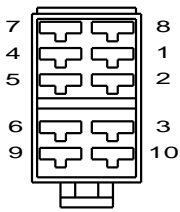


Figure 489 Connector Composites (1135, 1135A, 1136)

20.27. CONNECTOR COMPOSITES (1136A, 1137, 1138), P. 24

NAVISTAR, INC				ELECTRICAL CIRCUIT DIAGRAM				CHAPTER 20			
THIS PRINT IS PROVIDED ON A RESTRICTED BASIS AND IS NOT TO BE USED IN ANY WAY DETRIMENTAL TO THE INTEREST OF NAVISTAR, INC.				CONNECTOR BODY COMPOSITE MATING VIEW SHOWN							

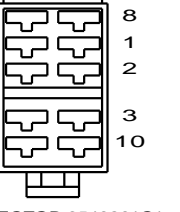
RIGHT HAND DEFOG FAN SWITCH
(1136A)
(LOCATED AT INSTRUMENT WING PANEL)



CONNECTOR 2206672C1

CAV	CIRCUIT	GAUGE	COLOR	TERMINAL
1	-	-	-	-
2	A76AA	14	LT GN	1661226C1
3	A76AF	14	LT GN	1661226C1
4	-	-	-	-
5	-	-	-	-
6	A76AH	14	LT GN	1661226C1
7	A62E-G	18	WH	1661224C1
8	A62E	18	DK BL	1661224C1
9	-	-	-	-
10	-	-	-	-

RH MASTER FLASHER SWITCH
(1137)
(LOCATED AT INSTRUMENT WING PANEL)

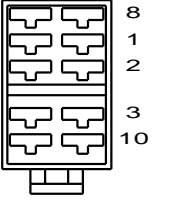


CONNECTOR 3546261C1

CAV	CIRCUIT	GAUGE	COLOR	TERMINAL
1	-	-	-	-
2	A89A	18	OR	1661224C1
3	-	-	-	-
4	-	-	-	-
5	A89KK	18	OR	1661224C1
5	A123H	18	GY	3541250C1
5	A123K	18	GY	3541250C1
6	A9W	18	GY	1661224C1
7	A62R-G	18	WH	1661224C1
8	A62R	18	DK BL	1661224C1
9	-	-	-	-
10	-	-	-	-

W/ CE BUS W/ PROPANE

FLASHER START SWITCH
(1138)
(LOCATED AT INSTRUMENT WING PANEL)



CONNECTOR 2206672C1

CAV	CIRCUIT	GAUGE	COLOR	TERMINAL
1	-	-	-	-
2	-	-	-	-
3	-	-	-	-
4	-	-	-	-
5	A9X	18	GY	1661224C1
6	A89H	18	OR	1661224C1
7	A62S-G	18	WH	1661224C1
8	A62S	18	DKBL	1661224C1
9	-	-	-	-
10	-	-	-	-

CHK	DATE	CHANGE	REV	REFERENCE	DRAWN	NAME
					300343	CIRCUIT DIAGRAM, BE, CE BUS
MJVO	16 JUN 16	REVISED AND REDRAWN.	E	93408P	RELEASE NO.	DATE
					73617F	31 MAR 11
						PART NO.
						AE08065291
						SHEET
						024

Figure 490 Connector Composites (1136A, 1137, 1138)

20.28. CONNECTOR COMPOSITES (1139, 1140), P. 24A

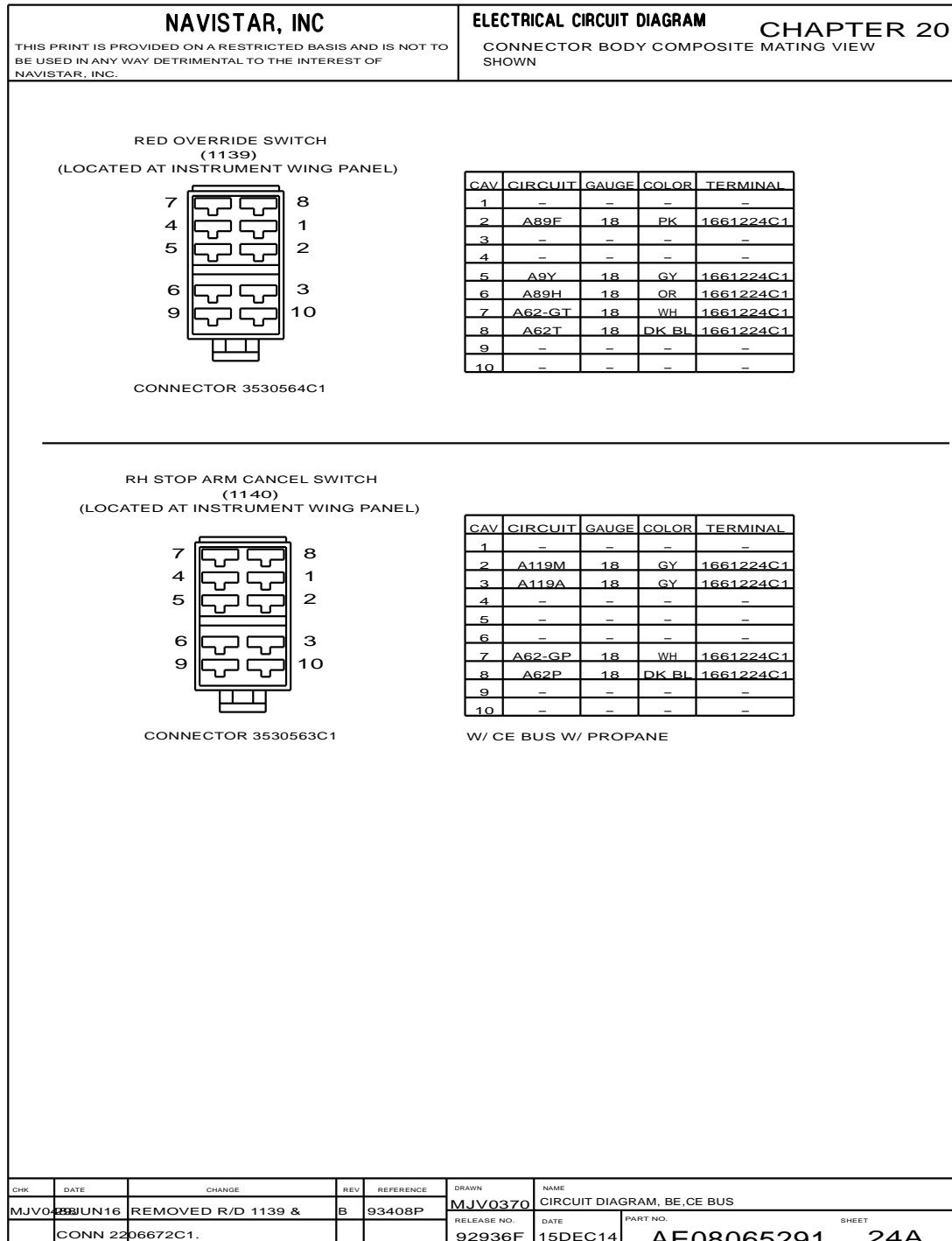


Figure 491 Connector Composites (1139, 1140)

20.29. CONNECTOR COMPOSITES (1140, 1145, 1146), P. 25

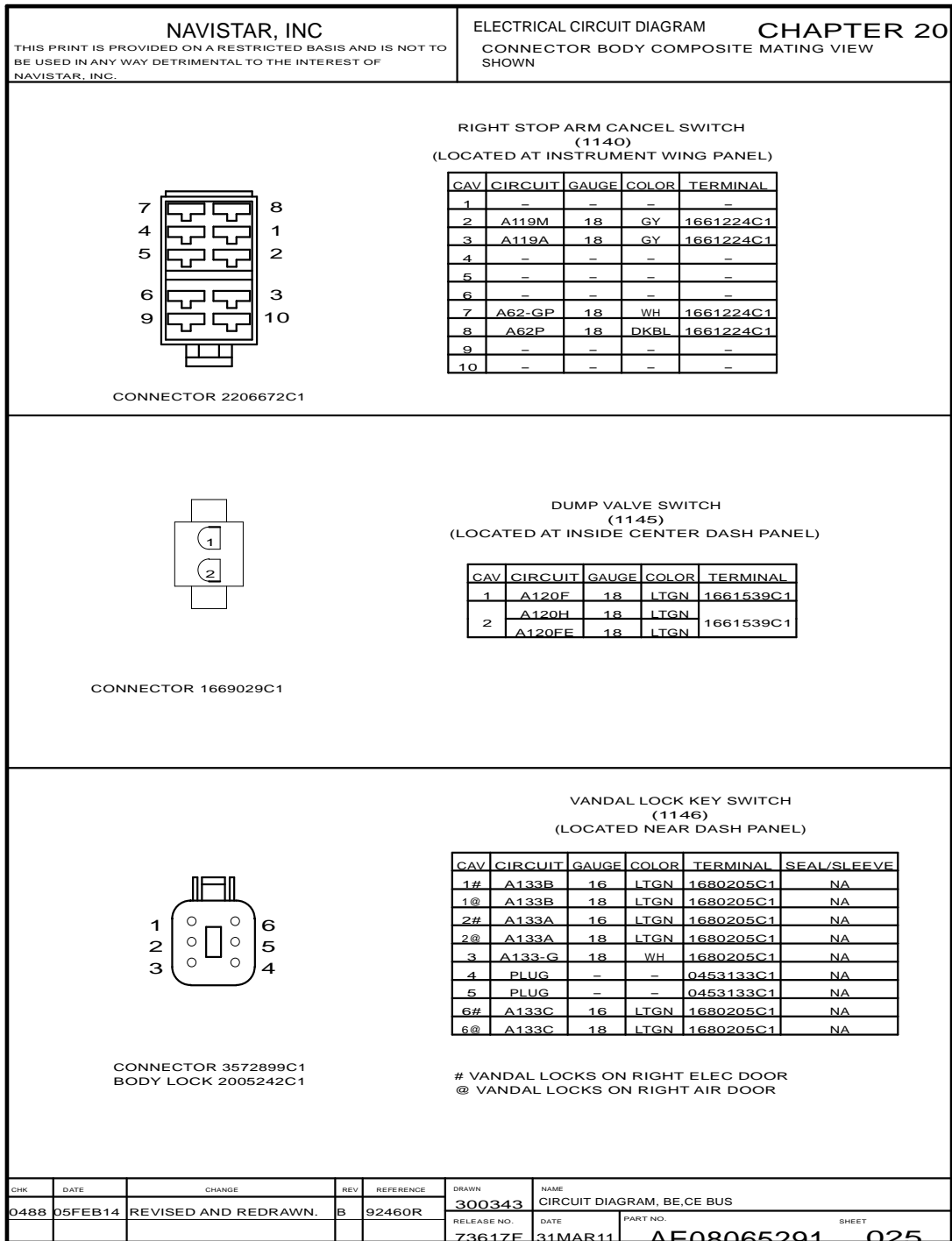


Figure 492 Connector Composites (1140, 1145, 1146)

20.30. CONNECTOR COMPOSITES (1146A, 1146B, 1147, 1148, 1148A, 1200), P. 26

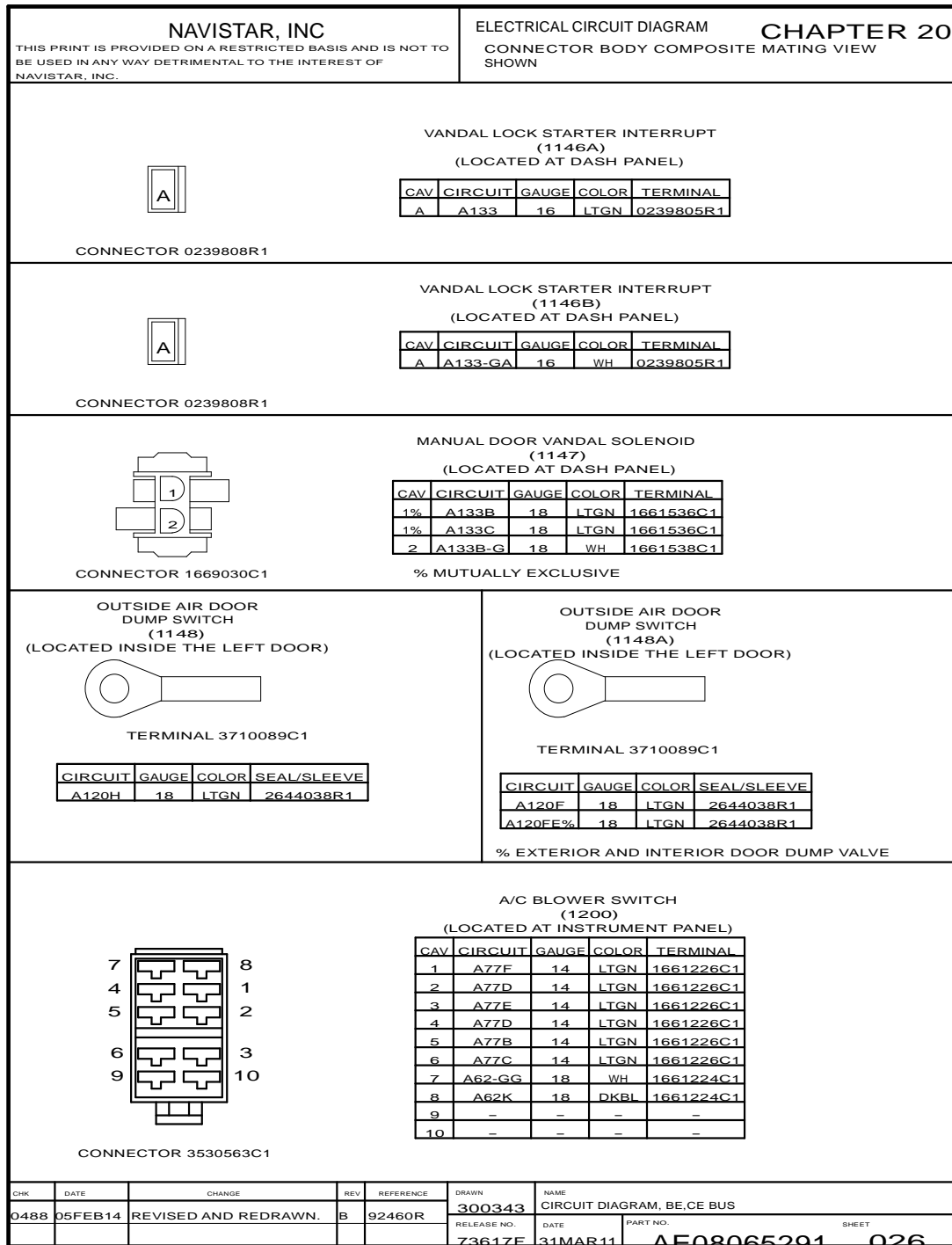


Figure 493 Connector Composites (1146A, 1146B, 1147, 1148, 1148A, 1200)

20.31. CONNECTOR COMPOSITES (1201, 1202, 1203), P. 27

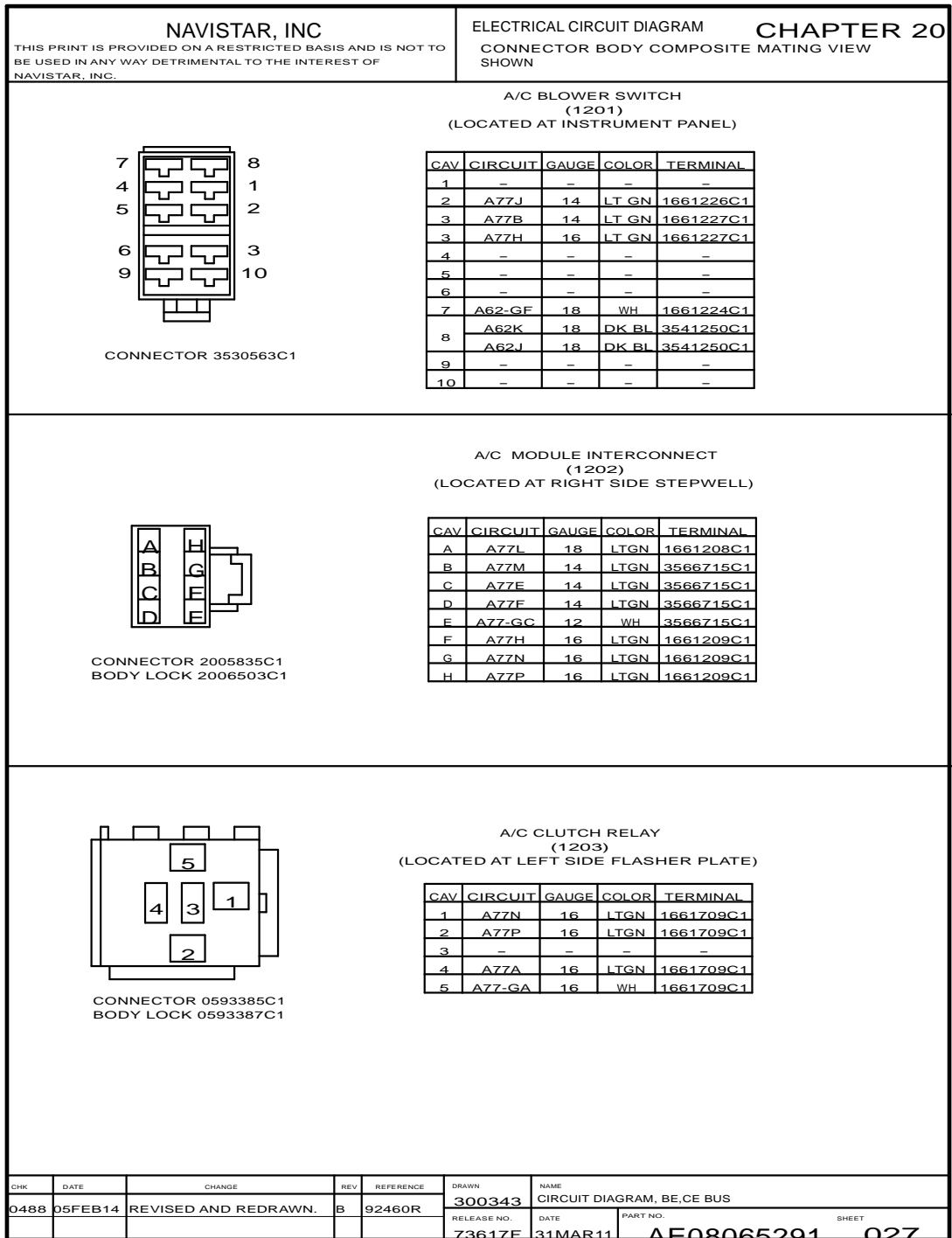


Figure 494 Connector Composites (1201, 1202, 1203)

20.32. CONNECTOR COMPOSITES (1204, 1205), P. 28

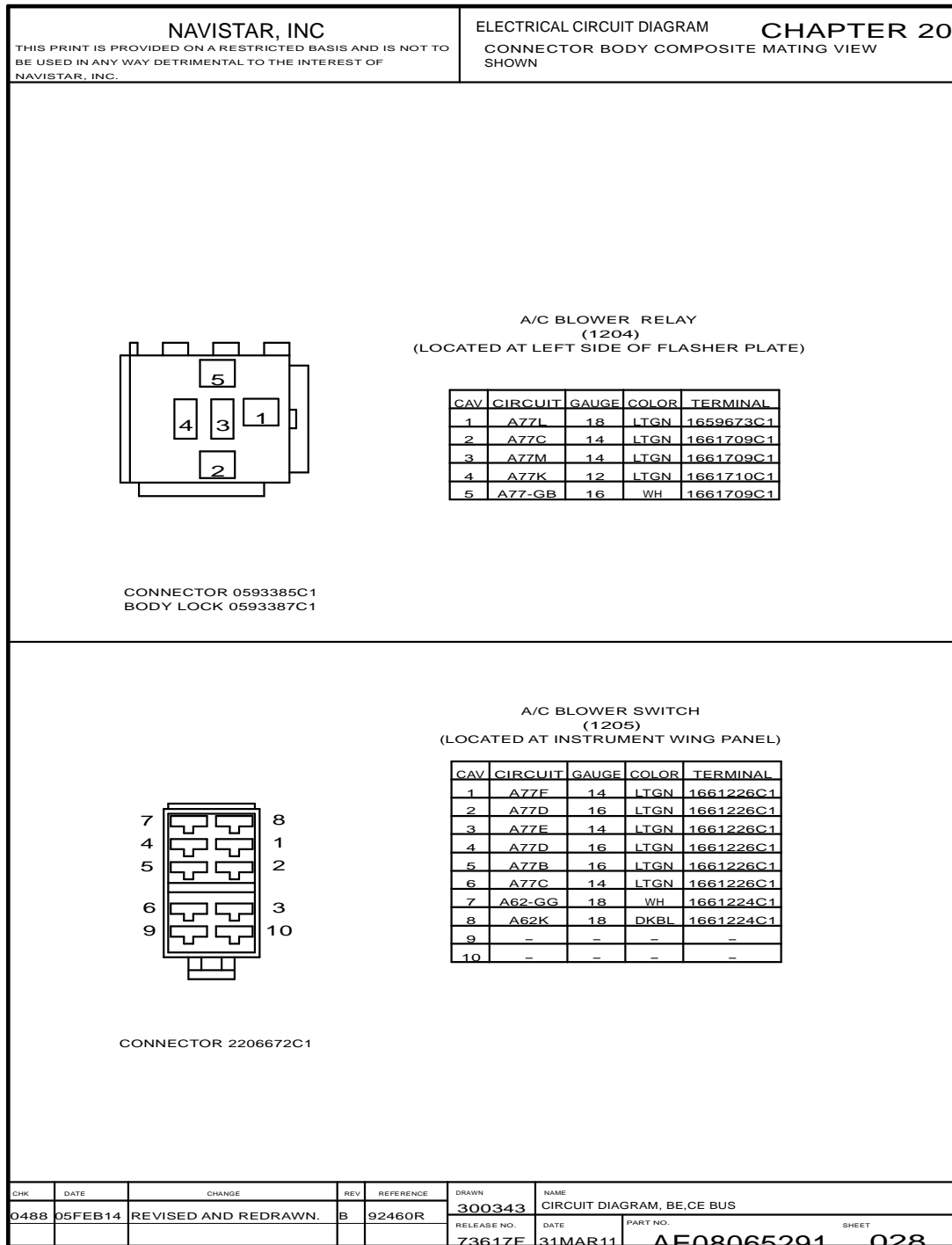


Figure 495 Connector Composites (1204, 1205)

20.33. CONNECTOR COMPOSITES (1206, 1300, 1301), P. 29

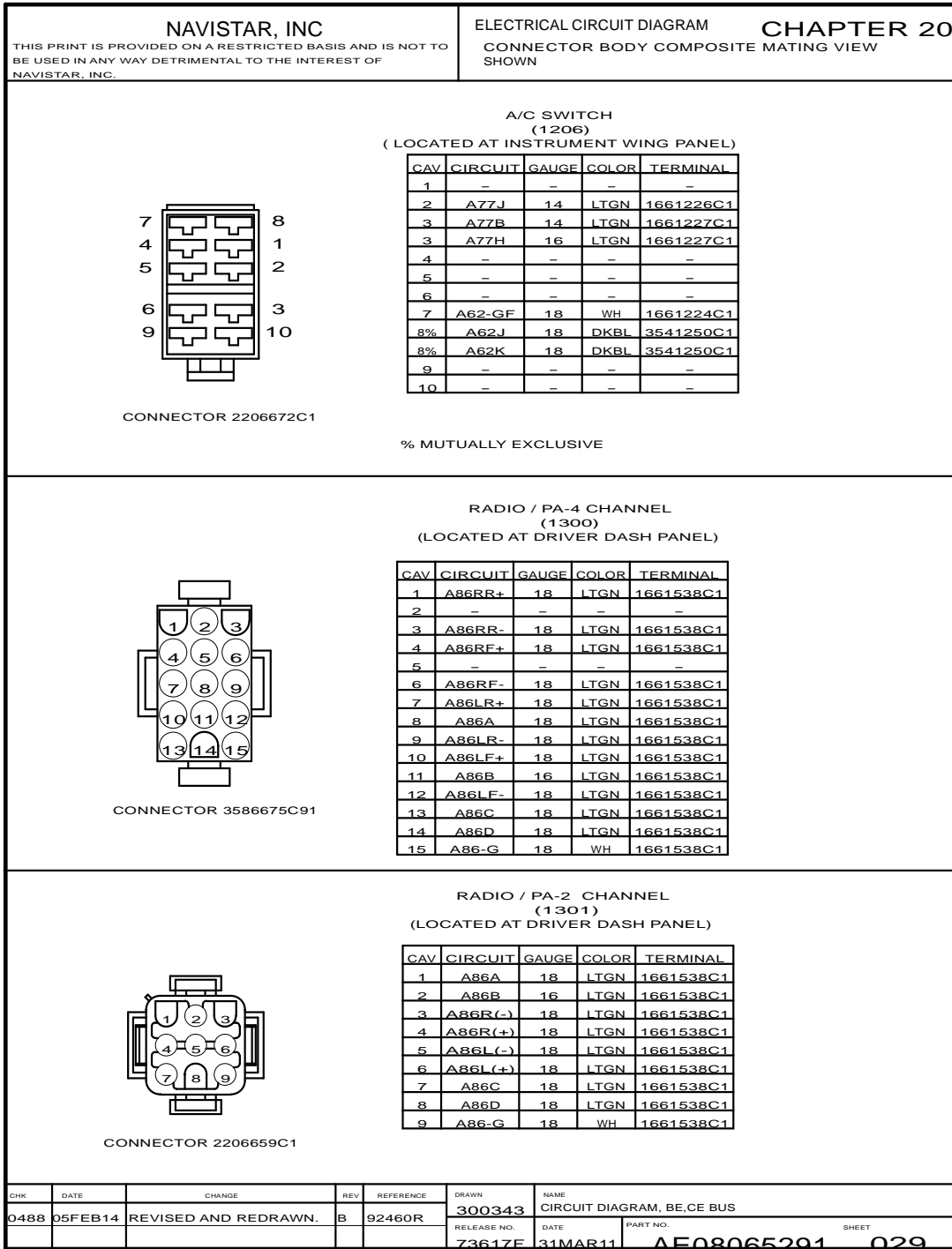


Figure 496 Connector Composites (1206, 1300, 1301)

20.34. CONNECTOR COMPOSITES (1400, 1401, 1402), P. 30

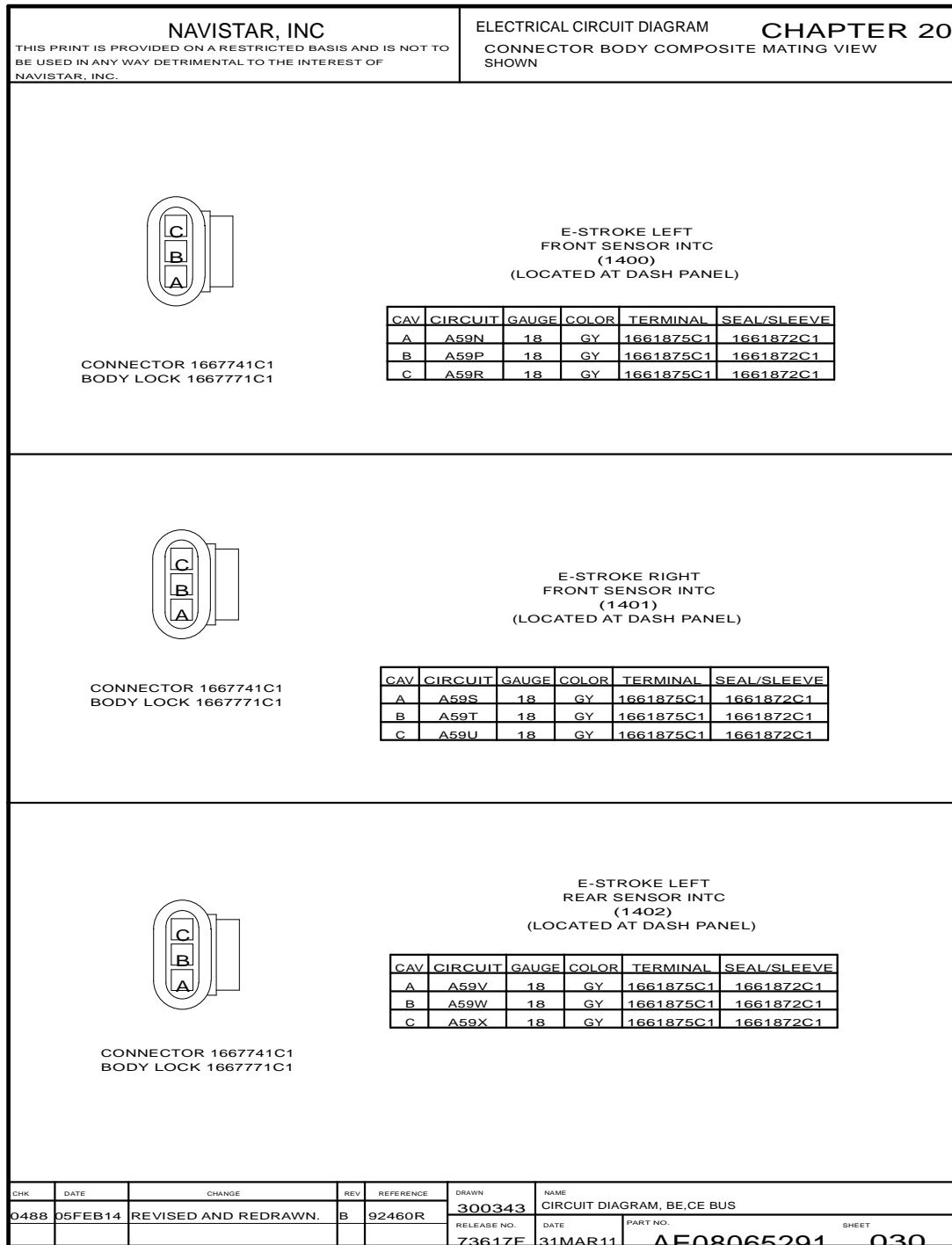


Figure 497 Connector Composites (1400, 1401, 1402)

20.35. CONNECTOR COMPOSITES (1403, 1404), P. 31

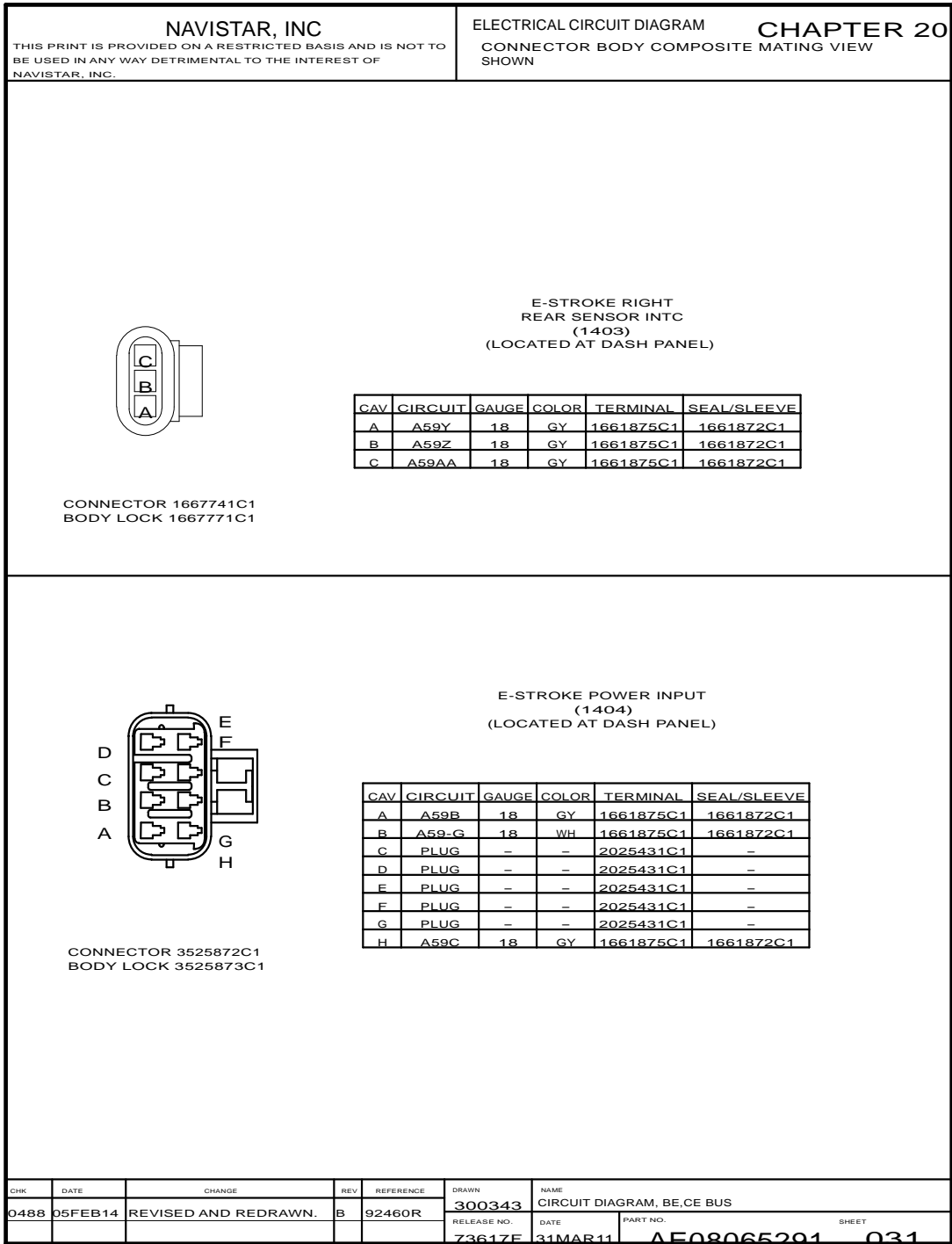


Figure 498 Connector Composites (1403, 1404)

20.36. CONNECTOR COMPOSITES (1500, 1501, 1505), P. 32

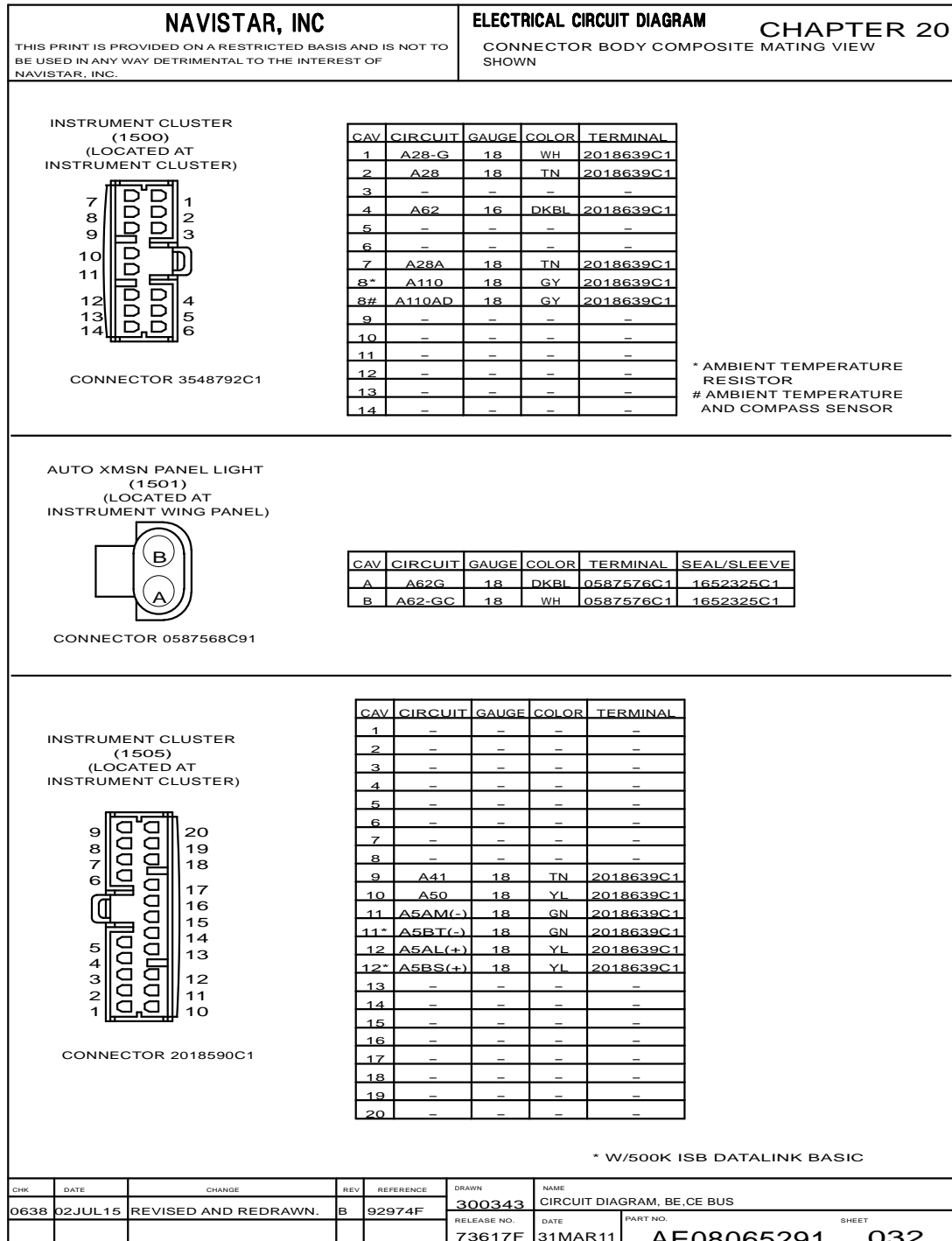


Figure 499 Connector Composites (1500, 1501, 1505)

20.37. CONNECTOR COMPOSITES (1531, 1555, 1556), P. 33

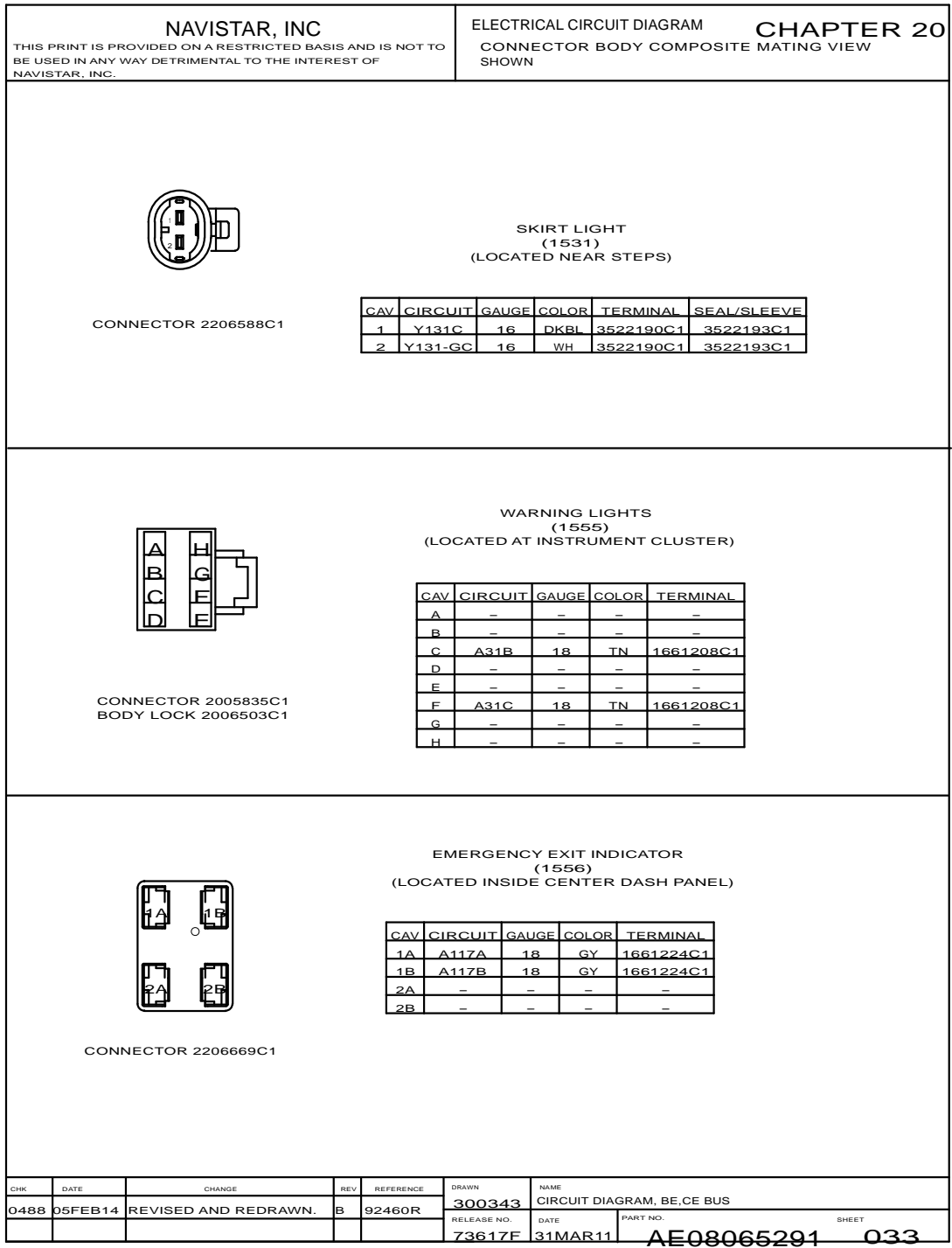


Figure 500 Connector Composites (1531, 1555, 1556)

20.38. CONNECTOR COMPOSITES (1600), P. 34

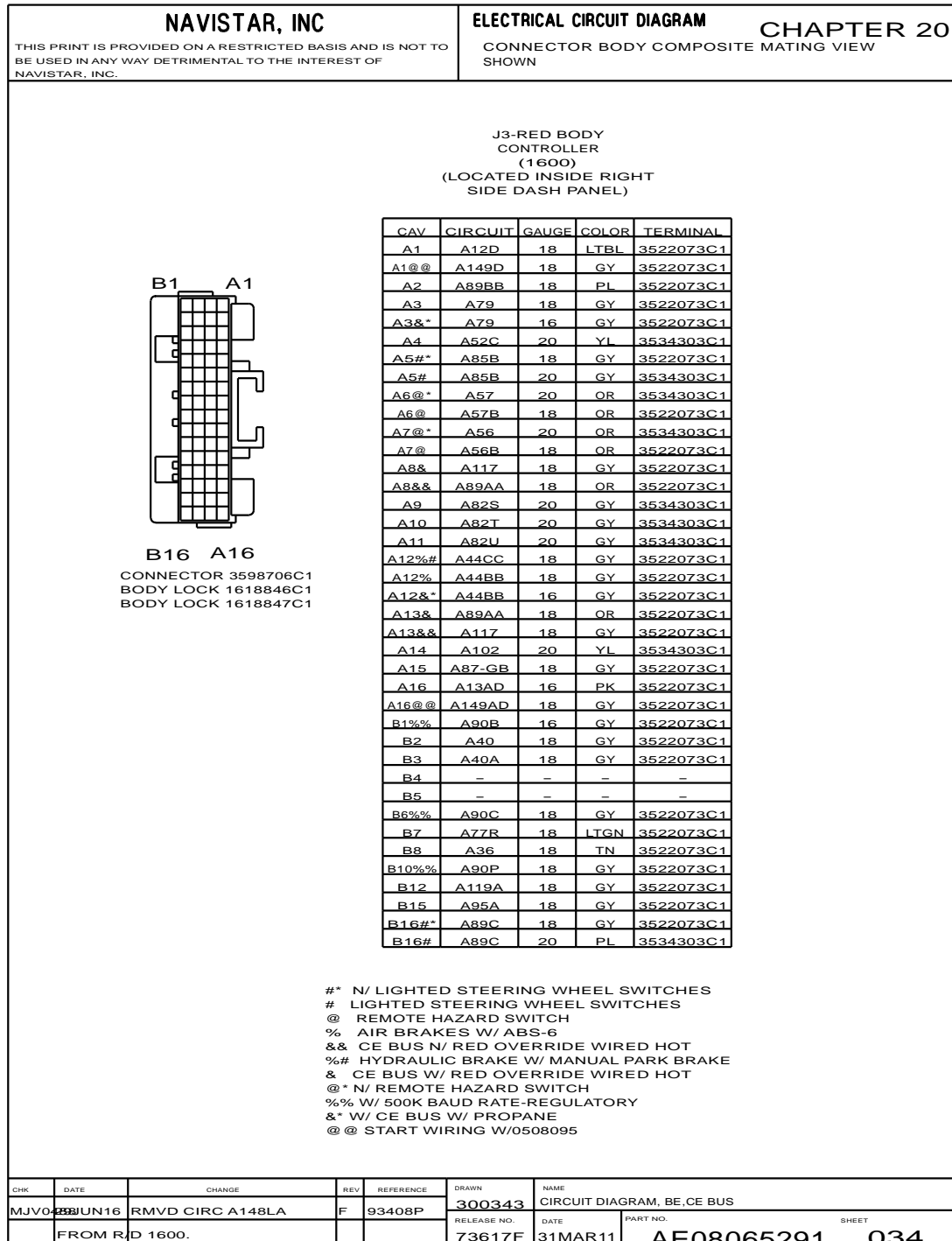


Figure 501 Connector Composites (1600)

20.39. CONNECTOR COMPOSITES (1601), P. 35

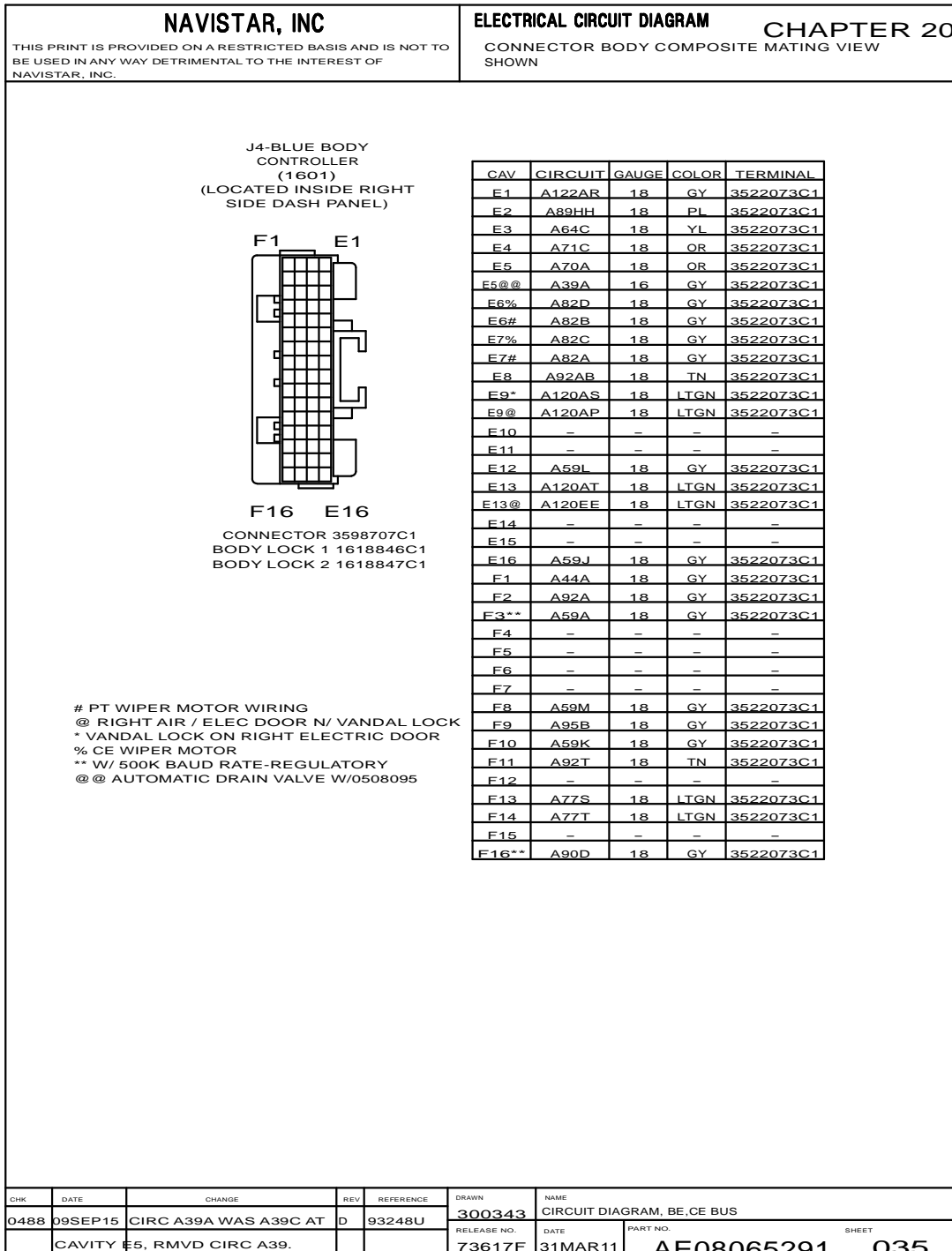


Figure 502 Connector Composites (1601)

20.40. CONNECTOR COMPOSITES (1602), P. 36

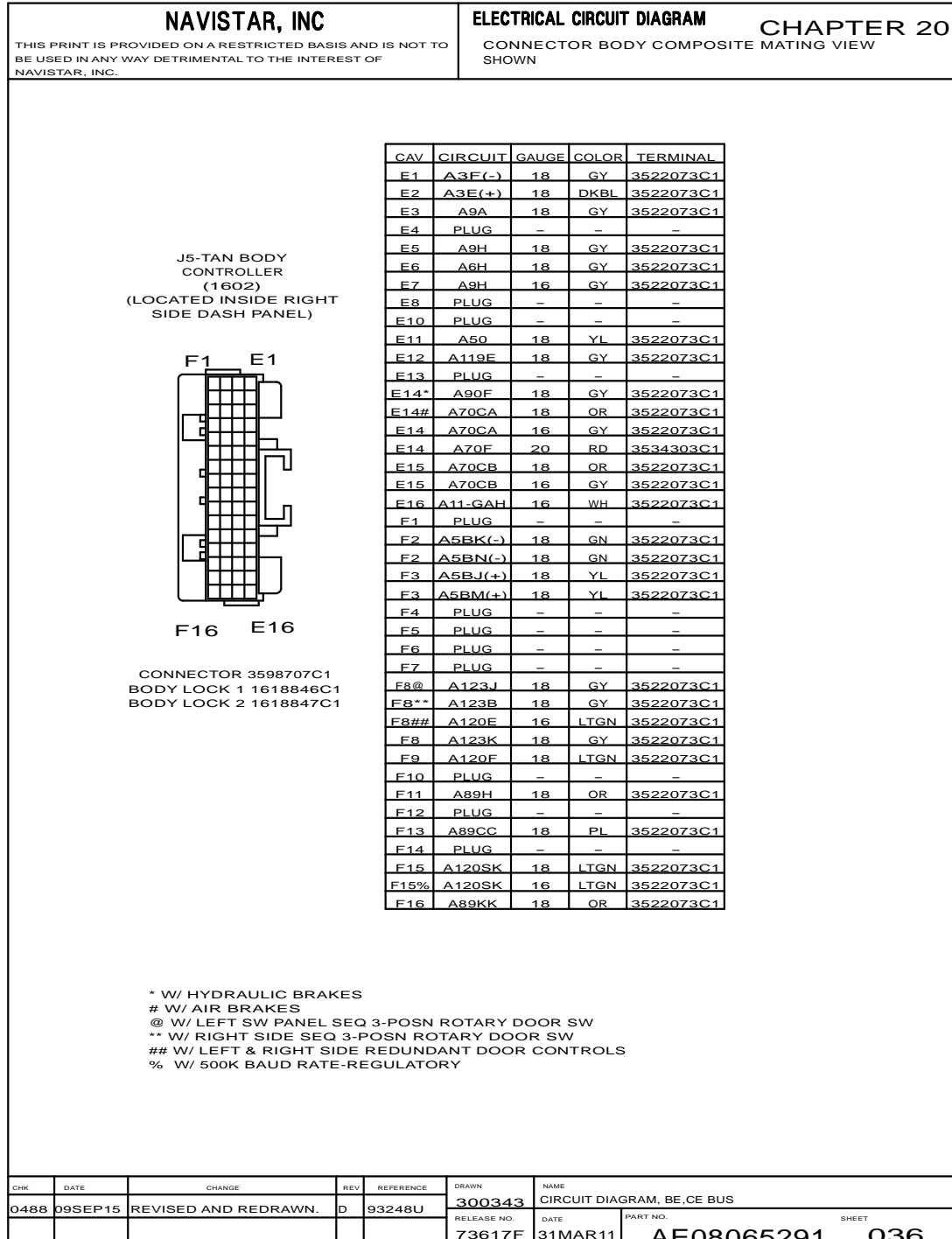


Figure 503 Connector Composites (1602)

20.41. CONNECTOR COMPOSITES (1602), P. 36A

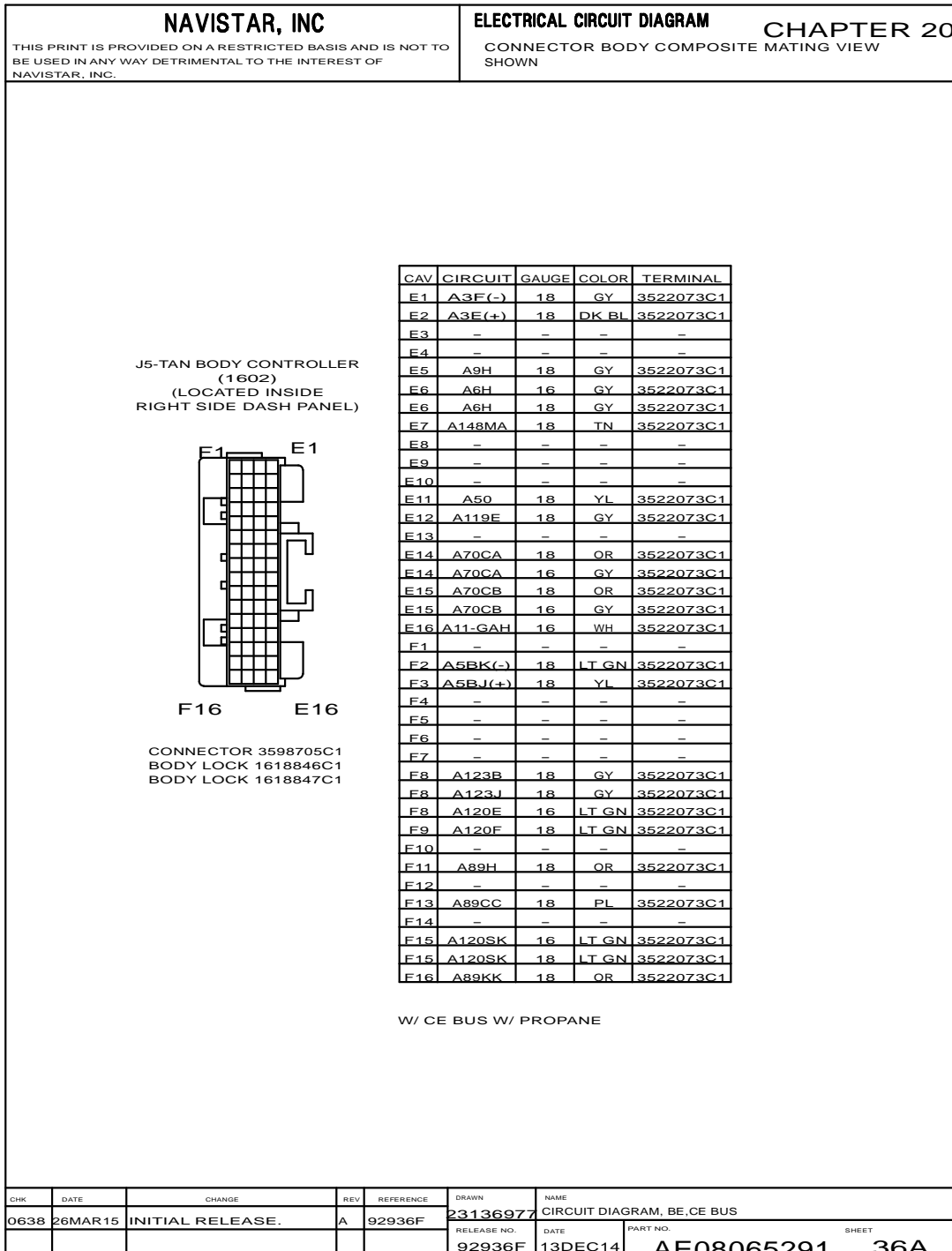


Figure 504 Connector Composites (1602)

20.42. CONNECTOR COMPOSITES (1603, 1604), P. 37

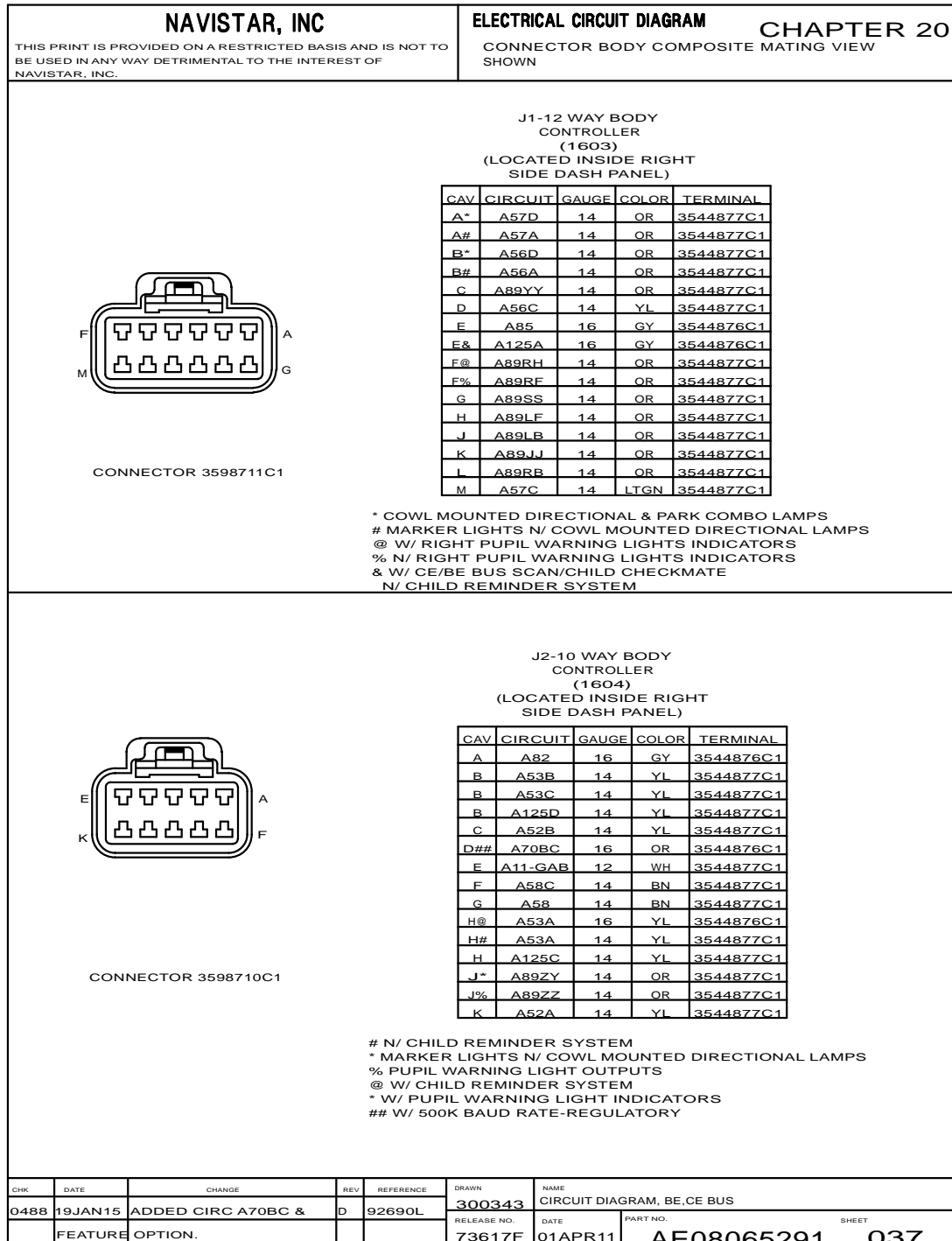


Figure 505 Connector Composites (1603, 1604)

20.43. CONNECTOR COMPOSITES (1606), P. 37A

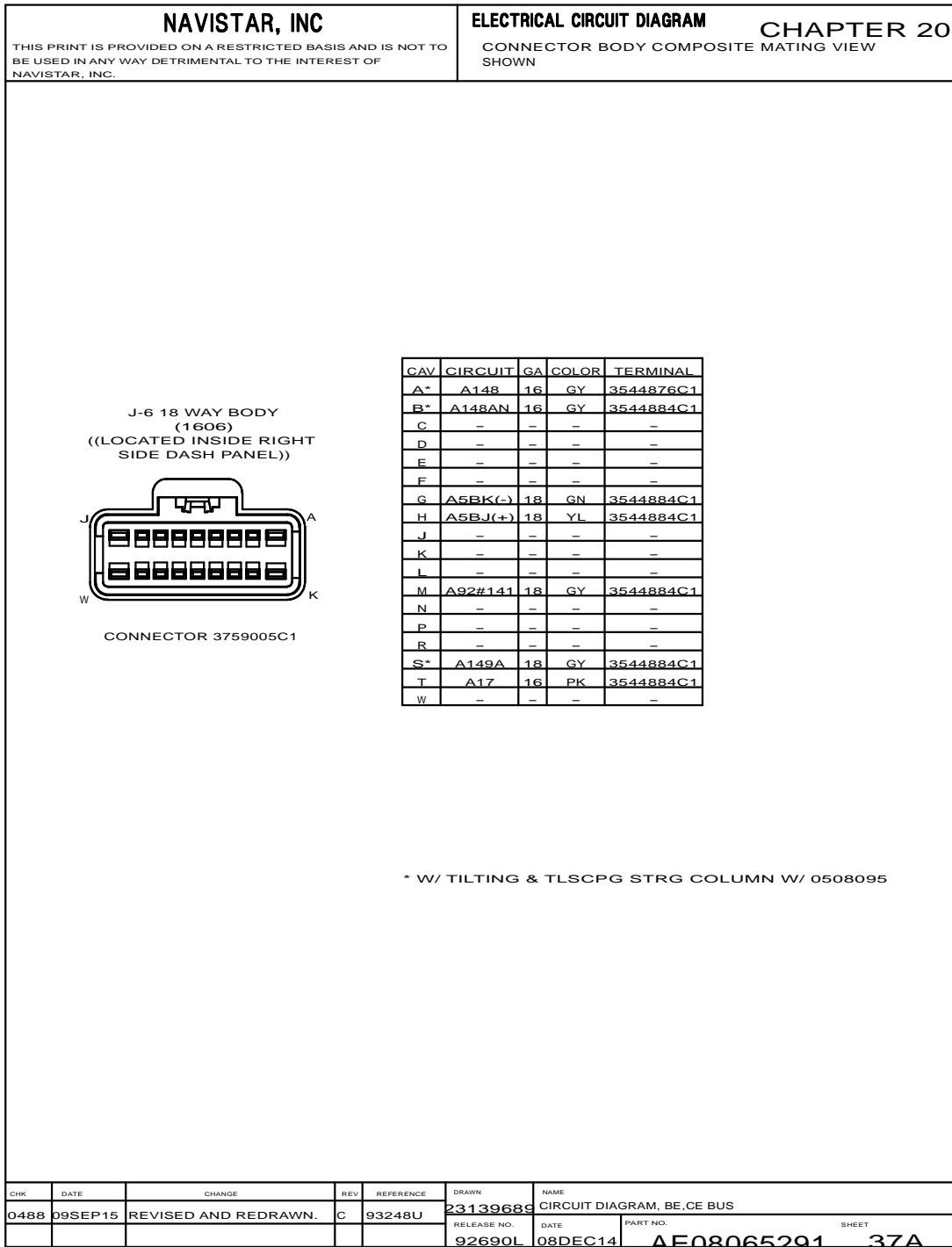
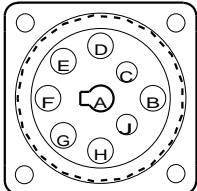


Figure 506 Connector Composites (1606)

20.44. CONNECTOR COMPOSITES (1650, 1651, 1657M), P. 38

NAVISTAR, INC		ELECTRICAL CIRCUIT DIAGRAM		CHAPTER 20	
THIS PRINT IS PROVIDED ON A RESTRICTED BASIS AND IS NOT TO BE USED IN ANY WAY DETRIMENTAL TO THE INTEREST OF NAVISTAR, INC.		CONNECTOR BODY COMPOSITE		MATING VIEW SHOWN	

DIAGNOSTIC CONNECTOR
(1650)
(LOCATED IN INSTRUMENT PANEL)

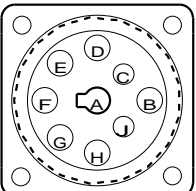


CONNECTOR 3544066C1

CAV	CIRCUIT	GAUGE	COLOR	TERMINAL
A	A98-G	16	WH	1680206C1
B	A98	18	VT	1680206C1
C	A5AE(+)	18	YL	1680206C1
C&	A5BD(+)	18	YL	1680206C1
D	A5AF(-)	18	GN	1680206C1
D&	A5BD(-)	18	GN	1680206C1
E	-	-	-	-
F*	A3BA(+)	18	DKBL	1680206C1
F#	A3(+)	18	DKBL	1680206C1
F@	A3B(+)	18	DKBL	1680206C1
G*	A3BA(-)	18	GY	1680206C1
G#	A3(-)	18	GY	1680206C1
G@	A3B(-)	18	GY	1680206C1
H	-	-	-	-
J	-	-	-	-

* W/ DATA LINK COMPLETE
W/ DATALINK BASIC W/ LCT FOR ISB
@ W/ DATA LINK BASIC
& DATALINK BASIC FOR HYDROLIC BRAKES


DIAGNOSTIC CONNECTOR
500K BAUD
(1651)



CONNECTOR 3757649C1

CAV	CIRCUIT	GA	COLOR	TERMINAL
A	A98-G	16	WH	1680206C1
B	A98	18	VT	1680206C1
C	A5BD(+)	18	YL	1680206C1
D	A5BD(-)	18	GN	1680206C1
E	-	-	-	-
F	A3(+)	18	DKBL	1680206C1
G	A3(-)	18	GY	1680206C1
H	A5BC(+)	18	YL	1680206C1
J	A5BD(-)	18	GN	1680206C1

J1939 TERMINATING
RESISTOR
(1657M)
(LOCATED AT DRIVER DASH PANEL)



CONNECTOR 1667741C1
BODY LOCK 1667771C1

CAV	CIRCUIT	GAUGE	COLOR	TERMINAL	SEAL/SLEEVE
A	A5AG(+)	18	YL	1661875C1	3568570C1
A	A5BA(+)	18	YL	1661875C1	3568570C1
B	PLUG	-	-	2025431C1	-
C	A5AH(-)	18	GN	1661875C1	3568570C1
C*	A5BB(-)	18	GN	1661875C1	3568570C1

* W/250K ISB DATALINK

CHK	DATE	CHANGE	REV	REFERENCE	DRAWN	NAME	
MJV0	23 JUN 16	REVISED AND REDRAWN.	G	93408P	300343	CIRCUIT DIAGRAM, BE,CE BUS	
					RELEASE NO.	DATE	PART NO.
					73617F	01 APR 11	AE08065291
							SHEET 038

Figure 507 Connector Composites (1650, 1651, 1657M)

20.45. CONNECTOR COMPOSITES (1660, 1661), P. 39

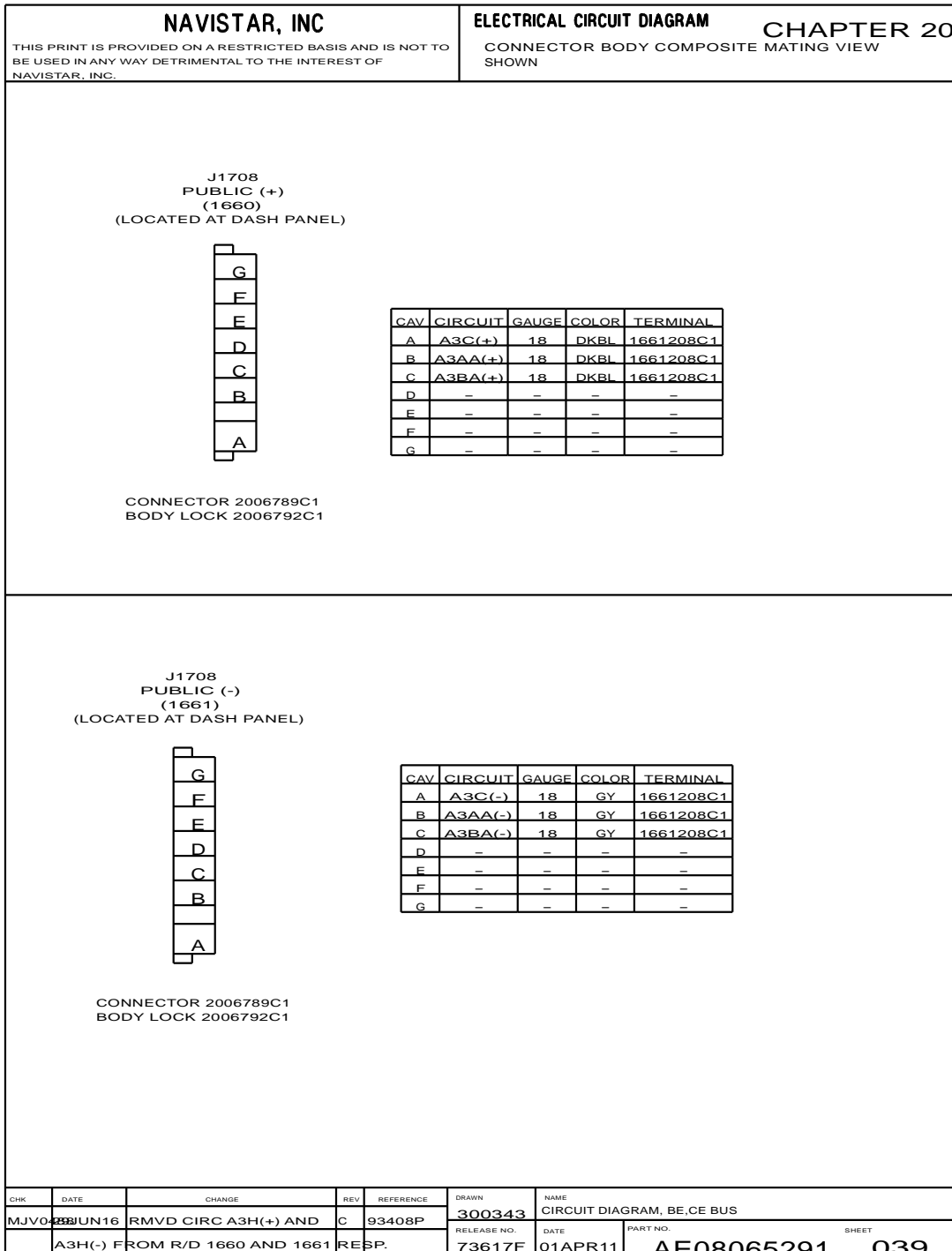


Figure 508 Connector Composites (1660, 1661)

20.46. CONNECTOR COMPOSITES (1700), P. 40

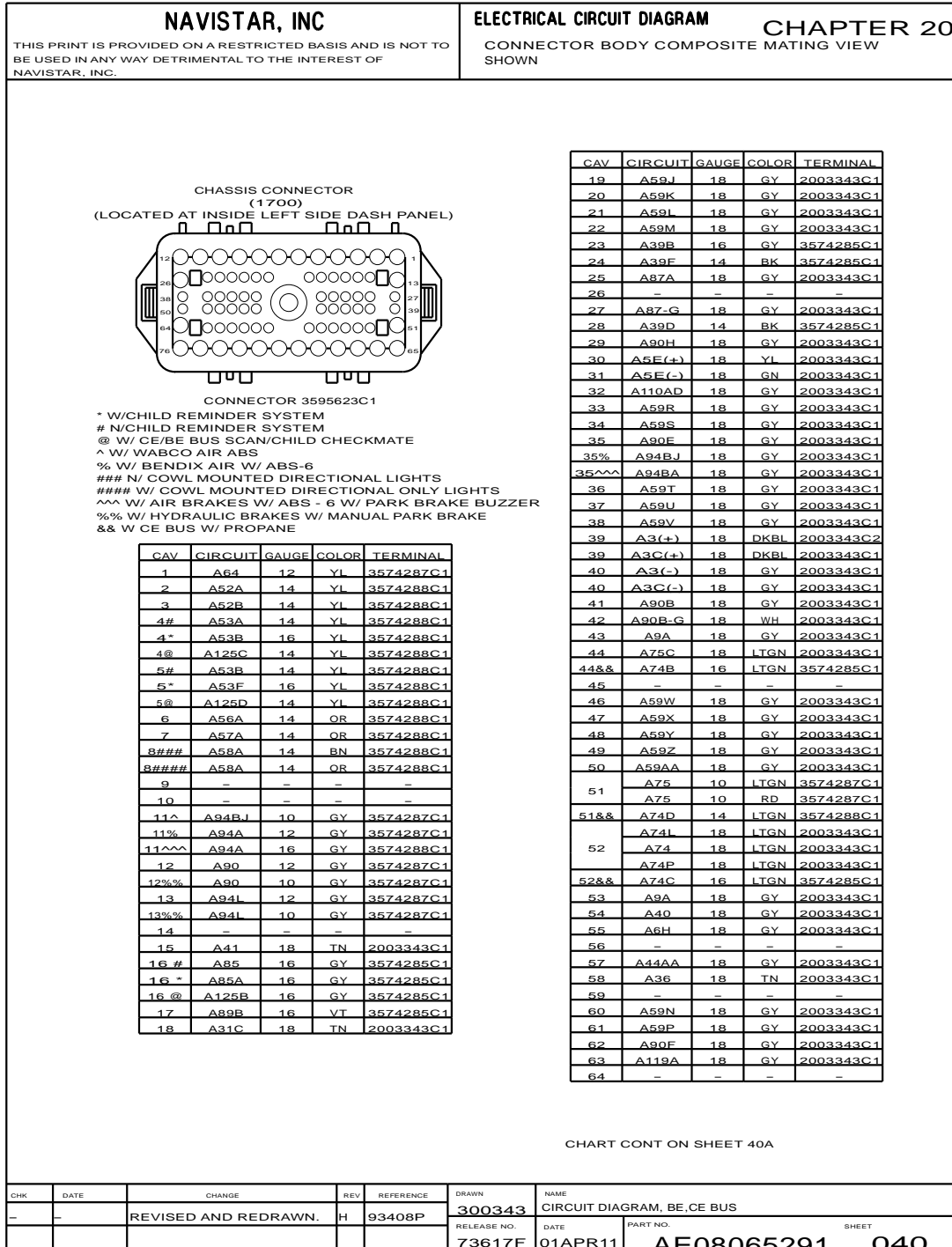


Figure 509 Connector Composites (1700)

20.47. CONNECTOR COMPOSITES (1700), P. 40A

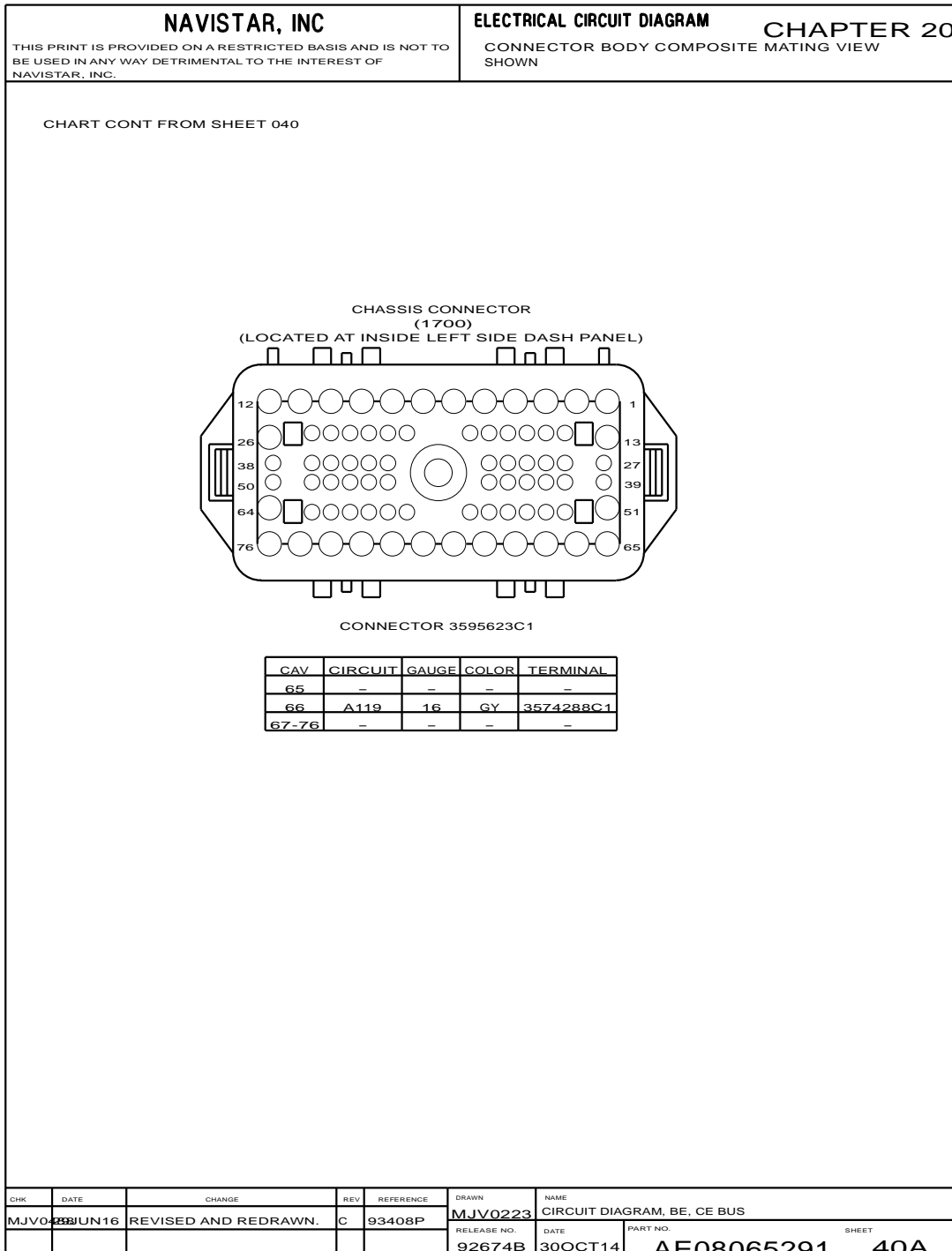


Figure 510 Connector Composites (1700)

20.48. CONNECTOR COMPOSITES (1700), P. 41

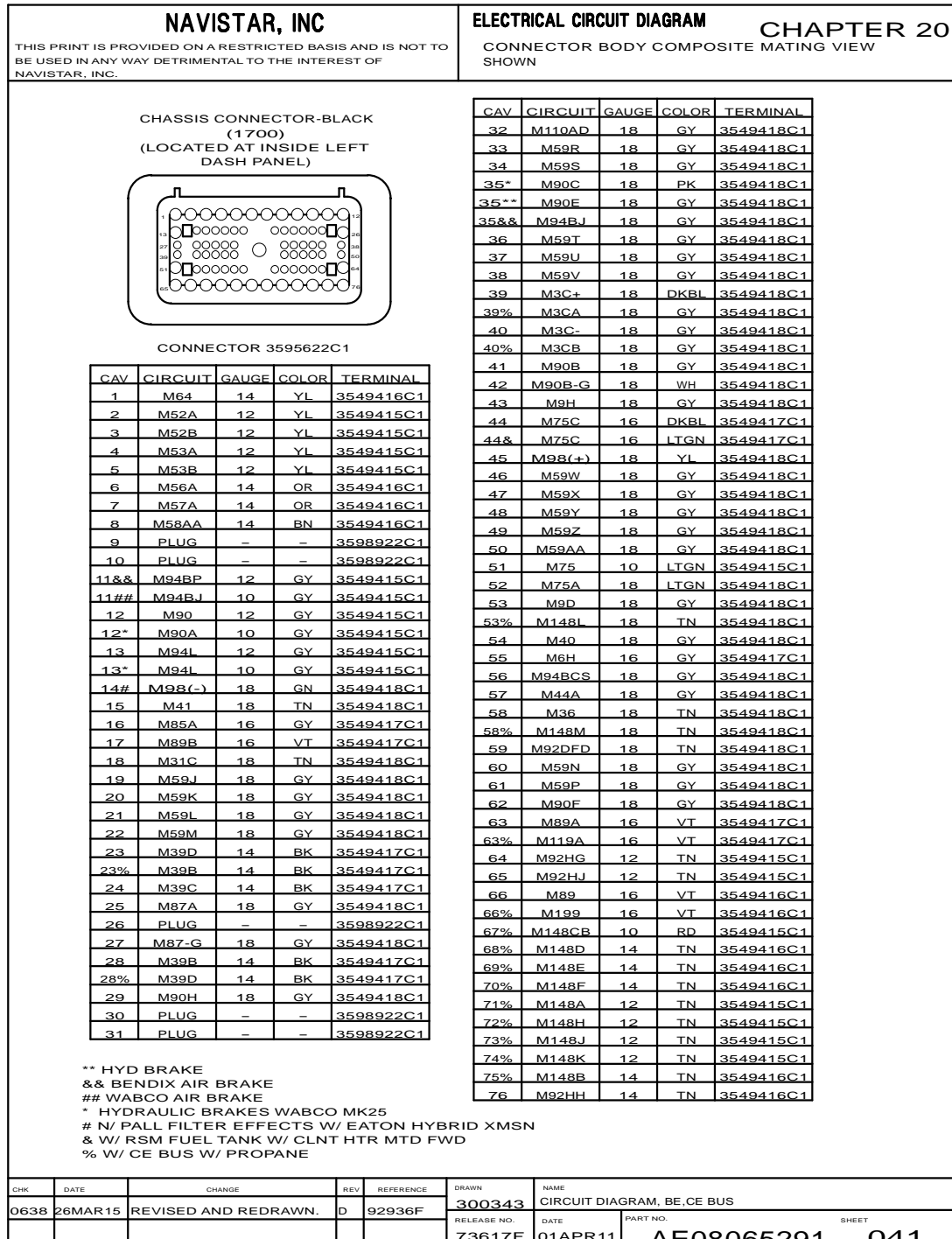


Figure 511 Connector Composites (1700)

20.49. INTENTIONALLY LEFT BLANK, P. 42

NAVISTAR, INC <small>THIS PRINT IS PROVIDED ON A RESTRICTED BASIS AND IS NOT TO BE USED IN ANY WAY DETRIMENTAL TO THE INTEREST OF NAVISTAR, INC.</small>				ELECTRICAL CIRCUIT DIAGRAM CHAPTER 20			
<p style="font-size: 24pt; margin: 0;">INTENTIONALLY LEFT BLANK</p>							
CHK	DATE	CHANGE	REV	REFERENCE	DRAWN	NAME	
-	-	INITIAL RELEASE.	A	73617F	300343	CIRCUIT DIAGRAM, BE,CE BUS	
					RELEASE NO.	DATE	
					73617F	01APR11	
						PART NO.	
						AE08065291	
						SHEET	
						042	

Figure 512 Intentionally Left Blank

20.50. CONNECTOR COMPOSITES (1701), P. 43

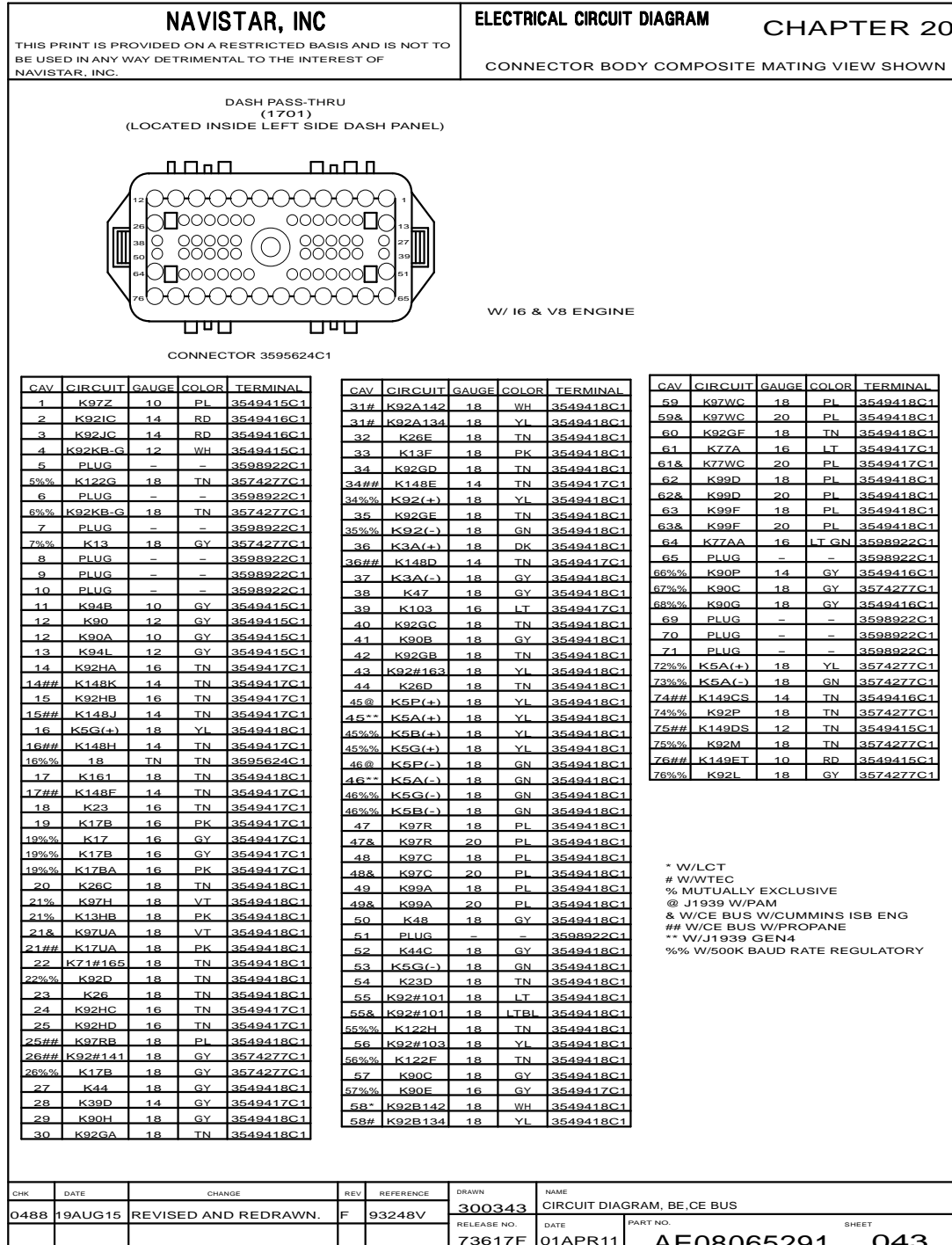


Figure 513 Connector Composites (1701)

20.51. CONNECTOR COMPOSITES (1701), P. 43A

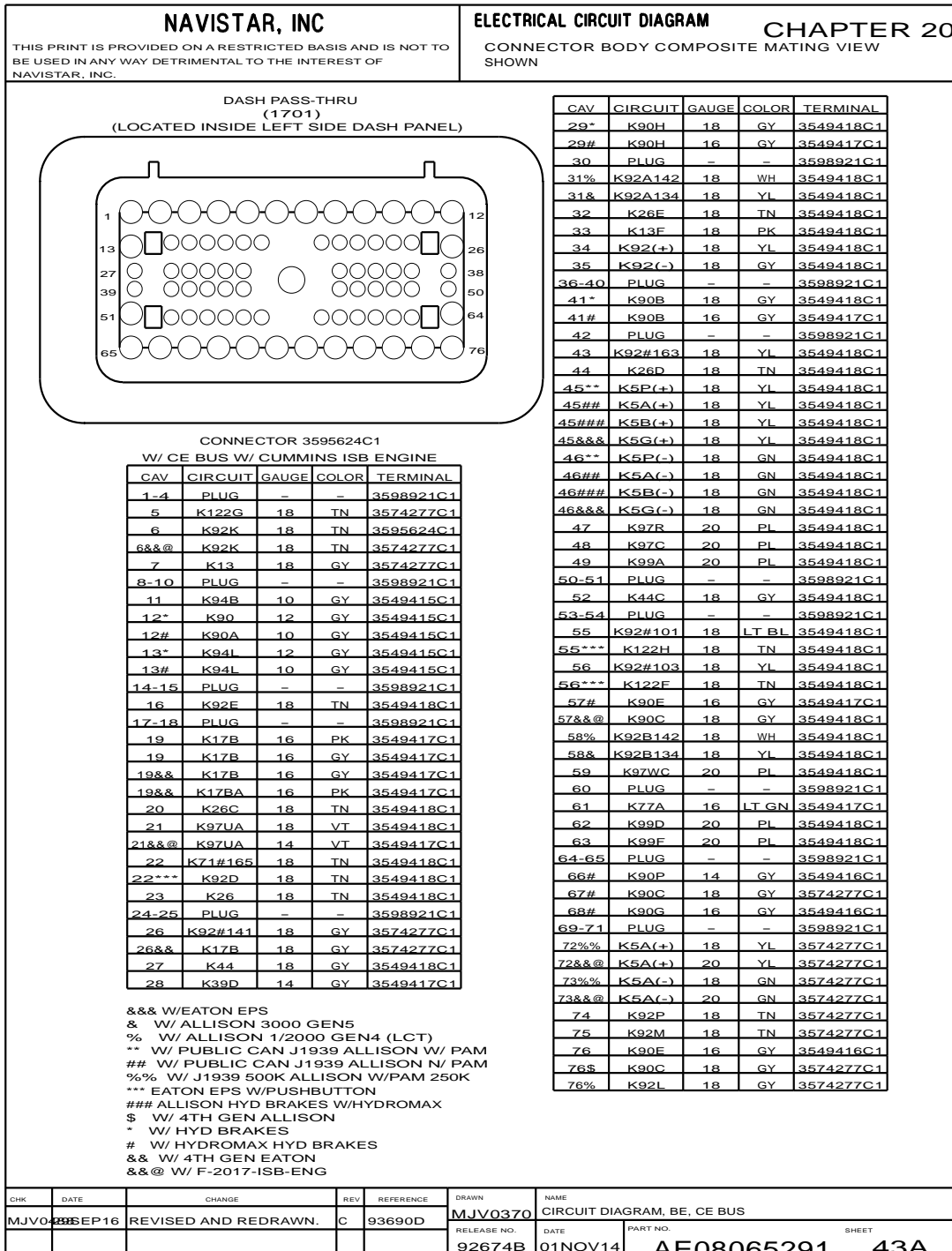


Figure 514 Connector Composites (1701)

20.52. CONNECTOR COMPOSITES (1701), P. 44

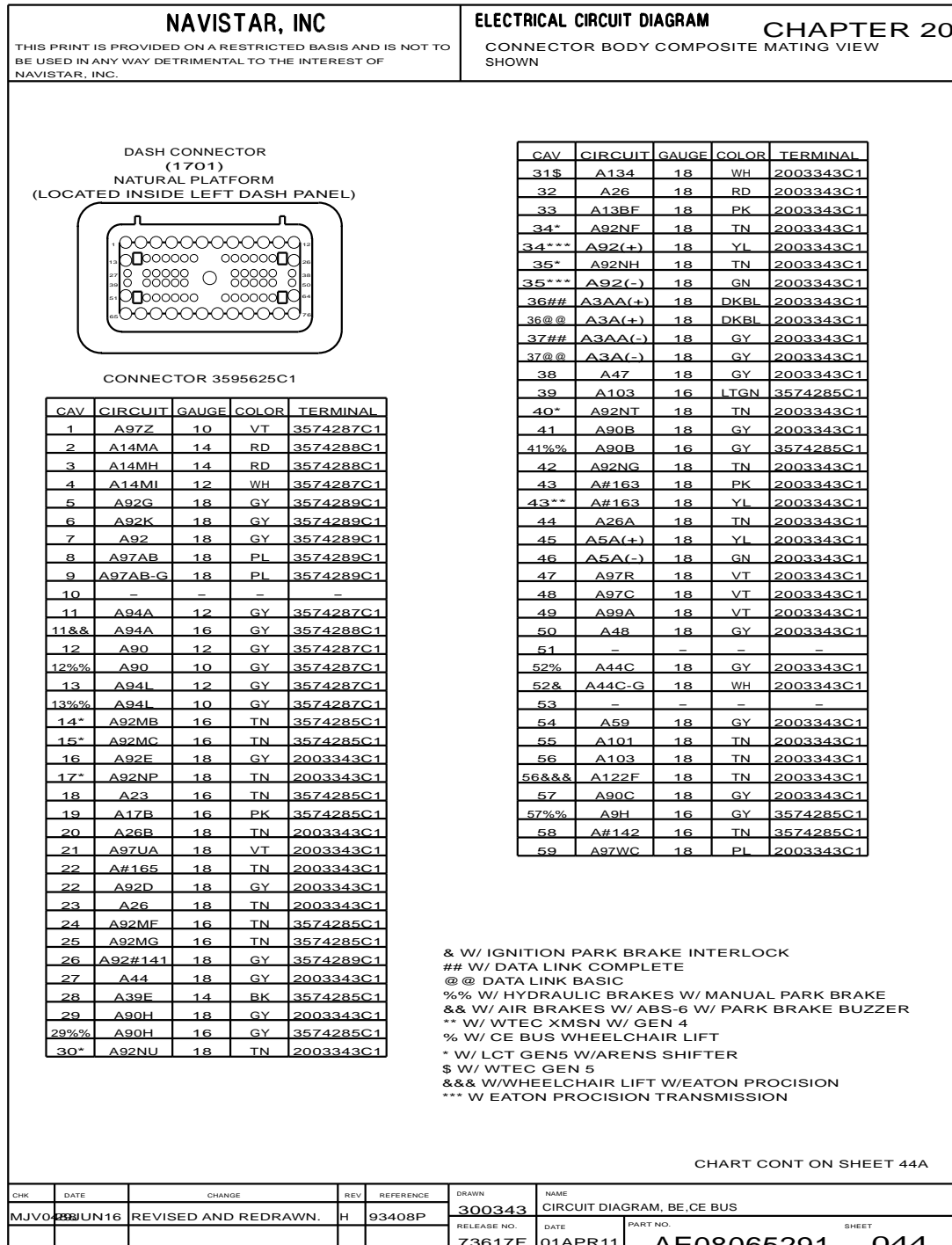


Figure 515 Connector Composites (1701)

20.53. CONNECTOR COMPOSITES (1701), P. 44A

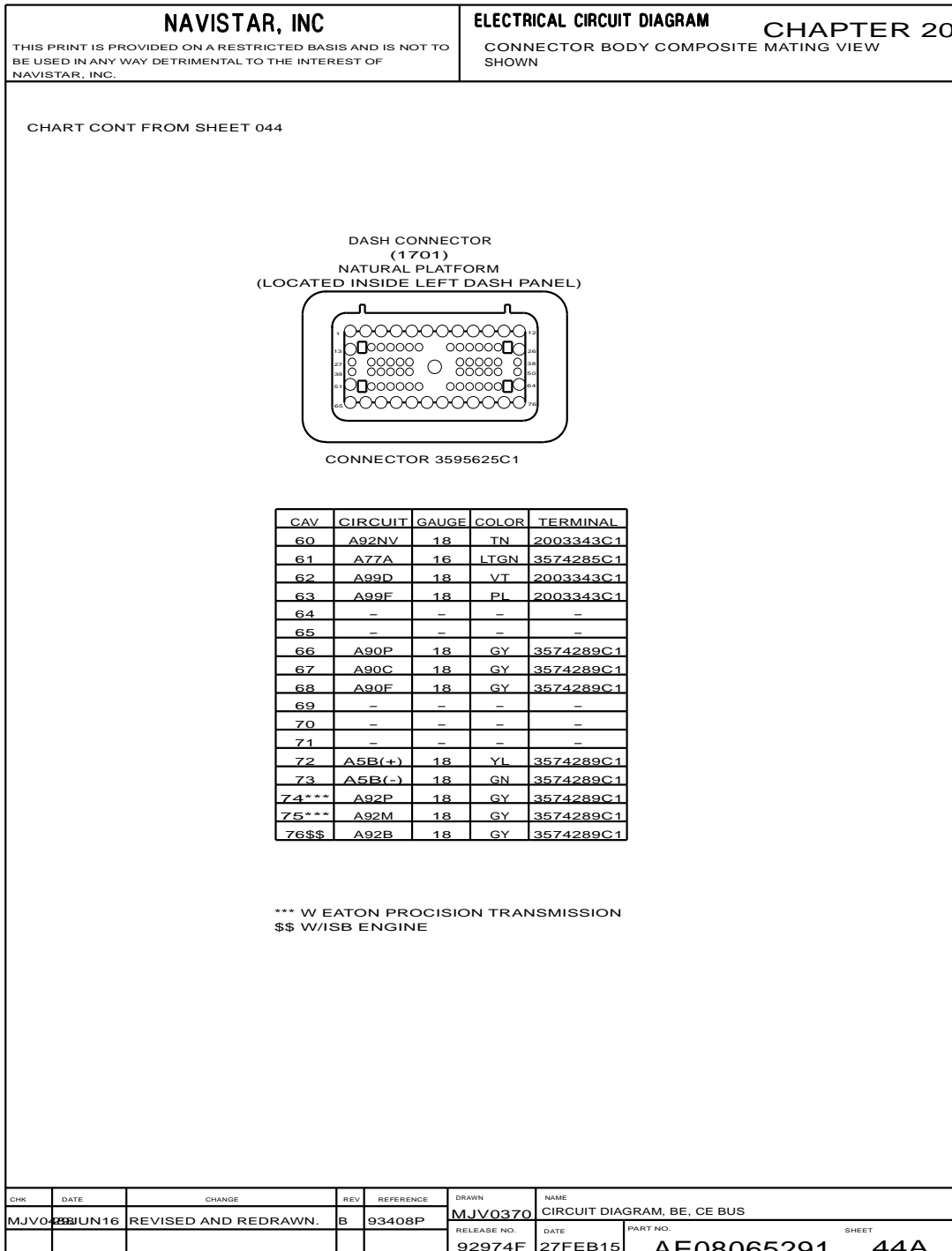


Figure 516 Connector Composites (1701)

20.54. INTENTIONALLY LEFT BLANK, P. 45

NAVISTAR, INC				ELECTRICAL CIRCUIT DIAGRAM			
THIS PRINT IS PROVIDED ON A RESTRICTED BASIS AND IS NOT TO BE USED IN ANY WAY DETRIMENTAL TO THE INTEREST OF NAVISTAR, INC.				CHAPTER 20			
				CONNECTOR BODY COMPOSITE MATING VIEW SHOWN			
<p style="font-size: 24px; margin: 0;">INTENTIONALLY LEFT BLANK</p>							
CHK	DATE	CHANGE	REV	REFERENCE	DRAWN	NAME	
-	-	INITIAL RELEASE.	A	73617F	300343	CIRCUIT DIAGRAM, BE,CE BUS	
					RELEASE NO.	DATE	PART NO.
					73617F	01APR11	AE08065291
							SHEET 045

Figure 517 Intentionally Left Blank

20.55. CONNECTOR COMPOSITES (1702), P. 46

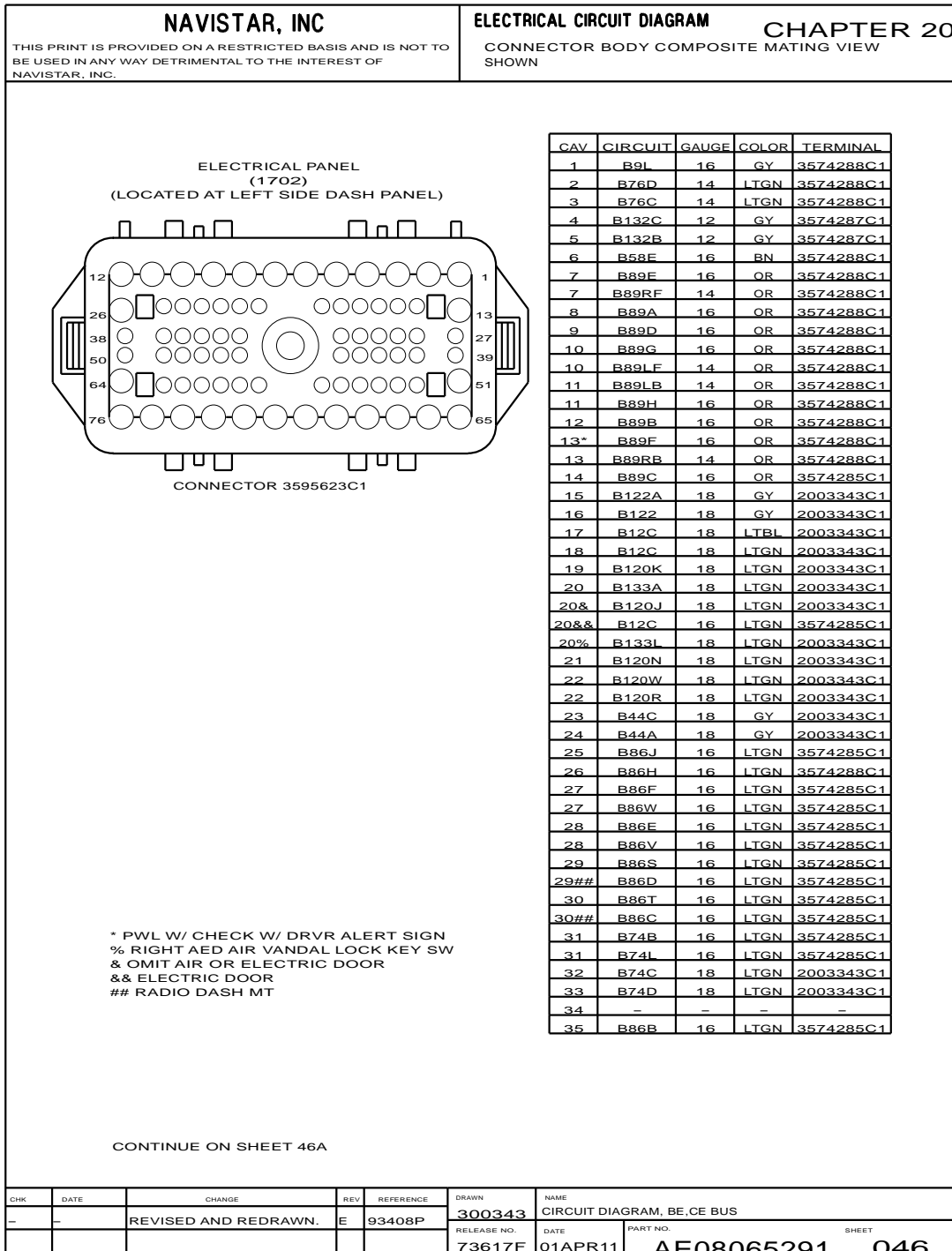


Figure 518 Connector Composites (1702)

20.56. CONNECTOR COMPOSITES (1702), P. 46A

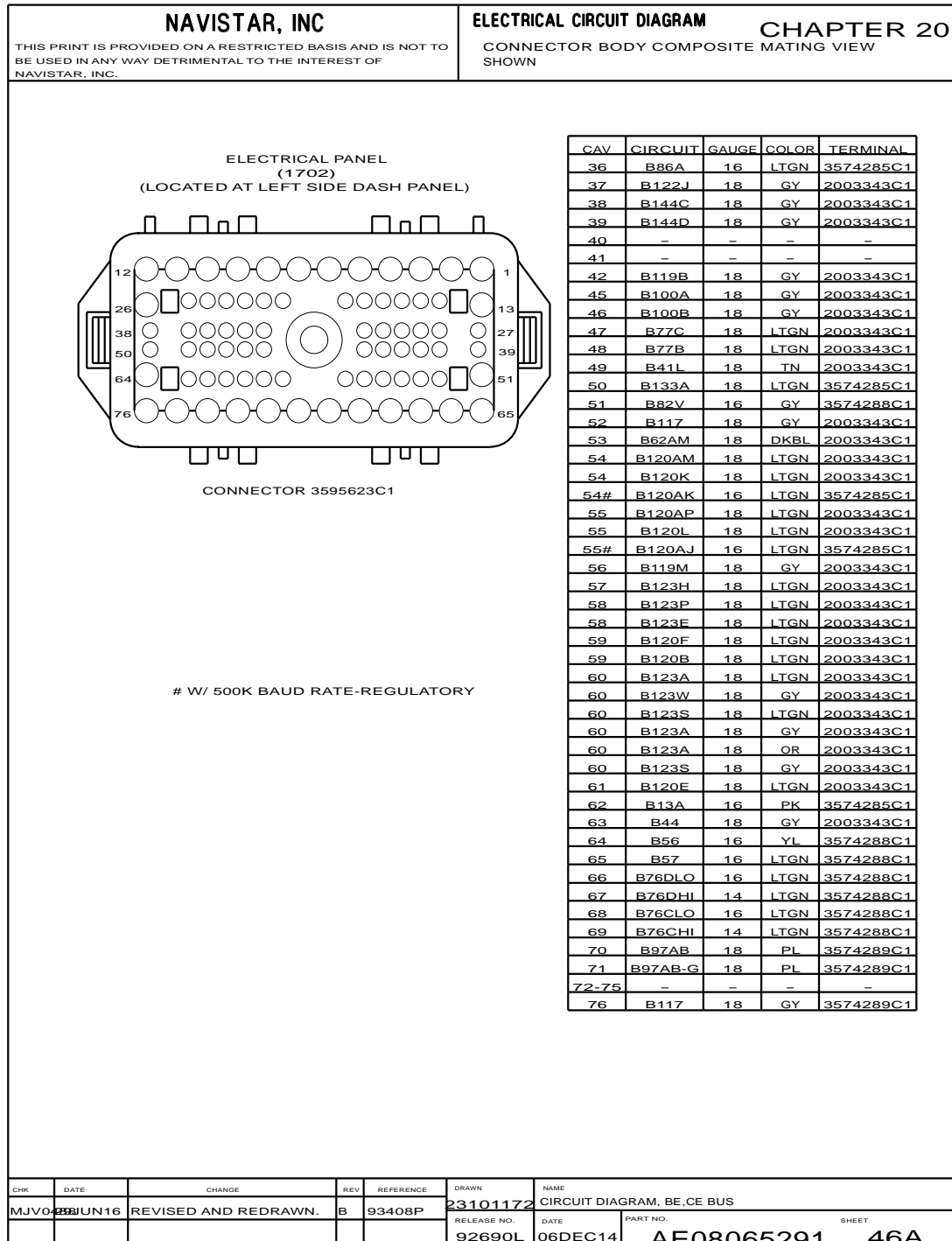


Figure 519 Connector Composites (1702)

20.57. CONNECTOR COMPOSITES (1702), P. 47

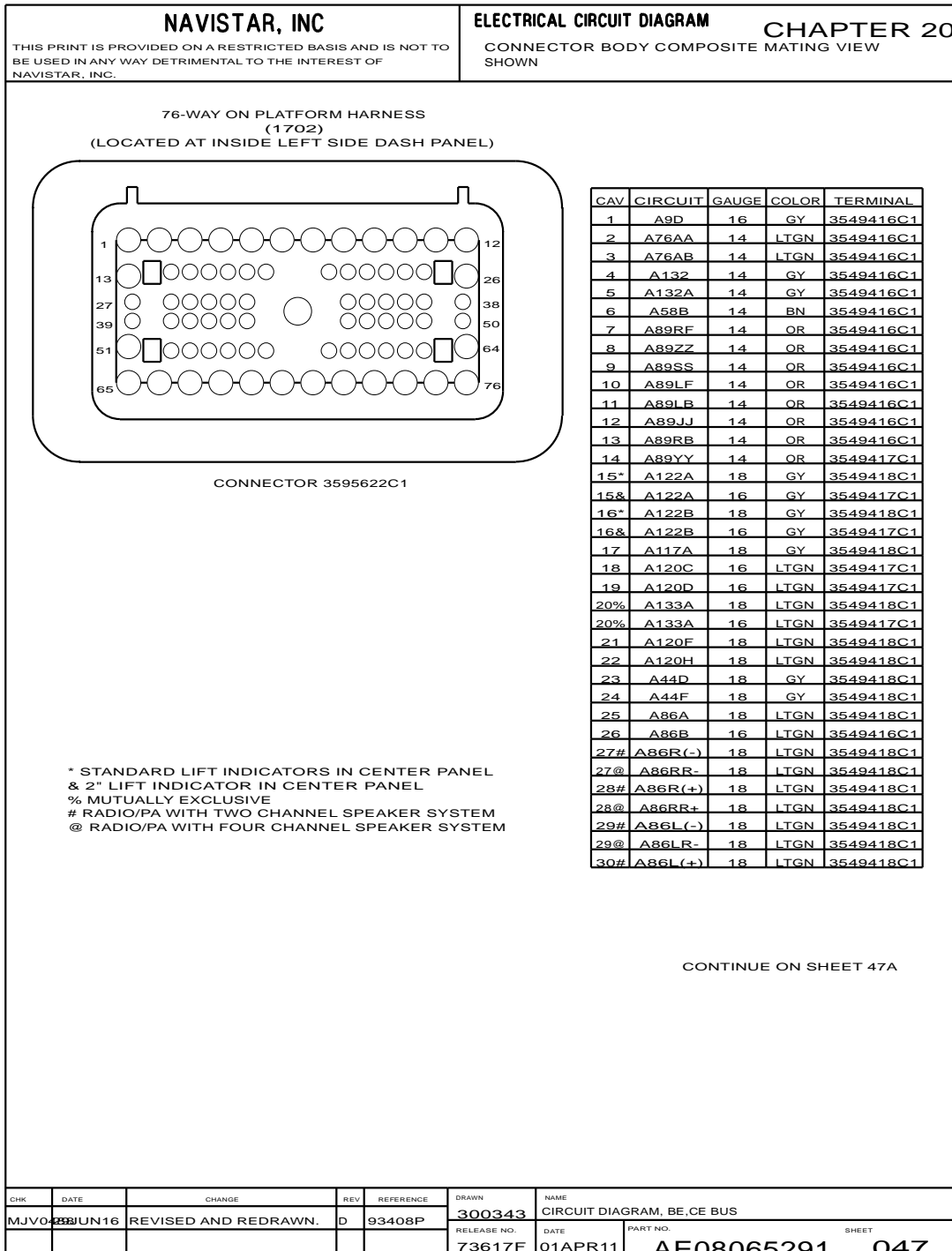


Figure 520 Connector Composites (1702)

20.58. CONNECTOR COMPOSITES (1702), P. 47A

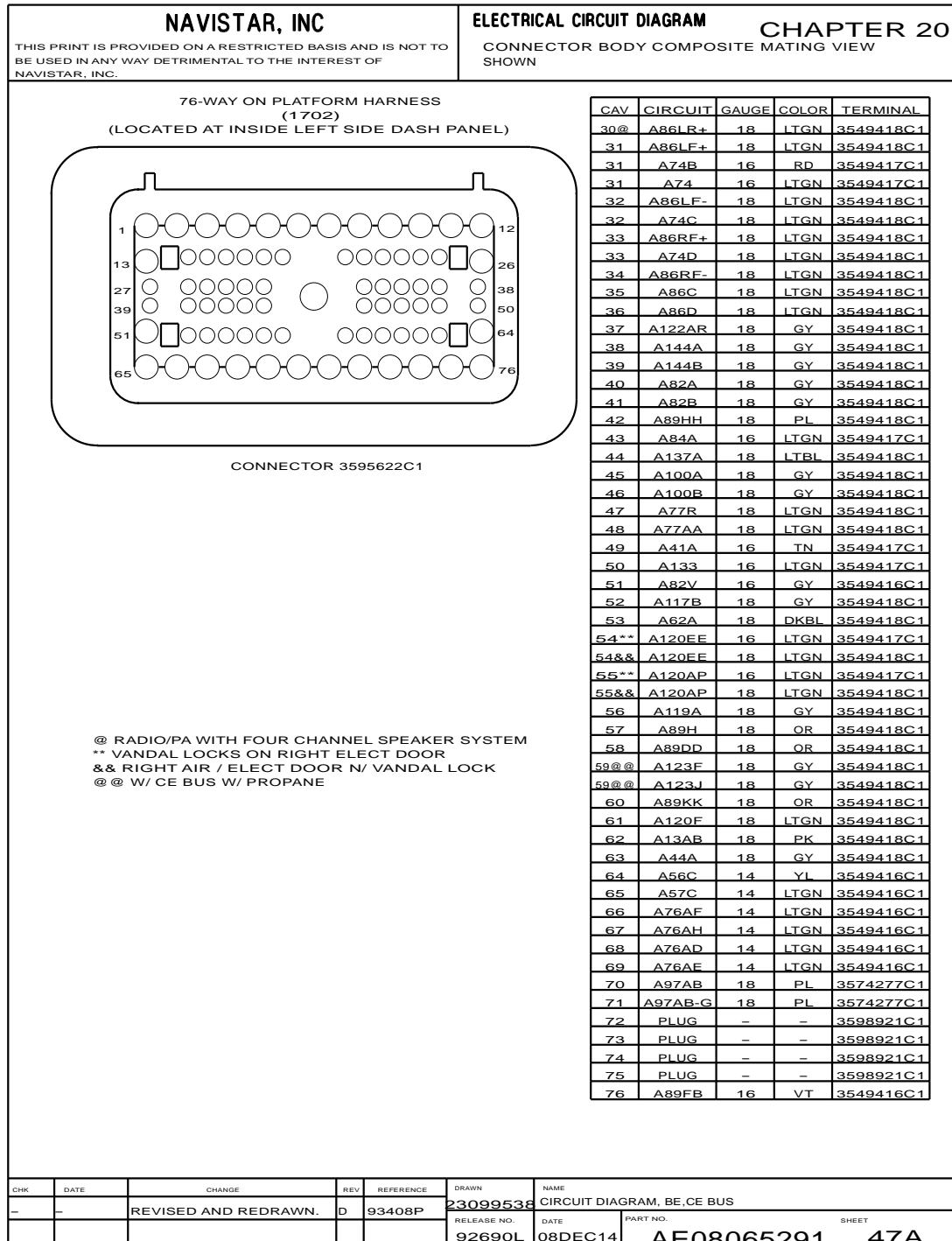


Figure 521 Connector Composites (1702)

20.59. CONNECTOR COMPOSITES (1703), P. 48

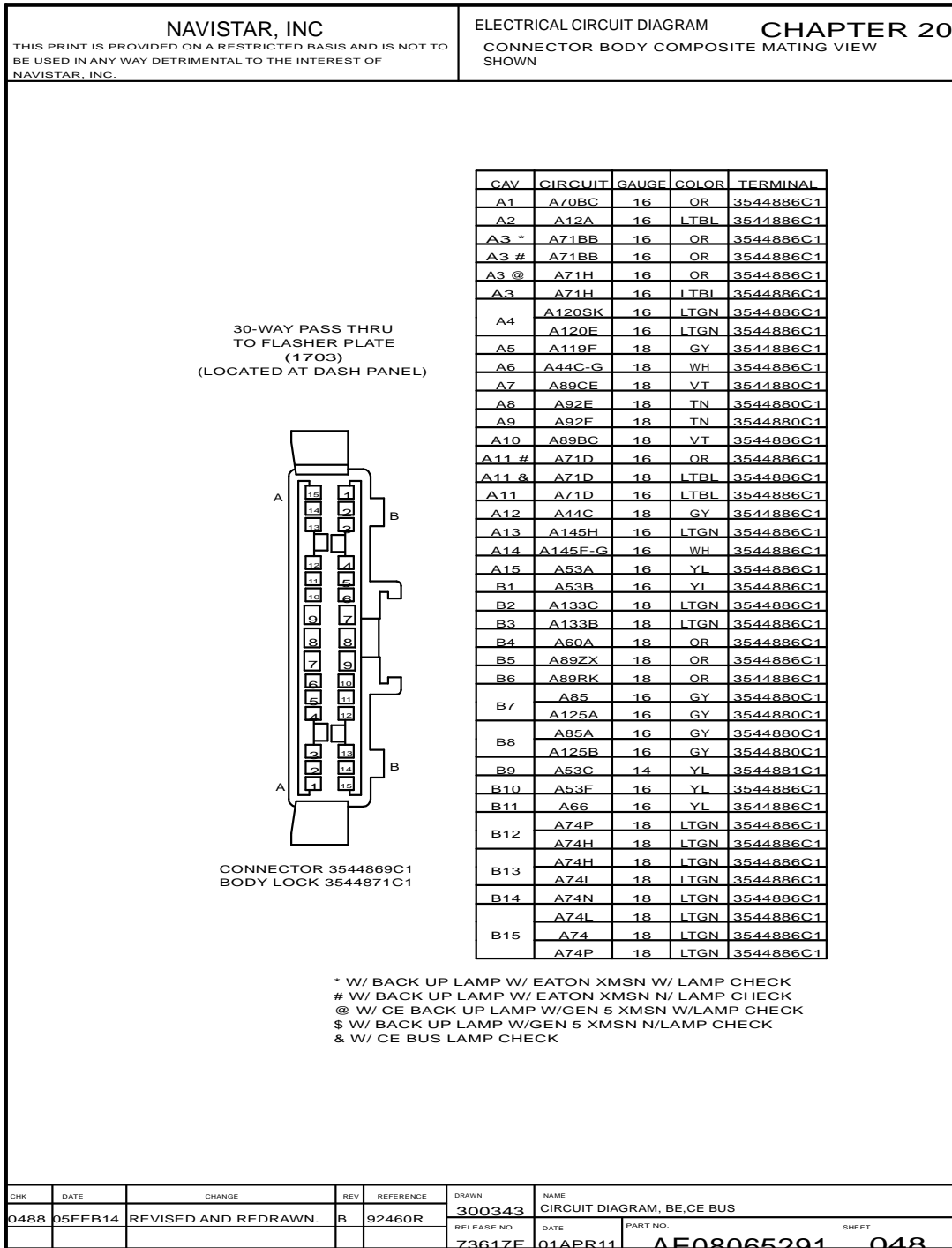


Figure 522 Connector Composites (1703)

20.60. CONNECTOR COMPOSITES (1703), P. 49

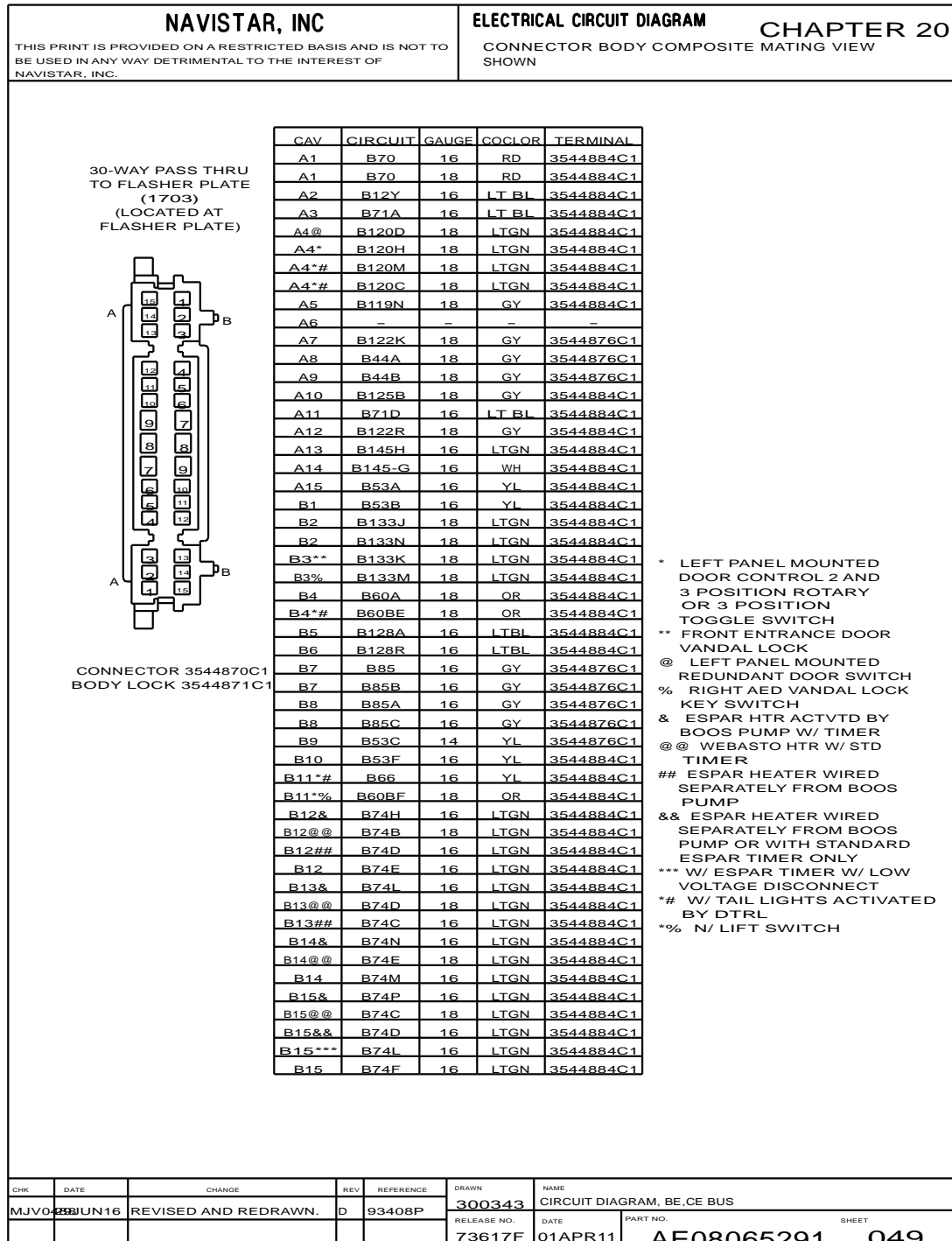


Figure 523 Connector Composites (1703)

20.61. CONNECTOR COMPOSITES (1703), (1703C), P. 50

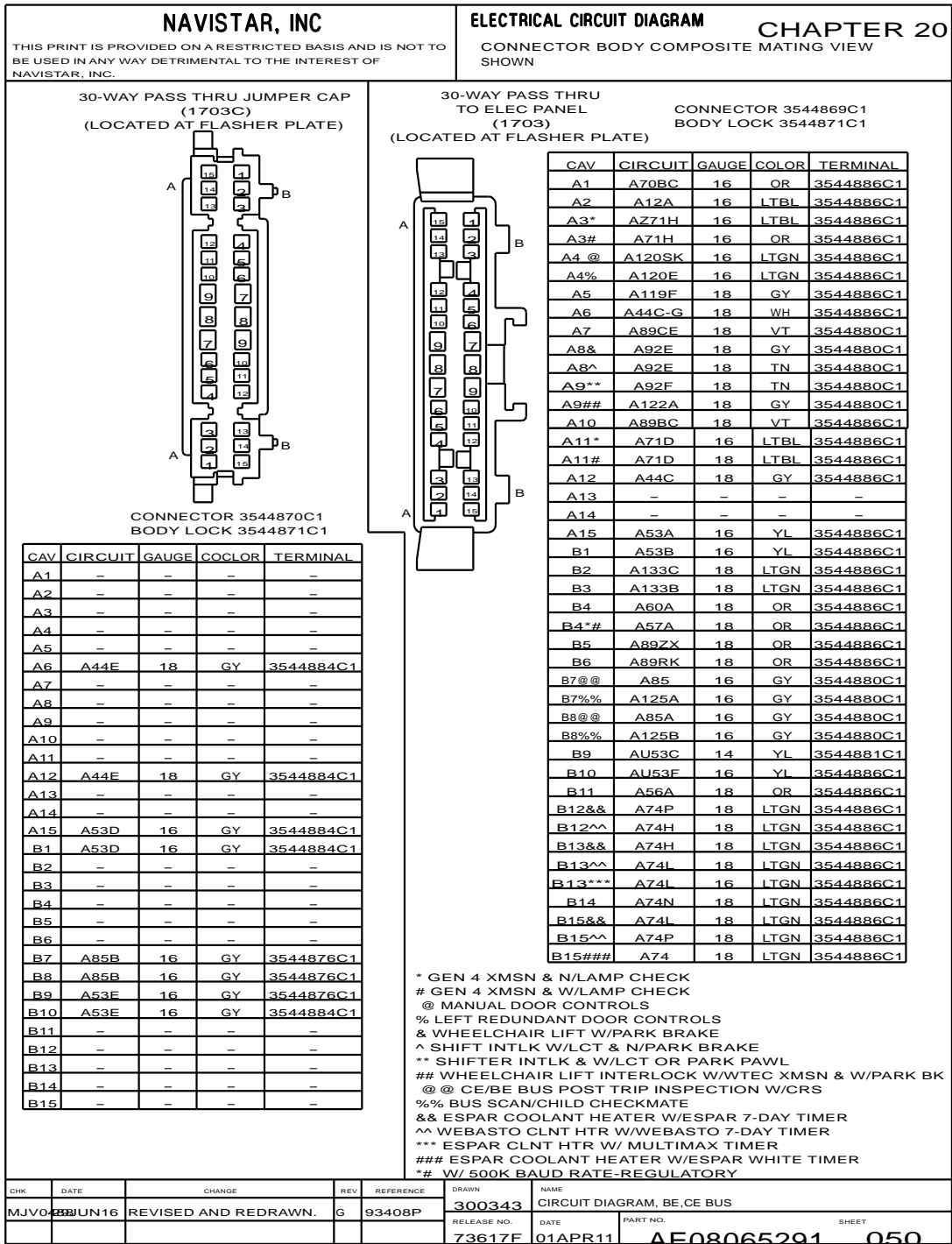


Figure 524 Connector Composites (1703), (1703C)

20.62. CONNECTOR COMPOSITES (1704), P. 50A

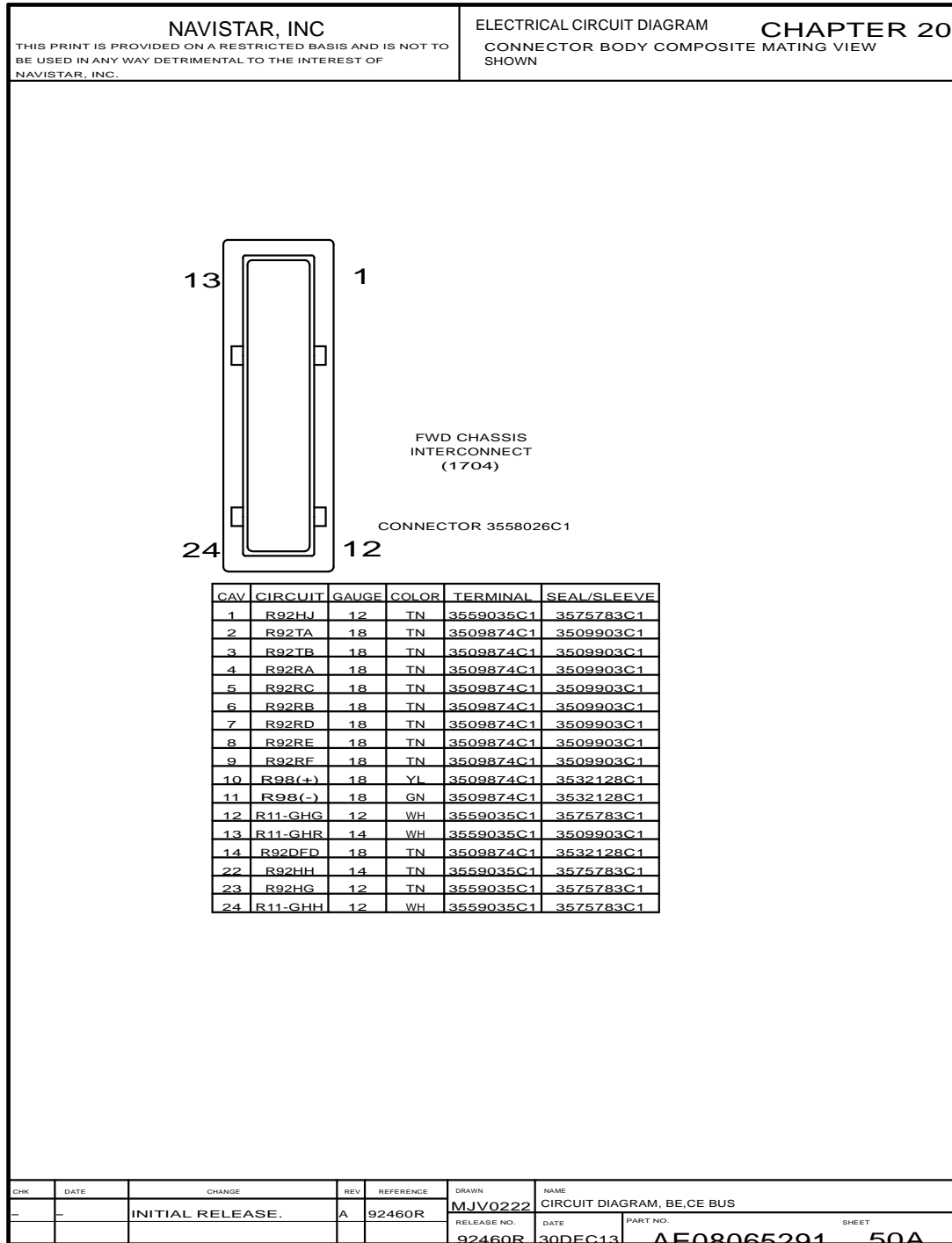


Figure 525 Connector Composites (1704)

20.63. CONNECTOR COMPOSITES (1804, 1809), P. 51

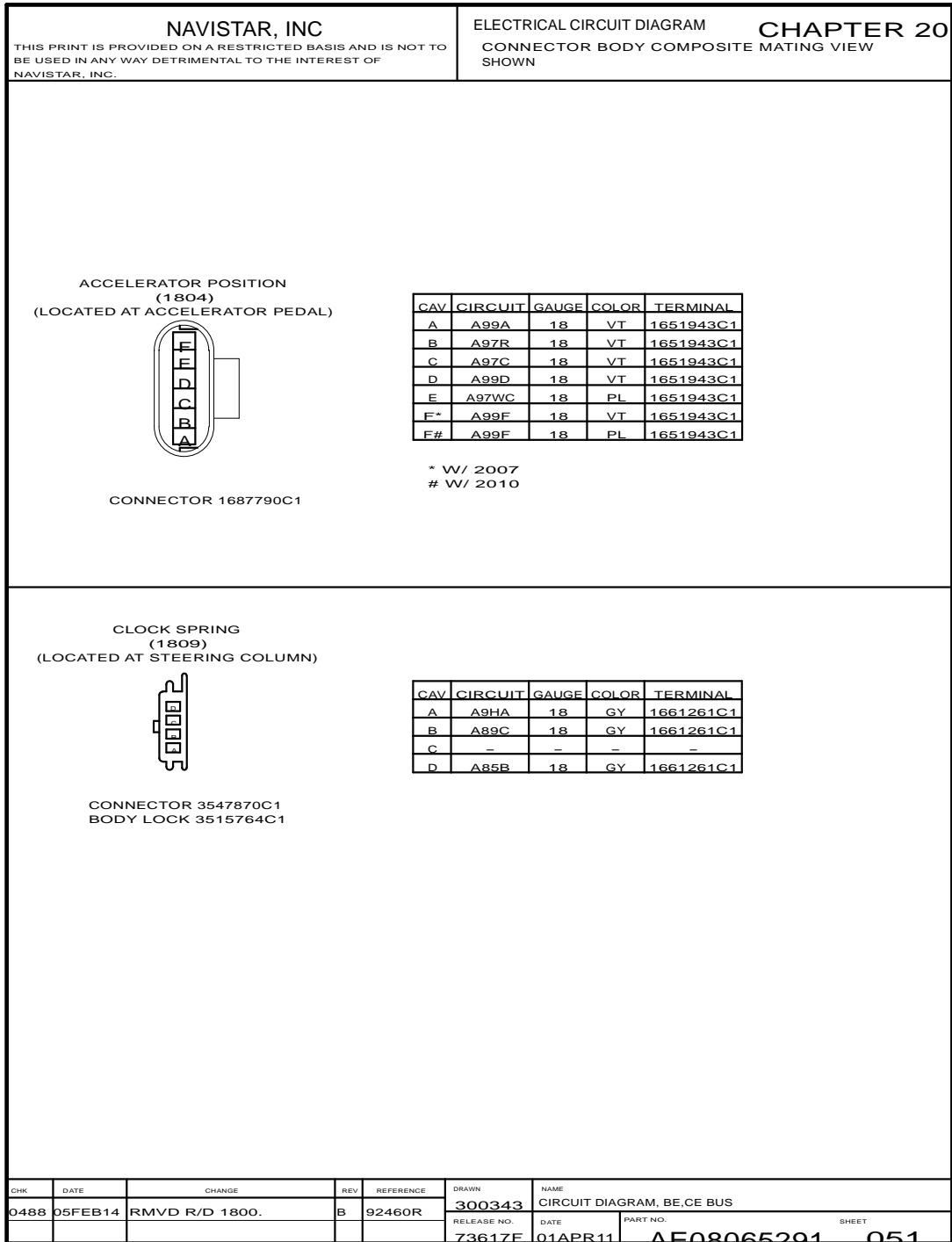


Figure 526 Connector Composites (1804, 1809)

20.64. CONNECTOR COMPOSITES (1810, 1811A, 1812, 1812A, 1814), P. 52

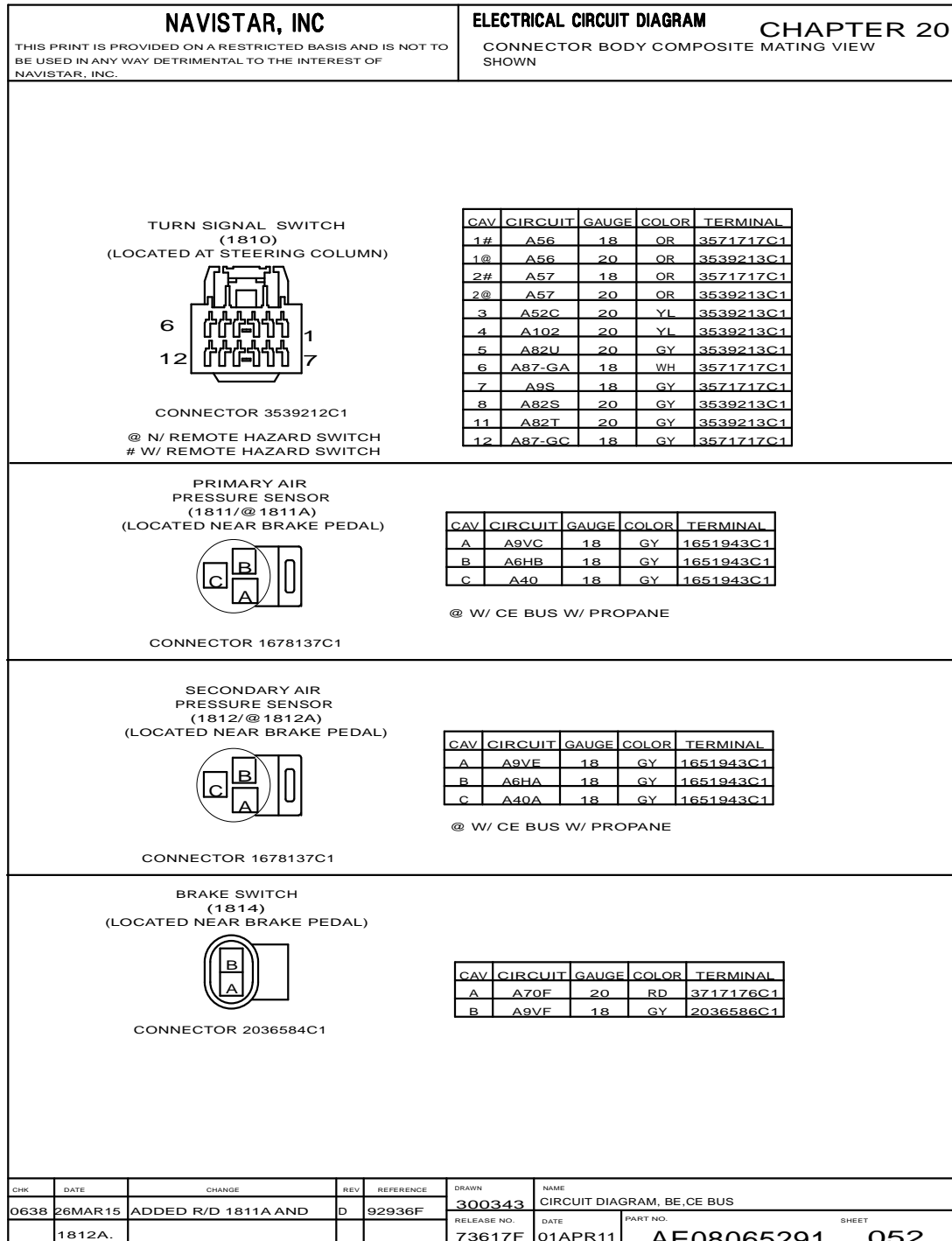


Figure 527 Connector Composites (1810, 1811A, 1812, 1812A, 1814)

20.65. CONNECTOR COMPOSITES (1823, 1824, 1828), P. 53

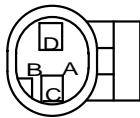
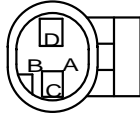

<p style="text-align: center;">NAVISTAR, INC</p> <p style="font-size: small;">THIS PRINT IS PROVIDED ON A RESTRICTED BASIS AND IS NOT TO BE USED IN ANY WAY DETRIMENTAL TO THE INTEREST OF NAVISTAR, INC.</p>	<p style="text-align: right;">ELECTRICAL CIRCUIT DIAGRAM CHAPTER 20</p> <p style="text-align: center;">CONNECTOR BODY COMPOSITE MATING VIEW SHOWN</p>																																
 <p style="text-align: center;">STOP LIGHT #1 PRESSURE SWITCH (1823) (LOCATED NEAR BRAKE PEDAL)</p> <table border="1" style="margin-left: auto; margin-right: auto; border-collapse: collapse; font-size: x-small;"> <thead> <tr> <th>CAV</th> <th>CIRCUIT</th> <th>GAUGE</th> <th>COLOR</th> <th>TERMINAL</th> <th>SEAL/SLEEVE</th> </tr> </thead> <tbody> <tr> <td>A</td> <td>PLUG</td> <td>-</td> <td>-</td> <td>2025431C1</td> <td>-</td> </tr> <tr> <td>B</td> <td>PLUG</td> <td>-</td> <td>-</td> <td>2025431C1</td> <td>-</td> </tr> <tr> <td>C</td> <td>A70CA</td> <td>18</td> <td>OR</td> <td>1661875C1</td> <td>3568570C1</td> </tr> <tr> <td>D</td> <td>A9VG</td> <td>18</td> <td>GY</td> <td>1661875C1</td> <td>1661872C1</td> </tr> </tbody> </table> <p style="font-size: x-small;">CONNECTOR 1661777C1 BODY LOCK 1661873C1</p>	CAV	CIRCUIT	GAUGE	COLOR	TERMINAL	SEAL/SLEEVE	A	PLUG	-	-	2025431C1	-	B	PLUG	-	-	2025431C1	-	C	A70CA	18	OR	1661875C1	3568570C1	D	A9VG	18	GY	1661875C1	1661872C1			
CAV	CIRCUIT	GAUGE	COLOR	TERMINAL	SEAL/SLEEVE																												
A	PLUG	-	-	2025431C1	-																												
B	PLUG	-	-	2025431C1	-																												
C	A70CA	18	OR	1661875C1	3568570C1																												
D	A9VG	18	GY	1661875C1	1661872C1																												
 <p style="text-align: center;">STOP LIGHT #2 PRESSURE SWITCH (1824) (LOCATED NEAR BRAKE PEDAL)</p> <table border="1" style="margin-left: auto; margin-right: auto; border-collapse: collapse; font-size: x-small;"> <thead> <tr> <th>CAV</th> <th>CIRCUIT</th> <th>GAUGE</th> <th>COLOR</th> <th>TERMINAL</th> <th>SEAL/SLEEVE</th> </tr> </thead> <tbody> <tr> <td>A</td> <td>PLUG</td> <td>-</td> <td>-</td> <td>2025431C1</td> <td>-</td> </tr> <tr> <td>B</td> <td>PLUG</td> <td>-</td> <td>-</td> <td>2025431C1</td> <td>-</td> </tr> <tr> <td>C</td> <td>A70CB</td> <td>18</td> <td>OR</td> <td>1661875C1</td> <td>3568570C1</td> </tr> <tr> <td>D</td> <td>A9VH</td> <td>18</td> <td>GY</td> <td>1661875C1</td> <td>1661872C1</td> </tr> </tbody> </table> <p style="font-size: x-small;">CONNECTOR 1661777C1 BODY LOCK 1661873C1</p>	CAV	CIRCUIT	GAUGE	COLOR	TERMINAL	SEAL/SLEEVE	A	PLUG	-	-	2025431C1	-	B	PLUG	-	-	2025431C1	-	C	A70CB	18	OR	1661875C1	3568570C1	D	A9VH	18	GY	1661875C1	1661872C1			
CAV	CIRCUIT	GAUGE	COLOR	TERMINAL	SEAL/SLEEVE																												
A	PLUG	-	-	2025431C1	-																												
B	PLUG	-	-	2025431C1	-																												
C	A70CB	18	OR	1661875C1	3568570C1																												
D	A9VH	18	GY	1661875C1	1661872C1																												
 <p style="text-align: center;">SHIFT LEVER CONTROL SOLENOID (1828) (LOCATED NEAR INSTRUMENT WING PANEL)</p> <table border="1" style="margin-left: auto; margin-right: auto; border-collapse: collapse; font-size: x-small;"> <thead> <tr> <th>CAV</th> <th>CIRCUIT</th> <th>GAUGE</th> <th>COLOR</th> <th>TERMINAL</th> </tr> </thead> <tbody> <tr> <td>A</td> <td>A92AB</td> <td>18</td> <td>TN</td> <td>1661208C1</td> </tr> <tr> <td>B</td> <td>A92</td> <td>18</td> <td>TN</td> <td>1661208C1</td> </tr> </tbody> </table> <p style="font-size: x-small;">CONNECTOR 1661196C1</p>	CAV	CIRCUIT	GAUGE	COLOR	TERMINAL	A	A92AB	18	TN	1661208C1	B	A92	18	TN	1661208C1																		
CAV	CIRCUIT	GAUGE	COLOR	TERMINAL																													
A	A92AB	18	TN	1661208C1																													
B	A92	18	TN	1661208C1																													
<table border="1" style="width:100%; border-collapse: collapse;"> <thead> <tr> <th>CHK</th> <th>DATE</th> <th>CHANGE</th> <th>REV</th> <th>REFERENCE</th> <th>DRAWN</th> <th>NAME</th> </tr> </thead> <tbody> <tr> <td>0488</td> <td>05FEB14</td> <td>ADDED CAV A,B AND BODY</td> <td>B</td> <td>92460R</td> <td>300343</td> <td>CIRCUIT DIAGRAM, BE,CE BUS</td> </tr> <tr> <td></td> <td>LOCK AT</td> <td>R/D 1823 & 1824.</td> <td></td> <td></td> <td>RELEASE NO. 73617F</td> <td>DATE 01APR11</td> </tr> <tr> <td colspan="5"></td> <td>PART NO. AE08065291</td> <td>SHEET 053</td> </tr> </tbody> </table>						CHK	DATE	CHANGE	REV	REFERENCE	DRAWN	NAME	0488	05FEB14	ADDED CAV A,B AND BODY	B	92460R	300343	CIRCUIT DIAGRAM, BE,CE BUS		LOCK AT	R/D 1823 & 1824.			RELEASE NO. 73617F	DATE 01APR11						PART NO. AE08065291	SHEET 053
CHK	DATE	CHANGE	REV	REFERENCE	DRAWN	NAME																											
0488	05FEB14	ADDED CAV A,B AND BODY	B	92460R	300343	CIRCUIT DIAGRAM, BE,CE BUS																											
	LOCK AT	R/D 1823 & 1824.			RELEASE NO. 73617F	DATE 01APR11																											
					PART NO. AE08065291	SHEET 053																											

Figure 528 Connector Composites (1823, 1824, 1828)

20.66. CONNECTOR COMPOSITES (1830, 1832, 1850), P. 54

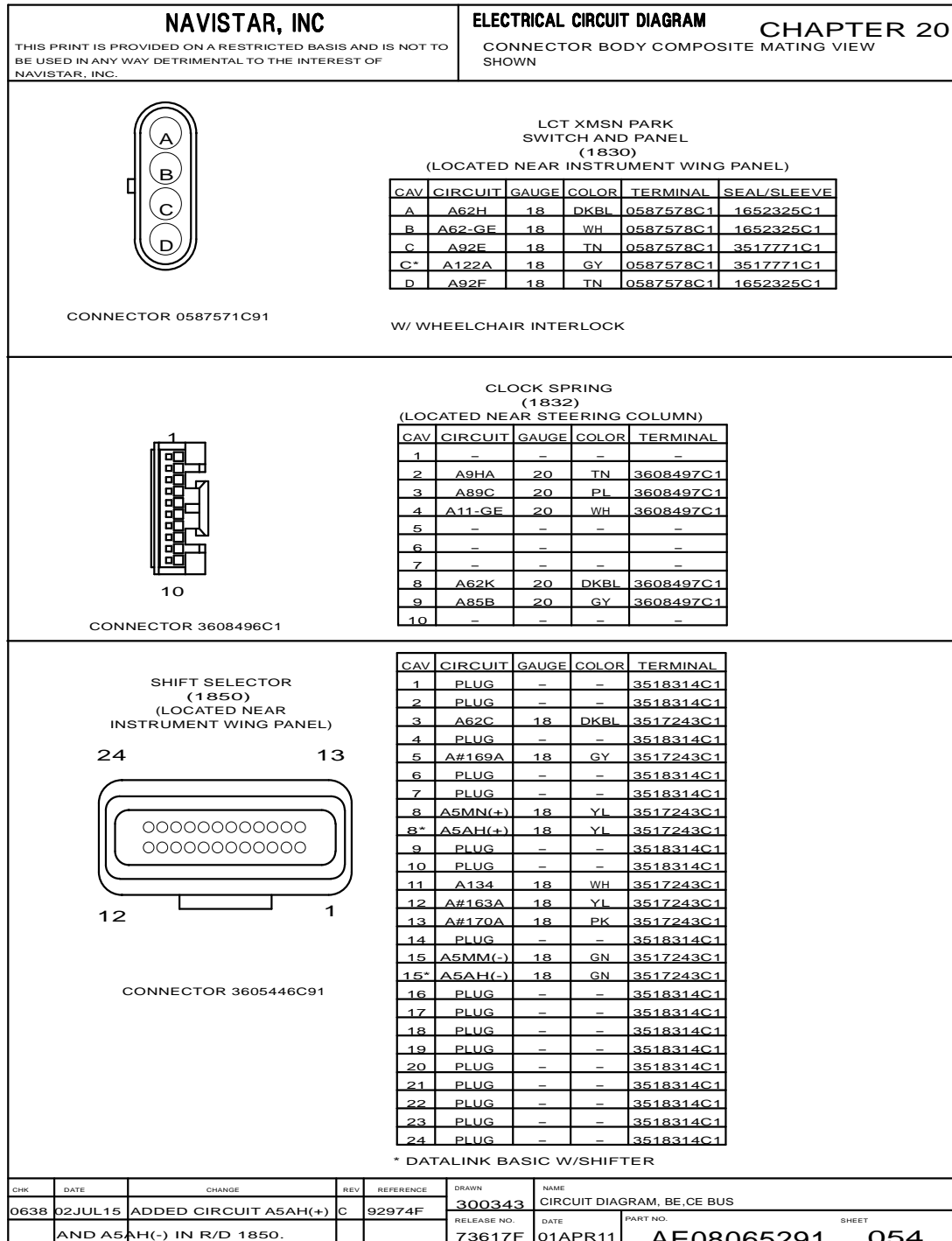


Figure 529 Connector Composites (1830, 1832, 1850)

20.67. CONNECTOR COMPOSITES (1900, 1901, 1902), P. 55

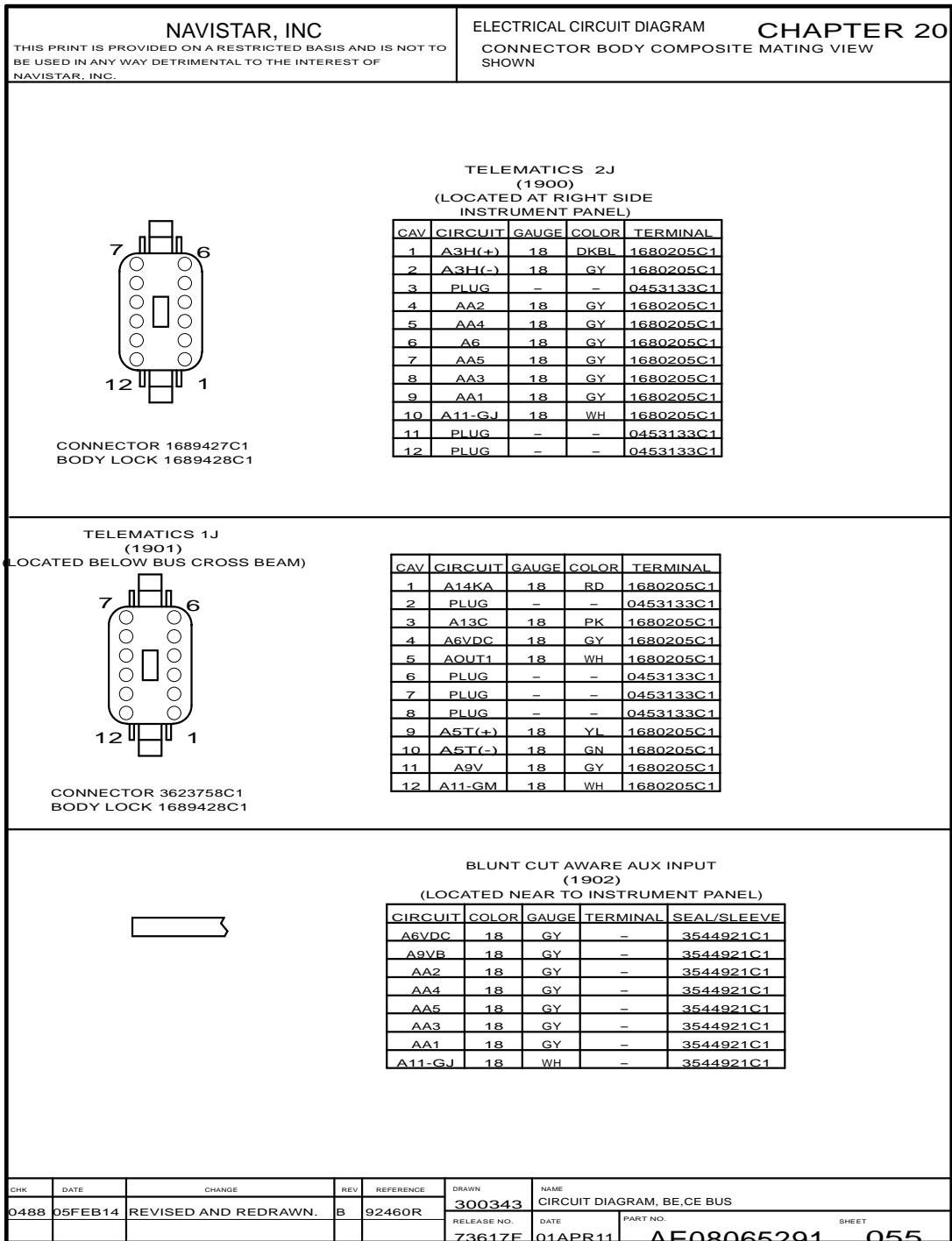


Figure 530 Connector Composites (1900, 1901, 1902)

20.68. CONNECTOR COMPOSITES (1908, 1912, 1913), P. 56

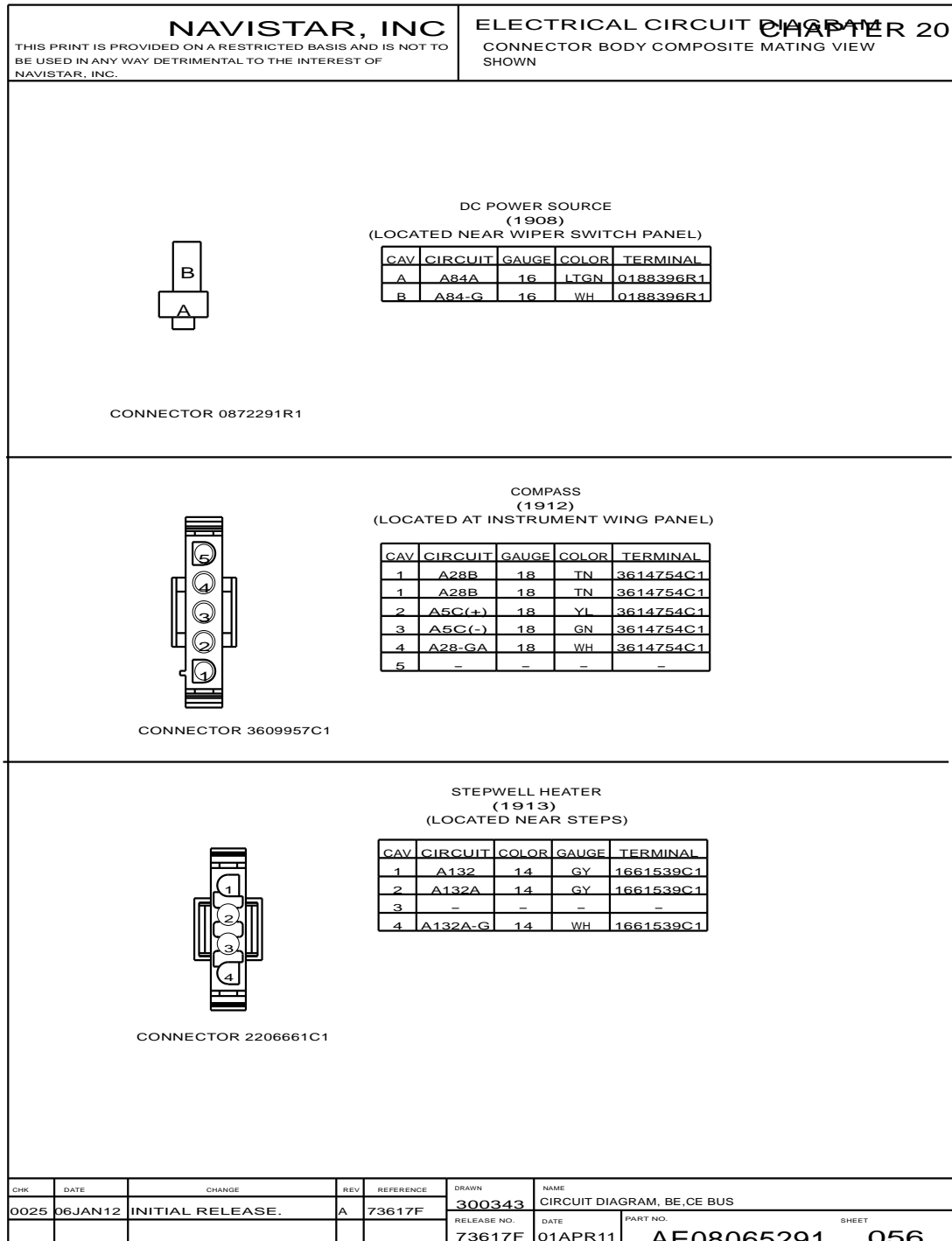


Figure 531 Connector Composites (1908, 1912, 1913)

CONNECTOR COMPOSITE (CHAPTER 21)

21.1. CONNECTOR COMPOSITES (3201, 3202A, 3202B, 3203, 4000), P. 1

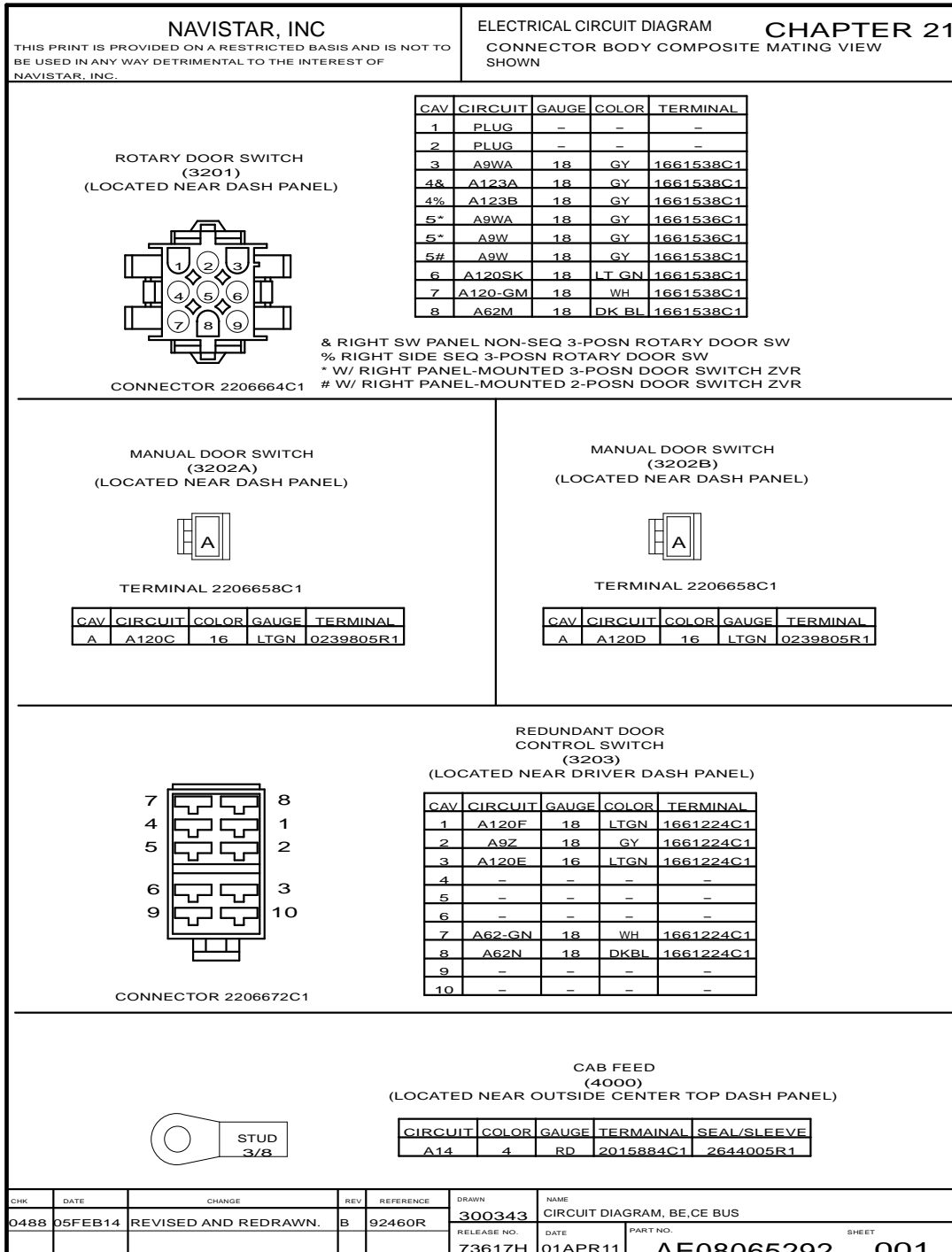


Figure 532 Connector Composites (3201, 3202A, 3202B, 3203, 4000)

21.2. CONNECTOR COMPOSITES (4000A, 4000B, 4000C, 4000D), P. 2

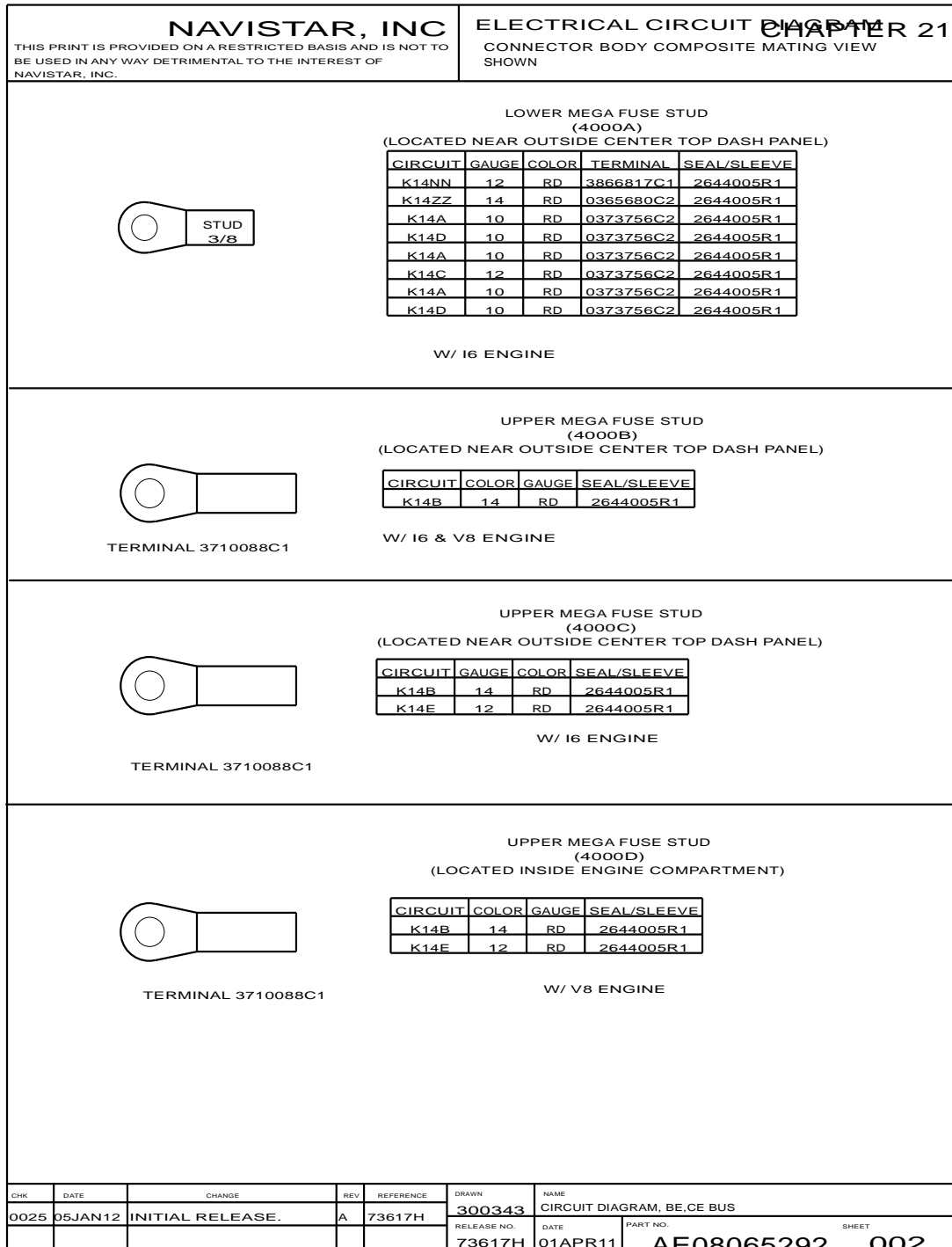


Figure 533 Connector Composites (4000A, 4000B, 4000C, 4000D)

21.3. CONNECTOR COMPOSITES (4002, 4003), P. 3

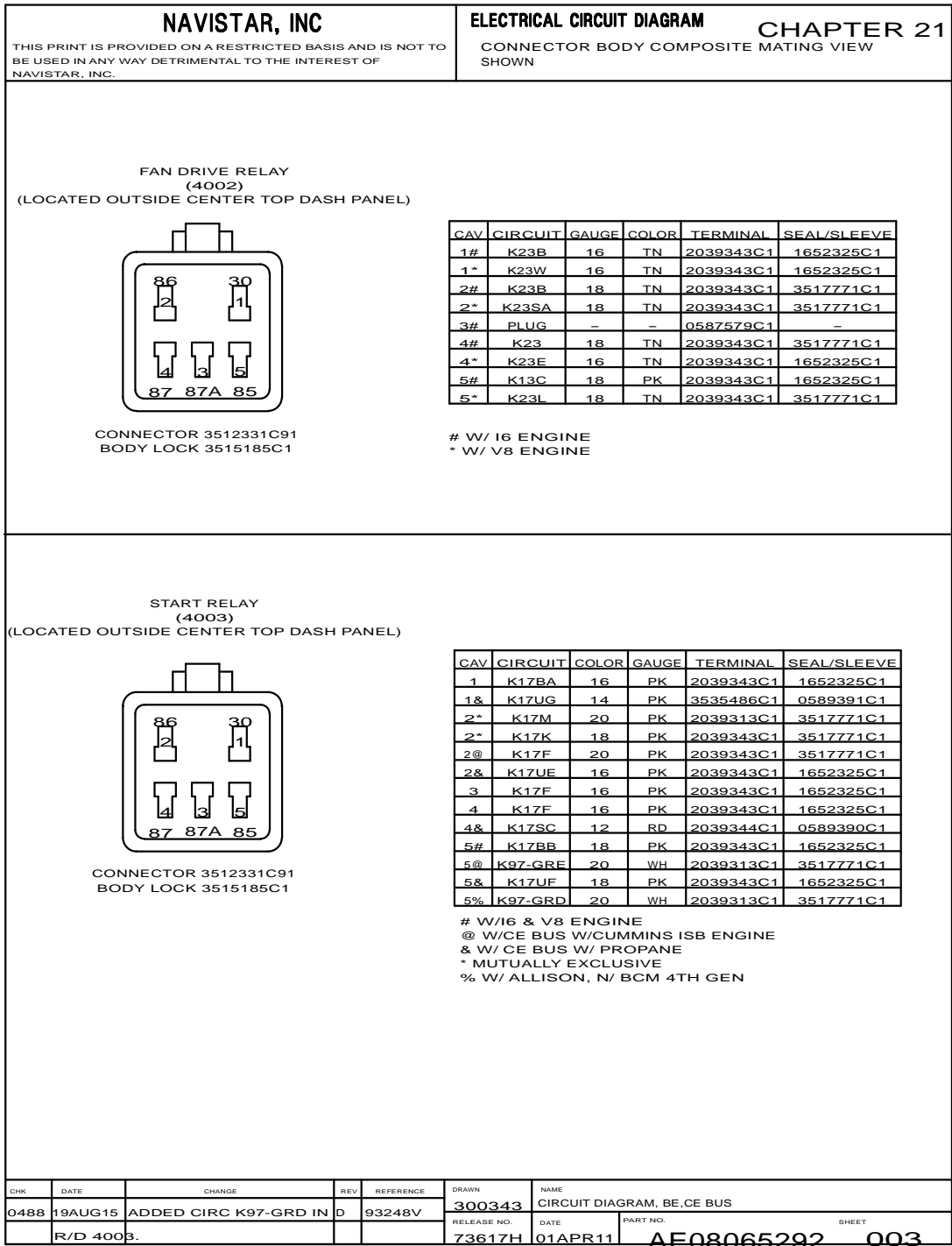


Figure 534 Connector Composites (4002, 4003)

21.4. CONNECTOR COMPOSITES (4005, 4006, 4007), P. 4

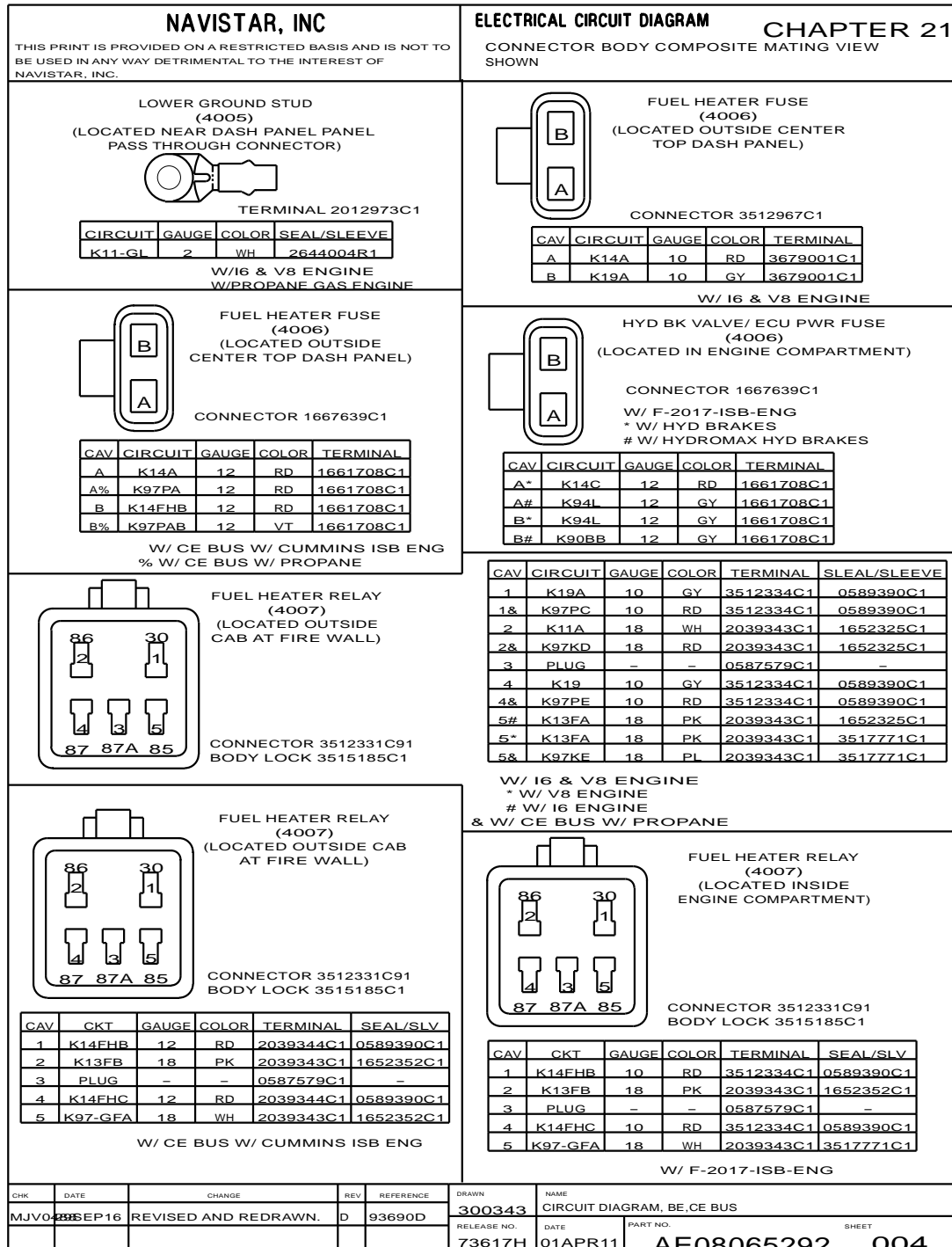


Figure 535 Connector Composites (4005, 4006, 4007)

21.5. CONNECTOR COMPOSITES (4007, 4008, 4009), P. 5

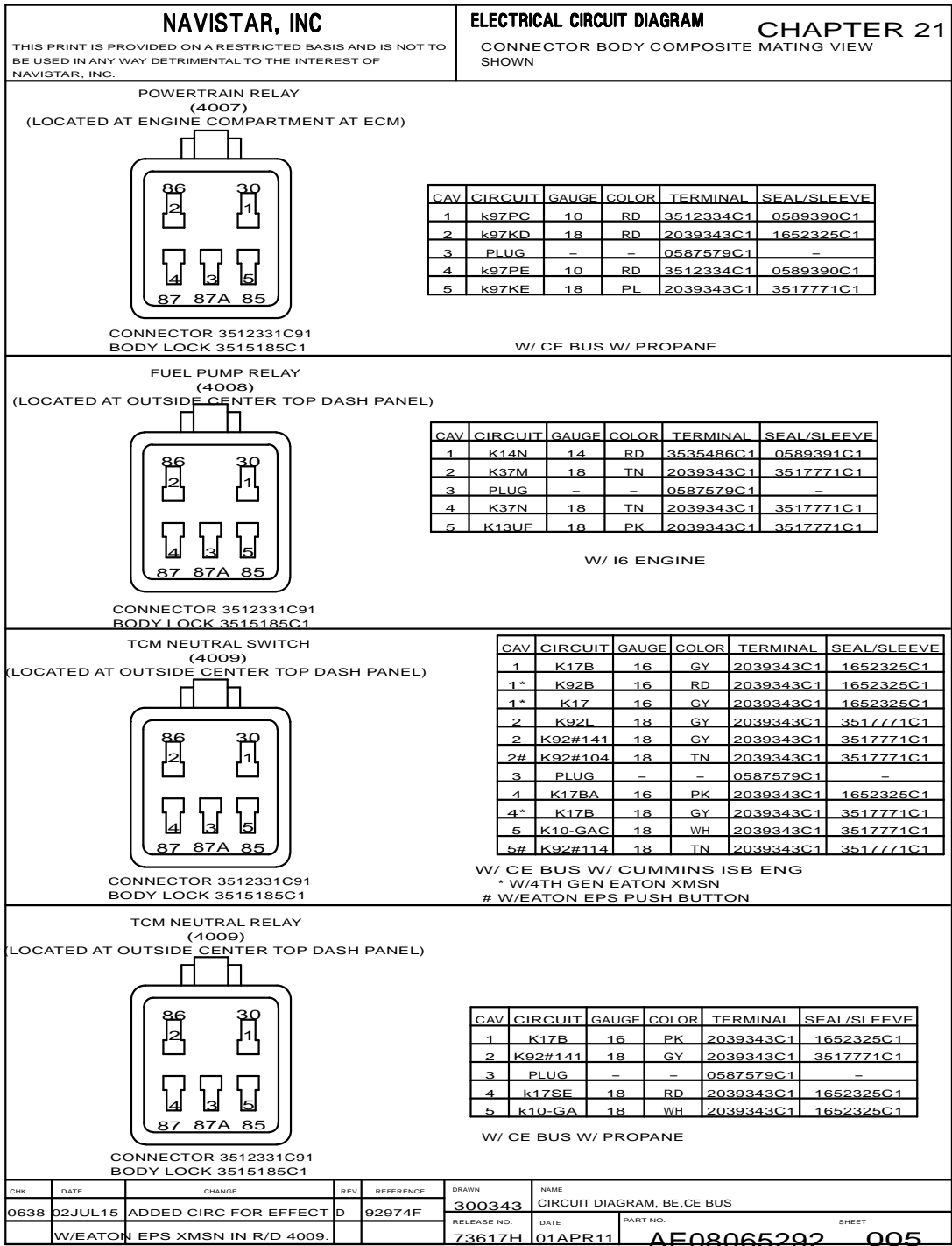


Figure 536 Connector Composites (4007, 4008, 4009)

21.6. CONNECTOR COMPOSITES (4009, 4010, 4011, 4012), P. 5A

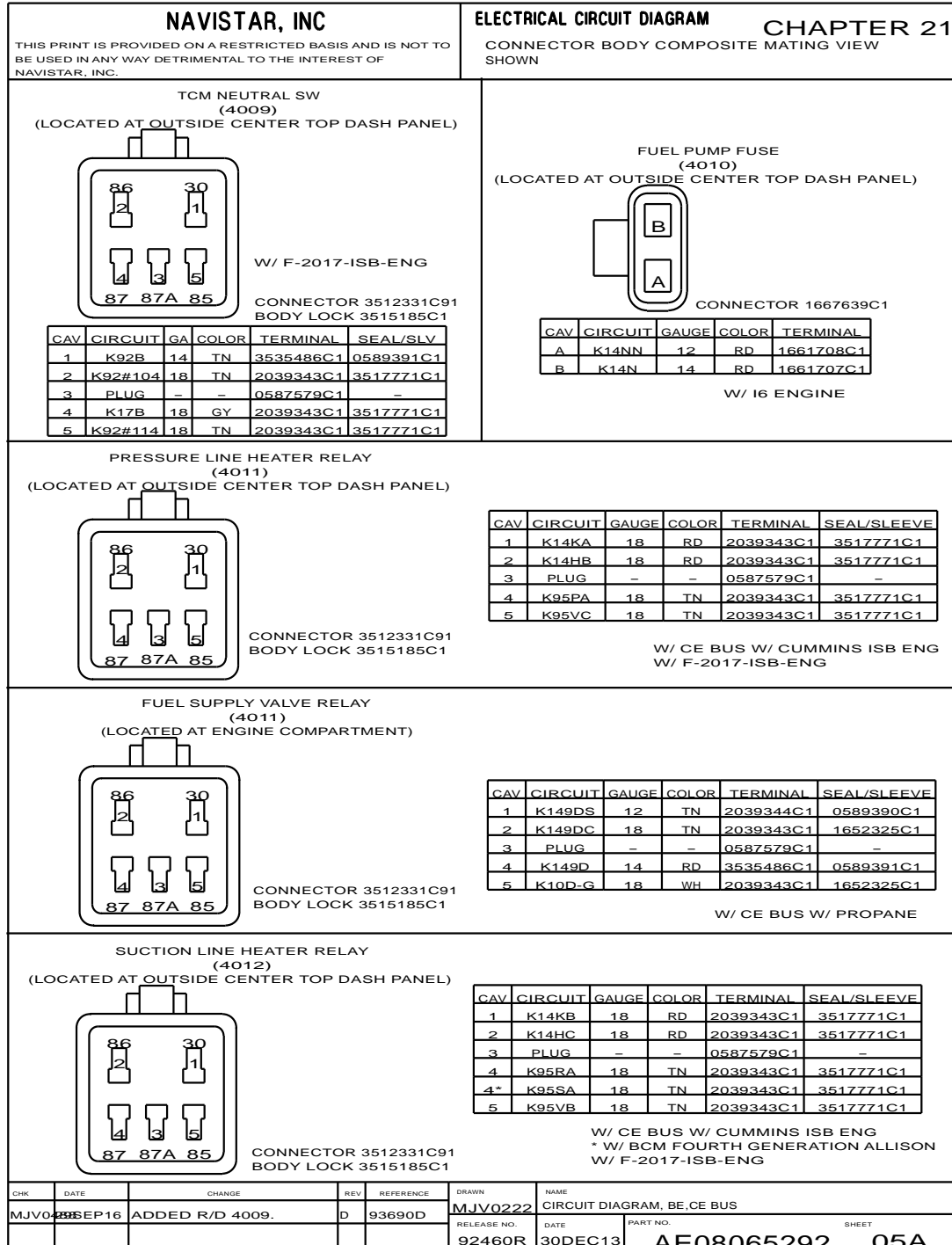


Figure 537 Connector Composites (4009, 4010, 4011, 4012)

21.7. CONNECTOR COMPOSITES (4013, 4014, 4016), P. 5B

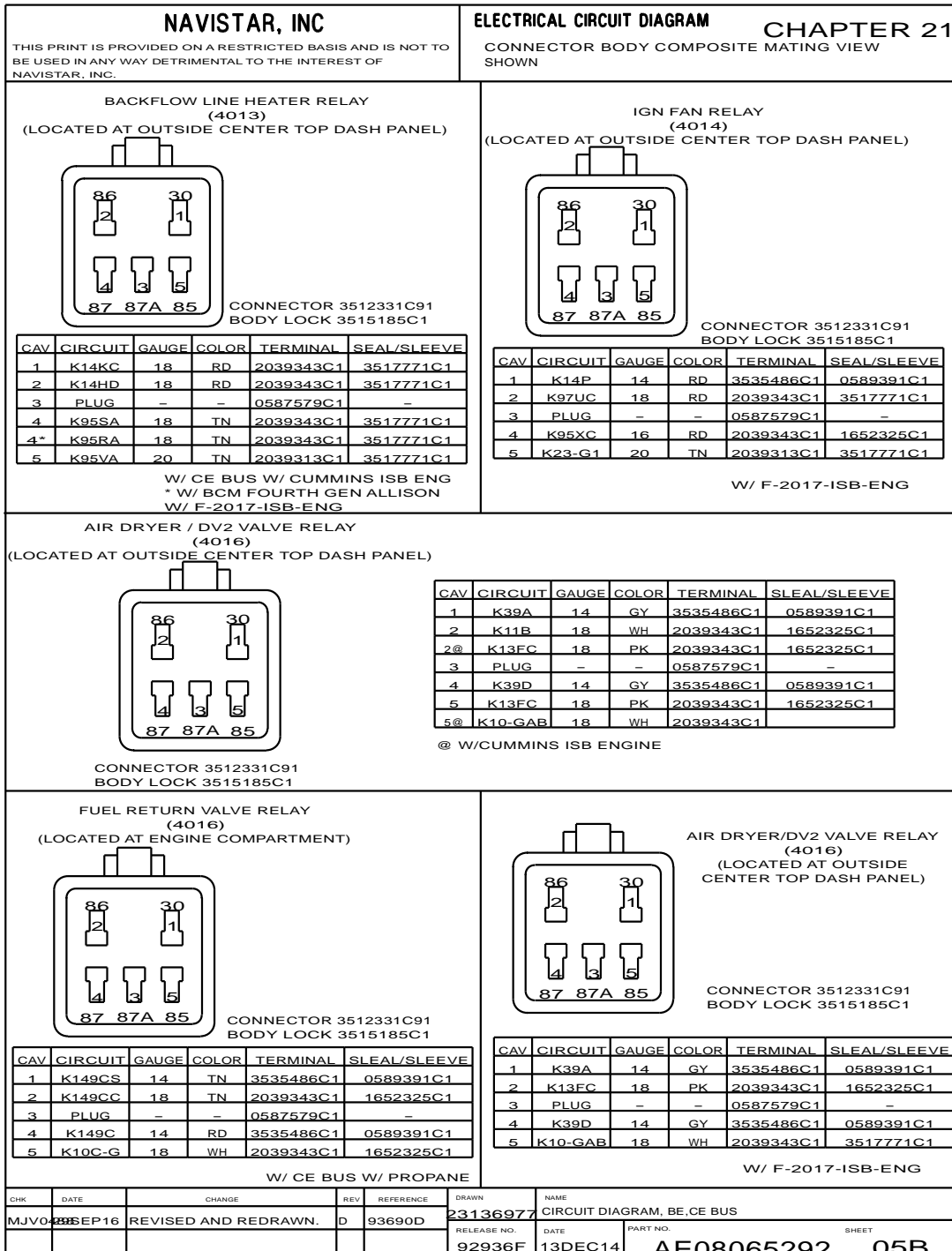


Figure 538 Connector Composites (4013, 4014, 4016)

21.8. CONNECTOR COMPOSITES (4017, 4025, 4034), P. 6

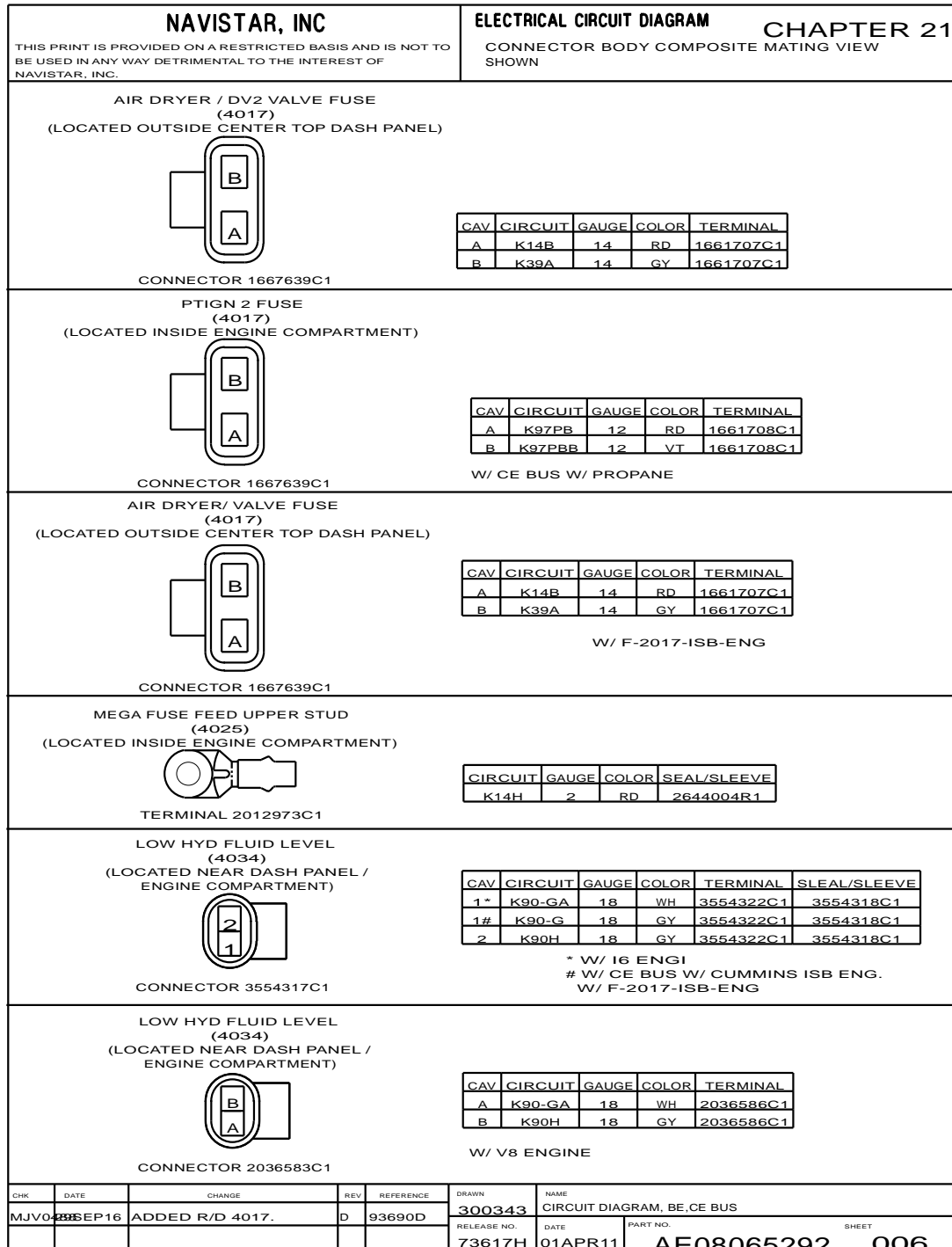


Figure 539 Connector Composites (4017, 4025, 4034)

21.9. CONNECTOR COMPOSITES (4036, 4037), P. 7

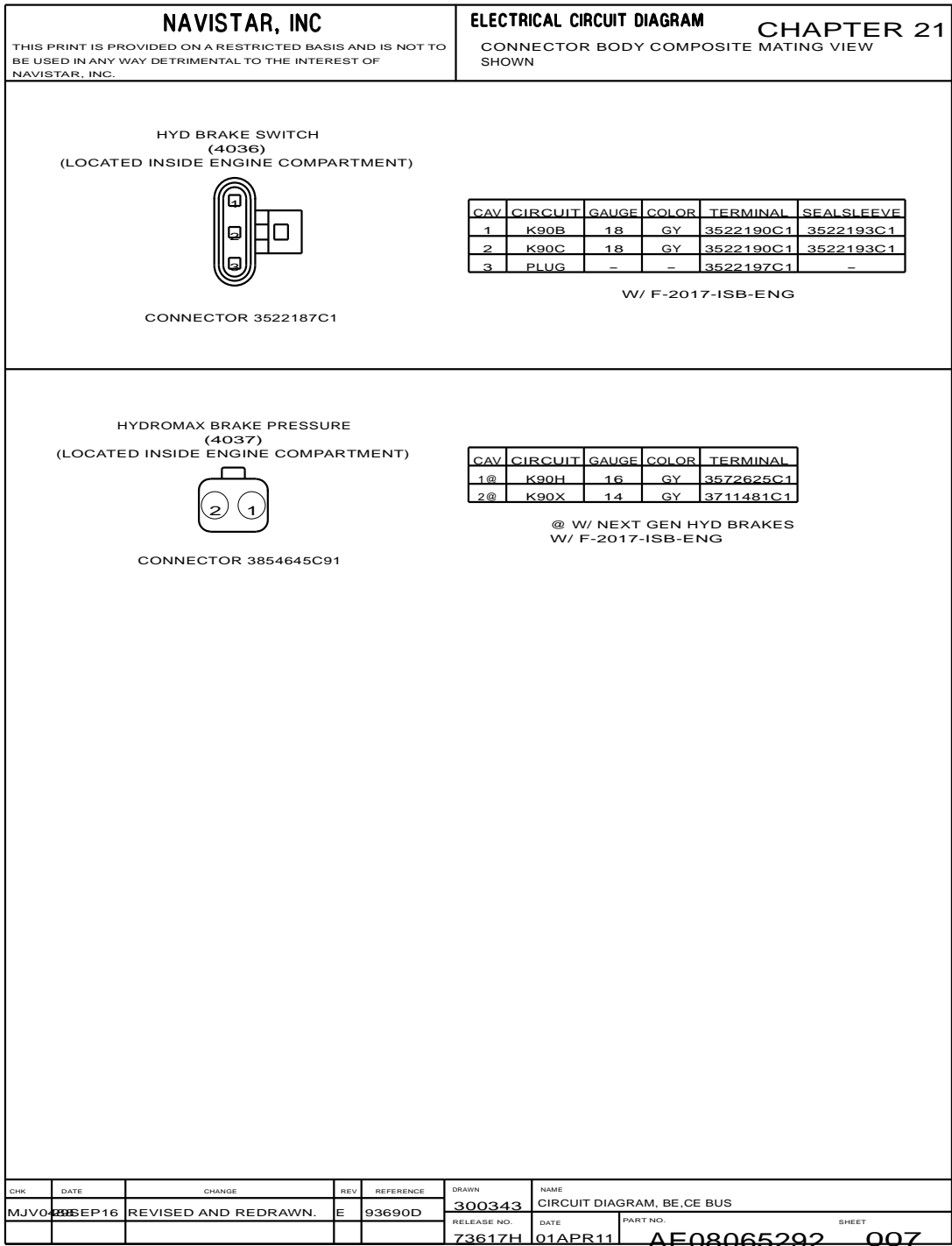


Figure 540 Connector Composites (4036, 4037)

21.10. INTENTIONALLY LEFT BLANK, P. 8

NAVISTAR, INC <small>THIS PRINT IS PROVIDED ON A RESTRICTED BASIS AND IS NOT TO BE USED IN ANY WAY DETRIMENTAL TO THE INTEREST OF NAVISTAR, INC.</small>				ELECTRICAL CIRCUIT DIAGRAM		CHAPTER 21	
				INTENTIONALLY LEFT BLANK			
INTENTIONALLY LEFT BLANK							
CHK	DATE	CHANGE	REV	REFERENCE	DRAWN	NAME	
0488	05FEB14	GEOMETRY REMOVED.	B	92460R	300343	CIRCUIT DIAGRAM, BE,CE BUS	
					RELEASE NO.	DATE	PART NO. SHEET
					73617H	01APR11	AE08065202 008

Figure 541 Intentionally Left Blank

21.11. CONNECTOR COMPOSITES (4037K, 4037Z, 4038, 4039, 4040), P. 9

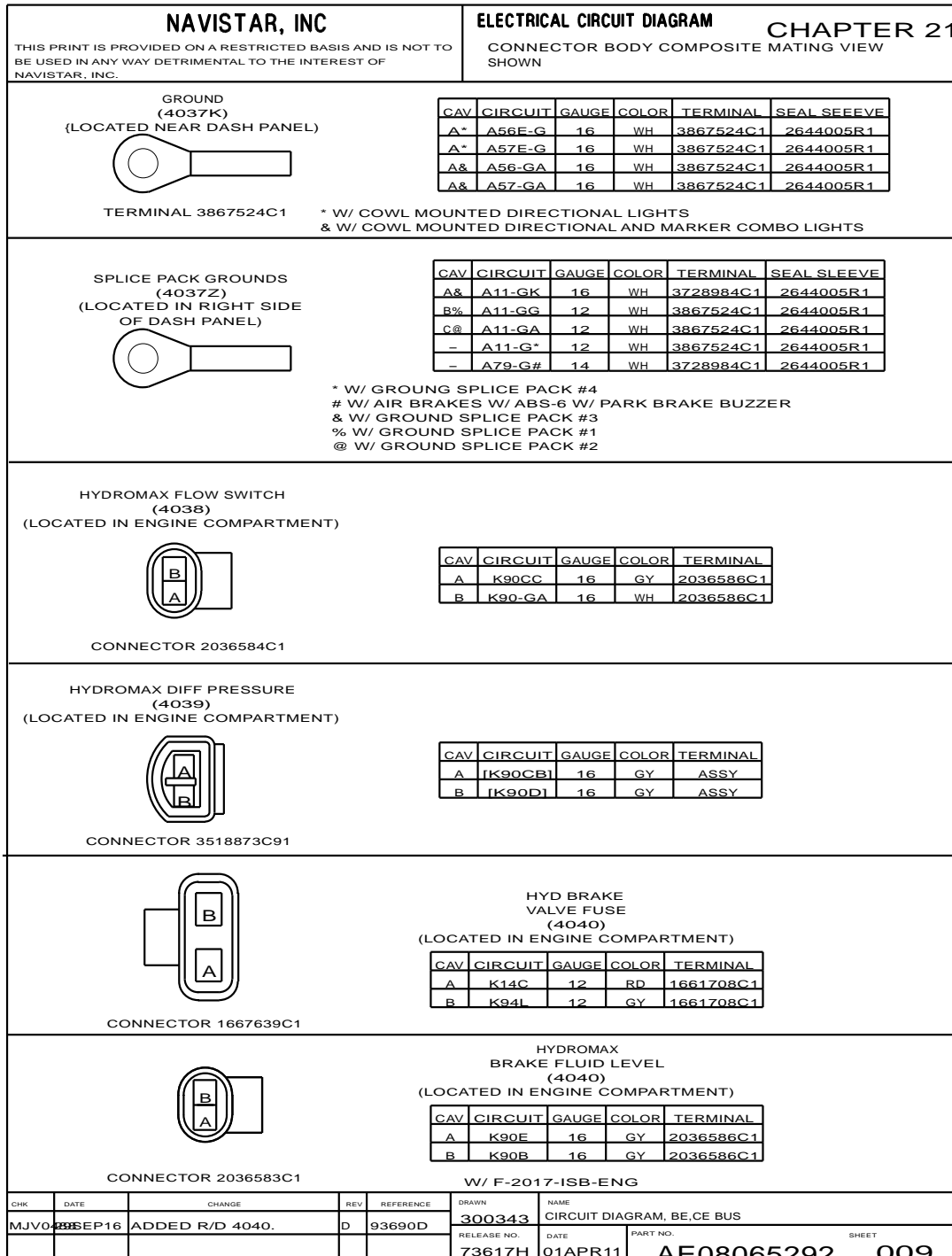


Figure 542 Connector Composites (4037K, 4037Z, 4038, 4039, 4040)

21.12. CONNECTOR COMPOSITES (4041), P. 9A

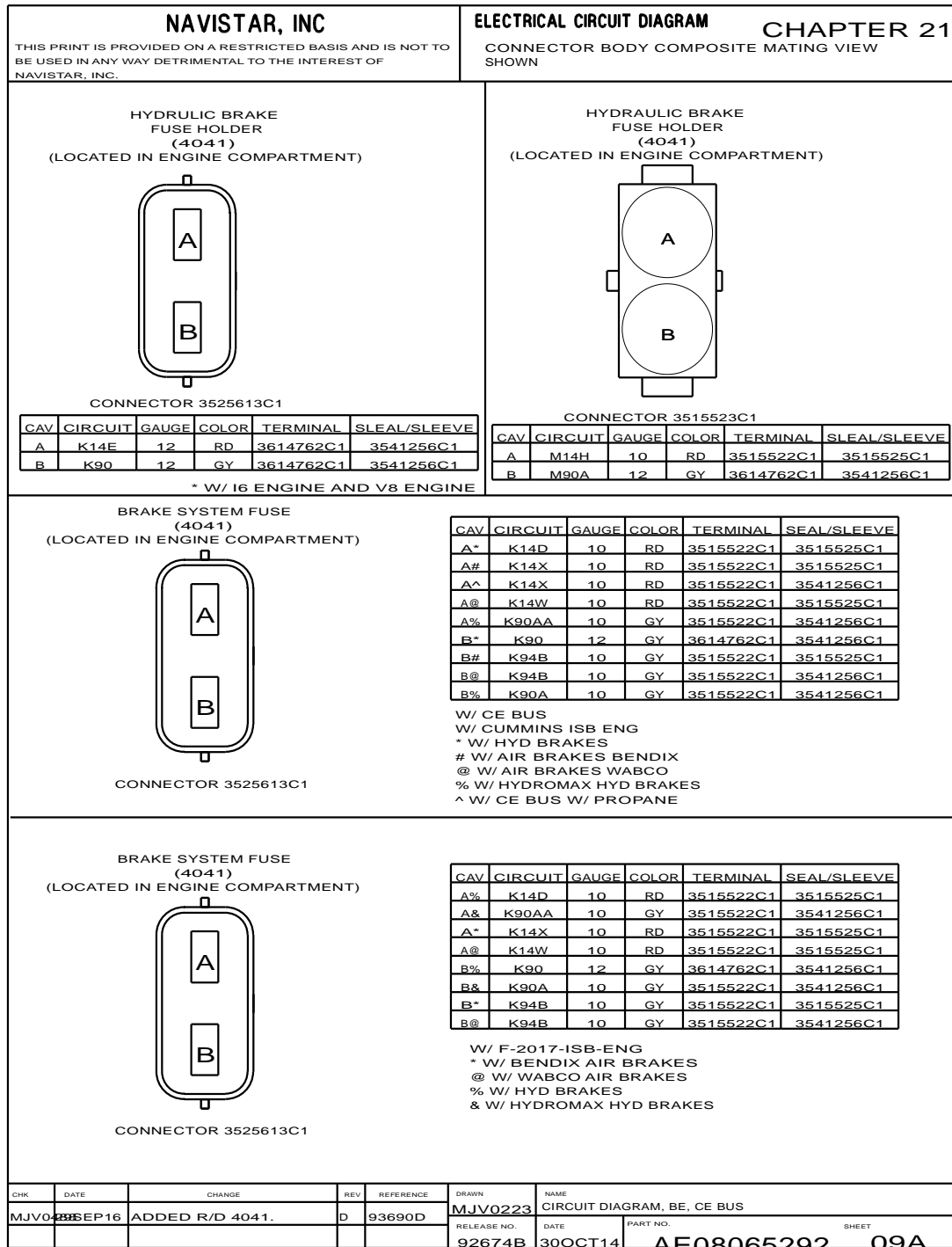


Figure 543 Connector Composites (4041)

21.13. CONNECTOR COMPOSITES (4041A, 4043, 4045, 4046), P. 9B

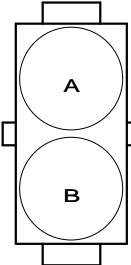
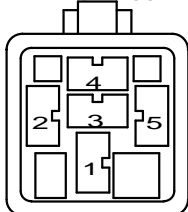
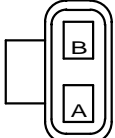
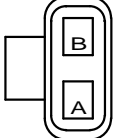
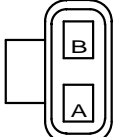
NAVISTAR, INC		ELECTRICAL CIRCUIT DIAGRAM		CHAPTER 21																															
THIS PRINT IS PROVIDED ON A RESTRICTED BASIS AND IS NOT TO BE USED IN ANY WAY DETRIMENTAL TO THE INTEREST OF NAVISTAR, INC.		CONNECTOR BODY COMPOSITE MATING VIEW SHOWN																																	
<p>REDUNDANT PWR FUSE HOLDER (4041A) (LOCATED INSIDE ENGINE COMPARTMENT)</p>  <table border="1" style="margin-left: auto; margin-right: auto; font-size: x-small;"> <thead> <tr> <th>CAV</th> <th>CIRCUIT</th> <th>GAUGE</th> <th>COLOR</th> <th>TERMINAL</th> <th>SEAL/SLEEVE</th> </tr> </thead> <tbody> <tr> <td>A</td> <td>M14H</td> <td>8</td> <td>RD</td> <td>3525614C1</td> <td>3515525C1</td> </tr> <tr> <td>B</td> <td>M14M</td> <td>8</td> <td>RD</td> <td>3525614C1</td> <td>3515525C1</td> </tr> </tbody> </table> <p style="text-align: center; font-size: x-small;">CONNECTOR 3515523C1</p>						CAV	CIRCUIT	GAUGE	COLOR	TERMINAL	SEAL/SLEEVE	A	M14H	8	RD	3525614C1	3515525C1	B	M14M	8	RD	3525614C1	3515525C1												
CAV	CIRCUIT	GAUGE	COLOR	TERMINAL	SEAL/SLEEVE																														
A	M14H	8	RD	3525614C1	3515525C1																														
B	M14M	8	RD	3525614C1	3515525C1																														
<p>HYDROMAX BOOST PUMP RELAY (4043) (LOCATED IN ENGINE COMPARTMENT)</p>  <table border="1" style="margin-left: auto; margin-right: auto; font-size: x-small;"> <thead> <tr> <th>CAV</th> <th>CIRCUIT</th> <th>GAUGE</th> <th>COLOR</th> <th>TERMINAL</th> </tr> </thead> <tbody> <tr> <td>1</td> <td>K14</td> <td>10</td> <td>GY</td> <td>1661708C1</td> </tr> <tr> <td>2</td> <td>K90R</td> <td>16</td> <td>GY</td> <td>1661707C1</td> </tr> <tr> <td>3</td> <td>PLUG</td> <td>-</td> <td>-</td> <td>-</td> </tr> <tr> <td>4</td> <td>K90DA</td> <td>10</td> <td>GY</td> <td>1661708C1</td> </tr> <tr> <td>5</td> <td>K90G</td> <td>16</td> <td>GY</td> <td>1661707C1</td> </tr> </tbody> </table> <p style="text-align: center; font-size: x-small;">CONNECTOR 1661747C91</p>						CAV	CIRCUIT	GAUGE	COLOR	TERMINAL	1	K14	10	GY	1661708C1	2	K90R	16	GY	1661707C1	3	PLUG	-	-	-	4	K90DA	10	GY	1661708C1	5	K90G	16	GY	1661707C1
CAV	CIRCUIT	GAUGE	COLOR	TERMINAL																															
1	K14	10	GY	1661708C1																															
2	K90R	16	GY	1661707C1																															
3	PLUG	-	-	-																															
4	K90DA	10	GY	1661708C1																															
5	K90G	16	GY	1661707C1																															
<p>HYDROMAX MOTOR SENSE FUSE (4045) (LOCATED IN ENGINE COMPARTMENT)</p>  <table border="1" style="margin-left: auto; margin-right: auto; font-size: x-small;"> <thead> <tr> <th>CAV</th> <th>CIRCUIT</th> <th>GAUGE</th> <th>COLOR</th> <th>TERMINAL</th> </tr> </thead> <tbody> <tr> <td>A</td> <td>K90P</td> <td>14</td> <td>GY</td> <td>1661707C1</td> </tr> <tr> <td>B</td> <td>K90Y</td> <td>14</td> <td>GY</td> <td>1661707C1</td> </tr> </tbody> </table> <p style="text-align: center; font-size: x-small;">CONNECTOR 1667639C1</p>						CAV	CIRCUIT	GAUGE	COLOR	TERMINAL	A	K90P	14	GY	1661707C1	B	K90Y	14	GY	1661707C1															
CAV	CIRCUIT	GAUGE	COLOR	TERMINAL																															
A	K90P	14	GY	1661707C1																															
B	K90Y	14	GY	1661707C1																															
<p>FUEL SYSTEMS FUSE (4045) (LOCATED INSIDE ENGINE COMPARTMENT)</p>  <table border="1" style="margin-left: auto; margin-right: auto; font-size: x-small;"> <thead> <tr> <th>CAV</th> <th>CIRCUIT</th> <th>GAUGE</th> <th>COLOR</th> <th>TERMINAL</th> </tr> </thead> <tbody> <tr> <td>A</td> <td>K37A</td> <td>12</td> <td>RD</td> <td>1661708C1</td> </tr> <tr> <td>B</td> <td>K37B</td> <td>12</td> <td>RD</td> <td>1661708C1</td> </tr> </tbody> </table> <p style="text-align: center; font-size: x-small;">CONNECTOR 1667639C1</p> <p style="text-align: center; font-size: x-small;">W/ CE BUS W/ PROPANE</p>						CAV	CIRCUIT	GAUGE	COLOR	TERMINAL	A	K37A	12	RD	1661708C1	B	K37B	12	RD	1661708C1															
CAV	CIRCUIT	GAUGE	COLOR	TERMINAL																															
A	K37A	12	RD	1661708C1																															
B	K37B	12	RD	1661708C1																															
<p>HYDROMAX BRAKE PRESSURE 5 AMP FUSE (4046) (LOCATED IN ENGINE COMPARTMENT)</p>  <table border="1" style="margin-left: auto; margin-right: auto; font-size: x-small;"> <thead> <tr> <th>CAV</th> <th>CIRCUIT</th> <th>GAUGE</th> <th>COLOR</th> <th>TERMINAL</th> </tr> </thead> <tbody> <tr> <td>A</td> <td>K90W</td> <td>14</td> <td>GY</td> <td>1661707C1</td> </tr> <tr> <td>B</td> <td>K90X</td> <td>14</td> <td>GY</td> <td>1661707C1</td> </tr> </tbody> </table> <p style="text-align: center; font-size: x-small;">CONNECTOR 1667639C1</p>						CAV	CIRCUIT	GAUGE	COLOR	TERMINAL	A	K90W	14	GY	1661707C1	B	K90X	14	GY	1661707C1															
CAV	CIRCUIT	GAUGE	COLOR	TERMINAL																															
A	K90W	14	GY	1661707C1																															
B	K90X	14	GY	1661707C1																															
CHK	DATE	CHANGE	REV	REFERENCE	DRAWN																														
0638	26MAR15	ADDED R/D 4045.	B	92936F	MJV0223																														
				RELEASE NO.	DATE																														
				92674B	30OCT14																														
				NAME	PART NO.																														
				CIRCUIT DIAGRAM, BE, CE BUS	AE08065292																														
				SHEET	09B																														

Figure 544 Connector Composites (4041A, 4043, 4045, 4046)

21.14. CONNECTOR COMPOSITES (4046, 4049, 4049A, 4050, 4050A), P. 10

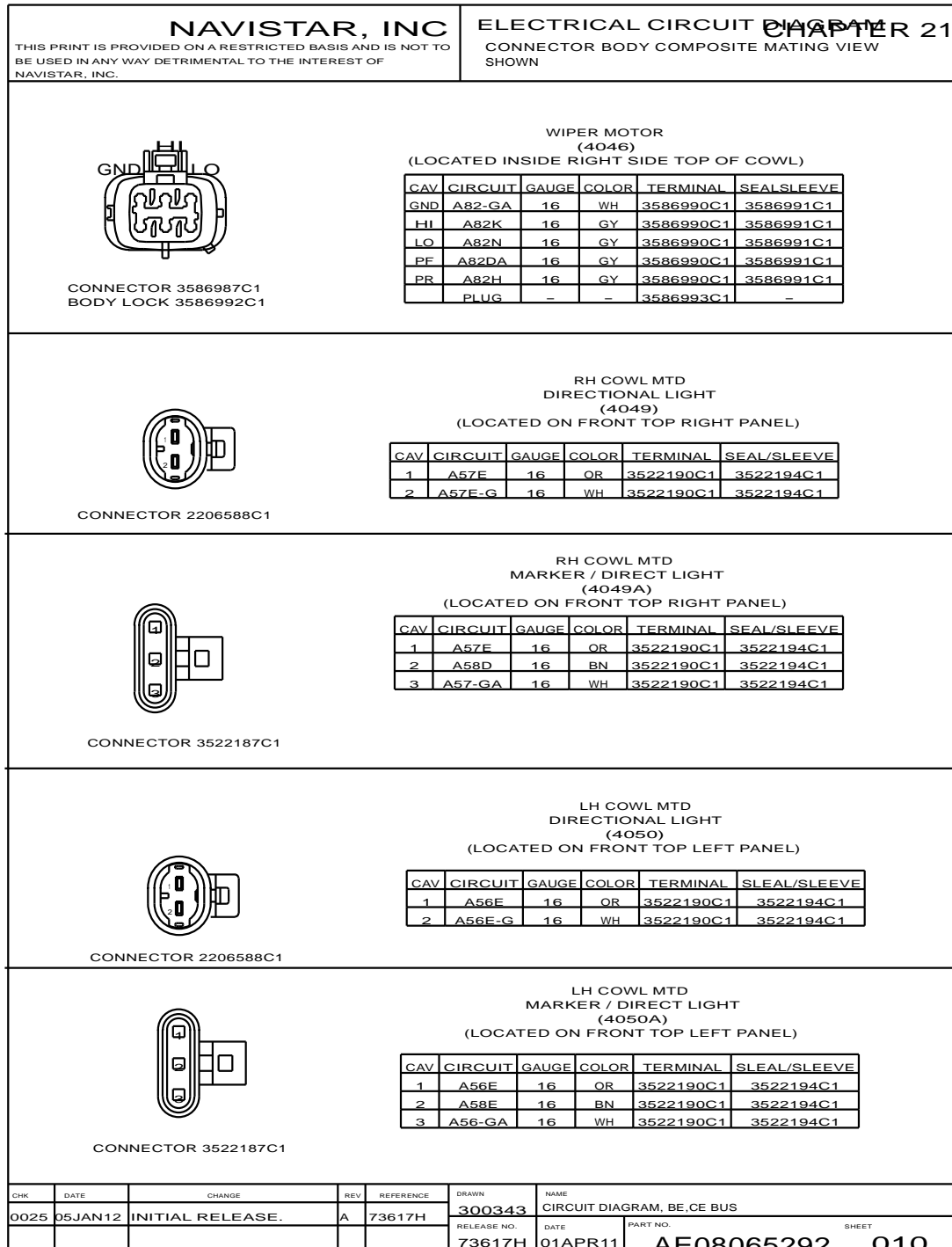


Figure 545 Connector Composites (4046, 4049, 4049A, 4050, 4050A)

21.15. CONNECTOR COMPOSITES (4051, 4052, 4087), P. 11

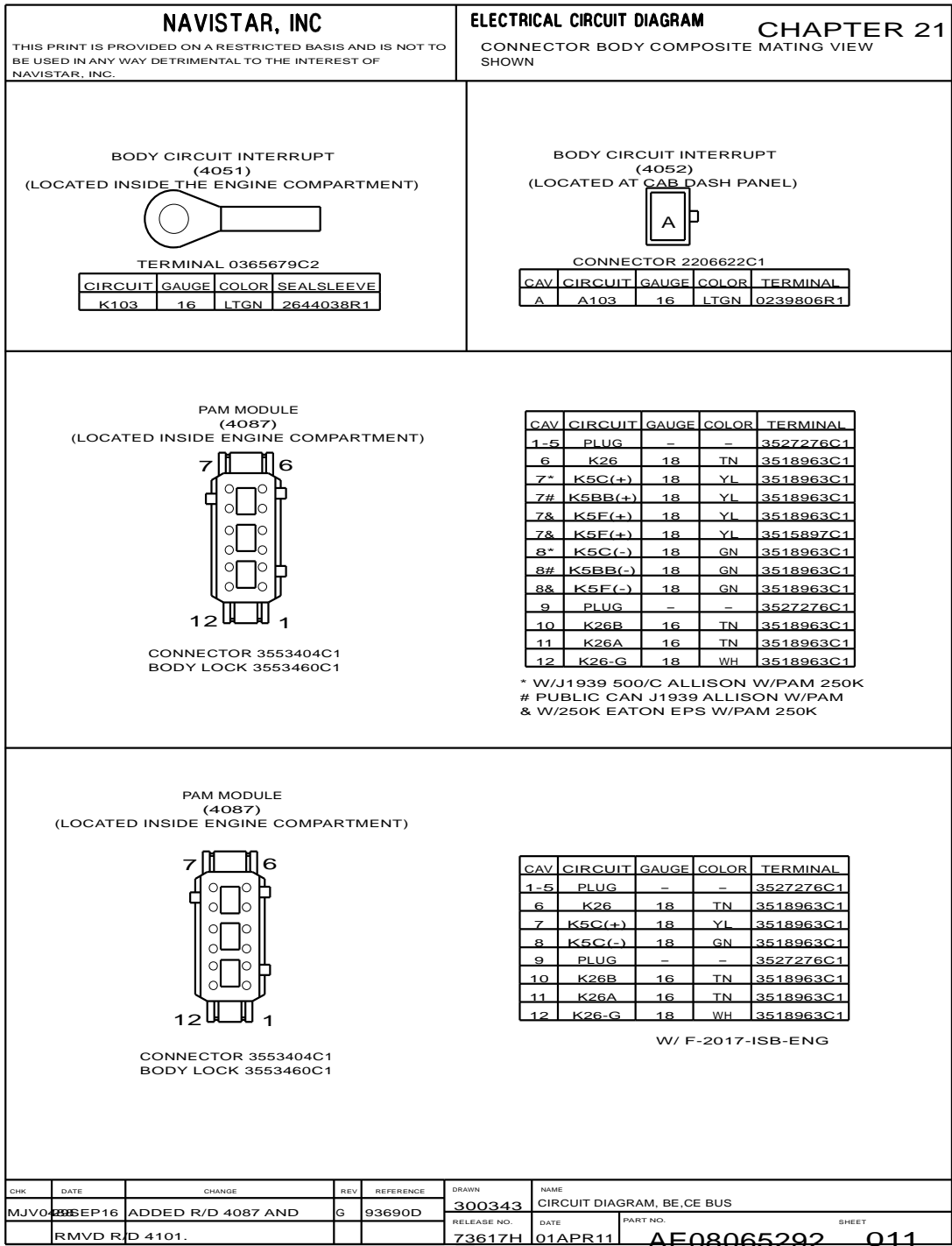


Figure 546 Connector Composites (4051, 4052, 4087)

21.16. CONNECTOR COMPOSITES (4101, 4103), P. 11A

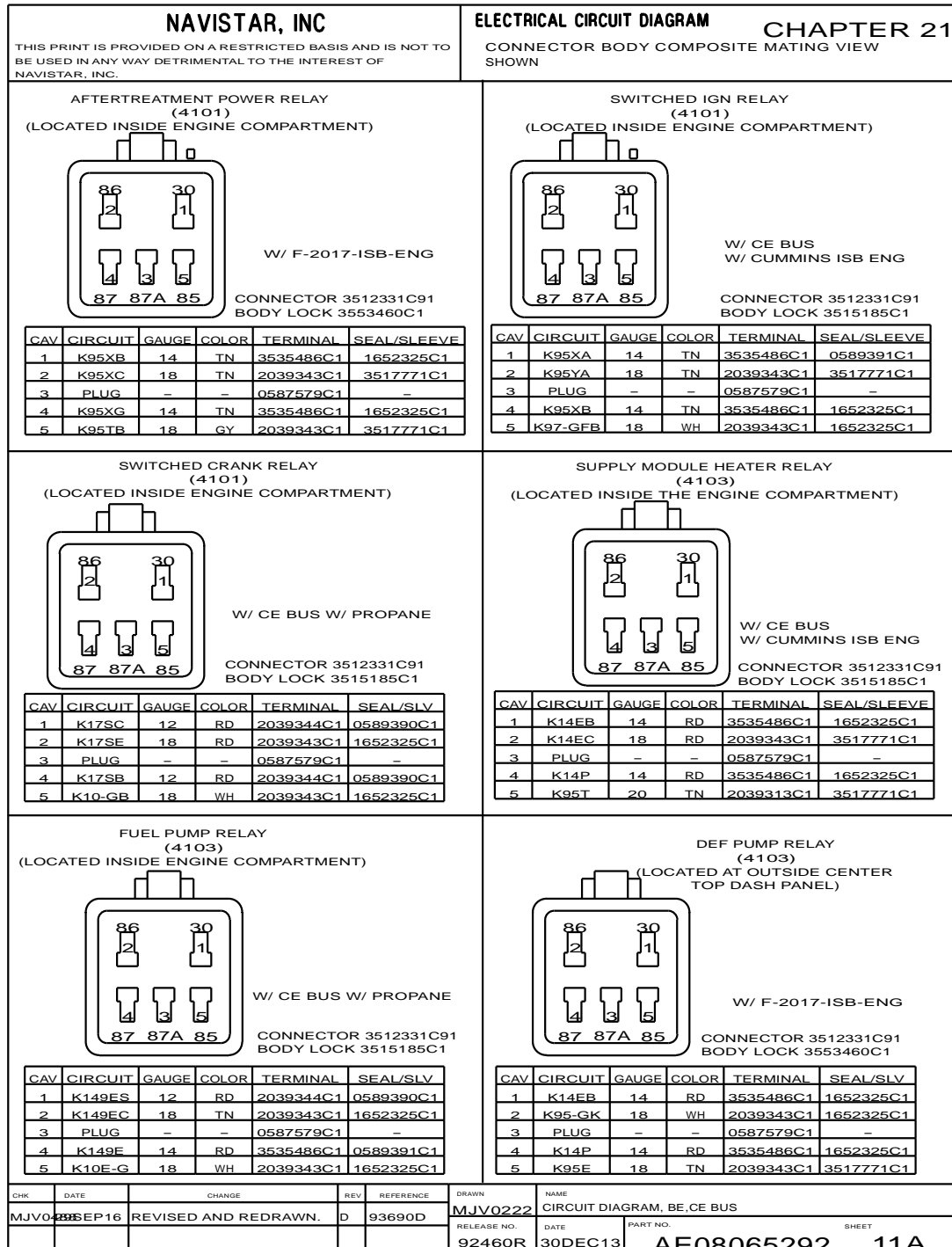


Figure 547 Connector Composites (4101, 4103)

21.17. CONNECTOR COMPOSITES (4104, 4106, 4107, 4108), P. 11B

NAVISTAR, INC				ELECTRICAL CIRCUIT DIAGRAM				CHAPTER 21																																														
THIS PRINT IS PROVIDED ON A RESTRICTED BASIS AND IS NOT TO BE USED IN ANY WAY DETRIMENTAL TO THE INTEREST OF NAVISTAR, INC.				CONNECTOR BODY COMPOSITE MATING VIEW SHOWN																																																		
<p>KEY POWER (4104) (LOCATED AT CAB DASH PANEL)</p> <p>CONNECTOR 1667639C1</p> <table border="1" style="width:100%; border-collapse: collapse; font-size: x-small;"> <thead> <tr> <th>CAV</th> <th>CIRCUIT</th> <th>GAUGE</th> <th>COLOR</th> <th>TERMINAL</th> </tr> </thead> <tbody> <tr> <td>A</td> <td>K97UB</td> <td>14</td> <td>VT</td> <td>1661707C1</td> </tr> <tr> <td>A#</td> <td>K17UB</td> <td>14</td> <td>PK</td> <td>1661707C1</td> </tr> <tr> <td>B</td> <td>K97UC</td> <td>14</td> <td>VT</td> <td>1661707C1</td> </tr> <tr> <td>B#</td> <td>K17UC</td> <td>14</td> <td>PK</td> <td>1661707C2</td> </tr> </tbody> </table> <p style="font-size: x-small;">W/ CUMMINS ISB ENG W/ F-2017-ISB-ENG # W/ PROPANE GAS ENG</p>						CAV	CIRCUIT	GAUGE	COLOR	TERMINAL	A	K97UB	14	VT	1661707C1	A#	K17UB	14	PK	1661707C1	B	K97UC	14	VT	1661707C1	B#	K17UC	14	PK	1661707C2	<p>HYD BRAKE VALVE FUSE (4106) (LOCATED INSIDE ENGINE COMPARTMENT)</p> <p>W/ CE BUS W/ CUMMINS ISB ENG</p> <p>CONNECTOR 3525613C1</p> <table border="1" style="width:100%; border-collapse: collapse; font-size: x-small;"> <thead> <tr> <th>CAV</th> <th>CIRCUIT</th> <th>GAUGE</th> <th>COLOR</th> <th>TERMINAL</th> <th>SEAL/SLEEVE</th> </tr> </thead> <tbody> <tr> <td>A</td> <td>K14C</td> <td>12</td> <td>RD</td> <td>3614762C1</td> <td>3541256C1</td> </tr> <tr> <td>B</td> <td>K94L</td> <td>12</td> <td>GY</td> <td>3614762C1</td> <td>3541256C1</td> </tr> </tbody> </table>						CAV	CIRCUIT	GAUGE	COLOR	TERMINAL	SEAL/SLEEVE	A	K14C	12	RD	3614762C1	3541256C1	B	K94L	12	GY	3614762C1	3541256C1
CAV	CIRCUIT	GAUGE	COLOR	TERMINAL																																																		
A	K97UB	14	VT	1661707C1																																																		
A#	K17UB	14	PK	1661707C1																																																		
B	K97UC	14	VT	1661707C1																																																		
B#	K17UC	14	PK	1661707C2																																																		
CAV	CIRCUIT	GAUGE	COLOR	TERMINAL	SEAL/SLEEVE																																																	
A	K14C	12	RD	3614762C1	3541256C1																																																	
B	K94L	12	GY	3614762C1	3541256C1																																																	
<p>STARTER FUSE (4106) (LOCATED INSIDE ENGINE COMPARTMENT)</p> <p>CONNECTOR 3525613C1</p> <table border="1" style="width:100%; border-collapse: collapse; font-size: x-small;"> <thead> <tr> <th>CAV</th> <th>CIRCUIT</th> <th>GAUGE</th> <th>COLOR</th> <th>TERMINAL</th> <th>SEAL/SLV</th> </tr> </thead> <tbody> <tr> <td>A</td> <td>K17SA</td> <td>12</td> <td>RD</td> <td>3614762C1</td> <td>3541256C1</td> </tr> <tr> <td>B</td> <td>K17SB</td> <td>12</td> <td>RD</td> <td>3614762C1</td> <td>3541256C1</td> </tr> </tbody> </table> <p style="font-size: x-small;">W/ CE BUS W/ PROPANE</p>						CAV	CIRCUIT	GAUGE	COLOR	TERMINAL	SEAL/SLV	A	K17SA	12	RD	3614762C1	3541256C1	B	K17SB	12	RD	3614762C1	3541256C1	<p>FUEL HEATER FUSE (4106) (LOCATED OUTSIDE CENTER TOP DASH PANEL)</p> <p>CONNECTOR 3525613C1</p> <table border="1" style="width:100%; border-collapse: collapse; font-size: x-small;"> <thead> <tr> <th>CAV</th> <th>CIRCUIT</th> <th>GAUGE</th> <th>COLOR</th> <th>TERMINAL</th> <th>SEAL/SLV</th> </tr> </thead> <tbody> <tr> <td>A</td> <td>K14A</td> <td>10</td> <td>RD</td> <td>3515522C1</td> <td>3515525C1</td> </tr> <tr> <td>B</td> <td>K14FHB</td> <td>10</td> <td>RD</td> <td>3515522C1</td> <td>3541256C1</td> </tr> </tbody> </table> <p style="font-size: x-small;">W/ F-2017-ISB-ENG</p>						CAV	CIRCUIT	GAUGE	COLOR	TERMINAL	SEAL/SLV	A	K14A	10	RD	3515522C1	3515525C1	B	K14FHB	10	RD	3515522C1	3541256C1							
CAV	CIRCUIT	GAUGE	COLOR	TERMINAL	SEAL/SLV																																																	
A	K17SA	12	RD	3614762C1	3541256C1																																																	
B	K17SB	12	RD	3614762C1	3541256C1																																																	
CAV	CIRCUIT	GAUGE	COLOR	TERMINAL	SEAL/SLV																																																	
A	K14A	10	RD	3515522C1	3515525C1																																																	
B	K14FHB	10	RD	3515522C1	3541256C1																																																	
<p>SWITCHED IGN SW (4107) (LOCATED INSIDE ENGINE COMPARTMENT)</p> <p>CONNECTOR 1667639C1</p> <table border="1" style="width:100%; border-collapse: collapse; font-size: x-small;"> <thead> <tr> <th>CAV</th> <th>CIRCUIT</th> <th>GAUGE</th> <th>COLOR</th> <th>TERMINAL</th> </tr> </thead> <tbody> <tr> <td>A</td> <td>K14M</td> <td>12</td> <td>RD</td> <td>1661708C1</td> </tr> <tr> <td>B</td> <td>K95XA</td> <td>14</td> <td>TN</td> <td>1661707C1</td> </tr> </tbody> </table> <p style="font-size: x-small;">W/ CE BUS W/ CUMMINS ISB ENG</p>						CAV	CIRCUIT	GAUGE	COLOR	TERMINAL	A	K14M	12	RD	1661708C1	B	K95XA	14	TN	1661707C1	<table border="1" style="width:100%; border-collapse: collapse; font-size: x-small;"> <thead> <tr> <th>CAV</th> <th>CIRCUIT</th> <th>GAUGE</th> <th>COLOR</th> <th>TERMINAL</th> </tr> </thead> <tbody> <tr> <td>A</td> <td>K14M</td> <td>12</td> <td>RD</td> <td>1661708C1</td> </tr> <tr> <td>B</td> <td>K95XA</td> <td>14</td> <td>TN</td> <td>1661707C1</td> </tr> </tbody> </table> <p style="font-size: x-small;">W/ CE BUS W/ CUMMINS ISB ENG</p>						CAV	CIRCUIT	GAUGE	COLOR	TERMINAL	A	K14M	12	RD	1661708C1	B	K95XA	14	TN	1661707C1													
CAV	CIRCUIT	GAUGE	COLOR	TERMINAL																																																		
A	K14M	12	RD	1661708C1																																																		
B	K95XA	14	TN	1661707C1																																																		
CAV	CIRCUIT	GAUGE	COLOR	TERMINAL																																																		
A	K14M	12	RD	1661708C1																																																		
B	K95XA	14	TN	1661707C1																																																		
<p>AFTERTREATMENT (4107) (LOCATED AT OUTSIDE CENTER TOP DASH PANEL)</p> <p>CONNECTOR 1667639C1</p> <table border="1" style="width:100%; border-collapse: collapse; font-size: x-small;"> <thead> <tr> <th>CAV</th> <th>CIRCUIT</th> <th>GAUGE</th> <th>COLOR</th> <th>TERMINAL</th> </tr> </thead> <tbody> <tr> <td>A</td> <td>K14M</td> <td>14</td> <td>RD</td> <td>1661707C1</td> </tr> <tr> <td>B</td> <td>K95XA</td> <td>14</td> <td>TN</td> <td>1661707C1</td> </tr> </tbody> </table> <p style="font-size: x-small;">W/ F-2017-ISB-ENG</p>						CAV	CIRCUIT	GAUGE	COLOR	TERMINAL	A	K14M	14	RD	1661707C1	B	K95XA	14	TN	1661707C1	<p>SCR SUPPLY MODULE HEATER FUSE (4108) (LOCATED INSIDE ENGINE COMPARTMENT)</p> <p>CONNECTOR 1667639C1</p> <table border="1" style="width:100%; border-collapse: collapse; font-size: x-small;"> <thead> <tr> <th>CAV</th> <th>CIRCUIT</th> <th>GAUGE</th> <th>COLOR</th> <th>TERMINAL</th> </tr> </thead> <tbody> <tr> <td>A</td> <td>K14E</td> <td>12</td> <td>RD</td> <td>1661708C1</td> </tr> <tr> <td>B</td> <td>K14EA</td> <td>12</td> <td>RD</td> <td>1661708C1</td> </tr> </tbody> </table> <p style="font-size: x-small;">W/ CE BUS W/ CUMMINS ISB ENG</p>						CAV	CIRCUIT	GAUGE	COLOR	TERMINAL	A	K14E	12	RD	1661708C1	B	K14EA	12	RD	1661708C1													
CAV	CIRCUIT	GAUGE	COLOR	TERMINAL																																																		
A	K14M	14	RD	1661707C1																																																		
B	K95XA	14	TN	1661707C1																																																		
CAV	CIRCUIT	GAUGE	COLOR	TERMINAL																																																		
A	K14E	12	RD	1661708C1																																																		
B	K14EA	12	RD	1661708C1																																																		
CHK	DATE	CHANGE	REV	REFERENCE	DRAWN	NAME																																																
MJV0	2016 SEP 16	REVISED AND REDRAWN.	D	93690D	MJV0222	CIRCUIT DIAGRAM, BE, CE BUS																																																
RELEASE NO.		DATE		PART NO.		SHEET																																																
92460R		30DEC13		AE08065292		11B																																																

Figure 548 Connector Composites (4104, 4106, 4107, 4108)

21.18. CONNECTOR COMPOSITES (4108, 4109, 4110, 4111), P. 11C

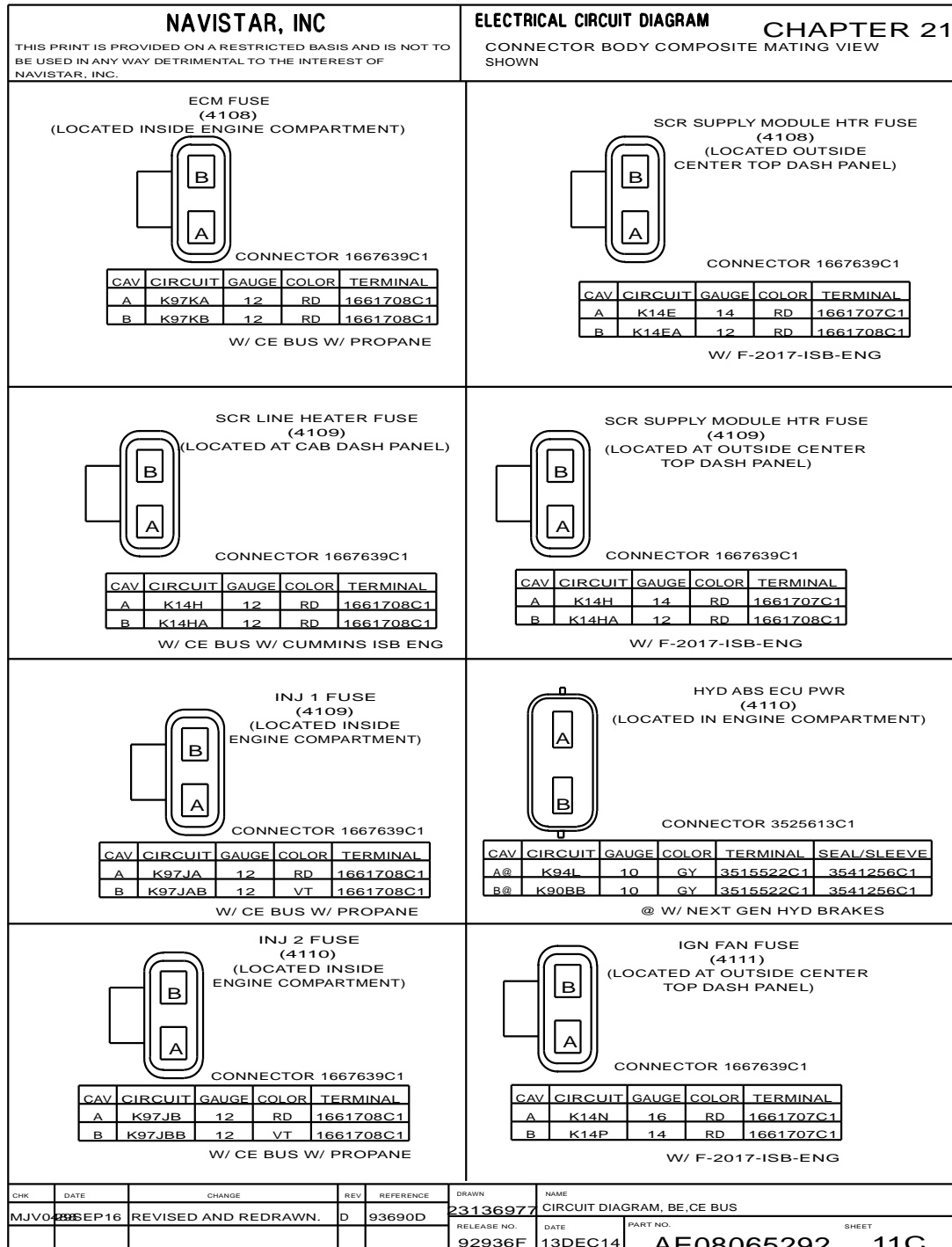


Figure 549 Connector Composites (4108, 4109, 4110, 4111)

21.19. CONNECTOR COMPOSITES (4111M, 4112, 4115, 4116), P. 11D

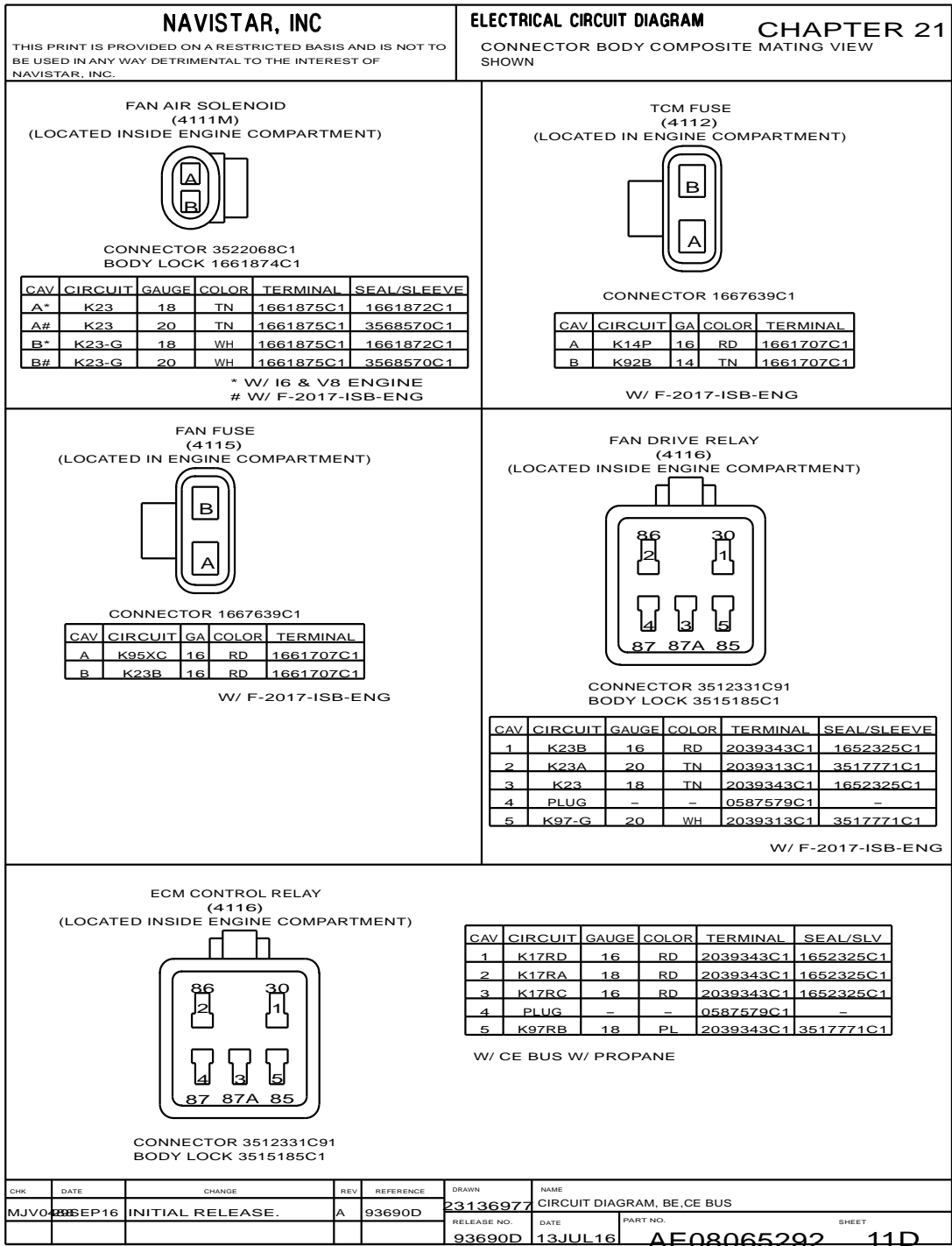


Figure 550 Connector Composites (4111M, 4112, 4115, 4116)

21.20. CONNECTOR COMPOSITES (4052, 4200, 4201, 4202), P. 12

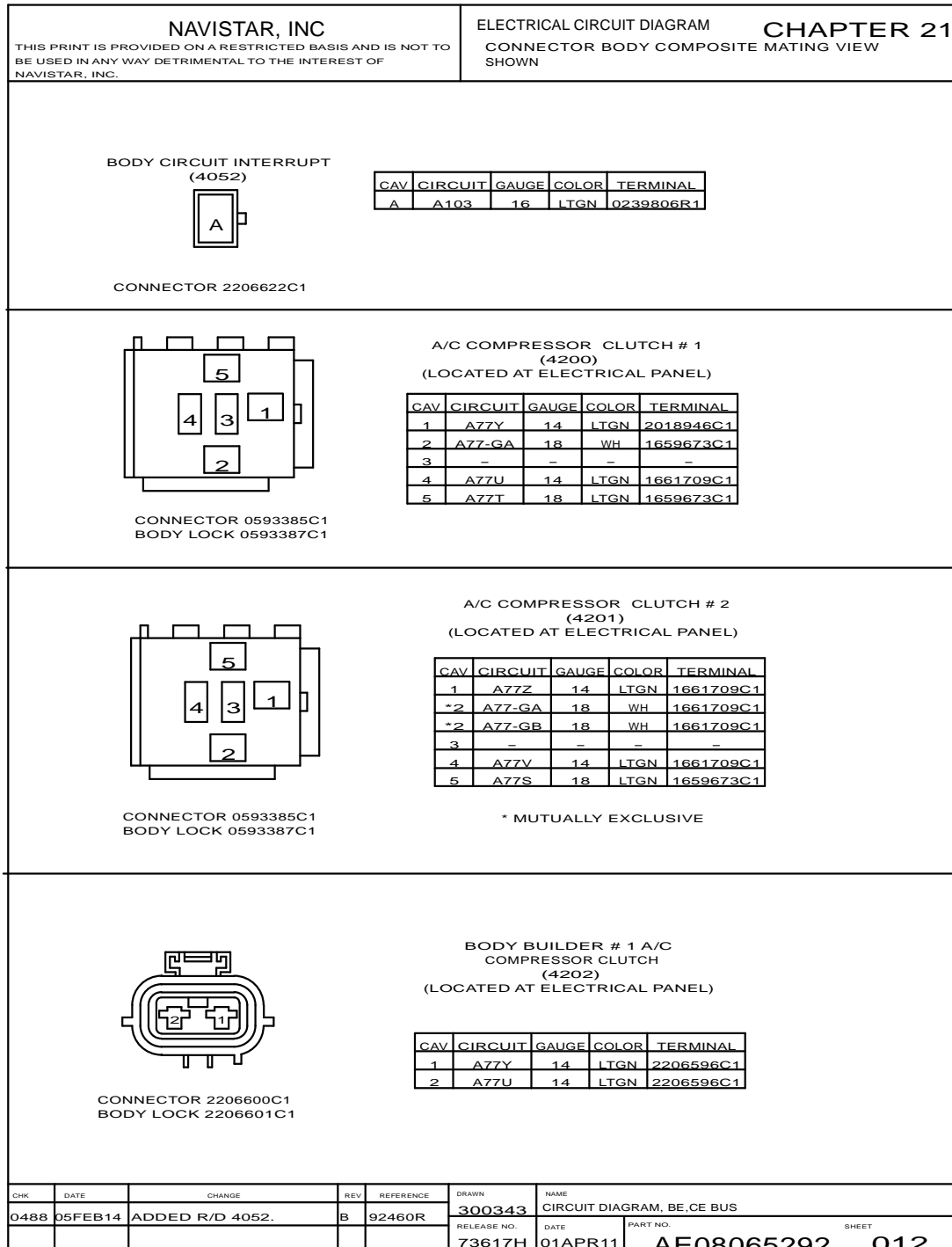


Figure 551 Connector Composites (4052, 4200, 4201, 4202)

21.21. CONNECTOR COMPOSITES (4203, 4204, 4205), P. 13

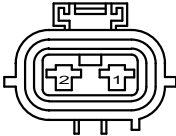
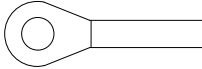
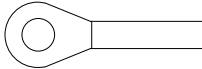
<p style="text-align: center;">NAVISTAR, INC</p> <p style="font-size: small;">THIS PRINT IS PROVIDED ON A RESTRICTED BASIS AND IS NOT TO BE USED IN ANY WAY DETRIMENTAL TO THE INTEREST OF NAVISTAR, INC.</p>	<p style="text-align: right;">ELECTRICAL CIRCUIT DIAGRAM CHAPTER 21</p> <p style="text-align: center;">CONNECTOR BODY COMPOSITE MATING VIEW SHOWN</p>																																
 <p style="text-align: center; font-size: small;">CONNECTOR 2206600C1 BODY LOCK 2206601C1</p>	<p style="text-align: center; font-size: x-small;">BODY BUILDER # 2 A/C COMPRESSOR CLUTCH (4203) (LOCATED AT CAB INSTRUMENT PANEL)</p> <table border="1" style="width: 100%; border-collapse: collapse; font-size: x-small;"> <thead> <tr> <th>CAV</th> <th>CIRCUIT</th> <th>GAUGE</th> <th>COLOR</th> <th>TERMINAL</th> <th>SEAL/SLEEVE</th> </tr> </thead> <tbody> <tr> <td>1</td> <td>A77Z</td> <td>14</td> <td>LTGN</td> <td>2206596C1</td> <td>2206612C1</td> </tr> <tr> <td>2</td> <td>A77V</td> <td>14</td> <td>LTGN</td> <td>2206596C1</td> <td>2206612C1</td> </tr> </tbody> </table>	CAV	CIRCUIT	GAUGE	COLOR	TERMINAL	SEAL/SLEEVE	1	A77Z	14	LTGN	2206596C1	2206612C1	2	A77V	14	LTGN	2206596C1	2206612C1														
CAV	CIRCUIT	GAUGE	COLOR	TERMINAL	SEAL/SLEEVE																												
1	A77Z	14	LTGN	2206596C1	2206612C1																												
2	A77V	14	LTGN	2206596C1	2206612C1																												
 <p style="text-align: center; font-size: small;">TERMINAL 3710089C1</p>	<p style="text-align: center; font-size: x-small;">A/C BOARD FOR ENGINE RAMP UP (4204) (LOCATED AT CAB INSTRUMENT PANEL)</p> <table border="1" style="width: 100%; border-collapse: collapse; font-size: x-small;"> <thead> <tr> <th>CIRCUIT</th> <th>GAUGE</th> <th>COLOR</th> <th>SEAL/SLEEVE</th> </tr> </thead> <tbody> <tr> <td>A77AC</td> <td>18</td> <td>LTGN</td> <td>2644038R1</td> </tr> </tbody> </table>	CIRCUIT	GAUGE	COLOR	SEAL/SLEEVE	A77AC	18	LTGN	2644038R1																								
CIRCUIT	GAUGE	COLOR	SEAL/SLEEVE																														
A77AC	18	LTGN	2644038R1																														
 <p style="text-align: center; font-size: small;">CONNECTOR 3710089C1</p>	<p style="text-align: center; font-size: x-small;">A/C BOARD FOR ENGINE RAMP UP (4205) (LOCATED AT CAB INSTRUMENT PANEL)</p> <table border="1" style="width: 100%; border-collapse: collapse; font-size: x-small;"> <thead> <tr> <th>CIRCUIT</th> <th>GAUGE</th> <th>COLOR</th> <th>SEAL/SLEEVE</th> </tr> </thead> <tbody> <tr> <td>A77AB</td> <td>18</td> <td>LTGN</td> <td>2644038R1</td> </tr> </tbody> </table>	CIRCUIT	GAUGE	COLOR	SEAL/SLEEVE	A77AB	18	LTGN	2644038R1																								
CIRCUIT	GAUGE	COLOR	SEAL/SLEEVE																														
A77AB	18	LTGN	2644038R1																														
<table border="1" style="width: 100%; border-collapse: collapse;"> <thead> <tr> <th>CHK</th> <th>DATE</th> <th>CHANGE</th> <th>REV</th> <th>REFERENCE</th> <th>DRAWN</th> <th>NAME</th> </tr> </thead> <tbody> <tr> <td>0488</td> <td>05FEB14</td> <td>REVISED AND REDRAWN.</td> <td>B</td> <td>92460R</td> <td>300343</td> <td>CIRCUIT DIAGRAM, BE,CE BUS</td> </tr> <tr> <td></td> <td></td> <td></td> <td></td> <td></td> <td>RELEASE NO.</td> <td>DATE</td> <td>PART NO.</td> <td>SHEET</td> </tr> <tr> <td></td> <td></td> <td></td> <td></td> <td></td> <td>73617H</td> <td>01APR11</td> <td>AE08065202</td> <td>013</td> </tr> </tbody> </table>		CHK	DATE	CHANGE	REV	REFERENCE	DRAWN	NAME	0488	05FEB14	REVISED AND REDRAWN.	B	92460R	300343	CIRCUIT DIAGRAM, BE,CE BUS						RELEASE NO.	DATE	PART NO.	SHEET						73617H	01APR11	AE08065202	013
CHK	DATE	CHANGE	REV	REFERENCE	DRAWN	NAME																											
0488	05FEB14	REVISED AND REDRAWN.	B	92460R	300343	CIRCUIT DIAGRAM, BE,CE BUS																											
					RELEASE NO.	DATE	PART NO.	SHEET																									
					73617H	01APR11	AE08065202	013																									

Figure 552 Connector Composites (4203, 4204, 4205)

21.22. CONNECTOR COMPOSITES (4301, 4302, 4303, *4304), P. 14

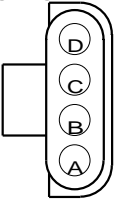
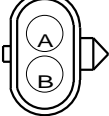
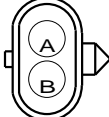
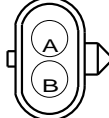
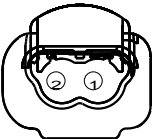
NAVISTAR, INC				ELECTRICAL CIRCUIT DIAGRAM		CHAPTER 21																																											
THIS PRINT IS PROVIDED ON A RESTRICTED BASIS AND IS NOT TO BE USED IN ANY WAY DETRIMENTAL TO THE INTEREST OF NAVISTAR, INC.				CONNECTOR BODY COMPOSITE MATING VIEW SHOWN																																													
<p>CROSSING GATE (4301) (LOCATED AT RIGHT SIDE NEAR FRONT BUMPER)</p>  <table border="1" style="margin-left: auto; margin-right: auto; font-size: x-small;"> <thead> <tr> <th>CAV</th> <th>CIRCUIT</th> <th>GAUGE</th> <th>COLOR</th> <th>TERMINAL</th> <th>SEAL/SLEEVE</th> </tr> </thead> <tbody> <tr><td>A</td><td>M89</td><td>16</td><td>VT</td><td>0587575C1</td><td>1652325C1</td></tr> <tr><td>A%</td><td>M119</td><td>16</td><td>VT</td><td>0587575C2</td><td>1652325C2</td></tr> <tr><td>B</td><td>M89-G</td><td>16</td><td>WH</td><td>0587575C1</td><td>1652325C1</td></tr> <tr><td>C</td><td>M89A</td><td>16</td><td>VT</td><td>0587575C1</td><td>1652325C1</td></tr> <tr><td>C%</td><td>M119</td><td>16</td><td>VT</td><td>0587575C2</td><td>1652325C2</td></tr> <tr><td>D</td><td>M89B</td><td>16</td><td>VT</td><td>0587575C1</td><td>1652325C1</td></tr> </tbody> </table> <p style="text-align: center;">CONNECTOR 0587572C91 % W/ CE BUS W/ PROPANE</p>								CAV	CIRCUIT	GAUGE	COLOR	TERMINAL	SEAL/SLEEVE	A	M89	16	VT	0587575C1	1652325C1	A%	M119	16	VT	0587575C2	1652325C2	B	M89-G	16	WH	0587575C1	1652325C1	C	M89A	16	VT	0587575C1	1652325C1	C%	M119	16	VT	0587575C2	1652325C2	D	M89B	16	VT	0587575C1	1652325C1
CAV	CIRCUIT	GAUGE	COLOR	TERMINAL	SEAL/SLEEVE																																												
A	M89	16	VT	0587575C1	1652325C1																																												
A%	M119	16	VT	0587575C2	1652325C2																																												
B	M89-G	16	WH	0587575C1	1652325C1																																												
C	M89A	16	VT	0587575C1	1652325C1																																												
C%	M119	16	VT	0587575C2	1652325C2																																												
D	M89B	16	VT	0587575C1	1652325C1																																												
<p>LEFT FOG (4302) (LOCATED AT LEFT SIDE NEAR FRONT BUMPER)</p>  <table border="1" style="margin-left: auto; margin-right: auto; font-size: x-small;"> <thead> <tr> <th>CAV</th> <th>CIRCUIT</th> <th>GAUGE</th> <th>COLOR</th> <th>TERMINAL</th> <th>SEAL/SLV</th> </tr> </thead> <tbody> <tr><td>A</td><td>M64A</td><td>14</td><td>YL</td><td>0587577C1</td><td>0589391C1</td></tr> <tr><td>B</td><td>M64A-G</td><td>14</td><td>WH</td><td>0587577C1</td><td>0589391C1</td></tr> </tbody> </table> <p style="text-align: center;">CONNECTOR 0587567C91 W/ CE BUS W/ PROPANE</p>								CAV	CIRCUIT	GAUGE	COLOR	TERMINAL	SEAL/SLV	A	M64A	14	YL	0587577C1	0589391C1	B	M64A-G	14	WH	0587577C1	0589391C1																								
CAV	CIRCUIT	GAUGE	COLOR	TERMINAL	SEAL/SLV																																												
A	M64A	14	YL	0587577C1	0589391C1																																												
B	M64A-G	14	WH	0587577C1	0589391C1																																												
<p>LEFT FOG LIGHT (4303) (LOCATED AT LEFT SIDE NEAR FRONT BUMPER)</p>  <table border="1" style="margin-left: auto; margin-right: auto; font-size: x-small;"> <thead> <tr> <th>CAV</th> <th>CIRCUIT</th> <th>GAUGE</th> <th>COLOR</th> <th>TERMINAL</th> <th>SEAL/SLEEVE</th> </tr> </thead> <tbody> <tr><td>A</td><td>M64A</td><td>14</td><td>YL</td><td>0587577C1</td><td>0589391C1</td></tr> <tr><td>B</td><td>M64A-G</td><td>14</td><td>WH</td><td>0587577C1</td><td>0589391C1</td></tr> </tbody> </table> <p style="text-align: center;">CONNECTOR 0587567C91</p>								CAV	CIRCUIT	GAUGE	COLOR	TERMINAL	SEAL/SLEEVE	A	M64A	14	YL	0587577C1	0589391C1	B	M64A-G	14	WH	0587577C1	0589391C1																								
CAV	CIRCUIT	GAUGE	COLOR	TERMINAL	SEAL/SLEEVE																																												
A	M64A	14	YL	0587577C1	0589391C1																																												
B	M64A-G	14	WH	0587577C1	0589391C1																																												
<p>RIGHT FOG LIGHT (4303) (LOCATED AT RIGHT SIDE NEAR FRONT BUMPER)</p>  <table border="1" style="margin-left: auto; margin-right: auto; font-size: x-small;"> <thead> <tr> <th>CAV</th> <th>CIRCUIT</th> <th>GAUGE</th> <th>COLOR</th> <th>TERMINAL</th> <th>SEAL/SLEEVE</th> </tr> </thead> <tbody> <tr><td>A</td><td>M64B</td><td>14</td><td>YL</td><td>0587577C1</td><td>0589391C1</td></tr> <tr><td>A*</td><td>M64B</td><td>14</td><td>YL</td><td>0587577C1</td><td>1652325C1</td></tr> <tr><td>B</td><td>M64B-G</td><td>14</td><td>WH</td><td>0587577C1</td><td>0589391C1</td></tr> <tr><td>B*</td><td>M64B-G</td><td>14</td><td>WH</td><td>0587577C1</td><td>1652325C1</td></tr> </tbody> </table> <p style="text-align: center;">CONNECTOR 0587567C91 * W/CE BUS W/PROPANE</p>								CAV	CIRCUIT	GAUGE	COLOR	TERMINAL	SEAL/SLEEVE	A	M64B	14	YL	0587577C1	0589391C1	A*	M64B	14	YL	0587577C1	1652325C1	B	M64B-G	14	WH	0587577C1	0589391C1	B*	M64B-G	14	WH	0587577C1	1652325C1												
CAV	CIRCUIT	GAUGE	COLOR	TERMINAL	SEAL/SLEEVE																																												
A	M64B	14	YL	0587577C1	0589391C1																																												
A*	M64B	14	YL	0587577C1	1652325C1																																												
B	M64B-G	14	WH	0587577C1	0589391C1																																												
B*	M64B-G	14	WH	0587577C1	1652325C1																																												
<p>LEFT FOG LIGHT (*4304) (LOCATED AT LEFT SIDE NEAR FRONT BUMPER)</p>  <table border="1" style="margin-left: auto; margin-right: auto; font-size: x-small;"> <thead> <tr> <th>CAV</th> <th>CIRCUIT</th> <th>GAUGE</th> <th>COLOR</th> <th>TERMINAL</th> <th>SEAL/SLEEVE</th> </tr> </thead> <tbody> <tr><td>1</td><td>M64A</td><td>14</td><td>YL</td><td>4080386C1</td><td>4080000C1</td></tr> <tr><td>2</td><td>M64A-G</td><td>14</td><td>WH</td><td>4080386C1</td><td>4080000C1</td></tr> </tbody> </table> <p style="text-align: center;">CONNECTOR 6131286C1 * W/CE BUS W/PROPANE</p>								CAV	CIRCUIT	GAUGE	COLOR	TERMINAL	SEAL/SLEEVE	1	M64A	14	YL	4080386C1	4080000C1	2	M64A-G	14	WH	4080386C1	4080000C1																								
CAV	CIRCUIT	GAUGE	COLOR	TERMINAL	SEAL/SLEEVE																																												
1	M64A	14	YL	4080386C1	4080000C1																																												
2	M64A-G	14	WH	4080386C1	4080000C1																																												
CHK	DATE	CHANGE	REV	REFERENCE	DRAWN	NAME																																											
MJVO	REVIS NOV16	REVISED AND REDRAWN.	C	93448J	300343	CIRCUIT DIAGRAM, BE,CE BUS																																											
					RELEASE NO.	DATE	PART NO.																																										
					73617H	01APR11	AE08065292																																										
							SHEET 014																																										

Figure 553 Connector Composites (4301, 4302, 4303, *4304)

21.23. CONNECTOR COMPOSITES (4500, 4500A, 4501, 4502, 4503, 4504), P. 15

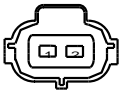
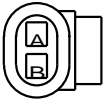




NAVISTAR, INC <small>THIS PRINT IS PROVIDED ON A RESTRICTED BASIS AND IS NOT TO BE USED IN ANY WAY DETRIMENTAL TO THE INTEREST OF NAVISTAR, INC.</small>				ELECTRICAL CIRCUIT DIAGRAM CHAPTER 21 CONNECTOR BODY COMPOSITE MATING VIEW SHOWN																					
		WASHER PUMP (4500) (LOCATED AT RIGHT SIDE NEAR FRONT BUMPER)																							
		<table border="1" style="width:100%; border-collapse: collapse;"> <thead> <tr> <th>CAV</th> <th>CIRCUIT</th> <th>GAUGE</th> <th>COLOR</th> <th>TERMINAL</th> <th>SEAL/SLEEVE</th> </tr> </thead> <tbody> <tr> <td>1</td> <td>M87-G</td> <td>18</td> <td>GY</td> <td>3561584C1</td> <td>3536867C1</td> </tr> <tr> <td>2</td> <td>M87A</td> <td>18</td> <td>GY</td> <td>3561584C1</td> <td>3536867C1</td> </tr> </tbody> </table>				CAV	CIRCUIT	GAUGE	COLOR	TERMINAL	SEAL/SLEEVE	1	M87-G	18	GY	3561584C1	3536867C1	2	M87A	18	GY	3561584C1	3536867C1		
CAV	CIRCUIT	GAUGE	COLOR	TERMINAL	SEAL/SLEEVE																				
1	M87-G	18	GY	3561584C1	3536867C1																				
2	M87A	18	GY	3561584C1	3536867C1																				
CONNECTOR 3536864C1																									
		WASHER PUMP (4500A) (LOCATED AT RIGHT SIDE NEAR FRONT BUMPER)																							
		<table border="1" style="width:100%; border-collapse: collapse;"> <thead> <tr> <th>CAV</th> <th>CIRCUIT</th> <th>GAUGE</th> <th>COLOR</th> <th>TERMINAL</th> <th>SEAL/SLEEVE</th> </tr> </thead> <tbody> <tr> <td>A</td> <td>M87-G</td> <td>18</td> <td>GY</td> <td>1661875C1</td> <td>3568570C1</td> </tr> <tr> <td>B</td> <td>M87A</td> <td>18</td> <td>GY</td> <td>1661875C1</td> <td>3568570C1</td> </tr> </tbody> </table>				CAV	CIRCUIT	GAUGE	COLOR	TERMINAL	SEAL/SLEEVE	A	M87-G	18	GY	1661875C1	3568570C1	B	M87A	18	GY	1661875C1	3568570C1		
CAV	CIRCUIT	GAUGE	COLOR	TERMINAL	SEAL/SLEEVE																				
A	M87-G	18	GY	1661875C1	3568570C1																				
B	M87A	18	GY	1661875C1	3568570C1																				
CONNECTOR 3522068C1 BODY LOCK 1661874C1																									
		HEATED WIPERS (4501) (LOCATED AT CAB INSTRUMENT PANEL)																							
		<table border="1" style="width:100%; border-collapse: collapse;"> <thead> <tr> <th>CAV</th> <th>CIRCUIT</th> <th>GAUGE</th> <th>COLOR</th> <th>TERMINAL</th> </tr> </thead> <tbody> <tr> <td>A%</td> <td>A82-GW</td> <td>16</td> <td>WH</td> <td>0556897C1</td> </tr> <tr> <td>A%</td> <td>A82-GV</td> <td>16</td> <td>WH</td> <td>0556897C1</td> </tr> </tbody> </table>				CAV	CIRCUIT	GAUGE	COLOR	TERMINAL	A%	A82-GW	16	WH	0556897C1	A%	A82-GV	16	WH	0556897C1					
CAV	CIRCUIT	GAUGE	COLOR	TERMINAL																					
A%	A82-GW	16	WH	0556897C1																					
A%	A82-GV	16	WH	0556897C1																					
CONNECTOR 2206658C1		% MUTUALLY EXCLUSIVE																							
		HEATED WIPERS (4502) (LOCATED AT CAB INSTRUMENT PANEL)																							
		<table border="1" style="width:100%; border-collapse: collapse;"> <thead> <tr> <th>CAV</th> <th>CIRCUIT</th> <th>GAUGE</th> <th>COLOR</th> <th>TERMINAL</th> </tr> </thead> <tbody> <tr> <td>A</td> <td>A82W</td> <td>16</td> <td>GY</td> <td>0239805R1</td> </tr> </tbody> </table>				CAV	CIRCUIT	GAUGE	COLOR	TERMINAL	A	A82W	16	GY	0239805R1										
CAV	CIRCUIT	GAUGE	COLOR	TERMINAL																					
A	A82W	16	GY	0239805R1																					
CONNECTOR 2206658C1																									
		HEATED WIPERS (4503) (LOCATED AT CAB INSTRUMENT PANEL)																							
		<table border="1" style="width:100%; border-collapse: collapse;"> <thead> <tr> <th>CAV</th> <th>CIRCUIT</th> <th>GAUGE</th> <th>COLOR</th> <th>TERMINAL</th> </tr> </thead> <tbody> <tr> <td>A</td> <td>A82-GV</td> <td>16</td> <td>WH</td> <td>0239805R1</td> </tr> </tbody> </table>				CAV	CIRCUIT	GAUGE	COLOR	TERMINAL	A	A82-GV	16	WH	0239805R1										
CAV	CIRCUIT	GAUGE	COLOR	TERMINAL																					
A	A82-GV	16	WH	0239805R1																					
CONNECTOR 2206658C1																									
		HEATED WIPERS (4504) (LOCATED AT CAB INSTRUMENT PANEL)																							
		<table border="1" style="width:100%; border-collapse: collapse;"> <thead> <tr> <th>CAV</th> <th>CIRCUIT</th> <th>GAUGE</th> <th>COLOR</th> <th>TERMINAL</th> </tr> </thead> <tbody> <tr> <td>A%</td> <td>A82W</td> <td>16</td> <td>GY</td> <td>0556897C1</td> </tr> <tr> <td>A%</td> <td>A82V</td> <td>16</td> <td>GY</td> <td>0556897C1</td> </tr> </tbody> </table>				CAV	CIRCUIT	GAUGE	COLOR	TERMINAL	A%	A82W	16	GY	0556897C1	A%	A82V	16	GY	0556897C1					
CAV	CIRCUIT	GAUGE	COLOR	TERMINAL																					
A%	A82W	16	GY	0556897C1																					
A%	A82V	16	GY	0556897C1																					
CONNECTOR 2206658C1		% MUTUALLY EXCLUSIVE																							
CHK	DATE	CHANGE	REV	REFERENCE	DRAWN	NAME																			
0025	05JAN12	INITIAL RELEASE.	A	73617H	300343	CIRCUIT DIAGRAM, BE,CE BUS																			
					RELEASE NO.	DATE																			
					73617H	01APR11																			
					PART NO.	SHEET																			
					AE08065292	015																			

Figure 554 Connector Composites (4500, 4500A, 4501, 4502, 4503, 4504)

21.24. CONNECTOR COMPOSITES (4905, 4906, 4907), P. 16

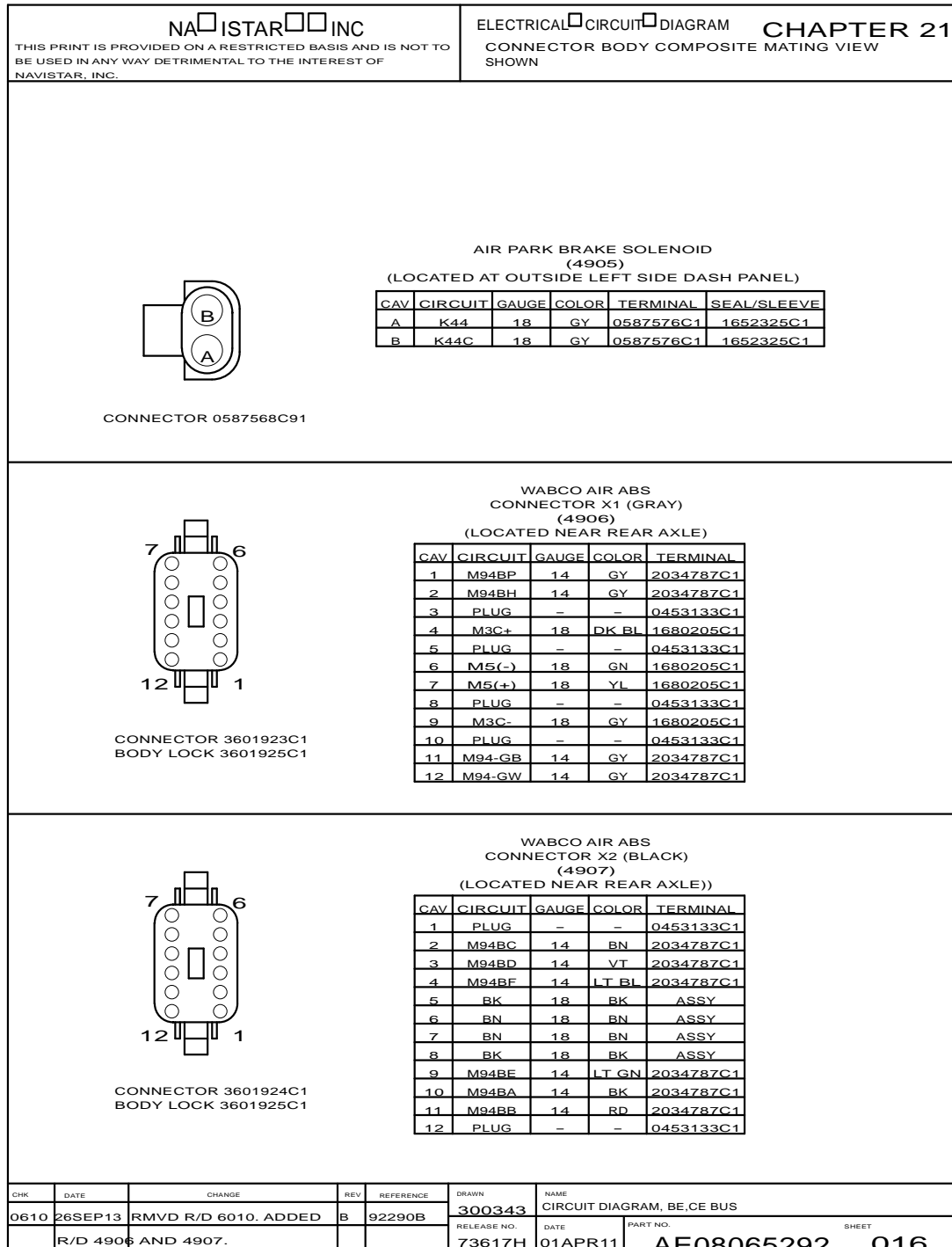


Figure 555 Connector Composites (4905, 4906, 4907)

21.25. CONNECTOR COMPOSITES (4908, 4909, 4910), P. 17

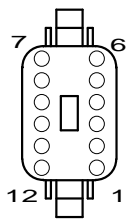
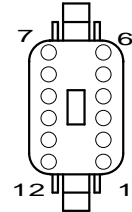
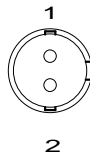
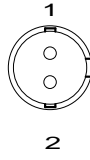
NAVISTAR, INC <small>THIS PRINT IS PROVIDED ON A RESTRICTED BASIS AND IS NOT TO BE USED IN ANY WAY DETRIMENTAL TO THE INTEREST OF NAVISTAR, INC.</small>				ELECTRICAL CIRCUIT DIAGRAM CHAPTER 21 CONNECTOR BODY COMPOSITE MATING VIEW SHOWN																																																																		
 <p>CONNECTOR 3602757C1 BODY LOCK 3601925C1</p>		WABCO AIR ABS CONNECTOR X3 (GREEN) (4908) (LOCATED NEAR REAR AXLE))																																																																				
		<table border="1" style="width:100%; border-collapse: collapse;"> <thead> <tr> <th>CAV</th> <th>CIRCUIT</th> <th>GAUGE</th> <th>COLOR</th> <th>TERMINAL</th> </tr> </thead> <tbody> <tr><td>1</td><td>BK</td><td>18</td><td>BK</td><td>ASSY</td></tr> <tr><td>2</td><td>BN</td><td>18</td><td>BN</td><td>ASSY</td></tr> <tr><td>3</td><td>BK</td><td>18</td><td>BK</td><td>ASSY</td></tr> <tr><td>4</td><td>BN</td><td>18</td><td>BN</td><td>ASSY</td></tr> <tr><td>5</td><td>PLUG</td><td>-</td><td>-</td><td>0453133C1</td></tr> <tr><td>6</td><td>PLUG</td><td>-</td><td>-</td><td>0453133C1</td></tr> <tr><td>7</td><td>M94R</td><td>14</td><td>VT</td><td>2034787C1</td></tr> <tr><td>8</td><td>M94S</td><td>14</td><td>LT GN</td><td>2034787C1</td></tr> <tr><td>9</td><td>M94T</td><td>14</td><td>LT BL</td><td>2034787C1</td></tr> <tr><td>10</td><td>M94M</td><td>14</td><td>BK</td><td>2034787C1</td></tr> <tr><td>11</td><td>M94N</td><td>14</td><td>RD</td><td>2034787C1</td></tr> <tr><td>12</td><td>M94P</td><td>14</td><td>BN</td><td>2034787C1</td></tr> </tbody> </table>				CAV	CIRCUIT	GAUGE	COLOR	TERMINAL	1	BK	18	BK	ASSY	2	BN	18	BN	ASSY	3	BK	18	BK	ASSY	4	BN	18	BN	ASSY	5	PLUG	-	-	0453133C1	6	PLUG	-	-	0453133C1	7	M94R	14	VT	2034787C1	8	M94S	14	LT GN	2034787C1	9	M94T	14	LT BL	2034787C1	10	M94M	14	BK	2034787C1	11	M94N	14	RD	2034787C1	12	M94P	14	BN	2034787C1
CAV	CIRCUIT	GAUGE	COLOR	TERMINAL																																																																		
1	BK	18	BK	ASSY																																																																		
2	BN	18	BN	ASSY																																																																		
3	BK	18	BK	ASSY																																																																		
4	BN	18	BN	ASSY																																																																		
5	PLUG	-	-	0453133C1																																																																		
6	PLUG	-	-	0453133C1																																																																		
7	M94R	14	VT	2034787C1																																																																		
8	M94S	14	LT GN	2034787C1																																																																		
9	M94T	14	LT BL	2034787C1																																																																		
10	M94M	14	BK	2034787C1																																																																		
11	M94N	14	RD	2034787C1																																																																		
12	M94P	14	BN	2034787C1																																																																		
 <p>CONNECTOR 3602757C1 BODY LOCK 3601925C1</p>		WABCO AIR ABS CONNECTOR X3 (4908)																																																																				
		<table border="1" style="width:100%; border-collapse: collapse;"> <thead> <tr> <th>CAV</th> <th>CIRCUIT</th> <th>GAUGE</th> <th>COLOR</th> <th>TERMINAL</th> </tr> </thead> <tbody> <tr><td>1</td><td>[RBKLR]</td><td>18</td><td>BK</td><td>1680205C1</td></tr> <tr><td>2</td><td>[IRBNLR]</td><td>18</td><td>BN</td><td>1680205C1</td></tr> <tr><td>3</td><td>[IRBKRR]</td><td>18</td><td>BK</td><td>1680205C1</td></tr> <tr><td>4</td><td>[IRBNRR]</td><td>18</td><td>BN</td><td>1680205C1</td></tr> <tr><td>7</td><td>R94R</td><td>14</td><td>VT</td><td>2034787C1</td></tr> <tr><td>8</td><td>R94S</td><td>14</td><td>LTGN</td><td>2034787C1</td></tr> <tr><td>9</td><td>R94T</td><td>14</td><td>LTBL</td><td>2034787C1</td></tr> <tr><td>10</td><td>R94M</td><td>14</td><td>BK</td><td>2034787C1</td></tr> <tr><td>11</td><td>R94N</td><td>14</td><td>RD</td><td>2034787C1</td></tr> <tr><td>12</td><td>R94P</td><td>14</td><td>BN</td><td>2034787C1</td></tr> </tbody> </table> <p style="text-align: center;">W/ CE BUS W/ CUMMINS ISB ENG</p>				CAV	CIRCUIT	GAUGE	COLOR	TERMINAL	1	[RBKLR]	18	BK	1680205C1	2	[IRBNLR]	18	BN	1680205C1	3	[IRBKRR]	18	BK	1680205C1	4	[IRBNRR]	18	BN	1680205C1	7	R94R	14	VT	2034787C1	8	R94S	14	LTGN	2034787C1	9	R94T	14	LTBL	2034787C1	10	R94M	14	BK	2034787C1	11	R94N	14	RD	2034787C1	12	R94P	14	BN	2034787C1										
CAV	CIRCUIT	GAUGE	COLOR	TERMINAL																																																																		
1	[RBKLR]	18	BK	1680205C1																																																																		
2	[IRBNLR]	18	BN	1680205C1																																																																		
3	[IRBKRR]	18	BK	1680205C1																																																																		
4	[IRBNRR]	18	BN	1680205C1																																																																		
7	R94R	14	VT	2034787C1																																																																		
8	R94S	14	LTGN	2034787C1																																																																		
9	R94T	14	LTBL	2034787C1																																																																		
10	R94M	14	BK	2034787C1																																																																		
11	R94N	14	RD	2034787C1																																																																		
12	R94P	14	BN	2034787C1																																																																		
 <p>TERMINAL ASSY</p>		WABCO AIR ABS LEFT FRONT WHEEL SPEED SENSOR (4909) (LOCATED AT LEFT FRONT WHEEL)																																																																				
		<table border="1" style="width:100%; border-collapse: collapse;"> <thead> <tr> <th>CAV</th> <th>CIRCUIT</th> <th>GAUGE</th> <th>COLOR</th> <th>TERMINAL</th> </tr> </thead> <tbody> <tr><td>1</td><td>BK</td><td>18</td><td>BK</td><td>ASSY</td></tr> <tr><td>2</td><td>BN</td><td>18</td><td>BN</td><td>ASSY</td></tr> </tbody> </table>				CAV	CIRCUIT	GAUGE	COLOR	TERMINAL	1	BK	18	BK	ASSY	2	BN	18	BN	ASSY																																																		
CAV	CIRCUIT	GAUGE	COLOR	TERMINAL																																																																		
1	BK	18	BK	ASSY																																																																		
2	BN	18	BN	ASSY																																																																		
		WABCO AIR ABS RIGHT FRONT WHEEL SPEED SENSOR (4910) (LOCATED AT RIGHT FRONT WHEEL)																																																																				
		<table border="1" style="width:100%; border-collapse: collapse;"> <thead> <tr> <th>CAV</th> <th>CIRCUIT</th> <th>GAUGE</th> <th>COLOR</th> <th>TERMINAL</th> </tr> </thead> <tbody> <tr><td>1</td><td>BK</td><td>18</td><td>BK</td><td>ASSY</td></tr> <tr><td>2</td><td>BN</td><td>18</td><td>BN</td><td>ASSY</td></tr> </tbody> </table>				CAV	CIRCUIT	GAUGE	COLOR	TERMINAL	1	BK	18	BK	ASSY	2	BN	18	BN	ASSY																																																		
CAV	CIRCUIT	GAUGE	COLOR	TERMINAL																																																																		
1	BK	18	BK	ASSY																																																																		
2	BN	18	BN	ASSY																																																																		
CHK	DATE	CHANGE	REV	REFERENCE	DRAWN	NAME																																																																
-	-	REVISED AND REDRAWN.	B	92460R	U01H062	CIRCUIT DIAGRAM, BE,CE BUS																																																																
					RELEASE NO.	DATE	PART NO.	SHEET																																																														
					92290B	13SEP13	AE08065292	017																																																														

Figure 556 Connector Composites (4908, 4909, 4910)

21.26. CONNECTOR COMPOSITES (4911, 4912, 4913, 4914), P. 18

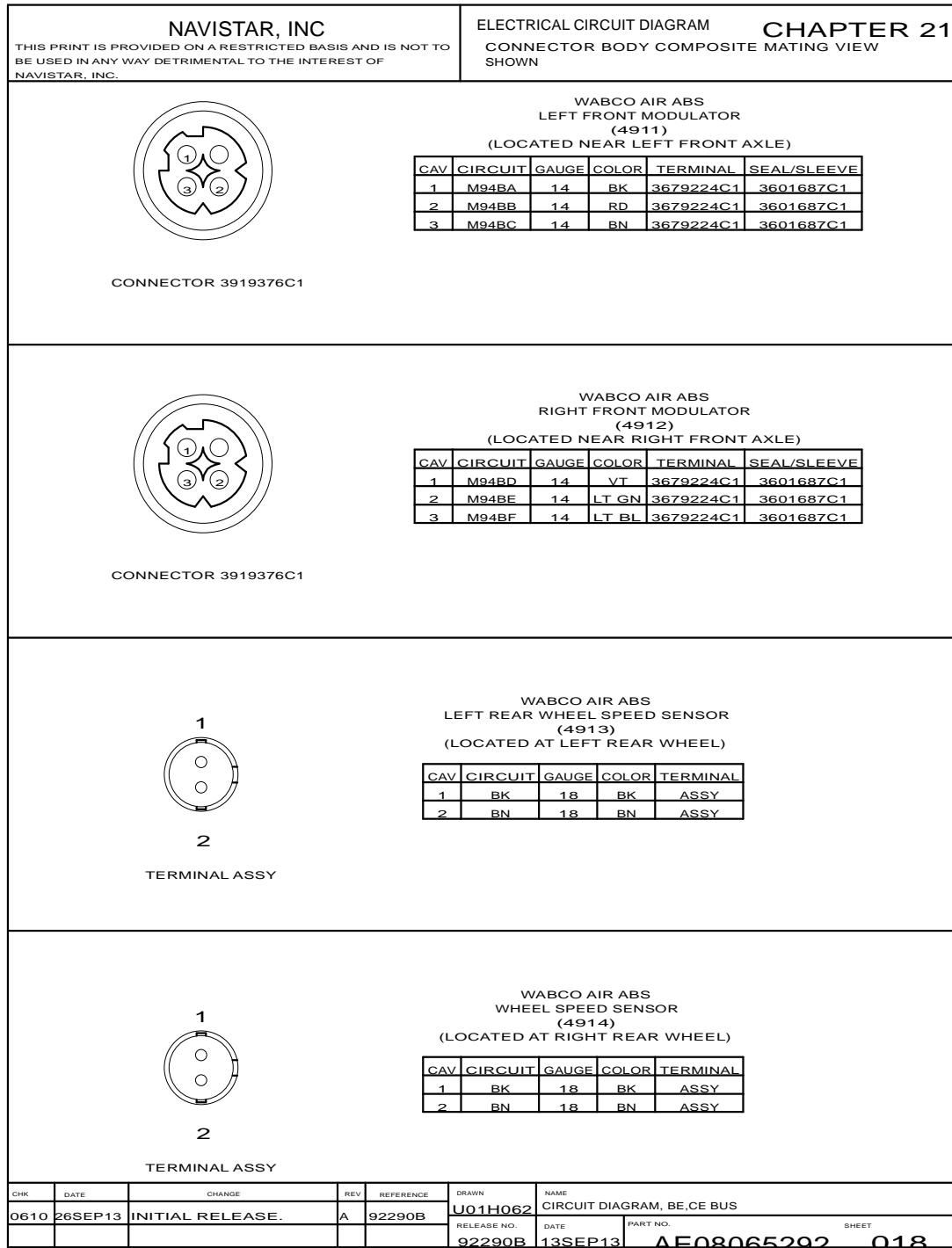


Figure 557 Connector Composites (4911, 4912, 4913, 4914)

21.27. CONNECTOR COMPOSITES (4915, 4916), P. 19

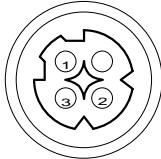
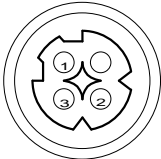
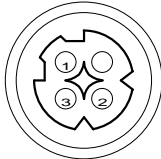
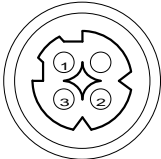
NAVISTAR, INC <small>THIS PRINT IS PROVIDED ON A RESTRICTED BASIS AND IS NOT TO BE USED IN ANY WAY DETRIMENTAL TO THE INTEREST OF NAVISTAR, INC.</small>				ELECTRICAL CIRCUIT DIAGRAM CHAPTER 21 CONNECTOR BODY COMPOSITE MATING VIEW SHOWN																											
		WABCO AIR ABS LEFT REAR MODULATOR (4915) (LOCATED NEAR LEFT REAR AXLE)																													
		<table border="1" style="width:100%; border-collapse: collapse;"> <thead> <tr> <th>CAV</th> <th>CIRCUIT</th> <th>GAUGE</th> <th>COLOR</th> <th>TERMINAL</th> <th>SEAL/SLEEVE</th> </tr> </thead> <tbody> <tr> <td>1</td> <td>M94M</td> <td>14</td> <td>BK</td> <td>3679224C1</td> <td>3601687C1</td> </tr> <tr> <td>2</td> <td>M94N</td> <td>14</td> <td>RD</td> <td>3679224C1</td> <td>3601687C1</td> </tr> <tr> <td>3</td> <td>M94P</td> <td>14</td> <td>BN</td> <td>3679224C1</td> <td>3601687C1</td> </tr> </tbody> </table>		CAV	CIRCUIT	GAUGE	COLOR	TERMINAL	SEAL/SLEEVE	1	M94M	14	BK	3679224C1	3601687C1	2	M94N	14	RD	3679224C1	3601687C1	3	M94P	14	BN	3679224C1	3601687C1				
CAV	CIRCUIT	GAUGE	COLOR	TERMINAL	SEAL/SLEEVE																										
1	M94M	14	BK	3679224C1	3601687C1																										
2	M94N	14	RD	3679224C1	3601687C1																										
3	M94P	14	BN	3679224C1	3601687C1																										
CONNECTOR 3919376C1																															
		CONDUIT CAPTURE (4915)																													
		<table border="1" style="width:100%; border-collapse: collapse;"> <thead> <tr> <th>CAV</th> <th>CIRCUIT</th> <th>GAUGE</th> <th>COLOR</th> <th>TERMINAL</th> <th>SEAL/SLEEVE</th> </tr> </thead> <tbody> <tr> <td>1</td> <td>R94M</td> <td>14</td> <td>BK</td> <td>3679224C1</td> <td>3601687C1</td> </tr> <tr> <td>2</td> <td>R94N</td> <td>14</td> <td>RD</td> <td>3679224C1</td> <td>3601687C1</td> </tr> <tr> <td>3</td> <td>R94P</td> <td>14</td> <td>BN</td> <td>3679224C1</td> <td>3601687C1</td> </tr> </tbody> </table>		CAV	CIRCUIT	GAUGE	COLOR	TERMINAL	SEAL/SLEEVE	1	R94M	14	BK	3679224C1	3601687C1	2	R94N	14	RD	3679224C1	3601687C1	3	R94P	14	BN	3679224C1	3601687C1				
CAV	CIRCUIT	GAUGE	COLOR	TERMINAL	SEAL/SLEEVE																										
1	R94M	14	BK	3679224C1	3601687C1																										
2	R94N	14	RD	3679224C1	3601687C1																										
3	R94P	14	BN	3679224C1	3601687C1																										
CONNECTOR 3919376C1		W/ CE BUS W/ CUMMINS ISB ENG																													
		WABCO AIR ABS RIGHT REAR MODULATOR (4916) (LOCATED NEAR RIGHT REAR AXLE)																													
		<table border="1" style="width:100%; border-collapse: collapse;"> <thead> <tr> <th>CAV</th> <th>CIRCUIT</th> <th>GAUGE</th> <th>COLOR</th> <th>TERMINAL</th> <th>SEAL/SLEEVE</th> </tr> </thead> <tbody> <tr> <td>1</td> <td>M94R</td> <td>14</td> <td>VT</td> <td>3679224C1</td> <td>3601687C1</td> </tr> <tr> <td>2</td> <td>M94S</td> <td>14</td> <td>LT GN</td> <td>3679224C1</td> <td>3601687C1</td> </tr> <tr> <td>3</td> <td>M94T</td> <td>14</td> <td>LT BL</td> <td>3679224C1</td> <td>3601687C1</td> </tr> </tbody> </table>		CAV	CIRCUIT	GAUGE	COLOR	TERMINAL	SEAL/SLEEVE	1	M94R	14	VT	3679224C1	3601687C1	2	M94S	14	LT GN	3679224C1	3601687C1	3	M94T	14	LT BL	3679224C1	3601687C1				
CAV	CIRCUIT	GAUGE	COLOR	TERMINAL	SEAL/SLEEVE																										
1	M94R	14	VT	3679224C1	3601687C1																										
2	M94S	14	LT GN	3679224C1	3601687C1																										
3	M94T	14	LT BL	3679224C1	3601687C1																										
CONNECTOR 3919376C1																															
		CONDUIT CAPTURE (4916)																													
		<table border="1" style="width:100%; border-collapse: collapse;"> <thead> <tr> <th>CAV</th> <th>CIRCUIT</th> <th>GAUGE</th> <th>COLOR</th> <th>TERMINAL</th> <th>SEAL/SLEEVE</th> </tr> </thead> <tbody> <tr> <td>1</td> <td>R94R</td> <td>14</td> <td>VT</td> <td>3679224C1</td> <td>3601687C1</td> </tr> <tr> <td>2</td> <td>R94S</td> <td>14</td> <td>LTGN</td> <td>3679224C1</td> <td>3601687C1</td> </tr> <tr> <td>3</td> <td>R94T</td> <td>14</td> <td>LTBL</td> <td>3679224C1</td> <td>3601687C1</td> </tr> </tbody> </table>		CAV	CIRCUIT	GAUGE	COLOR	TERMINAL	SEAL/SLEEVE	1	R94R	14	VT	3679224C1	3601687C1	2	R94S	14	LTGN	3679224C1	3601687C1	3	R94T	14	LTBL	3679224C1	3601687C1				
CAV	CIRCUIT	GAUGE	COLOR	TERMINAL	SEAL/SLEEVE																										
1	R94R	14	VT	3679224C1	3601687C1																										
2	R94S	14	LTGN	3679224C1	3601687C1																										
3	R94T	14	LTBL	3679224C1	3601687C1																										
CONNECTOR 3919376C1		W/ CE BUS W/ CUMMINS ISB ENG																													
CHK	DATE	CHANGE	REV	REFERENCE	DRAWN	NAME																									
-	-	REVISED AND REDRAWN.	B	92460R	U01H062	CIRCUIT DIAGRAM, BE,CE BUS																									
					RELEASE NO.	DATE	PART NO.	SHEET																							
					92290B	13SEP13	AE08065202	019																							

Figure 558 Connector Composites (4915, 4916)

21.28. CONNECTOR COMPOSITES (4917F, 4917M), P. 19A

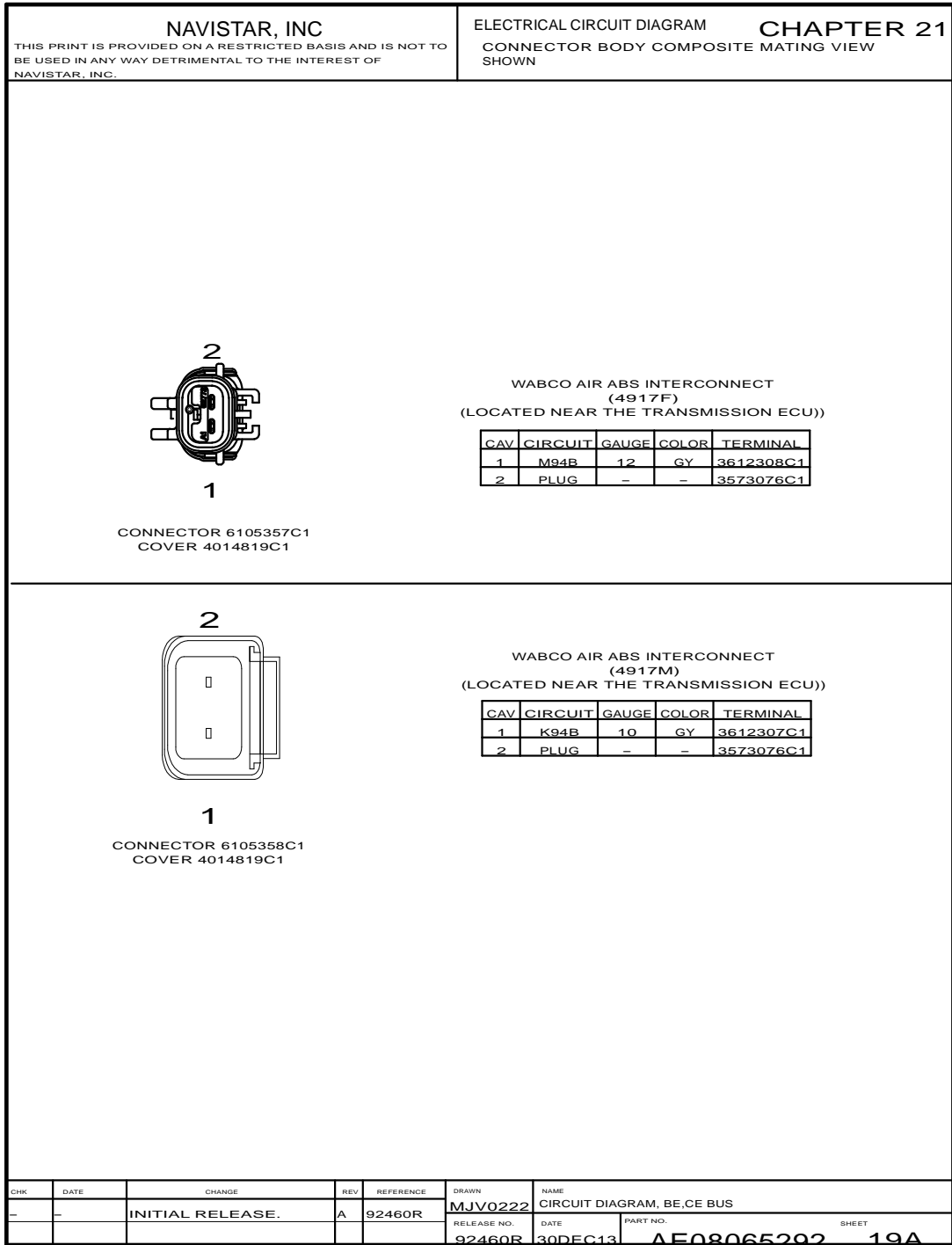


Figure 559 Connector Composites (4917F, 4917M)

21.29. CONNECTOR COMPOSITES (6010), P. 20

<p style="text-align: center;">NAVISTAR, INC</p> <p style="font-size: small;">THIS PRINT IS PROVIDED ON A RESTRICTED BASIS AND IS NOT TO BE USED IN ANY WAY DETRIMENTAL TO THE INTEREST OF NAVISTAR, INC.</p>	<p style="text-align: center;">ELECTRICAL CIRCUIT DIAGRAM CHAPTER 21</p> <p style="text-align: center;">CONNECTOR BODY COMPOSITE MATING VIEW SHOWN</p>																		
<p>ELEC COMPRESSOR AIR PRESSURE POWER (6010) (LOCATED NEAR THE ENGINE COMPARTMENT)</p>																			
	<table border="1" style="font-size: x-small; border-collapse: collapse;"> <thead> <tr> <th>CAV</th> <th>CIRCUIT</th> <th>GAUGE</th> <th>COLOR</th> <th>TERMINAL</th> <th>SEAL/SLEEVE</th> </tr> </thead> <tbody> <tr> <td>A</td> <td>K40B</td> <td>14</td> <td>GY</td> <td>0587577C1</td> <td>0589391C1</td> </tr> <tr> <td>B</td> <td>K40B-G</td> <td>14</td> <td>WH</td> <td>0587577C1</td> <td>0589391C1</td> </tr> </tbody> </table>	CAV	CIRCUIT	GAUGE	COLOR	TERMINAL	SEAL/SLEEVE	A	K40B	14	GY	0587577C1	0589391C1	B	K40B-G	14	WH	0587577C1	0589391C1
CAV	CIRCUIT	GAUGE	COLOR	TERMINAL	SEAL/SLEEVE														
A	K40B	14	GY	0587577C1	0589391C1														
B	K40B-G	14	WH	0587577C1	0589391C1														
<p>CONNECTOR 0587567C91</p>																			
CHK	DATE	CHANGE	REV	REFERENCE	DRAWN	NAME													
0610	26SEP13	INITIAL RELEASE.	A	92290B	U01H062	CIRCUIT DIAGRAM, BE,CE BUS													
RELEASE NO.		DATE		PART NO.		SHEET													
92290B		13SEP13		AE08065292		020													

Figure 560 Connector Composites (6010)

CONNECTOR COMPOSITE (CHAPTER 22)

22.1. CONNECTOR COMPOSITES (6011, 6012), P. 1

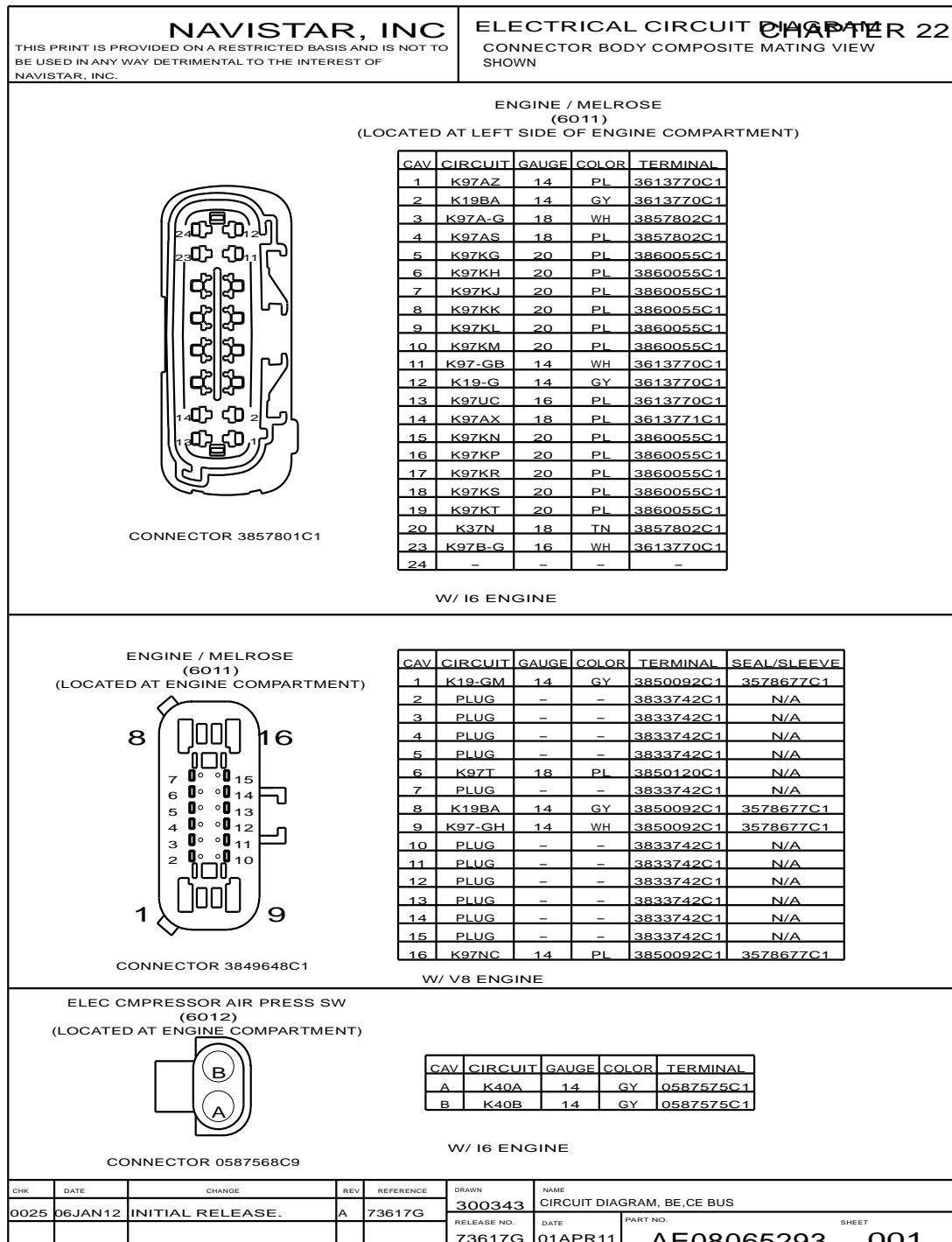


Figure 561 Connector Composites (6011, 6012)

22.2. CONNECTOR COMPOSITES (6014, 6016, 6020M), P. 2

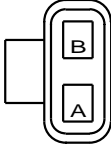
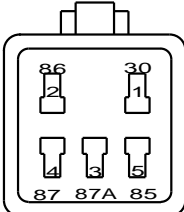
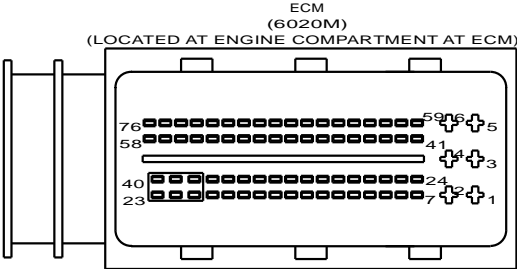
<p style="text-align: center;">NAVISTAR, INC</p> <p style="font-size: small;">THIS PRINT IS PROVIDED ON A RESTRICTED BASIS AND IS NOT TO BE USED IN ANY WAY DETRIMENTAL TO THE INTEREST OF NAVISTAR, INC.</p>	<p style="text-align: center;">ELECTRICAL CIRCUIT DIAGRAM CHAPTER 22</p> <p style="text-align: center;">CONNECTOR BODY COMPOSITE MATING VIEW SHOWN</p>																																																																																																																																																																																																																																																																		
 <p style="text-align: center;">CONNECTOR 1667639C1</p>	<p style="text-align: center;">ELEC AIR COMPRESSOR FUSE (6014) (LOCATED AT ENGINE COMPARTMENT)</p> <table border="1" style="width:100%; border-collapse: collapse;"> <thead> <tr> <th>CAV</th> <th>CIRCUIT</th> <th>GAUGE</th> <th>COLOR</th> <th>TERMINAL</th> </tr> </thead> <tbody> <tr> <td>A</td> <td>K14ZZ</td> <td>14</td> <td>RD</td> <td>1661707C1</td> </tr> <tr> <td>B</td> <td>K40C</td> <td>14</td> <td>GY</td> <td>1661707C1</td> </tr> </tbody> </table> <p style="text-align: center;">W/ I6 ENGINE</p>	CAV	CIRCUIT	GAUGE	COLOR	TERMINAL	A	K14ZZ	14	RD	1661707C1	B	K40C	14	GY	1661707C1																																																																																																																																																																																																																																																			
CAV	CIRCUIT	GAUGE	COLOR	TERMINAL																																																																																																																																																																																																																																																															
A	K14ZZ	14	RD	1661707C1																																																																																																																																																																																																																																																															
B	K40C	14	GY	1661707C1																																																																																																																																																																																																																																																															
 <p style="text-align: center;">CONNECTOR 3512331C91 BODY LOCK 3515185C1</p>	<p style="text-align: center;">ELEC AIR COMPRESSOR RELAY (6016) (LOCATED AT ENGINE COMPARTMENT)</p> <table border="1" style="width:100%; border-collapse: collapse;"> <thead> <tr> <th>CAV</th> <th>CIRCUIT</th> <th>GAUGE</th> <th>COLOR</th> <th>TERMINAL</th> <th>SEAL/SLEEVE</th> </tr> </thead> <tbody> <tr> <td>1</td> <td>K40C</td> <td>14</td> <td>GY</td> <td>3535486C1</td> <td>3515185C1</td> </tr> <tr> <td>2</td> <td>K40-G</td> <td>18</td> <td>WH</td> <td>2039343C1</td> <td>3515185C1</td> </tr> <tr> <td>3</td> <td>PLUG</td> <td>-</td> <td>-</td> <td>0587579C1</td> <td>3515185C1</td> </tr> <tr> <td>4</td> <td>K40A</td> <td>14</td> <td>GY</td> <td>3535486C1</td> <td>3515185C1</td> </tr> <tr> <td>5</td> <td>K40</td> <td>18</td> <td>GY</td> <td>2039343C1</td> <td>3515185C1</td> </tr> </tbody> </table> <p style="text-align: center;">W/ I6 ENGINE</p>	CAV	CIRCUIT	GAUGE	COLOR	TERMINAL	SEAL/SLEEVE	1	K40C	14	GY	3535486C1	3515185C1	2	K40-G	18	WH	2039343C1	3515185C1	3	PLUG	-	-	0587579C1	3515185C1	4	K40A	14	GY	3535486C1	3515185C1	5	K40	18	GY	2039343C1	3515185C1																																																																																																																																																																																																																														
CAV	CIRCUIT	GAUGE	COLOR	TERMINAL	SEAL/SLEEVE																																																																																																																																																																																																																																																														
1	K40C	14	GY	3535486C1	3515185C1																																																																																																																																																																																																																																																														
2	K40-G	18	WH	2039343C1	3515185C1																																																																																																																																																																																																																																																														
3	PLUG	-	-	0587579C1	3515185C1																																																																																																																																																																																																																																																														
4	K40A	14	GY	3535486C1	3515185C1																																																																																																																																																																																																																																																														
5	K40	18	GY	2039343C1	3515185C1																																																																																																																																																																																																																																																														
 <p style="text-align: center;">CONNECTOR 3612247C1 BODY LOCK1 3612248C1 BODY LOCK2 3612249C1</p>	<p style="text-align: center;">ECM (6020M) (LOCATED AT ENGINE COMPARTMENT AT ECM)</p> <p style="text-align: center;">W/ I6 ENGINE</p> <table border="1" style="width:100%; border-collapse: collapse;"> <thead> <tr> <th>CAV</th> <th>CIRCUIT</th> <th>GAUGE</th> <th>COLOR</th> <th>TERMINAL</th> <th>SEAL/SLEEVE</th> </tr> </thead> <tbody> <tr><td>17</td><td>K95J</td><td>18</td><td>TN</td><td>3612254C1</td><td>N/A</td></tr> <tr><td>18</td><td>PLUG</td><td>-</td><td>-</td><td>3612253C1</td><td>-</td></tr> <tr><td>19</td><td>K95H</td><td>18</td><td>TN</td><td>3612254C1</td><td>N/A</td></tr> <tr><td>20</td><td>PLUG</td><td>-</td><td>-</td><td>3612253C1</td><td>-</td></tr> <tr><td>21</td><td>PLUG</td><td>-</td><td>-</td><td>3612253C1</td><td>-</td></tr> <tr><td>22</td><td>PLUG</td><td>-</td><td>-</td><td>3612253C1</td><td>-</td></tr> <tr><td>23</td><td>PLUG</td><td>-</td><td>-</td><td>3612253C1</td><td>-</td></tr> <tr><td>24</td><td>PLUG</td><td>-</td><td>-</td><td>3612253C1</td><td>-</td></tr> <tr><td>25</td><td>K3A(+)</td><td>18</td><td>DKBL</td><td>3612254C1</td><td>N/A</td></tr> <tr><td>26</td><td>K97AX</td><td>18</td><td>PL</td><td>3612254C1</td><td>N/A</td></tr> <tr><td>27</td><td>K99D</td><td>18</td><td>PL</td><td>3612254C1</td><td>N/A</td></tr> <tr><td>28</td><td>PLUG</td><td>-</td><td>-</td><td>3612253C1</td><td>-</td></tr> <tr><td>29</td><td>K97E</td><td>18</td><td>PL</td><td>3612254C1</td><td>N/A</td></tr> <tr><td>30</td><td>PLUG</td><td>-</td><td>-</td><td>3612253C1</td><td>-</td></tr> <tr><td>31*</td><td>K97UB</td><td>18</td><td>PL</td><td>3612254C1</td><td>N/A</td></tr> <tr><td>31&</td><td>K97UB</td><td>18</td><td>PL</td><td>3612254C1</td><td>N/A</td></tr> <tr><td>32</td><td>PLUG</td><td>-</td><td>-</td><td>3612253C1</td><td>-</td></tr> <tr><td>33</td><td>K99A</td><td>18</td><td>PL</td><td>3612254C1</td><td>N/A</td></tr> <tr><td>34</td><td>K97R</td><td>18</td><td>PL</td><td>3612254C1</td><td>N/A</td></tr> <tr><td>35</td><td>K97WC</td><td>18</td><td>PL</td><td>3612254C1</td><td>N/A</td></tr> <tr><td>36</td><td>PLUG</td><td>-</td><td>-</td><td>3612253C1</td><td>-</td></tr> <tr><td>37</td><td>K97ZD</td><td>18</td><td>PL</td><td>3612254C1</td><td>N/A</td></tr> <tr><td>38</td><td>PLUG</td><td>-</td><td>-</td><td>3612253C1</td><td>-</td></tr> <tr><td>39</td><td>K23-GD</td><td>18</td><td>WH</td><td>3612254C1</td><td>N/A</td></tr> </tbody> </table> <table border="1" style="width:100%; border-collapse: collapse;"> <thead> <tr> <th>CAV</th> <th>CIRCUIT</th> <th>GAUGE</th> <th>COLOR</th> <th>TERMINAL</th> <th>SEAL/SLEEVE</th> </tr> </thead> <tbody> <tr><td>1</td><td>K97FA</td><td>14</td><td>PL</td><td>3613275C1</td><td>3509903C1</td></tr> <tr><td>2</td><td>K97-GV</td><td>14</td><td>WH</td><td>3613275C1</td><td>3509903C1</td></tr> <tr><td>3</td><td>K97FB</td><td>14</td><td>PL</td><td>3613275C1</td><td>3509903C1</td></tr> <tr><td>4</td><td>K97-GW</td><td>14</td><td>WH</td><td>3613275C1</td><td>3509903C1</td></tr> <tr><td>5</td><td>K97FC</td><td>14</td><td>PL</td><td>3613275C1</td><td>3509903C1</td></tr> <tr><td>6</td><td>K97-GX</td><td>14</td><td>WH</td><td>3613275C1</td><td>3509903C1</td></tr> <tr><td>7</td><td>K17M</td><td>18</td><td>PK</td><td>3612254C1</td><td>-</td></tr> <tr><td>7</td><td>K17L</td><td>18</td><td>PK</td><td>3612254C1</td><td>-</td></tr> <tr><td>8</td><td>K95K</td><td>18</td><td>TN</td><td>3612254C1</td><td>-</td></tr> <tr><td>9</td><td>PLUG</td><td>-</td><td>-</td><td>3612253C1</td><td>-</td></tr> <tr><td>10</td><td>K3A(-)</td><td>18</td><td>GY</td><td>3612254C1</td><td>-</td></tr> <tr><td>11</td><td>PLUG</td><td>-</td><td>-</td><td>3612253C1</td><td>-</td></tr> <tr><td>12</td><td>PLUG</td><td>-</td><td>-</td><td>3612253C1</td><td>-</td></tr> <tr><td>13</td><td>PLUG</td><td>-</td><td>-</td><td>3612253C1</td><td>-</td></tr> <tr><td>14</td><td>PLUG</td><td>-</td><td>-</td><td>3612253C1</td><td>-</td></tr> <tr><td>15</td><td>PLUG</td><td>-</td><td>-</td><td>3612253C1</td><td>-</td></tr> <tr><td>16</td><td>PLUG</td><td>-</td><td>-</td><td>3612253C1</td><td>-</td></tr> </tbody> </table> <p style="text-align: center;">* ELECTRIC AIR COMPRESSOR W/HYD BRAKES & N/ ELEC AIR COMPRESSOR</p> <p style="text-align: right;">CONTINUED ON SHEET 3</p>	CAV	CIRCUIT	GAUGE	COLOR	TERMINAL	SEAL/SLEEVE	17	K95J	18	TN	3612254C1	N/A	18	PLUG	-	-	3612253C1	-	19	K95H	18	TN	3612254C1	N/A	20	PLUG	-	-	3612253C1	-	21	PLUG	-	-	3612253C1	-	22	PLUG	-	-	3612253C1	-	23	PLUG	-	-	3612253C1	-	24	PLUG	-	-	3612253C1	-	25	K3A(+)	18	DKBL	3612254C1	N/A	26	K97AX	18	PL	3612254C1	N/A	27	K99D	18	PL	3612254C1	N/A	28	PLUG	-	-	3612253C1	-	29	K97E	18	PL	3612254C1	N/A	30	PLUG	-	-	3612253C1	-	31*	K97UB	18	PL	3612254C1	N/A	31&	K97UB	18	PL	3612254C1	N/A	32	PLUG	-	-	3612253C1	-	33	K99A	18	PL	3612254C1	N/A	34	K97R	18	PL	3612254C1	N/A	35	K97WC	18	PL	3612254C1	N/A	36	PLUG	-	-	3612253C1	-	37	K97ZD	18	PL	3612254C1	N/A	38	PLUG	-	-	3612253C1	-	39	K23-GD	18	WH	3612254C1	N/A	CAV	CIRCUIT	GAUGE	COLOR	TERMINAL	SEAL/SLEEVE	1	K97FA	14	PL	3613275C1	3509903C1	2	K97-GV	14	WH	3613275C1	3509903C1	3	K97FB	14	PL	3613275C1	3509903C1	4	K97-GW	14	WH	3613275C1	3509903C1	5	K97FC	14	PL	3613275C1	3509903C1	6	K97-GX	14	WH	3613275C1	3509903C1	7	K17M	18	PK	3612254C1	-	7	K17L	18	PK	3612254C1	-	8	K95K	18	TN	3612254C1	-	9	PLUG	-	-	3612253C1	-	10	K3A(-)	18	GY	3612254C1	-	11	PLUG	-	-	3612253C1	-	12	PLUG	-	-	3612253C1	-	13	PLUG	-	-	3612253C1	-	14	PLUG	-	-	3612253C1	-	15	PLUG	-	-	3612253C1	-	16	PLUG	-	-	3612253C1	-
CAV	CIRCUIT	GAUGE	COLOR	TERMINAL	SEAL/SLEEVE																																																																																																																																																																																																																																																														
17	K95J	18	TN	3612254C1	N/A																																																																																																																																																																																																																																																														
18	PLUG	-	-	3612253C1	-																																																																																																																																																																																																																																																														
19	K95H	18	TN	3612254C1	N/A																																																																																																																																																																																																																																																														
20	PLUG	-	-	3612253C1	-																																																																																																																																																																																																																																																														
21	PLUG	-	-	3612253C1	-																																																																																																																																																																																																																																																														
22	PLUG	-	-	3612253C1	-																																																																																																																																																																																																																																																														
23	PLUG	-	-	3612253C1	-																																																																																																																																																																																																																																																														
24	PLUG	-	-	3612253C1	-																																																																																																																																																																																																																																																														
25	K3A(+)	18	DKBL	3612254C1	N/A																																																																																																																																																																																																																																																														
26	K97AX	18	PL	3612254C1	N/A																																																																																																																																																																																																																																																														
27	K99D	18	PL	3612254C1	N/A																																																																																																																																																																																																																																																														
28	PLUG	-	-	3612253C1	-																																																																																																																																																																																																																																																														
29	K97E	18	PL	3612254C1	N/A																																																																																																																																																																																																																																																														
30	PLUG	-	-	3612253C1	-																																																																																																																																																																																																																																																														
31*	K97UB	18	PL	3612254C1	N/A																																																																																																																																																																																																																																																														
31&	K97UB	18	PL	3612254C1	N/A																																																																																																																																																																																																																																																														
32	PLUG	-	-	3612253C1	-																																																																																																																																																																																																																																																														
33	K99A	18	PL	3612254C1	N/A																																																																																																																																																																																																																																																														
34	K97R	18	PL	3612254C1	N/A																																																																																																																																																																																																																																																														
35	K97WC	18	PL	3612254C1	N/A																																																																																																																																																																																																																																																														
36	PLUG	-	-	3612253C1	-																																																																																																																																																																																																																																																														
37	K97ZD	18	PL	3612254C1	N/A																																																																																																																																																																																																																																																														
38	PLUG	-	-	3612253C1	-																																																																																																																																																																																																																																																														
39	K23-GD	18	WH	3612254C1	N/A																																																																																																																																																																																																																																																														
CAV	CIRCUIT	GAUGE	COLOR	TERMINAL	SEAL/SLEEVE																																																																																																																																																																																																																																																														
1	K97FA	14	PL	3613275C1	3509903C1																																																																																																																																																																																																																																																														
2	K97-GV	14	WH	3613275C1	3509903C1																																																																																																																																																																																																																																																														
3	K97FB	14	PL	3613275C1	3509903C1																																																																																																																																																																																																																																																														
4	K97-GW	14	WH	3613275C1	3509903C1																																																																																																																																																																																																																																																														
5	K97FC	14	PL	3613275C1	3509903C1																																																																																																																																																																																																																																																														
6	K97-GX	14	WH	3613275C1	3509903C1																																																																																																																																																																																																																																																														
7	K17M	18	PK	3612254C1	-																																																																																																																																																																																																																																																														
7	K17L	18	PK	3612254C1	-																																																																																																																																																																																																																																																														
8	K95K	18	TN	3612254C1	-																																																																																																																																																																																																																																																														
9	PLUG	-	-	3612253C1	-																																																																																																																																																																																																																																																														
10	K3A(-)	18	GY	3612254C1	-																																																																																																																																																																																																																																																														
11	PLUG	-	-	3612253C1	-																																																																																																																																																																																																																																																														
12	PLUG	-	-	3612253C1	-																																																																																																																																																																																																																																																														
13	PLUG	-	-	3612253C1	-																																																																																																																																																																																																																																																														
14	PLUG	-	-	3612253C1	-																																																																																																																																																																																																																																																														
15	PLUG	-	-	3612253C1	-																																																																																																																																																																																																																																																														
16	PLUG	-	-	3612253C1	-																																																																																																																																																																																																																																																														
<table border="1" style="width:100%; border-collapse: collapse;"> <thead> <tr> <th>CHK</th> <th>DATE</th> <th>CHANGE</th> <th>REV</th> <th>REFERENCE</th> <th>DRAWN</th> <th>NAME</th> </tr> </thead> <tbody> <tr> <td>0025</td> <td>06JAN12</td> <td>INITIAL RELEASE.</td> <td>A</td> <td>73617G</td> <td>300343</td> <td>CIRCUIT DIAGRAM, BE,CE BUS</td> </tr> <tr> <td></td> <td></td> <td></td> <td></td> <td></td> <td>RELEASE NO.</td> <td>DATE</td> </tr> <tr> <td></td> <td></td> <td></td> <td></td> <td></td> <td>73617G</td> <td>01APR11</td> </tr> </tbody> </table>	CHK	DATE	CHANGE	REV	REFERENCE	DRAWN	NAME	0025	06JAN12	INITIAL RELEASE.	A	73617G	300343	CIRCUIT DIAGRAM, BE,CE BUS						RELEASE NO.	DATE						73617G	01APR11	<table border="1" style="width:100%; border-collapse: collapse;"> <thead> <tr> <th>PART NO.</th> <th>SHEET</th> </tr> </thead> <tbody> <tr> <td>AE08065293</td> <td>002</td> </tr> </tbody> </table>	PART NO.	SHEET	AE08065293	002																																																																																																																																																																																																																																		
CHK	DATE	CHANGE	REV	REFERENCE	DRAWN	NAME																																																																																																																																																																																																																																																													
0025	06JAN12	INITIAL RELEASE.	A	73617G	300343	CIRCUIT DIAGRAM, BE,CE BUS																																																																																																																																																																																																																																																													
					RELEASE NO.	DATE																																																																																																																																																																																																																																																													
					73617G	01APR11																																																																																																																																																																																																																																																													
PART NO.	SHEET																																																																																																																																																																																																																																																																		
AE08065293	002																																																																																																																																																																																																																																																																		

Figure 562 Connector Composites (6014, 6016, 6020M)

22.3. CONNECTOR COMPOSITES (6020M), P. 3

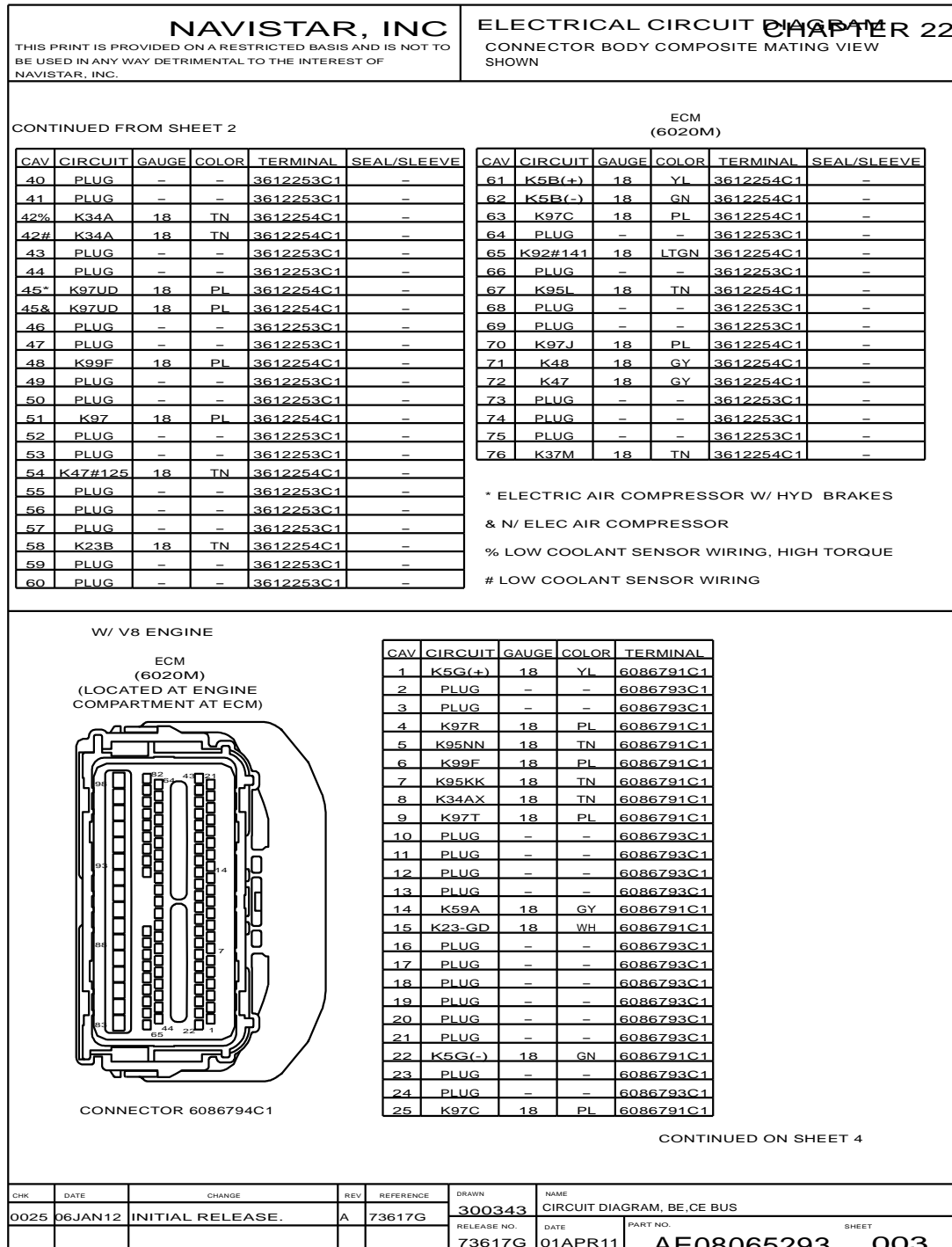


Figure 563 Connector Composites (6020M)

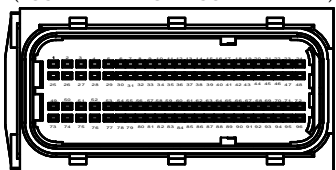
22.4. CONNECTOR COMPOSITES (6020M), P. 4

NAVISTAR, INC					ELECTRICAL CIRCUIT DIAGRAM CHAPTER 22						
THIS PRINT IS PROVIDED ON A RESTRICTED BASIS AND IS NOT TO BE USED IN ANY WAY DETRIMENTAL TO THE INTEREST OF NAVISTAR, INC.					CONNECTOR BODY COMPOSITE MATING VIEW SHOWN						
CHART CONTINUED FROM SHEET 3											
	CAV	CIRCUIT	GAUGE	COLOR	TERMINAL		CAV	CIRCUIT	GAUGE	COLOR	TERMINAL
	26	K95JT	18	TN	6086791C1		61	PLUG	-	-	6086793C1
	27	PLUG	-	-	6086793C1		62	PLUG	-	-	6086793C1
	28	PLUG	-	-	6086793C1		63	K97JC	18	PL	6086791C1
	29	K95LL	18	TN	6086791C1		64	K17M	18	PK	6086791C1
	30	PLUG	-	-	6086793C1		65	PLUG	-	-	6086793C1
	31	K3A(-)	18	GY	6086791C1		66	PLUG	-	-	6086793C1
	32	K3A(+)	18	DKBL	6086791C1		67	K99D	18	PL	6086791C1
	33	PLUG	-	-	6086793C1		68	PLUG	-	-	6086793C1
	34	PLUG	-	-	6086793C1		69	K47#125	18	TN	6086791C1
	35	PLUG	-	-	6086793C1		70	PLUG	-	-	6086793C1
	36	PLUG	-	-	6086793C1		71	PLUG	-	-	6086793C1
	37	PLUG	-	-	6086793C1		72	K99A	18	PL	6086791C1
	38	PLUG	-	-	6086793C1		73	K95JJ	18	TN	6086791C1
	39	PLUG	-	-	6086793C1		74	PLUG	-	-	6086793C1
	40	PLUG	-	-	6086793C1		75	PLUG	-	-	6086793C1
	41	PLUG	-	-	6086793C1		76	PLUG	-	-	6086793C1
	42	PLUG	-	-	6086793C1		77	PLUG	-	-	6086793C1
	43	PLUG	-	-	6086793C1		78	PLUG	-	-	6086793C1
	44	PLUG	-	-	6086793C1		79	PLUG	-	-	6086793C1
	45	PLUG	-	-	6086793C1		80	PLUG	-	-	6086793C1
	46	PLUG	-	-	6086793C1		81	PLUG	-	-	6086793C1
	47	K97WC	18	PL	6086791C1		82	PLUG	-	-	6086793C1
	48	PLUG	-	-	6086793C1		83	K97ND	16	PL	3686944C1
	49	PLUG	-	-	6086793C1		84	K97NE	16	PL	3686944C1
	50	PLUG	-	-	6086793C1		85	K97NF	16	PL	3686944C1
	51	K95HH	18	TN	6086791C1		86	K97-GL	18	WH	3686943C1
	52	PLUG	-	-	6086793C1		87	K97-GK	18	WH	3686943C1
	53	K5B(+)	18	YL	6086791C1		88	K97-GM	18	WH	3686943C1
	54	K5B(-)	18	GN	6086791C1		89	K47	18	GY	3686943C1
	55	PLUG	-	-	6086793C1		90	PLUG	-	-	3833742C1
	56	PLUG	-	-	6086793C1		91	K23L	18	TN	3686943C1
	57	PLUG	-	-	6086793C1		92	K48	18	GY	3686943C1
	58	K23C	18	TN	6086791C1		93	PLUG	-	-	3833742C1
	59	PLUG	-	-	6086793C1		94	PLUG	-	-	6086793C1
	60	K92#141	18	LTGN	6086791C1		95	PLUG	-	-	3833742C1
							96	PLUG	-	-	3833742C1
							97	K13H	18	PK	3686943C1
							98	K14KA	18	RD	3686943C1

CHK	DATE	CHANGE	REV	REFERENCE	DRAWN	NAME
0025	06JAN12	INITIAL RELEASE.	A	73617G	300343	CIRCUIT DIAGRAM, BE,CE BUS
					RELEASE NO.	DATE
					73617G	01APR11
					PART NO.	SHEET
					AE08065293	004

Figure 564 Connector Composites (6020M)

22.5. CONNECTOR COMPOSITES (6021), P. 4A

NAVISTAR, INC				ELECTRICAL CIRCUIT DIAGRAM		CHAPTER 22					
THIS PRINT IS PROVIDED ON A RESTRICTED BASIS AND IS NOT TO BE USED IN ANY WAY DETRIMENTAL TO THE INTEREST OF NAVISTAR, INC.				CONNECTOR BODY COMPOSITE MATING VIEW SHOWN							
ECM CONN (6021) (LOCATED AT ENGINE COMPARTMENT)											
											
CONNECTOR 3945694C1 BODY LOCK 3743662C1											
W/ CE BUS W/ CUMMINS ISB ENG											
* W/ HORTON FAN # W/ ELECTRIC CLUTCH FAN @ W/ WALLISON XMSN W/HYDROMAX HYD BRAKES & W/250K EATON EPS											
CAV	CIRCUIT	GAUGE	COLOR	TERMINAL	59	PLUG	-	-	3744547C1		
1	K97FAA	16	PL	3743666C1	60	PLUG	-	-	3744547C1		
2	PLUG	-	-	3744547C1	61	K97WC	20	PL	3743668C1		
3	K95V	18	TN	3743666C1	62	K97-GS	20	WH	3743668C1		
4	PLUG	-	-	3744547C1	63	PLUG	-	-	3744547C1		
5	K97UE	18	PL	3743666C1	64	K99F	20	PL	3743668C1		
6	K95J	20	TN	3743668C1	65	K97AB	20	PL	3743668C1		
7	K95T	20	TN	3743668C1	66	PLUG	-	-	3744547C1		
8	K99DA	20	PL	3743668C1	67	PLUG	-	-	3744547C1		
9	K97C	20	PL	3743668C1	68	PLUG	-	-	3744547C1		
10	K99A	20	PL	3743668C1	69	PLUG	-	-	3744547C1		
11	PLUG	-	-	3744547C1	70	PLUG	-	-	3744547C1		
12	PLUG	-	-	3744547C1	71	PLUG	-	-	3744547C1		
13	K97WI	20	PL	3743668C1	72	PLUG	-	-	3744547C1		
14	PLUG	-	-	3744547C1	73	K97-GWA	16	WH	3743666C1		
15	PLUG	-	-	3744547C1	74	PLUG	-	-	3744547C1		
16	K95H	20	TN	3743668C1	75	K97HS	18	PL	3743666C1		
17	PLUG	-	-	3744547C1	76	K97-GRE	20	WH	3743668C1		
18	PLUG	-	-	3744547C1	77	K95A	20	TN	3743668C1		
19	PLUG	-	-	3744547C1	78*	K23	20	TN	3743668C1		
20	PLUG	-	-	3744547C1	78#	K23A	20	TN	3743668C1		
21	PLUG	-	-	3744547C1	79	K95EA	20	TN	3743668C1		
22	K5B(+)	20	YL	3743668C1	80	PLUG	-	-	3744547C1		
22@	K5C(+)	20	YL	3743668C1	81	K95K	20	TN	3743668C1		
22&	K5D(+)	20	YL	3743668C1	82	K95N	20	TN	3743668C1		
23	PLUG	-	-	3744547C1	83	K17M	20	PK	3743668C1		
24	PLUG	-	-	3744547C1	84	K95ZA	20	TN	3743668C1		
25	K97FAB	16	PL	3743666C1	85	K95ZB	20	TN	3743668C1		
26	K97FAC	16	PL	3743666C1	86	PLUG	-	-	3744547C1		
27	K97FBA	16	PL	3743666C1	87	PLUG	-	-	3744547C1		
28	K97FBB	16	PL	3743666C1	88	PLUG	-	-	3744547C1		
29	PLUG	-	-	3744547C1	89	PLUG	-	-	3744547C1		
30	PLUG	-	-	3744547C1	90	PLUG	-	-	3744547C1		
31	PLUG	-	-	3744547C1	91	PLUG	-	-	3744547C1		
32	K9AA	20	GY	3743668C1	92	PLUG	-	-	3744547C1		
33	K97R	20	PL	3743668C1	93	PLUG	-	-	3744547C1		
34	PLUG	-	-	3744547C1	94	PLUG	-	-	3744547C1		
35	K97LCS	20	PL	3743668C1	95	PLUG	-	-	3744547C1		
36	PLUG	-	-	3744547C1	96	PLUG	-	-	3744547C1		
37	PLUG	-	-	3744547C1							
38	K95PB	20	TN	3743668C1							
39	K95RB	20	TN	3743668C1							
40	K95SB	20	TN	3743668C1							
41	K95D	20	TN	3743668C1							
42	K95C	20	TN	3743668C1							
43	K77A	20	LTGN	3743668C1							
44	PLUG	-	-	3744547C1							
45	PLUG	-	-	3744547C1							
46	K5B(-)	20	GN	3743668C1							
46@	K5C(-)	20	GN	3743668C1							
46&	K5D(-)	20	GN	3743668C1							
47	PLUG	-	-	3744547C1							
48	PLUG	-	-	3744547C1							
49	K97-GVC	16	WH	3743666C1							
50	K97-GVB	16	WH	3743666C1							
51	K97-GVA	16	WH	3743666C1							
52	K97-GWB	16	WH	3743666C1							
53	K95B	20	TN	3743668C1							
54	K95FA	20	TN	3743668C1							
55	PLUG	-	-	3744547C1							
56	PLUG	-	-	3744547C1							
57	K97-GRS	20	WH	3743668C1							
57#	K97-G	20	WH	3743668C1							
58	PLUG	-	-	3744547C1							

CHK	DATE	CHANGE	REV	REFERENCE	DRAWN	NAME
0488	14AUG15	CIRCUITS CHANGES IN	D	93156D	MJV0222	CIRCUIT DIAGRAM, BE,CE BUS
					RELEASE NO.	DATE
					92460R	30DEC13
					PART NO.	SHEET
					AE08065293	04A

Figure 565 Connector Composites (6021)

22.6. CONNECTOR COMPOSITES (6021), P. 4B

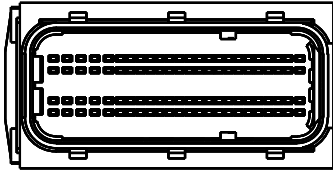
NAVISTAR, INC				ELECTRICAL CIRCUIT DIAGRAM		CHAPTER 22																																																																																																																																																																																																																																																																																																																																						
THIS PRINT IS PROVIDED ON A RESTRICTED BASIS AND IS NOT TO BE USED IN ANY WAY DETRIMENTAL TO THE INTEREST OF NAVISTAR, INC.				CONNECTOR BODY COMPOSITE MATING VIEW SHOWN																																																																																																																																																																																																																																																																																																																																								
<p>ECM CONN (6021) (LOCATED IN ENGINE COMPARTMENT)</p>  <p>CONNECTOR 3945694C1 BODY LOCK 3743662C1</p> <p>W/ F-2017-ISB-ENG * W/ 500K ALLISON XMSN # W/ 500K EATON EPS XMSN % W/ HORTON FAN & W/ ELECTRIC CLUTCH FAN, W/BCM 4TH GEN</p>				<table border="1" style="width:100%; border-collapse: collapse; font-size: x-small;"> <thead> <tr> <th>CAV</th> <th>CIRCUIT</th> <th>GAUGE</th> <th>COLOR</th> <th>TERMINAL</th> </tr> </thead> <tbody> <tr><td>1</td><td>K97FAA</td><td>16</td><td>PL</td><td>3743666C1</td></tr> <tr><td>2</td><td>PLUG</td><td>-</td><td>-</td><td>3744547C1</td></tr> <tr><td>3</td><td>K95V</td><td>18</td><td>TN</td><td>3743666C1</td></tr> <tr><td>4</td><td>PLUG</td><td>-</td><td>-</td><td>3744547C1</td></tr> <tr><td>5</td><td>K97UE</td><td>18</td><td>PL</td><td>3743666C1</td></tr> <tr><td>6</td><td>K95J</td><td>20</td><td>TN</td><td>3743668C1</td></tr> <tr><td>7</td><td>PLUG</td><td>-</td><td>-</td><td>3744547C1</td></tr> <tr><td>8</td><td>K99DA</td><td>20</td><td>PL</td><td>3743668C1</td></tr> <tr><td>9</td><td>K97C</td><td>20</td><td>PL</td><td>3743668C1</td></tr> <tr><td>10</td><td>K99A</td><td>20</td><td>PL</td><td>3743668C1</td></tr> <tr><td>11-12</td><td>PLUG</td><td>-</td><td>-</td><td>3744547C1</td></tr> <tr><td>13</td><td>K97WI</td><td>20</td><td>PL</td><td>3743668C1</td></tr> <tr><td>14-15</td><td>PLUG</td><td>-</td><td>-</td><td>3744547C1</td></tr> <tr><td>16</td><td>K95H</td><td>20</td><td>TN</td><td>3743668C1</td></tr> <tr><td>17-21</td><td>PLUG</td><td>-</td><td>-</td><td>3744547C1</td></tr> <tr><td>22*</td><td>K5C(+)</td><td>20</td><td>YL</td><td>3743668C1</td></tr> <tr><td>22#</td><td>K5D(+)</td><td>20</td><td>YL</td><td>3743668C1</td></tr> <tr><td>23-24</td><td>PLUG</td><td>-</td><td>-</td><td>3744547C1</td></tr> <tr><td>25</td><td>K97FAB</td><td>16</td><td>PL</td><td>3743666C1</td></tr> <tr><td>26</td><td>K97FAC</td><td>16</td><td>PL</td><td>3743666C1</td></tr> <tr><td>27</td><td>K97FBA</td><td>16</td><td>PL</td><td>3743666C1</td></tr> <tr><td>28</td><td>K97FBB</td><td>16</td><td>PL</td><td>3743666C1</td></tr> <tr><td>29-31</td><td>PLUG</td><td>-</td><td>-</td><td>3744547C1</td></tr> <tr><td>32</td><td>K9AA</td><td>20</td><td>GY</td><td>3743668C1</td></tr> <tr><td>33</td><td>K97R</td><td>20</td><td>PL</td><td>3743668C1</td></tr> <tr><td>34</td><td>PLUG</td><td>-</td><td>-</td><td>3744547C1</td></tr> <tr><td>35</td><td>K97LCS</td><td>20</td><td>PL</td><td>3743668C1</td></tr> <tr><td>36-37</td><td>PLUG</td><td>-</td><td>-</td><td>3744547C1</td></tr> <tr><td>38</td><td>K95PB</td><td>20</td><td>TN</td><td>3743668C1</td></tr> <tr><td>39</td><td>K95RB</td><td>20</td><td>TN</td><td>3743668C1</td></tr> <tr><td>40</td><td>K95SB</td><td>20</td><td>TN</td><td>3743668C1</td></tr> <tr><td>41</td><td>K95D</td><td>20</td><td>TN</td><td>3743668C1</td></tr> <tr><td>42</td><td>K95C</td><td>20</td><td>TN</td><td>3743668C1</td></tr> <tr><td>43</td><td>K77A</td><td>20</td><td>LT GN</td><td>3743668C1</td></tr> <tr><td>44-45</td><td>PLUG</td><td>-</td><td>-</td><td>3744547C1</td></tr> <tr><td>46*</td><td>K5C(-)</td><td>20</td><td>GN</td><td>3743668C1</td></tr> <tr><td>46#</td><td>K5D(-)</td><td>20</td><td>GN</td><td>3743668C1</td></tr> <tr><td>47-48</td><td>PLUG</td><td>-</td><td>-</td><td>3744547C1</td></tr> <tr><td>49</td><td>K97-GVC</td><td>16</td><td>WH</td><td>3743666C1</td></tr> <tr><td>50</td><td>K97-GVB</td><td>16</td><td>WH</td><td>3743666C1</td></tr> <tr><td>51</td><td>K97-GVA</td><td>16</td><td>WH</td><td>3743666C1</td></tr> <tr><td>52</td><td>K97-GWB</td><td>16</td><td>WH</td><td>3743666C1</td></tr> <tr><td>53</td><td>K95B</td><td>20</td><td>TN</td><td>3743668C1</td></tr> <tr><td>54</td><td>K95FA</td><td>20</td><td>TN</td><td>3743668C1</td></tr> <tr><td>55-56</td><td>PLUG</td><td>-</td><td>-</td><td>3744547C1</td></tr> <tr><td>57</td><td>K97-GRS</td><td>20</td><td>WH</td><td>3743668C1</td></tr> <tr><td>58-60</td><td>PLUG</td><td>-</td><td>-</td><td>3744547C1</td></tr> <tr><td>61</td><td>K97WC</td><td>20</td><td>PL</td><td>3743668C1</td></tr> <tr><td>62</td><td>K97-GS</td><td>20</td><td>WH</td><td>3743668C1</td></tr> <tr><td>62-63</td><td>PLUG</td><td>-</td><td>-</td><td>3744547C1</td></tr> <tr><td>64</td><td>K99F</td><td>20</td><td>PL</td><td>3743668C1</td></tr> <tr><td>65</td><td>K97AB</td><td>20</td><td>PL</td><td>3743668C1</td></tr> <tr><td>66-72</td><td>PLUG</td><td>-</td><td>-</td><td>3744547C1</td></tr> <tr><td>73</td><td>K97-GWA</td><td>16</td><td>WH</td><td>3743666C1</td></tr> <tr><td>74</td><td>PLUG</td><td>-</td><td>-</td><td>3744547C1</td></tr> <tr><td>75</td><td>K97HS</td><td>18</td><td>PL</td><td>3743666C1</td></tr> <tr><td>76</td><td>PLUG</td><td>-</td><td>-</td><td>3744547C1</td></tr> <tr><td>77</td><td>K95A</td><td>20</td><td>TN</td><td>3743668C1</td></tr> <tr><td>78%</td><td>K23</td><td>20</td><td>TN</td><td>3743668C1</td></tr> <tr><td>78&</td><td>K23A</td><td>20</td><td>TN</td><td>3743668C1</td></tr> <tr><td>79</td><td>K95EA</td><td>20</td><td>TN</td><td>3743668C1</td></tr> <tr><td>80-81</td><td>PLUG</td><td>-</td><td>-</td><td>3744547C1</td></tr> <tr><td>82</td><td>K95N</td><td>20</td><td>TN</td><td>3743668C1</td></tr> <tr><td>83-96</td><td>PLUG</td><td>-</td><td>-</td><td>3744547C1</td></tr> </tbody> </table>				CAV	CIRCUIT	GAUGE	COLOR	TERMINAL	1	K97FAA	16	PL	3743666C1	2	PLUG	-	-	3744547C1	3	K95V	18	TN	3743666C1	4	PLUG	-	-	3744547C1	5	K97UE	18	PL	3743666C1	6	K95J	20	TN	3743668C1	7	PLUG	-	-	3744547C1	8	K99DA	20	PL	3743668C1	9	K97C	20	PL	3743668C1	10	K99A	20	PL	3743668C1	11-12	PLUG	-	-	3744547C1	13	K97WI	20	PL	3743668C1	14-15	PLUG	-	-	3744547C1	16	K95H	20	TN	3743668C1	17-21	PLUG	-	-	3744547C1	22*	K5C(+)	20	YL	3743668C1	22#	K5D(+)	20	YL	3743668C1	23-24	PLUG	-	-	3744547C1	25	K97FAB	16	PL	3743666C1	26	K97FAC	16	PL	3743666C1	27	K97FBA	16	PL	3743666C1	28	K97FBB	16	PL	3743666C1	29-31	PLUG	-	-	3744547C1	32	K9AA	20	GY	3743668C1	33	K97R	20	PL	3743668C1	34	PLUG	-	-	3744547C1	35	K97LCS	20	PL	3743668C1	36-37	PLUG	-	-	3744547C1	38	K95PB	20	TN	3743668C1	39	K95RB	20	TN	3743668C1	40	K95SB	20	TN	3743668C1	41	K95D	20	TN	3743668C1	42	K95C	20	TN	3743668C1	43	K77A	20	LT GN	3743668C1	44-45	PLUG	-	-	3744547C1	46*	K5C(-)	20	GN	3743668C1	46#	K5D(-)	20	GN	3743668C1	47-48	PLUG	-	-	3744547C1	49	K97-GVC	16	WH	3743666C1	50	K97-GVB	16	WH	3743666C1	51	K97-GVA	16	WH	3743666C1	52	K97-GWB	16	WH	3743666C1	53	K95B	20	TN	3743668C1	54	K95FA	20	TN	3743668C1	55-56	PLUG	-	-	3744547C1	57	K97-GRS	20	WH	3743668C1	58-60	PLUG	-	-	3744547C1	61	K97WC	20	PL	3743668C1	62	K97-GS	20	WH	3743668C1	62-63	PLUG	-	-	3744547C1	64	K99F	20	PL	3743668C1	65	K97AB	20	PL	3743668C1	66-72	PLUG	-	-	3744547C1	73	K97-GWA	16	WH	3743666C1	74	PLUG	-	-	3744547C1	75	K97HS	18	PL	3743666C1	76	PLUG	-	-	3744547C1	77	K95A	20	TN	3743668C1	78%	K23	20	TN	3743668C1	78&	K23A	20	TN	3743668C1	79	K95EA	20	TN	3743668C1	80-81	PLUG	-	-	3744547C1	82	K95N	20	TN	3743668C1	83-96	PLUG	-	-	3744547C1
CAV	CIRCUIT	GAUGE	COLOR	TERMINAL																																																																																																																																																																																																																																																																																																																																								
1	K97FAA	16	PL	3743666C1																																																																																																																																																																																																																																																																																																																																								
2	PLUG	-	-	3744547C1																																																																																																																																																																																																																																																																																																																																								
3	K95V	18	TN	3743666C1																																																																																																																																																																																																																																																																																																																																								
4	PLUG	-	-	3744547C1																																																																																																																																																																																																																																																																																																																																								
5	K97UE	18	PL	3743666C1																																																																																																																																																																																																																																																																																																																																								
6	K95J	20	TN	3743668C1																																																																																																																																																																																																																																																																																																																																								
7	PLUG	-	-	3744547C1																																																																																																																																																																																																																																																																																																																																								
8	K99DA	20	PL	3743668C1																																																																																																																																																																																																																																																																																																																																								
9	K97C	20	PL	3743668C1																																																																																																																																																																																																																																																																																																																																								
10	K99A	20	PL	3743668C1																																																																																																																																																																																																																																																																																																																																								
11-12	PLUG	-	-	3744547C1																																																																																																																																																																																																																																																																																																																																								
13	K97WI	20	PL	3743668C1																																																																																																																																																																																																																																																																																																																																								
14-15	PLUG	-	-	3744547C1																																																																																																																																																																																																																																																																																																																																								
16	K95H	20	TN	3743668C1																																																																																																																																																																																																																																																																																																																																								
17-21	PLUG	-	-	3744547C1																																																																																																																																																																																																																																																																																																																																								
22*	K5C(+)	20	YL	3743668C1																																																																																																																																																																																																																																																																																																																																								
22#	K5D(+)	20	YL	3743668C1																																																																																																																																																																																																																																																																																																																																								
23-24	PLUG	-	-	3744547C1																																																																																																																																																																																																																																																																																																																																								
25	K97FAB	16	PL	3743666C1																																																																																																																																																																																																																																																																																																																																								
26	K97FAC	16	PL	3743666C1																																																																																																																																																																																																																																																																																																																																								
27	K97FBA	16	PL	3743666C1																																																																																																																																																																																																																																																																																																																																								
28	K97FBB	16	PL	3743666C1																																																																																																																																																																																																																																																																																																																																								
29-31	PLUG	-	-	3744547C1																																																																																																																																																																																																																																																																																																																																								
32	K9AA	20	GY	3743668C1																																																																																																																																																																																																																																																																																																																																								
33	K97R	20	PL	3743668C1																																																																																																																																																																																																																																																																																																																																								
34	PLUG	-	-	3744547C1																																																																																																																																																																																																																																																																																																																																								
35	K97LCS	20	PL	3743668C1																																																																																																																																																																																																																																																																																																																																								
36-37	PLUG	-	-	3744547C1																																																																																																																																																																																																																																																																																																																																								
38	K95PB	20	TN	3743668C1																																																																																																																																																																																																																																																																																																																																								
39	K95RB	20	TN	3743668C1																																																																																																																																																																																																																																																																																																																																								
40	K95SB	20	TN	3743668C1																																																																																																																																																																																																																																																																																																																																								
41	K95D	20	TN	3743668C1																																																																																																																																																																																																																																																																																																																																								
42	K95C	20	TN	3743668C1																																																																																																																																																																																																																																																																																																																																								
43	K77A	20	LT GN	3743668C1																																																																																																																																																																																																																																																																																																																																								
44-45	PLUG	-	-	3744547C1																																																																																																																																																																																																																																																																																																																																								
46*	K5C(-)	20	GN	3743668C1																																																																																																																																																																																																																																																																																																																																								
46#	K5D(-)	20	GN	3743668C1																																																																																																																																																																																																																																																																																																																																								
47-48	PLUG	-	-	3744547C1																																																																																																																																																																																																																																																																																																																																								
49	K97-GVC	16	WH	3743666C1																																																																																																																																																																																																																																																																																																																																								
50	K97-GVB	16	WH	3743666C1																																																																																																																																																																																																																																																																																																																																								
51	K97-GVA	16	WH	3743666C1																																																																																																																																																																																																																																																																																																																																								
52	K97-GWB	16	WH	3743666C1																																																																																																																																																																																																																																																																																																																																								
53	K95B	20	TN	3743668C1																																																																																																																																																																																																																																																																																																																																								
54	K95FA	20	TN	3743668C1																																																																																																																																																																																																																																																																																																																																								
55-56	PLUG	-	-	3744547C1																																																																																																																																																																																																																																																																																																																																								
57	K97-GRS	20	WH	3743668C1																																																																																																																																																																																																																																																																																																																																								
58-60	PLUG	-	-	3744547C1																																																																																																																																																																																																																																																																																																																																								
61	K97WC	20	PL	3743668C1																																																																																																																																																																																																																																																																																																																																								
62	K97-GS	20	WH	3743668C1																																																																																																																																																																																																																																																																																																																																								
62-63	PLUG	-	-	3744547C1																																																																																																																																																																																																																																																																																																																																								
64	K99F	20	PL	3743668C1																																																																																																																																																																																																																																																																																																																																								
65	K97AB	20	PL	3743668C1																																																																																																																																																																																																																																																																																																																																								
66-72	PLUG	-	-	3744547C1																																																																																																																																																																																																																																																																																																																																								
73	K97-GWA	16	WH	3743666C1																																																																																																																																																																																																																																																																																																																																								
74	PLUG	-	-	3744547C1																																																																																																																																																																																																																																																																																																																																								
75	K97HS	18	PL	3743666C1																																																																																																																																																																																																																																																																																																																																								
76	PLUG	-	-	3744547C1																																																																																																																																																																																																																																																																																																																																								
77	K95A	20	TN	3743668C1																																																																																																																																																																																																																																																																																																																																								
78%	K23	20	TN	3743668C1																																																																																																																																																																																																																																																																																																																																								
78&	K23A	20	TN	3743668C1																																																																																																																																																																																																																																																																																																																																								
79	K95EA	20	TN	3743668C1																																																																																																																																																																																																																																																																																																																																								
80-81	PLUG	-	-	3744547C1																																																																																																																																																																																																																																																																																																																																								
82	K95N	20	TN	3743668C1																																																																																																																																																																																																																																																																																																																																								
83-96	PLUG	-	-	3744547C1																																																																																																																																																																																																																																																																																																																																								
CHK	DATE	CHANGE	REV	REFERENCE	DRAWN	NAME																																																																																																																																																																																																																																																																																																																																						
MJVO	25 SEP 16	REVISED AND REDRAWN.	D	93690D	23136977	CIRCUIT DIAGRAM, BE,CE BUS																																																																																																																																																																																																																																																																																																																																						
RELEASE NO.		DATE		PART NO.		SHEET																																																																																																																																																																																																																																																																																																																																						
92936F		13 DEC 14		AE08065293		04B																																																																																																																																																																																																																																																																																																																																						

Figure 566 Connector Composites (6021)

22.7. CONNECTOR COMPOSITES (6021, 6022), P. 4C

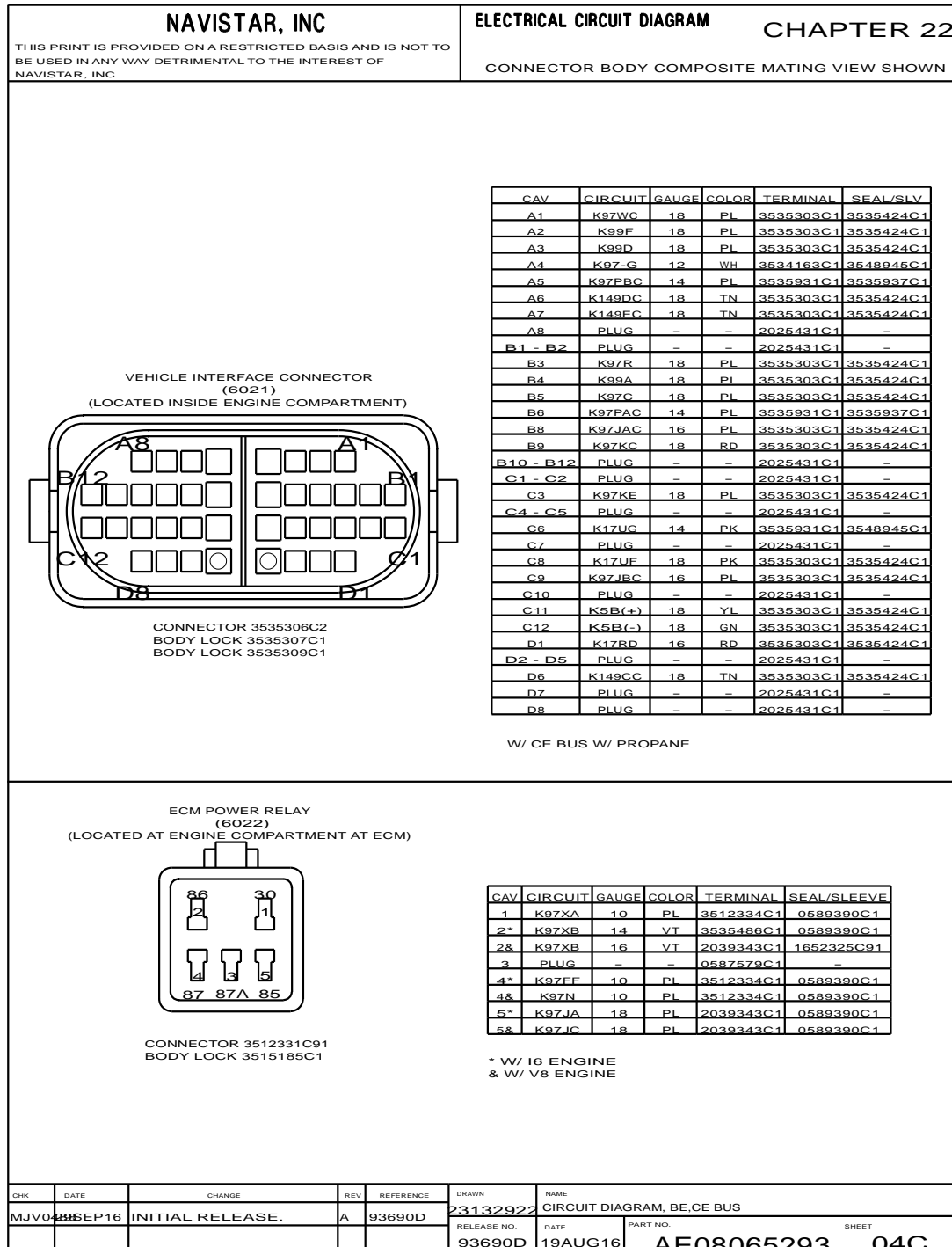


Figure 567 Connector Composites (6021, 6022)

22.8. CONNECTOR COMPOSITES (6022, 6023, 6100), P. 5

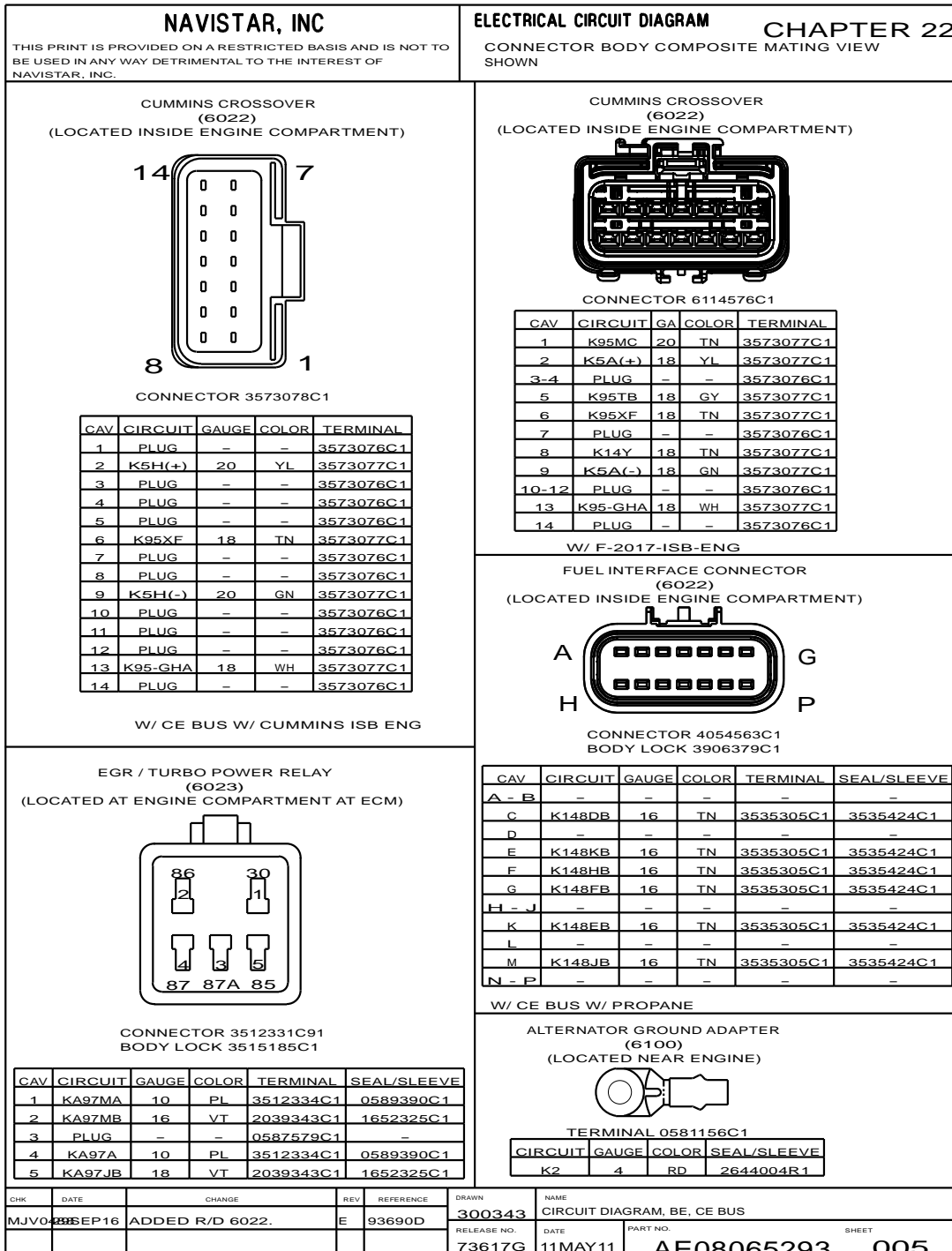


Figure 568 Connector Composites (6022, 6023, 6100)

22.9. CONNECTOR COMPOSITES (6101, 6103, 6104, 6105, 6106), P. 6


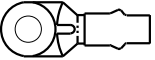
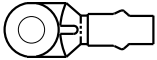

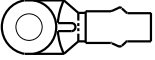
NAVISTAR, INC				ELECTRICAL CIRCUIT DIAGRAM CHAPTER 22											
THIS PRINT IS PROVIDED ON A RESTRICTED BASIS AND IS NOT TO BE USED IN ANY WAY DETRIMENTAL TO THE INTEREST OF NAVISTAR, INC.				CONNECTOR BODY COMPOSITE MATING VIEW SHOWN											
 TERMINAL 0571673C1				ALTERNATOR GROUND (6101) (LOCATED NEAR ENGINE) <table border="1" style="margin: 5px auto; font-size: x-small;"> <thead> <tr> <th>CIRCUIT</th> <th>GAUGE</th> <th>COLOR</th> <th>SEAL/SLEEVE</th> </tr> </thead> <tbody> <tr> <td>K2-G</td> <td>4</td> <td>WH</td> <td>2644004R1</td> </tr> </tbody> </table>				CIRCUIT	GAUGE	COLOR	SEAL/SLEEVE	K2-G	4	WH	2644004R1
CIRCUIT	GAUGE	COLOR	SEAL/SLEEVE												
K2-G	4	WH	2644004R1												
 TERMINAL 2012973C1				ALTERNATOR POWER (6103) (LOCATED ON ALTERNATOR) <table border="1" style="margin: 5px auto; font-size: x-small;"> <thead> <tr> <th>CIRCUIT</th> <th>GAUGE</th> <th>COLOR</th> <th>SEAL/SLEEVE</th> </tr> </thead> <tbody> <tr> <td>K2A</td> <td>2</td> <td>RD</td> <td>2644004R1</td> </tr> </tbody> </table> W/ I6 ENGINE				CIRCUIT	GAUGE	COLOR	SEAL/SLEEVE	K2A	2	RD	2644004R1
CIRCUIT	GAUGE	COLOR	SEAL/SLEEVE												
K2A	2	RD	2644004R1												
 TERMINAL 0475962C1				ALTERNATOR GROUND (6104) (LOCATED NEAR ENGINE) <table border="1" style="margin: 5px auto; font-size: x-small;"> <thead> <tr> <th>CIRCUIT</th> <th>GAUGE</th> <th>COLOR</th> <th>SEAL/SLEEVE</th> </tr> </thead> <tbody> <tr> <td>K2A-G</td> <td>2</td> <td>WH</td> <td>2644004R1</td> </tr> </tbody> </table> W/ I6 ENGINE				CIRCUIT	GAUGE	COLOR	SEAL/SLEEVE	K2A-G	2	WH	2644004R1
CIRCUIT	GAUGE	COLOR	SEAL/SLEEVE												
K2A-G	2	WH	2644004R1												
 TERMINAL 0475964C1				ALTERNATOR POWER (6105) (LOCATED ON ALTERNATOR) <table border="1" style="margin: 5px auto; font-size: x-small;"> <thead> <tr> <th>CIRCUIT</th> <th>GAUGE</th> <th>COLOR</th> <th>SEAL/SLEEVE</th> </tr> </thead> <tbody> <tr> <td>K2B</td> <td>1</td> <td>RD</td> <td>2643308R1</td> </tr> </tbody> </table>				CIRCUIT	GAUGE	COLOR	SEAL/SLEEVE	K2B	1	RD	2643308R1
CIRCUIT	GAUGE	COLOR	SEAL/SLEEVE												
K2B	1	RD	2643308R1												
 TERMINAL 0475964C1				ALTERNATOR GROUND ADAPTER (6106) (LOCATED ON ALTERNATOR) <table border="1" style="margin: 5px auto; font-size: x-small;"> <thead> <tr> <th>CIRCUIT</th> <th>GAUGE</th> <th>COLOR</th> <th>SEAL/SLEEVE</th> </tr> </thead> <tbody> <tr> <td>K2-GB</td> <td>1</td> <td>WH</td> <td>2643308R1</td> </tr> </tbody> </table>				CIRCUIT	GAUGE	COLOR	SEAL/SLEEVE	K2-GB	1	WH	2643308R1
CIRCUIT	GAUGE	COLOR	SEAL/SLEEVE												
K2-GB	1	WH	2643308R1												
CHK	DATE	CHANGE	REV	REFERENCE	DRAWN	NAME									
0025	06JAN12	INITIAL RELEASE.	A	73617G	300343	CIRCUIT DIAGRAM, BE,CE BUS									
					RELEASE NO.	DATE	PART NO.								
					73617G	01APR11	AE08065293								
						SHEET	006								

Figure 569 Connector Composites (6101, 6103, 6104, 6105, 6106)

22.10. CONNECTOR COMPOSITES (6107, 6108, 6119, 6120, 6200), P. 7

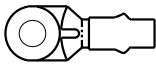
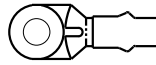
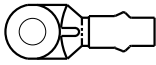
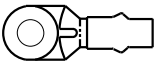
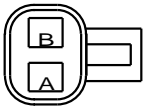
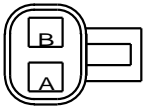
NAVISTAR, INC		ELECTRICAL CIRCUIT DIAGRAM		CHAPTER 22																									
THIS PRINT IS PROVIDED ON A RESTRICTED BASIS AND IS NOT TO BE USED IN ANY WAY DETRIMENTAL TO THE INTEREST OF NAVISTAR, INC.		CONNECTOR BODY COMPOSITE MATING VIEW SHOWN																											
 TERMINAL 3870430C1	ALTERNATOR GROUND (6107) (LOCATED ON ALTERNATOR)																												
<table border="1" style="width:100%; border-collapse: collapse; font-size: x-small;"> <thead> <tr> <th>CIRCUIT</th> <th>GAUGE</th> <th>COLOR</th> <th>SEAL/SLEEVE</th> </tr> </thead> <tbody> <tr> <td>@K2C-G</td> <td>1</td> <td>WH</td> <td>2643308R1</td> </tr> <tr> <td>%KE2-GB</td> <td>1</td> <td>WH</td> <td>2643308R1</td> </tr> </tbody> </table>						CIRCUIT	GAUGE	COLOR	SEAL/SLEEVE	@K2C-G	1	WH	2643308R1	%KE2-GB	1	WH	2643308R1												
CIRCUIT	GAUGE	COLOR	SEAL/SLEEVE																										
@K2C-G	1	WH	2643308R1																										
%KE2-GB	1	WH	2643308R1																										
@ INTERNATIONAL I6 ENGINE % CUMMINS ISB																													
 TERMINAL 3870430C1	ALTERNATOR POWER (6108) (LOCATED ON ALTERNATOR)																												
<table border="1" style="width:100%; border-collapse: collapse; font-size: x-small;"> <thead> <tr> <th>CIRCUIT</th> <th>GAUGE</th> <th>COLOR</th> <th>SEAL/SLEEVE</th> </tr> </thead> <tbody> <tr> <td>@K2K</td> <td>1</td> <td>RD</td> <td>2643308R1</td> </tr> <tr> <td>%K2B</td> <td>1</td> <td>RD</td> <td>2643308R1</td> </tr> </tbody> </table>						CIRCUIT	GAUGE	COLOR	SEAL/SLEEVE	@K2K	1	RD	2643308R1	%K2B	1	RD	2643308R1												
CIRCUIT	GAUGE	COLOR	SEAL/SLEEVE																										
@K2K	1	RD	2643308R1																										
%K2B	1	RD	2643308R1																										
@ INTERNATIONAL I6 ENGINE % CUMMINS ISB																													
 TERMINAL 0475962C1	ALTERNATOR GROUND (6119) (LOCATED NEAR ENGINE)																												
<table border="1" style="width:100%; border-collapse: collapse; font-size: x-small;"> <thead> <tr> <th>CIRCUIT</th> <th>GAUGE</th> <th>COLOR</th> <th>SEAL/SLEEVE</th> </tr> </thead> <tbody> <tr> <td>K2A-G</td> <td>2</td> <td>WH</td> <td>2644004R1</td> </tr> </tbody> </table>						CIRCUIT	GAUGE	COLOR	SEAL/SLEEVE	K2A-G	2	WH	2644004R1																
CIRCUIT	GAUGE	COLOR	SEAL/SLEEVE																										
K2A-G	2	WH	2644004R1																										
W/ V8 ENGINE																													
 TERMINAL 2012973C1	ALTERNATOR POWER (6120) (LOCATED ON ALTERNATOR)																												
<table border="1" style="width:100%; border-collapse: collapse; font-size: x-small;"> <thead> <tr> <th>CIRCUIT</th> <th>GAUGE</th> <th>COLOR</th> <th>TERMINAL</th> <th>SEAL/SLEEVE</th> </tr> </thead> <tbody> <tr> <td>K2A</td> <td>2</td> <td>RD</td> <td>2012973C1</td> <td>2644004R1</td> </tr> </tbody> </table>						CIRCUIT	GAUGE	COLOR	TERMINAL	SEAL/SLEEVE	K2A	2	RD	2012973C1	2644004R1														
CIRCUIT	GAUGE	COLOR	TERMINAL	SEAL/SLEEVE																									
K2A	2	RD	2012973C1	2644004R1																									
W/ V8 ENGINE																													
 CONNECTOR 1671610C1 BODY LOCK 1671608C1	FREON COMPRESSOR (6200) (LOCATED ON AC COMPRESSOR AT FRONT RIGHT SIDE OF ENGINE)																												
<table border="1" style="width:100%; border-collapse: collapse; font-size: x-small;"> <thead> <tr> <th>CAV</th> <th>CIRCUIT</th> <th>GAUGE</th> <th>COLOR</th> <th>TERMINAL</th> <th>SEAL/SLEEVE</th> </tr> </thead> <tbody> <tr> <td>A</td> <td>K77-G</td> <td>16</td> <td>WH</td> <td>2033819C1</td> <td>1652325C1</td> </tr> <tr> <td>*A</td> <td>K10-GB</td> <td>16</td> <td>WH</td> <td>2033819C1</td> <td>1652325C1</td> </tr> <tr> <td>B</td> <td>K77A</td> <td>16</td> <td>LTGN</td> <td>2033819C1</td> <td>1652325C1</td> </tr> </tbody> </table>						CAV	CIRCUIT	GAUGE	COLOR	TERMINAL	SEAL/SLEEVE	A	K77-G	16	WH	2033819C1	1652325C1	*A	K10-GB	16	WH	2033819C1	1652325C1	B	K77A	16	LTGN	2033819C1	1652325C1
CAV	CIRCUIT	GAUGE	COLOR	TERMINAL	SEAL/SLEEVE																								
A	K77-G	16	WH	2033819C1	1652325C1																								
*A	K10-GB	16	WH	2033819C1	1652325C1																								
B	K77A	16	LTGN	2033819C1	1652325C1																								
* W/E-FAN																													
 CONNECTOR 1671610C1 BODY LOCK 1671608C1	FREON COMPRESSOR (6200) (LOCATED ON AC COMPRESSOR AT FRONT RIGHT SIDE OF ENGINE COMPARTMENT)																												
<table border="1" style="width:100%; border-collapse: collapse; font-size: x-small;"> <thead> <tr> <th>CAV</th> <th>CIRCUIT</th> <th>GA</th> <th>COLOR</th> <th>TERMINAL</th> <th>SEAL/SLV</th> </tr> </thead> <tbody> <tr> <td>A</td> <td>K77A-G</td> <td>16</td> <td>WH</td> <td>2033819C1</td> <td>1652325C1</td> </tr> <tr> <td>B</td> <td>K77A</td> <td>16</td> <td>LTGN</td> <td>2033819C1</td> <td>1652325C1</td> </tr> </tbody> </table>						CAV	CIRCUIT	GA	COLOR	TERMINAL	SEAL/SLV	A	K77A-G	16	WH	2033819C1	1652325C1	B	K77A	16	LTGN	2033819C1	1652325C1						
CAV	CIRCUIT	GA	COLOR	TERMINAL	SEAL/SLV																								
A	K77A-G	16	WH	2033819C1	1652325C1																								
B	K77A	16	LTGN	2033819C1	1652325C1																								
W/ F-2017-ISB-ENG																													
CHK	DATE	CHANGE	REV	REFERENCE	DRAWN	NAME																							
MJVO	23SEP16	ADDED R/D 6200.	D	93690D	300343	CIRCUIT DIAGRAM, BE,CE BUS																							
					RELEASE NO.	DATE																							
					73617G	01APR11																							
					PART NO.	SHEET																							
					AE08065293	007																							

Figure 570 Connector Composites (6107, 6108, 6119, 6120, 6200)

22.11. CONNECTOR COMPOSITES (6201, *6201, 6260HL, 6260HR, 6261, 6262), P. 8

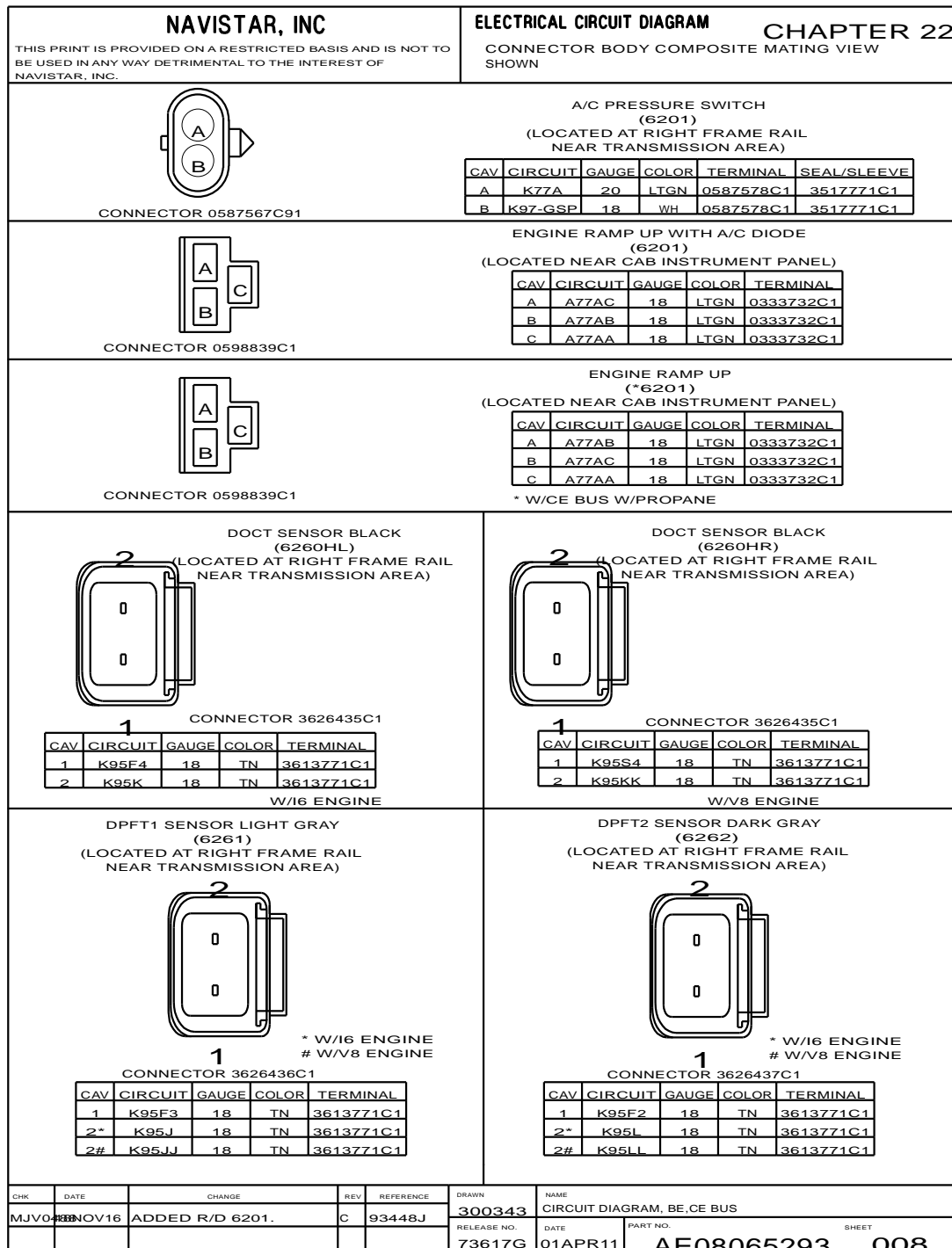


Figure 571 Connector Composites (6201, *6201, 6260HL, 6260HR, 6261, 6262)

22.12. CONNECTOR COMPOSITES (6262NV, 6263, 6263NV, 6303), P. 9

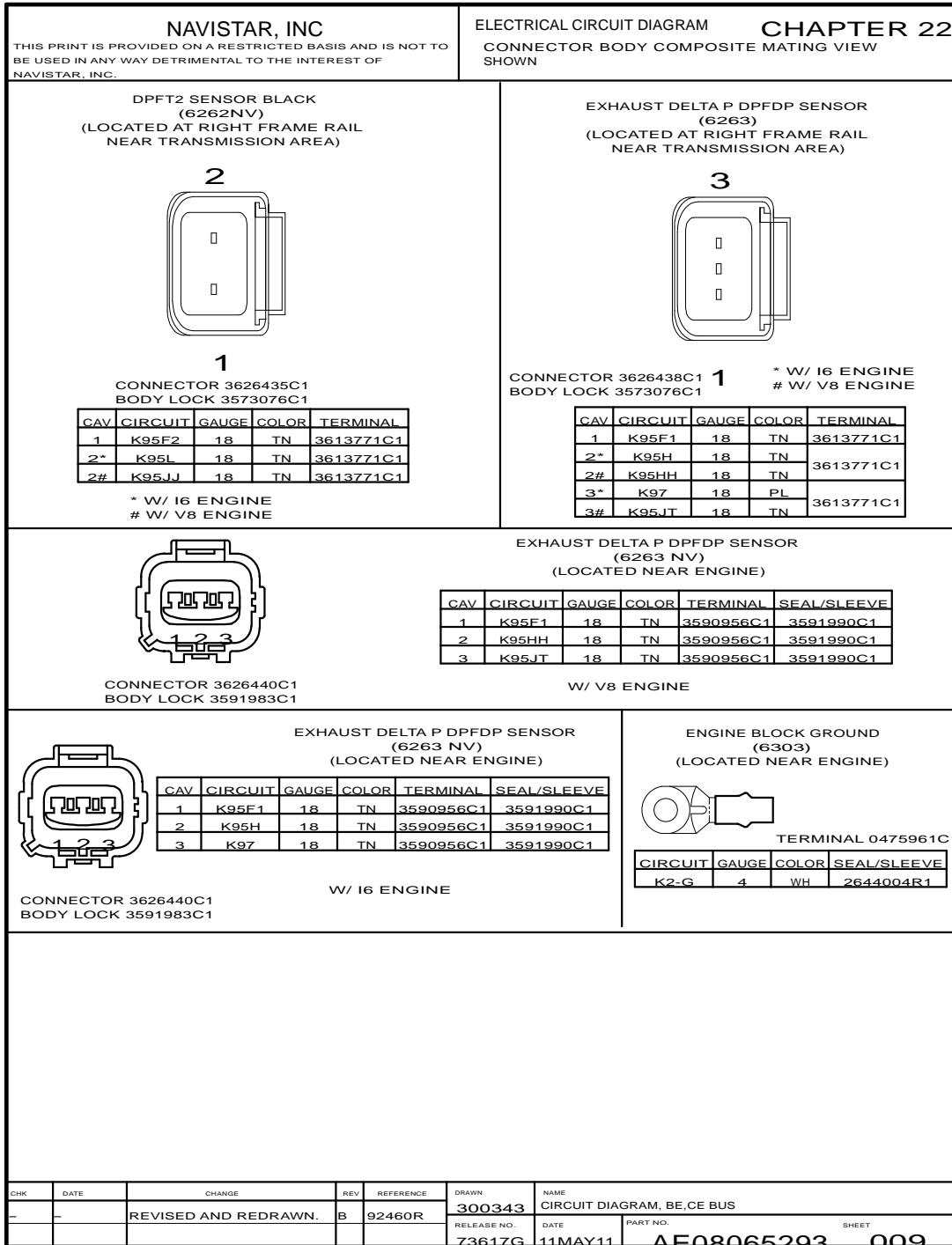


Figure 572 Connector Composites (6262NV, 6263, 6263NV, 6303)

22.13. CONNECTOR COMPOSITES (6304A, 6304B, 6304M), P. 9A

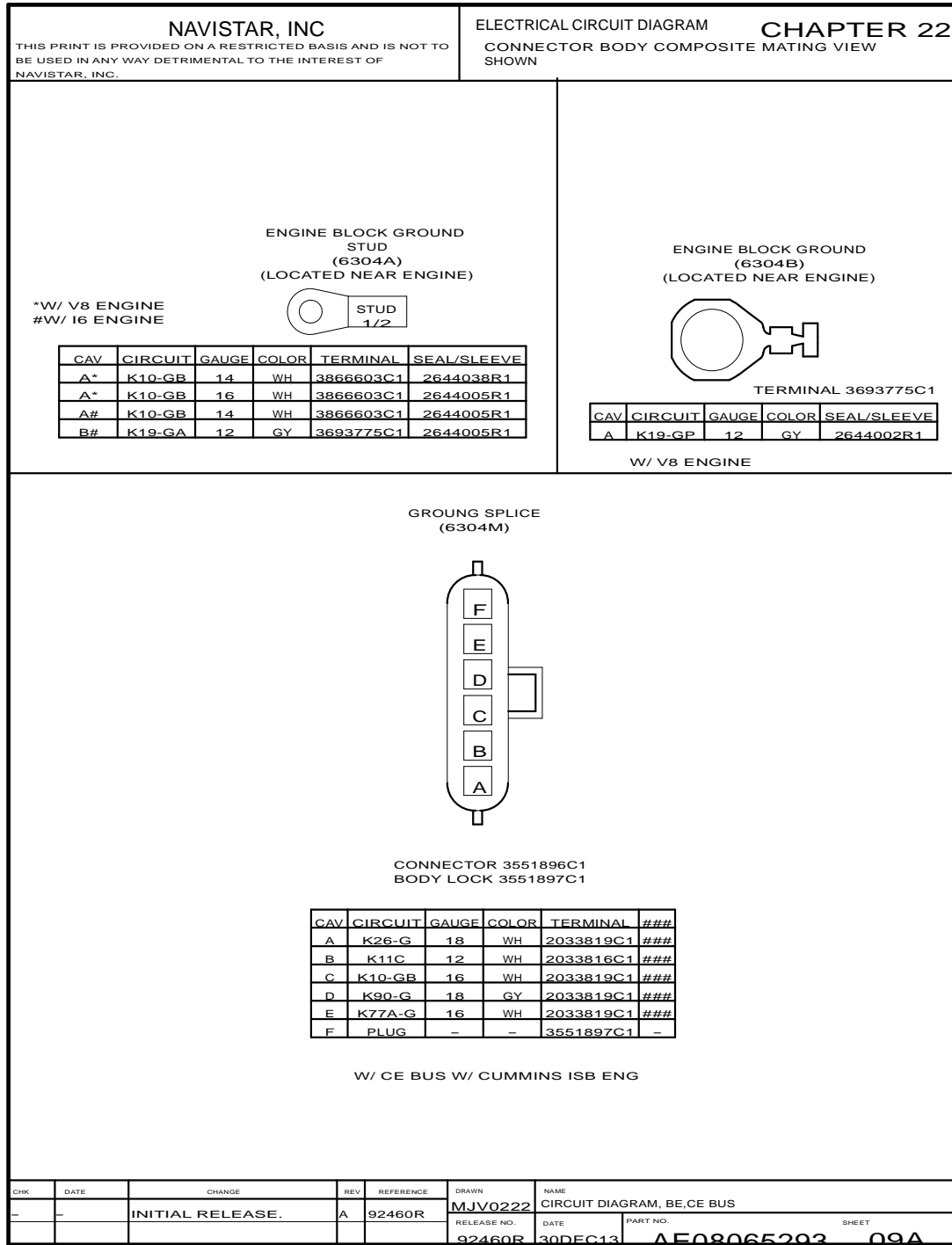


Figure 573 Connector Composites (6304A, 6304B, 6304M)

22.14. CONNECTOR COMPOSITES (6306, 6307, 6308, 6309, 6310), P. 10

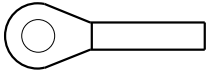


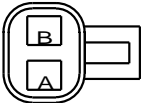

NAVISTAR, INC				ELECTRICAL CIRCUIT DIAGRAM CHAPTER 22																					
THIS PRINT IS PROVIDED ON A RESTRICTED BASIS AND IS NOT TO BE USED IN ANY WAY DETRIMENTAL TO THE INTEREST OF NAVISTAR, INC.				CONNECTOR BODY COMPOSITE MATING VIEW SHOWN																					
		<p>STARTER SW (6306) (LOCATED NEAR ENGINE)</p>		<table border="1" style="width: 100%; border-collapse: collapse;"> <thead> <tr> <th style="font-size: x-small;">CIRCUIT</th> <th style="font-size: x-small;">GAUGE</th> <th style="font-size: x-small;">COLOR</th> <th style="font-size: x-small;">SEAL/SLEEVE</th> </tr> </thead> <tbody> <tr> <td style="font-size: x-small;">K17F</td> <td style="font-size: x-small;">16</td> <td style="font-size: x-small;">PK</td> <td style="font-size: x-small;">2644038R1</td> </tr> </tbody> </table>				CIRCUIT	GAUGE	COLOR	SEAL/SLEEVE	K17F	16	PK	2644038R1										
CIRCUIT	GAUGE	COLOR	SEAL/SLEEVE																						
K17F	16	PK	2644038R1																						
TERMINAL 0365678C2																									
		<p>ENGINE BLOCK GROUND (6307) (LOCATED NEAR ENGINE)</p>		<table border="1" style="width: 100%; border-collapse: collapse;"> <thead> <tr> <th style="font-size: x-small;">CIRCUIT</th> <th style="font-size: x-small;">GAUGE</th> <th style="font-size: x-small;">COLOR</th> <th style="font-size: x-small;">SEAL/SLEEVE</th> </tr> </thead> <tbody> <tr> <td style="font-size: x-small;">K2A-G</td> <td style="font-size: x-small;">2</td> <td style="font-size: x-small;">WH</td> <td style="font-size: x-small;">2644004R1</td> </tr> </tbody> </table>				CIRCUIT	GAUGE	COLOR	SEAL/SLEEVE	K2A-G	2	WH	2644004R1										
CIRCUIT	GAUGE	COLOR	SEAL/SLEEVE																						
K2A-G	2	WH	2644004R1																						
TERMINAL 0475961C1		W/ I6 ENGINE																							
		<p>ENGINE BLOCK GROUND (6308) (LOCATED NEAR ENGINE)</p>		<table border="1" style="width: 100%; border-collapse: collapse;"> <thead> <tr> <th style="font-size: x-small;">CIRCUIT</th> <th style="font-size: x-small;">GAUGE</th> <th style="font-size: x-small;">COLOR</th> <th style="font-size: x-small;">SEAL/SLEEVE</th> </tr> </thead> <tbody> <tr> <td style="font-size: x-small;">K2C-G</td> <td style="font-size: x-small;">1</td> <td style="font-size: x-small;">WH</td> <td style="font-size: x-small;">2644004R1</td> </tr> </tbody> </table>				CIRCUIT	GAUGE	COLOR	SEAL/SLEEVE	K2C-G	1	WH	2644004R1										
CIRCUIT	GAUGE	COLOR	SEAL/SLEEVE																						
K2C-G	1	WH	2644004R1																						
TERMINAL 0475962C1		W/ I6 ENGINE																							
		<p>FREE ON COMPRESSOR (6309) (LOCATED NEAR ENGINE)</p>		<table border="1" style="width: 100%; border-collapse: collapse;"> <thead> <tr> <th style="font-size: x-small;">CAV</th> <th style="font-size: x-small;">CIRCUIT</th> <th style="font-size: x-small;">GAUGE</th> <th style="font-size: x-small;">COLOR</th> <th style="font-size: x-small;">TERMINAL</th> <th style="font-size: x-small;">SEAL/SLEEVE</th> </tr> </thead> <tbody> <tr> <td style="font-size: x-small;">A</td> <td style="font-size: x-small;">K77-GG</td> <td style="font-size: x-small;">16</td> <td style="font-size: x-small;">WH</td> <td style="font-size: x-small;">2033819C1</td> <td style="font-size: x-small;">1652325C1</td> </tr> <tr> <td style="font-size: x-small;">B</td> <td style="font-size: x-small;">K77AA</td> <td style="font-size: x-small;">16</td> <td style="font-size: x-small;">LTGN</td> <td style="font-size: x-small;">2033819C1</td> <td style="font-size: x-small;">1652325C1</td> </tr> </tbody> </table>				CAV	CIRCUIT	GAUGE	COLOR	TERMINAL	SEAL/SLEEVE	A	K77-GG	16	WH	2033819C1	1652325C1	B	K77AA	16	LTGN	2033819C1	1652325C1
CAV	CIRCUIT	GAUGE	COLOR	TERMINAL	SEAL/SLEEVE																				
A	K77-GG	16	WH	2033819C1	1652325C1																				
B	K77AA	16	LTGN	2033819C1	1652325C1																				
CONNECTOR 1671610C1 BODY LOCK 1671608C1		W/ V8 ENGINE																							
		<p>ENGINE BLOCK GROUND (6310) (LOCATED NEAR ENGINE)</p>		<table border="1" style="width: 100%; border-collapse: collapse;"> <thead> <tr> <th style="font-size: x-small;">CIRCUIT</th> <th style="font-size: x-small;">GAUGE</th> <th style="font-size: x-small;">COLOR</th> <th style="font-size: x-small;">SEAL/SLEEVE</th> </tr> </thead> <tbody> <tr> <td style="font-size: x-small;">K2-GB</td> <td style="font-size: x-small;">1</td> <td style="font-size: x-small;">WH</td> <td style="font-size: x-small;">2643308R1</td> </tr> </tbody> </table>				CIRCUIT	GAUGE	COLOR	SEAL/SLEEVE	K2-GB	1	WH	2643308R1										
CIRCUIT	GAUGE	COLOR	SEAL/SLEEVE																						
K2-GB	1	WH	2643308R1																						
TERMINAL 0475964C1																									
CHK	DATE	CHANGE	REV	REFERENCE	DRAWN	NAME																			
0025	06JAN12	INITIAL RELEASE.	A	73617G	300343	CIRCUIT DIAGRAM, BE,CE BUS																			
					RELEASE NO.	DATE																			
					73617G	01APR11																			
					PART NO.	SHEET																			
					AE08065293	010																			

Figure 574 Connector Composites (6306, 6307, 6308, 6309, 6310)

22.15. CONNECTOR COMPOSITES (6312, 6316M, 6321), P. 11

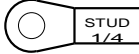
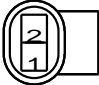
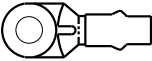
<p>NAVISTAR, INC <small>THIS PRINT IS PROVIDED ON A RESTRICTED BASIS AND IS NOT TO BE USED IN ANY WAY DETRIMENTAL TO THE INTEREST OF NAVISTAR, INC.</small></p>				<p>ELECTRICAL CIRCUIT DIAGRAM CHAPTER 22 CONNECTOR BODY COMPOSITE MATING VIEW SHOWN</p>																																																																																																																						
<p>STARTER POWER (6312) (LOCATED NEAR ENGINE)</p>  <p>STUD 1/4</p>				<table border="1" style="width: 100%; border-collapse: collapse;"> <thead> <tr> <th>CIRCUIT</th> <th>GAUGE</th> <th>COLOR</th> <th>TERMINAL</th> <th>SEAL/SLEEVE</th> </tr> </thead> <tbody> <tr><td>K2H-FL</td><td>10</td><td>RS</td><td>0338892C2</td><td>2644004R1</td></tr> <tr><td>K2J-FL</td><td>10</td><td>RS</td><td>0338892C2</td><td>2644004R1</td></tr> <tr><td>KD2E-FL#</td><td>10</td><td>RS</td><td>0338892C2</td><td>2644005R1</td></tr> <tr><td>KD2F-FL#</td><td>10</td><td>RS</td><td>0338892C2</td><td>2644005R1</td></tr> <tr><td>K2-FL*</td><td>12</td><td>BL</td><td>0338892C2</td><td>2644005R1</td></tr> <tr><td>K2A-FL*</td><td>12</td><td>BL</td><td>0338892C2</td><td>2644005R1</td></tr> <tr><td>K2B-FL#</td><td>10</td><td>RS</td><td>0338892C2</td><td>2644005R1</td></tr> <tr><td>K2C-FL#</td><td>10</td><td>RS</td><td>0338892C2</td><td>2644005R1</td></tr> <tr><td>K14R-FL*</td><td>12</td><td>BL</td><td>0338892C2</td><td>2644005R1</td></tr> <tr><td>K14S-FL*</td><td>12</td><td>BL</td><td>0338892C2</td><td>2644005R1</td></tr> <tr><td>K14R-FL#</td><td>12</td><td>BL</td><td>0338892C2</td><td>2644005R1</td></tr> <tr><td>K14S-FL#</td><td>12</td><td>BL</td><td>0338892C2</td><td>2644005R1</td></tr> <tr><td>K2D-FL*</td><td>10</td><td>RS</td><td>0338892C2</td><td>2644005R1</td></tr> <tr><td>K14H-FL#</td><td>10</td><td>RS</td><td>0338892C2</td><td>2644005R1</td></tr> <tr><td>K14J-FL#</td><td>10</td><td>RS</td><td>0338892C2</td><td>2644005R1</td></tr> <tr><td>K2E-FL*</td><td>10</td><td>RS</td><td>0338892C2</td><td>2644005R1</td></tr> <tr><td>K2F-FL*</td><td>10</td><td>RS</td><td>0338892C2</td><td>2644005R1</td></tr> <tr><td>K2D-FL#</td><td>10</td><td>RS</td><td>0338892C2</td><td>2644038R1</td></tr> <tr><td>K2B-FL#</td><td>10</td><td>RS</td><td>0338892C2</td><td>2644005R1</td></tr> <tr><td>K2C-FL*</td><td>10</td><td>RS</td><td>0338892C2</td><td>2644005R1</td></tr> <tr><td>K2-FL#</td><td>12</td><td>BL</td><td>0338892C2</td><td>2644005R1</td></tr> <tr><td>K2A-FL#</td><td>12</td><td>BL</td><td>0338892C2</td><td>2644005R1</td></tr> </tbody> </table> <p style="text-align: center;"># W/ I6 ENGINE * W/ V8 ENGINE</p>				CIRCUIT	GAUGE	COLOR	TERMINAL	SEAL/SLEEVE	K2H-FL	10	RS	0338892C2	2644004R1	K2J-FL	10	RS	0338892C2	2644004R1	KD2E-FL#	10	RS	0338892C2	2644005R1	KD2F-FL#	10	RS	0338892C2	2644005R1	K2-FL*	12	BL	0338892C2	2644005R1	K2A-FL*	12	BL	0338892C2	2644005R1	K2B-FL#	10	RS	0338892C2	2644005R1	K2C-FL#	10	RS	0338892C2	2644005R1	K14R-FL*	12	BL	0338892C2	2644005R1	K14S-FL*	12	BL	0338892C2	2644005R1	K14R-FL#	12	BL	0338892C2	2644005R1	K14S-FL#	12	BL	0338892C2	2644005R1	K2D-FL*	10	RS	0338892C2	2644005R1	K14H-FL#	10	RS	0338892C2	2644005R1	K14J-FL#	10	RS	0338892C2	2644005R1	K2E-FL*	10	RS	0338892C2	2644005R1	K2F-FL*	10	RS	0338892C2	2644005R1	K2D-FL#	10	RS	0338892C2	2644038R1	K2B-FL#	10	RS	0338892C2	2644005R1	K2C-FL*	10	RS	0338892C2	2644005R1	K2-FL#	12	BL	0338892C2	2644005R1	K2A-FL#	12	BL	0338892C2	2644005R1
CIRCUIT	GAUGE	COLOR	TERMINAL	SEAL/SLEEVE																																																																																																																						
K2H-FL	10	RS	0338892C2	2644004R1																																																																																																																						
K2J-FL	10	RS	0338892C2	2644004R1																																																																																																																						
KD2E-FL#	10	RS	0338892C2	2644005R1																																																																																																																						
KD2F-FL#	10	RS	0338892C2	2644005R1																																																																																																																						
K2-FL*	12	BL	0338892C2	2644005R1																																																																																																																						
K2A-FL*	12	BL	0338892C2	2644005R1																																																																																																																						
K2B-FL#	10	RS	0338892C2	2644005R1																																																																																																																						
K2C-FL#	10	RS	0338892C2	2644005R1																																																																																																																						
K14R-FL*	12	BL	0338892C2	2644005R1																																																																																																																						
K14S-FL*	12	BL	0338892C2	2644005R1																																																																																																																						
K14R-FL#	12	BL	0338892C2	2644005R1																																																																																																																						
K14S-FL#	12	BL	0338892C2	2644005R1																																																																																																																						
K2D-FL*	10	RS	0338892C2	2644005R1																																																																																																																						
K14H-FL#	10	RS	0338892C2	2644005R1																																																																																																																						
K14J-FL#	10	RS	0338892C2	2644005R1																																																																																																																						
K2E-FL*	10	RS	0338892C2	2644005R1																																																																																																																						
K2F-FL*	10	RS	0338892C2	2644005R1																																																																																																																						
K2D-FL#	10	RS	0338892C2	2644038R1																																																																																																																						
K2B-FL#	10	RS	0338892C2	2644005R1																																																																																																																						
K2C-FL*	10	RS	0338892C2	2644005R1																																																																																																																						
K2-FL#	12	BL	0338892C2	2644005R1																																																																																																																						
K2A-FL#	12	BL	0338892C2	2644005R1																																																																																																																						
 <p>CONNECTOR 3554317C1</p>				<p>START MOTOR OVERCRANK (6316M) (LOCATED AT STARTER)</p> <table border="1" style="width: 100%; border-collapse: collapse;"> <thead> <tr> <th>CAV</th> <th>CIRCUIT</th> <th>GAUGE</th> <th>COLOR</th> <th>TERMINAL</th> <th>SEAL/SLEEVE</th> </tr> </thead> <tbody> <tr><td>1</td><td>K17L</td><td>18</td><td>PK</td><td>3554322C1</td><td>3554318C1</td></tr> <tr><td>2</td><td>K17K</td><td>18</td><td>PK</td><td>3554322C1</td><td>3554318C1</td></tr> </tbody> </table> <p style="text-align: center;">W/ I6 ENGINE</p>				CAV	CIRCUIT	GAUGE	COLOR	TERMINAL	SEAL/SLEEVE	1	K17L	18	PK	3554322C1	3554318C1	2	K17K	18	PK	3554322C1	3554318C1																																																																																																	
CAV	CIRCUIT	GAUGE	COLOR	TERMINAL	SEAL/SLEEVE																																																																																																																					
1	K17L	18	PK	3554322C1	3554318C1																																																																																																																					
2	K17K	18	PK	3554322C1	3554318C1																																																																																																																					
 <p>TERMINAL 0475962C1</p>				<p>ENGINE BLOCK GROUND (6321) (LOCATED NEAR ENGINE)</p> <table border="1" style="width: 100%; border-collapse: collapse;"> <thead> <tr> <th>CAV</th> <th>CIRCUIT</th> <th>GAUGE</th> <th>COLOR</th> <th>SEAL/SLEEVE</th> </tr> </thead> <tbody> <tr><td>A</td><td>K11-GL</td><td>2</td><td>WH</td><td>2644004R1</td></tr> </tbody> </table>				CAV	CIRCUIT	GAUGE	COLOR	SEAL/SLEEVE	A	K11-GL	2	WH	2644004R1																																																																																																									
CAV	CIRCUIT	GAUGE	COLOR	SEAL/SLEEVE																																																																																																																						
A	K11-GL	2	WH	2644004R1																																																																																																																						
CHK	DATE	CHANGE	REV	REFERENCE	DRAWN	NAME																																																																																																																				
0025	06JAN12	INITIAL RELEASE.	A	73617G	300343	CIRCUIT DIAGRAM, BE,CE BUS																																																																																																																				
					RELEASE NO.	DATE	PART NO.																																																																																																																			
					73617G	01APR11	AE08065293																																																																																																																			
							SHEET 011																																																																																																																			

Figure 575 Connector Composites (6312, 6316M, 6321)

22.16. CONNECTOR COMPOSITES (6332, 6333, 6334), P. 12

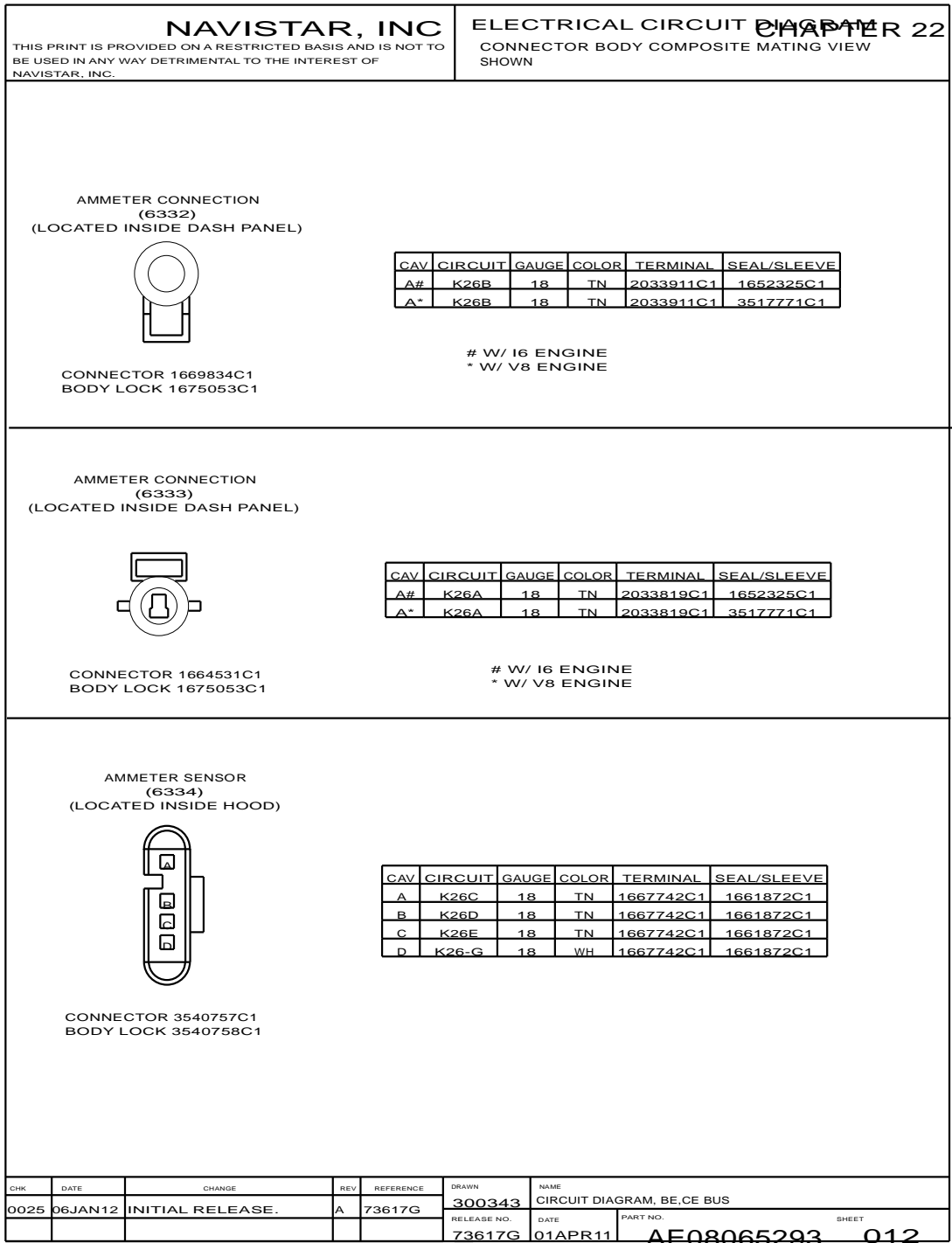


Figure 576 Connector Composites (6332, 6333, 6334)

22.17. CONNECTOR COMPOSITES (6340), P. 13

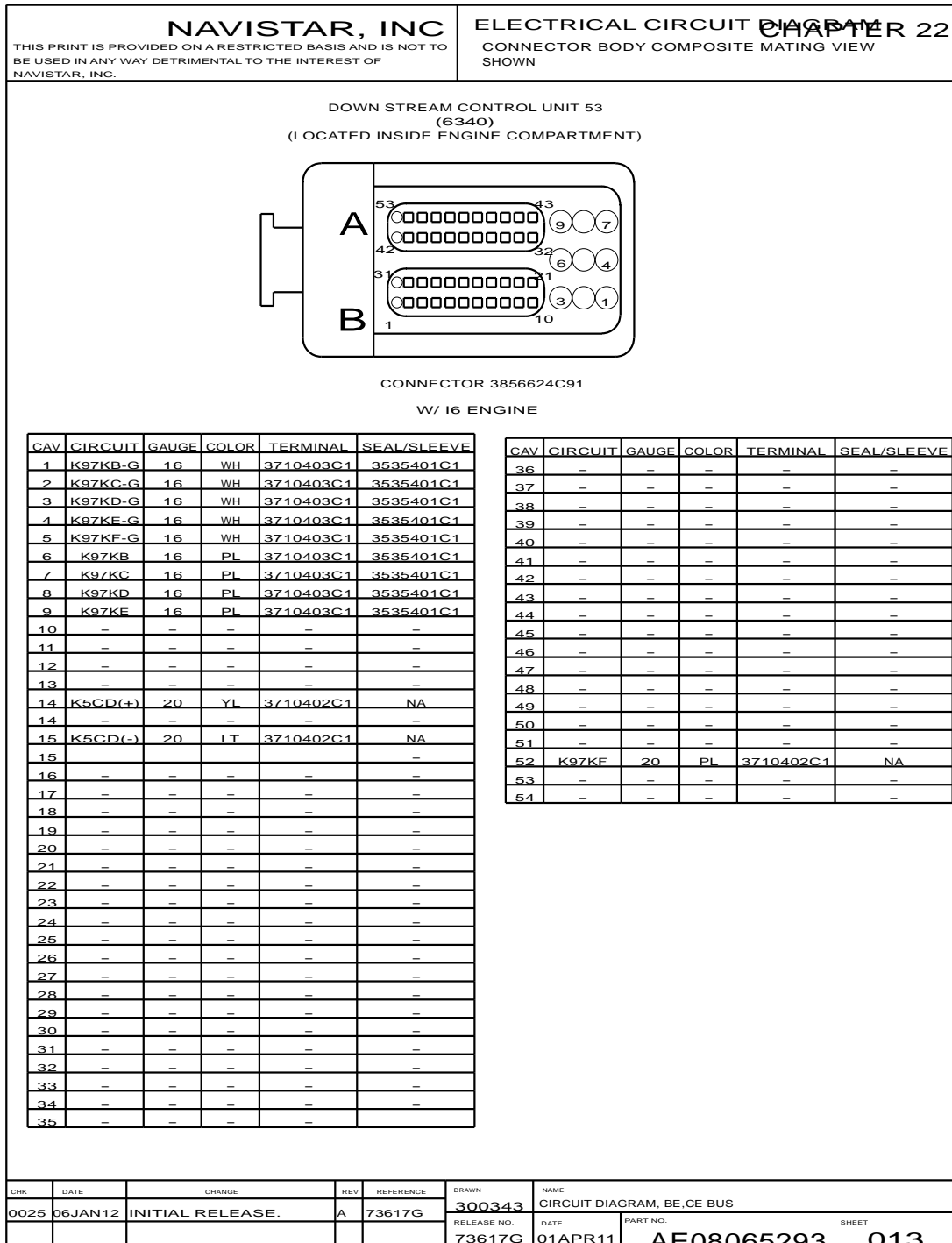


Figure 577 Connector Composites (6340)

22.18. CONNECTOR COMPOSITES (6341), P. 14

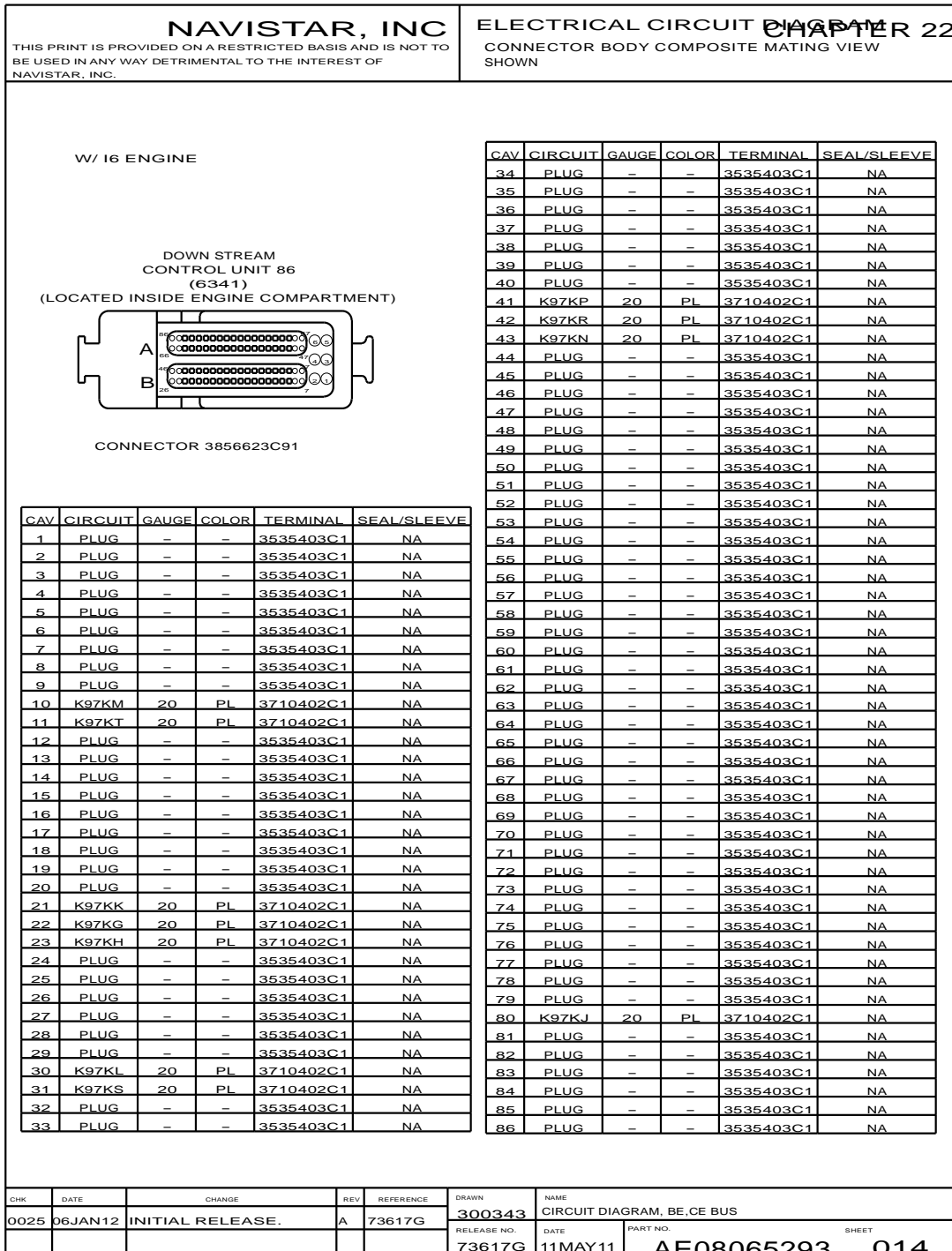


Figure 578 Connector Composites (6341)

22.19. CONNECTOR COMPOSITES (6350, 6365, 6365A), P. 15

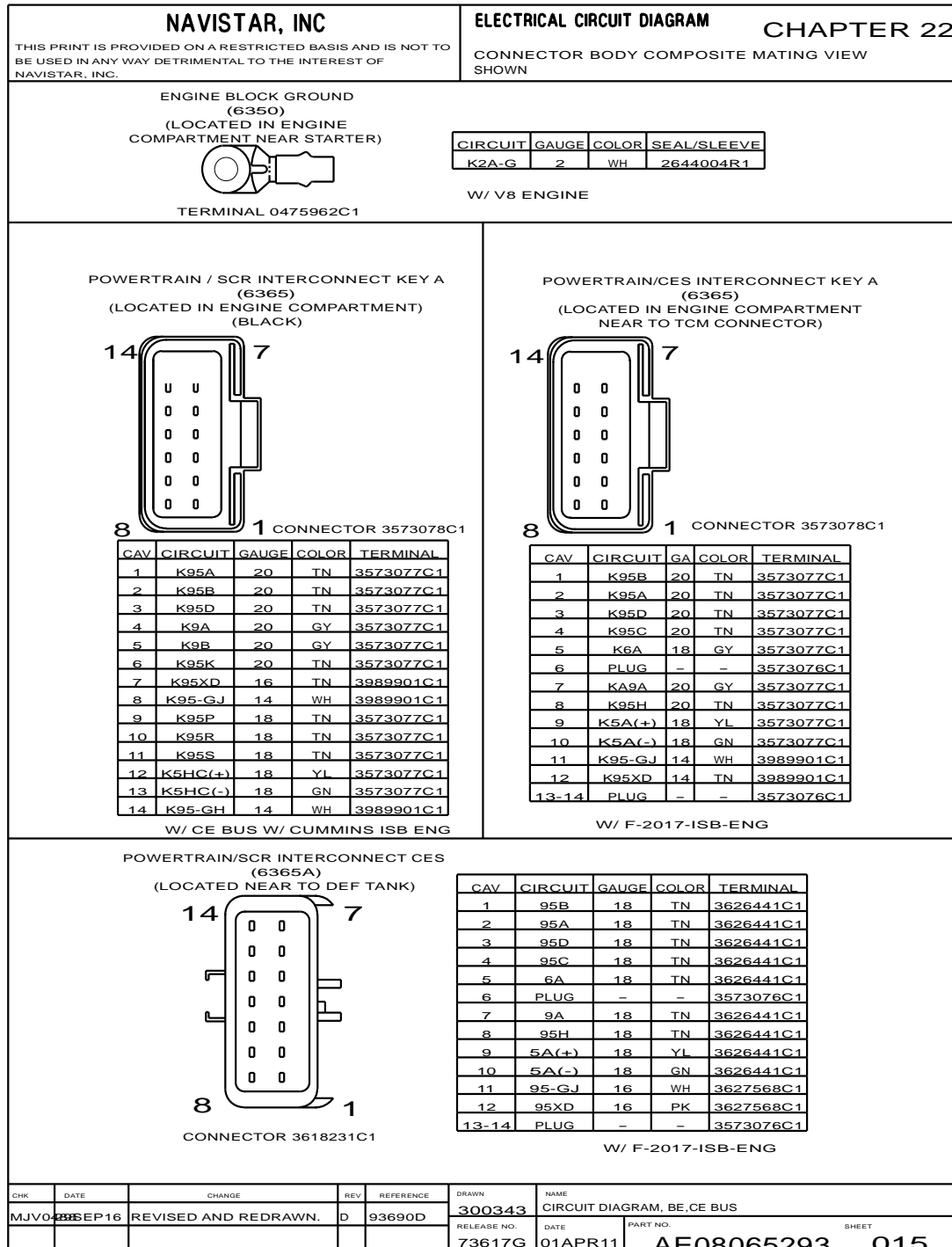


Figure 579 Connector Composites (6350, 6365, 6365A)

22.20. CONNECTOR COMPOSITES (6365A, *6366, 6366, *6366A), P. 15A

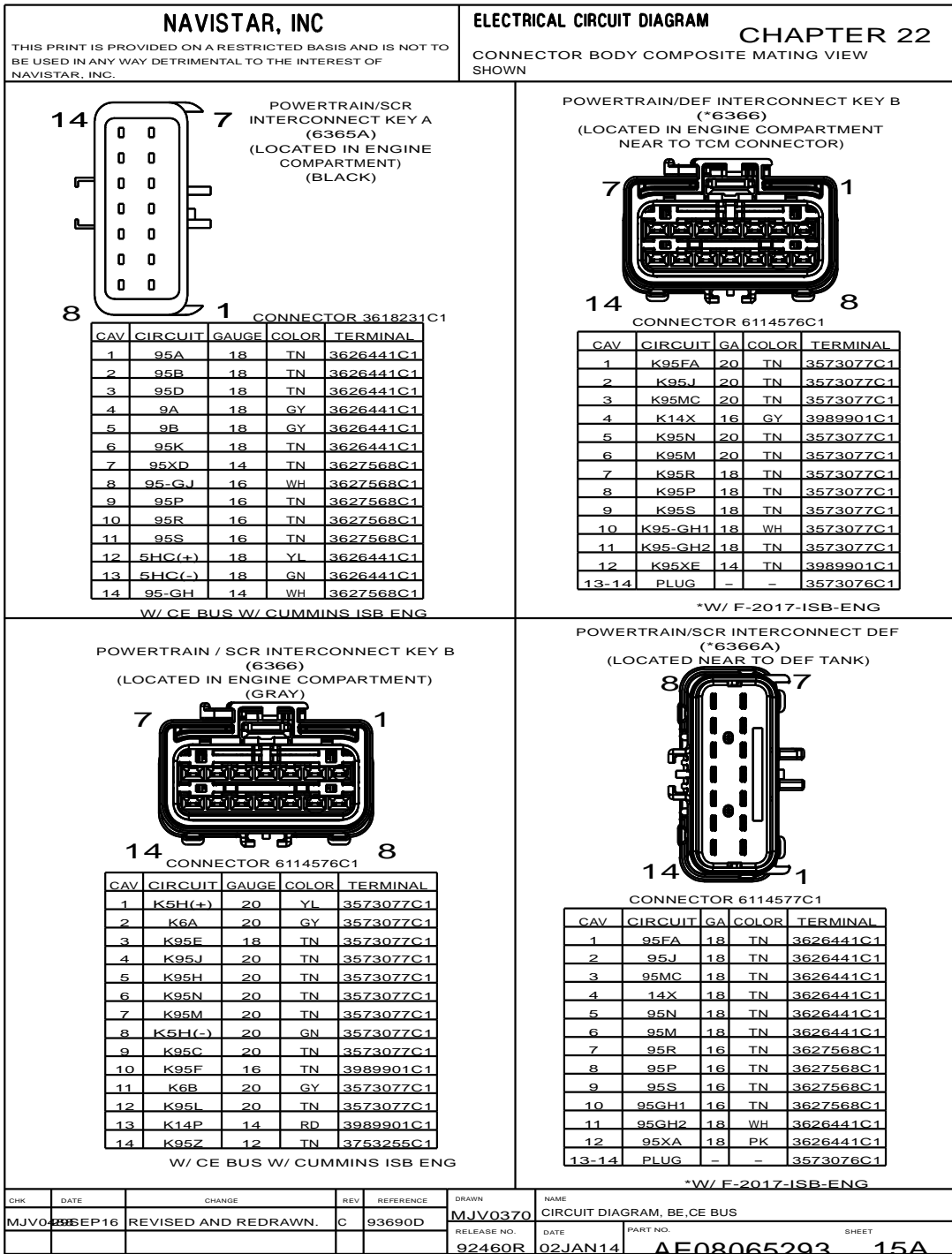


Figure 580 Connector Composites (6365A, *6366, 6366, *6366A)

22.21. CONNECTOR COMPOSITES (6366A, 6368, 6369, 6370), P. 15B

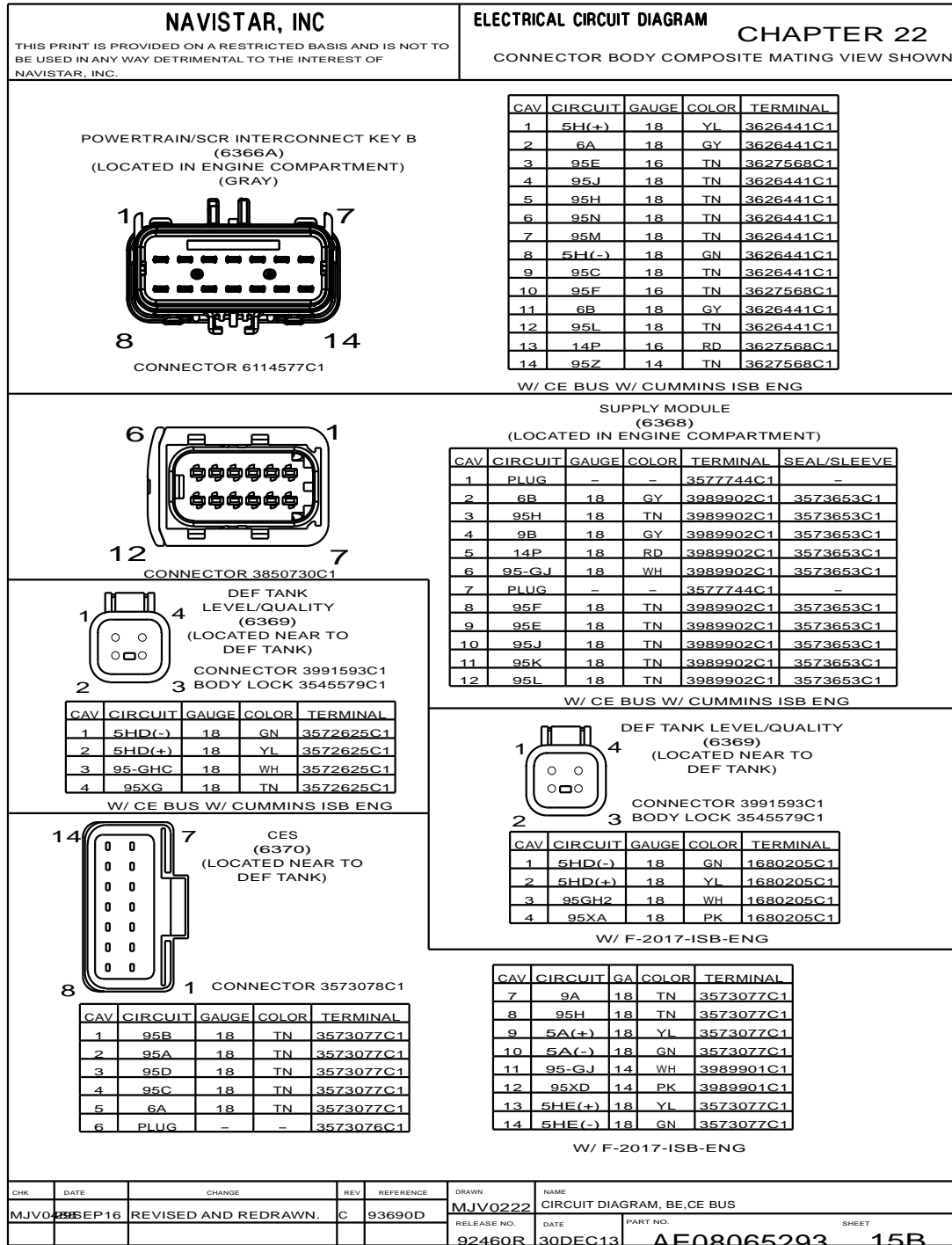


Figure 581 Connector Composites (6366A, 6368, 6369, 6370)

22.22. CONNECTOR COMPOSITES (6370, 6371, 6372, 6373), P. 15C

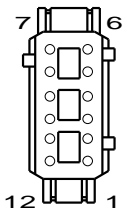
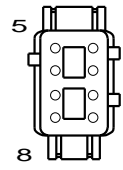



NAVISTAR, INC				ELECTRICAL CIRCUIT DIAGRAM				CHAPTER 22																																																
THIS PRINT IS PROVIDED ON A RESTRICTED BASIS AND IS NOT TO BE USED IN ANY WAY DETRIMENTAL TO THE INTEREST OF NAVISTAR, INC.				CONNECTOR BODY COMPOSITE MATING VIEW SHOWN																																																				
<p>SCR SENSOR TABLE (6370) (LOCATED NEAR TO DEF TANK)</p> 																																																								
				<table border="1" style="width:100%; border-collapse: collapse; font-size: x-small;"> <thead> <tr> <th>CAV</th> <th>CIRCUIT</th> <th>GAUGE</th> <th>COLOR</th> <th>TERMINAL</th> </tr> </thead> <tbody> <tr> <td>1-6</td> <td>PLUG</td> <td>-</td> <td>-</td> <td>3527276C1</td> </tr> <tr> <td>7</td> <td>5HE(+)</td> <td>18</td> <td>YL</td> <td>3989895C1</td> </tr> <tr> <td>8</td> <td>5HE(-)</td> <td>18</td> <td>GN</td> <td>3989895C1</td> </tr> <tr> <td>9</td> <td>95-GHA</td> <td>16</td> <td>WH</td> <td>3989895C1</td> </tr> <tr> <td>10</td> <td>95XE</td> <td>18</td> <td>PK</td> <td>3989895C1</td> </tr> <tr> <td>11</td> <td>5HF(+)</td> <td>18</td> <td>YL</td> <td>3989895C1</td> </tr> <tr> <td>12</td> <td>5HF(-)</td> <td>18</td> <td>GN</td> <td>3989895C1</td> </tr> </tbody> </table>				CAV	CIRCUIT	GAUGE	COLOR	TERMINAL	1-6	PLUG	-	-	3527276C1	7	5HE(+)	18	YL	3989895C1	8	5HE(-)	18	GN	3989895C1	9	95-GHA	16	WH	3989895C1	10	95XE	18	PK	3989895C1	11	5HF(+)	18	YL	3989895C1	12	5HF(-)	18	GN	3989895C1									
CAV	CIRCUIT	GAUGE	COLOR	TERMINAL																																																				
1-6	PLUG	-	-	3527276C1																																																				
7	5HE(+)	18	YL	3989895C1																																																				
8	5HE(-)	18	GN	3989895C1																																																				
9	95-GHA	16	WH	3989895C1																																																				
10	95XE	18	PK	3989895C1																																																				
11	5HF(+)	18	YL	3989895C1																																																				
12	5HF(-)	18	GN	3989895C1																																																				
CONNECTOR 3989896C1 BODY LOCK 3553460C1				W/F-2013-ISB-ENG																																																				
<p>DPF SENSOR TABLE (6371) (LOCATED ON DEF TANK)</p> 																																																								
				<table border="1" style="width:100%; border-collapse: collapse; font-size: x-small;"> <thead> <tr> <th>CAV</th> <th>CIRCUIT</th> <th>GAUGE</th> <th>COLOR</th> <th>TERMINAL</th> </tr> </thead> <tbody> <tr> <td>1</td> <td>5HG(+)</td> <td>18</td> <td>YL</td> <td>3989895C1</td> </tr> <tr> <td>2</td> <td>5HG(-)</td> <td>18</td> <td>GN</td> <td>3989895C1</td> </tr> <tr> <td>3</td> <td>95-GHB</td> <td>18</td> <td>WH</td> <td>3989895C1</td> </tr> <tr> <td>4</td> <td>95XF</td> <td>18</td> <td>PK</td> <td>3989895C1</td> </tr> <tr> <td>5</td> <td>9A</td> <td>18</td> <td>GY</td> <td>3989895C1</td> </tr> <tr> <td>6</td> <td>95D</td> <td>18</td> <td>TN</td> <td>3989895C1</td> </tr> <tr> <td>7</td> <td>95C</td> <td>18</td> <td>TN</td> <td>3989895C1</td> </tr> <tr> <td>8</td> <td>6A</td> <td>18</td> <td>GY</td> <td>3989895C1</td> </tr> </tbody> </table>				CAV	CIRCUIT	GAUGE	COLOR	TERMINAL	1	5HG(+)	18	YL	3989895C1	2	5HG(-)	18	GN	3989895C1	3	95-GHB	18	WH	3989895C1	4	95XF	18	PK	3989895C1	5	9A	18	GY	3989895C1	6	95D	18	TN	3989895C1	7	95C	18	TN	3989895C1	8	6A	18	GY	3989895C1				
CAV	CIRCUIT	GAUGE	COLOR	TERMINAL																																																				
1	5HG(+)	18	YL	3989895C1																																																				
2	5HG(-)	18	GN	3989895C1																																																				
3	95-GHB	18	WH	3989895C1																																																				
4	95XF	18	PK	3989895C1																																																				
5	9A	18	GY	3989895C1																																																				
6	95D	18	TN	3989895C1																																																				
7	95C	18	TN	3989895C1																																																				
8	6A	18	GY	3989895C1																																																				
CONNECTOR 3989894C1 BODY LOCK 3539144C1				W/F-2013-ISB-ENG																																																				
<p>PRESSURE HEATER LINE (6372) (LOCATED NEAR TO DEF TANK)</p> 																																																								
				<table border="1" style="width:100%; border-collapse: collapse; font-size: x-small;"> <thead> <tr> <th>CAV</th> <th>CIRCUIT</th> <th>GAUGE</th> <th>COLOR</th> <th>TERMINAL</th> </tr> </thead> <tbody> <tr> <td>1</td> <td>95ZC</td> <td>16</td> <td>TN</td> <td>1680205C1</td> </tr> <tr> <td>2</td> <td>95P</td> <td>16</td> <td>TN</td> <td>1680205C1</td> </tr> </tbody> </table>				CAV	CIRCUIT	GAUGE	COLOR	TERMINAL	1	95ZC	16	TN	1680205C1	2	95P	16	TN	1680205C1																																		
CAV	CIRCUIT	GAUGE	COLOR	TERMINAL																																																				
1	95ZC	16	TN	1680205C1																																																				
2	95P	16	TN	1680205C1																																																				
CONNECTOR 3854666C91				W/F-2013-ISB-ENG																																																				
<p>PRESSURE HEATER LINE (6372) (LOCATED NEAR TO DEF TANK)</p> 																																																								
				<table border="1" style="width:100%; border-collapse: collapse; font-size: x-small;"> <thead> <tr> <th>CAV</th> <th>CIRCUIT</th> <th>GAUGE</th> <th>COLOR</th> <th>TERMINAL</th> </tr> </thead> <tbody> <tr> <td>1</td> <td>95P</td> <td>16</td> <td>TN</td> <td>1680205C1</td> </tr> <tr> <td>2</td> <td>95ZC</td> <td>16</td> <td>TN</td> <td>1680205C1</td> </tr> </tbody> </table>				CAV	CIRCUIT	GAUGE	COLOR	TERMINAL	1	95P	16	TN	1680205C1	2	95ZC	16	TN	1680205C1																																		
CAV	CIRCUIT	GAUGE	COLOR	TERMINAL																																																				
1	95P	16	TN	1680205C1																																																				
2	95ZC	16	TN	1680205C1																																																				
CONNECTOR 3854666C91				W/ F-2017-ISB-ENG																																																				
<p>SUCTION HEATER LINE (6373) (LOCATED NEAR TO DEF TANK)</p> 																																																								
				<table border="1" style="width:100%; border-collapse: collapse; font-size: x-small;"> <thead> <tr> <th>CAV</th> <th>CIRCUIT</th> <th>GAUGE</th> <th>COLOR</th> <th>TERMINAL</th> </tr> </thead> <tbody> <tr> <td>1</td> <td>95ZD</td> <td>16</td> <td>TN</td> <td>1680205C1</td> </tr> <tr> <td>1*</td> <td>95S</td> <td>16</td> <td>TN</td> <td>1680205C1</td> </tr> <tr> <td>2</td> <td>95R</td> <td>16</td> <td>TN</td> <td>1680205C1</td> </tr> <tr> <td>2*</td> <td>95ZD</td> <td>16</td> <td>TN</td> <td>1680205C1</td> </tr> </tbody> </table>				CAV	CIRCUIT	GAUGE	COLOR	TERMINAL	1	95ZD	16	TN	1680205C1	1*	95S	16	TN	1680205C1	2	95R	16	TN	1680205C1	2*	95ZD	16	TN	1680205C1																								
CAV	CIRCUIT	GAUGE	COLOR	TERMINAL																																																				
1	95ZD	16	TN	1680205C1																																																				
1*	95S	16	TN	1680205C1																																																				
2	95R	16	TN	1680205C1																																																				
2*	95ZD	16	TN	1680205C1																																																				
CONNECTOR 3854645C91				* W/ F-2017-ISB-ENG																																																				
CHK	DATE	CHANGE	REV	REFERENCE	DRAWN	NAME																																																		
MJV0	2016 SEP 16	REVISED AND REDRAWN.	B	93690D	MJV0222	CIRCUIT DIAGRAM, BE,CE BUS																																																		
RELEASE NO.		DATE		PART NO.		SHEET																																																		
92460R		30DEC13		AE08065293		15C																																																		

Figure 582 Connector Composites (6370, 6371, 6372, 6373)

22.23. CONNECTOR COMPOSITES (6374, 6375, 6376, 6400), P. 15D

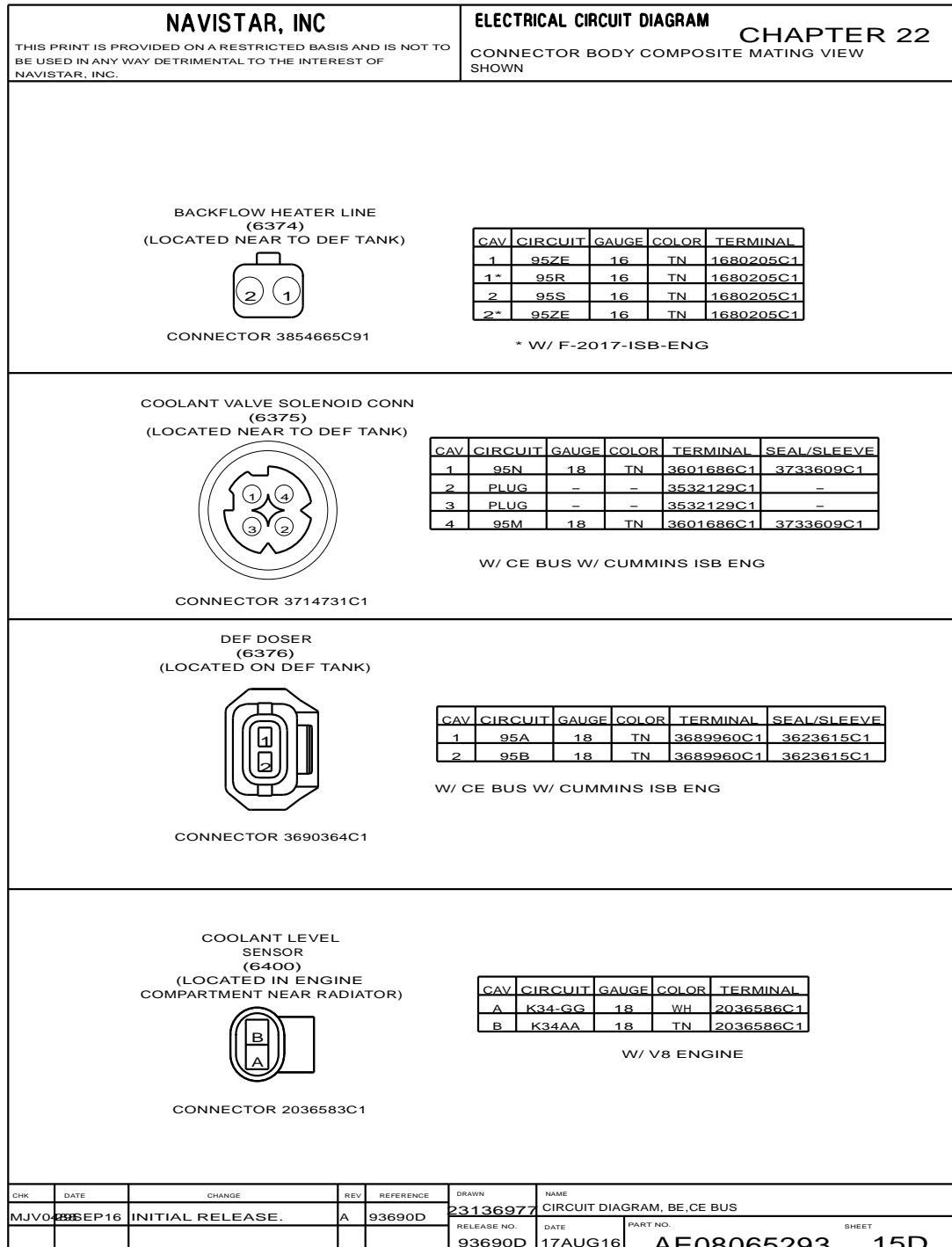


Figure 583 Connector Composites (6374, 6375, 6376, 6400)

22.24. CONNECTOR COMPOSITES (6401, 6401B, 6405, 6406M, 6560), P. 16

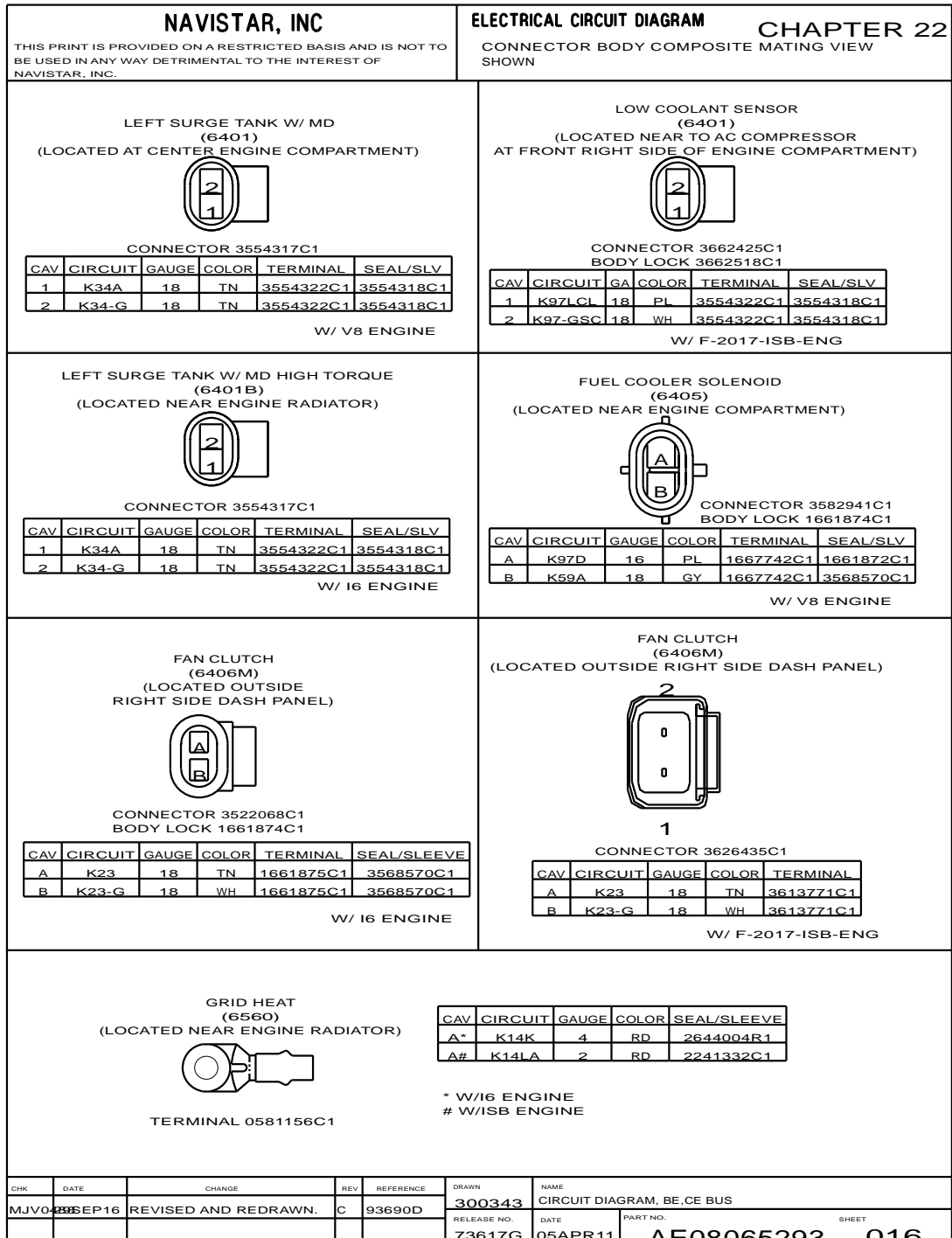


Figure 584 Connector Composites (6401, 6401B, 6405, 6406M, 6560)

22.25. CONNECTOR COMPOSITES (6561, 6704M, 6706M, 6709, 6710), P. 17

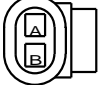
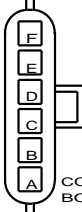

NAVISTAR, INC				ELECTRICAL CIRCUIT DIAGRAM		CHAPTER 22																																																	
THIS PRINT IS PROVIDED ON A RESTRICTED BASIS AND IS NOT TO BE USED IN ANY WAY DETRIMENTAL TO THE INTEREST OF NAVISTAR, INC.				CONNECTOR BODY COMPOSITE MATING VIEW SHOWN																																																			
E-FAN (6561) (LOCATED NEAR ENGINE RADIATOR) 				<table border="1" style="width:100%; border-collapse: collapse; font-size: x-small;"> <thead> <tr> <th>CAV</th><th>CIRCUIT</th><th>GAUGE</th><th>COLOR</th><th>TERMINAL</th><th>SEAL/SLEEVE</th></tr> </thead> <tbody> <tr> <td>A</td><td>K23DD</td><td>16</td><td>TN</td><td>1661875C1</td><td>1661872C1</td></tr> <tr> <td>B</td><td>K10-GG</td><td>16</td><td>WH</td><td>1661875C1</td><td>1661872C1</td></tr> <tr> <td>*B</td><td>K10-GB</td><td>16</td><td>WH</td><td>1661875C1</td><td>1661872C1</td></tr> </tbody> </table>				CAV	CIRCUIT	GAUGE	COLOR	TERMINAL	SEAL/SLEEVE	A	K23DD	16	TN	1661875C1	1661872C1	B	K10-GG	16	WH	1661875C1	1661872C1	*B	K10-GB	16	WH	1661875C1	1661872C1																								
CAV	CIRCUIT	GAUGE	COLOR	TERMINAL	SEAL/SLEEVE																																																		
A	K23DD	16	TN	1661875C1	1661872C1																																																		
B	K10-GG	16	WH	1661875C1	1661872C1																																																		
*B	K10-GB	16	WH	1661875C1	1661872C1																																																		
CONNECTOR 3522068C1 BODY LOCK 1661874C1				W/ V8 ENGINE * W/ ENGINE FAN COMMON																																																			
				GROUND SPLICE (6704M) (LOCATED NEAR ENGINE ECM CONNECTION)																																																			
CONNECTOR 3551896C1 BODY LOCK 3551897C1				<table border="1" style="width:100%; border-collapse: collapse; font-size: x-small;"> <thead> <tr> <th>CAV</th><th>CIRCUIT</th><th>GAUGE</th><th>COLOR</th><th>TERMINAL</th><th>SEAL/SLEEVE</th></tr> </thead> <tbody> <tr> <td>A</td><td>K40-G</td><td>18</td><td>WH</td><td>2033819C1</td><td>1652325C1</td></tr> <tr> <td>B</td><td>K77-G</td><td>16</td><td>WH</td><td>2033819C1</td><td>1652325C1</td></tr> <tr> <td>C</td><td>K10-GB</td><td>14</td><td>WH</td><td>2033816C1</td><td>0589391C1</td></tr> <tr> <td>D</td><td>K40B-G</td><td>14</td><td>WH</td><td>2033816C1</td><td>0589391C1</td></tr> <tr> <td>E</td><td>K34-G</td><td>18</td><td>TN</td><td>2033819C1</td><td>3517771C1</td></tr> <tr> <td>F</td><td>K23-G</td><td>18</td><td>WH</td><td>2033819C1</td><td>1652325C1</td></tr> <tr> <td>F</td><td>K23-G</td><td>18</td><td>WH</td><td>2033819C1</td><td>3517771C1</td></tr> </tbody> </table>				CAV	CIRCUIT	GAUGE	COLOR	TERMINAL	SEAL/SLEEVE	A	K40-G	18	WH	2033819C1	1652325C1	B	K77-G	16	WH	2033819C1	1652325C1	C	K10-GB	14	WH	2033816C1	0589391C1	D	K40B-G	14	WH	2033816C1	0589391C1	E	K34-G	18	TN	2033819C1	3517771C1	F	K23-G	18	WH	2033819C1	1652325C1	F	K23-G	18	WH	2033819C1	3517771C1
CAV	CIRCUIT	GAUGE	COLOR	TERMINAL	SEAL/SLEEVE																																																		
A	K40-G	18	WH	2033819C1	1652325C1																																																		
B	K77-G	16	WH	2033819C1	1652325C1																																																		
C	K10-GB	14	WH	2033816C1	0589391C1																																																		
D	K40B-G	14	WH	2033816C1	0589391C1																																																		
E	K34-G	18	TN	2033819C1	3517771C1																																																		
F	K23-G	18	WH	2033819C1	1652325C1																																																		
F	K23-G	18	WH	2033819C1	3517771C1																																																		
W/ I6 ENGINE				GROUND SPLICE (6704M) (LOCATED NEAR ENGINE ECM CONNECTION)																																																			
CONNECTOR 3551896C1 BODY LOCK 3551897C1				<table border="1" style="width:100%; border-collapse: collapse; font-size: x-small;"> <thead> <tr> <th>CAV</th><th>CIRCUIT</th><th>GAUGE</th><th>COLOR</th><th>TERMINAL</th><th>SEAL/SLEEVE</th></tr> </thead> <tbody> <tr> <td>A</td><td>K26-G</td><td>18</td><td>WH</td><td>2033819C1</td><td>1652325C1</td></tr> <tr> <td>B</td><td>K11C</td><td>12</td><td>WH</td><td>2033816C1</td><td>0589390C1</td></tr> <tr> <td>B*</td><td>K97-GFA</td><td>18</td><td>WH</td><td>2033819C1</td><td>3517771C1</td></tr> <tr> <td>C</td><td>K10-GB</td><td>16</td><td>WH</td><td>2033819C1</td><td>1652325C1</td></tr> <tr> <td>D</td><td>K90-G</td><td>18</td><td>GY</td><td>2033819C1</td><td>3517771C1</td></tr> <tr> <td>E</td><td>K77A-G</td><td>16</td><td>WH</td><td>2033819C1</td><td>1652325C1</td></tr> <tr> <td>F</td><td>K23-G</td><td>18</td><td>WH</td><td>2033819C1</td><td>1652325C1</td></tr> </tbody> </table>				CAV	CIRCUIT	GAUGE	COLOR	TERMINAL	SEAL/SLEEVE	A	K26-G	18	WH	2033819C1	1652325C1	B	K11C	12	WH	2033816C1	0589390C1	B*	K97-GFA	18	WH	2033819C1	3517771C1	C	K10-GB	16	WH	2033819C1	1652325C1	D	K90-G	18	GY	2033819C1	3517771C1	E	K77A-G	16	WH	2033819C1	1652325C1	F	K23-G	18	WH	2033819C1	1652325C1
CAV	CIRCUIT	GAUGE	COLOR	TERMINAL	SEAL/SLEEVE																																																		
A	K26-G	18	WH	2033819C1	1652325C1																																																		
B	K11C	12	WH	2033816C1	0589390C1																																																		
B*	K97-GFA	18	WH	2033819C1	3517771C1																																																		
C	K10-GB	16	WH	2033819C1	1652325C1																																																		
D	K90-G	18	GY	2033819C1	3517771C1																																																		
E	K77A-G	16	WH	2033819C1	1652325C1																																																		
F	K23-G	18	WH	2033819C1	1652325C1																																																		
W/ CE BUS W/ CUMMINS ISB ENGINE * W/ 2017 CUMMINS ISB ENGINE				ECM GENERAL RETURN (6706M) (LOCATED NEAR ENGINE ECM CONNECTOR IN ENGINE COMPARTMENT)																																																			
CONNECTOR 3551896C1 BODY LOCK 3551897C1				<table border="1" style="width:100%; border-collapse: collapse; font-size: x-small;"> <thead> <tr> <th>CAV</th><th>CIRCUIT</th><th>GAUGE</th><th>COLOR</th><th>TERMINAL</th><th>SEAL/SLEEVE</th></tr> </thead> <tbody> <tr> <td>A</td><td>K97-GRS</td><td>20</td><td>WH</td><td>2033819C1</td><td>3517771C1</td></tr> <tr> <td>B</td><td>K95M</td><td>20</td><td>TN</td><td>2033819C1</td><td>3517771C1</td></tr> <tr> <td>C</td><td>K97-GGR</td><td>18</td><td>WH</td><td>2033819C1</td><td>3517771C1</td></tr> <tr> <td>D</td><td>K23-G</td><td>20</td><td>WH</td><td>2033819C1</td><td>3517771C1</td></tr> <tr> <td>E</td><td>K97-G</td><td>20</td><td>WH</td><td>2033819C1</td><td>3517771C1</td></tr> <tr> <td>F</td><td>K97-GRD</td><td>20</td><td>WH</td><td>2033819C1</td><td>3517771C1</td></tr> </tbody> </table>				CAV	CIRCUIT	GAUGE	COLOR	TERMINAL	SEAL/SLEEVE	A	K97-GRS	20	WH	2033819C1	3517771C1	B	K95M	20	TN	2033819C1	3517771C1	C	K97-GGR	18	WH	2033819C1	3517771C1	D	K23-G	20	WH	2033819C1	3517771C1	E	K97-G	20	WH	2033819C1	3517771C1	F	K97-GRD	20	WH	2033819C1	3517771C1						
CAV	CIRCUIT	GAUGE	COLOR	TERMINAL	SEAL/SLEEVE																																																		
A	K97-GRS	20	WH	2033819C1	3517771C1																																																		
B	K95M	20	TN	2033819C1	3517771C1																																																		
C	K97-GGR	18	WH	2033819C1	3517771C1																																																		
D	K23-G	20	WH	2033819C1	3517771C1																																																		
E	K97-G	20	WH	2033819C1	3517771C1																																																		
F	K97-GRD	20	WH	2033819C1	3517771C1																																																		
W/ CE BUS W/ CUMMINS ISB ENGINE W/ F-2017-ISB-ENG				FUEL HEATER (6709) (LOCATED NEAR ENGINE ECM CONNECTOR IN ENGINE COMPARTMENT)																																																			
CONNECTOR 1671610C1 BODY LOCK 1671608C1				CONNECTOR 3626435C1																																																			
<table border="1" style="width:100%; border-collapse: collapse; font-size: x-small;"> <thead> <tr> <th>CAV</th><th>CIRCUIT</th><th>GAUGE</th><th>COLOR</th><th>TERMINAL</th><th>SEAL/SLEEVE</th></tr> </thead> <tbody> <tr> <td>A</td><td>K14FHC</td><td>12</td><td>RD</td><td>2033816C1</td><td>0589390C1</td></tr> <tr> <td>B</td><td>K11C</td><td>12</td><td>WH</td><td>2033816C1</td><td>0589390C1</td></tr> </tbody> </table>				CAV	CIRCUIT	GAUGE	COLOR	TERMINAL	SEAL/SLEEVE	A	K14FHC	12	RD	2033816C1	0589390C1	B	K11C	12	WH	2033816C1	0589390C1	<table border="1" style="width:100%; border-collapse: collapse; font-size: x-small;"> <thead> <tr> <th>CAV</th><th>CIRCUIT</th><th>GA</th><th>COLOR</th><th>TERMINAL</th></tr> </thead> <tbody> <tr> <td>1</td><td>K14FHC</td><td>10</td><td>RD</td><td>3753255C1</td></tr> <tr> <td>2</td><td>K11C</td><td>10</td><td>WH</td><td>3753255C1</td></tr> </tbody> </table>				CAV	CIRCUIT	GA	COLOR	TERMINAL	1	K14FHC	10	RD	3753255C1	2	K11C	10	WH	3753255C1															
CAV	CIRCUIT	GAUGE	COLOR	TERMINAL	SEAL/SLEEVE																																																		
A	K14FHC	12	RD	2033816C1	0589390C1																																																		
B	K11C	12	WH	2033816C1	0589390C1																																																		
CAV	CIRCUIT	GA	COLOR	TERMINAL																																																			
1	K14FHC	10	RD	3753255C1																																																			
2	K11C	10	WH	3753255C1																																																			
W/ CE BUS W/ CUMMINS ISB ENG				W/ F-2017-ISB-ENG																																																			
				WIF SENSOR (6710) (LOCATED NEAR ENGINE ECM CONNECTOR IN ENGINE COMPARTMENT)																																																			
CONNECTOR 3850892C1 BODY LOCK 3539784C1				<table border="1" style="width:100%; border-collapse: collapse; font-size: x-small;"> <thead> <tr> <th>CAV</th><th>CIRCUIT</th><th>GAUGE</th><th>COLOR</th><th>TERMINAL</th></tr> </thead> <tbody> <tr> <td>1</td><td>K97WIF</td><td>18</td><td>VT</td><td>3572625C1</td></tr> <tr> <td>2</td><td>K97-GSW</td><td>18</td><td>WH</td><td>3572625C1</td></tr> </tbody> </table>				CAV	CIRCUIT	GAUGE	COLOR	TERMINAL	1	K97WIF	18	VT	3572625C1	2	K97-GSW	18	WH	3572625C1																																	
CAV	CIRCUIT	GAUGE	COLOR	TERMINAL																																																			
1	K97WIF	18	VT	3572625C1																																																			
2	K97-GSW	18	WH	3572625C1																																																			
W/ CE BUS W/ CUMMINS ISB ENG W/ F-2017-ISB-ENG				W/ CE BUS W/ CUMMINS ISB ENG W/ F-2017-ISB-ENG																																																			
CHK	DATE	CHANGE	REV	REFERENCE	DRAWN	NAME																																																	
MJVO	25 SEP 16	REVISED AND REDRAWN.	F	93690D	300343	CIRCUIT DIAGRAM, BE, CE BUS																																																	
					RELEASE NO.	DATE	PART NO.																																																
					73617G	05 APR 11	AE08065293																																																
							SHEET																																																
							017																																																

Figure 585 Connector Composites (6561, 6704M, 6706M, 6709, 6710)

22.26. CONNECTOR COMPOSITES (6715, 6715A), P. 17A

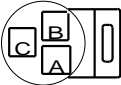

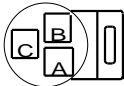
<p style="text-align: center;">NAVISTAR, INC</p> <p style="font-size: small;">THIS PRINT IS PROVIDED ON A RESTRICTED BASIS AND IS NOT TO BE USED IN ANY WAY DETRIMENTAL TO THE INTEREST OF NAVISTAR, INC.</p>	<p style="text-align: center;">ELECTRICAL CIRCUIT DIAGRAM</p> <p style="text-align: right;">CHAPTER 22</p> <p style="text-align: center;">CONNECTOR BODY COMPOSITE MATING VIEW SHOWN</p>																																																	
 <p>CONNECTOR 1678137C1 BODY LOCK 1687788C1</p>	<p style="text-align: center;">AIR COMPRESSOR PRESSURE (6715) (LOCATED AT ENGINE COMPARTMENT AIR COMPRESSOR)</p> <table border="1" style="width:100%; border-collapse: collapse; font-size: x-small;"> <thead> <tr> <th>CAV</th> <th>CIRCUIT</th> <th>GAUGE</th> <th>COLOR</th> <th>TERMINAL</th> </tr> </thead> <tbody> <tr> <td>A</td> <td>M9H</td> <td>18</td> <td>GY</td> <td>1651943C1</td> </tr> <tr> <td>B</td> <td>M6H</td> <td>16</td> <td>GY</td> <td>1651943C1</td> </tr> <tr> <td>C</td> <td>M40</td> <td>18</td> <td>GY</td> <td>1651943C1</td> </tr> </tbody> </table>	CAV	CIRCUIT	GAUGE	COLOR	TERMINAL	A	M9H	18	GY	1651943C1	B	M6H	16	GY	1651943C1	C	M40	18	GY	1651943C1																													
CAV	CIRCUIT	GAUGE	COLOR	TERMINAL																																														
A	M9H	18	GY	1651943C1																																														
B	M6H	16	GY	1651943C1																																														
C	M40	18	GY	1651943C1																																														
 <p>CONNECTOR 3522068C1 BODY LOCK 1661874C1</p>	<p style="text-align: center;">AMBIENT AIR TEMP (6715) (LOCATED IN ENGINE COMPARTMENT)</p> <table border="1" style="width:100%; border-collapse: collapse; font-size: x-small;"> <thead> <tr> <th>CAV</th> <th>CIRCUIT</th> <th>GAUGE</th> <th>COLOR</th> <th>TERMINAL</th> <th>SEAL/SLEEVE</th> </tr> </thead> <tbody> <tr> <td>A</td> <td>K97AB</td> <td>20</td> <td>PL</td> <td>1661875C1</td> <td>3568570C1</td> </tr> <tr> <td>B</td> <td>K97-GSA</td> <td>20</td> <td>VT</td> <td>1661875C1</td> <td>1661872C1</td> </tr> </tbody> </table> <p style="text-align: center; font-size: x-small;">W/ CE BUS W/ CUMMINS ISB ENG W/ F-2017-ISB-ENG</p>	CAV	CIRCUIT	GAUGE	COLOR	TERMINAL	SEAL/SLEEVE	A	K97AB	20	PL	1661875C1	3568570C1	B	K97-GSA	20	VT	1661875C1	1661872C1																															
CAV	CIRCUIT	GAUGE	COLOR	TERMINAL	SEAL/SLEEVE																																													
A	K97AB	20	PL	1661875C1	3568570C1																																													
B	K97-GSA	20	VT	1661875C1	1661872C1																																													
 <p>CONNECTOR 1678137C1 BODY LOCK 1687788C1</p>	<p style="text-align: center;">AIR COMPRESSOR PRESSURE (6715A) (LOCATED NEAR CAB DASH PANEL FORWARD)</p> <table border="1" style="width:100%; border-collapse: collapse; font-size: x-small;"> <thead> <tr> <th>CAV</th> <th>CIRCUIT</th> <th>GAUGE</th> <th>COLOR</th> <th>TERMINAL</th> </tr> </thead> <tbody> <tr> <td>A</td> <td>M9H</td> <td>18</td> <td>GY</td> <td>1651943C1</td> </tr> <tr> <td>B</td> <td>M6H</td> <td>16</td> <td>GY</td> <td>1651943C1</td> </tr> <tr> <td>C</td> <td>M40</td> <td>18</td> <td>GY</td> <td>1651943C1</td> </tr> </tbody> </table>	CAV	CIRCUIT	GAUGE	COLOR	TERMINAL	A	M9H	18	GY	1651943C1	B	M6H	16	GY	1651943C1	C	M40	18	GY	1651943C1																													
CAV	CIRCUIT	GAUGE	COLOR	TERMINAL																																														
A	M9H	18	GY	1651943C1																																														
B	M6H	16	GY	1651943C1																																														
C	M40	18	GY	1651943C1																																														
<table border="1" style="width:100%; border-collapse: collapse; font-size: x-small;"> <tr> <th>CHK</th> <th>DATE</th> <th>CHANGE</th> <th>REV</th> <th>REFERENCE</th> <th>DRAWN</th> <th>NAME</th> </tr> <tr> <td></td> <td></td> <td></td> <td></td> <td></td> <td>MJV0222</td> <td>CIRCUIT DIAGRAM, BE,CE BUS</td> </tr> <tr> <td>MJV0222</td> <td>16SEP16</td> <td>REVISED AND REDRAWN.</td> <td>B</td> <td>93690D</td> <td></td> <td></td> </tr> <tr> <td></td> <td></td> <td></td> <td></td> <td></td> <td>RELEASE NO.</td> <td>DATE</td> </tr> <tr> <td></td> <td></td> <td></td> <td></td> <td></td> <td>92460R</td> <td>30DEC13</td> </tr> <tr> <td></td> <td></td> <td></td> <td></td> <td></td> <td>PART NO.</td> <td>SHEET</td> </tr> <tr> <td></td> <td></td> <td></td> <td></td> <td></td> <td>AE08065293</td> <td>17A</td> </tr> </table>		CHK	DATE	CHANGE	REV	REFERENCE	DRAWN	NAME						MJV0222	CIRCUIT DIAGRAM, BE,CE BUS	MJV0222	16SEP16	REVISED AND REDRAWN.	B	93690D								RELEASE NO.	DATE						92460R	30DEC13						PART NO.	SHEET						AE08065293	17A
CHK	DATE	CHANGE	REV	REFERENCE	DRAWN	NAME																																												
					MJV0222	CIRCUIT DIAGRAM, BE,CE BUS																																												
MJV0222	16SEP16	REVISED AND REDRAWN.	B	93690D																																														
					RELEASE NO.	DATE																																												
					92460R	30DEC13																																												
					PART NO.	SHEET																																												
					AE08065293	17A																																												

Figure 586 Connector Composites (6715, 6715A)

22.27. CONNECTOR COMPOSITES (6740, 7105), P. 18

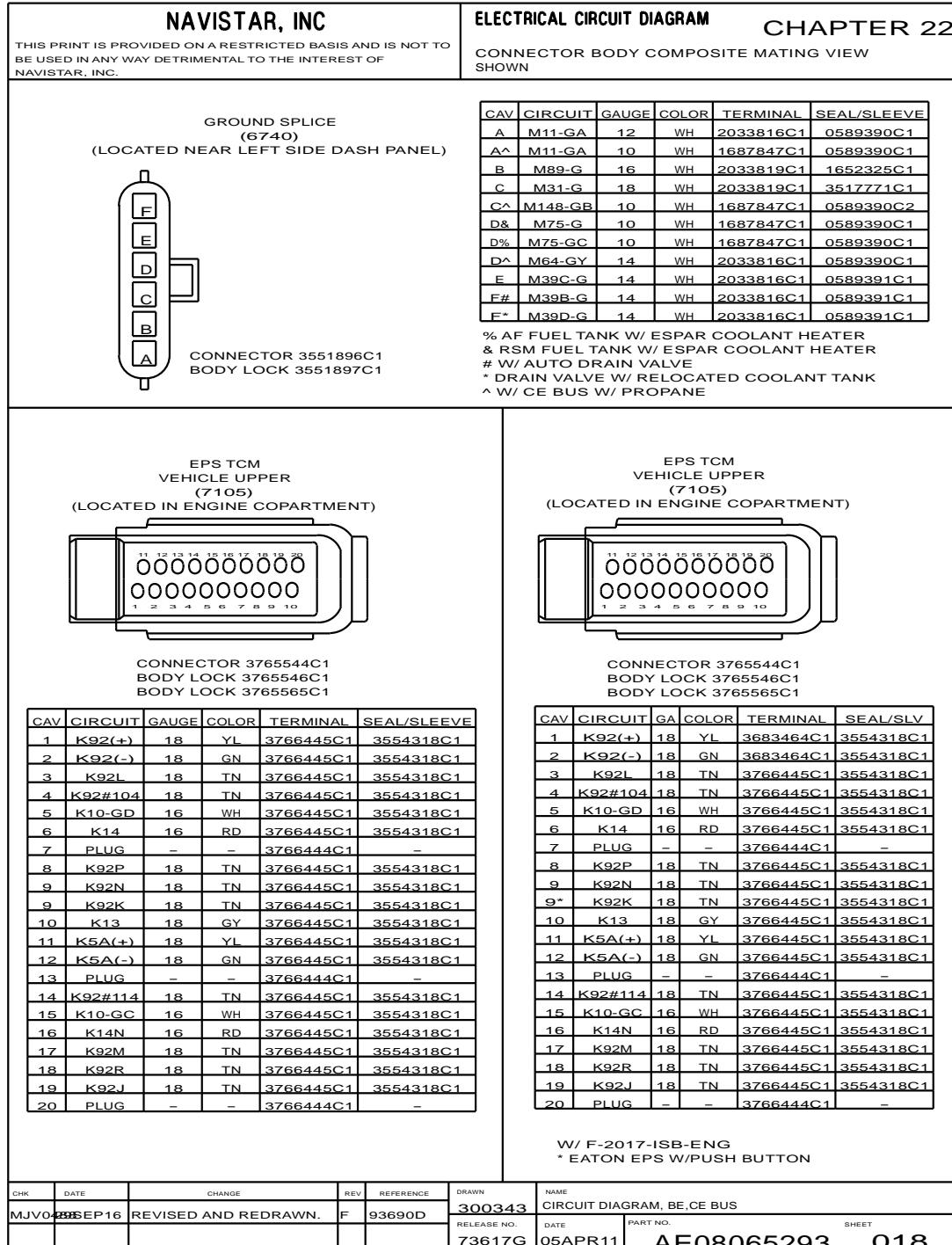


Figure 587 Connector Composites (6740, 7105)

22.28. CONNECTOR COMPOSITES (7106, 7107, 7150), P. 19

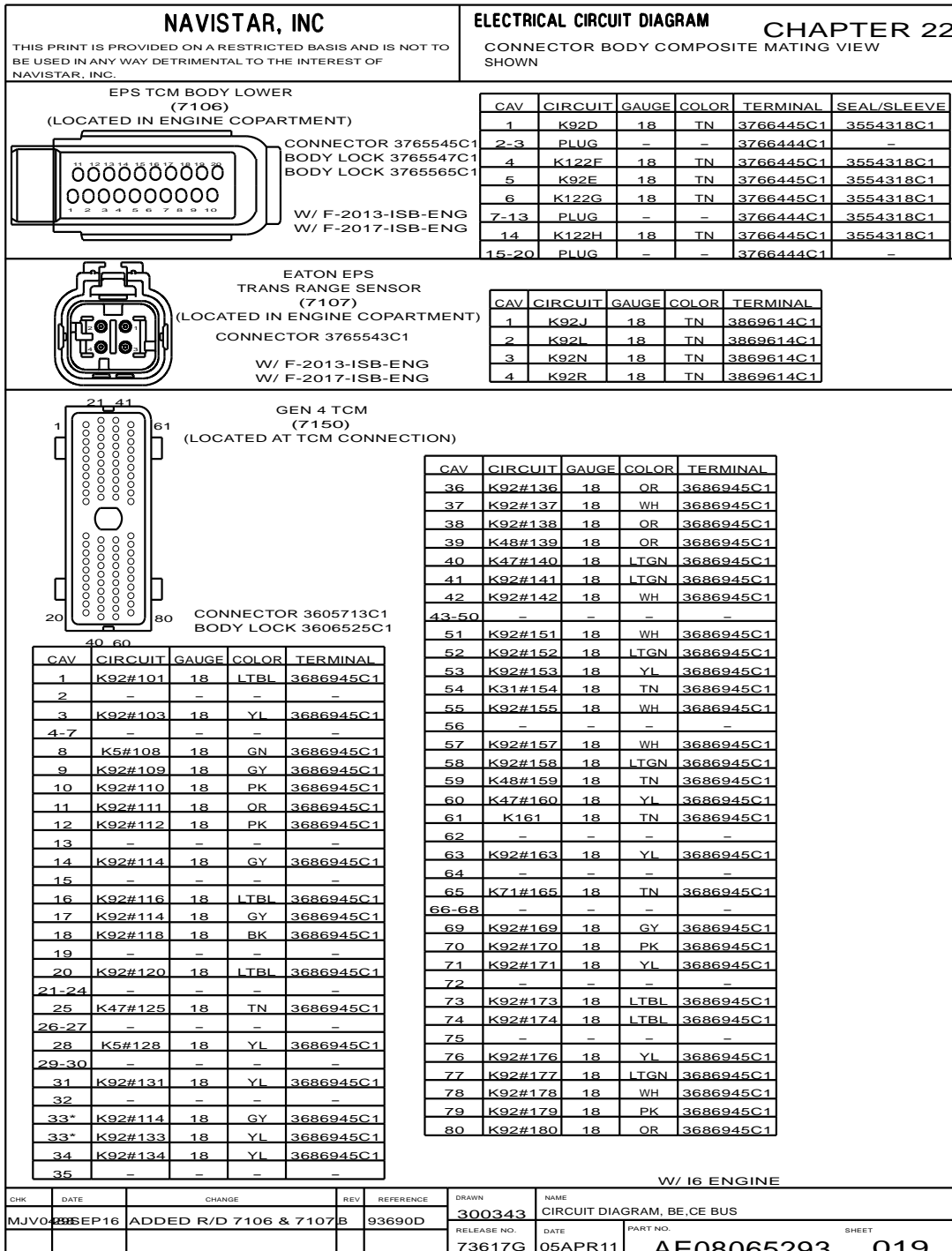


Figure 588 Connector Composites (7106, 7107, 7150)

22.29. INTENTIONALLY LEFT BLANK, P. 20

NAVISTAR, INC				ELECTRICAL CIRCUIT DIAGRAM CHAPTER 22			
THIS PRINT IS PROVIDED ON A RESTRICTED BASIS AND IS NOT TO BE USED IN ANY WAY DETRIMENTAL TO THE INTEREST OF NAVISTAR, INC.							
<p style="font-size: 24px; margin: 0;">INTENTIONALLY LEFT BLANK</p>							
CHK	DATE	CHANGE	REV	REFERENCE	DRAWN	NAME	
0025	06JAN12	INITIAL RELEASE.	A	73617G	300343	CIRCUIT DIAGRAM, BE,CE BUS	
					RELEASE NO.	DATE	PART NO.
					73617G	05APR11	AE08065293
							SHEET 020

Figure 589 Intentionally Left Blank

22.30. CONNECTOR COMPOSITES (7150), P. 21

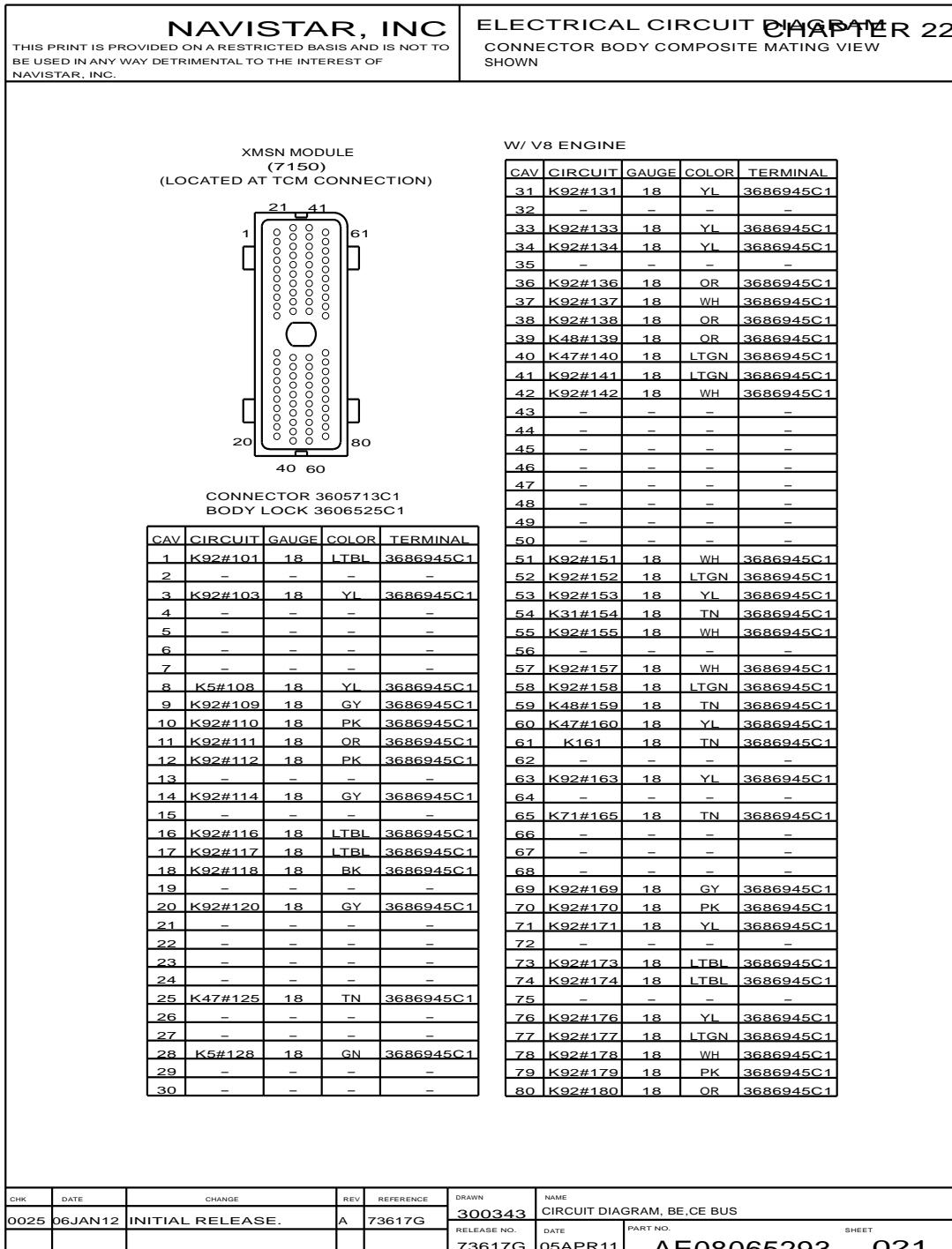


Figure 590 Connector Composites (7150)

22.31. CONNECTOR COMPOSITES (7150), P. 21A

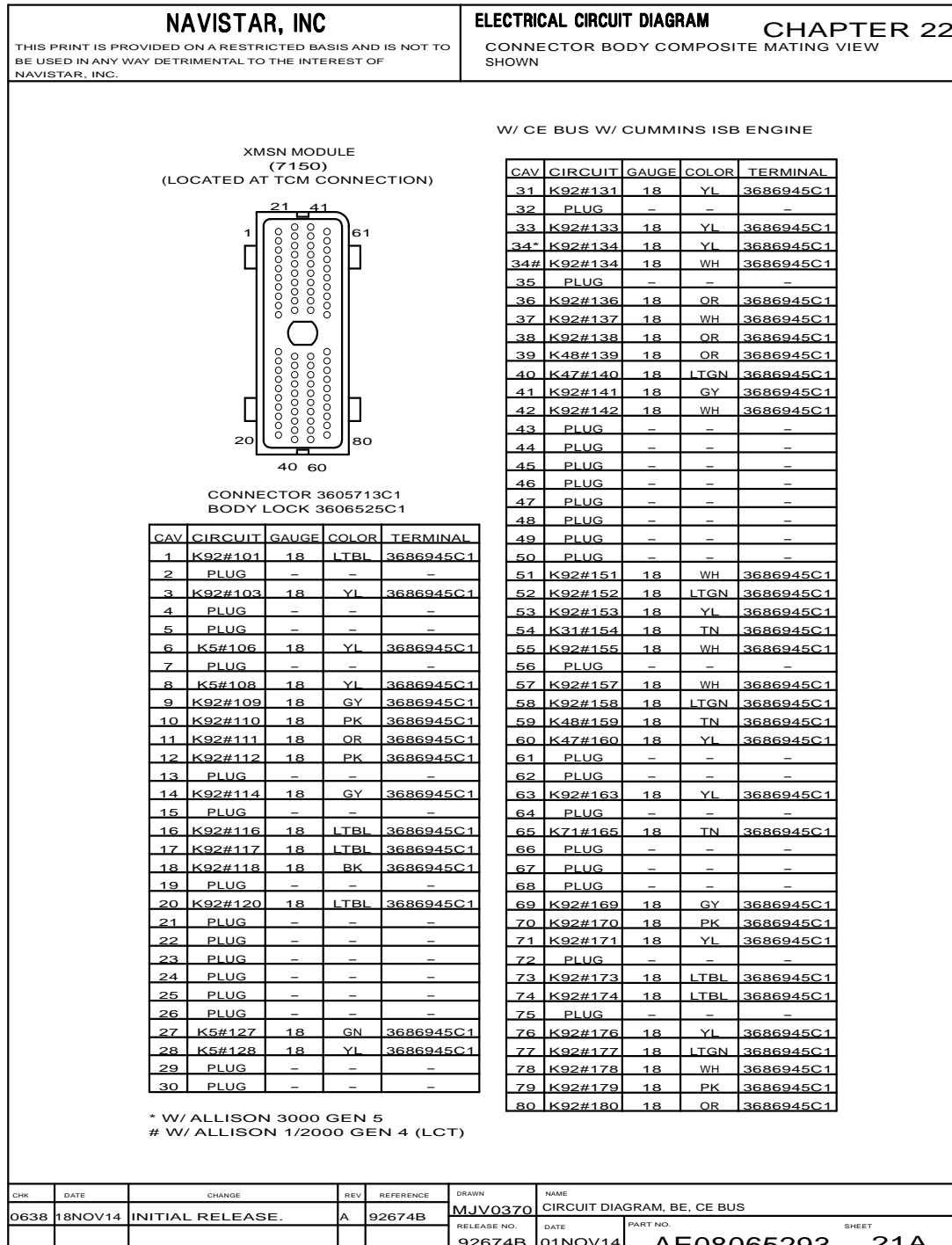


Figure 591 Connector Composites (7150)

22.32. CONNECTOR COMPOSITES (7150), P. 21B

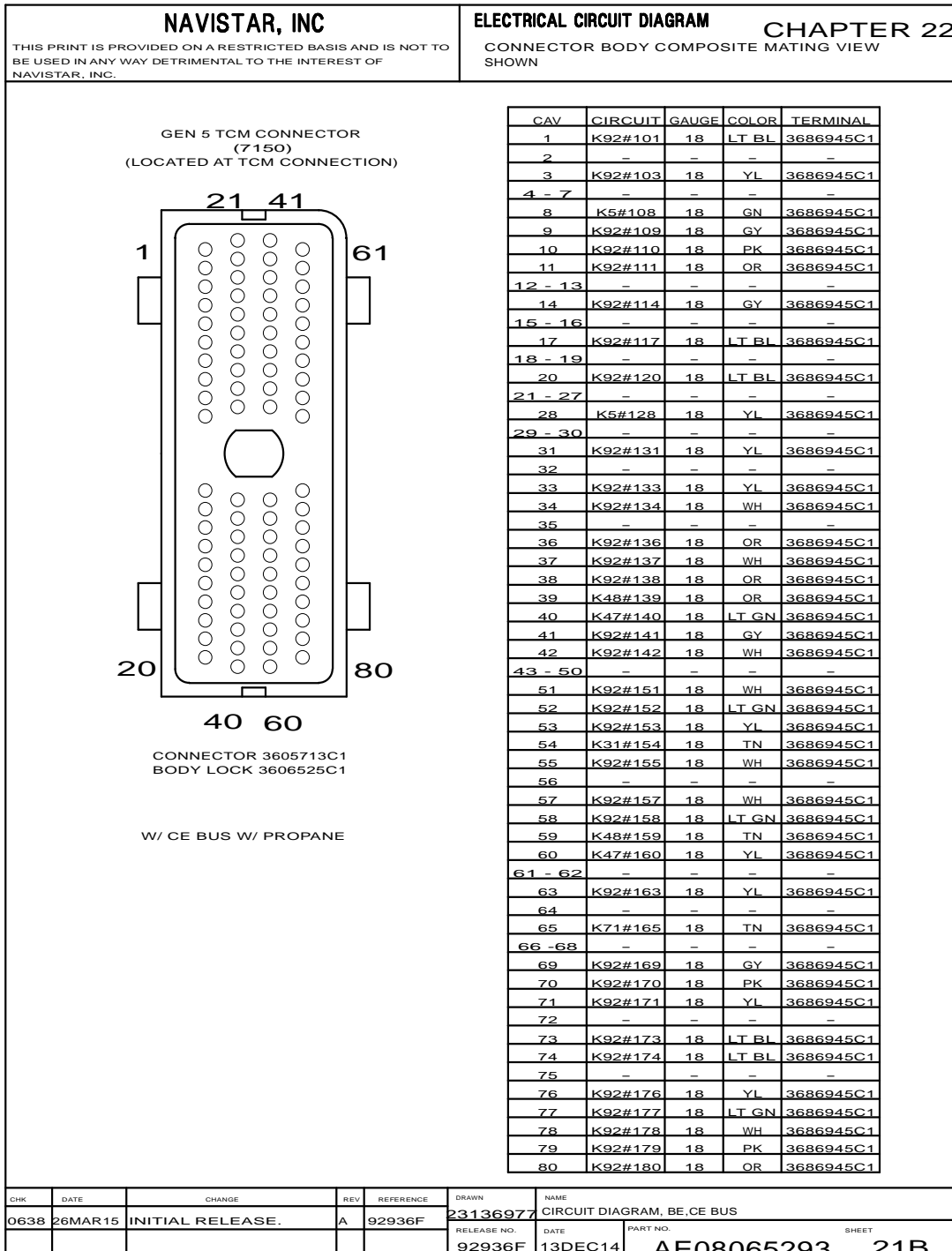


Figure 592 Connector Composites (7150)

22.33. CONNECTOR COMPOSITES (7150), P. 21C

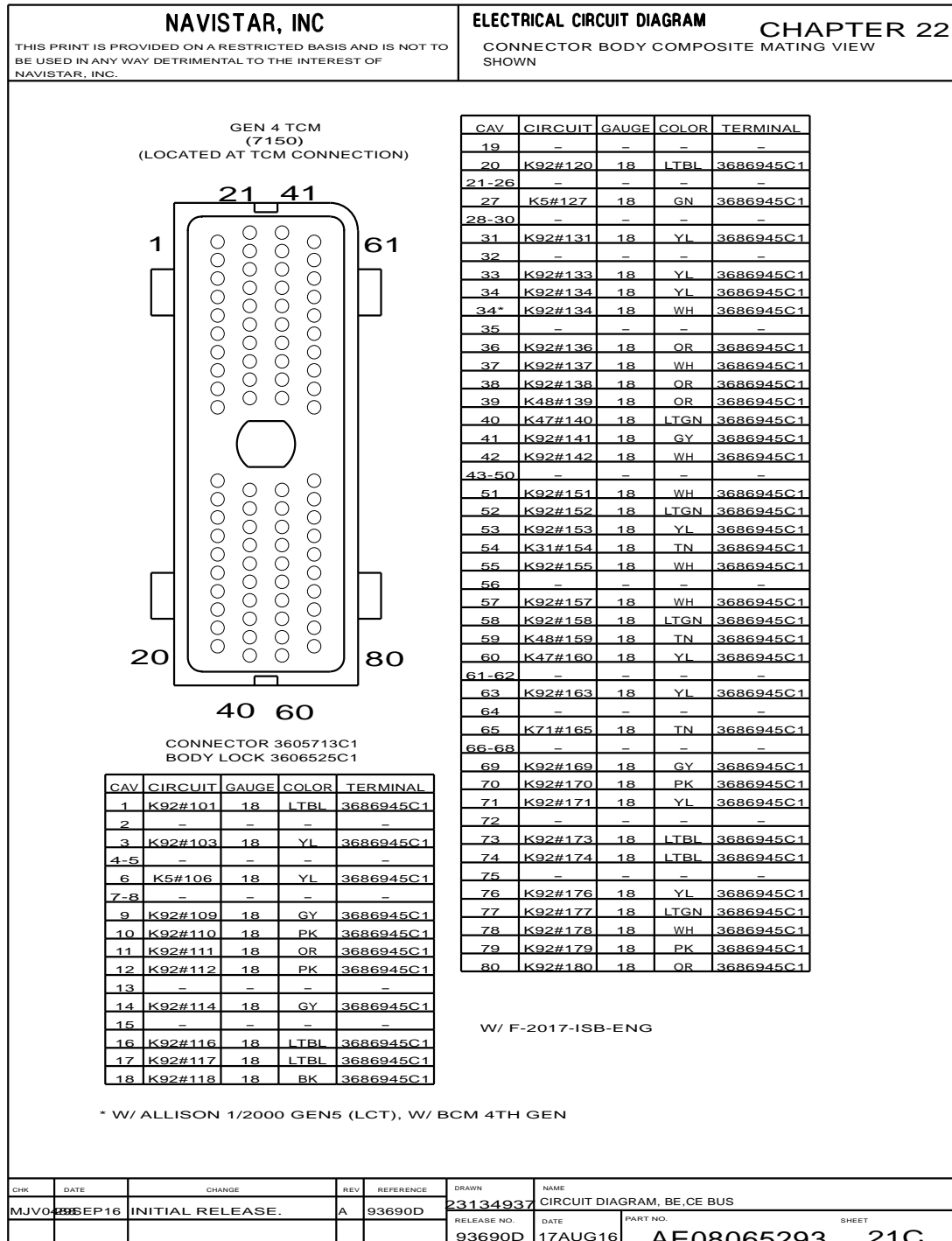


Figure 593 Connector Composites (7150)

22.34. INTENTIONALLY LEFT BLANK, P. 22

NAVISTAR, INC				ELECTRICAL CIRCUIT DIAGRAM CHAPTER 22			
THIS PRINT IS PROVIDED ON A RESTRICTED BASIS AND IS NOT TO BE USED IN ANY WAY DETRIMENTAL TO THE INTEREST OF NAVISTAR, INC.							
<p style="font-size: 24px; margin: 0;">INTENTIONALLY LEFT BLANK</p>							
CHK	DATE	CHANGE	REV	REFERENCE	DRAWN	NAME	
0025	06JAN12	INITIAL RELEASE.	A	73617G	300343	CIRCUIT DIAGRAM, BE,CE BUS	
					RELEASE NO.	DATE	PART NO.
					73617G	05APR11	AE08065293
							SHEET 022

Figure 594 Intentionally Left Blank

22.35. CONNECTOR COMPOSITES (7350, 7250M), P. 23

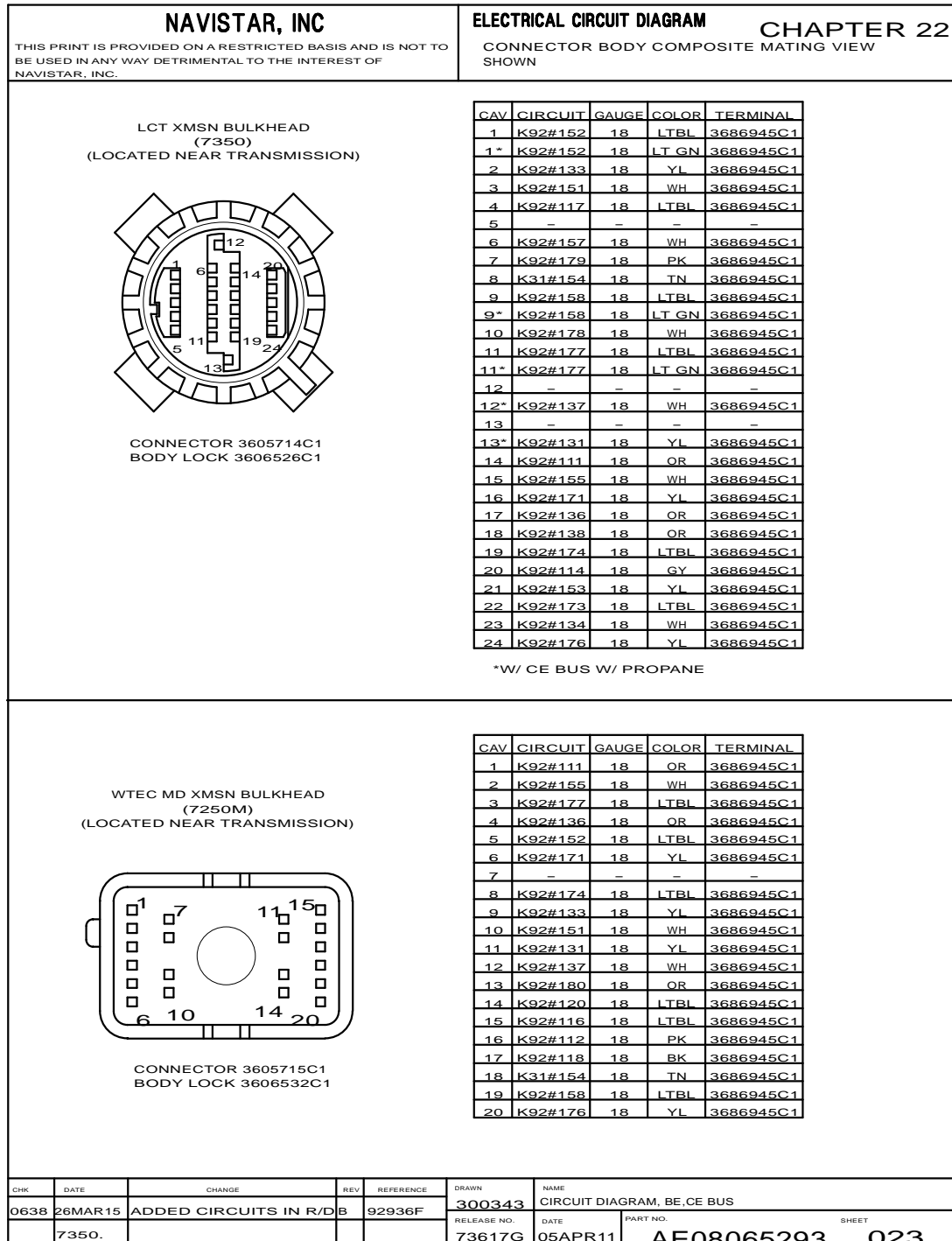


Figure 595 Connector Composites (7350, 7250M)

22.36. CONNECTOR COMPOSITES (7250M, 7350, 7600M, 7603M, 7604M, 7605M), P. 24

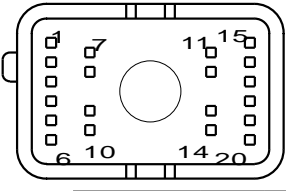
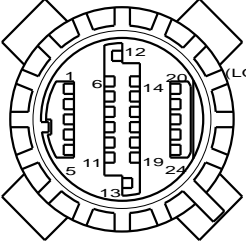
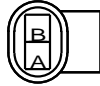
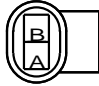
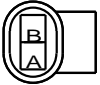
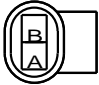
<p>NAVISTAR, INC</p> <p><small>THIS PRINT IS PROVIDED ON A RESTRICTED BASIS AND IS NOT TO BE USED IN ANY WAY DETRIMENTAL TO THE INTEREST OF NAVISTAR, INC.</small></p>		<p>ELECTRICAL CIRCUIT DIAGRAM</p> <p>CONNECTOR BODY COMPOSITE MATING VIEW SHOWN</p>				<p>CHAPTER 22</p>																																																																																																																																																																																																																																							
<p>WT MD TRANS BULKHEAD (7250M) (LOCATED ON TRANSMISSION)</p>  <p>CONNECTOR 3605714C1 BODY LOCK 3606532C1</p> <table border="1" style="width:100%; border-collapse: collapse;"> <thead> <tr> <th>CAV</th><th>CIRCUIT</th><th>GAUGE</th><th>COLOR</th><th>TERMINAL</th></tr> </thead> <tbody> <tr><td>1</td><td>K92#111</td><td>18</td><td>OR</td><td>3686945C1</td></tr> <tr><td>2</td><td>K92#155</td><td>18</td><td>WH</td><td>3686945C1</td></tr> <tr><td>3</td><td>K92#177</td><td>18</td><td>LTGN</td><td>3686945C1</td></tr> <tr><td>4</td><td>K92#136</td><td>18</td><td>OR</td><td>3686945C1</td></tr> <tr><td>5</td><td>K92#152</td><td>18</td><td>LTGN</td><td>3686945C1</td></tr> <tr><td>6</td><td>K92#171</td><td>18</td><td>YL</td><td>3686945C1</td></tr> <tr><td>7</td><td>-</td><td>-</td><td>-</td><td>-</td></tr> <tr><td>8</td><td>K92#174</td><td>18</td><td>LTBL</td><td>3686945C1</td></tr> <tr><td>9</td><td>K92#133</td><td>18</td><td>YL</td><td>3686945C1</td></tr> <tr><td>10</td><td>K92#151</td><td>18</td><td>WH</td><td>3686945C1</td></tr> <tr><td>11</td><td>K92#131</td><td>18</td><td>YL</td><td>3686945C1</td></tr> <tr><td>12</td><td>K92#137</td><td>18</td><td>WH</td><td>3686945C1</td></tr> <tr><td>13</td><td>K92#180</td><td>18</td><td>OR</td><td>3686945C1</td></tr> <tr><td>14</td><td>K92#120</td><td>18</td><td>LTBL</td><td>3686945C1</td></tr> <tr><td>15</td><td>K92#116</td><td>18</td><td>LTBL</td><td>3686945C1</td></tr> <tr><td>16</td><td>K92#112</td><td>18</td><td>PK</td><td>3686945C1</td></tr> <tr><td>17</td><td>K92#118</td><td>18</td><td>BK</td><td>3686945C1</td></tr> <tr><td>18</td><td>K31#154</td><td>18</td><td>TN</td><td>3686945C1</td></tr> <tr><td>19</td><td>K92#158</td><td>18</td><td>LTGN</td><td>3686945C1</td></tr> <tr><td>20</td><td>K92#176</td><td>18</td><td>YL</td><td>3686945C1</td></tr> </tbody> </table> <p style="text-align: center;">W/ F-2017-ISB-ENG</p>		CAV	CIRCUIT	GAUGE	COLOR	TERMINAL	1	K92#111	18	OR	3686945C1	2	K92#155	18	WH	3686945C1	3	K92#177	18	LTGN	3686945C1	4	K92#136	18	OR	3686945C1	5	K92#152	18	LTGN	3686945C1	6	K92#171	18	YL	3686945C1	7	-	-	-	-	8	K92#174	18	LTBL	3686945C1	9	K92#133	18	YL	3686945C1	10	K92#151	18	WH	3686945C1	11	K92#131	18	YL	3686945C1	12	K92#137	18	WH	3686945C1	13	K92#180	18	OR	3686945C1	14	K92#120	18	LTBL	3686945C1	15	K92#116	18	LTBL	3686945C1	16	K92#112	18	PK	3686945C1	17	K92#118	18	BK	3686945C1	18	K31#154	18	TN	3686945C1	19	K92#158	18	LTGN	3686945C1	20	K92#176	18	YL	3686945C1	<p>LCT TRANS BULKHEAD (7350) (LOCATED ON TRANSMISSION)</p>  <p>CONNECTOR 3605714C1 BODY LOCK 3606526C1</p> <table border="1" style="width:100%; border-collapse: collapse;"> <thead> <tr> <th>CAV</th><th>CIRCUIT</th><th>GAUGE</th><th>COLOR</th><th>TERMINAL</th></tr> </thead> <tbody> <tr><td>1</td><td>K92#152</td><td>18</td><td>LT GN</td><td>3686945C1</td></tr> <tr><td>2</td><td>K92#133</td><td>18</td><td>YL</td><td>3686945C1</td></tr> <tr><td>3</td><td>K92#151</td><td>18</td><td>WH</td><td>3686945C1</td></tr> <tr><td>4</td><td>K92#117</td><td>18</td><td>LTBL</td><td>3686945C1</td></tr> <tr><td>5</td><td>-</td><td>-</td><td>-</td><td>-</td></tr> <tr><td>6</td><td>K92#157</td><td>18</td><td>WH</td><td>3686945C1</td></tr> <tr><td>7</td><td>K92#179</td><td>18</td><td>PK</td><td>3686945C1</td></tr> <tr><td>8</td><td>K31#154</td><td>18</td><td>TN</td><td>3686945C1</td></tr> <tr><td>9</td><td>K92#158</td><td>18</td><td>LTGN</td><td>3686945C1</td></tr> <tr><td>10</td><td>K92#178</td><td>18</td><td>WH</td><td>3686945C1</td></tr> <tr><td>11</td><td>K92#177</td><td>18</td><td>LTGN</td><td>3686945C1</td></tr> <tr><td>12</td><td>K92#137</td><td>18</td><td>WH</td><td>3686945C1</td></tr> <tr><td>13</td><td>K92#131</td><td>18</td><td>YL</td><td>3686945C1</td></tr> <tr><td>14</td><td>K92#111</td><td>18</td><td>OR</td><td>3686945C1</td></tr> <tr><td>15</td><td>K92#155</td><td>18</td><td>WH</td><td>3686945C1</td></tr> <tr><td>16</td><td>K92#171</td><td>18</td><td>YL</td><td>3686945C1</td></tr> <tr><td>17</td><td>K92#136</td><td>18</td><td>OR</td><td>3686945C1</td></tr> <tr><td>18</td><td>K92#138</td><td>18</td><td>OR</td><td>3686945C1</td></tr> <tr><td>19</td><td>K92#174</td><td>18</td><td>LTBL</td><td>3686945C1</td></tr> <tr><td>20</td><td>K92#114</td><td>18</td><td>GY</td><td>3686945C1</td></tr> <tr><td>21</td><td>K92#153</td><td>18</td><td>YL</td><td>3686945C1</td></tr> <tr><td>22</td><td>K92#173</td><td>18</td><td>LTBL</td><td>3686945C1</td></tr> <tr><td>23</td><td>K92#134</td><td>18</td><td>WH</td><td>3686945C1</td></tr> <tr><td>24</td><td>K92#176</td><td>18</td><td>YL</td><td>3686945C1</td></tr> </tbody> </table> <p style="text-align: center;">W/ F-2017-ISB-ENG</p>						CAV	CIRCUIT	GAUGE	COLOR	TERMINAL	1	K92#152	18	LT GN	3686945C1	2	K92#133	18	YL	3686945C1	3	K92#151	18	WH	3686945C1	4	K92#117	18	LTBL	3686945C1	5	-	-	-	-	6	K92#157	18	WH	3686945C1	7	K92#179	18	PK	3686945C1	8	K31#154	18	TN	3686945C1	9	K92#158	18	LTGN	3686945C1	10	K92#178	18	WH	3686945C1	11	K92#177	18	LTGN	3686945C1	12	K92#137	18	WH	3686945C1	13	K92#131	18	YL	3686945C1	14	K92#111	18	OR	3686945C1	15	K92#155	18	WH	3686945C1	16	K92#171	18	YL	3686945C1	17	K92#136	18	OR	3686945C1	18	K92#138	18	OR	3686945C1	19	K92#174	18	LTBL	3686945C1	20	K92#114	18	GY	3686945C1	21	K92#153	18	YL	3686945C1	22	K92#173	18	LTBL	3686945C1	23	K92#134	18	WH	3686945C1	24	K92#176	18	YL	3686945C1
CAV	CIRCUIT	GAUGE	COLOR	TERMINAL																																																																																																																																																																																																																																									
1	K92#111	18	OR	3686945C1																																																																																																																																																																																																																																									
2	K92#155	18	WH	3686945C1																																																																																																																																																																																																																																									
3	K92#177	18	LTGN	3686945C1																																																																																																																																																																																																																																									
4	K92#136	18	OR	3686945C1																																																																																																																																																																																																																																									
5	K92#152	18	LTGN	3686945C1																																																																																																																																																																																																																																									
6	K92#171	18	YL	3686945C1																																																																																																																																																																																																																																									
7	-	-	-	-																																																																																																																																																																																																																																									
8	K92#174	18	LTBL	3686945C1																																																																																																																																																																																																																																									
9	K92#133	18	YL	3686945C1																																																																																																																																																																																																																																									
10	K92#151	18	WH	3686945C1																																																																																																																																																																																																																																									
11	K92#131	18	YL	3686945C1																																																																																																																																																																																																																																									
12	K92#137	18	WH	3686945C1																																																																																																																																																																																																																																									
13	K92#180	18	OR	3686945C1																																																																																																																																																																																																																																									
14	K92#120	18	LTBL	3686945C1																																																																																																																																																																																																																																									
15	K92#116	18	LTBL	3686945C1																																																																																																																																																																																																																																									
16	K92#112	18	PK	3686945C1																																																																																																																																																																																																																																									
17	K92#118	18	BK	3686945C1																																																																																																																																																																																																																																									
18	K31#154	18	TN	3686945C1																																																																																																																																																																																																																																									
19	K92#158	18	LTGN	3686945C1																																																																																																																																																																																																																																									
20	K92#176	18	YL	3686945C1																																																																																																																																																																																																																																									
CAV	CIRCUIT	GAUGE	COLOR	TERMINAL																																																																																																																																																																																																																																									
1	K92#152	18	LT GN	3686945C1																																																																																																																																																																																																																																									
2	K92#133	18	YL	3686945C1																																																																																																																																																																																																																																									
3	K92#151	18	WH	3686945C1																																																																																																																																																																																																																																									
4	K92#117	18	LTBL	3686945C1																																																																																																																																																																																																																																									
5	-	-	-	-																																																																																																																																																																																																																																									
6	K92#157	18	WH	3686945C1																																																																																																																																																																																																																																									
7	K92#179	18	PK	3686945C1																																																																																																																																																																																																																																									
8	K31#154	18	TN	3686945C1																																																																																																																																																																																																																																									
9	K92#158	18	LTGN	3686945C1																																																																																																																																																																																																																																									
10	K92#178	18	WH	3686945C1																																																																																																																																																																																																																																									
11	K92#177	18	LTGN	3686945C1																																																																																																																																																																																																																																									
12	K92#137	18	WH	3686945C1																																																																																																																																																																																																																																									
13	K92#131	18	YL	3686945C1																																																																																																																																																																																																																																									
14	K92#111	18	OR	3686945C1																																																																																																																																																																																																																																									
15	K92#155	18	WH	3686945C1																																																																																																																																																																																																																																									
16	K92#171	18	YL	3686945C1																																																																																																																																																																																																																																									
17	K92#136	18	OR	3686945C1																																																																																																																																																																																																																																									
18	K92#138	18	OR	3686945C1																																																																																																																																																																																																																																									
19	K92#174	18	LTBL	3686945C1																																																																																																																																																																																																																																									
20	K92#114	18	GY	3686945C1																																																																																																																																																																																																																																									
21	K92#153	18	YL	3686945C1																																																																																																																																																																																																																																									
22	K92#173	18	LTBL	3686945C1																																																																																																																																																																																																																																									
23	K92#134	18	WH	3686945C1																																																																																																																																																																																																																																									
24	K92#176	18	YL	3686945C1																																																																																																																																																																																																																																									
<p>LCT OUTPUT SPEED SENSOR (7600M) (LOCATED AT ENGINE COMPARTMENT TRANSMISSION)</p>  <p>CONNECTOR 3610533C1 BODY LOCK 3610532C1</p> <table border="1" style="width:100%; border-collapse: collapse;"> <thead> <tr> <th>CAV</th><th>CIRCUIT</th><th>GAUGE</th><th>COLOR</th><th>TERMINAL</th><th>SEAL/SLEEVE</th></tr> </thead> <tbody> <tr><td>A</td><td>K47#160</td><td>18</td><td>YL</td><td>3554322C1</td><td>3554318C1</td></tr> <tr><td>B</td><td>K47#140</td><td>18</td><td>LTBL</td><td>3554322C1</td><td>3554318C1</td></tr> </tbody> </table>		CAV	CIRCUIT	GAUGE	COLOR	TERMINAL	SEAL/SLEEVE	A	K47#160	18	YL	3554322C1	3554318C1	B	K47#140	18	LTBL	3554322C1	3554318C1	<p>WTEC MD ENGINE SPEED SENSOR (7603M) (LOCATED AT ENGINE COMPARTMENT TRANSMISSION)</p>  <p>CONNECTOR 3610533C1 BODY LOCK 3610532C1</p> <table border="1" style="width:100%; border-collapse: collapse;"> <thead> <tr> <th>CAV</th><th>CIRCUIT</th><th>GAUGE</th><th>COLOR</th><th>TERMINAL</th><th>SEAL/SLEEVE</th></tr> </thead> <tbody> <tr><td>A</td><td>K48#159</td><td>18</td><td>TN</td><td>3554322C1</td><td>3554318C1</td></tr> <tr><td>B</td><td>K48#139</td><td>18</td><td>OR</td><td>3554322C1</td><td>3554318C1</td></tr> </tbody> </table>						CAV	CIRCUIT	GAUGE	COLOR	TERMINAL	SEAL/SLEEVE	A	K48#159	18	TN	3554322C1	3554318C1	B	K48#139	18	OR	3554322C1	3554318C1																																																																																																																																																																																																		
CAV	CIRCUIT	GAUGE	COLOR	TERMINAL	SEAL/SLEEVE																																																																																																																																																																																																																																								
A	K47#160	18	YL	3554322C1	3554318C1																																																																																																																																																																																																																																								
B	K47#140	18	LTBL	3554322C1	3554318C1																																																																																																																																																																																																																																								
CAV	CIRCUIT	GAUGE	COLOR	TERMINAL	SEAL/SLEEVE																																																																																																																																																																																																																																								
A	K48#159	18	TN	3554322C1	3554318C1																																																																																																																																																																																																																																								
B	K48#139	18	OR	3554322C1	3554318C1																																																																																																																																																																																																																																								
<p>LCT ENGINE SPEED SENSOR (7604M) (LOCATED AT ENGINE COMPARTMENT TRANSMISSION)</p>  <p>CONNECTOR 3610533C1 BODY LOCK 3610532C1</p> <table border="1" style="width:100%; border-collapse: collapse;"> <thead> <tr> <th>CAV</th><th>CIRCUIT</th><th>GAUGE</th><th>COLOR</th><th>TERMINAL</th><th>SEAL/SLEEVE</th></tr> </thead> <tbody> <tr><td>A</td><td>K48#159</td><td>18</td><td>TN</td><td>3554322C1</td><td>3554318C1</td></tr> <tr><td>B</td><td>K48#139</td><td>18</td><td>OR</td><td>3554322C1</td><td>3554318C1</td></tr> </tbody> </table>		CAV	CIRCUIT	GAUGE	COLOR	TERMINAL	SEAL/SLEEVE	A	K48#159	18	TN	3554322C1	3554318C1	B	K48#139	18	OR	3554322C1	3554318C1	<p>WTEC MD OUTPUT SPEED SENSOR (7605M) (LOCATED AT ENGINE COMPARTMENT TRANSMISSION)</p>  <p>CONNECTOR 3610533C1 BODY LOCK 3610532C1</p> <table border="1" style="width:100%; border-collapse: collapse;"> <thead> <tr> <th>CAV</th><th>CIRCUIT</th><th>GAUGE</th><th>COLOR</th><th>TERMINAL</th><th>SEAL/SLEEVE</th></tr> </thead> <tbody> <tr><td>A</td><td>K47#160</td><td>18</td><td>YL</td><td>3554322C1</td><td>3554318C1</td></tr> <tr><td>B</td><td>K47#140</td><td>18</td><td>LTBL</td><td>3554322C1</td><td>3554318C1</td></tr> </tbody> </table>						CAV	CIRCUIT	GAUGE	COLOR	TERMINAL	SEAL/SLEEVE	A	K47#160	18	YL	3554322C1	3554318C1	B	K47#140	18	LTBL	3554322C1	3554318C1																																																																																																																																																																																																		
CAV	CIRCUIT	GAUGE	COLOR	TERMINAL	SEAL/SLEEVE																																																																																																																																																																																																																																								
A	K48#159	18	TN	3554322C1	3554318C1																																																																																																																																																																																																																																								
B	K48#139	18	OR	3554322C1	3554318C1																																																																																																																																																																																																																																								
CAV	CIRCUIT	GAUGE	COLOR	TERMINAL	SEAL/SLEEVE																																																																																																																																																																																																																																								
A	K47#160	18	YL	3554322C1	3554318C1																																																																																																																																																																																																																																								
B	K47#140	18	LTBL	3554322C1	3554318C1																																																																																																																																																																																																																																								
<p>CHK</p>		<p>DATE</p>		<p>CHANGE</p>		<p>REV</p>		<p>REFERENCE</p>		<p>DRAWN</p>		<p>NAME</p>																																																																																																																																																																																																																																	
MJVO		SEP16		ADDED R/D 7250M AND 7350.		B		93690D		300343		CIRCUIT DIAGRAM, BE,CE BUS																																																																																																																																																																																																																																	
										73617G		05APR11																																																																																																																																																																																																																																	
										AE08065293		024																																																																																																																																																																																																																																	

Figure 596 Connector Composites (7250M, 7350, 7600M, 7603M, 7604M, 7605M)

22.37. CONNECTOR COMPOSITES (7606M, 7607M, 7609M, 7701, 7801M), P. 25

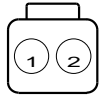
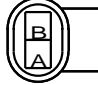
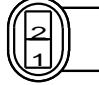
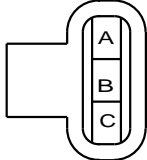
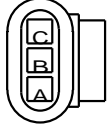

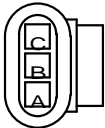
NAVISTAR, INC				ELECTRICAL CIRCUIT DIAGRAM				CHAPTER 22																																																															
THIS PRINT IS PROVIDED ON A RESTRICTED BASIS AND IS NOT TO BE USED IN ANY WAY DETRIMENTAL TO THE INTEREST OF NAVISTAR, INC.				CONNECTOR BODY COMPOSITE MATING VIEW SHOWN																																																																			
<p>EATON ENGINE SPEED SENSOR CONNECTOR (7606M) (LOCATED ENGINE COMPARTMENT TRANSMISSION)</p>  <p>W / I6 ENGINE CONNECTOR 3602756C1 BODY LOCK 1684262C1</p> <table border="1" style="width:100%; border-collapse: collapse; font-size: x-small;"> <thead> <tr> <th>CAV</th> <th>CIRCUIT</th> <th>GAUGE</th> <th>COLOR</th> <th>TERMINAL</th> <th>SEAL/SLEEVE</th> </tr> </thead> <tbody> <tr> <td>1</td> <td>K47(+)</td> <td>16</td> <td>WH</td> <td>1680206C1</td> <td></td> </tr> <tr> <td>2</td> <td>K47(-)</td> <td>16</td> <td>BK</td> <td>1680206C1</td> <td></td> </tr> </tbody> </table>						CAV	CIRCUIT	GAUGE	COLOR	TERMINAL	SEAL/SLEEVE	1	K47(+)	16	WH	1680206C1		2	K47(-)	16	BK	1680206C1		<p>LCT TURBINE SENSOR (7607M) (LOCATED AT ENGINE COMPARTMENT TRANSMISSION)</p>  <p>CONNECTOR 3610533C1 BODY LOCK 3610532C1</p> <table border="1" style="width:100%; border-collapse: collapse; font-size: x-small;"> <thead> <tr> <th>CAV</th> <th>CIRCUIT</th> <th>GAUGE</th> <th>COLOR</th> <th>TERMINAL</th> <th>SEAL/SLEEVE</th> </tr> </thead> <tbody> <tr> <td>A</td> <td>K92#180</td> <td>18</td> <td>OR</td> <td>3554322C1</td> <td>3554318C1</td> </tr> <tr> <td>B#</td> <td>K92#120</td> <td>18</td> <td>LTBL</td> <td>3554322C1</td> <td>3554318C1</td> </tr> <tr> <td>B*</td> <td>K92#120</td> <td>18</td> <td>GY</td> <td>3554322C1</td> <td>3554318C1</td> </tr> <tr> <td>B@</td> <td>K92#120</td> <td>18</td> <td>LTBL</td> <td>3554322C1</td> <td>3554318C1</td> </tr> </tbody> </table> <p># W / I6 ENGINE * W / V8 ENGINE @ W/ CE BUS W/ CUMMINS ISB ENGINE</p>						CAV	CIRCUIT	GAUGE	COLOR	TERMINAL	SEAL/SLEEVE	A	K92#180	18	OR	3554322C1	3554318C1	B#	K92#120	18	LTBL	3554322C1	3554318C1	B*	K92#120	18	GY	3554322C1	3554318C1	B@	K92#120	18	LTBL	3554322C1	3554318C1												
CAV	CIRCUIT	GAUGE	COLOR	TERMINAL	SEAL/SLEEVE																																																																		
1	K47(+)	16	WH	1680206C1																																																																			
2	K47(-)	16	BK	1680206C1																																																																			
CAV	CIRCUIT	GAUGE	COLOR	TERMINAL	SEAL/SLEEVE																																																																		
A	K92#180	18	OR	3554322C1	3554318C1																																																																		
B#	K92#120	18	LTBL	3554322C1	3554318C1																																																																		
B*	K92#120	18	GY	3554322C1	3554318C1																																																																		
B@	K92#120	18	LTBL	3554322C1	3554318C1																																																																		
<p>OUTPUT ENGINE SPEED SENSOR (7609M) (LOCATED ENGINE COMPARTMENT TRANSMISSION)</p>  <p>CONNECTOR 3554317C1</p> <table border="1" style="width:100%; border-collapse: collapse; font-size: x-small;"> <thead> <tr> <th>CAV</th> <th>CIRCUIT</th> <th>GAUGE</th> <th>COLOR</th> <th>TERMINAL</th> <th>SEAL/SLEEVE</th> </tr> </thead> <tbody> <tr> <td>1</td> <td>K47A(+)</td> <td>18</td> <td>YL</td> <td>3554322C1</td> <td>3554318C1</td> </tr> <tr> <td>2</td> <td>K47A(-)</td> <td>18</td> <td>GN</td> <td>3554322C1</td> <td>3554318C1</td> </tr> </tbody> </table> <p>W / I6 ENGINE</p>						CAV	CIRCUIT	GAUGE	COLOR	TERMINAL	SEAL/SLEEVE	1	K47A(+)	18	YL	3554322C1	3554318C1	2	K47A(-)	18	GN	3554322C1	3554318C1	<p>XMSN OIL FILTER (7701) (LOCATED AT FRAME MOUNTED TRANSMISSION OIL FILTER)</p>  <p>CONNECTOR 1686834C1 BODY LOCK 1664408C1</p> <table border="1" style="width:100%; border-collapse: collapse; font-size: x-small;"> <thead> <tr> <th>CAV</th> <th>CIRCUIT</th> <th>GAUGE</th> <th>COLOR</th> <th>TERMINAL</th> <th>SEAL/SLEEVE</th> </tr> </thead> <tbody> <tr> <td>A</td> <td>M31-G</td> <td>18</td> <td>WH</td> <td>2033819C1</td> <td>3517771C1</td> </tr> <tr> <td>B</td> <td>M31C</td> <td>18</td> <td>TN</td> <td>2033819C1</td> <td>3517771C1</td> </tr> <tr> <td>C</td> <td>PLUG</td> <td>-</td> <td>-</td> <td>0587579C1</td> <td>-</td> </tr> </tbody> </table>						CAV	CIRCUIT	GAUGE	COLOR	TERMINAL	SEAL/SLEEVE	A	M31-G	18	WH	2033819C1	3517771C1	B	M31C	18	TN	2033819C1	3517771C1	C	PLUG	-	-	0587579C1	-																		
CAV	CIRCUIT	GAUGE	COLOR	TERMINAL	SEAL/SLEEVE																																																																		
1	K47A(+)	18	YL	3554322C1	3554318C1																																																																		
2	K47A(-)	18	GN	3554322C1	3554318C1																																																																		
CAV	CIRCUIT	GAUGE	COLOR	TERMINAL	SEAL/SLEEVE																																																																		
A	M31-G	18	WH	2033819C1	3517771C1																																																																		
B	M31C	18	TN	2033819C1	3517771C1																																																																		
C	PLUG	-	-	0587579C1	-																																																																		
<p>J1939 TERMINATING RESISTOR (7801M) (LOCATED AT ENGINE COMPARTMENT TRANSMISSION)</p>  <p>CONNECTOR 1667741C1 BODY LOCK 1667771C1</p> <table border="1" style="width:100%; border-collapse: collapse; font-size: x-small;"> <thead> <tr> <th>CAV</th> <th>CIRCUIT</th> <th>GAUGE</th> <th>COLOR</th> <th>TERMINAL</th> <th>SEAL/SLEEVE</th> </tr> </thead> <tbody> <tr> <td>A</td> <td>M5A(+)</td> <td>18</td> <td>YL</td> <td>1661875C1</td> <td>3568570C1</td> </tr> <tr> <td>B</td> <td>PLUG</td> <td>-</td> <td>-</td> <td>2025431C1</td> <td>-</td> </tr> <tr> <td>C</td> <td>M5A(-)</td> <td>18</td> <td>GN</td> <td>1661875C1</td> <td>3568570C1</td> </tr> </tbody> </table>						CAV	CIRCUIT	GAUGE	COLOR	TERMINAL	SEAL/SLEEVE	A	M5A(+)	18	YL	1661875C1	3568570C1	B	PLUG	-	-	2025431C1	-	C	M5A(-)	18	GN	1661875C1	3568570C1	<p>J1939 TERM RESISTOR (7801M) (LOCATED AT ENGINE COMPARTMENT)</p>  <p>CONNECTOR 1667741C1 BODY LOCK 1667771C1</p> <table border="1" style="width:100%; border-collapse: collapse; font-size: x-small;"> <thead> <tr> <th>CAV</th> <th>CIRCUIT</th> <th>GAUGE</th> <th>COLOR</th> <th>TERMINAL</th> <th>SEAL/SLEEVE</th> </tr> </thead> <tbody> <tr> <td>A*</td> <td>K5B(+)</td> <td>18</td> <td>YL</td> <td>1661875C1</td> <td>3568570C1</td> </tr> <tr> <td>A#</td> <td>K5A(+)</td> <td>20</td> <td>YL</td> <td>1661875C1</td> <td>3568570C1</td> </tr> <tr> <td>B</td> <td>PLUG</td> <td>-</td> <td>-</td> <td>2025431C1</td> <td>-</td> </tr> <tr> <td>C*</td> <td>K5B(-)</td> <td>18</td> <td>GN</td> <td>1661875C1</td> <td>3568570C1</td> </tr> <tr> <td>C#</td> <td>K5A(-)</td> <td>20</td> <td>GN</td> <td>1661875C1</td> <td>3568570C1</td> </tr> </tbody> </table> <p>W/ F-2017-ISB-ENG * W/ PAM 250K # N/ PAM 250K</p>						CAV	CIRCUIT	GAUGE	COLOR	TERMINAL	SEAL/SLEEVE	A*	K5B(+)	18	YL	1661875C1	3568570C1	A#	K5A(+)	20	YL	1661875C1	3568570C1	B	PLUG	-	-	2025431C1	-	C*	K5B(-)	18	GN	1661875C1	3568570C1	C#	K5A(-)	20	GN	1661875C1	3568570C1
CAV	CIRCUIT	GAUGE	COLOR	TERMINAL	SEAL/SLEEVE																																																																		
A	M5A(+)	18	YL	1661875C1	3568570C1																																																																		
B	PLUG	-	-	2025431C1	-																																																																		
C	M5A(-)	18	GN	1661875C1	3568570C1																																																																		
CAV	CIRCUIT	GAUGE	COLOR	TERMINAL	SEAL/SLEEVE																																																																		
A*	K5B(+)	18	YL	1661875C1	3568570C1																																																																		
A#	K5A(+)	20	YL	1661875C1	3568570C1																																																																		
B	PLUG	-	-	2025431C1	-																																																																		
C*	K5B(-)	18	GN	1661875C1	3568570C1																																																																		
C#	K5A(-)	20	GN	1661875C1	3568570C1																																																																		
CHK	DATE	CHANGE	REV	REFERENCE	DRAWN	NAME																																																																	
MJVO	2016 SEP 16	ADDED R/D 7801M.	D	93690D	300343	CIRCUIT DIAGRAM, BE, CE BUS																																																																	
					RELEASE NO.	DATE	PART NO.	SHEET																																																															
					73617G	05APR11	AE08065293	025																																																															

Figure 597 Connector Composites (7606M, 7607M, 7609M, 7701, 7801M)

22.38. CONNECTOR COMPOSITES (7801M, 7802, 7802M, 7803), P. 25A

NAVISTAR, INC				ELECTRICAL CIRCUIT DIAGRAM				CHAPTER 22			
THIS PRINT IS PROVIDED ON A RESTRICTED BASIS AND IS NOT TO BE USED IN ANY WAY DETRIMENTAL TO THE INTEREST OF NAVISTAR, INC.				CONNECTOR BODY COMPOSITE MATING VIEW SHOWN							

J1939 TERMINATING RESISTOR (7801M)
(LOCATED AT ENGINE COMPARTMENT TRANSMISSION)



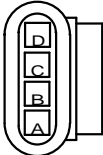
CONNECTOR 1667741C1
BODY LOCK 1667771C1

CAV	CIRCUIT	GAUGE	COLOR	TERMINAL	SEAL/SLEEVE
A*	K5B(+)	18	YL	1661875C1	3568570C1
A#	K5A(+)	18	YL	1661875C1	3568570C1
B	PLUG	-	-	2025431C1	-
C*	K5B(-)	18	GN	1661875C1	3568570C1
C#	K5A(-)	18	GN	1661875C1	3568570C1

W/ CE BUS W/ CUMMINS ISB ENG

* W/ J1939 500K ALLISION W/ PAM 250K
W/ J1939 500K ALLISION N/ PAM 250K

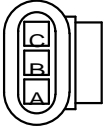
ARENS SHIFTER MOTOR ACTUATOR (7802)
(LOCATED AT KEY SWITCH IN CAB)



CONNECTOR 3535482C1
BODY LOCK 3535483C1

CAV	CIRCUIT	GAUGE	COLOR	TERMINAL	SEAL/SLEEVE
A	K92HA	16	TN	2033819C1	1652325C1
B	K92HB	16	TN	2033819C1	1652325C1
C	K92HC	16	TN	2033819C1	1652325C1
D	K92HD	16	TN	2033819C1	1652325C1


J1939 RESISTOR (7802M)



CONNECTOR 1667741C1
BODY LOCK 1667771C1

CAV	CIRCUIT	GAUGE	COLOR	TERMINAL	SEAL/SLEEVE
A	K5HC(+)	18	YL	1661875C1	3568570C1
B	PLUG	-	-	2025431C1	-
C	K5HC(-)	18	GN	1661875C1	3568570C1

J1939 TERMINATING RESISTOR (7803)



CONNECTOR 1667741C1
BODY LOCK 1667771C1

CAV	CIRCUIT	GAUGE	COLOR	TERMINAL	SEAL/SLEEVE
A	K5(+)	18	YL	1661875C1	3568570C1
A	K5B(+)	18	YL	1661875C1	3568570C1
B	PLUG	-	-	2025431C1	-
C	K5(-)	18	GN	1661875C1	3568570C1
C	K5B(-)	18	GN	1661875C1	3568570C1

CHK	DATE	CHANGE	REV	REFERENCE	DRAWN	NAME
0488	19AUG15	ADDED R/D 7803.	B	93248V	MJV0370	CIRCUIT DIAGRAM, BE, CE BUS
					RELEASE NO.	DATE
					92674B	31OCT14
					PART NO.	SHEET
					AE08065293	25A

Figure 598 Connector Composites (7801M, 7802, 7802M, 7803)

22.39. CONNECTOR COMPOSITES (7803, 7805, 7808), P. 26

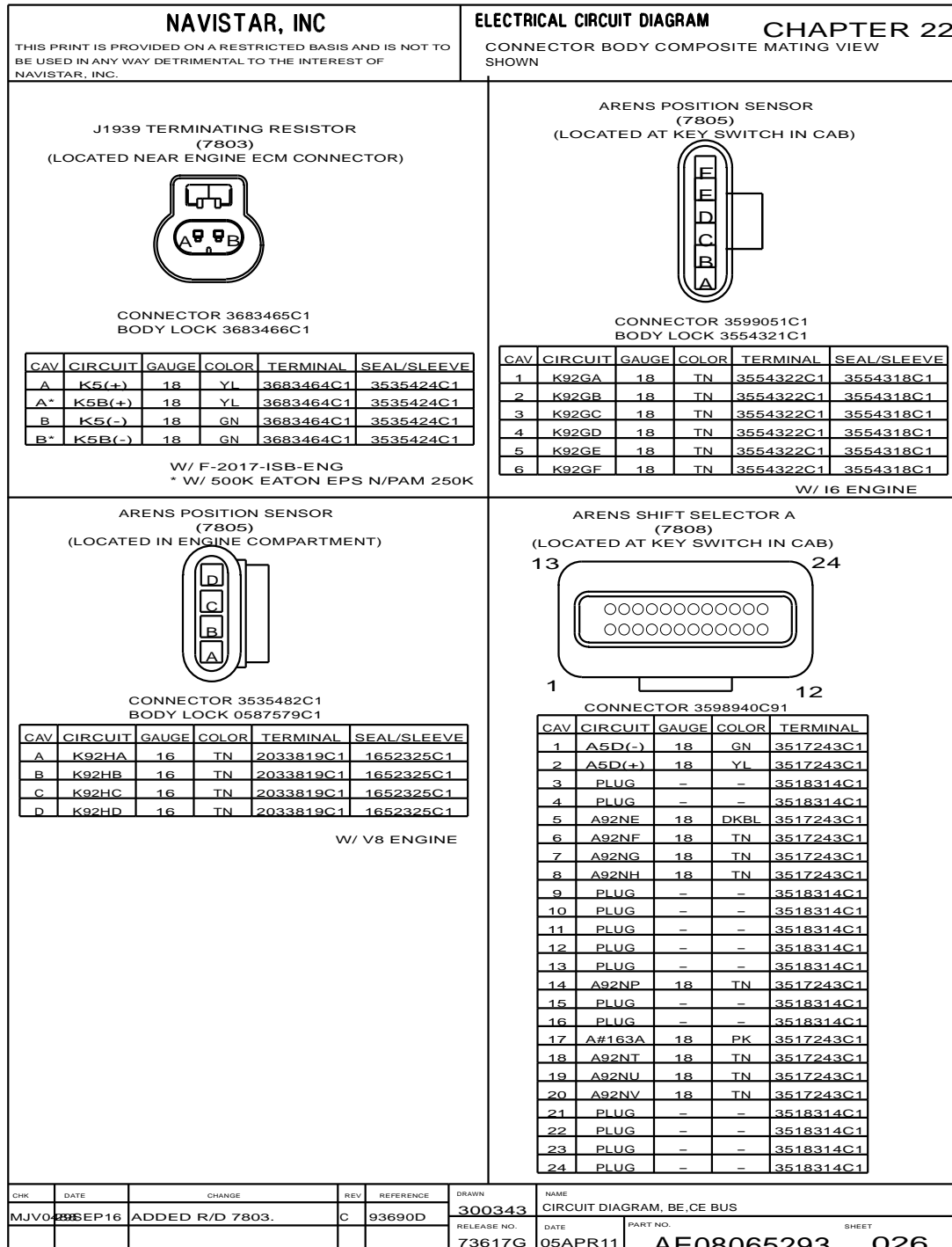


Figure 599 Connector Composites (7803, 7805, 7808)

22.40. CONNECTOR COMPOSITES (7809, 7905A), P. 26A

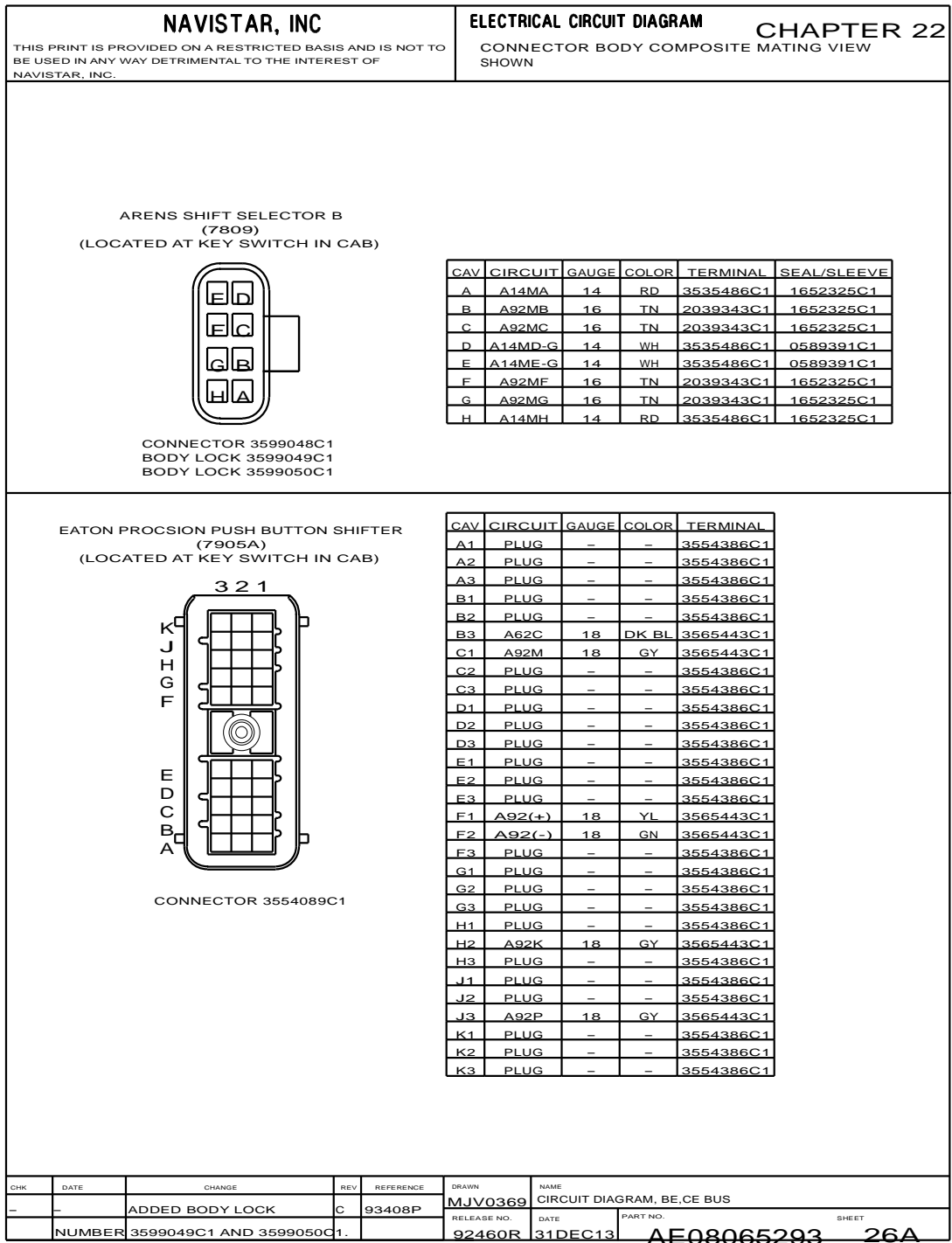


Figure 600 Connector Composites (7809, 7905A)

22.41. CONNECTOR COMPOSITES (8000, 8003A, 8003B, 8004A, 8004B, 8008, 8310), P. 27

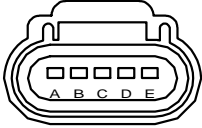
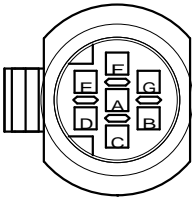
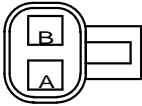
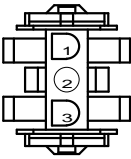

NAVISTAR, INC				ELECTRICAL CIRCUIT DIAGRAM		CHAPTER 22																																																	
THIS PRINT IS PROVIDED ON A RESTRICTED BASIS AND IS NOT TO BE USED IN ANY WAY DETRIMENTAL TO THE INTEREST OF NAVISTAR, INC.				CONNECTOR BODY COMPOSITE MATING VIEW SHOWN																																																			
 <p>CONNECTOR 3827829C1 BODY LOCK 3827830C1</p>		<p>MAF / ATT CONN (8000) (LOCATED AT HOOD NEAR RIGHT HEADLIGHT)</p> <table border="1" style="width: 100%; border-collapse: collapse; font-size: x-small;"> <thead> <tr> <th>CAV</th> <th>CIRCUIT</th> <th>GAUGE</th> <th>COLOR</th> <th>TERMINAL</th> <th>SEAL/SLEEVE</th> </tr> </thead> <tbody> <tr><td>A</td><td>K97E</td><td>18</td><td>PL</td><td>3535303C1</td><td>3535424C1</td></tr> <tr><td>B</td><td>K97SA</td><td>18</td><td>VT</td><td>3535303C1</td><td>3535424C1</td></tr> <tr><td>C</td><td>K97AS</td><td>18</td><td>PL</td><td>3535303C1</td><td>3535424C1</td></tr> <tr><td>D</td><td>K97AT</td><td>18</td><td>VT</td><td>3535303C1</td><td>3535424C1</td></tr> <tr><td>E</td><td>K97A-G</td><td>18</td><td>WH</td><td>3535303C1</td><td>3535424C1</td></tr> </tbody> </table>						CAV	CIRCUIT	GAUGE	COLOR	TERMINAL	SEAL/SLEEVE	A	K97E	18	PL	3535303C1	3535424C1	B	K97SA	18	VT	3535303C1	3535424C1	C	K97AS	18	PL	3535303C1	3535424C1	D	K97AT	18	VT	3535303C1	3535424C1	E	K97A-G	18	WH	3535303C1	3535424C1												
CAV	CIRCUIT	GAUGE	COLOR	TERMINAL	SEAL/SLEEVE																																																		
A	K97E	18	PL	3535303C1	3535424C1																																																		
B	K97SA	18	VT	3535303C1	3535424C1																																																		
C	K97AS	18	PL	3535303C1	3535424C1																																																		
D	K97AT	18	VT	3535303C1	3535424C1																																																		
E	K97A-G	18	WH	3535303C1	3535424C1																																																		
 <p>CONNECTOR 2039311C91 BODY LOCK 2039342C1</p>		<p>HOOD HARNESS (8003A/8003B) (LOCATED INSIDE LEFT RAIL NEAR BUMPER)</p> <table border="1" style="width: 100%; border-collapse: collapse; font-size: x-small;"> <thead> <tr> <th>CAV</th> <th>CIRCUIT</th> <th>GAUGE</th> <th>COLOR</th> <th>TERMINAL</th> <th>SEAL/SLEEVE</th> </tr> </thead> <tbody> <tr><td>A</td><td>M11-GB</td><td>12</td><td>WH</td><td>2039344C1</td><td>0589390C1</td></tr> <tr><td>B</td><td>M58AA</td><td>14</td><td>BN</td><td>3535486C1</td><td>0589391C1</td></tr> <tr><td>C</td><td>M57A</td><td>14</td><td>OR</td><td>3535486C1</td><td>0589391C1</td></tr> <tr><td>D</td><td>M56A</td><td>14</td><td>OR</td><td>3535486C1</td><td>0589391C1</td></tr> <tr><td>E</td><td>M53B</td><td>12</td><td>YL</td><td>2039344C1</td><td>0589390C1</td></tr> <tr><td>F</td><td>M52B</td><td>12</td><td>YL</td><td>2039344C1</td><td>0589390C1</td></tr> <tr><td>G</td><td>M11-GC</td><td>12</td><td>WH</td><td>2039344C1</td><td>0589390C1</td></tr> </tbody> </table>						CAV	CIRCUIT	GAUGE	COLOR	TERMINAL	SEAL/SLEEVE	A	M11-GB	12	WH	2039344C1	0589390C1	B	M58AA	14	BN	3535486C1	0589391C1	C	M57A	14	OR	3535486C1	0589391C1	D	M56A	14	OR	3535486C1	0589391C1	E	M53B	12	YL	2039344C1	0589390C1	F	M52B	12	YL	2039344C1	0589390C1	G	M11-GC	12	WH	2039344C1	0589390C1
CAV	CIRCUIT	GAUGE	COLOR	TERMINAL	SEAL/SLEEVE																																																		
A	M11-GB	12	WH	2039344C1	0589390C1																																																		
B	M58AA	14	BN	3535486C1	0589391C1																																																		
C	M57A	14	OR	3535486C1	0589391C1																																																		
D	M56A	14	OR	3535486C1	0589391C1																																																		
E	M53B	12	YL	2039344C1	0589390C1																																																		
F	M52B	12	YL	2039344C1	0589390C1																																																		
G	M11-GC	12	WH	2039344C1	0589390C1																																																		
 <p>CONNECTOR 1671610C1 BODY LOCK 1671608C1</p>		<p>RIGHT HEADLIGHT HI / LOW BEAMS (8004A/8004B) (LOCATED AT LEFT HEADLIGHT)</p> <table border="1" style="width: 100%; border-collapse: collapse; font-size: x-small;"> <thead> <tr> <th>CAV</th> <th>CIRCUIT</th> <th>GAUGE</th> <th>COLOR</th> <th>TERMINAL</th> <th>SEAL/SLEEVE</th> </tr> </thead> <tbody> <tr><td>A</td><td>M53A</td><td>12</td><td>YL</td><td>2033816C1</td><td>0589390C1</td></tr> <tr><td>B</td><td>M52A</td><td>12</td><td>YL</td><td>2033816C1</td><td>0589390C1</td></tr> </tbody> </table>						CAV	CIRCUIT	GAUGE	COLOR	TERMINAL	SEAL/SLEEVE	A	M53A	12	YL	2033816C1	0589390C1	B	M52A	12	YL	2033816C1	0589390C1																														
CAV	CIRCUIT	GAUGE	COLOR	TERMINAL	SEAL/SLEEVE																																																		
A	M53A	12	YL	2033816C1	0589390C1																																																		
B	M52A	12	YL	2033816C1	0589390C1																																																		
 <p>CONNECTOR 2206665C1</p>		<p>RECTIFIRE CONNECTION (8008) (LOCATED NEAR DASH PANEL)</p> <table border="1" style="width: 100%; border-collapse: collapse; font-size: x-small;"> <thead> <tr> <th>CAV</th> <th>CIRCUIT</th> <th>GAUGE</th> <th>COLOR</th> <th>TERMINAL</th> </tr> </thead> <tbody> <tr><td>1</td><td>A92A</td><td>18</td><td>GY</td><td>1661538C1</td></tr> <tr><td>2</td><td>A92B</td><td>18</td><td>GY</td><td>1661538C1</td></tr> <tr><td>3</td><td>A92#141</td><td>18</td><td>GY</td><td>1661538C1</td></tr> </tbody> </table>						CAV	CIRCUIT	GAUGE	COLOR	TERMINAL	1	A92A	18	GY	1661538C1	2	A92B	18	GY	1661538C1	3	A92#141	18	GY	1661538C1																												
CAV	CIRCUIT	GAUGE	COLOR	TERMINAL																																																			
1	A92A	18	GY	1661538C1																																																			
2	A92B	18	GY	1661538C1																																																			
3	A92#141	18	GY	1661538C1																																																			
 <p>CONNECTOR 1661778C1 BODY LOCK 1661874C1</p>		<p>HORN (8310) (LOCATED AT ENGINE COMPARTMENT NEAR BUMPER)</p> <table border="1" style="width: 100%; border-collapse: collapse; font-size: x-small;"> <thead> <tr> <th>CAV</th> <th>CIRCUIT</th> <th>GAUGE</th> <th>COLOR</th> <th>TERMINAL</th> <th>SEAL/SLEEVE</th> </tr> </thead> <tbody> <tr><td>A</td><td>M85A</td><td>16</td><td>GY</td><td>1661875C1</td><td>1661872C1</td></tr> <tr><td>B</td><td>M85-GA</td><td>16</td><td>WH</td><td>1661875C1</td><td>1661872C1</td></tr> </tbody> </table>						CAV	CIRCUIT	GAUGE	COLOR	TERMINAL	SEAL/SLEEVE	A	M85A	16	GY	1661875C1	1661872C1	B	M85-GA	16	WH	1661875C1	1661872C1																														
CAV	CIRCUIT	GAUGE	COLOR	TERMINAL	SEAL/SLEEVE																																																		
A	M85A	16	GY	1661875C1	1661872C1																																																		
B	M85-GA	16	WH	1661875C1	1661872C1																																																		
CHK	DATE	CHANGE	REV	REFERENCE	DRAWN	NAME																																																	
0638	02JUL15	ADDED R/D 8008.	C	92974F	300343	CIRCUIT DIAGRAM, BE,CE BUS																																																	
					RELEASE NO.	DATE	PART NO.	SHEET																																															
					73617G	05APR11	AE08065293	027																																															

Figure 601 Connector Composites (8000, 8003A, 8003B, 8004A, 8004B, 8008, 8310)

22.42. CONNECTOR COMPOSITES (8313, 8314, 8331, 8450, 8601), P. 28

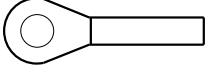
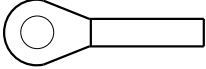

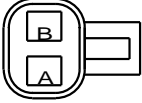

NAVISTAR, INC				ELECTRICAL CIRCUIT DIAGRAM				CHAPTER 22																																											
THIS PRINT IS PROVIDED ON A RESTRICTED BASIS AND IS NOT TO BE USED IN ANY WAY DETRIMENTAL TO THE INTEREST OF NAVISTAR, INC.				CONNECTOR BODY COMPOSITE MATING VIEW SHOWN																																															
<p>AIR HORN FOOT SWITCH (8313) (LOCATED NEAR DRIVER POSITION)</p>  <p>TERMINAL 3863609C1</p>								<table border="1" style="width:100%; border-collapse: collapse; font-size: x-small;"> <thead> <tr> <th>CIRCUIT</th> <th>GAUGE</th> <th>COLOR</th> <th>TERMINAL</th> <th>SEAL/SLEEVE</th> </tr> </thead> <tbody> <tr> <td>A100A</td> <td>18</td> <td>GY</td> <td>3863609C1</td> <td>2644038R1</td> </tr> </tbody> </table>				CIRCUIT	GAUGE	COLOR	TERMINAL	SEAL/SLEEVE	A100A	18	GY	3863609C1	2644038R1																														
CIRCUIT	GAUGE	COLOR	TERMINAL	SEAL/SLEEVE																																															
A100A	18	GY	3863609C1	2644038R1																																															
<p>AIR HORN FOOT SWITCH (8314) (LOCATED NEAR DRIVER POSITION)</p>  <p>TERMINAL 3863609C1</p>								<table border="1" style="width:100%; border-collapse: collapse; font-size: x-small;"> <thead> <tr> <th>CIRCUIT</th> <th>GAUGE</th> <th>COLOR</th> <th>TERMINAL</th> <th>SEAL/SLEEVE</th> </tr> </thead> <tbody> <tr> <td>A100B</td> <td>18</td> <td>GY</td> <td>3863609C1</td> <td>2644038R1</td> </tr> </tbody> </table>				CIRCUIT	GAUGE	COLOR	TERMINAL	SEAL/SLEEVE	A100B	18	GY	3863609C1	2644038R1																														
CIRCUIT	GAUGE	COLOR	TERMINAL	SEAL/SLEEVE																																															
A100B	18	GY	3863609C1	2644038R1																																															
<p>WEBASTO SMART TIMER (8331)</p>  <p>CONNECTOR 3544980C1</p>								<table border="1" style="width:100%; border-collapse: collapse; font-size: x-small;"> <thead> <tr> <th>CAV</th> <th>CIRCUIT</th> <th>GAUGE</th> <th>COLOR</th> <th>TERMINAL</th> </tr> </thead> <tbody> <tr> <td>1</td> <td>A74B</td> <td>16</td> <td>RD</td> <td>3545087C1</td> </tr> <tr> <td>1*</td> <td>A74</td> <td>16</td> <td>LTGN</td> <td>3545087C1</td> </tr> <tr> <td>2</td> <td>A74-GA</td> <td>16</td> <td>WH</td> <td>3545087C1</td> </tr> <tr> <td>3*</td> <td>A74A</td> <td>16</td> <td>LTGN</td> <td>3545087C1</td> </tr> <tr> <td>3</td> <td>A74C</td> <td>18</td> <td>LTGN</td> <td>3902785C1</td> </tr> <tr> <td>4</td> <td>A74D</td> <td>18</td> <td>LTGN</td> <td>3902785C1</td> </tr> <tr> <td>4*</td> <td>A74B</td> <td>16</td> <td>LTGN</td> <td>3545087C1</td> </tr> </tbody> </table> <p style="text-align: center; font-size: x-small;">* W/BOOSTER PUMP</p>				CAV	CIRCUIT	GAUGE	COLOR	TERMINAL	1	A74B	16	RD	3545087C1	1*	A74	16	LTGN	3545087C1	2	A74-GA	16	WH	3545087C1	3*	A74A	16	LTGN	3545087C1	3	A74C	18	LTGN	3902785C1	4	A74D	18	LTGN	3902785C1	4*	A74B	16	LTGN	3545087C1
CAV	CIRCUIT	GAUGE	COLOR	TERMINAL																																															
1	A74B	16	RD	3545087C1																																															
1*	A74	16	LTGN	3545087C1																																															
2	A74-GA	16	WH	3545087C1																																															
3*	A74A	16	LTGN	3545087C1																																															
3	A74C	18	LTGN	3902785C1																																															
4	A74D	18	LTGN	3902785C1																																															
4*	A74B	16	LTGN	3545087C1																																															
<p>SHUTTER SOLENOID (8450) (LOCATED INSIDE ENGINE HOOD)</p>  <p>CONNECTOR 1671610C1 BODY LOCK 1671608C1</p>								<table border="1" style="width:100%; border-collapse: collapse; font-size: x-small;"> <thead> <tr> <th>CAV</th> <th>CIRCUIT</th> <th>GAUGE</th> <th>COLOR</th> <th>TERMINAL</th> <th>SEAL/SLEEVE</th> </tr> </thead> <tbody> <tr> <td>A</td> <td>K23D</td> <td>18</td> <td>TN</td> <td>2033819C1</td> <td>3517771C1</td> </tr> <tr> <td>B</td> <td>K23-GD</td> <td>18</td> <td>WH</td> <td>2033819C1</td> <td>3517771C1</td> </tr> </tbody> </table>				CAV	CIRCUIT	GAUGE	COLOR	TERMINAL	SEAL/SLEEVE	A	K23D	18	TN	2033819C1	3517771C1	B	K23-GD	18	WH	2033819C1	3517771C1																						
CAV	CIRCUIT	GAUGE	COLOR	TERMINAL	SEAL/SLEEVE																																														
A	K23D	18	TN	2033819C1	3517771C1																																														
B	K23-GD	18	WH	2033819C1	3517771C1																																														
<p>FWD AMBIENT TEMP SENDER (8601) (LOCATED INSIDE ENGINE HOOD)</p>  <p>CONNECTOR 3522068C1 BODY LOCK 1661874C1</p>								<table border="1" style="width:100%; border-collapse: collapse; font-size: x-small;"> <thead> <tr> <th>CAV</th> <th>CIRCUIT</th> <th>GAUGE</th> <th>COLOR</th> <th>TERMINAL</th> <th>SEAL/SLEEVE</th> </tr> </thead> <tbody> <tr> <td>A</td> <td>M41</td> <td>18</td> <td>TN</td> <td>1661875C1</td> <td>1661872C1</td> </tr> <tr> <td>B</td> <td>M110AD</td> <td>18</td> <td>GY</td> <td>1661875C1</td> <td>1661872C1</td> </tr> </tbody> </table>				CAV	CIRCUIT	GAUGE	COLOR	TERMINAL	SEAL/SLEEVE	A	M41	18	TN	1661875C1	1661872C1	B	M110AD	18	GY	1661875C1	1661872C1																						
CAV	CIRCUIT	GAUGE	COLOR	TERMINAL	SEAL/SLEEVE																																														
A	M41	18	TN	1661875C1	1661872C1																																														
B	M110AD	18	GY	1661875C1	1661872C1																																														
CHK	DATE	CHANGE	REV	REFERENCE	DRAWN	NAME																																													
MJVO	16JUN16	ADDED R/D 8331.	B	93408P	300343	CIRCUIT DIAGRAM, BE,CE BUS																																													
RELEASE NO.		DATE		PART NO.		SHEET																																													
73617G		05APR11		AE08065293		028																																													

Figure 602 Connector Composites (8313, 8314, 8331, 8450, 8601)

22.43. CONNECTOR COMPOSITES (9001, 9003, 9004, 9005), P. 29

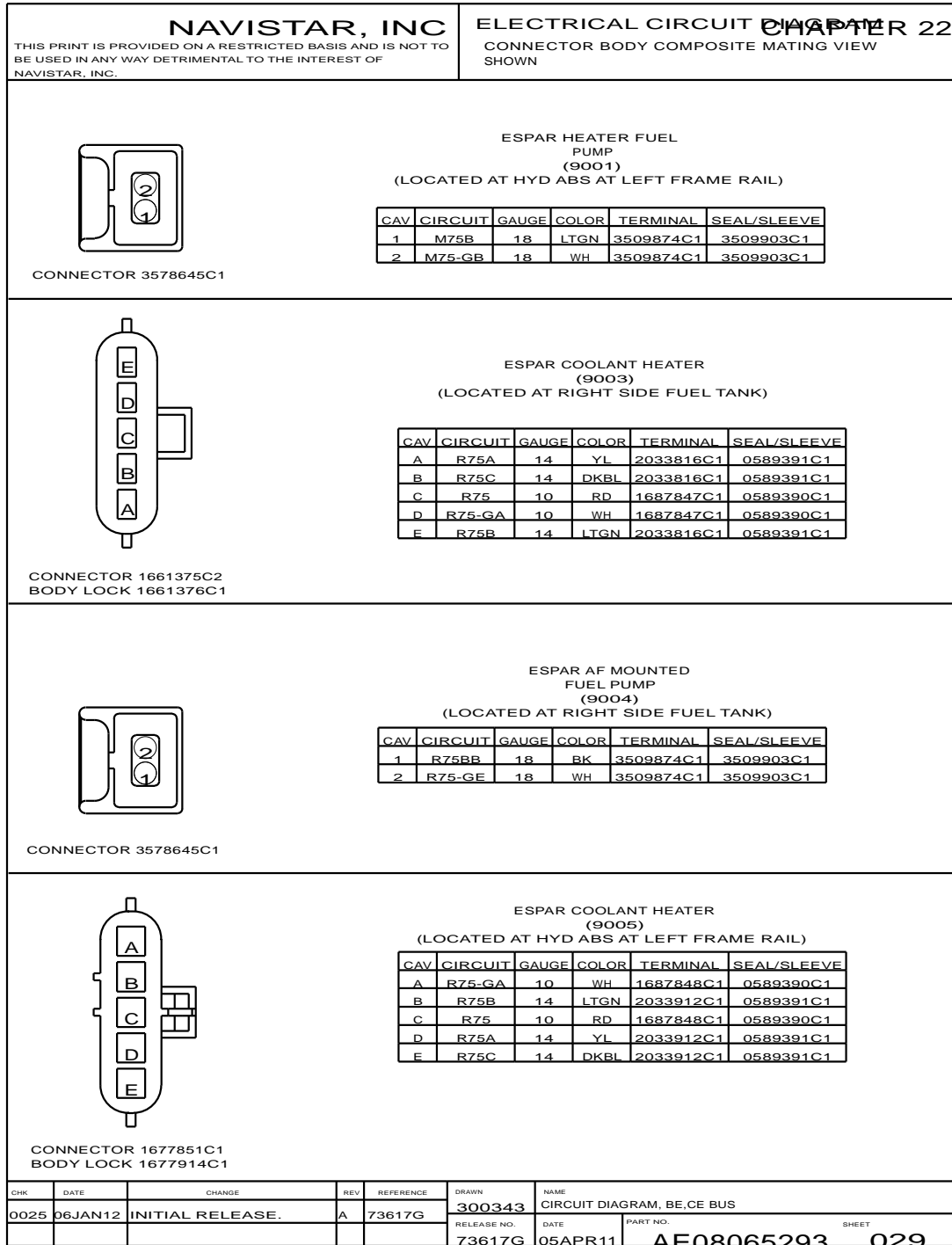


Figure 603 Connector Composites (9001, 9003, 9004, 9005)

22.44. CONNECTOR COMPOSITES (9005, 9006, 9007, 9008, 9100, 9100A), P. 30

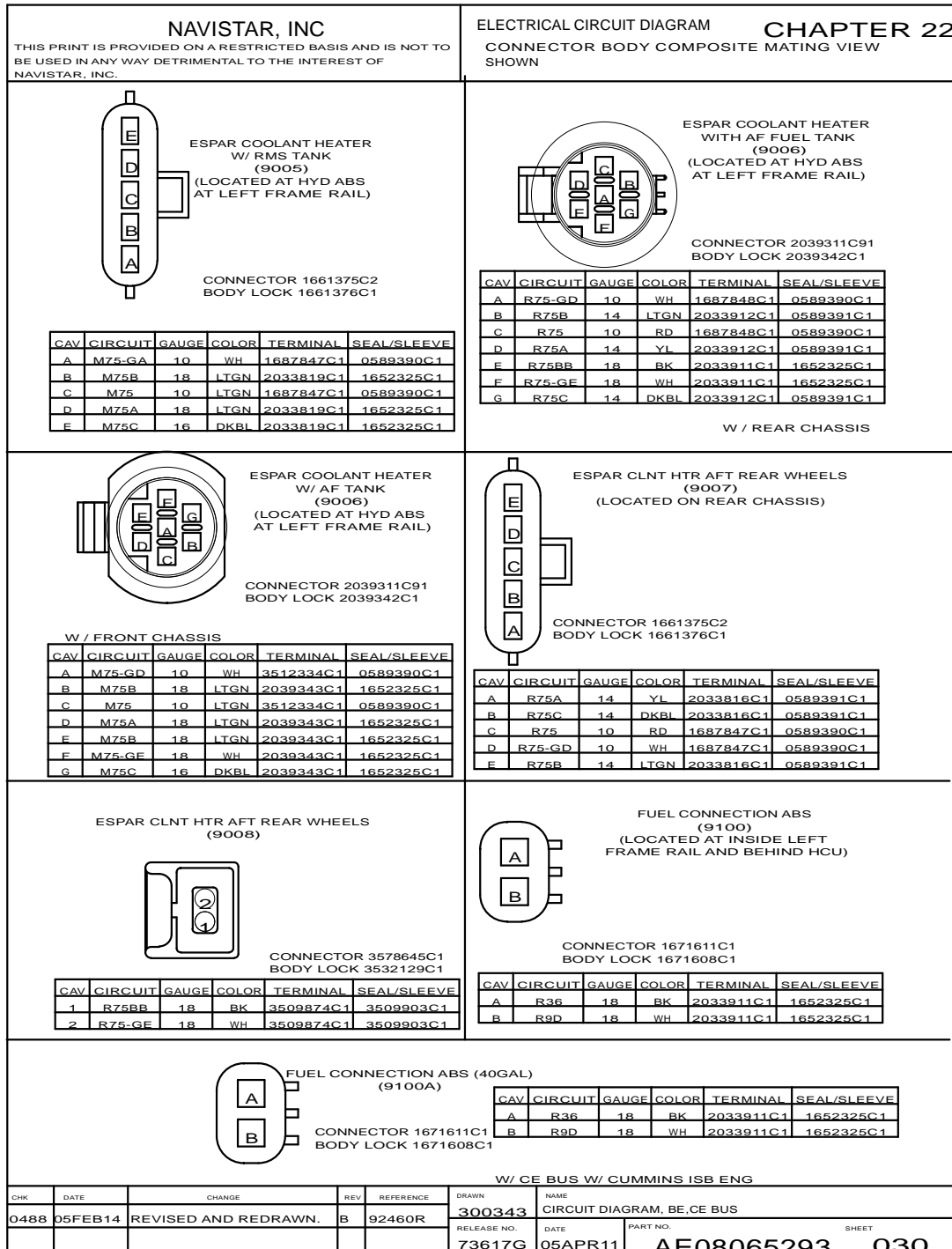


Figure 604 Connector Composites (9005, 9006, 9007, 9008, 9100, 9100A)

22.45. CONNECTOR COMPOSITES (9100, 9101), P. 31

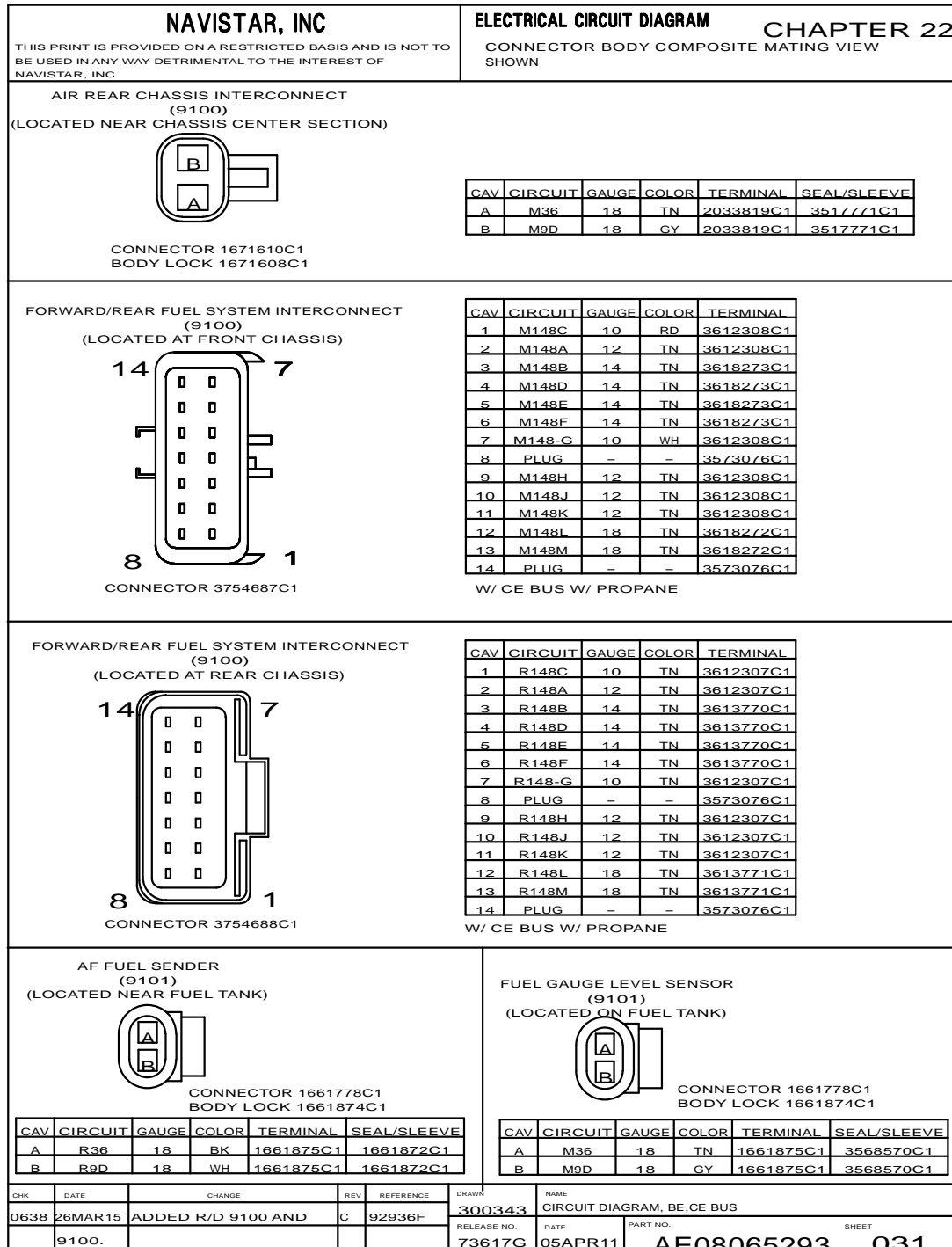


Figure 605 Connector Composites (9100, 9101)

22.46. CONNECTOR COMPOSITES (9101, 9101A, 9101B, 9257), P. 31A

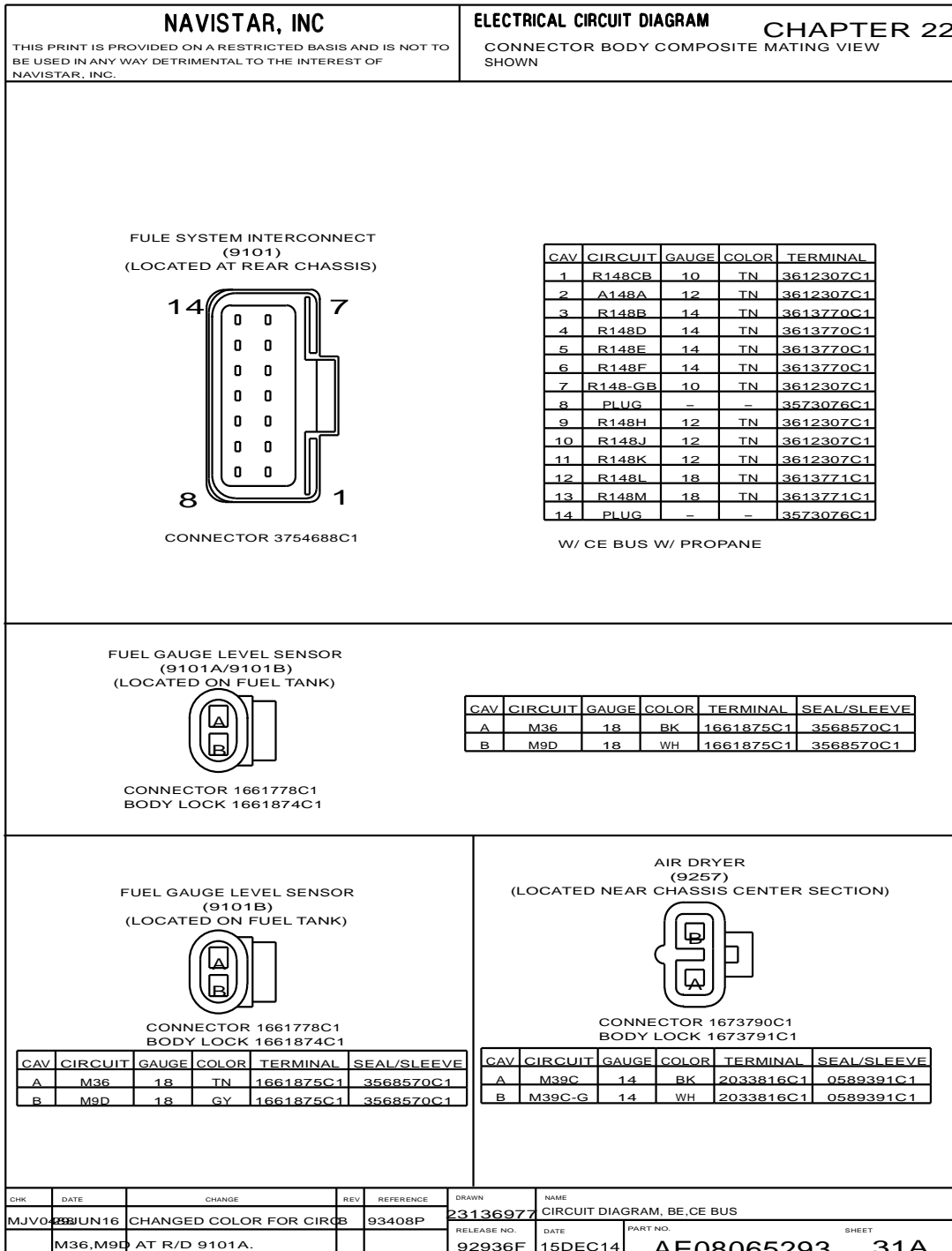


Figure 606 Connector Composites (9101, 9101A, 9101B, 9257)

22.47. CONNECTOR COMPOSITES (9260, 9261), P. 32

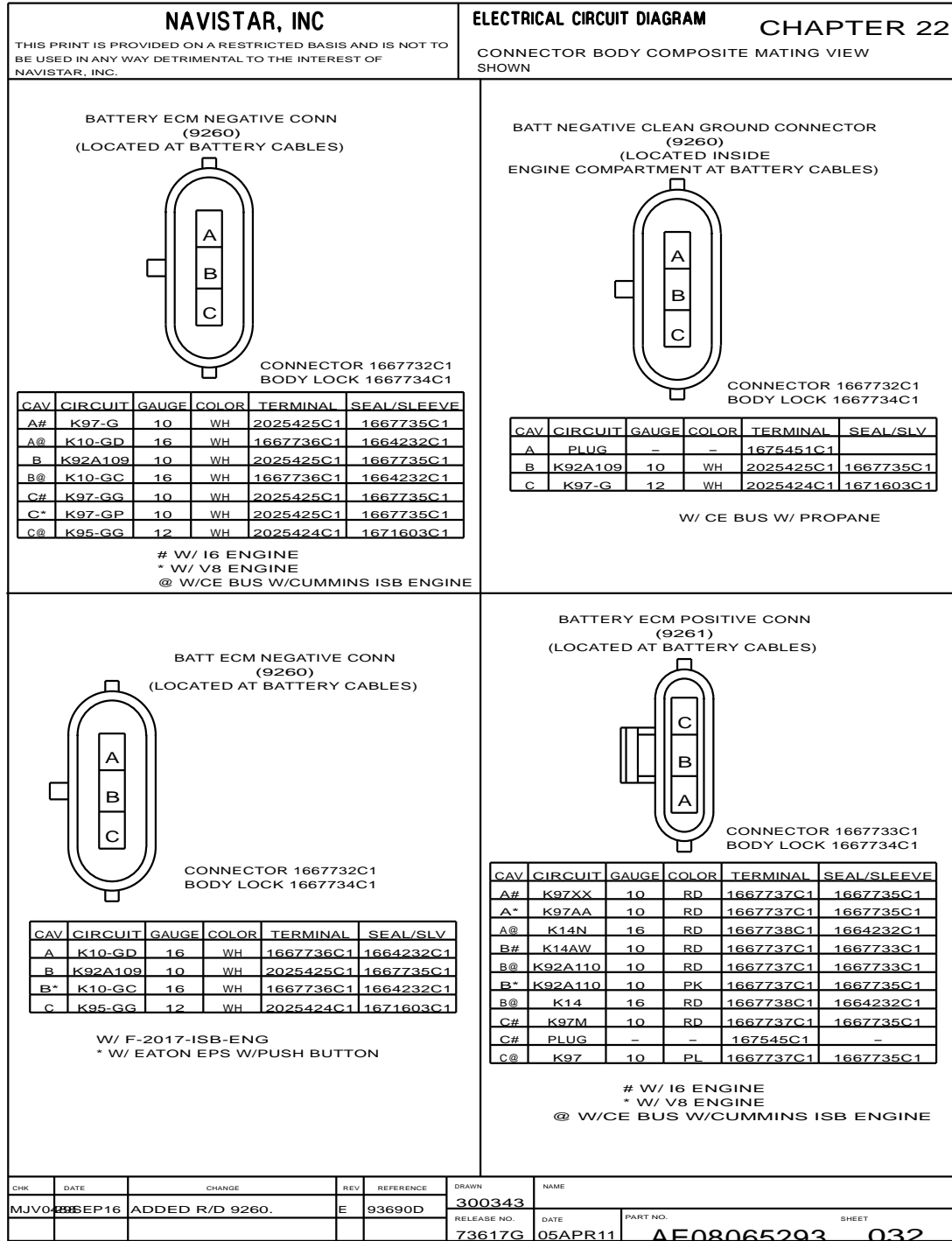


Figure 607 Connector Composites (9260, 9261)

22.48. CONNECTOR COMPOSITES (9261, 9262, 9263), P. 32A

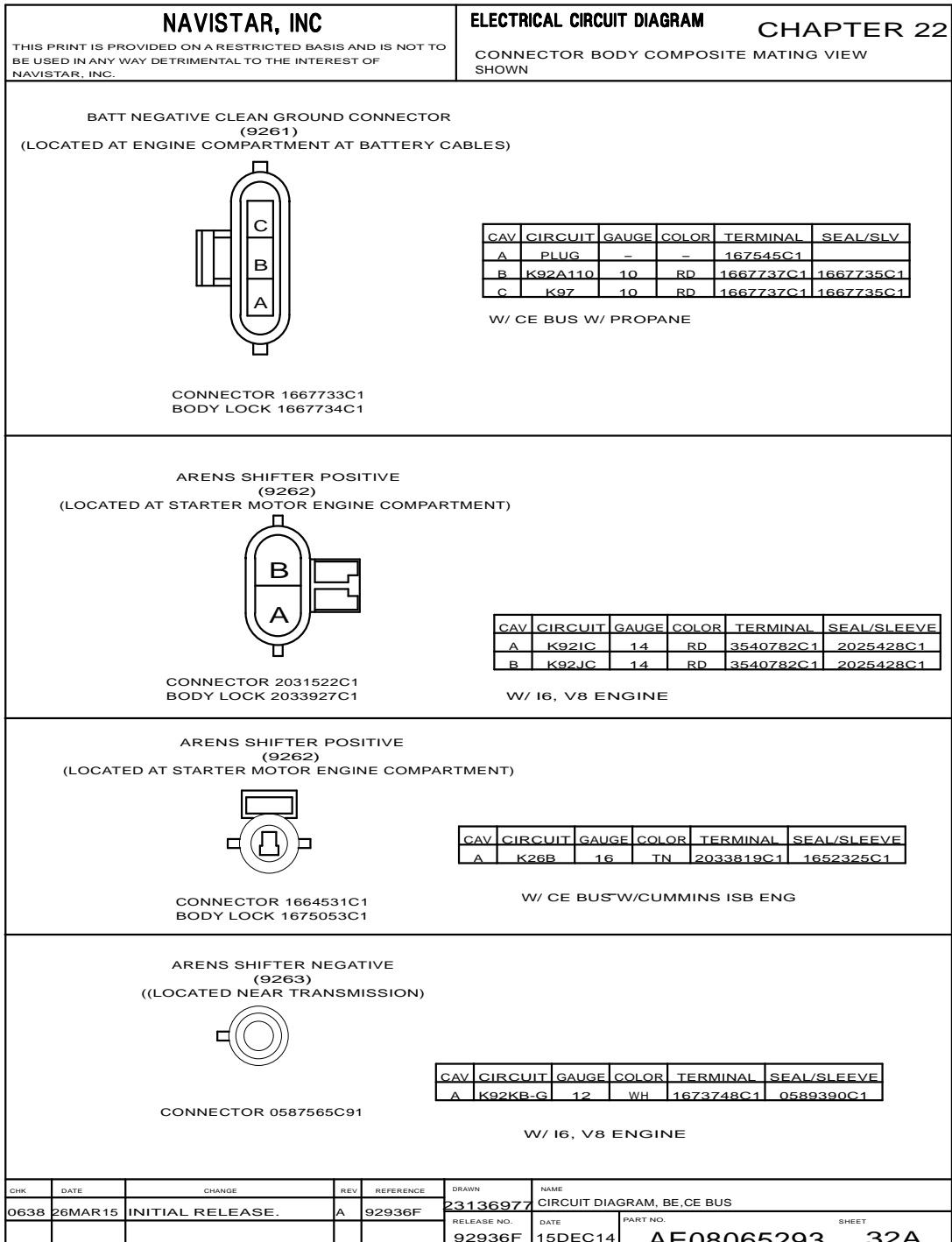


Figure 608 Connector Composites (9261, 9262, 9263)

22.49. CONNECTOR COMPOSITES (9261, 9262, 9266, 9267, 9267A), P. 33

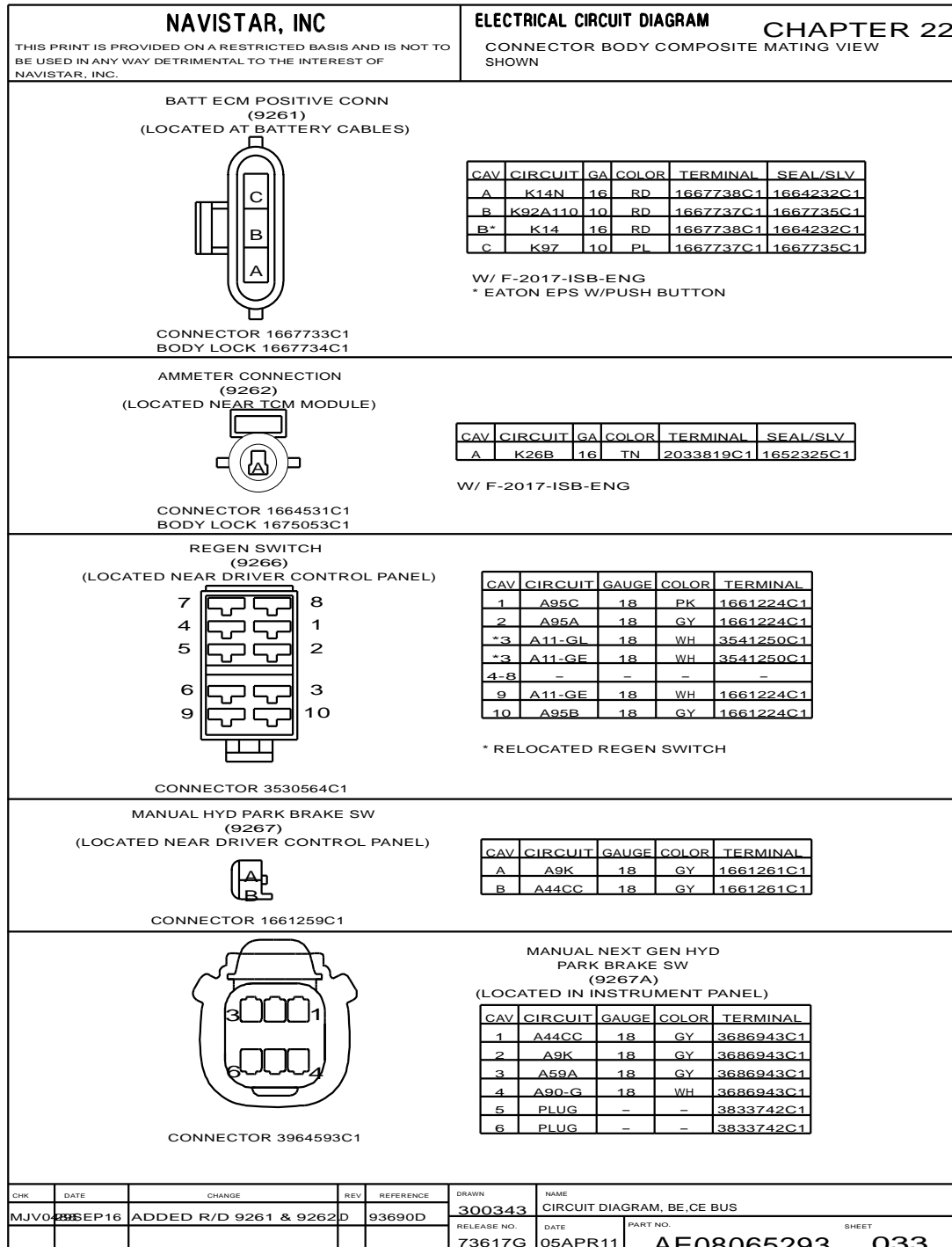


Figure 609 Connector Composites (9261, 9262, 9266, 9267, 9267A)

22.50. CONNECTOR COMPOSITES (9270F, 9501, 9503, 9506), P. 34

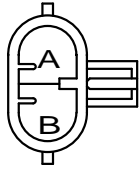


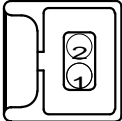
<p style="text-align: center;">NAVISTAR, INC</p> <p style="font-size: small;">THIS PRINT IS PROVIDED ON A RESTRICTED BASIS AND IS NOT TO BE USED IN ANY WAY DETRIMENTAL TO THE INTEREST OF NAVISTAR, INC.</p>	<p style="text-align: center;">ELECTRICAL CIRCUIT DIAGRAM</p> <p style="text-align: right;">CHAPTER 22</p> <p style="text-align: center;">CONNECTOR BODY COMPOSITE MATING VIEW SHOWN</p>																																			
<p>BATTERY DSI POSITIVE CONN (9270F) (LOCATED NEAR BATTERY BOX)</p>  <p style="text-align: center;">CONNECTOR 2031520C1 BODY LOCK 2033927C1</p>	<table border="1" style="width:100%; border-collapse: collapse; font-size: x-small;"> <thead> <tr> <th>CAV</th> <th>CIRCUIT</th> <th>GAUGE</th> <th>COLOR</th> <th>TERMINAL</th> <th>SEAL/SLEEVE</th> </tr> </thead> <tbody> <tr> <td>A</td> <td>K97K</td> <td>10</td> <td>PL</td> <td>2025423C1</td> <td>2025427C1</td> </tr> <tr> <td>B</td> <td>PLUG</td> <td>-</td> <td>-</td> <td>2025432C1</td> <td>-</td> </tr> </tbody> </table>	CAV	CIRCUIT	GAUGE	COLOR	TERMINAL	SEAL/SLEEVE	A	K97K	10	PL	2025423C1	2025427C1	B	PLUG	-	-	2025432C1	-																	
CAV	CIRCUIT	GAUGE	COLOR	TERMINAL	SEAL/SLEEVE																															
A	K97K	10	PL	2025423C1	2025427C1																															
B	PLUG	-	-	2025432C1	-																															
<p>BENDIX AIR LEFT REAR WHEEL SPEED SENSOR (9501) (LOCATED AT LEFT REAR WHEEL)</p>  <p style="text-align: center;">CONNECTOR 3539777C1 BODY LOCK 3539784C1</p>	<table border="1" style="width:100%; border-collapse: collapse; font-size: x-small;"> <thead> <tr> <th>CAV</th> <th>CIRCUIT</th> <th>GAUGE</th> <th>COLOR</th> <th>TERMINAL</th> </tr> </thead> <tbody> <tr> <td>1*</td> <td>R94LR+</td> <td>16</td> <td>GY</td> <td>1651969C1</td> </tr> <tr> <td>1*#</td> <td>R94DA</td> <td>16</td> <td>GY</td> <td>1680205C1</td> </tr> <tr> <td>1#</td> <td>R94DL+</td> <td>16</td> <td>GY</td> <td>1651969C1</td> </tr> <tr> <td>2*</td> <td>R94LR-</td> <td>16</td> <td>OR</td> <td>1651969C1</td> </tr> <tr> <td>2*#</td> <td>R94DB</td> <td>16</td> <td>GY</td> <td>1680205C1</td> </tr> <tr> <td>2#</td> <td>R94DL-</td> <td>16</td> <td>OR</td> <td>1651969C1</td> </tr> </tbody> </table> <p style="font-size: x-small;">* W/ BENDIX AIR BRAKE *# W/ CE BUS W/ PROPANE # BENDIX AIR BRAKE W/ ABS-6</p>	CAV	CIRCUIT	GAUGE	COLOR	TERMINAL	1*	R94LR+	16	GY	1651969C1	1*#	R94DA	16	GY	1680205C1	1#	R94DL+	16	GY	1651969C1	2*	R94LR-	16	OR	1651969C1	2*#	R94DB	16	GY	1680205C1	2#	R94DL-	16	OR	1651969C1
CAV	CIRCUIT	GAUGE	COLOR	TERMINAL																																
1*	R94LR+	16	GY	1651969C1																																
1*#	R94DA	16	GY	1680205C1																																
1#	R94DL+	16	GY	1651969C1																																
2*	R94LR-	16	OR	1651969C1																																
2*#	R94DB	16	GY	1680205C1																																
2#	R94DL-	16	OR	1651969C1																																
<p>BENDIX AIR RIGHT REAR WHEEL SPEED SENSOR (9503) (LOCATED AT RIGHT REAR WHEEL)</p>  <p style="text-align: center;">CONNECTOR 3539777C1 BODY LOCK 3539784C1</p>	<table border="1" style="width:100%; border-collapse: collapse; font-size: x-small;"> <thead> <tr> <th>CAV</th> <th>CIRCUIT</th> <th>GAUGE</th> <th>COLOR</th> <th>TERMINAL</th> </tr> </thead> <tbody> <tr> <td>1*</td> <td>R94RR+</td> <td>16</td> <td>YL</td> <td>1651969C1</td> </tr> <tr> <td>1#</td> <td>R94DR+</td> <td>16</td> <td>YL</td> <td>1651969C1</td> </tr> <tr> <td>1%</td> <td>R94DC</td> <td>16</td> <td>GY</td> <td>1680205C1</td> </tr> <tr> <td>2*</td> <td>R94RR-</td> <td>16</td> <td>DKBL</td> <td>1651969C1</td> </tr> <tr> <td>2#</td> <td>R94DR-</td> <td>16</td> <td>DKBL</td> <td>1651969C1</td> </tr> <tr> <td>2%</td> <td>R94DD</td> <td>16</td> <td>GY</td> <td>1680205C1</td> </tr> </tbody> </table> <p style="font-size: x-small;">* W/ BENDIX AIR BRAKE % W/ CE BUS W/ PROPANE # BENDIX AIR BRAKE W/ ABS-6</p>	CAV	CIRCUIT	GAUGE	COLOR	TERMINAL	1*	R94RR+	16	YL	1651969C1	1#	R94DR+	16	YL	1651969C1	1%	R94DC	16	GY	1680205C1	2*	R94RR-	16	DKBL	1651969C1	2#	R94DR-	16	DKBL	1651969C1	2%	R94DD	16	GY	1680205C1
CAV	CIRCUIT	GAUGE	COLOR	TERMINAL																																
1*	R94RR+	16	YL	1651969C1																																
1#	R94DR+	16	YL	1651969C1																																
1%	R94DC	16	GY	1680205C1																																
2*	R94RR-	16	DKBL	1651969C1																																
2#	R94DR-	16	DKBL	1651969C1																																
2%	R94DD	16	GY	1680205C1																																
<p>SUPPLY VALVE (9506) (LOCATED AT INSIDE LEFT RAIL FRAME FRONT OF ECU)</p>  <p style="text-align: center;">CONNECTOR 3578645C1</p>	<table border="1" style="width:100%; border-collapse: collapse; font-size: x-small;"> <thead> <tr> <th>CAV</th> <th>CIRCUIT</th> <th>GAUGE</th> <th>COLOR</th> <th>TERMINAL</th> <th>SEAL/SLEEVE</th> </tr> </thead> <tbody> <tr> <td>1</td> <td>M44B</td> <td>18</td> <td>GY</td> <td>3509874C1</td> <td>3532128C1</td> </tr> <tr> <td>2</td> <td>M90E-G</td> <td>18</td> <td>WH</td> <td>3509874C1</td> <td>3509903C1</td> </tr> </tbody> </table>	CAV	CIRCUIT	GAUGE	COLOR	TERMINAL	SEAL/SLEEVE	1	M44B	18	GY	3509874C1	3532128C1	2	M90E-G	18	WH	3509874C1	3509903C1																	
CAV	CIRCUIT	GAUGE	COLOR	TERMINAL	SEAL/SLEEVE																															
1	M44B	18	GY	3509874C1	3532128C1																															
2	M90E-G	18	WH	3509874C1	3509903C1																															
<table border="1" style="width:100%; border-collapse: collapse;"> <thead> <tr> <th>CHK</th> <th>DATE</th> <th>CHANGE</th> <th>REV</th> <th>REFERENCE</th> <th>DRAWN</th> <th>NAME</th> </tr> </thead> <tbody> <tr> <td>-</td> <td>-</td> <td>ADDED CAVITIES IN</td> <td>B</td> <td>92936F</td> <td>300343</td> <td>CIRCUIT DIAGRAM, BE,CE BUS</td> </tr> <tr> <td></td> <td>R/D 9501</td> <td>AND 9503.</td> <td></td> <td></td> <td>73617G</td> <td>05APR11</td> </tr> </tbody> </table>		CHK	DATE	CHANGE	REV	REFERENCE	DRAWN	NAME	-	-	ADDED CAVITIES IN	B	92936F	300343	CIRCUIT DIAGRAM, BE,CE BUS		R/D 9501	AND 9503.			73617G	05APR11														
CHK	DATE	CHANGE	REV	REFERENCE	DRAWN	NAME																														
-	-	ADDED CAVITIES IN	B	92936F	300343	CIRCUIT DIAGRAM, BE,CE BUS																														
	R/D 9501	AND 9503.			73617G	05APR11																														
<table border="1" style="width:100%; border-collapse: collapse;"> <thead> <tr> <th>RELEASE NO.</th> <th>DATE</th> <th>PART NO.</th> <th>SHEET</th> </tr> </thead> <tbody> <tr> <td>73617G</td> <td>05APR11</td> <td>AE08065293</td> <td>034</td> </tr> </tbody> </table>		RELEASE NO.	DATE	PART NO.	SHEET	73617G	05APR11	AE08065293	034																											
RELEASE NO.	DATE	PART NO.	SHEET																																	
73617G	05APR11	AE08065293	034																																	

Figure 610 Connector Composites (9270F, 9501, 9503, 9506)

22.51. CONNECTOR COMPOSITES (9507, 9508, 9510), P. 35

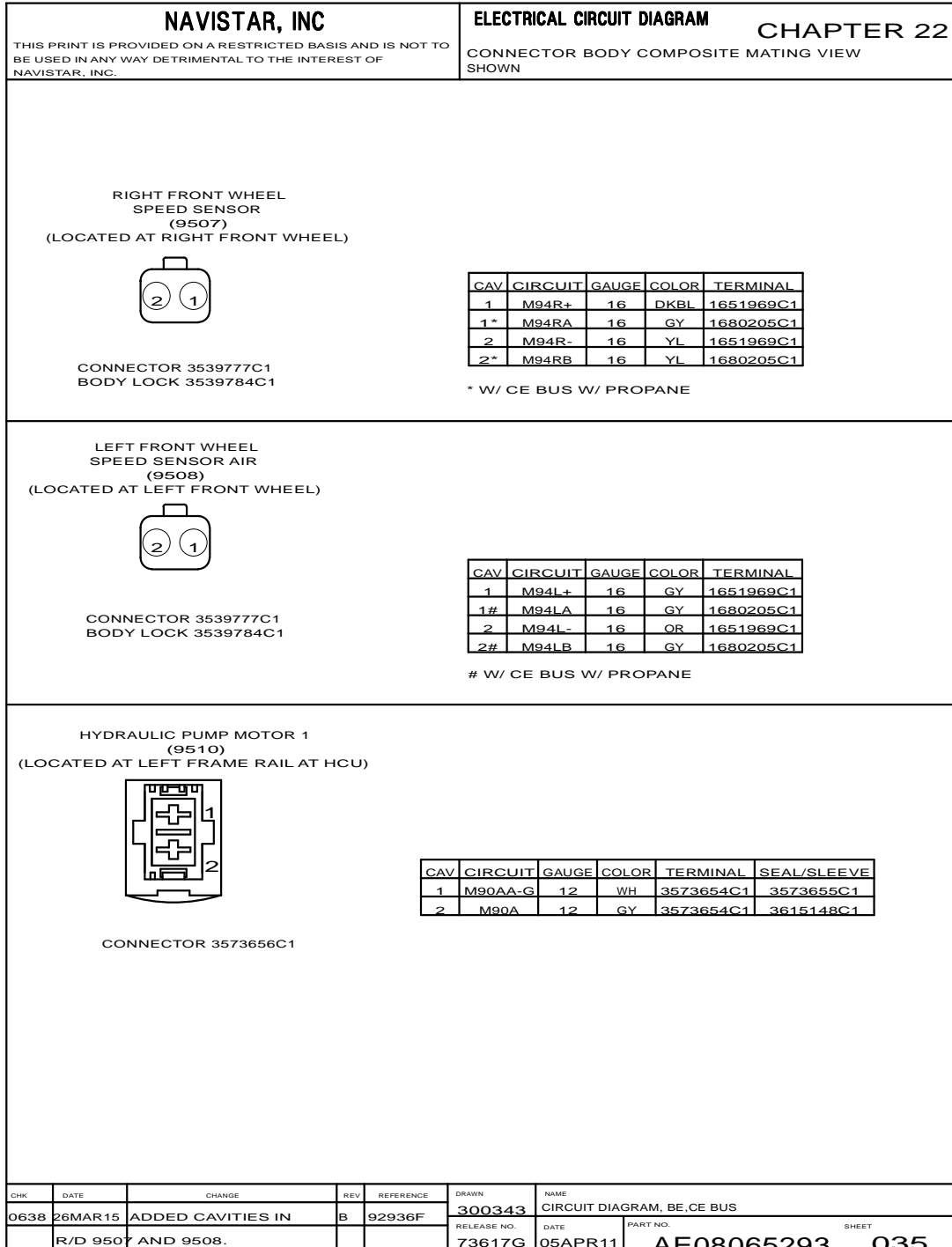


Figure 611 Connector Composites (9507, 9508, 9510)

22.52. CONNECTOR COMPOSITES (9511), P. 36

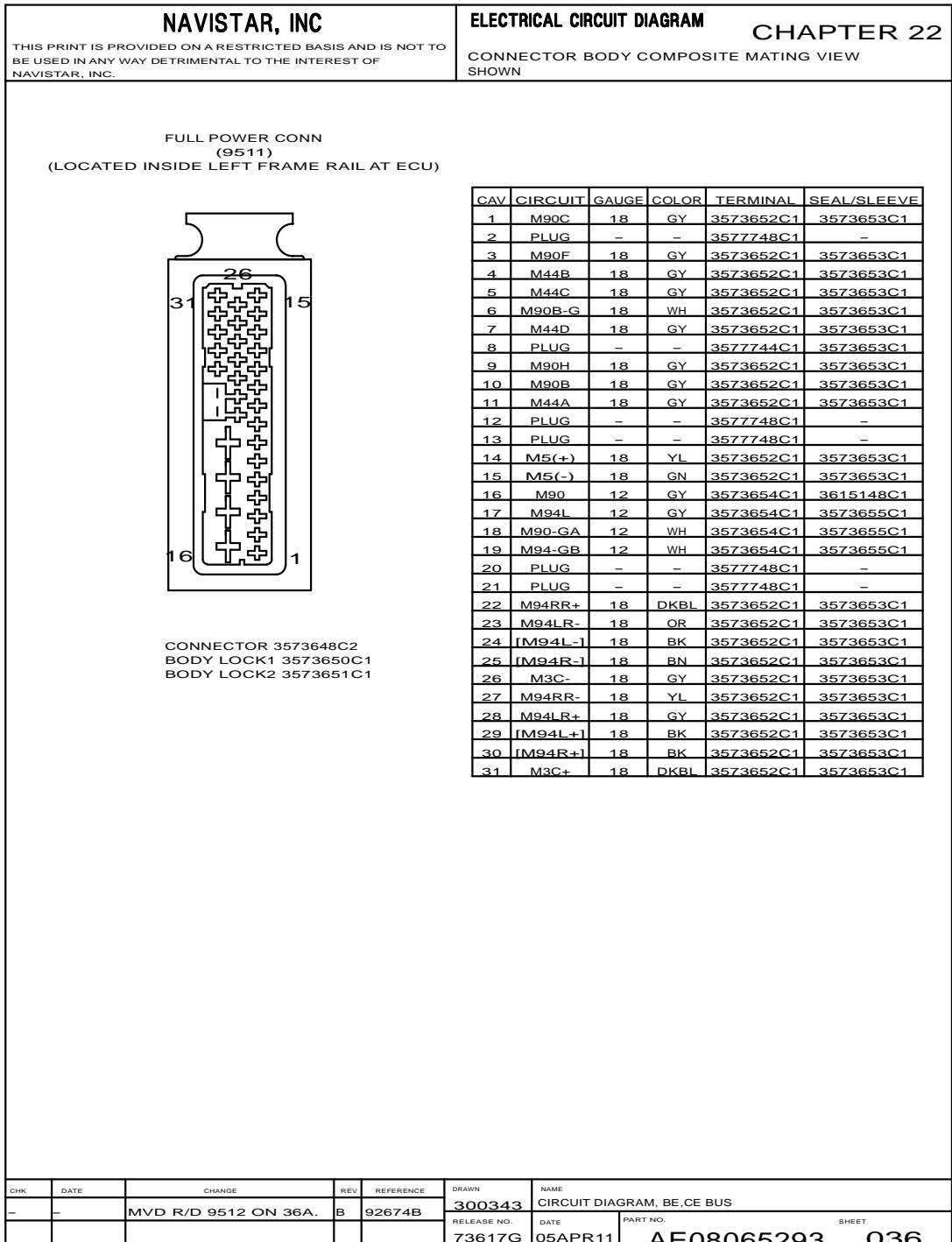


Figure 612 Connector Composites (9511)

22.53. CONNECTOR COMPOSITES (9511K, 9512), P. 36A

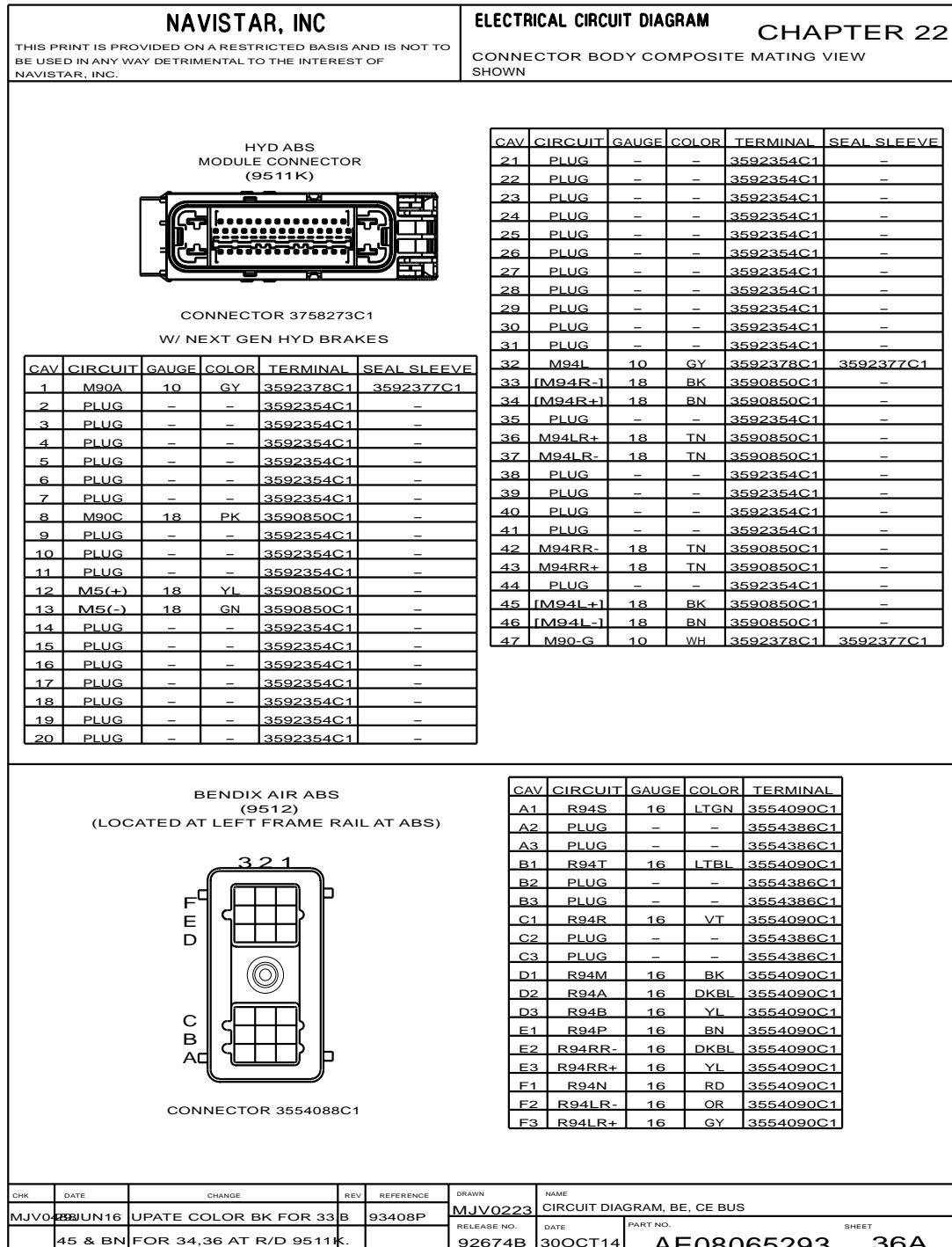


Figure 613 Connector Composites (9511K, 9512)

22.54. CONNECTOR COMPOSITES (9513F, 9513M, 9514), P. 37

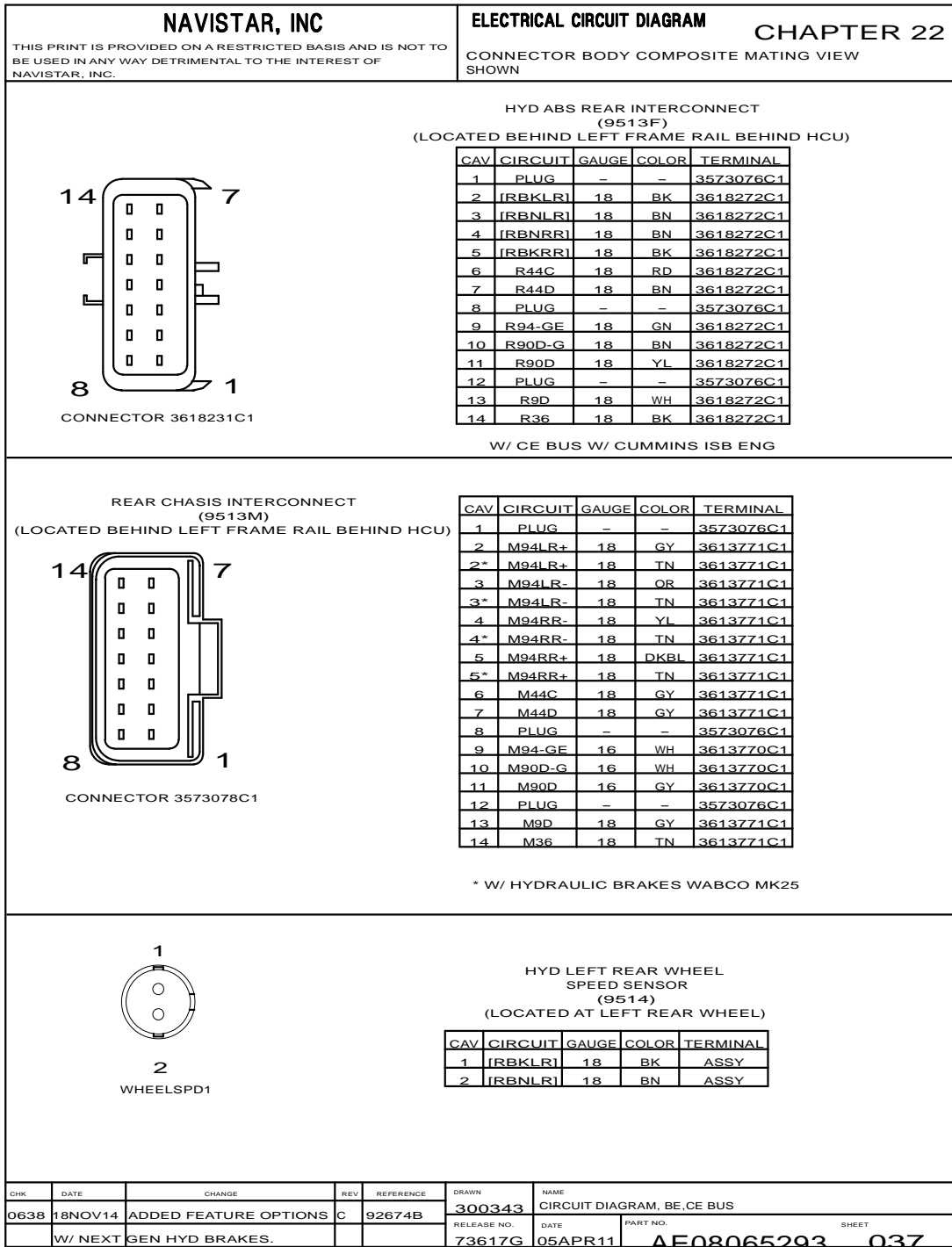


Figure 614 Connector Composites (9513F, 9513M, 9514)

22.55. CONNECTOR COMPOSITES (9515, 9516, 9516A, 9517, 9517A, 9518), P. 38

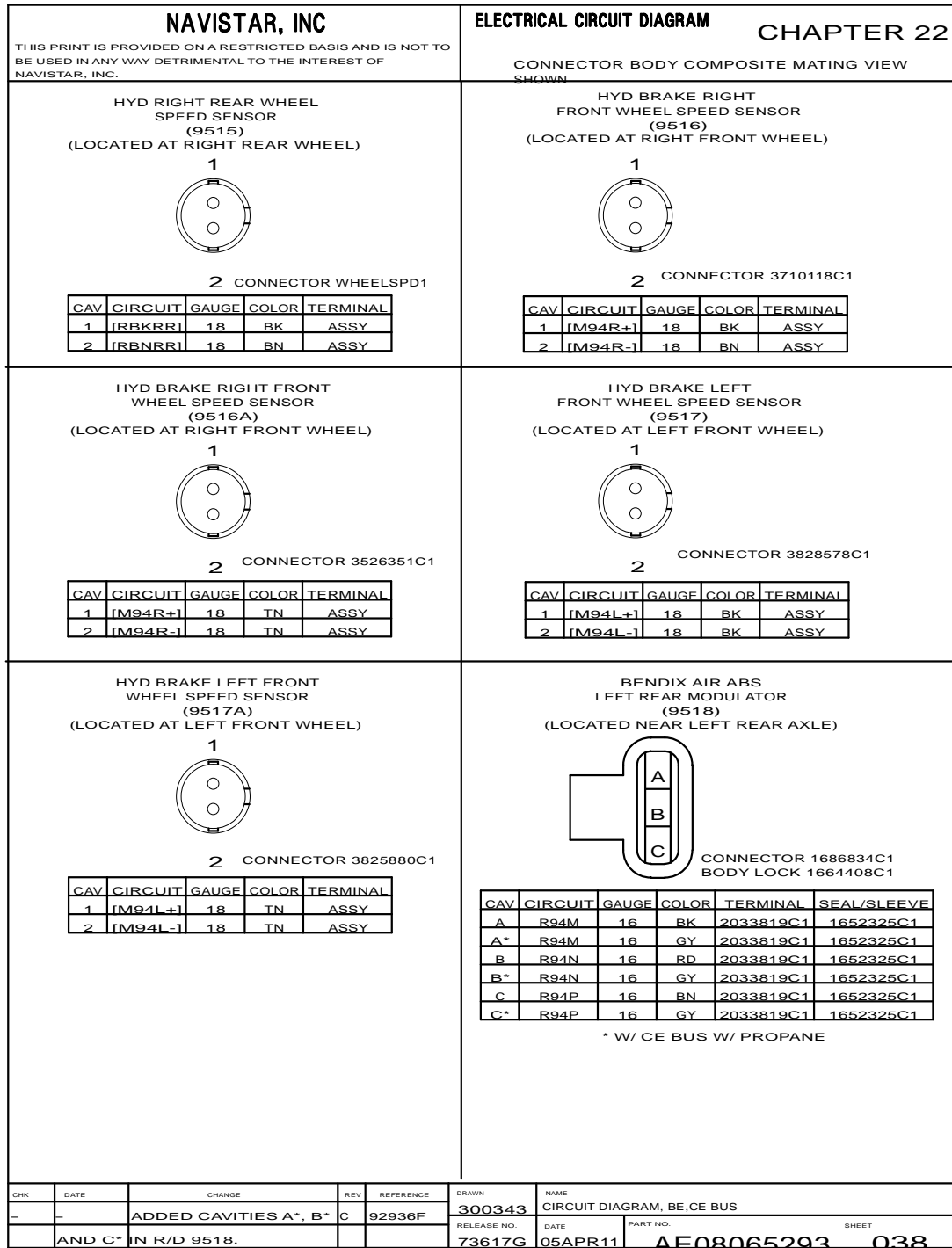


Figure 615 Connector Composites (9515, 9516, 9516A, 9517, 9517A, 9518)

22.56. CONNECTOR COMPOSITES (9519, 9520, 9521, 9522, 9525), P. 39

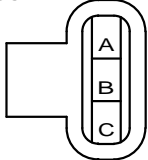
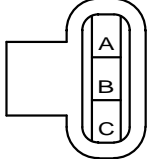
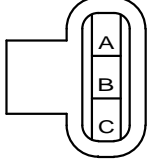

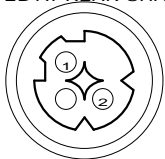
NAVISTAR, INC		ELECTRICAL CIRCUIT DIAGRAM		CHAPTER 22																																											
THIS PRINT IS PROVIDED ON A RESTRICTED BASIS AND IS NOT TO BE USED IN ANY WAY DETRIMENTAL TO THE INTEREST OF NAVISTAR, INC.		CONNECTOR BODY COMPOSITE MATING VIEW SHOWN																																													
BENDIX AIR ABS RIGHT REAR MODULATOR (9519) (LOCATED NEAR REAR RIGHT AXLE)																																															
		<table border="1" style="width:100%; border-collapse: collapse; font-size: x-small;"> <thead> <tr> <th>CAV</th> <th>CIRCUIT</th> <th>GAUGE</th> <th>COLOR</th> <th>TERMINAL</th> <th>SEAL/SLEEVE</th> </tr> </thead> <tbody> <tr><td>A</td><td>R94R</td><td>16</td><td>VT</td><td>2033819C1</td><td>1652325C1</td></tr> <tr><td>A*</td><td>R94R</td><td>16</td><td>GY</td><td>2033819C1</td><td>1652325C1</td></tr> <tr><td>B</td><td>R94S</td><td>16</td><td>LTGN</td><td>2033819C1</td><td>1652325C1</td></tr> <tr><td>B*</td><td>R94S</td><td>16</td><td>GY</td><td>2033819C1</td><td>1652325C1</td></tr> <tr><td>C</td><td>R94T</td><td>16</td><td>LTBL</td><td>2033819C1</td><td>1652325C1</td></tr> <tr><td>C*</td><td>R94T</td><td>16</td><td>GY</td><td>2033819C1</td><td>1652325C1</td></tr> </tbody> </table>				CAV	CIRCUIT	GAUGE	COLOR	TERMINAL	SEAL/SLEEVE	A	R94R	16	VT	2033819C1	1652325C1	A*	R94R	16	GY	2033819C1	1652325C1	B	R94S	16	LTGN	2033819C1	1652325C1	B*	R94S	16	GY	2033819C1	1652325C1	C	R94T	16	LTBL	2033819C1	1652325C1	C*	R94T	16	GY	2033819C1	1652325C1
CAV	CIRCUIT	GAUGE	COLOR	TERMINAL	SEAL/SLEEVE																																										
A	R94R	16	VT	2033819C1	1652325C1																																										
A*	R94R	16	GY	2033819C1	1652325C1																																										
B	R94S	16	LTGN	2033819C1	1652325C1																																										
B*	R94S	16	GY	2033819C1	1652325C1																																										
C	R94T	16	LTBL	2033819C1	1652325C1																																										
C*	R94T	16	GY	2033819C1	1652325C1																																										
CONNECTOR 1686834C1 BODY LOCK 1664408C1		* W/ CE BUS W/ PROPANE																																													
LEFT FRONT AIR MODULATOR (9520) (LOCATED NEAR FRONT LEFT AXLE)																																															
		<table border="1" style="width:100%; border-collapse: collapse; font-size: x-small;"> <thead> <tr> <th>CAV</th> <th>CIRCUIT</th> <th>GAUGE</th> <th>COLOR</th> <th>TERMINAL</th> <th>SEAL/SLEEVE</th> </tr> </thead> <tbody> <tr><td>A</td><td>M94BA</td><td>16</td><td>BK</td><td>2033819C1</td><td>1652325C1</td></tr> <tr><td>A#</td><td>M94BA</td><td>16</td><td>GY</td><td>2033819C1</td><td>1652325C1</td></tr> <tr><td>B</td><td>M94BB</td><td>16</td><td>RD</td><td>2033819C1</td><td>1652325C1</td></tr> <tr><td>B#</td><td>M94BB</td><td>16</td><td>GY</td><td>2033819C1</td><td>1652325C1</td></tr> <tr><td>C</td><td>M94BC</td><td>16</td><td>BN</td><td>2033819C1</td><td>1652325C1</td></tr> <tr><td>C#</td><td>M94BC</td><td>16</td><td>GY</td><td>2033819C1</td><td>1652325C1</td></tr> </tbody> </table>				CAV	CIRCUIT	GAUGE	COLOR	TERMINAL	SEAL/SLEEVE	A	M94BA	16	BK	2033819C1	1652325C1	A#	M94BA	16	GY	2033819C1	1652325C1	B	M94BB	16	RD	2033819C1	1652325C1	B#	M94BB	16	GY	2033819C1	1652325C1	C	M94BC	16	BN	2033819C1	1652325C1	C#	M94BC	16	GY	2033819C1	1652325C1
CAV	CIRCUIT	GAUGE	COLOR	TERMINAL	SEAL/SLEEVE																																										
A	M94BA	16	BK	2033819C1	1652325C1																																										
A#	M94BA	16	GY	2033819C1	1652325C1																																										
B	M94BB	16	RD	2033819C1	1652325C1																																										
B#	M94BB	16	GY	2033819C1	1652325C1																																										
C	M94BC	16	BN	2033819C1	1652325C1																																										
C#	M94BC	16	GY	2033819C1	1652325C1																																										
CONNECTOR 1686834C1 BODY LOCK 1664408C1		# W/ CE BUS W/ PROPANE																																													
RIGHT FRONT MODULATOR (9521) (LOCATED NEAR FRONT RIGHT AXLE)																																															
		<table border="1" style="width:100%; border-collapse: collapse; font-size: x-small;"> <thead> <tr> <th>CAV</th> <th>CIRCUIT</th> <th>GAUGE</th> <th>COLOR</th> <th>TERMINAL</th> <th>SEAL/SLEEVE</th> </tr> </thead> <tbody> <tr><td>A</td><td>M94BD</td><td>16</td><td>VT</td><td>2033819C1</td><td>1652325C1</td></tr> <tr><td>A*</td><td>M94BD</td><td>16</td><td>GY</td><td>2033819C1</td><td>1652325C1</td></tr> <tr><td>B</td><td>M94BE</td><td>16</td><td>LTGN</td><td>2033819C1</td><td>1652325C1</td></tr> <tr><td>B*</td><td>M94BE</td><td>16</td><td>GY</td><td>2033819C1</td><td>1652325C1</td></tr> <tr><td>C</td><td>M94BF</td><td>16</td><td>LTBL</td><td>2033819C1</td><td>1652325C1</td></tr> <tr><td>C*</td><td>M94BF</td><td>16</td><td>GY</td><td>2033819C1</td><td>1652325C1</td></tr> </tbody> </table>				CAV	CIRCUIT	GAUGE	COLOR	TERMINAL	SEAL/SLEEVE	A	M94BD	16	VT	2033819C1	1652325C1	A*	M94BD	16	GY	2033819C1	1652325C1	B	M94BE	16	LTGN	2033819C1	1652325C1	B*	M94BE	16	GY	2033819C1	1652325C1	C	M94BF	16	LTBL	2033819C1	1652325C1	C*	M94BF	16	GY	2033819C1	1652325C1
CAV	CIRCUIT	GAUGE	COLOR	TERMINAL	SEAL/SLEEVE																																										
A	M94BD	16	VT	2033819C1	1652325C1																																										
A*	M94BD	16	GY	2033819C1	1652325C1																																										
B	M94BE	16	LTGN	2033819C1	1652325C1																																										
B*	M94BE	16	GY	2033819C1	1652325C1																																										
C	M94BF	16	LTBL	2033819C1	1652325C1																																										
C*	M94BF	16	GY	2033819C1	1652325C1																																										
CONNECTOR 1686834C1 BODY LOCK 1664408C1		* W/ CE BUS W/ PROPANE																																													
AIR AUTO TRACTION CONTROL (9522) (LOCATED NEAR REAR AXLE ABS)																																															
		<table border="1" style="width:100%; border-collapse: collapse; font-size: x-small;"> <thead> <tr> <th>CAV</th> <th>CIRCUIT</th> <th>GAUGE</th> <th>COLOR</th> <th>TERMINAL</th> </tr> </thead> <tbody> <tr><td>1</td><td>R94A</td><td>16</td><td>DKBL</td><td>3518961C1</td></tr> <tr><td>1%</td><td>R94A</td><td>16</td><td>GY</td><td>3518961C1</td></tr> <tr><td>2</td><td>R94B</td><td>16</td><td>YL</td><td>3518961C1</td></tr> <tr><td>2%</td><td>R94B</td><td>16</td><td>GY</td><td>3518961C1</td></tr> </tbody> </table>				CAV	CIRCUIT	GAUGE	COLOR	TERMINAL	1	R94A	16	DKBL	3518961C1	1%	R94A	16	GY	3518961C1	2	R94B	16	YL	3518961C1	2%	R94B	16	GY	3518961C1																	
CAV	CIRCUIT	GAUGE	COLOR	TERMINAL																																											
1	R94A	16	DKBL	3518961C1																																											
1%	R94A	16	GY	3518961C1																																											
2	R94B	16	YL	3518961C1																																											
2%	R94B	16	GY	3518961C1																																											
CONNECTOR 3518183C1 BODY LOCK 3518174C1		% W/ CE BUS W/ PROPANE																																													
HSA SOLENOID (9525) (LOCATED AT REAR CHASSIS)																																															
		<table border="1" style="width:100%; border-collapse: collapse; font-size: x-small;"> <thead> <tr> <th>CAV</th> <th>CIRCUIT</th> <th>GAUGE</th> <th>COLOR</th> <th>TERMINAL</th> </tr> </thead> <tbody> <tr><td>1</td><td>M94KA</td><td>18</td><td>GY</td><td>1651988C1</td></tr> <tr><td>2</td><td>M94KB</td><td>18</td><td>GY</td><td>1651988C1</td></tr> </tbody> </table>				CAV	CIRCUIT	GAUGE	COLOR	TERMINAL	1	M94KA	18	GY	1651988C1	2	M94KB	18	GY	1651988C1																											
CAV	CIRCUIT	GAUGE	COLOR	TERMINAL																																											
1	M94KA	18	GY	1651988C1																																											
2	M94KB	18	GY	1651988C1																																											
CONNECTOR 3678796C1 BODY LOCK 3532129C1																																															
CHK	DATE	CHANGE	REV	REFERENCE	DRAWN	NAME																																									
0638	26MAR15	ADDED CAVITIES IN	C	92936F	300343	CIRCUIT DIAGRAM, BE,CE BUS																																									
R/D 9520, 9521 AND 9522.				RELEASE NO.	DATE	PART NO.																																									
				73617G	05APR11	AE08065293																																									
					SHEET	039																																									

Figure 616 Connector Composites (9519, 9520, 9521, 9522, 9525)

22.57. CONNECTOR COMPOSITES (9525, 9526, 9526A, 9527, 9527A), P. 40

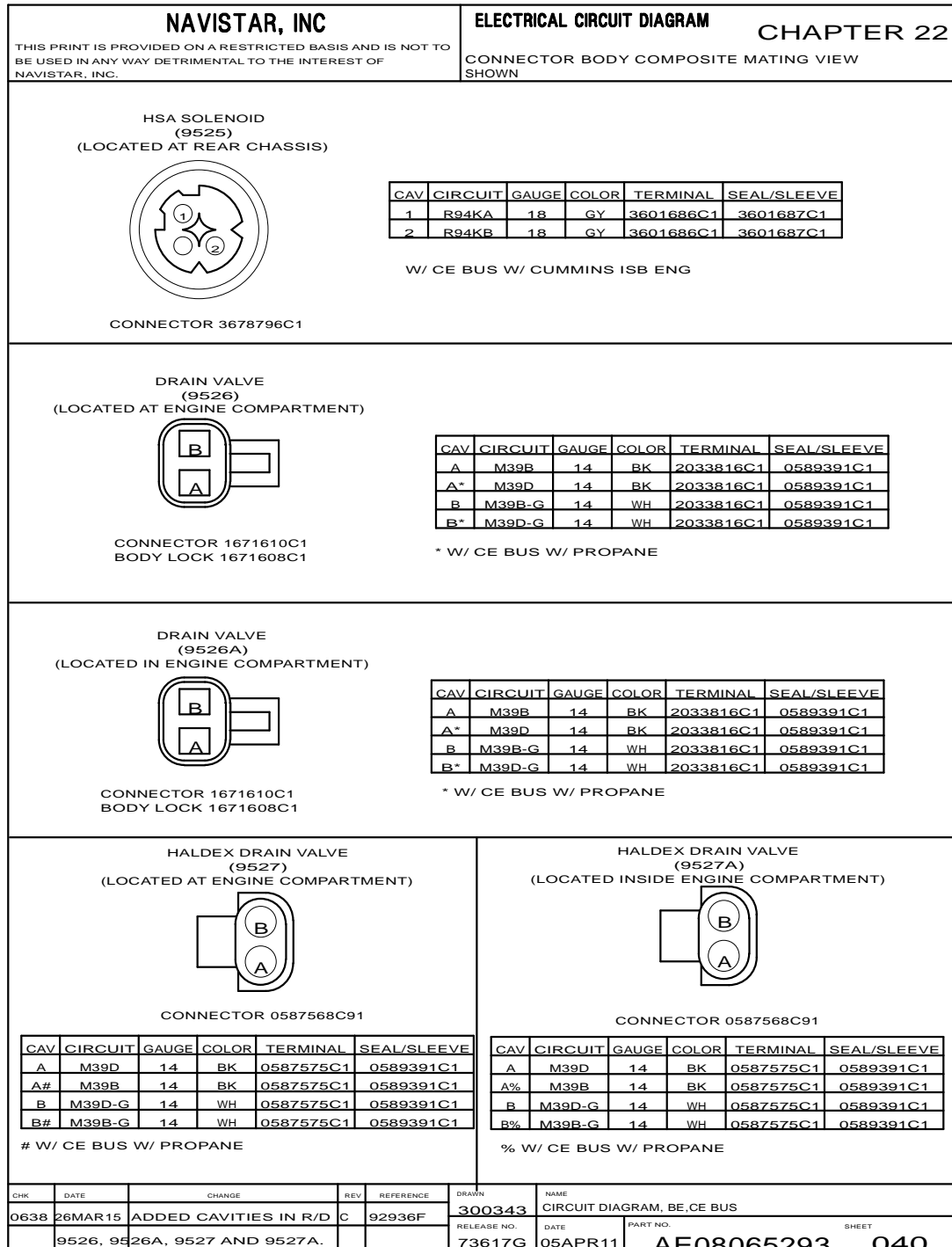


Figure 617 Connector Composites (9525, 9526, 9526A, 9527, 9527A)

22.58. CONNECTOR COMPOSITES (9530M, 9530F), P. 41

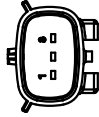
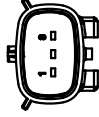

NAVISTAR, INC		ELECTRICAL CIRCUIT DIAGRAM		CHAPTER 22		
THIS PRINT IS PROVIDED ON A RESTRICTED BASIS AND IS NOT TO BE USED IN ANY WAY DETRIMENTAL TO THE INTEREST OF NAVISTAR, INC.		CONNECTOR BODY COMPOSITE MATING VIEW SHOWN				
<p>J1939 INTERCONNECT POWERTRAIN/FORWARD CHASSIS (9530M) (LOCATED NEAR TCM MODULE)</p>						
 CONNECTOR 6116242C1	CAV	CIRCUIT	GAUGE	COLOR	TERMINAL	
	1	K5E(+)	18	YL	3850120C1	
	1*	K5B(+)	18	YL	3850120C1	
	2	PLUG	-	-	3833742C1	
	3	K5E(-)	18	GN	3850120C1	
	3*	K5B(-)	18	GN	3850120C1	
<p>W/ CE BUS W/ CUMMINS ISB ENGINE * W/EATON EPS</p>						
<p>J1939 INTERCONNECT FORWARD CHASSIS/POWERTRAIN (9530M) (LOCATED NEAR TCM MODULE)</p>						
 CONNECTOR 6116242C1	CAV	CIRCUIT	GAUGE	COLOR	TERMINAL	
	1	K5D(+)	18	YL	3850120C1	
	1	K5E(+)	18	YL	3850120C1	
	1	K5B(+)	18	YL	3850120C1	
	2	PLUG	-	-	3833742C1	
	3	K5D(-)	18	GN	3850120C1	
	3	K5E(-)	18	GN	3850120C1	
	3	K5B(-)	18	GN	3850120C1	
<p>W/ V8 ENGINE</p>						
<p>J1939 INTERCONNECT (9530F) (LOCATED NEAR TCM MODULE)</p>						
 CONNECTOR 6116241C1	CAV	CIRCUIT	GAUGE	COLOR	TERMINAL	
	1	M5E(+)	18	YL	3686943C1	
	2	PLUG	-	-	3833742C1	
	3	M5E(-)	18	GN	3686943C1	
	<p>W/ CE BUS W/ CUMMINS ISB ENGINE</p>					
CHK	DATE	CHANGE	REV	REFERENCE	DRAWN	NAME
0638	02JUL15	ADDED CIRCUIT K5B(+)	D	92974F	300343	CIRCUIT DIAGRAM, BE,CE BUS
	AND K5B(-) IN R/D 9530M.				RELEASE NO.	DATE
					73617G	05APR11
					PART NO.	SHEET
					AE08065293	041

Figure 618 Connector Composites (9530M, 9530F)

22.59. CONNECTOR COMPOSITES (9533, 9534, 9535, 9536), P. 42

NAVISTAR, INC <small>THIS PRINT IS PROVIDED ON A RESTRICTED BASIS AND IS NOT TO BE USED IN ANY WAY DETRIMENTAL TO THE INTEREST OF NAVISTAR, INC.</small>				ELECTRICAL CIRCUIT DIAGRAM CHAPTER 22 CONNECTOR BODY COMPOSITE MATING VIEW SHOWN																									
	E-STROKE RIGHT FRONT SENSOR (9533) (LOCATED NEAR FRONT RIGHT AXLE)																												
CONNECTOR 1667741C1 BODY LOCK 2025431C1	<table border="1" style="width: 100%; border-collapse: collapse;"> <thead> <tr> <th>CAV</th> <th>CIRCUIT</th> <th>GAUGE</th> <th>COLOR</th> <th>TERMINAL</th> <th>SEAL/SLEEVE</th> </tr> </thead> <tbody> <tr> <td>A</td> <td>M59S</td> <td>18</td> <td>GY</td> <td>1661875C1</td> <td>1661872C1</td> </tr> <tr> <td>B</td> <td>M59T</td> <td>18</td> <td>GY</td> <td>1661875C1</td> <td>1661872C1</td> </tr> <tr> <td>C</td> <td>M59U</td> <td>18</td> <td>GY</td> <td>1661875C1</td> <td>1661872C1</td> </tr> </tbody> </table>					CAV	CIRCUIT	GAUGE	COLOR	TERMINAL	SEAL/SLEEVE	A	M59S	18	GY	1661875C1	1661872C1	B	M59T	18	GY	1661875C1	1661872C1	C	M59U	18	GY	1661875C1	1661872C1
CAV	CIRCUIT	GAUGE	COLOR	TERMINAL	SEAL/SLEEVE																								
A	M59S	18	GY	1661875C1	1661872C1																								
B	M59T	18	GY	1661875C1	1661872C1																								
C	M59U	18	GY	1661875C1	1661872C1																								
	E-STROKE LEFT FRONT SENSOR (9534) (LOCATED NEAR FRONT LEFT AXLE)																												
CONNECTOR 1667741C1 BODY LOCK 2025431C1	<table border="1" style="width: 100%; border-collapse: collapse;"> <thead> <tr> <th>CAV</th> <th>CIRCUIT</th> <th>GAUGE</th> <th>COLOR</th> <th>TERMINAL</th> <th>SEAL/SLEEVE</th> </tr> </thead> <tbody> <tr> <td>A</td> <td>M59N</td> <td>18</td> <td>GY</td> <td>1661875C1</td> <td>1661872C1</td> </tr> <tr> <td>B</td> <td>M59P</td> <td>18</td> <td>GY</td> <td>1661875C1</td> <td>1661872C1</td> </tr> <tr> <td>C</td> <td>M59R</td> <td>18</td> <td>GY</td> <td>1661875C1</td> <td>1661872C1</td> </tr> </tbody> </table>					CAV	CIRCUIT	GAUGE	COLOR	TERMINAL	SEAL/SLEEVE	A	M59N	18	GY	1661875C1	1661872C1	B	M59P	18	GY	1661875C1	1661872C1	C	M59R	18	GY	1661875C1	1661872C1
CAV	CIRCUIT	GAUGE	COLOR	TERMINAL	SEAL/SLEEVE																								
A	M59N	18	GY	1661875C1	1661872C1																								
B	M59P	18	GY	1661875C1	1661872C1																								
C	M59R	18	GY	1661875C1	1661872C1																								
	E-STROKE RIGHT REAR SENSOR (9535) (LOCATED NEAR REAR RIGHT AXLE)																												
CONNECTOR 1667741C1 BODY LOCK 2025431C1	<table border="1" style="width: 100%; border-collapse: collapse;"> <thead> <tr> <th>CAV</th> <th>CIRCUIT</th> <th>GAUGE</th> <th>COLOR</th> <th>TERMINAL</th> <th>SEAL/SLEEVE</th> </tr> </thead> <tbody> <tr> <td>A</td> <td>R59Y</td> <td>16</td> <td>BK</td> <td>1661875C1</td> <td>1661872C1</td> </tr> <tr> <td>B</td> <td>R59Z</td> <td>16</td> <td>BN</td> <td>1661875C1</td> <td>1661872C1</td> </tr> <tr> <td>C</td> <td>R59AA</td> <td>16</td> <td>RD</td> <td>1661875C1</td> <td>1661872C1</td> </tr> </tbody> </table>					CAV	CIRCUIT	GAUGE	COLOR	TERMINAL	SEAL/SLEEVE	A	R59Y	16	BK	1661875C1	1661872C1	B	R59Z	16	BN	1661875C1	1661872C1	C	R59AA	16	RD	1661875C1	1661872C1
CAV	CIRCUIT	GAUGE	COLOR	TERMINAL	SEAL/SLEEVE																								
A	R59Y	16	BK	1661875C1	1661872C1																								
B	R59Z	16	BN	1661875C1	1661872C1																								
C	R59AA	16	RD	1661875C1	1661872C1																								
	E-STROKE LEFT REAR SENSOR (9536) (LOCATED NEAR REAR LEFT AXLE)																												
CONNECTOR 1667741C1 BODY LOCK 2025431C1	<table border="1" style="width: 100%; border-collapse: collapse;"> <thead> <tr> <th>CAV</th> <th>CIRCUIT</th> <th>GAUGE</th> <th>COLOR</th> <th>TERMINAL</th> <th>SEAL/SLEEVE</th> </tr> </thead> <tbody> <tr> <td>A</td> <td>R59V</td> <td>16</td> <td>LTBL</td> <td>1661875C1</td> <td>1661872C1</td> </tr> <tr> <td>B</td> <td>R59W</td> <td>16</td> <td>LTGN</td> <td>1661875C1</td> <td>1661872C1</td> </tr> <tr> <td>C</td> <td>R59X</td> <td>16</td> <td>VT</td> <td>1661875C1</td> <td>1661872C1</td> </tr> </tbody> </table>					CAV	CIRCUIT	GAUGE	COLOR	TERMINAL	SEAL/SLEEVE	A	R59V	16	LTBL	1661875C1	1661872C1	B	R59W	16	LTGN	1661875C1	1661872C1	C	R59X	16	VT	1661875C1	1661872C1
CAV	CIRCUIT	GAUGE	COLOR	TERMINAL	SEAL/SLEEVE																								
A	R59V	16	LTBL	1661875C1	1661872C1																								
B	R59W	16	LTGN	1661875C1	1661872C1																								
C	R59X	16	VT	1661875C1	1661872C1																								
<small>CHK</small>	<small>DATE</small>	<small>CHANGE</small>	<small>REV</small>	<small>REFERENCE</small>	<small>DRAWN</small>	<small>NAME</small>																							
0610	26SEP13	RMVD R/D 9537F, 9537M	B	92290B	300343	CIRCUIT DIAGRAM, BE,CE BUS																							
		AND 9538. ADDED R/D 9533 TO 9536.			RELEASE NO. 73617G	DATE 05APR11																							
					PART NO. AE08065293 SHEET 042																								

Figure 619 Connector Composites (9533, 9534, 9535, 9536)

22.60. CONNECTOR COMPOSITES (9537, 9538), P. 43

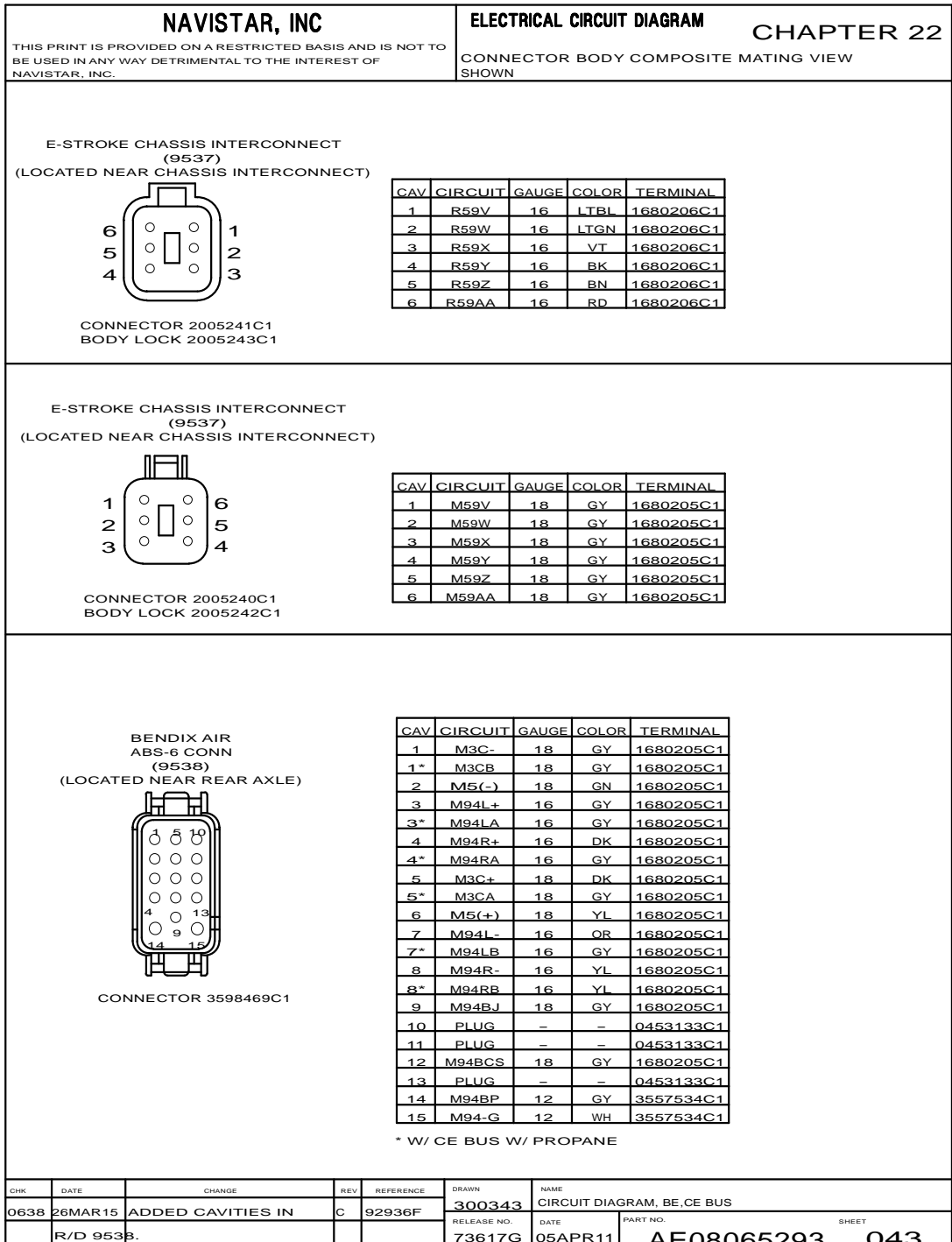


Figure 620 Connector Composites (9537, 9538)

22.61. CONNECTOR COMPOSITES (9539, 9540, 9541F), P. 44

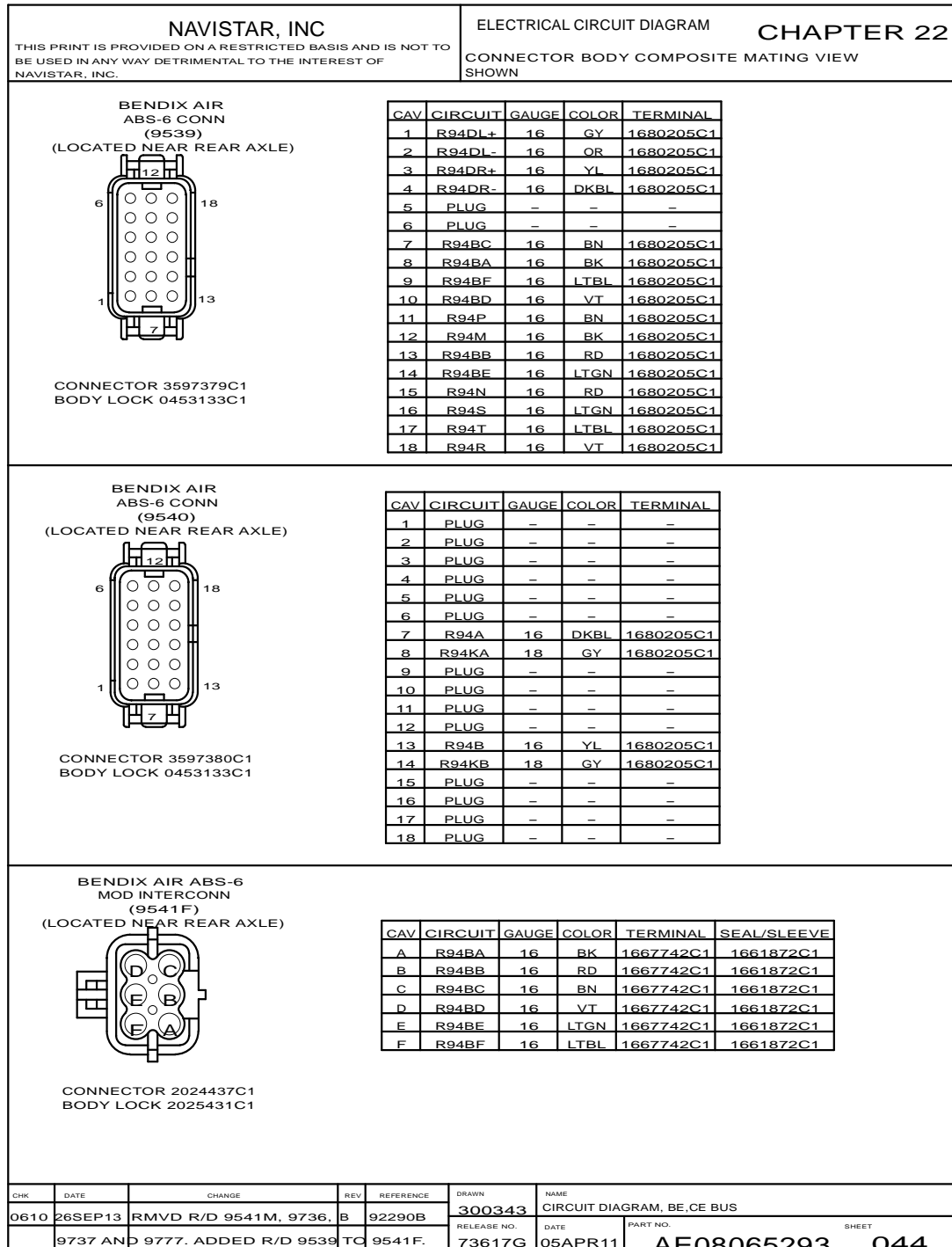


Figure 621 Connector Composites (9539, 9540, 9541F)

22.62. CONNECTOR COMPOSITES (9540, 9541F), P. 44A

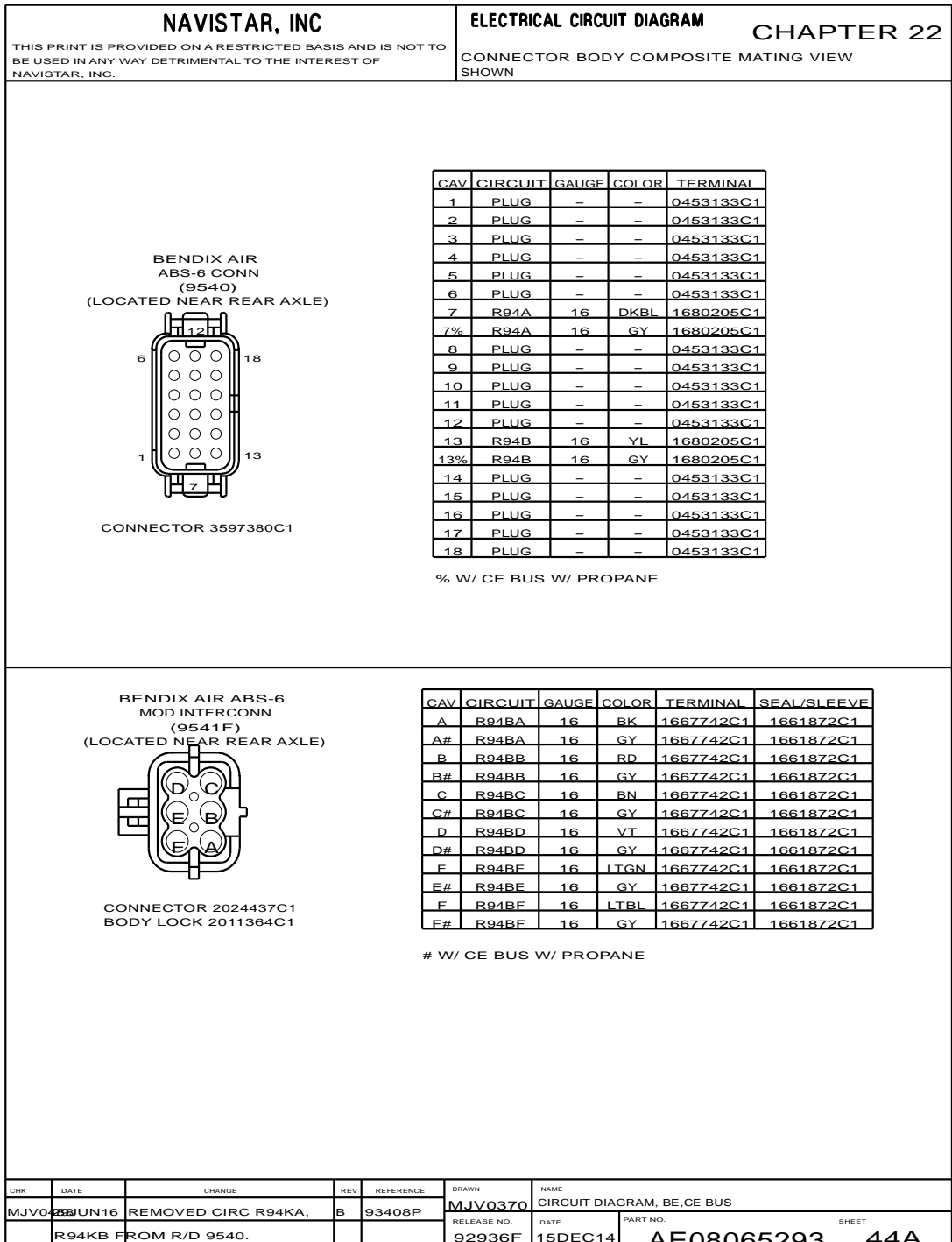


Figure 622 Connector Composites (9540, 9541F)

22.63. CONNECTOR COMPOSITES (9541M, 9736, 9737, 9751, 9758), P. 45

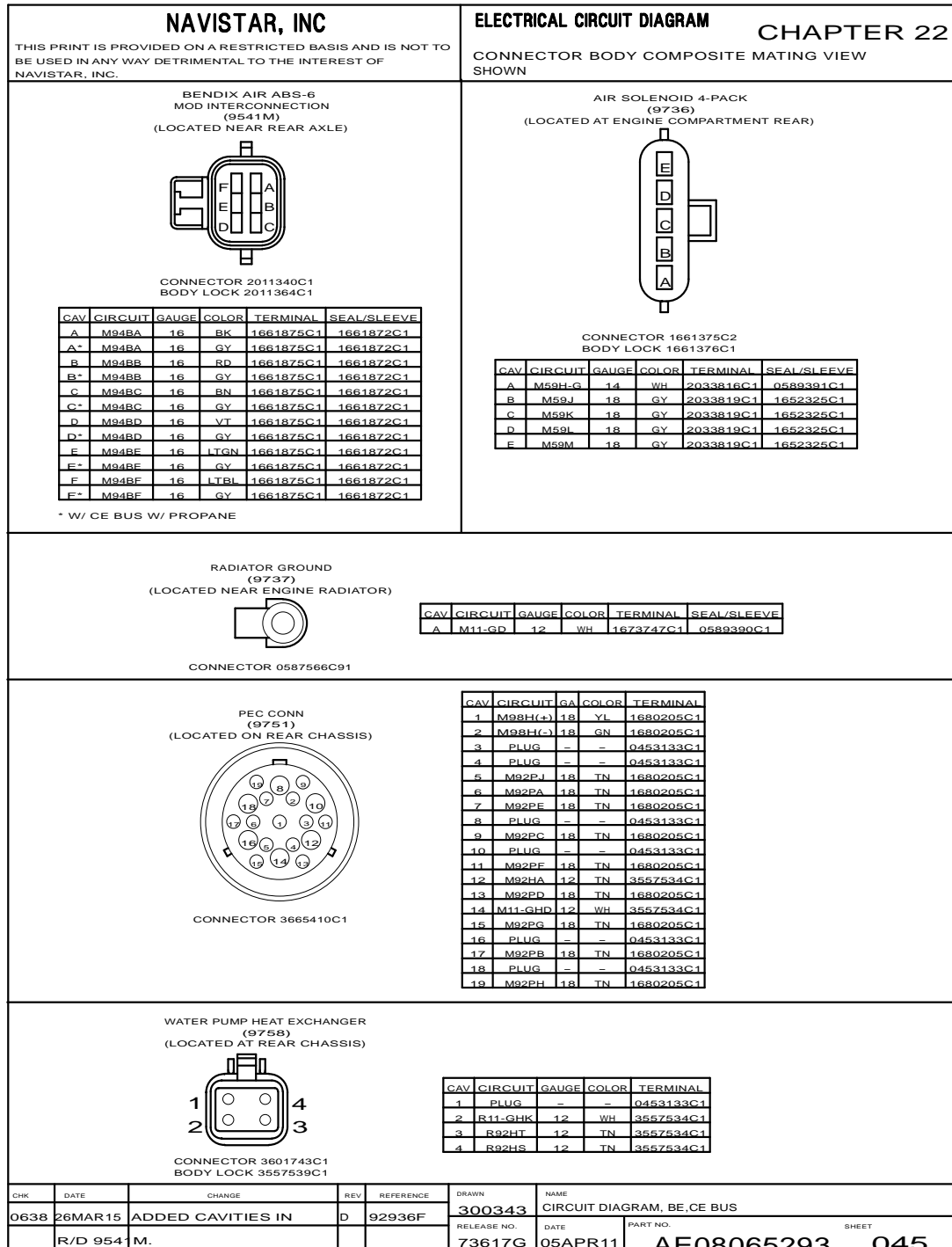


Figure 623 Connector Composites (9541M, 9736, 9737, 9751, 9758)

22.64. CONNECTOR COMPOSITES (9760, 9767), P. 45A

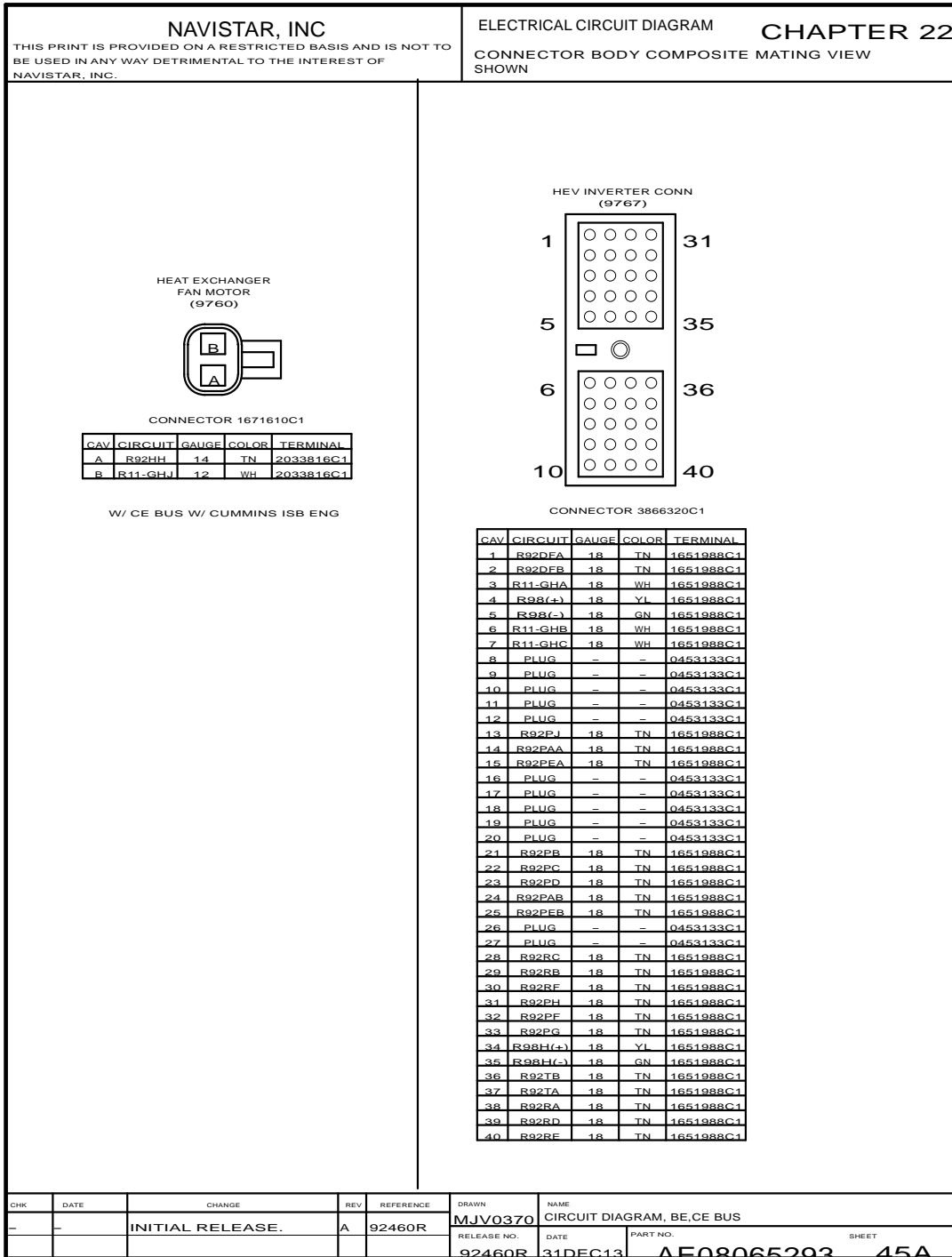


Figure 624 Connector Composites (9760, 9767)

22.65. CONNECTOR COMPOSITES (9777, 9778, 9785F, 9785M, 9921), P. 46


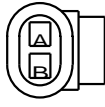



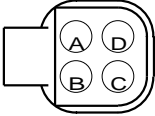
NAVISTAR, INC				ELECTRICAL CIRCUIT DIAGRAM		CHAPTER 22																																											
THIS PRINT IS PROVIDED ON A RESTRICTED BASIS AND IS NOT TO BE USED IN ANY WAY DETRIMENTAL TO THE INTEREST OF NAVISTAR, INC.				CONNECTOR BODY COMPOSITE MATING VIEW SHOWN																																													
<p>SAHR SENSOR (9777) (LOCATED INSIDE LEFT FRAME RAIL AT SAHR CANISTER)</p>  <p>CONNECTOR 1667741C1 BODY LOCK 1667771C1</p> <table border="1" style="width:100%; border-collapse: collapse; font-size: x-small;"> <thead> <tr> <th>CAV</th> <th>CIRCUIT</th> <th>GAUGE</th> <th>COLOR</th> <th>TERMINAL</th> <th>SEAL/SLEEVE</th> </tr> </thead> <tbody> <tr> <td>A</td> <td>R90D</td> <td>18</td> <td>YL</td> <td>1661875C1</td> <td>1661872C1</td> </tr> <tr> <td>B</td> <td>R94-GE</td> <td>18</td> <td>GN</td> <td>1661875C1</td> <td>1661872C1</td> </tr> <tr> <td>C</td> <td>R44D</td> <td>18</td> <td>BN</td> <td>1661875C1</td> <td>1661872C1</td> </tr> </tbody> </table>				CAV	CIRCUIT	GAUGE	COLOR	TERMINAL	SEAL/SLEEVE	A	R90D	18	YL	1661875C1	1661872C1	B	R94-GE	18	GN	1661875C1	1661872C1	C	R44D	18	BN	1661875C1	1661872C1	<p>SAHR CUTOFF SOLENOID (9778) (LOCATED INSIDE LEFT FRAME RAIL AT HCU)</p>  <p>CONNECTOR 3522068C1 BODY LOCK 1661874C1</p> <table border="1" style="width:100%; border-collapse: collapse; font-size: x-small;"> <thead> <tr> <th>CAV</th> <th>CIRCUIT</th> <th>GAUGE</th> <th>COLOR</th> <th>TERMINAL</th> <th>SEAL/SLEEVE</th> </tr> </thead> <tbody> <tr> <td>A</td> <td>R44C</td> <td>18</td> <td>RD</td> <td>1661875C1</td> <td>1661872C1</td> </tr> <tr> <td>B</td> <td>R90D-G</td> <td>18</td> <td>BN</td> <td>1661875C1</td> <td>1661872C1</td> </tr> </tbody> </table>				CAV	CIRCUIT	GAUGE	COLOR	TERMINAL	SEAL/SLEEVE	A	R44C	18	RD	1661875C1	1661872C1	B	R90D-G	18	BN	1661875C1	1661872C1
CAV	CIRCUIT	GAUGE	COLOR	TERMINAL	SEAL/SLEEVE																																												
A	R90D	18	YL	1661875C1	1661872C1																																												
B	R94-GE	18	GN	1661875C1	1661872C1																																												
C	R44D	18	BN	1661875C1	1661872C1																																												
CAV	CIRCUIT	GAUGE	COLOR	TERMINAL	SEAL/SLEEVE																																												
A	R44C	18	RD	1661875C1	1661872C1																																												
B	R90D-G	18	BN	1661875C1	1661872C1																																												
<p>HYD BRAKE REDUNDANT PWR CONN WITH POWERTRAIN (9785M) (LOCATED AT FRONT CHASSIS)</p>  <p>CONNECTOR 3700151C1</p> <table border="1" style="width:100%; border-collapse: collapse; font-size: x-small;"> <thead> <tr> <th>CAV</th> <th>CIRCUIT</th> <th>GAUGE</th> <th>COLOR</th> <th>TERMINAL</th> <th>SEAL/SLEEVE</th> </tr> </thead> <tbody> <tr> <td>A</td> <td>M14M</td> <td>8</td> <td>RD</td> <td>3700154C1</td> <td>3537135C1</td> </tr> </tbody> </table>				CAV	CIRCUIT	GAUGE	COLOR	TERMINAL	SEAL/SLEEVE	A	M14M	8	RD	3700154C1	3537135C1	<p>HYD BRAKE POWER (9785F) (LOCATED INSIDE ENGINE COMPARTMENT NEAR TO PASS-THRU CONNECTOR)</p>  <p>CONNECTOR 3700151C1</p> <table border="1" style="width:100%; border-collapse: collapse; font-size: x-small;"> <thead> <tr> <th>CAV</th> <th>CIRCUIT</th> <th>GA</th> <th>COLOR</th> <th>TERMINAL</th> <th>SEAL/SLEEVE</th> </tr> </thead> <tbody> <tr> <td>A</td> <td>K90S</td> <td>8</td> <td>GY</td> <td>3700154C1</td> <td>3537135C1</td> </tr> </tbody> </table>				CAV	CIRCUIT	GA	COLOR	TERMINAL	SEAL/SLEEVE	A	K90S	8	GY	3700154C1	3537135C1																		
CAV	CIRCUIT	GAUGE	COLOR	TERMINAL	SEAL/SLEEVE																																												
A	M14M	8	RD	3700154C1	3537135C1																																												
CAV	CIRCUIT	GA	COLOR	TERMINAL	SEAL/SLEEVE																																												
A	K90S	8	GY	3700154C1	3537135C1																																												
<p>HYD BRAKE POWER (9785F) (LOCATED INSIDE ENGINE COMPARTMENT NEAR TO PASS-THRU CONNECTOR)</p>  <p>CONNECTOR 3537133C1</p> <table border="1" style="width:100%; border-collapse: collapse; font-size: x-small;"> <thead> <tr> <th>CAV</th> <th>CIRCUIT</th> <th>GA</th> <th>COLOR</th> <th>TERMINAL</th> <th>SEAL/SLV</th> </tr> </thead> <tbody> <tr> <td>A</td> <td>K90S</td> <td>8</td> <td>GY</td> <td>3700153C1</td> <td>3537135C1</td> </tr> </tbody> </table> <p style="text-align: center; font-size: x-small;">W/ F-2017-ISB-ENG</p>				CAV	CIRCUIT	GA	COLOR	TERMINAL	SEAL/SLV	A	K90S	8	GY	3700153C1	3537135C1	<p>HCM DIAG (9921) (LOCATED AT ENGINE COMPARTMENT TRANSMISSION)</p>  <p>CONNECTOR 1661497C91</p> <table border="1" style="width:100%; border-collapse: collapse; font-size: x-small;"> <thead> <tr> <th>CAV</th> <th>CIRCUIT</th> <th>GA</th> <th>COLOR</th> <th>TERMINAL</th> <th>SEAL/SLV</th> </tr> </thead> <tbody> <tr> <td>A</td> <td>K98E</td> <td>18</td> <td>BK</td> <td>0587576C1</td> <td>3517771C1</td> </tr> <tr> <td>B</td> <td>K98G</td> <td>18</td> <td>BK</td> <td>0587576C1</td> <td>3517771C1</td> </tr> <tr> <td>C</td> <td>K98F</td> <td>18</td> <td>BK</td> <td>0587576C1</td> <td>3517771C1</td> </tr> <tr> <td>D</td> <td>K98D</td> <td>18</td> <td>BK</td> <td>0587576C1</td> <td>3517771C1</td> </tr> </tbody> </table>				CAV	CIRCUIT	GA	COLOR	TERMINAL	SEAL/SLV	A	K98E	18	BK	0587576C1	3517771C1	B	K98G	18	BK	0587576C1	3517771C1	C	K98F	18	BK	0587576C1	3517771C1	D	K98D	18	BK	0587576C1	3517771C1
CAV	CIRCUIT	GA	COLOR	TERMINAL	SEAL/SLV																																												
A	K90S	8	GY	3700153C1	3537135C1																																												
CAV	CIRCUIT	GA	COLOR	TERMINAL	SEAL/SLV																																												
A	K98E	18	BK	0587576C1	3517771C1																																												
B	K98G	18	BK	0587576C1	3517771C1																																												
C	K98F	18	BK	0587576C1	3517771C1																																												
D	K98D	18	BK	0587576C1	3517771C1																																												
CHK	DATE	CHANGE	REV	REFERENCE	DRAWN	NAME																																											
MJVO	23SEP16	REVISED AND REDRAWN.	C	93690D	U01H060	CIRCUIT DIAGRAM, BE,CE BUS																																											
				RELEASE NO.	DATE	PART NO.	SHEET																																										
				92290B	24SEP13	AE08065293	046																																										

Figure 625 Connector Composites (9777, 9778, 9785F, 9785M, 9921)

22.66. CONNECTOR COMPOSITES (9995, 9996, 9997, 9998), P. 46A

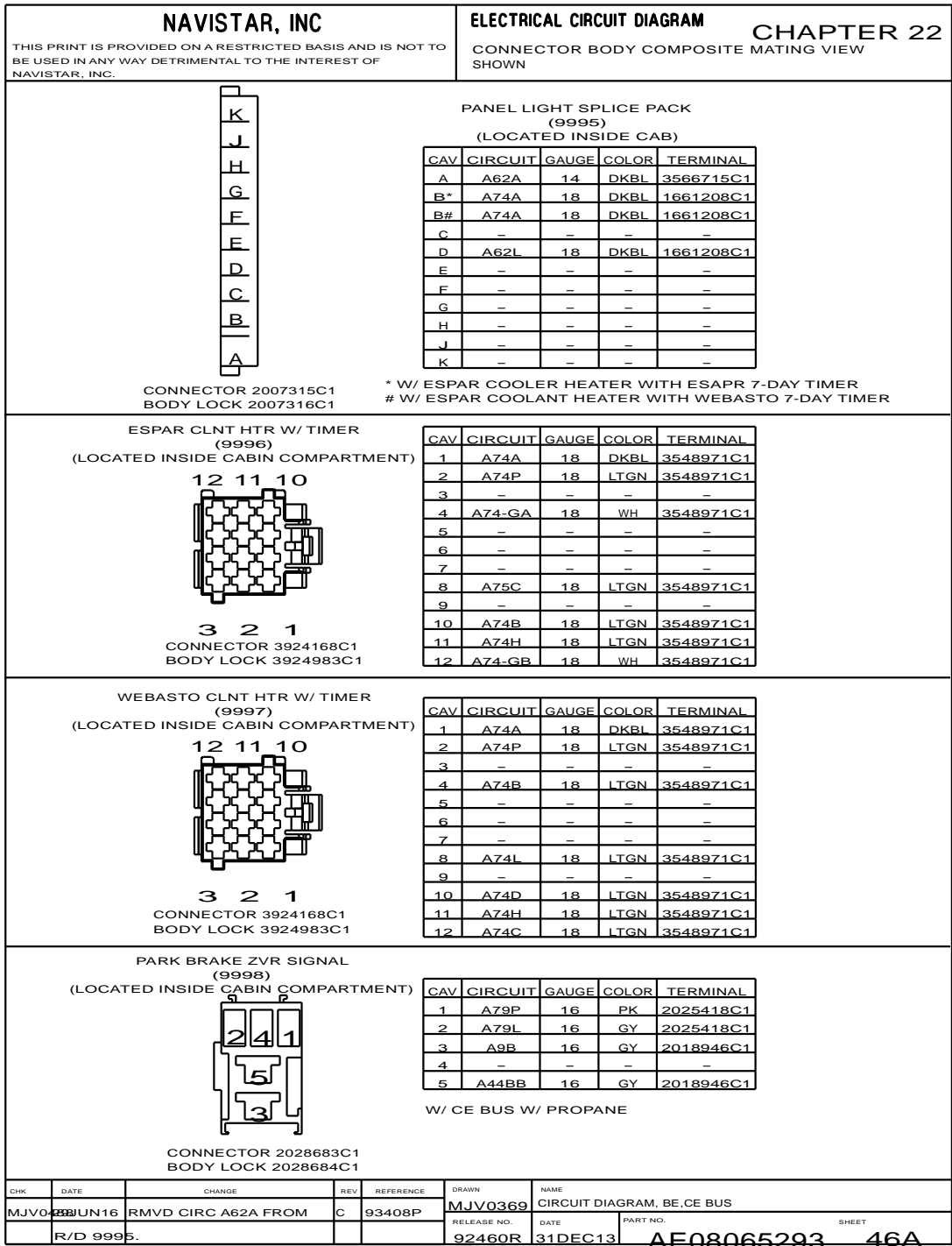


Figure 626 Connector Composites (9995, 9996, 9997, 9998)

22.67. CONNECTOR COMPOSITES (9999, 10047, 10048, 10049, 10050), P. 47

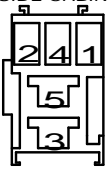
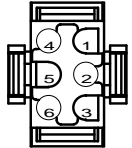
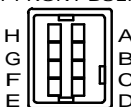


NAVISTAR, INC				ELECTRICAL CIRCUIT DIAGRAM		CHAPTER 23																																														
THIS PRINT IS PROVIDED ON A RESTRICTED BASIS AND IS NOT TO BE USED IN ANY WAY DETRIMENTAL TO THE INTEREST OF NAVISTAR, INC.				CONNECTOR BODY COMPOSITE - MATING VIEW SHOWN																																																
PARK BRAKE NOT SET ALARM (9999) (LOCATED INSIDE CABIN COMPARTMENT)																																																				
				<table border="1" style="width: 100%; border-collapse: collapse; font-size: x-small;"> <thead> <tr> <th>CAV</th> <th>CIRCUIT</th> <th>GAUGE</th> <th>COLOR</th> <th>TERMINAL</th> </tr> </thead> <tbody> <tr><td>1</td><td>A79B</td><td>16</td><td>RD</td><td>2025418C1</td></tr> <tr><td>2</td><td>A79J</td><td>16</td><td>GY</td><td>2025418C1</td></tr> <tr><td>3</td><td>A79E</td><td>16</td><td>GY</td><td>2018946C1</td></tr> <tr><td>4</td><td>A79F</td><td>16</td><td>GY</td><td>2025418C1</td></tr> <tr><td>5</td><td>-</td><td>-</td><td>-</td><td>-</td></tr> </tbody> </table>				CAV	CIRCUIT	GAUGE	COLOR	TERMINAL	1	A79B	16	RD	2025418C1	2	A79J	16	GY	2025418C1	3	A79E	16	GY	2018946C1	4	A79F	16	GY	2025418C1	5	-	-	-	-															
CAV	CIRCUIT	GAUGE	COLOR	TERMINAL																																																
1	A79B	16	RD	2025418C1																																																
2	A79J	16	GY	2025418C1																																																
3	A79E	16	GY	2018946C1																																																
4	A79F	16	GY	2025418C1																																																
5	-	-	-	-																																																
CONNECTOR 2028683C1 BODY LOCK 2028684C1				W/ CE BUS W/ PROPANE																																																
ENTRANCE DOOR (10047) (LOCATED AT FRONT BULKHEAD - RIGHT)																																																				
				<table border="1" style="width: 100%; border-collapse: collapse; font-size: x-small;"> <thead> <tr> <th>CAV</th> <th>CIRCUIT</th> <th>GAUGE</th> <th>COLOR</th> <th>TERMINAL</th> </tr> </thead> <tbody> <tr><td>1</td><td>C120</td><td>16</td><td>LTGN</td><td>1661539C1</td></tr> <tr><td>2</td><td>C120A</td><td>16</td><td>LTGN</td><td>1661539C1</td></tr> <tr><td>3</td><td>C120-G</td><td>16</td><td>WH</td><td>1661539C1</td></tr> <tr><td>4*</td><td>C120-GA</td><td>16</td><td>WH</td><td>1661539C1</td></tr> <tr><td>4#</td><td>C120B</td><td>18</td><td>LTGN</td><td>1661539C1</td></tr> <tr><td>5</td><td>C81A</td><td>18</td><td>LTGN</td><td>1661539C1</td></tr> <tr><td>6</td><td>C81B</td><td>18</td><td>LTGN</td><td>1661539C1</td></tr> </tbody> </table>				CAV	CIRCUIT	GAUGE	COLOR	TERMINAL	1	C120	16	LTGN	1661539C1	2	C120A	16	LTGN	1661539C1	3	C120-G	16	WH	1661539C1	4*	C120-GA	16	WH	1661539C1	4#	C120B	18	LTGN	1661539C1	5	C81A	18	LTGN	1661539C1	6	C81B	18	LTGN	1661539C1					
CAV	CIRCUIT	GAUGE	COLOR	TERMINAL																																																
1	C120	16	LTGN	1661539C1																																																
2	C120A	16	LTGN	1661539C1																																																
3	C120-G	16	WH	1661539C1																																																
4*	C120-GA	16	WH	1661539C1																																																
4#	C120B	18	LTGN	1661539C1																																																
5	C81A	18	LTGN	1661539C1																																																
6	C81B	18	LTGN	1661539C1																																																
CONNECTOR 2206662C1				* ELECTRIC DOOR # AIR DOOR																																																
MOTORIZED MIRROR (10048) (LOCATED AT FRONT BULKHEAD - RIGHT)																																																				
				<table border="1" style="width: 100%; border-collapse: collapse; font-size: x-small;"> <thead> <tr> <th>CAV</th> <th>CIRCUIT</th> <th>GAUGE</th> <th>COLOR</th> <th>TERMINAL</th> </tr> </thead> <tbody> <tr><td>A</td><td>C78K</td><td>18</td><td>LTGN</td><td>1661262C1</td></tr> <tr><td>B</td><td>C78J</td><td>18</td><td>LTGN</td><td>1661262C1</td></tr> <tr><td>C</td><td>C78H</td><td>18</td><td>LTGN</td><td>1661262C1</td></tr> <tr><td>D</td><td>C78F</td><td>18</td><td>LTGN</td><td>1661262C1</td></tr> <tr><td>E</td><td>C78E</td><td>18</td><td>LTGN</td><td>1661262C1</td></tr> <tr><td>F</td><td>C78D</td><td>18</td><td>LTGN</td><td>1661262C1</td></tr> <tr><td>G</td><td>C78B</td><td>18</td><td>LTGN</td><td>1661262C1</td></tr> <tr><td>H</td><td>C78-G</td><td>18</td><td>WH</td><td>1661262C1</td></tr> </tbody> </table>				CAV	CIRCUIT	GAUGE	COLOR	TERMINAL	A	C78K	18	LTGN	1661262C1	B	C78J	18	LTGN	1661262C1	C	C78H	18	LTGN	1661262C1	D	C78F	18	LTGN	1661262C1	E	C78E	18	LTGN	1661262C1	F	C78D	18	LTGN	1661262C1	G	C78B	18	LTGN	1661262C1	H	C78-G	18	WH	1661262C1
CAV	CIRCUIT	GAUGE	COLOR	TERMINAL																																																
A	C78K	18	LTGN	1661262C1																																																
B	C78J	18	LTGN	1661262C1																																																
C	C78H	18	LTGN	1661262C1																																																
D	C78F	18	LTGN	1661262C1																																																
E	C78E	18	LTGN	1661262C1																																																
F	C78D	18	LTGN	1661262C1																																																
G	C78B	18	LTGN	1661262C1																																																
H	C78-G	18	WH	1661262C1																																																
CONNECTOR 3515763C1 BODY LOCK 3515765C1																																																				
STARTER INTERLOCK (10049) (LOCATED AT FRONT BULKHEAD - CENTER)																																																				
				<table border="1" style="width: 100%; border-collapse: collapse; font-size: x-small;"> <thead> <tr> <th>CAV</th> <th>CIRCUIT</th> <th>GAUGE</th> <th>COLOR</th> <th>TERMINAL</th> </tr> </thead> <tbody> <tr><td>A</td><td>C133A</td><td>16</td><td>LTGN</td><td>Q239805R1</td></tr> </tbody> </table>				CAV	CIRCUIT	GAUGE	COLOR	TERMINAL	A	C133A	16	LTGN	Q239805R1																																			
CAV	CIRCUIT	GAUGE	COLOR	TERMINAL																																																
A	C133A	16	LTGN	Q239805R1																																																
CONNECTOR 2206658C1																																																				
STARTER INTERLOCK (10050) (LOCATED AT FRONT BULKHEAD - CENTER)																																																				
				<table border="1" style="width: 100%; border-collapse: collapse; font-size: x-small;"> <thead> <tr> <th>CAV</th> <th>CIRCUIT</th> <th>GAUGE</th> <th>COLOR</th> <th>TERMINAL</th> </tr> </thead> <tbody> <tr><td>A</td><td>C133-GA</td><td>16</td><td>WH</td><td>Q239805R1</td></tr> </tbody> </table>				CAV	CIRCUIT	GAUGE	COLOR	TERMINAL	A	C133-GA	16	WH	Q239805R1																																			
CAV	CIRCUIT	GAUGE	COLOR	TERMINAL																																																
A	C133-GA	16	WH	Q239805R1																																																
CONNECTOR 2206658C1																																																				
CHK	DATE	CHANGE	REV	REFERENCE	DRAWN	NAME																																														
0638	26MAR15	ADDED R/D 9999.	B	92936F	U01H060	CIRCUIT DIAGRAM, BE,CE BUS																																														
					RELEASE NO.	DATE	PART NO.																																													
					92290B	20SEP13	AE08065293																																													
						SHEET	047																																													

Figure 627 Connector Composites (9999, 10047, 10048, 10049, 10050)

CONNECTOR COMPOSITE (CHAPTER 23)

23.1. CONNECTOR COMPOSITES (10000), P. 1

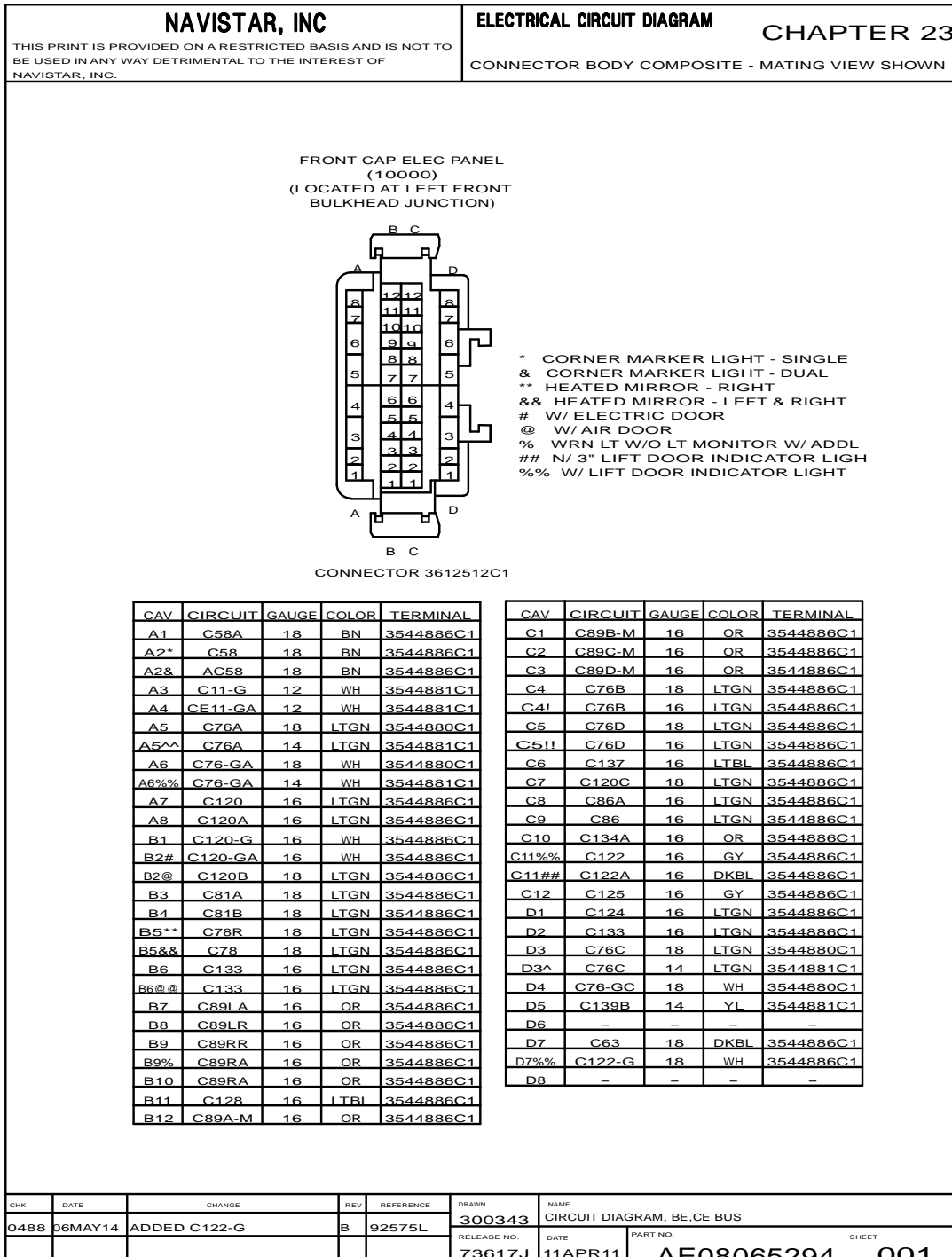


Figure 628 Connector Composites (10000)

23.2. INTENTIONALLY LEFT BLANK, P. 2

<p>NAVISTAR, INC</p> <p><small>THIS PRINT IS PROVIDED ON A RESTRICTED BASIS AND IS NOT TO BE USED IN ANY WAY DETRIMENTAL TO THE INTEREST OF NAVISTAR, INC.</small></p>				<p>ELECTRICAL CIRCUIT DIAGRAM CHAPTER 23</p>			
<p>INTENTIONALLY LEFT BLANK</p>							
CHK	DATE	CHANGE	REV	REFERENCE	DRAWN	NAME	
0025	05JAN12	INITIAL RELEASE.	A	73617J	300343	CIRCUIT DIAGRAM, BE,CE BUS	
					RELEASE NO.	DATE	
					73617J	11APR11	
						PART NO.	
						AE08065294	
						SHEET	
						002	

Figure 629 Intentionally Left Blank

23.3. CONNECTOR COMPOSITES (10000), P. 3

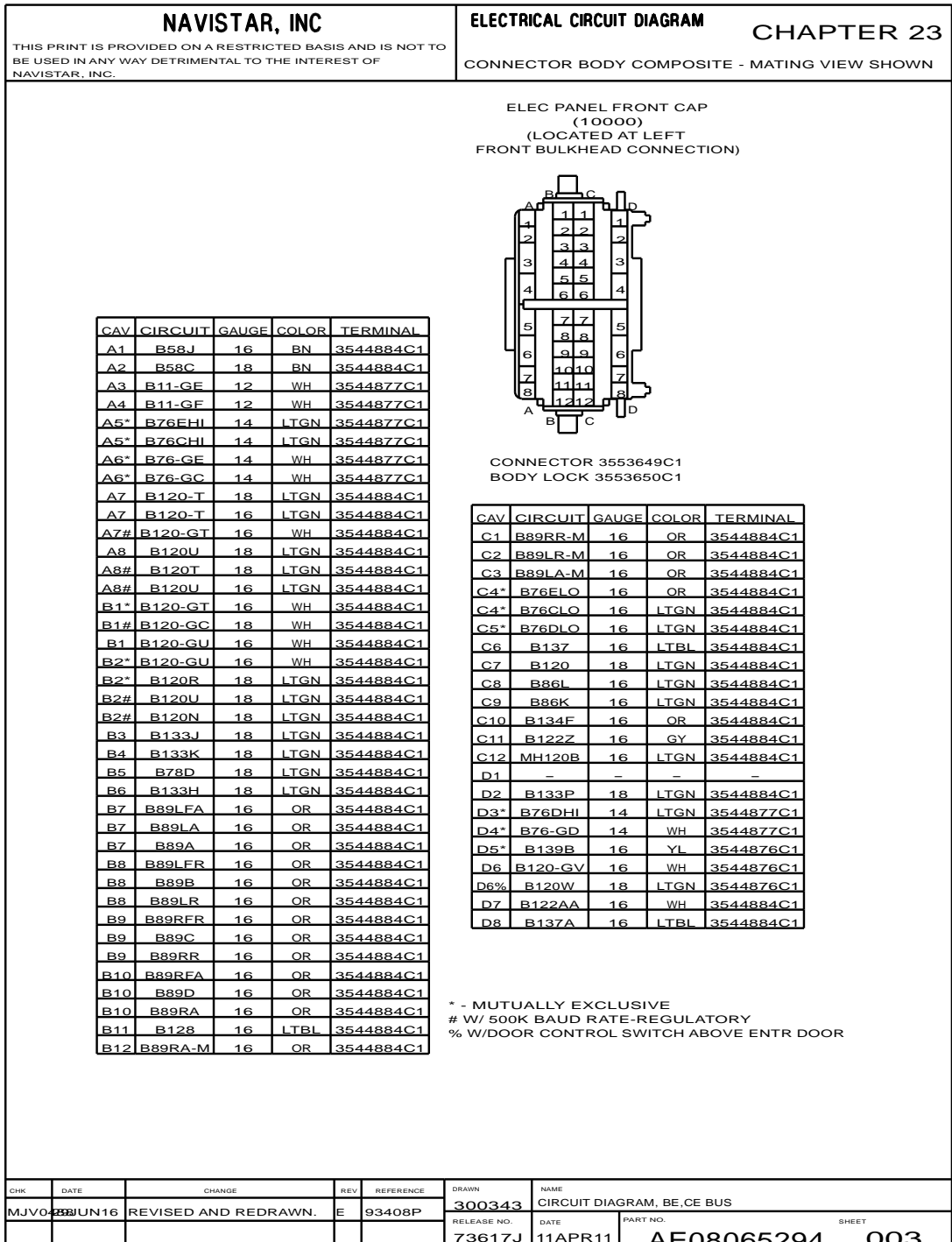


Figure 630 Connector Composites (10000)

23.4. CONNECTOR COMPOSITES (10001), P. 4

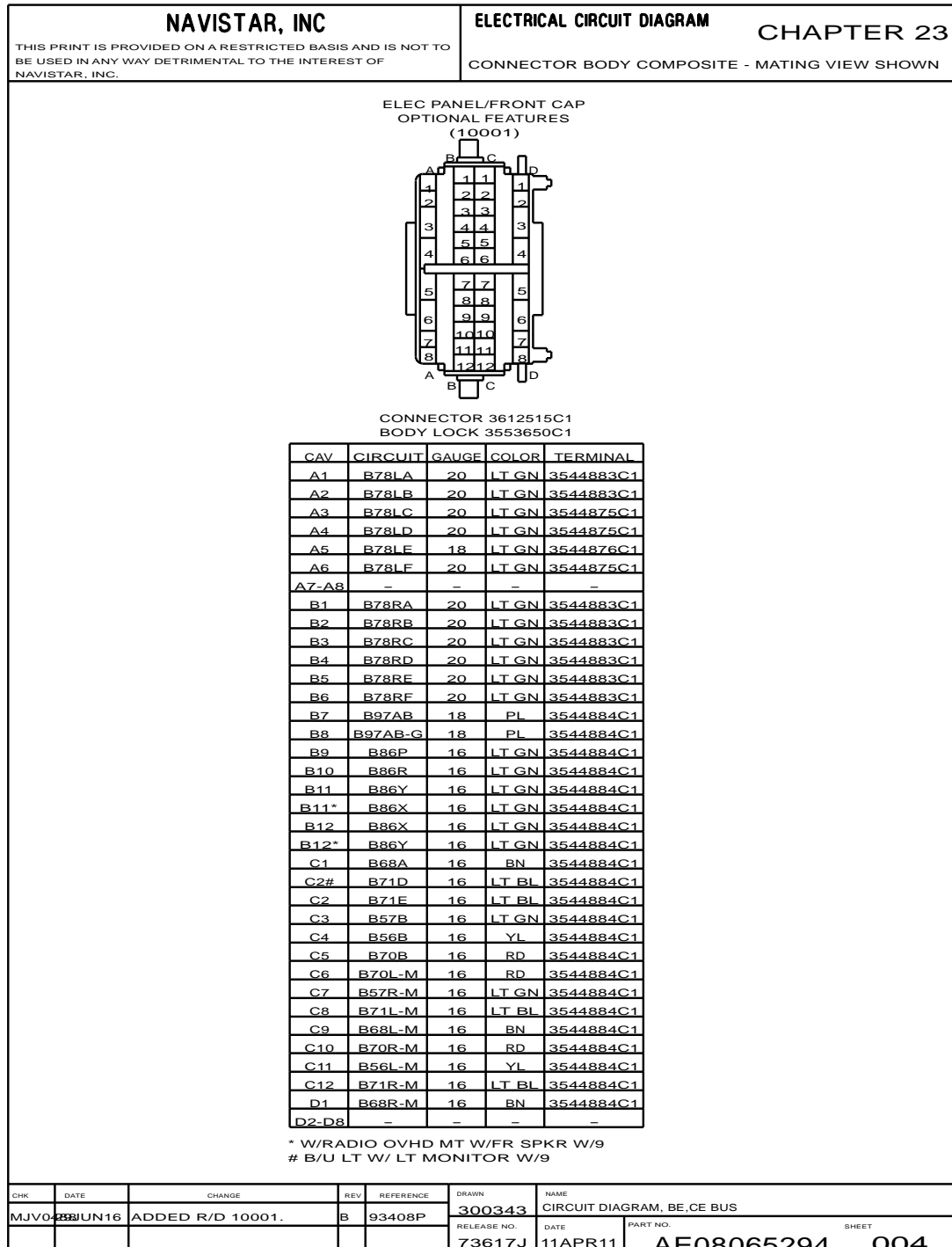


Figure 631 Connector Composites (10001)

23.5. CONNECTOR COMPOSITES (10003, 10004), P. 5

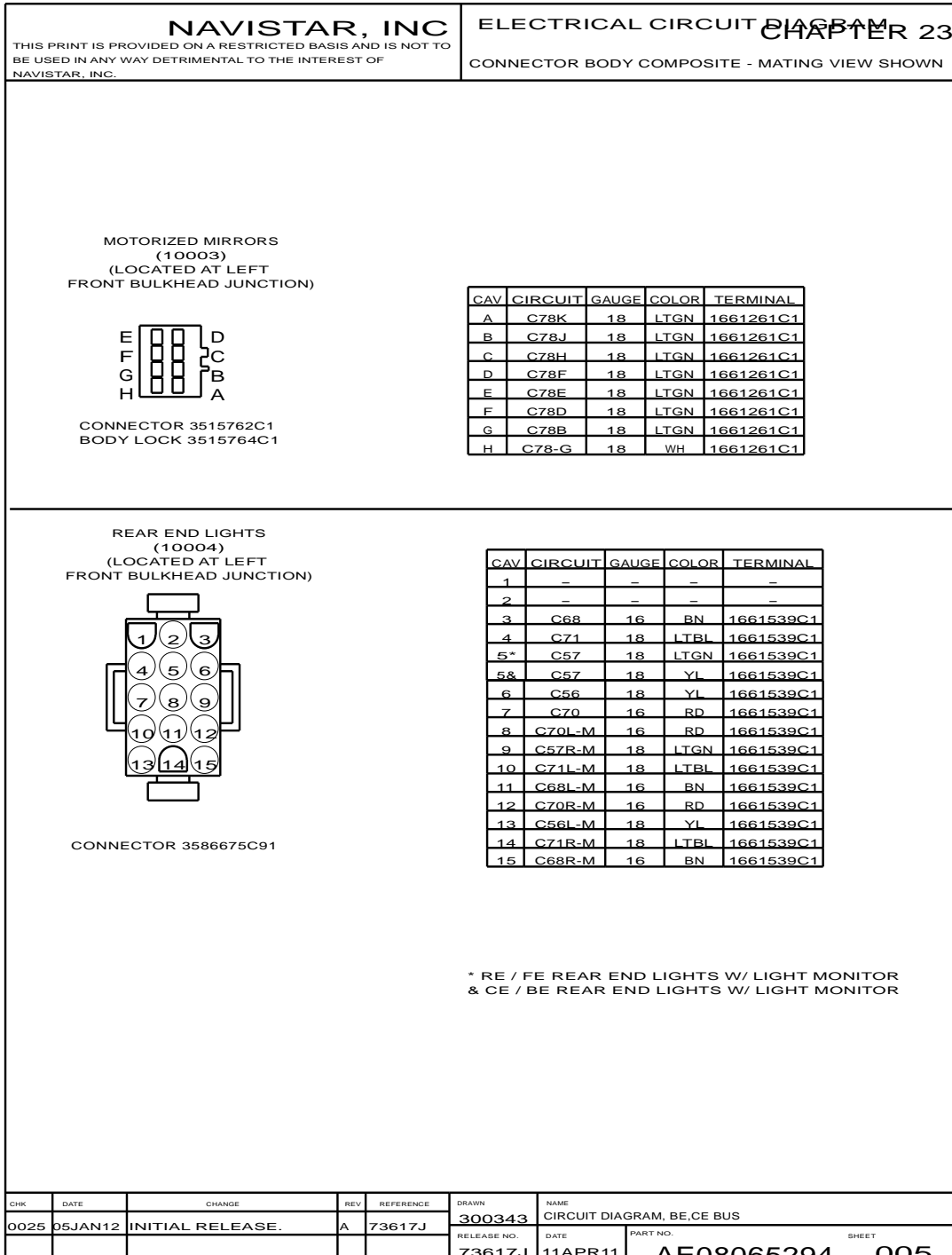


Figure 632 Connector Composites (10003, 10004)

23.6. CONNECTOR COMPOSITES (10004, 10009), P. 6

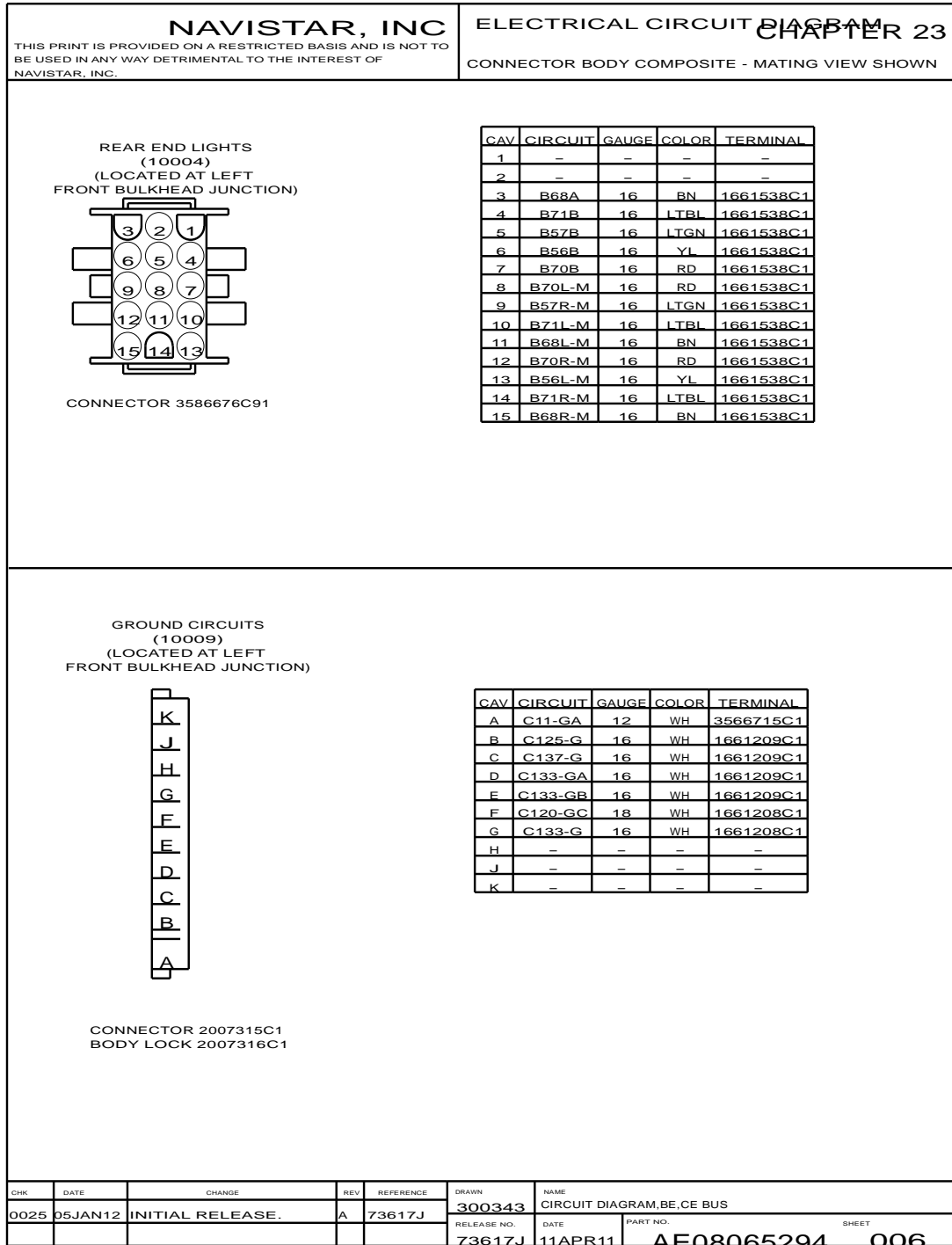


Figure 633 Connector Composites (10004, 10009)

23.7. CONNECTOR COMPOSITES (10010, 10011, 10012), P. 7

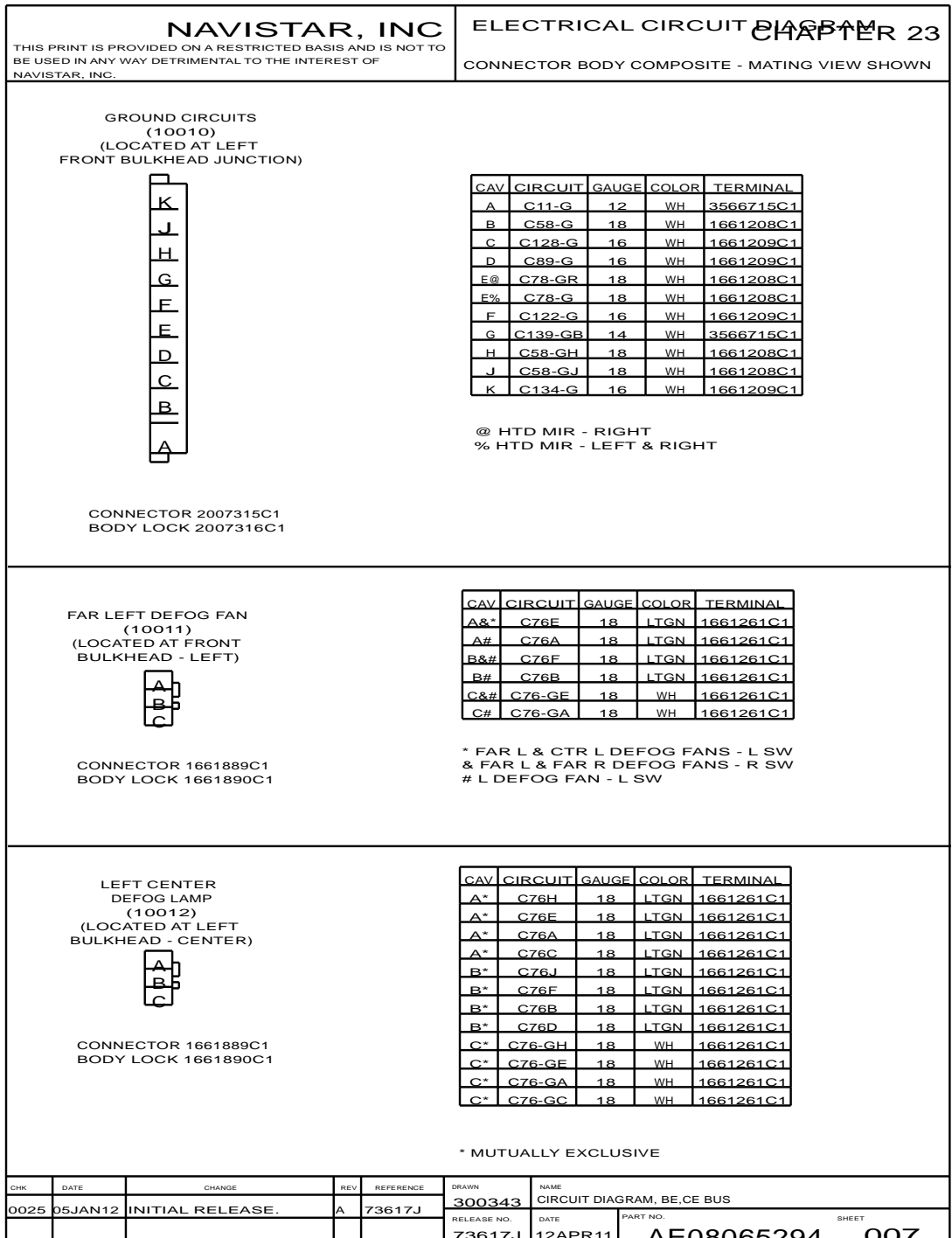


Figure 634 Connector Composites (10010, 10011, 10012)

23.8. CONNECTOR COMPOSITES (10013, 10014, 10015, 10016), P. 8


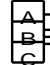


NAVISTAR, INC <small>THIS PRINT IS PROVIDED ON A RESTRICTED BASIS AND IS NOT TO BE USED IN ANY WAY DETRIMENTAL TO THE INTEREST OF NAVISTAR, INC.</small>				ELECTRICAL CIRCUIT DIAGRAM CHAPTER 23 CONNECTOR BODY COMPOSITE - MATING VIEW SHOWN																																																																				
<p style="text-align: center;"> CENTER RIGHT DEFOG FAN (10013) (LOCATED AT FRONT BULKHEAD - CENTER)  CONNECTOR 1661889C1 BODY LOCK 1661890C1 </p>				<table border="1" style="width: 100%; border-collapse: collapse;"> <thead> <tr> <th>GAV</th> <th>CIRCUIT</th> <th>GAUGE</th> <th>COLOR</th> <th>TERMINAL</th> </tr> </thead> <tbody> <tr><td>A*</td><td>C76E</td><td>18</td><td>LTGN</td><td>1661261C1</td></tr> <tr><td>A*</td><td>C76H</td><td>18</td><td>LTGN</td><td>1661261C1</td></tr> <tr><td>A*</td><td>C76C</td><td>18</td><td>LTGN</td><td>1661261C1</td></tr> <tr><td>A*</td><td>C76A</td><td>18</td><td>LTGN</td><td>1661261C1</td></tr> <tr><td>B*</td><td>C76F</td><td>18</td><td>LTGN</td><td>1661261C1</td></tr> <tr><td>B*</td><td>C76J</td><td>18</td><td>LTGN</td><td>1661261C1</td></tr> <tr><td>B*</td><td>C76D</td><td>18</td><td>LTGN</td><td>1661261C1</td></tr> <tr><td>B*</td><td>C76B</td><td>18</td><td>LTGN</td><td>1661261C1</td></tr> <tr><td>C*</td><td>C76-GE</td><td>18</td><td>WH</td><td>1661261C1</td></tr> <tr><td>C*</td><td>C76-GH</td><td>18</td><td>LTGN</td><td>1661261C1</td></tr> <tr><td>C*</td><td>C76-GC</td><td>18</td><td>WH</td><td>1661261C1</td></tr> <tr><td>C*</td><td>C76-GA</td><td>18</td><td>WH</td><td>1661261C1</td></tr> </tbody> </table> <p style="text-align: center;">* MUTUALLY EXCLUSIVE</p>				GAV	CIRCUIT	GAUGE	COLOR	TERMINAL	A*	C76E	18	LTGN	1661261C1	A*	C76H	18	LTGN	1661261C1	A*	C76C	18	LTGN	1661261C1	A*	C76A	18	LTGN	1661261C1	B*	C76F	18	LTGN	1661261C1	B*	C76J	18	LTGN	1661261C1	B*	C76D	18	LTGN	1661261C1	B*	C76B	18	LTGN	1661261C1	C*	C76-GE	18	WH	1661261C1	C*	C76-GH	18	LTGN	1661261C1	C*	C76-GC	18	WH	1661261C1	C*	C76-GA	18	WH	1661261C1
GAV	CIRCUIT	GAUGE	COLOR	TERMINAL																																																																				
A*	C76E	18	LTGN	1661261C1																																																																				
A*	C76H	18	LTGN	1661261C1																																																																				
A*	C76C	18	LTGN	1661261C1																																																																				
A*	C76A	18	LTGN	1661261C1																																																																				
B*	C76F	18	LTGN	1661261C1																																																																				
B*	C76J	18	LTGN	1661261C1																																																																				
B*	C76D	18	LTGN	1661261C1																																																																				
B*	C76B	18	LTGN	1661261C1																																																																				
C*	C76-GE	18	WH	1661261C1																																																																				
C*	C76-GH	18	LTGN	1661261C1																																																																				
C*	C76-GC	18	WH	1661261C1																																																																				
C*	C76-GA	18	WH	1661261C1																																																																				
<p style="text-align: center;"> FAR RIGHT DEFOG FAN (10014) (LOCATED AT BULKHEAD)  CONNECTOR 1661889C1 BODY LOCK 1661890C1 </p>				<table border="1" style="width: 100%; border-collapse: collapse;"> <thead> <tr> <th>GAV</th> <th>CIRCUIT</th> <th>GAUGE</th> <th>COLOR</th> <th>TERMINAL</th> </tr> </thead> <tbody> <tr><td>A*</td><td>C76H</td><td>18</td><td>LTGN</td><td>1661261C1</td></tr> <tr><td>A*</td><td>C76C</td><td>18</td><td>LTGN</td><td>1661261C1</td></tr> <tr><td>B*</td><td>C76J</td><td>18</td><td>LTGN</td><td>1661261C1</td></tr> <tr><td>B*</td><td>C76D</td><td>18</td><td>LTGN</td><td>1661261C1</td></tr> <tr><td>C*</td><td>C76-GH</td><td>18</td><td>WH</td><td>1661261C1</td></tr> <tr><td>C*</td><td>C76-GC</td><td>18</td><td>WH</td><td>1661261C1</td></tr> </tbody> </table> <p style="text-align: center;">* MUTUALLY EXCLUSIVE</p>				GAV	CIRCUIT	GAUGE	COLOR	TERMINAL	A*	C76H	18	LTGN	1661261C1	A*	C76C	18	LTGN	1661261C1	B*	C76J	18	LTGN	1661261C1	B*	C76D	18	LTGN	1661261C1	C*	C76-GH	18	WH	1661261C1	C*	C76-GC	18	WH	1661261C1																														
GAV	CIRCUIT	GAUGE	COLOR	TERMINAL																																																																				
A*	C76H	18	LTGN	1661261C1																																																																				
A*	C76C	18	LTGN	1661261C1																																																																				
B*	C76J	18	LTGN	1661261C1																																																																				
B*	C76D	18	LTGN	1661261C1																																																																				
C*	C76-GH	18	WH	1661261C1																																																																				
C*	C76-GC	18	WH	1661261C1																																																																				
<p style="text-align: center;"> CENTER BLOWER (10015) (LOCATED AT FRONT BULKHEAD - RIGHT)  CONNECTOR 2206660C1 </p>				<table border="1" style="width: 100%; border-collapse: collapse;"> <thead> <tr> <th>GAV</th> <th>CIRCUIT</th> <th>GAUGE</th> <th>COLOR</th> <th>TERMINAL</th> </tr> </thead> <tbody> <tr><td>1*</td><td>C76A</td><td>14</td><td>LTGN</td><td>1661539C1</td></tr> <tr><td>1#</td><td>C76C</td><td>14</td><td>LTGN</td><td>1661539C1</td></tr> <tr><td>2*</td><td>C76B</td><td>16</td><td>LTGN</td><td>1661539C1</td></tr> <tr><td>2#</td><td>C76D</td><td>16</td><td>LTGN</td><td>1661539C1</td></tr> <tr><td>3*</td><td>C76-GA</td><td>14</td><td>WH</td><td>1661539C1</td></tr> <tr><td>3#</td><td>C76-GC</td><td>14</td><td>WH</td><td>1661539C1</td></tr> </tbody> </table> <p style="text-align: center;"> * CENTER BLOWER - L SWITCH # CENTER BLOWER - R SWITCH </p>				GAV	CIRCUIT	GAUGE	COLOR	TERMINAL	1*	C76A	14	LTGN	1661539C1	1#	C76C	14	LTGN	1661539C1	2*	C76B	16	LTGN	1661539C1	2#	C76D	16	LTGN	1661539C1	3*	C76-GA	14	WH	1661539C1	3#	C76-GC	14	WH	1661539C1																														
GAV	CIRCUIT	GAUGE	COLOR	TERMINAL																																																																				
1*	C76A	14	LTGN	1661539C1																																																																				
1#	C76C	14	LTGN	1661539C1																																																																				
2*	C76B	16	LTGN	1661539C1																																																																				
2#	C76D	16	LTGN	1661539C1																																																																				
3*	C76-GA	14	WH	1661539C1																																																																				
3#	C76-GC	14	WH	1661539C1																																																																				
<p style="text-align: center;"> CORNER MARKER LT (10016) (LOCATED AT FRONT BULKHEAD - LEFT)  CONNECTOR 1661259C1 BODY LOCK 1661263C1 </p>				<table border="1" style="width: 100%; border-collapse: collapse;"> <thead> <tr> <th>GAV</th> <th>CIRCUIT</th> <th>GAUGE</th> <th>COLOR</th> <th>TERMINAL</th> </tr> </thead> <tbody> <tr><td>A</td><td>C58E</td><td>18</td><td>BN</td><td>1661261C1</td></tr> <tr><td>B</td><td>C58-GE</td><td>18</td><td>WH</td><td>1661261C1</td></tr> </tbody> </table>				GAV	CIRCUIT	GAUGE	COLOR	TERMINAL	A	C58E	18	BN	1661261C1	B	C58-GE	18	WH	1661261C1																																																		
GAV	CIRCUIT	GAUGE	COLOR	TERMINAL																																																																				
A	C58E	18	BN	1661261C1																																																																				
B	C58-GE	18	WH	1661261C1																																																																				
CHK	DATE	CHANGE	REV	REFERENCE	DRAWN	NAME																																																																		
0025	05JAN12	INITIAL RELEASE.	A	73617J	300343	CIRCUIT DIAGRAM, BE,CE BUS																																																																		
					RELEASE NO.	DATE	PART NO.																																																																	
					73617J	12APR11	AE08065294																																																																	
							SHEET 008																																																																	

Figure 635 Connector Composites (10013, 10014, 10015, 10016)

23.9. CONNECTOR COMPOSITES (10017, 10018, 10019, 10020), P. 9

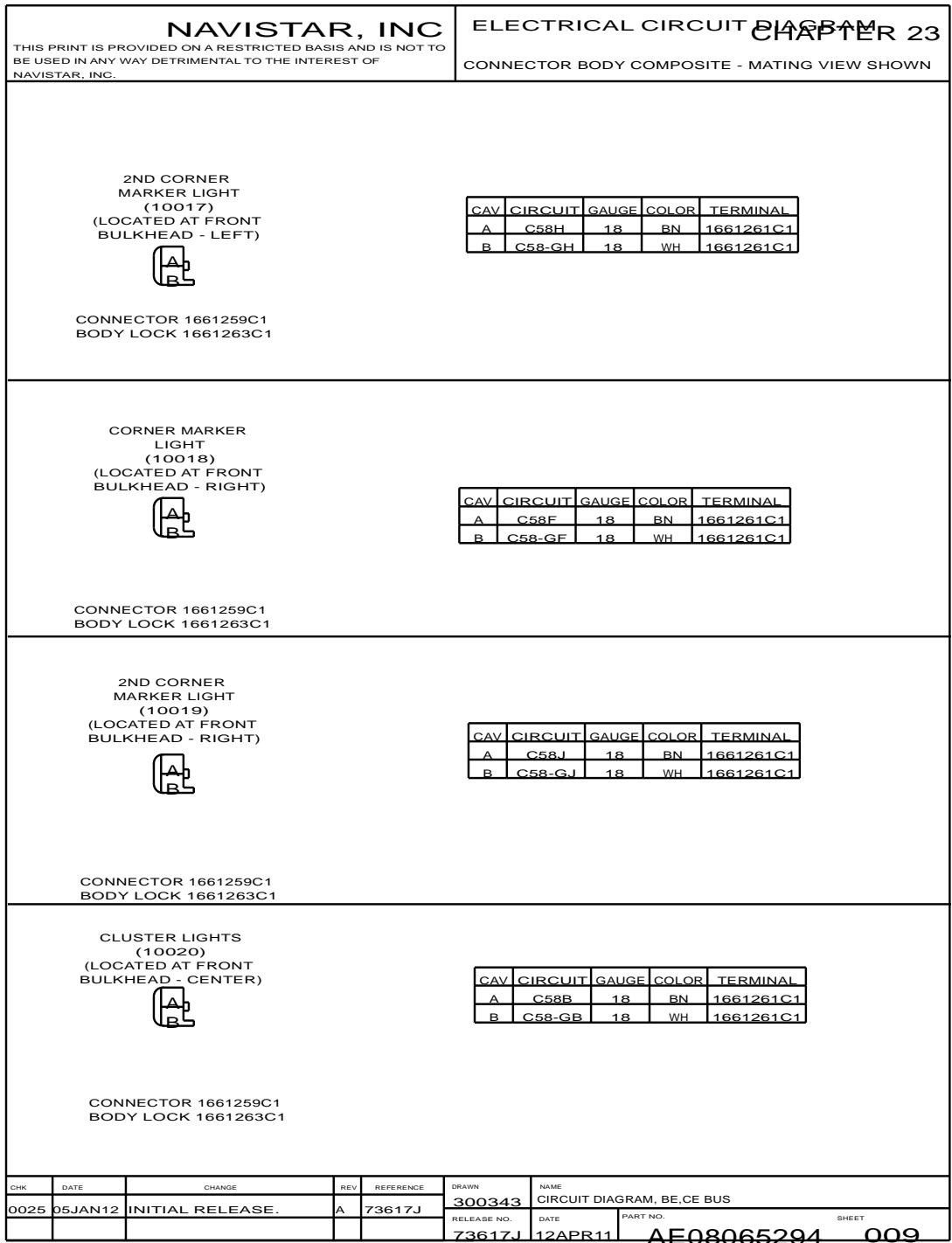


Figure 636 Connector Composites (10017, 10018, 10019, 10020)

23.10. CONNECTOR COMPOSITES (10021, 10022, 10023, 10024), P. 10

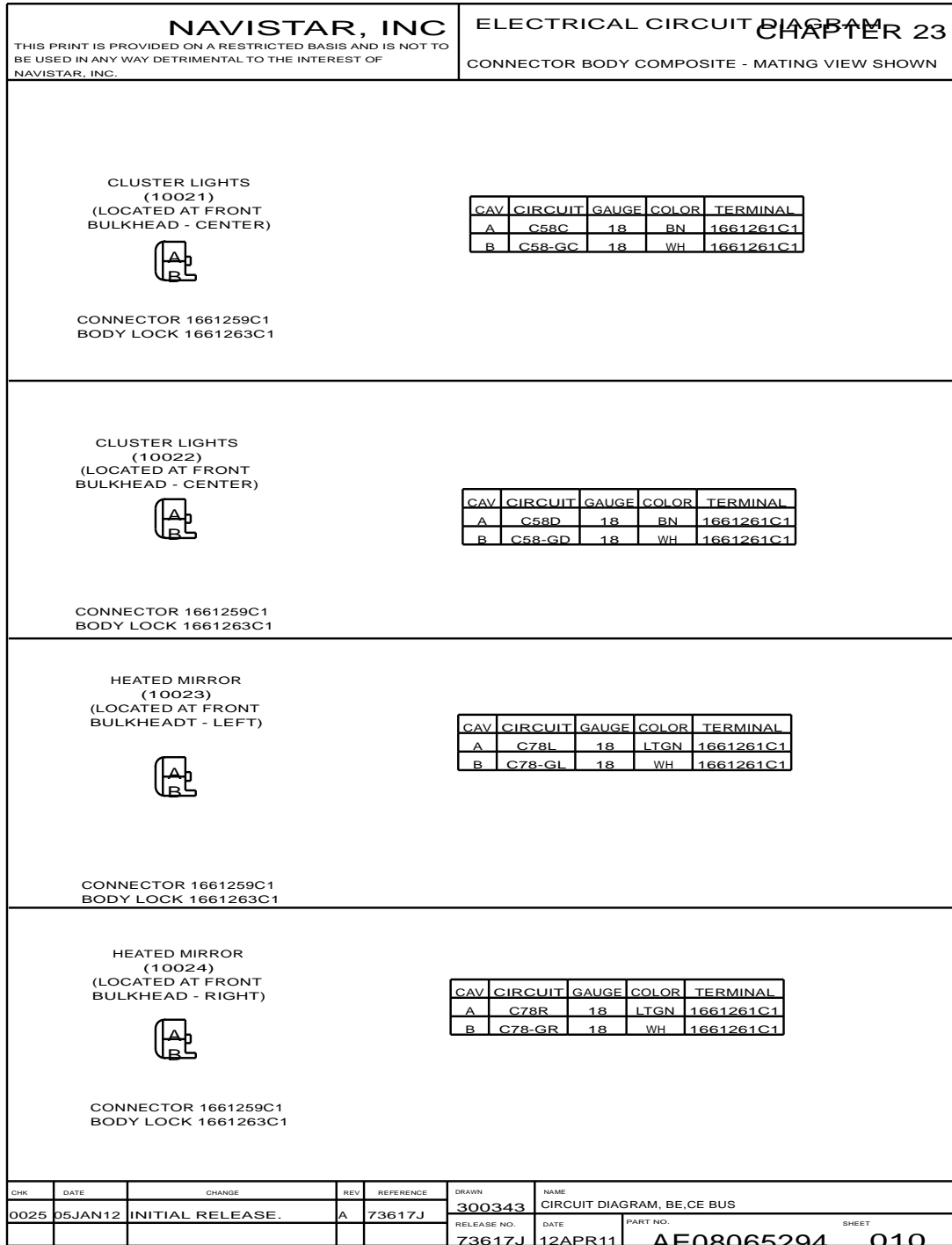


Figure 637 Connector Composites (10021, 10022, 10023, 10024)

23.11. CONNECTOR COMPOSITES (10025A, 10025B, 10025C, 10025D), P. 11

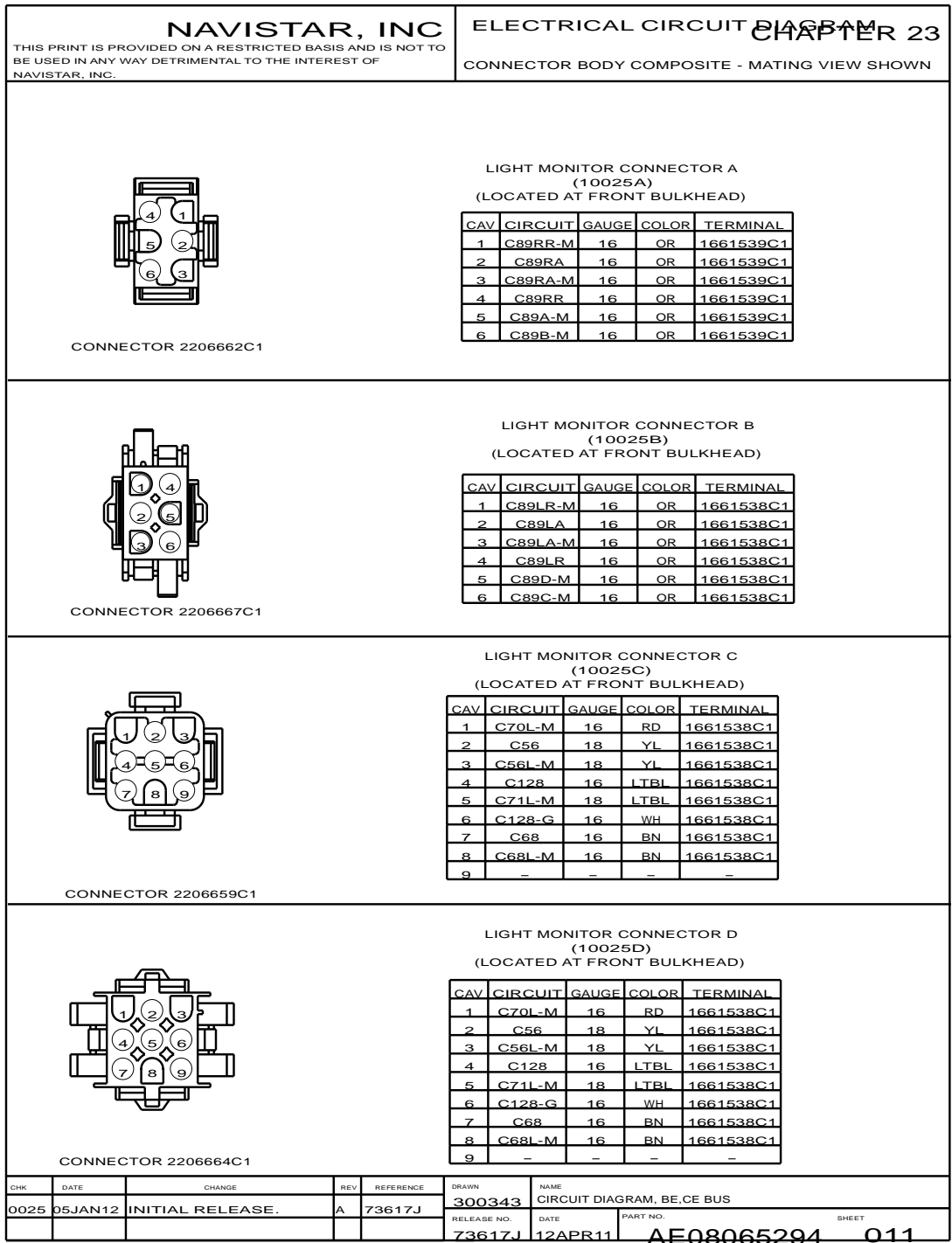


Figure 638 Connector Composites (10025A, 10025B, 10025C, 10025D)

23.12. CONNECTOR COMPOSITES (10026A, 10026B, 10026C, 10026D), P. 12

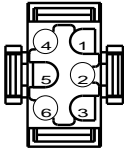
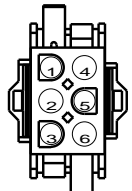
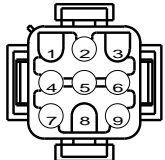
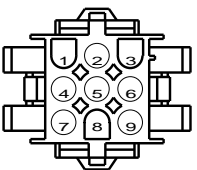
NAVISTAR, INC <small>THIS PRINT IS PROVIDED ON A RESTRICTED BASIS AND IS NOT TO BE USED IN ANY WAY DETRIMENTAL TO THE INTEREST OF NAVISTAR, INC.</small>				ELECTRICAL CIRCUIT DIAGRAM CHAPTER 23 CONNECTOR BODY COMPOSITE - MATING VIEW SHOWN																																																				
		LIGHT MONITOR CONNECTOR A (10026A) (LOCATED AT FRONT BULKHEAD)																																																						
CONNECTOR 2206662C1		<table border="1" style="width: 100%; border-collapse: collapse;"> <thead> <tr> <th>CAV</th> <th>CIRCUIT</th> <th>GAUGE</th> <th>COLOR</th> <th>TERMINAL</th> </tr> </thead> <tbody> <tr><td>1</td><td>C89RR-M</td><td>16</td><td>OR</td><td>1661539C1</td></tr> <tr><td>2</td><td>C89RA</td><td>16</td><td>OR</td><td>1661539C1</td></tr> <tr><td>3</td><td>C89RA-M</td><td>16</td><td>OR</td><td>1661539C1</td></tr> <tr><td>4</td><td>C89RR</td><td>16</td><td>OR</td><td>1661539C1</td></tr> <tr><td>5</td><td>C89A-M</td><td>16</td><td>OR</td><td>1661539C1</td></tr> <tr><td>6</td><td>C89B-M</td><td>16</td><td>OR</td><td>1661539C1</td></tr> </tbody> </table>					CAV	CIRCUIT	GAUGE	COLOR	TERMINAL	1	C89RR-M	16	OR	1661539C1	2	C89RA	16	OR	1661539C1	3	C89RA-M	16	OR	1661539C1	4	C89RR	16	OR	1661539C1	5	C89A-M	16	OR	1661539C1	6	C89B-M	16	OR	1661539C1															
CAV	CIRCUIT	GAUGE	COLOR	TERMINAL																																																				
1	C89RR-M	16	OR	1661539C1																																																				
2	C89RA	16	OR	1661539C1																																																				
3	C89RA-M	16	OR	1661539C1																																																				
4	C89RR	16	OR	1661539C1																																																				
5	C89A-M	16	OR	1661539C1																																																				
6	C89B-M	16	OR	1661539C1																																																				
		LIGHT MONITOR CONNECTOR B (10026B) (LOCATED AT FRONT BULKHEAD)																																																						
CONNECTOR 2206667C1		<table border="1" style="width: 100%; border-collapse: collapse;"> <thead> <tr> <th>CAV</th> <th>CIRCUIT</th> <th>GAUGE</th> <th>COLOR</th> <th>TERMINAL</th> </tr> </thead> <tbody> <tr><td>1</td><td>C89LR-M</td><td>16</td><td>OR</td><td>1661538C1</td></tr> <tr><td>2</td><td>C89LA</td><td>16</td><td>OR</td><td>1661538C1</td></tr> <tr><td>3</td><td>C89LA-M</td><td>16</td><td>OR</td><td>1661538C1</td></tr> <tr><td>4</td><td>C89LR</td><td>16</td><td>OR</td><td>1661538C1</td></tr> <tr><td>5</td><td>C89D-M</td><td>16</td><td>OR</td><td>1661538C1</td></tr> <tr><td>6</td><td>C89C-M</td><td>16</td><td>OR</td><td>1661538C1</td></tr> </tbody> </table>					CAV	CIRCUIT	GAUGE	COLOR	TERMINAL	1	C89LR-M	16	OR	1661538C1	2	C89LA	16	OR	1661538C1	3	C89LA-M	16	OR	1661538C1	4	C89LR	16	OR	1661538C1	5	C89D-M	16	OR	1661538C1	6	C89C-M	16	OR	1661538C1															
CAV	CIRCUIT	GAUGE	COLOR	TERMINAL																																																				
1	C89LR-M	16	OR	1661538C1																																																				
2	C89LA	16	OR	1661538C1																																																				
3	C89LA-M	16	OR	1661538C1																																																				
4	C89LR	16	OR	1661538C1																																																				
5	C89D-M	16	OR	1661538C1																																																				
6	C89C-M	16	OR	1661538C1																																																				
		LIGHT MONITOR CONNECTOR C (10026C) (LOCATED AT FRONT BULKHEAD)																																																						
CONNECTOR 2206659C1		<table border="1" style="width: 100%; border-collapse: collapse;"> <thead> <tr> <th>CAV</th> <th>CIRCUIT</th> <th>GAUGE</th> <th>COLOR</th> <th>TERMINAL</th> </tr> </thead> <tbody> <tr><td>1</td><td>C70</td><td>16</td><td>RD</td><td>1661539C1</td></tr> <tr><td>2</td><td>C70R-M</td><td>16</td><td>RD</td><td>1661539C1</td></tr> <tr><td>3</td><td>C57R-M</td><td>18</td><td>LTGN</td><td>1661539C1</td></tr> <tr><td>4</td><td>-</td><td>-</td><td>-</td><td>-</td></tr> <tr><td>5</td><td>C57</td><td>18</td><td>LTGN</td><td>1661539C1</td></tr> <tr><td>6</td><td>C71</td><td>18</td><td>LTBL</td><td>1661539C1</td></tr> <tr><td>7</td><td>C68R-M</td><td>16</td><td>BN</td><td>1661539C1</td></tr> <tr><td>8</td><td>C71R-M</td><td>18</td><td>LTBL</td><td>1661539C1</td></tr> <tr><td>9</td><td>-</td><td>-</td><td>-</td><td>-</td></tr> </tbody> </table>					CAV	CIRCUIT	GAUGE	COLOR	TERMINAL	1	C70	16	RD	1661539C1	2	C70R-M	16	RD	1661539C1	3	C57R-M	18	LTGN	1661539C1	4	-	-	-	-	5	C57	18	LTGN	1661539C1	6	C71	18	LTBL	1661539C1	7	C68R-M	16	BN	1661539C1	8	C71R-M	18	LTBL	1661539C1	9	-	-	-	-
CAV	CIRCUIT	GAUGE	COLOR	TERMINAL																																																				
1	C70	16	RD	1661539C1																																																				
2	C70R-M	16	RD	1661539C1																																																				
3	C57R-M	18	LTGN	1661539C1																																																				
4	-	-	-	-																																																				
5	C57	18	LTGN	1661539C1																																																				
6	C71	18	LTBL	1661539C1																																																				
7	C68R-M	16	BN	1661539C1																																																				
8	C71R-M	18	LTBL	1661539C1																																																				
9	-	-	-	-																																																				
		LIGHT MONITOR CONNECTOR D (10026D) (LOCATED AT FRONT BULKHEAD)																																																						
CONNECTOR 2206664C1		<table border="1" style="width: 100%; border-collapse: collapse;"> <thead> <tr> <th>CAV</th> <th>CIRCUIT</th> <th>GAUGE</th> <th>COLOR</th> <th>TERMINAL</th> </tr> </thead> <tbody> <tr><td>1</td><td>C70L-M</td><td>16</td><td>RD</td><td>1661538C1</td></tr> <tr><td>2</td><td>C56</td><td>18</td><td>YL</td><td>1661538C1</td></tr> <tr><td>3</td><td>C56L-M</td><td>18</td><td>YL</td><td>1661538C1</td></tr> <tr><td>4</td><td>C128</td><td>16</td><td>LTBL</td><td>1661538C1</td></tr> <tr><td>5</td><td>C71L-M</td><td>18</td><td>LTBL</td><td>1661538C1</td></tr> <tr><td>6</td><td>C128-G</td><td>16</td><td>WH</td><td>1661538C1</td></tr> <tr><td>7</td><td>C68</td><td>16</td><td>BN</td><td>1661538C1</td></tr> <tr><td>8</td><td>C68L-M</td><td>16</td><td>BN</td><td>1661538C1</td></tr> <tr><td>9</td><td>-</td><td>-</td><td>-</td><td>-</td></tr> </tbody> </table>					CAV	CIRCUIT	GAUGE	COLOR	TERMINAL	1	C70L-M	16	RD	1661538C1	2	C56	18	YL	1661538C1	3	C56L-M	18	YL	1661538C1	4	C128	16	LTBL	1661538C1	5	C71L-M	18	LTBL	1661538C1	6	C128-G	16	WH	1661538C1	7	C68	16	BN	1661538C1	8	C68L-M	16	BN	1661538C1	9	-	-	-	-
CAV	CIRCUIT	GAUGE	COLOR	TERMINAL																																																				
1	C70L-M	16	RD	1661538C1																																																				
2	C56	18	YL	1661538C1																																																				
3	C56L-M	18	YL	1661538C1																																																				
4	C128	16	LTBL	1661538C1																																																				
5	C71L-M	18	LTBL	1661538C1																																																				
6	C128-G	16	WH	1661538C1																																																				
7	C68	16	BN	1661538C1																																																				
8	C68L-M	16	BN	1661538C1																																																				
9	-	-	-	-																																																				
CHK	DATE	CHANGE	REV	REFERENCE	DRAWN	NAME																																																		
0025	05JAN12	INITIAL RELEASE.	A	73617J	300343	CIRCUIT DIAGRAM, BE,CE BUS																																																		
					RELEASE NO.	DATE	PART NO.	SHEET																																																
					73617J	12APR11	AE08065294	012																																																

Figure 639 Connector Composites (10026A, 10026B, 10026C, 10026D)

23.13. CONNECTOR COMPOSITES (10027, 10028, 10029, 10030, 10031), P. 13

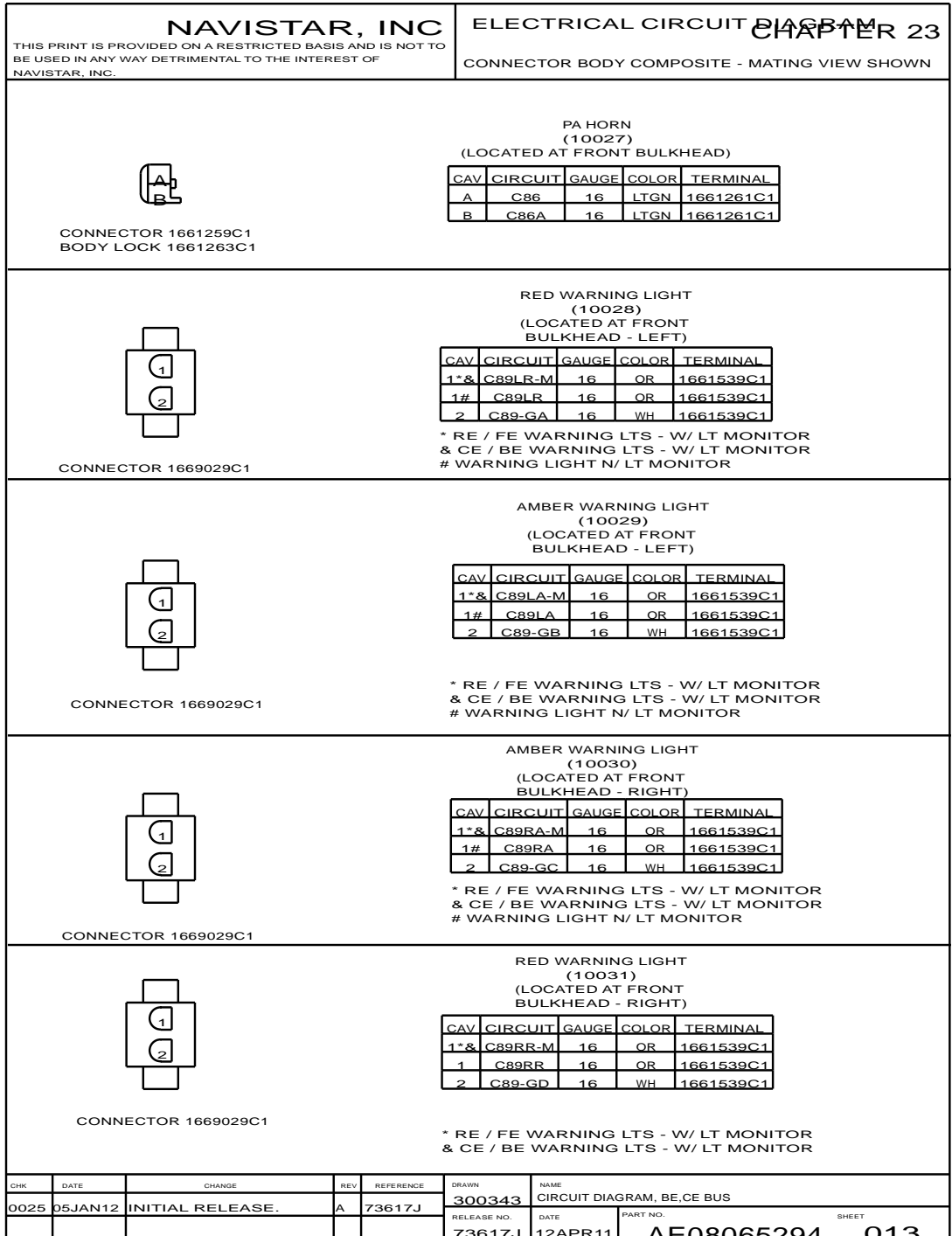


Figure 640 Connector Composites (10027, 10028, 10029, 10030, 10031)

23.14. CONNECTOR COMPOSITES (10032, 10033, 10034, 10035, 10036), P. 14

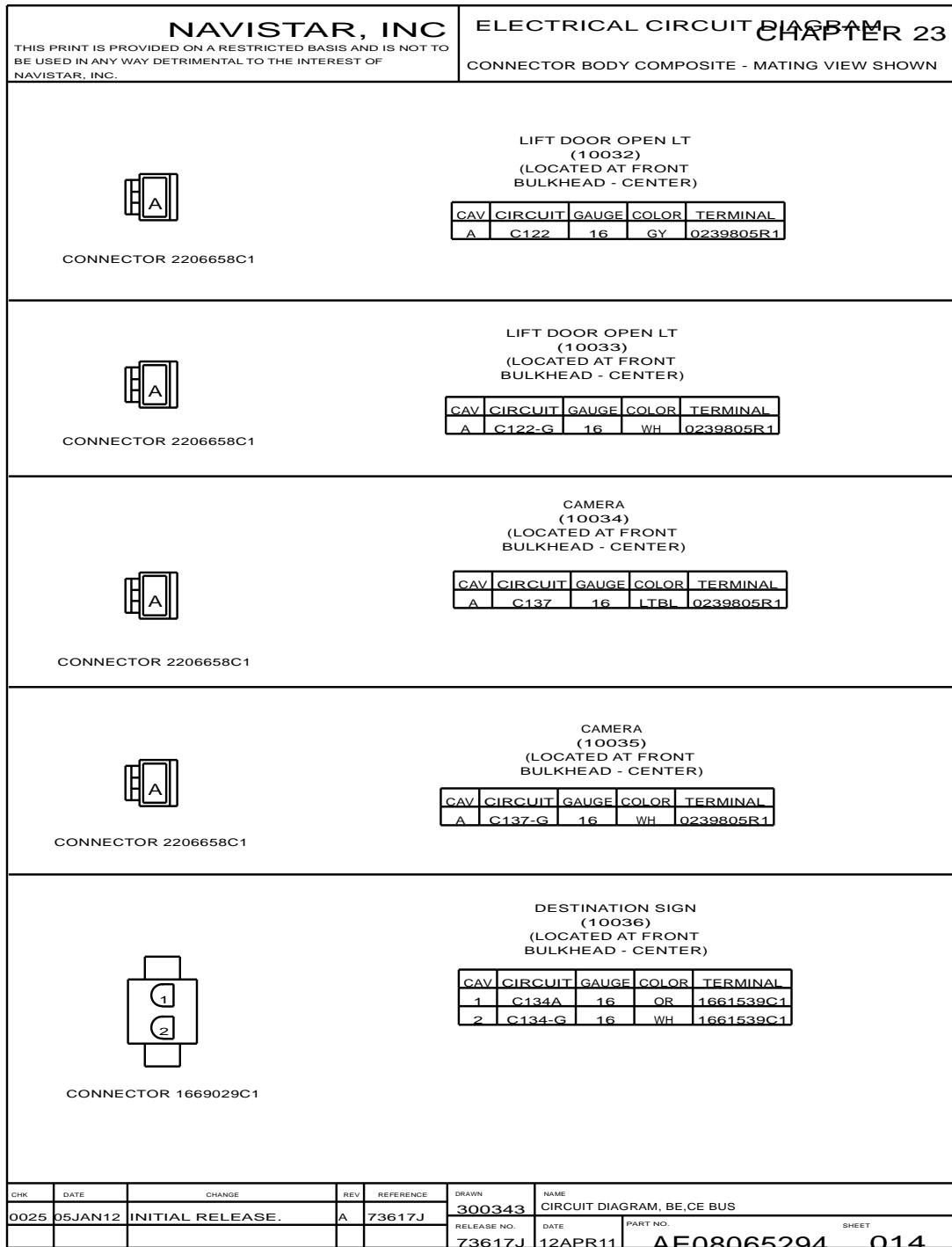


Figure 641 Connector Composites (10032, 10033, 10034, 10035, 10036)

23.15. CONNECTOR COMPOSITES (10038, 10039, 10040, 10041, 10042), P. 15

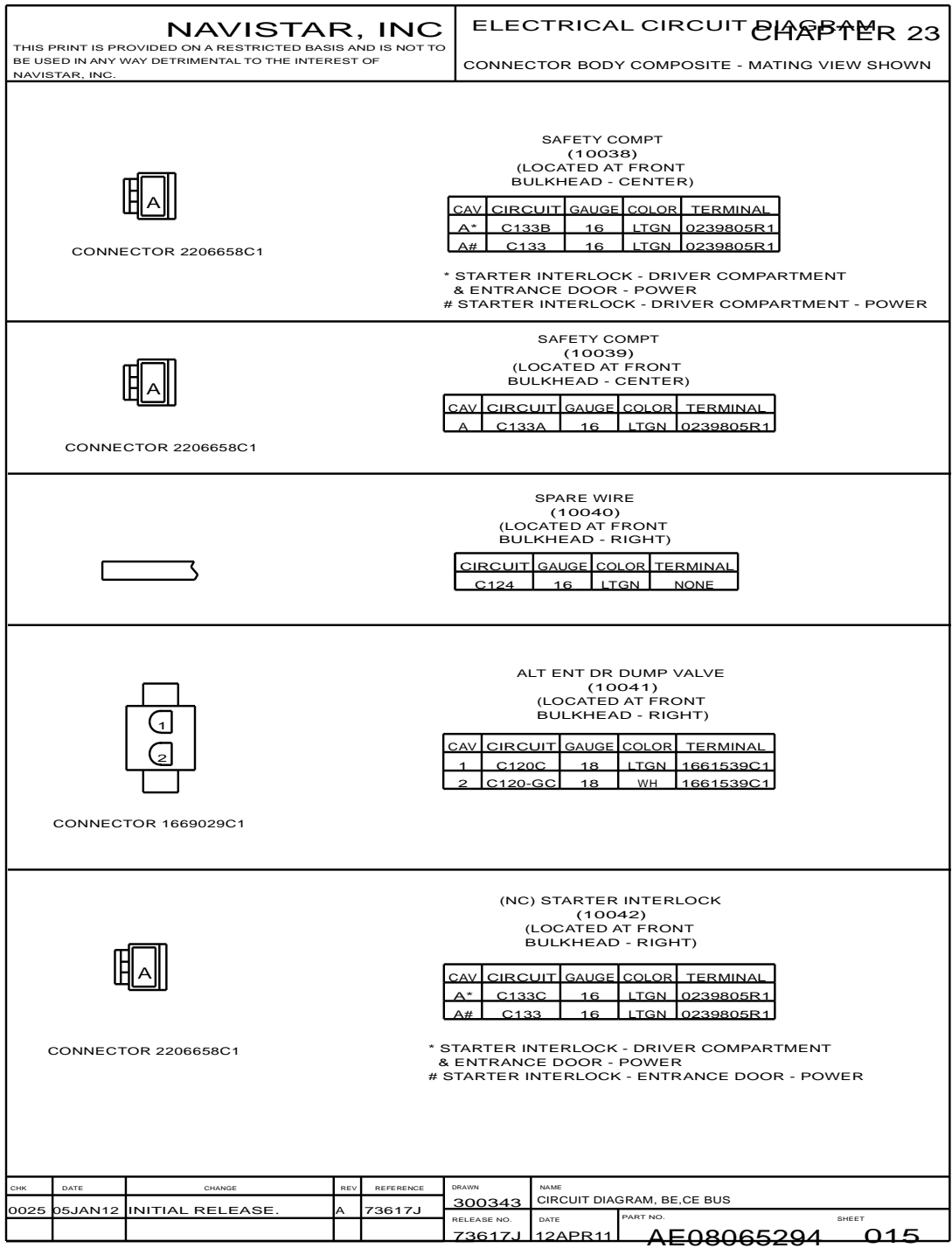


Figure 642 Connector Composites (10038, 10039, 10040, 10041, 10042)

23.16. CONNECTOR COMPOSITES (10043, 10044, 10045, 10046), P. 16

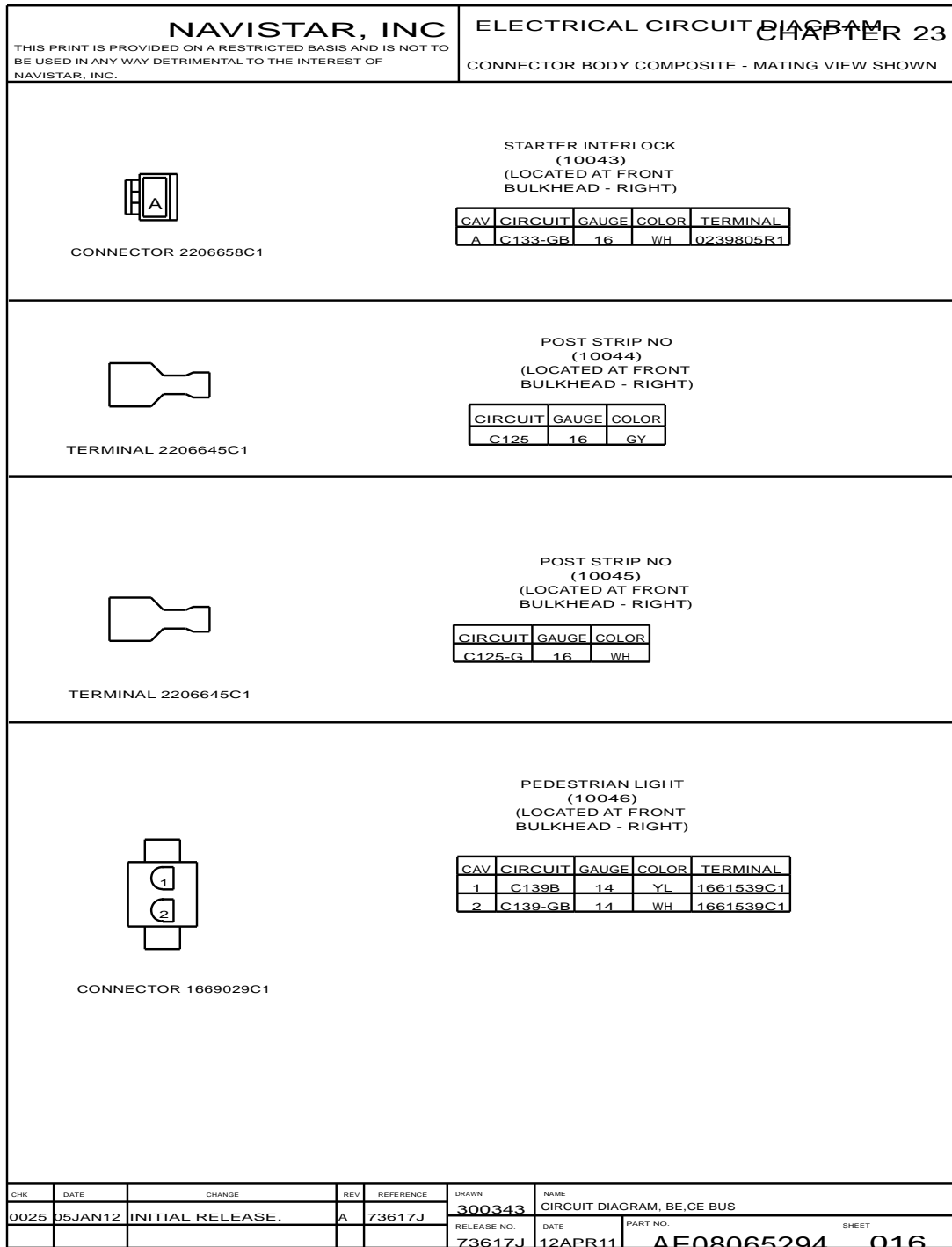


Figure 643 Connector Composites (10043, 10044, 10045, 10046)

23.17. CONNECTOR COMPOSITES (10047, 10048, 10049, 10050), P. 17

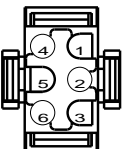
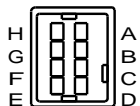


NAVISTAR, INC <small>THIS PRINT IS PROVIDED ON A RESTRICTED BASIS AND IS NOT TO BE USED IN ANY WAY DETRIMENTAL TO THE INTEREST OF NAVISTAR, INC.</small>				ELECTRICAL CIRCUIT DIAGRAM CHAPTER 23 CONNECTOR BODY COMPOSITE - MATING VIEW SHOWN																																																
		ENTRANCE DOOR (10047) (LOCATED AT FRONT BULKHEAD - RIGHT)				<table border="1" style="width:100%; border-collapse: collapse;"> <thead> <tr> <th>CAV</th> <th>CIRCUIT</th> <th>GAUGE</th> <th>COLOR</th> <th>TERMINAL</th> </tr> </thead> <tbody> <tr><td>1</td><td>C120</td><td>16</td><td>LTGN</td><td>1661539C1</td></tr> <tr><td>2</td><td>C120A</td><td>16</td><td>LTGN</td><td>1661539C1</td></tr> <tr><td>3</td><td>C120-G</td><td>16</td><td>WH</td><td>1661539C1</td></tr> <tr><td>4*</td><td>C120-GA</td><td>16</td><td>WH</td><td>1661539C1</td></tr> <tr><td>4#</td><td>C120B</td><td>18</td><td>LTGN</td><td>1661539C1</td></tr> <tr><td>5</td><td>C81A</td><td>18</td><td>LTGN</td><td>1661539C1</td></tr> <tr><td>6</td><td>C81B</td><td>18</td><td>LTGN</td><td>1661539C1</td></tr> </tbody> </table>		CAV	CIRCUIT	GAUGE	COLOR	TERMINAL	1	C120	16	LTGN	1661539C1	2	C120A	16	LTGN	1661539C1	3	C120-G	16	WH	1661539C1	4*	C120-GA	16	WH	1661539C1	4#	C120B	18	LTGN	1661539C1	5	C81A	18	LTGN	1661539C1	6	C81B	18	LTGN	1661539C1					
CAV	CIRCUIT	GAUGE	COLOR	TERMINAL																																																
1	C120	16	LTGN	1661539C1																																																
2	C120A	16	LTGN	1661539C1																																																
3	C120-G	16	WH	1661539C1																																																
4*	C120-GA	16	WH	1661539C1																																																
4#	C120B	18	LTGN	1661539C1																																																
5	C81A	18	LTGN	1661539C1																																																
6	C81B	18	LTGN	1661539C1																																																
CONNECTOR 2206662C1						* ELECTRIC DOOR # AIR DOOR																																														
		MOTORIZED MIRROR (10048) (LOCATED AT FRONT BULKHEAD - RIGHT)				<table border="1" style="width:100%; border-collapse: collapse;"> <thead> <tr> <th>CAV</th> <th>CIRCUIT</th> <th>GAUGE</th> <th>COLOR</th> <th>TERMINAL</th> </tr> </thead> <tbody> <tr><td>A</td><td>C78K</td><td>18</td><td>LTGN</td><td>1661262C1</td></tr> <tr><td>B</td><td>C78J</td><td>18</td><td>LTGN</td><td>1661262C1</td></tr> <tr><td>C</td><td>C78H</td><td>18</td><td>LTGN</td><td>1661262C1</td></tr> <tr><td>D</td><td>C78F</td><td>18</td><td>LTGN</td><td>1661262C1</td></tr> <tr><td>E</td><td>C78E</td><td>18</td><td>LTGN</td><td>1661262C1</td></tr> <tr><td>F</td><td>C78D</td><td>18</td><td>LTGN</td><td>1661262C1</td></tr> <tr><td>G</td><td>C78B</td><td>18</td><td>LTGN</td><td>1661262C1</td></tr> <tr><td>H</td><td>C78-G</td><td>18</td><td>WH</td><td>1661262C1</td></tr> </tbody> </table>		CAV	CIRCUIT	GAUGE	COLOR	TERMINAL	A	C78K	18	LTGN	1661262C1	B	C78J	18	LTGN	1661262C1	C	C78H	18	LTGN	1661262C1	D	C78F	18	LTGN	1661262C1	E	C78E	18	LTGN	1661262C1	F	C78D	18	LTGN	1661262C1	G	C78B	18	LTGN	1661262C1	H	C78-G	18	WH	1661262C1
CAV	CIRCUIT	GAUGE	COLOR	TERMINAL																																																
A	C78K	18	LTGN	1661262C1																																																
B	C78J	18	LTGN	1661262C1																																																
C	C78H	18	LTGN	1661262C1																																																
D	C78F	18	LTGN	1661262C1																																																
E	C78E	18	LTGN	1661262C1																																																
F	C78D	18	LTGN	1661262C1																																																
G	C78B	18	LTGN	1661262C1																																																
H	C78-G	18	WH	1661262C1																																																
CONNECTOR 3515763C1 BODY LOCK 3515765C1																																																				
		STARTER INTERLOCK (10049) (LOCATED AT FRONT BULKHEAD - CENTER)				<table border="1" style="width:100%; border-collapse: collapse;"> <thead> <tr> <th>CAV</th> <th>CIRCUIT</th> <th>GAUGE</th> <th>COLOR</th> <th>TERMINAL</th> </tr> </thead> <tbody> <tr><td>A</td><td>C133A</td><td>16</td><td>LTGN</td><td>0239805R1</td></tr> </tbody> </table>		CAV	CIRCUIT	GAUGE	COLOR	TERMINAL	A	C133A	16	LTGN	0239805R1																																			
CAV	CIRCUIT	GAUGE	COLOR	TERMINAL																																																
A	C133A	16	LTGN	0239805R1																																																
CONNECTOR 2206658C1																																																				
		STARTER INTERLOCK (10050) (LOCATED AT FRONT BULKHEAD - CENTER)				<table border="1" style="width:100%; border-collapse: collapse;"> <thead> <tr> <th>CAV</th> <th>CIRCUIT</th> <th>GAUGE</th> <th>COLOR</th> <th>TERMINAL</th> </tr> </thead> <tbody> <tr><td>A</td><td>C133-GA</td><td>16</td><td>WH</td><td>0239805R1</td></tr> </tbody> </table>		CAV	CIRCUIT	GAUGE	COLOR	TERMINAL	A	C133-GA	16	WH	0239805R1																																			
CAV	CIRCUIT	GAUGE	COLOR	TERMINAL																																																
A	C133-GA	16	WH	0239805R1																																																
CONNECTOR 2206658C1																																																				
CHK	DATE	CHANGE	REV	REFERENCE	DRAWN	NAME																																														
0025	05JAN12	INITIAL RELEASE.	A	73617J	300343	CIRCUIT DIAGRAM, BE,CE BUS																																														
					RELEASE NO.	DATE																																														
					73617J	12APR11																																														
					PART NO.	SHEET																																														
					AE08065294	017																																														

Figure 644 Connector Composites (10047, 10048, 10049, 10050)

23.18. CONNECTOR COMPOSITES (10051, 10051A, 10101, 10102, 10103), P. 18

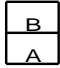

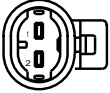
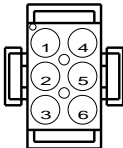
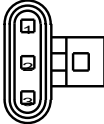
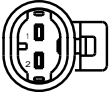
NAVISTAR, INC				ELECTRICAL CIRCUIT DIAGRAM		CHAPTER 23																																																								
THIS PRINT IS PROVIDED ON A RESTRICTED BASIS AND IS NOT TO BE USED IN ANY WAY DETRIMENTAL TO THE INTEREST OF NAVISTAR, INC.				CONNECTOR BODY COMPOSITE - MATING VIEW SHOWN																																																										
 <p>CONNECTOR 1661260C1 BODY LOCK 1661264C1</p>		<p>SAFETY COMPARTMENT LATCH AND BUZZER (10051) (LOCATED AT FRONT BULKHEAD - CENTER)</p> <table border="1" style="width:100%; border-collapse: collapse;"> <thead> <tr> <th>CAV</th> <th>CIRCUIT</th> <th>GAUGE</th> <th>COLOR</th> <th>TERMINAL</th> </tr> </thead> <tbody> <tr> <td>A</td> <td>C133</td> <td>16</td> <td>LTGN</td> <td>1661262C1</td> </tr> <tr> <td>B</td> <td>C133C</td> <td>16</td> <td>LTGN</td> <td>1661262C1</td> </tr> </tbody> </table>						CAV	CIRCUIT	GAUGE	COLOR	TERMINAL	A	C133	16	LTGN	1661262C1	B	C133C	16	LTGN	1661262C1																																								
CAV	CIRCUIT	GAUGE	COLOR	TERMINAL																																																										
A	C133	16	LTGN	1661262C1																																																										
B	C133C	16	LTGN	1661262C1																																																										
 <p>TERMINAL 2206648C1</p>		<p>SAFETY COMPARTMENT LATCH AND BUZZER (10051A) (LOCATED AT FRONT BULKHEAD - CENTER)</p> <table border="1" style="width:100%; border-collapse: collapse;"> <thead> <tr> <th>CAV</th> <th>CIRCUIT</th> <th>GAUGE</th> <th>COLOR</th> </tr> </thead> <tbody> <tr> <td>A</td> <td>C133C</td> <td>16</td> <td>LTGN</td> </tr> </tbody> </table>						CAV	CIRCUIT	GAUGE	COLOR	A	C133C	16	LTGN																																															
CAV	CIRCUIT	GAUGE	COLOR																																																											
A	C133C	16	LTGN																																																											
 <p>CONNECTOR 2206588C1</p>		<p>LEFT DIRECTIONAL LIGHT (10101) (LOCATED AT REAR LEFT OF VEHICLE)</p> <table border="1" style="width:100%; border-collapse: collapse;"> <thead> <tr> <th>CAV</th> <th>CIRCUIT</th> <th>GAUGE</th> <th>COLOR</th> <th>TERMINAL</th> <th>SEAL/SLEEVE</th> </tr> </thead> <tbody> <tr> <td>1</td> <td>D56-M</td> <td>16</td> <td>YL</td> <td>3522190C1</td> <td>3522194C1</td> </tr> <tr> <td>2</td> <td>D56-G</td> <td>16</td> <td>WH</td> <td>3522190C1</td> <td>3522194C1</td> </tr> </tbody> </table>						CAV	CIRCUIT	GAUGE	COLOR	TERMINAL	SEAL/SLEEVE	1	D56-M	16	YL	3522190C1	3522194C1	2	D56-G	16	WH	3522190C1	3522194C1																																					
CAV	CIRCUIT	GAUGE	COLOR	TERMINAL	SEAL/SLEEVE																																																									
1	D56-M	16	YL	3522190C1	3522194C1																																																									
2	D56-G	16	WH	3522190C1	3522194C1																																																									
<p>WEBASTO COOLANT HEATER (10101) (LOCATED AT REAR OF ELECTRICAL PANEL)</p>  <p>CONNECTOR 2206662C1</p>		<table border="1" style="width:100%; border-collapse: collapse;"> <thead> <tr> <th>CAV</th> <th>CIRCUIT</th> <th>GAUGE</th> <th>COLOR</th> <th>TERMINAL</th> </tr> </thead> <tbody> <tr> <td>1</td> <td>B74B</td> <td>18</td> <td>LTGN</td> <td>1661539C1</td> </tr> <tr> <td>1*</td> <td>B74B</td> <td>16</td> <td>RD</td> <td>1661539C1</td> </tr> <tr> <td>1#</td> <td>B74B</td> <td>16</td> <td>LTGN</td> <td>1661539C1</td> </tr> <tr> <td>2</td> <td>B74C</td> <td>18</td> <td>LTGN</td> <td>1661539C1</td> </tr> <tr> <td>3</td> <td>B74D</td> <td>18</td> <td>LTGN</td> <td>1661539C1</td> </tr> <tr> <td>4</td> <td>-</td> <td>-</td> <td>-</td> <td>-</td> </tr> <tr> <td>5</td> <td>B74A</td> <td>12</td> <td>LTGN</td> <td>2030386C1</td> </tr> <tr> <td>5*</td> <td>B74A</td> <td>12</td> <td>RD</td> <td>2030386C1</td> </tr> <tr> <td>6</td> <td>B74A-G</td> <td>12</td> <td>WH</td> <td>2030386C1</td> </tr> <tr> <td>6#</td> <td>B74A-GA</td> <td>12</td> <td>WH</td> <td>2030386C1</td> </tr> </tbody> </table> <p>* W/SMART TIMER # W SMART TIMER R DRVR</p>						CAV	CIRCUIT	GAUGE	COLOR	TERMINAL	1	B74B	18	LTGN	1661539C1	1*	B74B	16	RD	1661539C1	1#	B74B	16	LTGN	1661539C1	2	B74C	18	LTGN	1661539C1	3	B74D	18	LTGN	1661539C1	4	-	-	-	-	5	B74A	12	LTGN	2030386C1	5*	B74A	12	RD	2030386C1	6	B74A-G	12	WH	2030386C1	6#	B74A-GA	12	WH	2030386C1
CAV	CIRCUIT	GAUGE	COLOR	TERMINAL																																																										
1	B74B	18	LTGN	1661539C1																																																										
1*	B74B	16	RD	1661539C1																																																										
1#	B74B	16	LTGN	1661539C1																																																										
2	B74C	18	LTGN	1661539C1																																																										
3	B74D	18	LTGN	1661539C1																																																										
4	-	-	-	-																																																										
5	B74A	12	LTGN	2030386C1																																																										
5*	B74A	12	RD	2030386C1																																																										
6	B74A-G	12	WH	2030386C1																																																										
6#	B74A-GA	12	WH	2030386C1																																																										
 <p>CONNECTOR 3522187C1</p>		<p>LEFT STOP / TAIL LIGHT (10102) (LOCATED AT REAR LEFT OF VEHICLE)</p> <table border="1" style="width:100%; border-collapse: collapse;"> <thead> <tr> <th>CAV</th> <th>CIRCUIT</th> <th>GAUGE</th> <th>COLOR</th> <th>TERMINAL</th> <th>SEAL/SLEEVE</th> </tr> </thead> <tbody> <tr> <td>1</td> <td>D68L-G</td> <td>16</td> <td>WH</td> <td>3522190C1</td> <td>3522194C1</td> </tr> <tr> <td>2</td> <td>D68L-M</td> <td>16</td> <td>BN</td> <td>3522190C1</td> <td>3522194C1</td> </tr> <tr> <td>3</td> <td>D70L-M</td> <td>16</td> <td>RD</td> <td>3522190C1</td> <td>3522194C1</td> </tr> </tbody> </table>						CAV	CIRCUIT	GAUGE	COLOR	TERMINAL	SEAL/SLEEVE	1	D68L-G	16	WH	3522190C1	3522194C1	2	D68L-M	16	BN	3522190C1	3522194C1	3	D70L-M	16	RD	3522190C1	3522194C1																															
CAV	CIRCUIT	GAUGE	COLOR	TERMINAL	SEAL/SLEEVE																																																									
1	D68L-G	16	WH	3522190C1	3522194C1																																																									
2	D68L-M	16	BN	3522190C1	3522194C1																																																									
3	D70L-M	16	RD	3522190C1	3522194C1																																																									
 <p>CONNECTOR 2206588C1</p>		<p>LEFT BACKUP LIGHT (10103) (LOCATED AT REAR LEFT OF VEHICLE)</p> <table border="1" style="width:100%; border-collapse: collapse;"> <thead> <tr> <th>CAV</th> <th>CIRCUIT</th> <th>GAUGE</th> <th>COLOR</th> <th>TERMINAL</th> <th>SEAL/SLEEVE</th> </tr> </thead> <tbody> <tr> <td>1</td> <td>D71L-M</td> <td>16</td> <td>LTBL</td> <td>3522190C1</td> <td>3522194C1</td> </tr> <tr> <td>2</td> <td>D71L-G</td> <td>16</td> <td>WH</td> <td>3522190C1</td> <td>3522194C1</td> </tr> </tbody> </table>						CAV	CIRCUIT	GAUGE	COLOR	TERMINAL	SEAL/SLEEVE	1	D71L-M	16	LTBL	3522190C1	3522194C1	2	D71L-G	16	WH	3522190C1	3522194C1																																					
CAV	CIRCUIT	GAUGE	COLOR	TERMINAL	SEAL/SLEEVE																																																									
1	D71L-M	16	LTBL	3522190C1	3522194C1																																																									
2	D71L-G	16	WH	3522190C1	3522194C1																																																									
CHK	DATE	CHANGE	REV	REFERENCE	DRAWN	NAME																																																								
MJVO	03JUN16	REVISED AND REDRAWN.	D	93408P	300343	CIRCUIT DIAGRAM, BE,CE BUS																																																								
					RELEASE NO.	DATE	PART NO.	SHEET																																																						
					73617J	12APR11	AE08065294	018																																																						

Figure 645 Connector Composites (10051, 10051A, 10101, 10102, 10103)

23.19. CONNECTOR COMPOSITES (10104, 10105, 10106, 10108), P. 19

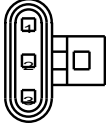
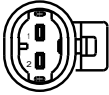


NAVISTAR, INC				ELECTRICAL CIRCUIT DIAGRAM CHAPTER 23																																	
THIS PRINT IS PROVIDED ON A RESTRICTED BASIS AND IS NOT TO BE USED IN ANY WAY DETRIMENTAL TO THE INTEREST OF NAVISTAR, INC.				CONNECTOR BODY COMPOSITE - MATING VIEW SHOWN																																	
<p>LEFT STOP / TAIL LICENSE LIGHT (10104) (LOCATED AT REAR LEFT OF VEHICLE)</p>																																					
		<table border="1" style="width:100%; border-collapse: collapse; font-size: x-small;"> <thead> <tr> <th>CAV</th> <th>CIRCUIT</th> <th>GAUGE</th> <th>COLOR</th> <th>TERMINAL</th> <th>SEAL/SLEEVE</th> </tr> </thead> <tbody> <tr> <td>1</td> <td>D68A</td> <td>16</td> <td>BN</td> <td>3522190C1</td> <td>3522194C1</td> </tr> <tr> <td>2</td> <td>D68-GA</td> <td>16</td> <td>WH</td> <td>3522190C1</td> <td>3522194C1</td> </tr> <tr> <td>3</td> <td>D70A</td> <td>16</td> <td>RD</td> <td>3522190C1</td> <td>3522194C1</td> </tr> </tbody> </table>						CAV	CIRCUIT	GAUGE	COLOR	TERMINAL	SEAL/SLEEVE	1	D68A	16	BN	3522190C1	3522194C1	2	D68-GA	16	WH	3522190C1	3522194C1	3	D70A	16	RD	3522190C1	3522194C1						
CAV	CIRCUIT	GAUGE	COLOR	TERMINAL	SEAL/SLEEVE																																
1	D68A	16	BN	3522190C1	3522194C1																																
2	D68-GA	16	WH	3522190C1	3522194C1																																
3	D70A	16	RD	3522190C1	3522194C1																																
CONNECTOR 3522187C1																																					
<p>LEFT LICENSE LIGHT (10105) (LOCATED AT REAR LEFT OF VEHICLE)</p>																																					
		<table border="1" style="width:100%; border-collapse: collapse; font-size: x-small;"> <thead> <tr> <th>CAV</th> <th>CIRCUIT</th> <th>GAUGE</th> <th>COLOR</th> <th>TERMINAL</th> <th>SEAL/SLEEVE</th> </tr> </thead> <tbody> <tr> <td>1*</td> <td>D68B</td> <td>16</td> <td>BN</td> <td>3522190C1</td> <td>3522194C1</td> </tr> <tr> <td>1&</td> <td>D68B</td> <td>16</td> <td>BN</td> <td>3522190C1</td> <td>3522194C1</td> </tr> <tr> <td>2*</td> <td>D68-GB</td> <td>16</td> <td>WH</td> <td>3522190C1</td> <td>3522194C1</td> </tr> <tr> <td>2&</td> <td>D68-GB</td> <td>16</td> <td>WH</td> <td>3522190C1</td> <td>3522194C1</td> </tr> </tbody> </table>						CAV	CIRCUIT	GAUGE	COLOR	TERMINAL	SEAL/SLEEVE	1*	D68B	16	BN	3522190C1	3522194C1	1&	D68B	16	BN	3522190C1	3522194C1	2*	D68-GB	16	WH	3522190C1	3522194C1	2&	D68-GB	16	WH	3522190C1	3522194C1
CAV	CIRCUIT	GAUGE	COLOR	TERMINAL	SEAL/SLEEVE																																
1*	D68B	16	BN	3522190C1	3522194C1																																
1&	D68B	16	BN	3522190C1	3522194C1																																
2*	D68-GB	16	WH	3522190C1	3522194C1																																
2&	D68-GB	16	WH	3522190C1	3522194C1																																
CONNECTOR 2206588C1																																					
<p>* LEFT LICENSE PLATE LIGHT & LEFT AND RIGHT LICENSE PLATE LIGHT</p>																																					
<p>STARTER INTERRUPT (10106) (LOCATED AT REAR LEFT OF VEHICLE)</p>																																					
		<table border="1" style="width:100%; border-collapse: collapse; font-size: x-small;"> <thead> <tr> <th>CAV</th> <th>CIRCUIT</th> <th>GAUGE</th> <th>COLOR</th> <th>TERMINAL</th> </tr> </thead> <tbody> <tr> <td>A*</td> <td>D133C</td> <td>16</td> <td>LTGN</td> <td>0239805R1</td> </tr> <tr> <td>A&</td> <td>D133B</td> <td>16</td> <td>LTGN</td> <td>0239805R1</td> </tr> </tbody> </table>						CAV	CIRCUIT	GAUGE	COLOR	TERMINAL	A*	D133C	16	LTGN	0239805R1	A&	D133B	16	LTGN	0239805R1															
CAV	CIRCUIT	GAUGE	COLOR	TERMINAL																																	
A*	D133C	16	LTGN	0239805R1																																	
A&	D133B	16	LTGN	0239805R1																																	
CONNECTOR 2206658C1																																					
<p>* REAR AND SED / LIFT DOOR VANDALOCK & REAR DOOR VANDALOCK</p>																																					
<p>LEFT CORNER MARKER LIGHT (10108) (LOCATED AT LEFT RR CAP)</p>																																					
		<table border="1" style="width:100%; border-collapse: collapse; font-size: x-small;"> <thead> <tr> <th>CAV</th> <th>CIRCUIT</th> <th>GAUGE</th> <th>COLOR</th> <th>TERMINAL</th> </tr> </thead> <tbody> <tr> <td>A*</td> <td>D58K</td> <td>16</td> <td>BN</td> <td>1661261C1</td> </tr> <tr> <td>A&</td> <td>D58K</td> <td>16</td> <td>BN</td> <td>1661261C1</td> </tr> <tr> <td>A%</td> <td>D58K</td> <td>16</td> <td>BN</td> <td>1661261C1</td> </tr> <tr> <td>A#</td> <td>D58K</td> <td>16</td> <td>BN</td> <td>1661261C1</td> </tr> <tr> <td>B</td> <td>D58-GK</td> <td>16</td> <td>WH</td> <td>1661261C1</td> </tr> </tbody> </table>						CAV	CIRCUIT	GAUGE	COLOR	TERMINAL	A*	D58K	16	BN	1661261C1	A&	D58K	16	BN	1661261C1	A%	D58K	16	BN	1661261C1	A#	D58K	16	BN	1661261C1	B	D58-GK	16	WH	1661261C1
CAV	CIRCUIT	GAUGE	COLOR	TERMINAL																																	
A*	D58K	16	BN	1661261C1																																	
A&	D58K	16	BN	1661261C1																																	
A%	D58K	16	BN	1661261C1																																	
A#	D58K	16	BN	1661261C1																																	
B	D58-GK	16	WH	1661261C1																																	
CONNECTOR 1661259C1 BODY LOCK 1661263C1																																					
<p>* CLEARANCE LIGHTS N/ EMERGENCY EXIT LIGHT & CLEARANCE LIGHTS W/ EMERGENCY EXIT LIGHT % DUAL CORNER N/ EMERGENCY EXIT LIGHT # DUAL CORNER W/ EMERGENCY EXIT LIGHT</p>																																					
CHK	DATE	CHANGE	REV	REFERENCE	DRAWN	NAME																															
0025	05JAN12	INITIAL RELEASE.	A	73617J	300343	CIRCUIT DIAGRAM, BE,CE BUS																															
RELEASE NO.		DATE		PART NO.		SHEET																															
73617J		12APR11		AE08065294		019																															

Figure 646 Connector Composites (10104, 10105, 10106, 10108)

23.20. CONNECTOR COMPOSITES (10109, 10109A, 10112, 10113), P. 20

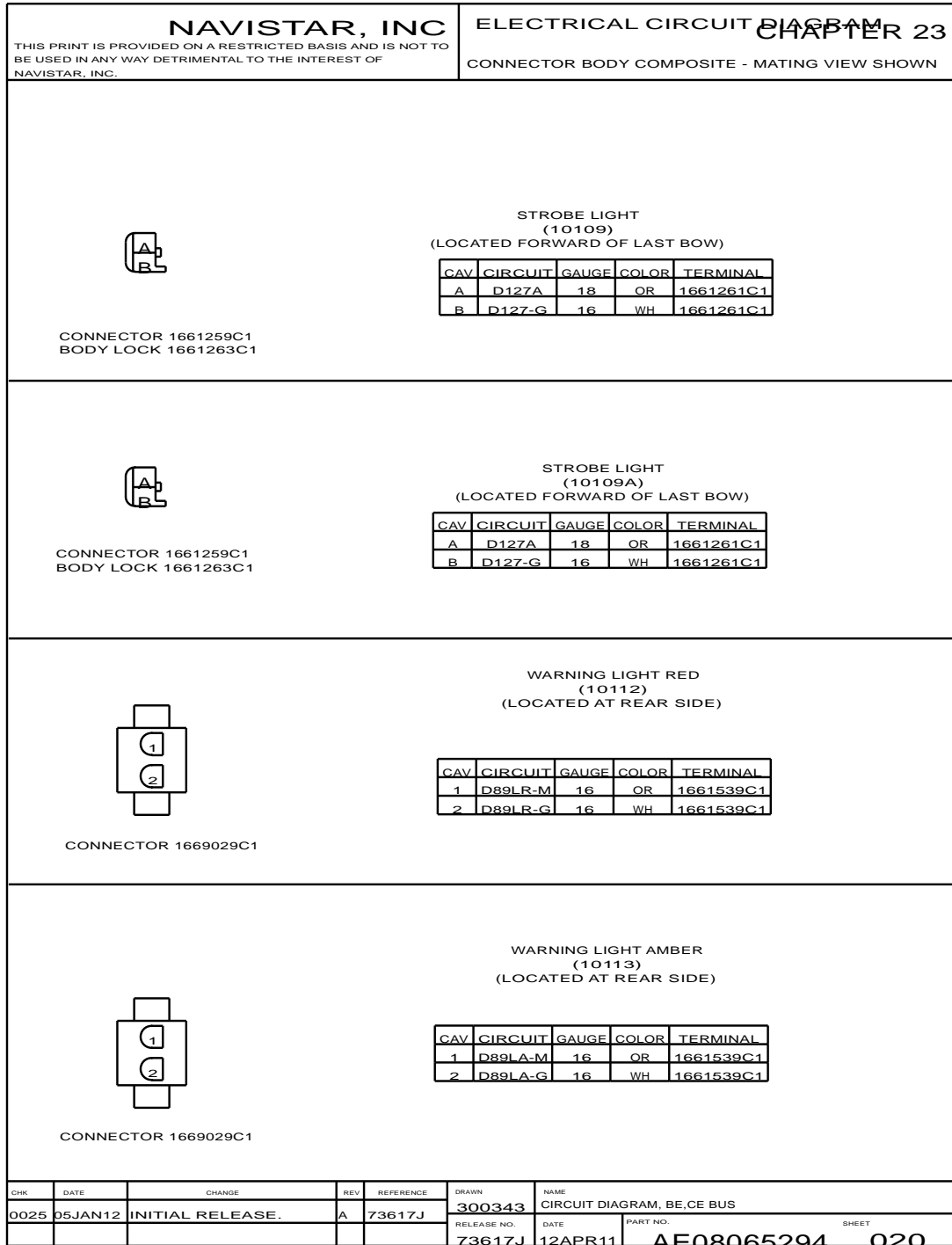


Figure 647 Connector Composites (10109, 10109A, 10112, 10113)

23.21. CONNECTOR COMPOSITES (10114, 10115, 10116, 10117), P. 21

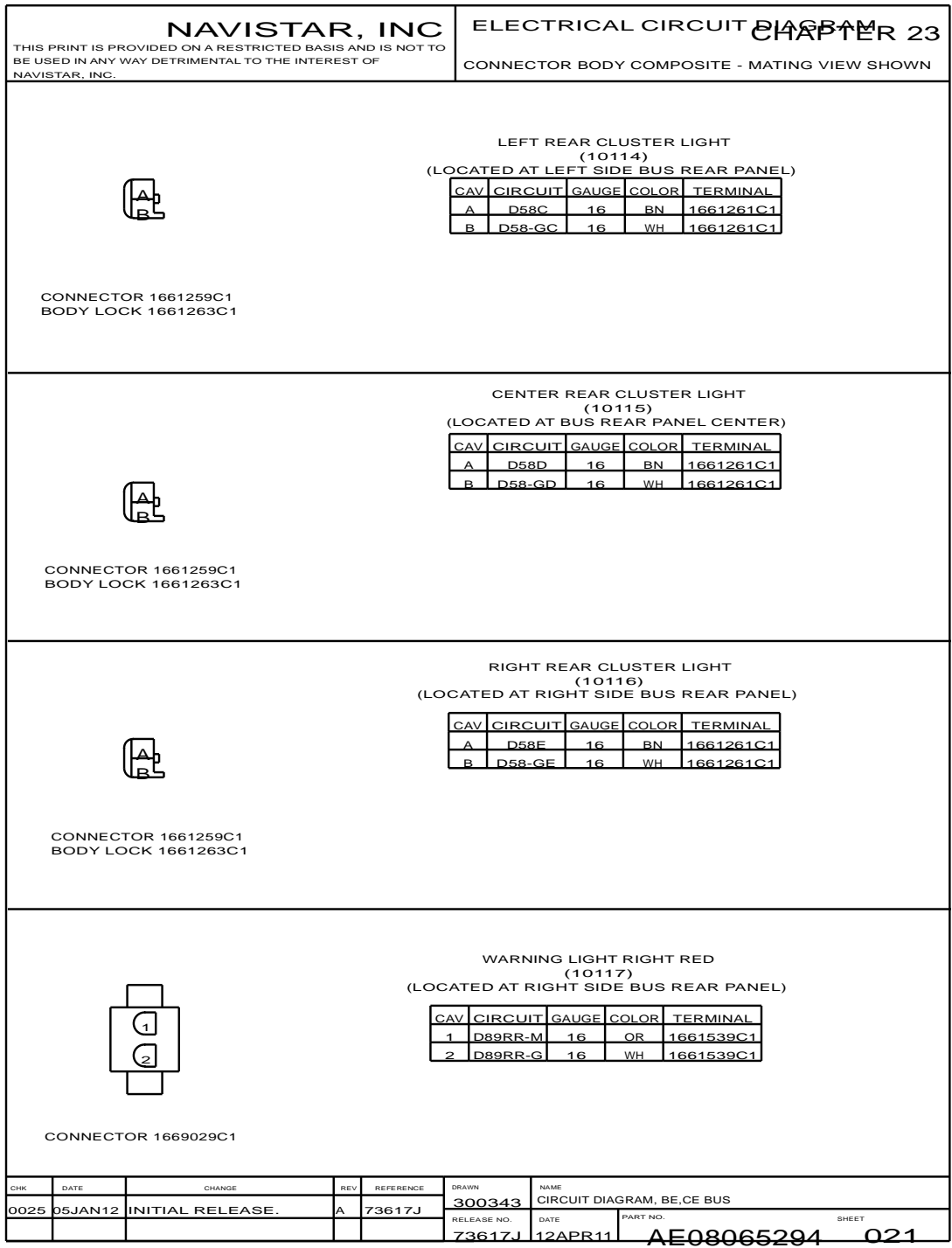


Figure 648 Connector Composites (10114, 10115, 10116, 10117)

23.22. CONNECTOR COMPOSITES (10118, 10119, 10122, 10123), P. 22

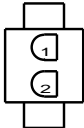

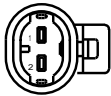
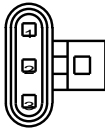
NAVISTAR, INC <small>THIS PRINT IS PROVIDED ON A RESTRICTED BASIS AND IS NOT TO BE USED IN ANY WAY DETRIMENTAL TO THE INTEREST OF NAVISTAR, INC.</small>				ELECTRICAL CIRCUIT DIAGRAM CHAPTER 23 CONNECTOR BODY COMPOSITE - MATING VIEW SHOWN																											
		WARNING LIGHT RIGHT AMBER (10118) (LOCATED AT REAR TOP RIGHT SIDE)																													
		<table border="1" style="width: 100%; border-collapse: collapse;"> <thead> <tr> <th>CAV</th> <th>CIRCUIT</th> <th>GAUGE</th> <th>COLOR</th> <th>TERMINAL</th> </tr> </thead> <tbody> <tr> <td>1</td> <td>D89RA-M</td> <td>16</td> <td>OR</td> <td>1661539C1</td> </tr> <tr> <td>2</td> <td>D89RA-G</td> <td>16</td> <td>WH</td> <td>1661539C1</td> </tr> </tbody> </table>				CAV	CIRCUIT	GAUGE	COLOR	TERMINAL	1	D89RA-M	16	OR	1661539C1	2	D89RA-G	16	WH	1661539C1											
CAV	CIRCUIT	GAUGE	COLOR	TERMINAL																											
1	D89RA-M	16	OR	1661539C1																											
2	D89RA-G	16	WH	1661539C1																											
CONNECTOR 1669029C1																															
		RIGHT CORNER MARKER LIGHT (10119) (LOCATED AT REAR TOP RIGHT SIDE)																													
		<table border="1" style="width: 100%; border-collapse: collapse;"> <thead> <tr> <th>CAV</th> <th>CIRCUIT</th> <th>GAUGE</th> <th>COLOR</th> <th>TERMINAL</th> </tr> </thead> <tbody> <tr> <td>A</td> <td>D58H</td> <td>16</td> <td>BN</td> <td>1661261C1</td> </tr> <tr> <td>B</td> <td>D58-GH</td> <td>16</td> <td>WH</td> <td>1661261C1</td> </tr> </tbody> </table>				CAV	CIRCUIT	GAUGE	COLOR	TERMINAL	A	D58H	16	BN	1661261C1	B	D58-GH	16	WH	1661261C1											
CAV	CIRCUIT	GAUGE	COLOR	TERMINAL																											
A	D58H	16	BN	1661261C1																											
B	D58-GH	16	WH	1661261C1																											
CONNECTOR 1661259C1 BODY LOCK 1661263C1																															
		RIGHT BACKUP LIGHT (10122) (LOCATED AT REAR RIGHT SIDE)																													
		<table border="1" style="width: 100%; border-collapse: collapse;"> <thead> <tr> <th>CAV</th> <th>CIRCUIT</th> <th>GAUGE</th> <th>COLOR</th> <th>TERMINAL</th> <th>SEAL/SLEEVE</th> </tr> </thead> <tbody> <tr> <td>1</td> <td>D71R-M</td> <td>16</td> <td>LTBL</td> <td>3522190C1</td> <td>3522194C1</td> </tr> <tr> <td>2</td> <td>D71R-G</td> <td>16</td> <td>WH</td> <td>3522190C1</td> <td>3522194C1</td> </tr> </tbody> </table>				CAV	CIRCUIT	GAUGE	COLOR	TERMINAL	SEAL/SLEEVE	1	D71R-M	16	LTBL	3522190C1	3522194C1	2	D71R-G	16	WH	3522190C1	3522194C1								
CAV	CIRCUIT	GAUGE	COLOR	TERMINAL	SEAL/SLEEVE																										
1	D71R-M	16	LTBL	3522190C1	3522194C1																										
2	D71R-G	16	WH	3522190C1	3522194C1																										
CONNECTOR 2206588C1																															
		RIGHT STOP / TAIL LIGHT (10123) (LOCATED AT REAR RIGHT SIDE)																													
		<table border="1" style="width: 100%; border-collapse: collapse;"> <thead> <tr> <th>CAV</th> <th>CIRCUIT</th> <th>GAUGE</th> <th>COLOR</th> <th>TERMINAL</th> <th>SEAL/SLEEVE</th> </tr> </thead> <tbody> <tr> <td>1</td> <td>D68R-M</td> <td>16</td> <td>BN</td> <td>3522190C1</td> <td>3522194C1</td> </tr> <tr> <td>2</td> <td>D68R-G</td> <td>16</td> <td>WH</td> <td>3522190C1</td> <td>3522194C1</td> </tr> <tr> <td>3</td> <td>D70R-M</td> <td>16</td> <td>RD</td> <td>3522190C1</td> <td>3522194C1</td> </tr> </tbody> </table>				CAV	CIRCUIT	GAUGE	COLOR	TERMINAL	SEAL/SLEEVE	1	D68R-M	16	BN	3522190C1	3522194C1	2	D68R-G	16	WH	3522190C1	3522194C1	3	D70R-M	16	RD	3522190C1	3522194C1		
CAV	CIRCUIT	GAUGE	COLOR	TERMINAL	SEAL/SLEEVE																										
1	D68R-M	16	BN	3522190C1	3522194C1																										
2	D68R-G	16	WH	3522190C1	3522194C1																										
3	D70R-M	16	RD	3522190C1	3522194C1																										
CONNECTOR 3522187C1																															
CHK	DATE	CHANGE	REV	REFERENCE	DRAWN	NAME																									
0025	05JAN12	INITIAL RELEASE.	A	73617J	300343	CIRCUIT DIAGRAM, BE,CE BUS																									
					RELEASE NO.	DATE																									
					73617J	12APR11																									
					PART NO.	SHEET																									
					AE08065294	022																									

Figure 649 Connector Composites (10118, 10119, 10122, 10123)

23.23. CONNECTOR COMPOSITES (10124, 10125, 10126, 10128), P. 23


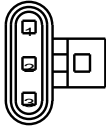
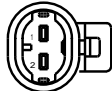
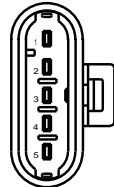
<p>NAVISTAR, INC <small>THIS PRINT IS PROVIDED ON A RESTRICTED BASIS AND IS NOT TO BE USED IN ANY WAY DETRIMENTAL TO THE INTEREST OF NAVISTAR, INC.</small></p>				<p>ELECTRICAL CIRCUIT DIAGRAM CHAPTER 23 CONNECTOR BODY COMPOSITE - MATING VIEW SHOWN</p>																																					
<p>RIGHT DIRECTIONAL LIGHT (10124) (LOCATED AT REAR RIGHT SIDE)</p>																																									
		<table border="1" style="width: 100%; border-collapse: collapse;"> <thead> <tr> <th>CAV</th> <th>CIRCUIT</th> <th>GAUGE</th> <th>COLOR</th> <th>TERMINAL</th> <th>SEAL/SLEEVE</th> </tr> </thead> <tbody> <tr> <td>1</td> <td>D57-M</td> <td>16</td> <td>LTGN</td> <td>3522190C1</td> <td>3522194C1</td> </tr> <tr> <td>2</td> <td>D57-G</td> <td>16</td> <td>WH</td> <td>3522190C1</td> <td>3522194C1</td> </tr> </tbody> </table>				CAV	CIRCUIT	GAUGE	COLOR	TERMINAL	SEAL/SLEEVE	1	D57-M	16	LTGN	3522190C1	3522194C1	2	D57-G	16	WH	3522190C1	3522194C1																		
CAV	CIRCUIT	GAUGE	COLOR	TERMINAL	SEAL/SLEEVE																																				
1	D57-M	16	LTGN	3522190C1	3522194C1																																				
2	D57-G	16	WH	3522190C1	3522194C1																																				
<p>CONNECTOR 2206588C1</p>																																									
<p>RIGHT STOP/TAIL LICENSE LIGHT (10125) (LOCATED AT REAR RIGHT SIDE)</p>																																									
		<table border="1" style="width: 100%; border-collapse: collapse;"> <thead> <tr> <th>CAV</th> <th>CIRCUIT</th> <th>GAUGE</th> <th>COLOR</th> <th>TERMINAL</th> <th>SEAL/SLEEVE</th> </tr> </thead> <tbody> <tr> <td>1</td> <td>D68C</td> <td>16</td> <td>BN</td> <td>3522190C1</td> <td>3522194C1</td> </tr> <tr> <td>2</td> <td>D68-GC</td> <td>16</td> <td>WH</td> <td>3522190C1</td> <td>3522194C1</td> </tr> <tr> <td>3</td> <td>D70B</td> <td>16</td> <td>RD</td> <td>3522190C1</td> <td>3522194C1</td> </tr> </tbody> </table>				CAV	CIRCUIT	GAUGE	COLOR	TERMINAL	SEAL/SLEEVE	1	D68C	16	BN	3522190C1	3522194C1	2	D68-GC	16	WH	3522190C1	3522194C1	3	D70B	16	RD	3522190C1	3522194C1												
CAV	CIRCUIT	GAUGE	COLOR	TERMINAL	SEAL/SLEEVE																																				
1	D68C	16	BN	3522190C1	3522194C1																																				
2	D68-GC	16	WH	3522190C1	3522194C1																																				
3	D70B	16	RD	3522190C1	3522194C1																																				
<p>CONNECTOR 3522187C1</p>																																									
<p>RIGHT LICENSE LIGHT (10126) (LOCATED AT REAR RIGHT SIDE)</p>																																									
		<table border="1" style="width: 100%; border-collapse: collapse;"> <thead> <tr> <th>CAV</th> <th>CIRCUIT</th> <th>GAUGE</th> <th>COLOR</th> <th>TERMINAL</th> <th>SEAL/SLEEVE</th> </tr> </thead> <tbody> <tr> <td>1</td> <td>D68D</td> <td>16</td> <td>BN</td> <td>3522190C1</td> <td>3522194C1</td> </tr> <tr> <td>2</td> <td>D68-GD</td> <td>16</td> <td>WH</td> <td>3522190C1</td> <td>3522194C1</td> </tr> </tbody> </table>				CAV	CIRCUIT	GAUGE	COLOR	TERMINAL	SEAL/SLEEVE	1	D68D	16	BN	3522190C1	3522194C1	2	D68-GD	16	WH	3522190C1	3522194C1																		
CAV	CIRCUIT	GAUGE	COLOR	TERMINAL	SEAL/SLEEVE																																				
1	D68D	16	BN	3522190C1	3522194C1																																				
2	D68-GD	16	WH	3522190C1	3522194C1																																				
<p>CONNECTOR 2206588C1</p>																																									
<p>DRIVER'S ALERT SIGN (10128) (LOCATED AT REAR PANEL)</p>																																									
		<table border="1" style="width: 100%; border-collapse: collapse;"> <thead> <tr> <th>CAV</th> <th>CIRCUIT</th> <th>GAUGE</th> <th>COLOR</th> <th>TERMINAL</th> <th>SEAL/SLEEVE</th> </tr> </thead> <tbody> <tr> <td>1</td> <td>D71</td> <td>16</td> <td>LTBL</td> <td>3522190C1</td> <td>3522194C1</td> </tr> <tr> <td>2</td> <td>D57B</td> <td>16</td> <td>LTGN</td> <td>3522190C1</td> <td>3522194C1</td> </tr> <tr> <td>3</td> <td>D56</td> <td>16</td> <td>YL</td> <td>3522190C1</td> <td>3522194C1</td> </tr> <tr> <td>4</td> <td>D89RA</td> <td>16</td> <td>OR</td> <td>3522190C1</td> <td>3522194C1</td> </tr> <tr> <td>5</td> <td>D89LA</td> <td>16</td> <td>OR</td> <td>3522190C1</td> <td>3522194C1</td> </tr> </tbody> </table>				CAV	CIRCUIT	GAUGE	COLOR	TERMINAL	SEAL/SLEEVE	1	D71	16	LTBL	3522190C1	3522194C1	2	D57B	16	LTGN	3522190C1	3522194C1	3	D56	16	YL	3522190C1	3522194C1	4	D89RA	16	OR	3522190C1	3522194C1	5	D89LA	16	OR	3522190C1	3522194C1
CAV	CIRCUIT	GAUGE	COLOR	TERMINAL	SEAL/SLEEVE																																				
1	D71	16	LTBL	3522190C1	3522194C1																																				
2	D57B	16	LTGN	3522190C1	3522194C1																																				
3	D56	16	YL	3522190C1	3522194C1																																				
4	D89RA	16	OR	3522190C1	3522194C1																																				
5	D89LA	16	OR	3522190C1	3522194C1																																				
<p>CONNECTOR 2206593C1</p>																																									
CHK	DATE	CHANGE	REV	REFERENCE	DRAWN	NAME																																			
0025	05JAN12	INITIAL RELEASE.	A	73617J	300343	CIRCUIT DIAGRAM, BE,CE BUS																																			
					RELEASE NO.	DATE																																			
					73617J	12APR11																																			
					PART NO.	SHEET																																			
					AE08065294	023																																			

Figure 650 Connector Composites (10124, 10125, 10126, 10128)

23.24. CONNECTOR COMPOSITES (10129, 10142, 10143, 10156), P. 24

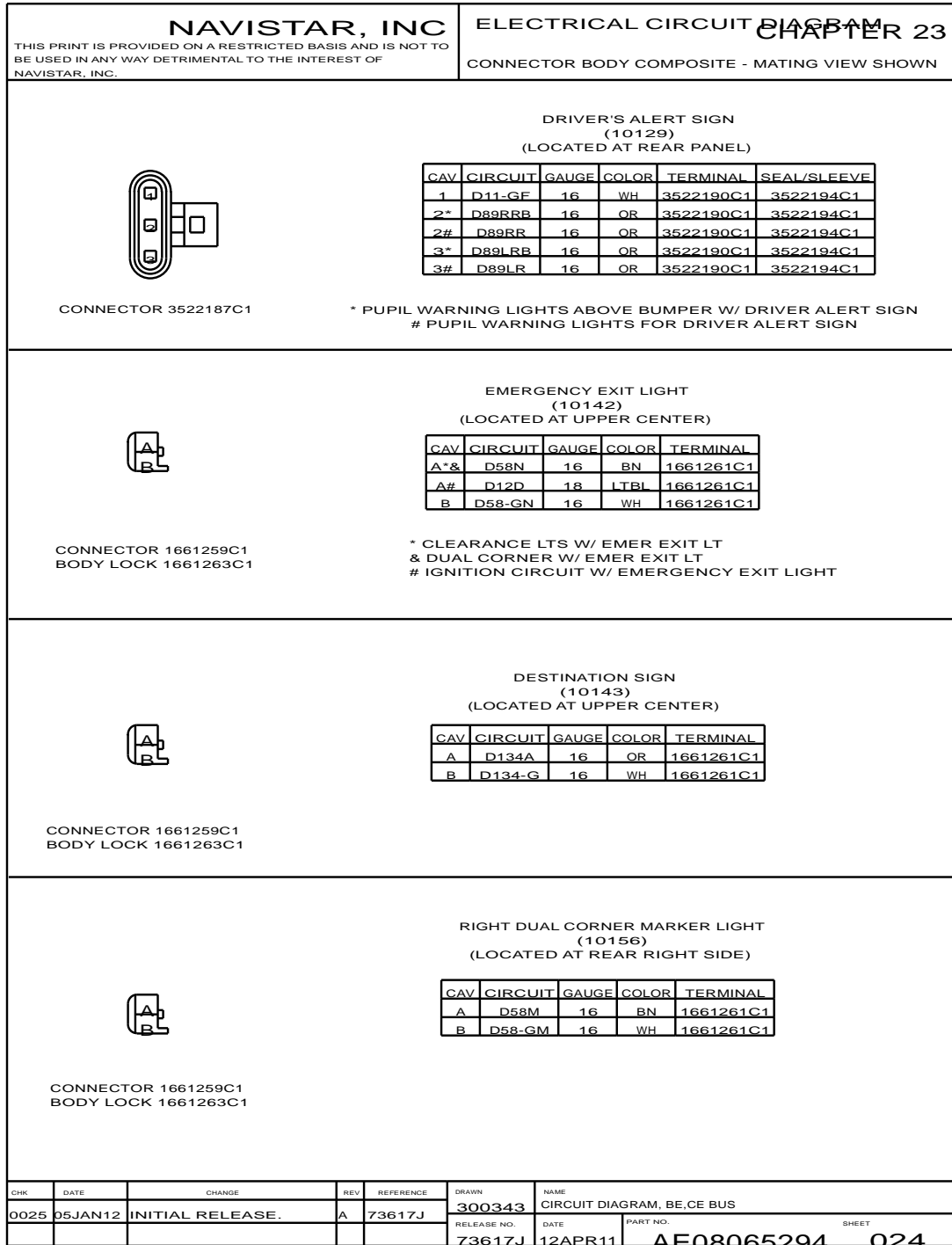


Figure 651 Connector Composites (10129, 10142, 10143, 10156)

23.25. CONNECTOR COMPOSITES (10157, 10160, 10161), P. 25


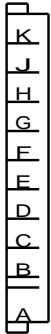
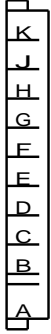
<p>NAVISTAR, INC <small>THIS PRINT IS PROVIDED ON A RESTRICTED BASIS AND IS NOT TO BE USED IN ANY WAY DETRIMENTAL TO THE INTEREST OF NAVISTAR, INC.</small></p>				<p>ELECTRICAL CIRCUIT DIAGRAM CHAPTER 23 CONNECTOR BODY COMPOSITE - MATING VIEW SHOWN</p>																																																													
		<p>LEFT DUAL CORNER MARKER LIGHT (10157) (LOCATED AT REAR TOP LEFT SIDE)</p> <table border="1" style="width:100%; border-collapse: collapse;"> <thead> <tr> <th>CAV</th> <th>CIRCUIT</th> <th>GAUGE</th> <th>COLOR</th> <th>TERMINAL</th> </tr> </thead> <tbody> <tr> <td>A</td> <td>D58L</td> <td>16</td> <td>BN</td> <td>1661261C1</td> </tr> <tr> <td>B</td> <td>D58-G1</td> <td>16</td> <td>WH</td> <td>1661261C1</td> </tr> </tbody> </table>				CAV	CIRCUIT	GAUGE	COLOR	TERMINAL	A	D58L	16	BN	1661261C1	B	D58-G1	16	WH	1661261C1																																													
CAV	CIRCUIT	GAUGE	COLOR	TERMINAL																																																													
A	D58L	16	BN	1661261C1																																																													
B	D58-G1	16	WH	1661261C1																																																													
<p>CONNECTOR 1661259C1 BODY LOCK 1661263C1</p>																																																																	
		<p>LEFT REAR CAP GROUND ADAPTER (10160) (LOCATED AT REAR TOP LEFT SIDE)</p> <table border="1" style="width:100%; border-collapse: collapse;"> <thead> <tr> <th>CAV</th> <th>CIRCUIT</th> <th>GAUGE</th> <th>COLOR</th> <th>TERMINAL</th> </tr> </thead> <tbody> <tr> <td>A</td> <td>D11-GA</td> <td>10</td> <td>WH</td> <td>1661211C1</td> </tr> <tr> <td>B</td> <td>D11-GD</td> <td>16</td> <td>WH</td> <td>1661209C1</td> </tr> <tr> <td>C</td> <td>D58-G</td> <td>16</td> <td>WH</td> <td>1661209C1</td> </tr> <tr> <td>D</td> <td>D58-GA</td> <td>16</td> <td>WH</td> <td>1661209C1</td> </tr> <tr> <td>E</td> <td>D127-G</td> <td>16</td> <td>WH</td> <td>1661209C1</td> </tr> <tr> <td>F</td> <td>D89-G</td> <td>16</td> <td>WH</td> <td>1661209C1</td> </tr> <tr> <td>G</td> <td>D89-GC</td> <td>16</td> <td>WH</td> <td>1661209C1</td> </tr> <tr> <td>H</td> <td>D11-GG</td> <td>16</td> <td>WH</td> <td>1661209C1</td> </tr> <tr> <td>J#</td> <td>D68-GE</td> <td>16</td> <td>WH</td> <td>1661209C1</td> </tr> <tr> <td>J%</td> <td>D68-GB</td> <td>16</td> <td>WH</td> <td>1661209C1</td> </tr> <tr> <td>K</td> <td>-</td> <td>-</td> <td>-</td> <td>-</td> </tr> </tbody> </table>				CAV	CIRCUIT	GAUGE	COLOR	TERMINAL	A	D11-GA	10	WH	1661211C1	B	D11-GD	16	WH	1661209C1	C	D58-G	16	WH	1661209C1	D	D58-GA	16	WH	1661209C1	E	D127-G	16	WH	1661209C1	F	D89-G	16	WH	1661209C1	G	D89-GC	16	WH	1661209C1	H	D11-GG	16	WH	1661209C1	J#	D68-GE	16	WH	1661209C1	J%	D68-GB	16	WH	1661209C1	K	-	-	-	-
CAV	CIRCUIT	GAUGE	COLOR	TERMINAL																																																													
A	D11-GA	10	WH	1661211C1																																																													
B	D11-GD	16	WH	1661209C1																																																													
C	D58-G	16	WH	1661209C1																																																													
D	D58-GA	16	WH	1661209C1																																																													
E	D127-G	16	WH	1661209C1																																																													
F	D89-G	16	WH	1661209C1																																																													
G	D89-GC	16	WH	1661209C1																																																													
H	D11-GG	16	WH	1661209C1																																																													
J#	D68-GE	16	WH	1661209C1																																																													
J%	D68-GB	16	WH	1661209C1																																																													
K	-	-	-	-																																																													
<p>CONNECTOR 2007315C1 BODY LOCK 2007316C1</p>		<p>% LEFT LICENSE PLATE LIGHT # LEFT AND RIGHT LICENSE PLATE LIGHT</p>																																																															
		<p>LEFT REAR CAP GROUND ADAPTER (10161) (LOCATED AT REAR TOP RIGHT SIDE)</p> <table border="1" style="width:100%; border-collapse: collapse;"> <thead> <tr> <th>CAV</th> <th>CIRCUIT</th> <th>GAUGE</th> <th>COLOR</th> <th>TERMINAL</th> </tr> </thead> <tbody> <tr> <td>A</td> <td>D11-GB</td> <td>10</td> <td>WH</td> <td>1661211C1</td> </tr> <tr> <td>B</td> <td>D11-GE</td> <td>16</td> <td>WH</td> <td>1661209C1</td> </tr> <tr> <td>C</td> <td>D11-GF</td> <td>16</td> <td>WH</td> <td>1661209C1</td> </tr> <tr> <td>D</td> <td>D71-G</td> <td>16</td> <td>WH</td> <td>1661209C1</td> </tr> <tr> <td>E</td> <td>D134-G</td> <td>16</td> <td>WH</td> <td>1661209C1</td> </tr> <tr> <td>F</td> <td>D58-GN</td> <td>16</td> <td>WH</td> <td>1661209C1</td> </tr> <tr> <td>G</td> <td>-</td> <td>-</td> <td>-</td> <td>-</td> </tr> <tr> <td>H</td> <td>-</td> <td>-</td> <td>-</td> <td>-</td> </tr> <tr> <td>J</td> <td>-</td> <td>-</td> <td>-</td> <td>-</td> </tr> <tr> <td>K</td> <td>-</td> <td>-</td> <td>-</td> <td>-</td> </tr> </tbody> </table>				CAV	CIRCUIT	GAUGE	COLOR	TERMINAL	A	D11-GB	10	WH	1661211C1	B	D11-GE	16	WH	1661209C1	C	D11-GF	16	WH	1661209C1	D	D71-G	16	WH	1661209C1	E	D134-G	16	WH	1661209C1	F	D58-GN	16	WH	1661209C1	G	-	-	-	-	H	-	-	-	-	J	-	-	-	-	K	-	-	-	-					
CAV	CIRCUIT	GAUGE	COLOR	TERMINAL																																																													
A	D11-GB	10	WH	1661211C1																																																													
B	D11-GE	16	WH	1661209C1																																																													
C	D11-GF	16	WH	1661209C1																																																													
D	D71-G	16	WH	1661209C1																																																													
E	D134-G	16	WH	1661209C1																																																													
F	D58-GN	16	WH	1661209C1																																																													
G	-	-	-	-																																																													
H	-	-	-	-																																																													
J	-	-	-	-																																																													
K	-	-	-	-																																																													
<p>CONNECTOR 2007315C1 BODY LOCK 2007316C1</p>																																																																	
CHK	DATE	CHANGE	REV	REFERENCE	DRAWN	NAME																																																											
0025	05JAN12	INITIAL RELEASE.	A	73617J	300343	CIRCUIT DIAGRAM, BE,CE BUS																																																											
					RELEASE NO.	DATE																																																											
					73617J	12APR11																																																											
					PART NO.	SHEET																																																											
					AE08065294	025																																																											

Figure 652 Connector Composites (10157, 10160, 10161)

23.26. CONNECTOR COMPOSITES (10172, 10173, 10174, 10175), P. 26

NAVISTAR, INC <small>THIS PRINT IS PROVIDED ON A RESTRICTED BASIS AND IS NOT TO BE USED IN ANY WAY DETRIMENTAL TO THE INTEREST OF NAVISTAR, INC.</small>				ELECTRICAL CIRCUIT DIAGRAM CHAPTER 23 CONNECTOR BODY COMPOSITE - MATING VIEW SHOWN																									
		LOWER LEFT WARNING LIGHT (10172) (LOCATED AT LOWER LEFT SIDE OF REAR EMERGENCY DOOR)																											
		<table border="1" style="width: 100%; border-collapse: collapse;"> <thead> <tr> <th>CAV</th> <th>CIRCUIT</th> <th>GAUGE</th> <th>COLOR</th> <th>TERMINAL</th> <th>SEAL/SLEEVE</th> </tr> </thead> <tbody> <tr> <td>1*</td> <td>D89RRA</td> <td>16</td> <td>OR</td> <td>3522190C1</td> <td>3522194C1</td> </tr> <tr> <td>1#</td> <td>D89RR</td> <td>16</td> <td>OR</td> <td>3522190C1</td> <td>3522194C1</td> </tr> <tr> <td>2</td> <td>D89-GA</td> <td>16</td> <td>WH</td> <td>3522190C1</td> <td>3522194C1</td> </tr> </tbody> </table>				CAV	CIRCUIT	GAUGE	COLOR	TERMINAL	SEAL/SLEEVE	1*	D89RRA	16	OR	3522190C1	3522194C1	1#	D89RR	16	OR	3522190C1	3522194C1	2	D89-GA	16	WH	3522190C1	3522194C1
CAV	CIRCUIT	GAUGE	COLOR	TERMINAL	SEAL/SLEEVE																								
1*	D89RRA	16	OR	3522190C1	3522194C1																								
1#	D89RR	16	OR	3522190C1	3522194C1																								
2	D89-GA	16	WH	3522190C1	3522194C1																								
CONNECTOR 2206588C1		* PUPIL WARNING LIGHTS ABOVE BUMPER W/ DRIVER ALERT SIGN # PUPIL WARNING LIGHTS ABOVE BUMPER																											
		LOWER RIGHT WARNING LIGHT (10173) (LOCATED AT LOWER RIGHT SIDE OF REAR EMERGENCY DOOR)																											
		<table border="1" style="width: 100%; border-collapse: collapse;"> <thead> <tr> <th>CAV</th> <th>CIRCUIT</th> <th>GAUGE</th> <th>COLOR</th> <th>TERMINAL</th> <th>SEAL/SLEEVE</th> </tr> </thead> <tbody> <tr> <td>1*</td> <td>D89LRA</td> <td>16</td> <td>OR</td> <td>3522190C1</td> <td>3522194C1</td> </tr> <tr> <td>1#</td> <td>D89LR</td> <td>16</td> <td>OR</td> <td>3522190C1</td> <td>3522194C1</td> </tr> <tr> <td>2</td> <td>D89-GB</td> <td>16</td> <td>WH</td> <td>3522190C1</td> <td>3522194C1</td> </tr> </tbody> </table>				CAV	CIRCUIT	GAUGE	COLOR	TERMINAL	SEAL/SLEEVE	1*	D89LRA	16	OR	3522190C1	3522194C1	1#	D89LR	16	OR	3522190C1	3522194C1	2	D89-GB	16	WH	3522190C1	3522194C1
CAV	CIRCUIT	GAUGE	COLOR	TERMINAL	SEAL/SLEEVE																								
1*	D89LRA	16	OR	3522190C1	3522194C1																								
1#	D89LR	16	OR	3522190C1	3522194C1																								
2	D89-GB	16	WH	3522190C1	3522194C1																								
CONNECTOR 2206588C1		* PUPIL WARNING LIGHTS ABOVE BUMPER W/ DRIVER ALERT SIGN # PUPIL WARNING LIGHTS ABOVE BUMPER																											
		LOWER LEFT BACKUP LIGHT (10174) (LOCATED AT LOWER LEFT SIDE OF REAR EMERGENCY DOOR)																											
		<table border="1" style="width: 100%; border-collapse: collapse;"> <thead> <tr> <th>CAV</th> <th>CIRCUIT</th> <th>GAUGE</th> <th>COLOR</th> <th>TERMINAL</th> <th>SEAL/SLEEVE</th> </tr> </thead> <tbody> <tr> <td>1</td> <td>D71L-M</td> <td>16</td> <td>LTBL</td> <td>3522190C1</td> <td>3522194C1</td> </tr> <tr> <td>2</td> <td>D71L-G</td> <td>16</td> <td>WH</td> <td>3522190C1</td> <td>3522194C1</td> </tr> </tbody> </table>				CAV	CIRCUIT	GAUGE	COLOR	TERMINAL	SEAL/SLEEVE	1	D71L-M	16	LTBL	3522190C1	3522194C1	2	D71L-G	16	WH	3522190C1	3522194C1						
CAV	CIRCUIT	GAUGE	COLOR	TERMINAL	SEAL/SLEEVE																								
1	D71L-M	16	LTBL	3522190C1	3522194C1																								
2	D71L-G	16	WH	3522190C1	3522194C1																								
CONNECTOR 2206588C1																													
		LOWER RIGHT BACKUP LIGHT (10175) (LOCATED AT LOWER RIGHT SIDE OF REAR EMERGENCY DOOR)																											
		<table border="1" style="width: 100%; border-collapse: collapse;"> <thead> <tr> <th>CAV</th> <th>CIRCUIT</th> <th>GAUGE</th> <th>COLOR</th> <th>TERMINAL</th> <th>SEAL/SLEEVE</th> </tr> </thead> <tbody> <tr> <td>1</td> <td>D71R-M</td> <td>16</td> <td>LTBL</td> <td>3522190C1</td> <td>3522194C1</td> </tr> <tr> <td>2</td> <td>D71R-G</td> <td>16</td> <td>WH</td> <td>3522190C1</td> <td>3522194C1</td> </tr> </tbody> </table>				CAV	CIRCUIT	GAUGE	COLOR	TERMINAL	SEAL/SLEEVE	1	D71R-M	16	LTBL	3522190C1	3522194C1	2	D71R-G	16	WH	3522190C1	3522194C1						
CAV	CIRCUIT	GAUGE	COLOR	TERMINAL	SEAL/SLEEVE																								
1	D71R-M	16	LTBL	3522190C1	3522194C1																								
2	D71R-G	16	WH	3522190C1	3522194C1																								
CONNECTOR 2206588C1																													
CHK	DATE	CHANGE	REV	REFERENCE	DRAWN	NAME																							
0025	05JAN12	INITIAL RELEASE.	A	73617J	300343	CIRCUIT DIAGRAM, BE,CE BUS																							
					RELEASE NO.	DATE	PART NO.	SHEET																					
					73617J	12APR11	AE08065294	026																					

Figure 653 Connector Composites (10172, 10173, 10174, 10175)

23.27. CONNECTOR COMPOSITES (10177, 10178A, 10178B), P. 27

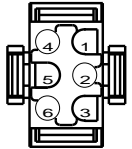
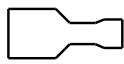
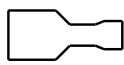
<p style="text-align: center;">NAVISTAR, INC</p> <p style="font-size: small;">THIS PRINT IS PROVIDED ON A RESTRICTED BASIS AND IS NOT TO BE USED IN ANY WAY DETRIMENTAL TO THE INTEREST OF NAVISTAR, INC.</p>	<p style="text-align: center;">ELECTRICAL CIRCUIT DIAGRAM</p> <p style="text-align: right;">CHAPTER 23</p> <p style="text-align: center;">CONNECTOR BODY COMPOSITE - MATING VIEW SHOWN</p>																																										
 <p style="text-align: center;">CONNECTOR 2206662C1</p>	<p style="text-align: center;">REAR DOOR SWITCH BOX (10177) (LOCATED AT REAR DOOR PANEL)</p> <table border="1" style="width: 100%; border-collapse: collapse; text-align: center;"> <thead> <tr> <th>CAV</th> <th>CIRCUIT</th> <th>GAUGE</th> <th>COLOR</th> <th>TERMINAL</th> </tr> </thead> <tbody> <tr> <td>1</td> <td>-</td> <td>-</td> <td>-</td> <td>-</td> </tr> <tr> <td>2</td> <td>D117</td> <td>18</td> <td>GY</td> <td>1661539C1</td> </tr> <tr> <td>3*</td> <td>D130B</td> <td>18</td> <td>GY</td> <td>1661539C1</td> </tr> <tr> <td>3&</td> <td>D130C</td> <td>18</td> <td>GY</td> <td>1661539C1</td> </tr> <tr> <td>4</td> <td>D11-GG</td> <td>16</td> <td>WH</td> <td>1661539C1</td> </tr> <tr> <td>5</td> <td>-</td> <td>-</td> <td>-</td> <td>-</td> </tr> <tr> <td>6</td> <td>D12B</td> <td>18</td> <td>LTBL</td> <td>1661539C1</td> </tr> </tbody> </table> <p style="text-align: center;">* RIGHT SIDE EMERGENCY DOOR AND REAR EMER EXIT DOOR & REAR EMER EXIT DOOR</p>	CAV	CIRCUIT	GAUGE	COLOR	TERMINAL	1	-	-	-	-	2	D117	18	GY	1661539C1	3*	D130B	18	GY	1661539C1	3&	D130C	18	GY	1661539C1	4	D11-GG	16	WH	1661539C1	5	-	-	-	-	6	D12B	18	LTBL	1661539C1		
CAV	CIRCUIT	GAUGE	COLOR	TERMINAL																																							
1	-	-	-	-																																							
2	D117	18	GY	1661539C1																																							
3*	D130B	18	GY	1661539C1																																							
3&	D130C	18	GY	1661539C1																																							
4	D11-GG	16	WH	1661539C1																																							
5	-	-	-	-																																							
6	D12B	18	LTBL	1661539C1																																							
 <p style="text-align: center;">TERMINAL 2209574C1</p>	<p style="text-align: center;">POST-TRIP INSPECTION DEACTIVATION SWITCH (10178A) (LOCATED AT REAR DOOR PANEL)</p> <table border="1" style="width: 100%; border-collapse: collapse; text-align: center;"> <thead> <tr> <th>CIRCUIT</th> <th>GAUGE</th> <th>COLOR</th> </tr> </thead> <tbody> <tr> <td>D125A</td> <td>16</td> <td>GY</td> </tr> </tbody> </table>	CIRCUIT	GAUGE	COLOR	D125A	16	GY																																				
CIRCUIT	GAUGE	COLOR																																									
D125A	16	GY																																									
 <p style="text-align: center;">TERMINAL 2209574C1</p>	<p style="text-align: center;">POST-TRIP INSPECTION DEACTIVATION SWITCH (10178B) (LOCATED AT REAR DOOR PANEL)</p> <table border="1" style="width: 100%; border-collapse: collapse; text-align: center;"> <thead> <tr> <th>CIRCUIT</th> <th>GAUGE</th> <th>COLOR</th> </tr> </thead> <tbody> <tr> <td>D125B</td> <td>16</td> <td>GY</td> </tr> </tbody> </table>	CIRCUIT	GAUGE	COLOR	D125B	16	GY																																				
CIRCUIT	GAUGE	COLOR																																									
D125B	16	GY																																									
<table border="1" style="width: 100%; border-collapse: collapse; font-size: x-small;"> <thead> <tr> <th>CHK</th> <th>DATE</th> <th>CHANGE</th> <th>REV</th> <th>REFERENCE</th> <th>DRAWN</th> <th>NAME</th> </tr> </thead> <tbody> <tr> <td>0025</td> <td>05JAN12</td> <td>INITIAL RELEASE.</td> <td>A</td> <td>73617J</td> <td>300343</td> <td>CIRCUIT DIAGRAM, BE,CE BUS</td> </tr> <tr> <td></td> <td></td> <td></td> <td></td> <td></td> <td>RELEASE NO.</td> <td>DATE</td> </tr> <tr> <td></td> <td></td> <td></td> <td></td> <td></td> <td>73617J</td> <td>12APR11</td> </tr> <tr> <td></td> <td></td> <td></td> <td></td> <td></td> <td>PART NO.</td> <td>SHEET</td> </tr> <tr> <td></td> <td></td> <td></td> <td></td> <td></td> <td>AE08065294</td> <td>027</td> </tr> </tbody> </table>		CHK	DATE	CHANGE	REV	REFERENCE	DRAWN	NAME	0025	05JAN12	INITIAL RELEASE.	A	73617J	300343	CIRCUIT DIAGRAM, BE,CE BUS						RELEASE NO.	DATE						73617J	12APR11						PART NO.	SHEET						AE08065294	027
CHK	DATE	CHANGE	REV	REFERENCE	DRAWN	NAME																																					
0025	05JAN12	INITIAL RELEASE.	A	73617J	300343	CIRCUIT DIAGRAM, BE,CE BUS																																					
					RELEASE NO.	DATE																																					
					73617J	12APR11																																					
					PART NO.	SHEET																																					
					AE08065294	027																																					

Figure 654 Connector Composites (10177, 10178A, 10178B)

23.28. CONNECTOR COMPOSITES (10200, 10201, 10202), P. 28

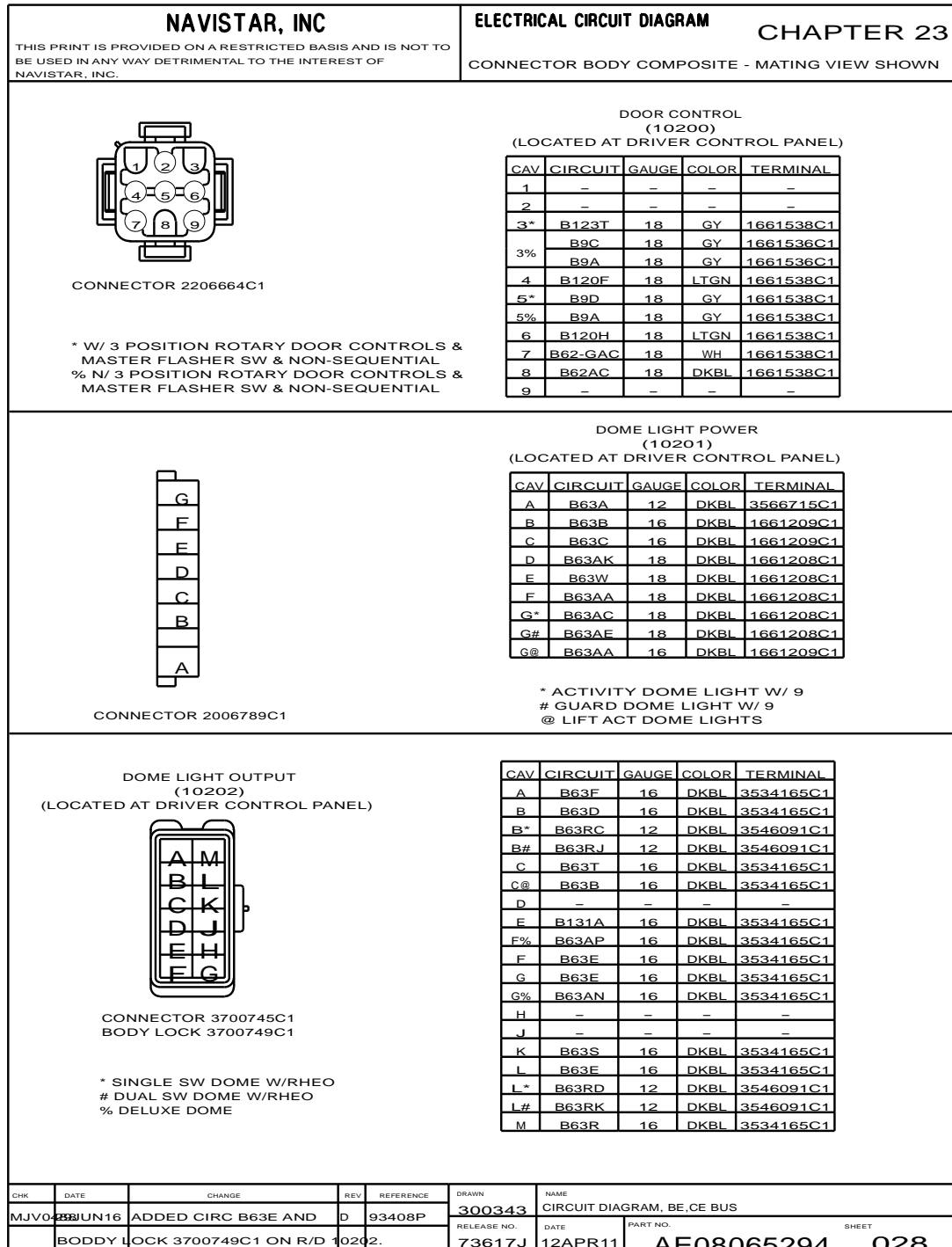


Figure 655 Connector Composites (10200, 10201, 10202)

23.29. CONNECTOR COMPOSITES (10203, 10203A, 10204), P. 29

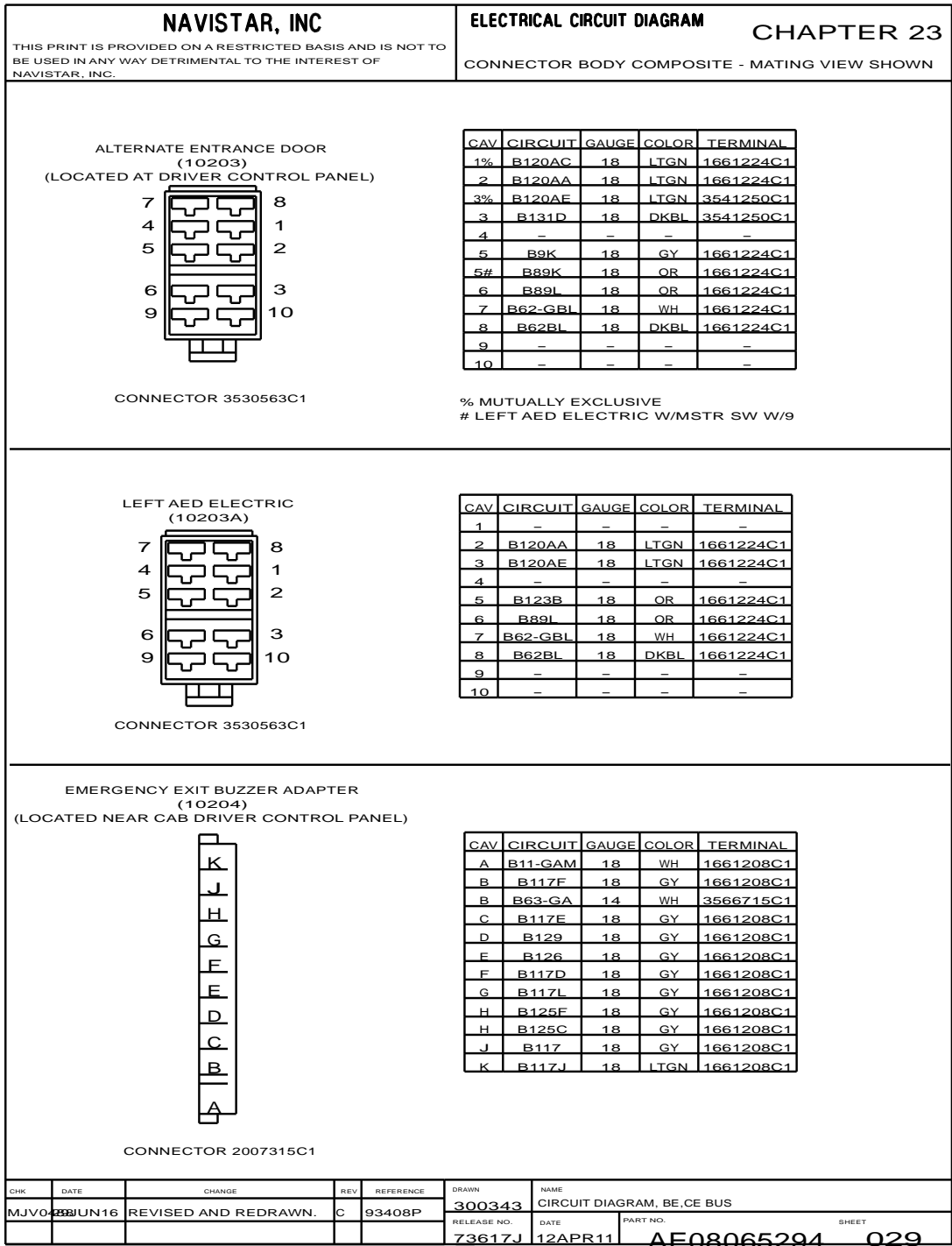


Figure 656 Connector Composites (10203, 10203A, 10204)

23.30. CONNECTOR COMPOSITES (10207, 10209, 10211), P. 30

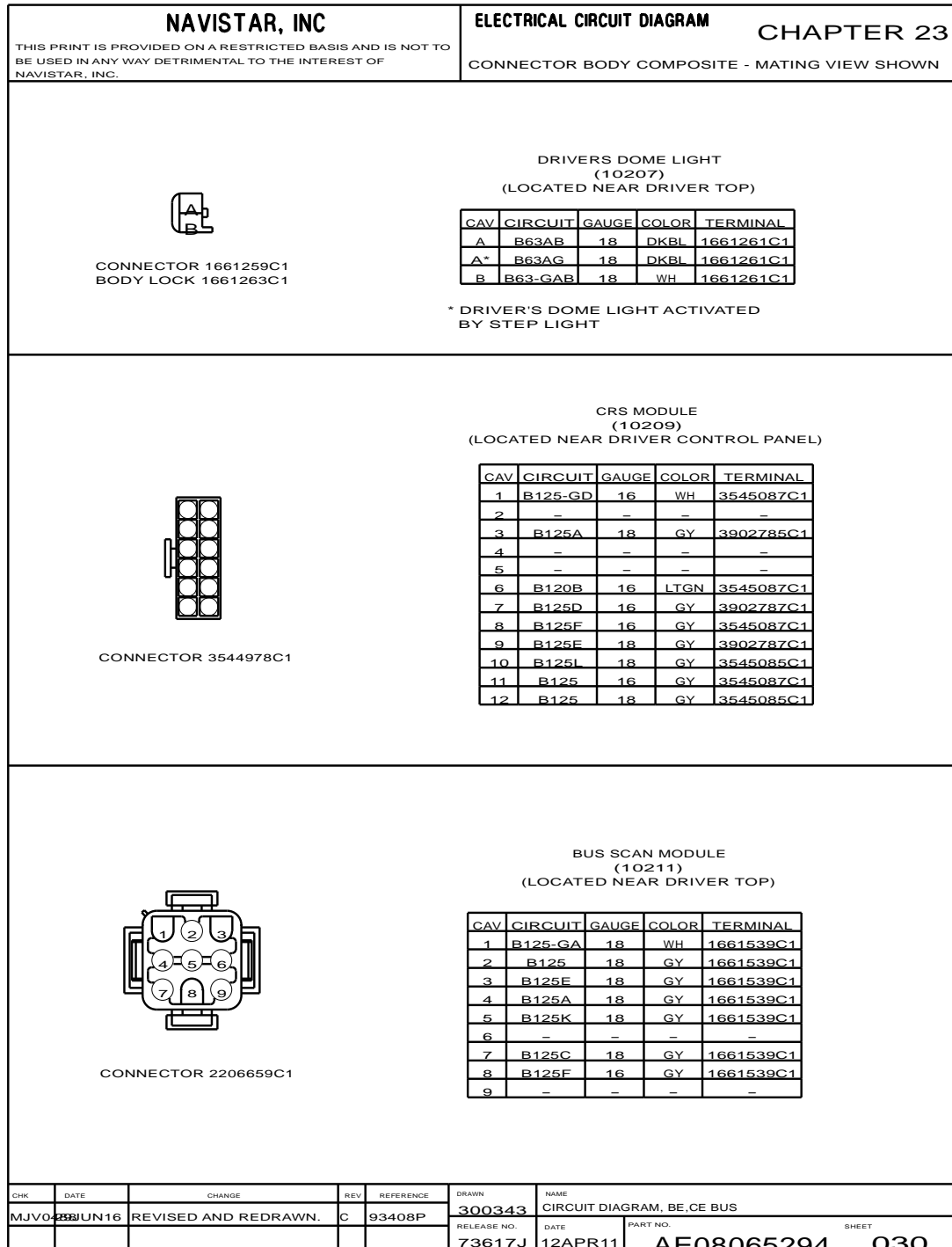


Figure 657 Connector Composites (10207, 10209, 10211)

23.31. CONNECTOR COMPOSITES (10212, 10215A, 10215B, 10215C, 10215D, 10215E, 10215F, 10215G, 10215H, 10216C, 10216D, 10216E, 10219), P. 31

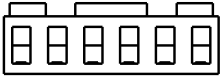
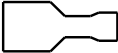
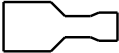
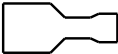
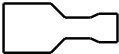
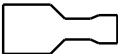
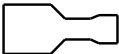
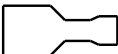
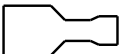
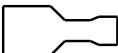
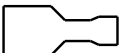
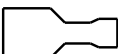
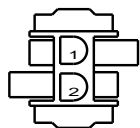
NAVISTAR, INC				ELECTRICAL CIRCUIT DIAGRAM				CHAPTER 23																																											
THIS PRINT IS PROVIDED ON A RESTRICTED BASIS AND IS NOT TO BE USED IN ANY WAY DETRIMENTAL TO THE INTEREST OF NAVISTAR, INC.				CONNECTOR BODY COMPOSITE - MATING VIEW SHOWN																																															
 CONNECTOR 3761059C1				CHECK MATE MODULE (10212) (LOCATED NEAR ELECTRICAL PANEL)																																															
				<table border="1" style="width:100%; border-collapse: collapse; font-size: x-small;"> <thead> <tr> <th>CAV</th> <th>CIRCUIT</th> <th>GAUGE</th> <th>COLOR</th> <th>TERMINAL</th> </tr> </thead> <tbody> <tr><td>1</td><td>B125D</td><td>18</td><td>GY</td><td>3761061C1</td></tr> <tr><td>2*</td><td>B125-G</td><td>18</td><td>WH</td><td>3761061C1</td></tr> <tr><td>3</td><td>B125</td><td>18</td><td>GY</td><td>3761061C1</td></tr> <tr><td>4</td><td>B125C</td><td>18</td><td>GY</td><td>3761061C1</td></tr> <tr><td>5</td><td>B70C</td><td>18</td><td>RD</td><td>3761061C1</td></tr> <tr><td>5#</td><td>B119</td><td>18</td><td>GY</td><td>3761061C1</td></tr> <tr><td>6</td><td>B125E</td><td>18</td><td>GY</td><td>3761061C1</td></tr> </tbody> </table>				CAV	CIRCUIT	GAUGE	COLOR	TERMINAL	1	B125D	18	GY	3761061C1	2*	B125-G	18	WH	3761061C1	3	B125	18	GY	3761061C1	4	B125C	18	GY	3761061C1	5	B70C	18	RD	3761061C1	5#	B119	18	GY	3761061C1	6	B125E	18	GY	3761061C1				
CAV	CIRCUIT	GAUGE	COLOR	TERMINAL																																															
1	B125D	18	GY	3761061C1																																															
2*	B125-G	18	WH	3761061C1																																															
3	B125	18	GY	3761061C1																																															
4	B125C	18	GY	3761061C1																																															
5	B70C	18	RD	3761061C1																																															
5#	B119	18	GY	3761061C1																																															
6	B125E	18	GY	3761061C1																																															
				* MUTUALLY EXCLUSIVE # CHILD CHECK-MATE ARMED BY PUPIL WARNING LIGHT																																															
DOME LIGHT RHEOSTAT (10215A)				DOME LIGHT RHEOSTAT (10215B)				DOME LIGHT RHEOSTAT (10215C)				DOME LIGHT RHEOSTAT (10215D)																																							
 <table border="1" style="width:100%; border-collapse: collapse; font-size: x-small;"> <thead> <tr> <th>CIRCUIT</th> <th>GAUGE</th> <th>COLOR</th> <th>TERMINAL</th> </tr> </thead> <tbody> <tr> <td>B63RA</td> <td>12</td> <td>DKBL</td> <td>2206646C1</td> </tr> </tbody> </table>				CIRCUIT	GAUGE	COLOR	TERMINAL	B63RA	12	DKBL	2206646C1	 <table border="1" style="width:100%; border-collapse: collapse; font-size: x-small;"> <thead> <tr> <th>CIRCUIT</th> <th>GAUGE</th> <th>COLOR</th> <th>TERMINAL</th> </tr> </thead> <tbody> <tr> <td>B63RB</td> <td>12</td> <td>DKBL</td> <td>2206646C1</td> </tr> </tbody> </table>				CIRCUIT	GAUGE	COLOR	TERMINAL	B63RB	12	DKBL	2206646C1	 <table border="1" style="width:100%; border-collapse: collapse; font-size: x-small;"> <thead> <tr> <th>CIRCUIT</th> <th>GAUGE</th> <th>COLOR</th> <th>TERMINAL</th> </tr> </thead> <tbody> <tr> <td>B63RC</td> <td>12</td> <td>DKBL</td> <td>2206646C1</td> </tr> </tbody> </table>				CIRCUIT	GAUGE	COLOR	TERMINAL	B63RC	12	DKBL	2206646C1	 <table border="1" style="width:100%; border-collapse: collapse; font-size: x-small;"> <thead> <tr> <th>CIRCUIT</th> <th>GAUGE</th> <th>COLOR</th> <th>TERMINAL</th> </tr> </thead> <tbody> <tr> <td>B63RD</td> <td>12</td> <td>DKBL</td> <td>2206646C1</td> </tr> </tbody> </table>				CIRCUIT	GAUGE	COLOR	TERMINAL	B63RD	12	DKBL	2206646C1				
CIRCUIT	GAUGE	COLOR	TERMINAL																																																
B63RA	12	DKBL	2206646C1																																																
CIRCUIT	GAUGE	COLOR	TERMINAL																																																
B63RB	12	DKBL	2206646C1																																																
CIRCUIT	GAUGE	COLOR	TERMINAL																																																
B63RC	12	DKBL	2206646C1																																																
CIRCUIT	GAUGE	COLOR	TERMINAL																																																
B63RD	12	DKBL	2206646C1																																																
DOME LIGHT RHEOSTAT (10215E)				DOME LIGHT RHEOSTAT (10215F)				DOME LIGHT RHEOSTAT (10215G)				DOME LIGHT RHEOSTAT (10215H)																																							
 <table border="1" style="width:100%; border-collapse: collapse; font-size: x-small;"> <thead> <tr> <th>CIRCUIT</th> <th>GAUGE</th> <th>COLOR</th> <th>TERMINAL</th> </tr> </thead> <tbody> <tr> <td>B63RE</td> <td>12</td> <td>DKBL</td> <td>2206646C1</td> </tr> </tbody> </table>				CIRCUIT	GAUGE	COLOR	TERMINAL	B63RE	12	DKBL	2206646C1	 <table border="1" style="width:100%; border-collapse: collapse; font-size: x-small;"> <thead> <tr> <th>CIRCUIT</th> <th>GAUGE</th> <th>COLOR</th> <th>TERMINAL</th> </tr> </thead> <tbody> <tr> <td>B63RF</td> <td>12</td> <td>DKBL</td> <td>2206646C1</td> </tr> </tbody> </table>				CIRCUIT	GAUGE	COLOR	TERMINAL	B63RF	12	DKBL	2206646C1	 <table border="1" style="width:100%; border-collapse: collapse; font-size: x-small;"> <thead> <tr> <th>CIRCUIT</th> <th>GAUGE</th> <th>COLOR</th> <th>TERMINAL</th> </tr> </thead> <tbody> <tr> <td>B63-GRA</td> <td>12</td> <td>WH</td> <td>2206646C1</td> </tr> </tbody> </table>				CIRCUIT	GAUGE	COLOR	TERMINAL	B63-GRA	12	WH	2206646C1	 <table border="1" style="width:100%; border-collapse: collapse; font-size: x-small;"> <thead> <tr> <th>CIRCUIT</th> <th>GAUGE</th> <th>COLOR</th> <th>TERMINAL</th> </tr> </thead> <tbody> <tr> <td>B63RH</td> <td>12</td> <td>DKBL</td> <td>2206646C1</td> </tr> </tbody> </table>				CIRCUIT	GAUGE	COLOR	TERMINAL	B63RH	12	DKBL	2206646C1				
CIRCUIT	GAUGE	COLOR	TERMINAL																																																
B63RE	12	DKBL	2206646C1																																																
CIRCUIT	GAUGE	COLOR	TERMINAL																																																
B63RF	12	DKBL	2206646C1																																																
CIRCUIT	GAUGE	COLOR	TERMINAL																																																
B63-GRA	12	WH	2206646C1																																																
CIRCUIT	GAUGE	COLOR	TERMINAL																																																
B63RH	12	DKBL	2206646C1																																																
DOME LIGHT RHEOSTAT (10216C)				DOME LIGHT RHEOSTAT (10216D)				DOME LIGHT RHEOSTAT (10216E)																																											
 <table border="1" style="width:100%; border-collapse: collapse; font-size: x-small;"> <thead> <tr> <th>CIRCUIT</th> <th>GAUGE</th> <th>COLOR</th> <th>TERMINAL</th> </tr> </thead> <tbody> <tr> <td>B63RC</td> <td>16</td> <td>DKBL</td> <td>2206645C1</td> </tr> </tbody> </table>				CIRCUIT	GAUGE	COLOR	TERMINAL	B63RC	16	DKBL	2206645C1	 <table border="1" style="width:100%; border-collapse: collapse; font-size: x-small;"> <thead> <tr> <th>CIRCUIT</th> <th>GAUGE</th> <th>COLOR</th> <th>TERMINAL</th> </tr> </thead> <tbody> <tr> <td>B63RD</td> <td>16</td> <td>DKBL</td> <td>2206645C1</td> </tr> <tr> <td>B63B</td> <td>16</td> <td>DKBL</td> <td>2206645C1</td> </tr> </tbody> </table>				CIRCUIT	GAUGE	COLOR	TERMINAL	B63RD	16	DKBL	2206645C1	B63B	16	DKBL	2206645C1	 <table border="1" style="width:100%; border-collapse: collapse; font-size: x-small;"> <thead> <tr> <th>CIRCUIT</th> <th>GAUGE</th> <th>COLOR</th> <th>TERMINAL</th> </tr> </thead> <tbody> <tr> <td>B63RE</td> <td>16</td> <td>DKBL</td> <td>2206645C1</td> </tr> </tbody> </table>				CIRCUIT	GAUGE	COLOR	TERMINAL	B63RE	16	DKBL	2206645C1												
CIRCUIT	GAUGE	COLOR	TERMINAL																																																
B63RC	16	DKBL	2206645C1																																																
CIRCUIT	GAUGE	COLOR	TERMINAL																																																
B63RD	16	DKBL	2206645C1																																																
B63B	16	DKBL	2206645C1																																																
CIRCUIT	GAUGE	COLOR	TERMINAL																																																
B63RE	16	DKBL	2206645C1																																																
 CONNECTOR 1669029C1				STOP ARM SOLENOID (10219) (LOCATED AT ELECTRICAL PANEL)																																															
				<table border="1" style="width:100%; border-collapse: collapse; font-size: x-small;"> <thead> <tr> <th>CAV</th> <th>CIRCUIT</th> <th>GAUGE</th> <th>COLOR</th> <th>TERMINAL</th> </tr> </thead> <tbody> <tr><td>1</td><td>B119H</td><td>18</td><td>GY</td><td>1661539C1</td></tr> <tr><td>2</td><td>B119-GN</td><td>18</td><td>WH</td><td>1661539C1</td></tr> </tbody> </table>				CAV	CIRCUIT	GAUGE	COLOR	TERMINAL	1	B119H	18	GY	1661539C1	2	B119-GN	18	WH	1661539C1																													
CAV	CIRCUIT	GAUGE	COLOR	TERMINAL																																															
1	B119H	18	GY	1661539C1																																															
2	B119-GN	18	WH	1661539C1																																															
CHK	DATE	CHANGE	REV	REFERENCE	DRAWN	NAME																																													
MJV0	28 JUN 16	UPDATED CIRC AT R/D	D	93408P	300343	CIRCUIT DIAGRAM, BE, CE BUS																																													
					RELEASE NO.	DATE	PART NO.	SHEET																																											
					73617J	25 APR 11	AE08065294	031																																											

Figure 658 Connector Composites (10212, 10215A, 10215B, 10215C, 10215D, 10215E, 10215F, 10215G, 10215H, 10216C, 10216D, 10216E, 10219)

23.32. CONNECTOR COMPOSITES (10219A, 10219B, 10221, 10224, 10226), P. 32

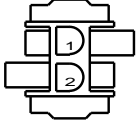
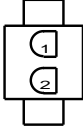
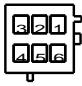
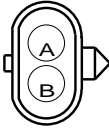
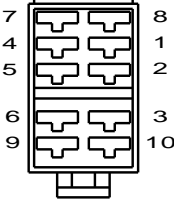
NAVISTAR, INC				ELECTRICAL CIRCUIT DIAGRAM		CHAPTER 23																																																								
THIS PRINT IS PROVIDED ON A RESTRICTED BASIS AND IS NOT TO BE USED IN ANY WAY DETRIMENTAL TO THE INTEREST OF NAVISTAR, INC.				CONNECTOR BODY COMPOSITE - MATING VIEW SHOWN																																																										
		CROSSING GATE (10219A) (LOCATED NEAR DRIVER CONTROL PANEL)																																																												
		<table border="1" style="width:100%; border-collapse: collapse; font-size: x-small;"> <thead> <tr> <th>CAV</th> <th>CIRCUIT</th> <th>GAUGE</th> <th>COLOR</th> <th>TERMINAL</th> </tr> </thead> <tbody> <tr> <td>1*</td> <td>B119N</td> <td>18</td> <td>GY</td> <td>1661539C1</td> </tr> <tr> <td>2</td> <td>B119-GN</td> <td>18</td> <td>WH</td> <td>1661539C1</td> </tr> </tbody> </table>						CAV	CIRCUIT	GAUGE	COLOR	TERMINAL	1*	B119N	18	GY	1661539C1	2	B119-GN	18	WH	1661539C1																																								
CAV	CIRCUIT	GAUGE	COLOR	TERMINAL																																																										
1*	B119N	18	GY	1661539C1																																																										
2	B119-GN	18	WH	1661539C1																																																										
CONNECTOR 1669029C1		* DUAL VALVES NOT WITH CANCEL																																																												
		CROSSING GATE (10219B)																																																												
		<table border="1" style="width:100%; border-collapse: collapse; font-size: x-small;"> <thead> <tr> <th>CAV</th> <th>CIRCUIT</th> <th>GAUGE</th> <th>COLOR</th> <th>TERMINAL</th> </tr> </thead> <tbody> <tr> <td>1</td> <td>B119C</td> <td>16</td> <td>GY</td> <td>1661539C1</td> </tr> <tr> <td>2</td> <td>B119-GN</td> <td>16</td> <td>WH</td> <td>1661539C1</td> </tr> </tbody> </table>						CAV	CIRCUIT	GAUGE	COLOR	TERMINAL	1	B119C	16	GY	1661539C1	2	B119-GN	16	WH	1661539C1																																								
CAV	CIRCUIT	GAUGE	COLOR	TERMINAL																																																										
1	B119C	16	GY	1661539C1																																																										
2	B119-GN	16	WH	1661539C1																																																										
CONNECTOR 1669029C1																																																														
		STOP ARM (10221) (LOCATED NEAR DRIVER CONTROL PANEL)																																																												
		<table border="1" style="width:100%; border-collapse: collapse; font-size: x-small;"> <thead> <tr> <th>CAV</th> <th>CIRCUIT</th> <th>GAUGE</th> <th>COLOR</th> <th>TERMINAL</th> </tr> </thead> <tbody> <tr> <td>1</td> <td>B119E</td> <td>18</td> <td>GY</td> <td>1661261C1</td> </tr> <tr> <td>2</td> <td>B89AA</td> <td>18</td> <td>OR</td> <td>1661261C1</td> </tr> <tr> <td>3</td> <td>B89BB</td> <td>18</td> <td>OR</td> <td>1661261C1</td> </tr> <tr> <td>4</td> <td>B119F</td> <td>18</td> <td>GY</td> <td>1661261C1</td> </tr> <tr> <td>5</td> <td>B119-GH</td> <td>18</td> <td>WH</td> <td>1661261C1</td> </tr> <tr> <td>6</td> <td>B119-GC</td> <td>18</td> <td>WH</td> <td>1661261C1</td> </tr> </tbody> </table>						CAV	CIRCUIT	GAUGE	COLOR	TERMINAL	1	B119E	18	GY	1661261C1	2	B89AA	18	OR	1661261C1	3	B89BB	18	OR	1661261C1	4	B119F	18	GY	1661261C1	5	B119-GH	18	WH	1661261C1	6	B119-GC	18	WH	1661261C1																				
CAV	CIRCUIT	GAUGE	COLOR	TERMINAL																																																										
1	B119E	18	GY	1661261C1																																																										
2	B89AA	18	OR	1661261C1																																																										
3	B89BB	18	OR	1661261C1																																																										
4	B119F	18	GY	1661261C1																																																										
5	B119-GH	18	WH	1661261C1																																																										
6	B119-GC	18	WH	1661261C1																																																										
CONNECTOR 3815785C1																																																														
		TEMPERATURE SENSOR (10224) (LOCATED NEAR DRIVER CONTROL PANEL)																																																												
		<table border="1" style="width:100%; border-collapse: collapse; font-size: x-small;"> <thead> <tr> <th>CAV</th> <th>CIRCUIT</th> <th>GAUGE</th> <th>COLOR</th> <th>TERMINAL</th> <th>SEAL/SLEEVE</th> </tr> </thead> <tbody> <tr> <td>A</td> <td>B41E</td> <td>18</td> <td>TN</td> <td>0587578C1</td> <td>1652325C1</td> </tr> <tr> <td>B</td> <td>B41F</td> <td>18</td> <td>TN</td> <td>0587578C1</td> <td>1652325C1</td> </tr> </tbody> </table>						CAV	CIRCUIT	GAUGE	COLOR	TERMINAL	SEAL/SLEEVE	A	B41E	18	TN	0587578C1	1652325C1	B	B41F	18	TN	0587578C1	1652325C1																																					
CAV	CIRCUIT	GAUGE	COLOR	TERMINAL	SEAL/SLEEVE																																																									
A	B41E	18	TN	0587578C1	1652325C1																																																									
B	B41F	18	TN	0587578C1	1652325C1																																																									
CONNECTOR 0587567C91																																																														
		FRONT POWER VENT (10226) (LOCATED ON DRIVER CONTROL PANEL)																																																												
		<table border="1" style="width:100%; border-collapse: collapse; font-size: x-small;"> <thead> <tr> <th>CAV</th> <th>CIRCUIT</th> <th>GAUGE</th> <th>COLOR</th> <th>TERMINAL</th> </tr> </thead> <tbody> <tr> <td>1</td> <td>-</td> <td>-</td> <td>-</td> <td>-</td> </tr> <tr> <td>2</td> <td>B76A</td> <td>16</td> <td>LTGN</td> <td>1661226C1</td> </tr> <tr> <td>3</td> <td>B76ALO</td> <td>16</td> <td>LTGN</td> <td>1661226C1</td> </tr> <tr> <td>4</td> <td>-</td> <td>-</td> <td>-</td> <td>-</td> </tr> <tr> <td>5</td> <td>-</td> <td>-</td> <td>-</td> <td>-</td> </tr> <tr> <td>6</td> <td>B76AHL</td> <td>16</td> <td>LTGN</td> <td>1661226C1</td> </tr> <tr> <td>7</td> <td>B62-GY</td> <td>18</td> <td>WH</td> <td>1661224C1</td> </tr> <tr> <td>8</td> <td>B62Y</td> <td>18</td> <td>LTBL</td> <td>1661224C1</td> </tr> <tr> <td>9</td> <td>-</td> <td>-</td> <td>-</td> <td>-</td> </tr> <tr> <td>10</td> <td>-</td> <td>-</td> <td>-</td> <td>-</td> </tr> </tbody> </table>						CAV	CIRCUIT	GAUGE	COLOR	TERMINAL	1	-	-	-	-	2	B76A	16	LTGN	1661226C1	3	B76ALO	16	LTGN	1661226C1	4	-	-	-	-	5	-	-	-	-	6	B76AHL	16	LTGN	1661226C1	7	B62-GY	18	WH	1661224C1	8	B62Y	18	LTBL	1661224C1	9	-	-	-	-	10	-	-	-	-
CAV	CIRCUIT	GAUGE	COLOR	TERMINAL																																																										
1	-	-	-	-																																																										
2	B76A	16	LTGN	1661226C1																																																										
3	B76ALO	16	LTGN	1661226C1																																																										
4	-	-	-	-																																																										
5	-	-	-	-																																																										
6	B76AHL	16	LTGN	1661226C1																																																										
7	B62-GY	18	WH	1661224C1																																																										
8	B62Y	18	LTBL	1661224C1																																																										
9	-	-	-	-																																																										
10	-	-	-	-																																																										
CONNECTOR 3530563C1																																																														
CHK	DATE	CHANGE	REV	REFERENCE	DRAWN	NAME																																																								
MJVO	23JUN16	ADDED R/D 10219B.	B	93408P	300343	CIRCUIT DIAGRAM, BE,CE BUS																																																								
					RELEASE NO.	DATE	PART NO.																																																							
					73617J	12APR11	AE08065294																																																							
						SHEET	032																																																							

Figure 659 Connector Composites (10219A, 10219B, 10221, 10224, 10226)

23.33. CONNECTOR COMPOSITES (10227, 10228, 10229), P. 33

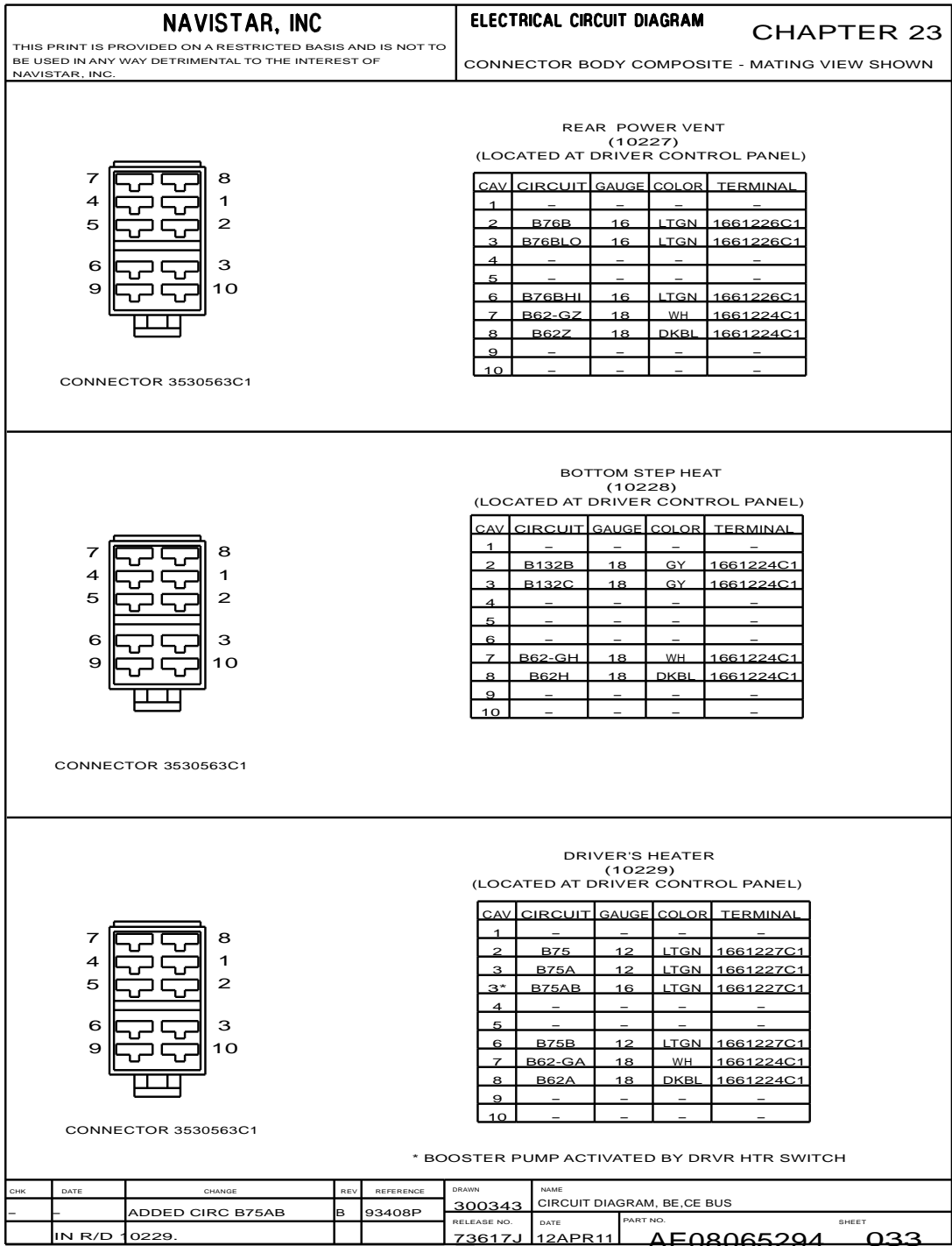


Figure 660 Connector Composites (10227, 10228, 10229)

23.34. CONNECTOR COMPOSITES (10230, 10231, 10232), P. 34

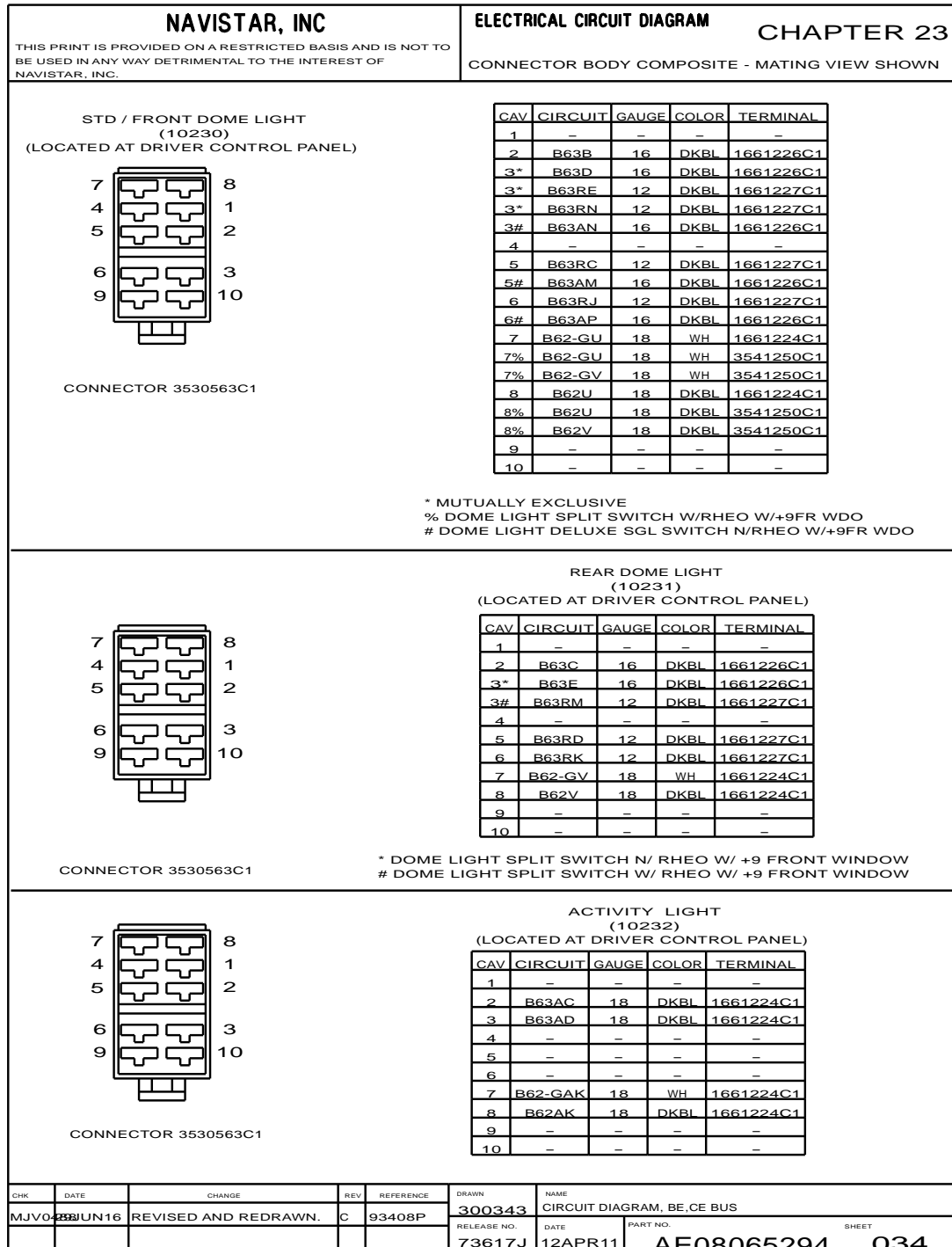


Figure 661 Connector Composites (10230, 10231, 10232)

23.35. CONNECTOR COMPOSITES (10233, 10234, 10235), P. 35

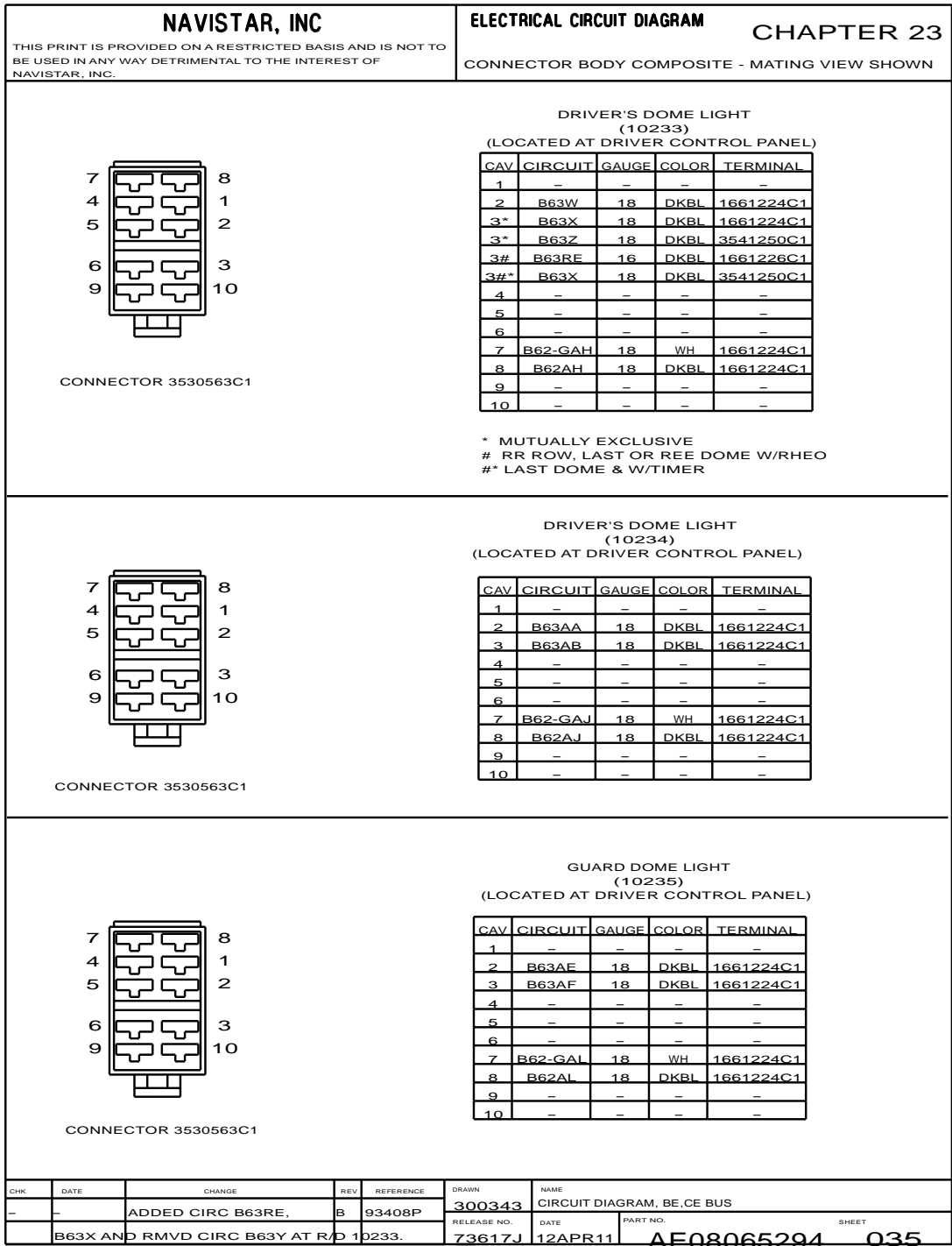


Figure 662 Connector Composites (10233, 10234, 10235)

23.36. CONNECTOR COMPOSITES (10236, 10237, 10238), P. 36

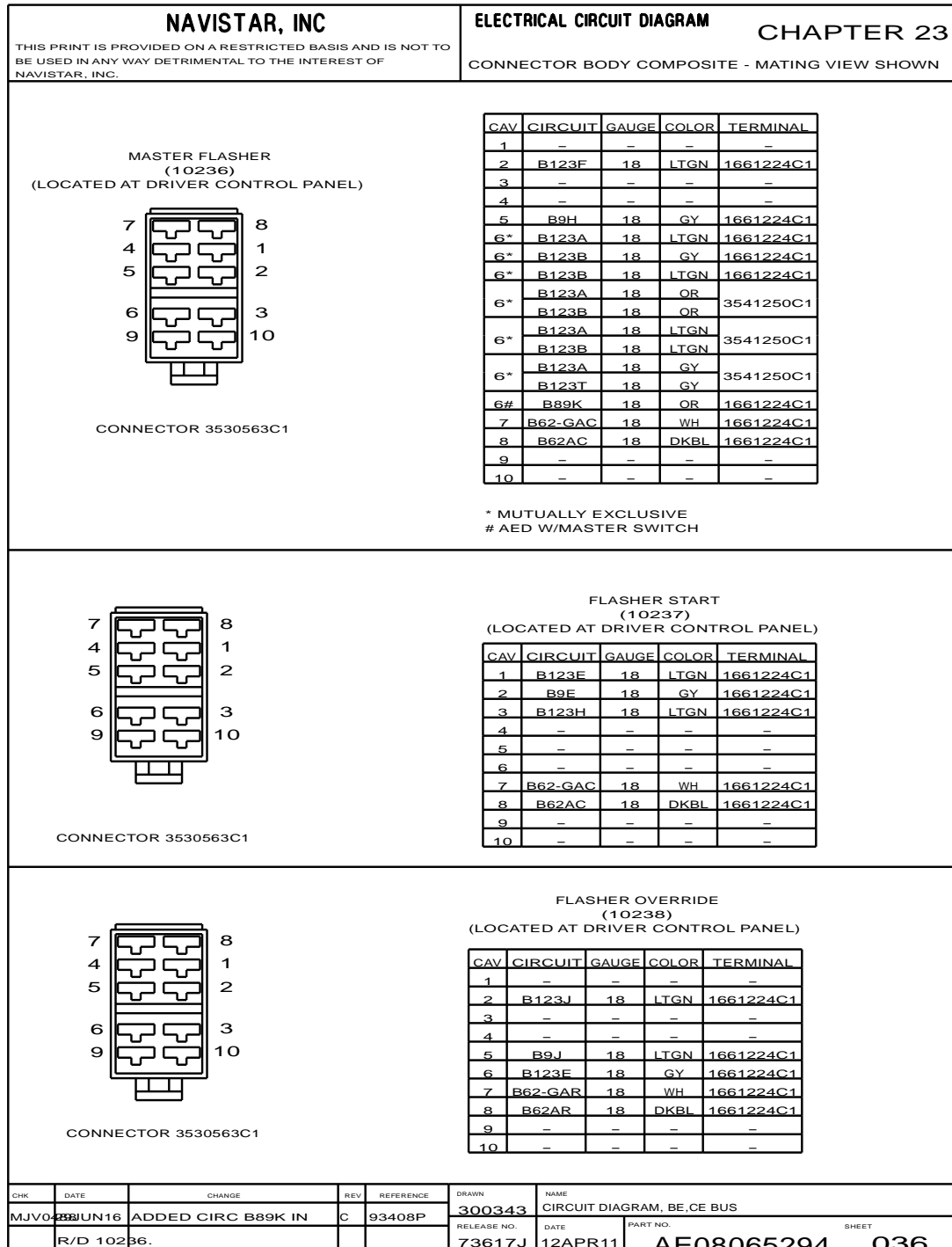


Figure 663 Connector Composites (10236, 10237, 10238)

23.37. CONNECTOR COMPOSITES (10239, 10241, 10242), P. 37

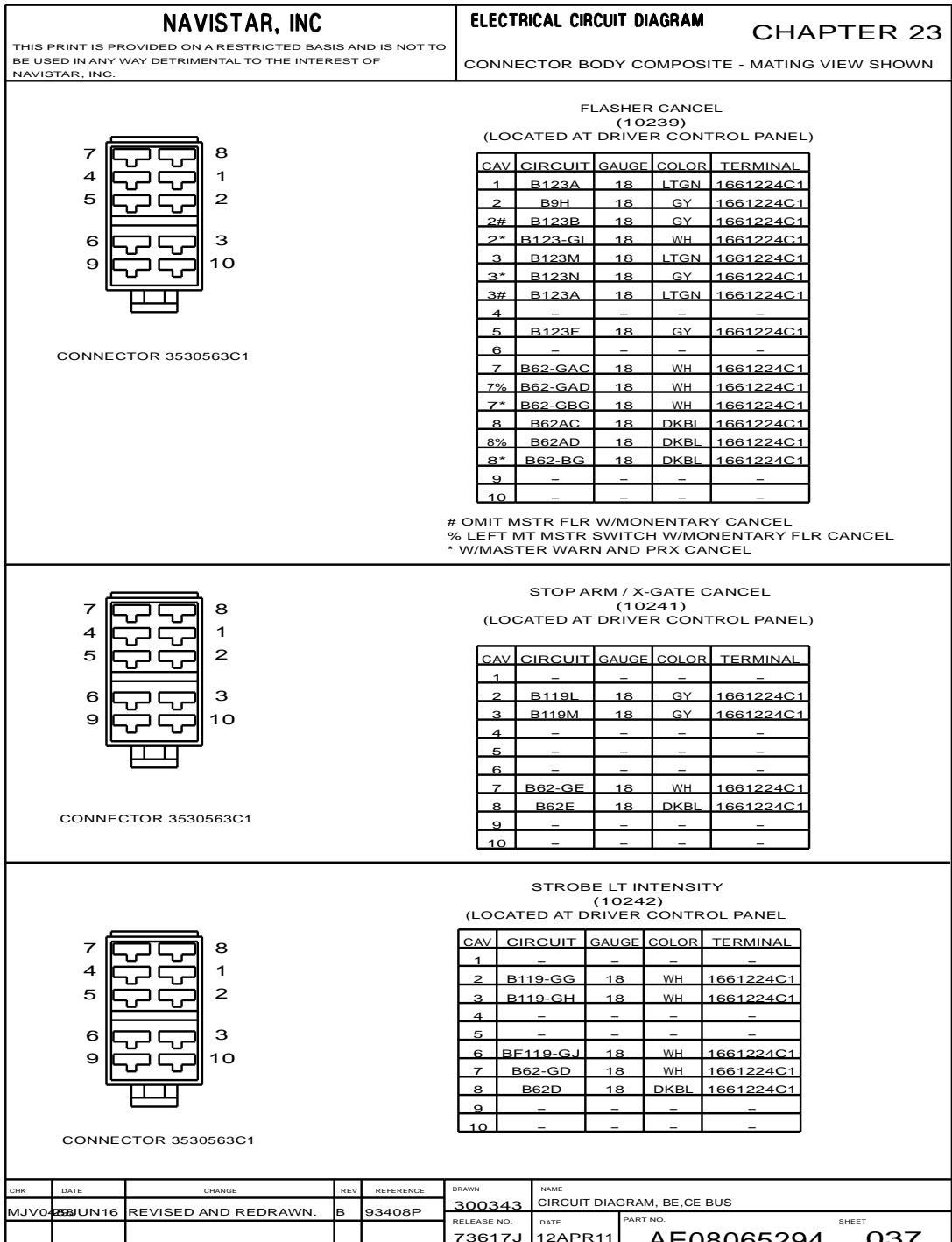


Figure 664 Connector Composites (10239, 10241, 10242)

23.38. CONNECTOR COMPOSITES (10243A, 10243B, 10244A), P. 38

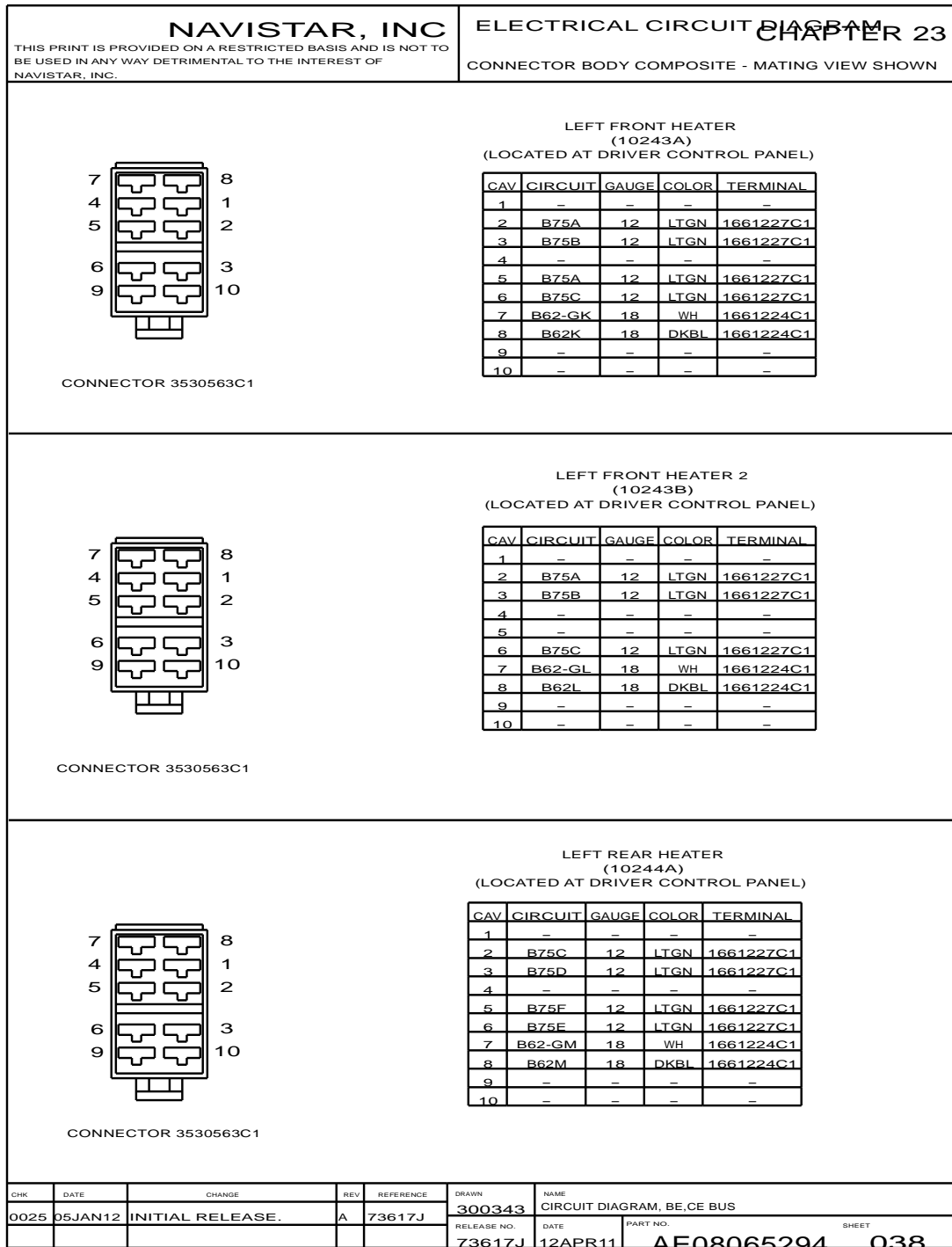


Figure 665 Connector Composites (10243A, 10243B, 10244A)

23.39. CONNECTOR COMPOSITES (10244B, 10245A, 10245B), P. 39

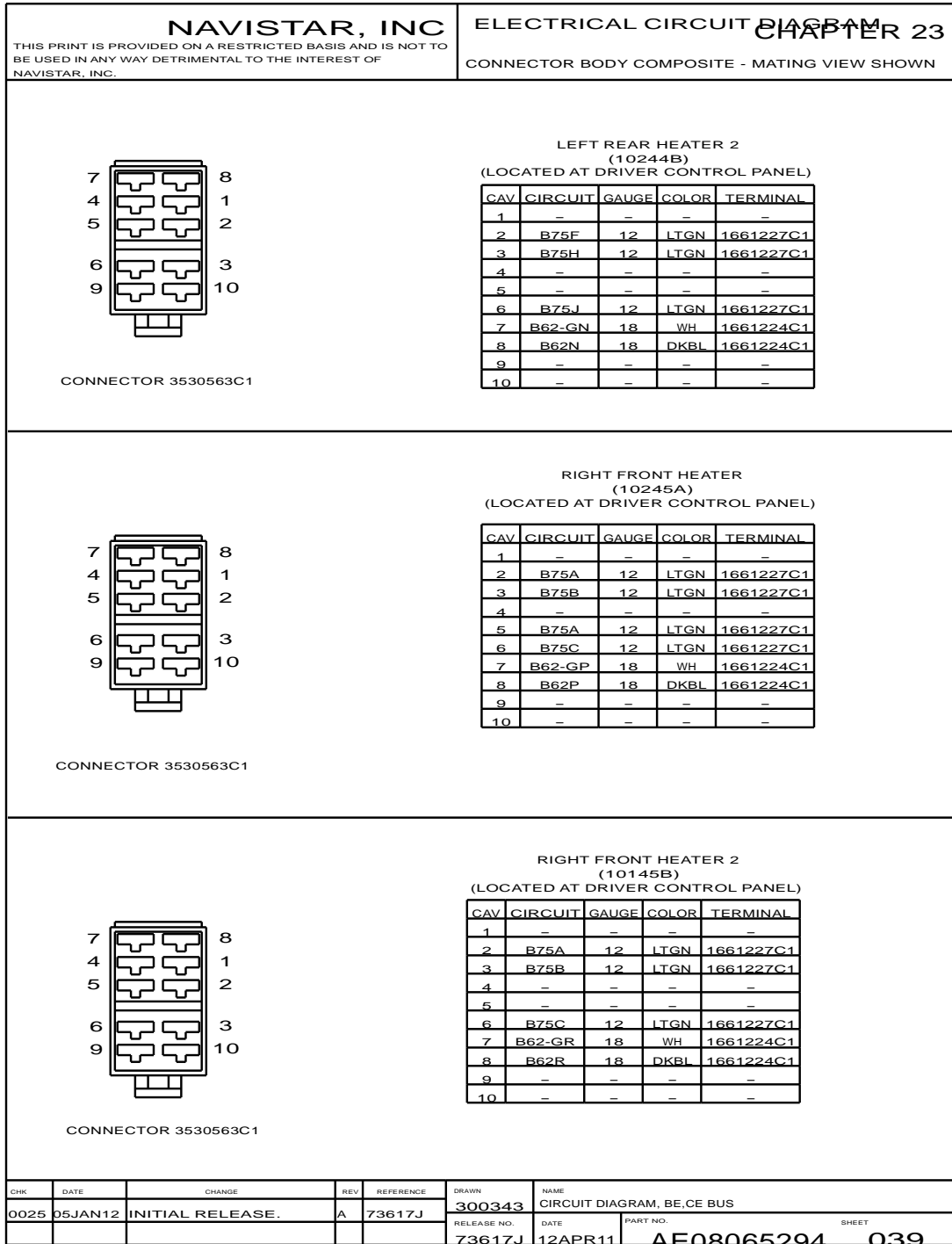


Figure 666 Connector Composites (10244B, 10245A, 10245B)

23.40. CONNECTOR COMPOSITES (10246A, 10246B, 10247), P. 40

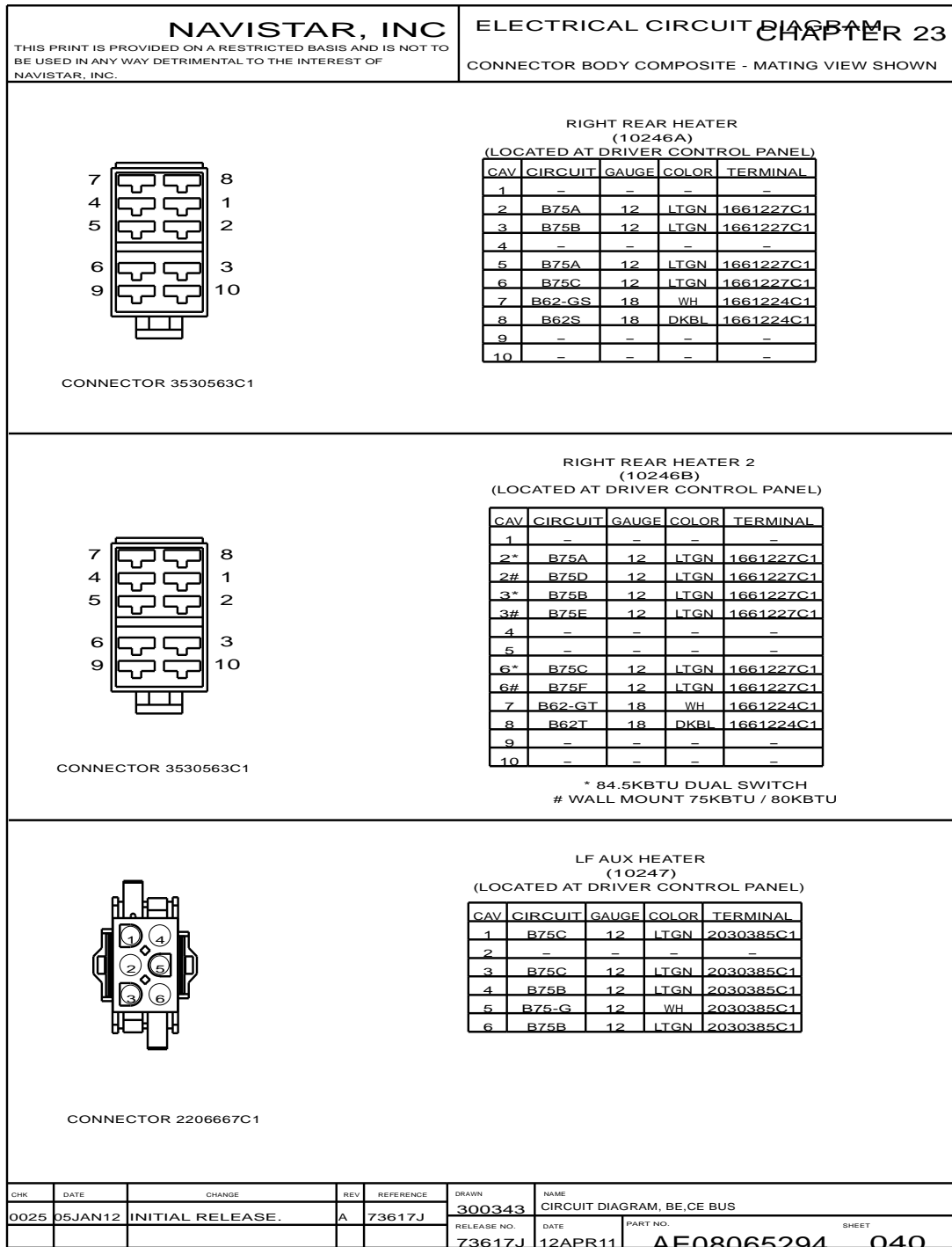


Figure 667 Connector Composites (10246A, 10246B, 10247)

23.41. CONNECTOR COMPOSITES (10248, 10249, 10250), P. 41

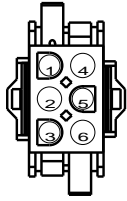
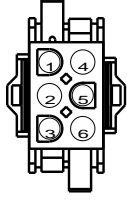
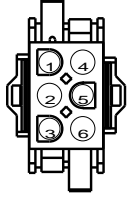
<p>NAVISTAR, INC <small>THIS PRINT IS PROVIDED ON A RESTRICTED BASIS AND IS NOT TO BE USED IN ANY WAY DETRIMENTAL TO THE INTEREST OF NAVISTAR, INC.</small></p>				<p>ELECTRICAL CIRCUIT DIAGRAM CHAPTER 23 CONNECTOR BODY COMPOSITE - MATING VIEW SHOWN</p>																																														
		<p>LR AUX HEATER (10248) (LOCATED NEAR ELECTRICAL PANEL)</p> <table border="1" style="width: 100%; border-collapse: collapse;"> <thead> <tr> <th>CAV</th> <th>CIRCUIT</th> <th>GAUGE</th> <th>COLOR</th> <th>TERMINAL</th> </tr> </thead> <tbody> <tr><td>1</td><td>B75E</td><td>12</td><td>LTGN</td><td>2030385C1</td></tr> <tr><td>2</td><td>-</td><td>-</td><td>-</td><td>-</td></tr> <tr><td>3</td><td>B75J</td><td>12</td><td>LTGN</td><td>2030385C1</td></tr> <tr><td>4</td><td>B75D</td><td>12</td><td>LTGN</td><td>2030385C1</td></tr> <tr><td>5</td><td>B75-GA</td><td>12</td><td>WH</td><td>2030385C1</td></tr> <tr><td>6</td><td>B75H</td><td>12</td><td>LTGN</td><td>2030385C1</td></tr> </tbody> </table>				CAV	CIRCUIT	GAUGE	COLOR	TERMINAL	1	B75E	12	LTGN	2030385C1	2	-	-	-	-	3	B75J	12	LTGN	2030385C1	4	B75D	12	LTGN	2030385C1	5	B75-GA	12	WH	2030385C1	6	B75H	12	LTGN	2030385C1										
CAV	CIRCUIT	GAUGE	COLOR	TERMINAL																																														
1	B75E	12	LTGN	2030385C1																																														
2	-	-	-	-																																														
3	B75J	12	LTGN	2030385C1																																														
4	B75D	12	LTGN	2030385C1																																														
5	B75-GA	12	WH	2030385C1																																														
6	B75H	12	LTGN	2030385C1																																														
<p>CONNECTOR 2206667C1</p>																																																		
		<p>RF AUX HEATER (10249) (LOCATED NEAR ELECTRICAL PANEL)</p> <table border="1" style="width: 100%; border-collapse: collapse;"> <thead> <tr> <th>CAV</th> <th>CIRCUIT</th> <th>GAUGE</th> <th>COLOR</th> <th>TERMINAL</th> </tr> </thead> <tbody> <tr><td>1</td><td>B75C</td><td>12</td><td>LTGN</td><td>2030385C1</td></tr> <tr><td>2</td><td>-</td><td>-</td><td>-</td><td>-</td></tr> <tr><td>3</td><td>B75C</td><td>12</td><td>LTGN</td><td>2030385C1</td></tr> <tr><td>4</td><td>B75B</td><td>12</td><td>LTGN</td><td>2030385C1</td></tr> <tr><td>5</td><td>B75-G</td><td>12</td><td>WH</td><td>2030385C1</td></tr> <tr><td>6</td><td>B75B</td><td>12</td><td>LTGN</td><td>2030385C1</td></tr> </tbody> </table>				CAV	CIRCUIT	GAUGE	COLOR	TERMINAL	1	B75C	12	LTGN	2030385C1	2	-	-	-	-	3	B75C	12	LTGN	2030385C1	4	B75B	12	LTGN	2030385C1	5	B75-G	12	WH	2030385C1	6	B75B	12	LTGN	2030385C1										
CAV	CIRCUIT	GAUGE	COLOR	TERMINAL																																														
1	B75C	12	LTGN	2030385C1																																														
2	-	-	-	-																																														
3	B75C	12	LTGN	2030385C1																																														
4	B75B	12	LTGN	2030385C1																																														
5	B75-G	12	WH	2030385C1																																														
6	B75B	12	LTGN	2030385C1																																														
<p>CONNECTOR 2206667C1</p>																																																		
		<p>RR AUX HEATER (10250) (LOCATED NEAR ELECTRICAL PANEL)</p> <table border="1" style="width: 100%; border-collapse: collapse;"> <thead> <tr> <th>CAV</th> <th>CIRCUIT</th> <th>GAUGE</th> <th>COLOR</th> <th>TERMINAL</th> </tr> </thead> <tbody> <tr><td>1</td><td>B75C</td><td>12</td><td>LTGN</td><td>2030385C1</td></tr> <tr><td>2</td><td>-</td><td>-</td><td>-</td><td>-</td></tr> <tr><td>3*</td><td>B75C</td><td>12</td><td>LTGN</td><td>2030385C1</td></tr> <tr><td>3*</td><td>B75F</td><td>12</td><td>LTGN</td><td>2030385C1</td></tr> <tr><td>4</td><td>B75B</td><td>12</td><td>LTGN</td><td>2030385C1</td></tr> <tr><td>5</td><td>B75-G</td><td>12</td><td>WH</td><td>2030385C1</td></tr> <tr><td>6*</td><td>B75B</td><td>12</td><td>LTGN</td><td>2030385C1</td></tr> <tr><td>6*</td><td>B75E</td><td>12</td><td>LTGN</td><td>2030385C1</td></tr> </tbody> </table>				CAV	CIRCUIT	GAUGE	COLOR	TERMINAL	1	B75C	12	LTGN	2030385C1	2	-	-	-	-	3*	B75C	12	LTGN	2030385C1	3*	B75F	12	LTGN	2030385C1	4	B75B	12	LTGN	2030385C1	5	B75-G	12	WH	2030385C1	6*	B75B	12	LTGN	2030385C1	6*	B75E	12	LTGN	2030385C1
CAV	CIRCUIT	GAUGE	COLOR	TERMINAL																																														
1	B75C	12	LTGN	2030385C1																																														
2	-	-	-	-																																														
3*	B75C	12	LTGN	2030385C1																																														
3*	B75F	12	LTGN	2030385C1																																														
4	B75B	12	LTGN	2030385C1																																														
5	B75-G	12	WH	2030385C1																																														
6*	B75B	12	LTGN	2030385C1																																														
6*	B75E	12	LTGN	2030385C1																																														
<p>CONNECTOR 2206667C1</p>		<p>* MUTUALLY EXCLUSIVE</p>																																																
CHK	DATE	CHANGE	REV	REFERENCE	DRAWN	NAME																																												
0025	05JAN12	INITIAL RELEASE.	A	73617J	300343	CIRCUIT DIAGRAM, BE,CE BUS																																												
					RELEASE NO.	DATE																																												
					73617J	12APR11																																												
					PART NO.	SHEET																																												
					AE08065294	041																																												

Figure 668 Connector Composites (10248, 10249, 10250)

CONNECTOR COMPOSITE (CHAPTER 24)

24.1. CONNECTOR COMPOSITES (10253, 10254, 10255), P. 1

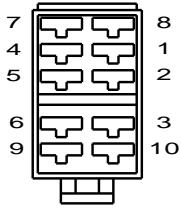
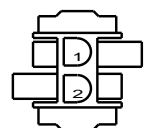
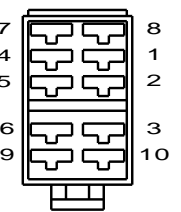
NAVISTAR, INC <small>THIS PRINT IS PROVIDED ON A RESTRICTED BASIS AND IS NOT TO BE USED IN ANY WAY DETRIMENTAL TO THE INTEREST OF NAVISTAR, INC.</small>				ELECTRICAL CIRCUIT DIAGRAM CHAPTER 24 CONNECTOR BODY COMPOSITE - MATING VIEW SHOWN																																																																				
 <p>CONNECTOR 3530563C1</p>		CONVECTION HEATER (10253) (LOCATED ON DRIVER CONTROL PANEL)				<table border="1" style="width: 100%; border-collapse: collapse;"> <thead> <tr> <th>CAV</th> <th>CIRCUIT</th> <th>GAUGE</th> <th>COLOR</th> <th>TERMINAL</th> </tr> </thead> <tbody> <tr><td>1</td><td>-</td><td>-</td><td>-</td><td>-</td></tr> <tr><td>2</td><td>B74A</td><td>18</td><td>LTGN</td><td>1661224C1</td></tr> <tr><td>3</td><td>B74B</td><td>18</td><td>LTGN</td><td>1661224C1</td></tr> <tr><td>4</td><td>-</td><td>-</td><td>-</td><td>-</td></tr> <tr><td>5</td><td>-</td><td>-</td><td>-</td><td>-</td></tr> <tr><td>6</td><td>-</td><td>-</td><td>-</td><td>-</td></tr> <tr><td>7</td><td>B62-GBJ</td><td>18</td><td>WH</td><td>1661224C1</td></tr> <tr><td>8</td><td>B62BJ</td><td>18</td><td>DKBL</td><td>1661224C1</td></tr> <tr><td>9</td><td>-</td><td>-</td><td>-</td><td>-</td></tr> <tr><td>10</td><td>-</td><td>-</td><td>-</td><td>-</td></tr> </tbody> </table>		CAV	CIRCUIT	GAUGE	COLOR	TERMINAL	1	-	-	-	-	2	B74A	18	LTGN	1661224C1	3	B74B	18	LTGN	1661224C1	4	-	-	-	-	5	-	-	-	-	6	-	-	-	-	7	B62-GBJ	18	WH	1661224C1	8	B62BJ	18	DKBL	1661224C1	9	-	-	-	-	10	-	-	-	-										
CAV	CIRCUIT	GAUGE	COLOR	TERMINAL																																																																				
1	-	-	-	-																																																																				
2	B74A	18	LTGN	1661224C1																																																																				
3	B74B	18	LTGN	1661224C1																																																																				
4	-	-	-	-																																																																				
5	-	-	-	-																																																																				
6	-	-	-	-																																																																				
7	B62-GBJ	18	WH	1661224C1																																																																				
8	B62BJ	18	DKBL	1661224C1																																																																				
9	-	-	-	-																																																																				
10	-	-	-	-																																																																				
 <p>CONNECTOR 1669030C1</p>		CONVECTION HEATER (10254) (LOCATED NEAR DASH PANEL)				<table border="1" style="width: 100%; border-collapse: collapse;"> <thead> <tr> <th>CAV</th> <th>CIRCUIT</th> <th>GAUGE</th> <th>COLOR</th> <th>TERMINAL</th> </tr> </thead> <tbody> <tr><td>1</td><td>B74B</td><td>18</td><td>LTGN</td><td>1661538C1</td></tr> <tr><td>2</td><td>B74-G</td><td>18</td><td>WH</td><td>1661538C1</td></tr> </tbody> </table>		CAV	CIRCUIT	GAUGE	COLOR	TERMINAL	1	B74B	18	LTGN	1661538C1	2	B74-G	18	WH	1661538C1																																																		
CAV	CIRCUIT	GAUGE	COLOR	TERMINAL																																																																				
1	B74B	18	LTGN	1661538C1																																																																				
2	B74-G	18	WH	1661538C1																																																																				
 <p>CONNECTOR 3530563C1</p>		BOOSTER PUMP (10255) (LOCATED ON DRIVER CONTROL PANEL)				<table border="1" style="width: 100%; border-collapse: collapse;"> <thead> <tr> <th>CAV</th> <th>CIRCUIT</th> <th>GAUGE</th> <th>COLOR</th> <th>TERMINAL</th> </tr> </thead> <tbody> <tr><td>1</td><td>B74C</td><td>16</td><td>LTGN</td><td>1661226C1</td></tr> <tr><td>2</td><td>B74A</td><td>12</td><td>LTGN</td><td>1661227C1</td></tr> <tr><td>3*&</td><td>B74C</td><td>16</td><td>LTGN</td><td>1661227C1</td></tr> <tr><td>3&#</td><td>B74B</td><td>12</td><td>LTGN</td><td>1661227C1</td></tr> <tr><td>3*</td><td>B74D</td><td>12</td><td>LTGN</td><td>1661227C1</td></tr> <tr><td>4</td><td>-</td><td>-</td><td>-</td><td>-</td></tr> <tr><td>5</td><td>-</td><td>-</td><td>-</td><td>-</td></tr> <tr><td>6</td><td>B74D</td><td>16</td><td>LTGN</td><td>1661226C1</td></tr> <tr><td>7</td><td>B62-GC</td><td>18</td><td>WH</td><td>1661224C1</td></tr> <tr><td>8</td><td>B62C</td><td>18</td><td>DKBL</td><td>1661224C1</td></tr> <tr><td>9</td><td>-</td><td>-</td><td>-</td><td>-</td></tr> <tr><td>10</td><td>-</td><td>-</td><td>-</td><td>-</td></tr> </tbody> </table> <p style="font-size: small;">* BOOSTER PUMP W/ ESPAR HEATER W/ TIMER & BOOSTER PUMP W/ ESPAR HEATER # W/ BOOSTER PUMP</p>		CAV	CIRCUIT	GAUGE	COLOR	TERMINAL	1	B74C	16	LTGN	1661226C1	2	B74A	12	LTGN	1661227C1	3*&	B74C	16	LTGN	1661227C1	3&#	B74B	12	LTGN	1661227C1	3*	B74D	12	LTGN	1661227C1	4	-	-	-	-	5	-	-	-	-	6	B74D	16	LTGN	1661226C1	7	B62-GC	18	WH	1661224C1	8	B62C	18	DKBL	1661224C1	9	-	-	-	-	10	-	-	-	-
CAV	CIRCUIT	GAUGE	COLOR	TERMINAL																																																																				
1	B74C	16	LTGN	1661226C1																																																																				
2	B74A	12	LTGN	1661227C1																																																																				
3*&	B74C	16	LTGN	1661227C1																																																																				
3&#	B74B	12	LTGN	1661227C1																																																																				
3*	B74D	12	LTGN	1661227C1																																																																				
4	-	-	-	-																																																																				
5	-	-	-	-																																																																				
6	B74D	16	LTGN	1661226C1																																																																				
7	B62-GC	18	WH	1661224C1																																																																				
8	B62C	18	DKBL	1661224C1																																																																				
9	-	-	-	-																																																																				
10	-	-	-	-																																																																				
CHK	DATE	CHANGE	REV	REFERENCE	DRAWN	NAME																																																																		
0025	05JAN12	INITIAL RELEASE.	A	73617K	300343	CIRCUIT DIAGRAM, BE,CE BUS																																																																		
					RELEASE NO.	DATE																																																																		
					73617K	12APR11																																																																		
					PART NO.	SHEET																																																																		
					AE08065295	001																																																																		

Figure 669 Connector Composites (10253, 10254, 10255)

24.2. CONNECTOR COMPOSITES (10256, 10257, 10258), P. 2

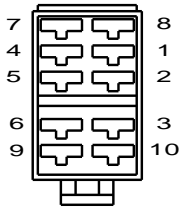
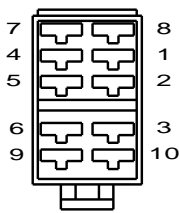
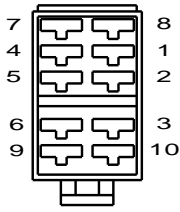
<p style="text-align: center;">NAVISTAR, INC</p> <p style="font-size: small;">THIS PRINT IS PROVIDED ON A RESTRICTED BASIS AND IS NOT TO BE USED IN ANY WAY DETRIMENTAL TO THE INTEREST OF NAVISTAR, INC.</p>	<p style="text-align: right;">ELECTRICAL CIRCUIT DIAGRAM</p> <p style="text-align: right;">CHAPTER 24</p> <p style="text-align: center;">CONNECTOR BODY COMPOSITE - MATING VIEW SHOWN</p>																																																												
 <p style="text-align: center;">CONNECTOR 3530563C1</p>	<p style="text-align: center;">HAZARD LIGHT (10256) (LOCATED ON DRIVER CONTROL PANEL)</p> <table border="1" style="width:100%; border-collapse: collapse; font-size: x-small;"> <thead> <tr> <th>CAV</th> <th>CIRCUIT</th> <th>GAUGE</th> <th>COLOR</th> <th>TERMINAL</th> </tr> </thead> <tbody> <tr><td>1</td><td>-</td><td>-</td><td>-</td><td>-</td></tr> <tr><td>2</td><td>B60</td><td>18</td><td>OR</td><td>1661224C1</td></tr> <tr><td>3</td><td>B60A</td><td>18</td><td>OR</td><td>1661224C1</td></tr> <tr><td>4</td><td>-</td><td>-</td><td>-</td><td>-</td></tr> <tr><td>5</td><td>-</td><td>-</td><td>-</td><td>-</td></tr> <tr><td>6</td><td>-</td><td>-</td><td>-</td><td>-</td></tr> <tr><td>7</td><td>B62-GBK</td><td>18</td><td>WH</td><td>1661224C1</td></tr> <tr><td>8</td><td>B62BK</td><td>18</td><td>DKBL</td><td>1661224C1</td></tr> <tr><td>9</td><td>-</td><td>-</td><td>-</td><td>-</td></tr> <tr><td>10</td><td>-</td><td>-</td><td>-</td><td>-</td></tr> </tbody> </table>	CAV	CIRCUIT	GAUGE	COLOR	TERMINAL	1	-	-	-	-	2	B60	18	OR	1661224C1	3	B60A	18	OR	1661224C1	4	-	-	-	-	5	-	-	-	-	6	-	-	-	-	7	B62-GBK	18	WH	1661224C1	8	B62BK	18	DKBL	1661224C1	9	-	-	-	-	10	-	-	-	-					
CAV	CIRCUIT	GAUGE	COLOR	TERMINAL																																																									
1	-	-	-	-																																																									
2	B60	18	OR	1661224C1																																																									
3	B60A	18	OR	1661224C1																																																									
4	-	-	-	-																																																									
5	-	-	-	-																																																									
6	-	-	-	-																																																									
7	B62-GBK	18	WH	1661224C1																																																									
8	B62BK	18	DKBL	1661224C1																																																									
9	-	-	-	-																																																									
10	-	-	-	-																																																									
 <p style="text-align: center;">CONNECTOR 3530563C1</p>	<p style="text-align: center;">MASTER DISCONNECT (10257) (LOCATED ON DRIVER CONTROL PANEL)</p> <table border="1" style="width:100%; border-collapse: collapse; font-size: x-small;"> <thead> <tr> <th>CAV</th> <th>CIRCUIT</th> <th>GAUGE</th> <th>COLOR</th> <th>TERMINAL</th> </tr> </thead> <tbody> <tr><td>1</td><td>-</td><td>-</td><td>-</td><td>-</td></tr> <tr><td>2</td><td>B12MD</td><td>18</td><td>LTBL</td><td>1661224C1</td></tr> <tr><td>3*</td><td>B12N</td><td>18</td><td>LTBL</td><td>3541250C1</td></tr> <tr><td>3*</td><td>B12S</td><td>18</td><td>LTBL</td><td>3541250C1</td></tr> <tr><td>4</td><td>-</td><td>-</td><td>-</td><td>-</td></tr> <tr><td>5</td><td>-</td><td>-</td><td>-</td><td>-</td></tr> <tr><td>6</td><td>-</td><td>-</td><td>-</td><td>-</td></tr> <tr><td>7</td><td>B62-GAW</td><td>18</td><td>WH</td><td>1661224C1</td></tr> <tr><td>8</td><td>B62AW</td><td>18</td><td>DKBL</td><td>1661224C1</td></tr> <tr><td>9</td><td>-</td><td>-</td><td>-</td><td>-</td></tr> <tr><td>10</td><td>-</td><td>-</td><td>-</td><td>-</td></tr> </tbody> </table> <p style="text-align: center;">* MUTUALLY EXCLUSIVE</p>	CAV	CIRCUIT	GAUGE	COLOR	TERMINAL	1	-	-	-	-	2	B12MD	18	LTBL	1661224C1	3*	B12N	18	LTBL	3541250C1	3*	B12S	18	LTBL	3541250C1	4	-	-	-	-	5	-	-	-	-	6	-	-	-	-	7	B62-GAW	18	WH	1661224C1	8	B62AW	18	DKBL	1661224C1	9	-	-	-	-	10	-	-	-	-
CAV	CIRCUIT	GAUGE	COLOR	TERMINAL																																																									
1	-	-	-	-																																																									
2	B12MD	18	LTBL	1661224C1																																																									
3*	B12N	18	LTBL	3541250C1																																																									
3*	B12S	18	LTBL	3541250C1																																																									
4	-	-	-	-																																																									
5	-	-	-	-																																																									
6	-	-	-	-																																																									
7	B62-GAW	18	WH	1661224C1																																																									
8	B62AW	18	DKBL	1661224C1																																																									
9	-	-	-	-																																																									
10	-	-	-	-																																																									
 <p style="text-align: center;">CONNECTOR 3530563C1</p>	<p style="text-align: center;">STEPWELL HEATER FAN (10258) (LOCATED ON DRIVER CONTROL PANEL)</p> <table border="1" style="width:100%; border-collapse: collapse; font-size: x-small;"> <thead> <tr> <th>CAV</th> <th>CIRCUIT</th> <th>GAUGE</th> <th>COLOR</th> <th>TERMINAL</th> </tr> </thead> <tbody> <tr><td>1</td><td>-</td><td>-</td><td>-</td><td>-</td></tr> <tr><td>2</td><td>B132A</td><td>12</td><td>GY</td><td>1661227C1</td></tr> <tr><td>3</td><td>B132B</td><td>12</td><td>GY</td><td>1661227C1</td></tr> <tr><td>4</td><td>-</td><td>-</td><td>-</td><td>-</td></tr> <tr><td>5</td><td>-</td><td>-</td><td>-</td><td>-</td></tr> <tr><td>6</td><td>B132C</td><td>12</td><td>GY</td><td>1661227C1</td></tr> <tr><td>7</td><td>B62-GJ</td><td>18</td><td>WH</td><td>1661224C1</td></tr> <tr><td>8</td><td>B62J</td><td>18</td><td>DKBL</td><td>1661224C1</td></tr> <tr><td>9</td><td>-</td><td>-</td><td>-</td><td>-</td></tr> <tr><td>10</td><td>-</td><td>-</td><td>-</td><td>-</td></tr> </tbody> </table>	CAV	CIRCUIT	GAUGE	COLOR	TERMINAL	1	-	-	-	-	2	B132A	12	GY	1661227C1	3	B132B	12	GY	1661227C1	4	-	-	-	-	5	-	-	-	-	6	B132C	12	GY	1661227C1	7	B62-GJ	18	WH	1661224C1	8	B62J	18	DKBL	1661224C1	9	-	-	-	-	10	-	-	-	-					
CAV	CIRCUIT	GAUGE	COLOR	TERMINAL																																																									
1	-	-	-	-																																																									
2	B132A	12	GY	1661227C1																																																									
3	B132B	12	GY	1661227C1																																																									
4	-	-	-	-																																																									
5	-	-	-	-																																																									
6	B132C	12	GY	1661227C1																																																									
7	B62-GJ	18	WH	1661224C1																																																									
8	B62J	18	DKBL	1661224C1																																																									
9	-	-	-	-																																																									
10	-	-	-	-																																																									
<table border="1" style="width:100%; border-collapse: collapse;"> <tr> <th>CHK</th> <th>DATE</th> <th>CHANGE</th> <th>REV</th> <th>REFERENCE</th> <th>DRAWN</th> <th>NAME</th> </tr> <tr> <td>0025</td> <td>05JAN12</td> <td>INITIAL RELEASE.</td> <td>A</td> <td>73617K</td> <td>300343</td> <td>CIRCUIT DIAGRAM, BE,CE BUS</td> </tr> <tr> <td></td> <td></td> <td></td> <td></td> <td></td> <td>RELEASE NO.</td> <td>DATE</td> </tr> <tr> <td></td> <td></td> <td></td> <td></td> <td></td> <td>73617K</td> <td>12APR11</td> </tr> </table>	CHK	DATE	CHANGE	REV	REFERENCE	DRAWN	NAME	0025	05JAN12	INITIAL RELEASE.	A	73617K	300343	CIRCUIT DIAGRAM, BE,CE BUS						RELEASE NO.	DATE						73617K	12APR11	<table border="1" style="width:100%; border-collapse: collapse;"> <tr> <th>PART NO.</th> <th>SHEET</th> </tr> <tr> <td>AE08065295</td> <td>002</td> </tr> </table>	PART NO.	SHEET	AE08065295	002																												
CHK	DATE	CHANGE	REV	REFERENCE	DRAWN	NAME																																																							
0025	05JAN12	INITIAL RELEASE.	A	73617K	300343	CIRCUIT DIAGRAM, BE,CE BUS																																																							
					RELEASE NO.	DATE																																																							
					73617K	12APR11																																																							
PART NO.	SHEET																																																												
AE08065295	002																																																												

Figure 670 Connector Composites (10256, 10257, 10258)

24.3. CONNECTOR COMPOSITES (10259, 10260, 10261, 10262), P. 3

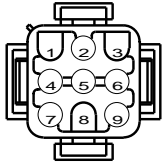
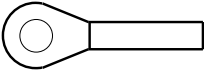
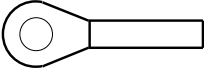
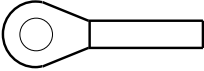
<p>NAVISTAR, INC</p> <p><small>THIS PRINT IS PROVIDED ON A RESTRICTED BASIS AND IS NOT TO BE USED IN ANY WAY DETRIMENTAL TO THE INTEREST OF NAVISTAR, INC.</small></p>				<p>ELECTRICAL CIRCUIT DIAGRAM</p> <p>CHAPTER 24</p> <p>CONNECTOR BODY COMPOSITE - MATING VIEW SHOWN</p>																																																													
 <p>CONNECTOR 2206659C1</p>		<p>RADIO (10259) (LOCATED ON DRIVER CONTROL PANEL)</p> <table border="1" style="width: 100%; border-collapse: collapse;"> <thead> <tr> <th>CAV</th> <th>CIRCUIT</th> <th>GAUGE</th> <th>COLOR</th> <th>TERMINAL</th> </tr> </thead> <tbody> <tr><td>1P</td><td>B86J</td><td>16</td><td>LTGN</td><td>1661538C1</td></tr> <tr><td>2P</td><td>B86H</td><td>16</td><td>LTGN</td><td>1661538C1</td></tr> <tr><td>3P</td><td>B86F</td><td>16</td><td>LTGN</td><td>1661538C1</td></tr> <tr><td>4P</td><td>B86E</td><td>16</td><td>LTGN</td><td>1661538C1</td></tr> <tr><td>5P&</td><td>B86S</td><td>16</td><td>LTGN</td><td>1661538C1</td></tr> <tr><td>5P%</td><td>B86D</td><td>16</td><td>LTGN</td><td>1661538C1</td></tr> <tr><td>6P&</td><td>B86T</td><td>16</td><td>LTGN</td><td>1661538C1</td></tr> <tr><td>6P%</td><td>B86C</td><td>16</td><td>LTGN</td><td>1661538C1</td></tr> <tr><td>7P</td><td>B86B</td><td>16</td><td>LTGN</td><td>1661538C1</td></tr> <tr><td>8P</td><td>B86A</td><td>16</td><td>LTGN</td><td>1661538C1</td></tr> <tr><td>9P</td><td>B86-G</td><td>16</td><td>WH</td><td>1661538C1</td></tr> </tbody> </table> <p>& RADIO OVHD MT W/ FRONT SPEAKER W/ 9 % RADIO OVHD MT W/ 9</p>				CAV	CIRCUIT	GAUGE	COLOR	TERMINAL	1P	B86J	16	LTGN	1661538C1	2P	B86H	16	LTGN	1661538C1	3P	B86F	16	LTGN	1661538C1	4P	B86E	16	LTGN	1661538C1	5P&	B86S	16	LTGN	1661538C1	5P%	B86D	16	LTGN	1661538C1	6P&	B86T	16	LTGN	1661538C1	6P%	B86C	16	LTGN	1661538C1	7P	B86B	16	LTGN	1661538C1	8P	B86A	16	LTGN	1661538C1	9P	B86-G	16	WH	1661538C1
CAV	CIRCUIT	GAUGE	COLOR	TERMINAL																																																													
1P	B86J	16	LTGN	1661538C1																																																													
2P	B86H	16	LTGN	1661538C1																																																													
3P	B86F	16	LTGN	1661538C1																																																													
4P	B86E	16	LTGN	1661538C1																																																													
5P&	B86S	16	LTGN	1661538C1																																																													
5P%	B86D	16	LTGN	1661538C1																																																													
6P&	B86T	16	LTGN	1661538C1																																																													
6P%	B86C	16	LTGN	1661538C1																																																													
7P	B86B	16	LTGN	1661538C1																																																													
8P	B86A	16	LTGN	1661538C1																																																													
9P	B86-G	16	WH	1661538C1																																																													
 <p>TERMINAL 2206635C1</p>		<p>TWO WAY RADIO (+) (10260) (LOCATED ON DRIVER CONTROL PANEL)</p> <table border="1" style="width: 100%; border-collapse: collapse;"> <thead> <tr> <th>CIRCUIT</th> <th>GAUGE</th> <th>COLOR</th> </tr> </thead> <tbody> <tr> <td>B86U</td> <td>14</td> <td>LTGN</td> </tr> </tbody> </table>				CIRCUIT	GAUGE	COLOR	B86U	14	LTGN																																																						
CIRCUIT	GAUGE	COLOR																																																															
B86U	14	LTGN																																																															
 <p>TERMINAL 2206635C1</p>		<p>TWO WAY RADIO (-) (10261) (LOCATED ON DRIVER CONTROL PANEL)</p> <table border="1" style="width: 100%; border-collapse: collapse;"> <thead> <tr> <th>CIRCUIT</th> <th>GAUGE</th> <th>COLOR</th> </tr> </thead> <tbody> <tr> <td>B86-GU</td> <td>14</td> <td>WH</td> </tr> </tbody> </table>				CIRCUIT	GAUGE	COLOR	B86-GU	14	WH																																																						
CIRCUIT	GAUGE	COLOR																																																															
B86-GU	14	WH																																																															
 <p>TERMINAL 2206635C1</p>		<p>TWO WAY RADIO (+) (10262) (LOCATED ON DRIVER CONTROL PANEL)</p> <table border="1" style="width: 100%; border-collapse: collapse;"> <thead> <tr> <th>CIRCUIT</th> <th>GAUGE</th> <th>COLOR</th> </tr> </thead> <tbody> <tr> <td>B137B</td> <td>14</td> <td>LTBL</td> </tr> </tbody> </table>				CIRCUIT	GAUGE	COLOR	B137B	14	LTBL																																																						
CIRCUIT	GAUGE	COLOR																																																															
B137B	14	LTBL																																																															
CHK	DATE	CHANGE	REV	REFERENCE	DRAWN	NAME																																																											
0025	05JAN12	INITIAL RELEASE.	A	73617K	300343	CIRCUIT DIAGRAM, BE,CE BUS																																																											
					RELEASE NO.	DATE	PART NO.																																																										
					73617K	12APR11	AE08065295																																																										
							SHEET																																																										
							003																																																										

Figure 671 Connector Composites (10259, 10260, 10261, 10262)

24.4. CONNECTOR COMPOSITES (10263, 10264, 10265, 10266), P. 4

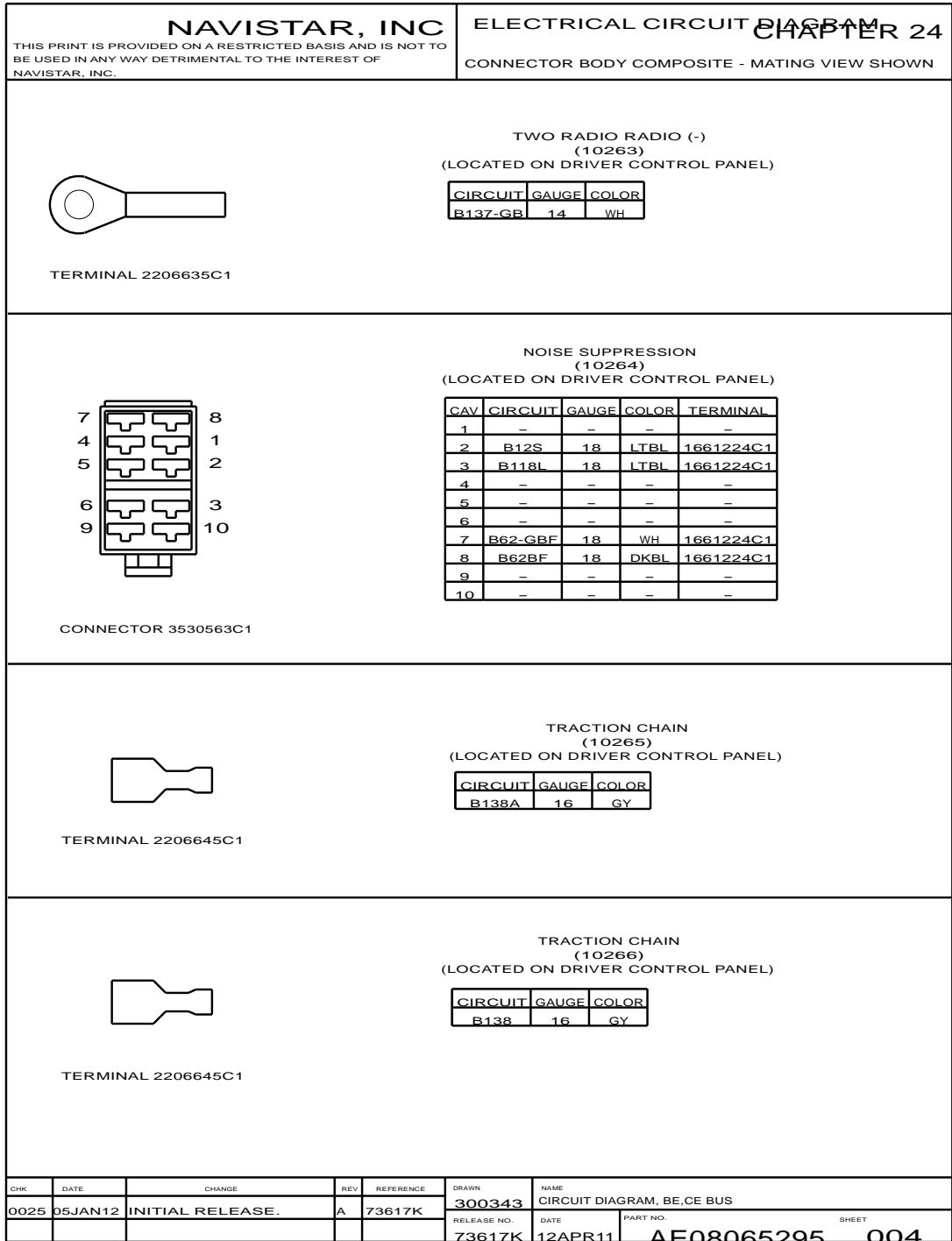


Figure 672 Connector Composites (10263, 10264, 10265, 10266)

24.5. CONNECTOR COMPOSITES (10267A, 10267B, 10268), P. 5

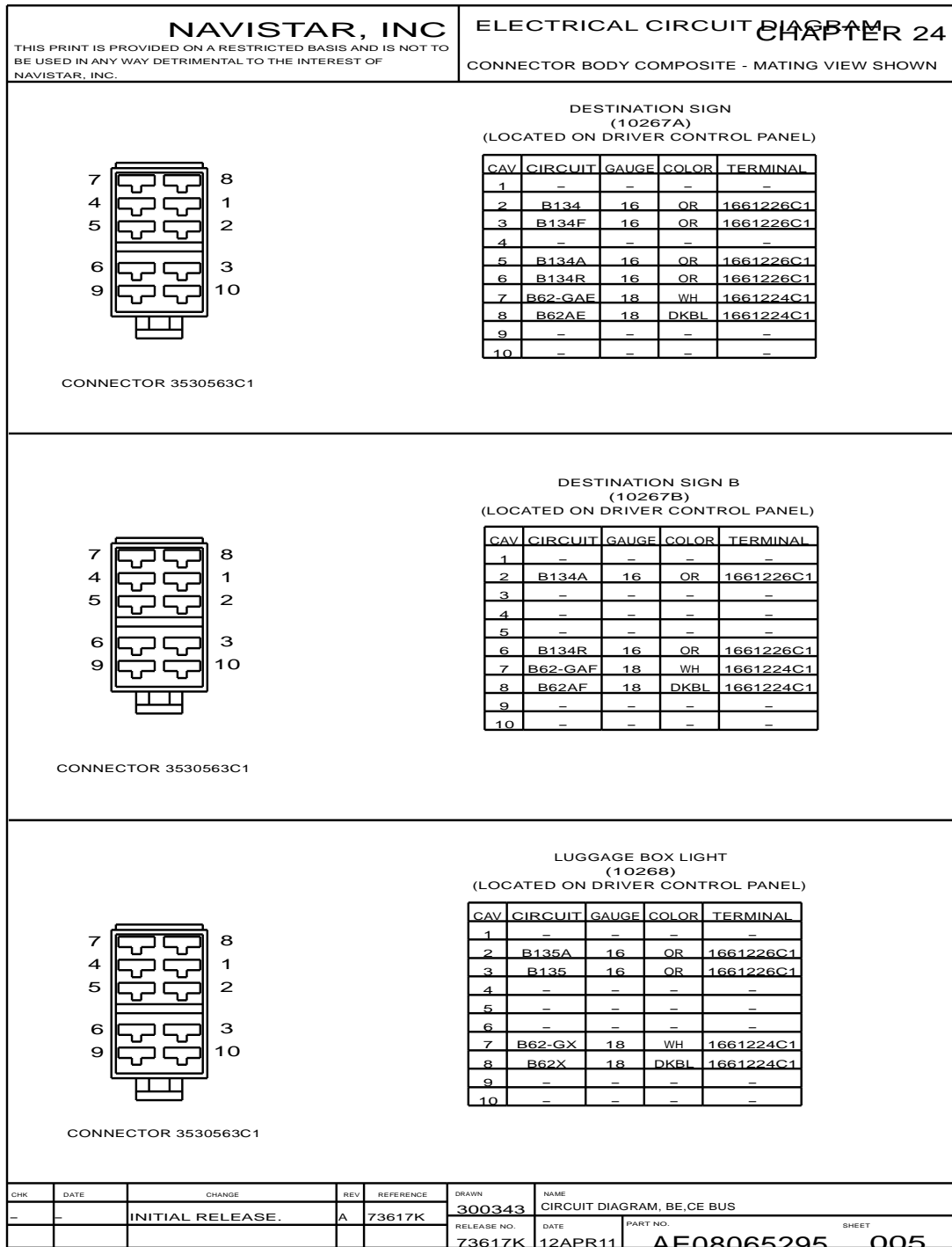


Figure 673 Connector Composites (10267A, 10267B, 10268)

24.6. CONNECTOR COMPOSITES (10269, 10270, 10271, 10272), P. 6

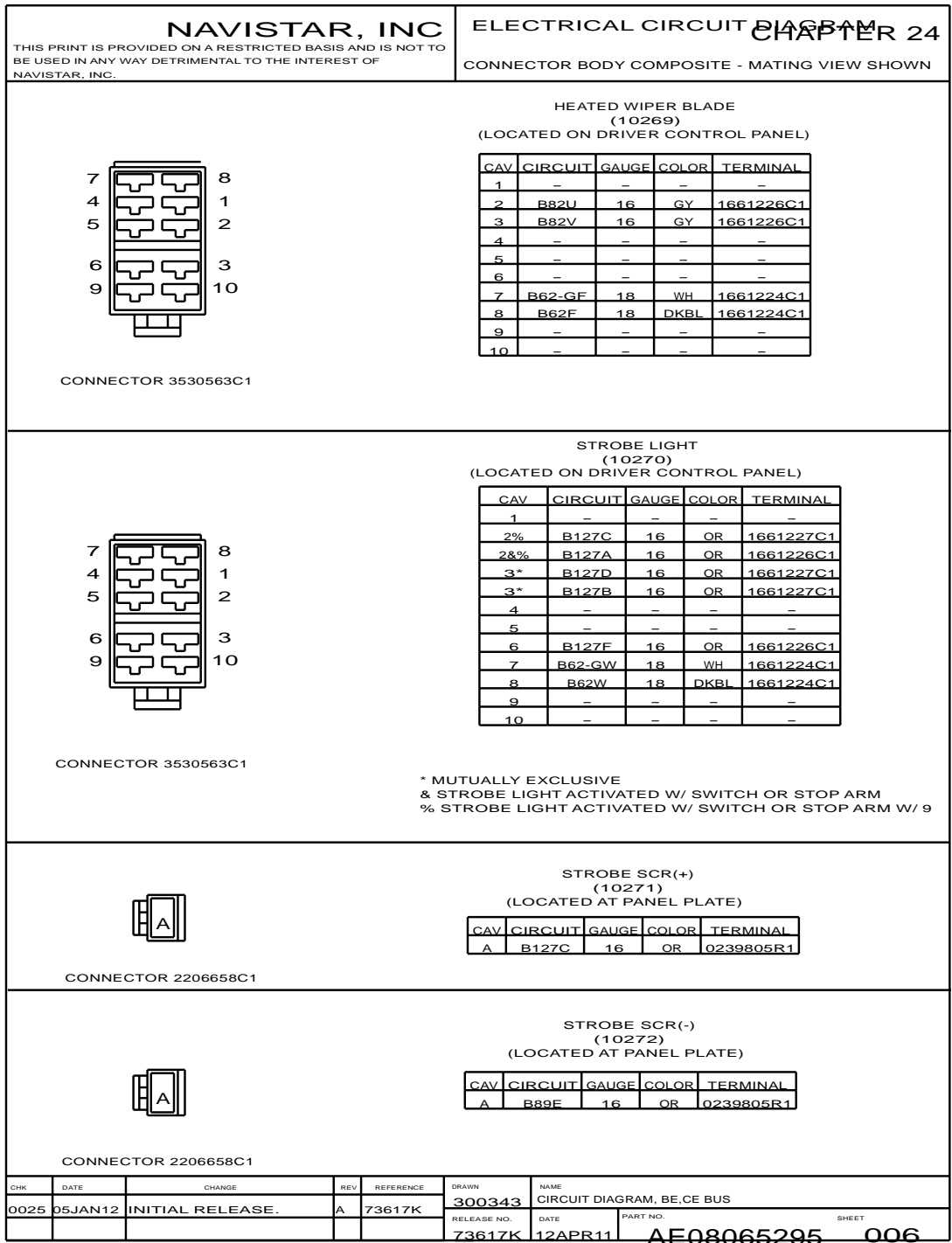


Figure 674 Connector Composites (10269, 10270, 10271, 10272)

24.7. CONNECTOR COMPOSITES (10273, 10274, 10275, 10281, 10282), P. 7

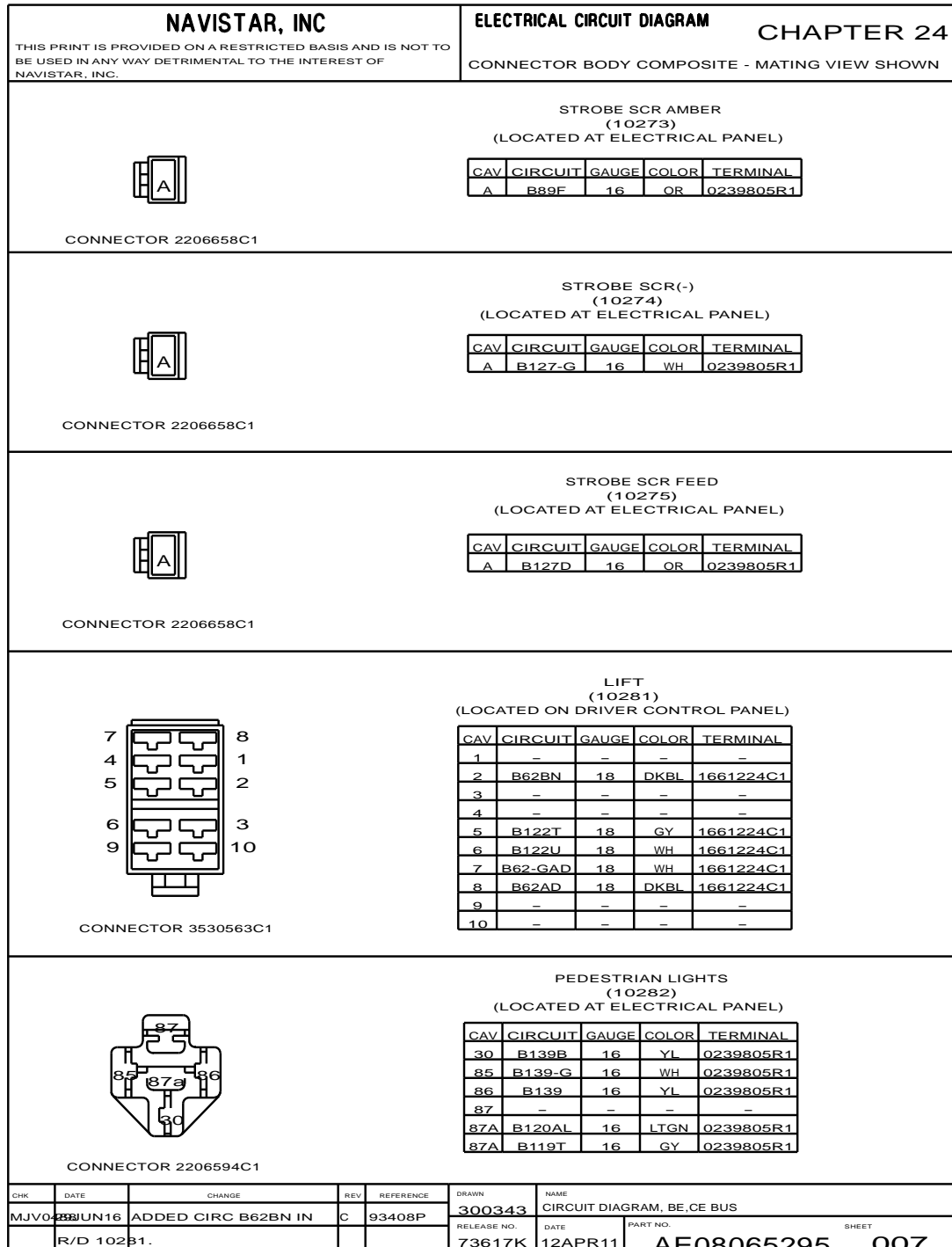


Figure 675 Connector Composites (10273, 10274, 10275, 10281, 10282)

24.8. CONNECTOR COMPOSITES (10284, 10285, 10286, 10287), P. 8

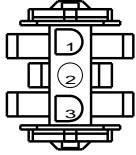
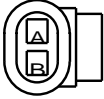
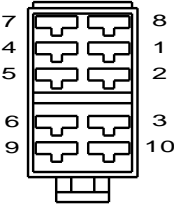
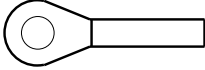
NAVISTAR, INC				ELECTRICAL CIRCUIT DIAGRAM		CHAPTER 24																																																								
THIS PRINT IS PROVIDED ON A RESTRICTED BASIS AND IS NOT TO BE USED IN ANY WAY DETRIMENTAL TO THE INTEREST OF NAVISTAR, INC.				CONNECTOR BODY COMPOSITE - MATING VIEW SHOWN																																																										
		<p>DRIVERS FAN (10284) (LOCATED NEAR DRIVER DASH PANEL)</p> <table border="1" style="width:100%; border-collapse: collapse; font-size: x-small;"> <thead> <tr> <th>CAV</th> <th>CIRCUIT</th> <th>GAUGE</th> <th>COLOR</th> <th>TERMINAL</th> </tr> </thead> <tbody> <tr> <td>1</td> <td>B76FHI</td> <td>14</td> <td>LTGN</td> <td>1661538C1</td> </tr> <tr> <td>2</td> <td>B76FLO</td> <td>16</td> <td>LTGN</td> <td>1661538C1</td> </tr> <tr> <td>3</td> <td>B76-GF</td> <td>14</td> <td>WH</td> <td>1661538C1</td> </tr> </tbody> </table>						CAV	CIRCUIT	GAUGE	COLOR	TERMINAL	1	B76FHI	14	LTGN	1661538C1	2	B76FLO	16	LTGN	1661538C1	3	B76-GF	14	WH	1661538C1																																			
CAV	CIRCUIT	GAUGE	COLOR	TERMINAL																																																										
1	B76FHI	14	LTGN	1661538C1																																																										
2	B76FLO	16	LTGN	1661538C1																																																										
3	B76-GF	14	WH	1661538C1																																																										
CONNECTOR 2206665C1																																																														
		<p>AIR HORN (10285) (LOCATED AT PANEL PLATE)</p> <table border="1" style="width:100%; border-collapse: collapse; font-size: x-small;"> <thead> <tr> <th>CAV</th> <th>CIRCUIT</th> <th>GAUGE</th> <th>COLOR</th> <th>TERMINAL</th> </tr> </thead> <tbody> <tr> <td>A</td> <td>B100B</td> <td>18</td> <td>GY</td> <td>1661875C1</td> </tr> <tr> <td>A&</td> <td>B100A</td> <td>18</td> <td>GY</td> <td>1661875C1</td> </tr> <tr> <td>B</td> <td>B100-G</td> <td>18</td> <td>WH</td> <td>1661875C1</td> </tr> <tr> <td>B&</td> <td>B100-GA</td> <td>16</td> <td>WH</td> <td>1661875C1</td> </tr> </tbody> </table> <p style="text-align: center;">& W/ AIR HORN ACTIVATED BY PULL CHAIN</p>						CAV	CIRCUIT	GAUGE	COLOR	TERMINAL	A	B100B	18	GY	1661875C1	A&	B100A	18	GY	1661875C1	B	B100-G	18	WH	1661875C1	B&	B100-GA	16	WH	1661875C1																														
CAV	CIRCUIT	GAUGE	COLOR	TERMINAL																																																										
A	B100B	18	GY	1661875C1																																																										
A&	B100A	18	GY	1661875C1																																																										
B	B100-G	18	WH	1661875C1																																																										
B&	B100-GA	16	WH	1661875C1																																																										
CONNECTOR 3522068C1 BODY LOCK 1661874C1																																																														
		<p>AIR HORN (10286) (LOCATED ON DRIVER CONTROL PANEL)</p> <table border="1" style="width:100%; border-collapse: collapse; font-size: x-small;"> <thead> <tr> <th>CAV</th> <th>CIRCUIT</th> <th>GAUGE</th> <th>COLOR</th> <th>TERMINAL</th> </tr> </thead> <tbody> <tr> <td>1</td> <td>-</td> <td>-</td> <td>-</td> <td>-</td> </tr> <tr> <td>2</td> <td>B100A</td> <td>18</td> <td>GY</td> <td>1661224C1</td> </tr> <tr> <td>3</td> <td>B100B</td> <td>18</td> <td>GY</td> <td>1661224C1</td> </tr> <tr> <td>4</td> <td>-</td> <td>-</td> <td>-</td> <td>-</td> </tr> <tr> <td>5</td> <td>-</td> <td>-</td> <td>-</td> <td>-</td> </tr> <tr> <td>6</td> <td>-</td> <td>-</td> <td>-</td> <td>-</td> </tr> <tr> <td>7</td> <td>B62-GB</td> <td>18</td> <td>WH</td> <td>1661224C1</td> </tr> <tr> <td>8</td> <td>B62B</td> <td>18</td> <td>DKBL</td> <td>1661224C1</td> </tr> <tr> <td>9</td> <td>-</td> <td>-</td> <td>-</td> <td>-</td> </tr> <tr> <td>10</td> <td>-</td> <td>-</td> <td>-</td> <td>-</td> </tr> </tbody> </table>						CAV	CIRCUIT	GAUGE	COLOR	TERMINAL	1	-	-	-	-	2	B100A	18	GY	1661224C1	3	B100B	18	GY	1661224C1	4	-	-	-	-	5	-	-	-	-	6	-	-	-	-	7	B62-GB	18	WH	1661224C1	8	B62B	18	DKBL	1661224C1	9	-	-	-	-	10	-	-	-	-
CAV	CIRCUIT	GAUGE	COLOR	TERMINAL																																																										
1	-	-	-	-																																																										
2	B100A	18	GY	1661224C1																																																										
3	B100B	18	GY	1661224C1																																																										
4	-	-	-	-																																																										
5	-	-	-	-																																																										
6	-	-	-	-																																																										
7	B62-GB	18	WH	1661224C1																																																										
8	B62B	18	DKBL	1661224C1																																																										
9	-	-	-	-																																																										
10	-	-	-	-																																																										
CONNECTOR 3530563C1																																																														
		<p>AIR HORN PULL SWITCH (10287) (LOCATED AT DASH PANEL)</p> <table border="1" style="width:100%; border-collapse: collapse; font-size: x-small;"> <thead> <tr> <th>CIRCUIT</th> <th>GAUGE</th> <th>COLOR</th> </tr> </thead> <tbody> <tr> <td>B100-G</td> <td>16</td> <td>GY</td> </tr> </tbody> </table>						CIRCUIT	GAUGE	COLOR	B100-G	16	GY																																																	
CIRCUIT	GAUGE	COLOR																																																												
B100-G	16	GY																																																												
TERMINAL 2206637C1																																																														
CHK	DATE	CHANGE	REV	REFERENCE	DRAWN	NAME																																																								
MJVO	23 JUN 16	REVISED AND REDRAWN.	B	93408P	300343	CIRCUIT DIAGRAM, BE,CE BUS																																																								
					RELEASE NO.	DATE	PART NO.																																																							
					73617K	12 APR 11	AE08065295																																																							
							SHEET 008																																																							

Figure 676 Connector Composites (10284, 10285, 10286, 10287)

24.9. CONNECTOR COMPOSITES (10293, 10294, 10295, 10299, 10300), P. 9

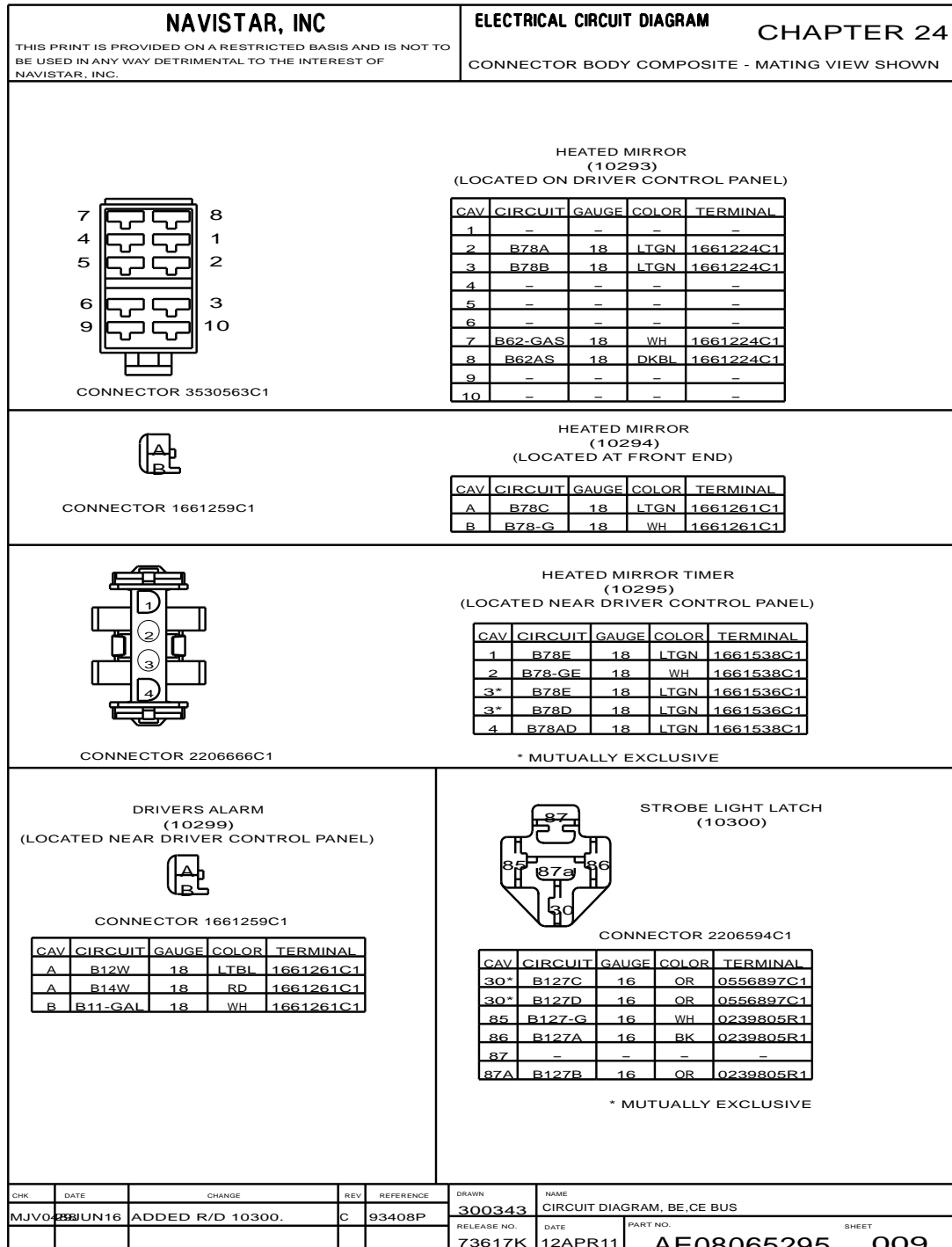


Figure 677 Connector Composites (10293, 10294, 10295, 10299, 10300)

24.10. CONNECTOR COMPOSITES (10301), P. 10

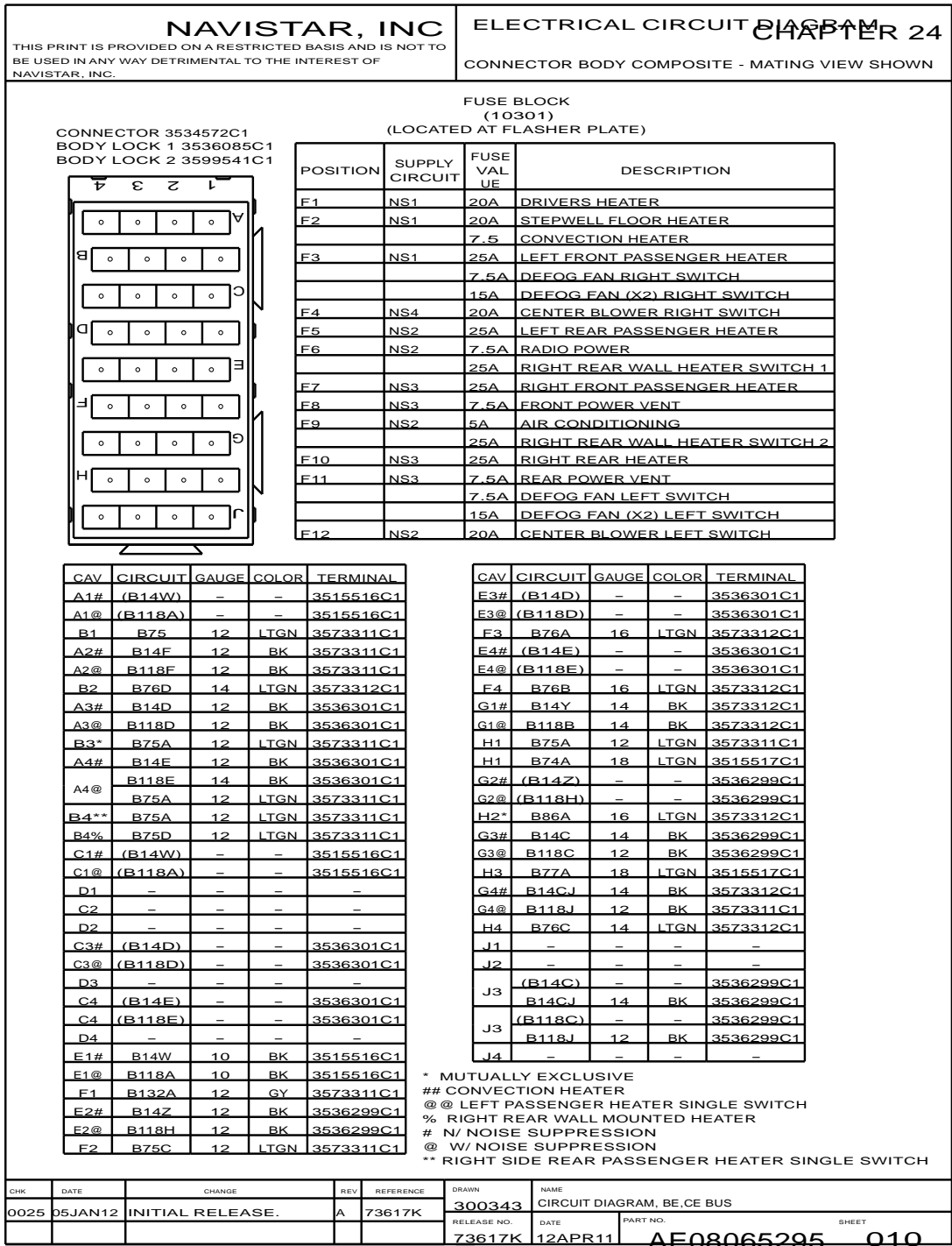


Figure 678 Connector Composites (10301)

24.11. CONNECTOR COMPOSITES (10302), P. 11

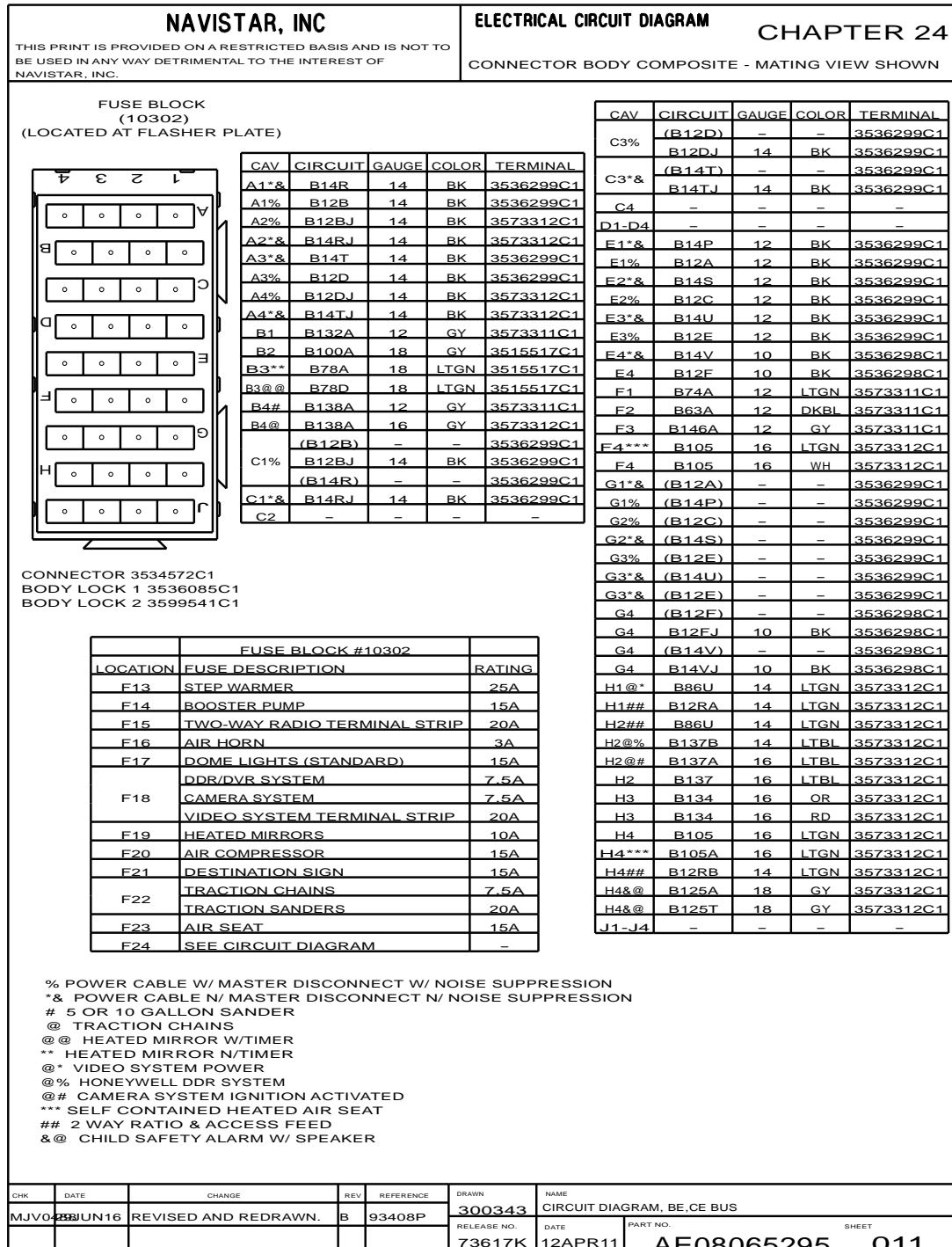


Figure 679 Connector Composites (10302)

24.12. CONNECTOR COMPOSITES (10303), P. 12

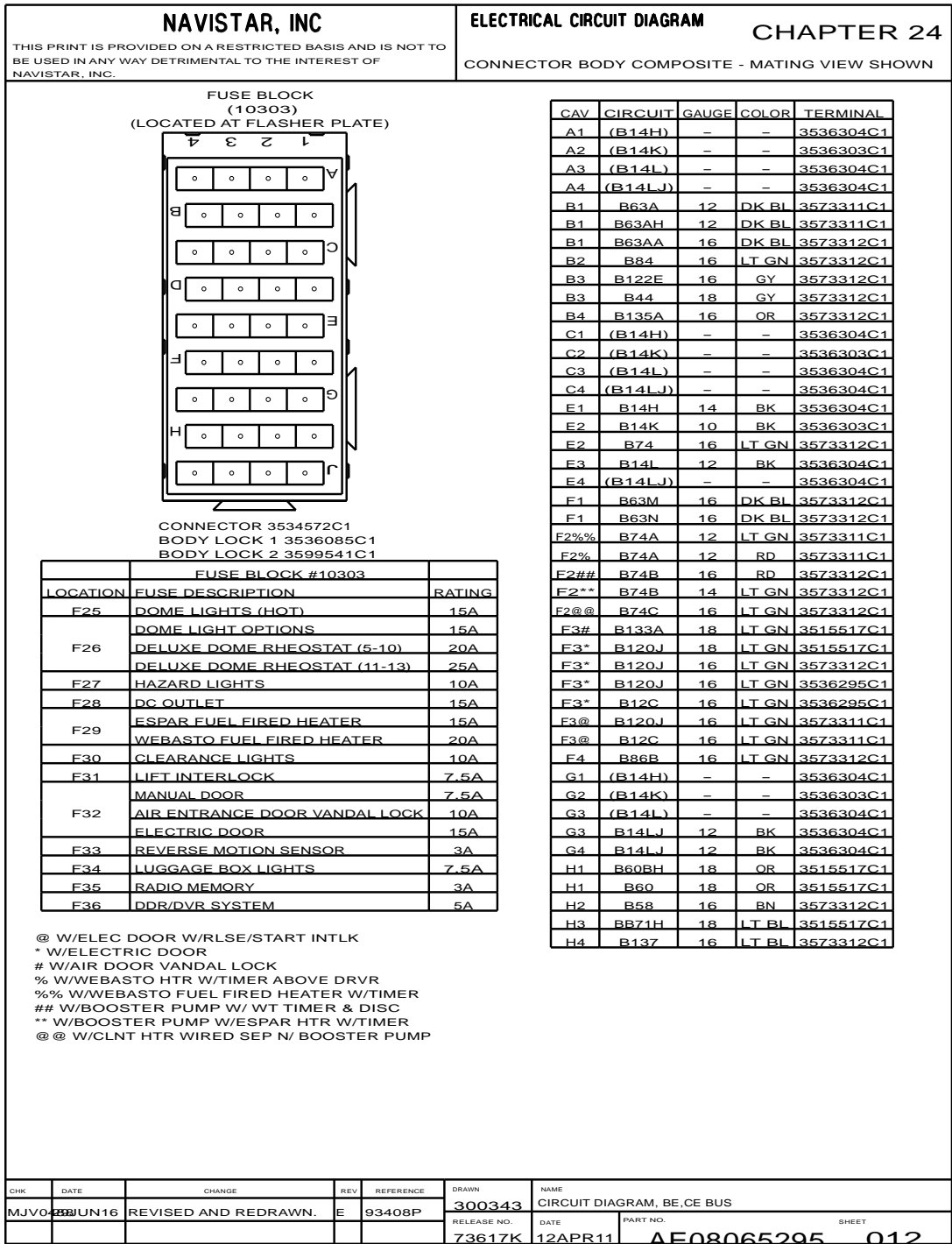


Figure 680 Connector Composites (10303)

24.13. CONNECTOR COMPOSITES (10304), P. 13

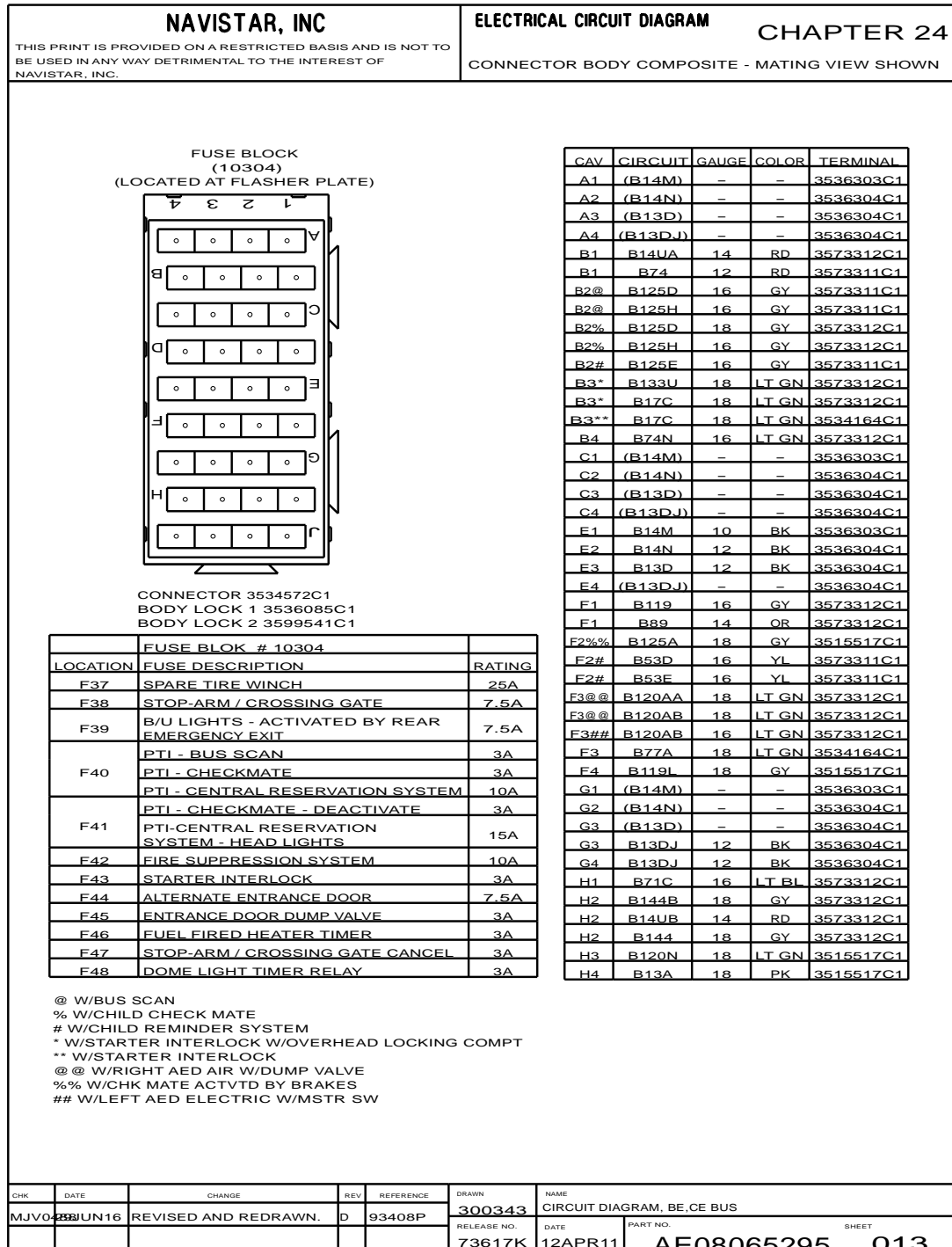


Figure 681 Connector Composites (10304)

24.14. CONNECTOR COMPOSITES (10305), P. 14

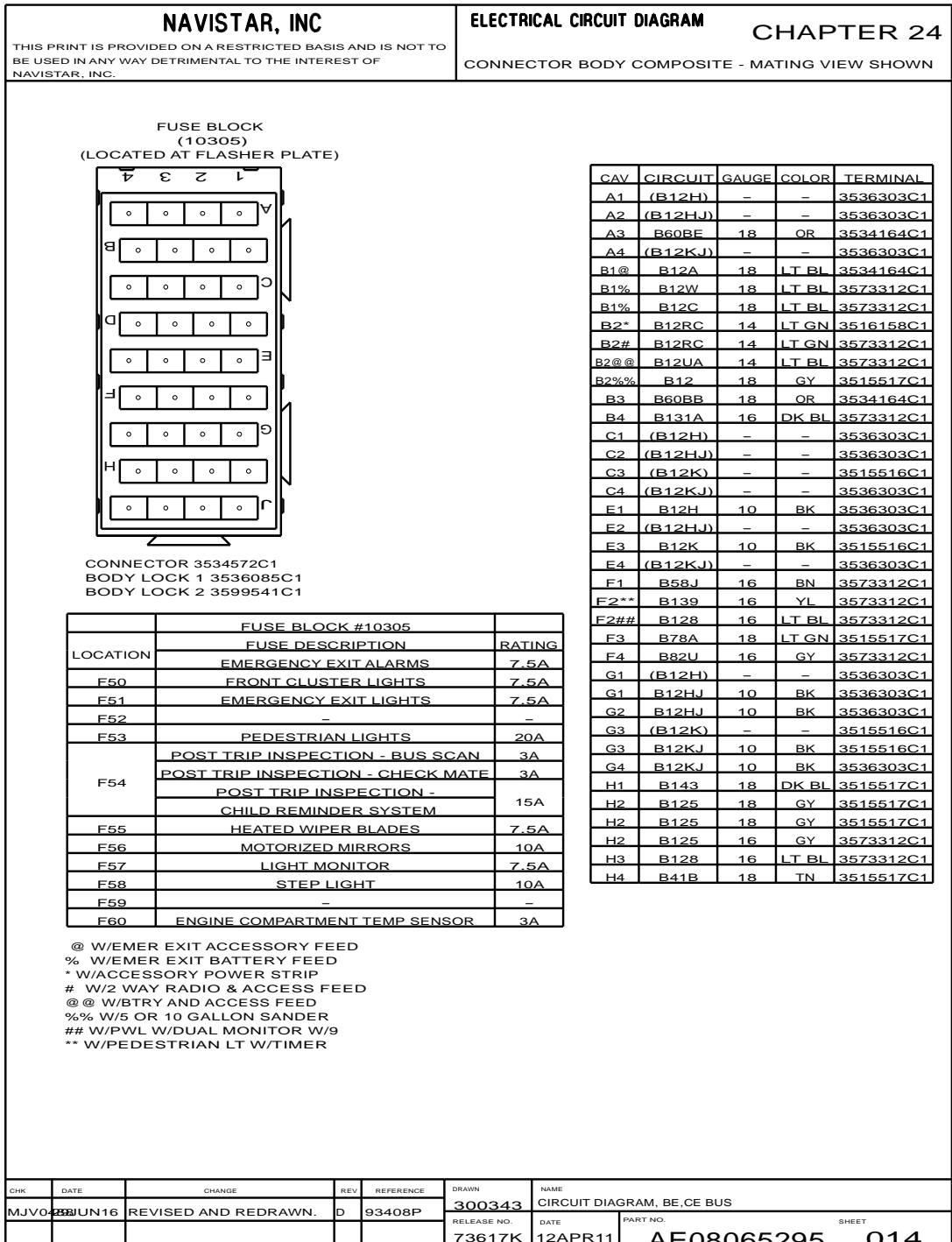


Figure 682 Connector Composites (10305)

24.15. CONNECTOR COMPOSITES (10306), P. 15

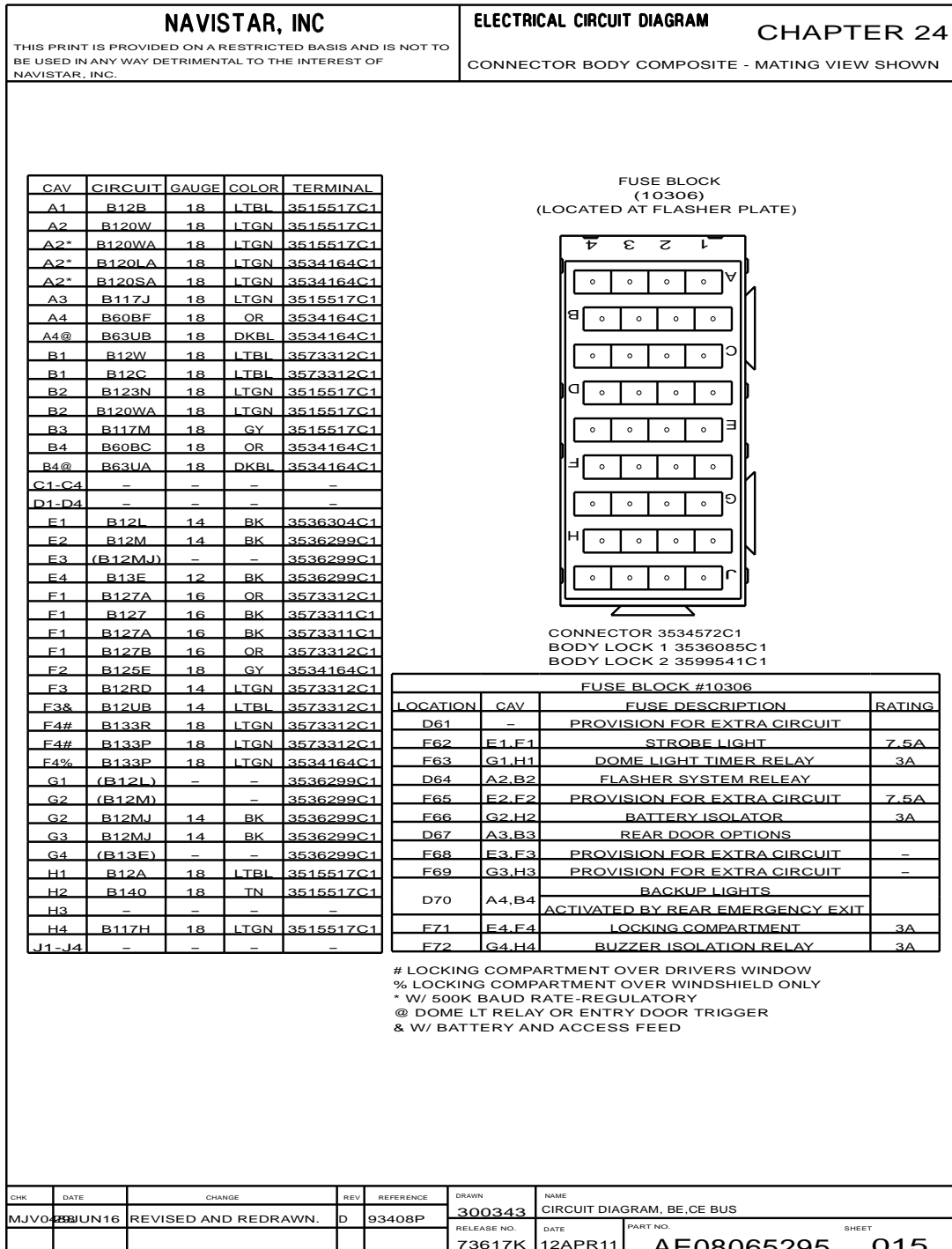


Figure 683 Connector Composites (10306)

24.16. CONNECTOR COMPOSITES (10307), P. 16

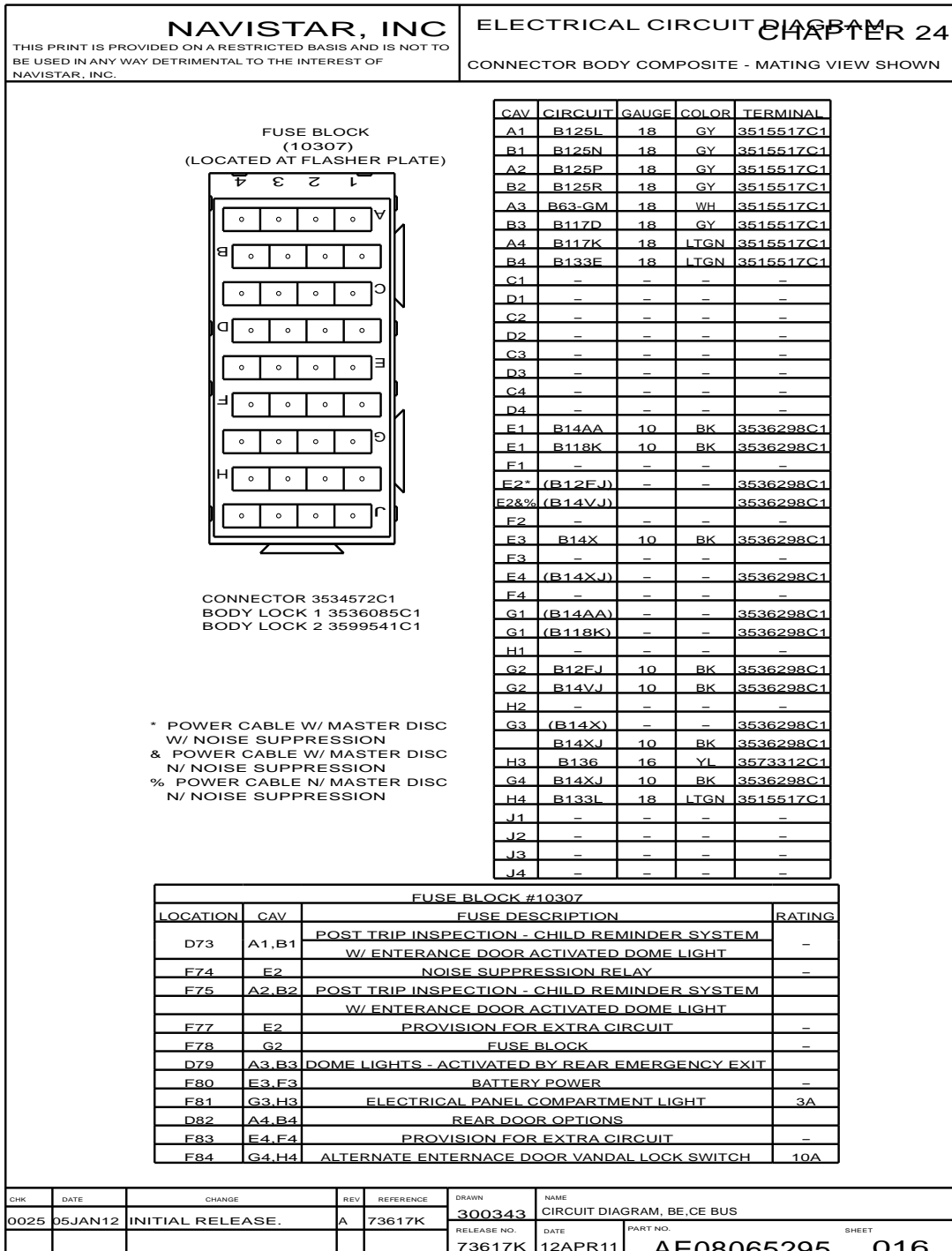


Figure 684 Connector Composites (10307)

24.17. CONNECTOR COMPOSITES (10308), P. 17

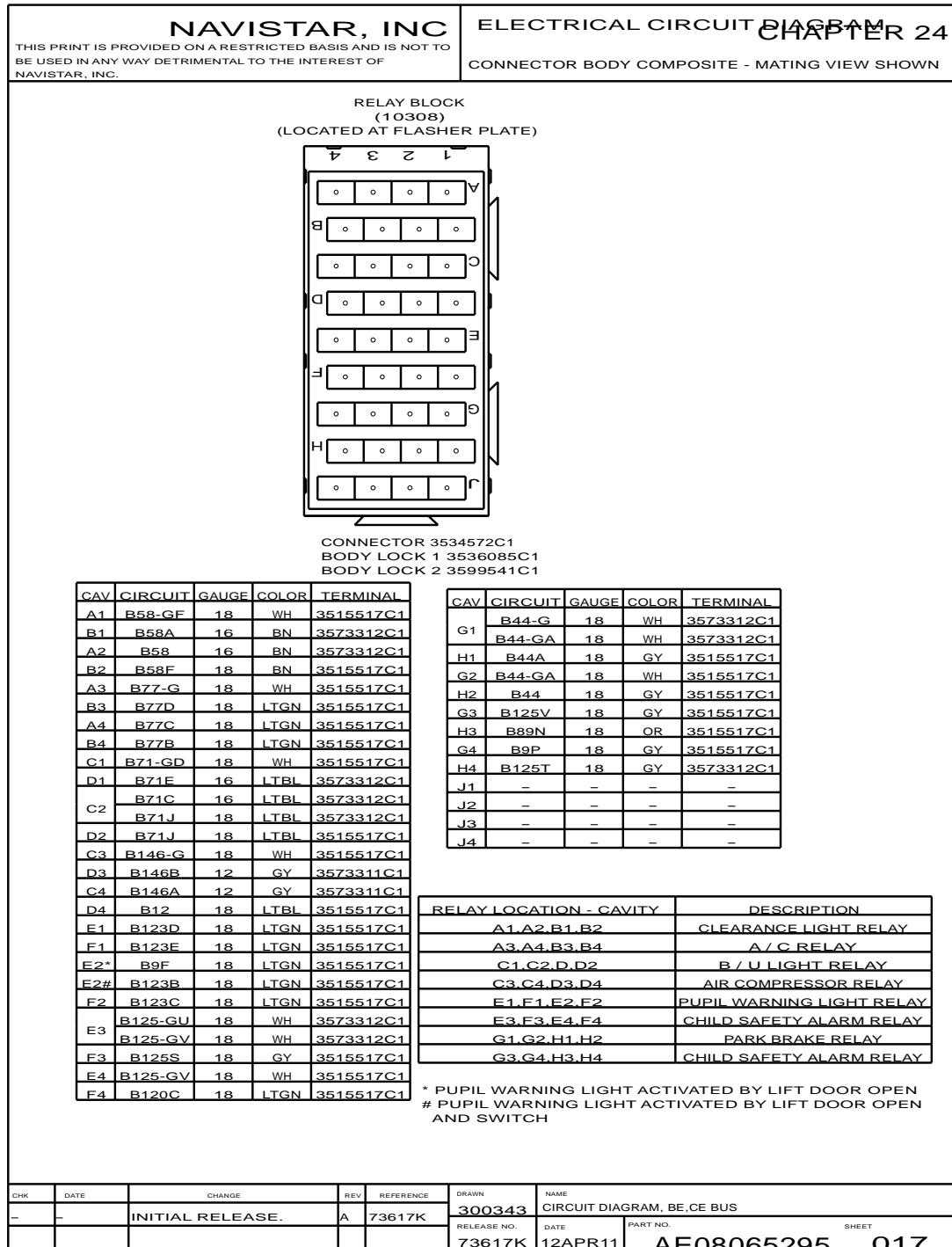


Figure 685 Connector Composites (10308)

24.18. CONNECTOR COMPOSITES (10309), P. 18

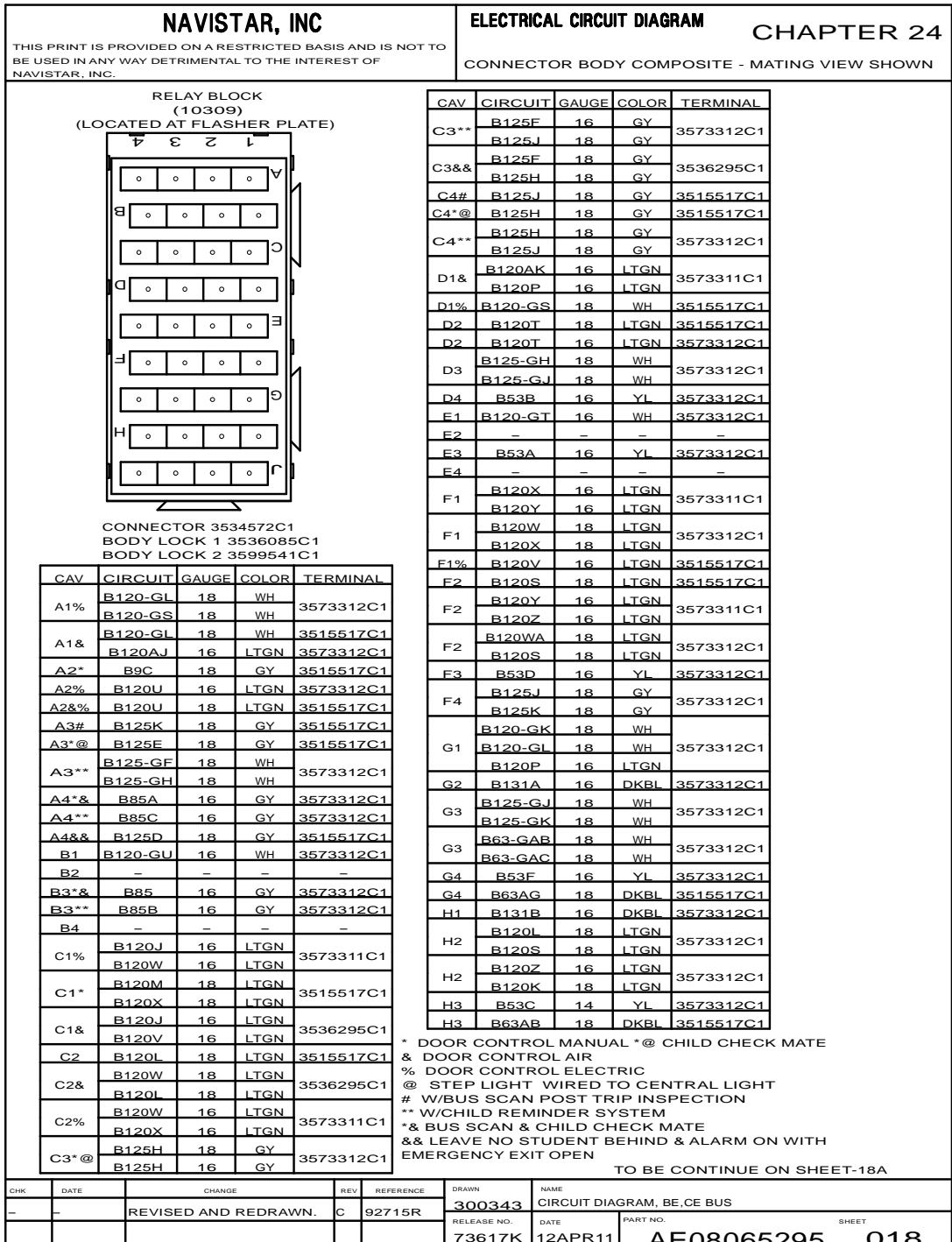


Figure 686 Connector Composites (10309)

24.19. CONNECTOR COMPOSITES (10309), P. 18A

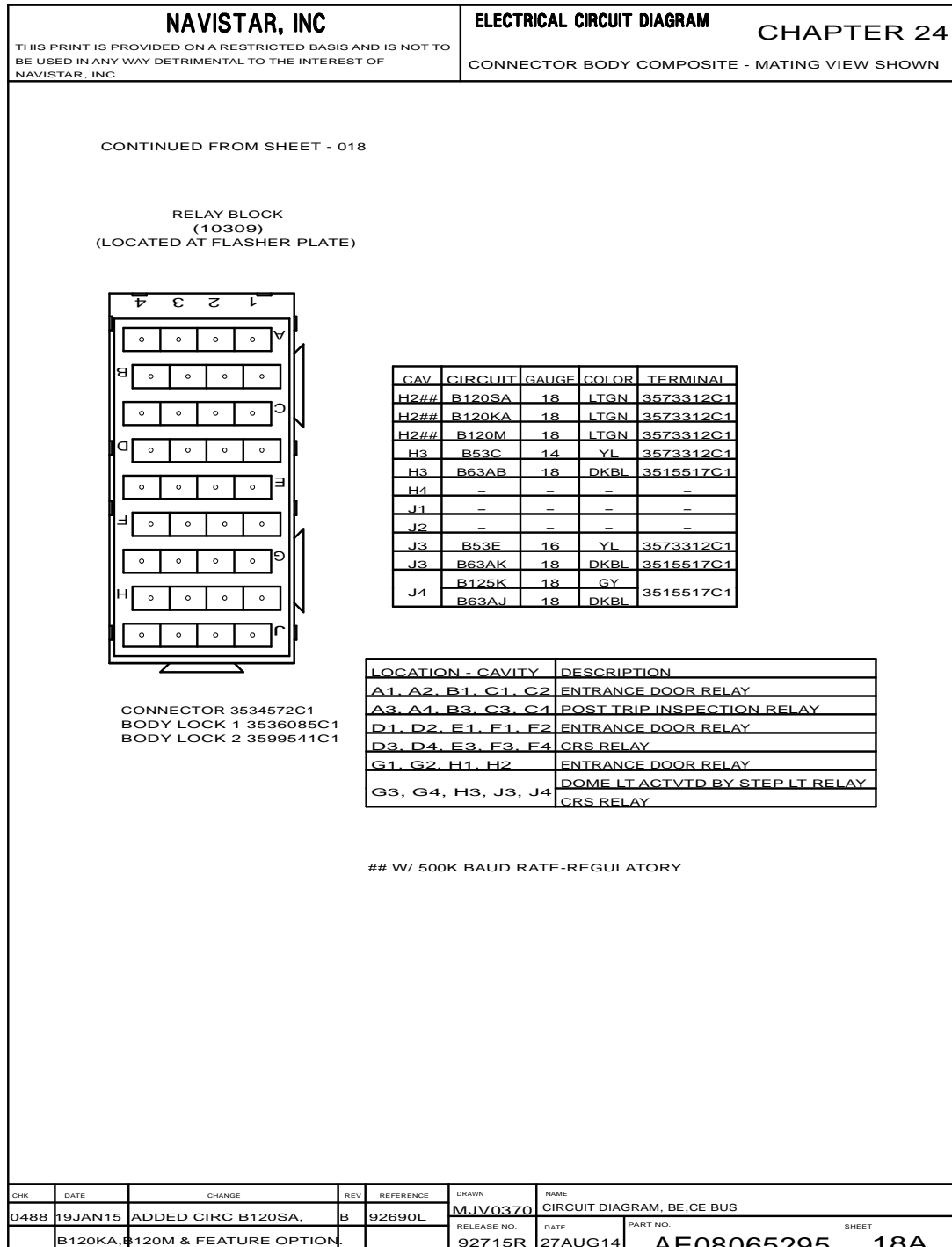


Figure 687 Connector Composites (10309)

24.20. CONNECTOR COMPOSITES (10310), P. 19

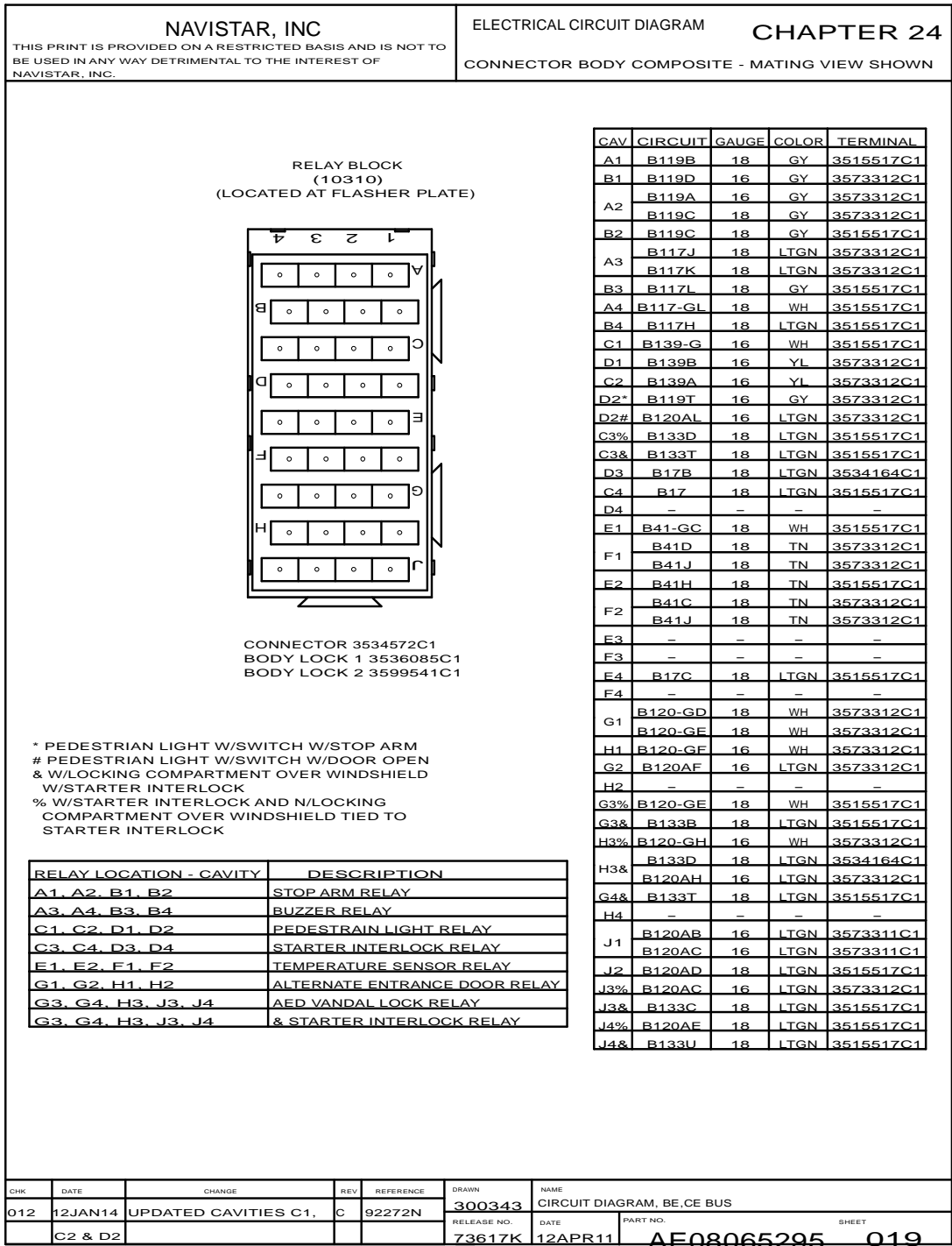


Figure 688 Connector Composites (10310)

24.21. CONNECTOR COMPOSITES (10311), P. 20

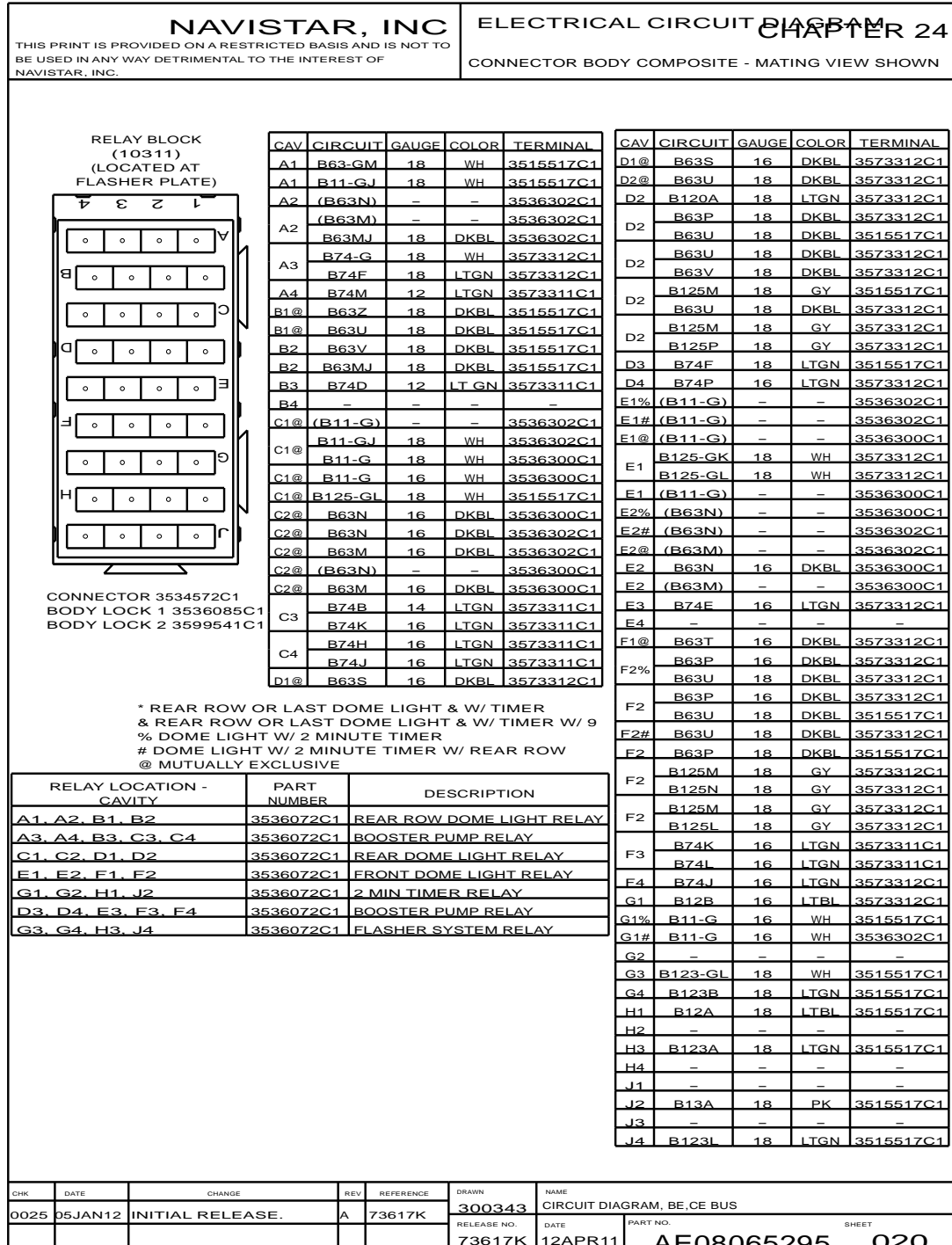


Figure 689 Connector Composites (10311)

24.22. CONNECTOR COMPOSITES (10312), P. 21

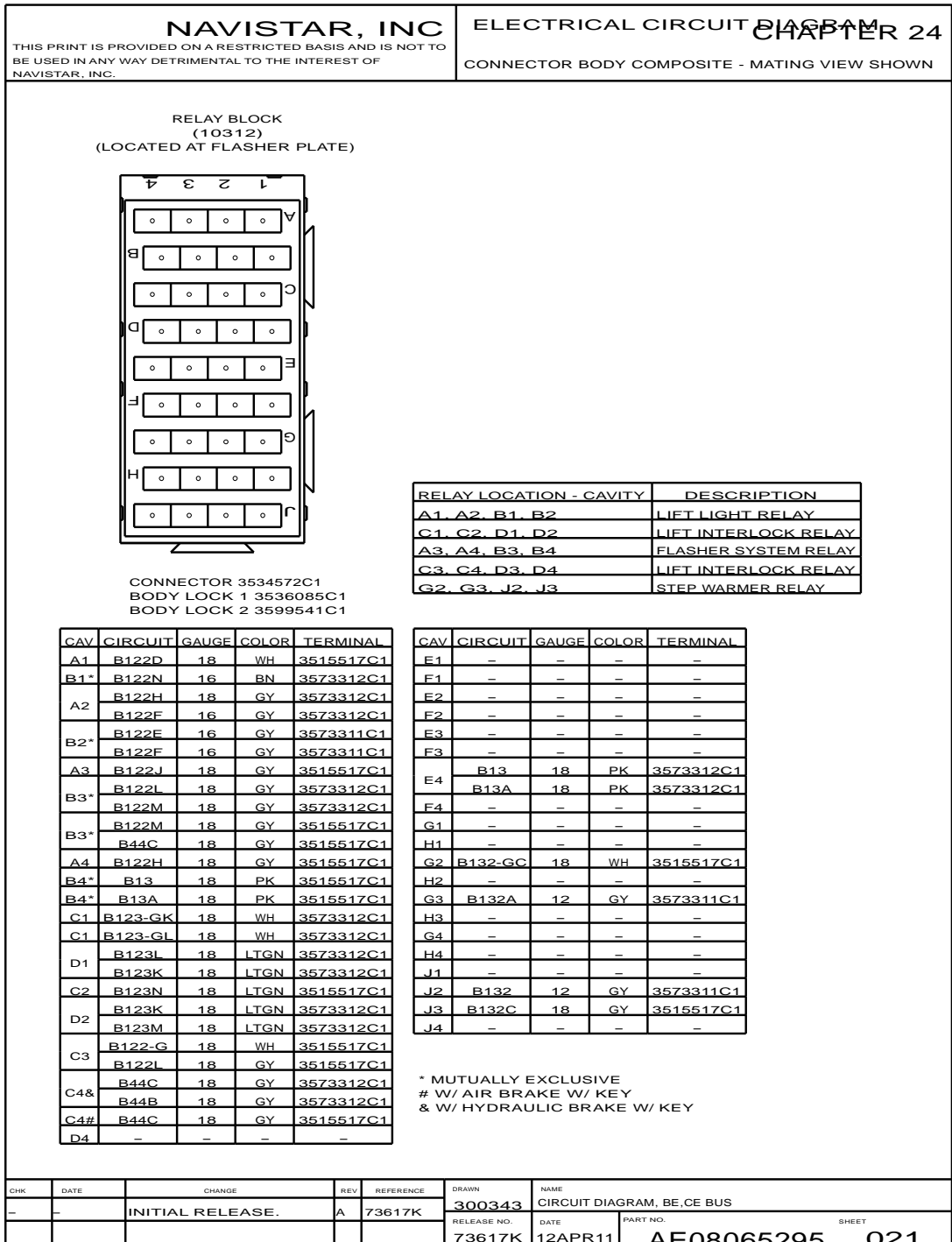


Figure 690 Connector Composites (10312)

24.23. CONNECTOR COMPOSITES (10314, 10315, 10316), P. 22

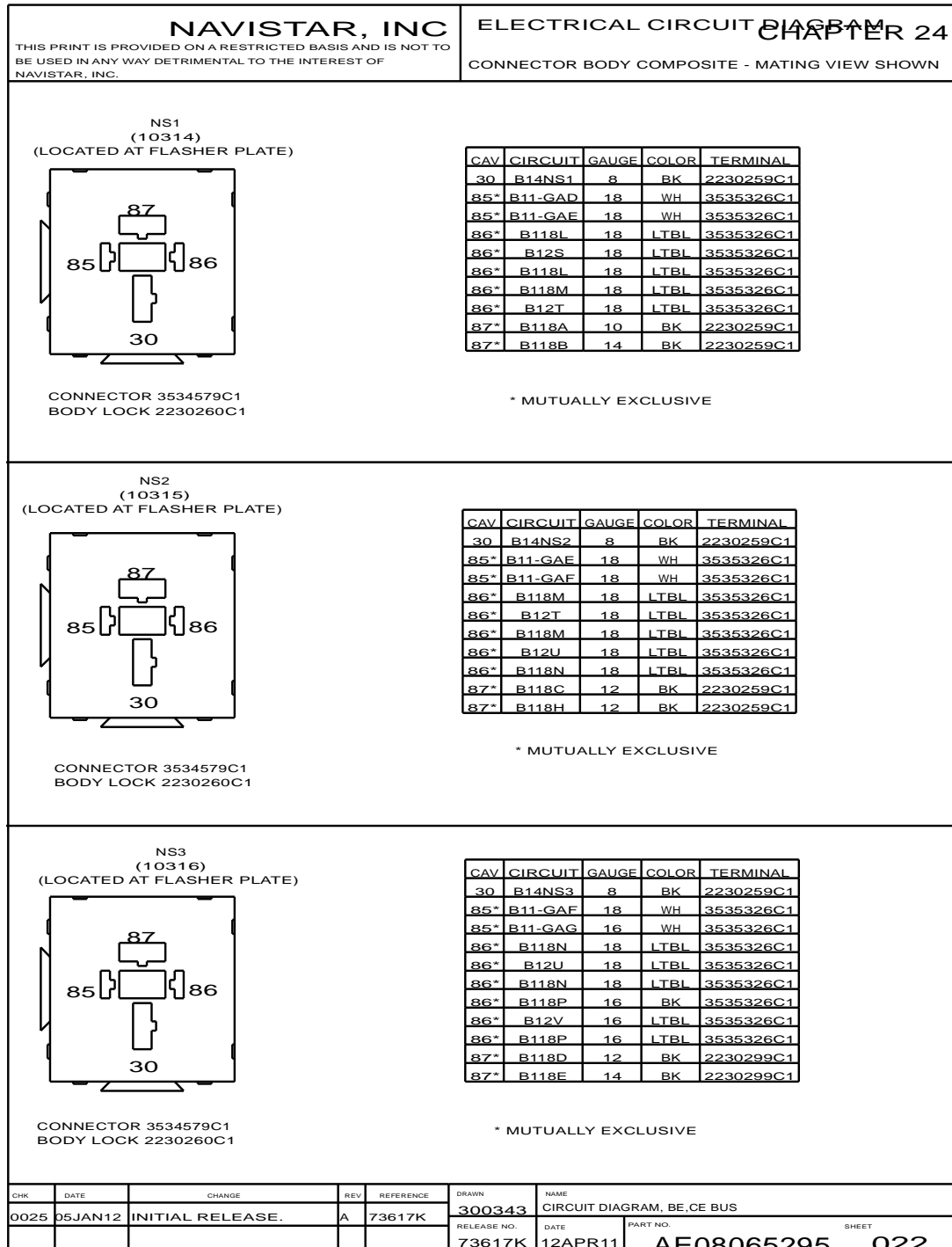


Figure 691 Connector Composites (10314, 10315, 10316)

24.24. CONNECTOR COMPOSITES (10317, 10318, 10319), P. 23

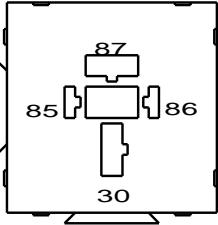
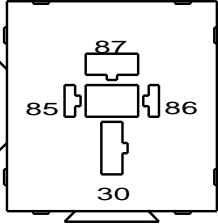
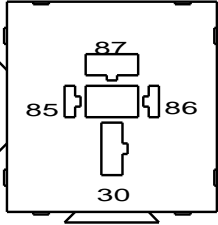
<p>NAVISTAR, INC</p> <p>THIS PRINT IS PROVIDED ON A RESTRICTED BASIS AND IS NOT TO BE USED IN ANY WAY DETRIMENTAL TO THE INTEREST OF NAVISTAR, INC.</p>	<p>ELECTRICAL CIRCUIT DIAGRAM</p> <p>CHAPTER 24</p> <p>CONNECTOR BODY COMPOSITE - MATING VIEW SHOWN</p>																																								
	<p>NS4 (10317) (LOCATED AT FLASHER PLATE)</p> <table border="1" style="width:100%; border-collapse: collapse;"> <thead> <tr> <th>CAV</th> <th>CIRCUIT</th> <th>GAUGE</th> <th>COLOR</th> <th>TERMINAL</th> </tr> </thead> <tbody> <tr><td>30</td><td>B14NS4</td><td>8</td><td>BK</td><td>2230259C1</td></tr> <tr><td>85</td><td>B11-GAG</td><td>16</td><td>WH</td><td>3535326C1</td></tr> <tr><td>86%</td><td>B118P</td><td>16</td><td>BK</td><td>3535326C1</td></tr> <tr><td>86@</td><td>B12V</td><td>16</td><td>LTBL</td><td>3535326C1</td></tr> <tr><td>86#</td><td>B118P</td><td>16</td><td>LTBL</td><td>3535326C1</td></tr> <tr><td>87*</td><td>B118F</td><td>12</td><td>BK</td><td>2230259C1</td></tr> <tr><td>87*</td><td>B118K</td><td>10</td><td>BK</td><td>2230259C1</td></tr> </tbody> </table>	CAV	CIRCUIT	GAUGE	COLOR	TERMINAL	30	B14NS4	8	BK	2230259C1	85	B11-GAG	16	WH	3535326C1	86%	B118P	16	BK	3535326C1	86@	B12V	16	LTBL	3535326C1	86#	B118P	16	LTBL	3535326C1	87*	B118F	12	BK	2230259C1	87*	B118K	10	BK	2230259C1
CAV	CIRCUIT	GAUGE	COLOR	TERMINAL																																					
30	B14NS4	8	BK	2230259C1																																					
85	B11-GAG	16	WH	3535326C1																																					
86%	B118P	16	BK	3535326C1																																					
86@	B12V	16	LTBL	3535326C1																																					
86#	B118P	16	LTBL	3535326C1																																					
87*	B118F	12	BK	2230259C1																																					
87*	B118K	10	BK	2230259C1																																					
<p>CONNECTOR 3534579C1 BODY LOCK 2230260C1</p>	<p>* MUTUALLY EXCLUSIVE % IGNITION MASTER DISCONNECT N/ NOISE SUPPRESSION SWITCH # IGNITION MASTER DISCONNECT W/ NOISE SUPPRESSION SWITCH @ SWITCH MASTER DISCONNECT N/ NOISE SUPPRESSION SWITCH</p>																																								
	<p>MD1 (10318) (LOCATED AT FLASHER PLATE)</p> <table border="1" style="width:100%; border-collapse: collapse;"> <thead> <tr> <th>CAV</th> <th>CIRCUIT</th> <th>GAUGE</th> <th>COLOR</th> <th>TERMINAL</th> </tr> </thead> <tbody> <tr><td>30</td><td>B14MD1</td><td>8</td><td>BK</td><td>2230259C1</td></tr> <tr><td>85*</td><td>B11-GAA</td><td>18</td><td>WH</td><td>3535326C1</td></tr> <tr><td>85*</td><td>B11-GAB</td><td>18</td><td>WH</td><td>3535326C1</td></tr> <tr><td>86*</td><td>B12N</td><td>18</td><td>LTBL</td><td>3535326C1</td></tr> <tr><td>86*</td><td>B12P</td><td>18</td><td>LTBL</td><td>3535326C1</td></tr> <tr><td>87*</td><td>B12A</td><td>12</td><td>BK</td><td>2230299C1</td></tr> <tr><td>87*</td><td>B12B</td><td>14</td><td>BK</td><td>2230299C1</td></tr> </tbody> </table>	CAV	CIRCUIT	GAUGE	COLOR	TERMINAL	30	B14MD1	8	BK	2230259C1	85*	B11-GAA	18	WH	3535326C1	85*	B11-GAB	18	WH	3535326C1	86*	B12N	18	LTBL	3535326C1	86*	B12P	18	LTBL	3535326C1	87*	B12A	12	BK	2230299C1	87*	B12B	14	BK	2230299C1
CAV	CIRCUIT	GAUGE	COLOR	TERMINAL																																					
30	B14MD1	8	BK	2230259C1																																					
85*	B11-GAA	18	WH	3535326C1																																					
85*	B11-GAB	18	WH	3535326C1																																					
86*	B12N	18	LTBL	3535326C1																																					
86*	B12P	18	LTBL	3535326C1																																					
87*	B12A	12	BK	2230299C1																																					
87*	B12B	14	BK	2230299C1																																					
<p>CONNECTOR 3534579C1 BODY LOCK 2230260C1</p>	<p>* MUTUALLY EXCLUSIVE</p>																																								
	<p>MD2 (10319) (LOCATED AT FLASHER PLATE)</p> <table border="1" style="width:100%; border-collapse: collapse;"> <thead> <tr> <th>CAV</th> <th>CIRCUIT</th> <th>GAUGE</th> <th>COLOR</th> <th>TERMINAL</th> </tr> </thead> <tbody> <tr><td>30</td><td>B14MD2</td><td>8</td><td>BK</td><td>2230259C1</td></tr> <tr><td>85*</td><td>B11-GAB</td><td>18</td><td>WH</td><td>3535326C1</td></tr> <tr><td>85*</td><td>B11-GAC</td><td>16</td><td>WH</td><td>3535326C1</td></tr> <tr><td>86*</td><td>B12P</td><td>18</td><td>LTBL</td><td>3535326C1</td></tr> <tr><td>86*</td><td>B12R</td><td>16</td><td>LTBL</td><td>3535326C1</td></tr> <tr><td>87*</td><td>B12C</td><td>12</td><td>BK</td><td>2230299C1</td></tr> <tr><td>87*</td><td>B12D</td><td>14</td><td>BK</td><td>2230299C1</td></tr> </tbody> </table>	CAV	CIRCUIT	GAUGE	COLOR	TERMINAL	30	B14MD2	8	BK	2230259C1	85*	B11-GAB	18	WH	3535326C1	85*	B11-GAC	16	WH	3535326C1	86*	B12P	18	LTBL	3535326C1	86*	B12R	16	LTBL	3535326C1	87*	B12C	12	BK	2230299C1	87*	B12D	14	BK	2230299C1
CAV	CIRCUIT	GAUGE	COLOR	TERMINAL																																					
30	B14MD2	8	BK	2230259C1																																					
85*	B11-GAB	18	WH	3535326C1																																					
85*	B11-GAC	16	WH	3535326C1																																					
86*	B12P	18	LTBL	3535326C1																																					
86*	B12R	16	LTBL	3535326C1																																					
87*	B12C	12	BK	2230299C1																																					
87*	B12D	14	BK	2230299C1																																					
<p>CONNECTOR 3534579C1 BODY LOCK 2230260C1</p>	<p>* MUTUALLY EXCLUSIVE</p>																																								
<table border="1" style="width:100%; border-collapse: collapse;"> <thead> <tr> <th>CHK</th> <th>DATE</th> <th>CHANGE</th> <th>REV</th> <th>REFERENCE</th> </tr> </thead> <tbody> <tr> <td>0025</td> <td>05JAN12</td> <td>INITIAL RELEASE.</td> <td>A</td> <td>73617K</td> </tr> </tbody> </table>	CHK	DATE	CHANGE	REV	REFERENCE	0025	05JAN12	INITIAL RELEASE.	A	73617K	<table border="1" style="width:100%; border-collapse: collapse;"> <thead> <tr> <th>DRAWN</th> <th>NAME</th> </tr> </thead> <tbody> <tr> <td>300343</td> <td>CIRCUIT DIAGRAM, BE,CE BUS</td> </tr> </tbody> </table>	DRAWN	NAME	300343	CIRCUIT DIAGRAM, BE,CE BUS	<table border="1" style="width:100%; border-collapse: collapse;"> <thead> <tr> <th>RELEASE NO.</th> <th>DATE</th> <th>PART NO.</th> <th>SHEET</th> </tr> </thead> <tbody> <tr> <td>73617K</td> <td>12APR11</td> <td>AE08065295</td> <td>023</td> </tr> </tbody> </table>	RELEASE NO.	DATE	PART NO.	SHEET	73617K	12APR11	AE08065295	023																	
CHK	DATE	CHANGE	REV	REFERENCE																																					
0025	05JAN12	INITIAL RELEASE.	A	73617K																																					
DRAWN	NAME																																								
300343	CIRCUIT DIAGRAM, BE,CE BUS																																								
RELEASE NO.	DATE	PART NO.	SHEET																																						
73617K	12APR11	AE08065295	023																																						

Figure 692 Connector Composites (10317, 10318, 10319)

24.25. CONNECTOR COMPOSITES (10320, 10321, 10322), P. 24

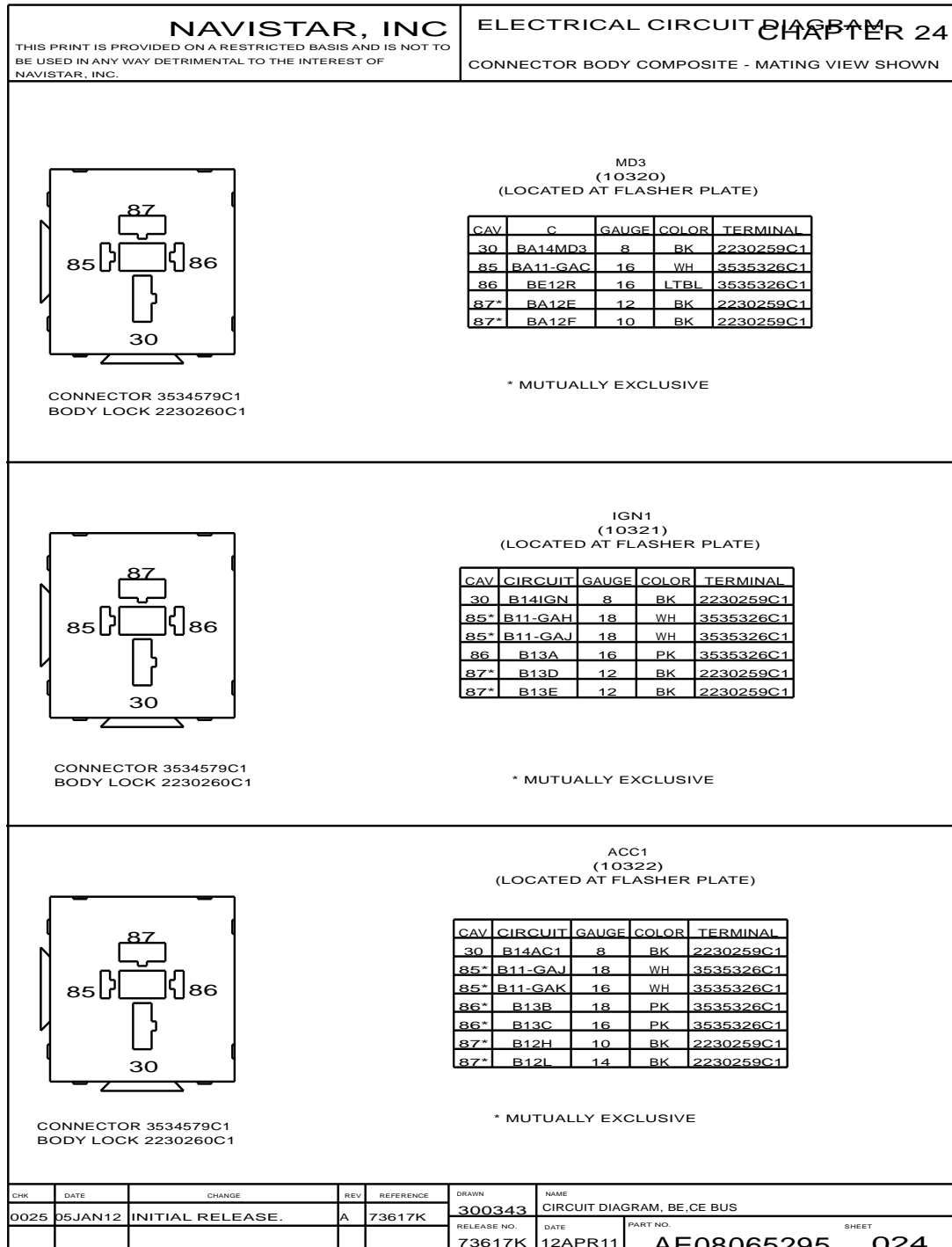


Figure 693 Connector Composites (10320, 10321, 10322)

24.26. CONNECTOR COMPOSITES (10323, 10324, 10325), P. 25

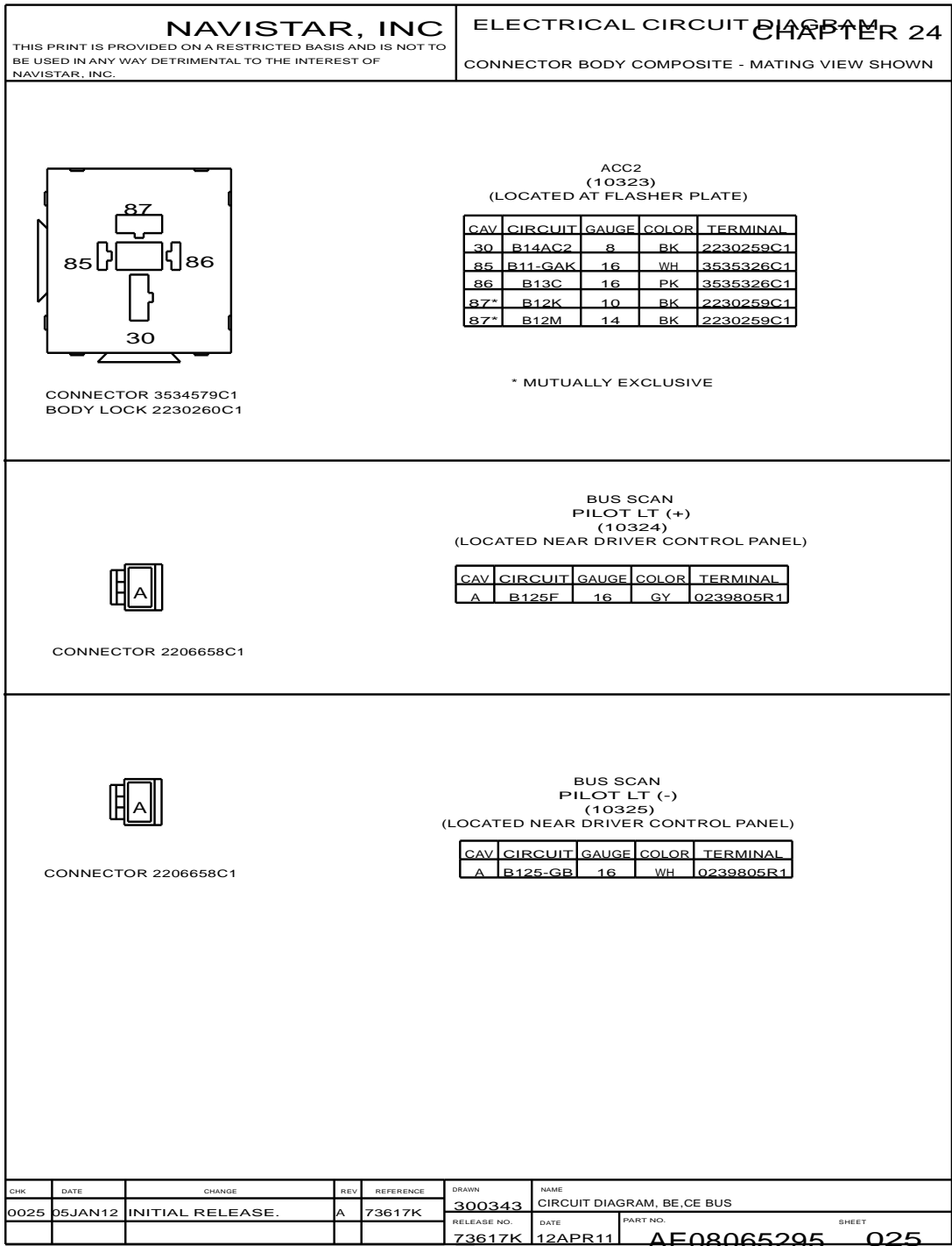


Figure 694 Connector Composites (10323, 10324, 10325)

24.27. CONNECTOR COMPOSITES (10327, 10328, 10329), P. 26

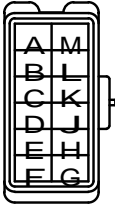
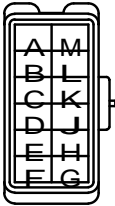
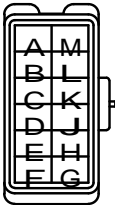
NAVISTAR, INC <small>THIS PRINT IS PROVIDED ON A RESTRICTED BASIS AND IS NOT TO BE USED IN ANY WAY DETRIMENTAL TO THE INTEREST OF NAVISTAR, INC.</small>				ELECTRICAL CIRCUIT DIAGRAM CHAPTER 24 CONNECTOR BODY COMPOSITE - MATING VIEW SHOWN																																																																				
SW ILLUM (10327) (LOCATED NEAR DASH PANEL)																																																																								
				<table border="1" style="width:100%; border-collapse: collapse; font-size: 8px;"> <thead> <tr> <th>CAV</th> <th>CIRCUIT</th> <th>GAUGE</th> <th>COLOR</th> <th>TERMINAL</th> </tr> </thead> <tbody> <tr><td>A</td><td>B62AY</td><td>18</td><td>DKBL</td><td>3534164C1</td></tr> <tr><td>B</td><td>B62A</td><td>18</td><td>DKBL</td><td>3534164C1</td></tr> <tr><td>C</td><td>B62B</td><td>18</td><td>DKBL</td><td>3534164C1</td></tr> <tr><td>D</td><td>B62H</td><td>18</td><td>DKBL</td><td>3534164C1</td></tr> <tr><td>E</td><td>B62D</td><td>18</td><td>DKBL</td><td>3534164C1</td></tr> <tr><td>F</td><td>B62E</td><td>18</td><td>DKBL</td><td>3534164C1</td></tr> <tr><td>G</td><td>B62-GE</td><td>18</td><td>WH</td><td>3534164C1</td></tr> <tr><td>H</td><td>B62-GD</td><td>18</td><td>WH</td><td>3534164C1</td></tr> <tr><td>J</td><td>B62-GH</td><td>18</td><td>WH</td><td>3534164C1</td></tr> <tr><td>K</td><td>B62-GB</td><td>18</td><td>WH</td><td>3534164C1</td></tr> <tr><td>L</td><td>B62-GA</td><td>18</td><td>WH</td><td>3534164C1</td></tr> <tr><td>M</td><td>B62-GAY</td><td>18</td><td>WH</td><td>3534164C1</td></tr> </tbody> </table>				CAV	CIRCUIT	GAUGE	COLOR	TERMINAL	A	B62AY	18	DKBL	3534164C1	B	B62A	18	DKBL	3534164C1	C	B62B	18	DKBL	3534164C1	D	B62H	18	DKBL	3534164C1	E	B62D	18	DKBL	3534164C1	F	B62E	18	DKBL	3534164C1	G	B62-GE	18	WH	3534164C1	H	B62-GD	18	WH	3534164C1	J	B62-GH	18	WH	3534164C1	K	B62-GB	18	WH	3534164C1	L	B62-GA	18	WH	3534164C1	M	B62-GAY	18	WH	3534164C1
CAV	CIRCUIT	GAUGE	COLOR	TERMINAL																																																																				
A	B62AY	18	DKBL	3534164C1																																																																				
B	B62A	18	DKBL	3534164C1																																																																				
C	B62B	18	DKBL	3534164C1																																																																				
D	B62H	18	DKBL	3534164C1																																																																				
E	B62D	18	DKBL	3534164C1																																																																				
F	B62E	18	DKBL	3534164C1																																																																				
G	B62-GE	18	WH	3534164C1																																																																				
H	B62-GD	18	WH	3534164C1																																																																				
J	B62-GH	18	WH	3534164C1																																																																				
K	B62-GB	18	WH	3534164C1																																																																				
L	B62-GA	18	WH	3534164C1																																																																				
M	B62-GAY	18	WH	3534164C1																																																																				
CONNECTOR 3700745C1 BODY LOCK 3700749C1																																																																								
SW ILLUM (10328) (LOCATED NEAR DASH PANEL)																																																																								
				<table border="1" style="width:100%; border-collapse: collapse; font-size: 8px;"> <thead> <tr> <th>CAV</th> <th>CIRCUIT</th> <th>GAUGE</th> <th>COLOR</th> <th>TERMINAL</th> </tr> </thead> <tbody> <tr><td>A</td><td>B62AZ</td><td>18</td><td>DKBL</td><td>3534164C1</td></tr> <tr><td>B</td><td>B62J</td><td>18</td><td>DKBL</td><td>3534164C1</td></tr> <tr><td>C</td><td>B62U</td><td>18</td><td>DKBL</td><td>3534164C1</td></tr> <tr><td>D</td><td>B62BP</td><td>18</td><td>DKBL</td><td>3534164C1</td></tr> <tr><td>E</td><td>B62X</td><td>18</td><td>DKBL</td><td>3534164C1</td></tr> <tr><td>F</td><td>B62B</td><td>18</td><td>DKBL</td><td>3534164C1</td></tr> <tr><td>G</td><td>B62-GB</td><td>18</td><td>WH</td><td>3534164C1</td></tr> <tr><td>H</td><td>B62-GX</td><td>18</td><td>WH</td><td>3534164C1</td></tr> <tr><td>J</td><td>B62-GBP</td><td>18</td><td>WH</td><td>3534164C1</td></tr> <tr><td>K</td><td>B62-GU</td><td>18</td><td>WH</td><td>3534164C1</td></tr> <tr><td>L</td><td>B62-GJ</td><td>18</td><td>WH</td><td>3534164C1</td></tr> <tr><td>M</td><td>B62-GAZ</td><td>18</td><td>WH</td><td>3534164C1</td></tr> </tbody> </table>				CAV	CIRCUIT	GAUGE	COLOR	TERMINAL	A	B62AZ	18	DKBL	3534164C1	B	B62J	18	DKBL	3534164C1	C	B62U	18	DKBL	3534164C1	D	B62BP	18	DKBL	3534164C1	E	B62X	18	DKBL	3534164C1	F	B62B	18	DKBL	3534164C1	G	B62-GB	18	WH	3534164C1	H	B62-GX	18	WH	3534164C1	J	B62-GBP	18	WH	3534164C1	K	B62-GU	18	WH	3534164C1	L	B62-GJ	18	WH	3534164C1	M	B62-GAZ	18	WH	3534164C1
CAV	CIRCUIT	GAUGE	COLOR	TERMINAL																																																																				
A	B62AZ	18	DKBL	3534164C1																																																																				
B	B62J	18	DKBL	3534164C1																																																																				
C	B62U	18	DKBL	3534164C1																																																																				
D	B62BP	18	DKBL	3534164C1																																																																				
E	B62X	18	DKBL	3534164C1																																																																				
F	B62B	18	DKBL	3534164C1																																																																				
G	B62-GB	18	WH	3534164C1																																																																				
H	B62-GX	18	WH	3534164C1																																																																				
J	B62-GBP	18	WH	3534164C1																																																																				
K	B62-GU	18	WH	3534164C1																																																																				
L	B62-GJ	18	WH	3534164C1																																																																				
M	B62-GAZ	18	WH	3534164C1																																																																				
CONNECTOR 3700745C1 BODY LOCK 3700749C1																																																																								
SW ILLUM (10329) (LOCATED NEAR DASH PANEL)																																																																								
				<table border="1" style="width:100%; border-collapse: collapse; font-size: 8px;"> <thead> <tr> <th>CAV</th> <th>CIRCUIT</th> <th>GAUGE</th> <th>COLOR</th> <th>TERMINAL</th> </tr> </thead> <tbody> <tr><td>A</td><td>B62BA</td><td>18</td><td>DKBL</td><td>3534164C1</td></tr> <tr><td>B</td><td>B62Y</td><td>18</td><td>DKBL</td><td>3534164C1</td></tr> <tr><td>C</td><td>B62Z</td><td>18</td><td>DKBL</td><td>3534164C1</td></tr> <tr><td>D</td><td>B62AB</td><td>18</td><td>DKBL</td><td>3534164C1</td></tr> <tr><td>E</td><td>B62AC</td><td>18</td><td>DKBL</td><td>3534164C1</td></tr> <tr><td>F</td><td>B62AD</td><td>18</td><td>DKBL</td><td>3534164C1</td></tr> <tr><td>G</td><td>B62-GAD</td><td>18</td><td>WH</td><td>3534164C1</td></tr> <tr><td>H</td><td>B62-GAC</td><td>18</td><td>WH</td><td>3534164C1</td></tr> <tr><td>J</td><td>B62-GAB</td><td>18</td><td>WH</td><td>3534164C1</td></tr> <tr><td>K</td><td>B62-GZ</td><td>18</td><td>WH</td><td>3534164C1</td></tr> <tr><td>L</td><td>B62-GY</td><td>18</td><td>WH</td><td>3534164C1</td></tr> <tr><td>M</td><td>B62-GBA</td><td>18</td><td>WH</td><td>3534164C1</td></tr> </tbody> </table>				CAV	CIRCUIT	GAUGE	COLOR	TERMINAL	A	B62BA	18	DKBL	3534164C1	B	B62Y	18	DKBL	3534164C1	C	B62Z	18	DKBL	3534164C1	D	B62AB	18	DKBL	3534164C1	E	B62AC	18	DKBL	3534164C1	F	B62AD	18	DKBL	3534164C1	G	B62-GAD	18	WH	3534164C1	H	B62-GAC	18	WH	3534164C1	J	B62-GAB	18	WH	3534164C1	K	B62-GZ	18	WH	3534164C1	L	B62-GY	18	WH	3534164C1	M	B62-GBA	18	WH	3534164C1
CAV	CIRCUIT	GAUGE	COLOR	TERMINAL																																																																				
A	B62BA	18	DKBL	3534164C1																																																																				
B	B62Y	18	DKBL	3534164C1																																																																				
C	B62Z	18	DKBL	3534164C1																																																																				
D	B62AB	18	DKBL	3534164C1																																																																				
E	B62AC	18	DKBL	3534164C1																																																																				
F	B62AD	18	DKBL	3534164C1																																																																				
G	B62-GAD	18	WH	3534164C1																																																																				
H	B62-GAC	18	WH	3534164C1																																																																				
J	B62-GAB	18	WH	3534164C1																																																																				
K	B62-GZ	18	WH	3534164C1																																																																				
L	B62-GY	18	WH	3534164C1																																																																				
M	B62-GBA	18	WH	3534164C1																																																																				
CONNECTOR 3700745C1 BODY LOCK 3700749C1																																																																								
CHK	DATE	CHANGE	REV	REFERENCE	DRAWN	NAME																																																																		
012	05FEB14	UPDATED CONN 10328	B	92272N	300343	CIRCUIT DIAGRAM, BE,CE BUS																																																																		
					RELEASE NO.	DATE	PART NO.	SHEET																																																																
					73617K	12APR11	AE08065295	026																																																																

Figure 695 Connector Composites (10327, 10328, 10329)

24.28. CONNECTOR COMPOSITES (10330, 10331, 10332), P. 27

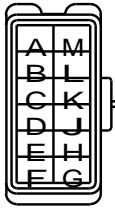
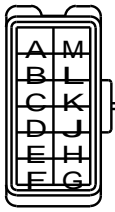
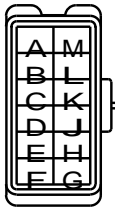
NAVISTAR, INC <small>THIS PRINT IS PROVIDED ON A RESTRICTED BASIS AND IS NOT TO BE USED IN ANY WAY DETRIMENTAL TO THE INTEREST OF NAVISTAR, INC.</small>		ELECTRICAL CIRCUIT DIAGRAM CHAPTER 24 CONNECTOR BODY COMPOSITE - MATING VIEW SHOWN																																																																																																					
<p style="text-align: center;">SWITCH ILLUMINATION (10330) (LOCATED NEAR DASH PANEL)</p>  <p style="text-align: center;">CONNECTOR 3700745C1 BODY LOCK 3700749C1</p>	<table border="1" style="width:100%; border-collapse: collapse;"> <thead> <tr> <th>CAV</th> <th>CIRCUIT</th> <th>GAUGE</th> <th>COLOR</th> <th>TERMINAL</th> </tr> </thead> <tbody> <tr><td>A</td><td>B62BB</td><td>18</td><td>DKBL</td><td>3534164C1</td></tr> <tr><td>B</td><td>B62AJ</td><td>18</td><td>DKBL</td><td>3534164C1</td></tr> <tr><td>C</td><td>B62AS</td><td>18</td><td>DKBL</td><td>3534164C1</td></tr> <tr><td>D</td><td>B62AT</td><td>18</td><td>DKBL</td><td>3534164C1</td></tr> <tr><td>E</td><td>B62AW</td><td>18</td><td>DKBL</td><td>3534164C1</td></tr> <tr><td>F*</td><td>B62AR</td><td>18</td><td>DKBL</td><td>3534164C1</td></tr> <tr><td>F*</td><td>B62AC</td><td>18</td><td>DKBL</td><td>3534164C1</td></tr> <tr><td>F</td><td>B62AD</td><td>18</td><td>DKBL</td><td>3534164C1</td></tr> <tr><td>F</td><td>B62AG</td><td>18</td><td>DKBL</td><td>3534164C1</td></tr> <tr><td>G*</td><td>B62-GAR</td><td>18</td><td>WH</td><td>3534164C1</td></tr> <tr><td>G*</td><td>B62-GAC</td><td>18</td><td>WH</td><td>3534164C1</td></tr> <tr><td>G</td><td>B62-GAD</td><td>18</td><td>WH</td><td>3534164C1</td></tr> <tr><td>G</td><td>B62-GAG</td><td>18</td><td>WH</td><td>3534164C1</td></tr> <tr><td>H</td><td>B62-GAW</td><td>18</td><td>WH</td><td>3534164C1</td></tr> <tr><td>J</td><td>B62-GAC</td><td>18</td><td>WH</td><td>3534164C1</td></tr> <tr><td>J</td><td>B62-GBG</td><td>18</td><td>WH</td><td>3534164C1</td></tr> <tr><td>K</td><td>B62-GAS</td><td>18</td><td>WH</td><td>3534164C1</td></tr> <tr><td>L</td><td>B62-GAJ</td><td>18</td><td>WH</td><td>3534164C1</td></tr> <tr><td>M</td><td>B62-GBB</td><td>18</td><td>WH</td><td>3534164C1</td></tr> </tbody> </table> <p style="text-align: center;">* MUTUALLY EXCLUSIVE</p>			CAV	CIRCUIT	GAUGE	COLOR	TERMINAL	A	B62BB	18	DKBL	3534164C1	B	B62AJ	18	DKBL	3534164C1	C	B62AS	18	DKBL	3534164C1	D	B62AT	18	DKBL	3534164C1	E	B62AW	18	DKBL	3534164C1	F*	B62AR	18	DKBL	3534164C1	F*	B62AC	18	DKBL	3534164C1	F	B62AD	18	DKBL	3534164C1	F	B62AG	18	DKBL	3534164C1	G*	B62-GAR	18	WH	3534164C1	G*	B62-GAC	18	WH	3534164C1	G	B62-GAD	18	WH	3534164C1	G	B62-GAG	18	WH	3534164C1	H	B62-GAW	18	WH	3534164C1	J	B62-GAC	18	WH	3534164C1	J	B62-GBG	18	WH	3534164C1	K	B62-GAS	18	WH	3534164C1	L	B62-GAJ	18	WH	3534164C1	M	B62-GBB	18	WH	3534164C1
CAV	CIRCUIT	GAUGE	COLOR	TERMINAL																																																																																																			
A	B62BB	18	DKBL	3534164C1																																																																																																			
B	B62AJ	18	DKBL	3534164C1																																																																																																			
C	B62AS	18	DKBL	3534164C1																																																																																																			
D	B62AT	18	DKBL	3534164C1																																																																																																			
E	B62AW	18	DKBL	3534164C1																																																																																																			
F*	B62AR	18	DKBL	3534164C1																																																																																																			
F*	B62AC	18	DKBL	3534164C1																																																																																																			
F	B62AD	18	DKBL	3534164C1																																																																																																			
F	B62AG	18	DKBL	3534164C1																																																																																																			
G*	B62-GAR	18	WH	3534164C1																																																																																																			
G*	B62-GAC	18	WH	3534164C1																																																																																																			
G	B62-GAD	18	WH	3534164C1																																																																																																			
G	B62-GAG	18	WH	3534164C1																																																																																																			
H	B62-GAW	18	WH	3534164C1																																																																																																			
J	B62-GAC	18	WH	3534164C1																																																																																																			
J	B62-GBG	18	WH	3534164C1																																																																																																			
K	B62-GAS	18	WH	3534164C1																																																																																																			
L	B62-GAJ	18	WH	3534164C1																																																																																																			
M	B62-GBB	18	WH	3534164C1																																																																																																			
<p style="text-align: center;">SWITCH ILLUMINATION (10331) (LOCATED NEAR DASH PANEL)</p>  <p style="text-align: center;">CONNECTOR 3700745C1 BODY LOCK 3700749C1</p>	<table border="1" style="width:100%; border-collapse: collapse;"> <thead> <tr> <th>CAV</th> <th>CIRCUIT</th> <th>GAUGE</th> <th>COLOR</th> <th>TERMINAL</th> </tr> </thead> <tbody> <tr><td>A</td><td>B62BC</td><td>18</td><td>DKBL</td><td>3534164C1</td></tr> <tr><td>B</td><td>B62C</td><td>18</td><td>DKBL</td><td>3534164C1</td></tr> <tr><td>C</td><td>B62F</td><td>18</td><td>DKBL</td><td>3534164C1</td></tr> <tr><td>D</td><td>B62T</td><td>18</td><td>DKBL</td><td>3534164C1</td></tr> <tr><td>E</td><td>B62K</td><td>18</td><td>DKBL</td><td>3534164C1</td></tr> <tr><td>F</td><td>B62L</td><td>18</td><td>DKBL</td><td>3534164C1</td></tr> <tr><td>G</td><td>B62-GL</td><td>18</td><td>WH</td><td>3534164C1</td></tr> <tr><td>H</td><td>B62-GK</td><td>18</td><td>WH</td><td>3534164C1</td></tr> <tr><td>J</td><td>B62-GT</td><td>18</td><td>WH</td><td>3534164C1</td></tr> <tr><td>K</td><td>B62-GF</td><td>18</td><td>WH</td><td>3534164C1</td></tr> <tr><td>L</td><td>B62-GC</td><td>18</td><td>WH</td><td>3534164C1</td></tr> <tr><td>M</td><td>B62-GBC</td><td>18</td><td>WH</td><td>3534164C1</td></tr> </tbody> </table>			CAV	CIRCUIT	GAUGE	COLOR	TERMINAL	A	B62BC	18	DKBL	3534164C1	B	B62C	18	DKBL	3534164C1	C	B62F	18	DKBL	3534164C1	D	B62T	18	DKBL	3534164C1	E	B62K	18	DKBL	3534164C1	F	B62L	18	DKBL	3534164C1	G	B62-GL	18	WH	3534164C1	H	B62-GK	18	WH	3534164C1	J	B62-GT	18	WH	3534164C1	K	B62-GF	18	WH	3534164C1	L	B62-GC	18	WH	3534164C1	M	B62-GBC	18	WH	3534164C1																																			
CAV	CIRCUIT	GAUGE	COLOR	TERMINAL																																																																																																			
A	B62BC	18	DKBL	3534164C1																																																																																																			
B	B62C	18	DKBL	3534164C1																																																																																																			
C	B62F	18	DKBL	3534164C1																																																																																																			
D	B62T	18	DKBL	3534164C1																																																																																																			
E	B62K	18	DKBL	3534164C1																																																																																																			
F	B62L	18	DKBL	3534164C1																																																																																																			
G	B62-GL	18	WH	3534164C1																																																																																																			
H	B62-GK	18	WH	3534164C1																																																																																																			
J	B62-GT	18	WH	3534164C1																																																																																																			
K	B62-GF	18	WH	3534164C1																																																																																																			
L	B62-GC	18	WH	3534164C1																																																																																																			
M	B62-GBC	18	WH	3534164C1																																																																																																			
<p style="text-align: center;">SWITCH ILLUMINATION (10332) (LOCATED NEAR DASH PANEL)</p>  <p style="text-align: center;">CONNECTOR 3700745C1 BODY LOCK 3700749C1</p>	<table border="1" style="width:100%; border-collapse: collapse;"> <thead> <tr> <th>CAV</th> <th>CIRCUIT</th> <th>GAUGE</th> <th>COLOR</th> <th>TERMINAL</th> </tr> </thead> <tbody> <tr><td>A</td><td>B62BD</td><td>18</td><td>DKBL</td><td>3534164C1</td></tr> <tr><td>B</td><td>B62M</td><td>18</td><td>DKBL</td><td>3534164C1</td></tr> <tr><td>C*</td><td>B62N</td><td>18</td><td>DKBL</td><td>3534164C1</td></tr> <tr><td>C#</td><td>B62BJ</td><td>18</td><td>DKBL</td><td>3534164C1</td></tr> <tr><td>D</td><td>B62P</td><td>18</td><td>DKBL</td><td>3534164C1</td></tr> <tr><td>E</td><td>B62R</td><td>18</td><td>DKBL</td><td>3534164C1</td></tr> <tr><td>F</td><td>B62S</td><td>18</td><td>DKBL</td><td>3534164C1</td></tr> <tr><td>G</td><td>B62-GS</td><td>18</td><td>WH</td><td>3534164C1</td></tr> <tr><td>H</td><td>B62-GR</td><td>18</td><td>WH</td><td>3534164C1</td></tr> <tr><td>J</td><td>B62-GP</td><td>18</td><td>WH</td><td>3534164C1</td></tr> <tr><td>K*</td><td>B62-GN</td><td>18</td><td>WH</td><td>3534164C1</td></tr> <tr><td>K#</td><td>B62-GBJ</td><td>18</td><td>WH</td><td>3534164C1</td></tr> <tr><td>L</td><td>B62-GM</td><td>18</td><td>WH</td><td>3534164C1</td></tr> <tr><td>M</td><td>B62-GBD</td><td>18</td><td>WH</td><td>3534164C1</td></tr> </tbody> </table> <p style="text-align: center;">* LEFT REAR PASSENGER HEATER W/ DUAL SWITCH # CONVECTION HEATERS</p>			CAV	CIRCUIT	GAUGE	COLOR	TERMINAL	A	B62BD	18	DKBL	3534164C1	B	B62M	18	DKBL	3534164C1	C*	B62N	18	DKBL	3534164C1	C#	B62BJ	18	DKBL	3534164C1	D	B62P	18	DKBL	3534164C1	E	B62R	18	DKBL	3534164C1	F	B62S	18	DKBL	3534164C1	G	B62-GS	18	WH	3534164C1	H	B62-GR	18	WH	3534164C1	J	B62-GP	18	WH	3534164C1	K*	B62-GN	18	WH	3534164C1	K#	B62-GBJ	18	WH	3534164C1	L	B62-GM	18	WH	3534164C1	M	B62-GBD	18	WH	3534164C1																									
CAV	CIRCUIT	GAUGE	COLOR	TERMINAL																																																																																																			
A	B62BD	18	DKBL	3534164C1																																																																																																			
B	B62M	18	DKBL	3534164C1																																																																																																			
C*	B62N	18	DKBL	3534164C1																																																																																																			
C#	B62BJ	18	DKBL	3534164C1																																																																																																			
D	B62P	18	DKBL	3534164C1																																																																																																			
E	B62R	18	DKBL	3534164C1																																																																																																			
F	B62S	18	DKBL	3534164C1																																																																																																			
G	B62-GS	18	WH	3534164C1																																																																																																			
H	B62-GR	18	WH	3534164C1																																																																																																			
J	B62-GP	18	WH	3534164C1																																																																																																			
K*	B62-GN	18	WH	3534164C1																																																																																																			
K#	B62-GBJ	18	WH	3534164C1																																																																																																			
L	B62-GM	18	WH	3534164C1																																																																																																			
M	B62-GBD	18	WH	3534164C1																																																																																																			
<table border="1" style="width:100%; border-collapse: collapse;"> <tr> <th>CHK</th> <th>DATE</th> <th>CHANGE</th> <th>REV</th> <th>REFERENCE</th> </tr> <tr> <td>MJV</td> <td>03JUN16</td> <td>REVISED AND REDRAWN.</td> <td>B</td> <td>93408P</td> </tr> </table>	CHK	DATE	CHANGE	REV	REFERENCE	MJV	03JUN16	REVISED AND REDRAWN.	B	93408P	<table border="1" style="width:100%; border-collapse: collapse;"> <tr> <th>DRAWN</th> <th>NAME</th> </tr> <tr> <td>300343</td> <td>CIRCUIT DIAGRAM, BE,CE BUS</td> </tr> </table>	DRAWN	NAME	300343	CIRCUIT DIAGRAM, BE,CE BUS	<table border="1" style="width:100%; border-collapse: collapse;"> <tr> <th>RELEASE NO.</th> <th>DATE</th> <th>PART NO.</th> <th>SHEET</th> </tr> <tr> <td>73617K</td> <td>12APR11</td> <td>AE08065295</td> <td>027</td> </tr> </table>	RELEASE NO.	DATE	PART NO.	SHEET	73617K	12APR11	AE08065295	027																																																																															
CHK	DATE	CHANGE	REV	REFERENCE																																																																																																			
MJV	03JUN16	REVISED AND REDRAWN.	B	93408P																																																																																																			
DRAWN	NAME																																																																																																						
300343	CIRCUIT DIAGRAM, BE,CE BUS																																																																																																						
RELEASE NO.	DATE	PART NO.	SHEET																																																																																																				
73617K	12APR11	AE08065295	027																																																																																																				

Figure 696 Connector Composites (10330, 10331, 10332)

24.29. CONNECTOR COMPOSITES (10333, 10334, 10335A), P. 28

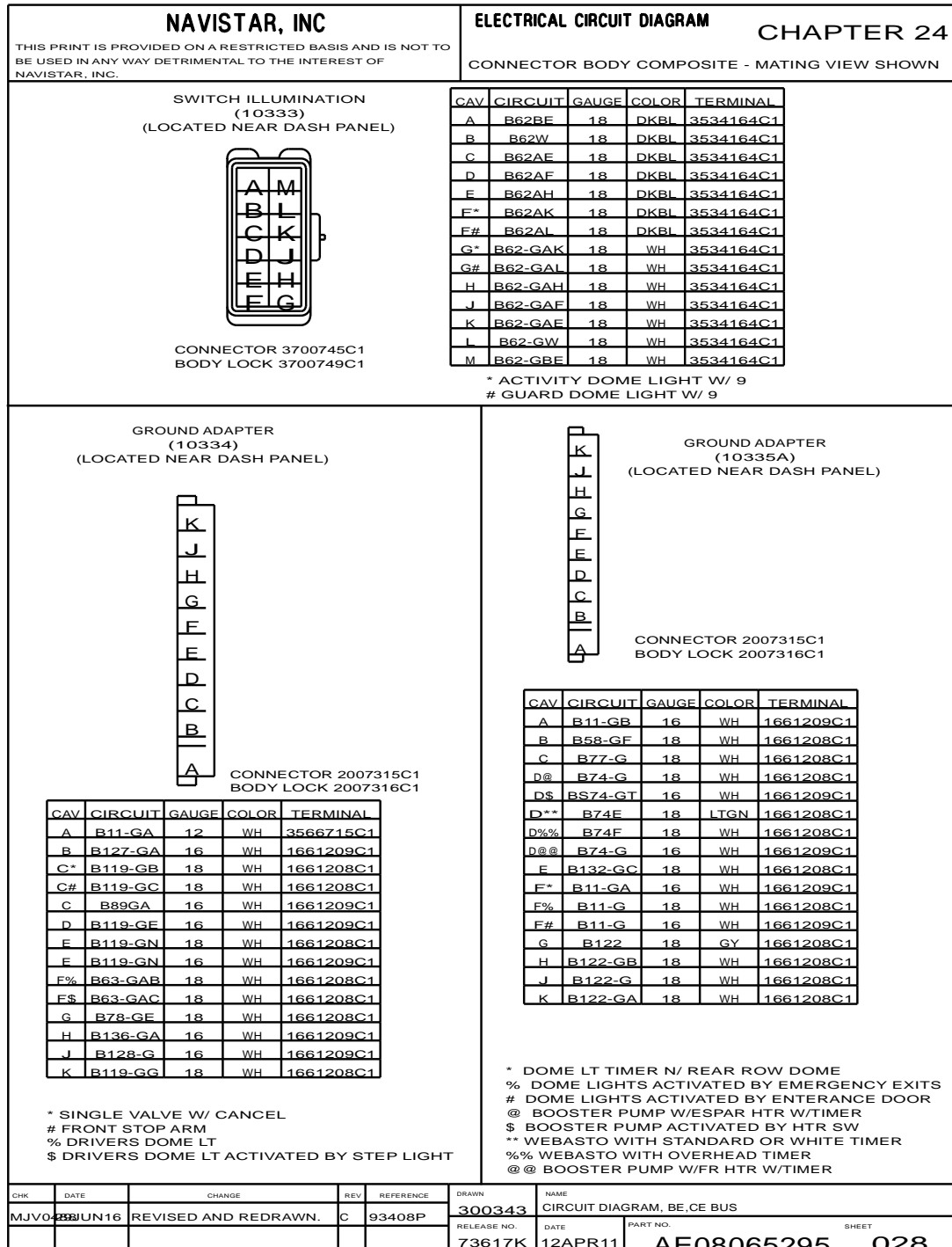


Figure 697 Connector Composites (10333, 10334, 10335A)

24.30. CONNECTOR COMPOSITES (10335B, 10336), P. 29

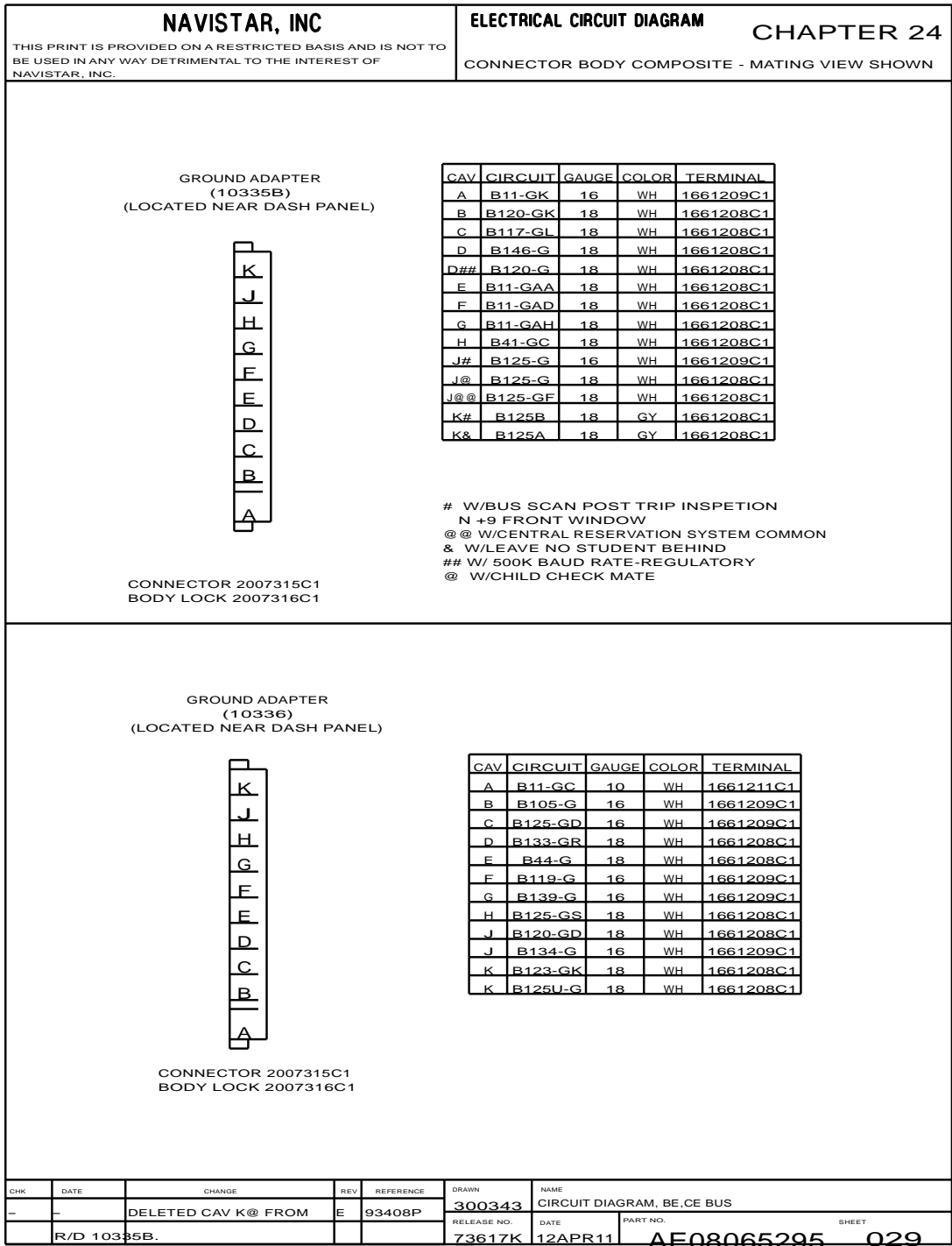


Figure 698 Connector Composites (10335B, 10336)

24.31. CONNECTOR COMPOSITES (10337, 10341, 10344, 10345), P. 30

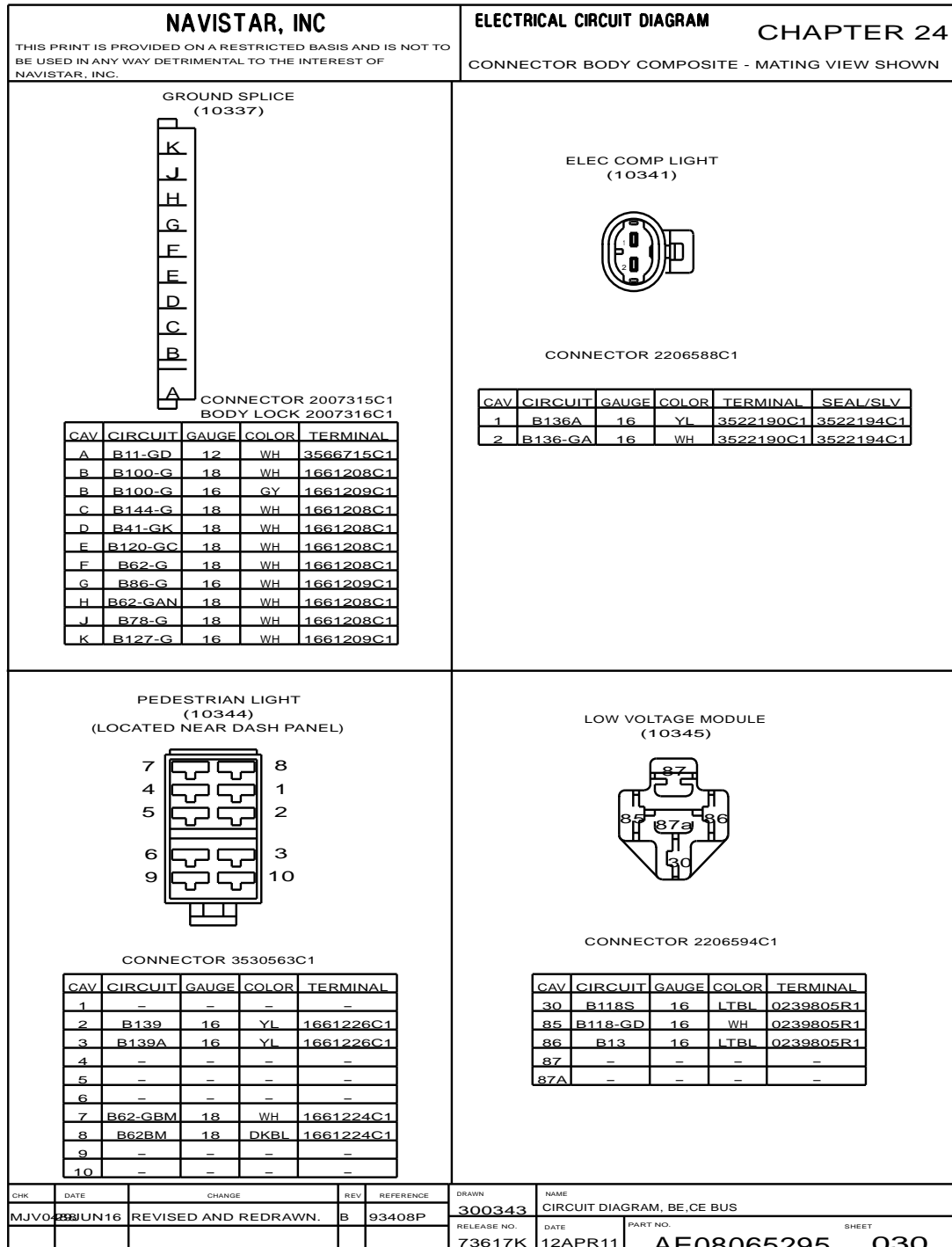


Figure 699 Connector Composites (10337, 10341, 10344, 10345)

24.32. CONNECTOR COMPOSITES (10350A, 10350B), P. 31

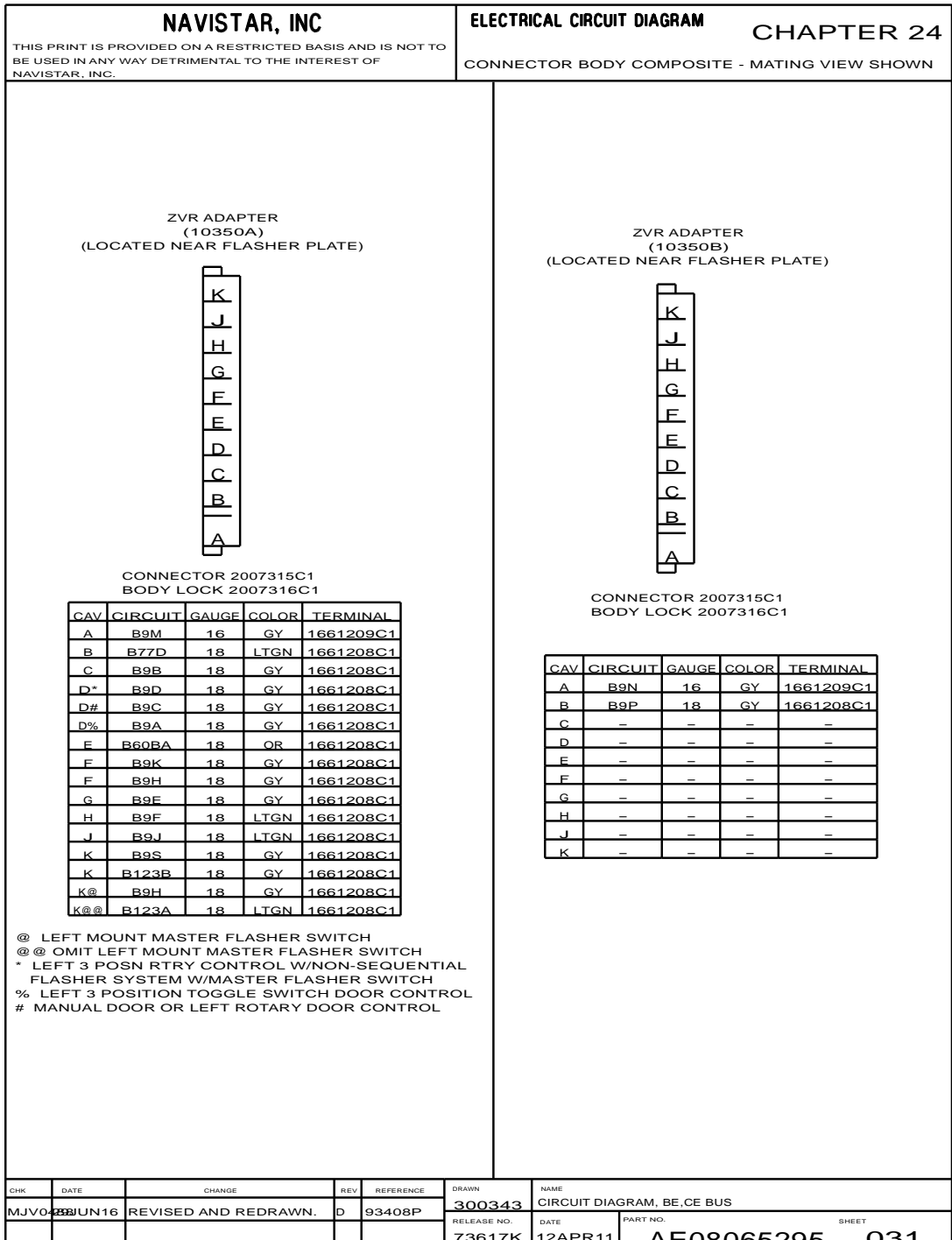


Figure 700 Connector Composites (10350A, 10350B)

24.33. CONNECTOR COMPOSITES (10353), P. 32

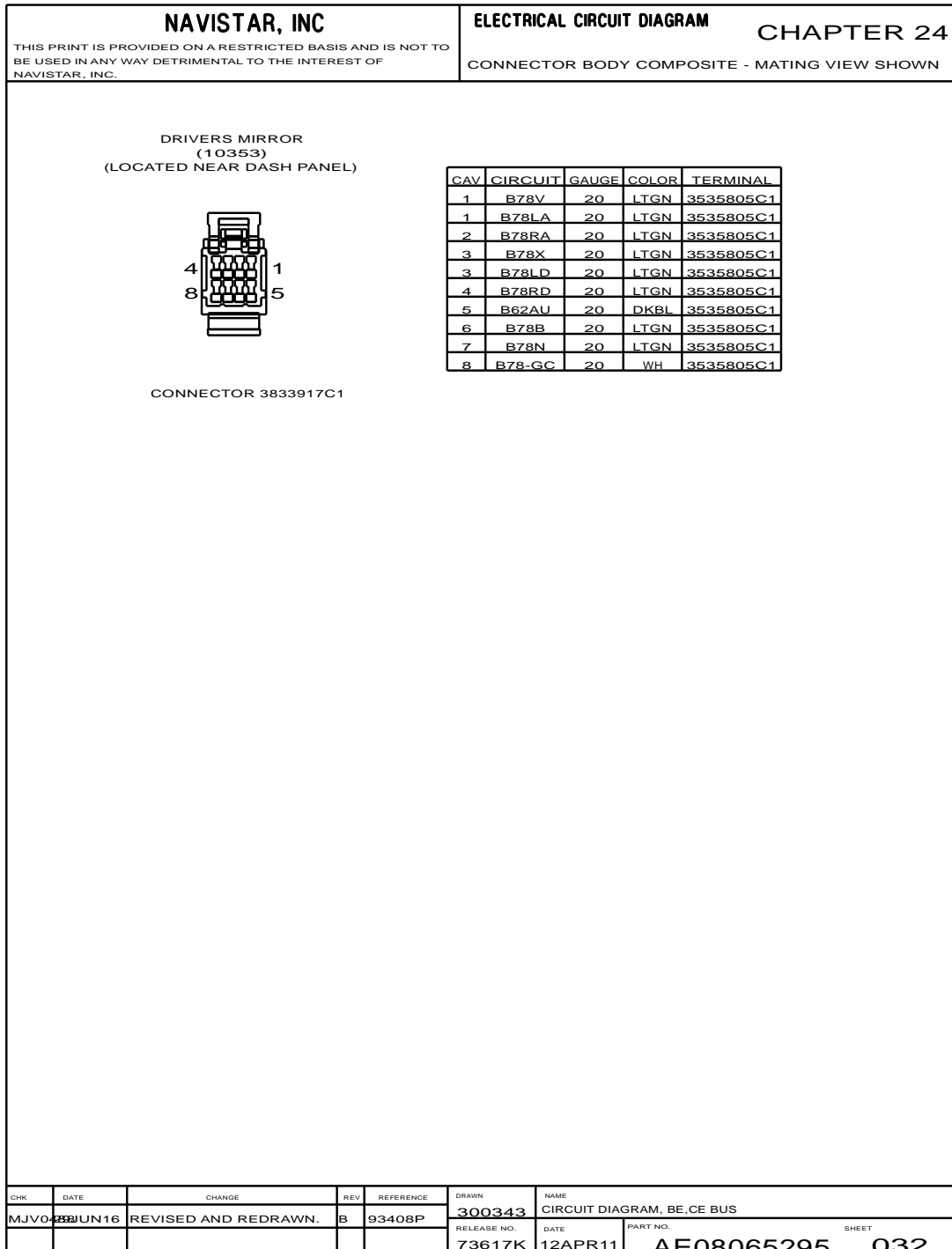
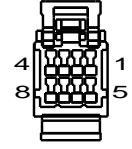


Figure 701 Connector Composites (10353)

24.34. CONNECTOR COMPOSITES (10354, 10355, 10356), P. 33

NAVISTAR, INC				ELECTRICAL CIRCUIT DIAGRAM		CHAPTER 24	
THIS PRINT IS PROVIDED ON A RESTRICTED BASIS AND IS NOT TO BE USED IN ANY WAY DETRIMENTAL TO THE INTEREST OF NAVISTAR, INC.				CONNECTOR BODY COMPOSITE - MATING VIEW SHOWN			

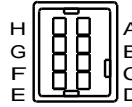
PASSENGER MIRROR
(10354)
(LOCATED NEAR DASH PANEL)



CONNECTOR 3833917C1

CAV	CIRCUIT	GAUGE	COLOR	TERMINAL
1	B78Z	20	LTGN	3535805C1
1	B78LC	20	LTGN	3535805C1
2	B78RC	20	LTGN	3535805C1
3	B78AB	20	LTGN	3535805C1
3	B78LF	20	LTGN	3535805C1
4	B78RF	20	LTGN	3535805C1
5	B62AV	20	DKBL	3535805C1
6	B78C	20	LTGN	3535805C1
7	B78S	20	LTGN	3535805C1
8	B78-GD	20	WH	3535805C1

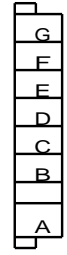
DRIVERS MIRROR
(10355)
(LOCATED NEAR ELECTRICAL PANEL PLATFORM)



CONNECTOR 3515763C1
BODY LOCK 3515765C1

CAV	CIRCUIT	GAUGE	COLOR	TERMINAL
A	B78V	20	LTGN	3534481C1
B	B78T	18	LTGN	1661262C1
C	B78Z	20	LTGN	3534481C1
D	B78X	20	LTGN	3534481C1
E	B78P	18	LTGN	1661262C1
F	B78AB	20	LTGN	3534481C1
G	B78F	18	LTGN	1661262C1
H	B78-GA	18	WH	1661262C1

HEATED MIRROR SPLICE
(10356)
(LOCATED NEAR FLASHER PLATE)



CONNECTOR 2006789C1
BODY LOCK 2006792C1

CAV	CIRCUIT	GAUGE	COLOR	TERMINAL
A	B78B	18	LTGN	1661208C1
B	B78C	18	LTGN	1661208C1
B	B78F	18	LTGN	1661208C1
C*	B78D	18	LTGN	1661208C1
D	B78J	18	LTGN	1661208C1
E	B78AD	18	LTGN	1661208C1
F	-	-	-	-
G	-	-	-	-

* MUTUALLY EXCLUSIVE

CHK	DATE	CHANGE	REV	REFERENCE	DRAWN	NAME
					300343	CIRCUIT DIAGRAM, BE,CE BUS
MJV	23 JUN 16	REVISED AND REDRAWN.	B	93408P	RELEASE NO.	DATE
					73617K	12 APR 11
					PART NO.	SHEET
					AE08065295	033

Figure 702 Connector Composites (10354, 10355, 10356)

24.35. CONNECTOR COMPOSITES (10357, 10358, 10358A, 10358B), P. 34

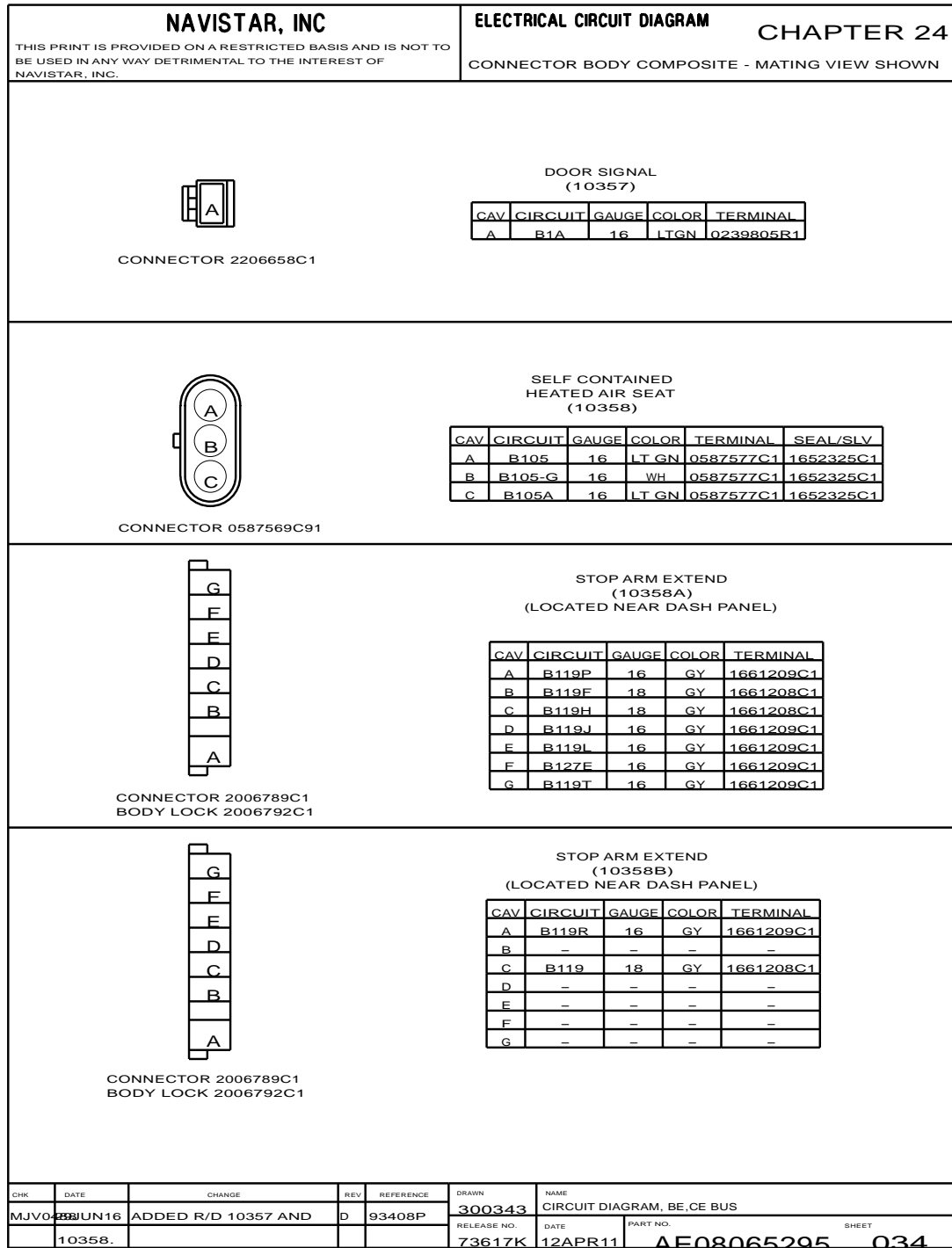


Figure 703 Connector Composites (10357, 10358, 10358A, 10358B)

24.36. CONNECTOR COMPOSITES (10359, 10360A, 10360R, 10361), P. 35

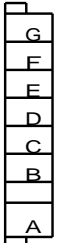
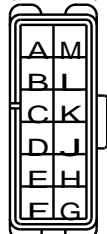
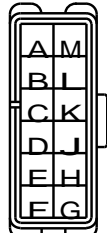
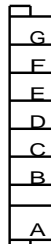
NAVISTAR, INC				ELECTRICAL CIRCUIT DIAGRAM				CHAPTER 24																																																																																			
THIS PRINT IS PROVIDED ON A RESTRICTED BASIS AND IS NOT TO BE USED IN ANY WAY DETRIMENTAL TO THE INTEREST OF NAVISTAR, INC.				CONNECTOR BODY COMPOSITE - MATING VIEW SHOWN																																																																																							
 <p style="text-align: center;">CONNECTOR 2006789C1 BODY LOCK 2006792C1</p>				<p>STOP ARM POWER (10359) (LOCATED NEAR FLASHER PLATE)</p> <table border="1" style="width:100%; border-collapse: collapse; font-size: x-small;"> <thead> <tr> <th>CAV</th> <th>CIRCUIT</th> <th>GAUGE</th> <th>COLOR</th> <th>TERMINAL</th> </tr> </thead> <tbody> <tr><td>A</td><td>B119</td><td>16</td><td>GY</td><td>1661209C1</td></tr> <tr><td>B</td><td>B119E</td><td>18</td><td>GY</td><td>1661208C1</td></tr> <tr><td>C</td><td>B119A</td><td>16</td><td>GY</td><td>1661209C1</td></tr> <tr><td>D</td><td>B119K</td><td>16</td><td>GY</td><td>1661209C1</td></tr> <tr><td>E</td><td>-</td><td>-</td><td>-</td><td>-</td></tr> <tr><td>F</td><td>-</td><td>-</td><td>-</td><td>-</td></tr> <tr><td>G</td><td>-</td><td>-</td><td>-</td><td>-</td></tr> </tbody> </table>								CAV	CIRCUIT	GAUGE	COLOR	TERMINAL	A	B119	16	GY	1661209C1	B	B119E	18	GY	1661208C1	C	B119A	16	GY	1661209C1	D	B119K	16	GY	1661209C1	E	-	-	-	-	F	-	-	-	-	G	-	-	-	-																																								
CAV	CIRCUIT	GAUGE	COLOR	TERMINAL																																																																																							
A	B119	16	GY	1661209C1																																																																																							
B	B119E	18	GY	1661208C1																																																																																							
C	B119A	16	GY	1661209C1																																																																																							
D	B119K	16	GY	1661209C1																																																																																							
E	-	-	-	-																																																																																							
F	-	-	-	-																																																																																							
G	-	-	-	-																																																																																							
<p>AMBER PWL SPL (10360A)</p>  <p style="text-align: center;">CONNECTOR 3601838C1 BODY LOCK 3601839C1</p>				<table border="1" style="width:100%; border-collapse: collapse; font-size: x-small;"> <thead> <tr> <th>CAV</th> <th>CIRCUIT</th> <th>GAUGE</th> <th>COLOR</th> <th>TERMINAL</th> </tr> </thead> <tbody> <tr><td>A</td><td>B89FA</td><td>16</td><td>OR</td><td>3534165C1</td></tr> <tr><td>A</td><td>B128LA</td><td>16</td><td>OR</td><td>3534165C1</td></tr> <tr><td>B</td><td>B89F</td><td>16</td><td>OR</td><td>3534165C1</td></tr> <tr><td>B</td><td>B119S</td><td>18</td><td>GY</td><td>3534164C1</td></tr> <tr><td>C</td><td>B89I</td><td>16</td><td>OR</td><td>3534165C1</td></tr> <tr><td>D</td><td>B89RFA</td><td>16</td><td>OR</td><td>3534165C1</td></tr> <tr><td>D</td><td>B128RA</td><td>16</td><td>OR</td><td>3534165C1</td></tr> <tr><td>E</td><td>-</td><td>-</td><td>-</td><td>-</td></tr> <tr><td>F</td><td>B89J</td><td>16</td><td>OR</td><td>3534165C1</td></tr> <tr><td>G</td><td>B89K</td><td>16</td><td>OR</td><td>3534165C1</td></tr> <tr><td>H</td><td>B89AA</td><td>16</td><td>OR</td><td>3534165C1</td></tr> <tr><td>J</td><td>B89RRA</td><td>16</td><td>OR</td><td>3534165C1</td></tr> <tr><td>K</td><td>B89M</td><td>16</td><td>OR</td><td>3534165C1</td></tr> <tr><td>L</td><td>B89AD</td><td>16</td><td>OR</td><td>3534165C1</td></tr> <tr><td>M</td><td>B89LRA</td><td>16</td><td>OR</td><td>3534165C1</td></tr> </tbody> </table>								CAV	CIRCUIT	GAUGE	COLOR	TERMINAL	A	B89FA	16	OR	3534165C1	A	B128LA	16	OR	3534165C1	B	B89F	16	OR	3534165C1	B	B119S	18	GY	3534164C1	C	B89I	16	OR	3534165C1	D	B89RFA	16	OR	3534165C1	D	B128RA	16	OR	3534165C1	E	-	-	-	-	F	B89J	16	OR	3534165C1	G	B89K	16	OR	3534165C1	H	B89AA	16	OR	3534165C1	J	B89RRA	16	OR	3534165C1	K	B89M	16	OR	3534165C1	L	B89AD	16	OR	3534165C1	M	B89LRA	16	OR	3534165C1
CAV	CIRCUIT	GAUGE	COLOR	TERMINAL																																																																																							
A	B89FA	16	OR	3534165C1																																																																																							
A	B128LA	16	OR	3534165C1																																																																																							
B	B89F	16	OR	3534165C1																																																																																							
B	B119S	18	GY	3534164C1																																																																																							
C	B89I	16	OR	3534165C1																																																																																							
D	B89RFA	16	OR	3534165C1																																																																																							
D	B128RA	16	OR	3534165C1																																																																																							
E	-	-	-	-																																																																																							
F	B89J	16	OR	3534165C1																																																																																							
G	B89K	16	OR	3534165C1																																																																																							
H	B89AA	16	OR	3534165C1																																																																																							
J	B89RRA	16	OR	3534165C1																																																																																							
K	B89M	16	OR	3534165C1																																																																																							
L	B89AD	16	OR	3534165C1																																																																																							
M	B89LRA	16	OR	3534165C1																																																																																							
<p>RED PWL SPL (10360R)</p>  <p style="text-align: center;">CONNECTOR 3601838C1 BODY LOCK 3601839C1</p>				<table border="1" style="width:100%; border-collapse: collapse; font-size: x-small;"> <thead> <tr> <th>CAV</th> <th>CIRCUIT</th> <th>GAUGE</th> <th>COLOR</th> <th>TERMINAL</th> </tr> </thead> <tbody> <tr><td>A</td><td>B89LFR</td><td>16</td><td>OR</td><td>3534165C1</td></tr> <tr><td>A</td><td>B128LR</td><td>16</td><td>OR</td><td>3534165C1</td></tr> <tr><td>B</td><td>B89E</td><td>16</td><td>OR</td><td>3534165C1</td></tr> <tr><td>C</td><td>B89S</td><td>16</td><td>OR</td><td>3534165C1</td></tr> <tr><td>D</td><td>B89RFR</td><td>16</td><td>OR</td><td>3534165C1</td></tr> <tr><td>D</td><td>B89RR</td><td>16</td><td>OR</td><td>3534165C1</td></tr> <tr><td>E</td><td>-</td><td>-</td><td>-</td><td>-</td></tr> <tr><td>F</td><td>B89N</td><td>16</td><td>OR</td><td>3534165C1</td></tr> <tr><td>G</td><td>PM89R</td><td>16</td><td>OR</td><td>3534165C1</td></tr> <tr><td>H</td><td>B89AB</td><td>16</td><td>OR</td><td>3534165C1</td></tr> <tr><td>J</td><td>B89RRR</td><td>16</td><td>OR</td><td>3534165C1</td></tr> <tr><td>K</td><td>B89U</td><td>16</td><td>OR</td><td>3534165C1</td></tr> <tr><td>L</td><td>B89AC</td><td>16</td><td>OR</td><td>3534165C1</td></tr> <tr><td>M</td><td>B89LRR</td><td>16</td><td>OR</td><td>3534165C1</td></tr> </tbody> </table>								CAV	CIRCUIT	GAUGE	COLOR	TERMINAL	A	B89LFR	16	OR	3534165C1	A	B128LR	16	OR	3534165C1	B	B89E	16	OR	3534165C1	C	B89S	16	OR	3534165C1	D	B89RFR	16	OR	3534165C1	D	B89RR	16	OR	3534165C1	E	-	-	-	-	F	B89N	16	OR	3534165C1	G	PM89R	16	OR	3534165C1	H	B89AB	16	OR	3534165C1	J	B89RRR	16	OR	3534165C1	K	B89U	16	OR	3534165C1	L	B89AC	16	OR	3534165C1	M	B89LRR	16	OR	3534165C1					
CAV	CIRCUIT	GAUGE	COLOR	TERMINAL																																																																																							
A	B89LFR	16	OR	3534165C1																																																																																							
A	B128LR	16	OR	3534165C1																																																																																							
B	B89E	16	OR	3534165C1																																																																																							
C	B89S	16	OR	3534165C1																																																																																							
D	B89RFR	16	OR	3534165C1																																																																																							
D	B89RR	16	OR	3534165C1																																																																																							
E	-	-	-	-																																																																																							
F	B89N	16	OR	3534165C1																																																																																							
G	PM89R	16	OR	3534165C1																																																																																							
H	B89AB	16	OR	3534165C1																																																																																							
J	B89RRR	16	OR	3534165C1																																																																																							
K	B89U	16	OR	3534165C1																																																																																							
L	B89AC	16	OR	3534165C1																																																																																							
M	B89LRR	16	OR	3534165C1																																																																																							
 <p style="text-align: center;">CONNECTOR 2006789C1 BODY LOCK 2006792C1</p>				<p>BOOSTER PUMP RELAY SPLICE (10361)</p> <table border="1" style="width:100%; border-collapse: collapse; font-size: x-small;"> <thead> <tr> <th>CAV</th> <th>CIRCUIT</th> <th>GAUGE</th> <th>COLOR</th> <th>TERMINAL</th> </tr> </thead> <tbody> <tr><td>A</td><td>B74T</td><td>16</td><td>LTGN</td><td>1661209C1</td></tr> <tr><td>B</td><td>B75AD</td><td>16</td><td>LTGN</td><td>1661209C1</td></tr> <tr><td>C</td><td>B75AR</td><td>16</td><td>LTGN</td><td>1661209C1</td></tr> <tr><td>D</td><td>B75AP</td><td>16</td><td>LTGN</td><td>1661209C1</td></tr> <tr><td>E</td><td>B75AN</td><td>16</td><td>LTGN</td><td>1661209C1</td></tr> <tr><td>F</td><td>B75AH</td><td>16</td><td>LTGN</td><td>1661209C1</td></tr> </tbody> </table>								CAV	CIRCUIT	GAUGE	COLOR	TERMINAL	A	B74T	16	LTGN	1661209C1	B	B75AD	16	LTGN	1661209C1	C	B75AR	16	LTGN	1661209C1	D	B75AP	16	LTGN	1661209C1	E	B75AN	16	LTGN	1661209C1	F	B75AH	16	LTGN	1661209C1																																													
CAV	CIRCUIT	GAUGE	COLOR	TERMINAL																																																																																							
A	B74T	16	LTGN	1661209C1																																																																																							
B	B75AD	16	LTGN	1661209C1																																																																																							
C	B75AR	16	LTGN	1661209C1																																																																																							
D	B75AP	16	LTGN	1661209C1																																																																																							
E	B75AN	16	LTGN	1661209C1																																																																																							
F	B75AH	16	LTGN	1661209C1																																																																																							
CHK	DATE	CHANGE	REV	REFERENCE	DRAWN	NAME																																																																																					
MJVO	03JUN16	REVISED AND REDRAWN.	D	93408P	300343	CIRCUIT DIAGRAM, BE,CE BUS																																																																																					
					RELEASE NO.	DATE	PART NO.	SHEET																																																																																			
					73617K	12APR11	AE08065295	035																																																																																			

Figure 704 Connector Composites (10359, 10360A, 10360R, 10361)

24.37. CONNECTOR COMPOSITES (10362, 10363, 10364, 10365, 10366), P. 36

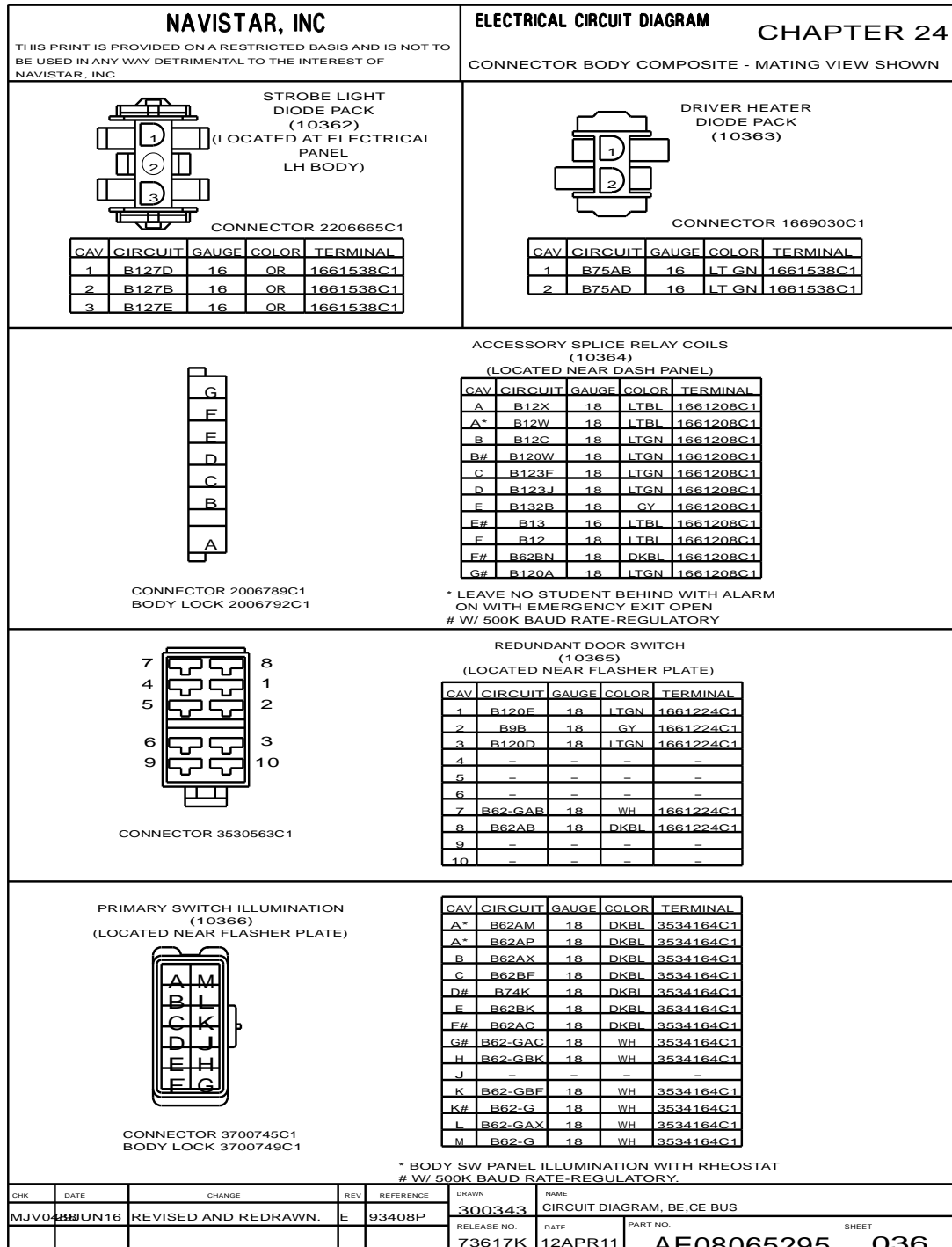
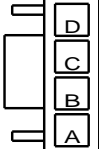


Figure 705 Connector Composites (10362, 10363, 10364, 10365, 10366)

24.38. CONNECTOR COMPOSITES (10367, 10368, 10369, 10370), P. 37

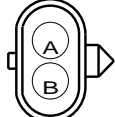
NAVISTAR, INC		ELECTRICAL CIRCUIT DIAGRAM		CHAPTER 24	
THIS PRINT IS PROVIDED ON A RESTRICTED BASIS AND IS NOT TO BE USED IN ANY WAY DETRIMENTAL TO THE INTEREST OF NAVISTAR, INC.		CONNECTOR BODY COMPOSITE - MATING VIEW SHOWN			



CONNECTOR 1661204C1

DRIVERS HEATER
(10367)
(LOCATED NEAR FLASHER PLATE)

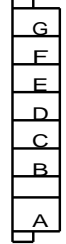
CAV	CIRCUIT	GAUGE	COLOR	TERMINAL
A	B75B	12	LTGN	1661227C1
B	-	-	-	-
C	B75A	12	LTGN	1661227C1
D	B75-G	12	WH	1661227C1



CONNECTOR 0587567C91

HEATED AIR SEAT
(10368)

CAV	CIRCUIT	GAUGE	COLOR	TERMINAL	SEAL/SLEVE
A	B105-G	16	WH	0587577C1	1652325C1
B	B105	16	LTGN	0587577C1	1652325C1

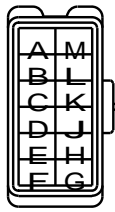


CONNECTOR 2006789C1
BODY LOCK 2006792C1

ACCESSORY SPLICE RELAY COILS
(10369)
(LOCATED NEAR FLASHER PLATE)

CAV	CIRCUIT	GAUGE	COLOR	TERMINAL
A	B12Y	16	LTBL	1661209C1
B	B13	18	PK	1661208C1
C	B13B	18	PK	1661208C1
D*	B12N	18	LTBL	1661208C1
D*	B12MD	18	LTBL	1661208C1
E*	B118L	18	LTBL	1661208C1
E*	B12S	18	LTBL	1661208C1
F	B74L	18	PK	1661208C1
G	B123L	18	LTGN	1661208C1
G	B13H	18	PK	1661208C1

* MUTUALLY EXCLUSIVE



CONNECTOR 3700745C1
BODY LOCK 3700749C1

LIFT SPLICE
(10370)
(LOCATED NEAR FLASHER PLATE)

CAV	CIRCUIT	GAUGE	COLOR	TERMINAL
A	B44	18	GY	3534164C1
B	B44A	18	GY	3534164C1
C	B122S	16	BN	3534165C1
D	B122Z	16	GY	3534165C1
E	B123C	18	LTGN	3534164C1
F	-	-	-	-
G	B122P	18	GY	3534164C1
H	B122A	18	GY	3534164C1
J	B63-G	16	WH	3534165C1
K	B122T	18	GY	3534164C1
L	B122AA	16	GY	3534165C1
M	B123D	18	LTGN	3534164C1

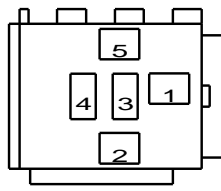
CHK	DATE	CHANGE	REV	REFERENCE	DRAWN	NAME
-	-	REVISED AND REDRAWN.	C	93408P	300343	CIRCUIT DIAGRAM, BE,CE BUS
					RELEASE NO.	DATE
					73617K	12APR11
					PART NO.	SHEET
					AE08065295	037

Figure 706 Connector Composites (10367, 10368, 10369, 10370)

24.39. CONNECTOR COMPOSITES (10371, 10372, 10375), P. 38

NAVISTAR, INC		ELECTRICAL CIRCUIT DIAGRAM		CHAPTER 24	
THIS PRINT IS PROVIDED ON A RESTRICTED BASIS AND IS NOT TO BE USED IN ANY WAY DETRIMENTAL TO THE INTEREST OF NAVISTAR, INC.		CONNECTOR BODY COMPOSITE - MATING VIEW SHOWN			

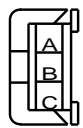
FLASHING LIFT INDICATOR (10371)



CAV	CIRCUIT	GAUGE	COLOR	TERMINAL
1	B122V	16	GY	1661709C1
2	B122B	18	GY	1659673C1
3	-	-	-	-
4	B122A	18	GY	1659673C1
5	B122B	18	GY	1661709C1
	B122-GB	18	WH	

CONNECTOR 0593385C1
BODY LOCK 0593387C1

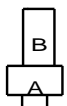
ELECTRONIC PANEL DIMMER (10372)



CAV	CIRCUIT	GAUGE	COLOR	TERMINAL
A	B62AN	18	DKBL	1661208C1
B	B62-GAN	18	WH	1661208C1
C	B62AP	18	DKBL	1661208C1

CONNECTOR 1661198C1

DC POWER SOURCE (10375)



CAV	CIRCUIT	GAUGE	COLOR	TERMINAL
1*	B84	16	LTGN	1661538C1
1#	B84A	16	LTGN	1661538C1
2*	B84-G	16	WH	1661538C1
2#	B84-GA	16	WH	1661538C1

CONNECTOR 1669030C1

* 1 DC POWER SOURCE LOCATED IN DASH
2 DC PWR SOURCE LOCATED IN DASH AND OVHD

CHK	DATE	CHANGE	REV	REFERENCE	DRAWN	NAME
MJVO	23 JUN 16	COLOUR DKBL WAS LTBL	D	93408P	300343	CIRCUIT DIAGRAM, BE,CE BUS
	IN R/D	10372.			73617K	12APR11
					PART NO.	SHEET
					AE08065295	038

Figure 707 Connector Composites (10371, 10372, 10375)

24.40. CONNECTOR COMPOSITES (10376, 10377, 10380), P. 39

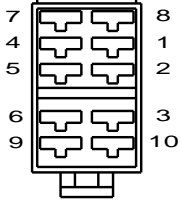
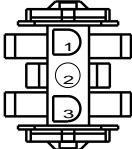
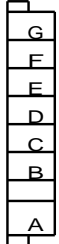
NAVISTAR, INC				ELECTRICAL CIRCUIT DIAGRAM		CHAPTER 24																																																								
THIS PRINT IS PROVIDED ON A RESTRICTED BASIS AND IS NOT TO BE USED IN ANY WAY DETRIMENTAL TO THE INTEREST OF NAVISTAR, INC.				CONNECTOR BODY COMPOSITE - MATING VIEW SHOWN																																																										
<p>RHEOSTAT DIMMER (10376) (LOCATED AT DRIVER CONTROL PANEL)</p>																																																														
		<table border="1" style="width:100%; border-collapse: collapse; font-size: x-small;"> <thead> <tr> <th>CAV</th> <th>CIRCUIT</th> <th>GAUGE</th> <th>COLOR</th> <th>TERMINAL</th> </tr> </thead> <tbody> <tr><td>1</td><td>B63RH</td><td>12</td><td>DKBL</td><td>1661227C1</td></tr> <tr><td>2</td><td>B63AL</td><td>12</td><td>DKBL</td><td>1661227C1</td></tr> <tr><td>3</td><td>B63RF</td><td>12</td><td>DKBL</td><td>1661227C1</td></tr> <tr><td>4</td><td>-</td><td>-</td><td>-</td><td>-</td></tr> <tr><td>5</td><td>-</td><td>-</td><td>-</td><td>-</td></tr> <tr><td>6</td><td>-</td><td>-</td><td>-</td><td>-</td></tr> <tr><td>7</td><td>B62-GBP</td><td>18</td><td>WH</td><td>1661224C1</td></tr> <tr><td>8</td><td>B62BP</td><td>18</td><td>DKBL</td><td>1661224C1</td></tr> <tr><td>9</td><td>-</td><td>-</td><td>-</td><td>-</td></tr> <tr><td>10</td><td>-</td><td>-</td><td>-</td><td>-</td></tr> </tbody> </table>						CAV	CIRCUIT	GAUGE	COLOR	TERMINAL	1	B63RH	12	DKBL	1661227C1	2	B63AL	12	DKBL	1661227C1	3	B63RF	12	DKBL	1661227C1	4	-	-	-	-	5	-	-	-	-	6	-	-	-	-	7	B62-GBP	18	WH	1661224C1	8	B62BP	18	DKBL	1661224C1	9	-	-	-	-	10	-	-	-	-
CAV	CIRCUIT	GAUGE	COLOR	TERMINAL																																																										
1	B63RH	12	DKBL	1661227C1																																																										
2	B63AL	12	DKBL	1661227C1																																																										
3	B63RF	12	DKBL	1661227C1																																																										
4	-	-	-	-																																																										
5	-	-	-	-																																																										
6	-	-	-	-																																																										
7	B62-GBP	18	WH	1661224C1																																																										
8	B62BP	18	DKBL	1661224C1																																																										
9	-	-	-	-																																																										
10	-	-	-	-																																																										
CONNECTOR 3530563C1																																																														
<p>RHEOSTAT DIODE (10377) (LOCATED IN ELECTRICAL PANEL)</p>																																																														
		<table border="1" style="width:100%; border-collapse: collapse; font-size: x-small;"> <thead> <tr> <th>CAV</th> <th>CIRCUIT</th> <th>GAUGE</th> <th>COLOR</th> <th>TERMINAL</th> </tr> </thead> <tbody> <tr><td>1</td><td>B63RM</td><td>12</td><td>DKBL</td><td>2030385C1</td></tr> <tr><td>2</td><td>B63RE</td><td>12</td><td>DKBL</td><td>2030385C1</td></tr> <tr><td>3</td><td>B63RN</td><td>12</td><td>DKBL</td><td>2030385C1</td></tr> </tbody> </table>						CAV	CIRCUIT	GAUGE	COLOR	TERMINAL	1	B63RM	12	DKBL	2030385C1	2	B63RE	12	DKBL	2030385C1	3	B63RN	12	DKBL	2030385C1																																			
CAV	CIRCUIT	GAUGE	COLOR	TERMINAL																																																										
1	B63RM	12	DKBL	2030385C1																																																										
2	B63RE	12	DKBL	2030385C1																																																										
3	B63RN	12	DKBL	2030385C1																																																										
CONNECTOR 2206665C1																																																														
<p>CLEARANCE LIGHT OPTIONS (10380) (LOCATED NEAR FLASHER PLATE)</p>																																																														
		<table border="1" style="width:100%; border-collapse: collapse; font-size: x-small;"> <thead> <tr> <th>CAV</th> <th>CIRCUIT</th> <th>GAUGE</th> <th>COLOR</th> <th>TERMINAL</th> </tr> </thead> <tbody> <tr><td>A</td><td>B58D</td><td>16</td><td>BN</td><td>1661209C1</td></tr> <tr><td>B</td><td>B131A</td><td>16</td><td>DKBL</td><td>1661209C1</td></tr> <tr><td>C</td><td>B58J</td><td>16</td><td>BN</td><td>1661209C1</td></tr> <tr><td>D</td><td>B143</td><td>18</td><td>DKBL</td><td>1661208C1</td></tr> <tr><td>E</td><td>B121</td><td>18</td><td>YL</td><td>1661208C1</td></tr> <tr><td>F</td><td>B62AN</td><td>18</td><td>DKBL</td><td>1661208C1</td></tr> <tr><td>G</td><td>B131C</td><td>18</td><td>DKBL</td><td>1661208C1</td></tr> <tr><td>G</td><td>B134B</td><td>16</td><td>OR</td><td>1661209C1</td></tr> </tbody> </table>						CAV	CIRCUIT	GAUGE	COLOR	TERMINAL	A	B58D	16	BN	1661209C1	B	B131A	16	DKBL	1661209C1	C	B58J	16	BN	1661209C1	D	B143	18	DKBL	1661208C1	E	B121	18	YL	1661208C1	F	B62AN	18	DKBL	1661208C1	G	B131C	18	DKBL	1661208C1	G	B134B	16	OR	1661209C1										
CAV	CIRCUIT	GAUGE	COLOR	TERMINAL																																																										
A	B58D	16	BN	1661209C1																																																										
B	B131A	16	DKBL	1661209C1																																																										
C	B58J	16	BN	1661209C1																																																										
D	B143	18	DKBL	1661208C1																																																										
E	B121	18	YL	1661208C1																																																										
F	B62AN	18	DKBL	1661208C1																																																										
G	B131C	18	DKBL	1661208C1																																																										
G	B134B	16	OR	1661209C1																																																										
CONNECTOR 2006789C1 BODY LOCK 2006792C1																																																														
CHK	DATE	CHANGE	REV	REFERENCE	DRAWN	NAME																																																								
MJVO	03JUN16	REVISED AND REDRAWN.	C	93408P	300343	CIRCUIT DIAGRAM, BE,CE BUS																																																								
					RELEASE NO.	DATE	PART NO.																																																							
					73617K	12APR11	AE08065295																																																							
							SHEET 039																																																							

Figure 708 Connector Composites (10376, 10377, 10380)

24.41. CONNECTOR COMPOSITES (10381, 10382, 10383), P. 40

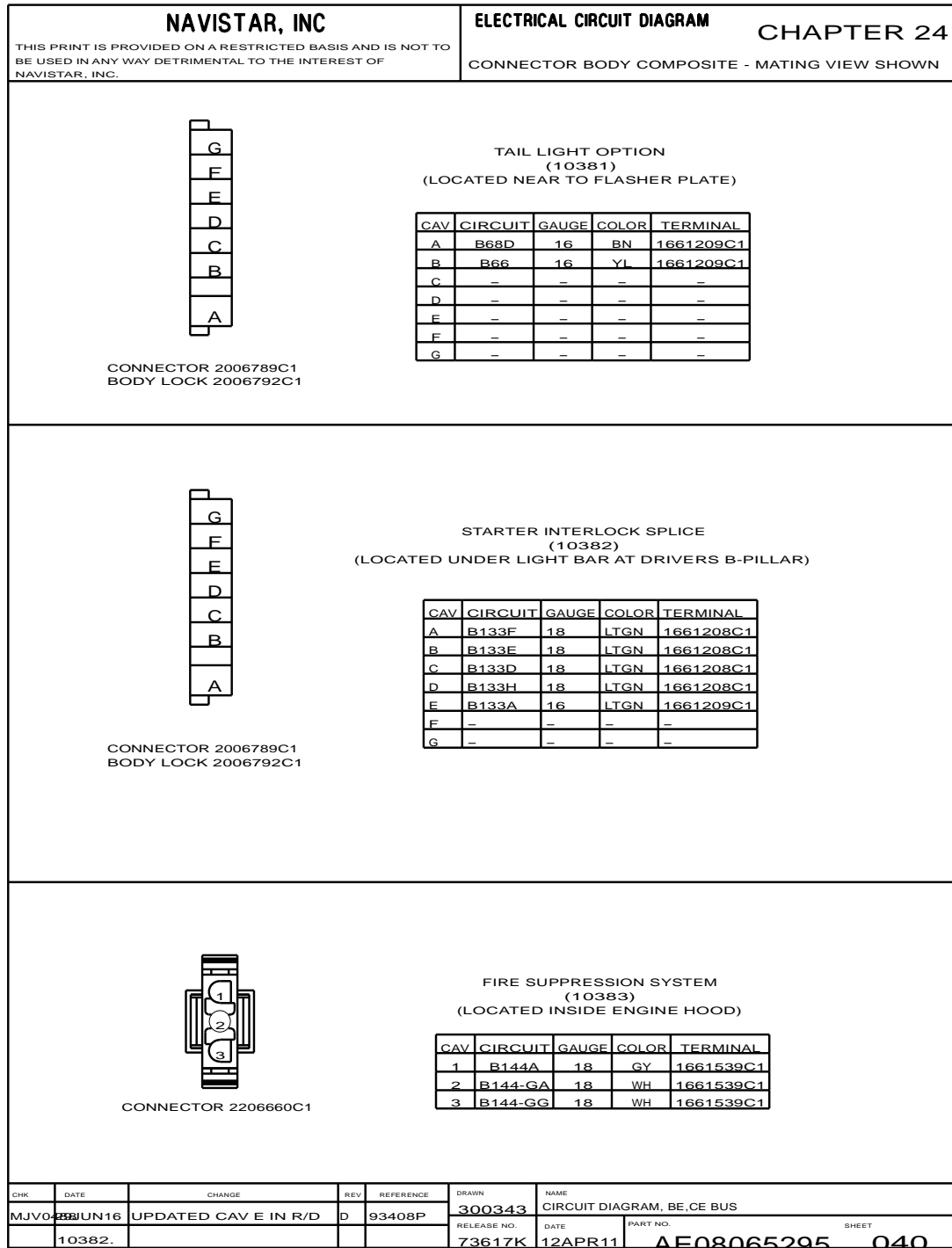


Figure 709 Connector Composites (10381, 10382, 10383)

24.42. CONNECTOR COMPOSITES (10384, 10385, 10386), P. 41

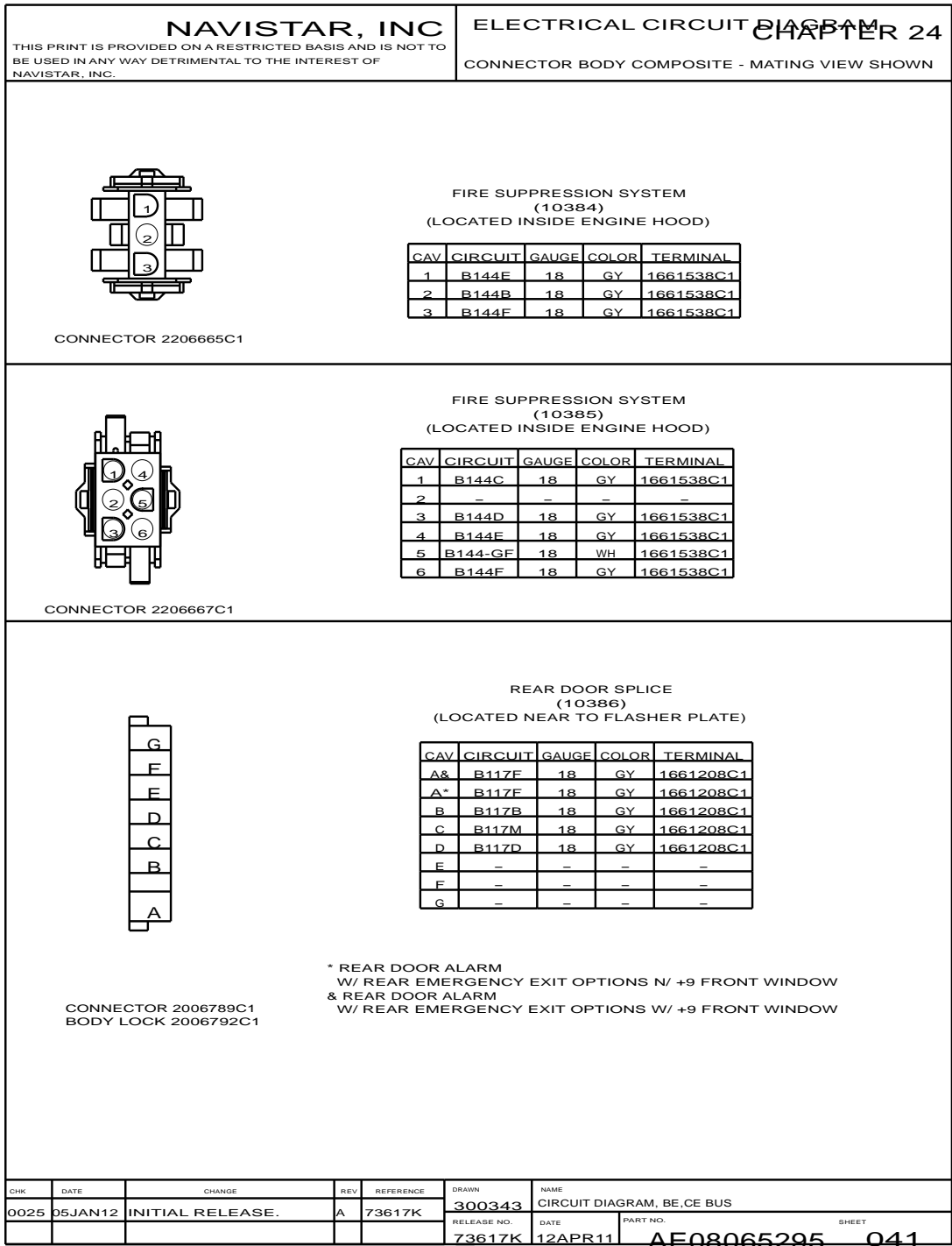
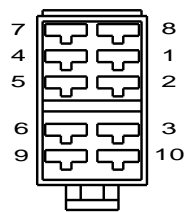


Figure 710 Connector Composites (10384, 10385, 10386)

24.43. CONNECTOR COMPOSITES (10387, 10388, 10389), P. 42

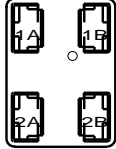
NAVISTAR, INC		ELECTRICAL CIRCUIT DIAGRAM		CHAPTER 24	
THIS PRINT IS PROVIDED ON A RESTRICTED BASIS AND IS NOT TO BE USED IN ANY WAY DETRIMENTAL TO THE INTEREST OF NAVISTAR, INC.		CONNECTOR BODY COMPOSITE - MATING VIEW SHOWN			



CONNECTOR 3530563C1

TRACTION SANDER
(10387)
(LOCATED AT DRIVER DASH PANEL)

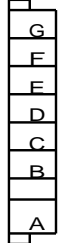
CAV	CIRCUIT	GAUGE	COLOR	TERMINAL
1	-	-	-	-
2	B138A	12	GY	1661227C1
3	B138	12	GY	1661227C1
4	-	-	-	-
5	B138C	18	GY	1661224C1
6	-	-	-	-
7	B62-GAA	18	WH	1661224C1
8	B62AA	18	LTBL	1661224C1
9	-	-	-	-
10	-	-	-	-



CONNECTOR 2206669C1

SANDER EMPTY LIGHT
(10388)
(LOCATED AT DRIVER DASH PANEL)

CAV	CIRCUIT	GAUGE	COLOR	TERMINAL
1A	B138C	18	GY	1661224C1
1B	B138B	18	GY	1661224C1
2A	-	-	-	-
2B	-	-	-	-



CONNECTOR 2006789C1
BODY LOCK 2006792C1

DOOR OPTION
(10389)
(LOCATED AT FLASHER PLATE)

CAV	CIRCUIT	GAUGE	COLOR	TERMINAL
A	B131B	16	DKBL	1661209C1
B	B131C	16	DKBL	1661209C1
C	-	-	-	-
D*	B120AL	16	LTGN	1661209C1
E*	B125R	18	GY	1661208C1
E*	B120A	18	LTGN	1661208C1
E@	B63UB	18	DKBL	1661208C1
F	B63AJ	18	LTBL	1661208C1
G	B119S	16	GY	1661209C1

* MUTUALLY EXCLUSIVE
@ EMER EXIT & ENTRY DOOR ACTIVATED DOME LT

CHK	DATE	CHANGE	REV	REFERENCE	DRAWN	NAME
MJVO	03 JUN 16	ADDED CIRCUIT B63UB	C	93408P	300343	CIRCUIT DIAGRAM, BE,CE BUS
	IN R/D	0389.			73617K	12 APR 11
					PART NO. AE08065295 SHEET 042	

Figure 711 Connector Composites (10387, 10388, 10389)

24.44. CONNECTOR COMPOSITES (10390, 10391), P. 43

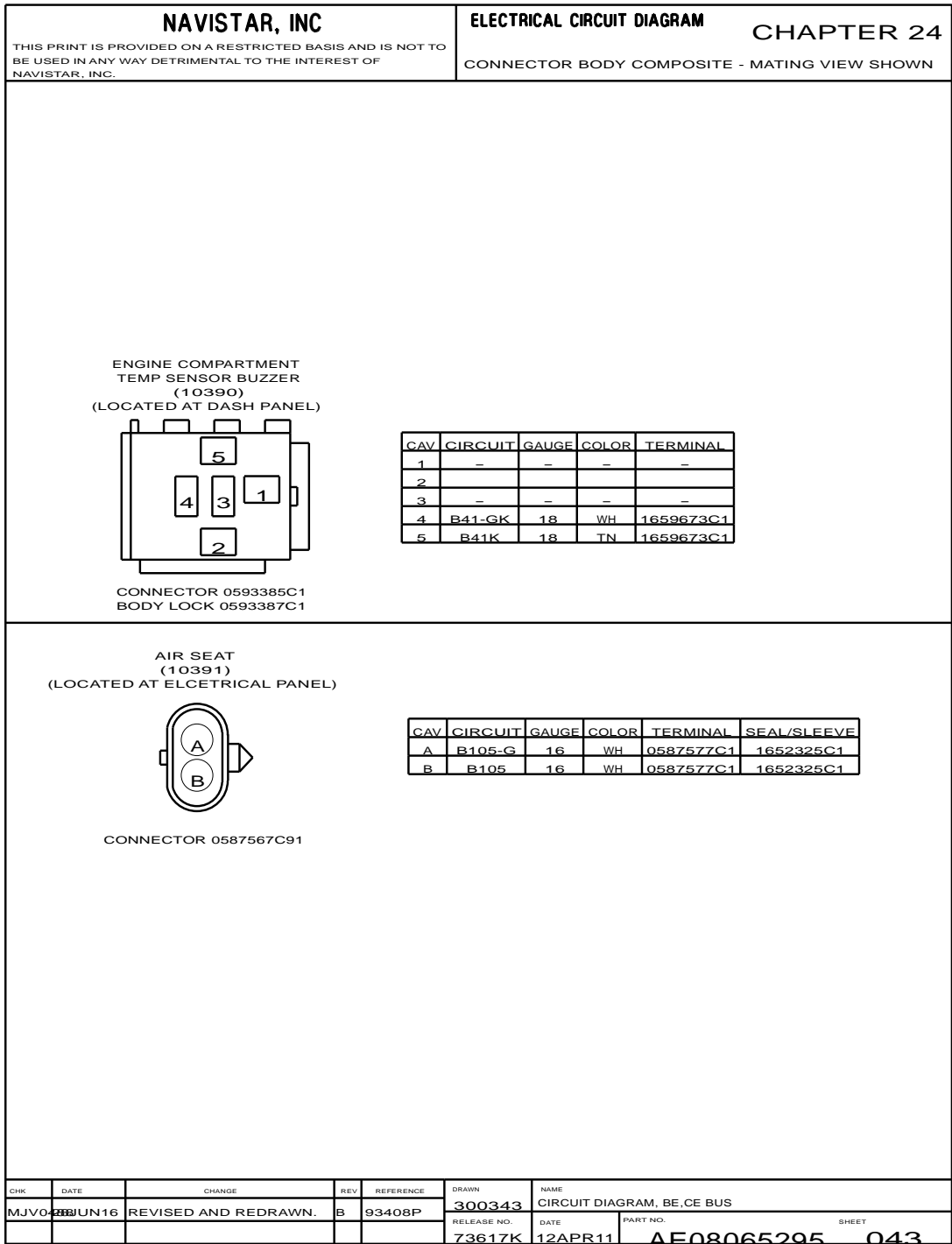


Figure 712 Connector Composites (10390, 10391)

24.45. CONNECTOR COMPOSITES (10395, 10396, 10397, 10398), P. 44

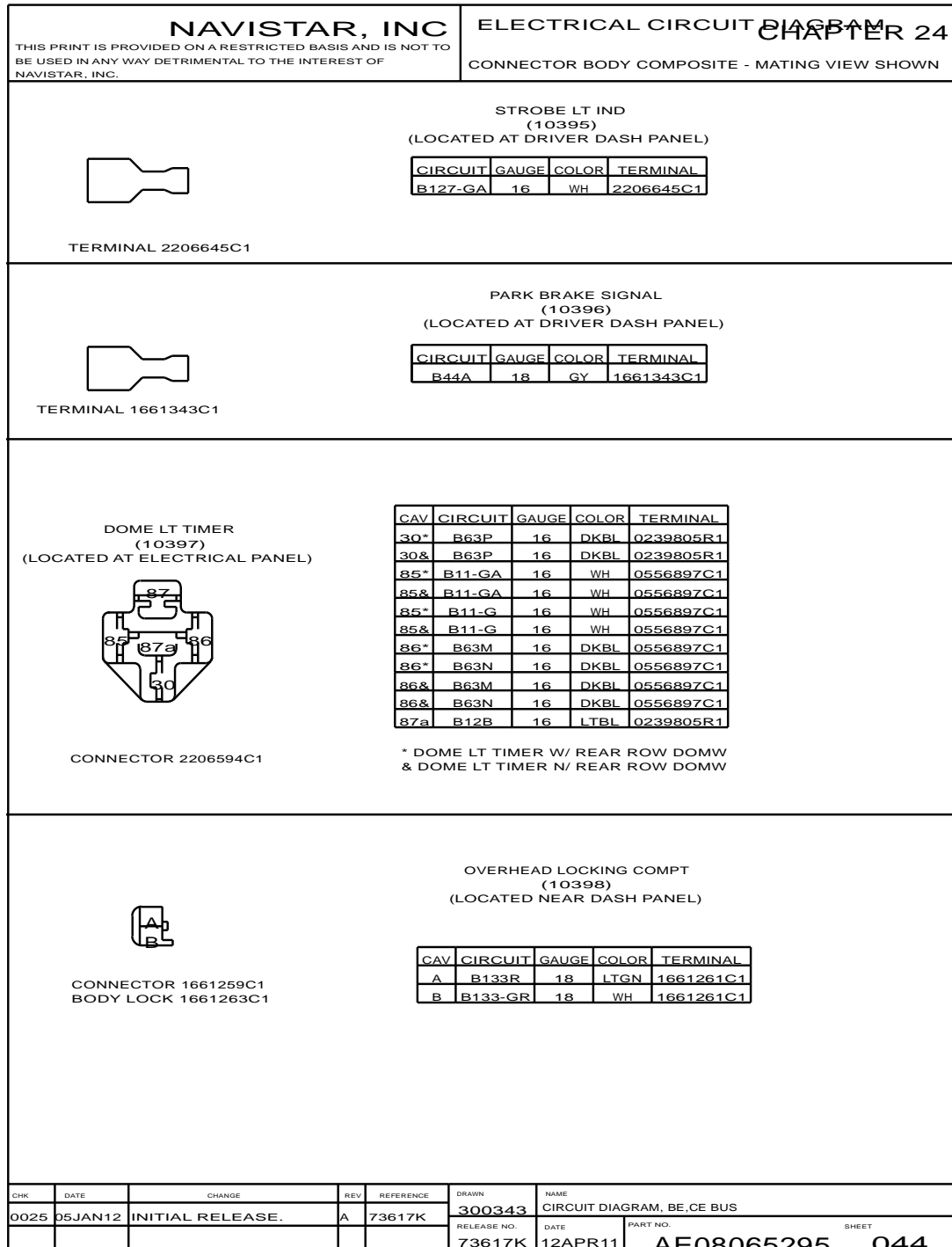


Figure 713 Connector Composites (10395, 10396, 10397, 10398)

24.46. CONNECTOR COMPOSITES (10399, 10400), P. 45

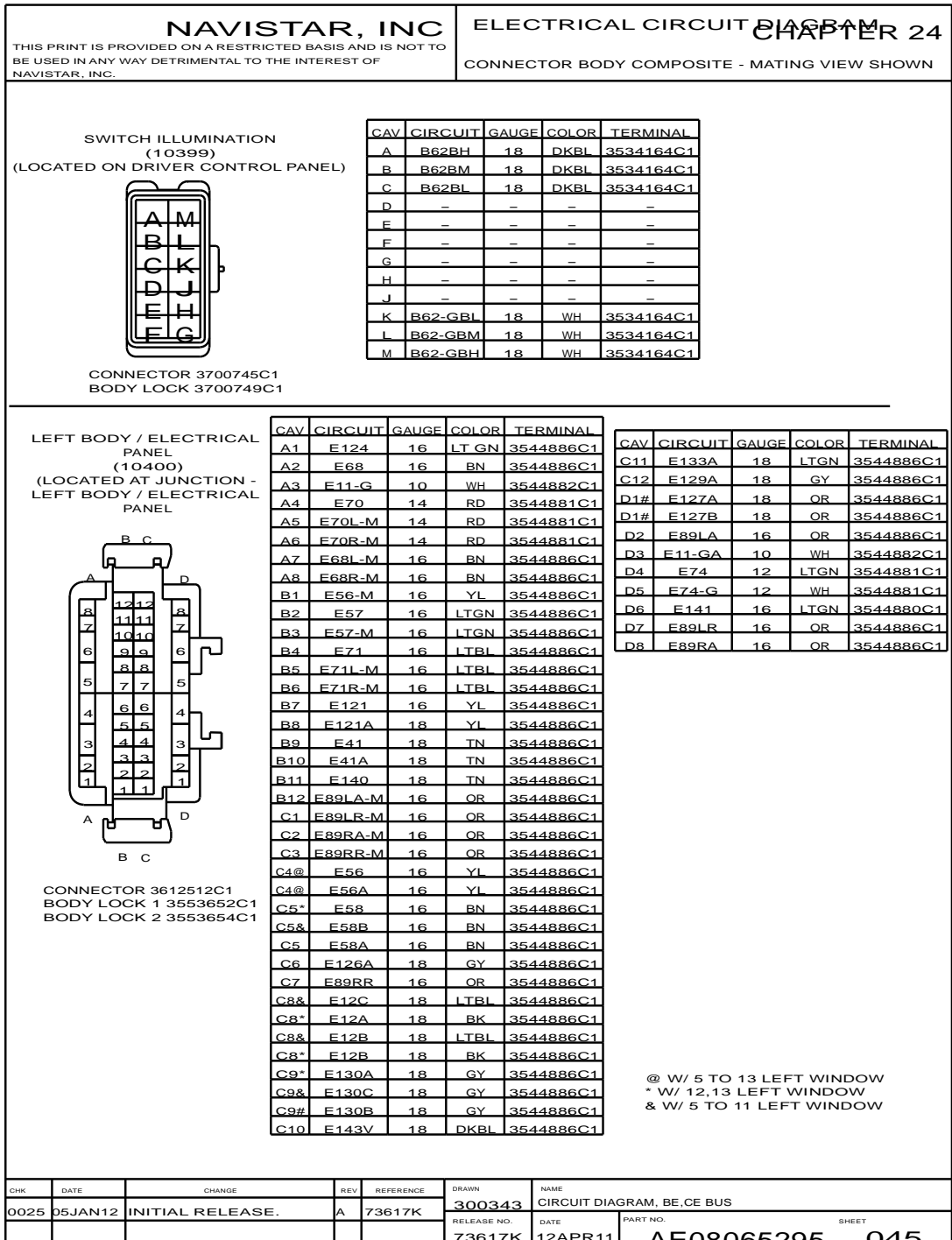


Figure 714 Connector Composites (10399, 10400)

24.47. INTENTIONALLY LEFT BLANK, P. 46

NAVISTAR, INC				ELECTRICAL CIRCUIT DIAGRAM			
THIS PRINT IS PROVIDED ON A RESTRICTED BASIS AND IS NOT TO BE USED IN ANY WAY DETRIMENTAL TO THE INTEREST OF NAVISTAR, INC.				CHAPTER 24			
				CONNECTOR BODY COMPOSITE - MATING VIEW SHOWN			
<p style="font-size: 24px; margin: 0;">INTENTIONALLY LEFT BLANK</p>							
CHK	DATE	CHANGE	REV	REFERENCE	DRAWN	NAME	
0025	05JAN12	INITIAL RELEASE.	A	73617K	300343	CIRCUIT DIAGRAM, BE,CE BUS	
					RELEASE NO.	DATE	PART NO.
					73617K	12APR11	AE08065295
							SHEET 046

Figure 715 Intentionally Left Blank

24.48. CONNECTOR COMPOSITES (10400A), P. 47

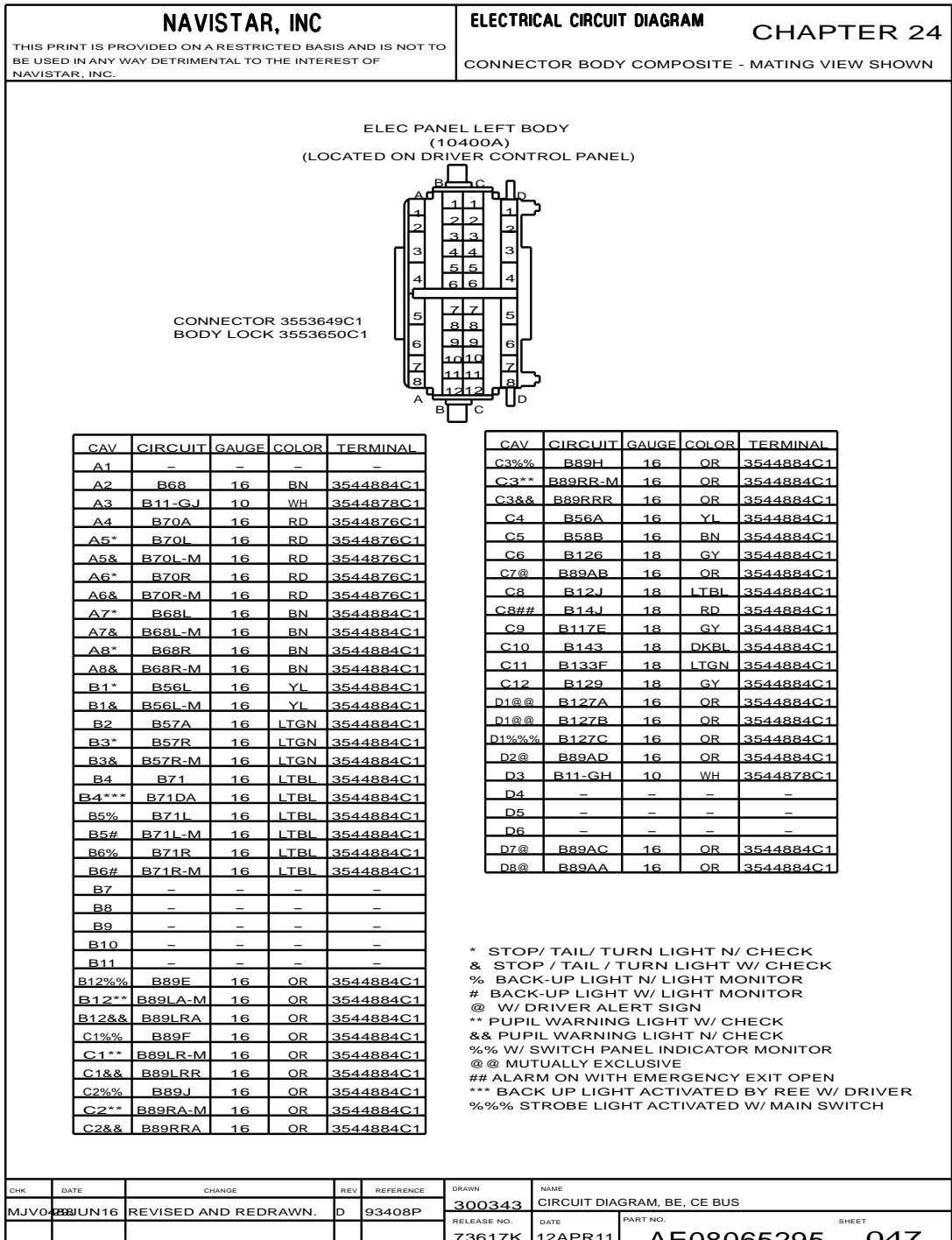


Figure 716 Connector Composites (10400A)

24.49. CONNECTOR COMPOSITES (10400B), P. 48

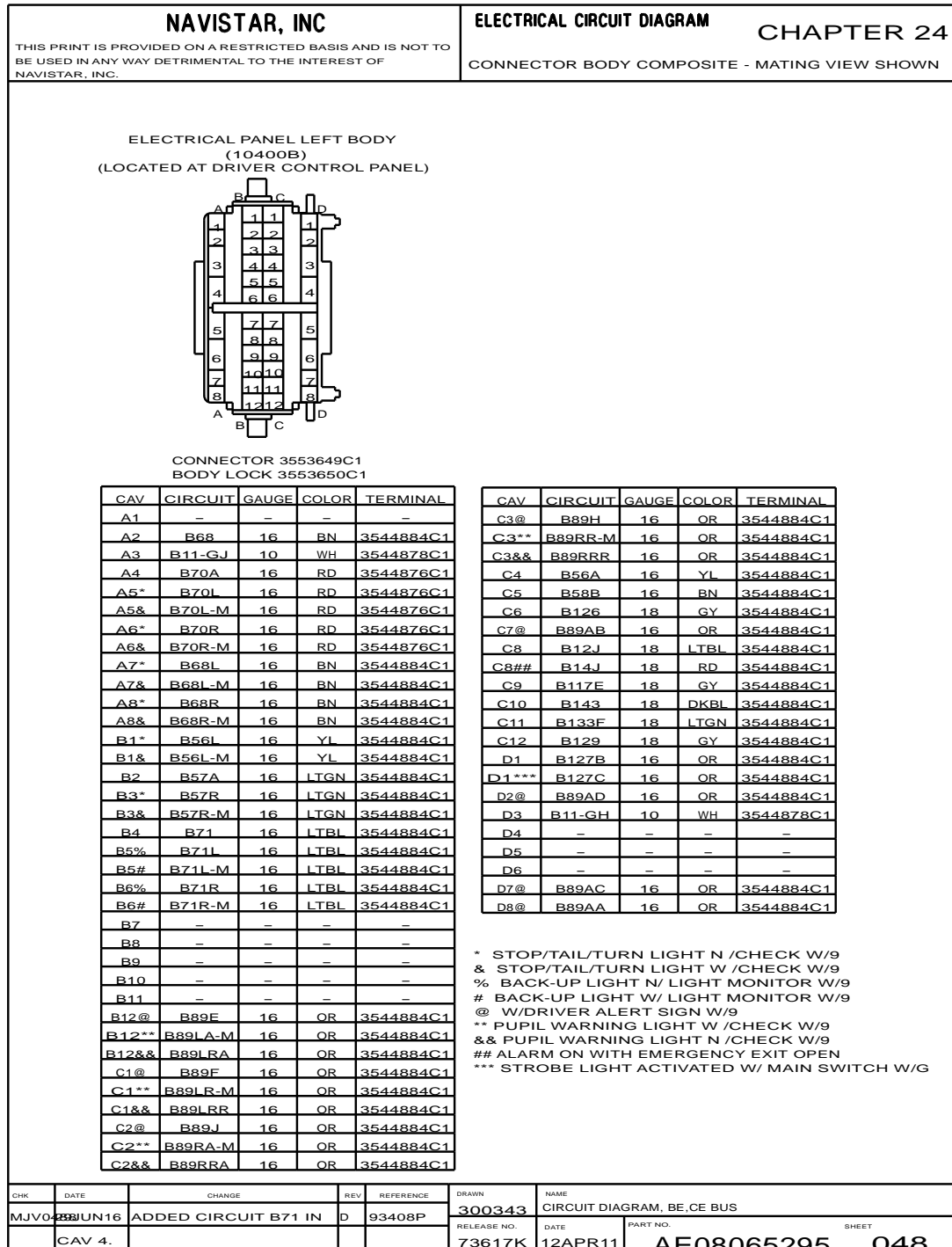


Figure 717 Connector Composites (10400B)

24.50. CONNECTOR COMPOSITES (10401), P. 49

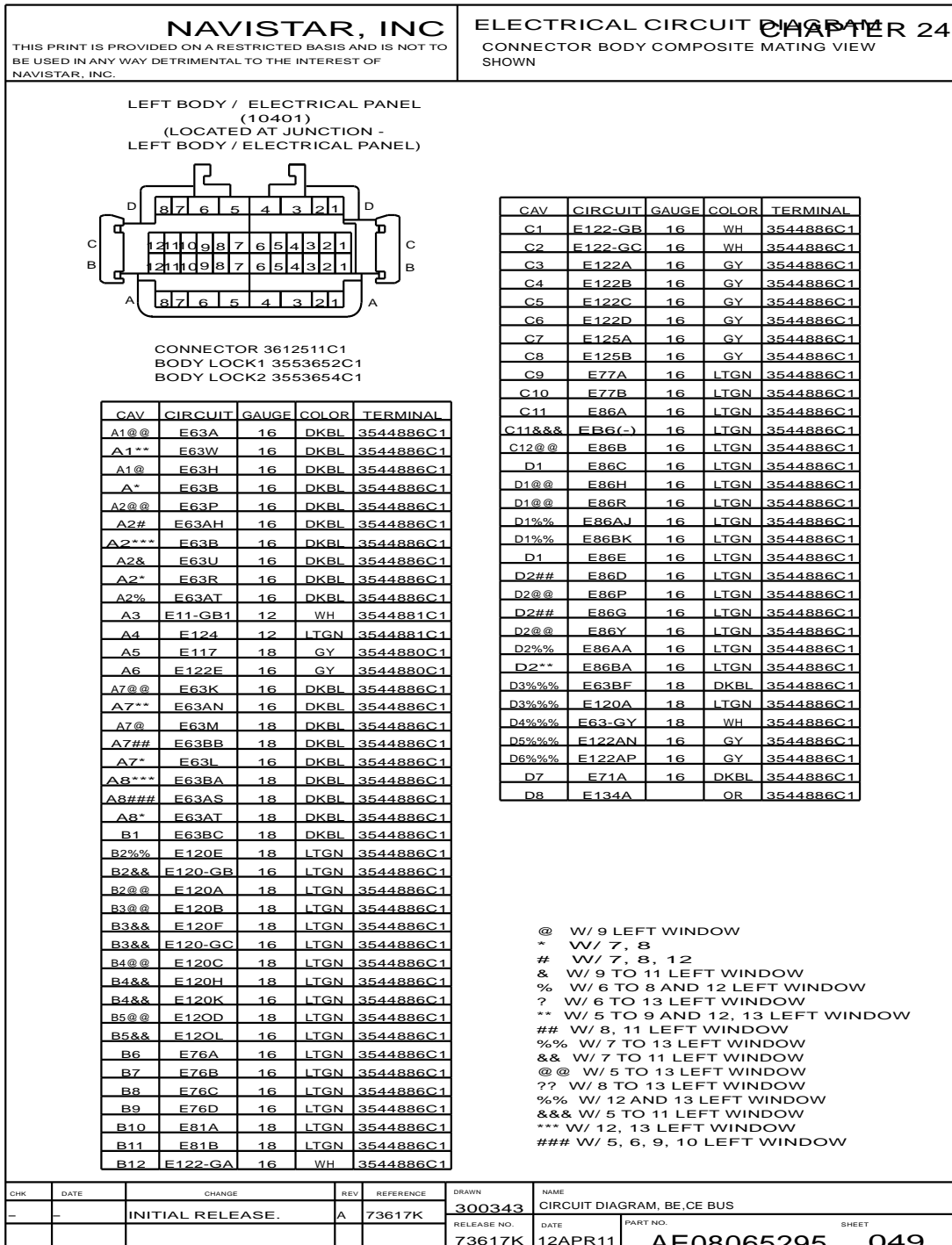


Figure 718 Connector Composites (10401)

24.51. INTENTIONALLY LEFT BLANK, P. 50

NAVISTAR, INC				ELECTRICAL CIRCUIT DIAGRAM CHAPTER 24			
THIS PRINT IS PROVIDED ON A RESTRICTED BASIS AND IS NOT TO BE USED IN ANY WAY DETRIMENTAL TO THE INTEREST OF NAVISTAR, INC.				CONNECTOR BODY COMPOSITE MATING VIEW SHOWN			
<p style="font-size: 24px; margin: 0;">INTENTIONALLY LEFT BLANK</p>							
CHK	DATE	CHANGE	REV	REFERENCE	DRAWN	NAME	
0025	05JAN12	INITIAL RELEASE.	A	73617K	300343	CIRCUIT DIAGRAM, BE,CE BUS	
					RELEASE NO.	DATE	PART NO.
					73617K	12APR11	AE08065295
							SHEET 050

Figure 719 Intentionally Left Blank

24.52. CONNECTOR COMPOSITES (10401A), P. 51

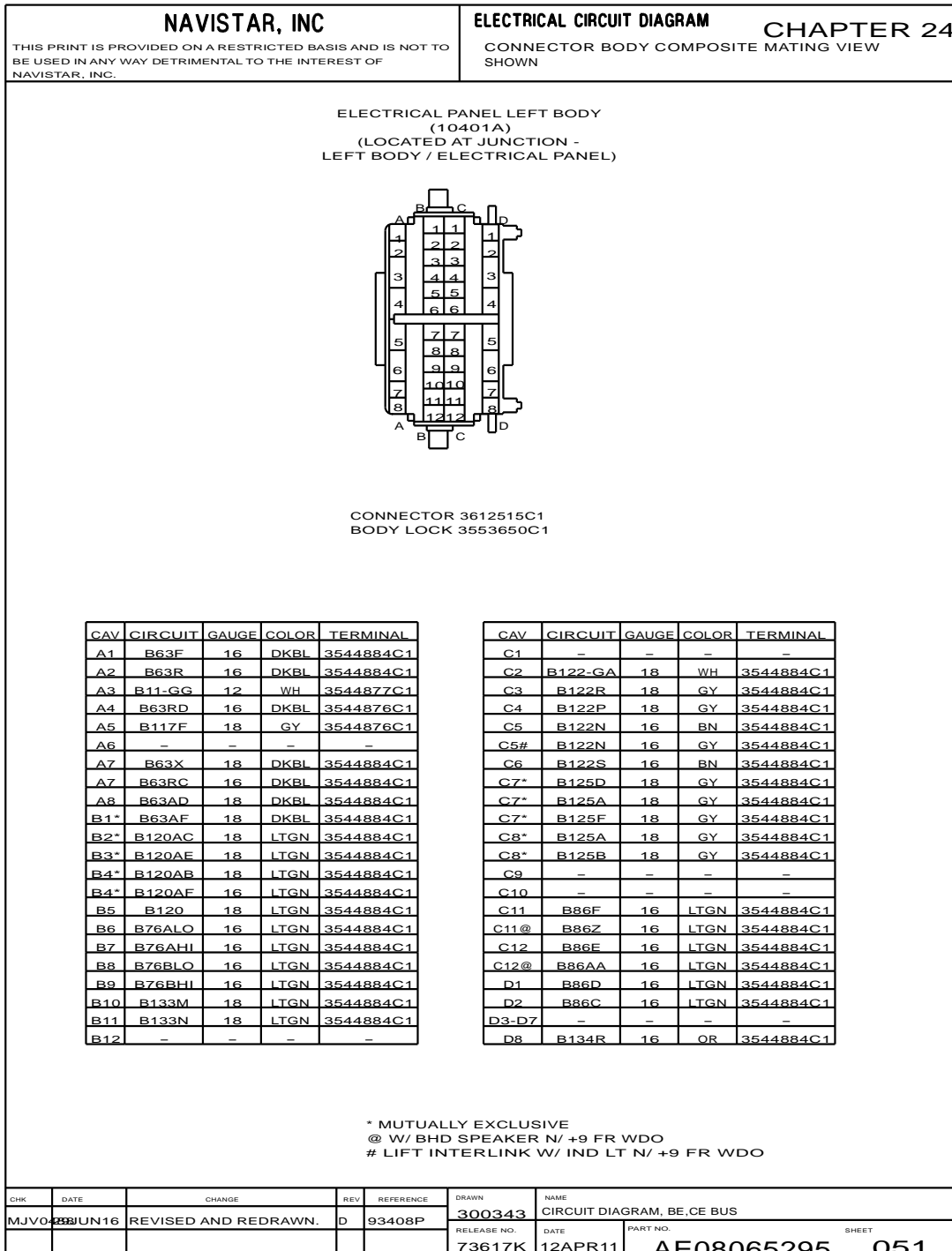


Figure 720 Connector Composites (10401A)

24.53. CONNECTOR COMPOSITES (10401B), P. 52

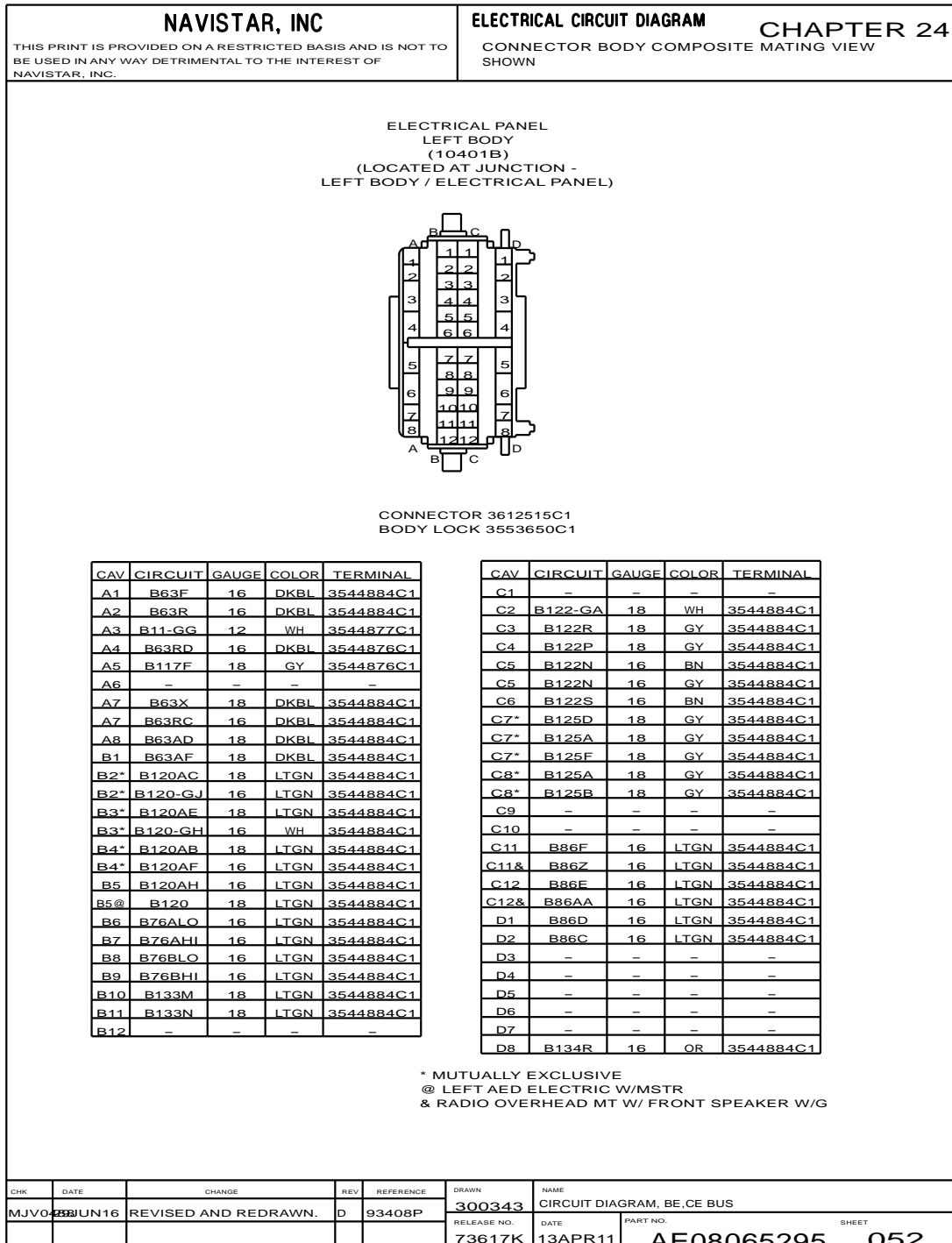


Figure 721 Connector Composites (10401B)

24.54. CONNECTOR COMPOSITES (10402, 10405), P. 53

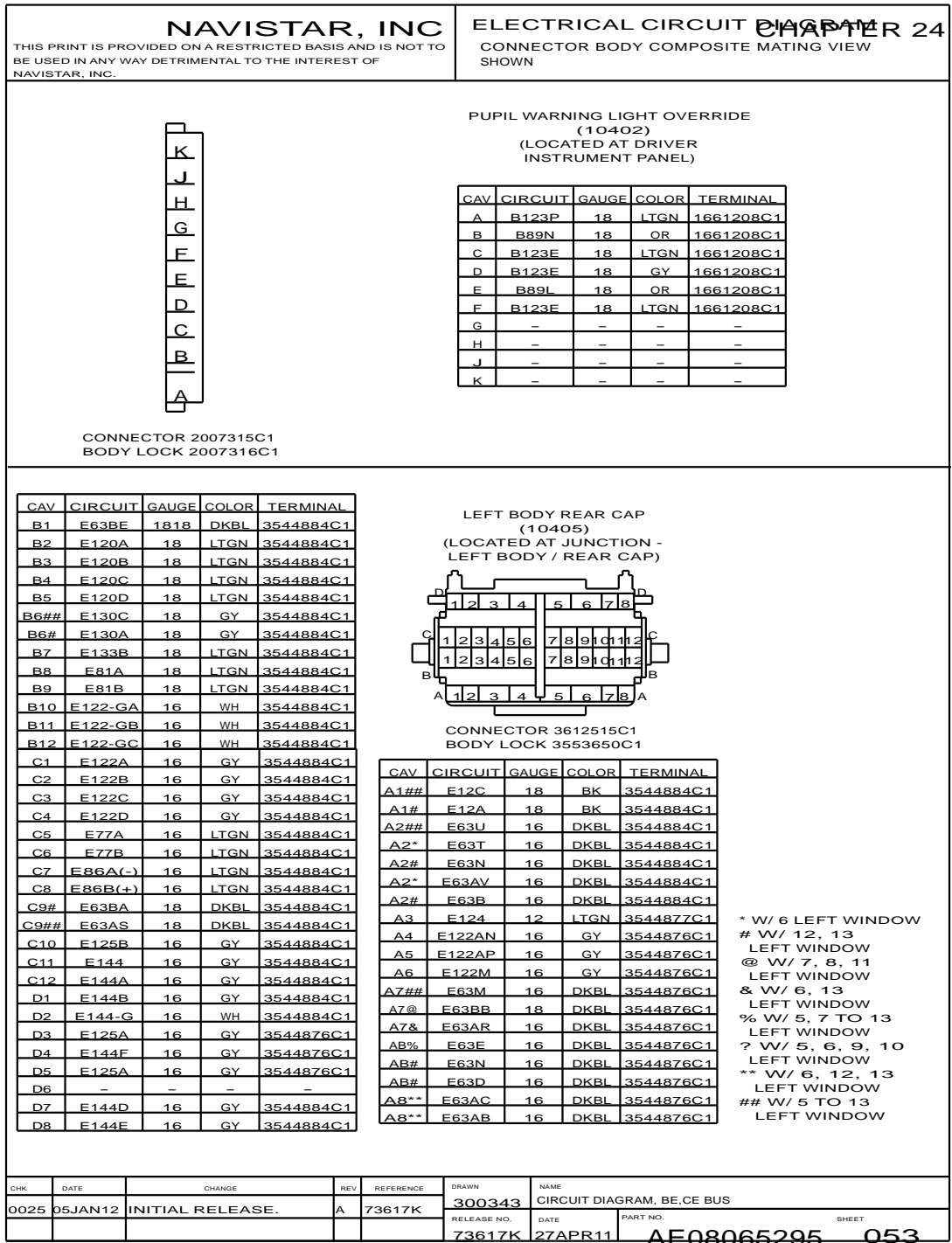


Figure 722 Connector Composites (10402, 10405)

24.55. INTENTIONALLY LEFT BLANK, P. 54

NAVISTAR, INC				ELECTRICAL CIRCUIT DIAGRAM CHAPTER 24			
THIS PRINT IS PROVIDED ON A RESTRICTED BASIS AND IS NOT TO BE USED IN ANY WAY DETRIMENTAL TO THE INTEREST OF NAVISTAR, INC.				CONNECTOR BODY COMPOSITE MATING VIEW SHOWN			
<p style="font-size: 24px; margin: 0;">INTENTIONALLY LEFT BLANK</p>							
CHK	DATE	CHANGE	REV	REFERENCE	DRAWN	NAME	
0025	05JAN12	INITIAL RELEASE.	A	73617K	300343	CIRCUIT DIAGRAM, BE,CE BUS	
					RELEASE NO.	DATE	PART NO.
					73617K	13APR11	AE08065295 054
						SHEET	

Figure 723 Intentionally Left Blank

24.56. CONNECTOR COMPOSITES (10406), P. 55

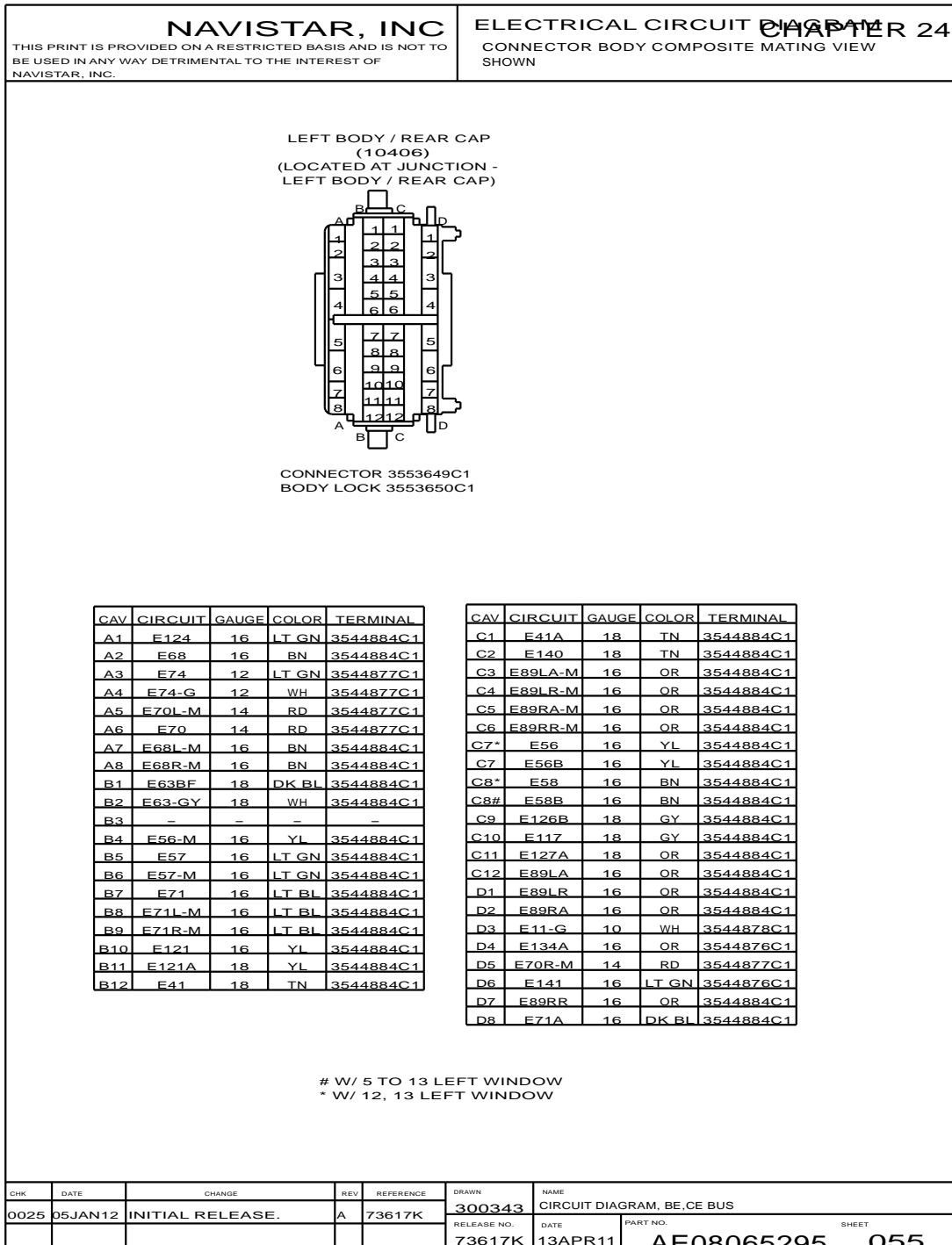


Figure 724 Connector Composites (10406)

24.57. CONNECTOR COMPOSITES (10410, 10411, 10412, 10413, 10414, 10416), P. 56






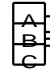
NAVISTAR, INC <small>THIS PRINT IS PROVIDED ON A RESTRICTED BASIS AND IS NOT TO BE USED IN ANY WAY DETRIMENTAL TO THE INTEREST OF NAVISTAR, INC.</small>				ELECTRICAL CIRCUIT DIAGRAM CHAPTER 24 CONNECTOR BODY COMPOSITE MATING VIEW SHOWN																												
SIDE DIRECTIONAL LIGHT (10410) (LOCATED AT LEFT BODY)  CONNECTOR 1661259C1 BODY LOCK 1661263C1				<table border="1" style="width:100%; border-collapse: collapse;"> <thead> <tr> <th>CAV</th> <th>CIRCUIT</th> <th>GAUGE</th> <th>COLOR</th> <th>TERMINAL</th> </tr> </thead> <tbody> <tr> <td>A</td> <td>E56C</td> <td>18</td> <td>YL</td> <td>1661261C1</td> </tr> <tr> <td>B</td> <td>E56-G</td> <td>18</td> <td>WH</td> <td>1661261C1</td> </tr> </tbody> </table>		CAV	CIRCUIT	GAUGE	COLOR	TERMINAL	A	E56C	18	YL	1661261C1	B	E56-G	18	WH	1661261C1												
CAV	CIRCUIT	GAUGE	COLOR	TERMINAL																												
A	E56C	18	YL	1661261C1																												
B	E56-G	18	WH	1661261C1																												
SIDE DIRECTIONAL LIGHT (10411) (LOCATED AT LEFT BODY)  CONNECTOR 1661259C1 BODY LOCK 1661263C1				<table border="1" style="width:100%; border-collapse: collapse;"> <thead> <tr> <th>CAV</th> <th>CIRCUIT</th> <th>GAUGE</th> <th>COLOR</th> <th>TERMINAL</th> </tr> </thead> <tbody> <tr> <td>A#</td> <td>E56F</td> <td>18</td> <td>YL</td> <td>1661261C1</td> </tr> <tr> <td>A*</td> <td>E56G</td> <td>18</td> <td>YL</td> <td>1661261C1</td> </tr> <tr> <td>B#</td> <td>E56-GC</td> <td>18</td> <td>WH</td> <td>1661261C1</td> </tr> <tr> <td>B*</td> <td>E56-GD</td> <td>18</td> <td>WH</td> <td>1661261C1</td> </tr> </tbody> </table>		CAV	CIRCUIT	GAUGE	COLOR	TERMINAL	A#	E56F	18	YL	1661261C1	A*	E56G	18	YL	1661261C1	B#	E56-GC	18	WH	1661261C1	B*	E56-GD	18	WH	1661261C1	# W/ 5 TO 9 AND 11 TO 13 LEFT WINDOW * W/ 10 LEFT WINDOW	
CAV	CIRCUIT	GAUGE	COLOR	TERMINAL																												
A#	E56F	18	YL	1661261C1																												
A*	E56G	18	YL	1661261C1																												
B#	E56-GC	18	WH	1661261C1																												
B*	E56-GD	18	WH	1661261C1																												
SIDE DIRECTIONAL LIGHT FORWARD REAR WHEEL POCKET (10412) (LOCATED AT LEFT BODY)  CONNECTOR 1661259C1 BODY LOCK 1661263C1				<table border="1" style="width:100%; border-collapse: collapse;"> <thead> <tr> <th>CAV</th> <th>CIRCUIT</th> <th>GAUGE</th> <th>COLOR</th> <th>TERMINAL</th> </tr> </thead> <tbody> <tr> <td>A*</td> <td>E56E</td> <td>18</td> <td>YL</td> <td>1661261C1</td> </tr> <tr> <td>A#</td> <td>E56F</td> <td>18</td> <td>YL</td> <td>1661261C1</td> </tr> <tr> <td>B*</td> <td>E56-GB</td> <td>18</td> <td>WH</td> <td>1661261C1</td> </tr> <tr> <td>B#</td> <td>E56-GC</td> <td>18</td> <td>WH</td> <td>1661261C1</td> </tr> </tbody> </table>		CAV	CIRCUIT	GAUGE	COLOR	TERMINAL	A*	E56E	18	YL	1661261C1	A#	E56F	18	YL	1661261C1	B*	E56-GB	18	WH	1661261C1	B#	E56-GC	18	WH	1661261C1	* W/ 9, 10, 12, 13 LEFT WINDOW # W/ 11 LEFT WINDOW	
CAV	CIRCUIT	GAUGE	COLOR	TERMINAL																												
A*	E56E	18	YL	1661261C1																												
A#	E56F	18	YL	1661261C1																												
B*	E56-GB	18	WH	1661261C1																												
B#	E56-GC	18	WH	1661261C1																												
SIDE DIRECTIONAL LIGHT OVER REAR WHEEL POCKET (10413) (LOCATED AT LEFT BODY)  CONNECTOR 1661259C1 BODY LOCK 1661263C1				<table border="1" style="width:100%; border-collapse: collapse;"> <thead> <tr> <th>CAV</th> <th>CIRCUIT</th> <th>GAUGE</th> <th>COLOR</th> <th>TERMINAL</th> </tr> </thead> <tbody> <tr> <td>A</td> <td>E56H</td> <td>18</td> <td>YL</td> <td>1661261C1</td> </tr> <tr> <td>B</td> <td>E56-GD</td> <td>18</td> <td>WH</td> <td>1661261C1</td> </tr> </tbody> </table>		CAV	CIRCUIT	GAUGE	COLOR	TERMINAL	A	E56H	18	YL	1661261C1	B	E56-GD	18	WH	1661261C1	W/ 9 TO 13 LEFT WINDOW											
CAV	CIRCUIT	GAUGE	COLOR	TERMINAL																												
A	E56H	18	YL	1661261C1																												
B	E56-GD	18	WH	1661261C1																												
SIDE DIRECTIONAL LIGHT AFTER REAR WHEEL POCKET (10414) (LOCATED AT LEFT BODY)  CONNECTOR 1661259C1 BODY LOCK 1661263C1				<table border="1" style="width:100%; border-collapse: collapse;"> <thead> <tr> <th>CAV</th> <th>CIRCUIT</th> <th>GAUGE</th> <th>COLOR</th> <th>TERMINAL</th> </tr> </thead> <tbody> <tr> <td>A</td> <td>E56D</td> <td>18</td> <td>YL</td> <td>1661261C1</td> </tr> <tr> <td>B</td> <td>E56-GA</td> <td>18</td> <td>WH</td> <td>1661261C1</td> </tr> </tbody> </table>		CAV	CIRCUIT	GAUGE	COLOR	TERMINAL	A	E56D	18	YL	1661261C1	B	E56-GA	18	WH	1661261C1												
CAV	CIRCUIT	GAUGE	COLOR	TERMINAL																												
A	E56D	18	YL	1661261C1																												
B	E56-GA	18	WH	1661261C1																												
SIDE DIRECTIONAL / MRKRER (10416) (LOCATED AT LEFT BODY)  CONNECTOR 1661889C1 BODY LOCK 1661890C1				<table border="1" style="width:100%; border-collapse: collapse;"> <thead> <tr> <th>CAV</th> <th>CIRCUIT</th> <th>GAUGE</th> <th>COLOR</th> <th>TERMINAL</th> </tr> </thead> <tbody> <tr> <td>A</td> <td>E56J</td> <td>18</td> <td>YL</td> <td>1661261C1</td> </tr> <tr> <td>B</td> <td>E58D</td> <td>18</td> <td>BN</td> <td>1661261C1</td> </tr> <tr> <td>C</td> <td>E56-GE</td> <td>18</td> <td>WH</td> <td>1661261C1</td> </tr> </tbody> </table>		CAV	CIRCUIT	GAUGE	COLOR	TERMINAL	A	E56J	18	YL	1661261C1	B	E58D	18	BN	1661261C1	C	E56-GE	18	WH	1661261C1							
CAV	CIRCUIT	GAUGE	COLOR	TERMINAL																												
A	E56J	18	YL	1661261C1																												
B	E58D	18	BN	1661261C1																												
C	E56-GE	18	WH	1661261C1																												
CHK	DATE	CHANGE	REV	REFERENCE	DRAWN	NAME																										
-	-	INITIAL RELEASE.	A	73617K	300343	CIRCUIT DIAGRAM, BE,CE BUS																										
					RELEASE NO.	DATE																										
					73617K	13APR11																										
					PART NO.	SHEET																										
					AE08065295	056																										

Figure 725 Connector Composites (10410, 10411, 10412, 10413, 10414, 10416)

24.58. CONNECTOR COMPOSITES (10417, 10417A, 10417B), P. 57

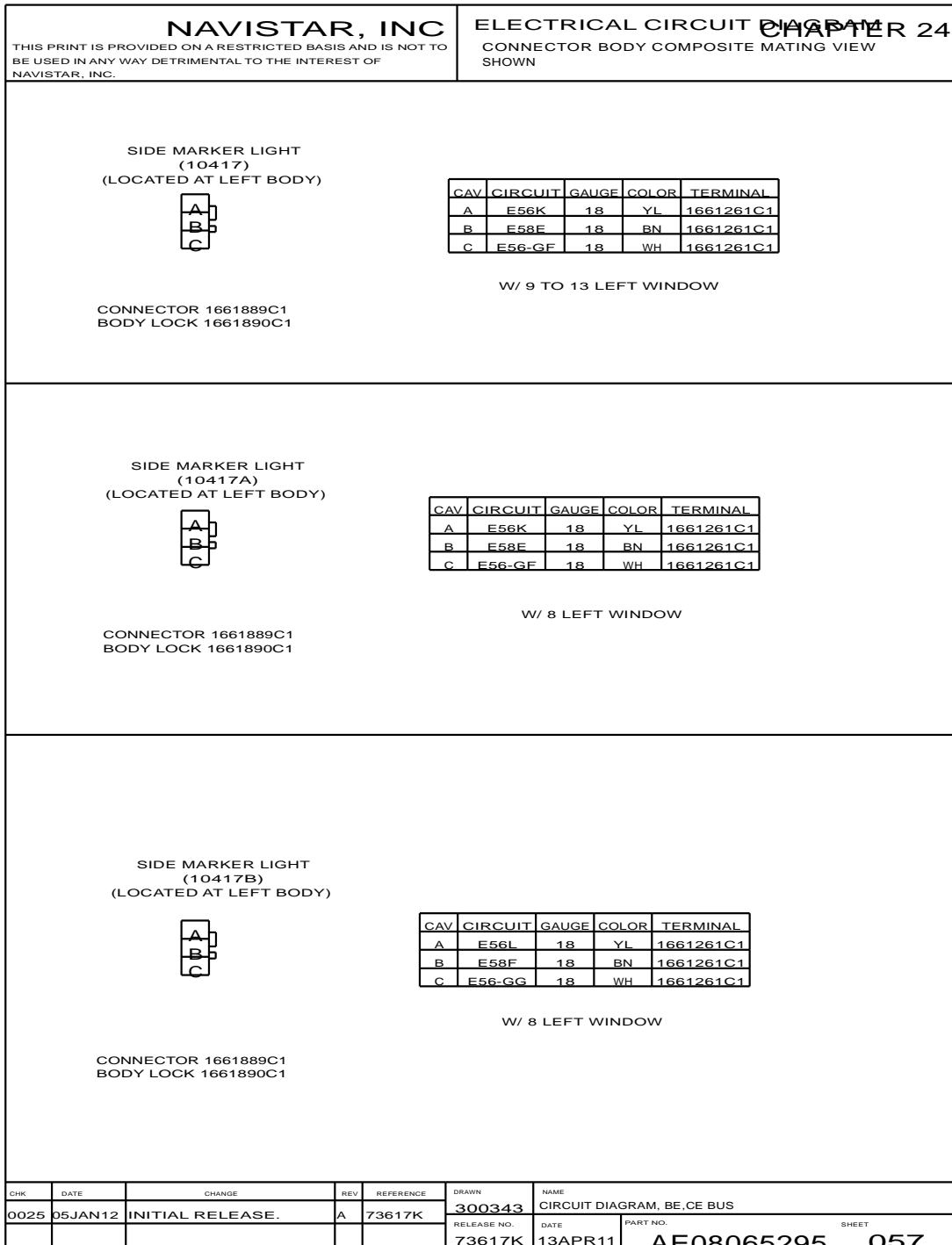


Figure 726 Connector Composites (10417, 10417A, 10417B)

24.59. CONNECTOR COMPOSITES (10418, 10419), P. 58

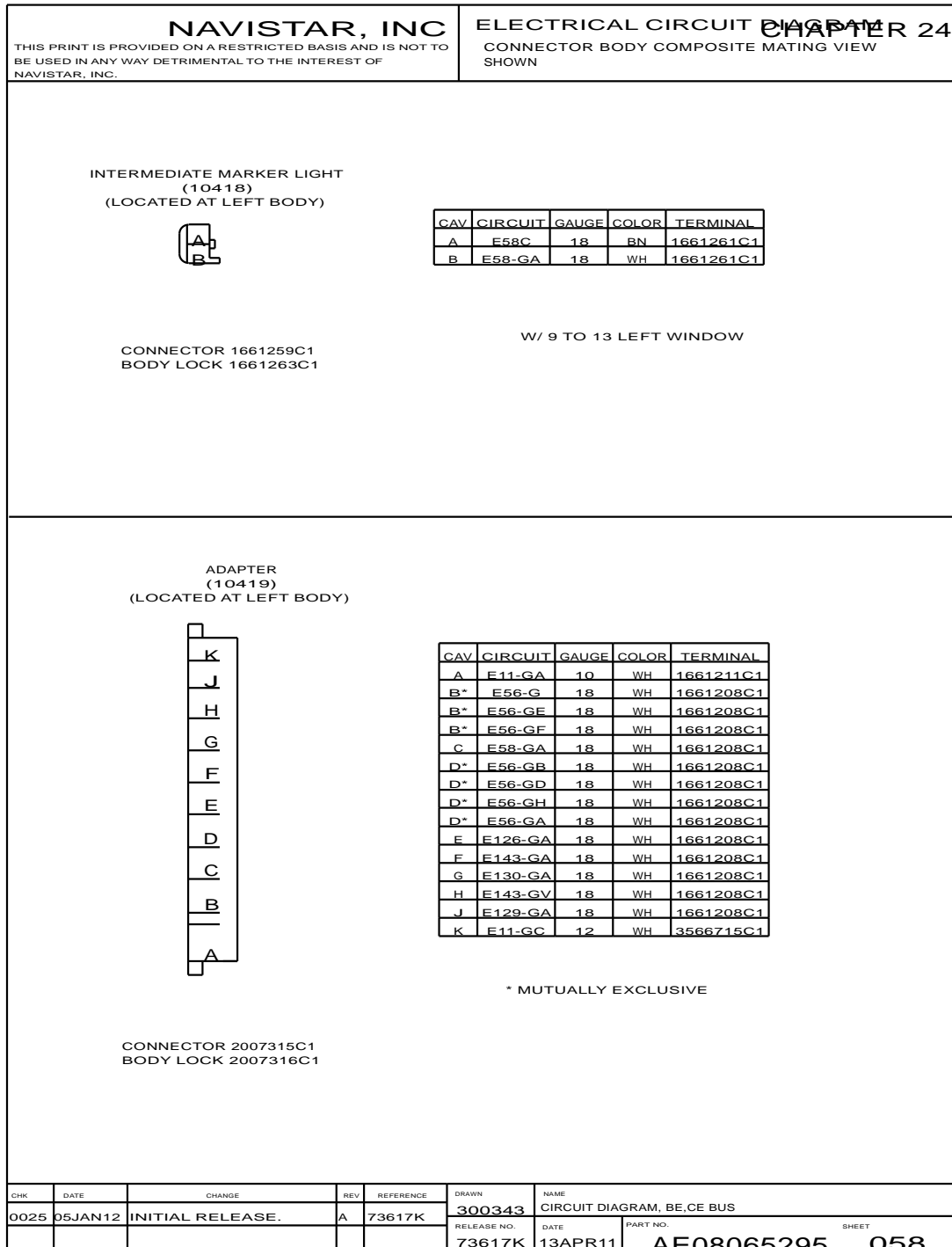


Figure 727 Connector Composites (10418, 10419)

24.60. CONNECTOR COMPOSITES (10419), P. 59

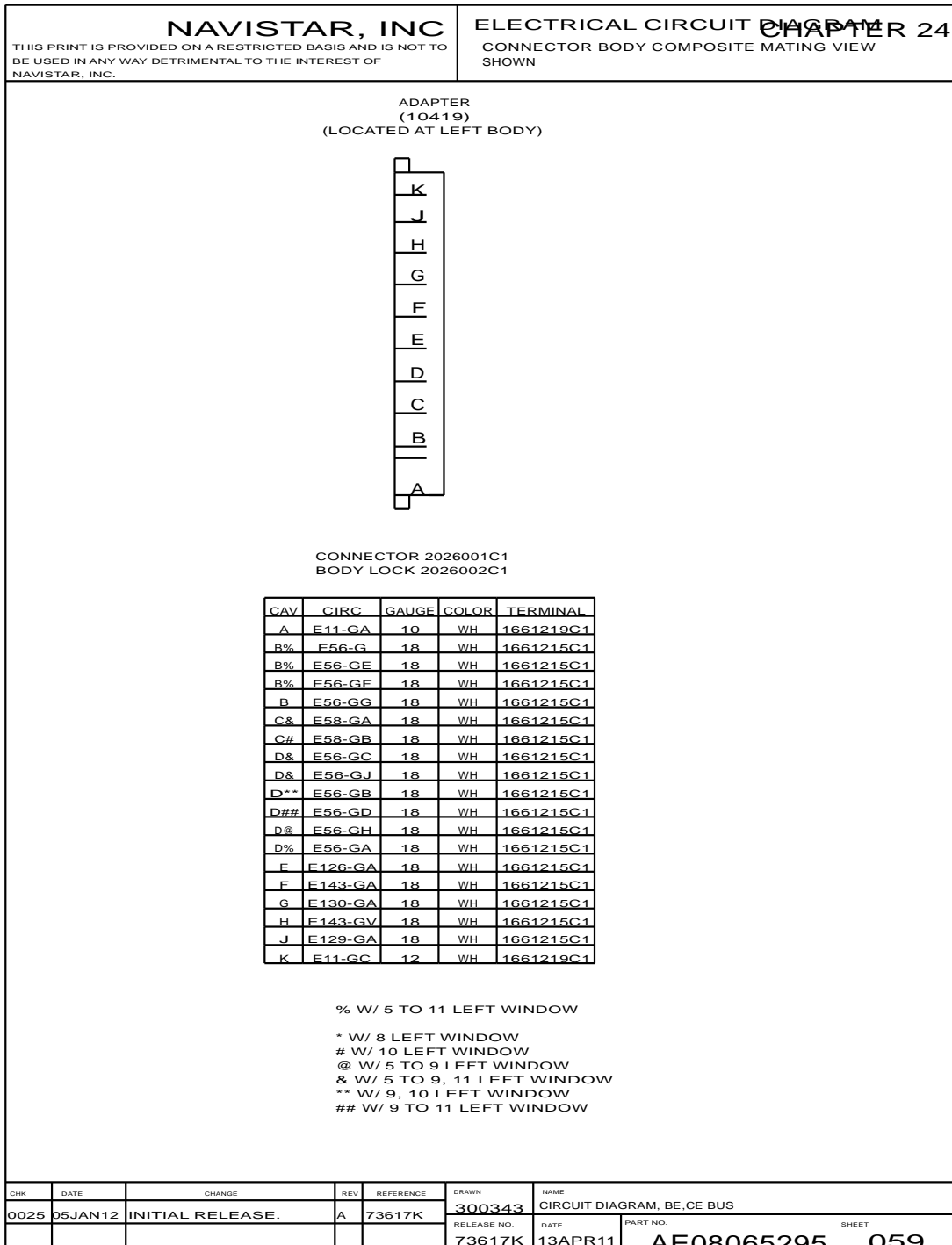


Figure 728 Connector Composites (10419)

24.61. CONNECTOR COMPOSITES (10420, 10421), P. 60

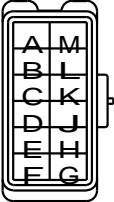
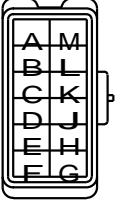
<p style="text-align: center;">NAVISTAR, INC</p> <p style="font-size: small;">THIS PRINT IS PROVIDED ON A RESTRICTED BASIS AND IS NOT TO BE USED IN ANY WAY DETRIMENTAL TO THE INTEREST OF NAVISTAR, INC.</p>	<p style="text-align: right;">CHAPTER 24</p> <p style="text-align: center;">ELECTRICAL CIRCUIT CONNECTOR BODY COMPOSITE MATING VIEW SHOWN</p>																																																																																																																																																																
<p style="text-align: center;">SPLICE CIRCLE / CLEAR LIGHT (10420) (LOCATED AT LEFT BODY)</p> <div style="text-align: center;">  </div> <p style="text-align: center;">CONNECTOR 3700745C1 BODY LOCK 3700749C1</p> <table border="1" style="width:100%; border-collapse: collapse; font-size: x-small;"> <thead> <tr><th>CAV</th><th>CIRCUIT</th><th>GAUGE</th><th>COLOR</th><th>TERMINAL</th></tr> </thead> <tbody> <tr><td>A</td><td>E56A</td><td>16</td><td>YL</td><td>3534165C1</td></tr> <tr><td>B**</td><td>E56</td><td>16</td><td>YL</td><td>3534165C1</td></tr> <tr><td>B&</td><td>E56B</td><td>16</td><td>YL</td><td>3534165C1</td></tr> <tr><td>C##</td><td>E56C</td><td>18</td><td>YL</td><td>3534164C1</td></tr> <tr><td>C%%</td><td>E56J</td><td>18</td><td>YL</td><td>3534164C1</td></tr> </tbody> </table>	CAV	CIRCUIT	GAUGE	COLOR	TERMINAL	A	E56A	16	YL	3534165C1	B**	E56	16	YL	3534165C1	B&	E56B	16	YL	3534165C1	C##	E56C	18	YL	3534164C1	C%%	E56J	18	YL	3534164C1	<table border="1" style="width:100%; border-collapse: collapse; font-size: x-small;"> <thead> <tr><th>CAV</th><th>CIRCUIT</th><th>GAUGE</th><th>COLOR</th><th>TERMINAL</th></tr> </thead> <tbody> <tr><td>D@@</td><td>E56E</td><td>18</td><td>YL</td><td>3534164C1</td></tr> <tr><td>D@@</td><td>E56H</td><td>18</td><td>YL</td><td>3534164C1</td></tr> <tr><td>D##</td><td>E56D</td><td>18</td><td>YL</td><td>3534164C1</td></tr> <tr><td>D##</td><td>E56K</td><td>18</td><td>YL</td><td>3534164C1</td></tr> <tr><td>D%%</td><td>E56M</td><td>18</td><td>YL</td><td>3534164C1</td></tr> <tr><td>D%%</td><td>E56L</td><td>18</td><td>YL</td><td>3534164C1</td></tr> <tr><td>D*</td><td>E56A</td><td>18</td><td>YL</td><td>3534164C1</td></tr> <tr><td>D#</td><td>E56F</td><td>18</td><td>YL</td><td>3534164C1</td></tr> <tr><td>E***</td><td>E56F</td><td>18</td><td>YL</td><td>3534164C1</td></tr> <tr><td>E%</td><td>E56G</td><td>18</td><td>YL</td><td>3534164C1</td></tr> <tr><td>F</td><td>-</td><td>-</td><td>-</td><td>-</td></tr> <tr><td>G</td><td>E58A</td><td>16</td><td>BN</td><td>3534165C1</td></tr> <tr><td>H</td><td>E58B</td><td>16</td><td>BN</td><td>3534165C1</td></tr> <tr><td>J***</td><td>E58C</td><td>18</td><td>BN</td><td>3534164C1</td></tr> <tr><td>J%</td><td>E58D</td><td>18</td><td>BN</td><td>3534164C1</td></tr> <tr><td>K</td><td>E58D</td><td>18</td><td>BN</td><td>3534164C1</td></tr> <tr><td>L##</td><td>E58E</td><td>18</td><td>BN</td><td>3534164C1</td></tr> <tr><td>L*</td><td>E58F</td><td>18</td><td>BN</td><td>3534164C1</td></tr> <tr><td>M</td><td>E143A</td><td>18</td><td>DKBL</td><td>3534164C1</td></tr> </tbody> </table> <p style="font-size: x-small;"> %% W/ 5 TO 9, 11 LEFT WINDOW ** W/ 5 TO 9, 11 LEFT WINDOW && W/ 5 TO 9 LEFT WINDOW *** W/ 5 TO 9, 11, 12, 13 LEFT WINDOW ## W/ 5 TO 13 LEFT WINDOW @@ W/ 5 TO 9, 10, 12, 13 LEFT WINDOW * W/ 8 LEFT WINDOW # W/ 11 LEFT WINDOW % W/ 10 LEFT WINDOW & W/ 12,13 LEFT WINDOW </p>	CAV	CIRCUIT	GAUGE	COLOR	TERMINAL	D@@	E56E	18	YL	3534164C1	D@@	E56H	18	YL	3534164C1	D##	E56D	18	YL	3534164C1	D##	E56K	18	YL	3534164C1	D%%	E56M	18	YL	3534164C1	D%%	E56L	18	YL	3534164C1	D*	E56A	18	YL	3534164C1	D#	E56F	18	YL	3534164C1	E***	E56F	18	YL	3534164C1	E%	E56G	18	YL	3534164C1	F	-	-	-	-	G	E58A	16	BN	3534165C1	H	E58B	16	BN	3534165C1	J***	E58C	18	BN	3534164C1	J%	E58D	18	BN	3534164C1	K	E58D	18	BN	3534164C1	L##	E58E	18	BN	3534164C1	L*	E58F	18	BN	3534164C1	M	E143A	18	DKBL	3534164C1																														
CAV	CIRCUIT	GAUGE	COLOR	TERMINAL																																																																																																																																																													
A	E56A	16	YL	3534165C1																																																																																																																																																													
B**	E56	16	YL	3534165C1																																																																																																																																																													
B&	E56B	16	YL	3534165C1																																																																																																																																																													
C##	E56C	18	YL	3534164C1																																																																																																																																																													
C%%	E56J	18	YL	3534164C1																																																																																																																																																													
CAV	CIRCUIT	GAUGE	COLOR	TERMINAL																																																																																																																																																													
D@@	E56E	18	YL	3534164C1																																																																																																																																																													
D@@	E56H	18	YL	3534164C1																																																																																																																																																													
D##	E56D	18	YL	3534164C1																																																																																																																																																													
D##	E56K	18	YL	3534164C1																																																																																																																																																													
D%%	E56M	18	YL	3534164C1																																																																																																																																																													
D%%	E56L	18	YL	3534164C1																																																																																																																																																													
D*	E56A	18	YL	3534164C1																																																																																																																																																													
D#	E56F	18	YL	3534164C1																																																																																																																																																													
E***	E56F	18	YL	3534164C1																																																																																																																																																													
E%	E56G	18	YL	3534164C1																																																																																																																																																													
F	-	-	-	-																																																																																																																																																													
G	E58A	16	BN	3534165C1																																																																																																																																																													
H	E58B	16	BN	3534165C1																																																																																																																																																													
J***	E58C	18	BN	3534164C1																																																																																																																																																													
J%	E58D	18	BN	3534164C1																																																																																																																																																													
K	E58D	18	BN	3534164C1																																																																																																																																																													
L##	E58E	18	BN	3534164C1																																																																																																																																																													
L*	E58F	18	BN	3534164C1																																																																																																																																																													
M	E143A	18	DKBL	3534164C1																																																																																																																																																													
<p style="text-align: center;">SPLICE KICK OUT WINDOW (10421) (LOCATED AT LEFT BODY)</p> <div style="text-align: center;">  </div> <p style="text-align: center;">CONNECTOR 3700745C1 BODY LOCK 3700749C1</p> <table border="1" style="width:100%; border-collapse: collapse; font-size: x-small;"> <thead> <tr><th>CAV</th><th>CIRCUIT</th><th>GAUGE</th><th>COLOR</th><th>TERMINAL</th></tr> </thead> <tbody> <tr><td>A</td><td>E126A</td><td>18</td><td>GY</td><td>3534164C1</td></tr> <tr><td>B</td><td>E126B</td><td>18</td><td>GY</td><td>3534164C1</td></tr> <tr><td>C%%</td><td>E126C</td><td>16</td><td>GY</td><td>3534165C1</td></tr> <tr><td>C%%</td><td>E126D</td><td>16</td><td>GY</td><td>3534165C1</td></tr> <tr><td>C%%</td><td>E126E</td><td>16</td><td>GY</td><td>3534165C1</td></tr> <tr><td>C%%</td><td>E126F</td><td>16</td><td>GY</td><td>3534165C1</td></tr> <tr><td>D%%</td><td>E126H</td><td>16</td><td>GY</td><td>3534165C1</td></tr> <tr><td>D*</td><td>E126J</td><td>16</td><td>GY</td><td>3534165C1</td></tr> <tr><td>D#</td><td>E126K</td><td>16</td><td>GY</td><td>3534165C1</td></tr> <tr><td>D#</td><td>E126L</td><td>16</td><td>GY</td><td>3534165C1</td></tr> </tbody> </table>	CAV	CIRCUIT	GAUGE	COLOR	TERMINAL	A	E126A	18	GY	3534164C1	B	E126B	18	GY	3534164C1	C%%	E126C	16	GY	3534165C1	C%%	E126D	16	GY	3534165C1	C%%	E126E	16	GY	3534165C1	C%%	E126F	16	GY	3534165C1	D%%	E126H	16	GY	3534165C1	D*	E126J	16	GY	3534165C1	D#	E126K	16	GY	3534165C1	D#	E126L	16	GY	3534165C1	<table border="1" style="width:100%; border-collapse: collapse; font-size: x-small;"> <thead> <tr><th>CAV</th><th>CIRCUIT</th><th>GAUGE</th><th>COLOR</th><th>TERMINAL</th></tr> </thead> <tbody> <tr><td>E%</td><td>E126M</td><td>16</td><td>GY</td><td>3534165C1</td></tr> <tr><td>E&</td><td>E126N</td><td>16</td><td>GY</td><td>3534165C1</td></tr> <tr><td>E@</td><td>E126P</td><td>16</td><td>GY</td><td>3534165C1</td></tr> <tr><td>E**</td><td>E126R</td><td>16</td><td>GY</td><td>3534165C1</td></tr> <tr><td>F**</td><td>E126T</td><td>16</td><td>GY</td><td>3534165C1</td></tr> <tr><td>G</td><td>E126-GA</td><td>18</td><td>WH</td><td>3534164C1</td></tr> <tr><td>H%%</td><td>E126-GB</td><td>16</td><td>WH</td><td>3534165C1</td></tr> <tr><td>H%%</td><td>E126-GC</td><td>16</td><td>WH</td><td>3534165C1</td></tr> <tr><td>H%%</td><td>E126-GD</td><td>16</td><td>WH</td><td>3534165C1</td></tr> <tr><td>H%%</td><td>E126-GE</td><td>16</td><td>WH</td><td>3534165C1</td></tr> <tr><td>J%%</td><td>E126-GF</td><td>16</td><td>WH</td><td>3534165C1</td></tr> <tr><td>J*</td><td>E126-GH</td><td>16</td><td>WH</td><td>3534165C1</td></tr> <tr><td>J#</td><td>E126-GJ</td><td>16</td><td>WH</td><td>3534165C1</td></tr> <tr><td>J##</td><td>E126-GK</td><td>16</td><td>WH</td><td>3534165C1</td></tr> <tr><td>K%</td><td>E126-GL</td><td>16</td><td>WH</td><td>3534165C1</td></tr> <tr><td>K&</td><td>E126-GM</td><td>16</td><td>WH</td><td>3534165C1</td></tr> <tr><td>K@</td><td>E126-GN</td><td>16</td><td>WH</td><td>3534165C1</td></tr> <tr><td>K**</td><td>E126-GP</td><td>16</td><td>WH</td><td>3534165C1</td></tr> <tr><td>L</td><td>E126-GR</td><td>16</td><td>WH</td><td>3534165C1</td></tr> <tr><td>M</td><td>-</td><td>-</td><td>-</td><td>-</td></tr> </tbody> </table> <p style="font-size: x-small;"> * W/ 6 TO 13 LEFT WINDOW # W/ 7 TO 13 LEFT WINDOW % W/ 9 TO 13 LEFT WINDOW & W/ 10 TO 13 LEFT WINDOW @ W/ 11 TO 13 LEFT WINDOW %% W/ 5 TO 13 LEFT WINDOW ** W/ 12, 13 LEFT WINDOW ## W/ 8 TO 13 LEFT WINDOW </p>	CAV	CIRCUIT	GAUGE	COLOR	TERMINAL	E%	E126M	16	GY	3534165C1	E&	E126N	16	GY	3534165C1	E@	E126P	16	GY	3534165C1	E**	E126R	16	GY	3534165C1	F**	E126T	16	GY	3534165C1	G	E126-GA	18	WH	3534164C1	H%%	E126-GB	16	WH	3534165C1	H%%	E126-GC	16	WH	3534165C1	H%%	E126-GD	16	WH	3534165C1	H%%	E126-GE	16	WH	3534165C1	J%%	E126-GF	16	WH	3534165C1	J*	E126-GH	16	WH	3534165C1	J#	E126-GJ	16	WH	3534165C1	J##	E126-GK	16	WH	3534165C1	K%	E126-GL	16	WH	3534165C1	K&	E126-GM	16	WH	3534165C1	K@	E126-GN	16	WH	3534165C1	K**	E126-GP	16	WH	3534165C1	L	E126-GR	16	WH	3534165C1	M	-	-	-	-
CAV	CIRCUIT	GAUGE	COLOR	TERMINAL																																																																																																																																																													
A	E126A	18	GY	3534164C1																																																																																																																																																													
B	E126B	18	GY	3534164C1																																																																																																																																																													
C%%	E126C	16	GY	3534165C1																																																																																																																																																													
C%%	E126D	16	GY	3534165C1																																																																																																																																																													
C%%	E126E	16	GY	3534165C1																																																																																																																																																													
C%%	E126F	16	GY	3534165C1																																																																																																																																																													
D%%	E126H	16	GY	3534165C1																																																																																																																																																													
D*	E126J	16	GY	3534165C1																																																																																																																																																													
D#	E126K	16	GY	3534165C1																																																																																																																																																													
D#	E126L	16	GY	3534165C1																																																																																																																																																													
CAV	CIRCUIT	GAUGE	COLOR	TERMINAL																																																																																																																																																													
E%	E126M	16	GY	3534165C1																																																																																																																																																													
E&	E126N	16	GY	3534165C1																																																																																																																																																													
E@	E126P	16	GY	3534165C1																																																																																																																																																													
E**	E126R	16	GY	3534165C1																																																																																																																																																													
F**	E126T	16	GY	3534165C1																																																																																																																																																													
G	E126-GA	18	WH	3534164C1																																																																																																																																																													
H%%	E126-GB	16	WH	3534165C1																																																																																																																																																													
H%%	E126-GC	16	WH	3534165C1																																																																																																																																																													
H%%	E126-GD	16	WH	3534165C1																																																																																																																																																													
H%%	E126-GE	16	WH	3534165C1																																																																																																																																																													
J%%	E126-GF	16	WH	3534165C1																																																																																																																																																													
J*	E126-GH	16	WH	3534165C1																																																																																																																																																													
J#	E126-GJ	16	WH	3534165C1																																																																																																																																																													
J##	E126-GK	16	WH	3534165C1																																																																																																																																																													
K%	E126-GL	16	WH	3534165C1																																																																																																																																																													
K&	E126-GM	16	WH	3534165C1																																																																																																																																																													
K@	E126-GN	16	WH	3534165C1																																																																																																																																																													
K**	E126-GP	16	WH	3534165C1																																																																																																																																																													
L	E126-GR	16	WH	3534165C1																																																																																																																																																													
M	-	-	-	-																																																																																																																																																													
<table border="1" style="width:100%; border-collapse: collapse;"> <thead> <tr><th>CHK</th><th>DATE</th><th>CHANGE</th><th>REV</th><th>REFERENCE</th></tr> </thead> <tbody> <tr><td>-</td><td>-</td><td>INITIAL RELEASE.</td><td>A</td><td>73617K</td></tr> </tbody> </table>	CHK	DATE	CHANGE	REV	REFERENCE	-	-	INITIAL RELEASE.	A	73617K	<table border="1" style="width:100%; border-collapse: collapse;"> <thead> <tr><th>DRAWN</th><th>NAME</th></tr> </thead> <tbody> <tr><td>23074073</td><td>CIRCUIT DIAGRAM, BE,CE BUS</td></tr> <tr><th>RELEASE NO.</th><th>DATE</th><th>PART NO.</th><th>SHEET</th></tr> <tr><td>73617K</td><td>11MAY11</td><td>AE08065295</td><td>060</td></tr> </tbody> </table>	DRAWN	NAME	23074073	CIRCUIT DIAGRAM, BE,CE BUS	RELEASE NO.	DATE	PART NO.	SHEET	73617K	11MAY11	AE08065295	060																																																																																																																																										
CHK	DATE	CHANGE	REV	REFERENCE																																																																																																																																																													
-	-	INITIAL RELEASE.	A	73617K																																																																																																																																																													
DRAWN	NAME																																																																																																																																																																
23074073	CIRCUIT DIAGRAM, BE,CE BUS																																																																																																																																																																
RELEASE NO.	DATE	PART NO.	SHEET																																																																																																																																																														
73617K	11MAY11	AE08065295	060																																																																																																																																																														

Figure 729 Connector Composites (10420, 10421)

24.62. CONNECTOR COMPOSITES (10422, 10423), P. 61

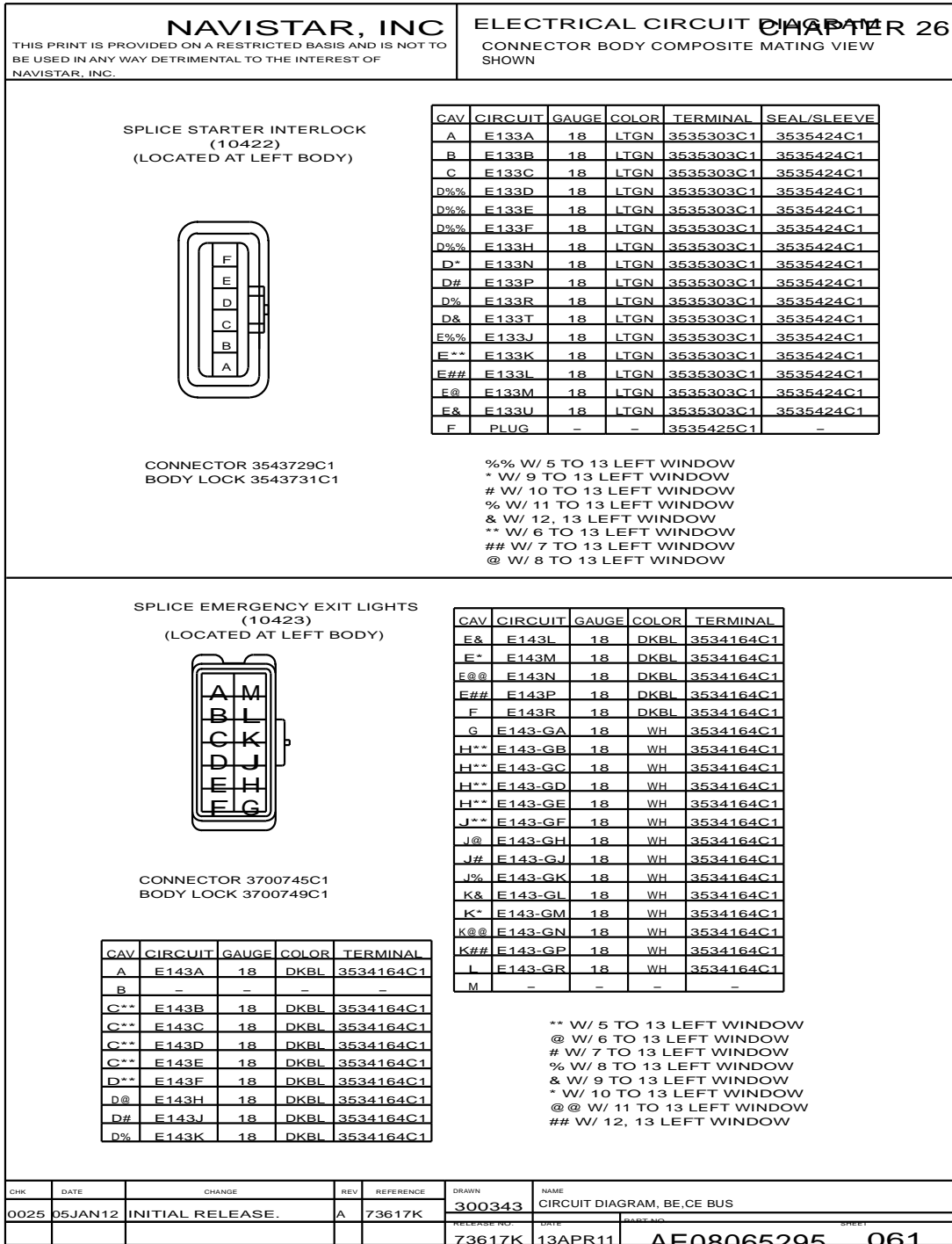


Figure 730 Connector Composites (10422, 10423)

24.63. CONNECTOR COMPOSITES (10424A, 10424B, 10425A, 10425B, 10426A), P. 62






NAVISTAR, INC <small>THIS PRINT IS PROVIDED ON A RESTRICTED BASIS AND IS NOT TO BE USED IN ANY WAY DETRIMENTAL TO THE INTEREST OF NAVISTAR, INC.</small>				ELECTRICAL CIRCUIT DIAGRAM CHAPTER 24 CONNECTOR BODY COMPOSITE MATING VIEW SHOWN													
 CONNECTOR 2206658C1		KICK OUT WINDOW SECTION 1 (10424A) (LOCATED AT LEFT BODY)				<table border="1" style="width: 100%; border-collapse: collapse;"> <thead> <tr> <th>CAV</th> <th>CIRCUIT</th> <th>GAUGE</th> <th>COLOR</th> <th>TERMINAL</th> </tr> </thead> <tbody> <tr> <td>A</td> <td>E126C</td> <td>16</td> <td>GY</td> <td>0239805R1</td> </tr> </tbody> </table>		CAV	CIRCUIT	GAUGE	COLOR	TERMINAL	A	E126C	16	GY	0239805R1
CAV	CIRCUIT	GAUGE	COLOR	TERMINAL													
A	E126C	16	GY	0239805R1													
 CONNECTOR 2206658C1		KICK OUT WINDOW GROUND (10424B) (LOCATED AT LEFT BODY)				<table border="1" style="width: 100%; border-collapse: collapse;"> <thead> <tr> <th>CAV</th> <th>CIRCUIT</th> <th>GAUGE</th> <th>COLOR</th> <th>TERMINAL</th> </tr> </thead> <tbody> <tr> <td>A</td> <td>E126-GB</td> <td>16</td> <td>WH</td> <td>0239805R1</td> </tr> </tbody> </table>		CAV	CIRCUIT	GAUGE	COLOR	TERMINAL	A	E126-GB	16	WH	0239805R1
CAV	CIRCUIT	GAUGE	COLOR	TERMINAL													
A	E126-GB	16	WH	0239805R1													
 CONNECTOR 2206658C1		KICK OUT WINDOW SECTION 2 (10425A) (LOCATED AT LEFT BODY)				<table border="1" style="width: 100%; border-collapse: collapse;"> <thead> <tr> <th>CAV</th> <th>CIRCUIT</th> <th>GAUGE</th> <th>COLOR</th> <th>TERMINAL</th> </tr> </thead> <tbody> <tr> <td>A</td> <td>E126D</td> <td>16</td> <td>GY</td> <td>0239805R1</td> </tr> </tbody> </table>		CAV	CIRCUIT	GAUGE	COLOR	TERMINAL	A	E126D	16	GY	0239805R1
CAV	CIRCUIT	GAUGE	COLOR	TERMINAL													
A	E126D	16	GY	0239805R1													
 CONNECTOR 2206658C1		KICK OUT WINDOW GROUND (10425B) (LOCATED AT LEFT BODY)				<table border="1" style="width: 100%; border-collapse: collapse;"> <thead> <tr> <th>CAV</th> <th>CIRCUIT</th> <th>GAUGE</th> <th>COLOR</th> <th>TERMINAL</th> </tr> </thead> <tbody> <tr> <td>A</td> <td>E126-GC</td> <td>16</td> <td>WH</td> <td>0239805R1</td> </tr> </tbody> </table>		CAV	CIRCUIT	GAUGE	COLOR	TERMINAL	A	E126-GC	16	WH	0239805R1
CAV	CIRCUIT	GAUGE	COLOR	TERMINAL													
A	E126-GC	16	WH	0239805R1													
 CONNECTOR 2206658C1		KICK OUT WINDOW SECTION 3 (10426A) (LOCATED AT LEFT BODY)				<table border="1" style="width: 100%; border-collapse: collapse;"> <thead> <tr> <th>CAV</th> <th>CIRCUIT</th> <th>GAUGE</th> <th>COLOR</th> <th>TERMINAL</th> </tr> </thead> <tbody> <tr> <td>A</td> <td>E126E</td> <td>16</td> <td>GY</td> <td>0239805R1</td> </tr> </tbody> </table>		CAV	CIRCUIT	GAUGE	COLOR	TERMINAL	A	E126E	16	GY	0239805R1
CAV	CIRCUIT	GAUGE	COLOR	TERMINAL													
A	E126E	16	GY	0239805R1													
CHK	DATE	CHANGE	REV	REFERENCE	DRAWN	NAME											
0025	05JAN12	INITIAL RELEASE.	A	73617K	300343	CIRCUIT DIAGRAM, BE,CE BUS											
					RELEASE NO.	DATE	PART NO. SHEET										
					73617K	13APR11	AE08065295 062										

Figure 731 Connector Composites (10424A, 10424B, 10425A, 10425B, 10426A)

24.64. CONNECTOR COMPOSITES (10426B, 10427A, 10427B, 10428A, 10428B), P. 63






NAVISTAR, INC <small>THIS PRINT IS PROVIDED ON A RESTRICTED BASIS AND IS NOT TO BE USED IN ANY WAY DETRIMENTAL TO THE INTEREST OF NAVISTAR, INC.</small>				ELECTRICAL CIRCUIT DIAGRAM CHAPTER 24 CONNECTOR BODY COMPOSITE MATING VIEW SHOWN													
		KICK OUT WINDOW GROUND (10426B) (LOCATED AT LEFT BODY)															
CONNECTOR 2206658C1		<table border="1" style="width: 100%; border-collapse: collapse;"> <thead> <tr> <th>CAV</th> <th>CIRCUIT</th> <th>GAUGE</th> <th>COLOR</th> <th>TERMINAL</th> </tr> </thead> <tbody> <tr> <td>A</td> <td>E126-GD</td> <td>16</td> <td>WH</td> <td>0239805R1</td> </tr> </tbody> </table>				CAV	CIRCUIT	GAUGE	COLOR	TERMINAL	A	E126-GD	16	WH	0239805R1	W/ 5 TO 13 LEFT WINDOW	
CAV	CIRCUIT	GAUGE	COLOR	TERMINAL													
A	E126-GD	16	WH	0239805R1													
		KICK OUT WINDOW SECTION 4 (10427A) (LOCATED AT LEFT BODY)															
CONNECTOR 2206658C1		<table border="1" style="width: 100%; border-collapse: collapse;"> <thead> <tr> <th>CAV</th> <th>CIRCUIT</th> <th>GAUGE</th> <th>COLOR</th> <th>TERMINAL</th> </tr> </thead> <tbody> <tr> <td>A</td> <td>E126F</td> <td>16</td> <td>GY</td> <td>0239805R1</td> </tr> </tbody> </table>				CAV	CIRCUIT	GAUGE	COLOR	TERMINAL	A	E126F	16	GY	0239805R1	W/ 5 TO 13 LEFT WINDOW	
CAV	CIRCUIT	GAUGE	COLOR	TERMINAL													
A	E126F	16	GY	0239805R1													
		KICK OUT WINDOW GROUND (10427B) (LOCATED AT LEFT BODY)															
CONNECTOR 2206658C1		<table border="1" style="width: 100%; border-collapse: collapse;"> <thead> <tr> <th>CAV</th> <th>CIRCUIT</th> <th>GAUGE</th> <th>COLOR</th> <th>TERMINAL</th> </tr> </thead> <tbody> <tr> <td>A</td> <td>E126-GE</td> <td>16</td> <td>WH</td> <td>0239805R1</td> </tr> </tbody> </table>				CAV	CIRCUIT	GAUGE	COLOR	TERMINAL	A	E126-GE	16	WH	0239805R1	W/ 5 TO 13 LEFT WINDOW	
CAV	CIRCUIT	GAUGE	COLOR	TERMINAL													
A	E126-GE	16	WH	0239805R1													
		KICK OUT WINDOW SECTION 5 (10428A) (LOCATED AT LEFT BODY)															
CONNECTOR 2206658C1		<table border="1" style="width: 100%; border-collapse: collapse;"> <thead> <tr> <th>CAV</th> <th>CIRCUIT</th> <th>GAUGE</th> <th>COLOR</th> <th>TERMINAL</th> </tr> </thead> <tbody> <tr> <td>A</td> <td>E126H</td> <td>16</td> <td>GY</td> <td>0239805R1</td> </tr> </tbody> </table>				CAV	CIRCUIT	GAUGE	COLOR	TERMINAL	A	E126H	16	GY	0239805R1	W/ 5 TO 13 LEFT WINDOW	
CAV	CIRCUIT	GAUGE	COLOR	TERMINAL													
A	E126H	16	GY	0239805R1													
		KICK OUT WINDOW GROUND (10428B) (LOCATED AT LEFT BODY)															
CONNECTOR 2206658C1		<table border="1" style="width: 100%; border-collapse: collapse;"> <thead> <tr> <th>CAV</th> <th>CIRCUIT</th> <th>GAUGE</th> <th>COLOR</th> <th>TERMINAL</th> </tr> </thead> <tbody> <tr> <td>A</td> <td>E126-GF</td> <td>16</td> <td>WH</td> <td>0239805R1</td> </tr> </tbody> </table>				CAV	CIRCUIT	GAUGE	COLOR	TERMINAL	A	E126-GF	16	WH	0239805R1	W/ 5 TO 13 LEFT WINDOW	
CAV	CIRCUIT	GAUGE	COLOR	TERMINAL													
A	E126-GF	16	WH	0239805R1													
CHK	DATE	CHANGE	REV	REFERENCE	DRAWN	NAME											
0025	05JAN12	INITIAL RELEASE.	A	73617K	300343	CIRCUIT DIAGRAM, BE,CE BUS											
					RELEASE NO.	DATE											
					73617K	13APR11											
					PART NO.	SHEET											
					AE08065295	063											

Figure 732 Connector Composites (10426B, 10427A, 10427B, 10428A, 10428B)

24.65. CONNECTOR COMPOSITES (10429A, 10429B, 10430A, 10430B, 10431A), P. 64






NAVISTAR, INC				ELECTRICAL CIRCUIT DIAGRAM CHAPTER 24													
THIS PRINT IS PROVIDED ON A RESTRICTED BASIS AND IS NOT TO BE USED IN ANY WAY DETRIMENTAL TO THE INTEREST OF NAVISTAR, INC.				CONNECTOR BODY COMPOSITE MATING VIEW SHOWN													
 CONNECTOR 2206658C1				KICK OUT WINDOW SECTION 6 (10429A) (LOCATED AT LEFT BODY)													
				<table border="1" style="width: 100%; border-collapse: collapse;"> <thead> <tr> <th>CAV</th> <th>CIRCUIT</th> <th>GAUGE</th> <th>COLOR</th> <th>TERMINAL</th> </tr> </thead> <tbody> <tr> <td>A</td> <td>E126J</td> <td>16</td> <td>GY</td> <td>0239805R1</td> </tr> </tbody> </table>				CAV	CIRCUIT	GAUGE	COLOR	TERMINAL	A	E126J	16	GY	0239805R1
CAV	CIRCUIT	GAUGE	COLOR	TERMINAL													
A	E126J	16	GY	0239805R1													
				W/ 6 TO 13 LEFT WINDOW													
 CONNECTOR 2206658C1				KICK OUT WINDOW GROUND (10429B) (LOCATED AT LEFT BODY)													
				<table border="1" style="width: 100%; border-collapse: collapse;"> <thead> <tr> <th>CAV</th> <th>CIRCUIT</th> <th>GAUGE</th> <th>COLOR</th> <th>TERMINAL</th> </tr> </thead> <tbody> <tr> <td>A</td> <td>E126-GH</td> <td>16</td> <td>WH</td> <td>0239805R1</td> </tr> </tbody> </table>				CAV	CIRCUIT	GAUGE	COLOR	TERMINAL	A	E126-GH	16	WH	0239805R1
CAV	CIRCUIT	GAUGE	COLOR	TERMINAL													
A	E126-GH	16	WH	0239805R1													
				W/ 6 TO 13 LEFT WINDOW													
 CONNECTOR 2206658C1				KICK OUT WINDOW SECTION 7 (10430A) (LOCATED AT LEFT BODY)													
				<table border="1" style="width: 100%; border-collapse: collapse;"> <thead> <tr> <th>CAV</th> <th>CIRCUIT</th> <th>GAUGE</th> <th>COLOR</th> <th>TERMINAL</th> </tr> </thead> <tbody> <tr> <td>A</td> <td>E126K</td> <td>16</td> <td>GY</td> <td>0239805R1</td> </tr> </tbody> </table>				CAV	CIRCUIT	GAUGE	COLOR	TERMINAL	A	E126K	16	GY	0239805R1
CAV	CIRCUIT	GAUGE	COLOR	TERMINAL													
A	E126K	16	GY	0239805R1													
				W/ 7 TO 13 LEFT WINDOW													
 CONNECTOR 2206658C1				KICK OUT WINDOW GROUND (10430B) (LOCATED AT LEFT BODY)													
				<table border="1" style="width: 100%; border-collapse: collapse;"> <thead> <tr> <th>CAV</th> <th>CIRCUIT</th> <th>GAUGE</th> <th>COLOR</th> <th>TERMINAL</th> </tr> </thead> <tbody> <tr> <td>A</td> <td>E126-GJ</td> <td>16</td> <td>WH</td> <td>0239805R1</td> </tr> </tbody> </table>				CAV	CIRCUIT	GAUGE	COLOR	TERMINAL	A	E126-GJ	16	WH	0239805R1
CAV	CIRCUIT	GAUGE	COLOR	TERMINAL													
A	E126-GJ	16	WH	0239805R1													
				W/ 7 TO 13 LEFT WINDOW													
 CONNECTOR 2206658C1				KICK OUT WINDOW SECTION 8 (10431A) (LOCATED AT LEFT BODY)													
				<table border="1" style="width: 100%; border-collapse: collapse;"> <thead> <tr> <th>CAV</th> <th>CIRCUIT</th> <th>GAUGE</th> <th>COLOR</th> <th>TERMINAL</th> </tr> </thead> <tbody> <tr> <td>A</td> <td>E126L</td> <td>16</td> <td>GY</td> <td>0239805R1</td> </tr> </tbody> </table>				CAV	CIRCUIT	GAUGE	COLOR	TERMINAL	A	E126L	16	GY	0239805R1
CAV	CIRCUIT	GAUGE	COLOR	TERMINAL													
A	E126L	16	GY	0239805R1													
				W/ 8 TO 13 LEFT WINDOW													
CHK	DATE	CHANGE	REV	REFERENCE	DRAWN	NAME											
0025	05JAN12	INITIAL RELEASE.	A	73617K	300343	CIRCUIT DIAGRAM, BE, CE BUS											
					RELEASE NO.	DATE	PART NO. SHEET										
					73617K	10MAY11	AE08065295 064										

Figure 733 Connector Composites (10429A, 10429B, 10430A, 10430B, 10431A)

24.66. CONNECTOR COMPOSITES (10431B, 10432A, 10432B, 10433A, 10433B), P. 65

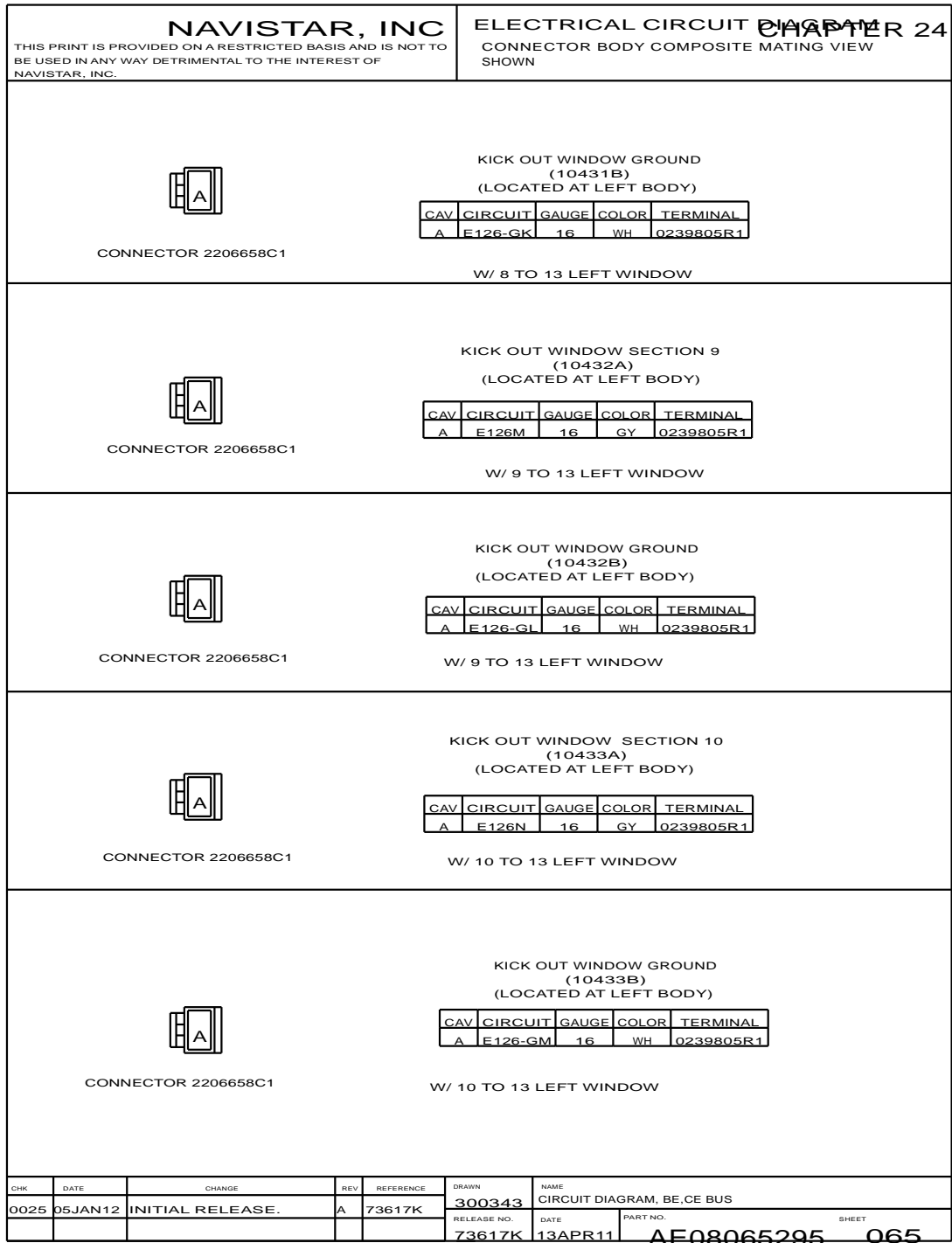


Figure 734 Connector Composites (10431B, 10432A, 10432B, 10433A, 10433B)

24.67. CONNECTOR COMPOSITES (10434A, 10434B, 10435A, 10435B, 10436A, 10436B), P. 66







NAVISTAR, INC				ELECTRICAL CIRCUIT DIAGRAM CHAPTER 24													
THIS PRINT IS PROVIDED ON A RESTRICTED BASIS AND IS NOT TO BE USED IN ANY WAY DETRIMENTAL TO THE INTEREST OF NAVISTAR, INC.				CONNECTOR BODY COMPOSITE MATING VIEW SHOWN													
		KICK OUT WINDOW SECTION 11 (10434A) (LOCATED AT LEFT BODY)															
CONNECTOR 2206658C1		W/ 11 TO 13 LEFT WINDOW															
		<table border="1" style="width: 100%; border-collapse: collapse; font-size: x-small;"> <thead> <tr> <th>CAV</th> <th>CIRCUIT</th> <th>GAUGE</th> <th>COLOR</th> <th>TERMINAL</th> </tr> </thead> <tbody> <tr> <td>A</td> <td>E126P</td> <td>16</td> <td>GY</td> <td>0239805R1</td> </tr> </tbody> </table>						CAV	CIRCUIT	GAUGE	COLOR	TERMINAL	A	E126P	16	GY	0239805R1
CAV	CIRCUIT	GAUGE	COLOR	TERMINAL													
A	E126P	16	GY	0239805R1													
		KICK OUT WINDOW GROUND (10434B) (LOCATED AT LEFT BODY)															
CONNECTOR 2206658C1		W/ 11 TO 13 LEFT WINDOW															
		<table border="1" style="width: 100%; border-collapse: collapse; font-size: x-small;"> <thead> <tr> <th>CAV</th> <th>CIRCUIT</th> <th>GAUGE</th> <th>COLOR</th> <th>TERMINAL</th> </tr> </thead> <tbody> <tr> <td>A</td> <td>E126-GN</td> <td>16</td> <td>WH</td> <td>0239805R1</td> </tr> </tbody> </table>						CAV	CIRCUIT	GAUGE	COLOR	TERMINAL	A	E126-GN	16	WH	0239805R1
CAV	CIRCUIT	GAUGE	COLOR	TERMINAL													
A	E126-GN	16	WH	0239805R1													
		KICK OUT WINDOW SECTION 12 (10435A) (LOCATED AT LEFT BODY)															
CONNECTOR 2206658C1		W/ 12, 13 LEFT WINDOW															
		<table border="1" style="width: 100%; border-collapse: collapse; font-size: x-small;"> <thead> <tr> <th>CAV</th> <th>CIRCUIT</th> <th>GAUGE</th> <th>COLOR</th> <th>TERMINAL</th> </tr> </thead> <tbody> <tr> <td>A</td> <td>E126R</td> <td>16</td> <td>GY</td> <td>0239805R1</td> </tr> </tbody> </table>						CAV	CIRCUIT	GAUGE	COLOR	TERMINAL	A	E126R	16	GY	0239805R1
CAV	CIRCUIT	GAUGE	COLOR	TERMINAL													
A	E126R	16	GY	0239805R1													
		KICK OUT WINDOW GROUND (10435B) (LOCATED AT LEFT BODY)															
CONNECTOR 2206658C1		W/ 12, 13 LEFT WINDOW															
		<table border="1" style="width: 100%; border-collapse: collapse; font-size: x-small;"> <thead> <tr> <th>CAV</th> <th>CIRCUIT</th> <th>GAUGE</th> <th>COLOR</th> <th>TERMINAL</th> </tr> </thead> <tbody> <tr> <td>A</td> <td>E126-GP</td> <td>16</td> <td>WH</td> <td>0239805R1</td> </tr> </tbody> </table>						CAV	CIRCUIT	GAUGE	COLOR	TERMINAL	A	E126-GP	16	WH	0239805R1
CAV	CIRCUIT	GAUGE	COLOR	TERMINAL													
A	E126-GP	16	WH	0239805R1													
		KICK OUT WINDOW SECTION 13 (10436A) (LOCATED AT LEFT BODY)															
CONNECTOR 2206658C1		W/ 12, 13 LEFT WINDOW															
		<table border="1" style="width: 100%; border-collapse: collapse; font-size: x-small;"> <thead> <tr> <th>CAV</th> <th>CIRCUIT</th> <th>GAUGE</th> <th>COLOR</th> <th>TERMINAL</th> </tr> </thead> <tbody> <tr> <td>A</td> <td>E126T</td> <td>16</td> <td>GY</td> <td>0239805R1</td> </tr> </tbody> </table>						CAV	CIRCUIT	GAUGE	COLOR	TERMINAL	A	E126T	16	GY	0239805R1
CAV	CIRCUIT	GAUGE	COLOR	TERMINAL													
A	E126T	16	GY	0239805R1													
		KICK OUT WINDOW GROUND (10436B) (LOCATED AT LEFT BODY)															
CONNECTOR 2206658C1		W/ 12, 13 LEFT WINDOW															
		<table border="1" style="width: 100%; border-collapse: collapse; font-size: x-small;"> <thead> <tr> <th>CAV</th> <th>CIRCUIT</th> <th>GAUGE</th> <th>COLOR</th> <th>TERMINAL</th> </tr> </thead> <tbody> <tr> <td>A</td> <td>E126-GR</td> <td>16</td> <td>WH</td> <td>0239805R1</td> </tr> </tbody> </table>						CAV	CIRCUIT	GAUGE	COLOR	TERMINAL	A	E126-GR	16	WH	0239805R1
CAV	CIRCUIT	GAUGE	COLOR	TERMINAL													
A	E126-GR	16	WH	0239805R1													
CHK	DATE	CHANGE	REV	REFERENCE	DRAWN	NAME											
-	-	INITIAL RELEASE.	A	73617K	300343	CIRCUIT DIAGRAM, BE,CE BUS											
					RELEASE NO.	DATE	PART NO. SHEET										
					73617K	13APR11	AE08065295 066										

Figure 735 Connector Composites (10434A, 10434B, 10435A, 10435B, 10436A, 10436B)

24.68. CONNECTOR COMPOSITES (10439, 10440, 10441, 10442, 10443), P. 67

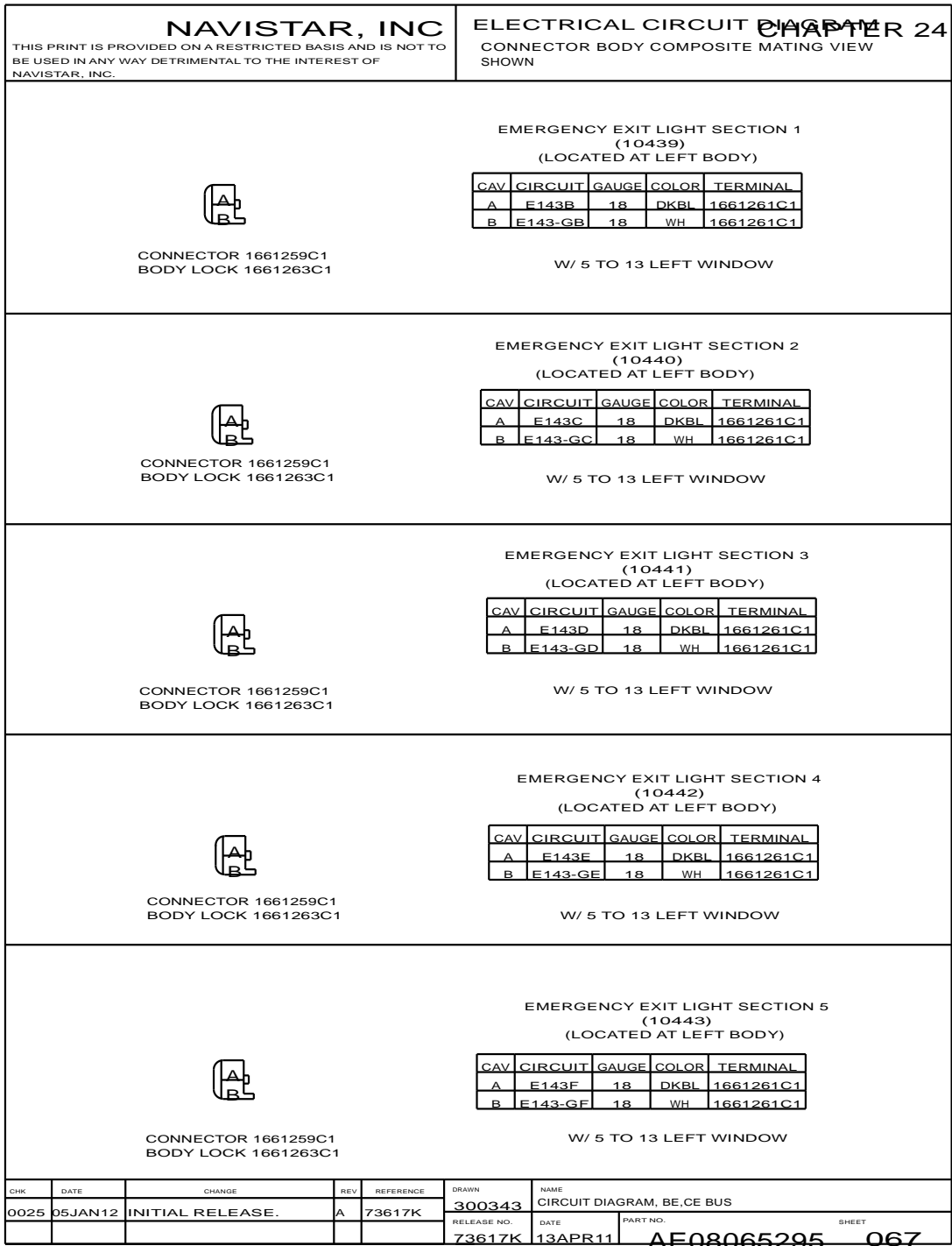


Figure 736 Connector Composites (10439, 10440, 10441, 10442, 10443)

24.69. CONNECTOR COMPOSITES (10444, 10445, 10446, 10447, 10448), P. 68






NAVISTAR, INC <small>THIS PRINT IS PROVIDED ON A RESTRICTED BASIS AND IS NOT TO BE USED IN ANY WAY DETRIMENTAL TO THE INTEREST OF NAVISTAR, INC.</small>				ELECTRICAL CIRCUIT DIAGRAM CHAPTER 24 CONNECTOR BODY COMPOSITE MATING VIEW SHOWN																		
 CONNECTOR 1661259C1 BODY LOCK 1661263C1		EMERGENCY EXIT LIGHT SECTION 6 (10444) (LOCATED AT LEFT BODY)				<table border="1" style="width: 100%; border-collapse: collapse;"> <thead> <tr> <th>CAV</th> <th>CIRCUIT</th> <th>GAUGE</th> <th>COLOR</th> <th>TERMINAL</th> </tr> </thead> <tbody> <tr> <td>A</td> <td>E143H</td> <td>18</td> <td>DKBL</td> <td>1661261C1</td> </tr> <tr> <td>B</td> <td>E143-GH</td> <td>18</td> <td>WH</td> <td>1661261C1</td> </tr> </tbody> </table>		CAV	CIRCUIT	GAUGE	COLOR	TERMINAL	A	E143H	18	DKBL	1661261C1	B	E143-GH	18	WH	1661261C1
CAV	CIRCUIT	GAUGE	COLOR	TERMINAL																		
A	E143H	18	DKBL	1661261C1																		
B	E143-GH	18	WH	1661261C1																		
W/ 6 TO 13 LEFT WINDOW																						
 CONNECTOR 1661259C1 BODY LOCK 1661263C1		3 RED LIGHT SECTION 7 (10445) (LOCATED AT LEFT BODY)				<table border="1" style="width: 100%; border-collapse: collapse;"> <thead> <tr> <th>CAV</th> <th>CIRCUIT</th> <th>GAUGE</th> <th>COLOR</th> <th>TERMINAL</th> </tr> </thead> <tbody> <tr> <td>A</td> <td>E143J</td> <td>18</td> <td>DKBL</td> <td>1661261C1</td> </tr> <tr> <td>B</td> <td>E143-GJ</td> <td>18</td> <td>WH</td> <td>1661261C1</td> </tr> </tbody> </table>		CAV	CIRCUIT	GAUGE	COLOR	TERMINAL	A	E143J	18	DKBL	1661261C1	B	E143-GJ	18	WH	1661261C1
CAV	CIRCUIT	GAUGE	COLOR	TERMINAL																		
A	E143J	18	DKBL	1661261C1																		
B	E143-GJ	18	WH	1661261C1																		
W/ 7 TO 13 LEFT WINDOW																						
 CONNECTOR 1661259C1 BODY LOCK 1661263C1		EMERGENCY EXIT LIGHT SECTION 8 (10446) (LOCATED AT LEFT BODY)				<table border="1" style="width: 100%; border-collapse: collapse;"> <thead> <tr> <th>CAV</th> <th>CIRCUIT</th> <th>GAUGE</th> <th>COLOR</th> <th>TERMINAL</th> </tr> </thead> <tbody> <tr> <td>A</td> <td>E143K</td> <td>18</td> <td>DKBL</td> <td>1661261C1</td> </tr> <tr> <td>B</td> <td>E143-GK</td> <td>18</td> <td>WH</td> <td>1661261C1</td> </tr> </tbody> </table>		CAV	CIRCUIT	GAUGE	COLOR	TERMINAL	A	E143K	18	DKBL	1661261C1	B	E143-GK	18	WH	1661261C1
CAV	CIRCUIT	GAUGE	COLOR	TERMINAL																		
A	E143K	18	DKBL	1661261C1																		
B	E143-GK	18	WH	1661261C1																		
W/ 8 TO 13 LEFT WINDOW																						
 CONNECTOR 1661259C1 BODY LOCK 1661263C1		EMERGENCY EXIT LIGHT SECTION 9 (10447) (LOCATED AT LEFT BODY)				<table border="1" style="width: 100%; border-collapse: collapse;"> <thead> <tr> <th>CAV</th> <th>CIRCUIT</th> <th>GAUGE</th> <th>COLOR</th> <th>TERMINAL</th> </tr> </thead> <tbody> <tr> <td>A</td> <td>E143L</td> <td>18</td> <td>DKBL</td> <td>1661261C1</td> </tr> <tr> <td>B</td> <td>E143-GL</td> <td>18</td> <td>WH</td> <td>1661261C1</td> </tr> </tbody> </table>		CAV	CIRCUIT	GAUGE	COLOR	TERMINAL	A	E143L	18	DKBL	1661261C1	B	E143-GL	18	WH	1661261C1
CAV	CIRCUIT	GAUGE	COLOR	TERMINAL																		
A	E143L	18	DKBL	1661261C1																		
B	E143-GL	18	WH	1661261C1																		
W/ 9 TO 13 LEFT WINDOW																						
 CONNECTOR 1661259C1 BODY LOCK 1661263C1		EMERGENCY EXIT LIGHT (10448) (LOCATED AT LEFT BODY)				<table border="1" style="width: 100%; border-collapse: collapse;"> <thead> <tr> <th>CAV</th> <th>CIRCUIT</th> <th>GAUGE</th> <th>COLOR</th> <th>TERMINAL</th> </tr> </thead> <tbody> <tr> <td>A</td> <td>E143M</td> <td>18</td> <td>DKBL</td> <td>1661261C1</td> </tr> <tr> <td>B</td> <td>E143-GM</td> <td>18</td> <td>WH</td> <td>1661261C1</td> </tr> </tbody> </table>		CAV	CIRCUIT	GAUGE	COLOR	TERMINAL	A	E143M	18	DKBL	1661261C1	B	E143-GM	18	WH	1661261C1
CAV	CIRCUIT	GAUGE	COLOR	TERMINAL																		
A	E143M	18	DKBL	1661261C1																		
B	E143-GM	18	WH	1661261C1																		
W/ 10 TO 13 LEFT WINDOW																						
CHK	DATE	CHANGE	REV	REFERENCE	DRAWN	NAME																
0025	05JAN12	INITIAL RELEASE.	A	73617K	300343	CIRCUIT DIAGRAM, BE, CE BUS																
					RELEASE NO.	DATE	PART NO.															
					73617K	10MAY11	AE08065295															
							SHEET 068															

Figure 737 Connector Composites (10444, 10445, 10446, 10447, 10448)

24.70. CONNECTOR COMPOSITES (10449, 10450, 10451, 10454A, 10454B), P. 69

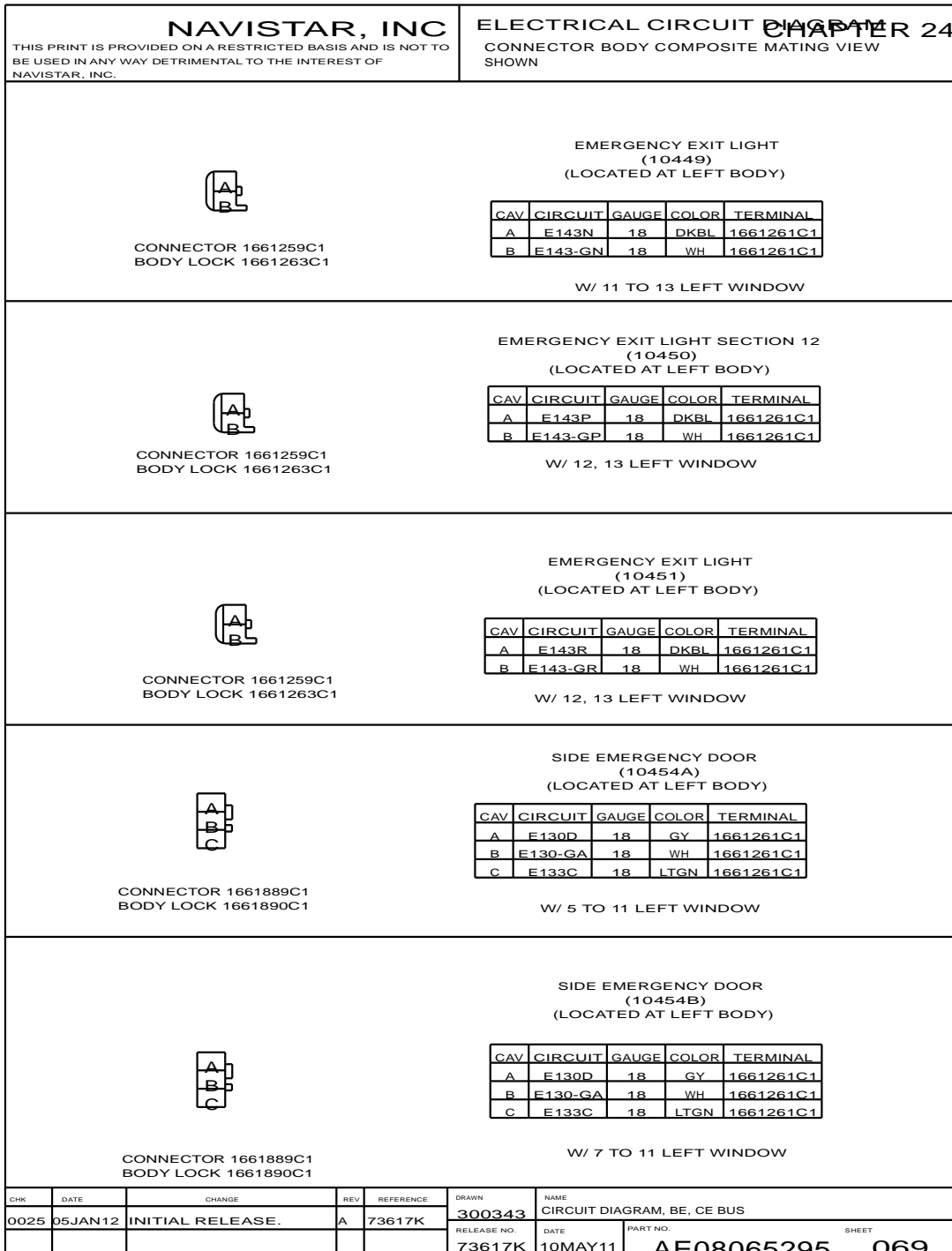


Figure 738 Connector Composites (10449, 10450, 10451, 10454A, 10454B)

24.71. CONNECTOR COMPOSITES (10454C, 10454D, 10454E, 10454F, 10454G), P. 70

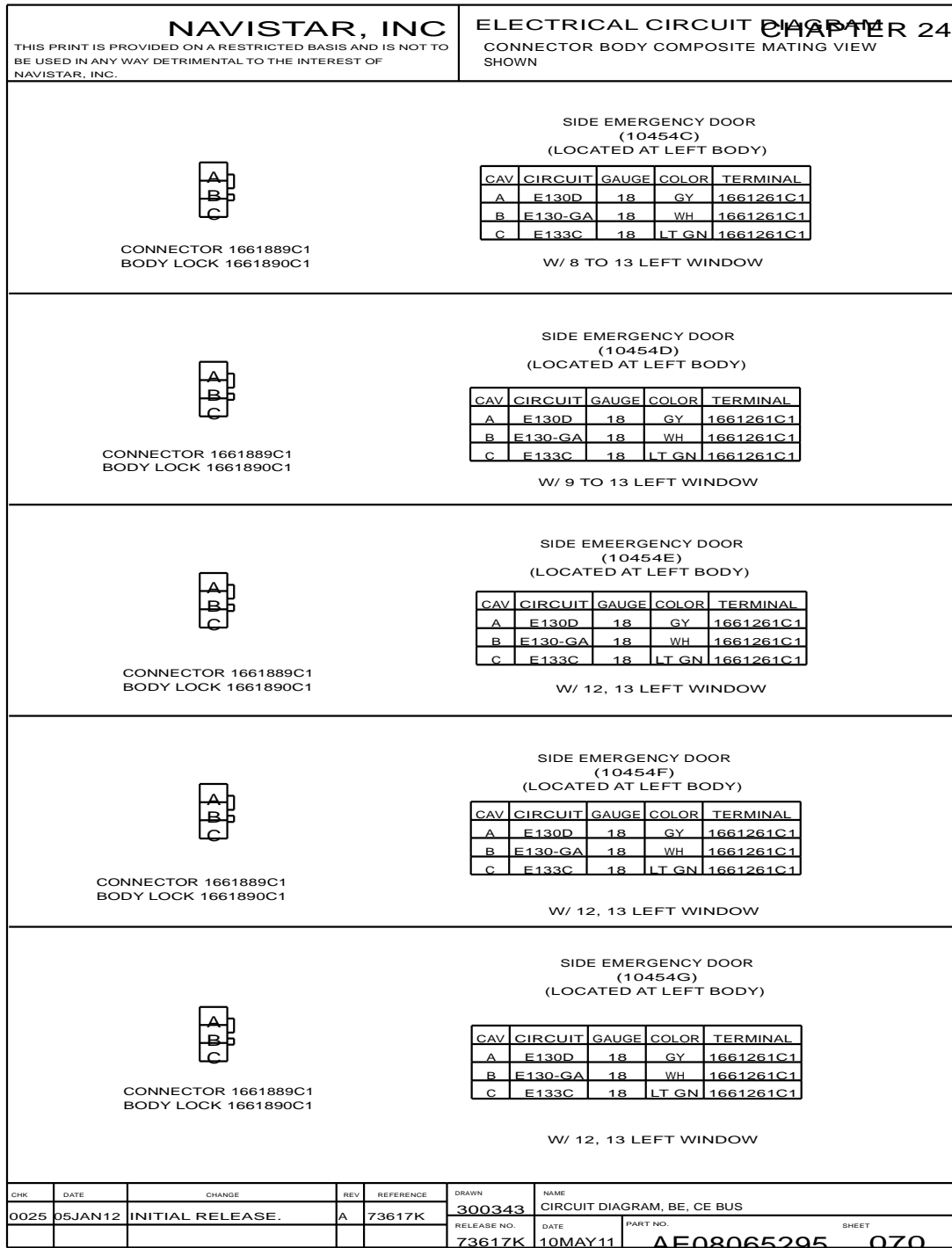


Figure 739 Connector Composites (10454C, 10454D, 10454E, 10454F, 10454G)

24.72. CONNECTOR COMPOSITES (10454H, 10455A, 10455B, 10455C, 10455D), P. 71



Figure 740 Connector Composites (10454H, 10455A, 10455B, 10455C, 10455D)

24.73. CONNECTOR COMPOSITES (10455E, 10455F, 10455G, 10455H, 10456), P. 72


NAVISTAR, INC <small>THIS PRINT IS PROVIDED ON A RESTRICTED BASIS AND IS NOT TO BE USED IN ANY WAY DETRIMENTAL TO THE INTEREST OF NAVISTAR, INC.</small>				ELECTRICAL CIRCUIT DIAGRAM CHAPTER 24 CONNECTOR BODY COMPOSITE MATING VIEW SHOWN																		
 CONNECTOR 1661259C1 BODY LOCK 1661263C1		SIDE EMERGENCY DOOR ALARM (10455E) (LOCATED AT LEFT BODY)				<table border="1" style="width: 100%; border-collapse: collapse;"> <thead> <tr> <th>CAV</th> <th>CIRCUIT</th> <th>GAUGE</th> <th>COLOR</th> <th>TERMINAL</th> </tr> </thead> <tbody> <tr> <td>A</td> <td>E12D</td> <td>18</td> <td>BK</td> <td>1661261C1</td> </tr> <tr> <td>B</td> <td>E130E</td> <td>18</td> <td>GY</td> <td>1661261C1</td> </tr> </tbody> </table> W/ 12, 13 LEFT WINDOW		CAV	CIRCUIT	GAUGE	COLOR	TERMINAL	A	E12D	18	BK	1661261C1	B	E130E	18	GY	1661261C1
CAV	CIRCUIT	GAUGE	COLOR	TERMINAL																		
A	E12D	18	BK	1661261C1																		
B	E130E	18	GY	1661261C1																		
 CONNECTOR 1661259C1 BODY LOCK 1661263C1		SIDE EMERGENCY DOOR ALARM (10455F) (LOCATED AT LEFT BODY)				<table border="1" style="width: 100%; border-collapse: collapse;"> <thead> <tr> <th>CAV</th> <th>CIRCUIT</th> <th>GAUGE</th> <th>COLOR</th> <th>TERMINAL</th> </tr> </thead> <tbody> <tr> <td>A</td> <td>E12D</td> <td>18</td> <td>BK</td> <td>1661261C1</td> </tr> <tr> <td>B</td> <td>E130E</td> <td>18</td> <td>GY</td> <td>1661261C1</td> </tr> </tbody> </table> W/ 12, 13 LEFT WINDOW		CAV	CIRCUIT	GAUGE	COLOR	TERMINAL	A	E12D	18	BK	1661261C1	B	E130E	18	GY	1661261C1
CAV	CIRCUIT	GAUGE	COLOR	TERMINAL																		
A	E12D	18	BK	1661261C1																		
B	E130E	18	GY	1661261C1																		
 CONNECTOR 1661259C1 BODY LOCK 1661263C1		SIDE EMERGENCY DOOR ALARM (10455G) (LOCATED AT LEFT BODY)				<table border="1" style="width: 100%; border-collapse: collapse;"> <thead> <tr> <th>CAV</th> <th>CIRCUIT</th> <th>GAUGE</th> <th>COLOR</th> <th>TERMINAL</th> </tr> </thead> <tbody> <tr> <td>A</td> <td>E12D</td> <td>18</td> <td>BK</td> <td>1661261C1</td> </tr> <tr> <td>B</td> <td>E130E</td> <td>18</td> <td>GY</td> <td>1661261C1</td> </tr> </tbody> </table> W/ 12, 13 LEFT WINDOW		CAV	CIRCUIT	GAUGE	COLOR	TERMINAL	A	E12D	18	BK	1661261C1	B	E130E	18	GY	1661261C1
CAV	CIRCUIT	GAUGE	COLOR	TERMINAL																		
A	E12D	18	BK	1661261C1																		
B	E130E	18	GY	1661261C1																		
 CONNECTOR 1661259C1 BODY LOCK 1661263C1		SIDE EMERGENCY DOOR ALARM (10455H) (LOCATED AT LEFT BODY)				<table border="1" style="width: 100%; border-collapse: collapse;"> <thead> <tr> <th>CAV</th> <th>CIRCUIT</th> <th>GAUGE</th> <th>COLOR</th> <th>TERMINAL</th> </tr> </thead> <tbody> <tr> <td>A</td> <td>E12D</td> <td>18</td> <td>BK</td> <td>1661261C1</td> </tr> <tr> <td>B</td> <td>E130E</td> <td>18</td> <td>GY</td> <td>1661261C1</td> </tr> </tbody> </table> W/ 12, 13 LEFT WINDOW		CAV	CIRCUIT	GAUGE	COLOR	TERMINAL	A	E12D	18	BK	1661261C1	B	E130E	18	GY	1661261C1
CAV	CIRCUIT	GAUGE	COLOR	TERMINAL																		
A	E12D	18	BK	1661261C1																		
B	E130E	18	GY	1661261C1																		
 CONNECTOR 1661259C1 BODY LOCK 1661263C1		SIDE EMERGENCY DOOR LIGHT (10456) (LOCATED AT LEFT BODY)				<table border="1" style="width: 100%; border-collapse: collapse;"> <thead> <tr> <th>CAV</th> <th>CIRCUIT</th> <th>GAUGE</th> <th>COLOR</th> <th>TERMINAL</th> </tr> </thead> <tbody> <tr> <td>A</td> <td>E143V</td> <td>18</td> <td>DKBL</td> <td>1661261C1</td> </tr> <tr> <td>B</td> <td>E143-GV</td> <td>18</td> <td>WH</td> <td>1661261C1</td> </tr> </tbody> </table> W/ 5, 6 LEFT WINDOW		CAV	CIRCUIT	GAUGE	COLOR	TERMINAL	A	E143V	18	DKBL	1661261C1	B	E143-GV	18	WH	1661261C1
CAV	CIRCUIT	GAUGE	COLOR	TERMINAL																		
A	E143V	18	DKBL	1661261C1																		
B	E143-GV	18	WH	1661261C1																		
CHK	DATE	CHANGE	REV	REFERENCE	DRAWN	NAME																
0025	05JAN12	INITIAL RELEASE.	A	73617K	300343	CIRCUIT DIAGRAM, BE,CE BUS																
					RELEASE NO.	DATE	PART NO. SHEET															
					73617K	13APR11	AE08065295 072															

Figure 741 Connector Composites (10455E, 10455F, 10455G, 10455H, 10456)

24.74. CONNECTOR COMPOSITES (10456A, 10456B, 10456C, 10456D, 10456E), P. 73



Figure 742 Connector Composites (10456A, 10456B, 10456C, 10456D, 10456E)

24.75. CONNECTOR COMPOSITES (10456F, 10456G, 10456H, 10457), P. 74

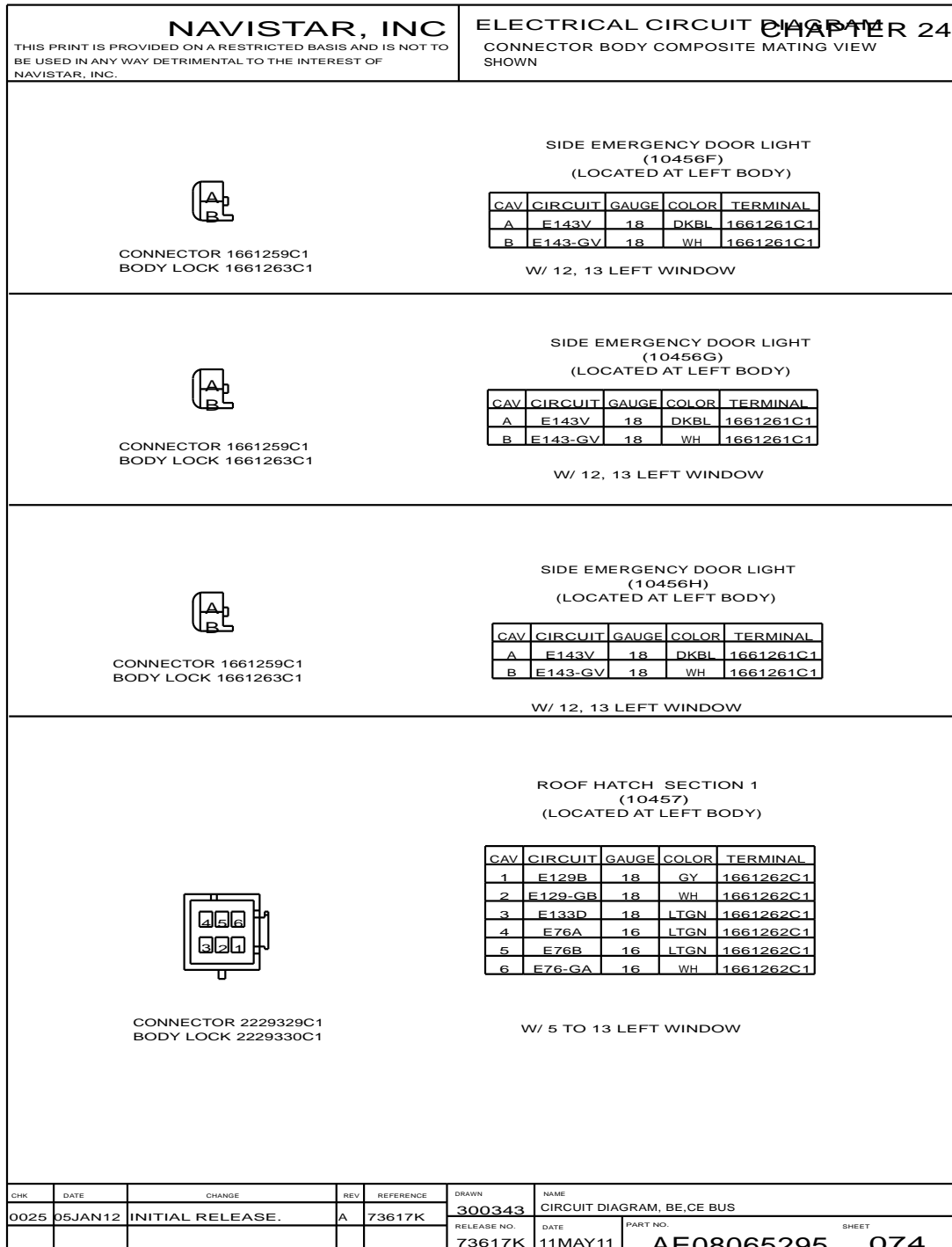


Figure 743 Connector Composites (10456F, 10456G, 10456H, 10457)

24.76. CONNECTOR COMPOSITES (10458, 10459, 10460, 10461, 10462), P. 75

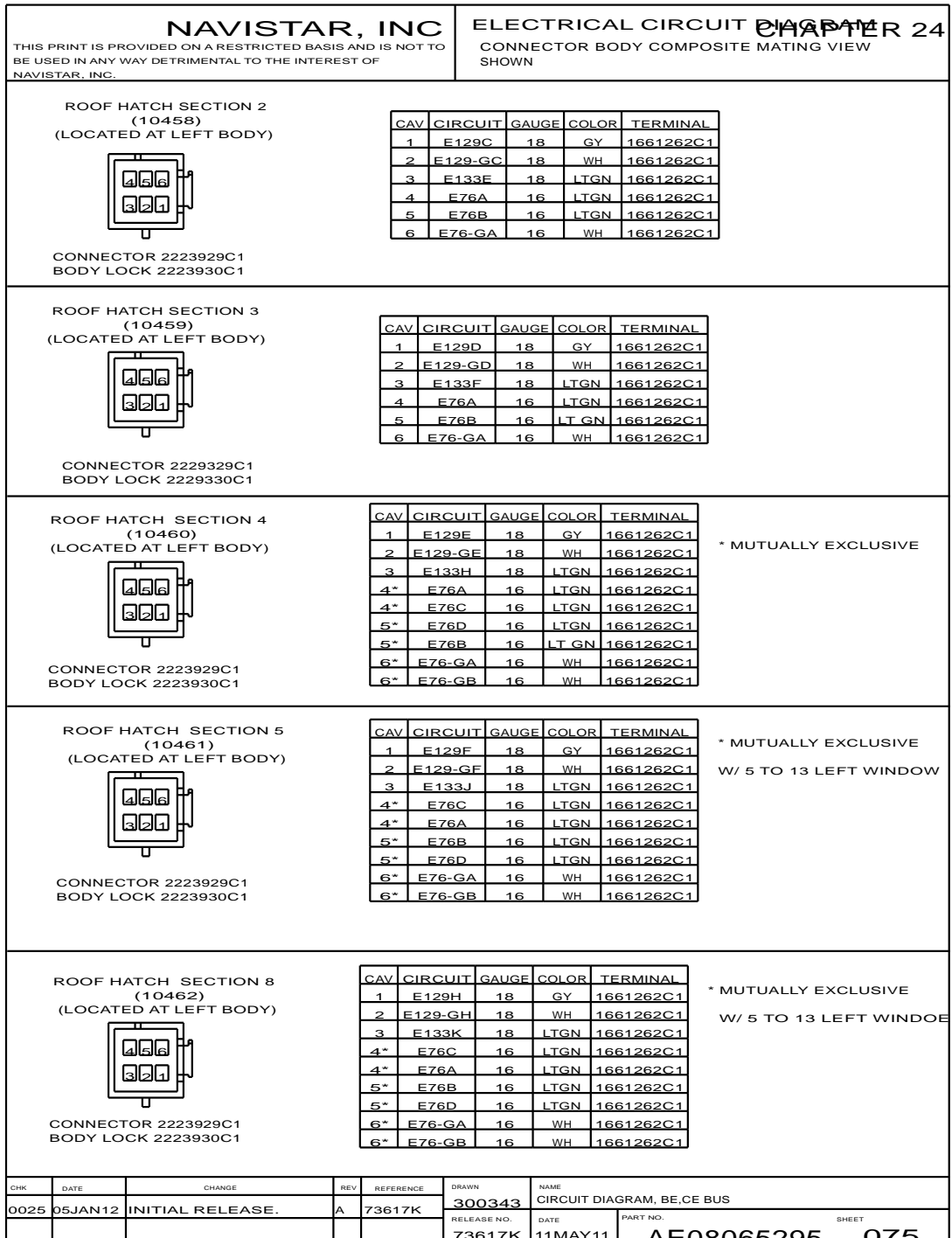


Figure 744 Connector Composites (10458, 10459, 10460, 10461, 10462)

24.77. CONNECTOR COMPOSITES (10463, 10464, 10465, 10466), P. 76

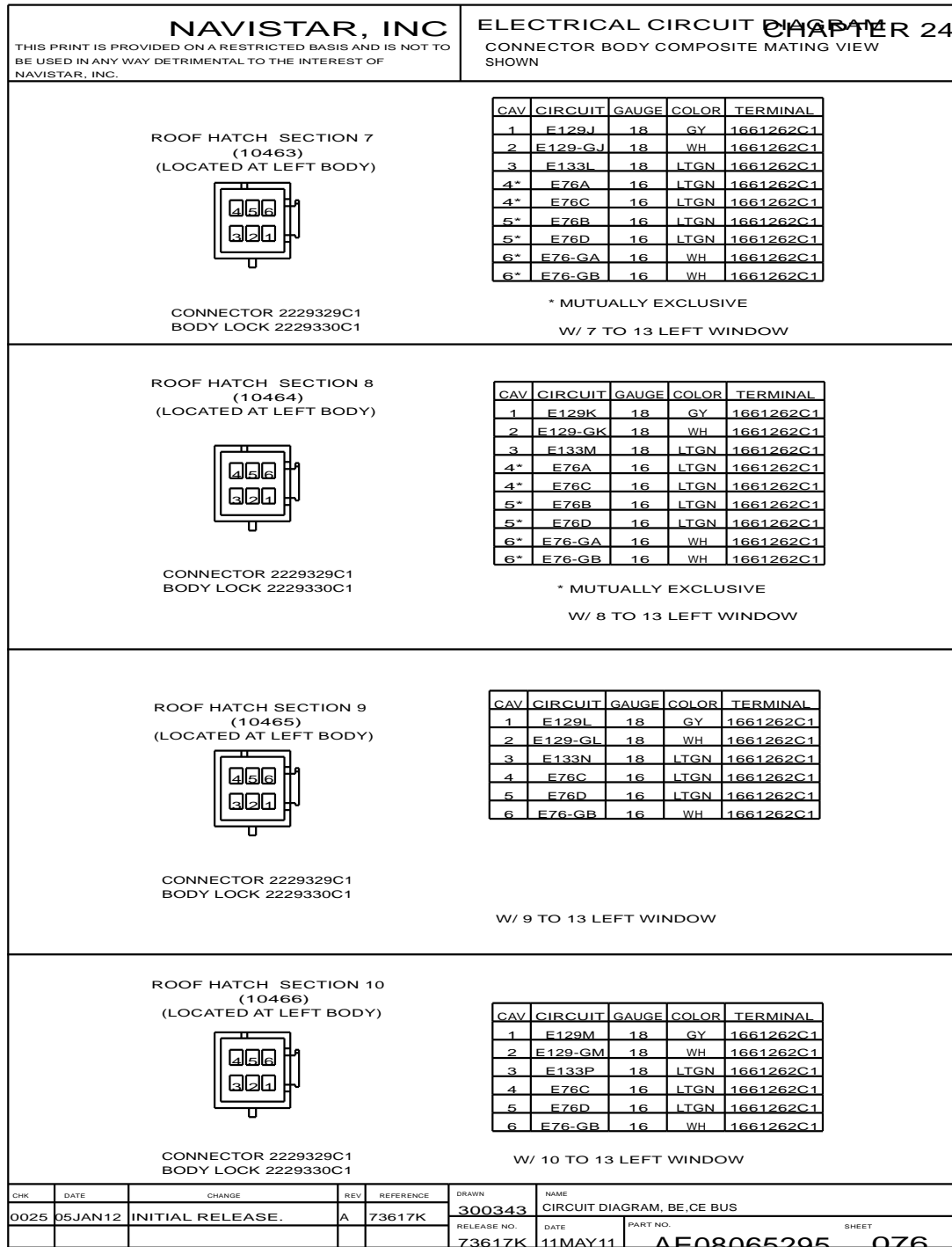


Figure 745 Connector Composites (10463, 10464, 10465, 10466)

24.78. CONNECTOR COMPOSITES (10467, 10468, 10469), P. 77

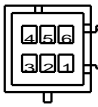
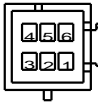
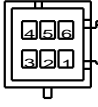
NAVISTAR, INC <small>THIS PRINT IS PROVIDED ON A RESTRICTED BASIS AND IS NOT TO BE USED IN ANY WAY DETRIMENTAL TO THE INTEREST OF NAVISTAR, INC.</small>				ELECTRICAL CIRCUIT DIAGRAM CHAPTER 24 CONNECTOR BODY COMPOSITE MATING VIEW SHOWN																																						
ROOF HATCH SECTION 11 (10467) (LOCATED AT LEFT BODY)																																										
				<table border="1" style="width: 100%; border-collapse: collapse;"> <thead> <tr> <th>CAV</th> <th>CIRCUIT</th> <th>GAUGE</th> <th>COLOR</th> <th>TERMINAL</th> </tr> </thead> <tbody> <tr><td>1</td><td>E129N</td><td>18</td><td>GY</td><td>1661262C1</td></tr> <tr><td>2</td><td>E129-GN</td><td>18</td><td>WH</td><td>1661262C1</td></tr> <tr><td>3</td><td>E133R</td><td>18</td><td>LTGN</td><td>1661262C1</td></tr> <tr><td>4</td><td>E76C</td><td>16</td><td>LTGN</td><td>1661262C1</td></tr> <tr><td>5</td><td>E76D</td><td>16</td><td>LTGN</td><td>1661262C1</td></tr> <tr><td>6</td><td>E76-GB</td><td>16</td><td>WH</td><td>1661262C1</td></tr> </tbody> </table>		CAV	CIRCUIT	GAUGE	COLOR	TERMINAL	1	E129N	18	GY	1661262C1	2	E129-GN	18	WH	1661262C1	3	E133R	18	LTGN	1661262C1	4	E76C	16	LTGN	1661262C1	5	E76D	16	LTGN	1661262C1	6	E76-GB	16	WH	1661262C1		
CAV	CIRCUIT	GAUGE	COLOR	TERMINAL																																						
1	E129N	18	GY	1661262C1																																						
2	E129-GN	18	WH	1661262C1																																						
3	E133R	18	LTGN	1661262C1																																						
4	E76C	16	LTGN	1661262C1																																						
5	E76D	16	LTGN	1661262C1																																						
6	E76-GB	16	WH	1661262C1																																						
CONNECTOR 2229329C1 BODY LOCK 2229330C1				W/ 11 TO 13 LEFT WINDOW																																						
ROOF HATCH SECTION 12 (10468) (LOCATED AT LEFT BODY)																																										
				<table border="1" style="width: 100%; border-collapse: collapse;"> <thead> <tr> <th>CAV</th> <th>CIRCUIT</th> <th>GAUGE</th> <th>COLOR</th> <th>TERMINAL</th> </tr> </thead> <tbody> <tr><td>1</td><td>E129P</td><td>18</td><td>GY</td><td>1661262C1</td></tr> <tr><td>2</td><td>E129-GP</td><td>18</td><td>WH</td><td>1661262C1</td></tr> <tr><td>3</td><td>E133T</td><td>18</td><td>LTGN</td><td>1661262C1</td></tr> <tr><td>4</td><td>E76C</td><td>16</td><td>LTGN</td><td>1661262C1</td></tr> <tr><td>5</td><td>E76D</td><td>16</td><td>LTGN</td><td>1661262C1</td></tr> <tr><td>6</td><td>E76-GB</td><td>16</td><td>WH</td><td>1661262C1</td></tr> </tbody> </table>		CAV	CIRCUIT	GAUGE	COLOR	TERMINAL	1	E129P	18	GY	1661262C1	2	E129-GP	18	WH	1661262C1	3	E133T	18	LTGN	1661262C1	4	E76C	16	LTGN	1661262C1	5	E76D	16	LTGN	1661262C1	6	E76-GB	16	WH	1661262C1		
CAV	CIRCUIT	GAUGE	COLOR	TERMINAL																																						
1	E129P	18	GY	1661262C1																																						
2	E129-GP	18	WH	1661262C1																																						
3	E133T	18	LTGN	1661262C1																																						
4	E76C	16	LTGN	1661262C1																																						
5	E76D	16	LTGN	1661262C1																																						
6	E76-GB	16	WH	1661262C1																																						
CONNECTOR 2229329C1 BODY LOCK 2229330C1				W/ 12, 13 LEFT WINDOW																																						
ROOF HATCH (10469) (LOCATED AT LEFT BODY)																																										
				<table border="1" style="width: 100%; border-collapse: collapse;"> <thead> <tr> <th>CAV</th> <th>CIRCUIT</th> <th>GAUGE</th> <th>COLOR</th> <th>TERMINAL</th> </tr> </thead> <tbody> <tr><td>1</td><td>E129R</td><td>18</td><td>GY</td><td>1661262C1</td></tr> <tr><td>2</td><td>E129-GR</td><td>18</td><td>WH</td><td>1661262C1</td></tr> <tr><td>3</td><td>E133U</td><td>18</td><td>LTGN</td><td>1661262C1</td></tr> <tr><td>4</td><td>E76C</td><td>16</td><td>LTGN</td><td>1661262C1</td></tr> <tr><td>5</td><td>E76D</td><td>16</td><td>LTGN</td><td>1661262C1</td></tr> <tr><td>6</td><td>E76-GB</td><td>16</td><td>WH</td><td>1661262C1</td></tr> </tbody> </table>		CAV	CIRCUIT	GAUGE	COLOR	TERMINAL	1	E129R	18	GY	1661262C1	2	E129-GR	18	WH	1661262C1	3	E133U	18	LTGN	1661262C1	4	E76C	16	LTGN	1661262C1	5	E76D	16	LTGN	1661262C1	6	E76-GB	16	WH	1661262C1		
CAV	CIRCUIT	GAUGE	COLOR	TERMINAL																																						
1	E129R	18	GY	1661262C1																																						
2	E129-GR	18	WH	1661262C1																																						
3	E133U	18	LTGN	1661262C1																																						
4	E76C	16	LTGN	1661262C1																																						
5	E76D	16	LTGN	1661262C1																																						
6	E76-GB	16	WH	1661262C1																																						
CONNECTOR 2229329C1 BODY LOCK 2229330C1				W/ 12, 13 LEFT WINDOW																																						
CHK	DATE	CHANGE	REV	REFERENCE	DRAWN	NAME																																				
0025	05JAN12	INITIAL RELEASE.	A	73617K	300343	CIRCUIT DIAGRAM, BE, CE BUS																																				
					RELEASE NO.	DATE	PART NO.																																			
					73617K	10MAY11	AE08065295																																			
							SHEET 077																																			

Figure 746 Connector Composites (10467, 10468, 10469)

24.79. CONNECTOR COMPOSITES (10472, 10473), P. 78

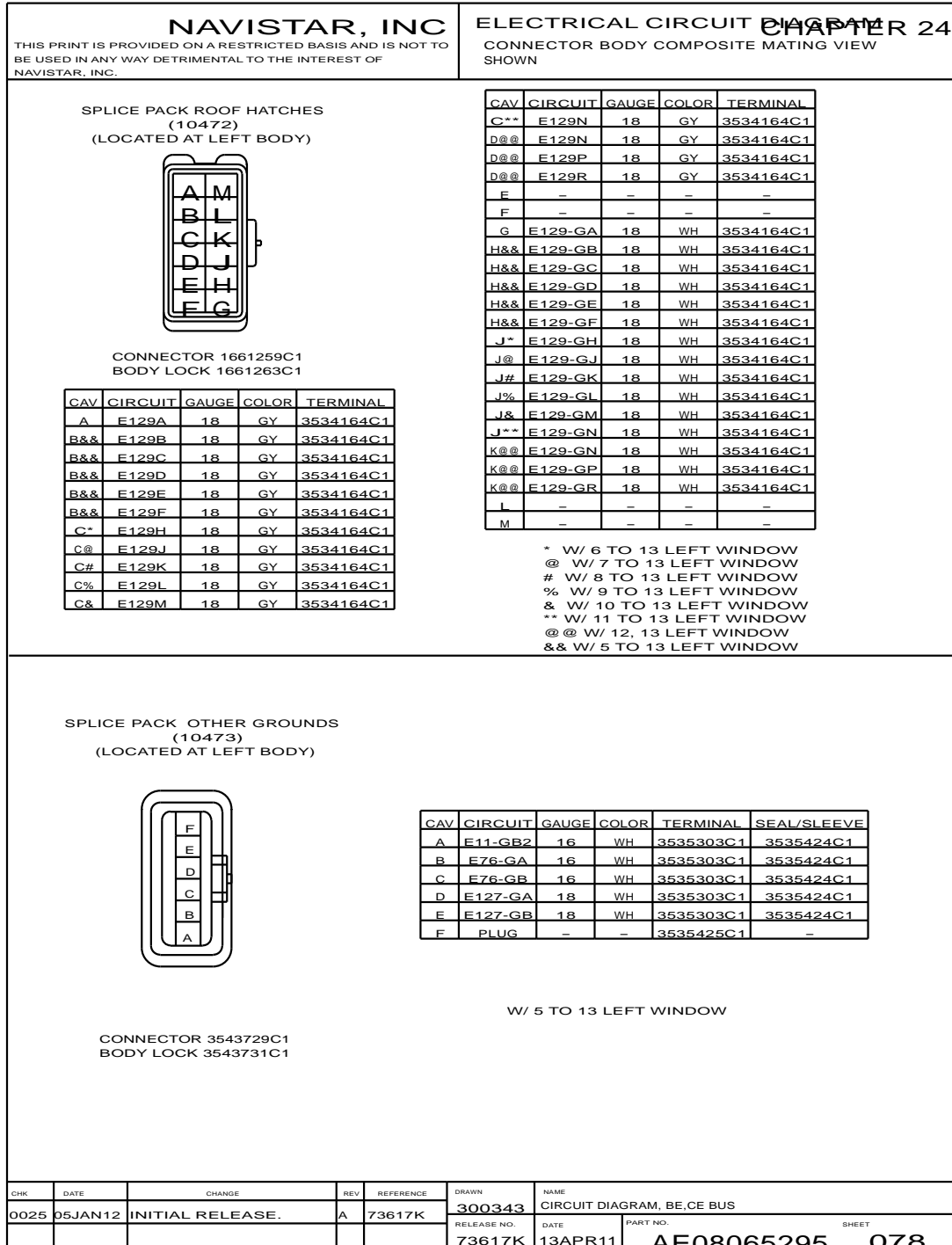


Figure 747 Connector Composites (10472, 10473)

24.80. CONNECTOR COMPOSITES (10474A, 10474B, 10474C, 10474D, 10474E), P. 79

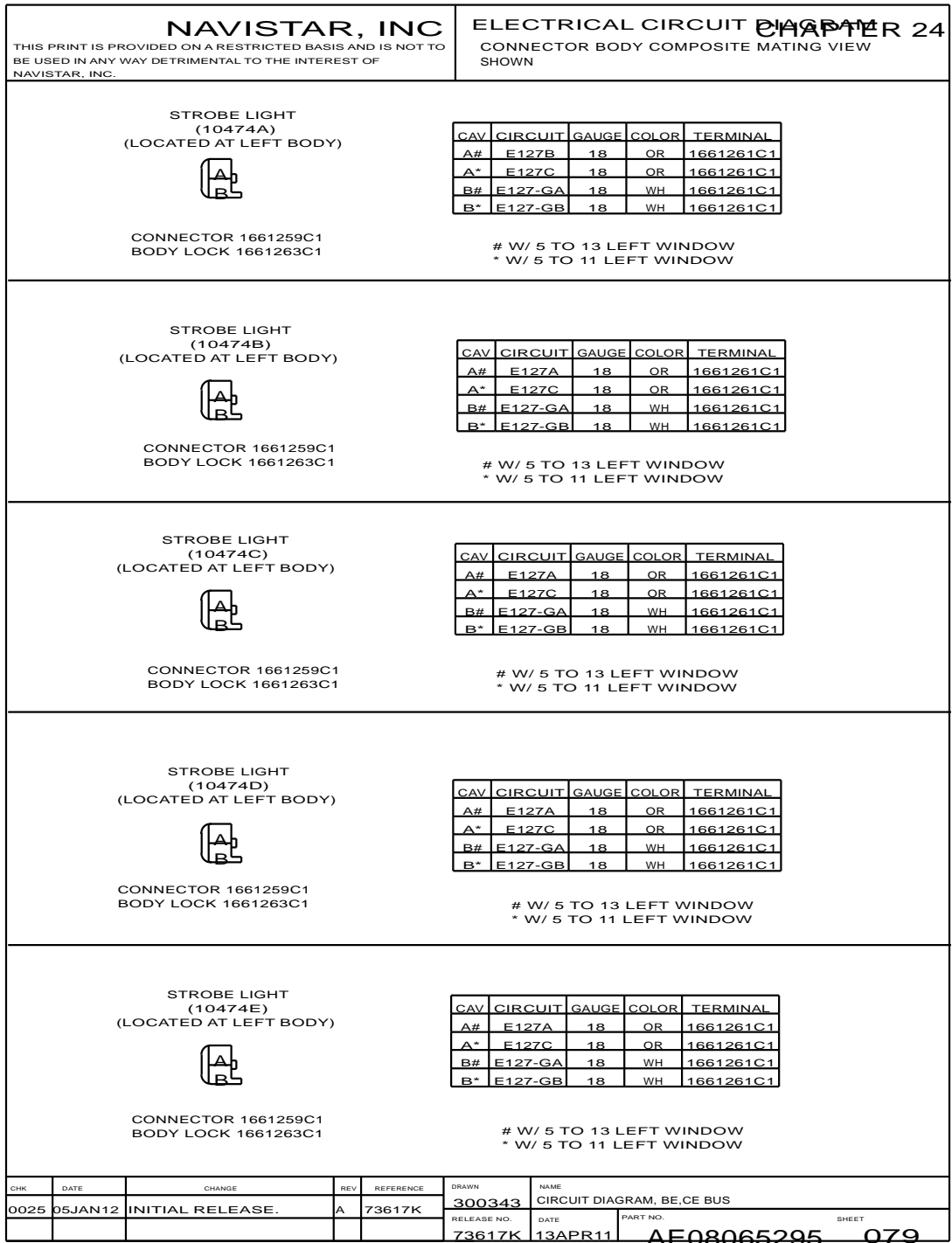


Figure 748 Connector Composites (10474A, 10474B, 10474C, 10474D, 10474E)

24.81. CONNECTOR COMPOSITES (10474F, 10474G, 10474H, 10474J, 10474K), P. 80






NAVISTAR, INC <small>THIS PRINT IS PROVIDED ON A RESTRICTED BASIS AND IS NOT TO BE USED IN ANY WAY DETRIMENTAL TO THE INTEREST OF NAVISTAR, INC.</small>				ELECTRICAL CIRCUIT DIAGRAM CHAPTER 24 CONNECTOR BODY COMPOSITE MATING VIEW SHOWN																												
STROBE LIGHT (10474F) (LOCATED AT LEFT BODY) 				<table border="1" style="width:100%; border-collapse: collapse;"> <thead> <tr> <th>CAV</th> <th>CIRCUIT</th> <th>GAUGE</th> <th>COLOR</th> <th>TERMINAL</th> </tr> </thead> <tbody> <tr> <td>A#</td> <td>E127A</td> <td>18</td> <td>OR</td> <td>1661261C1</td> </tr> <tr> <td>A*</td> <td>E127C</td> <td>18</td> <td>OR</td> <td>1661261C1</td> </tr> <tr> <td>B#</td> <td>E127-GA</td> <td>18</td> <td>WH</td> <td>1661261C1</td> </tr> <tr> <td>B*</td> <td>E127-GB</td> <td>18</td> <td>WH</td> <td>1661261C1</td> </tr> </tbody> </table>		CAV	CIRCUIT	GAUGE	COLOR	TERMINAL	A#	E127A	18	OR	1661261C1	A*	E127C	18	OR	1661261C1	B#	E127-GA	18	WH	1661261C1	B*	E127-GB	18	WH	1661261C1	CONNECTOR 1661259C1 BODY LOCK 1661263C1 # W/ 6 TO 13 LEFT WINDOW * W/ 6 TO 11 LEFT WINDOW	
CAV	CIRCUIT	GAUGE	COLOR	TERMINAL																												
A#	E127A	18	OR	1661261C1																												
A*	E127C	18	OR	1661261C1																												
B#	E127-GA	18	WH	1661261C1																												
B*	E127-GB	18	WH	1661261C1																												
STROBE LIGHT (10474G) (LOCATED AT LEFT BODY) 				<table border="1" style="width:100%; border-collapse: collapse;"> <thead> <tr> <th>CAV</th> <th>CIRCUIT</th> <th>GAUGE</th> <th>COLOR</th> <th>TERMINAL</th> </tr> </thead> <tbody> <tr> <td>A#</td> <td>E127A</td> <td>18</td> <td>OR</td> <td>1661261C1</td> </tr> <tr> <td>A*</td> <td>E127C</td> <td>18</td> <td>OR</td> <td>1661261C1</td> </tr> <tr> <td>B#</td> <td>E127-GA</td> <td>18</td> <td>WH</td> <td>1661261C1</td> </tr> <tr> <td>B*</td> <td>E127-GB</td> <td>18</td> <td>WH</td> <td>1661261C1</td> </tr> </tbody> </table>		CAV	CIRCUIT	GAUGE	COLOR	TERMINAL	A#	E127A	18	OR	1661261C1	A*	E127C	18	OR	1661261C1	B#	E127-GA	18	WH	1661261C1	B*	E127-GB	18	WH	1661261C1	CONNECTOR 1661259C1 BODY LOCK 1661263C1 # W/ 7 TO 13 LEFT WINDOW * W/ 7 TO 11 WINDOW	
CAV	CIRCUIT	GAUGE	COLOR	TERMINAL																												
A#	E127A	18	OR	1661261C1																												
A*	E127C	18	OR	1661261C1																												
B#	E127-GA	18	WH	1661261C1																												
B*	E127-GB	18	WH	1661261C1																												
STROBE LIGHT (10474H) (LOCATED AT LEFT BODY) 				<table border="1" style="width:100%; border-collapse: collapse;"> <thead> <tr> <th>CAV</th> <th>CIRCUIT</th> <th>GAUGE</th> <th>COLOR</th> <th>TERMINAL</th> </tr> </thead> <tbody> <tr> <td>A#</td> <td>E127A</td> <td>18</td> <td>OR</td> <td>1661261C1</td> </tr> <tr> <td>A*</td> <td>E127C</td> <td>18</td> <td>OR</td> <td>1661261C1</td> </tr> <tr> <td>B#</td> <td>E127-GA</td> <td>18</td> <td>WH</td> <td>1661261C1</td> </tr> <tr> <td>B*</td> <td>E127-GB</td> <td>18</td> <td>WH</td> <td>1661261C1</td> </tr> </tbody> </table>		CAV	CIRCUIT	GAUGE	COLOR	TERMINAL	A#	E127A	18	OR	1661261C1	A*	E127C	18	OR	1661261C1	B#	E127-GA	18	WH	1661261C1	B*	E127-GB	18	WH	1661261C1	CONNECTOR 1661259C1 BODY LOCK 1661263C1 # W/ 8 TO 13 LEFT WINDOW * W/ 8 TO 11 LEFT WINDOW	
CAV	CIRCUIT	GAUGE	COLOR	TERMINAL																												
A#	E127A	18	OR	1661261C1																												
A*	E127C	18	OR	1661261C1																												
B#	E127-GA	18	WH	1661261C1																												
B*	E127-GB	18	WH	1661261C1																												
STROBE LIGHT (10474J) (LOCATED AT LEFT BODY) 				<table border="1" style="width:100%; border-collapse: collapse;"> <thead> <tr> <th>CAV</th> <th>CIRCUIT</th> <th>GAUGE</th> <th>COLOR</th> <th>TERMINAL</th> </tr> </thead> <tbody> <tr> <td>A#</td> <td>E127A</td> <td>18</td> <td>OR</td> <td>1661261C1</td> </tr> <tr> <td>A*</td> <td>E127C</td> <td>18</td> <td>OR</td> <td>1661261C1</td> </tr> <tr> <td>B#</td> <td>E127-GA</td> <td>18</td> <td>WH</td> <td>1661261C1</td> </tr> <tr> <td>B*</td> <td>E127-GB</td> <td>18</td> <td>WH</td> <td>1661261C1</td> </tr> </tbody> </table>		CAV	CIRCUIT	GAUGE	COLOR	TERMINAL	A#	E127A	18	OR	1661261C1	A*	E127C	18	OR	1661261C1	B#	E127-GA	18	WH	1661261C1	B*	E127-GB	18	WH	1661261C1	CONNECTOR 1661259C1 BODY LOCK 1661263C1 # W/ 9 TO 13 LEFT WINDOW * W/ 9 TO 11 LEFT WINDOW	
CAV	CIRCUIT	GAUGE	COLOR	TERMINAL																												
A#	E127A	18	OR	1661261C1																												
A*	E127C	18	OR	1661261C1																												
B#	E127-GA	18	WH	1661261C1																												
B*	E127-GB	18	WH	1661261C1																												
STROBE LIGHT (10474K) (LOCATED AT LEFT BODY) 				<table border="1" style="width:100%; border-collapse: collapse;"> <thead> <tr> <th>CAV</th> <th>CIRCUIT</th> <th>GAUGE</th> <th>COLOR</th> <th>TERMINAL</th> </tr> </thead> <tbody> <tr> <td>A#</td> <td>E127A</td> <td>18</td> <td>OR</td> <td>1661261C1</td> </tr> <tr> <td>A*</td> <td>E127C</td> <td>18</td> <td>OR</td> <td>1661261C1</td> </tr> <tr> <td>B#</td> <td>E127-GA</td> <td>18</td> <td>WH</td> <td>1661261C1</td> </tr> <tr> <td>B*</td> <td>E127-GB</td> <td>18</td> <td>WH</td> <td>1661261C1</td> </tr> </tbody> </table>		CAV	CIRCUIT	GAUGE	COLOR	TERMINAL	A#	E127A	18	OR	1661261C1	A*	E127C	18	OR	1661261C1	B#	E127-GA	18	WH	1661261C1	B*	E127-GB	18	WH	1661261C1	CONNECTOR 1661259C1 BODY LOCK 1661263C1 # W/ 10 TO 13 LEFT WINDOW * W/ 10, 11 LEFT WINDOW	
CAV	CIRCUIT	GAUGE	COLOR	TERMINAL																												
A#	E127A	18	OR	1661261C1																												
A*	E127C	18	OR	1661261C1																												
B#	E127-GA	18	WH	1661261C1																												
B*	E127-GB	18	WH	1661261C1																												
CHK	DATE	CHANGE	REV	REFERENCE	DRAWN	NAME																										
0025	05JAN12	INITIAL RELEASE.	A	73617K	300343	CIRCUIT DIAGRAM, BE,CE BUS																										
					RELEASE NO.	DATE	PART NO.	SHEET																								
					73617K	11MAY11	AE08065295	080																								

Figure 749 Connector Composites (10474F, 10474G, 10474H, 10474J, 10474K)

24.82. CONNECTOR COMPOSITES (10474L, 10474M, 10474N, 10475, 10475A), P. 81




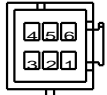
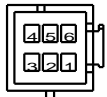
NAVISTAR, INC <small>THIS PRINT IS PROVIDED ON A RESTRICTED BASIS AND IS NOT TO BE USED IN ANY WAY DETRIMENTAL TO THE INTEREST OF NAVISTAR, INC.</small>				ELECTRICAL CIRCUIT DIAGRAM CHAPTER 24 CONNECTOR BODY COMPOSITE MATING VIEW SHOWN																																																																				
STROBE LIGHT (10474L) (LOCATED AT LEFT BODY) 				<table border="1" style="width:100%; border-collapse: collapse;"> <thead> <tr> <th>CAV</th> <th>CIRCUIT</th> <th>GAUGE</th> <th>COLOR</th> <th>TERMINAL</th> </tr> </thead> <tbody> <tr> <td>A#</td> <td>E127A</td> <td>18</td> <td>OR</td> <td>1661261C1</td> </tr> <tr> <td>A*</td> <td>E127C</td> <td>18</td> <td>OR</td> <td>1661261C1</td> </tr> <tr> <td>B#</td> <td>E127-GA</td> <td>18</td> <td>WH</td> <td>1661261C1</td> </tr> <tr> <td>B*</td> <td>E127-GB</td> <td>18</td> <td>WH</td> <td>1661261C1</td> </tr> </tbody> </table>		CAV	CIRCUIT	GAUGE	COLOR	TERMINAL	A#	E127A	18	OR	1661261C1	A*	E127C	18	OR	1661261C1	B#	E127-GA	18	WH	1661261C1	B*	E127-GB	18	WH	1661261C1	CONNECTOR 1661259C1 BODY LOCK 1661263C1 # W/ 11 TO 13 LEFT WINDOW * W/ 11 LEFT WINDOW																																									
CAV	CIRCUIT	GAUGE	COLOR	TERMINAL																																																																				
A#	E127A	18	OR	1661261C1																																																																				
A*	E127C	18	OR	1661261C1																																																																				
B#	E127-GA	18	WH	1661261C1																																																																				
B*	E127-GB	18	WH	1661261C1																																																																				
STROBE LIGHT (10474M) (LOCATED AT LEFT BODY) 				<table border="1" style="width:100%; border-collapse: collapse;"> <thead> <tr> <th>CAV</th> <th>CIRCUIT</th> <th>GAUGE</th> <th>COLOR</th> <th>TERMINAL</th> </tr> </thead> <tbody> <tr> <td>A</td> <td>E127A</td> <td>18</td> <td>OR</td> <td>1661261C1</td> </tr> <tr> <td>B</td> <td>E127-GA</td> <td>18</td> <td>WH</td> <td>1661261C1</td> </tr> </tbody> </table>		CAV	CIRCUIT	GAUGE	COLOR	TERMINAL	A	E127A	18	OR	1661261C1	B	E127-GA	18	WH	1661261C1	W/ 12, 13 LEFT WINDOW																																																			
CAV	CIRCUIT	GAUGE	COLOR	TERMINAL																																																																				
A	E127A	18	OR	1661261C1																																																																				
B	E127-GA	18	WH	1661261C1																																																																				
STROBE LIGHT (10474N) (LOCATED AT LEFT BODY) 				<table border="1" style="width:100%; border-collapse: collapse;"> <thead> <tr> <th>CAV</th> <th>CIRCUIT</th> <th>GAUGE</th> <th>COLOR</th> <th>TERMINAL</th> </tr> </thead> <tbody> <tr> <td>A</td> <td>E127A</td> <td>18</td> <td>OR</td> <td>1661261C1</td> </tr> <tr> <td>B</td> <td>E127-GA</td> <td>18</td> <td>WH</td> <td>1661261C1</td> </tr> </tbody> </table>		CAV	CIRCUIT	GAUGE	COLOR	TERMINAL	A	E127A	18	OR	1661261C1	B	E127-GA	18	WH	1661261C1	W/ 12, 13 WINDOW																																																			
CAV	CIRCUIT	GAUGE	COLOR	TERMINAL																																																																				
A	E127A	18	OR	1661261C1																																																																				
B	E127-GA	18	WH	1661261C1																																																																				
REAR STOP ARM (10475) (LOCATED AT LEFT BODY / ELECTRICAL PANEL) 				<table border="1" style="width:100%; border-collapse: collapse;"> <thead> <tr> <th>CAV</th> <th>CIRCUIT</th> <th>GAUGE</th> <th>COLOR</th> <th>TERMINAL</th> </tr> </thead> <tbody> <tr> <td>1#</td> <td>E119A</td> <td>18</td> <td>GY</td> <td>1661262C1</td> </tr> <tr> <td>1*</td> <td>E119A</td> <td>18</td> <td>GY</td> <td>1661262C1</td> </tr> <tr> <td>2*</td> <td>E89A</td> <td>18</td> <td>OR</td> <td>1661262C1</td> </tr> <tr> <td>2#</td> <td>E119F</td> <td>18</td> <td>OR</td> <td>1661262C1</td> </tr> <tr> <td>3*</td> <td>E89B</td> <td>18</td> <td>OR</td> <td>1661262C1</td> </tr> <tr> <td>3#</td> <td>E119C</td> <td>18</td> <td>GY</td> <td>1661262C1</td> </tr> <tr> <td>4*</td> <td>E119B</td> <td>18</td> <td>GY</td> <td>1661262C1</td> </tr> <tr> <td>4#</td> <td>E119D</td> <td>18</td> <td>GY</td> <td>1661262C1</td> </tr> <tr> <td>5*</td> <td>E119C</td> <td>18</td> <td>GY</td> <td>1661262C1</td> </tr> <tr> <td>5#</td> <td>E119E</td> <td>18</td> <td>OR</td> <td>1661262C1</td> </tr> <tr> <td>6*</td> <td>E119-G</td> <td>18</td> <td>WH</td> <td>1661262C1</td> </tr> <tr> <td>6#</td> <td>E119-GA</td> <td>18</td> <td>WH</td> <td>1661262C1</td> </tr> </tbody> </table>		CAV	CIRCUIT	GAUGE	COLOR	TERMINAL	1#	E119A	18	GY	1661262C1	1*	E119A	18	GY	1661262C1	2*	E89A	18	OR	1661262C1	2#	E119F	18	OR	1661262C1	3*	E89B	18	OR	1661262C1	3#	E119C	18	GY	1661262C1	4*	E119B	18	GY	1661262C1	4#	E119D	18	GY	1661262C1	5*	E119C	18	GY	1661262C1	5#	E119E	18	OR	1661262C1	6*	E119-G	18	WH	1661262C1	6#	E119-GA	18	WH	1661262C1	CONNECTOR 2229329C1 BODY LOCK 2229330C1 # W/ 5 TO 11 WINDOW * W/ 12, 13 WINDOW	
CAV	CIRCUIT	GAUGE	COLOR	TERMINAL																																																																				
1#	E119A	18	GY	1661262C1																																																																				
1*	E119A	18	GY	1661262C1																																																																				
2*	E89A	18	OR	1661262C1																																																																				
2#	E119F	18	OR	1661262C1																																																																				
3*	E89B	18	OR	1661262C1																																																																				
3#	E119C	18	GY	1661262C1																																																																				
4*	E119B	18	GY	1661262C1																																																																				
4#	E119D	18	GY	1661262C1																																																																				
5*	E119C	18	GY	1661262C1																																																																				
5#	E119E	18	OR	1661262C1																																																																				
6*	E119-G	18	WH	1661262C1																																																																				
6#	E119-GA	18	WH	1661262C1																																																																				
REAR STOP ARM (10475A) (LOCATED AT LEFT BODY / ELECTRICAL PANEL) 				<table border="1" style="width:100%; border-collapse: collapse;"> <thead> <tr> <th>CAV</th> <th>CIRCUIT</th> <th>GAUGE</th> <th>COLOR</th> <th>TERMINAL</th> </tr> </thead> <tbody> <tr> <td>1</td> <td>B119K</td> <td>16</td> <td>GY</td> <td>1661261C1</td> </tr> <tr> <td>2</td> <td>B89C</td> <td>16</td> <td>OR</td> <td>1661261C1</td> </tr> <tr> <td>3</td> <td>B89D</td> <td>16</td> <td>OR</td> <td>1661261C1</td> </tr> <tr> <td>4</td> <td>B119J</td> <td>16</td> <td>GY</td> <td>1661261C1</td> </tr> <tr> <td>5</td> <td>B119-GJ</td> <td>18</td> <td>WH</td> <td>1661261C1</td> </tr> <tr> <td>6</td> <td>B119-GE</td> <td>16</td> <td>WH</td> <td>1661261C1</td> </tr> </tbody> </table>		CAV	CIRCUIT	GAUGE	COLOR	TERMINAL	1	B119K	16	GY	1661261C1	2	B89C	16	OR	1661261C1	3	B89D	16	OR	1661261C1	4	B119J	16	GY	1661261C1	5	B119-GJ	18	WH	1661261C1	6	B119-GE	16	WH	1661261C1	CONNECTOR 2229329C1 BODY LOCK 2229330C1																															
CAV	CIRCUIT	GAUGE	COLOR	TERMINAL																																																																				
1	B119K	16	GY	1661261C1																																																																				
2	B89C	16	OR	1661261C1																																																																				
3	B89D	16	OR	1661261C1																																																																				
4	B119J	16	GY	1661261C1																																																																				
5	B119-GJ	18	WH	1661261C1																																																																				
6	B119-GE	16	WH	1661261C1																																																																				
CHK	DATE	CHANGE	REV	REFERENCE	DRAWN	NAME																																																																		
0025	05JAN12	INITIAL RELEASE.	A	73617K	300343	CIRCUIT DIAGRAM, BE,CE BUS																																																																		
					RELEASE NO.	DATE	PART NO.	SHEET																																																																
					73617K	13APR11	AE08065295	081																																																																

Figure 750 Connector Composites (10474L, 10474M, 10474N, 10475, 10475A)

24.83. CONNECTOR COMPOSITES (10475B, 10476, 10479, 10480), P. 82

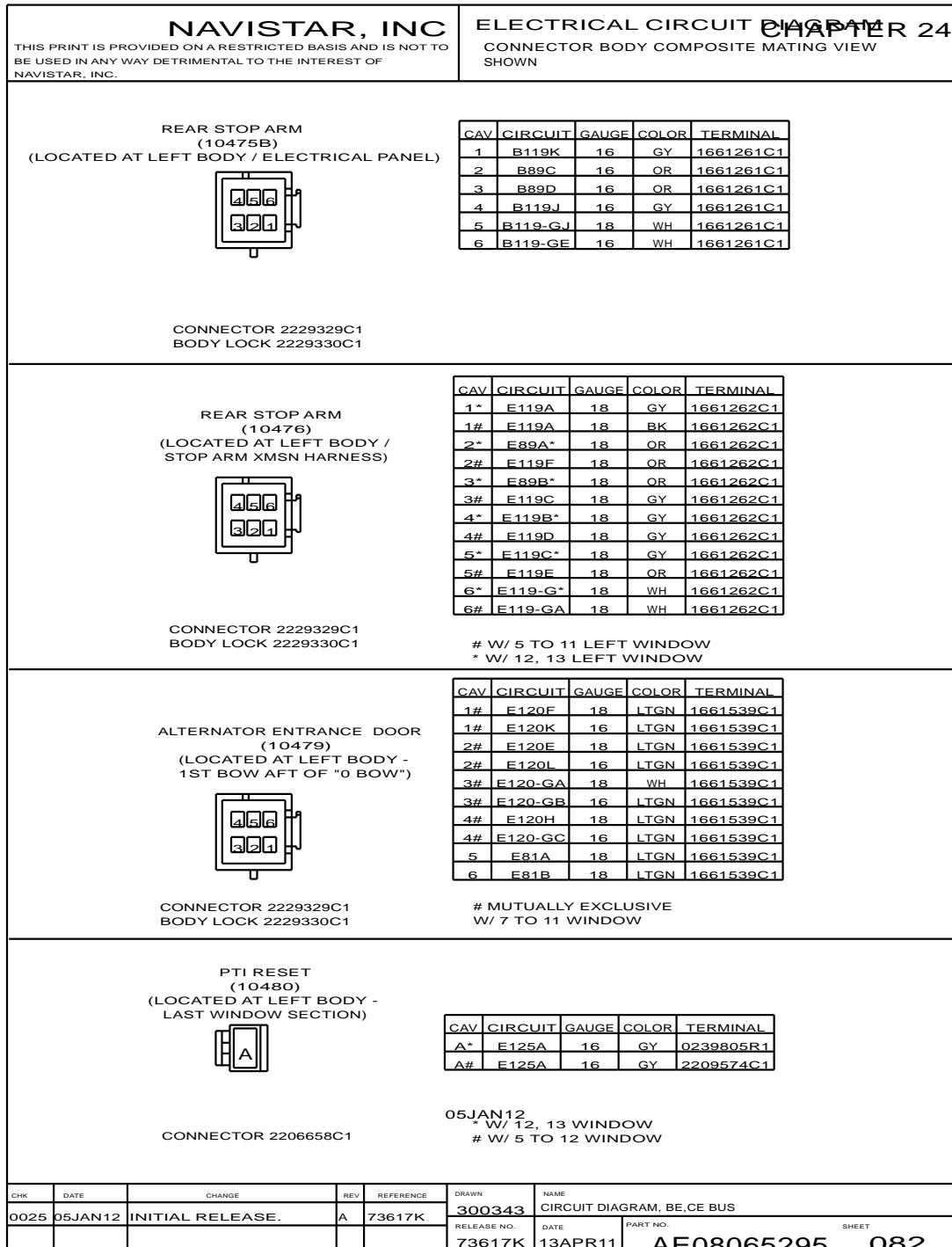


Figure 751 Connector Composites (10475B, 10476, 10479, 10480)

24.84. CONNECTOR COMPOSITES (10481, 10482), P. 83

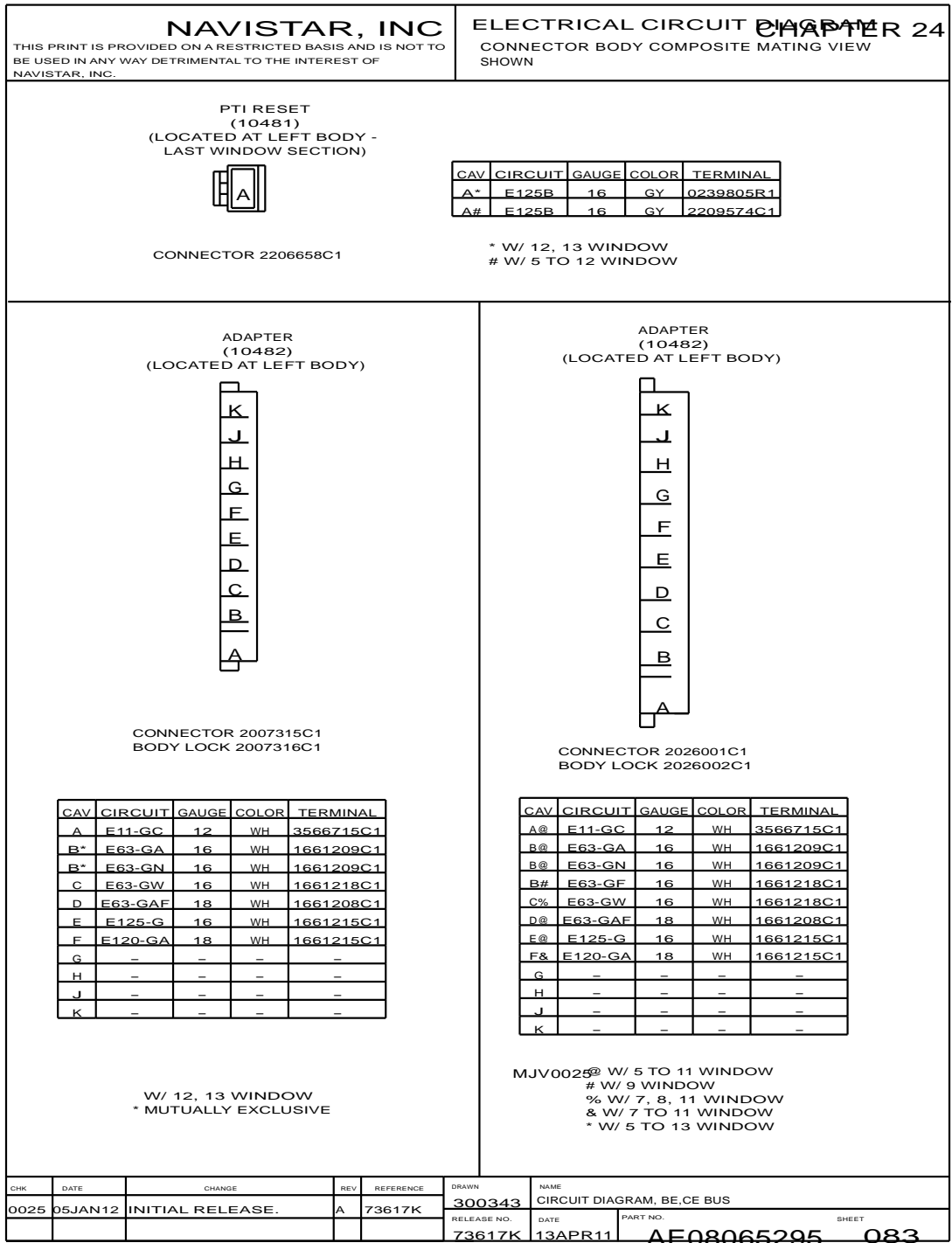


Figure 752 Connector Composites (10481, 10482)

24.85. CONNECTOR COMPOSITES (10483, 10484, 10485), P. 84

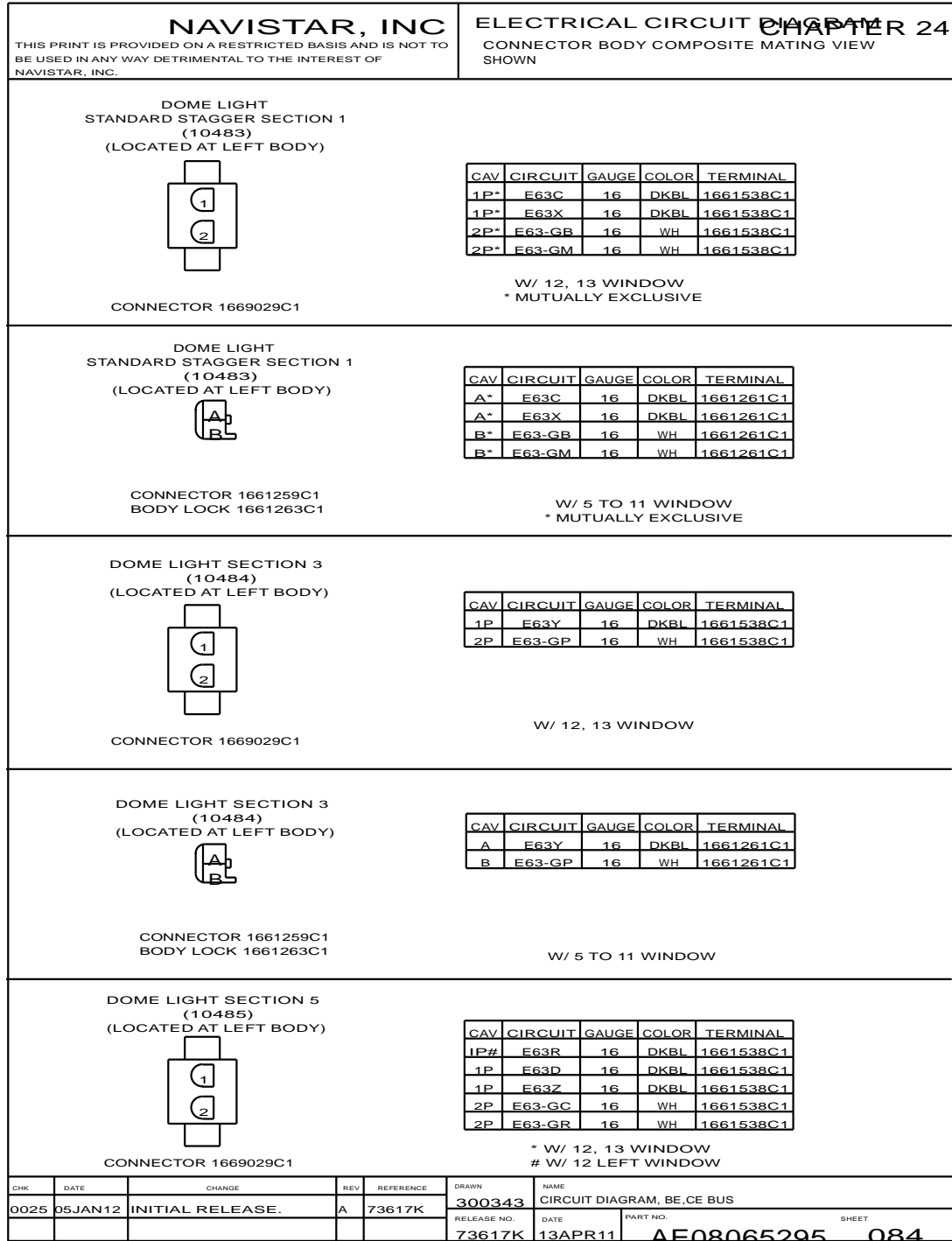


Figure 753 Connector Composites (10483, 10484, 10485)

24.86. CONNECTOR COMPOSITES (10485, 10486, 10487), P. 85


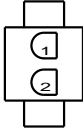

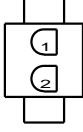
<p>NAVISTAR, INC</p> <p>THIS PRINT IS PROVIDED ON A RESTRICTED BASIS AND IS NOT TO BE USED IN ANY WAY DETRIMENTAL TO THE INTEREST OF NAVISTAR, INC.</p>				<p>ELECTRICAL CIRCUIT CHAPTER 24</p> <p>CONNECTOR BODY COMPOSITE MATING VIEW SHOWN</p>																																																													
<p>DOMELIGHT SECTION 5 (10485) (LOCATED AT LEFT BODY)</p>  <p>CONNECTOR 1661259C1 BODY LOCK 1661263C1</p>		<table border="1" style="width: 100%; border-collapse: collapse;"> <thead> <tr> <th>CAV</th> <th>CIRCUIT</th> <th>GAUGE</th> <th>COLOR</th> <th>TERMINAL</th> </tr> </thead> <tbody> <tr><td>A@</td><td>E63D</td><td>16</td><td>DKBL</td><td>1661261C1</td></tr> <tr><td>A@</td><td>E63R</td><td>16</td><td>DKBL</td><td>1661261C1</td></tr> <tr><td>A@</td><td>E63Z</td><td>16</td><td>DKBL</td><td>1661261C1</td></tr> <tr><td>A#</td><td>E63F</td><td>16</td><td>DKBL</td><td>1661261C1</td></tr> <tr><td>A#</td><td>E63T</td><td>16</td><td>DKBL</td><td>1661261C1</td></tr> <tr><td>A#</td><td>E63AJ</td><td>16</td><td>DKBL</td><td>1661261C1</td></tr> <tr><td>A*</td><td>E63AP</td><td>16</td><td>DKBL</td><td>1661261C1</td></tr> <tr><td>A*</td><td>E63L</td><td>16</td><td>DKBL</td><td>1661261C1</td></tr> <tr><td>A*</td><td>E63AF</td><td>16</td><td>DKBL</td><td>1661261C1</td></tr> <tr><td>B@</td><td>E63-GC</td><td>16</td><td>DKBL</td><td>1661261C1</td></tr> <tr><td>B@</td><td>E63-GR</td><td>16</td><td>DKBL</td><td>1661261C1</td></tr> </tbody> </table> <p style="text-align: center;">@ W/ 5 TO 11 LEFT WINDOW # W/ 7, 8 LEFT WINDOW * W/ 5, 6 LEFT WINDOW</p>				CAV	CIRCUIT	GAUGE	COLOR	TERMINAL	A@	E63D	16	DKBL	1661261C1	A@	E63R	16	DKBL	1661261C1	A@	E63Z	16	DKBL	1661261C1	A#	E63F	16	DKBL	1661261C1	A#	E63T	16	DKBL	1661261C1	A#	E63AJ	16	DKBL	1661261C1	A*	E63AP	16	DKBL	1661261C1	A*	E63L	16	DKBL	1661261C1	A*	E63AF	16	DKBL	1661261C1	B@	E63-GC	16	DKBL	1661261C1	B@	E63-GR	16	DKBL	1661261C1
CAV	CIRCUIT	GAUGE	COLOR	TERMINAL																																																													
A@	E63D	16	DKBL	1661261C1																																																													
A@	E63R	16	DKBL	1661261C1																																																													
A@	E63Z	16	DKBL	1661261C1																																																													
A#	E63F	16	DKBL	1661261C1																																																													
A#	E63T	16	DKBL	1661261C1																																																													
A#	E63AJ	16	DKBL	1661261C1																																																													
A*	E63AP	16	DKBL	1661261C1																																																													
A*	E63L	16	DKBL	1661261C1																																																													
A*	E63AF	16	DKBL	1661261C1																																																													
B@	E63-GC	16	DKBL	1661261C1																																																													
B@	E63-GR	16	DKBL	1661261C1																																																													
<p>DOMELIGHT SECTION 7 (10486) (LOCATED AT LEFT BODY)</p>  <p>CONNECTOR 1669029C1</p>		<table border="1" style="width: 100%; border-collapse: collapse;"> <thead> <tr> <th>CAV</th> <th>CIRCUIT</th> <th>GAUGE</th> <th>COLOR</th> <th>TERMINAL</th> </tr> </thead> <tbody> <tr><td>1P#</td><td>E63AU</td><td>16</td><td>DKBL</td><td>1661538C1</td></tr> <tr><td>1P#</td><td>E63AU</td><td>16</td><td>DKBL</td><td>1661538C1</td></tr> <tr><td>1P</td><td>E63AA</td><td>16</td><td>DKBL</td><td>1661538C1</td></tr> <tr><td>2P</td><td>E63-GT</td><td>16</td><td>WH</td><td>1661538C1</td></tr> </tbody> </table> <p style="text-align: center;"># W/ 12 LEFT WINDOW * W/ 12, 13 LEFT WINDOW</p>				CAV	CIRCUIT	GAUGE	COLOR	TERMINAL	1P#	E63AU	16	DKBL	1661538C1	1P#	E63AU	16	DKBL	1661538C1	1P	E63AA	16	DKBL	1661538C1	2P	E63-GT	16	WH	1661538C1																																			
CAV	CIRCUIT	GAUGE	COLOR	TERMINAL																																																													
1P#	E63AU	16	DKBL	1661538C1																																																													
1P#	E63AU	16	DKBL	1661538C1																																																													
1P	E63AA	16	DKBL	1661538C1																																																													
2P	E63-GT	16	WH	1661538C1																																																													
<p>DOMELIGHT SECTION 7 (10486) (LOCATED AT LEFT BODY)</p>  <p>CONNECTOR 1661259C1 BODY LOCK 1661263C1</p>		<table border="1" style="width: 100%; border-collapse: collapse;"> <thead> <tr> <th>CAV</th> <th>CIRCUIT</th> <th>GAUGE</th> <th>COLOR</th> <th>TERMINAL</th> </tr> </thead> <tbody> <tr><td>A*</td><td>E63AA</td><td>18</td><td>DKBL</td><td>1661261C1</td></tr> <tr><td>A*</td><td>E63AF</td><td>16</td><td>DKBL</td><td>1661261C1</td></tr> <tr><td>B</td><td>E63-GT</td><td>16</td><td>WH</td><td>1661261C1</td></tr> </tbody> </table> <p style="text-align: center;">* MUTUALLY EXCLUSIVE W/ 7 TO 11 LEFT WINDOW</p>				CAV	CIRCUIT	GAUGE	COLOR	TERMINAL	A*	E63AA	18	DKBL	1661261C1	A*	E63AF	16	DKBL	1661261C1	B	E63-GT	16	WH	1661261C1																																								
CAV	CIRCUIT	GAUGE	COLOR	TERMINAL																																																													
A*	E63AA	18	DKBL	1661261C1																																																													
A*	E63AF	16	DKBL	1661261C1																																																													
B	E63-GT	16	WH	1661261C1																																																													
<p>DOMELIGHT SECTION 9 (10487) (LOCATED AT LEFT BODY)</p>  <p>CONNECTOR 1669029C1</p>		<table border="1" style="width: 100%; border-collapse: collapse;"> <thead> <tr> <th>CAV</th> <th>CIRCUIT</th> <th>GAUGE</th> <th>COLOR</th> <th>TERMINAL</th> </tr> </thead> <tbody> <tr><td>1P@</td><td>E63AV</td><td>16</td><td>DKBL</td><td>1661538C1</td></tr> <tr><td>1P@</td><td>E63AH</td><td>16</td><td>DKBL</td><td>1661538C1</td></tr> <tr><td>1P#</td><td>E63E</td><td>16</td><td>DKBL</td><td>1661538C1</td></tr> <tr><td>1P#</td><td>E63R</td><td>16</td><td>DKBL</td><td>1661538C1</td></tr> <tr><td>1P#</td><td>E63AB</td><td>16</td><td>DKBL</td><td>1661538C1</td></tr> <tr><td>1P#</td><td>E63AF</td><td>16</td><td>DKBL</td><td>1661538C1</td></tr> <tr><td>2P#</td><td>E63-GD</td><td>16</td><td>WH</td><td>1661538C1</td></tr> <tr><td>2P#</td><td>E63-GU</td><td>16</td><td>WH</td><td>1661538C1</td></tr> <tr><td>2P@</td><td>E63-GL</td><td>16</td><td>WH</td><td>1661538C1</td></tr> </tbody> </table> <p style="text-align: center;">W/ 12, 13 LEFT WINDOW * W/ 13 LEFT WINDOW # W/ 12, 13 LEFT WINDOW @ W/ 12 LEFT WINDOW</p>				CAV	CIRCUIT	GAUGE	COLOR	TERMINAL	1P@	E63AV	16	DKBL	1661538C1	1P@	E63AH	16	DKBL	1661538C1	1P#	E63E	16	DKBL	1661538C1	1P#	E63R	16	DKBL	1661538C1	1P#	E63AB	16	DKBL	1661538C1	1P#	E63AF	16	DKBL	1661538C1	2P#	E63-GD	16	WH	1661538C1	2P#	E63-GU	16	WH	1661538C1	2P@	E63-GL	16	WH	1661538C1										
CAV	CIRCUIT	GAUGE	COLOR	TERMINAL																																																													
1P@	E63AV	16	DKBL	1661538C1																																																													
1P@	E63AH	16	DKBL	1661538C1																																																													
1P#	E63E	16	DKBL	1661538C1																																																													
1P#	E63R	16	DKBL	1661538C1																																																													
1P#	E63AB	16	DKBL	1661538C1																																																													
1P#	E63AF	16	DKBL	1661538C1																																																													
2P#	E63-GD	16	WH	1661538C1																																																													
2P#	E63-GU	16	WH	1661538C1																																																													
2P@	E63-GL	16	WH	1661538C1																																																													
CHK	DATE	CHANGE	REV	REFERENCE	DRAWN	NAME																																																											
0025	05JAN12	INITIAL RELEASE.	A	73617K	300343	CIRCUIT DIAGRAM, BE,CE BUS																																																											
					RELEASE NO.	DATE																																																											
					73617K	13APR11																																																											
					PART NO.	SHEET																																																											
					AE08065295	085																																																											

Figure 754 Connector Composites (10485, 10486, 10487)

24.87. CONNECTOR COMPOSITES (10487, 10488, 10489), P. 86


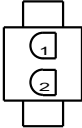

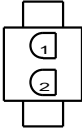
<p>NAVISTAR, INC</p> <p>THIS PRINT IS PROVIDED ON A RESTRICTED BASIS AND IS NOT TO BE USED IN ANY WAY DETRIMENTAL TO THE INTEREST OF NAVISTAR, INC.</p>				<p>ELECTRICAL CIRCUIT DIAGRAM CHAPTER 24</p> <p>CONNECTOR BODY COMPOSITE MATING VIEW SHOWN</p>																																																										
<p>DOMELIGHT SECTION 9 (10487) (LOCATED AT LEFT BODY)</p>  <p>CONNECTOR 1661259C1 BODY LOCK 1661263C1</p>				<table border="1" style="width:100%; border-collapse: collapse;"> <thead> <tr> <th>CAV</th> <th>CIRCUIT</th> <th>GAUGE</th> <th>COLOR</th> <th>TERMINAL</th> </tr> </thead> <tbody> <tr><td>A#</td><td>E63E</td><td>16</td><td>DKBL</td><td>1661261C1</td></tr> <tr><td>A#</td><td>E63R</td><td>16</td><td>DKBL</td><td>1661261C1</td></tr> <tr><td>A#</td><td>E63AB</td><td>16</td><td>DKBL</td><td>1661261C1</td></tr> <tr><td>A@</td><td>E63AP</td><td>18</td><td>DKBL</td><td>1661261C1</td></tr> <tr><td>A#</td><td>E63AH</td><td>16</td><td>DKBL</td><td>1661261C1</td></tr> <tr><td>B#</td><td>E63-GD</td><td>16</td><td>WH</td><td>1661261C1</td></tr> <tr><td>B#</td><td>E63-GL</td><td>16</td><td>WH</td><td>1661261C1</td></tr> <tr><td>B#</td><td>E63-GU</td><td>16</td><td>WH</td><td>1661261C1</td></tr> <tr><td>B*</td><td>E63-GV</td><td>16</td><td>WH</td><td>1661261C1</td></tr> </tbody> </table> <p># W/ 9 TO 11 WINDOW * W/ 11 WINDOW @ W/ 9, 12 LEFT WINDOW</p>				CAV	CIRCUIT	GAUGE	COLOR	TERMINAL	A#	E63E	16	DKBL	1661261C1	A#	E63R	16	DKBL	1661261C1	A#	E63AB	16	DKBL	1661261C1	A@	E63AP	18	DKBL	1661261C1	A#	E63AH	16	DKBL	1661261C1	B#	E63-GD	16	WH	1661261C1	B#	E63-GL	16	WH	1661261C1	B#	E63-GU	16	WH	1661261C1	B*	E63-GV	16	WH	1661261C1					
CAV	CIRCUIT	GAUGE	COLOR	TERMINAL																																																										
A#	E63E	16	DKBL	1661261C1																																																										
A#	E63R	16	DKBL	1661261C1																																																										
A#	E63AB	16	DKBL	1661261C1																																																										
A@	E63AP	18	DKBL	1661261C1																																																										
A#	E63AH	16	DKBL	1661261C1																																																										
B#	E63-GD	16	WH	1661261C1																																																										
B#	E63-GL	16	WH	1661261C1																																																										
B#	E63-GU	16	WH	1661261C1																																																										
B*	E63-GV	16	WH	1661261C1																																																										
<p>DOMELIGHT (10488) (LOCATED AT LEFT BODY)</p>  <p>CONNECTOR 1669029C1</p>				<table border="1" style="width:100%; border-collapse: collapse;"> <thead> <tr> <th>CAV</th> <th>CIRCUIT</th> <th>GAUGE</th> <th>COLOR</th> <th>TERMINAL</th> </tr> </thead> <tbody> <tr><td>1P@</td><td>E63AP</td><td>18</td><td>DKBL</td><td>1661538C1</td></tr> <tr><td>1P@</td><td>E63AJ</td><td>16</td><td>DKBL</td><td>1661538C1</td></tr> <tr><td>1P*</td><td>E63AC</td><td>16</td><td>DKBL</td><td>1661538C1</td></tr> <tr><td>1P*</td><td>E63AH</td><td>16</td><td>DKBL</td><td>1661538C1</td></tr> <tr><td>2P</td><td>E63-GV</td><td>16</td><td>WH</td><td>1661538C1</td></tr> </tbody> </table> <p>* W/ 12, 13 WINDOW # W/ 13 LEFT WINDOW @ W/ 12 LEFT WINDOW</p>				CAV	CIRCUIT	GAUGE	COLOR	TERMINAL	1P@	E63AP	18	DKBL	1661538C1	1P@	E63AJ	16	DKBL	1661538C1	1P*	E63AC	16	DKBL	1661538C1	1P*	E63AH	16	DKBL	1661538C1	2P	E63-GV	16	WH	1661538C1																									
CAV	CIRCUIT	GAUGE	COLOR	TERMINAL																																																										
1P@	E63AP	18	DKBL	1661538C1																																																										
1P@	E63AJ	16	DKBL	1661538C1																																																										
1P*	E63AC	16	DKBL	1661538C1																																																										
1P*	E63AH	16	DKBL	1661538C1																																																										
2P	E63-GV	16	WH	1661538C1																																																										
<p>DOMELIGHT (10488) (LOCATED AT LEFT BODY)</p>  <p>CONNECTOR 1661259C1 BODY LOCK 1661263C1</p>				<table border="1" style="width:100%; border-collapse: collapse;"> <thead> <tr> <th>CAV</th> <th>CIRC</th> <th>GAUGE</th> <th>COLOR</th> <th>TERMINAL</th> </tr> </thead> <tbody> <tr><td>A*</td><td>E63AC</td><td>16</td><td>DKBL</td><td>1661261C1</td></tr> <tr><td>A*</td><td>E63AP</td><td>16</td><td>DKBL</td><td>1661261C1</td></tr> <tr><td>A*</td><td>E63AN</td><td>16</td><td>DKBL</td><td>1661261C1</td></tr> <tr><td>B*</td><td>E63-GV</td><td>16</td><td>WH</td><td>1661261C1</td></tr> <tr><td>B*</td><td>E63-GU</td><td>16</td><td>WH</td><td>1661261C1</td></tr> </tbody> </table> <p>* MUTUALLY EXCLUSIVE W/ 11 LEFT WINDOW</p>				CAV	CIRC	GAUGE	COLOR	TERMINAL	A*	E63AC	16	DKBL	1661261C1	A*	E63AP	16	DKBL	1661261C1	A*	E63AN	16	DKBL	1661261C1	B*	E63-GV	16	WH	1661261C1	B*	E63-GU	16	WH	1661261C1																									
CAV	CIRC	GAUGE	COLOR	TERMINAL																																																										
A*	E63AC	16	DKBL	1661261C1																																																										
A*	E63AP	16	DKBL	1661261C1																																																										
A*	E63AN	16	DKBL	1661261C1																																																										
B*	E63-GV	16	WH	1661261C1																																																										
B*	E63-GU	16	WH	1661261C1																																																										
<p>DOMELIGHT (10489) (LOCATED AT LEFT BODY)</p>  <p>CONNECTOR 1669029C1</p>				<table border="1" style="width:100%; border-collapse: collapse;"> <thead> <tr> <th>CAV</th> <th>CIRC</th> <th>GAUGE</th> <th>COLOR</th> <th>TERMINAL</th> </tr> </thead> <tbody> <tr><td>1P*</td><td>E63F</td><td>16</td><td>DKBL</td><td>1661538C1</td></tr> <tr><td>1P*</td><td>E63L</td><td>16</td><td>DKBL</td><td>1661538C1</td></tr> <tr><td>1P*</td><td>E63S</td><td>16</td><td>DKBL</td><td>1661538C1</td></tr> <tr><td>1P*</td><td>E63T</td><td>16</td><td>DKBL</td><td>1661538C1</td></tr> <tr><td>1P*</td><td>E63AD</td><td>16</td><td>DKBL</td><td>1661538C1</td></tr> <tr><td>1P*</td><td>E63AP</td><td>16</td><td>DKBL</td><td>1661538C1</td></tr> <tr><td>1P*</td><td>E63AJ</td><td>16</td><td>DKBL</td><td>1661538C1</td></tr> <tr><td>2P*</td><td>E63-GE</td><td>16</td><td>WH</td><td>1661538C1</td></tr> <tr><td>2P*</td><td>E63-GK</td><td>16</td><td>WH</td><td>1661538C1</td></tr> <tr><td>2P*</td><td>E63-GW</td><td>16</td><td>WH</td><td>1661538C1</td></tr> </tbody> </table> <p>* MUTUALLY EXCLUSIVE W/ 12, 13 LEFT WINDOW</p>				CAV	CIRC	GAUGE	COLOR	TERMINAL	1P*	E63F	16	DKBL	1661538C1	1P*	E63L	16	DKBL	1661538C1	1P*	E63S	16	DKBL	1661538C1	1P*	E63T	16	DKBL	1661538C1	1P*	E63AD	16	DKBL	1661538C1	1P*	E63AP	16	DKBL	1661538C1	1P*	E63AJ	16	DKBL	1661538C1	2P*	E63-GE	16	WH	1661538C1	2P*	E63-GK	16	WH	1661538C1	2P*	E63-GW	16	WH	1661538C1
CAV	CIRC	GAUGE	COLOR	TERMINAL																																																										
1P*	E63F	16	DKBL	1661538C1																																																										
1P*	E63L	16	DKBL	1661538C1																																																										
1P*	E63S	16	DKBL	1661538C1																																																										
1P*	E63T	16	DKBL	1661538C1																																																										
1P*	E63AD	16	DKBL	1661538C1																																																										
1P*	E63AP	16	DKBL	1661538C1																																																										
1P*	E63AJ	16	DKBL	1661538C1																																																										
2P*	E63-GE	16	WH	1661538C1																																																										
2P*	E63-GK	16	WH	1661538C1																																																										
2P*	E63-GW	16	WH	1661538C1																																																										
CHK	DATE	CHANGE	REV	REFERENCE	DRAWN	NAME																																																								
0025	05JAN12	INITIAL RELEASE.	A	73617K	300343	CIRCUIT DIAGRAM, BE,CE BUS																																																								
					RELEASE NO.	DATE	PART NO.	SHEET																																																						
					73617K	11MAY11	AE08065295	086																																																						

Figure 755 Connector Composites (10487, 10488, 10489)

24.88. CONNECTOR COMPOSITES (10491C, 10491D, 10491E, 10492), P. 87

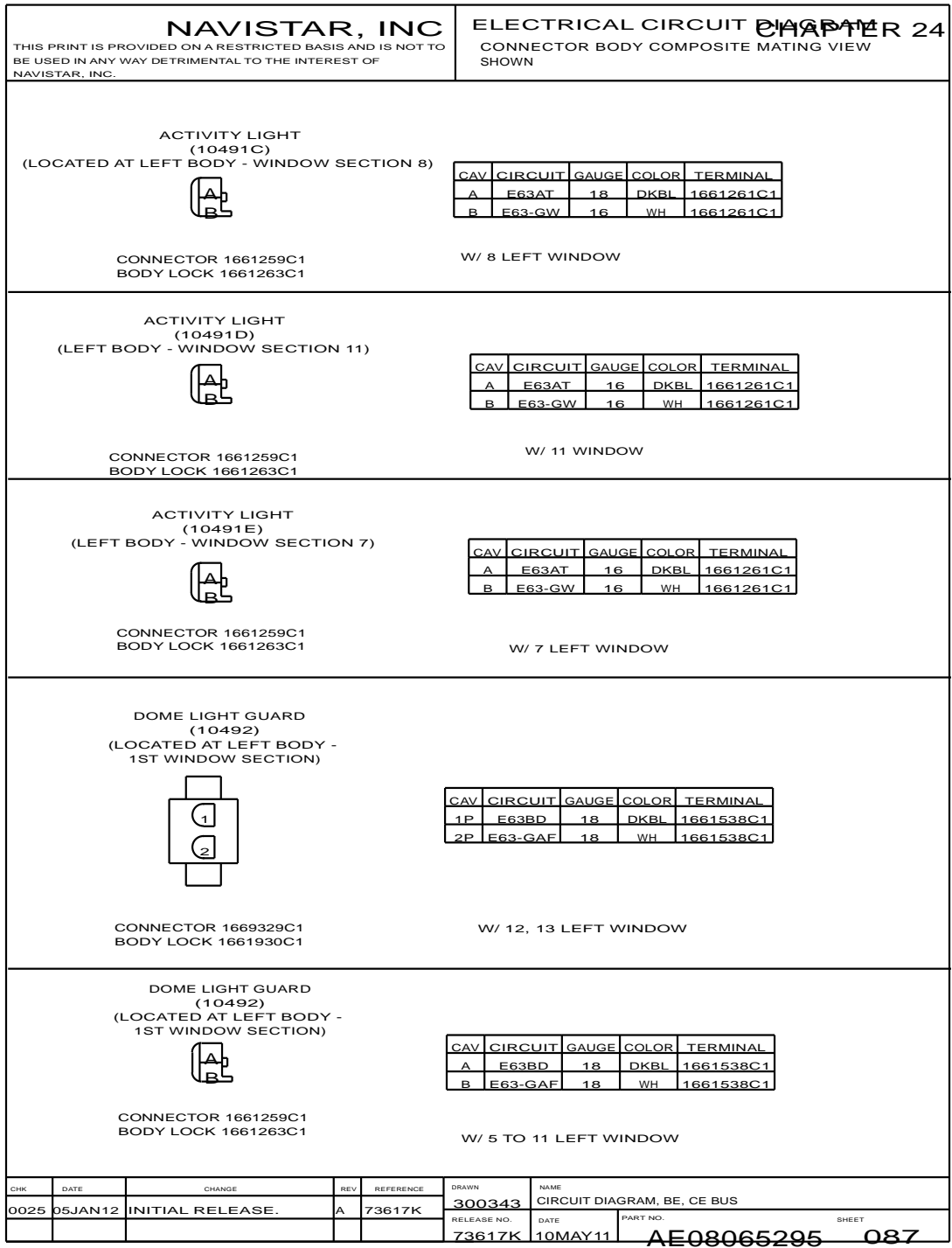


Figure 756 Connector Composites (10491C, 10491D, 10491E, 10492)

24.89. CONNECTOR COMPOSITES (10494A, 10494B, 10495A, 10495B, 10496A), P. 88

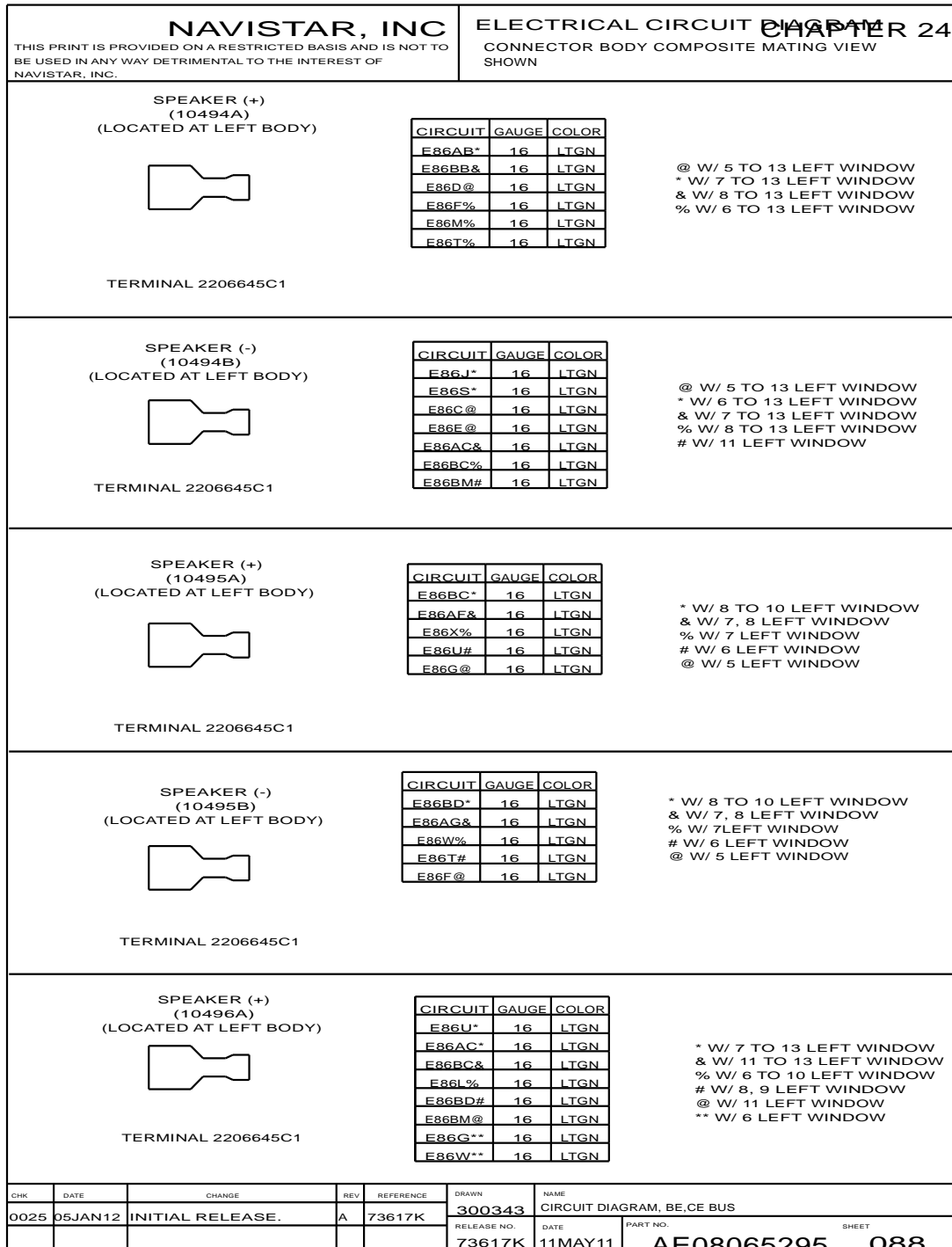


Figure 757 Connector Composites (10494A, 10494B, 10495A, 10495B, 10496A)

24.90. CONNECTOR COMPOSITES (10496B, 10497A, 10497B, 10498A, 10498B), P. 89

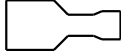
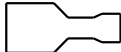
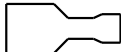
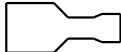
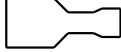
NAVISTAR, INC				ELECTRICAL CIRCUIT DIAGRAM CHAPTER 24																									
THIS PRINT IS PROVIDED ON A RESTRICTED BASIS AND IS NOT TO BE USED IN ANY WAY DETRIMENTAL TO THE INTEREST OF NAVISTAR, INC.				CONNECTOR BODY COMPOSITE MATING VIEW SHOWN																									
<p>SPEAKER (-) (10496B) (LOCATED AT LEFT BODY)</p>  <p>TERMINAL 2206645C1</p>	<table border="1" style="font-size: x-small;"> <thead> <tr><th>CIRCUIT</th><th>GAUGE</th><th>COLOR</th></tr> </thead> <tbody> <tr><td>E86T*</td><td>16</td><td>LTGN</td></tr> <tr><td>E86AD*</td><td>16</td><td>LTGN</td></tr> <tr><td>E86BD&</td><td>16</td><td>LTGN</td></tr> <tr><td>E86K%</td><td>16</td><td>LTGN</td></tr> <tr><td>E86BE#</td><td>16</td><td>LTGN</td></tr> <tr><td>E86F@</td><td>16</td><td>LTGN</td></tr> <tr><td>E86V</td><td>16</td><td>LTGN</td></tr> </tbody> </table>	CIRCUIT	GAUGE	COLOR	E86T*	16	LTGN	E86AD*	16	LTGN	E86BD&	16	LTGN	E86K%	16	LTGN	E86BE#	16	LTGN	E86F@	16	LTGN	E86V	16	LTGN	<p>* W/ 7 TO 13 LEFT WINDOW & W/ 11 LEFT WINDOW % W/ 6 TO 10 LEFT WINDOW # W/ 8, 9 LEFT WINDOW @ W/ 6 WINDOW</p>			
CIRCUIT	GAUGE	COLOR																											
E86T*	16	LTGN																											
E86AD*	16	LTGN																											
E86BD&	16	LTGN																											
E86K%	16	LTGN																											
E86BE#	16	LTGN																											
E86F@	16	LTGN																											
E86V	16	LTGN																											
<p>SPEAKER (+) (10497A) (LOCATED AT LEFT BODY)</p>  <p>TERMINAL 2206645C1</p>	<table border="1" style="font-size: x-small;"> <thead> <tr><th>CIRCUIT</th><th>GAUGE</th><th>COLOR</th></tr> </thead> <tbody> <tr><td>E86G*</td><td>16</td><td>LTGN</td></tr> <tr><td>E86BD&</td><td>16</td><td>LTGN</td></tr> <tr><td>E86L%</td><td>16</td><td>LTGN</td></tr> <tr><td>E86AG#</td><td>16</td><td>LTGN</td></tr> <tr><td>E86BH@</td><td>16</td><td>LTGN</td></tr> <tr><td>E86N**</td><td>16</td><td>LTGN</td></tr> <tr><td>E86X**</td><td>16</td><td>LTGN</td></tr> </tbody> </table>	CIRCUIT	GAUGE	COLOR	E86G*	16	LTGN	E86BD&	16	LTGN	E86L%	16	LTGN	E86AG#	16	LTGN	E86BH@	16	LTGN	E86N**	16	LTGN	E86X**	16	LTGN	<p>* W/ 7 TO 9 LEFT WINDOW & W/ 10 LEFT WINDOW % W/ 11 LEFT WINDOW # W/ 7, 8 LEFT WINDOW @ W/ 8 LEFT WINDOW ** W/ 6 LEFT WINDOW</p>			
CIRCUIT	GAUGE	COLOR																											
E86G*	16	LTGN																											
E86BD&	16	LTGN																											
E86L%	16	LTGN																											
E86AG#	16	LTGN																											
E86BH@	16	LTGN																											
E86N**	16	LTGN																											
E86X**	16	LTGN																											
<p>SPEAKER (-) (10497B) (LOCATED AT LEFT BODY)</p>  <p>TERMINAL 2206645C1</p>	<table border="1" style="font-size: x-small;"> <thead> <tr><th>CIRCUIT</th><th>GAUGE</th><th>COLOR</th></tr> </thead> <tbody> <tr><td>E86F*</td><td>16</td><td>LTGN</td></tr> <tr><td>E86BE&</td><td>16</td><td>LTGN</td></tr> <tr><td>E86K%</td><td>16</td><td>LTGN</td></tr> <tr><td>E86AH#</td><td>16</td><td>LTGN</td></tr> <tr><td>E86BJ@</td><td>16</td><td>LTGN</td></tr> <tr><td>E86M**</td><td>16</td><td>LTGN</td></tr> <tr><td>E86W**</td><td>16</td><td>LTGN</td></tr> </tbody> </table>	CIRCUIT	GAUGE	COLOR	E86F*	16	LTGN	E86BE&	16	LTGN	E86K%	16	LTGN	E86AH#	16	LTGN	E86BJ@	16	LTGN	E86M**	16	LTGN	E86W**	16	LTGN	<p>* W/ 7 TO 9 LEFT WINDOW & W/ 10 LEFT WINDOW % W/ 11 LEFT WINDOW # W/ 7, 8 LEFT WINDOW @ W/ 8 LEFT WINDOW ** W/ 6 LEFT WINDOW</p>			
CIRCUIT	GAUGE	COLOR																											
E86F*	16	LTGN																											
E86BE&	16	LTGN																											
E86K%	16	LTGN																											
E86AH#	16	LTGN																											
E86BJ@	16	LTGN																											
E86M**	16	LTGN																											
E86W**	16	LTGN																											
<p>SPEAKER (+) (10498A) (LOCATED AT LEFT BODY)</p>  <p>TERMINAL 2206645C1</p>	<table border="1" style="font-size: x-small;"> <thead> <tr><th>CIRCUIT</th><th>GAUGE</th><th>COLOR</th></tr> </thead> <tbody> <tr><td>E86L*</td><td>16</td><td>LTGN</td></tr> <tr><td>E86AD&</td><td>16</td><td>LTGN</td></tr> <tr><td>E86BD*</td><td>16</td><td>LTGN</td></tr> <tr><td>E86N%</td><td>16</td><td>LTGN</td></tr> <tr><td>E86AF#</td><td>16</td><td>LTGN</td></tr> <tr><td>E86BF@</td><td>16</td><td>LTGN</td></tr> <tr><td>E86W**</td><td>16</td><td>LTGN</td></tr> <tr><td>E86G&&</td><td>16</td><td>LTGN</td></tr> </tbody> </table>	CIRCUIT	GAUGE	COLOR	E86L*	16	LTGN	E86AD&	16	LTGN	E86BD*	16	LTGN	E86N%	16	LTGN	E86AF#	16	LTGN	E86BF@	16	LTGN	E86W**	16	LTGN	E86G&&	16	LTGN	<p>* W/ 12, 13 LEFT WINDOW & W/ 7 TO 13 LEFT WINDOW % W/ 7 TO 9 LEFT WINDOW # W/ 9 LEFT WINDOW @ W/ 8 TO 11 LEFT WINDOW ** W/ 7 TO 11 LEFT WINDOW && W/ 10, 11 LEFT WINDOW</p>
CIRCUIT	GAUGE	COLOR																											
E86L*	16	LTGN																											
E86AD&	16	LTGN																											
E86BD*	16	LTGN																											
E86N%	16	LTGN																											
E86AF#	16	LTGN																											
E86BF@	16	LTGN																											
E86W**	16	LTGN																											
E86G&&	16	LTGN																											
<p>SPEAKER (-) (10498B) (LOCATED AT LEFT BODY)</p>  <p>TERMINAL 2206645C1</p>	<table border="1" style="font-size: x-small;"> <thead> <tr><th>CIRCUIT</th><th>GAUGE</th><th>COLOR</th></tr> </thead> <tbody> <tr><td>E86K*</td><td>16</td><td>LTGN</td></tr> <tr><td>E86AE&</td><td>16</td><td>LTGN</td></tr> <tr><td>E86BE*</td><td>16</td><td>LTGN</td></tr> <tr><td>E86M%</td><td>16</td><td>LTGN</td></tr> <tr><td>E86V#</td><td>16</td><td>LTGN</td></tr> <tr><td>E86BG@</td><td>16</td><td>LTGN</td></tr> <tr><td>E86F**</td><td>16</td><td>LTGN</td></tr> </tbody> </table>	CIRCUIT	GAUGE	COLOR	E86K*	16	LTGN	E86AE&	16	LTGN	E86BE*	16	LTGN	E86M%	16	LTGN	E86V#	16	LTGN	E86BG@	16	LTGN	E86F**	16	LTGN	<p>* W/ 12, 13 LEFT WINDOW & W/ 7 TO 11 LEFT WINDOW % W/ 7 TO 9 LEFT WINDOW # W/ 7 TO 10 LEFT WINDOW @ W/ 8 TO 11 LEFT WINDOW ** W/ 10, 11 LEFT WINDOW</p>			
CIRCUIT	GAUGE	COLOR																											
E86K*	16	LTGN																											
E86AE&	16	LTGN																											
E86BE*	16	LTGN																											
E86M%	16	LTGN																											
E86V#	16	LTGN																											
E86BG@	16	LTGN																											
E86F**	16	LTGN																											
CHK	DATE	CHANGE	REV	REFERENCE	DRAWN	NAME																							
	0025	05JAN12	INITIAL RELEASE.	A	73617K	CIRCUIT DIAGRAM, BE,CE BUS																							
					RELEASE NO.	DATE																							
					73617K	13APR11																							
					PART NO.	SHEET																							
					AE08065295	089																							

Figure 758 Connector Composites (10496B, 10497A, 10497B, 10498A, 10498B)

24.91. CONNECTOR COMPOSITES (10499A, 10499B, 10500A, 10500B), P. 90

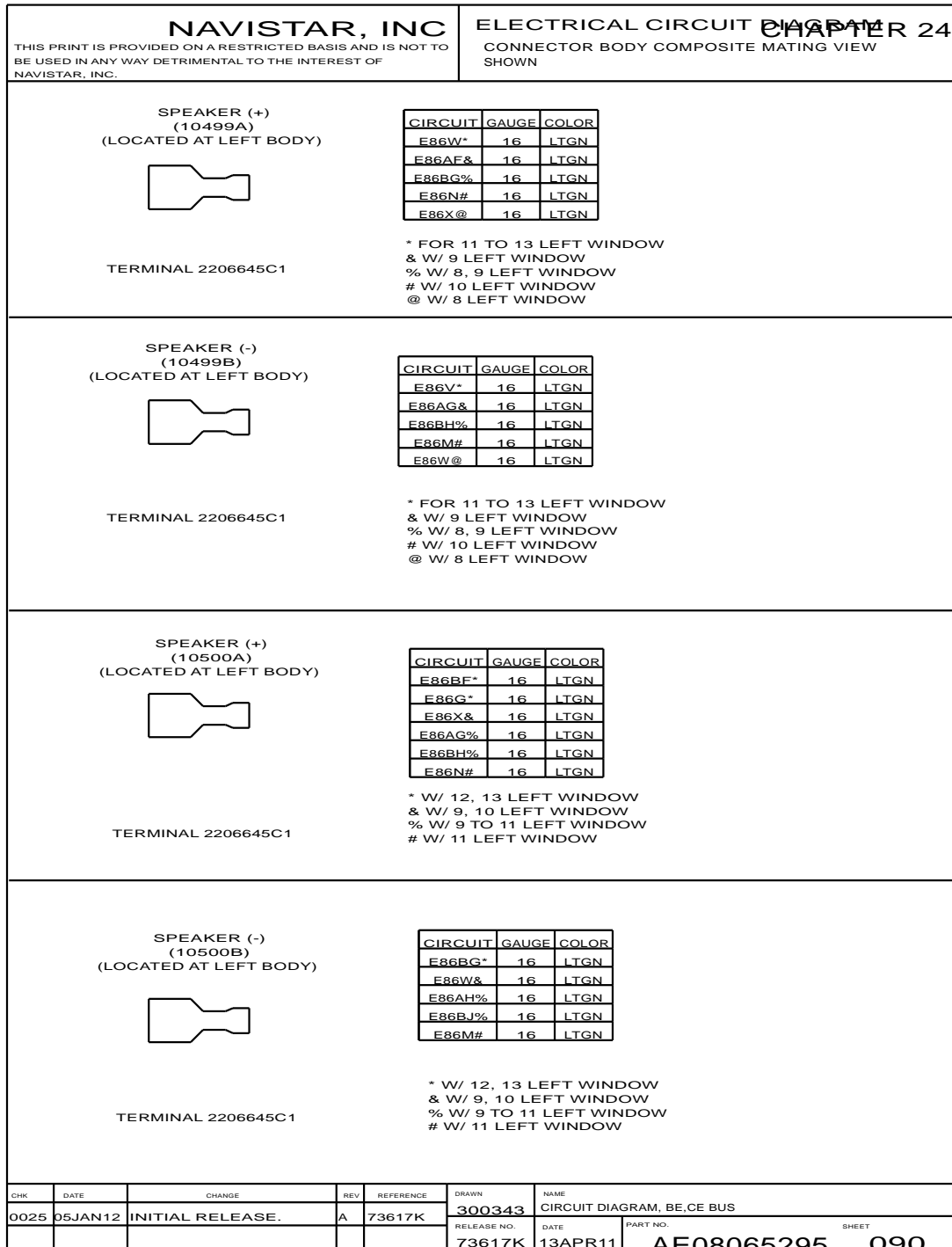


Figure 759 Connector Composites (10499A, 10499B, 10500A, 10500B)

CONNECTOR COMPOSITE (CHAPTER 25)

25.1. CONNECTOR COMPOSITES (10501A, 10501B, 10502A, 10502B, 10503A), P. 1

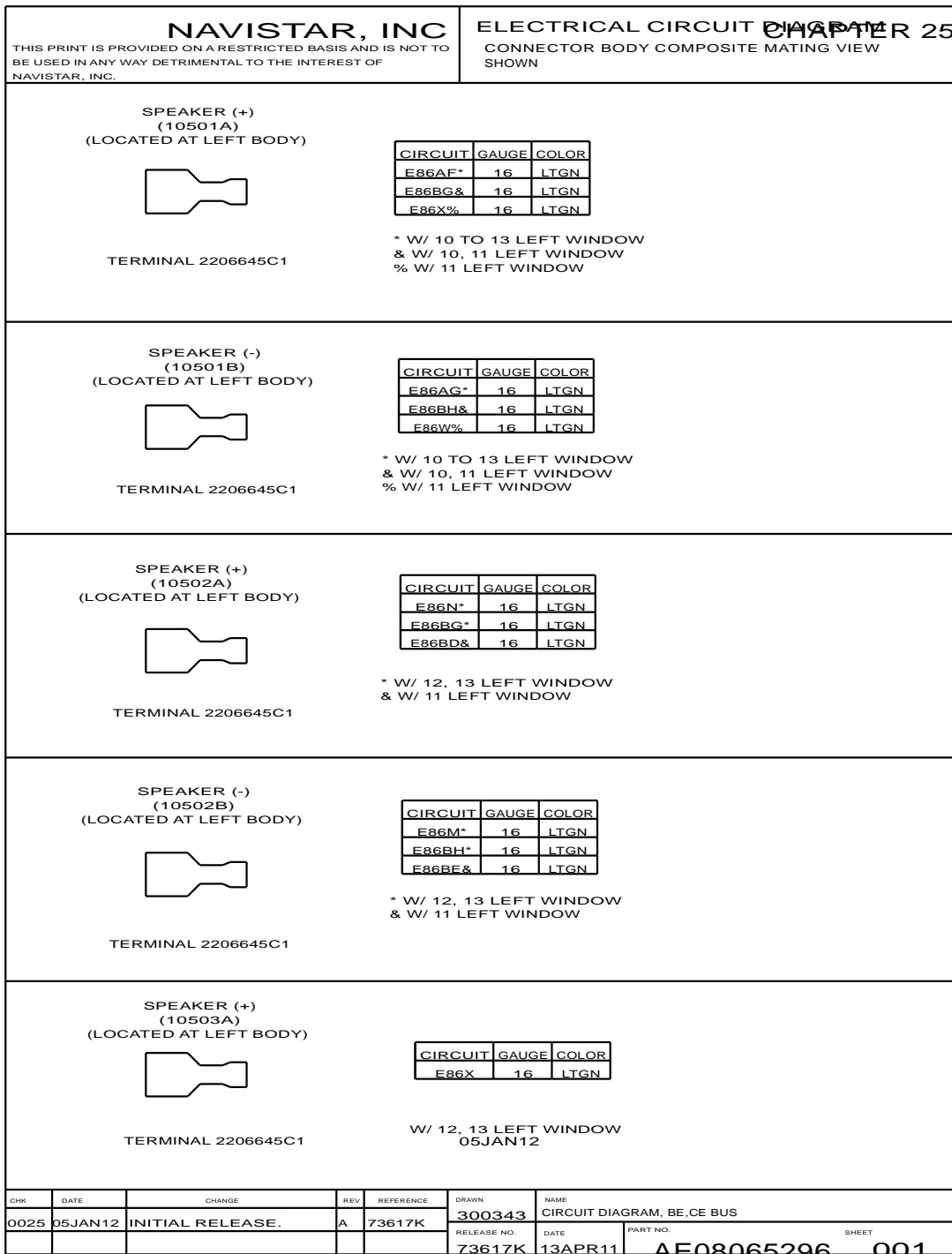


Figure 760 Connector Composites (10501A, 10501B, 10502A, 10502B, 10503A)

25.2. CONNECTOR COMPOSITES (10503B, 10504A, 10504B, 10506, 10507, 10508), P. 2

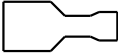
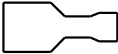
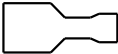



NAVISTAR, INC <small>THIS PRINT IS PROVIDED ON A RESTRICTED BASIS AND IS NOT TO BE USED IN ANY WAY DETRIMENTAL TO THE INTEREST OF NAVISTAR, INC.</small>				ELECTRICAL CIRCUIT DIAGRAM CHAPTER 25 CONNECTOR BODY COMPOSITE MATING VIEW SHOWN																							
SPEAKER (-) (10503B) (LOCATED AT LEFT BODY)				<table border="1" style="width: 100%; border-collapse: collapse;"> <thead> <tr> <th>CIRCUIT</th> <th>GAUGE</th> <th>COLOR</th> </tr> </thead> <tbody> <tr> <td>E86W</td> <td>16</td> <td>LTGN</td> </tr> </tbody> </table>		CIRCUIT	GAUGE	COLOR	E86W	16	LTGN	TERMINAL 2206645C1 W/ 12, 13 LEFT WINDOW															
CIRCUIT	GAUGE	COLOR																									
E86W	16	LTGN																									
SPEAKER (+) (10504A) (LOCATED AT LEFT BODY)				<table border="1" style="width: 100%; border-collapse: collapse;"> <thead> <tr> <th>CIRCUIT</th> <th>GAUGE</th> <th>COLOR</th> </tr> </thead> <tbody> <tr> <td>E86AG</td> <td>16</td> <td>LTGN</td> </tr> <tr> <td>E86BH</td> <td>16</td> <td>LTGN</td> </tr> </tbody> </table>		CIRCUIT	GAUGE	COLOR	E86AG	16	LTGN	E86BH	16	LTGN	TERMINAL 2206645C1 W/ 12, 13 LEFT WINDOW												
CIRCUIT	GAUGE	COLOR																									
E86AG	16	LTGN																									
E86BH	16	LTGN																									
SPEAKER (-) (10504B) (LOCATED AT LEFT BODY)				<table border="1" style="width: 100%; border-collapse: collapse;"> <thead> <tr> <th>CIRCUIT</th> <th>GAUGE</th> <th>COLOR</th> </tr> </thead> <tbody> <tr> <td>E86AH</td> <td>16</td> <td>LTGN</td> </tr> <tr> <td>E86BJ</td> <td>16</td> <td>LTGN</td> </tr> </tbody> </table>		CIRCUIT	GAUGE	COLOR	E86AH	16	LTGN	E86BJ	16	LTGN	TERMINAL 2206645C1 W/ 12, 13 LEFT WINDOW												
CIRCUIT	GAUGE	COLOR																									
E86AH	16	LTGN																									
E86BJ	16	LTGN																									
SIDE DIRECTIONAL LIGHT FORWARD REAR WHEEL POCKET CE (10506) (LOCATED AT LEFT BODY)				<table border="1" style="width: 100%; border-collapse: collapse;"> <thead> <tr> <th>CIRCUIT</th> <th>GAUGE</th> <th>COLOR</th> <th>TERMINAL</th> </tr> </thead> <tbody> <tr> <td>E56L</td> <td>18</td> <td>YL</td> <td>1661261C1</td> </tr> <tr> <td>E56M</td> <td>18</td> <td>YL</td> <td>1661261C1</td> </tr> <tr> <td>E56-GH</td> <td>18</td> <td>WH</td> <td>1661261C1</td> </tr> <tr> <td>E56-GJ</td> <td>18</td> <td>WH</td> <td>1661261C1</td> </tr> </tbody> </table>		CIRCUIT	GAUGE	COLOR	TERMINAL	E56L	18	YL	1661261C1	E56M	18	YL	1661261C1	E56-GH	18	WH	1661261C1	E56-GJ	18	WH	1661261C1	CONNECTOR 1661259C1 BODY LOCK 1661263C1 W/ 5, 6, 7, 9, 11 LEFT WINDOW * MUTUALLY EXCLUSIVE	
CIRCUIT	GAUGE	COLOR	TERMINAL																								
E56L	18	YL	1661261C1																								
E56M	18	YL	1661261C1																								
E56-GH	18	WH	1661261C1																								
E56-GJ	18	WH	1661261C1																								
DOME LIGHT OVER EACH SEAT (10507) (LOCATED AT LEFT BODY)				<table border="1" style="width: 100%; border-collapse: collapse;"> <thead> <tr> <th>CAV</th> <th>CIRCUIT</th> <th>GAUGE</th> <th>COLOR</th> <th>TERMINAL</th> </tr> </thead> <tbody> <tr> <td>A</td> <td>E63J</td> <td>16</td> <td>DKBL</td> <td>1661261C1</td> </tr> <tr> <td>B</td> <td>E63-GH</td> <td>16</td> <td>WH</td> <td>1661261C1</td> </tr> </tbody> </table>		CAV	CIRCUIT	GAUGE	COLOR	TERMINAL	A	E63J	16	DKBL	1661261C1	B	E63-GH	16	WH	1661261C1	CONNECTOR 1661259C1 BODY LOCK 1661263C1 W/ 9 LEFT WINDOW						
CAV	CIRCUIT	GAUGE	COLOR	TERMINAL																							
A	E63J	16	DKBL	1661261C1																							
B	E63-GH	16	WH	1661261C1																							
DOME LIGHT OVER EACH SEAT (10508) (LOCATED AT LEFT BODY)				<table border="1" style="width: 100%; border-collapse: collapse;"> <thead> <tr> <th>CAV</th> <th>CIRCUIT</th> <th>GAUGE</th> <th>COLOR</th> <th>TERMINAL</th> </tr> </thead> <tbody> <tr> <td>A</td> <td>E63U</td> <td>16</td> <td>DKBL</td> <td>1661261C1</td> </tr> <tr> <td>B</td> <td>E63-GJ</td> <td>16</td> <td>WH</td> <td>1661261C1</td> </tr> </tbody> </table>		CAV	CIRCUIT	GAUGE	COLOR	TERMINAL	A	E63U	16	DKBL	1661261C1	B	E63-GJ	16	WH	1661261C1	CONNECTOR 1661259C1 BODY LOCK 1661263C1 W/ 9 LEFT WINDOW						
CAV	CIRCUIT	GAUGE	COLOR	TERMINAL																							
A	E63U	16	DKBL	1661261C1																							
B	E63-GJ	16	WH	1661261C1																							
CHK	DATE	CHANGE	REV	REFERENCE	DRAWN	NAME																					
-	-	INITIAL RELEASE.	A	73617K	300343	CIRCUIT DIAGRAM, BE,CE BUS																					
					RELEASE NO.	DATE	PART NO.	SHEET																			
					73617K	10MAY11	AE08065296	002																			

Figure 761 Connector Composites (10503B, 10504A, 10504B, 10506, 10507, 10508)

25.3. CONNECTOR COMPOSITES (10509, 10510, 10511, 10512, 10513), P. 3

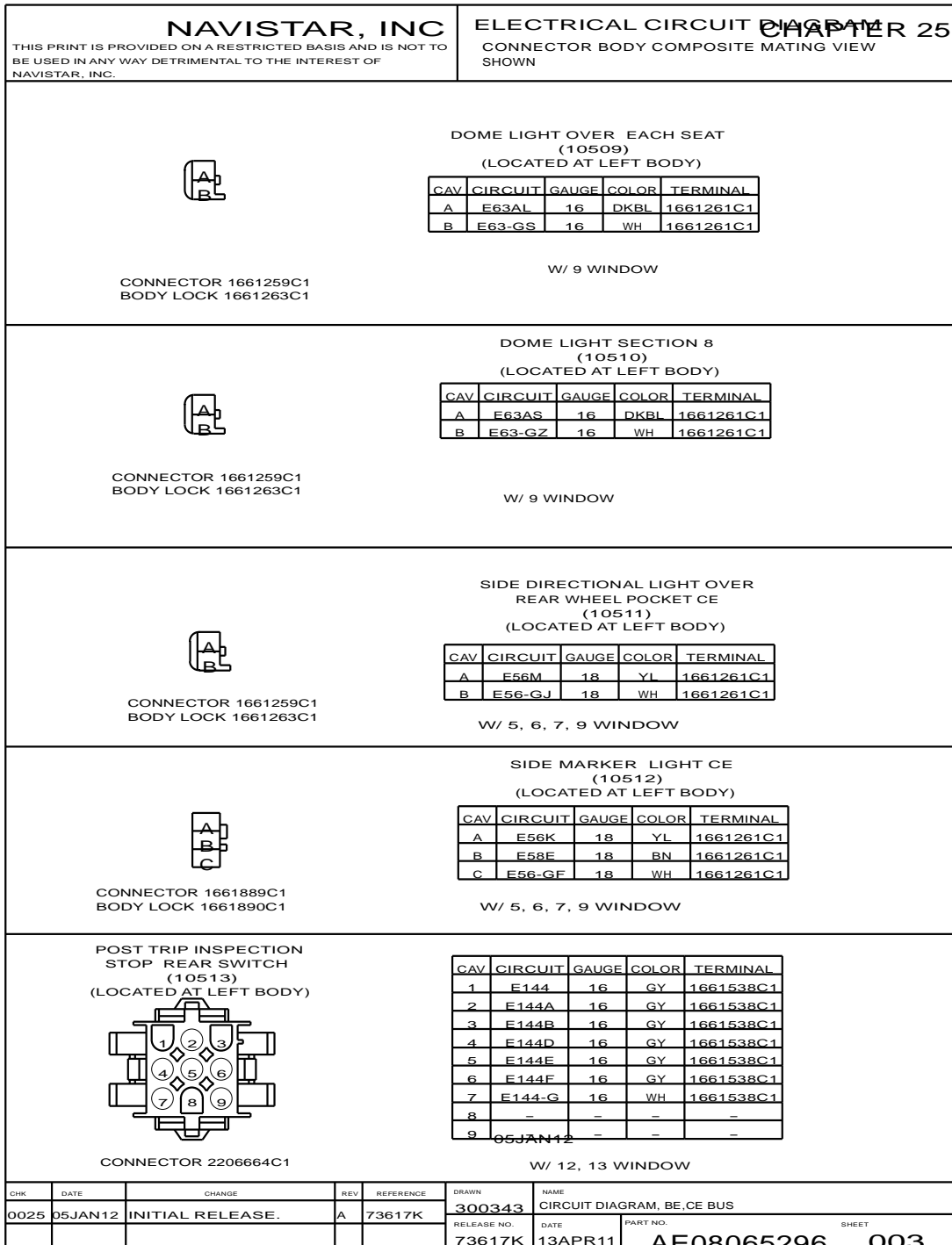


Figure 762 Connector Composites (10509, 10510, 10511, 10512, 10513)

25.4. CONNECTOR COMPOSITES (10513, 10514, 10515, 10516, 10517), P. 4

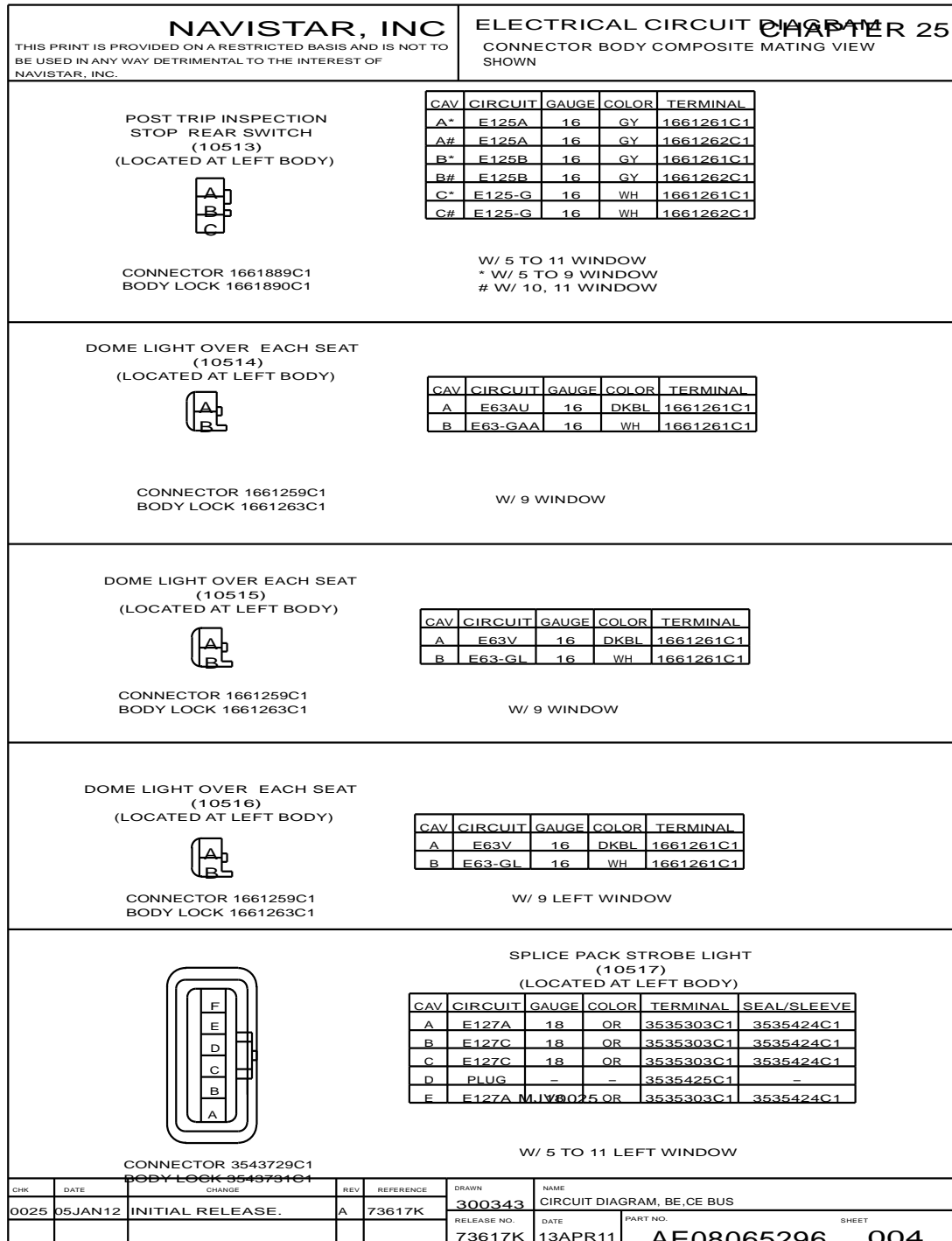


Figure 763 Connector Composites (10513, 10514, 10515, 10516, 10517)

25.5. CONNECTOR COMPOSITES (10700), P. 5

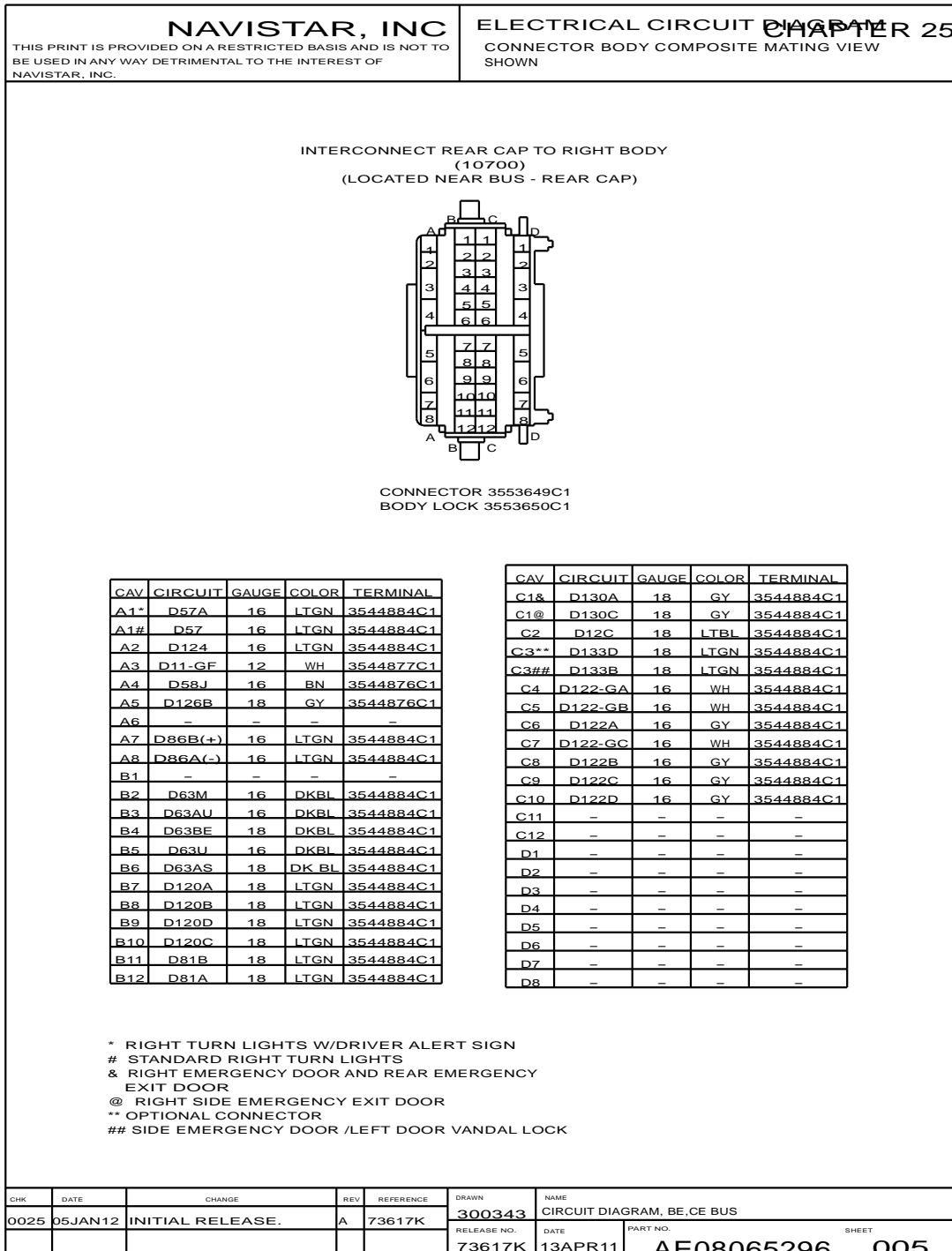


Figure 764 Connector Composites (10700)

25.6. CONNECTOR COMPOSITES (10700), P. 6

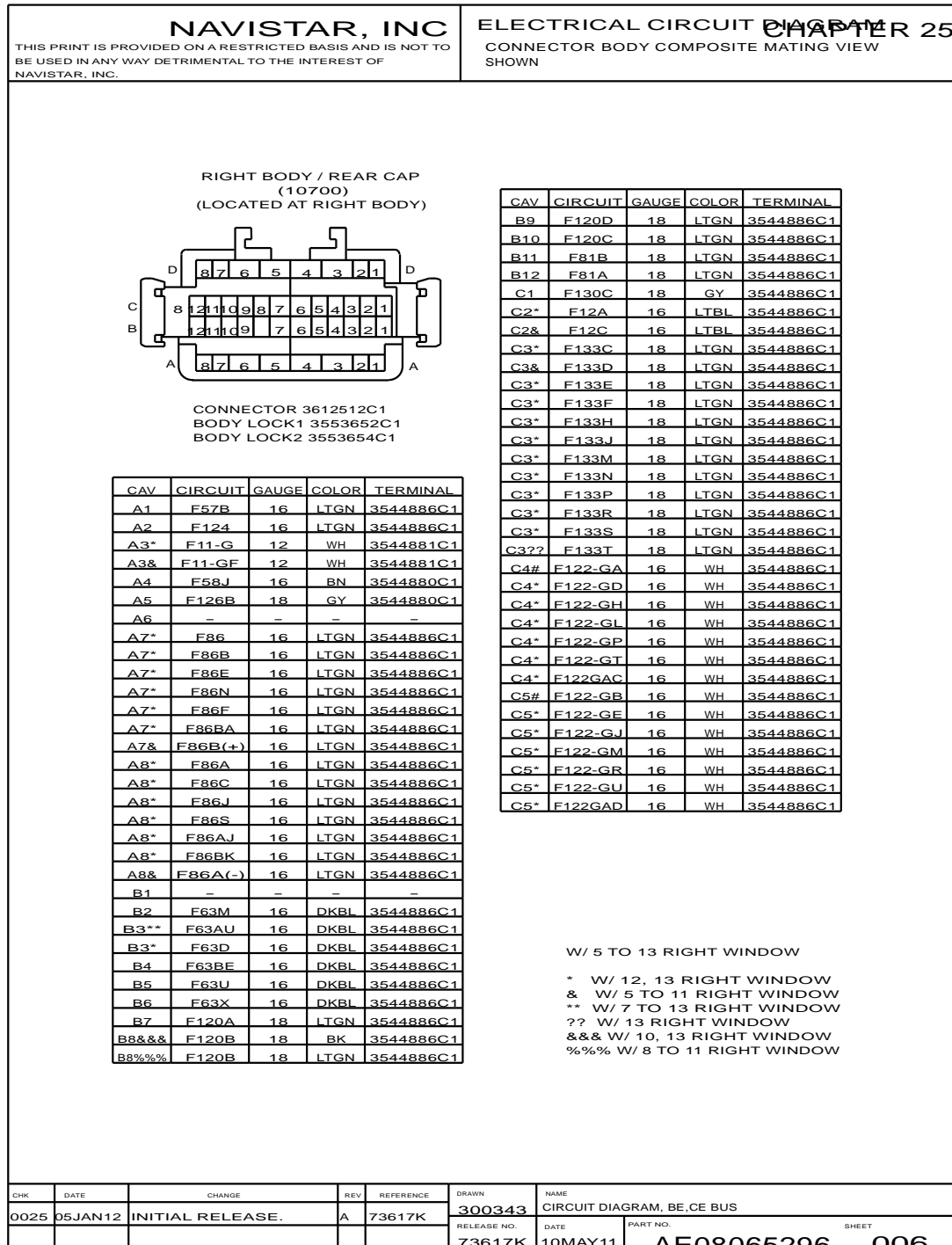


Figure 765 Connector Composites (10700)

25.7. CONNECTOR COMPOSITES (10700), P. 7

NAVISTAR, INC				ELECTRICAL CIRCUIT DIAGRAM CHAPTER 25																																																																																																																																																																																																											
THIS PRINT IS PROVIDED ON A RESTRICTED BASIS AND IS NOT TO BE USED IN ANY WAY DETRIMENTAL TO THE INTEREST OF NAVISTAR, INC.				CONNECTOR BODY COMPOSITE MATING VIEW SHOWN																																																																																																																																																																																																											
<table border="1" style="width: 100%; border-collapse: collapse; font-size: x-small;"> <thead> <tr> <th>CAV</th> <th>CIRCUIT</th> <th>GAUGE</th> <th>COLOR</th> <th>TERMINAL</th> </tr> </thead> <tbody> <tr><td>C6#</td><td>F122A</td><td>16</td><td>GY</td><td>3544886C1</td></tr> <tr><td>C6*</td><td>F122D</td><td>16</td><td>GY</td><td>3544886C1</td></tr> <tr><td>C6*</td><td>F122H</td><td>16</td><td>GY</td><td>3544886C1</td></tr> <tr><td>C6*</td><td>F122L</td><td>16</td><td>GY</td><td>3544886C1</td></tr> <tr><td>C6*</td><td>F122P</td><td>16</td><td>GY</td><td>3544886C1</td></tr> <tr><td>C6??</td><td>F122T</td><td>16</td><td>GY</td><td>3544886C1</td></tr> <tr><td>C6*??</td><td>F122AJ</td><td>16</td><td>GY</td><td>3544886C1</td></tr> <tr><td>C7</td><td>F122-GC</td><td>16</td><td>WH</td><td>3544886C1</td></tr> <tr><td>C7*</td><td>F122-GF</td><td>16</td><td>WH</td><td>3544886C1</td></tr> <tr><td>C7*</td><td>F122-GK</td><td>16</td><td>WH</td><td>3544886C1</td></tr> <tr><td>C7*</td><td>F122-GN</td><td>16</td><td>WH</td><td>3544886C1</td></tr> <tr><td>C7*</td><td>F122-GS</td><td>16</td><td>WH</td><td>3544886C1</td></tr> <tr><td>C7??</td><td>F122-GV</td><td>16</td><td>WH</td><td>3544886C1</td></tr> <tr><td>C7*??</td><td>F122GAE</td><td>16</td><td>WH</td><td>3544886C1</td></tr> <tr><td>C8#</td><td>F122B</td><td>16</td><td>GY</td><td>3544886C1</td></tr> <tr><td>C8*</td><td>F122E</td><td>16</td><td>GY</td><td>3544886C1</td></tr> <tr><td>C8*</td><td>F122J</td><td>16</td><td>GY</td><td>3544886C1</td></tr> <tr><td>C8*</td><td>F122M</td><td>16</td><td>GY</td><td>3544886C1</td></tr> <tr><td>C8*</td><td>F122R</td><td>16</td><td>GY</td><td>3544886C1</td></tr> <tr><td>C8??</td><td>F122U</td><td>16</td><td>GY</td><td>3544886C1</td></tr> <tr><td>C8*??</td><td>F122AK</td><td>16</td><td>GY</td><td>3544886C1</td></tr> <tr><td>C9#</td><td>F122C</td><td>16</td><td>GY</td><td>3544886C1</td></tr> <tr><td>C9???</td><td>F122F</td><td>16</td><td>GY</td><td>3544886C1</td></tr> <tr><td>C9???</td><td>F122K</td><td>16</td><td>GY</td><td>3544886C1</td></tr> <tr><td>C9???</td><td>F122N</td><td>16</td><td>GY</td><td>3544886C1</td></tr> <tr><td>C9???</td><td>F122S</td><td>16</td><td>GY</td><td>3544886C1</td></tr> <tr><td>C9*??</td><td>F122AL</td><td>16</td><td>GY</td><td>3544886C1</td></tr> <tr><td>C10</td><td>F122D</td><td>16</td><td>GY</td><td>3544886C1</td></tr> <tr><td>C11</td><td>-</td><td>-</td><td>-</td><td>-</td></tr> <tr><td>C12</td><td>F141</td><td>16</td><td>LTGN</td><td>3544886C1</td></tr> <tr><td>D1</td><td>F122AM</td><td>16</td><td>GY</td><td>3544886C1</td></tr> <tr><td>D2</td><td>F122AN</td><td>16</td><td>GY</td><td>3544886C1</td></tr> <tr><td>D2</td><td>-</td><td>-</td><td>-</td><td>-</td></tr> <tr><td>D3</td><td>F122AP</td><td>16</td><td>GY</td><td>3544886C1</td></tr> <tr><td>D4</td><td>-</td><td>-</td><td>-</td><td>-</td></tr> <tr><td>D5</td><td>-</td><td>-</td><td>-</td><td>-</td></tr> <tr><td>D6</td><td>-</td><td>-</td><td>-</td><td>-</td></tr> <tr><td>D7</td><td>-</td><td>-</td><td>-</td><td>-</td></tr> <tr><td>D8</td><td>-</td><td>-</td><td>-</td><td>-</td></tr> </tbody> </table> <p style="text-align: center; margin-top: 10px;"> * W/ 12, 13 RIGHT WINDOW ?? W/ 13 RIGHT WINDOW ?? W/ 12 RIGHT WINDOW </p>								CAV	CIRCUIT	GAUGE	COLOR	TERMINAL	C6#	F122A	16	GY	3544886C1	C6*	F122D	16	GY	3544886C1	C6*	F122H	16	GY	3544886C1	C6*	F122L	16	GY	3544886C1	C6*	F122P	16	GY	3544886C1	C6??	F122T	16	GY	3544886C1	C6*??	F122AJ	16	GY	3544886C1	C7	F122-GC	16	WH	3544886C1	C7*	F122-GF	16	WH	3544886C1	C7*	F122-GK	16	WH	3544886C1	C7*	F122-GN	16	WH	3544886C1	C7*	F122-GS	16	WH	3544886C1	C7??	F122-GV	16	WH	3544886C1	C7*??	F122GAE	16	WH	3544886C1	C8#	F122B	16	GY	3544886C1	C8*	F122E	16	GY	3544886C1	C8*	F122J	16	GY	3544886C1	C8*	F122M	16	GY	3544886C1	C8*	F122R	16	GY	3544886C1	C8??	F122U	16	GY	3544886C1	C8*??	F122AK	16	GY	3544886C1	C9#	F122C	16	GY	3544886C1	C9???	F122F	16	GY	3544886C1	C9???	F122K	16	GY	3544886C1	C9???	F122N	16	GY	3544886C1	C9???	F122S	16	GY	3544886C1	C9*??	F122AL	16	GY	3544886C1	C10	F122D	16	GY	3544886C1	C11	-	-	-	-	C12	F141	16	LTGN	3544886C1	D1	F122AM	16	GY	3544886C1	D2	F122AN	16	GY	3544886C1	D2	-	-	-	-	D3	F122AP	16	GY	3544886C1	D4	-	-	-	-	D5	-	-	-	-	D6	-	-	-	-	D7	-	-	-	-	D8	-	-	-	-
CAV	CIRCUIT	GAUGE	COLOR	TERMINAL																																																																																																																																																																																																											
C6#	F122A	16	GY	3544886C1																																																																																																																																																																																																											
C6*	F122D	16	GY	3544886C1																																																																																																																																																																																																											
C6*	F122H	16	GY	3544886C1																																																																																																																																																																																																											
C6*	F122L	16	GY	3544886C1																																																																																																																																																																																																											
C6*	F122P	16	GY	3544886C1																																																																																																																																																																																																											
C6??	F122T	16	GY	3544886C1																																																																																																																																																																																																											
C6*??	F122AJ	16	GY	3544886C1																																																																																																																																																																																																											
C7	F122-GC	16	WH	3544886C1																																																																																																																																																																																																											
C7*	F122-GF	16	WH	3544886C1																																																																																																																																																																																																											
C7*	F122-GK	16	WH	3544886C1																																																																																																																																																																																																											
C7*	F122-GN	16	WH	3544886C1																																																																																																																																																																																																											
C7*	F122-GS	16	WH	3544886C1																																																																																																																																																																																																											
C7??	F122-GV	16	WH	3544886C1																																																																																																																																																																																																											
C7*??	F122GAE	16	WH	3544886C1																																																																																																																																																																																																											
C8#	F122B	16	GY	3544886C1																																																																																																																																																																																																											
C8*	F122E	16	GY	3544886C1																																																																																																																																																																																																											
C8*	F122J	16	GY	3544886C1																																																																																																																																																																																																											
C8*	F122M	16	GY	3544886C1																																																																																																																																																																																																											
C8*	F122R	16	GY	3544886C1																																																																																																																																																																																																											
C8??	F122U	16	GY	3544886C1																																																																																																																																																																																																											
C8*??	F122AK	16	GY	3544886C1																																																																																																																																																																																																											
C9#	F122C	16	GY	3544886C1																																																																																																																																																																																																											
C9???	F122F	16	GY	3544886C1																																																																																																																																																																																																											
C9???	F122K	16	GY	3544886C1																																																																																																																																																																																																											
C9???	F122N	16	GY	3544886C1																																																																																																																																																																																																											
C9???	F122S	16	GY	3544886C1																																																																																																																																																																																																											
C9*??	F122AL	16	GY	3544886C1																																																																																																																																																																																																											
C10	F122D	16	GY	3544886C1																																																																																																																																																																																																											
C11	-	-	-	-																																																																																																																																																																																																											
C12	F141	16	LTGN	3544886C1																																																																																																																																																																																																											
D1	F122AM	16	GY	3544886C1																																																																																																																																																																																																											
D2	F122AN	16	GY	3544886C1																																																																																																																																																																																																											
D2	-	-	-	-																																																																																																																																																																																																											
D3	F122AP	16	GY	3544886C1																																																																																																																																																																																																											
D4	-	-	-	-																																																																																																																																																																																																											
D5	-	-	-	-																																																																																																																																																																																																											
D6	-	-	-	-																																																																																																																																																																																																											
D7	-	-	-	-																																																																																																																																																																																																											
D8	-	-	-	-																																																																																																																																																																																																											
CHK	DATE	CHANGE	REV	REFERENCE	DRAWN	NAME																																																																																																																																																																																																									
0025	05JAN12	INITIAL RELEASE.	A	73617K	300343	CIRCUIT DIAGRAM, BE,CE BUS																																																																																																																																																																																																									
					RELEASE NO.	DATE	PART NO.																																																																																																																																																																																																								
					73617K	13APR11	AE08065296																																																																																																																																																																																																								
							SHEET 007																																																																																																																																																																																																								

Figure 766 Connector Composites (10700)

25.8. INTENTIONALLY LEFT BLANK, P. 8

NAVISTAR, INC				ELECTRICAL CIRCUIT DIAGRAM CHAPTER 25			
THIS PRINT IS PROVIDED ON A RESTRICTED BASIS AND IS NOT TO BE USED IN ANY WAY DETRIMENTAL TO THE INTEREST OF NAVISTAR, INC.				CONNECTOR BODY COMPOSITE MATING VIEW SHOWN			
<p style="font-size: 24px; margin: 0;">INTENTIONALLY LEFT BLANK</p>							
CHK	DATE	CHANGE	REV	REFERENCE	DRAWN	NAME	
-	-	INITIAL RELEASE.	A	73617K	300343	CIRCUIT DIAGRAM, BE,CE BUS	
					RELEASE NO.	DATE	PART NO.
					73617K	13APR11	AE08065296 008

Figure 767 Intentionally Left Blank

25.9. CONNECTOR COMPOSITES (10701, 10703), P. 9

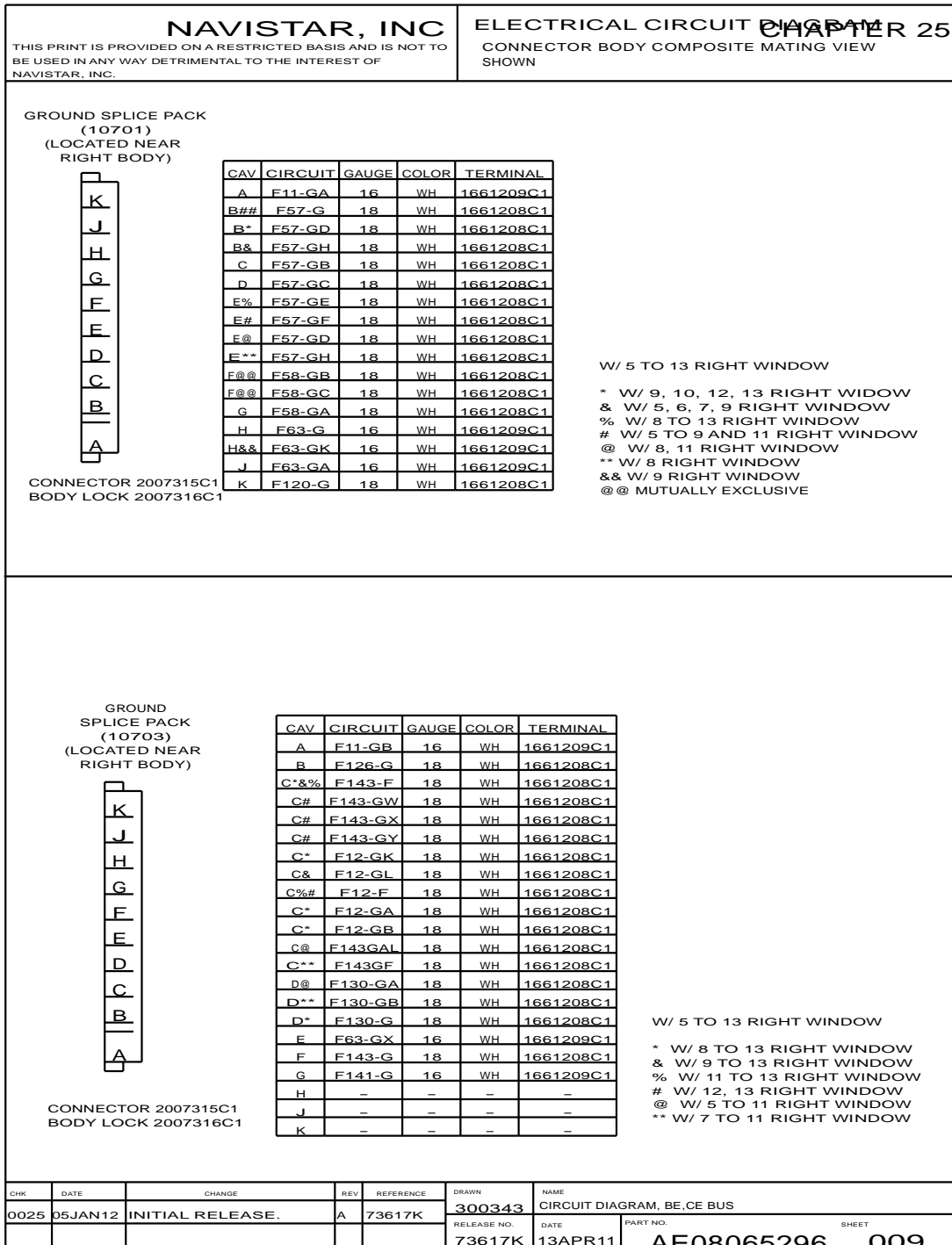


Figure 768 Connector Composites (10701, 10703)

25.10. CONNECTOR COMPOSITES (10703, 10704), P. 10

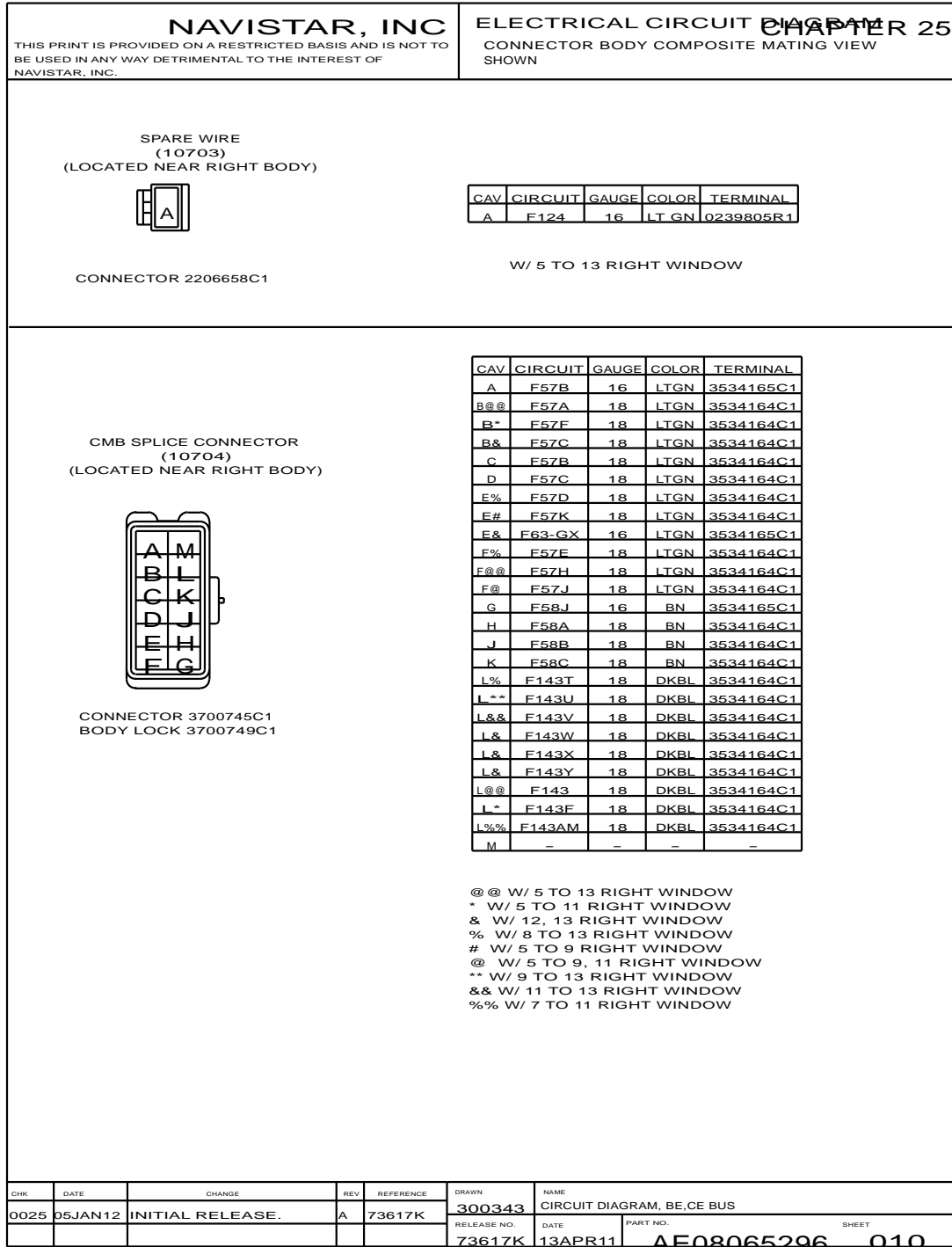


Figure 769 Connector Composites (10703, 10704)

25.11. CONNECTOR COMPOSITES (10705, 10706A, 10706B), P. 11

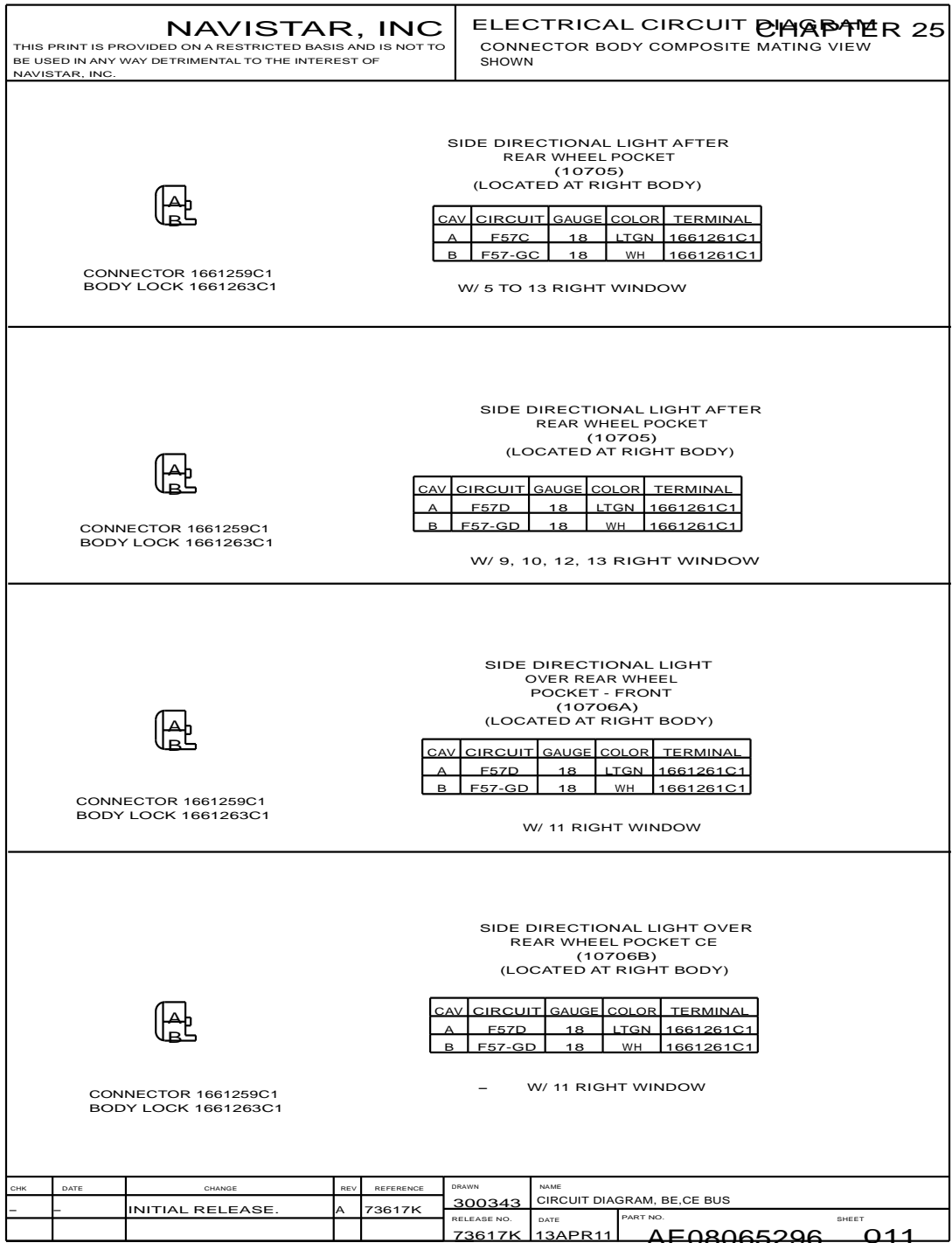


Figure 770 Connector Composites (10705, 10706A, 10706B)

25.12. CONNECTOR COMPOSITES (10707, 10708, 10708A), P. 12

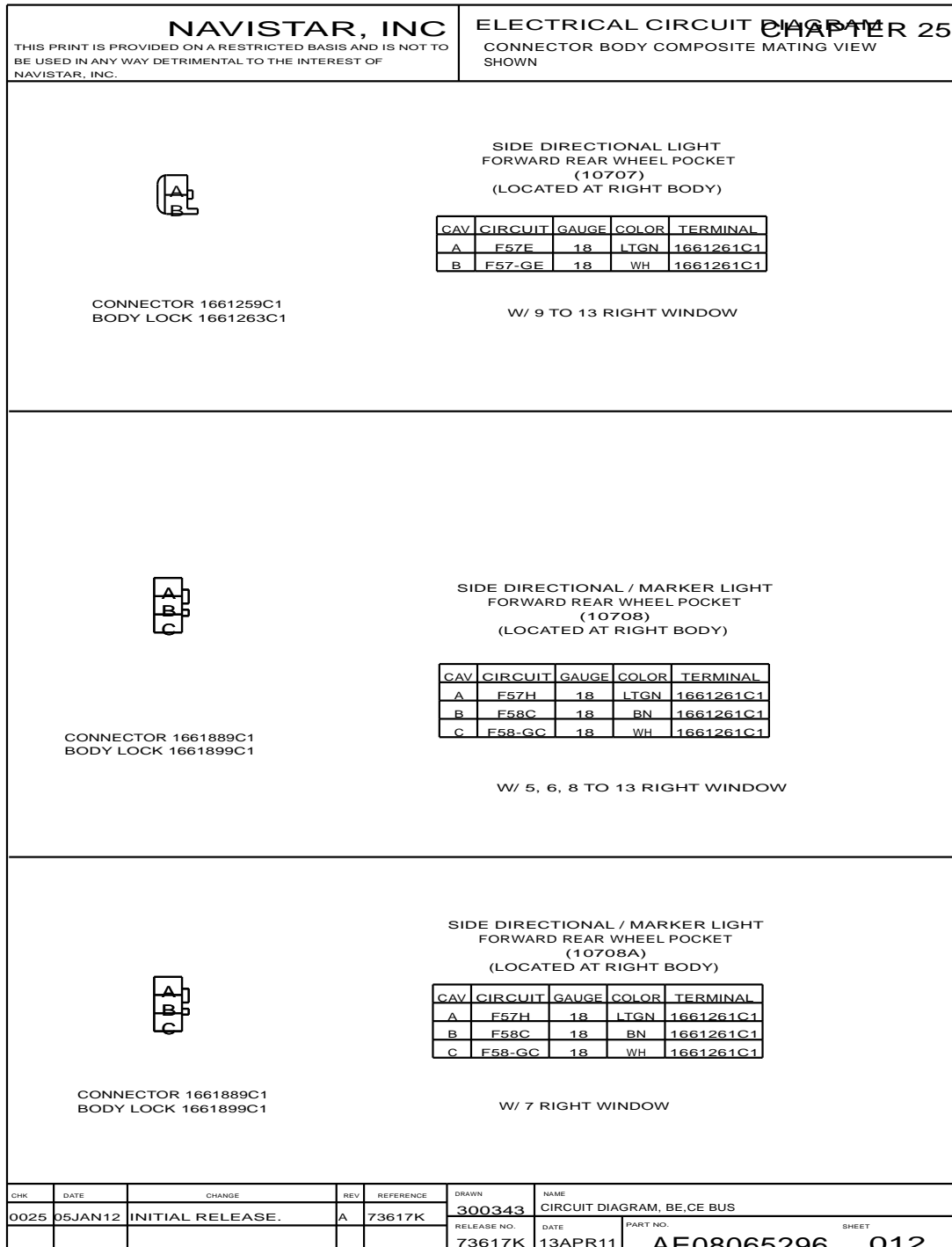


Figure 771 Connector Composites (10707, 10708, 10708A)

25.13. CONNECTOR COMPOSITES (10709, 10710, 10711, 10712), P. 13





NAVISTAR, INC <small>THIS PRINT IS PROVIDED ON A RESTRICTED BASIS AND IS NOT TO BE USED IN ANY WAY DETRIMENTAL TO THE INTEREST OF NAVISTAR, INC.</small>				ELECTRICAL CIRCUIT DIAGRAM CHAPTER 25 CONNECTOR BODY COMPOSITE MATING VIEW SHOWN																												
SIDE DIRECTIONAL LIGHT MIDSHIP (10709) (LOCATED AT RIGHT BODY)						<table border="1" style="width: 100%; border-collapse: collapse;"> <thead> <tr> <th>CAV</th> <th>CIRCUIT</th> <th>GAUGE</th> <th>COLOR</th> <th>TERMINAL</th> </tr> </thead> <tbody> <tr> <td>A</td> <td>F57B</td> <td>18</td> <td>LTGN</td> <td>1661261C1</td> </tr> <tr> <td>B</td> <td>F57-GB</td> <td>18</td> <td>WH</td> <td>1661261C1</td> </tr> </tbody> </table>		CAV	CIRCUIT	GAUGE	COLOR	TERMINAL	A	F57B	18	LTGN	1661261C1	B	F57-GB	18	WH	1661261C1										
CAV	CIRCUIT	GAUGE	COLOR	TERMINAL																												
A	F57B	18	LTGN	1661261C1																												
B	F57-GB	18	WH	1661261C1																												
CONNECTOR 1661259C1 BODY LOCK 1661263C1				W/ 5 TO 13 RIGHT WINDOW																												
INTERMEDIATE MARKER LIGHT MIDSHIP (10710) (LOCATED AT RIGHT BODY)						<table border="1" style="width: 100%; border-collapse: collapse;"> <thead> <tr> <th>CAV</th> <th>CIRCUIT</th> <th>GAUGE</th> <th>COLOR</th> <th>TERMINAL</th> </tr> </thead> <tbody> <tr> <td>A</td> <td>F58A</td> <td>18</td> <td>BN</td> <td>1661261C1</td> </tr> <tr> <td>B</td> <td>F58-GA</td> <td>18</td> <td>WH</td> <td>1661261C1</td> </tr> </tbody> </table>		CAV	CIRCUIT	GAUGE	COLOR	TERMINAL	A	F58A	18	BN	1661261C1	B	F58-GA	18	WH	1661261C1										
CAV	CIRCUIT	GAUGE	COLOR	TERMINAL																												
A	F58A	18	BN	1661261C1																												
B	F58-GA	18	WH	1661261C1																												
CONNECTOR 1661259C1 BODY LOCK 1661263C1				W/ 5 TO 13 RIGHT WINDOW																												
SIDE DIRECTIONAL LIGHT AFTER ENTRANCE DOOR (10711) (LOCATED AT BODY)						<table border="1" style="width: 100%; border-collapse: collapse;"> <thead> <tr> <th>CAV</th> <th>CIRCUIT</th> <th>GAUGE</th> <th>COLOR</th> <th>TERMINAL</th> </tr> </thead> <tbody> <tr> <td>A</td> <td>F57A</td> <td>18</td> <td>LTGN</td> <td>1661261C1</td> </tr> <tr> <td>B</td> <td>F57-G</td> <td>18</td> <td>WH</td> <td>1661261C1</td> </tr> </tbody> </table>		CAV	CIRCUIT	GAUGE	COLOR	TERMINAL	A	F57A	18	LTGN	1661261C1	B	F57-G	18	WH	1661261C1										
CAV	CIRCUIT	GAUGE	COLOR	TERMINAL																												
A	F57A	18	LTGN	1661261C1																												
B	F57-G	18	WH	1661261C1																												
CONNECTOR 1661259C1 BODY LOCK 1661263C1				W/ 5 TO 13 RIGHT WINDOW																												
SIDE DIRECTIONAL MARKER LIGHT AFTER ENTRANCE DOOR (10712) (LOCATED AT BODY)						<table border="1" style="width: 100%; border-collapse: collapse;"> <thead> <tr> <th>CAV</th> <th>CIRCUIT</th> <th>GAUGE</th> <th>COLOR</th> <th>TERMINAL</th> </tr> </thead> <tbody> <tr> <td>A&</td> <td>F57C</td> <td>18</td> <td>LTGN</td> <td>1661261C1</td> </tr> <tr> <td>A*</td> <td>F57F</td> <td>18</td> <td>LTGN</td> <td>1661261C1</td> </tr> <tr> <td>B</td> <td>F58B</td> <td>18</td> <td>BN</td> <td>1661261C1</td> </tr> <tr> <td>C</td> <td>F58-GB</td> <td>18</td> <td>WH</td> <td>1661261C1</td> </tr> </tbody> </table>		CAV	CIRCUIT	GAUGE	COLOR	TERMINAL	A&	F57C	18	LTGN	1661261C1	A*	F57F	18	LTGN	1661261C1	B	F58B	18	BN	1661261C1	C	F58-GB	18	WH	1661261C1
CAV	CIRCUIT	GAUGE	COLOR	TERMINAL																												
A&	F57C	18	LTGN	1661261C1																												
A*	F57F	18	LTGN	1661261C1																												
B	F58B	18	BN	1661261C1																												
C	F58-GB	18	WH	1661261C1																												
CONNECTOR 1661899C1 BODY LOCK 1661899C1				W/ 5 TO 13 RIGHT WINDOW M/JV0025 W/ 5 TO 11 RIGHT WINDOW & W/ 12, 13 RIGHT WINDOW																												
CHK	DATE	CHANGE	REV	REFERENCE	DRAWN	NAME																										
0025	05JAN12	INITIAL RELEASE.	A	73617K	300343	CIRCUIT DIAGRAM, BE,CE BUS																										
					RELEASE NO.	DATE	PART NO.																									
					73617K	13APR11	AE08065296																									
						SHEET	013																									

Figure 772 Connector Composites (10709, 10710, 10711, 10712)

25.14. CONNECTOR COMPOSITES (10713), P. 14

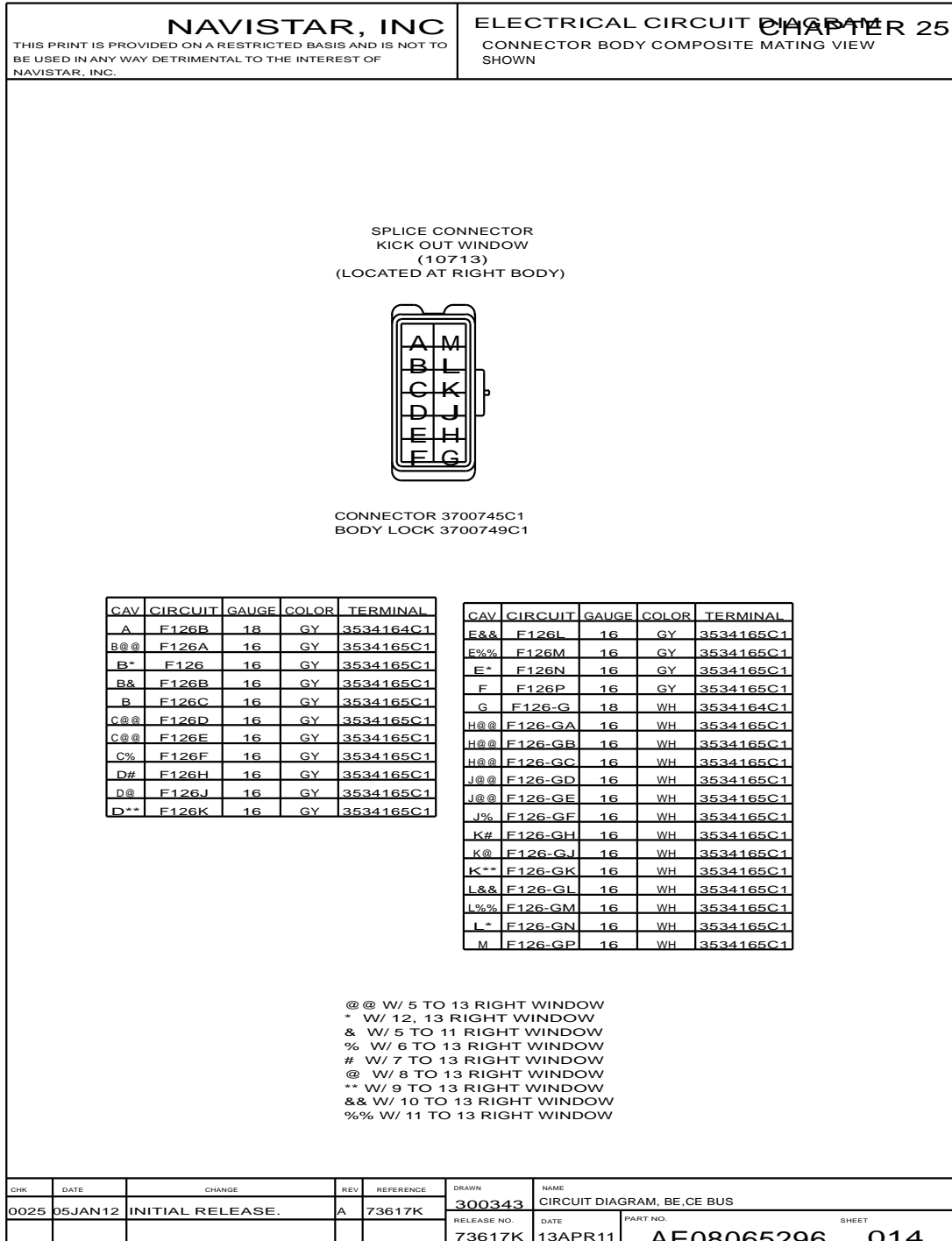


Figure 773 Connector Composites (10713)

25.15. CONNECTOR COMPOSITES (10714), P. 15

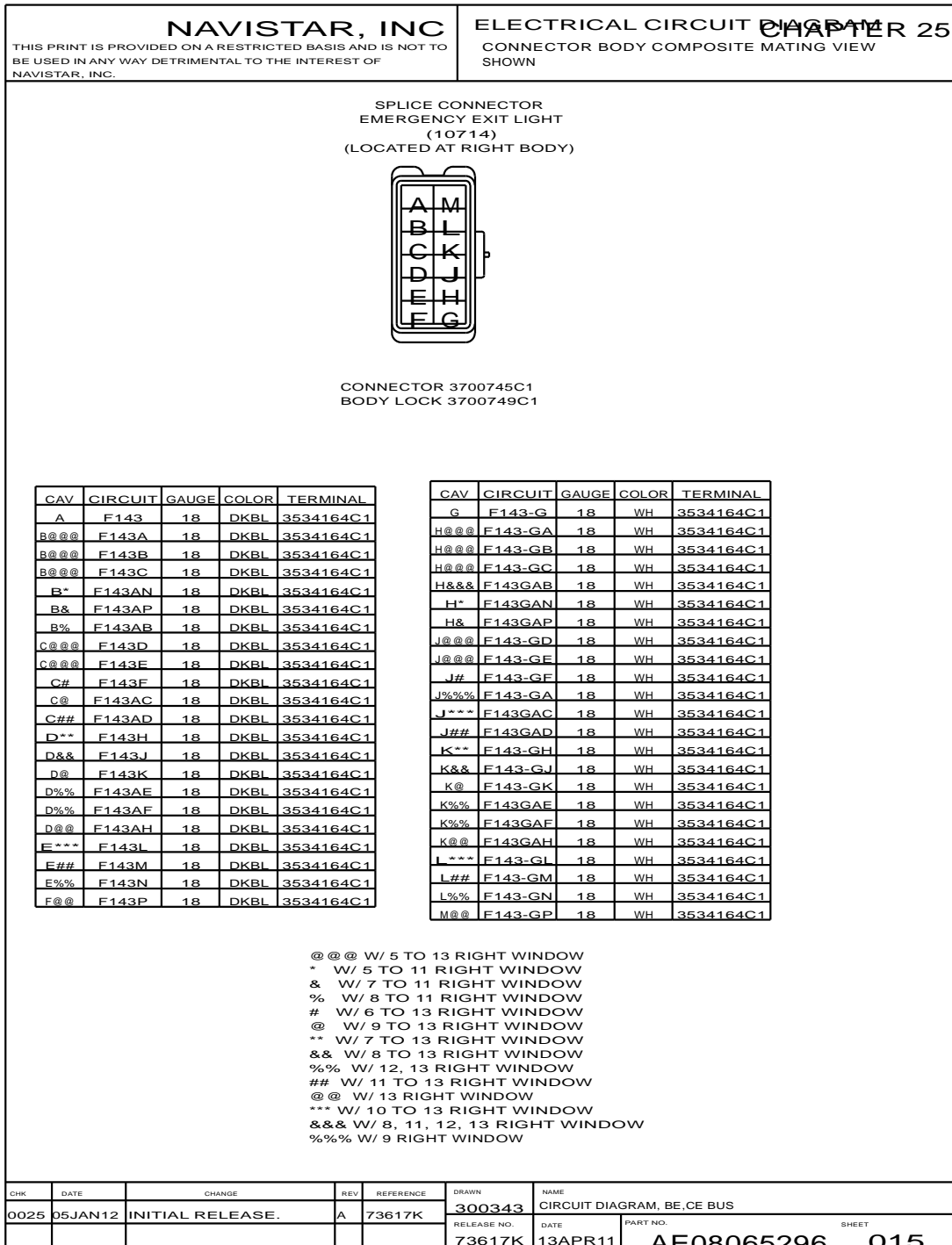


Figure 774 Connector Composites (10714)

25.16. CONNECTOR COMPOSITES (10715A, 10715B, 10716A, 10716B, 10717A), P. 16






NAVISTAR, INC <small>THIS PRINT IS PROVIDED ON A RESTRICTED BASIS AND IS NOT TO BE USED IN ANY WAY DETRIMENTAL TO THE INTEREST OF NAVISTAR, INC.</small>				ELECTRICAL CIRCUIT DIAGRAM CHAPTER 25 CONNECTOR BODY COMPOSITE MATING VIEW SHOWN																		
KICK OUT WINDOW SECTION 1 (10715A) (LOCATED AT RIGHT BODY)						<table border="1" style="font-size: small;"> <thead> <tr> <th>CAV</th> <th>CIRCUIT</th> <th>GAUGE</th> <th>COLOR</th> <th>TERMINAL</th> </tr> </thead> <tbody> <tr> <td>A</td> <td>F126A</td> <td>16</td> <td>GY</td> <td>0239805R1</td> </tr> </tbody> </table>		CAV	CIRCUIT	GAUGE	COLOR	TERMINAL	A	F126A	16	GY	0239805R1					
CAV	CIRCUIT	GAUGE	COLOR	TERMINAL																		
A	F126A	16	GY	0239805R1																		
CONNECTOR 2206658C1				W/ 5 TO 13 RIGHT WINDOW																		
KICK OUT WINDOW SECTION 1 (10715B) (LOCATED AT RIGHT BODY)						<table border="1" style="font-size: small;"> <thead> <tr> <th>CAV</th> <th>CIRCUIT</th> <th>GAUGE</th> <th>COLOR</th> <th>TERMINAL</th> </tr> </thead> <tbody> <tr> <td>A</td> <td>F126-GA</td> <td>16</td> <td>WH</td> <td>0239805R1</td> </tr> </tbody> </table>		CAV	CIRCUIT	GAUGE	COLOR	TERMINAL	A	F126-GA	16	WH	0239805R1					
CAV	CIRCUIT	GAUGE	COLOR	TERMINAL																		
A	F126-GA	16	WH	0239805R1																		
CONNECTOR 2206658C1				W/ 5 TO 13 RIGHT WINDOW																		
KICK OUT WINDOW SECTION 2 (10716A) (LOCATED AT RIGHT BODY)						<table border="1" style="font-size: small;"> <thead> <tr> <th>CAV</th> <th>CIRCUIT</th> <th>GAUGE</th> <th>COLOR</th> <th>TERMINAL</th> </tr> </thead> <tbody> <tr> <td>A#</td> <td>F126</td> <td>16</td> <td>GY</td> <td>0239805R1</td> </tr> <tr> <td>A*</td> <td>F126B</td> <td>16</td> <td>GY</td> <td>0239805R1</td> </tr> </tbody> </table>		CAV	CIRCUIT	GAUGE	COLOR	TERMINAL	A#	F126	16	GY	0239805R1	A*	F126B	16	GY	0239805R1
CAV	CIRCUIT	GAUGE	COLOR	TERMINAL																		
A#	F126	16	GY	0239805R1																		
A*	F126B	16	GY	0239805R1																		
CONNECTOR 2206658C1				# W/ 12, 13 RIGHT WINDOW * W/ 5 TO 11 RIGHT WINDOW																		
KICK OUT WINDOW SECTION 2 (10716B) (LOCATED AT RIGHT BODY)						<table border="1" style="font-size: small;"> <thead> <tr> <th>CAV</th> <th>CIRCUIT</th> <th>GAUGE</th> <th>COLOR</th> <th>TERMINAL</th> </tr> </thead> <tbody> <tr> <td>A</td> <td>F126-GB</td> <td>16</td> <td>WH</td> <td>0239805R1</td> </tr> </tbody> </table>		CAV	CIRCUIT	GAUGE	COLOR	TERMINAL	A	F126-GB	16	WH	0239805R1					
CAV	CIRCUIT	GAUGE	COLOR	TERMINAL																		
A	F126-GB	16	WH	0239805R1																		
CONNECTOR 2206658C1				W/ 5 TO 13 RIGHT WINDOW																		
KICK OUT WINDOW SECTION 3 (10717A) (LOCATED AT RIGHT BODY)						<table border="1" style="font-size: small;"> <thead> <tr> <th>CAV</th> <th>CIRCUIT</th> <th>GAUGE</th> <th>COLOR</th> <th>TERMINAL</th> </tr> </thead> <tbody> <tr> <td>A</td> <td>F126C</td> <td>16</td> <td>GY</td> <td>0239805R1</td> </tr> </tbody> </table>		CAV	CIRCUIT	GAUGE	COLOR	TERMINAL	A	F126C	16	GY	0239805R1					
CAV	CIRCUIT	GAUGE	COLOR	TERMINAL																		
A	F126C	16	GY	0239805R1																		
CONNECTOR 2206658C1				W/ 5 TO 13 RIGHT WINDOW																		
CHK	DATE	CHANGE	REV	REFERENCE	DRAWN	NAME																
0025	05JAN12	INITIAL RELEASE.	A	73617K	300343	CIRCUIT DIAGRAM, BE,CE BUS																
					RELEASE NO.	DATE	PART NO.															
					73617K	13APR11	AE08065296															
							SHEET 016															

Figure 775 Connector Composites (10715A, 10715B, 10716A, 10716B, 10717A)

25.17. CONNECTOR COMPOSITES (10717B, 10718A, 10718B, 10719A, 10719B), P. 17






NAVISTAR, INC <small>THIS PRINT IS PROVIDED ON A RESTRICTED BASIS AND IS NOT TO BE USED IN ANY WAY DETRIMENTAL TO THE INTEREST OF NAVISTAR, INC.</small>				ELECTRICAL CIRCUIT DIAGRAM CHAPTER 25 CONNECTOR BODY COMPOSITE MATING VIEW SHOWN													
KICK OUT WINDOW SECTION 3 (10717B) (LOCATED AT RIGHT BODY)						<table border="1" style="width: 100%; border-collapse: collapse;"> <thead> <tr> <th>CAV</th> <th>CIRCUIT</th> <th>GAUGE</th> <th>COLOR</th> <th>TERMINAL</th> </tr> </thead> <tbody> <tr> <td>A</td> <td>F126-GC</td> <td>16</td> <td>WH</td> <td>0239805R1</td> </tr> </tbody> </table>		CAV	CIRCUIT	GAUGE	COLOR	TERMINAL	A	F126-GC	16	WH	0239805R1
CAV	CIRCUIT	GAUGE	COLOR	TERMINAL													
A	F126-GC	16	WH	0239805R1													
CONNECTOR 2206658C1				W/ 5 TO 13 RIGHT WINDOW													
KICK OUT WINDOW SECTION 4 (10718A) (LOCATED AT RIGHT BODY)						<table border="1" style="width: 100%; border-collapse: collapse;"> <thead> <tr> <th>CAV</th> <th>CIRCUIT</th> <th>GAUGE</th> <th>COLOR</th> <th>TERMINAL</th> </tr> </thead> <tbody> <tr> <td>A</td> <td>F126D</td> <td>16</td> <td>GY</td> <td>0239805R1</td> </tr> </tbody> </table>		CAV	CIRCUIT	GAUGE	COLOR	TERMINAL	A	F126D	16	GY	0239805R1
CAV	CIRCUIT	GAUGE	COLOR	TERMINAL													
A	F126D	16	GY	0239805R1													
CONNECTOR 2206658C1				W/ 5 TO 13 RIGHT WINDOW													
KICK OUT WINDOW SECTION 4 (10718B) (LOCATED AT RIGHT BODY)						<table border="1" style="width: 100%; border-collapse: collapse;"> <thead> <tr> <th>CAV</th> <th>CIRCUIT</th> <th>GAUGE</th> <th>COLOR</th> <th>TERMINAL</th> </tr> </thead> <tbody> <tr> <td>A</td> <td>F126-GD</td> <td>16</td> <td>WH</td> <td>0239805R1</td> </tr> </tbody> </table>		CAV	CIRCUIT	GAUGE	COLOR	TERMINAL	A	F126-GD	16	WH	0239805R1
CAV	CIRCUIT	GAUGE	COLOR	TERMINAL													
A	F126-GD	16	WH	0239805R1													
CONNECTOR 2206658C1				W/ 5 TO 13 RIGHT WINDOW													
KICK OUT WINDOW SECTION 5 (10719A) (LOCATED AT RIGHT BODY)						<table border="1" style="width: 100%; border-collapse: collapse;"> <thead> <tr> <th>CAV</th> <th>CIRCUIT</th> <th>GAUGE</th> <th>COLOR</th> <th>TERMINAL</th> </tr> </thead> <tbody> <tr> <td>A</td> <td>F126E</td> <td>16</td> <td>GY</td> <td>0239805R1</td> </tr> </tbody> </table>		CAV	CIRCUIT	GAUGE	COLOR	TERMINAL	A	F126E	16	GY	0239805R1
CAV	CIRCUIT	GAUGE	COLOR	TERMINAL													
A	F126E	16	GY	0239805R1													
CONNECTOR 2206658C1				W/ 5 TO 13 RIGHT WINDOW													
KICK OUT WINDOW SECTION 5 (10719B) (LOCATED AT RIGHT BODY)						<table border="1" style="width: 100%; border-collapse: collapse;"> <thead> <tr> <th>CAV</th> <th>CIRCUIT</th> <th>GAUGE</th> <th>COLOR</th> <th>TERMINAL</th> </tr> </thead> <tbody> <tr> <td>A</td> <td>F126-GE</td> <td>16</td> <td>WH</td> <td>0239805R1</td> </tr> </tbody> </table>		CAV	CIRCUIT	GAUGE	COLOR	TERMINAL	A	F126-GE	16	WH	0239805R1
CAV	CIRCUIT	GAUGE	COLOR	TERMINAL													
A	F126-GE	16	WH	0239805R1													
CONNECTOR 2206658C1				W/ 5 TO 13 RIGHT WINDOW													
CHK	DATE	CHANGE	REV	REFERENCE	DRAWN	NAME											
--	--	INITIAL RELEASE.	A	73617K	300343	CIRCUIT DIAGRAM, BE,CE BUS											
					RELEASE NO.	DATE	PART NO. SHEET										
					73617K	13APR11	AE08065296 017										

Figure 776 Connector Composites (10717B, 10718A, 10718B, 10719A, 10719B)

25.18. CONNECTOR COMPOSITES (10720A, 10720B, 10721A, 10721B, 10722A), P. 18






NAVISTAR, INC <small>THIS PRINT IS PROVIDED ON A RESTRICTED BASIS AND IS NOT TO BE USED IN ANY WAY DETRIMENTAL TO THE INTEREST OF NAVISTAR, INC.</small>				ELECTRICAL CIRCUIT DIAGRAM CHAPTER 25 CONNECTOR BODY COMPOSITE MATING VIEW SHOWN													
KICK OUT WINDOW SECTION 6 (10720A) (LOCATED AT RIGHT BODY)						<table border="1" style="width: 100%; border-collapse: collapse;"> <thead> <tr> <th>CAV</th> <th>CIRCUIT</th> <th>GAUGE</th> <th>COLOR</th> <th>TERMINAL</th> </tr> </thead> <tbody> <tr> <td>A</td> <td>F126F</td> <td>16</td> <td>GY</td> <td>0239805R1</td> </tr> </tbody> </table>		CAV	CIRCUIT	GAUGE	COLOR	TERMINAL	A	F126F	16	GY	0239805R1
CAV	CIRCUIT	GAUGE	COLOR	TERMINAL													
A	F126F	16	GY	0239805R1													
CONNECTOR 2206658C1				W/ 6 TO 13 RIGHT WINDOW													
KICK OUT WINDOW SECTION 6 (10720B) (LOCATED AT RIGHT BODY)						<table border="1" style="width: 100%; border-collapse: collapse;"> <thead> <tr> <th>CAV</th> <th>CIRCUIT</th> <th>GAUGE</th> <th>COLOR</th> <th>TERMINAL</th> </tr> </thead> <tbody> <tr> <td>A</td> <td>F126-GF</td> <td>16</td> <td>WH</td> <td>0239805R1</td> </tr> </tbody> </table>		CAV	CIRCUIT	GAUGE	COLOR	TERMINAL	A	F126-GF	16	WH	0239805R1
CAV	CIRCUIT	GAUGE	COLOR	TERMINAL													
A	F126-GF	16	WH	0239805R1													
CONNECTOR 2206658C1				W/ 6 TO 13 RIGHT WINDOW													
KICK OUT WINDOW SECTION 7 (10721A) (LOCATED AT RIGHT BODY)						<table border="1" style="width: 100%; border-collapse: collapse;"> <thead> <tr> <th>CAV</th> <th>CIRCUIT</th> <th>GAUGE</th> <th>COLOR</th> <th>TERMINAL</th> </tr> </thead> <tbody> <tr> <td>A</td> <td>F126H</td> <td>16</td> <td>GY</td> <td>0239805R1</td> </tr> </tbody> </table>		CAV	CIRCUIT	GAUGE	COLOR	TERMINAL	A	F126H	16	GY	0239805R1
CAV	CIRCUIT	GAUGE	COLOR	TERMINAL													
A	F126H	16	GY	0239805R1													
CONNECTOR 2206658C1				W/ 7 TO 13 RIGHT WINDOW													
KICK OUT WINDOW SECTION 7 (10721B) (LOCATED AT RIGHT BODY)						<table border="1" style="width: 100%; border-collapse: collapse;"> <thead> <tr> <th>CAV</th> <th>CIRCUIT</th> <th>GAUGE</th> <th>COLOR</th> <th>TERMINAL</th> </tr> </thead> <tbody> <tr> <td>A</td> <td>F126-GH</td> <td>16</td> <td>WH</td> <td>0239805R1</td> </tr> </tbody> </table>		CAV	CIRCUIT	GAUGE	COLOR	TERMINAL	A	F126-GH	16	WH	0239805R1
CAV	CIRCUIT	GAUGE	COLOR	TERMINAL													
A	F126-GH	16	WH	0239805R1													
CONNECTOR 2206658C1				W/ 7 TO 13 RIGHT WINDOW													
KICK OUT WINDOW SECTION 8 (10722A) (LOCATED AT RIGHT BODY)						<table border="1" style="width: 100%; border-collapse: collapse;"> <thead> <tr> <th>CAV</th> <th>CIRCUIT</th> <th>GAUGE</th> <th>COLOR</th> <th>TERMINAL</th> </tr> </thead> <tbody> <tr> <td>A</td> <td>F126J</td> <td>16</td> <td>GY</td> <td>0239805R1</td> </tr> </tbody> </table>		CAV	CIRCUIT	GAUGE	COLOR	TERMINAL	A	F126J	16	GY	0239805R1
CAV	CIRCUIT	GAUGE	COLOR	TERMINAL													
A	F126J	16	GY	0239805R1													
CONNECTOR 2206658C1				W/ 8 TO 13 RIGHT WINDOW													
CHK	DATE	CHANGE	REV	REFERENCE	DRAWN	NAME											
--	--	INITIAL RELEASE.	A	73617K	300343	CIRCUIT DIAGRAM, BE,CE BUS											
					RELEASE NO.	DATE	PART NO. SHEET										
					73617K	13APR11	AE08065296 018										

Figure 777 Connector Composites (10720A, 10720B, 10721A, 10721B, 10722A)

25.19. CONNECTOR COMPOSITES (10722B, 10723A, 10723B, 10724A, 10724B), P. 19






NAVISTAR, INC <small>THIS PRINT IS PROVIDED ON A RESTRICTED BASIS AND IS NOT TO BE USED IN ANY WAY DETRIMENTAL TO THE INTEREST OF NAVISTAR, INC.</small>				ELECTRICAL CIRCUIT DIAGRAM CHAPTER 25 CONNECTOR BODY COMPOSITE MATING VIEW SHOWN													
KICK OUT WINDOW SECTION 8 (10722B) (LOCATED AT RIGHT BODY)						<table border="1" style="width:100%; border-collapse: collapse;"> <thead> <tr> <th>CAV</th> <th>CIRCUIT</th> <th>GAUGE</th> <th>COLOR</th> <th>TERMINAL</th> </tr> </thead> <tbody> <tr> <td>A</td> <td>F126-GJ</td> <td>16</td> <td>WH</td> <td>0239805R1</td> </tr> </tbody> </table>		CAV	CIRCUIT	GAUGE	COLOR	TERMINAL	A	F126-GJ	16	WH	0239805R1
CAV	CIRCUIT	GAUGE	COLOR	TERMINAL													
A	F126-GJ	16	WH	0239805R1													
CONNECTOR 2206658C1				W/ 8 TO 13 RIGHT WINDOW													
KICK OUT WINDOW SECTION 9 (10723A) (LOCATED AT RIGHT BODY)						<table border="1" style="width:100%; border-collapse: collapse;"> <thead> <tr> <th>CAV</th> <th>CIRCUIT</th> <th>GAUGE</th> <th>COLOR</th> <th>TERMINAL</th> </tr> </thead> <tbody> <tr> <td>A</td> <td>F126K</td> <td>16</td> <td>GY</td> <td>0239805R1</td> </tr> </tbody> </table>		CAV	CIRCUIT	GAUGE	COLOR	TERMINAL	A	F126K	16	GY	0239805R1
CAV	CIRCUIT	GAUGE	COLOR	TERMINAL													
A	F126K	16	GY	0239805R1													
CONNECTOR 2206658C1				W/ 9 TO 13 RIGHT WINDOW													
KICK OUT WINDOW SECTION 9 (10723B) (LOCATED AT RIGHT BODY)						<table border="1" style="width:100%; border-collapse: collapse;"> <thead> <tr> <th>CAV</th> <th>CIRCUIT</th> <th>GAUGE</th> <th>COLOR</th> <th>TERMINAL</th> </tr> </thead> <tbody> <tr> <td>A</td> <td>F126-GK</td> <td>16</td> <td>WH</td> <td>0239805R1</td> </tr> </tbody> </table>		CAV	CIRCUIT	GAUGE	COLOR	TERMINAL	A	F126-GK	16	WH	0239805R1
CAV	CIRCUIT	GAUGE	COLOR	TERMINAL													
A	F126-GK	16	WH	0239805R1													
CONNECTOR 2206658C1				W/ 9 TO 13 RIGHT WINDOW													
KICK OUT WINDOW SECTION 10 (10724A) (LOCATED AT RIGHT BODY)						<table border="1" style="width:100%; border-collapse: collapse;"> <thead> <tr> <th>CAV</th> <th>CIRCUIT</th> <th>GAUGE</th> <th>COLOR</th> <th>TERMINAL</th> </tr> </thead> <tbody> <tr> <td>A</td> <td>F126L</td> <td>16</td> <td>GY</td> <td>0239805R1</td> </tr> </tbody> </table>		CAV	CIRCUIT	GAUGE	COLOR	TERMINAL	A	F126L	16	GY	0239805R1
CAV	CIRCUIT	GAUGE	COLOR	TERMINAL													
A	F126L	16	GY	0239805R1													
CONNECTOR 2206658C1				W/ 10 TO 13 RIGHT WINDOW													
KICK OUT WINDOW SECTION 10 (10724B) (LOCATED AT RIGHT BODY)						<table border="1" style="width:100%; border-collapse: collapse;"> <thead> <tr> <th>CAV</th> <th>CIRCUIT</th> <th>GAUGE</th> <th>COLOR</th> <th>TERMINAL</th> </tr> </thead> <tbody> <tr> <td>A</td> <td>F126-GL</td> <td>16</td> <td>WH</td> <td>0239805R1</td> </tr> </tbody> </table>		CAV	CIRCUIT	GAUGE	COLOR	TERMINAL	A	F126-GL	16	WH	0239805R1
CAV	CIRCUIT	GAUGE	COLOR	TERMINAL													
A	F126-GL	16	WH	0239805R1													
CONNECTOR 2206658C1				W/ 10 TO 13 RIGHT WINDOW													
CHK	DATE	CHANGE	REV	REFERENCE	DRAWN	NAME											
0025	05JAN12	INITIAL RELEASE.	A	73617K	300343	CIRCUIT DIAGRAM, BE,CE BUS											
					RELEASE NO.	DATE	PART NO.										
					73617K	13APR11	AE08065296										
							SHEET 019										

Figure 778 Connector Composites (10722B, 10723A, 10723B, 10724A, 10724B)

25.20. CONNECTOR COMPOSITES (10725A, 10725B, 10726A, 10726B, 10727A), P. 20

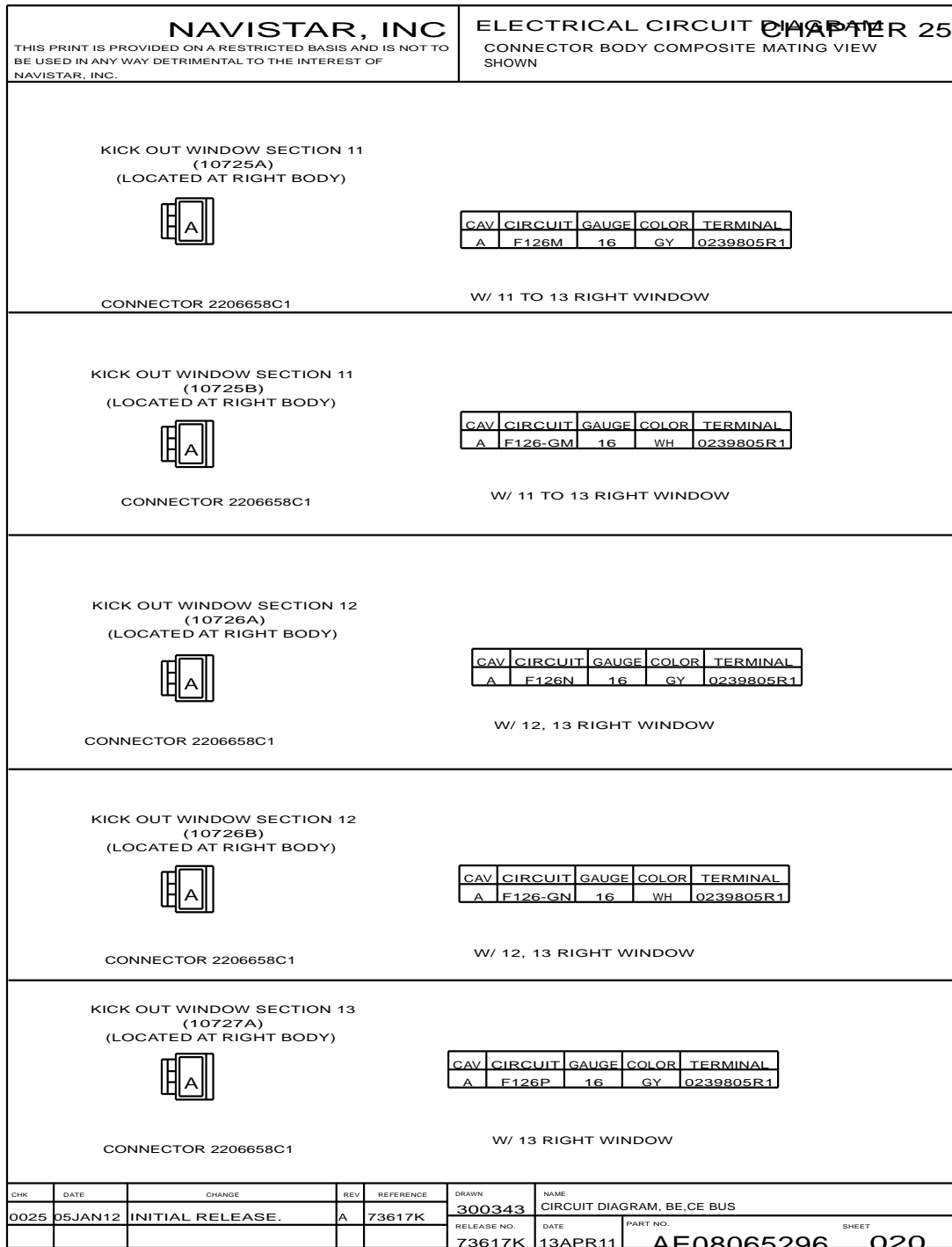


Figure 779 Connector Composites (10725A, 10725B, 10726A, 10726B, 10727A)

25.21. CONNECTOR COMPOSITES (10727B, 10730, 10731, 10732, 10733), P. 21

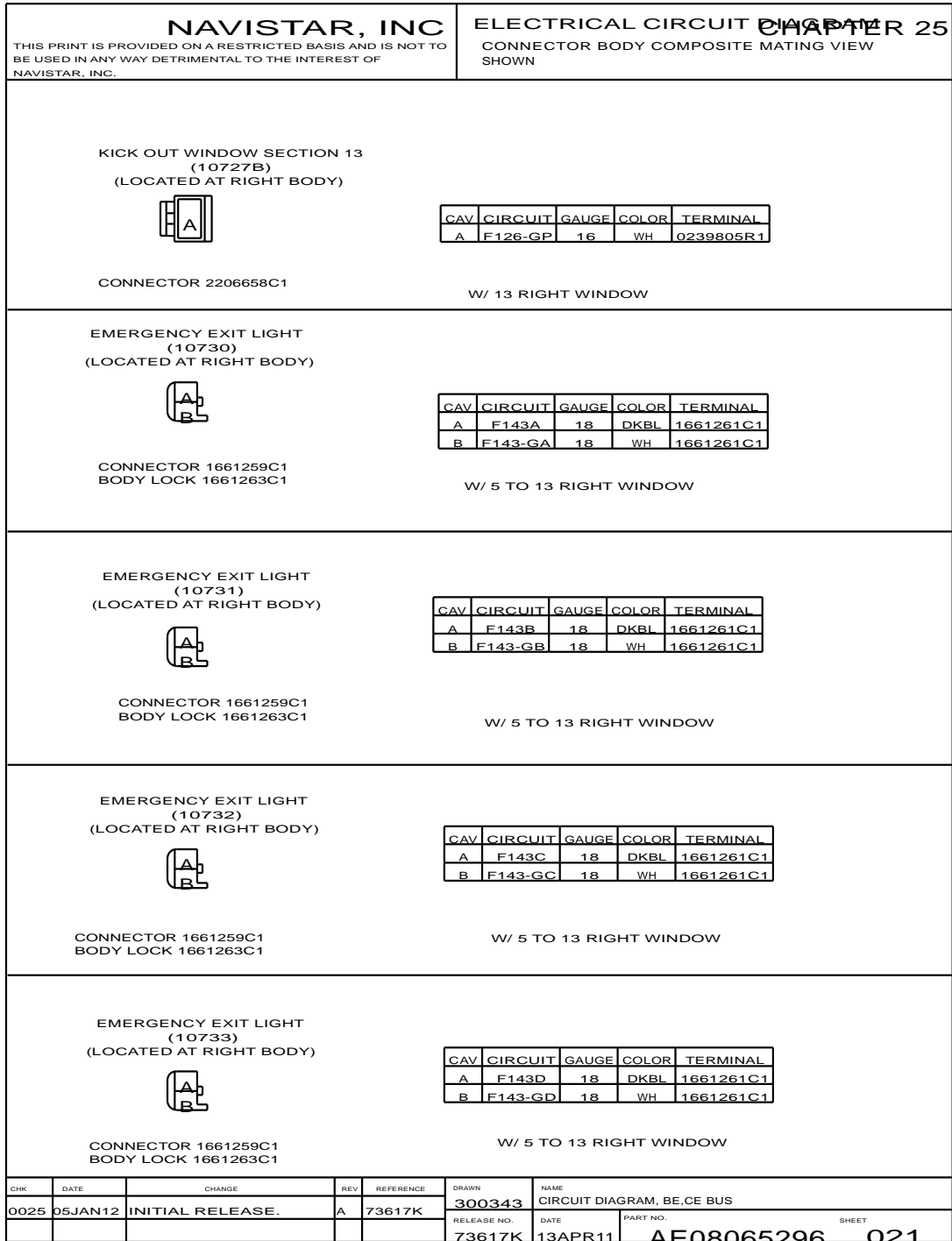


Figure 780 Connector Composites (10727B, 10730, 10731, 10732, 10733)

25.22. CONNECTOR COMPOSITES (10734, 10735, 10736, 10737, 10738), P. 22






NAVISTAR, INC <small>THIS PRINT IS PROVIDED ON A RESTRICTED BASIS AND IS NOT TO BE USED IN ANY WAY DETRIMENTAL TO THE INTEREST OF NAVISTAR, INC.</small>				ELECTRICAL CIRCUIT DIAGRAM CHAPTER 25 CONNECTOR BODY COMPOSITE MATING VIEW SHOWN																		
EMERGENCY EXIT LTGHT (10734) (LOCATED AT RIGHT BODY)						<table border="1" style="font-size: small;"> <thead> <tr> <th>CAV</th> <th>CIRCUIT</th> <th>GAUGE</th> <th>COLOR</th> <th>TERMINAL</th> </tr> </thead> <tbody> <tr> <td>A</td> <td>F143E</td> <td>18</td> <td>DKBL</td> <td>1661261C1</td> </tr> <tr> <td>B</td> <td>F143-GE</td> <td>18</td> <td>WH</td> <td>1661261C1</td> </tr> </tbody> </table>		CAV	CIRCUIT	GAUGE	COLOR	TERMINAL	A	F143E	18	DKBL	1661261C1	B	F143-GE	18	WH	1661261C1
CAV	CIRCUIT	GAUGE	COLOR	TERMINAL																		
A	F143E	18	DKBL	1661261C1																		
B	F143-GE	18	WH	1661261C1																		
CONNECTOR 1661259C1 BODY LOCK 1661263C1				W/ 5 TO 13 RIGHT WINDOW																		
EMERGENCY EXIT LIGHT (10735) (LOCATED AT RIGHT BODY)						<table border="1" style="font-size: small;"> <thead> <tr> <th>CAV</th> <th>CIRCUIT</th> <th>GAUGE</th> <th>COLOR</th> <th>TERMINAL</th> </tr> </thead> <tbody> <tr> <td>A</td> <td>F143F</td> <td>18</td> <td>DKF</td> <td>1661261C1</td> </tr> <tr> <td>B</td> <td>F143-GF</td> <td>18</td> <td>WH</td> <td>1661261C1</td> </tr> </tbody> </table>		CAV	CIRCUIT	GAUGE	COLOR	TERMINAL	A	F143F	18	DKF	1661261C1	B	F143-GF	18	WH	1661261C1
CAV	CIRCUIT	GAUGE	COLOR	TERMINAL																		
A	F143F	18	DKF	1661261C1																		
B	F143-GF	18	WH	1661261C1																		
CONNECTOR 1661259C1 BODY LOCK 1661263C1				W/ 6 TO 13 RIGHT WINDOW																		
EMERGENCY EXIT LIGHT (10736) (LOCATED AT RIGHT BODY)						<table border="1" style="font-size: small;"> <thead> <tr> <th>CAV</th> <th>CIRCUIT</th> <th>GAUGE</th> <th>COLOR</th> <th>TERMINAL</th> </tr> </thead> <tbody> <tr> <td>A</td> <td>F143H</td> <td>18</td> <td>DKBL</td> <td>1661261C1</td> </tr> <tr> <td>B</td> <td>F143-GH</td> <td>18</td> <td>WH</td> <td>1661261C1</td> </tr> </tbody> </table>		CAV	CIRCUIT	GAUGE	COLOR	TERMINAL	A	F143H	18	DKBL	1661261C1	B	F143-GH	18	WH	1661261C1
CAV	CIRCUIT	GAUGE	COLOR	TERMINAL																		
A	F143H	18	DKBL	1661261C1																		
B	F143-GH	18	WH	1661261C1																		
CONNECTOR 1661259C1 BODY LOCK 1661263C1				W/ 7 TO 13 RIGHT WINDOW																		
EMERGENCY EXIT LIGHT (10737) (LOCATED AT RIGHT BODY)						<table border="1" style="font-size: small;"> <thead> <tr> <th>CAV</th> <th>CIRCUIT</th> <th>GAUGE</th> <th>COLOR</th> <th>TERMINAL</th> </tr> </thead> <tbody> <tr> <td>A</td> <td>F143J</td> <td>18</td> <td>DKBL</td> <td>1661261C1</td> </tr> <tr> <td>B</td> <td>F143-GJ</td> <td>18</td> <td>WH</td> <td>1661261C1</td> </tr> </tbody> </table>		CAV	CIRCUIT	GAUGE	COLOR	TERMINAL	A	F143J	18	DKBL	1661261C1	B	F143-GJ	18	WH	1661261C1
CAV	CIRCUIT	GAUGE	COLOR	TERMINAL																		
A	F143J	18	DKBL	1661261C1																		
B	F143-GJ	18	WH	1661261C1																		
CONNECTOR 1661259C1 BODY LOCK 1661263C1				W/ 8 TO 13 RIGHT WINDOW																		
EMERGENCY EXIT LIGHT (10738) (LOCATED AT RIGHT BODY)						<table border="1" style="font-size: small;"> <thead> <tr> <th>CAV</th> <th>CIRCUIT</th> <th>GAUGE</th> <th>COLOR</th> <th>TERMINAL</th> </tr> </thead> <tbody> <tr> <td>A</td> <td>F143K</td> <td>18</td> <td>DKBL</td> <td>1661261C1</td> </tr> <tr> <td>B</td> <td>F143-GK</td> <td>18</td> <td>WH</td> <td>1661261C1</td> </tr> </tbody> </table>		CAV	CIRCUIT	GAUGE	COLOR	TERMINAL	A	F143K	18	DKBL	1661261C1	B	F143-GK	18	WH	1661261C1
CAV	CIRCUIT	GAUGE	COLOR	TERMINAL																		
A	F143K	18	DKBL	1661261C1																		
B	F143-GK	18	WH	1661261C1																		
CONNECTOR 1661259C1 BODY LOCK 1661263C1				W/ 9 TO 13 RIGHT WINDOW																		
CHK	DATE	CHANGE	REV	REFERENCE	DRAWN	NAME																
0025	05JAN12	INITIAL RELEASE.	A	73617K	300343	CIRCUIT DIAGRAM, BE,CE BUS																
					RELEASE NO.	DATE	PART NO.															
					73617K	13APR11	AE08065296															
						SHEET	022															

Figure 781 Connector Composites (10734, 10735, 10736, 10737, 10738)

25.23. CONNECTOR COMPOSITES (10739, 10740, 10741, 10742), P. 23

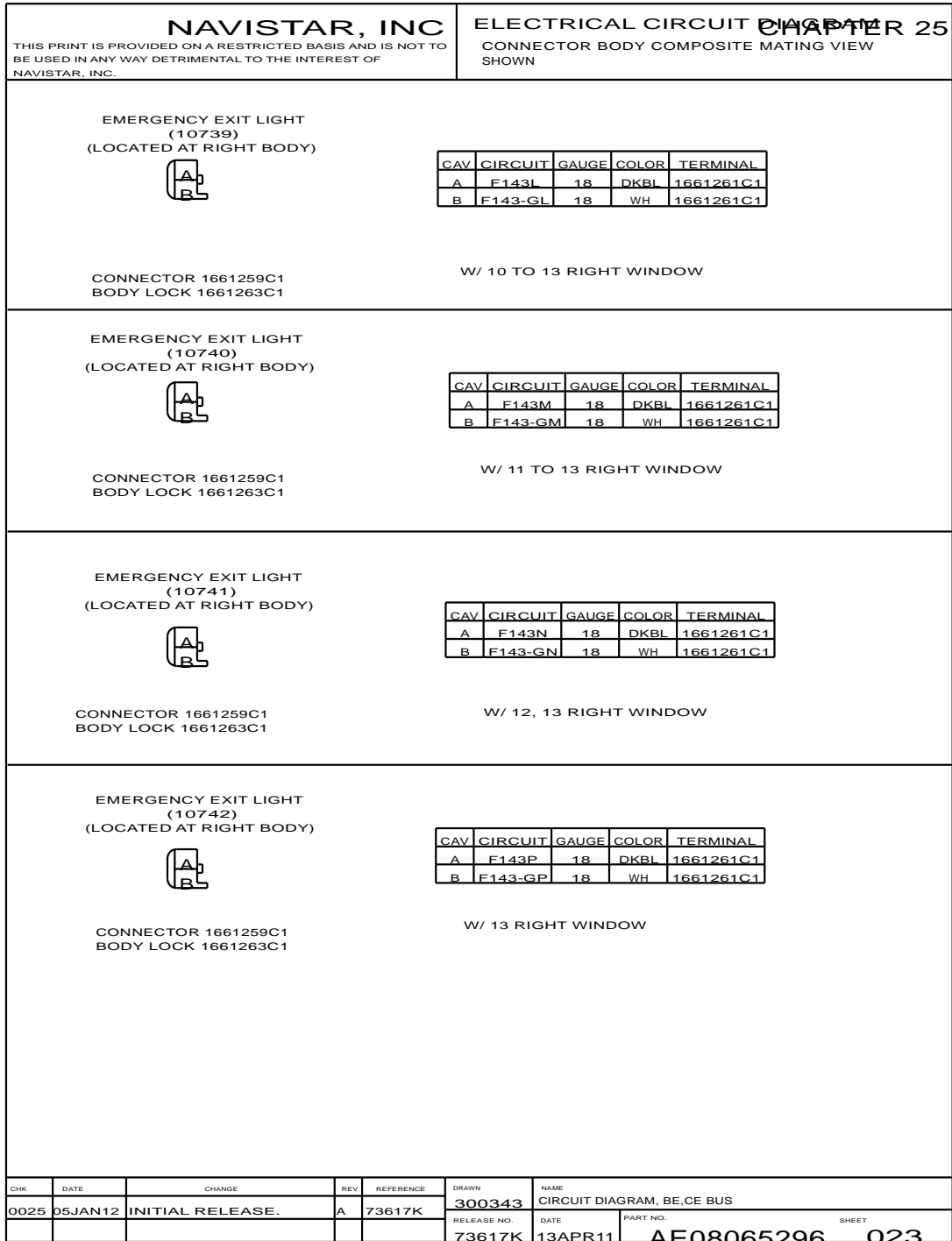


Figure 782 Connector Composites (10739, 10740, 10741, 10742)

25.24. CONNECTOR COMPOSITES (10745A, 10745B, 10746A, 10746B), P. 24

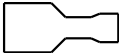
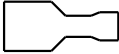
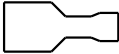
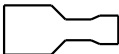
NAVISTAR, INC <small>THIS PRINT IS PROVIDED ON A RESTRICTED BASIS AND IS NOT TO BE USED IN ANY WAY DETRIMENTAL TO THE INTEREST OF NAVISTAR, INC.</small>		ELECTRICAL CIRCUIT DIAGRAM CHAPTER 25 CONNECTOR BODY COMPOSITE MATING VIEW SHOWN																																	
<p style="text-align: center;">SPEAKER (+) (10745A) (LOCATED AT RIGHT BODY)</p>  <p style="text-align: center;">TERMINAL 2206645C1</p>	<table border="1" style="width: 100%; border-collapse: collapse;"> <thead> <tr> <th>CAV</th> <th>CIRCUIT</th> <th>GAUGE</th> <th>COLOR</th> </tr> </thead> <tbody> <tr> <td>A*</td> <td>F86P</td> <td>16</td> <td>LTGN</td> </tr> <tr> <td>A&</td> <td>F86AB</td> <td>16</td> <td>LTGN</td> </tr> <tr> <td>A&</td> <td>F86BB</td> <td>16</td> <td>LTGN</td> </tr> <tr> <td>A%</td> <td>F86F</td> <td>16</td> <td>LTGN</td> </tr> <tr> <td>A#</td> <td>F86B(+)</td> <td>16</td> <td>LTGN</td> </tr> </tbody> </table> <p style="font-size: small;">* W/ 7, 9, 12 RIGHT WONDOW & W/ 9 TO 13 RIGHT WONDOW % W/ 6 RIGHT WINDOW # W/ 5 TO 7 RIGHT WINDOW</p>	CAV	CIRCUIT	GAUGE	COLOR	A*	F86P	16	LTGN	A&	F86AB	16	LTGN	A&	F86BB	16	LTGN	A%	F86F	16	LTGN	A#	F86B(+)	16	LTGN										
CAV	CIRCUIT	GAUGE	COLOR																																
A*	F86P	16	LTGN																																
A&	F86AB	16	LTGN																																
A&	F86BB	16	LTGN																																
A%	F86F	16	LTGN																																
A#	F86B(+)	16	LTGN																																
<p style="text-align: center;">SPEAKER (-) (10745B) (LOCATED AT RIGHT BODY)</p>  <p style="text-align: center;">TERMINAL 2206645C1</p>	<table border="1" style="width: 100%; border-collapse: collapse;"> <thead> <tr> <th>CAV</th> <th>CIRCUIT</th> <th>GAUGE</th> <th>COLOR</th> </tr> </thead> <tbody> <tr> <td>A*</td> <td>F86W</td> <td>16</td> <td>LTGN</td> </tr> <tr> <td>A&</td> <td>F86AC</td> <td>16</td> <td>LTGN</td> </tr> <tr> <td>A&</td> <td>F86BC</td> <td>16</td> <td>LTGN</td> </tr> <tr> <td>A%</td> <td>F86D</td> <td>16</td> <td>LTGN</td> </tr> <tr> <td>A#</td> <td>F86M</td> <td>16</td> <td>LTGN</td> </tr> </tbody> </table> <p style="font-size: small;">* W/ 7, 9, 12 RIGHT WINDOW & W/ 9 TO 13 RIGHT WINDOW % W/ 5 TO 7 RIGHT WINDOW # W/ 6, 7 RIGHT WINDOW</p>	CAV	CIRCUIT	GAUGE	COLOR	A*	F86W	16	LTGN	A&	F86AC	16	LTGN	A&	F86BC	16	LTGN	A%	F86D	16	LTGN	A#	F86M	16	LTGN										
CAV	CIRCUIT	GAUGE	COLOR																																
A*	F86W	16	LTGN																																
A&	F86AC	16	LTGN																																
A&	F86BC	16	LTGN																																
A%	F86D	16	LTGN																																
A#	F86M	16	LTGN																																
<p style="text-align: center;">SPEAKER (+) (10746A) (LOCATED AT RIGHT BODY)</p>  <p style="text-align: center;">TERMINAL 2206645C1</p>	<table border="1" style="width: 100%; border-collapse: collapse;"> <thead> <tr> <th>CAV</th> <th>CIRCUIT</th> <th>GAUGE</th> <th>COLOR</th> </tr> </thead> <tbody> <tr> <td>A*</td> <td>F86BC</td> <td>16</td> <td>LTGN</td> </tr> <tr> <td>A&</td> <td>F86AB</td> <td>16</td> <td>LTGN</td> </tr> <tr> <td>A%</td> <td>F86BB</td> <td>16</td> <td>LTGN</td> </tr> <tr> <td>A#</td> <td>F86P</td> <td>16</td> <td>LTGN</td> </tr> </tbody> </table> <p style="font-size: small;">* W/ 9, 10 RIGHT WINDOW & W/ 7, 8 RIGHT WINDOW % W/ 8 RIGHT WINDOW # W/ 6 RIGHT WINDOW</p>	CAV	CIRCUIT	GAUGE	COLOR	A*	F86BC	16	LTGN	A&	F86AB	16	LTGN	A%	F86BB	16	LTGN	A#	F86P	16	LTGN														
CAV	CIRCUIT	GAUGE	COLOR																																
A*	F86BC	16	LTGN																																
A&	F86AB	16	LTGN																																
A%	F86BB	16	LTGN																																
A#	F86P	16	LTGN																																
<p style="text-align: center;">SPEAKER (-) (10746B) (LOCATED AT RIGHT BODY)</p>  <p style="text-align: center;">TERMINAL 2206645C1</p>	<table border="1" style="width: 100%; border-collapse: collapse;"> <thead> <tr> <th>CAV</th> <th>CIRCUIT</th> <th>GAUGE</th> <th>COLOR</th> </tr> </thead> <tbody> <tr> <td>A*</td> <td>F86BD</td> <td>16</td> <td>LTGN</td> </tr> <tr> <td>A&</td> <td>F86AC</td> <td>16</td> <td>LTGN</td> </tr> <tr> <td>A%</td> <td>F86BC</td> <td>16</td> <td>LTGN</td> </tr> <tr> <td>A#</td> <td>F86W</td> <td>16</td> <td>LTGN</td> </tr> </tbody> </table> <p style="font-size: small;">05JAN12 * W/ 9, 10 RIGHT WINDOW & W/ 7, 8 RIGHT WINDOW % W/ 8 RIGHT WINDOW # W/ 6 RIGHT WINDOW</p>	CAV	CIRCUIT	GAUGE	COLOR	A*	F86BD	16	LTGN	A&	F86AC	16	LTGN	A%	F86BC	16	LTGN	A#	F86W	16	LTGN														
CAV	CIRCUIT	GAUGE	COLOR																																
A*	F86BD	16	LTGN																																
A&	F86AC	16	LTGN																																
A%	F86BC	16	LTGN																																
A#	F86W	16	LTGN																																
<table border="1" style="width: 100%; border-collapse: collapse;"> <thead> <tr> <th>CHK</th> <th>DATE</th> <th>CHANGE</th> <th>REV</th> <th>REFERENCE</th> <th>DRAWN</th> <th>NAME</th> </tr> </thead> <tbody> <tr> <td>0025</td> <td>05JAN12</td> <td>INITIAL RELEASE.</td> <td>A</td> <td>73617K</td> <td>300343</td> <td>CIRCUIT DIAGRAM, BE,CE BUS</td> </tr> <tr> <td></td> <td></td> <td></td> <td></td> <td></td> <td>RELEASE NO.</td> <td>DATE</td> </tr> <tr> <td></td> <td></td> <td></td> <td></td> <td></td> <td>73617K</td> <td>13APR11</td> </tr> </tbody> </table>	CHK	DATE	CHANGE	REV	REFERENCE	DRAWN	NAME	0025	05JAN12	INITIAL RELEASE.	A	73617K	300343	CIRCUIT DIAGRAM, BE,CE BUS						RELEASE NO.	DATE						73617K	13APR11	<table border="1" style="width: 100%; border-collapse: collapse;"> <thead> <tr> <th>PART NO.</th> <th>SHEET</th> </tr> </thead> <tbody> <tr> <td>AE08065296</td> <td>024</td> </tr> </tbody> </table>	PART NO.	SHEET	AE08065296	024		
CHK	DATE	CHANGE	REV	REFERENCE	DRAWN	NAME																													
0025	05JAN12	INITIAL RELEASE.	A	73617K	300343	CIRCUIT DIAGRAM, BE,CE BUS																													
					RELEASE NO.	DATE																													
					73617K	13APR11																													
PART NO.	SHEET																																		
AE08065296	024																																		

Figure 783 Connector Composites (10745A, 10745B, 10746A, 10746B)

25.25. CONNECTOR COMPOSITES (10747A, 10747B, 10748A, 10748B), P. 25

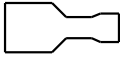
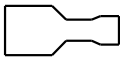
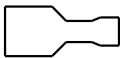
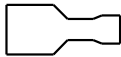
NAVISTAR, INC				ELECTRICAL CIRCUIT DIAGRAM CHAPTER 25																																																										
THIS PRINT IS PROVIDED ON A RESTRICTED BASIS AND IS NOT TO BE USED IN ANY WAY DETRIMENTAL TO THE INTEREST OF NAVISTAR, INC.				CONNECTOR BODY COMPOSITE MATING VIEW SHOWN																																																										
SPEAKER (+) (10747A) (LOCATED AT RIGHT BODY)				<table border="1" style="width:100%; border-collapse: collapse; font-size: x-small;"> <thead> <tr><th>CAV</th><th>CIRCUIT</th><th>GAUGE</th><th>COLOR</th></tr> </thead> <tbody> <tr><td>A*</td><td>F86F</td><td>16</td><td>LTGN</td></tr> <tr><td>A&</td><td>F86P</td><td>16</td><td>LTGN</td></tr> <tr><td>A%</td><td>F86AC</td><td>16</td><td>LTGN</td></tr> <tr><td>A#</td><td>F86BC</td><td>16</td><td>LTGN</td></tr> <tr><td>A@</td><td>F86W</td><td>16</td><td>LTGN</td></tr> <tr><td>A**</td><td>F86B(+)</td><td>16</td><td>LTGN</td></tr> <tr><td>A&&</td><td>F86H</td><td>16</td><td>LTGN</td></tr> </tbody> </table>		CAV	CIRCUIT	GAUGE	COLOR	A*	F86F	16	LTGN	A&	F86P	16	LTGN	A%	F86AC	16	LTGN	A#	F86BC	16	LTGN	A@	F86W	16	LTGN	A**	F86B(+)	16	LTGN	A&&	F86H	16	LTGN	* W/ 8 TO 13 RIGHT WINDOW & W/ 10, 11, 13 RIGHT WINDOW % W/ 7 TO 13 RIGHT WINDOW # W/ 11 TO 13 RIGHT WINDOW @ W/ 6 TO 9 RIGHT WINDOW ** W/ 8 TO 10 RIGHT WINDOW && W/ 6, 7 RIGHT WINDOW																								
CAV	CIRCUIT	GAUGE	COLOR																																																											
A*	F86F	16	LTGN																																																											
A&	F86P	16	LTGN																																																											
A%	F86AC	16	LTGN																																																											
A#	F86BC	16	LTGN																																																											
A@	F86W	16	LTGN																																																											
A**	F86B(+)	16	LTGN																																																											
A&&	F86H	16	LTGN																																																											
		TERMINAL 2206645C1																																																												
SPEAKER (-) (10747B) (LOCATED AT RIGHT BODY)				<table border="1" style="width:100%; border-collapse: collapse; font-size: x-small;"> <thead> <tr><th>CAV</th><th>CIRCUIT</th><th>GAUGE</th><th>COLOR</th></tr> </thead> <tbody> <tr><td>A*</td><td>F86M</td><td>16</td><td>LTGN</td></tr> <tr><td>A&</td><td>F86W</td><td>16</td><td>LTGN</td></tr> <tr><td>A%</td><td>F86AD</td><td>16</td><td>LTGN</td></tr> <tr><td>A#</td><td>F86BD</td><td>16</td><td>LTGN</td></tr> <tr><td>A@</td><td>F86U</td><td>16</td><td>LTGN</td></tr> <tr><td>A**</td><td>F86D</td><td>16</td><td>LTGN</td></tr> <tr><td>A&&</td><td>F86L</td><td>16</td><td>LTGN</td></tr> </tbody> </table>		CAV	CIRCUIT	GAUGE	COLOR	A*	F86M	16	LTGN	A&	F86W	16	LTGN	A%	F86AD	16	LTGN	A#	F86BD	16	LTGN	A@	F86U	16	LTGN	A**	F86D	16	LTGN	A&&	F86L	16	LTGN	* W/ 7 TO 13 RIGHT WINDOW & W/ 10, 11, 13 RIGHT WINDOW % W/ 8 TO 13 RIGHT WINDOW # W/ 8, 11 TO 13 RIGHT WINDOW @ W/ 6 TO 9 RIGHT WINDOW ** W/ 8 TO 10 RIGHT WINDOW && W/ 6, 7 RIGHT WINDOW																								
CAV	CIRCUIT	GAUGE	COLOR																																																											
A*	F86M	16	LTGN																																																											
A&	F86W	16	LTGN																																																											
A%	F86AD	16	LTGN																																																											
A#	F86BD	16	LTGN																																																											
A@	F86U	16	LTGN																																																											
A**	F86D	16	LTGN																																																											
A&&	F86L	16	LTGN																																																											
		TERMINAL 2206645C1																																																												
SPEAKER (+) (10748A) (LOCATED AT RIGHT BODY)				<table border="1" style="width:100%; border-collapse: collapse; font-size: x-small;"> <thead> <tr><th>CAV</th><th>CIRCUIT</th><th>GAUGE</th><th>COLOR</th></tr> </thead> <tbody> <tr><td>A*</td><td>F86W</td><td>16</td><td>LTGN</td></tr> <tr><td>A&</td><td>F86AD</td><td>16</td><td>LTGN</td></tr> <tr><td>A%</td><td>F86BD</td><td>16</td><td>LTGN</td></tr> <tr><td>A#</td><td>F86H</td><td>16</td><td>LTGN</td></tr> <tr><td>A@</td><td>F86R</td><td>16</td><td>LTGN</td></tr> <tr><td>A#</td><td>F86BF</td><td>16</td><td>LTGN</td></tr> <tr><td>A**</td><td>F86AF</td><td>16</td><td>LTGN</td></tr> <tr><td>A&&</td><td>F86M</td><td>16</td><td>LTGN</td></tr> <tr><td>A%&</td><td>F86B(+)</td><td>16</td><td>LTGN</td></tr> <tr><td>A&&</td><td>F86V</td><td>16</td><td>LTGN</td></tr> <tr><td>A#&</td><td>F86D</td><td>16</td><td>LTGN</td></tr> </tbody> </table>		CAV	CIRCUIT	GAUGE	COLOR	A*	F86W	16	LTGN	A&	F86AD	16	LTGN	A%	F86BD	16	LTGN	A#	F86H	16	LTGN	A@	F86R	16	LTGN	A#	F86BF	16	LTGN	A**	F86AF	16	LTGN	A&&	F86M	16	LTGN	A%&	F86B(+)	16	LTGN	A&&	F86V	16	LTGN	A#&	F86D	16	LTGN	* W/ 10, 11, 13 RIGHT WINDOW & W/ 9 TO 13 RIGHT WINDOW % W/ 11 TO 13 RIGHT WINDOW # W/ 8 TO 10 RIGHT WINDOW @ W/ 8, 9 RIGHT WINDOW ** W/ 7, 8 RIGHT WINDOW && W/ 6, 7 RIGHT WINDOW %& W/ 7 RIGHT WINDOW @ W/ 6 RIGHT WINDOW								
CAV	CIRCUIT	GAUGE	COLOR																																																											
A*	F86W	16	LTGN																																																											
A&	F86AD	16	LTGN																																																											
A%	F86BD	16	LTGN																																																											
A#	F86H	16	LTGN																																																											
A@	F86R	16	LTGN																																																											
A#	F86BF	16	LTGN																																																											
A**	F86AF	16	LTGN																																																											
A&&	F86M	16	LTGN																																																											
A%&	F86B(+)	16	LTGN																																																											
A&&	F86V	16	LTGN																																																											
A#&	F86D	16	LTGN																																																											
		TERMINAL 2206645C1																																																												
SPEAKER (-) (10748B) (LOCATED AT RIGHT BODY)				<table border="1" style="width:100%; border-collapse: collapse; font-size: x-small;"> <thead> <tr><th>CAV</th><th>CIRCUIT</th><th>GAUGE</th><th>COLOR</th><th>TERMINAL</th></tr> </thead> <tbody> <tr><td>A*</td><td>F86U</td><td>16</td><td>LTGN</td><td>2206645C1</td></tr> <tr><td>A&</td><td>F86AF</td><td>16</td><td>LTGN</td><td>2206645C1</td></tr> <tr><td>A&</td><td>F86BE</td><td>16</td><td>LTGN</td><td>2206645C1</td></tr> <tr><td>A%</td><td>F86L</td><td>16</td><td>LTGN</td><td>2206645C1</td></tr> <tr><td>A#</td><td>F86V</td><td>16</td><td>LTGN</td><td>2206645C1</td></tr> <tr><td>A%</td><td>F86BG</td><td>16</td><td>LTGN</td><td>2206645C1</td></tr> <tr><td>A@</td><td>F86K</td><td>16</td><td>LTGN</td><td>2206645C1</td></tr> <tr><td>A@</td><td>F86T</td><td>16</td><td>LTGN</td><td>2206645C1</td></tr> <tr><td>A@</td><td>F86A(-)</td><td>16</td><td>LTGN</td><td>2206645C1</td></tr> <tr><td>A**</td><td>F86AG</td><td>16</td><td>LTGN</td><td>2206645C1</td></tr> </tbody> </table>		CAV	CIRCUIT	GAUGE	COLOR	TERMINAL	A*	F86U	16	LTGN	2206645C1	A&	F86AF	16	LTGN	2206645C1	A&	F86BE	16	LTGN	2206645C1	A%	F86L	16	LTGN	2206645C1	A#	F86V	16	LTGN	2206645C1	A%	F86BG	16	LTGN	2206645C1	A@	F86K	16	LTGN	2206645C1	A@	F86T	16	LTGN	2206645C1	A@	F86A(-)	16	LTGN	2206645C1	A**	F86AG	16	LTGN	2206645C1	* W/ 9 TO 11, 13 RIGHT WINDOW & W/ 9 TO 13 RIGHT WINDOW % W/ 8, 10 RIGHT WINDOW # W/ 8 RIGHT WINDOW @ W/ 6, 7 RIGHT WINDOW ** W/ 7, 8 RIGHT WINDOW	
CAV	CIRCUIT	GAUGE	COLOR	TERMINAL																																																										
A*	F86U	16	LTGN	2206645C1																																																										
A&	F86AF	16	LTGN	2206645C1																																																										
A&	F86BE	16	LTGN	2206645C1																																																										
A%	F86L	16	LTGN	2206645C1																																																										
A#	F86V	16	LTGN	2206645C1																																																										
A%	F86BG	16	LTGN	2206645C1																																																										
A@	F86K	16	LTGN	2206645C1																																																										
A@	F86T	16	LTGN	2206645C1																																																										
A@	F86A(-)	16	LTGN	2206645C1																																																										
A**	F86AG	16	LTGN	2206645C1																																																										
		TERMINAL 2206645C1																																																												
CHK	DATE	CHANGE	REV	REFERENCE	DRAWN	NAME																																																								
0025	05JAN12	INITIAL RELEASE.	A	73617K	300343	CIRCUIT DIAGRAM, BE,CE BUS																																																								
					RELEASE NO.	DATE	PART NO.																																																							
					73617K	13APR11	AE08065296																																																							
							SHEET 025																																																							

Figure 784 Connector Composites (10747A, 10747B, 10748A, 10748B)

25.26. CONNECTOR COMPOSITES (10749A, 10749B, 10750A, 10750B), P. 26

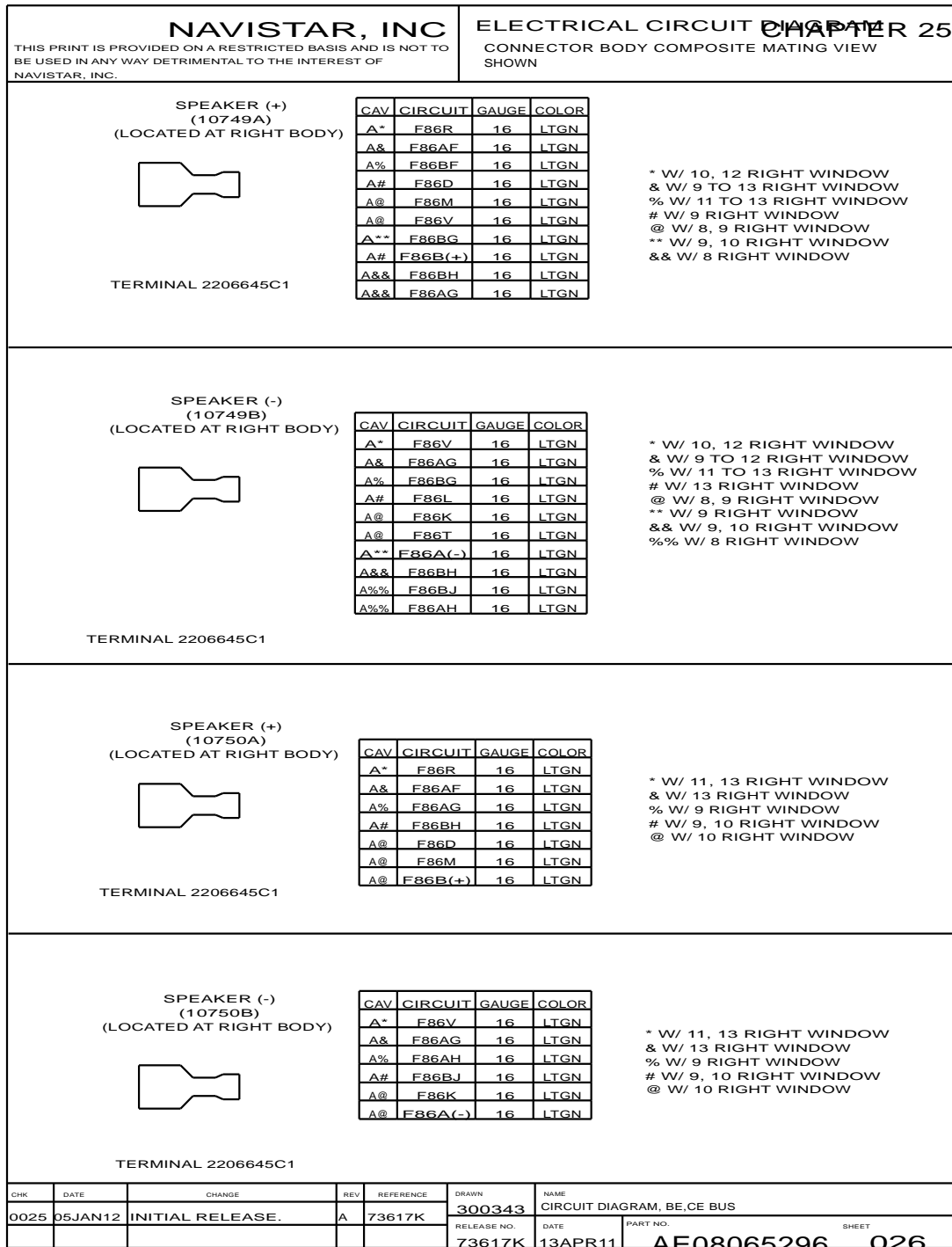


Figure 785 Connector Composites (10749A, 10749B, 10750A, 10750B)

CONNECTOR COMPOSITE (CHAPTER 26)

26.1. CONNECTOR COMPOSITES (10751, 10751A, 10751B, 10752A, 10752B, 10757), P. 1

NAVISTAR, INC				ELECTRICAL CIRCUIT DIAGRAM				CHAPTER 26																																			
THIS PRINT IS PROVIDED ON A RESTRICTED BASIS AND IS NOT TO BE USED IN ANY WAY DETRIMENTAL TO THE INTEREST OF NAVISTAR, INC.				CONNECTOR BODY COMPOSITE MATING VIEW SHOWN																																							
PARK BRAKE ALARM (-) (10751) (LOCATED INSIDE CABIN)				<table border="1" style="width: 100%; border-collapse: collapse; font-size: x-small;"> <thead> <tr> <th>CAV</th> <th>CIRCUIT</th> <th>GAUGE</th> <th>COLOR</th> <th>TERMINAL</th> </tr> </thead> <tbody> <tr> <td>A</td> <td>A79L-G</td> <td>16</td> <td>WH</td> <td>0239805R1</td> </tr> </tbody> </table>				CAV	CIRCUIT	GAUGE	COLOR	TERMINAL	A	A79L-G	16	WH	0239805R1	W/ CE BUS W/ PROPANE																									
CAV	CIRCUIT	GAUGE	COLOR	TERMINAL																																							
A	A79L-G	16	WH	0239805R1																																							
CONNECTOR 2206658C1																																											
PARK BRAKE ALARM (+) (10751A) (LOCATED INSIDE CABIN COMPARTMENT)				<table border="1" style="width: 100%; border-collapse: collapse; font-size: x-small;"> <thead> <tr> <th>CAV</th> <th>CIRCUIT</th> <th>GAUGE</th> <th>COLOR</th> <th>TERMINAL</th> </tr> </thead> <tbody> <tr> <td>A</td> <td>A79F</td> <td>16</td> <td>GY</td> <td>0239805R1</td> </tr> </tbody> </table>				CAV	CIRCUIT	GAUGE	COLOR	TERMINAL	A	A79F	16	GY	0239805R1	W/ CE BUS W/ PROPANE																									
CAV	CIRCUIT	GAUGE	COLOR	TERMINAL																																							
A	A79F	16	GY	0239805R1																																							
CONNECTOR 2206658C1																																											
SPEAKER (+) (10751A) (LOCATED AT RIGHT BODY)				<table border="1" style="width: 100%; border-collapse: collapse; font-size: x-small;"> <thead> <tr> <th>CAV</th> <th>CIRCUIT</th> <th>GAUGE</th> <th>COLOR</th> </tr> </thead> <tbody> <tr> <td>A*</td> <td>F86M</td> <td>16</td> <td>LTGN</td> </tr> <tr> <td>A&</td> <td>F86BG</td> <td>16</td> <td>LTGN</td> </tr> <tr> <td>A%</td> <td>F86V</td> <td>16</td> <td>LTGN</td> </tr> <tr> <td>A#</td> <td>F86AG</td> <td>16</td> <td>LTGN</td> </tr> <tr> <td>A@</td> <td>F86B(+)</td> <td>16</td> <td>LTGN</td> </tr> <tr> <td>A@</td> <td>F86D</td> <td>16</td> <td>LTGN</td> </tr> </tbody> </table>				CAV	CIRCUIT	GAUGE	COLOR	A*	F86M	16	LTGN	A&	F86BG	16	LTGN	A%	F86V	16	LTGN	A#	F86AG	16	LTGN	A@	F86B(+)	16	LTGN	A@	F86D	16	LTGN	* W/ 11, 12 RIGHT WINDOW & W/ 11 TO 13 RIGHT WINDOW % W/ 10 RIGHT WINDOW # W/ 10, 11 RIGHT WINDOW @ W/ 11 RIGHT WINDOW							
CAV	CIRCUIT	GAUGE	COLOR																																								
A*	F86M	16	LTGN																																								
A&	F86BG	16	LTGN																																								
A%	F86V	16	LTGN																																								
A#	F86AG	16	LTGN																																								
A@	F86B(+)	16	LTGN																																								
A@	F86D	16	LTGN																																								
TERMINAL 2206645C1																																											
SPEAKER (-) (10751B) (LOCATED AT RIGHT BODY)				<table border="1" style="width: 100%; border-collapse: collapse; font-size: x-small;"> <thead> <tr> <th>CAV</th> <th>CIRCUIT</th> <th>GAUGE</th> <th>COLOR</th> </tr> </thead> <tbody> <tr> <td>A*</td> <td>KF86K</td> <td>16</td> <td>LTGN</td> </tr> <tr> <td>A&</td> <td>F86BH</td> <td>16</td> <td>LTGN</td> </tr> <tr> <td>A%</td> <td>F86T</td> <td>16</td> <td>LTGN</td> </tr> <tr> <td>A#</td> <td>F86AH</td> <td>16</td> <td>LTGN</td> </tr> <tr> <td>A@</td> <td>F86A(-)</td> <td>16</td> <td>LTGN</td> </tr> </tbody> </table>				CAV	CIRCUIT	GAUGE	COLOR	A*	KF86K	16	LTGN	A&	F86BH	16	LTGN	A%	F86T	16	LTGN	A#	F86AH	16	LTGN	A@	F86A(-)	16	LTGN	* W/ 11, 12 RIGHT WINDOW & W/ 11 TO 13 RIGHT WINDOW % W/ 10 RIGHT WINDOW # W/ 10, 11 RIGHT WINDOW @ W/ 11 RIGHT WINDOW											
CAV	CIRCUIT	GAUGE	COLOR																																								
A*	KF86K	16	LTGN																																								
A&	F86BH	16	LTGN																																								
A%	F86T	16	LTGN																																								
A#	F86AH	16	LTGN																																								
A@	F86A(-)	16	LTGN																																								
TERMINAL 2206645C1																																											
SPEAKER (+) (10752A) (LOCATED AT RIGHT BODY)				<table border="1" style="width: 100%; border-collapse: collapse; font-size: x-small;"> <thead> <tr> <th>CAV</th> <th>CIRCUIT</th> <th>GAUGE</th> <th>COLOR</th> </tr> </thead> <tbody> <tr> <td>A*</td> <td>F86R</td> <td>16</td> <td>LTGN</td> </tr> <tr> <td>A&</td> <td>F86AF</td> <td>16</td> <td>LTGN</td> </tr> <tr> <td>A%</td> <td>F86AG</td> <td>16</td> <td>LTGN</td> </tr> <tr> <td>A#</td> <td>F86BH</td> <td>16</td> <td>LTGN</td> </tr> <tr> <td>A@</td> <td>F86D</td> <td>16</td> <td>LTGN</td> </tr> <tr> <td>A@</td> <td>F86M</td> <td>16</td> <td>LTGN</td> </tr> <tr> <td>A@</td> <td>F86B(+)</td> <td>16</td> <td>LTGN</td> </tr> </tbody> </table>				CAV	CIRCUIT	GAUGE	COLOR	A*	F86R	16	LTGN	A&	F86AF	16	LTGN	A%	F86AG	16	LTGN	A#	F86BH	16	LTGN	A@	F86D	16	LTGN	A@	F86M	16	LTGN	A@	F86B(+)	16	LTGN	* W/ 11, 13 RIGHT WINDOW & W/ 13 RIGHT WINDOW % W/ 9 RIGHT WINDOW # W/ 9, 10 RIGHT WINDOW @ W/ 10 RIGHT WINDOW			
CAV	CIRCUIT	GAUGE	COLOR																																								
A*	F86R	16	LTGN																																								
A&	F86AF	16	LTGN																																								
A%	F86AG	16	LTGN																																								
A#	F86BH	16	LTGN																																								
A@	F86D	16	LTGN																																								
A@	F86M	16	LTGN																																								
A@	F86B(+)	16	LTGN																																								
TERMINAL 2206645C1																																											
SPEAKER (-) (10752B) (LOCATED AT RIGHT BODY)				<table border="1" style="width: 100%; border-collapse: collapse; font-size: x-small;"> <thead> <tr> <th>CAV</th> <th>CIRCUIT</th> <th>GAUGE</th> <th>COLOR</th> </tr> </thead> <tbody> <tr> <td>A*</td> <td>F86V</td> <td>16</td> <td>LTGN</td> </tr> <tr> <td>A&</td> <td>F86AG</td> <td>16</td> <td>LTGN</td> </tr> <tr> <td>A%</td> <td>F86AH</td> <td>16</td> <td>LTGN</td> </tr> <tr> <td>A#</td> <td>F86BJ</td> <td>16</td> <td>LTGN</td> </tr> <tr> <td>A@</td> <td>F86K</td> <td>16</td> <td>LTGN</td> </tr> <tr> <td>A@</td> <td>F86A(-)</td> <td>16</td> <td>LTGN</td> </tr> </tbody> </table>				CAV	CIRCUIT	GAUGE	COLOR	A*	F86V	16	LTGN	A&	F86AG	16	LTGN	A%	F86AH	16	LTGN	A#	F86BJ	16	LTGN	A@	F86K	16	LTGN	A@	F86A(-)	16	LTGN	* W/ 11, 13 RIGHT WINDOW & W/ 13 RIGHT WINDOW % W/ 9 RIGHT WINDOW # W/ 9, 10 RIGHT WINDOW @ W/ 10 RIGHT WINDOW							
CAV	CIRCUIT	GAUGE	COLOR																																								
A*	F86V	16	LTGN																																								
A&	F86AG	16	LTGN																																								
A%	F86AH	16	LTGN																																								
A#	F86BJ	16	LTGN																																								
A@	F86K	16	LTGN																																								
A@	F86A(-)	16	LTGN																																								
TERMINAL 2206645C1																																											
DOMELIGHT SECTION 1 (10757) (LOCATED AT RIGHT BODY)				<table border="1" style="width: 100%; border-collapse: collapse; font-size: x-small;"> <thead> <tr> <th>CAV</th> <th>CIRCUIT</th> <th>GAUGE</th> <th>COLOR</th> <th>TERMINAL</th> </tr> </thead> <tbody> <tr> <td>1P</td> <td>F63A</td> <td>16</td> <td>DKBL</td> <td>1661538C1</td> </tr> <tr> <td>2P</td> <td>F63-GA</td> <td>16</td> <td>WH</td> <td>1661538C1</td> </tr> </tbody> </table>				CAV	CIRCUIT	GAUGE	COLOR	TERMINAL	1P	F63A	16	DKBL	1661538C1	2P	F63-GA	16	WH	1661538C1	W/ 12, 13 RIGHT WINDOW																				
CAV	CIRCUIT	GAUGE	COLOR	TERMINAL																																							
1P	F63A	16	DKBL	1661538C1																																							
2P	F63-GA	16	WH	1661538C1																																							
CONNECTOR 1669029C1																																											
CHK	DATE	CHANGE	REV	REFERENCE	DRAWN	NAME																																					
0638	26MAR15	ADDED R/D 10751 AND	B	92936F	300343	CIRCUIT DIAGRAM, BE,CE BUS																																					
					RELEASE NO.	DATE	PART NO.	SHEET																																			
10751A.					73617K	14APR11	AE08065297	001																																			

Figure 786 Connector Composites (10751, 10751A, 10751B, 10752A, 10752B, 10757)

26.2. CONNECTOR COMPOSITES (10757, 10758, 10759), P. 2

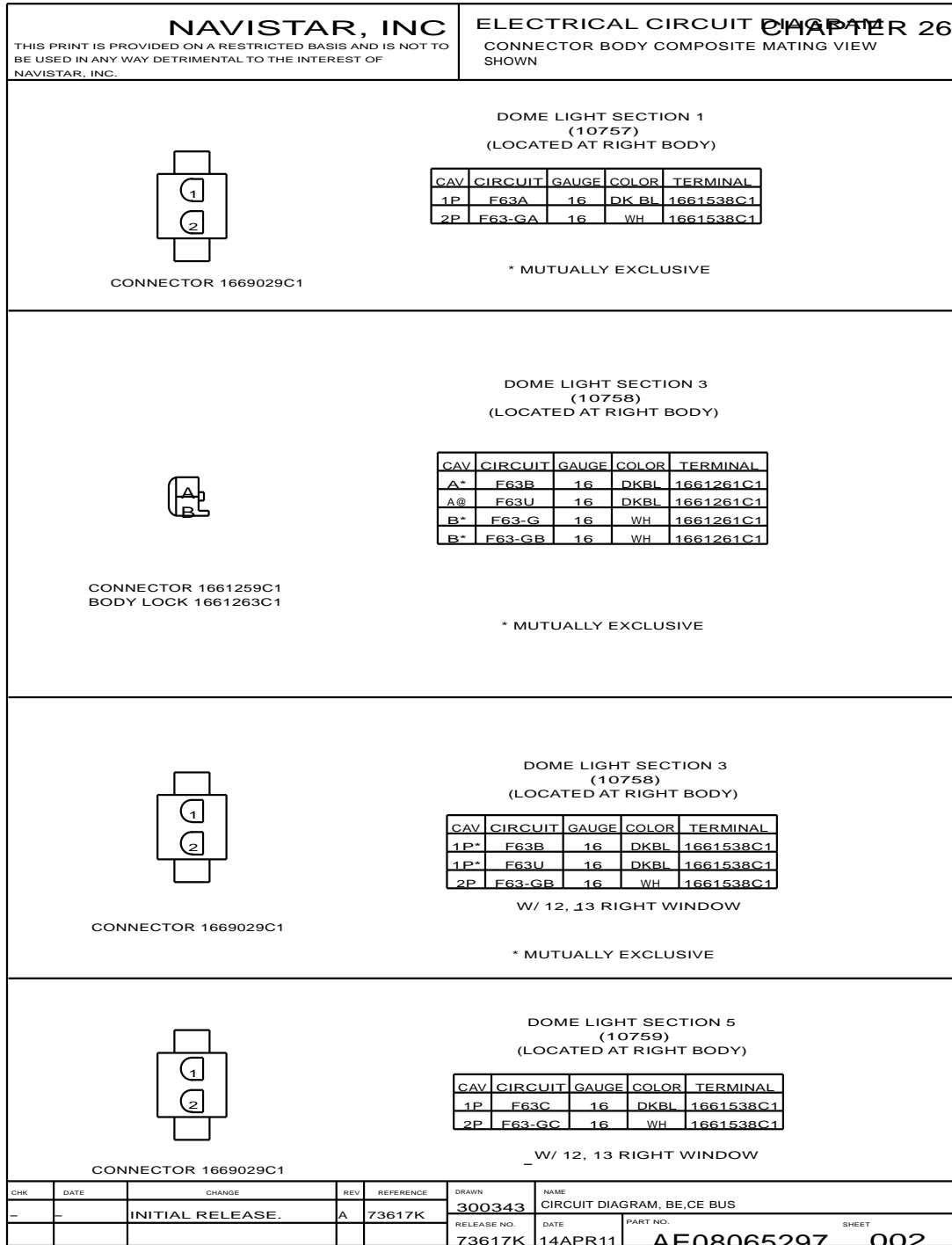


Figure 787 Connector Composites (10757, 10758, 10759)

26.3. CONNECTOR COMPOSITES (10759, 10760), P. 3


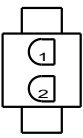

<p>NAVISTAR, INC</p> <p>THIS PRINT IS PROVIDED ON A RESTRICTED BASIS AND IS NOT TO BE USED IN ANY WAY DETRIMENTAL TO THE INTEREST OF NAVISTAR, INC.</p>	<p>ELECTRICAL CIRCUIT DIAGRAM CHAPTER 26</p> <p>CONNECTOR BODY COMPOSITE MATING VIEW SHOWN</p>																																	
	<p>DOME LIGHT SECTION 5 (10759) (LOCATED AT RIGHT BODY)</p> <table border="1" style="margin: auto;"> <thead> <tr> <th>CAV</th> <th>CIRCUIT</th> <th>GAUGE</th> <th>COLOR</th> <th>TERMINAL</th> </tr> </thead> <tbody> <tr> <td>A&*</td> <td>F63C</td> <td>16</td> <td>DKBL</td> <td>1661261C1</td> </tr> <tr> <td>A%</td> <td>F63AU</td> <td>16</td> <td>DKBL</td> <td>1661261C1</td> </tr> <tr> <td>A#</td> <td>F63M</td> <td>16</td> <td>DKBL</td> <td>1661261C1</td> </tr> <tr> <td>A#</td> <td>F63AU</td> <td>16</td> <td>DKBL</td> <td>1661261C1</td> </tr> <tr> <td>B</td> <td>F63-GC</td> <td>16</td> <td>WH</td> <td>1661261C1</td> </tr> </tbody> </table> <p>FOR 5 TO 11 RIGHT WINDOW & W/ 9 TO 11 RIGHT WINDOW % W/ 7, 8 RIGHT WINDOW # W/ 5, 6 RIGHT WINDOW</p>	CAV	CIRCUIT	GAUGE	COLOR	TERMINAL	A&*	F63C	16	DKBL	1661261C1	A%	F63AU	16	DKBL	1661261C1	A#	F63M	16	DKBL	1661261C1	A#	F63AU	16	DKBL	1661261C1	B	F63-GC	16	WH	1661261C1			
CAV	CIRCUIT	GAUGE	COLOR	TERMINAL																														
A&*	F63C	16	DKBL	1661261C1																														
A%	F63AU	16	DKBL	1661261C1																														
A#	F63M	16	DKBL	1661261C1																														
A#	F63AU	16	DKBL	1661261C1																														
B	F63-GC	16	WH	1661261C1																														
	<p>DOME LIGHT SECTION 7 (10760) (LOCATED AT RIGHT BODY)</p> <table border="1" style="margin: auto;"> <thead> <tr> <th>CAV</th> <th>CIRCUIT</th> <th>GAUGE</th> <th>COLOR</th> <th>TERMINAL</th> </tr> </thead> <tbody> <tr> <td>1P</td> <td>F63D</td> <td>16</td> <td>DKBL</td> <td>1661538C1</td> </tr> <tr> <td>2P</td> <td>F63-GD</td> <td>16</td> <td>WH</td> <td>1661538C1</td> </tr> </tbody> </table> <p>CONNECTOR 1661259C1 BODY LOCK 1661263C1</p> <p>W/ 12, 13 RIGHT WINDOW</p>	CAV	CIRCUIT	GAUGE	COLOR	TERMINAL	1P	F63D	16	DKBL	1661538C1	2P	F63-GD	16	WH	1661538C1																		
CAV	CIRCUIT	GAUGE	COLOR	TERMINAL																														
1P	F63D	16	DKBL	1661538C1																														
2P	F63-GD	16	WH	1661538C1																														
	<p>DOME LIGHT SECTION 7 (10760) (LOCATED AT RIGHT BODY)</p> <table border="1" style="margin: auto;"> <thead> <tr> <th>CAV</th> <th>CIRCUIT</th> <th>GAUGE</th> <th>COLOR</th> <th>TERMINAL</th> </tr> </thead> <tbody> <tr> <td>A*</td> <td>F63D</td> <td>16</td> <td>DKBL</td> <td>1661261C1</td> </tr> <tr> <td>A*</td> <td>F63M</td> <td>16</td> <td>DKBL</td> <td>1661261C1</td> </tr> <tr> <td>A*</td> <td>F63AU</td> <td>16</td> <td>DKBL</td> <td>1661261C1</td> </tr> <tr> <td>B</td> <td>F63-GD</td> <td>16</td> <td>WH</td> <td>1661261C1</td> </tr> </tbody> </table> <p>* MUTUALLY EXCLUSIVE</p> <p>CONNECTOR 1661259C1 BODY LOCK 1661263C1</p>	CAV	CIRCUIT	GAUGE	COLOR	TERMINAL	A*	F63D	16	DKBL	1661261C1	A*	F63M	16	DKBL	1661261C1	A*	F63AU	16	DKBL	1661261C1	B	F63-GD	16	WH	1661261C1								
CAV	CIRCUIT	GAUGE	COLOR	TERMINAL																														
A*	F63D	16	DKBL	1661261C1																														
A*	F63M	16	DKBL	1661261C1																														
A*	F63AU	16	DKBL	1661261C1																														
B	F63-GD	16	WH	1661261C1																														
<table border="1" style="width: 100%; border-collapse: collapse;"> <thead> <tr> <th>CHK</th> <th>DATE</th> <th>CHANGE</th> <th>REV</th> <th>REFERENCE</th> <th>DRAWN</th> <th>NAME</th> </tr> </thead> <tbody> <tr> <td>0025</td> <td>05JAN12</td> <td>INITIAL RELEASE.</td> <td>A</td> <td>73617K</td> <td>300343</td> <td>CIRCUIT DIAGRAM, BE,CE BUS</td> </tr> <tr> <td></td> <td></td> <td></td> <td></td> <td></td> <td>RELEASE NO.</td> <td>DATE</td> </tr> <tr> <td></td> <td></td> <td></td> <td></td> <td></td> <td>73617K</td> <td>14APR11</td> </tr> </tbody> </table>	CHK	DATE	CHANGE	REV	REFERENCE	DRAWN	NAME	0025	05JAN12	INITIAL RELEASE.	A	73617K	300343	CIRCUIT DIAGRAM, BE,CE BUS						RELEASE NO.	DATE						73617K	14APR11						
CHK	DATE	CHANGE	REV	REFERENCE	DRAWN	NAME																												
0025	05JAN12	INITIAL RELEASE.	A	73617K	300343	CIRCUIT DIAGRAM, BE,CE BUS																												
					RELEASE NO.	DATE																												
					73617K	14APR11																												
						<p>AE08065297</p>	<p>SHEET 003</p>																											

Figure 788 Connector Composites (10759, 10760)

26.4. CONNECTOR COMPOSITES (10761, 10758, 10762), P. 4

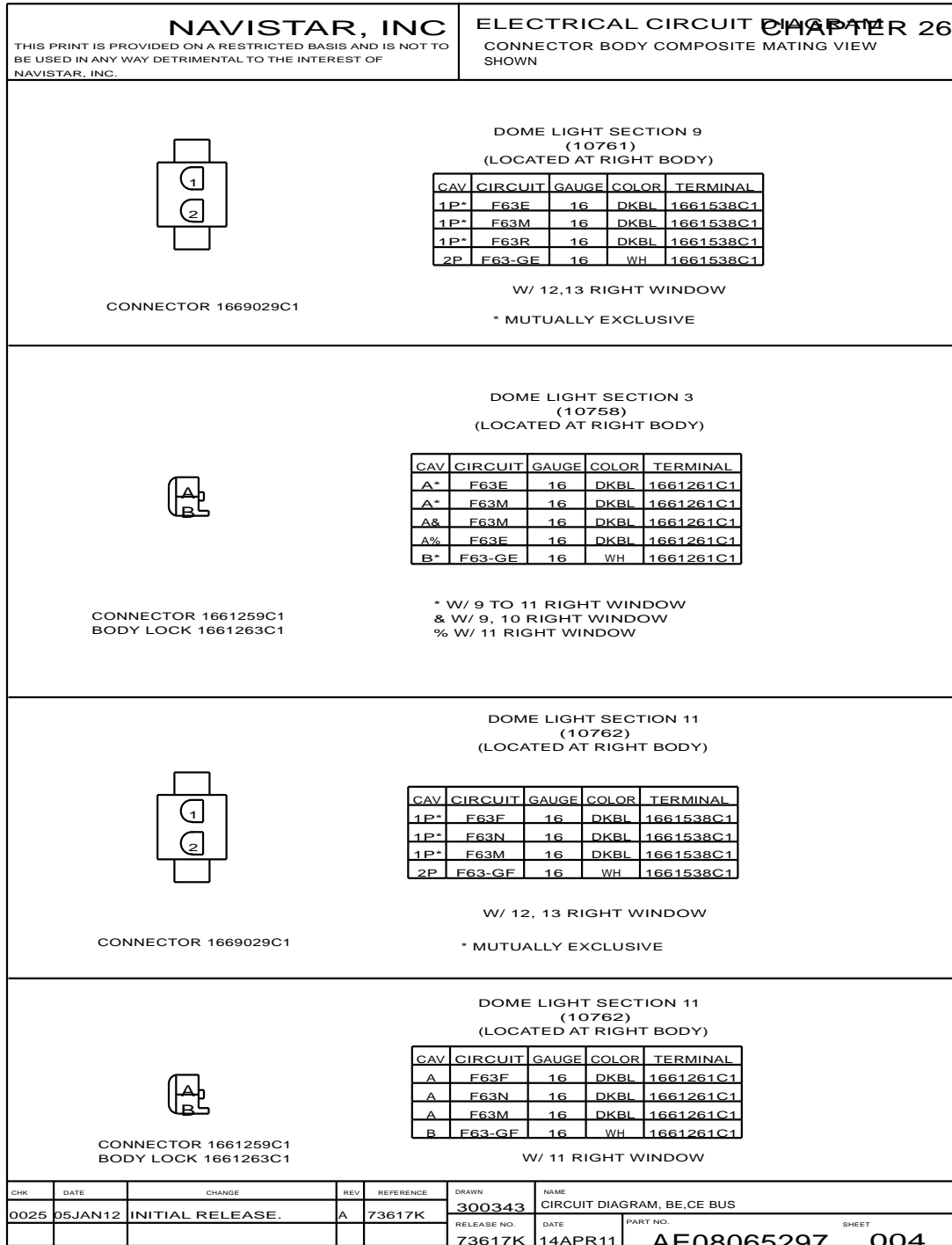


Figure 789 Connector Composites (10761, 10758, 10762)

26.5. CONNECTOR COMPOSITES (10765B, 10765C, 10765D, 10765E), P. 5

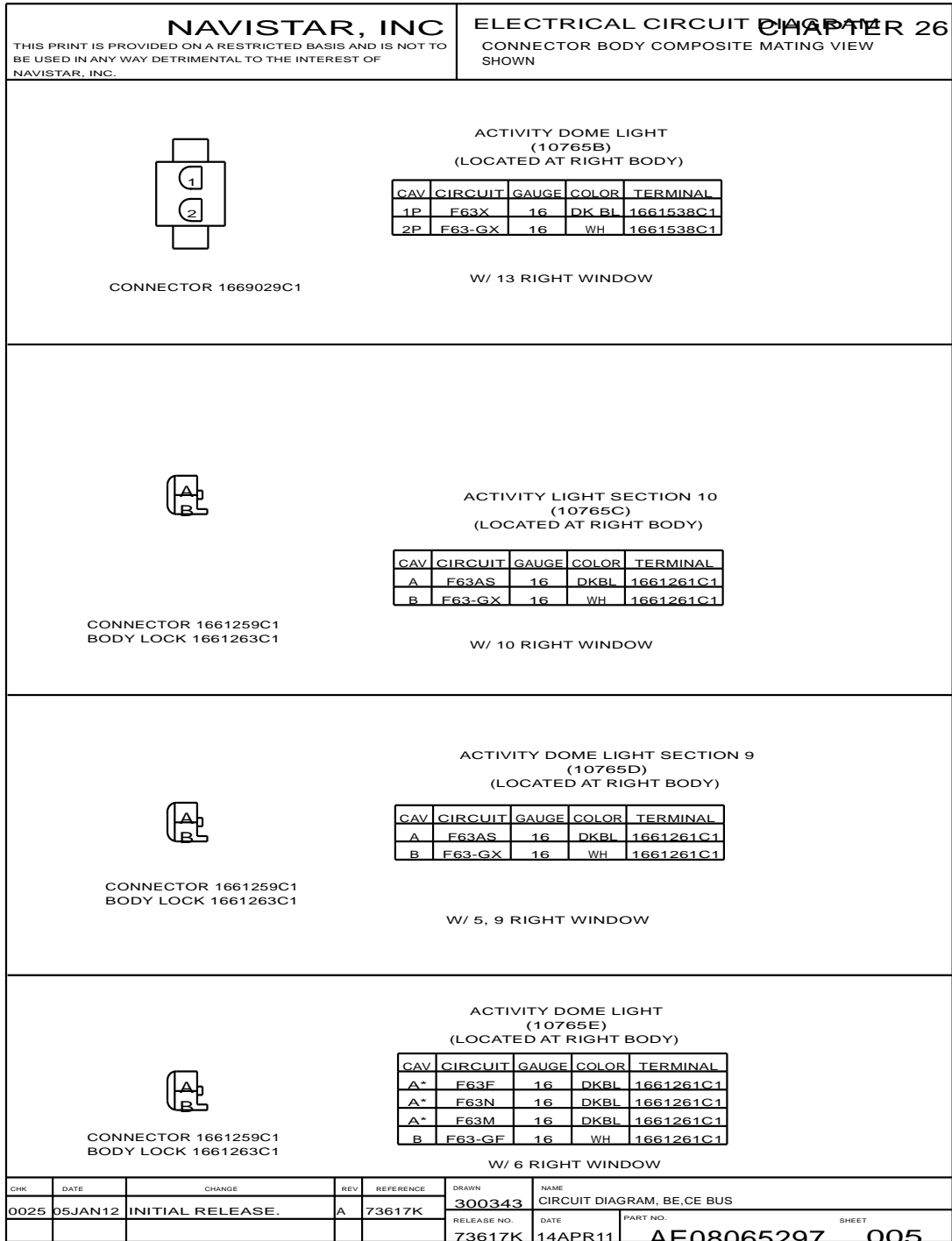


Figure 790 Connector Composites (10765B, 10765C, 10765D, 10765E)

26.6. CONNECTOR COMPOSITES (10766A, 10766B, 10766C, 10766D), P. 6

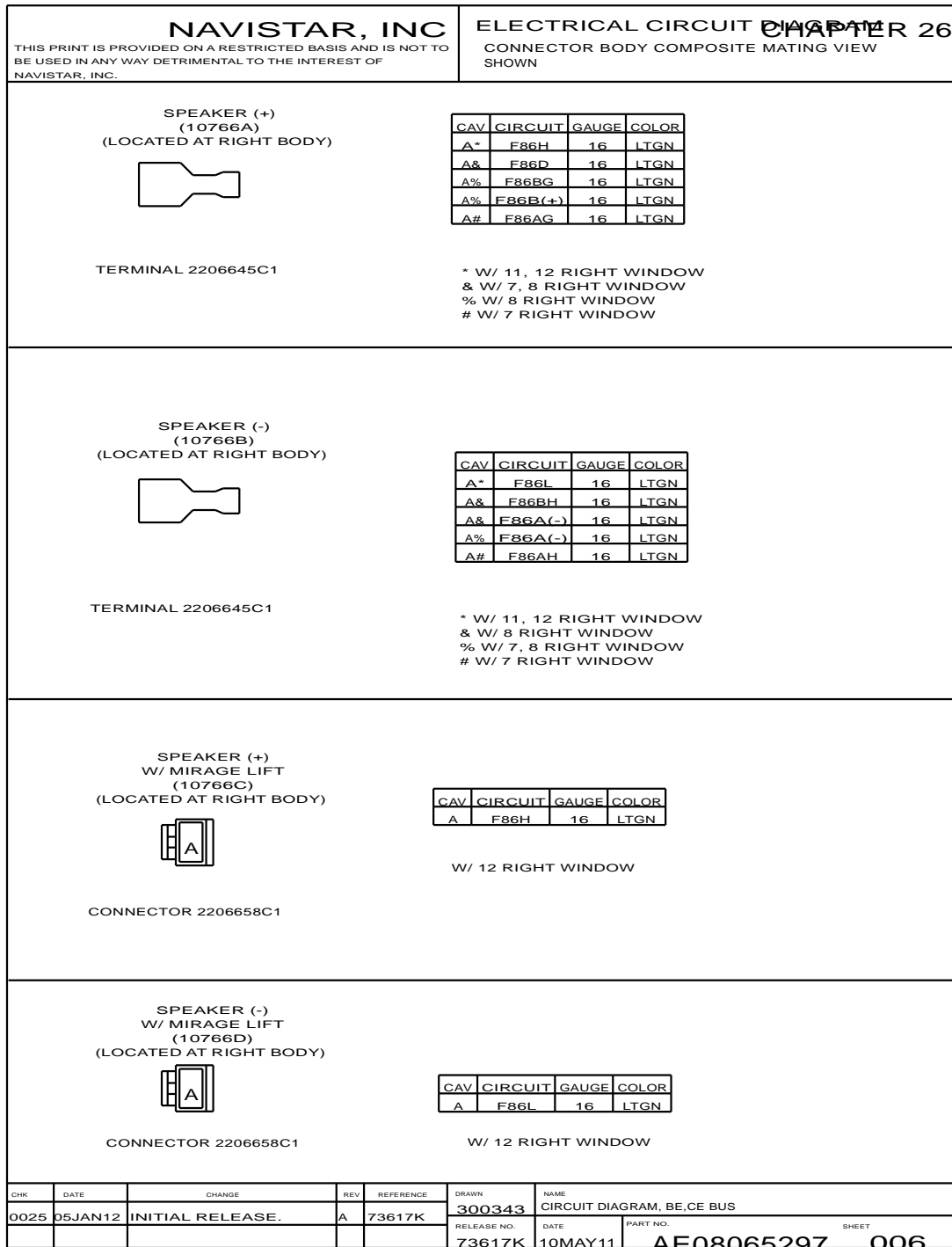


Figure 791 Connector Composites (10766A, 10766B, 10766C, 10766D)

26.7. CONNECTOR COMPOSITES (10767, 10768), P. 7

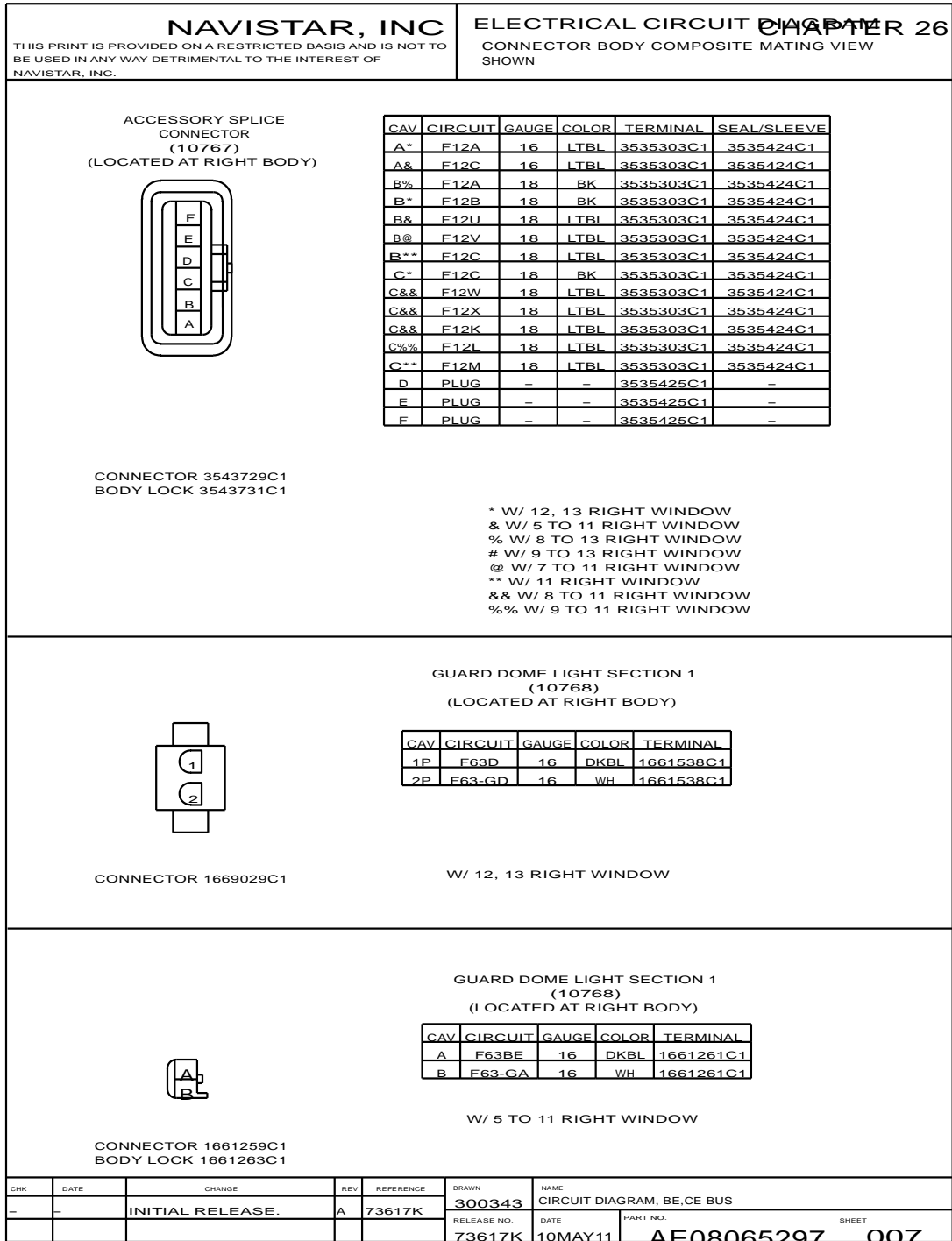


Figure 792 Connector Composites (10767, 10768)

26.8. CONNECTOR COMPOSITES (10769C, 10769D, 10769E, 10769F), P. 8

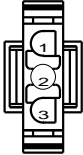
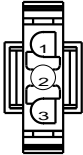

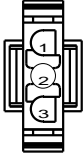
NAVISTAR, INC <small>THIS PRINT IS PROVIDED ON A RESTRICTED BASIS AND IS NOT TO BE USED IN ANY WAY DETRIMENTAL TO THE INTEREST OF NAVISTAR, INC.</small>				ELECTRICAL CIRCUIT DIAGRAM CHAPTER 26 CONNECTOR BODY COMPOSITE MATING VIEW SHOWN																												
		AIR DOOR CYLINDER (10769C) (LOCATED AT RIGHT BODY)																														
CONNECTOR 2206660C1						& W/ 13 RIGHT WINDOW % W/ 8, 9, 12 RIGHT WINDOW																										
		<table border="1" style="width: 100%; border-collapse: collapse;"> <thead> <tr> <th>CAV</th> <th>CIRCUIT</th> <th>GAUGE</th> <th>COLOR</th> <th>TERMINAL</th> </tr> </thead> <tbody> <tr> <td>1</td> <td>F120A</td> <td>18</td> <td>LTGN</td> <td>1661539C1</td> </tr> <tr> <td>2&</td> <td>F120B</td> <td>18</td> <td>BK</td> <td>1661539C1</td> </tr> <tr> <td>2%</td> <td>F120B</td> <td>18</td> <td>LTGN</td> <td>1661539C1</td> </tr> <tr> <td>3</td> <td>F120-G</td> <td>18</td> <td>WH</td> <td>1661539C1</td> </tr> </tbody> </table>		CAV	CIRCUIT	GAUGE	COLOR	TERMINAL	1	F120A	18	LTGN	1661539C1	2&	F120B	18	BK	1661539C1	2%	F120B	18	LTGN	1661539C1	3	F120-G	18	WH	1661539C1				
CAV	CIRCUIT	GAUGE	COLOR	TERMINAL																												
1	F120A	18	LTGN	1661539C1																												
2&	F120B	18	BK	1661539C1																												
2%	F120B	18	LTGN	1661539C1																												
3	F120-G	18	WH	1661539C1																												
		AIR DOOR CYLINDER (10769D) (LOCATED AT RIGHT BODY)																														
CONNECTOR 2206660C1						W/ 10, 13 RIGHT WINDOW																										
		<table border="1" style="width: 100%; border-collapse: collapse;"> <thead> <tr> <th>CAV</th> <th>CIRCUIT</th> <th>GAUGE</th> <th>COLOR</th> <th>TERMINAL</th> </tr> </thead> <tbody> <tr> <td>1</td> <td>F120A</td> <td>18</td> <td>LTGN</td> <td>1661539C1</td> </tr> <tr> <td>2</td> <td>F120B</td> <td>18</td> <td>BK</td> <td>1661539C1</td> </tr> <tr> <td>3</td> <td>F120-G</td> <td>18</td> <td>WH</td> <td>1661539C1</td> </tr> </tbody> </table>		CAV	CIRCUIT	GAUGE	COLOR	TERMINAL	1	F120A	18	LTGN	1661539C1	2	F120B	18	BK	1661539C1	3	F120-G	18	WH	1661539C1									
CAV	CIRCUIT	GAUGE	COLOR	TERMINAL																												
1	F120A	18	LTGN	1661539C1																												
2	F120B	18	BK	1661539C1																												
3	F120-G	18	WH	1661539C1																												
		AIR DOOR CYLINDER (10769E) (LOCATED AT RIGHT BODY)																														
CONNECTOR 2206660C1						W/ 10, 11 RIGHT WINDOW																										
		<table border="1" style="width: 100%; border-collapse: collapse;"> <thead> <tr> <th>CAV</th> <th>CIRCUIT</th> <th>GAUGE</th> <th>COLOR</th> <th>TERMINAL</th> </tr> </thead> <tbody> <tr> <td>1</td> <td>F120A</td> <td>18</td> <td>LTGN</td> <td>1661539C1</td> </tr> <tr> <td>2</td> <td>F120B</td> <td>18</td> <td>LTGN</td> <td>1661539C1</td> </tr> <tr> <td>3</td> <td>F120-G</td> <td>18</td> <td>WH</td> <td>1661539C1</td> </tr> </tbody> </table>		CAV	CIRCUIT	GAUGE	COLOR	TERMINAL	1	F120A	18	LTGN	1661539C1	2	F120B	18	LTGN	1661539C1	3	F120-G	18	WH	1661539C1									
CAV	CIRCUIT	GAUGE	COLOR	TERMINAL																												
1	F120A	18	LTGN	1661539C1																												
2	F120B	18	LTGN	1661539C1																												
3	F120-G	18	WH	1661539C1																												
		AIR DOOR CYLINDER (10769F) (LOCATED AT RIGHT BODY)																														
CONNECTOR 2206660C1						W/ 11 RIGHT WINDOW																										
		<table border="1" style="width: 100%; border-collapse: collapse;"> <thead> <tr> <th>CAV</th> <th>CIRCUIT</th> <th>GAUGE</th> <th>COLOR</th> <th>TERMINAL</th> </tr> </thead> <tbody> <tr> <td>1</td> <td>F120A</td> <td>18</td> <td>LTGN</td> <td>1661539C1</td> </tr> <tr> <td>2</td> <td>F120B</td> <td>18</td> <td>LTGN</td> <td>1661539C1</td> </tr> <tr> <td>3</td> <td>F120-G</td> <td>18</td> <td>WH</td> <td>1661539C1</td> </tr> </tbody> </table>		CAV	CIRCUIT	GAUGE	COLOR	TERMINAL	1	F120A	18	LTGN	1661539C1	2	F120B	18	LTGN	1661539C1	3	F120-G	18	WH	1661539C1									
CAV	CIRCUIT	GAUGE	COLOR	TERMINAL																												
1	F120A	18	LTGN	1661539C1																												
2	F120B	18	LTGN	1661539C1																												
3	F120-G	18	WH	1661539C1																												
CHK	DATE	CHANGE	REV	REFERENCE	DRAWN	NAME																										
-	-	INITIAL RELEASE.	A	73617K	300343	CIRCUIT DIAGRAM, BE,CE BUS																										
					RELEASE NO.	DATE	PART NO.																									
					73617K	10MAY11	AE08065297																									
							SHEET 008																									

Figure 793 Connector Composites (10769C, 10769D, 10769E, 10769F)

26.9. CONNECTOR COMPOSITES (10770C, 10770D, 10770E, 10770F), P. 9

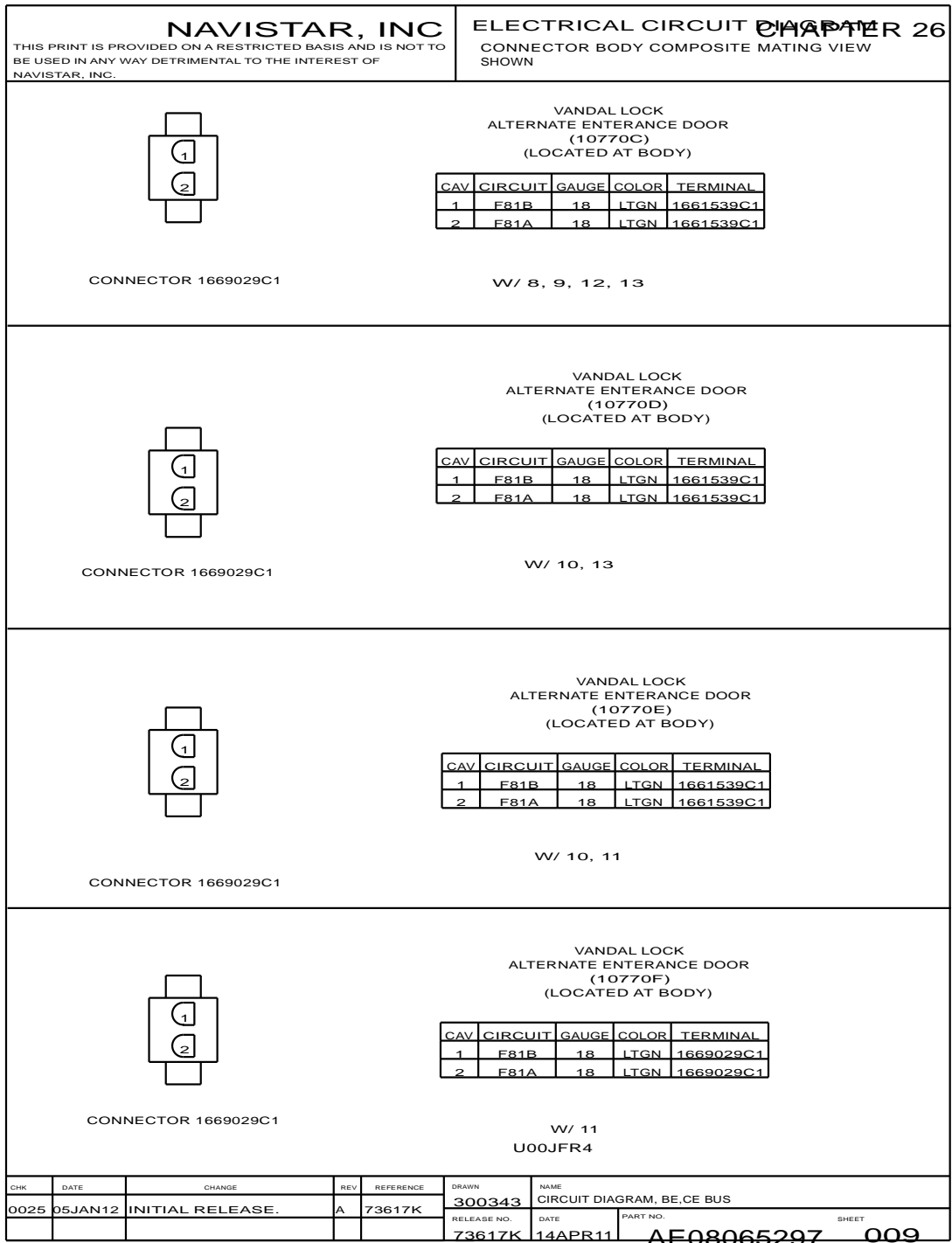


Figure 794 Connector Composites (10770C, 10770D, 10770E, 10770F)

26.10. CONNECTOR COMPOSITES (10771A, 10771B, 10771C, 10771D), P. 10

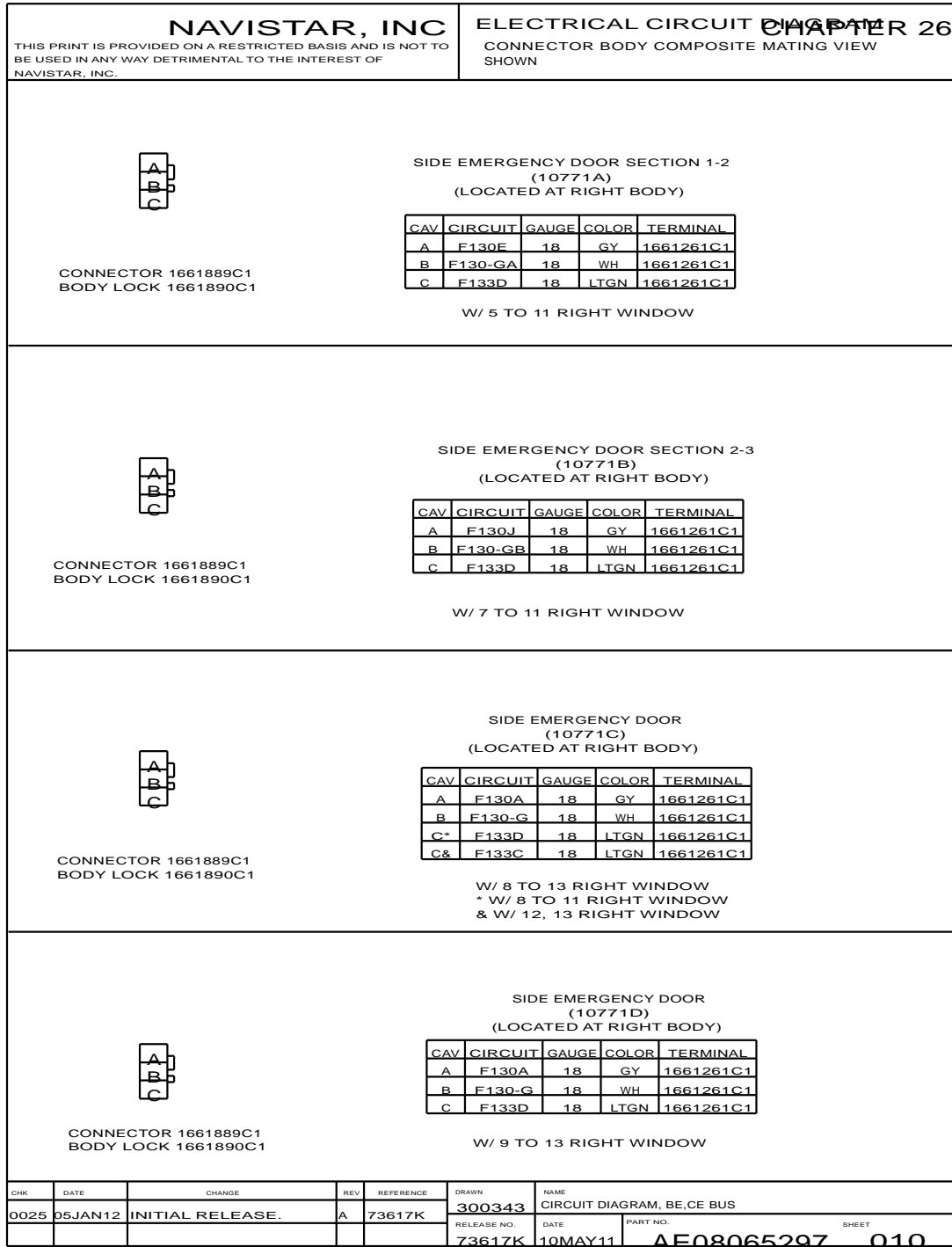


Figure 795 Connector Composites (10771A, 10771B, 10771C, 10771D)

26.11. CONNECTOR COMPOSITES (10771E, 10771F, 10771G, 10771H), P. 11

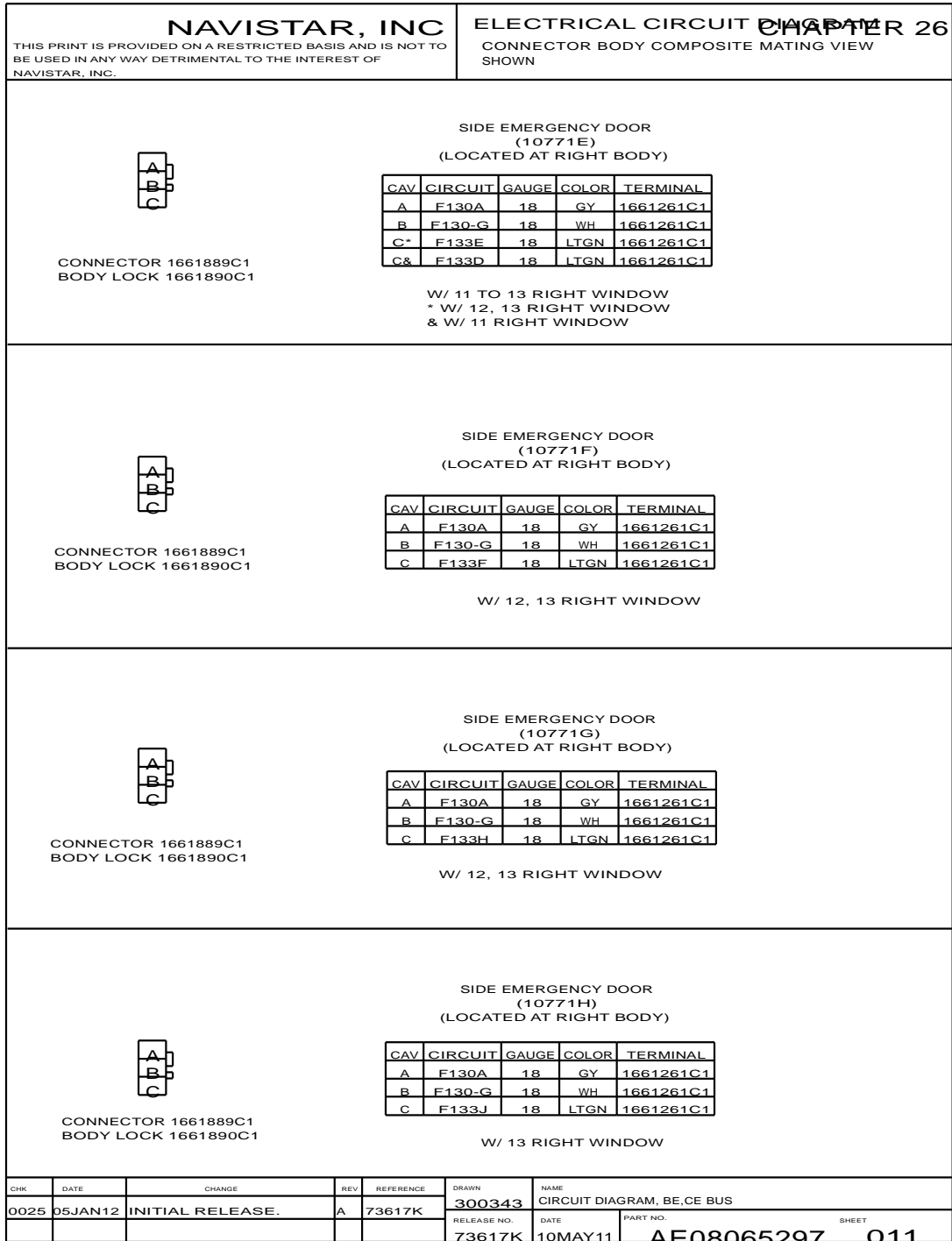


Figure 796 Connector Composites (10771E, 10771F, 10771G, 10771H)

26.12. CONNECTOR COMPOSITES (10772A, 10772B, 10772C, 10772D), P. 12

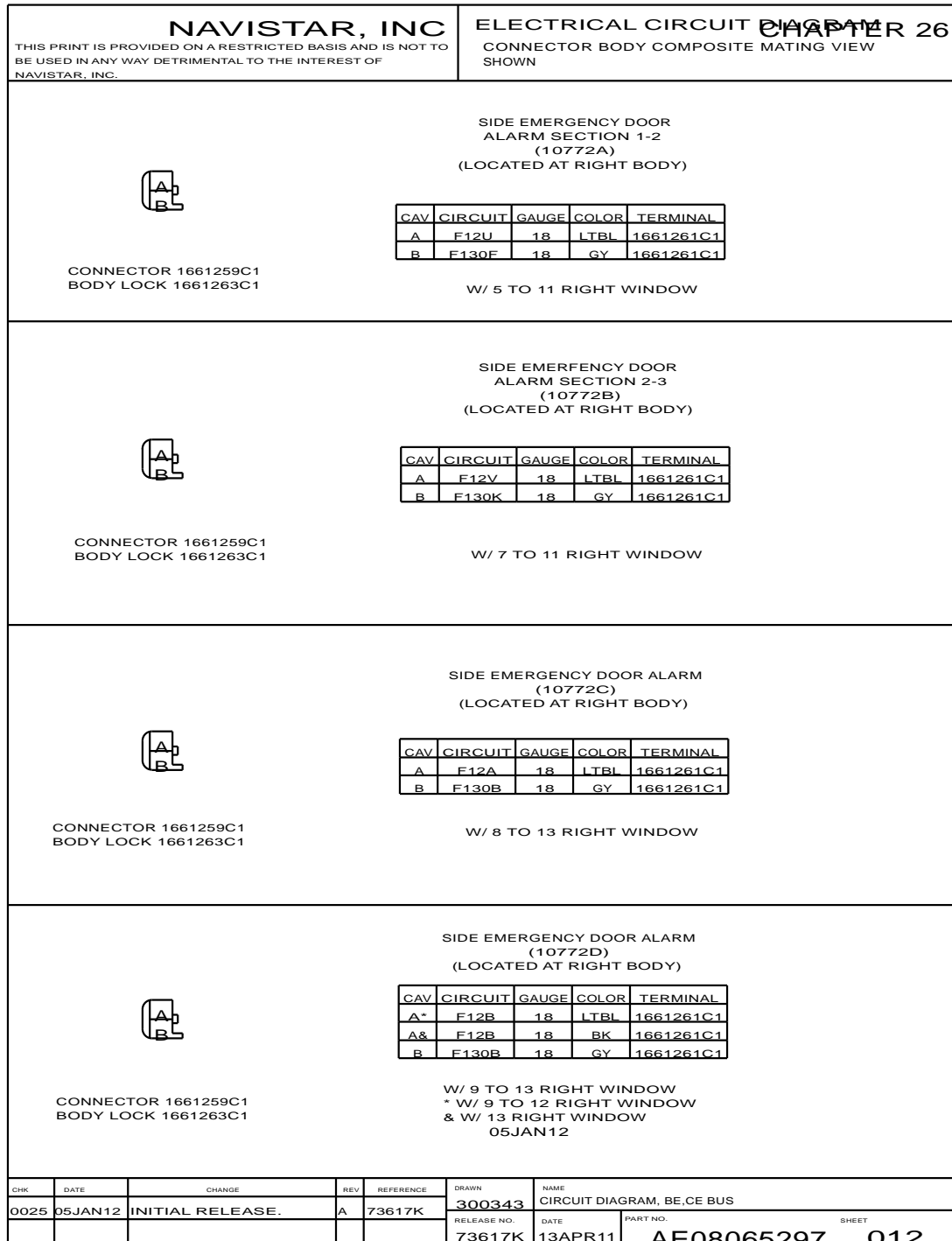


Figure 797 Connector Composites (10772A, 10772B, 10772C, 10772D)

26.13. CONNECTOR COMPOSITES (10772E, 10772F, 10772G, 10772H), P. 13

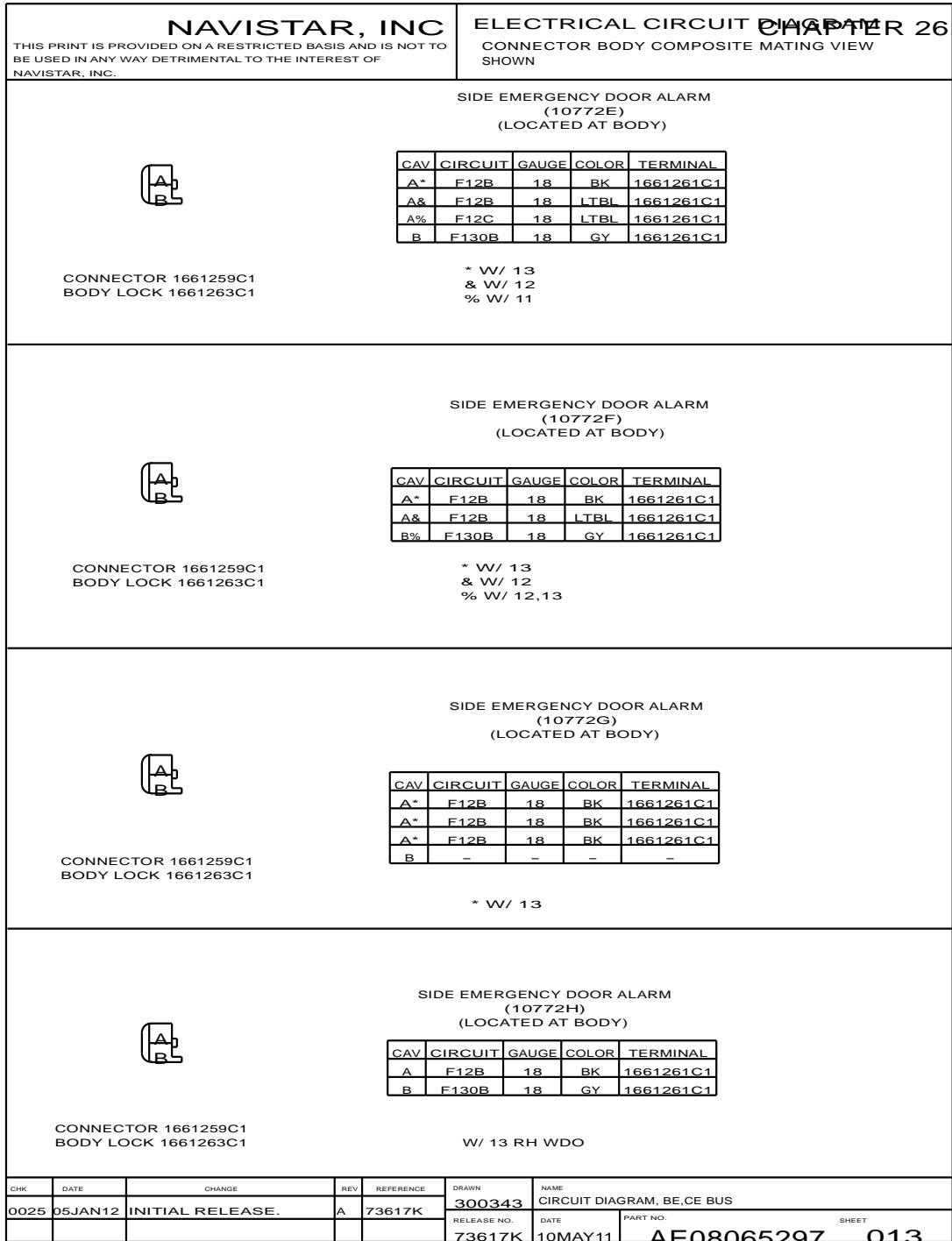


Figure 798 Connector Composites (10772E, 10772F, 10772G, 10772H)

26.14. CONNECTOR COMPOSITES (10773A, 10773B, 10773C, 10773D), P. 14

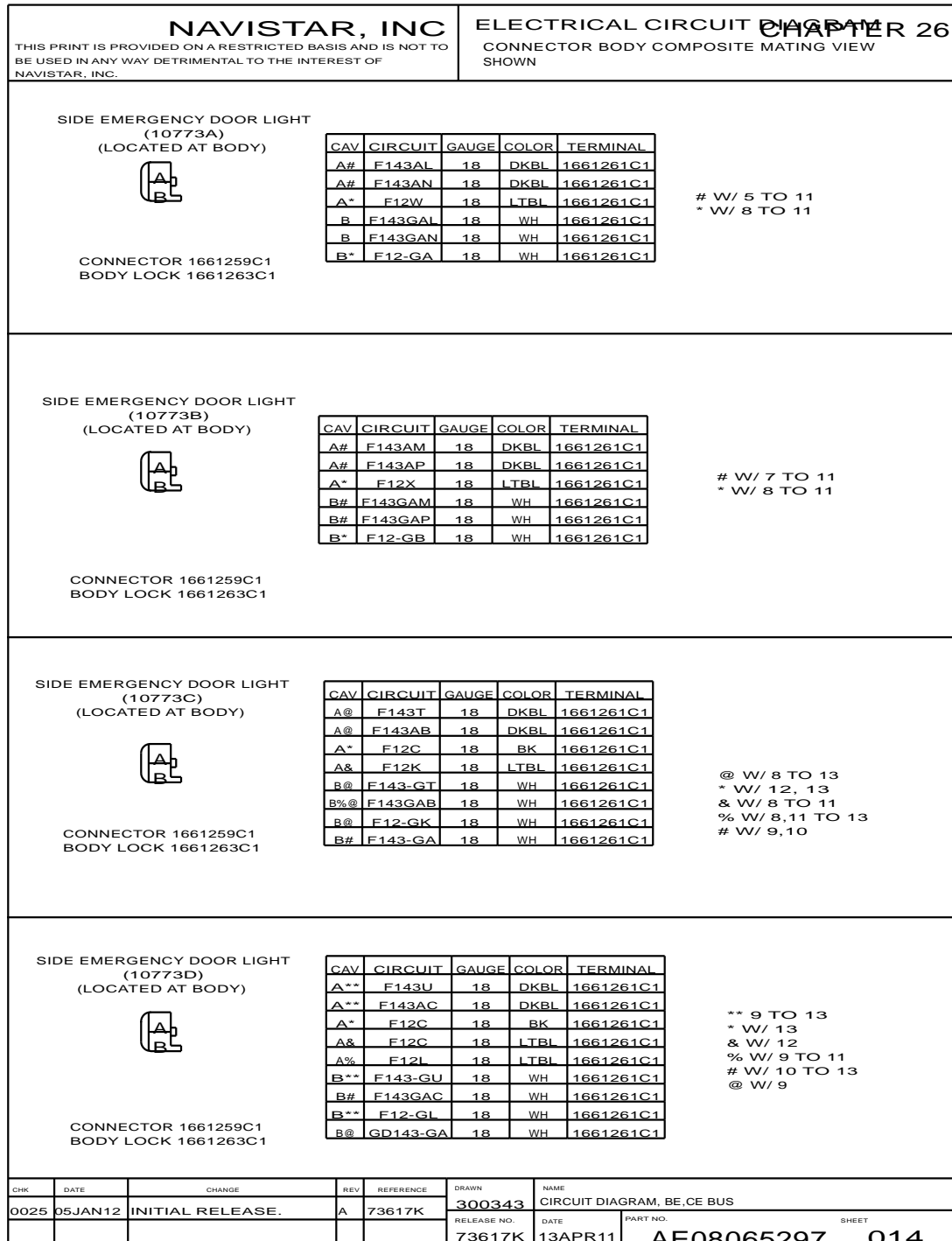





Figure 799 Connector Composites (10773A, 10773B, 10773C, 10773D)


26.15. CONNECTOR COMPOSITES (10773E, 10773F, 10773G, 10773H), P. 15

NAVISTAR, INC				ELECTRICAL CIRCUIT DIAGRAM CHAPTER 26			
THIS PRINT IS PROVIDED ON A RESTRICTED BASIS AND IS NOT TO BE USED IN ANY WAY DETRIMENTAL TO THE INTEREST OF NAVISTAR, INC.				CONNECTOR BODY COMPOSITE MATING VIEW SHOWN			

<p>SIDE EMERGENCY DOOR LIGHT (10773E) (LOCATED AT RIGHT BODY)</p>  <p>CONNECTOR 1661259C1 BODY LOCK 1661263C1</p>	<table border="1" style="width: 100%; border-collapse: collapse; font-size: x-small;"> <thead> <tr><th>CAV</th><th>CIRCUIT</th><th>GAUGE</th><th>COLOR</th><th>TERMINAL</th></tr> </thead> <tbody> <tr><td>A#</td><td>F143V</td><td>18</td><td>DKBL</td><td>1661261C1</td></tr> <tr><td>A#</td><td>F143AD</td><td>18</td><td>DKBL</td><td>1661261C1</td></tr> <tr><td>A*</td><td>F12C</td><td>18</td><td>BK</td><td>1661261C1</td></tr> <tr><td>A&</td><td>F12C</td><td>18</td><td>LTBL</td><td>1661261C1</td></tr> <tr><td>A%</td><td>F12M</td><td>18</td><td>LTBL</td><td>1661261C1</td></tr> <tr><td>B#</td><td>F143-GV</td><td>18</td><td>WH</td><td>1661261C1</td></tr> <tr><td>B#</td><td>F143GAD</td><td>18</td><td>WH</td><td>1661261C1</td></tr> <tr><td>B#</td><td>F12-GM</td><td>18</td><td>WH</td><td>1661261C1</td></tr> </tbody> </table>	CAV	CIRCUIT	GAUGE	COLOR	TERMINAL	A#	F143V	18	DKBL	1661261C1	A#	F143AD	18	DKBL	1661261C1	A*	F12C	18	BK	1661261C1	A&	F12C	18	LTBL	1661261C1	A%	F12M	18	LTBL	1661261C1	B#	F143-GV	18	WH	1661261C1	B#	F143GAD	18	WH	1661261C1	B#	F12-GM	18	WH	1661261C1	<p># W/ 11 TO 13 RIGHT WINDOW * W/ 13 RIGHT WINDOW & W/ 12 RIGHT WINDOW % W/ 11 RH WDO</p>
CAV	CIRCUIT	GAUGE	COLOR	TERMINAL																																											
A#	F143V	18	DKBL	1661261C1																																											
A#	F143AD	18	DKBL	1661261C1																																											
A*	F12C	18	BK	1661261C1																																											
A&	F12C	18	LTBL	1661261C1																																											
A%	F12M	18	LTBL	1661261C1																																											
B#	F143-GV	18	WH	1661261C1																																											
B#	F143GAD	18	WH	1661261C1																																											
B#	F12-GM	18	WH	1661261C1																																											

<p>SIDE EMERGENCY DOOR LIHGT (10773F) (LOCATED AT RIGHT BODY)</p>  <p>CONNECTOR 1661259C1 BODY LOCK 1661263C1</p>	<table border="1" style="width: 100%; border-collapse: collapse; font-size: x-small;"> <thead> <tr><th>CAV</th><th>CIRCUIT</th><th>GAUGE</th><th>COLOR</th><th>TERMINAL</th></tr> </thead> <tbody> <tr><td>A#</td><td>F143W</td><td>18</td><td>DKBL</td><td>1661261C1</td></tr> <tr><td>A#</td><td>F143AE</td><td>18</td><td>DKBL</td><td>1661261C1</td></tr> <tr><td>A*</td><td>F12C</td><td>18</td><td>BK</td><td>1661261C1</td></tr> <tr><td>A&</td><td>F12C</td><td>18</td><td>LTBL</td><td>1661261C1</td></tr> <tr><td>B#</td><td>F143-GW</td><td>18</td><td>WH</td><td>1661261C1</td></tr> <tr><td>B#</td><td>F143GAE</td><td>18</td><td>WH</td><td>1661261C1</td></tr> <tr><td>B#</td><td>F12-GN</td><td>18</td><td>WH</td><td>1661261C1</td></tr> </tbody> </table>	CAV	CIRCUIT	GAUGE	COLOR	TERMINAL	A#	F143W	18	DKBL	1661261C1	A#	F143AE	18	DKBL	1661261C1	A*	F12C	18	BK	1661261C1	A&	F12C	18	LTBL	1661261C1	B#	F143-GW	18	WH	1661261C1	B#	F143GAE	18	WH	1661261C1	B#	F12-GN	18	WH	1661261C1	<p># W/ 12, 13 RIGHT WINDOW * W/ 13 RIGHT WINDOW & W/ 12 RIGHT WINDOW</p>
CAV	CIRCUIT	GAUGE	COLOR	TERMINAL																																						
A#	F143W	18	DKBL	1661261C1																																						
A#	F143AE	18	DKBL	1661261C1																																						
A*	F12C	18	BK	1661261C1																																						
A&	F12C	18	LTBL	1661261C1																																						
B#	F143-GW	18	WH	1661261C1																																						
B#	F143GAE	18	WH	1661261C1																																						
B#	F12-GN	18	WH	1661261C1																																						

<p>SIDE EMERGENCY DOOT LIGHT (10773G) (LOCATED AT RIGHT BODY)</p>  <p>CONNECTOR 1661259C1 BODY LOCK 1661263C1</p>	<table border="1" style="width: 100%; border-collapse: collapse; font-size: x-small;"> <thead> <tr><th>CAV</th><th>CIRCUIT</th><th>GAUGE</th><th>COLOR</th><th>TERMINAL</th></tr> </thead> <tbody> <tr><td>A#</td><td>F143X</td><td>18</td><td>DKBL</td><td>1661261C1</td></tr> <tr><td>A#</td><td>F143AF</td><td>18</td><td>DKBL</td><td>1661261C1</td></tr> <tr><td>A*</td><td>F12C</td><td>18</td><td>BK</td><td>1661261C1</td></tr> <tr><td>A&</td><td>F12C</td><td>18</td><td>LTBL</td><td>1661261C1</td></tr> <tr><td>B#</td><td>F143-GX</td><td>18</td><td>WH</td><td>1661261C1</td></tr> <tr><td>B#</td><td>F143GAF</td><td>18</td><td>WH</td><td>1661261C1</td></tr> <tr><td>B#</td><td>F12-GP</td><td>18</td><td>WH</td><td>1661261C1</td></tr> </tbody> </table>	CAV	CIRCUIT	GAUGE	COLOR	TERMINAL	A#	F143X	18	DKBL	1661261C1	A#	F143AF	18	DKBL	1661261C1	A*	F12C	18	BK	1661261C1	A&	F12C	18	LTBL	1661261C1	B#	F143-GX	18	WH	1661261C1	B#	F143GAF	18	WH	1661261C1	B#	F12-GP	18	WH	1661261C1	<p># W/ 12, 13 RIGHT WINDOW * W/ 13 RIGHT WINDOW & W/ 12 RIGHT WINDOW</p>
CAV	CIRCUIT	GAUGE	COLOR	TERMINAL																																						
A#	F143X	18	DKBL	1661261C1																																						
A#	F143AF	18	DKBL	1661261C1																																						
A*	F12C	18	BK	1661261C1																																						
A&	F12C	18	LTBL	1661261C1																																						
B#	F143-GX	18	WH	1661261C1																																						
B#	F143GAF	18	WH	1661261C1																																						
B#	F12-GP	18	WH	1661261C1																																						

<p>SIDE EMERGENCY DOOR LIGHT (10773H) (LOCATED AT RIGHT BODY)</p>  <p>CONNECTOR 1661259C1 BODY LOCK 1661263C1</p>	<table border="1" style="width: 100%; border-collapse: collapse; font-size: x-small;"> <thead> <tr><th>CAV</th><th>CIRCUIT</th><th>GAUGE</th><th>COLOR</th><th>TERMINAL</th></tr> </thead> <tbody> <tr><td>A*</td><td>F143Y</td><td>18</td><td>DKBL</td><td>1661261C1</td></tr> <tr><td>A*</td><td>F143AH</td><td>18</td><td>DKBL</td><td>1661261C1</td></tr> <tr><td>A*</td><td>F12C</td><td>18</td><td>BK</td><td>1661261C1</td></tr> <tr><td>B*</td><td>F143-GY</td><td>18</td><td>WH</td><td>1661261C1</td></tr> <tr><td>B*</td><td>F143GAH</td><td>18</td><td>WH</td><td>1661261C1</td></tr> <tr><td>B*</td><td>F12-GR</td><td>18</td><td>WH</td><td>1661261C1</td></tr> </tbody> </table>	CAV	CIRCUIT	GAUGE	COLOR	TERMINAL	A*	F143Y	18	DKBL	1661261C1	A*	F143AH	18	DKBL	1661261C1	A*	F12C	18	BK	1661261C1	B*	F143-GY	18	WH	1661261C1	B*	F143GAH	18	WH	1661261C1	B*	F12-GR	18	WH	1661261C1	<p>* W/ 13 RIGHT WINDOW</p>
CAV	CIRCUIT	GAUGE	COLOR	TERMINAL																																	
A*	F143Y	18	DKBL	1661261C1																																	
A*	F143AH	18	DKBL	1661261C1																																	
A*	F12C	18	BK	1661261C1																																	
B*	F143-GY	18	WH	1661261C1																																	
B*	F143GAH	18	WH	1661261C1																																	
B*	F12-GR	18	WH	1661261C1																																	

CHK	DATE	CHANGE	REV	REFERENCE	DRAWN	NAME
0025	05JAN12	INITIAL RELEASE.	A	73617K	300343	CIRCUIT DIAGRAM, BE, CE BUS
					RELEASE NO.	DATE
					73617K	20APR11
					PART NO.	SHEET
					AE08065297	015

Figure 800 Connector Composites (10773E, 10773F, 10773G, 10773H)

26.16. CONNECTOR COMPOSITES (10774A, 10774C, 10774D), P. 16

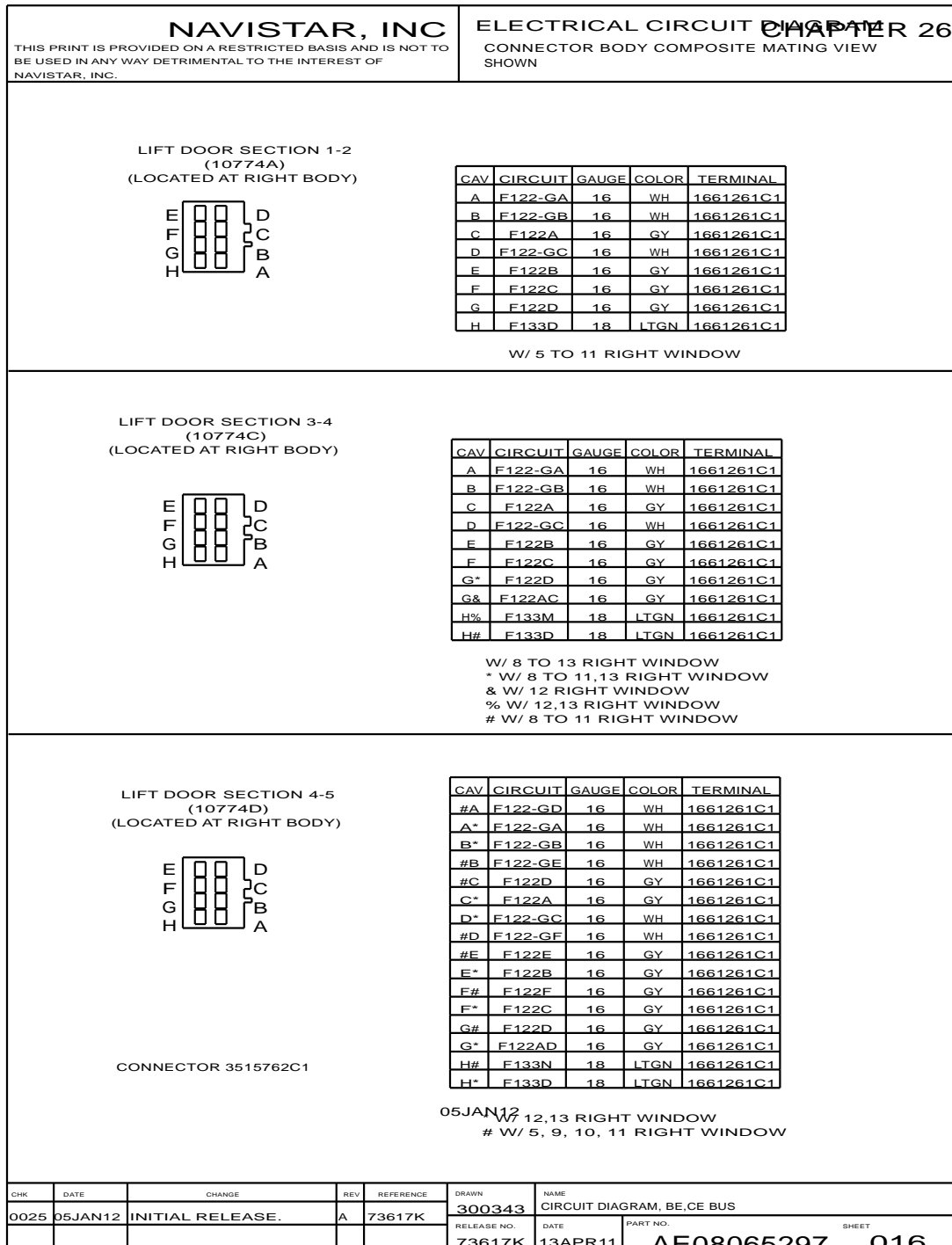


Figure 801 Connector Composites (10774A, 10774C, 10774D)

26.17. CONNECTOR COMPOSITES (10774E, 10774F), P. 17

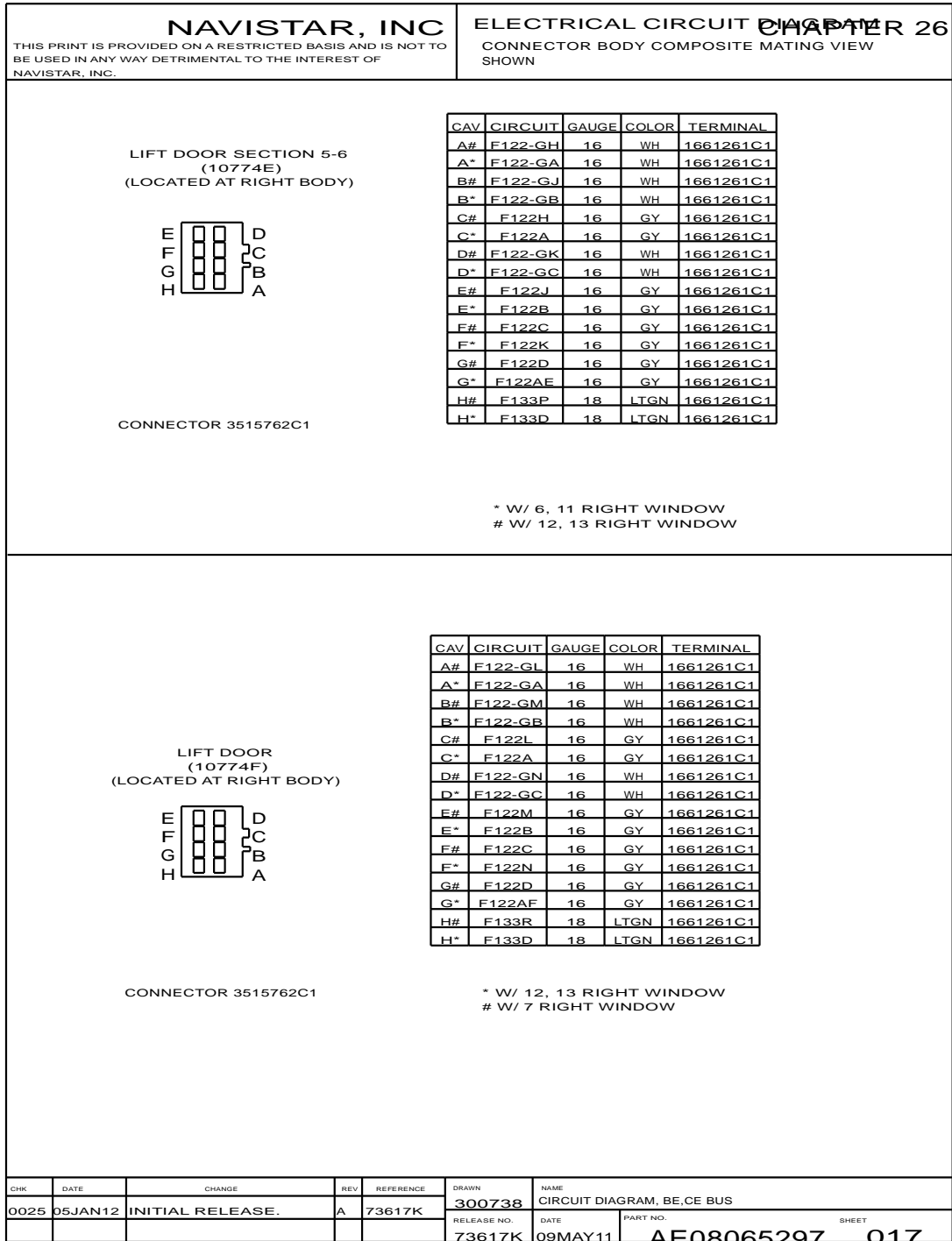


Figure 802 Connector Composites (10774E, 10774F)

26.18. CONNECTOR COMPOSITES (10774G, 10774H), P. 18

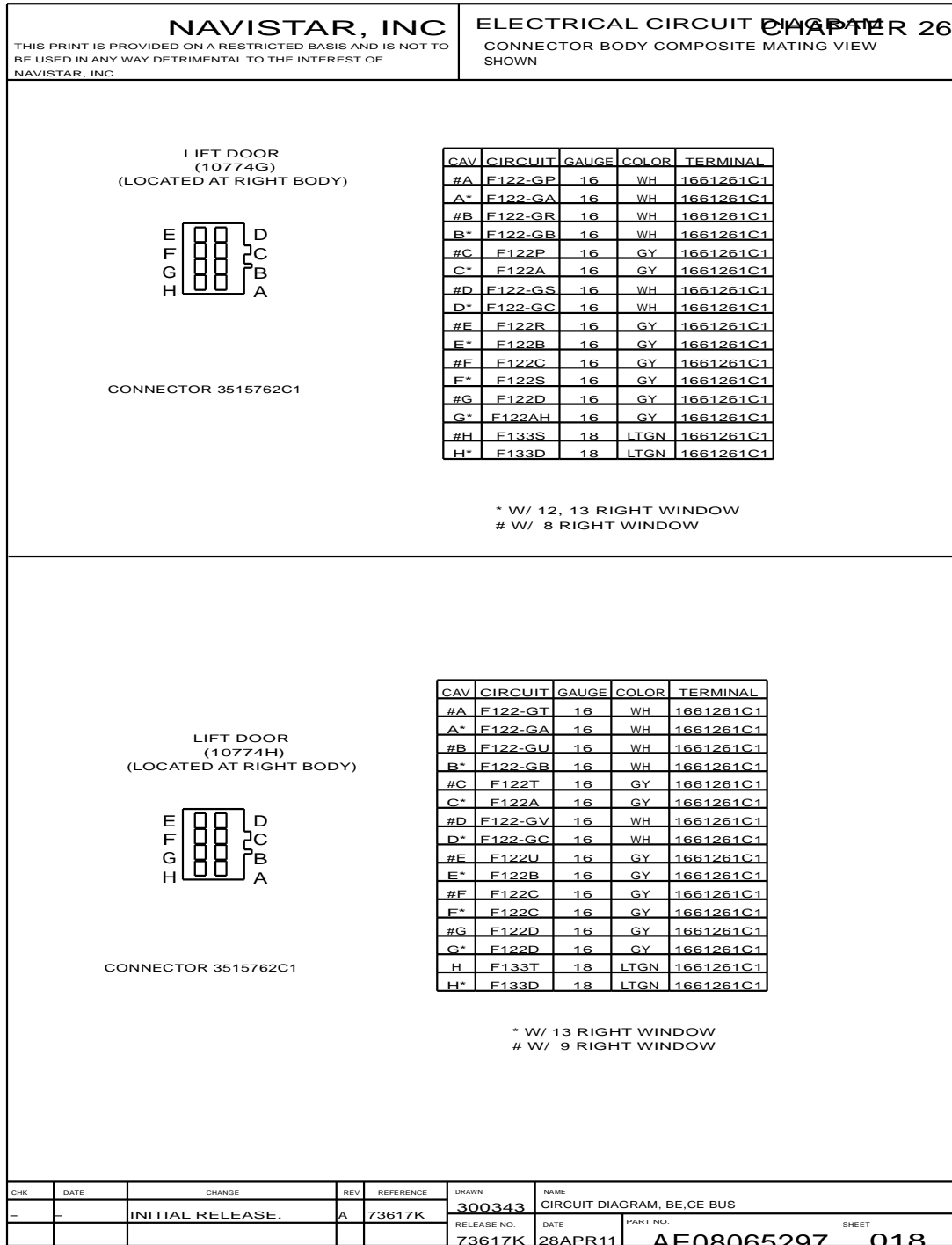


Figure 803 Connector Composites (10774G, 10774H)

26.19. CONNECTOR COMPOSITES (10774G, 10774H), P. 19

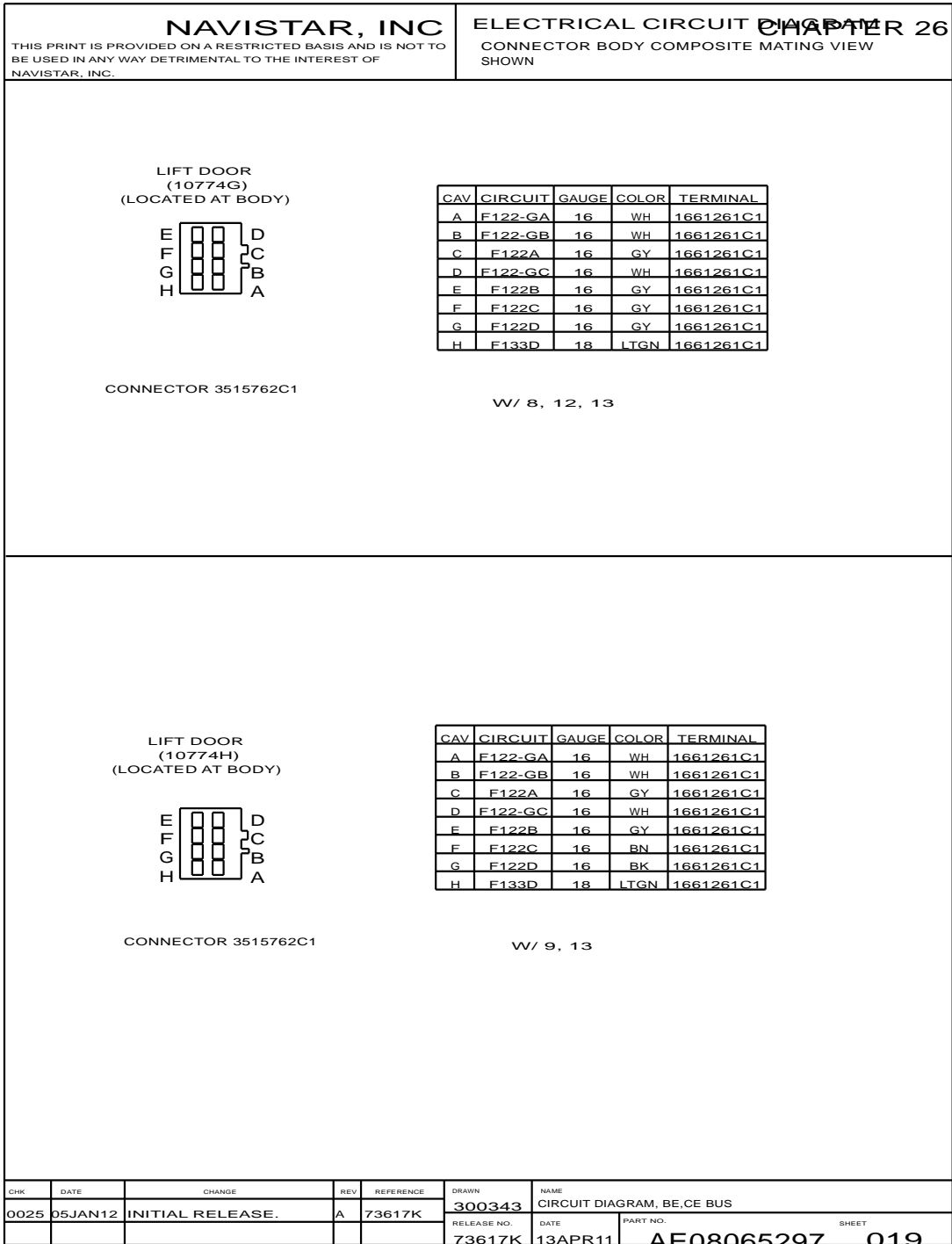


Figure 804 Connector Composites (10774G, 10774H)

26.20. CONNECTOR COMPOSITES (10775A, 10775B, 10775C, 10775D), P. 20

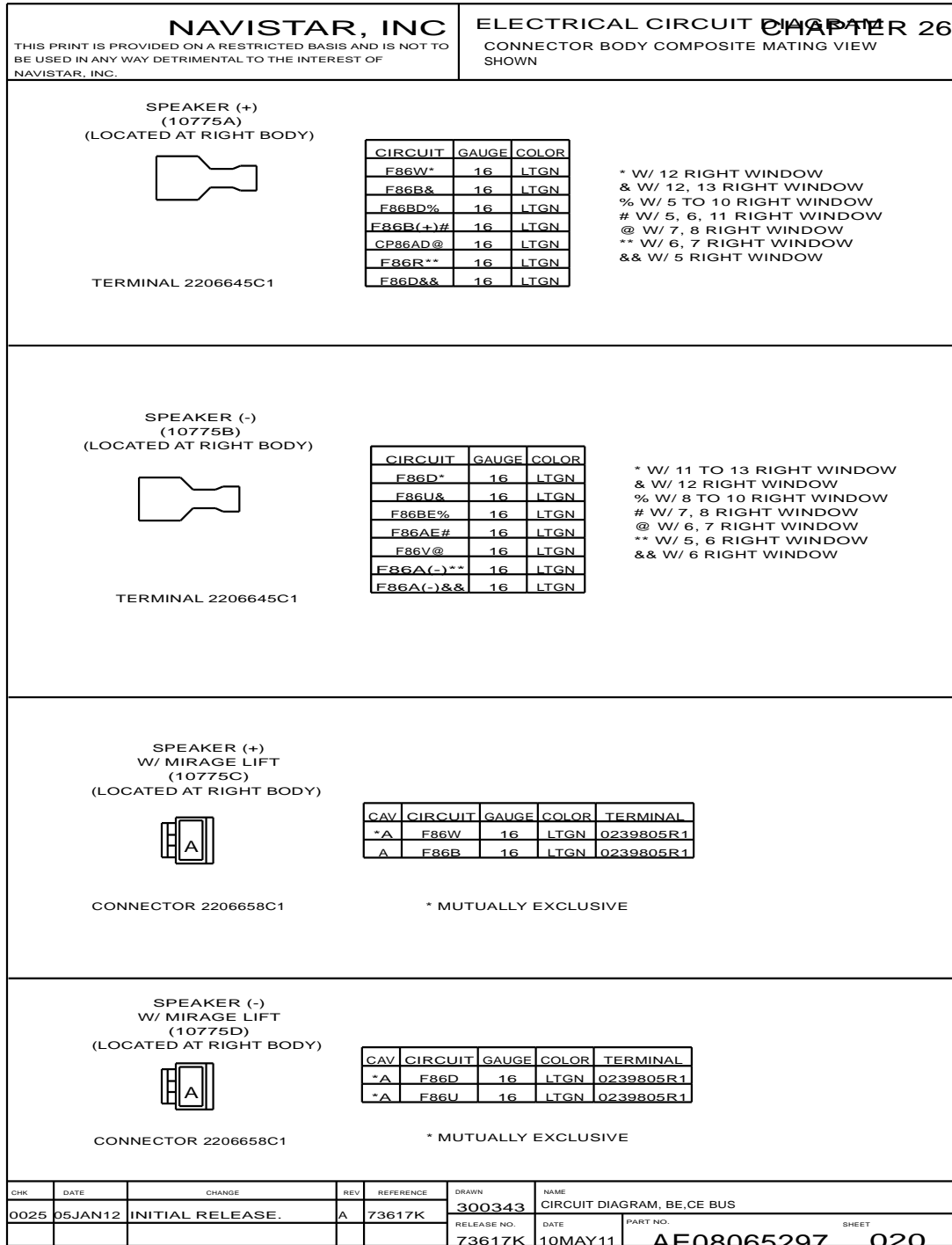


Figure 805 Connector Composites (10775A, 10775B, 10775C, 10775D)

26.21. CONNECTOR COMPOSITES (10778C, 10778D, 10778E, 10778F), P. 21

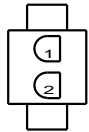
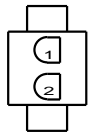
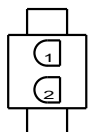
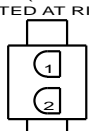
NAVISTAR, INC				ELECTRICAL CIRCUIT DIAGRAM CHAPTER 26																		
THIS PRINT IS PROVIDED ON A RESTRICTED BASIS AND IS NOT TO BE USED IN ANY WAY DETRIMENTAL TO THE INTEREST OF NAVISTAR, INC.				CONNECTOR BODY COMPOSITE MATING VIEW SHOWN																		
DUMP VALVE SWITCH ALTERNATE ENTRANCE DOOR (10778C) (LOCATED AT RIGHT BODY)																						
				<table border="1" style="font-size: x-small;"> <thead> <tr> <th>CAV</th> <th>CIRCUIT</th> <th>GAUGE</th> <th>COLOR</th> <th>TERMINAL</th> </tr> </thead> <tbody> <tr> <td>1</td> <td>F120D</td> <td>18</td> <td>LTGN</td> <td>1661539C1</td> </tr> <tr> <td>2</td> <td>F120C</td> <td>18</td> <td>LTGN</td> <td>1661539C1</td> </tr> </tbody> </table>				CAV	CIRCUIT	GAUGE	COLOR	TERMINAL	1	F120D	18	LTGN	1661539C1	2	F120C	18	LTGN	1661539C1
CAV	CIRCUIT	GAUGE	COLOR	TERMINAL																		
1	F120D	18	LTGN	1661539C1																		
2	F120C	18	LTGN	1661539C1																		
CONNECTOR 1669029C1				W/ 8, 9, 12, 13 RIGHT WINDOW																		
VANDAL LOCK SWITCH ALTERNATE ENTRANCE DOOR (10778D) (LOCATED AT RIGHT BODY)																						
				<table border="1" style="font-size: x-small;"> <thead> <tr> <th>CAV</th> <th>CIRCUIT</th> <th>GAUGE</th> <th>COLOR</th> <th>TERMINAL</th> </tr> </thead> <tbody> <tr> <td>1</td> <td>F120D</td> <td>18</td> <td>LTGN</td> <td>1661539C1</td> </tr> <tr> <td>2</td> <td>F120C</td> <td>18</td> <td>LTGN</td> <td>1661539C1</td> </tr> </tbody> </table>				CAV	CIRCUIT	GAUGE	COLOR	TERMINAL	1	F120D	18	LTGN	1661539C1	2	F120C	18	LTGN	1661539C1
CAV	CIRCUIT	GAUGE	COLOR	TERMINAL																		
1	F120D	18	LTGN	1661539C1																		
2	F120C	18	LTGN	1661539C1																		
CONNECTOR 1669029C1				W/ 10, 13 RIGHT WINDOW																		
VANDAL LOCK SWITCH ALTERNATE ENTRANCE DOOR (10778E) (LOCATED AT RIGHT BODY)																						
				<table border="1" style="font-size: x-small;"> <thead> <tr> <th>CAV</th> <th>CIRCUIT</th> <th>GAUGE</th> <th>COLOR</th> <th>TERMINAL</th> </tr> </thead> <tbody> <tr> <td>1</td> <td>F120D</td> <td>18</td> <td>LTGN</td> <td>1661539C1</td> </tr> <tr> <td>2</td> <td>F120C</td> <td>18</td> <td>LTGN</td> <td>1661539C1</td> </tr> </tbody> </table>				CAV	CIRCUIT	GAUGE	COLOR	TERMINAL	1	F120D	18	LTGN	1661539C1	2	F120C	18	LTGN	1661539C1
CAV	CIRCUIT	GAUGE	COLOR	TERMINAL																		
1	F120D	18	LTGN	1661539C1																		
2	F120C	18	LTGN	1661539C1																		
CONNECTOR 1669029C1				W/ 10, 11 RIGHT WINDOW																		
VANDAL LOCK SWITCH ALTERNATE ENTRANCE DOOR (10778F) (LOCATED AT RIGHT BODY)																						
				<table border="1" style="font-size: x-small;"> <thead> <tr> <th>CAV</th> <th>CIRCUIT</th> <th>GAUGE</th> <th>COLOR</th> <th>TERMINAL</th> </tr> </thead> <tbody> <tr> <td>1</td> <td>F120D</td> <td>18</td> <td>LTGN</td> <td>1661539C1</td> </tr> <tr> <td>2</td> <td>F120C</td> <td>18</td> <td>LTGN</td> <td>1661539C1</td> </tr> </tbody> </table>				CAV	CIRCUIT	GAUGE	COLOR	TERMINAL	1	F120D	18	LTGN	1661539C1	2	F120C	18	LTGN	1661539C1
CAV	CIRCUIT	GAUGE	COLOR	TERMINAL																		
1	F120D	18	LTGN	1661539C1																		
2	F120C	18	LTGN	1661539C1																		
CONNECTOR 1669029C1				W/ 11 RIGHT WINDOW																		
CHK	DATE	CHANGE	REV	REFERENCE	DRAWN	NAME																
0025	05JAN12	INITIAL RELEASE.	A	73617K	300343	CIRCUIT DIAGRAM, BE,CE BUS																
				RELEASE NO.	DATE	PART NO.	SHEET															
				73617K	10MAY11	AE08065297	021															

Figure 806 Connector Composites (10778C, 10778D, 10778E, 10778F)

26.22. CONNECTOR COMPOSITES (10779, 10779A, 10779B, 10780), P. 22

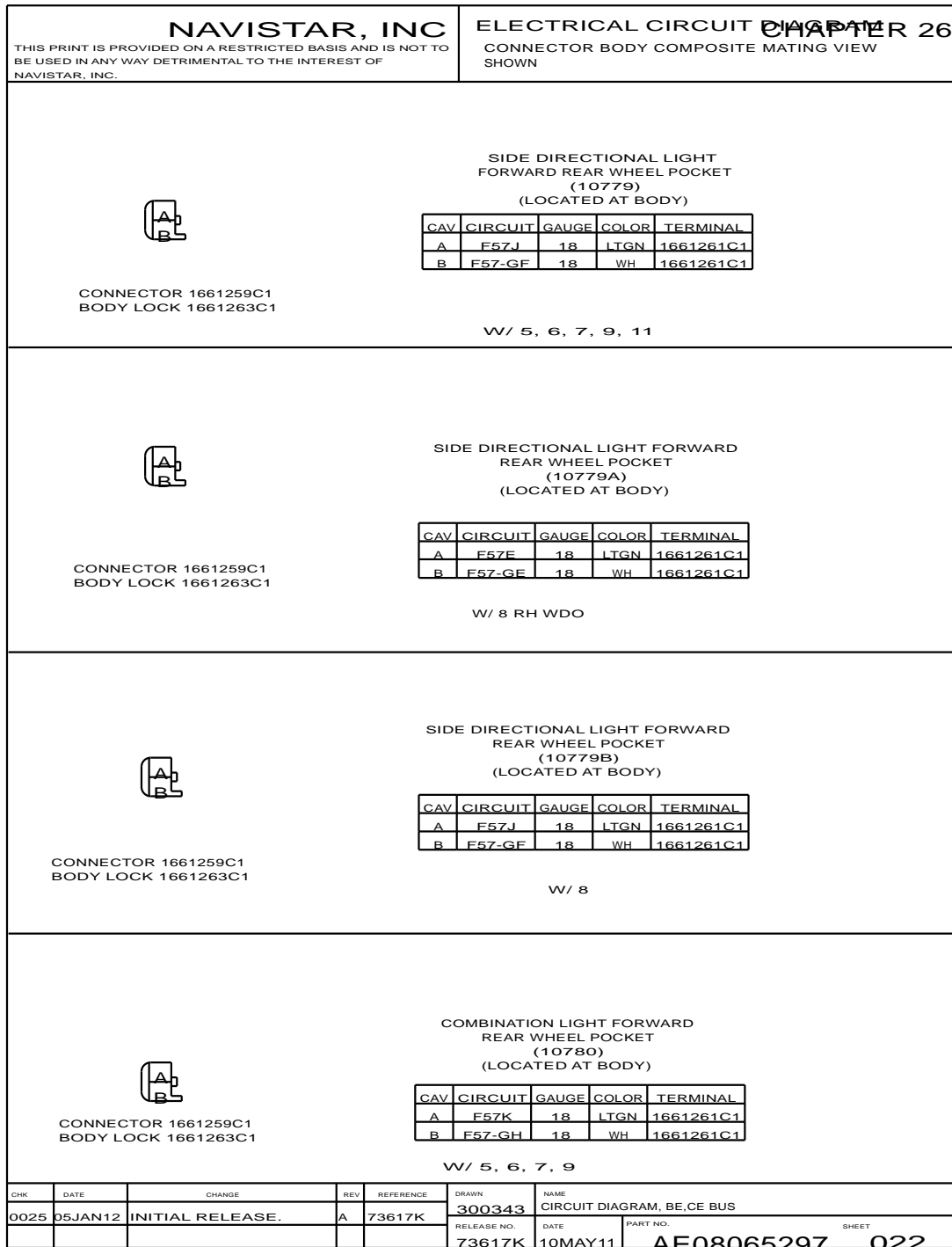


Figure 807 Connector Composites (10779, 10779A, 10779B, 10780)

26.23. CONNECTOR COMPOSITES (10781, 10800, 10801, 10802), P. 23

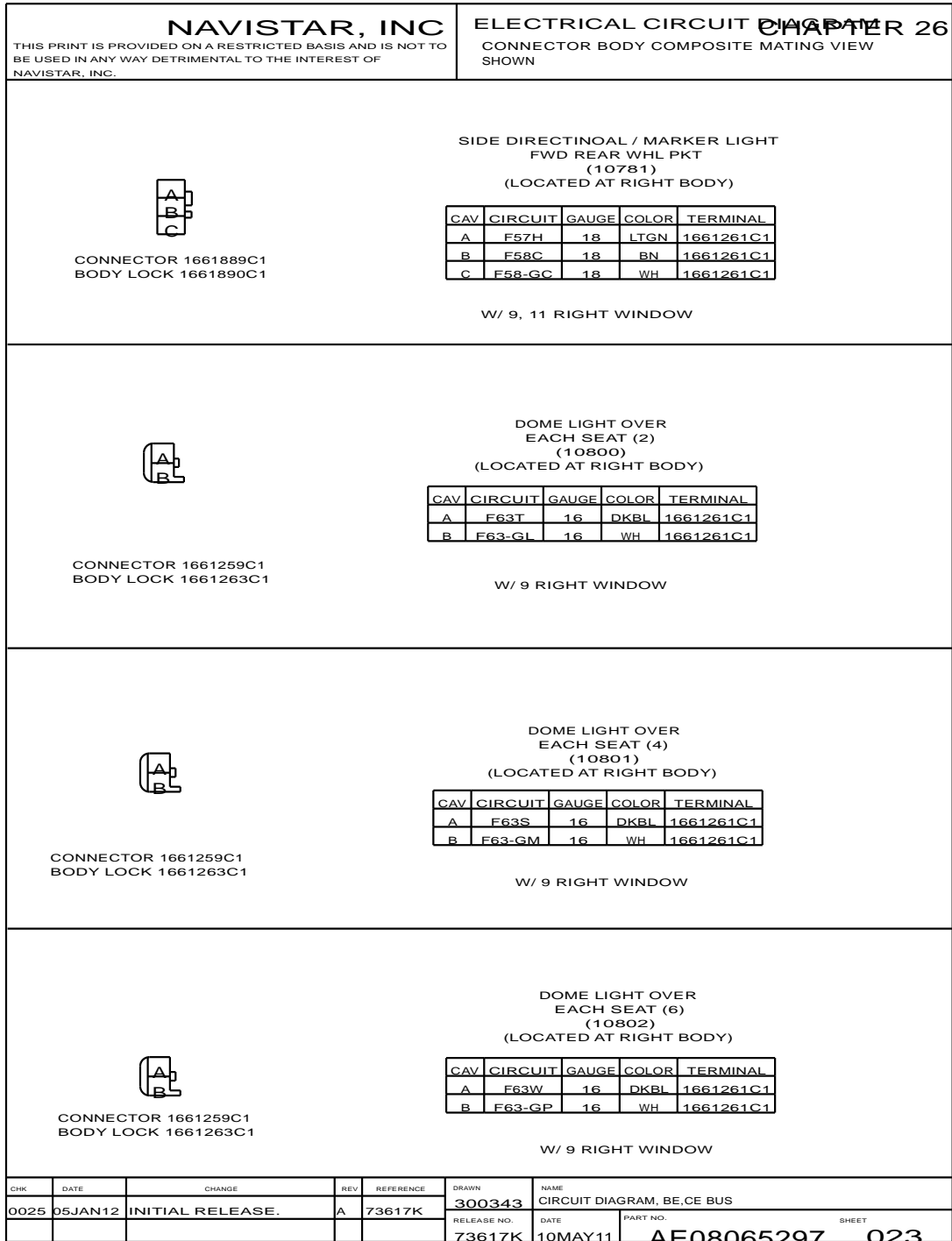


Figure 808 Connector Composites (10781, 10800, 10801, 10802)

26.24. CONNECTOR COMPOSITES (10803, 10804, 10805, 10806), P. 24

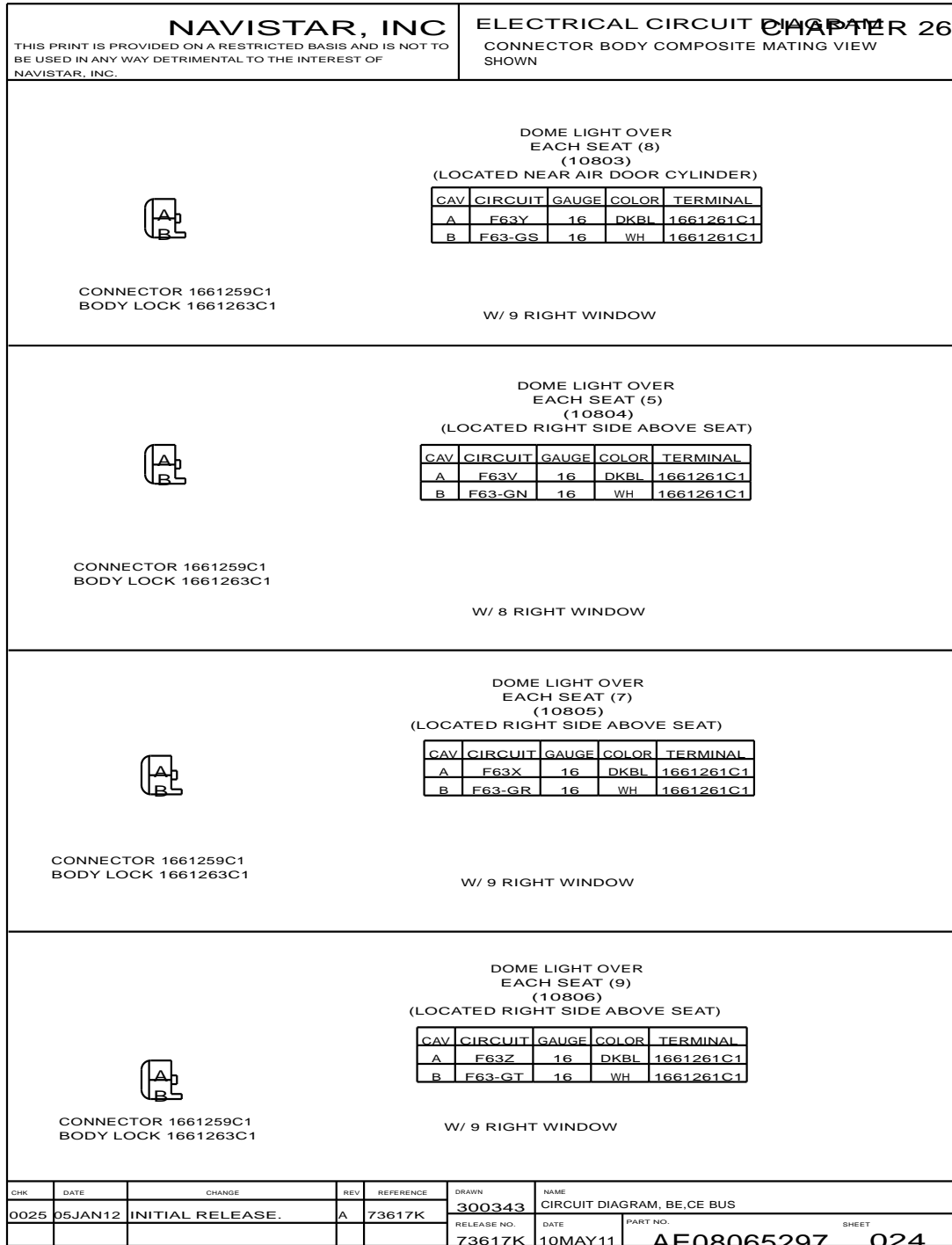


Figure 809 Connector Composites (10803, 10804, 10805, 10806)

26.25. CONNECTOR COMPOSITES (10807A, 10807B, 10808, 10835), P. 25



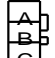
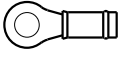
NAVISTAR, INC <small>THIS PRINT IS PROVIDED ON A RESTRICTED BASIS AND IS NOT TO BE USED IN ANY WAY DETRIMENTAL TO THE INTEREST OF NAVISTAR, INC.</small>				ELECTRICAL CIRCUIT DIAGRAM CHAPTER 26 CONNECTOR BODY COMPOSITE MATING VIEW SHOWN																							
		SIDE DIRECTIONAL LIGHT OVER REAR WHEEL POCKET (10807A) (LOCATED NEAR RIGHT REAR WHEEL)				<table border="1" style="width:100%; border-collapse: collapse;"> <thead> <tr> <th>CAV</th> <th>CIRCUIT</th> <th>GAUGE</th> <th>COLOR</th> <th>TERMINAL</th> </tr> </thead> <tbody> <tr> <td>A</td> <td>F57D</td> <td>18</td> <td>LTGN</td> <td>1661261C1</td> </tr> <tr> <td>B</td> <td>F57-GD</td> <td>18</td> <td>WH</td> <td>1661261C1</td> </tr> </tbody> </table>		CAV	CIRCUIT	GAUGE	COLOR	TERMINAL	A	F57D	18	LTGN	1661261C1	B	F57-GD	18	WH	1661261C1					
CAV	CIRCUIT	GAUGE	COLOR	TERMINAL																							
A	F57D	18	LTGN	1661261C1																							
B	F57-GD	18	WH	1661261C1																							
CONNECTOR 1661259C1 BODY LOCK 1661263C1		W/ 8 RIGHT WINDOW																									
		SIDE DIRECTIONAL LIGHT OVER REAR WHEEL POCKET (10807B) (LOCATED NEAR RIGHT REAR WHEEL)				<table border="1" style="width:100%; border-collapse: collapse;"> <thead> <tr> <th>CAV</th> <th>CIRCUIT</th> <th>GAUGE</th> <th>COLOR</th> <th>TERMINAL</th> </tr> </thead> <tbody> <tr> <td>A</td> <td>F57K</td> <td>18</td> <td>LTGN</td> <td>1661261C1</td> </tr> <tr> <td>B</td> <td>F57-GH</td> <td>18</td> <td>WH</td> <td>1661261C1</td> </tr> </tbody> </table>		CAV	CIRCUIT	GAUGE	COLOR	TERMINAL	A	F57K	18	LTGN	1661261C1	B	F57-GH	18	WH	1661261C1					
CAV	CIRCUIT	GAUGE	COLOR	TERMINAL																							
A	F57K	18	LTGN	1661261C1																							
B	F57-GH	18	WH	1661261C1																							
CONNECTOR 1661259C1 BODY LOCK 1661263C1		W/ 8 RIGHT WINDOW																									
		SIDE DIRECTIONAL / MARKER LIGHT FORWARD REAR WHEEL POCKET (10808) (LOCATED NEAR FORWARD / REAR WHEEL)				<table border="1" style="width:100%; border-collapse: collapse;"> <thead> <tr> <th>CAV</th> <th>CIRCUIT</th> <th>GAUGE</th> <th>COLOR</th> <th>TERMINAL</th> </tr> </thead> <tbody> <tr> <td>A</td> <td>F57H</td> <td>18</td> <td>LTGN</td> <td>1661261C1</td> </tr> <tr> <td>B</td> <td>F58C</td> <td>18</td> <td>BN</td> <td>1661261C1</td> </tr> <tr> <td>C</td> <td>F58-GC</td> <td>18</td> <td>WH</td> <td>1661261C1</td> </tr> </tbody> </table>		CAV	CIRCUIT	GAUGE	COLOR	TERMINAL	A	F57H	18	LTGN	1661261C1	B	F58C	18	BN	1661261C1	C	F58-GC	18	WH	1661261C1
CAV	CIRCUIT	GAUGE	COLOR	TERMINAL																							
A	F57H	18	LTGN	1661261C1																							
B	F58C	18	BN	1661261C1																							
C	F58-GC	18	WH	1661261C1																							
CONNECTOR 1661889C1 BODY LOCK 1661890C1		W/ 8 RIGHT WINDOW																									
		PASSENGER PULL CORD (10835) (LOCATED AT RIGHT BODY)				<table border="1" style="width:100%; border-collapse: collapse;"> <thead> <tr> <th>CAV</th> <th>CIRCUIT</th> <th>GAUGE</th> <th>COLOR</th> </tr> </thead> <tbody> <tr> <td>A</td> <td>F141</td> <td>16</td> <td>LTGN</td> </tr> </tbody> </table>		CAV	CIRCUIT	GAUGE	COLOR	A	F141	16	LTGN												
CAV	CIRCUIT	GAUGE	COLOR																								
A	F141	16	LTGN																								
TERMINAL 2206635C1		W/ 12, 13 RIGHT WINDOW																									
CHK	DATE	CHANGE	REV	REFERENCE	DRAWN	NAME																					
0025	05JAN12	INITIAL RELEASE.	A	73617K	300343	CIRCUIT DIAGRAM, BE,CE BUS																					
					RELEASE NO.	DATE	PART NO.	SHEET																			
					73617K	10MAY11	AE08065297	025																			

Figure 810 Connector Composites (10807A, 10807B, 10808, 10835)

26.26. CONNECTOR COMPOSITES (10836, 11500), P. 26

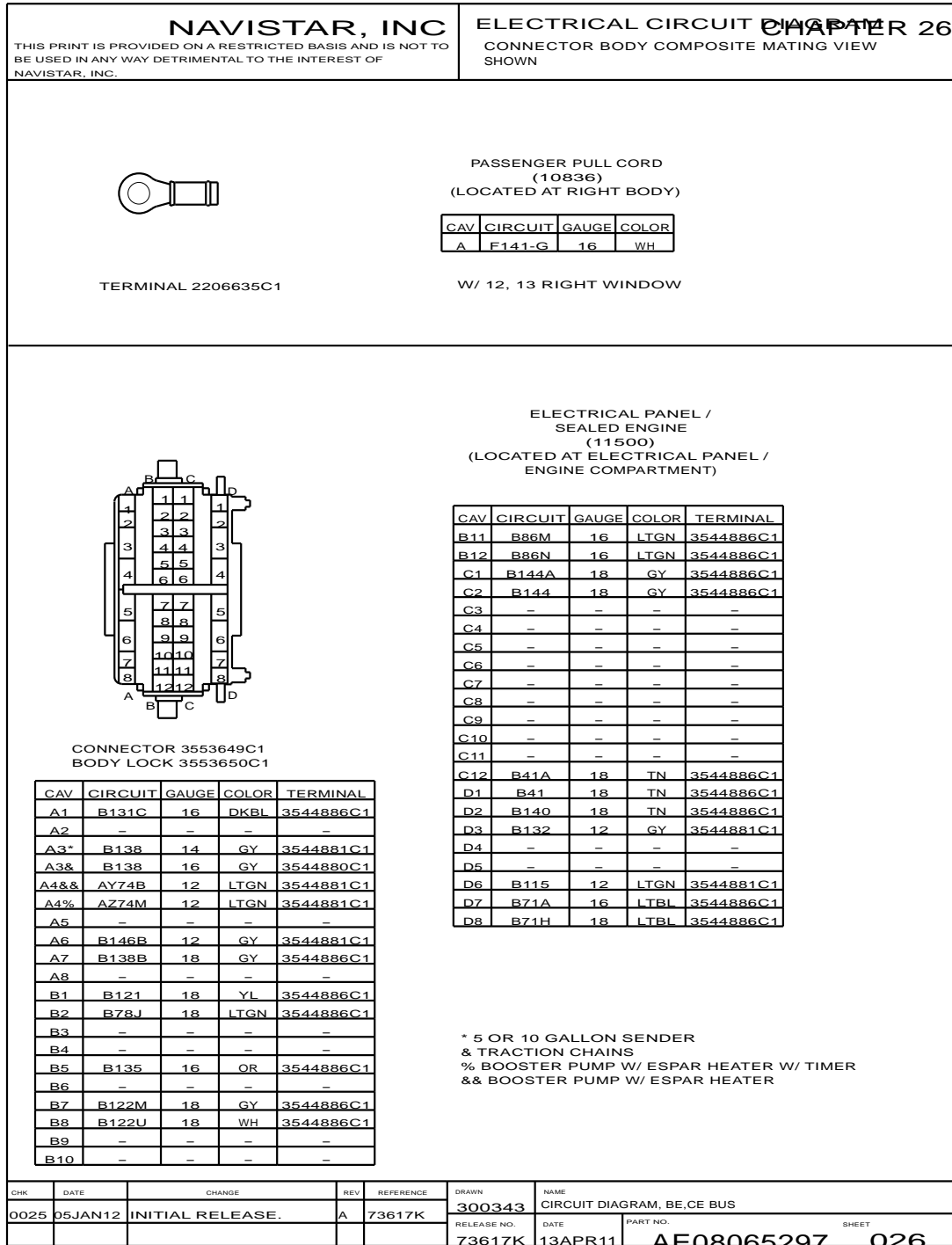


Figure 811 Connector Composites (10836, 11500)

26.27. CONNECTOR COMPOSITES (11500), P. 27

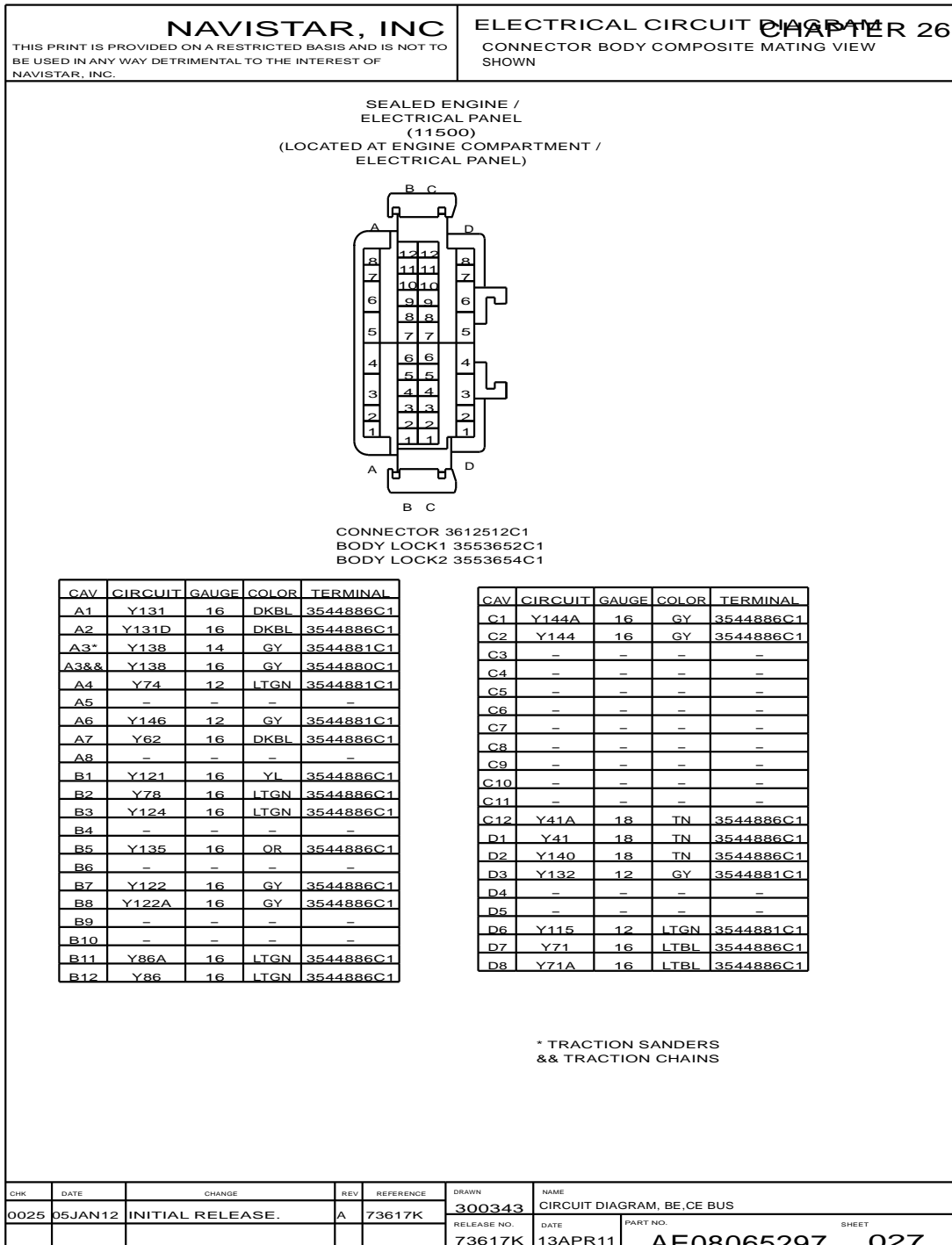


Figure 812 Connector Composites (11500)

26.28. CONNECTOR COMPOSITES (11501, 11502, 11503, 11504, 11505), P. 28

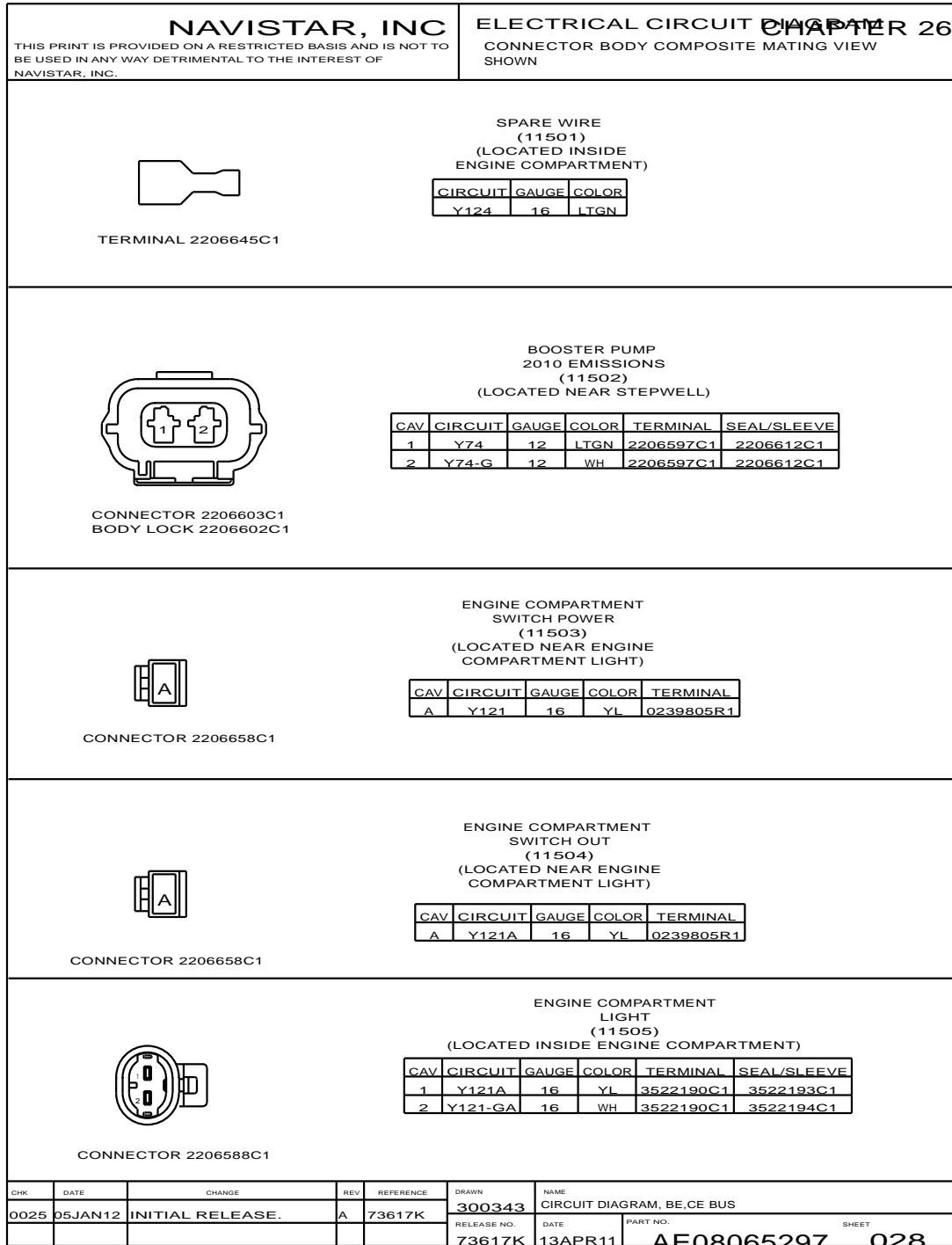


Figure 813 Connector Composites (11501, 11502, 11503, 11504, 11505)

26.29. CONNECTOR COMPOSITES (11506, 11507, 11509), P. 29

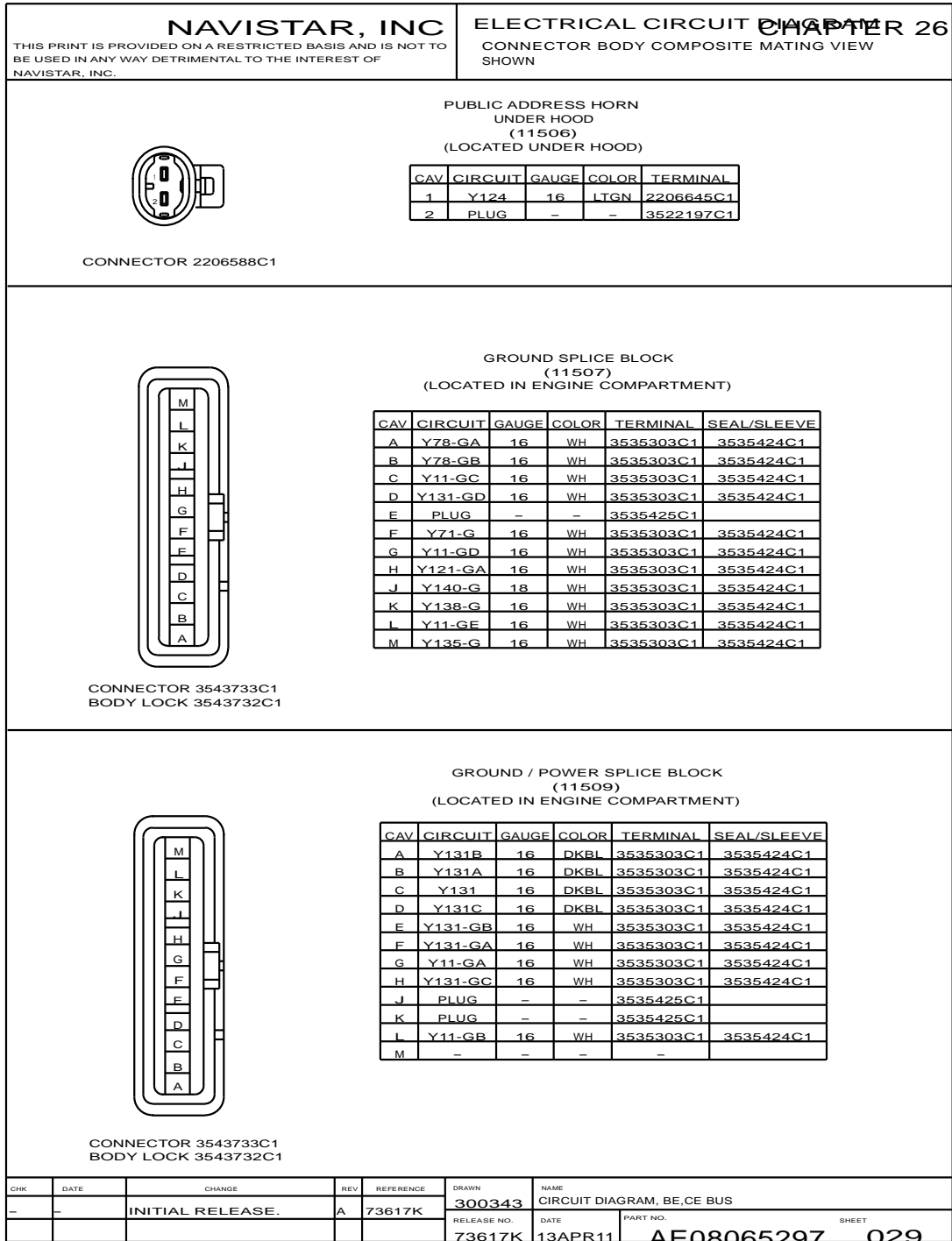


Figure 814 Connector Composites (11506, 11507, 11509)

26.30. CONNECTOR COMPOSITES (11511, 11512, 11513, 11514), P. 30

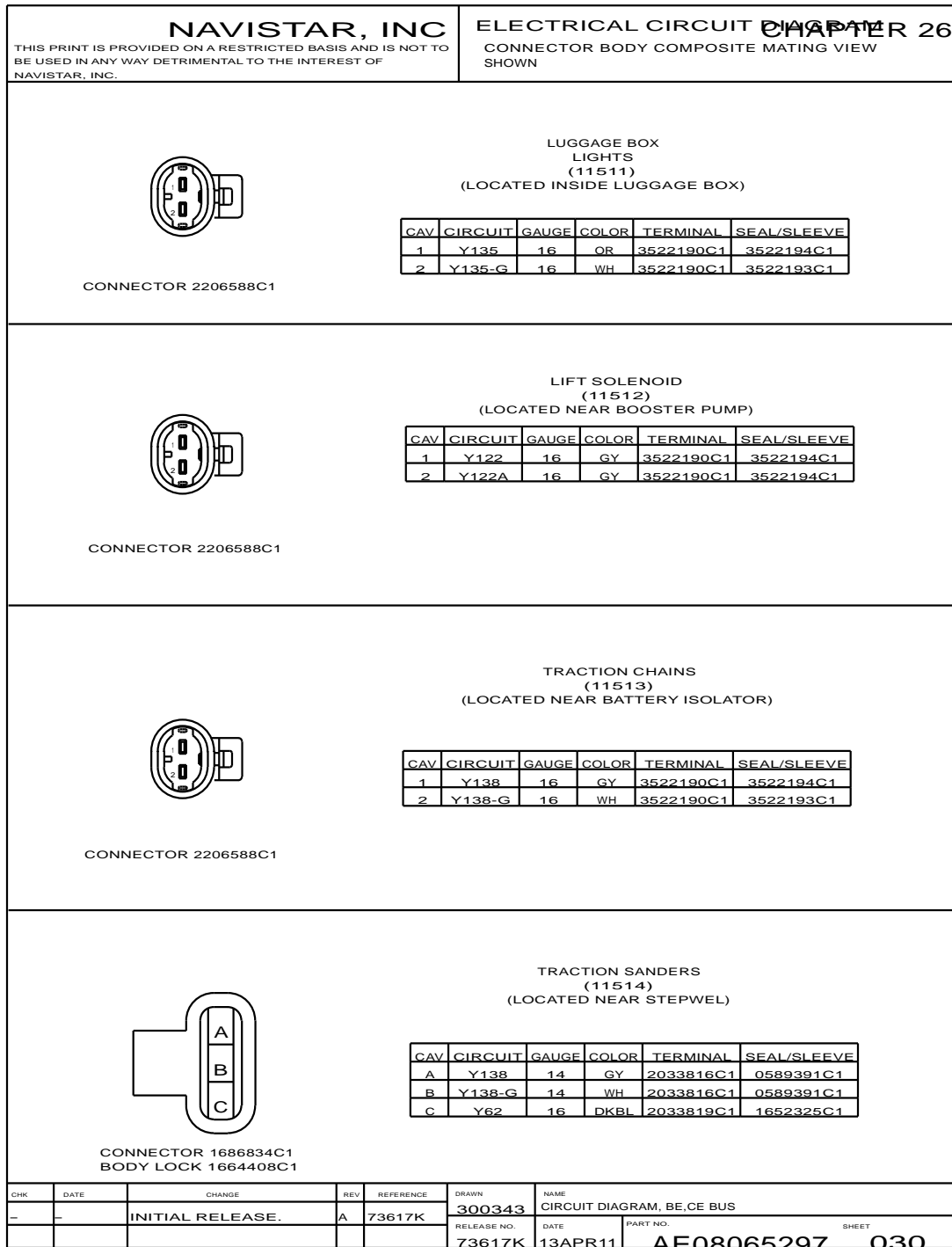


Figure 815 Connector Composites (11511, 11512, 11513, 11514)

26.31. CONNECTOR COMPOSITES (11515, 11516, 11517, 11518), P. 31

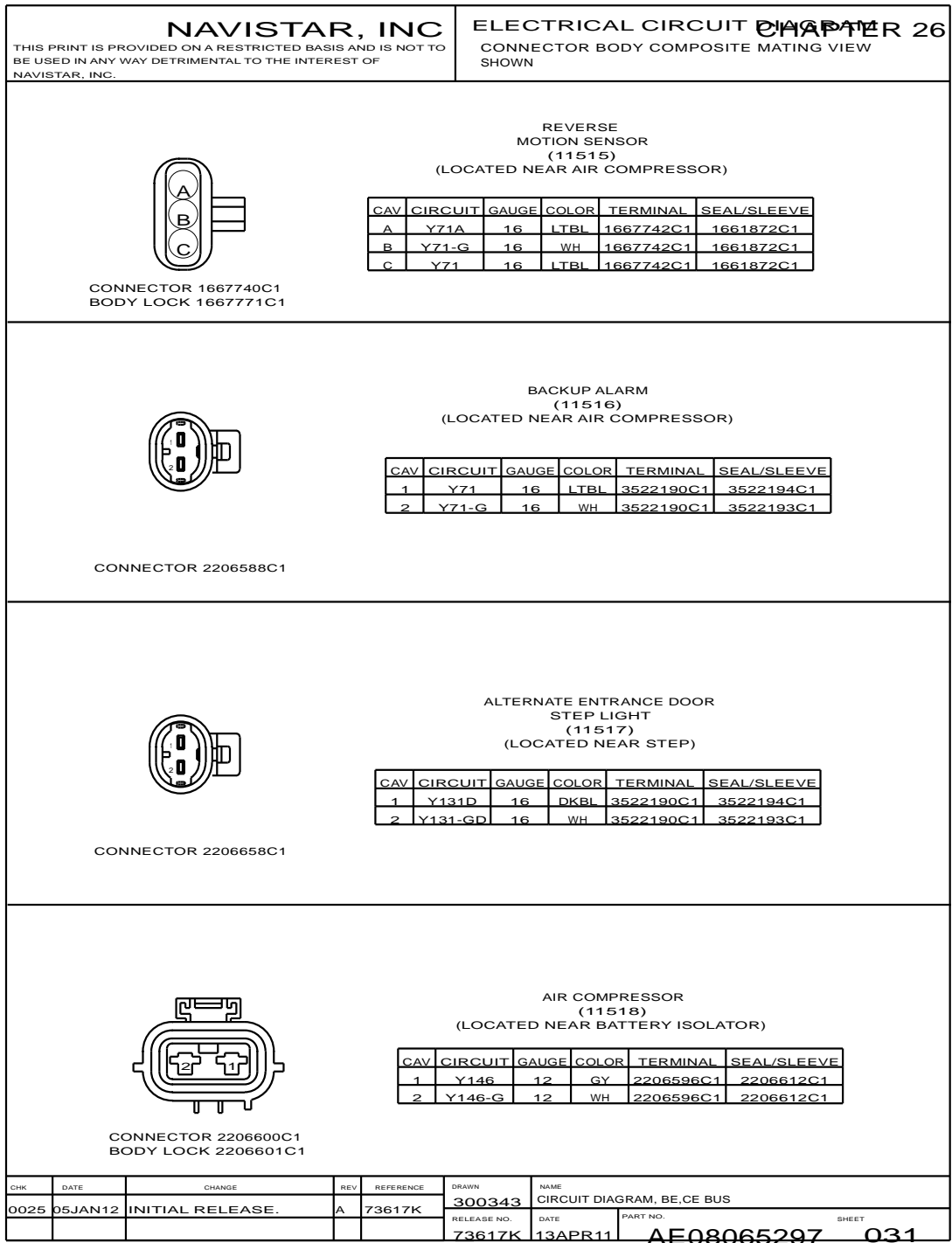


Figure 816 Connector Composites (11515, 11516, 11517, 11518)

26.32. CONNECTOR COMPOSITES (11519, 11520, 11521, 11522), P. 32

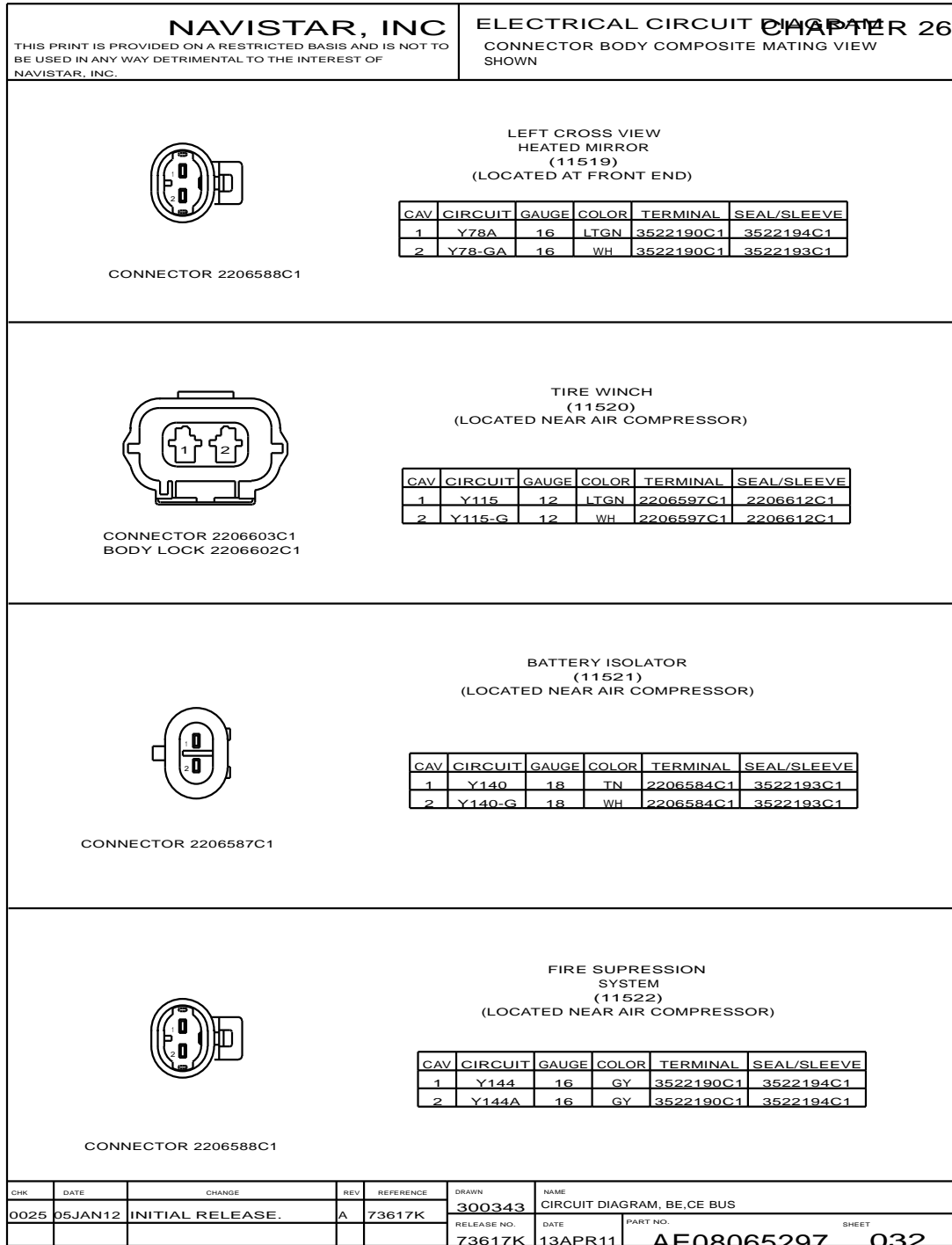


Figure 817 Connector Composites (11519, 11520, 11521, 11522)

26.33. CONNECTOR COMPOSITES (11523, 11524, 11525, 11526), P. 33

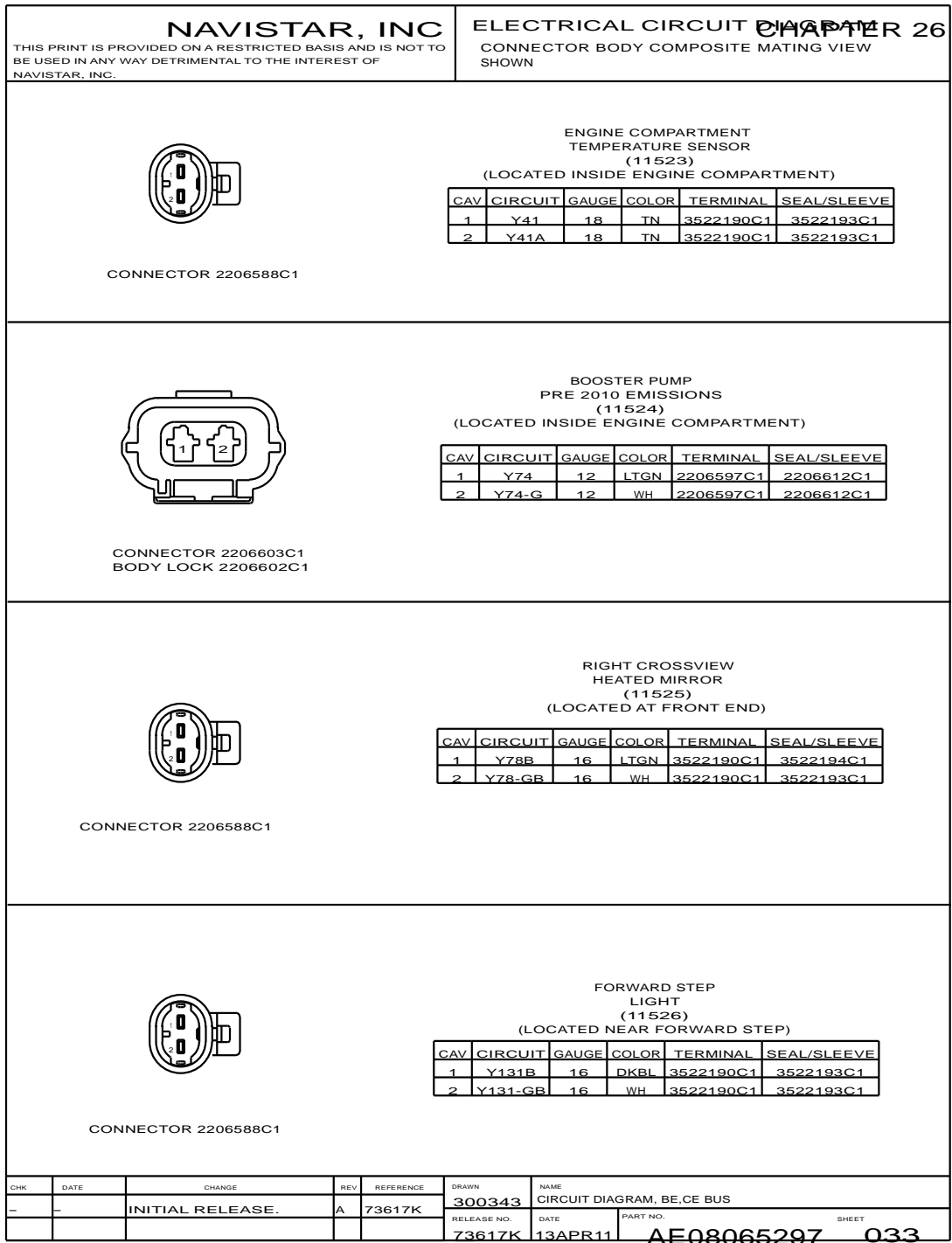


Figure 818 Connector Composites (11523, 11524, 11525, 11526)

26.34. CONNECTOR COMPOSITES (11527, 11528, 11529, 11530), P. 34

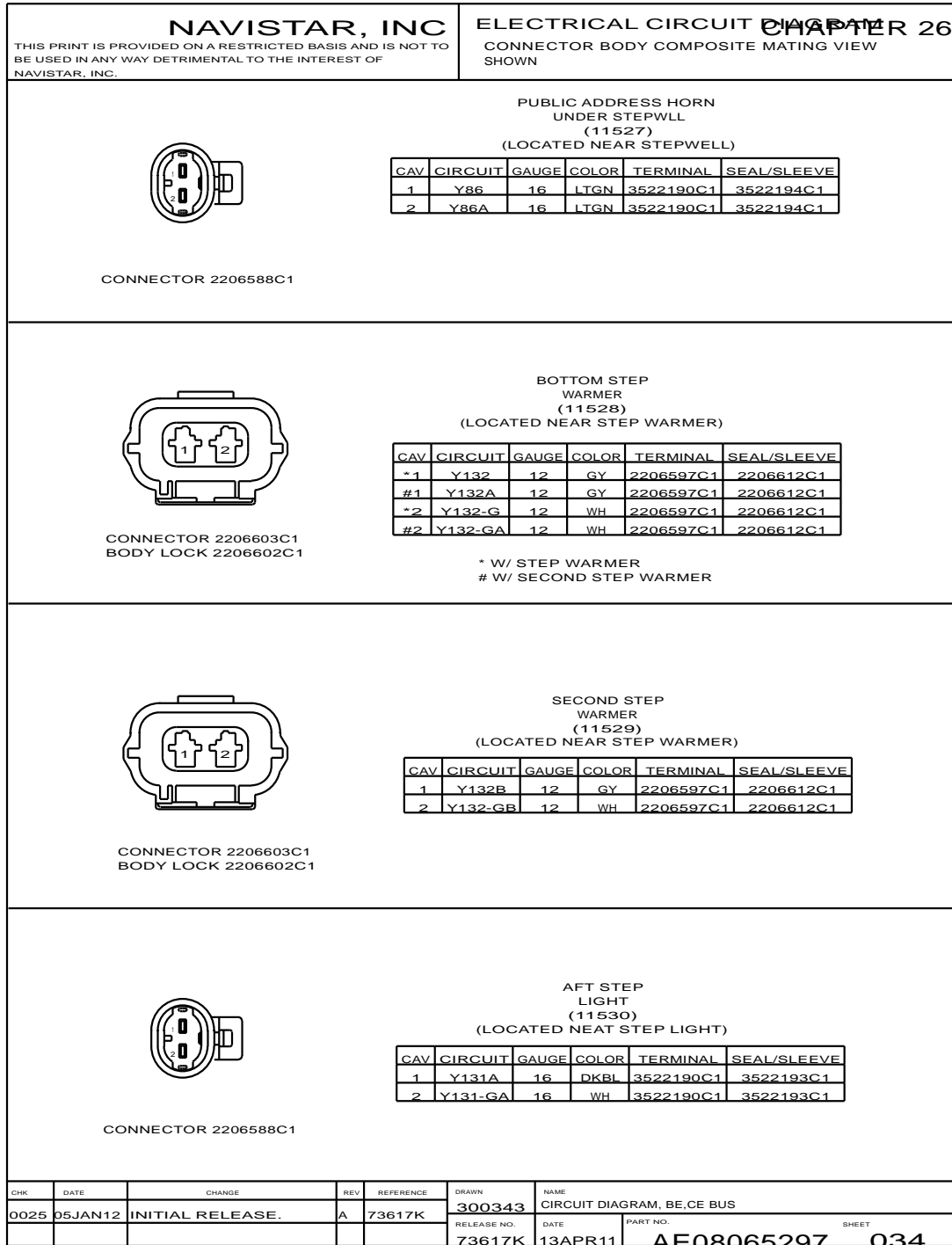


Figure 819 Connector Composites (11527, 11528, 11529, 11530)

26.35. CONNECTOR COMPOSITES (11600A, 11600B, 11600C, 11600D, 11601), P. 35

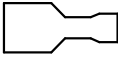
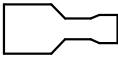
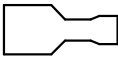
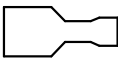
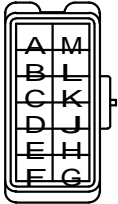
<p style="text-align: center;">NAVISTAR, INC</p> <p style="font-size: small;">THIS PRINT IS PROVIDED ON A RESTRICTED BASIS AND IS NOT TO BE USED IN ANY WAY DETRIMENTAL TO THE INTEREST OF NAVISTAR, INC.</p>	<p style="text-align: right;">ELECTRICAL CIRCUIT DIAGRAM CHAPTER 26</p> <p style="text-align: center;">CONNECTOR BODY COMPOSITE MATING VIEW SHOWN</p>																																																																	
 TERMINAL 2206645C1	<p>DOOR SWITCH ZERO VOLT REFERENCE (11600A) (LOCATED ON LEFT PANEL)</p> <table border="1" style="margin: auto;"> <tr><th>CAV</th><th>CIRCUIT</th><th>GAUGE</th><th>COLOR</th></tr> <tr><td>A</td><td>B9A</td><td>18</td><td>GY</td></tr> </table>	CAV	CIRCUIT	GAUGE	COLOR	A	B9A	18	GY																																																									
CAV	CIRCUIT	GAUGE	COLOR																																																															
A	B9A	18	GY																																																															
 TERMINAL 1661343C1	<p>DOOR SWITCH ZERO VOLT REFERENCE (11600B) (LOCATED ON LEFT PANEL)</p> <table border="1" style="margin: auto;"> <tr><th>CAV</th><th>CIRCUIT</th><th>GAUGE</th><th>COLOR</th></tr> <tr><td>A</td><td>B9D</td><td>18</td><td>GY</td></tr> </table>	CAV	CIRCUIT	GAUGE	COLOR	A	B9D	18	GY																																																									
CAV	CIRCUIT	GAUGE	COLOR																																																															
A	B9D	18	GY																																																															
 TERMINAL 1661343C1	<p>DOOR SWITCH OPEN SIGNAL (11600C) (LOCATED ON LEFT PANEL)</p> <table border="1" style="margin: auto;"> <tr><th>CAV</th><th>CIRCUIT</th><th>GAUGE</th><th>COLOR</th></tr> <tr><td>A</td><td>B120H</td><td>18</td><td>LTGN</td></tr> </table>	CAV	CIRCUIT	GAUGE	COLOR	A	B120H	18	LTGN																																																									
CAV	CIRCUIT	GAUGE	COLOR																																																															
A	B120H	18	LTGN																																																															
 TERMINAL 1661343C1	<p>DOOR SWITCH OVERRIDE SIGNAL (11600D) (LOCATED ON LEFT PANEL)</p> <table border="1" style="margin: auto;"> <tr><th>CAV</th><th>CIRCUIT</th><th>GAUGE</th><th>COLOR</th></tr> <tr><td>A</td><td>B120F</td><td>18</td><td>LTGN</td></tr> </table>	CAV	CIRCUIT	GAUGE	COLOR	A	B120F	18	LTGN																																																									
CAV	CIRCUIT	GAUGE	COLOR																																																															
A	B120F	18	LTGN																																																															
<p>STOP ARM WARNING LIGHT ADPTER (11601) (LOCATED NEAR DRIVER CONTROL PANEL)</p>  CONNECTOR 3700745C1 BODY LOCK 3700749C1	<table border="1" style="margin: auto;"> <thead> <tr><th>CAV</th><th>CIRCUIT</th><th>GAUGE</th><th>COLOR</th><th>TERMINAL</th></tr> </thead> <tbody> <tr><td>A</td><td>B89T</td><td>18</td><td>OR</td><td>3534164C1</td></tr> <tr><td>B</td><td>B89AA</td><td>18</td><td>OR</td><td>3534164C1</td></tr> <tr><td>C</td><td>B89C</td><td>16</td><td>OR</td><td>3534165C1</td></tr> <tr><td>D</td><td>-</td><td>-</td><td>-</td><td>-</td></tr> <tr><td>E</td><td>-</td><td>-</td><td>-</td><td>-</td></tr> <tr><td>F</td><td>-</td><td>-</td><td>-</td><td>-</td></tr> <tr><td>G</td><td>-</td><td>-</td><td>-</td><td>-</td></tr> <tr><td>H</td><td>-</td><td>-</td><td>-</td><td>-</td></tr> <tr><td>J</td><td>-</td><td>-</td><td>-</td><td>-</td></tr> <tr><td>K</td><td>B89D</td><td>16</td><td>OR</td><td>3534165C1</td></tr> <tr><td>L</td><td>B89BB</td><td>18</td><td>OR</td><td>3534164C1</td></tr> <tr><td>M</td><td>B89P</td><td>18</td><td>OR</td><td>3534164C1</td></tr> </tbody> </table>	CAV	CIRCUIT	GAUGE	COLOR	TERMINAL	A	B89T	18	OR	3534164C1	B	B89AA	18	OR	3534164C1	C	B89C	16	OR	3534165C1	D	-	-	-	-	E	-	-	-	-	F	-	-	-	-	G	-	-	-	-	H	-	-	-	-	J	-	-	-	-	K	B89D	16	OR	3534165C1	L	B89BB	18	OR	3534164C1	M	B89P	18	OR	3534164C1
CAV	CIRCUIT	GAUGE	COLOR	TERMINAL																																																														
A	B89T	18	OR	3534164C1																																																														
B	B89AA	18	OR	3534164C1																																																														
C	B89C	16	OR	3534165C1																																																														
D	-	-	-	-																																																														
E	-	-	-	-																																																														
F	-	-	-	-																																																														
G	-	-	-	-																																																														
H	-	-	-	-																																																														
J	-	-	-	-																																																														
K	B89D	16	OR	3534165C1																																																														
L	B89BB	18	OR	3534164C1																																																														
M	B89P	18	OR	3534164C1																																																														
<table border="1" style="width:100%; border-collapse: collapse;"> <tr> <th>CHK</th><th>DATE</th><th>CHANGE</th><th>REV</th><th>REFERENCE</th><th>DRAWN</th><th>NAME</th></tr> <tr> <td>012</td><td>12JAN14</td><td>CIRC B89T WAS B89B AND B</td><td></td><td>92272N</td><td>300343</td><td>CIRCUIT DIAGRAM, BE,CE BUS</td></tr> <tr> <td></td><td></td><td>B89P WAS B89A.</td><td></td><td></td><td>RELEASE NO. 73617K</td><td>DATE 13APR11</td></tr> </table>	CHK	DATE	CHANGE	REV	REFERENCE	DRAWN	NAME	012	12JAN14	CIRC B89T WAS B89B AND B		92272N	300343	CIRCUIT DIAGRAM, BE,CE BUS			B89P WAS B89A.			RELEASE NO. 73617K	DATE 13APR11	<table border="1" style="width:100%; border-collapse: collapse;"> <tr> <th>PART NO.</th><th>SHEET</th></tr> <tr> <td>AE08065297</td><td>035</td></tr> </table>	PART NO.	SHEET	AE08065297	035																																								
CHK	DATE	CHANGE	REV	REFERENCE	DRAWN	NAME																																																												
012	12JAN14	CIRC B89T WAS B89B AND B		92272N	300343	CIRCUIT DIAGRAM, BE,CE BUS																																																												
		B89P WAS B89A.			RELEASE NO. 73617K	DATE 13APR11																																																												
PART NO.	SHEET																																																																	
AE08065297	035																																																																	

Figure 820 Connector Composites (11600A, 11600B, 11600C, 11600D, 11601)