
Body Electrical Circuit Diagrams

IC Bus® RE Series – Built September 2017 and After
Engine Family: Cummins® L9

IC Bus, LLC

2701 Navistar Drive, Lisle, IL 60532 USA

TABLE OF CONTENTS

3. INSTRUCTIONS AND CHARTS (CHAPTER 2)	1
3.1. ABBREVIATIONS, P. 1.....	1
3.2. ACRONYMS, P. 2.....	2
3.3. CIRCUIT DIAGRAM INSTRUCTIONS, P. 3.....	3
3.4. CIRCUIT NUMBER IDENTIFICATION AND COLOR, P. 4.....	4
3.5. CIRCUIT NUMBER IDENTIFICATION AND COLOR (CONT.), P. 5.....	5
3.6. CIRCUIT NUMBER IDENTIFICATION AND COLOR (CONT.), P. 6.....	6
3.7. CIRCUIT NUMBER IDENTIFICATION AND COLOR (CONT.), P. 7.....	7
3.8. LAMP BULB CHART, P. 8.....	8
3.9. RELAY FUNCTION AND WIRING GUIDE, P. 9.....	9
3.10. SCHEMATIC SYMBOL CHART, P. 10.....	10
3.11. SCHEMATIC SYMBOL CHART (CONT.), P. 11.....	11
3.12. SCHEMATIC SYMBOL CHART (CONT.), P. 12.....	12
3.13. SCHEMATIC SYMBOL CHART (CONT.), P. 13.....	13
3.14. SCHEMATIC SYMBOL CHART (CONT.), P. 14.....	14
3.15. SCHEMATIC SYMBOL CHART (CONT.), P. 15.....	15
3.16. SCHEMATIC SYMBOL CHART (CONT.), P. 16.....	16
3.17. SCHEMATIC SYMBOL CHART (CONT.), P. 17.....	17
3.18. SCHEMATIC SYMBOL CHART (CONT.), P. 18.....	18
3.19. RE BUS WIRING LAYOUT, P. 19.....	19
3.20. ELECTRICAL FUSE PANEL – PRODUCT GRAPHICS, P. 20.....	20
3.21. ELECTRICAL FUSE PANEL – PRODUCT GRAPHICS (CONT.), P. 21.....	21
3.22. PLATFORM HARNESS FUSE PANEL – PRODUCT GRAPHICS, P. 22.....	22
4. 12 VOLT POWER DISTRIBUTION, GROUNDS, DATA BUS AND ELECTRICAL SYSTEM CONTROLLER (CHAPTER 3)	23
4.1. BATTERY FEED, P. 1.....	23
4.2. IGNITION FEED, P. 2.....	24
4.3. ACCESSORY FEED, P. 3.....	25
4.4. BODY CIRCUIT – FUSE BLOCK, P. 4.....	26
4.5. BODY CIRCUIT – FUSE BLOCK (CONT.), P. 5.....	27
4.6. BODY CIRCUIT – FUSE BLOCK (CONT.), P. 6.....	28
4.7. BODY CIRCUIT – FUSE BLOCK (CONT.), P. 7.....	29
4.8. BODY CIRCUIT – FUSE BLOCK (CONT.), P. 8.....	30
4.9. BODY CIRCUIT – FUSE BLOCK (CONT.), P. 9.....	31
4.10. BODY CIRCUIT – FUSE BLOCK (CONT.), P. 10.....	32
4.11. BODY CIRCUIT – FUSE BLOCK (CONT.), P. 11.....	33
4.12. BODY CIRCUIT – ACCESSORY & IGNITION FEED, P. 12.....	34
4.13. BODY CIRCUIT – MASTER DISCONNECT, P. 13.....	35
4.14. BODY CIRCUIT – NOISE SUPPRESSION, P. 14.....	36
4.15. BODY CIRCUIT – ACCESSORY SPLICE, P. 15.....	37
4.16. BODY CIRCUIT – REFERENCE SPLICE, P. 16.....	38
4.17. BODY CIRCUIT – BATTERY ISOLATOR, P. 17.....	39
4.18. BODY GROUND – PLATFORM, P. 18.....	40
4.19. BODY GROUND – PLATFORM (CONT.), P. 19.....	41
4.20. BODY GROUND – PLATFORM (CONT.), P. 20.....	42
4.21. BODY GROUND – ELECTRICAL PANEL, P. 21.....	43
4.22. BODY GROUND – ELECTRICAL PANEL (CONT.), P. 22.....	44
4.23. BODY GROUND – ELECTRICAL PANEL (CONT.), P. 23.....	45
4.24. BODY GROUND – ELECTRICAL PANEL (CONT.), P. 24.....	46
4.25. BODY GROUND – ELECTRICAL PANEL (CONT.), P. 25.....	47

TABLE OF CONTENTS (CONT.)

4.26. BODY GROUND – ELECTRICAL PANEL (CONT.), P. 26.....	48
4.27. BODY GROUND – FRONT CAP, P. 27.....	49
4.28. BODY GROUND – FRONT CAP (CONT.), P. 28.....	50
4.29. BODY GROUND – FRONT END, P. 29.....	51
4.30. BODY GROUND – FRONT END (CONT.), P. 30.....	52
4.31. BODY GROUND – REAR CAP, P. 31.....	53
4.32. BODY GROUND – REAR CAP (CONT.), P. 32.....	54
4.33. BODY GROUND – LEFT BODY, P. 33.....	55
4.34. BODY GROUND – LEFT BODY (CONT.), P. 34.....	56
4.35. BODY GROUND – LEFT BODY (CONT.), P. 35.....	57
4.36. BODY GROUND – RIGHT BODY, P. 36.....	58
4.37. ZONAR POWER AND SIGNAL, P. 38.....	59
5. 12 VOLT CHARGING AND CRANKING SYSTEM (CHAPTER 4).....	60
5.1. STARTER INTERLOCK / VANDAL LOCK, P. 1.....	60
6. GAUGES AND WARNING LIGHTS (CHAPTER 5).....	61
6.1. TURN SIGNALS WITH AUDIBLE FLASHER SYSTEM, P. 1.....	61
6.2. TURN SIGNALS WITHOUT AUX FLASHER SWITCH, P. 2.....	62
6.3. TURN SIGNALS WITH AUX FLASHER SWITCH, P. 3.....	63
6.4. TEMP SENSOR IN ENGINE COMPARTMENT, P. 4.....	64
6.5. TEMP SENSOR IN ENGINE COMPARTMENT AND ELECTRICAL PANEL, P. 5.....	65
6.6. STOP LIGHT SWITCH, P. 6.....	66
6.7. ABS BRAKE & WITH STOP LIGHT, P. 6A.....	67
6.8. FIRE SUPPRESSION, P. 7.....	68
6.9. REAR CAP FIRE SUPPRESSION & WITH ENGINE COMPARTMENT TEMP SENSOR, P. 8...	69
6.10. LOCKING COMPARTMENT WITH ALARM WITH STARTER INTERLOCK WITH MECH BUZZER, P. 9.....	70
6.11. HEATED WIPER BLADES, P. 10.....	71
6.12. CAMERA SYSTEM - MIRROR DISPLAY, P. 11.....	72
6.13. CAMERA SYSTEM - STANDALONE DISPLAY, P. 12.....	73
7. PUPIL WARNING LIGHT ACTIVATION (CHAPTER 6).....	74
7.1. PUPIL WARNING LIGHTS WITHOUT LIGHT MONITOR, P. 1.....	74
7.2. PUPIL WARNING LIGHTS WITHOUT LIGHT MONITOR (CONT.), P. 2.....	75
7.3. PUPIL WARNING LIGHTS WITHOUT LIGHT MONITOR (CONT.), P. 3.....	76
7.4. PUPIL WARNING LIGHTS WITHOUT LIGHT MONITOR (CONT.), P. 4.....	77
7.5. PUPIL WARNING LIGHTS WITHOUT LIGHT MONITOR WITH DRIVER ALERT SIGN, P. 5...	78
7.6. PUPIL WARNING LIGHTS WITH LIGHT MONITOR, P. 6.....	79
7.7. PUPIL WARNING LIGHTS WITH LIGHT MONITOR (CONT.), P. 7.....	80
7.8. PUPIL WARNING LIGHTS WITH LIGHT MONITOR (CONT.), P. 8.....	81
7.9. PUPIL WARNING LIGHTS WITH LIGHT MONITOR WITH DRIVER ALERT SIGN, P. 9.....	82
7.10. PUPIL WARNING LIGHTS WITH 16 LAMP LIGHT MONITOR, P. 10.....	83
7.11. PUPIL WARNING LIGHTS WITH 8 LAMP LIGHT MONITOR, P. 11.....	84
7.12. TELL-TAIL LIGHTS CONNECTIONS, P. 12.....	85
7.13. STOP ARM SPLICE SIGNAL, P. 13.....	86
7.14. SEQUENTIAL PUPIL WARNING LIGHT SYSTEM WITH V BATTERY, P. 14.....	87
7.15. SEQUENTIAL PUPIL WARNING LIGHT SYSTEM WITH V BATTERY (CONT.), P. 15.....	88
7.16. NON-SEQUENTIAL PUPIL WARNING LIGHT SYSTEM WITH V BATTERY, P. 16.....	89
7.17. NON-SEQUENTIAL PUPIL WARNING LIGHT SYSTEM WITH V BATTERY (CONT.), P. 17....	90

TABLE OF CONTENTS (CONT.)

7.18. NON-SEQUENTIAL PUPIL WARNING LIGHT SYSTEM WITH RIGHT ROTARY DOOR SWITCH, P. 18..... 91

7.19. NON-SEQUENTIAL PUPIL WARNING LIGHT SYSTEM WITH RIGHT ROTARY DOOR SWITCH (CONT.), P. 19..... 92

7.20. FLORIDA PUPIL, WARNING LIGHT SYSTEM, P. 20..... 93

7.21. FLORIDA PUPIL, WARNING LIGHT SYSTEM (CONT.), P. 21..... 94

7.22. STANDARD RIGHT FLASHER SWITCHES WITH MARYLAND, P. 22..... 95

7.23. STANDARD RIGHT FLASHER SWITCHES WITH MARYLAND (CONT.), P. 23..... 96

7.24. FLASHER CONTROL CANCEL SWITCH CONNECTIONS, P. 24..... 97

8. EXTERNAL LIGHTS (CHAPTER 7)..... 98

8.1. BACK-UP LIGHTS WITHOUT READ EXIT OPTIONS, P. 1..... 98

8.2. BACK-UP LIGHT WITH LIGHT MONITOR AND WITH REE, P. 2..... 99

8.3. DESTINATION SIGN FRONT AND REAR LIGHTS, P. 3..... 100

8.4. FOG LIGHTS / AUXILIARY DRIVING LIGHTS, P. 4..... 101

8.5. STROBE LIGHT MOUNTED ON LEFT SWITCH PANEL, P. 5..... 102

8.6. STROBE LIGHT ACTIVATED BY WARNING LIGHTS W / OVERHEAD SWITCH, P. 6..... 103

8.7. STROBE LIGHT ACTIVATED BY STOP ARM WITH OVERHEAD SWITCH, P. 7..... 104

8.8. STROBE LIGHT ACTIVATED BY MOM SWITCH WITH OVERHEAD SWITCH, P. 8..... 105

8.9. STROBE LIGHT ACTIVATED BY IGNITION, P. 9..... 106

8.10. STROBE LIGHT SPLICE PACK, P. 10..... 107

8.11. LEFT SIDE TURN LIGHTS, P. 11..... 108

8.12. LEFT SIDE TURN LIGHTS (CONT.), P. 12..... 109

8.13. LEFT SIDE TURN LIGHTS (CONT.), P. 13..... 110

8.14. RIGHT SIDE TURN LIGHTS, P. 14..... 111

8.15. RIGHT SIDE TURN LIGHTS (CONT.), P. 15..... 112

8.16. RIGHT SIDE TURN LIGHTS (CONT.), P. 16..... 113

8.17. DIRECTION LIGHTS NOT COWL MOUNTED, P. 17..... 114

8.18. DIRECTIONAL LIGHTS ON COWL WITHOUT PARK LIGHTS, P. 18..... 115

8.19. DIRECTIONAL LIGHTS ON COWL WITH PARK LIGHTS, P. 19..... 116

8.20. CLEARANCE LIGHTS, P. 20..... 117

8.21. FRONT CAP – CLEARANCE / IDENTIFICATION LIGHTS, P. 21..... 118

8.22. REAR CAP – CLEARANCE / IDENTIFICATION LIGHTS (STANDARD), P. 22..... 119

8.23. REAR CAP – CLEARANCE / IDENTIFICATION LIGHTS AND ACT EMERGENCY EXIT LIGHT, P. 23..... 120

8.24. REAR CAP – DUAL CORNER MARKER LIGHT, P. 24..... 121

8.25. REAR CAP EMERGENCY EXIT AND DUAL MARKER LIGHT, P. 25..... 122

8.26. REAR CAP EMERGENCY EXIT AND DUAL MARKER LIGHT (CONT), P. 26..... 123

8.27. REAR CAP BULKHEAD AND CLEARANCE LIGHTS, P. 26A..... 124

8.28. REAR CAP BULKHEAD AND DOUBLE CLEARANCE LIGHTS, P. 26B..... 125

8.29. EXTRA MARKER LIGHT IN SKIRT, P. 27..... 126

8.30. GRILL LIGHTS WITHOUT LIGHT MONITOR, P. 28..... 127

8.31. GRILL LIGHTS WITH LIGHT MONITOR, P. 29..... 128

8.32. REAR LIGHTS WITHOUT OPTIONS, P. 29A..... 129

8.33. LEFT AND RIGHT GRILL LIGHTS, P. 30..... 130

8.34. LEFT REAR END LIGHTS, P. 31..... 131

8.35. RIGHT REAR END LIGHTS, P. 32..... 132

8.36. LUGGAGE BOX / COMPARTMENT LIGHTS, P. 33..... 133

8.37. PEDESTRIAN LIGHTS, P. 34..... 134

8.38. HAZARD LIGHT SWITCH IN LEFT SWITCH PANEL, P. 35..... 135

8.39. HEADLIGHT WIRING, P. 36..... 136

TABLE OF CONTENTS (CONT.)

8.40. HEADLIGHT WIRING WITH STANDARD, P. 37.....	137
8.41. HEADLIGHT WIRING WITH SPECIAL DRL, P. 38.....	138
8.42. HEADLIGHT WIRING WITH HEADLIGHTS ALWAYS ON, P. 39.....	139
8.43. HEADLIGHT WIRING WITH FULL TIME RUNNING LIGHTS, P. 40.....	140
8.44. HEADLIGHT WIRING WITH WARNING BUZZER, P. 41.....	141
8.45. TURN SIGNAL SPLICE, P. 42.....	142
8.46. STOP AND TAIL SIGNAL SPLICE, P. 43.....	143
9. INTERIOR LIGHTS (CHAPTER 8).....	144
9.1. STEPWELL LIGHTS WITH DUAL AND SKIRT LIGHT, P. 1.....	144
9.2. PANEL LIGHT WITH SINGLE DIMMER CONTROL, P. 2.....	145
9.3. PANEL LIGHT WITH DUAL DIMMER CONTROL, P. 3.....	146
9.4. PANEL LIGHT ADAPTER, P. 4.....	147
9.5. SWITCH ILLUMINATION, P. 5.....	148
9.6. SWITCH ILLUMINATION (CONT.), P. 6.....	149
9.7. SWITCH ILLUMINATION (CONT.), P. 7.....	150
9.8. SWITCH ILLUMINATION (CONT.), P. 8.....	151
9.9. SWITCH ILLUMINATION (CONT.), P. 9.....	152
9.10. SWITCH ILLUMINATION (CONT.), P. 10.....	153
9.11. SWITCH ILLUMINATION (CONT.), P. 11.....	154
9.12. DOME LIGHT SINGLE SWITCH, P. 12.....	155
9.13. DOME LIGHT SINGLE SWITCH (CONT.), P. 13.....	156
9.14. DOME LIGHT DELUXE SINGLE SWITCH WITH V IGNITION OVERHEAD, P. 14.....	157
9.15. DOME LIGHT SPLIT SWITCH, P. 15.....	158
9.16. DOME LIGHT SPLIT SWITCH (CONT.), P. 16.....	159
9.17. DRIVER'S DOME LIGHT, P. 17.....	160
9.18. ACTIVITY DOME LIGHT, P. 18.....	161
9.19. DOME LIGHTS ACTIVATED BY EMERGENCY EXITS, P. 19.....	162
9.20. DOME LIGHTS ACTIVATED BY ENTRANCE DOOR, P. 20.....	163
9.21. DOME LIGHT SPLIT SWITCH WITH WIRED TO HEADLIGHTS, P. 21.....	164
9.22. DOME LIGHT SPLIT SWITCH WITH IGNITION OVERHEAD WITH CRS, P. 22.....	165
9.23. ENGINE COMPARTMENT LIGHT, P. 23.....	166
9.24. REAR ROW / LAST DOME LIGHT, P. 24.....	167
9.25. GUARD DOME LIGHT, P. 25.....	168
9.26. DOUBLE DOME LIGHT WITH REAR ROW 15 WINDOW SECT L BODY, P. 26.....	169
9.27. DOUBLE DOME LIGHT WITH REAR ROW 15 WINDOW SECT R BODY, P. 27.....	170
9.28. DOUBLE DOME LIGHT WITH REAR ROW 13 / 14 WINDOW SECT L BODY, P. 28.....	171
9.29. DOUBLE DOME LIGHT WITH REAR ROW 13 / 14 WINDOW SECT R BODY, P. 29.....	172
9.30. DOUBLE DOME LIGHT WITH REAR ROW 12 WINDOW SECT L BODY, P. 30.....	173
9.31. DOUBLE DOME LIGHT WITH REAR ROW 12 WINDOW SECT R BODY, P. 31.....	174
9.32. DOME LIGHT DELUXE SWITCH WITH FR AND RR 14 WINDOW L BODY, P. 32.....	175
9.33. DOME LIGHT DELUXE SWITCH WITH FR AND RR 14 WINDOW R BODY, P. 33.....	176
9.34. DOME LIGHT DELUXE SWITCH WITH 14 WINDOW R BODY, P. 34.....	177
9.35. DOUBLE DOME LT WITH SEPARATE SW FOR FR AND RR, WITH REAR ROW 15 WINDOW SECT L BODY, P. 35.....	178
9.36. DOUBLE DOME LT WITH SEPARATE SW FOR FR AND RR, WITH REAR ROW 15 WINDOW SECT R BODY, P. 36.....	179
9.37. DOUBLE DOME LT WITH SEPARATE SW FOR FR AND RR, WITH REAR ROW 13 / 14 WINDOW SECT L BODY, P. 37.....	180
9.38. DOUBLE DOME LT WITH SEPARATE SW FOR FR AND RR, WITH REAR ROW 13 / 14 WINDOW SECT R BODY, P. 38.....	181

TABLE OF CONTENTS (CONT.)

9.39. DOUBLE DOME LT WITH SEPARATE SW FOR FR AND RR, WITH REAR ROW 12 WINDOW SECT L BODY, P. 39.....	182
9.40. DOUBLE DOME LT WITH SEPARATE SW FOR FR AND RR, WITH REAR ROW 12 WINDOW SECT R BODY, P. 40.....	183
9.41. STANDARD STAGGER DOME LT WITH REAR ROW 15 WINDOW SECT L AND R BODY, P. 41.....	184
9.42. STANDARD STAGGER DOME LT WITH REAR ROW 13 / 14 WINDOW SECT L AND R BODY, P. 42.....	185
9.43. STANDARD STAGGER DOME LT WITH REAR ROW 12 WINDOW SECT L AND R BODY, P. 43.....	186
9.44. STANDARD STAGGER DOME LT FR AND RR, WITH REAR ROW 15 WINDOW SECT L BODY, P. 44.....	187
9.45. STANDARD STAGGER DOME LT FR AND RR, WITH REAR ROW 15 WINDOW SECT R BODY, P. 45.....	188
9.46. STANDARD STAGGER DOME LT FR AND RR, WITH REAR ROW 13 / 14 WINDOW SECT L AND R BODY, P. 46.....	189
9.47. STANDARD STAGGER DOME LT FR AND RR, WITH REAR ROW 12 WINDOW SECT L AND R BODY, P. 47.....	190
9.48. DOME LT ABOVE EACH SEAT WITH FR AND RR 14 WINDOW R BODY, P. 48.....	191
9.49. DOME LT ABOVE EACH SEAT WITH FR AND RR 14 WINDOW R BODY, P. 49.....	192
9.50. DOME LT ABOVE EACH SEAT WITH FR AND RR 14 WINDOW L BODY, P. 50.....	193
9.51. DOME LT ABOVE EACH SEAT WITH FR AND RR 14 WINDOW L BODY (CONT.), P. 51.....	194
9.52. DOME LT LAST ROW SECT OVERHEAD AND LEFT PANEL SWITCH, P. 52.....	195
9.53. COMPARTMENT LIGHT, P. 53.....	196
9.54. EMERGENCY DOOR LIGHT – OVERHEAD LOCKING COMPARTMENT, P. 54.....	197
10. STOP ARM / CROSSING GATE (CHAPTER 9).....	198
10.1. STOP ARM / CROSSING GATE WITHOUT CANCEL, P. 1.....	198
10.2. STOP ARM / CROSSING GATE WITH AIR XGT CANCEL, P. 2.....	199
10.3. STOP ARM / CROSSING GATE WITH ELECTRICAL XGT CANCEL, P. 3.....	200
10.4. STOP ARM / CROSSING GATE WITH STOP ARM CANCEL OVERHEAD, P. 4.....	201
10.5. STOP ARM / CROSSING GATE WITH STOP ARM CANCEL L SWITCH PANEL, P. 5.....	202
10.6. STOP ARM / CROSSING GATE FLORIDA, P. 6.....	203
10.7. CROSSING GATE, P. 7.....	204
10.8. STOP ARM STROBE HI / LO INTENSITY SWITCH L SWITCH PANEL, P. 8.....	205
10.9. STOP ARM STROBE HI / LO INTENSITY SWITCH L SWITCH PANEL WITH REAR, P. 9....	206
10.10. STOP ARM STROBE HI / LO INTENSITY SWITCH L SWITCH PANEL WITH FLASHER SYSTEM, P. 10.....	207
10.11. STOP ARM STROBE HI / LO INTENSITY SWITCH L SWITCH PANEL WITH FLASHER SYSTEM WITH REAR, P. 11.....	208
10.12. STOP ARM / CROSSING GATE WITHOUT CANCEL WITH ZONAR, P. 12.....	209
10.13. STOP ARM / CROSSING GATE WITH AIR XGT CANCEL WITH ZONAR, P. 13.....	210
10.14. ELECTRIC STOP ARM / CROSSING GATE WITH STOP ARM CANCEL OVERHEAD, P. 14.....	211
11. MIRROR SYSTEMS (CHAPTER 10).....	212
11.1. HEATED MIRROR OVERHEAD SWITCH, P. 1.....	212
11.2. HEATED MIRRORS L SWITCH PANEL, P. 2.....	213
11.3. MOTORIZED MIRROR, P. 3.....	214
11.4. HEATED MOTORIZED MIRROR WITH LEFT PANEL AND OVERHEAD SWITCH, P. 4.....	215
11.5. HEATED / MOTORIZED MIRROR WITH 20 MINUTE TIMER, P. 5.....	216

TABLE OF CONTENTS (CONT.)

11.6.	HEATED AND MOTORIZED MIRROR CONTROL SWITCH (IKU), P. 6.....	217
11.7.	DRIVER SIDE HEATED AND MOTORIZED MIRROR CONTROL SWITCH (IKU), P. 7.....	218
11.8.	PASSENGER SIDE HEATED AND MOTORIZED MIRROR CONTROL SWITCH (IKU), P. 8...	219
11.9.	HEATED AND MOTORIZED MIRROR CONTROL SWITCH (NGV), P. 9.....	220
11.10.	DRIVER SIDE HEATED AND MOTORIZED MIRROR CONTROL SWITCH (NGV), P. 10.....	221
11.11.	PASSENGER SIDE HEATED AND MOTORIZED MIRROR CONTROL SWITCH (NGV), P. 11.....	222
11.12.	HEATED CROSS VIEW MIRROR AND REAR VIEW MIRROR, P. 12.....	223
11.13.	HEATED AIR SEAT, P. 13.....	224
12.	EMERGENCY EXIT SYSTEM (CHAPTER 11).....	225
12.1.	ALARM SWITCHED GROUND ADAPTER, P. 1.....	225
12.2.	KICK OUT WINDOW SECT 1 TO 8 L BODY, P. 2.....	226
12.3.	KICK OUT WINDOW SECT 9 TO 15 L BODY, P. 3.....	227
12.4.	KICK OUT WINDOW SECT 1 TO 6 R BODY, P. 4.....	228
12.5.	KICK OUT WINDOW SECT 7 TO 12 R BODY, P. 5.....	229
12.6.	KICK OUT WINDOW SECT 13 TO 15 R BODY, P. 6.....	230
12.7.	3 INCH RED LT OVER KICK OUT WINDOW SECT 1 TO 4 L BODY, P. 7.....	231
12.8.	3 INCH RED LT OVER KICK OUT WINDOW SECT 6 TO 8 L BODY, P. 8.....	232
12.9.	3 INCH RED LT OVER KICK OUT WINDOW SECT 8 TO 12 L BODY, P. 9.....	233
12.10.	3 INCH RED LT OVER KICK OUT WINDOW SECT 13 TO 15 L BODY, P. 10.....	234
12.11.	3 INCH RED LT OVER KICK OUT WINDOW SECT 1 TO 6 R BODY, P. 11.....	235
12.12.	3 INCH RED LT OVER KICK OUT WINDOW SECT 7 TO 12 R BODY, P. 12.....	236
12.13.	3 INCH RED LT OVER KICK OUT WINDOW SECT 13 TO 15 R BODY, P. 13.....	237
12.14.	3 INCH RED LT OVER RIGHT SIDE EMERGENCY DOOR WITHOUT KICK OUT LIGHT, P. 14.....	238
12.15.	3 INCH RED LT OVER RIGHT SIDE EMERGENCY DOOR WITH KICK OUT LIGHT, P. 15...	239
12.16.	3 INCH RED LT OVER RIGHT SIDE EMERGENCY DOOR WITH KICK OUT LIGHT (CONT.), P. 16.....	240
12.17.	3 INCH RED LT TO IGNITION FEED OVER SIDE SECT 7 TO 8 R BODY, P. 17.....	241
12.18.	ROOF HATCH SECT 1 TO 10 L BODY, P. 18.....	242
12.19.	ROOF HATCH SECT 11 TO 15 L BODY, P. 19.....	243
12.20.	ROOF HATCH WITH STARTER INTERLOCK FOR SECT 1 TO 4 AND 9 TO 12 L BODY, P. 20.....	244
12.21.	ROOF HATCH WITH STARTER INTERLOCK FOR SECT 5 TO 8 AND 13 TO 15 L BODY, P. 21.....	245
12.22.	ROOF HATCH WITH FRONT AND WITH ALARM POWER VENT SECT 2 AND 3 L BODY, P. 22.....	246
12.23.	ROOF HATCH WITH FRONT AND WITH ALARM POWER VENT SECT 8 AND 12 L BODY, P. 23.....	247
12.24.	ROOF HATCH WITH FRONT POWER VENT SECT 2 AND 4 L BODY, P. 24.....	248
12.25.	ROOF HATCH WITH FRONT POWER VENT SECT 7 AND 12 L BODY, P. 25.....	249
12.26.	ROOF HATCH WITH FRONT POWER VENT SECT 12 AND 14 L BODY, P. 26.....	250
12.27.	ROOF HATCH WITH REAR POWER VENT SECT 2 AND 7 L BODY, P. 27.....	251
12.28.	ROOF HATCH WITH FR AND RR POWER VENT L BODY, P. 28.....	252
12.29.	LEFT SIDE EMERGENCY DOOR, P. 29.....	253
12.30.	RIGHT SIDE EMERGENCY DOOR, P. 30.....	254
12.31.	RIGHT SIDE EMERGENCY DOOR (CONT.), P. 31.....	255
12.32.	RIGHT SIDE EMERGENCY DOOR WITH STARTER INTERLOCK, P. 32.....	256
12.33.	FRONT KICK OUT WINDOW CONNECTIONS L BODY, P. 33.....	257
12.34.	REAR KICK OUT WINDOW (HEHR) L BODY, P. 34.....	258

TABLE OF CONTENTS (CONT.)

12.35. REAR KICK OUT WINDOW CONNECTIONS L BODY, P. 35.....	259
12.36. REAR KICK OUT WINDOW CONNECTIONS L BODY (CONT.), P. 36.....	260
12.37. EMERGENCY EXIT INDICATOR LIGHT IN CLUSTER, P. 37.....	261
13. LIFT DOOR SYSTEM (CHAPTER 12).....	262
13.1. LIFT INTERLOCK KEY ON, P. 1.....	262
13.2. LIFT INTERLOCK KEY ON (CONT.), P. 2.....	263
13.3. LIFT INTERLOCK KEY ON / OFF, P. 3.....	264
13.4. LIFT INTERLOCK KEY ON / OFF WITH AED INTERLOCK, P. 4.....	265
13.5. LIFT DOOR SWITCH CONNECTION, P. 5.....	266
13.6. LIFT DOOR WITH EXTERIOR LIGHTS, P. 6.....	267
13.7. LIFT DOOR WITH EXTERIOR LIGHTS (CONT.), P. 7.....	268
13.8. LIFT DOOR WITH INTERIOR LIGHTS, P. 8.....	269
13.9. LIFT DOOR WITH STARTER INTERRUPT / VANDAL LOCK, P. 9.....	270
13.10. LIFT DOOR BUZZER CONNECTION, P. 10.....	271
13.11. LIFT DOOR CONNECTIONS WITH R BODY, P. 11.....	272
13.12. LIFT DOOR CONNECTIONS WITH R BODY (CONT.), P. 12.....	273
13.13. LIFT DOOR CONNECTIONS WITH R BODY (CONT.), P. 13.....	274
13.14. LIFT DOOR CONNECTIONS WITH R BODY (CONT.), P. 14.....	275
14. ENTRY DOOR (CHAPTER 13).....	276
14.1. AIR DOOR ROTARY SWITCH AND ROCKER SWITCH, P. 1.....	276
14.2. AIR DOOR ROTARY SWITCH WIRED TO HEADLIGHTS, P. 2.....	277
14.3. AIR DOOR ROTARY SWITCH RIGHT HAND, P. 3.....	278
14.4. ELECTRICAL DOOR ROTARY SWITCH, P. 4.....	279
14.5. ELECTRICAL DOOR ROTARY SWITCH (CONT.), P. 5.....	280
14.6. ELECTRICAL DOOR TOGGLE SWITCH, P. 6.....	281
14.7. ELECTRICAL DOOR TOGGLE SWITCH (CONT.), P. 7.....	282
14.8. ELECTRICAL DOOR TOGGLE SWITCH WITH MOMENTARY, P. 8.....	283
14.9. ELECTRICAL DOOR TOGGLE SWITCH WITH MOMENTARY (CONT.), P. 9.....	284
14.10. ELECTRICAL DOOR TOGGLE SWITCH WITH BREAKER, P. 10.....	285
14.11. ELECTRICAL DOOR TOGGLE SWITCH WITH BREAKER (CONT.), P. 11.....	286
14.12. AIR ALTERNATE ENTRANCE DOOR WITH VANDAL LOCK WITH FR, P. 12.....	287
14.13. AIR ALTERNATE ENTRANCE DOOR HARNESS, P. 13.....	288
14.14. ALTERNATE ENTRANCE DOOR 12 / 13 WINDOW SECT L BODY, P. 14.....	289
14.15. ALTERNATE ENTRANCE DOOR CONTROL 48 INCH WITH VANDAL LOCK, P. 15.....	290
14.16. ADDITIONAL AIR ALTERNATE ENTRANCE DOOR, P. 16.....	291
14.17. ADDITIONAL AIR ALTERNATE ENTRANCE DOOR (CONT.), P. 17.....	292
14.18. ELECTRIC SEDAN DOOR, P. 18.....	293
14.19. DUMP VALVE, P. 19.....	294
14.20. ALTERNATE ENTRANCE DOOR ALARM, P. 20.....	295
14.21. DOOR OPTION SPLICE, P. 21.....	296
15. RADIO / PA / CELLULAR GPS (CHAPTER 14).....	297
15.1. RADIO / PA SYSTEM, P. 1.....	297
15.2. SPEAKER WIRING FOR QTY 6 L AND R BODY, P. 2.....	298
15.3. SPEAKER WIRING FOR QTY 4 L AND R BODY, P. 3.....	299
15.4. SPEAKER WIRING FOR QTY 6 L AND R BODY, P. 4.....	300
15.5. SPEAKER WIRING FOR QTY 8 L BODY, P. 5.....	301
15.6. SPEAKER WIRING FOR QTY 8 R BODY, P. 6.....	302
15.7. SPEAKER WIRING FOR QTY 10 L BODY, P. 7.....	303

TABLE OF CONTENTS (CONT.)

15.8. SPEAKER WIRING FOR QTY 10 R BODY, P. 8.....	304
15.9. SPEAKER WIRING FOR QTY 12 L BODY, P. 9.....	305
15.10. SPEAKER WIRING FOR QTY 12 R BODY, P. 10.....	306
15.11. SPEAKER WIRING FOR 2-140 IN BEHIND STANCHION L AND R BODY, P. 11.....	307
15.12. SPEAKER WIRING FOR 4-140 IN BEHIND STANCHION L AND R BODY, P. 12.....	308
15.13. SPEAKER WIRING FOR 6-140 IN BEHIND STANCHION L BODY, P. 13.....	309
15.14. SPEAKER WIRING FOR 6-140 IN BEHIND STANCHION R BODY, P. 14.....	310
15.15. SPEAKER WIRING FOR 6-140 IN BEHIND STANCHION R BODY (CONT.), P. 15.....	311
15.16. SPEAKER WIRING FOR 8-140 IN BEHIND STANCHION L BODY, P. 16.....	312
15.17. SPEAKER WIRING FOR 8-140 IN BEHIND STANCHION L BODY (CONT.), P. 17.....	313
15.18. SPEAKER WIRING FOR 8-140 IN BEHIND STANCHION R BODY, P. 18.....	314
15.19. SPEAKER WIRING FOR 8-140 IN BEHIND STANCHION R BODY (CONT.), P. 19.....	315
15.20. SPEAKER WIRING FOR 4-AFTER THIRD ROW OF SEATS L BODY, P. 20.....	316
15.21. SPEAKER WIRING FOR 4-AFTER THIRD ROW OF SEATS R BODY, P. 21.....	317
15.22. 12 SPEAKER WIRING SECT 3 / 5 / 7 / 9 / 12 / 14 WITH 14 WINDOW L BODY, P. 22.....	318
15.23. 12 SPEAKER WIRING SECT 1 / 3 / 6 / 9 / 11 / 13 WITH 14 WINDOW L BODY, P. 23.....	319
15.24. 12 SPEAKER WIRING SECT 1 / 3 / 6 / 9 / 11 / 13 WITH 14 WINDOW R BODY, P. 24.....	320
15.25. 8 SPEAKER WIRING WITH 48 AED & 1ST LOCATED 1ST R WINDOW L BODY, P. 25.....	321
15.26. 2 SPEAKER WIRING 1ST WINDOW SECT L & R BODY, P. 26.....	322
15.27. TWO WAY RADIO TERM STRIP, P. 27.....	323
15.28. DUAL RADIO SPEAKERS IN BULKHEAD, P. 28.....	324
15.29. VIDEO SYSTEM, P. 29.....	325
15.30. VIDEO SYSTEM TERM STRIP, P. 30.....	326
15.31. SEON VIDEO PREWIRE, P. 31.....	327
16. CHILD REMINDER SYSTEM (CHAPTER 15).....	328
16.1. ELECTRIC HORN, P. 1.....	328
16.2. AIR HORN, P. 2.....	329
16.3. AIR HORN (CONT.), P. 3.....	330
16.4. POST TRIP INSPECTION WITH ALTERNATE RELAY LOCATION, P. 4.....	331
16.5. POST TRIP INSPECTION WITH ALTERNATE RELAY LOCATION (CONT.), P. 4A.....	332
16.6. POST TRIP INSPECTION WITH SNOOZE, P. 5.....	333
16.7. POST TRIP INSPECTION WITH SNOOZE (CONT.), P. 5A.....	334
16.8. POST TRIP INSPECTION WITH SNOOZE (CONT.), P. 5B.....	335
16.9. POST TRIP INSPECTION WITH SNOOZE (CONT.), P. 5C.....	336
16.10. CHILD CHECKMATE POST TRIP INSPECTION, P. 6.....	337
16.11. POST TRIP INSPECTION WITHOUT SNOOZE, P. 7.....	338
16.12. POST TRIP INSPECTION WITHOUT SNOOZE (CONT.), P. 8.....	339
16.13. POST TRIP INSPECTION WITHOUT SNOOZE (CONT.), P. 8A.....	340
16.14. TIRE CARRIER WINCH TYPE, P. 9.....	341
16.15. DOME LIGHT POST TRIP INSPECTION WITHOUT SPLIT SWITCH, P. 10.....	342
16.16. DOME LIGHT POST TRIP INSPECTION WITHOUT SPLIT SWITCH (CONT.), P. 11.....	343
17. HEATER / AIR CONDITIONING (CHAPTER 16).....	344
17.1. BOOSTER PUMP, P. 1.....	344
17.2. BOOSTER PUMP WITH ESPAR HEATER WITH WHITE TIMER, P. 2.....	345
17.3. BOOSTER PUMP WITH ESPAR HEATER WITH 7 DAY TIMER, P. 3.....	346
17.4. BOOSTER PUMP WITH ESPAR HEATER WITH 7 DAY TIMER (CONT.), P. 4.....	347
17.5. WEBASTO HEATER WITH 7 DAY TIMER, P. 5.....	348
17.6. WEBASTO HEATER WITH TIMER, P. 6.....	349
17.7. WEBASTO HEATER WITH SMARTTEMP TIMER, P. 7.....	350

TABLE OF CONTENTS (CONT.)

17.8. PASSENGER HEATER LEFT FRONT MIDSHIP WITH SINGLE & SPLIT SWITCH, P. 8.....	351
17.9. PASSENGER HEATER RIGHT FRONT MIDSHIP WITH SINGLE & SPLIT SWITCH, P. 9.....	352
17.10. PASSENGER HEATER LEFT REAR MIDSHIP WITH SINGLE & SPLIT SWITCH, P. 10.....	353
17.11. PASSENGER HEATER RIGHT REAR MIDSHIP WITH SINGLE & SPLIT SWITCH, P. 11.....	354
17.12. ADDITIONAL DRIVER'S HEATER, P. 12.....	355
17.13. CONVECTION PASSENGER HEATER, P. 13.....	356
17.14. DRIVER'S BLOWER, P. 14.....	357
17.15. HEATED STEP, P. 15.....	358
17.16. STEPWELL HEATER FAN, P. 16.....	359
17.17. STEP DEFROST HEATER, P. 17.....	360
17.18. DEFOG FAN, DUAL SWITCH FRONT BULKHEAD, P. 18.....	361
17.19. DEFOG FAN, SINGLE FAN OR CENTER BLOWER LEFT SWITCH, P. 19.....	362
17.20. DEFOG FAN, SINGLE FAN RIGHT SWITCH, P. 20.....	363
17.21. DEFOG FAN, DUAL SWITCH WITH DRIVER FAN LEFT SWITCH, P. 21.....	364
17.22. DEFOG FAN, DUAL SWITCH WITH DRIVER FAN RIGHT SWITCH, P. 22.....	365
17.23. DEFOG FAN LEFT SWITCH OUTPUT, P. 23.....	366
17.24. DEFOG FAN RIGHT SWITCH OUTPUT, P. 24.....	367
17.25. DEFOG FAN RIGHT SWITCH OUTPUT (CONT.), P. 25.....	368
17.26. DEFOG FAN, DRIVERS DEFOG FAN, P. 26.....	369
17.27. IDLE UP WITH AC, P. 27.....	370
17.28. BOOSTER PUMP WITH ESPAR TIMER WITH OVERHEAD SWITCH PANEL, P. 28.....	371
18. CONNECTOR BODY COMPOSITES (CHAPTER 17).....	372
18.1. CONNECTOR COMPOSITES (1), P. 1.....	372
18.2. CONNECTOR COMPOSITES (1), P. 2.....	373
18.3. CONNECTOR COMPOSITES (2M), P. 3.....	374
18.4. CONNECTOR COMPOSITES (4M, 8M, 9, 10, 11M), P. 4.....	375
18.5. CONNECTOR COMPOSITES (12M, 13M, 14M), P. 5.....	376
18.6. CONNECTOR COMPOSITES (017WT, 018WT), P. 5A.....	377
18.7. CONNECTOR COMPOSITES (22M, 23M, 30WT, 31WT), P. 6.....	378
18.8. CONNECTOR COMPOSITES (32WT, 33WT, 34WT, 35WT, 36WT), P. 7.....	379
18.9. CONNECTOR COMPOSITES (37WT, 38WT, 39WT, 40WT, 41WT), P. 8.....	380
18.10. CONNECTOR COMPOSITES (46WT, 47WT, 50, 51, 52), P. 9.....	381
18.11. CONNECTOR COMPOSITES (52A, 53, 74M, 75M, 78M), P. 10.....	382
18.12. CONNECTOR COMPOSITES (78M, 79M, 80M, 81M), P. 10A.....	383
18.13. CONNECTOR COMPOSITES (100, 101, 162, 168), P. 11.....	384
18.14. CONNECTOR COMPOSITES (168A, 211M, 211N, 212M), P. 12.....	385
18.15. CONNECTOR COMPOSITES (220, 221), P. 12A.....	386
18.16. CONNECTOR COMPOSITES (240, 250, 297, 299), P. 13.....	387
18.17. CONNECTOR COMPOSITES (382M, 391, 392), P. 14.....	388
18.18. CONNECTOR COMPOSITES (491M, 674), P. 14A.....	389
18.19. CONNECTOR COMPOSITES (675, 676, 677, 678), P. 15.....	390
18.20. CONNECTOR COMPOSITES (680, 681, 691, 898), P. 16.....	391
18.21. CONNECTOR COMPOSITES (899, 922, 922A, 925), P. 17.....	392
18.22. CONNECTOR COMPOSITES (926, 992, 995, 996M), P. 18.....	393
18.23. CONNECTOR COMPOSITES (997, 998, 1003, 1004), P. 19.....	394
18.24. CONNECTOR COMPOSITES (1008, 1030), P. 20.....	395
18.25. CONNECTOR COMPOSITES (1030), P. 21.....	396
18.26. CONNECTOR COMPOSITES (1030P, 1031, 1032), P. 22.....	397
18.27. CONNECTOR COMPOSITES (1033, 1033B, 1034, 1036, 1337), P. 23.....	398
18.28. CONNECTOR COMPOSITES (1038, 1040, 1041), P. 24.....	399

TABLE OF CONTENTS (CONT.)

18.29. CONNECTOR COMPOSITES (1042A, 1042B, 1043A, 1050), P. 25.....	400
18.30. CONNECTOR COMPOSITES (1062, 1063, 1065), P. 26.....	401
18.31. CONNECTOR COMPOSITES (1100, 1135, 1136), P. 27.....	402
18.32. CONNECTOR COMPOSITES (1137, 1138, 1139, 1139A, 1139B), P. 28.....	403
18.33. CONNECTOR COMPOSITES (1141, 1142, 1143A, 1143B), P. 29.....	404
18.34. CONNECTOR COMPOSITES (1149, 1150, 1150B), P. 30.....	405
18.35. CONNECTOR COMPOSITES (1151, 1151A, 1153, 1153A, 1205), P. 31.....	406
18.36. CONNECTOR COMPOSITES (1206, 1349, 1350, 1351, 1400), P. 32.....	407
18.37. CONNECTOR COMPOSITES (1401, 1402, 1403), P. 32A.....	408
18.38. CONNECTOR COMPOSITES (1410, 1600), P. 32B.....	409
18.39. CONNECTOR COMPOSITES (1601, 1602), P. 33.....	410
18.40. CONNECTOR COMPOSITES (1604, 1606, 1650, 1700), P. 34.....	411
18.41. CONNECTOR COMPOSITES (1700), P. 34A.....	412
18.42. CONNECTOR COMPOSITES (1707M, 1800M, 1908, 2233), P. 35.....	413
18.43. CONNECTOR COMPOSITES (3117, 3118, 3322), P. 36.....	414
18.44. CONNECTOR COMPOSITES (3344, 4433), P. 36A.....	415
18.45. CONNECTOR COMPOSITES (4800, 4801, 5263C, 5263F, 5263M), P. 37.....	416
18.46. CONNECTOR COMPOSITES (6200, 6348F, 6348M), P. 38.....	417
18.47. CONNECTOR COMPOSITES (8721, 8787, 8787B, 9003A, 9900), P. 39.....	418
18.48. CONNECTOR COMPOSITES (9900A, 9901, 9902, 9902A), P. 40.....	419
18.49. CONNECTOR COMPOSITES (9903, 9904, 9996, 9999), P. 41.....	420
18.50. CONNECTOR COMPOSITES (10000), P. 42.....	421
18.51. CONNECTOR COMPOSITES (10000), P. 43.....	422
18.52. CONNECTOR COMPOSITES (10001), P. 44.....	423
18.53. CONNECTOR COMPOSITES (10003, 10003L, 10004), P. 45.....	424
18.54. CONNECTOR COMPOSITES (10004, 10009, 10010), P. 46.....	425
18.55. CONNECTOR COMPOSITES (10011, 10012, 10013), P. 47.....	426
18.56. CONNECTOR COMPOSITES (10014, 10014A, 10015, 10016), P. 48.....	427
18.57. CONNECTOR COMPOSITES (10017, 10018, 10019, 10020, 10021, 10022), P. 49.....	428
18.58. CONNECTOR COMPOSITES (10023, 10024, 10025A, 10025B), P. 50.....	429
18.59. CONNECTOR COMPOSITES (10025C, 10025D, 10026A), P. 51.....	430
18.60. CONNECTOR COMPOSITES (10026B, 10026C, 10026D), P. 52.....	431
18.61. CONNECTOR COMPOSITES (10026D, 10027, 10028, 10028A), P. 53.....	432
18.62. CONNECTOR COMPOSITES (10029, 10029A, 10030, 10030A), P. 54.....	433
18.63. CONNECTOR COMPOSITES (10031, 10031A, 10032A), P. 55.....	434
18.64. CONNECTOR COMPOSITES (10032B, 10033A, 10034, 10035), P. 56.....	435
18.65. CONNECTOR COMPOSITES (10036, 10038, 10039, 10041, 10042), P. 57.....	436
18.66. CONNECTOR COMPOSITES (10043, 10046, 10046A, 10047), P. 58.....	437
18.67. CONNECTOR COMPOSITES (10047, 10048), P. 59.....	438
18.68. CONNECTOR COMPOSITES (10049, 10050, 10051, 10052), P. 60.....	439
18.69. CONNECTOR COMPOSITES (10052, 10053, 10054, 10057A, 10059), P. 61.....	440
18.70. CONNECTOR COMPOSITES (10060, 10061, 10070, 10072), P. 62.....	441
18.71. CONNECTOR COMPOSITES (10075, 10076, 10077, 10078, 10083), P. 63.....	442
18.72. CONNECTOR COMPOSITES (10084, 10085, 10086), P. 63A.....	443
18.73. CONNECTOR COMPOSITES (10100, 10101, 10102), P. 64.....	444
18.74. CONNECTOR COMPOSITES (10103, 10104, 10105, 10106, 10107), P. 65.....	445
18.75. CONNECTOR COMPOSITES (10108, 10109, 10110, 10112, 10113), P. 66.....	446
18.76. CONNECTOR COMPOSITES (10114, 10115, 10116, 10117, 10118), P. 67.....	447
18.77. CONNECTOR COMPOSITES (10119, 10120, 10121, 10122, 10123), P. 68.....	448
18.78. CONNECTOR COMPOSITES (10124, 10125, 10127, 10127A, 10128), P. 69.....	449
18.79. CONNECTOR COMPOSITES (10129, 10130, 10133, 10135, 10136), P. 70.....	450

TABLE OF CONTENTS (CONT.)

18.80. CONNECTOR COMPOSITES (10137, 10138, 10139, 10140, 10141), P. 71.....	451
18.81. CONNECTOR COMPOSITES (10142, 10143, 10144, 1046, 10147, 10153), P. 72.....	452
18.82. CONNECTOR COMPOSITES (10154, 10155A, 10155B, 10156, 10157), P. 73.....	453
18.83. CONNECTOR COMPOSITES (10160, 10161), P. 74.....	454
18.84. CONNECTOR COMPOSITES (10176, 10181, 10182), P. 75.....	455
18.85. CONNECTOR COMPOSITES (10200), P. 76.....	456
18.86. CONNECTOR COMPOSITES (10201, 10202), P. 77.....	457
18.87. CONNECTOR COMPOSITES (10203, 10204), P. 78.....	458
18.88. CONNECTOR COMPOSITES (10207A, 10208), P. 79.....	459
18.89. CONNECTOR COMPOSITES (10210), P. 80.....	460
18.90. CONNECTOR COMPOSITES (10212, 10213), P. 81.....	461
18.91. CONNECTOR COMPOSITES (10214D, 10214L, 10215, 10216), P. 82.....	462
18.92. CONNECTOR COMPOSITES (10217, 10218, 10219), P. 83.....	463
18.93. CONNECTOR COMPOSITES (10220, 10221, 10224), P. 84.....	464
18.94. CONNECTOR COMPOSITES (10225, 10226), P. 85.....	465
18.95. CONNECTOR COMPOSITES (10227, 10228), P. 86.....	466
18.96. CONNECTOR COMPOSITES (10229, 10230A), P. 87.....	467
18.97. CONNECTOR COMPOSITES (10230B, 10231A), P. 88.....	468
18.98. CONNECTOR COMPOSITES (10231B, 10232A, 10232B), P. 89.....	469
18.99. CONNECTOR COMPOSITES (10233A, 10233B, 10234A), P. 90.....	470
18.100. CONNECTOR COMPOSITES (10234B, 10235, 10236), P. 91.....	471
18.101. CONNECTOR COMPOSITES (10237, 10238, 10239), P. 92.....	472
18.102. CONNECTOR COMPOSITES (10240, 10241A, 10241B), P. 93.....	473
18.103. CONNECTOR COMPOSITES (10242, 10243, 10243B), P. 94.....	474
18.104. CONNECTOR COMPOSITES (10244, 10244B, 10245), P. 95.....	475
18.105. CONNECTOR COMPOSITES (10245B, 10246, 10246B), P. 96.....	476
18.106. CONNECTOR COMPOSITES (10247, 10247A, 10248), P. 97.....	477
18.107. CONNECTOR COMPOSITES (10248A, 10249, 10250), P. 98.....	478
18.108. CONNECTOR COMPOSITES (10252, 10253, 10254, 10255), P. 99.....	479
18.109. CONNECTOR COMPOSITES (10256, 10257, 10259), P. 100.....	480
18.110. CONNECTOR COMPOSITES (10264, 10267, 10268), P. 101.....	481
18.111. CONNECTOR COMPOSITES (10269, 10270A, 10270B), P. 102.....	482
18.112. CONNECTOR COMPOSITES (10275), P. 103.....	483
18.113. CONNECTOR COMPOSITES (10276, 10277, 10278, 10280), P. 104.....	484
18.114. CONNECTOR COMPOSITES (10281, 10282, 10284, 10285), P. 105.....	485
18.115. CONNECTOR COMPOSITES (10286, 10290, 10291), P. 106.....	486
18.116. CONNECTOR COMPOSITES (10292, 10293A / 10293B, 10294), P. 107.....	487
18.117. CONNECTOR COMPOSITES (10295, 10297, 10299), P. 108.....	488
18.118. CONNECTOR COMPOSITES (10301), P. 109.....	489
18.119. CONNECTOR COMPOSITES (10302), P. 110.....	490
18.120. CONNECTOR COMPOSITES (10303), P. 111.....	491
18.121. CONNECTOR COMPOSITES (10304), P. 112.....	492
18.122. CONNECTOR COMPOSITES (10305), P. 113.....	493
18.123. CONNECTOR COMPOSITES (10306), P. 114.....	494
18.124. CONNECTOR COMPOSITES (10307), P. 115.....	495
18.125. CONNECTOR COMPOSITES (10308), P. 116.....	496
18.126. CONNECTOR COMPOSITES (10309), P. 117.....	497
18.127. CONNECTOR COMPOSITES (10309) (CONT.), P. 118.....	498
18.128. CONNECTOR COMPOSITES (10310), P. 119.....	499
18.129. CONNECTOR COMPOSITES (10311), P. 120.....	500
18.130. CONNECTOR COMPOSITES (10312, 10314), P. 121.....	501

TABLE OF CONTENTS (CONT.)

18.131.CONNECTOR COMPOSITES (10315, 10316, 10317, 10318), P. 122.....	502
18.132.CONNECTOR COMPOSITES (10319, 10320, 10321, 10322), P. 123.....	503
18.133.CONNECTOR COMPOSITES (10323, 10326), P. 124.....	504
18.134.CONNECTOR COMPOSITES (10327, 10328), P. 125.....	505
18.135.CONNECTOR COMPOSITES (10329, 10330), P. 126.....	506
18.136.CONNECTOR COMPOSITES (10331, 10332, 10333), P. 127.....	507
18.137.CONNECTOR COMPOSITES (10334, 10335), P. 128.....	508
18.138.CONNECTOR COMPOSITES (10336, 10337), P. 129.....	509
18.139.CONNECTOR COMPOSITES (10340F, 10340M, 10341, 10344A), P. 130.....	510
19. CONNECTOR COMPOSITES (CHAPTER 18).....	511
19.1. CONNECTOR COMPOSITES (10344B, 10345, 10346), P. 1.....	511
19.2. CONNECTOR COMPOSITES (10348, 10351, 10352), P. 2.....	512
19.3. CONNECTOR COMPOSITES (10353, 10354, 10355), P. 3.....	513
19.4. CONNECTOR COMPOSITES (10356, 10358), P. 3A.....	514
19.5. CONNECTOR COMPOSITES (10360, 10365), P. 4.....	515
19.6. CONNECTOR COMPOSITES (10368, 10386, 10389, 10398), P. 5.....	516
19.7. CONNECTOR COMPOSITES (10400), P. 6.....	517
19.8. CONNECTOR COMPOSITES (10400) (CONT.), P. 7.....	518
19.9. CONNECTOR COMPOSITES (10401), P. 8.....	519
19.10. CONNECTOR COMPOSITES (10401) (CONT.), P. 9.....	520
19.11. CONNECTOR COMPOSITES (10401) (CONT.), P. 10.....	521
19.12. CONNECTOR COMPOSITES (10405) (CONT.), P. 10A.....	522
19.13. CONNECTOR COMPOSITES (10405), P. 11.....	523
19.14. CONNECTOR COMPOSITES (10406), P. 12.....	524
19.15. CONNECTOR COMPOSITES (10406) (CONT.), P. 13.....	525
19.16. CONNECTOR COMPOSITES (10410, 10411, 10412), P. 14.....	526
19.17. CONNECTOR COMPOSITES (10413, 10414, 10416), P. 15.....	527
19.18. CONNECTOR COMPOSITES (10417, 10417A, 10418), P. 16.....	528
19.19. CONNECTOR COMPOSITES (10419, 10420), P. 17.....	529
19.20. CONNECTOR COMPOSITES (10421), P. 18.....	530
19.21. CONNECTOR COMPOSITES (10422), P. 19.....	531
19.22. CONNECTOR COMPOSITES (10423), P. 20.....	532
19.23. CONNECTOR COMPOSITES (10426, 10427, 10428, 10430, 10431), P. 21.....	533
19.24. CONNECTOR COMPOSITES (10432, 10433, 10434, 10435, 10436, 10437), P. 22.....	534
19.25. CONNECTOR COMPOSITES (10438, 10439, 10440, 10441, 10442, 10443), P. 23.....	535
19.26. CONNECTOR COMPOSITES (10444, 10445, 10446, 10447, 10448, 10449), P. 24.....	536
19.27. CONNECTOR COMPOSITES (10450, 10451, 10452, 10453, 10454A, 10454B), P. 25.....	537
19.28. CONNECTOR COMPOSITES (10454C, 10454D, 10454E, 10454F), P. 26.....	538
19.29. CONNECTOR COMPOSITES (10454G, 10454J, 10454K, 10455A, 10455B), P. 27.....	539
19.30. CONNECTOR COMPOSITES (10455C, 10455D, 10455E, 10455F, 10455G), P. 28.....	540
19.31. CONNECTOR COMPOSITES (10455H, 10455J, 10455K, 10456A, 10456B), P. 29.....	541
19.32. CONNECTOR COMPOSITES (10456C, 10456D, 10456E, 10456F, 10456G), P. 30.....	542
19.33. CONNECTOR COMPOSITES (10456H, 10456J, 10456K, 10457), P. 31.....	543
19.34. CONNECTOR COMPOSITES (10457A / 10457B, 10458, 10459), P. 32.....	544
19.35. CONNECTOR COMPOSITES (10460, 10461, 10462), P. 33.....	545
19.36. CONNECTOR COMPOSITES (10463, 10463A, 10464), P. 34.....	546
19.37. CONNECTOR COMPOSITES (10465, 10466, 10467), P. 35.....	547
19.38. CONNECTOR COMPOSITES (10468, 10468A, 10469), P. 36.....	548
19.39. CONNECTOR COMPOSITES (10470, 10471), P. 37.....	549
19.40. CONNECTOR COMPOSITES (10472), P. 38.....	550

TABLE OF CONTENTS (CONT.)

19.41. CONNECTOR COMPOSITES (10473, 10474A / 10474B, 10474C, 10474D / 10474E / 10474F / 10474G / 10474H / 10474J / 10474K / 10474L / 10474M / 10474N), P. 39..... 551

19.42. CONNECTOR COMPOSITES (10474P, 10474R, 10475 / 10476, 10479), P. 40..... 552

19.43. CONNECTOR COMPOSITES (10482, 10483, 10483A), P. 41..... 553

19.44. CONNECTOR COMPOSITES (10484, 10484A, 10485, 10485A), P. 42..... 554

19.45. CONNECTOR COMPOSITES (10486, 10486A, 10487), P. 43..... 555

19.46. CONNECTOR COMPOSITES (10487A, 10488, 10489), P. 44..... 556

19.47. CONNECTOR COMPOSITES (10489A, 10490, 10491A, 10491B), P. 45..... 557

19.48. CONNECTOR COMPOSITES (10492, 10513), P. 46..... 558

19.49. CONNECTOR COMPOSITES (10513, 10514, 10515), P. 47..... 559

19.50. CONNECTOR COMPOSITES (10516, 10517, 10518), P. 48..... 560

19.51. CONNECTOR COMPOSITES (10519, 10520A, 10521A, 10522A), P. 49..... 561

19.52. CONNECTOR COMPOSITES (10523A, 10524A, 10555A, 10555B, 10555E), P. 50..... 562

19.53. CONNECTOR COMPOSITES (10555F, 10556C, 10556D, 10558A), P. 50A..... 563

19.54. CONNECTOR COMPOSITES (10558B, 10558C, 10558D), P. 50B..... 564

19.55. CONNECTOR COMPOSITES (10700), P. 51..... 565

19.56. CONNECTOR COMPOSITES (10700) (CONT.), P. 52..... 566

19.57. CONNECTOR COMPOSITES (10700) (CONT.), P. 53..... 567

19.58. CONNECTOR COMPOSITES (10700) (CONT.), P. 54..... 568

19.59. CONNECTOR COMPOSITES (10701), P. 55..... 569

19.60. CONNECTOR COMPOSITES (10702, 10703), P. 56..... 570

19.61. CONNECTOR COMPOSITES (10704), P. 57..... 571

19.62. CONNECTOR COMPOSITES (10705, 10706, 10706A), P. 58..... 572

19.63. CONNECTOR COMPOSITES (10706B, 10707 / 10707A, 10707B, 10708), P. 59..... 573

19.64. CONNECTOR COMPOSITES (10708A, 10708B, 10709, 10709B, 10710), P. 60..... 574

19.65. CONNECTOR COMPOSITES (10710A, 10711, 10712), P. 61..... 575

19.66. CONNECTOR COMPOSITES (10713), P. 62..... 576

19.67. CONNECTOR COMPOSITES (10714), P. 63..... 577

19.68. CONNECTOR COMPOSITES (10715, 10716, 10717, 10718), P. 64..... 578

19.69. CONNECTOR COMPOSITES (10719, 10720, 10721, 10722), P. 65..... 579

19.70. CONNECTOR COMPOSITES (10723, 10724, 10725, 10726), P. 66..... 580

19.71. CONNECTOR COMPOSITES (10727, 10728, 10729, 10730, 10731), P. 67..... 581

19.72. CONNECTOR COMPOSITES (10732, 10733, 10734, 10735), P. 68..... 582

19.73. CONNECTOR COMPOSITES (10736, 10737, 10738, 10739), P. 69..... 583

19.74. CONNECTOR COMPOSITES (10740, 10741, 10742, 10743, 10744), P. 70..... 584

19.75. CONNECTOR COMPOSITES (10751, 10751A, 10757, 10757A, 10758), P. 71..... 585

19.76. CONNECTOR COMPOSITES (10758A, 10759, 10759A, 10760), P. 72..... 586

19.77. CONNECTOR COMPOSITES (10760A, 10761, 10761A, 10762), P. 73..... 587

19.78. CONNECTOR COMPOSITES (10763, 10763A, 10764, 10765A, 10766), P. 74..... 588

19.79. CONNECTOR COMPOSITES (10767, 10768, 10769), P. 75..... 589

19.80. CONNECTOR COMPOSITES (*10769, 10769C, 10769D), P. 75A..... 590

19.81. CONNECTOR COMPOSITES (10769E, 10769F, 10769H), P. 76..... 591

19.82. CONNECTOR COMPOSITES (10769J, 10770, 10770C, 10770D, 10770E), P. 77..... 592

19.83. CONNECTOR COMPOSITES (10770F, 10770H, 10770J), P. 78..... 593

19.84. CONNECTOR COMPOSITES (10771, 10771A, 10771B, 10771C), P. 79..... 594

19.85. CONNECTOR COMPOSITES (10771D, 10771E, 10771F, 10771G, 10771H, 10771J, 10771K, 10771L), P. 80..... 595

19.86. CONNECTOR COMPOSITES (10772A, 10772B, 10772C), P. 81..... 596

19.87. CONNECTOR COMPOSITES (10772D, 10772E, 10772F, 10772G), P. 82..... 597

19.88. CONNECTOR COMPOSITES (10772H, 10772J, 10772K, 10772L), P. 83..... 598

19.89. CONNECTOR COMPOSITES (10773A, 10773B), P. 84..... 599

TABLE OF CONTENTS (CONT.)

19.90. CONNECTOR COMPOSITES (10773C, 10773D, 10773E, 10773F), P. 85.....	600
19.91. CONNECTOR COMPOSITES (10773G, 10773H, 10773J), P. 86.....	601
19.92. CONNECTOR COMPOSITES (10773K, 10773L), P. 87.....	602
19.93. CONNECTOR COMPOSITES (10774, 10774A), P. 88.....	603
19.94. CONNECTOR COMPOSITES (10774B, 10774C, 10774D, 10774E), P. 89.....	604
19.95. CONNECTOR COMPOSITES (10774F, 10774G, 10774H, 10774J), P. 90.....	605
19.96. CONNECTOR COMPOSITES (10774K, 10774L, 10774N, 10774P), P. 91.....	606
19.97. CONNECTOR COMPOSITES (10778 / 10778C / 10778D / 10778E, 10778F, 10778H / 10778J), P. 92.....	607
19.98. CONNECTOR COMPOSITES (10780, 10781), P. 93.....	608
19.99. CONNECTOR COMPOSITES (10781A, 10784, 10785, 10786A), P. 94.....	609
19.100. CONNECTOR COMPOSITES (10786B, 10787, 10788A, 10788B), P. 95.....	610
19.101. CONNECTOR COMPOSITES (10789, 10795, 10796A, 10796B), P. 96.....	611
19.102. CONNECTOR COMPOSITES (10807A / 10807B / 10807C, 10831, 10832, *10832, 10833, *10833), P. 97.....	612
19.103. CONNECTOR COMPOSITES (10833A, 10837, 10838, 10840), P. 98.....	613
19.104. CONNECTOR COMPOSITES (10841, 10845, 10848A), P. 98A.....	614
19.105. CONNECTOR COMPOSITES (10849A, 10850A, 10851A, 10852A), P. 99.....	615
19.106. CONNECTOR COMPOSITES (11000), P. 100.....	616
19.107. CONNECTOR COMPOSITES (11000) (CONT.), P. 101.....	617
19.108. CONNECTOR COMPOSITES (11001, 11003, 11003A, 11004L), P. 102.....	618
19.109. CONNECTOR COMPOSITES (11004R, 11005L, 11005R, 11006L), P. 103.....	619
19.110. CONNECTOR COMPOSITES (11006R, 11009L, 11009R, 11010L), P. 104.....	620
19.111. CONNECTOR COMPOSITES (11010R, 11011L, 11011R), P. 105.....	621
19.112. CONNECTOR COMPOSITES (11012, 11016, 11017, 11018), P. 106.....	622
19.113. CONNECTOR COMPOSITES (11019, 11020, 11021, 11022), P. 107.....	623
19.114. CONNECTOR COMPOSITES (11023, 11024, 11025, 11025A), P. 108.....	624
19.115. CONNECTOR COMPOSITES (11025A, 11025B, 11025C), P. 109.....	625
19.116. CONNECTOR COMPOSITES (11025D, 11026, *11026, 11027, *11027, 11028), P. 110.....	626
19.117. CONNECTOR COMPOSITES (11029, 11033, 11037), P. 111.....	627
19.118. CONNECTOR COMPOSITES (11038, 11044, 11045, 11100), P. 112.....	628
19.119. CONNECTOR COMPOSITES (11101, 11102, 11200, 11201, 11202, 11203, 11204), P. 113...	629
19.120. CONNECTOR COMPOSITES (11205, 11206, 11207, 11234, 11337, 11632), P. 114.....	630
19.121. CONNECTOR COMPOSITES (11633, 11643, 11644, 11647, 11648), P. 115.....	631

INSTRUCTIONS AND CHARTS (CHAPTER 2)

3.1. ABBREVIATIONS, P. 1

NAVISTAR, INC		ELECTRICAL CIRCUIT DIAGRAM		CHAPTER 2	
THIS PRINT IS PROVIDED ON A RESTRICTED BASIS AND IS NOT TO BE USED IN ANY WAY DETRIMENTAL TO THE INTEREST OF NAVISTAR, INC.		ABBREVIATIONS			
ABBREVIATION	DESCRIPTION	ABBREVIATION	DESCRIPTION	ABBREVIATION	DESCRIPTION
ACCESS	ACCESSORY	CUR	CURRENT	PRESS	PRESSURE
AC	AIR CONDITIONING	DPNL	DASHBOARD	RAD	RADIO
AIR CLNR	AIR CLEANER	DFTR	DEFLECTOR	RR	REAR
ALT	ALTERNATOR	DFR	DEFROSTER	RLY	RELAY
AC	ALTERNATING CURRENT	DEG	DEGREE	RES	RESISTOR
AFTR	AFTERTREATMENT	DIAG	DIAGRAM	R	RIGHT
AMM	AMMETER	DSL	DIESEL	RTR	ROTOR
AMP	AMPERE	DIFF	DIFFERENTIAL	SNSR	SENSOR
AMP HR	AMPERE HOUR	DIMR	DIMMER	SHLD	SHIELD
AMPL	AMPLIFIER	ELEC	ELECTRICAL	SHFT	SHIFTER
ARM	ARMATURE	ELEX	ELECTRONICS	SLPR	SLEEPER
ARSR	ARRESTER	ENG	ENGINE	SLV	SLEEVE
ASSY	ASSEMBLY	EXH	EXHAUST	SPKR	SPEAKER
AUX	AUXILIARY	FL	FLUID	SPR	SPRING
B/U	BACK-UP	FWD	FORWARD	STD	STANDARD
BTRY	BATTERY	FR	FRONT	STRG	STEERING
BM	BENCHMARKING	FREQ	FREQUENCY	STLITE	SATELLITE
BLK	BLOCK	GA	GAUGE	SUNSH	SUNSHADE
BOOS	BOOSTER	GEN	GENERATOR	SW	SWITCH
BOT	BOTTOM	GND	GROUND	SYS	SYSTEM
BK	BRAKE	HARN	HARNESS	TACH	TACHOMETER
BRKR	BREAKER	HDLP	HEADLAMP	TEMP	TEMPERATURE
BRTHR	BREATHER	HTD	HEATED	TERM	TERMINAL
BRI	BRIGHT	HT TR	HEAT TREAT	THROT	THROTTLE
BUZ	BUZZER	HTR	HEATER	THRU	THROUGH
CA	CABLE	HP	HORSEPOWER	TRLR	TRAILER
CD	CANDELA	HYD	HYDRAULIC	XDCR	TRANSDUCER
CP	CANDLEPOWER	ID	IDENTIFICATION	XFER	TRANSFER
CAP	CAPACITOR	IGN	IGNITION	XFMR	TRANSFORMER
CAT	CATERPILLAR	ILLUM	ILLUMINATION	XSTR	TRANSISTOR
CHAS	CHASSIS	IND	INDICATOR	XMSN	TRANSMISSION
CH	CHOKE	INST	INSTRUMENT	XMTR	TRANSMITTER
CIRC	CIRCUIT	INT	INTERMITTENT	TRK	TRUCK
CLK	CLOCK	L	LEFT	UPR	UPPER
CW	CLOCKWISE	LT	LIGHT	VLV	VALVE
CLSTR	CLUSTER	LTR	LIGHTER	VERT	VERTICAL
CL	CLUTCH	LWR	LOWER	VM	VOLTMETER
COL	COLUMN	MAG	MAGNET	VOL	VOLUME
COMM	COMMUTATOR	MOD	MODULATOR	WSHR	WASHER
CMPNT	COMPONENT	MDL	MODULE	WHL	WHEEL
CPRSR	COMPRESSOR	MOT	MOTOR	WDO	WINDOW
CONN	CONNECT	MTD	MOUNTED	WSHLD	WINDSHIELD
CONT	CONTINUED	NEG	NEGATIVE	WPR	WIPER
CSL	CONSOLE	N/	NOT WITH	W/	WITH
CONT	CONTACT	NO.	NUMBER	W/O	WITHOUT
CONT	CONTROL	PASS	PASSENGER		
CONV	CONVERTER	POSN	POSITION		
CLR	COOLER	POS	POSITIVE		
CTSY	COURTESY	POT	POTENTIOMETER		
CRUS	CRUISE	PWR	POWER		

CHK	DATE	CHANGE	REV	REFERENCE	DRAWN	NAME
MJV0	SEP 17	INITIAL RELEASE.	A	93784S	MJV0863	CIRCUIT DIAGRAM, RE BUS - BODY
					RELEASE NO.	DATE
					93784S	20MAR17
					PART NO.	SHEET
					AE08085145	001

Figure 1 Abbreviations

3.2. ACRONYMS, P. 2

NAVISTAR, INC				ELECTRICAL CIRCUIT DIAGRAM				CHAPTER 2																																																																																																																																									
THIS PRINT IS PROVIDED ON A RESTRICTED BASIS AND IS NOT TO BE USED IN ANY WAY DETRIMENTAL TO THE INTEREST OF NAVISTAR, INC.				ACRONYMS																																																																																																																																													
<table border="1" style="width: 100%; border-collapse: collapse;"> <thead> <tr> <th style="width: 50%;">DESCRIPTION</th> <th style="width: 50%;">ACRONYM</th> </tr> </thead> <tbody> <tr><td>ANTILOCK BRAKING SYSTEM</td><td>ABS</td></tr> <tr><td>ANTENNA COMMUNICATION UNIT</td><td>ACU</td></tr> <tr><td>ALTERNATING CURRENT</td><td>AC</td></tr> <tr><td>AXLE TO BACK OF CAB</td><td>AC</td></tr> <tr><td>AXLE TO FRAME</td><td>AF</td></tr> <tr><td>ACCELERATOR PEDAL MODULE</td><td>APM</td></tr> <tr><td>ACCELERATOR POSITION SENSOR</td><td>APS</td></tr> <tr><td>AUXILIARY POWER UNIT</td><td>APU</td></tr> <tr><td>AUTOMATIC TRACTION CONTROL</td><td>ATC</td></tr> <tr><td>AUDIO VIDEO INTERFACE</td><td>AVI</td></tr> <tr><td>BRAKE HORSEPOWER</td><td>BHP</td></tr> <tr><td>BACK OF CAB</td><td>BOC</td></tr> <tr><td>CITIZEN BAND</td><td>CB</td></tr> <tr><td>COLD CRANKING AMPERES</td><td>CCA</td></tr> <tr><td>CLEAN POWER ELECTRICAL CONNECTOR</td><td>CEC</td></tr> <tr><td>CAB OVER ENGINE</td><td>COE</td></tr> <tr><td>DIRECT CURRENT</td><td>DC</td></tr> <tr><td>DRIVER CONTROL MODULE</td><td>DCM</td></tr> <tr><td>DIGITAL DATA LINK</td><td>DDL</td></tr> <tr><td>DIESEL OXIDATION CATALYST INLET TEMPERATURE</td><td>DOCT</td></tr> <tr><td>DIESEL PARTICULATE FILTER</td><td>DPF</td></tr> <tr><td>DIESEL TURBOCHARGED</td><td>DT</td></tr> <tr><td>DAY TIME RUNNING LIGHTS</td><td>DTRL</td></tr> <tr><td>ELECTRONIC CONTROL MODULE</td><td>ECM</td></tr> <tr><td>ELECTRONIC CONTROL UNIT</td><td>ECU</td></tr> <tr><td>EXHAUST GAS RECIRCULATION</td><td>EGR</td></tr> <tr><td>EXHAUST GAS TEMPERATURE</td><td>EGT</td></tr> <tr><td>ELECTRO MAGNETIC INTERFACE</td><td>EMI</td></tr> <tr><td>END OF FRAME</td><td>EOF</td></tr> <tr><td>ELECTRIC TRAILER BRAKE</td><td>ETB</td></tr> <tr><td>FRONT AXLE</td><td>FA</td></tr> <tr><td>FRONT END</td><td>FE</td></tr> <tr><td>FRONT OF DASH</td><td>FOD</td></tr> <tr><td>FULL POWER BRAKE</td><td>FPB</td></tr> <tr><td>GLOBAL POSITIONING SYSTEM</td><td>GPS</td></tr> <tr><td>HYDRAULIC CONTROL UNIT</td><td>HCU</td></tr> <tr><td>HEAVY DUTY</td><td>HD</td></tr> <tr><td>HEAVY DUTY DIESEL</td><td>HDD</td></tr> <tr><td>HIGH PERFORMANCE TRUCK</td><td>HPT</td></tr> <tr><td>HEATING, VENTILATION, AND AIR CONDITIONING</td><td>HVAC</td></tr> </tbody> </table>						DESCRIPTION	ACRONYM	ANTILOCK BRAKING SYSTEM	ABS	ANTENNA COMMUNICATION UNIT	ACU	ALTERNATING CURRENT	AC	AXLE TO BACK OF CAB	AC	AXLE TO FRAME	AF	ACCELERATOR PEDAL MODULE	APM	ACCELERATOR POSITION SENSOR	APS	AUXILIARY POWER UNIT	APU	AUTOMATIC TRACTION CONTROL	ATC	AUDIO VIDEO INTERFACE	AVI	BRAKE HORSEPOWER	BHP	BACK OF CAB	BOC	CITIZEN BAND	CB	COLD CRANKING AMPERES	CCA	CLEAN POWER ELECTRICAL CONNECTOR	CEC	CAB OVER ENGINE	COE	DIRECT CURRENT	DC	DRIVER CONTROL MODULE	DCM	DIGITAL DATA LINK	DDL	DIESEL OXIDATION CATALYST INLET TEMPERATURE	DOCT	DIESEL PARTICULATE FILTER	DPF	DIESEL TURBOCHARGED	DT	DAY TIME RUNNING LIGHTS	DTRL	ELECTRONIC CONTROL MODULE	ECM	ELECTRONIC CONTROL UNIT	ECU	EXHAUST GAS RECIRCULATION	EGR	EXHAUST GAS TEMPERATURE	EGT	ELECTRO MAGNETIC INTERFACE	EMI	END OF FRAME	EOF	ELECTRIC TRAILER BRAKE	ETB	FRONT AXLE	FA	FRONT END	FE	FRONT OF DASH	FOD	FULL POWER BRAKE	FPB	GLOBAL POSITIONING SYSTEM	GPS	HYDRAULIC CONTROL UNIT	HCU	HEAVY DUTY	HD	HEAVY DUTY DIESEL	HDD	HIGH PERFORMANCE TRUCK	HPT	HEATING, VENTILATION, AND AIR CONDITIONING	HVAC	<table border="1" style="width: 100%; border-collapse: collapse;"> <thead> <tr> <th style="width: 50%;">DESCRIPTION</th> <th style="width: 50%;">ACRONYM</th> </tr> </thead> <tbody> <tr><td>INJECTOR DRIVE MODULE</td><td>IDM</td></tr> <tr><td>INPUT/OUTPUT</td><td>I/O</td></tr> <tr><td>INTEGRATED MOBILE COMMUNICATIONS TERMINAL</td><td>IMCT</td></tr> <tr><td>INSTRUMENT PANEL</td><td>I/P</td></tr> <tr><td>INDEPENDENT POWER TAKE-OFF</td><td>IPTO</td></tr> <tr><td>LIGHT COMMERCIAL TRANSMISSION</td><td>LCT</td></tr> <tr><td>MEDIUM DUTY</td><td>MD</td></tr> <tr><td>MALFUNCTION INDICATION LAMP</td><td>MIL</td></tr> <tr><td>MULTIPLEX SWITCH MODULE</td><td>MSM</td></tr> <tr><td>PYROMETER AMMETER MODULE</td><td>PAM</td></tr> <tr><td>PROGRAMMABLE LOGIC CONTROLLER</td><td>PLC</td></tr> <tr><td>POWER TAKE-OFF</td><td>PTO</td></tr> <tr><td>PULSE WIDTH MODULATION</td><td>PWM</td></tr> <tr><td>REAR AXLE</td><td>RA</td></tr> <tr><td>RADIO FREQUENCY</td><td>RF</td></tr> <tr><td>ROLL STABILITY PROGRAMM</td><td>RSP</td></tr> <tr><td>SEVERE SERVICE</td><td>SS</td></tr> <tr><td>TRANSMISSION CONTROL MODULE</td><td>TCM</td></tr> <tr><td>TERRESTRIAL COMMUNICATION UNIT</td><td>TCU</td></tr> <tr><td>TERRESTRIAL MOBILE COMMUNICATIONS TERMINAL</td><td>TMCT</td></tr> <tr><td>THERMAL OVERCRANK PROTECTION</td><td>TOCP</td></tr> <tr><td>THROTTLE POSITION SENSOR</td><td>TPS</td></tr> <tr><td>ZERO VOLT REFERENCE</td><td>ZVR</td></tr> <tr><td>VEHICLE INTERFACE MODULE</td><td>VIM</td></tr> <tr><td>TRANSMISSION COUNTROL MODULE</td><td>TCM</td></tr> </tbody> </table>						DESCRIPTION	ACRONYM	INJECTOR DRIVE MODULE	IDM	INPUT/OUTPUT	I/O	INTEGRATED MOBILE COMMUNICATIONS TERMINAL	IMCT	INSTRUMENT PANEL	I/P	INDEPENDENT POWER TAKE-OFF	IPTO	LIGHT COMMERCIAL TRANSMISSION	LCT	MEDIUM DUTY	MD	MALFUNCTION INDICATION LAMP	MIL	MULTIPLEX SWITCH MODULE	MSM	PYROMETER AMMETER MODULE	PAM	PROGRAMMABLE LOGIC CONTROLLER	PLC	POWER TAKE-OFF	PTO	PULSE WIDTH MODULATION	PWM	REAR AXLE	RA	RADIO FREQUENCY	RF	ROLL STABILITY PROGRAMM	RSP	SEVERE SERVICE	SS	TRANSMISSION CONTROL MODULE	TCM	TERRESTRIAL COMMUNICATION UNIT	TCU	TERRESTRIAL MOBILE COMMUNICATIONS TERMINAL	TMCT	THERMAL OVERCRANK PROTECTION	TOCP	THROTTLE POSITION SENSOR	TPS	ZERO VOLT REFERENCE	ZVR	VEHICLE INTERFACE MODULE	VIM	TRANSMISSION COUNTROL MODULE	TCM
DESCRIPTION	ACRONYM																																																																																																																																																
ANTILOCK BRAKING SYSTEM	ABS																																																																																																																																																
ANTENNA COMMUNICATION UNIT	ACU																																																																																																																																																
ALTERNATING CURRENT	AC																																																																																																																																																
AXLE TO BACK OF CAB	AC																																																																																																																																																
AXLE TO FRAME	AF																																																																																																																																																
ACCELERATOR PEDAL MODULE	APM																																																																																																																																																
ACCELERATOR POSITION SENSOR	APS																																																																																																																																																
AUXILIARY POWER UNIT	APU																																																																																																																																																
AUTOMATIC TRACTION CONTROL	ATC																																																																																																																																																
AUDIO VIDEO INTERFACE	AVI																																																																																																																																																
BRAKE HORSEPOWER	BHP																																																																																																																																																
BACK OF CAB	BOC																																																																																																																																																
CITIZEN BAND	CB																																																																																																																																																
COLD CRANKING AMPERES	CCA																																																																																																																																																
CLEAN POWER ELECTRICAL CONNECTOR	CEC																																																																																																																																																
CAB OVER ENGINE	COE																																																																																																																																																
DIRECT CURRENT	DC																																																																																																																																																
DRIVER CONTROL MODULE	DCM																																																																																																																																																
DIGITAL DATA LINK	DDL																																																																																																																																																
DIESEL OXIDATION CATALYST INLET TEMPERATURE	DOCT																																																																																																																																																
DIESEL PARTICULATE FILTER	DPF																																																																																																																																																
DIESEL TURBOCHARGED	DT																																																																																																																																																
DAY TIME RUNNING LIGHTS	DTRL																																																																																																																																																
ELECTRONIC CONTROL MODULE	ECM																																																																																																																																																
ELECTRONIC CONTROL UNIT	ECU																																																																																																																																																
EXHAUST GAS RECIRCULATION	EGR																																																																																																																																																
EXHAUST GAS TEMPERATURE	EGT																																																																																																																																																
ELECTRO MAGNETIC INTERFACE	EMI																																																																																																																																																
END OF FRAME	EOF																																																																																																																																																
ELECTRIC TRAILER BRAKE	ETB																																																																																																																																																
FRONT AXLE	FA																																																																																																																																																
FRONT END	FE																																																																																																																																																
FRONT OF DASH	FOD																																																																																																																																																
FULL POWER BRAKE	FPB																																																																																																																																																
GLOBAL POSITIONING SYSTEM	GPS																																																																																																																																																
HYDRAULIC CONTROL UNIT	HCU																																																																																																																																																
HEAVY DUTY	HD																																																																																																																																																
HEAVY DUTY DIESEL	HDD																																																																																																																																																
HIGH PERFORMANCE TRUCK	HPT																																																																																																																																																
HEATING, VENTILATION, AND AIR CONDITIONING	HVAC																																																																																																																																																
DESCRIPTION	ACRONYM																																																																																																																																																
INJECTOR DRIVE MODULE	IDM																																																																																																																																																
INPUT/OUTPUT	I/O																																																																																																																																																
INTEGRATED MOBILE COMMUNICATIONS TERMINAL	IMCT																																																																																																																																																
INSTRUMENT PANEL	I/P																																																																																																																																																
INDEPENDENT POWER TAKE-OFF	IPTO																																																																																																																																																
LIGHT COMMERCIAL TRANSMISSION	LCT																																																																																																																																																
MEDIUM DUTY	MD																																																																																																																																																
MALFUNCTION INDICATION LAMP	MIL																																																																																																																																																
MULTIPLEX SWITCH MODULE	MSM																																																																																																																																																
PYROMETER AMMETER MODULE	PAM																																																																																																																																																
PROGRAMMABLE LOGIC CONTROLLER	PLC																																																																																																																																																
POWER TAKE-OFF	PTO																																																																																																																																																
PULSE WIDTH MODULATION	PWM																																																																																																																																																
REAR AXLE	RA																																																																																																																																																
RADIO FREQUENCY	RF																																																																																																																																																
ROLL STABILITY PROGRAMM	RSP																																																																																																																																																
SEVERE SERVICE	SS																																																																																																																																																
TRANSMISSION CONTROL MODULE	TCM																																																																																																																																																
TERRESTRIAL COMMUNICATION UNIT	TCU																																																																																																																																																
TERRESTRIAL MOBILE COMMUNICATIONS TERMINAL	TMCT																																																																																																																																																
THERMAL OVERCRANK PROTECTION	TOCP																																																																																																																																																
THROTTLE POSITION SENSOR	TPS																																																																																																																																																
ZERO VOLT REFERENCE	ZVR																																																																																																																																																
VEHICLE INTERFACE MODULE	VIM																																																																																																																																																
TRANSMISSION COUNTROL MODULE	TCM																																																																																																																																																
CHK	DATE	CHANGE	REV	REFERENCE	DRAWN	NAME																																																																																																																																											
					23132922	CIRCUIT DIAGRAM, RE BUS - BODY																																																																																																																																											
MJV0	SEP17	INITIAL RELEASE.	A	93784S		RELEASE NO.	DATE	PART NO.	SHEET																																																																																																																																								
						93784S	02JUN17	AE08085145	002																																																																																																																																								

Figure 2 Acronyms

3.3. CIRCUIT DIAGRAM INSTRUCTIONS, P. 3

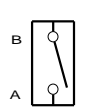
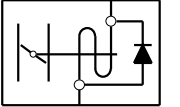
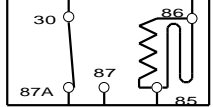
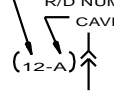
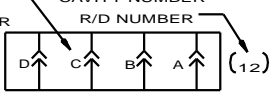

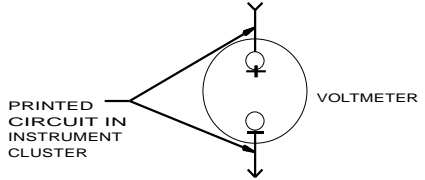
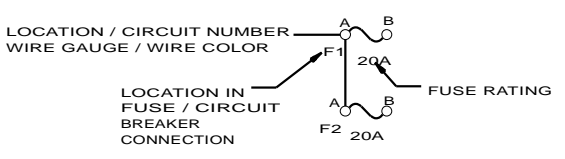
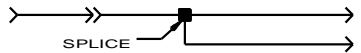
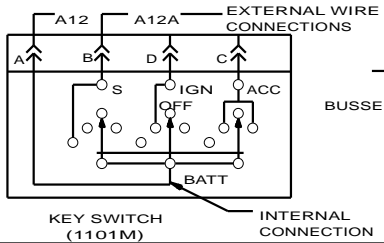
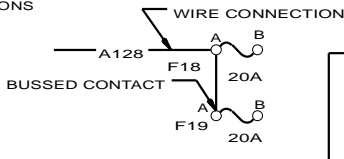
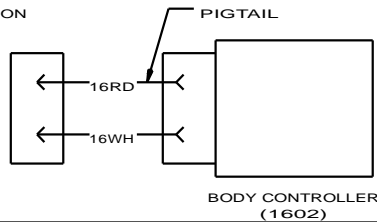

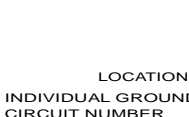
<p>NAVISTAR, INC</p> <p>THIS PRINT IS PROVIDED ON A RESTRICTED BASIS AND IS NOT TO BE USED IN ANY WAY DETRIMENTAL TO THE INTEREST OF NAVISTAR, INC.</p>	<p>ELECTRICAL CIRCUIT DIAGRAM</p> <p>CHAPTER 2</p> <p>CIRCUIT DIAGRAM INSTRUCTIONS</p>																																										
<p>A - SWITCH AND RELAY POSITIONS AS SHOWN ON CIRCUIT DIAGRAMS INDICATE NORMAL POSITION WITH IGNITION OFF UNLESS OTHERWISE NOTED.</p> <div style="display: flex; justify-content: space-around; align-items: center;"> <div style="text-align: center;">  <p>SWITCH, MECHANICAL</p> </div> <div style="text-align: center;">  <p>SOLENOID</p> </div> <div style="text-align: center;">  <p>RELAY - SUPPRESSED</p> </div> </div>	<p>B - MULTIPLE CONNECTIONS ARE DISPLAYED ON SCHEMATIC AS SHOWN WITH R/D NUMBER & CAVITY NUMBER. REFER TO CONNECTOR COMPOSITE FOR MORE INFORMATION</p> <div style="display: flex; justify-content: space-around; align-items: center;"> <div style="text-align: center;">  </div> <div style="text-align: center;">  </div> </div> <p>SINGLE IN-LINE CONNECTORS DISPLAYED AS SHOWN BELOW WITHOUT R/D NUMBER</p> <div style="text-align: center;">  </div>																																										
<p>C - PHANTOM LINES INDICATE PRINTED CIRCUITS OR BUSSED CIRCUITS. THESE CIRCUITS EXIST IN THE INSTRUMENT CLUSTER AND FUSE / CIRCUIT BREAKER CONNECTORS.</p> <div style="display: flex; justify-content: space-around; align-items: center;"> <div style="text-align: center;">  <p>PRINTED CIRCUIT IN INSTRUMENT CLUSTER</p> <p>VOLTMETER</p> </div> <div style="text-align: center;">  <p>LOCATION / CIRCUIT NUMBER WIRE GAUGE / WIRE COLOR</p> <p>LOCATION IN FUSE / CIRCUIT BREAKER CONNECTION</p> <p>FUSE RATING</p> </div> </div>																																											
<p>D - MULTIPLE CIRCUIT NUMBERS ON A LINE INDICATE ONE CIRCUIT DISTRIBUTING CURRENT TO TWO CIRCUITS.</p> <div style="text-align: center;">  <p>SPLICE</p> </div>																																											
<p>E - SWITCHES, RELAYS AND COMPONENTS INDICATE EXTERNAL WIRE CONNECTIONS AND / OR INTERNAL CONNECTIONS.</p> <div style="display: flex; justify-content: space-around; align-items: center;"> <div style="text-align: center;">  <p>EXTERNAL WIRE CONNECTIONS</p> <p>INTERNAL CONNECTION</p> <p>KEY SWITCH (1101M)</p> </div> <div style="text-align: center;">  <p>WIRE CONNECTION</p> <p>BUSED CONTACT</p> <p>PIGTAIL</p> </div> <div style="text-align: center;">  <p>16RD</p> <p>16WH</p> <p>BODY CONTROLLER (1602)</p> </div> </div>																																											
<p>F - CIRCUIT "11" DENOTES ANY COMMON GROUND (MORE THAN ONE CIRCUIT). ANY INDIVIDUAL GROUND CIRCUIT IS IDENTIFIED WITH THAT PARTICULAR CIRCUIT NUMBER. (E.G. CIRCUIT 32 CRUISE CONTROL IS IDENTIFIED AS PER EXAMPLE)</p> <div style="display: flex; justify-content: space-around; align-items: center;"> <div style="text-align: center;">  <p>COMMON GROUND CIRCUIT NUMBER</p> </div> <div style="text-align: center;">  <p>INDIVIDUAL GROUND CIRCUIT NUMBER</p> </div> </div> <p>SUFFIX BEGINNING WITH G INDICATES A GROUND CIRCUIT</p> <p>SUFFIX BEGINNING WITH G INDICATES A GROUND CIRCUIT</p> <p>NOTE: FOR CIRCUIT DESCRIPTION OTHER THAN GROUNDS NEITHER THE LETTER "G" NOR THE COLOR WHITE SHALL BE USED</p>																																											
<table border="1" style="width: 100%; border-collapse: collapse; font-size: small;"> <tr> <td>CHK</td> <td>DATE</td> <td>CHANGE</td> <td>REV</td> <td>REFERENCE</td> <td>DRAWN</td> <td>NAME</td> </tr> <tr> <td>MJV0</td> <td>SEP 17</td> <td>INITIAL RELEASE.</td> <td>A</td> <td>93784S</td> <td>MJV0863</td> <td>CIRCUIT DIAGRAM, RE BUS - BODY</td> </tr> <tr> <td></td> <td></td> <td></td> <td></td> <td></td> <td>RELEASE NO.</td> <td>DATE</td> </tr> <tr> <td></td> <td></td> <td></td> <td></td> <td></td> <td>93784S</td> <td>20MAR17</td> </tr> <tr> <td></td> <td></td> <td></td> <td></td> <td></td> <td>PART NO.</td> <td>SHEET</td> </tr> <tr> <td></td> <td></td> <td></td> <td></td> <td></td> <td>AE08085145</td> <td>003</td> </tr> </table>		CHK	DATE	CHANGE	REV	REFERENCE	DRAWN	NAME	MJV0	SEP 17	INITIAL RELEASE.	A	93784S	MJV0863	CIRCUIT DIAGRAM, RE BUS - BODY						RELEASE NO.	DATE						93784S	20MAR17						PART NO.	SHEET						AE08085145	003
CHK	DATE	CHANGE	REV	REFERENCE	DRAWN	NAME																																					
MJV0	SEP 17	INITIAL RELEASE.	A	93784S	MJV0863	CIRCUIT DIAGRAM, RE BUS - BODY																																					
					RELEASE NO.	DATE																																					
					93784S	20MAR17																																					
					PART NO.	SHEET																																					
					AE08085145	003																																					

Figure 3 Circuit Diagram Instructions

3.4. CIRCUIT NUMBER IDENTIFICATION AND COLOR, P. 4

NAVISTAR, INC		ELECTRICAL CIRCUIT DIAGRAM	CHAPTER 2
THIS PRINT IS PROVIDED ON A RESTRICTED BASIS AND IS NOT TO BE USED IN ANY WAY DETRIMENTAL TO THE INTEREST OF NAVISTAR, INC.		CIRCUIT NUMBER IDENTIFICATION AND COLOR	
CIRCUIT NUMBER	COLOR	DESCRIPTION	
1	LTBL	ALTERNATOR - FIELD	
2	RD	ALTERNATOR - CHARGE	
3	DKBL	SERIAL / DATA COMMUNICATION J1587 / J1708 (+)	
	GY	SERIAL / DATA COMMUNICATION J1587 / J1708 (-)	
4	DKBL	SERIAL / DATA COMMUNICATION J1922 (+)	
	GY	SERIAL / DATA COMMUNICATION J1922 (-)	
5	YL	SERIAL / DATA COMMUNICATION J1939/11 / J1939/15 (+)	
	GN	SERIAL / DATA COMMUNICATION J1939/11 / J1939/15 (-)	
6	GY	LOW VOLTAGE ELECTRONIC FEED (LESS THAN 9 VOLTS)	
7	RD	ALTERNATOR - RESISTANCE	
8			
9	GY	LOW VOLTAGE ELECTRONIC GROUND	
10	WH	CHASSIS / ENGINE GROUND	
11	WH	CAB / SLEEPER GROUND	
12	LTBL	ACCESSORY FEED	
13	PK	IGNITION FEED	
	BK	IGNITION FEED (BODY BUILDER CONNECTOR)	
14	RD	BATTERY FEED	
15	RD	KEY SWITCH FEED	
16			
17	PK	STARTER CONTROL	
18	PK	GLOW PLUG / PREHEATER	
19	GY	ENGINE SHUTDOWN	
20	LTGN	REMOTE POWER MODULE	
21	TN	COLD START CONTROLS (ETHER)	
22	TN	TIRE PRESSURE MONITORING / CONTROL	
23	TN	ENGINE FAN / SHUTTERS	
24	GY	ENGINE EXHAUST BRAKE	
25	TN	PYROMETER	
26	TN	AMMETER	
27	TN	VOLTMETER	
28	TN	INSTRUMENTS AND GAUGES	
29	TN	ENGINE WATER TEMPERATURE	
30	TN	ENGINE OIL TEMPERATURE	
31	TN	TRANSMISSION OIL TEMPERATURE	
32	TN	AXLE OIL TEMPERATURE	
33	TN	ENGINE OIL LEVEL	
34	TN	COOLANT LEVEL	
35	TN	ENGINE OIL PRESSURE	
36	TN	FUEL LEVEL	
37	TN	FUEL PUMP	
38	GY	LIFT AXLE	
39	GY	AIR DRYER HEATER	
40	GY	LOW AIR PRESSURE WARNING	

CHK	DATE	CHANGE	REV	REFERENCE	DRAWN	NAME
					MJV0863	CIRCUIT DIAGRAM, RE BUS - BODY
MJV0	20SEP17	INITIAL RELEASE.	A	93784S	RELEASE NO.	DATE
					93784S	20MAR17
						PART NO.
						AE08085145
						SHEET
						004

Figure 4 Circuit Number Identification and Color

3.5. CIRCUIT NUMBER IDENTIFICATION AND COLOR (CONT.), P. 5

NAVISTAR, INC				ELECTRICAL CIRCUIT DIAGRAM		CHAPTER 2	
THIS PRINT IS PROVIDED ON A RESTRICTED BASIS AND IS NOT TO BE USED IN ANY WAY DETRIMENTAL TO THE INTEREST OF NAVISTAR, INC.				CIRCUIT NUMBER IDENTIFICATION AND COLOR (CONT)			
CIRCUIT NUMBER	COLOR	DESCRIPTION					
41	TN	AIR TEMPERATURE					
42	GY	FRONT AXLE ENGAGED					
43	GY	POWER DIVIDER LOCK (PDL) WARNING					
44	GY	PARK BRAKE WARNING					
45	LTGN	ANTITHEFT WARNING					
46	GY	POWER TAKEOFF WARNING					
47	GY	SPEEDOMETER					
48	GY	TACHOMETER					
49	GY	DIFFERENTIAL LOCK WARNING					
50	YL	LIGHT SWITCH FEED					
51	YL	DIMMER SWITCH FEED					
52	YL	HEADLIGHT HI - BEAM					
53	YL	HEADLIGHT LO - BEAM					
54	BN	PARKING / MARKER LIGHTS					
55	OR	TURN SIGNAL - FEED					
56	OR	TURN SIGNAL LIGHTS - LEFT					
	YL	TURN SIGNAL LIGHTS - LEFT (BODY BUILDER CONNECTION)					
57	OR	TURN SIGNAL LIGHTS - RIGHT					
	LTGN	TURN SIGNAL LIGHTS - RIGHT (BODY BUILDER CONNECTION)					
58	BN	CLEARANCE / IDENTIFICATION LIGHTS					
59	GY	SOLENOID					
60	OR	HAZARD LIGHTS					
61	GY	AIR SUSPENSION					
62	DKBL	PANEL LIGHTS					
63	DKBL	COURTESY / DOME LIGHTS					
64	YL	FOG / DRIVING LIGHTS					
65	OR	CAB REAR FLOOD LIGHTS					
66	YL	DAYTIME RUNNING LIGHT					
67	GY	OBSTACLE AVOIDANCE / REMOTE SENSOR					
68	BN	TAIL LIGHTS					
69	BN	LICENSE PLATE LIGHT					
70	OR	STOP LIGHTS					
	RD	STOP LIGHTS (BODY BUILDER CONNECTION)					
71	OR	BACKUP - LIGHTS					
	LTBL	BACKUP - LIGHTS (BODY BUILDER CONNECTION)					
72	OR	TRAILER AUXILIARY FEED - BATTERY					
73	LTGN	PWM					
74	LTGN	HEATER RECIRC MOTOR					
75	LTGN	HEATER BLOWER MOTOR					
76	LTGN	AUXILIARY FAN					
77	LTGN	AIR CONDITIONER					
78	LTGN	MIRRORS - HEATED, MOTORIZED					
79	GY	SEAT BELTS					
80	BK	SLEEPER BOX RELAY - FEED					

CHK	DATE	CHANGE	REV	REFERENCE	DRAWN	NAME
MJV0835	SEP17	INITIAL RELEASE.	A	93784S	MJV0863	CIRCUIT DIAGRAM, RE BUS - BODY
					RELEASE NO.	DATE
					93784S	20MAR17
					PART NO.	SHEET
					AE08085145	005

Figure 5 Circuit Number Identification and Color (Cont.)

3.6. CIRCUIT NUMBER IDENTIFICATION AND COLOR (CONT.), P. 6

NAVISTAR, INC				ELECTRICAL CIRCUIT DIAGRAM		CHAPTER 2	
THIS PRINT IS PROVIDED ON A RESTRICTED BASIS AND IS NOT TO BE USED IN ANY WAY DETRIMENTAL TO THE INTEREST OF NAVISTAR, INC.				CIRCUIT NUMBER IDENTIFICATION AND COLOR (CONT)			
CIRCUIT NUMBER	COLOR	DESCRIPTION					
81	LTGN	POWER DOOR LOCKS					
82	GY	WINDSHIELD WIPER					
83	LTGN	POWER WINDOWS					
84	LTGN	CIGAR LIGHTER					
85	GY	HORN					
86	LTGN	RADIO - ENTERTAINMENT / CLOCK					
87	GY	WINDSHIELD WASHER					
88	LTGN	CLOCK / HOURMETER					
89	VT	AIR BAG					
89	OR	PUPIL WARNING LIGHTS					
90	GY	HYDRAULIC BRAKE PUMP					
91	VT	INTERCOMMUNICATION					
92	TN	TRANSMISSION CONTROLS - ELECTRONICS					
93	TN	AXLE SHIFT CONTROL					
94	GY	ANTILOCK BRAKE SYSTEM					
95	TN	EXHAUST EMISSION					
96	YL	SNOW PLOW LIGHTS / CRUISE CONTROLS					
97	VT	ENGINE CONTROLS - ELECTRONIC					
98	BK	DATALINK AND DIAGNOSTICS					
99	VT	ACCELERATOR POSITION SENSOR (APS)					
100	GY	AIR HORN (ELECTRIC SOLENOID ACTUATED)					
101	TN	BRAKE APPLICATION AIR					
102	YL	FLASH TO PASS					
103	LTGN	BODY BUILDER AUXILIARY FEED					
104	DKBL	REMOTE START / STOP					
105	LTGN	HEATED SEATS					
106	OR	HIGH VOLTAGE ALTERNATOR AC CHARGE					
107	GY	INTRUMENT CLUSTER ELECTRONIC FEED (5V)					
108	GY	BRAKE PAD WEAR SENSOR					
109	GY	BRAKE STROKE / SLACK ADJUSTER					
110	GY	INTRUMENT CLUSTER ELECTRONIC GROUND					
111	TN	FUEL FILTER RESTRICTION TRANSDUCER					
112	GY	LIFT GATE					
113	YL	BLACKOUT LIGHT					
114	YL	INFRARED LIGHTS					
115	LTGN	WINCH					
116	GY	FIFTH WHEEL					
117	GY	EMERGENCY EXIT - REAR DOOR - REAR OVAL WINDOW					
118	LTBL	NOISE SUPPRESSION - SOLENOID					
119	GY	STOP ARM / CROSSING GATE					
120	LTGN	DOOR CONTROL					
121	YL	ENGINE COMPARTMENT LIGHT					
122	GY	WHEEL CHAIR LIFT					
123	GY	FLASHER SYSTEM CONTROL					
124	LTGN	SPARE WIRE					
125	GY	POST TRIP INSPECTION - CRS / CHECK MATE / BUS SCAN					
126	GY	EMERGENCY EXIT - WINDOWS					
127	OR	STROBE LIGHT					

CHK	DATE	CHANGE	REV	REFERENCE	DRAWN	NAME
MJV0863	23SEP17	INITIAL RELEASE.	A	93784S	MJV0863	CIRCUIT DIAGRAM, RE BUS - BODY
					RELEASE NO.	DATE
					93784S	20MAR17
					PART NO.	SHEET
					AE08085145	006

Figure 6 Circuit Number Identification and Color (Cont.)

3.7. CIRCUIT NUMBER IDENTIFICATION AND COLOR (CONT.), P. 7

NAVISTAR, INC				ELECTRICAL CIRCUIT DIAGRAM		CHAPTER 2																																																																																																	
THIS PRINT IS PROVIDED ON A RESTRICTED BASIS AND IS NOT TO BE USED IN ANY WAY DETRIMENTAL TO THE INTEREST OF NAVISTAR, INC.				CIRCUIT NUMBER IDENTIFICATION AND COLOR (CONT)																																																																																																			
<table border="1" style="width: 100%; border-collapse: collapse;"> <thead> <tr> <th style="width: 15%;">CIRCUIT NUMBER</th> <th style="width: 15%;">COLOR</th> <th style="width: 70%;">DESCRIPTION</th> </tr> </thead> <tbody> <tr><td>128</td><td>LTBL</td><td>LIGHT MONITOR</td></tr> <tr><td>129</td><td>GY</td><td>EMERGENCY EXIT - ROOF HATCH</td></tr> <tr><td>130</td><td>GY</td><td>EMERGENCY EXIT - SIDE EMERGENCY DOOR</td></tr> <tr><td>131</td><td>DKBL</td><td>STEP LIGHT / SKIRT LIGHT</td></tr> <tr><td>132</td><td>GY</td><td>STEP HEATER</td></tr> <tr><td>133</td><td>LTGN</td><td>VANDAL LOCK - STARTER INTERRUPT</td></tr> <tr><td>134</td><td>OR</td><td>DESTINATION SIGN</td></tr> <tr><td>135</td><td>OR</td><td>LUGGAGE BOX LIGHT</td></tr> <tr><td>136</td><td>YL</td><td>ELECTRICAL PANEL LIGHT</td></tr> <tr><td>137</td><td>LTBL</td><td>CAMERA</td></tr> <tr><td>138</td><td>GY</td><td>TIRE TRACTION ASSIST</td></tr> <tr><td>139</td><td>YL</td><td>PEDESTRAIN LIGHT</td></tr> <tr><td>140</td><td>TN</td><td>BATTERY ISOLATOR</td></tr> <tr><td>141</td><td>LTGN</td><td>PASSENGER PULL SWITCH</td></tr> <tr><td>142</td><td>LTGN</td><td>TWO - WAY RADIO</td></tr> <tr><td>143</td><td>DKBL</td><td>3" RED LT - K/O WDW, SED, FR OR RR BULKHEAD</td></tr> <tr><td>144</td><td>GY</td><td>FIRST SUPPRESSION SYSTEM</td></tr> </tbody> </table> <table border="1" style="width: 100%; border-collapse: collapse;"> <thead> <tr> <th style="width: 15%;">PREFIX</th> <th style="width: 85%;">LOCATION</th> </tr> </thead> <tbody> <tr><td>A</td><td>BUS - PLATFORM</td></tr> <tr><td>B</td><td>BUS - ELECTRIC ACCESS PANEL</td></tr> <tr><td>C</td><td>BUS - FRONT CAP</td></tr> <tr><td>D</td><td>BUS - REAR CAP</td></tr> <tr><td>E</td><td>BUS - LEFT BODY</td></tr> <tr><td>F</td><td>BUS - RIGHT BODY</td></tr> <tr><td>H</td><td>BUS BODY AUXILIARY HEATER</td></tr> <tr><td>J</td><td>CAB - DASH (OUTSIDE)</td></tr> <tr><td>K</td><td>ENGINE / RADIATOR</td></tr> <tr><td>L</td><td>TRANSMISSION</td></tr> <tr><td>M</td><td>CHASSIS / FRONT END (CAB DASH PANEL FORWARD)</td></tr> <tr><td>N</td><td>CHASSIS / CENTER SECTION (CAB DASH PANEL TO CAB REAR XMBR)</td></tr> <tr><td>P</td><td>CHASSIS / WHEEL BASE SECTION</td></tr> <tr><td>R</td><td>CHASSIS / SUSPENSION / REAR AXLE / AXLES</td></tr> <tr><td>S</td><td>CHASSIS / AF SECTION / STOP / TAIL / TURN LIGHTS</td></tr> <tr><td>T</td><td>TRAVEL DOORS</td></tr> <tr><td>U</td><td>HOOD MTD HEADLIGHTS / MARKER LIGHTS</td></tr> <tr><td>V</td><td>SLEEPER ROOF / BACK PANEL WIRING</td></tr> <tr><td>W</td><td>WARDROBE CABINET WIRING</td></tr> <tr><td>Y</td><td>BUS - FRONT END / SEALD ENGINE HARNESS</td></tr> </tbody> </table>								CIRCUIT NUMBER	COLOR	DESCRIPTION	128	LTBL	LIGHT MONITOR	129	GY	EMERGENCY EXIT - ROOF HATCH	130	GY	EMERGENCY EXIT - SIDE EMERGENCY DOOR	131	DKBL	STEP LIGHT / SKIRT LIGHT	132	GY	STEP HEATER	133	LTGN	VANDAL LOCK - STARTER INTERRUPT	134	OR	DESTINATION SIGN	135	OR	LUGGAGE BOX LIGHT	136	YL	ELECTRICAL PANEL LIGHT	137	LTBL	CAMERA	138	GY	TIRE TRACTION ASSIST	139	YL	PEDESTRAIN LIGHT	140	TN	BATTERY ISOLATOR	141	LTGN	PASSENGER PULL SWITCH	142	LTGN	TWO - WAY RADIO	143	DKBL	3" RED LT - K/O WDW, SED, FR OR RR BULKHEAD	144	GY	FIRST SUPPRESSION SYSTEM	PREFIX	LOCATION	A	BUS - PLATFORM	B	BUS - ELECTRIC ACCESS PANEL	C	BUS - FRONT CAP	D	BUS - REAR CAP	E	BUS - LEFT BODY	F	BUS - RIGHT BODY	H	BUS BODY AUXILIARY HEATER	J	CAB - DASH (OUTSIDE)	K	ENGINE / RADIATOR	L	TRANSMISSION	M	CHASSIS / FRONT END (CAB DASH PANEL FORWARD)	N	CHASSIS / CENTER SECTION (CAB DASH PANEL TO CAB REAR XMBR)	P	CHASSIS / WHEEL BASE SECTION	R	CHASSIS / SUSPENSION / REAR AXLE / AXLES	S	CHASSIS / AF SECTION / STOP / TAIL / TURN LIGHTS	T	TRAVEL DOORS	U	HOOD MTD HEADLIGHTS / MARKER LIGHTS	V	SLEEPER ROOF / BACK PANEL WIRING	W	WARDROBE CABINET WIRING	Y	BUS - FRONT END / SEALD ENGINE HARNESS
CIRCUIT NUMBER	COLOR	DESCRIPTION																																																																																																					
128	LTBL	LIGHT MONITOR																																																																																																					
129	GY	EMERGENCY EXIT - ROOF HATCH																																																																																																					
130	GY	EMERGENCY EXIT - SIDE EMERGENCY DOOR																																																																																																					
131	DKBL	STEP LIGHT / SKIRT LIGHT																																																																																																					
132	GY	STEP HEATER																																																																																																					
133	LTGN	VANDAL LOCK - STARTER INTERRUPT																																																																																																					
134	OR	DESTINATION SIGN																																																																																																					
135	OR	LUGGAGE BOX LIGHT																																																																																																					
136	YL	ELECTRICAL PANEL LIGHT																																																																																																					
137	LTBL	CAMERA																																																																																																					
138	GY	TIRE TRACTION ASSIST																																																																																																					
139	YL	PEDESTRAIN LIGHT																																																																																																					
140	TN	BATTERY ISOLATOR																																																																																																					
141	LTGN	PASSENGER PULL SWITCH																																																																																																					
142	LTGN	TWO - WAY RADIO																																																																																																					
143	DKBL	3" RED LT - K/O WDW, SED, FR OR RR BULKHEAD																																																																																																					
144	GY	FIRST SUPPRESSION SYSTEM																																																																																																					
PREFIX	LOCATION																																																																																																						
A	BUS - PLATFORM																																																																																																						
B	BUS - ELECTRIC ACCESS PANEL																																																																																																						
C	BUS - FRONT CAP																																																																																																						
D	BUS - REAR CAP																																																																																																						
E	BUS - LEFT BODY																																																																																																						
F	BUS - RIGHT BODY																																																																																																						
H	BUS BODY AUXILIARY HEATER																																																																																																						
J	CAB - DASH (OUTSIDE)																																																																																																						
K	ENGINE / RADIATOR																																																																																																						
L	TRANSMISSION																																																																																																						
M	CHASSIS / FRONT END (CAB DASH PANEL FORWARD)																																																																																																						
N	CHASSIS / CENTER SECTION (CAB DASH PANEL TO CAB REAR XMBR)																																																																																																						
P	CHASSIS / WHEEL BASE SECTION																																																																																																						
R	CHASSIS / SUSPENSION / REAR AXLE / AXLES																																																																																																						
S	CHASSIS / AF SECTION / STOP / TAIL / TURN LIGHTS																																																																																																						
T	TRAVEL DOORS																																																																																																						
U	HOOD MTD HEADLIGHTS / MARKER LIGHTS																																																																																																						
V	SLEEPER ROOF / BACK PANEL WIRING																																																																																																						
W	WARDROBE CABINET WIRING																																																																																																						
Y	BUS - FRONT END / SEALD ENGINE HARNESS																																																																																																						
CHK	DATE	CHANGE	REV	REFERENCE	DRAWN	NAME																																																																																																	
MJVO	17SEP17	INITIAL RELEASE.	A	93784S	MJV0863	CIRCUIT DIAGRAM, RE BUS - BODY																																																																																																	
					RELEASE NO.	DATE	PART NO. SHEET																																																																																																
					93784S	20MAR17	AE08085145 007																																																																																																

Figure 7 Circuit Number Identification and Color (Cont.)

3.8. LAMP BULB CHART, P. 8

NAVISTAR, INC				ELECTRICAL CIRCUIT DIAGRAM		CHAPTER 2																																																																																																																												
THIS PRINT IS PROVIDED ON A RESTRICTED BASIS AND IS NOT TO BE USED IN ANY WAY DETRIMENTAL TO THE INTEREST OF NAVISTAR, INC.				LAMP BULB CHART																																																																																																																														
<table border="1" style="width: 100%; border-collapse: collapse; margin-top: 20px;"> <thead> <tr> <th style="width: 60%;">BULB APPLICATION</th> <th style="width: 20%;">CANDLE POWER OR WATT</th> <th style="width: 20%;">BULB TRADE NUMBER</th> </tr> </thead> <tbody> <tr><td>BACK-UP LIGHT</td><td>32 CP</td><td>GE1156</td></tr> <tr><td>CLEARANCE & IDENTIFICATION</td><td>3 CP</td><td>GE168</td></tr> <tr><td>COURTESY LIGHT</td><td>21 CP</td><td>1142</td></tr> <tr><td>DOVE LIGHTS</td><td>21 CP</td><td>1142</td></tr> <tr><td>FOG LIGHT</td><td>100 WATT</td><td>4921-1</td></tr> <tr><td>LOW BEAMS</td><td>55 WATT</td><td>GE9007</td></tr> <tr><td>HIGH BEAMS</td><td>65 WATT</td><td>GE9007</td></tr> <tr><td>CIGAR LIGHTER</td><td>1 CP</td><td>1455</td></tr> <tr><td>GAUGE BACKLIGHT</td><td>2 CP</td><td>194</td></tr> <tr><td>GAUGE WARNING LED (RED)</td><td>2 CP</td><td>194</td></tr> <tr><td>COLD AMBIENT PROTECTION LED (RED)</td><td>2 CP</td><td>194</td></tr> <tr><td>FUEL FILTER LED (YELLOW)</td><td>2 CP</td><td>194</td></tr> <tr><td>WARN ENGINE LED (YELLOW)</td><td>2 CP</td><td>194</td></tr> <tr><td>STOP ENGINE LED (RED)</td><td>2 CP</td><td>194</td></tr> <tr><td>BRAKE PRESSURE LED</td><td>2 CP</td><td>194</td></tr> <tr><td>CHECK TRANSMISSION LED</td><td>2 CP</td><td>194</td></tr> <tr><td>TRAILER ABS LED</td><td>2 CP</td><td>194</td></tr> <tr><td>LEFT TURN SIGNAL LED (GREEN)</td><td>2 CP</td><td>194</td></tr> <tr><td>TRACTION CONTROL LED (GREEN)</td><td>2 CP</td><td>194</td></tr> <tr><td>WATER IN FUEL LED (YELLOW)</td><td>2 CP</td><td>194</td></tr> <tr><td>PARK FLUID LED (RED)</td><td>2 CP</td><td>194</td></tr> <tr><td>CHECK ELECTRICAL SYSTEM LED (YELLOW)</td><td>2 CP</td><td>194</td></tr> <tr><td>PARK BRAKE LED (RED)</td><td>2 CP</td><td>194</td></tr> <tr><td>CRUISE CONTROL ACTIVE LED (YELLOW)</td><td>2 CP</td><td>194</td></tr> <tr><td>ANTILOCK BRAKING SYSTEM LED (YELLOW)</td><td>2 CP</td><td>194</td></tr> <tr><td>RIGHT TURN LED (GREEN)</td><td>2 CP</td><td>194</td></tr> <tr><td>COOLANT LEVEL LED (RED)</td><td>2 CP</td><td>194</td></tr> <tr><td>SEAT BELT LED (RED)</td><td>2 CP</td><td>194</td></tr> <tr><td>HIGH BEAM ICON LED (BLUE)</td><td>2 CP</td><td>194</td></tr> <tr><td>CHECK AIR CONDITIONER LED (YELLOW)</td><td>2 CP</td><td>82S272109-4</td></tr> <tr><td>SIDE MARKER</td><td>-</td><td>2548</td></tr> <tr><td>STOP & TURN / TAIL & LICENSE PLATE</td><td>32/3 CP</td><td>3157</td></tr> <tr><td>TURN SIGNAL / MARKER (FENDER)</td><td>32/3 CP</td><td>3157</td></tr> <tr><td>TURN SIGNAL & MARKER LIGHT</td><td>-</td><td>2356</td></tr> <tr><td>BACK-UP LIGHTS-UPPER AND LOWER BUNK READING LIGHT</td><td>15 CP</td><td>1003</td></tr> <tr><td>UNDER BUNK LIGHT</td><td>21 CP / 2 (12CP)</td><td>577 / 211</td></tr> <tr><td>DOVE LIGHT</td><td>15 WATT</td><td>F15T8-CW</td></tr> <tr><td>HEATER AND AIR CONDITIONER CONTROL</td><td>3 CP</td><td>168</td></tr> <tr><td>LUGGAGE COMPARTMENT LIGHT</td><td>6 CP</td><td>99</td></tr> <tr><td>READING LIGHT</td><td>15 CP</td><td>1003</td></tr> </tbody> </table>								BULB APPLICATION	CANDLE POWER OR WATT	BULB TRADE NUMBER	BACK-UP LIGHT	32 CP	GE1156	CLEARANCE & IDENTIFICATION	3 CP	GE168	COURTESY LIGHT	21 CP	1142	DOVE LIGHTS	21 CP	1142	FOG LIGHT	100 WATT	4921-1	LOW BEAMS	55 WATT	GE9007	HIGH BEAMS	65 WATT	GE9007	CIGAR LIGHTER	1 CP	1455	GAUGE BACKLIGHT	2 CP	194	GAUGE WARNING LED (RED)	2 CP	194	COLD AMBIENT PROTECTION LED (RED)	2 CP	194	FUEL FILTER LED (YELLOW)	2 CP	194	WARN ENGINE LED (YELLOW)	2 CP	194	STOP ENGINE LED (RED)	2 CP	194	BRAKE PRESSURE LED	2 CP	194	CHECK TRANSMISSION LED	2 CP	194	TRAILER ABS LED	2 CP	194	LEFT TURN SIGNAL LED (GREEN)	2 CP	194	TRACTION CONTROL LED (GREEN)	2 CP	194	WATER IN FUEL LED (YELLOW)	2 CP	194	PARK FLUID LED (RED)	2 CP	194	CHECK ELECTRICAL SYSTEM LED (YELLOW)	2 CP	194	PARK BRAKE LED (RED)	2 CP	194	CRUISE CONTROL ACTIVE LED (YELLOW)	2 CP	194	ANTILOCK BRAKING SYSTEM LED (YELLOW)	2 CP	194	RIGHT TURN LED (GREEN)	2 CP	194	COOLANT LEVEL LED (RED)	2 CP	194	SEAT BELT LED (RED)	2 CP	194	HIGH BEAM ICON LED (BLUE)	2 CP	194	CHECK AIR CONDITIONER LED (YELLOW)	2 CP	82S272109-4	SIDE MARKER	-	2548	STOP & TURN / TAIL & LICENSE PLATE	32/3 CP	3157	TURN SIGNAL / MARKER (FENDER)	32/3 CP	3157	TURN SIGNAL & MARKER LIGHT	-	2356	BACK-UP LIGHTS-UPPER AND LOWER BUNK READING LIGHT	15 CP	1003	UNDER BUNK LIGHT	21 CP / 2 (12CP)	577 / 211	DOVE LIGHT	15 WATT	F15T8-CW	HEATER AND AIR CONDITIONER CONTROL	3 CP	168	LUGGAGE COMPARTMENT LIGHT	6 CP	99	READING LIGHT	15 CP	1003
BULB APPLICATION	CANDLE POWER OR WATT	BULB TRADE NUMBER																																																																																																																																
BACK-UP LIGHT	32 CP	GE1156																																																																																																																																
CLEARANCE & IDENTIFICATION	3 CP	GE168																																																																																																																																
COURTESY LIGHT	21 CP	1142																																																																																																																																
DOVE LIGHTS	21 CP	1142																																																																																																																																
FOG LIGHT	100 WATT	4921-1																																																																																																																																
LOW BEAMS	55 WATT	GE9007																																																																																																																																
HIGH BEAMS	65 WATT	GE9007																																																																																																																																
CIGAR LIGHTER	1 CP	1455																																																																																																																																
GAUGE BACKLIGHT	2 CP	194																																																																																																																																
GAUGE WARNING LED (RED)	2 CP	194																																																																																																																																
COLD AMBIENT PROTECTION LED (RED)	2 CP	194																																																																																																																																
FUEL FILTER LED (YELLOW)	2 CP	194																																																																																																																																
WARN ENGINE LED (YELLOW)	2 CP	194																																																																																																																																
STOP ENGINE LED (RED)	2 CP	194																																																																																																																																
BRAKE PRESSURE LED	2 CP	194																																																																																																																																
CHECK TRANSMISSION LED	2 CP	194																																																																																																																																
TRAILER ABS LED	2 CP	194																																																																																																																																
LEFT TURN SIGNAL LED (GREEN)	2 CP	194																																																																																																																																
TRACTION CONTROL LED (GREEN)	2 CP	194																																																																																																																																
WATER IN FUEL LED (YELLOW)	2 CP	194																																																																																																																																
PARK FLUID LED (RED)	2 CP	194																																																																																																																																
CHECK ELECTRICAL SYSTEM LED (YELLOW)	2 CP	194																																																																																																																																
PARK BRAKE LED (RED)	2 CP	194																																																																																																																																
CRUISE CONTROL ACTIVE LED (YELLOW)	2 CP	194																																																																																																																																
ANTILOCK BRAKING SYSTEM LED (YELLOW)	2 CP	194																																																																																																																																
RIGHT TURN LED (GREEN)	2 CP	194																																																																																																																																
COOLANT LEVEL LED (RED)	2 CP	194																																																																																																																																
SEAT BELT LED (RED)	2 CP	194																																																																																																																																
HIGH BEAM ICON LED (BLUE)	2 CP	194																																																																																																																																
CHECK AIR CONDITIONER LED (YELLOW)	2 CP	82S272109-4																																																																																																																																
SIDE MARKER	-	2548																																																																																																																																
STOP & TURN / TAIL & LICENSE PLATE	32/3 CP	3157																																																																																																																																
TURN SIGNAL / MARKER (FENDER)	32/3 CP	3157																																																																																																																																
TURN SIGNAL & MARKER LIGHT	-	2356																																																																																																																																
BACK-UP LIGHTS-UPPER AND LOWER BUNK READING LIGHT	15 CP	1003																																																																																																																																
UNDER BUNK LIGHT	21 CP / 2 (12CP)	577 / 211																																																																																																																																
DOVE LIGHT	15 WATT	F15T8-CW																																																																																																																																
HEATER AND AIR CONDITIONER CONTROL	3 CP	168																																																																																																																																
LUGGAGE COMPARTMENT LIGHT	6 CP	99																																																																																																																																
READING LIGHT	15 CP	1003																																																																																																																																
CHK	DATE	CHANGE	REV	REFERENCE	DRAWN	NAME																																																																																																																												
MJV0	2017 SEP 17	INITIAL RELEASE.	A	93784S	MJV0863	CIRCUIT DIAGRAM, RE BUS - BODY																																																																																																																												
					RELEASE NO.	DATE	PART NO.																																																																																																																											
					93784S	20MAR17	AE08085145																																																																																																																											
							SHEET 008																																																																																																																											

Figure 8 Lamp Bulb Chart

3.9. RELAY FUNCTION AND WIRING GUIDE, P. 9

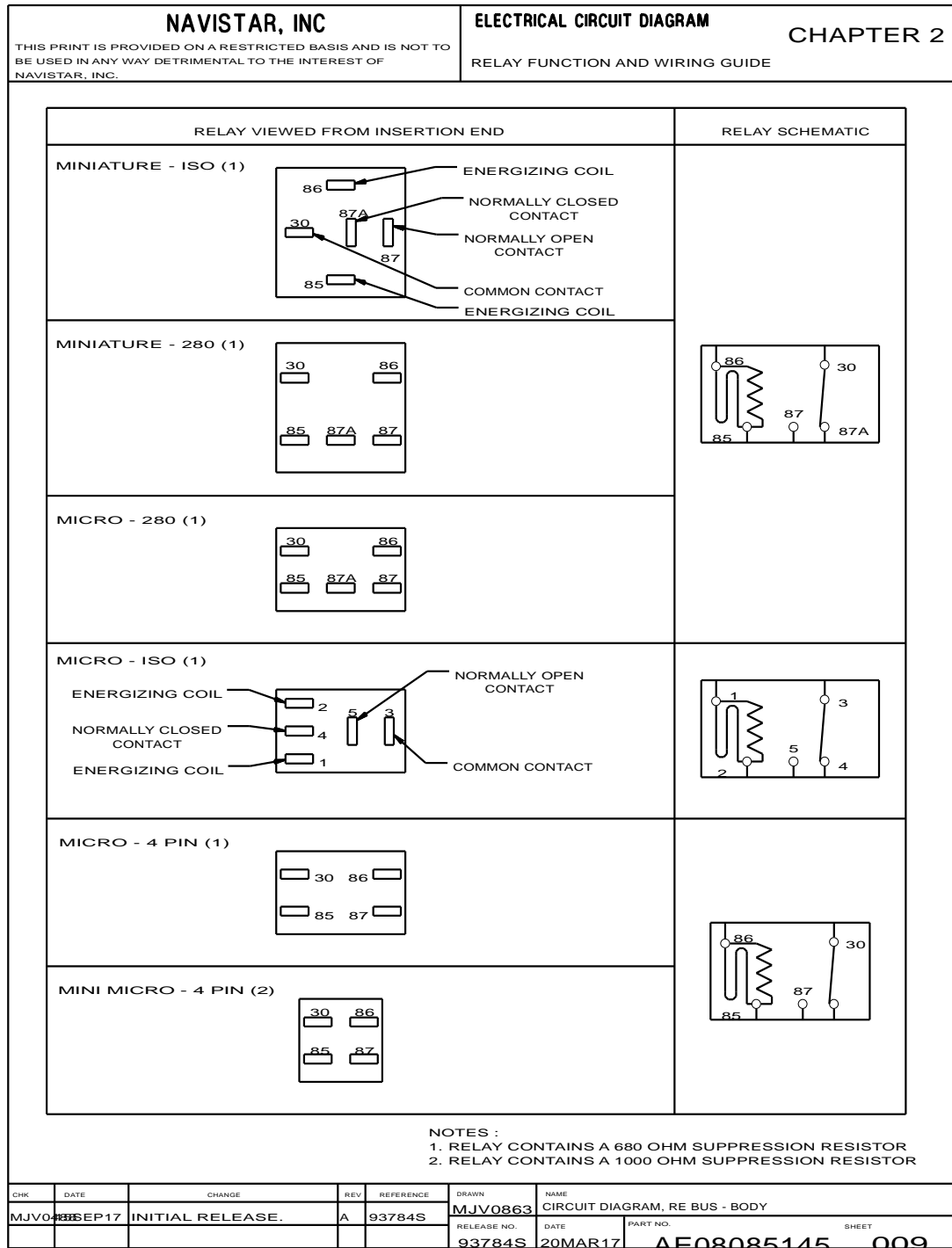


Figure 9 Relay Function and Wiring Guide

3.10. SCHEMATIC SYMBOL CHART, P. 10

NAVISTAR, INC					ELECTRICAL CIRCUIT DIAGRAM		CHAPTER 2	
THIS PRINT IS PROVIDED ON A RESTRICTED BASIS AND IS NOT TO BE USED IN ANY WAY DETRIMENTAL TO THE INTEREST OF NAVISTAR, INC.					SCHEMATIC SYMBOL CHART			
SYMBOL		DESCRIPTION			SYMBOL		DESCRIPTION	
		AIR DRYER					CIGAR LIGHTER	
		ALARM					CIRCUIT BREAKER	
		ALTERNATOR					DIODE	
		AMMETER					DIODE, LIGHT EMITTING	
		BATTERY					FAN SOLENOID	
		BLUNT CUT CIRCUIT					FEMALE TERMINAL	
		BUSBAR					FUSE	
CHK	DATE	CHANGE	REV	REFERENCE	DRAWN	NAME		
MJV0	20SEP17	INITIAL RELEASE.	A	93784S	MJV0863	CIRCUIT DIAGRAM, RE BUS - BODY		
					RELEASE NO.	DATE	PART NO.	SHEET
					93784S	20MAR17	AE08085145	010

Figure 10 Schematic Symbol Chart

3.11. SCHEMATIC SYMBOL CHART (CONT.), P. 11

NAVISTAR, INC				ELECTRICAL CIRCUIT DIAGRAM		CHAPTER 2	
THIS PRINT IS PROVIDED ON A RESTRICTED BASIS AND IS NOT TO BE USED IN ANY WAY DETRIMENTAL TO THE INTEREST OF NAVISTAR, INC.				SCHEMATIC SYMBOL CHART (CONT)			
SYMBOL		DESCRIPTION		SYMBOL		DESCRIPTION	
		FUSES W/ BUSBAR				HORN	
		FUSIBLE LINK				KEY SWITCH	
		GROUND N/ STUD				KEY SWITCH, COMPLEX	
		GROUND W/ STUD				LIGHT W/ SWITCH	
		HEATER				LIGHT, DOUBLE FILAMENT	
		HOLDER, FUSE W/ BUSBAR				LIGHT, SINGLE FILAMENT	
CHK	DATE	CHANGE	REV	REFERENCE	DRAWN	NAME	
MJVO	13 SEP 17	INITIAL RELEASE.	A	93784S	MJV0863	CIRCUIT DIAGRAM, RE BUS - BODY	
					RELEASE NO.	DATE	PART NO. SHEET
					93784S	20MAR17	AE08085145 011

Figure 11 Schematic Symbol Chart (Cont.)

3.12. SCHEMATIC SYMBOL CHART (CONT.), P. 12

NAVISTAR, INC				ELECTRICAL CIRCUIT DIAGRAM		CHAPTER 2	
THIS PRINT IS PROVIDED ON A RESTRICTED BASIS AND IS NOT TO BE USED IN ANY WAY DETRIMENTAL TO THE INTEREST OF NAVISTAR, INC.				SCHEMATIC SYMBOL CHART (CONT)			
SYMBOL		DESCRIPTION		SYMBOL		DESCRIPTION	
		MALE TERMINAL				RESISTOR	
		MOTOR				SENDER - FUEL, OIL, TEMP, WATER	
		PASS THRU CONNECTION				SENSOR, PRESSURE. ABS 6	
		PRESSURE SWITCH				SENSOR, MAGNETIC	
		RELAY, FIVE TERMINAL				SENSOR, YAW	
		RELAY, FOUR TERMINAL				SOLENOID	
		RELAY, LATCHING				SOLENOID W/ DIODE	
CHK	DATE	CHANGE	REV	REFERENCE	DRAWN	NAME	
MJV	17SEP17	INITIAL RELEASE.	A	93784S	MJV0863	CIRCUIT DIAGRAM, RE BUS - BODY	
					RELEASE NO.	DATE	PART NO.
					93784S	20MAR17	AE08085145
							SHEET 012

Figure 12 Schematic Symbol Chart (Cont.)

3.13. SCHEMATIC SYMBOL CHART (CONT.), P. 13

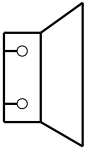


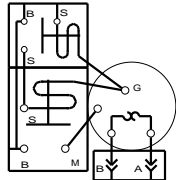
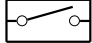
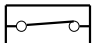
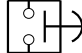
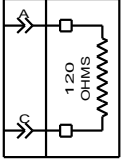
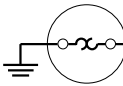
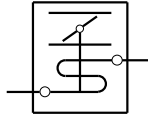
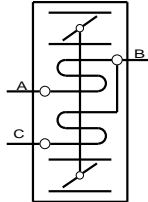

NAVISTAR, INC					ELECTRICAL CIRCUIT DIAGRAM		CHAPTER 2		
THIS PRINT IS PROVIDED ON A RESTRICTED BASIS AND IS NOT TO BE USED IN ANY WAY DETRIMENTAL TO THE INTEREST OF NAVISTAR, INC.					SCHEMATIC SYMBOL CHART (CONT)				
SYMBOL					DESCRIPTION				
					SPEAKER				
					SPLICE				
					STUD				
					START MOTOR W/ TOCP				
					SWITCH, MECHANICAL (NORMALLY OPEN)				
					SWITCH, MECHANICAL (NORMALLY CLOSED)				
SYMBOL					DESCRIPTION				
					SWITCH, PUSH BUTTON				
					TERMINATING RESISTOR				
					THERMOSTAT				
					VALVE, ETHER BOTTLE				
					VALVE, MODULATOR				
					THERMISTOR				
CHK	DATE	CHANGE	REV	REFERENCE	DRAWN	NAME			
MJV0833	SEP17	INITIAL RELEASE.	A	93784S	MJV0863	CIRCUIT DIAGRAM, RE BUS - BODY			
					RELEASE NO.	DATE	PART NO.	SHEET	
					93784S	20MAR17	AE08085145	013	

Figure 13 Schematic Symbol Chart (Cont.)

3.14. SCHEMATIC SYMBOL CHART (CONT.), P. 14

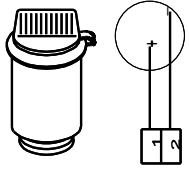
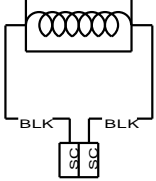
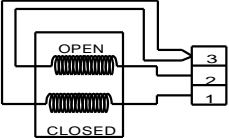
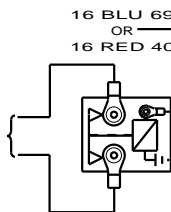
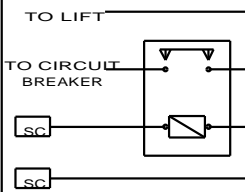
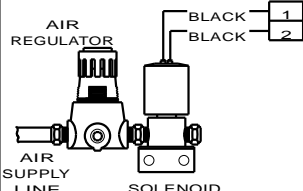
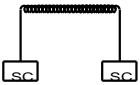

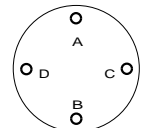
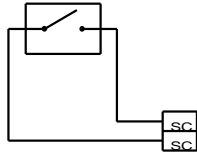
NAVISTAR, INC					ELECTRICAL CIRCUIT DIAGRAM				
THIS PRINT IS PROVIDED ON A RESTRICTED BASIS AND IS NOT TO BE USED IN ANY WAY DETRIMENTAL TO THE INTEREST OF NAVISTAR, INC.					CHAPTER 2				
SCHEMATIC SYMBOL CHART (CONT)									
SYMBOL		DESCRIPTION			SYMBOL		DESCRIPTION		
		DC OUTLET					AIR DUMP VALVE		
		AIR DOOR CYLINDER					MASTER DISCONNECT		
		LIFT SOLENOID					AIR REGULATOR AND SOLENOID		
		HEATED WIPER BLADES					BACK-UP ALARM		
		REVERSING KEY SWITCH CENTER POSITION "OFF"							
		FOOT SWITCH FOR AIR HORN							
CHK	DATE	CHANGE	REV	REFERENCE	DRAWN	NAME			
MJV0	17SEP17	INITIAL RELEASE.	A	93784S	MJV0863	CIRCUIT DIAGRAM, RE BUS - BODY			
					RELEASE NO.	DATE	PART NO.	SHEET	
					93784S	20MAR17	AE08085145	014	

Figure 14 Schematic Symbol Chart (Cont.)

3.15. SCHEMATIC SYMBOL CHART (CONT.), P. 15

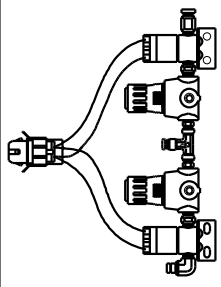
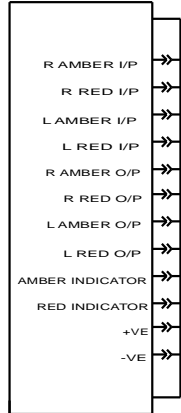
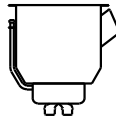
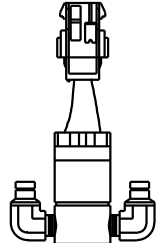
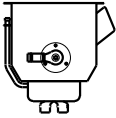
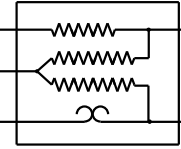


NAVISTAR, INC				ELECTRICAL CIRCUIT DIAGRAM		CHAPTER 2	
THIS PRINT IS PROVIDED ON A RESTRICTED BASIS AND IS NOT TO BE USED IN ANY WAY DETRIMENTAL TO THE INTEREST OF NAVISTAR, INC.				SCHEMATIC SYMBOL CHART (CONT)			
SYMBOL				SYMBOL			
	DUAL ELECT SOLENOID W/ AIR REGULATOR				PILOT LIGHT RELAY		
	RIGHT TRACTION SANDER				AIR HORN SOLENOID		
	LEFT TRACTION SANDER				RESISTOR BLOCK		
	RADIO				CAMERA		
CHK	DATE	CHANGE	REV	REFERENCE	DRAWN	NAME	
MJVO	23SEP17	INITIAL RELEASE.	A	93784S	MJV0863	CIRCUIT DIAGRAM, RE BUS - BODY	
					RELEASE NO.	DATE	PART NO.
					93784S	20MAR17	AE08085145
							SHEET
							015

Figure 15 Schematic Symbol Chart (Cont.)

3.16. SCHEMATIC SYMBOL CHART (CONT.), P. 16

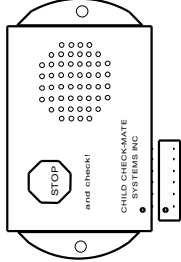
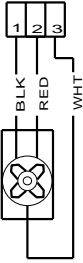
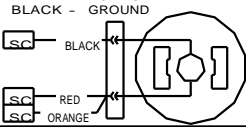
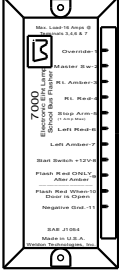
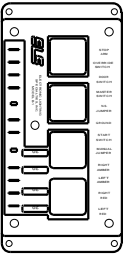
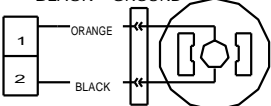
NAVISTAR, INC					ELECTRICAL CIRCUIT DIAGRAM		CHAPTER 2	
THIS PRINT IS PROVIDED ON A RESTRICTED BASIS AND IS NOT TO BE USED IN ANY WAY DETRIMENTAL TO THE INTEREST OF NAVISTAR, INC.					SCHEMATIC SYMBOL CHART (CONT)			
					CHILD CHECK MATE			
					DRIVER'S HEATER MOTOR			
					STEP / DEFROST HEATER MOTOR			
					ELECTRONIC EIGHT LAMP SCHOOL BUS FLASHER			
					ELECTRONIC LIGHTING SPECIALTIES, INC.			
					BOOSTER PUMP MOTOR			
CHK	DATE	CHANGE	REV	REFERENCE	DRAWN	NAME		
MJV083	17SEP17	INITIAL RELEASE.	A	93784S	MJV0863	CIRCUIT DIAGRAM, RE BUS - BODY		
					RELEASE NO.	DATE	PART NO.	SHEET
					93784S	20MAR17	AE08085145	016

Figure 16 Schematic Symbol Chart (Cont.)

3.17. SCHEMATIC SYMBOL CHART (CONT.), P. 17

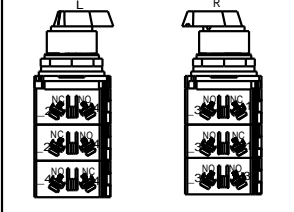
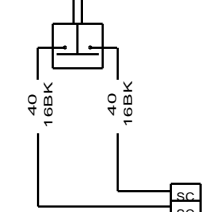
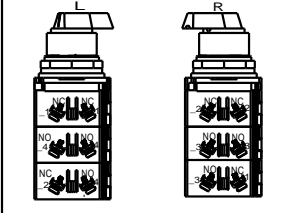
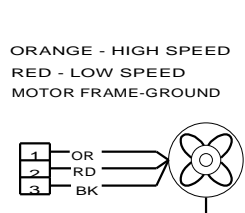
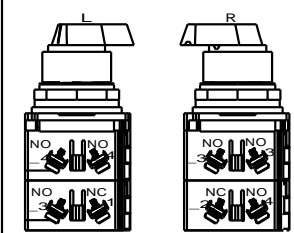
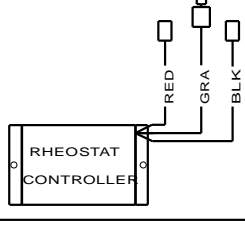
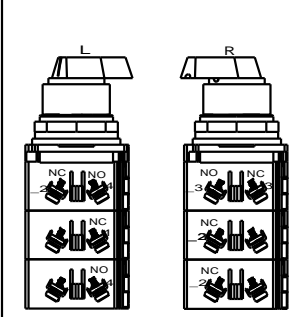
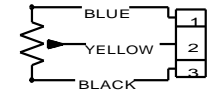

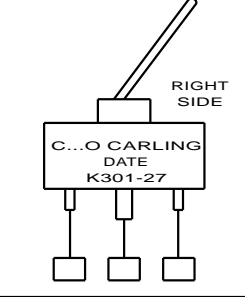
NAVISTAR, INC				ELECTRICAL CIRCUIT DIAGRAM CHAPTER 2			
THIS PRINT IS PROVIDED ON A RESTRICTED BASIS AND IS NOT TO BE USED IN ANY WAY DETRIMENTAL TO THE INTEREST OF NAVISTAR, INC.				SCHEMATIC SYMBOL CHART (CONT)			
SYMBOL		DESCRIPTION		SYMBOL		DESCRIPTION	
		2-POSITION ELECTRIC ENTRANCE DOOR SWITCH				MANUAL DOOR SWITCH	
		3-POSITION ELECTRIC ENTRANCE DOOR SWITCH				FRONT / REAR POWER VENT	
		2-POSITION ROTARY AIR DOOR SWITCH				DOME LIGHT RHEOSTAT	
		3-POSITION ROTARY AIR DOOR SWITCH				PANEL DIMMER	
		3-POSITION ROTARY AIR DOOR SWITCH				3-POSITION DOOR SWITCH IN L DRIVER'S SWITCH PANEL	
CHK	DATE	CHANGE	REV	REFERENCE	DRAWN	NAME	
MJV	17 SEP 17	INITIAL RELEASE.	A	93784S	MJV0863	CIRCUIT DIAGRAM, RE BUS - BODY	
					RELEASE NO.	DATE	PART NO. SHEET
					93784S	20MAR17	AE08085145 017

Figure 17 Schematic Symbol Chart (Cont.)

3.18. SCHEMATIC SYMBOL CHART (CONT.), P. 18

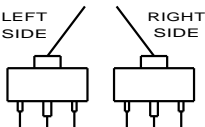
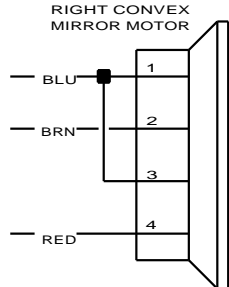

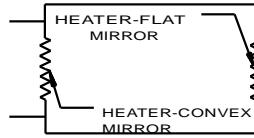
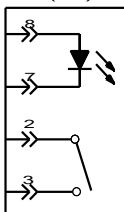
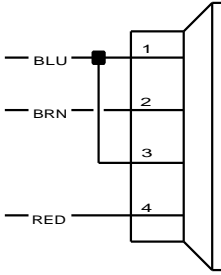
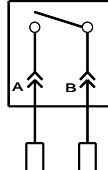

NAVISTAR, INC				ELECTRICAL CIRCUIT DIAGRAM		CHAPTER 2	
THIS PRINT IS PROVIDED ON A RESTRICTED BASIS AND IS NOT TO BE USED IN ANY WAY DETRIMENTAL TO THE INTEREST OF NAVISTAR, INC.				SCHEMATIC SYMBOL CHART (CONT)			
		<p>3-POSITION DOOR SWITCH IN L DRIVER'S SWITCH PANEL</p>				<p>RIGHT CONVEX MIRROR MOTOR</p>	
		<p>LIFT DOOR SWITCH</p>				<p>MOTORIZED HEATED MIRROR</p>	
		<p>ROCKER SWITCH</p>				<p>LEFT CONVEX MIRROR MOTOR</p>	
		<p>ELECTRIC DOOR CONTROL LIMIT SWITCHING</p>				<p>DEACTIVATION SWITCH</p>	
CHK	DATE	CHANGE	REV	REFERENCE	DRAWN	NAME	
MJV	SEP17	INITIAL RELEASE.	A	93784S	MJV0863	CIRCUIT DIAGRAM, RE BUS - BODY	
					RELEASE NO.	DATE	PART NO. SHEET
					93784S	20MAR17	AE08085145 018

Figure 18 Schematic Symbol Chart (Cont.)

3.19. RE BUS WIRING LAYOUT, P. 19

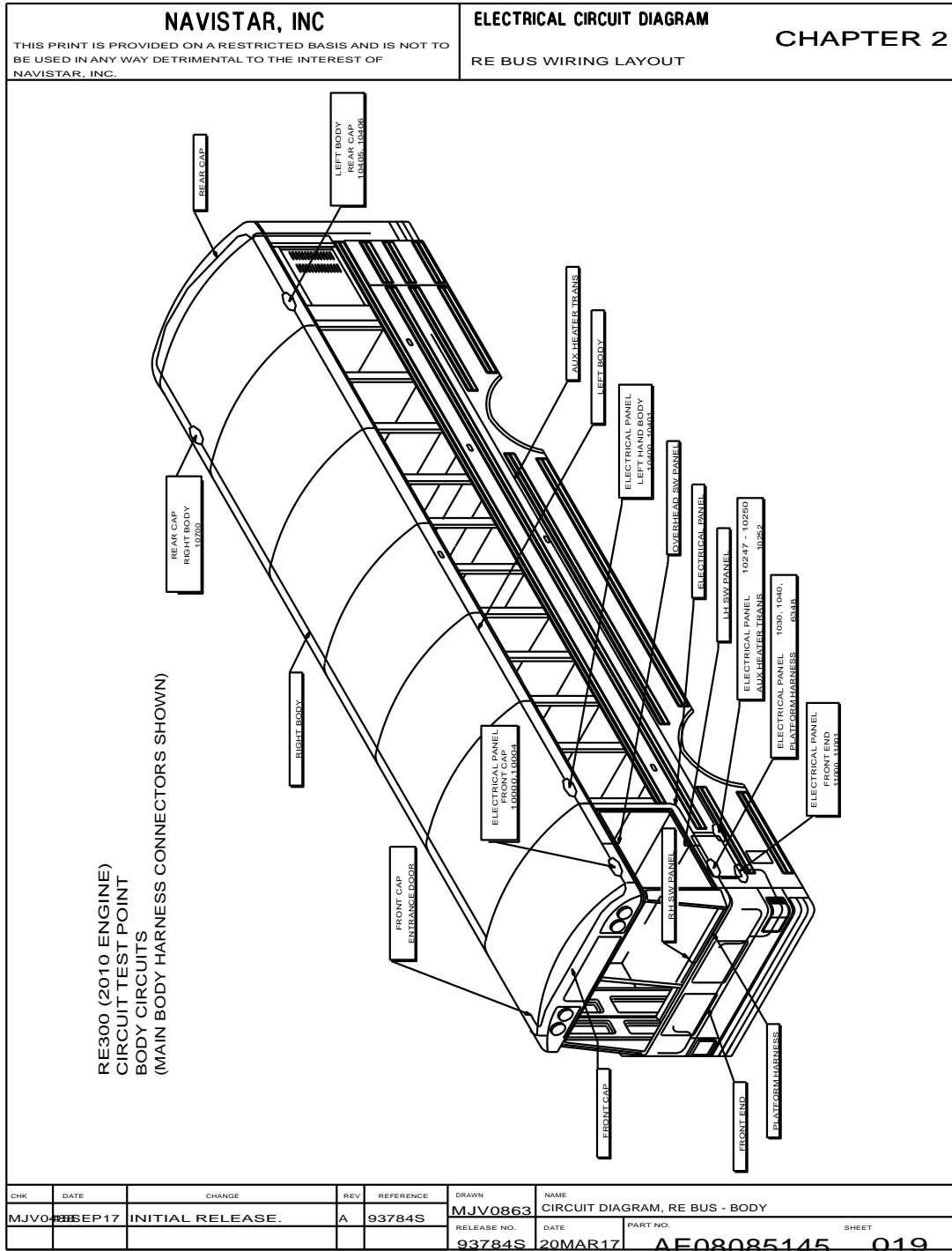


Figure 19 RE Bus Wiring Layout

3.20. ELECTRICAL FUSE PANEL – PRODUCT GRAPHICS, P. 20

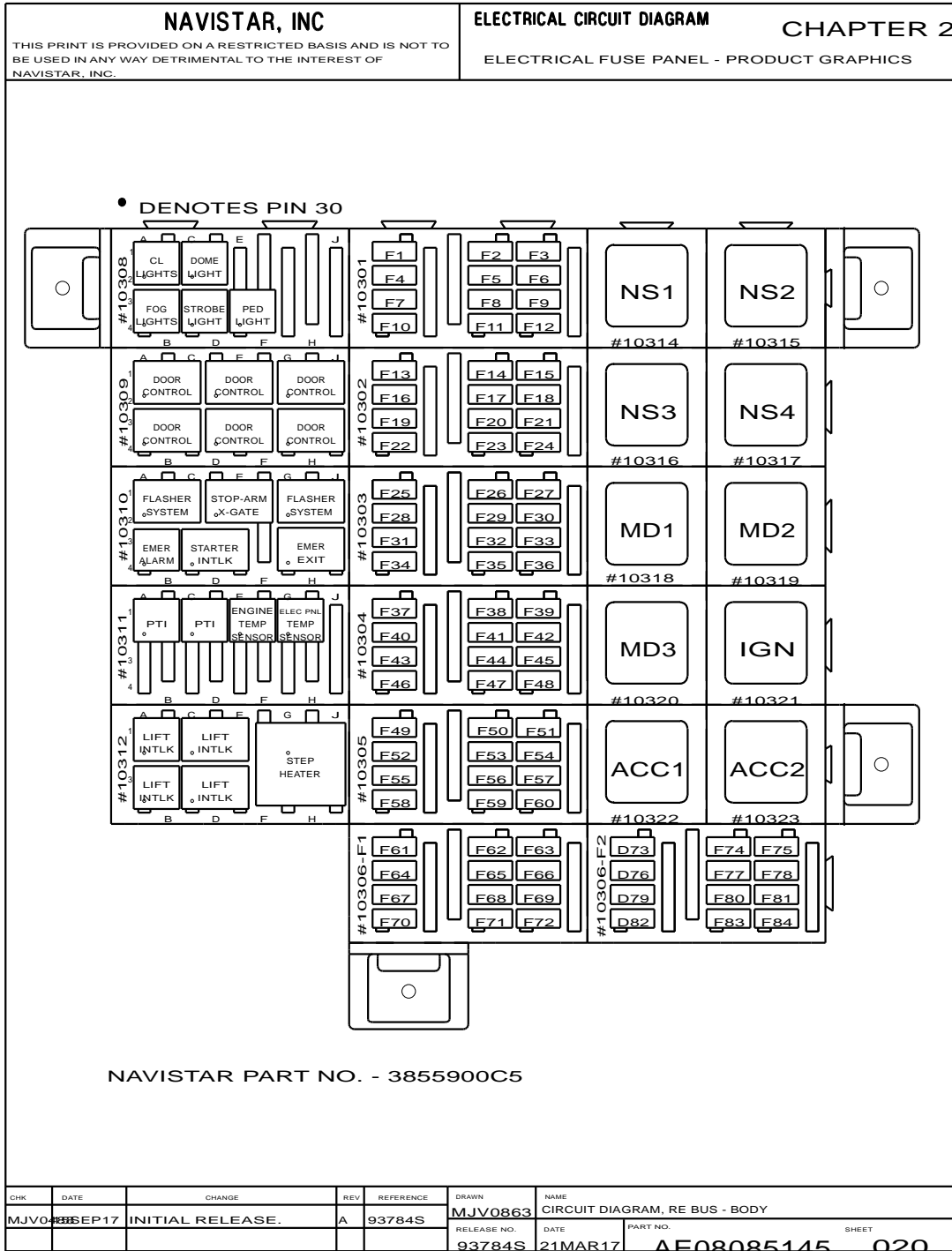


Figure 20 Electrical Fuse Panel – Product Graphics

3.21. ELECTRICAL FUSE PANEL – PRODUCT GRAPHICS (CONT.), P. 21

NAVISTAR, INC				ELECTRICAL CIRCUIT DIAGRAM		CHAPTER 2	
THIS PRINT IS PROVIDED ON A RESTRICTED BASIS AND IS NOT TO BE USED IN ANY WAY DETRIMENTAL TO THE INTEREST OF NAVISTAR, INC.				ELECTRICAL FUSE PANEL - PRODUCT GRAPHICS (CONT)			

POWER RELAYS				
POWER RELAY BLOCK #	RELAY NAME	RELAY PART #	MAX CONTINUOUS CURRENT	DESCRIPTION
10314	NS1	3536072C1	70A	NOISE SUPPRESSION RELAY 1
10315	NS2	3536072C1	70A	NOISE SUPPRESSION RELAY 2
10316	NS3	3536072C1	70A	NOISE SUPPRESSION RELAY 3
10317	NS4	3536072C1	70A	NOISE SUPPRESSION RELAY 4
10318	MD1	3536072C1	70A	MASTER DISCONNECT RELAY 1
10319	MD2	3536072C1	70A	MASTER DISCONNECT RELAY 2
10320	MD3	3536072C1	70A	MASTER DISCONNECT RELAY 3
10321	IGN	3536072C1	70A	IGNITION RELAY
10322	ACC1	3536072C1	70A	ACCESSORY RELAY 1
10323	ACC2	3536072C1	70A	ACCESSORY RELAY 2

POSITION	SUPPLY CIRCUIT	FUSE VALUE	DESCRIPTION
FUSE BLOCK #10301			
DESCRIPTION			
E1	NS1	25A	DEFROST STEPWELL FLOOR HTR
E2	NS1	20A	DEFROST STEPWELL FLOOR HTR
F3	NS1	7.5A	CONVECTION HEATERS
		25A	LEFT MIDSHIP HEATER 1ST POSITION
F4	NS2	7.5A	DEFOG FAN RIGHT SW
		20A	CENTER BLOWER RIGHT SWITCH
E5	NS2	7.5A	POWER VENT REAR
E6	NS2	7.5A	RADIO POWER
E7	NS2	25A	RIGHT MIDSHIP HEATER 1ST POSITION
E8	NS2	7.5A	POWER VENT FRONT
F9	NS4	15A	ADDITIONAL DRIVERS HEATER
		20A	RIGHT REAR WALL HEATER
F10	NS3	25A	RIGHT MIDSHIP HEATER 2ND POSITION
		15A	RIGHT REAR HEATER
E11	NS3	15A	DRIVERS DEFOG BLOWER
		7.5A	DEFOG FAN LEFT SWITCH
F12	NS4	15A	DEFOG FAN (X2) LEFT SWITCH
		20A	CENTER BLOWER LEFT SWITCH
FUSE BLOCK #10302			
F13	NS3	20A	LEFT REAR WALL HEATER
		25A	RIGHT REAR WALL HEATER
		25A	LEFT MIDSHIP HEATER - 2ND POSITION
		25A	LEFT REAR HEATER
E14	MD1	15A	PUPIL WARNING LIGHTS OVERRIDE
E15	MD1	10A	DESTINATION SIGNS
E16	MD2	25A	STEP HEATER (SINGLE OR DUAL)
E17	MD1	15A	DOME LIGHTS STANDARD
E17	MD1	15A	PUPIL WARNING LIGHTS MASTER
E18	MD2	10A	HEATED MIRRORS
E19	MD1	7.5A	STORE LIGHT
E20	MD1	20A	SANDERS/TRACTION CHAINS
E21	MD3	20A	TWO-WAY RADIO TERMINAL STRIP
E22	MD2	-	SEE CIRCUIT DIAGRAM
E23	MD2	-	SEE CIRCUIT DIAGRAM
E24	MD2	10A	VIDEO SYSTEM
		20A	VIDEO SYSTEM TERMINAL STRIP
FUSE BLOCK #10303			
E25	MD3	15A	EQS LIGHTS
F26	HOT	3A	PTI - CHILD CHECK MATE
		15A	PTI - CRS - HEADLIGHTS
		3A	PTI - BUS SGAN
F27	HOT	3A	PTI - CHILD CHECK MATE
		10A	PTI - CRS - DOME LIGHTS
E28	HOT	15A	PUPIL WARNING LIGHTS OVERRIDE
E29	HOT	15A	FUEL FIBER HEATER
E30	HOT	10A	CLEARANCE (CL) LIGHTS
E31	HOT	7.5A	LIFT INTERLOCK
E32	HOT	7.5A	ENTRANCE DOOR
E33	HOT	7.5A	LIFT LIGHTS
E34	HOT	7.5A	LUGGAGE BOX LIGHTS
E35	HOT	5A	RADIO MEMORY
E36	HOT	7.5A	ENGINE COMPARTMENT LIGHTS
FUSE BLOCK #10304			
E37	HOT	10A	HAZARD LIGHTS
E38	HOT	7.5A	FRONT STRIP ARM/CROSSING GATE
E39	HOT	10A	LIFT INTERLOCK
E40	HOT	15A	DOME LIGHTS (HOT)
E41	IGN	7.5A	BACK-UP LIGHTS - ACT BY REAR K/O WDO
E42	IGN	7.5A	STARTER INTERLOCK
E43	ACC2	10A	MOTORIZED MIRRORS
E44	IGN	7.5A	ALTERNATE AIR ENTRANCE DOOR
F45	IGN	10A	ELECTRIC ENTRANCE DOOR
E46	ACC2	3A	PTI - BUS SGAN
		3A	PTI - CHECK MATE
		15A	PTI - CRS
E47	ACC2	3A	ENGINE ELECTRICAL PANEL TEMP SENSOR
E48	ACC2	3A	BATTERY ISOLATOR
FUSE BLOCK #10305			
E49	ACC1	7.5A	EMERGENCY EXIT ALARMS
E50	ACC1	7.5A	FRONT CLUSTER LIGHTS
E51	ACC1	7.5A	EMERGENCY EXIT LIGHTS
E52	ACC1	-	SEE CIRCUIT DIAGRAM
E53	ACC1	7.5A	PEDESTRIAN LIGHTS
E54	ACC1	7.5A	CROSSING GATE MAGNET
E55	ACC1	7.5A	HEATED WIPER BLADES
E56	ACC1	7.5A	FUEL FIBER HEATER - 7 DAY TIMER
E57	ACC1	7.5A	LIGHT MONITOR
E58	ACC2	10A	STEP LIGHT
E59	ACC2	-	SEE CIRCUIT DIAGRAM
E60	ACC2	-	SEE CIRCUIT DIAGRAM
FUSE BLOCK #10306-F1			
E61	NS4	2A	AIR HORN
E62	-	-	-
E63	-	-	-
E64	NS4	-	SEE CIRCUIT DIAGRAM
E65	NS4	-	-
E66	NS4	-	-
E67	MD3	15A	BOOSTER PUMP
E68	MD3	-	-
E69	MD3	-	-
F70	IGN	-	SEE CIRCUIT DIAGRAM
F71	IGN	-	-
F72	IGN	-	-
FUSE BLOCK #10306-F2			
E73	-	-	SEE CIRCUIT DIAGRAM
E74	HOT	-	-
E75	HOT	-	-
E76	-	-	-
E77	HOT	-	-
E78	HOT	-	-
E79	-	-	-
E80	-	-	SEE CIRCUIT DIAGRAM
E81	-	-	-
E82	-	-	-
E83	-	-	-
E84	-	-	-

CHK	DATE	CHANGE	REV	REFERENCE	DRAWN	NAME
MJVO	13 SEP 17	INITIAL RELEASE.	A	93784S	MJV0863	CIRCUIT DIAGRAM, RE BUS - BODY
					RELEASE NO.	DATE
					93784S	21 MAR 17
					PART NO.	SHEET
					AE08085145	021

Figure 21 Electrical Fuse Panel – Product Graphics (Cont.)

3.22. PLATFORM HARNESS FUSE PANEL – PRODUCT GRAPHICS, P. 22

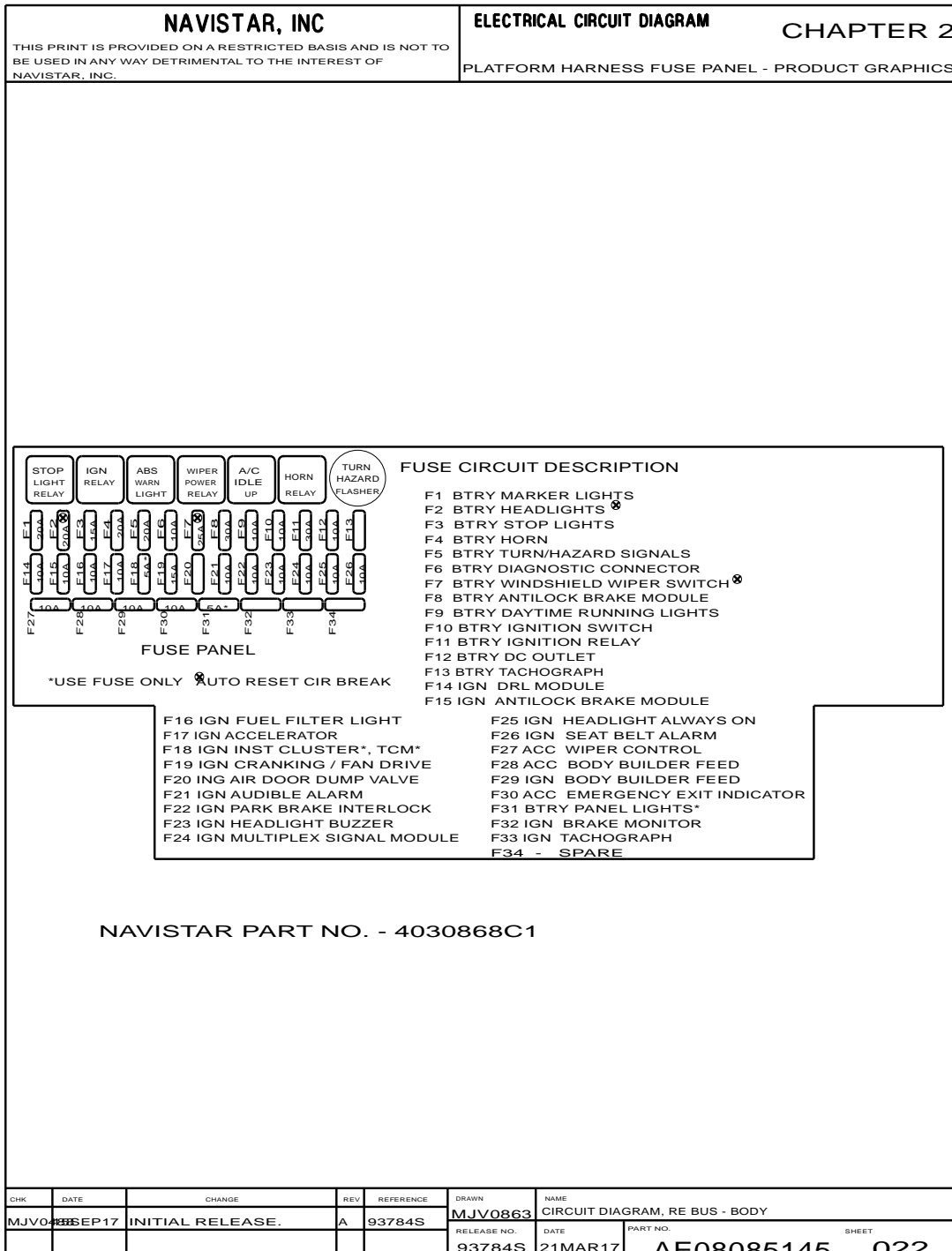


Figure 22 Platform Harness Fuse Panel – Product Graphics

12 VOLT POWER DISTRIBUTION, GROUNDS, DATA BUS AND ELECTRICAL SYSTEM CONTROLLER (CHAPTER 3)

4.1. BATTERY FEED, P. 1

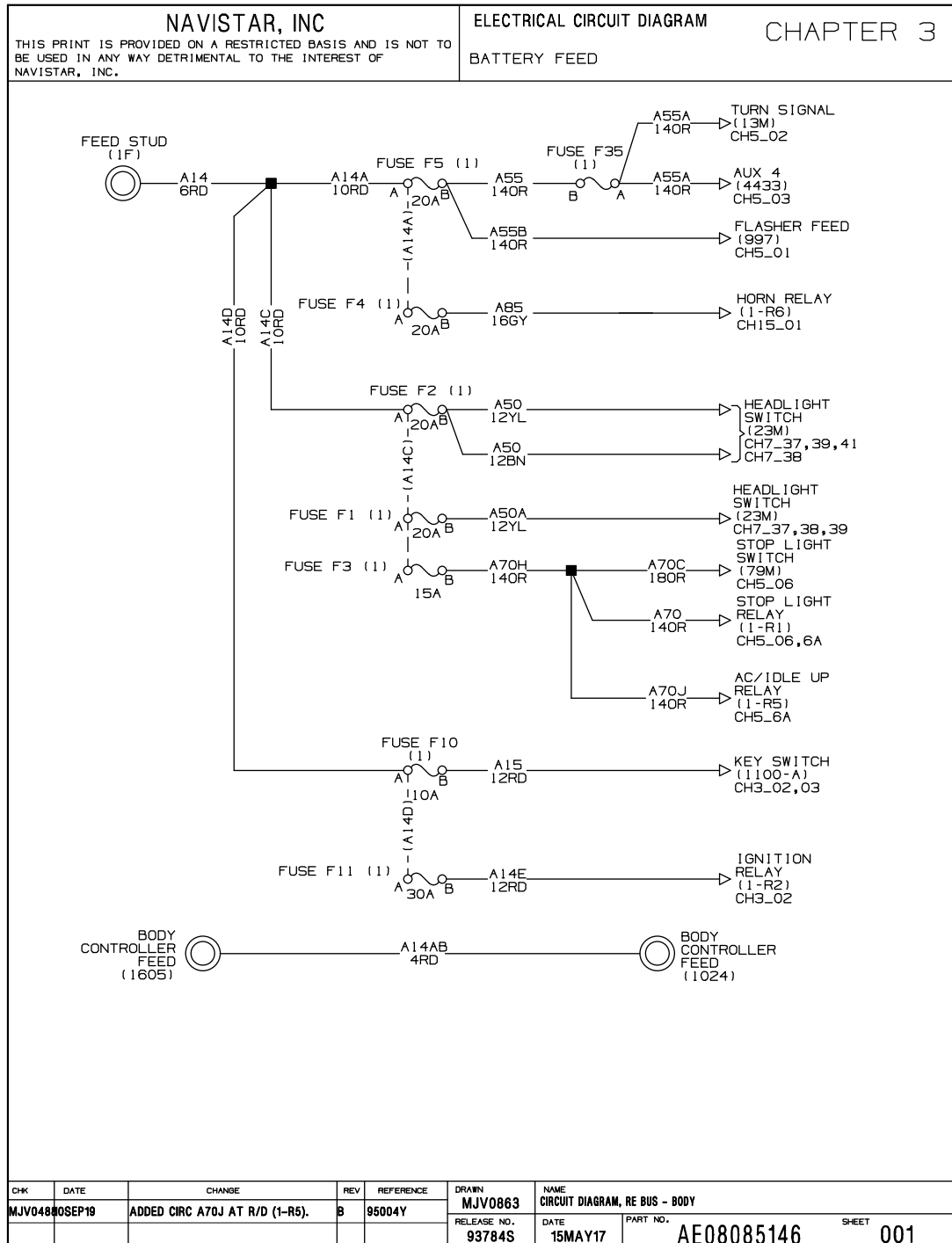


Figure 23 Battery Feed

4.2. IGNITION FEED, P. 2

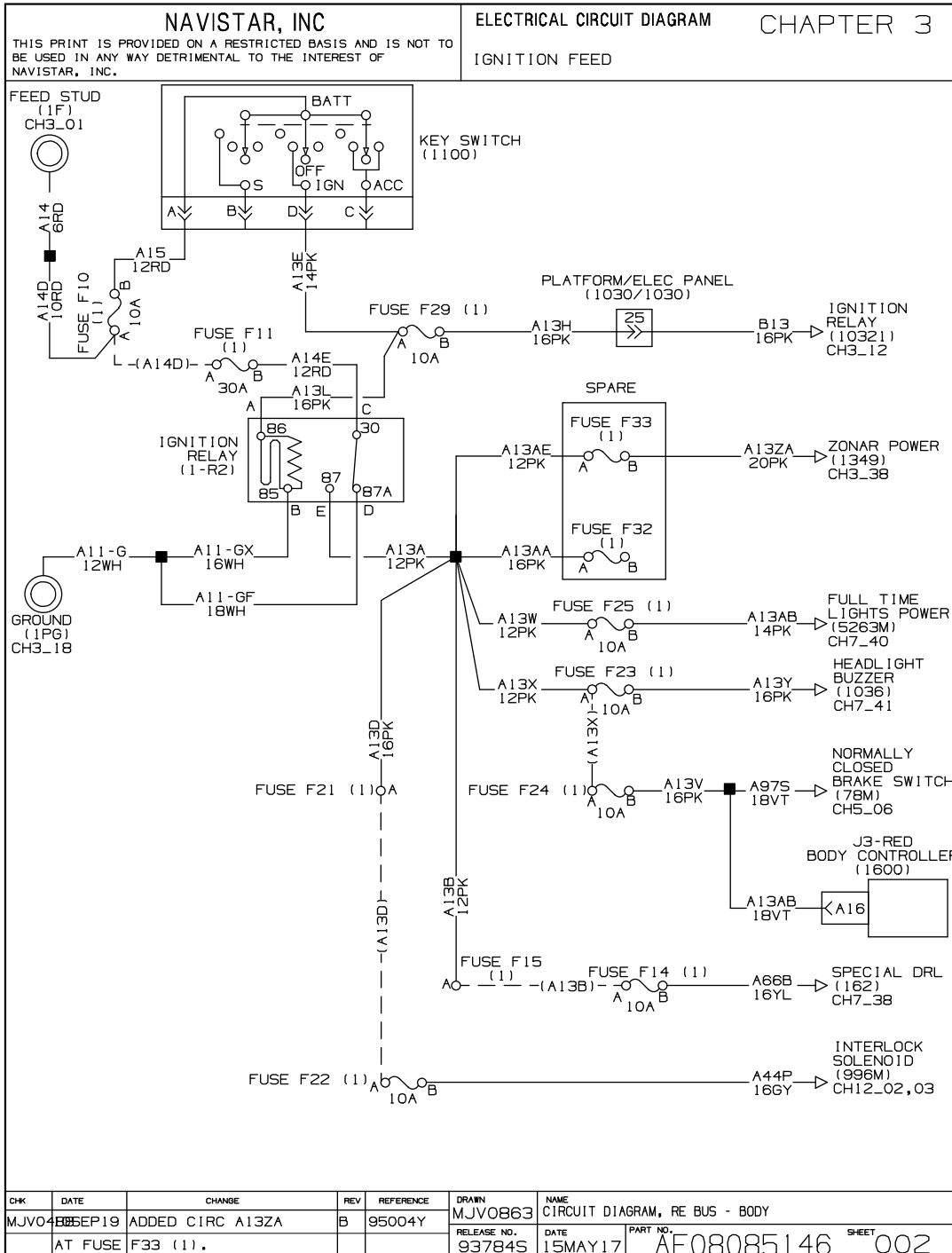


Figure 24 Ignition Feed

4.3. ACCESSORY FEED, P. 3

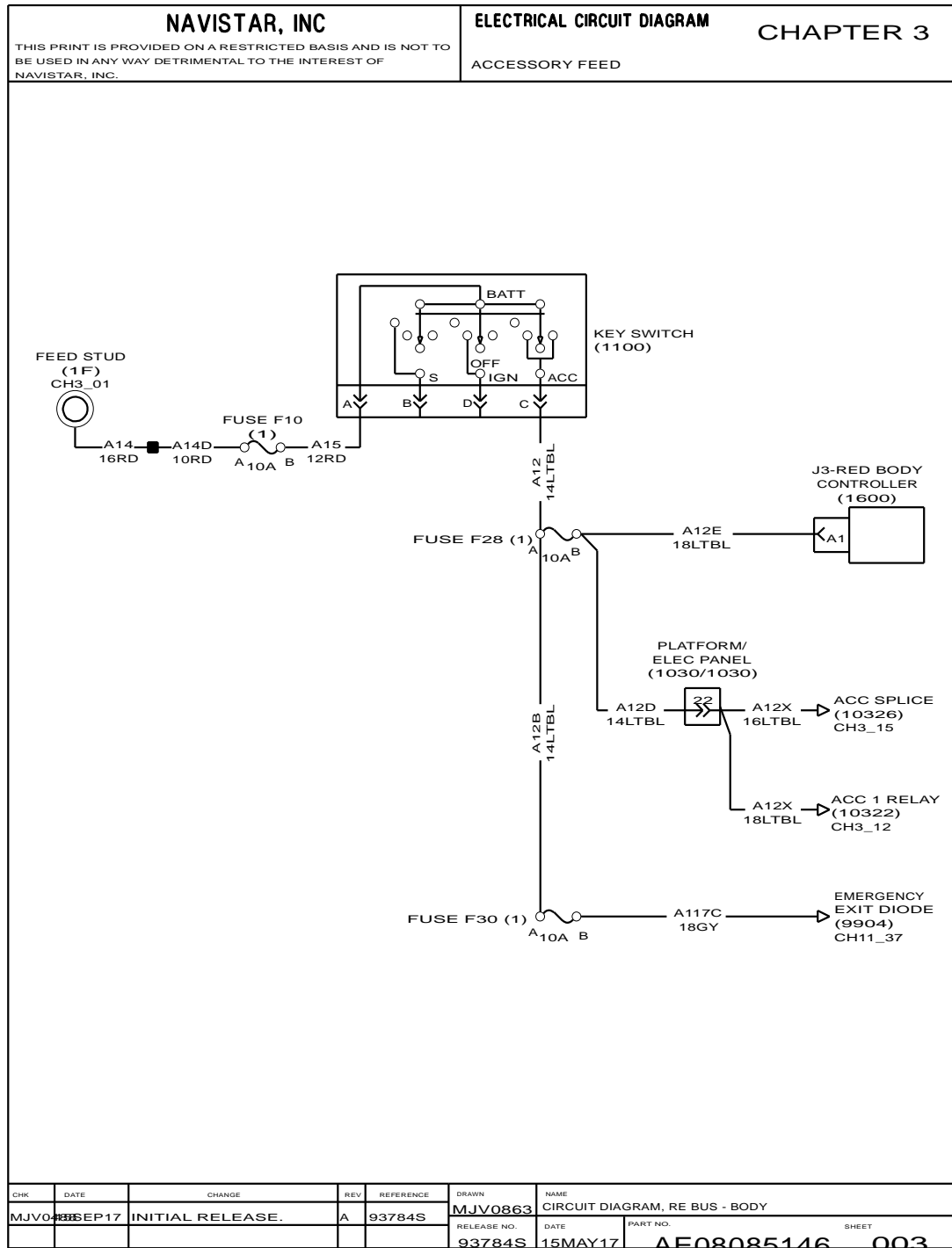


Figure 25 Accessory Feed

4.4. BODY CIRCUIT – FUSE BLOCK, P. 4

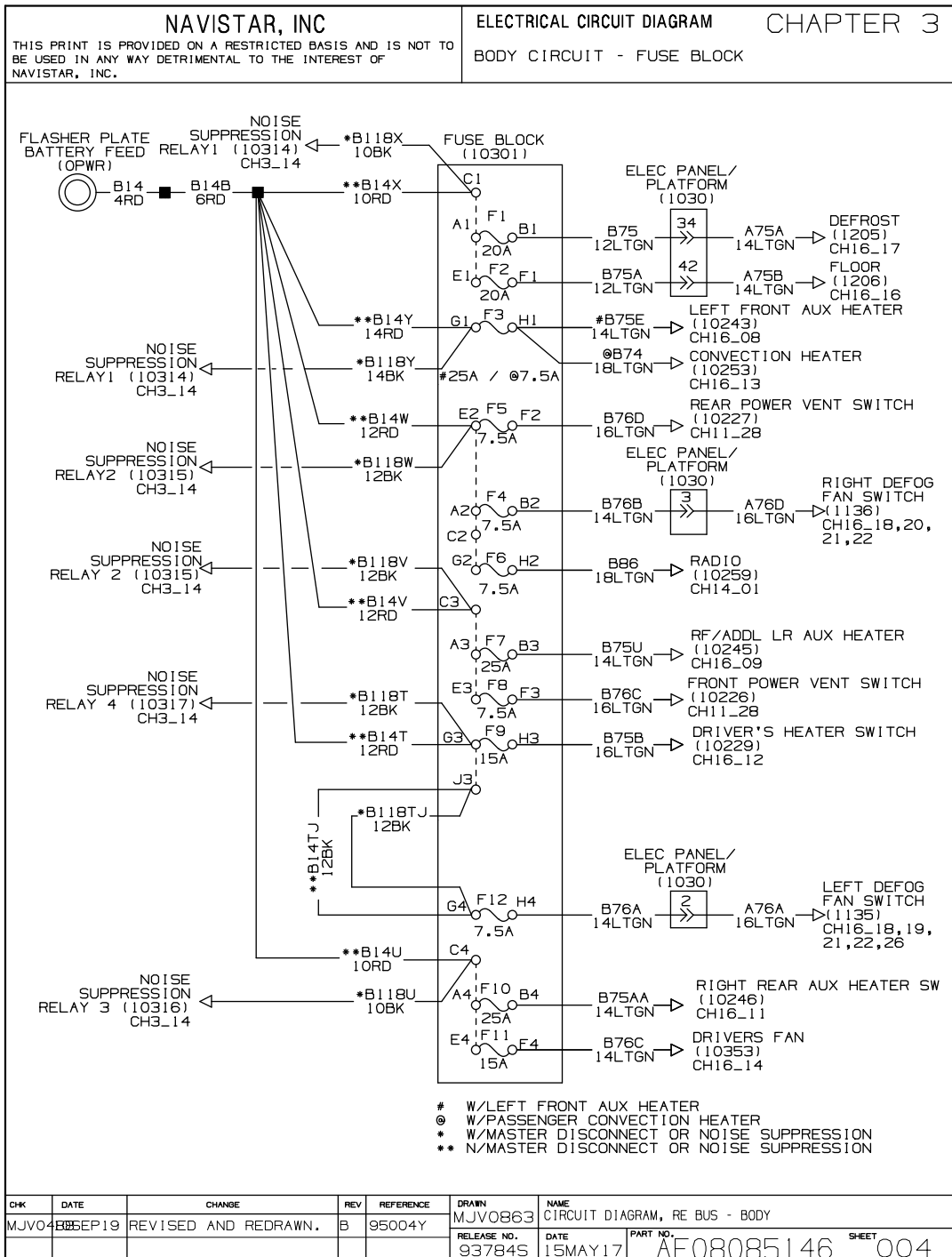


Figure 26 Body Circuit – Fuse Block

4.5. BODY CIRCUIT – FUSE BLOCK (CONT.), P. 5

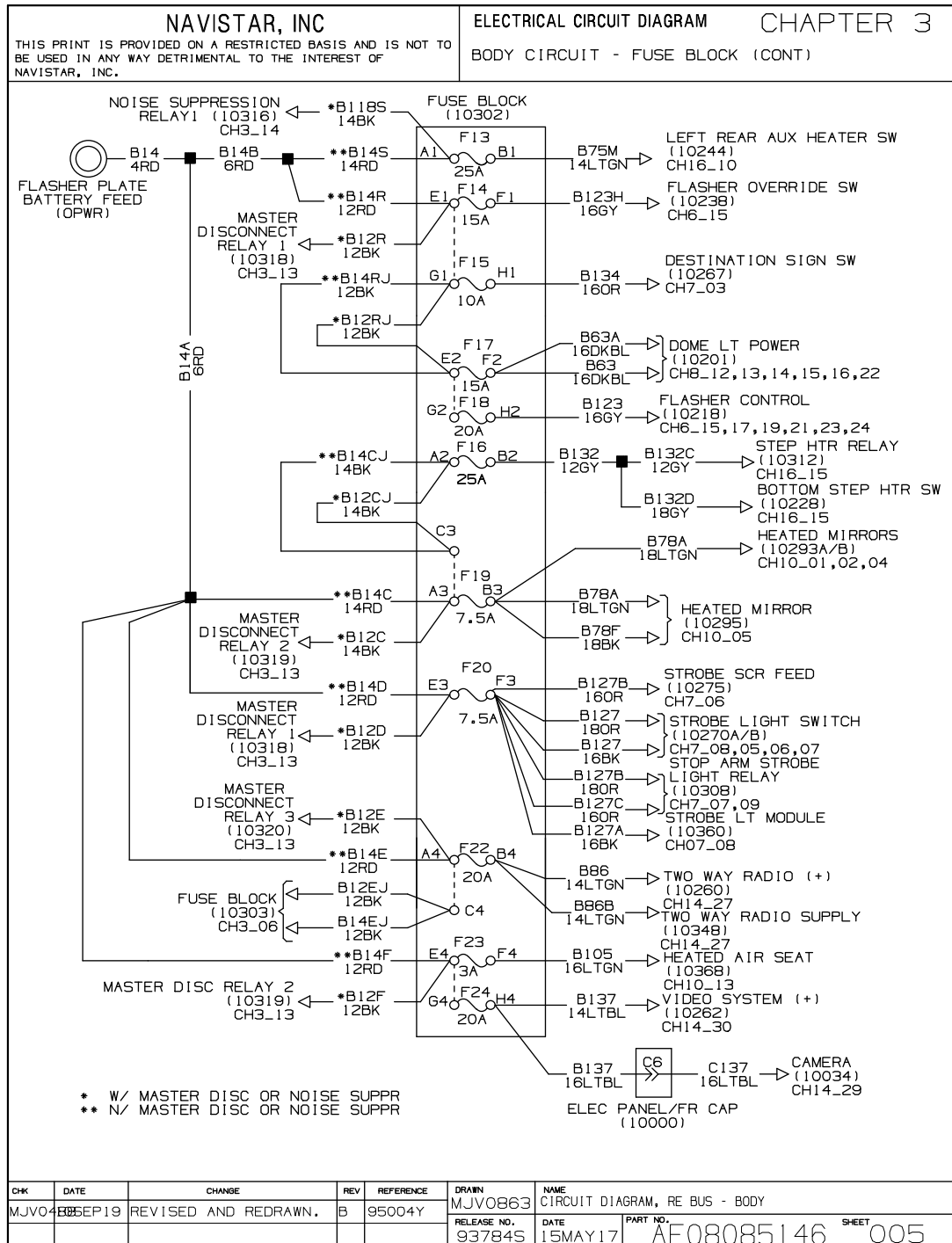


Figure 27 Body Circuit – Fuse Block (Cont.)

4.6. BODY CIRCUIT – FUSE BLOCK (CONT.), P. 6

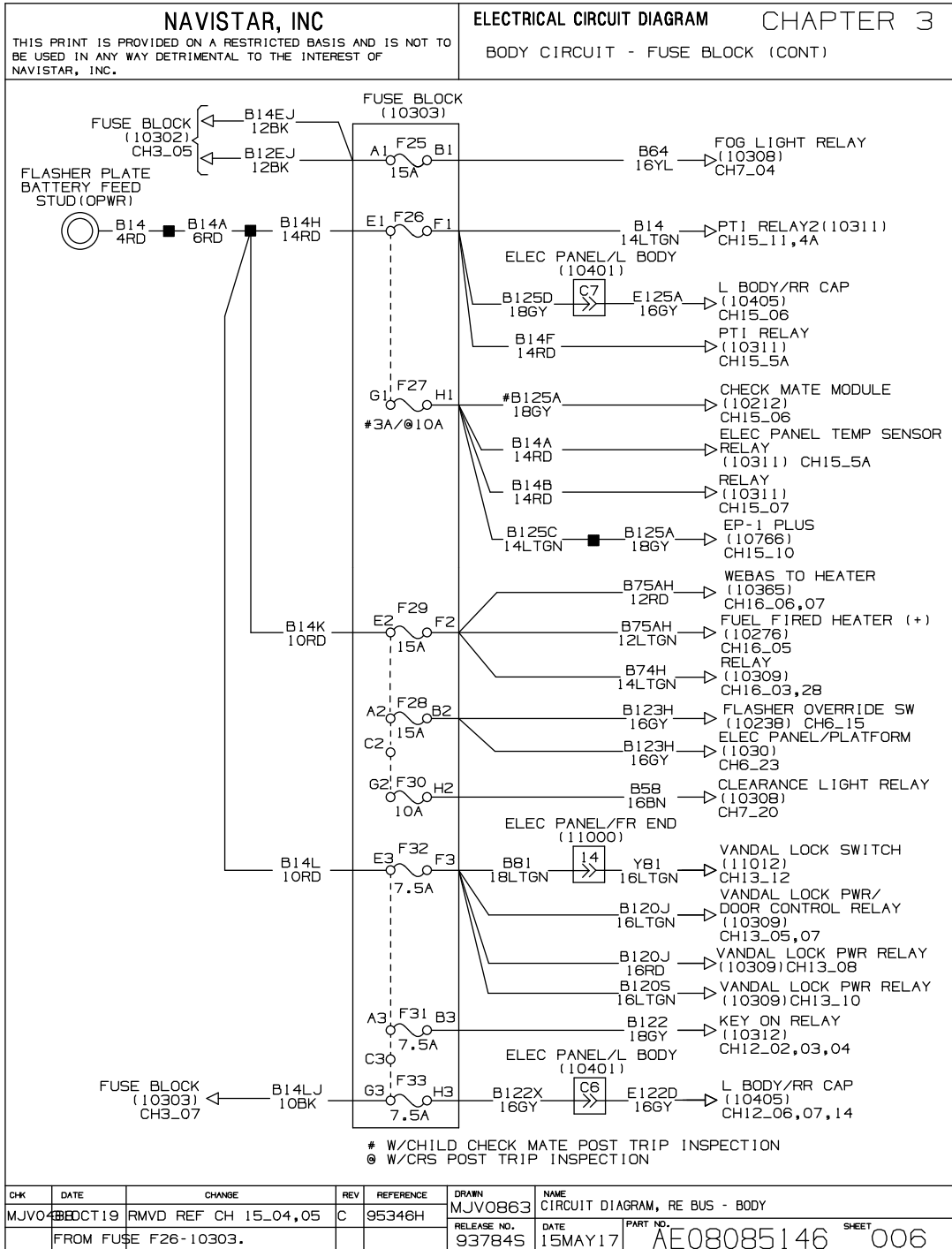


Figure 28 Body Circuit – Fuse Block (Cont.)

4.7. BODY CIRCUIT – FUSE BLOCK (CONT.), P. 7

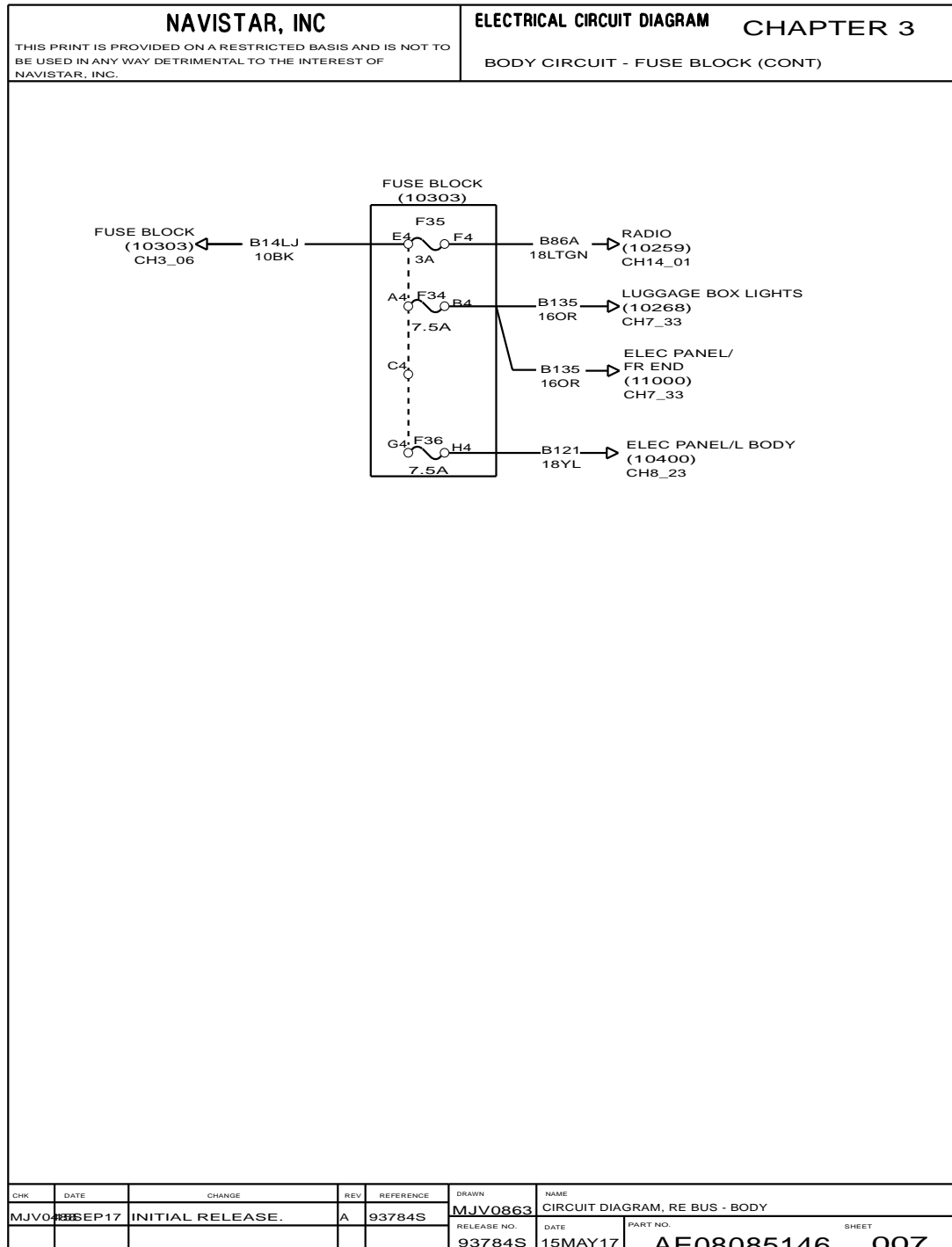


Figure 29 Body Circuit – Fuse Block (Cont.)

4.8. BODY CIRCUIT – FUSE BLOCK (CONT.), P. 8

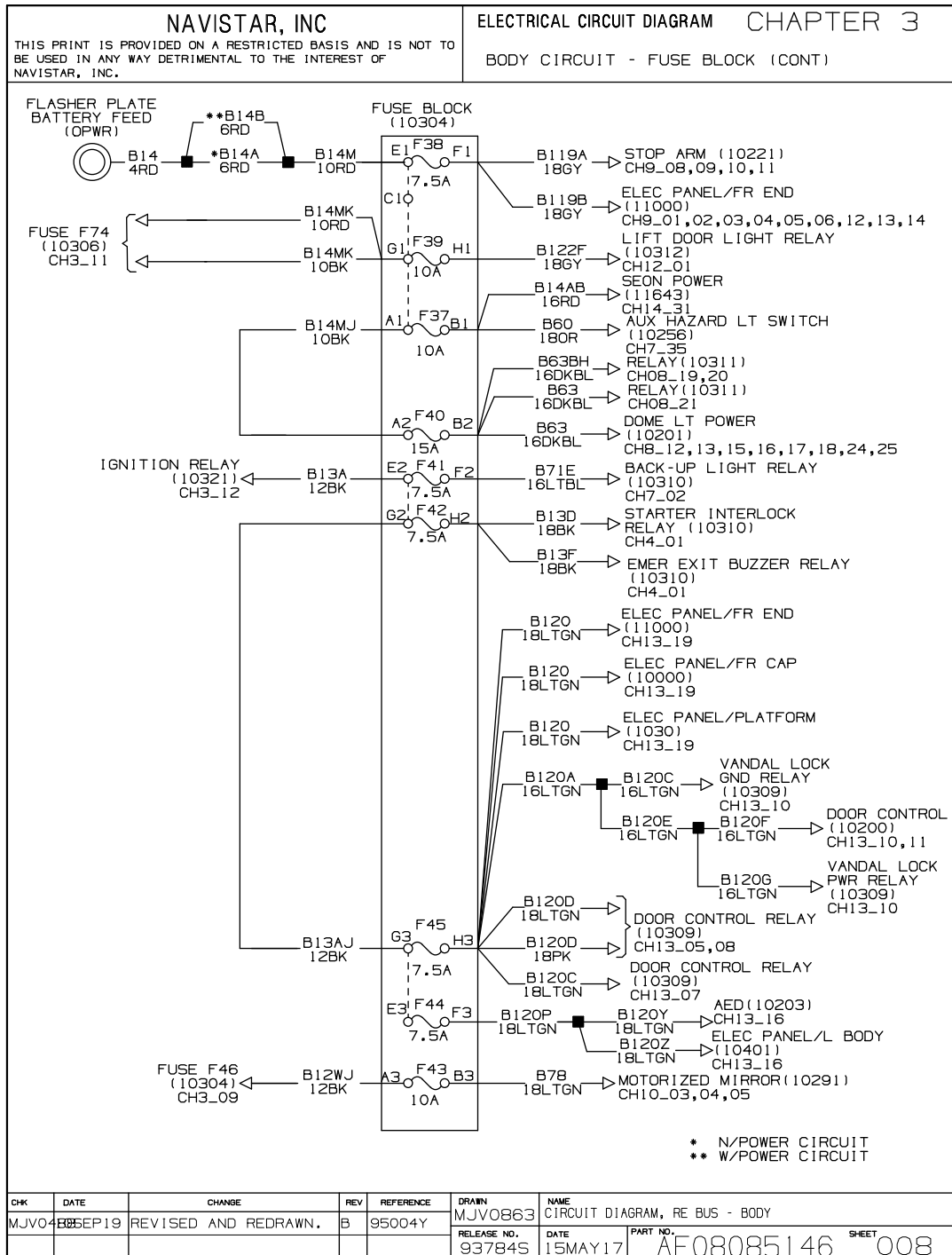


Figure 30 Body Circuit – Fuse Block (Cont.)

4.9. BODY CIRCUIT – FUSE BLOCK (CONT.), P. 9

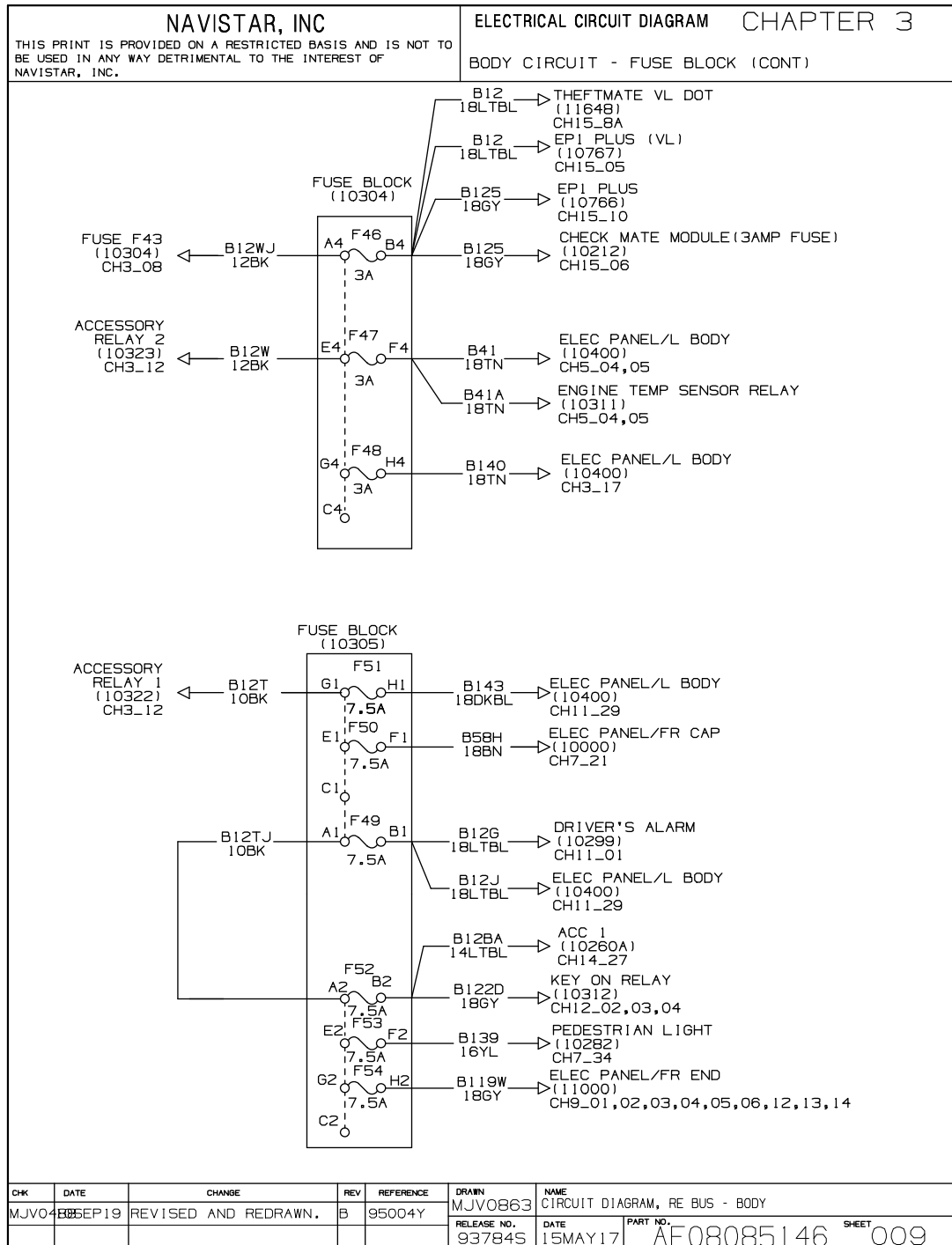


Figure 31 Body Circuit – Fuse Block (Cont.)

4.10. BODY CIRCUIT – FUSE BLOCK (CONT.), P. 10

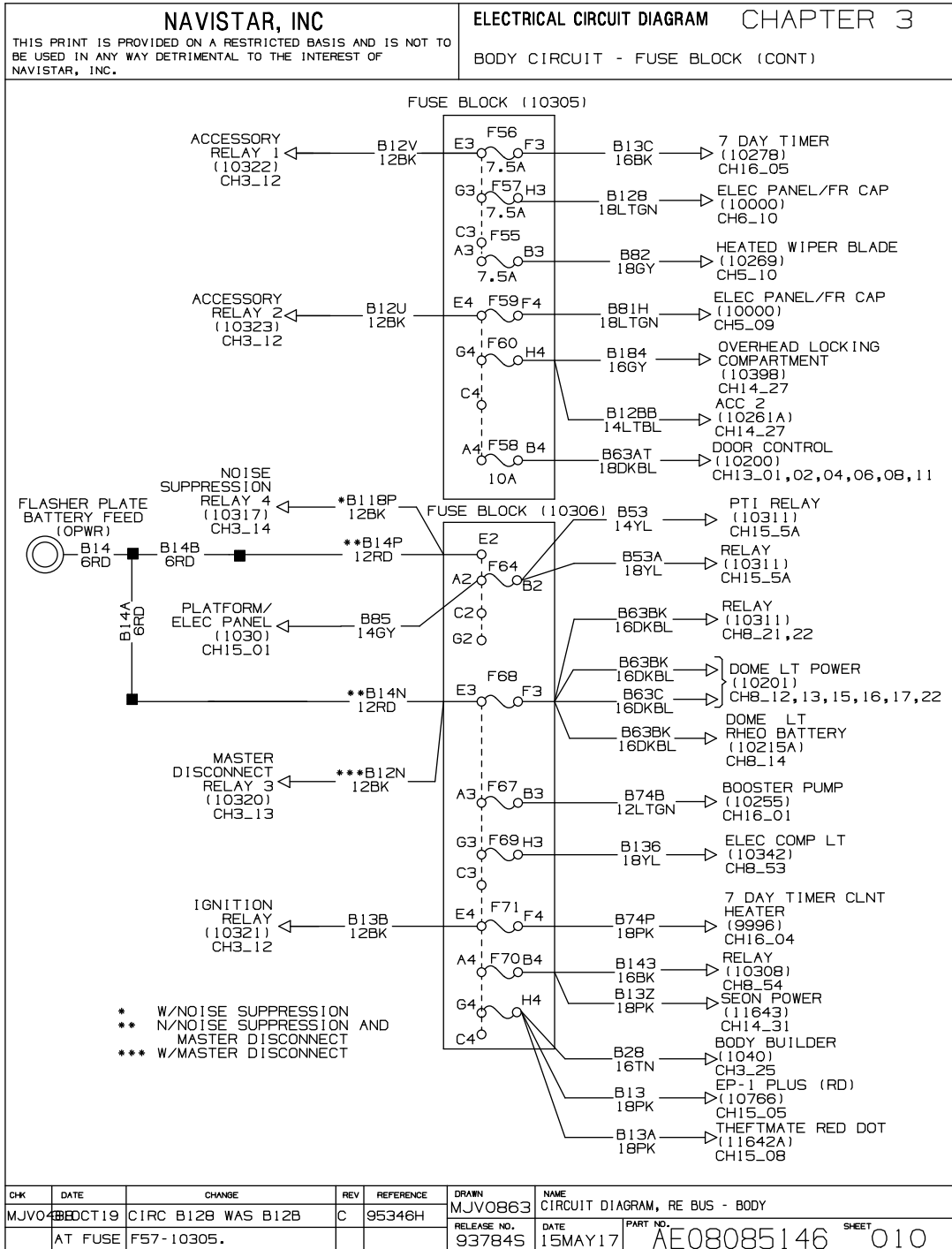


Figure 32 Body Circuit – Fuse Block (Cont.)

4.11. BODY CIRCUIT – FUSE BLOCK (CONT.), P. 11

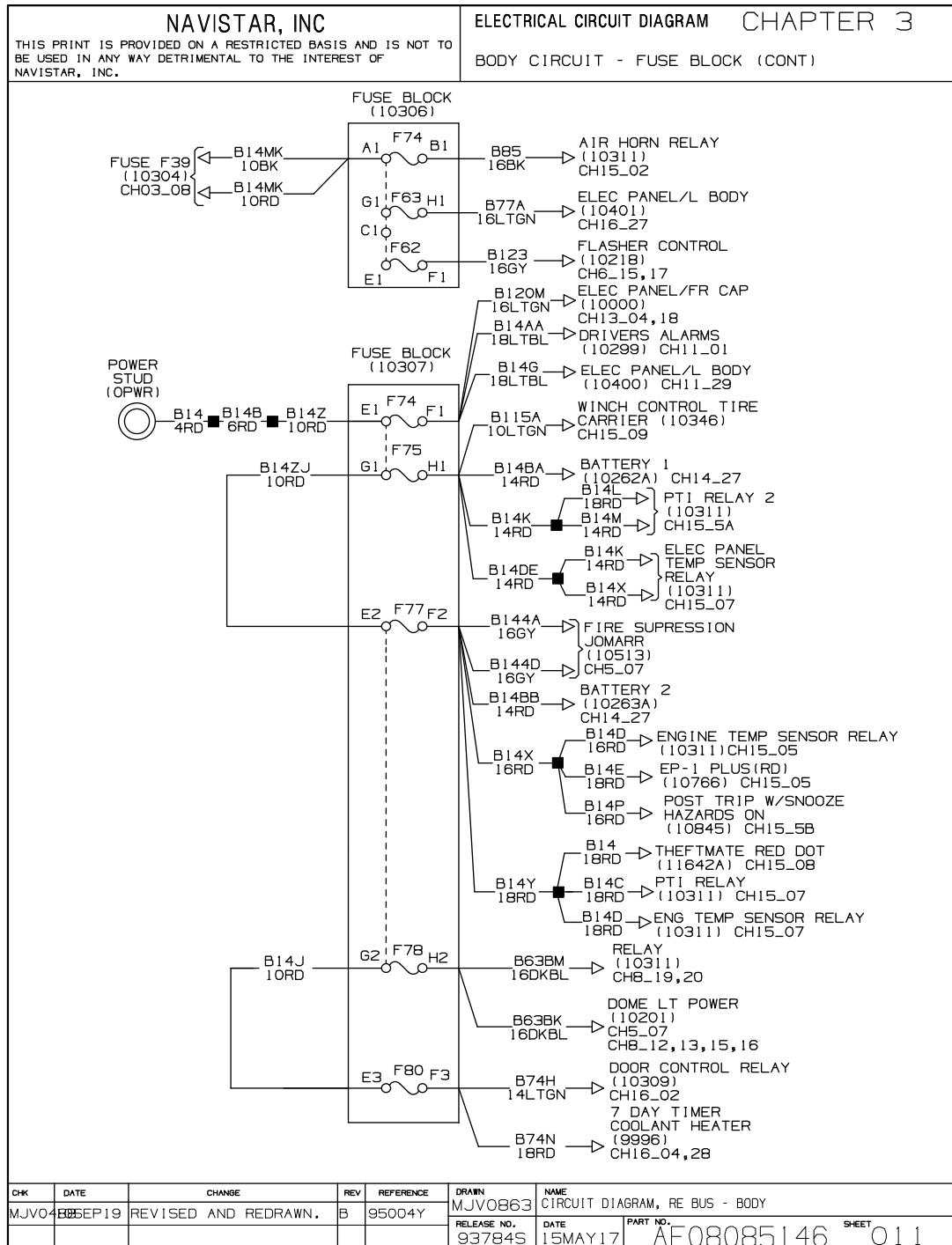


Figure 33 Body Circuit – Fuse Block (Cont.)

4.12. BODY CIRCUIT – ACCESSORY & IGNITION FEED, P. 12

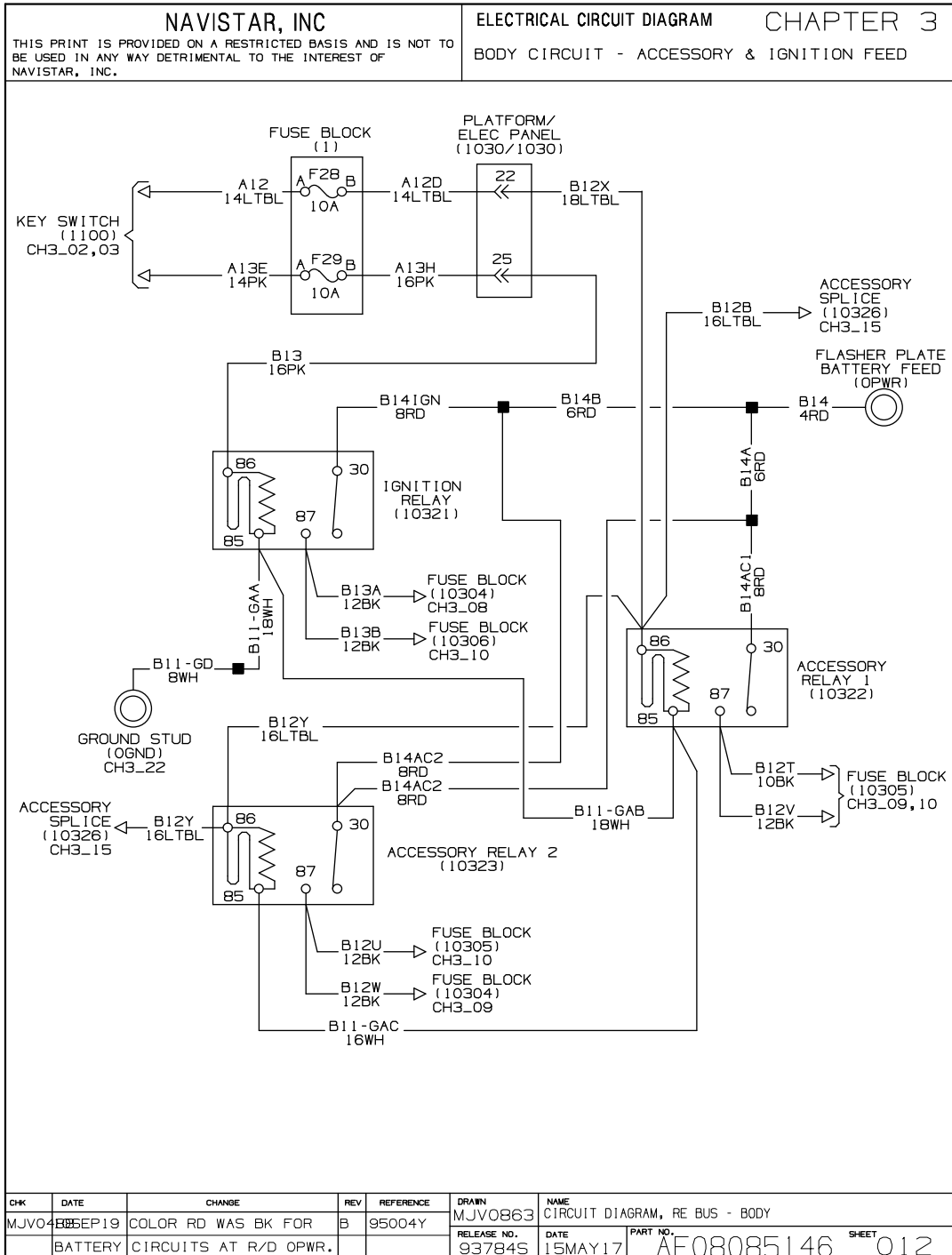


Figure 34 Body Circuit – Accessory & Ignition Feed

4.13. BODY CIRCUIT – MASTER DISCONNECT, P. 13

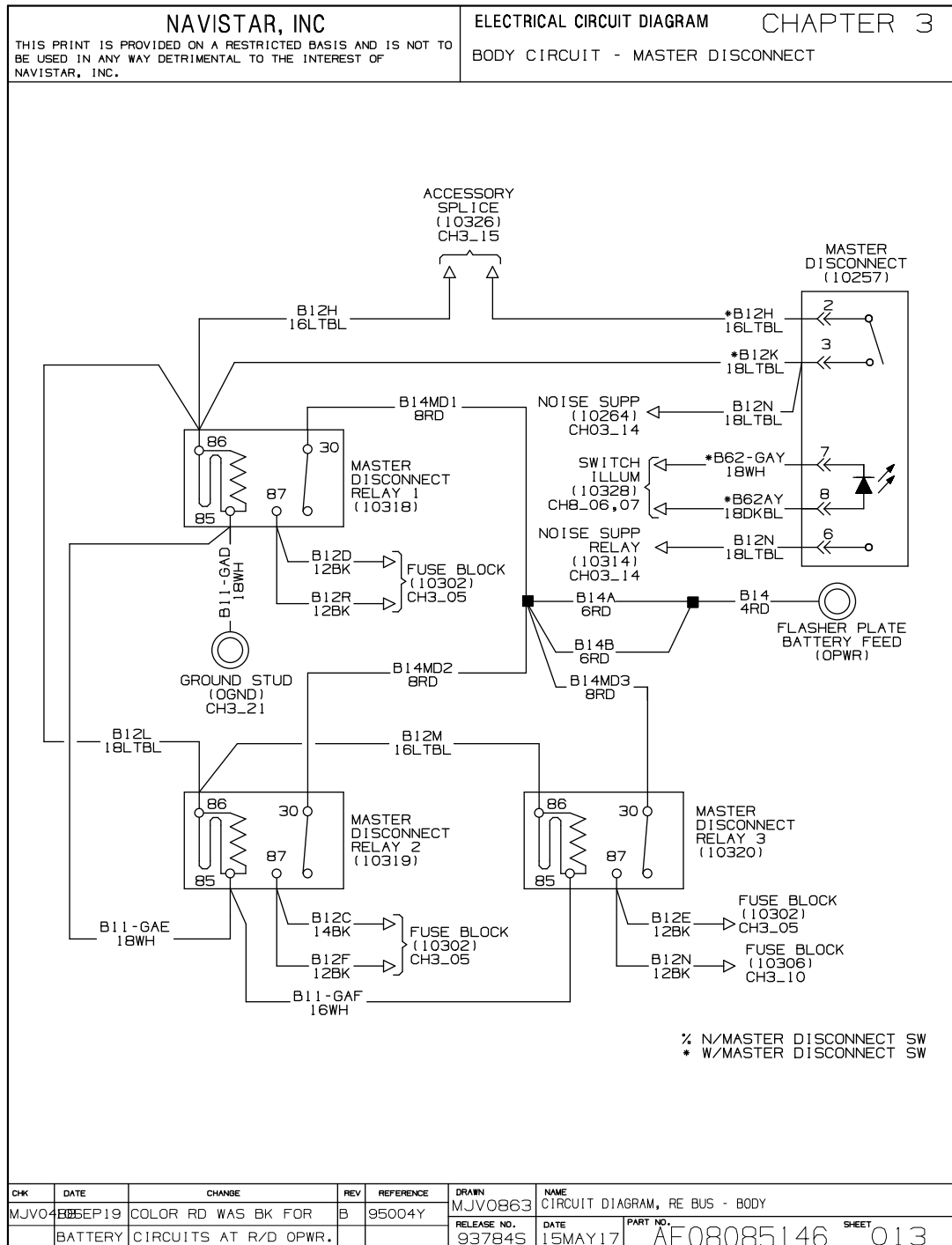


Figure 35 Body Circuit – Master Disconnect

4.14. BODY CIRCUIT – NOISE SUPPRESSION, P. 14

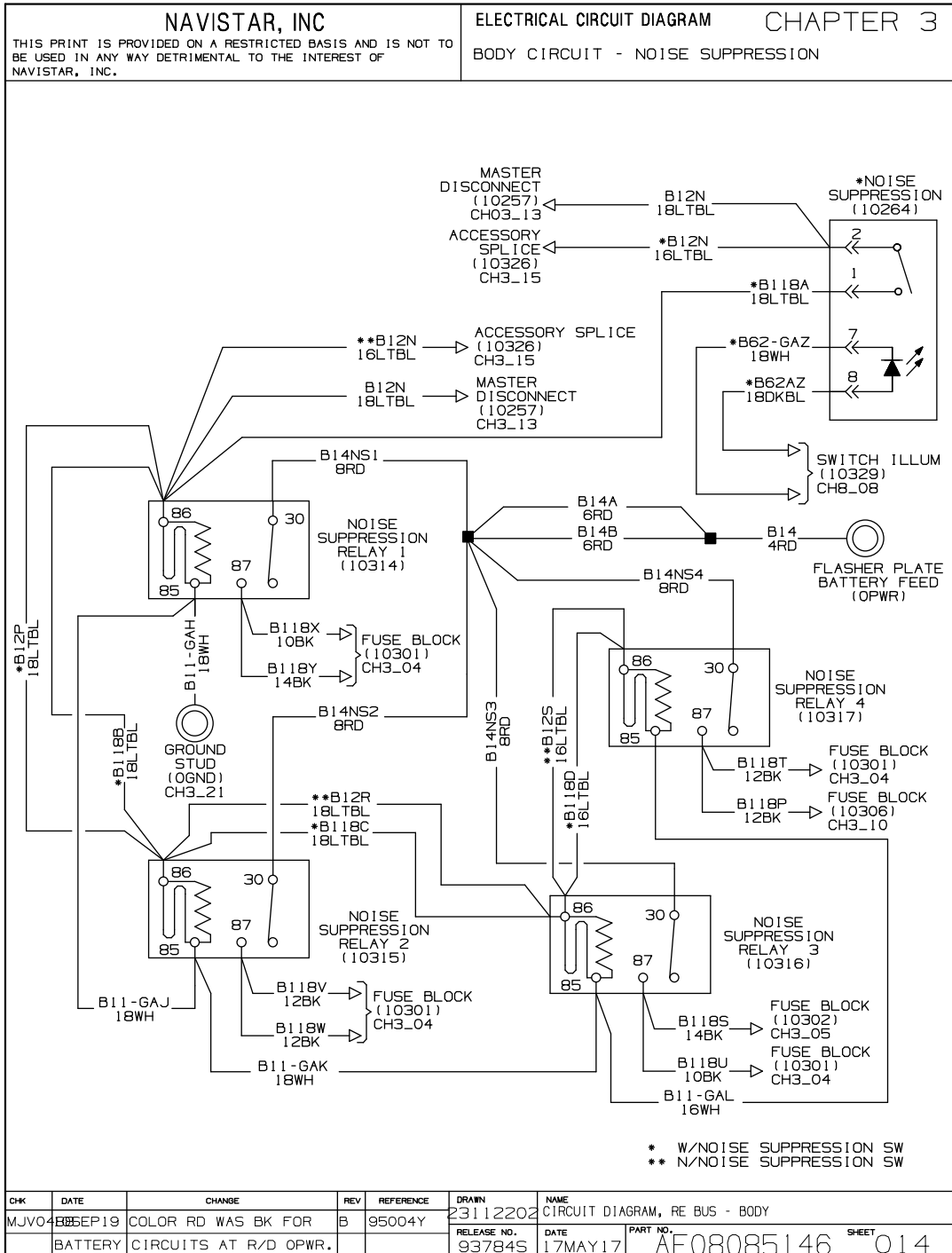


Figure 36 Body Circuit – Noise Suppression

4.15. BODY CIRCUIT – ACCESSORY SPLICE, P. 15

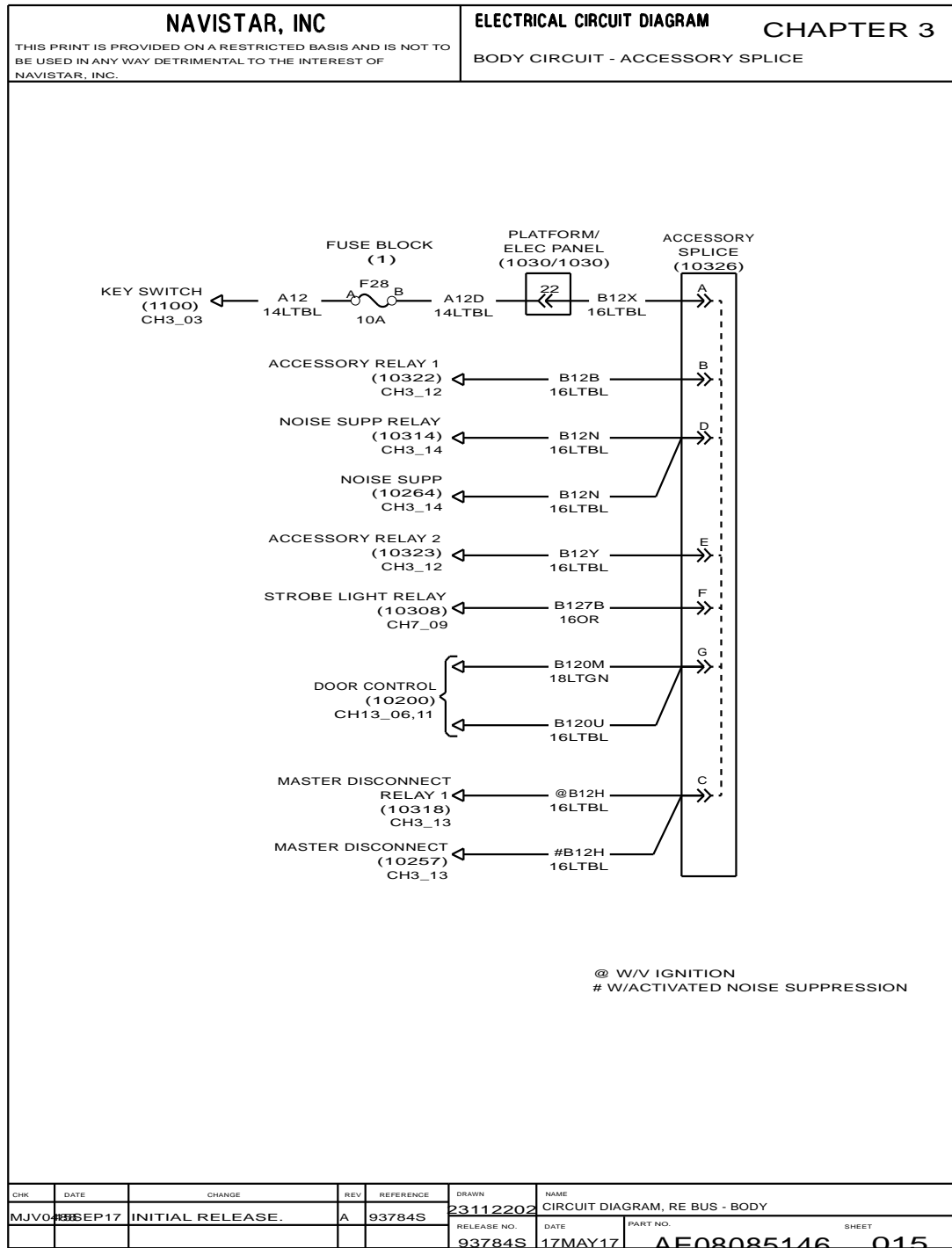


Figure 37 Body Circuit – Accessory Splice

4.16. BODY CIRCUIT – REFERENCE SPLICE, P. 16

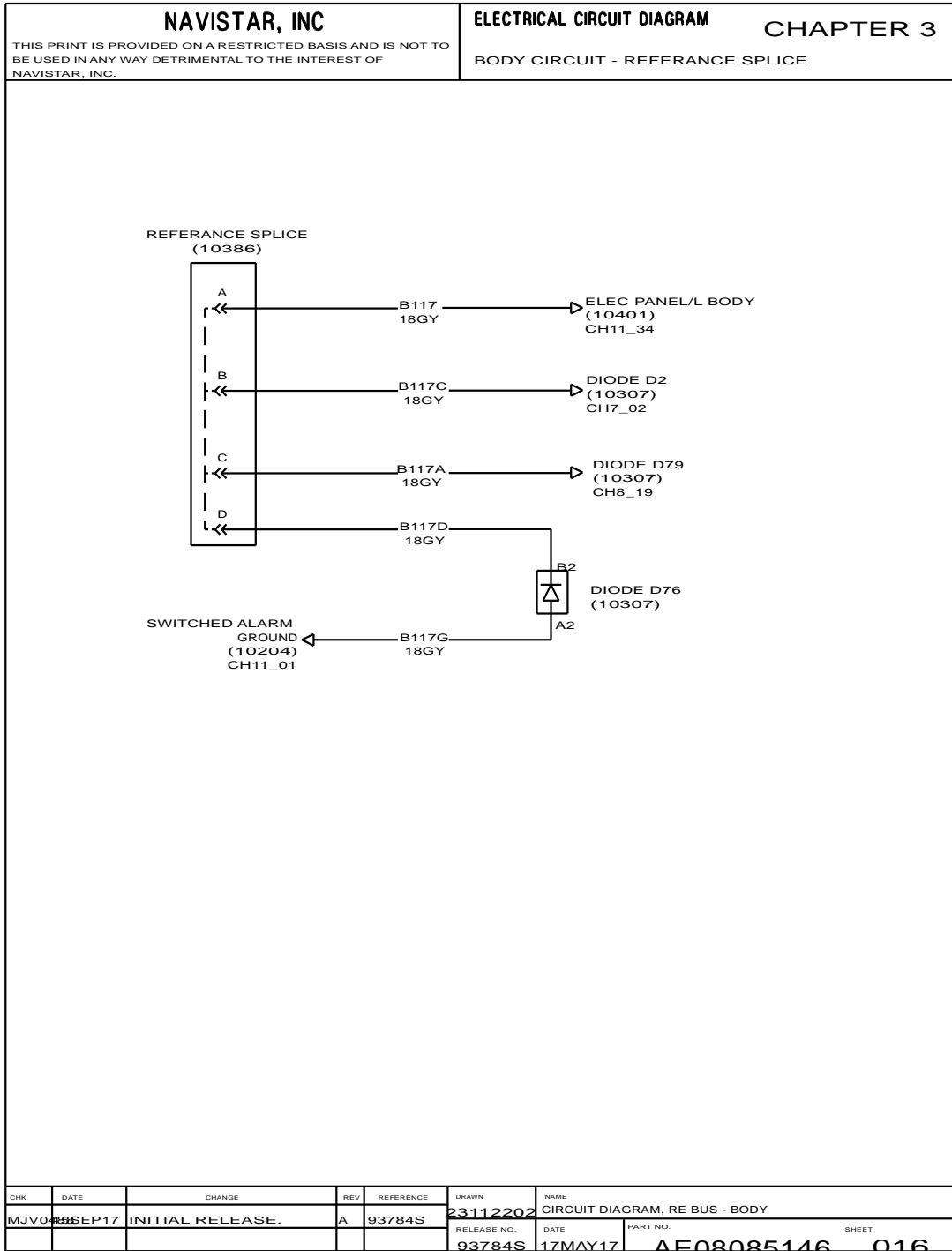


Figure 38 Body Circuit – Reference Splice

4.17. BODY CIRCUIT – BATTERY ISOLATOR, P. 17

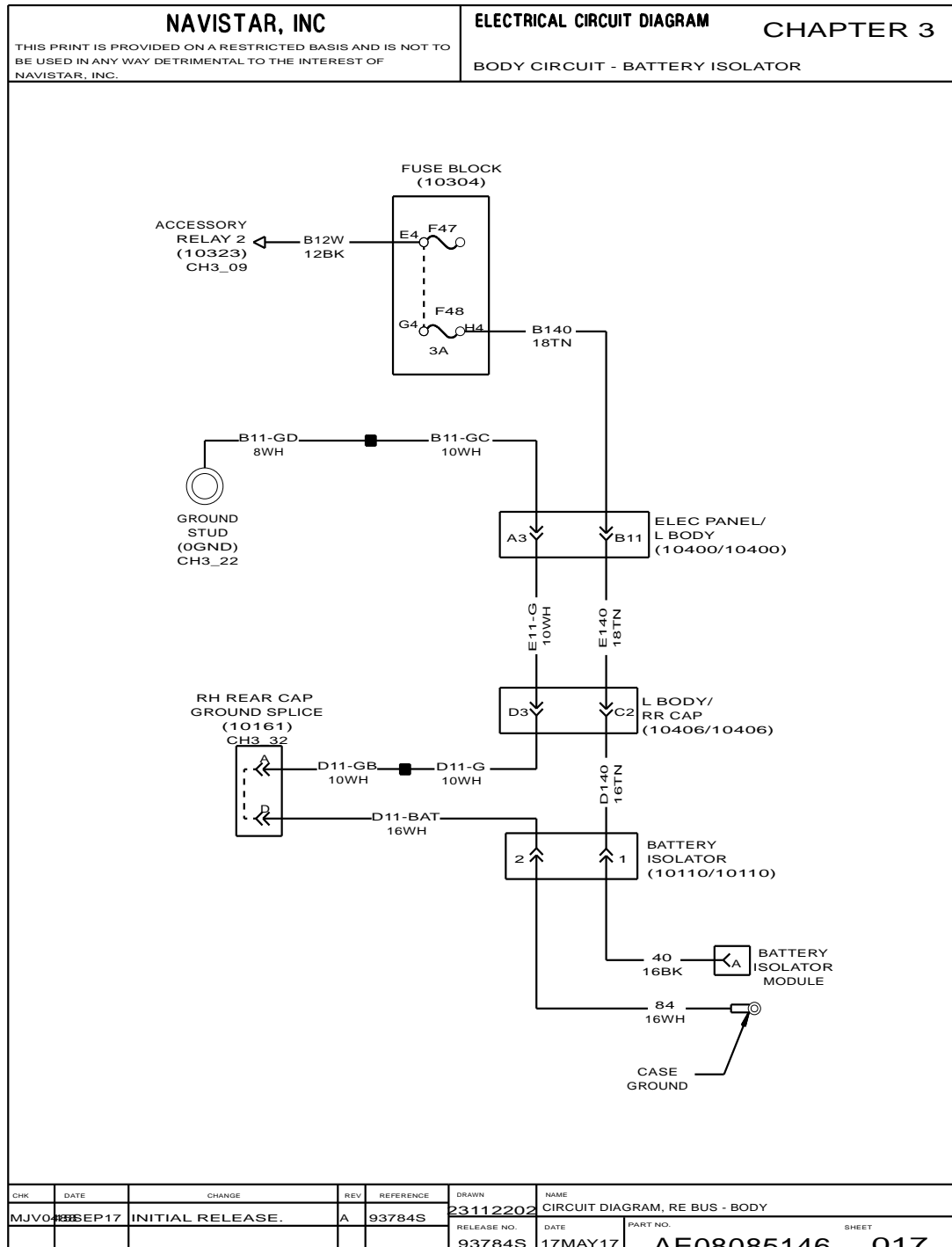


Figure 39 Body Circuit – Battery Isolator

4.18. BODY GROUND – PLATFORM, P. 18

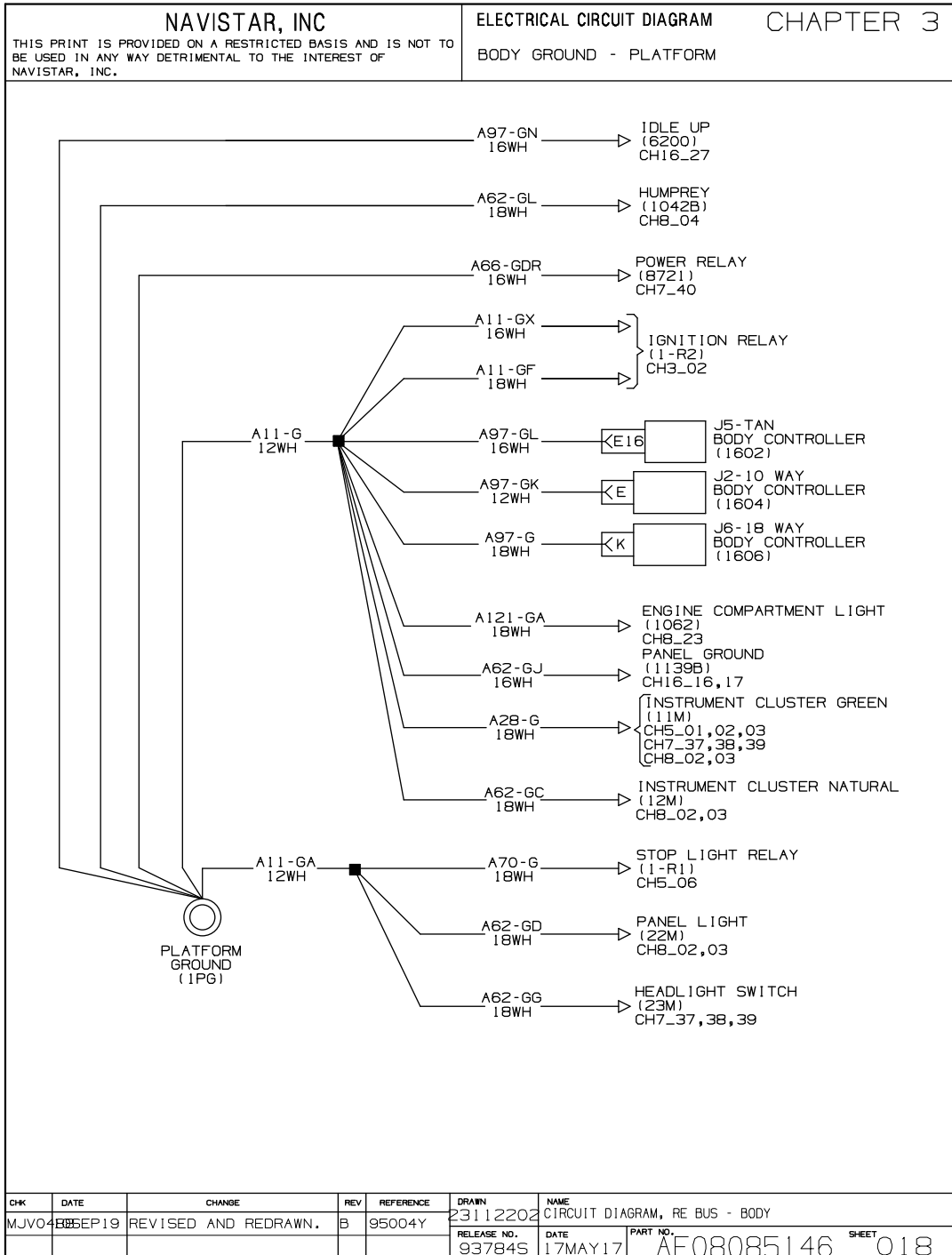


Figure 40 Body Ground – Platform

4.19. BODY GROUND – PLATFORM (CONT.), P. 19

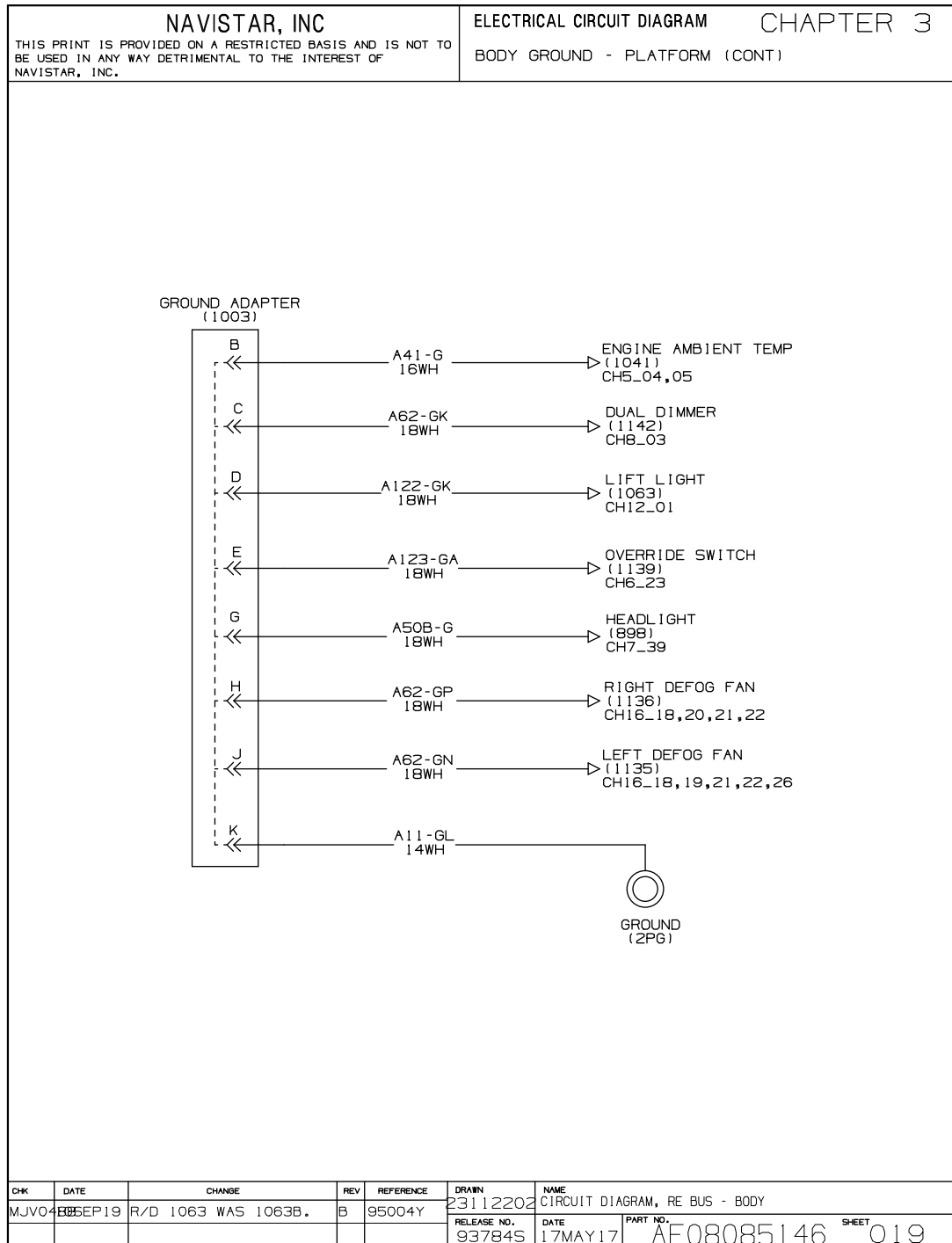


Figure 41 Body Ground – Platform (Cont.)

4.20. BODY GROUND – PLATFORM (CONT.), P. 20

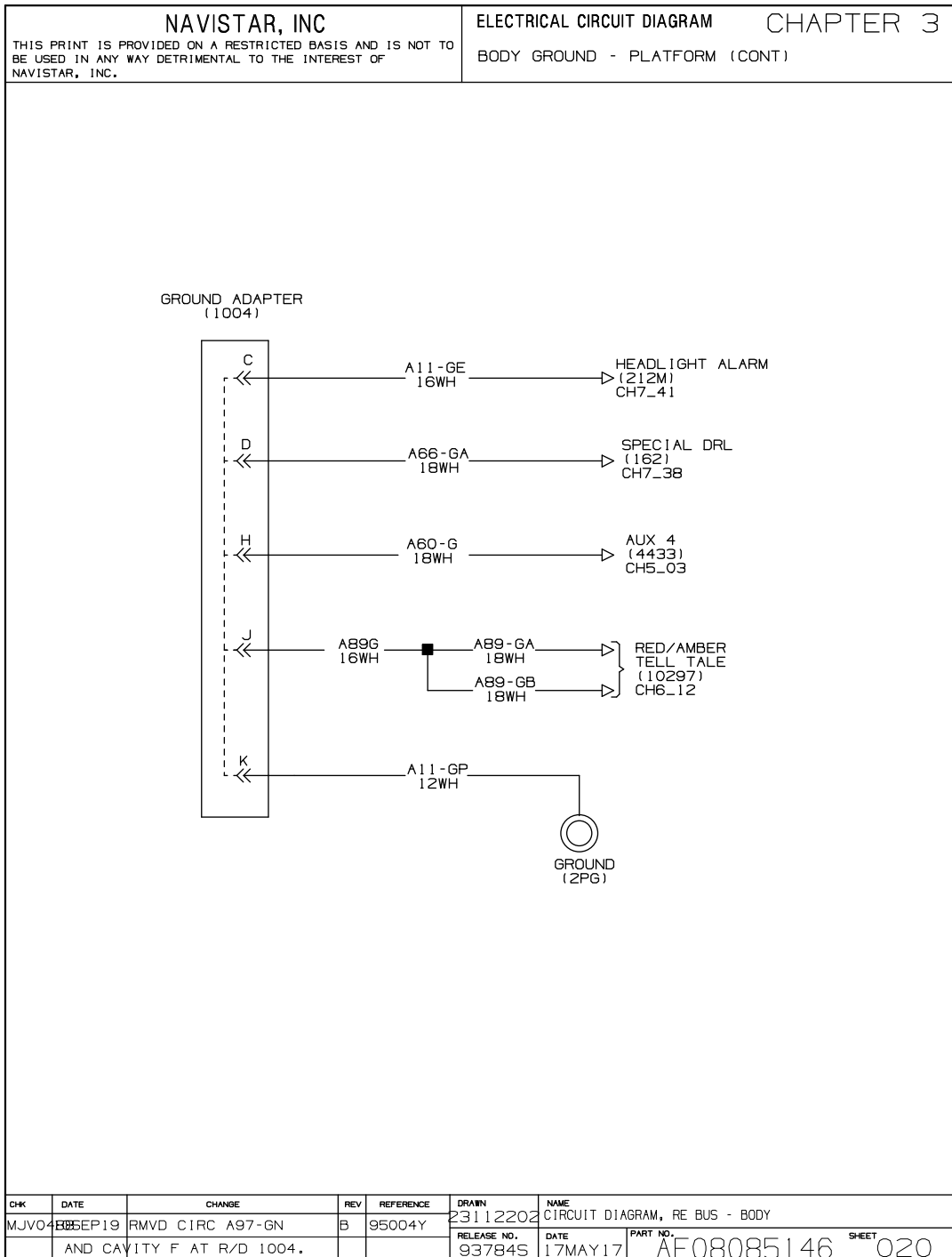


Figure 42 Body Ground – Platform (Cont.)

4.21. BODY GROUND – ELECTRICAL PANEL, P. 21

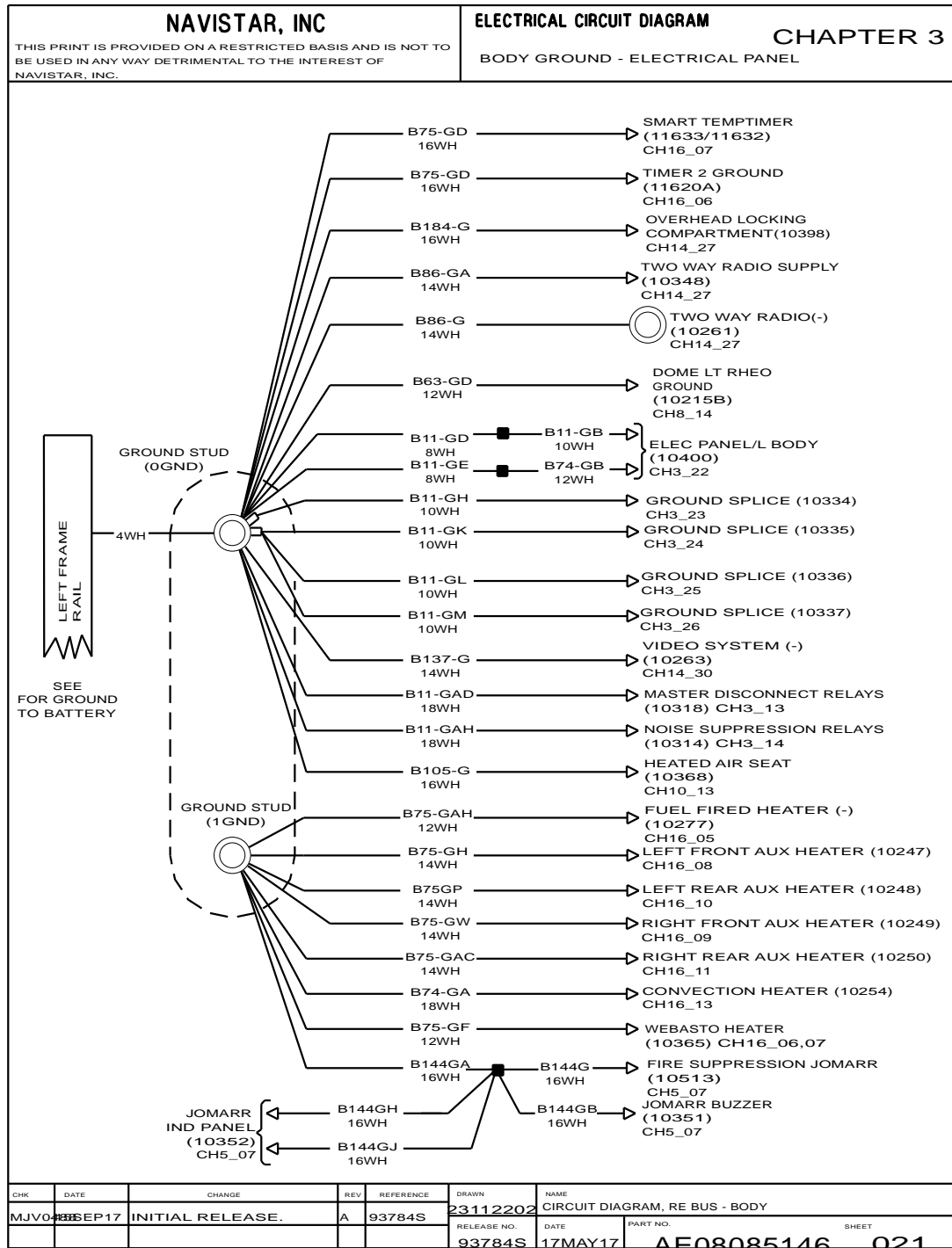


Figure 43 Body Ground – Electrical Panel

4.22. BODY GROUND – ELECTRICAL PANEL (CONT.), P. 22

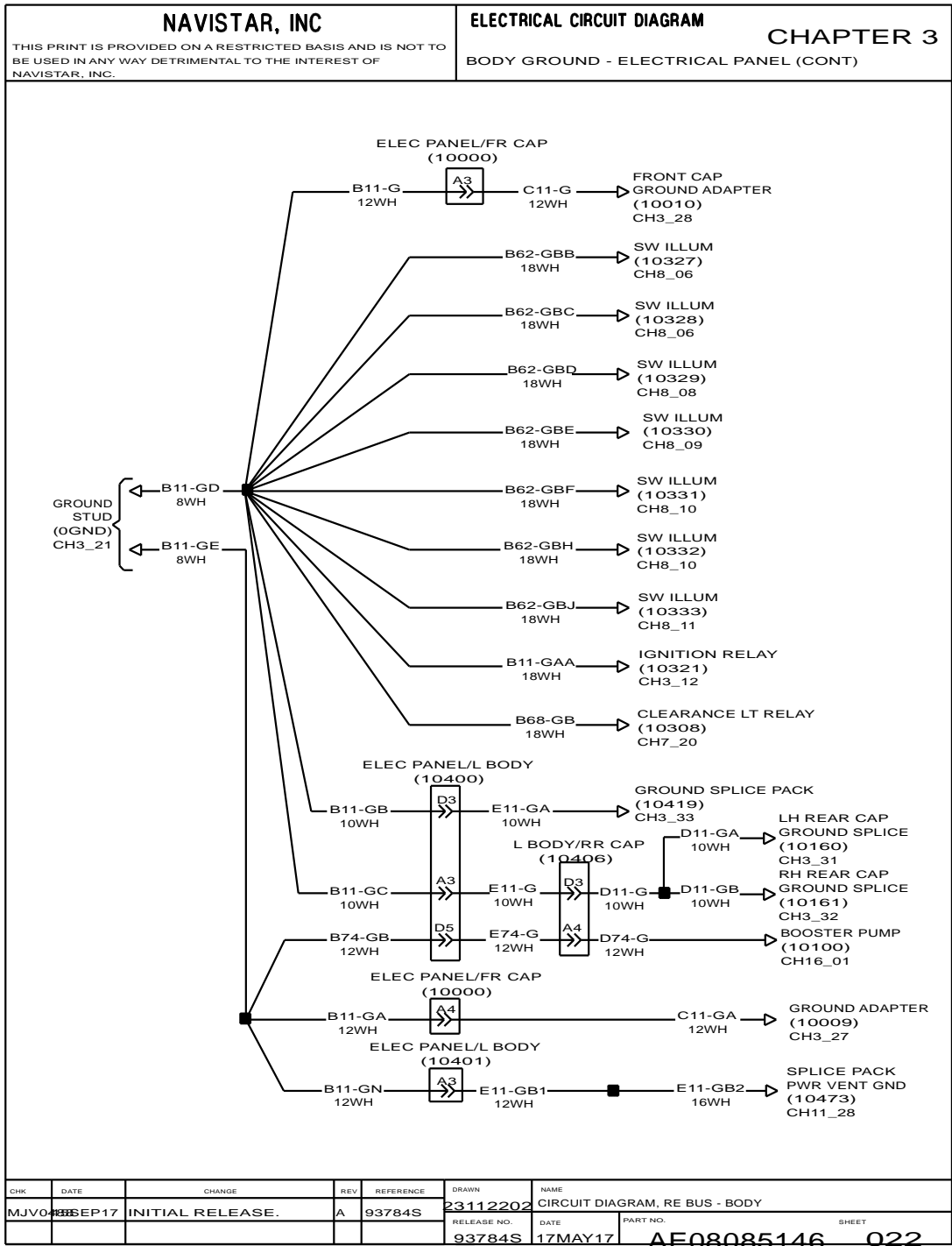


Figure 44 Body Ground – Electrical Panel (Cont.)

4.23. BODY GROUND – ELECTRICAL PANEL (CONT.), P. 23

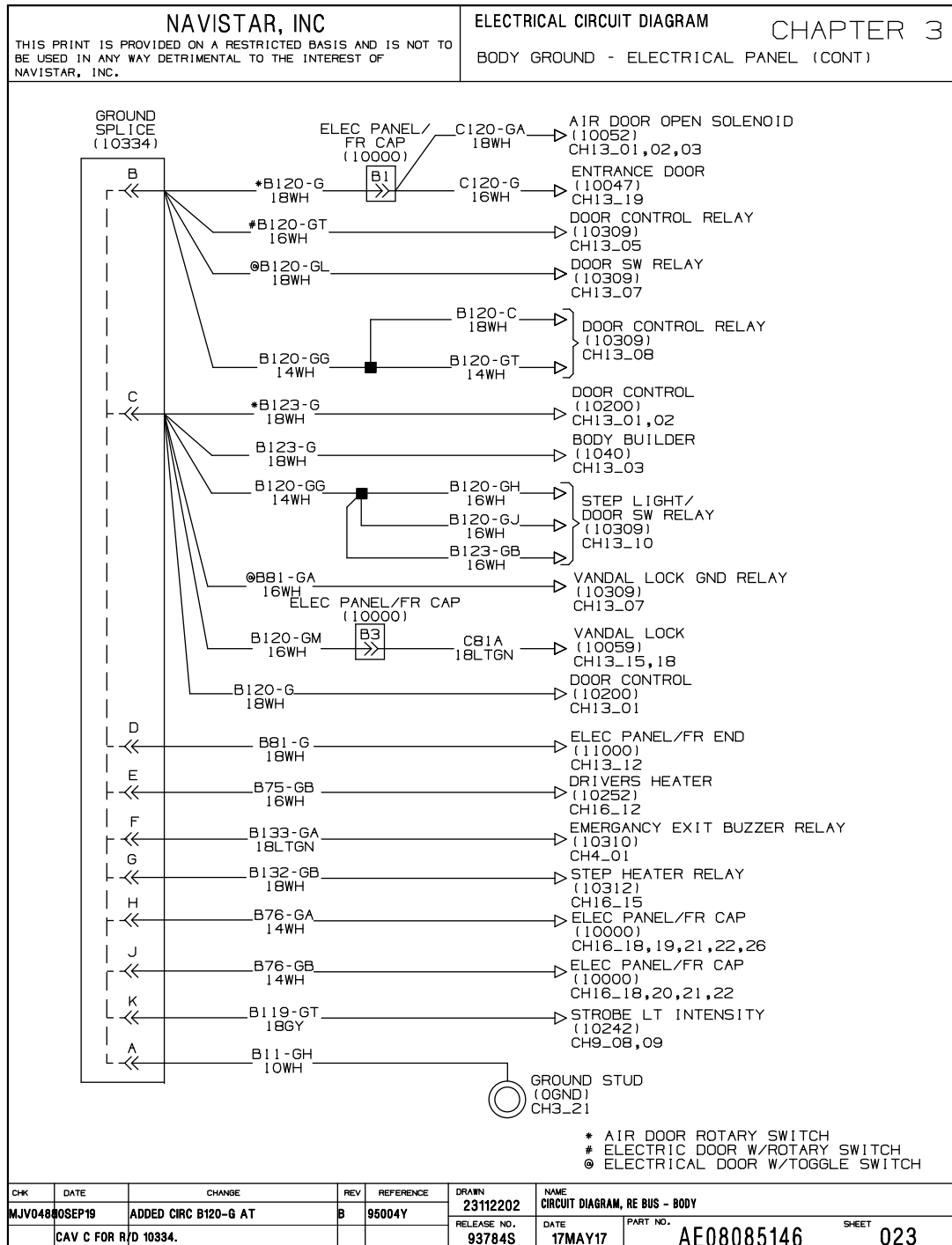


Figure 45 Body Ground – Electrical Panel (Cont.)

4.24. BODY GROUND – ELECTRICAL PANEL (CONT.), P. 24

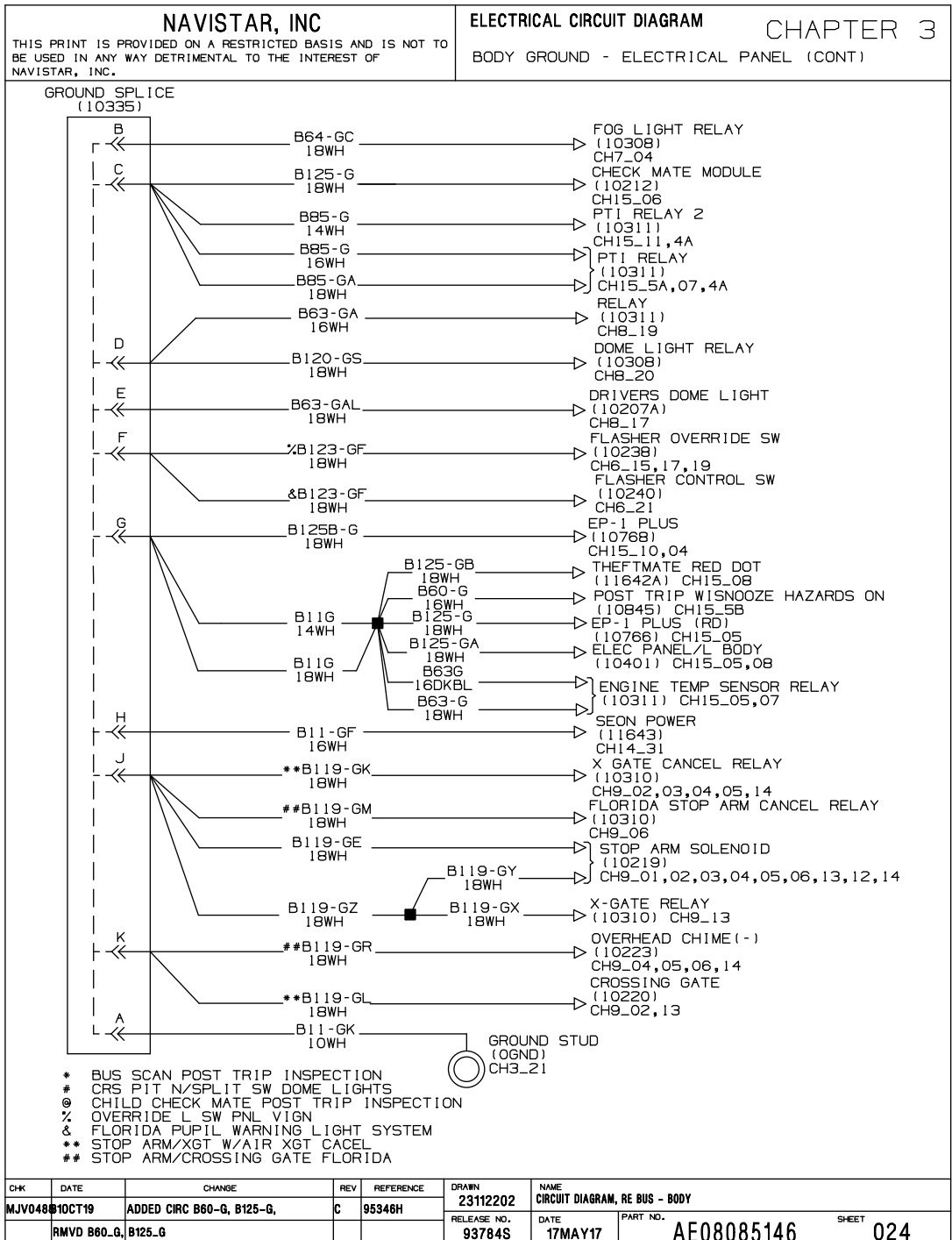


Figure 46 Body Ground – Electrical Panel (Cont.)

4.25. BODY GROUND – ELECTRICAL PANEL (CONT.), P. 25

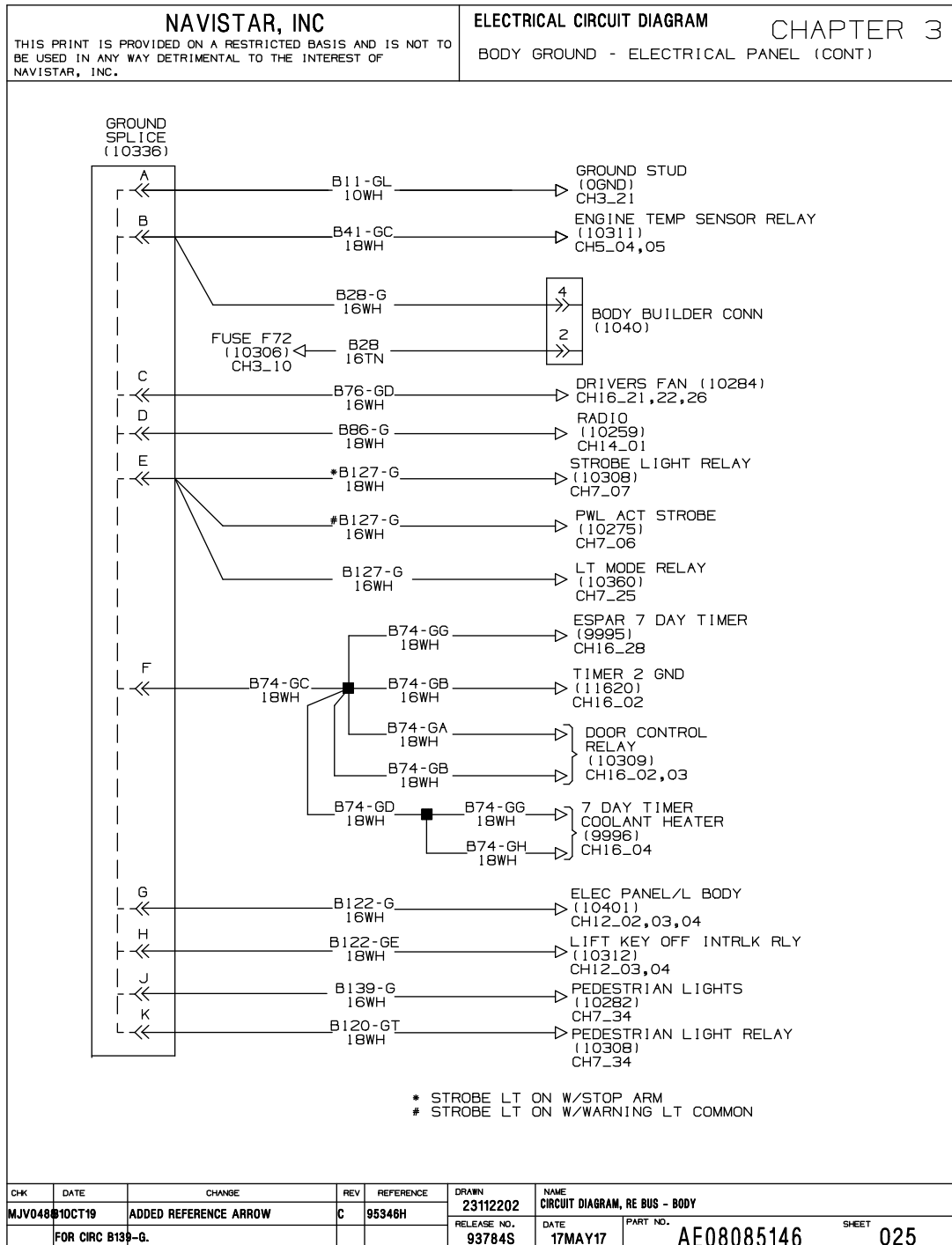


Figure 47 Body Ground – Electrical Panel (Cont.)

4.26. BODY GROUND – ELECTRICAL PANEL (CONT.), P. 26

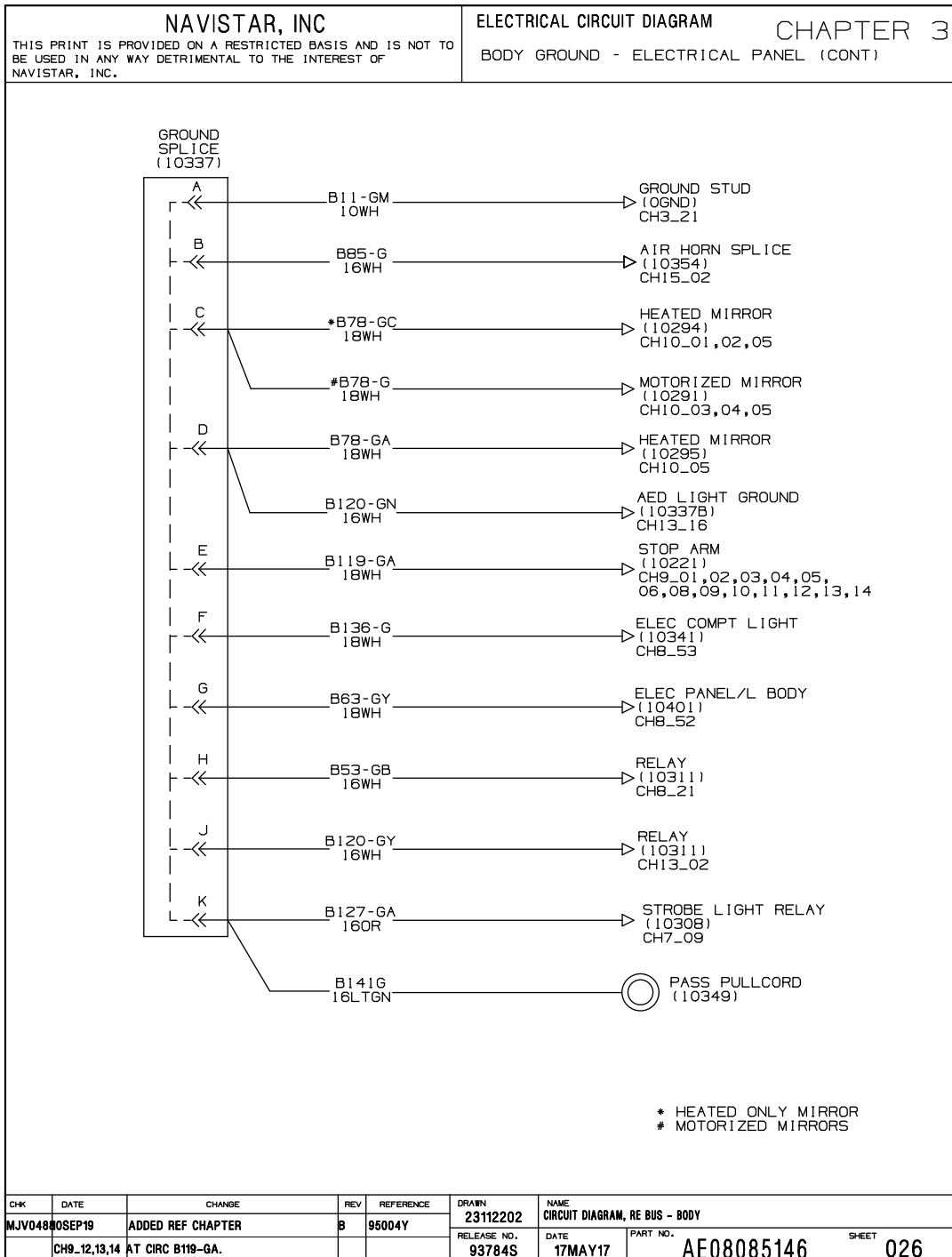


Figure 48 Body Ground – Electrical Panel (Cont.)

4.27. BODY GROUND – FRONT CAP, P. 27

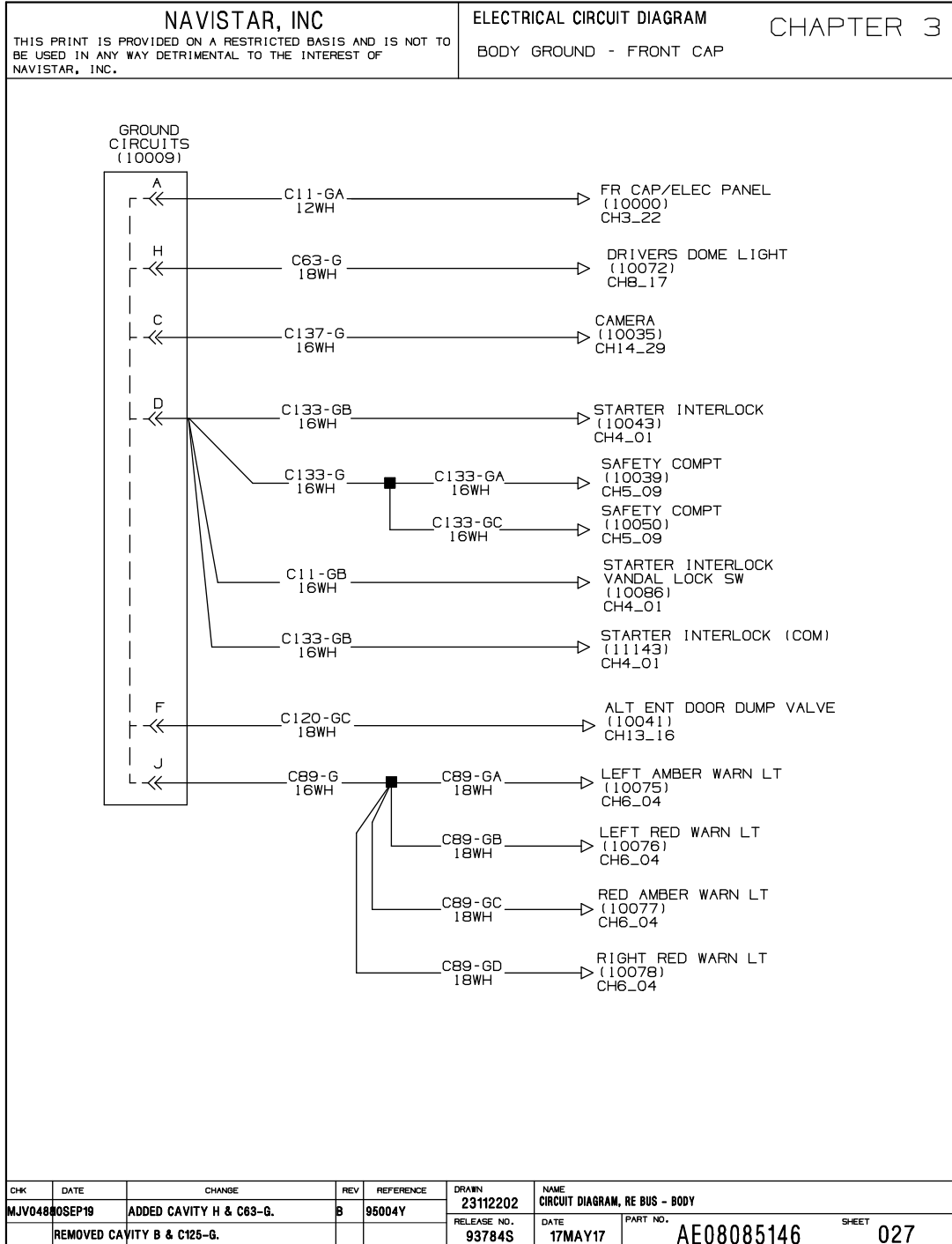


Figure 49 Body Ground – Front Cap

4.28. BODY GROUND – FRONT CAP (CONT.), P. 28

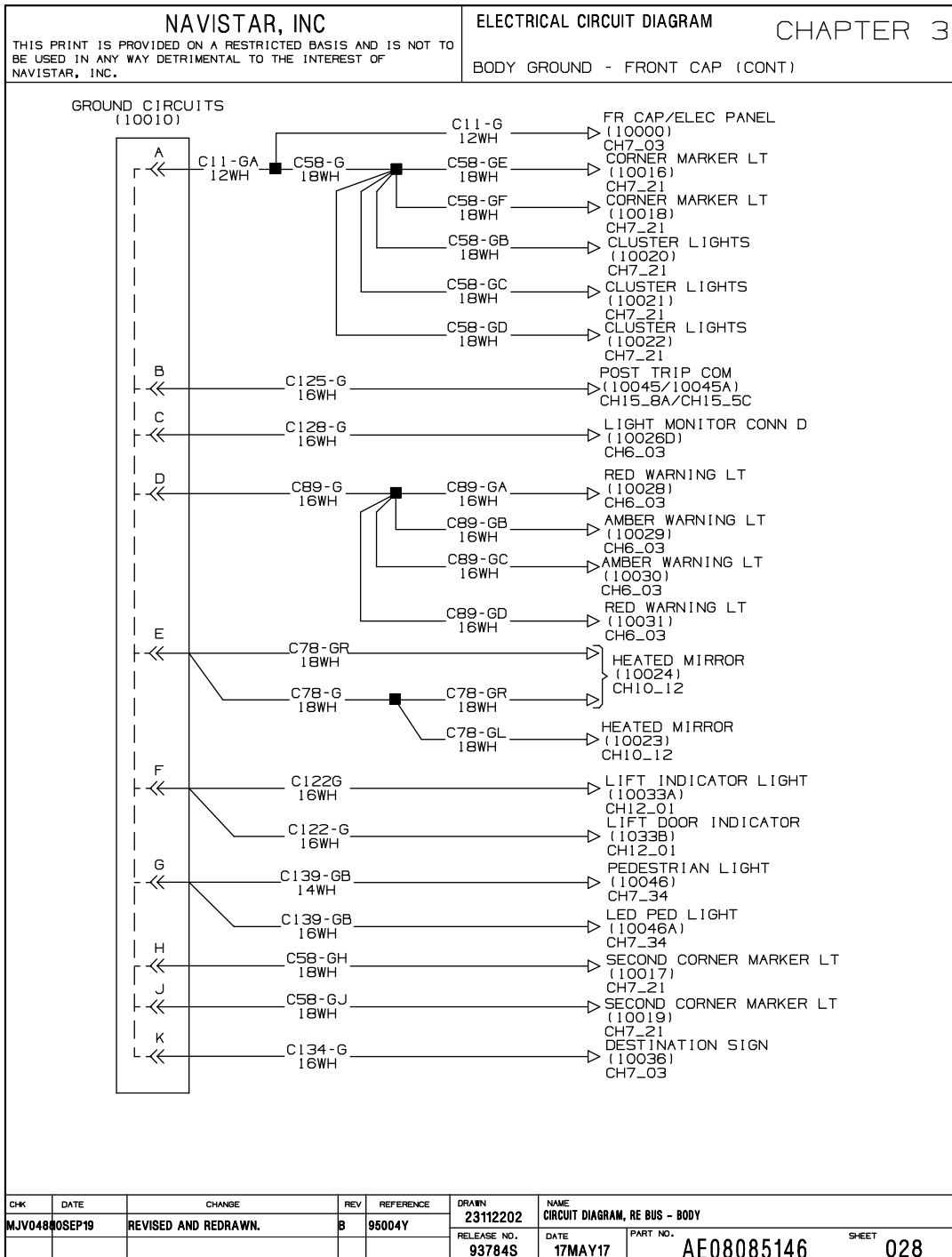


Figure 50 Body Ground – Front Cap (Cont.)

4.29. BODY GROUND – FRONT END, P. 29

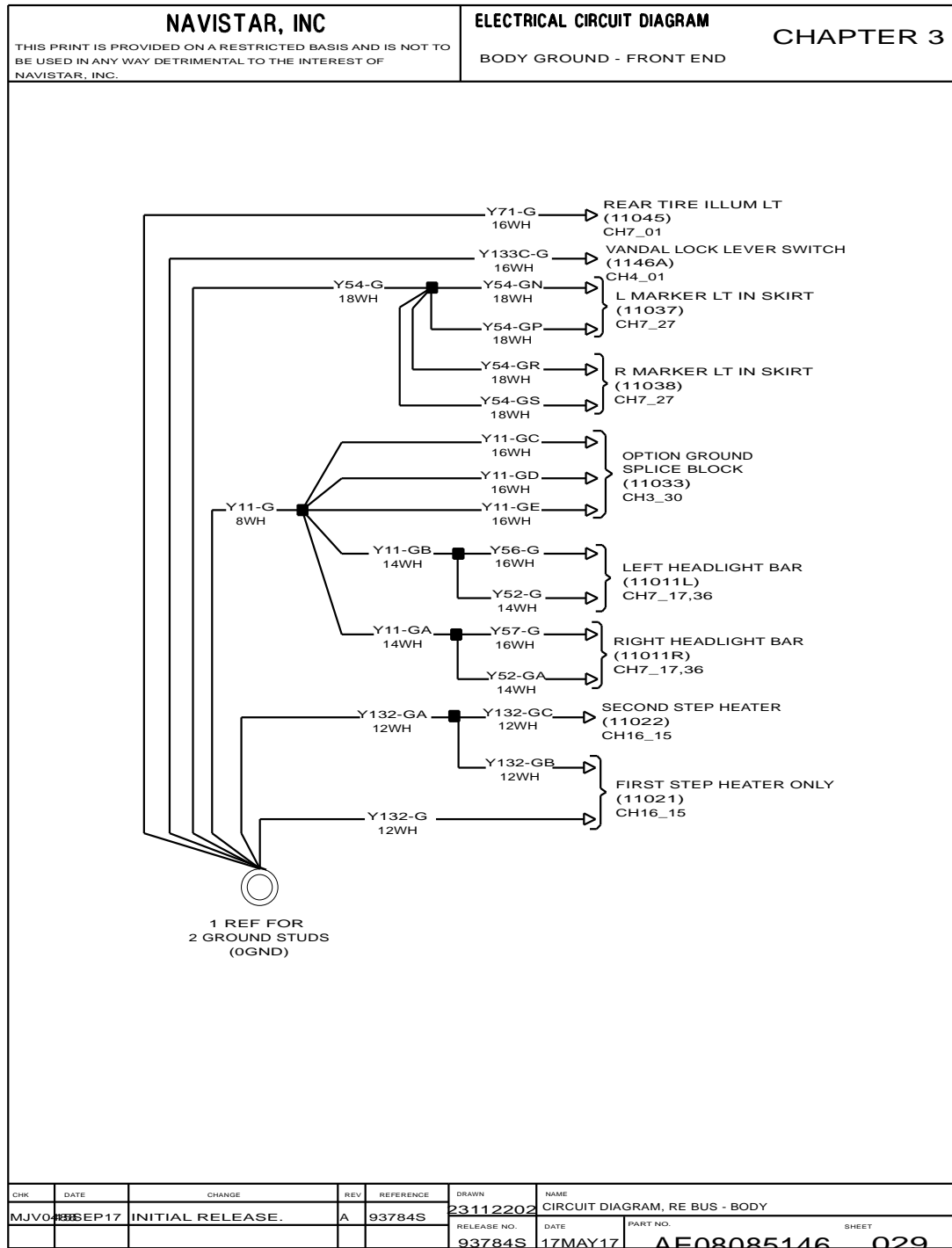


Figure 51 Body Ground – Front End

4.30. BODY GROUND – FRONT END (CONT.), P. 30

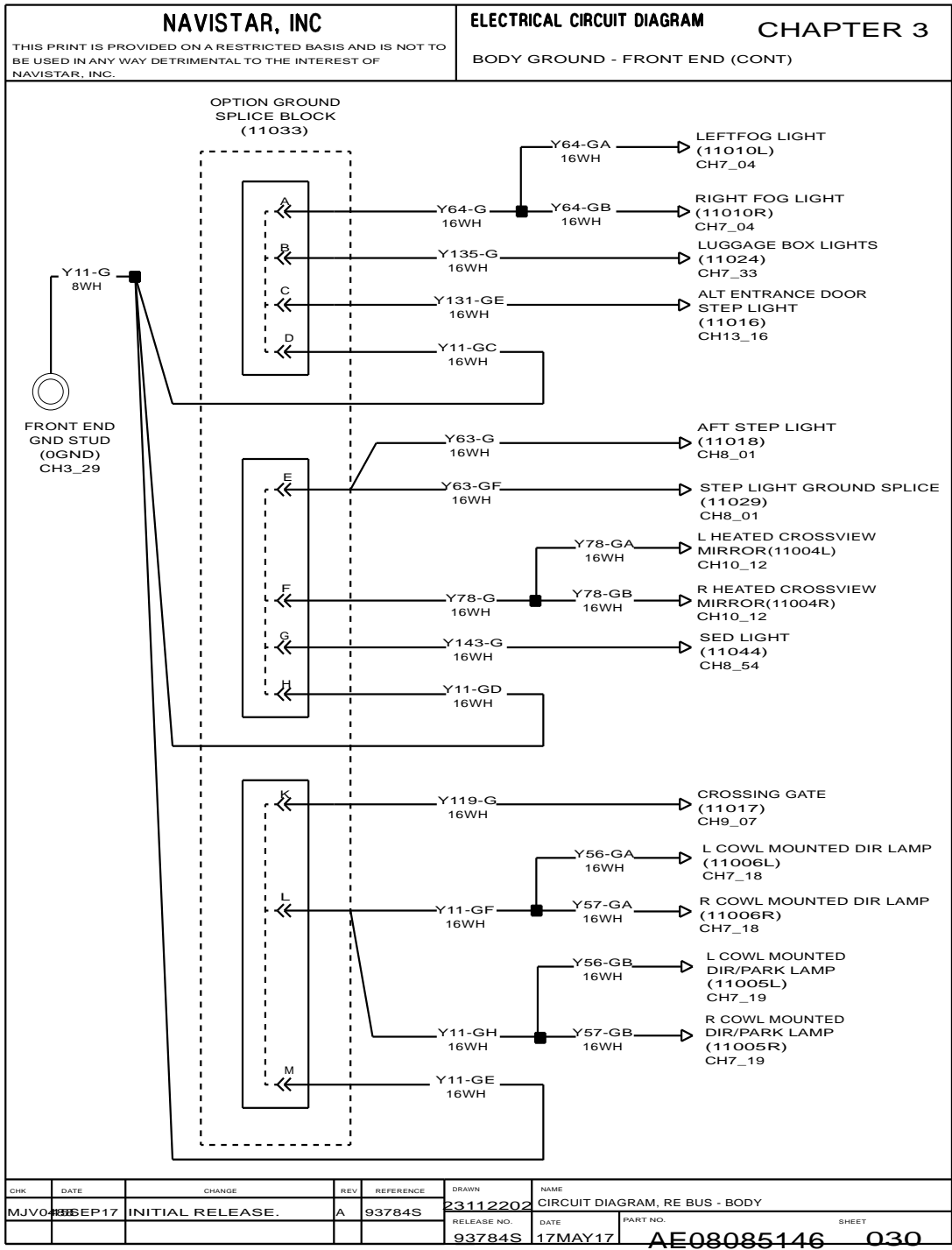


Figure 52 Body Ground – Front End (Cont.)

4.31. BODY GROUND – REAR CAP, P. 31

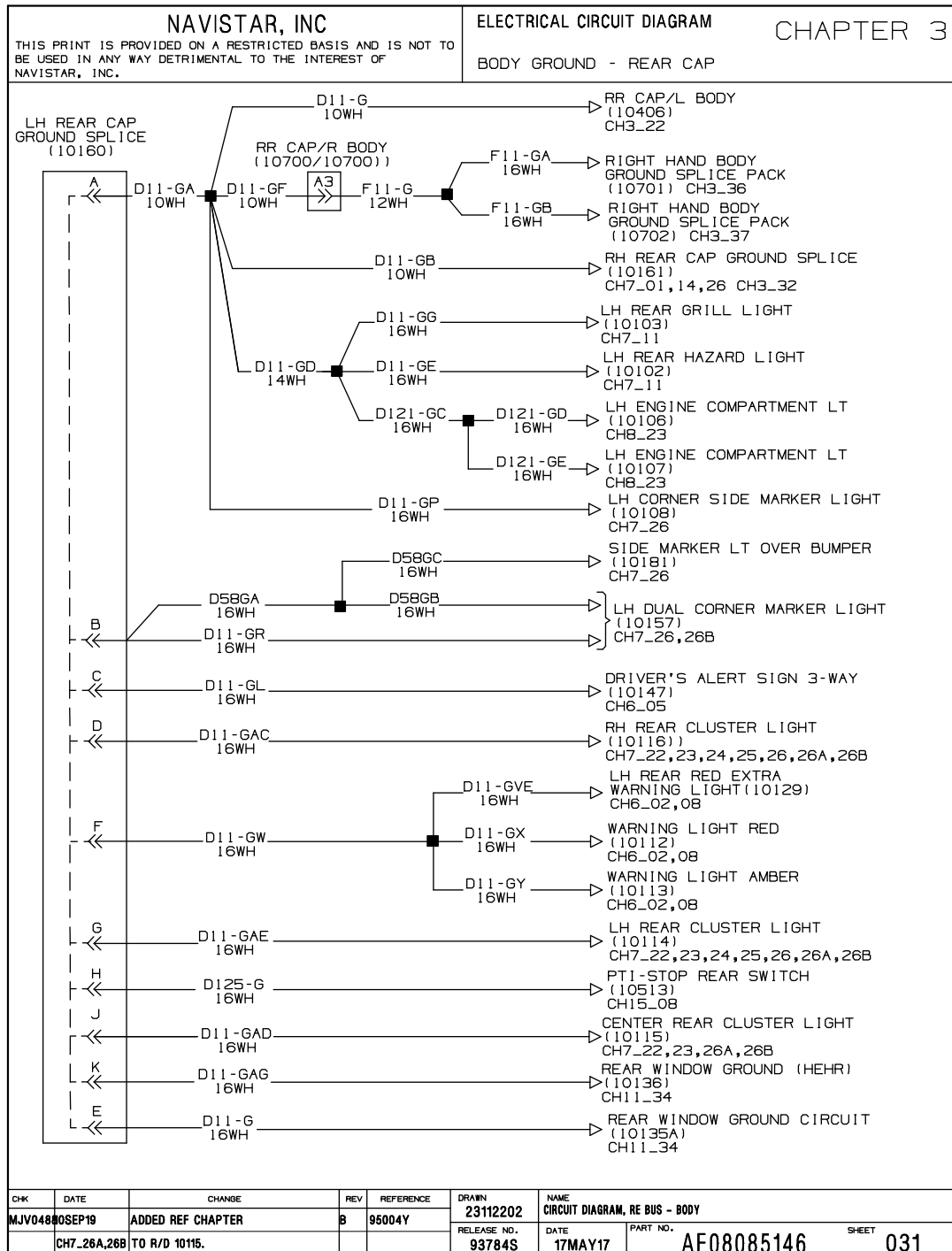


Figure 53 Body Ground – Rear Cap

4.32. BODY GROUND – REAR CAP (CONT.), P. 32

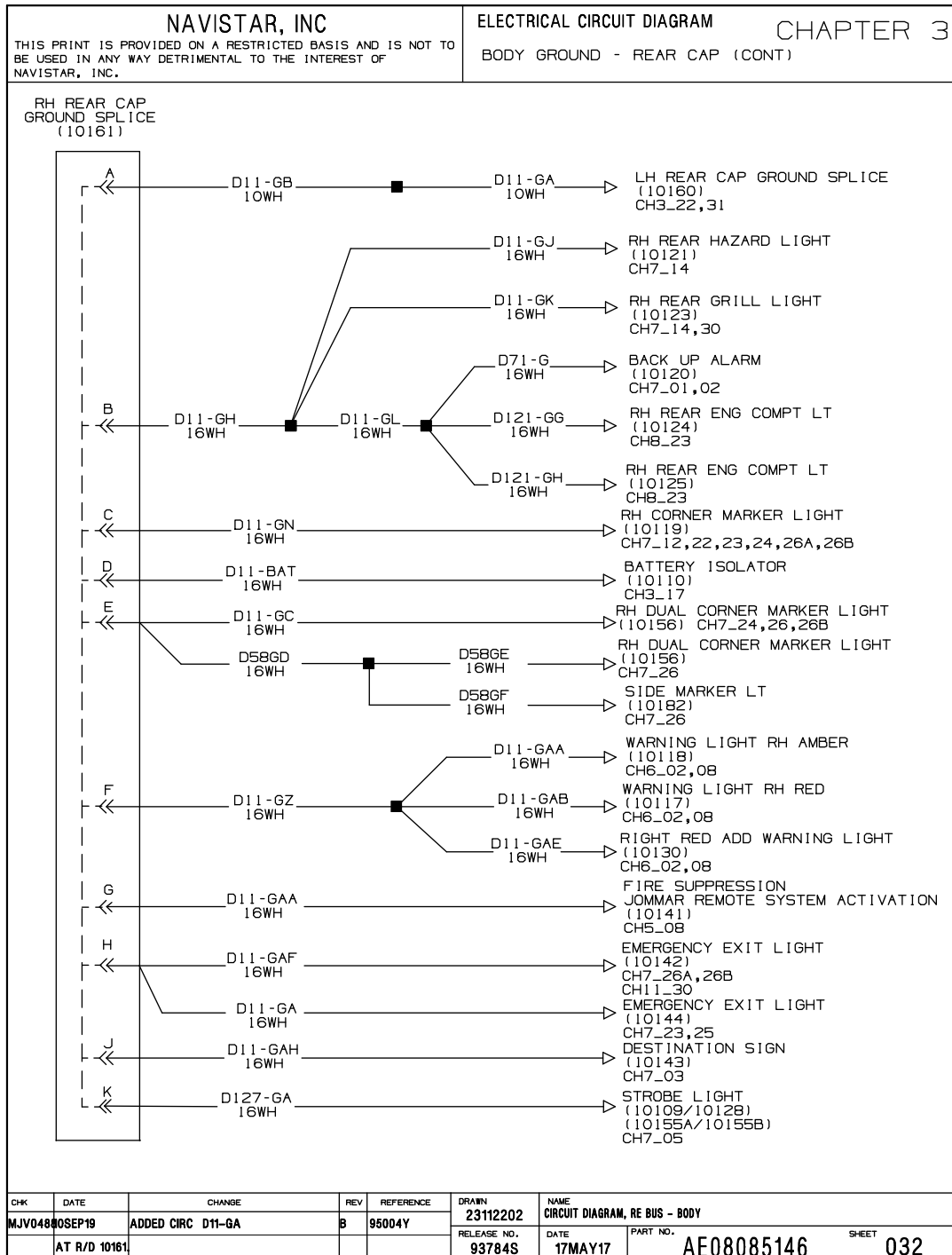


Figure 54 Body Ground – Rear Cap (Cont.)

4.33. BODY GROUND – LEFT BODY, P. 33

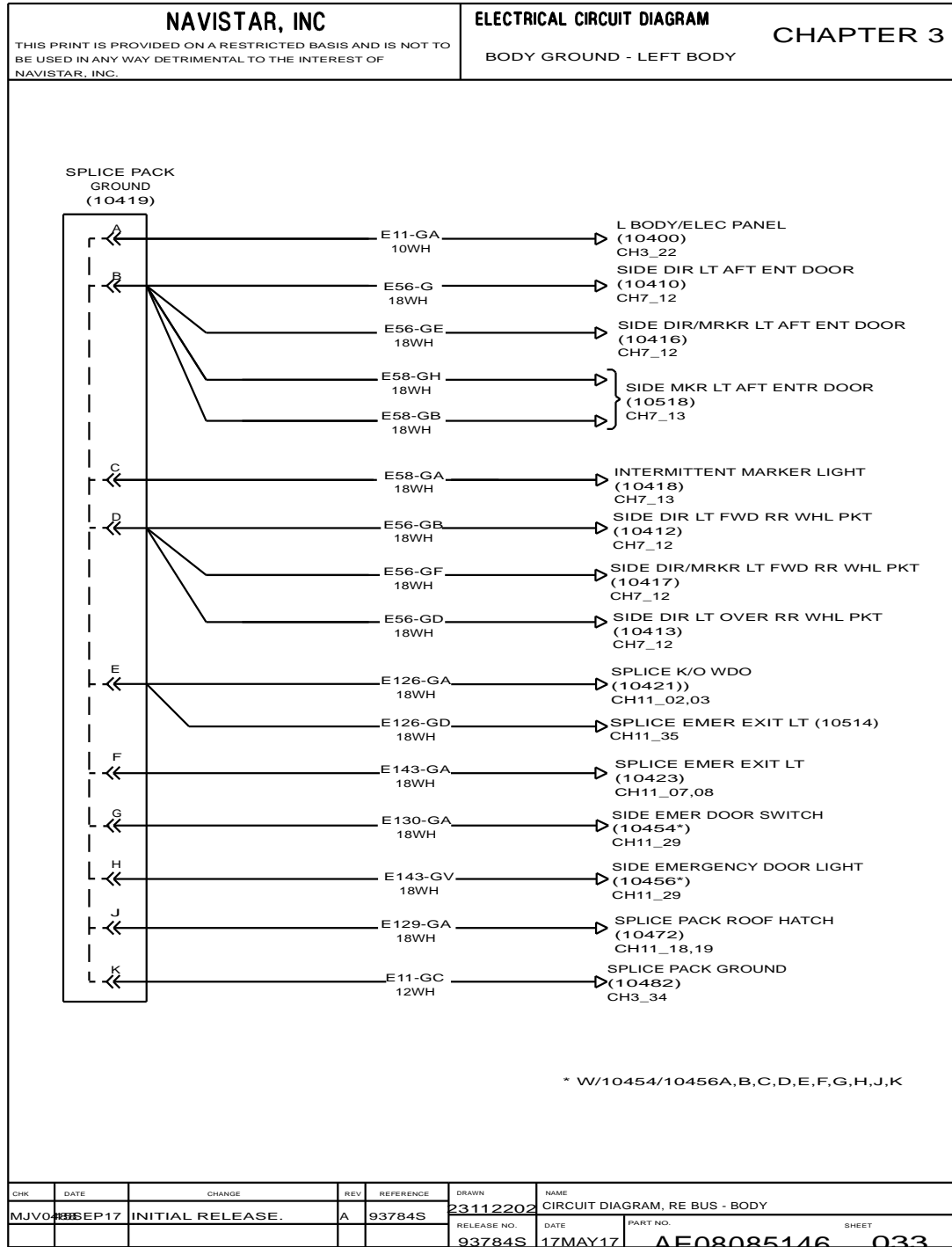


Figure 55 Body Ground – Left Body

4.34. BODY GROUND – LEFT BODY (CONT.), P. 34

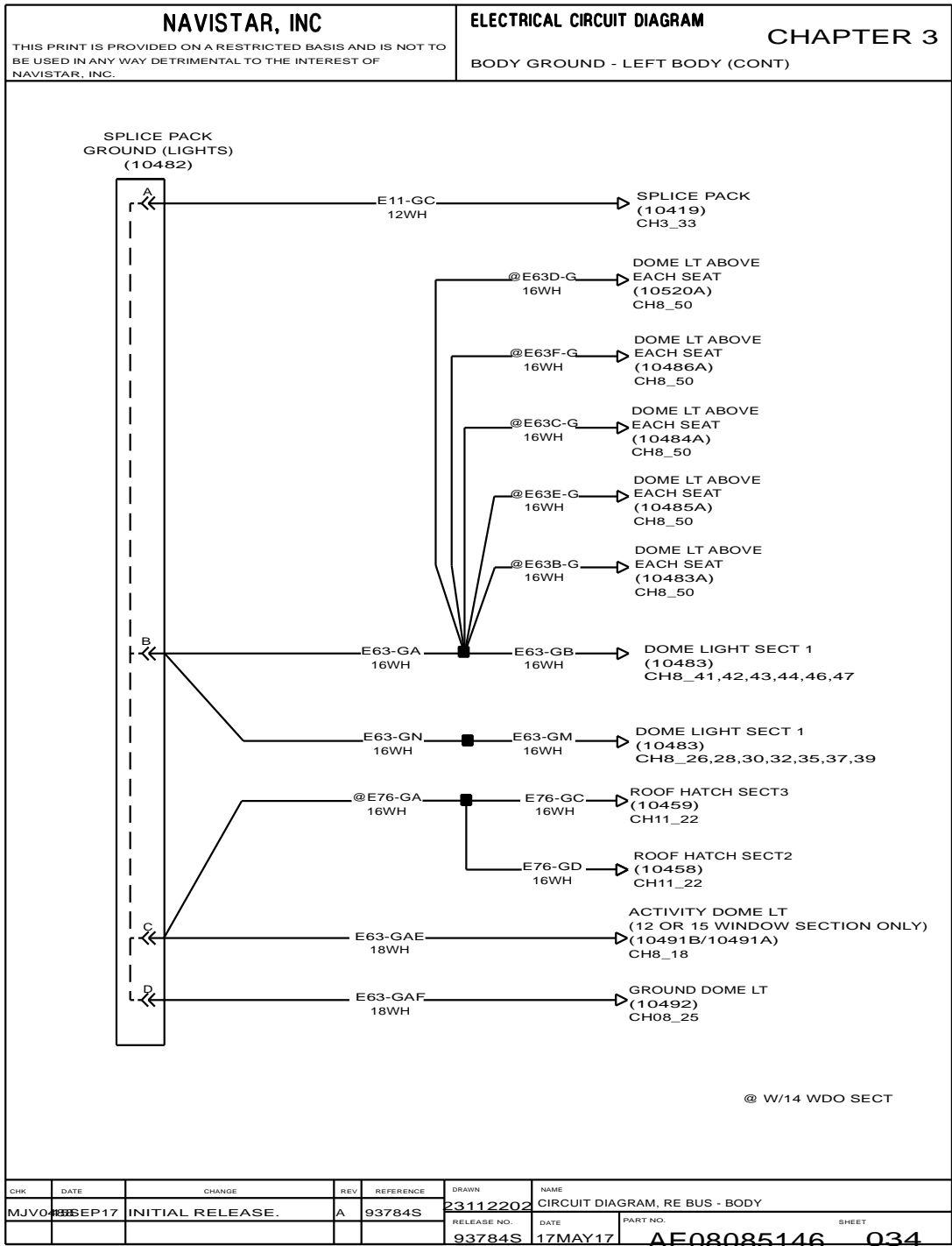


Figure 56 Body Ground – Left Body (Cont.)

4.35. BODY GROUND – LEFT BODY (CONT.), P. 35

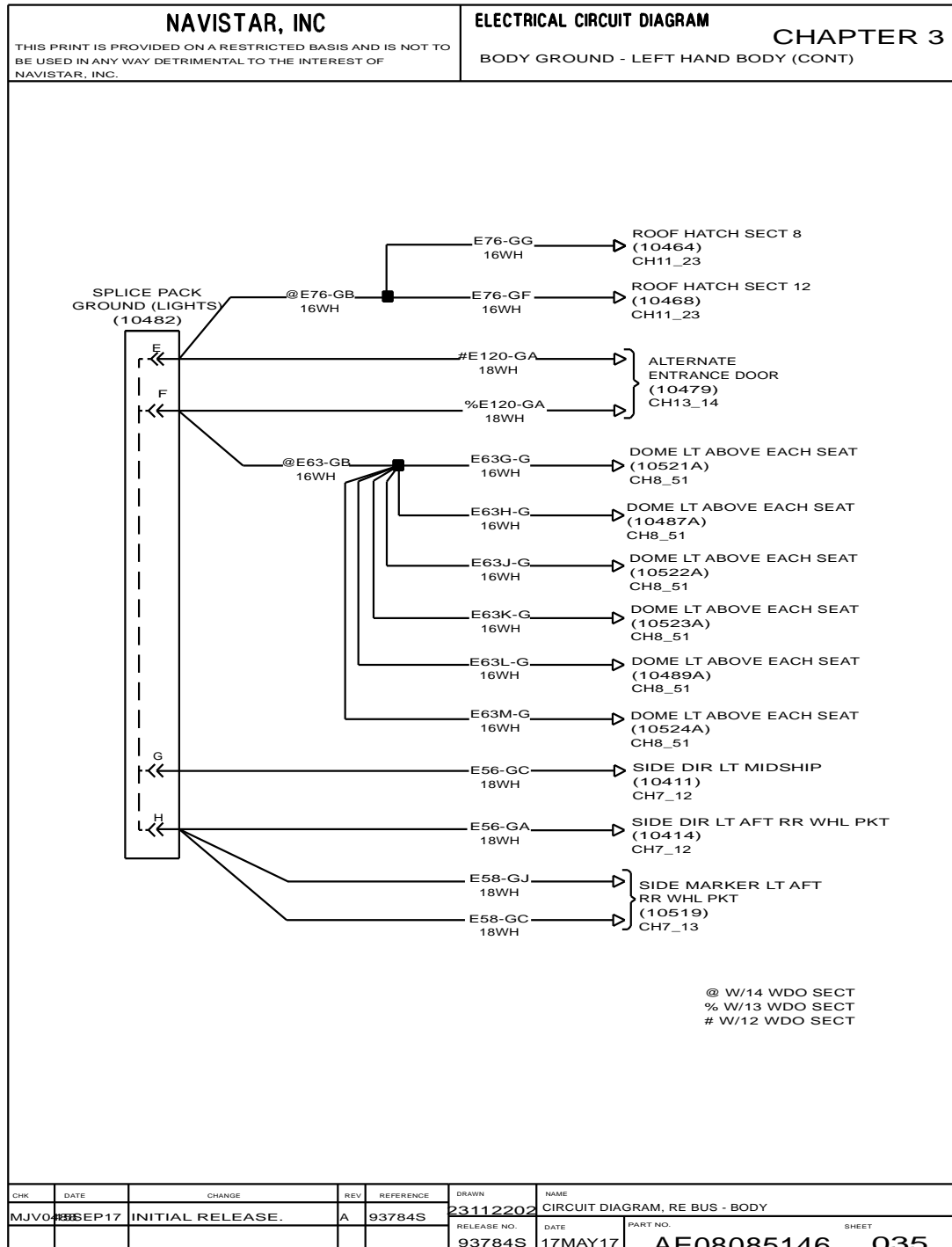


Figure 57 Body Ground – Left Body (Cont.)

4.36. BODY GROUND – RIGHT BODY, P. 36

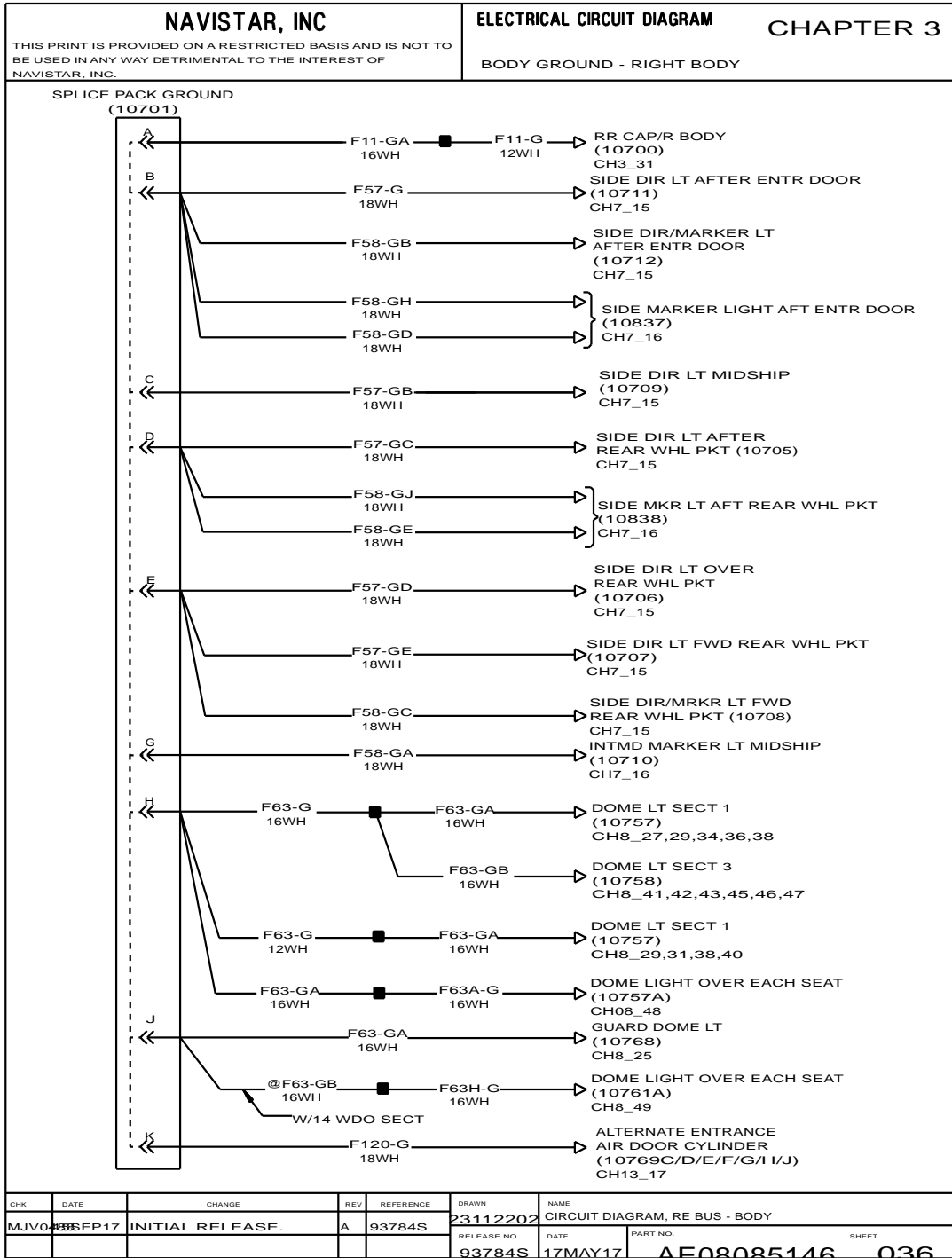


Figure 58 Body Ground – Right Body

4.37. ZONAR POWER AND SIGNAL, P. 38

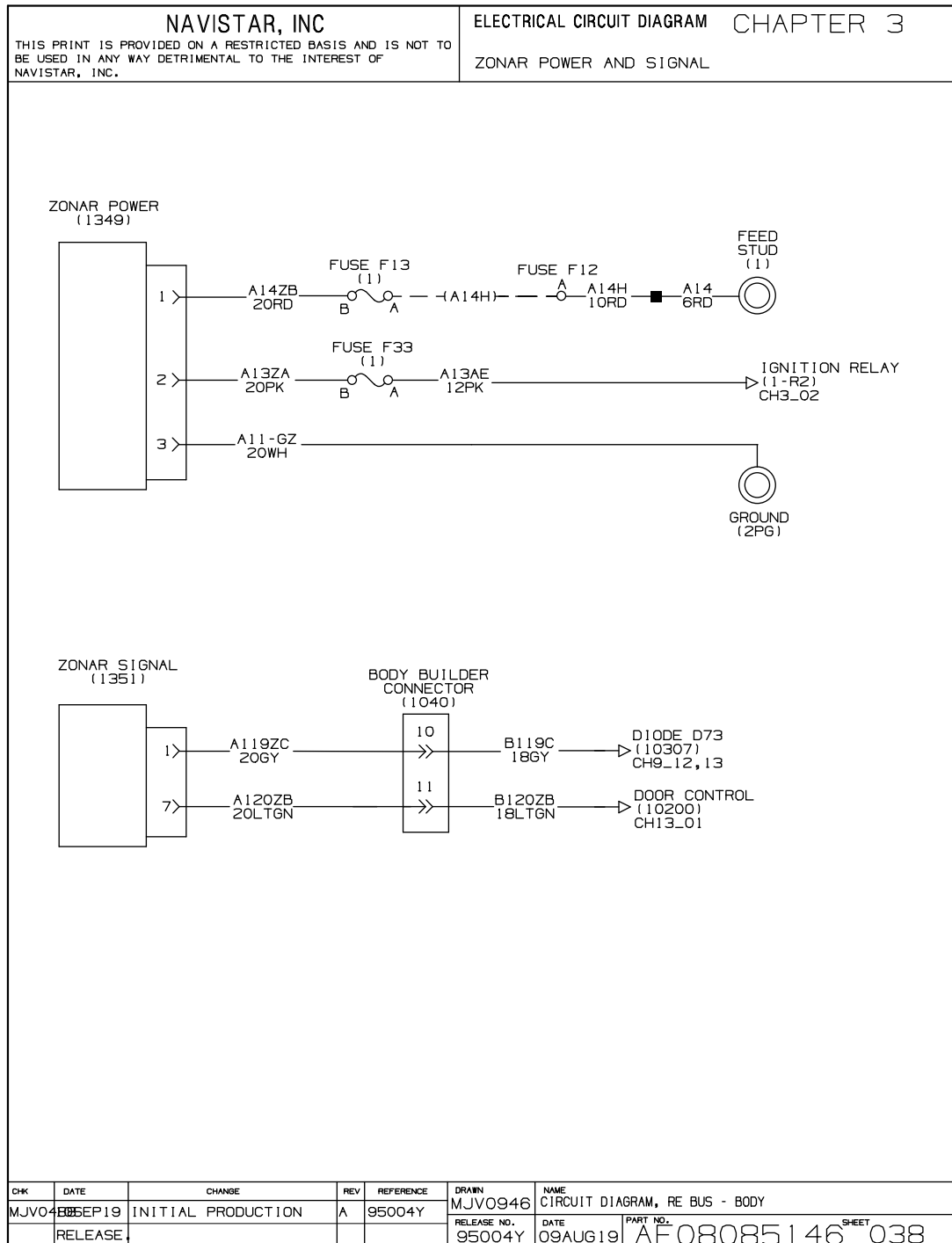


Figure 59 Zonar Power and Signal

12 VOLT CHARGING AND CRANKING SYSTEM (CHAPTER 4)

5.1. STARTER INTERLOCK / VANDAL LOCK, P. 1

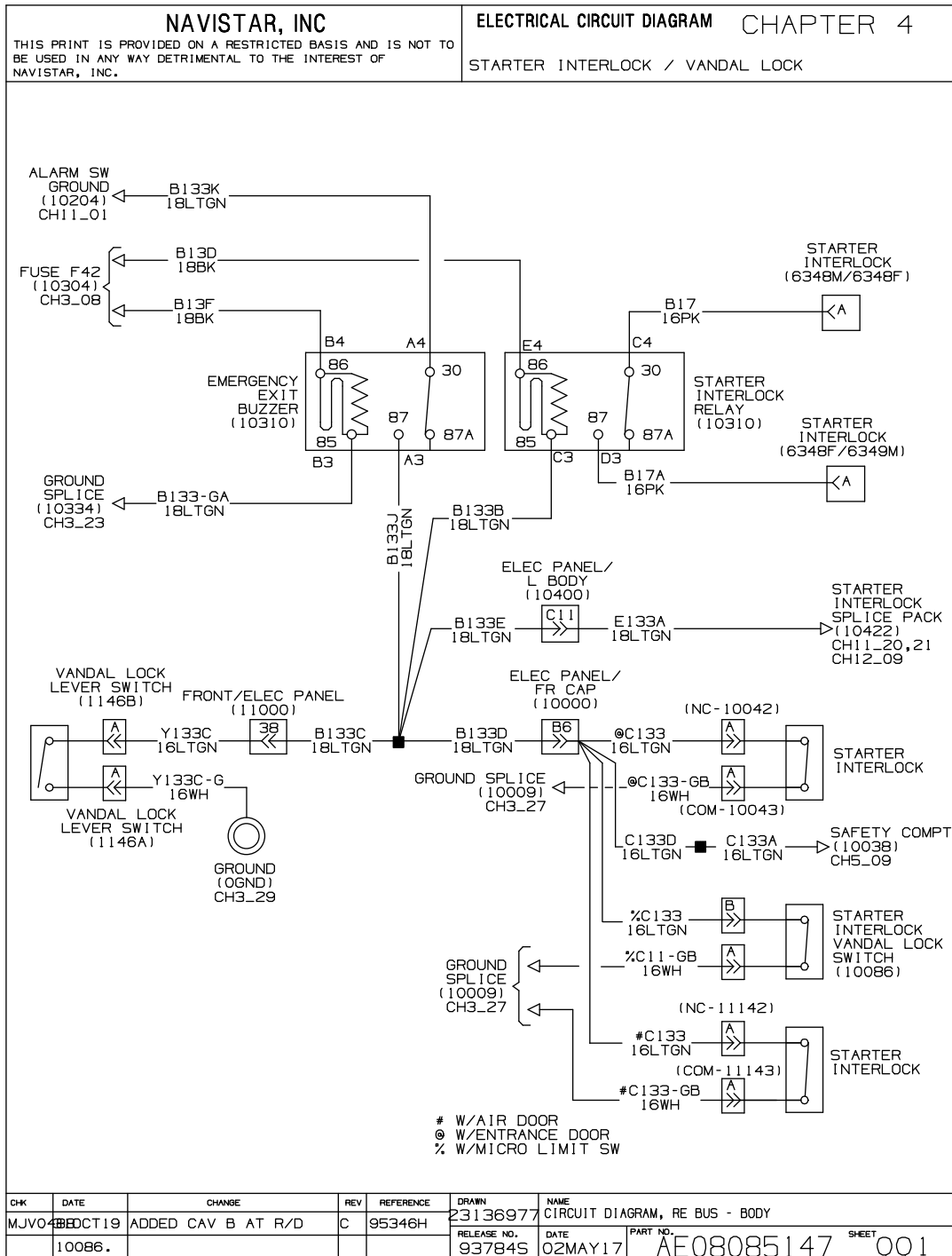


Figure 60 Starter Interlock / Vandal Lock

GAUGES AND WARNING LIGHTS (CHAPTER 5)

6.1. TURN SIGNALS WITH AUDIBLE FLASHER SYSTEM, P. 1

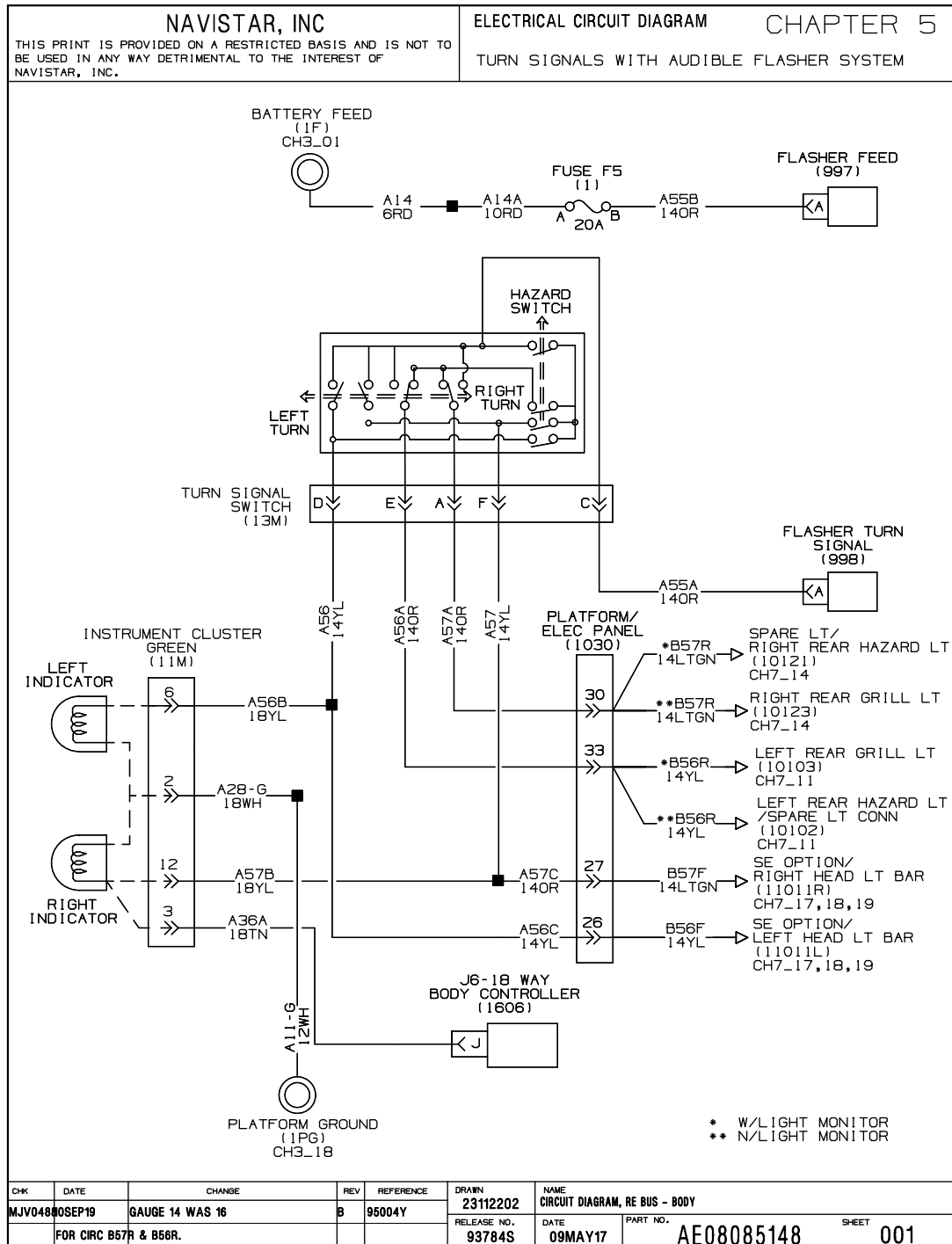


Figure 61 Turn Signals with Audible Flasher System

6.2. TURN SIGNALS WITHOUT AUX FLASHER SWITCH, P. 2

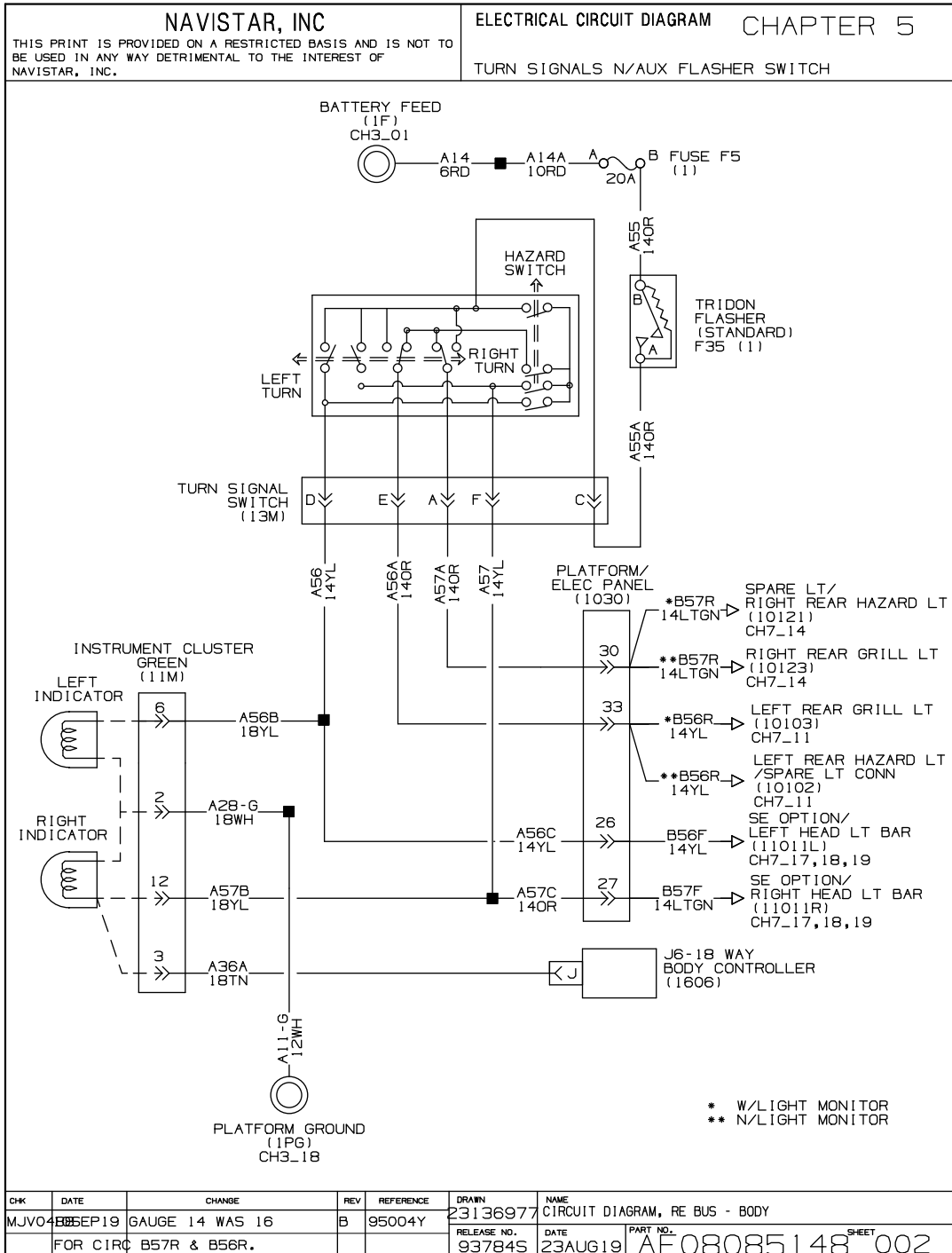


Figure 62 Turn Signals without AUX Flasher Switch

6.3. TURN SIGNALS WITH AUX FLASHER SWITCH, P. 3

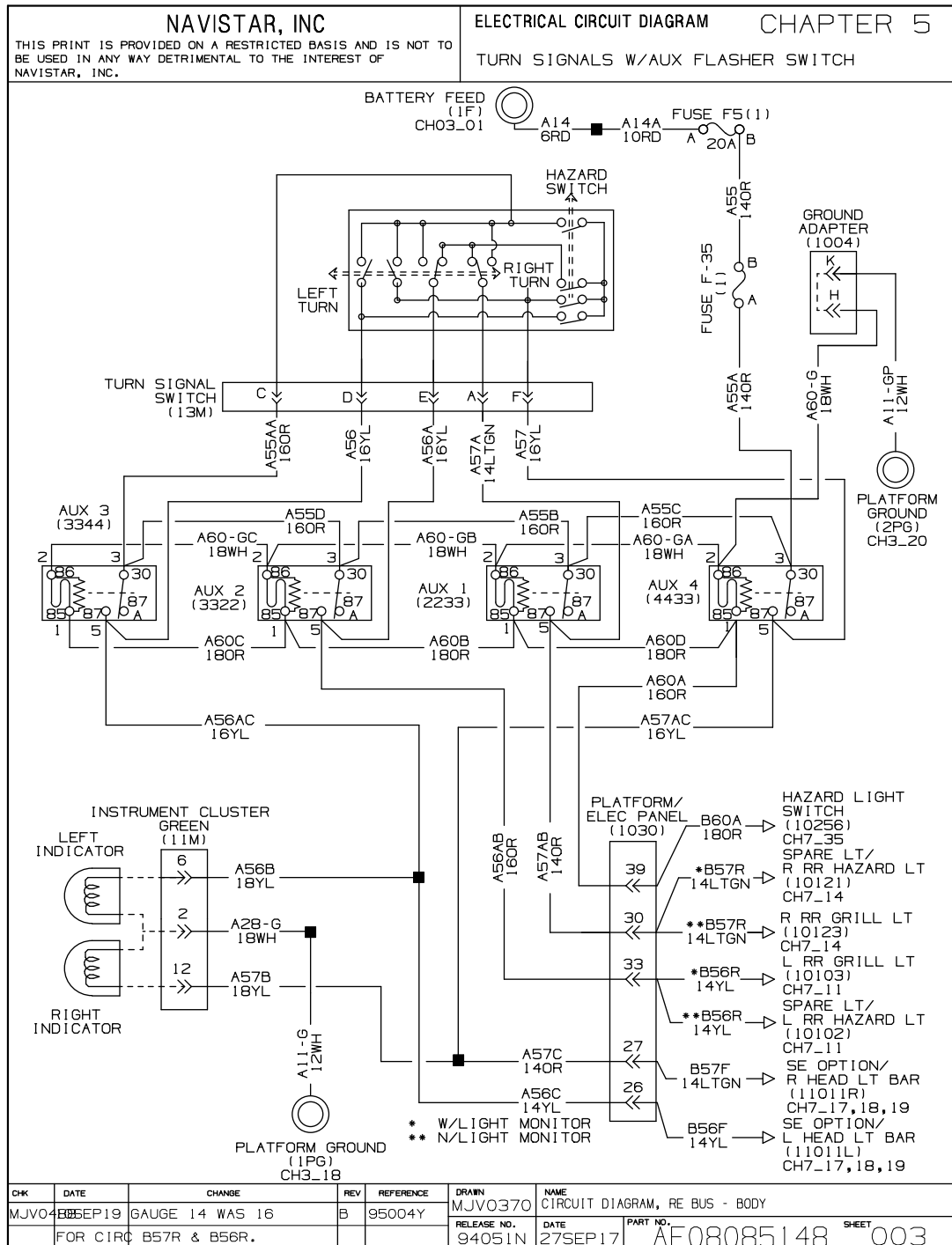


Figure 63 Turn Signals with AUX Flasher Switch

6.4. TEMP SENSOR IN ENGINE COMPARTMENT, P. 4

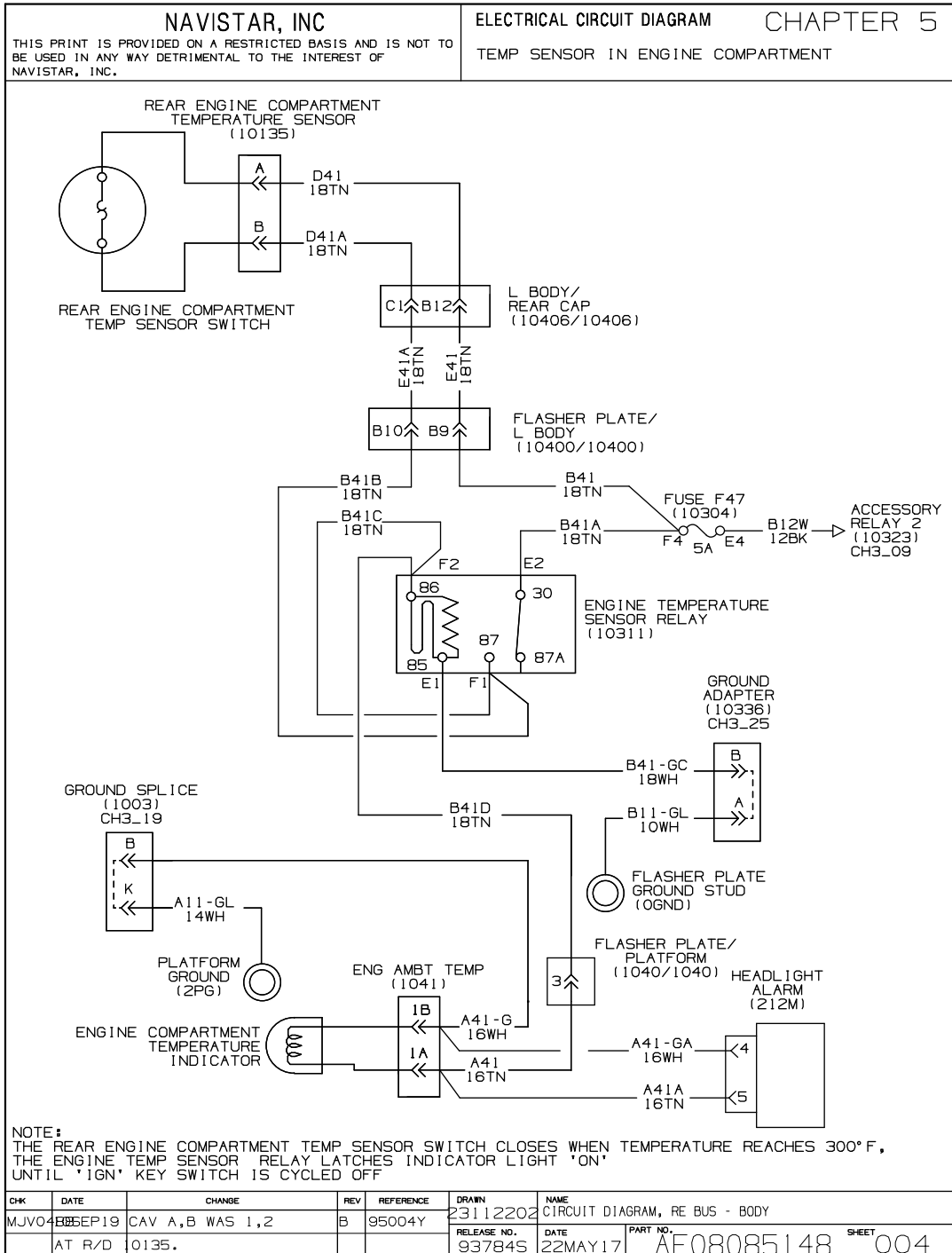


Figure 64 Temp Sensor in Engine Compartment

6.5. TEMP SENSOR IN ENGINE COMPARTMENT AND ELECTRICAL PANEL, P. 5

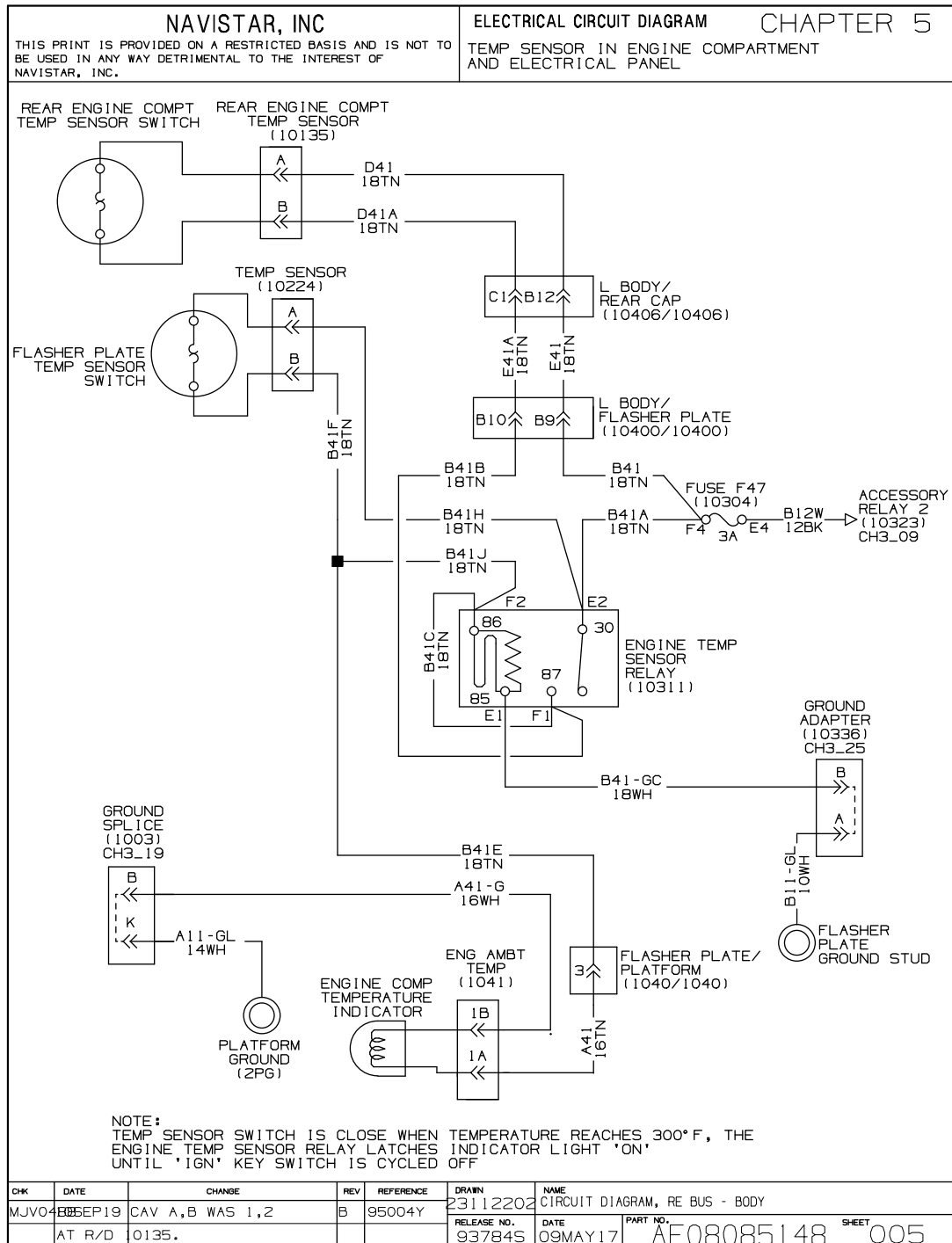


Figure 65 Temp Sensor in Engine Compartment and Electrical Panel

6.6. STOP LIGHT SWITCH, P. 6

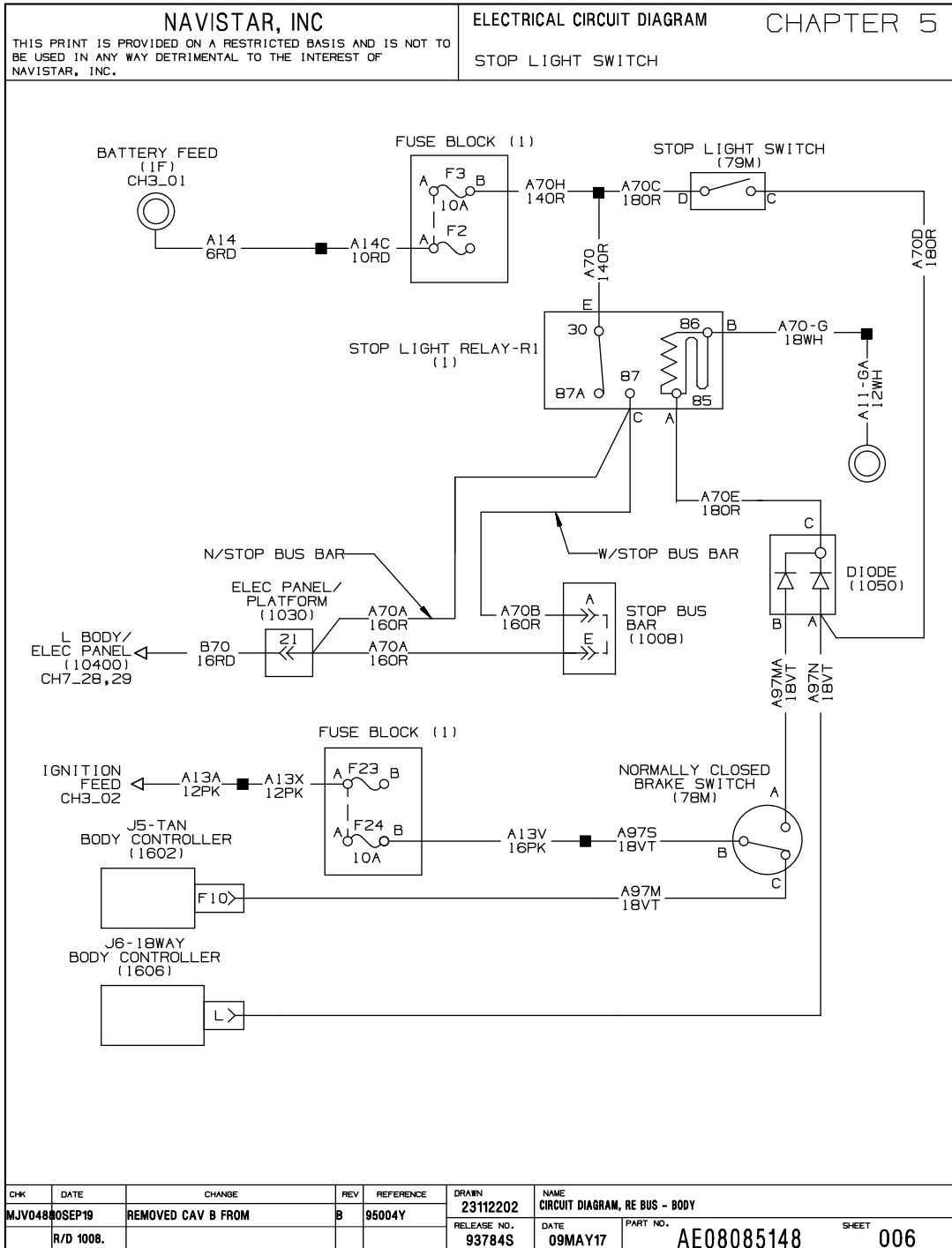


Figure 66 Stop Light Switch

6.7. ABS BRAKE & WITH STOP LIGHT, P. 6A

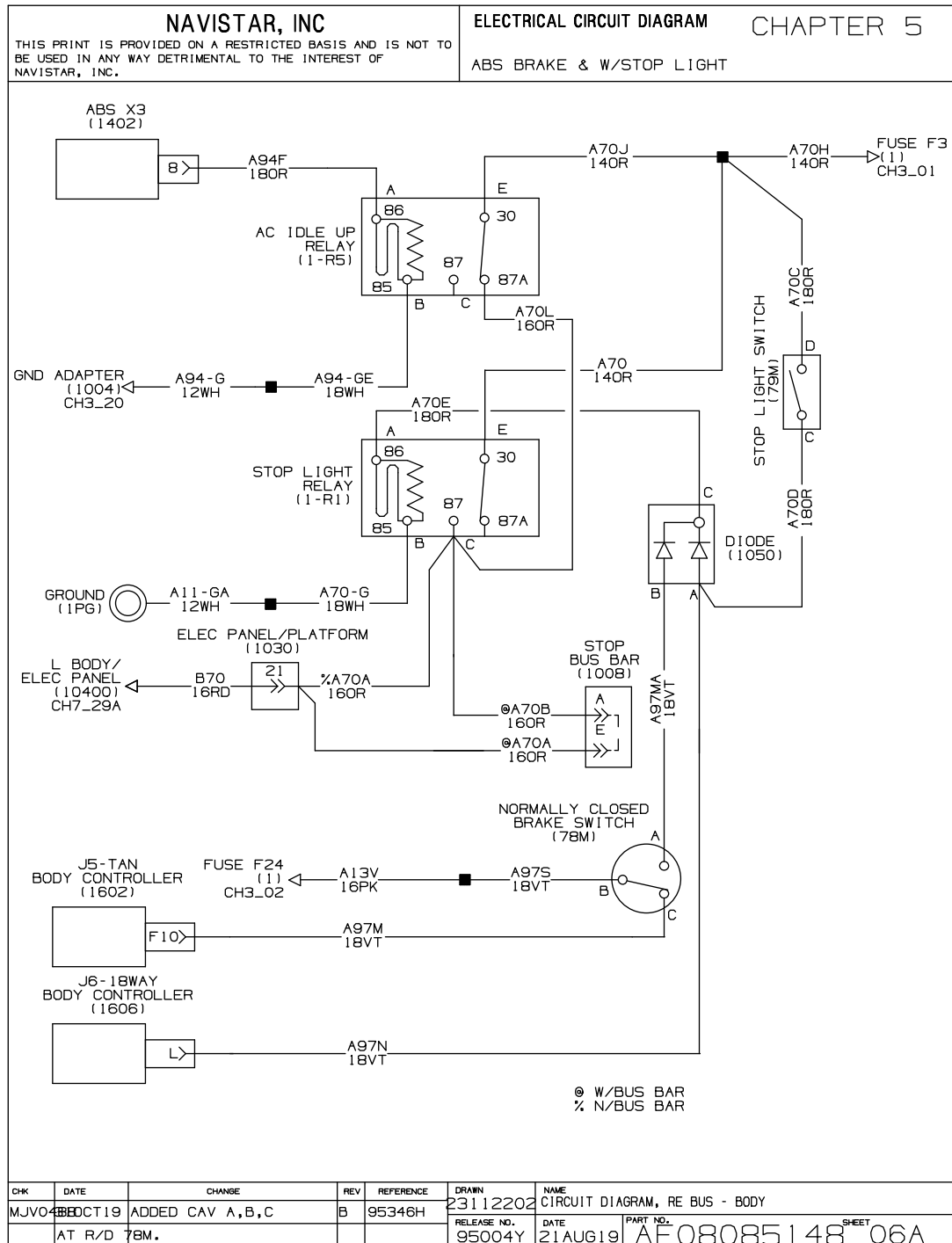


Figure 67 ABS Brake & with Stop Light

6.8. FIRE SUPPRESSION, P. 7

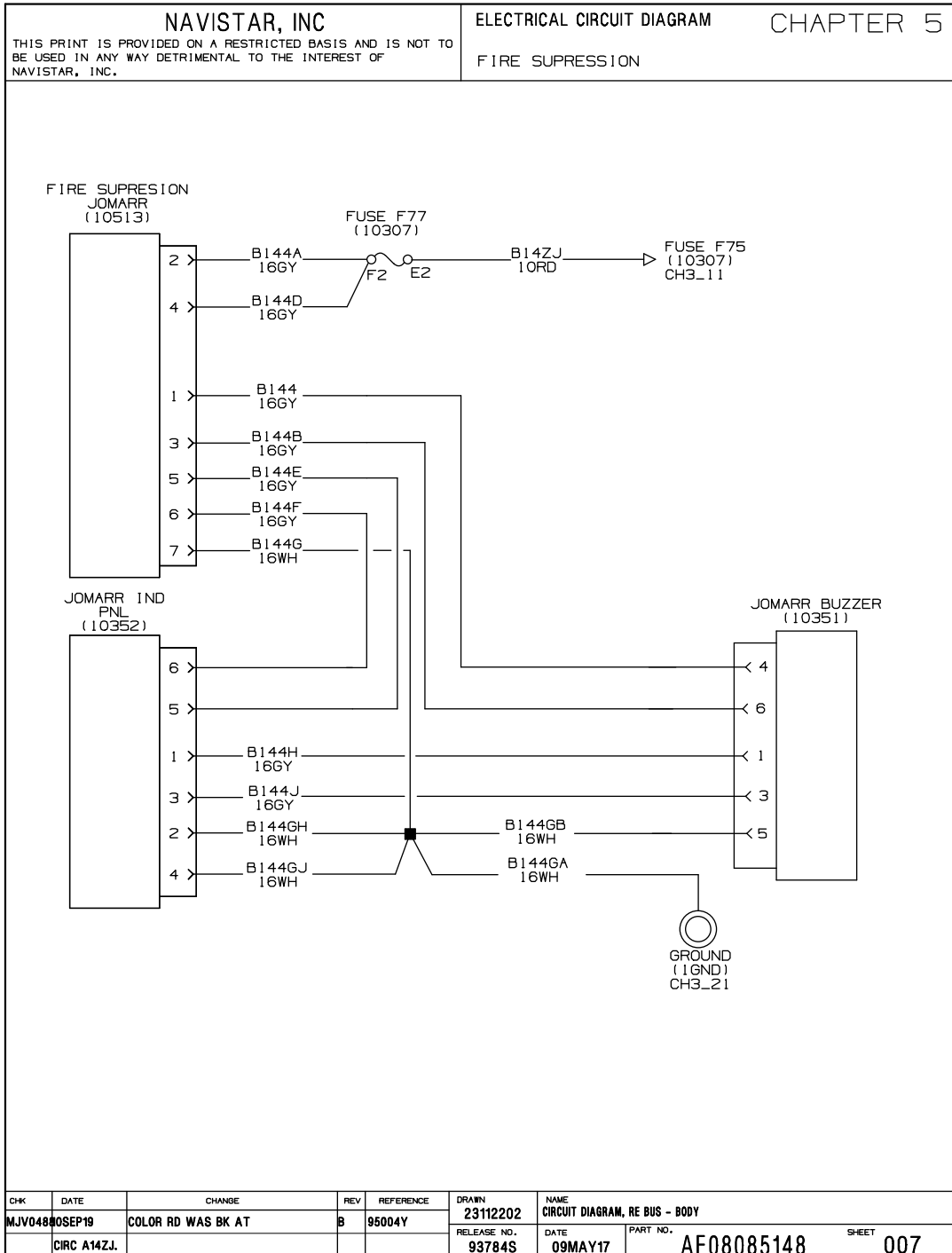


Figure 68 Fire Suppression

6.9. REAR CAP FIRE SUPPRESSION & WITH ENGINE COMPARTMENT TEMP SENSOR, P. 8

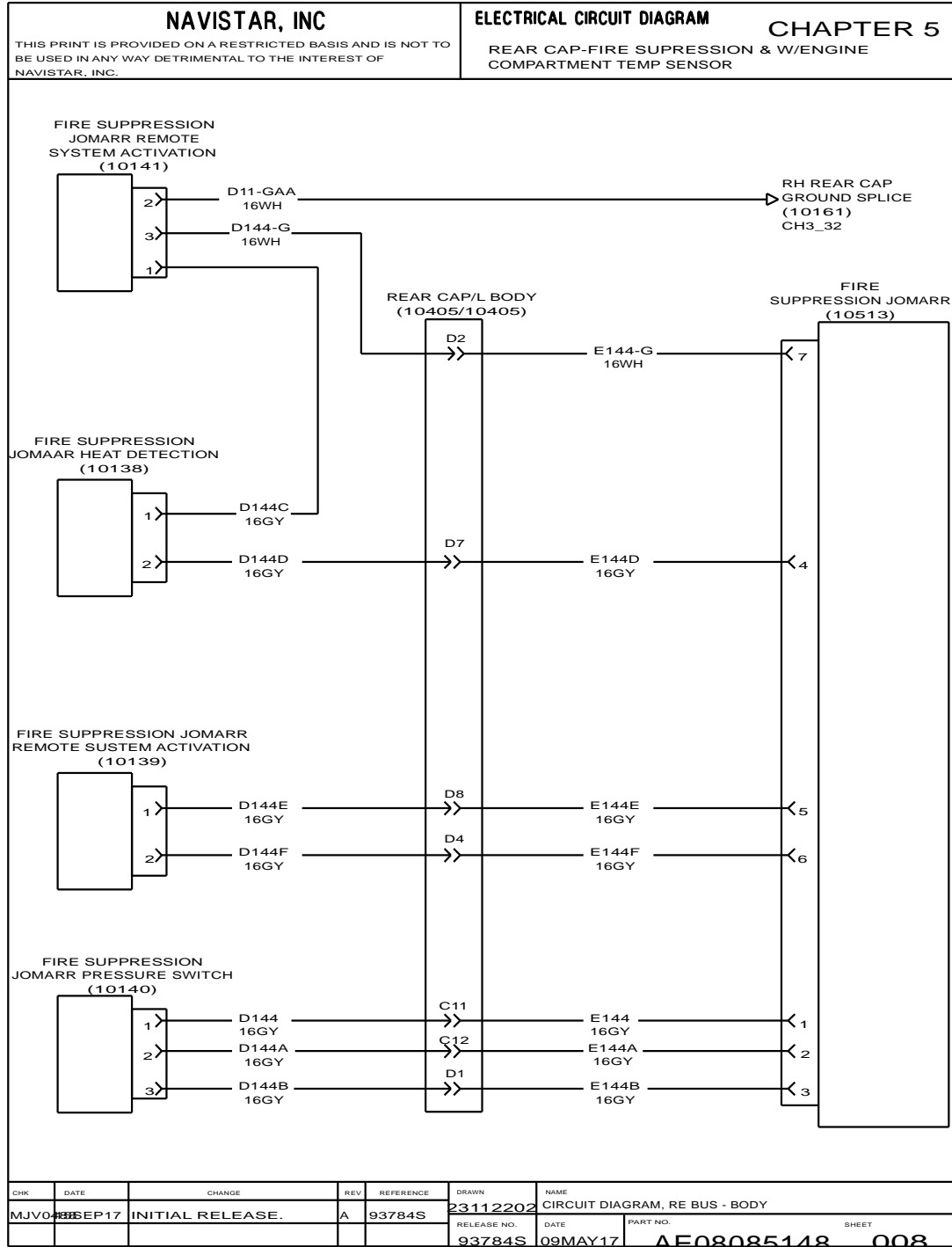


Figure 69 Rear Cap Fire Suppression & with Engine Compartment Temp Sensor

6.10. LOCKING COMPARTMENT WITH ALARM WITH STARTER INTERLOCK WITH MECH BUZZER, P. 9

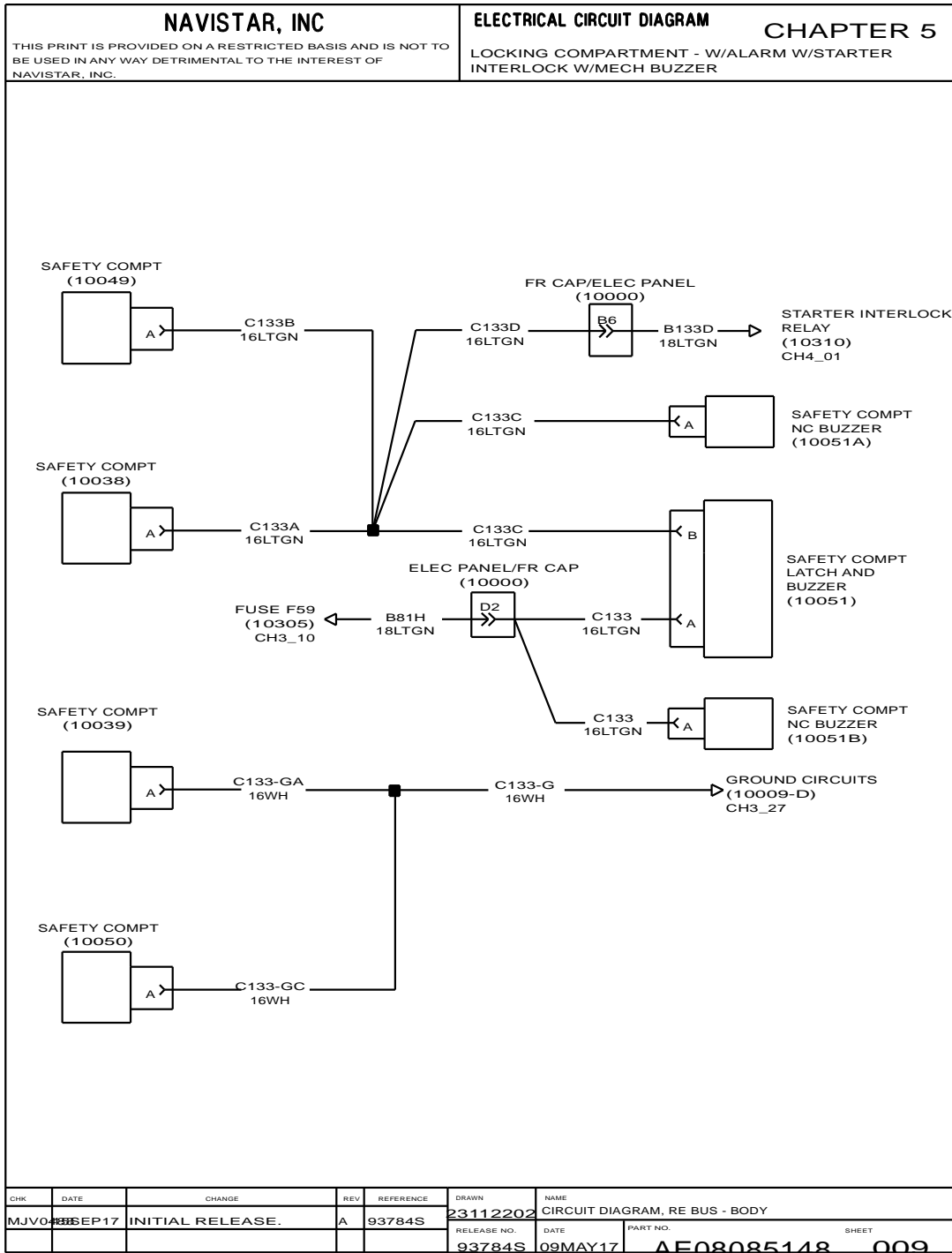


Figure 70 Locking Compartment with Alarm with Starter Interlock with Mech Buzzer

6.11. HEATED WIPER BLADES, P. 10

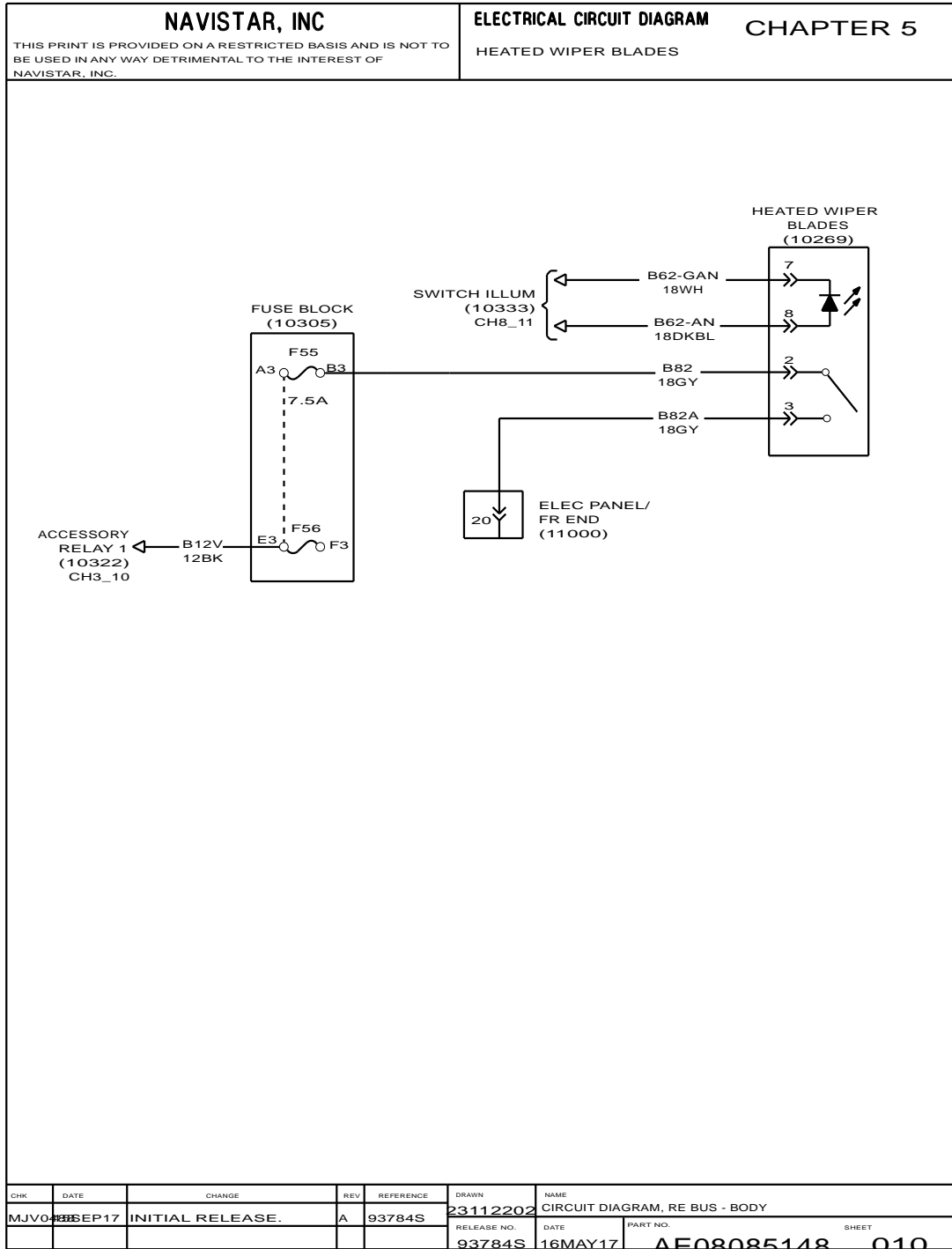


Figure 71 Heated Wiper Blades

6.12. CAMERA SYSTEM - MIRROR DISPLAY, P. 11

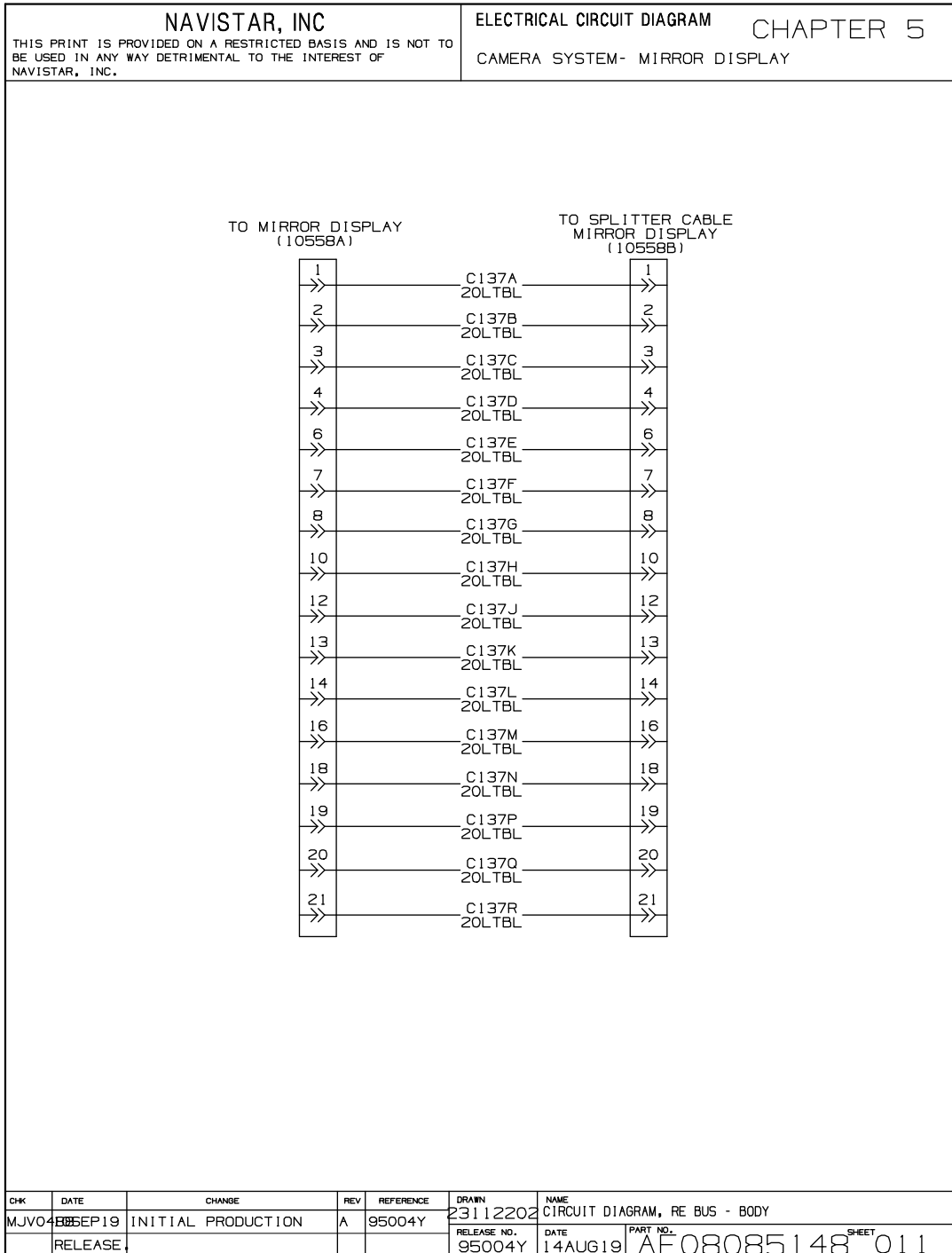


Figure 72 Camera System - Mirror Display

6.13. CAMERA SYSTEM - STANDALONE DISPLAY, P. 12

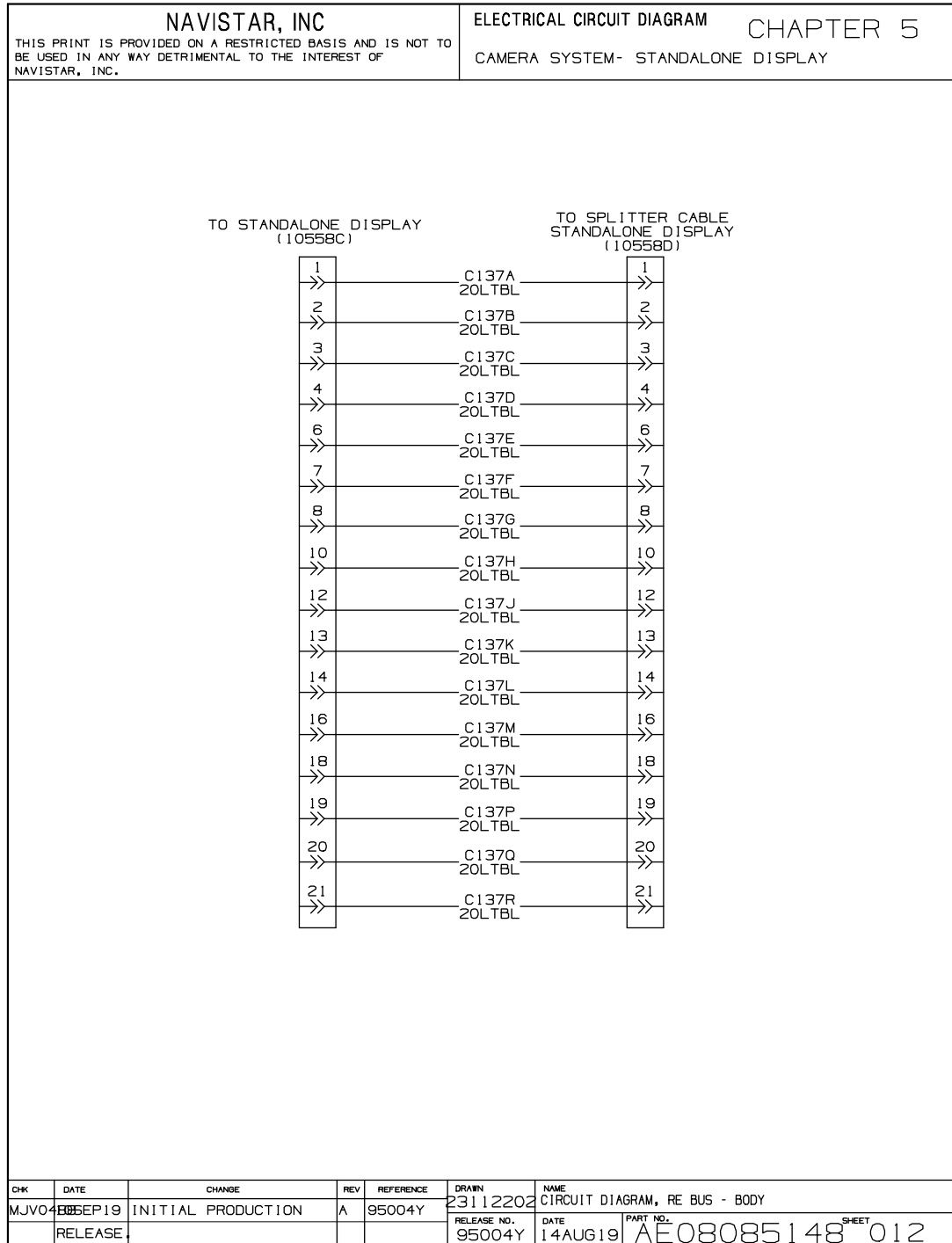


Figure 73 Camera System - Standalone Display

PUPIL WARNING LIGHT ACTIVATION (CHAPTER 6)

7.1. PUPIL WARNING LIGHTS WITHOUT LIGHT MONITOR, P. 1

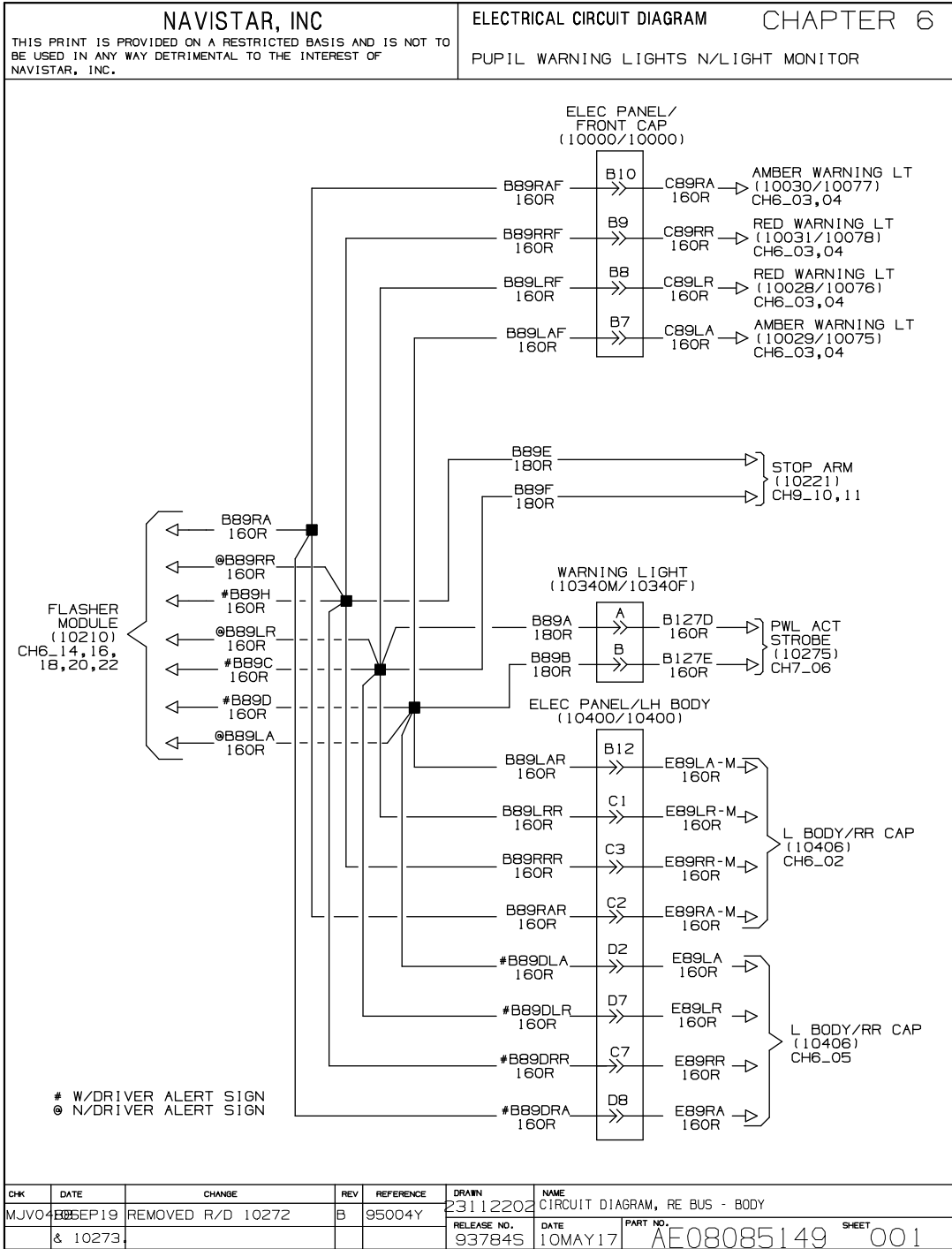


Figure 74 Pupil Warning Lights without Light Monitor

7.2. PUPIL WARNING LIGHTS WITHOUT LIGHT MONITOR (CONT.), P. 2

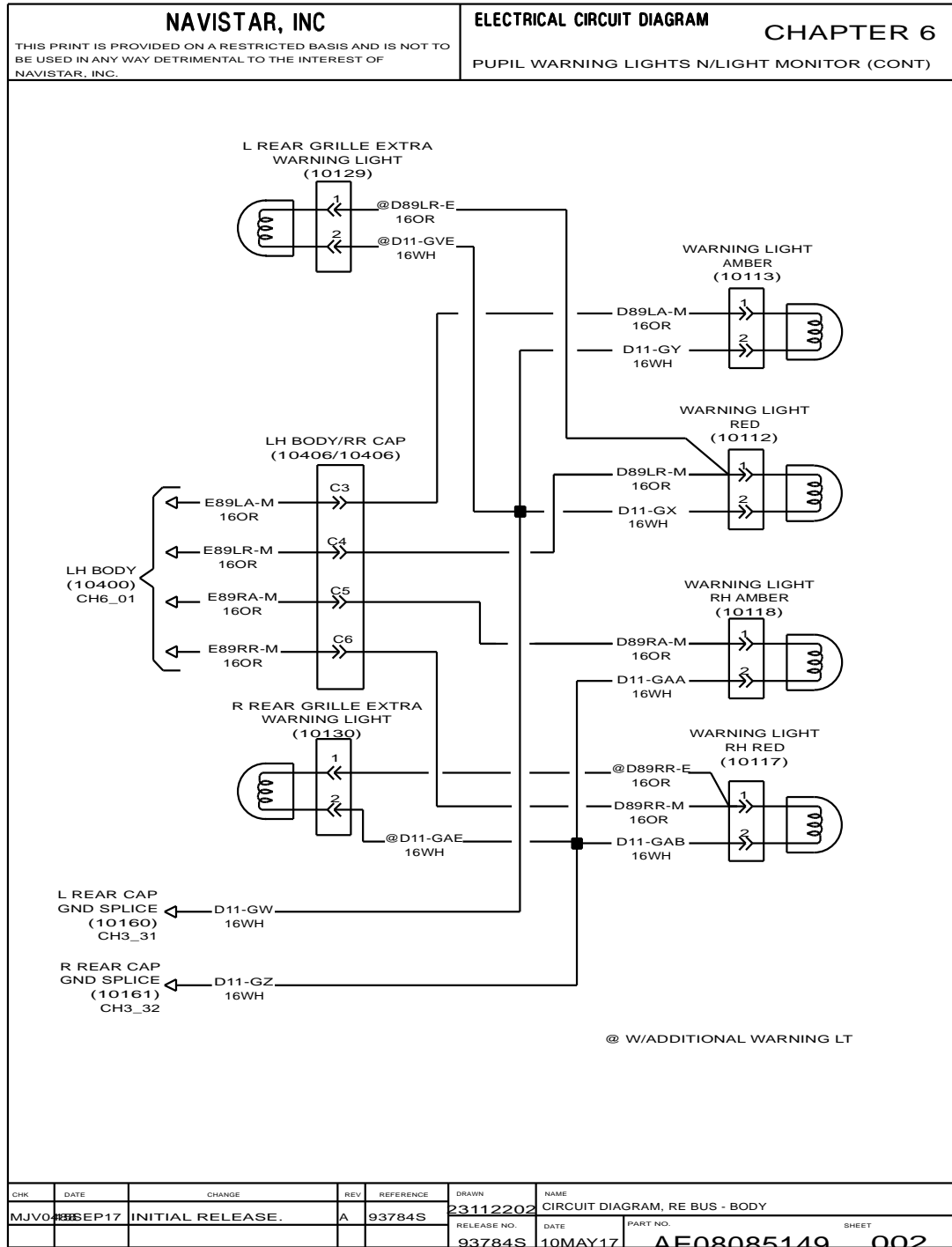


Figure 75 Pupil Warning Lights without Light Monitor (Cont.)

7.3. PUPIL WARNING LIGHTS WITHOUT LIGHT MONITOR (CONT.), P. 3

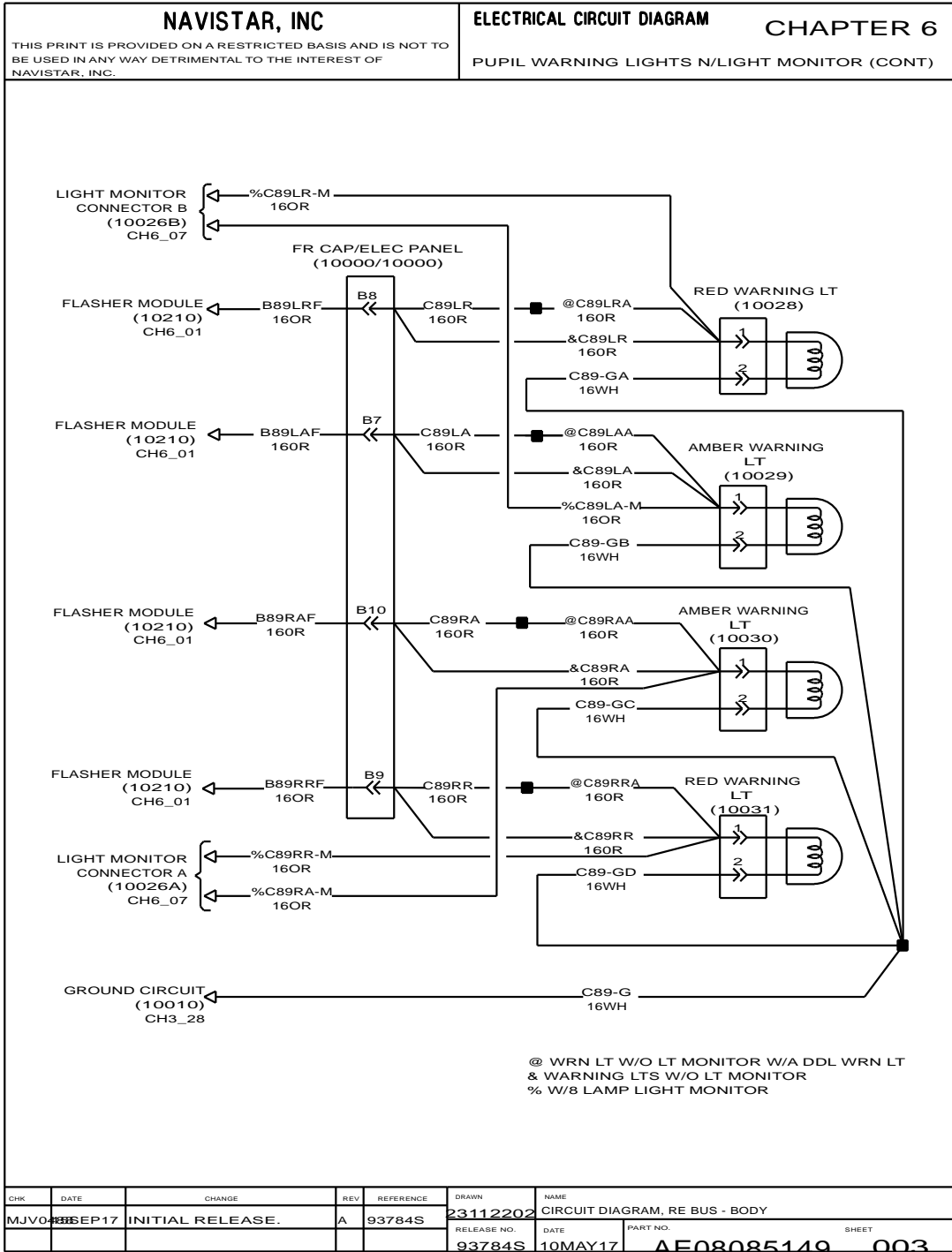


Figure 76 Pupil Warning Lights without Light Monitor (Cont.)

7.4. PUPIL WARNING LIGHTS WITHOUT LIGHT MONITOR (CONT.), P. 4

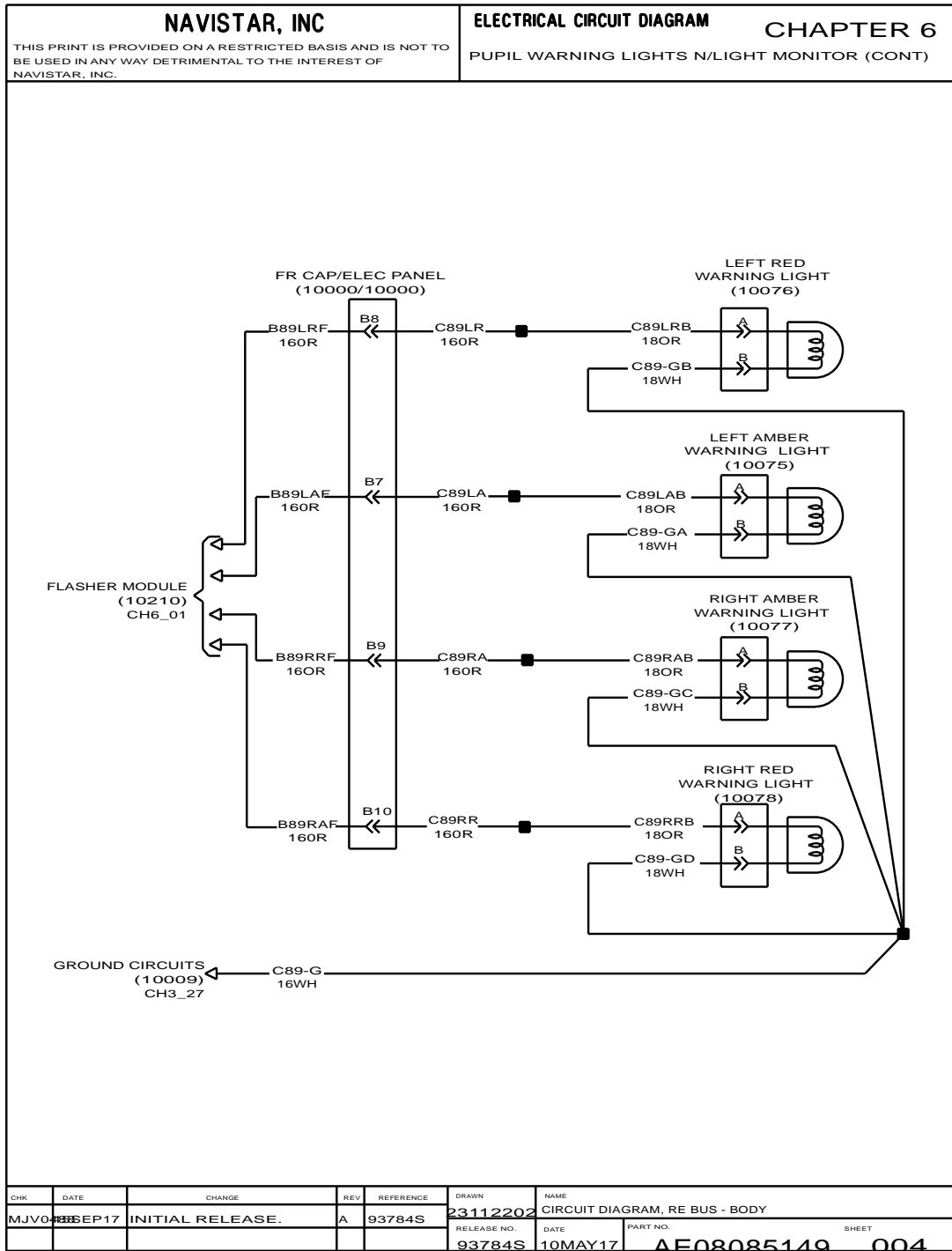


Figure 77 Pupil Warning Lights without Light Monitor (Cont.)

7.5. PUPIL WARNING LIGHTS WITHOUT LIGHT MONITOR WITH DRIVER ALERT SIGN, P. 5

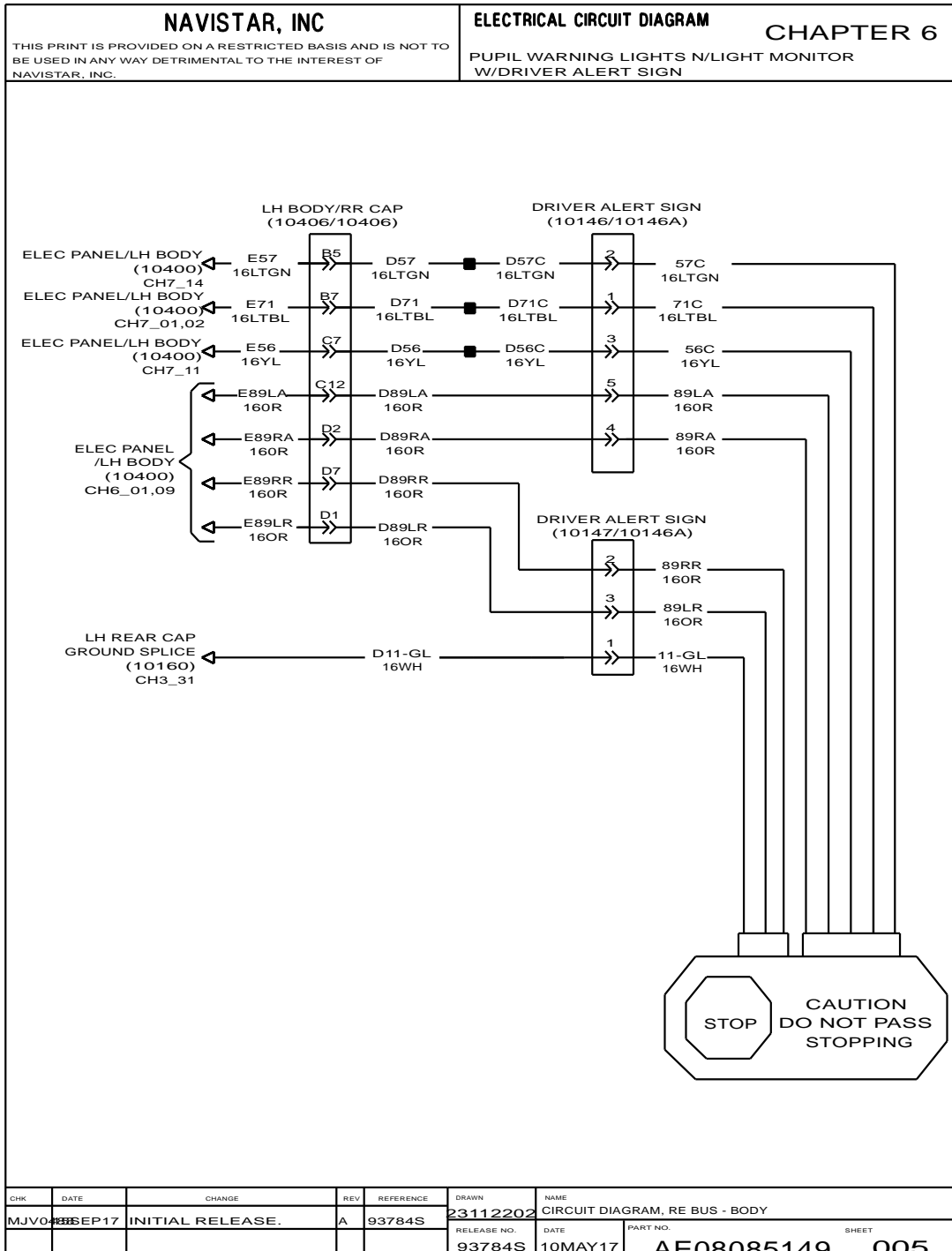


Figure 78 Pupil Warning Lights without Light Monitor with Driver Alert Sign

7.6. PUPIL WARNING LIGHTS WITH LIGHT MONITOR, P. 6

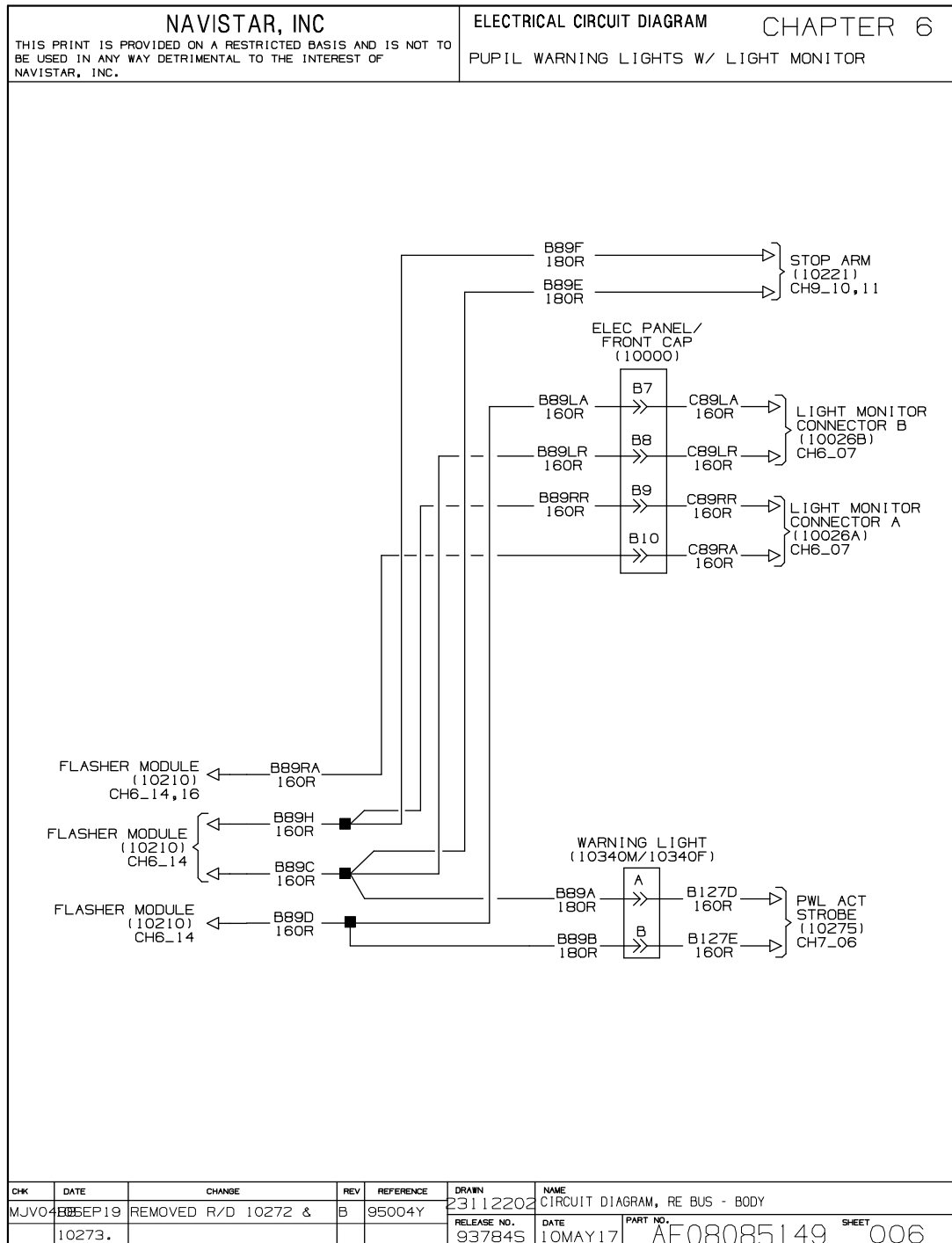


Figure 79 Pupil Warning Lights with Light Monitor

7.7. PUPIL WARNING LIGHTS WITH LIGHT MONITOR (CONT.), P. 7

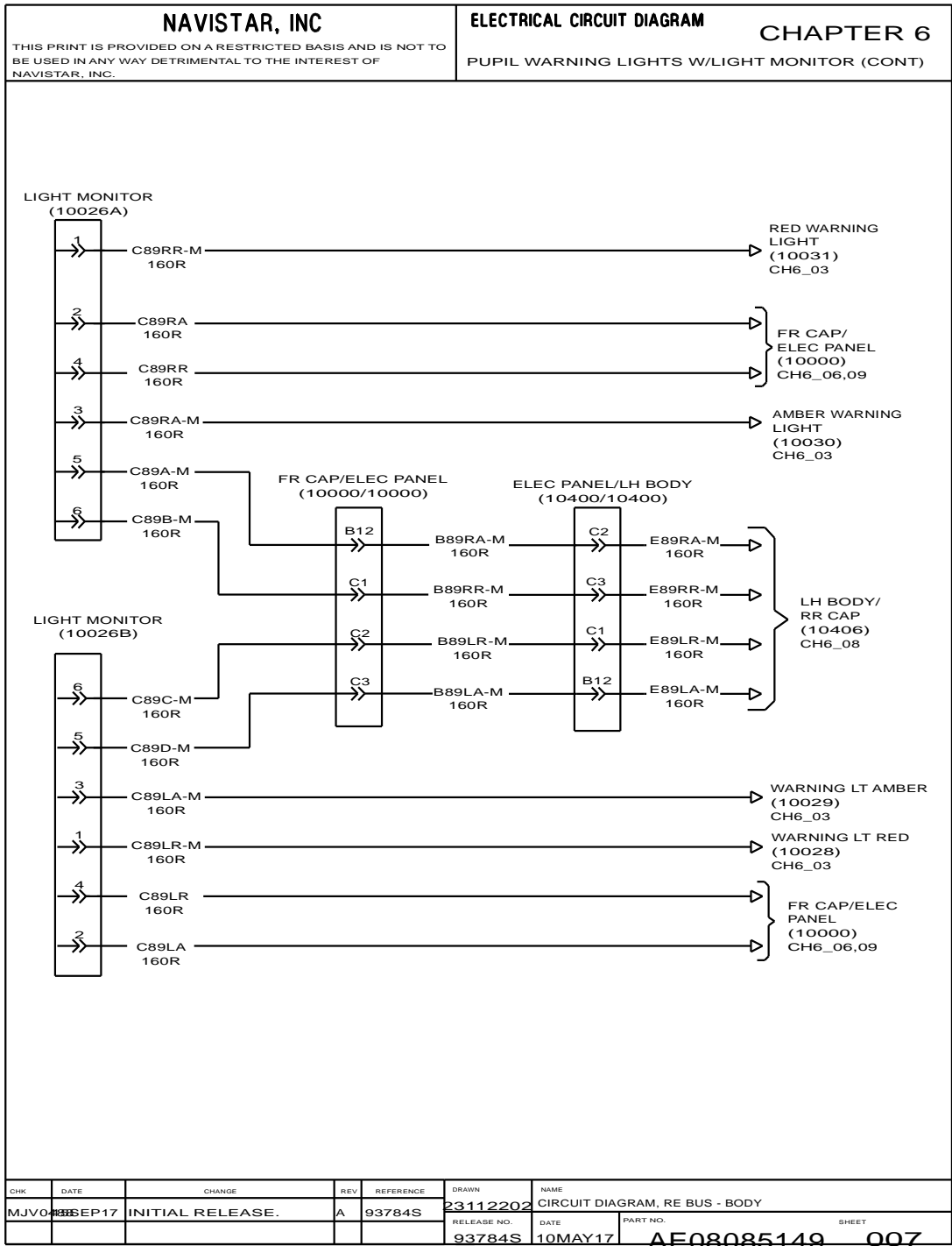


Figure 80 Pupil Warning Lights with Light Monitor (Cont.)

7.8. PUPIL WARNING LIGHTS WITH LIGHT MONITOR (CONT.), P. 8

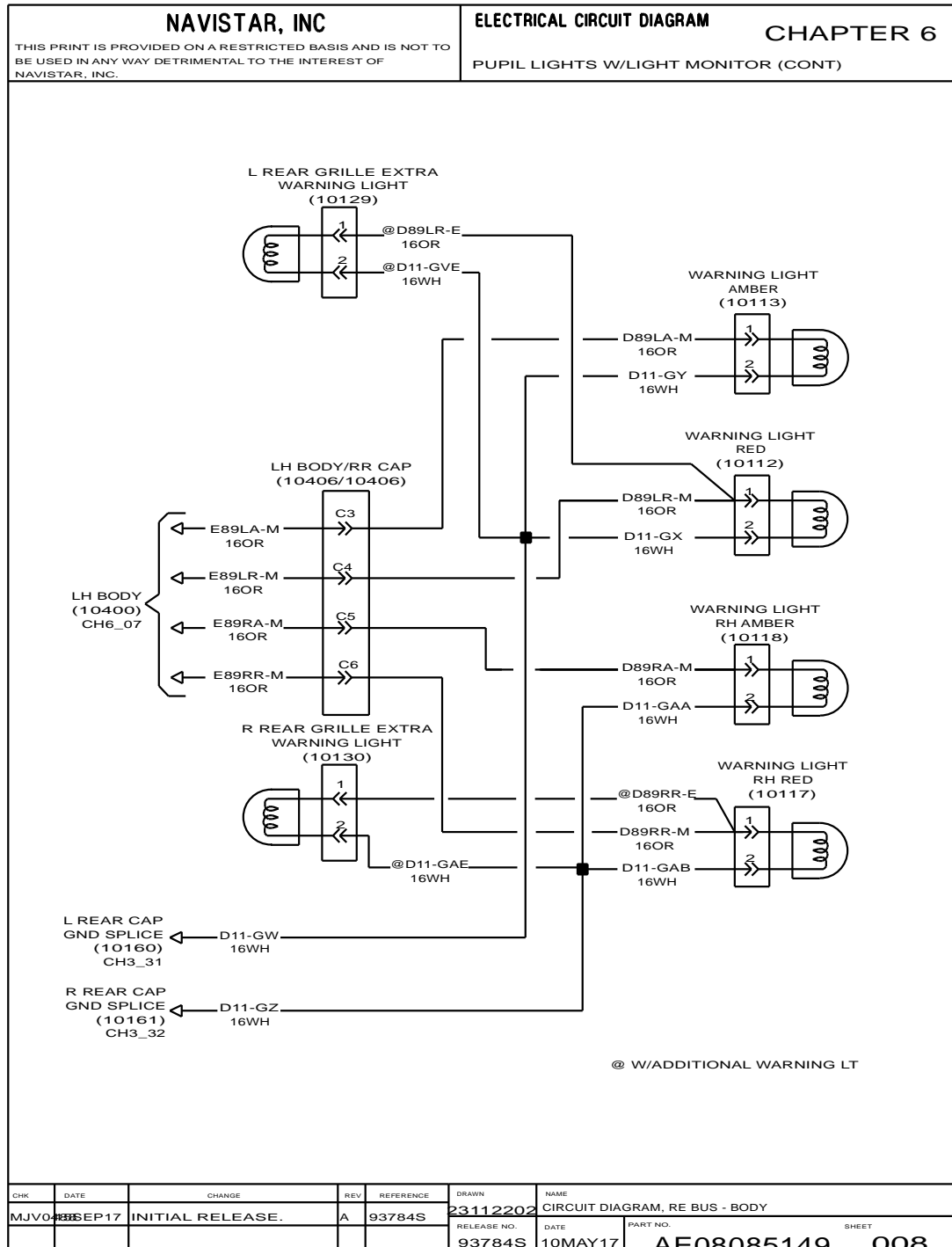


Figure 81 Pupil Warning Lights with Light Monitor (Cont.)

7.9. PUPIL WARNING LIGHTS WITH LIGHT MONITOR WITH DRIVER ALERT SIGN, P. 9

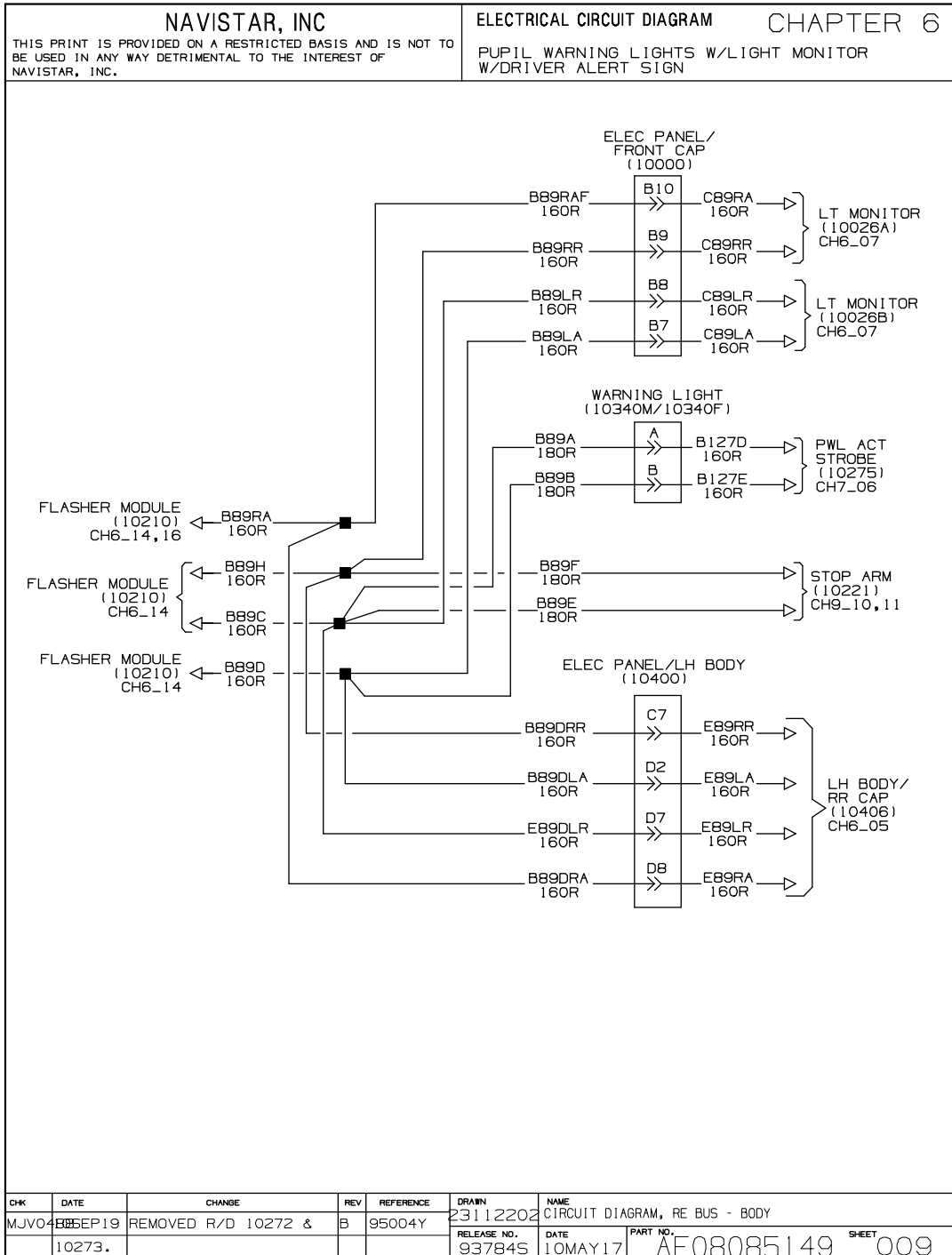


Figure 82 Pupil Warning Lights with Light Monitor with Driver Alert Sign

7.10. PUPIL WARNING LIGHTS WITH 16 LAMP LIGHT MONITOR, P. 10

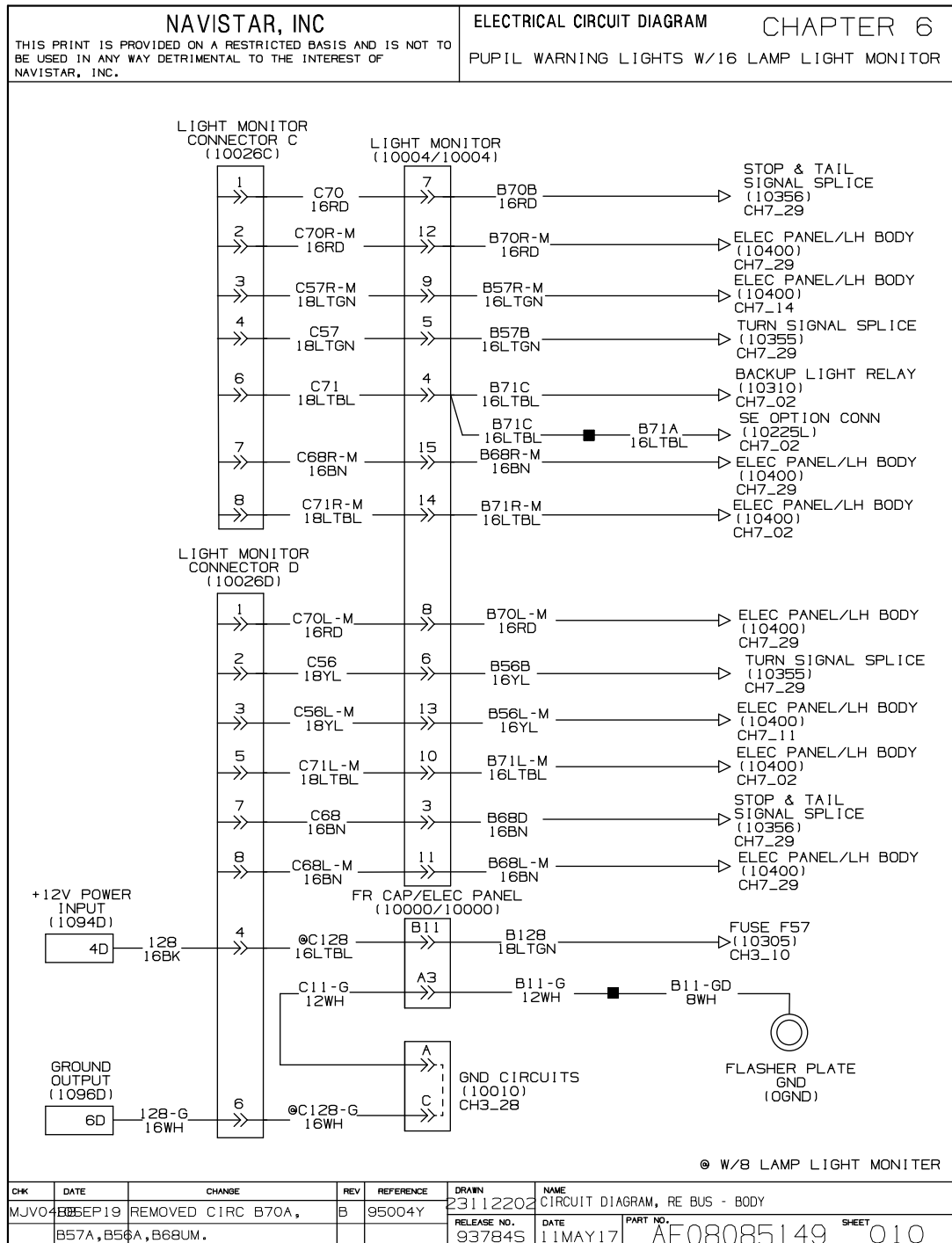


Figure 83 Pupil Warning Lights with 16 Lamp Light Monitor

7.11. PUPIL WARNING LIGHTS WITH 8 LAMP LIGHT MONITOR, P. 11

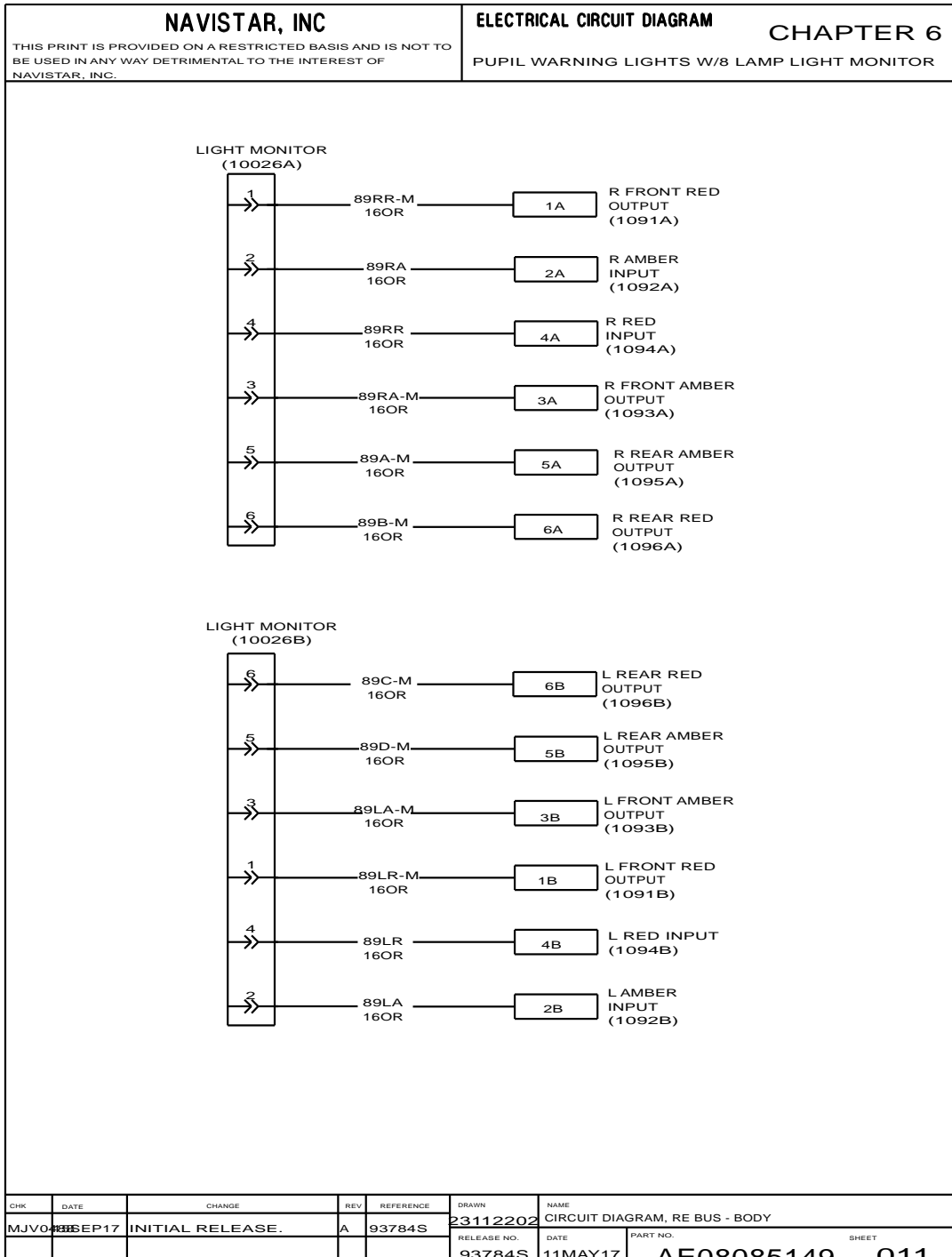


Figure 84 Pupil Warning Lights with 8 Lamp Light Monitor

7.12. TELL-TAIL LIGHTS CONNECTIONS, P. 12

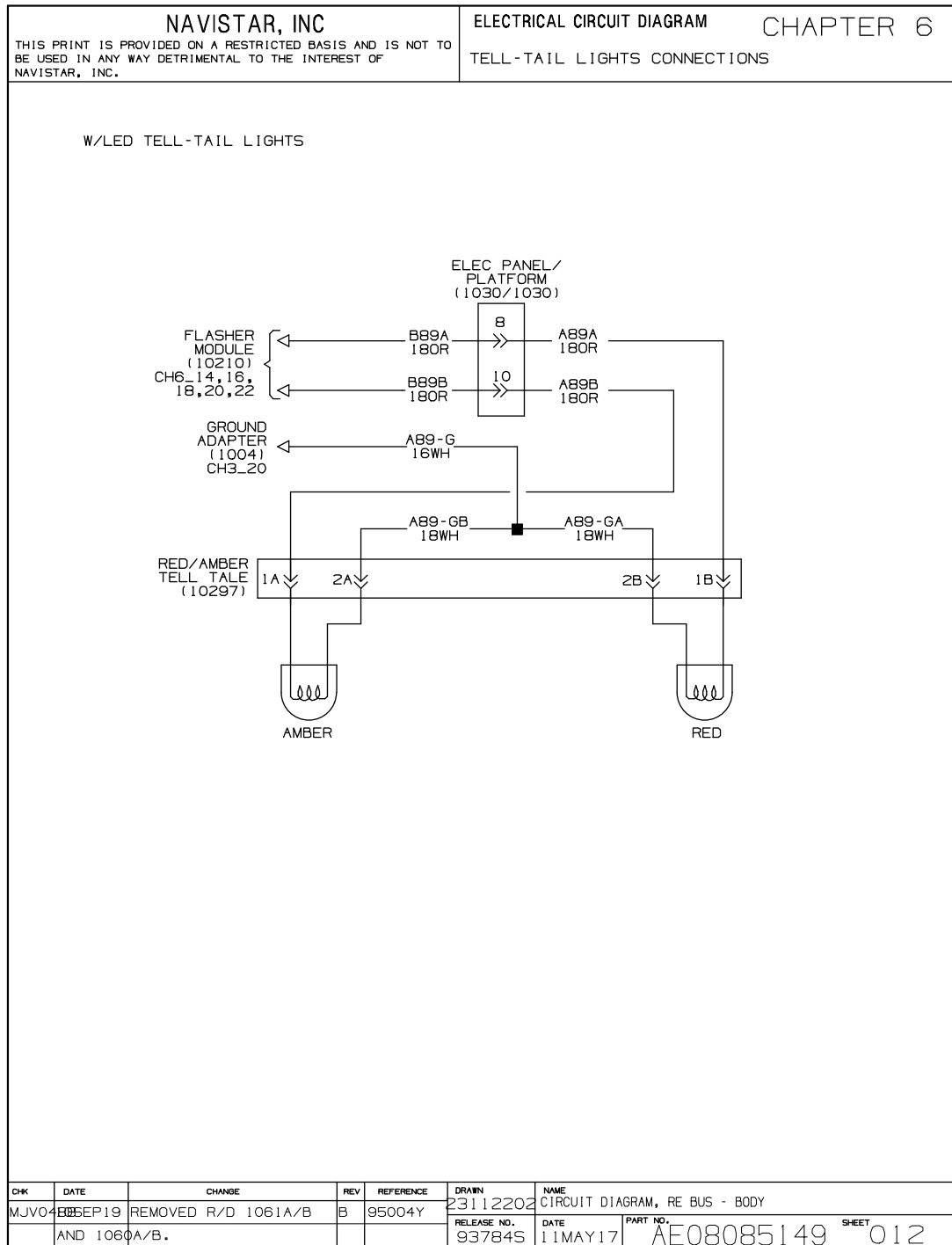


Figure 85 Tell-Tail Lights Connections

7.13. STOP ARM SPLICE SIGNAL, P. 13

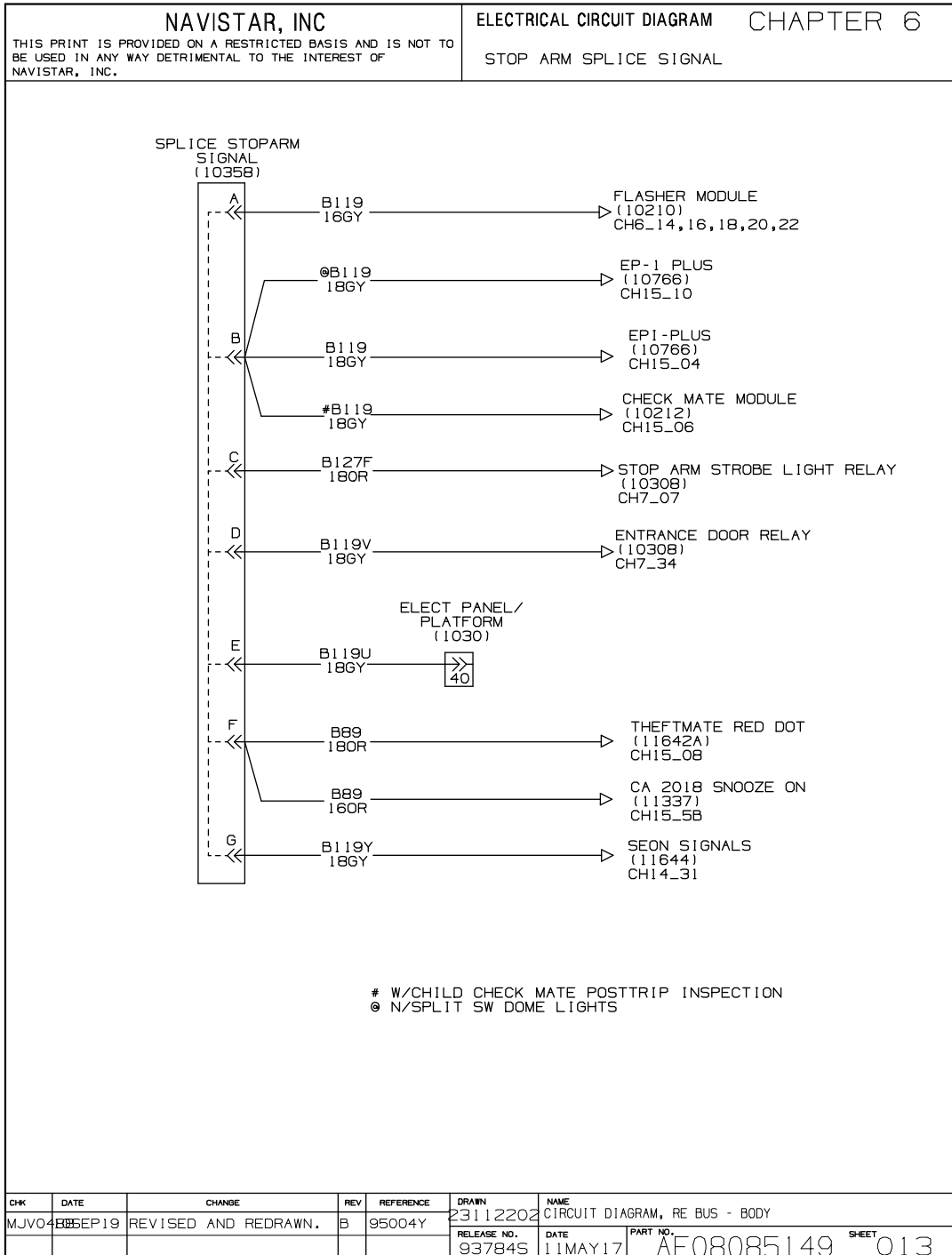


Figure 86 Stop Arm Splice Signal

7.14. SEQUENTIAL PUPIL WARNING LIGHT SYSTEM WITH V BATTERY, P. 14

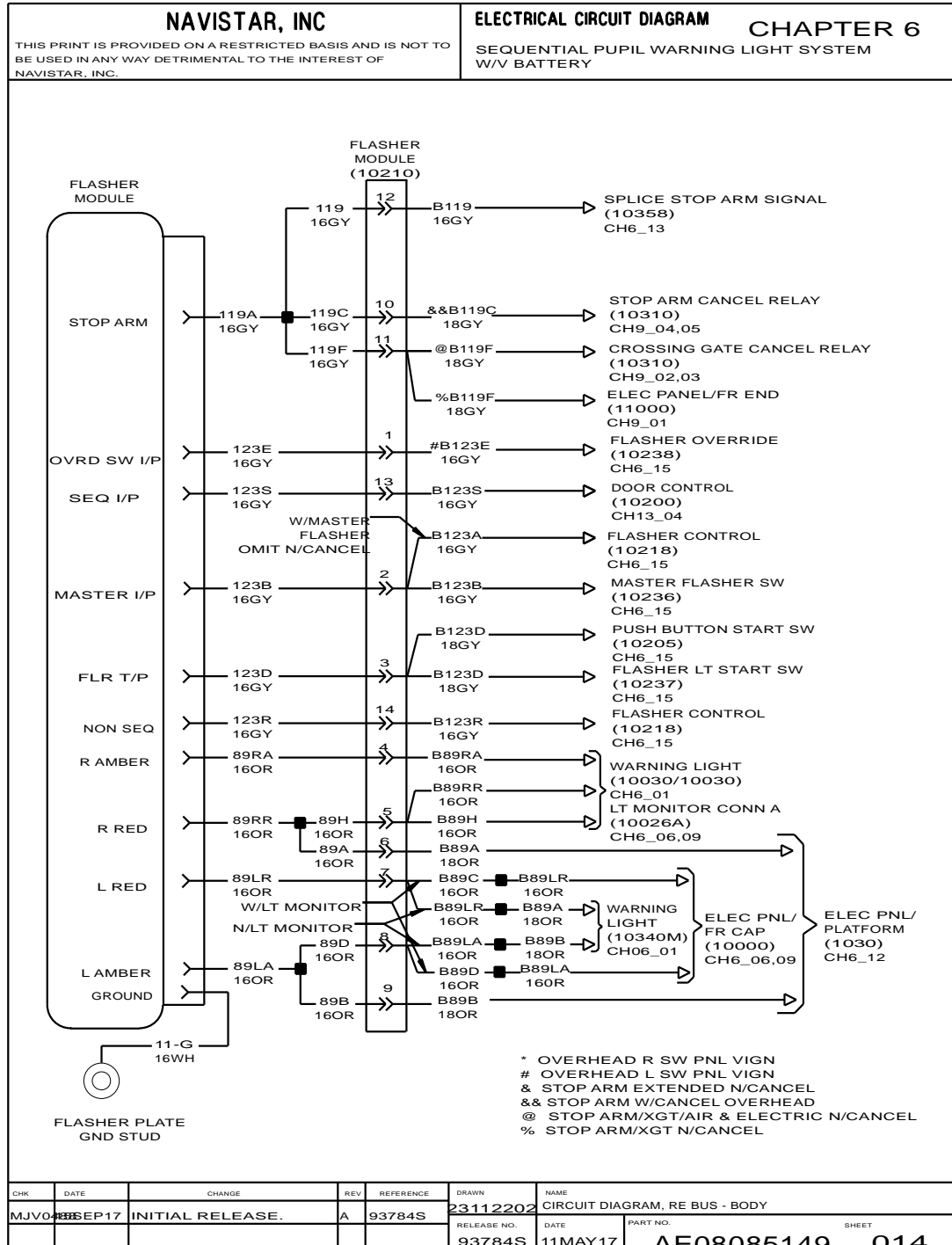


Figure 87 Sequential Pupil Warning Light System with V Battery

7.15. SEQUENTIAL PUPIL WARNING LIGHT SYSTEM WITH V BATTERY (CONT.), P. 15

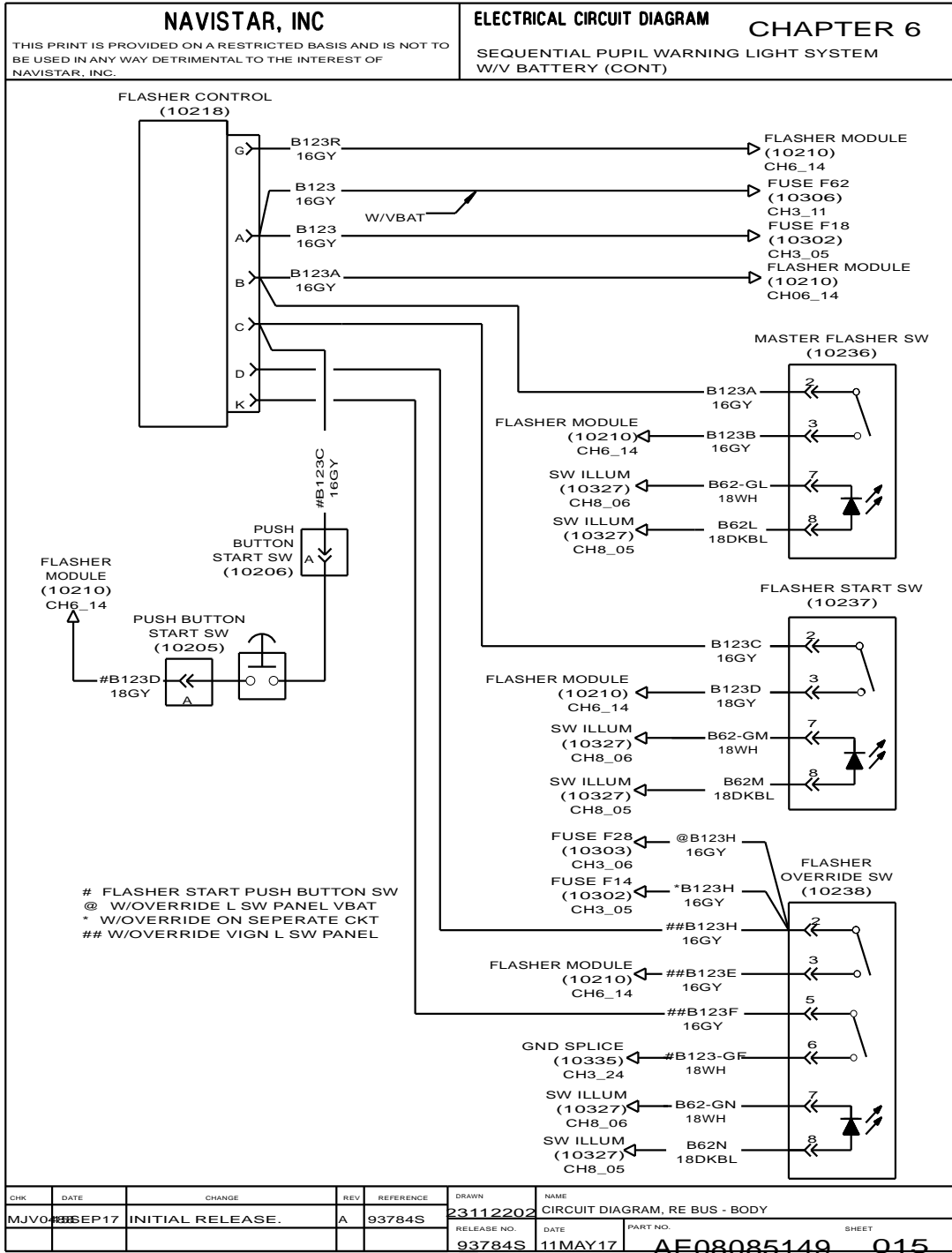


Figure 88 Sequential Pupil Warning Light System with V Battery (Cont.)

7.16. NON-SEQUENTIAL PUPIL WARNING LIGHT SYSTEM WITH V BATTERY, P. 16

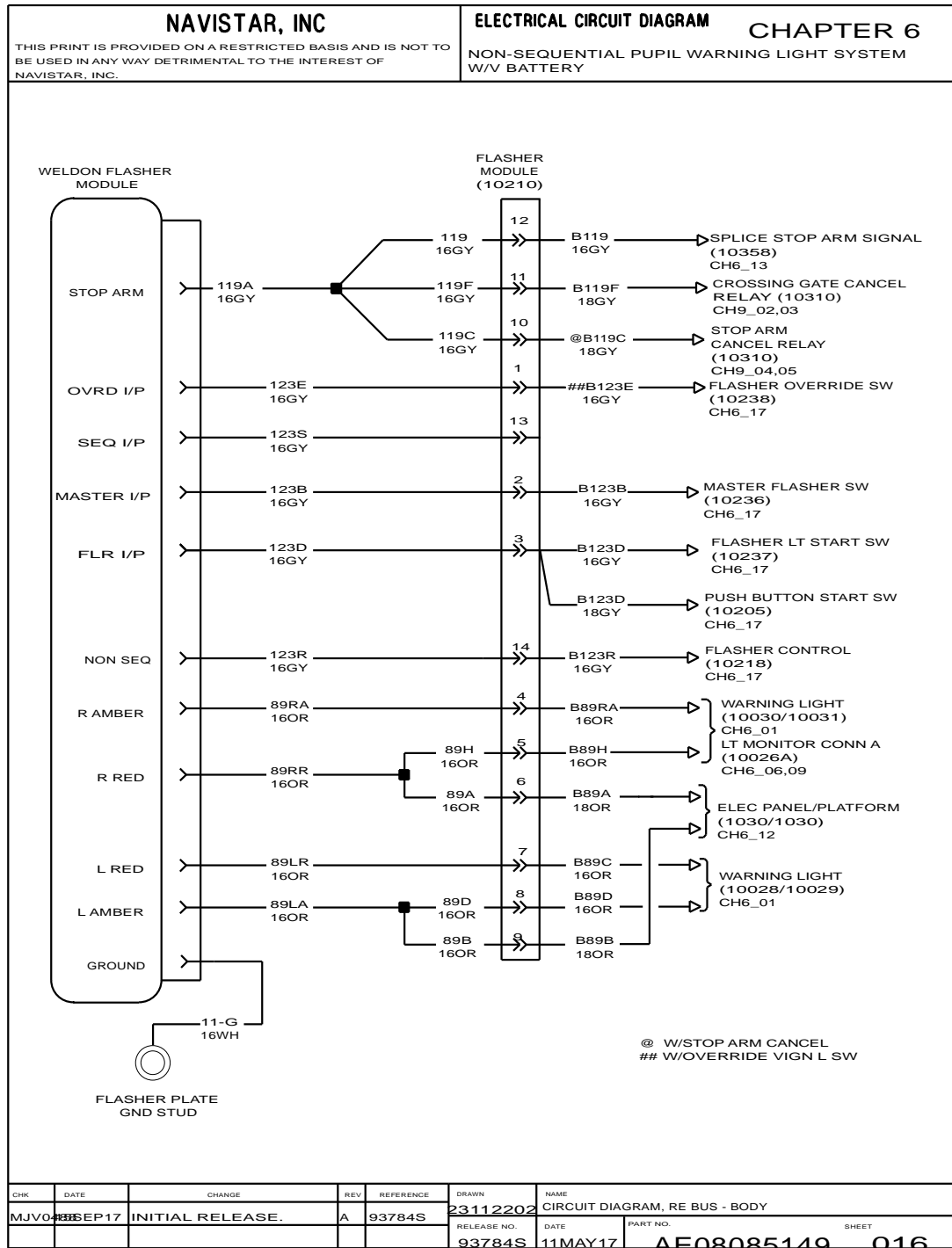


Figure 89 Non-Sequential Pupil Warning Light System with V Battery

7.17. NON-SEQUENTIAL PUPIL WARNING LIGHT SYSTEM WITH V BATTERY (CONT.), P. 17

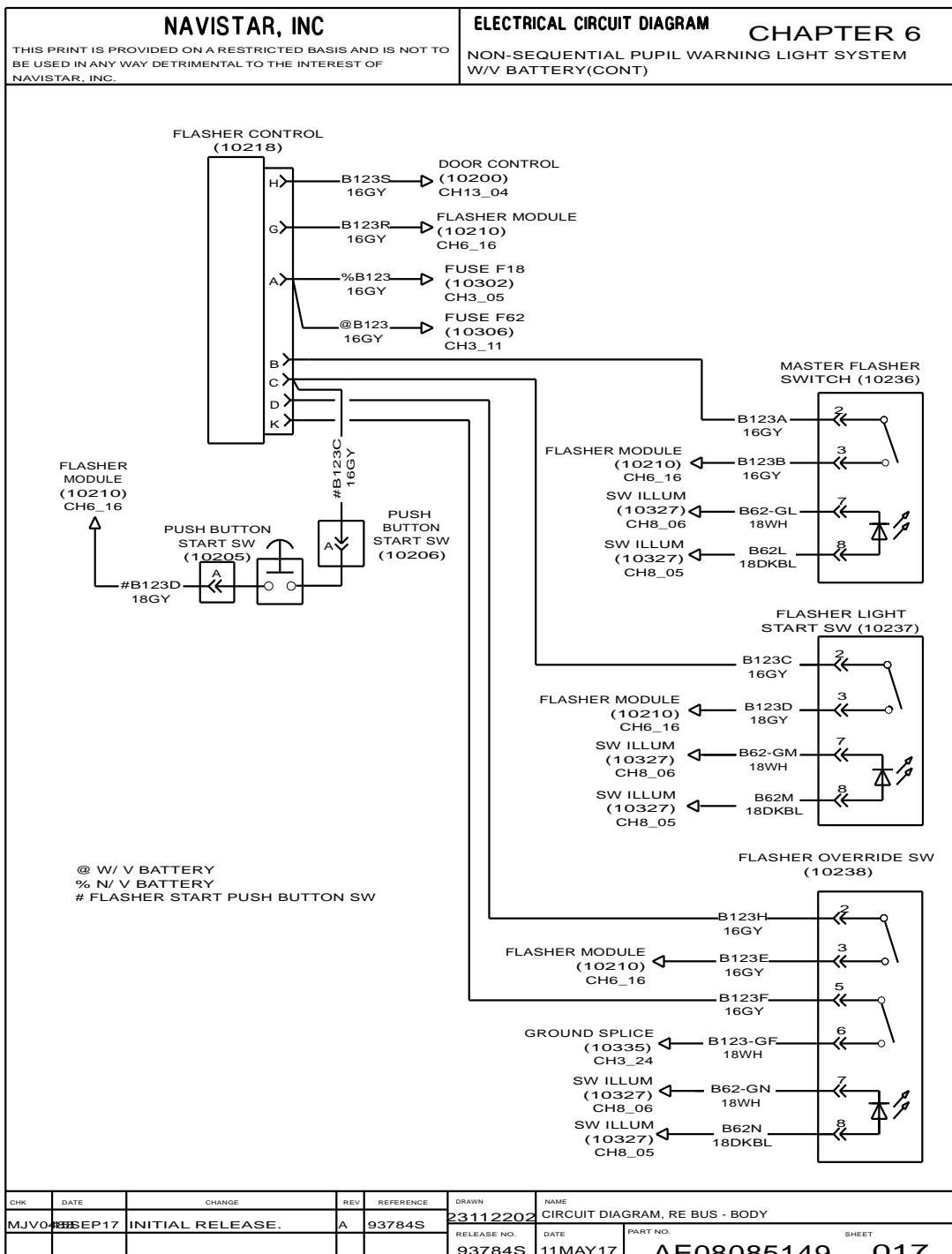


Figure 90 Non-Sequential Pupil Warning Light System with V Battery (Cont.)

7.18. NON-SEQUENTIAL PUPIL WARNING LIGHT SYSTEM WITH RIGHT ROTARY DOOR SWITCH, P. 18

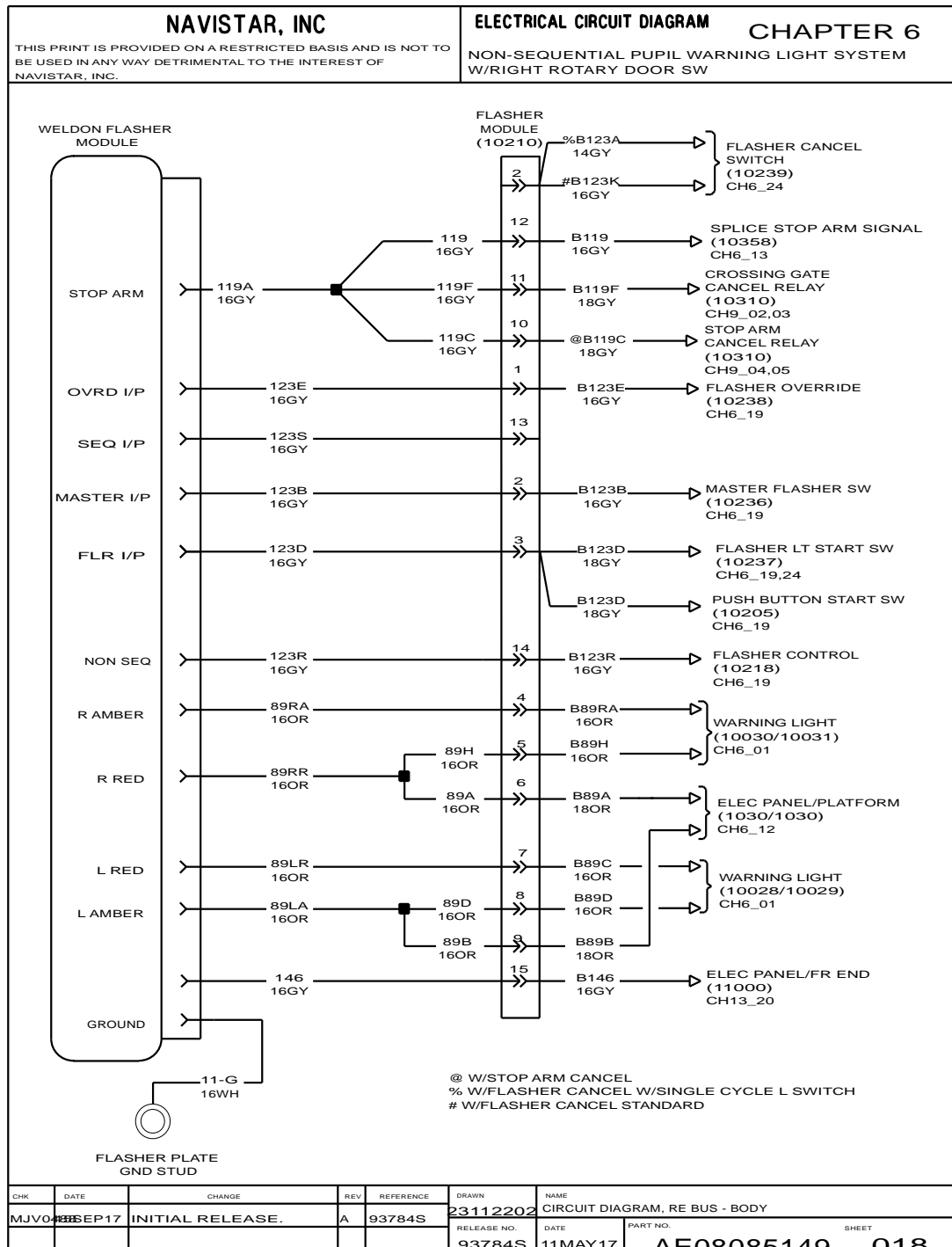


Figure 91 Non-Sequential Pupil Warning Light System with Right Rotary Door Switch

7.19. NON-SEQUENTIAL PUPIL WARNING LIGHT SYSTEM WITH RIGHT ROTARY DOOR SWITCH (CONT.), P. 19

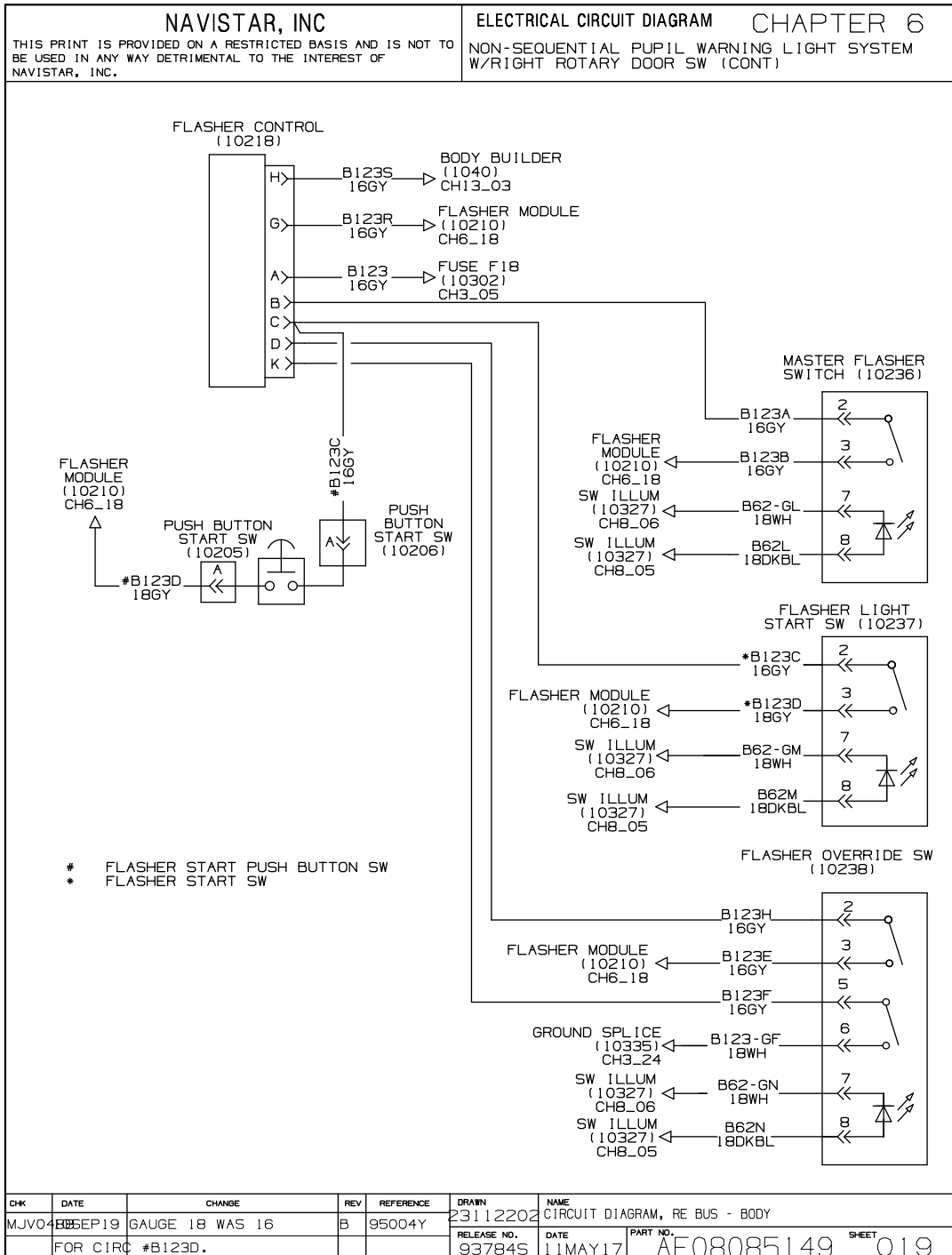


Figure 92 Non-Sequential Pupil Warning Light System with Right Rotary Door Switch (Cont.)

7.20. FLORIDA PUPIL, WARNING LIGHT SYSTEM, P. 20

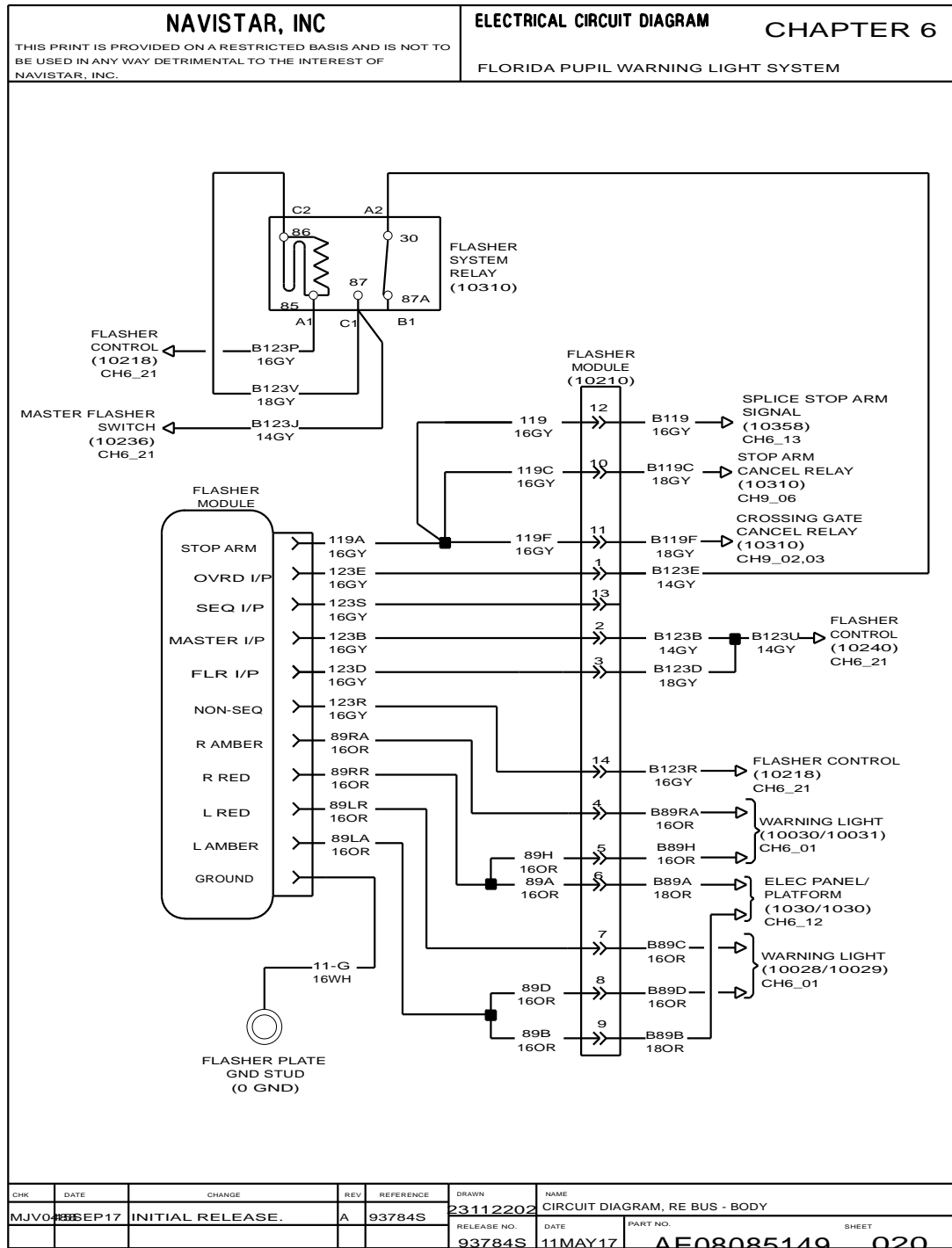


Figure 93 Florida Pupil, Warning Light System

7.21. FLORIDA PUPIL, WARNING LIGHT SYSTEM (CONT.), P. 21

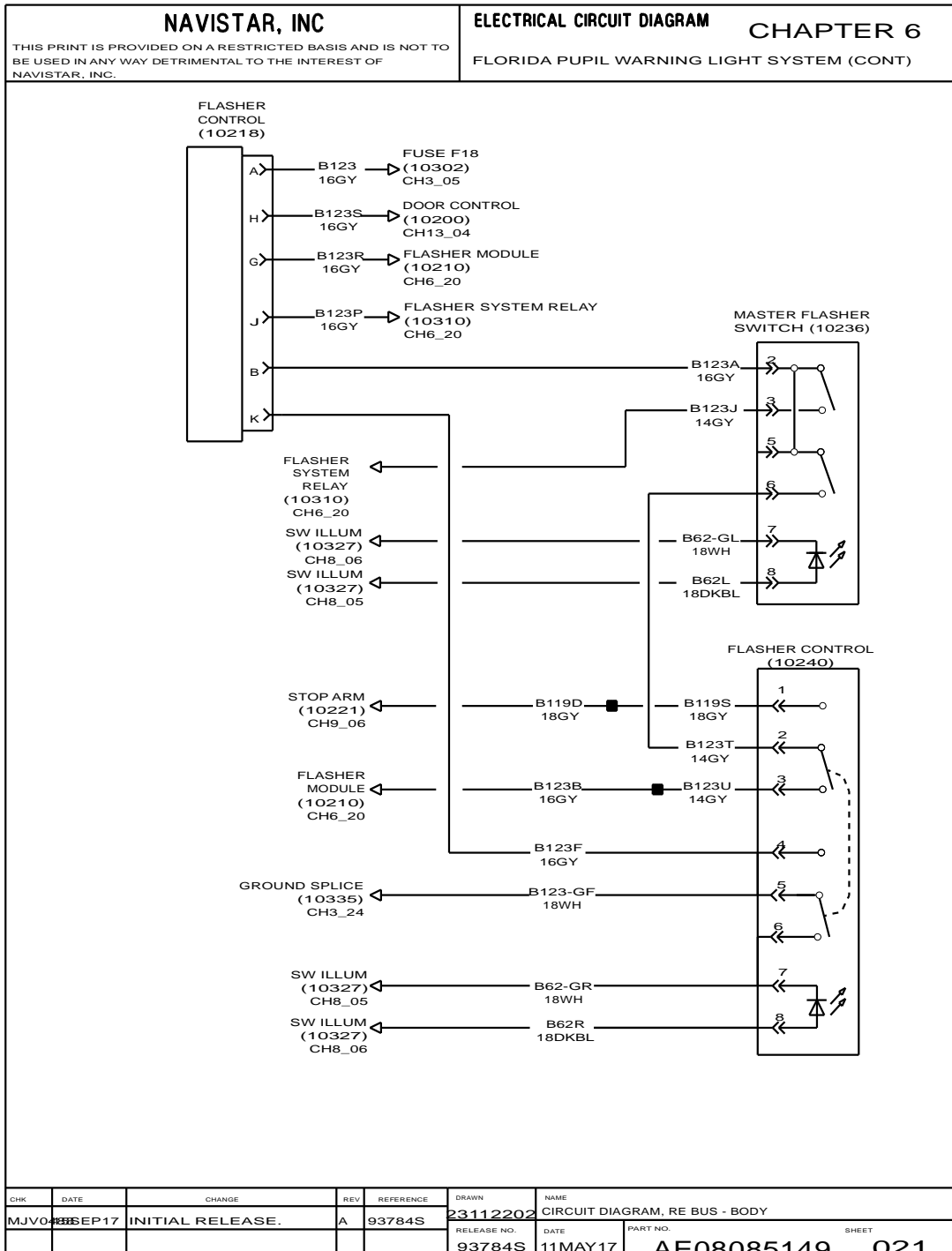


Figure 94 Florida Pupil, Warning Light System (Cont.)

7.22. STANDARD RIGHT FLASHER SWITCHES WITH MARYLAND, P. 22

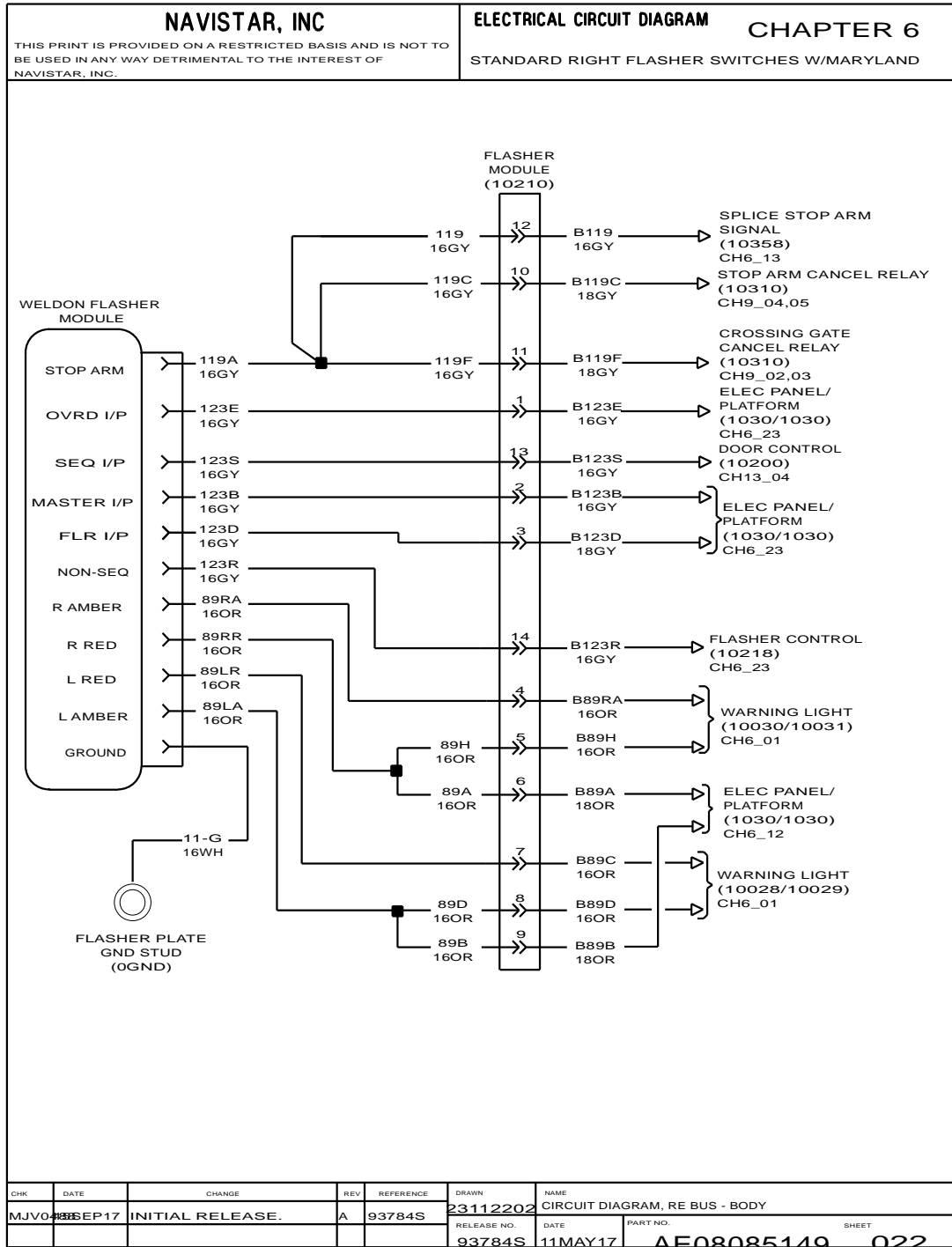


Figure 95 Standard Right Flasher Switches with Maryland

7.23. STANDARD RIGHT FLASHER SWITCHES WITH MARYLAND (CONT.), P. 23

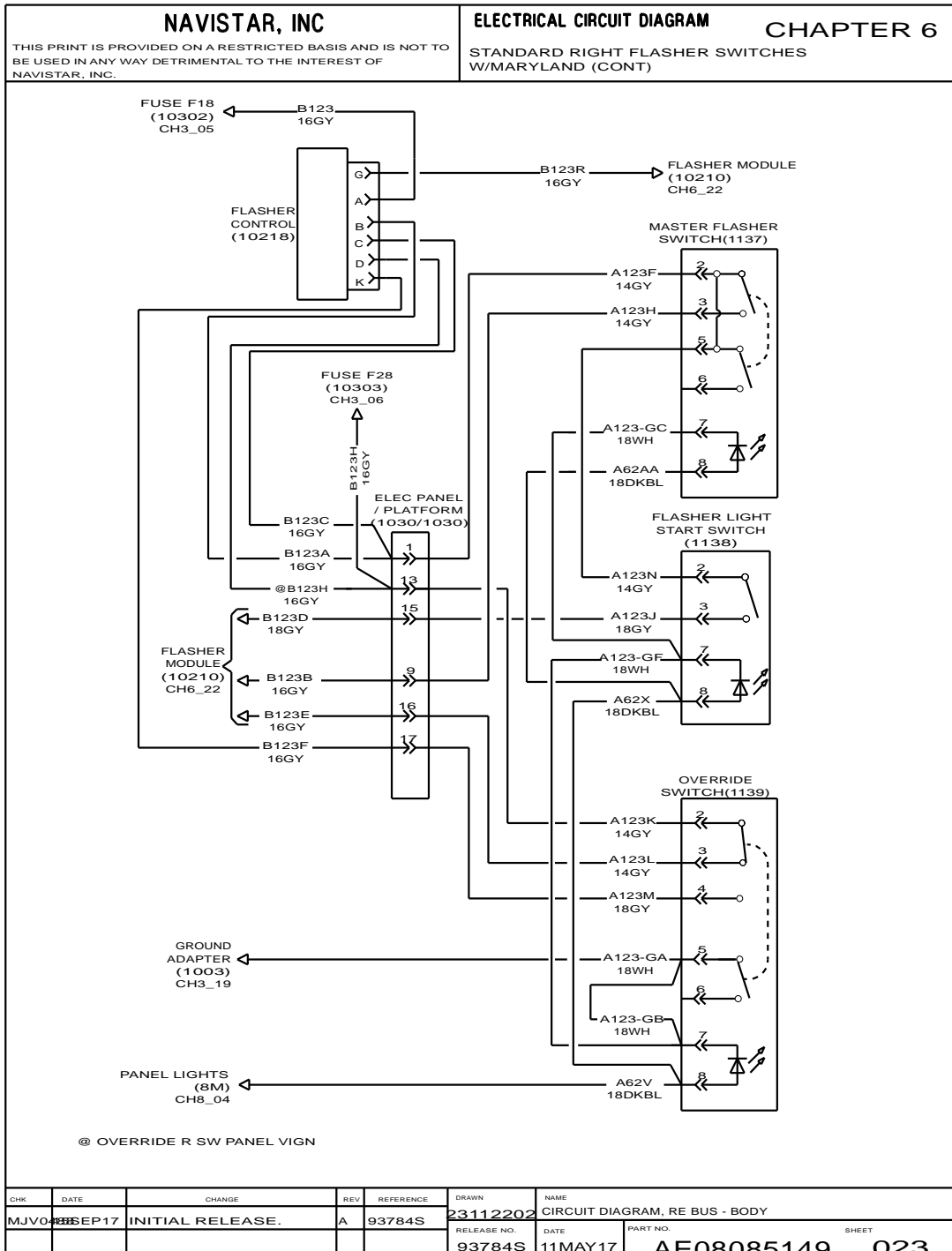


Figure 96 Standard Right Flasher Switches with Maryland (Cont.)

7.24. FLASHER CONTROL CANCEL SWITCH CONNECTIONS, P. 24

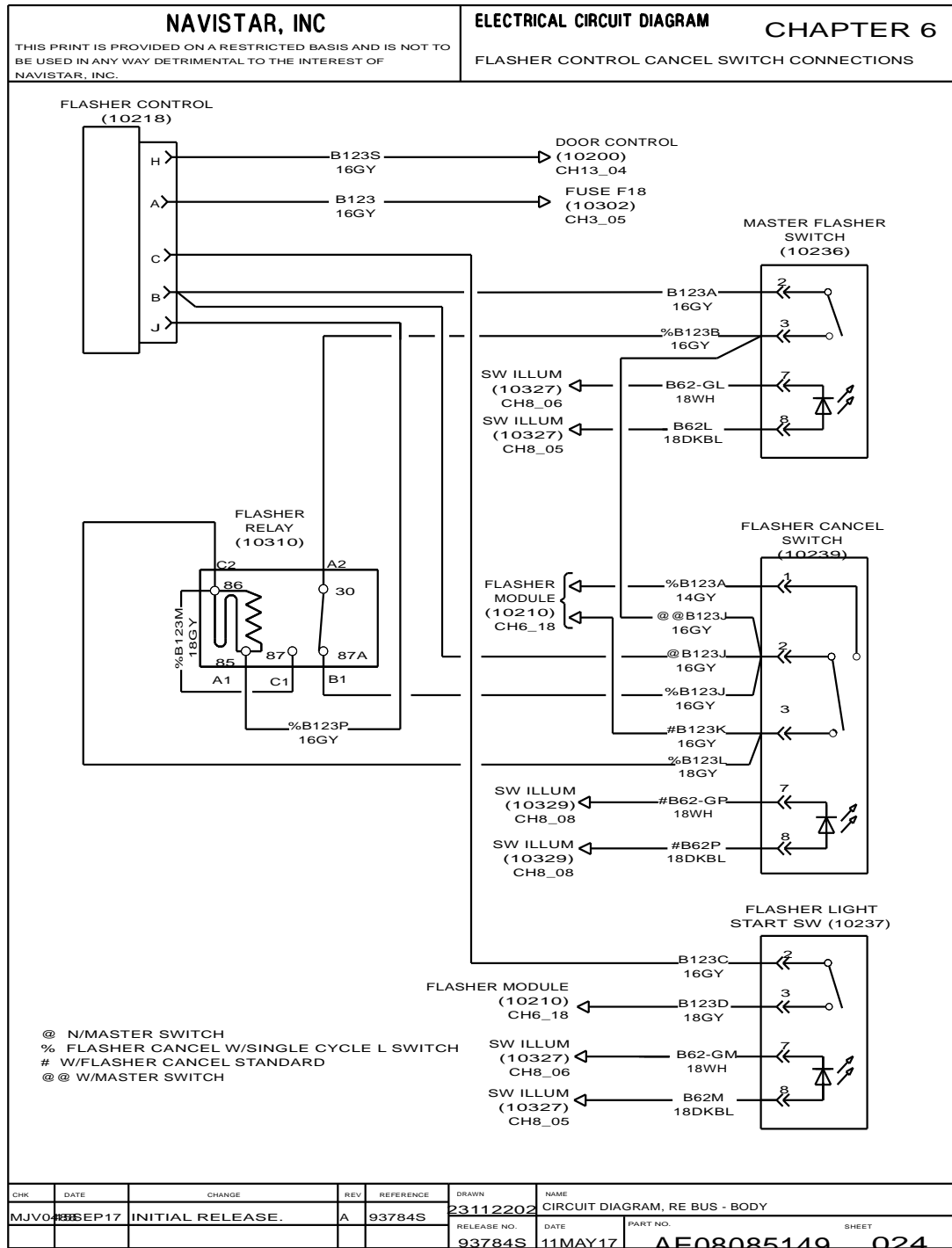


Figure 97 Flasher Control Cancel Switch Connections

EXTERNAL LIGHTS (CHAPTER 7)

8.1. BACK-UP LIGHTS WITHOUT READ EXIT OPTIONS, P. 1

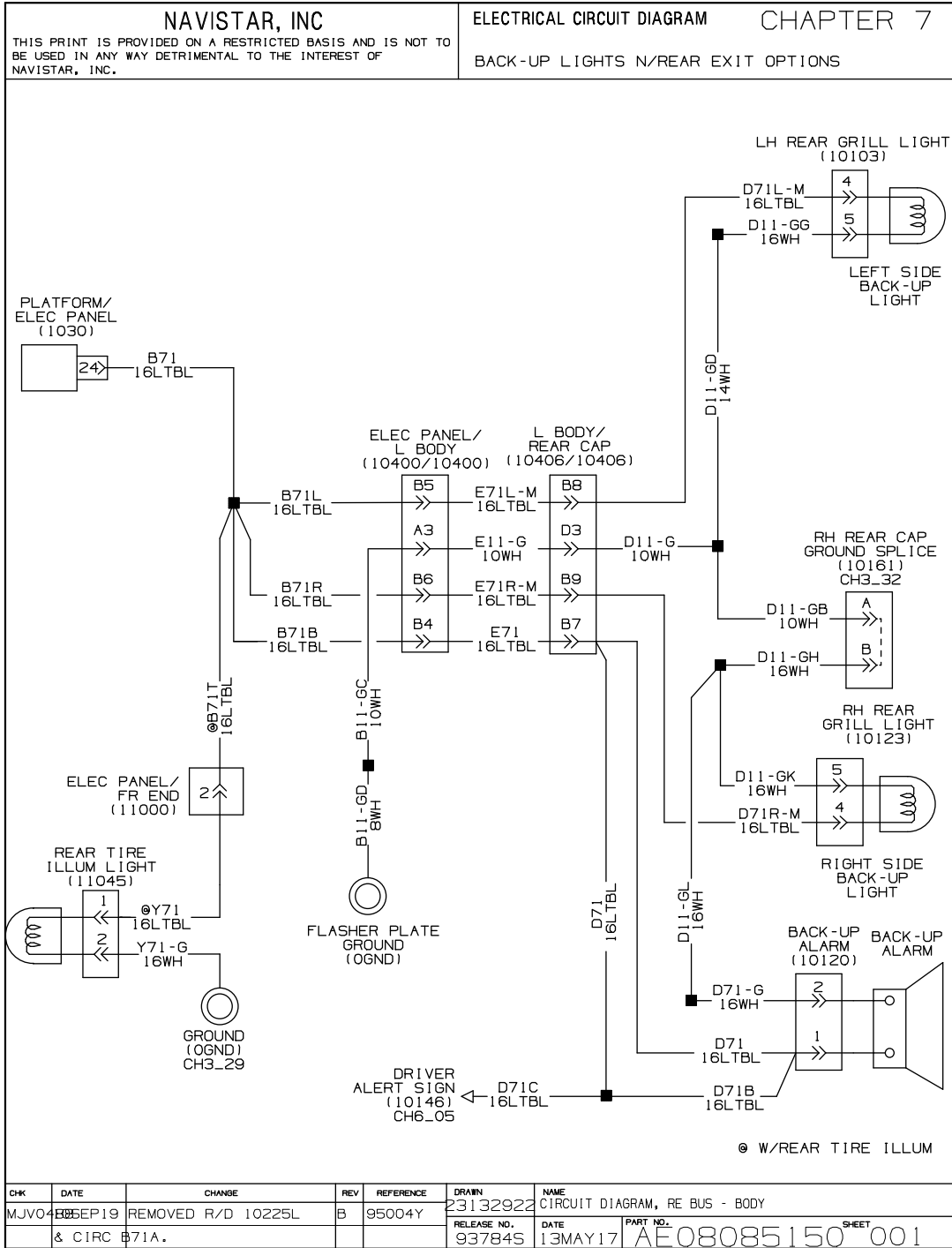


Figure 98 Back-up Lights without Read Exit Options

8.2. BACK-UP LIGHT WITH LIGHT MONITOR AND WITH REE, P. 2

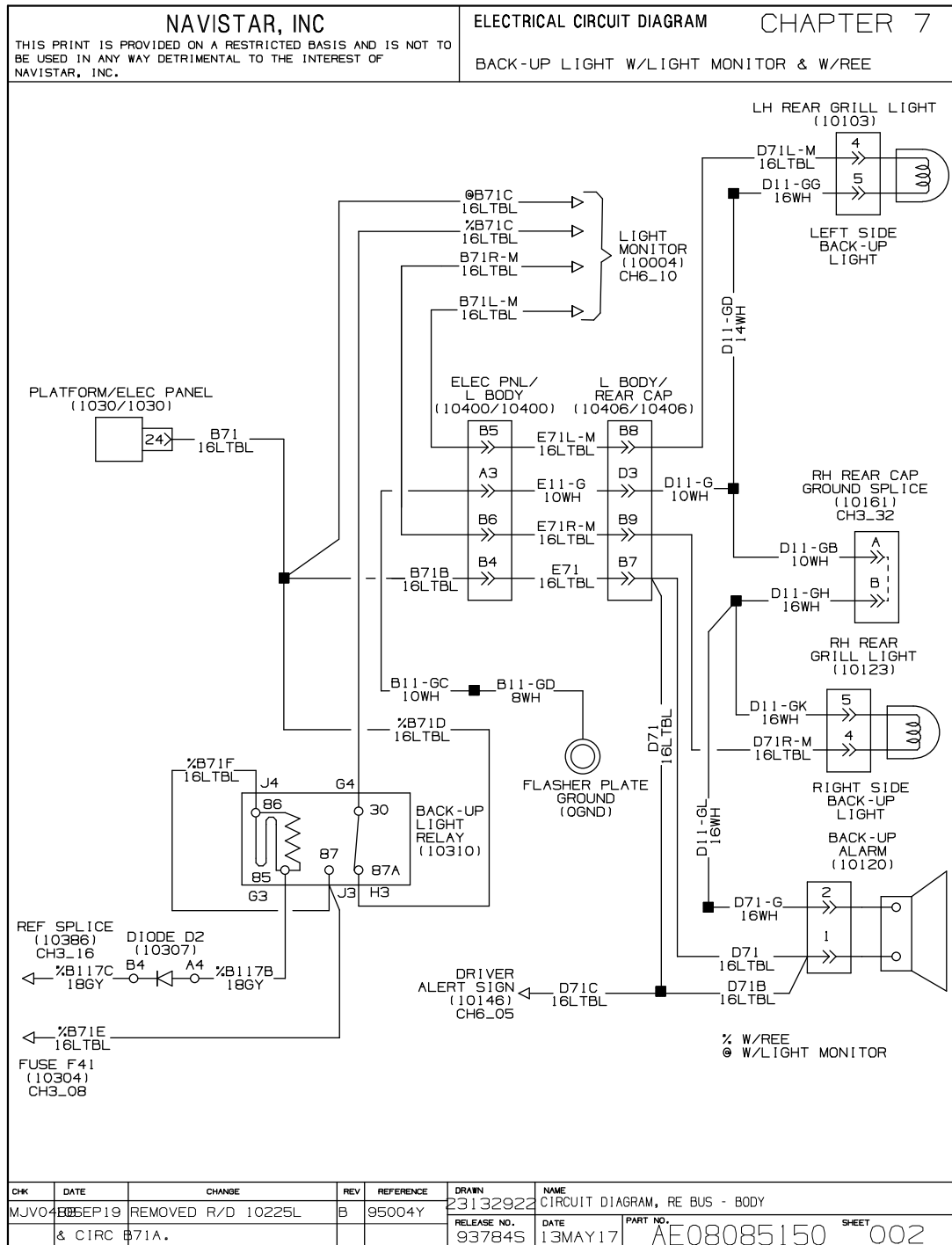


Figure 99 Back-up Light with Light Monitor and with REE

8.3. DESTINATION SIGN FRONT AND REAR LIGHTS, P. 3

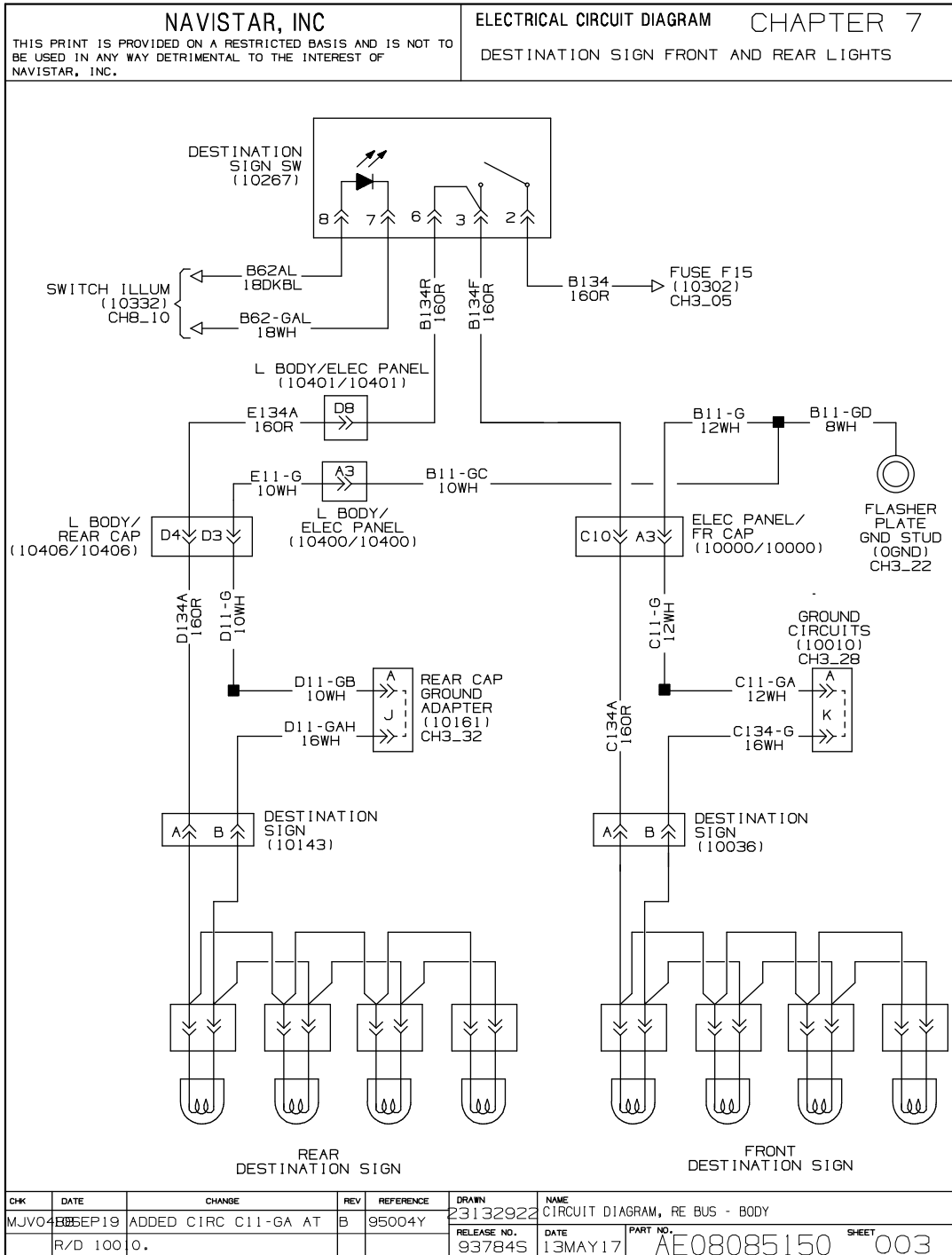


Figure 100 Destination Sign Front and Rear Lights

8.4. FOG LIGHTS / AUXILIARY DRIVING LIGHTS, P. 4

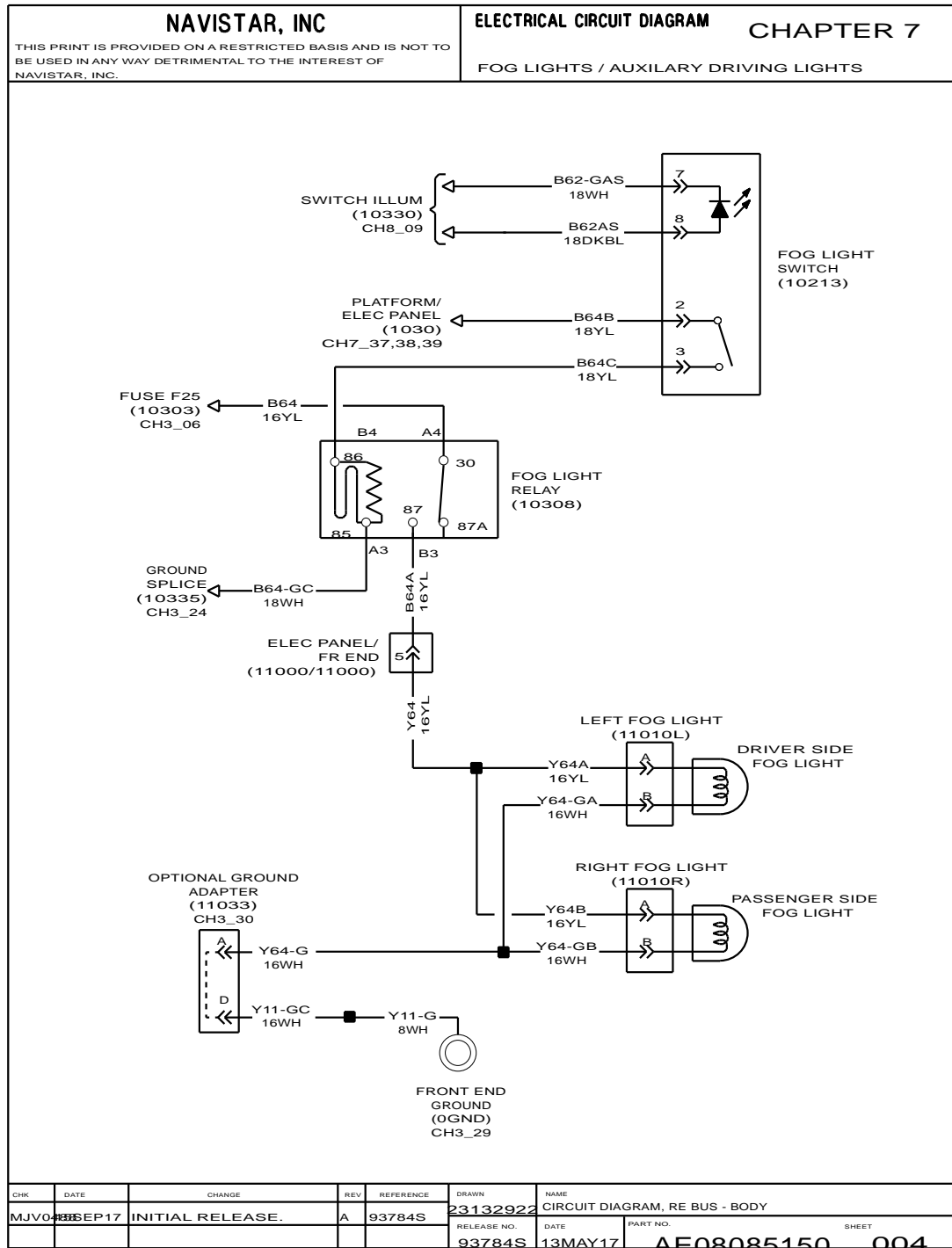


Figure 101 Fog Lights / Auxiliary Driving Lights

8.5. STROBE LIGHT MOUNTED ON LEFT SWITCH PANEL, P. 5

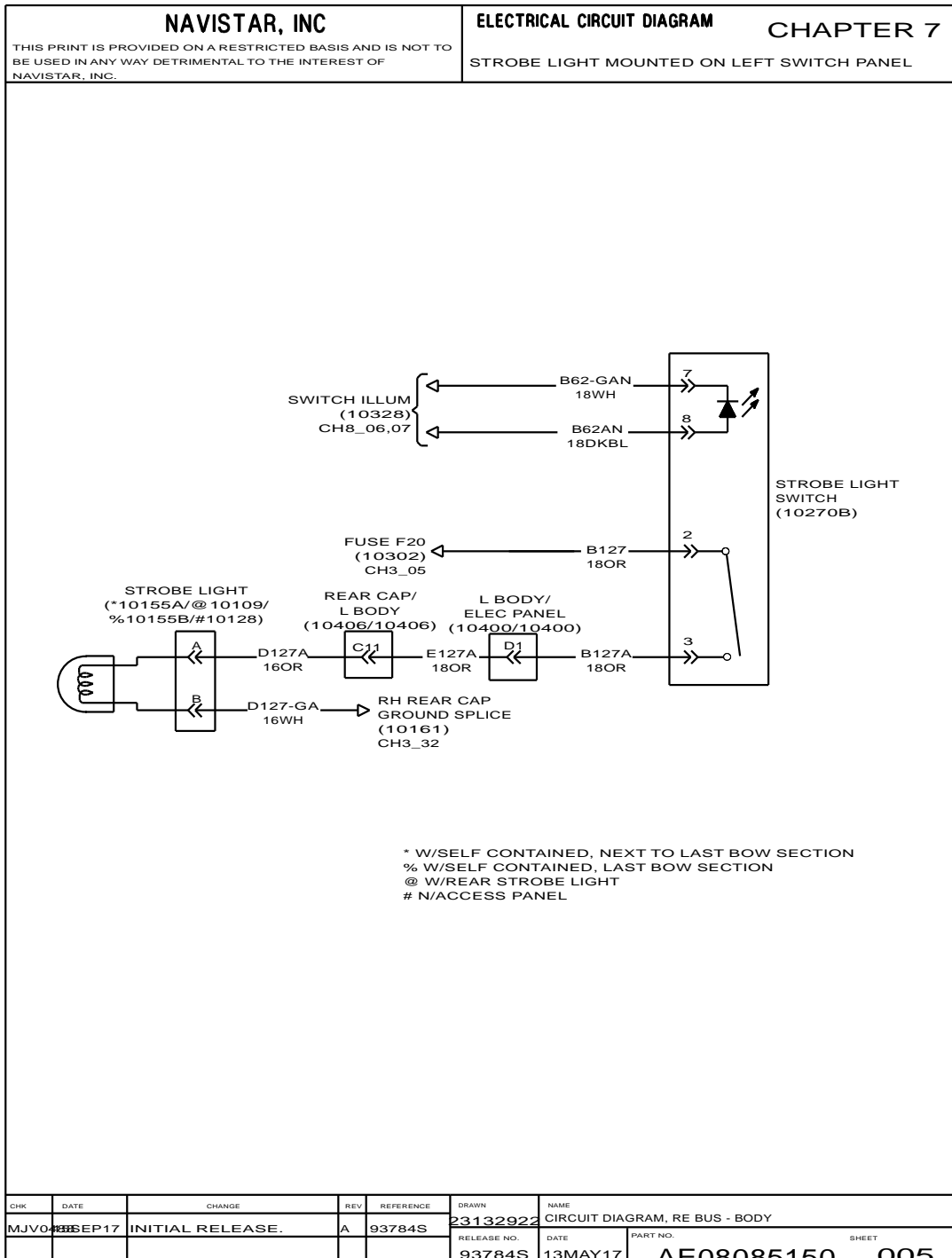


Figure 102 Strobe Light Mounted On Left Switch Panel

8.6. STROBE LIGHT ACTIVATED BY WARNING LIGHTS W / OVERHEAD SWITCH, P. 6

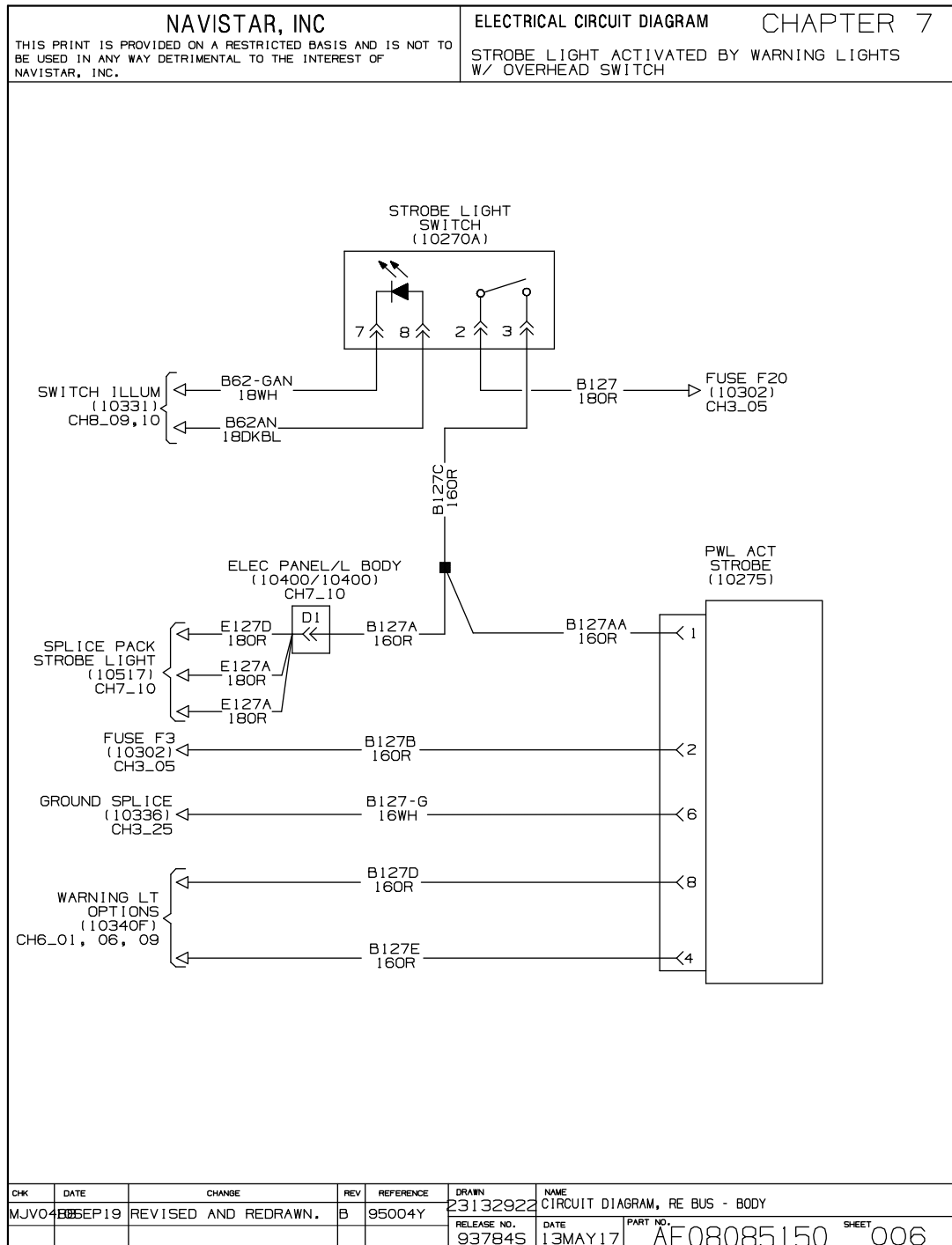


Figure 103 Strobe Light Activated By Warning Lights with Overhead Switch

8.7. STROBE LIGHT ACTIVATED BY STOP ARM WITH OVERHEAD SWITCH, P. 7

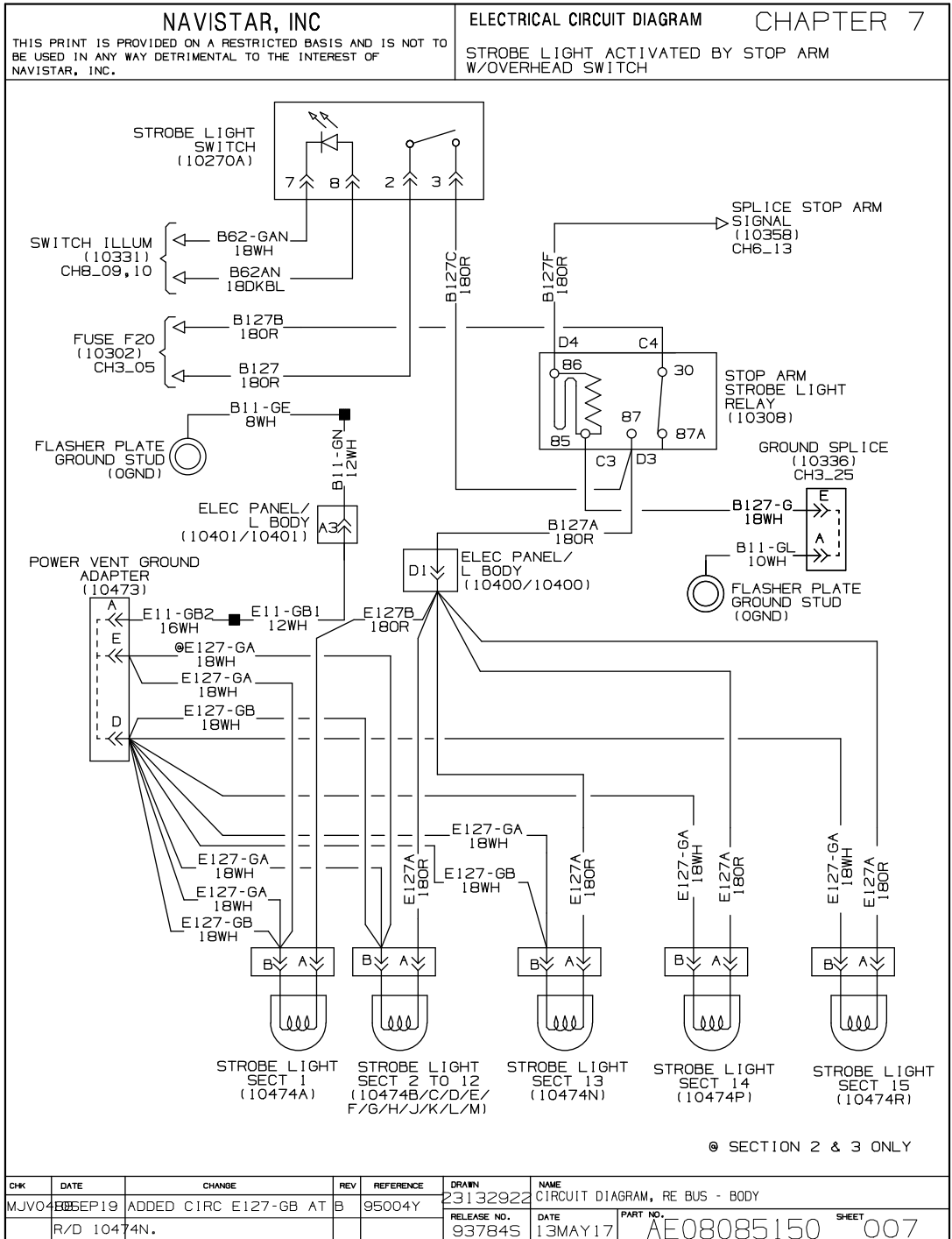


Figure 104 Strobe Light Activated By Stop Arm with Overhead Switch

8.8. STROBE LIGHT ACTIVATED BY MOM SWITCH WITH OVERHEAD SWITCH, P. 8

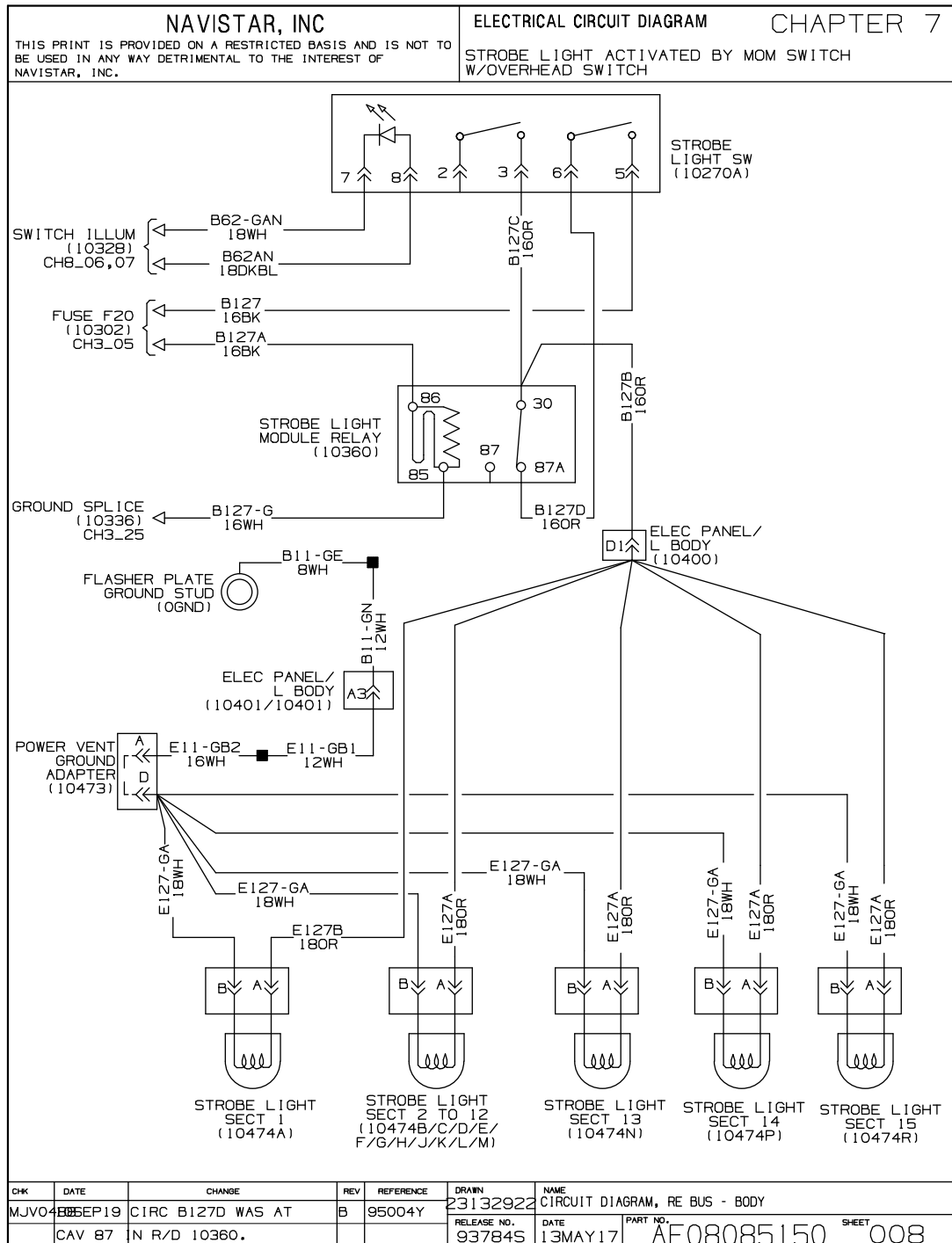


Figure 105 Strobe Light Activated By MOM Switch with Overhead Switch

8.9. STROBE LIGHT ACTIVATED BY IGNITION, P. 9

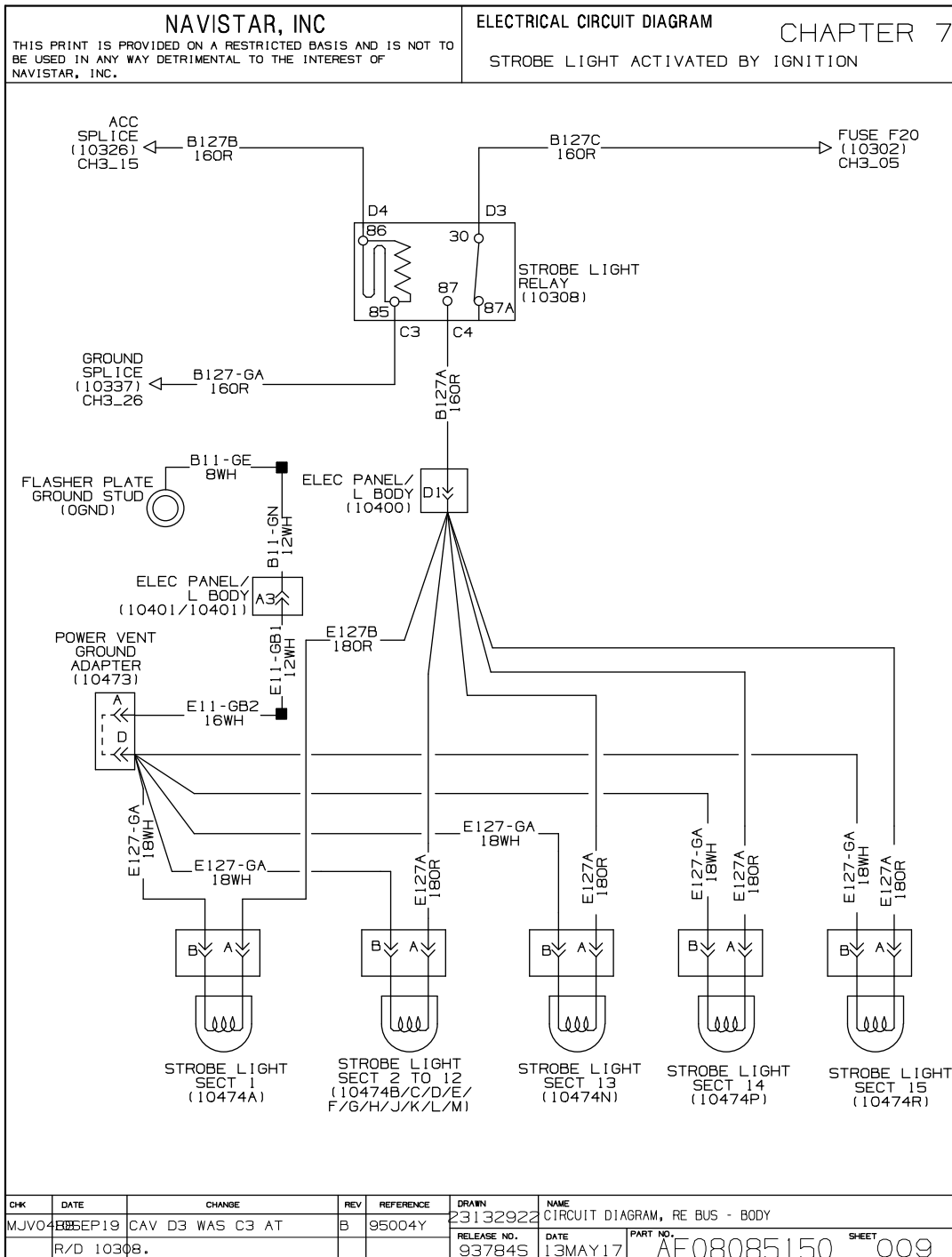


Figure 106 Strobe Light Activated by Ignition

8.10. STROBE LIGHT SPLICE PACK, P. 10

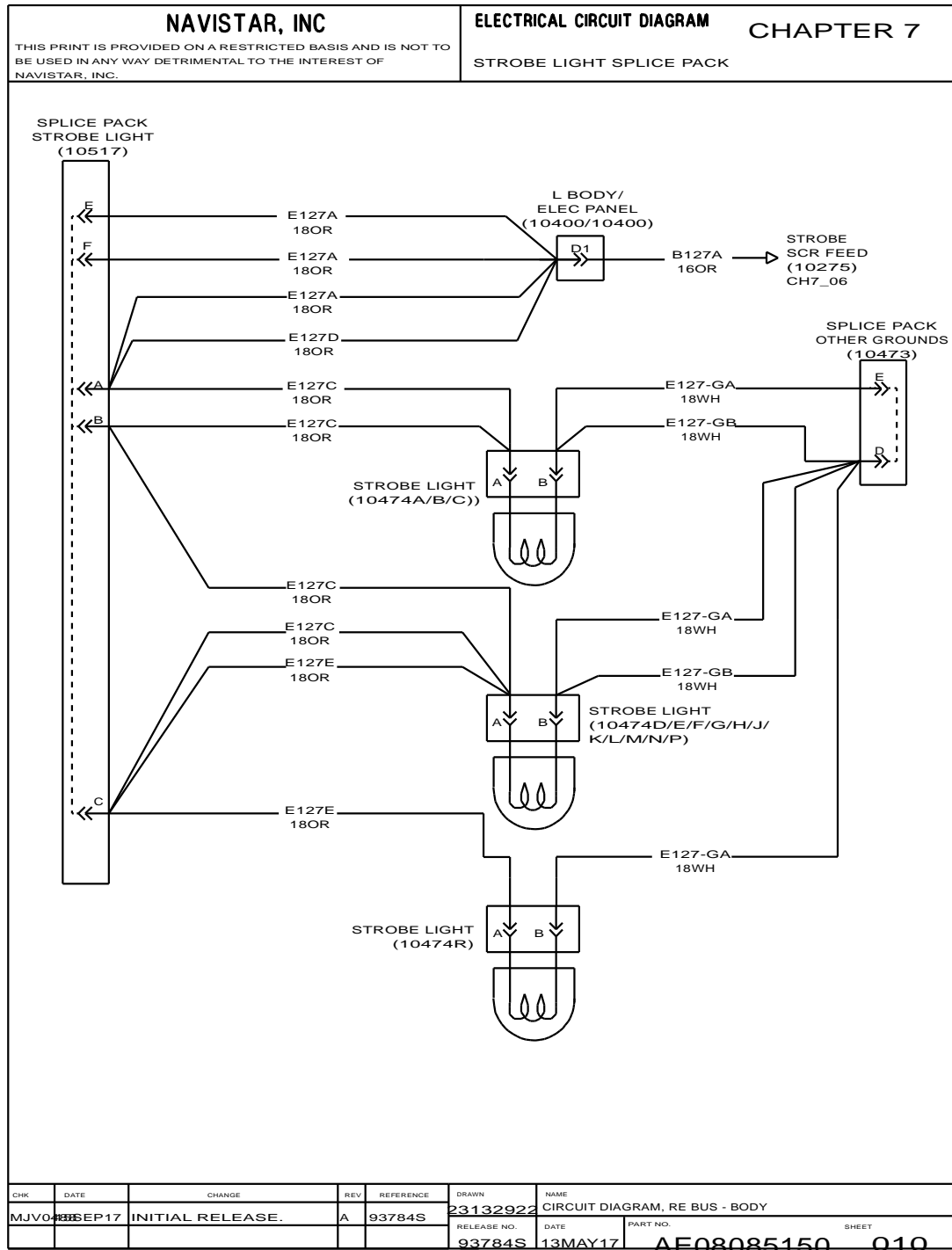


Figure 107 Strobe Light Splice Pack

CHK	DATE	CHANGE	REV	REFERENCE	DRAWN	NAME					
MJVO	13SEP17	INITIAL RELEASE.	A	93784S	23132922	CIRCUIT DIAGRAM, RE BUS - BODY					
					RELEASE NO.	DATE	PART NO.	SHEET			
					93784S	13MAY17	AE08085150	010			

8.11. LEFT SIDE TURN LIGHTS, P. 11

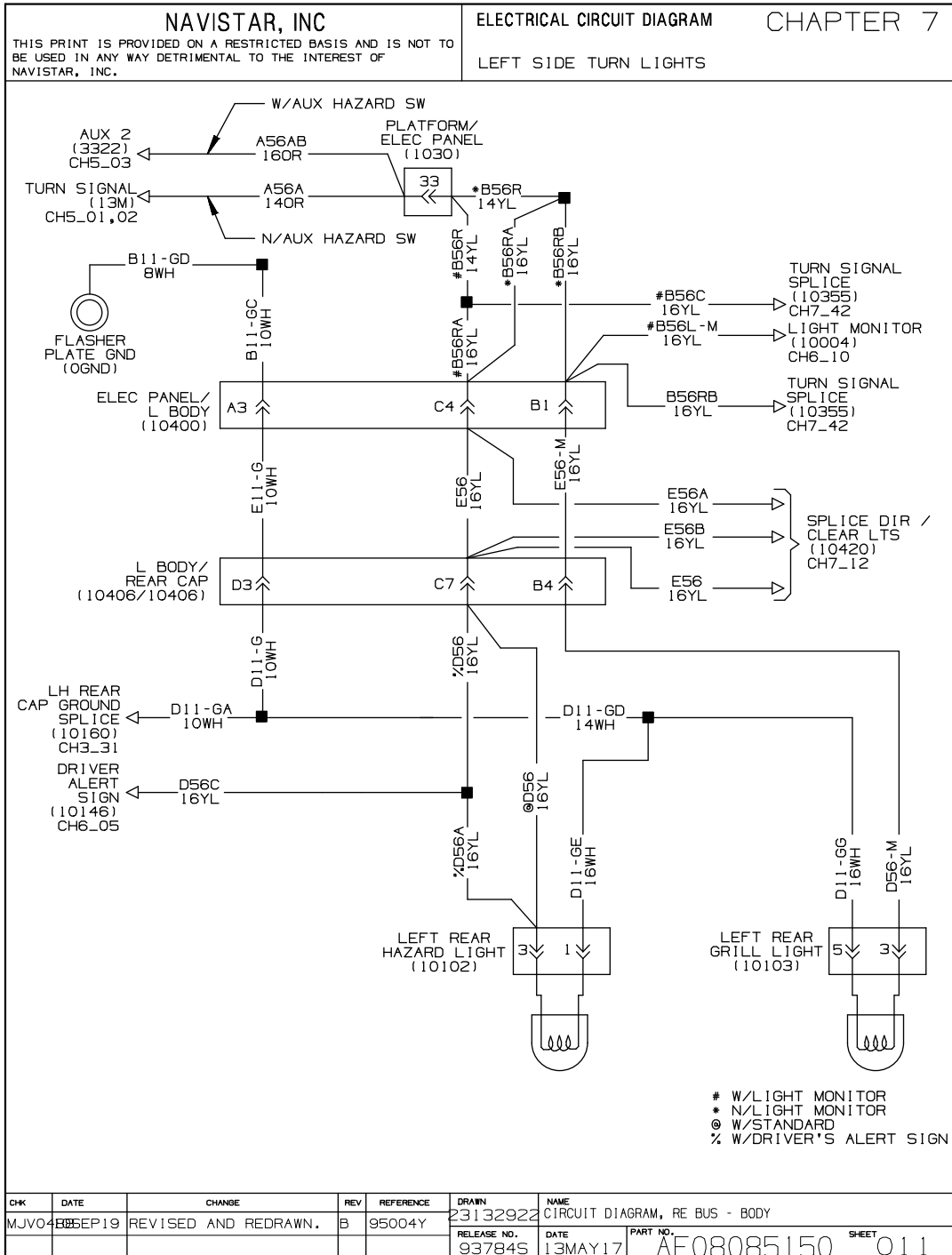


Figure 108 Left Side Turn Lights

8.12. LEFT SIDE TURN LIGHTS (CONT.), P. 12

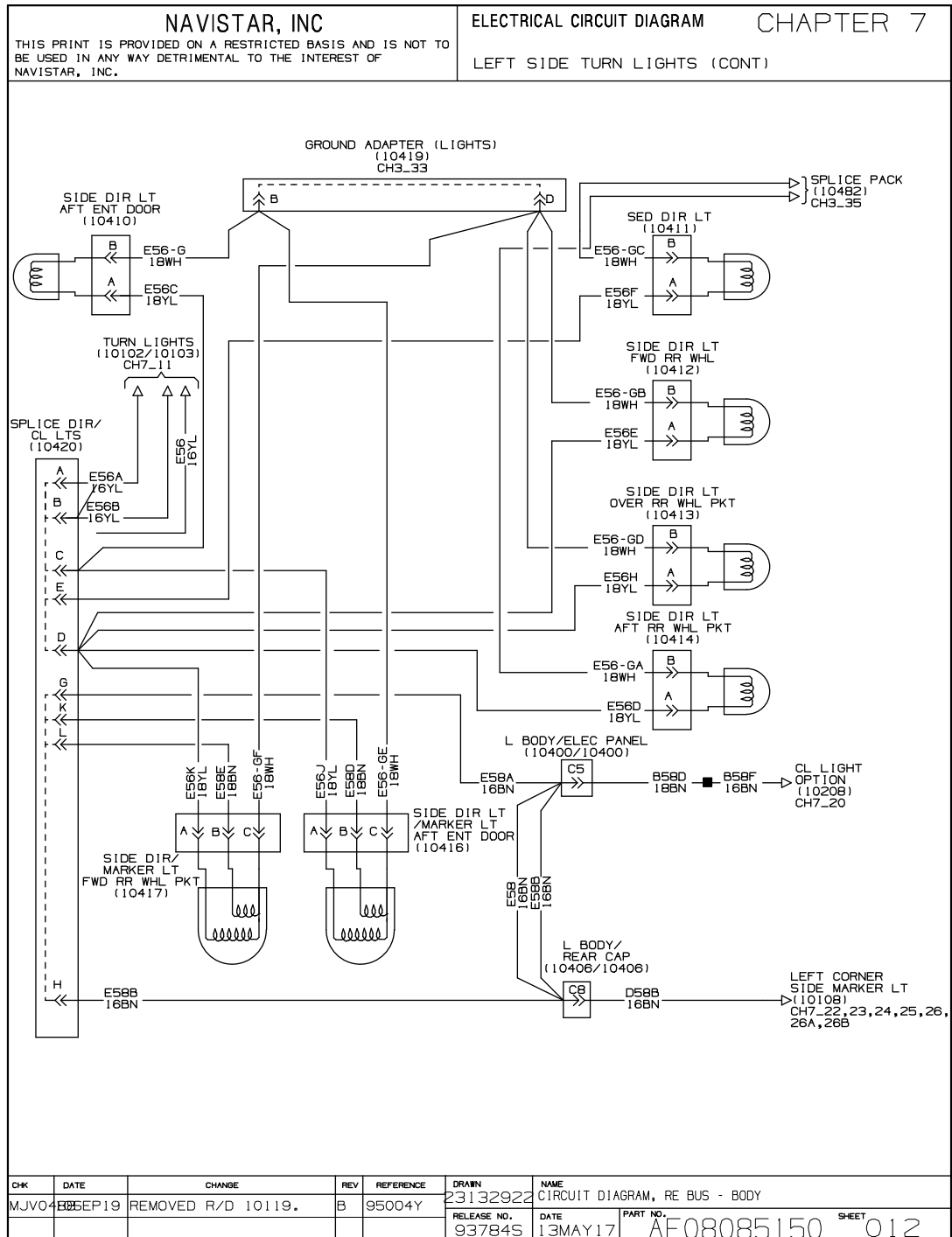


Figure 109 Left Side Turn Lights (Cont.)

8.13. LEFT SIDE TURN LIGHTS (CONT.), P. 13

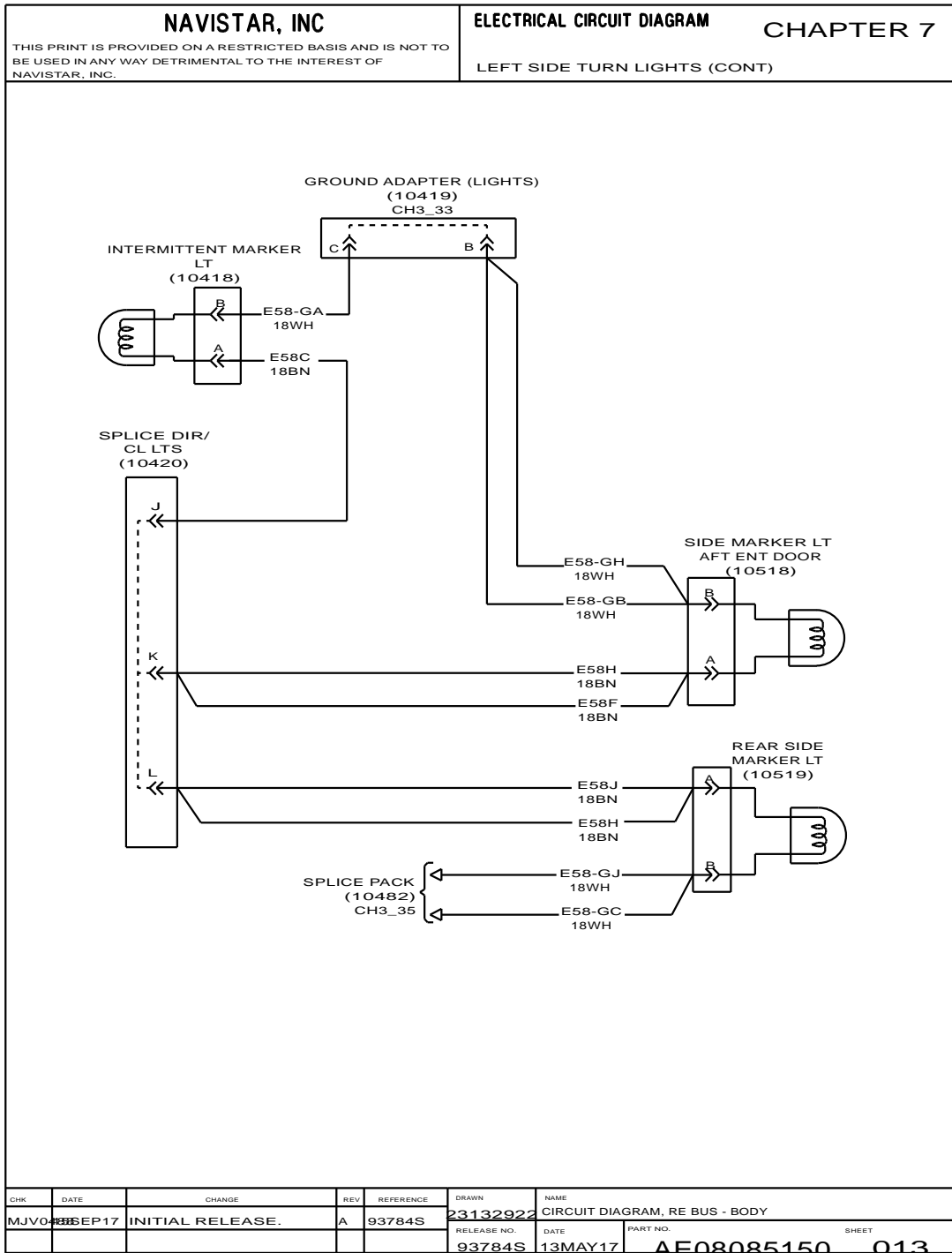


Figure 110 Left Side Turn Lights (Cont.)

8.14. RIGHT SIDE TURN LIGHTS, P. 14

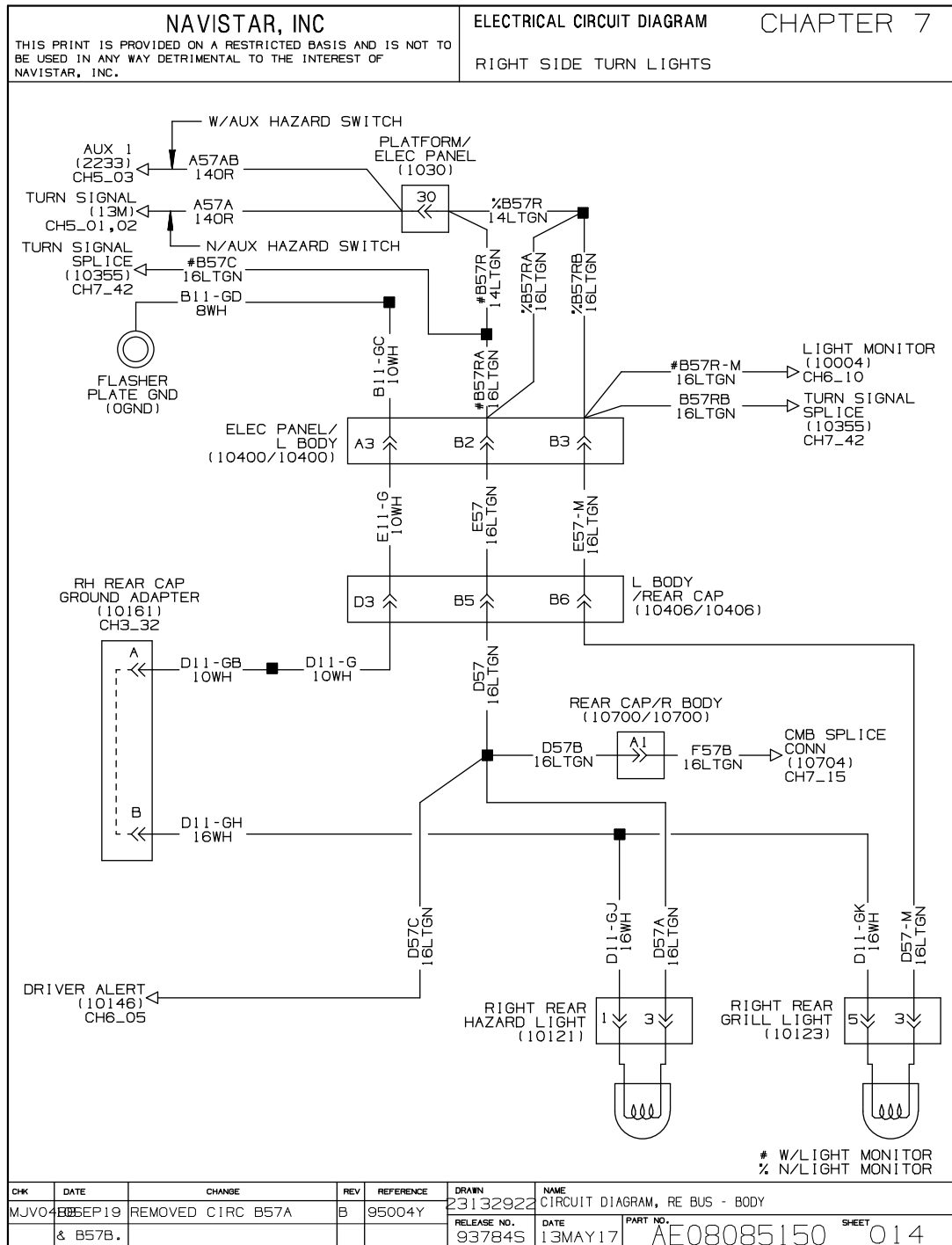


Figure 111 Right Side Turn Lights

8.15. RIGHT SIDE TURN LIGHTS (CONT.), P. 15

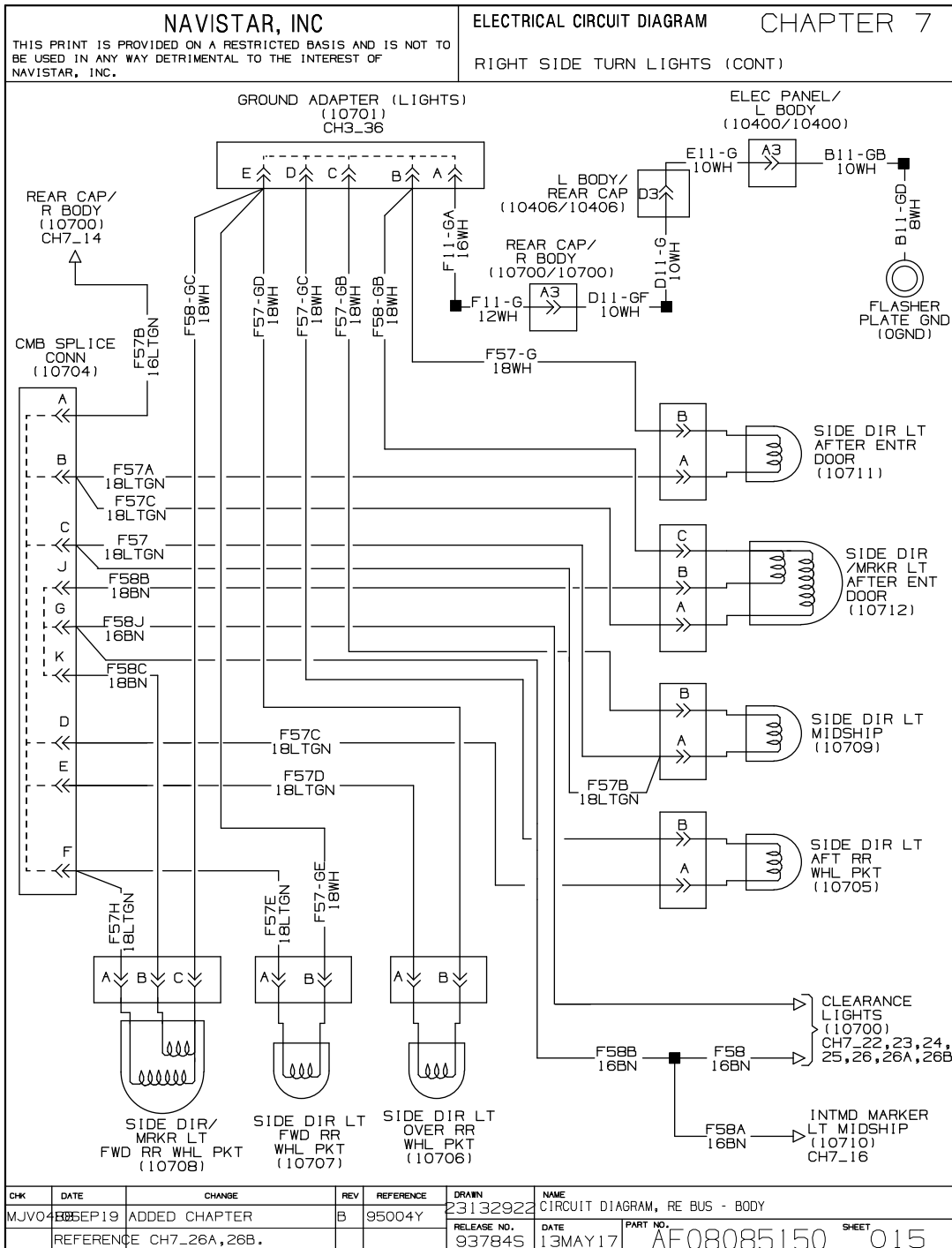


Figure 112 Right Side Turn Lights (Cont.)

8.16. RIGHT SIDE TURN LIGHTS (CONT.), P. 16

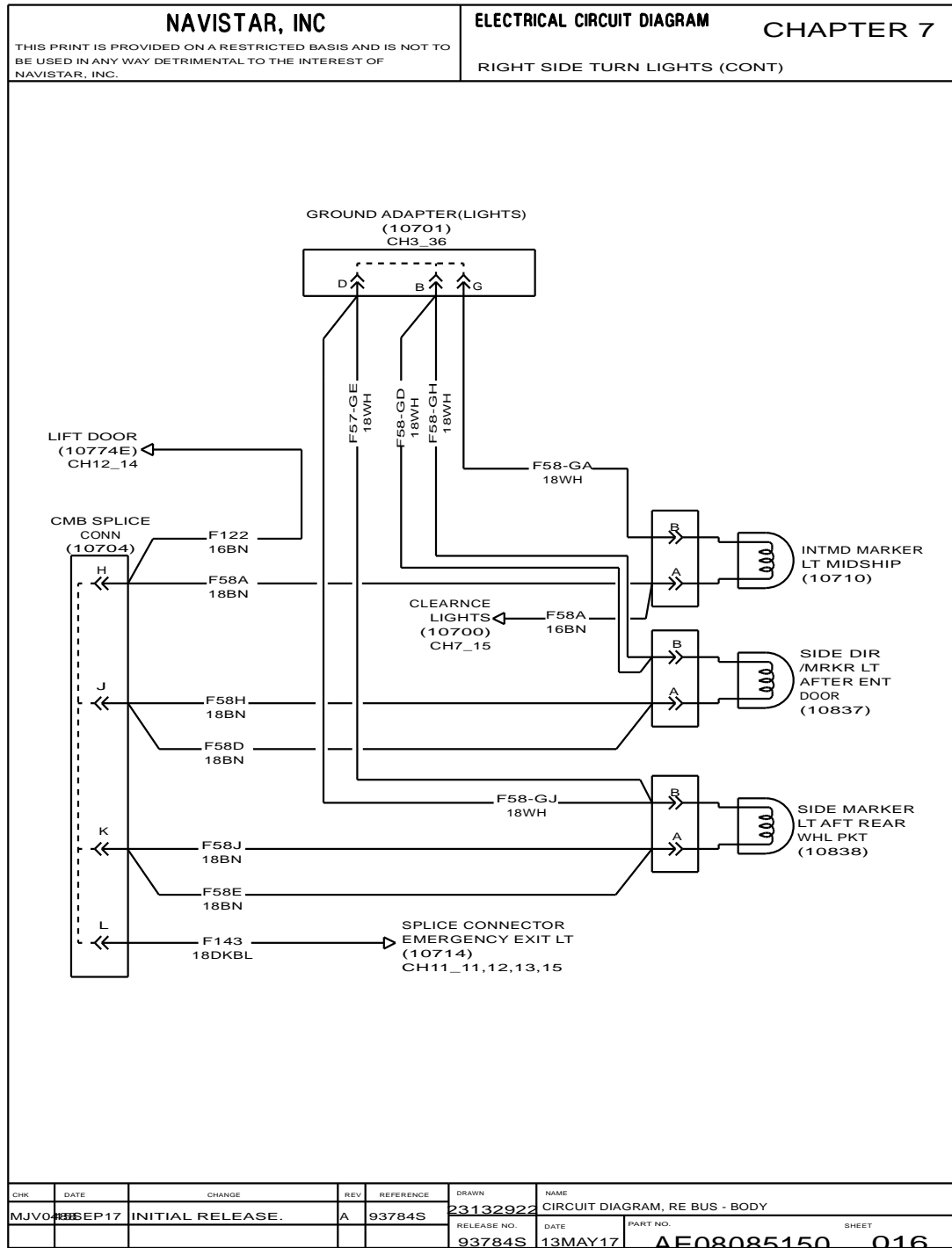


Figure 113 Right Side Turn Lights (Cont.)

8.17. DIRECTION LIGHTS NOT COWL MOUNTED, P. 17

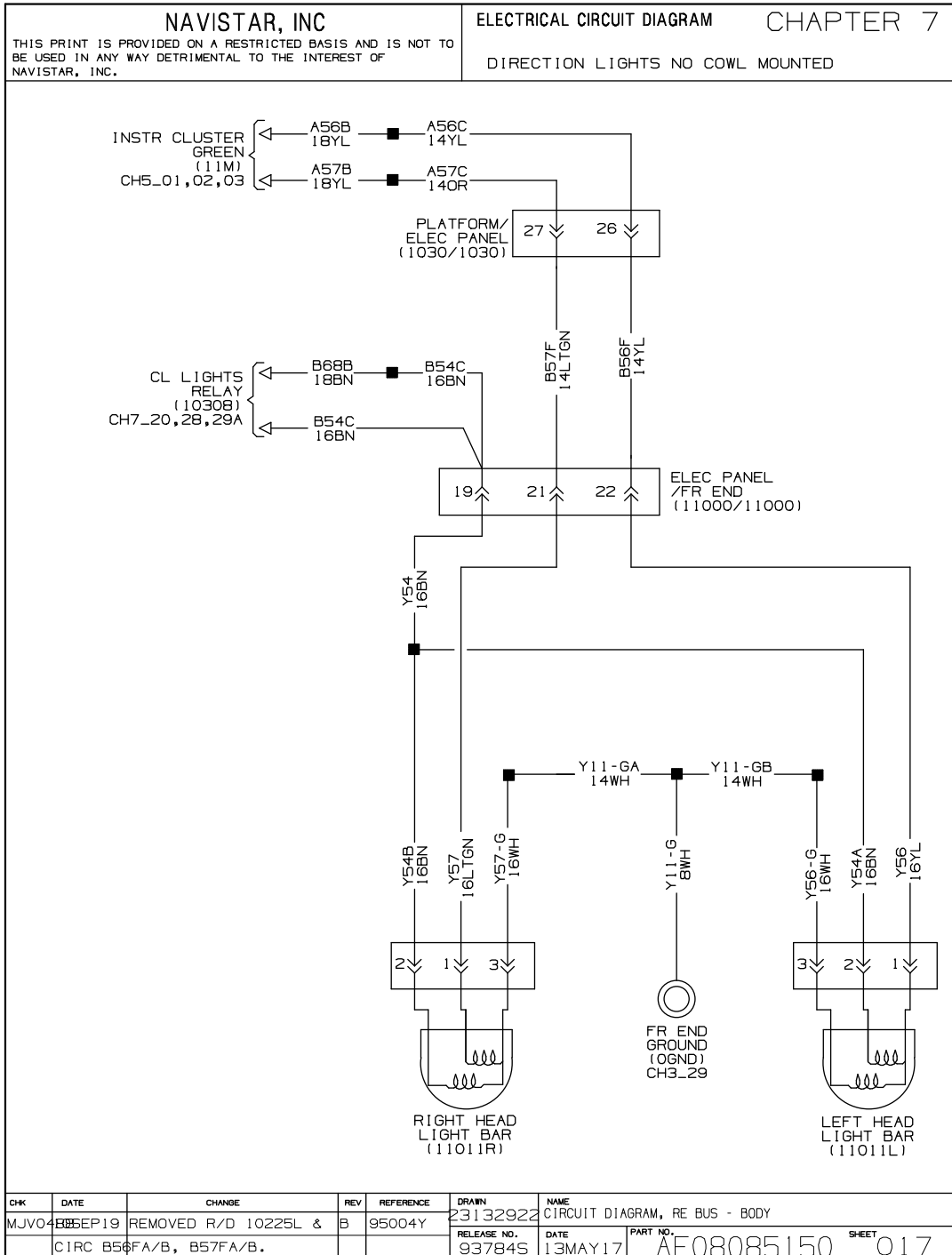


Figure 114 Direction Lights Not Cowl Mounted

8.18. DIRECTIONAL LIGHTS ON COWL WITHOUT PARK LIGHTS, P. 18

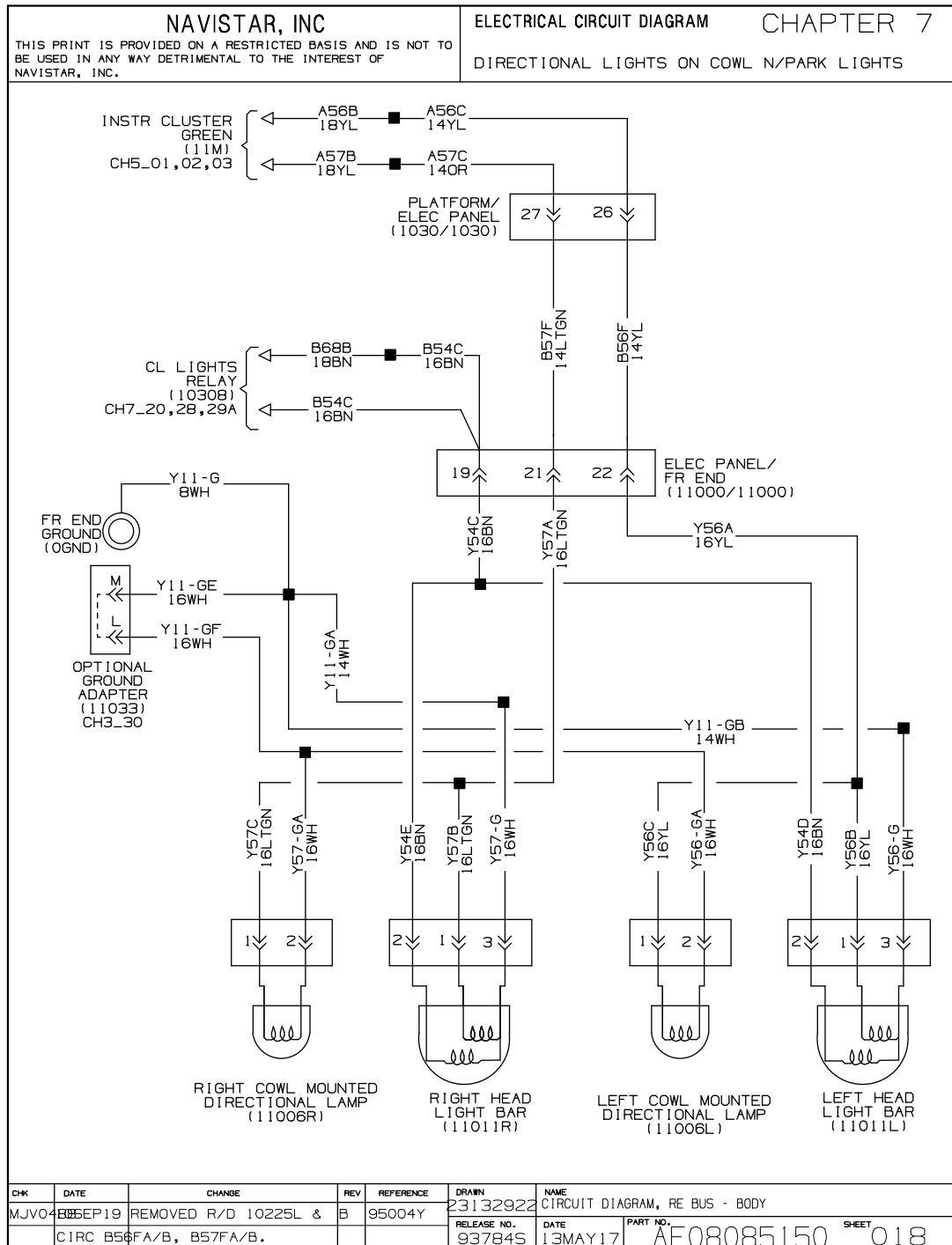


Figure 115 Directional Lights On Cowl without Park Lights

8.19. DIRECTIONAL LIGHTS ON COWL WITH PARK LIGHTS, P. 19

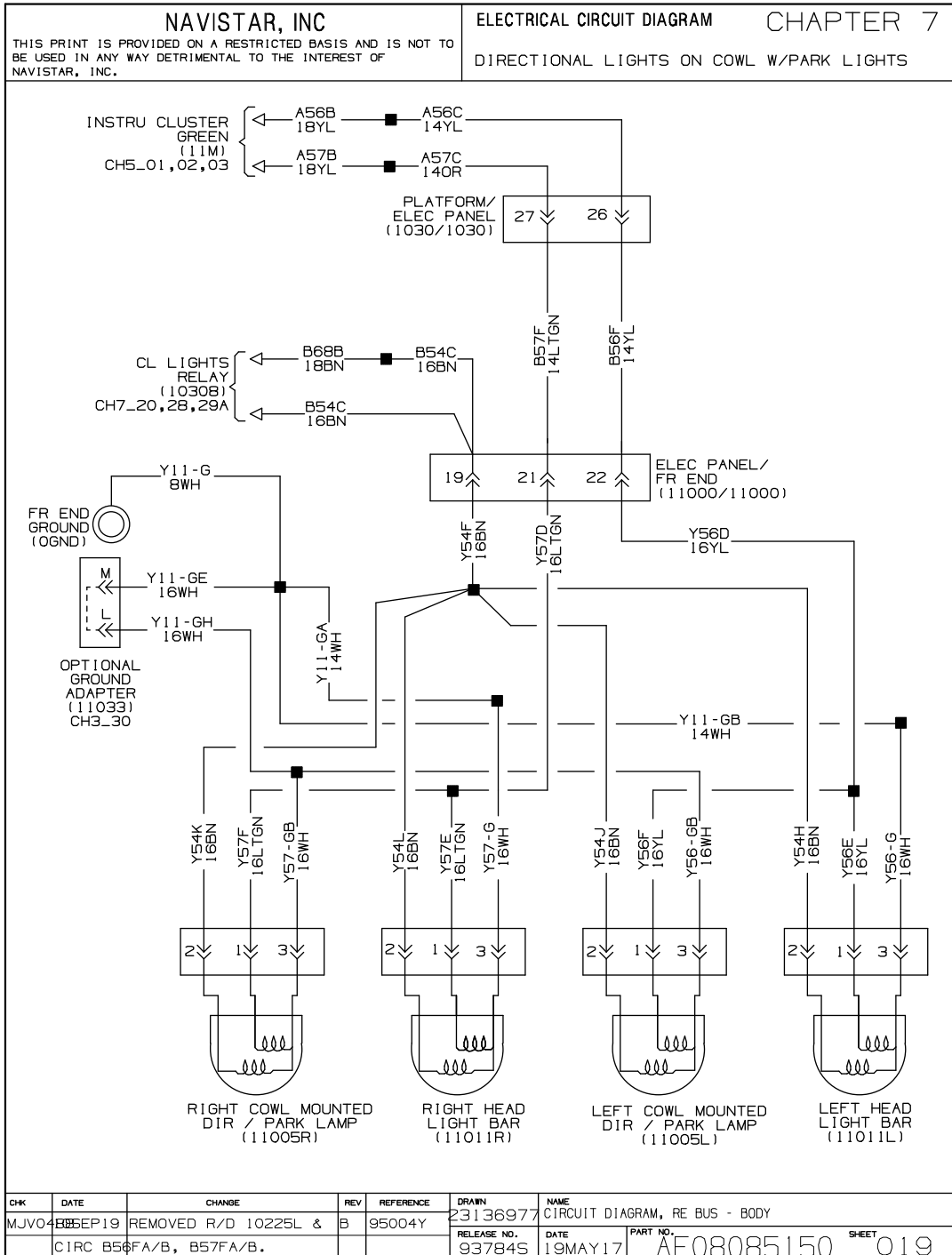


Figure 116 Directional Lights On Cowl with Park Lights

8.20. CLEARANCE LIGHTS, P. 20

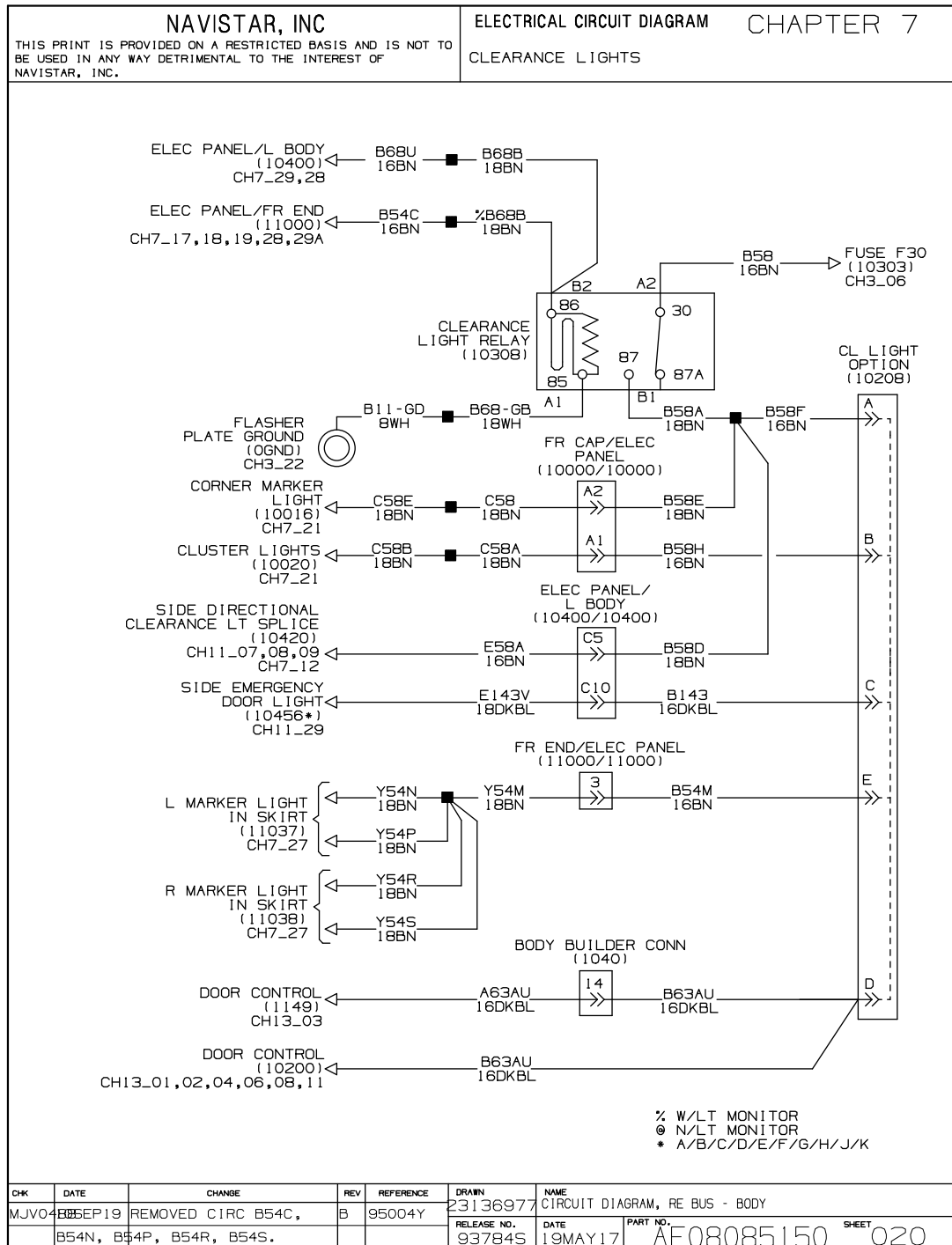


Figure 117 Clearance Lights

8.21. FRONT CAP – CLEARANCE / IDENTIFICATION LIGHTS, P. 21

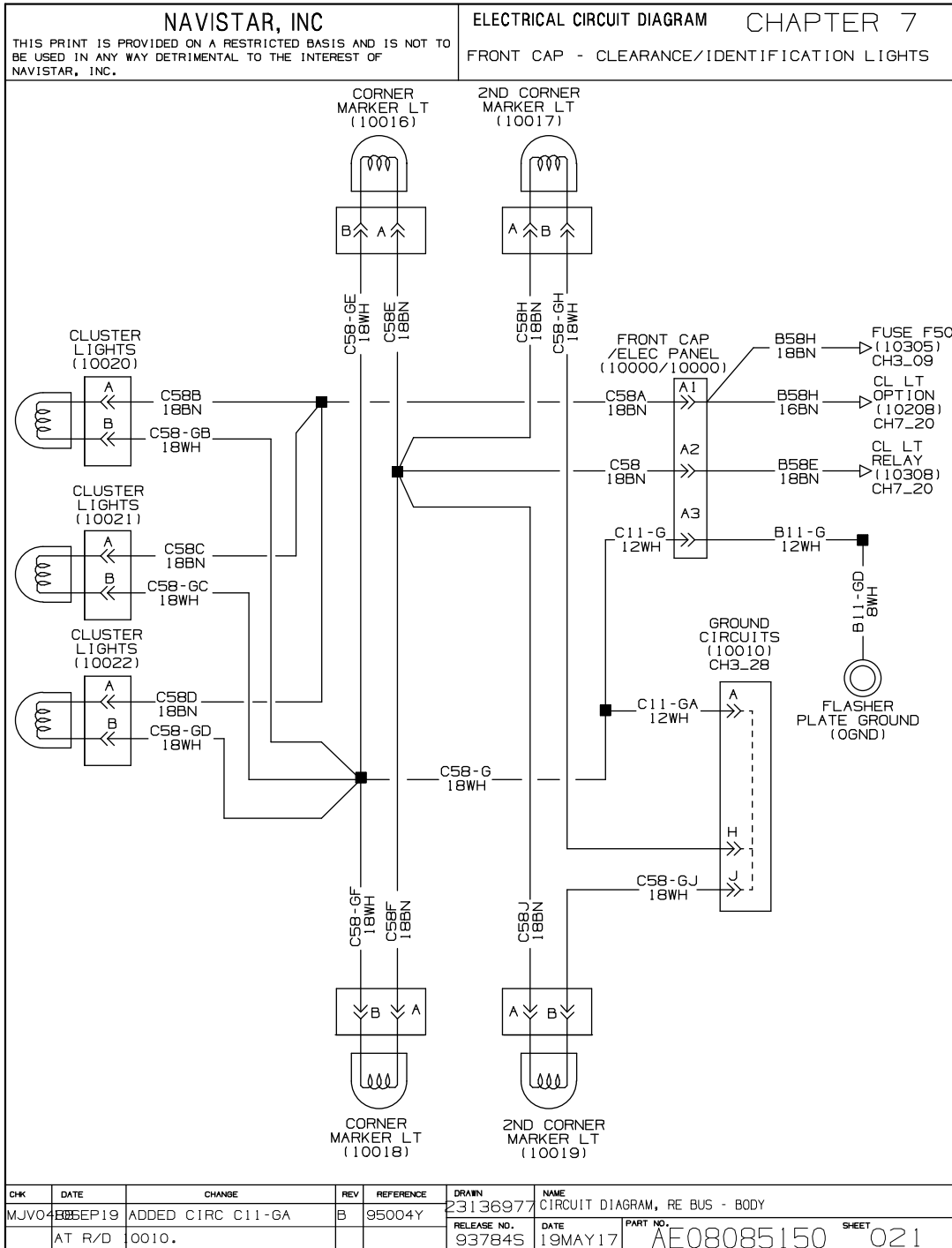


Figure 118 Front Cap – Clearance / Identification Lights

8.22. REAR CAP – CLEARANCE / IDENTIFICATION LIGHTS (STANDARD), P. 22

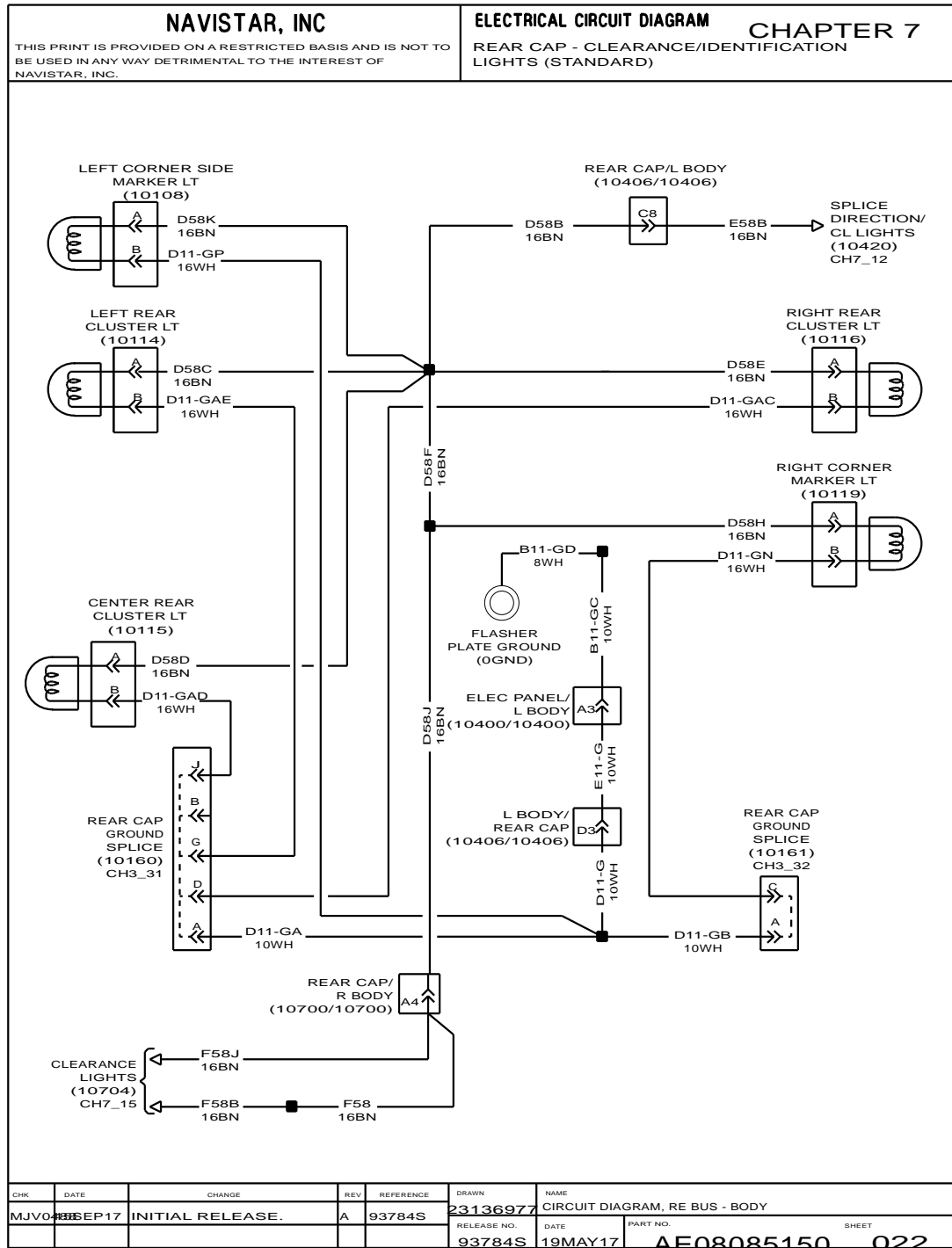


Figure 119 Rear Cap – Clearance / Identification Lights (Standard)

8.23. REAR CAP – CLEARANCE / IDENTIFICATION LIGHTS AND ACT EMERGENCY EXIT LIGHT, P. 23

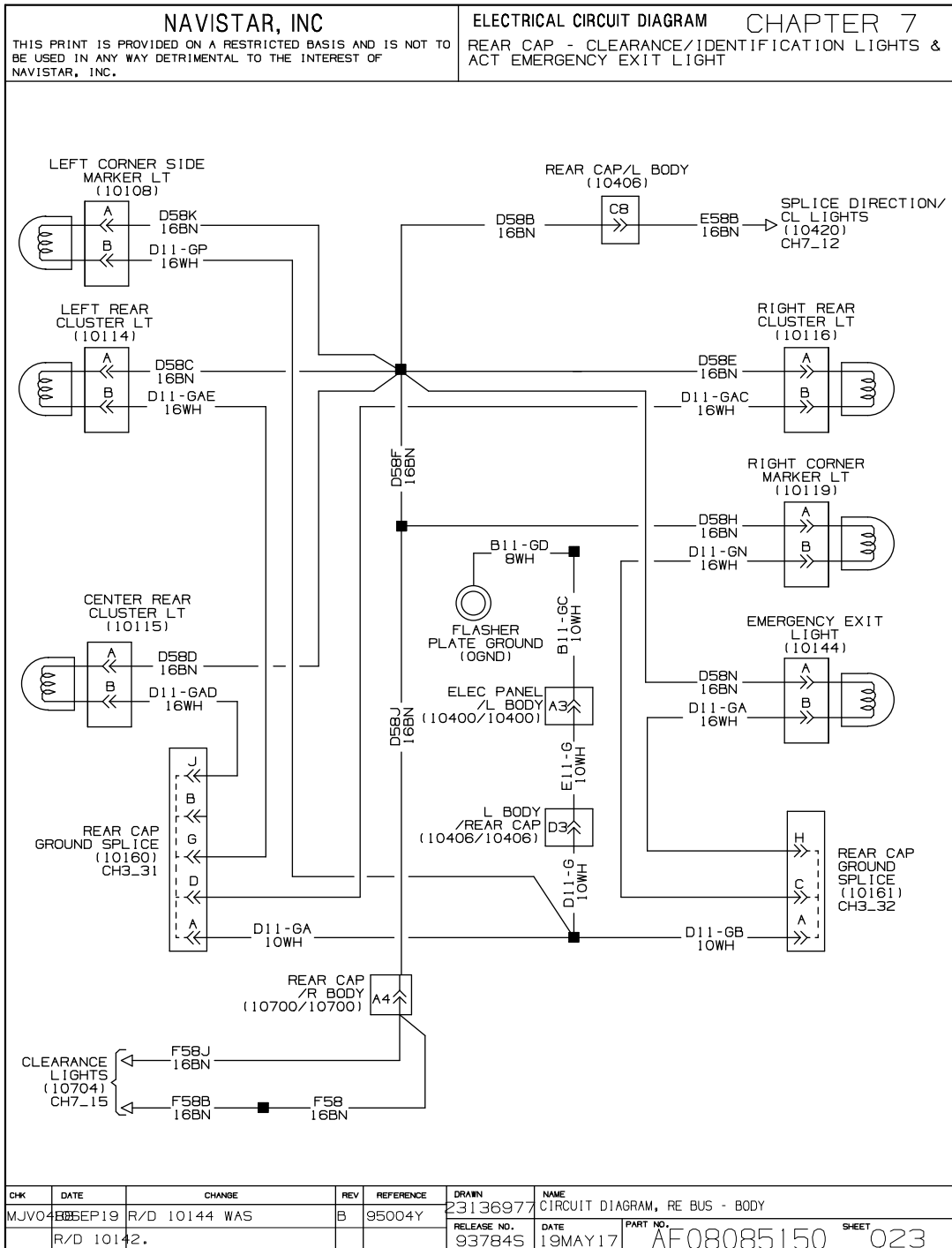


Figure 120 Rear Cap – Clearance / Identification Lights and Act Emergency Exit Light

8.24. REAR CAP – DUAL CORNER MARKER LIGHT, P. 24

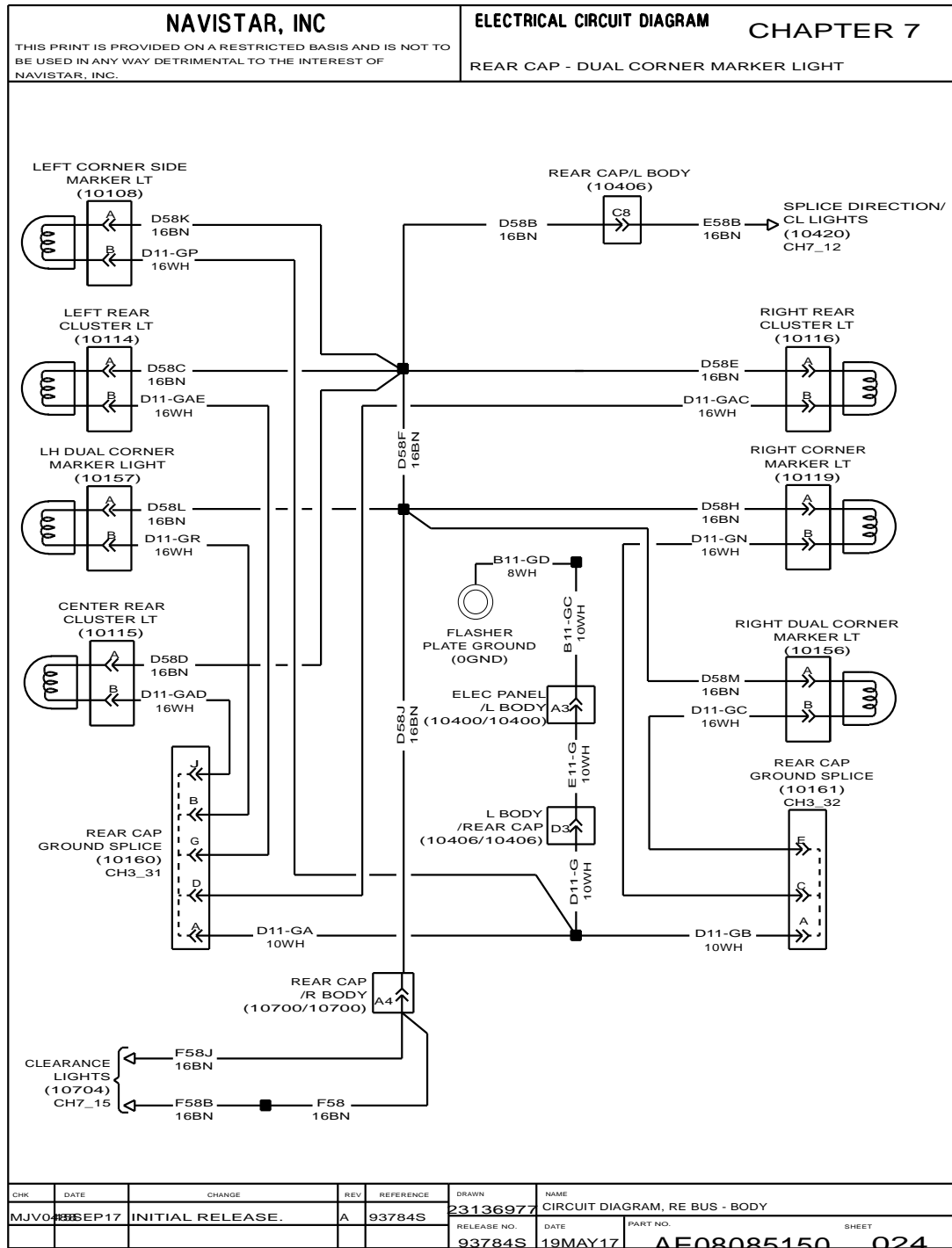


Figure 121 Rear Cap – Dual Corner Marker Light

8.25. REAR CAP EMERGENCY EXIT AND DUAL MARKER LIGHT, P. 25

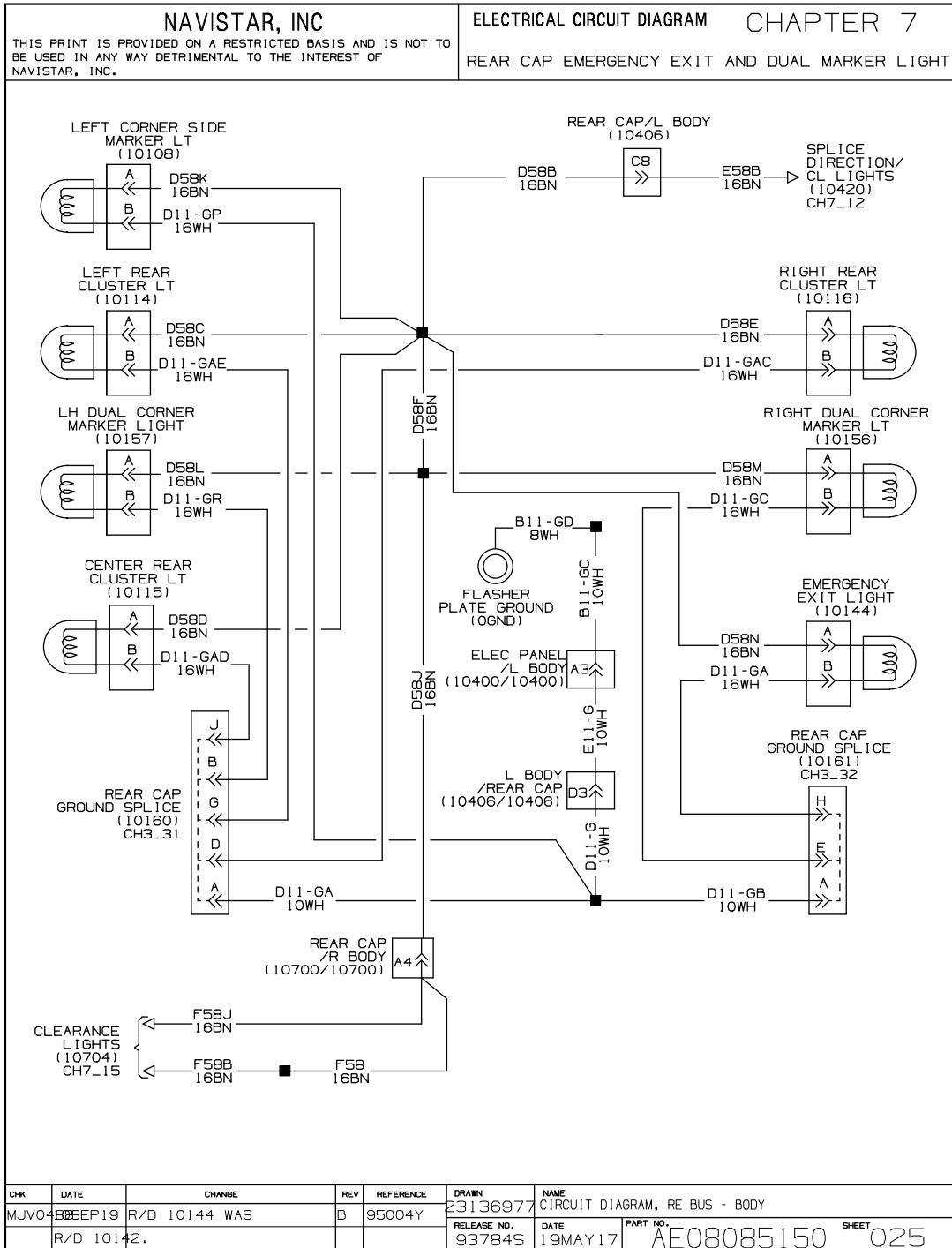


Figure 122 Rear Cap Emergency Exit and Dual Marker Light

8.26. REAR CAP EMERGENCY EXIT AND DUAL MARKER LIGHT (CONT), P. 26

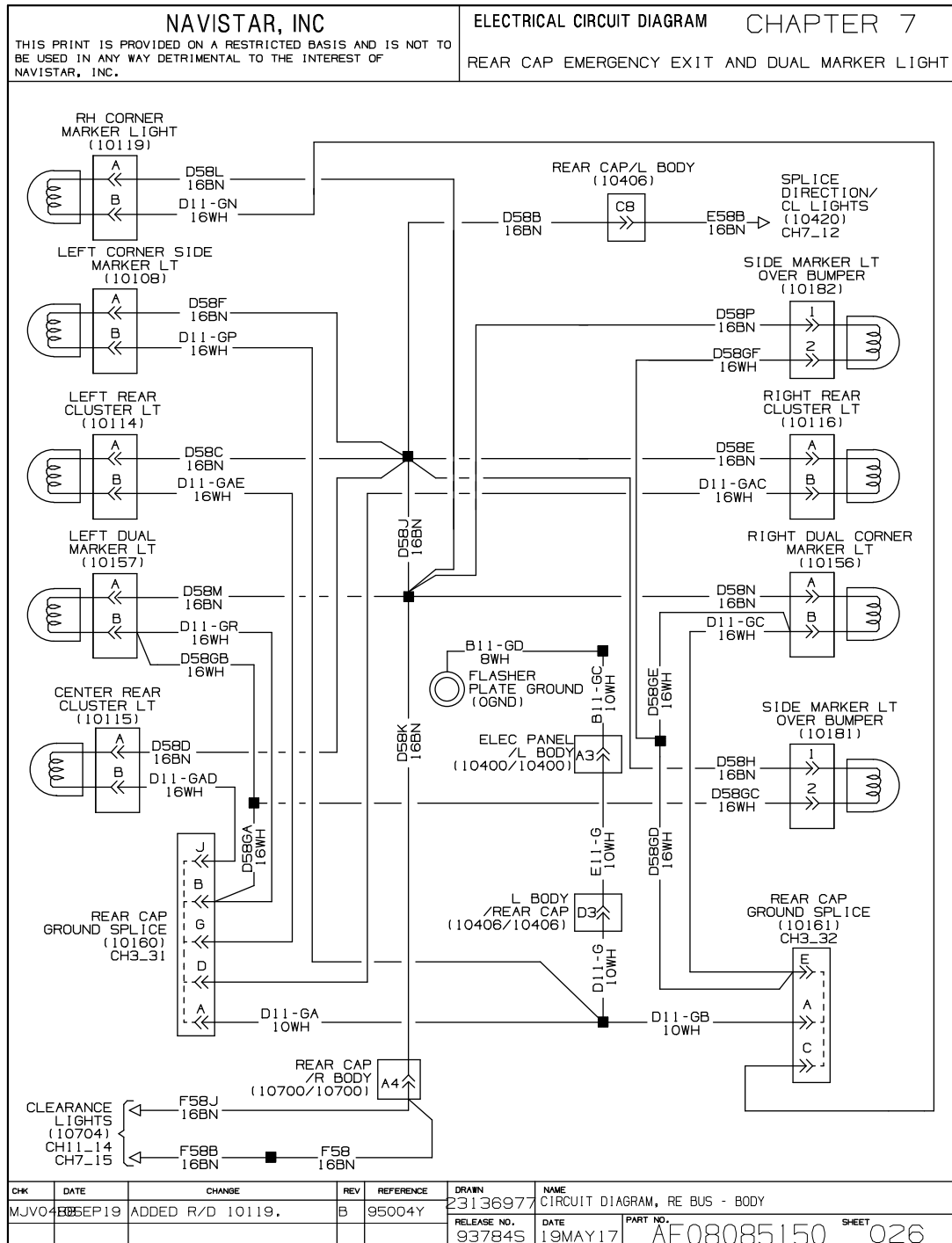


Figure 123 Rear Cap Emergency Exit and Dual Marker Light (Cont)

8.27. REAR CAP BULKHEAD AND CLEARANCE LIGHTS, P. 26A

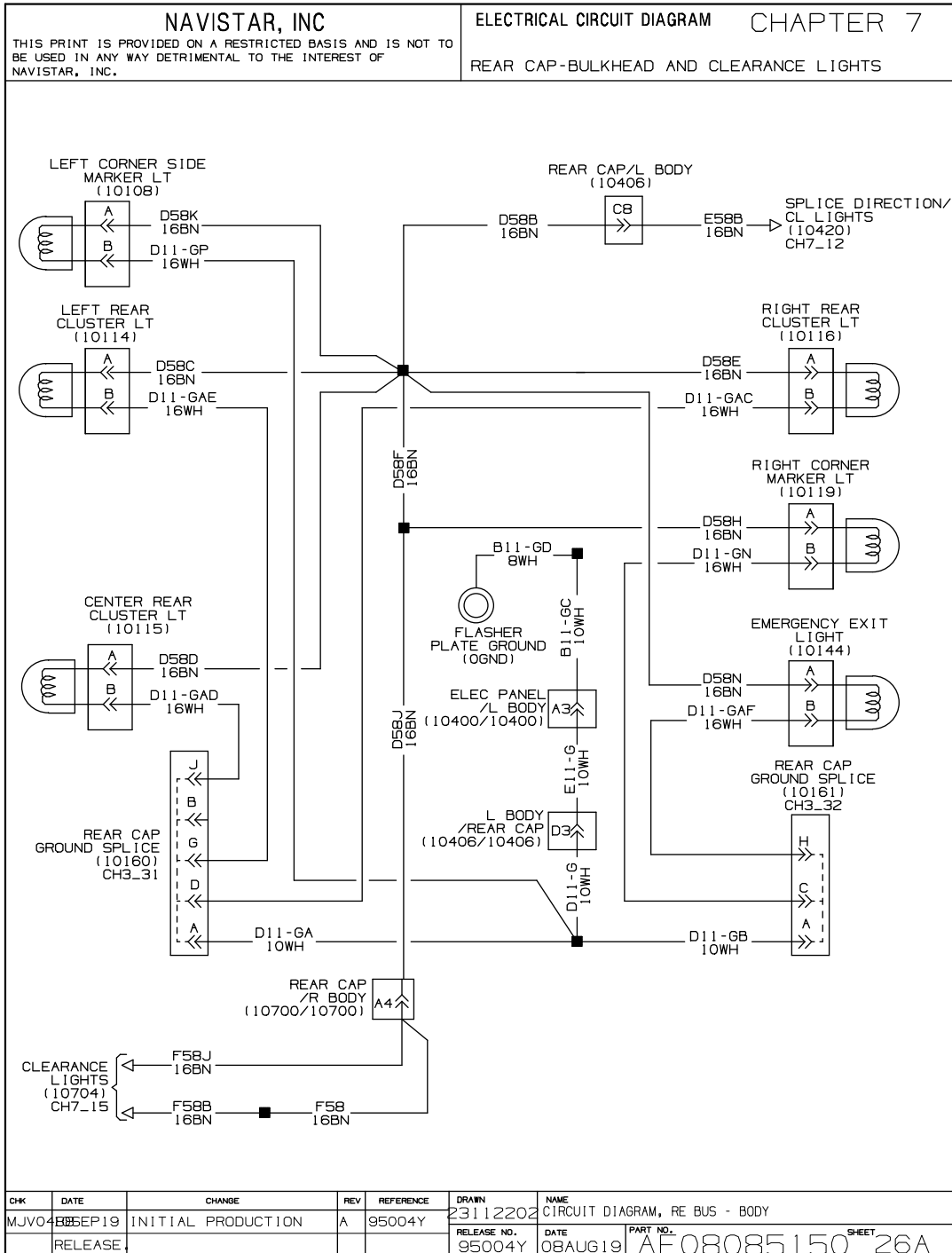


Figure 124 Rear Cap Bulkhead and Clearance Lights

8.28. REAR CAP BULKHEAD AND DOUBLE CLEARANCE LIGHTS, P. 26B

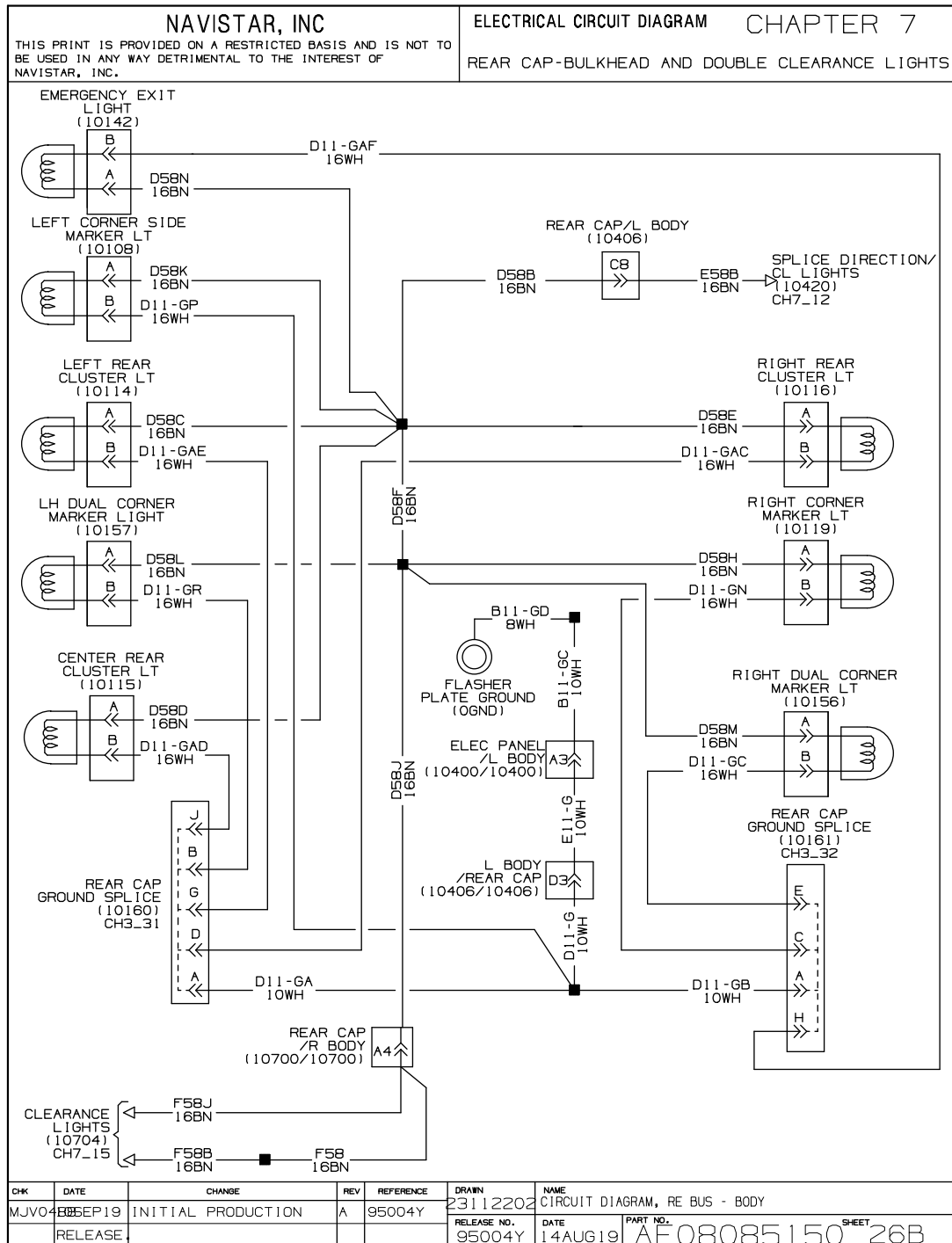


Figure 125 Rear Cap Bulkhead and Double Clearance Lights

8.29. EXTRA MARKER LIGHT IN SKIRT, P. 27

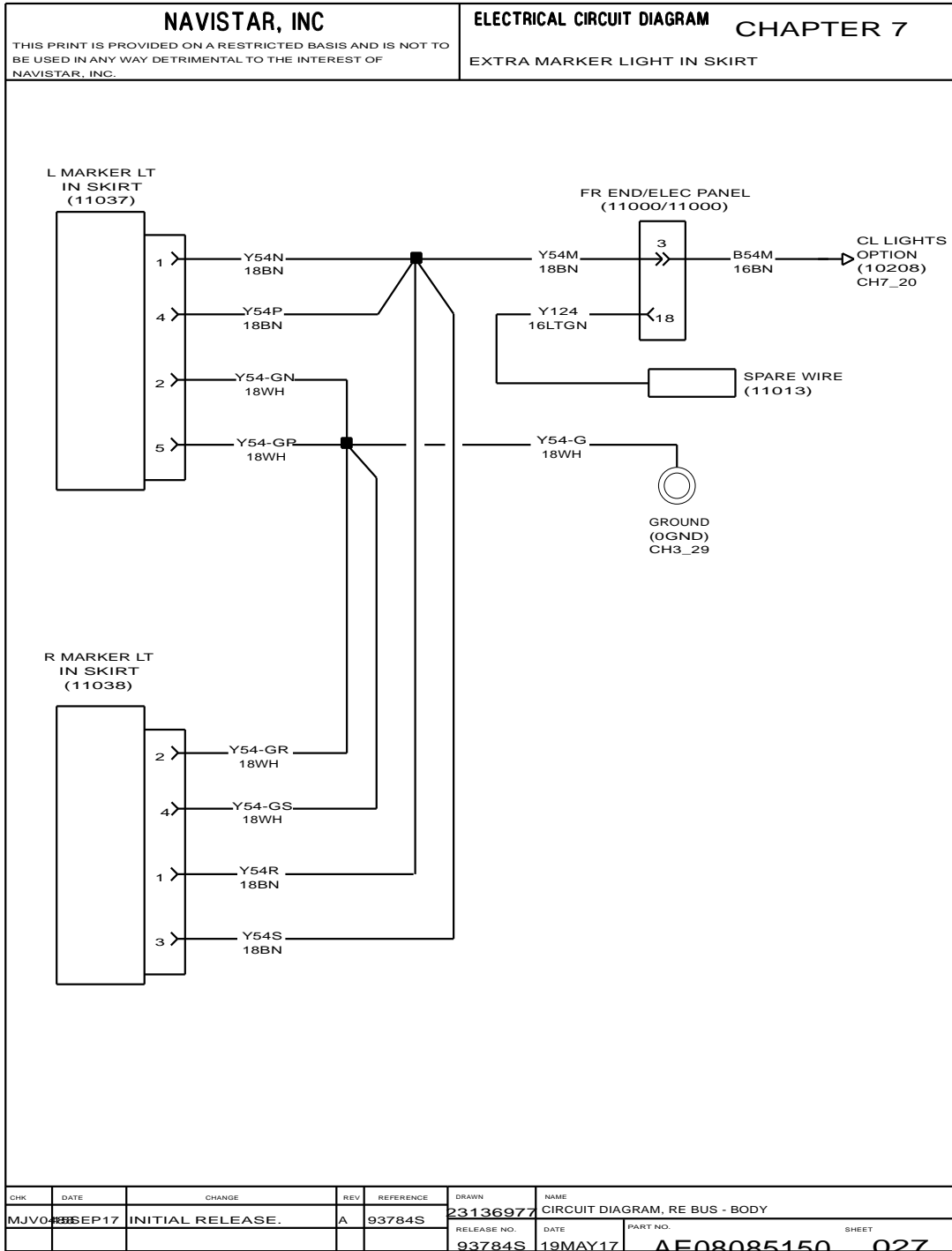


Figure 126 Extra Marker Light in Skirt

8.30. GRILL LIGHTS WITHOUT LIGHT MONITOR, P. 28

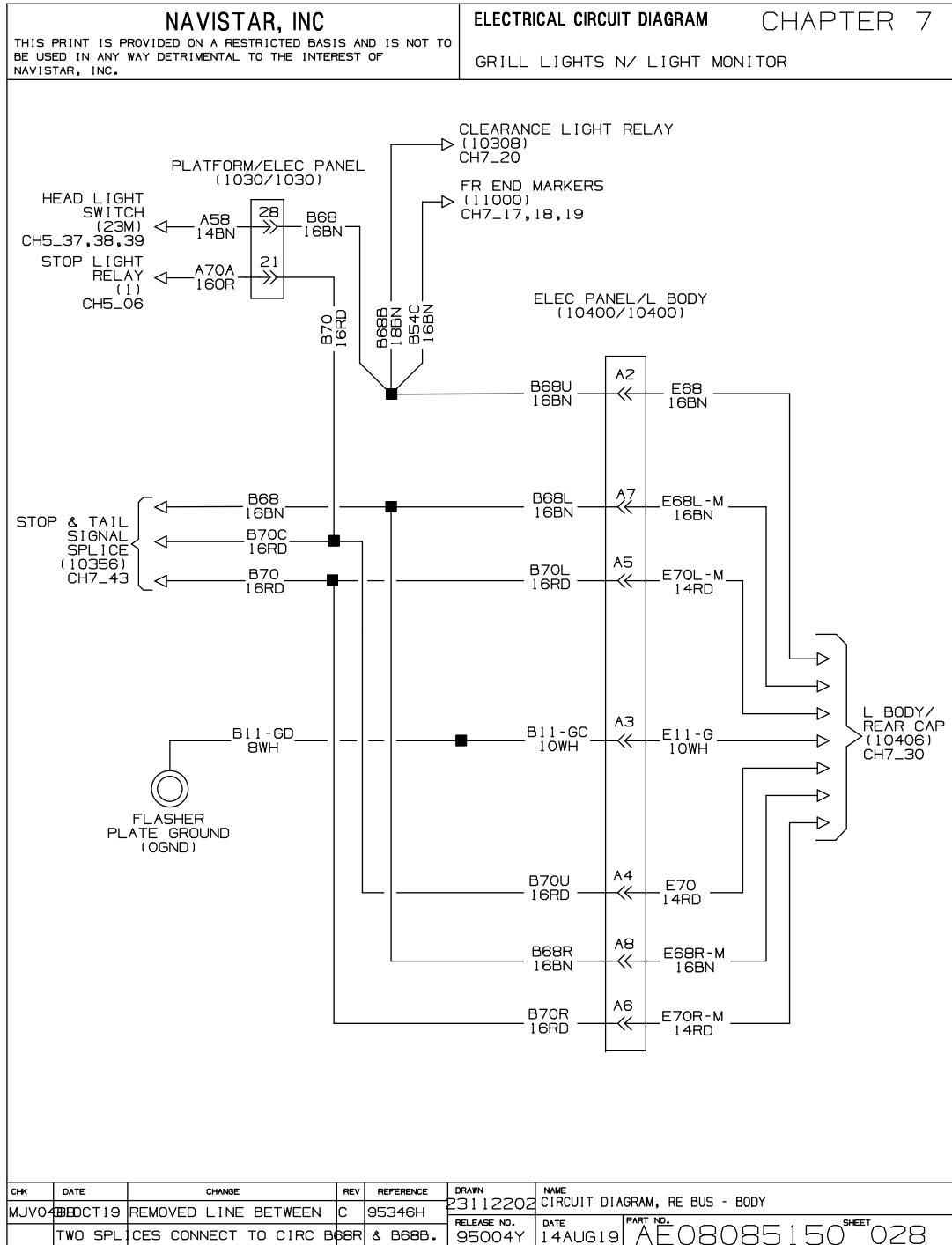


Figure 127 Grill Lights without Light Monitor

8.31. GRILL LIGHTS WITH LIGHT MONITOR, P. 29

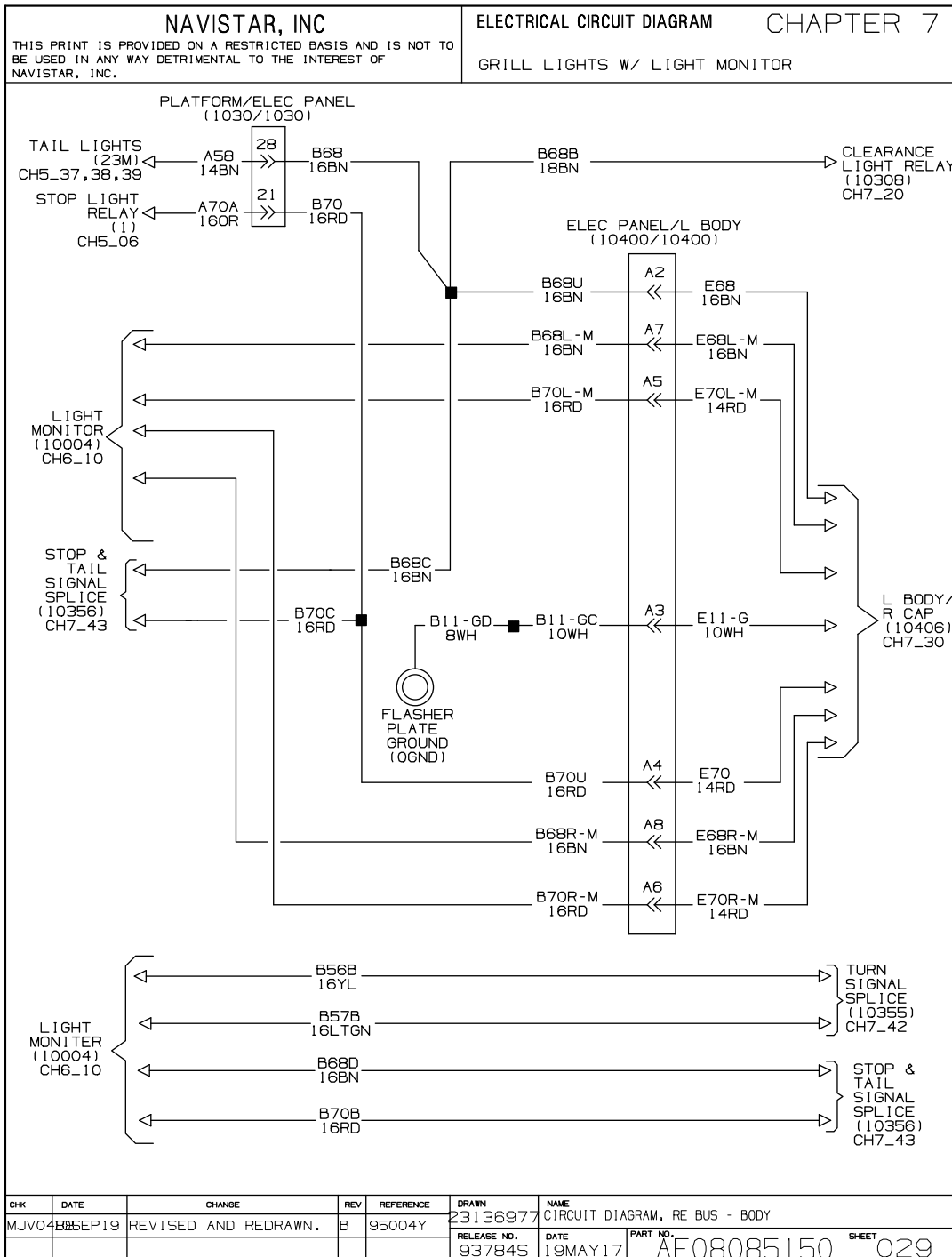


Figure 128 Grill Lights with Light Monitor

8.32. REAR LIGHTS WITHOUT OPTIONS, P. 29A

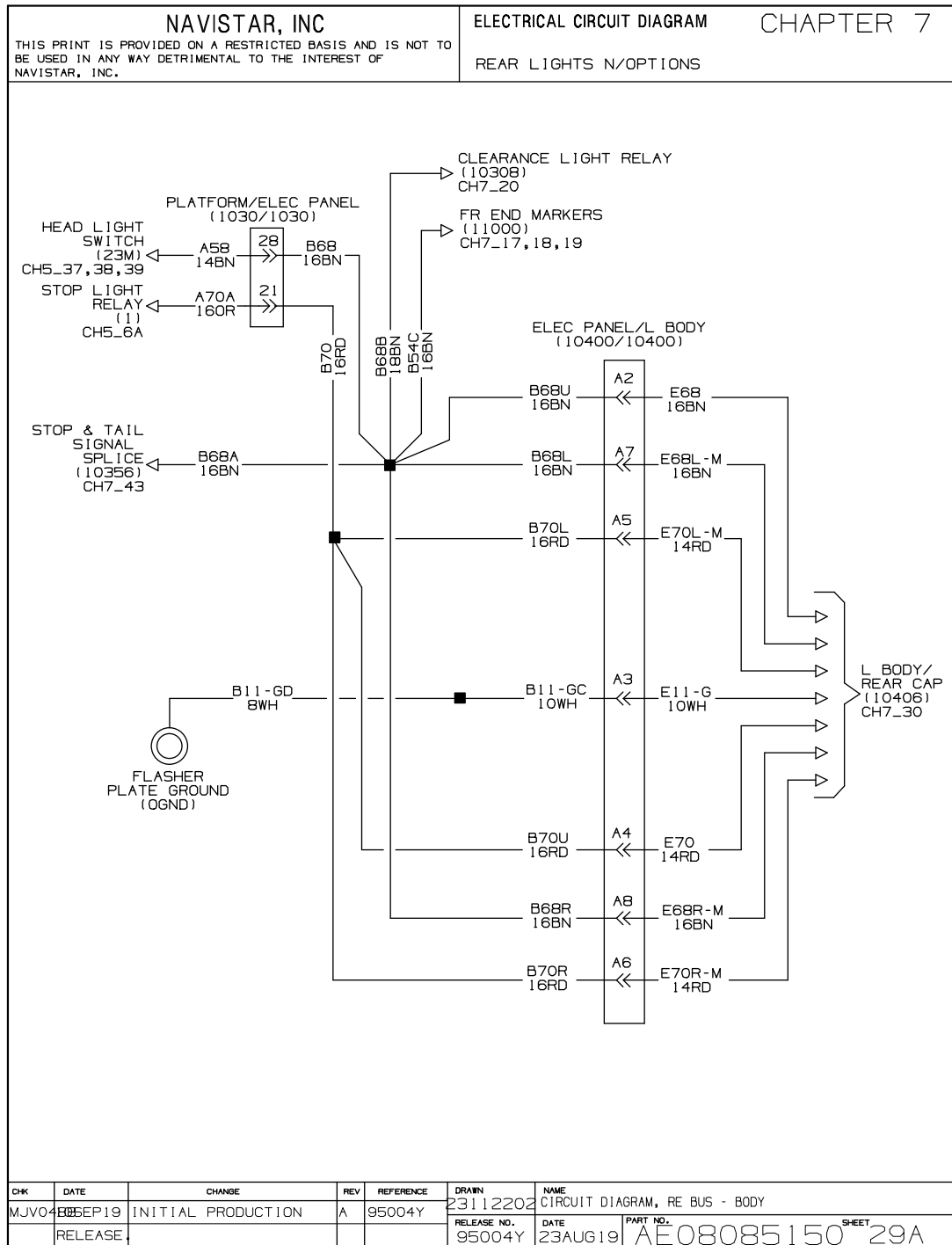


Figure 129 Rear Lights without Options

8.33. LEFT AND RIGHT GRILL LIGHTS, P. 30

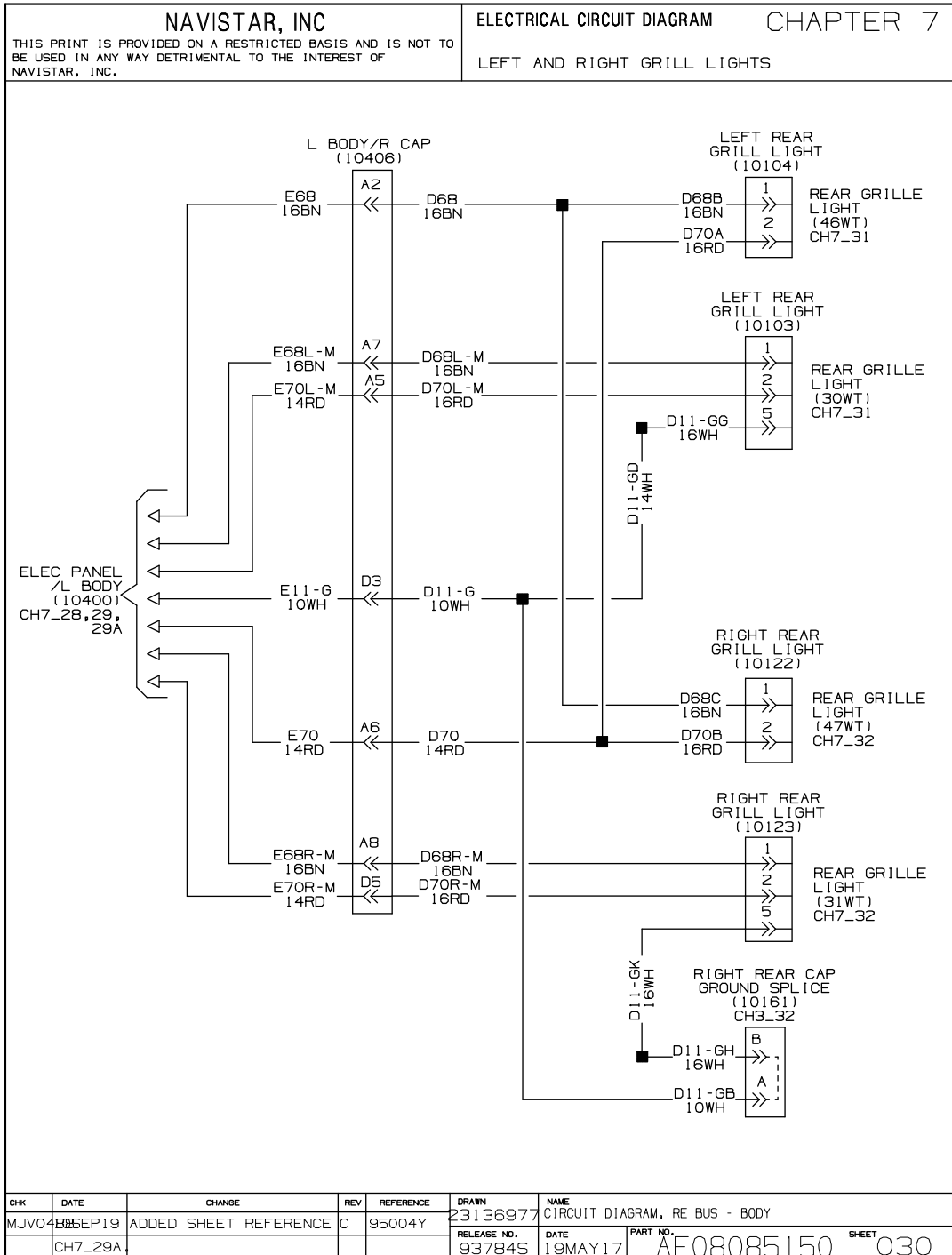


Figure 130 Left and Right Grill Lights

8.34. LEFT REAR END LIGHTS, P. 31

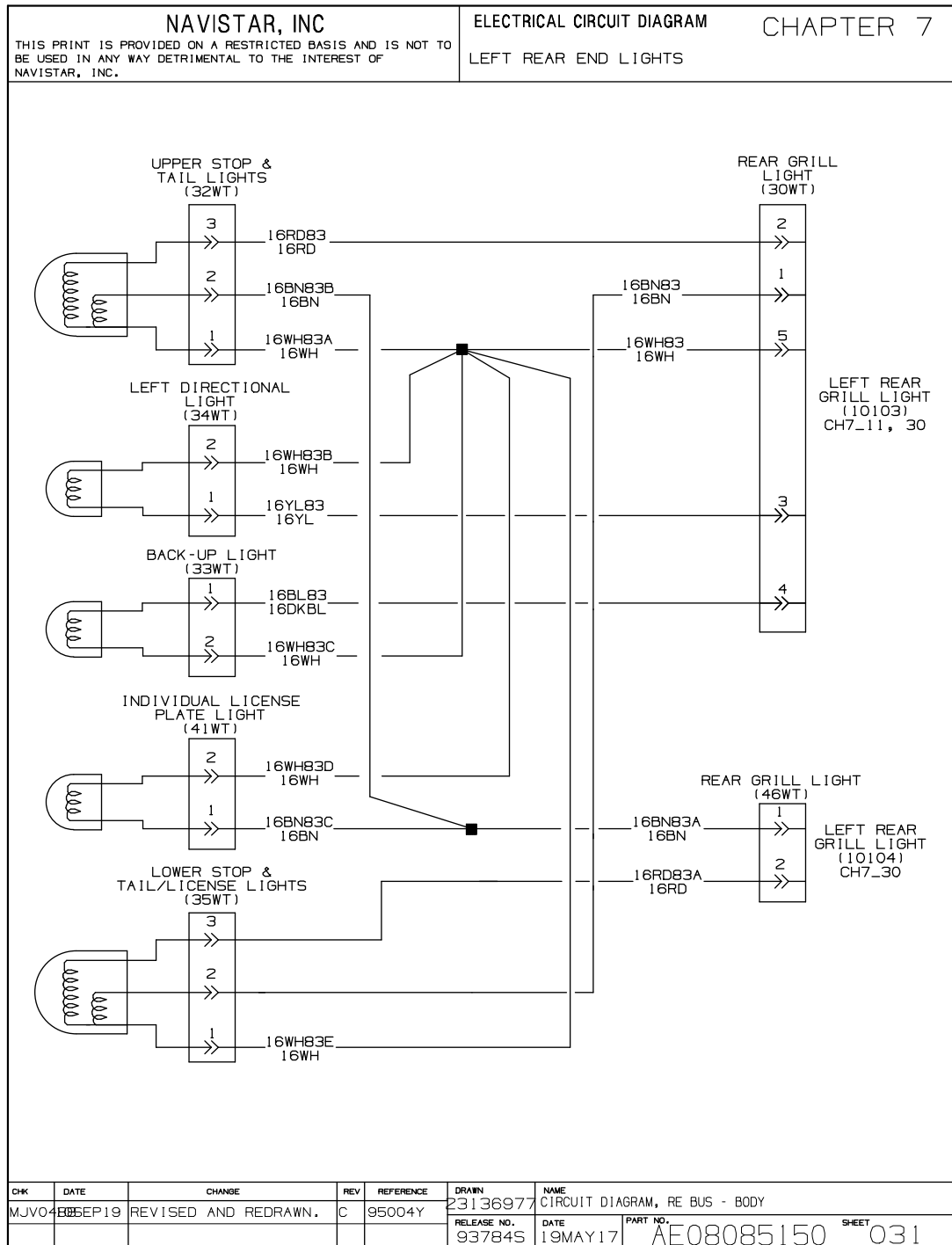


Figure 131 Left Rear End Lights

8.35. RIGHT REAR END LIGHTS, P. 32

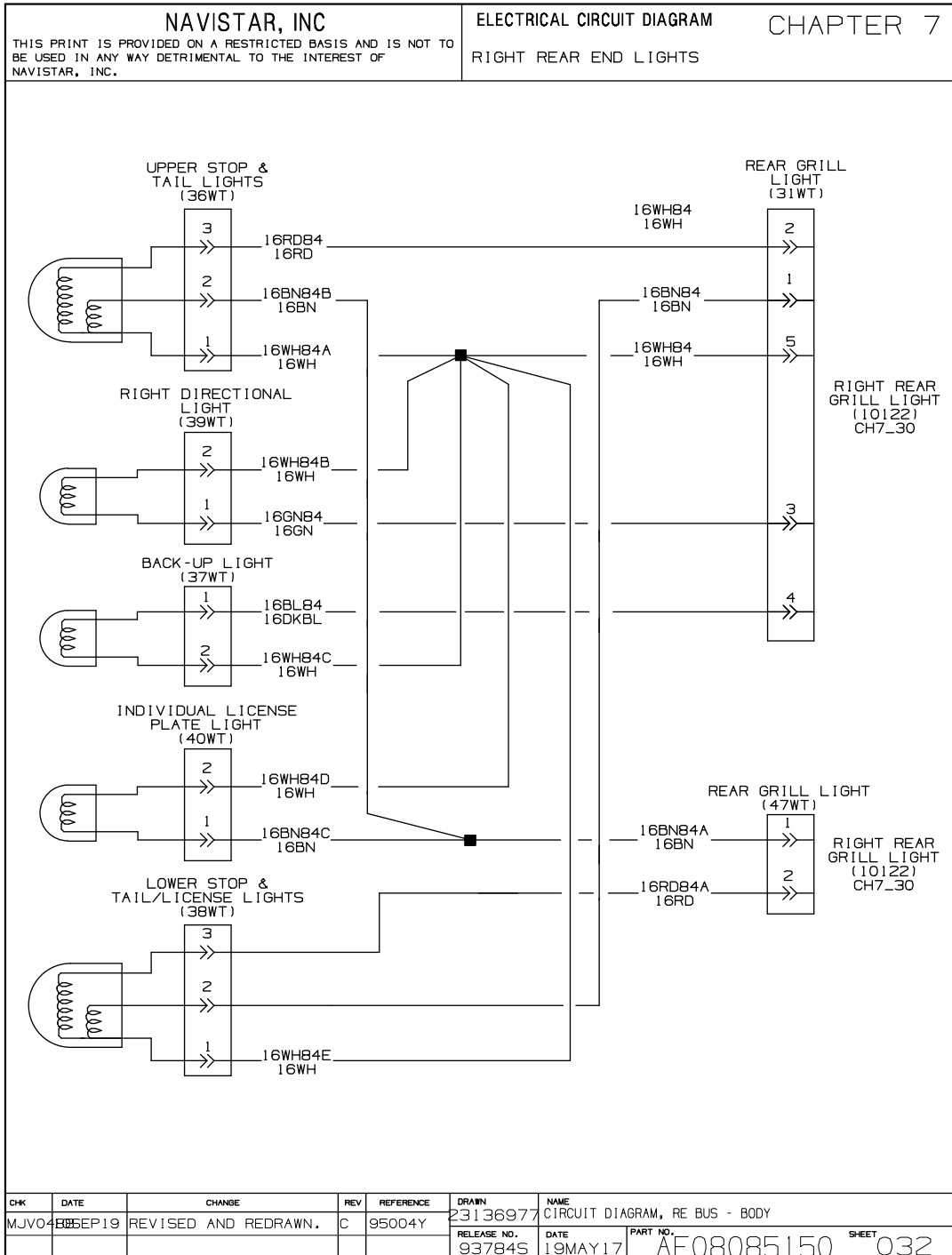


Figure 132 Right Rear End Lights

8.36. LUGGAGE BOX / COMPARTMENT LIGHTS, P. 33

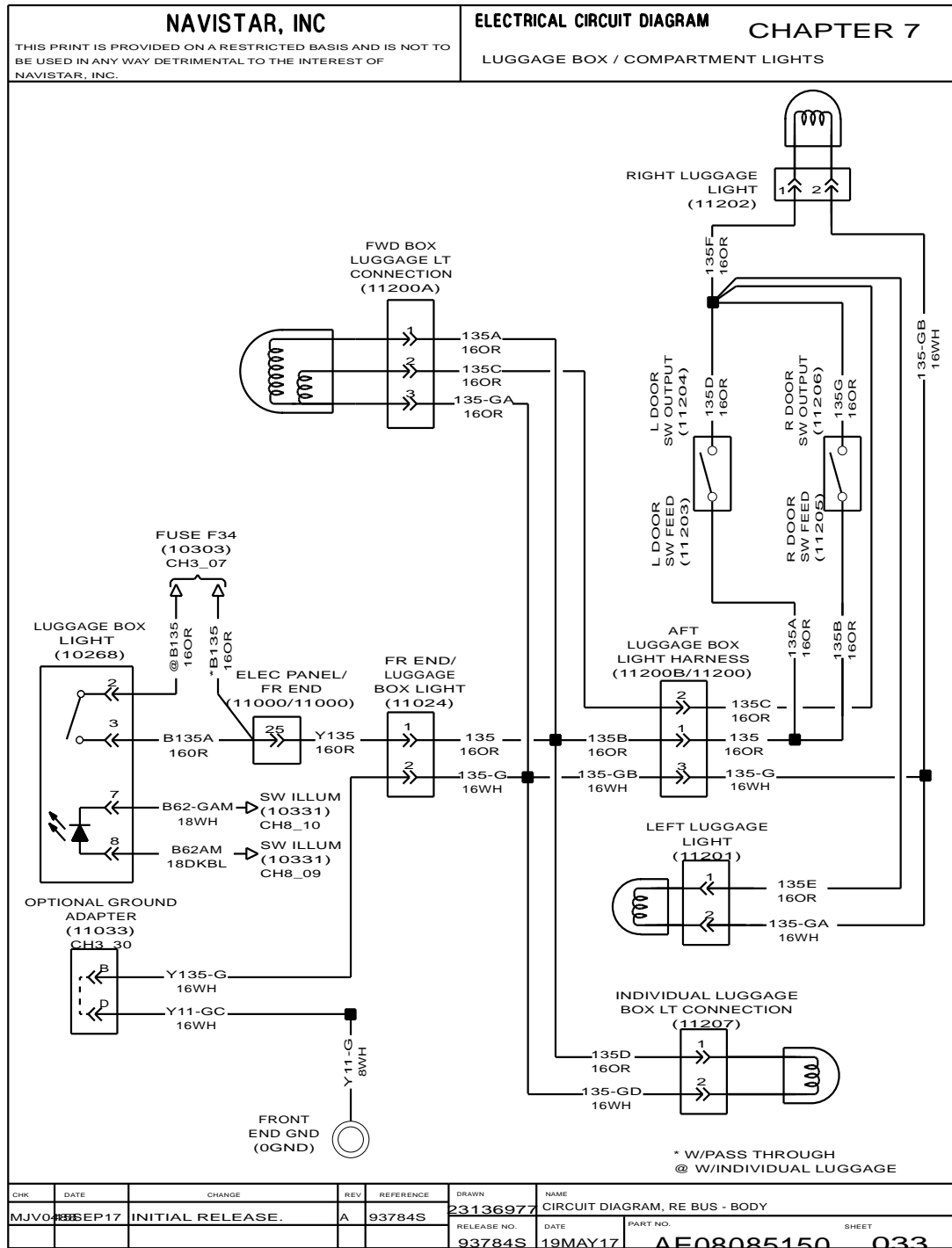


Figure 133 Luggage Box / Compartment Lights

8.37. PEDESTRIAN LIGHTS, P. 34

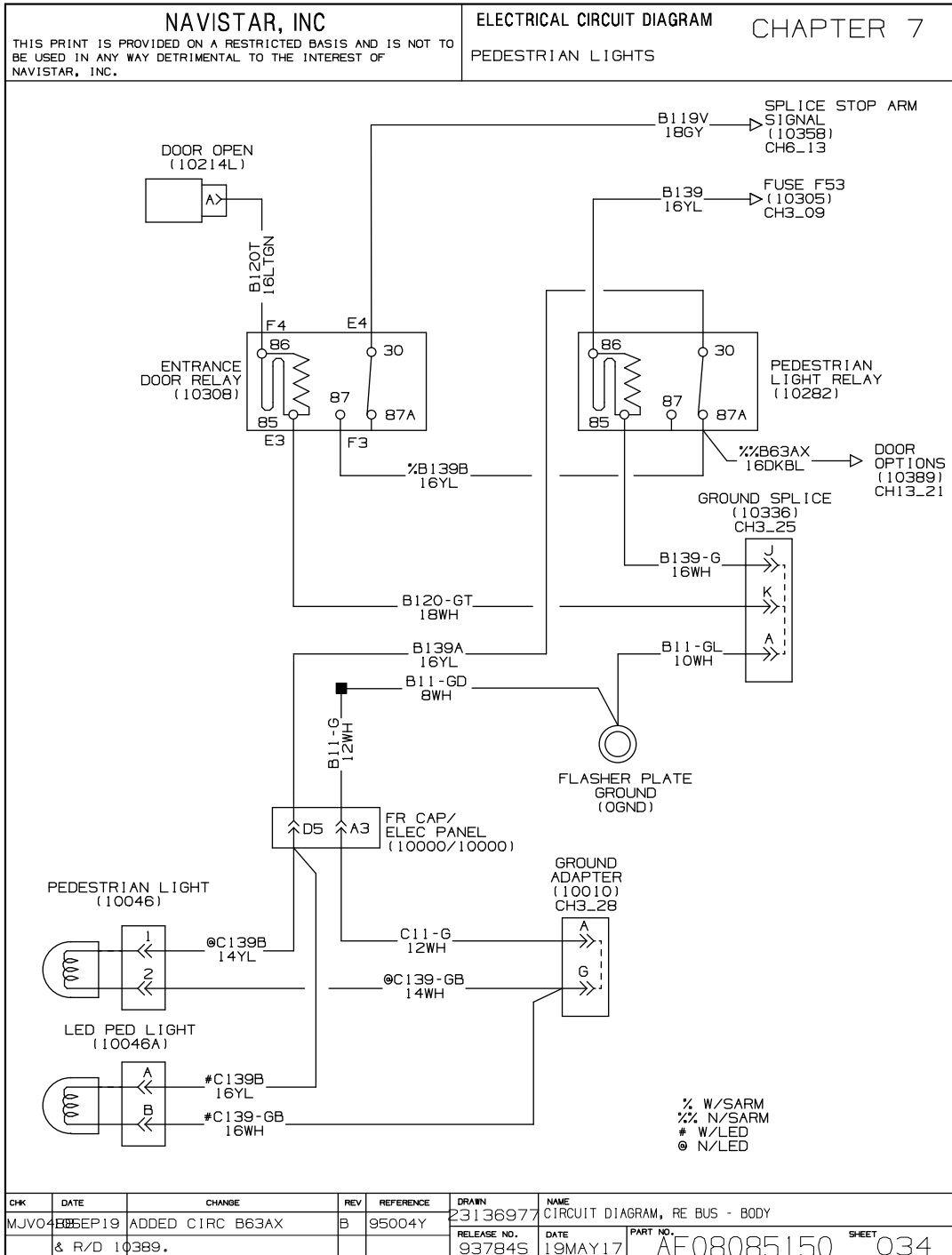


Figure 134 Pedestrian Lights

8.38. HAZARD LIGHT SWITCH IN LEFT SWITCH PANEL, P. 35

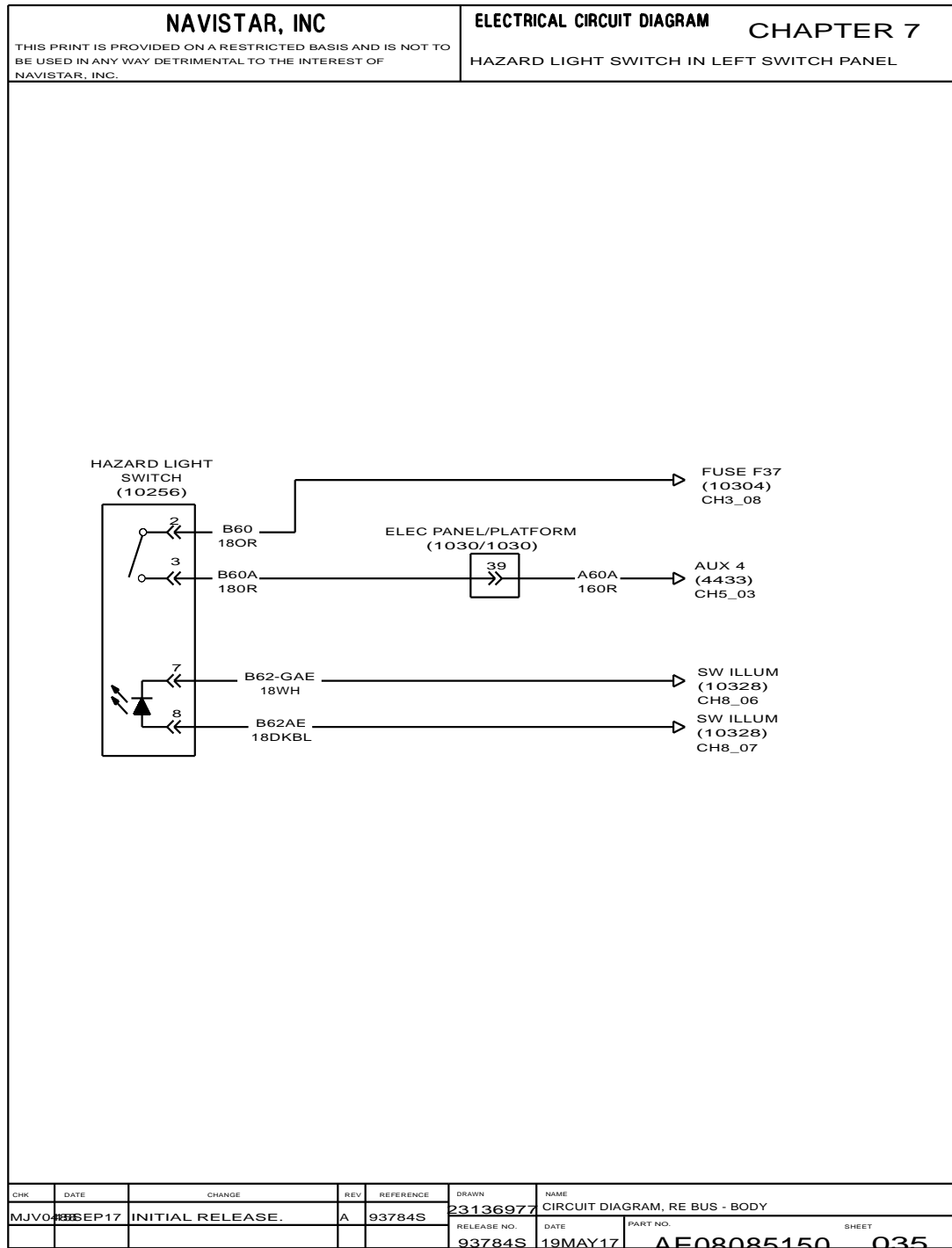


Figure 135 Hazard Light Switch in Left Switch Panel

8.39. HEADLIGHT WIRING, P. 36

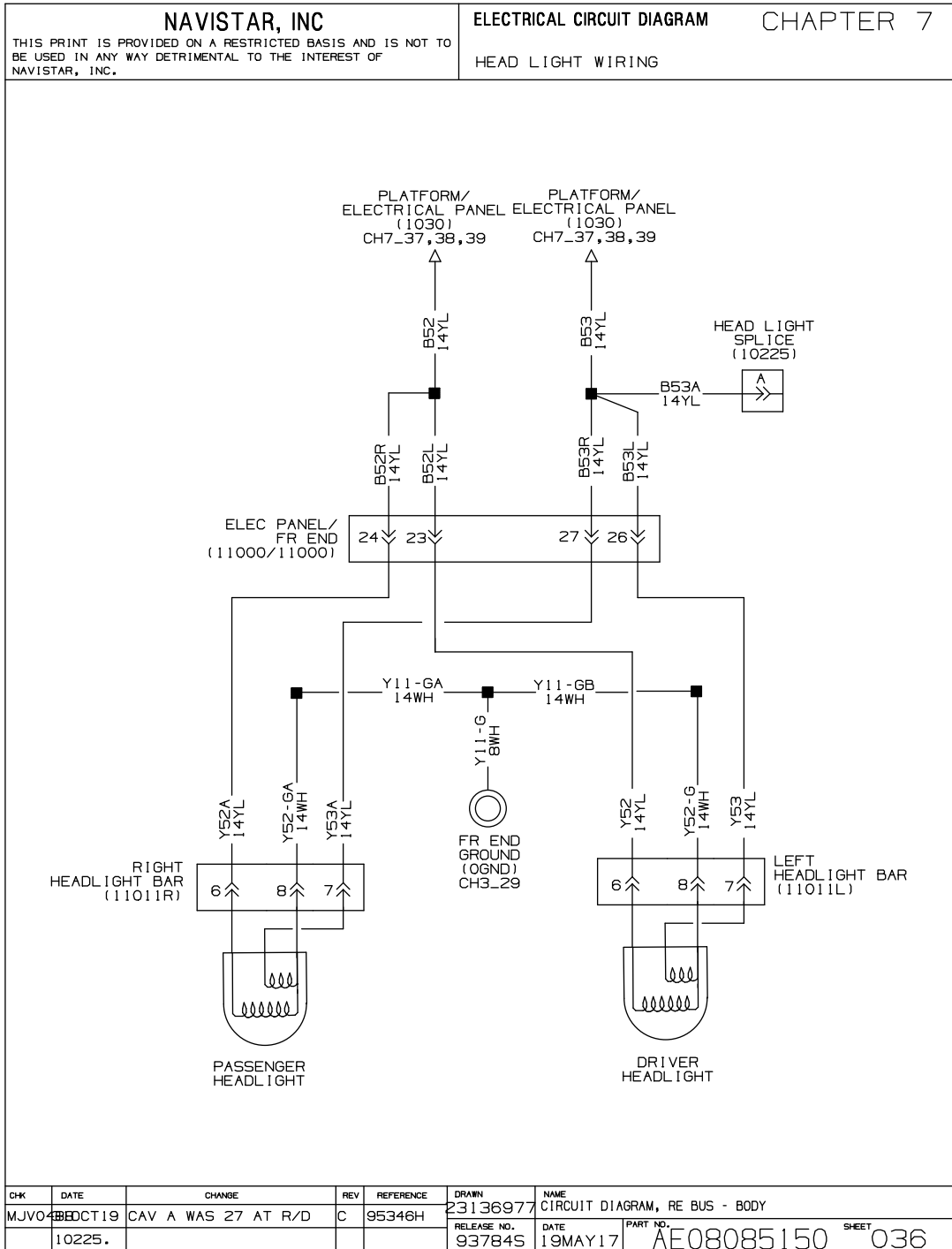


Figure 136 Headlight Wiring

8.40. HEADLIGHT WIRING WITH STANDARD, P. 37

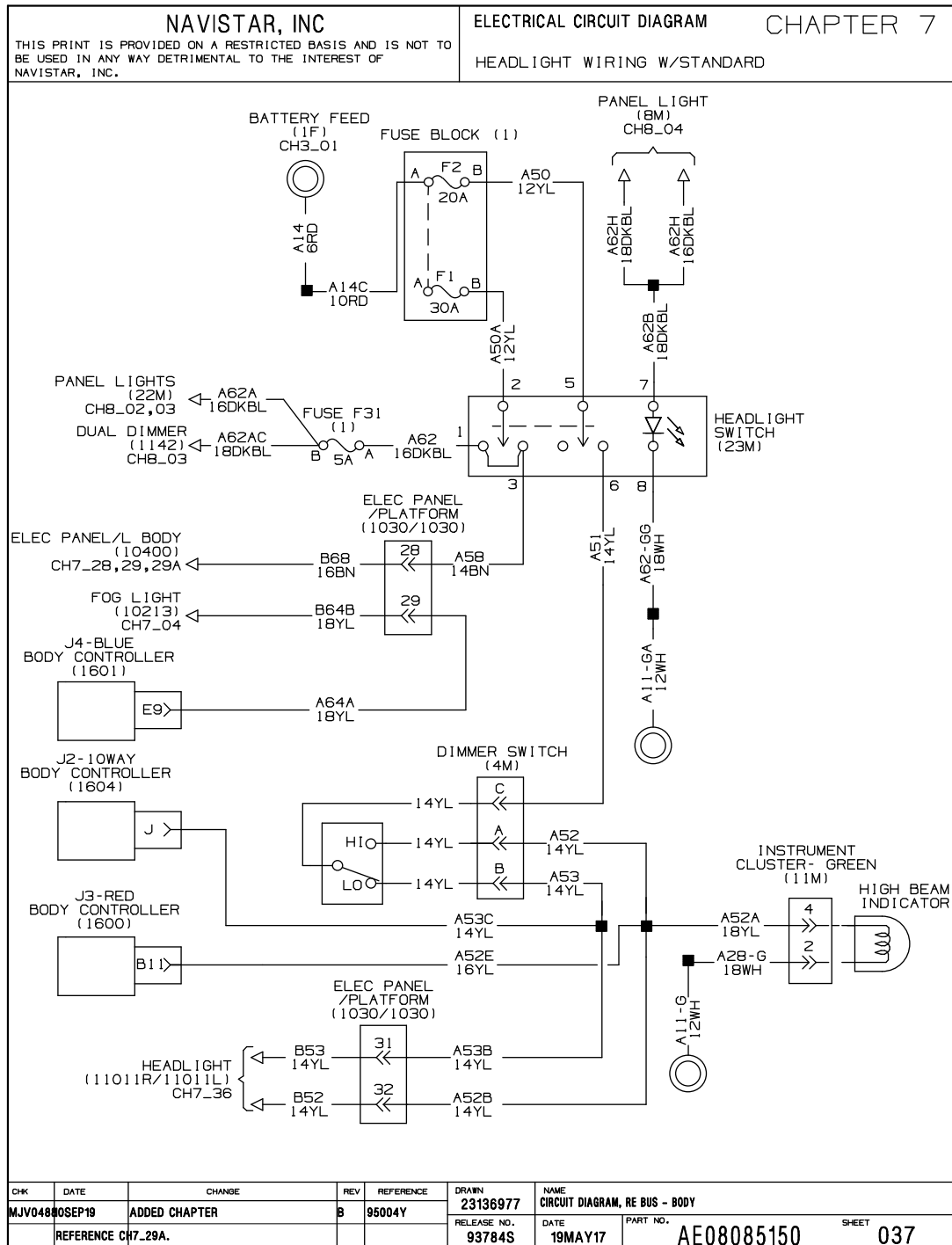


Figure 137 Headlight Wiring with Standard

8.41. HEADLIGHT WIRING WITH SPECIAL DRL, P. 38

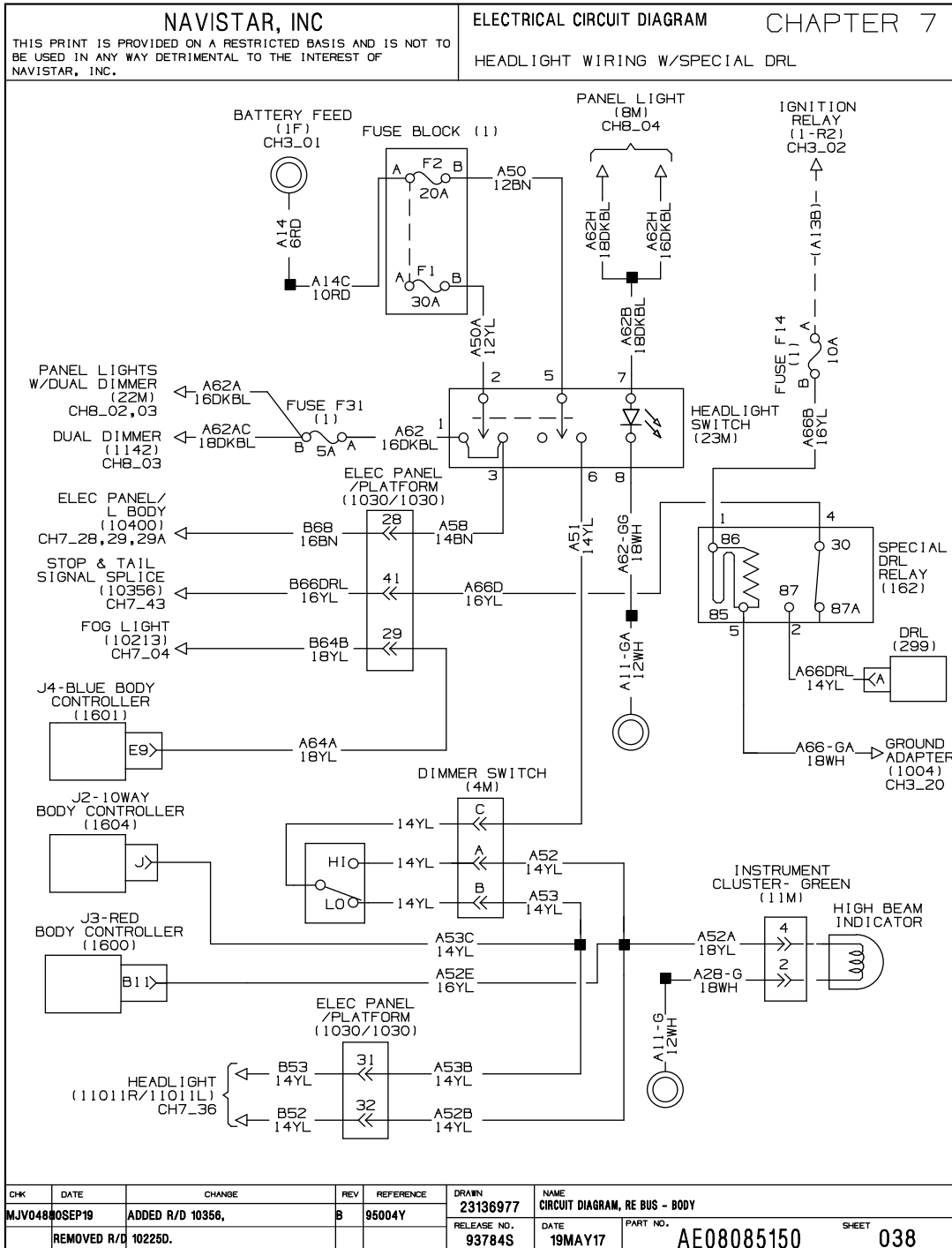


Figure 138 Headlight Wiring with Special DRL

8.42. HEADLIGHT WIRING WITH HEADLIGHTS ALWAYS ON, P. 39

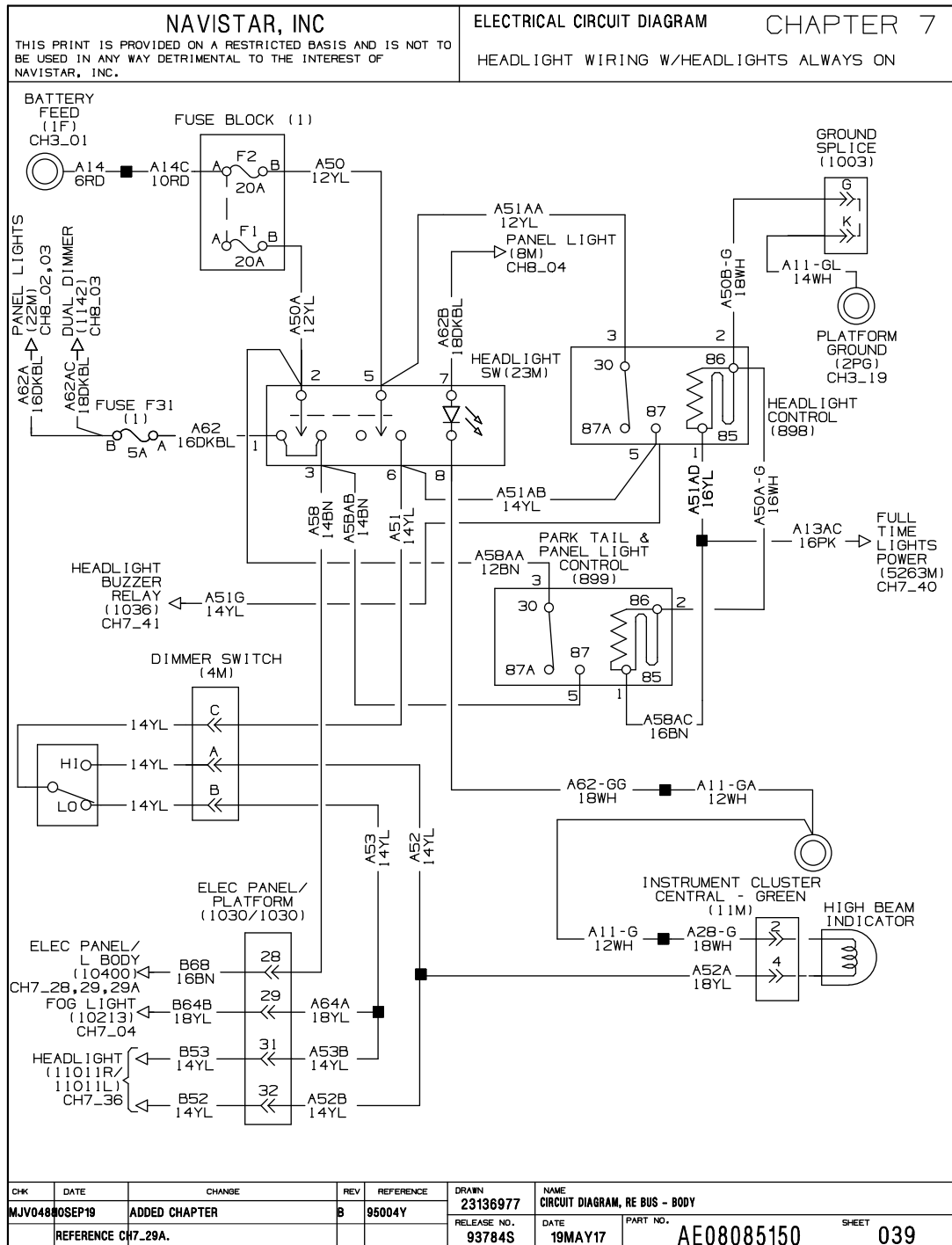


Figure 139 Headlight Wiring with Headlights Always On

8.43. HEADLIGHT WIRING WITH FULL TIME RUNNING LIGHTS, P. 40

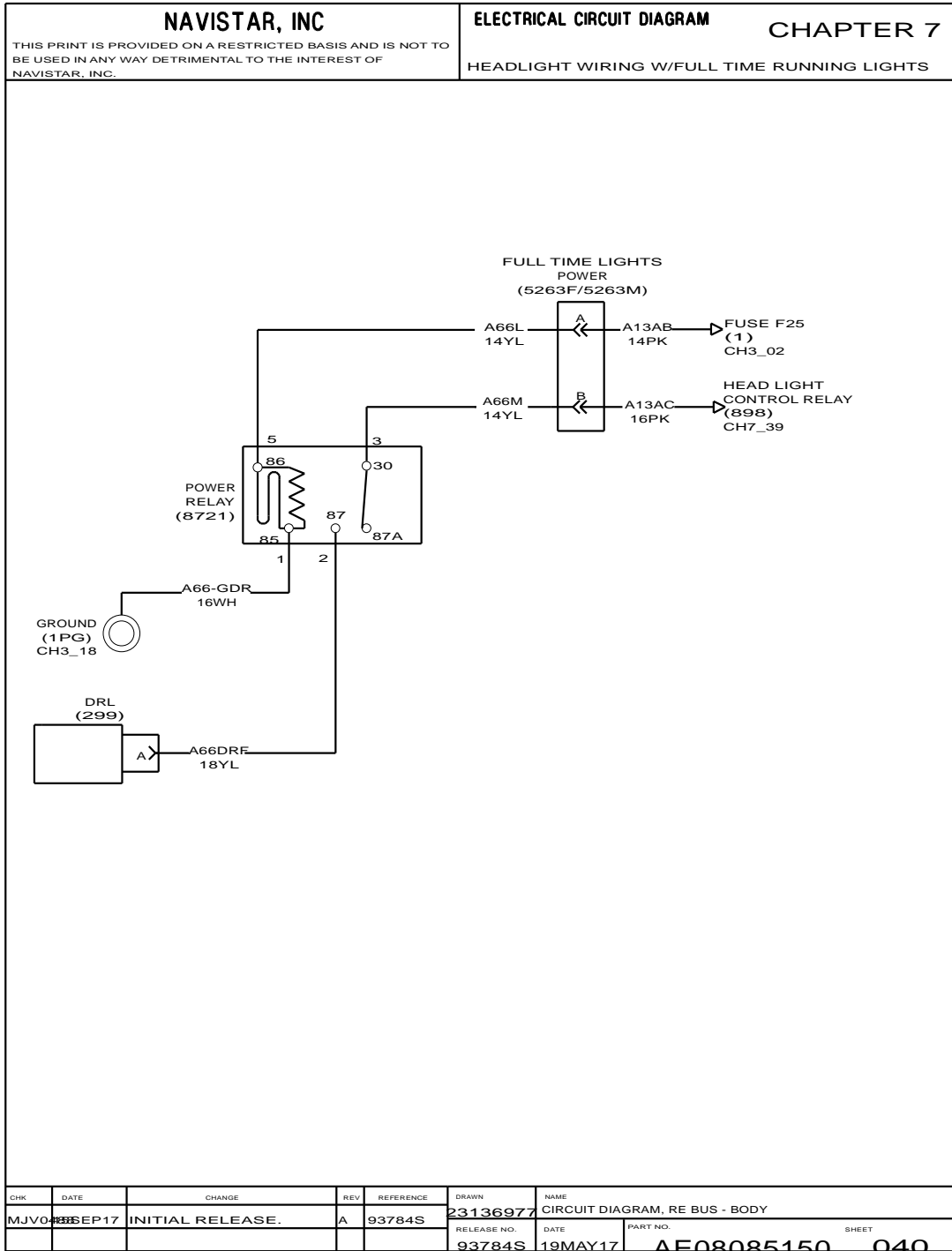


Figure 140 Headlight Wiring with Full Time Running Lights

8.44. HEADLIGHT WIRING WITH WARNING BUZZER, P. 41

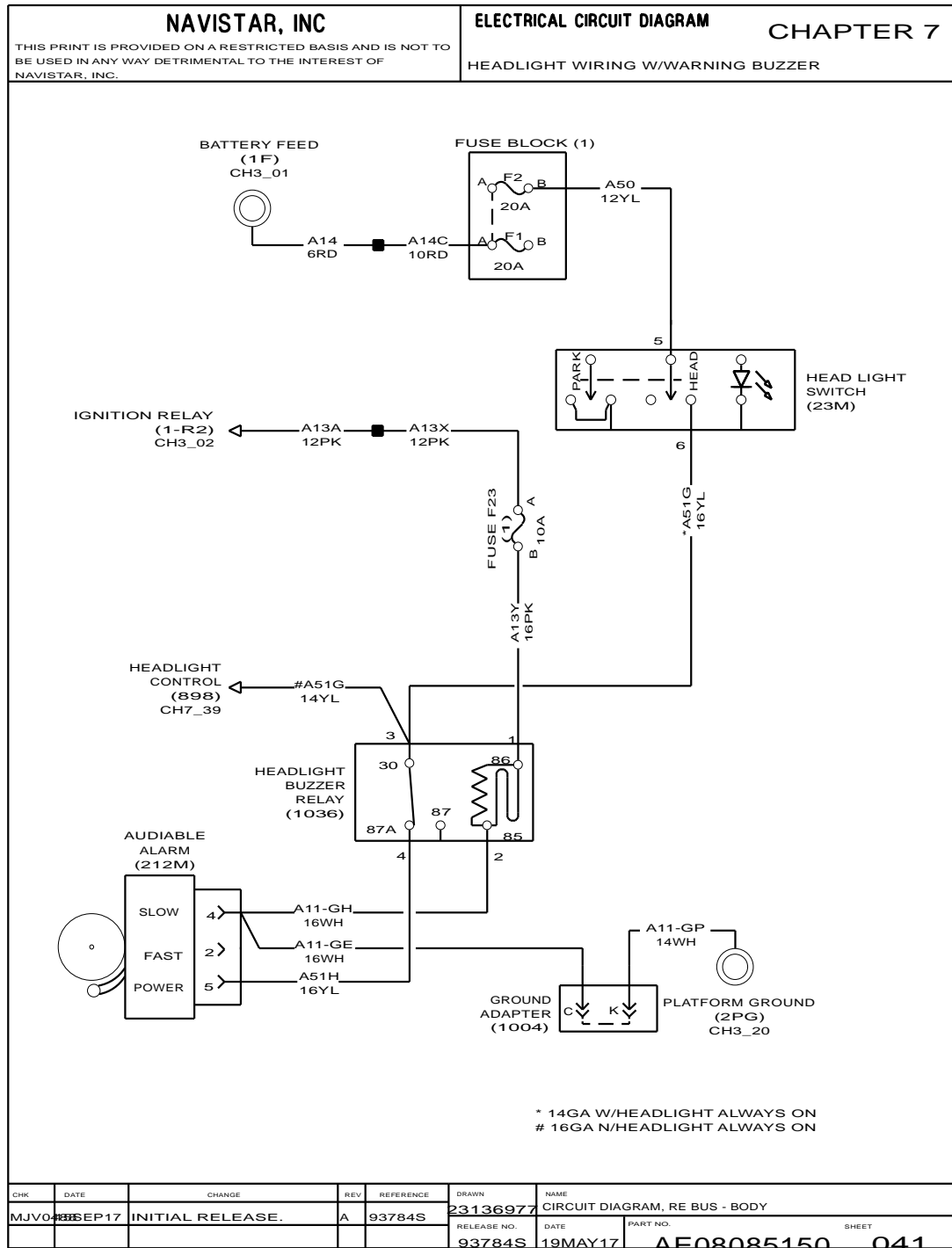


Figure 141 Headlight Wiring with Warning Buzzer

8.45. TURN SIGNAL SPLICE, P. 42

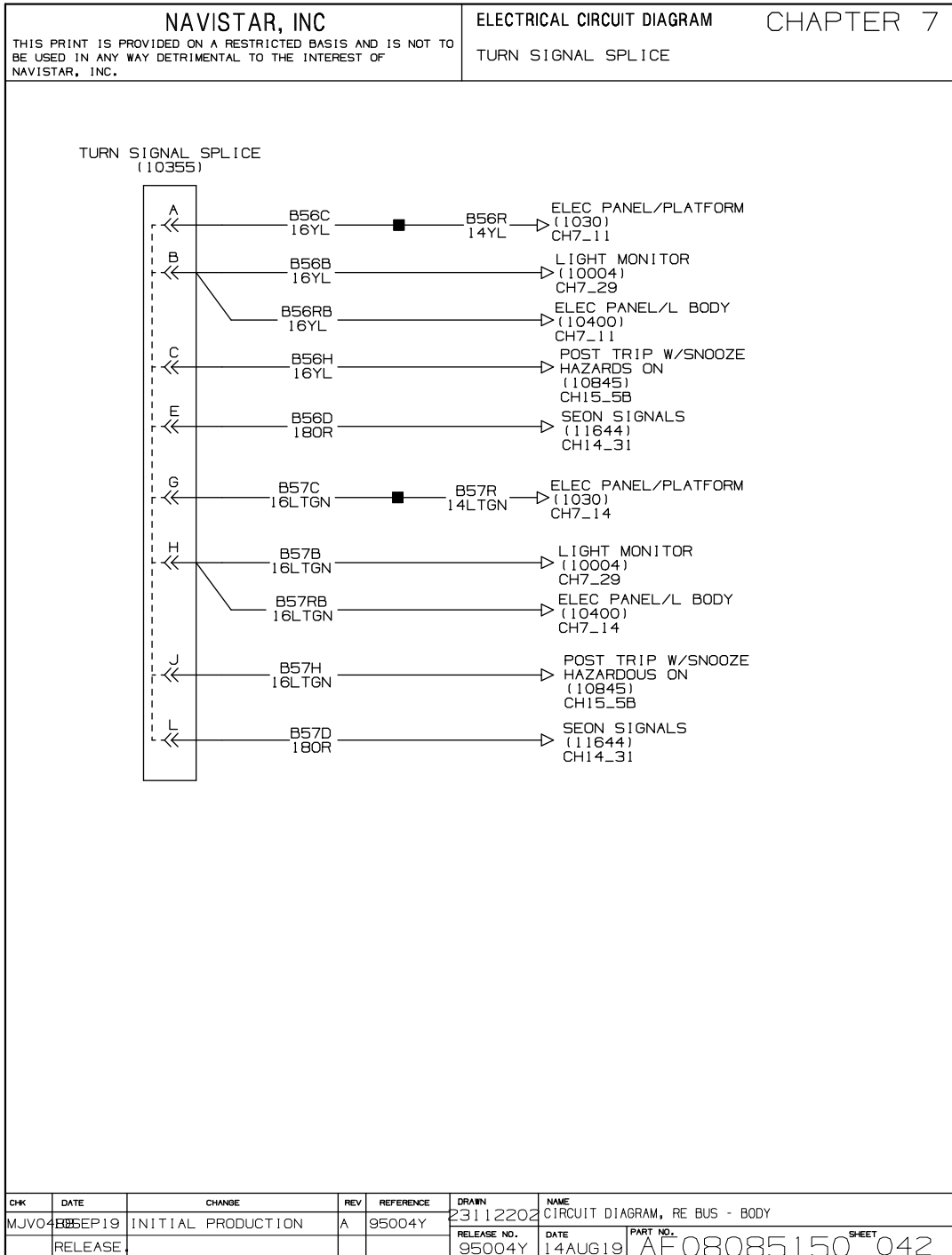


Figure 142 Turn Signal Splice

8.46. STOP AND TAIL SIGNAL SPLICE, P. 43

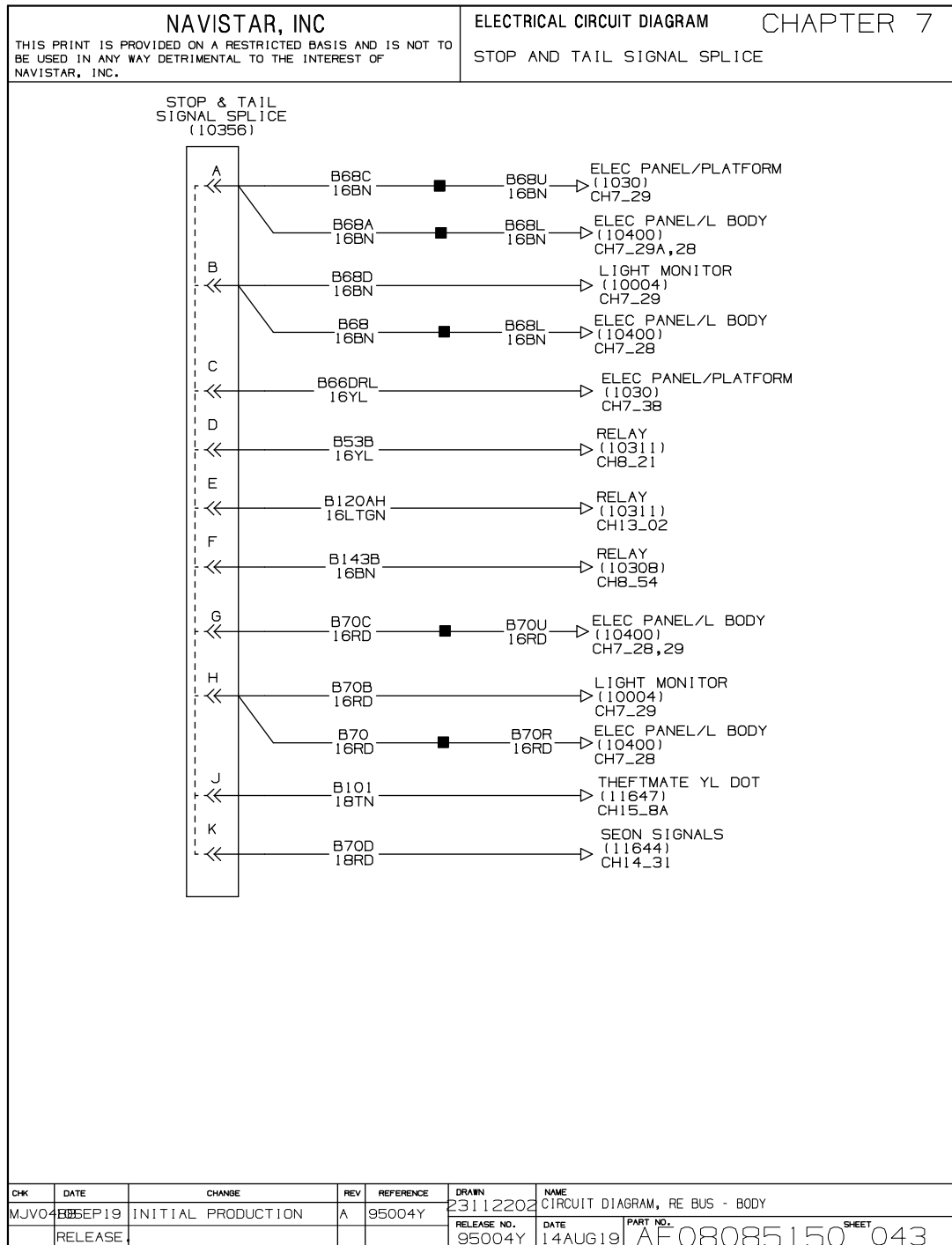


Figure 143 Stop and Tail Signal Splice

INTERIOR LIGHTS (CHAPTER 8)

9.1. STEPWELL LIGHTS WITH DUAL AND SKIRT LIGHT, P. 1

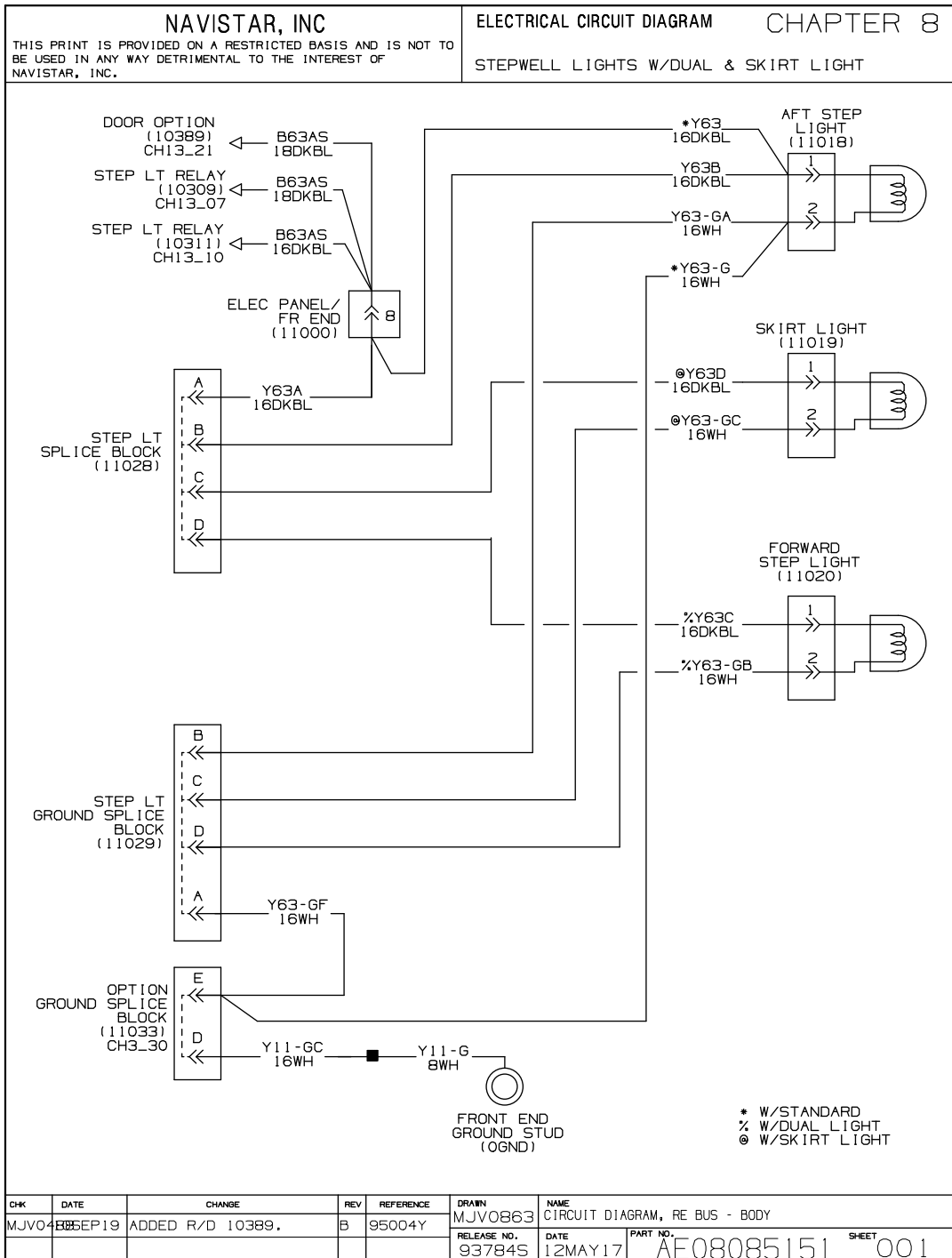


Figure 144 Stepwell Lights with Dual and Skirt Light

9.2. PANEL LIGHT WITH SINGLE DIMMER CONTROL, P. 2

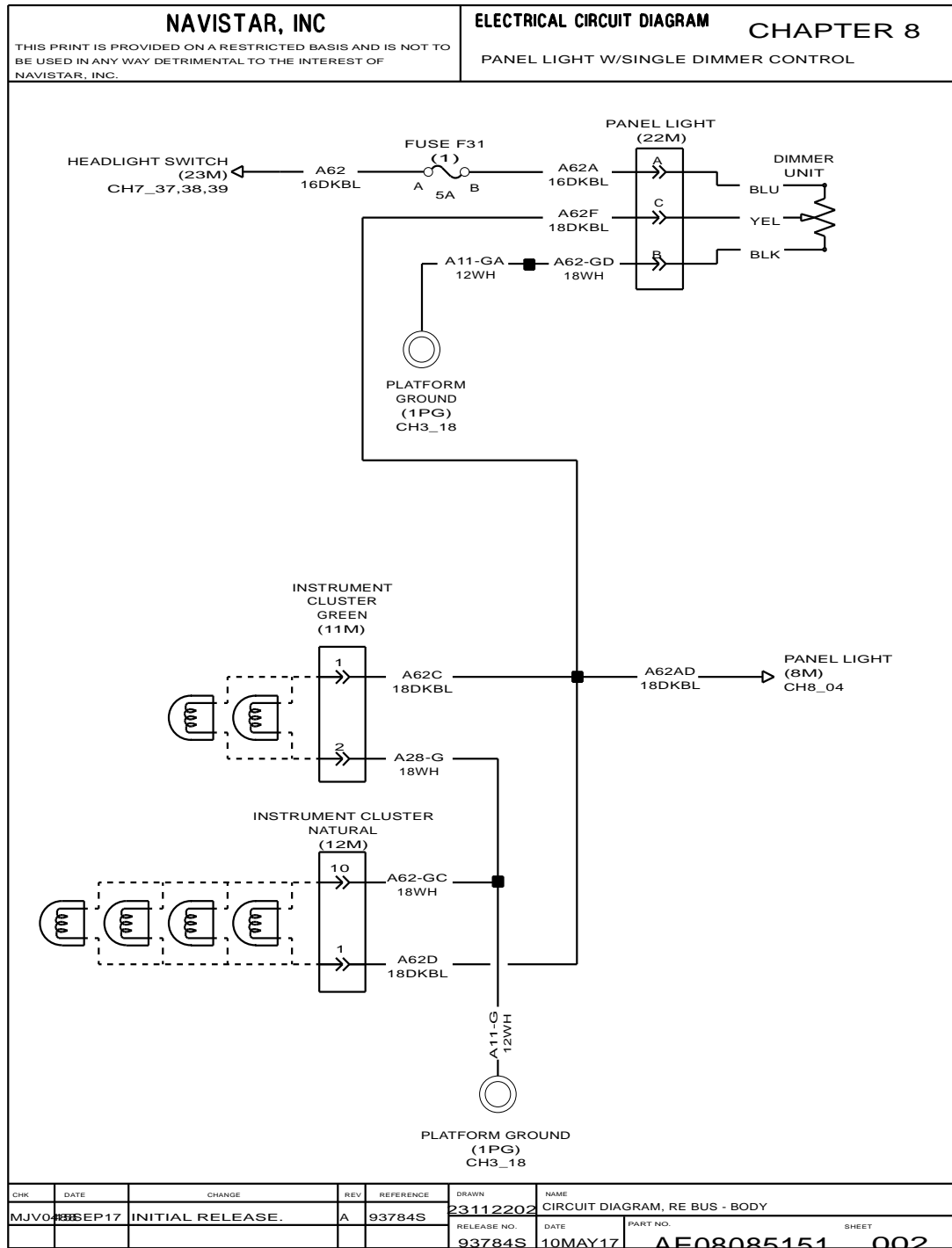


Figure 145 Panel Light with Single Dimmer Control

9.3. PANEL LIGHT WITH DUAL DIMMER CONTROL, P. 3

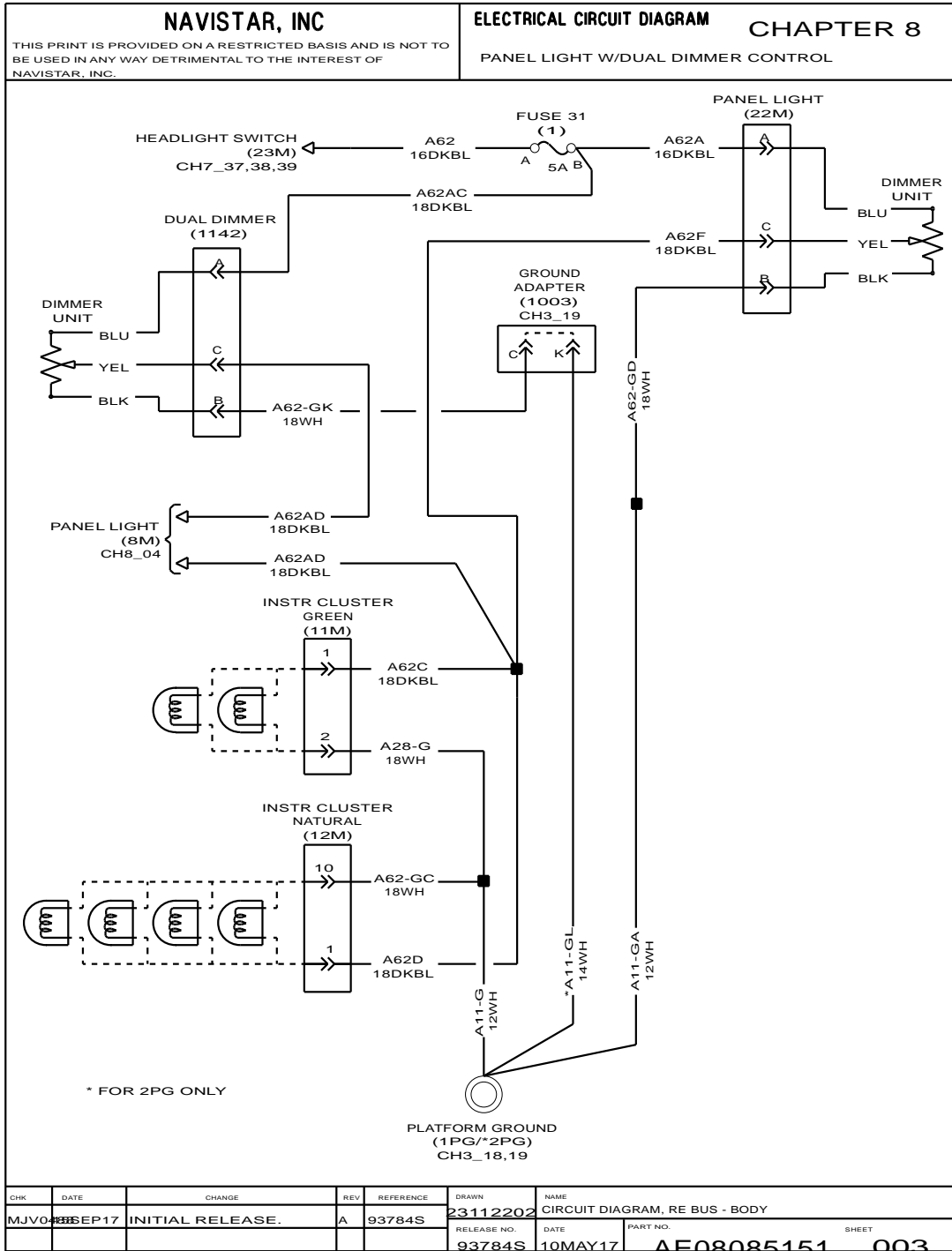


Figure 146 Panel Light with Dual Dimmer Control

9.4. PANEL LIGHT ADAPTER, P. 4

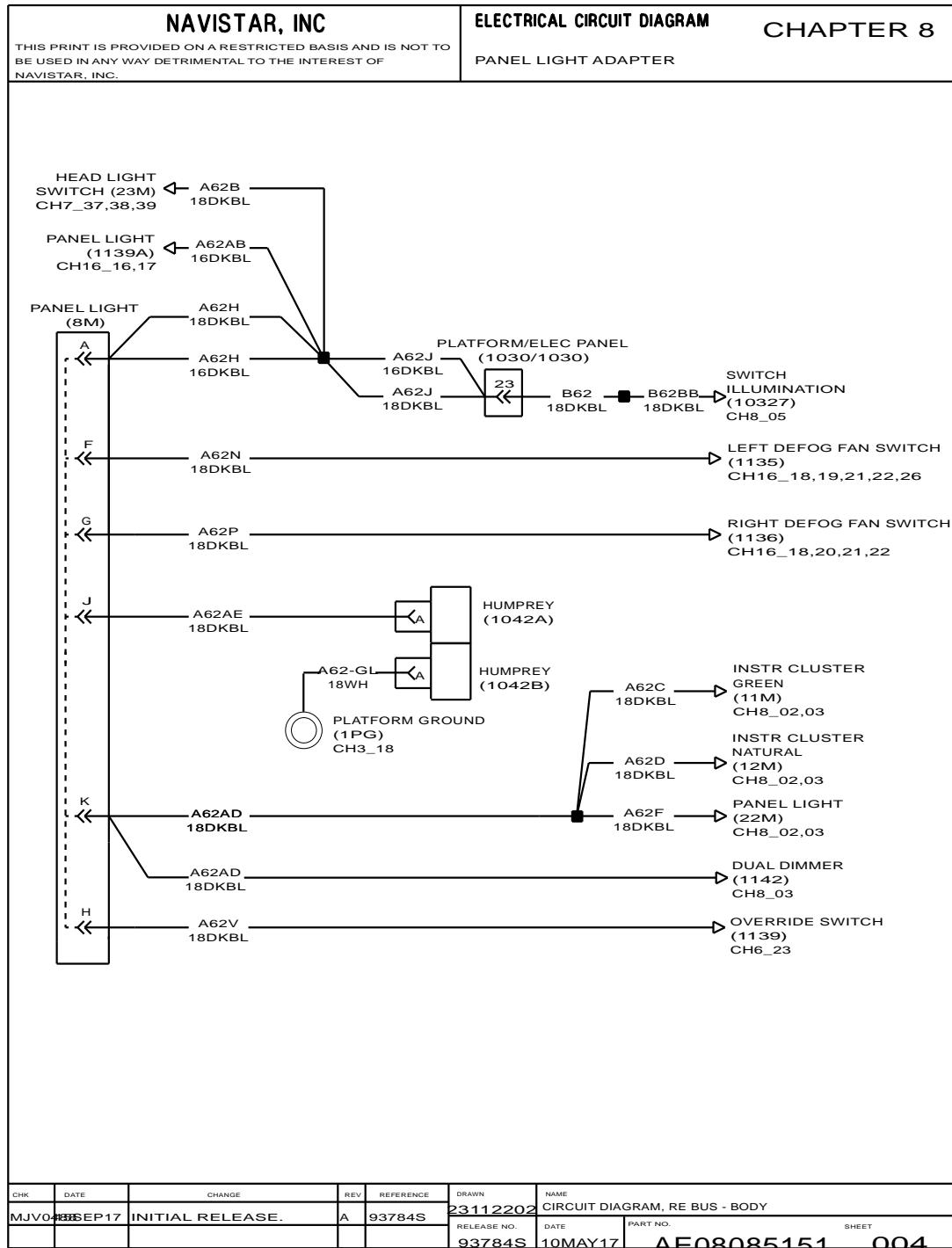


Figure 147 Panel Light Adapter

9.5. SWITCH ILLUMINATION, P. 5

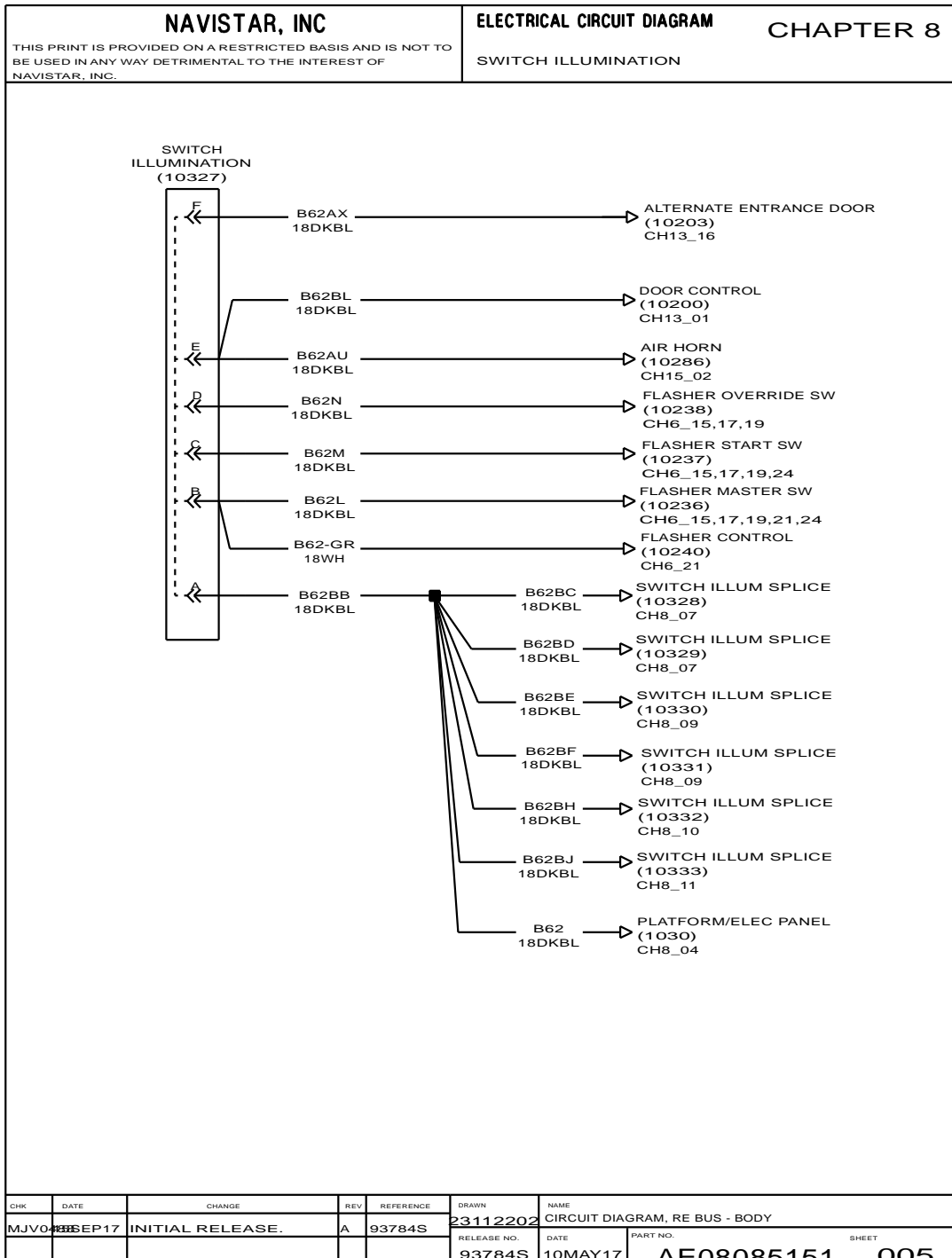


Figure 148 Switch Illumination

9.6. SWITCH ILLUMINATION (CONT.), P. 6

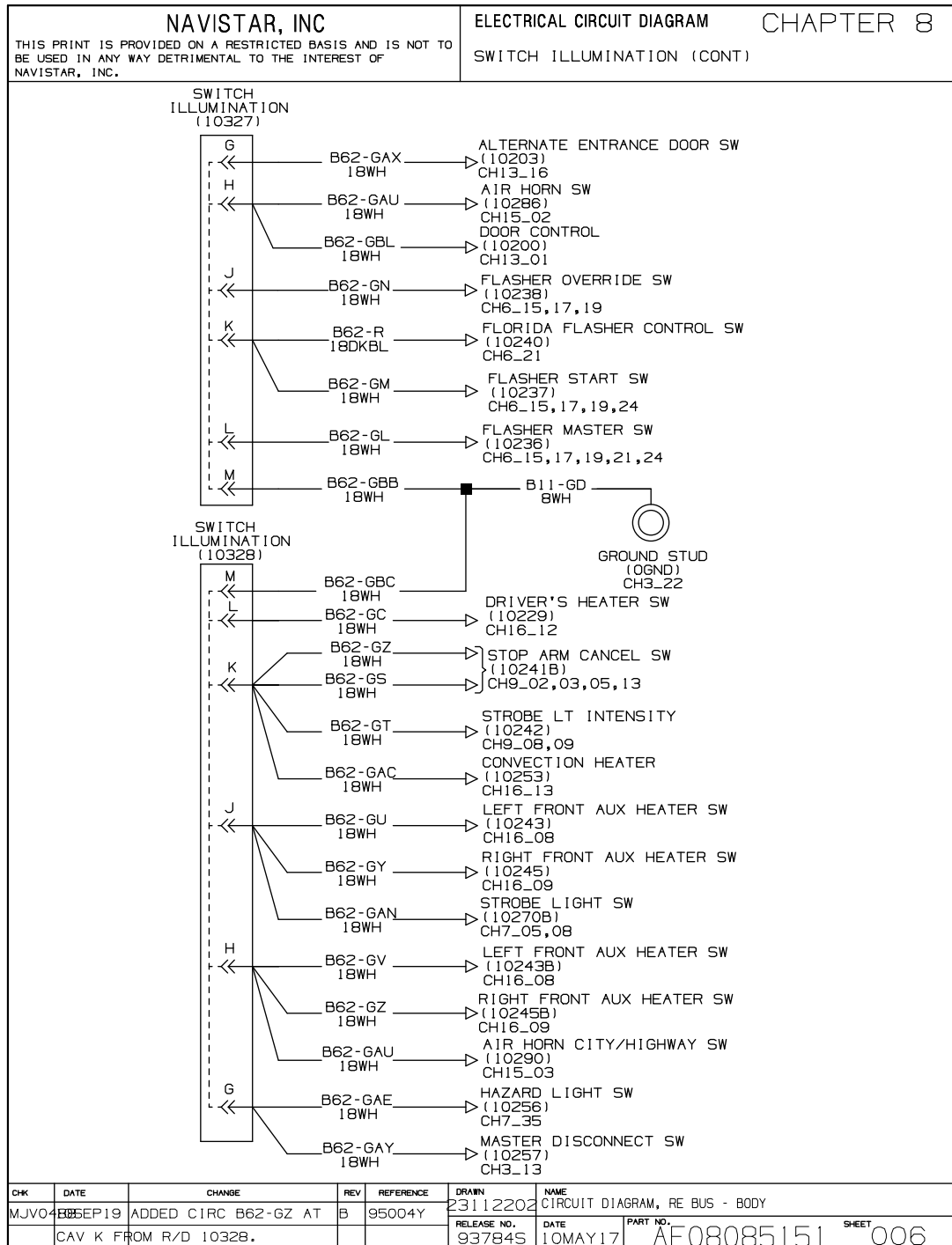


Figure 149 Switch Illumination (Cont.)

9.7. SWITCH ILLUMINATION (CONT.), P. 7

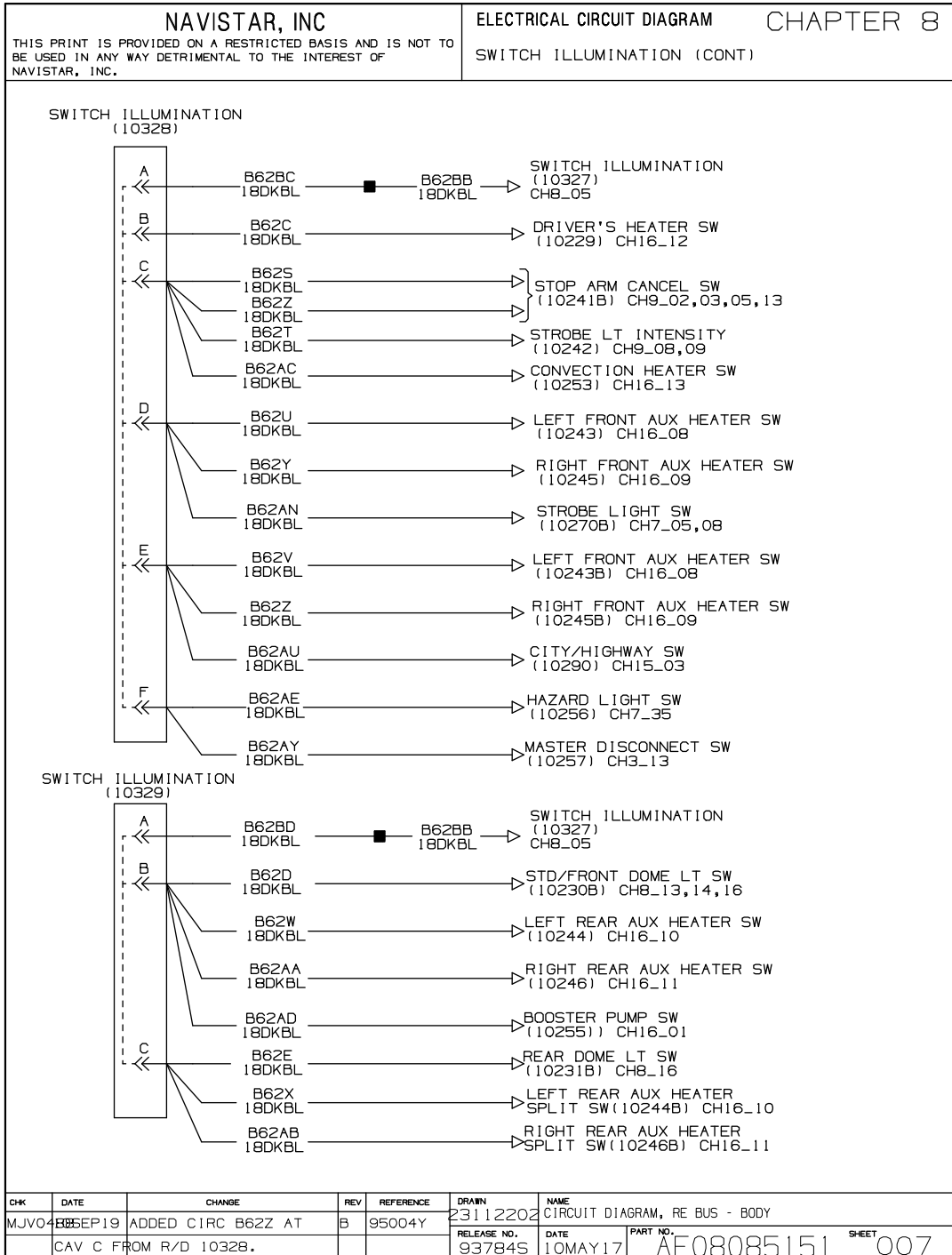


Figure 150 Switch Illumination (Cont.)

9.8. SWITCH ILLUMINATION (CONT.), P. 8

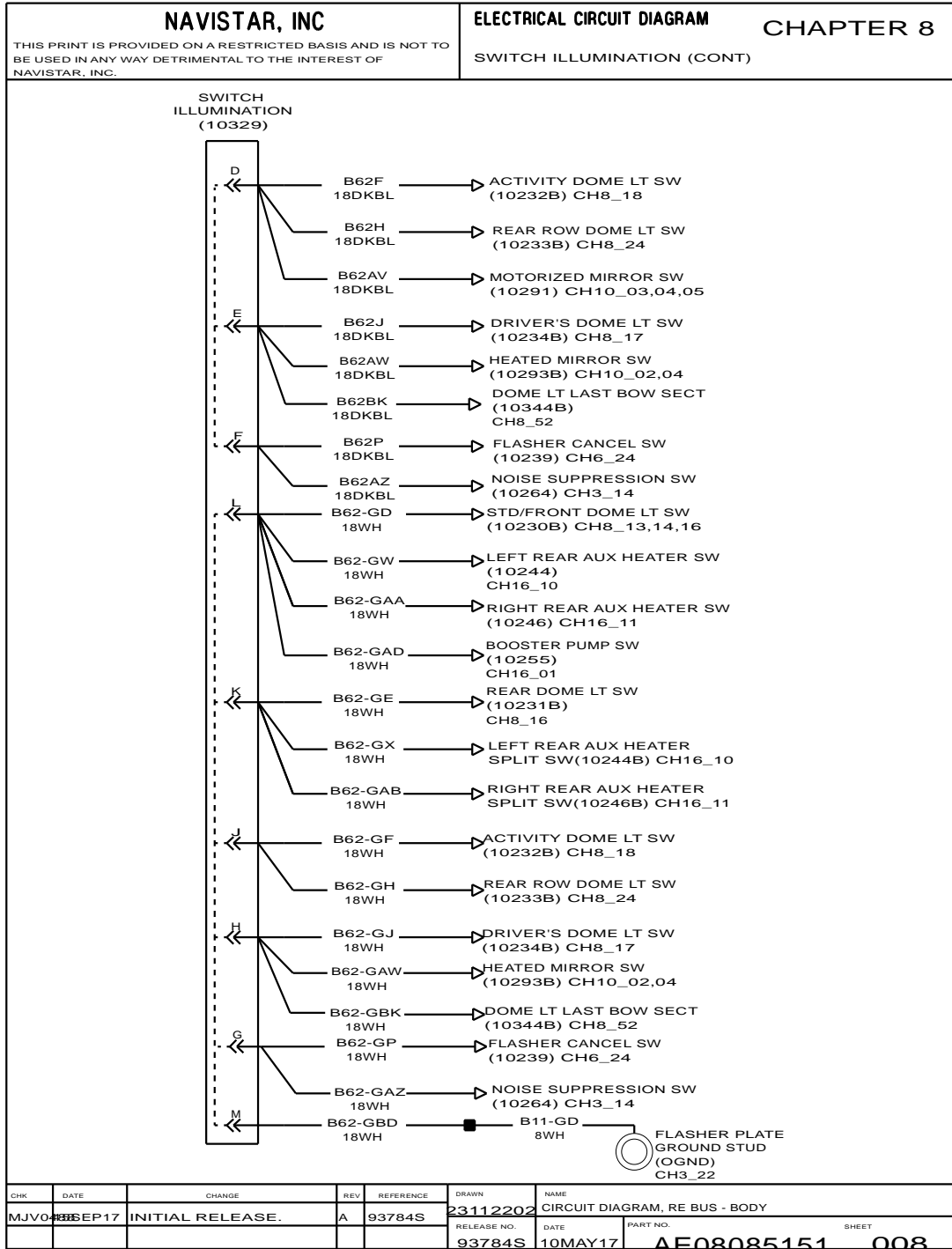


Figure 151 Switch Illumination (Cont.)

9.9. SWITCH ILLUMINATION (CONT.), P. 9

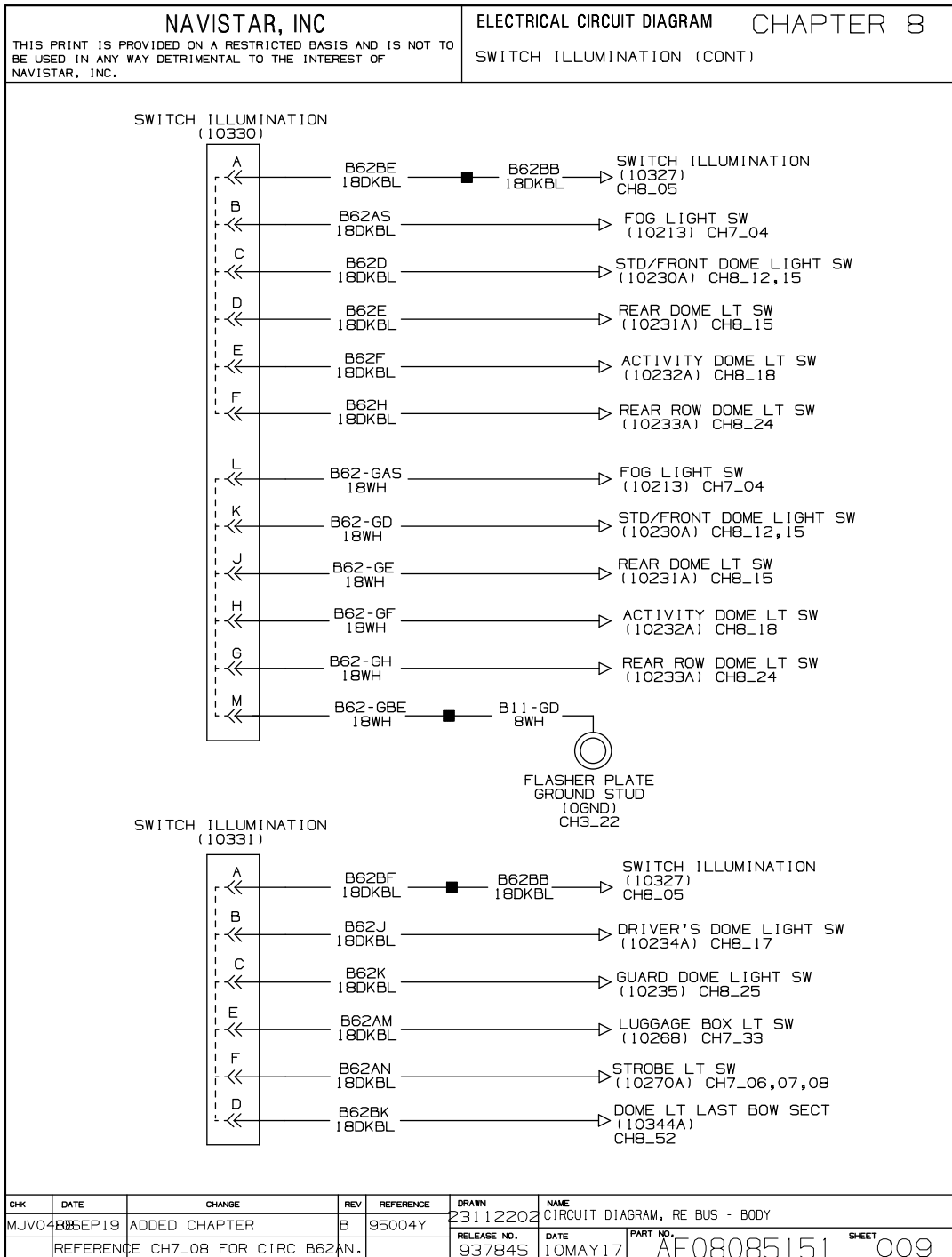


Figure 152 Switch Illumination (Cont.)

9.10. SWITCH ILLUMINATION (CONT.), P. 10

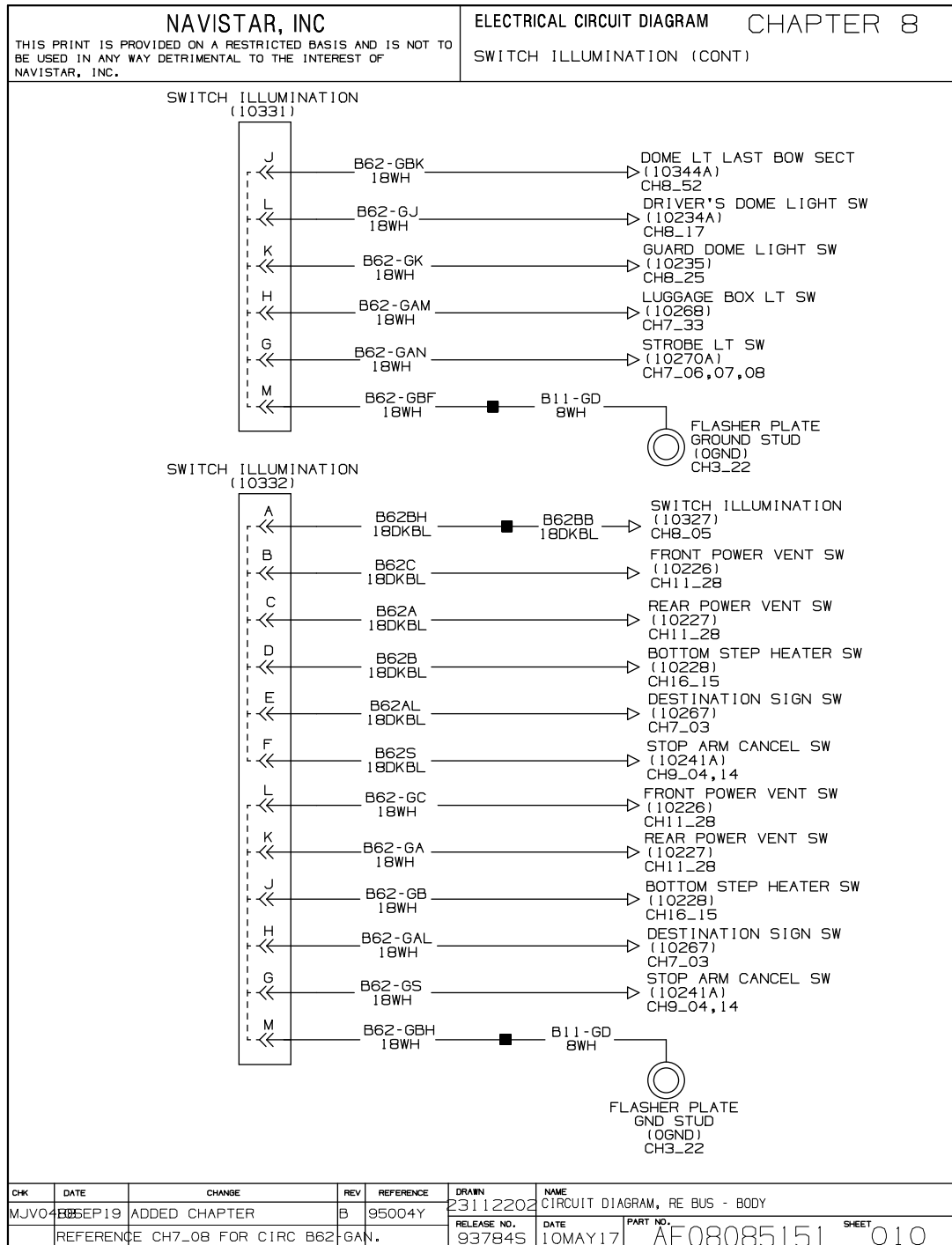


Figure 153 Switch Illumination (Cont.)

9.11. SWITCH ILLUMINATION (CONT.), P. 11

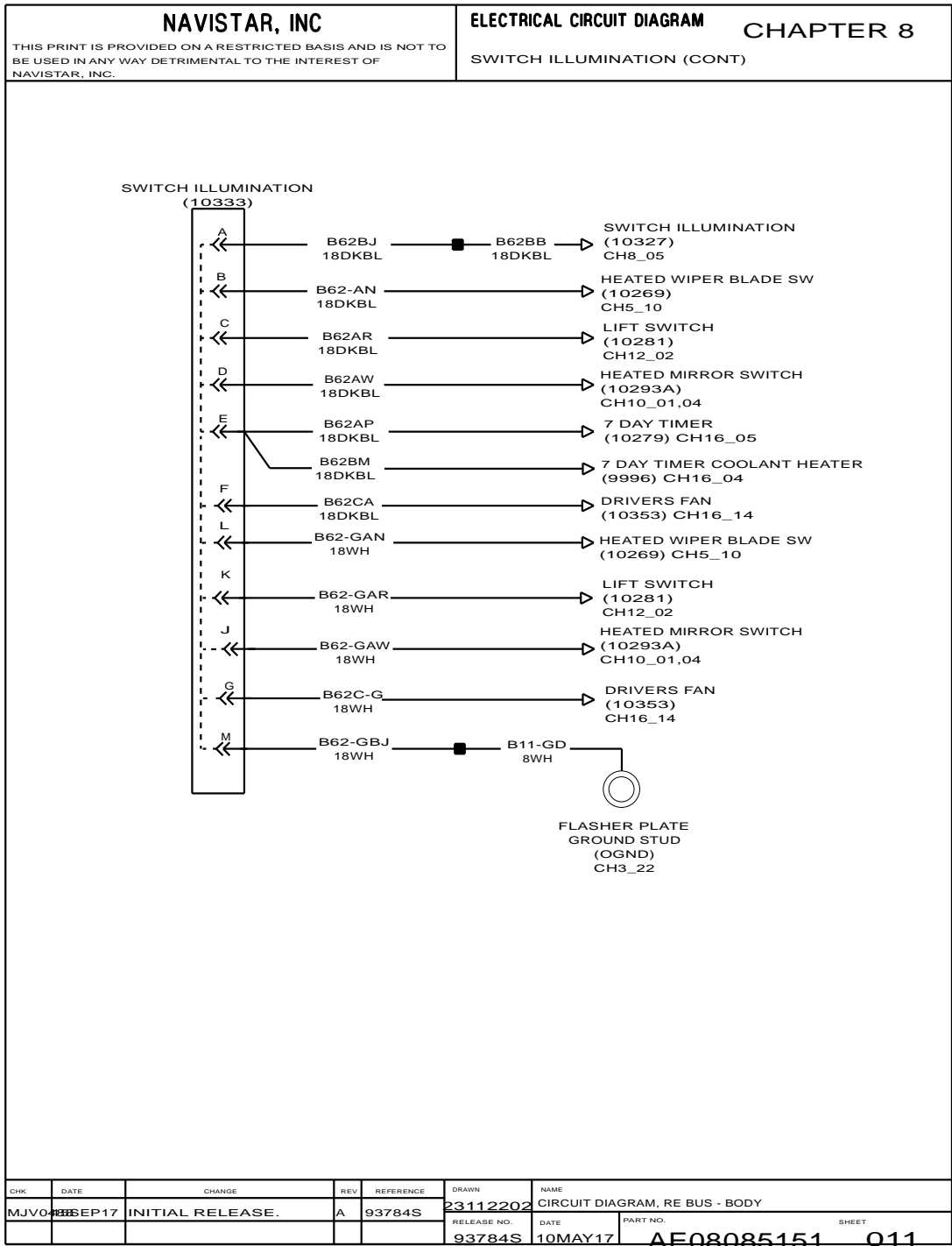


Figure 154 Switch Illumination (Cont.)

9.12. DOME LIGHT SINGLE SWITCH, P. 12

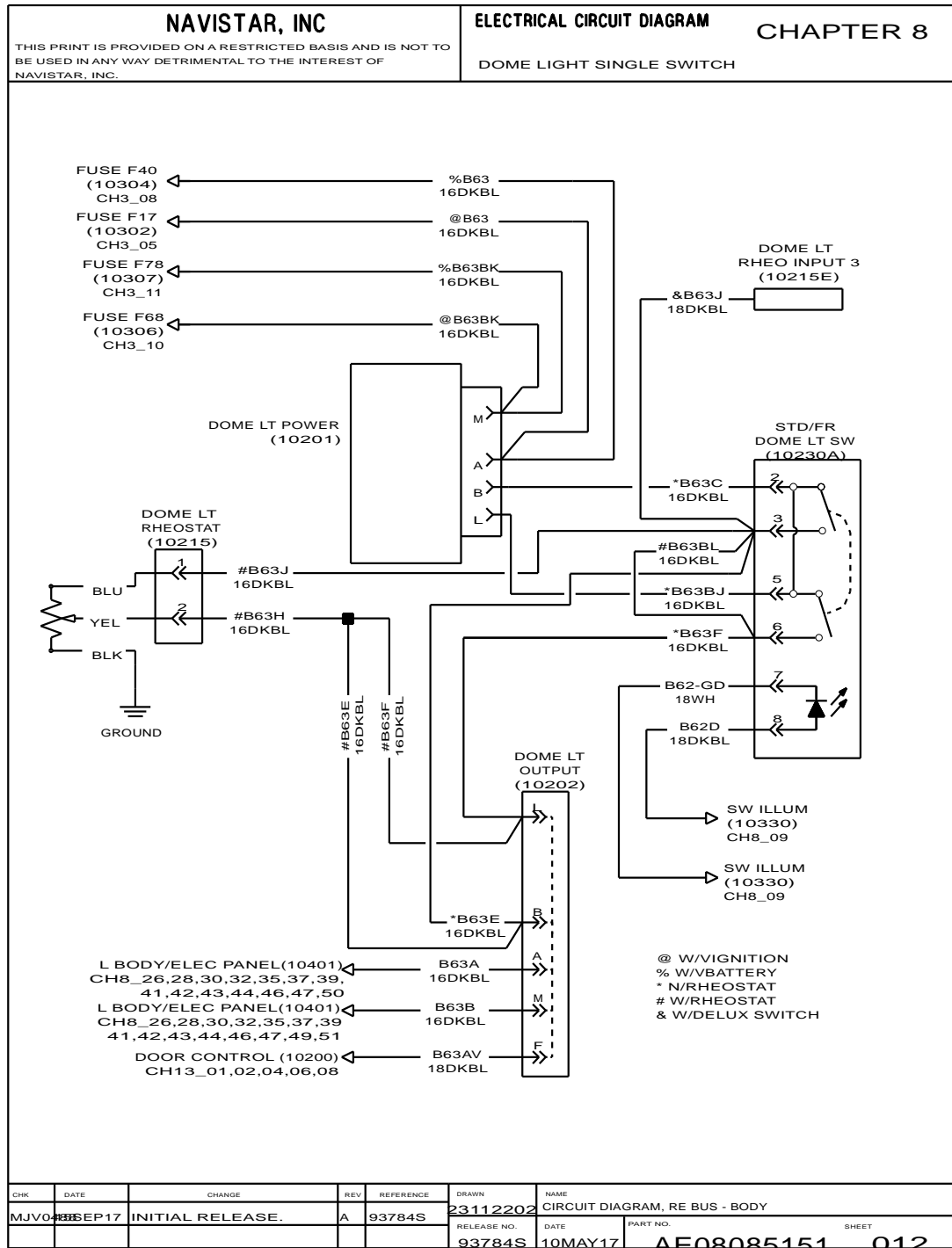


Figure 155 Dome Light Single Switch

9.13. DOME LIGHT SINGLE SWITCH (CONT.), P. 13

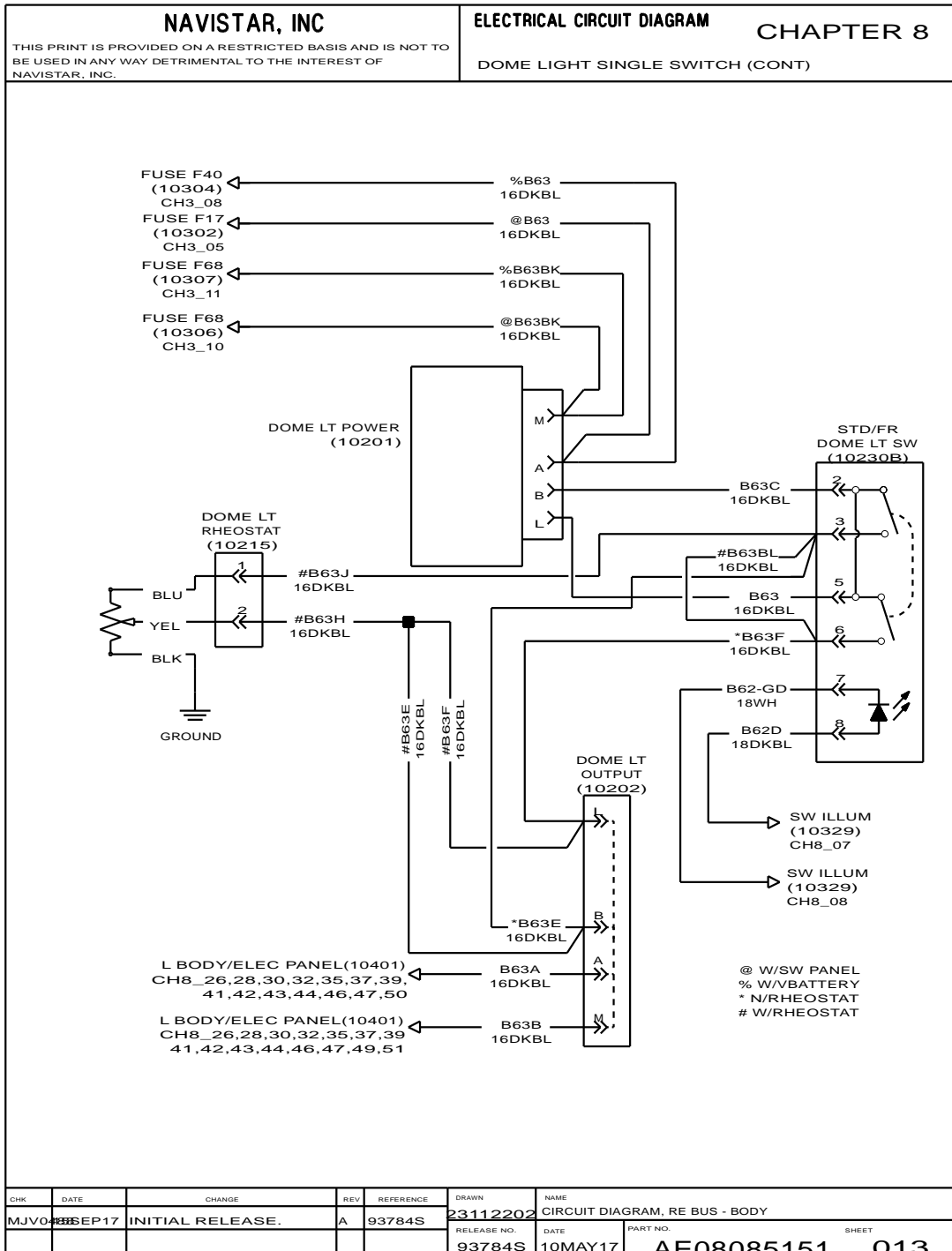


Figure 156 Dome Light Single Switch (Cont.)

9.14. DOME LIGHT DELUXE SINGLE SWITCH WITH V IGNITION OVERHEAD, P. 14

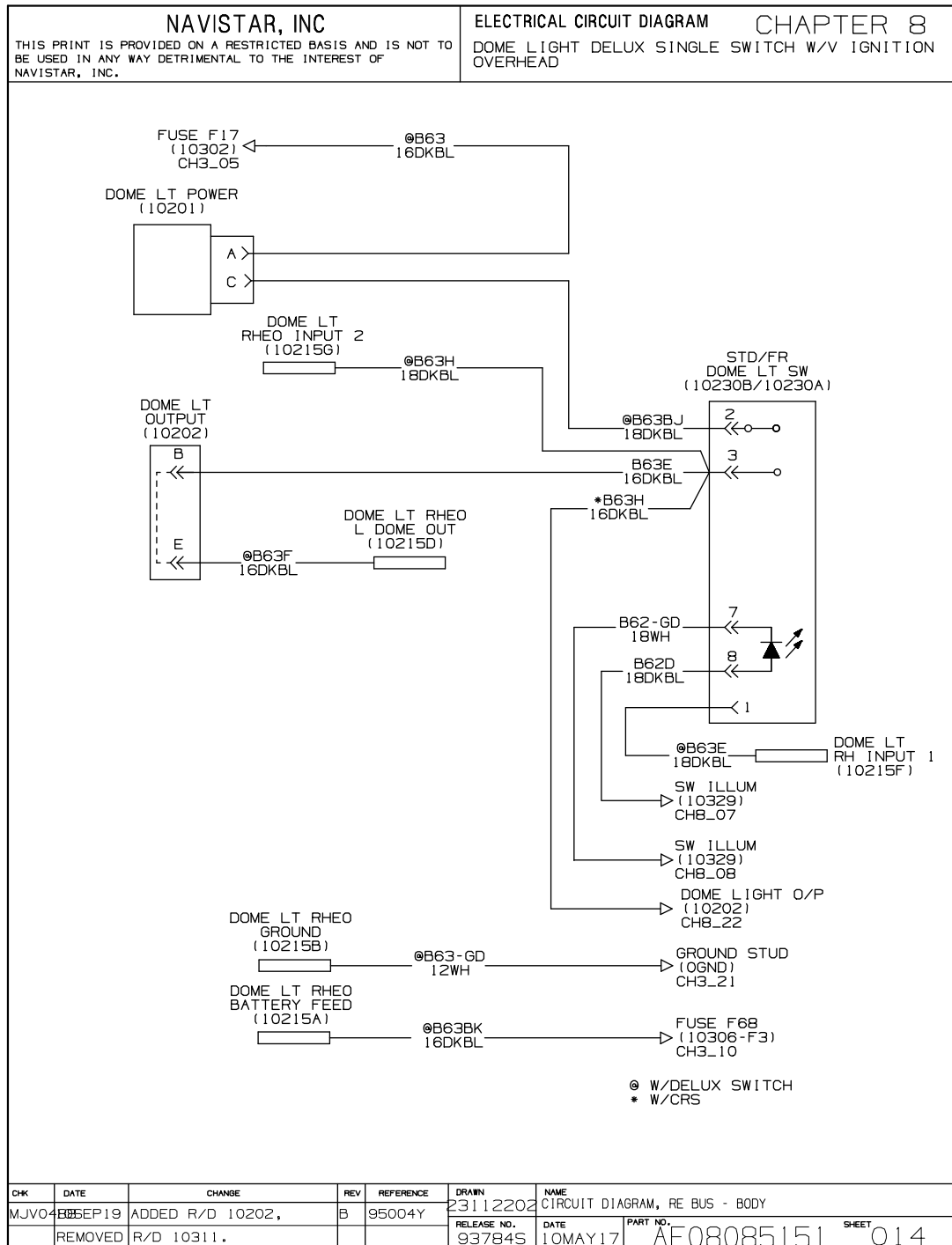


Figure 157 Dome Light Deluxe Single Switch with V Ignition Overhead

9.15. DOME LIGHT SPLIT SWITCH, P. 15

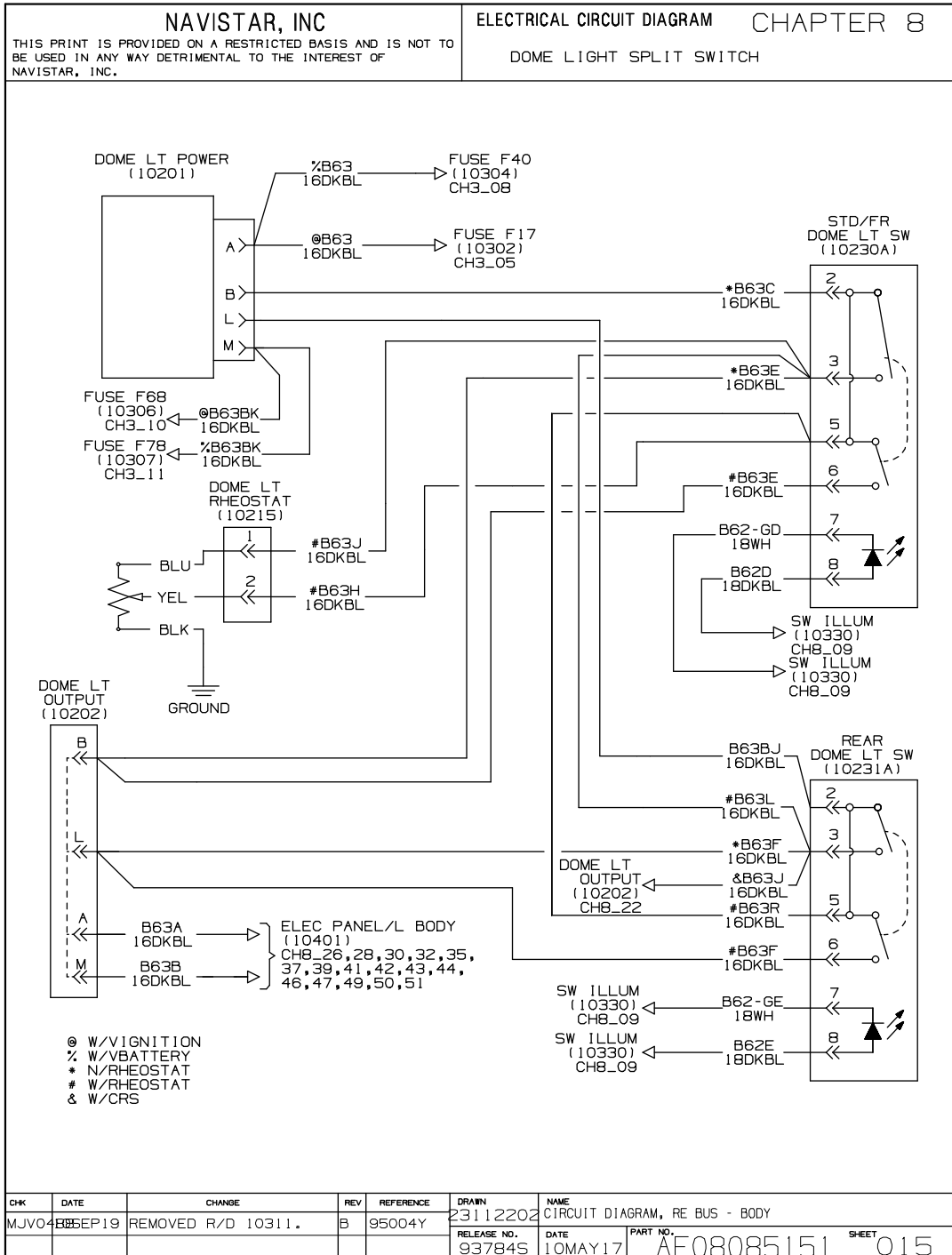


Figure 158 Dome Light Split Switch

9.16. DOME LIGHT SPLIT SWITCH (CONT.), P. 16

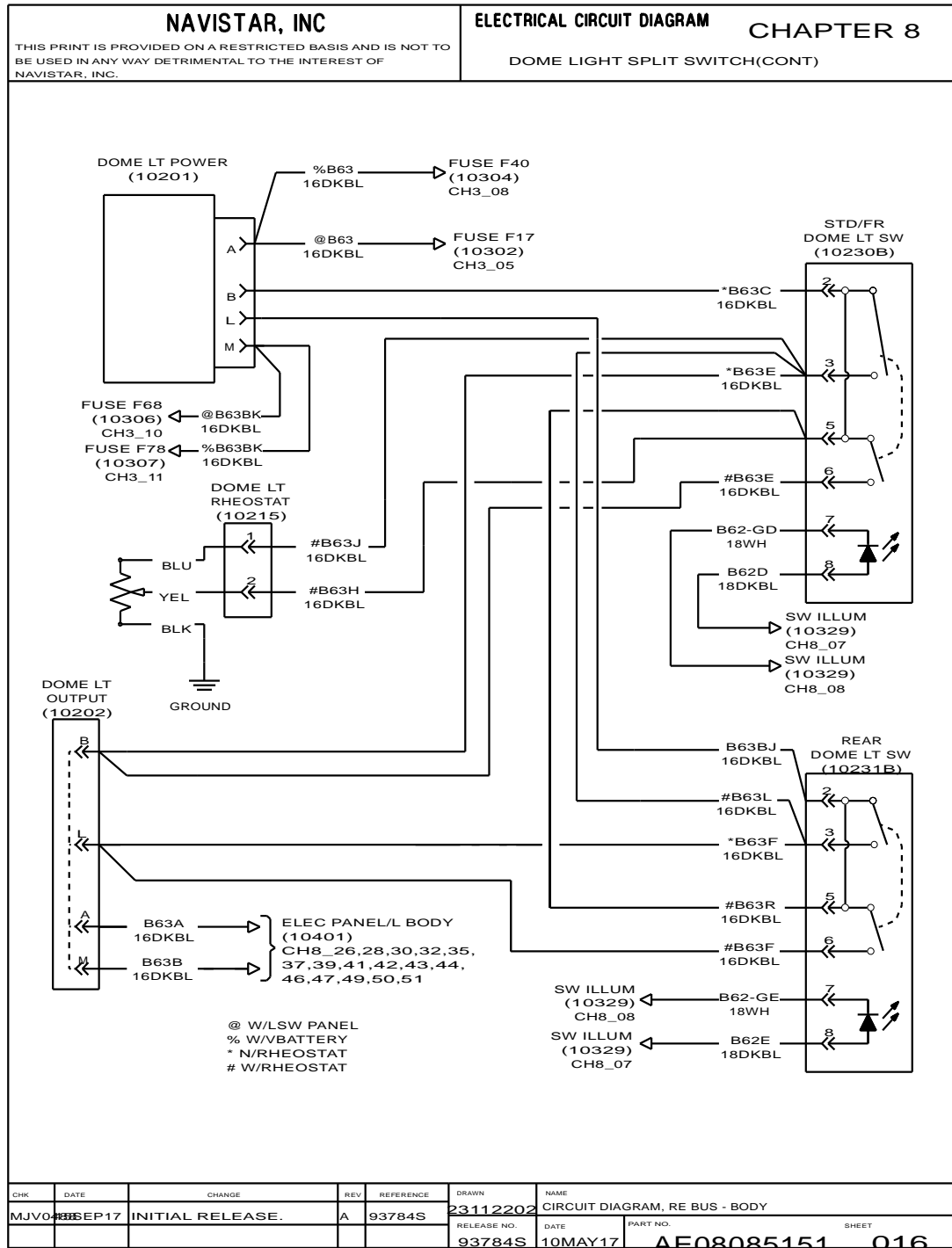


Figure 159 Dome Light Split Switch (Cont.)

9.17. DRIVER'S DOME LIGHT, P. 17

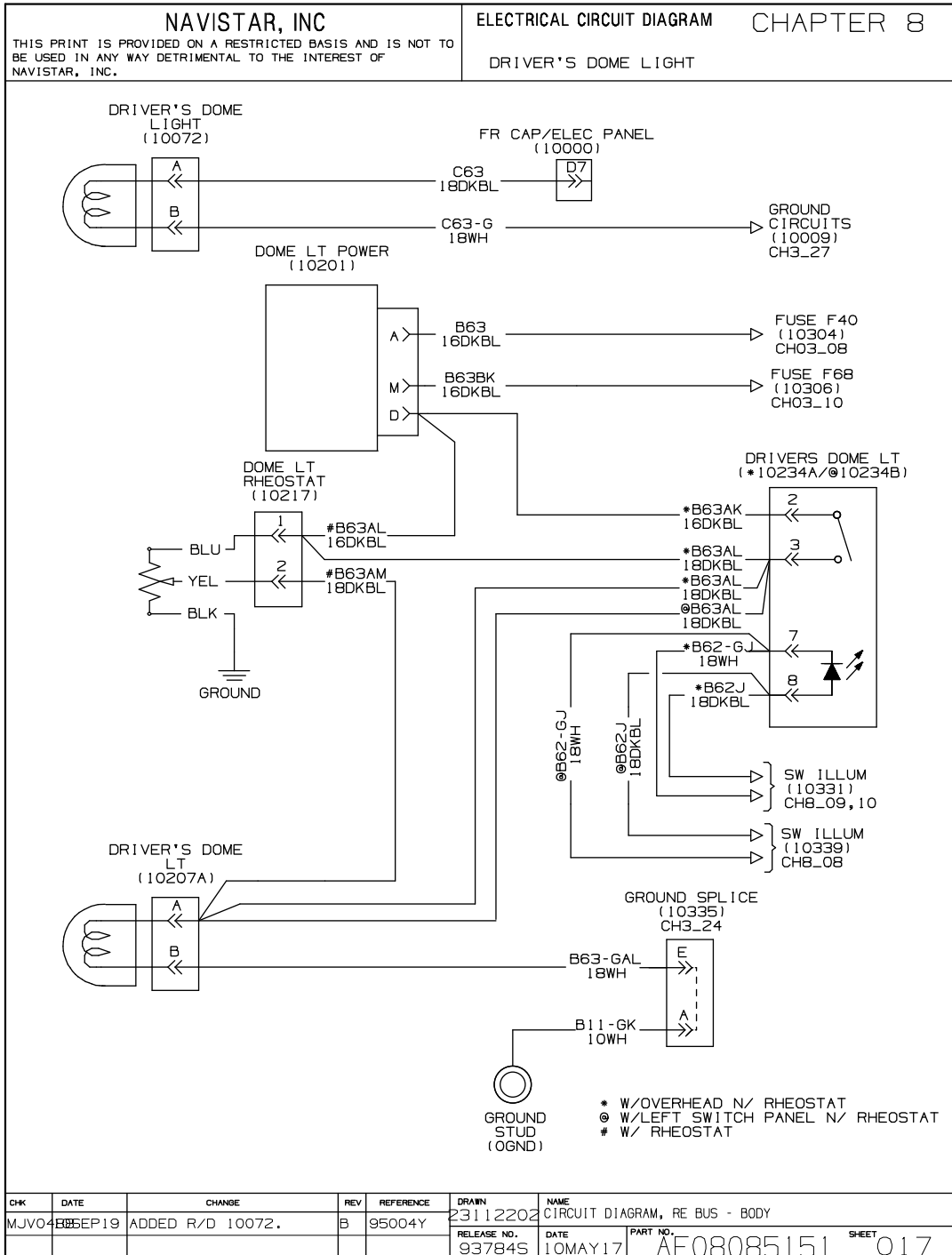


Figure 160 Driver's Dome Light

9.18. ACTIVITY DOME LIGHT, P. 18

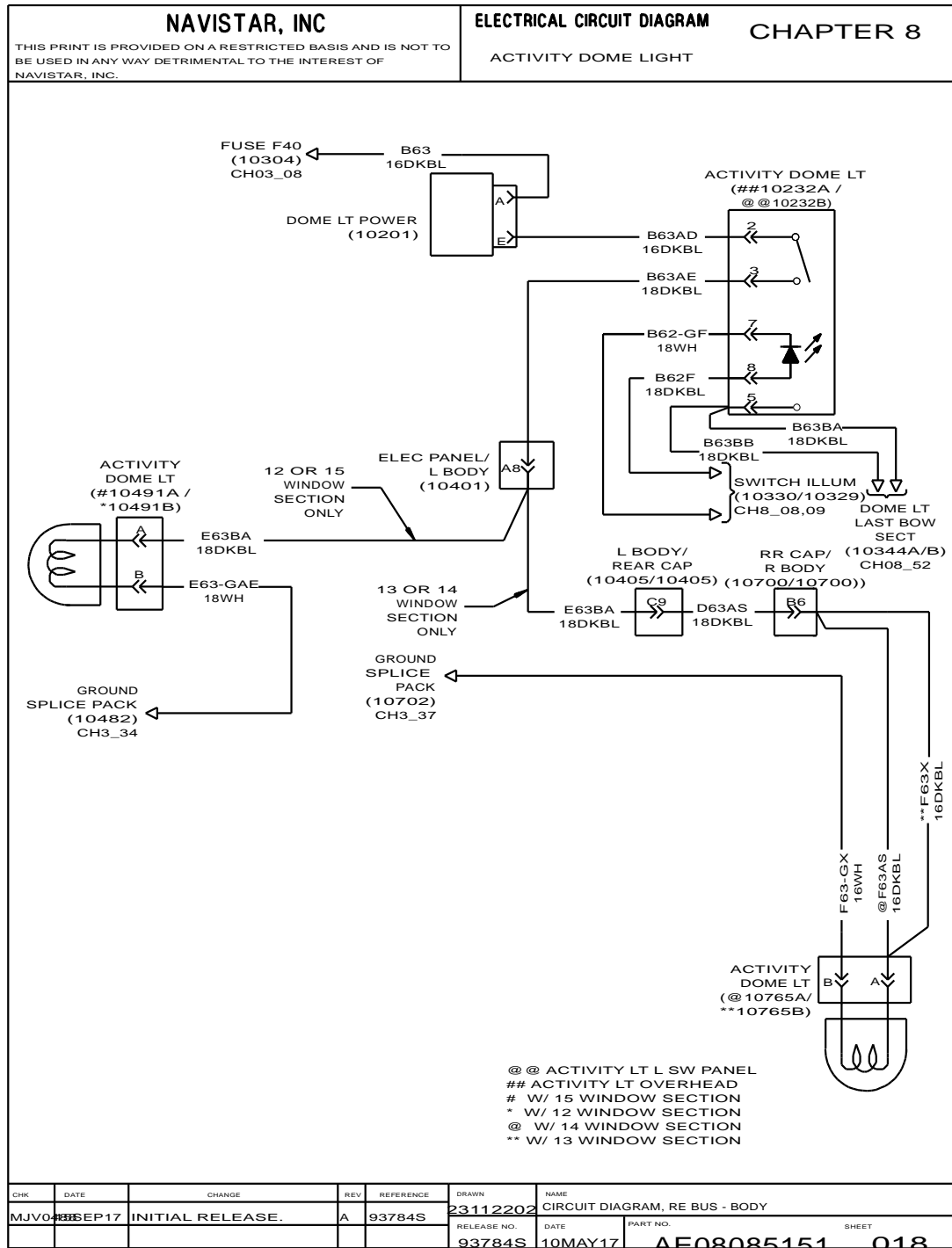


Figure 161 Activity Dome Light

9.19. DOME LIGHTS ACTIVATED BY EMERGENCY EXITS, P. 19

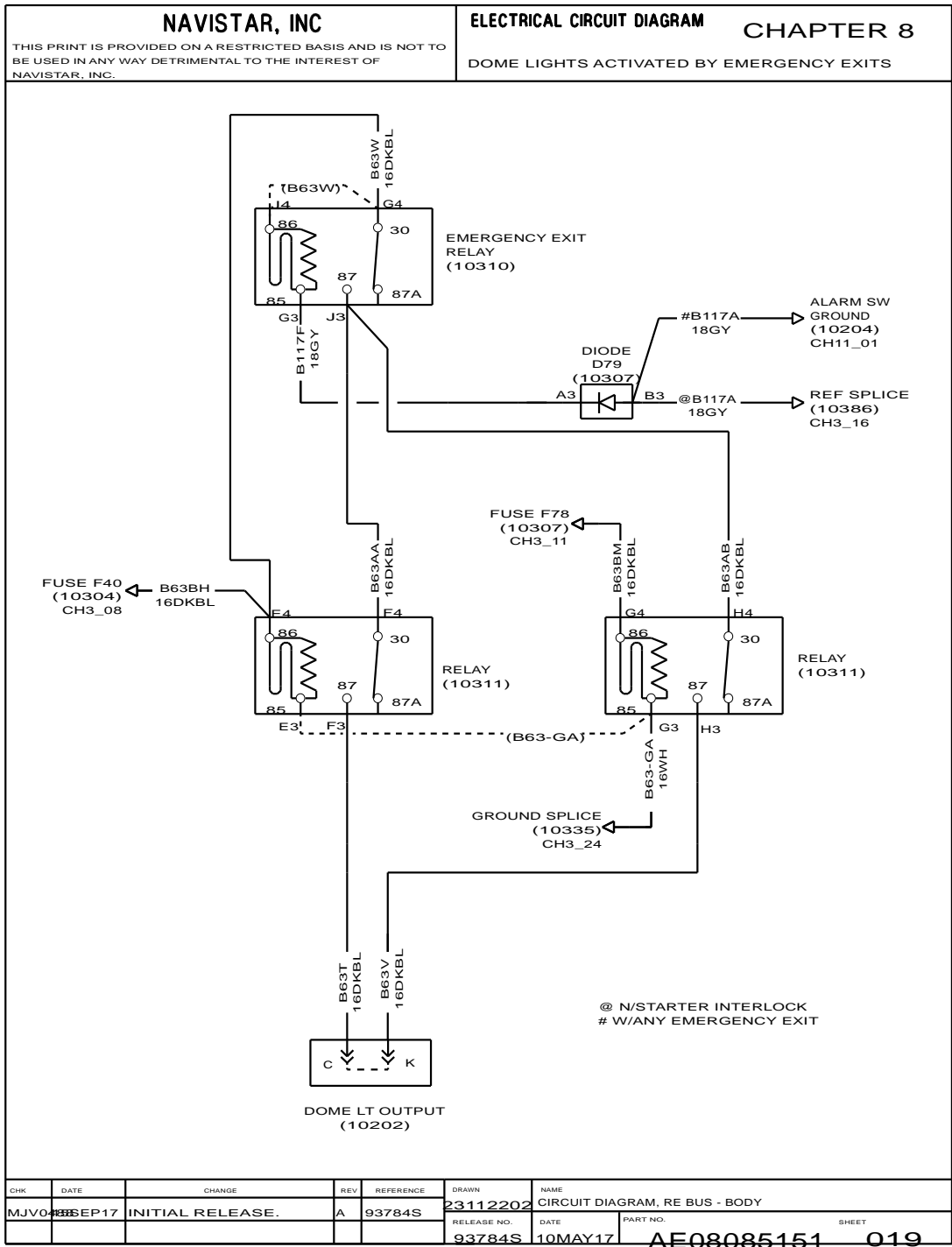


Figure 162 Dome Lights Activated by Emergency Exits

9.20. DOME LIGHTS ACTIVATED BY ENTRANCE DOOR, P. 20

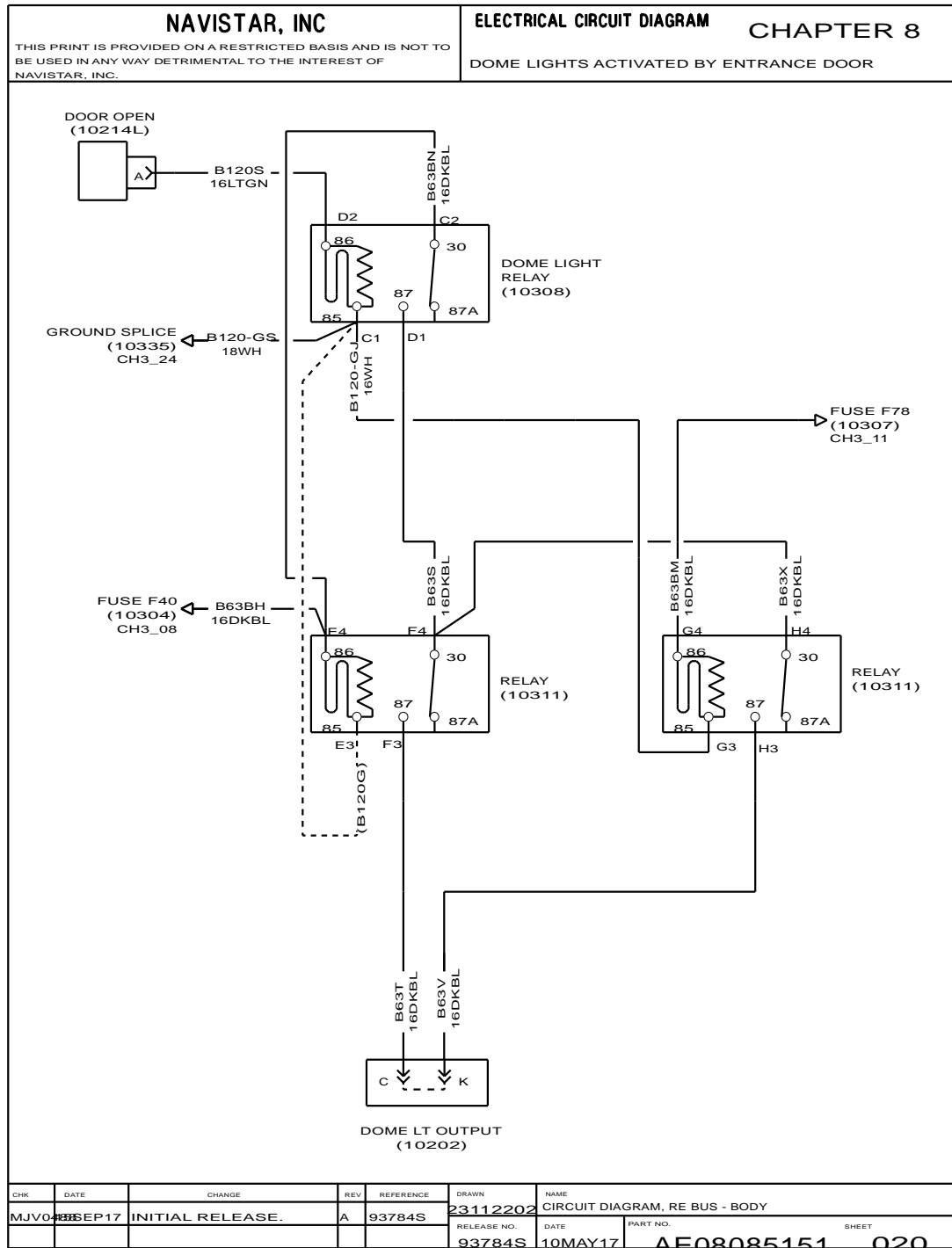


Figure 163 Dome Lights Activated by Entrance Door

9.21. DOME LIGHT SPLIT SWITCH WITH WIRED TO HEADLIGHTS, P. 21

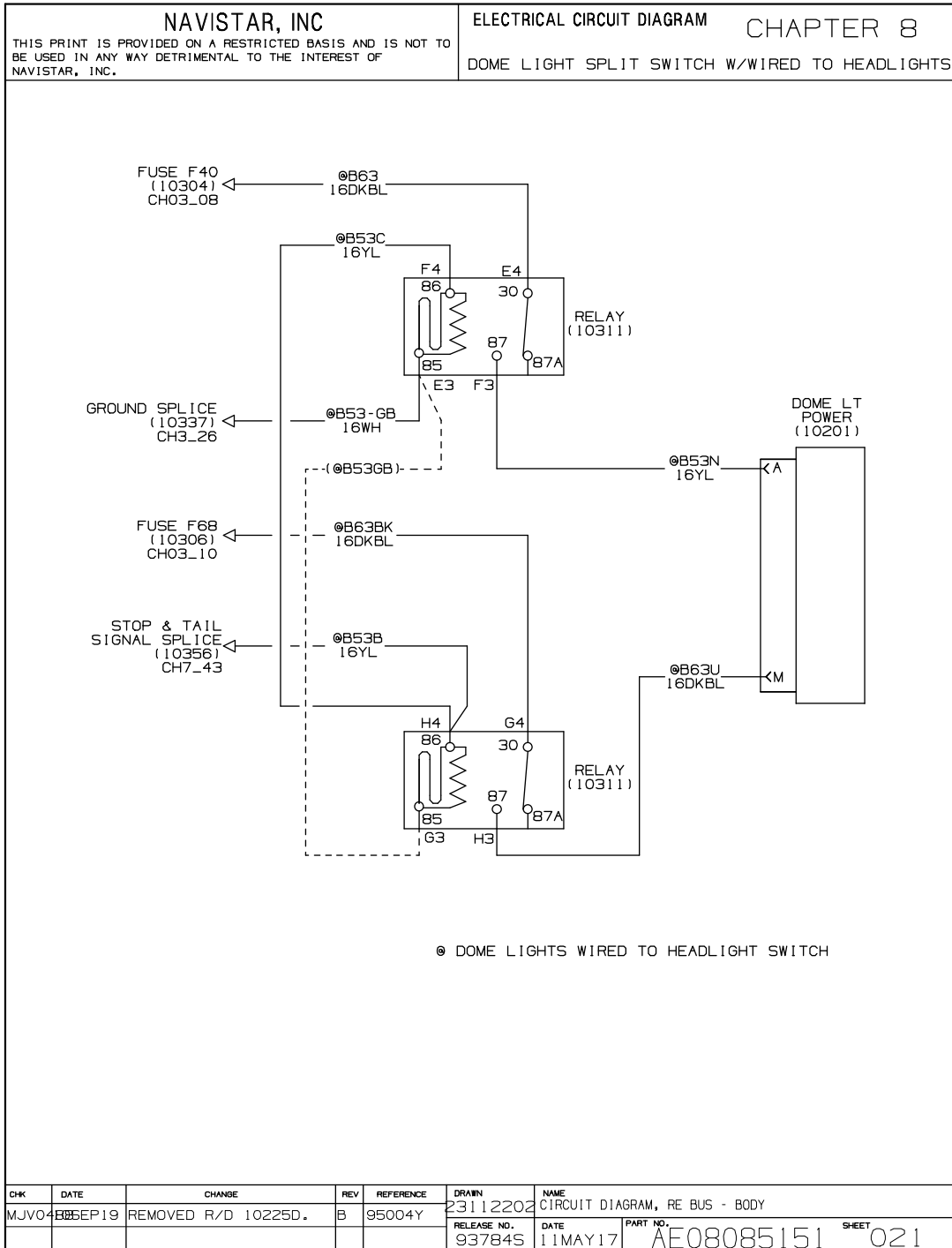


Figure 164 Dome Light Split Switch with Wired to Headlights

9.22. DOME LIGHT SPLIT SWITCH WITH IGNITION OVERHEAD WITH CRS, P. 22

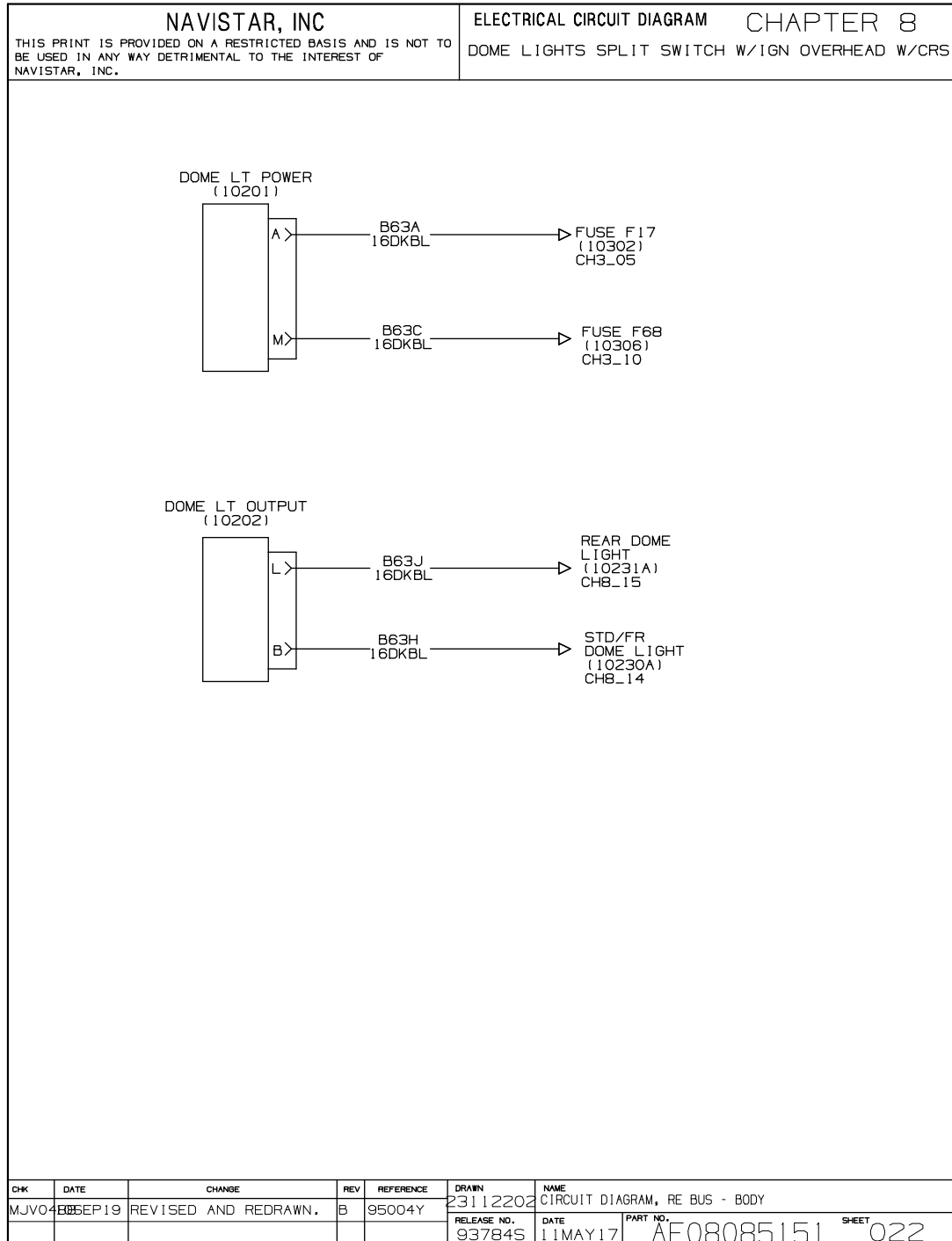


Figure 165 Dome Light Split Switch with Ignition Overhead with CRS

9.23. ENGINE COMPARTMENT LIGHT, P. 23

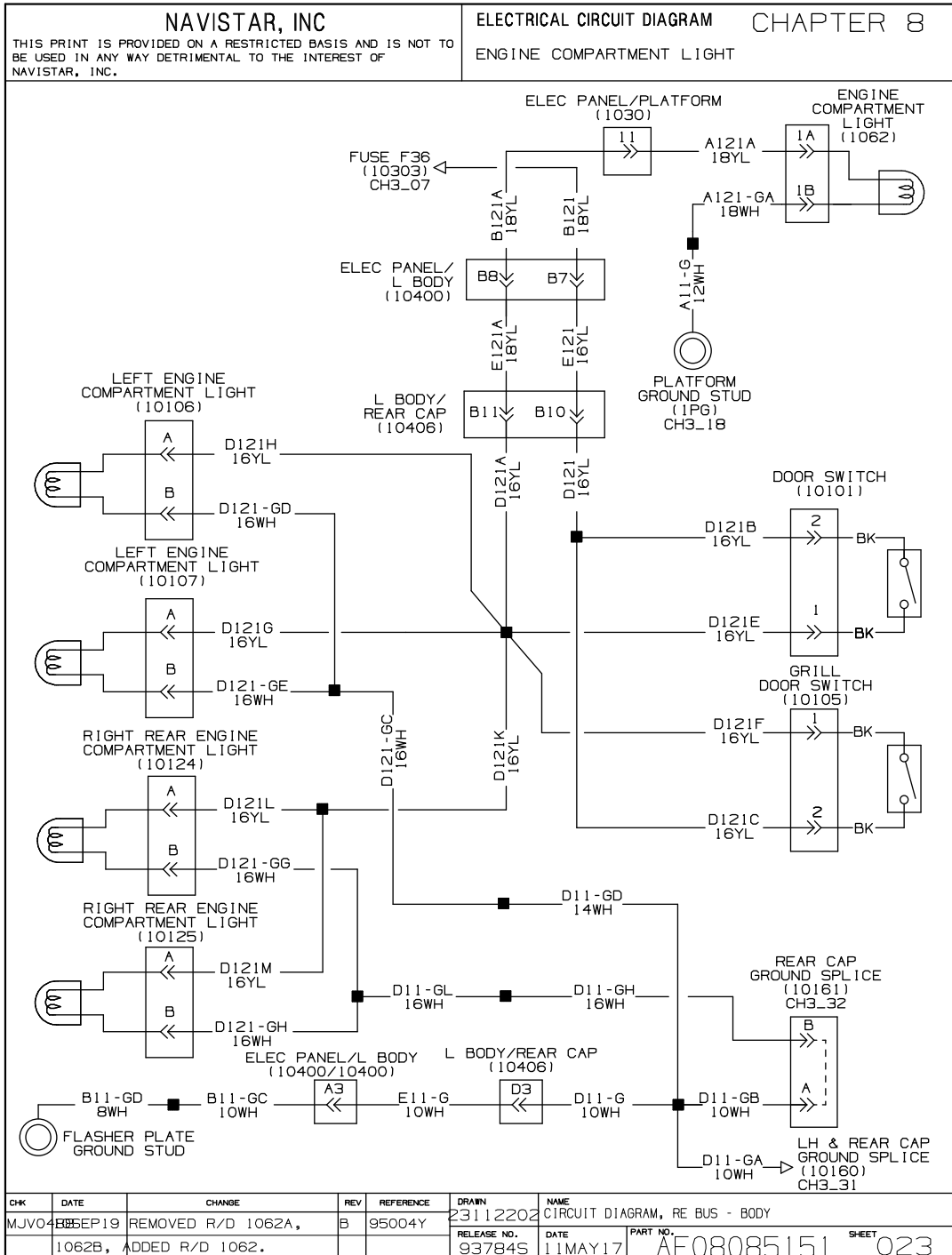


Figure 166 Engine Compartment Light

9.24. REAR ROW / LAST DOME LIGHT, P. 24

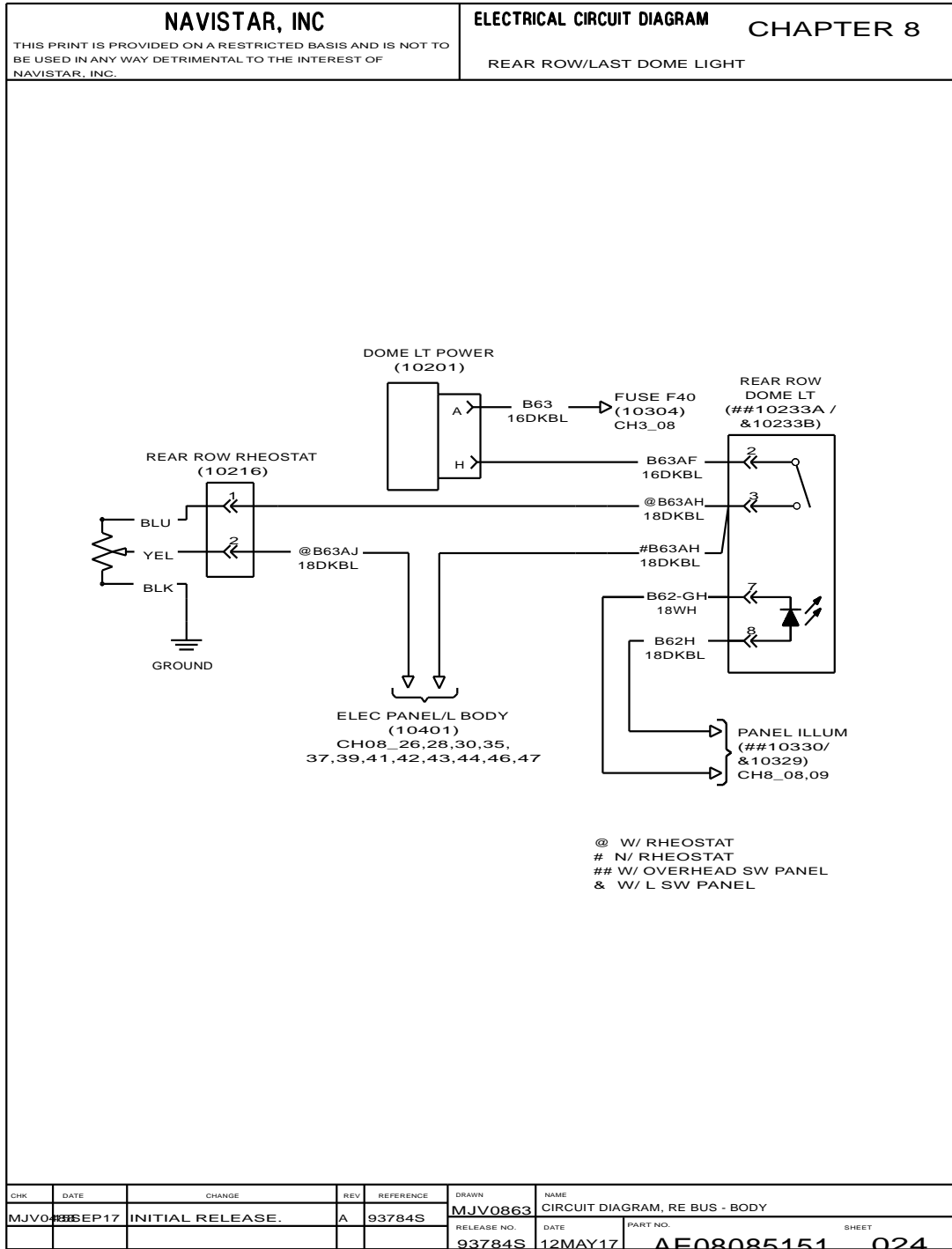


Figure 167 Rear Row / Last Dome Light

9.25. GUARD DOME LIGHT, P. 25

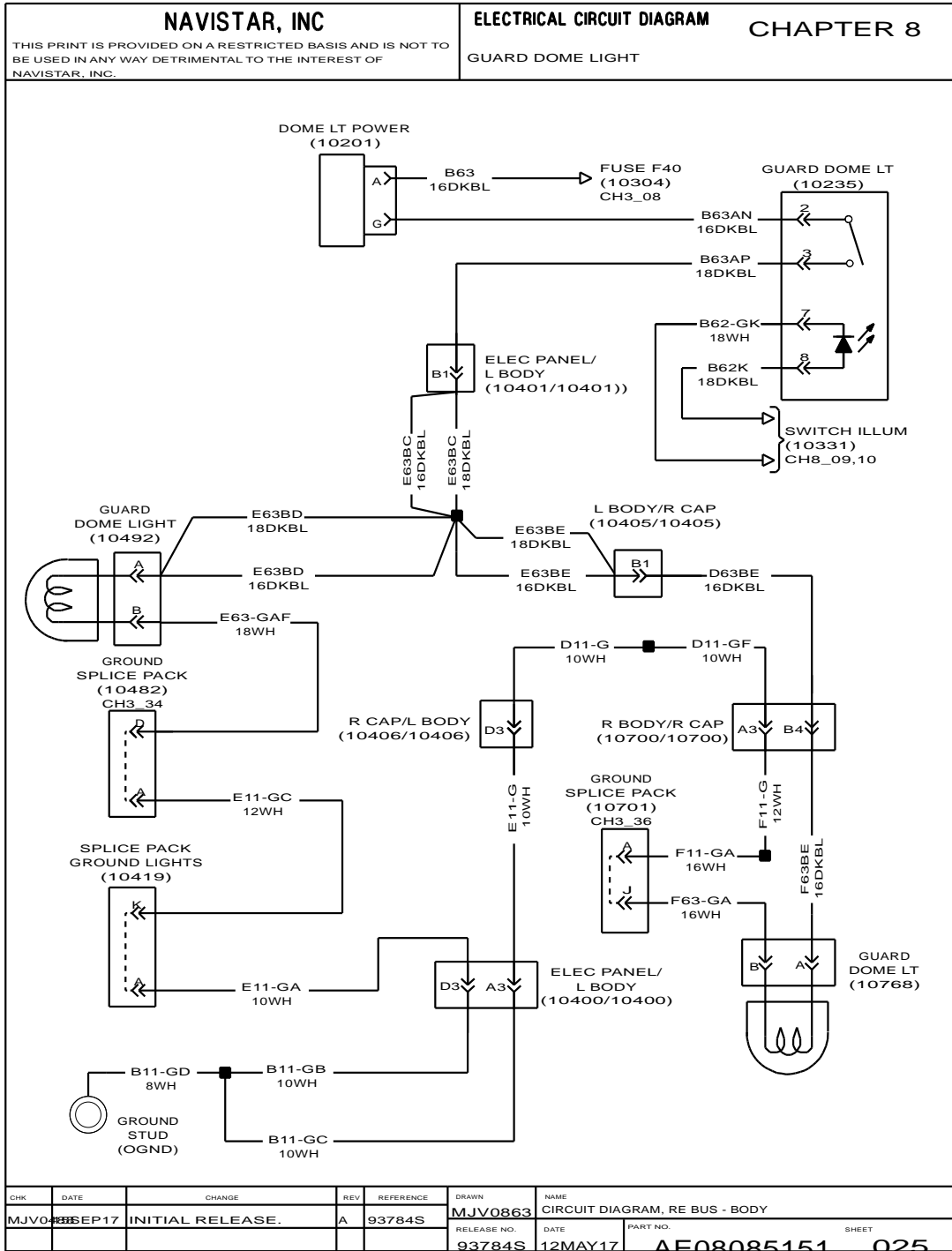


Figure 168 Guard Dome Light

9.26. DOUBLE DOME LIGHT WITH REAR ROW 15 WINDOW SECT L BODY, P. 26

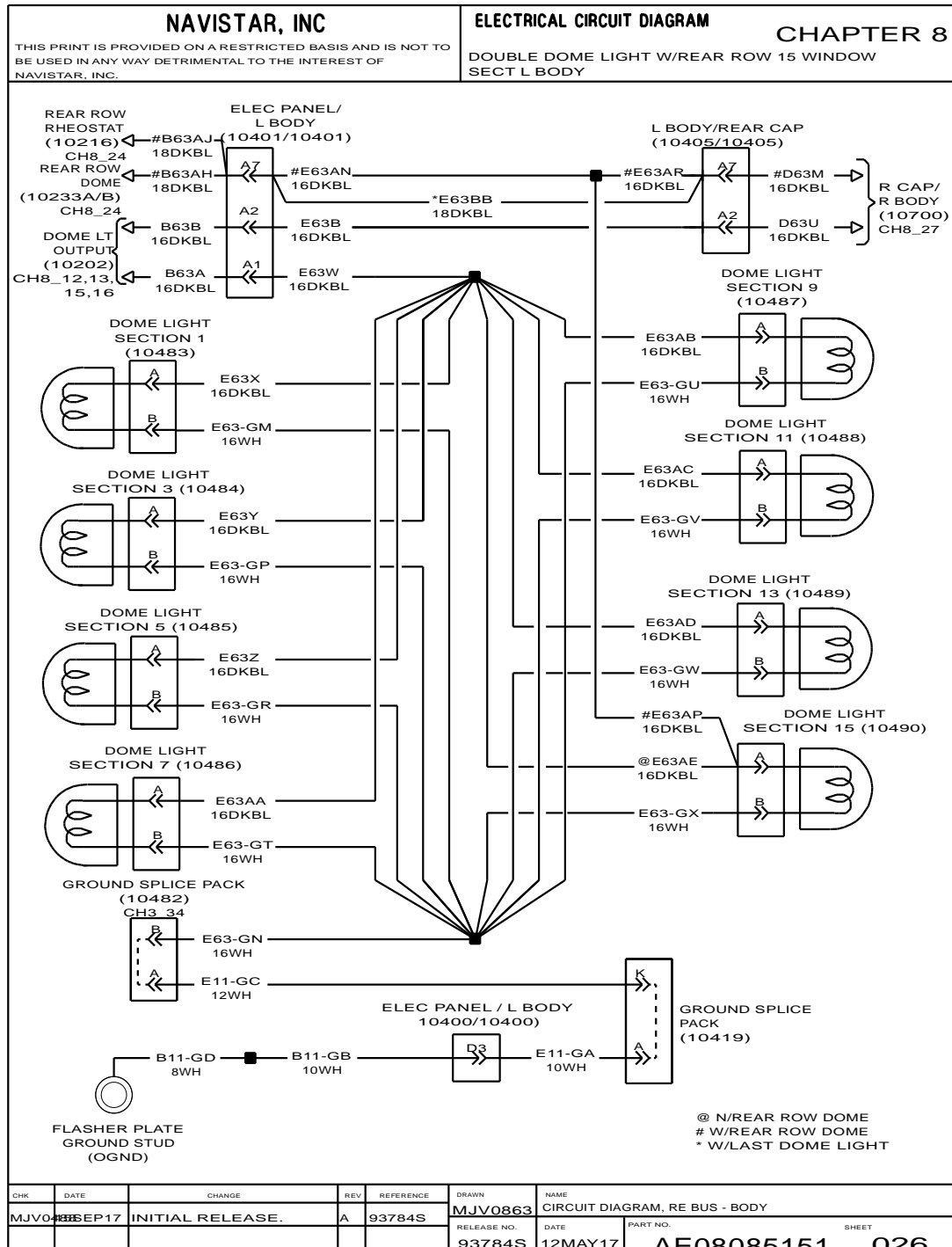


Figure 169 Double Dome Light with Rear Row 15 Window Sect L Body

9.27. DOUBLE DOME LIGHT WITH REAR ROW 15 WINDOW SECT R BODY, P. 27

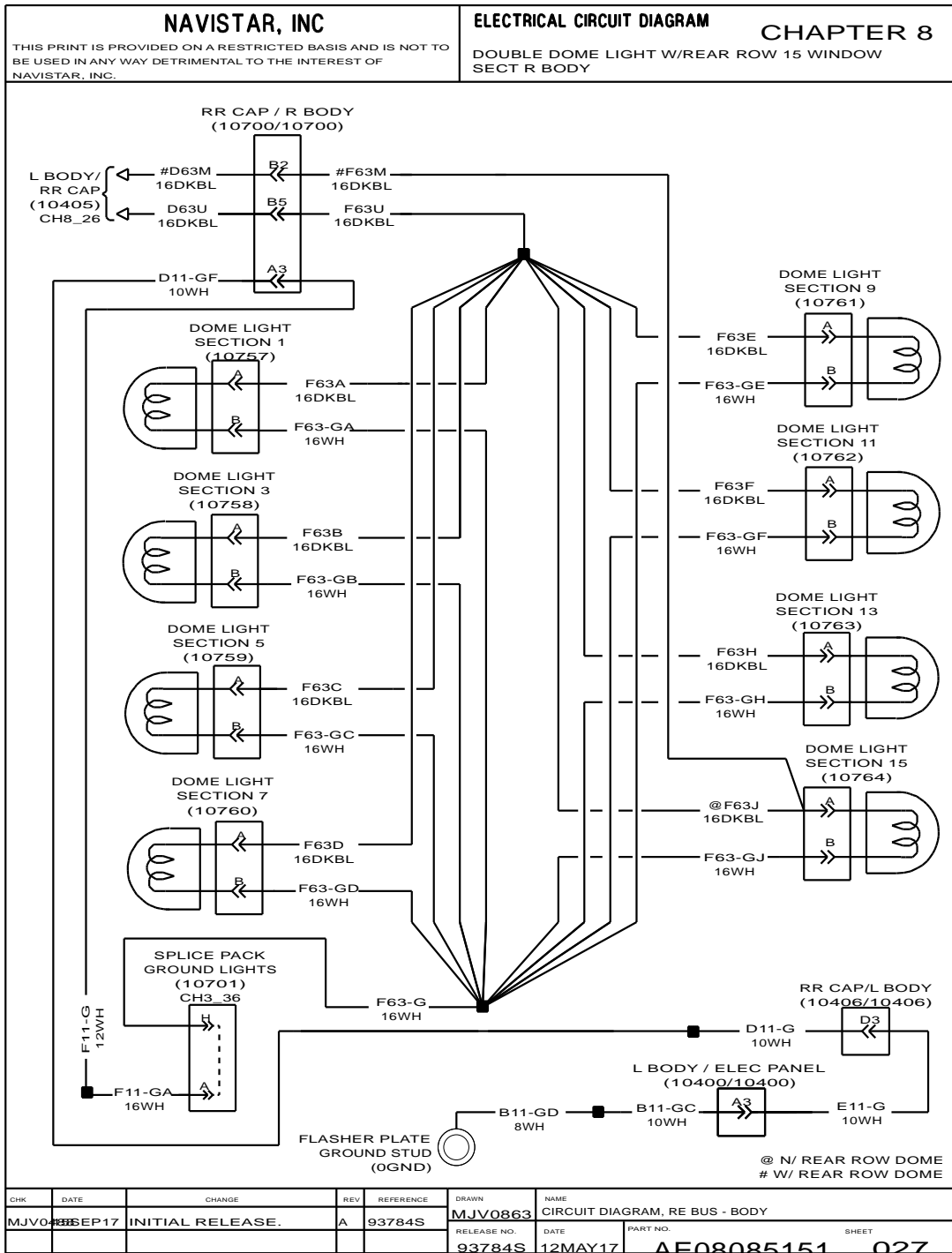


Figure 170 Double Dome Light with Rear Row 15 Window Sect R Body

9.28. DOUBLE DOME LIGHT WITH REAR ROW 13 / 14 WINDOW SECT L BODY, P. 28

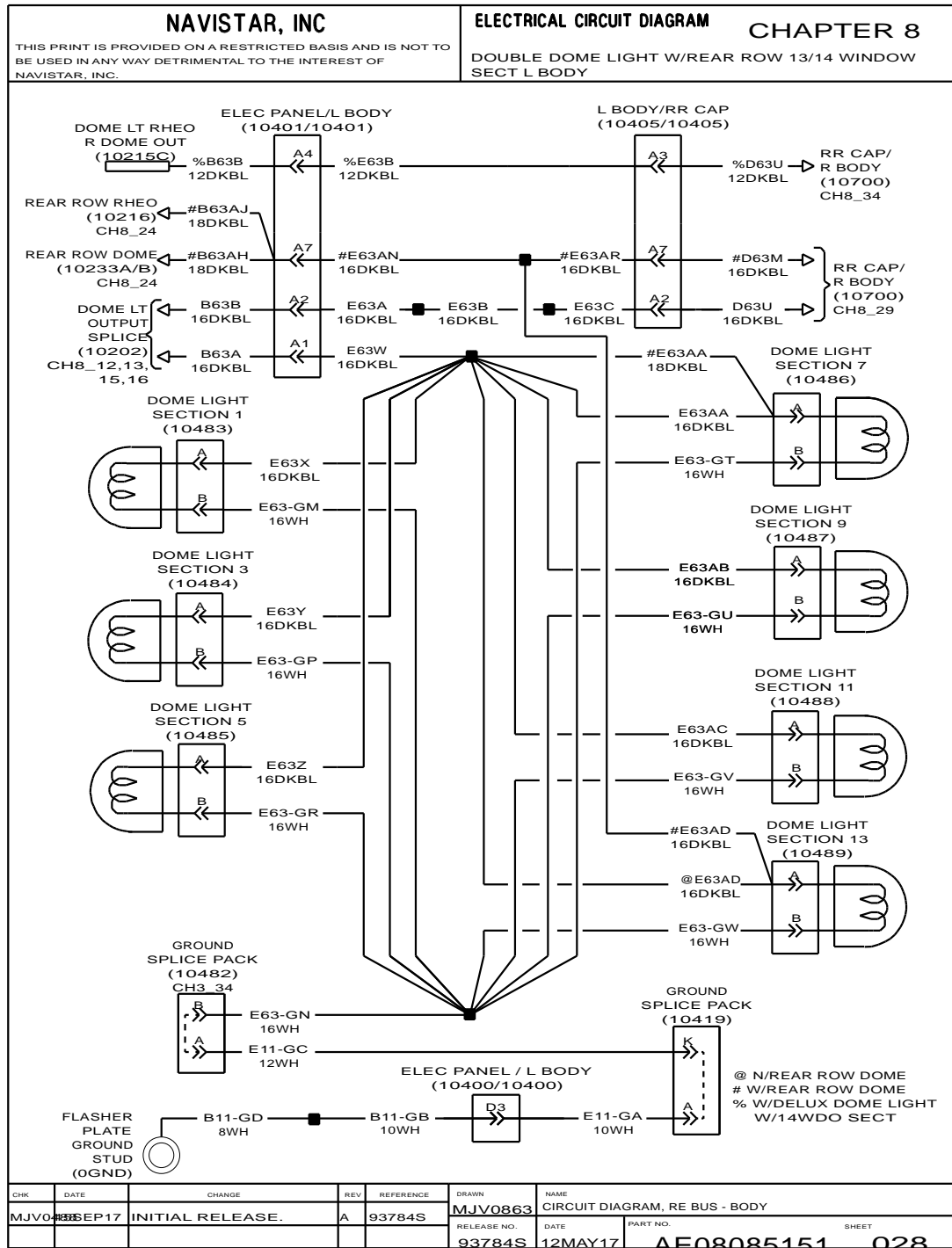


Figure 171 Double Dome Light with Rear Row 13 / 14 Window Sect L Body

9.29. DOUBLE DOME LIGHT WITH REAR ROW 13 / 14 WINDOW SECT R BODY, P. 29

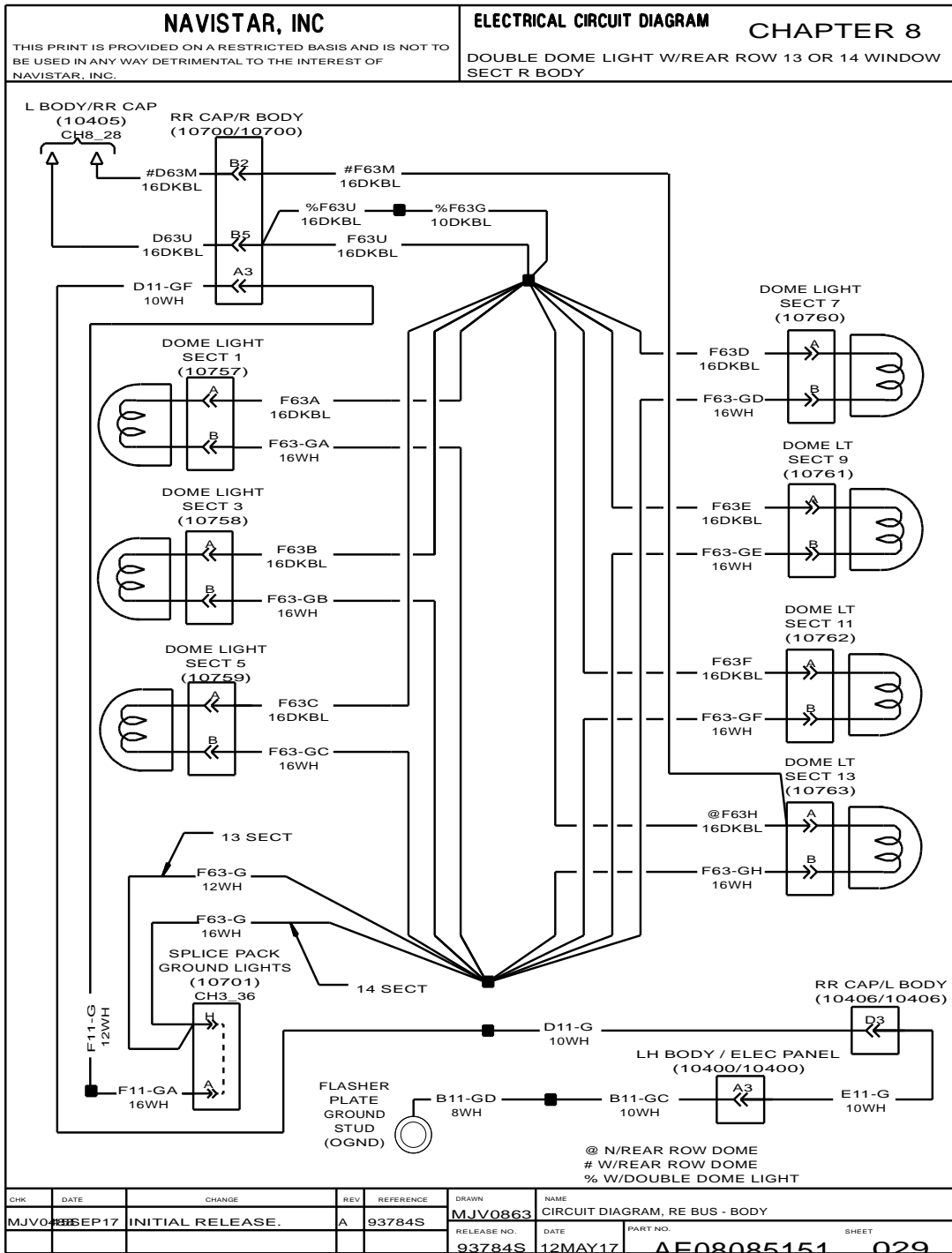


Figure 172 Double Dome Light with Rear Row 13 / 14 Window Sect R Body

9.30. DOUBLE DOME LIGHT WITH REAR ROW 12 WINDOW SECT L BODY, P. 30

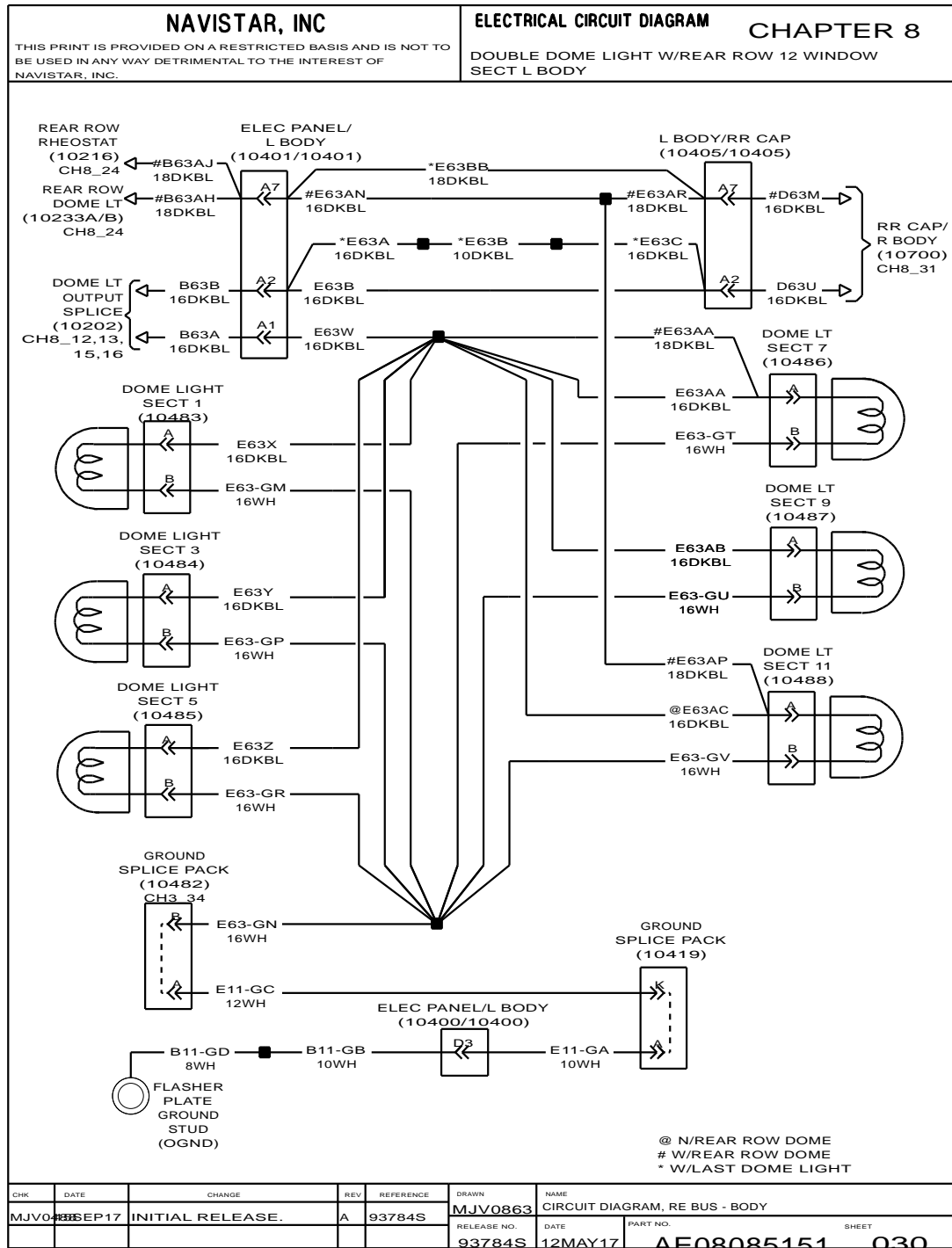


Figure 173 Double Dome Light with Rear Row 12 Window Sect L Body

9.31. DOUBLE DOME LIGHT WITH REAR ROW 12 WINDOW SECT R BODY, P. 31

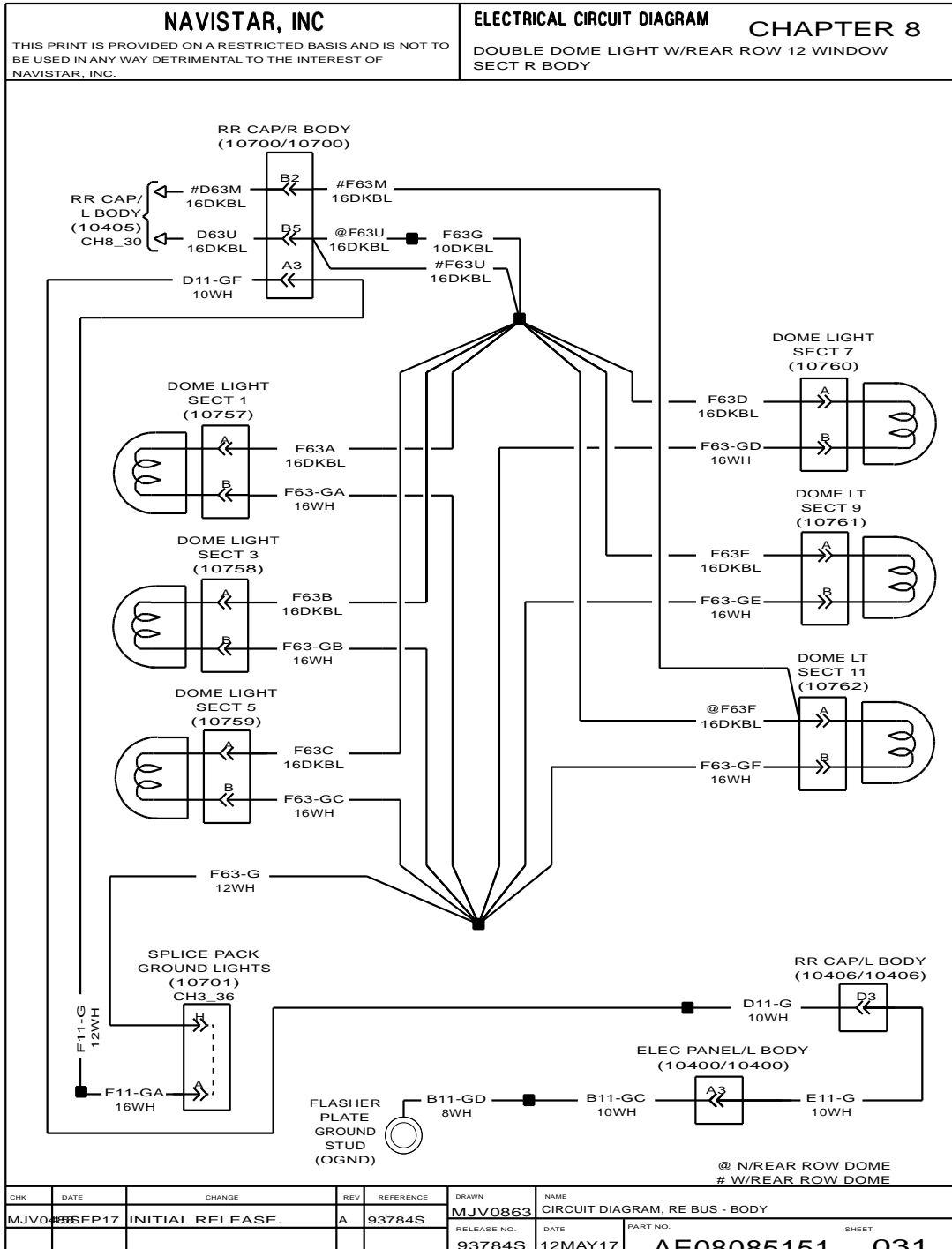


Figure 174 Double Dome Light with Rear Row 12 Window Sect R Body

9.32. DOME LIGHT DELUXE SWITCH WITH FR AND RR 14 WINDOW L BODY, P. 32

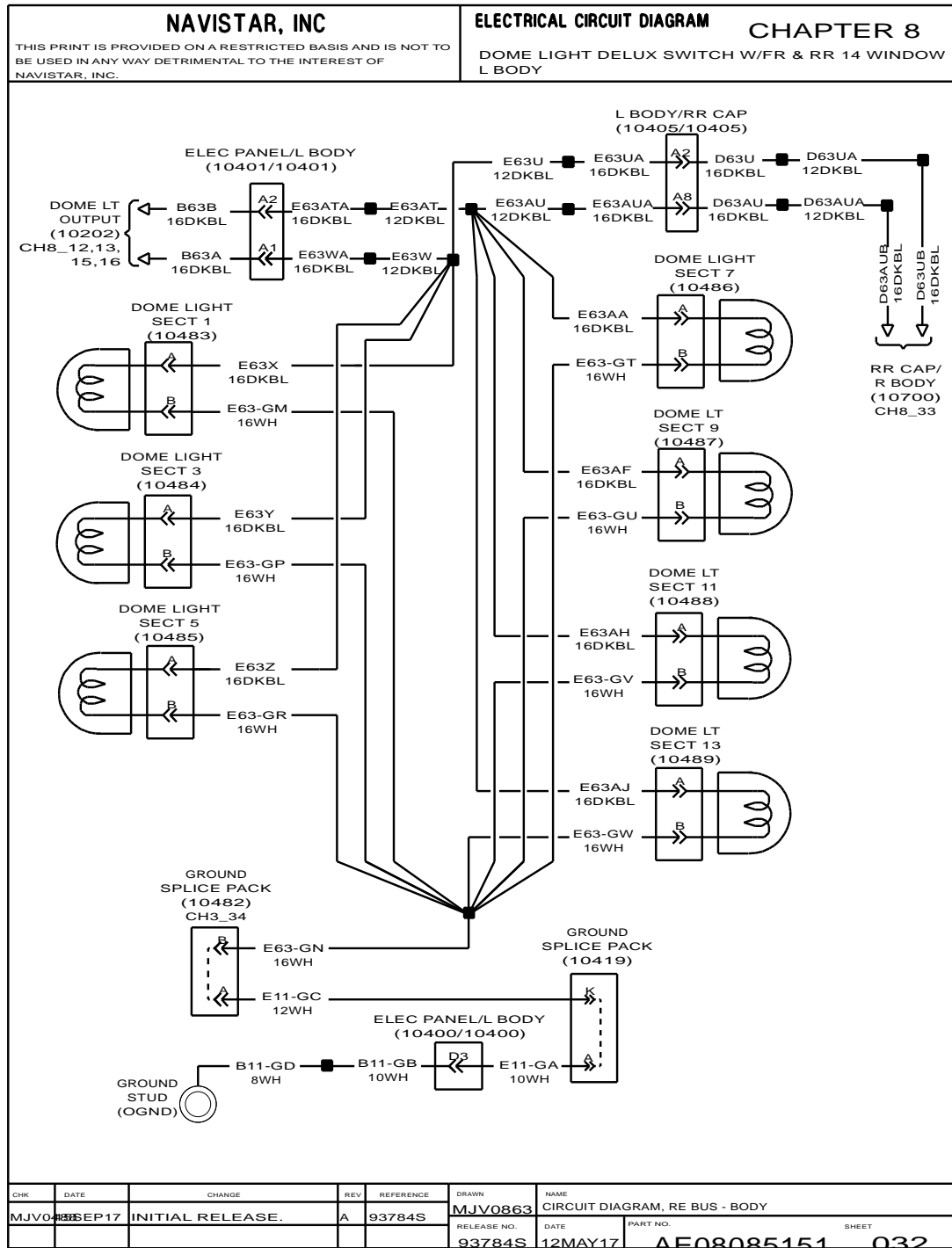


Figure 175 Dome Light Deluxe Switch with FR and RR 14 Window L Body

9.33. DOME LIGHT DELUXE SWITCH WITH FR AND RR 14 WINDOW R BODY, P. 33

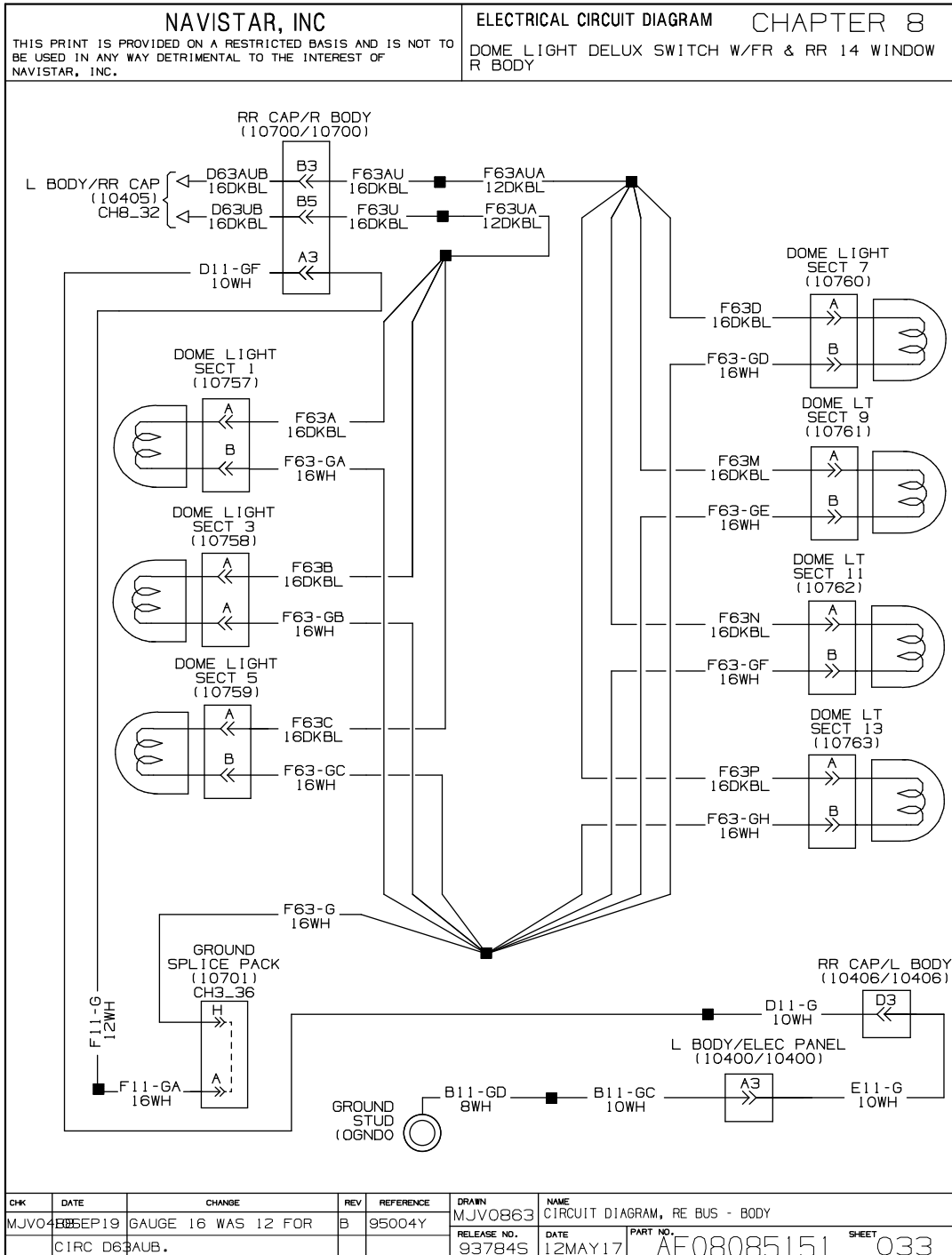


Figure 176 Dome Light Deluxe Switch with FR and RR 14 Window R Body

9.34. DOME LIGHT DELUXE SWITCH WITH 14 WINDOW R BODY, P. 34

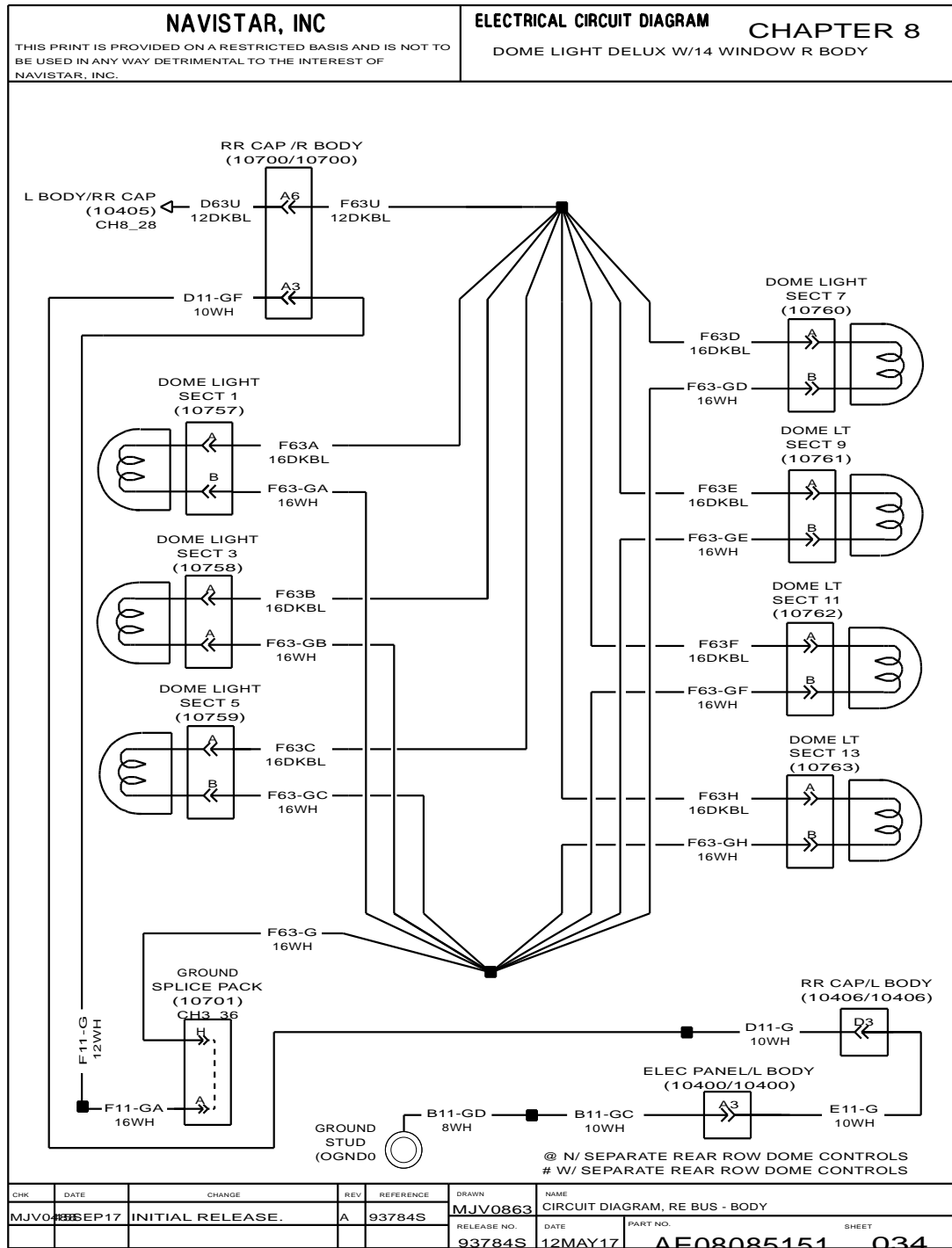


Figure 177 Dome Light Deluxe Switch with 14 Window R Body

9.35. DOUBLE DOME LT WITH SEPARATE SW FOR FR AND RR, WITH REAR ROW 15 WINDOW SECT L BODY, P. 35

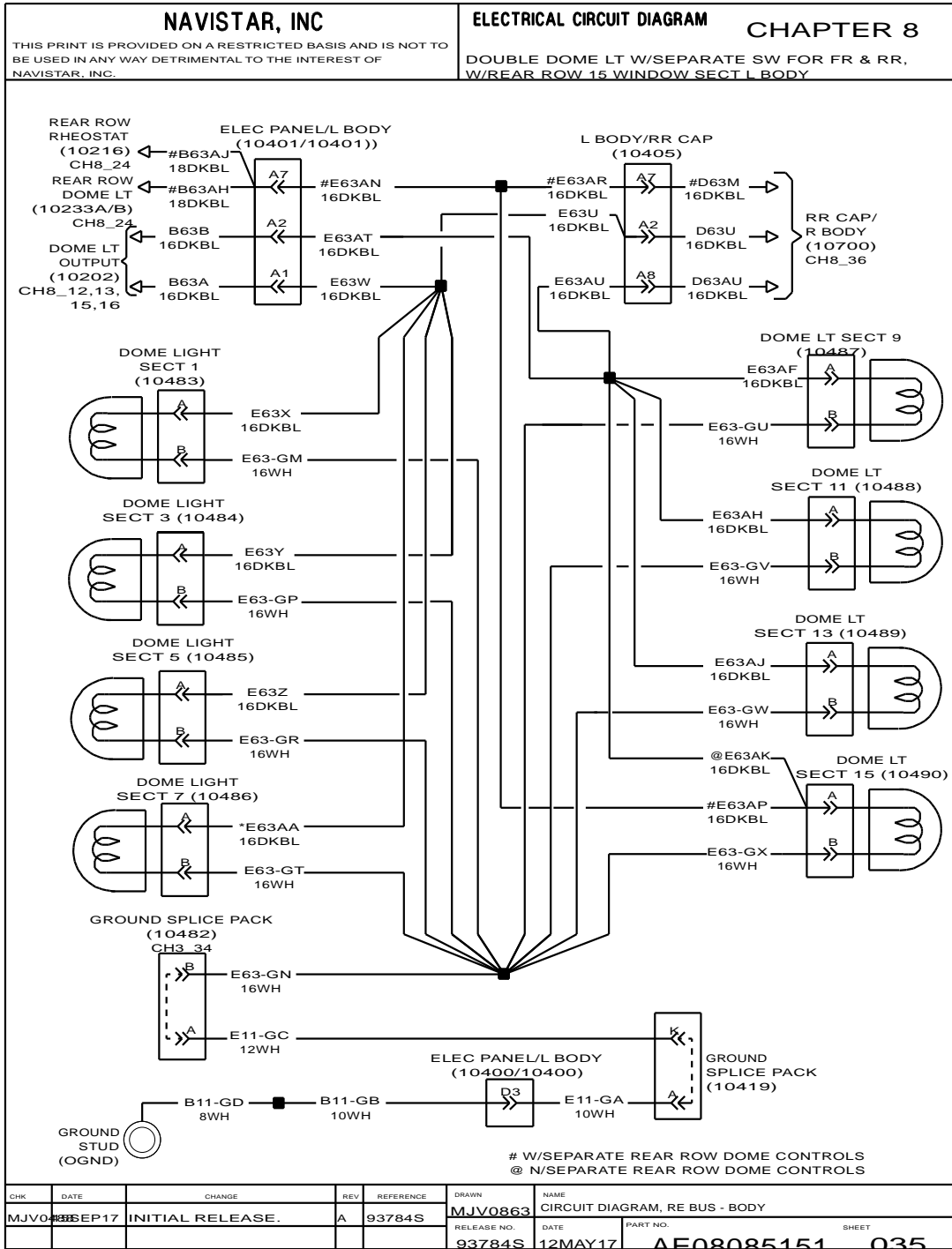


Figure 178 Double Dome LT with Separate SW For FR and RR, with Rear Row 15 Window Sect L Body

9.36. DOUBLE DOME LT WITH SEPARATE SW FOR FR AND RR, WITH REAR ROW 15 WINDOW SECT R BODY, P. 36

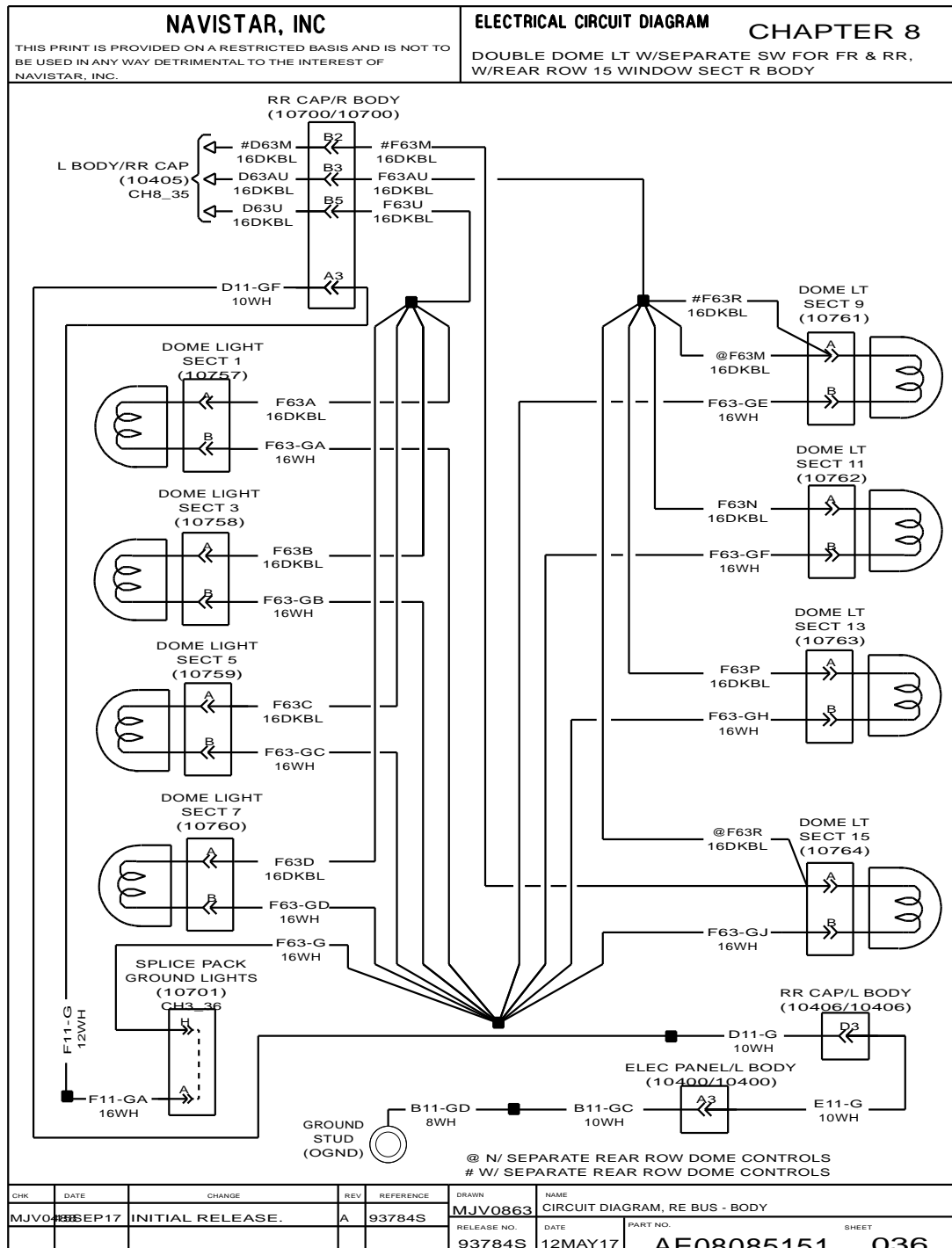


Figure 179 Double Dome LT with Separate SW For FR and RR, with Rear Row 15 Window Sect R Body

9.37. DOUBLE DOME LT WITH SEPARATE SW FOR FR AND RR, WITH REAR ROW 13 / 14 WINDOW SECT L BODY, P. 37

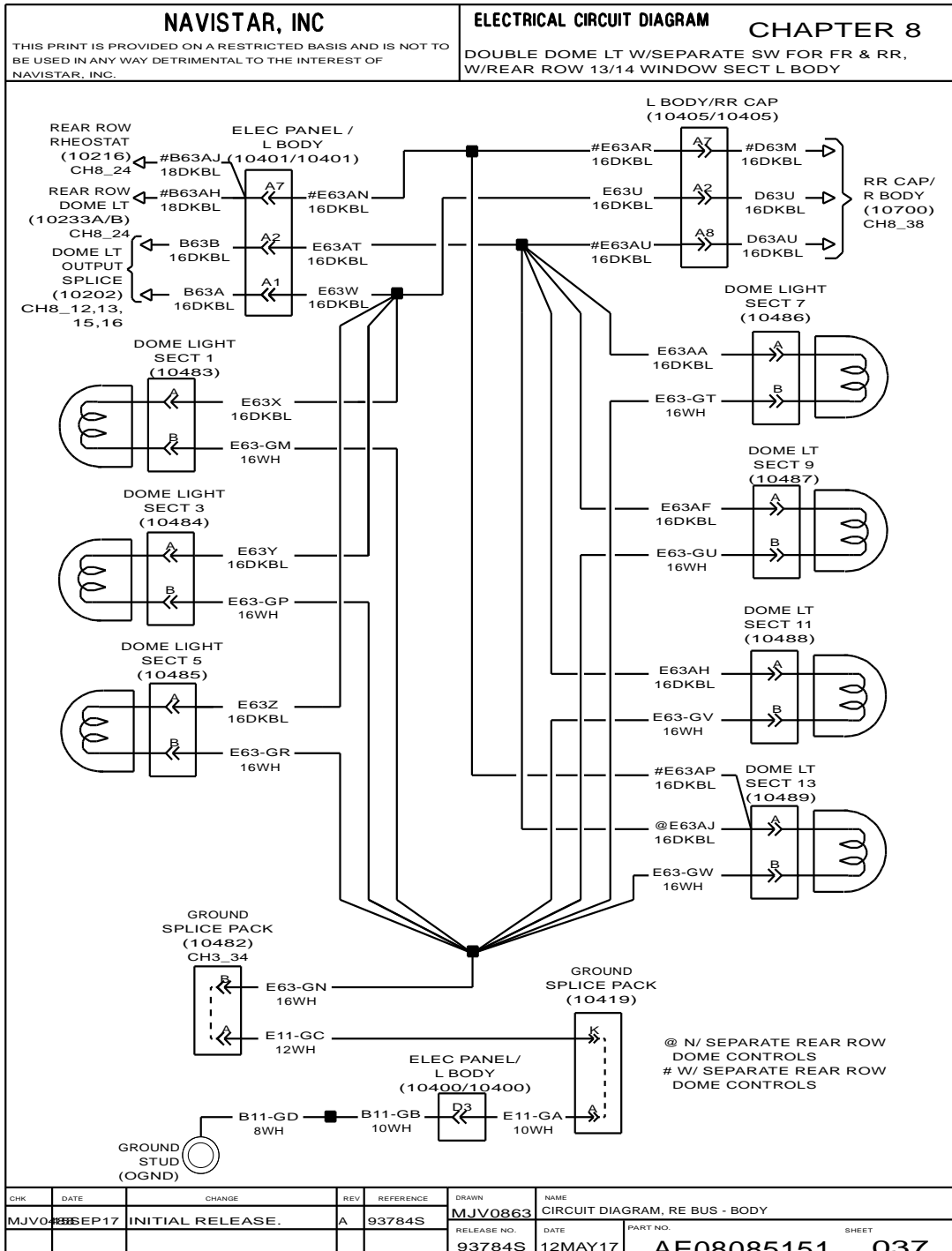


Figure 180 Double Dome LT with Separate SW For FR and RR, with Rear Row 13 / 14 Window Sect L Body

9.38. DOUBLE DOME LT WITH SEPARATE SW FOR FR AND RR, WITH REAR ROW 13 / 14 WINDOW SECT R BODY, P. 38

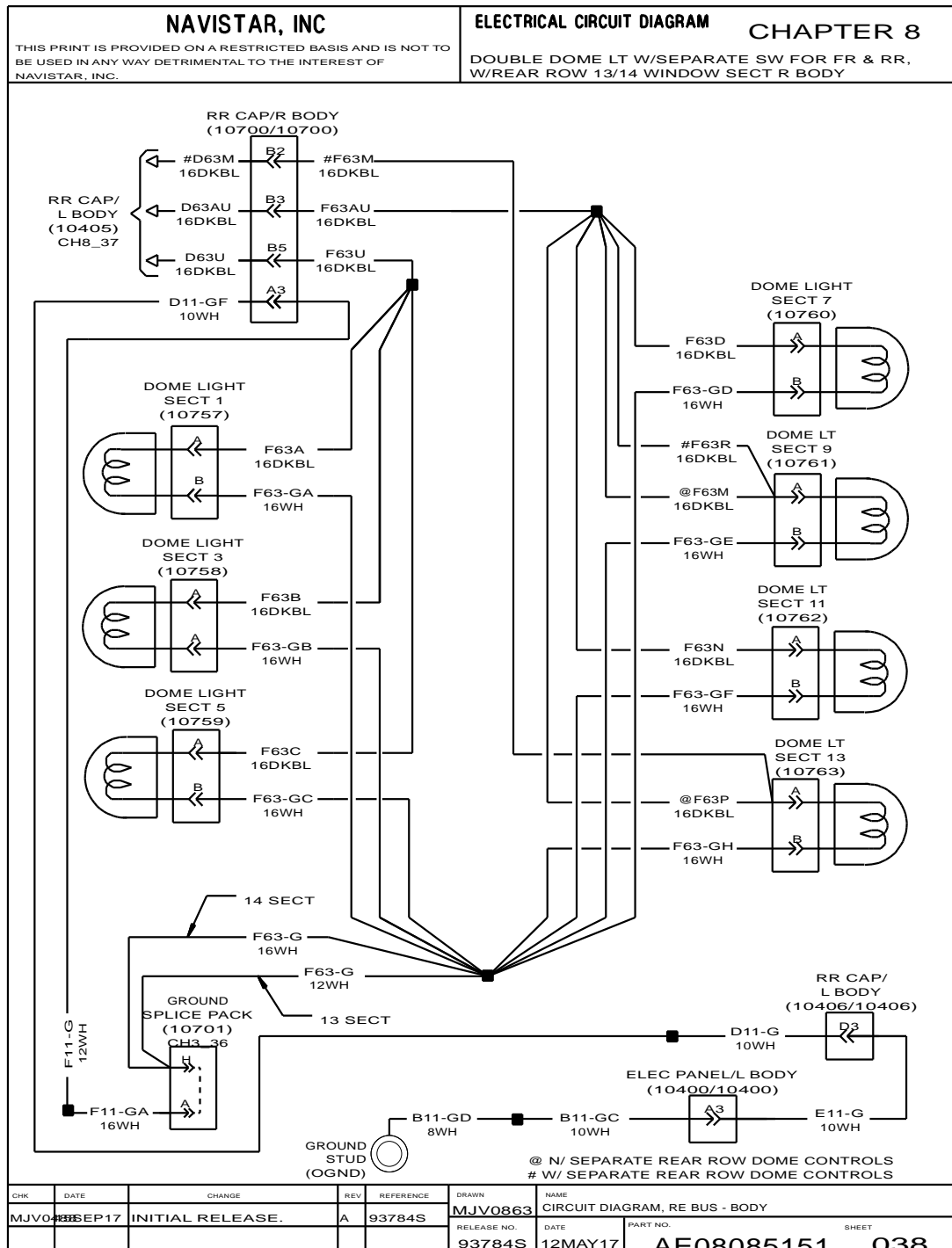


Figure 181 Double Dome LT with Separate SW For FR and RR, with Rear Row 13 / 14 Window Sect R Body

9.39. DOUBLE DOME LT WITH SEPARATE SW FOR FR AND RR, WITH REAR ROW 12 WINDOW SECT L BODY, P. 39

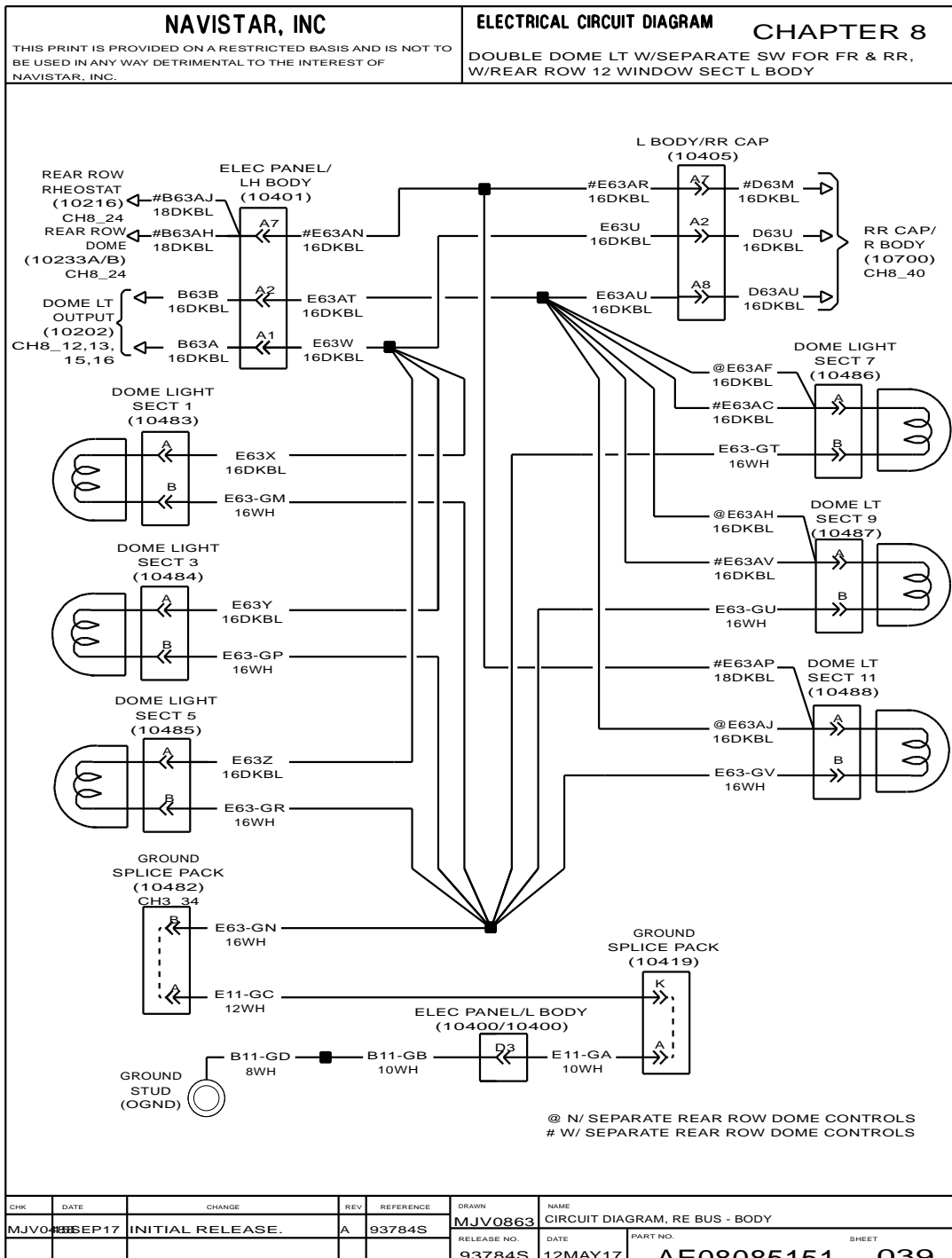


Figure 182 Double Dome LT with Separate SW For FR and RR, with Rear Row 12 Window Sect L Body

9.40. DOUBLE DOME LT WITH SEPARATE SW FOR FR AND RR, WITH REAR ROW 12 WINDOW SECT R BODY, P. 40

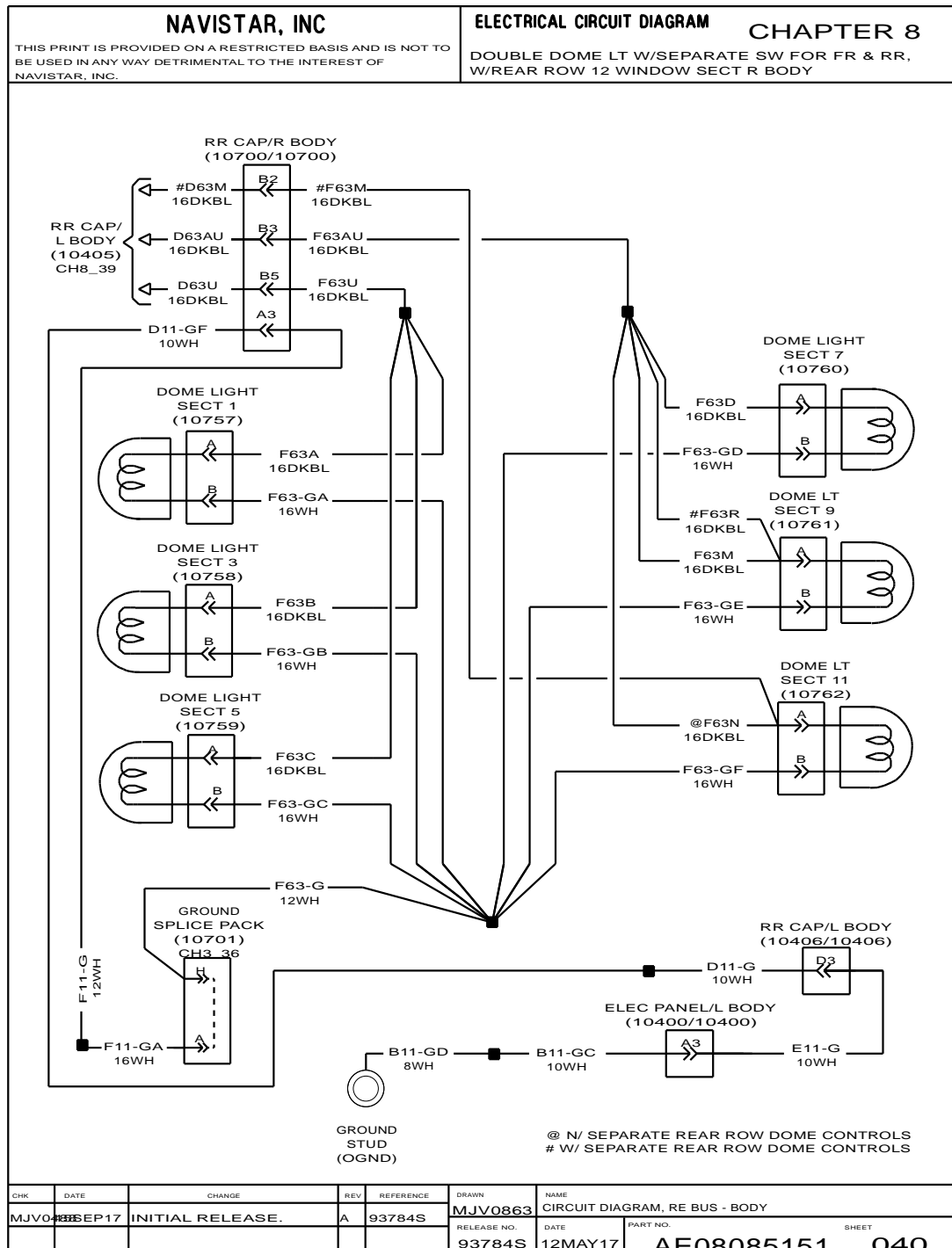


Figure 183 Double Dome LT with Separate SW For FR and RR, with Rear Row 12 Window Sect R Body

9.41. STANDARD STAGGER DOME LT WITH REAR ROW 15 WINDOW SECT L AND R BODY, P. 41

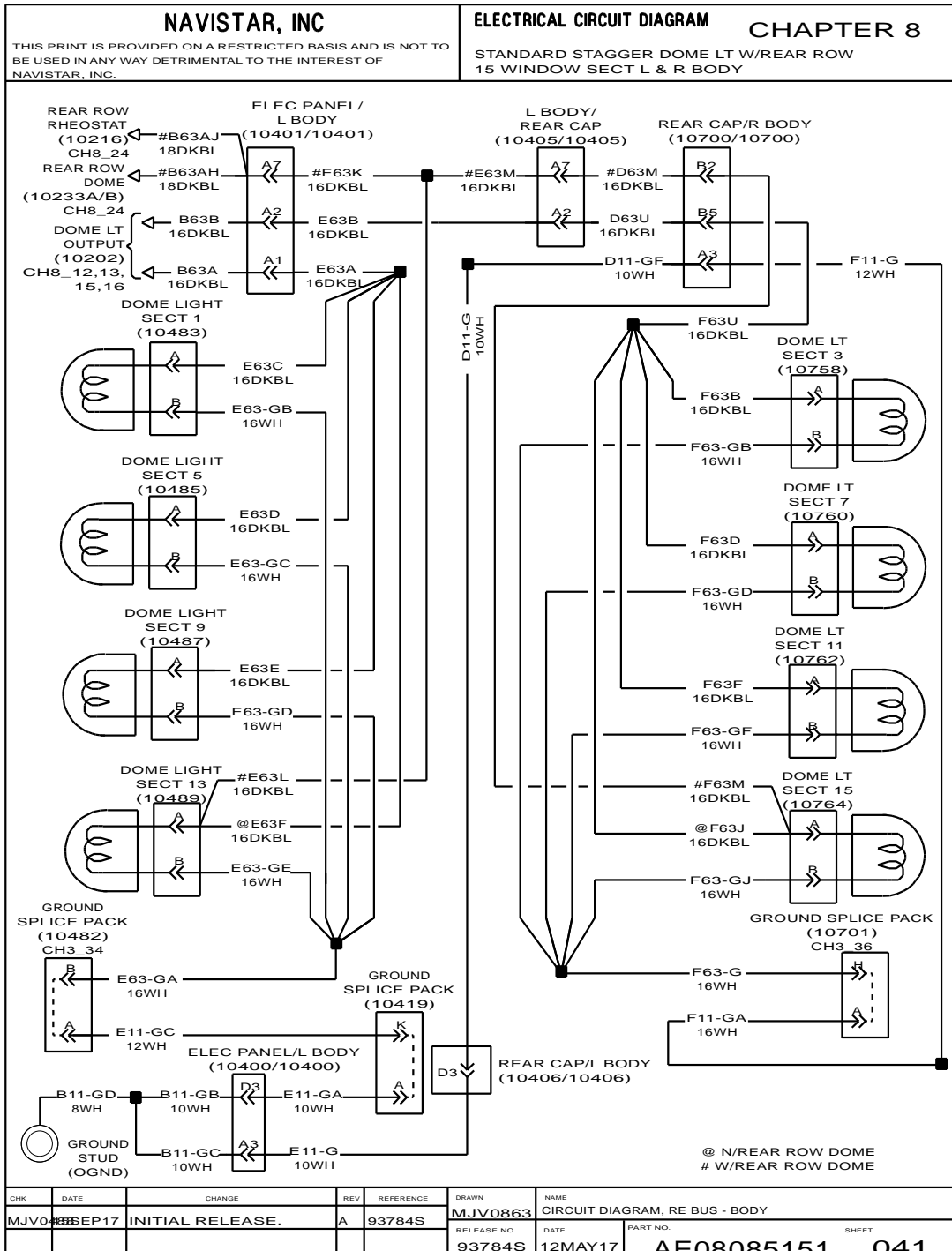


Figure 184 Standard Stagger Dome LT with Rear Row 15 Window Sect L and R Body

9.42. STANDARD STAGGER DOME LT WITH REAR ROW 13 / 14 WINDOW SECT L AND R BODY, P. 42

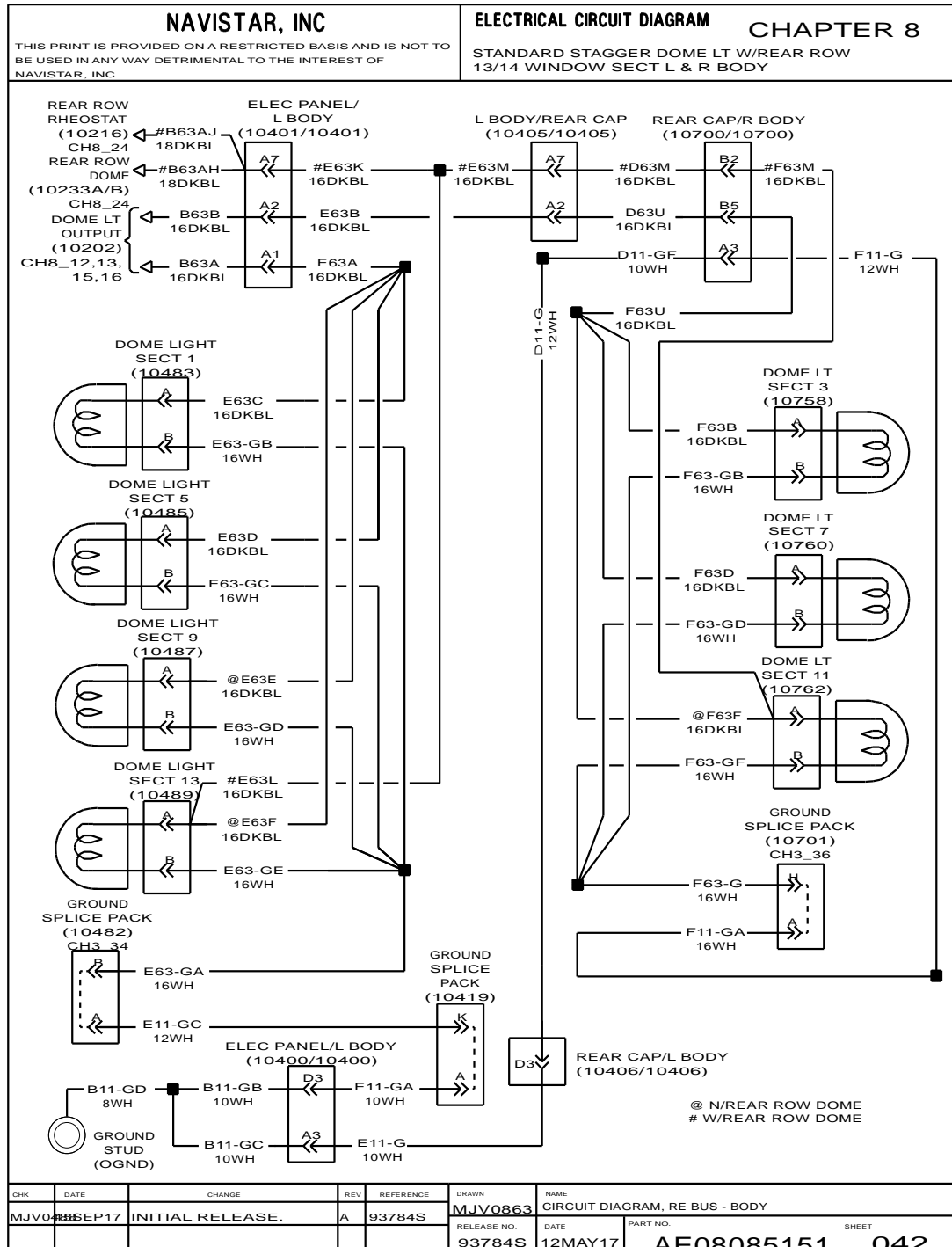


Figure 185 Standard Stagger Dome LT with Rear Row 13 / 14 Window Sect L and R Body

9.43. STANDARD STAGGER DOME LT WITH REAR ROW 12 WINDOW SECT L AND R BODY, P. 43

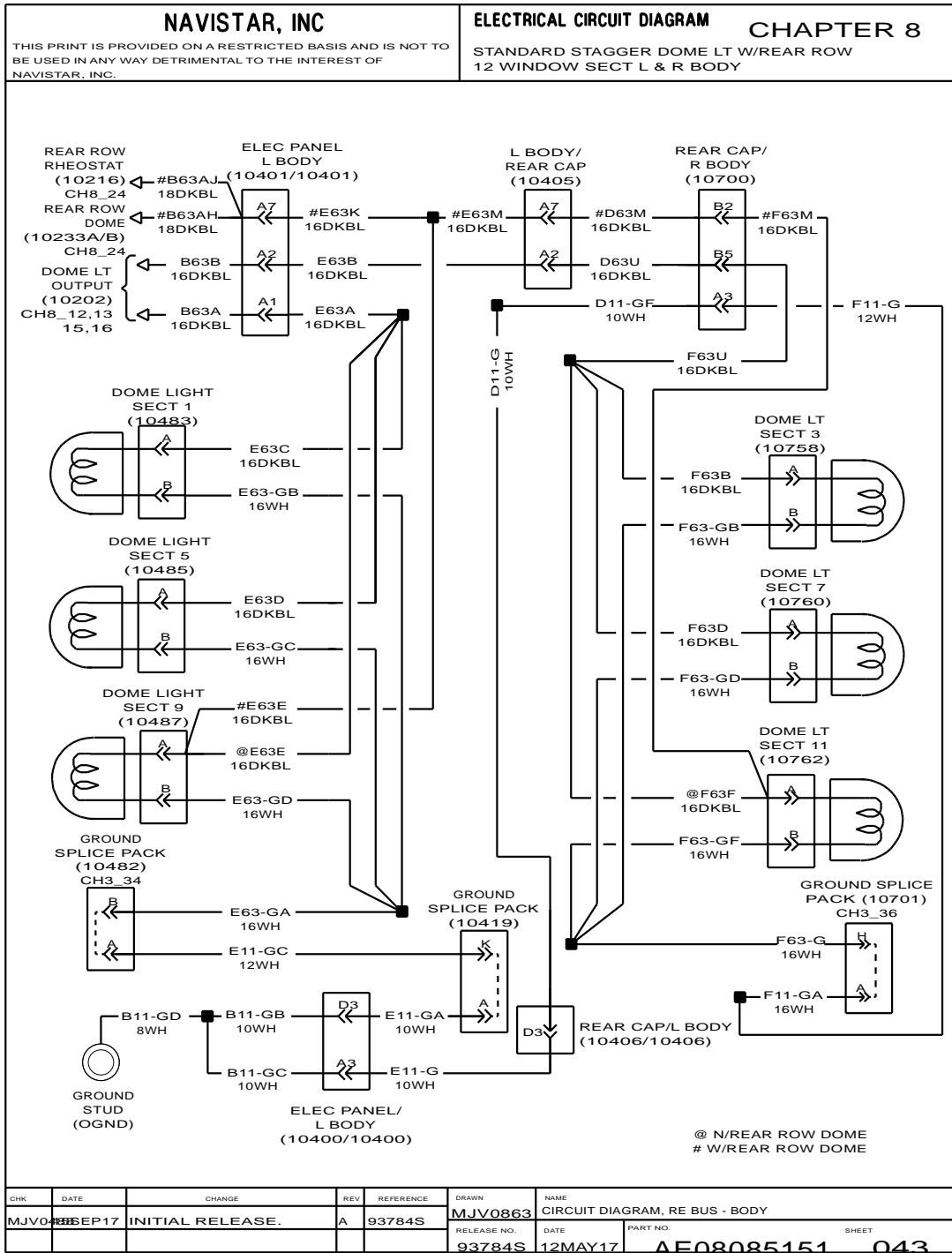


Figure 186 Standard Stagger Dome LT with Rear Row 12 Window Sect L and R Body

9.44. STANDARD STAGGER DOME LT FR AND RR, WITH REAR ROW 15 WINDOW SECT L BODY, P. 44

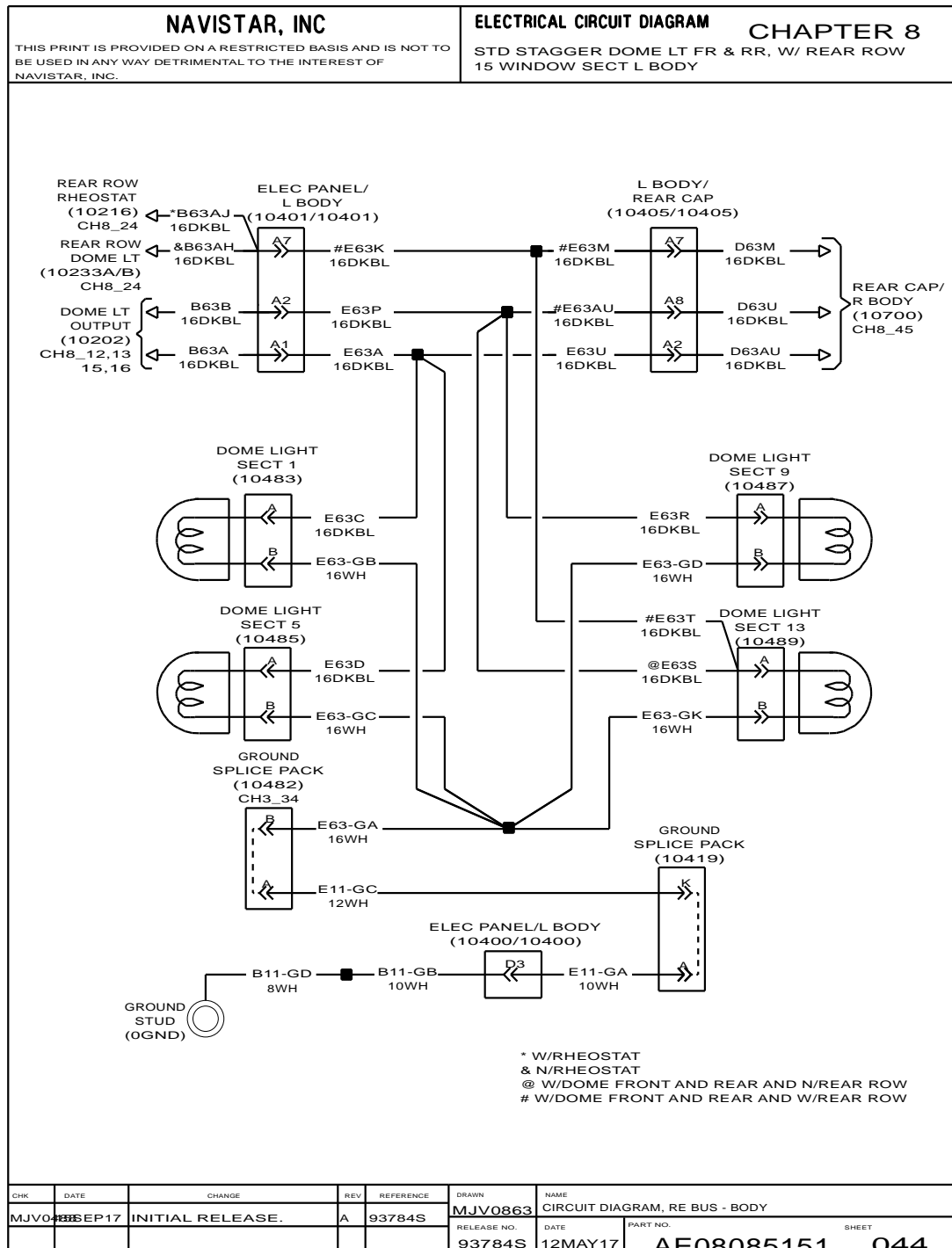


Figure 187 Standard Stagger Dome LT FR and RR, with Rear Row 15 Window Sect L Body

9.45. STANDARD STAGGER DOME LT FR AND RR, WITH REAR ROW 15 WINDOW SECT R BODY, P. 45

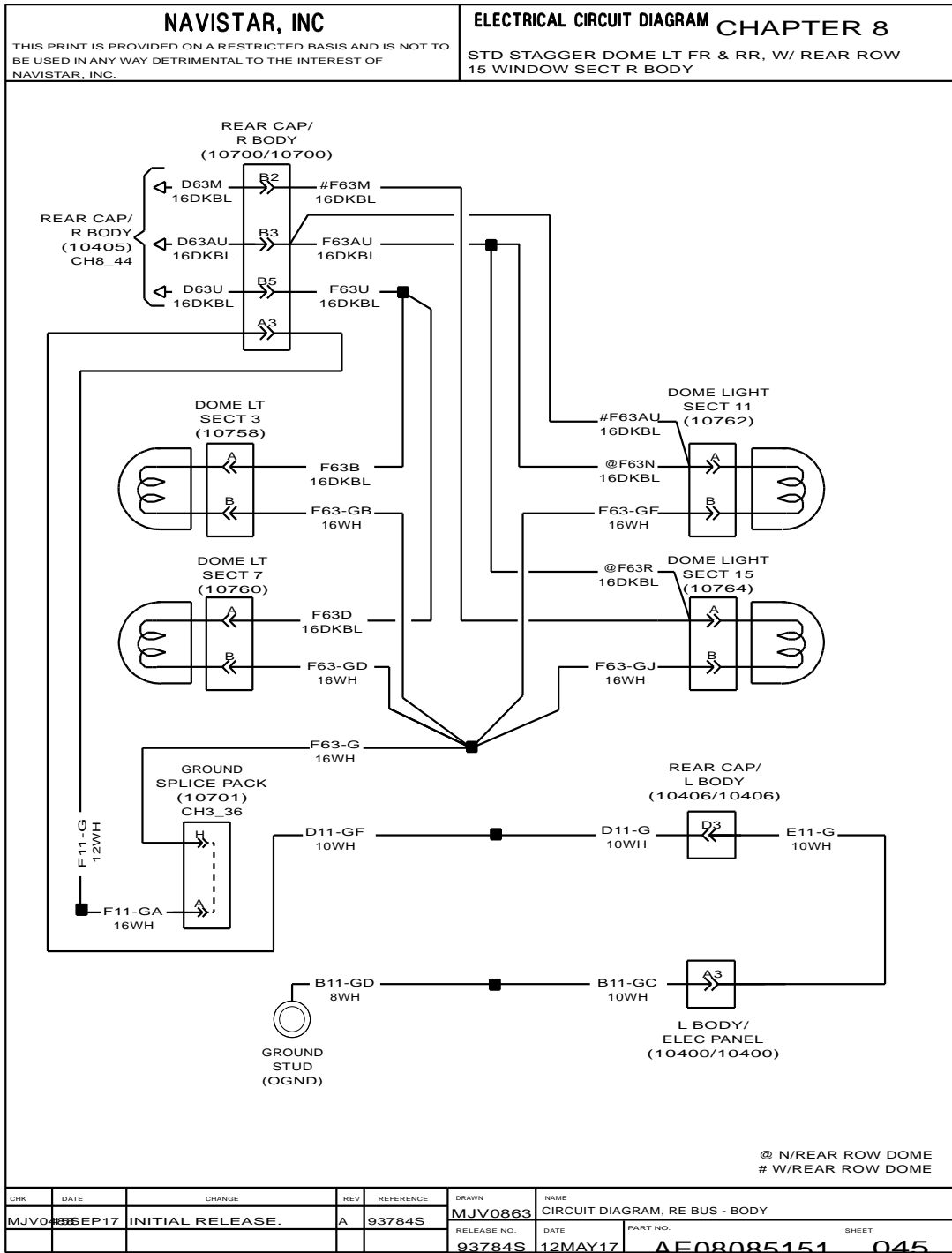


Figure 188 Standard Stagger Dome LT FR and RR, with Rear Row 15 Window Sect R Body

9.46. STANDARD STAGGER DOME LT FR AND RR, WITH REAR ROW 13 / 14 WINDOW SECT L AND R BODY, P. 46

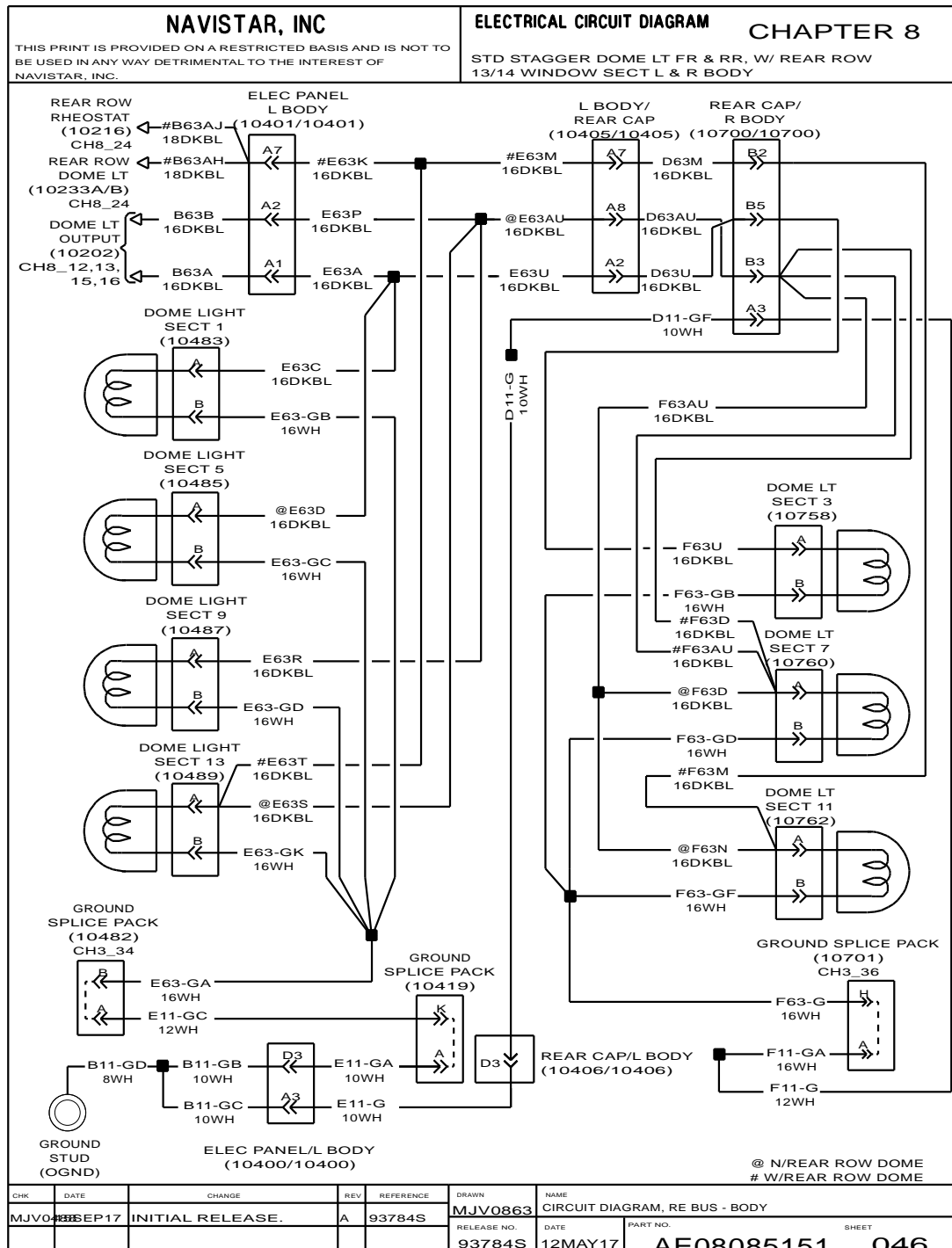


Figure 189 Standard Stagger Dome LT FR and RR, with Rear Row 13 / 14 Window Sect L and R Body

9.47. STANDARD STAGGER DOME LT FR AND RR, WITH REAR ROW 12 WINDOW SECT L AND R BODY, P. 47

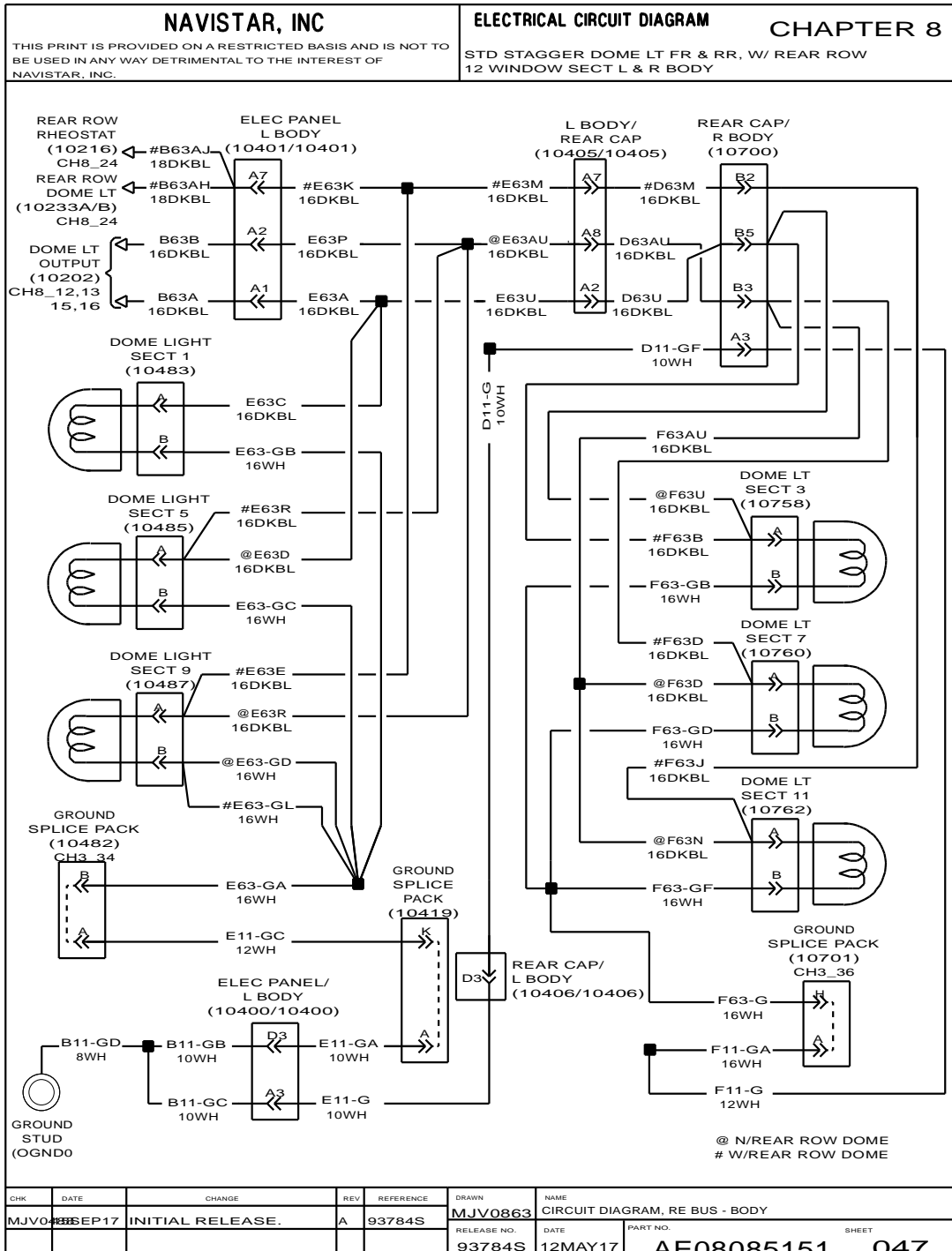


Figure 190 Standard Stagger Dome LT FR and RR, with Rear Row 12 Window Sect L and R Body

9.48. DOME LT ABOVE EACH SEAT WITH FR AND RR 14 WINDOW R BODY, P. 48

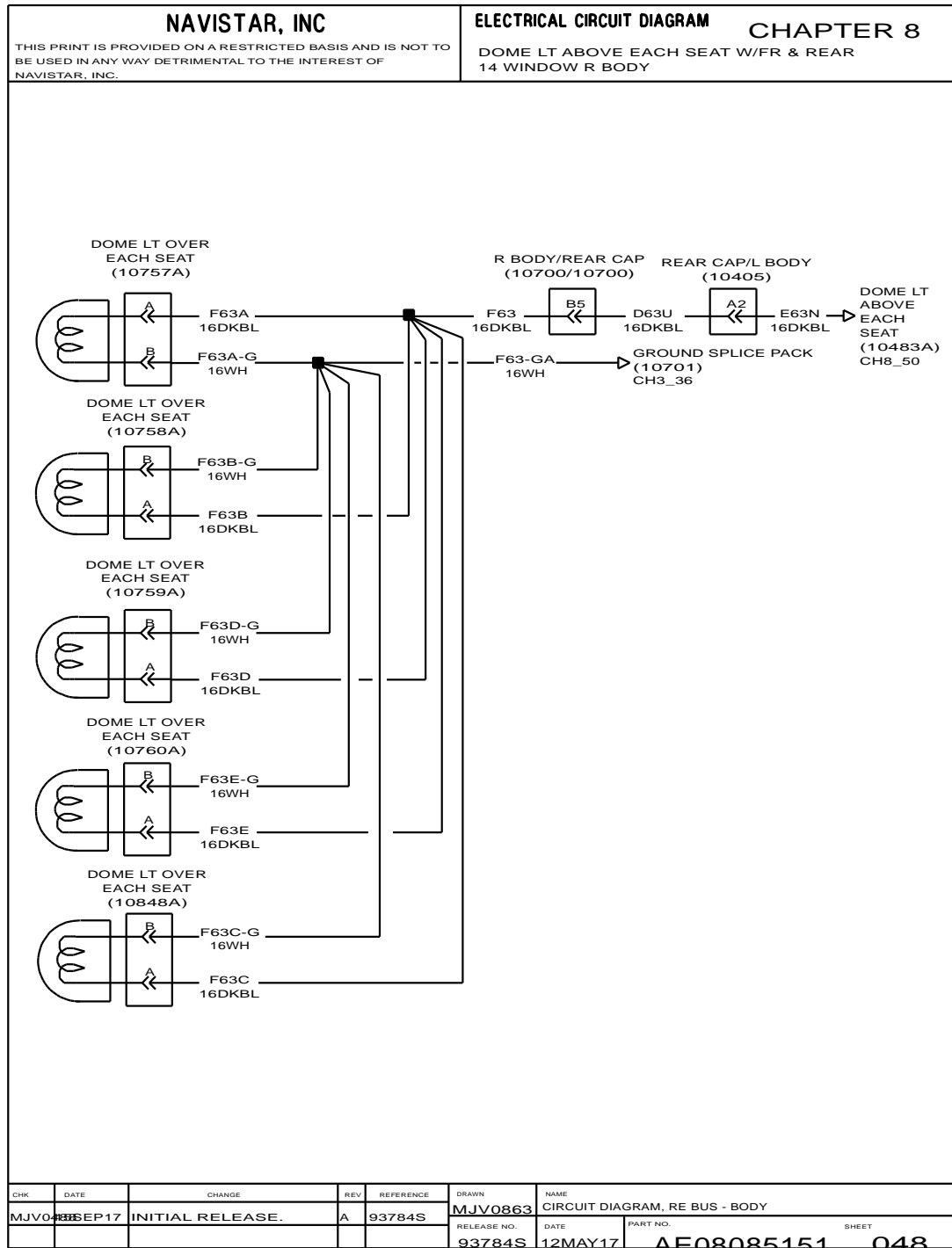


Figure 191 Dome LT Above Each Seat with FR and RR 14 Window R Body

9.49. DOME LT ABOVE EACH SEAT WITH FR AND RR 14 WINDOW R BODY, P. 49

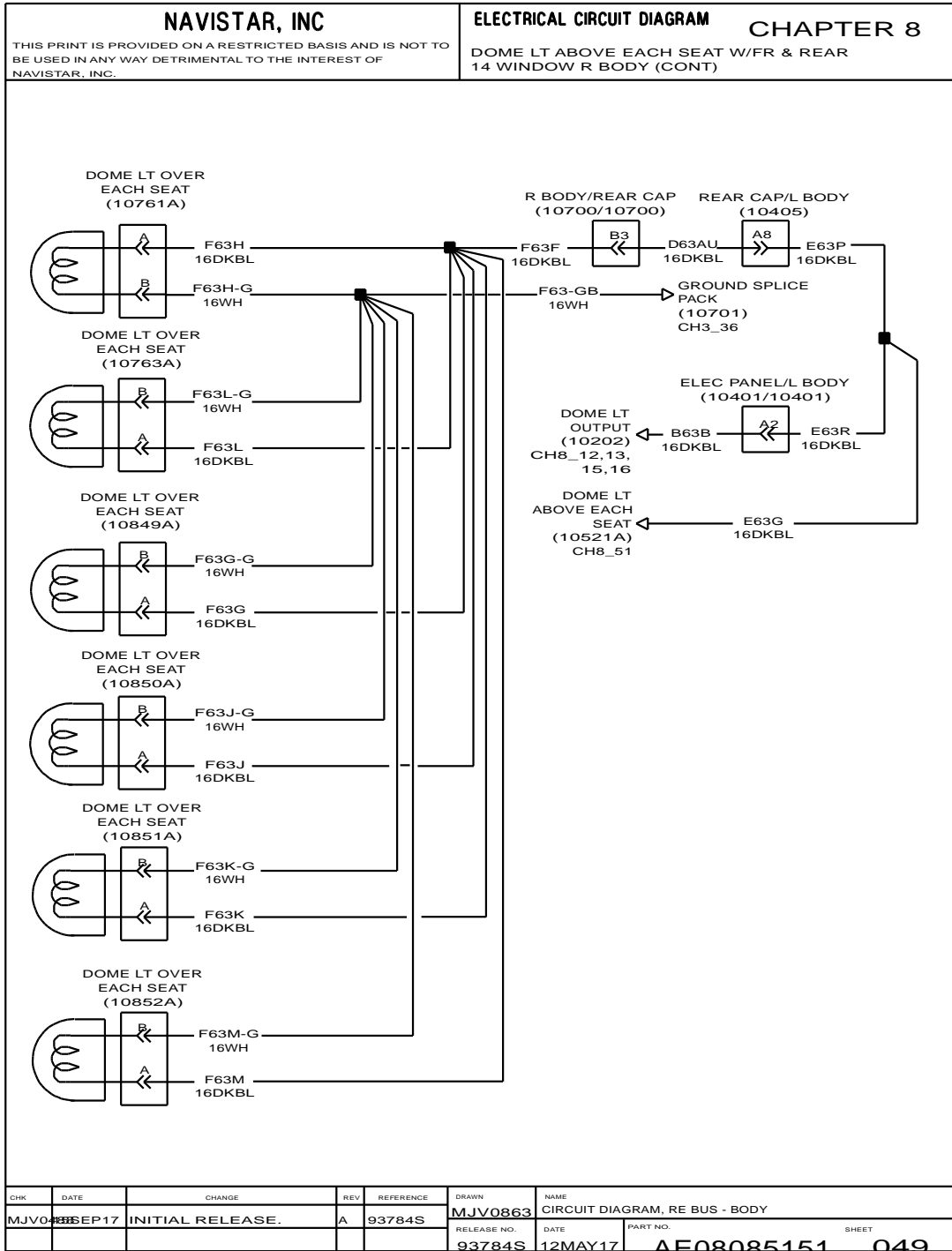


Figure 192 Dome LT Above Each Seat with FR and RR 14 Window R Body

9.50. DOME LT ABOVE EACH SEAT WITH FR AND RR 14 WINDOW L BODY, P. 50

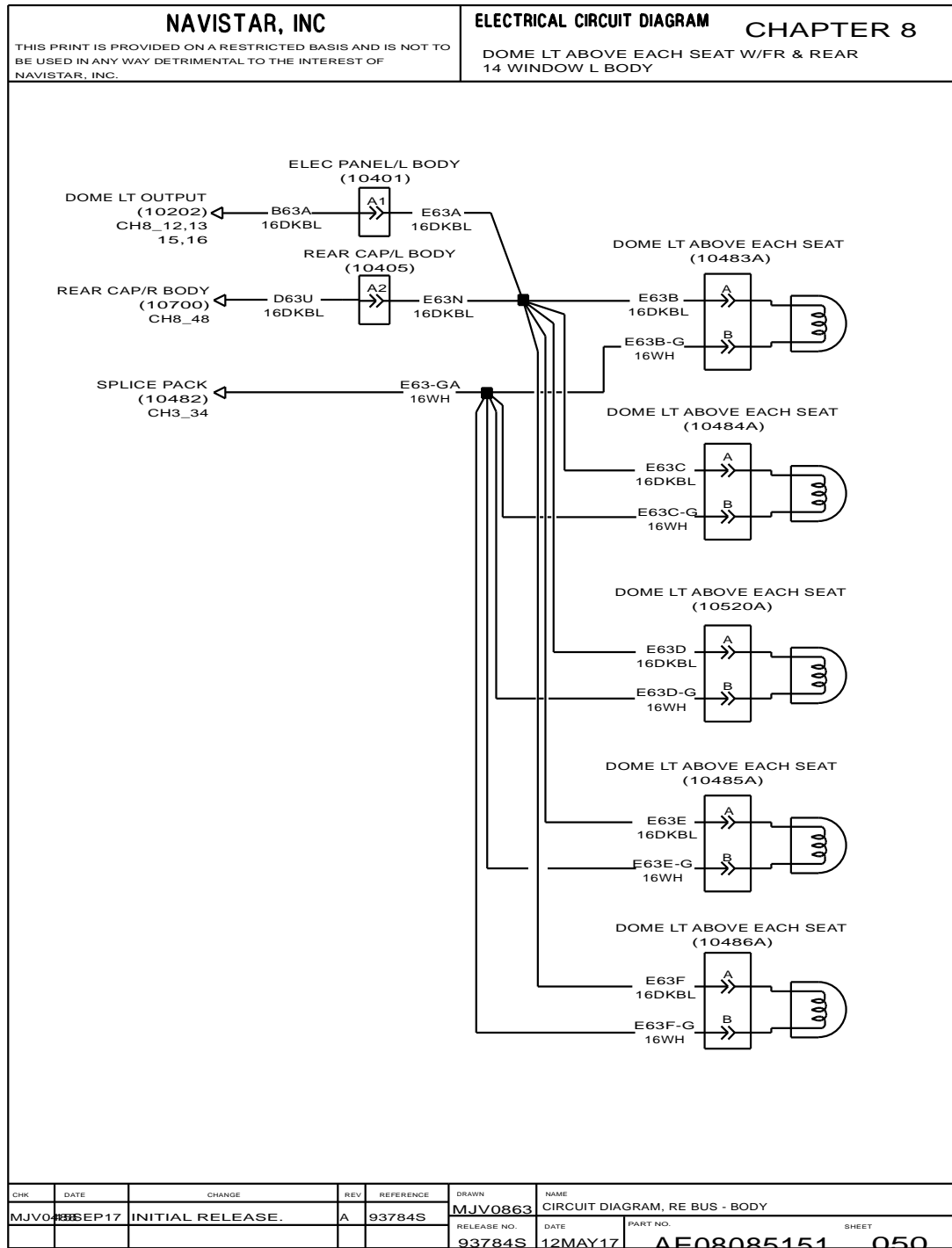


Figure 193 Dome LT Above Each Seat with FR and RR 14 Window L Body

9.51. DOME LT ABOVE EACH SEAT WITH FR AND RR 14 WINDOW L BODY (CONT.), P. 51

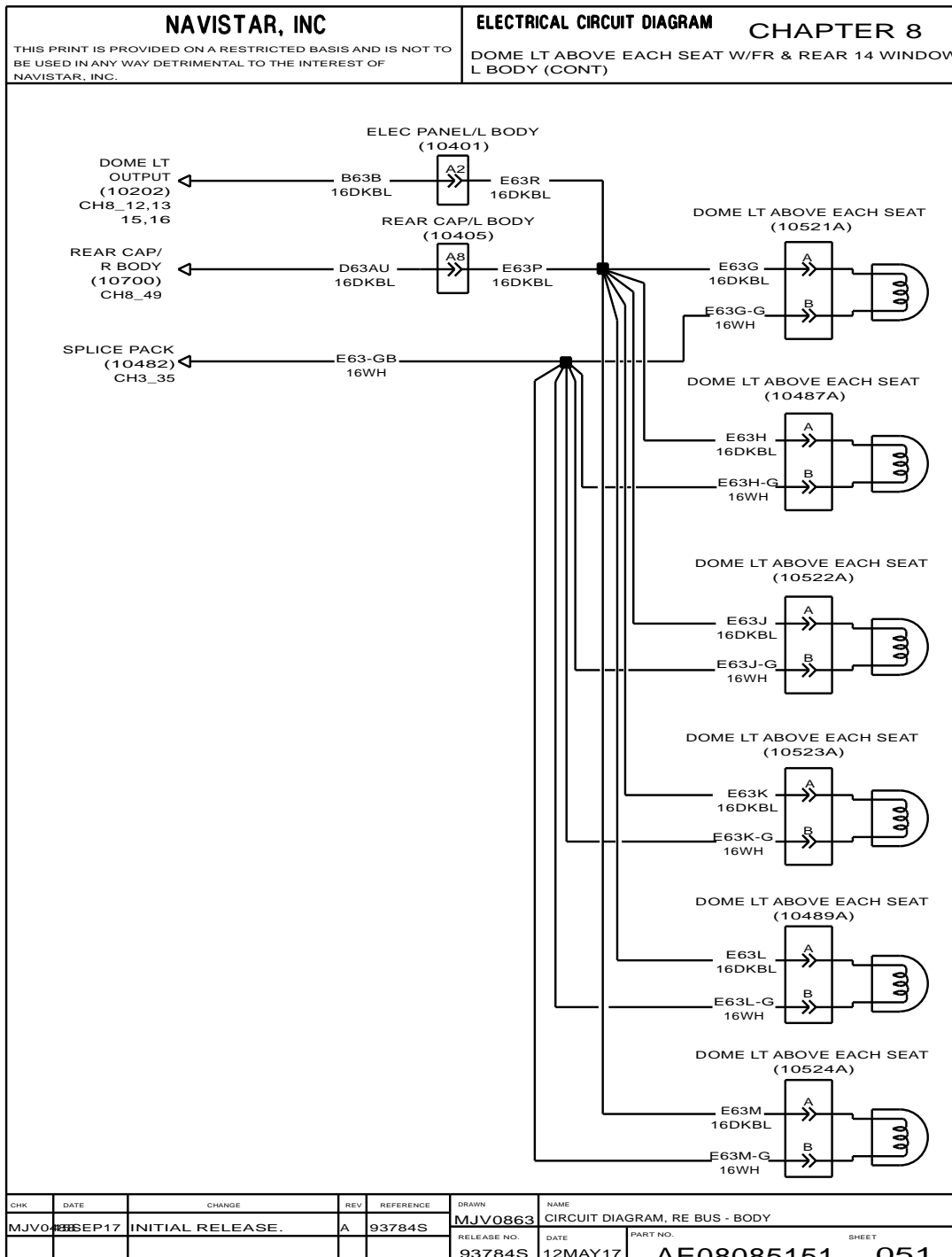


Figure 194 Dome LT Above Each Seat with FR and RR 14 Window L Body (Cont.)

9.52. DOME LT LAST ROW SECT OVERHEAD AND LEFT PANEL SWITCH, P. 52

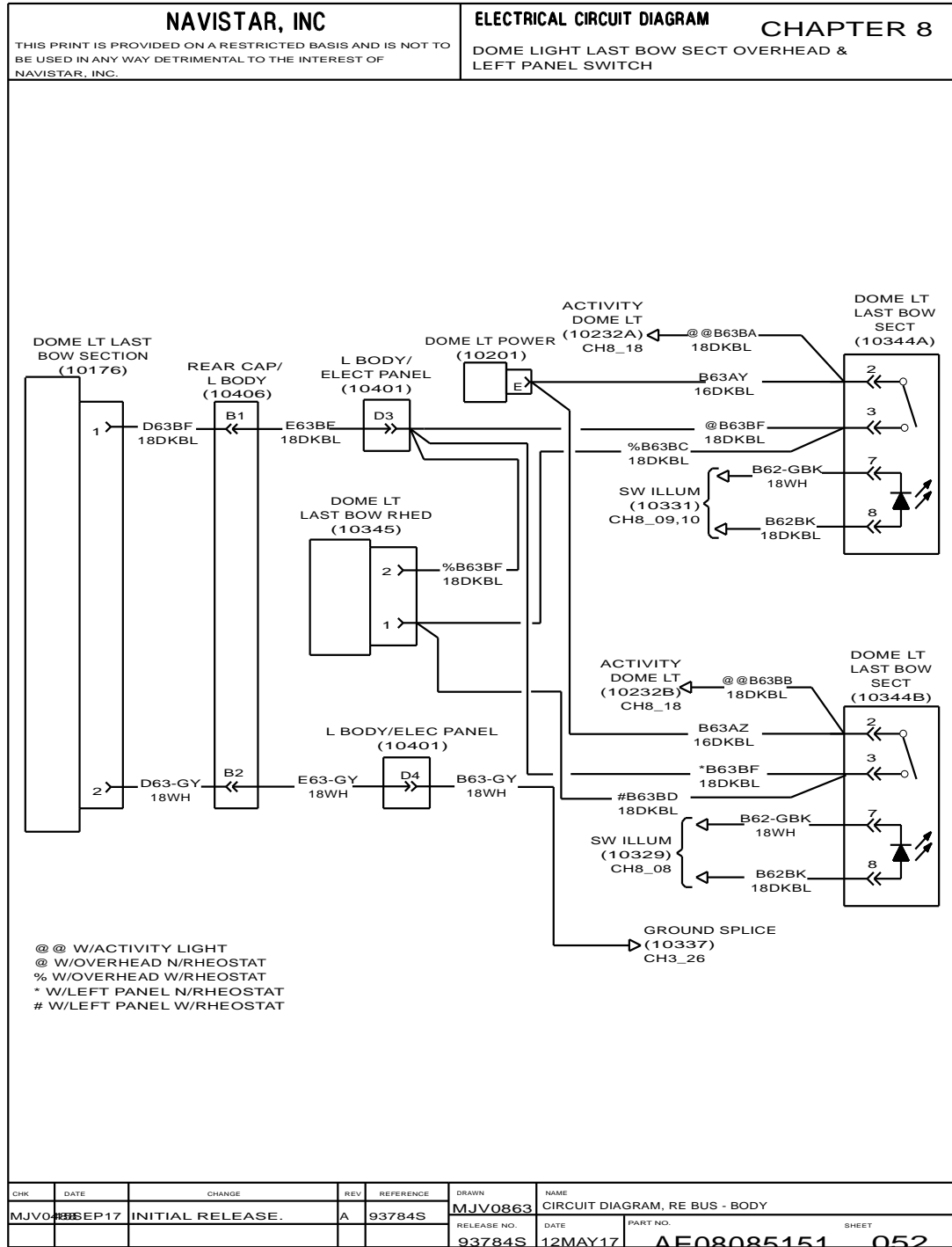


Figure 195 Dome LT Last Row Sect Overhead and Left Panel Switch

9.53. COMPARTMENT LIGHT, P. 53

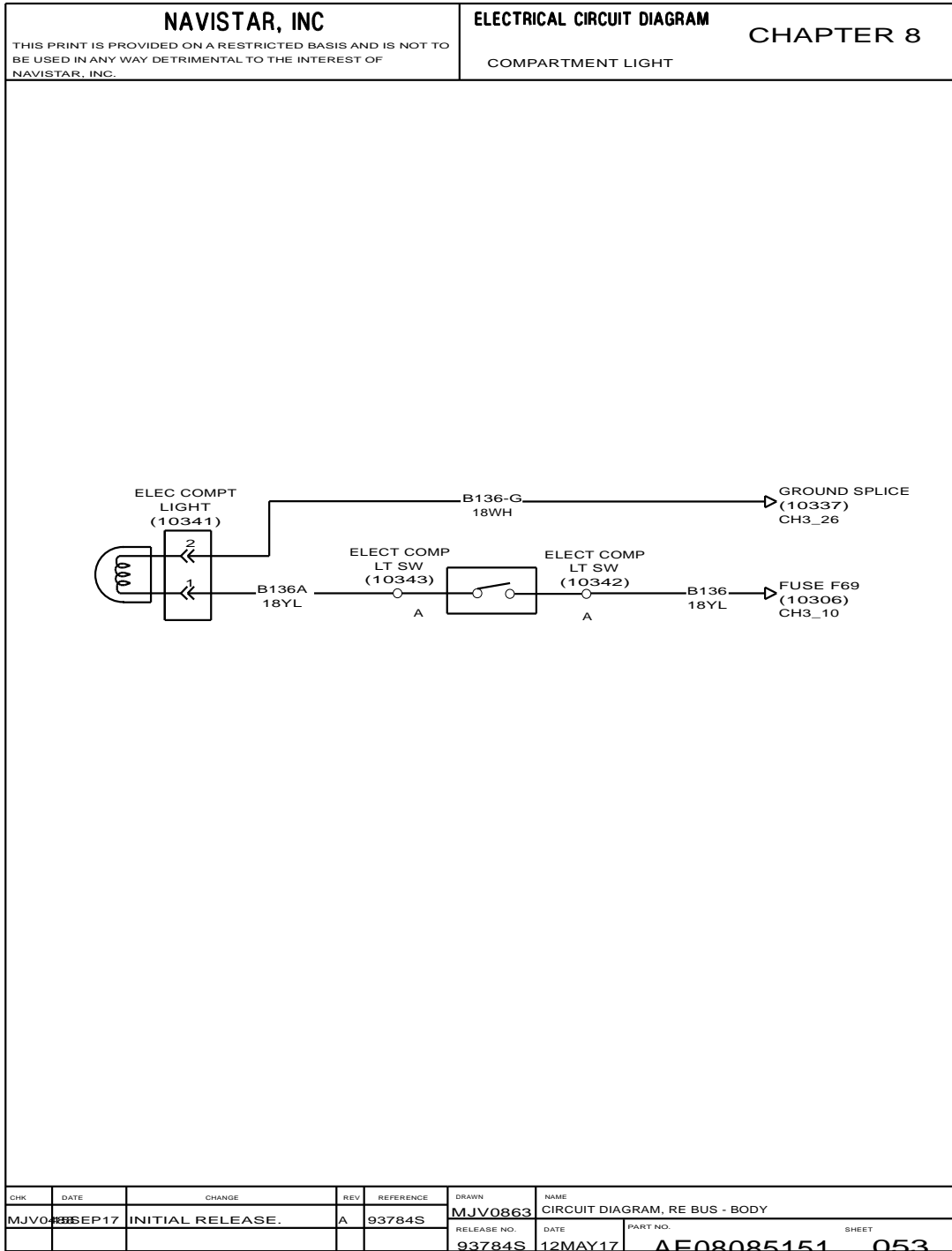


Figure 196 Compartment Light

9.54. EMERGENCY DOOR LIGHT – OVERHEAD LOCKING COMPARTMENT, P. 54

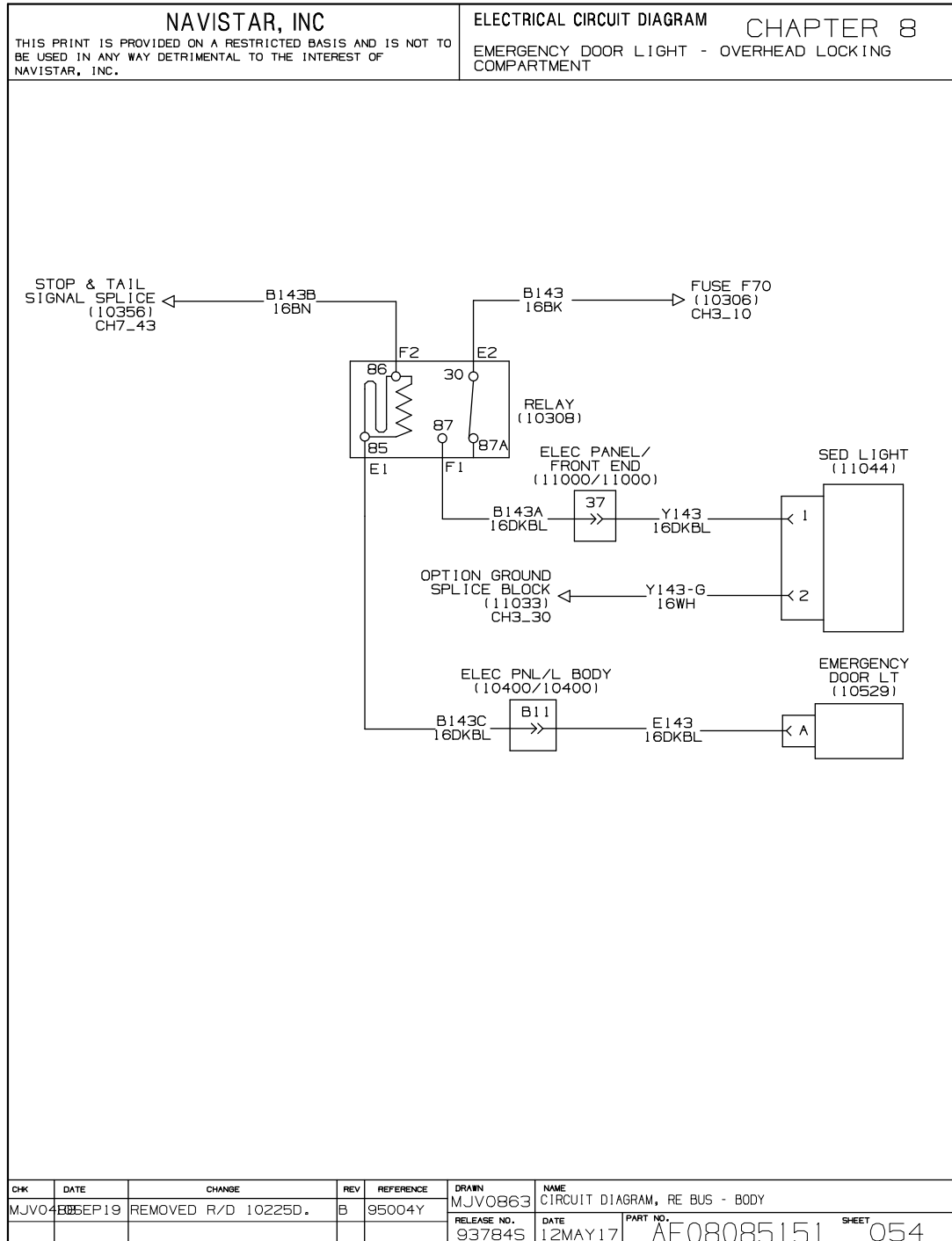


Figure 197 Emergency Door Light – Overhead Locking Compartment

STOP ARM / CROSSING GATE (CHAPTER 9)

10.1. STOP ARM / CROSSING GATE WITHOUT CANCEL, P. 1

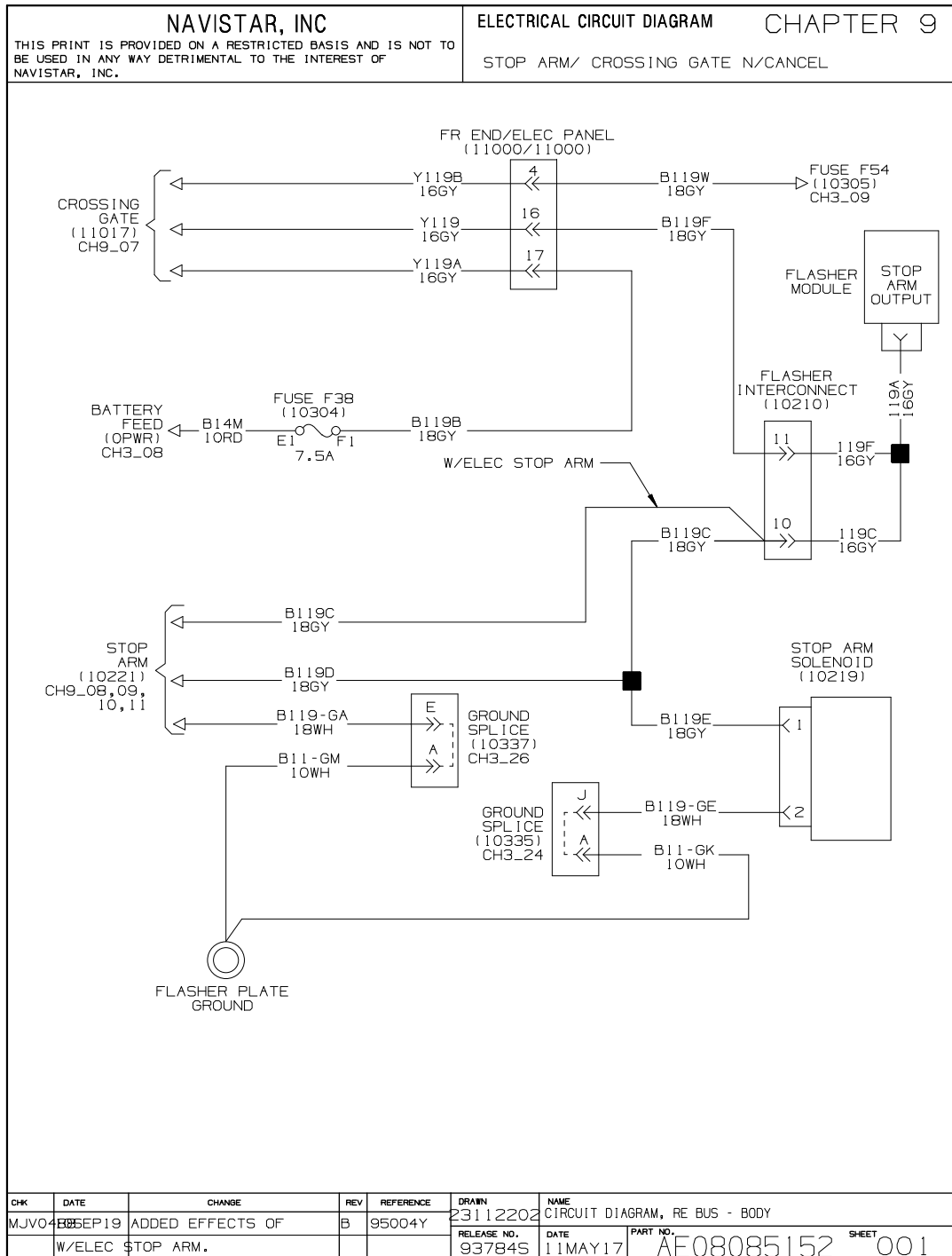


Figure 198 Stop Arm / Crossing Gate without Cancel

10.2. STOP ARM / CROSSING GATE WITH AIR XGT CANCEL, P. 2

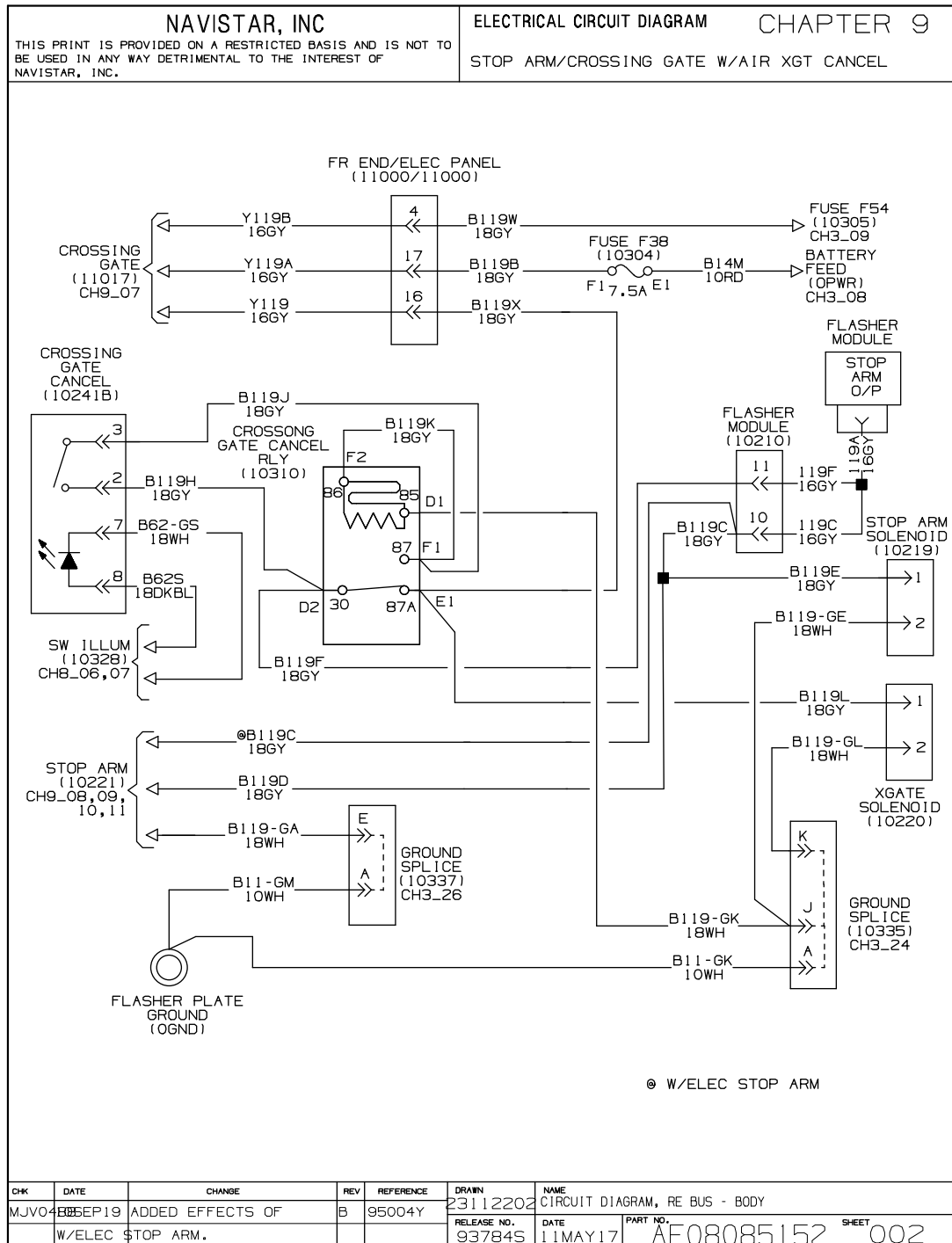


Figure 199 Stop Arm / Crossing Gate with Air XGT Cancel

10.3. STOP ARM / CROSSING GATE WITH ELECTRICAL XGT CANCEL, P. 3

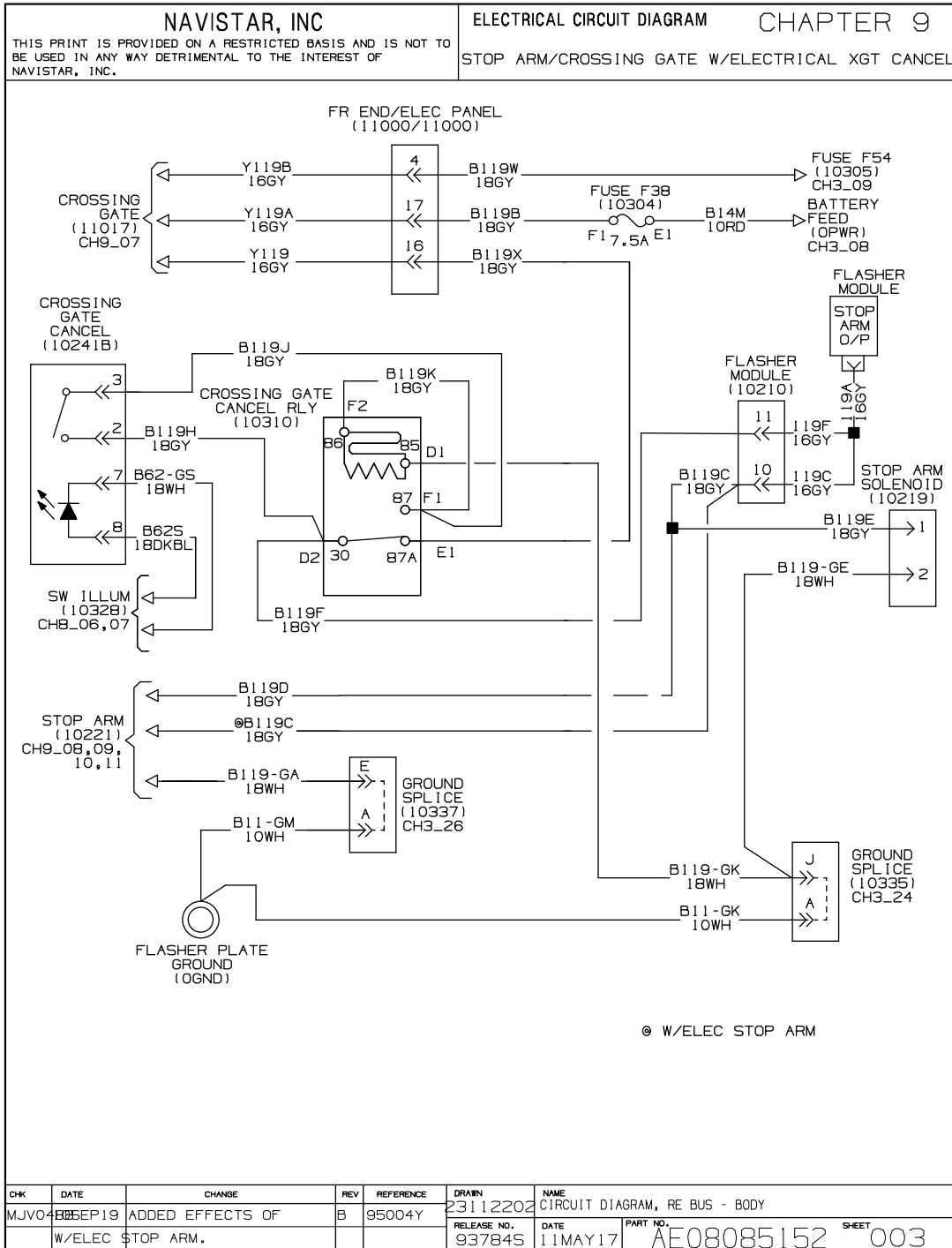


Figure 200 Stop Arm / Crossing Gate with Electrical XGT Cancel

10.4. STOP ARM / CROSSING GATE WITH STOP ARM CANCEL OVERHEAD, P. 4

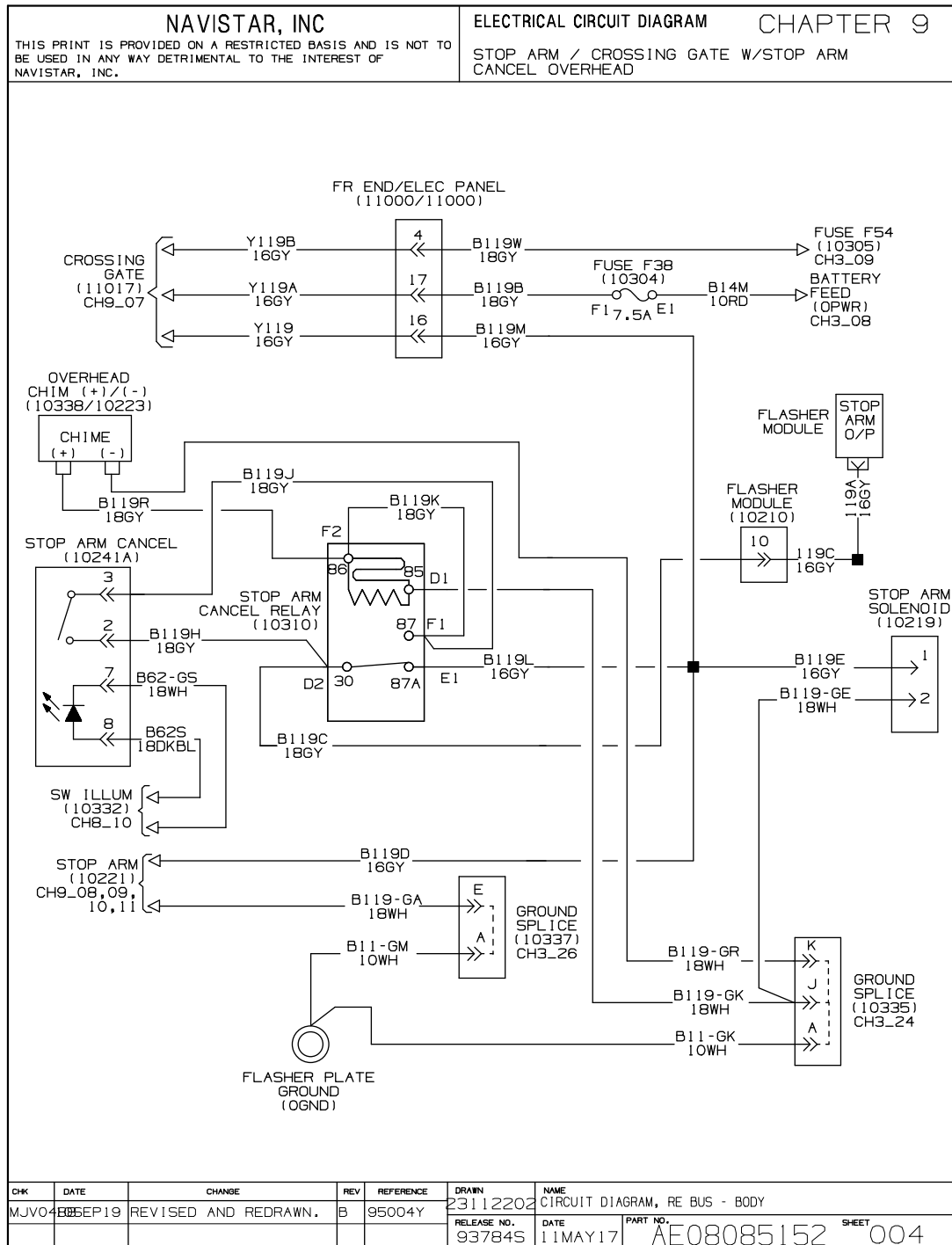


Figure 201 Stop Arm / Crossing Gate with Stop Arm Cancel Overhead

10.5. STOP ARM / CROSSING GATE WITH STOP ARM CANCEL L SWITCH PANEL, P. 5

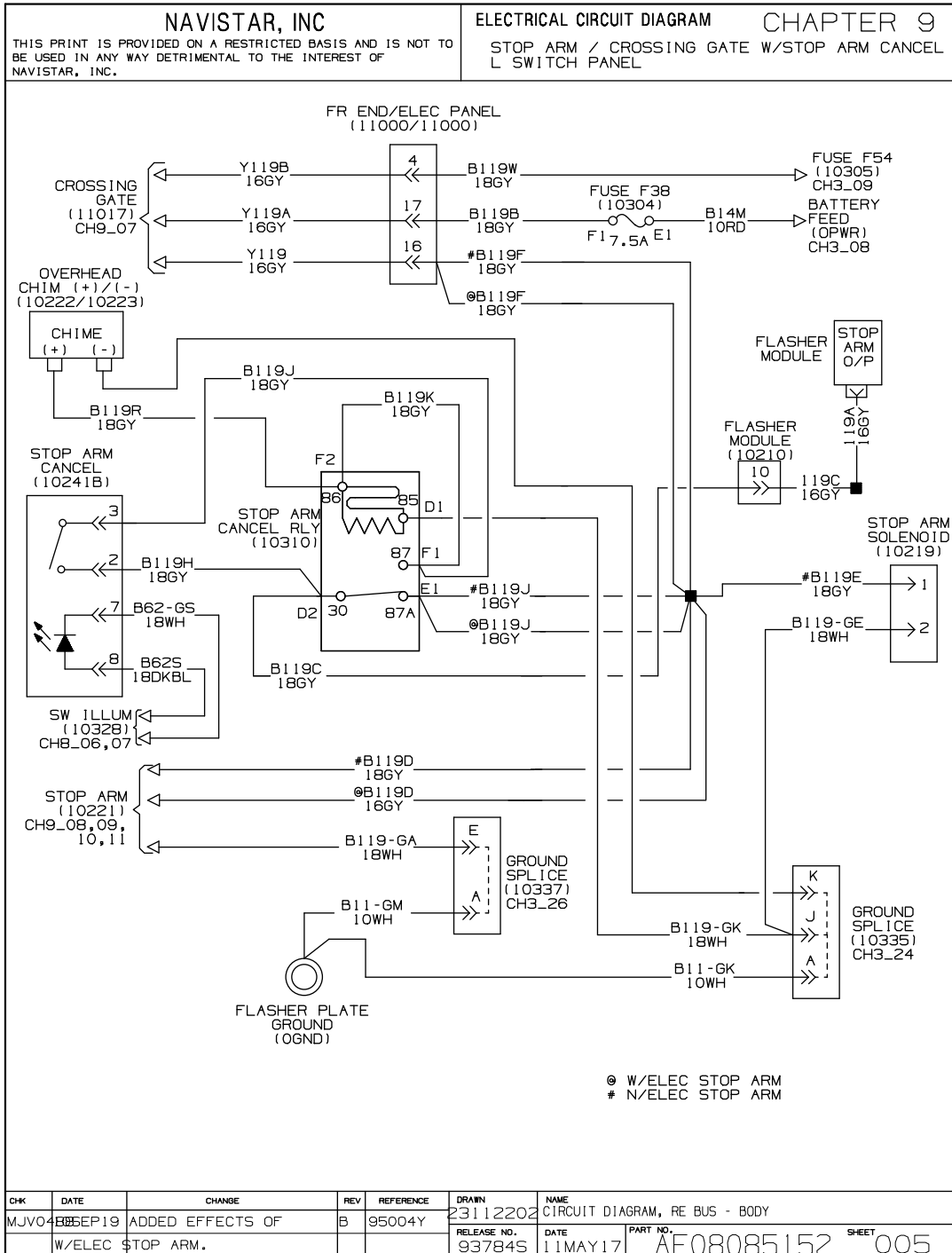


Figure 202 Stop Arm / Crossing Gate with Stop Arm Cancel L Switch Panel

10.6. STOP ARM / CROSSING GATE FLORIDA, P. 6

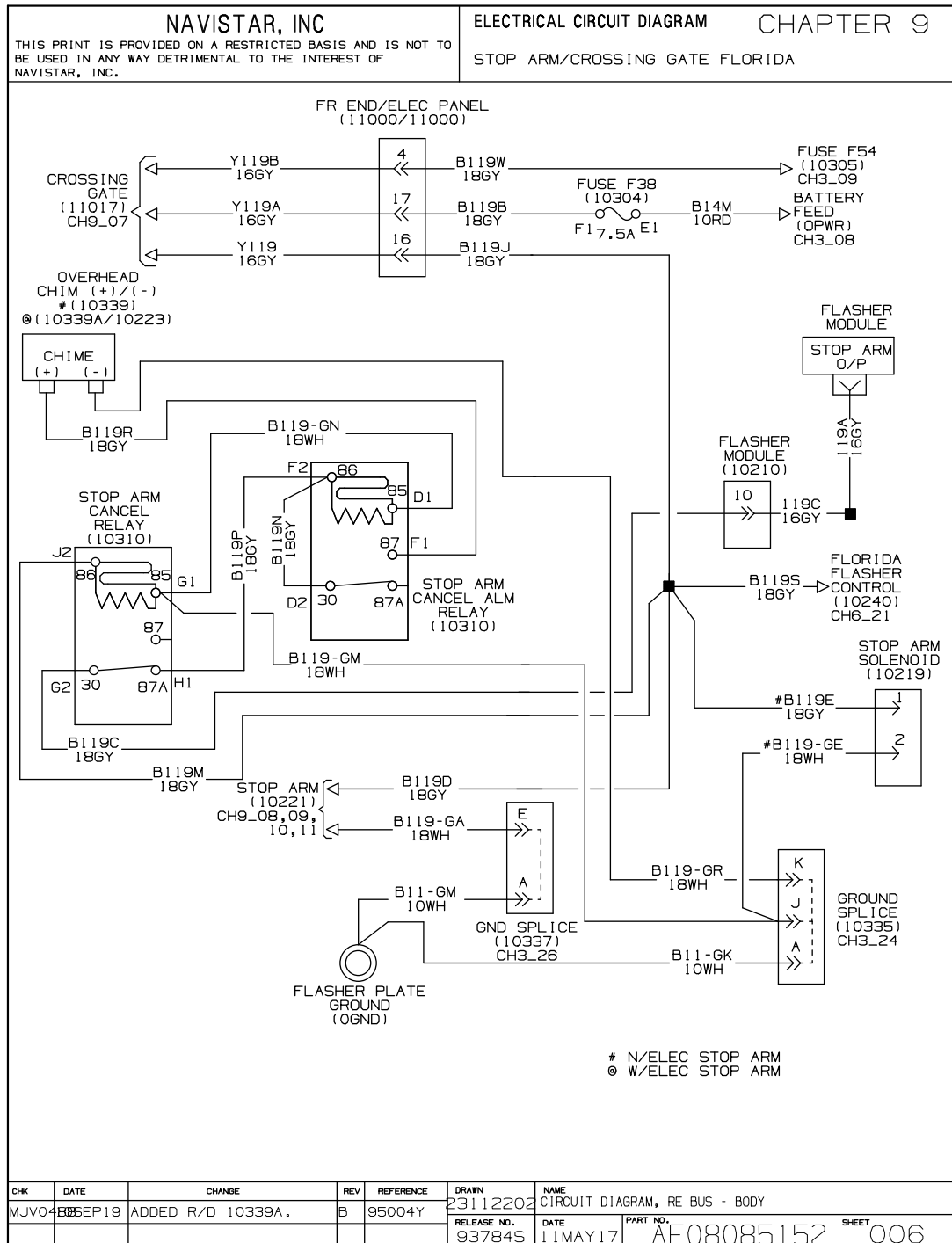


Figure 203 Stop Arm / Crossing Gate Florida

10.7. CROSSING GATE, P. 7

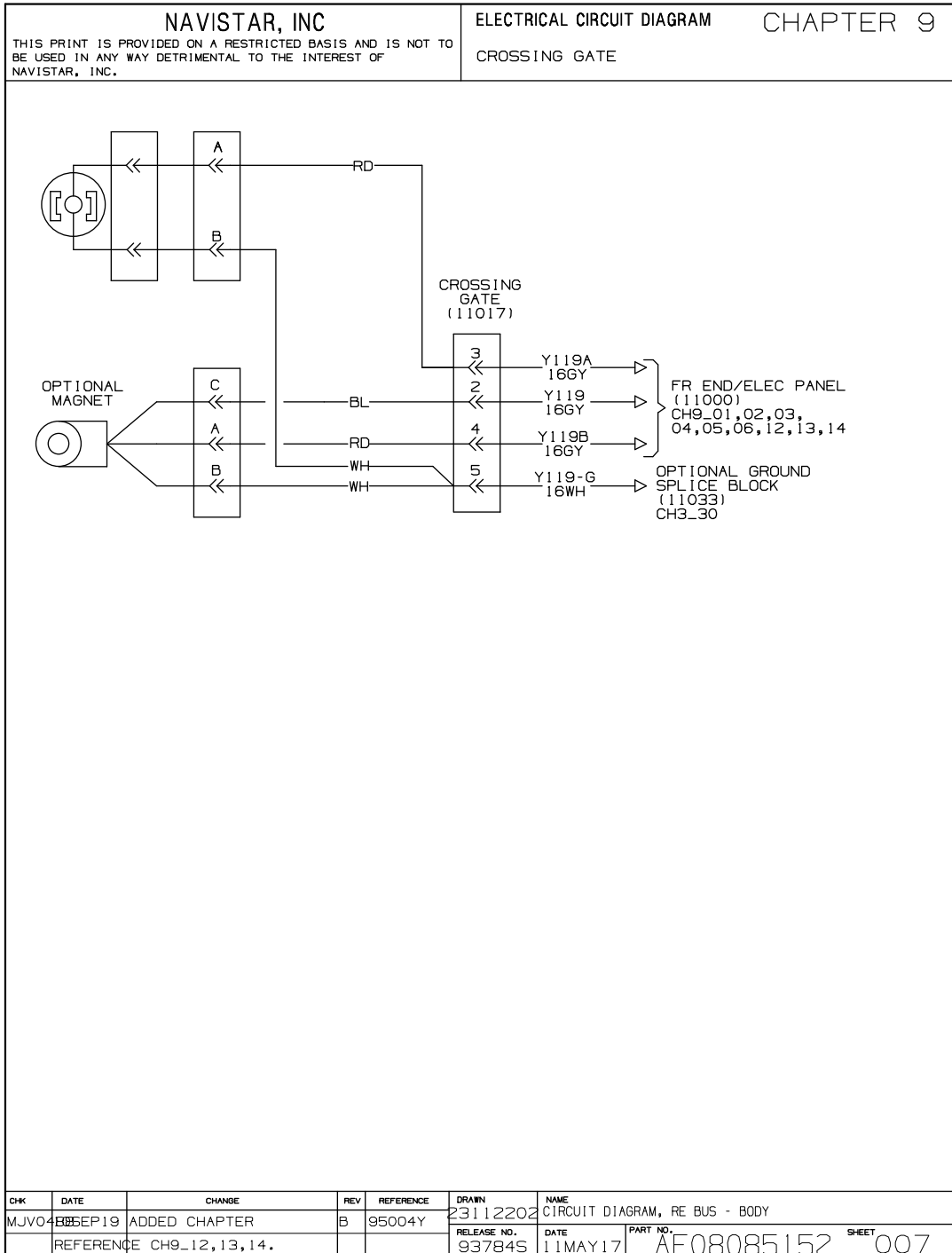


Figure 204 Crossing Gate

10.8. STOP ARM STROBE HI / LO INTENSITY SWITCH L SWITCH PANEL, P. 8

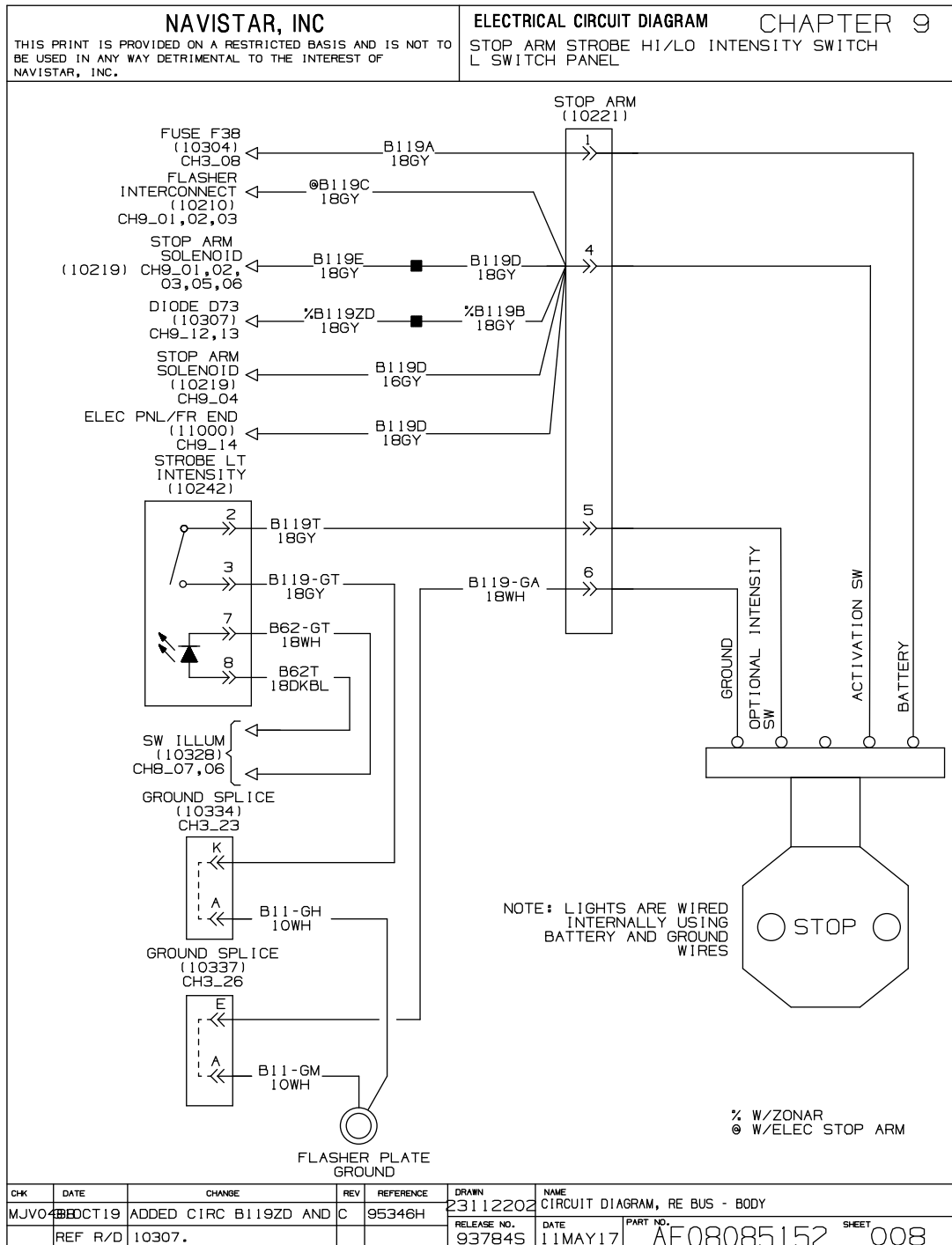


Figure 205 Stop Arm Strobe HI / LO Intensity Switch L Switch Panel

10.9. STOP ARM STROBE HI / LO INTENSITY SWITCH L SWITCH PANEL WITH REAR, P. 9

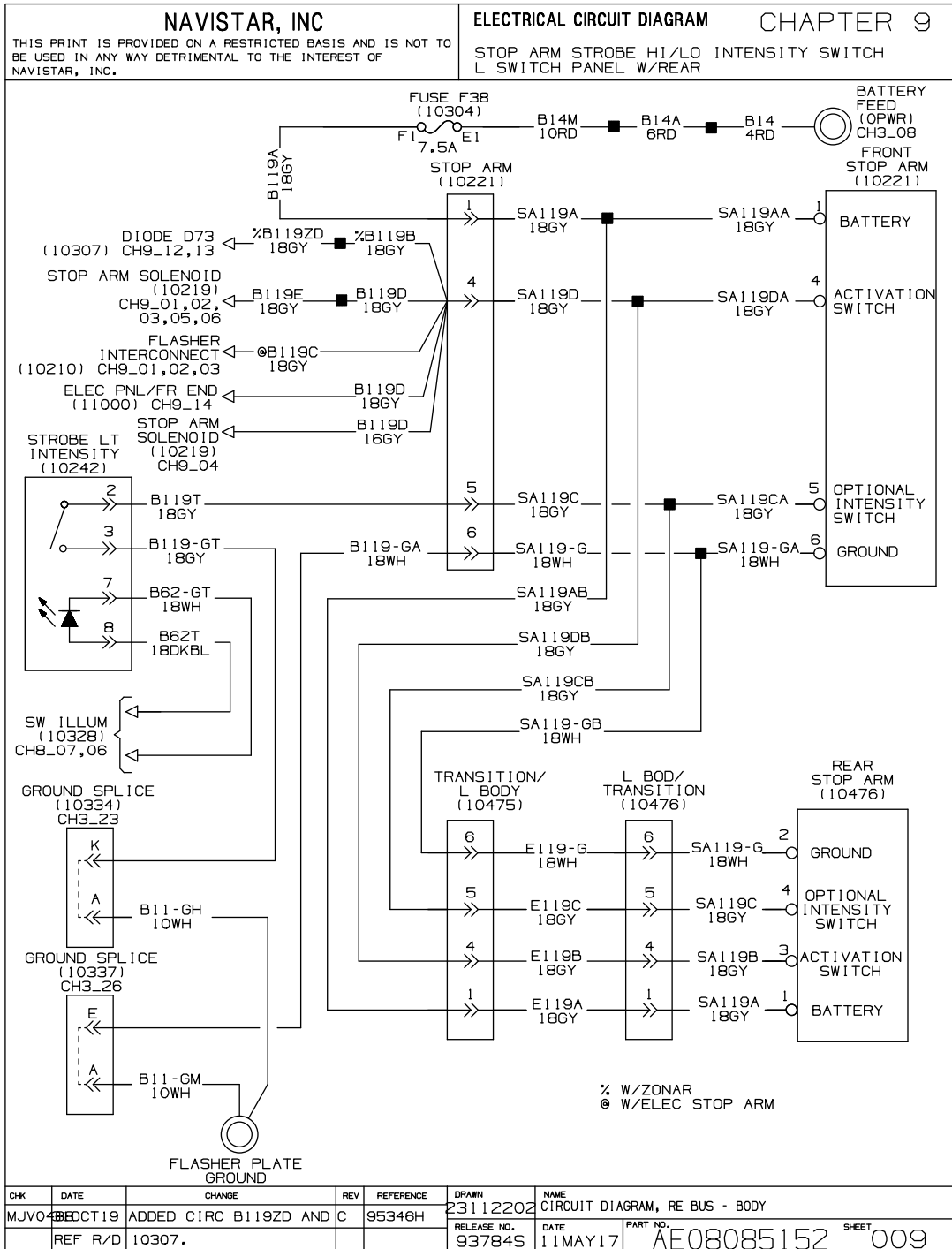


Figure 206 Stop Arm Strobe HI / LO Intensity Switch L Switch Panel with Rear

10.10. STOP ARM STROBE HI / LO INTENSITY SWITCH L SWITCH PANEL WITH FLASHER SYSTEM, P. 10

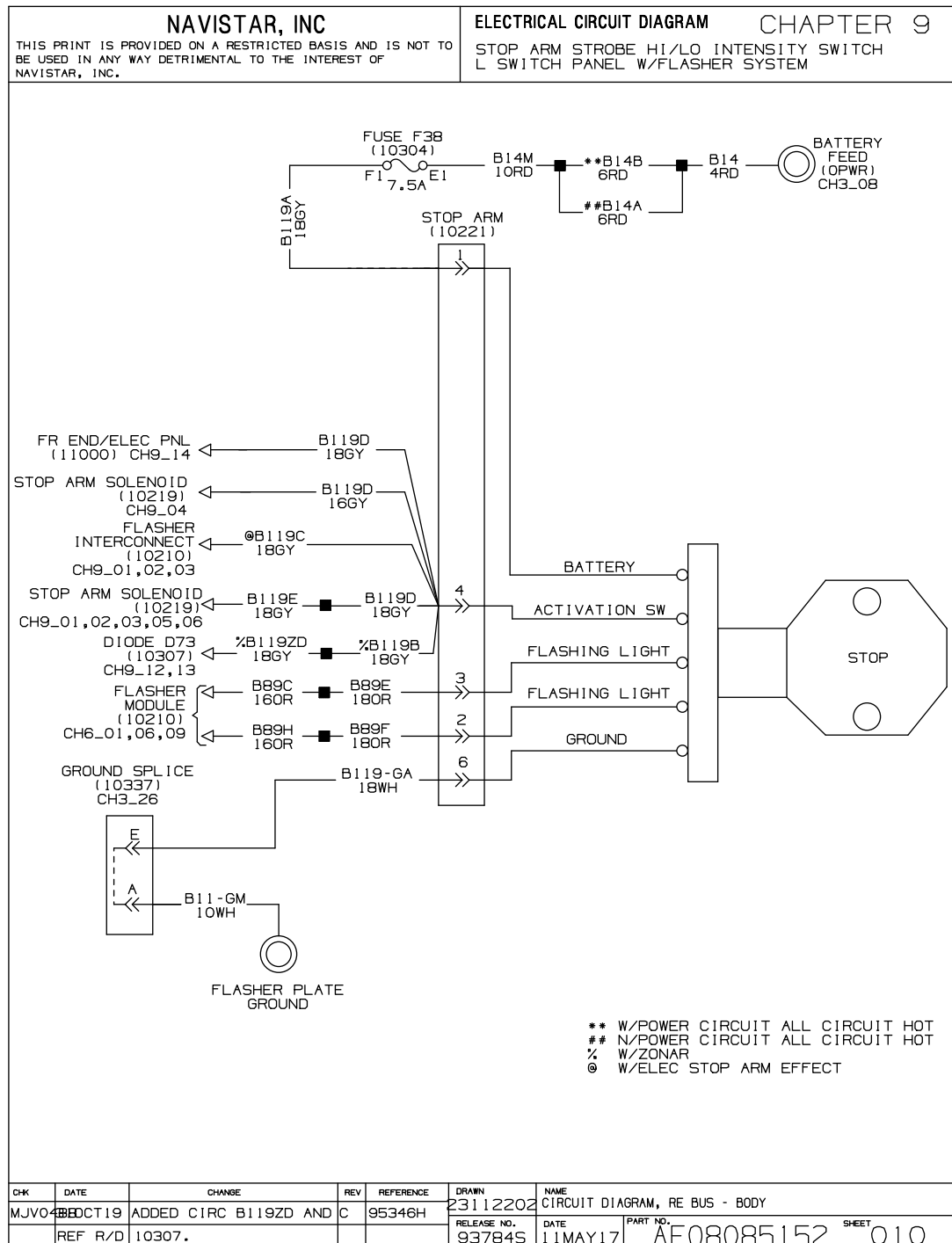


Figure 207 Stop Arm Strobe HI / LO Intensity Switch L Switch Panel with Flasher System

10.11. STOP ARM STROBE HI / LO INTENSITY SWITCH L SWITCH PANEL WITH FLASHER SYSTEM WITH REAR, P. 11

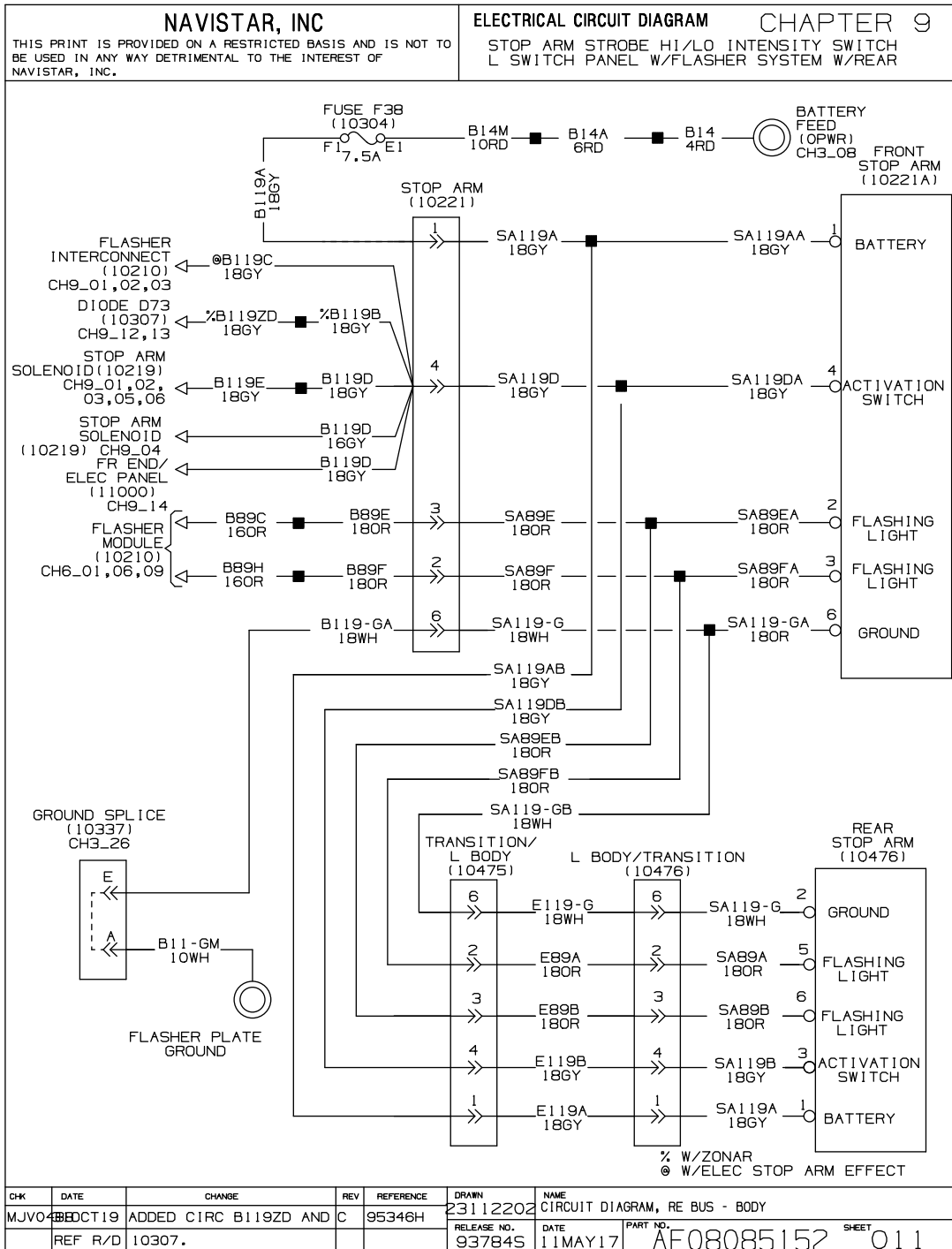


Figure 208 Stop Arm Strobe HI / LO Intensity Switch L Switch Panel with Flasher System with Rear

10.12. STOP ARM / CROSSING GATE WITHOUT CANCEL WITH ZONAR, P. 12

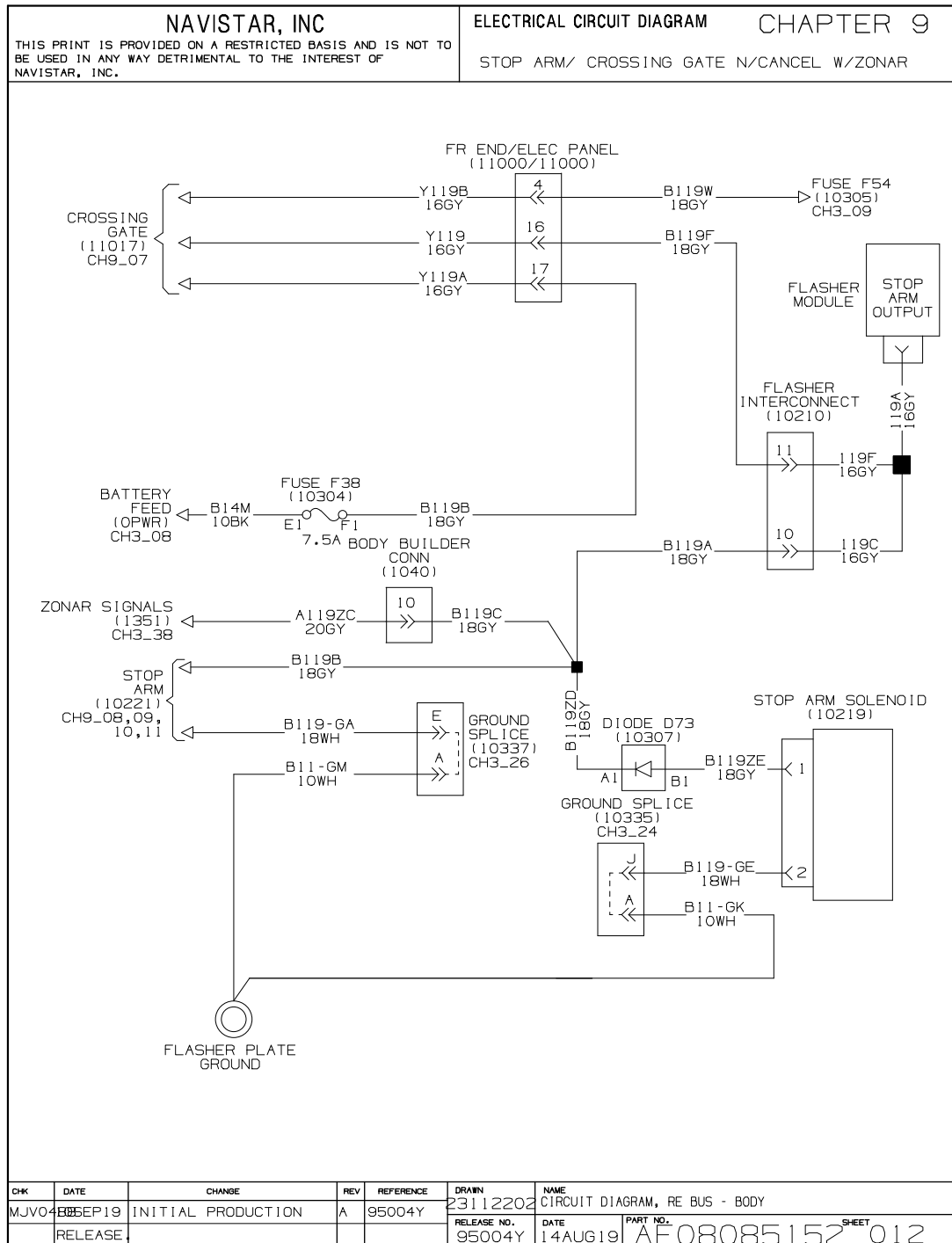


Figure 209 Stop Arm / Crossing Gate without Cancel with Zonar

10.13. STOP ARM / CROSSING GATE WITH AIR XGT CANCEL WITH ZONAR, P. 13

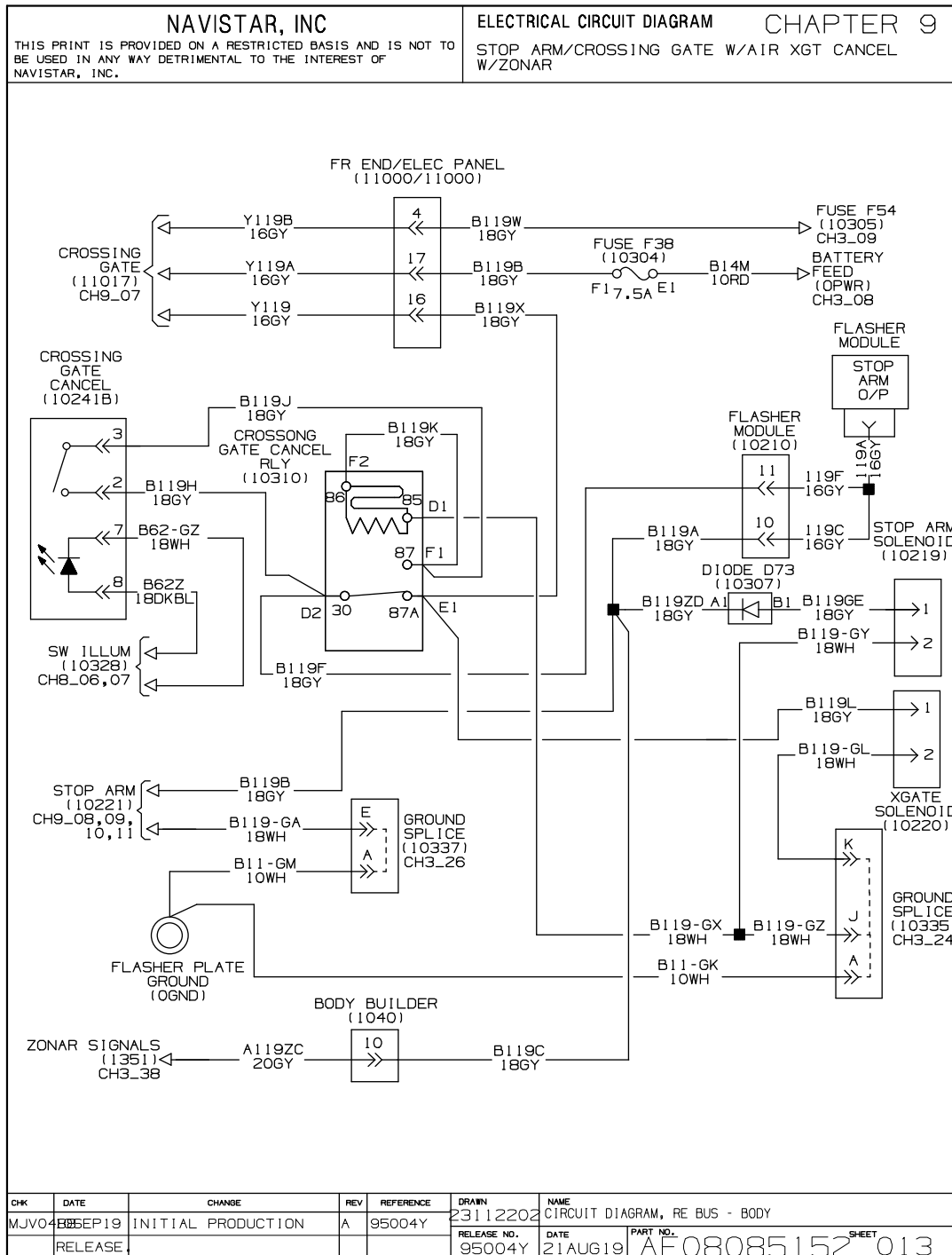


Figure 210 Stop Arm / Crossing Gate with Air XGT Cancel with Zonar

10.14. ELECTRIC STOP ARM / CROSSING GATE WITH STOP ARM CANCEL OVERHEAD, P. 14

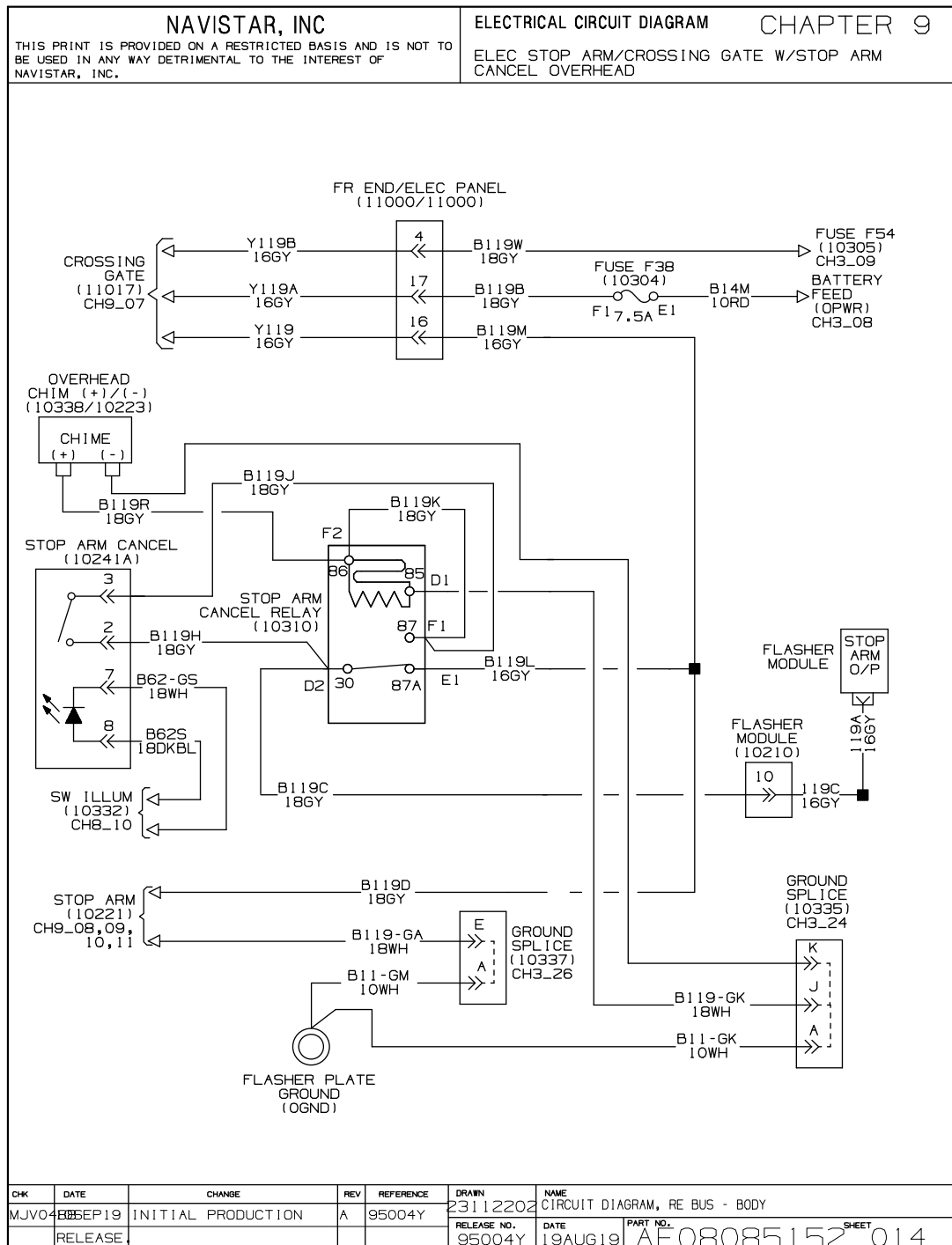


Figure 211 Electric Stop Arm / Crossing Gate with Stop Arm Cancel Overhead

MIRROR SYSTEMS (CHAPTER 10)

11.1. HEATED MIRROR OVERHEAD SWITCH, P. 1

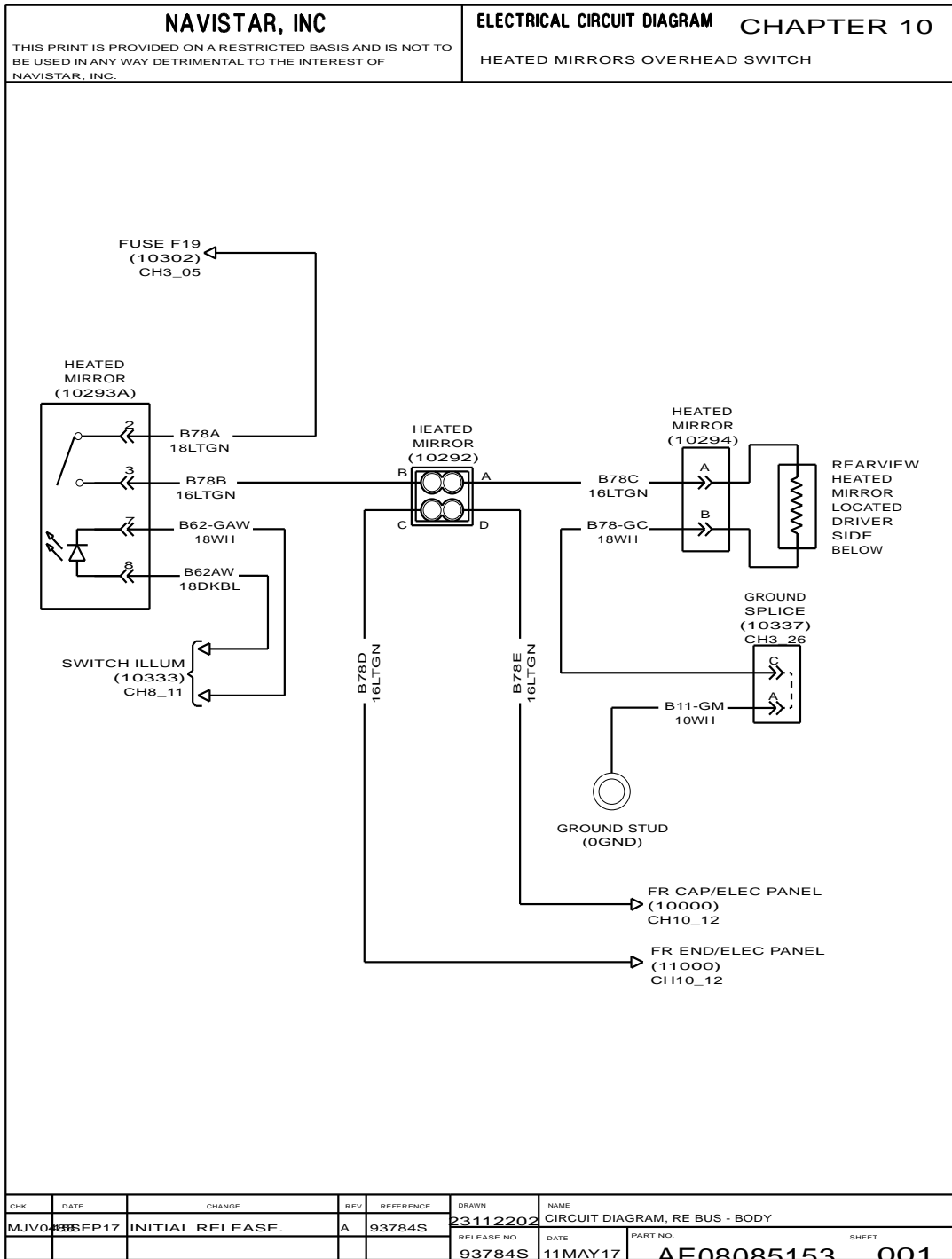


Figure 212 Heated Mirror Overhead Switch

11.2. HEATED MIRRORS L SWITCH PANEL, P. 2

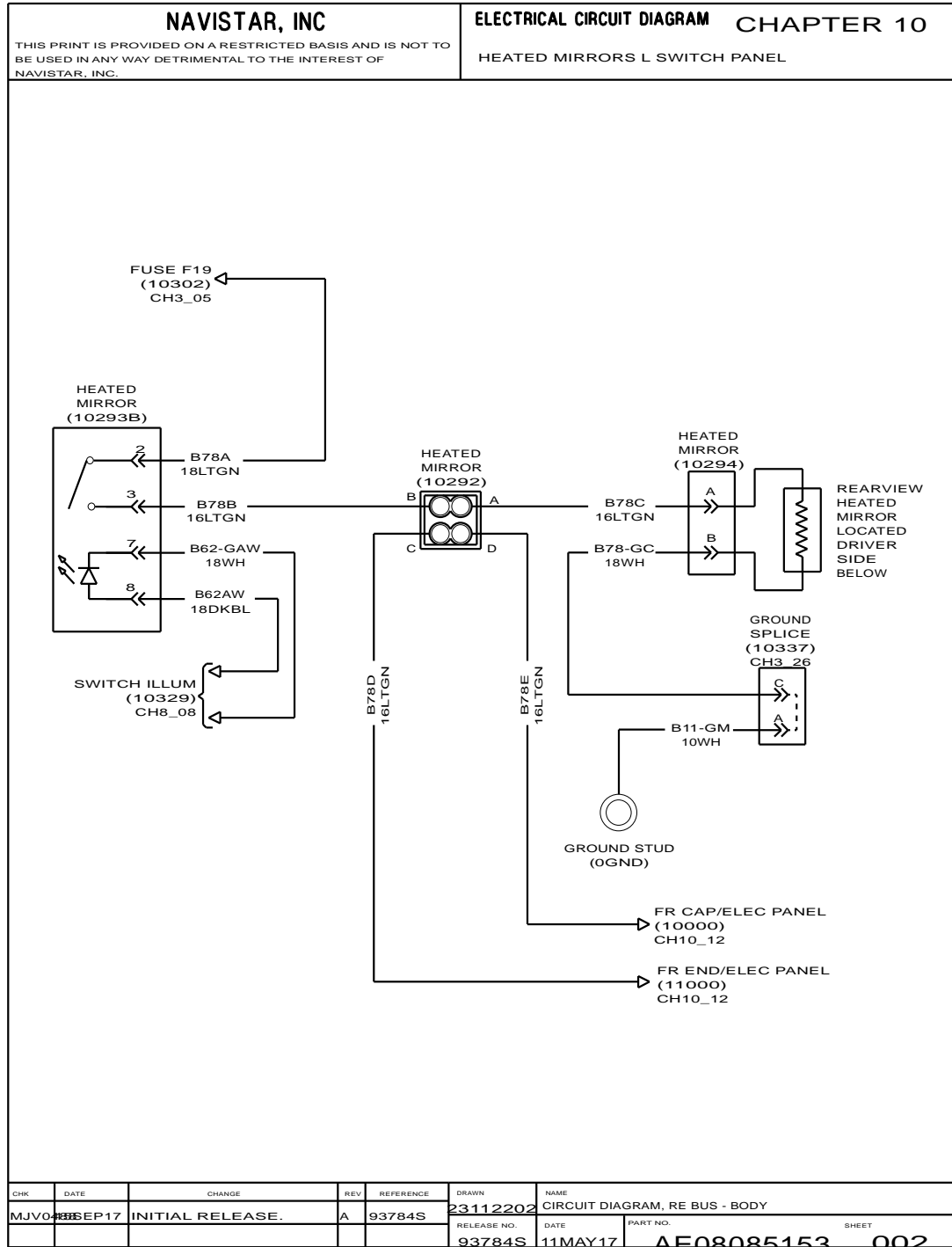


Figure 213 Heated Mirrors L Switch Panel

11.3. MOTORIZED MIRROR, P. 3

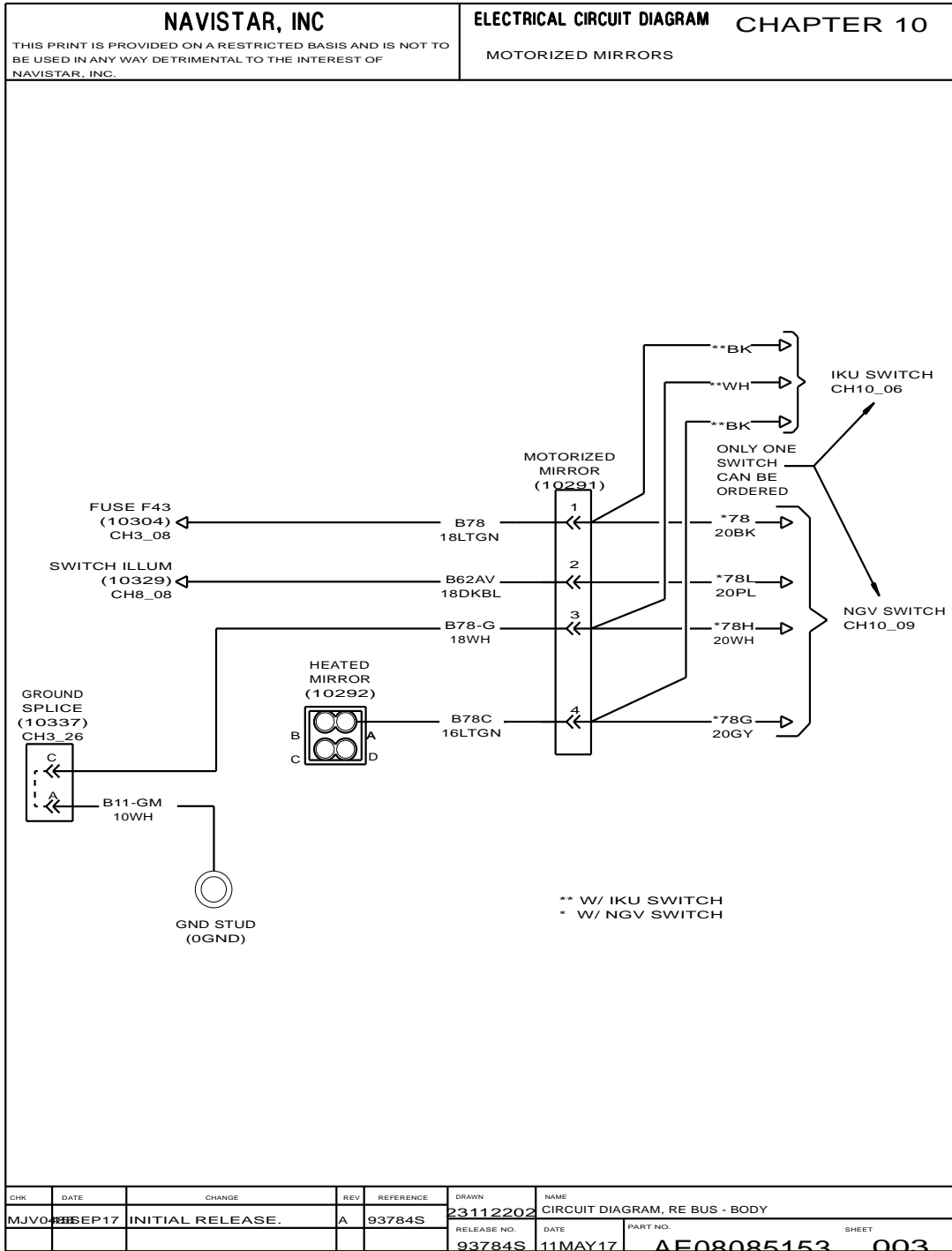


Figure 214 Motorized Mirror

11.4. HEATED MOTORIZED MIRROR WITH LEFT PANEL AND OVERHEAD SWITCH, P. 4

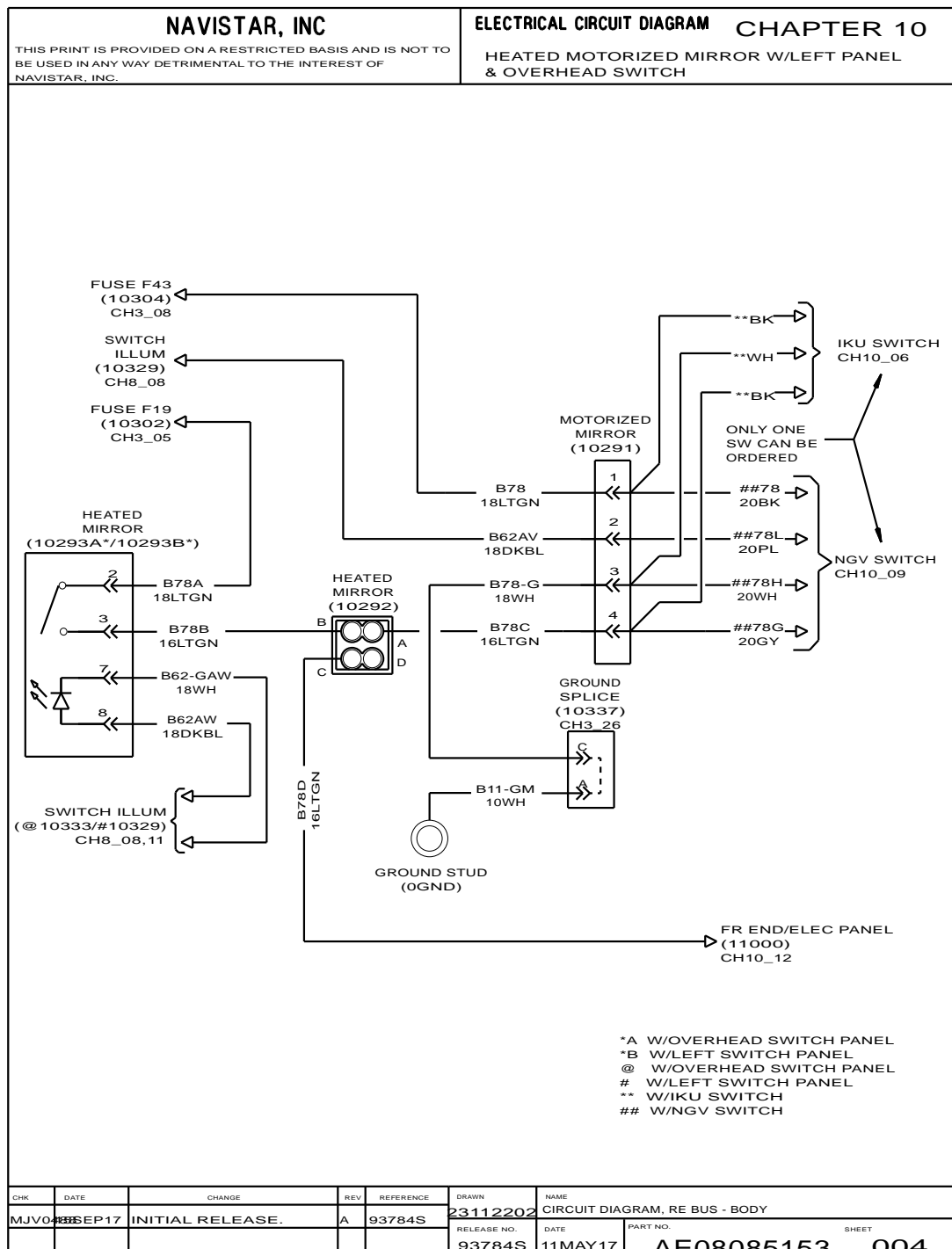


Figure 215 Heated Motorized Mirror with Left Panel and Overhead Switch

11.5. HEATED / MOTORIZED MIRROR WITH 20 MINUTE TIMER, P. 5

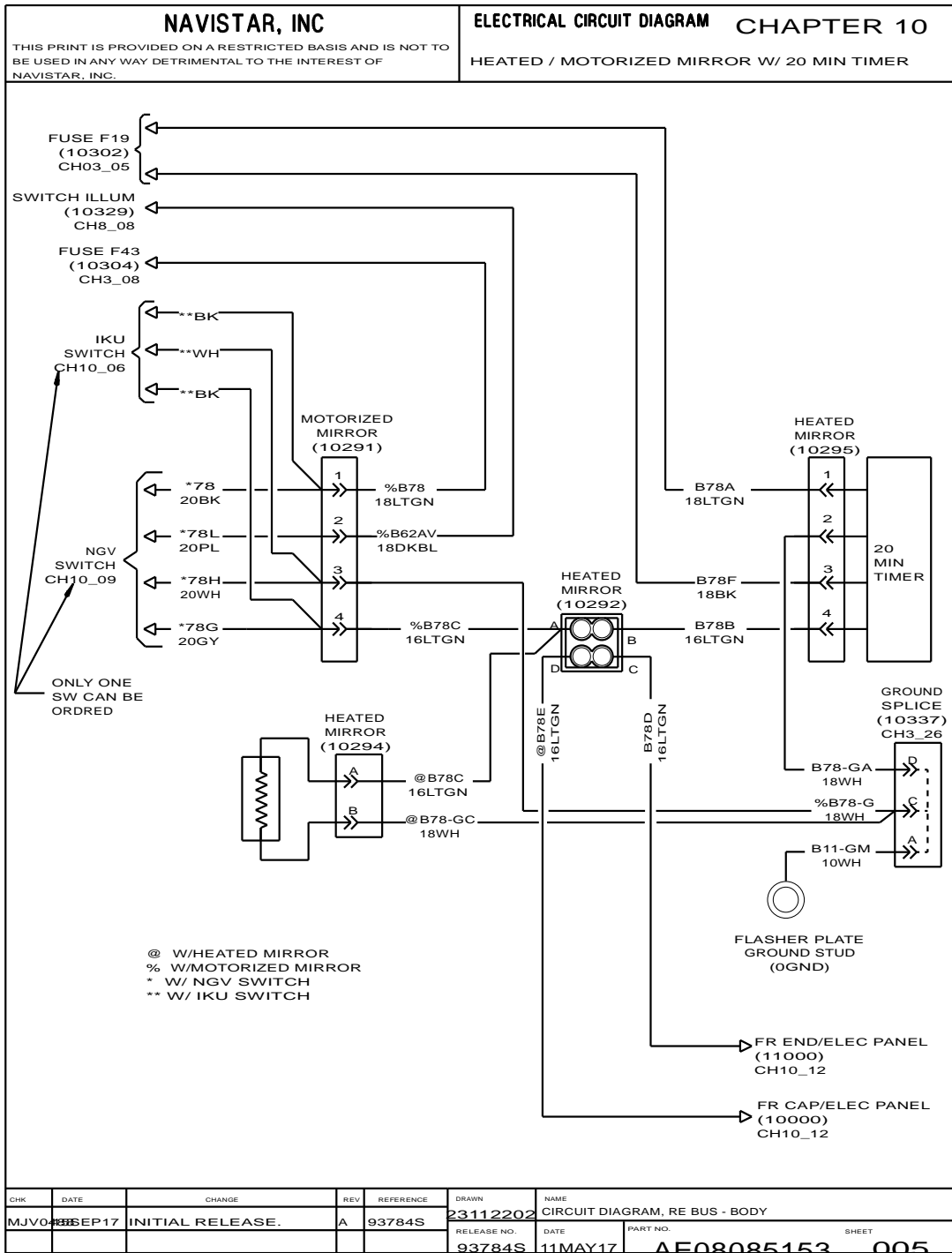


Figure 216 Heated / Motorized Mirror with 20 Minute Timer

11.6. HEATED AND MOTORIZED MIRROR CONTROL SWITCH (IKU), P. 6

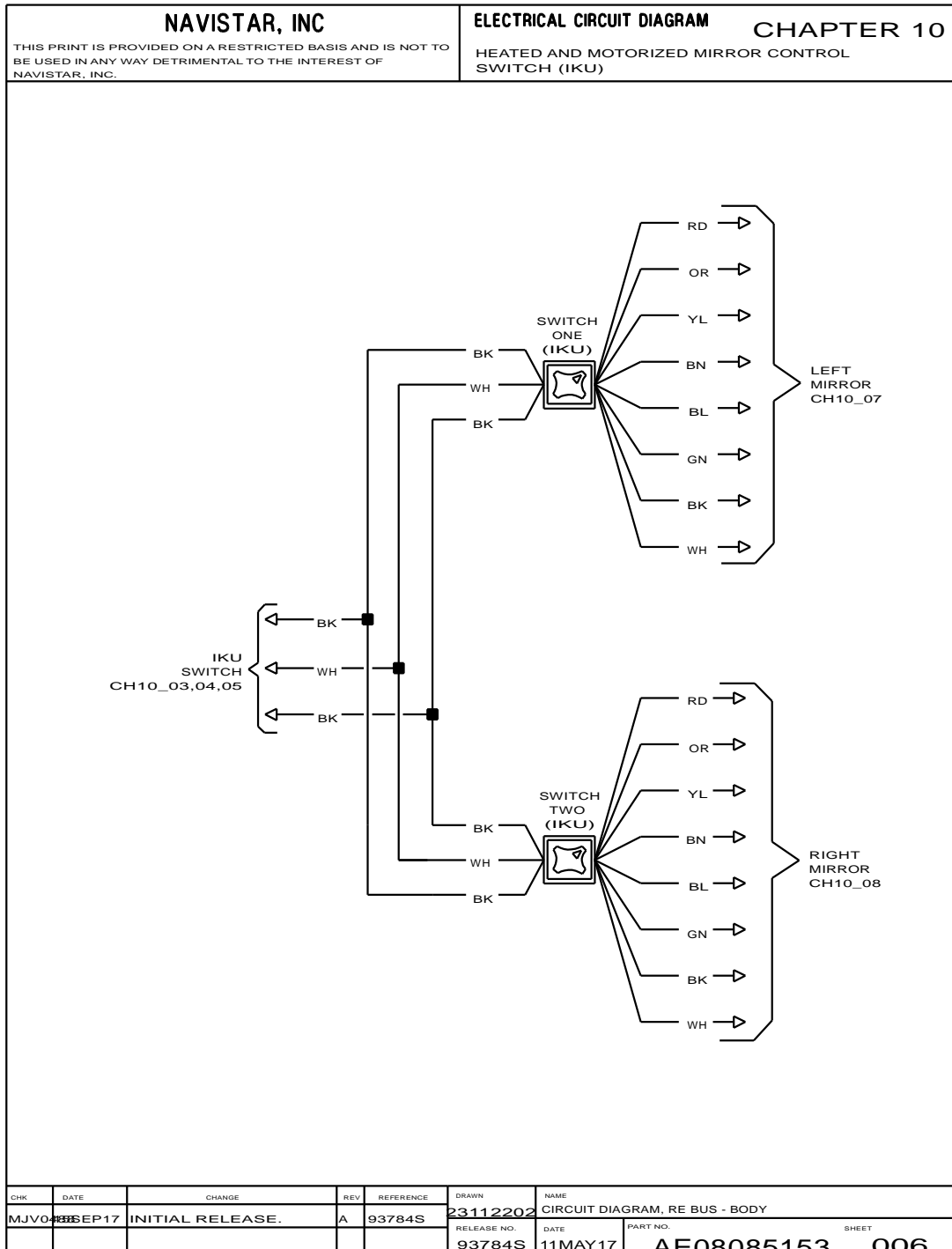


Figure 217 Heated and Motorized Mirror Control Switch (IKU)

11.7. DRIVER SIDE HEATED AND MOTORIZED MIRROR CONTROL SWITCH (IKU), P. 7

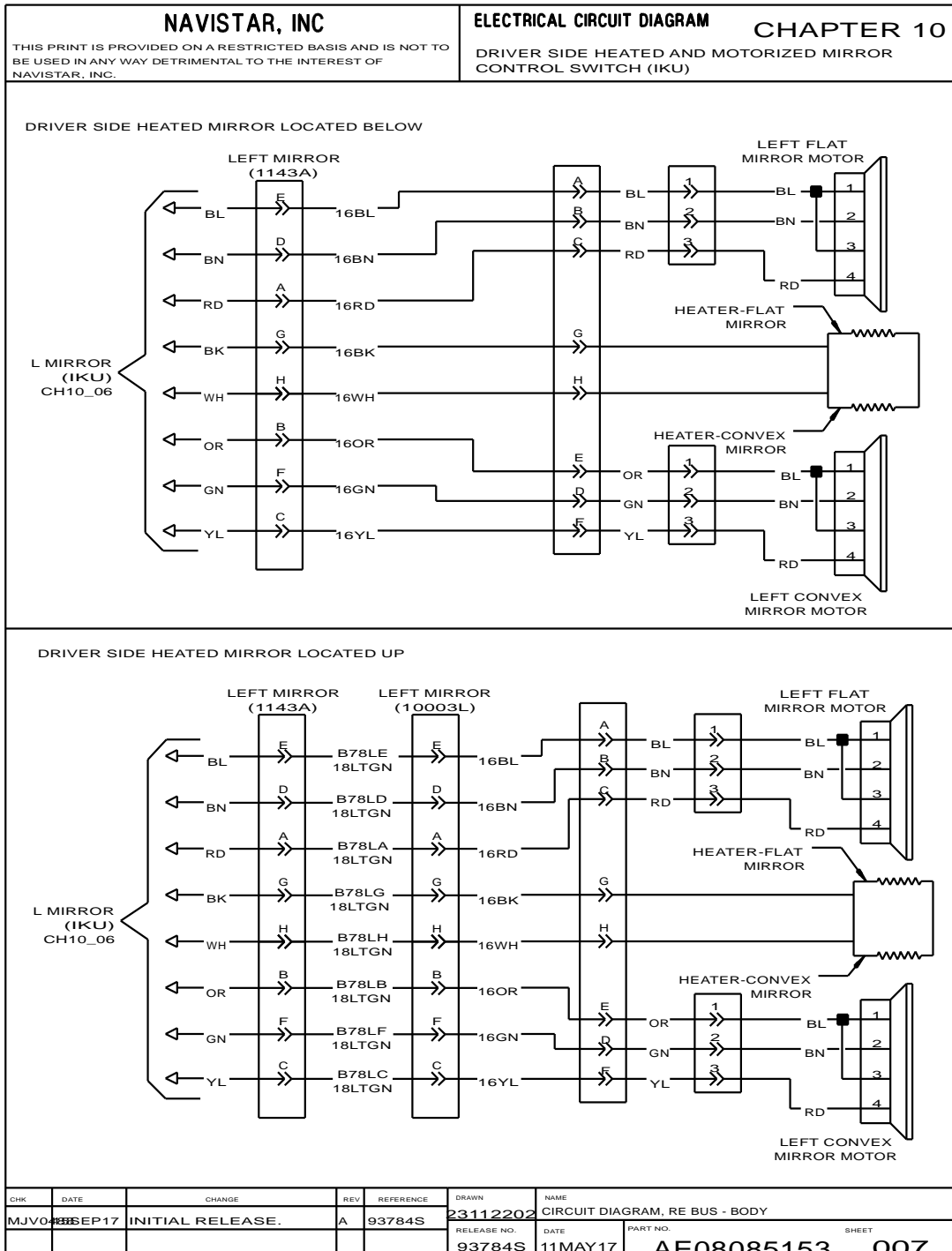


Figure 218 Driver Side Heated and Motorized Mirror Control Switch (IKU)

11.8. PASSENGER SIDE HEATED AND MOTORIZED MIRROR CONTROL SWITCH (IKU), P. 8

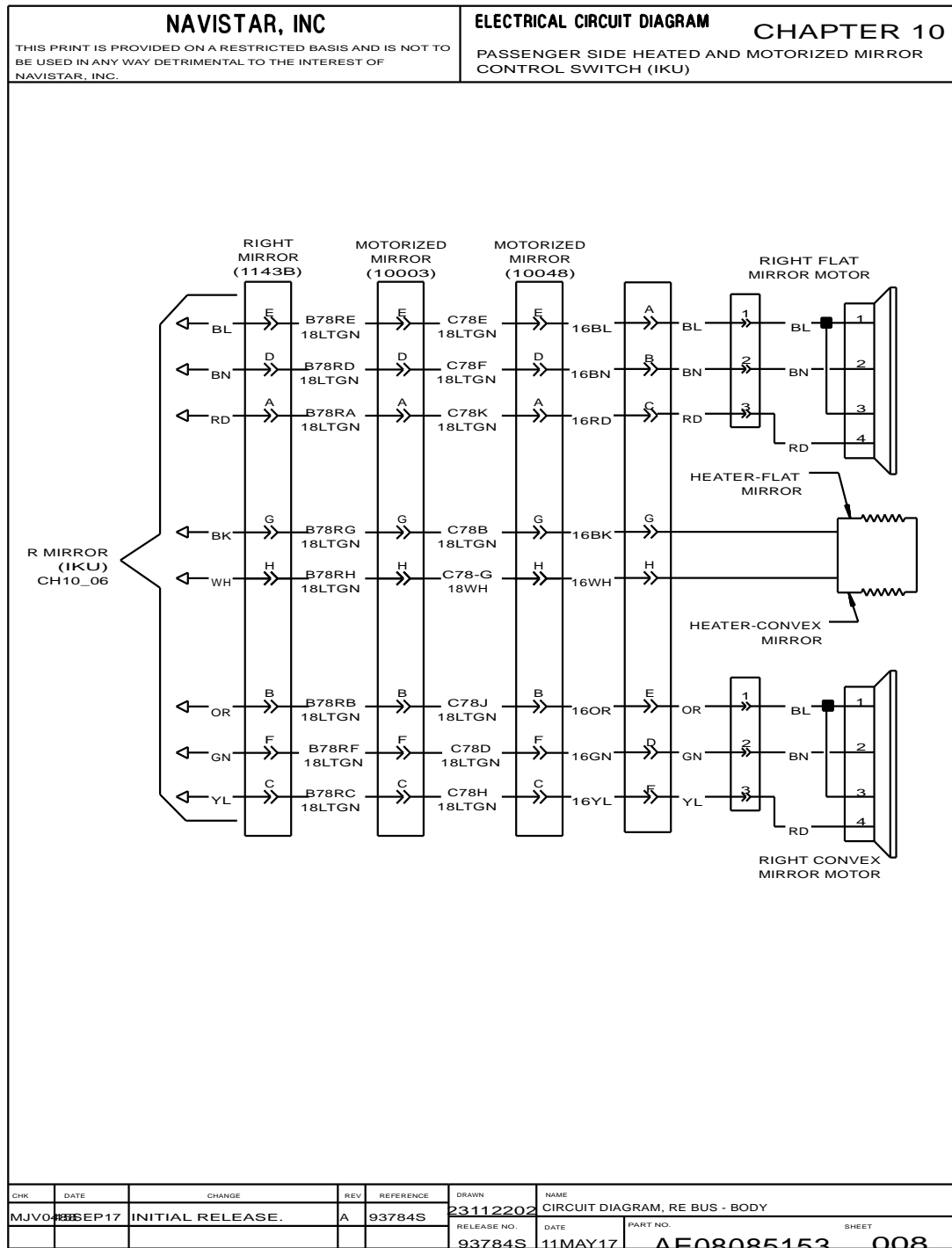


Figure 219 Passenger Side Heated and Motorized Mirror Control Switch (IKU)

11.9. HEATED AND MOTORIZED MIRROR CONTROL SWITCH (NGV), P. 9

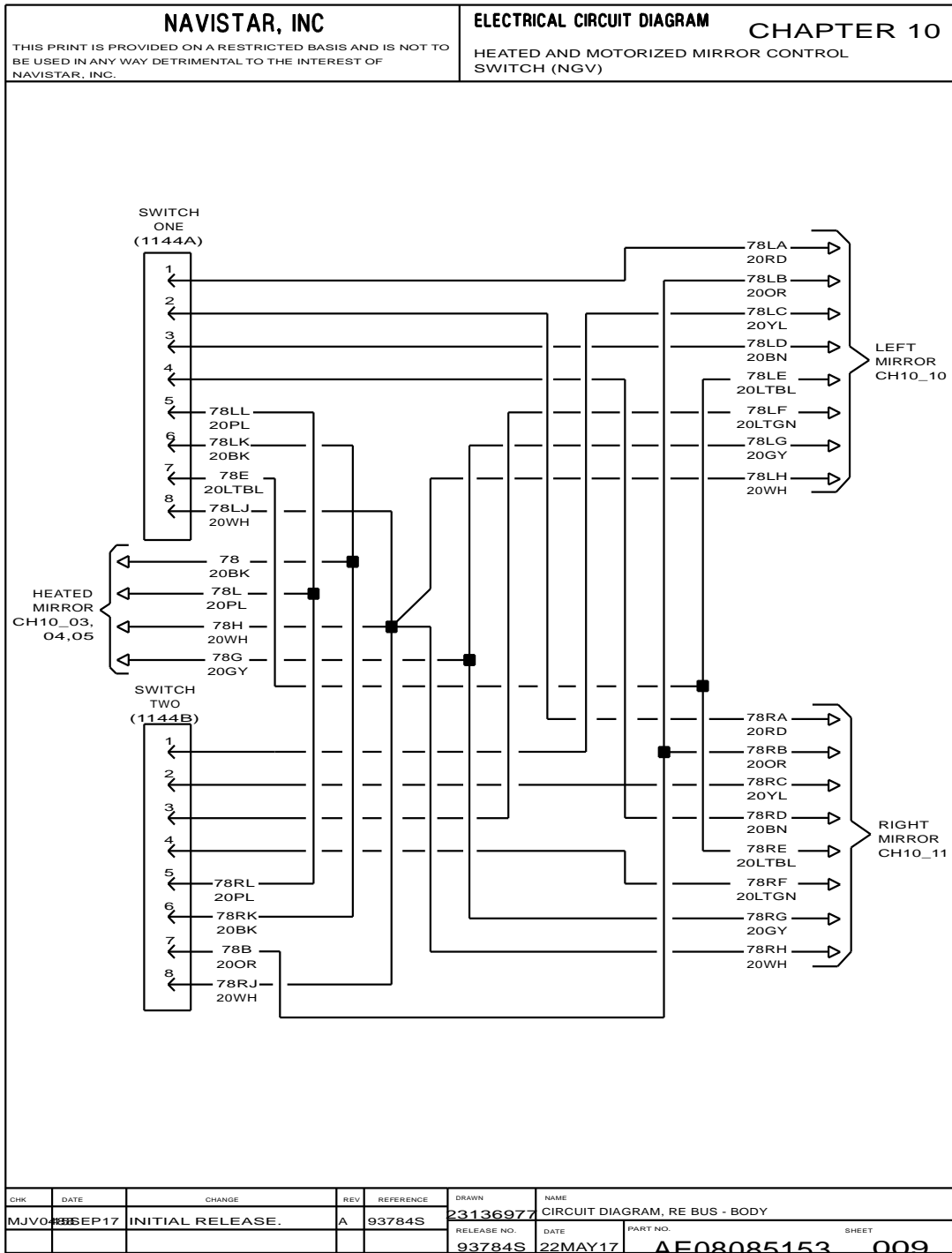


Figure 220 Heated and Motorized Mirror Control Switch (NGV)

11.10. DRIVER SIDE HEATED AND MOTORIZED MIRROR CONTROL SWITCH (NGV), P. 10

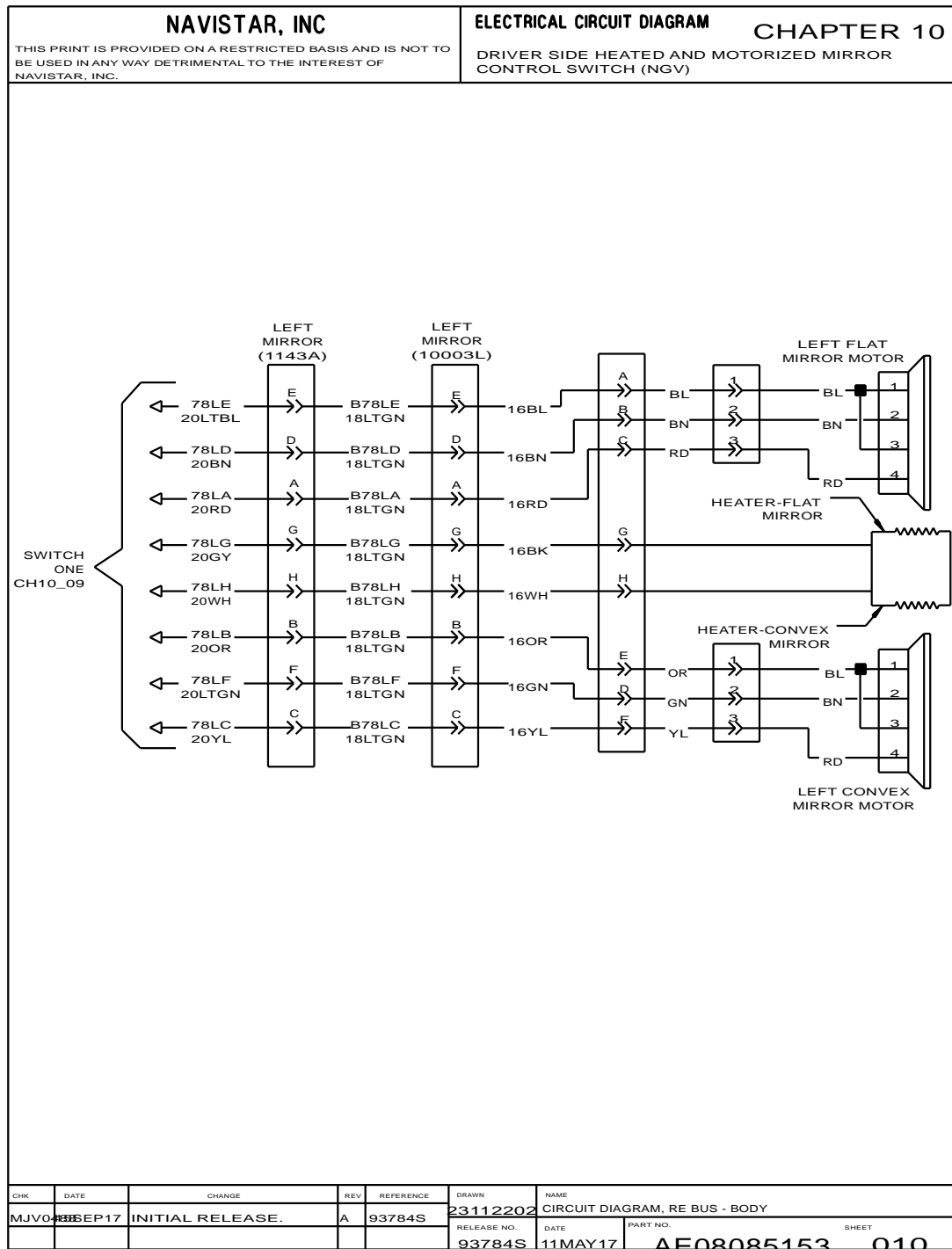


Figure 221 Driver Side Heated and Motorized Mirror Control Switch (NGV)

11.11. PASSENGER SIDE HEATED AND MOTORIZED MIRROR CONTROL SWITCH (NGV), P. 11

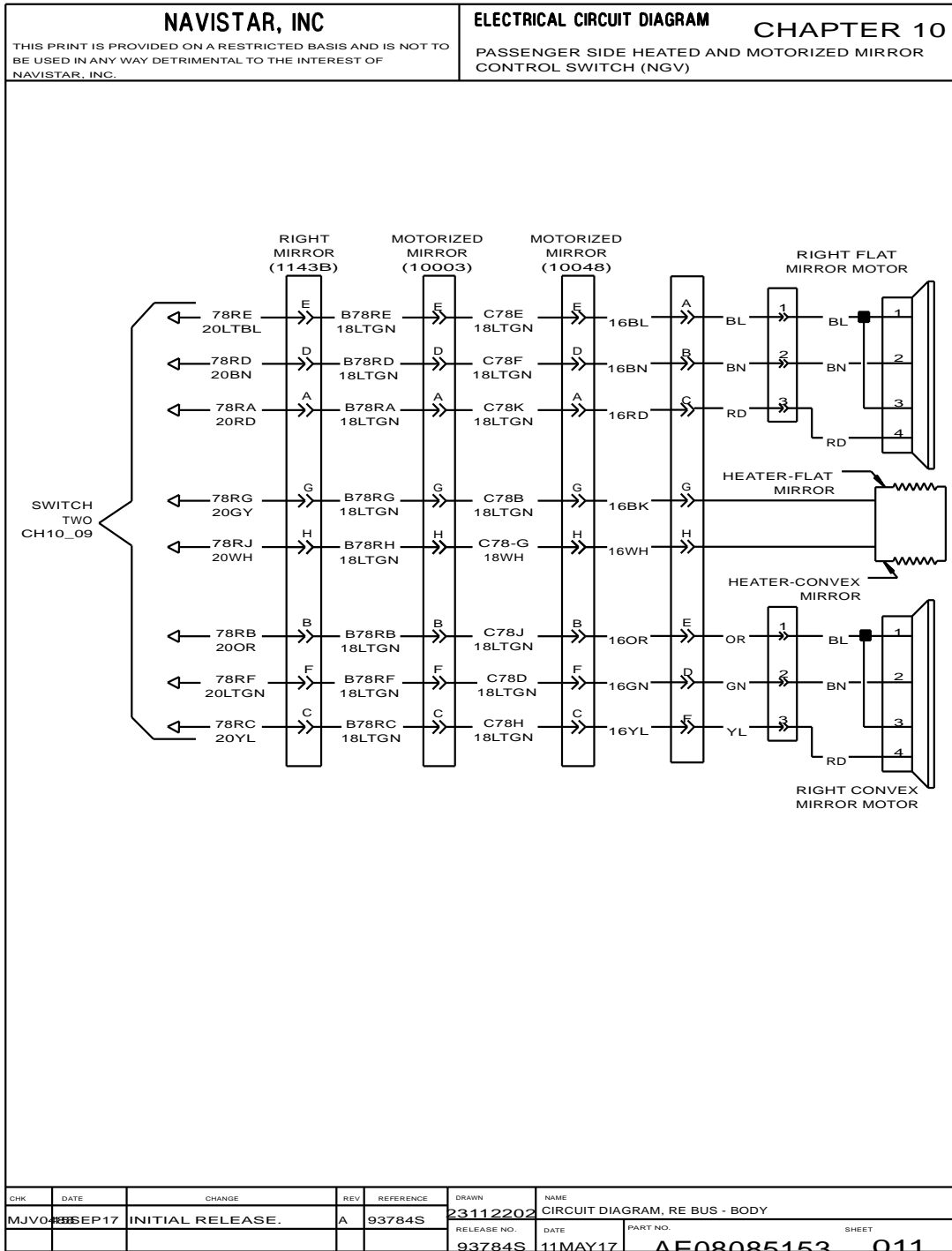


Figure 222 Passenger Side Heated and Motorized Mirror Control Switch (NGV)

11.12. HEATED CROSS VIEW MIRROR AND REAR VIEW MIRROR, P. 12

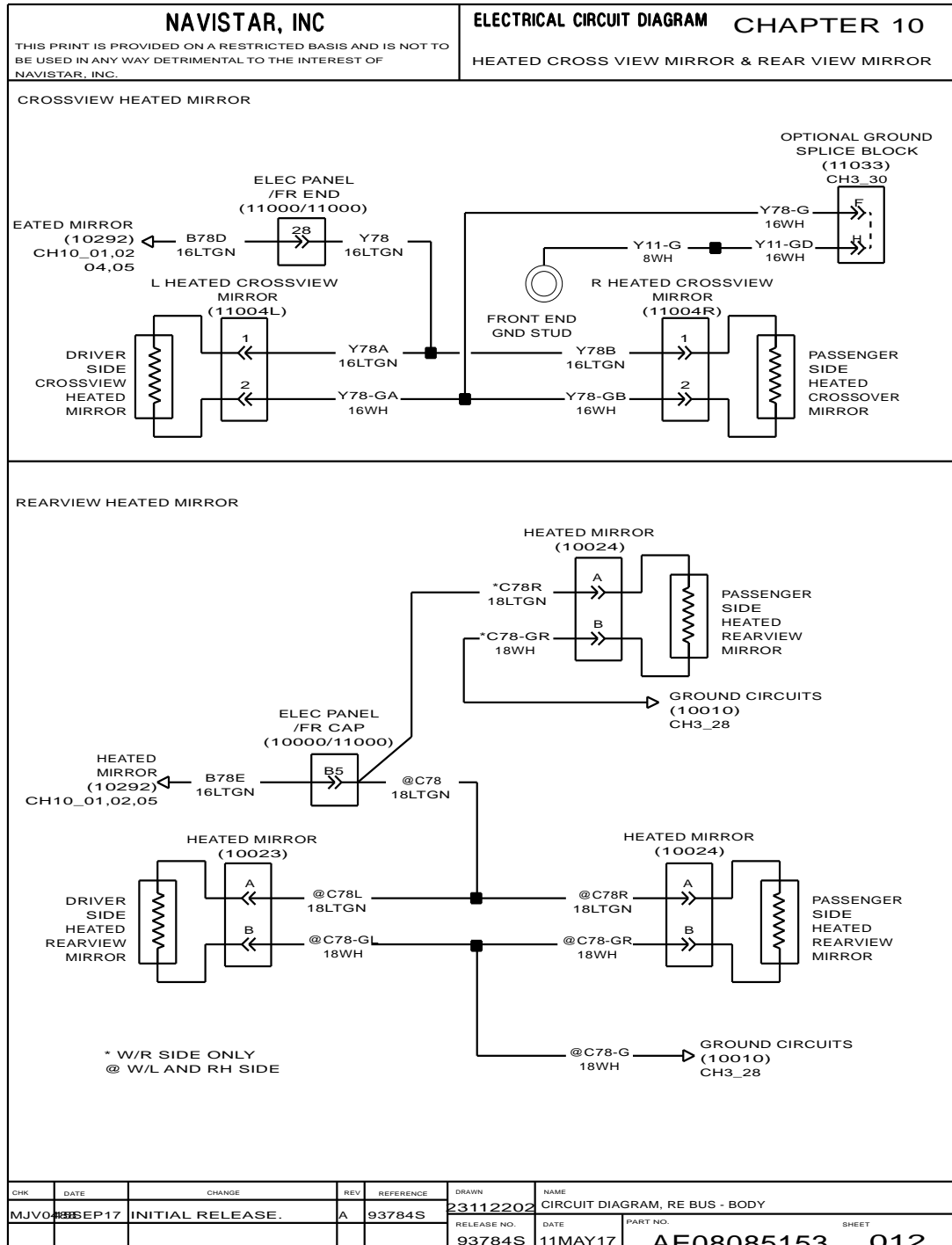


Figure 223 Heated Cross View Mirror and Rear View Mirror

11.13. HEATED AIR SEAT, P. 13

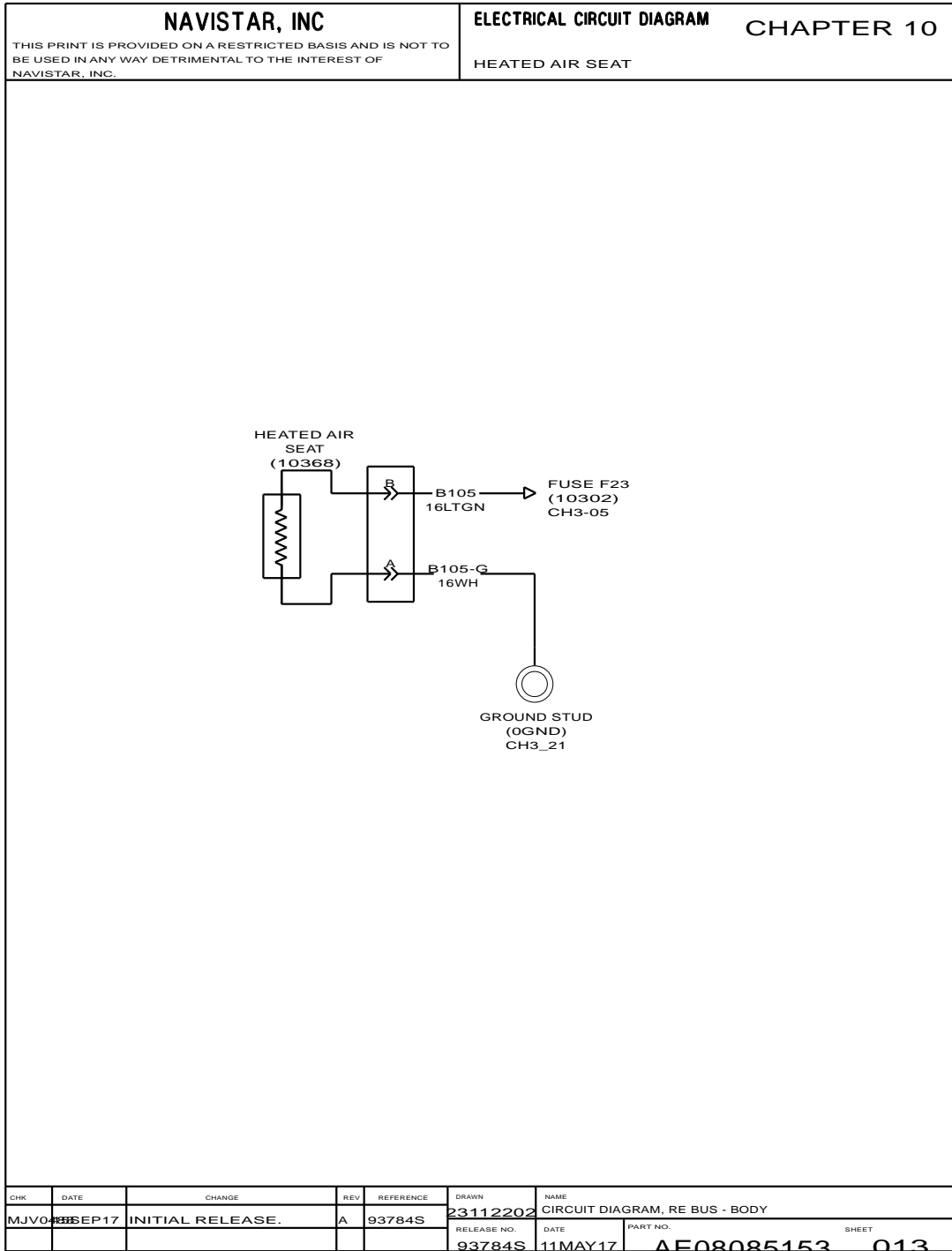


Figure 224 Heated Air Seat

EMERGENCY EXIT SYSTEM (CHAPTER 11)

12.1. ALARM SWITCHED GROUND ADAPTER, P. 1

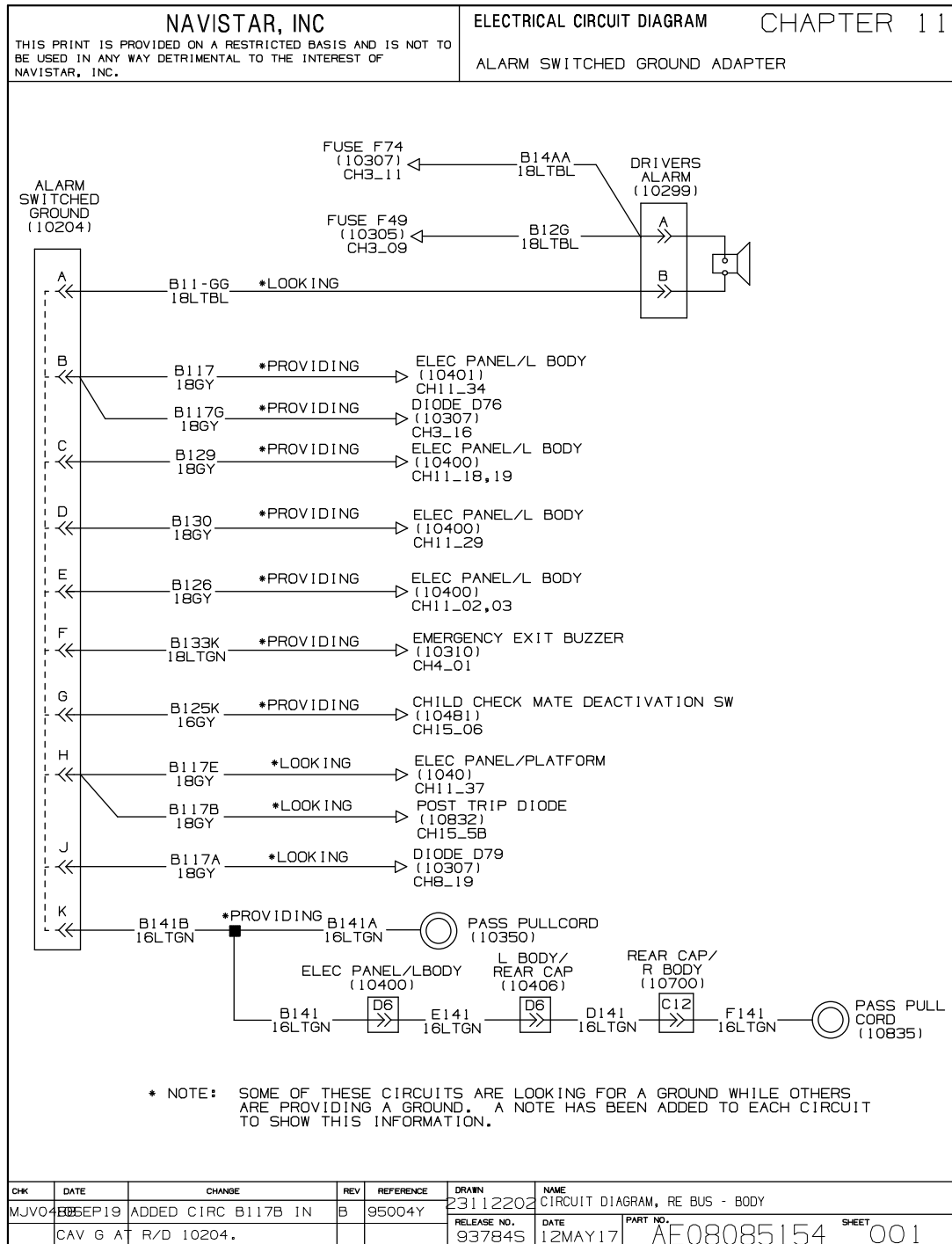


Figure 225 Alarm Switched Ground Adapter

12.2. KICK OUT WINDOW SECT 1 TO 8 L BODY, P. 2

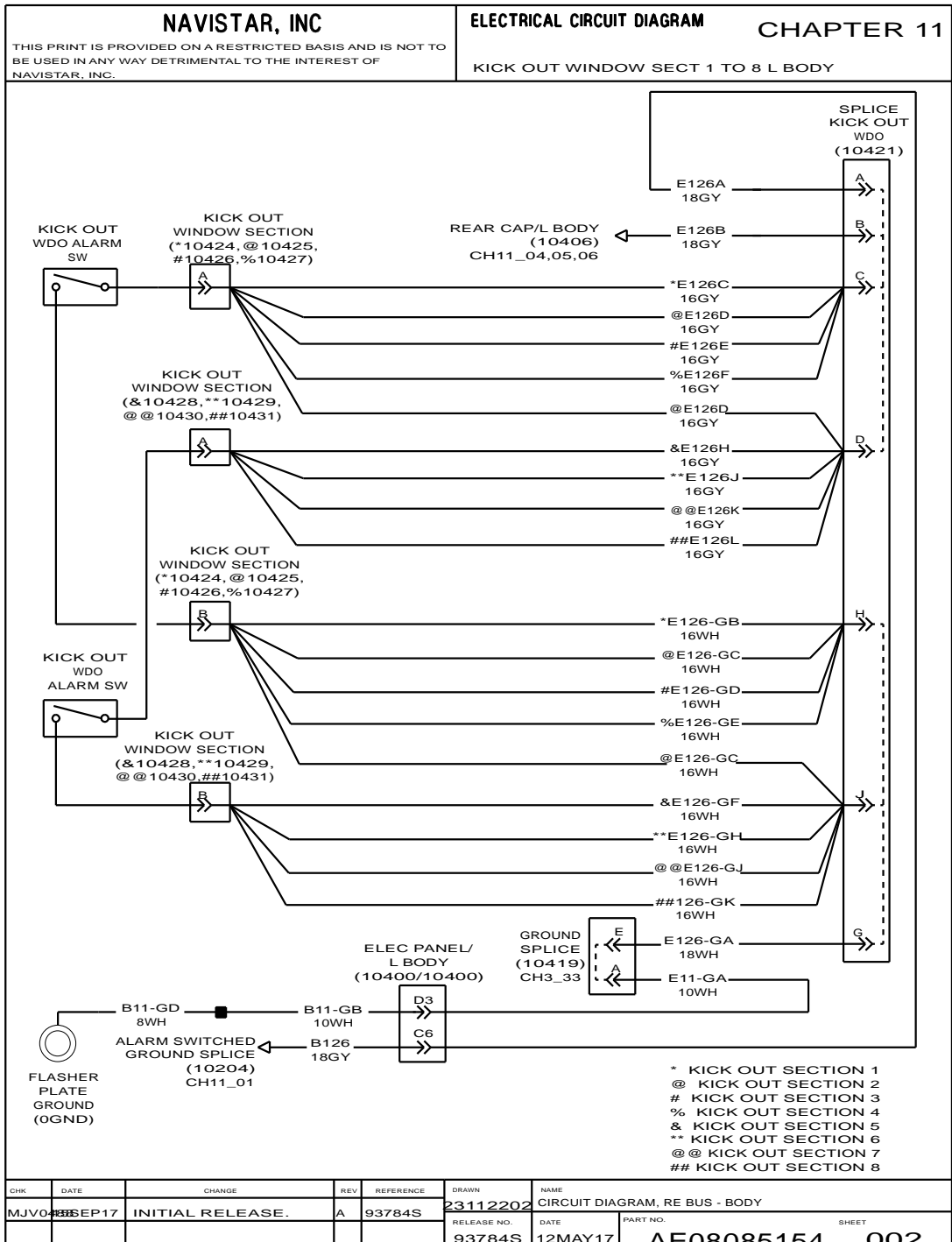


Figure 226 Kick Out Window Sect 1 to 8 L Body

12.3. KICK OUT WINDOW SECT 9 TO 15 L BODY, P. 3

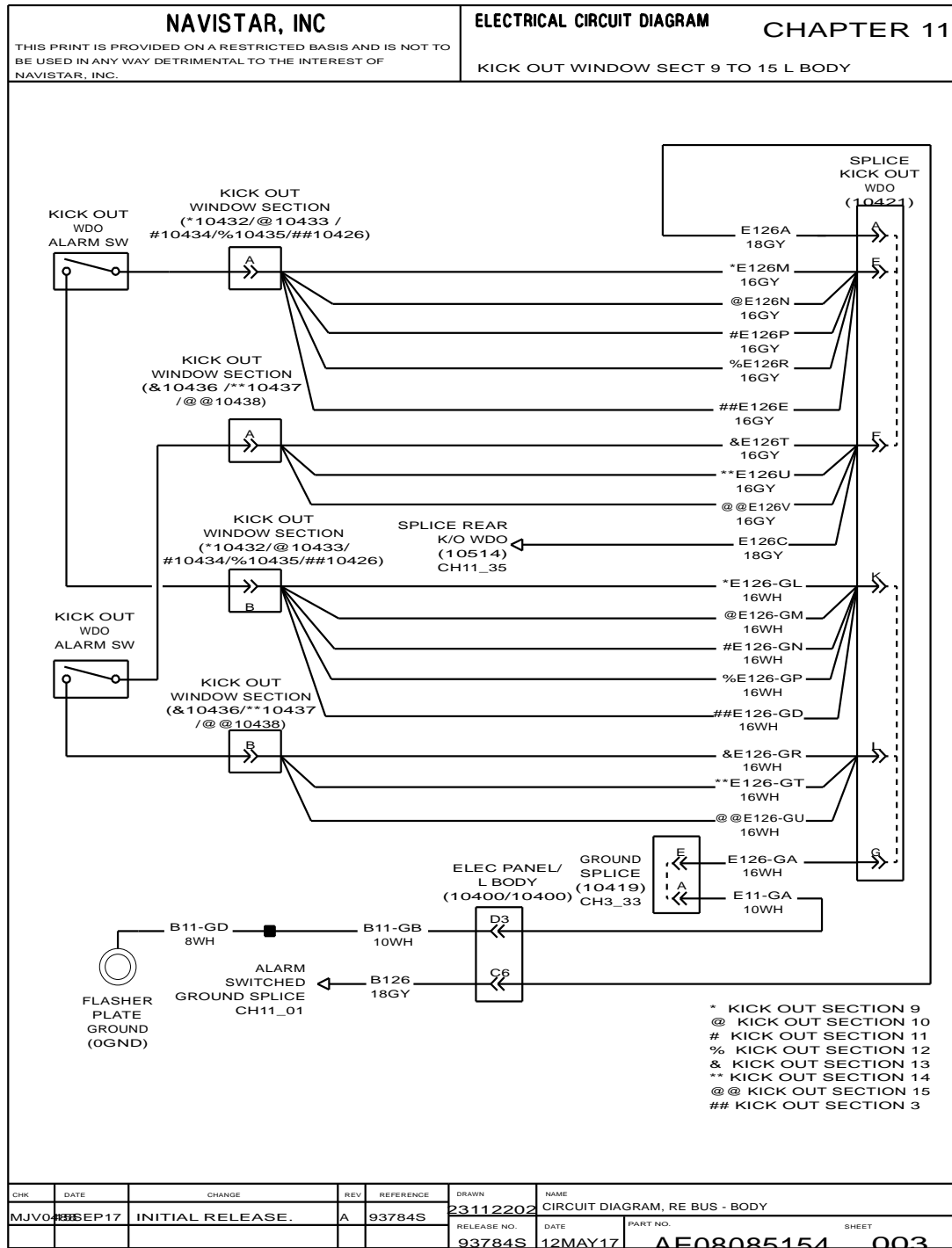


Figure 227 Kick Out Window Sect 9 to 15 L Body

12.4. KICK OUT WINDOW SECT 1 TO 6 R BODY, P. 4

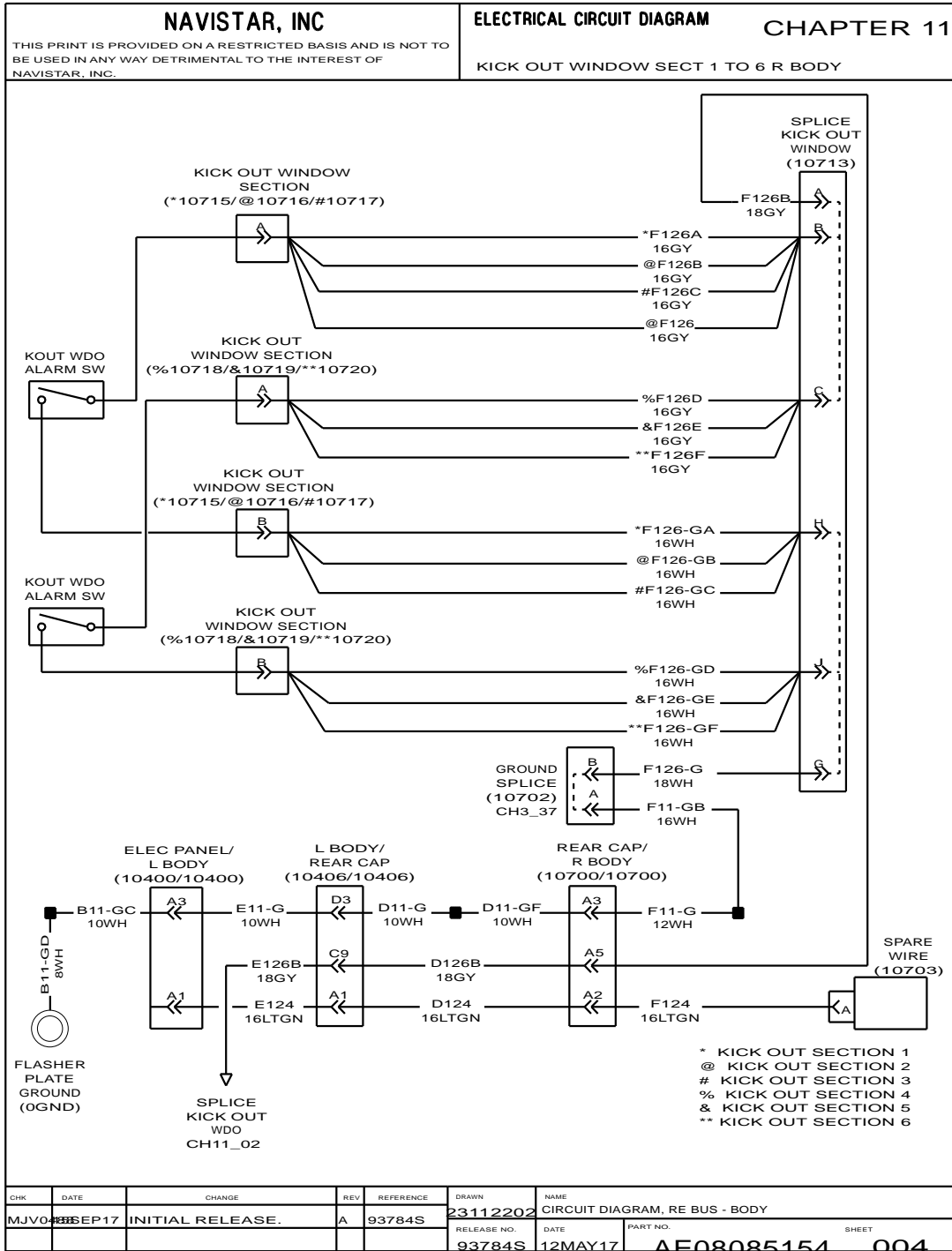


Figure 228 Kick Out Window Sect 1 to 6 R Body

12.5. KICK OUT WINDOW SECT 7 TO 12 R BODY, P. 5

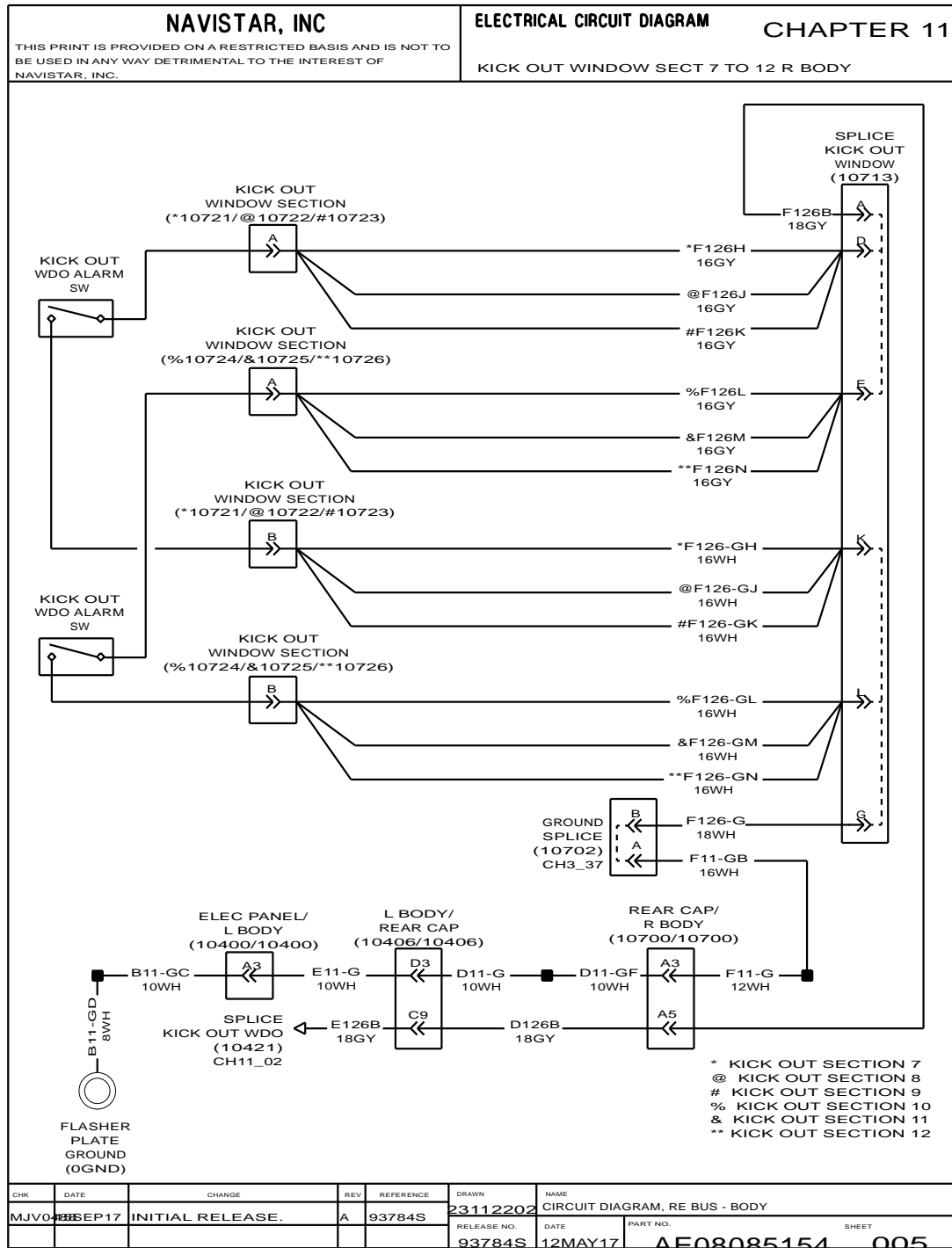


Figure 229 Kick Out Window Sect 7 to 12 R Body

12.6. KICK OUT WINDOW SECT 13 TO 15 R BODY, P. 6

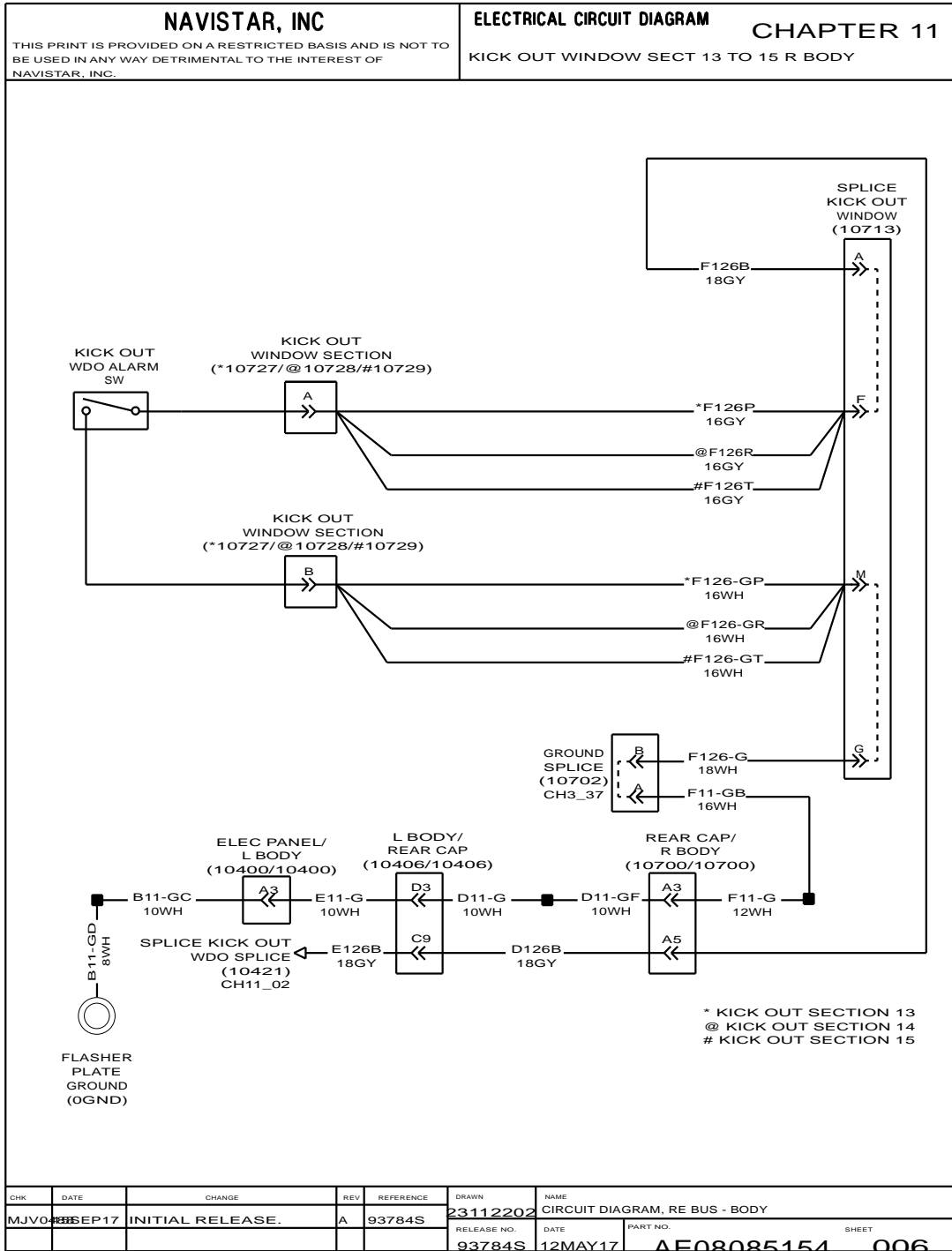


Figure 230 Kick Out Window Sect 13 to 15 R Body

12.7. 3 INCH RED LT OVER KICK OUT WINDOW SECT 1 TO 4 L BODY, P. 7

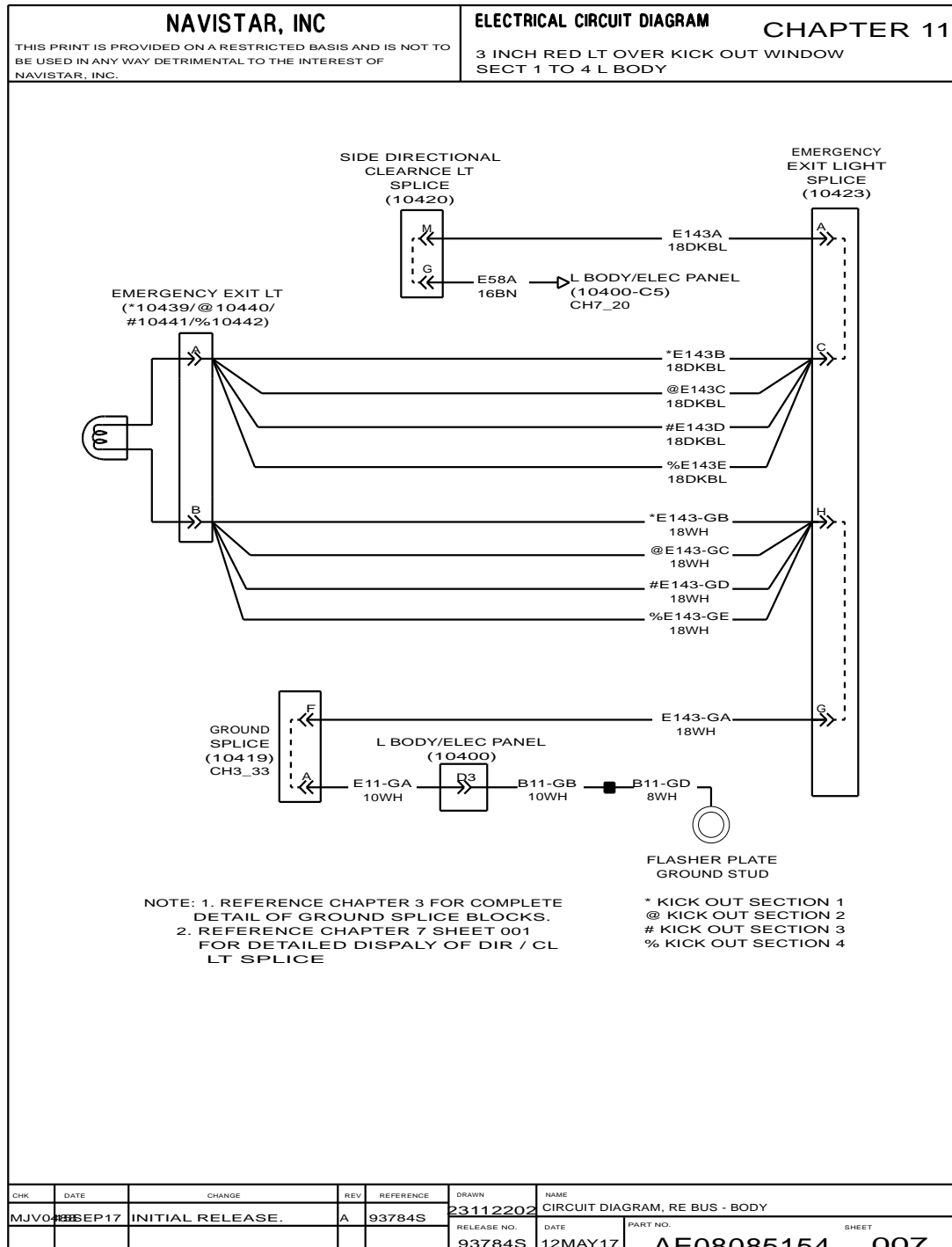


Figure 231 3 Inch Red LT Over Kick Out Window Sect 1 to 4 L Body

12.8. 3 INCH RED LT OVER KICK OUT WINDOW SECT 6 TO 8 L BODY, P. 8

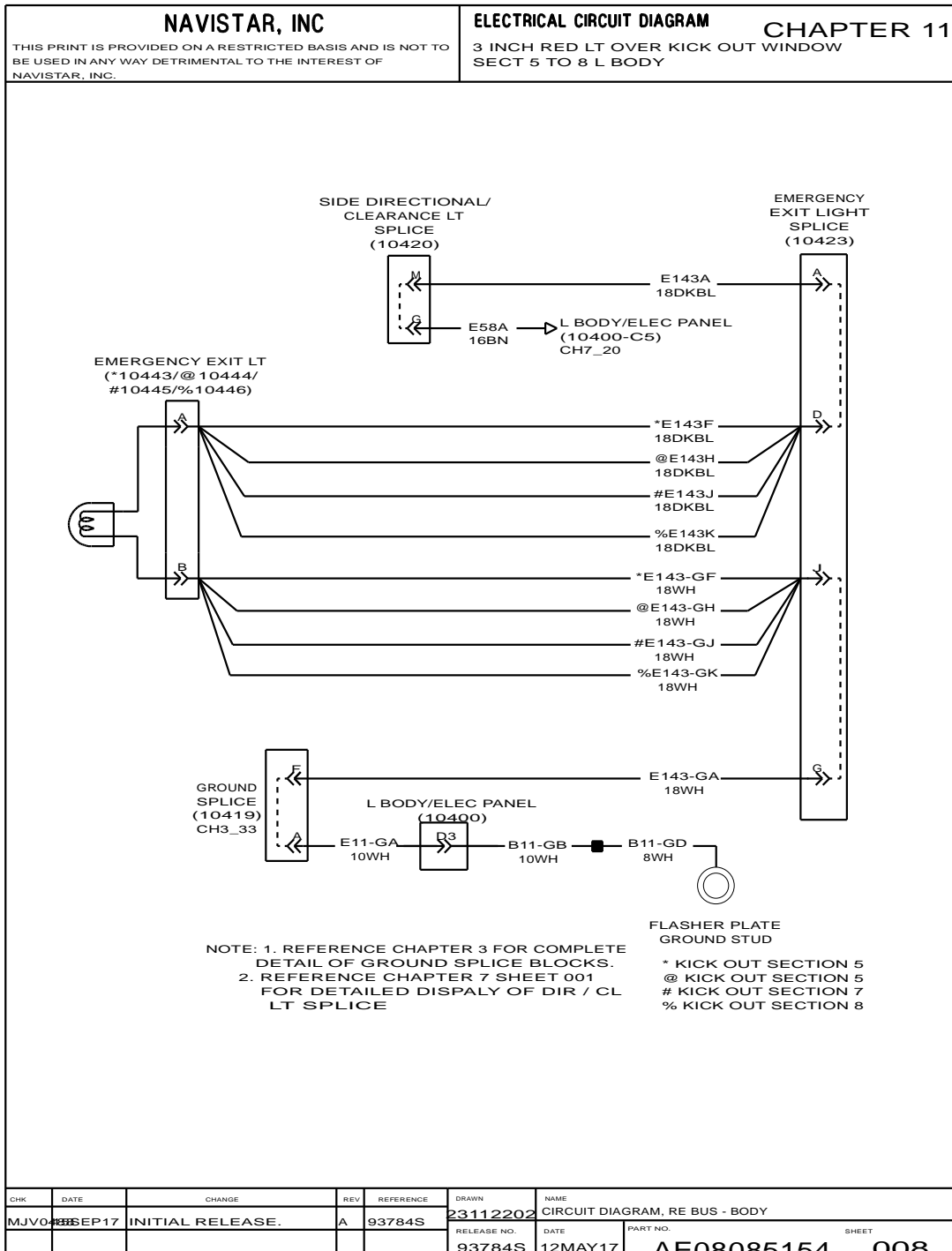


Figure 232 3 Inch Red LT Over Kick Out Window Sect 6 to 8 L Body

12.9. 3 INCH RED LT OVER KICK OUT WINDOW SECT 8 TO 12 L BODY, P. 9

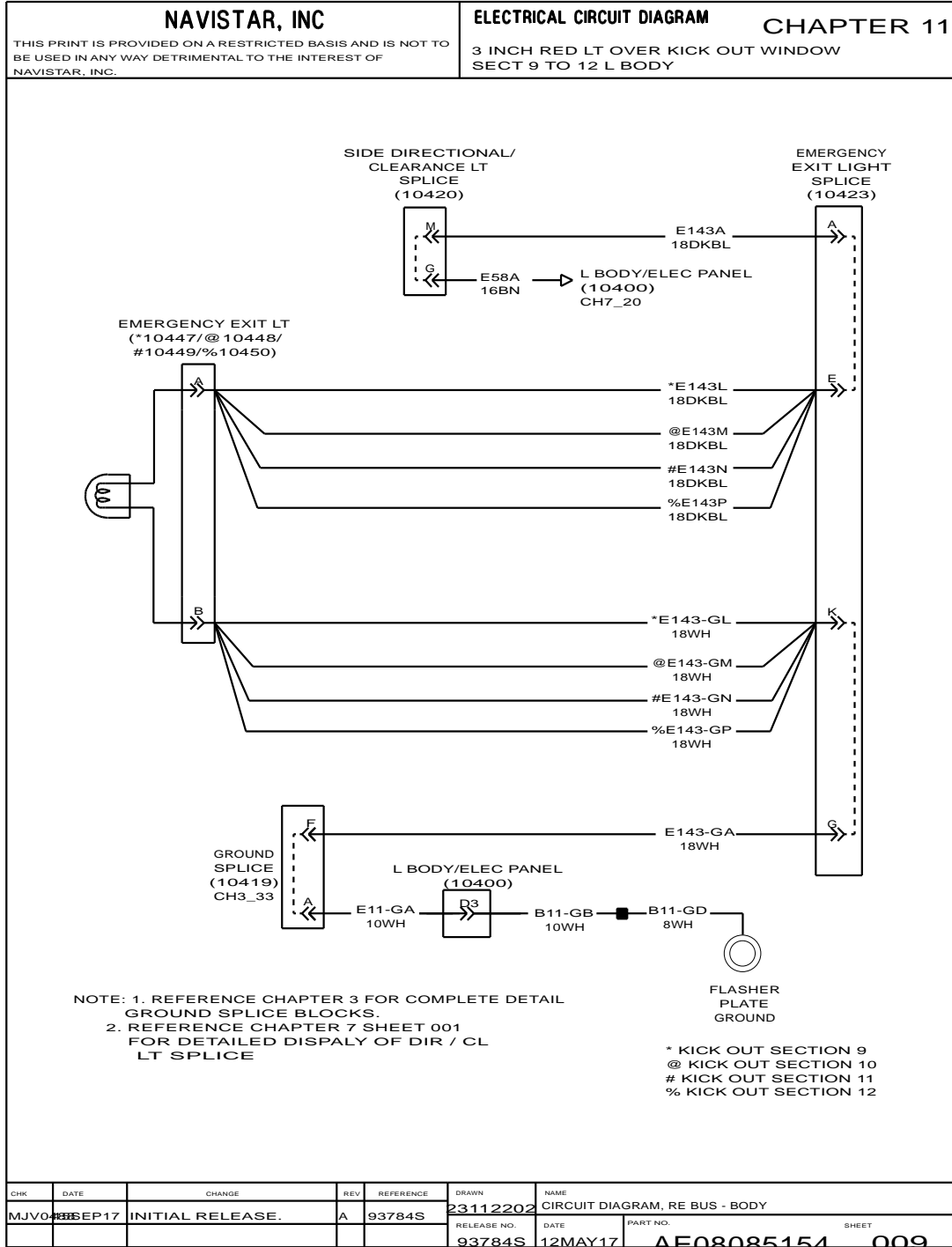


Figure 233 3 Inch Red LT Over Kick Out Window Sect 8 to 12 L Body

12.10. 3 INCH RED LT OVER KICK OUT WINDOW SECT 13 TO 15 L BODY, P. 10

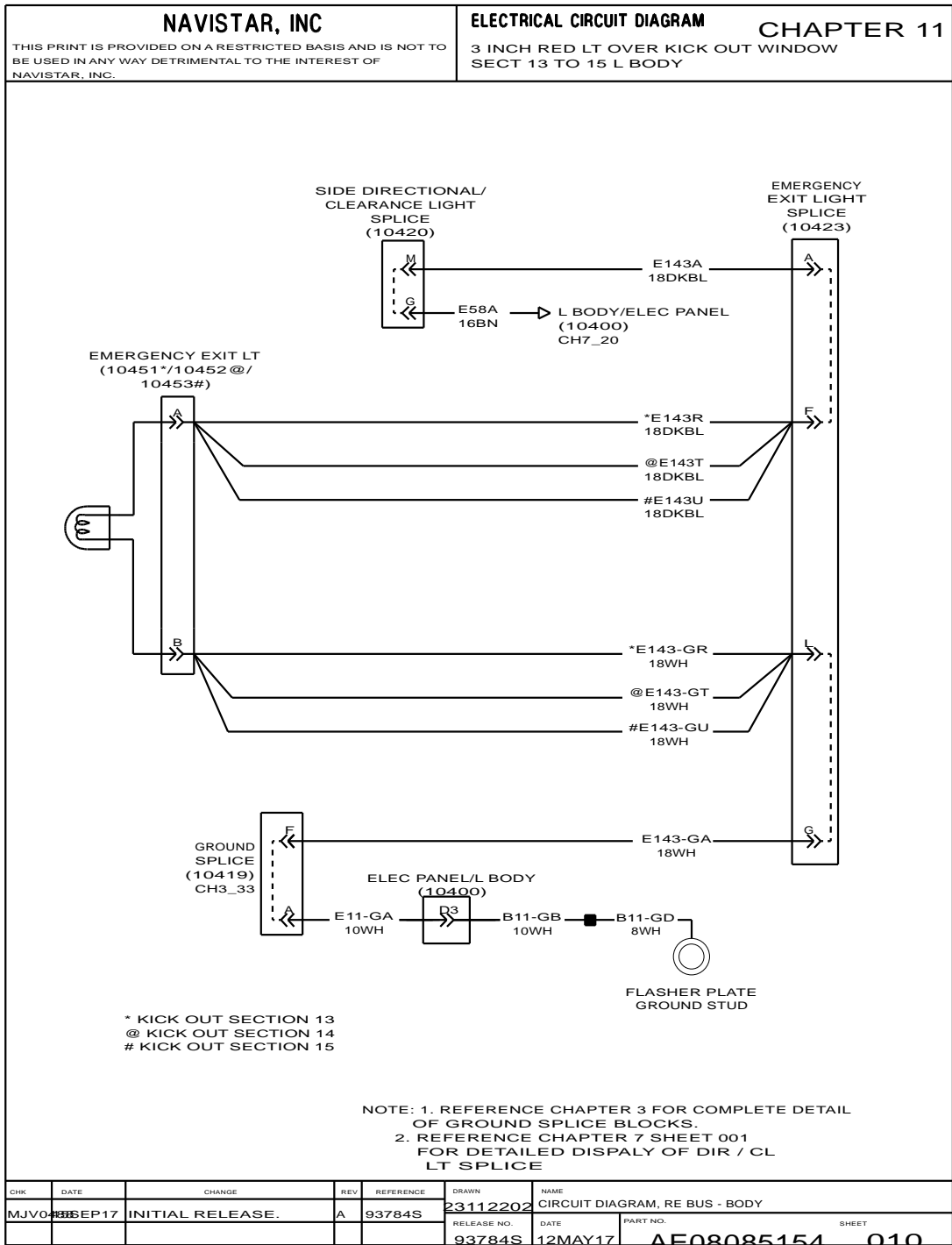


Figure 234 3 Inch Red LT Over Kick Out Window Sect 13 to 15 L Body

12.11. 3 INCH RED LT OVER KICK OUT WINDOW SECT 1 TO 6 R BODY, P. 11

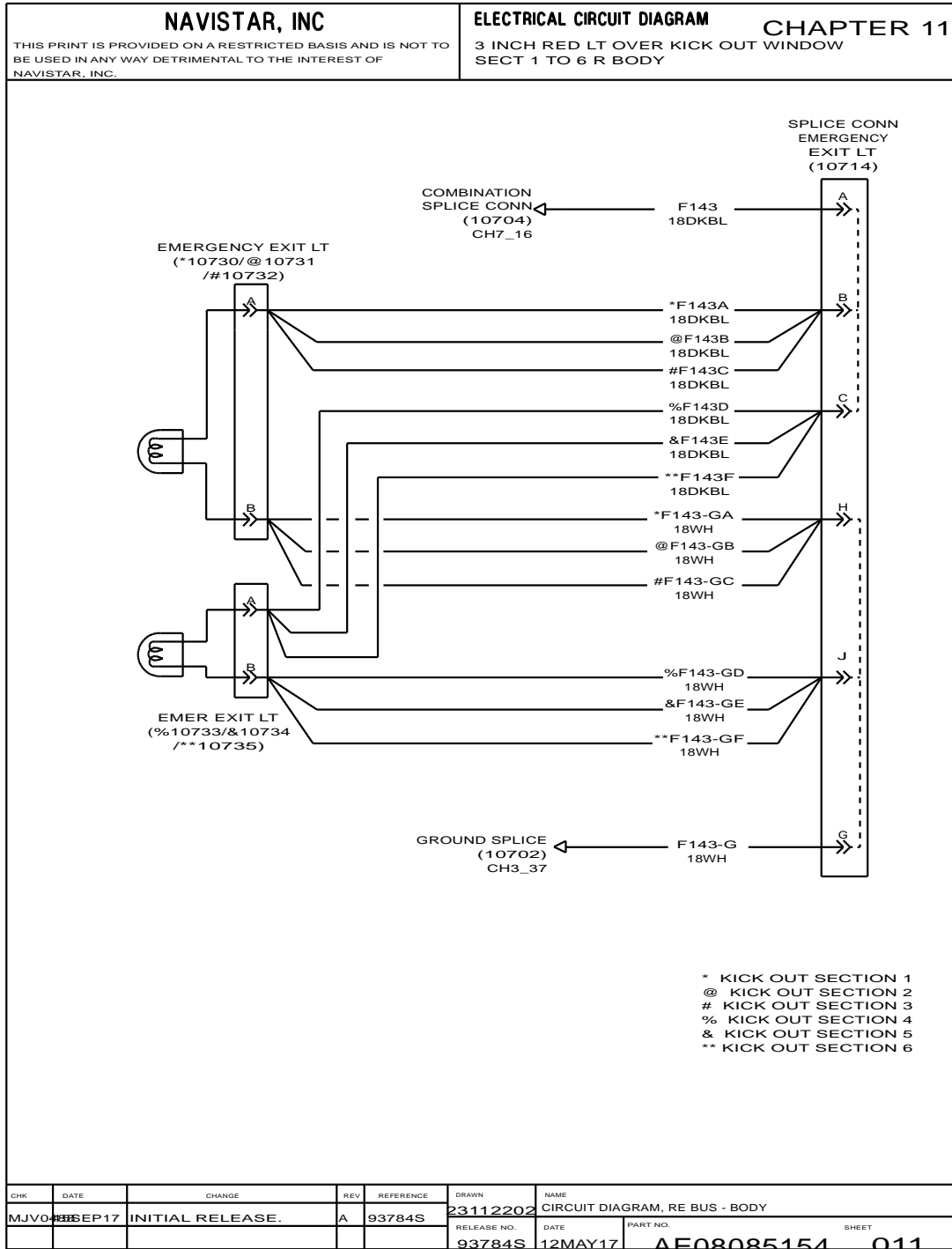


Figure 235 3 Inch Red LT Over Kick Out Window Sect 1 to 6 R Body

12.12. 3 INCH RED LT OVER KICK OUT WINDOW SECT 7 TO 12 R BODY, P. 12

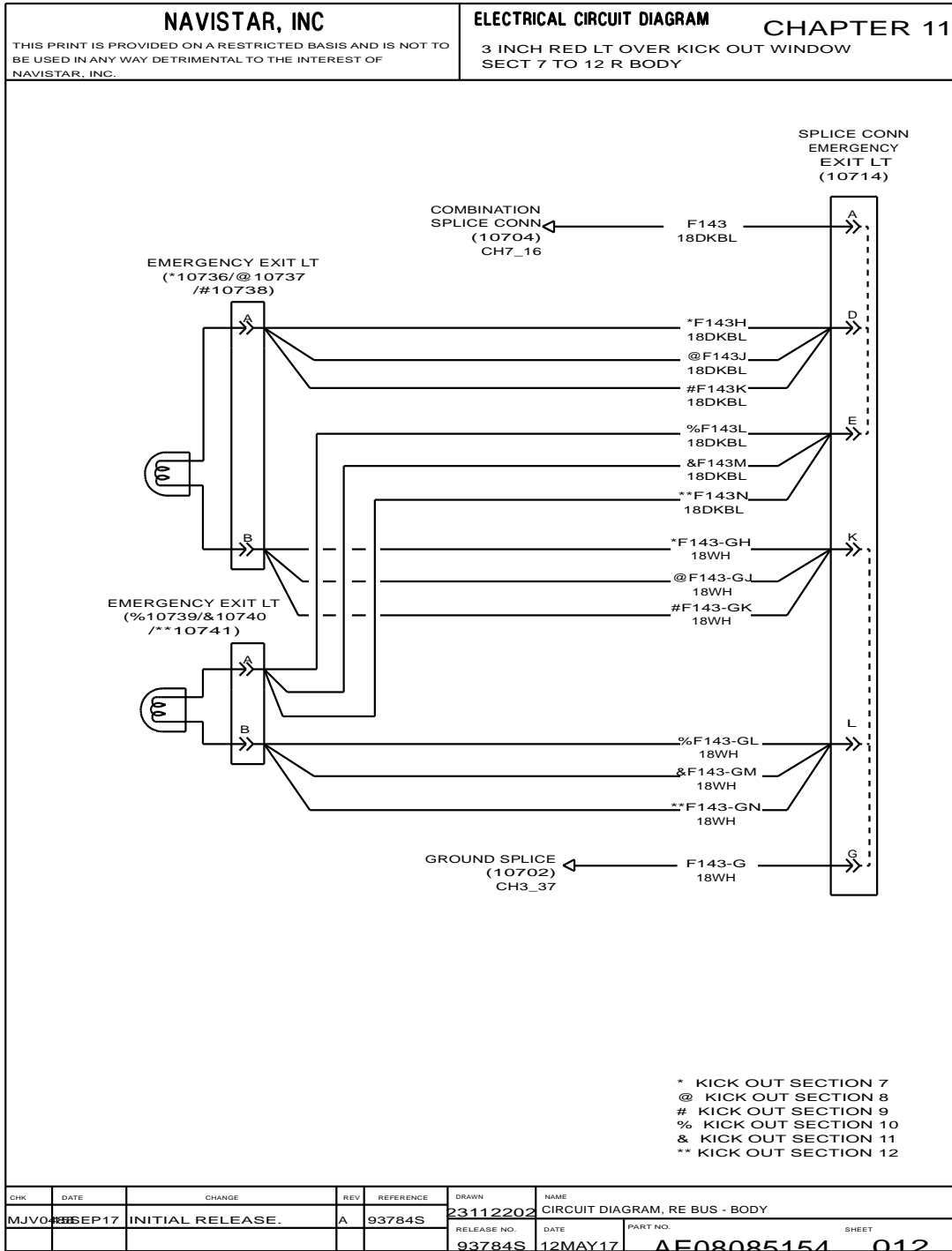


Figure 236 3 Inch Red LT Over Kick Out Window Sect 7 to 12 R Body

12.13. 3 INCH RED LT OVER KICK OUT WINDOW SECT 13 TO 15 R BODY, P. 13

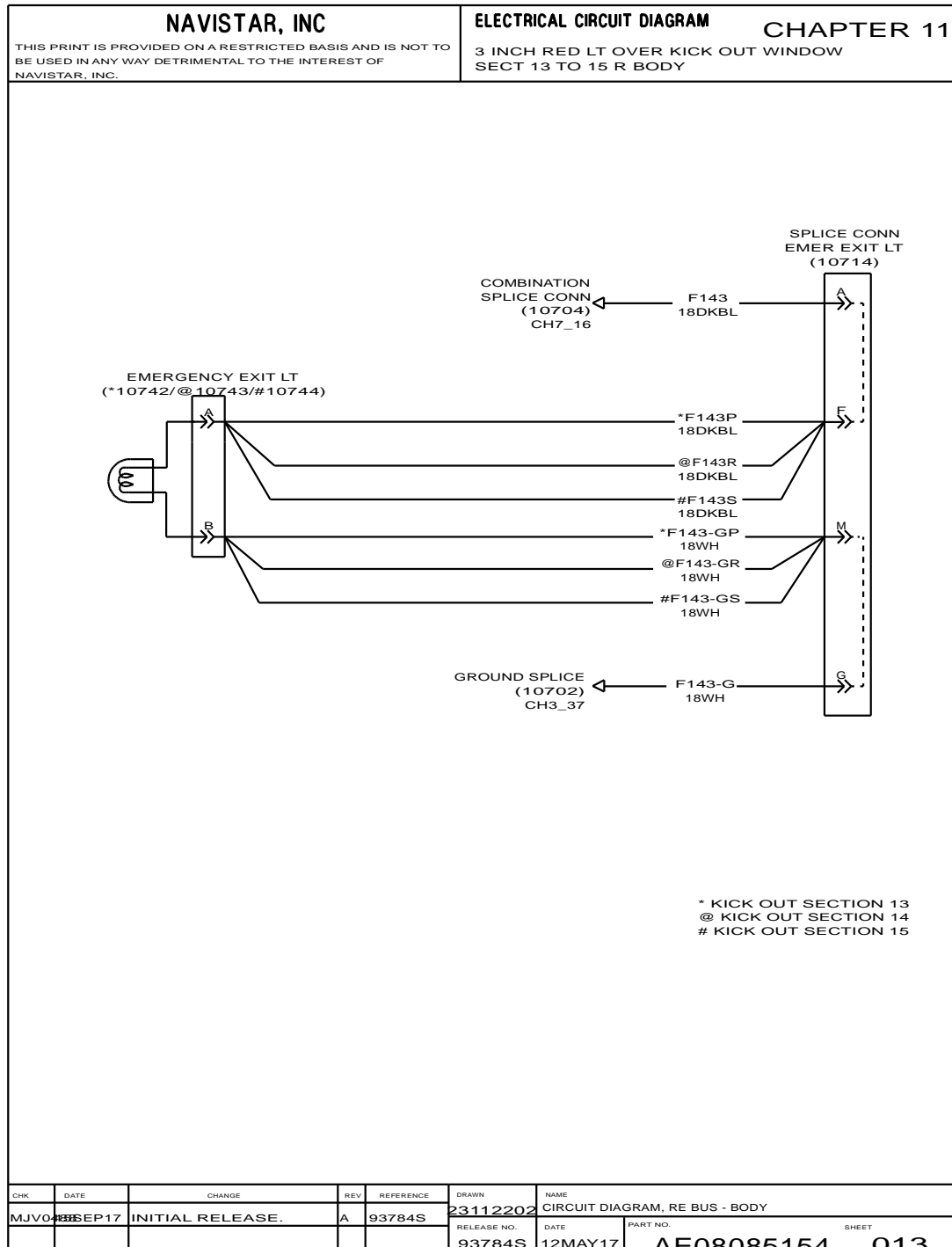


Figure 237 3 Inch Red LT Over Kick Out Window Sect 13 to 15 R Body

12.14. 3 INCH RED LT OVER RIGHT SIDE EMERGENCY DOOR WITHOUT KICK OUT LIGHT, P. 14

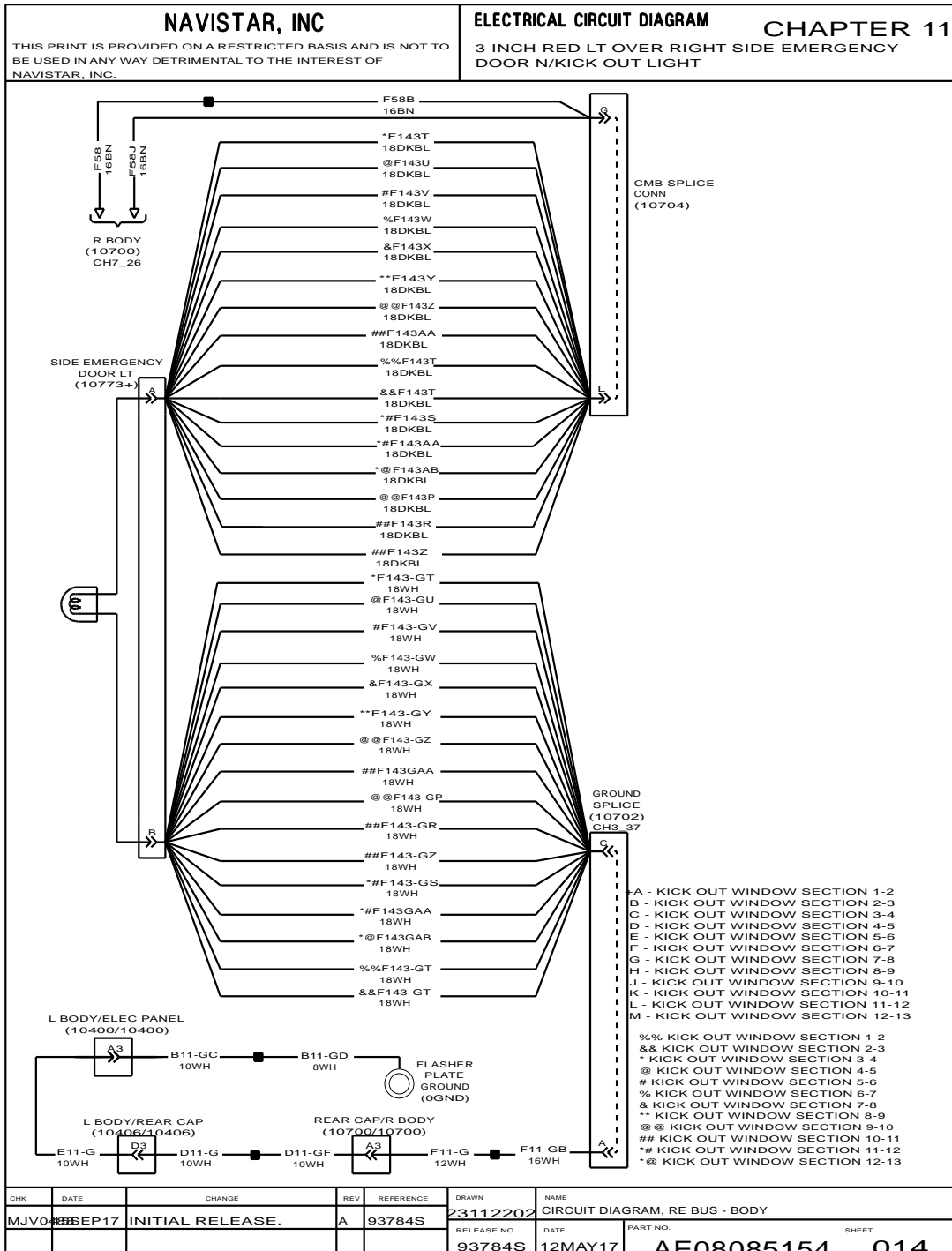


Figure 238 3 Inch Red LT Over Right Side Emergency Door without Kick Out Light

12.15. 3 INCH RED LT OVER RIGHT SIDE EMERGENCY DOOR WITH KICK OUT LIGHT, P. 15

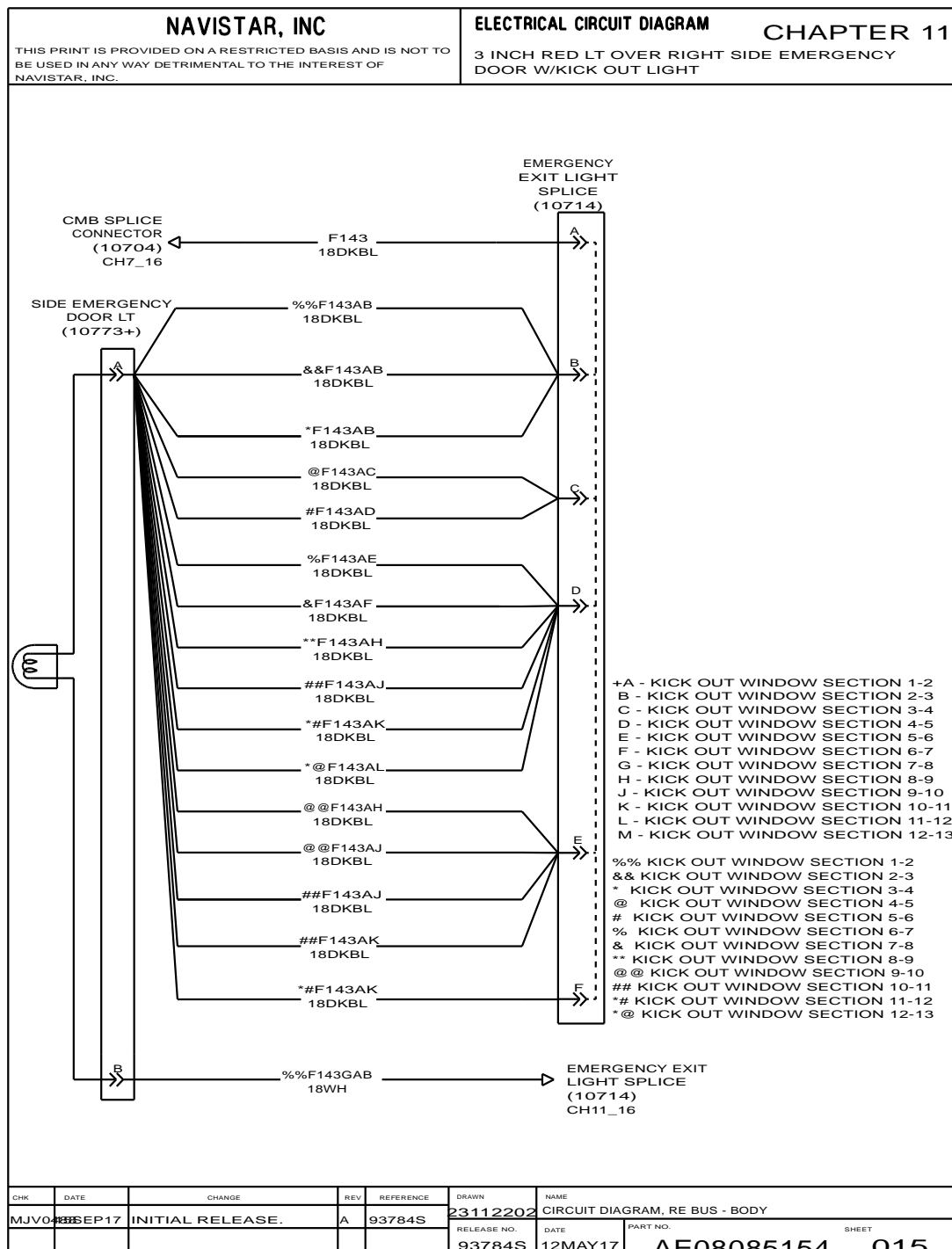


Figure 239 3 Inch Red LT Over Right Side Emergency Door with Kick Out Light

12.16. 3 INCH RED LT OVER RIGHT SIDE EMERGENCY DOOR WITH KICK OUT LIGHT (CONT.), P. 16

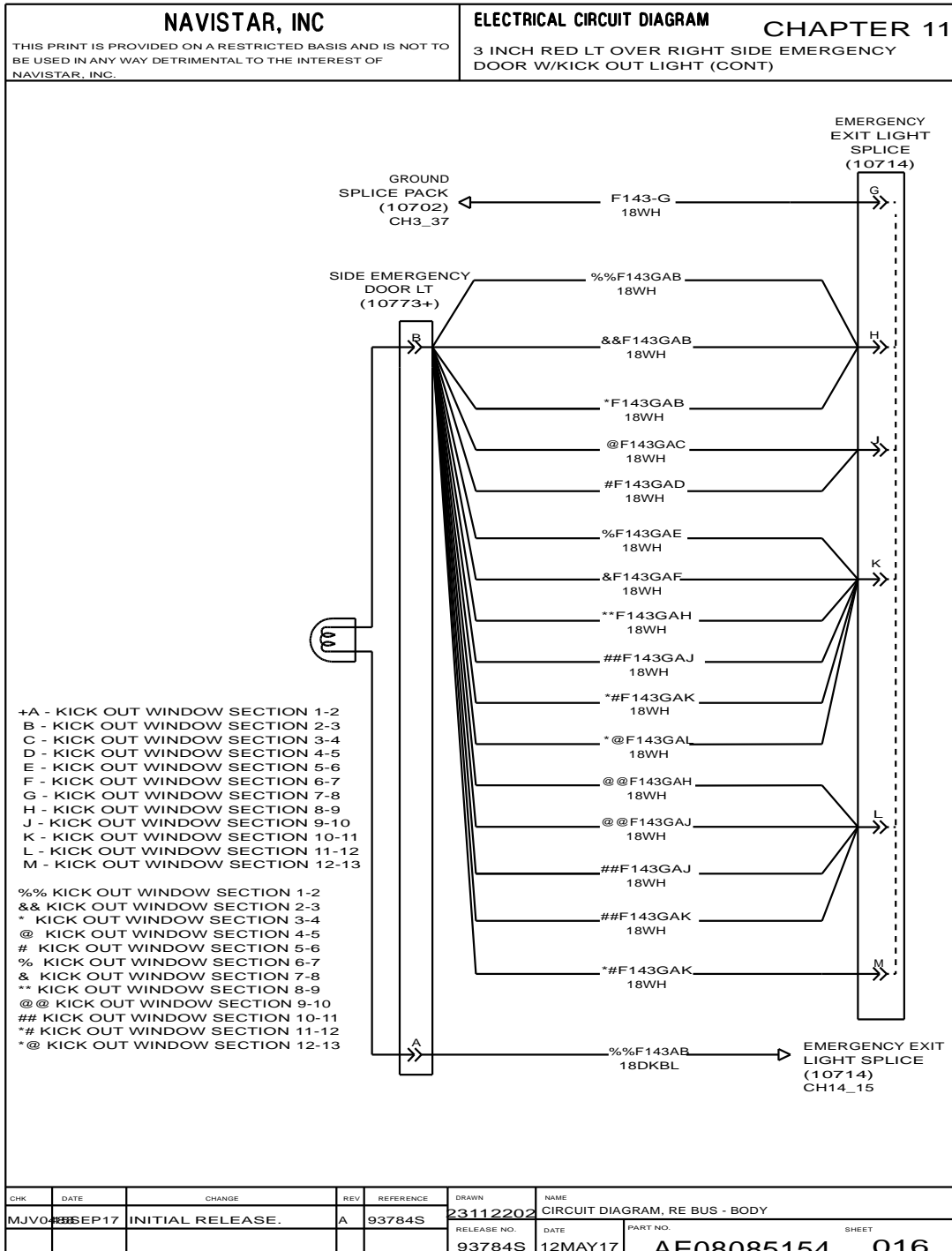


Figure 240 3 Inch Red LT Over Right Side Emergency Door with Kick Out Light (Cont.)

12.17. 3 INCH RED LT TO IGNITION FEED OVER SIDE SECT 7 TO 8 R BODY, P. 17

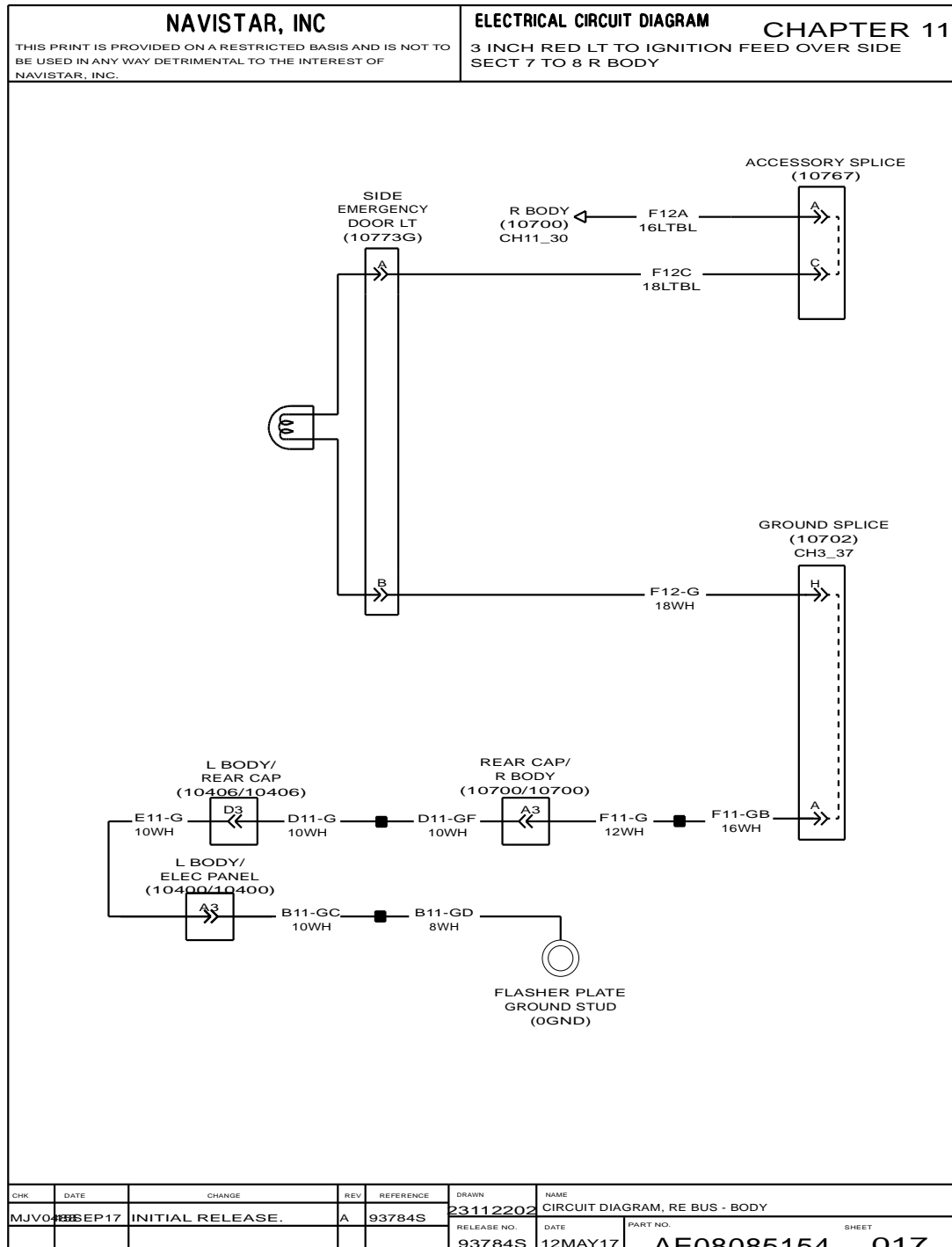


Figure 241 3 Inch Red LT To Ignition Feed Over Side Sect 7 to 8 R Body

12.18. ROOF HATCH SECT 1 TO 10 L BODY, P. 18

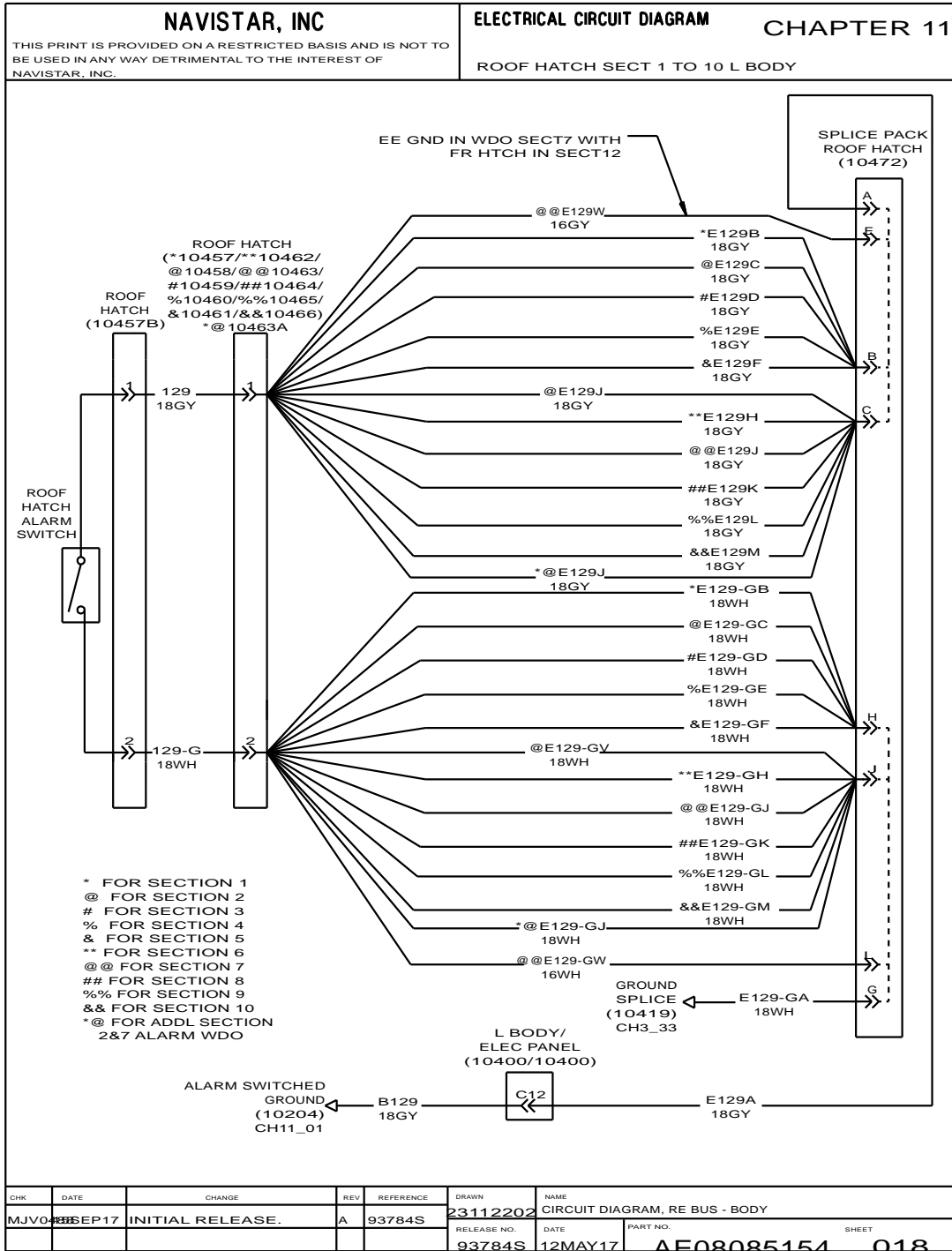


Figure 242 Roof Hatch Sect 1 to 10 L Body

12.19. ROOF HATCH SECT 11 TO 15 L BODY, P. 19

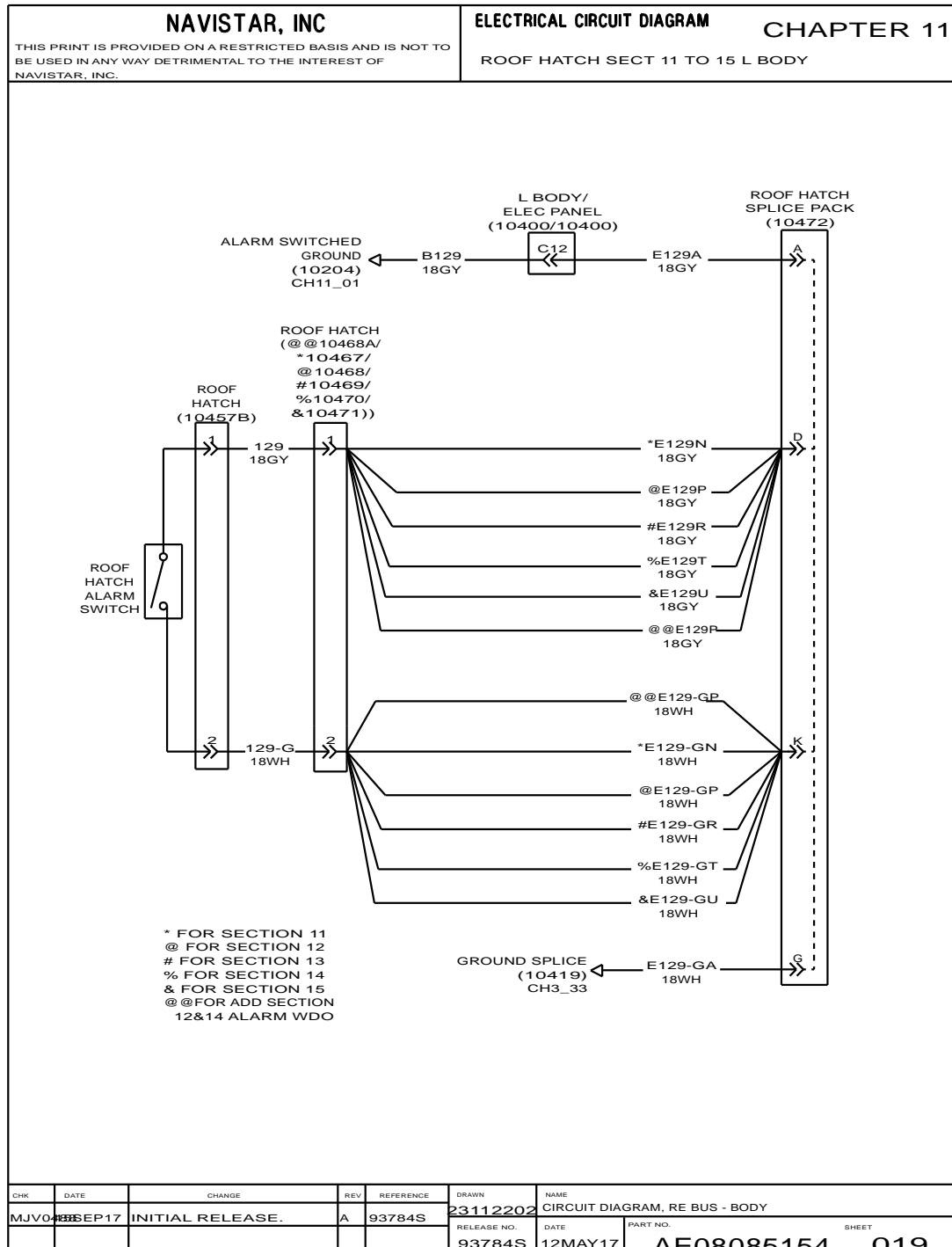


Figure 243 Roof Hatch Sect 11 to 15 L Body

12.20. ROOF HATCH WITH STARTER INTERLOCK FOR SECT 1 TO 4 AND 9 TO 12 L BODY, P. 20

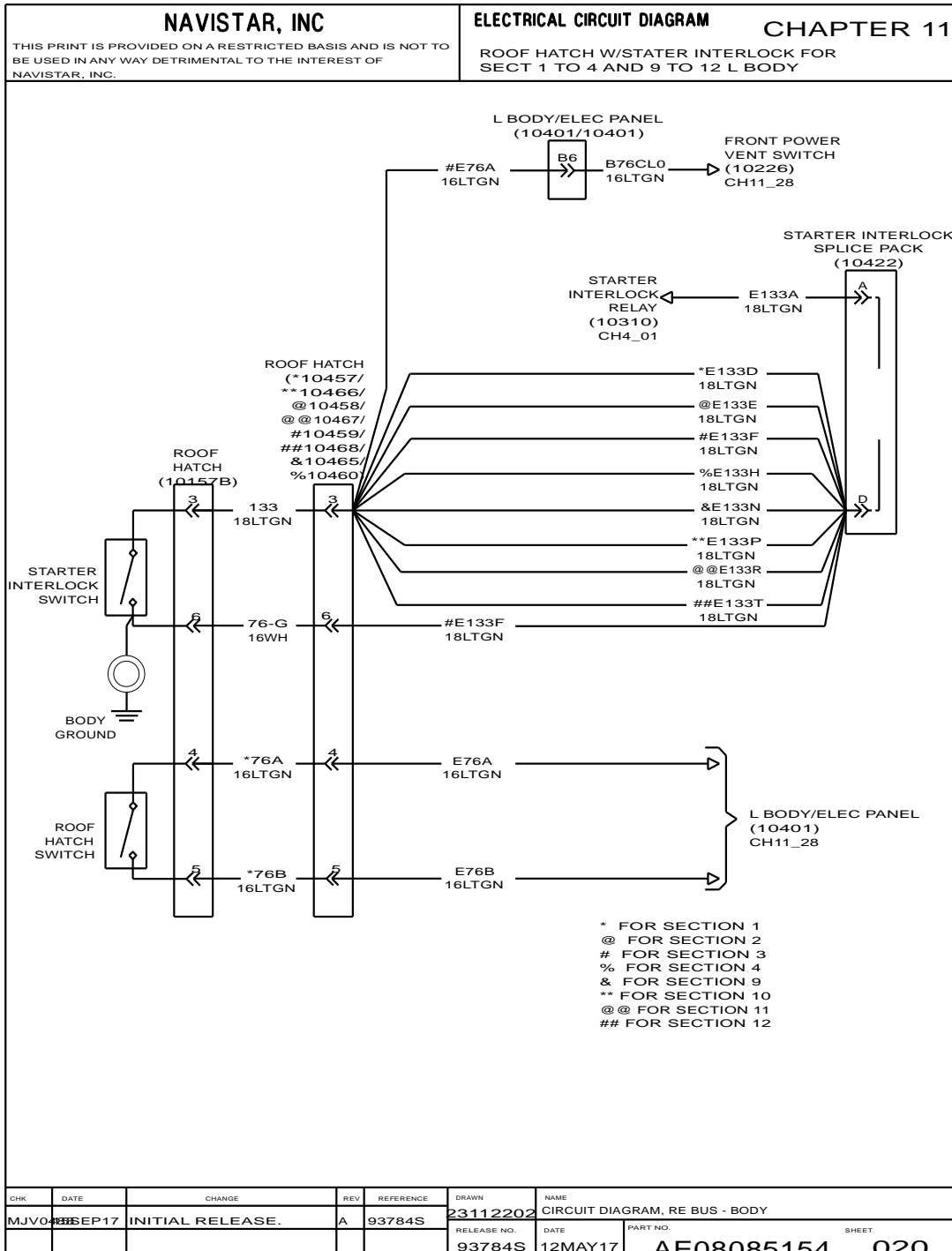


Figure 244 Roof Hatch with Starter Interlock for Sect 1 to 4 and 9 to 12 L Body

12.21. ROOF HATCH WITH STARTER INTERLOCK FOR SECT 5 TO 8 AND 13 TO 15 L BODY, P. 21

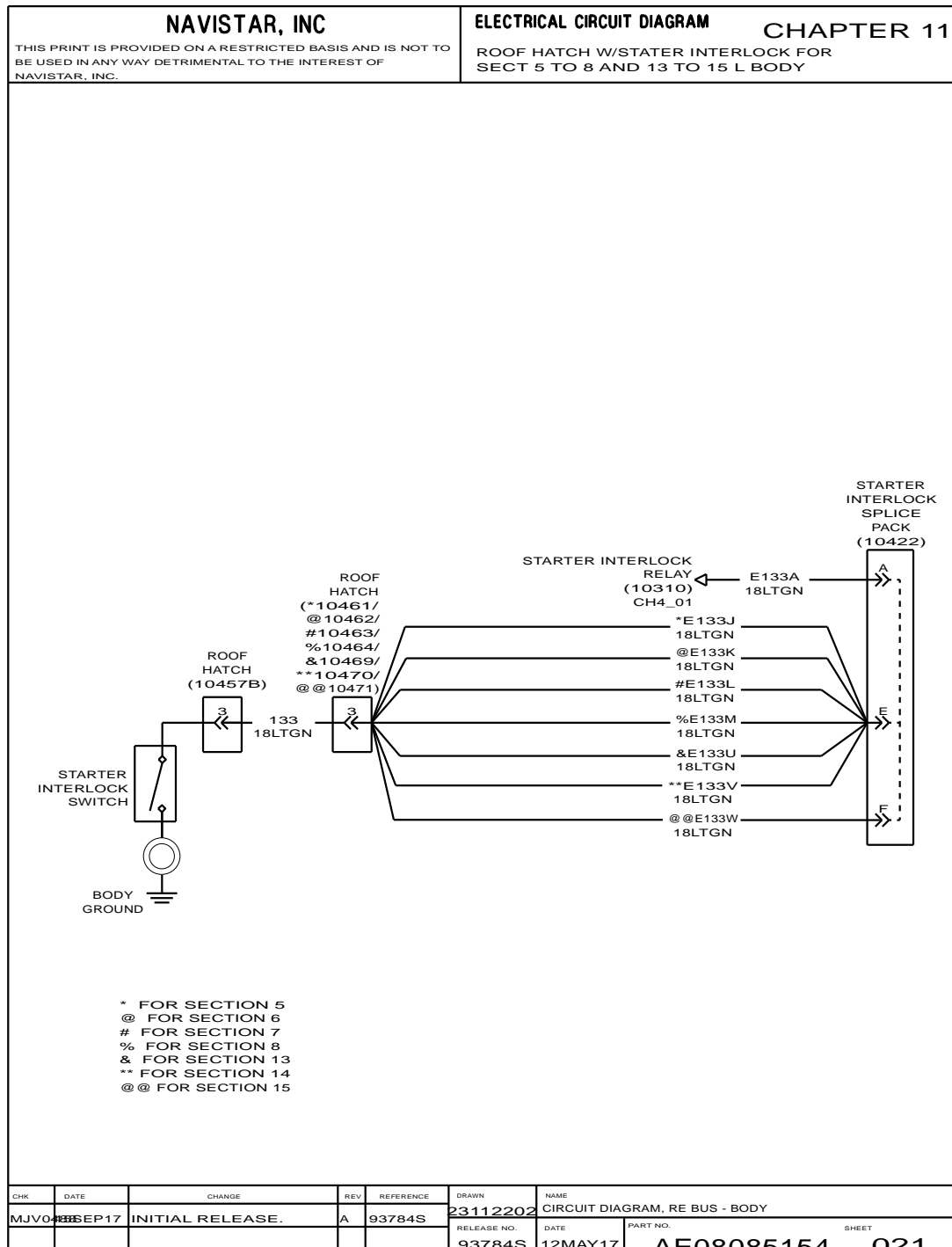


Figure 245 Roof Hatch with Starter Interlock for Sect 5 to 8 and 13 to 15 L Body

12.22. ROOF HATCH WITH FRONT AND WITH ALARM POWER VENT SECT 2 AND 3 L BODY, P. 22

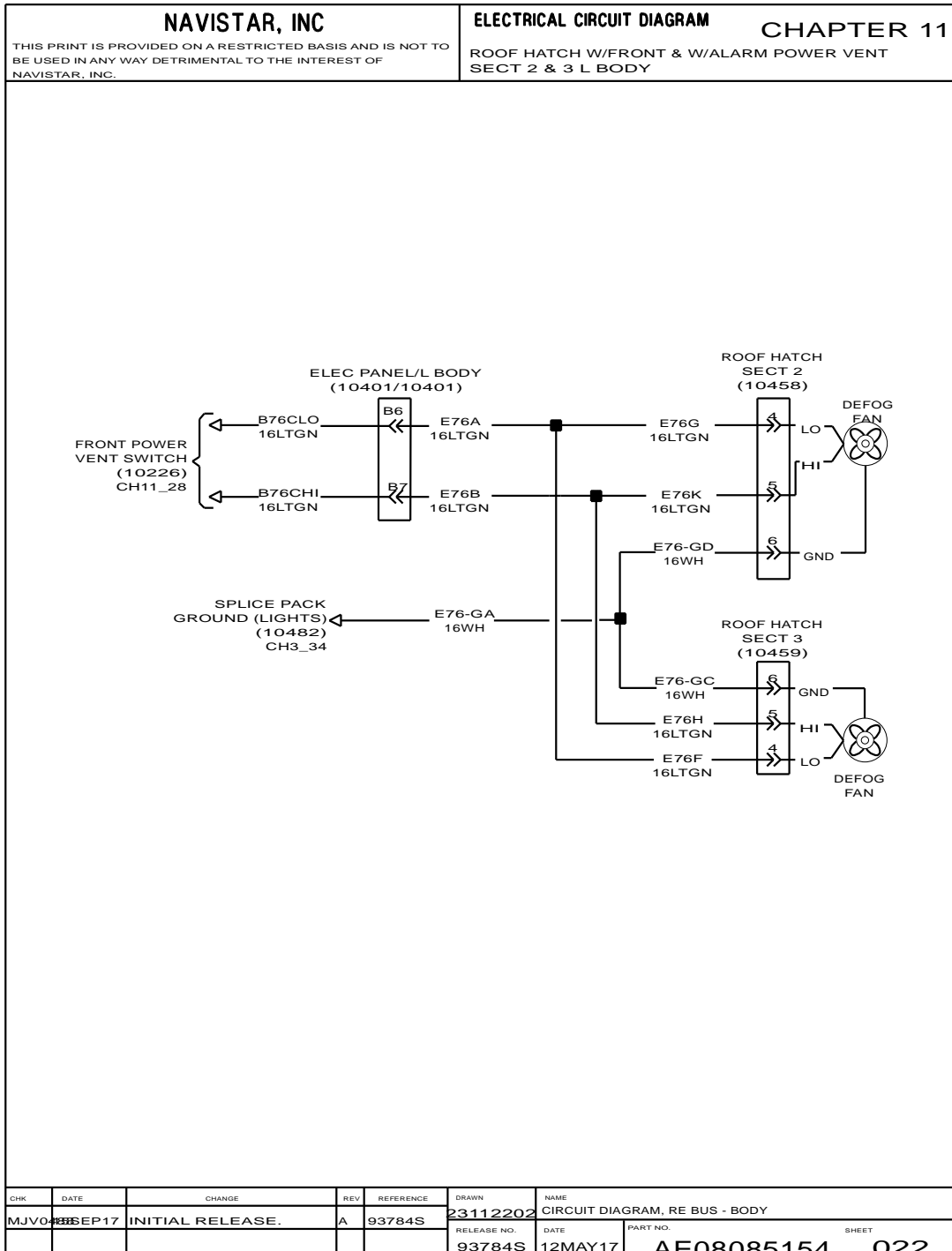


Figure 246 Roof Hatch with Front and with Alarm Power Vent Sect 2 and 3 L Body

12.23. ROOF HATCH WITH FRONT AND WITH ALARM POWER VENT SECT 8 AND 12 L BODY, P. 23

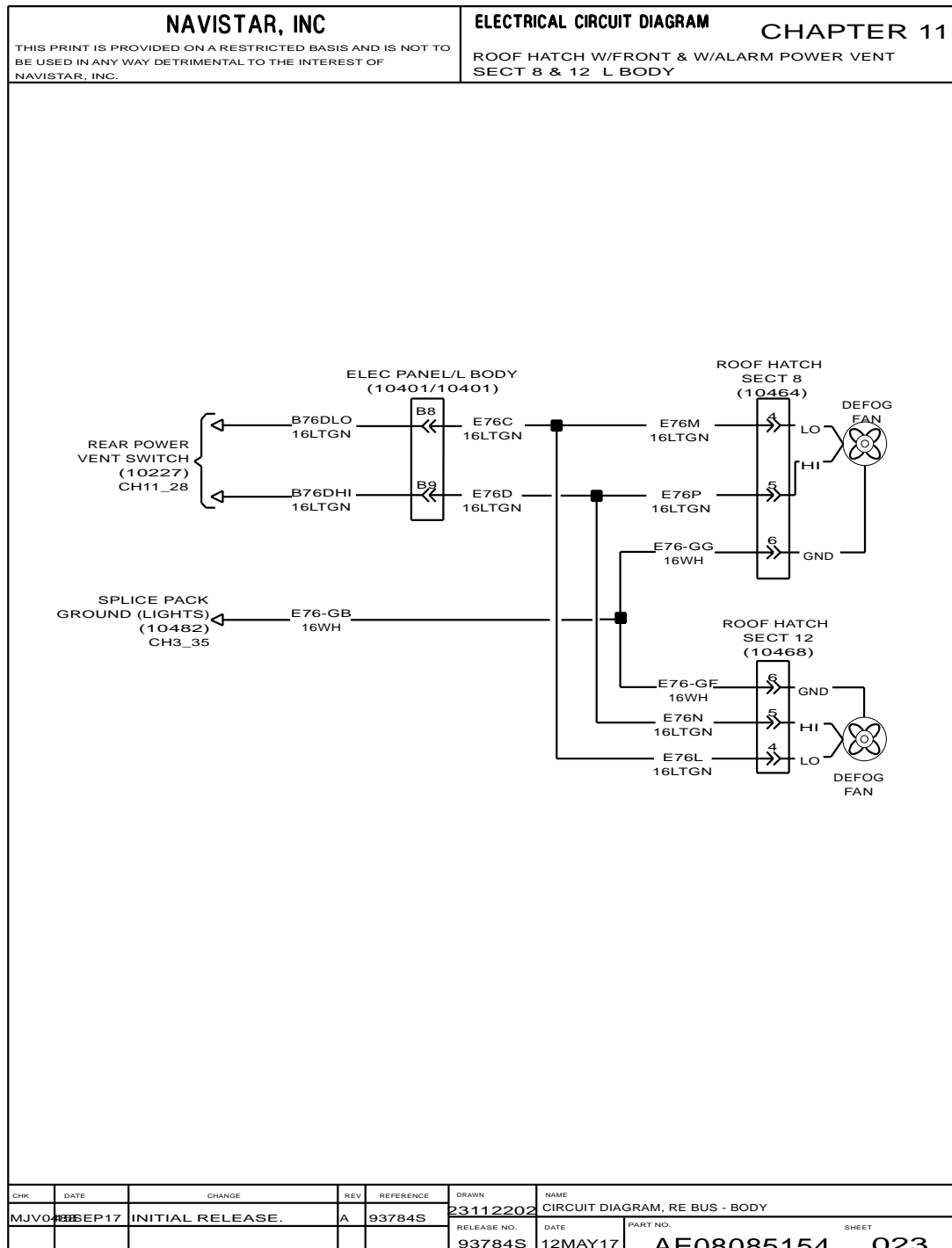


Figure 247 Roof Hatch with Front and with Alarm Power Vent Sect 8 and 12 L Body

12.24. ROOF HATCH WITH FRONT POWER VENT SECT 2 AND 4 L BODY, P. 24

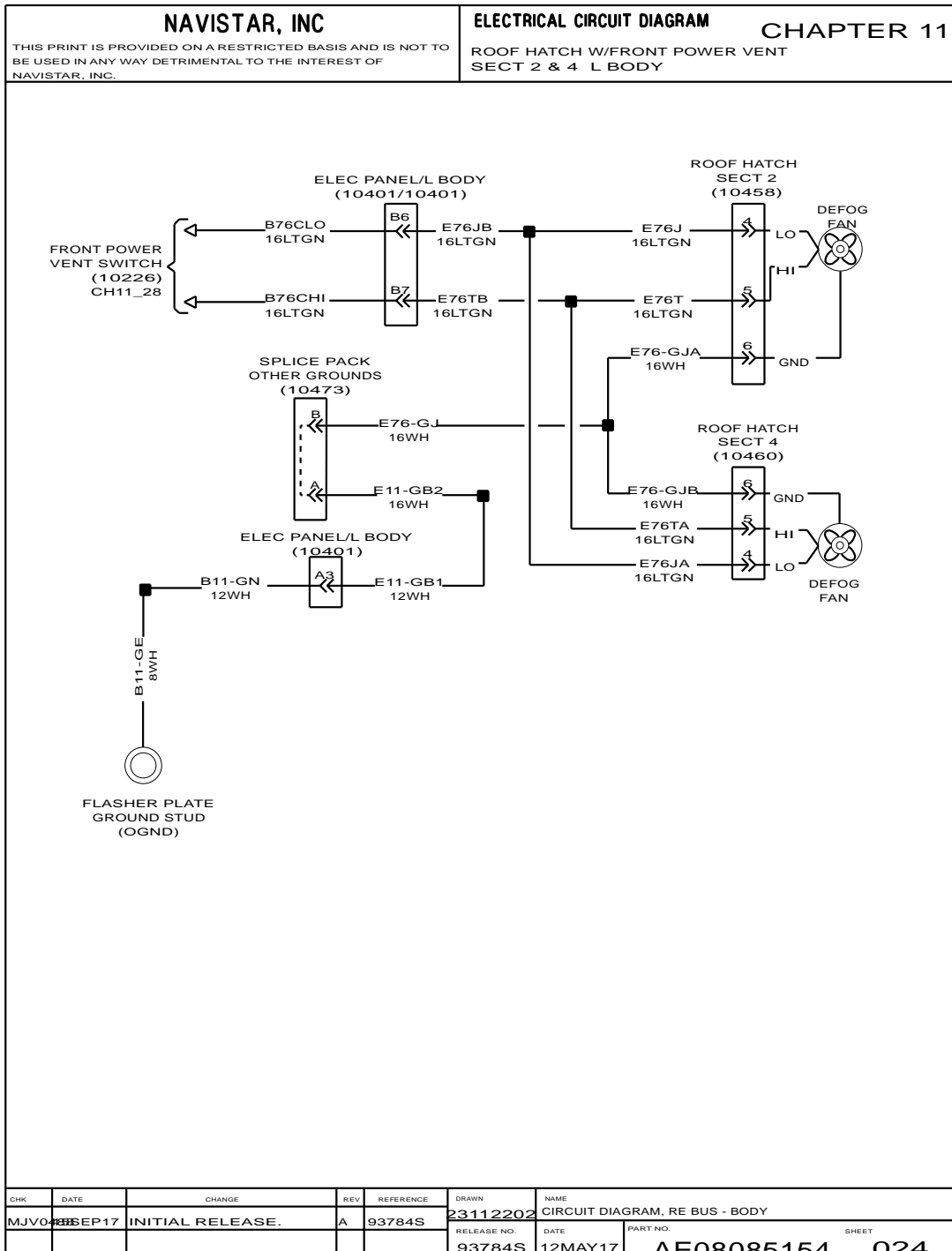


Figure 248 Roof Hatch with Front Power Vent Sect 2 and 4 L Body

12.25. ROOF HATCH WITH FRONT POWER VENT SECT 7 AND 12 L BODY, P. 25

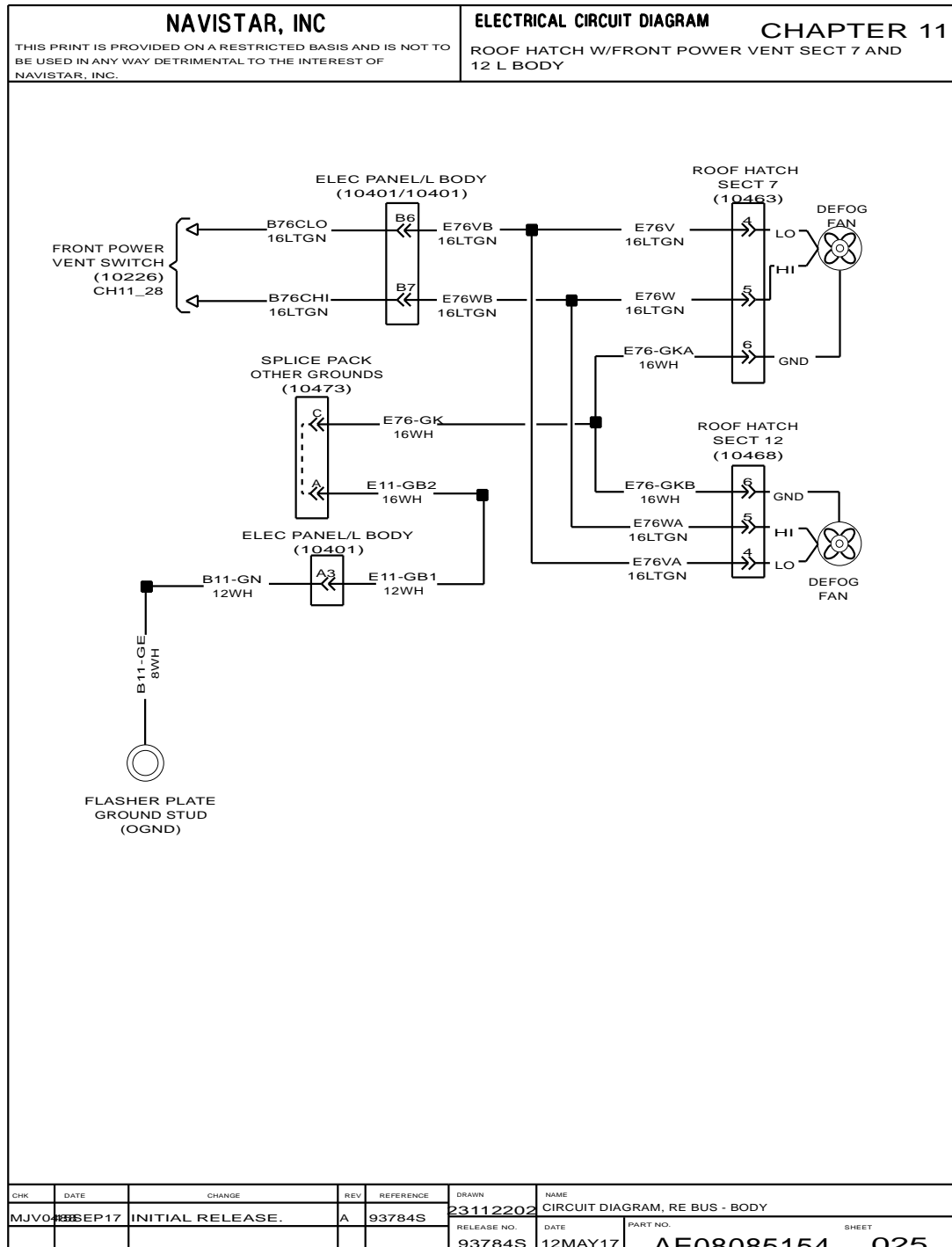


Figure 249 Roof Hatch with Front Power Vent Sect 7 and 12 L Body

12.26. ROOF HATCH WITH FRONT POWER VENT SECT 12 AND 14 L BODY, P. 26

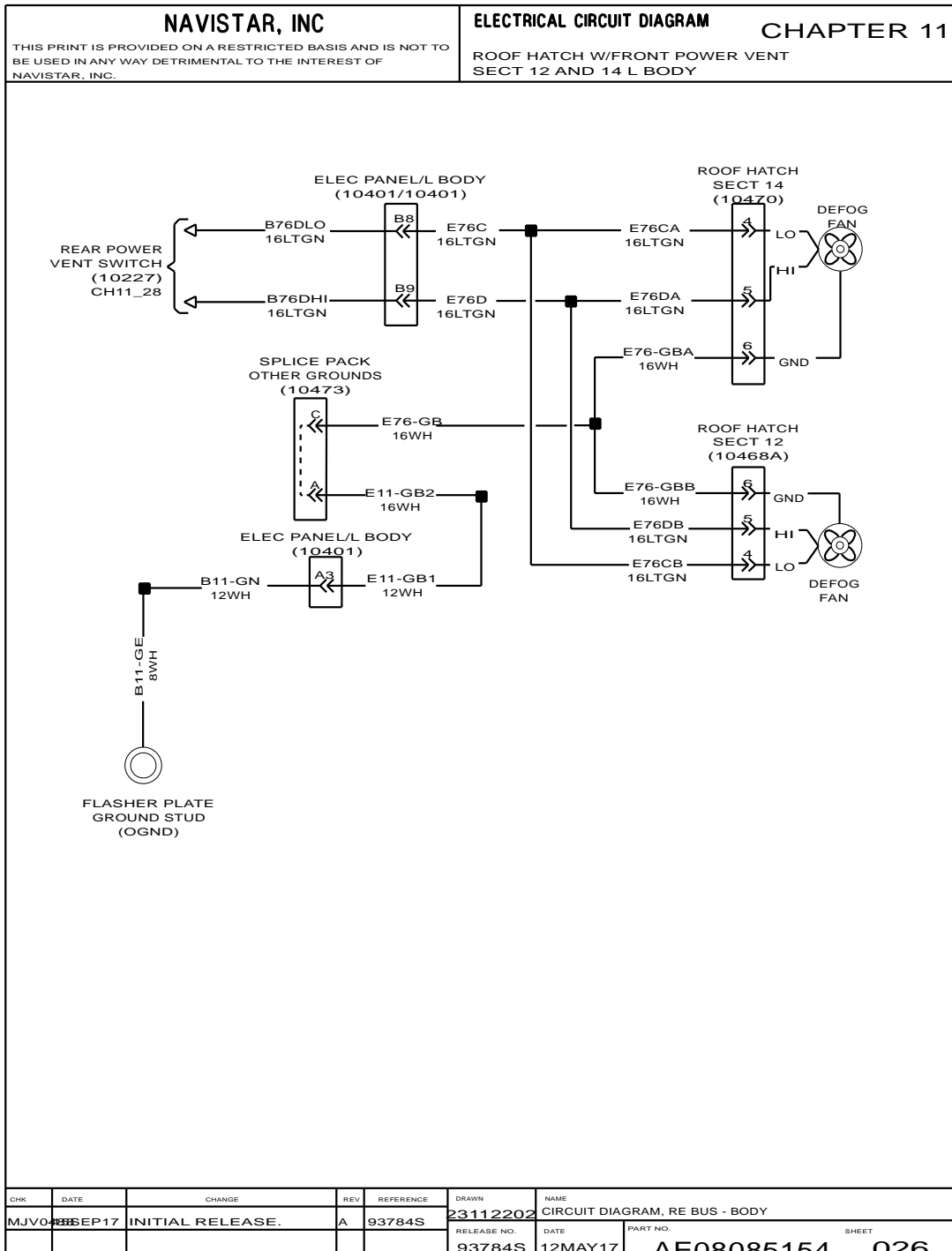


Figure 250 Roof Hatch with Front Power Vent Sect 12 and 14 L Body

12.27. ROOF HATCH WITH REAR POWER VENT SECT 2 AND 7 L BODY, P. 27

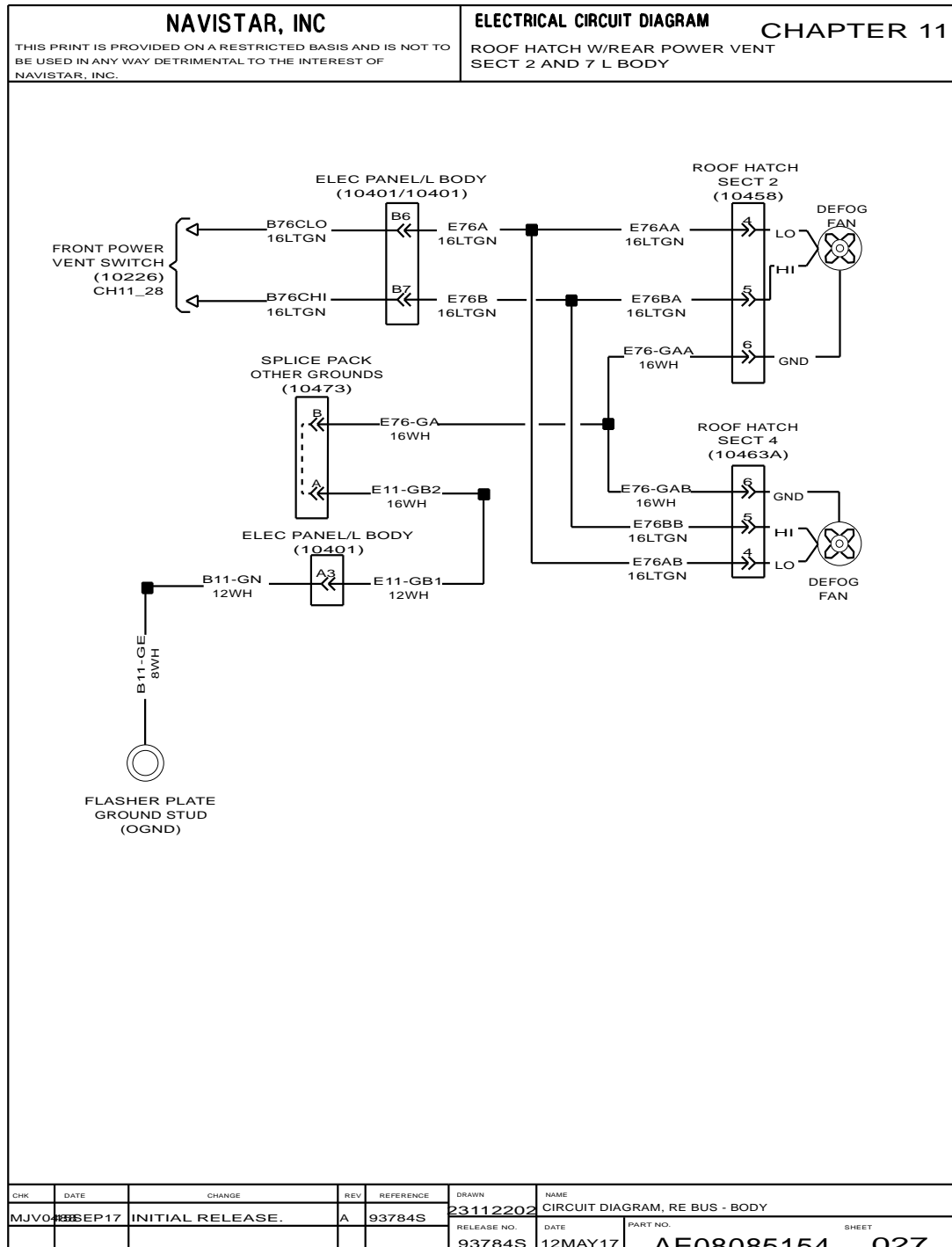
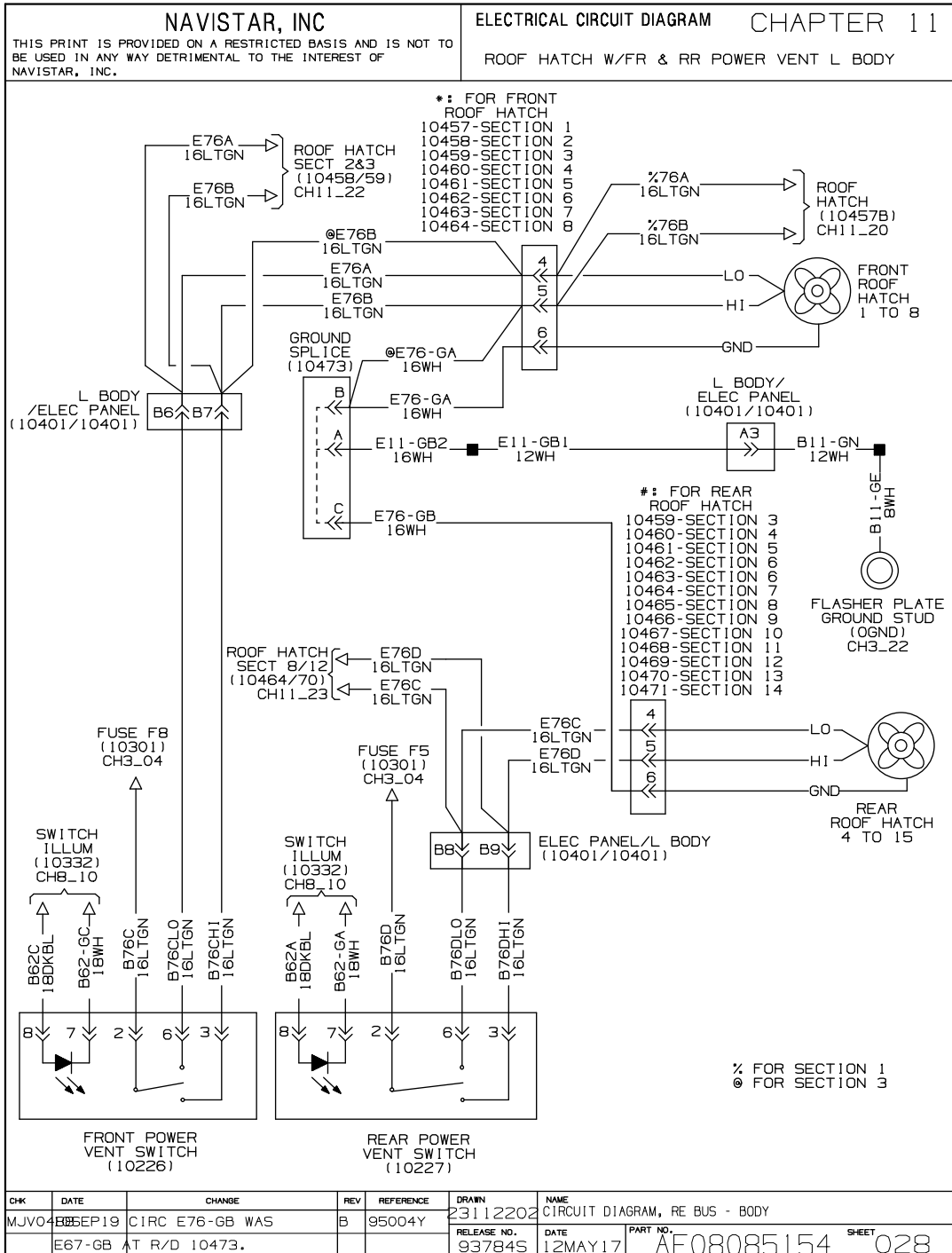


Figure 251 Roof Hatch with Rear Power Vent Sect 2 and 7 L Body

12.28. ROOF HATCH WITH FR AND RR POWER VENT L BODY, P. 28



12.29. LEFT SIDE EMERGENCY DOOR, P. 29

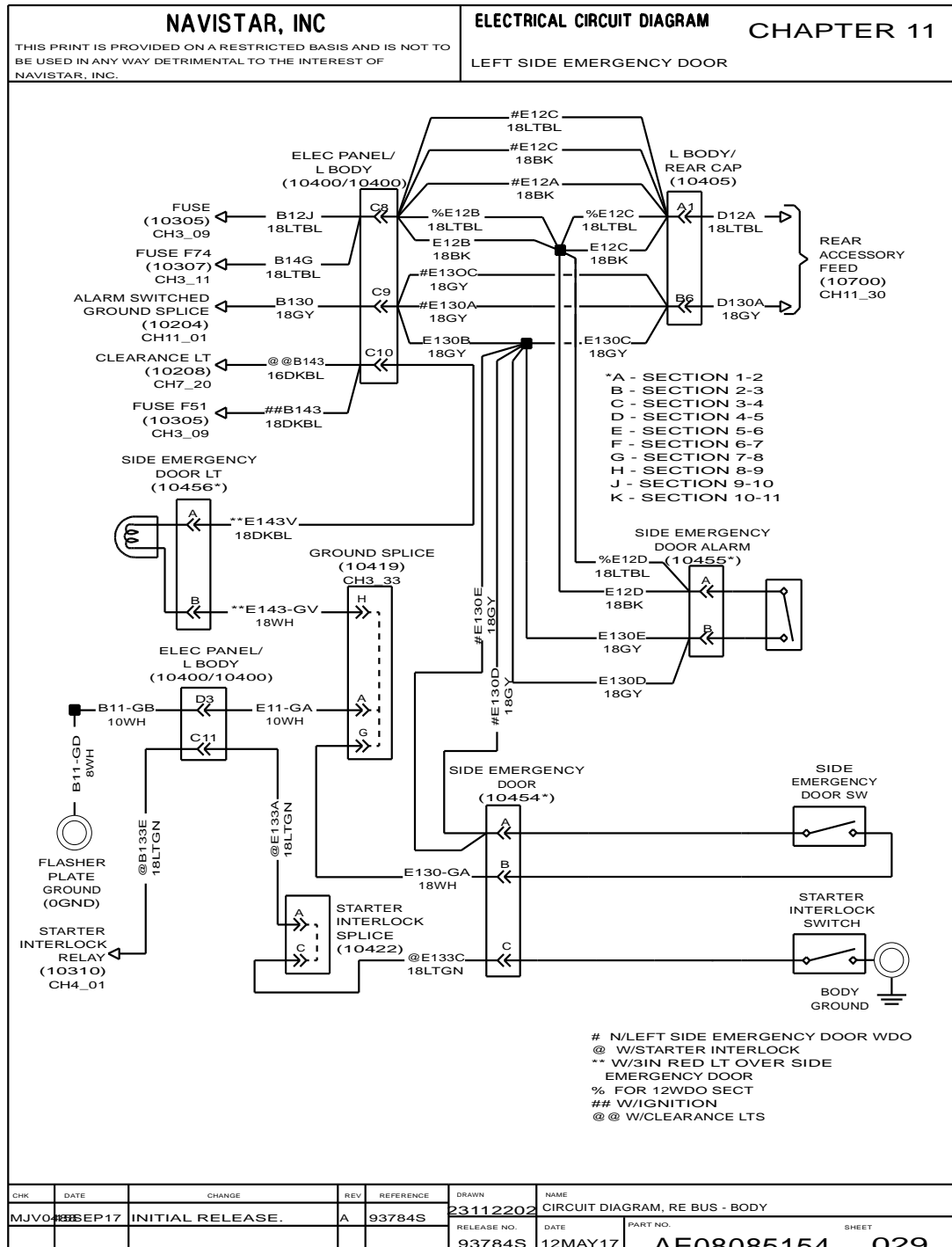


Figure 253 Left Side Emergency Door

12.30. RIGHT SIDE EMERGENCY DOOR, P. 30

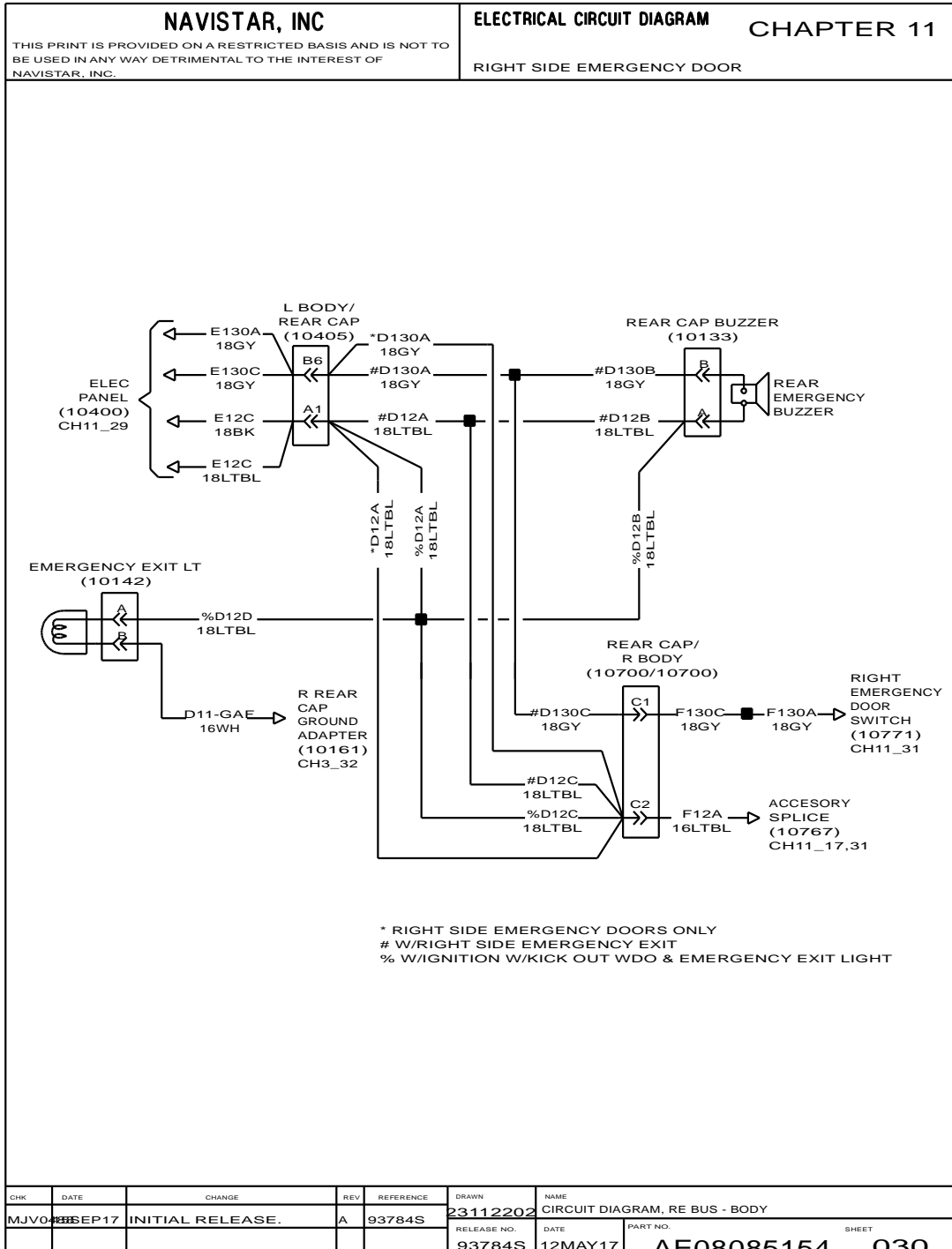


Figure 254 Right Side Emergency Door

12.31. RIGHT SIDE EMERGENCY DOOR (CONT.), P. 31

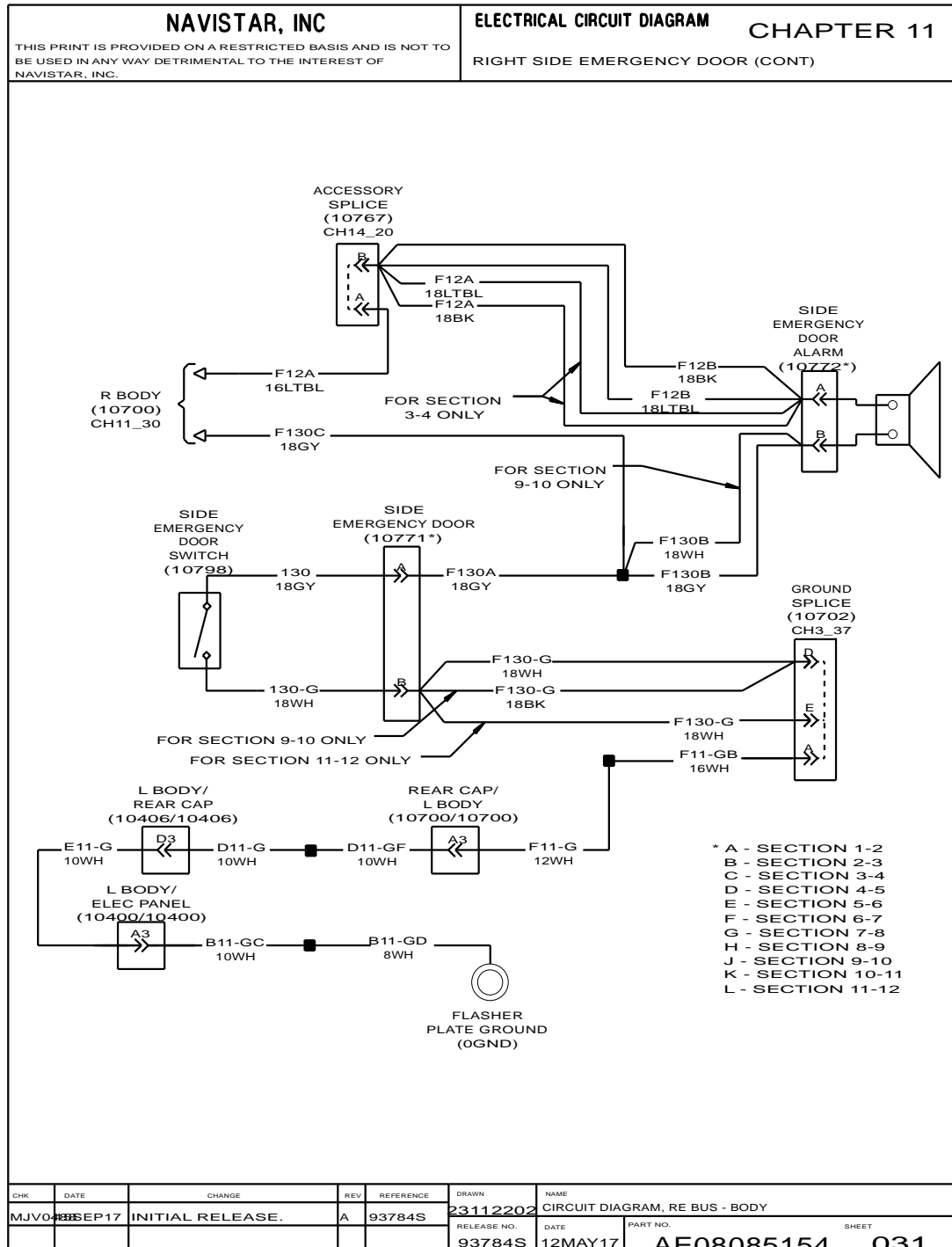


Figure 255 Right Side Emergency Door (Cont.)

12.32. RIGHT SIDE EMERGENCY DOOR WITH STARTER INTERLOCK, P. 32

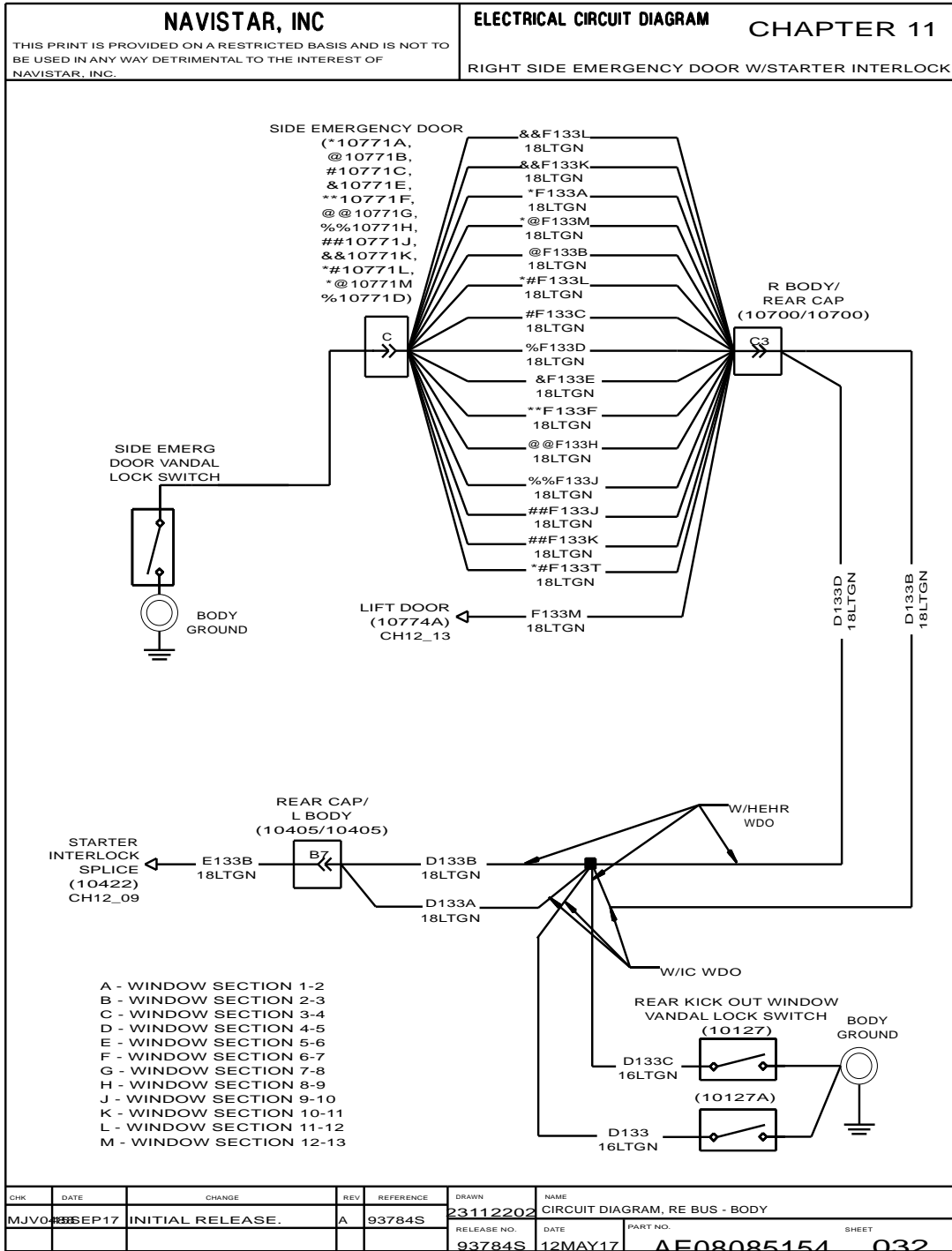


Figure 256 Right Side Emergency Door with Starter Interlock

12.33. FRONT KICK OUT WINDOW CONNECTIONS L BODY, P. 33

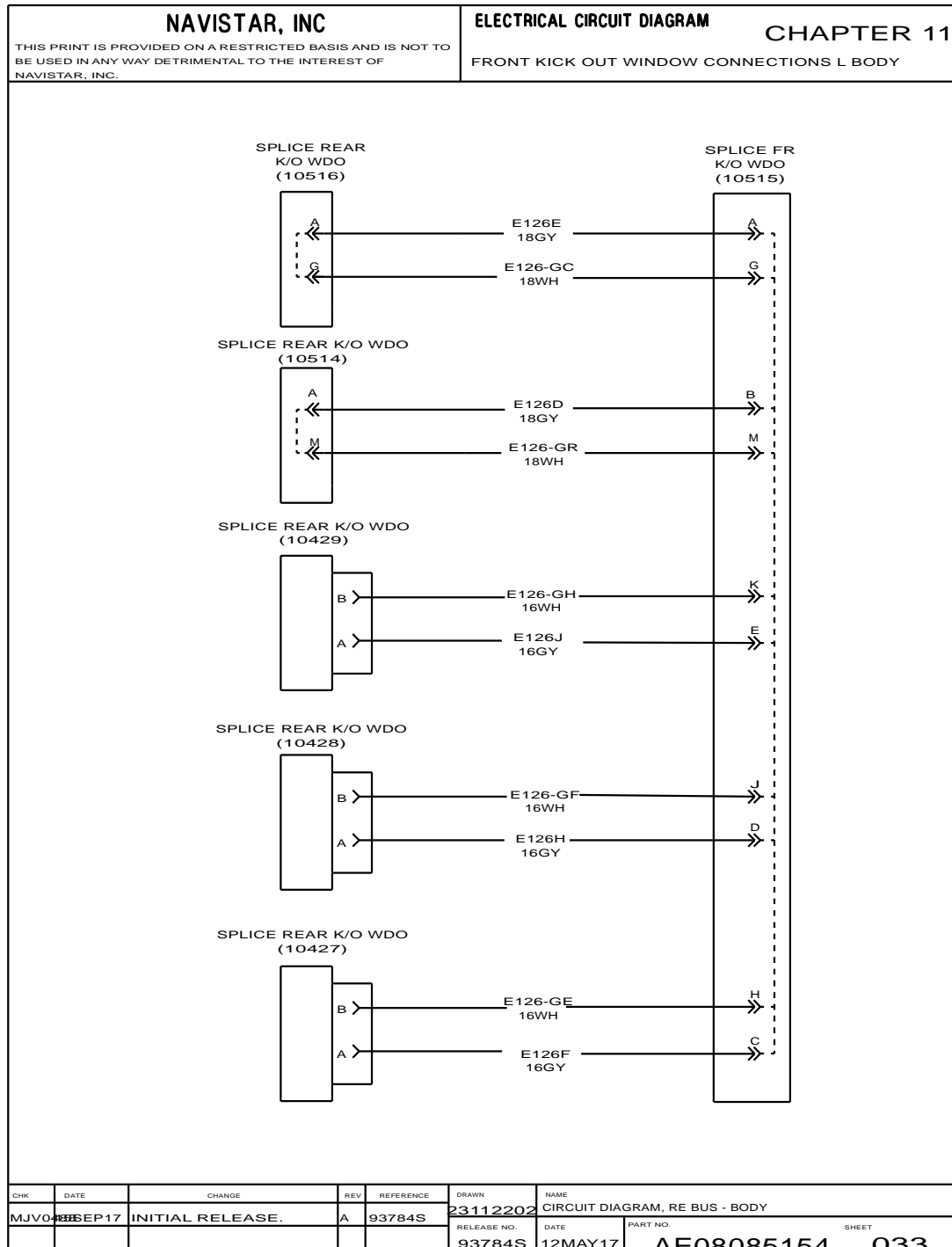


Figure 257 Front Kick Out Window Connections L Body

12.34. REAR KICK OUT WINDOW (HEHR) L BODY, P. 34

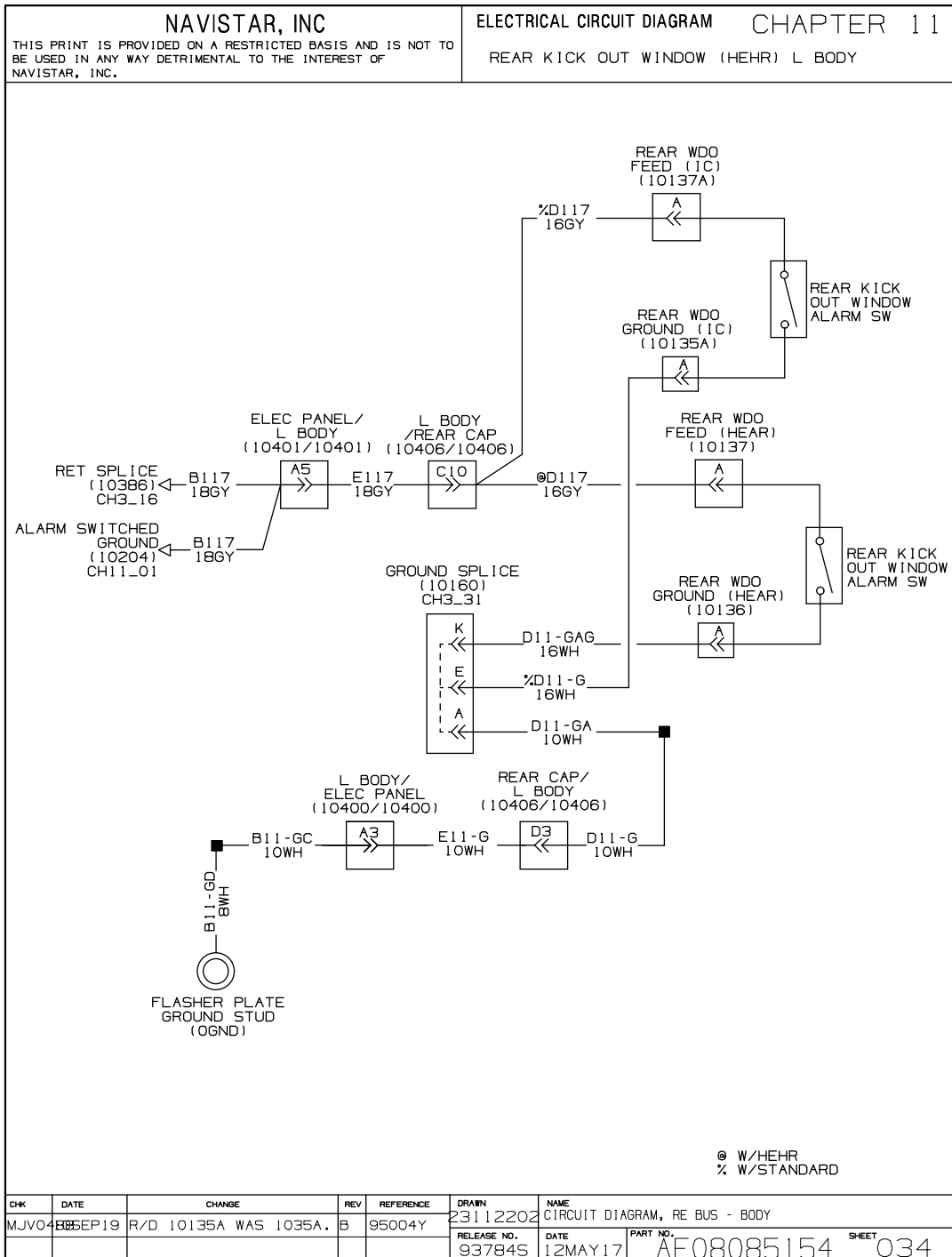


Figure 258 Rear Kick Out Window (HEHR) L Body

12.35. REAR KICK OUT WINDOW CONNECTIONS L BODY, P. 35

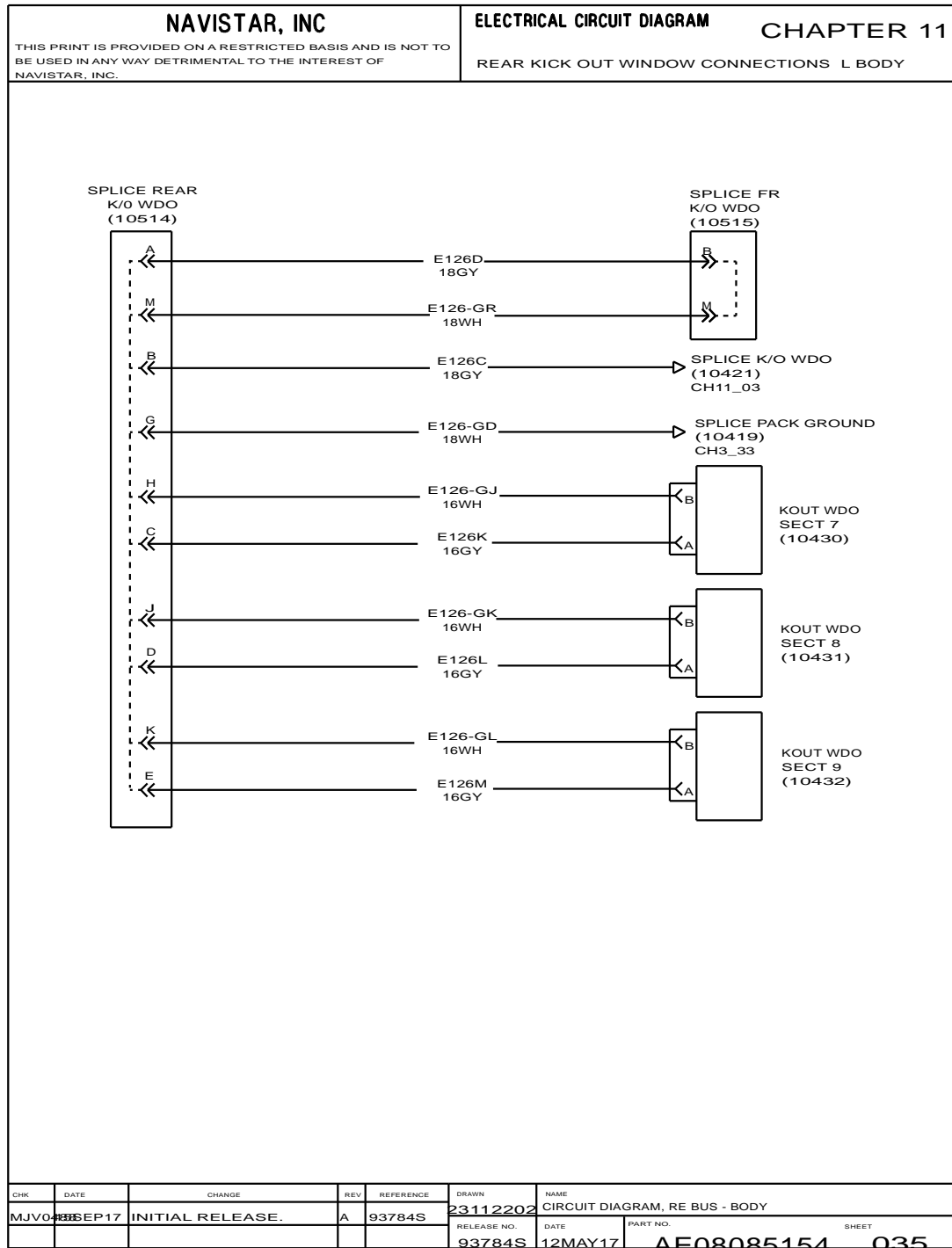


Figure 259 Rear Kick Out Window Connections L Body

12.36. REAR KICK OUT WINDOW CONNECTIONS L BODY (CONT.), P. 36

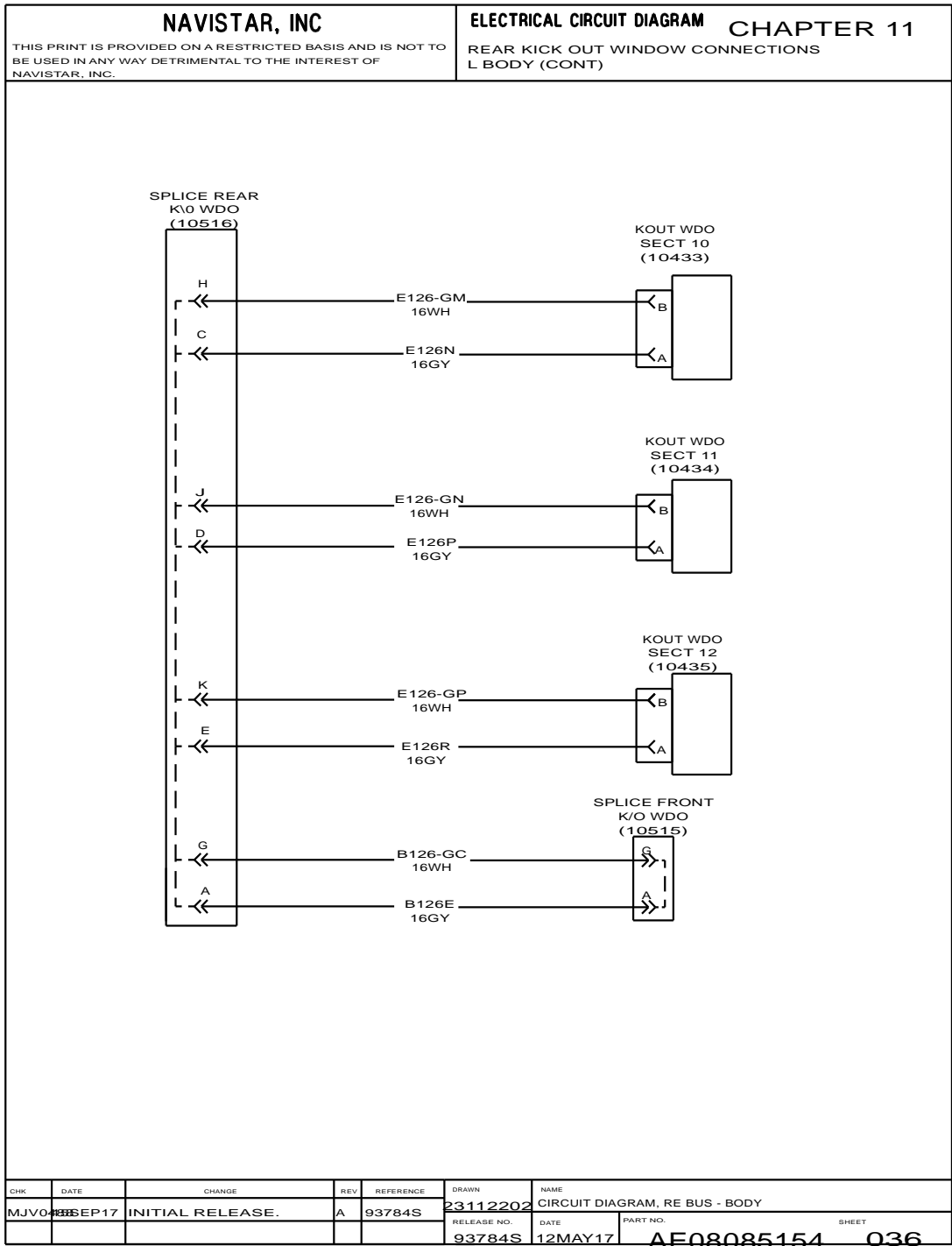


Figure 260 Rear Kick Out Window Connections L Body (Cont.)

12.37. EMERGENCY EXIT INDICATOR LIGHT IN CLUSTER, P. 37

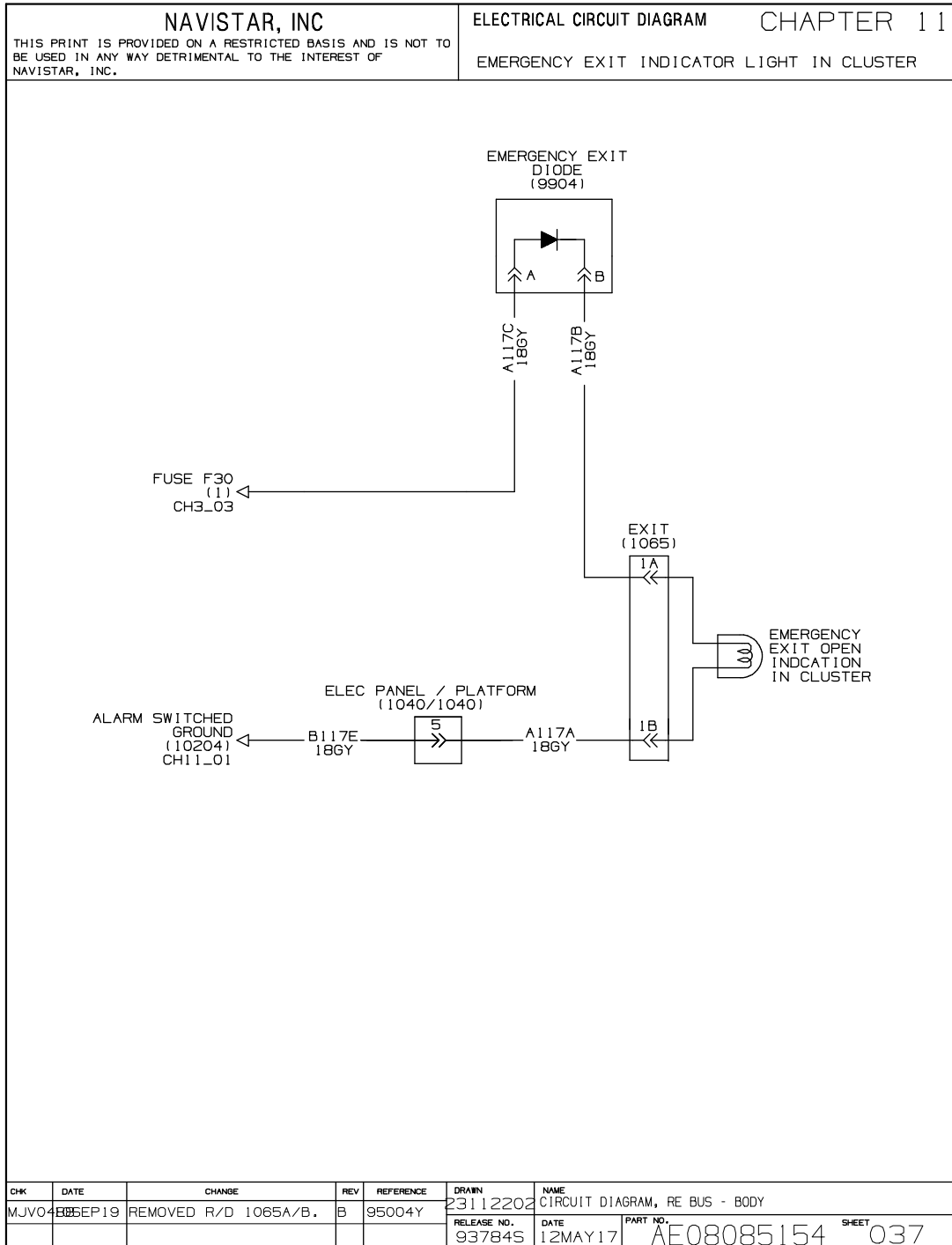


Figure 261 Emergency Exit Indicator Light in Cluster

LIFT DOOR SYSTEM (CHAPTER 12)

13.1. LIFT INTERLOCK KEY ON, P. 1

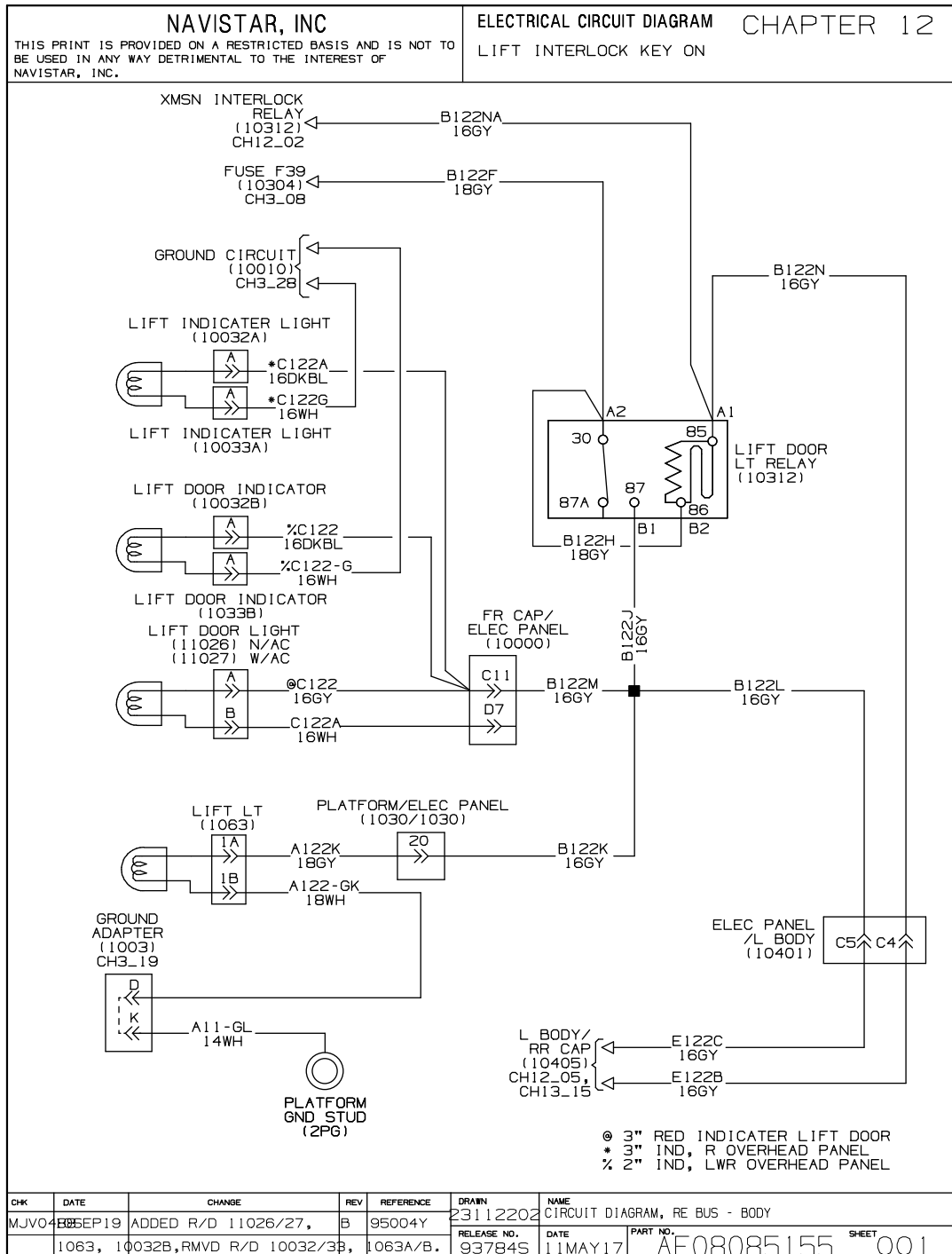


Figure 262 Lift Interlock Key On

13.2. LIFT INTERLOCK KEY ON (CONT.), P. 2

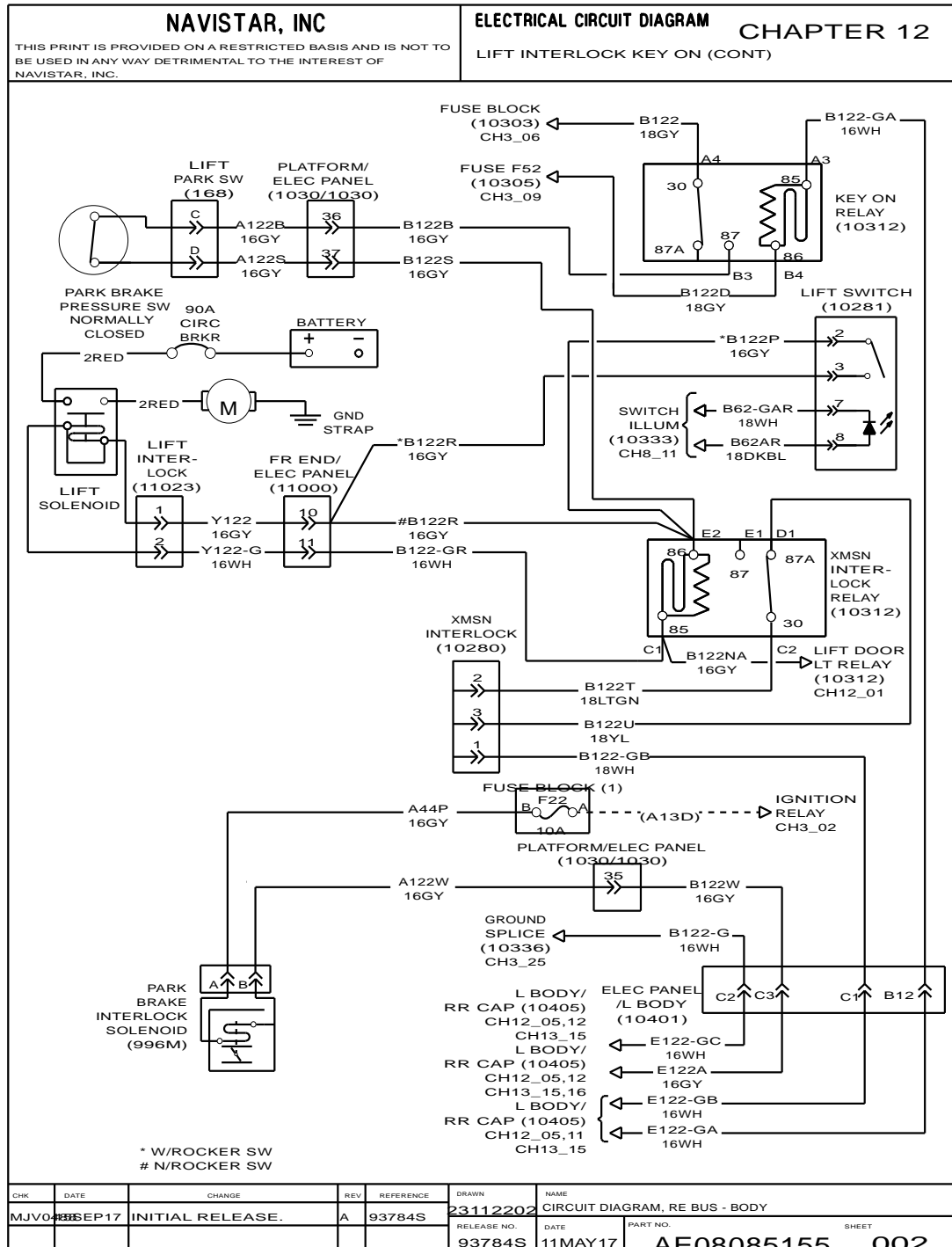


Figure 263 Lift Interlock Key On (Cont.)

13.3. LIFT INTERLOCK KEY ON / OFF, P. 3

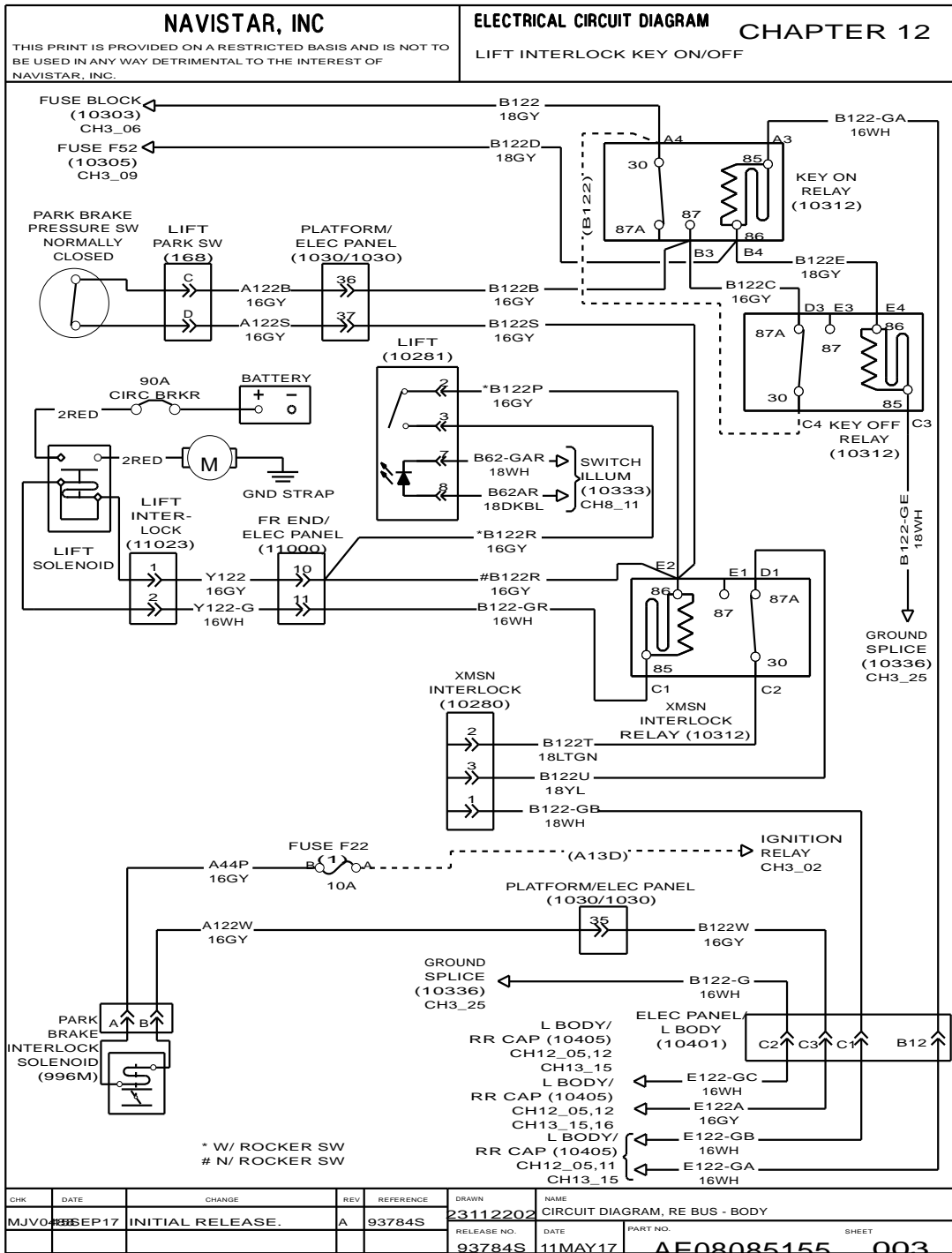


Figure 264 Lift Interlock Key On / Off

13.4. LIFT INTERLOCK KEY ON / OFF WITH AED INTERLOCK, P. 4

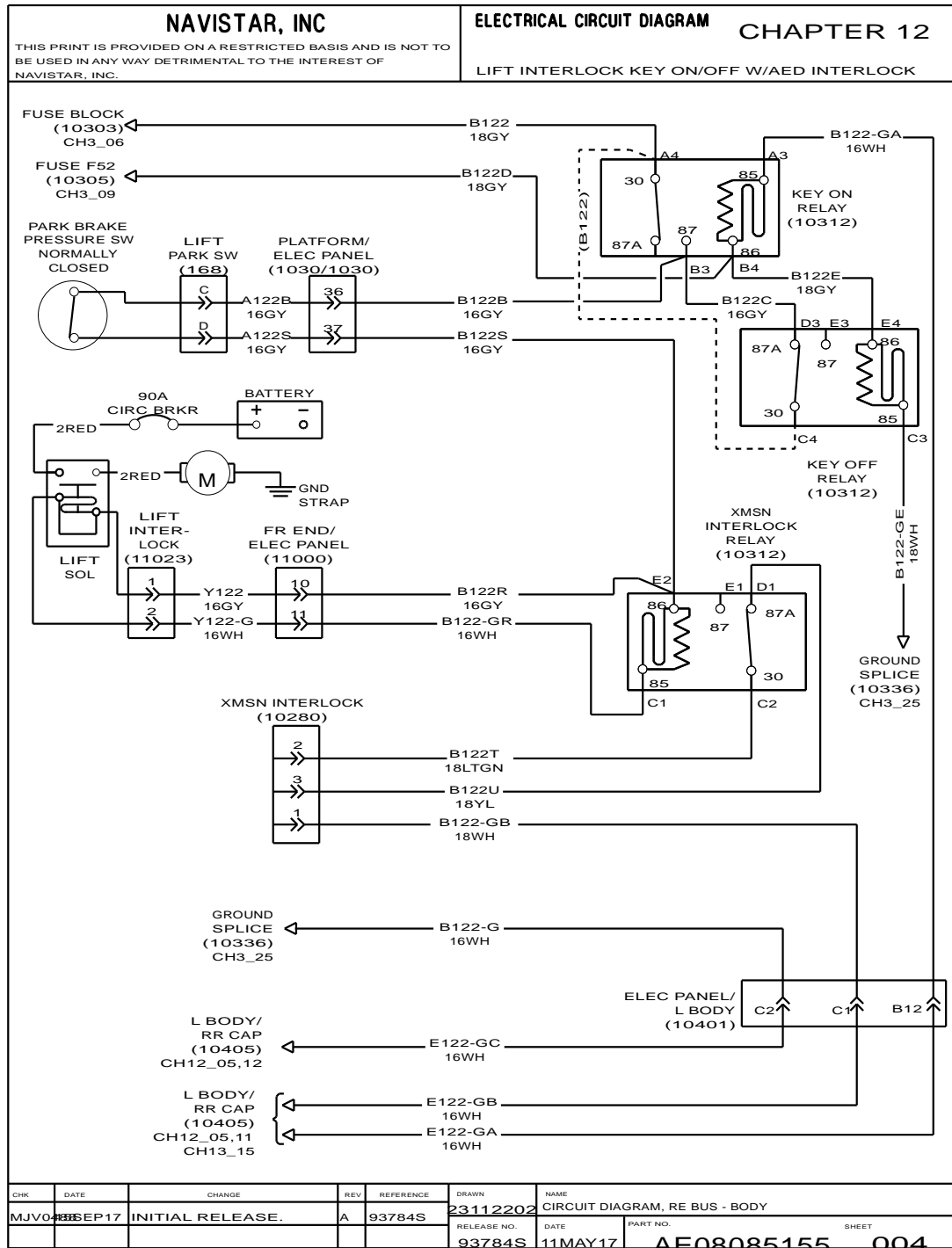


Figure 265 Lift Interlock Key On / Off with AED Interlock

13.5. LIFT DOOR SWITCH CONNECTION, P. 5

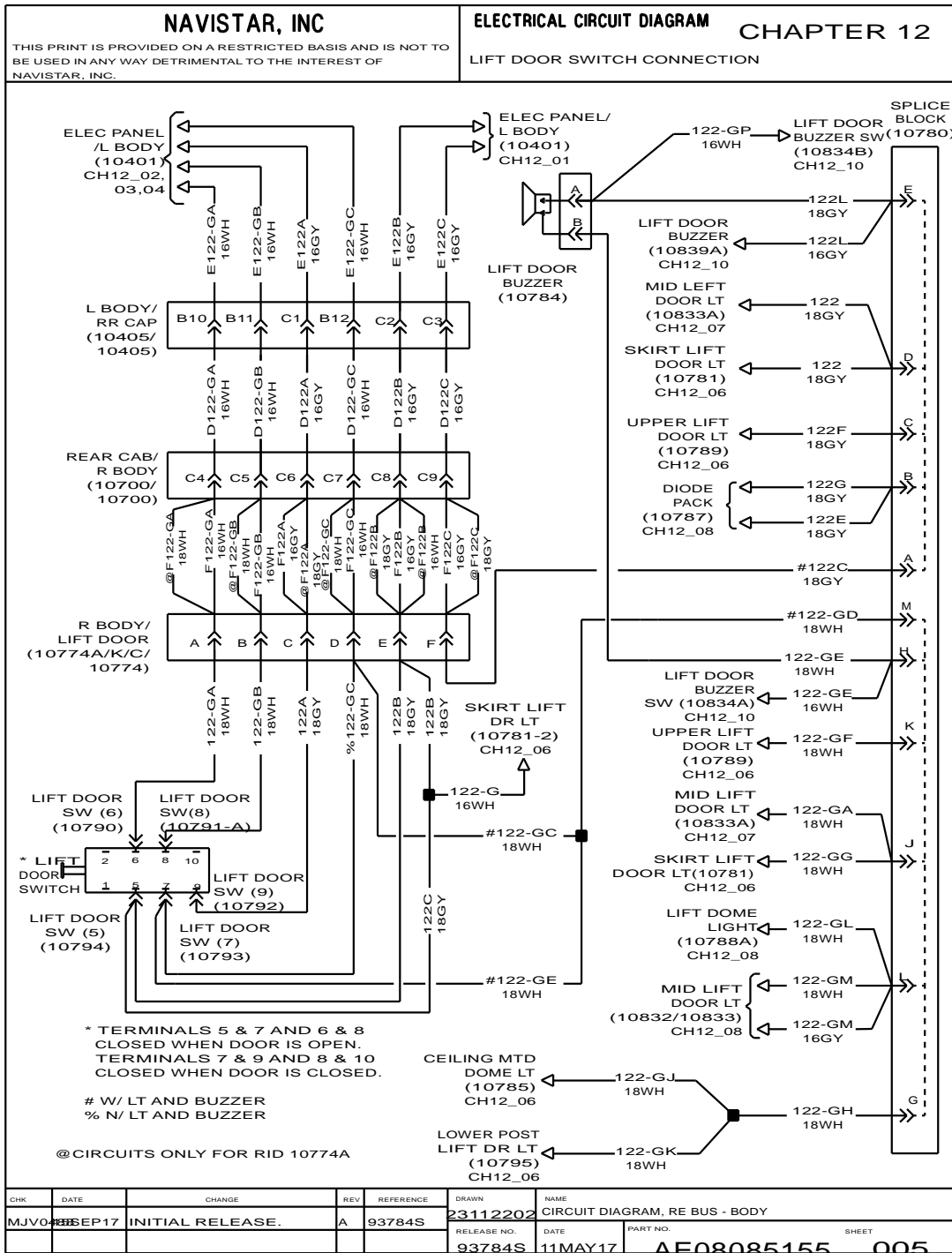


Figure 266 Lift Door Switch Connection

13.6. LIFT DOOR WITH EXTERIOR LIGHTS, P. 6

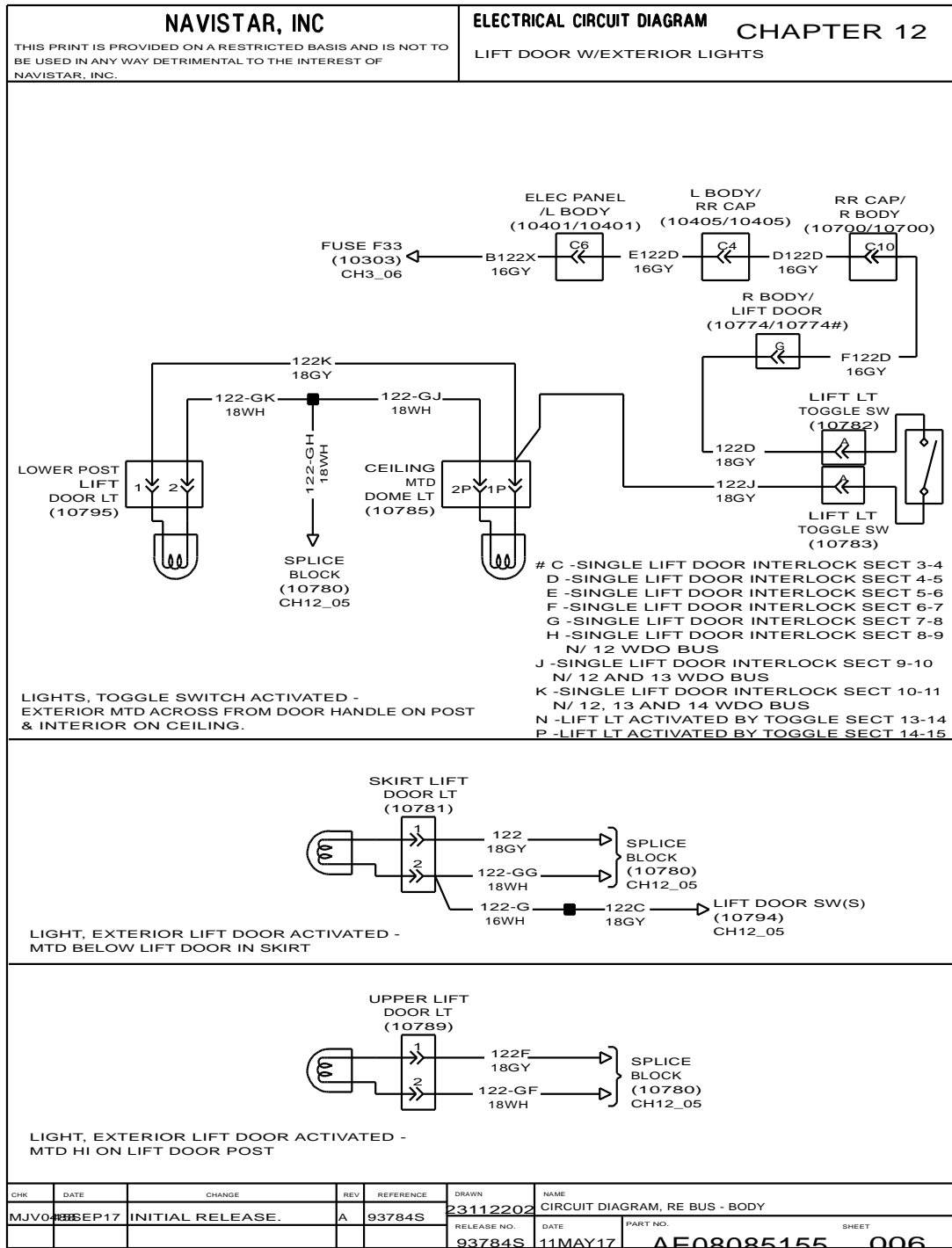


Figure 267 Lift Door with Exterior Lights

13.7. LIFT DOOR WITH EXTERIOR LIGHTS (CONT.), P. 7

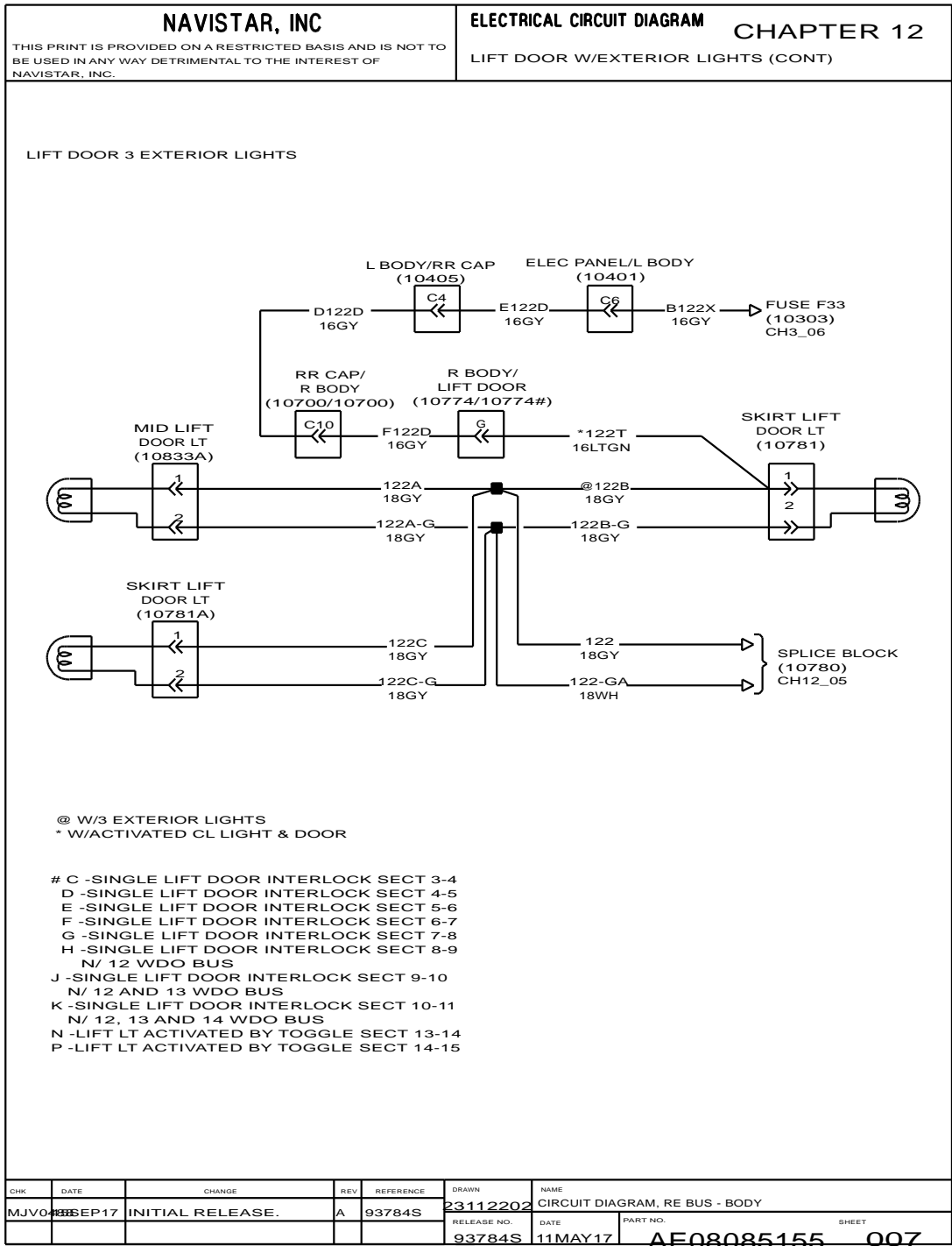


Figure 268 Lift Door with Exterior Lights (Cont.)

13.8. LIFT DOOR WITH INTERIOR LIGHTS, P. 8

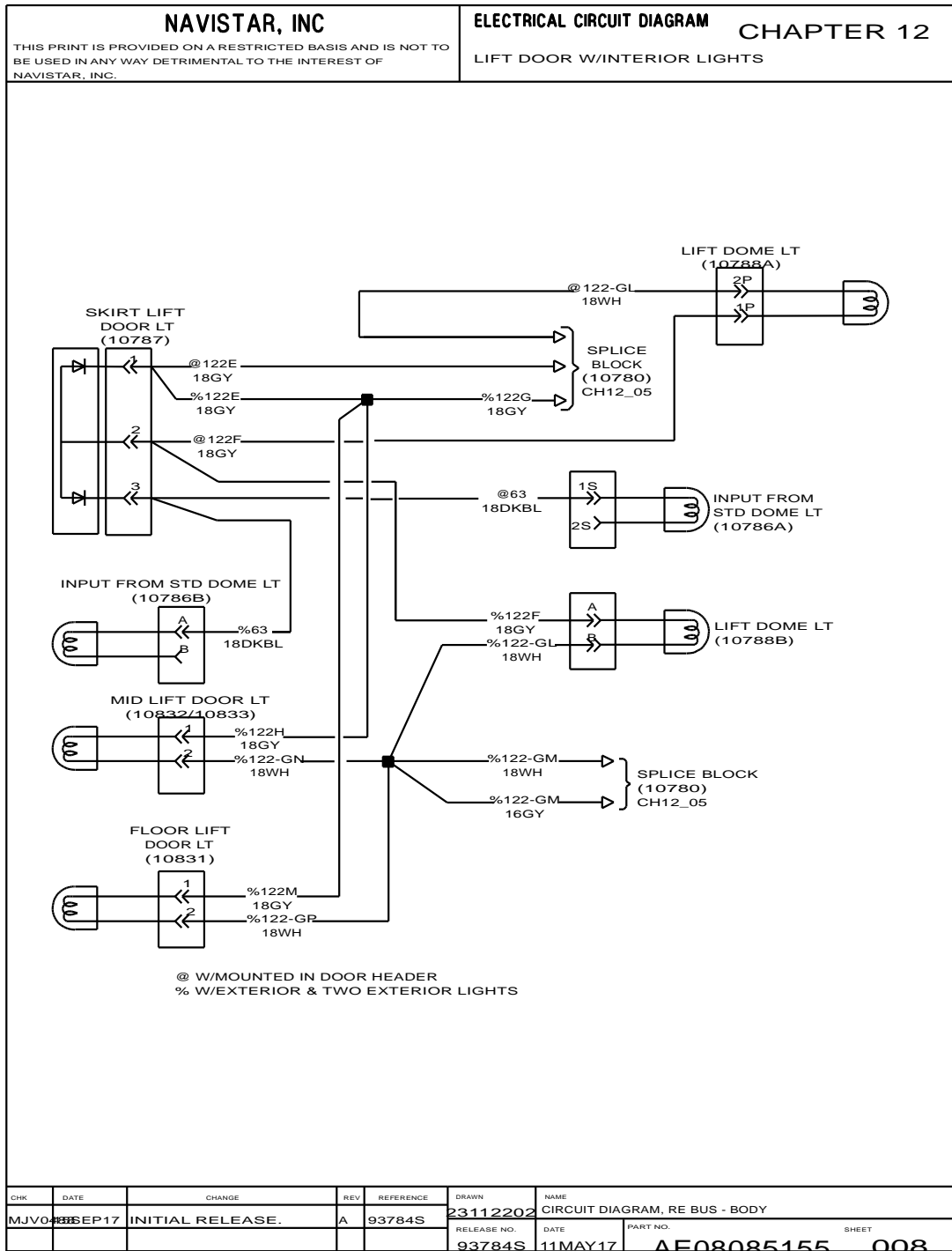


Figure 269 Lift Door with Interior Lights

13.9. LIFT DOOR WITH STARTER INTERRUPT / VANDAL LOCK, P. 9

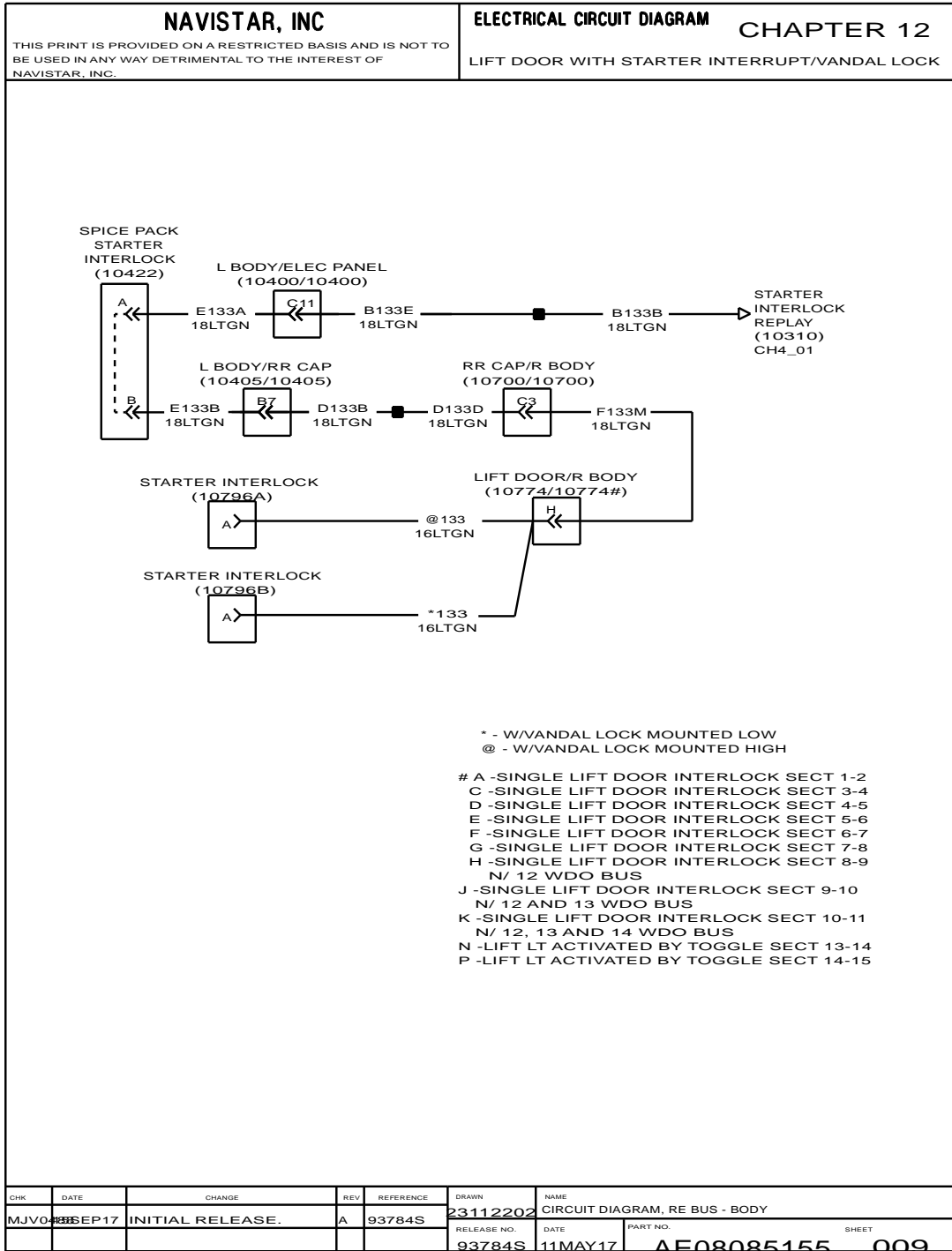


Figure 270 Lift Door with Starter Interrupt / Vandal Lock

13.10. LIFT DOOR BUZZER CONNECTION, P. 10

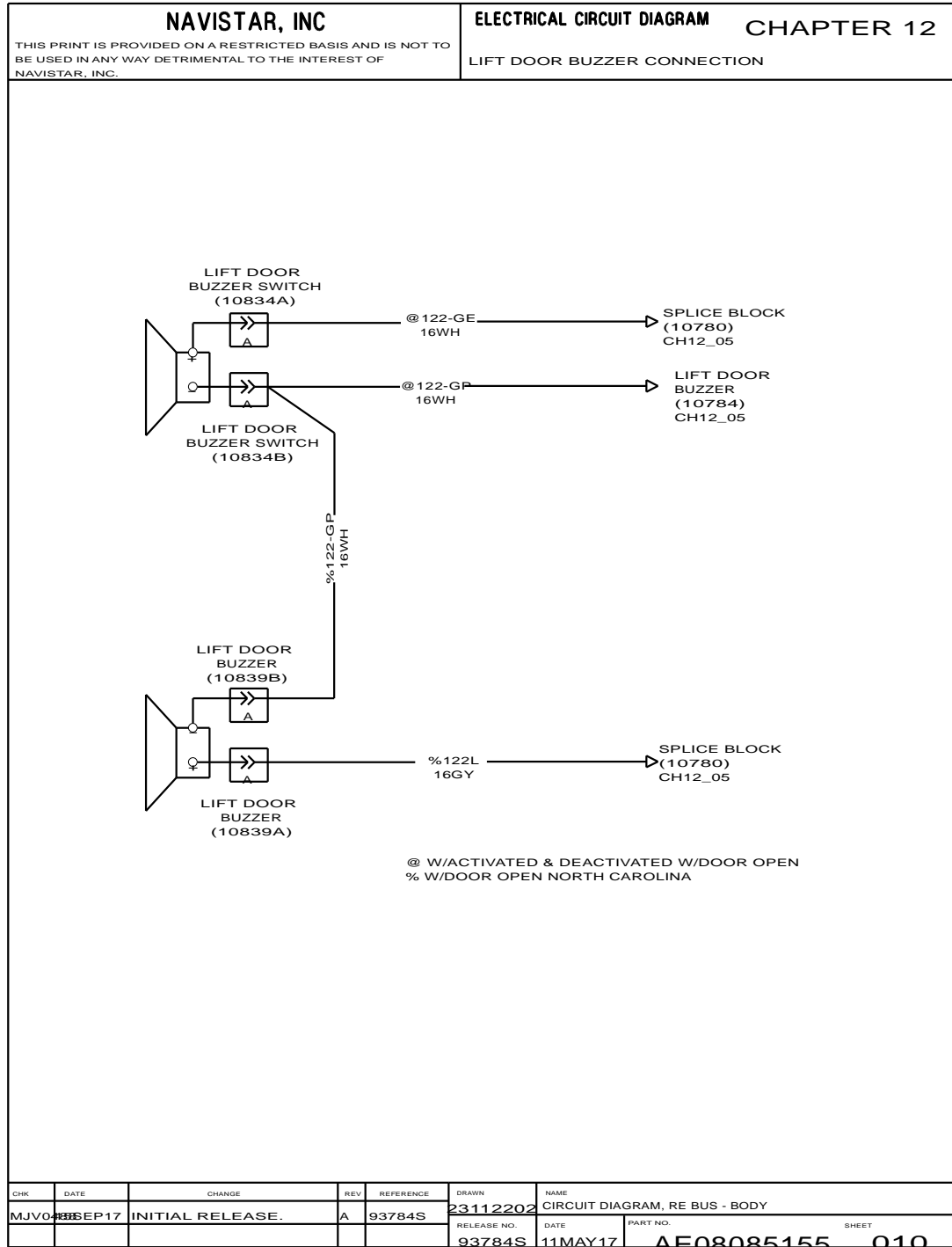


Figure 271 Lift Door Buzzer Connection

13.11. LIFT DOOR CONNECTIONS WITH R BODY, P. 11

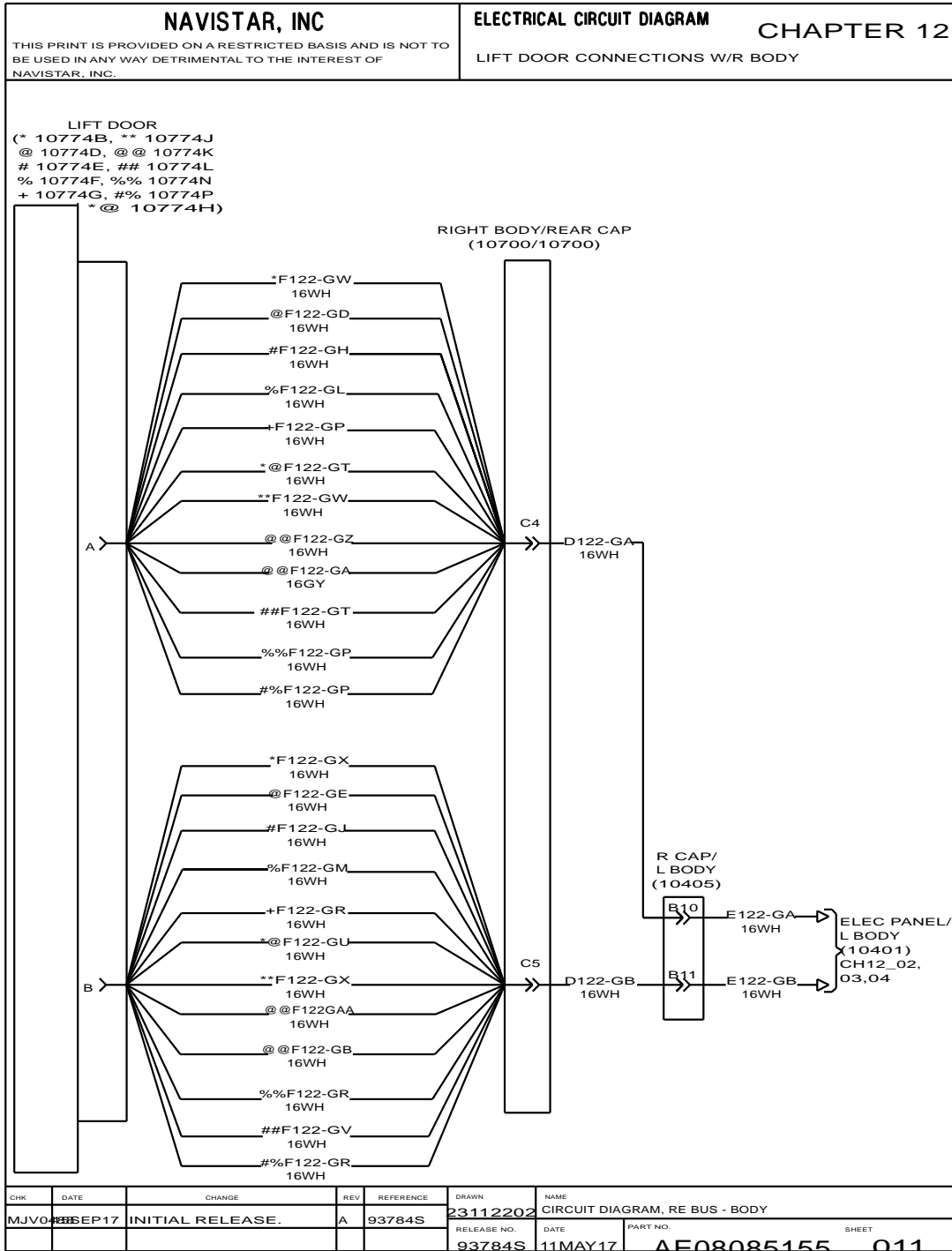


Figure 272 Lift Door Connections with R Body

13.12. LIFT DOOR CONNECTIONS WITH R BODY (CONT.), P. 12

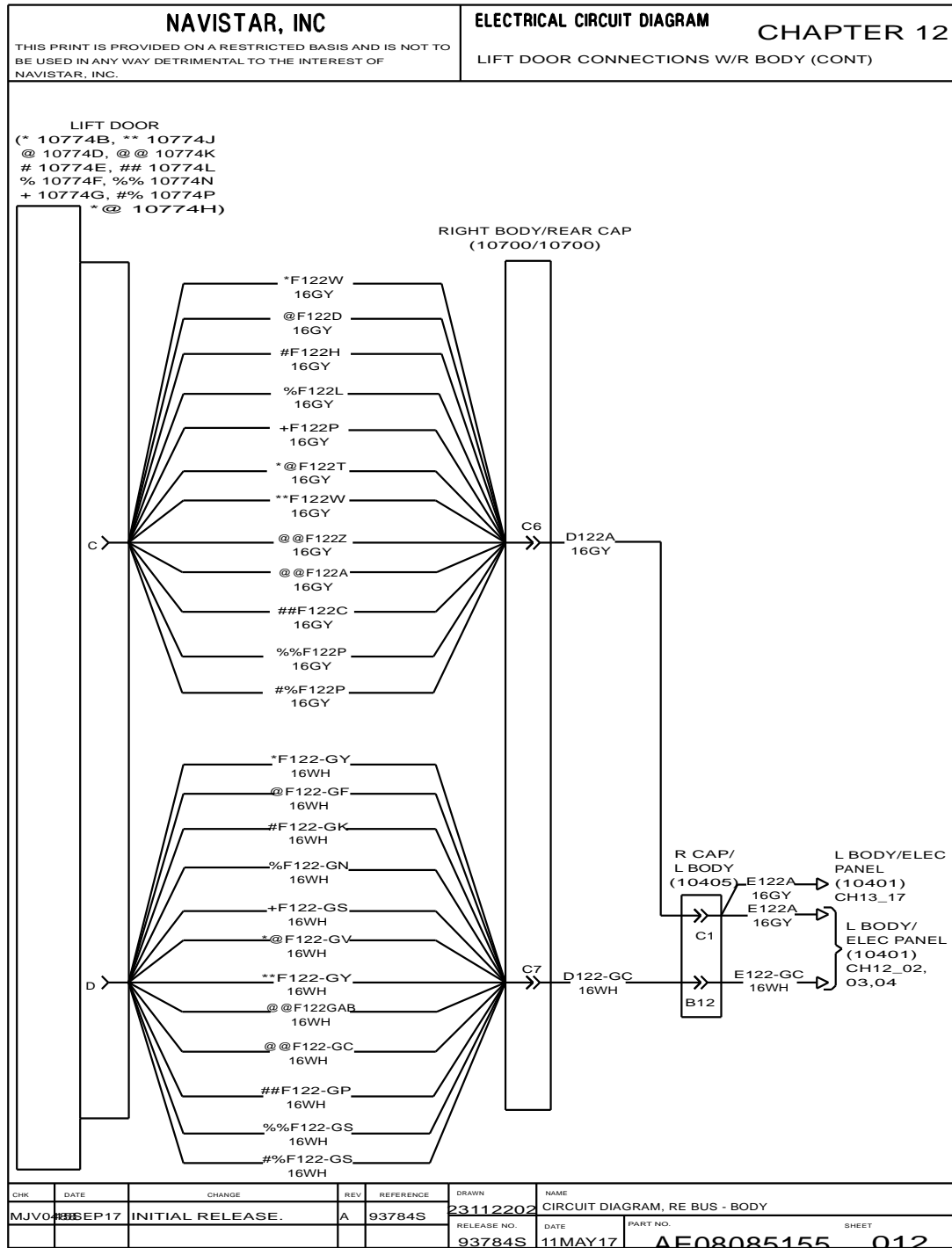


Figure 273 Lift Door Connections with R Body (Cont.)

13.13. LIFT DOOR CONNECTIONS WITH R BODY (CONT.), P. 13

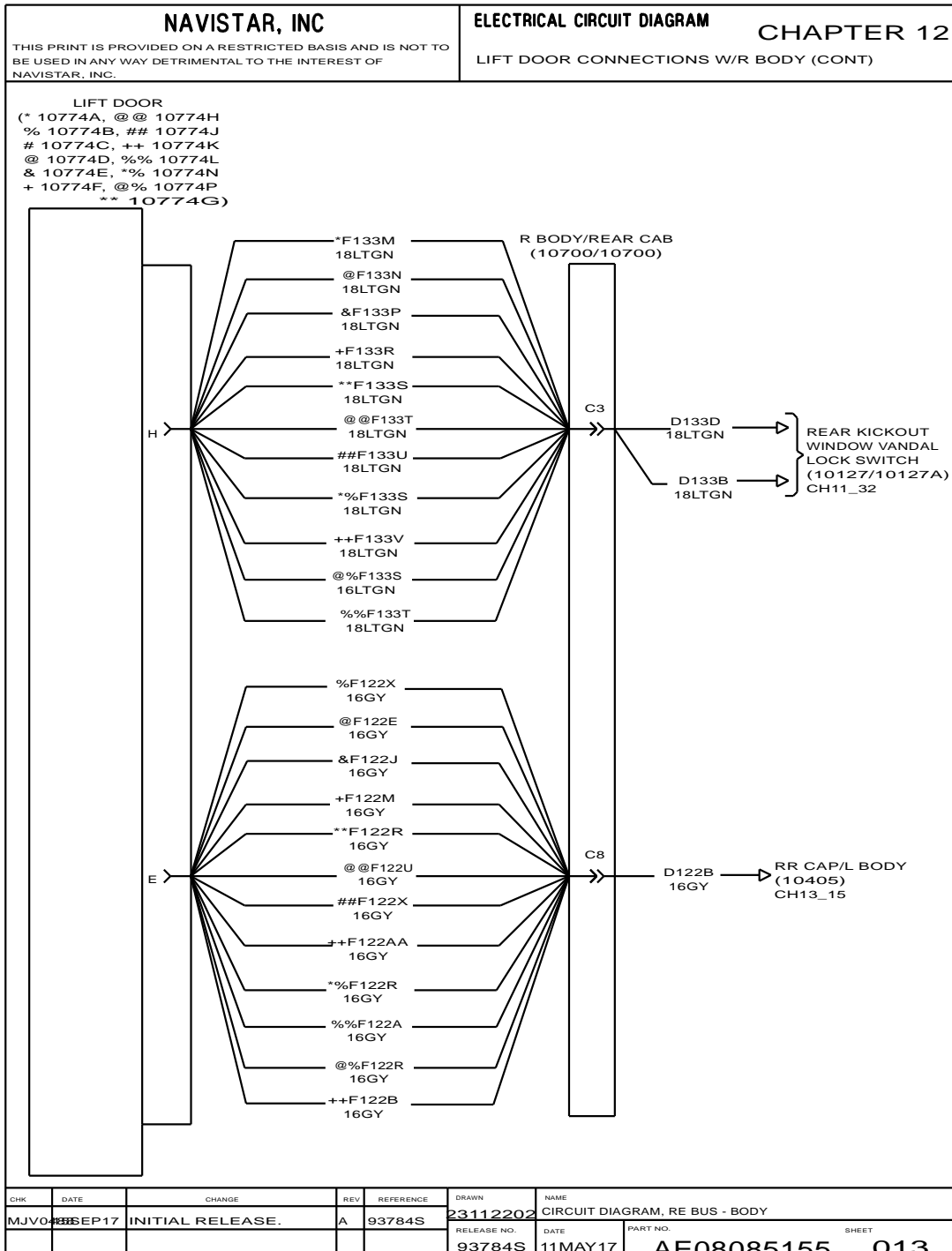


Figure 274 Lift Door Connections with R Body (Cont.)

13.14. LIFT DOOR CONNECTIONS WITH R BODY (CONT.), P. 14

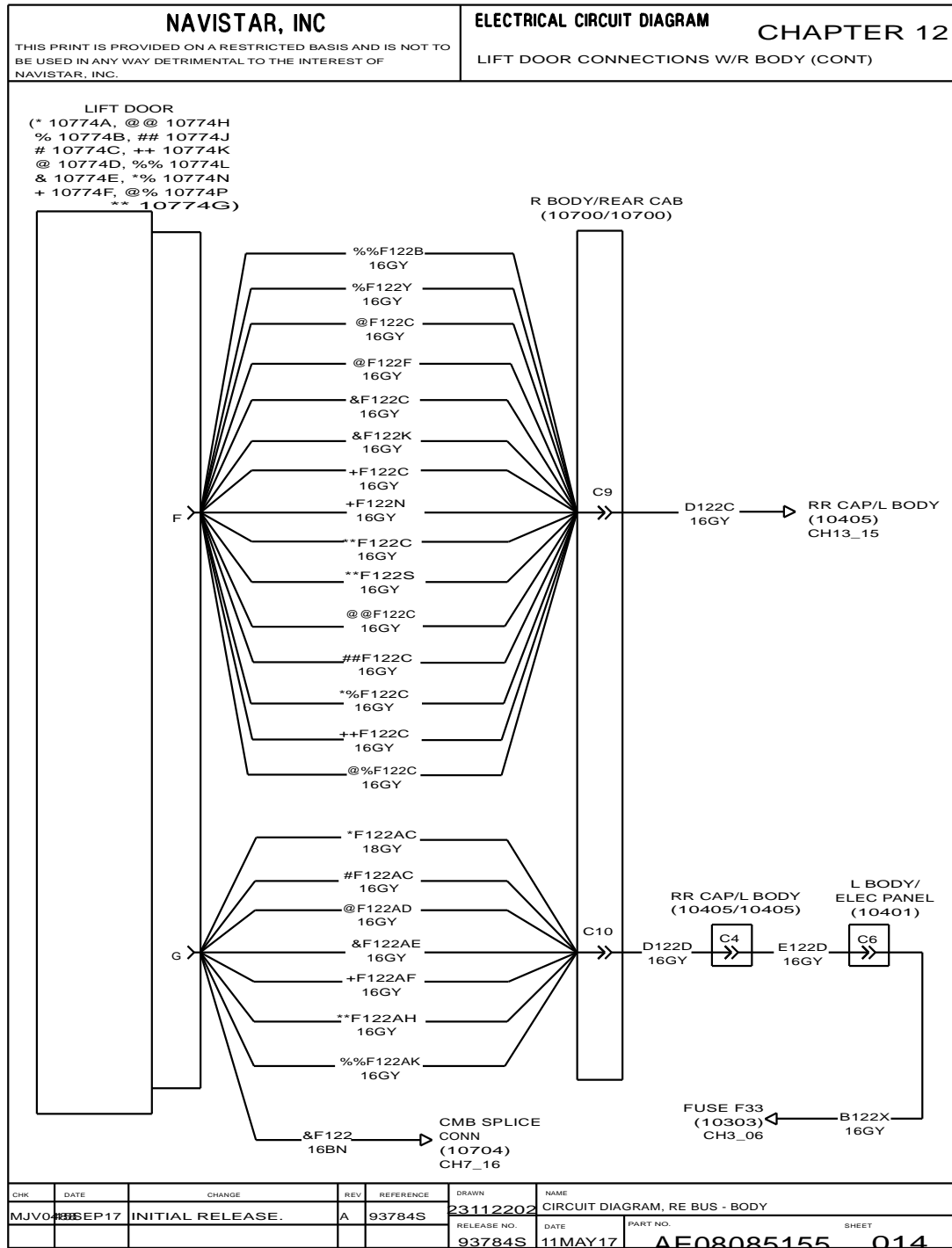


Figure 275 Lift Door Connections with R Body (Cont.)

ENTRY DOOR (CHAPTER 13)

14.1. AIR DOOR ROTARY SWITCH AND ROCKER SWITCH, P. 1

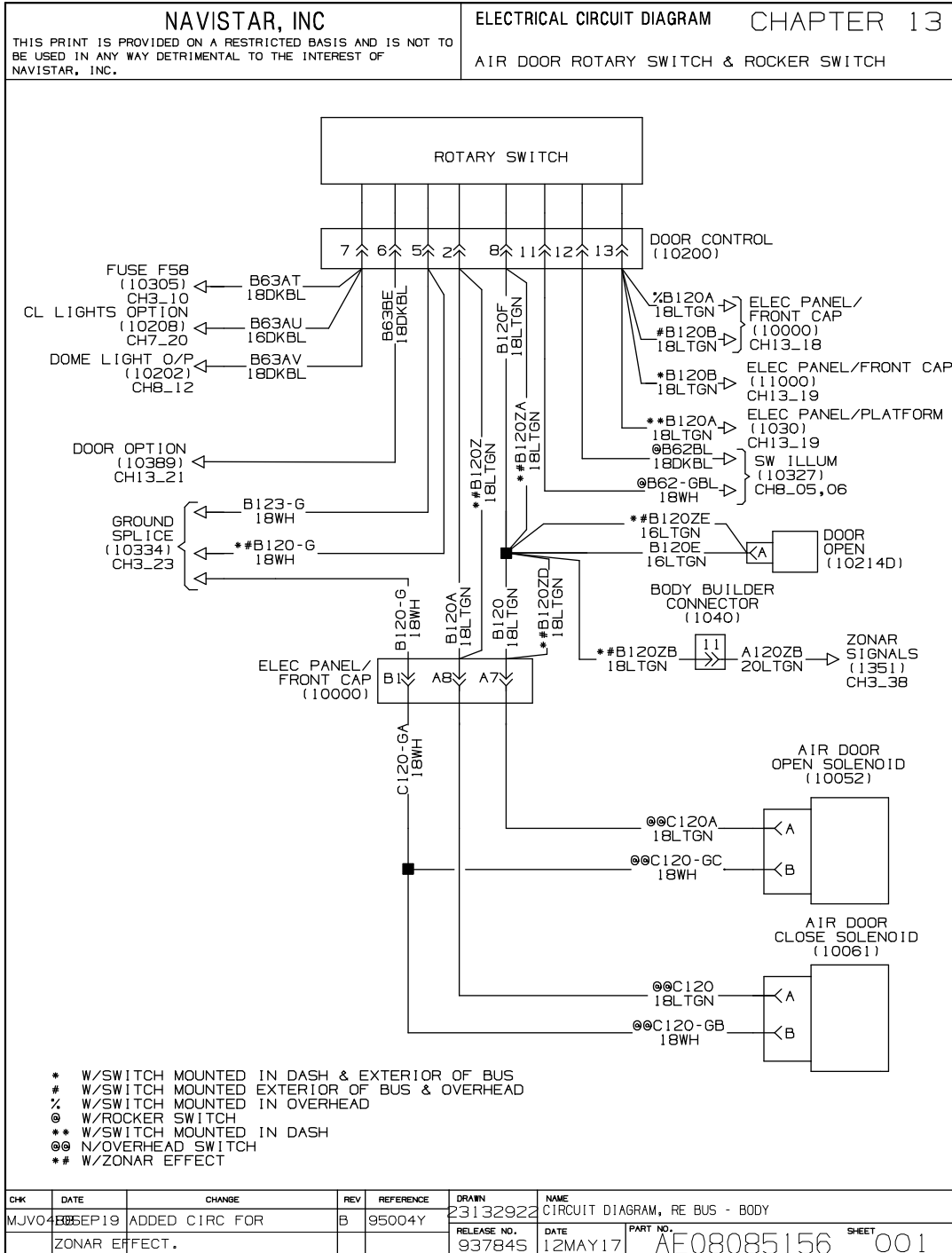


Figure 276 Air Door Rotary Switch and Rocker Switch

14.2. AIR DOOR ROTARY SWITCH WIRED TO HEADLIGHTS, P. 2

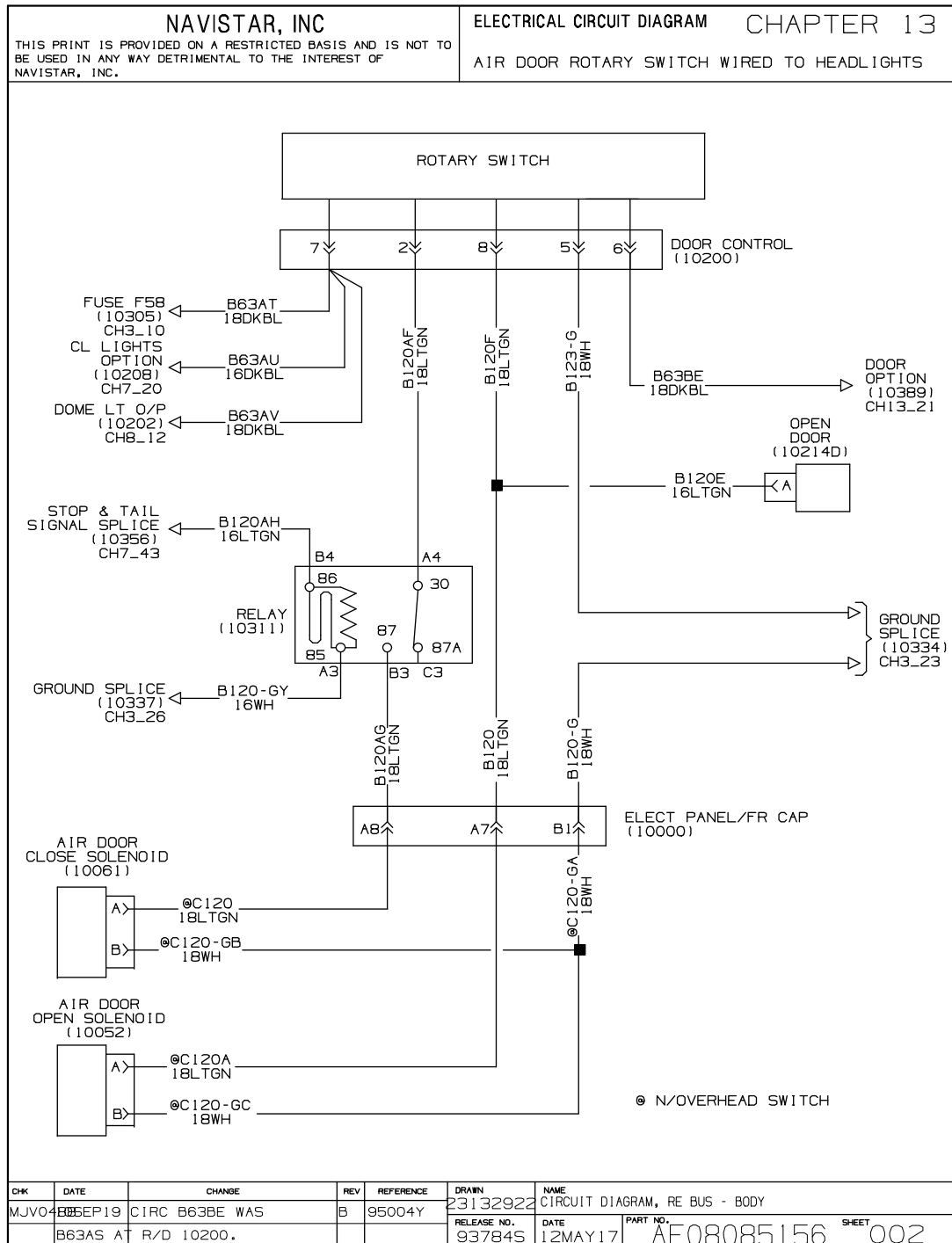


Figure 277 Air Door Rotary Switch Wired to Headlights

14.3. AIR DOOR ROTARY SWITCH RIGHT HAND, P. 3

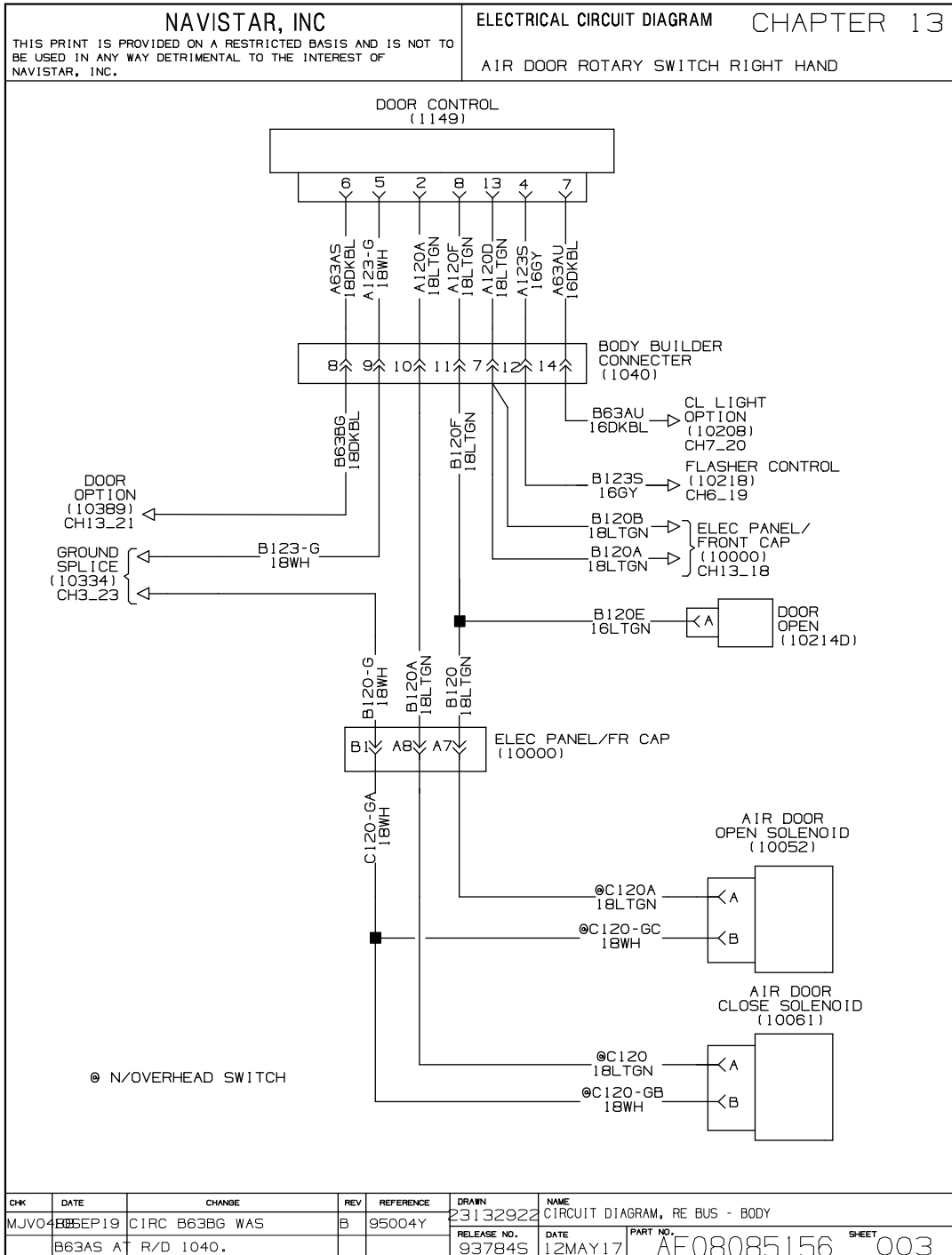


Figure 278 Air Door Rotary Switch Right Hand

14.4. ELECTRICAL DOOR ROTARY SWITCH, P. 4

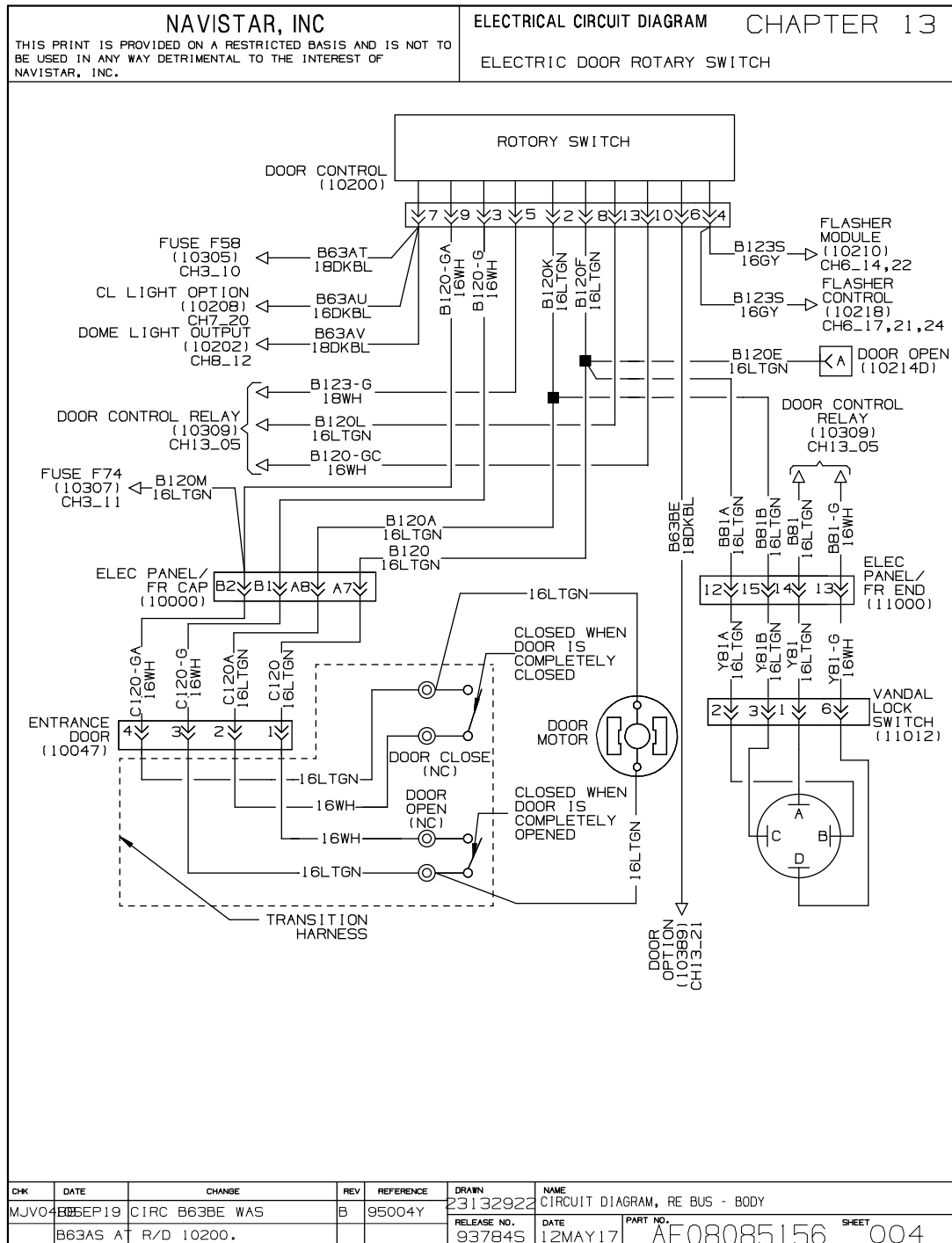


Figure 279 Electrical Door Rotary Switch

14.5. ELECTRICAL DOOR ROTARY SWITCH (CONT.), P. 5

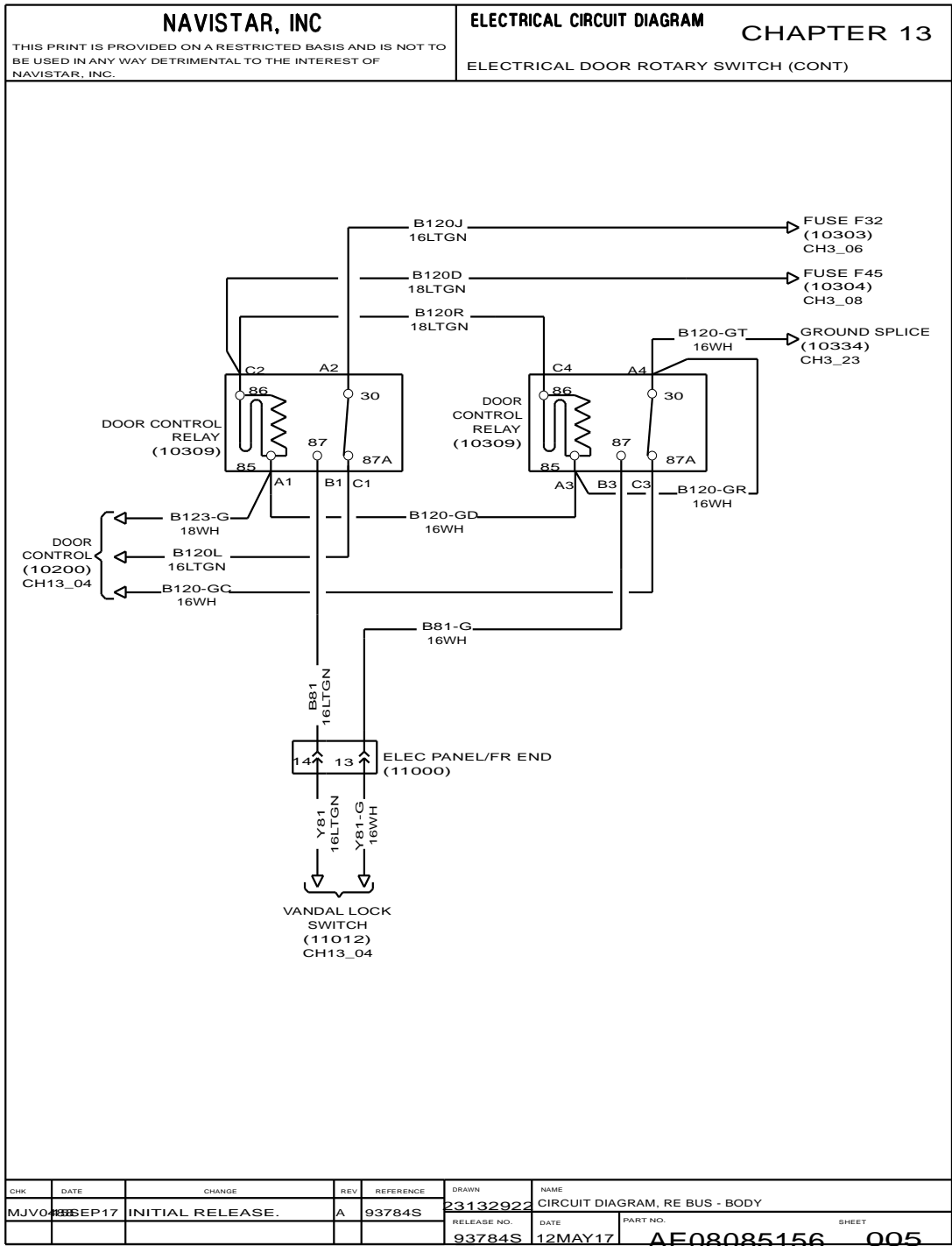


Figure 280 Electrical Door Rotary Switch (Cont.)

14.6. ELECTRICAL DOOR TOGGLE SWITCH, P. 6

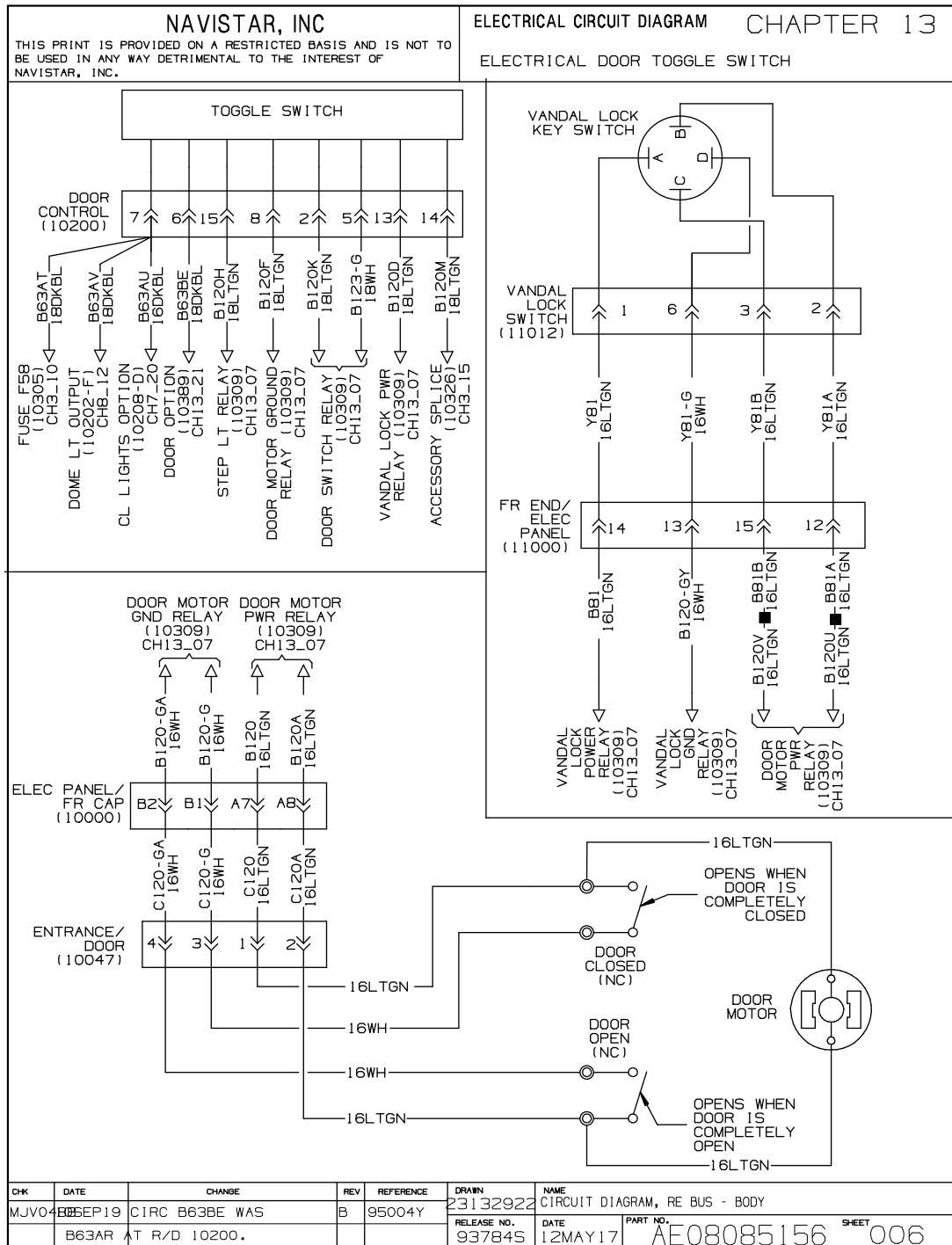


Figure 281 Electrical Door Toggle Switch

14.7. ELECTRICAL DOOR TOGGLE SWITCH (CONT.), P. 7

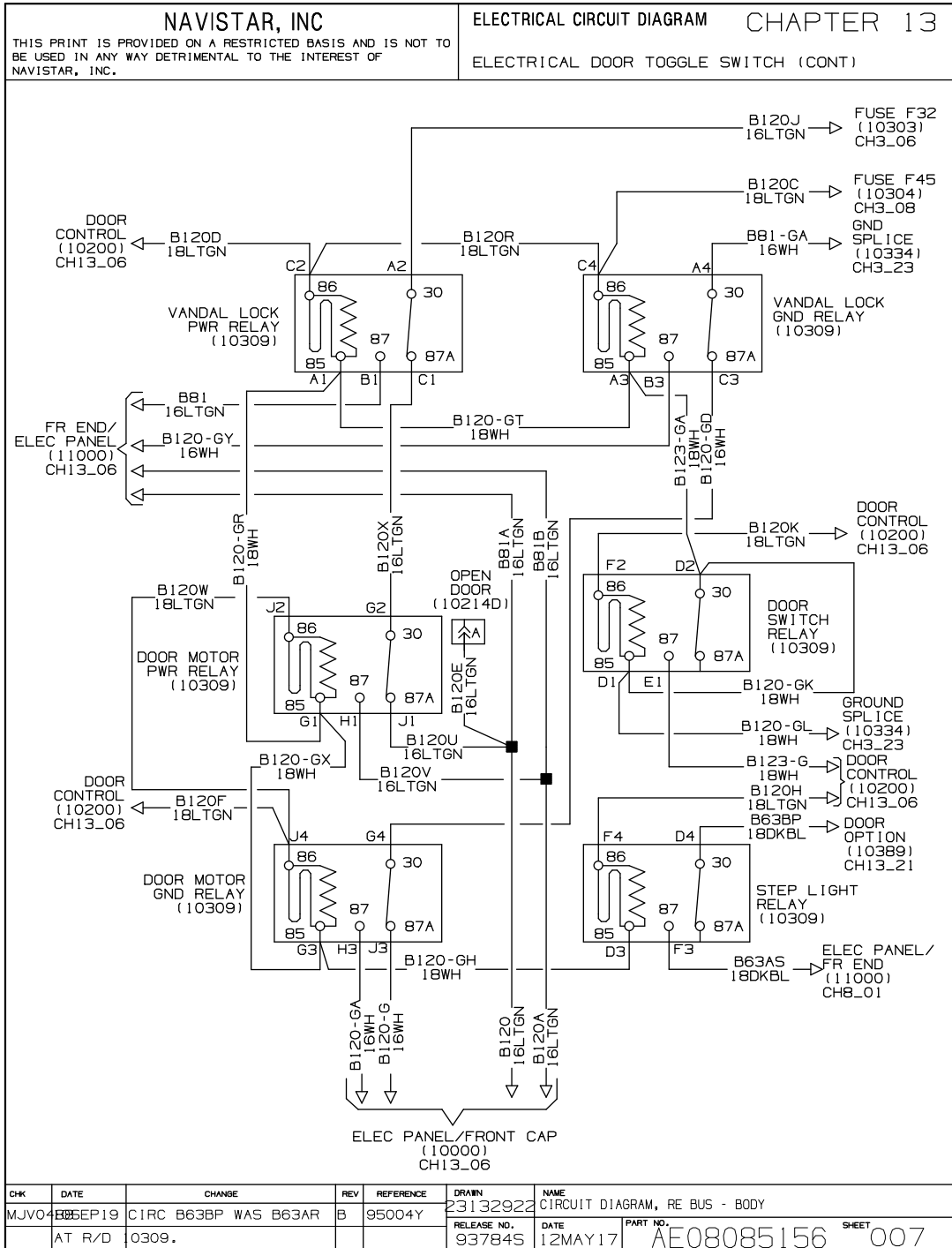


Figure 282 Electrical Door Toggle Switch (Cont.)

14.8. ELECTRICAL DOOR TOGGLE SWITCH WITH MOMENTARY, P. 8

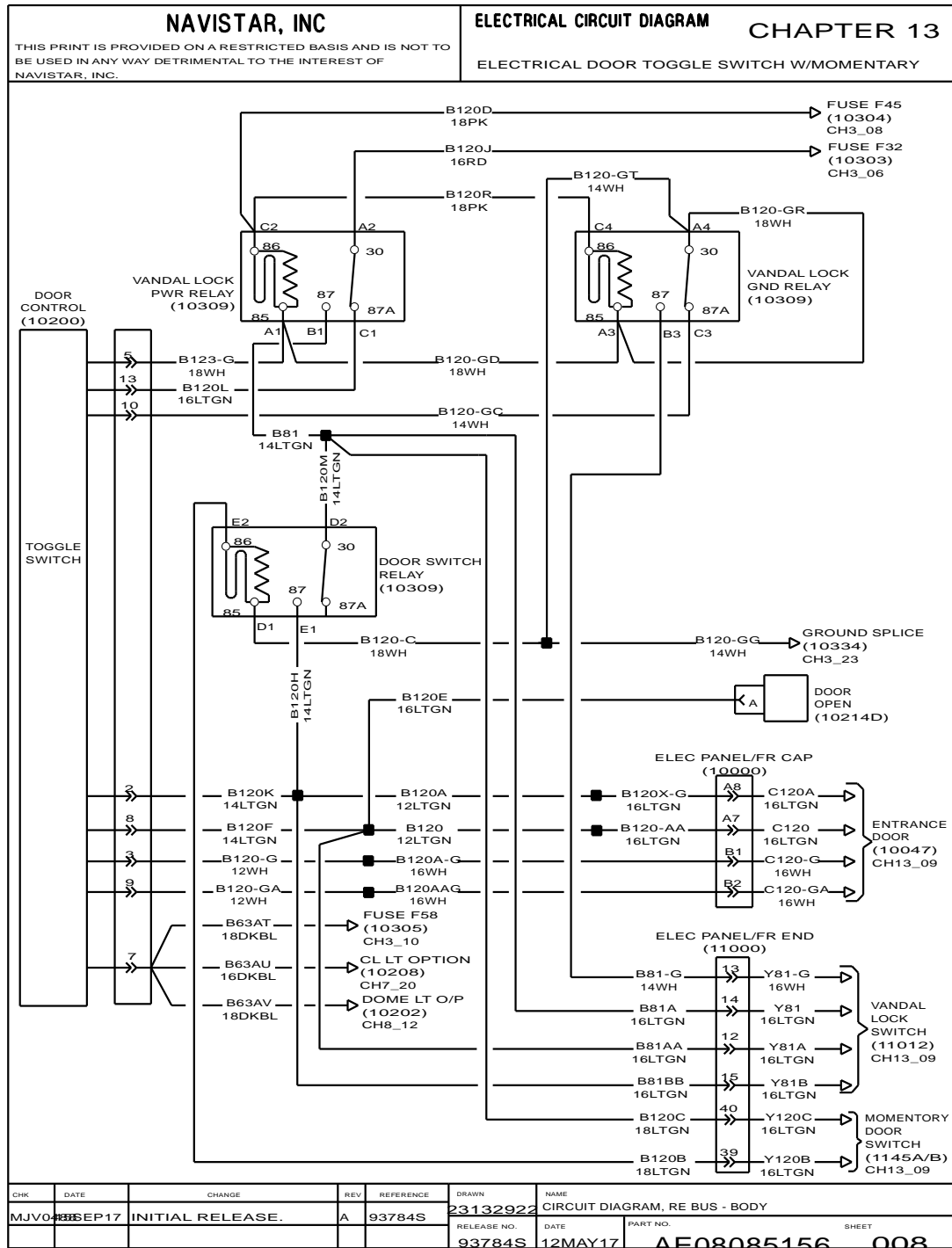


Figure 283 Electrical Door Toggle Switch with Momentary

14.9. ELECTRICAL DOOR TOGGLE SWITCH WITH MOMENTARY (CONT.), P. 9

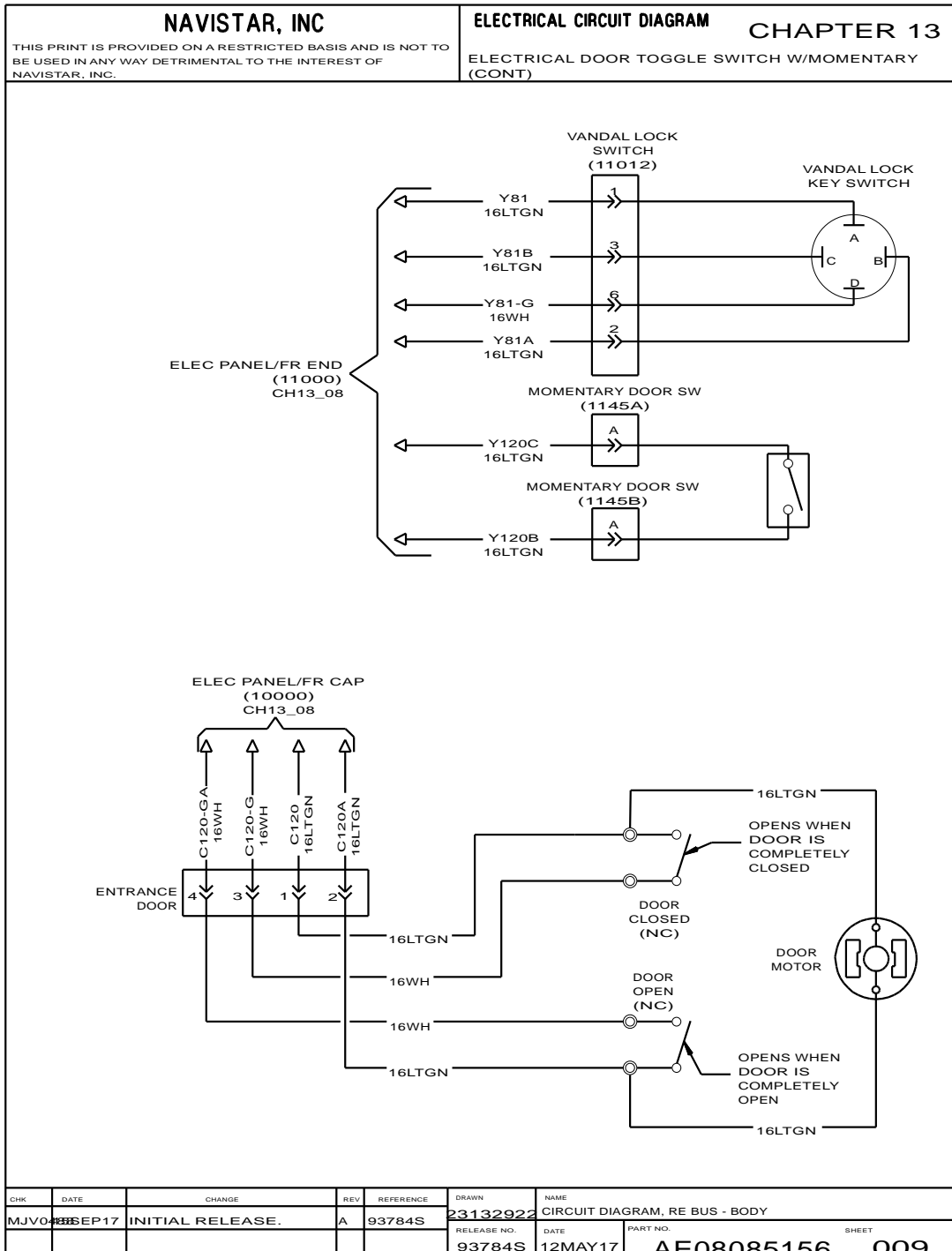


Figure 284 Electrical Door Toggle Switch with Momentary (Cont.)

14.10. ELECTRICAL DOOR TOGGLE SWITCH WITH BREAKER, P. 10

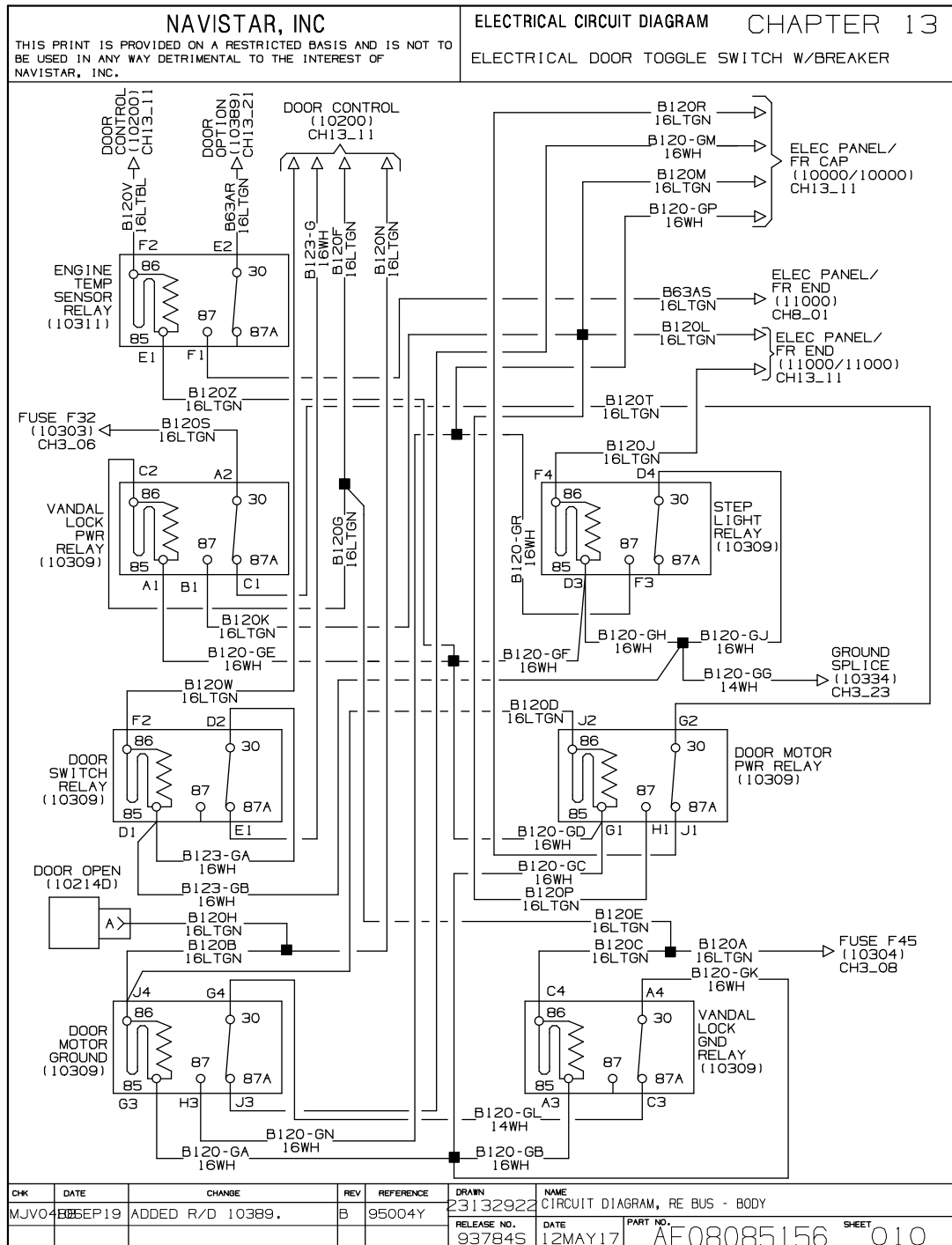


Figure 285 Electrical Door Toggle Switch with Breaker

14.11. ELECTRICAL DOOR TOGGLE SWITCH WITH BREAKER (CONT.), P. 11

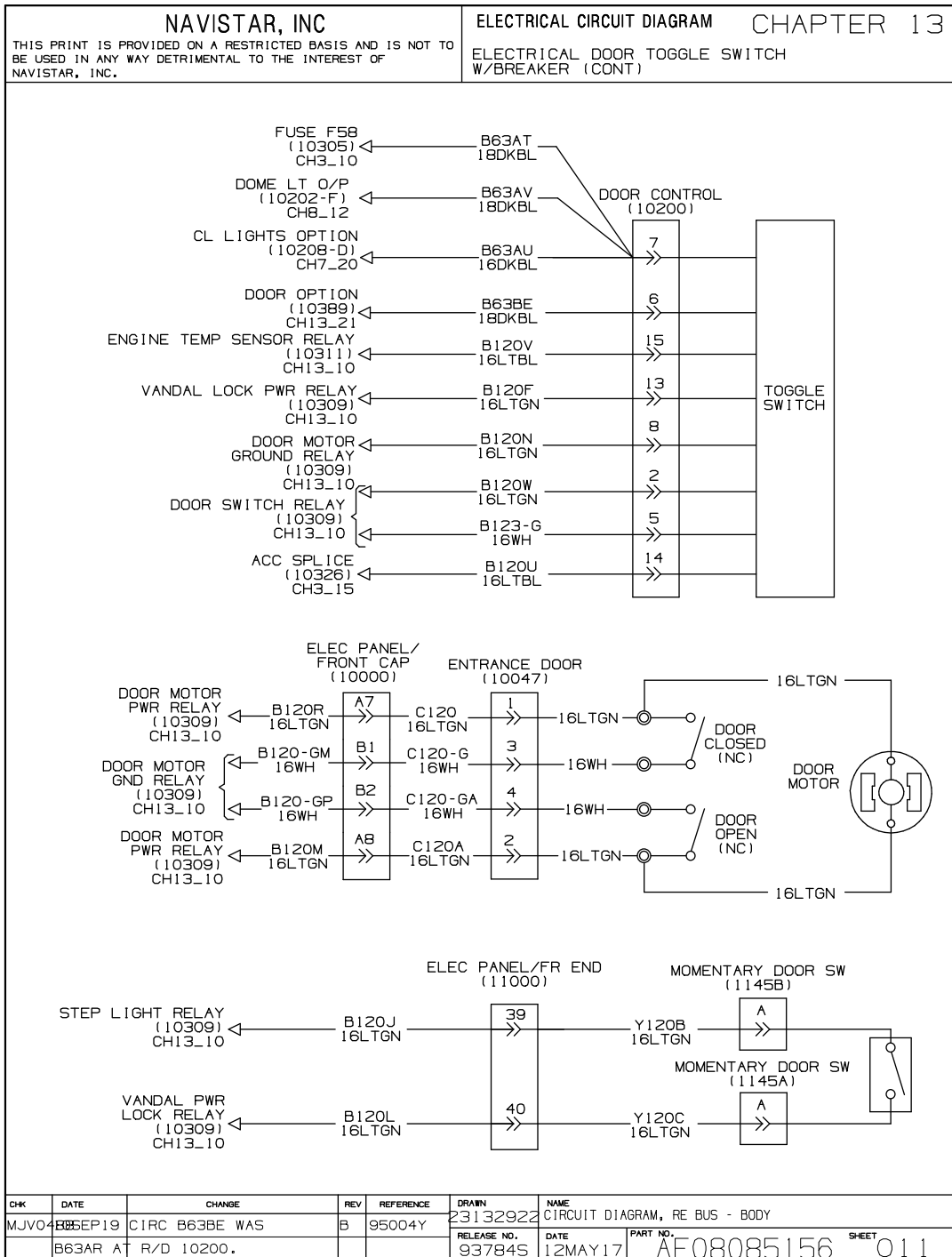


Figure 286 Electrical Door Toggle Switch with Breaker (Cont.)

14.12. AIR ALTERNATE ENTRANCE DOOR WITH VANDAL LOCK WITH FR, P. 12

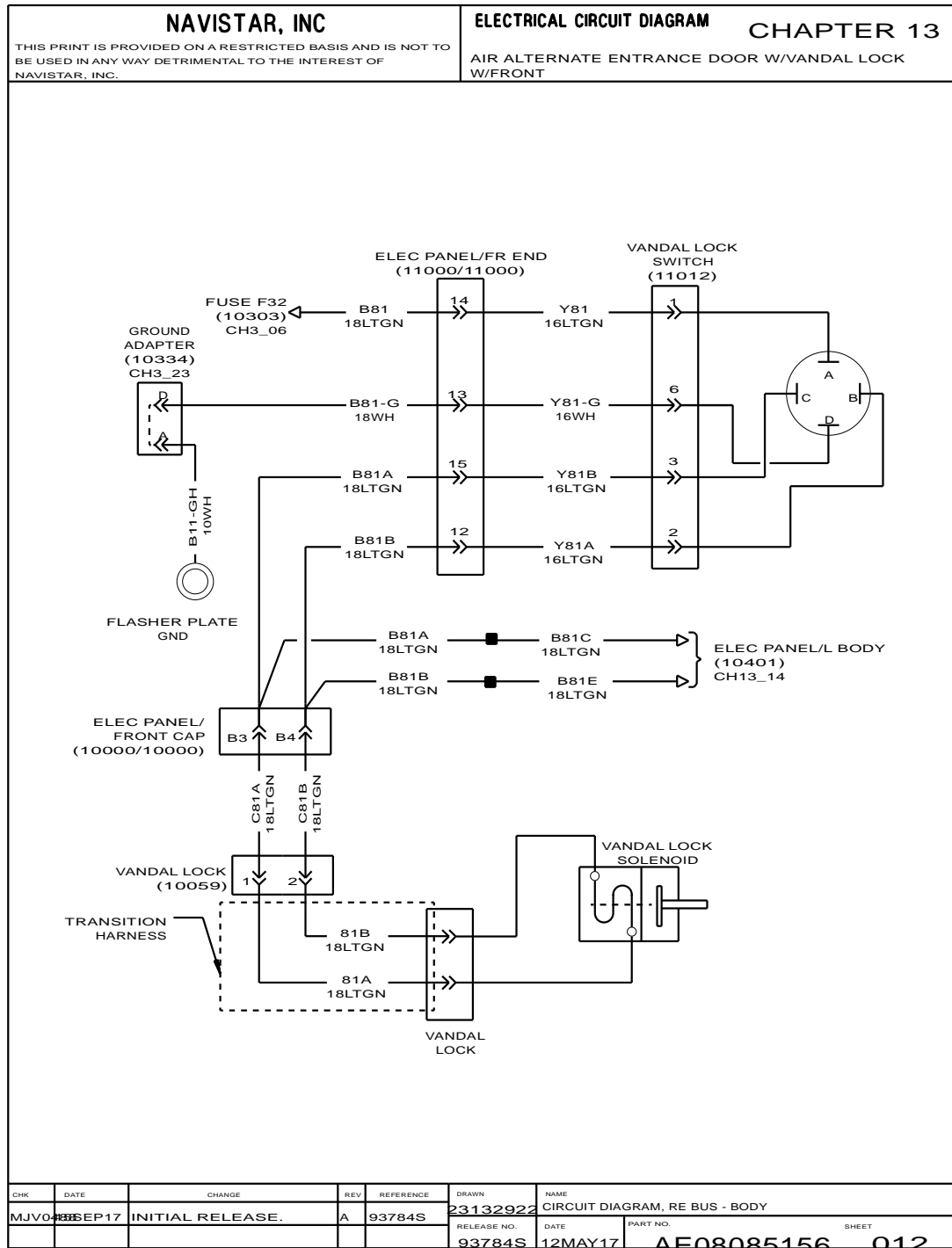


Figure 287 Air Alternate Entrance Door with Vandal Lock with FR

14.13. AIR ALTERNATE ENTRANCE DOOR HARNESS, P. 13

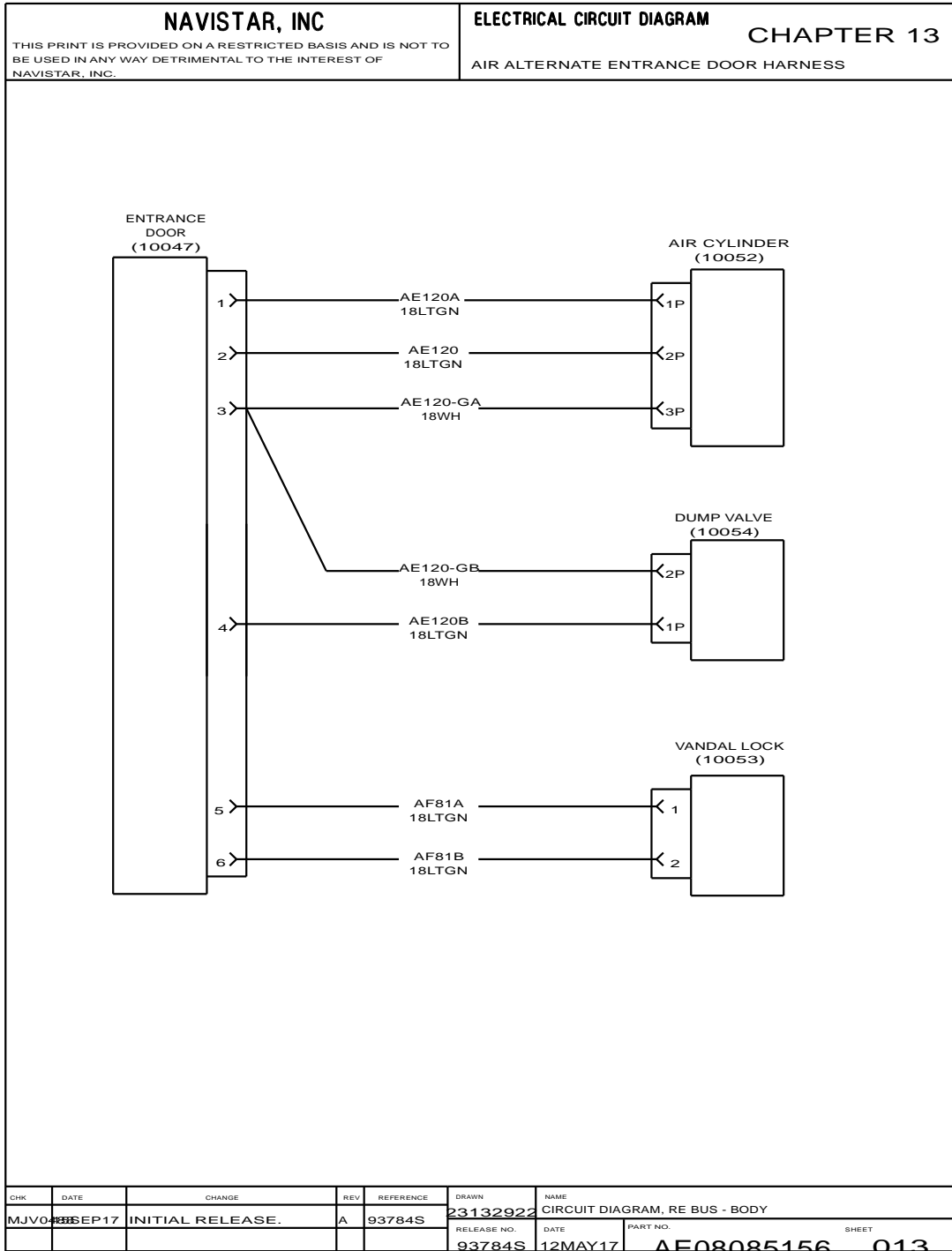


Figure 288 Air Alternate Entrance Door Harness

14.14. ALTERNATE ENTRANCE DOOR 12 / 13 WINDOW SECT L BODY, P. 14

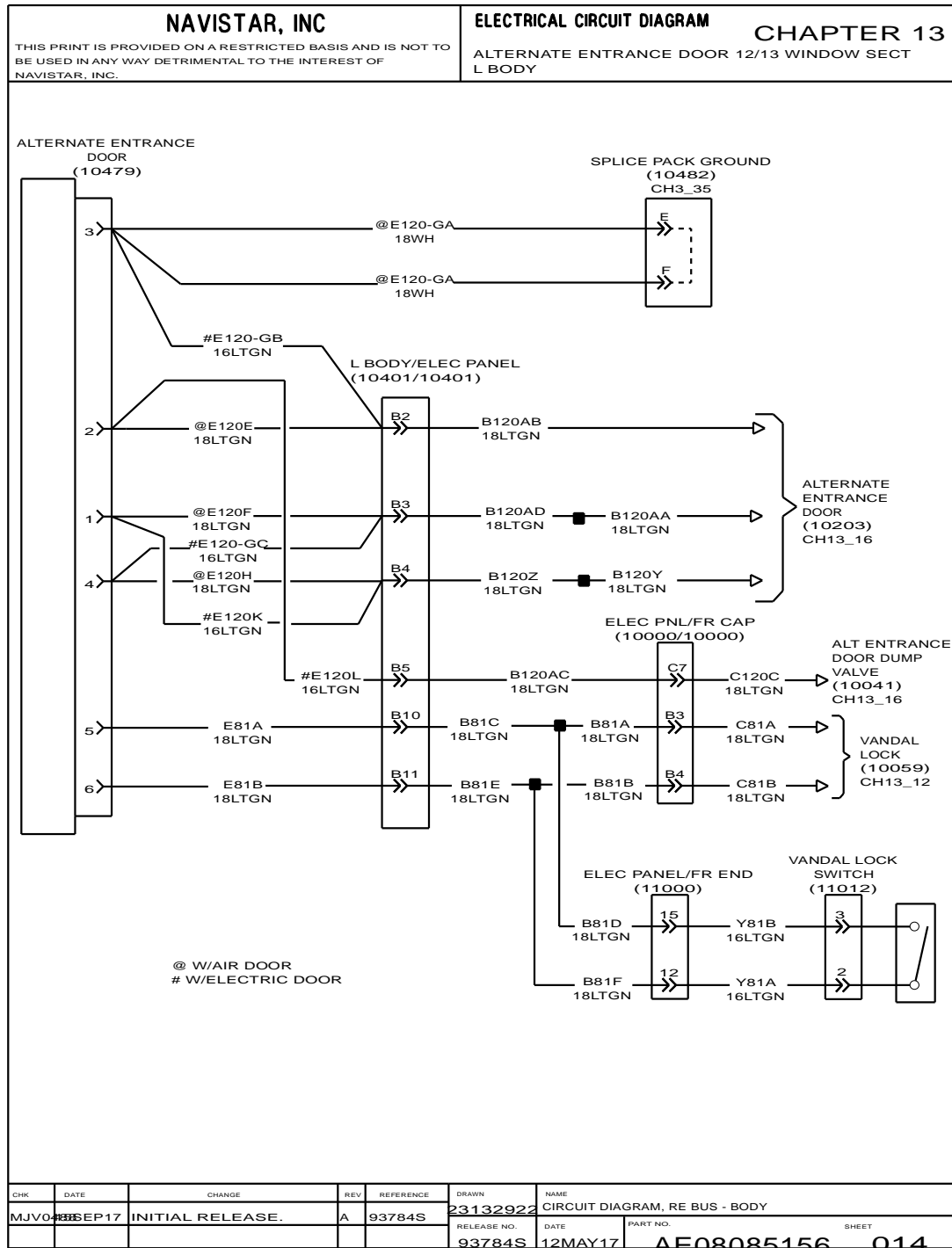


Figure 289 Alternate Entrance Door 12 / 13 Window Sect L Body

14.15. ALTERNATE ENTRANCE DOOR CONTROL 48 INCH WITH VANDAL LOCK, P. 15

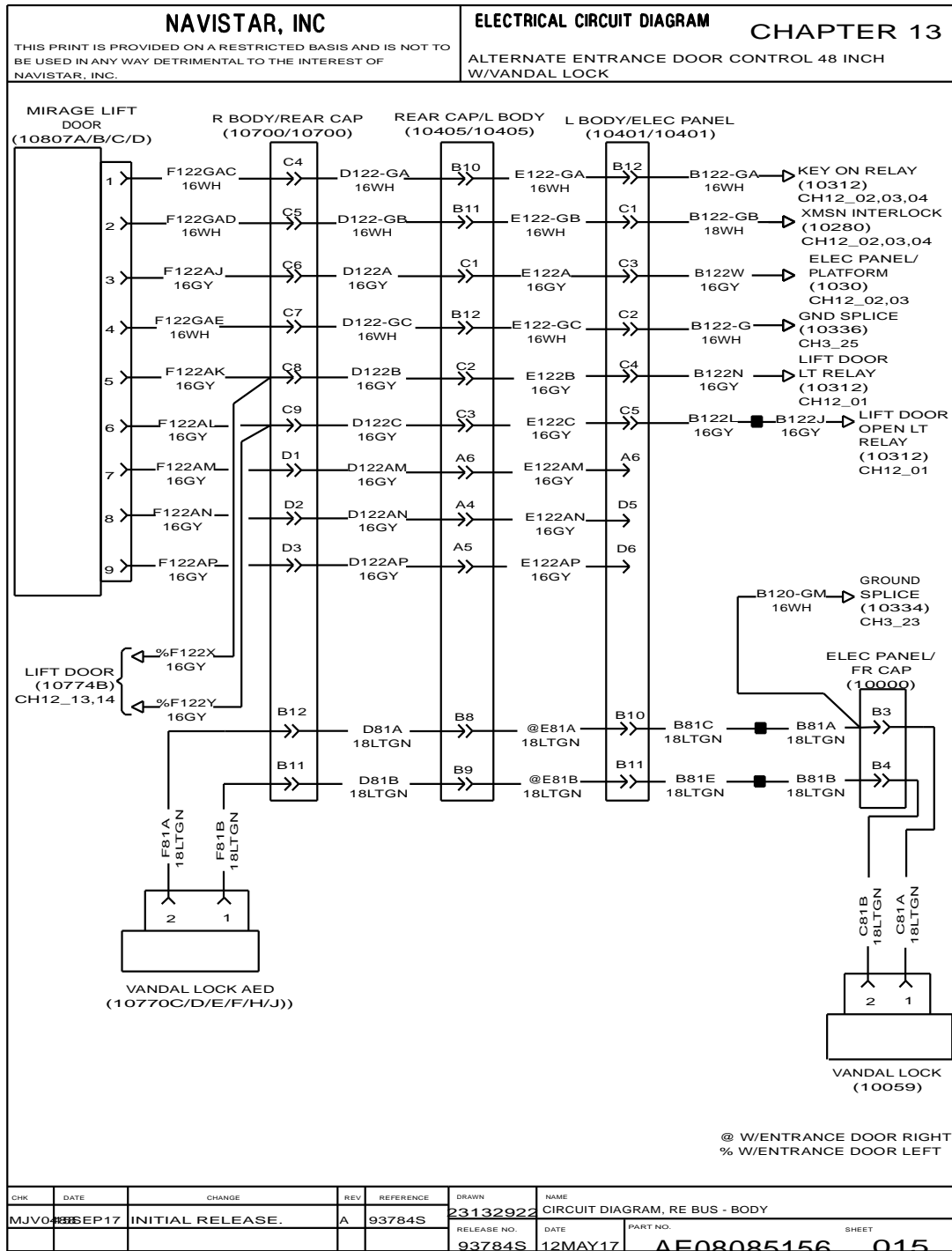


Figure 290 Alternate Entrance Door Control 48 Inch with Vandal Lock

14.16. ADDITIONAL AIR ALTERNATE ENTRANCE DOOR, P. 16

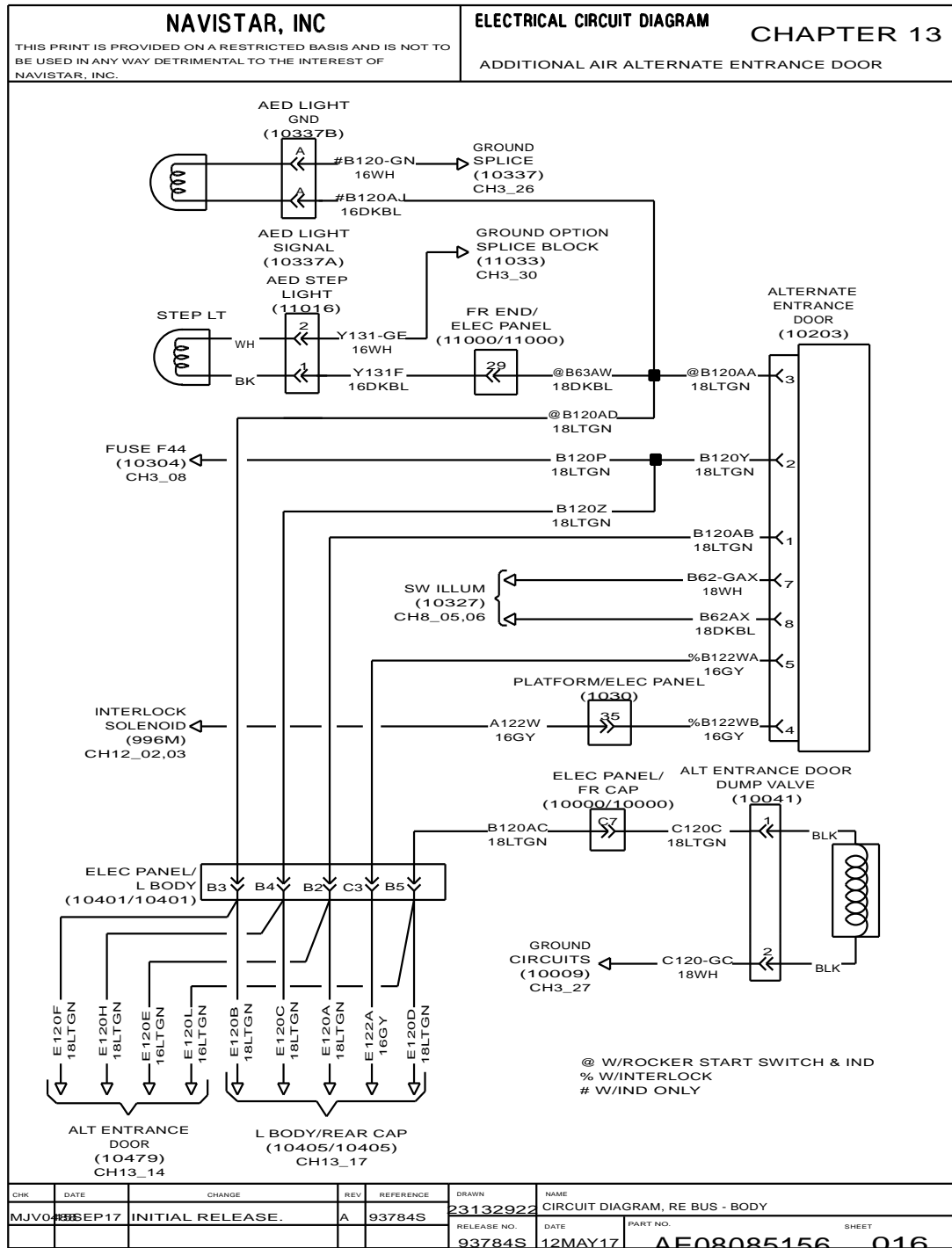


Figure 291 Additional Air Alternate Entrance Door

14.17. ADDITIONAL AIR ALTERNATE ENTRANCE DOOR (CONT.), P. 17

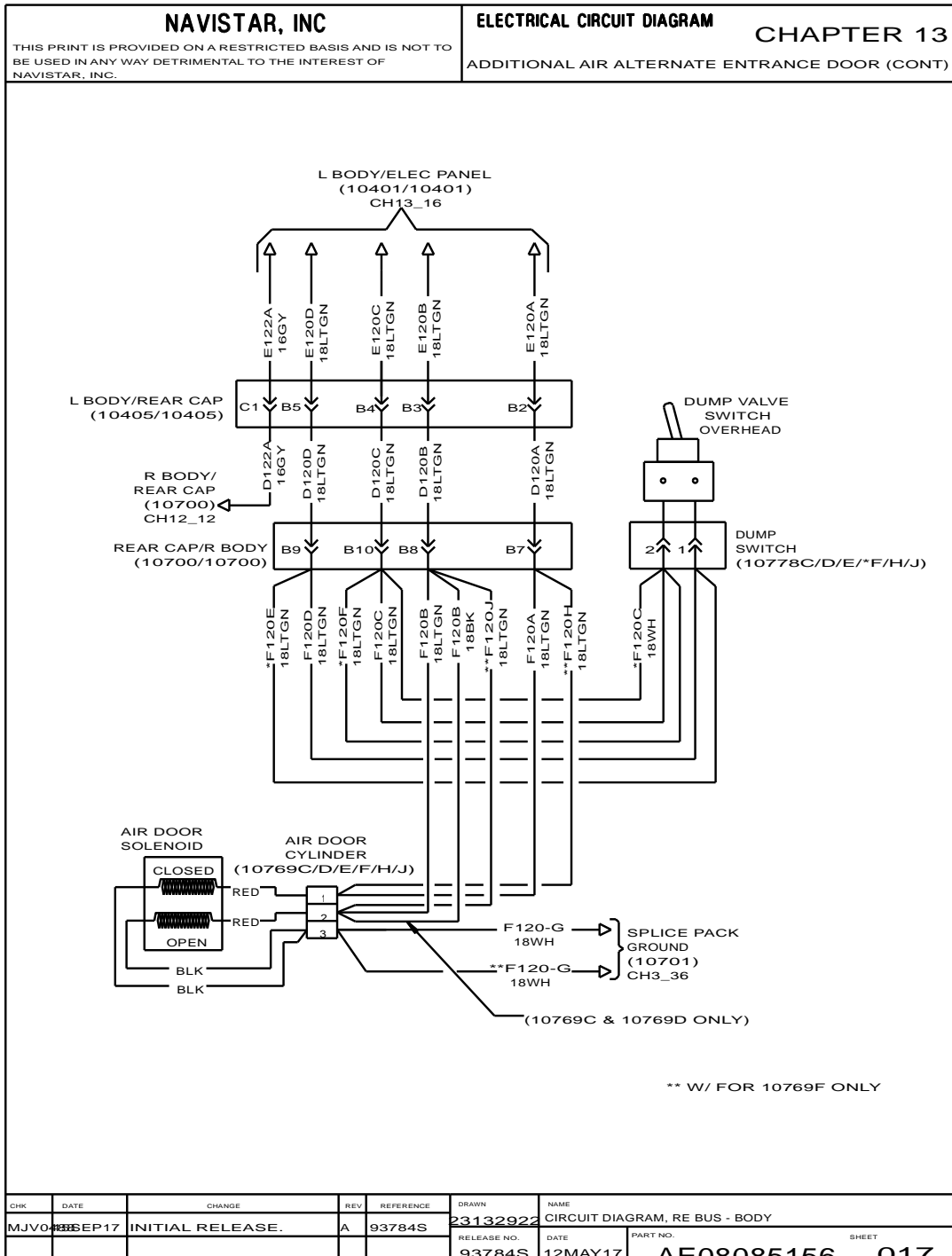


Figure 292 Additional Air Alternate Entrance Door (Cont.)

14.18. ELECTRIC SEDAN DOOR, P. 18

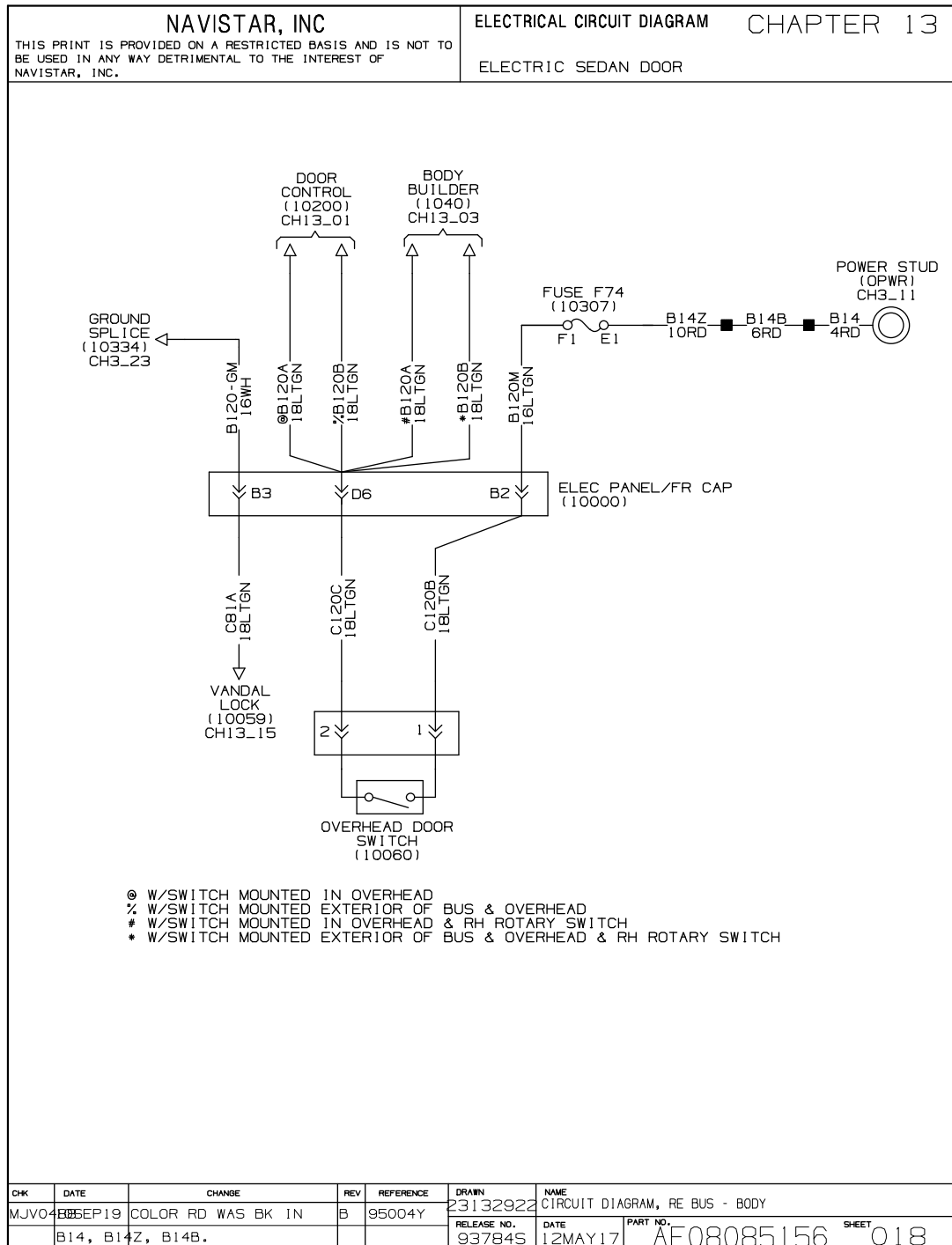


Figure 293 Electric Sedan Door

14.19. DUMP VALVE, P. 19

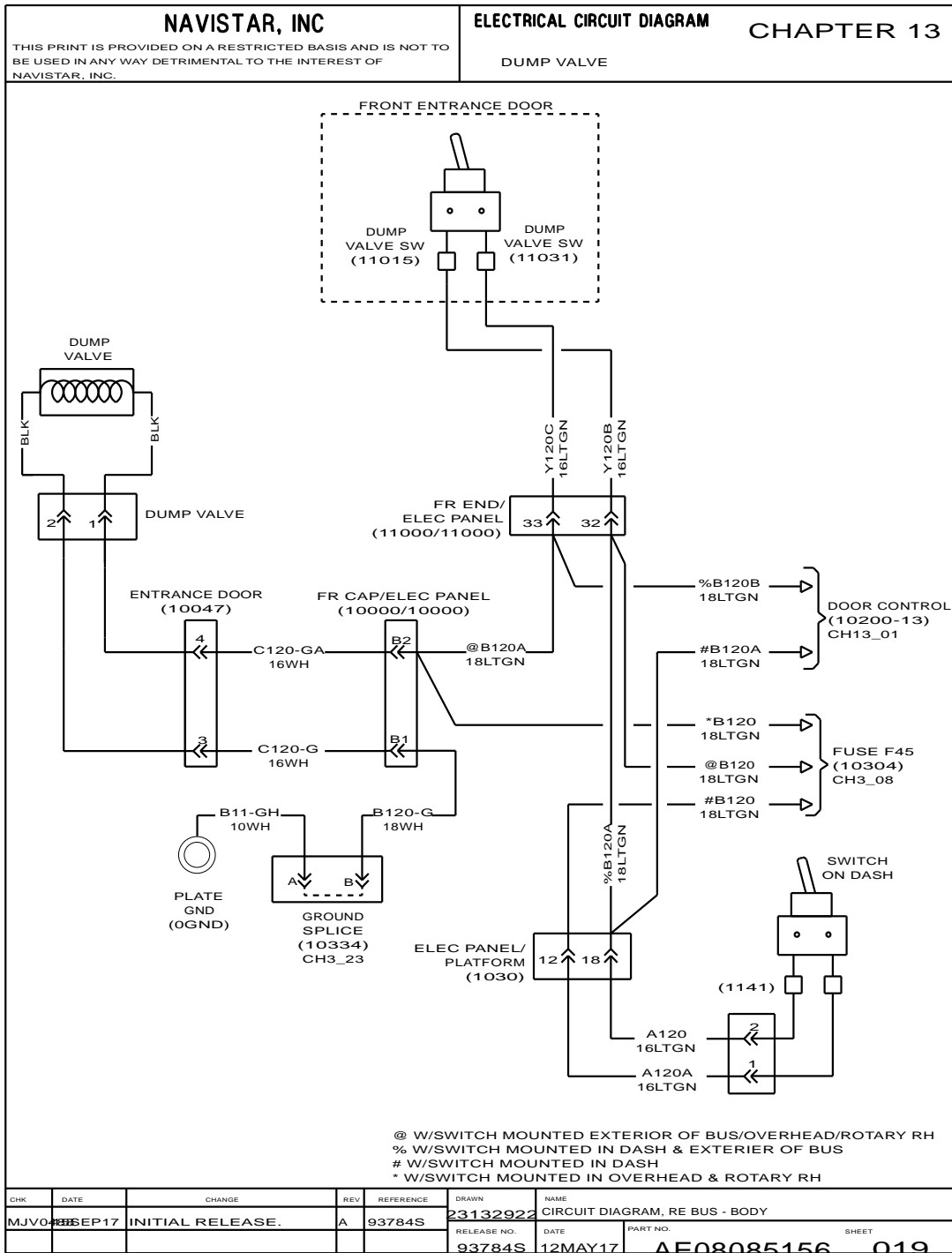


Figure 294 Dump Valve

14.20. ALTERNATE ENTRANCE DOOR ALARM, P. 20

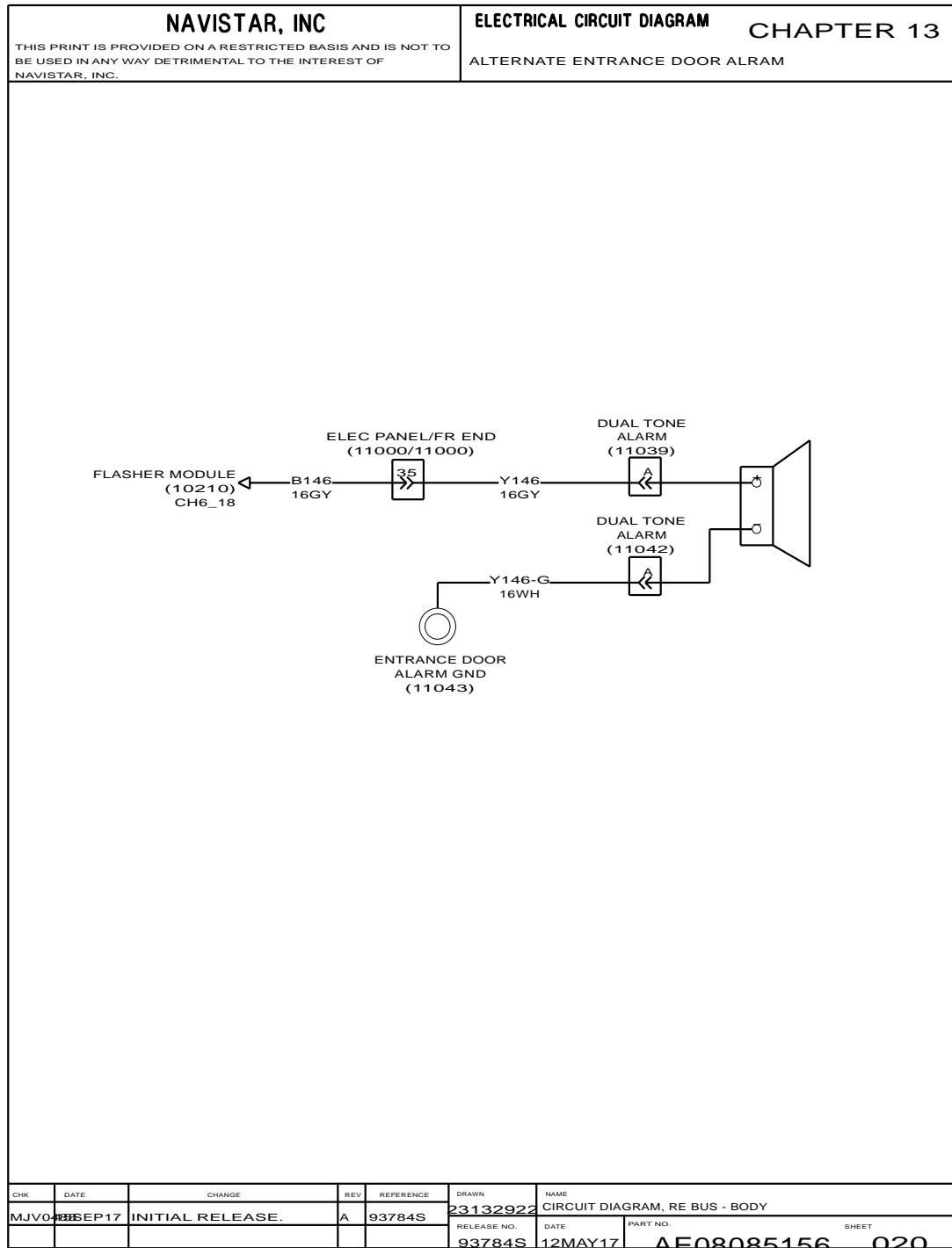


Figure 295 Alternate Entrance Door Alarm

14.21. DOOR OPTION SPLICE, P. 21

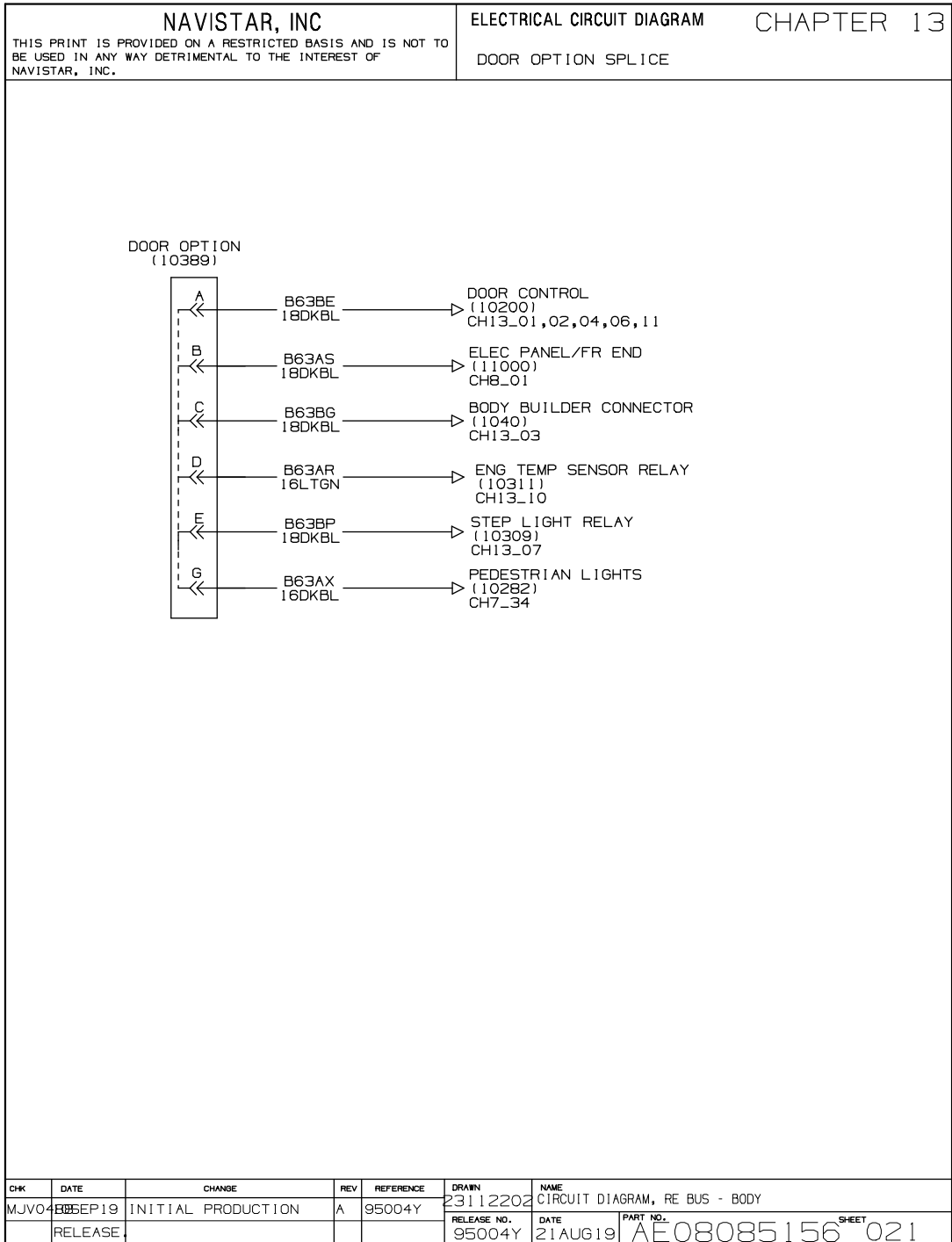


Figure 296 Door Option Splice

RADIO / PA / CELLULAR GPS (CHAPTER 14)

15.1. RADIO / PA SYSTEM, P. 1

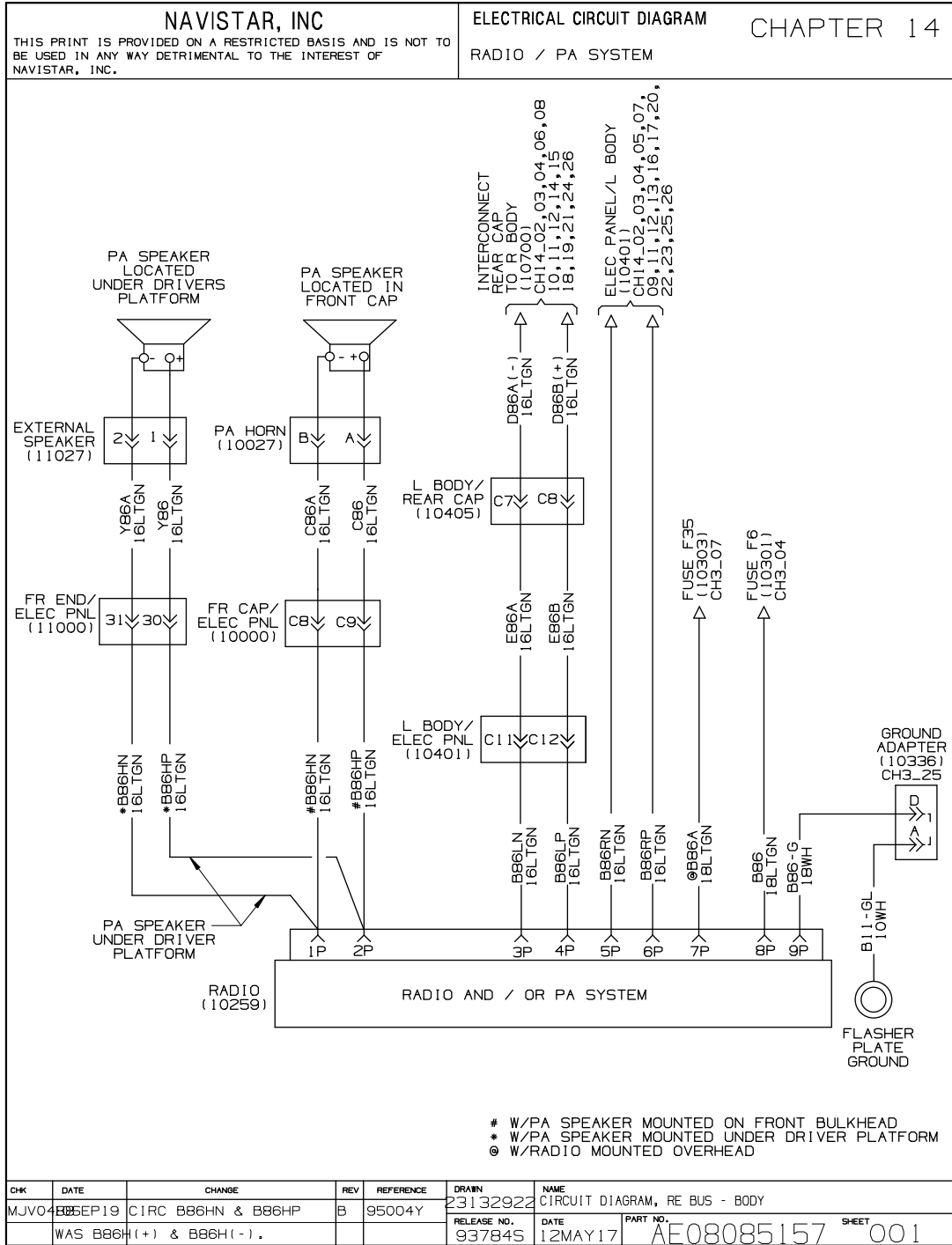


Figure 297 Radio / PA System

15.2. SPEAKER WIRING FOR QTY 6 L AND R BODY, P. 2

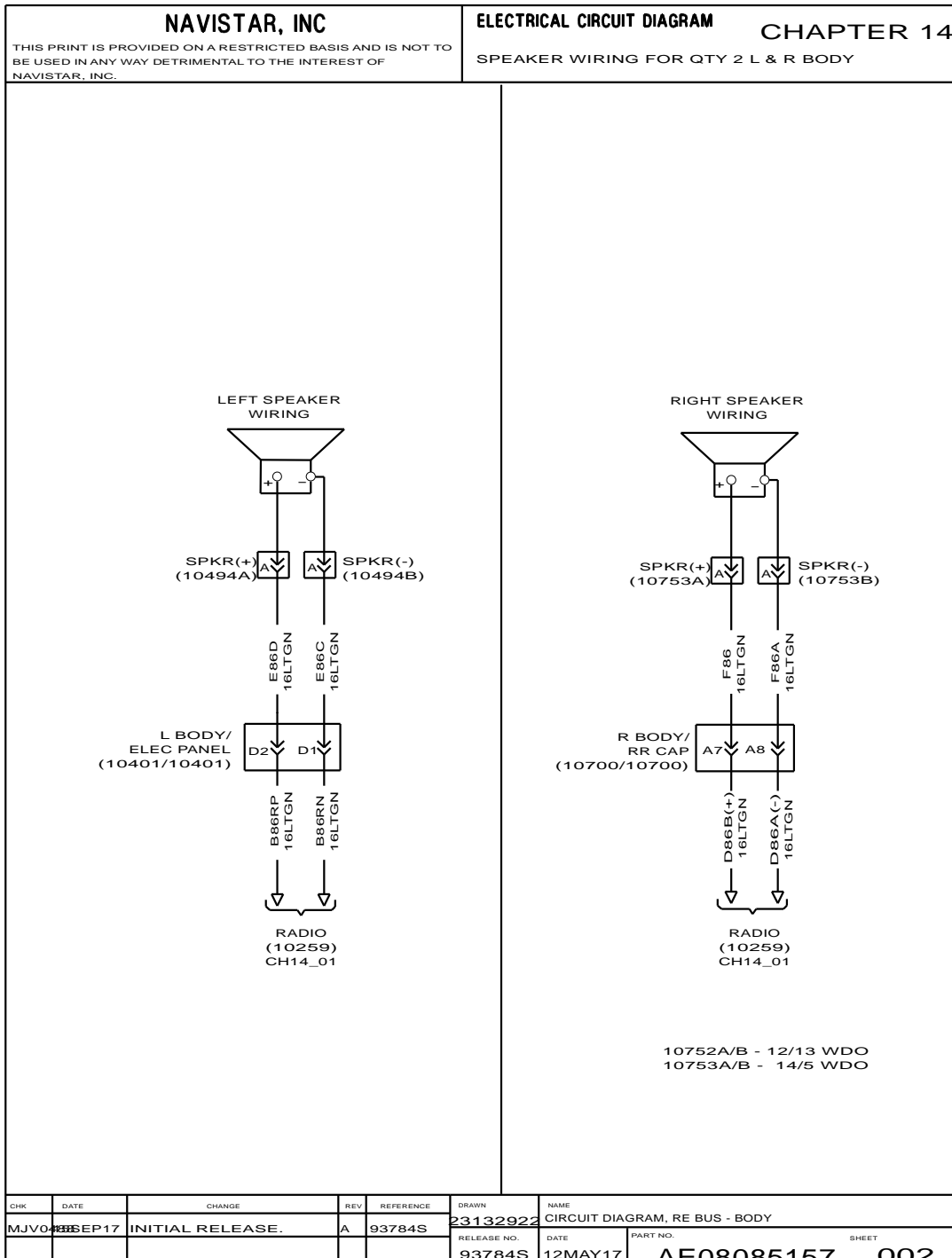


Figure 298 Speaker Wiring for QTY 6 L and R Body

15.3. SPEAKER WIRING FOR QTY 4 L AND R BODY, P. 3

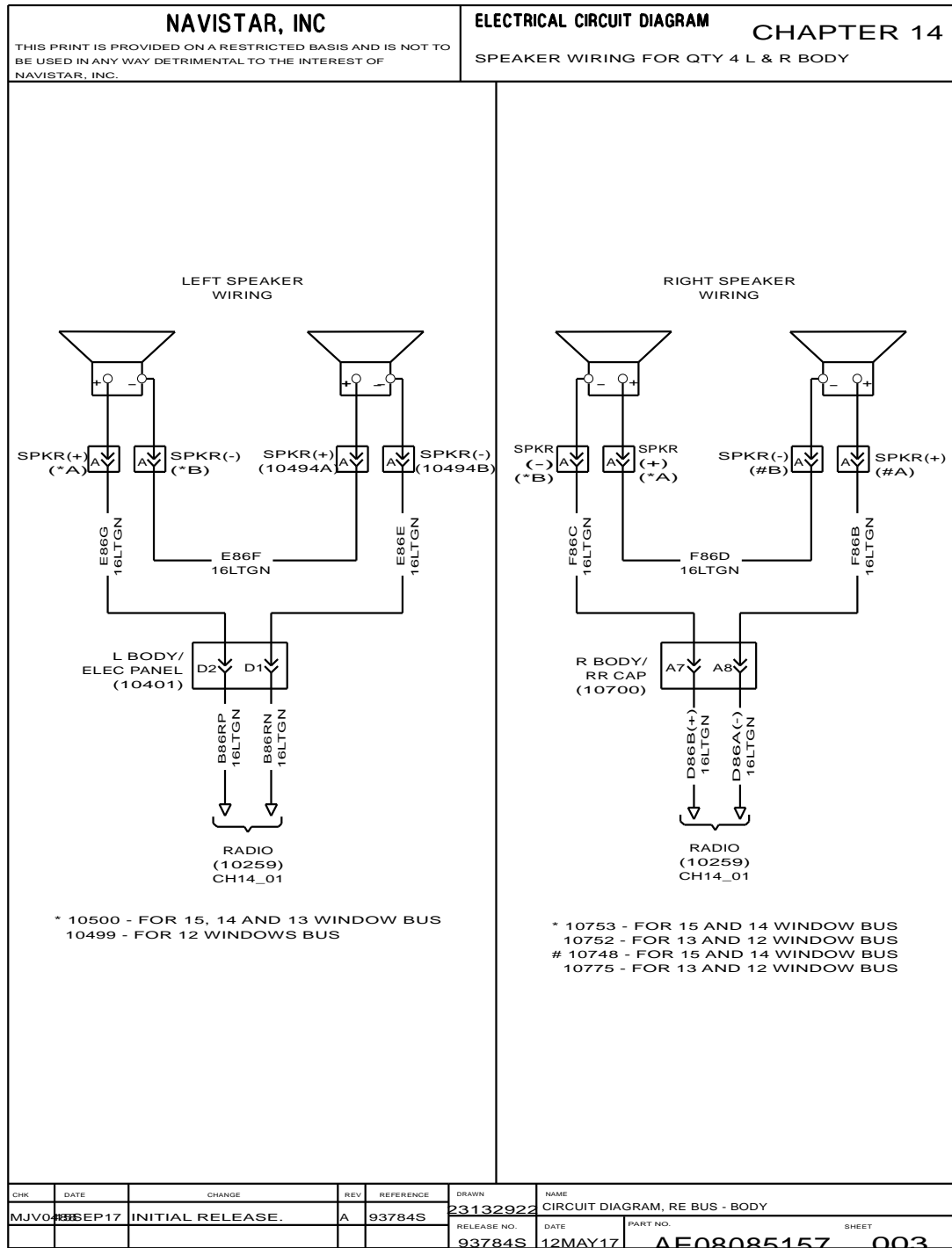


Figure 299 Speaker Wiring for QTY 4 L and R Body

15.4. SPEAKER WIRING FOR QTY 6 L AND R BODY, P. 4

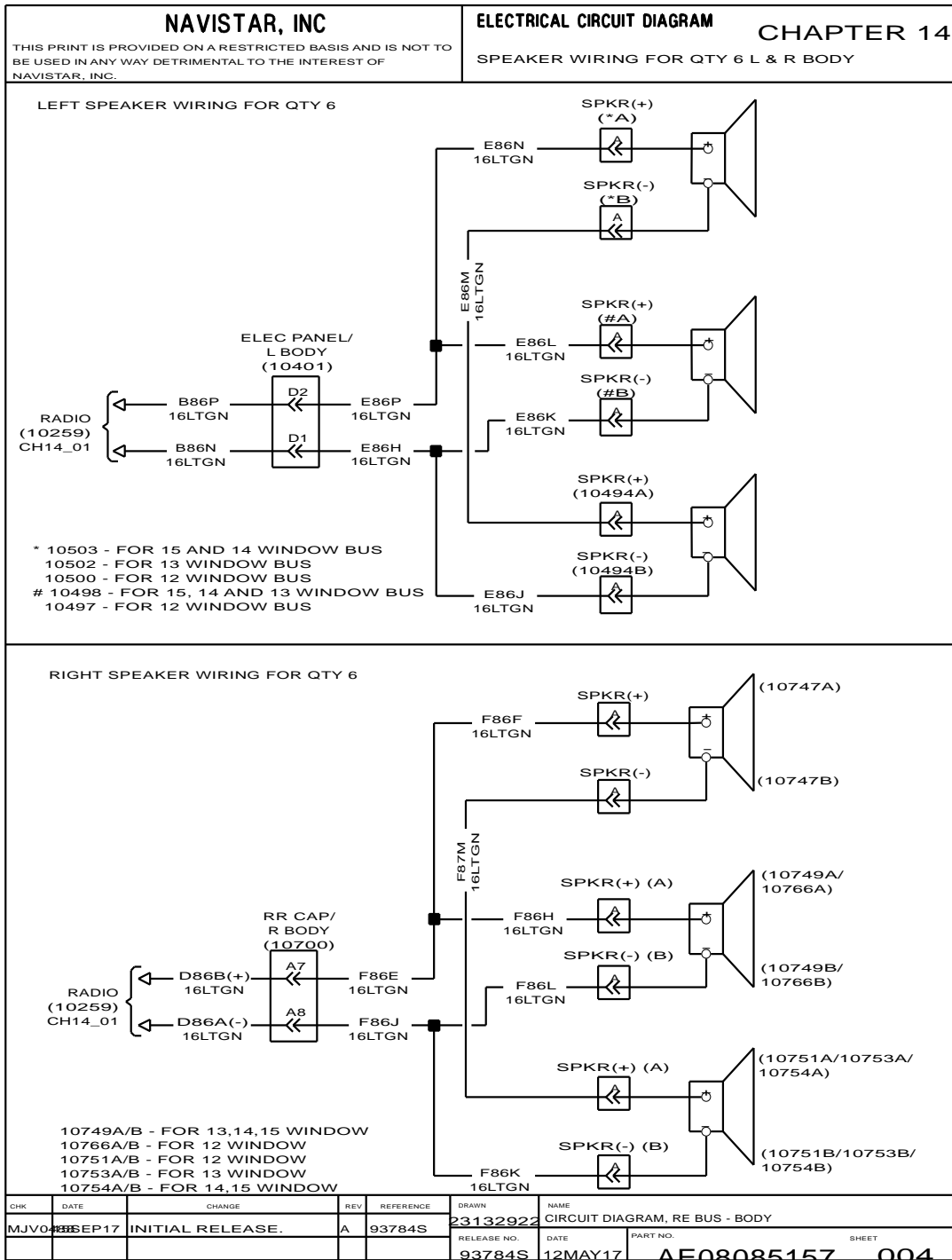


Figure 300 Speaker Wiring for QTY 6 L and R Body

15.5. SPEAKER WIRING FOR QTY 8 L BODY, P. 5

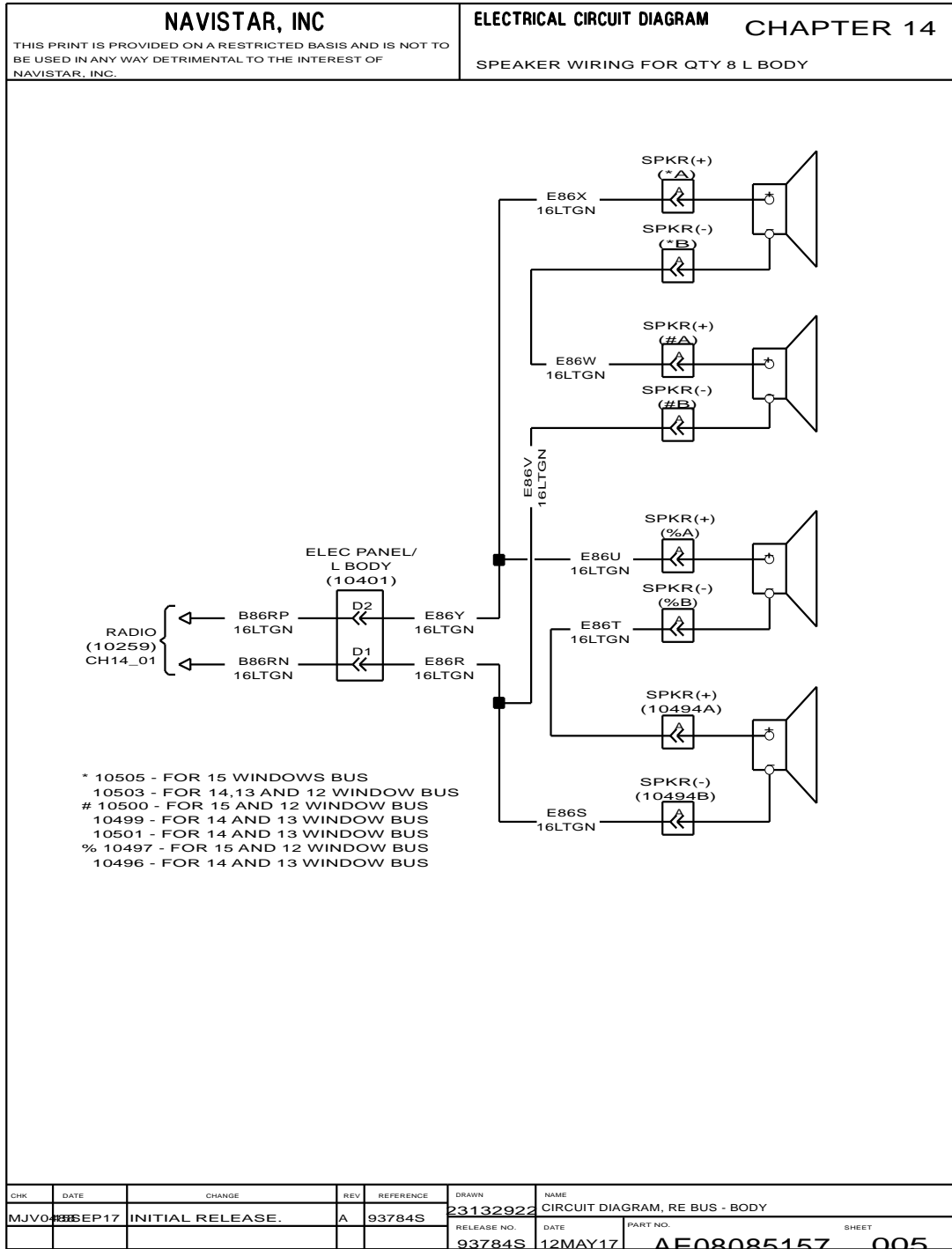


Figure 301 Speaker Wiring for QTY 8 L Body

15.6. SPEAKER WIRING FOR QTY 8 R BODY, P. 6

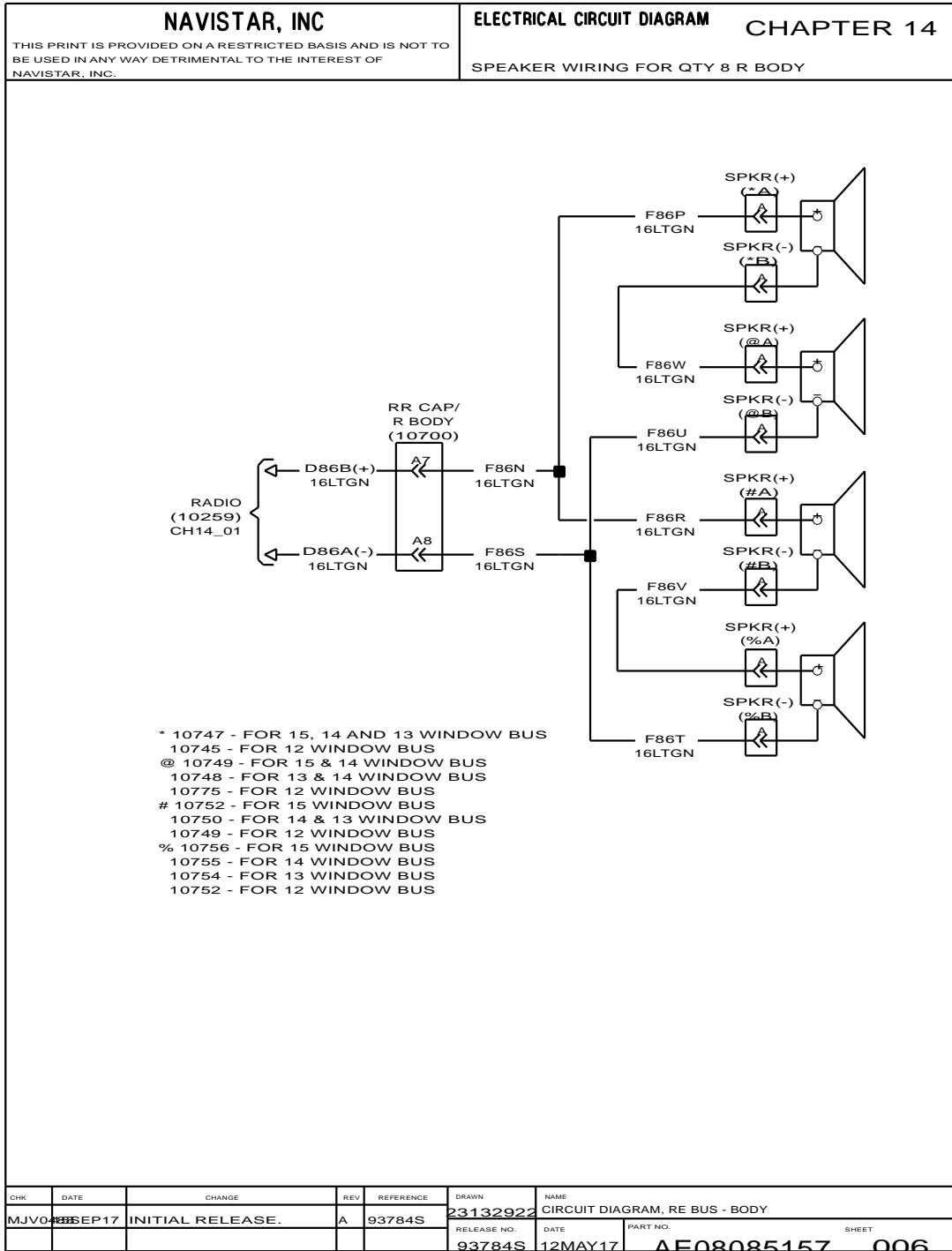


Figure 302 Speaker Wiring for QTY 8 R Body

15.7. SPEAKER WIRING FOR QTY 10 L BODY, P. 7

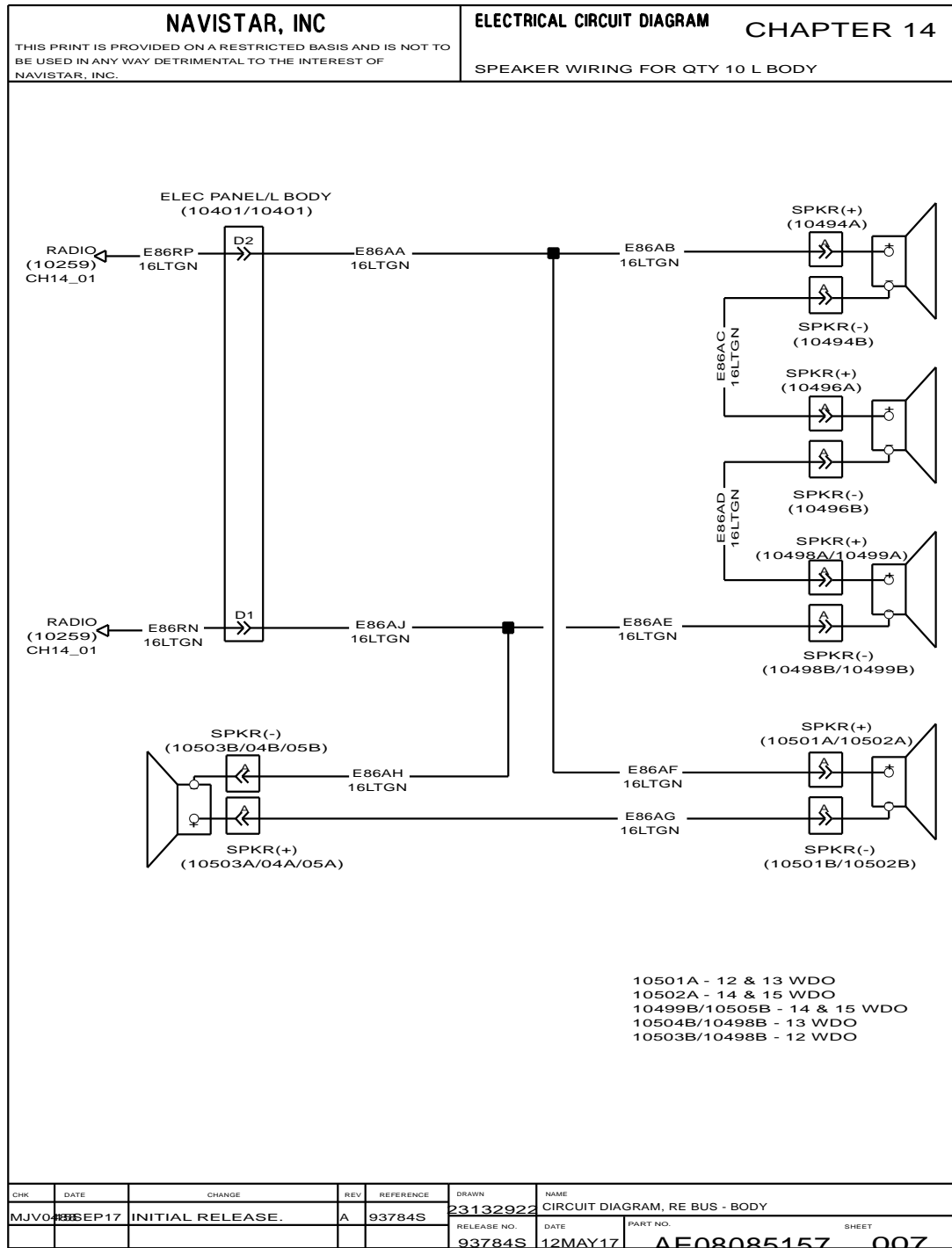


Figure 303 Speaker Wiring for QTY 10 L Body

15.8. SPEAKER WIRING FOR QTY 10 R BODY, P. 8

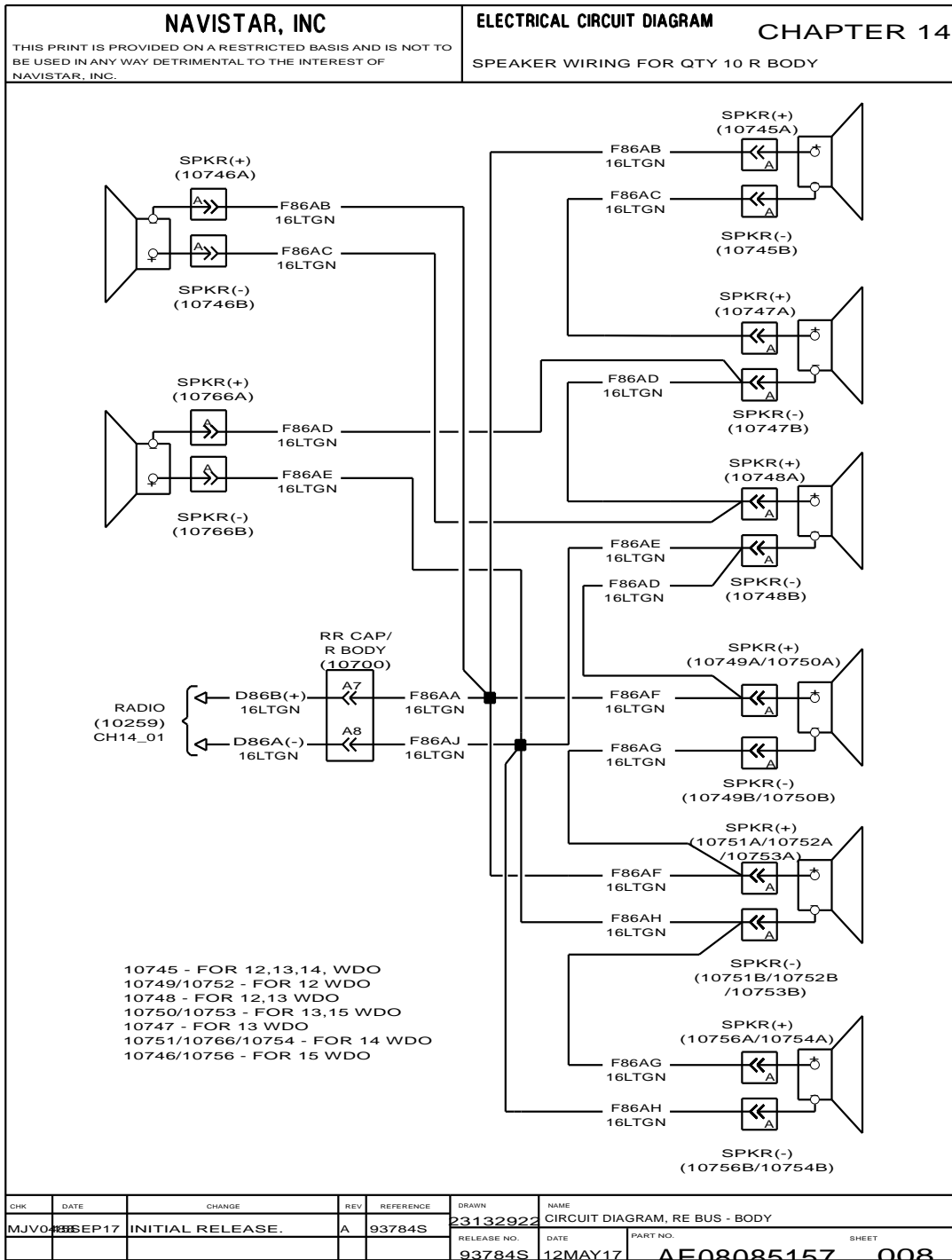


Figure 304 Speaker Wiring for QTY 10 R Body

15.9. SPEAKER WIRING FOR QTY 12 L BODY, P. 9

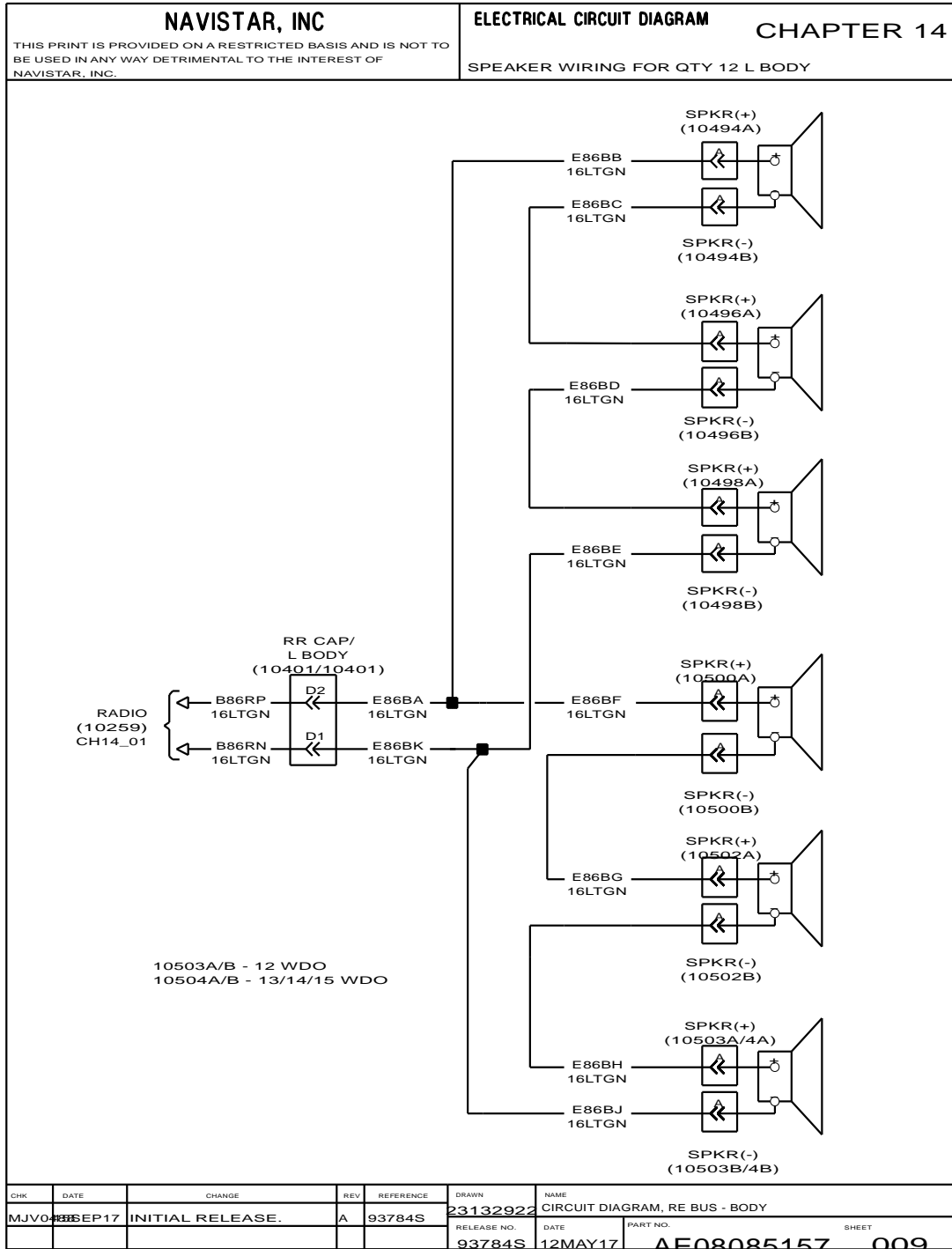


Figure 305 Speaker Wiring for QTY 12 L Body

15.10. SPEAKER WIRING FOR QTY 12 R BODY, P. 10

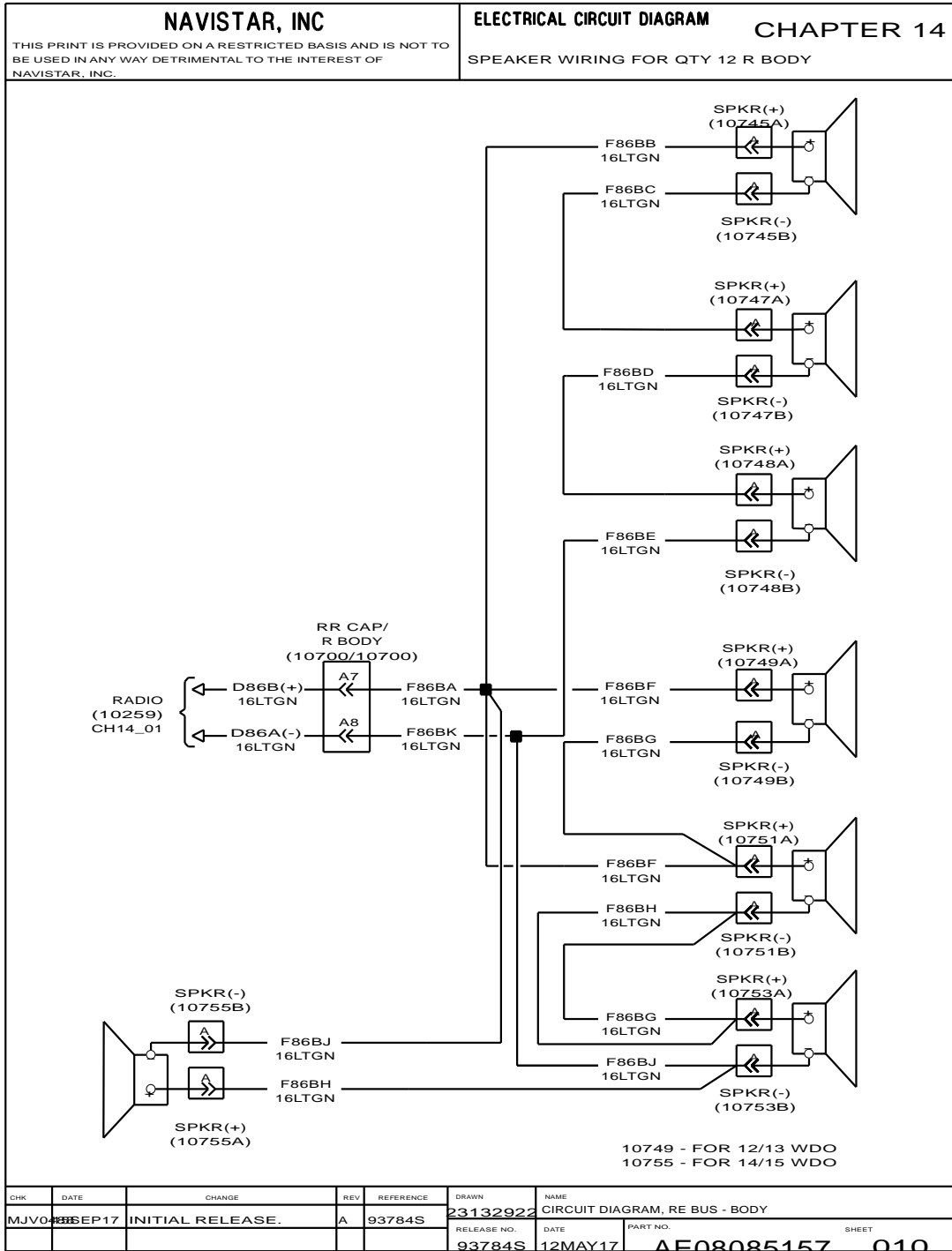


Figure 306 Speaker Wiring for QTY 12 R Body

15.11. SPEAKER WIRING FOR 2-140 IN BEHIND STANCHION L AND R BODY, P. 11

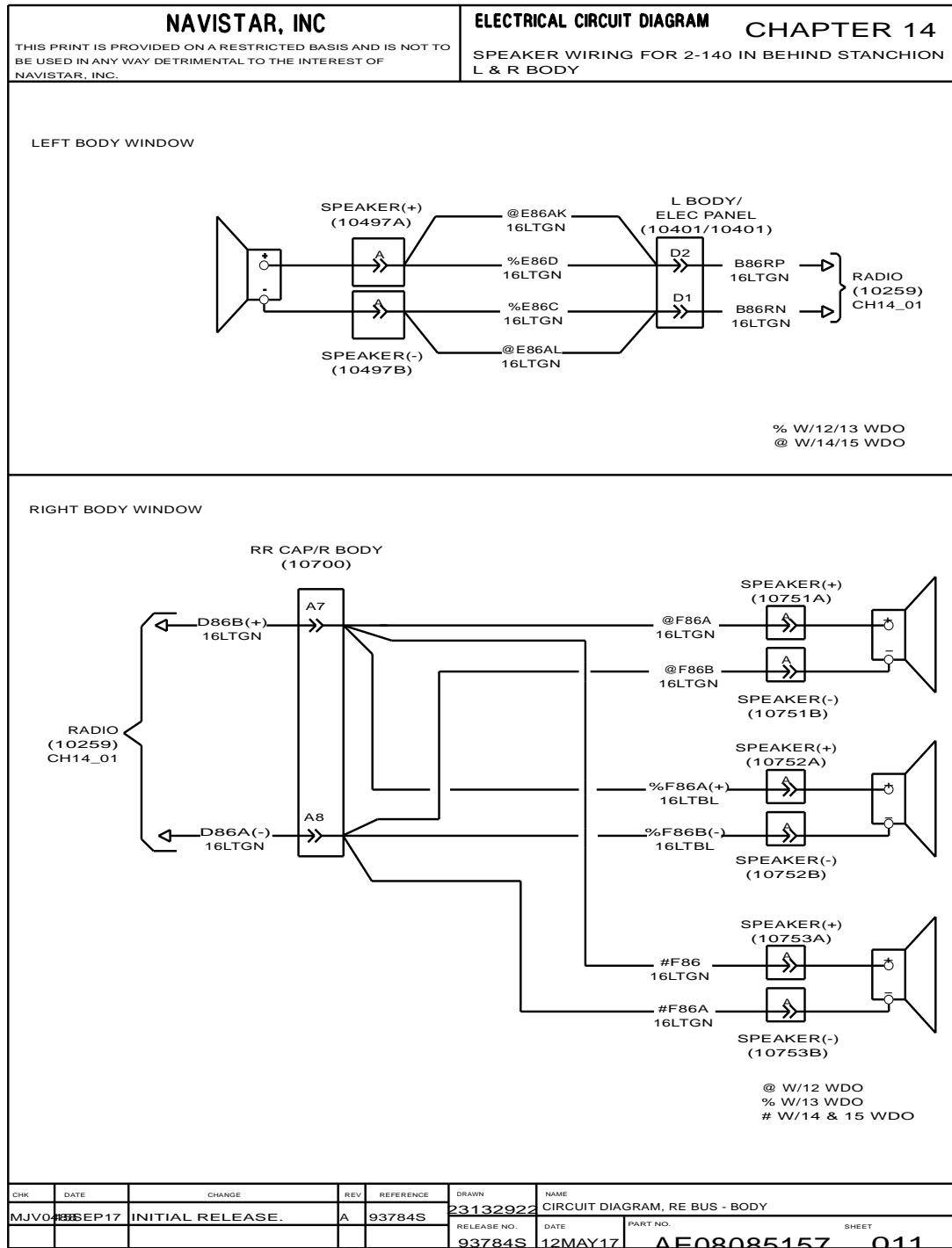


Figure 307 Speaker Wiring for 2-140 in Behind Stanchion L and R Body

15.12. SPEAKER WIRING FOR 4-140 IN BEHIND STANCHION L AND R BODY, P. 12

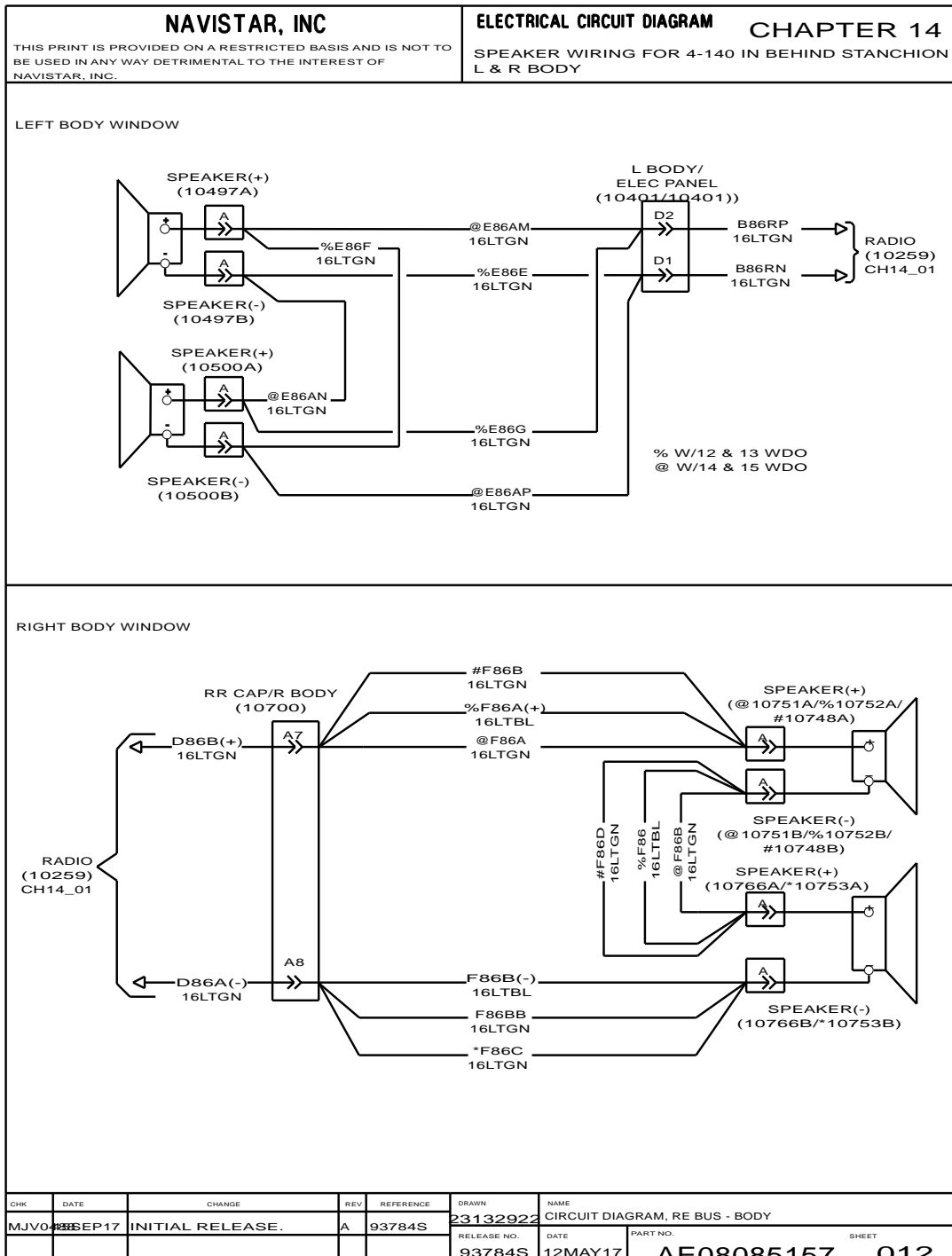


Figure 308 Speaker Wiring for 4-140 in Behind Stanchion L and R Body

15.13. SPEAKER WIRING FOR 6-140 IN BEHIND STANCHION L BODY, P. 13

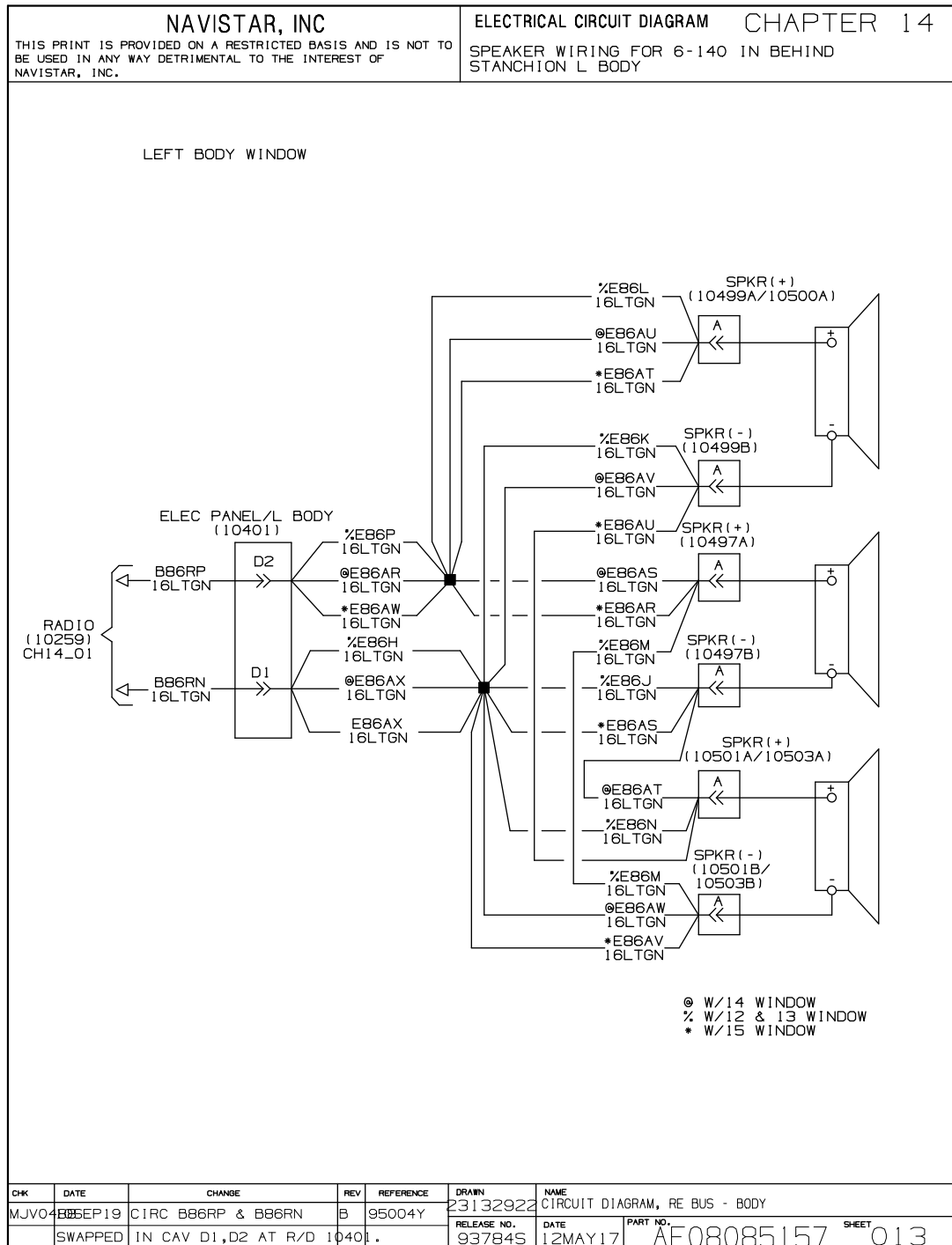


Figure 309 Speaker Wiring for 6-140 in Behind Stanchion L Body

15.14. SPEAKER WIRING FOR 6-140 IN BEHIND STANCHION R BODY, P. 14

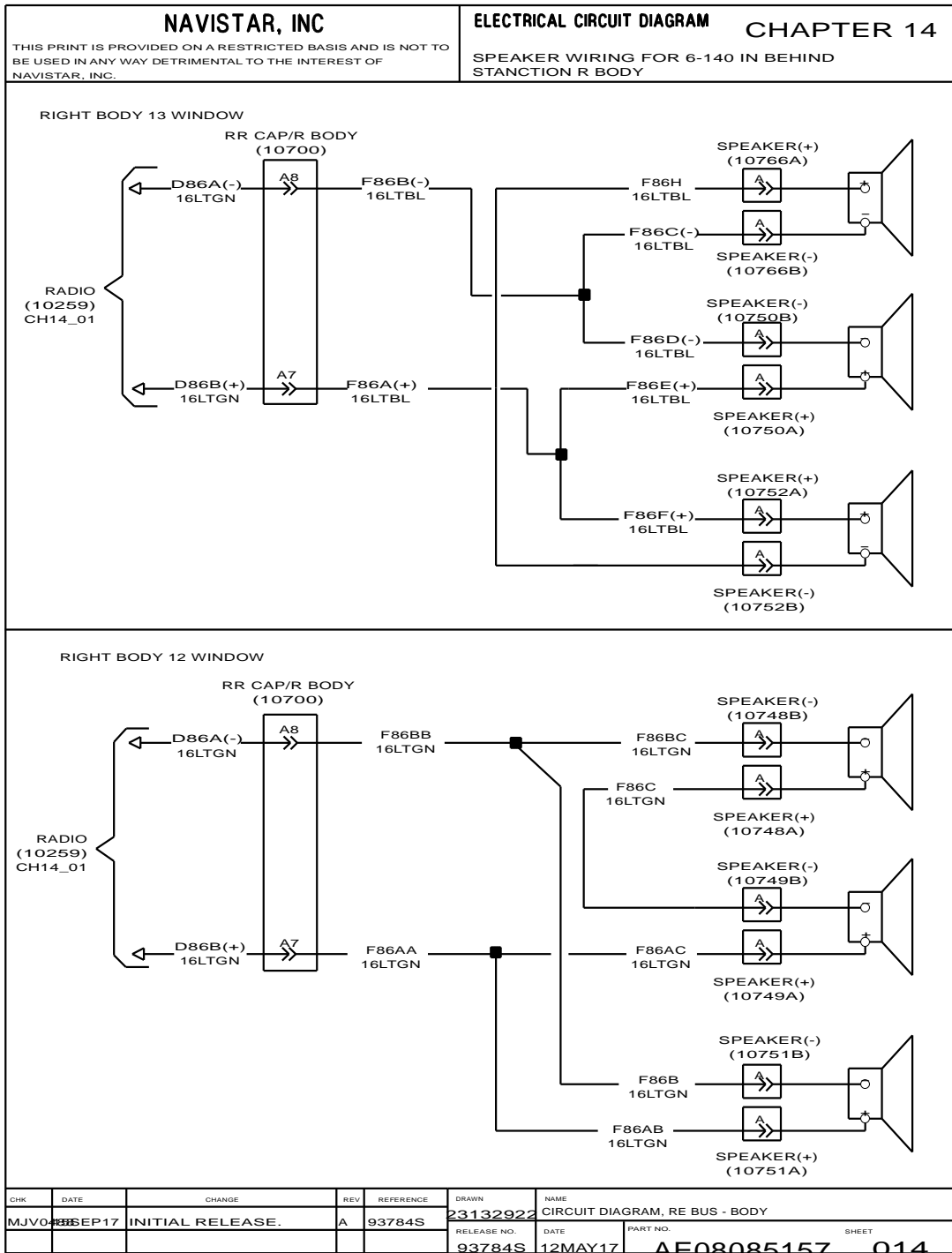


Figure 310 Speaker Wiring for 6-140 in Behind Stanchion R Body

15.15. SPEAKER WIRING FOR 6-140 IN BEHIND STANCHION R BODY (CONT.), P. 15

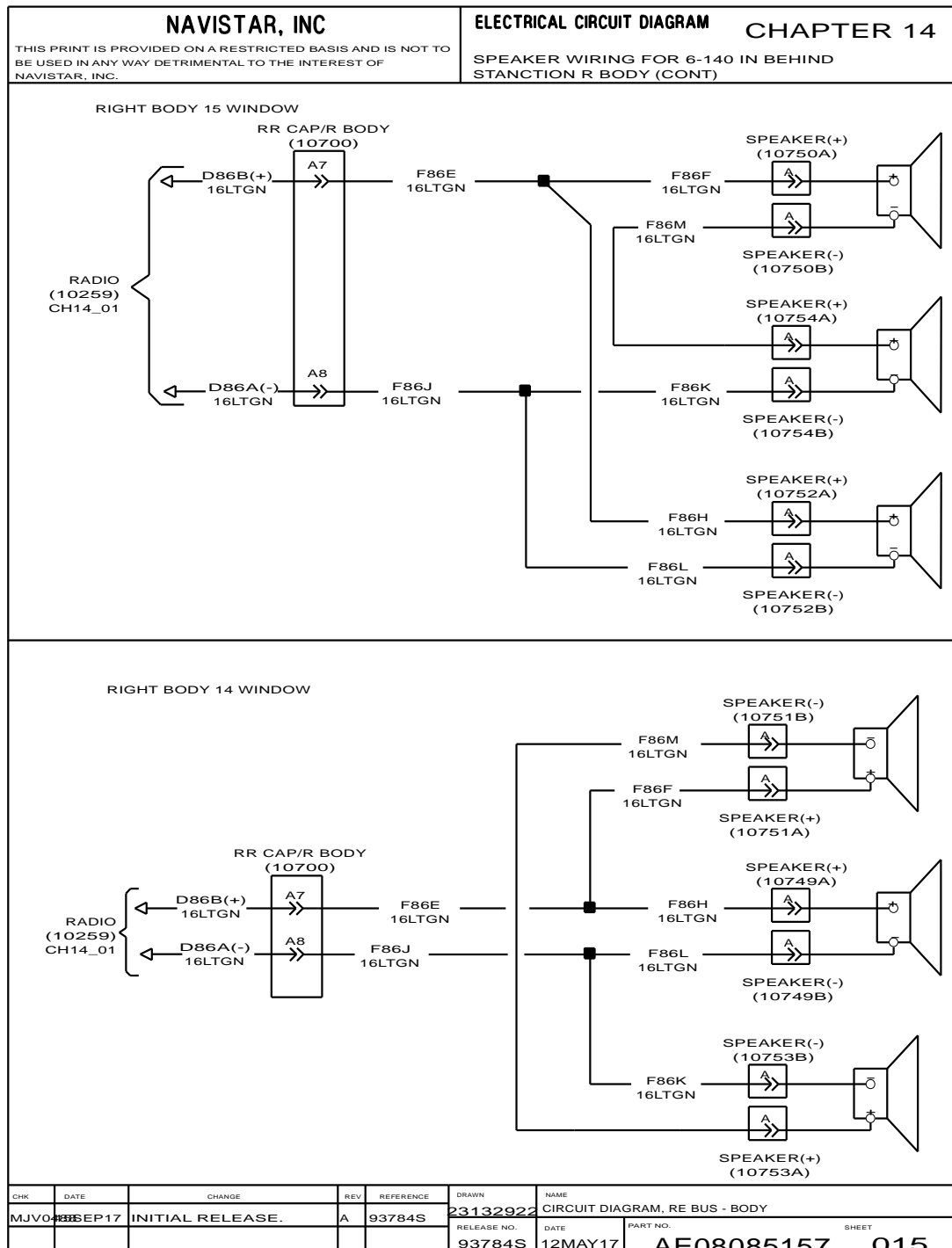


Figure 311 Speaker Wiring for 6-140 in Behind Stanchion R Body (Cont.)

15.16. SPEAKER WIRING FOR 8-140 IN BEHIND STANCHION L BODY, P. 16

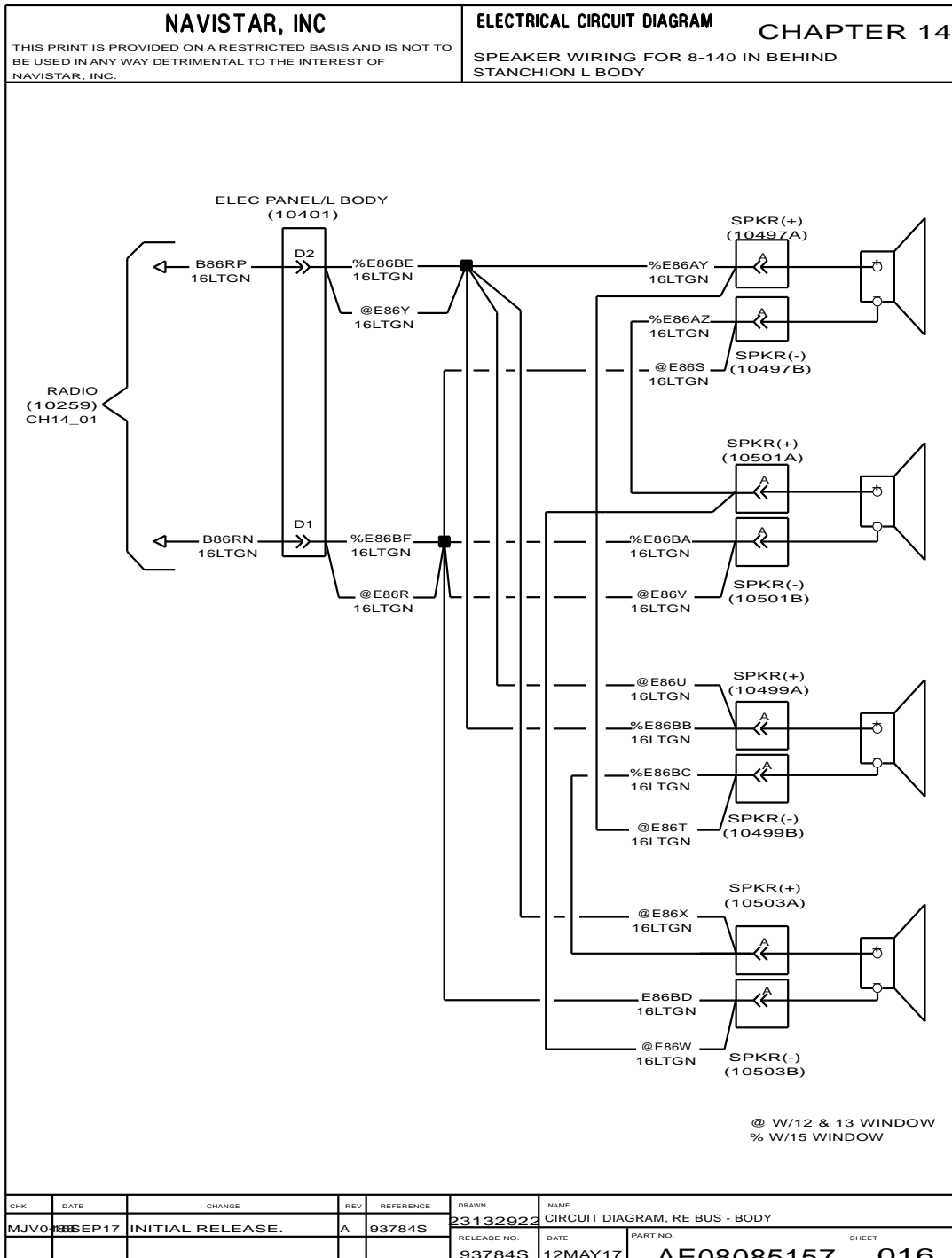


Figure 312 Speaker Wiring for 8-140 in Behind Stanchion L Body

15.17. SPEAKER WIRING FOR 8-140 IN BEHIND STANCHION L BODY (CONT.), P. 17

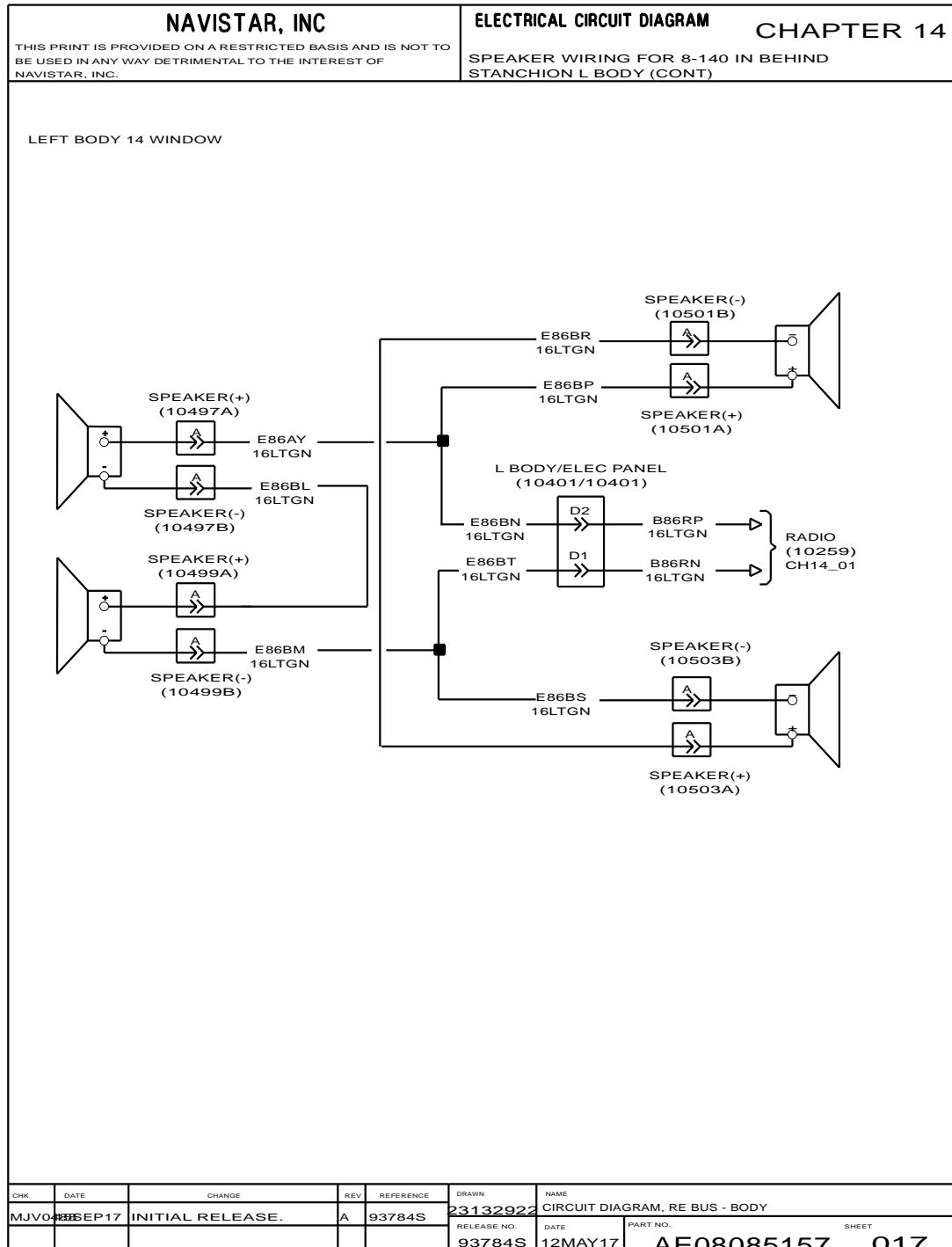


Figure 313 Speaker Wiring for 8-140 in Behind Stanchion L Body (Cont.)

15.18. SPEAKER WIRING FOR 8-140 IN BEHIND STANCHION R BODY, P. 18

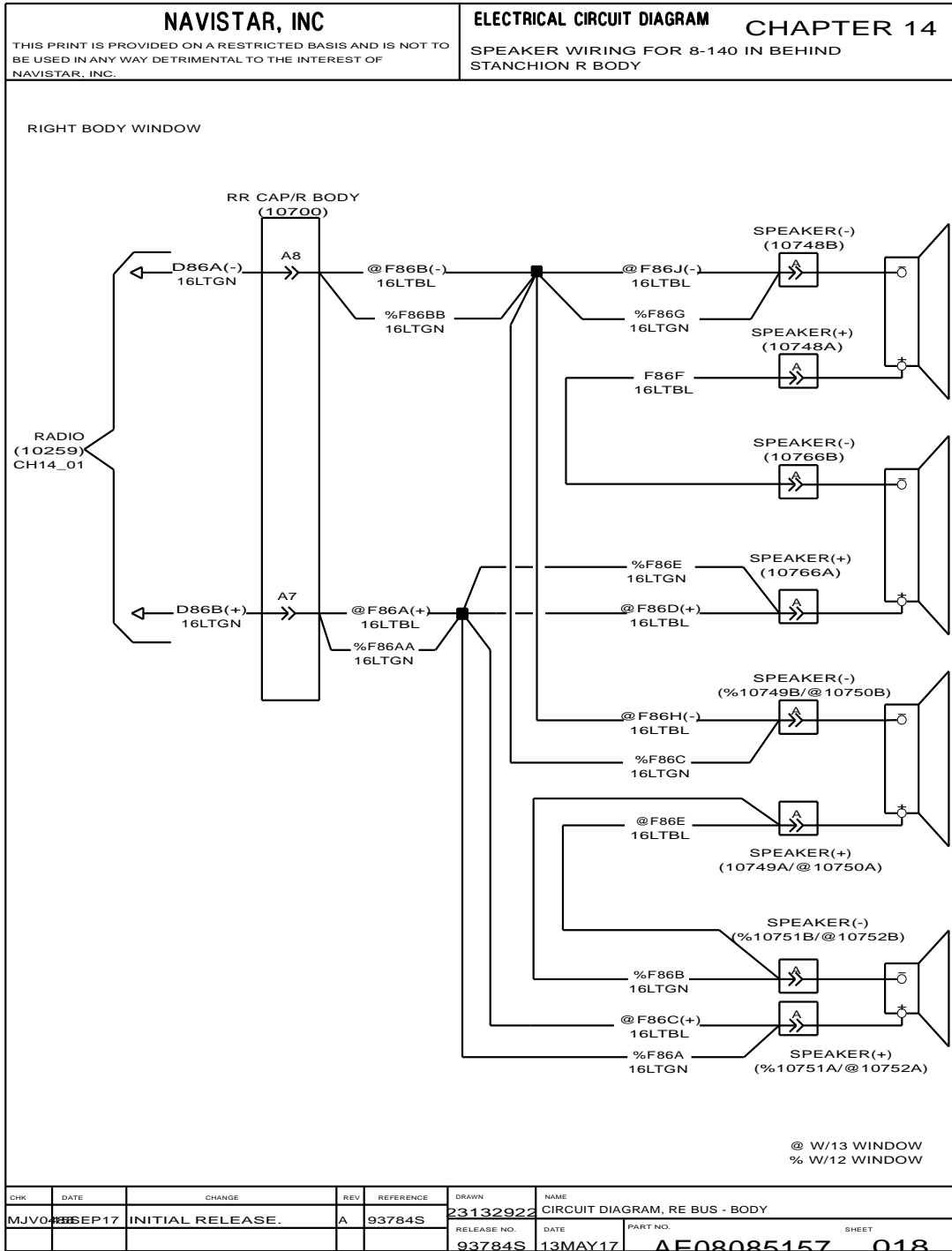


Figure 314 Speaker Wiring for 8-140 in Behind Stanchion R Body

15.19. SPEAKER WIRING FOR 8-140 IN BEHIND STANCHION R BODY (CONT.), P. 19

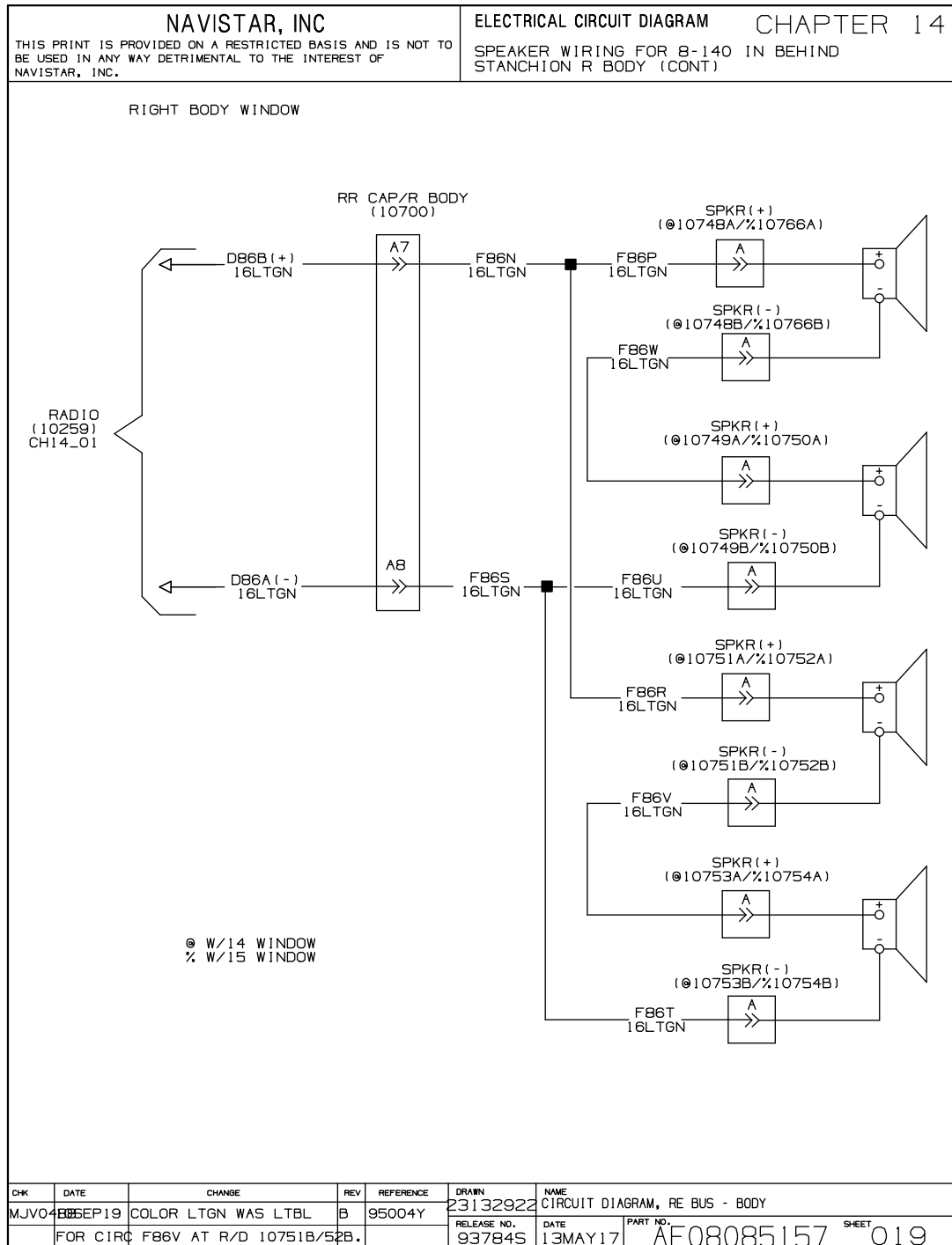


Figure 315 Speaker Wiring for 8-140 in Behind Stanchion R Body (Cont.)

15.20. SPEAKER WIRING FOR 4-AFTER THIRD ROW OF SEATS L BODY, P. 20

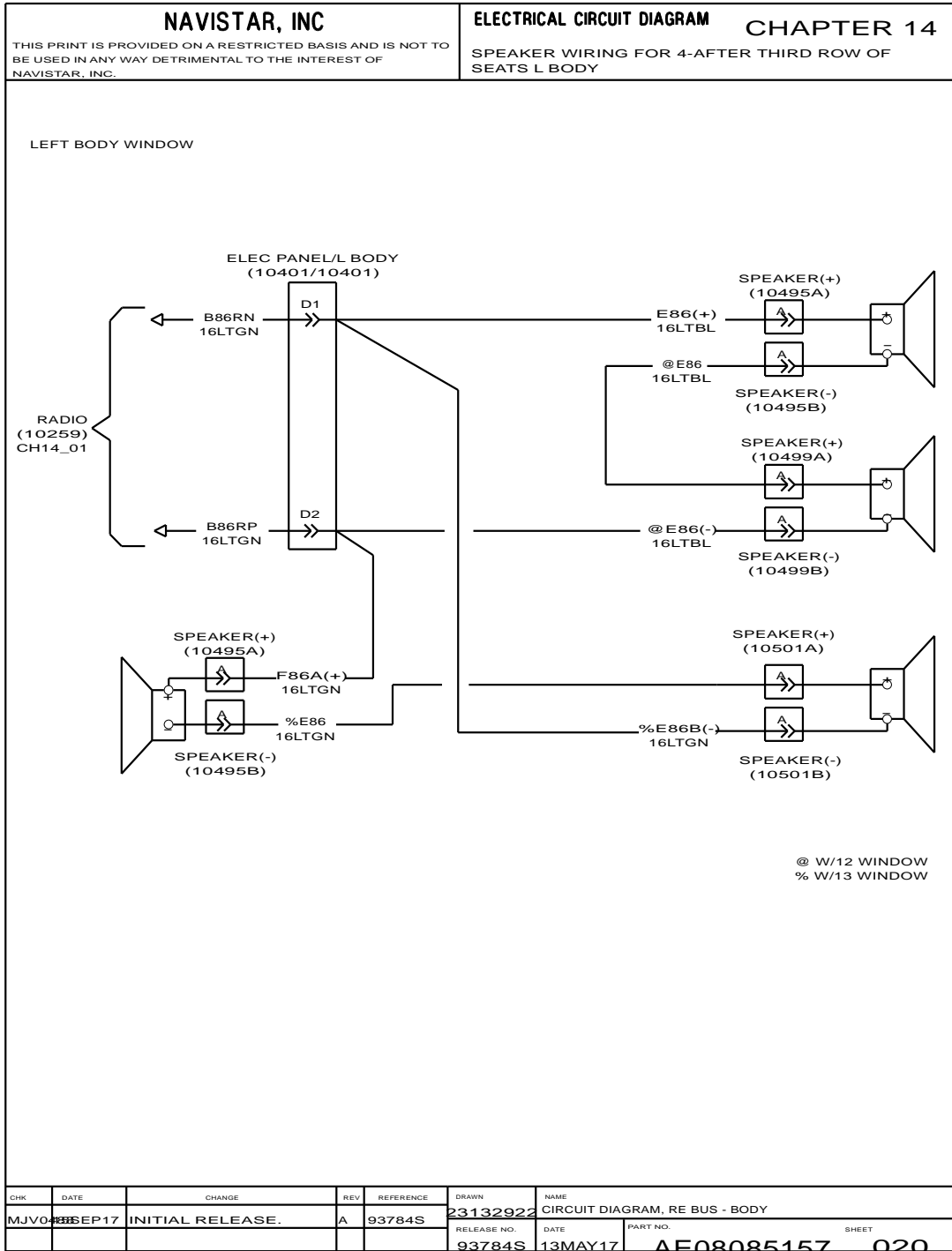


Figure 316 Speaker Wiring for 4-After Third Row of Seats L Body

15.21. SPEAKER WIRING FOR 4-AFTER THIRD ROW OF SEATS R BODY, P. 21

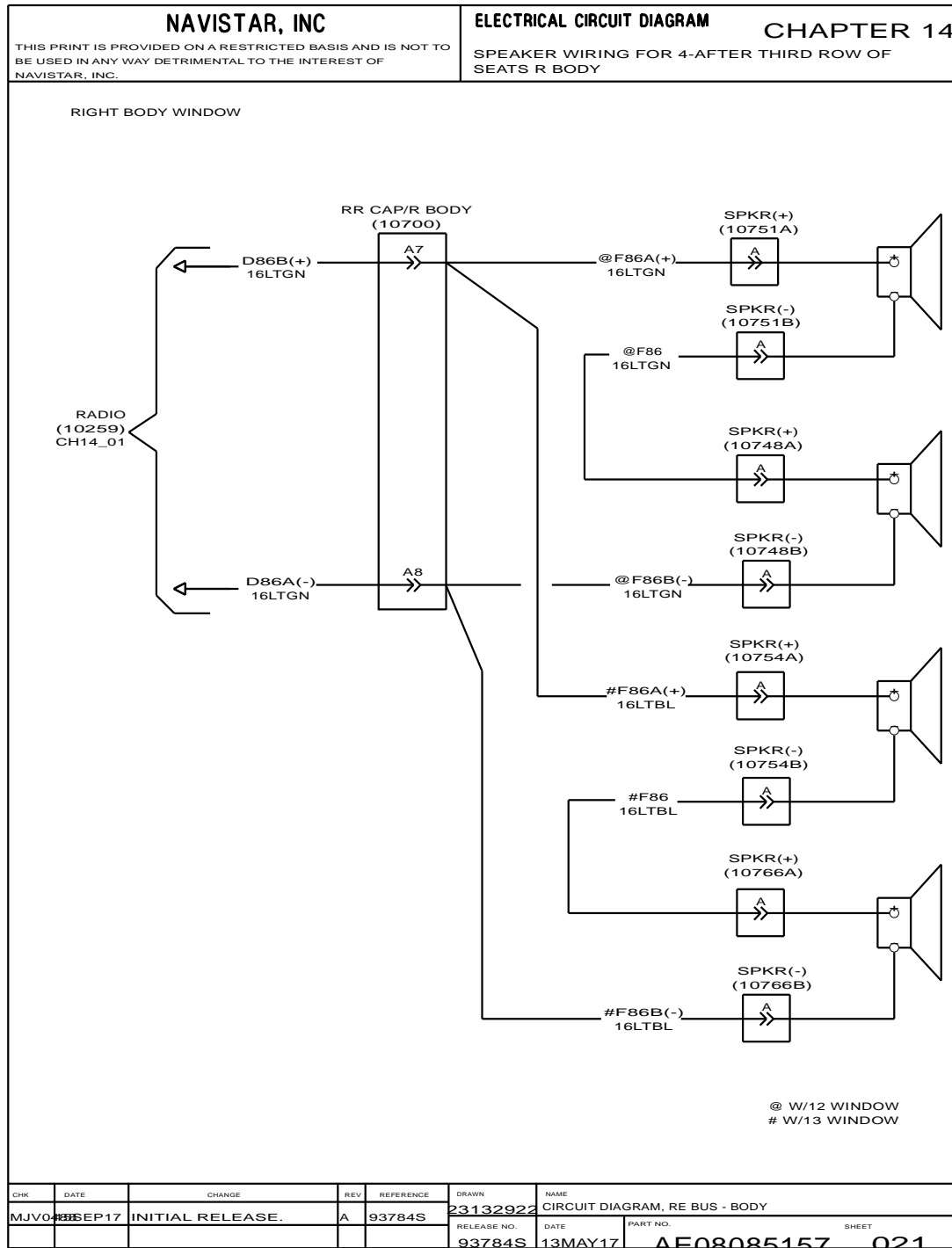


Figure 317 Speaker Wiring for 4-After Third Row of Seats R Body

15.22. 12 SPEAKER WIRING SECT 3 / 5 / 7 / 9 / 12 / 14 WITH 14 WINDOW L BODY, P. 22

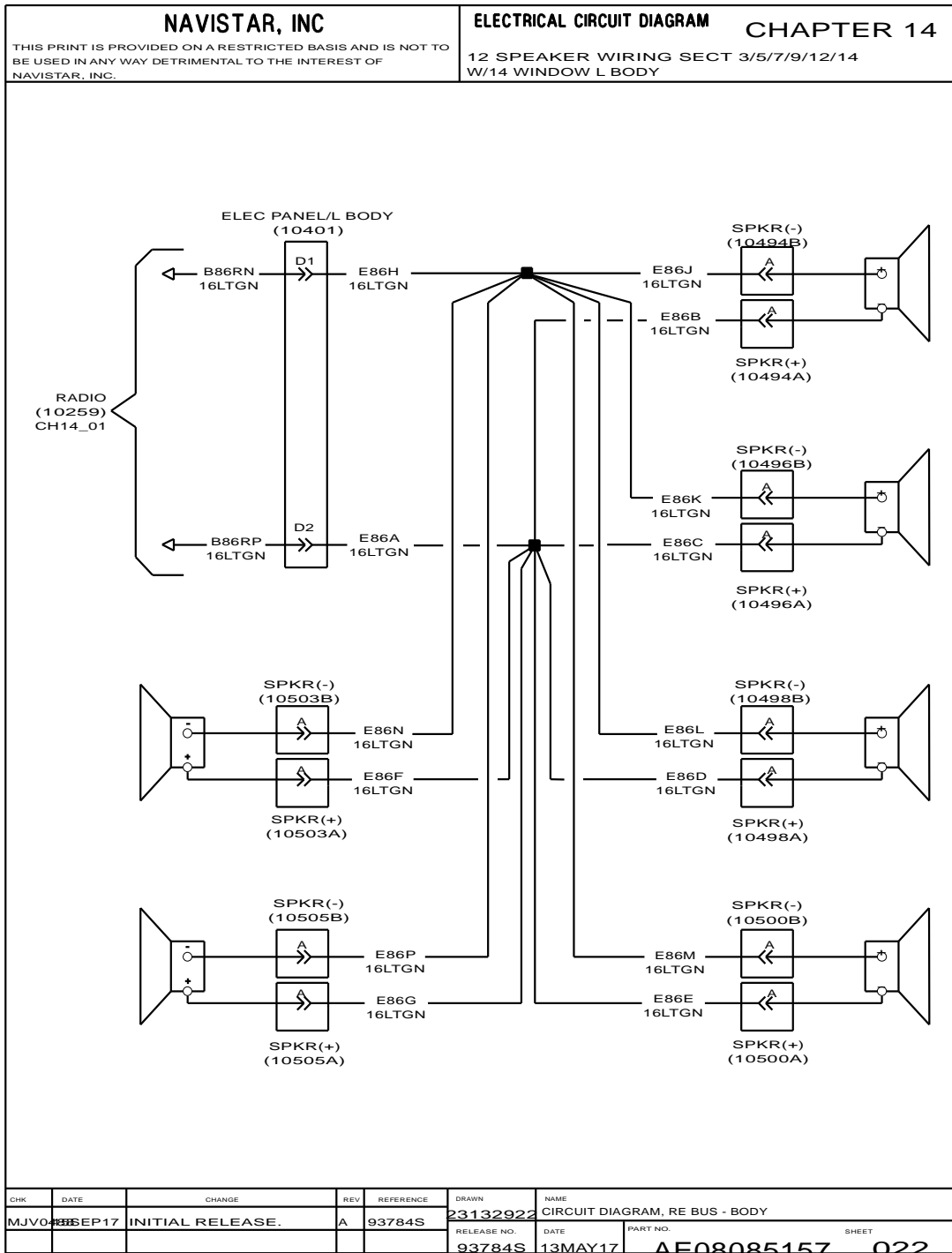


Figure 318 12 Speaker Wiring Sect 3 / 5 / 7 / 9 / 12 / 14 with 14 Window L Body

15.23. 12 SPEAKER WIRING SECT 1 / 3 / 6 / 9 / 11 / 13 WITH 14 WINDOW L BODY, P. 23

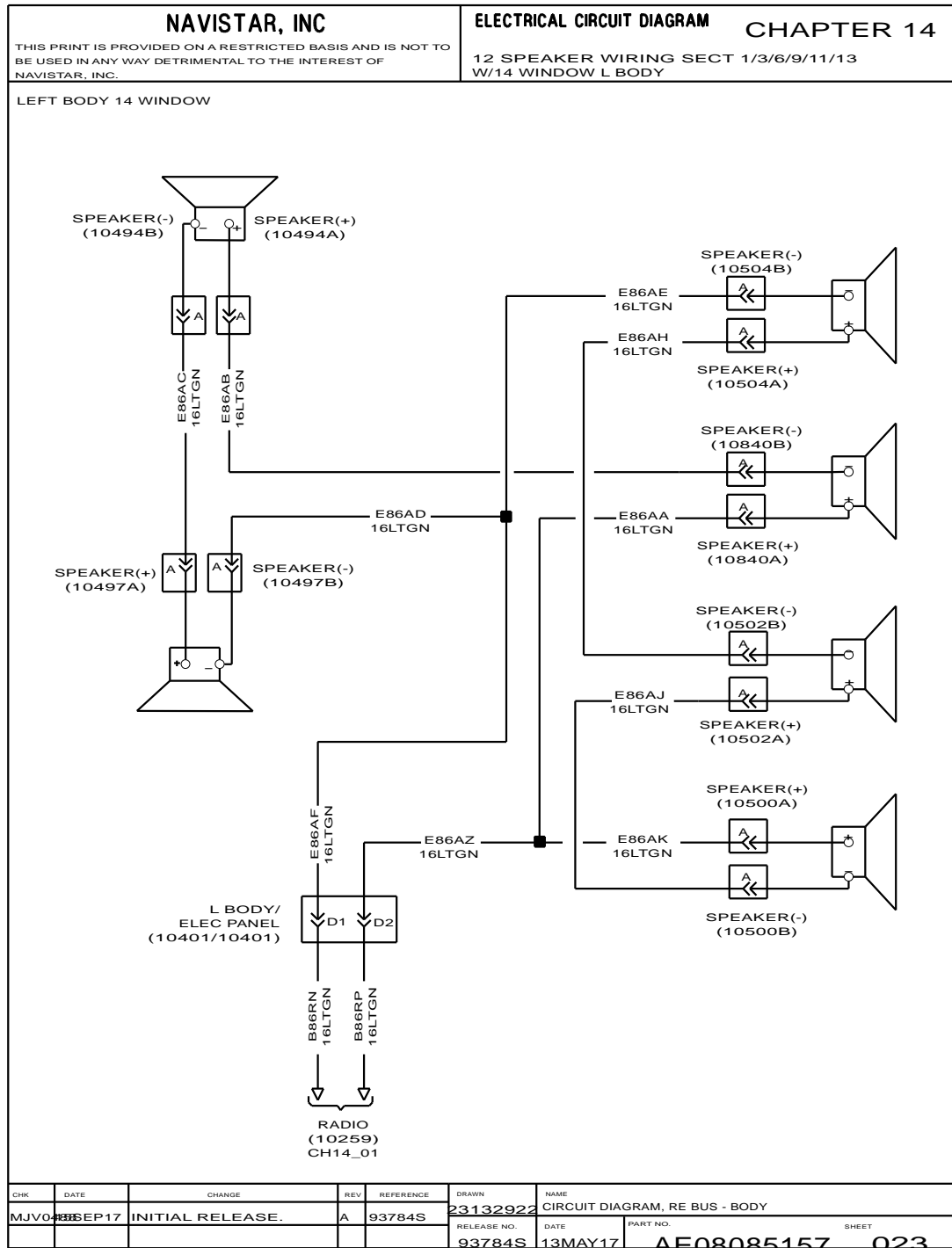


Figure 319 12 Speaker Wiring Sect 1 / 3 / 6 / 9 / 11 / 13 with 14 Window L Body

15.24. 12 SPEAKER WIRING SECT 1 / 3 / 6 / 9 / 11 / 13 WITH 14 WINDOW R BODY, P. 24

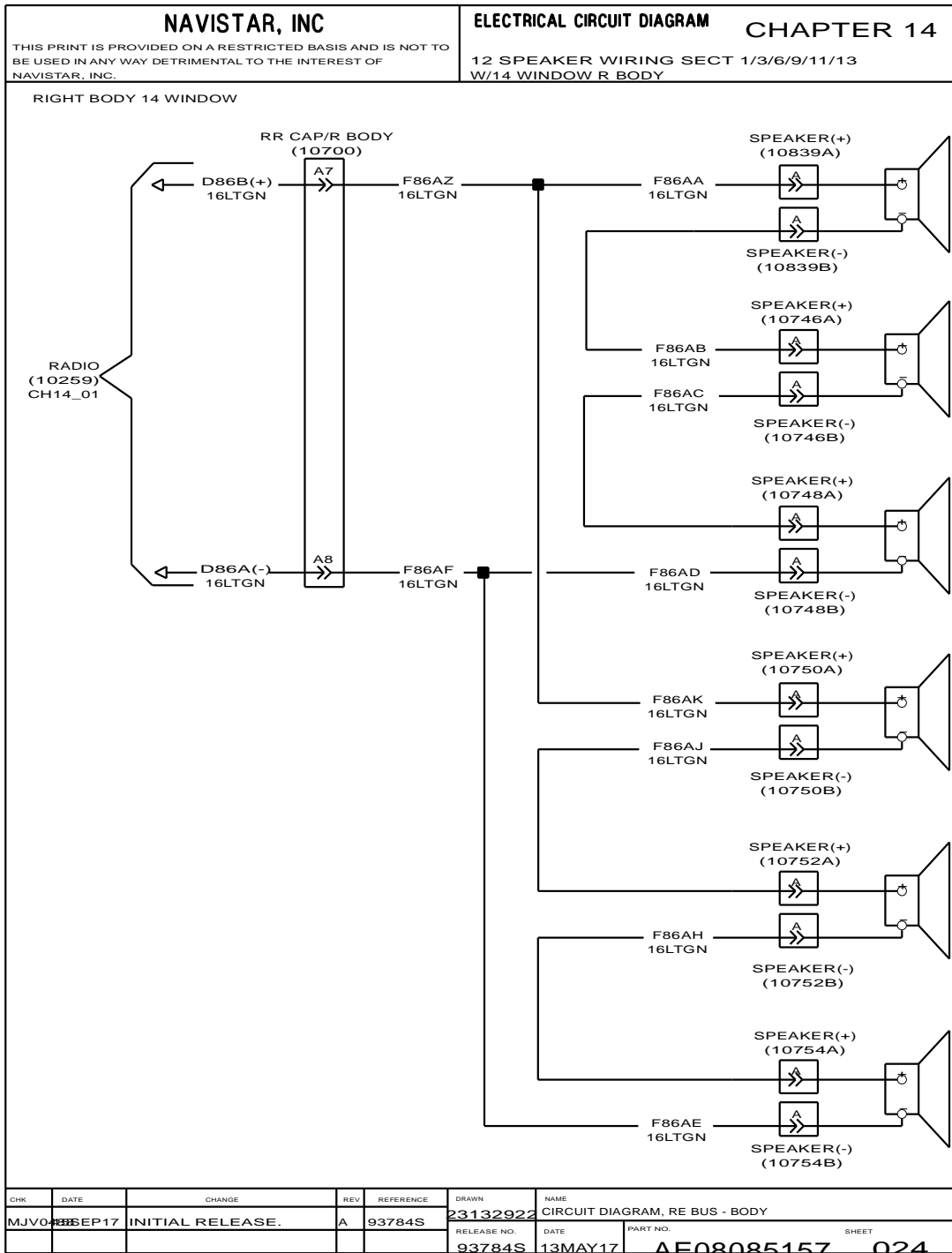


Figure 320 12 Speaker Wiring Sect 1 / 3 / 6 / 9 / 11 / 13 with 14 Window R Body

15.25. 8 SPEAKER WIRING WITH 48 AED & 1ST LOCATED 1ST R WINDOW L BODY, P. 25

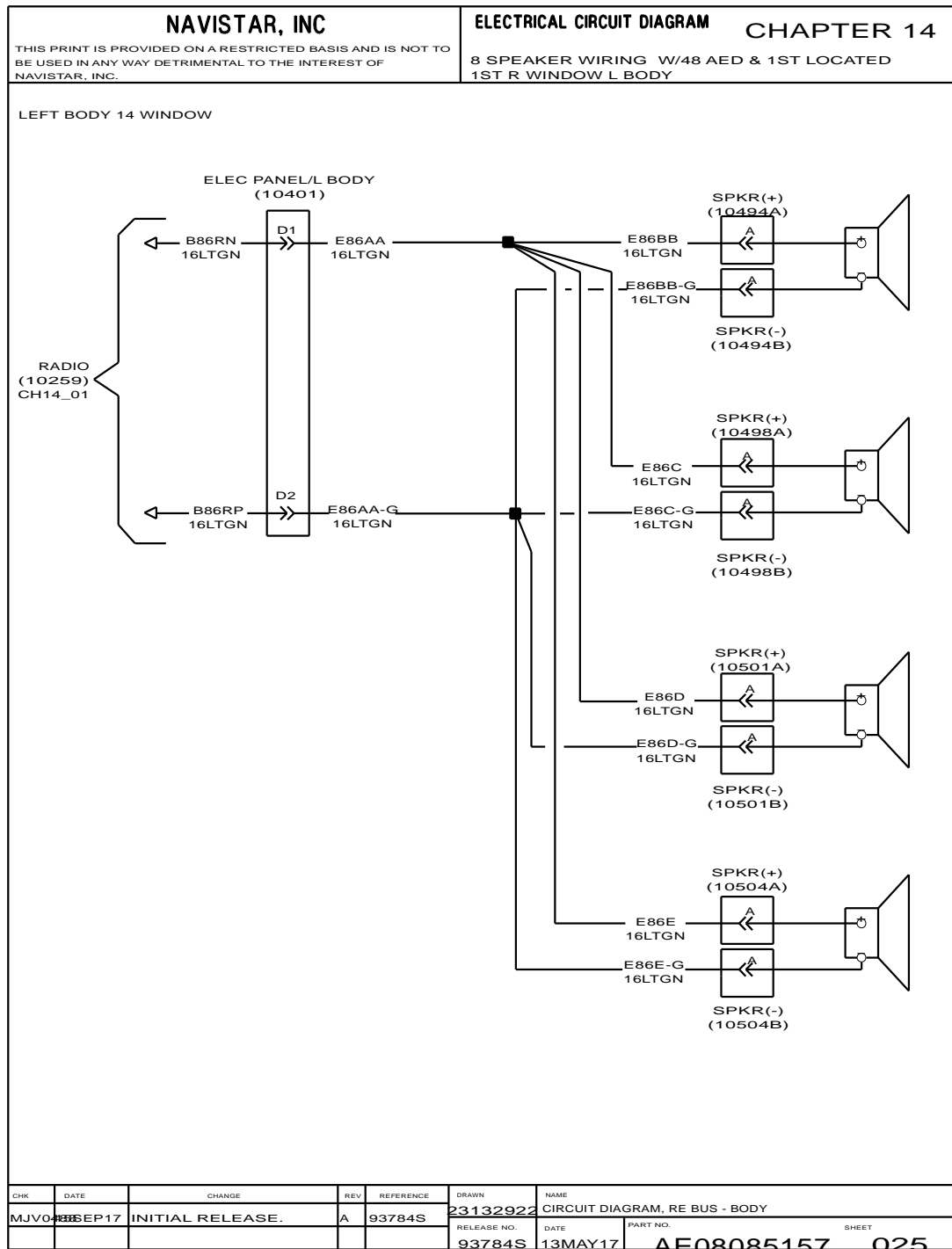


Figure 321 8 Speaker Wiring with 48 AED & 1st Located 1st R Window L Body

15.26. 2 SPEAKER WIRING 1ST WINDOW SECT L & R BODY, P. 26

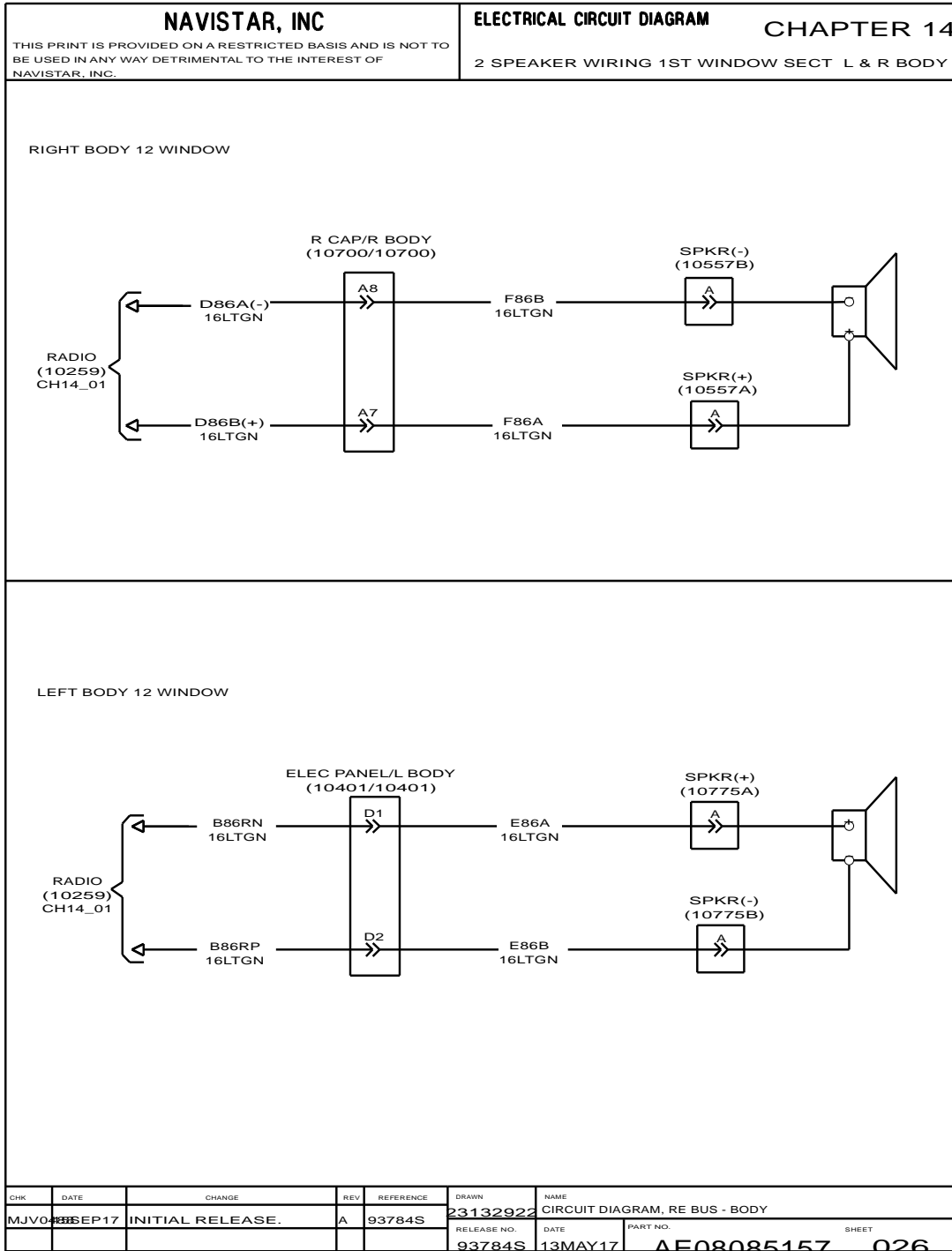


Figure 322 2 Speaker Wiring 1st Window Sect L & R Body

15.27. TWO WAY RADIO TERM STRIP, P. 27

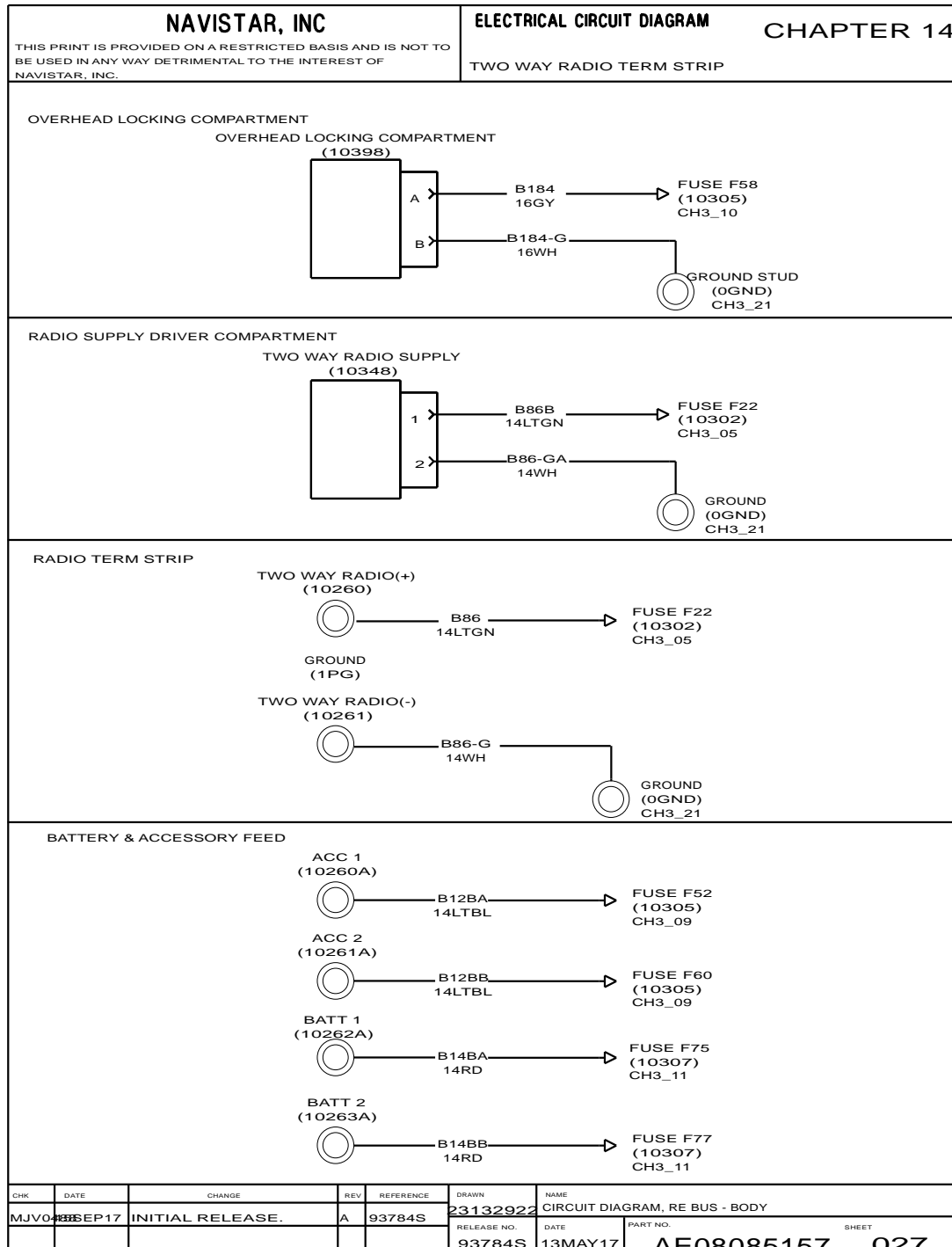


Figure 323 Two Way Radio Term Strip

15.28. DUAL RADIO SPEAKERS IN BULKHEAD, P. 28

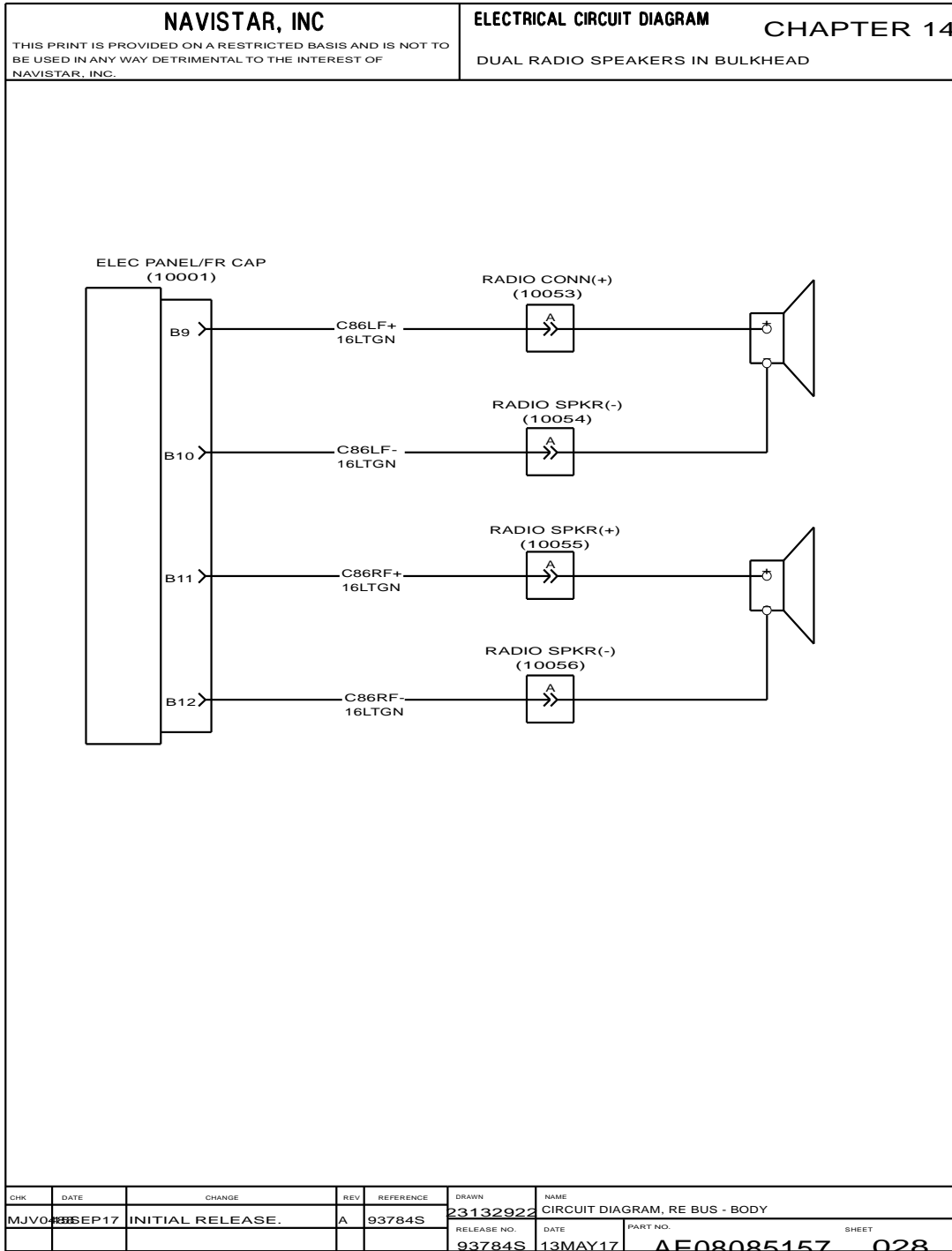


Figure 324 Dual Radio Speakers in Bulkhead

15.29. VIDEO SYSTEM, P. 29

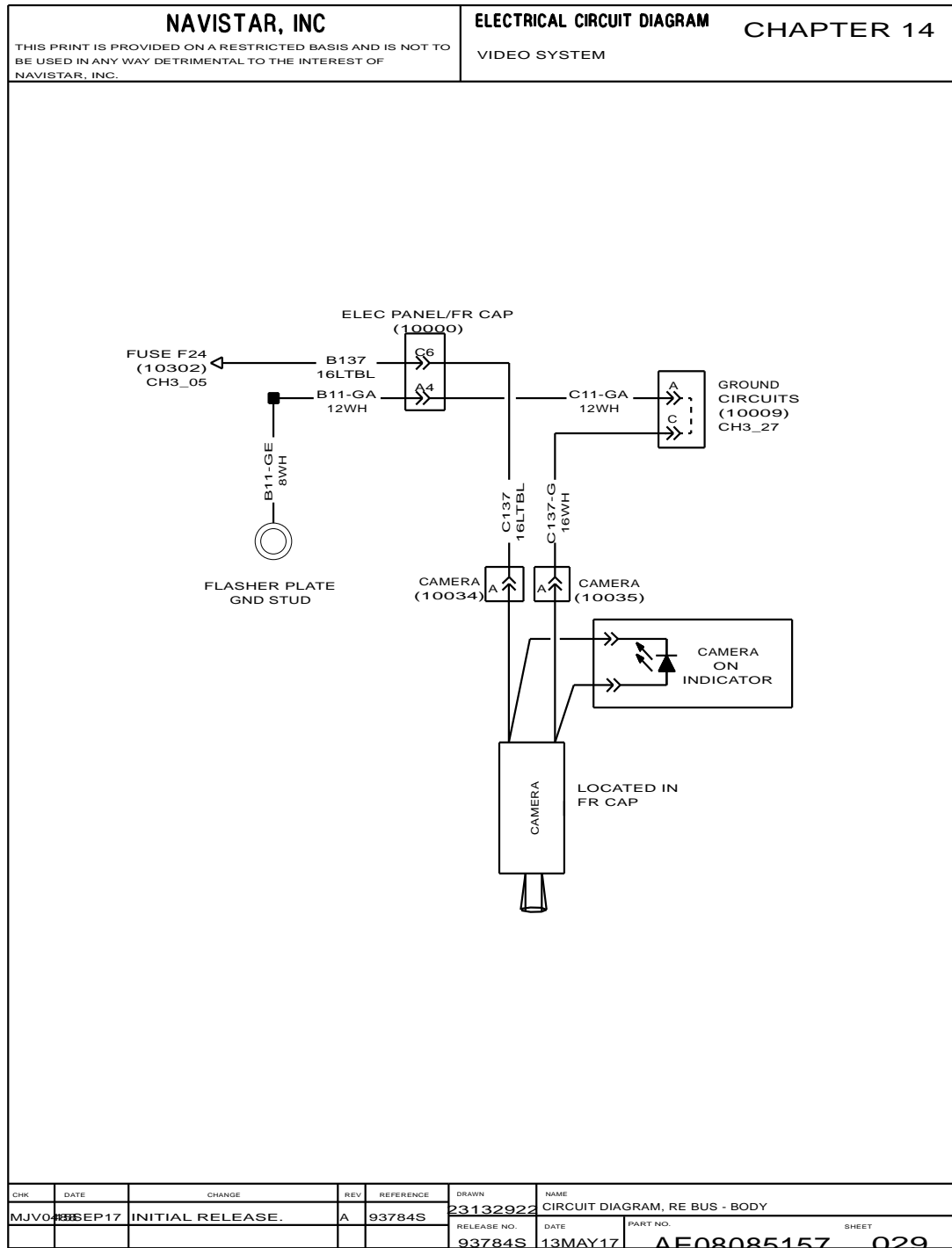


Figure 325 Video System

15.30. VIDEO SYSTEM TERM STRIP, P. 30

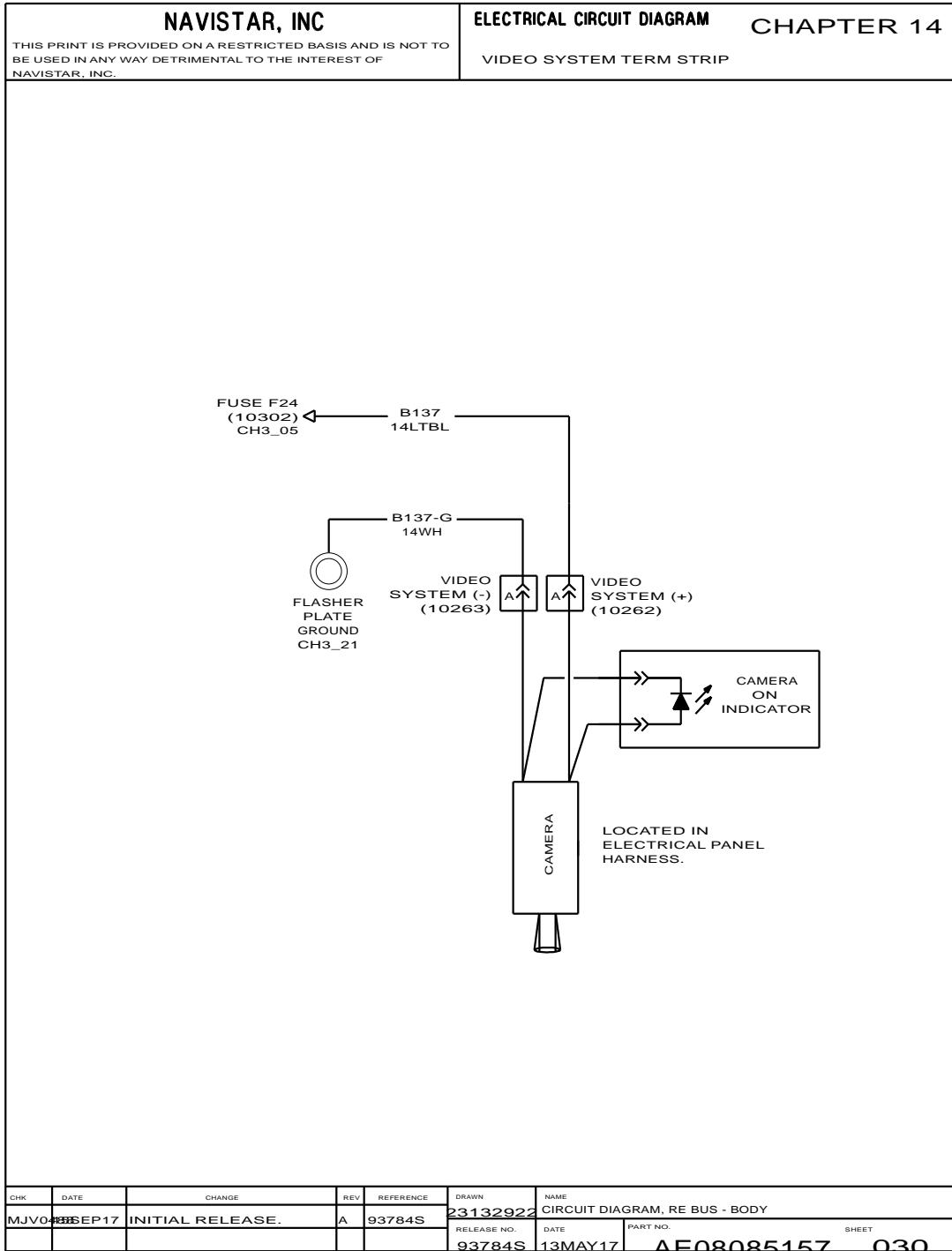


Figure 326 Video System Term Strip

15.31. SEON VIDEO PREWIRE, P. 31

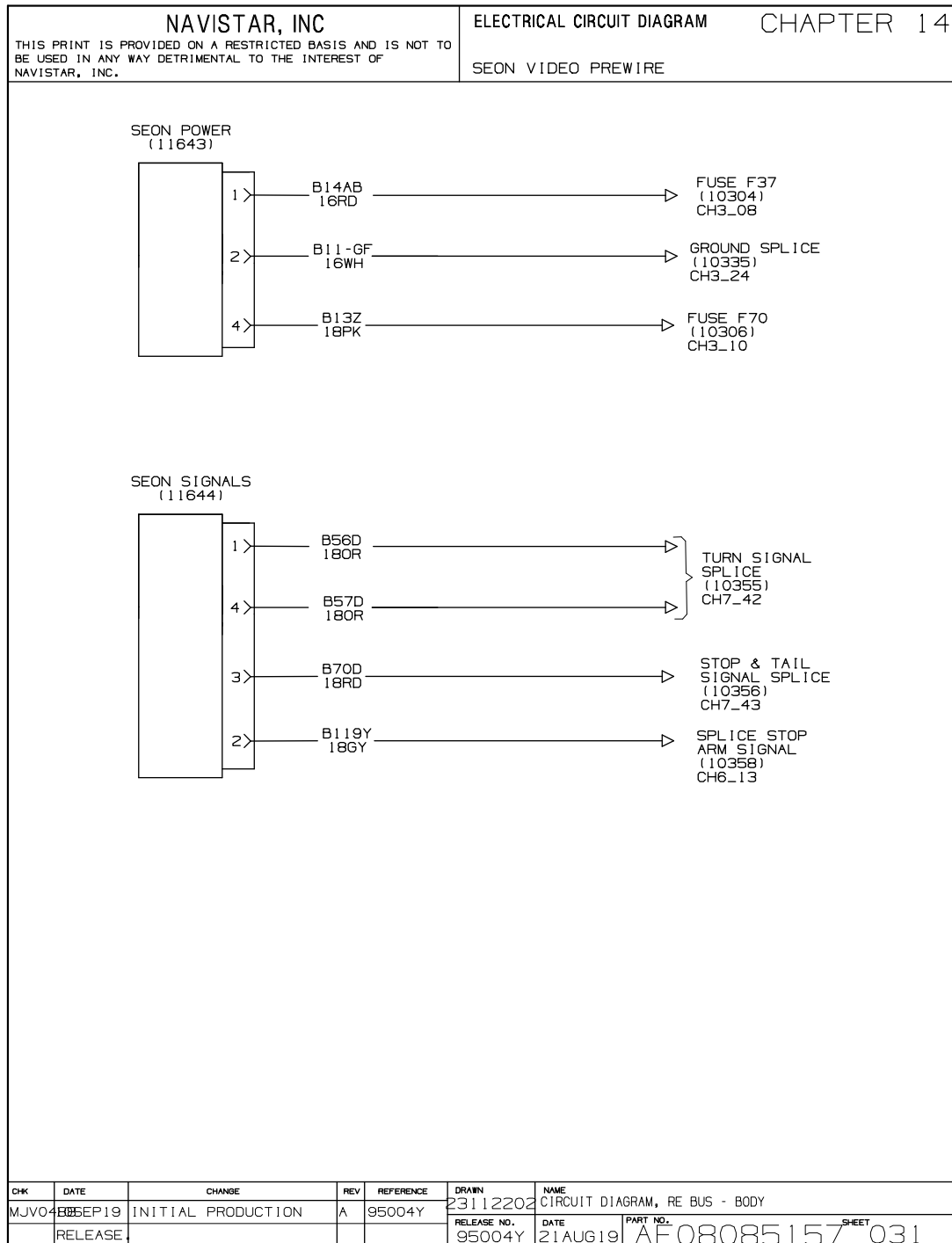


Figure 327 Seon Video Prewire

CHILD REMINDER SYSTEM (CHAPTER 15)

16.1. ELECTRIC HORN, P. 1

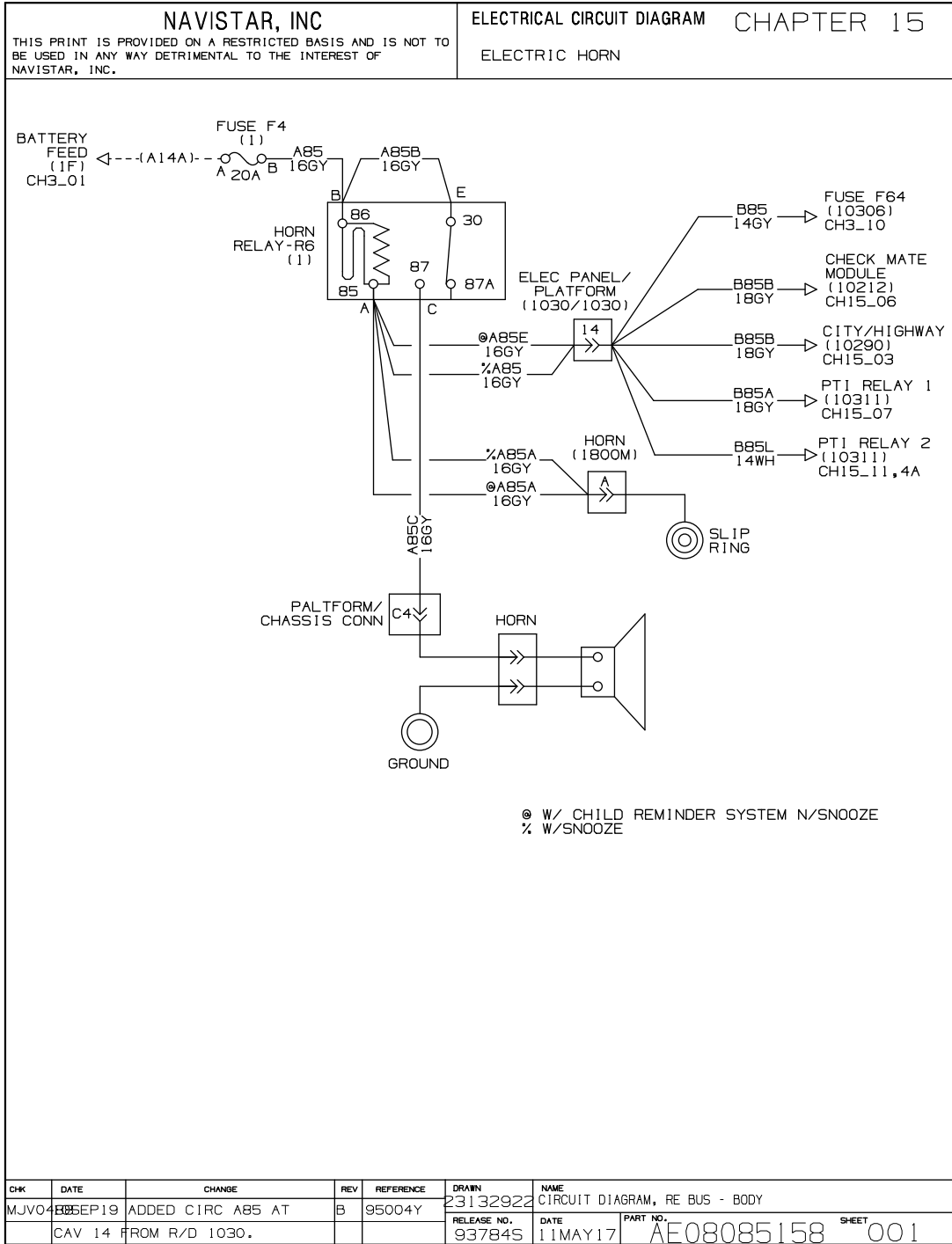


Figure 328 Electric Horn

16.2. AIR HORN, P. 2

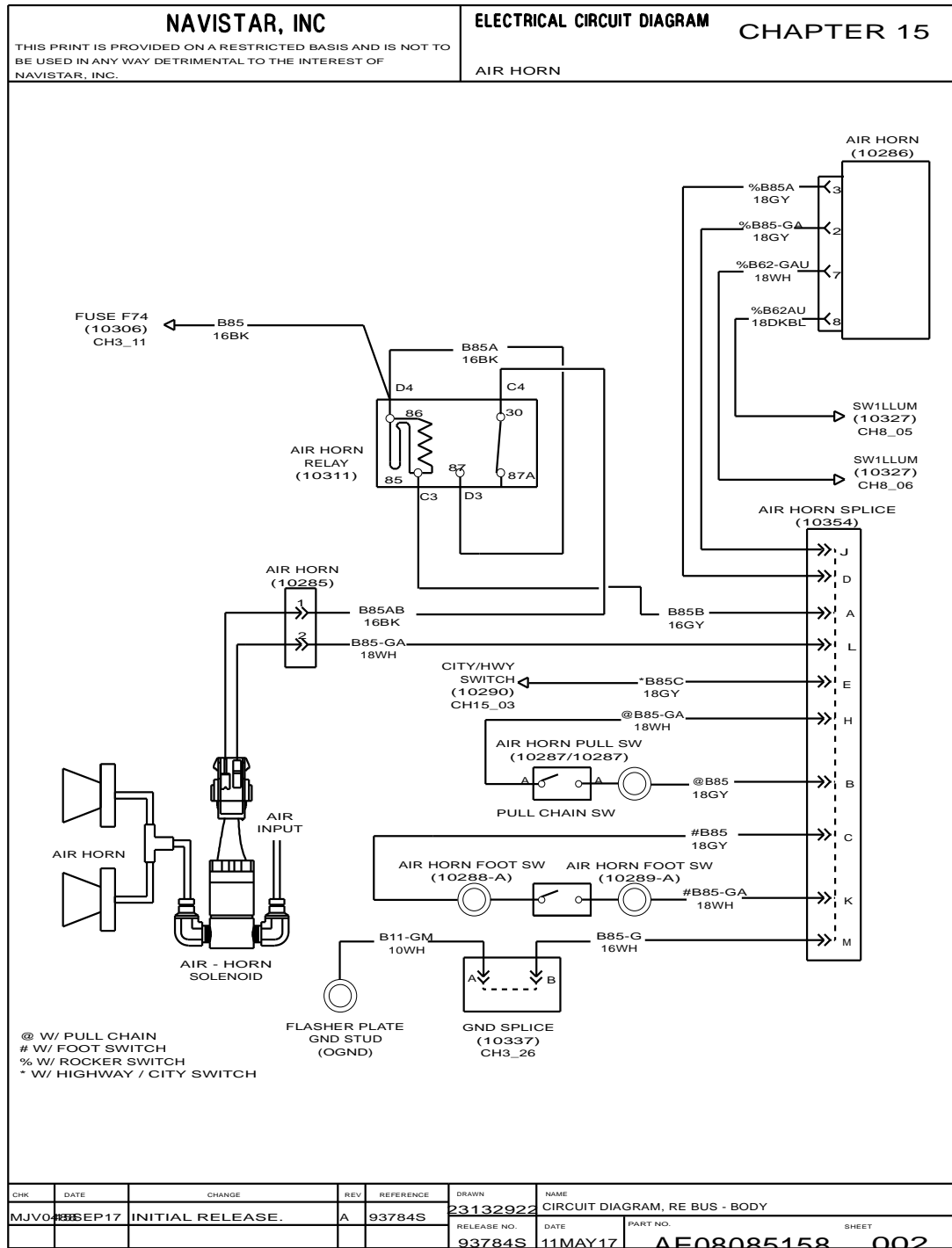


Figure 329 Air Horn

16.3. AIR HORN (CONT.), P. 3

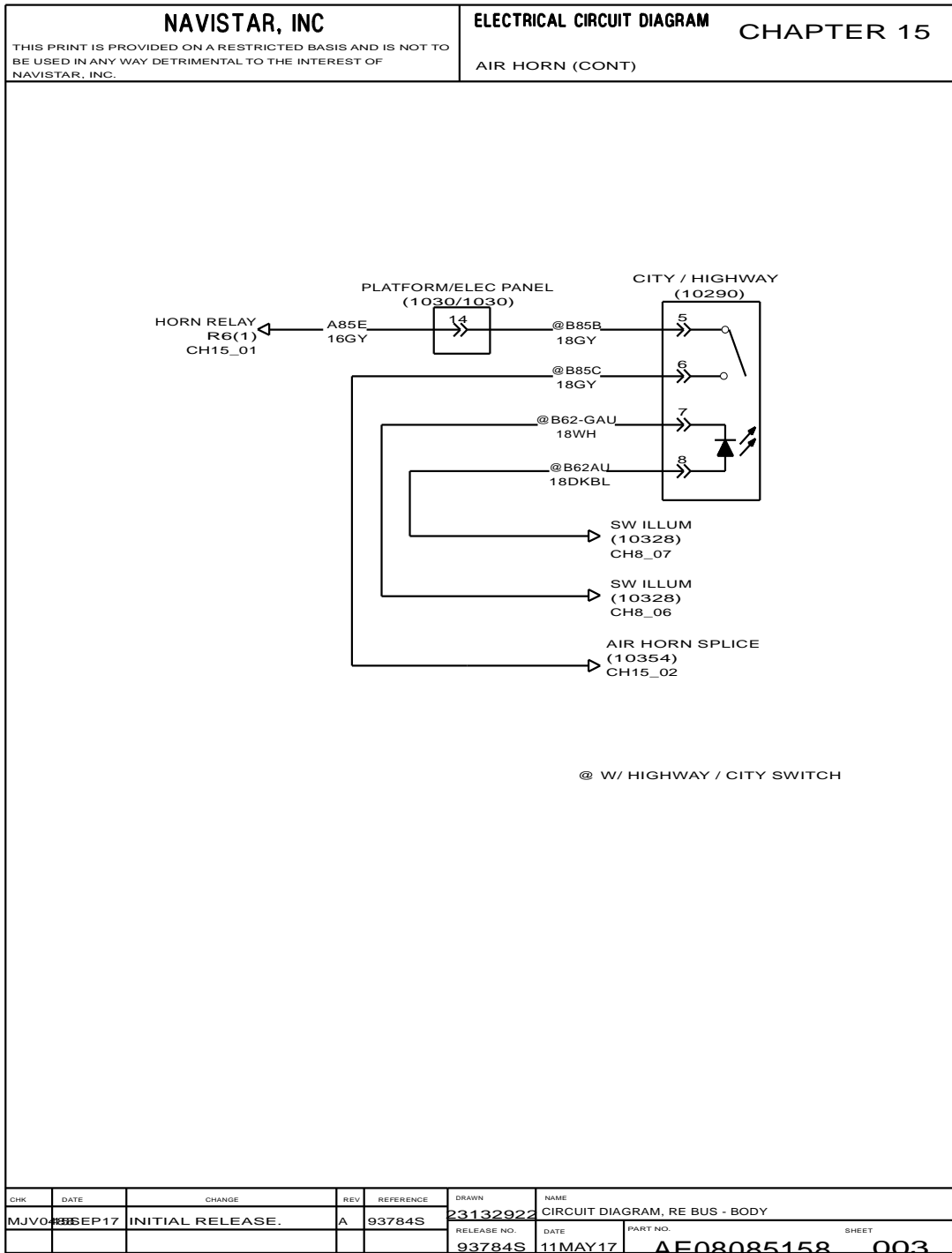


Figure 330 Air Horn (Cont.)

16.4. POST TRIP INSPECTION WITH ALTERNATE RELAY LOCATION, P. 4

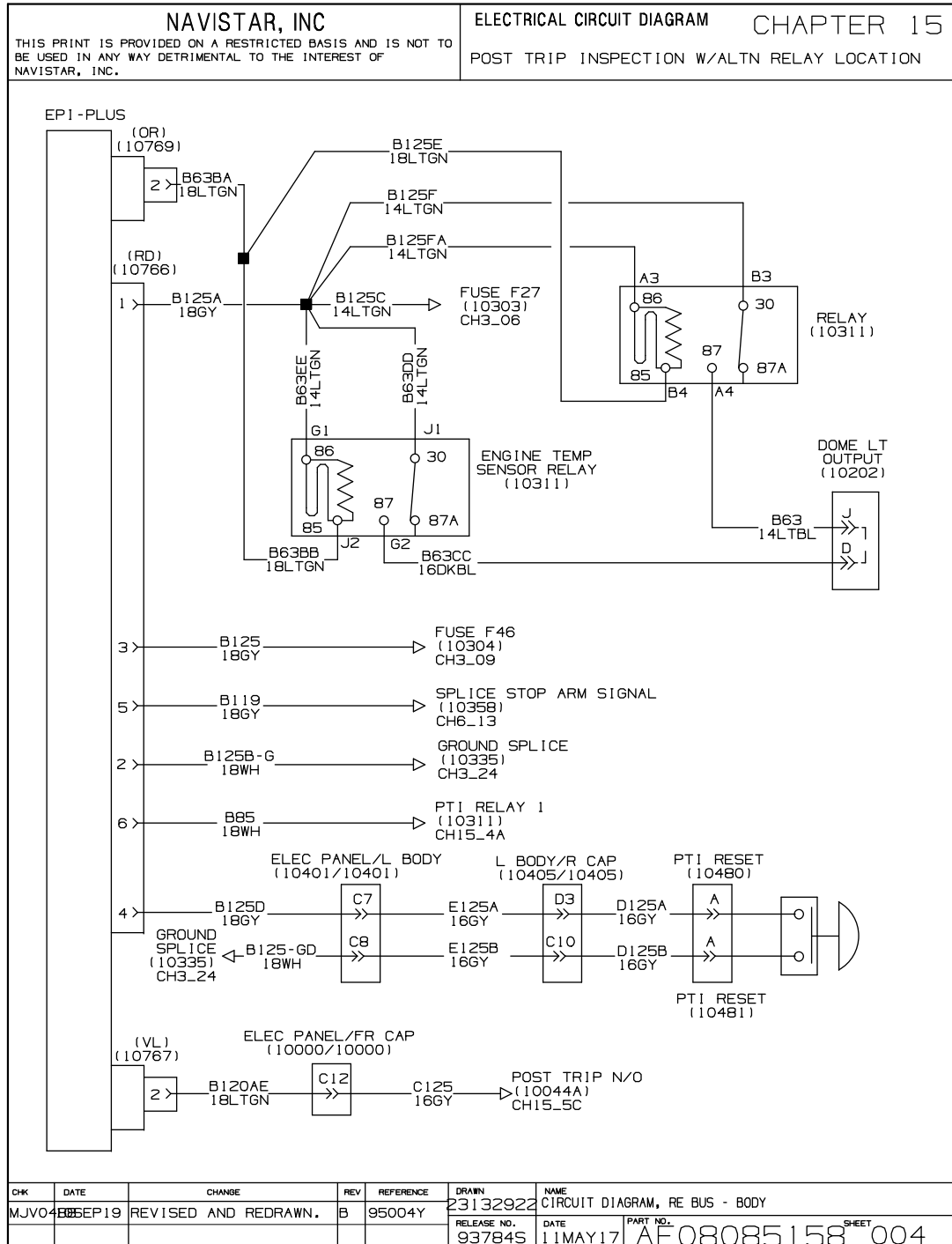


Figure 331 Post Trip Inspection with Alternate Relay Location

16.5. POST TRIP INSPECTION WITH ALTERNATE RELAY LOCATION (CONT.), P. 4A

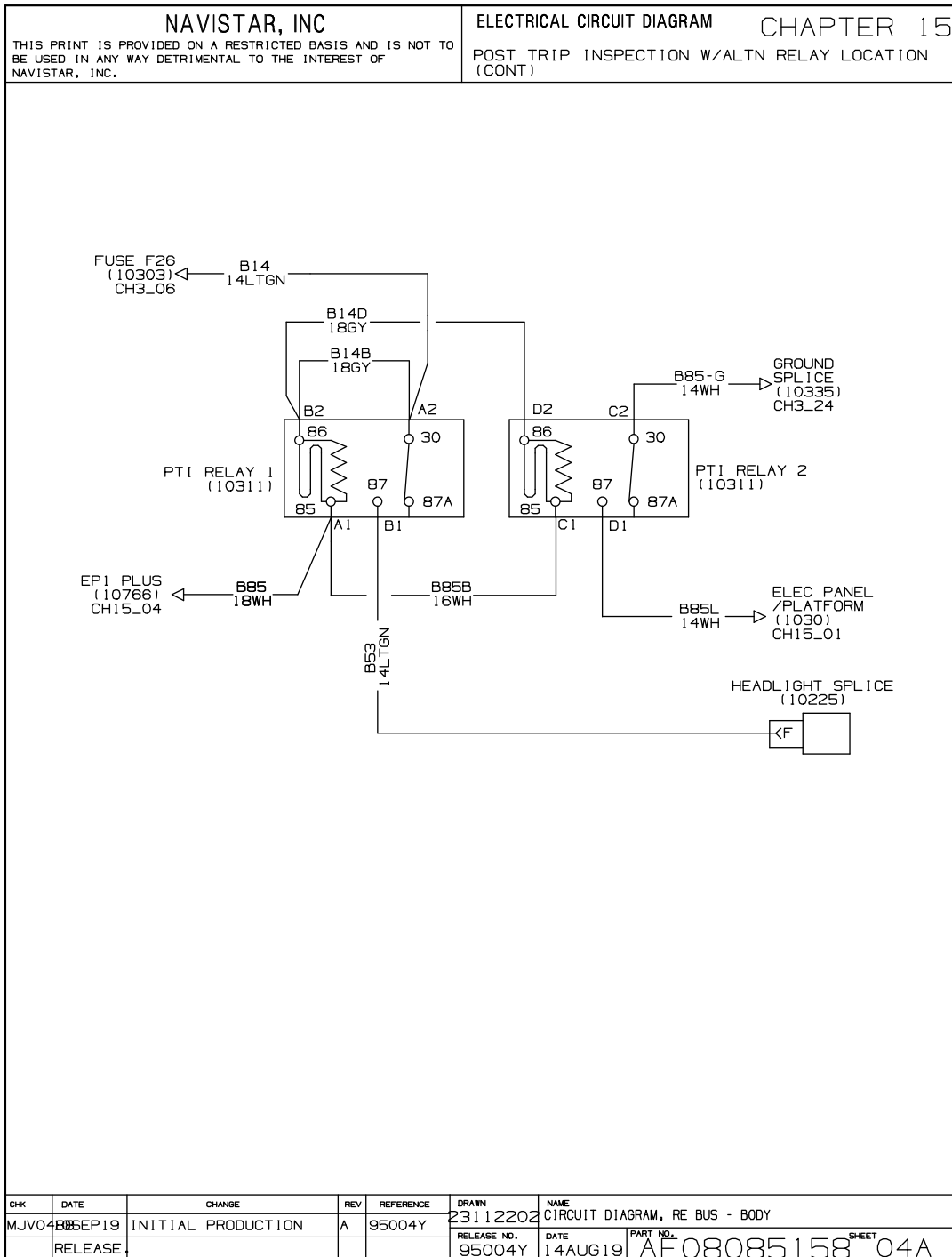


Figure 332 Post Trip Inspection with Alternate Relay Location (Cont.)

16.6. POST TRIP INSPECTION WITH SNOOZE, P. 5

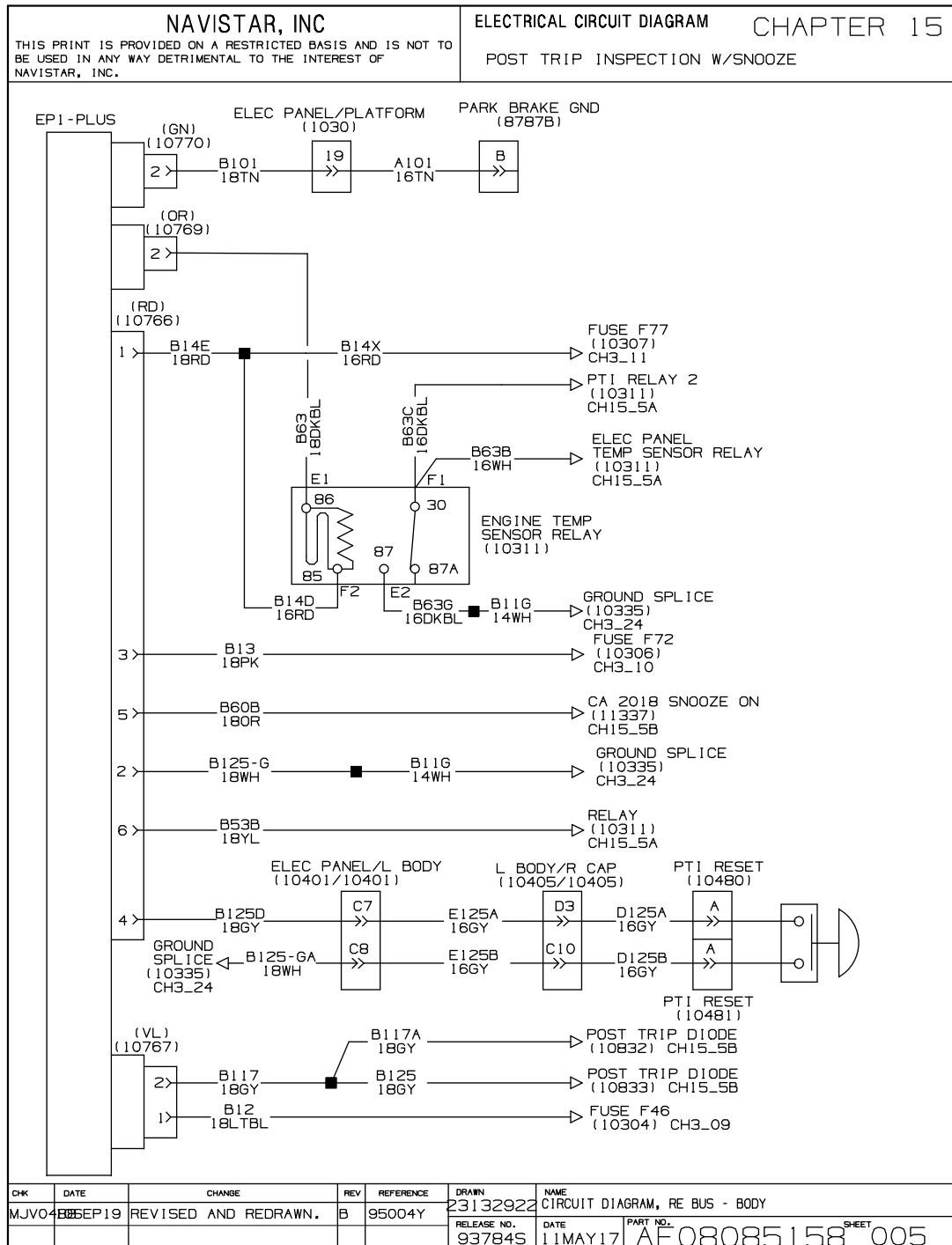


Figure 333 Post Trip Inspection with Snooze

16.7. POST TRIP INSPECTION WITH SNOOZE (CONT.), P. 5A

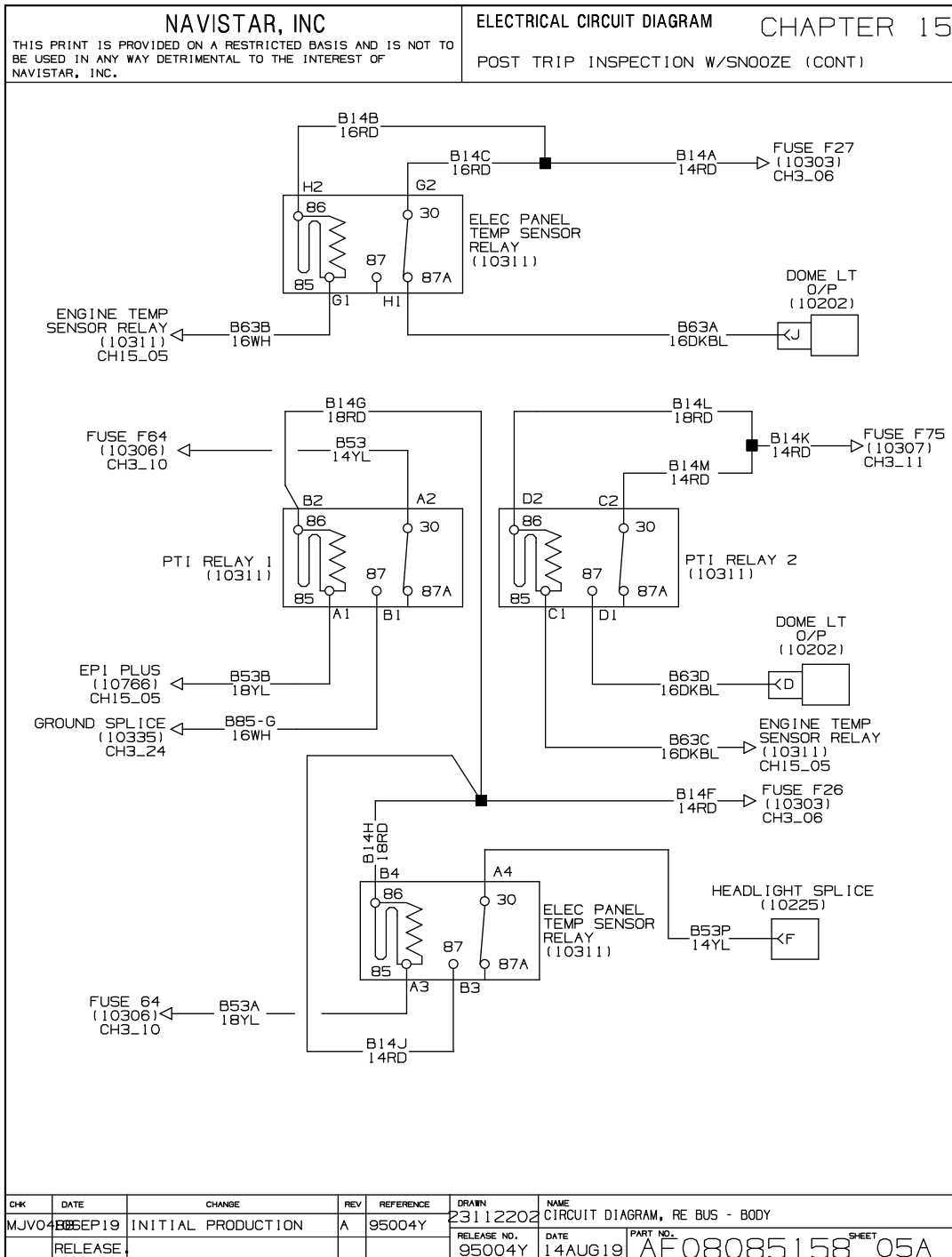


Figure 334 Post Trip Inspection with Snooze (Cont.)

16.8. POST TRIP INSPECTION WITH SNOOZE (CONT.), P. 5B

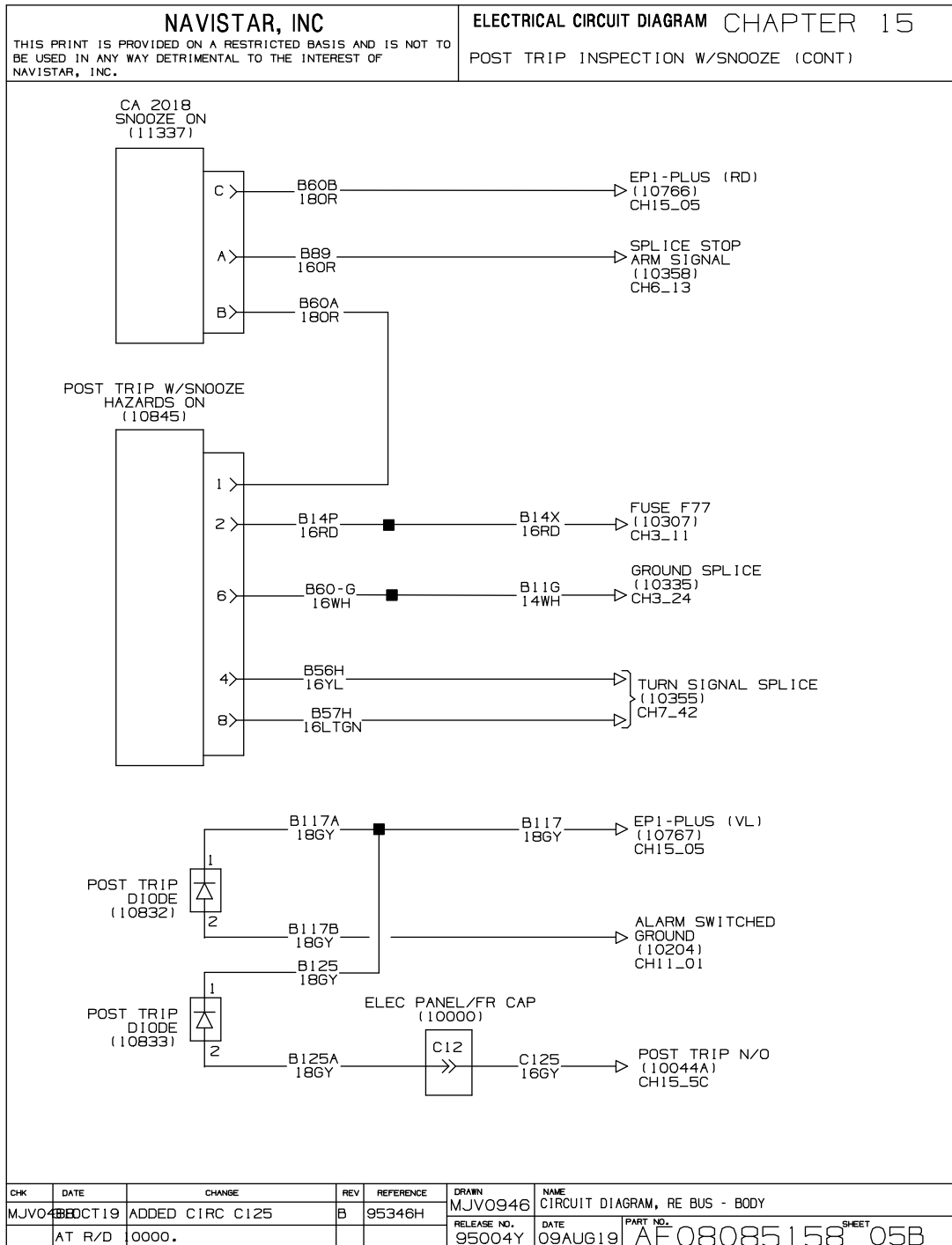


Figure 335 Post Trip Inspection with Snooze (Cont.)

16.9. POST TRIP INSPECTION WITH SNOOZE (CONT.), P. 5C

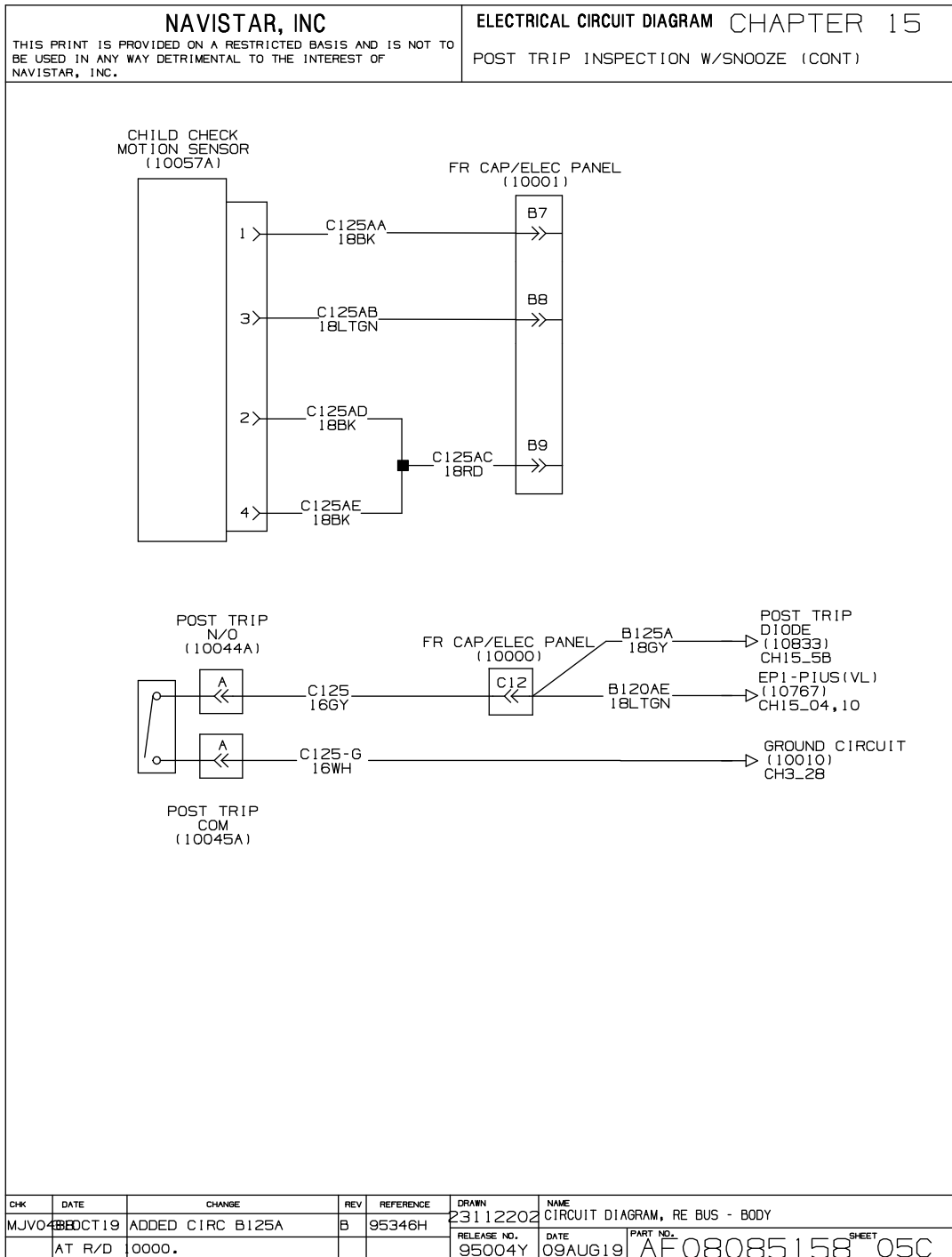


Figure 336 Post Trip Inspection with Snooze (Cont.)

16.10. CHILD CHECKMATE POST TRIP INSPECTION, P. 6

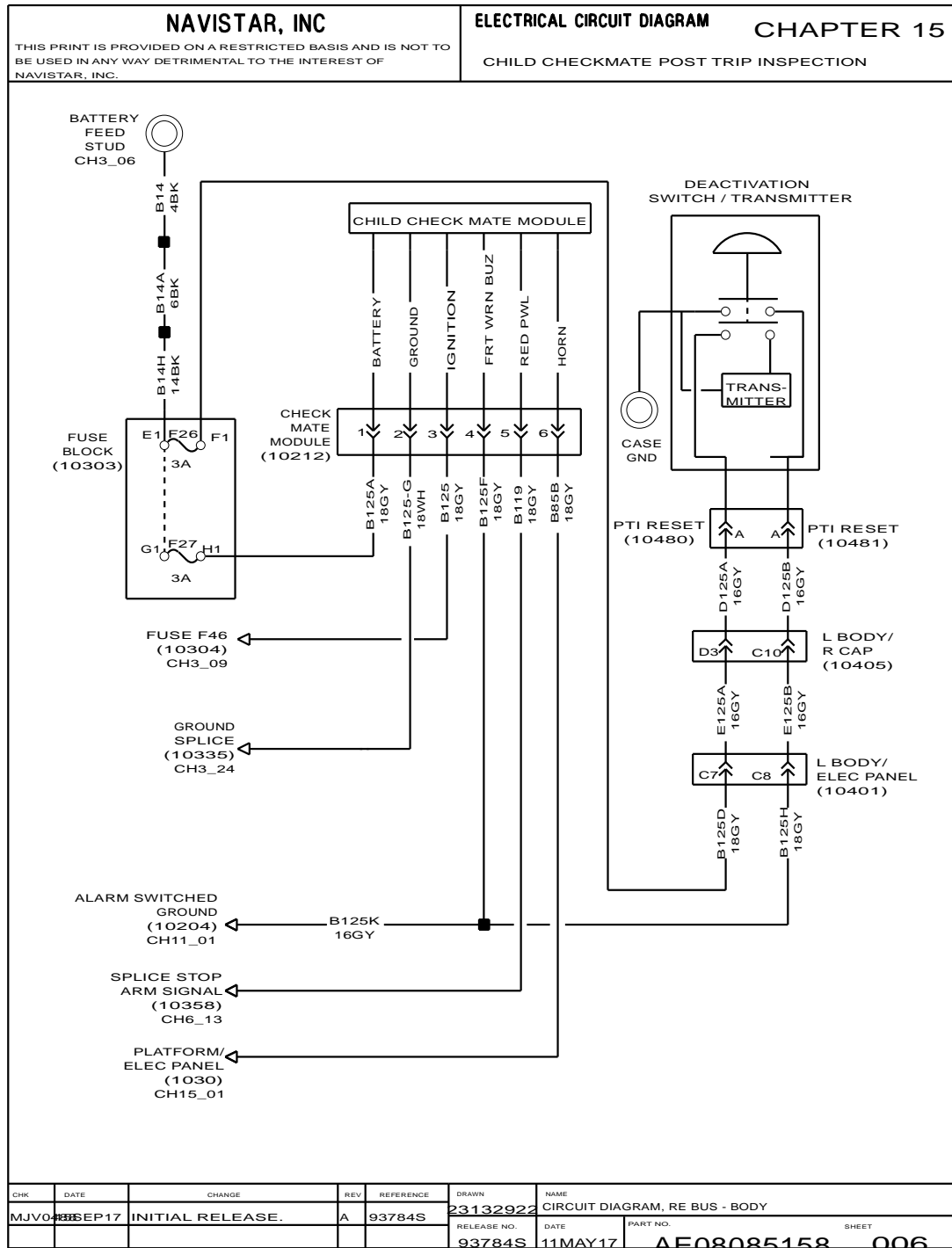


Figure 337 Child Checkmate Post Trip Inspection

16.11. POST TRIP INSPECTION WITHOUT SNOOZE, P. 7

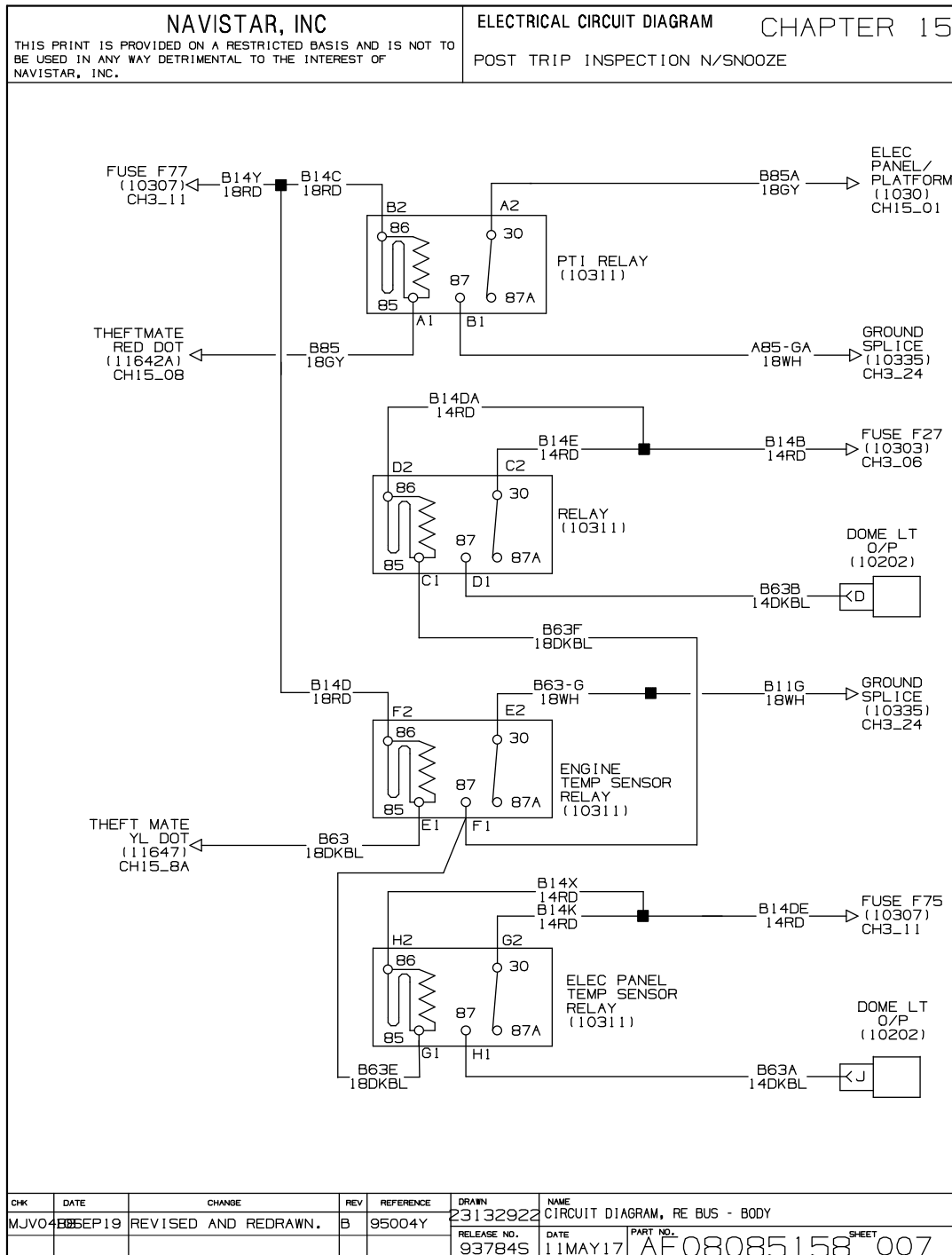


Figure 338 Post Trip Inspection without Snooze

16.12. POST TRIP INSPECTION WITHOUT SNOOZE (CONT.), P. 8

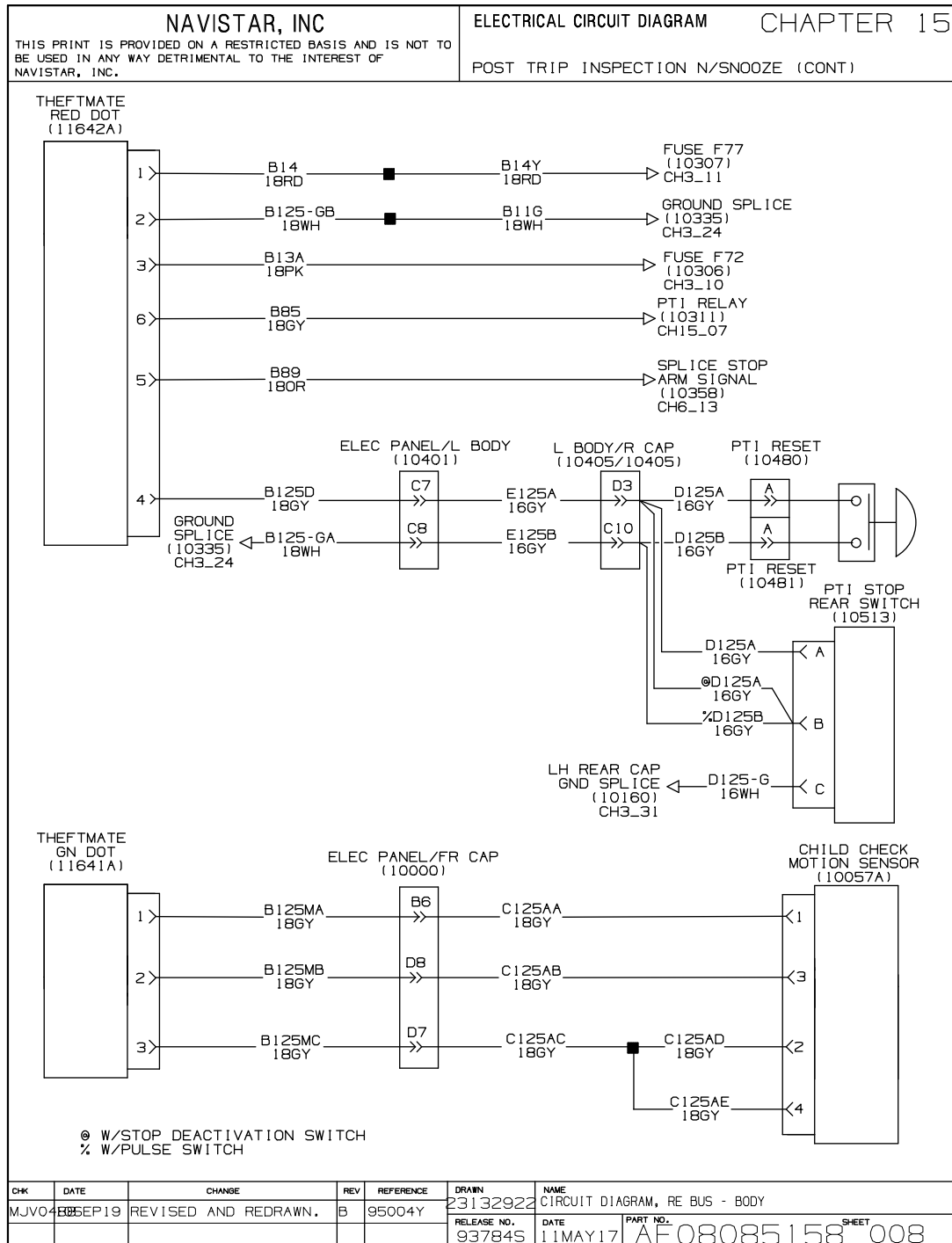


Figure 339 Post Trip Inspection without Snooze (Cont.)

16.13. POST TRIP INSPECTION WITHOUT SNOOZE (CONT.), P. 8A

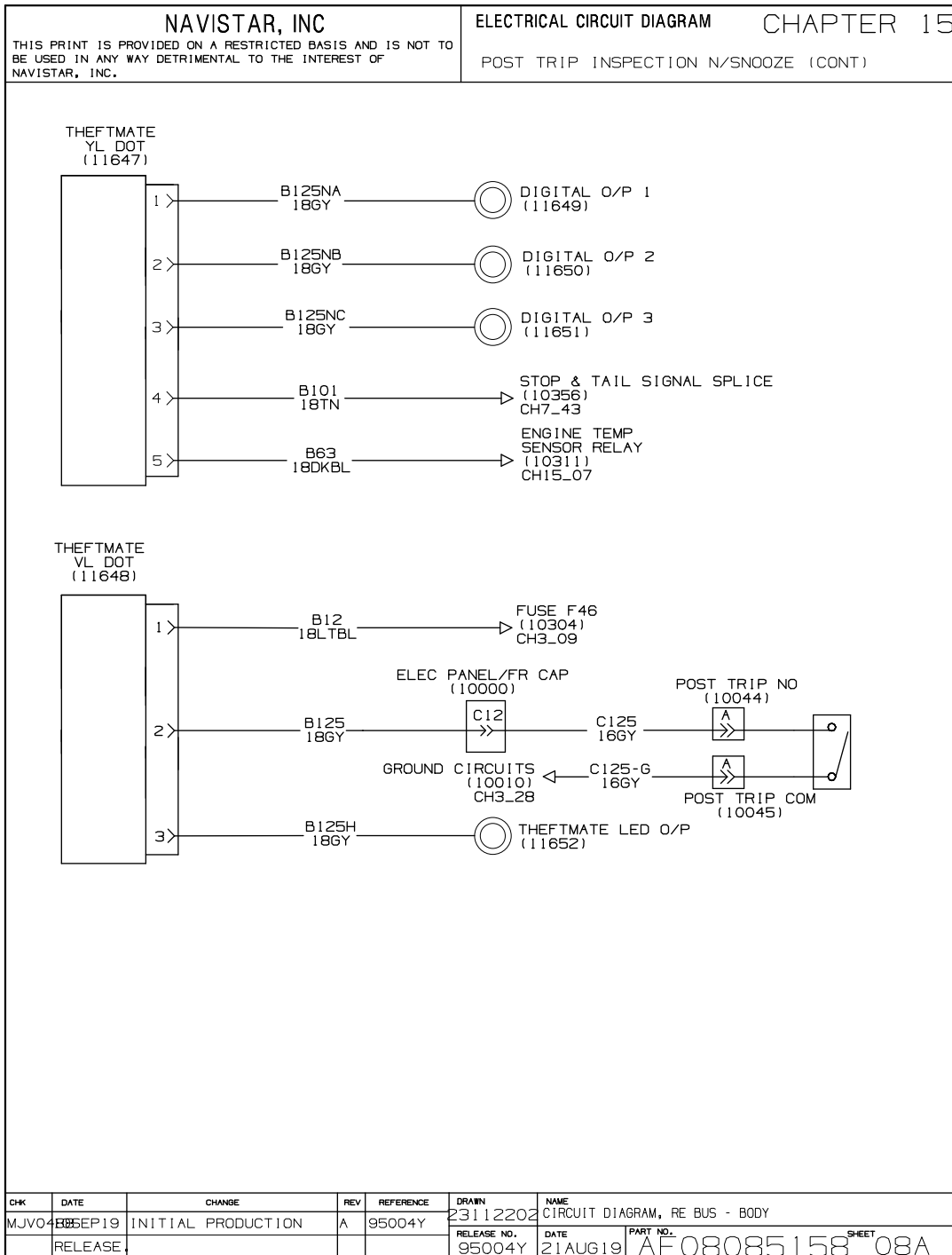


Figure 340 Post Trip Inspection without Snooze (Cont.)

16.14. TIRE CARRIER WINCH TYPE, P. 9

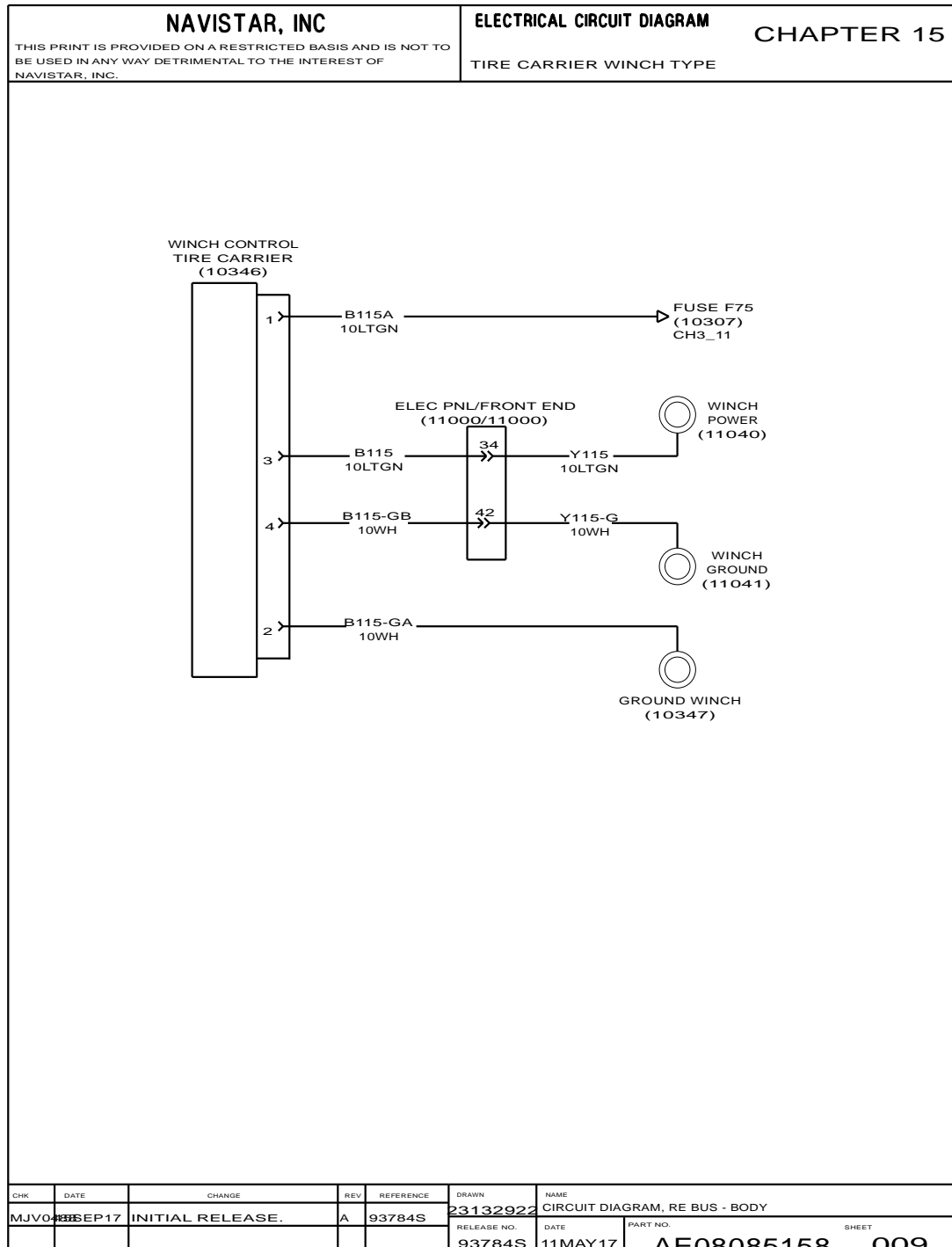


Figure 341 Tire Carrier Winch Type

16.15. DOME LIGHT POST TRIP INSPECTION WITHOUT SPLIT SWITCH, P. 10

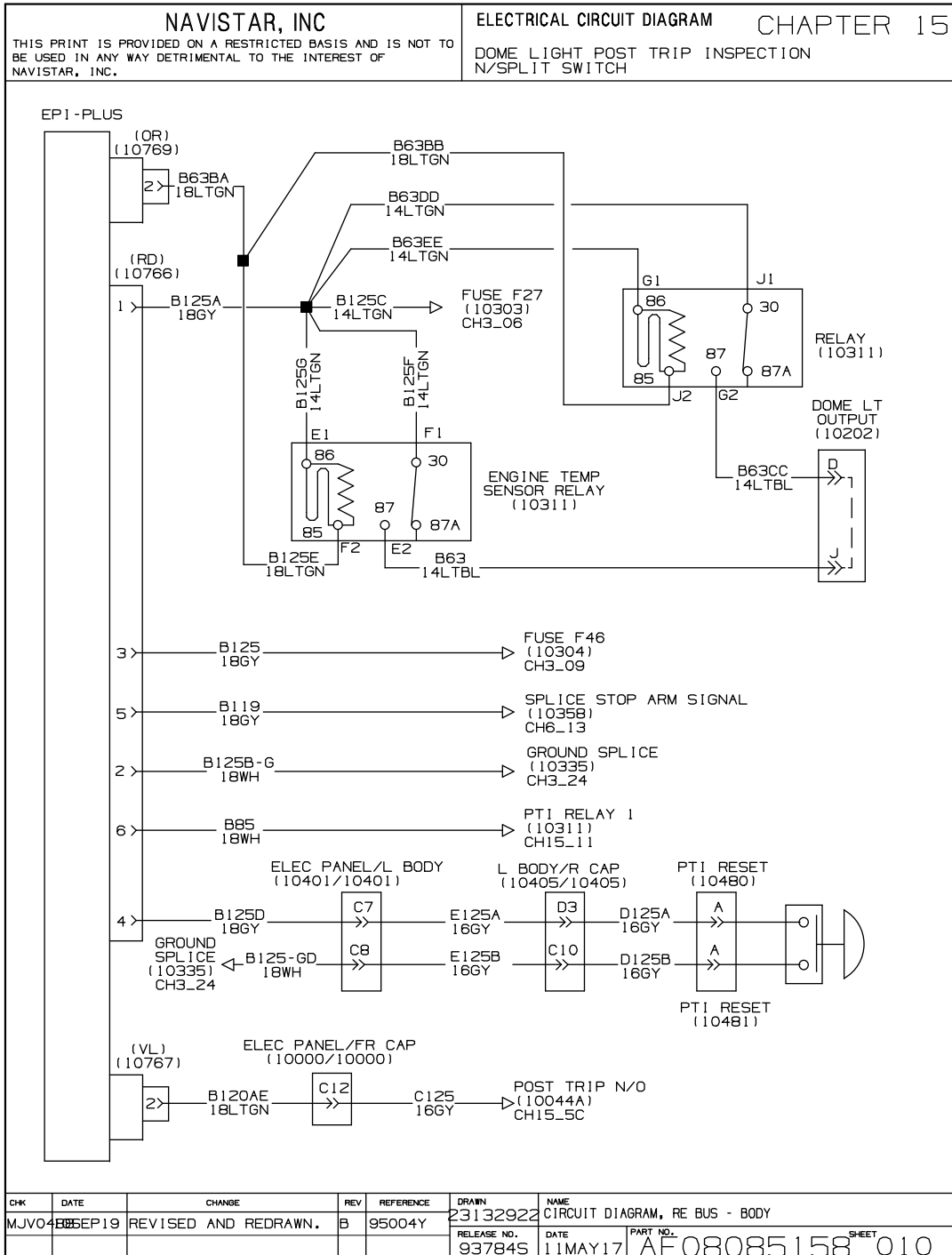


Figure 342 Dome Light Post Trip Inspection without Split Switch

16.16. DOME LIGHT POST TRIP INSPECTION WITHOUT SPLIT SWITCH (CONT.), P. 11

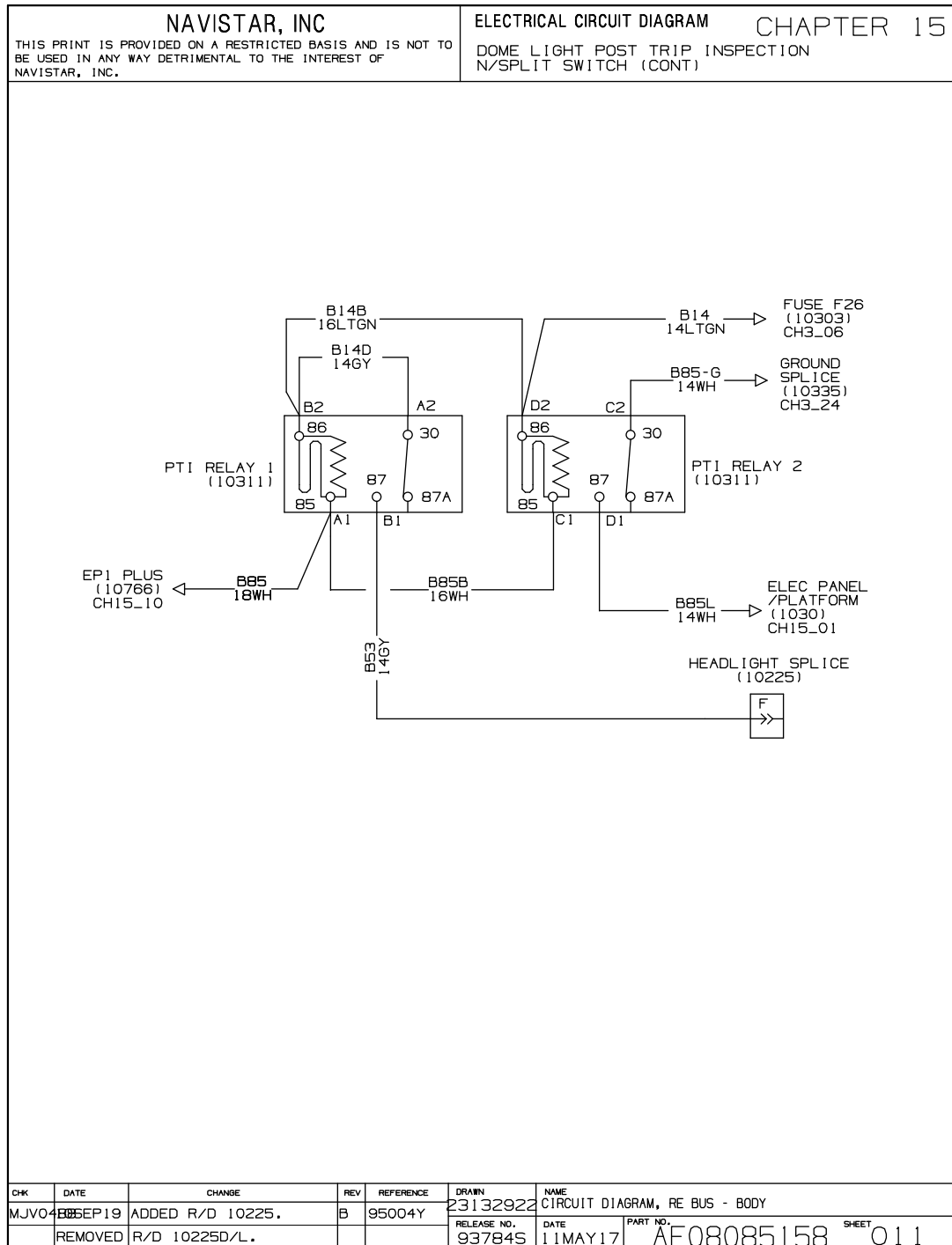


Figure 343 Dome Light Post Trip Inspection without Split Switch (Cont.)

HEATER / AIR CONDITIONING (CHAPTER 16)

17.1. BOOSTER PUMP, P. 1

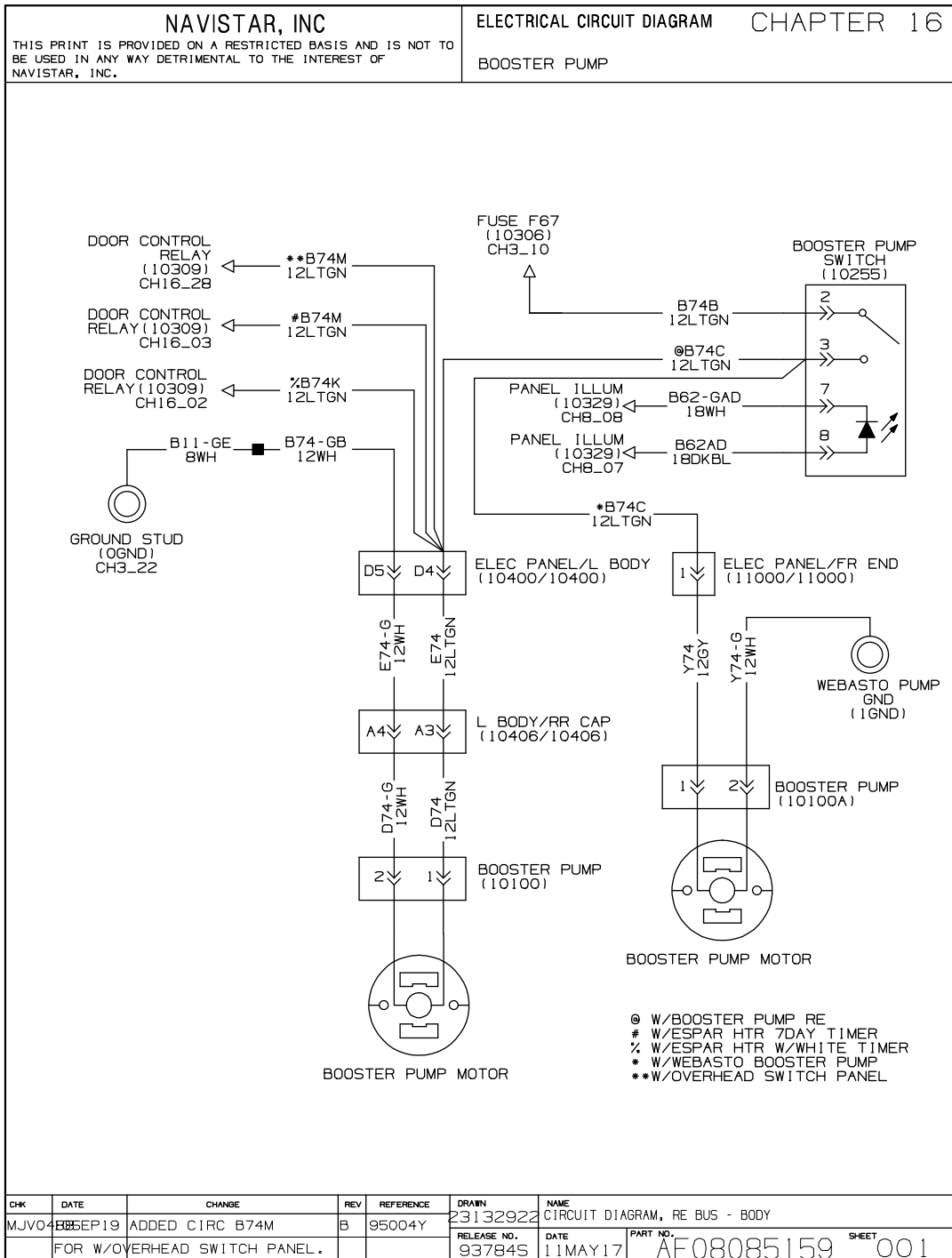


Figure 344 Booster Pump

17.2. BOOSTER PUMP WITH ESPAR HEATER WITH WHITE TIMER, P. 2

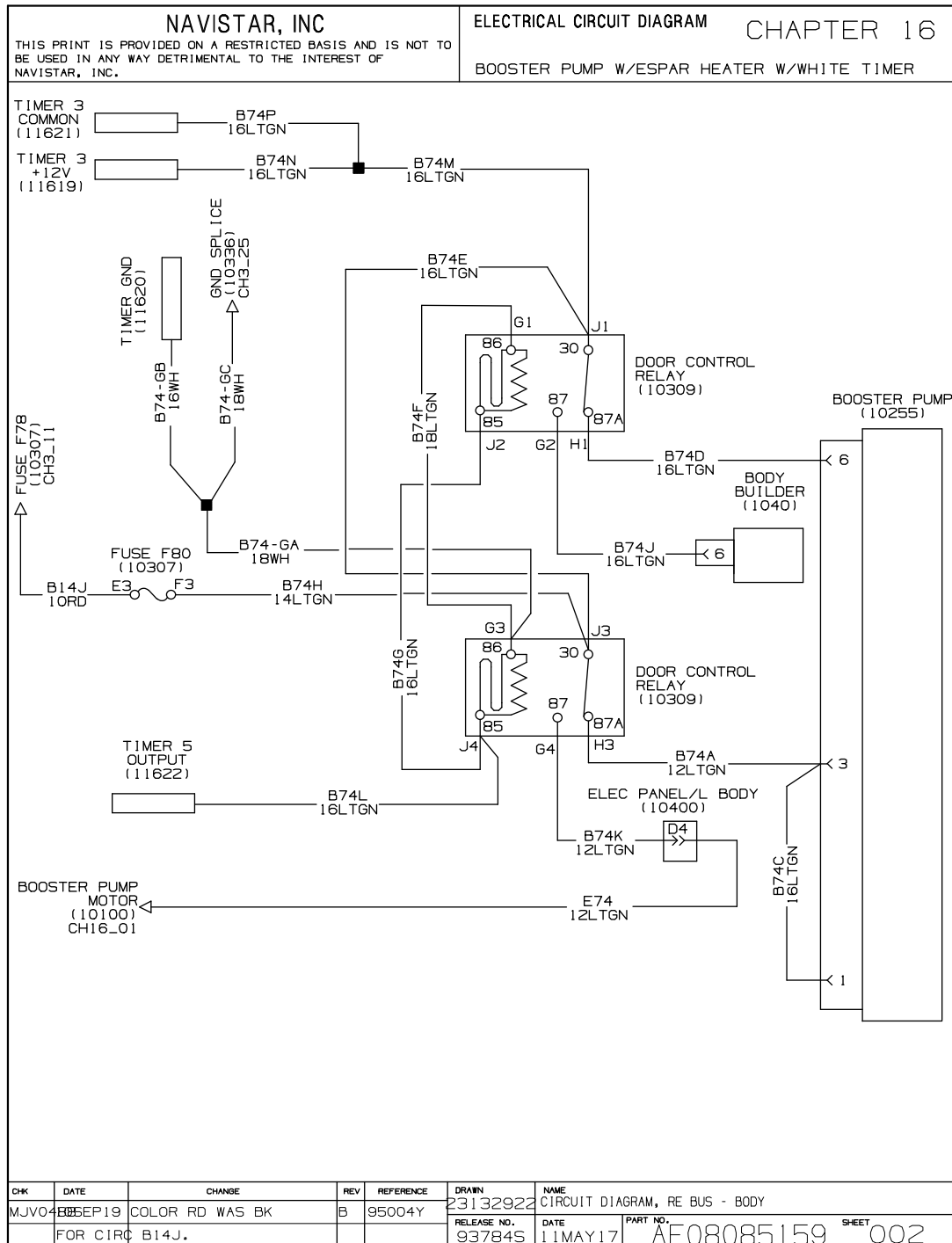


Figure 345 Booster Pump with ESPAR Heater with White Timer

17.3. BOOSTER PUMP WITH ESPAR HEATER WITH 7 DAY TIMER, P. 3

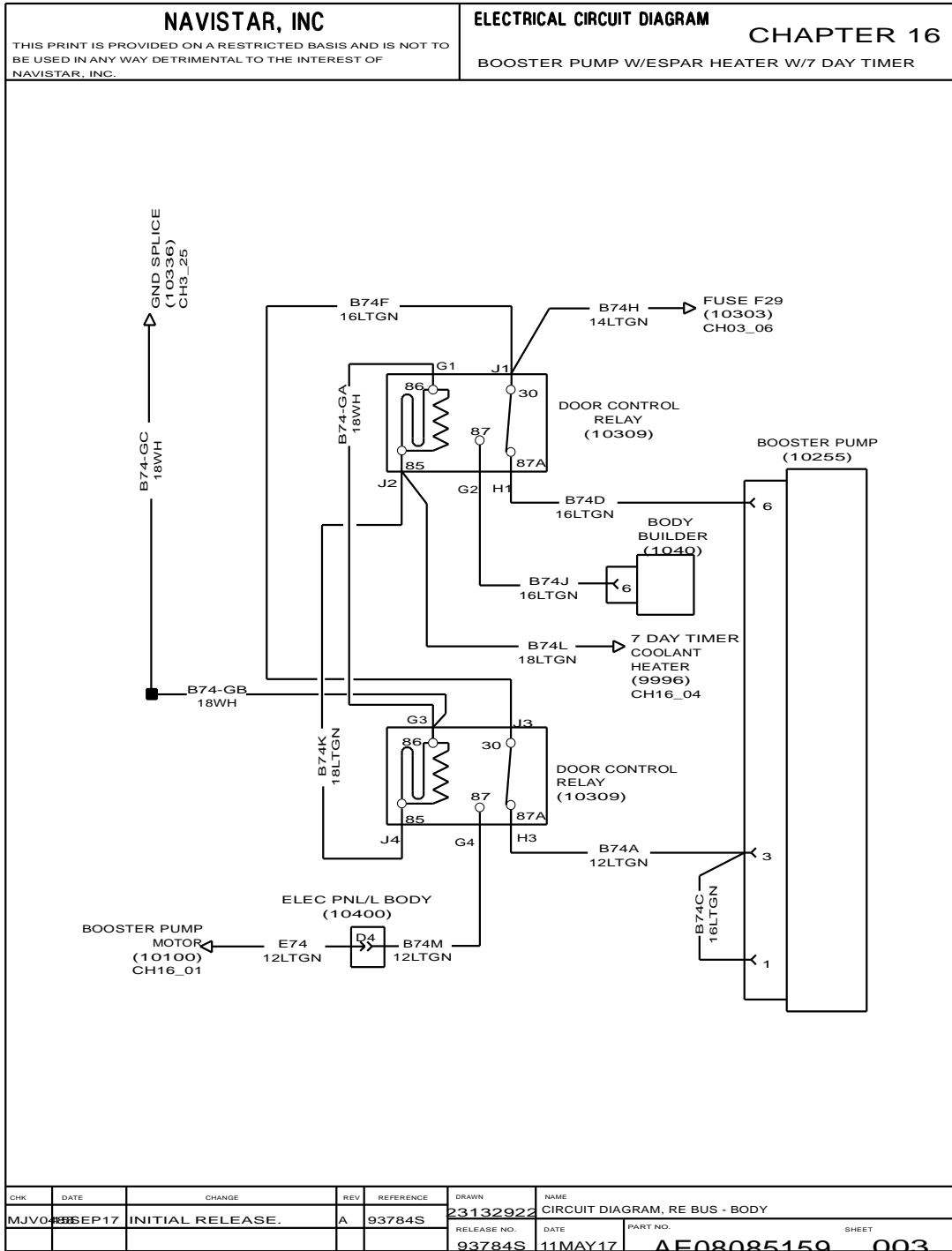


Figure 346 Booster Pump with ESPAR Heater with 7 Day Timer

17.4. BOOSTER PUMP WITH ESPAR HEATER WITH 7 DAY TIMER (CONT.), P. 4

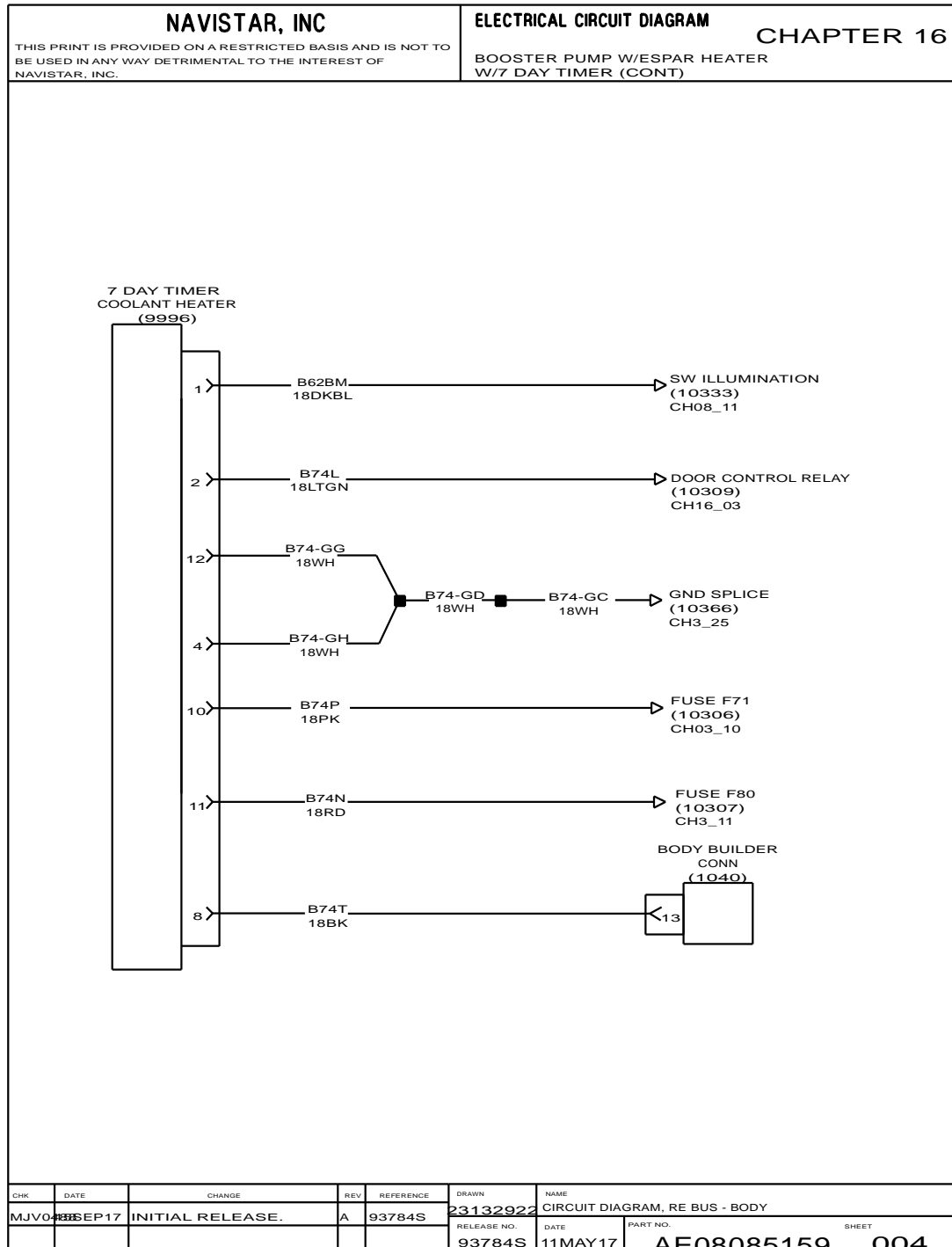


Figure 347 Booster Pump with ESPAR Heater with 7 Day Timer (Cont.)

17.5. WEBASTO HEATER WITH 7 DAY TIMER, P. 5

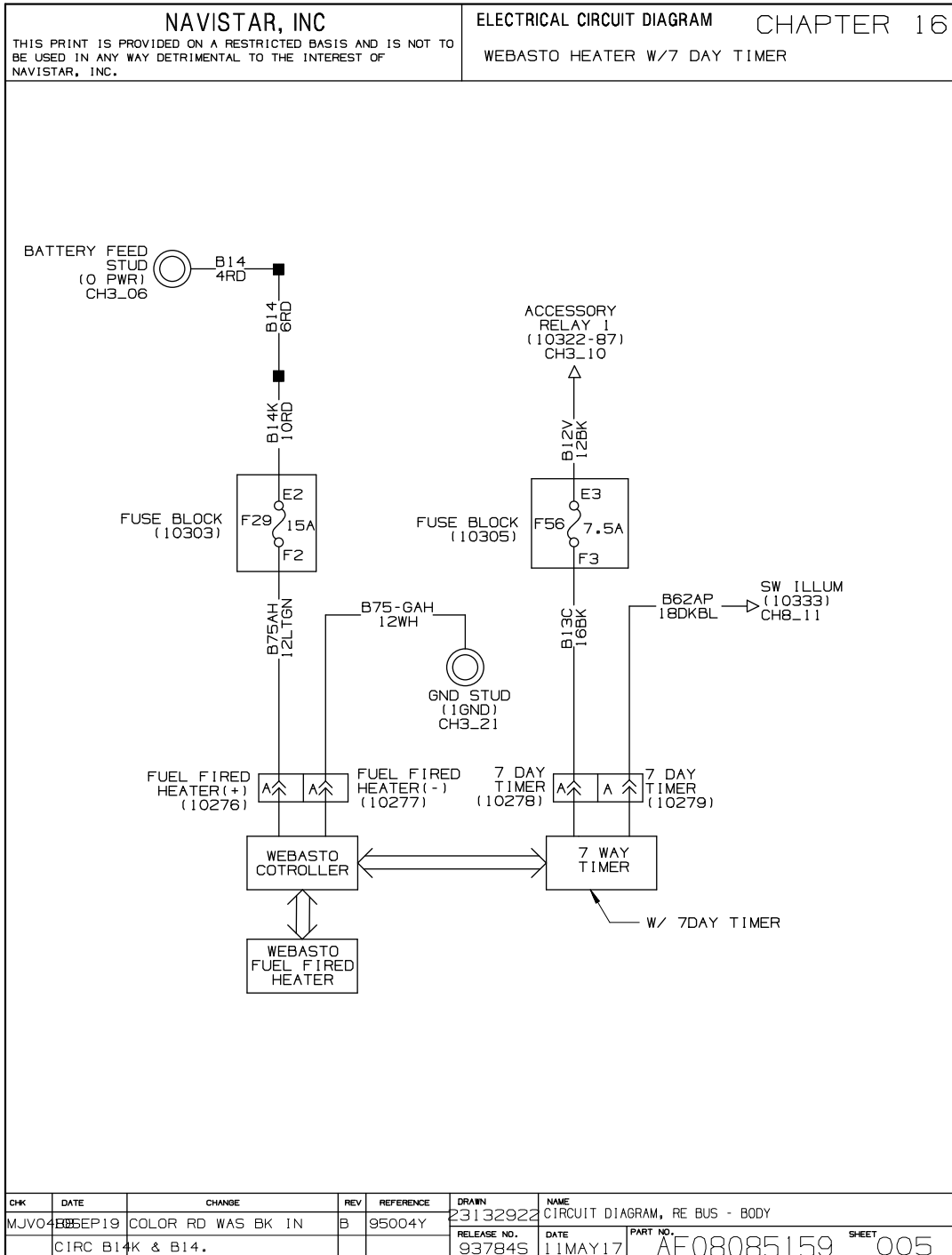


Figure 348 WEBASTO Heater with 7 Day Timer

17.6. WEBASTO HEATER WITH TIMER, P. 6

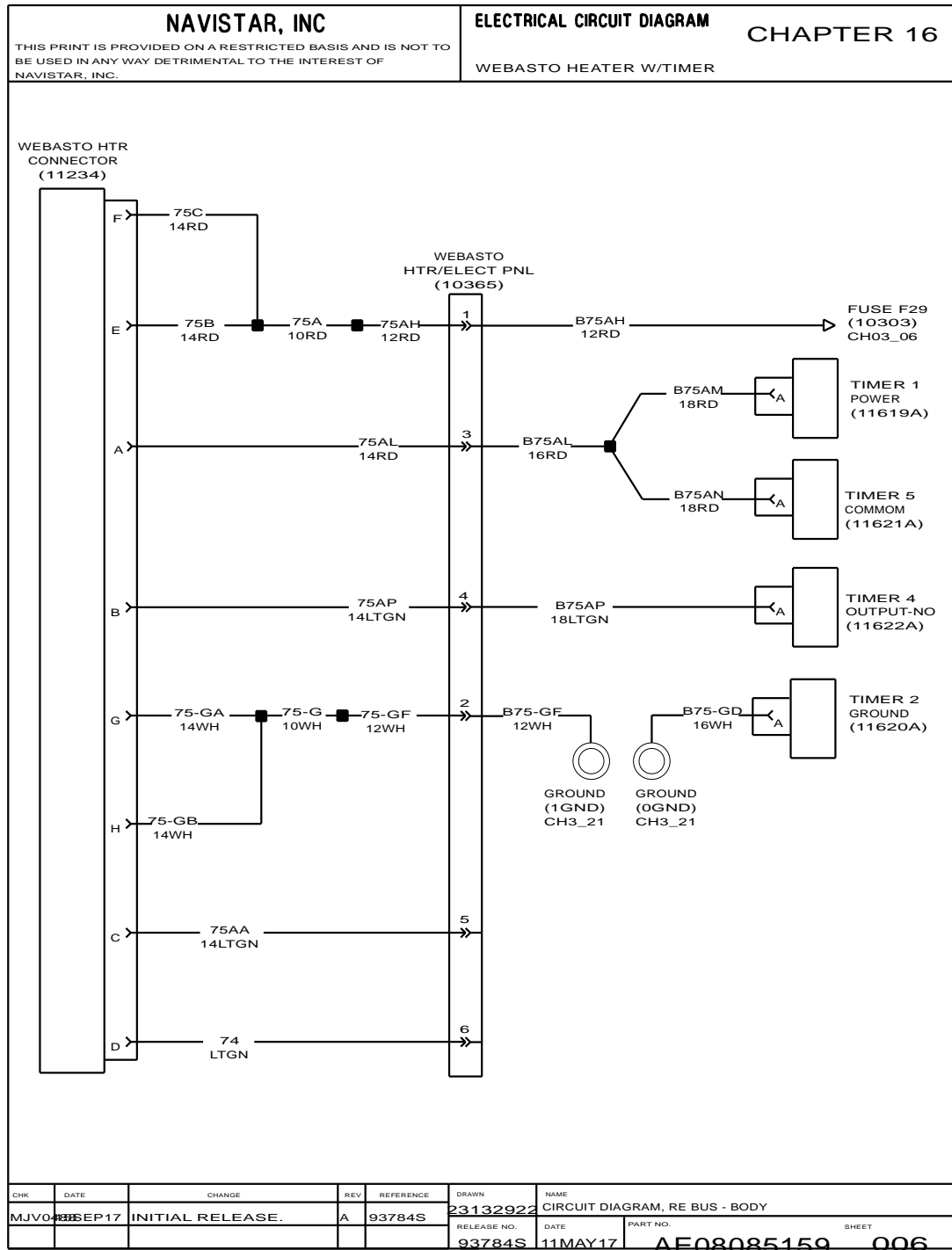


Figure 349 WEBASTO Heater with Timer

17.7. WEBASTO HEATER WITH SMARTTEMP TIMER, P. 7

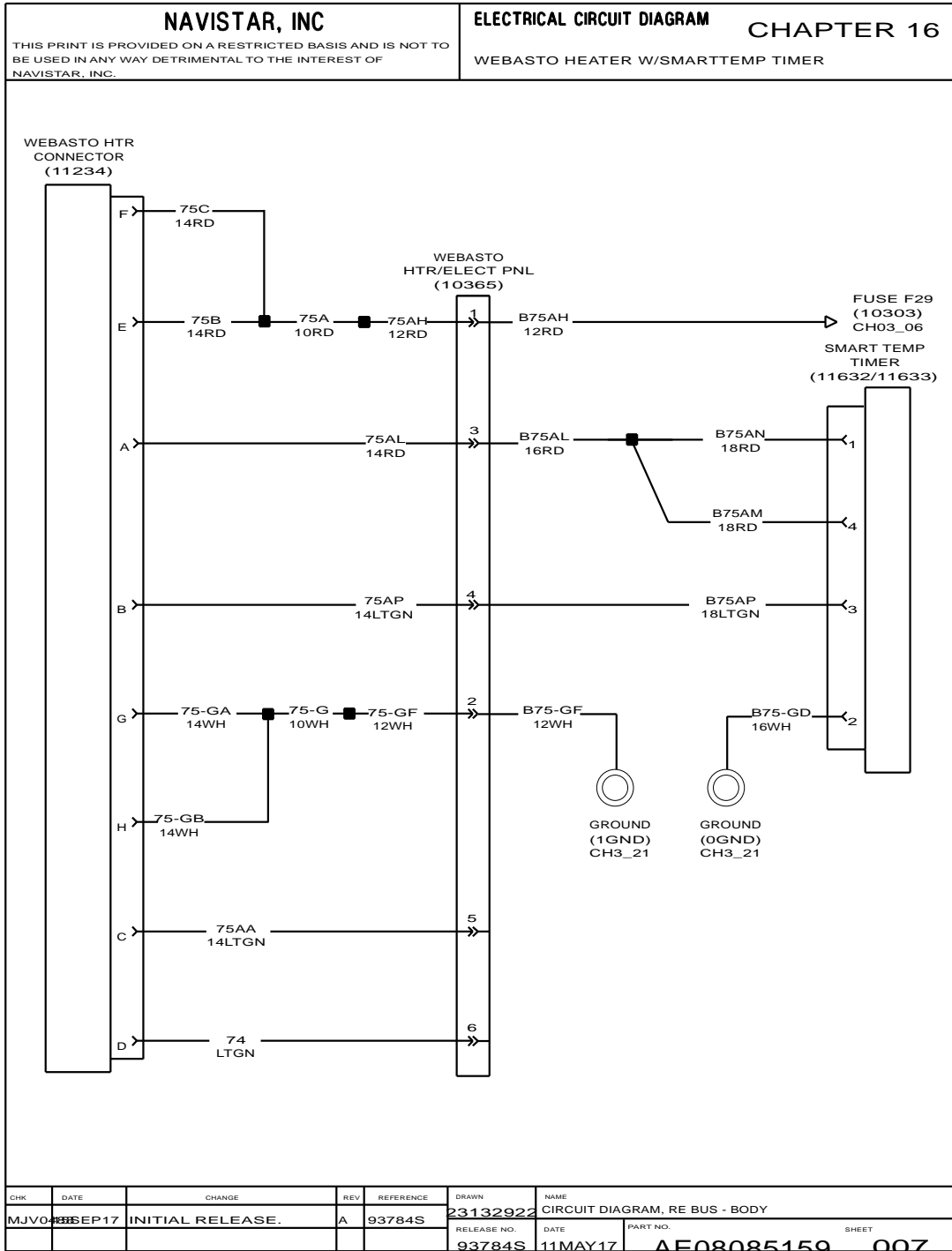


Figure 350 WEBASTO Heater with SmartTemp Timer

17.8. PASSENGER HEATER LEFT FRONT MIDSHIP WITH SINGLE & SPLIT SWITCH, P. 8

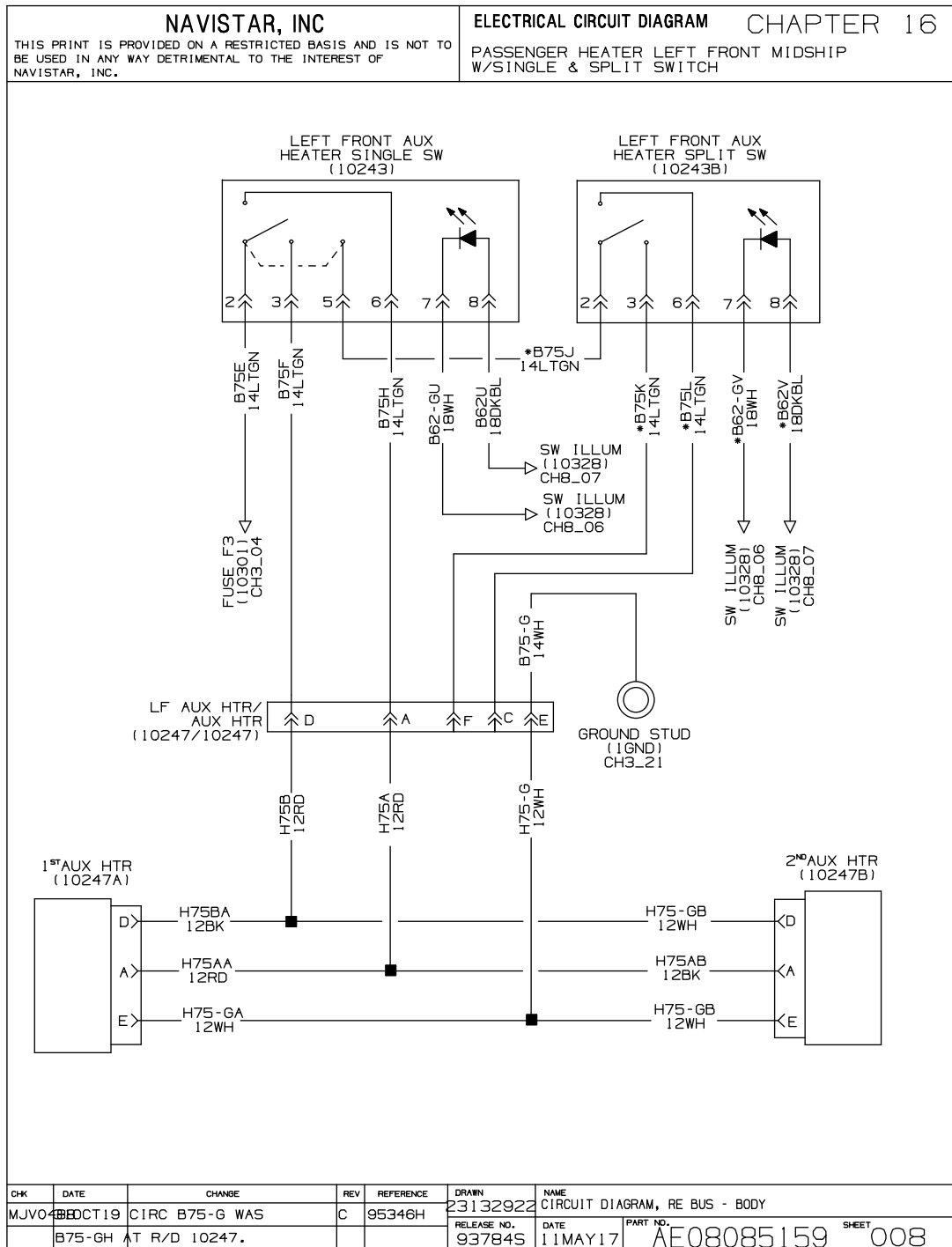


Figure 351 Passenger Heater Left Front Midship with Single & Split Switch

CHK	DATE	CHANGE	REV	REFERENCE	DRAWN	NAME	
MJVO	11DEC19	CIRC B75-G WAS	C	95346H	23132922	CIRCUIT DIAGRAM, RE BUS - BODY	
	B75-GH	AT R/D 10247.			937845	DATE 11MAY17	
						PART NO. AE08085159	SHEET 008

17.9. PASSENGER HEATER RIGHT FRONT MIDSHIP WITH SINGLE & SPLIT SWITCH, P. 9

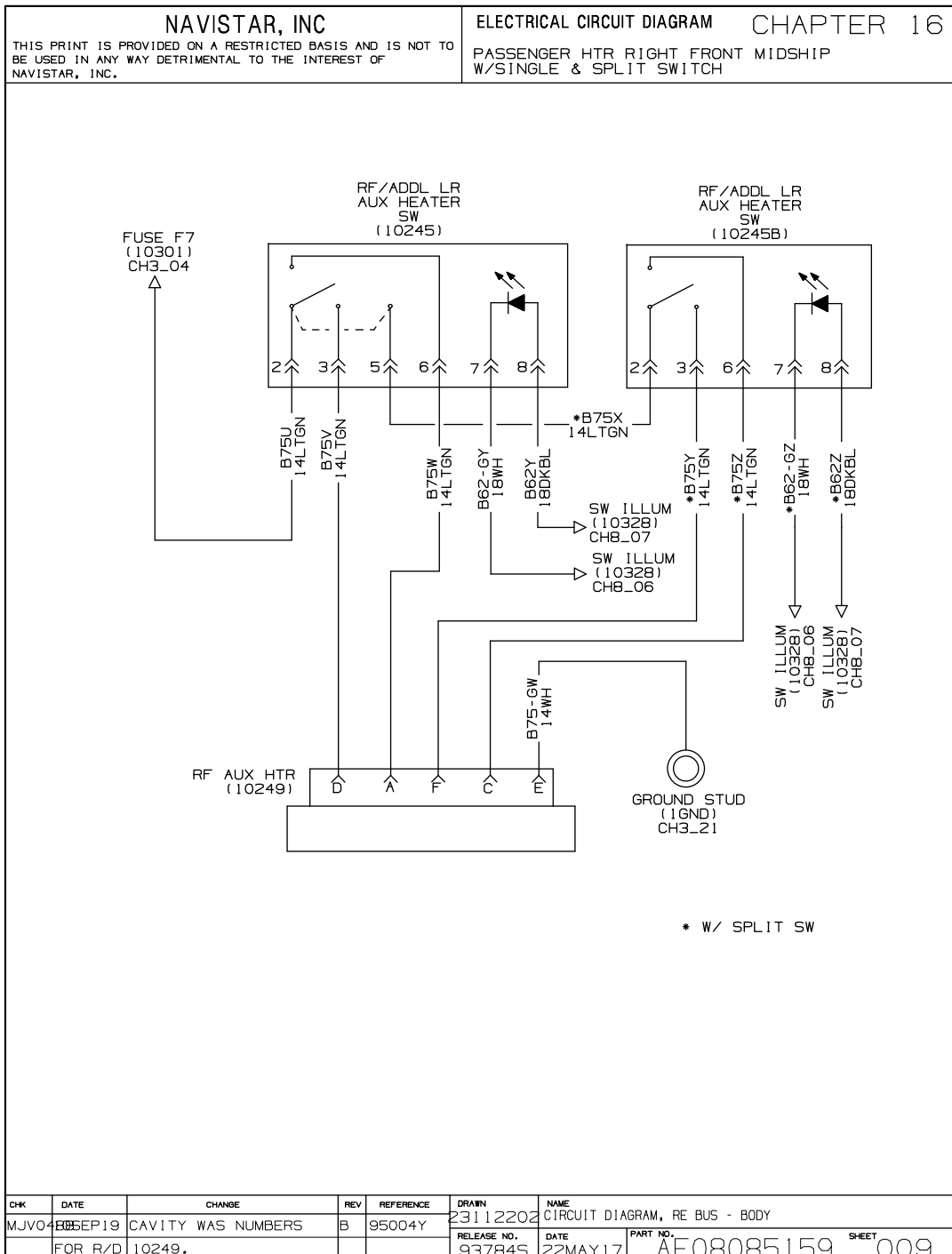


Figure 352 Passenger Heater Right Front Midship with Single & Split Switch

17.10. PASSENGER HEATER LEFT REAR MIDSHIP WITH SINGLE & SPLIT SWITCH, P. 10

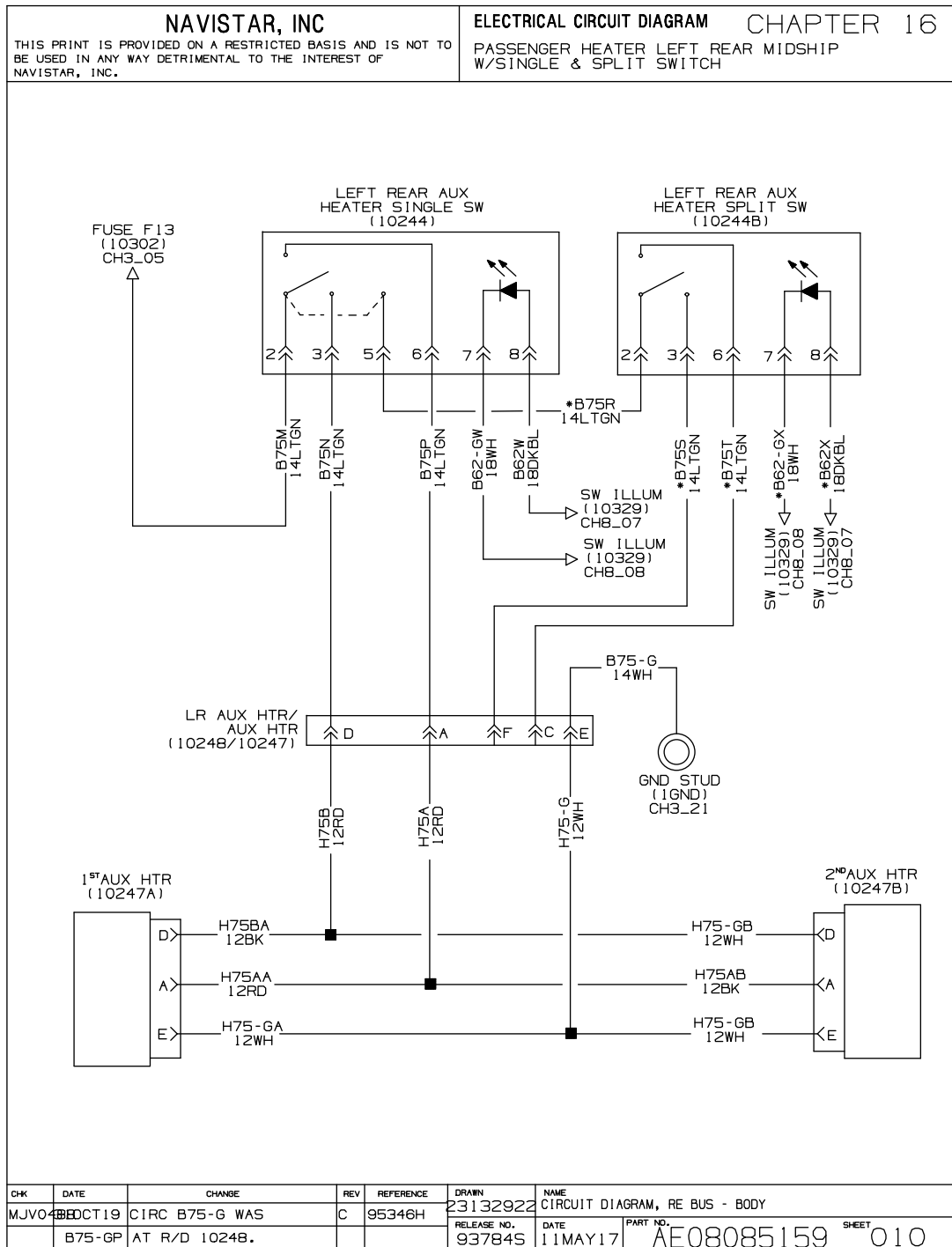


Figure 353 Passenger Heater Left Rear Midship with Single & Split Switch

17.11. PASSENGER HEATER RIGHT REAR MIDSHIP WITH SINGLE & SPLIT SWITCH, P. 11

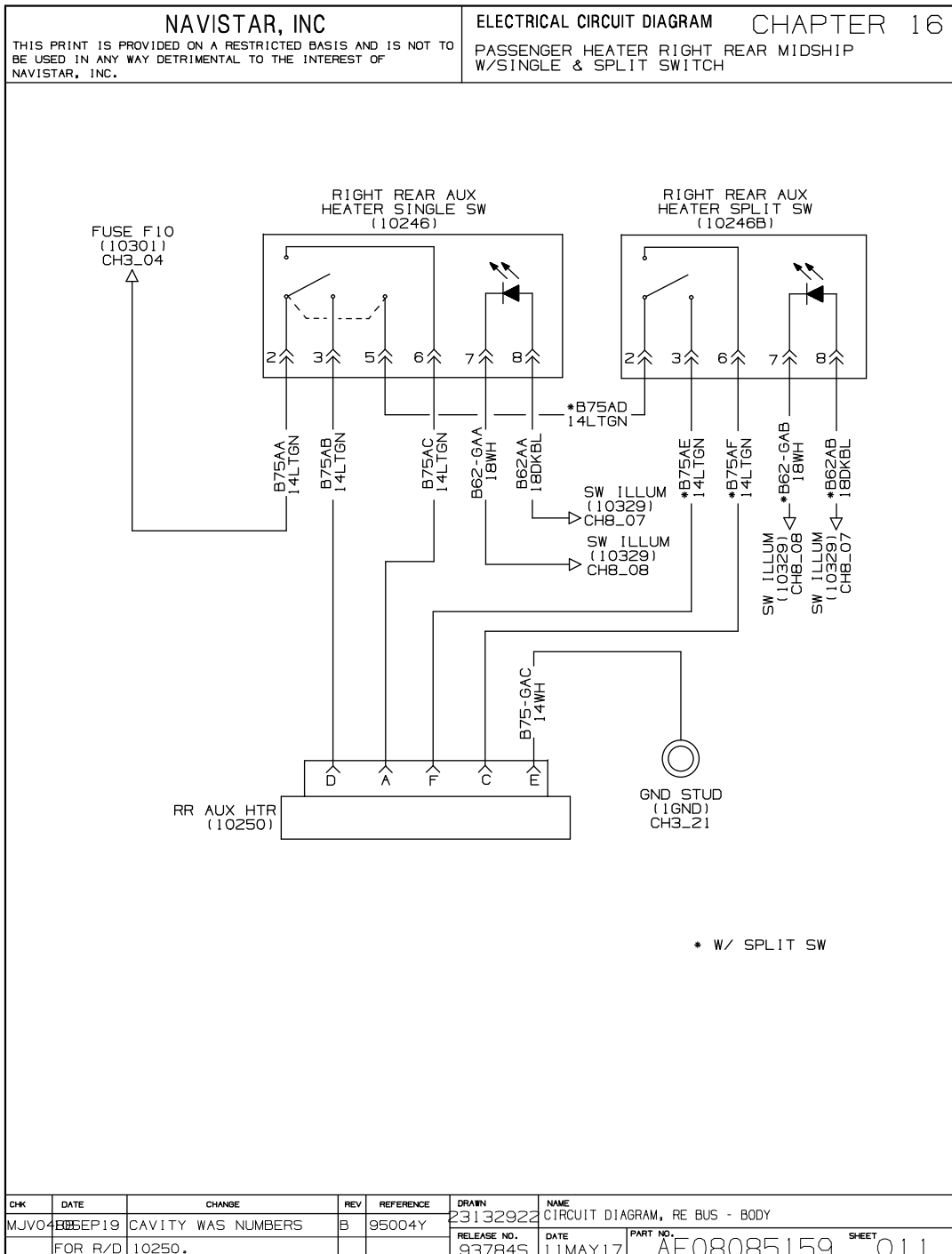
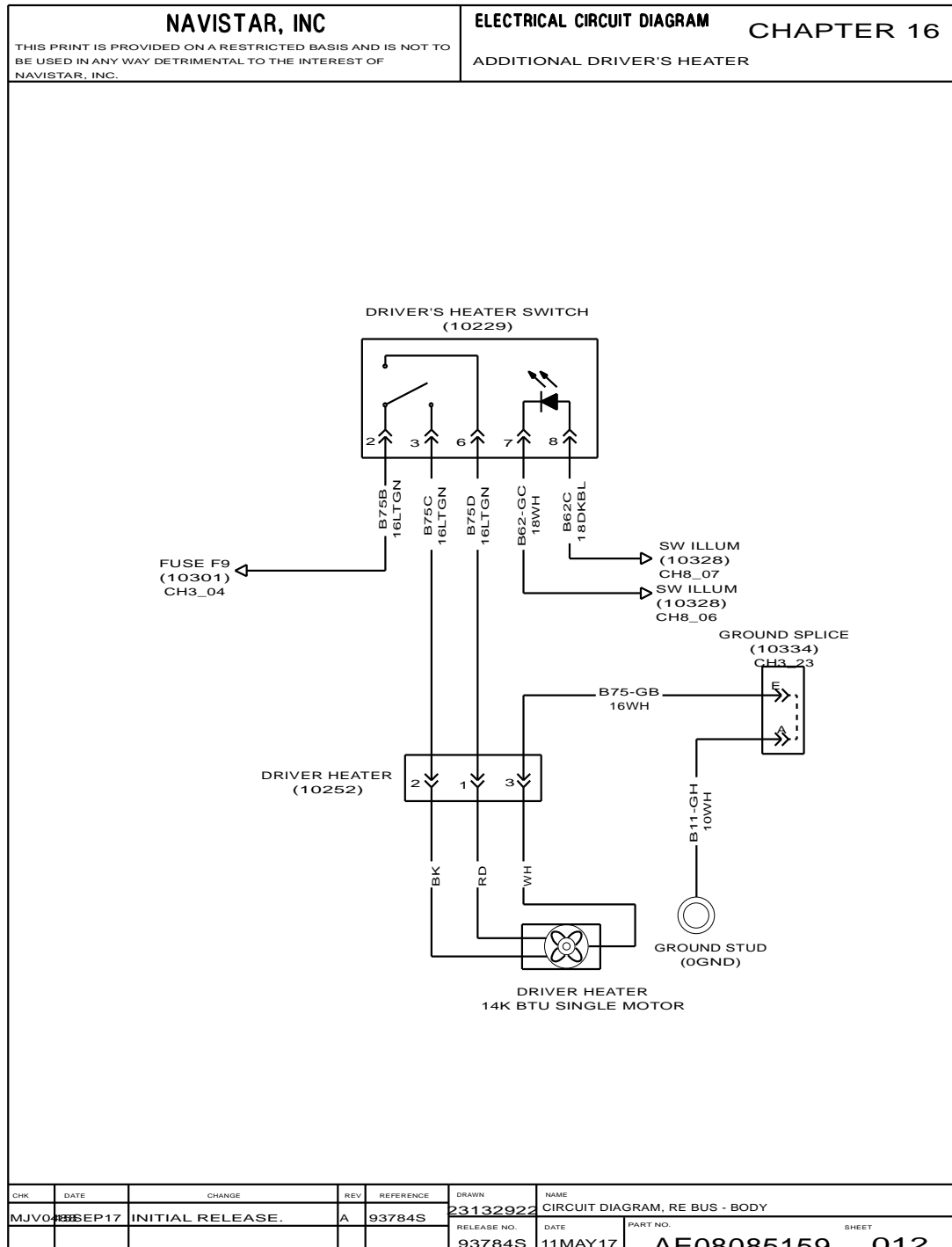


Figure 354 Passenger Heater Right Rear Midship with Single & Split Switch

17.12. ADDITIONAL DRIVER'S HEATER, P. 12



CHK	DATE	CHANGE	REV	REFERENCE	DRAWN	NAME
MJV	SEP 17	INITIAL RELEASE.	A	93784S	23132922	CIRCUIT DIAGRAM, RE BUS - BODY
					RELEASE NO.	DATE
					93784S	11MAY17
					PART NO.	SHEET
					AE08085159	012

Figure 355 Additional Driver's Heater

17.13. CONVECTION PASSENGER HEATER, P. 13

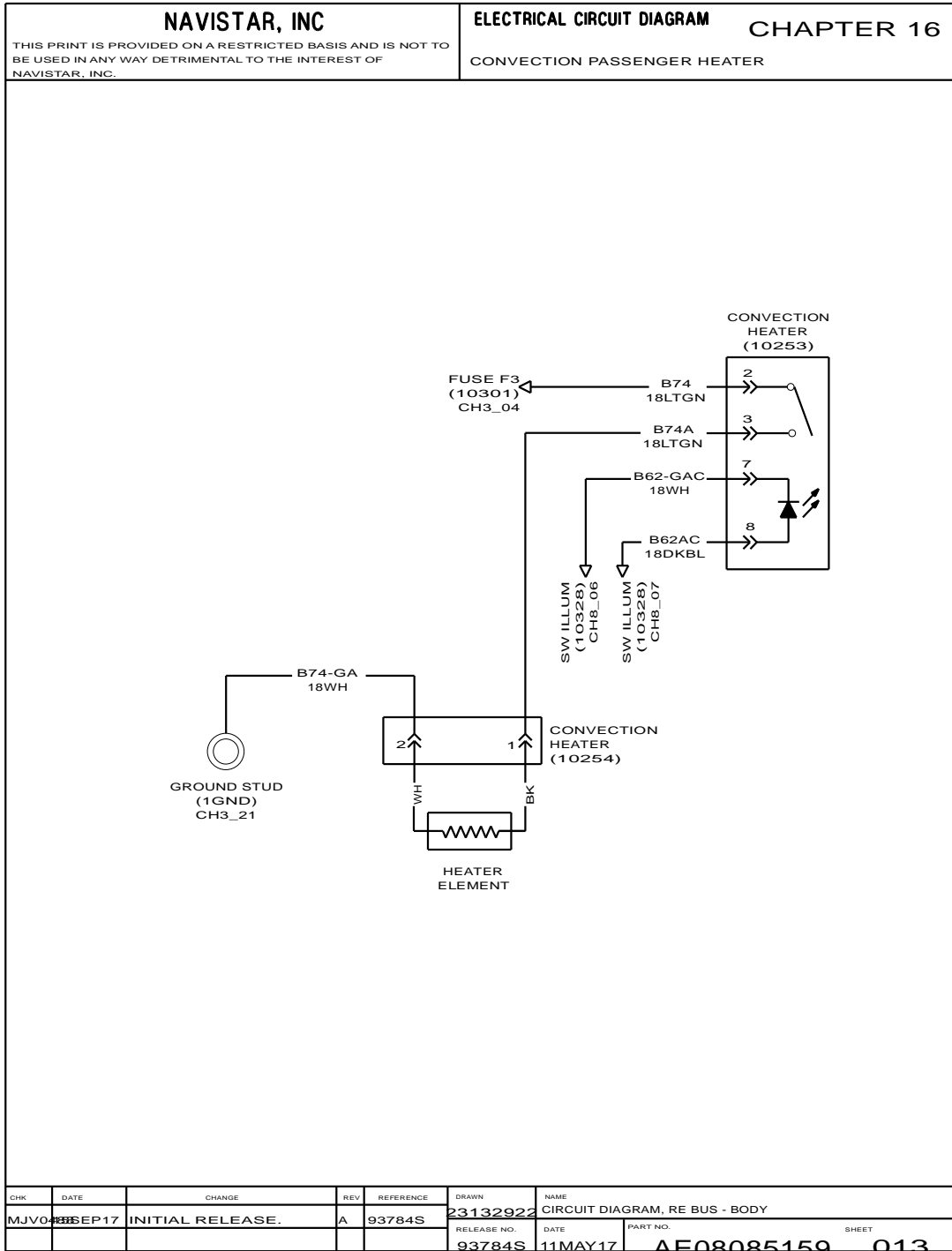


Figure 356 Convection Passenger Heater

17.14. DRIVER'S BLOWER, P. 14

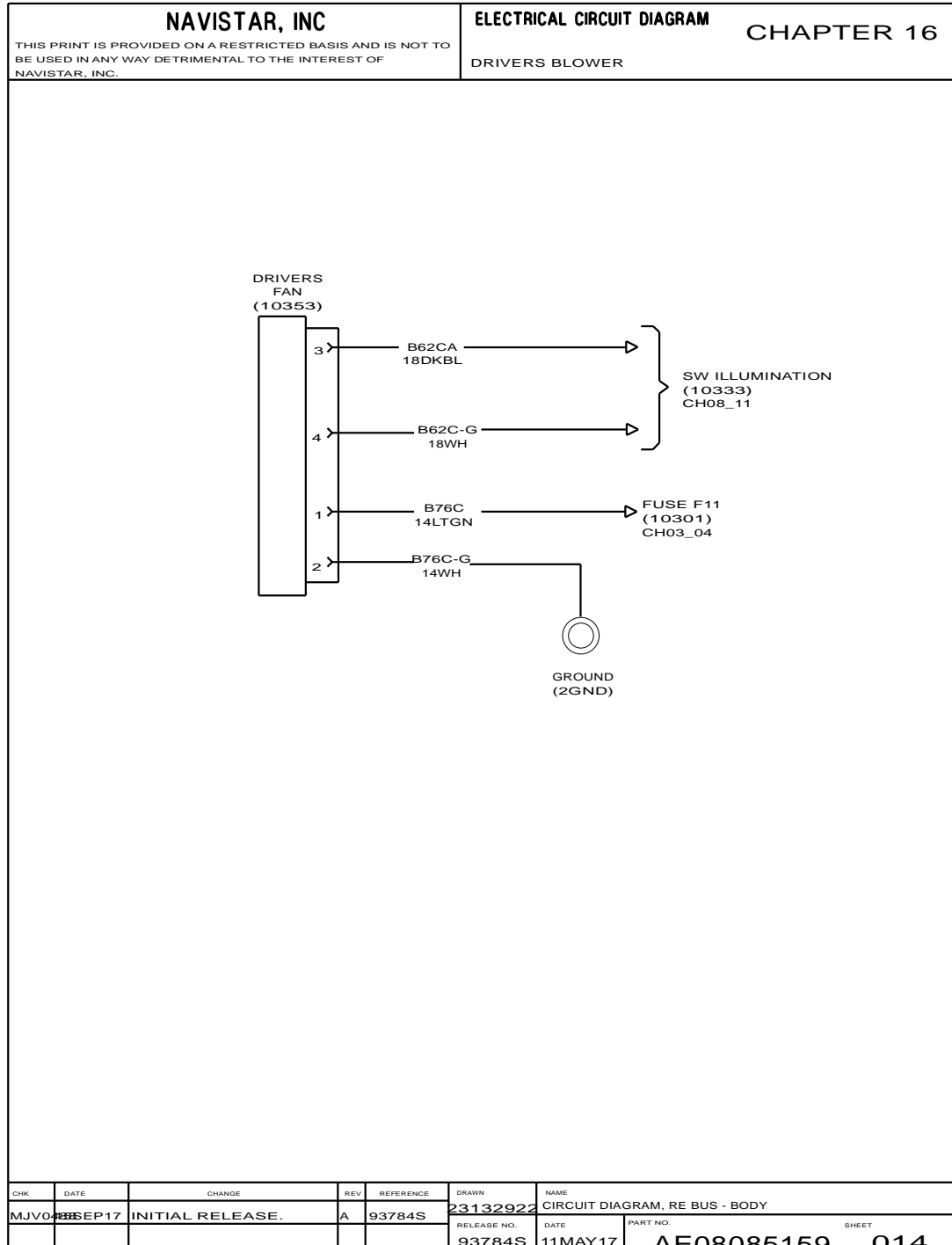


Figure 357 Driver's Blower

17.15. HEATED STEP, P. 15

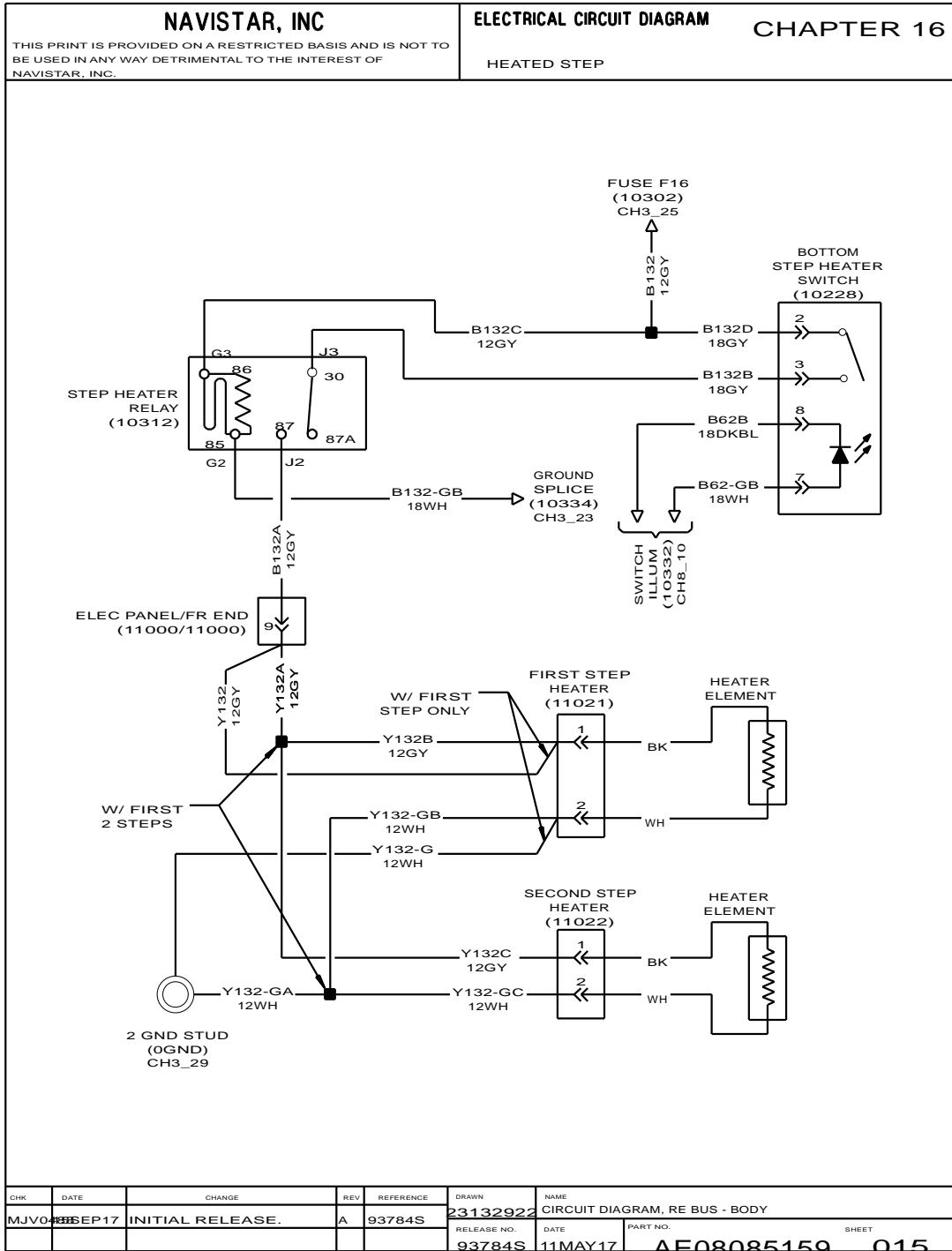


Figure 358 Heated Step

17.16. STEPWELL HEATER FAN, P. 16

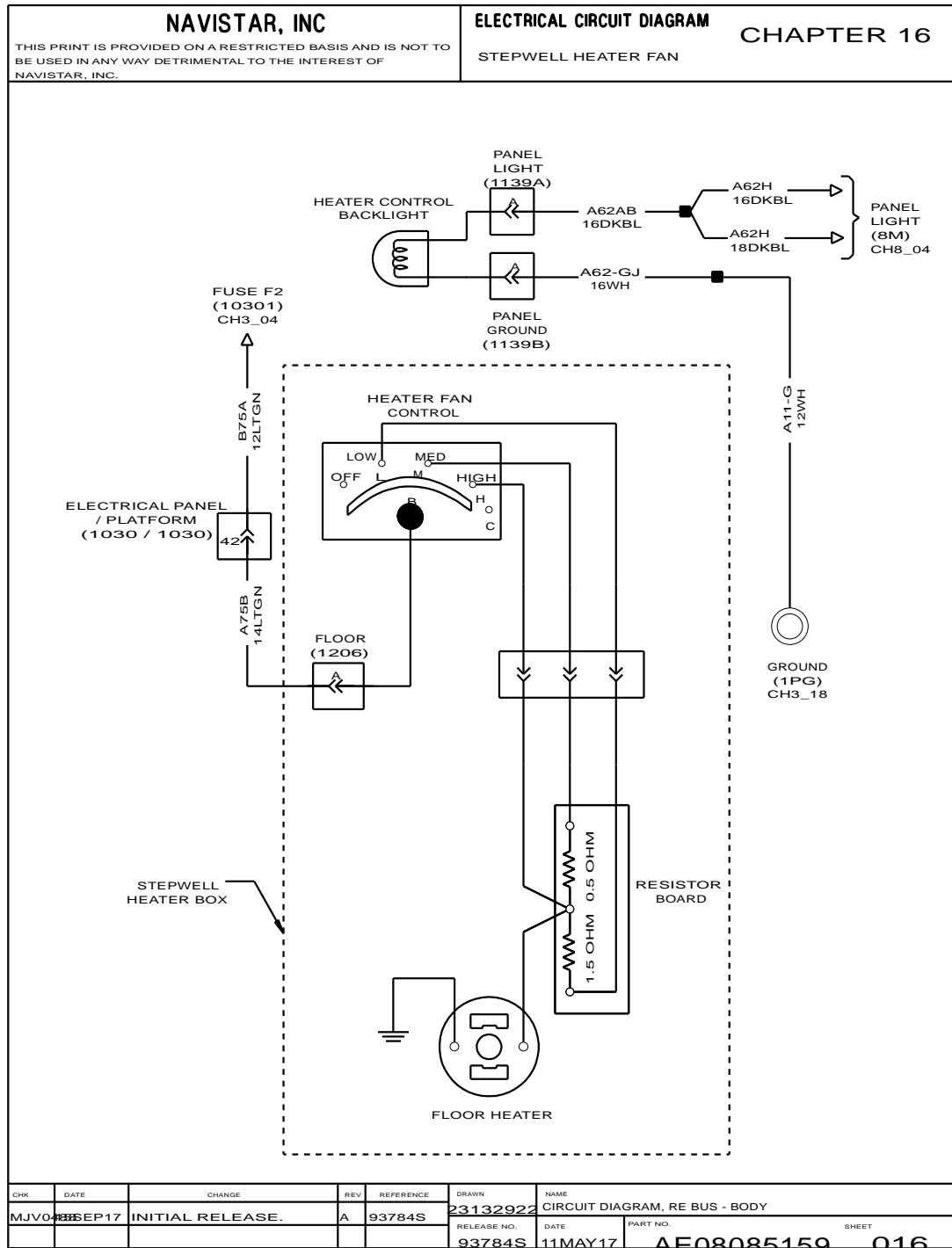


Figure 359 Stepwell Heater Fan

17.17. STEP DEFROST HEATER, P. 17

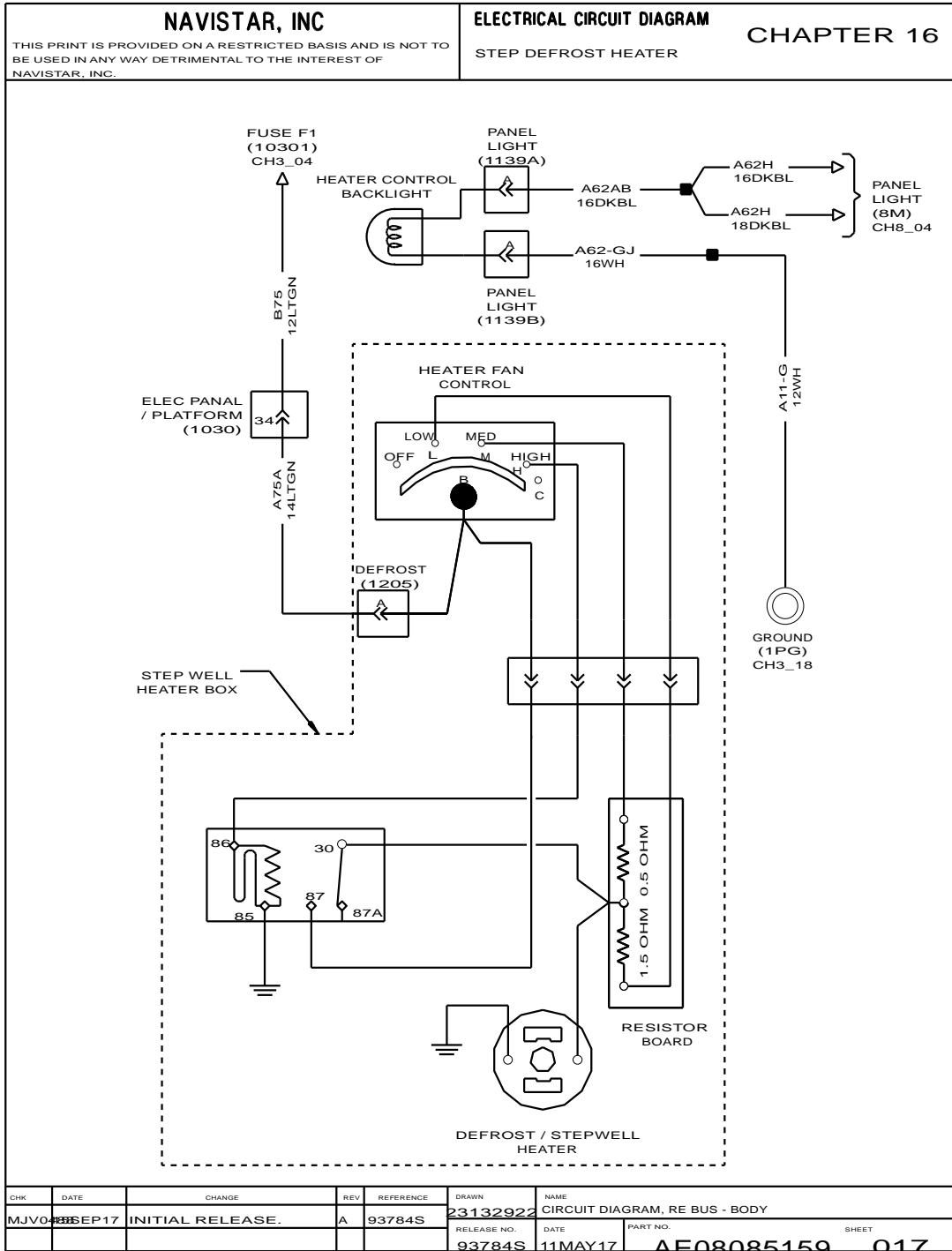


Figure 360 Step Defrost Heater

17.18. DEFOG FAN, DUAL SWITCH FRONT BULKHEAD, P. 18

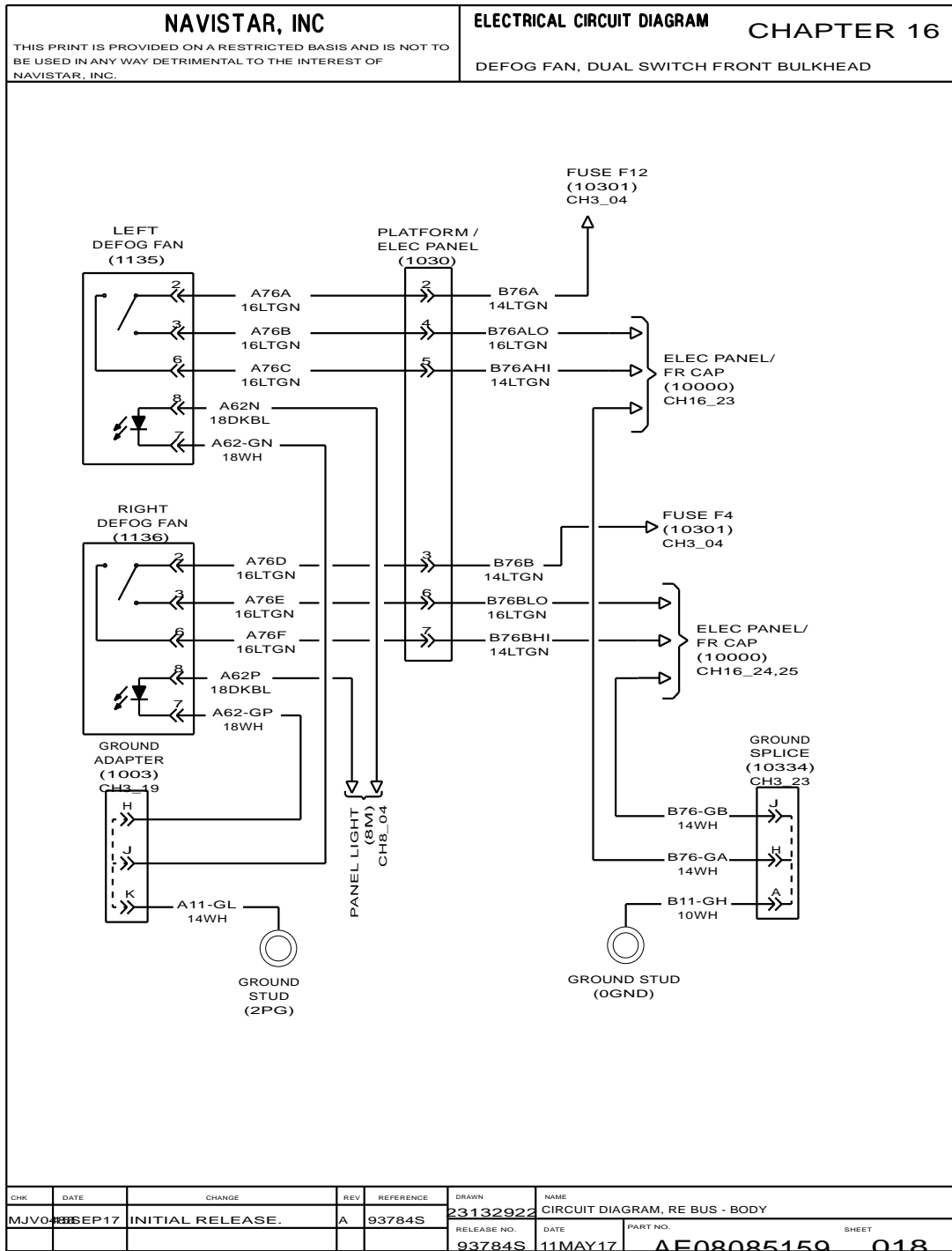


Figure 361 Defog Fan, Dual Switch Front Bulkhead

17.19. DEFOG FAN, SINGLE FAN OR CENTER BLOWER LEFT SWITCH, P. 19

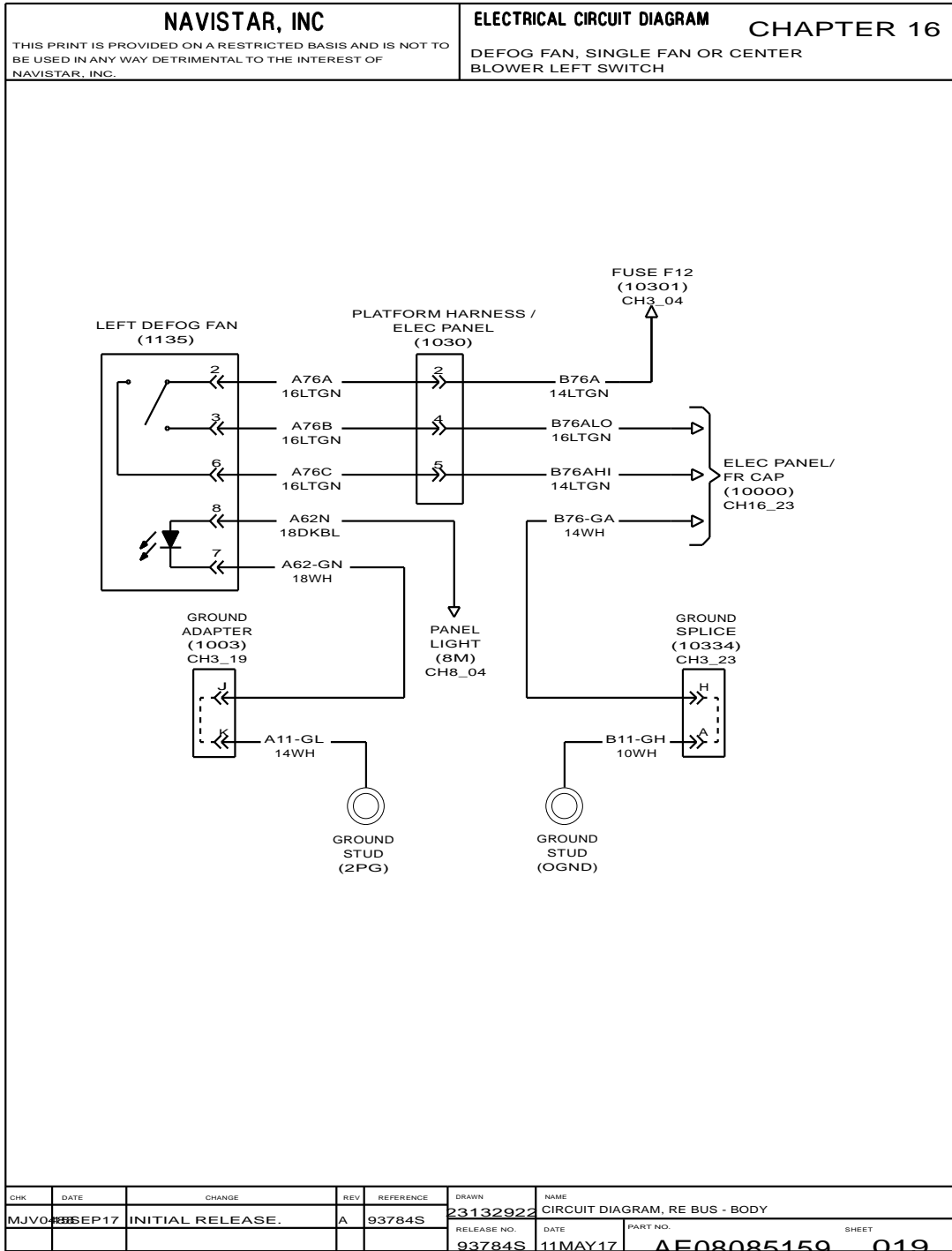


Figure 362 Defog Fan, Single Fan or Center Blower Left Switch

17.20. DEFOG FAN, SINGLE FAN RIGHT SWITCH, P. 20

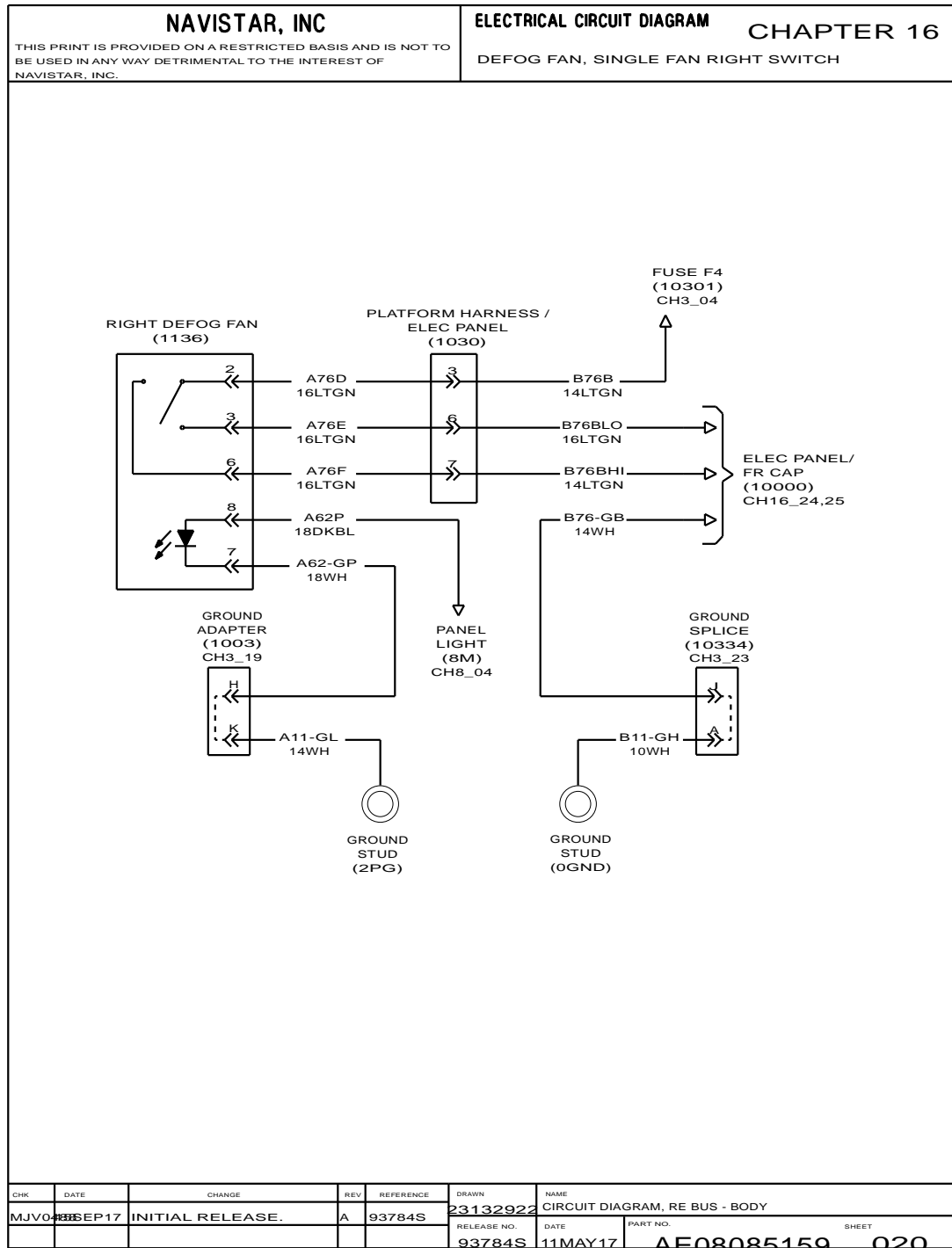


Figure 363 Defog Fan, Single Fan Right Switch

CHK	DATE	CHANGE	REV	REFERENCE	DRAWN	NAME
MJVO	SEP 17	INITIAL RELEASE.	A	93784S	23132922	CIRCUIT DIAGRAM, RE BUS - BODY
					RELEASE NO.	DATE
					93784S	11 MAY 17
					PART NO.	SHEET
					AE08085159	020

17.21. DEFOG FAN, DUAL SWITCH WITH DRIVER FAN LEFT SWITCH, P. 21

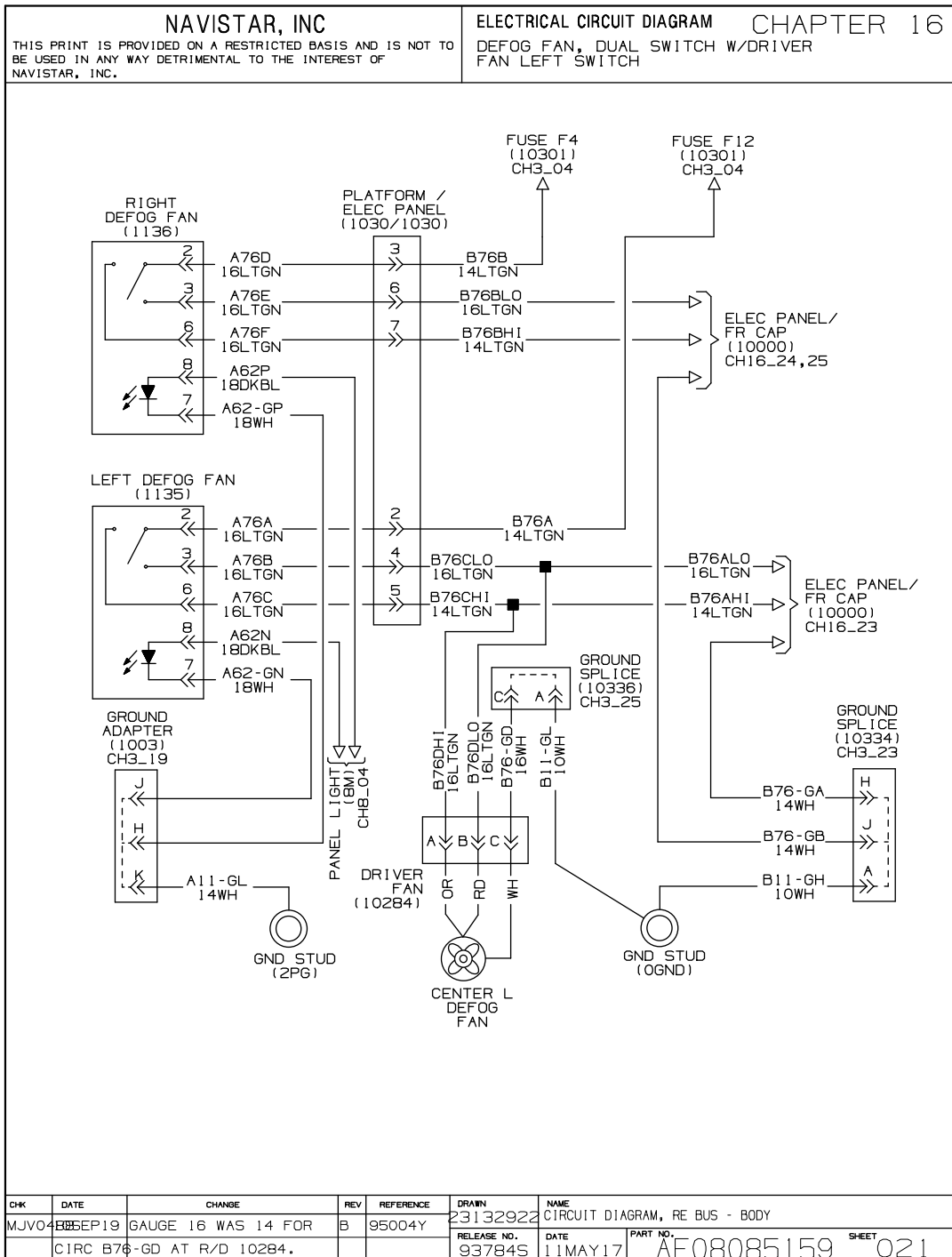


Figure 364 Defog Fan, Dual Switch with Driver Fan Left Switch

17.22. DEFOG FAN, DUAL SWITCH WITH DRIVER FAN RIGHT SWITCH, P. 22

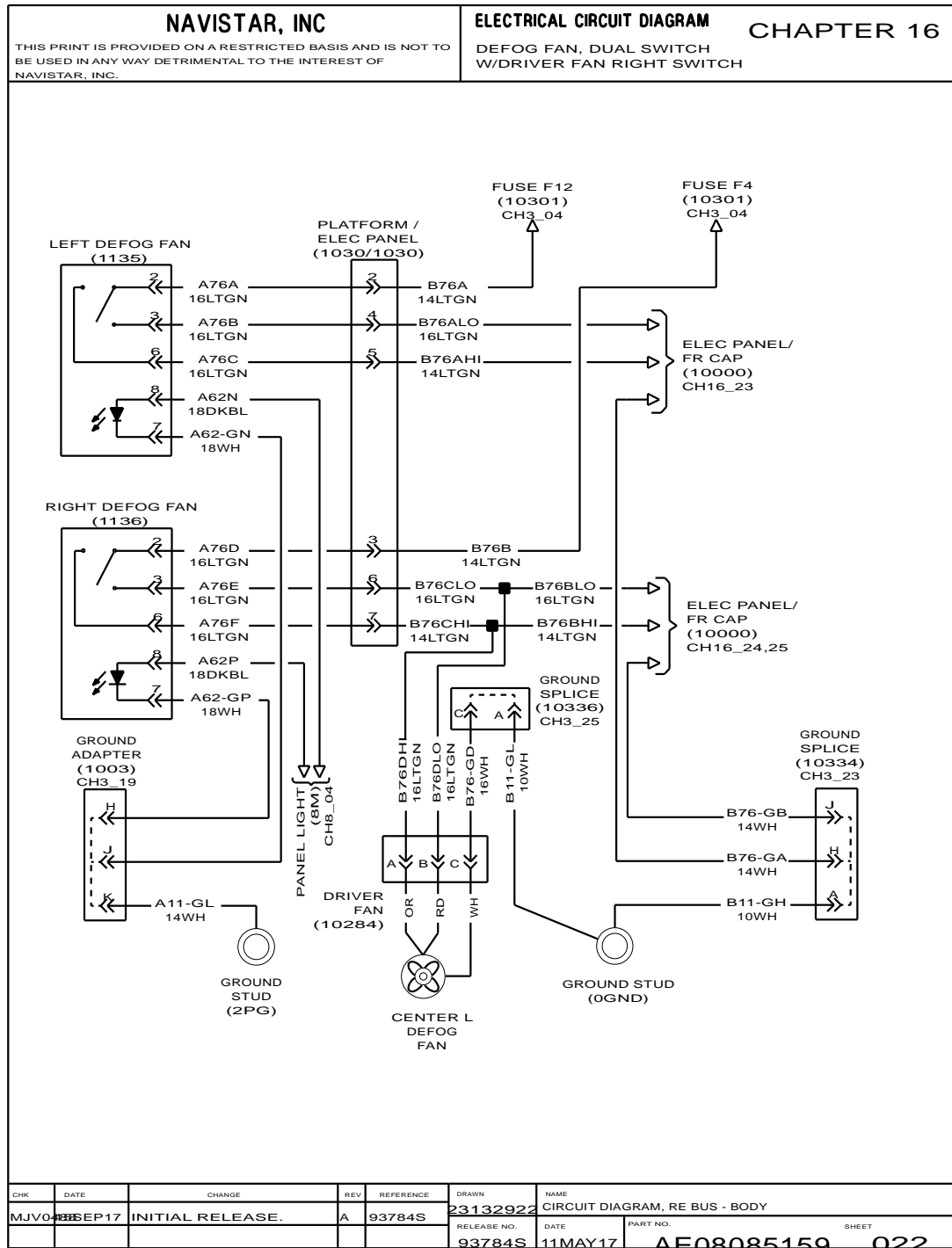


Figure 365 Defog Fan, Dual Switch with Driver Fan Right Switch

17.23. DEFOG FAN LEFT SWITCH OUTPUT, P. 23

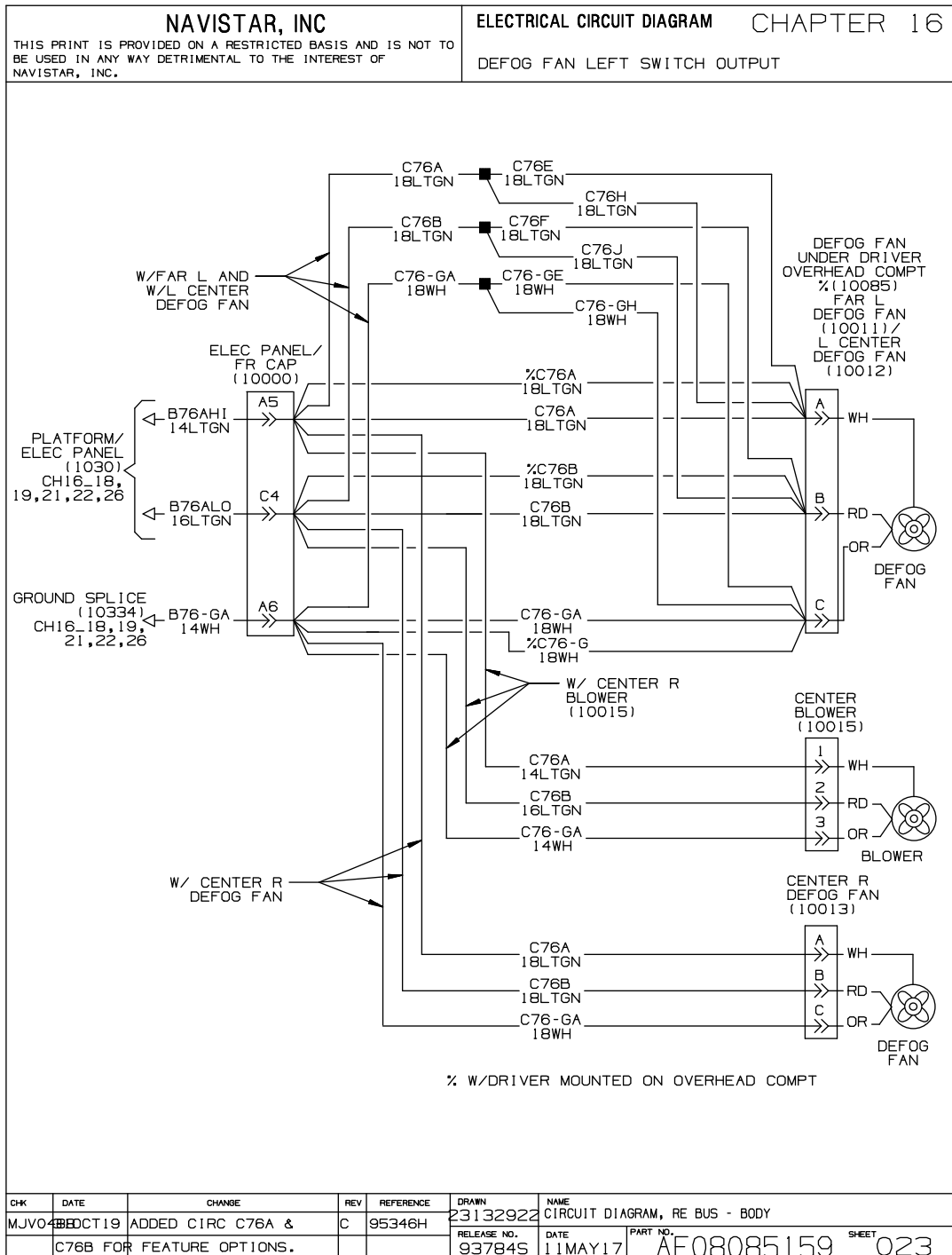


Figure 366 Defog Fan Left Switch Output

17.24. DEFOG FAN RIGHT SWITCH OUTPUT, P. 24

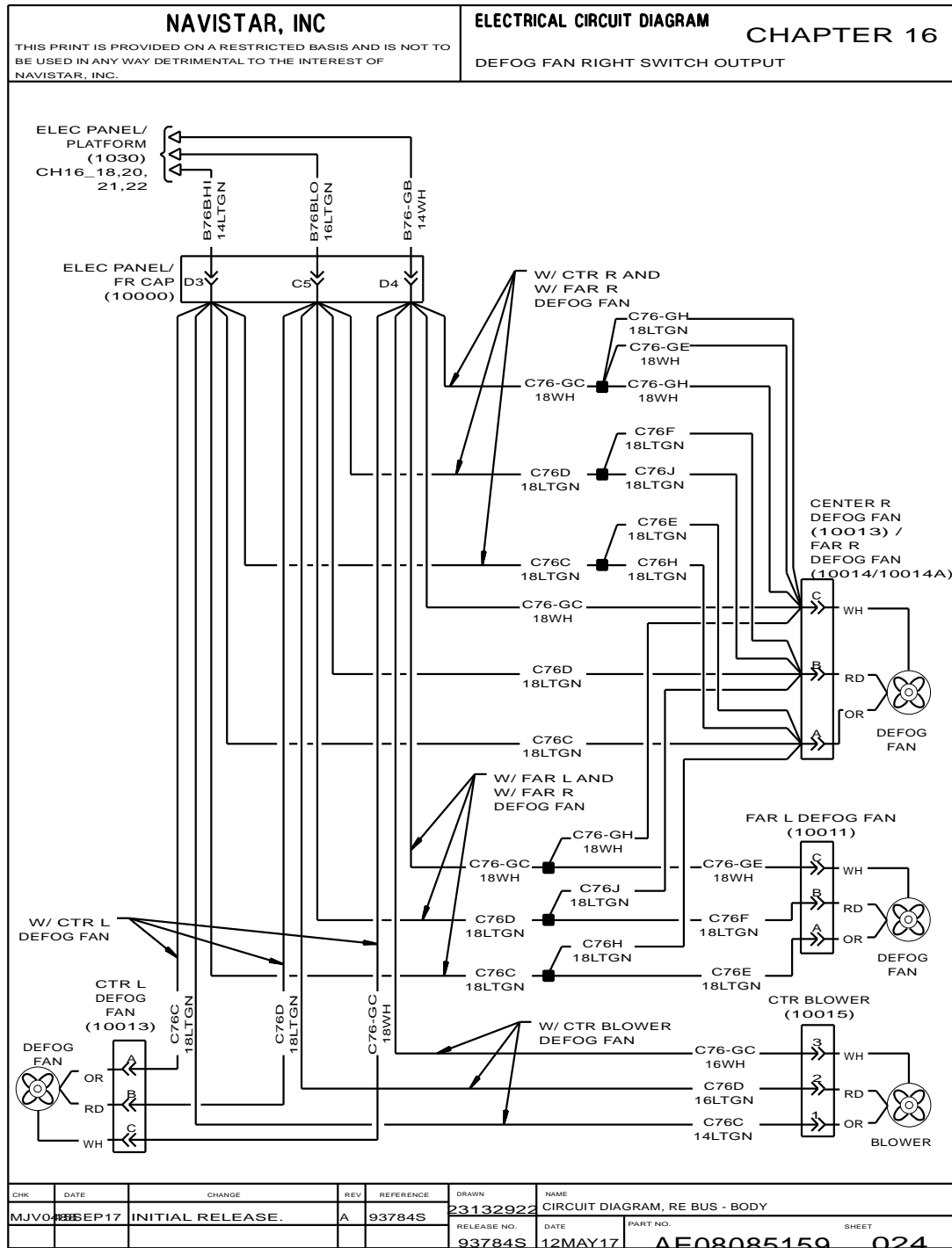


Figure 367 Defog Fan Right Switch Output

17.25. DEFOG FAN RIGHT SWITCH OUTPUT (CONT.), P. 25

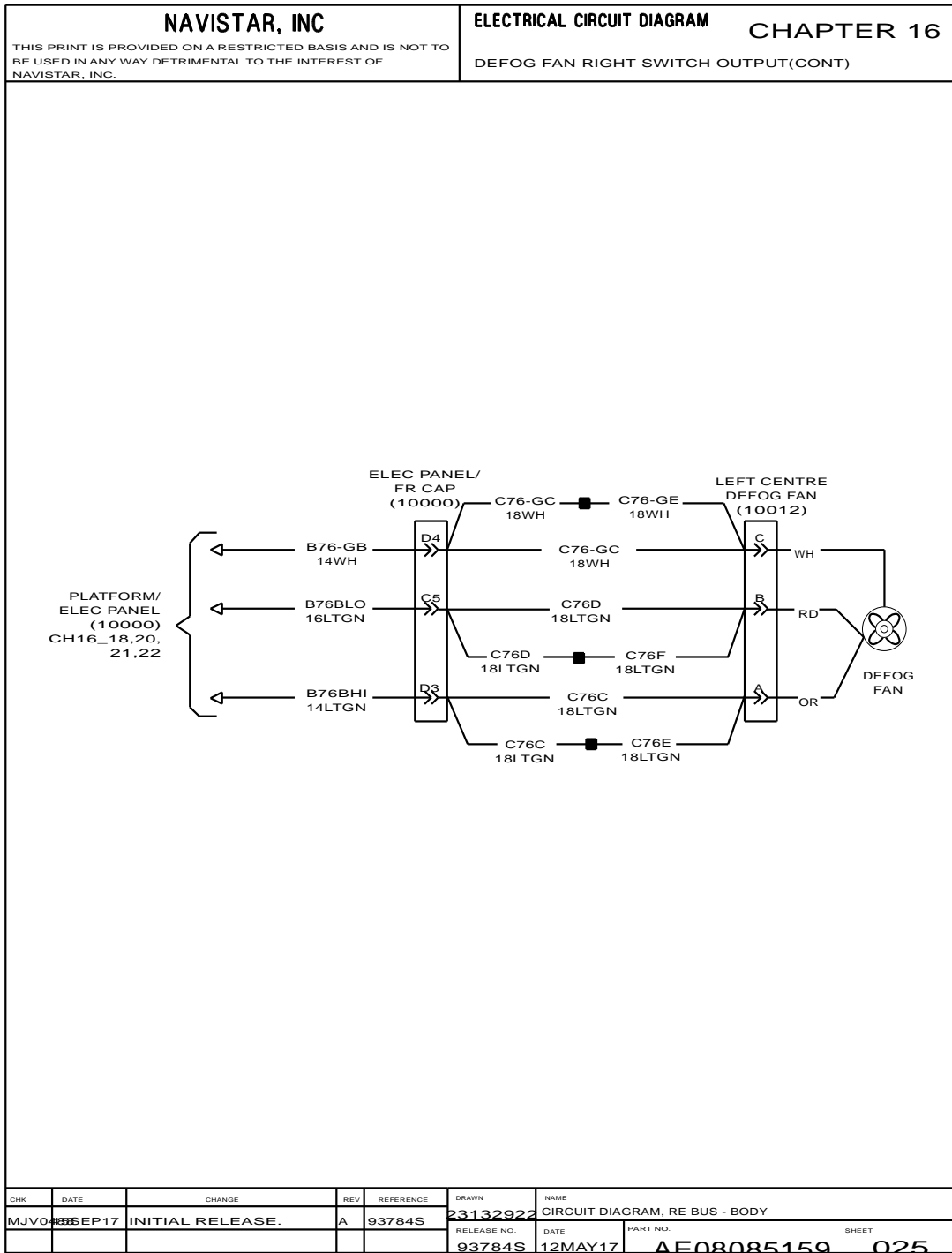


Figure 368 Defog Fan Right Switch Output (Cont.)

17.26. DEFOG FAN, DRIVERS DEFOG FAN, P. 26

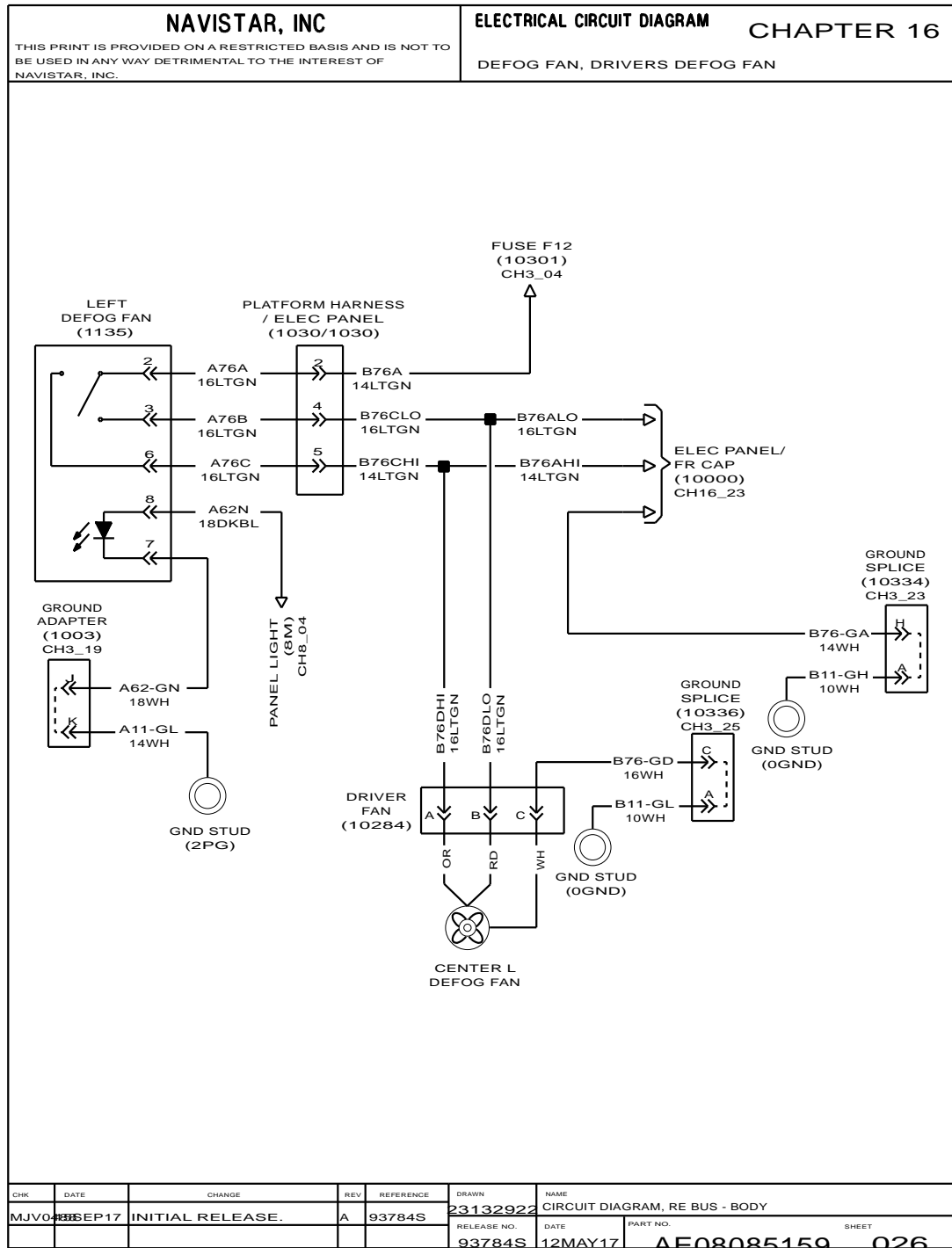


Figure 369 Defog Fan, Drivers Defog Fan

17.27. IDLE UP WITH AC, P. 27

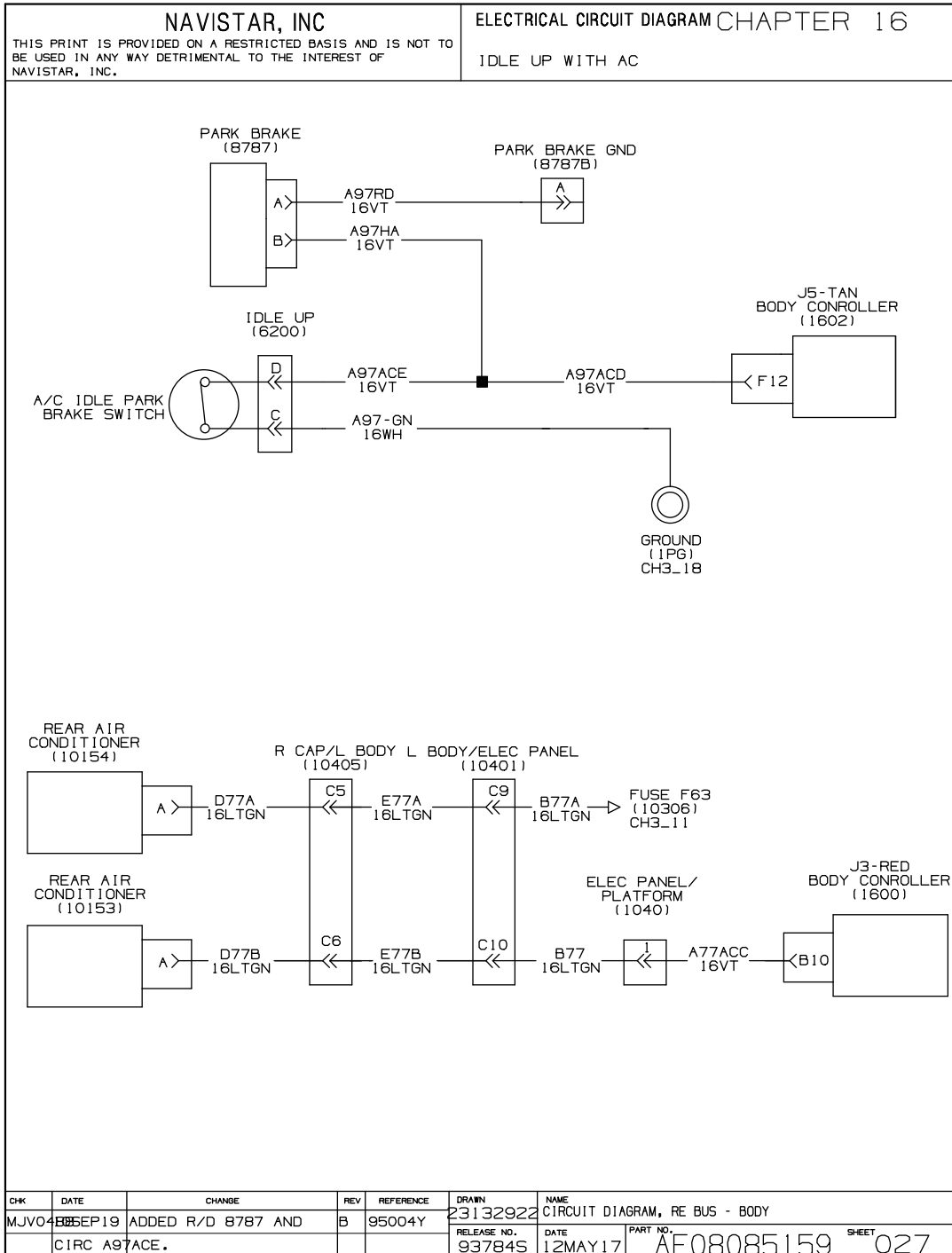


Figure 370 Idle Up with AC

17.28. BOOSTER PUMP WITH ESPAR TIMER WITH OVERHEAD SWITCH PANEL, P. 28

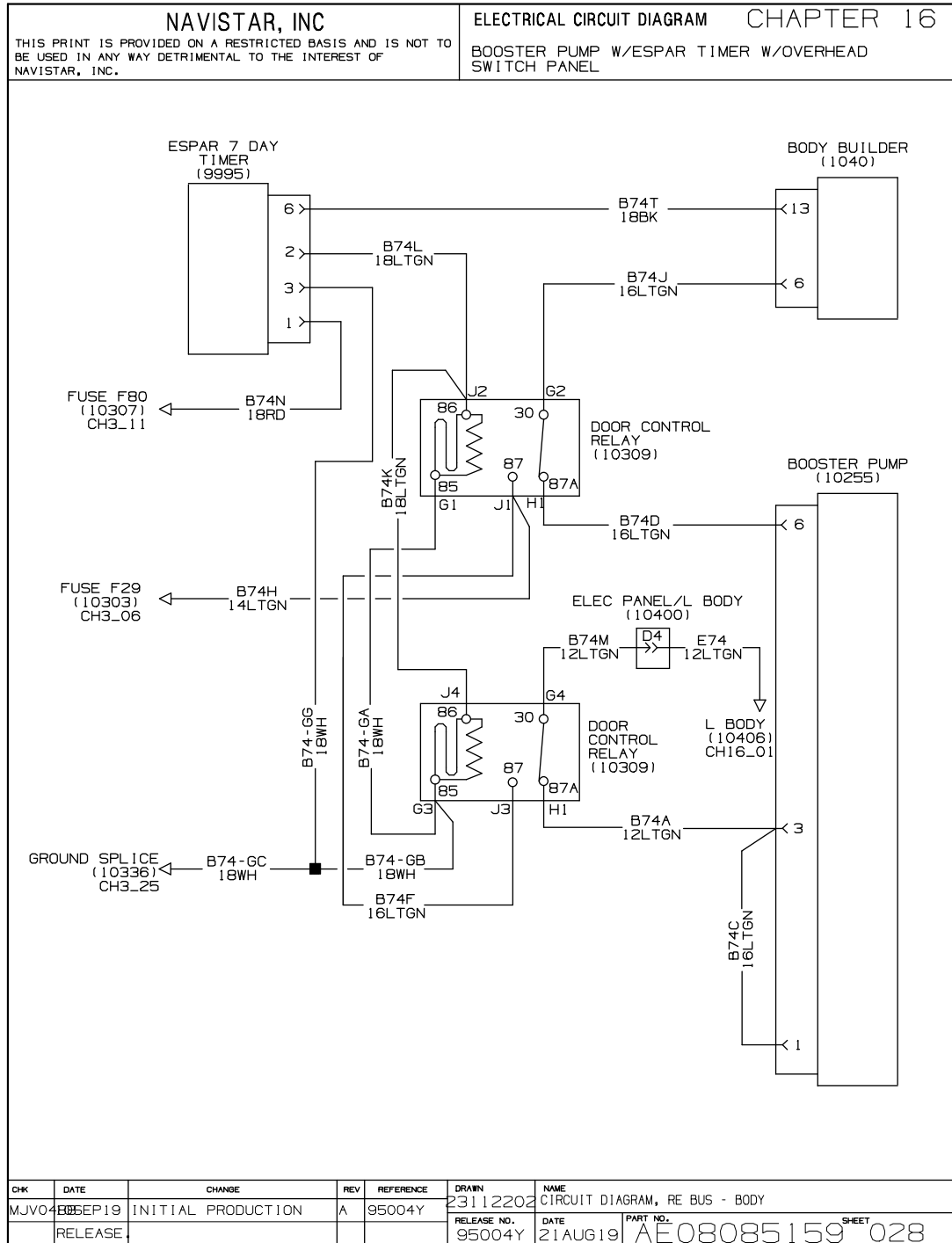


Figure 371 Booster Pump with ESPAR Timer with Overhead Switch Panel

CONNECTOR BODY COMPOSITES (CHAPTER 17)

18.1. CONNECTOR COMPOSITES (1), P. 1

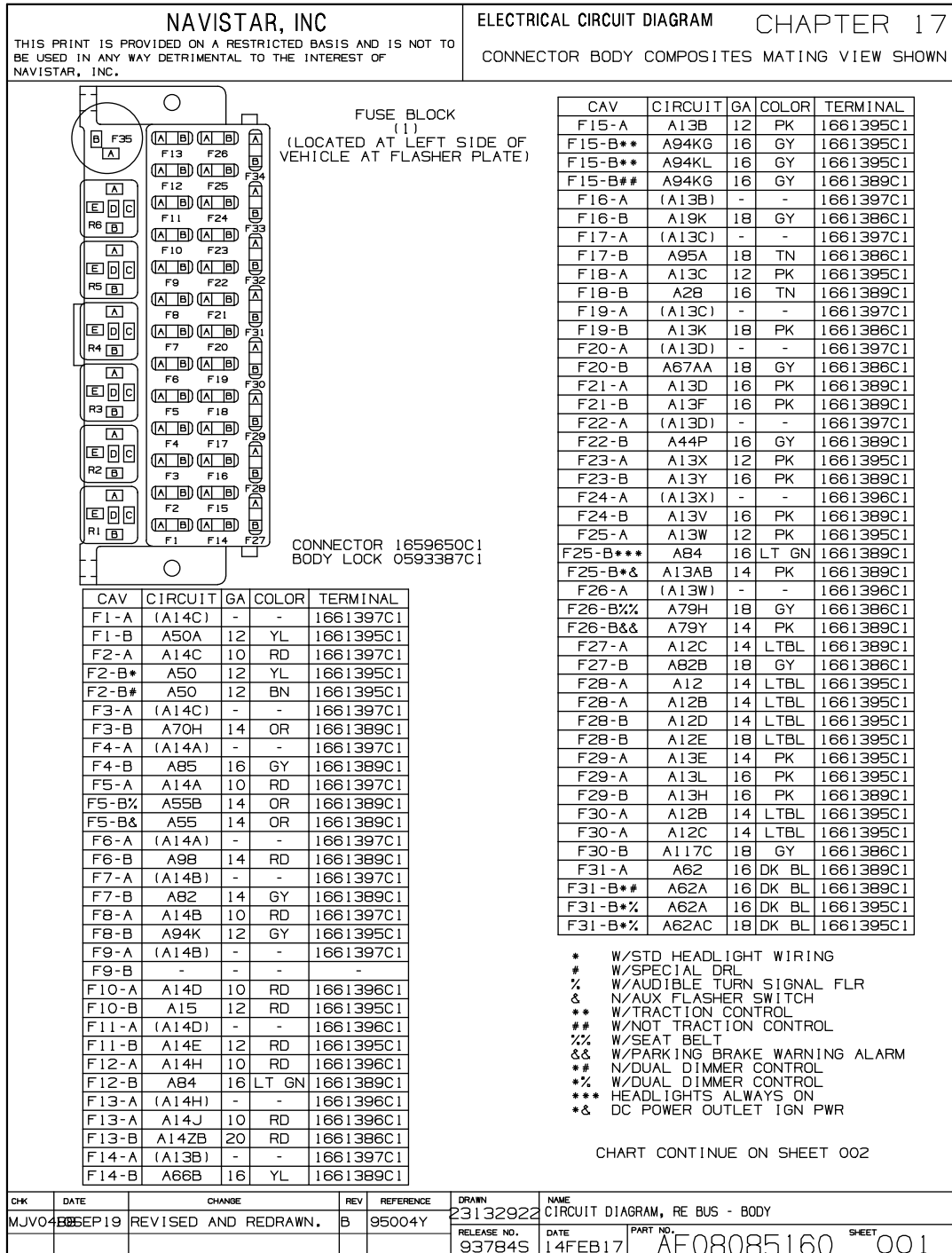


Figure 372 Connector Composites (1)

18.2. CONNECTOR COMPOSITES (1), P. 2

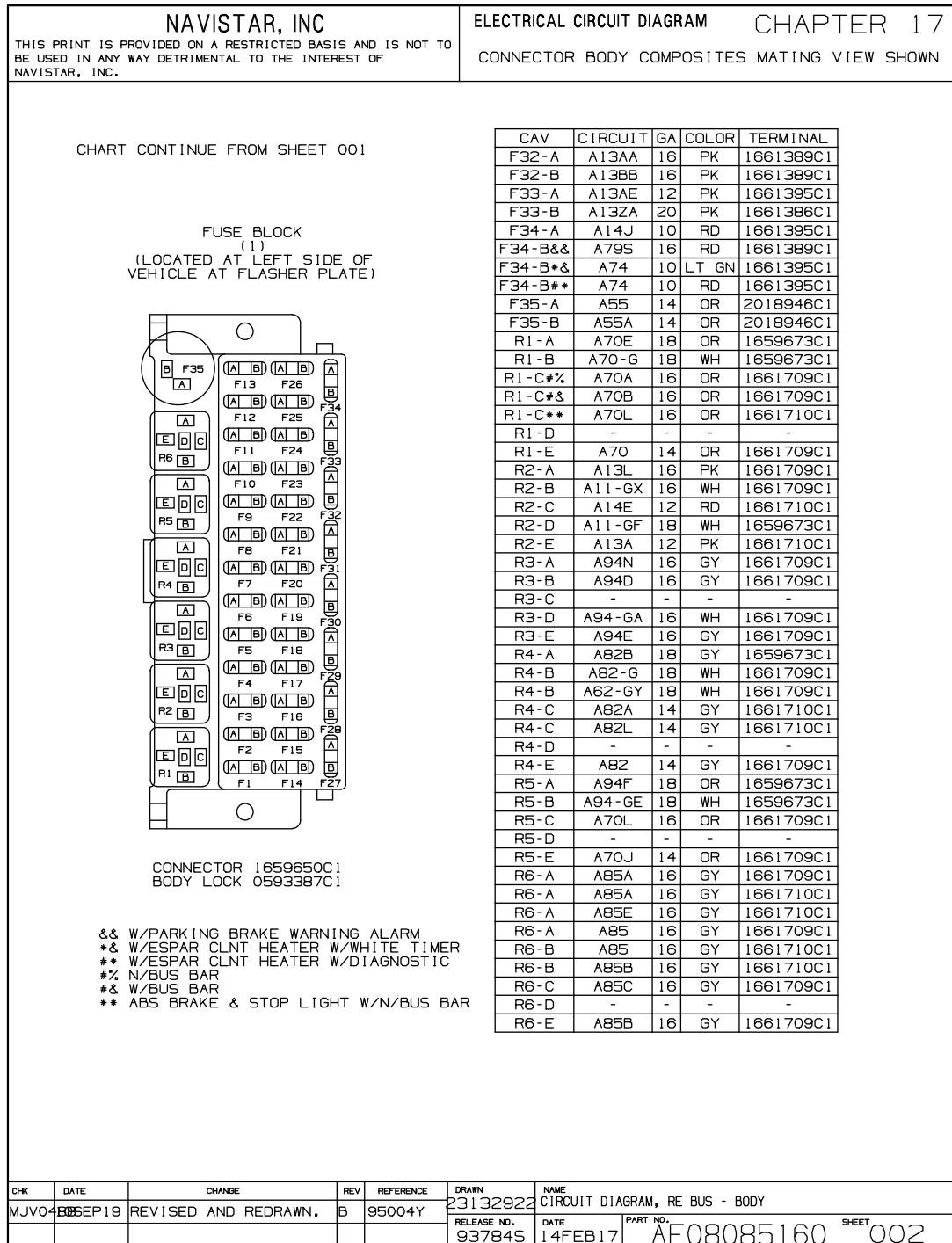


Figure 373 Connector Composites (1)

18.3. CONNECTOR COMPOSITES (2M), P. 3

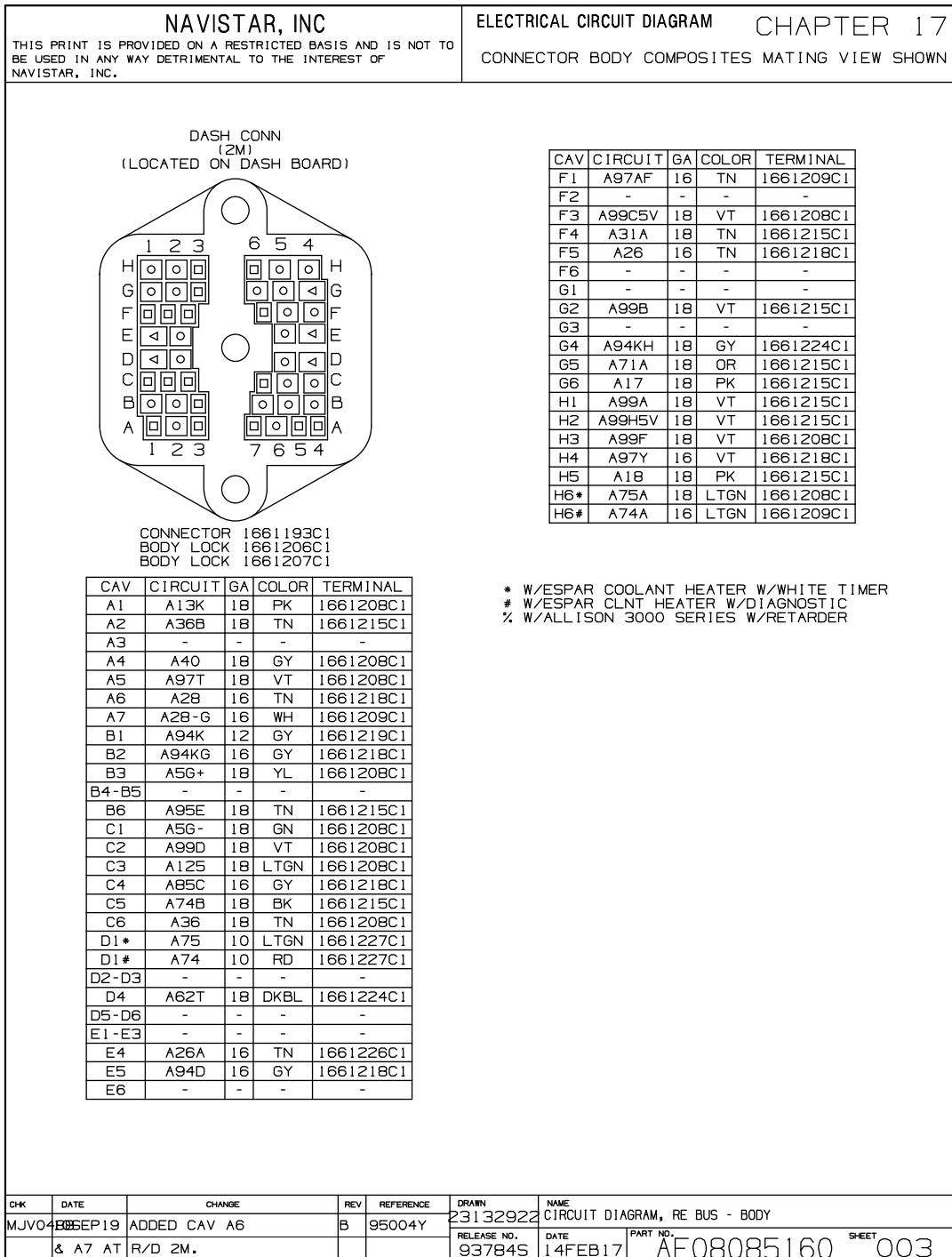


Figure 374 Connector Composites (2M)

18.4. CONNECTOR COMPOSITES (4M, 8M, 9, 10, 11M), P. 4

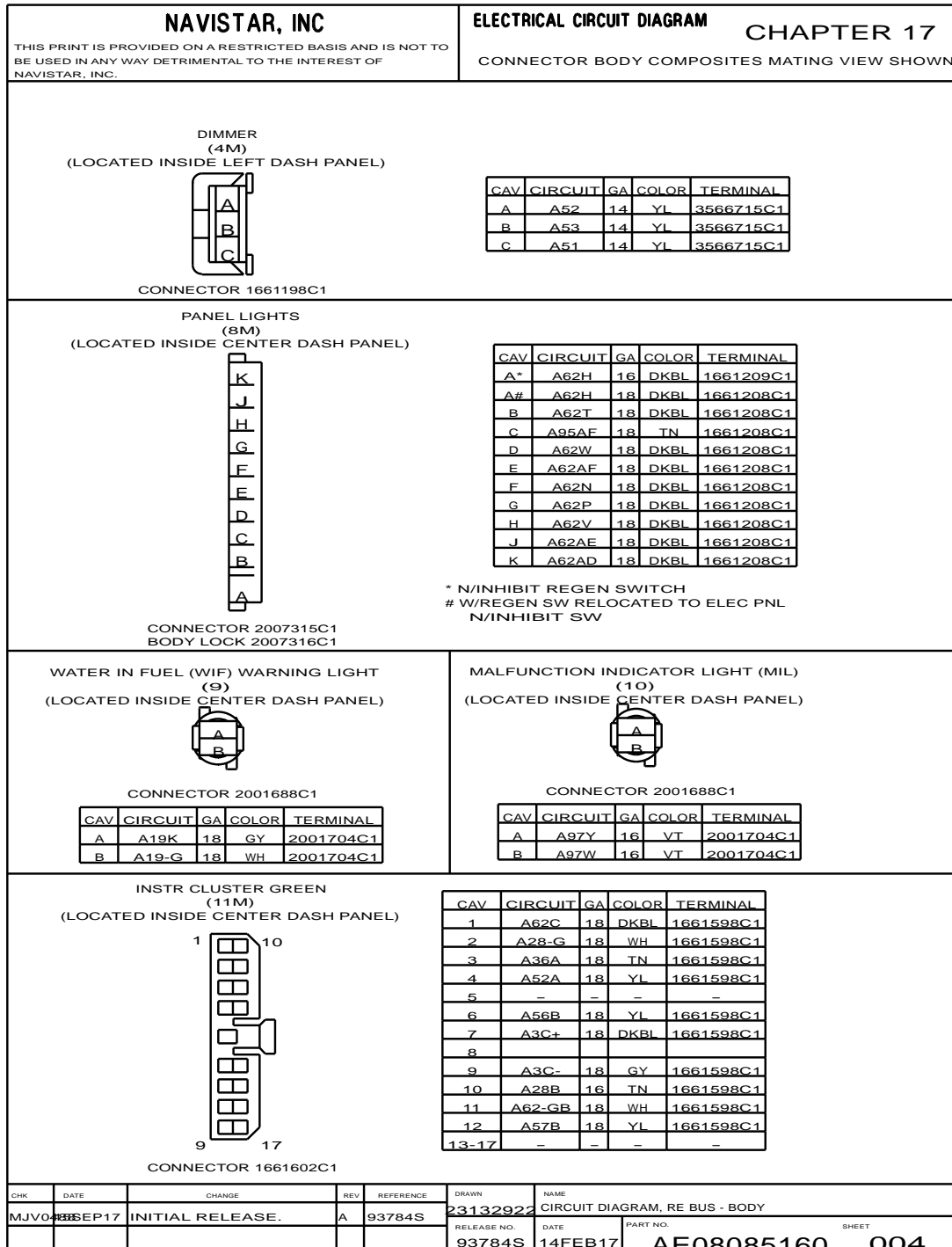


Figure 375 Connector Composites (4M, 8M, 9, 10, 11M)

18.5. CONNECTOR COMPOSITES (12M, 13M, 14M), P. 5

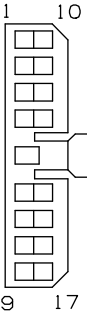
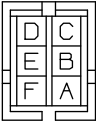
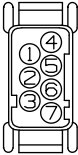
NAVISTAR, INC <small>THIS PRINT IS PROVIDED ON A RESTRICTED BASIS AND IS NOT TO BE USED IN ANY WAY DETRIMENTAL TO THE INTEREST OF NAVISTAR, INC.</small>				ELECTRICAL CIRCUIT DIAGRAM CHAPTER 17 CONNECTOR BODY COMPOSITES MATING VIEW SHOWN																																																																																																		
INSTR CLUSTER GREEN (12M) (LOCATED INSIDE CENTER DASH PANEL)																																																																																																						
				<table border="1" style="width:100%; border-collapse: collapse;"> <thead> <tr> <th>CAV</th> <th>CIRCUIT</th> <th>GA</th> <th>COLOR</th> <th>TERMINAL</th> </tr> </thead> <tbody> <tr><td>1</td><td>A62D</td><td>18</td><td>DKBL</td><td>1661598C1</td></tr> <tr><td>2</td><td>A31A</td><td>18</td><td>TN</td><td>1661598C1</td></tr> <tr><td>3</td><td>A62-GK</td><td>18</td><td>WH</td><td>1661598C1</td></tr> <tr><td>4</td><td>A28D</td><td>16</td><td>TN</td><td>1661598C1</td></tr> <tr><td>5</td><td>A18</td><td>18</td><td>PK</td><td>1661598C1</td></tr> <tr><td>6</td><td>-</td><td>-</td><td>-</td><td>-</td></tr> <tr><td>7</td><td>A125</td><td>18</td><td>LTGN</td><td>1661598C1</td></tr> <tr><td>8</td><td>A28C</td><td>16</td><td>TN</td><td>1661598C1</td></tr> <tr><td>9*</td><td>A44C</td><td>18</td><td>GY</td><td>1661598C1</td></tr> <tr><td>9#</td><td>A44F</td><td>16</td><td>GY</td><td>1661598C1</td></tr> <tr><td>9%</td><td>A44C</td><td>16</td><td>GY</td><td>1661598C1</td></tr> <tr><td>10</td><td>A62-GC</td><td>18</td><td>WH</td><td>1661598C1</td></tr> <tr><td>11-12</td><td>-</td><td>-</td><td>-</td><td>-</td></tr> <tr><td>13</td><td>A28A</td><td>16</td><td>TN</td><td>1661598C1</td></tr> <tr><td>14</td><td>A97AF</td><td>18</td><td>TN</td><td>1661598C1</td></tr> <tr><td>15</td><td>A97T</td><td>18</td><td>VT</td><td>1661598C1</td></tr> <tr><td>16</td><td>-</td><td>-</td><td>-</td><td>-</td></tr> <tr><td>17</td><td>A40A</td><td>16</td><td>GY</td><td>1661598C1</td></tr> </tbody> </table>				CAV	CIRCUIT	GA	COLOR	TERMINAL	1	A62D	18	DKBL	1661598C1	2	A31A	18	TN	1661598C1	3	A62-GK	18	WH	1661598C1	4	A28D	16	TN	1661598C1	5	A18	18	PK	1661598C1	6	-	-	-	-	7	A125	18	LTGN	1661598C1	8	A28C	16	TN	1661598C1	9*	A44C	18	GY	1661598C1	9#	A44F	16	GY	1661598C1	9%	A44C	16	GY	1661598C1	10	A62-GC	18	WH	1661598C1	11-12	-	-	-	-	13	A28A	16	TN	1661598C1	14	A97AF	18	TN	1661598C1	15	A97T	18	VT	1661598C1	16	-	-	-	-	17	A40A	16	GY	1661598C1
CAV	CIRCUIT	GA	COLOR	TERMINAL																																																																																																		
1	A62D	18	DKBL	1661598C1																																																																																																		
2	A31A	18	TN	1661598C1																																																																																																		
3	A62-GK	18	WH	1661598C1																																																																																																		
4	A28D	16	TN	1661598C1																																																																																																		
5	A18	18	PK	1661598C1																																																																																																		
6	-	-	-	-																																																																																																		
7	A125	18	LTGN	1661598C1																																																																																																		
8	A28C	16	TN	1661598C1																																																																																																		
9*	A44C	18	GY	1661598C1																																																																																																		
9#	A44F	16	GY	1661598C1																																																																																																		
9%	A44C	16	GY	1661598C1																																																																																																		
10	A62-GC	18	WH	1661598C1																																																																																																		
11-12	-	-	-	-																																																																																																		
13	A28A	16	TN	1661598C1																																																																																																		
14	A97AF	18	TN	1661598C1																																																																																																		
15	A97T	18	VT	1661598C1																																																																																																		
16	-	-	-	-																																																																																																		
17	A40A	16	GY	1661598C1																																																																																																		
CONNECTOR 1661601C1				* W/SEAT BELT # W/PARKING BRAKE WARNING ALARM % W/PARK BRAKE INDICATOR																																																																																																		
TURN SIGNAL (13M) (LOCATED INSIDE CENTER DASH PANEL)																																																																																																						
				<table border="1" style="width:100%; border-collapse: collapse;"> <thead> <tr> <th>CAV</th> <th>CIRCUIT</th> <th>GA</th> <th>COLOR</th> <th>TERMINAL</th> </tr> </thead> <tbody> <tr><td>A*</td><td>A57A</td><td>14</td><td>OR</td><td>3566715C1</td></tr> <tr><td>A#</td><td>A57A</td><td>14</td><td>LTGN</td><td>3566715C1</td></tr> <tr><td>B</td><td>-</td><td>-</td><td>-</td><td>-</td></tr> <tr><td>C*</td><td>A55A</td><td>14</td><td>OR</td><td>3566715C1</td></tr> <tr><td>C#</td><td>A55AA</td><td>16</td><td>OR</td><td>1661209C1</td></tr> <tr><td>D*</td><td>A56</td><td>14</td><td>YL</td><td>3566715C1</td></tr> <tr><td>D#</td><td>A56</td><td>16</td><td>YL</td><td>1661209C1</td></tr> <tr><td>E*</td><td>A56A</td><td>14</td><td>OR</td><td>3566715C1</td></tr> <tr><td>E#</td><td>A56A</td><td>16</td><td>YL</td><td>1661209C1</td></tr> <tr><td>F*</td><td>A57</td><td>14</td><td>YL</td><td>3566715C1</td></tr> <tr><td>F#</td><td>A57</td><td>16</td><td>YL</td><td>1661209C1</td></tr> </tbody> </table>				CAV	CIRCUIT	GA	COLOR	TERMINAL	A*	A57A	14	OR	3566715C1	A#	A57A	14	LTGN	3566715C1	B	-	-	-	-	C*	A55A	14	OR	3566715C1	C#	A55AA	16	OR	1661209C1	D*	A56	14	YL	3566715C1	D#	A56	16	YL	1661209C1	E*	A56A	14	OR	3566715C1	E#	A56A	16	YL	1661209C1	F*	A57	14	YL	3566715C1	F#	A57	16	YL	1661209C1																																			
CAV	CIRCUIT	GA	COLOR	TERMINAL																																																																																																		
A*	A57A	14	OR	3566715C1																																																																																																		
A#	A57A	14	LTGN	3566715C1																																																																																																		
B	-	-	-	-																																																																																																		
C*	A55A	14	OR	3566715C1																																																																																																		
C#	A55AA	16	OR	1661209C1																																																																																																		
D*	A56	14	YL	3566715C1																																																																																																		
D#	A56	16	YL	1661209C1																																																																																																		
E*	A56A	14	OR	3566715C1																																																																																																		
E#	A56A	16	YL	1661209C1																																																																																																		
F*	A57	14	YL	3566715C1																																																																																																		
F#	A57	16	YL	1661209C1																																																																																																		
CONNECTOR 1661200C1				* N/AUX FLASHER SWITCH # W/AUX FLASHER SWITCH																																																																																																		
STEERING ANGLE SENSOR (14M) (LOCATED AT TRANSITION TIRE CHAINS)																																																																																																						
				<table border="1" style="width:100%; border-collapse: collapse;"> <thead> <tr> <th>CAV</th> <th>CIRCUIT</th> <th>GA</th> <th>COLOR</th> <th>TERMINAL</th> </tr> </thead> <tbody> <tr><td>1</td><td>A94SC2</td><td>18</td><td>BK</td><td>3601801C1</td></tr> <tr><td>2</td><td>A94SS2</td><td>18</td><td>RD</td><td>3601801C1</td></tr> <tr><td>3</td><td>A94SH2</td><td>18</td><td>YL</td><td>3601801C1</td></tr> <tr><td>4</td><td>A94SL2</td><td>18</td><td>GN</td><td>3601801C1</td></tr> <tr><td>5</td><td>-</td><td>-</td><td>-</td><td>-</td></tr> <tr><td>6</td><td>-</td><td>-</td><td>-</td><td>-</td></tr> <tr><td>7</td><td>-</td><td>-</td><td>-</td><td>-</td></tr> </tbody> </table>				CAV	CIRCUIT	GA	COLOR	TERMINAL	1	A94SC2	18	BK	3601801C1	2	A94SS2	18	RD	3601801C1	3	A94SH2	18	YL	3601801C1	4	A94SL2	18	GN	3601801C1	5	-	-	-	-	6	-	-	-	-	7	-	-	-	-																																																							
CAV	CIRCUIT	GA	COLOR	TERMINAL																																																																																																		
1	A94SC2	18	BK	3601801C1																																																																																																		
2	A94SS2	18	RD	3601801C1																																																																																																		
3	A94SH2	18	YL	3601801C1																																																																																																		
4	A94SL2	18	GN	3601801C1																																																																																																		
5	-	-	-	-																																																																																																		
6	-	-	-	-																																																																																																		
7	-	-	-	-																																																																																																		
CONNECTOR 3601800C1																																																																																																						
CHK	DATE	CHANGE	REV	REFERENCE	DRAWN	NAME																																																																																																
MJV04	19SEP19	ADDED R/D 14M.	B	95004Y	23132922	CIRCUIT DIAGRAM, RE BUS - BODY																																																																																																
					RELEASE NO.	DATE	PART NO.																																																																																															
					93784S	14FEB17	AE08085160																																																																																															
							SHEET 005																																																																																															

Figure 376 Connector Composites (12M, 13M, 14M)

18.6. CONNECTOR COMPOSITES (017WT, 018WT), P. 5A

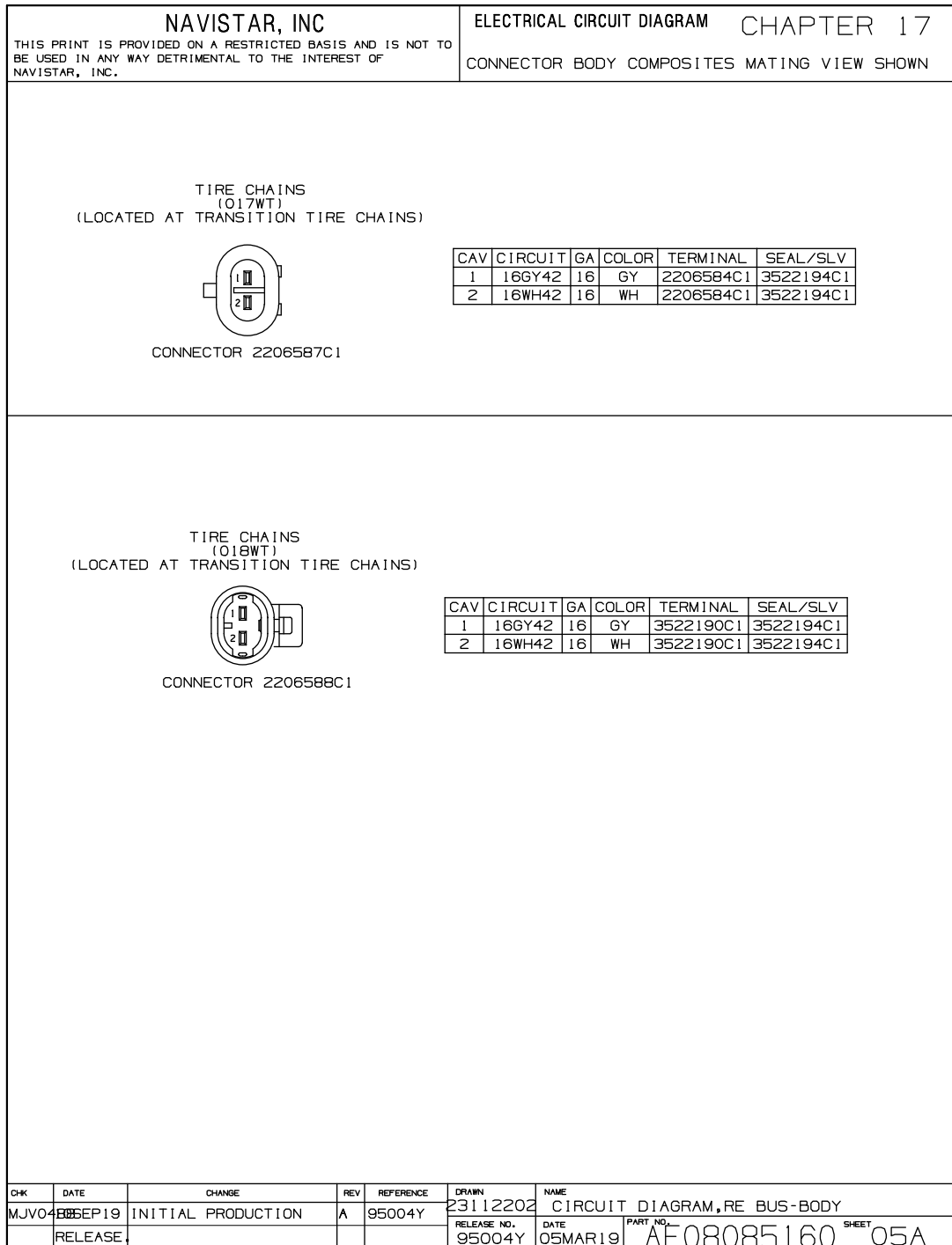


Figure 377 Connector Composites (017WT, 018WT)

18.7. CONNECTOR COMPOSITES (22M, 23M, 30WT, 31WT), P. 6

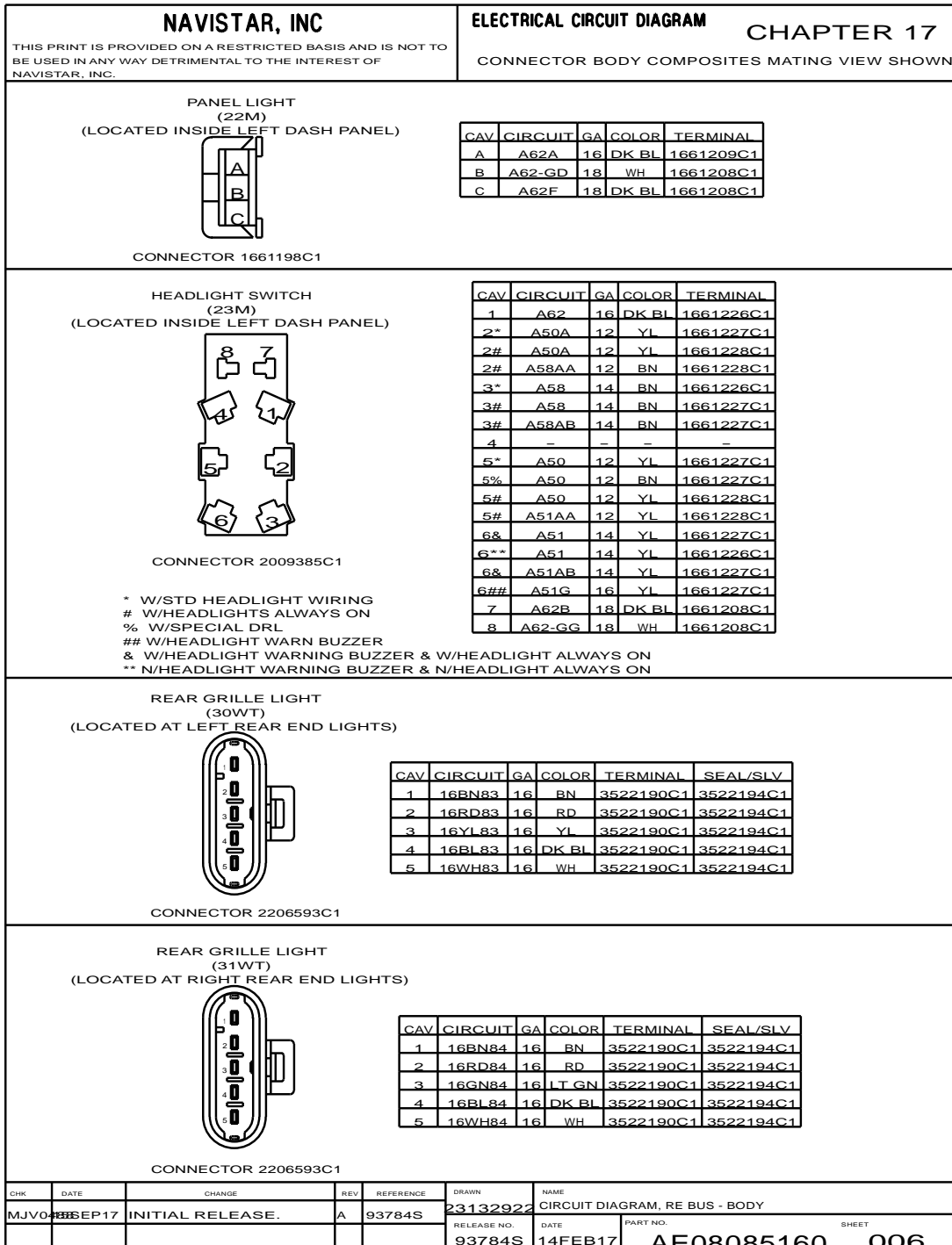


Figure 378 Connector Composites (22M, 23M, 30WT, 31WT)

18.8. CONNECTOR COMPOSITES (32WT, 33WT, 34WT, 35WT, 36WT), P. 7

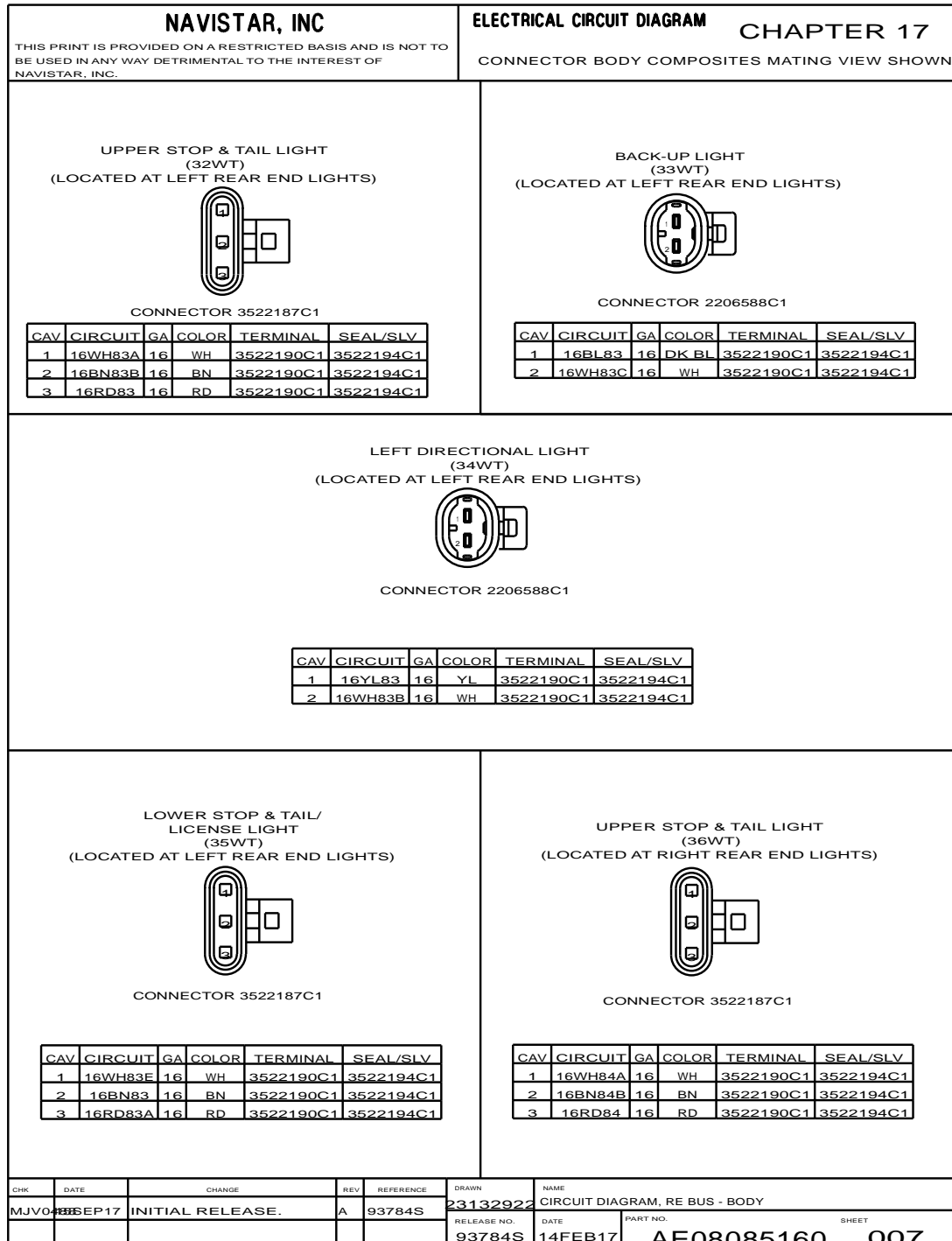


Figure 379 Connector Composites (32WT, 33WT, 34WT, 35WT, 36WT)

18.9. CONNECTOR COMPOSITES (37WT, 38WT, 39WT, 40WT, 41WT), P. 8

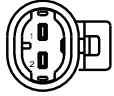
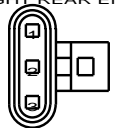

NAVISTAR, INC				ELECTRICAL CIRCUIT DIAGRAM				CHAPTER 17					
THIS PRINT IS PROVIDED ON A RESTRICTED BASIS AND IS NOT TO BE USED IN ANY WAY DETRIMENTAL TO THE INTEREST OF NAVISTAR, INC.				CONNECTOR BODY COMPOSITES MATING VIEW SHOWN									
<p>BACK-UP LIGHT (37WT) (LOCATED AT RIGHT REAR END LIGHTS)</p>  <p>CONNECTOR 2206588C1</p>													
		CAV		CIRCUIT		GA		COLOR		TERMINAL		SEAL/SLV	
		1		16BL84		16		DK BL		3522190C1		3522194C1	
		2		16WH84C		16		WH		3522190C1		3522194C1	
<p>LOWER STOP & TAIL/LICENSE LIGHT (38WT) (LOCATED AT RIGHT REAR END LIGHTS)</p>  <p>CONNECTOR 3522187C1</p>													
		CAV		CIRCUIT		GA		COLOR		TERMINAL		SEAL/SLV	
		1		16WH84E		16		WH		3522190C1		3522194C1	
		2		16BN84		16		BN		3522190C1		3522194C1	
		3		16RD84A		16		RD		3522190C1		3522194C1	
<p>RIGHT DIRECTIONAL LIGHT (39WT) (LOCATED AT RIGHT REAR END LIGHTS)</p>  <p>CONNECTOR 2206588C1</p>													
		CAV		CIRCUIT		GA		COLOR		TERMINAL		SEAL/SLV	
		1		16GN84		16		LT GN		3522190C1		3522194C1	
		2		16WH84B		16		WH		3522190C1		3522194C1	
<p>INDIVIDUAL LICENSE PLATE LIGHT (40WT) (LOCATED AT RIGHT REAR END LIGHTS)</p>  <p>CONNECTOR 2206588C1</p>													
		CAV		CIRCUIT		GA		COLOR		TERMINAL		SEAL/SLV	
		1		16BN84C		16		BN		3522190C1		3522194C1	
		2		16WH84D		16		WH		3522190C1		3522194C1	
<p>INDIVIDUAL LICENSE PLATE LIGHT (41WT) (LOCATED AT LEFT REAR END LIGHTS)</p>  <p>CONNECTOR 2206588C1</p>													
		CAV		CIRCUIT		GA		COLOR		TERMINAL		SEAL/SLV	
		1		16BN83C		16		BN		3522190C1		3522194C1	
		2		16WH83D		16		WH		3522190C1		3522194C1	
CHK	DATE	CHANGE	REV	REFERENCE	DRAWN	NAME							
	MJV0	13SEP17		A	93784S	23132922							
					RELEASE NO.	DATE	PART NO.	SHEET					
					93784S	14FEB17	AE08085160	008					

Figure 380 Connector Composites (37WT, 38WT, 39WT, 40WT, 41WT)

18.10. CONNECTOR COMPOSITES (46WT, 47WT, 50, 51, 52), P. 9

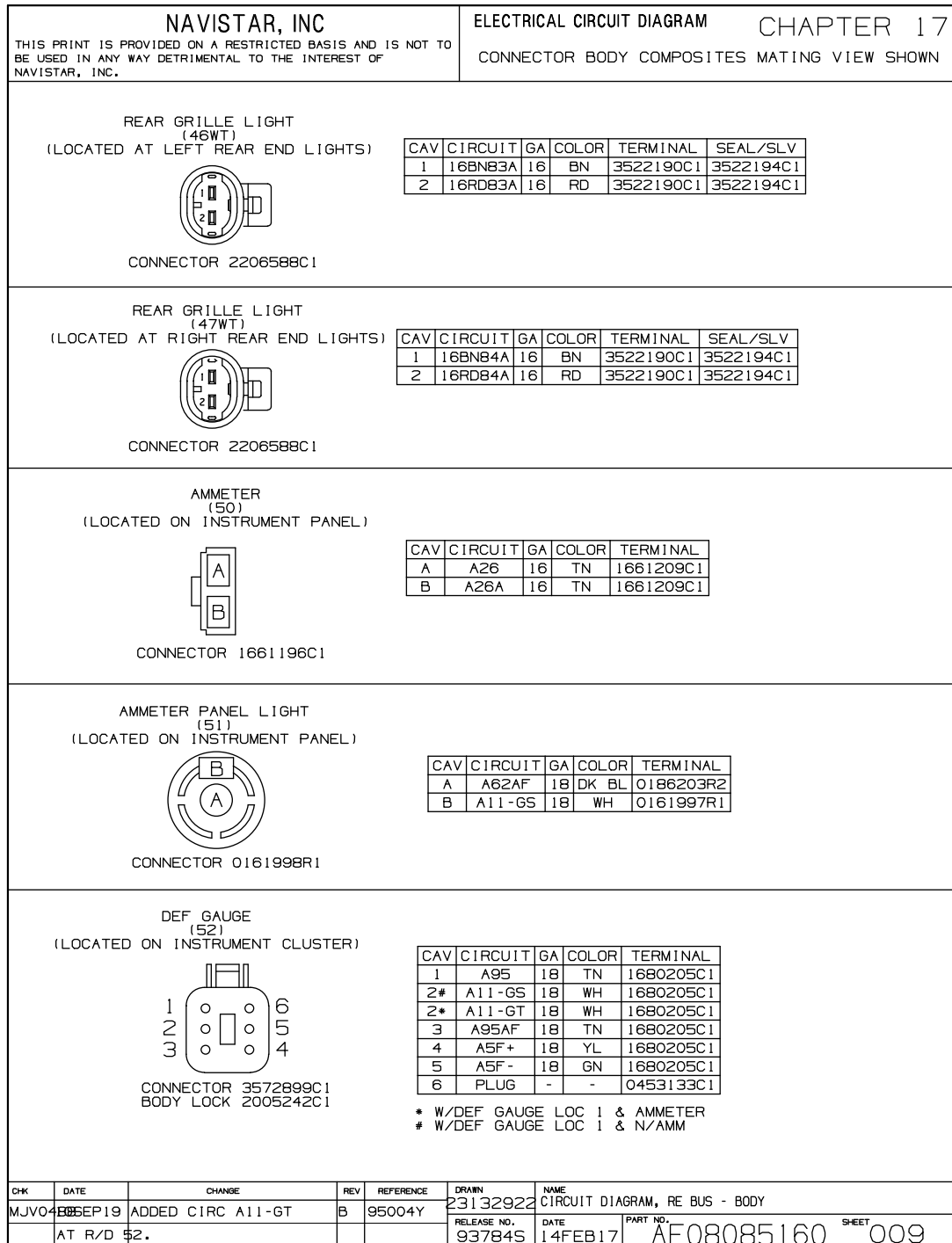


Figure 381 Connector Composites (46WT, 47WT, 50, 51, 52)

18.11. CONNECTOR COMPOSITES (52A, 53, 74M, 75M, 78M), P. 10

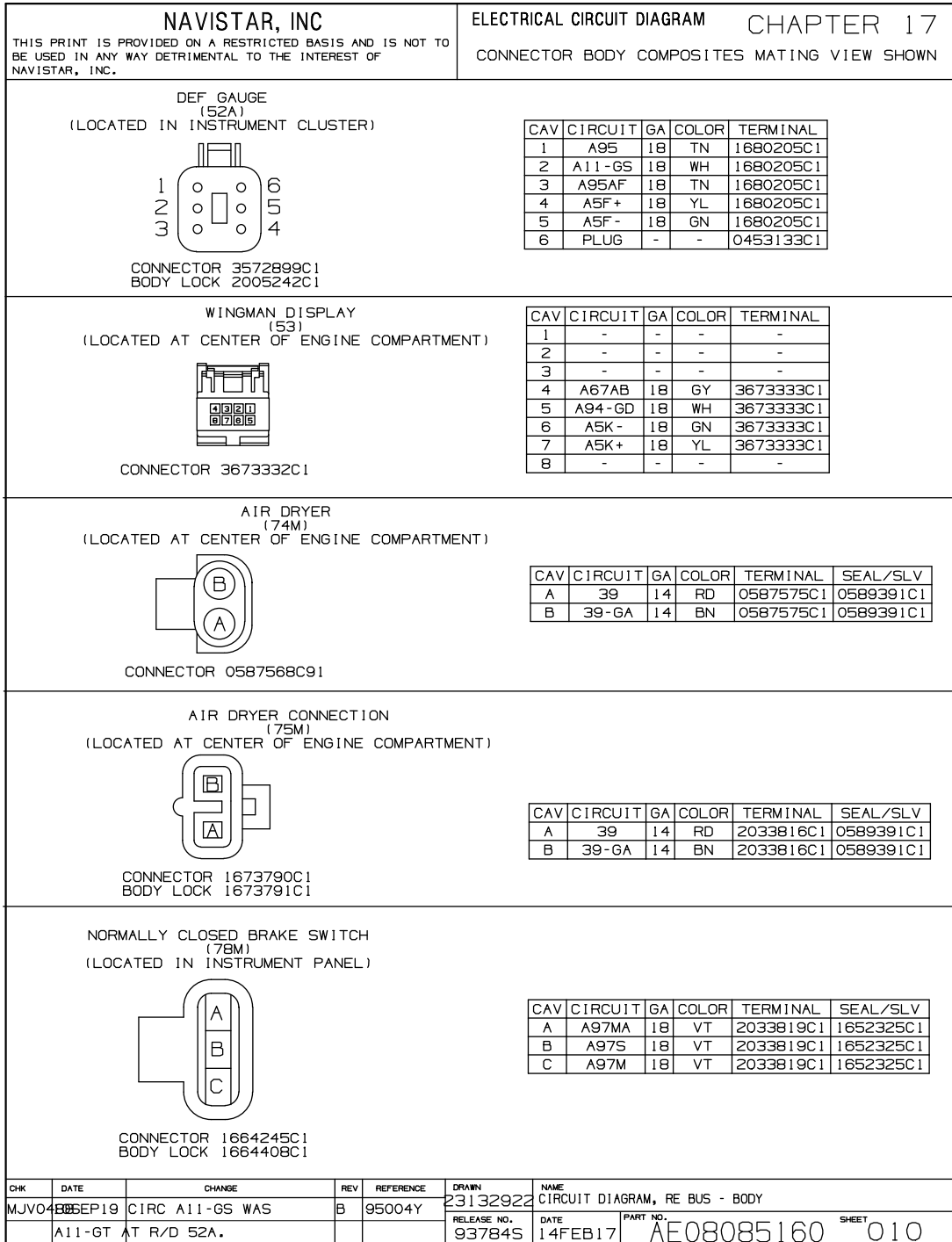


Figure 382 Connector Composites (52A, 53, 74M, 75M, 78M)

18.12. CONNECTOR COMPOSITES (78M, 79M, 80M, 81M), P. 10A

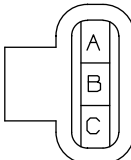
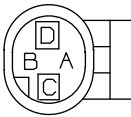
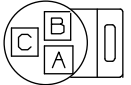
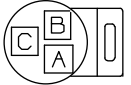
NAVISTAR, INC					ELECTRICAL CIRCUIT DIAGRAM CHAPTER 17																																		
THIS PRINT IS PROVIDED ON A RESTRICTED BASIS AND IS NOT TO BE USED IN ANY WAY DETRIMENTAL TO THE INTEREST OF NAVISTAR, INC.					CONNECTOR BODY COMPOSITES MATING VIEW SHOWN																																		
<p>NORMALLY CLOSED BRAKE SWITCH (78M) (LOCATED IN INSTRUMENT PANEL)</p>  <table border="1" style="margin-left: auto; margin-right: auto; font-size: x-small;"> <thead> <tr> <th>CAV</th> <th>CIRCUIT</th> <th>GA</th> <th>COLOR</th> <th>TERMINAL</th> <th>SEAL/SLV</th> </tr> </thead> <tbody> <tr> <td>A</td> <td>A97MA</td> <td>18</td> <td>VT</td> <td>2033819C1</td> <td>1652325C1</td> </tr> <tr> <td>B</td> <td>A97S</td> <td>18</td> <td>VT</td> <td>2033819C1</td> <td>1652325C1</td> </tr> <tr> <td>C</td> <td>A97M</td> <td>18</td> <td>VT</td> <td>2033819C1</td> <td>1652325C1</td> </tr> </tbody> </table> <p>CONNECTOR 1664245C1 BODY LOCK 1664408C1</p>										CAV	CIRCUIT	GA	COLOR	TERMINAL	SEAL/SLV	A	A97MA	18	VT	2033819C1	1652325C1	B	A97S	18	VT	2033819C1	1652325C1	C	A97M	18	VT	2033819C1	1652325C1						
CAV	CIRCUIT	GA	COLOR	TERMINAL	SEAL/SLV																																		
A	A97MA	18	VT	2033819C1	1652325C1																																		
B	A97S	18	VT	2033819C1	1652325C1																																		
C	A97M	18	VT	2033819C1	1652325C1																																		
<p>STOP LIGHT SWITCH (79M) (LOCATED IN INSTRUMENT PANEL)</p>  <table border="1" style="margin-left: auto; margin-right: auto; font-size: x-small;"> <thead> <tr> <th>CAV</th> <th>CIRCUIT</th> <th>GA</th> <th>COLOR</th> <th>TERMINAL</th> <th>SEAL/SLV</th> </tr> </thead> <tbody> <tr> <td>A</td> <td>PLUG</td> <td>-</td> <td>-</td> <td>2025431C1</td> <td>-</td> </tr> <tr> <td>B</td> <td>PLUG</td> <td>-</td> <td>-</td> <td>2025431C1</td> <td>-</td> </tr> <tr> <td>C</td> <td>A70D</td> <td>18</td> <td>OR</td> <td>1661875C1</td> <td>1661872C1</td> </tr> <tr> <td>D</td> <td>A70C</td> <td>18</td> <td>OR</td> <td>1661875C1</td> <td>1661872C1</td> </tr> </tbody> </table> <p>CONNECTOR 1661777C1 BODY LOCK 1661873C1</p>										CAV	CIRCUIT	GA	COLOR	TERMINAL	SEAL/SLV	A	PLUG	-	-	2025431C1	-	B	PLUG	-	-	2025431C1	-	C	A70D	18	OR	1661875C1	1661872C1	D	A70C	18	OR	1661875C1	1661872C1
CAV	CIRCUIT	GA	COLOR	TERMINAL	SEAL/SLV																																		
A	PLUG	-	-	2025431C1	-																																		
B	PLUG	-	-	2025431C1	-																																		
C	A70D	18	OR	1661875C1	1661872C1																																		
D	A70C	18	OR	1661875C1	1661872C1																																		
<p>ABS PRIMARY AIR SENSOR (80M) (LOCATED IN INSTRUMENT PANEL)</p>  <table border="1" style="margin-left: auto; margin-right: auto; font-size: x-small;"> <thead> <tr> <th>CAV</th> <th>CIRCUIT</th> <th>GA</th> <th>COLOR</th> <th>TERMINAL</th> </tr> </thead> <tbody> <tr> <td>A</td> <td>A945ZA</td> <td>18</td> <td>GY</td> <td>1651943C1</td> </tr> <tr> <td>B</td> <td>A945VA</td> <td>18</td> <td>GY</td> <td>1651943C1</td> </tr> <tr> <td>C</td> <td>A94SE</td> <td>18</td> <td>GY</td> <td>1651943C1</td> </tr> </tbody> </table> <p>CONNECTOR 1678137C1</p>										CAV	CIRCUIT	GA	COLOR	TERMINAL	A	A945ZA	18	GY	1651943C1	B	A945VA	18	GY	1651943C1	C	A94SE	18	GY	1651943C1										
CAV	CIRCUIT	GA	COLOR	TERMINAL																																			
A	A945ZA	18	GY	1651943C1																																			
B	A945VA	18	GY	1651943C1																																			
C	A94SE	18	GY	1651943C1																																			
<p>ABS SECONDARY AIR SENSOR (81M) (LOCATED IN INSTRUMENT PANEL)</p>  <table border="1" style="margin-left: auto; margin-right: auto; font-size: x-small;"> <thead> <tr> <th>CAV</th> <th>CIRCUIT</th> <th>GA</th> <th>COLOR</th> <th>TERMINAL</th> </tr> </thead> <tbody> <tr> <td>A</td> <td>A945ZB</td> <td>18</td> <td>GY</td> <td>1651943C1</td> </tr> <tr> <td>B</td> <td>A945VB</td> <td>18</td> <td>GY</td> <td>1651943C1</td> </tr> <tr> <td>C</td> <td>A94SF</td> <td>18</td> <td>GY</td> <td>1651943C1</td> </tr> </tbody> </table> <p>CONNECTOR 1678137C1</p>										CAV	CIRCUIT	GA	COLOR	TERMINAL	A	A945ZB	18	GY	1651943C1	B	A945VB	18	GY	1651943C1	C	A94SF	18	GY	1651943C1										
CAV	CIRCUIT	GA	COLOR	TERMINAL																																			
A	A945ZB	18	GY	1651943C1																																			
B	A945VB	18	GY	1651943C1																																			
C	A94SF	18	GY	1651943C1																																			
CHK	DATE	CHANGE	REV	REFERENCE	DRAWN	NAME																																	
MJVO	28SEP19	INITIAL PRODUCTION	A	95004Y	23112202	CIRCUIT DIAGRAM, RE BUS - BODY																																	
RELEASE					RELEASE NO.	DATE	PART NO.	SHEET																															
					95004Y	12MAR19	AF08085160	10A																															

Figure 383 Connector Composites (78M, 79M, 80M, 81M)

18.13. CONNECTOR COMPOSITES (100, 101, 162, 168), P. 11

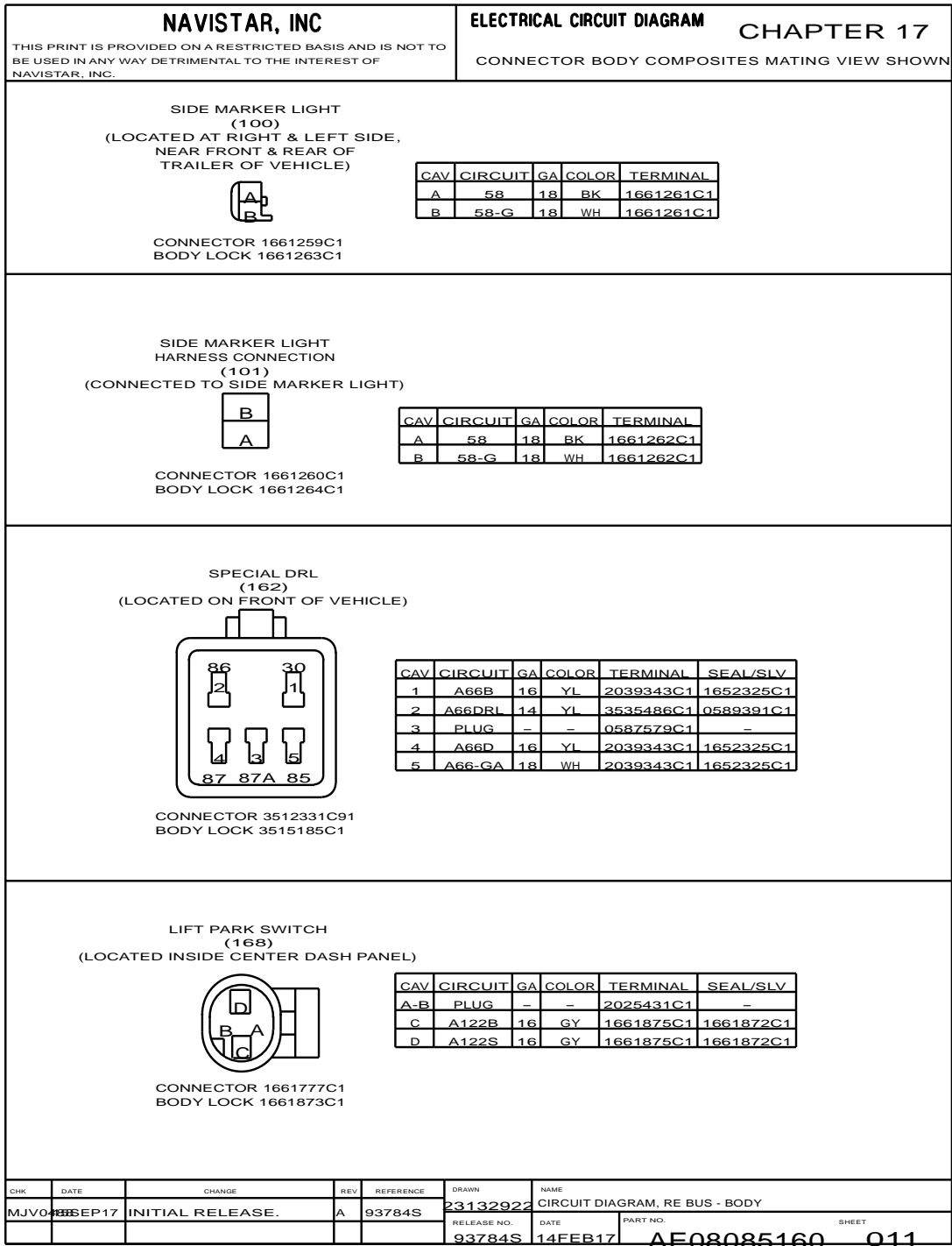


Figure 384 Connector Composites (100, 101, 162, 168)

18.14. CONNECTOR COMPOSITES (168A, 211M, 211N, 212M), P. 12

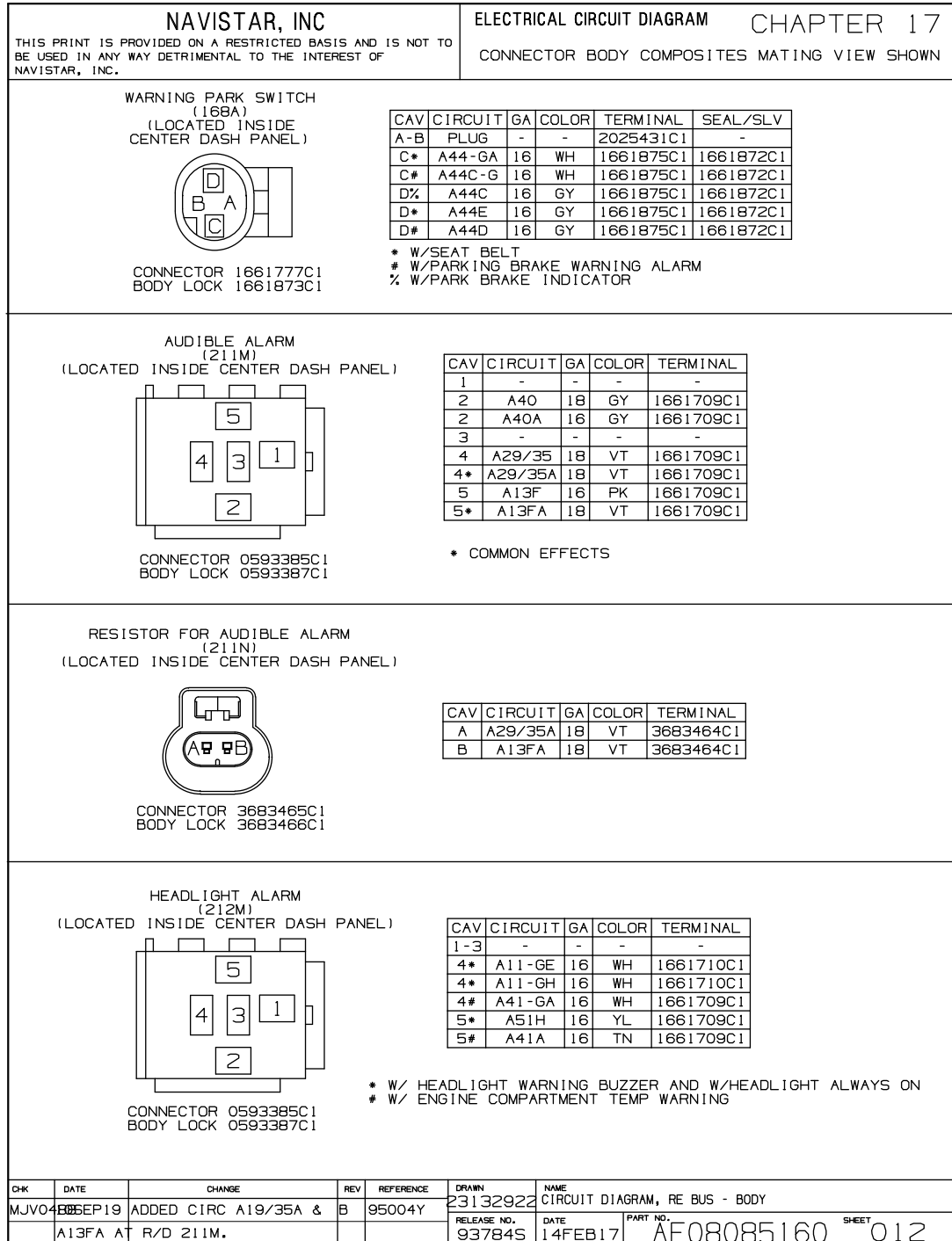


Figure 385 Connector Composites (168A, 211M, 211N, 212M)

18.15. CONNECTOR COMPOSITES (220, 221), P. 12A

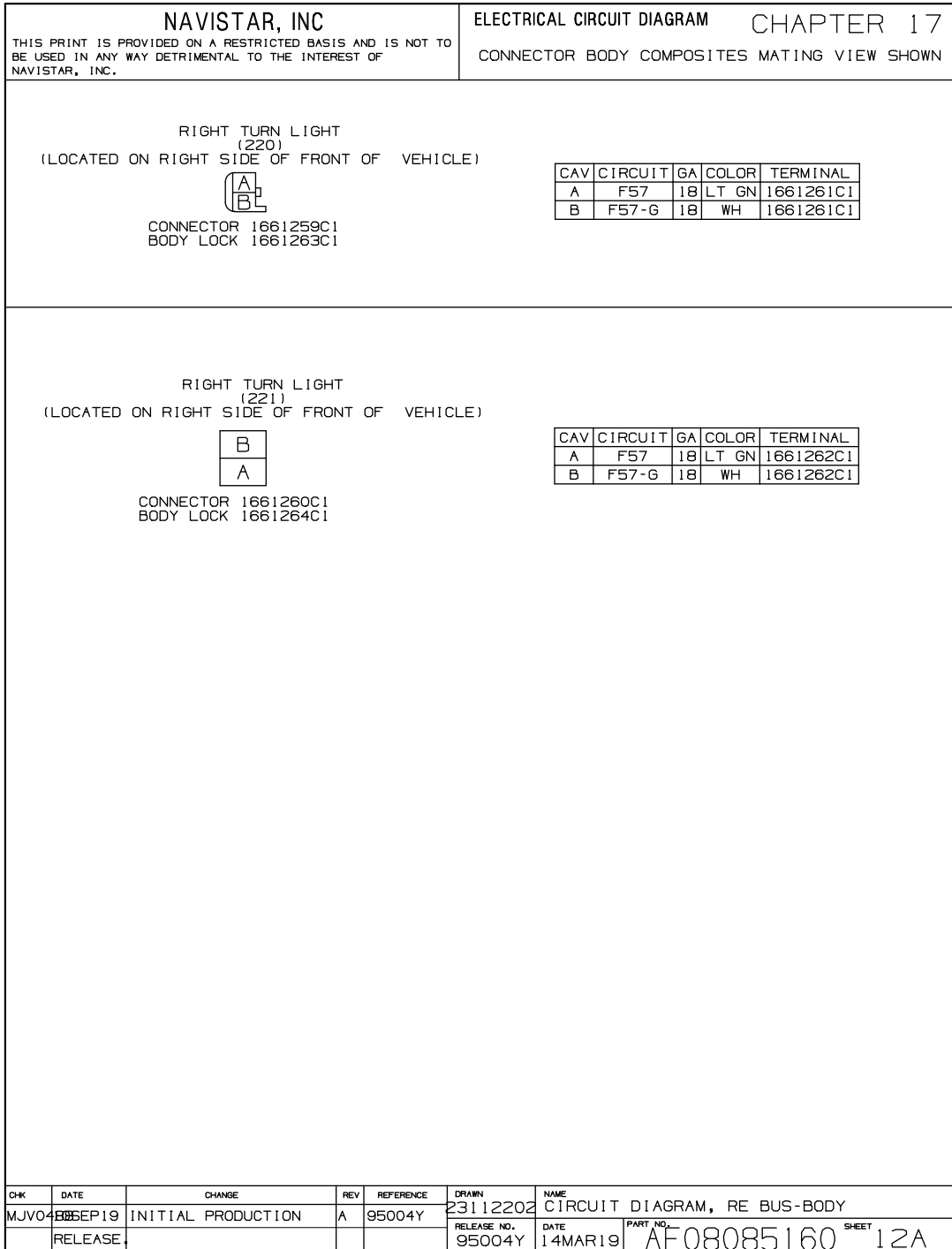


Figure 386 Connector Composites (220, 221)

18.16. CONNECTOR COMPOSITES (240, 250, 297, 299), P. 13


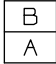
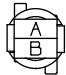
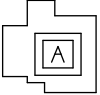
NAVISTAR, INC <small>THIS PRINT IS PROVIDED ON A RESTRICTED BASIS AND IS NOT TO BE USED IN ANY WAY DETRIMENTAL TO THE INTEREST OF NAVISTAR, INC.</small>					ELECTRICAL CIRCUIT DIAGRAM CHAPTER 17 CONNECTOR BODY COMPOSITES MATING VIEW SHOWN																			
<p style="text-align: center;">LEFT TURN LIGHT (240) (LOCATED ON LEFT SIDE OF FRONT OF VEHICLE)</p> <div style="text-align: center;">  </div> <p style="text-align: center;">CONNECTOR 1661259C1 BODY LOCK 1661263C1</p>					<table border="1" style="width: 100%; border-collapse: collapse; text-align: center;"> <thead> <tr> <th>CAV</th> <th>CIRCUIT</th> <th>GA</th> <th>COLOR</th> <th>TERMINAL</th> </tr> </thead> <tbody> <tr> <td>A</td> <td>E56</td> <td>18</td> <td>YL</td> <td>1661261C1</td> </tr> <tr> <td>B</td> <td>E56-G</td> <td>18</td> <td>WH</td> <td>1661261C1</td> </tr> </tbody> </table>					CAV	CIRCUIT	GA	COLOR	TERMINAL	A	E56	18	YL	1661261C1	B	E56-G	18	WH	1661261C1
CAV	CIRCUIT	GA	COLOR	TERMINAL																				
A	E56	18	YL	1661261C1																				
B	E56-G	18	WH	1661261C1																				
<p style="text-align: center;">LEFT TURN LIGHT (250) (LOCATED ON LEFT SIDE OF FRONT OF VEHICLE)</p> <div style="text-align: center;">  </div> <p style="text-align: center;">CONNECTOR 1661260C1 BODY LOCK 1661264C1</p>					<table border="1" style="width: 100%; border-collapse: collapse; text-align: center;"> <thead> <tr> <th>CAV</th> <th>CIRCUIT</th> <th>GA</th> <th>COLOR</th> <th>TERMINAL</th> </tr> </thead> <tbody> <tr> <td>A</td> <td>E56</td> <td>18</td> <td>YL</td> <td>1661262C1</td> </tr> <tr> <td>B</td> <td>E56-G</td> <td>18</td> <td>WH</td> <td>1661262C1</td> </tr> </tbody> </table>					CAV	CIRCUIT	GA	COLOR	TERMINAL	A	E56	18	YL	1661262C1	B	E56-G	18	WH	1661262C1
CAV	CIRCUIT	GA	COLOR	TERMINAL																				
A	E56	18	YL	1661262C1																				
B	E56-G	18	WH	1661262C1																				
<p style="text-align: center;">ABS WARN (297) (LOCATED INSIDE CENTER DASH PANEL)</p> <div style="text-align: center;">  </div> <p style="text-align: center;">CONNECTOR 2001688C1</p>					<table border="1" style="width: 100%; border-collapse: collapse; text-align: center;"> <thead> <tr> <th>CAV</th> <th>CIRCUIT</th> <th>GA</th> <th>COLOR</th> <th>TERMINAL</th> </tr> </thead> <tbody> <tr> <td>A</td> <td>A94B</td> <td>16</td> <td>GY</td> <td>2001704C1</td> </tr> <tr> <td>B</td> <td>A94E</td> <td>16</td> <td>GY</td> <td>2001704C1</td> </tr> </tbody> </table>					CAV	CIRCUIT	GA	COLOR	TERMINAL	A	A94B	16	GY	2001704C1	B	A94E	16	GY	2001704C1
CAV	CIRCUIT	GA	COLOR	TERMINAL																				
A	A94B	16	GY	2001704C1																				
B	A94E	16	GY	2001704C1																				
<p style="text-align: center;">DAYTIME RUNNING LIGHT CONNECTOR (DRL) (299) (LOCATED INSIDE CENTER DASH PANEL)</p> <div style="text-align: center;">  </div> <p style="text-align: center;">CONNECTOR 1661203C1</p>					<table border="1" style="width: 100%; border-collapse: collapse; text-align: center;"> <thead> <tr> <th>CAV</th> <th>CIRCUIT</th> <th>GA</th> <th>COLOR</th> <th>TERMINAL</th> </tr> </thead> <tbody> <tr> <td>A*</td> <td>A66DRL</td> <td>14</td> <td>YL</td> <td>1661222C1</td> </tr> <tr> <td>A#</td> <td>A66DRF</td> <td>18</td> <td>YL</td> <td>1661220C1</td> </tr> </tbody> </table> <p style="text-align: right; margin-top: 5px;">* W/SPECIAL DRL # W/FULL TIME RUNNIG LIGHTS</p>					CAV	CIRCUIT	GA	COLOR	TERMINAL	A*	A66DRL	14	YL	1661222C1	A#	A66DRF	18	YL	1661220C1
CAV	CIRCUIT	GA	COLOR	TERMINAL																				
A*	A66DRL	14	YL	1661222C1																				
A#	A66DRF	18	YL	1661220C1																				
CHK	DATE	CHANGE	REV	REFERENCE	DRAWN	NAME																		
MJVO	19SEP19	REMOVED R/D 351,352, 353 & 354.	B	95004Y	23132922	CIRCUIT DIAGRAM, RE BUS - BODY																		
					RELEASE NO.	DATE	PART NO.	SHEET																
					93784S	14FEB17	AE08085160	013																

Figure 387 Connector Composites (240, 250, 297, 299)

18.17. CONNECTOR COMPOSITES (382M, 391, 392), P. 14

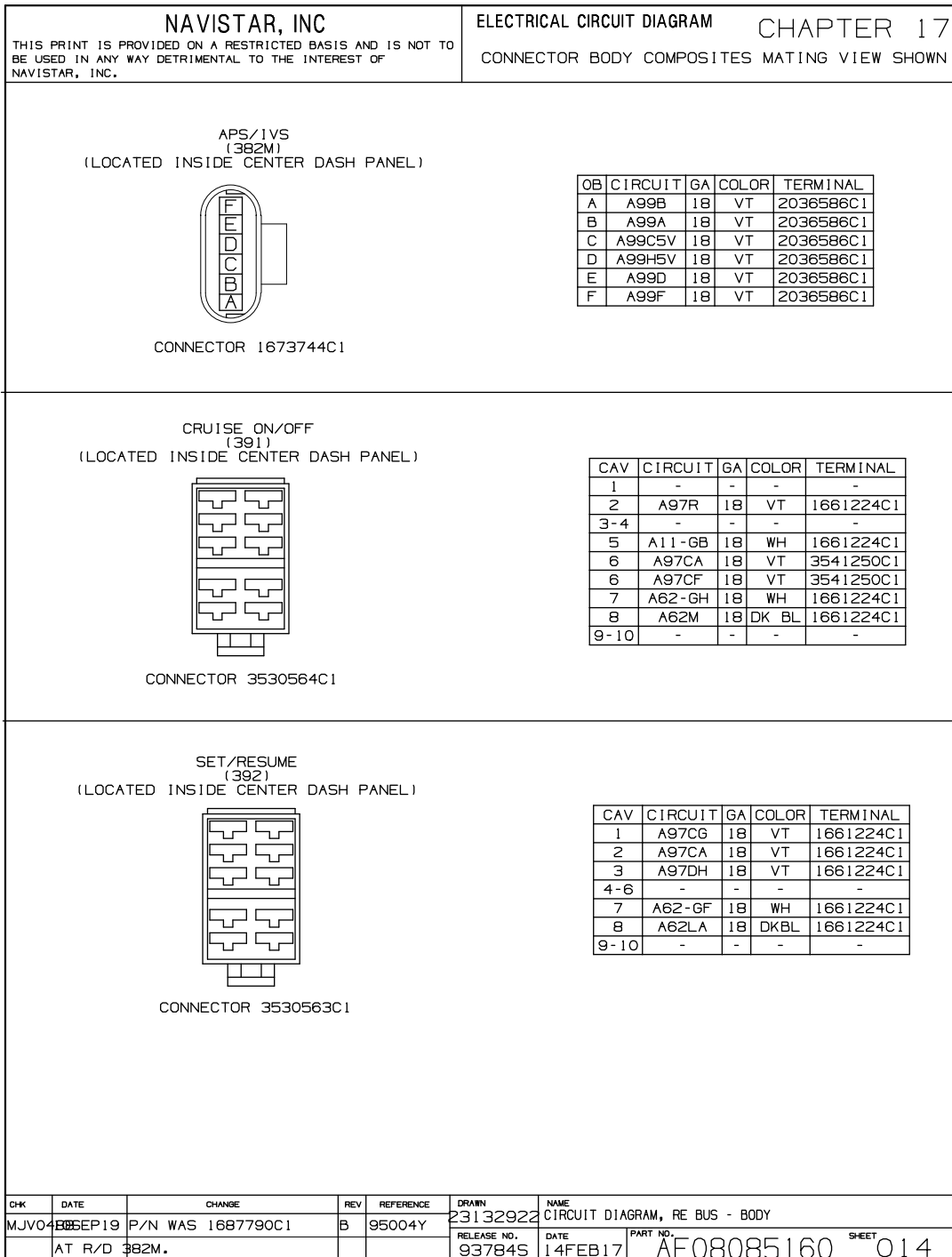


Figure 388 Connector Composites (382M, 391, 392)

18.18. CONNECTOR COMPOSITES (491M, 674), P. 14A

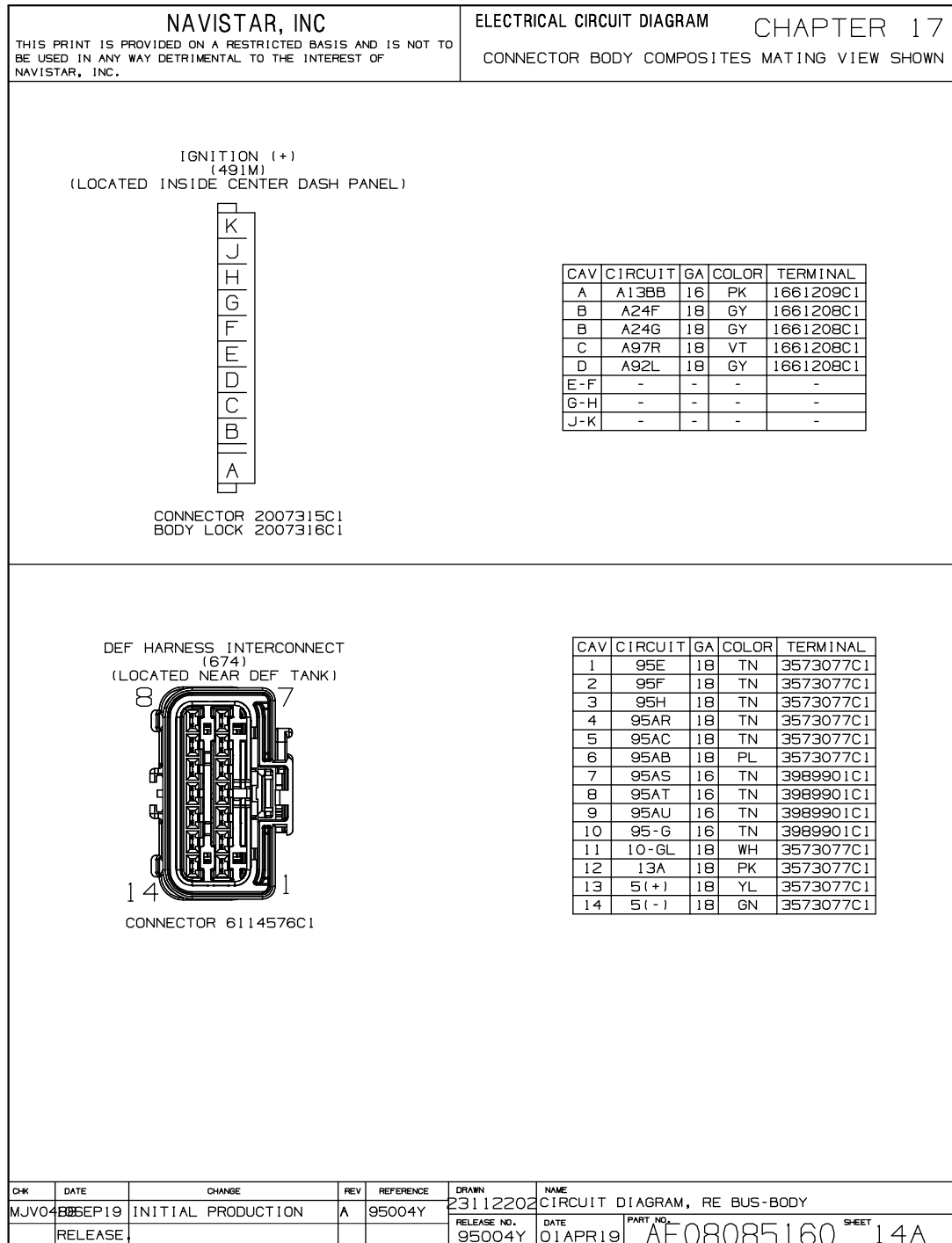


Figure 389 Connector Composites (491M, 674)

18.19. CONNECTOR COMPOSITES (675, 676, 677, 678), P. 15




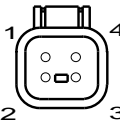
NAVISTAR, INC		ELECTRICAL CIRCUIT DIAGRAM		CHAPTER 17																										
THIS PRINT IS PROVIDED ON A RESTRICTED BASIS AND IS NOT TO BE USED IN ANY WAY DETRIMENTAL TO THE INTEREST OF NAVISTAR, INC.		CONNECTOR BODY COMPOSITES MATING VIEW SHOWN																												
<p>BACKFLOW HEATER LINE (675) (LOCATED NEAR TO DEF TANK)</p>  <p>CONNECTOR 3854665C91</p>																														
		<table border="1" style="width: 100%; border-collapse: collapse; font-size: x-small;"> <thead> <tr> <th>CAV</th> <th>CIRCUIT</th> <th>GA</th> <th>COLOR</th> <th>TERMINAL</th> </tr> </thead> <tbody> <tr> <td>1</td> <td>95AS</td> <td>16</td> <td>TN</td> <td>3572625C1</td> </tr> <tr> <td>2</td> <td>95-GA</td> <td>16</td> <td>TN</td> <td>3572625C1</td> </tr> </tbody> </table>				CAV	CIRCUIT	GA	COLOR	TERMINAL	1	95AS	16	TN	3572625C1	2	95-GA	16	TN	3572625C1										
CAV	CIRCUIT	GA	COLOR	TERMINAL																										
1	95AS	16	TN	3572625C1																										
2	95-GA	16	TN	3572625C1																										
<p>PRESSURE HEATER LINE (676) (LOCATED NEAR TO DEF TANK)</p>  <p>CONNECTOR 3854666C91</p>																														
		<table border="1" style="width: 100%; border-collapse: collapse; font-size: x-small;"> <thead> <tr> <th>CAV</th> <th>CIRCUIT</th> <th>GA</th> <th>COLOR</th> <th>TERMINAL</th> </tr> </thead> <tbody> <tr> <td>1</td> <td>95AT</td> <td>16</td> <td>TN</td> <td>1680205C1</td> </tr> <tr> <td>2</td> <td>95-GB</td> <td>16</td> <td>TN</td> <td>1680205C1</td> </tr> </tbody> </table>				CAV	CIRCUIT	GA	COLOR	TERMINAL	1	95AT	16	TN	1680205C1	2	95-GB	16	TN	1680205C1										
CAV	CIRCUIT	GA	COLOR	TERMINAL																										
1	95AT	16	TN	1680205C1																										
2	95-GB	16	TN	1680205C1																										
<p>SUCTION HEATER LINE (677) (LOCATED NEAR TO DEF TANK)</p>  <p>CONNECTOR 3854645C91</p>																														
		<table border="1" style="width: 100%; border-collapse: collapse; font-size: x-small;"> <thead> <tr> <th>CAV</th> <th>CIRCUIT</th> <th>GA</th> <th>COLOR</th> <th>TERMINAL</th> </tr> </thead> <tbody> <tr> <td>1</td> <td>95AU</td> <td>16</td> <td>TN</td> <td>1680205C1</td> </tr> <tr> <td>2</td> <td>95-GC</td> <td>16</td> <td>TN</td> <td>1680205C1</td> </tr> </tbody> </table>				CAV	CIRCUIT	GA	COLOR	TERMINAL	1	95AU	16	TN	1680205C1	2	95-GC	16	TN	1680205C1										
CAV	CIRCUIT	GA	COLOR	TERMINAL																										
1	95AU	16	TN	1680205C1																										
2	95-GC	16	TN	1680205C1																										
<p>TANK SENSOR TEMP/LEVEL (678) (LOCATED NEAR TO DEF TANK)</p>  <p>CONNECTOR 3991593C1 BODY LOCK 3545579C1</p>																														
		<table border="1" style="width: 100%; border-collapse: collapse; font-size: x-small;"> <thead> <tr> <th>CAV</th> <th>CIRCUIT</th> <th>GA</th> <th>COLOR</th> <th>TERMINAL</th> </tr> </thead> <tbody> <tr> <td>1</td> <td>5A(-)</td> <td>18</td> <td>GN</td> <td>1680205C1</td> </tr> <tr> <td>2</td> <td>5A(+)</td> <td>18</td> <td>YL</td> <td>1680205C1</td> </tr> <tr> <td>3</td> <td>10-GL</td> <td>18</td> <td>WH</td> <td>1680205C1</td> </tr> <tr> <td>4</td> <td>13A</td> <td>18</td> <td>PK</td> <td>1680205C1</td> </tr> </tbody> </table>				CAV	CIRCUIT	GA	COLOR	TERMINAL	1	5A(-)	18	GN	1680205C1	2	5A(+)	18	YL	1680205C1	3	10-GL	18	WH	1680205C1	4	13A	18	PK	1680205C1
CAV	CIRCUIT	GA	COLOR	TERMINAL																										
1	5A(-)	18	GN	1680205C1																										
2	5A(+)	18	YL	1680205C1																										
3	10-GL	18	WH	1680205C1																										
4	13A	18	PK	1680205C1																										
CHK	DATE	CHANGE	REV	REFERENCE	DRAWN	NAME																								
MJVO	13SEP17	INITIAL RELEASE.	A	93784S	23132922	CIRCUIT DIAGRAM, RE BUS - BODY																								
RELEASE NO.		DATE		PART NO.		SHEET																								
93784S		14FEB17		AE08085160		015																								

Figure 390 Connector Composites (675, 676, 677, 678)

18.20. CONNECTOR COMPOSITES (680, 681, 691, 898), P. 16

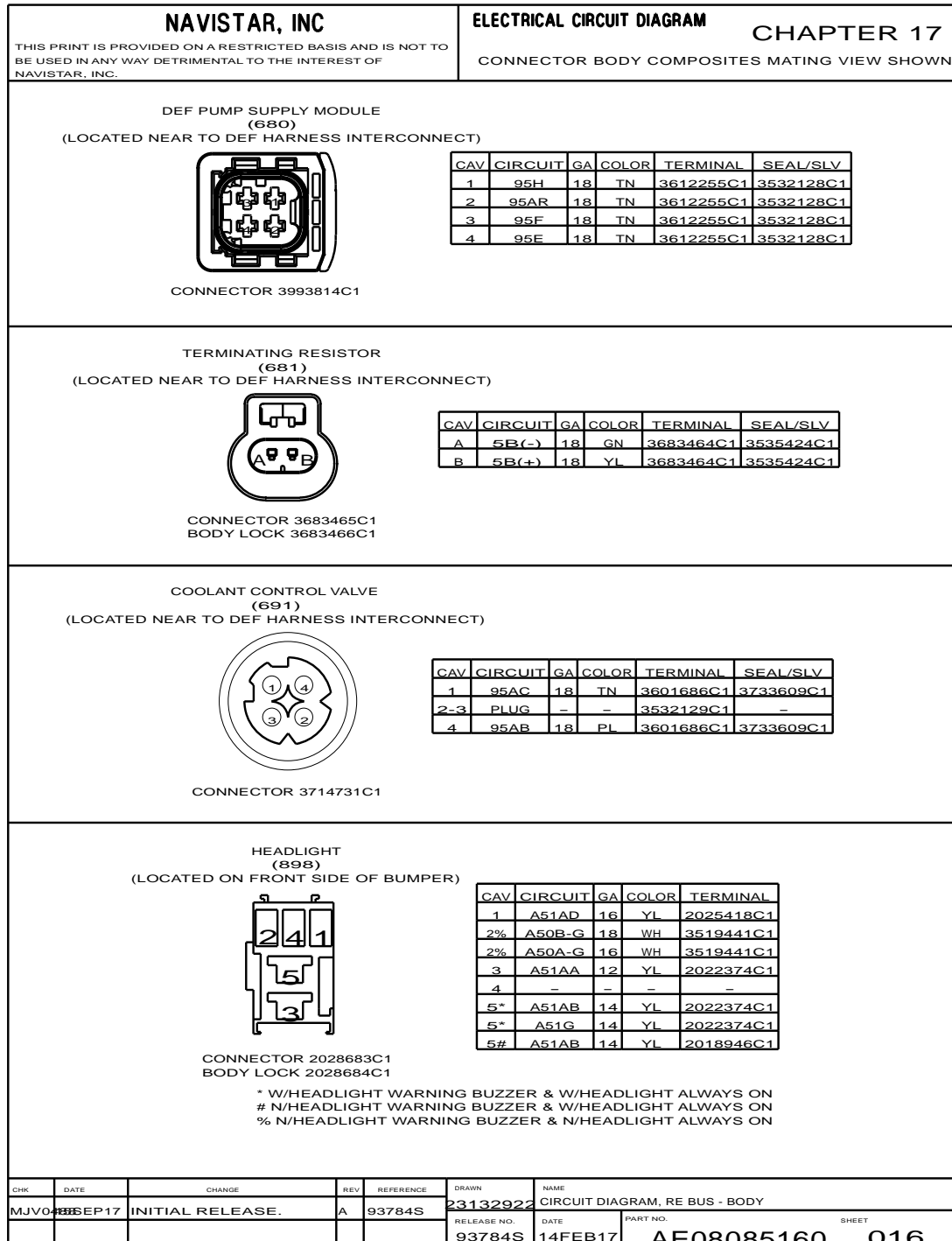


Figure 391 Connector Composites (680, 681, 691, 898)

18.21. CONNECTOR COMPOSITES (899, 922, 922A, 925), P. 17

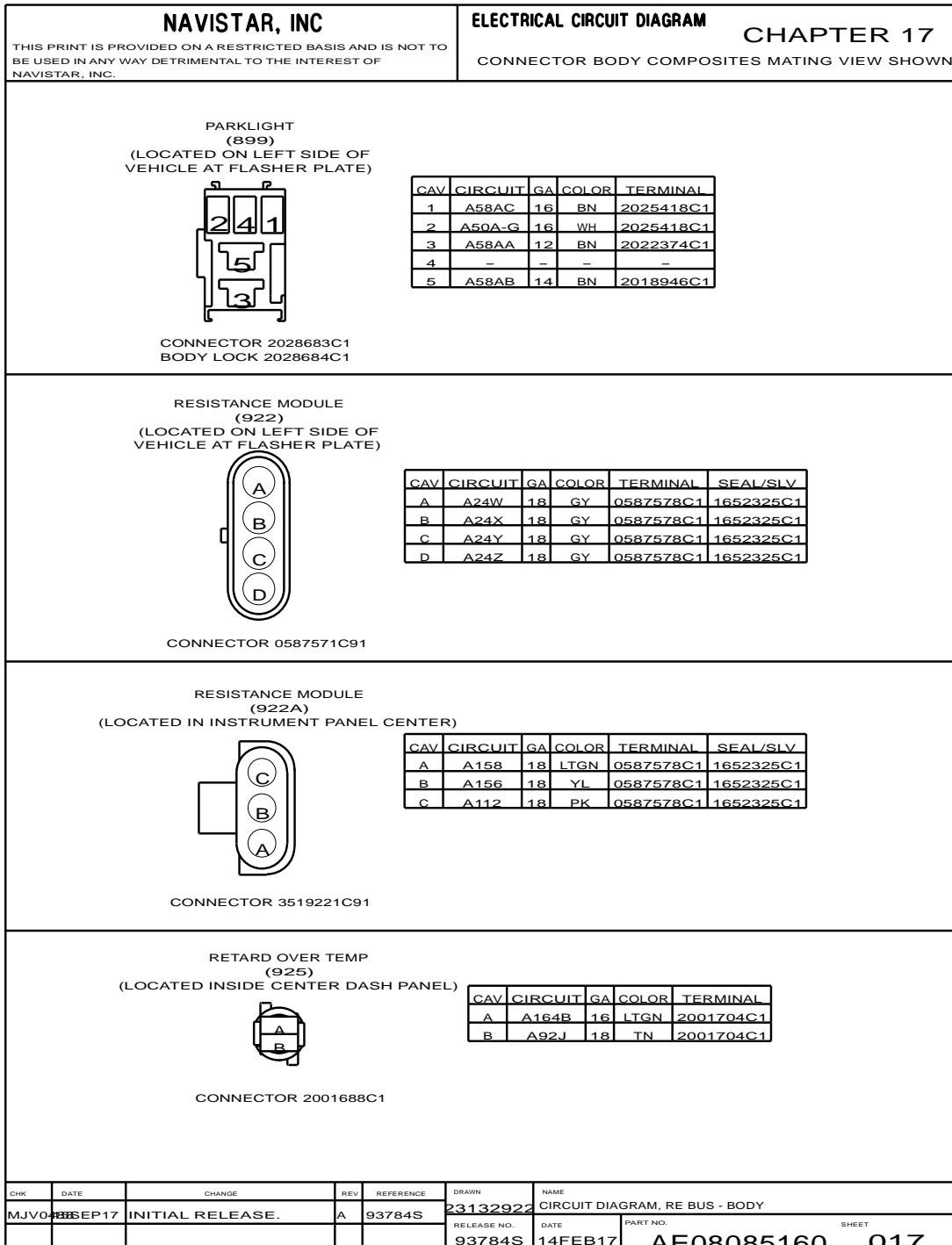


Figure 392 Connector Composites (899, 922, 922A, 925)

18.22. CONNECTOR COMPOSITES (926, 992, 995, 996M), P. 18

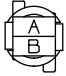
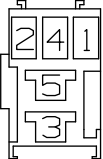
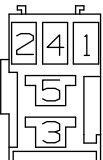
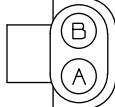
<p>NAVISTAR, INC</p> <p>THIS PRINT IS PROVIDED ON A RESTRICTED BASIS AND IS NOT TO BE USED IN ANY WAY DETRIMENTAL TO THE INTEREST OF NAVISTAR, INC.</p>					<p>ELECTRICAL CIRCUIT DIAGRAM</p>					<p>CHAPTER 17</p>																																		
										<p>CONNECTOR BODY COMPOSITES MATING VIEW SHOWN</p>																																		
<p>RETARD ON (926) (LOCATED INSIDE CENTER DASH PANEL)</p>																																												
					<table border="1" style="width: 100%; border-collapse: collapse;"> <thead> <tr> <th>CAV</th> <th>CIRCUIT</th> <th>GA</th> <th>COLOR</th> <th>TERMINAL</th> </tr> </thead> <tbody> <tr> <td>A</td> <td>A92K</td> <td>16</td> <td>GY</td> <td>2001704C1</td> </tr> <tr> <td>B</td> <td>A92-GA</td> <td>16</td> <td>WH</td> <td>2001704C1</td> </tr> </tbody> </table>					CAV	CIRCUIT	GA	COLOR	TERMINAL	A	A92K	16	GY	2001704C1	B	A92-GA	16	WH	2001704C1																				
CAV	CIRCUIT	GA	COLOR	TERMINAL																																								
A	A92K	16	GY	2001704C1																																								
B	A92-GA	16	WH	2001704C1																																								
<p>CONNECTOR 2001688C1</p>																																												
<p>PARK BRAKE WARNING (992) (LOCATED NEAR FUSE BLOCK IN INSTRUMENT PANEL)</p>																																												
					<table border="1" style="width: 100%; border-collapse: collapse;"> <thead> <tr> <th>CAV</th> <th>CIRCUIT</th> <th>GA</th> <th>COLOR</th> <th>TERMINAL</th> </tr> </thead> <tbody> <tr> <td>1</td> <td>A79P</td> <td>16</td> <td>GY</td> <td>2025418C1</td> </tr> <tr> <td>2</td> <td>A79X-G</td> <td>14</td> <td>WH</td> <td>2025419C1</td> </tr> <tr> <td>3</td> <td>A79M</td> <td>14</td> <td>GY</td> <td>1661709C1</td> </tr> <tr> <td>4</td> <td>A79Y</td> <td>14</td> <td>PK</td> <td>2025419C1</td> </tr> <tr> <td>5</td> <td>-</td> <td>-</td> <td>-</td> <td>-</td> </tr> </tbody> </table>					CAV	CIRCUIT	GA	COLOR	TERMINAL	1	A79P	16	GY	2025418C1	2	A79X-G	14	WH	2025419C1	3	A79M	14	GY	1661709C1	4	A79Y	14	PK	2025419C1	5	-	-	-	-					
CAV	CIRCUIT	GA	COLOR	TERMINAL																																								
1	A79P	16	GY	2025418C1																																								
2	A79X-G	14	WH	2025419C1																																								
3	A79M	14	GY	1661709C1																																								
4	A79Y	14	PK	2025419C1																																								
5	-	-	-	-																																								
<p>CONNECTOR 2028683C1 BODY LOCK 2028684C1</p>																																												
<p>BUZZER PARK WARN (995) (LOCATED NEAR FUSE BLOCK IN INSTRUMENT PANEL)</p>																																												
					<table border="1" style="width: 100%; border-collapse: collapse;"> <thead> <tr> <th>CAV</th> <th>CIRCUIT</th> <th>GA</th> <th>COLOR</th> <th>TERMINAL</th> </tr> </thead> <tbody> <tr> <td>1</td> <td>A79ZZ</td> <td>16</td> <td>RD</td> <td>2025418C1</td> </tr> <tr> <td>2</td> <td>A44U</td> <td>16</td> <td>GY</td> <td>2025418C1</td> </tr> <tr> <td>3</td> <td>A79R</td> <td>16</td> <td>GY</td> <td>1661709C1</td> </tr> <tr> <td>4</td> <td>A79V</td> <td>16</td> <td>GY</td> <td>2025418C1</td> </tr> <tr> <td>5</td> <td>-</td> <td>-</td> <td>-</td> <td>-</td> </tr> </tbody> </table>					CAV	CIRCUIT	GA	COLOR	TERMINAL	1	A79ZZ	16	RD	2025418C1	2	A44U	16	GY	2025418C1	3	A79R	16	GY	1661709C1	4	A79V	16	GY	2025418C1	5	-	-	-	-					
CAV	CIRCUIT	GA	COLOR	TERMINAL																																								
1	A79ZZ	16	RD	2025418C1																																								
2	A44U	16	GY	2025418C1																																								
3	A79R	16	GY	1661709C1																																								
4	A79V	16	GY	2025418C1																																								
5	-	-	-	-																																								
<p>CONNECTOR 2028683C1 BODY LOCK 2028684C1</p>																																												
<p>INTERLOCK SOLENOID (996M) (LOCATED AT CENTER ENGINE COMPARTMENT)</p>																																												
					<table border="1" style="width: 100%; border-collapse: collapse;"> <thead> <tr> <th>CAV</th> <th>CIRCUIT</th> <th>GA</th> <th>COLOR</th> <th>TERMINAL</th> <th>SEAL/SLV</th> </tr> </thead> <tbody> <tr> <td>A</td> <td>A44P</td> <td>16</td> <td>GY</td> <td>0587575C1</td> <td>1652325C1</td> </tr> <tr> <td>B*</td> <td>A44PG</td> <td>16</td> <td>WH</td> <td>0587575C1</td> <td>1652325C1</td> </tr> <tr> <td>B#</td> <td>A122W</td> <td>16</td> <td>GY</td> <td>0587575C1</td> <td>1652325C1</td> </tr> </tbody> </table>					CAV	CIRCUIT	GA	COLOR	TERMINAL	SEAL/SLV	A	A44P	16	GY	0587575C1	1652325C1	B*	A44PG	16	WH	0587575C1	1652325C1	B#	A122W	16	GY	0587575C1	1652325C1	<p>* W/INTERLOCK N/ WHEELCHAIR LIFT # W/INTERLOCK WHEELCHAIR LIFT</p>										
CAV	CIRCUIT	GA	COLOR	TERMINAL	SEAL/SLV																																							
A	A44P	16	GY	0587575C1	1652325C1																																							
B*	A44PG	16	WH	0587575C1	1652325C1																																							
B#	A122W	16	GY	0587575C1	1652325C1																																							
<p>CONNECTOR 0587568C91</p>																																												
CHK	DATE	CHANGE	REV	REFERENCE	DRAWN	NAME																																						
MJVO	19SEP19	CIRC A92K WAS A92H	B	95004Y	23132922	CIRCUIT DIAGRAM, RE BUS - BODY																																						
	AT R/D 926.				RELEASE NO.	DATE	PART NO.	SHEET																																				
					93784S	14FEB17	AE08085160	018																																				

Figure 393 Connector Composites (926, 992, 995, 996M)

18.23. CONNECTOR COMPOSITES (997, 998, 1003, 1004), P. 19

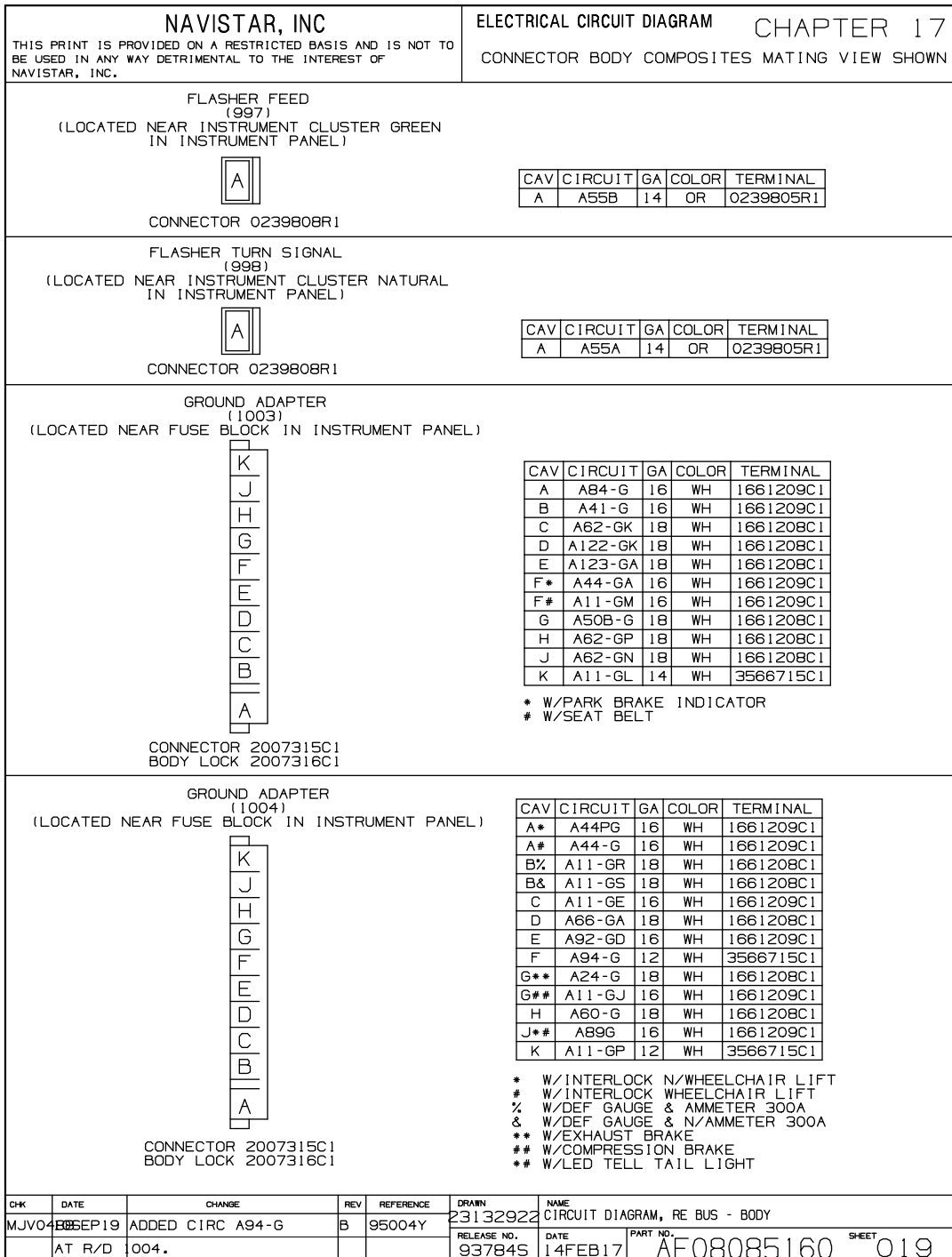


Figure 394 Connector Composites (997, 998, 1003, 1004)

18.24. CONNECTOR COMPOSITES (1008, 1030), P. 20

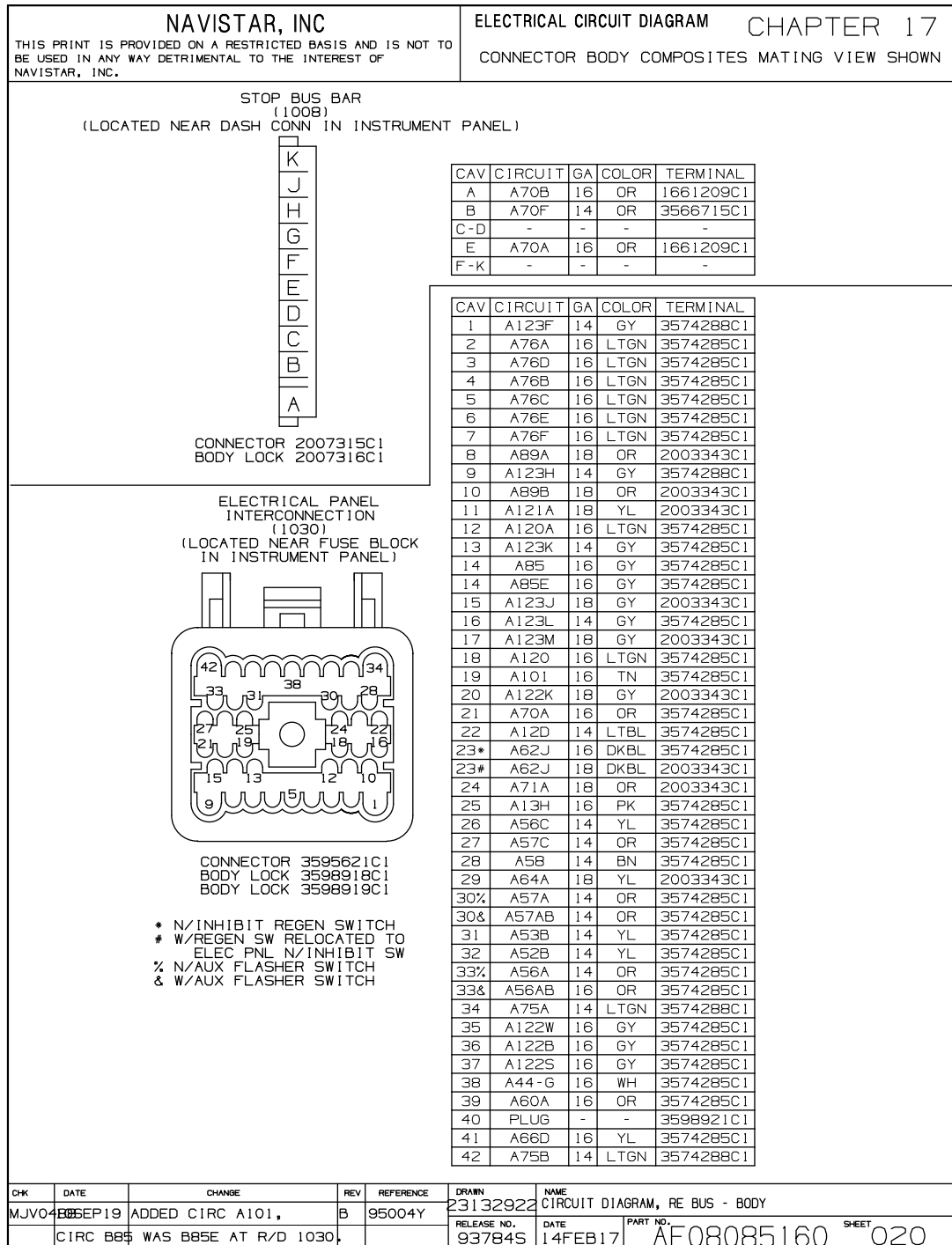


Figure 395 Connector Composites (1008, 1030)

18.25. CONNECTOR COMPOSITES (1030), P. 21

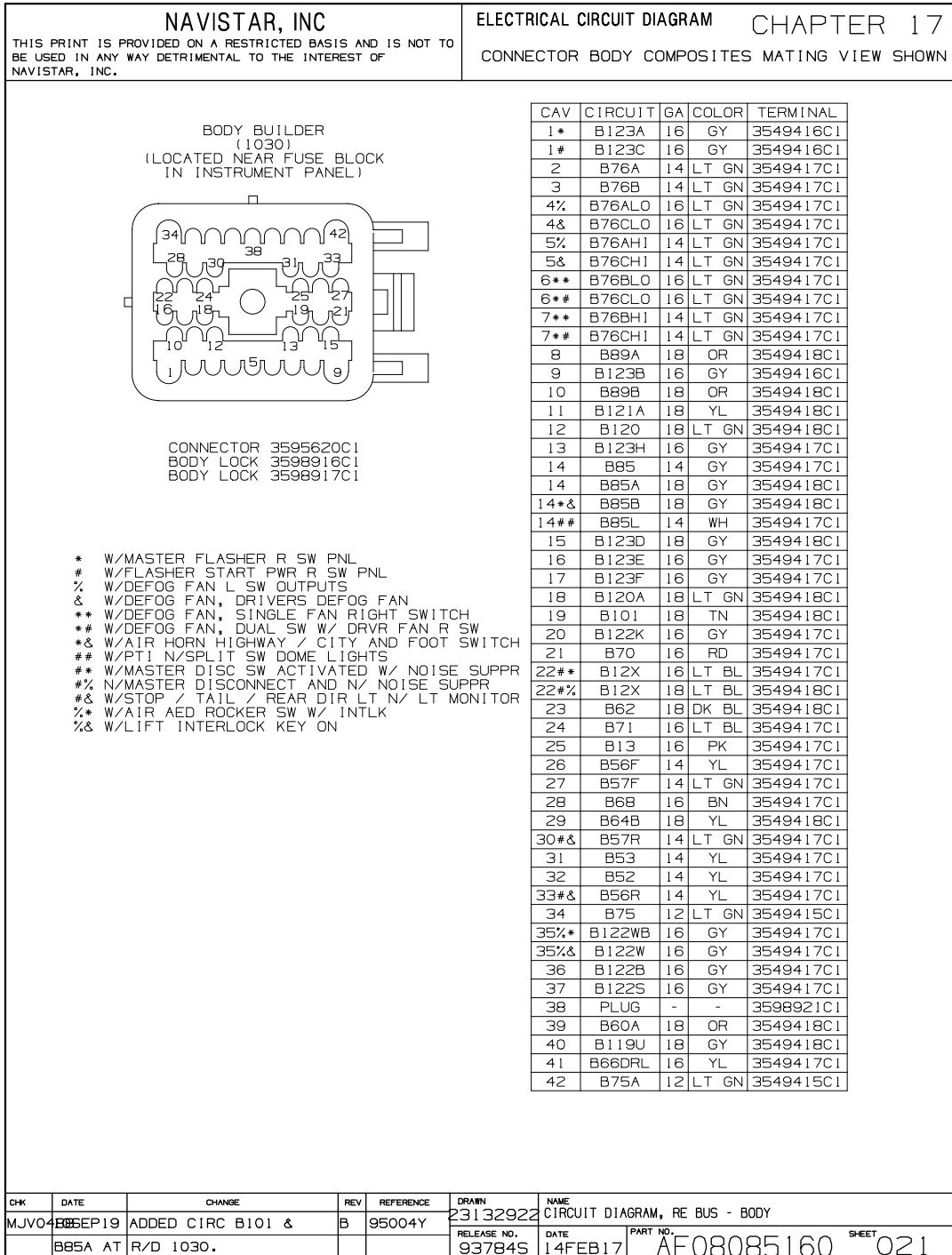


Figure 396 Connector Composites (1030)

18.26. CONNECTOR COMPOSITES (1030P, 1031, 1032), P. 22

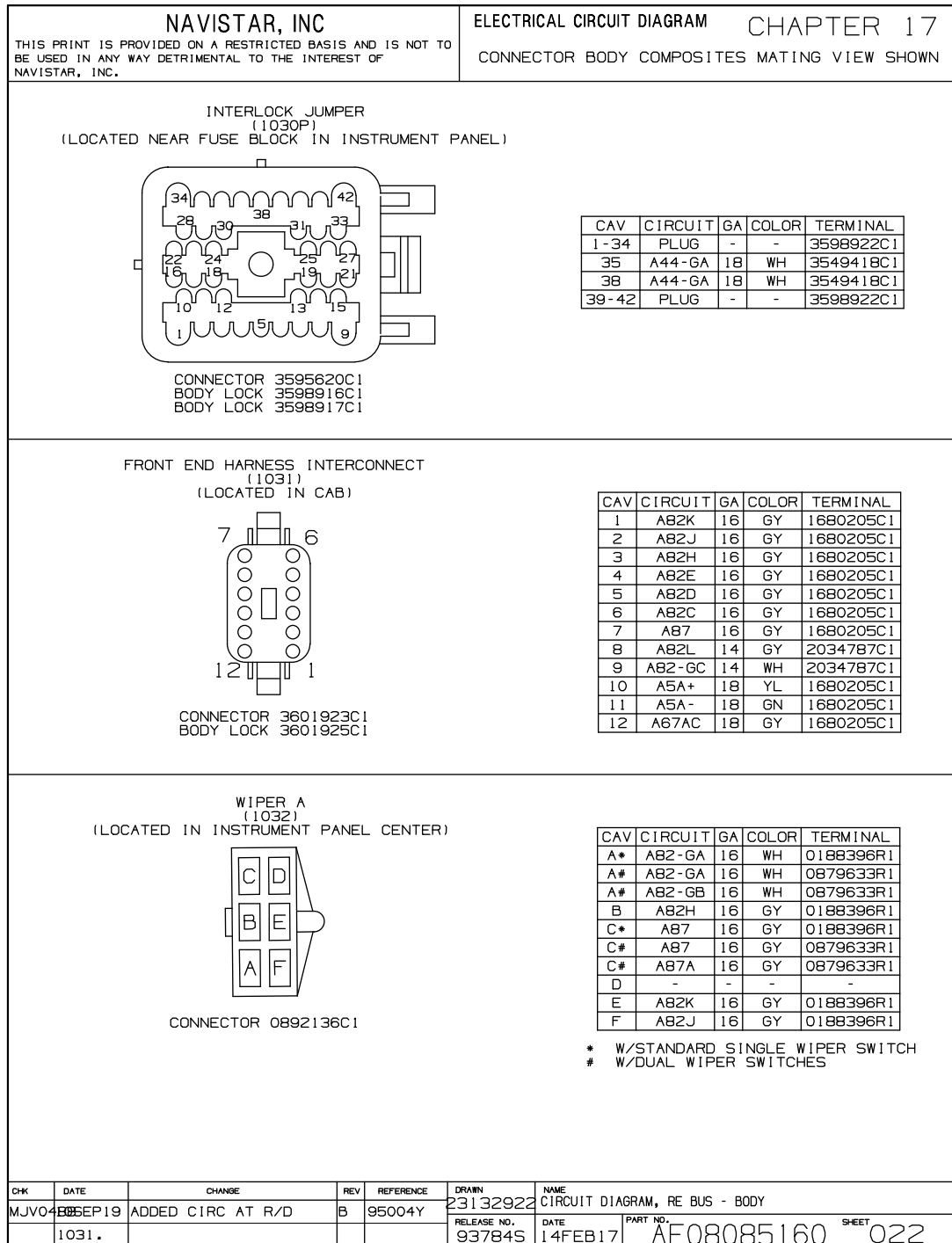


Figure 397 Connector Composites (1030P, 1031, 1032)

18.27. CONNECTOR COMPOSITES (1033, 1033B, 1034, 1036, 1337), P. 23

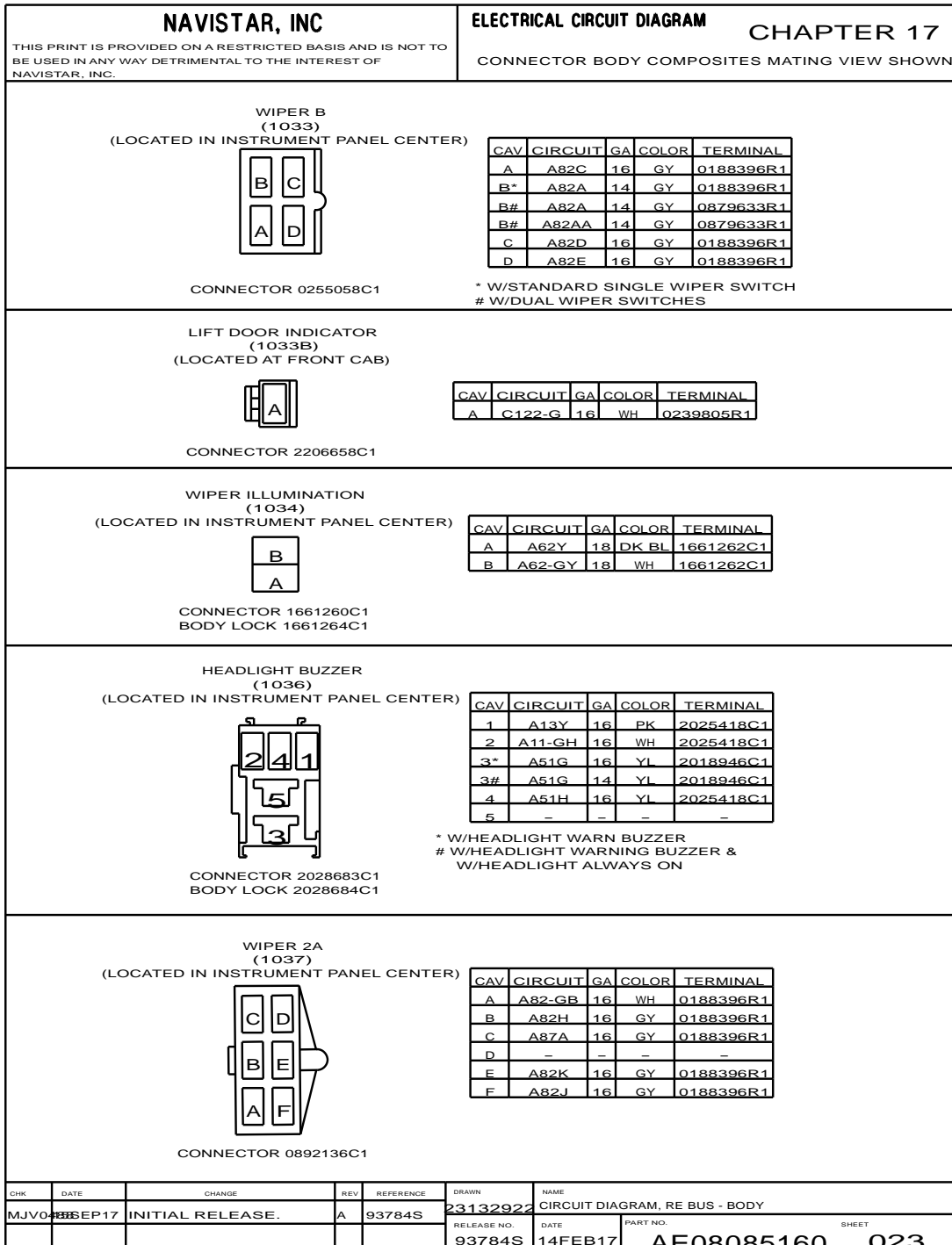


Figure 398 Connector Composites (1033, 1033B, 1034, 1036, 1337)

18.28. CONNECTOR COMPOSITES (1038, 1040, 1041), P. 24

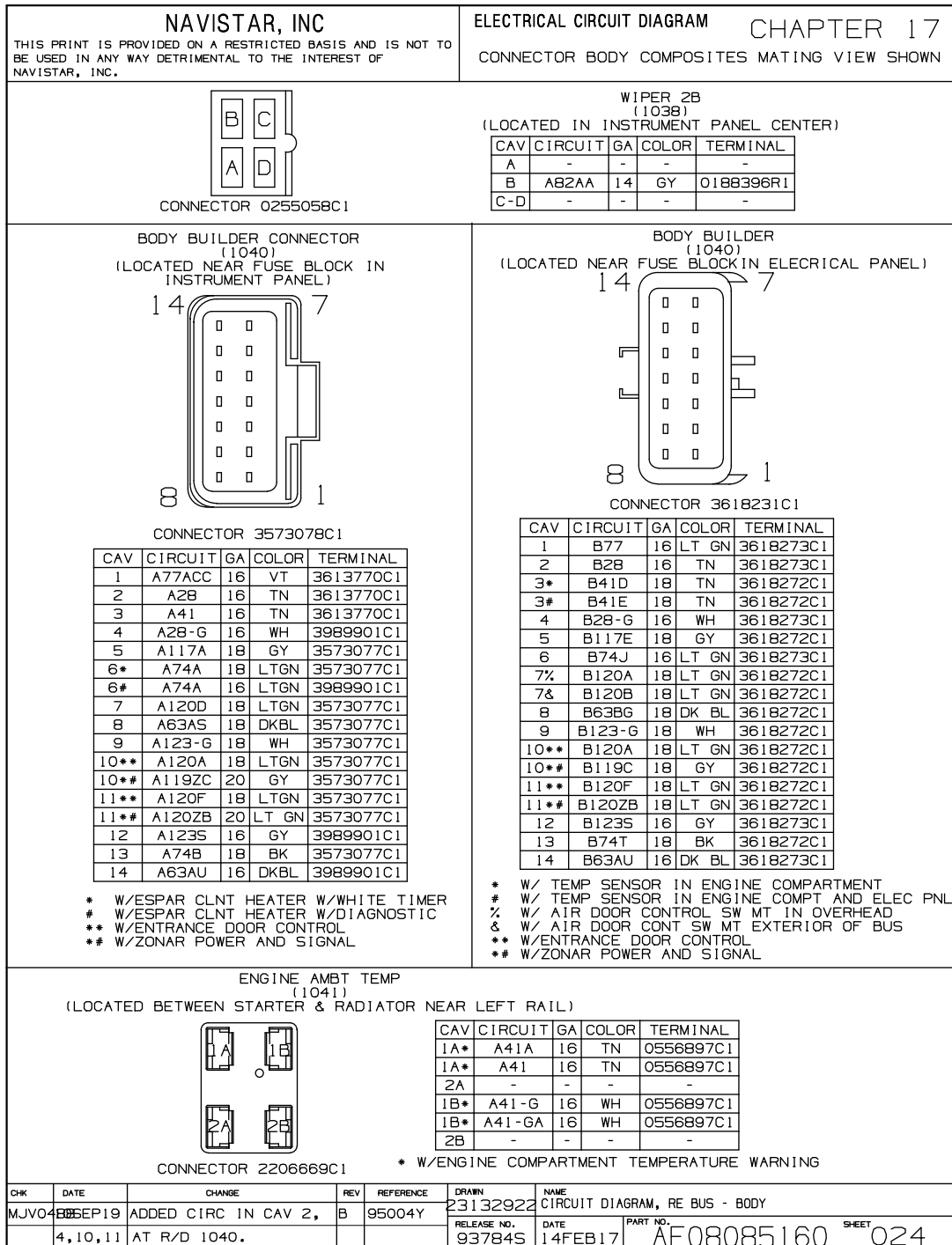


Figure 399 Connector Composites (1038, 1040, 1041)

18.29. CONNECTOR COMPOSITES (1042A, 1042B, 1043A, 1050), P. 25



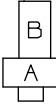
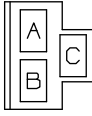
NAVISTAR, INC				ELECTRICAL CIRCUIT DIAGRAM CHAPTER 17																												
THIS PRINT IS PROVIDED ON A RESTRICTED BASIS AND IS NOT TO BE USED IN ANY WAY DETRIMENTAL TO THE INTEREST OF NAVISTAR, INC.				CONNECTOR BODY COMPOSITES MATING VIEW SHOWN																												
HUMPREY (1042A) (LOCATED NEAR DASH CONNECTOR IN INSTRUMENT PANEL)																																
				<table border="1" style="font-size: x-small;"> <thead> <tr> <th>CAV</th> <th>CIRCUIT</th> <th>GA</th> <th>COLOR</th> <th>TERMINAL</th> </tr> </thead> <tbody> <tr> <td>A</td> <td>A62AE</td> <td>18</td> <td>DKBL</td> <td>0879630R1</td> </tr> </tbody> </table>				CAV	CIRCUIT	GA	COLOR	TERMINAL	A	A62AE	18	DKBL	0879630R1															
CAV	CIRCUIT	GA	COLOR	TERMINAL																												
A	A62AE	18	DKBL	0879630R1																												
CONNECTOR 0899167R1																																
HUMPREY (1042B) (LOCATED NEAR DASH CONNECTOR IN INSTRUMENT PANEL)																																
				<table border="1" style="font-size: x-small;"> <thead> <tr> <th>CAV</th> <th>CIRCUIT</th> <th>GA</th> <th>COLOR</th> <th>TERMINAL</th> </tr> </thead> <tbody> <tr> <td>A</td> <td>A62-GL</td> <td>18</td> <td>WH</td> <td>0879630R1</td> </tr> </tbody> </table>				CAV	CIRCUIT	GA	COLOR	TERMINAL	A	A62-GL	18	WH	0879630R1															
CAV	CIRCUIT	GA	COLOR	TERMINAL																												
A	A62-GL	18	WH	0879630R1																												
CONNECTOR 0899167R1																																
PARK BRAKE DIODE (1043A) (LOCATED NEAR FUSE BLOCK IN INSTRUMENT PANEL)																																
				<table border="1" style="font-size: x-small;"> <thead> <tr> <th>CAV</th> <th>CIRCUIT</th> <th>GA</th> <th>COLOR</th> <th>TERMINAL</th> </tr> </thead> <tbody> <tr> <td>A</td> <td>A44V</td> <td>16</td> <td>GY</td> <td>0188396R1</td> </tr> <tr> <td>B</td> <td>A44W</td> <td>16</td> <td>GY</td> <td>0188396R1</td> </tr> </tbody> </table>				CAV	CIRCUIT	GA	COLOR	TERMINAL	A	A44V	16	GY	0188396R1	B	A44W	16	GY	0188396R1										
CAV	CIRCUIT	GA	COLOR	TERMINAL																												
A	A44V	16	GY	0188396R1																												
B	A44W	16	GY	0188396R1																												
CONNECTOR 0872291R1																																
DIODE (1050) (LOCATED NEAR FUSE BLOCK IN INSTRUMENT PANEL)																																
				<table border="1" style="font-size: x-small;"> <thead> <tr> <th>CAV</th> <th>CIRCUIT</th> <th>GA</th> <th>COLOR</th> <th>TERMINAL</th> </tr> </thead> <tbody> <tr> <td>A</td> <td>A70D</td> <td>18</td> <td>OR</td> <td>0333736C1</td> </tr> <tr> <td>A</td> <td>A97N</td> <td>18</td> <td>VT</td> <td>0333736C1</td> </tr> <tr> <td>B</td> <td>A97MA</td> <td>18</td> <td>VT</td> <td>0333732C1</td> </tr> <tr> <td>C</td> <td>A70E</td> <td>18</td> <td>OR</td> <td>0333732C1</td> </tr> </tbody> </table>				CAV	CIRCUIT	GA	COLOR	TERMINAL	A	A70D	18	OR	0333736C1	A	A97N	18	VT	0333736C1	B	A97MA	18	VT	0333732C1	C	A70E	18	OR	0333732C1
CAV	CIRCUIT	GA	COLOR	TERMINAL																												
A	A70D	18	OR	0333736C1																												
A	A97N	18	VT	0333736C1																												
B	A97MA	18	VT	0333732C1																												
C	A70E	18	OR	0333732C1																												
CONNECTOR 0598839C1																																
CHK	DATE	CHANGE	REV	REFERENCE	DRAWN	NAME																										
MJVO	08SEP19	REMOVED R/D 1060A AND 1060B.	B	95004Y	23132922	CIRCUIT DIAGRAM, RE BUS - BODY																										
					RELEASE NO.	DATE	PART NO.																									
					93784S	15FEB17	AE08085160 SHEET 025																									

Figure 400 Connector Composites (1042A, 1042B, 1043A, 1050)

18.30. CONNECTOR COMPOSITES (1062, 1063, 1065), P. 26

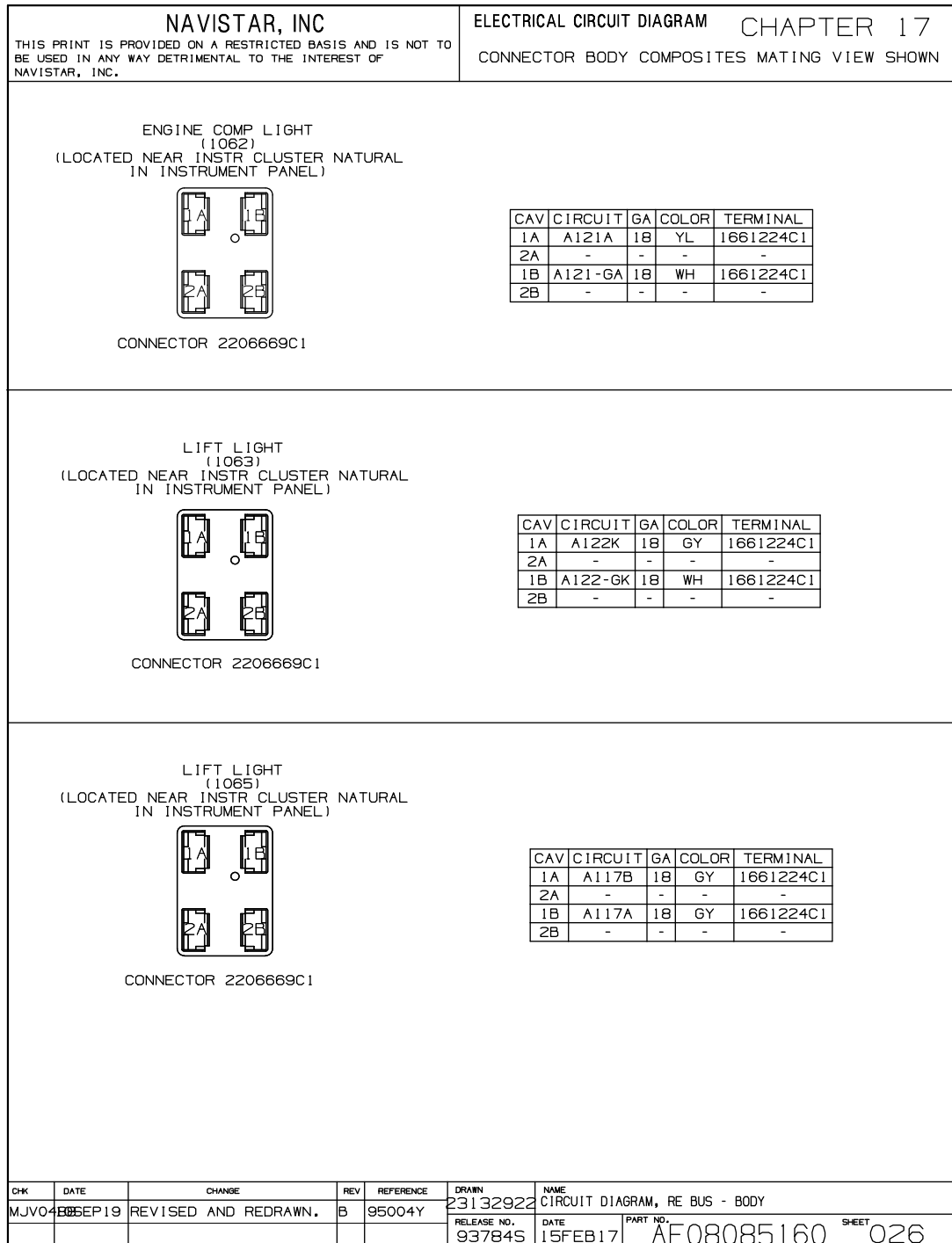


Figure 401 Connector Composites (1062, 1063, 1065)

18.31. CONNECTOR COMPOSITES (1100, 1135, 1136), P. 27

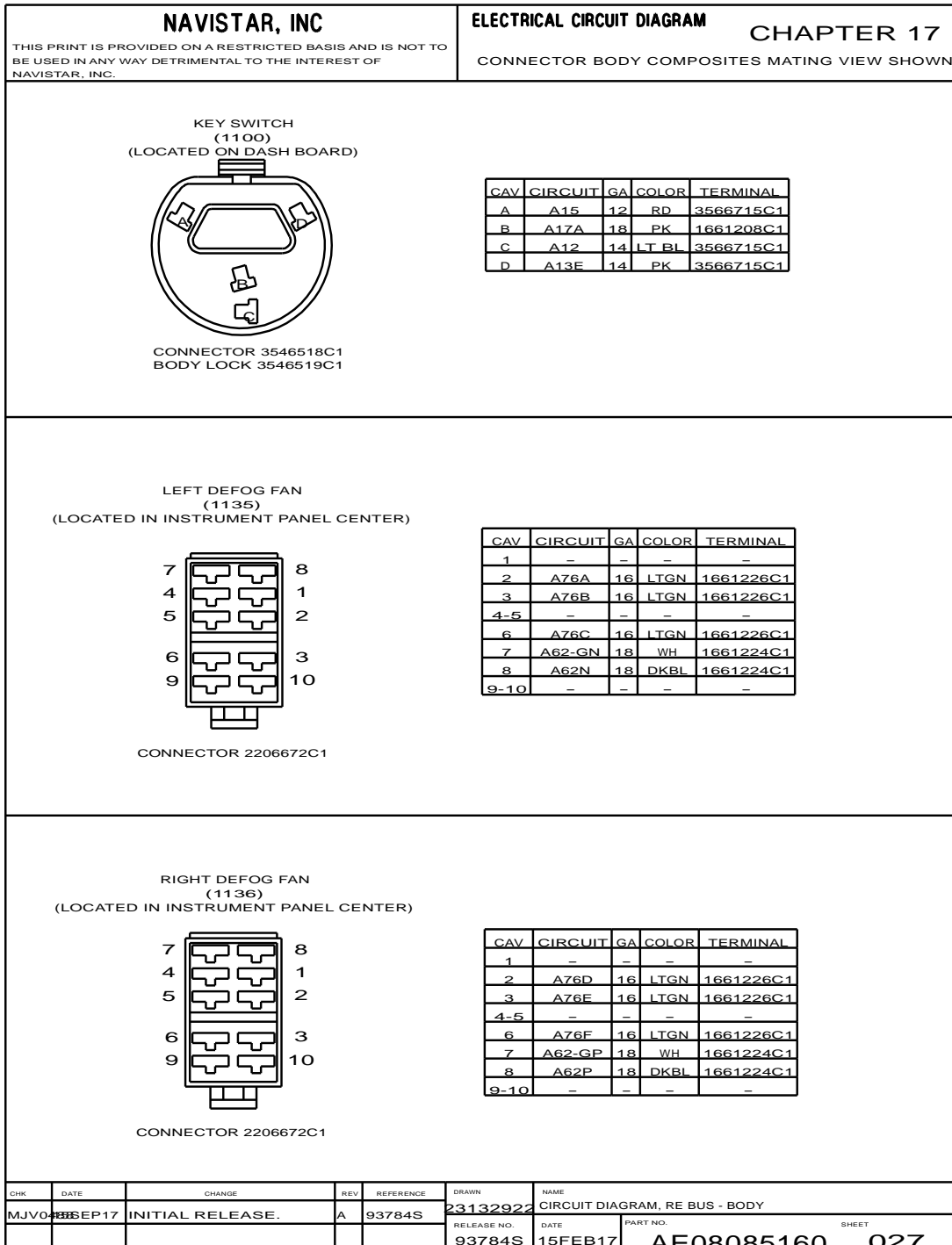


Figure 402 Connector Composites (1100, 1135, 1136)

18.32. CONNECTOR COMPOSITES (1137, 1138, 1139, 1139A, 1139B), P. 28

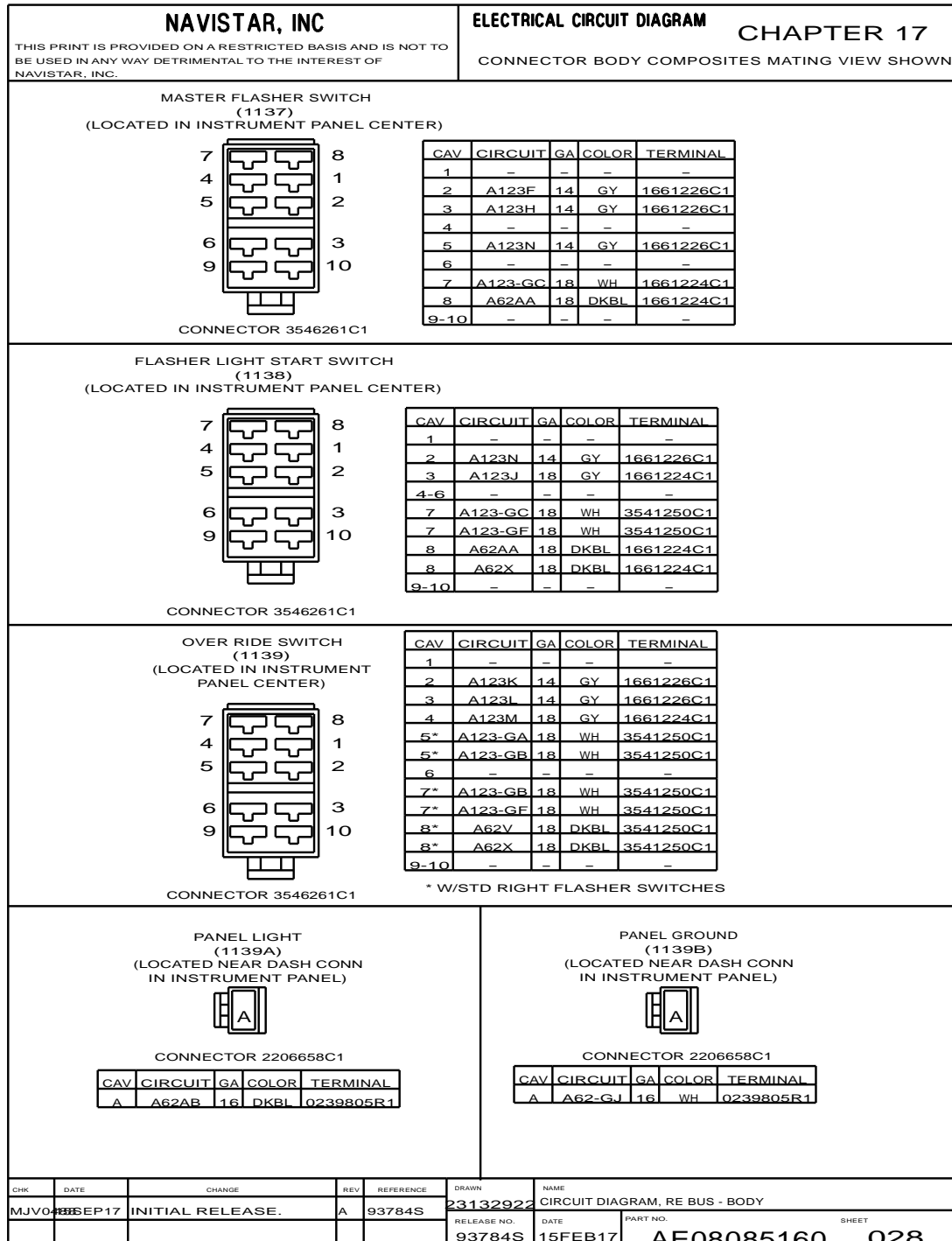


Figure 403 Connector Composites (1137, 1138, 1139, 1139A, 1139B)

18.33. CONNECTOR COMPOSITES (1141, 1142, 1143A, 1143B), P. 29

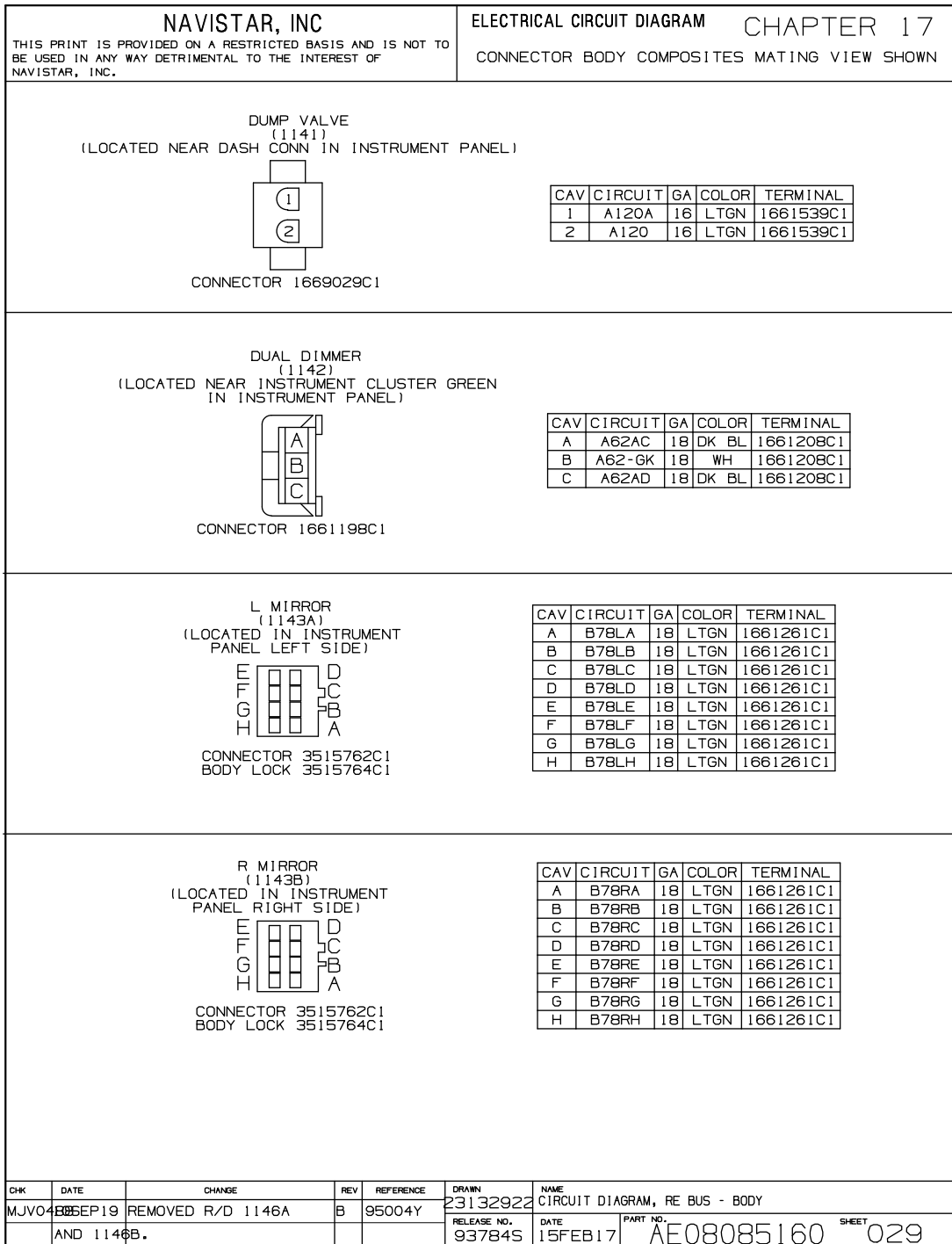


Figure 404 Connector Composites (1141, 1142, 1143A, 1143B)

18.34. CONNECTOR COMPOSITES (1149, 1150, 1150B), P. 30

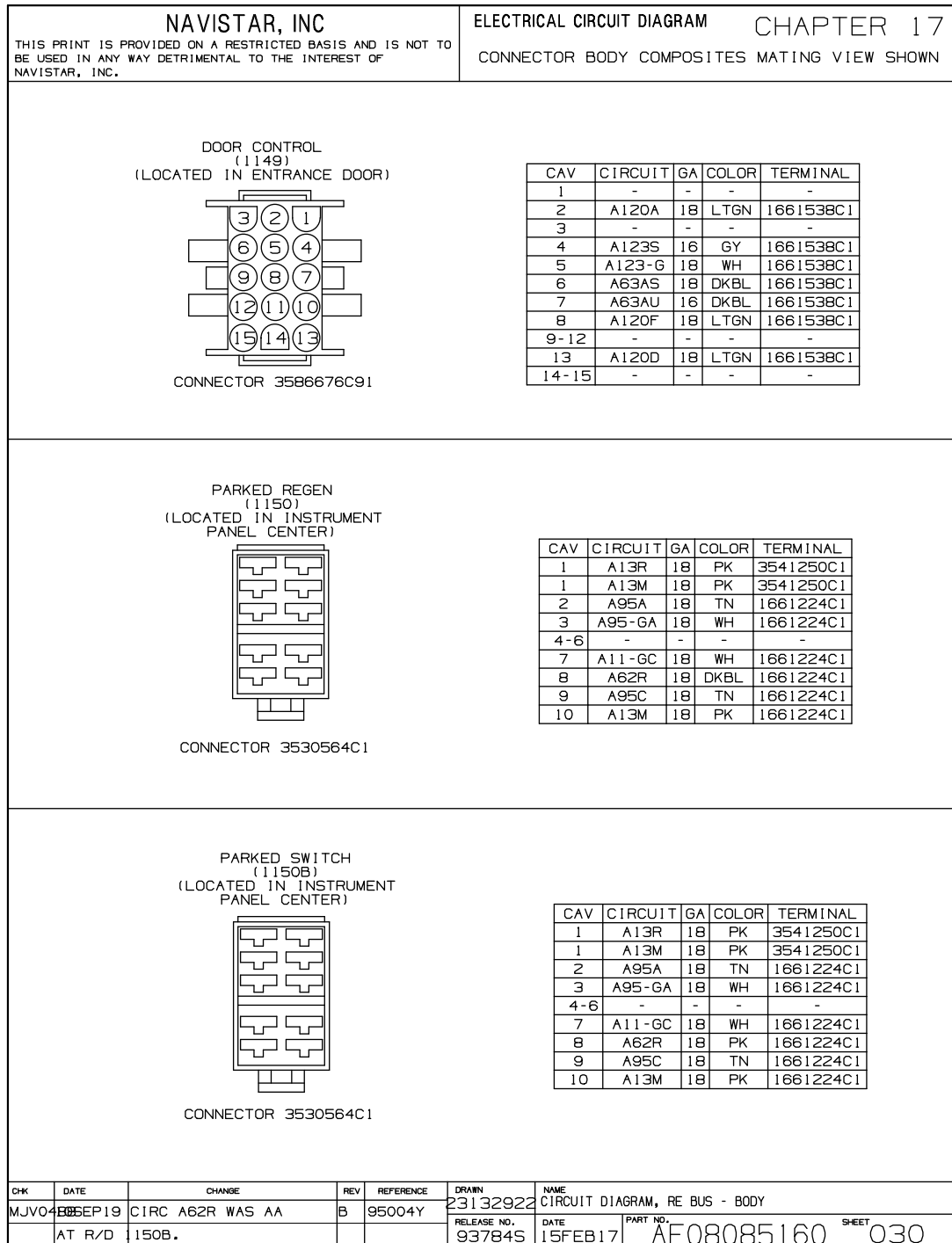


Figure 405 Connector Composites (1149, 1150, 1150B)

18.35. CONNECTOR COMPOSITES (1151, 1151A, 1153, 1153A, 1205), P. 31

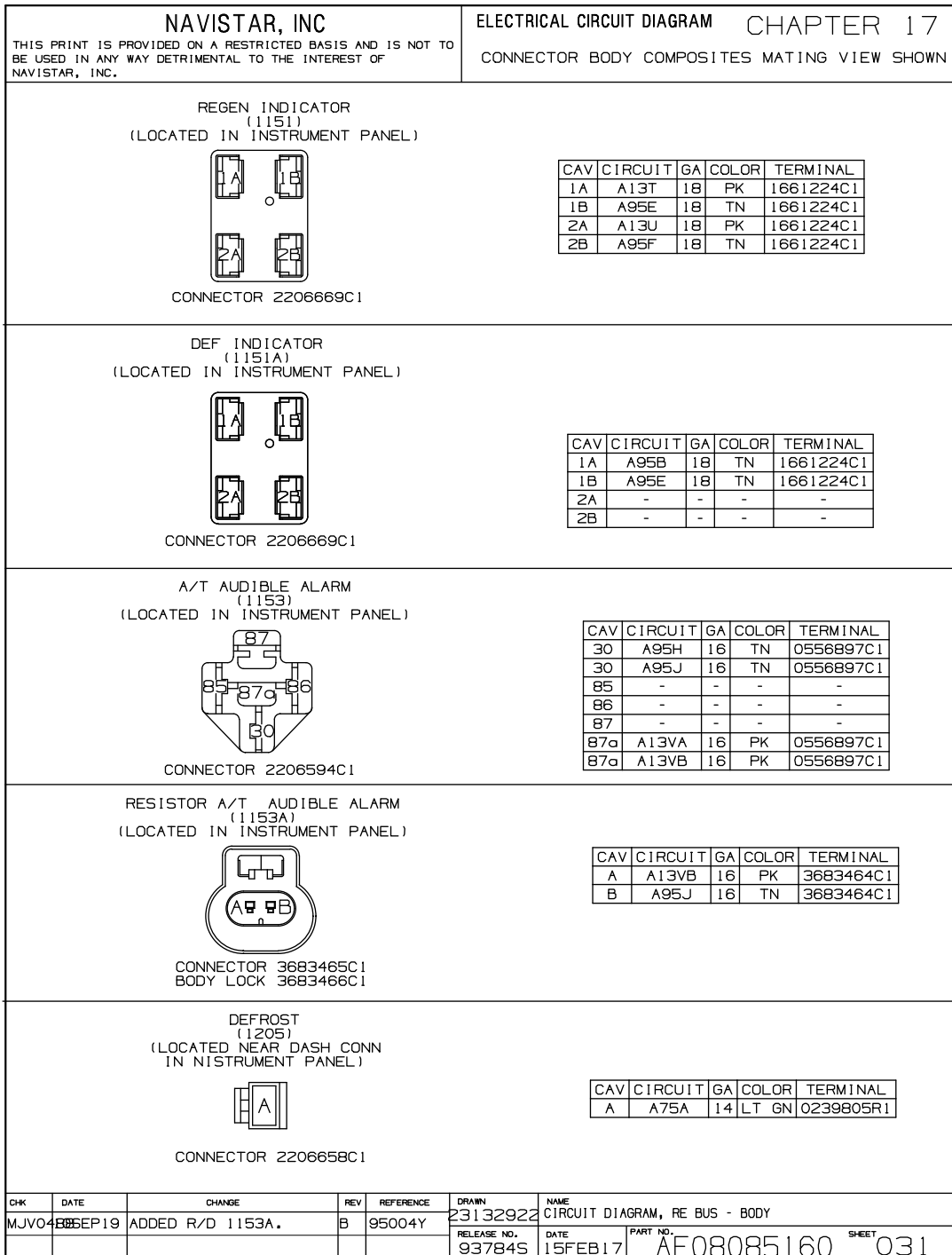


Figure 406 Connector Composites (1151, 1151A, 1153, 1153A, 1205)

18.36. CONNECTOR COMPOSITES (1206, 1349, 1350, 1351, 1400), P. 32

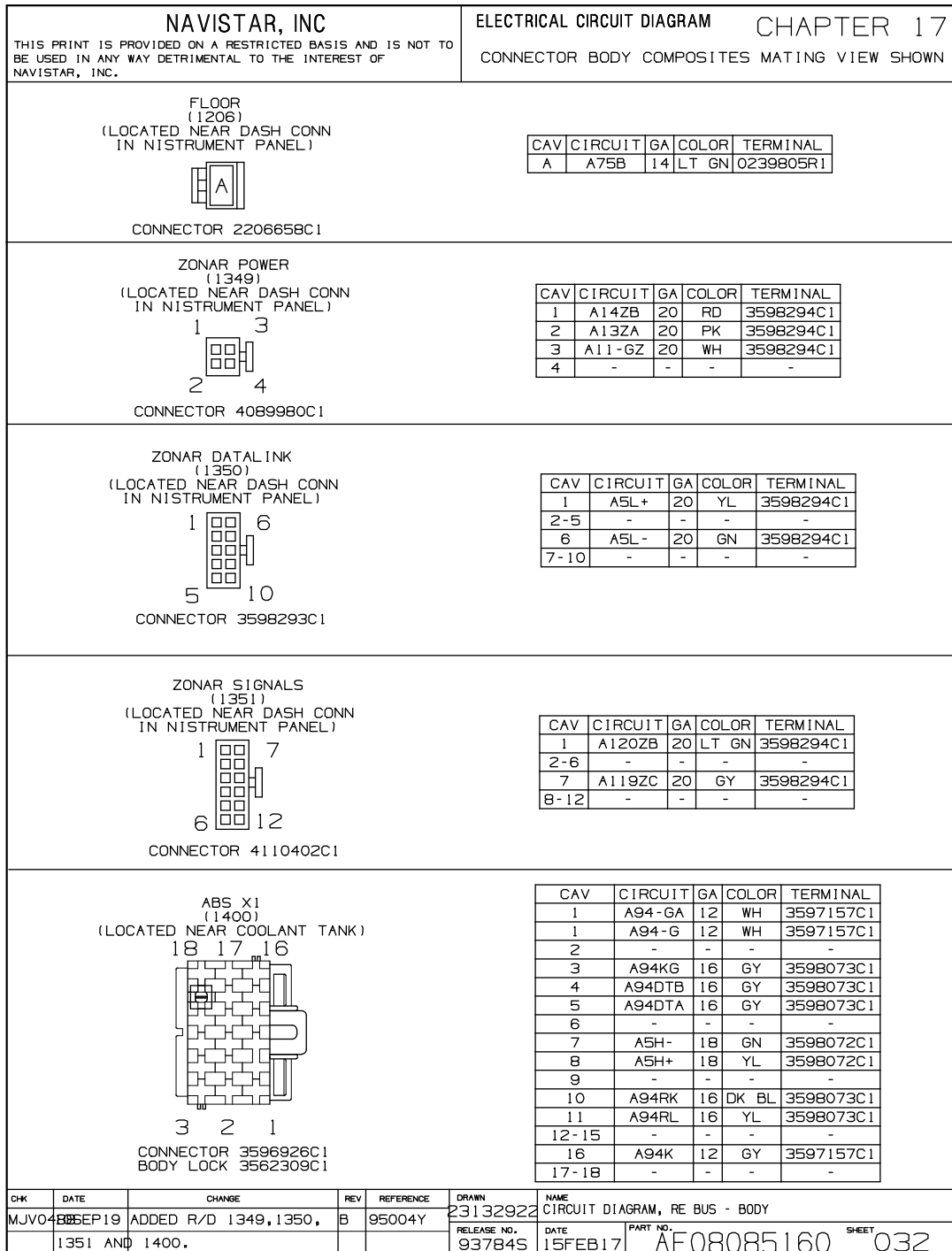


Figure 407 Connector Composites (1206, 1349, 1350, 1351, 1400)

18.37. CONNECTOR COMPOSITES (1401, 1402, 1403), P. 32A

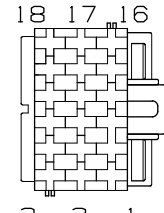
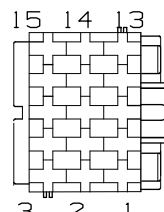
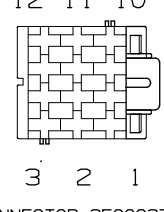
NAVISTAR, INC <small>THIS PRINT IS PROVIDED ON A RESTRICTED BASIS AND IS NOT TO BE USED IN ANY WAY DETRIMENTAL TO THE INTEREST OF NAVISTAR, INC.</small>				ELECTRICAL CIRCUIT DIAGRAM CHAPTER 17 CONNECTOR BODY COMPOSITES MATING VIEW SHOWN																																																																																																		
<p>ABS X2 (1401) (LOCATED NEAR DASH CONN IN INSTRUMENT PANEL)</p>  <p>CONNECTOR 3596929C1</p>				<table border="1" style="width:100%; border-collapse: collapse;"> <thead> <tr> <th>CAV</th> <th>CIRCUIT</th> <th>GA</th> <th>COLOR</th> <th>TERMINAL</th> </tr> </thead> <tbody> <tr><td>1</td><td>A94SLH</td><td>16</td><td>GY</td><td>3598073C1</td></tr> <tr><td>2</td><td>A94SLR</td><td>16</td><td>GY</td><td>3598073C1</td></tr> <tr><td>3</td><td>A94SLC</td><td>16</td><td>GY</td><td>3598073C1</td></tr> <tr><td>4</td><td>A94SRH</td><td>16</td><td>GY</td><td>3598073C1</td></tr> <tr><td>5</td><td>A94LD</td><td>16</td><td>GY</td><td>3598073C1</td></tr> <tr><td>6</td><td>A94SRC</td><td>16</td><td>GY</td><td>3598073C1</td></tr> <tr><td>7</td><td>A94SRR</td><td>16</td><td>GY</td><td>3598073C1</td></tr> <tr><td>8</td><td>A94LE</td><td>16</td><td>OR</td><td>3598073C1</td></tr> <tr><td>9</td><td>A94DRC</td><td>16</td><td>GY</td><td>3598073C1</td></tr> <tr><td>10</td><td>A94DRH</td><td>16</td><td>GY</td><td>3598073C1</td></tr> <tr><td>11</td><td>A94RD</td><td>16</td><td>DK BL</td><td>3598073C1</td></tr> <tr><td>12</td><td>A94DLC</td><td>16</td><td>GY</td><td>3598073C1</td></tr> <tr><td>13</td><td>A94DRR</td><td>16</td><td>GY</td><td>3598073C1</td></tr> <tr><td>14</td><td>A94RE</td><td>16</td><td>YL</td><td>3598073C1</td></tr> <tr><td>15</td><td>A94LK</td><td>16</td><td>GY</td><td>3598073C1</td></tr> <tr><td>16</td><td>A94DLH</td><td>16</td><td>GY</td><td>3598073C1</td></tr> <tr><td>17</td><td>A94DLR</td><td>16</td><td>GY</td><td>3598073C1</td></tr> <tr><td>18</td><td>A94LL</td><td>16</td><td>OR</td><td>3598073C1</td></tr> </tbody> </table>				CAV	CIRCUIT	GA	COLOR	TERMINAL	1	A94SLH	16	GY	3598073C1	2	A94SLR	16	GY	3598073C1	3	A94SLC	16	GY	3598073C1	4	A94SRH	16	GY	3598073C1	5	A94LD	16	GY	3598073C1	6	A94SRC	16	GY	3598073C1	7	A94SRR	16	GY	3598073C1	8	A94LE	16	OR	3598073C1	9	A94DRC	16	GY	3598073C1	10	A94DRH	16	GY	3598073C1	11	A94RD	16	DK BL	3598073C1	12	A94DLC	16	GY	3598073C1	13	A94DRR	16	GY	3598073C1	14	A94RE	16	YL	3598073C1	15	A94LK	16	GY	3598073C1	16	A94DLH	16	GY	3598073C1	17	A94DLR	16	GY	3598073C1	18	A94LL	16	OR	3598073C1
CAV	CIRCUIT	GA	COLOR	TERMINAL																																																																																																		
1	A94SLH	16	GY	3598073C1																																																																																																		
2	A94SLR	16	GY	3598073C1																																																																																																		
3	A94SLC	16	GY	3598073C1																																																																																																		
4	A94SRH	16	GY	3598073C1																																																																																																		
5	A94LD	16	GY	3598073C1																																																																																																		
6	A94SRC	16	GY	3598073C1																																																																																																		
7	A94SRR	16	GY	3598073C1																																																																																																		
8	A94LE	16	OR	3598073C1																																																																																																		
9	A94DRC	16	GY	3598073C1																																																																																																		
10	A94DRH	16	GY	3598073C1																																																																																																		
11	A94RD	16	DK BL	3598073C1																																																																																																		
12	A94DLC	16	GY	3598073C1																																																																																																		
13	A94DRR	16	GY	3598073C1																																																																																																		
14	A94RE	16	YL	3598073C1																																																																																																		
15	A94LK	16	GY	3598073C1																																																																																																		
16	A94DLH	16	GY	3598073C1																																																																																																		
17	A94DLR	16	GY	3598073C1																																																																																																		
18	A94LL	16	OR	3598073C1																																																																																																		
<p>ABS X3 (1402) (LOCATED NEAR DASH CONN IN INSTRUMENT PANEL)</p>  <p>CONNECTOR 3596928C1</p>				<table border="1" style="width:100%; border-collapse: collapse;"> <thead> <tr> <th>CAV</th> <th>CIRCUIT</th> <th>GA</th> <th>COLOR</th> <th>TERMINAL</th> </tr> </thead> <tbody> <tr><td>1-2</td><td>-</td><td>-</td><td>-</td><td>-</td></tr> <tr><td>3</td><td>A94STB</td><td>16</td><td>GY</td><td>3598073C1</td></tr> <tr><td>4</td><td>-</td><td>-</td><td>-</td><td>-</td></tr> <tr><td>5</td><td>A94STA</td><td>16</td><td>GY</td><td>3598073C1</td></tr> <tr><td>6-7</td><td>-</td><td>-</td><td>-</td><td>-</td></tr> <tr><td>8</td><td>A94F</td><td>18</td><td>OR</td><td>3598072C1</td></tr> <tr><td>9</td><td>-</td><td>-</td><td>-</td><td>-</td></tr> <tr><td>10-15</td><td>-</td><td>-</td><td>-</td><td>-</td></tr> </tbody> </table>				CAV	CIRCUIT	GA	COLOR	TERMINAL	1-2	-	-	-	-	3	A94STB	16	GY	3598073C1	4	-	-	-	-	5	A94STA	16	GY	3598073C1	6-7	-	-	-	-	8	A94F	18	OR	3598072C1	9	-	-	-	-	10-15	-	-	-	-																																																		
CAV	CIRCUIT	GA	COLOR	TERMINAL																																																																																																		
1-2	-	-	-	-																																																																																																		
3	A94STB	16	GY	3598073C1																																																																																																		
4	-	-	-	-																																																																																																		
5	A94STA	16	GY	3598073C1																																																																																																		
6-7	-	-	-	-																																																																																																		
8	A94F	18	OR	3598072C1																																																																																																		
9	-	-	-	-																																																																																																		
10-15	-	-	-	-																																																																																																		
<p>ABS X4 (1403) (LOCATED NEAR DASH CONN IN INSTRUMENT PANEL)</p>  <p>CONNECTOR 3596927C1</p>				<table border="1" style="width:100%; border-collapse: collapse;"> <thead> <tr> <th>CAV</th> <th>CIRCUIT</th> <th>GA</th> <th>COLOR</th> <th>TERMINAL</th> </tr> </thead> <tbody> <tr><td>1</td><td>A94SZ</td><td>18</td><td>GY</td><td>3598072C1</td></tr> <tr><td>2</td><td>A94SE</td><td>18</td><td>GY</td><td>3598072C1</td></tr> <tr><td>3</td><td>-</td><td>-</td><td>-</td><td>-</td></tr> <tr><td>4</td><td>A94SV</td><td>18</td><td>GY</td><td>3598072C1</td></tr> <tr><td>5</td><td>A94SF</td><td>18</td><td>GY</td><td>3598072C1</td></tr> <tr><td>6</td><td>-</td><td>-</td><td>-</td><td>-</td></tr> <tr><td>7</td><td>A94SL1</td><td>18</td><td>GN</td><td>3598072C1</td></tr> <tr><td>8</td><td>A94SH1</td><td>18</td><td>YL</td><td>3598072C1</td></tr> <tr><td>9</td><td>-</td><td>-</td><td>-</td><td>-</td></tr> <tr><td>10</td><td>A94SC1</td><td>18</td><td>BK</td><td>3598072C1</td></tr> <tr><td>11</td><td>A94SS1</td><td>18</td><td>RD</td><td>3598072C1</td></tr> <tr><td>12</td><td>-</td><td>-</td><td>-</td><td>-</td></tr> </tbody> </table>				CAV	CIRCUIT	GA	COLOR	TERMINAL	1	A94SZ	18	GY	3598072C1	2	A94SE	18	GY	3598072C1	3	-	-	-	-	4	A94SV	18	GY	3598072C1	5	A94SF	18	GY	3598072C1	6	-	-	-	-	7	A94SL1	18	GN	3598072C1	8	A94SH1	18	YL	3598072C1	9	-	-	-	-	10	A94SC1	18	BK	3598072C1	11	A94SS1	18	RD	3598072C1	12	-	-	-	-																														
CAV	CIRCUIT	GA	COLOR	TERMINAL																																																																																																		
1	A94SZ	18	GY	3598072C1																																																																																																		
2	A94SE	18	GY	3598072C1																																																																																																		
3	-	-	-	-																																																																																																		
4	A94SV	18	GY	3598072C1																																																																																																		
5	A94SF	18	GY	3598072C1																																																																																																		
6	-	-	-	-																																																																																																		
7	A94SL1	18	GN	3598072C1																																																																																																		
8	A94SH1	18	YL	3598072C1																																																																																																		
9	-	-	-	-																																																																																																		
10	A94SC1	18	BK	3598072C1																																																																																																		
11	A94SS1	18	RD	3598072C1																																																																																																		
12	-	-	-	-																																																																																																		
CHK	DATE	CHANGE	REV	REFERENCE	DRAWN	NAME																																																																																																
MJV04	28SEP19	INITIAL PRODUCTION	A	95004Y	23112202	CIRCUIT DIAGRAM, RE BUS-BODY																																																																																																
RELEASE					RELEASE NO. 95004Y	DATE 15MAR19 PART NO. AF08085160 SHEET 32A																																																																																																

Figure 408 Connector Composites (1401, 1402, 1403)

18.38. CONNECTOR COMPOSITES (1410, 1600), P. 32B

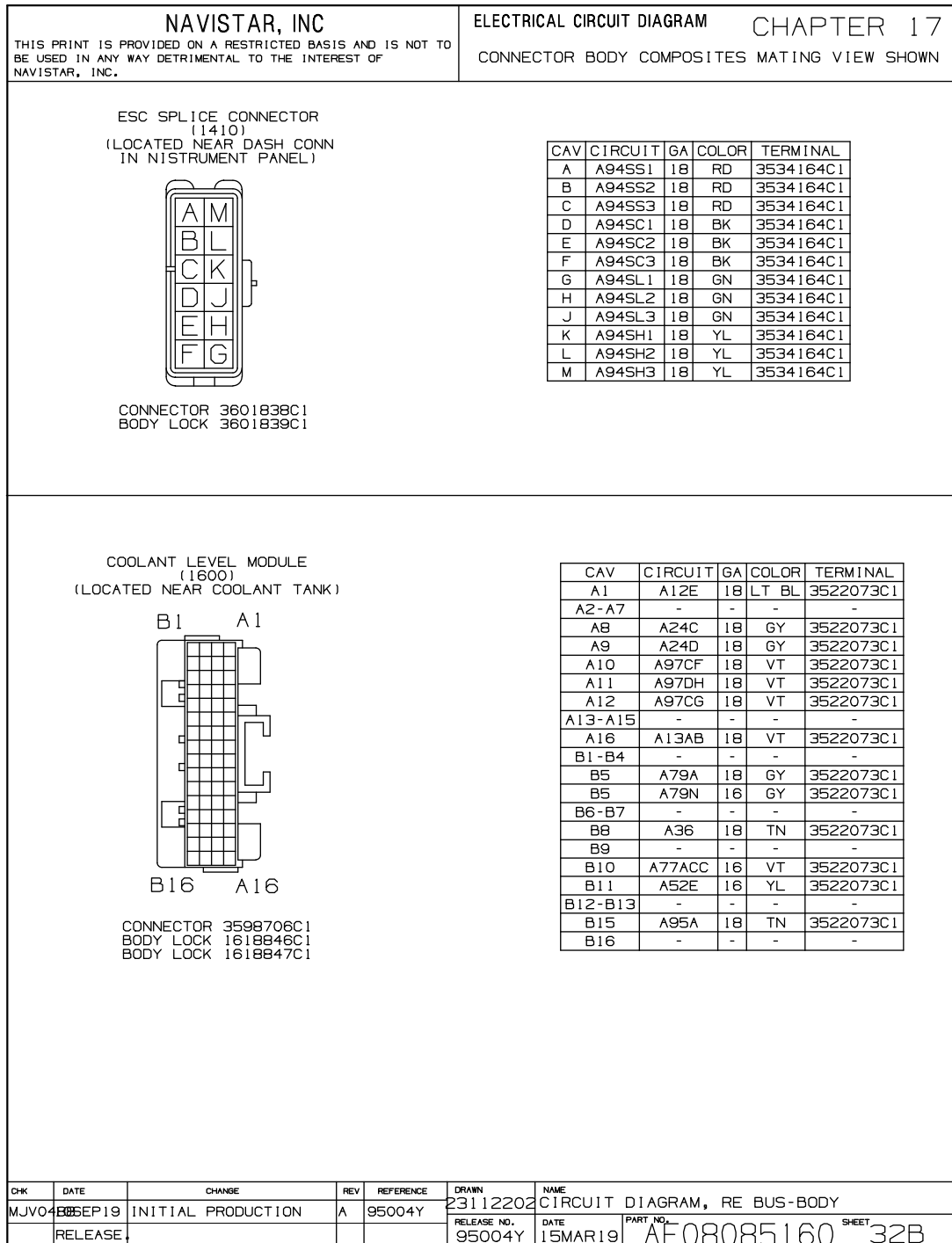


Figure 409 Connector Composites (1410, 1600)

18.39. CONNECTOR COMPOSITES (1601, 1602), P. 33

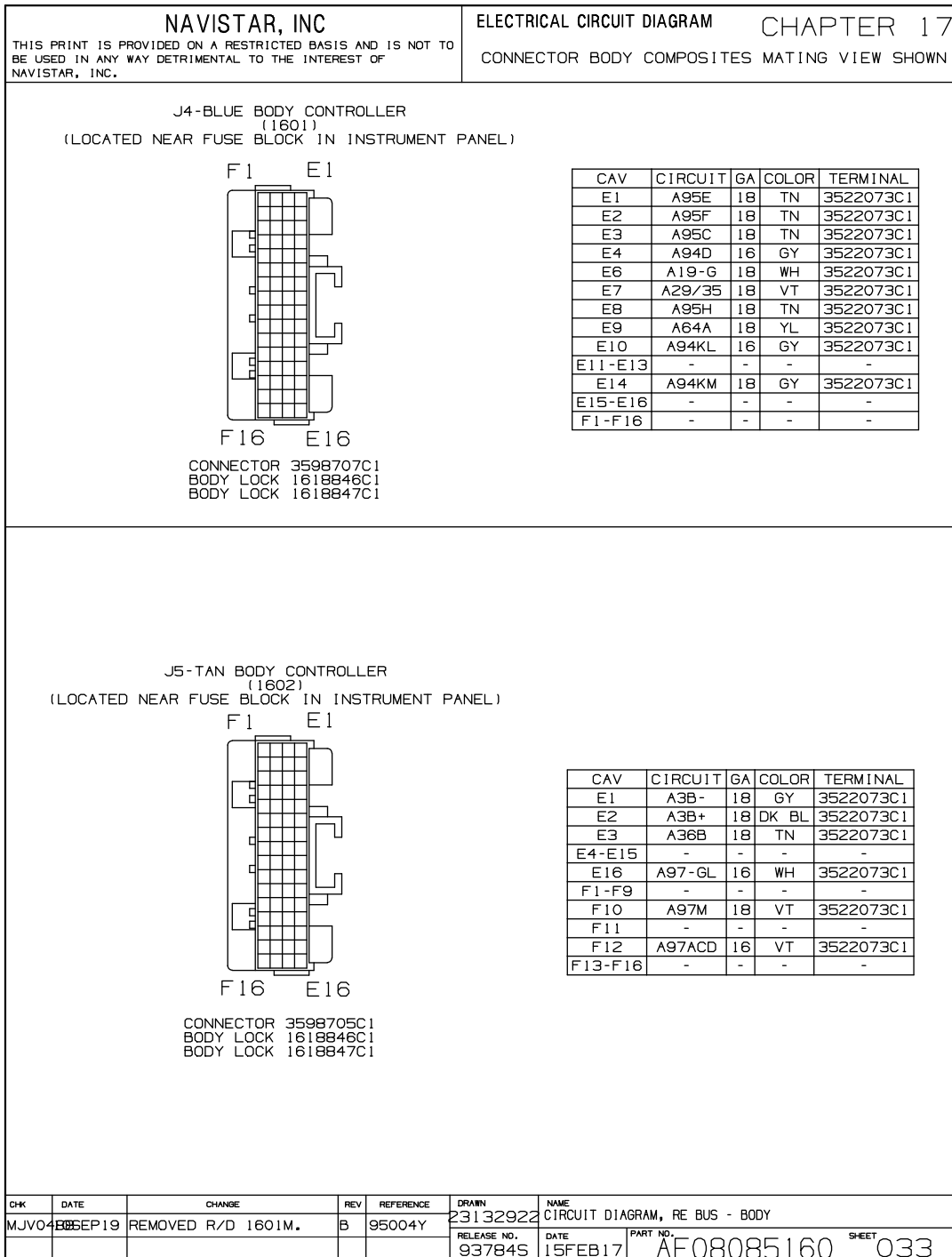


Figure 410 Connector Composites (1601, 1602)

18.40. CONNECTOR COMPOSITES (1604, 1606, 1650, 1700), P. 34

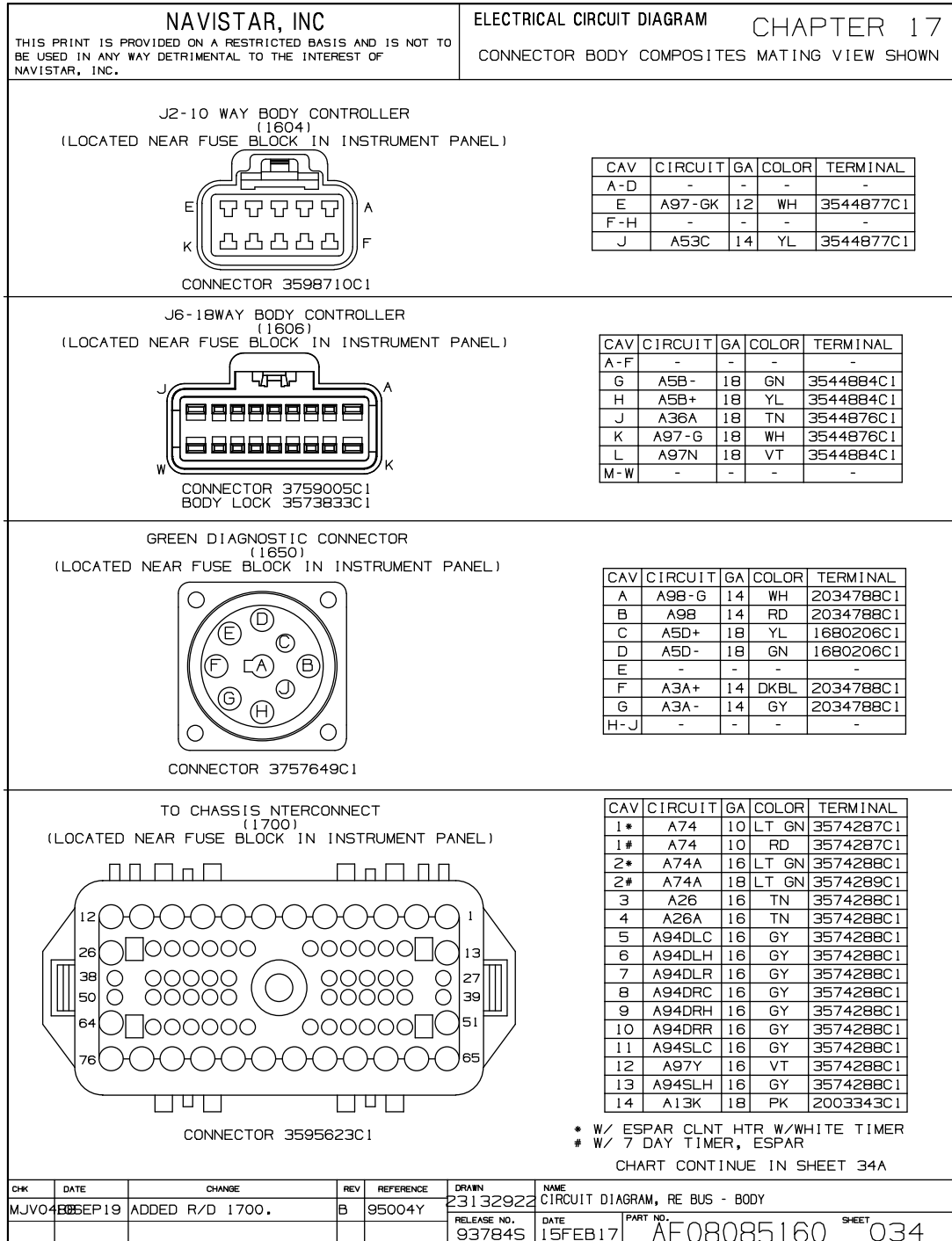


Figure 411 Connector Composites (1604, 1606, 1650, 1700)

18.41. CONNECTOR COMPOSITES (1700), P. 34A

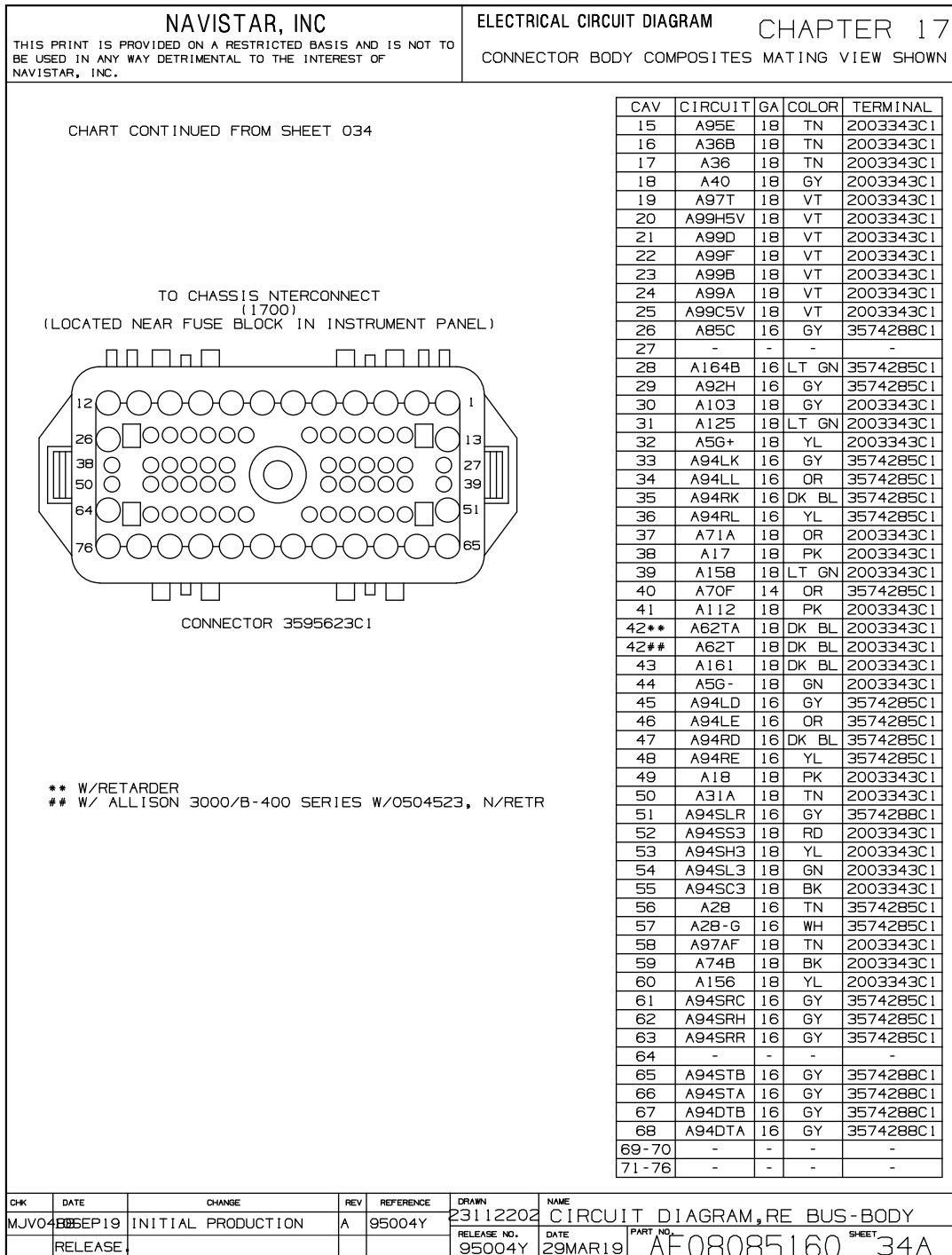


Figure 412 Connector Composites (1700)

18.42. CONNECTOR COMPOSITES (1707M, 1800M, 1908, 2233), P. 35

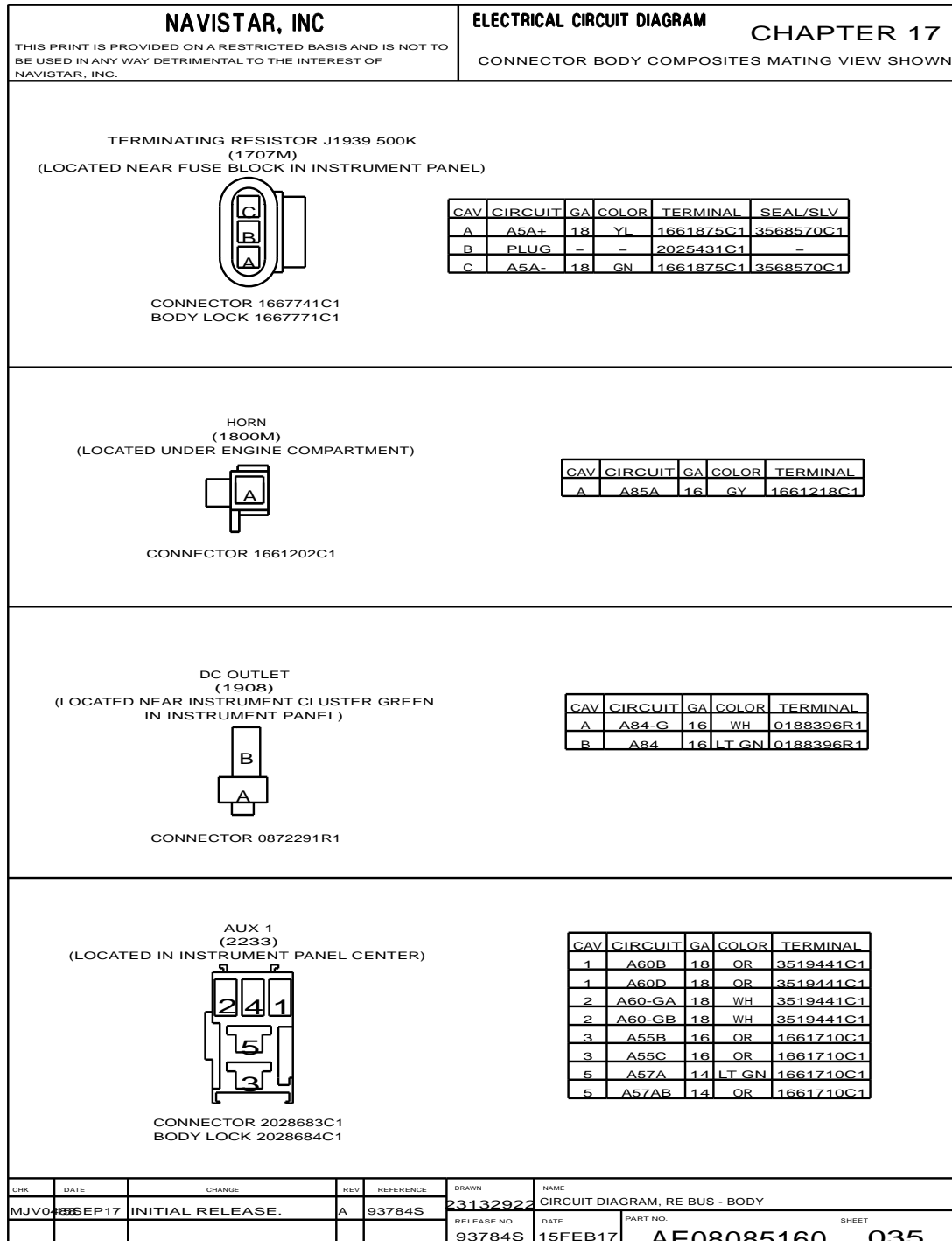


Figure 413 Connector Composites (1707M, 1800M, 1908, 2233)

18.43. CONNECTOR COMPOSITES (3117, 3118, 3322), P. 36

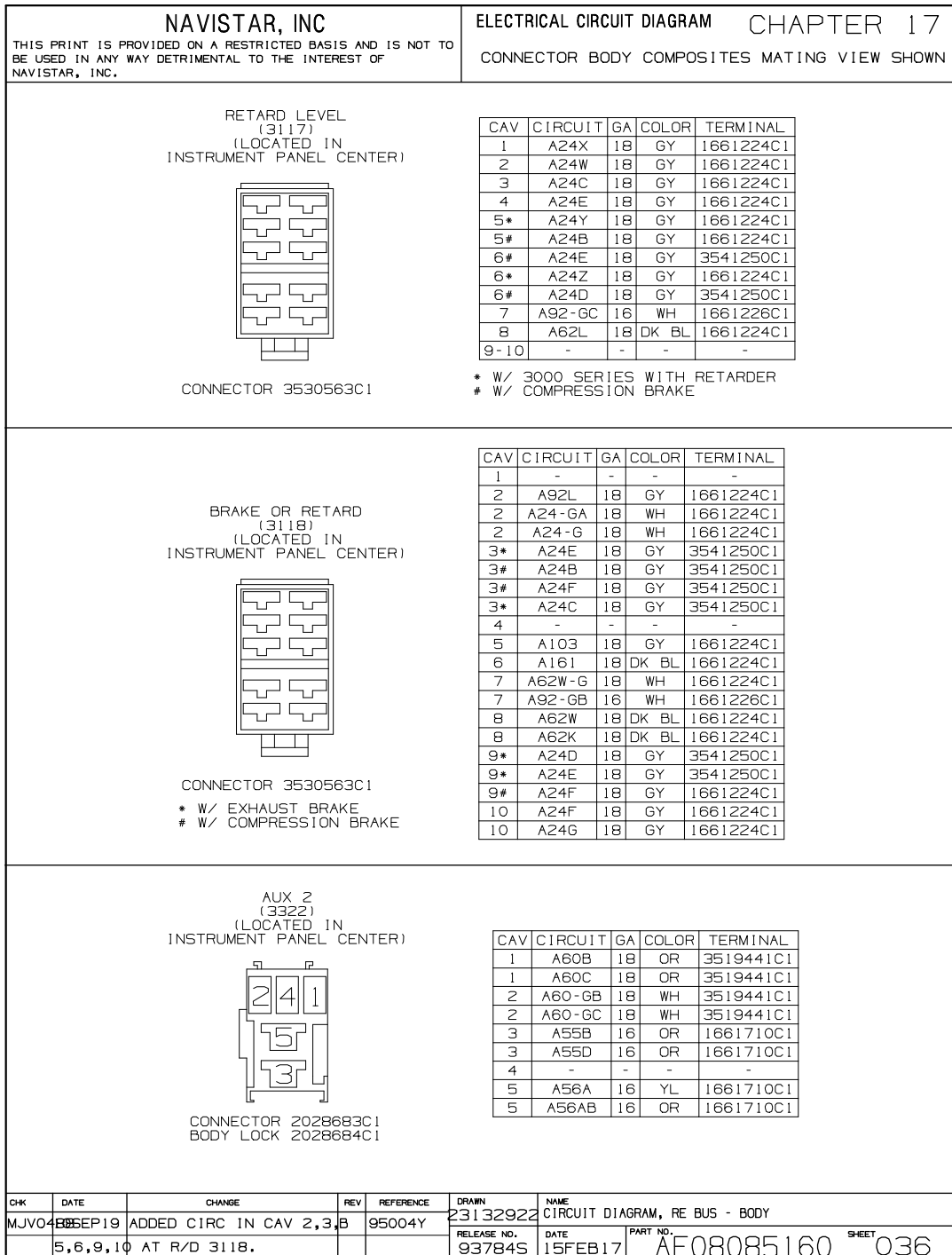


Figure 414 Connector Composites (3117, 3118, 3322)

18.44. CONNECTOR COMPOSITES (3344, 4433), P. 36A

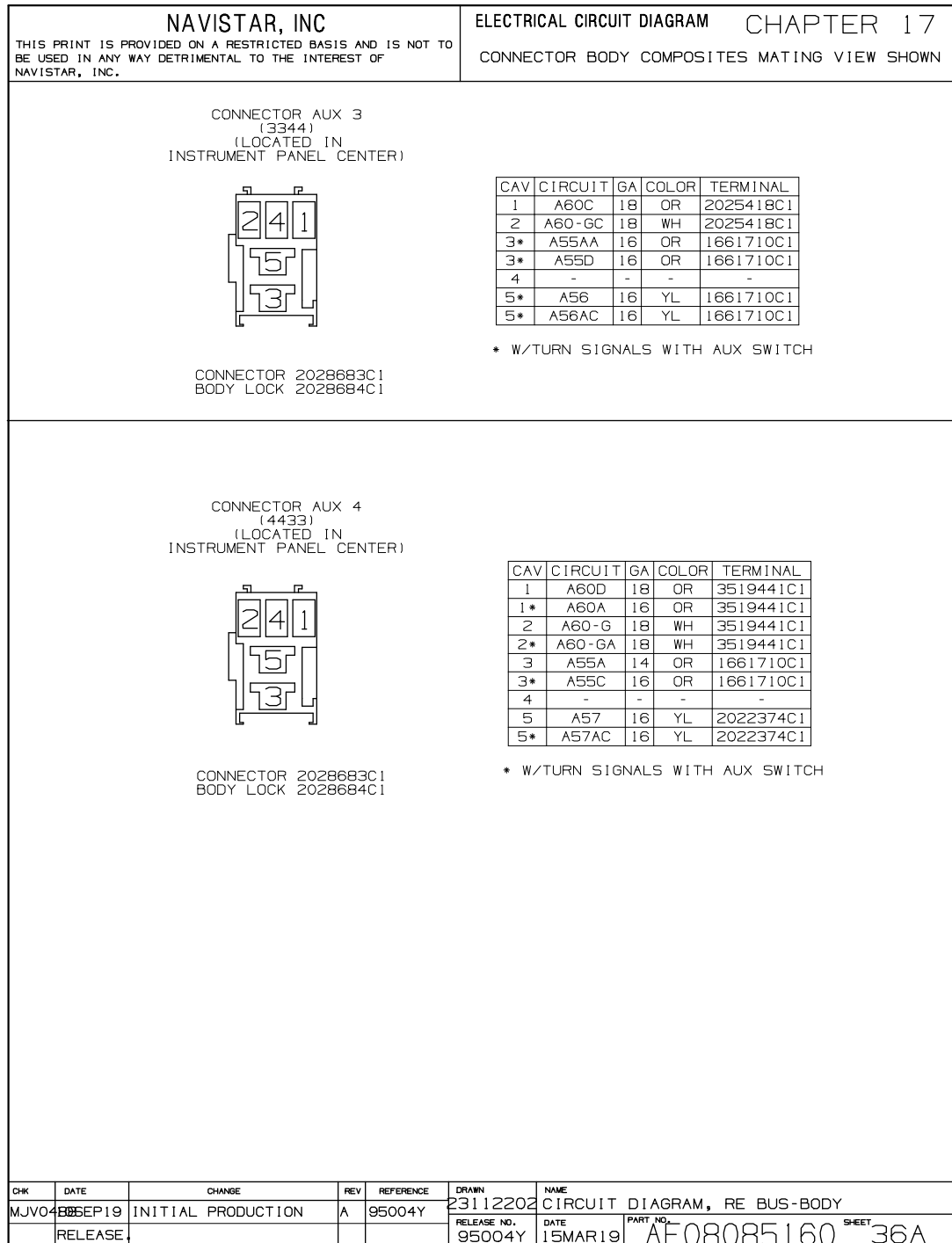


Figure 415 Connector Composites (3344, 4433)

18.45. CONNECTOR COMPOSITES (4800, 4801, 5263C, 5263F, 5263M), P. 37

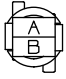
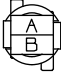
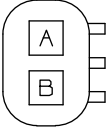
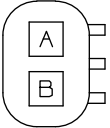
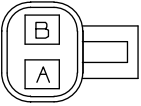
NAVISTAR, INC <small>THIS PRINT IS PROVIDED ON A RESTRICTED BASIS AND IS NOT TO BE USED IN ANY WAY DETRIMENTAL TO THE INTEREST OF NAVISTAR, INC.</small>				ELECTRICAL CIRCUIT DIAGRAM CHAPTER 17 CONNECTOR BODY COMPOSITES MATING VIEW SHOWN																					
ATC (4800) (LOCATED NEAR INSTR CLUSTER NATURAL IN INSTRUMENT PANEL)  CONNECTOR 2001688C1				<table border="1" style="width:100%; border-collapse: collapse;"> <thead> <tr> <th>CAV</th> <th>CIRCUIT</th> <th>GA</th> <th>COLOR</th> <th>TERMINAL</th> </tr> </thead> <tbody> <tr> <td>A</td> <td>A94KH</td> <td>18</td> <td>GY</td> <td>2001704C1</td> </tr> <tr> <td>B</td> <td>A94KL</td> <td>16</td> <td>GY</td> <td>2001704C1</td> </tr> </tbody> </table>		CAV	CIRCUIT	GA	COLOR	TERMINAL	A	A94KH	18	GY	2001704C1	B	A94KL	16	GY	2001704C1					
CAV	CIRCUIT	GA	COLOR	TERMINAL																					
A	A94KH	18	GY	2001704C1																					
B	A94KL	16	GY	2001704C1																					
STABILTY (4801) (LOCATED IN INSTRUMENT PANEL CENTER)  CONNECTOR 2001688C1				<table border="1" style="width:100%; border-collapse: collapse;"> <thead> <tr> <th>CAV</th> <th>CIRCUIT</th> <th>GA</th> <th>COLOR</th> <th>TERMINAL</th> </tr> </thead> <tbody> <tr> <td>A</td> <td>A94-GC</td> <td>18</td> <td>WH</td> <td>2001704C1</td> </tr> <tr> <td>B</td> <td>A94KM</td> <td>18</td> <td>GY</td> <td>2001704C1</td> </tr> </tbody> </table>		CAV	CIRCUIT	GA	COLOR	TERMINAL	A	A94-GC	18	WH	2001704C1	B	A94KM	18	GY	2001704C1					
CAV	CIRCUIT	GA	COLOR	TERMINAL																					
A	A94-GC	18	WH	2001704C1																					
B	A94KM	18	GY	2001704C1																					
FULL TIME LIGHTS POWER CAP (5263C) (LOCATED NEAR FUSE BLOCK IN INSTRUMENT PANEL)  CONNECTOR 1671611C1 BODY LOCK 1671608C1				<table border="1" style="width:100%; border-collapse: collapse;"> <thead> <tr> <th>CAV</th> <th>CIRCUIT</th> <th>GA</th> <th>COLOR</th> <th>TERMINAL</th> <th>SEAL/SLV</th> </tr> </thead> <tbody> <tr> <td>A</td> <td>JUMPER</td> <td>16</td> <td>PK</td> <td>2033911C1</td> <td>1652325C1</td> </tr> <tr> <td>B</td> <td>JUMPER</td> <td>16</td> <td>PK</td> <td>2033911C1</td> <td>1652325C1</td> </tr> </tbody> </table>		CAV	CIRCUIT	GA	COLOR	TERMINAL	SEAL/SLV	A	JUMPER	16	PK	2033911C1	1652325C1	B	JUMPER	16	PK	2033911C1	1652325C1		
CAV	CIRCUIT	GA	COLOR	TERMINAL	SEAL/SLV																				
A	JUMPER	16	PK	2033911C1	1652325C1																				
B	JUMPER	16	PK	2033911C1	1652325C1																				
FULL TIME LIGHTS POWER (5263F) (LOCATED NEAR FUSE BLOCK IN INSTRUMENT PANEL)  CONNECTOR 1671611C1 BODY LOCK 1671608C1				<table border="1" style="width:100%; border-collapse: collapse;"> <thead> <tr> <th>CAV</th> <th>CIRCUIT</th> <th>GA</th> <th>COLOR</th> <th>TERMINAL</th> <th>SEAL/SLV</th> </tr> </thead> <tbody> <tr> <td>A</td> <td>A66L</td> <td>14</td> <td>YL</td> <td>2033912C1</td> <td>0589391C1</td> </tr> <tr> <td>B</td> <td>A66M</td> <td>14</td> <td>YL</td> <td>2033912C1</td> <td>0589391C1</td> </tr> </tbody> </table>		CAV	CIRCUIT	GA	COLOR	TERMINAL	SEAL/SLV	A	A66L	14	YL	2033912C1	0589391C1	B	A66M	14	YL	2033912C1	0589391C1		
CAV	CIRCUIT	GA	COLOR	TERMINAL	SEAL/SLV																				
A	A66L	14	YL	2033912C1	0589391C1																				
B	A66M	14	YL	2033912C1	0589391C1																				
FULL TIME LIGHTS POWER 5263M (LOCATED NEAR FUSE BLOCK IN INSTRUMENT PANEL)  CONNECTOR 1671610C1 BODY LOCK 1671608C1				<table border="1" style="width:100%; border-collapse: collapse;"> <thead> <tr> <th>CAV</th> <th>CIRCUIT</th> <th>GA</th> <th>COLOR</th> <th>TERMINAL</th> <th>SEAL/SLV</th> </tr> </thead> <tbody> <tr> <td>A</td> <td>A13AB</td> <td>14</td> <td>PK</td> <td>2033816C1</td> <td>0589391C1</td> </tr> <tr> <td>B</td> <td>A13AC</td> <td>16</td> <td>PK</td> <td>2033819C1</td> <td>1652325C1</td> </tr> </tbody> </table>		CAV	CIRCUIT	GA	COLOR	TERMINAL	SEAL/SLV	A	A13AB	14	PK	2033816C1	0589391C1	B	A13AC	16	PK	2033819C1	1652325C1		
CAV	CIRCUIT	GA	COLOR	TERMINAL	SEAL/SLV																				
A	A13AB	14	PK	2033816C1	0589391C1																				
B	A13AC	16	PK	2033819C1	1652325C1																				
CHK	DATE	CHANGE	REV	REFERENCE	DRAWN	NAME																			
MJV04	18SEP19	ADDED R/D 4801.	B	95004Y	2313292Z	CIRCUIT DIAGRAM, RE BUS - BODY																			
					RELEASE NO.	DATE	PART NO.																		
					93784S	15FEB17	AE08085160																		
							SHEET 037																		

Figure 416 Connector Composites (4800, 4801, 5263C, 5263F, 5263M)

18.46. CONNECTOR COMPOSITES (6200, 6348F, 6348M), P. 38

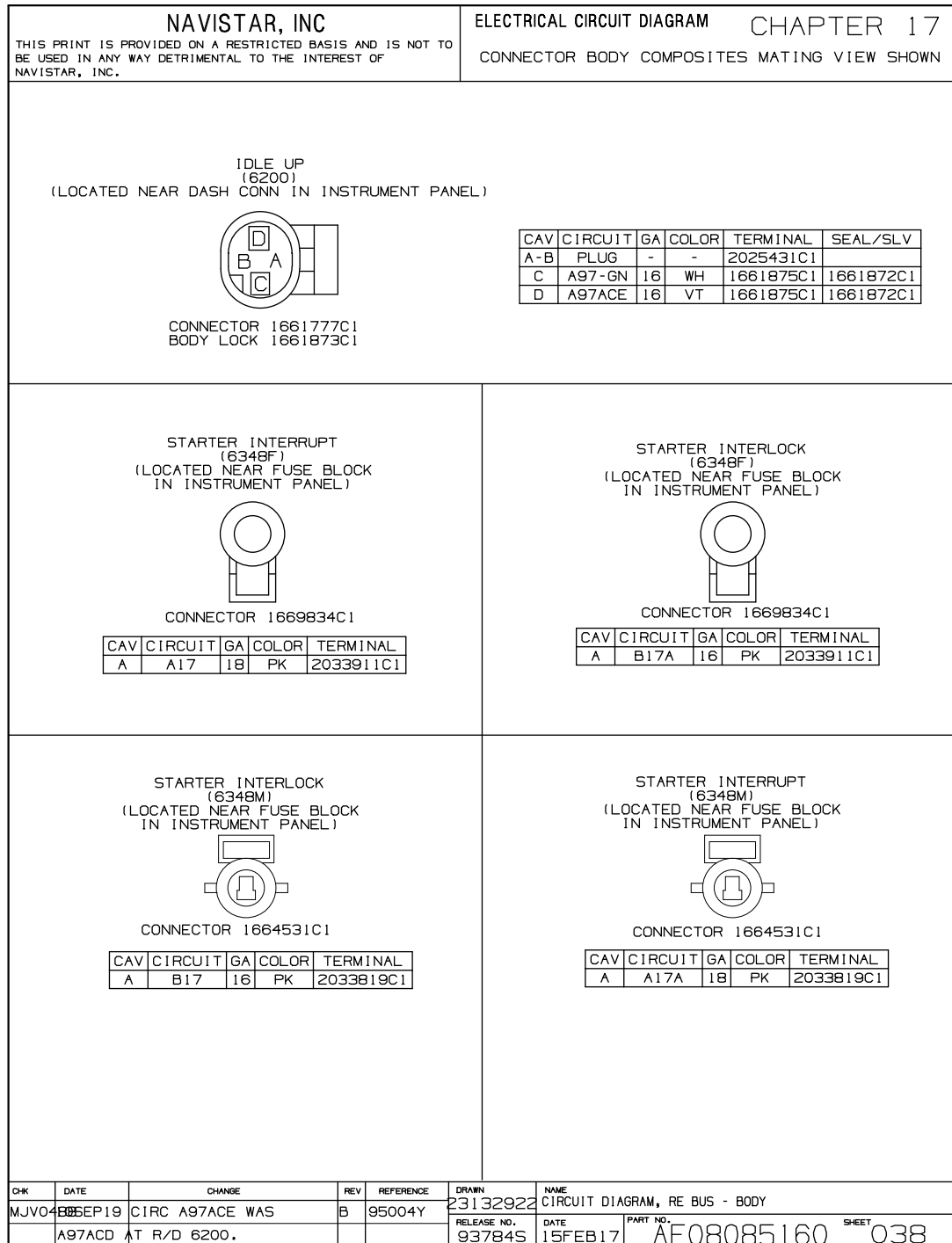


Figure 417 Connector Composites (6200, 6348F, 6348M)

18.47. CONNECTOR COMPOSITES (8721, 8787, 8787B, 9003A, 9900), P. 39

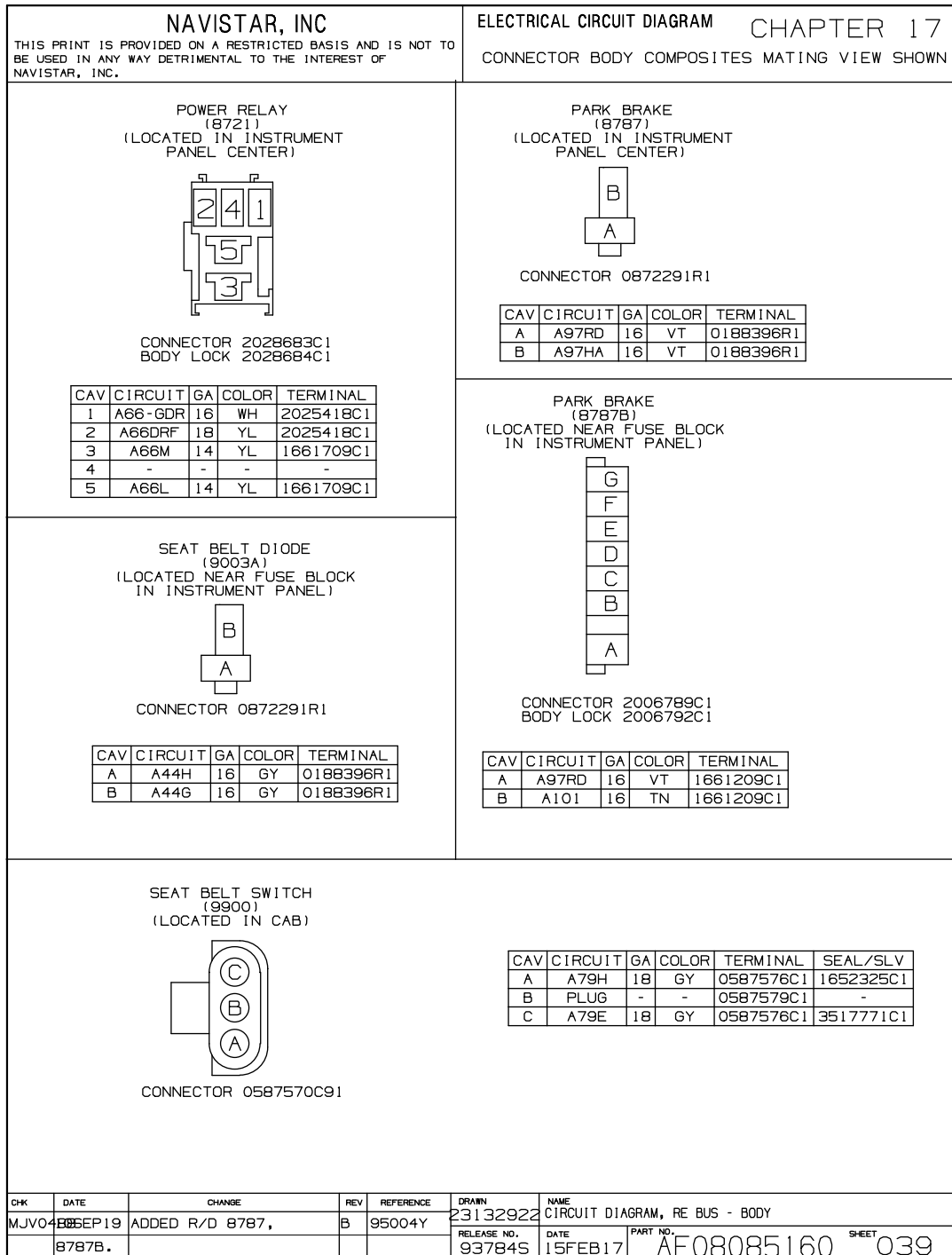


Figure 418 Connector Composites (8721, 8787, 8787B, 9003A, 9900)

18.48. CONNECTOR COMPOSITES (9900A, 9901, 9902, 9902A), P. 40

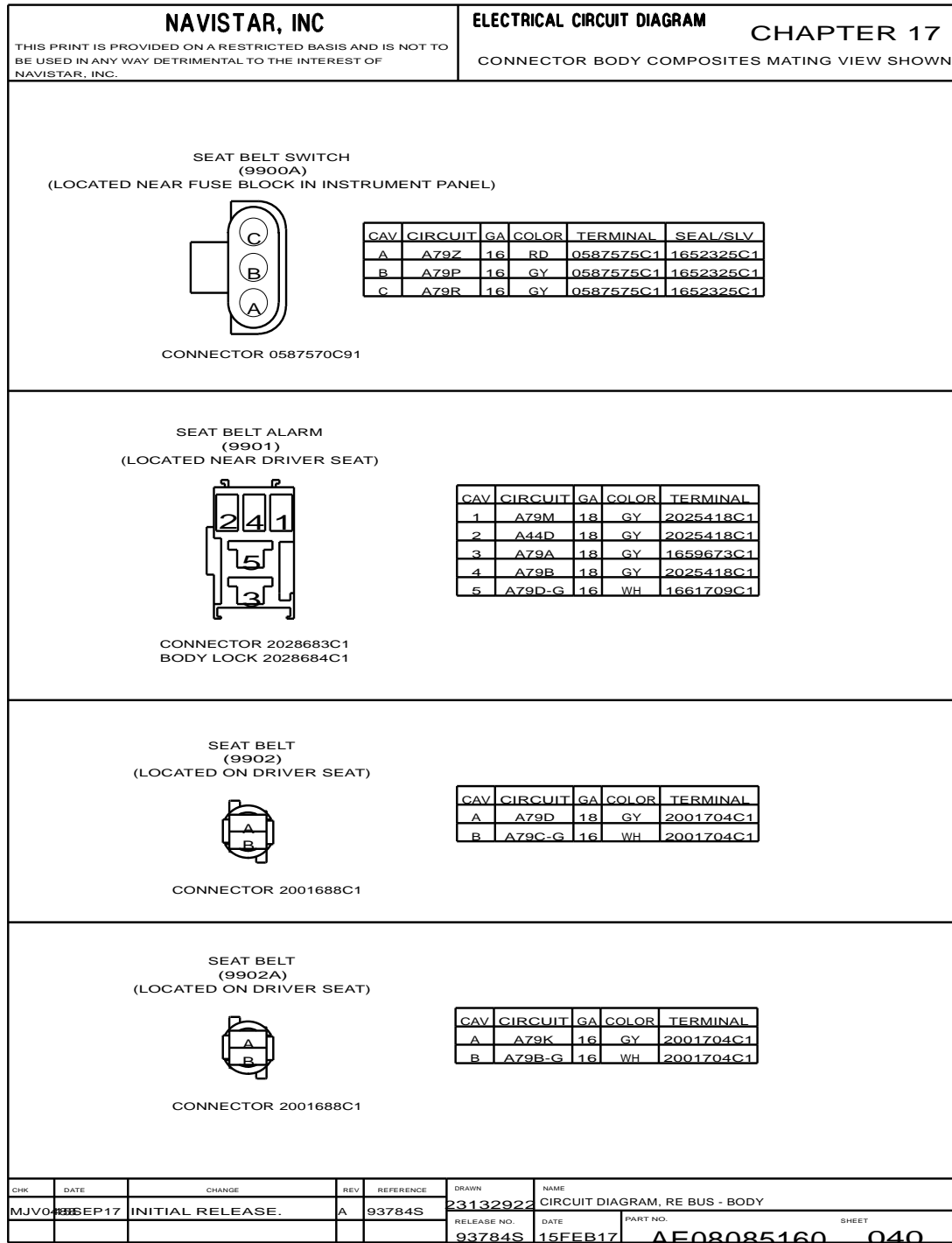


Figure 419 Connector Composites (9900A, 9901, 9902, 9902A)

18.49. CONNECTOR COMPOSITES (9903, 9904, 9996, 9999), P. 41

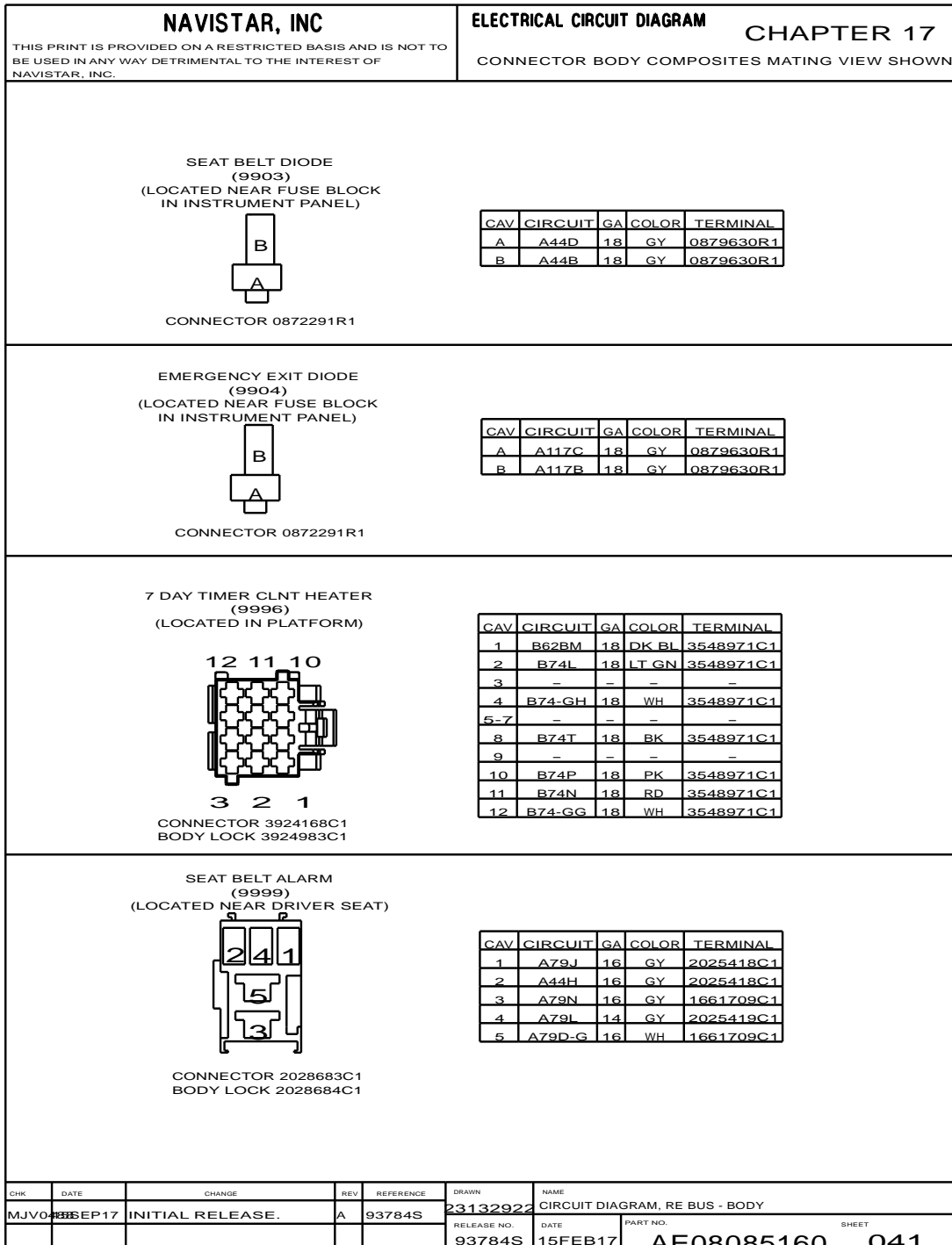


Figure 420 Connector Composites (9903, 9904, 9996, 9999)

18.50. CONNECTOR COMPOSITES (10000), P. 42

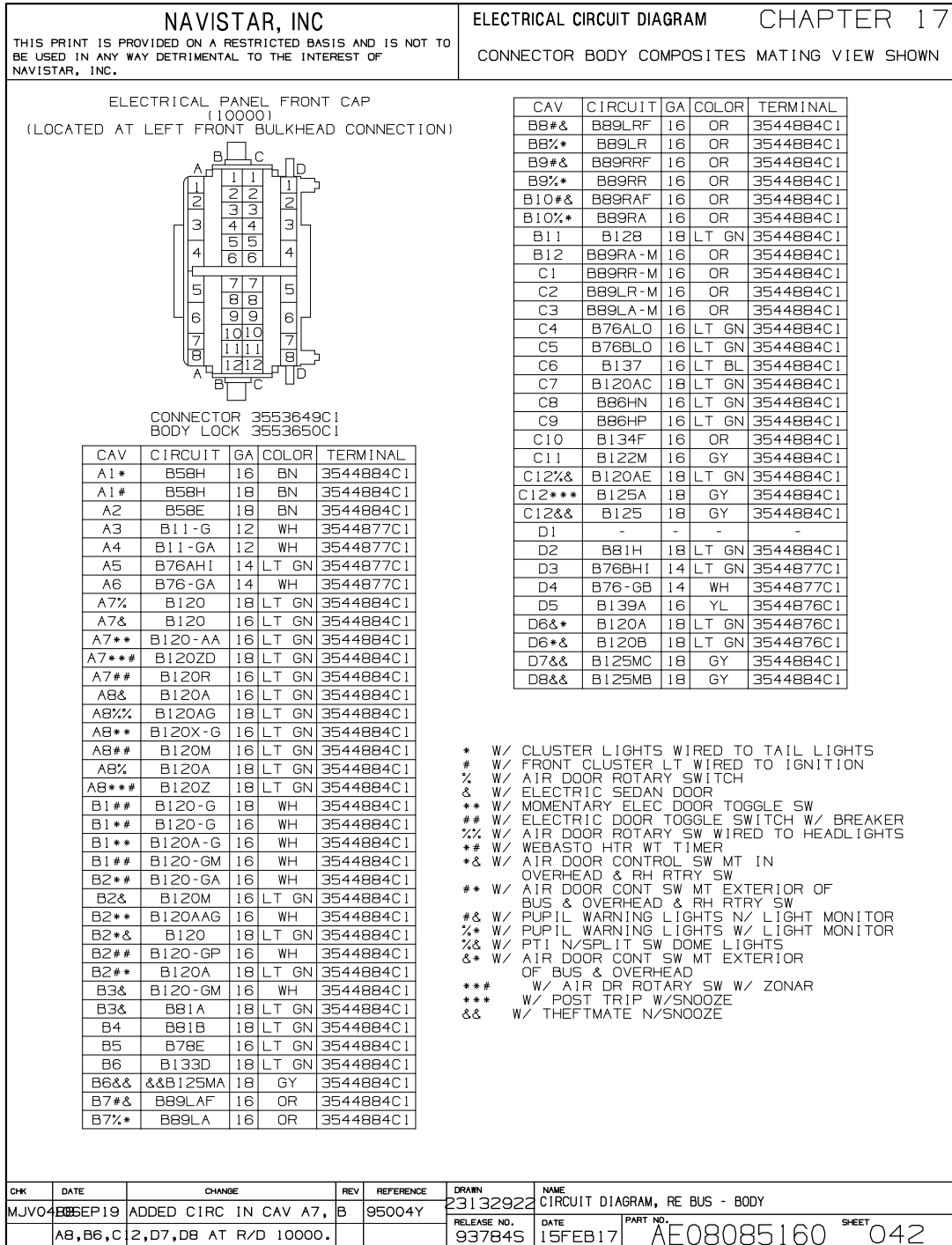


Figure 421 Connector Composites (10000)

18.51. CONNECTOR COMPOSITES (10000), P. 43

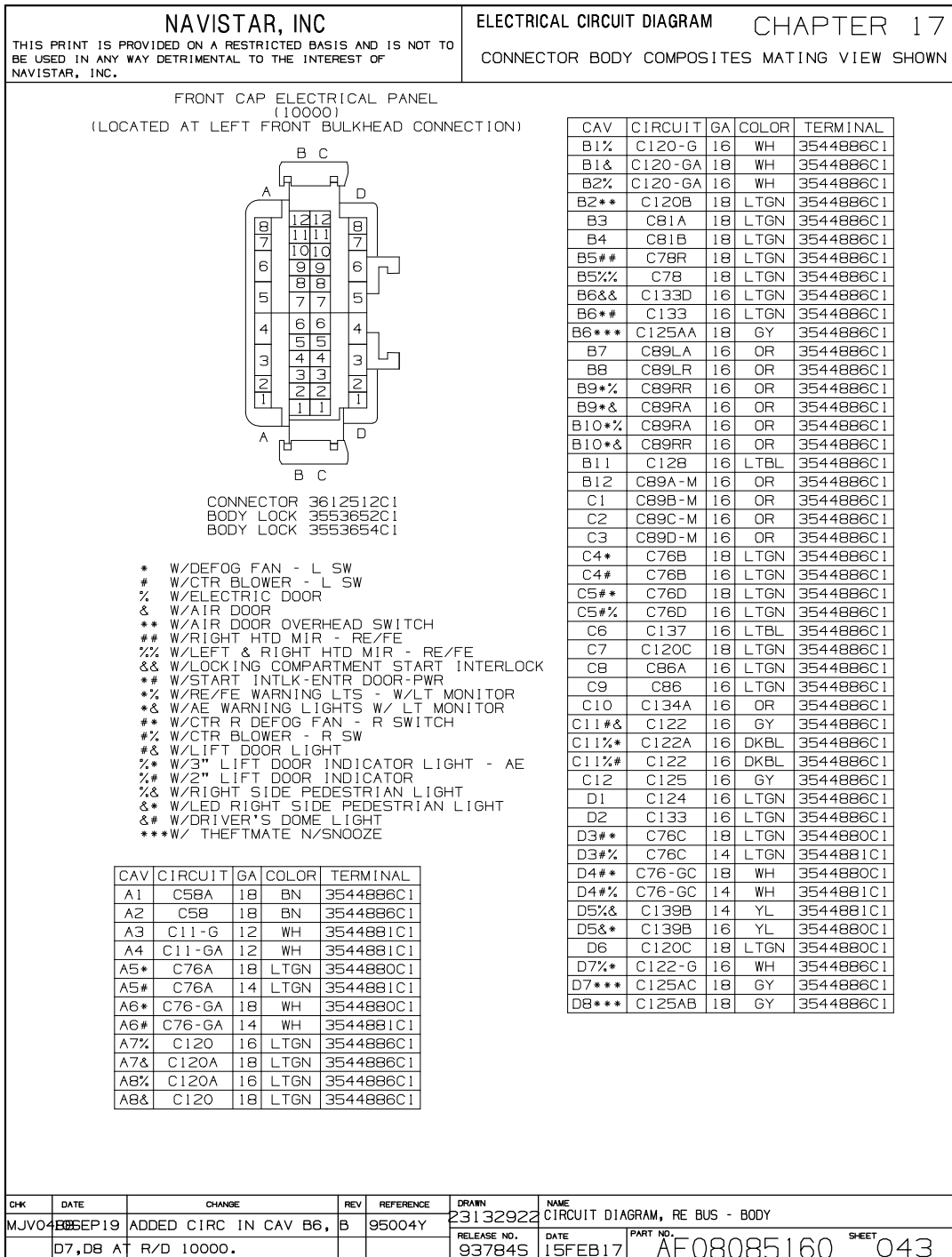


Figure 422 Connector Composites (10000)

18.52. CONNECTOR COMPOSITES (10001), P. 44

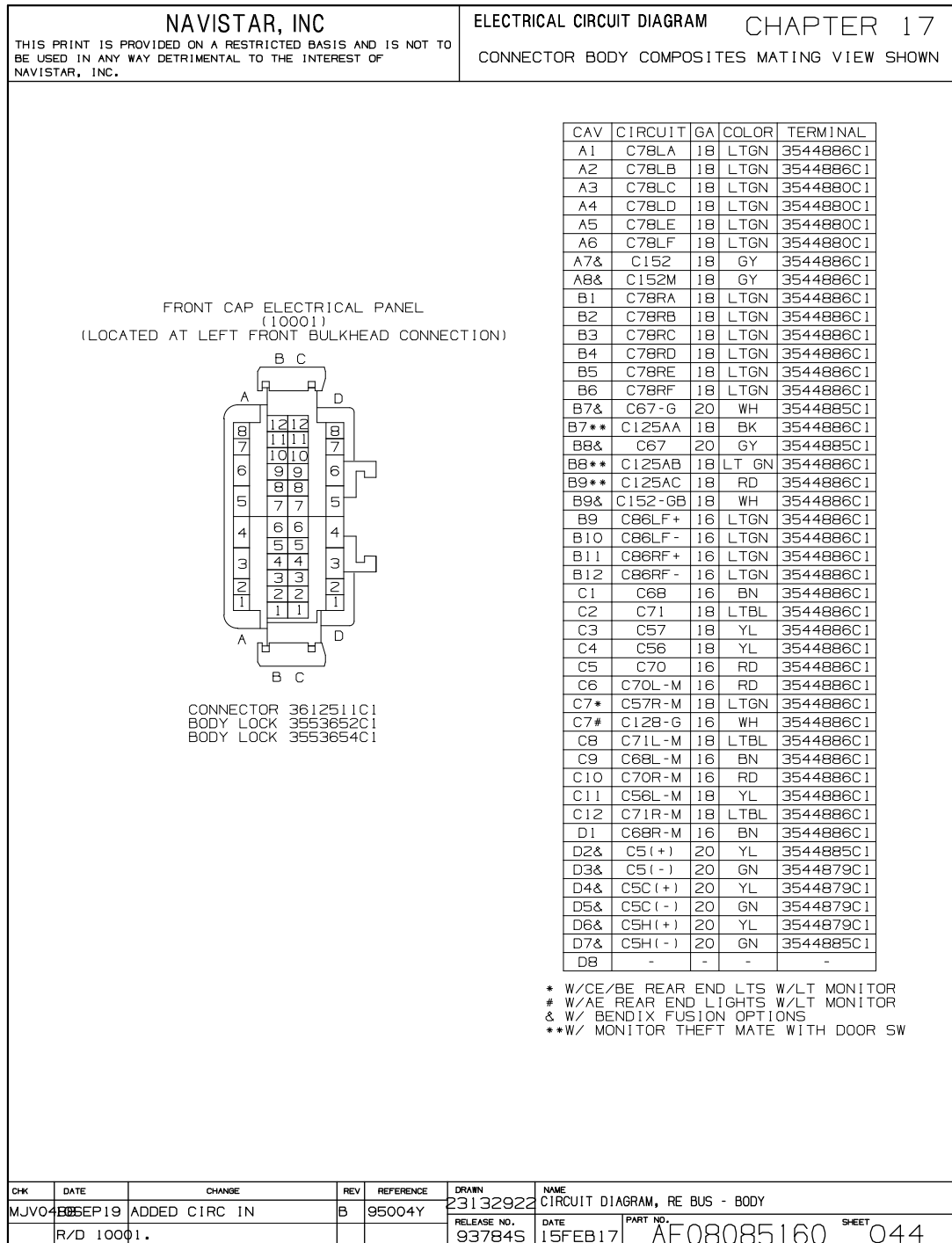


Figure 423 Connector Composites (10001)

18.53. CONNECTOR COMPOSITES (10003, 10003L, 10004), P. 45

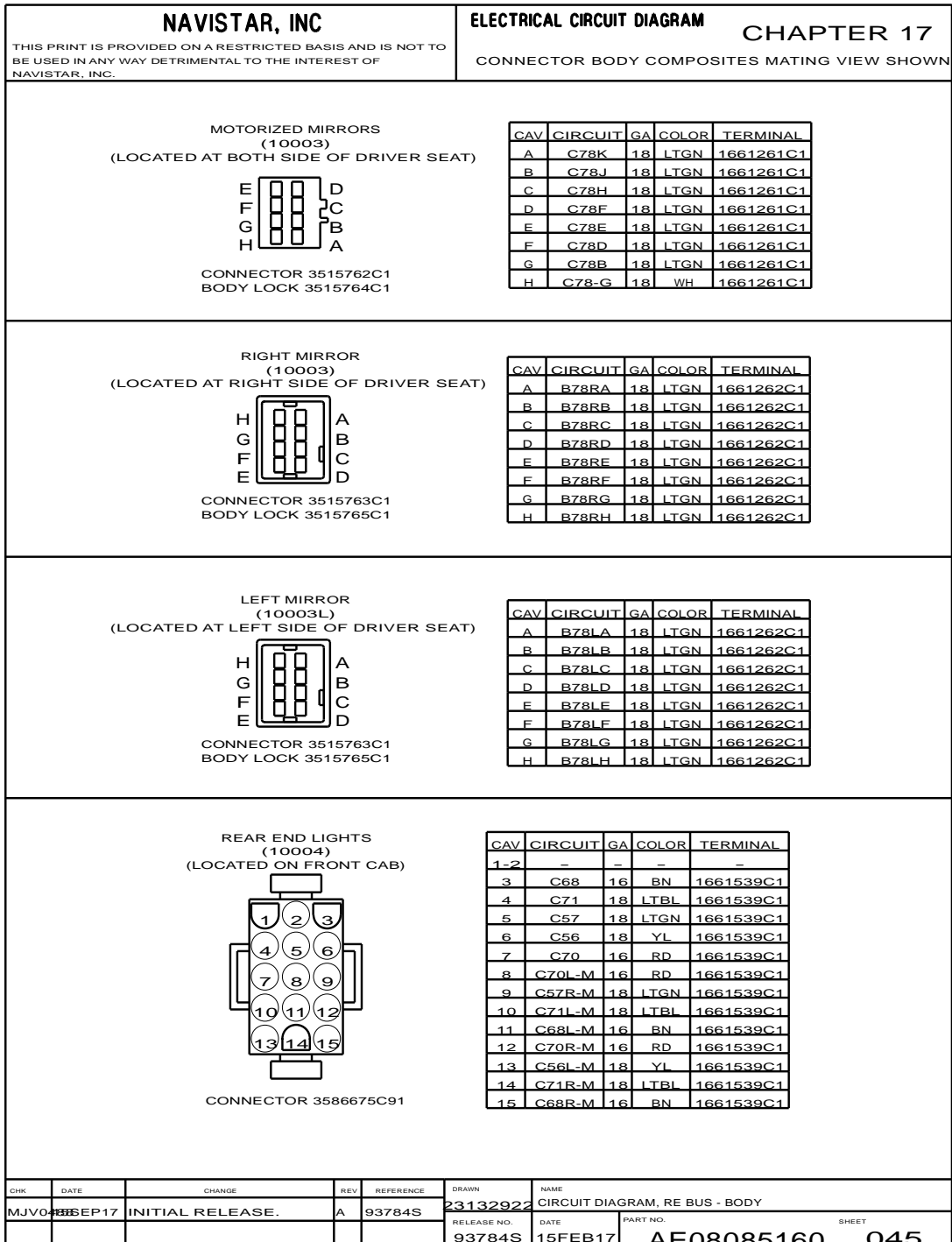


Figure 424 Connector Composites (10003, 10003L, 10004)

18.54. CONNECTOR COMPOSITES (10004, 10009, 10010), P. 46

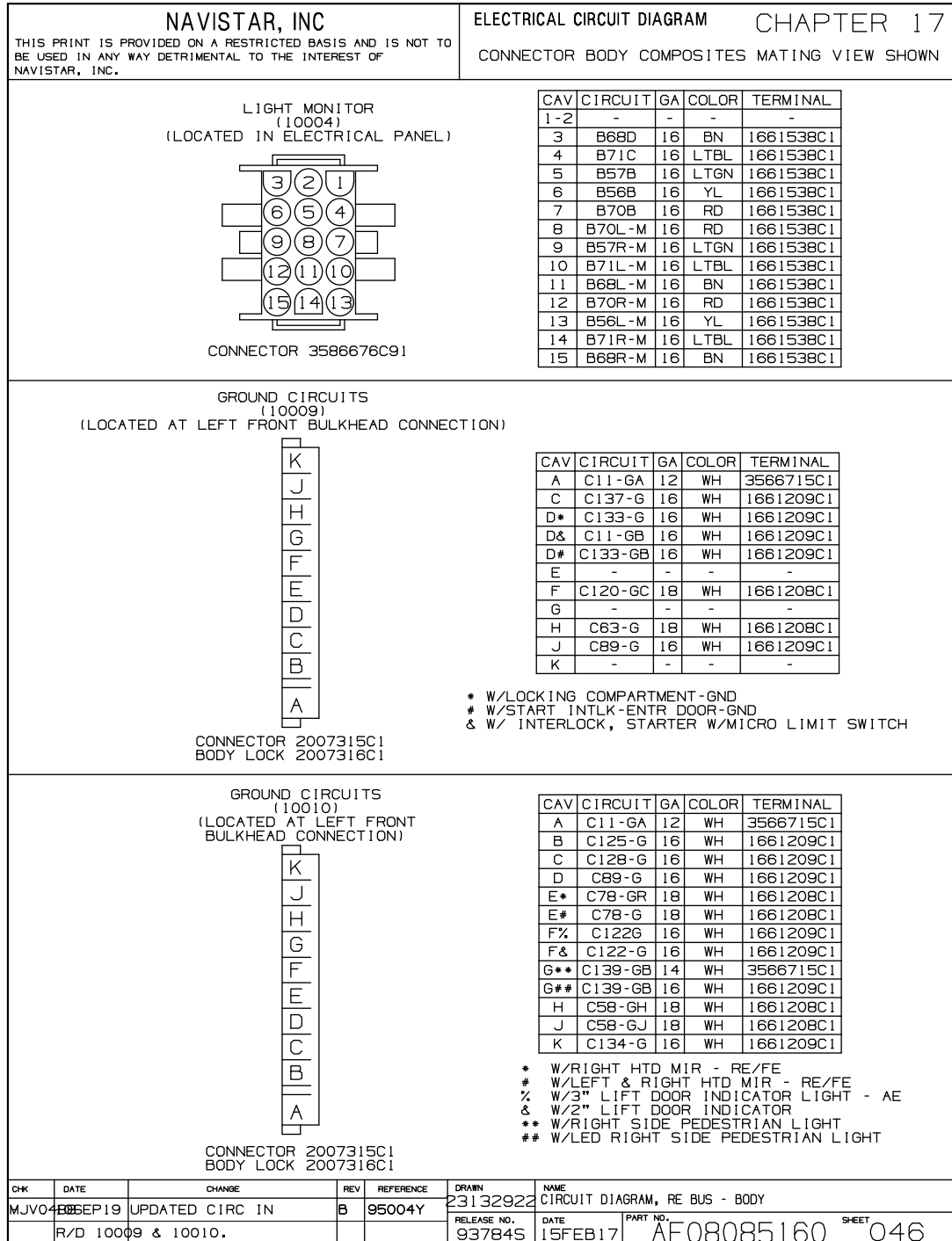


Figure 425 Connector Composites (10004, 10009, 10010)

18.55. CONNECTOR COMPOSITES (10011, 10012, 10013), P. 47




NAVISTAR, INC				ELECTRICAL CIRCUIT DIAGRAM				CHAPTER 17																																																																				
THIS PRINT IS PROVIDED ON A RESTRICTED BASIS AND IS NOT TO BE USED IN ANY WAY DETRIMENTAL TO THE INTEREST OF NAVISTAR, INC.				CONNECTOR BODY COMPOSITES MATING VIEW SHOWN																																																																								
<p>FAR LEFT DEFOG FAN (10011) (LOCATED AT FRONT BULKHEAD-LEFT)</p>  <p>CONNECTOR 1661889C1 BODY LOCK 1661890C1</p>																																																																												
<table border="1" style="width:100%; border-collapse: collapse;"> <thead> <tr> <th>CAV</th> <th>CIRCUIT</th> <th>GA</th> <th>COLOR</th> <th>TERMINAL</th> </tr> </thead> <tbody> <tr><td>A*</td><td>C76E</td><td>18</td><td>LTGN</td><td>1661261C1</td></tr> <tr><td>A#</td><td>C76A</td><td>18</td><td>LTGN</td><td>1661261C1</td></tr> <tr><td>B*</td><td>C76F</td><td>18</td><td>LTGN</td><td>1661261C1</td></tr> <tr><td>B#</td><td>C76B</td><td>18</td><td>LTGN</td><td>1661261C1</td></tr> <tr><td>C*</td><td>C76-GE</td><td>18</td><td>WH</td><td>1661261C1</td></tr> <tr><td>C#</td><td>C76-GA</td><td>18</td><td>WH</td><td>1661261C1</td></tr> </tbody> </table> <p>* W/FAR L & CTR L DEFOG FANS - L SW # W/L DEFOG FAN - L SW</p>												CAV	CIRCUIT	GA	COLOR	TERMINAL	A*	C76E	18	LTGN	1661261C1	A#	C76A	18	LTGN	1661261C1	B*	C76F	18	LTGN	1661261C1	B#	C76B	18	LTGN	1661261C1	C*	C76-GE	18	WH	1661261C1	C#	C76-GA	18	WH	1661261C1																														
CAV	CIRCUIT	GA	COLOR	TERMINAL																																																																								
A*	C76E	18	LTGN	1661261C1																																																																								
A#	C76A	18	LTGN	1661261C1																																																																								
B*	C76F	18	LTGN	1661261C1																																																																								
B#	C76B	18	LTGN	1661261C1																																																																								
C*	C76-GE	18	WH	1661261C1																																																																								
C#	C76-GA	18	WH	1661261C1																																																																								
<p>LEFT CENTER DEFOG FAN (10012) (LOCATED AT FRONT BULKHEAD-LEFT)</p>  <p>CONNECTOR 1661889C1 BODY LOCK 1661890C1</p>																																																																												
<table border="1" style="width:100%; border-collapse: collapse;"> <thead> <tr> <th>CAV</th> <th>CIRCUIT</th> <th>GA</th> <th>COLOR</th> <th>TERMINAL</th> </tr> </thead> <tbody> <tr><td>A*</td><td>C76H</td><td>18</td><td>LTGN</td><td>1661261C1</td></tr> <tr><td>A#</td><td>C76E</td><td>18</td><td>LTGN</td><td>1661261C1</td></tr> <tr><td>A%</td><td>C76A</td><td>18</td><td>LTGN</td><td>1661261C1</td></tr> <tr><td>A&</td><td>C76C</td><td>18</td><td>LTGN</td><td>1661261C1</td></tr> <tr><td>B*</td><td>C76J</td><td>18</td><td>LTGN</td><td>1661261C1</td></tr> <tr><td>B#</td><td>C76F</td><td>18</td><td>LTGN</td><td>1661261C1</td></tr> <tr><td>B%</td><td>C76B</td><td>18</td><td>LTGN</td><td>1661261C1</td></tr> <tr><td>B&</td><td>C76D</td><td>18</td><td>LTGN</td><td>1661261C1</td></tr> <tr><td>C*</td><td>C76-GH</td><td>18</td><td>WH</td><td>1661261C1</td></tr> <tr><td>C#</td><td>C76-GE</td><td>18</td><td>WH</td><td>1661261C1</td></tr> <tr><td>C%</td><td>C76-GA</td><td>18</td><td>WH</td><td>1661261C1</td></tr> <tr><td>C&</td><td>C76-GC</td><td>18</td><td>WH</td><td>1661261C1</td></tr> </tbody> </table> <p>* W/FAR L & CTR L DEFOG FANS - L SW # W/CTR L & FAR R DEFOG FANS - R SW % W/CTR L DEFOG FAN - L SW & W/CTR L DEFOG FAN - R SW</p>												CAV	CIRCUIT	GA	COLOR	TERMINAL	A*	C76H	18	LTGN	1661261C1	A#	C76E	18	LTGN	1661261C1	A%	C76A	18	LTGN	1661261C1	A&	C76C	18	LTGN	1661261C1	B*	C76J	18	LTGN	1661261C1	B#	C76F	18	LTGN	1661261C1	B%	C76B	18	LTGN	1661261C1	B&	C76D	18	LTGN	1661261C1	C*	C76-GH	18	WH	1661261C1	C#	C76-GE	18	WH	1661261C1	C%	C76-GA	18	WH	1661261C1	C&	C76-GC	18	WH	1661261C1
CAV	CIRCUIT	GA	COLOR	TERMINAL																																																																								
A*	C76H	18	LTGN	1661261C1																																																																								
A#	C76E	18	LTGN	1661261C1																																																																								
A%	C76A	18	LTGN	1661261C1																																																																								
A&	C76C	18	LTGN	1661261C1																																																																								
B*	C76J	18	LTGN	1661261C1																																																																								
B#	C76F	18	LTGN	1661261C1																																																																								
B%	C76B	18	LTGN	1661261C1																																																																								
B&	C76D	18	LTGN	1661261C1																																																																								
C*	C76-GH	18	WH	1661261C1																																																																								
C#	C76-GE	18	WH	1661261C1																																																																								
C%	C76-GA	18	WH	1661261C1																																																																								
C&	C76-GC	18	WH	1661261C1																																																																								
<p>CENTER RIGHT DEFOG FAN (10013) (LOCATED AT FRONT BULKHEAD-RIGHT)</p>  <p>CONNECTOR 1661889C1 BODY LOCK 1661890C1</p>																																																																												
<table border="1" style="width:100%; border-collapse: collapse;"> <thead> <tr> <th>CAV</th> <th>CIRCUIT</th> <th>GA</th> <th>COLOR</th> <th>TERMINAL</th> </tr> </thead> <tbody> <tr><td>A*</td><td>C76E</td><td>18</td><td>LTGN</td><td>1661261C1</td></tr> <tr><td>A#</td><td>C76H</td><td>18</td><td>LTGN</td><td>1661261C1</td></tr> <tr><td>A%</td><td>C76C</td><td>18</td><td>LTGN</td><td>1661261C1</td></tr> <tr><td>A&</td><td>C76A</td><td>18</td><td>LTGN</td><td>1661261C1</td></tr> <tr><td>B*</td><td>C76F</td><td>18</td><td>LTGN</td><td>1661261C1</td></tr> <tr><td>B#</td><td>C76J</td><td>18</td><td>LTGN</td><td>1661261C1</td></tr> <tr><td>B%</td><td>C76D</td><td>18</td><td>LTGN</td><td>1661261C1</td></tr> <tr><td>B&</td><td>C76B</td><td>18</td><td>LTGN</td><td>1661261C1</td></tr> <tr><td>C*</td><td>C76-GE</td><td>18</td><td>WH</td><td>1661261C1</td></tr> <tr><td>C#</td><td>C76-GH</td><td>18</td><td>LTGN</td><td>1661261C1</td></tr> <tr><td>C%</td><td>C76-GC</td><td>18</td><td>WH</td><td>1661261C1</td></tr> <tr><td>C&</td><td>C76-GA</td><td>18</td><td>WH</td><td>1661261C1</td></tr> </tbody> </table> <p>* W/CTR R & FAR R DEFOG FANS - R SW # W/CTR L & CTR R DEFOG FANS - R SW % W/CTR R DEFOG FAN - R SW & W/CTR R DEFOG FAN - L SW</p>												CAV	CIRCUIT	GA	COLOR	TERMINAL	A*	C76E	18	LTGN	1661261C1	A#	C76H	18	LTGN	1661261C1	A%	C76C	18	LTGN	1661261C1	A&	C76A	18	LTGN	1661261C1	B*	C76F	18	LTGN	1661261C1	B#	C76J	18	LTGN	1661261C1	B%	C76D	18	LTGN	1661261C1	B&	C76B	18	LTGN	1661261C1	C*	C76-GE	18	WH	1661261C1	C#	C76-GH	18	LTGN	1661261C1	C%	C76-GC	18	WH	1661261C1	C&	C76-GA	18	WH	1661261C1
CAV	CIRCUIT	GA	COLOR	TERMINAL																																																																								
A*	C76E	18	LTGN	1661261C1																																																																								
A#	C76H	18	LTGN	1661261C1																																																																								
A%	C76C	18	LTGN	1661261C1																																																																								
A&	C76A	18	LTGN	1661261C1																																																																								
B*	C76F	18	LTGN	1661261C1																																																																								
B#	C76J	18	LTGN	1661261C1																																																																								
B%	C76D	18	LTGN	1661261C1																																																																								
B&	C76B	18	LTGN	1661261C1																																																																								
C*	C76-GE	18	WH	1661261C1																																																																								
C#	C76-GH	18	LTGN	1661261C1																																																																								
C%	C76-GC	18	WH	1661261C1																																																																								
C&	C76-GA	18	WH	1661261C1																																																																								
CHK	DATE	CHANGE	REV	REFERENCE	DRAWN	NAME																																																																						
-	-	INITIAL RELEASE.	A	93784S	23132922	CIRCUIT DIAGRAM, RE BUS - BODY																																																																						
					RELEASE NO.	DATE	PART NO.	SHEET																																																																				
					93784S	15FEB17	AE08085160	047																																																																				

Figure 426 Connector Composites (10011, 10012, 10013)

18.56. CONNECTOR COMPOSITES (10014, 10014A, 10015, 10016), P. 48

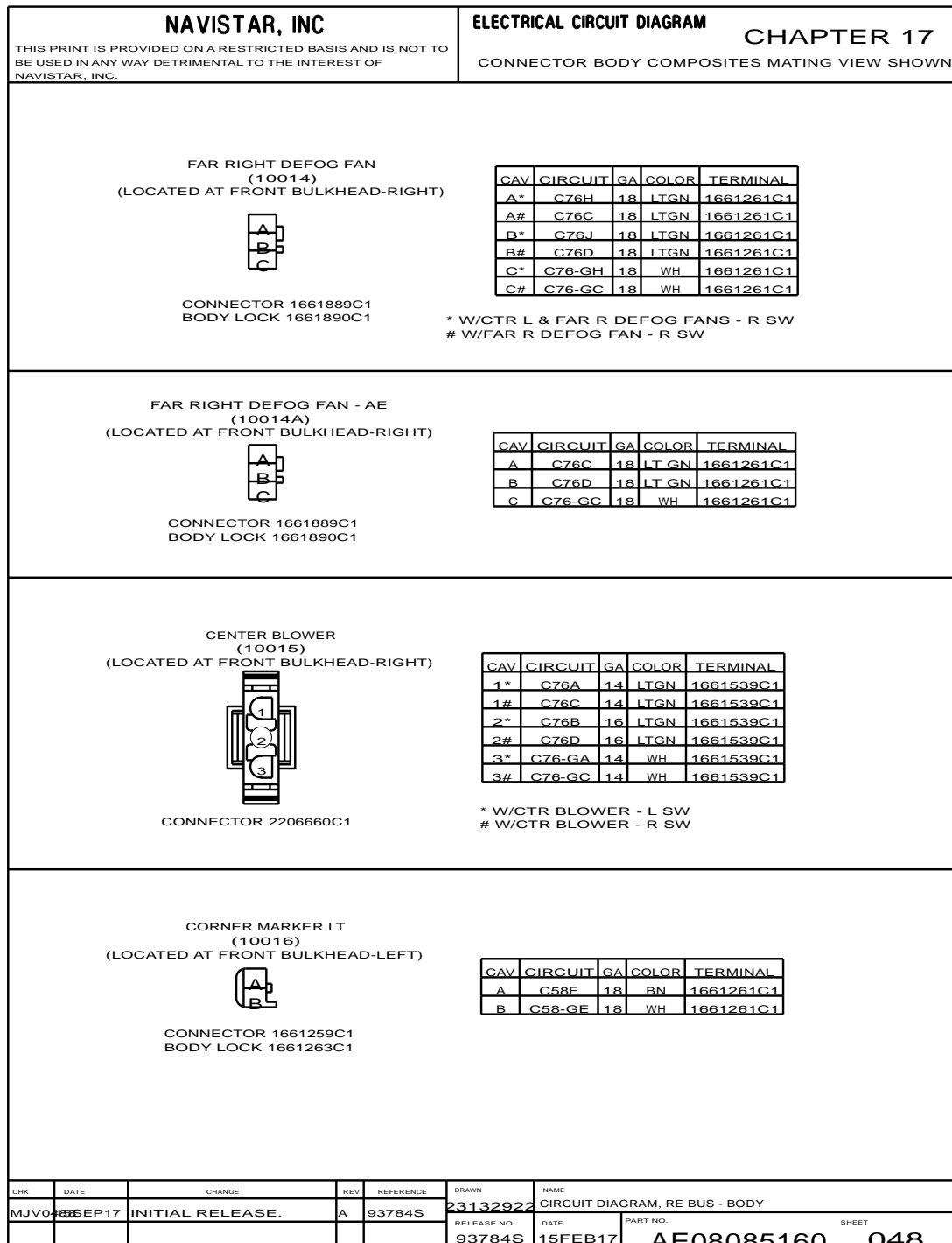


Figure 427 Connector Composites (10014, 10014A, 10015, 10016)

18.57. CONNECTOR COMPOSITES (10017, 10018, 10019, 10020, 10021, 10022), P. 49







NAVISTAR, INC				ELECTRICAL CIRCUIT DIAGRAM				CHAPTER 17																		
THIS PRINT IS PROVIDED ON A RESTRICTED BASIS AND IS NOT TO BE USED IN ANY WAY DETRIMENTAL TO THE INTEREST OF NAVISTAR, INC.				CONNECTOR BODY COMPOSITES MATING VIEW SHOWN																						
SECOND CORNER MARKER LT (10017) (LOCATED AT FRONT BULKHEAD-LEFT)								<table border="1" style="width: 100%; border-collapse: collapse; font-size: x-small;"> <thead> <tr> <th>CAV</th> <th>CIRCUIT</th> <th>GA</th> <th>COLOR</th> <th>TERMINAL</th> </tr> </thead> <tbody> <tr> <td>A</td> <td>C58H</td> <td>18</td> <td>BN</td> <td>1661261C1</td> </tr> <tr> <td>B</td> <td>C58-GH</td> <td>18</td> <td>WH</td> <td>1661261C1</td> </tr> </tbody> </table>				CAV	CIRCUIT	GA	COLOR	TERMINAL	A	C58H	18	BN	1661261C1	B	C58-GH	18	WH	1661261C1
CAV	CIRCUIT	GA	COLOR	TERMINAL																						
A	C58H	18	BN	1661261C1																						
B	C58-GH	18	WH	1661261C1																						
																										
CONNECTOR 1661259C1 BODY LOCK 1661263C1																										
CORNER MARKER LT (10018) (LOCATED IN FRONT CAP)								<table border="1" style="width: 100%; border-collapse: collapse; font-size: x-small;"> <thead> <tr> <th>CAV</th> <th>CIRCUIT</th> <th>GA</th> <th>COLOR</th> <th>TERMINAL</th> </tr> </thead> <tbody> <tr> <td>A</td> <td>C58F</td> <td>18</td> <td>BN</td> <td>1661261C1</td> </tr> <tr> <td>B</td> <td>C58-GF</td> <td>18</td> <td>WH</td> <td>1661261C1</td> </tr> </tbody> </table>				CAV	CIRCUIT	GA	COLOR	TERMINAL	A	C58F	18	BN	1661261C1	B	C58-GF	18	WH	1661261C1
CAV	CIRCUIT	GA	COLOR	TERMINAL																						
A	C58F	18	BN	1661261C1																						
B	C58-GF	18	WH	1661261C1																						
																										
CONNECTOR 1661259C1 BODY LOCK 1661263C1																										
2ND CORNER MARKER LT (10019) (LOCATED IN FRONT CAP)								<table border="1" style="width: 100%; border-collapse: collapse; font-size: x-small;"> <thead> <tr> <th>CAV</th> <th>CIRCUIT</th> <th>GA</th> <th>COLOR</th> <th>TERMINAL</th> </tr> </thead> <tbody> <tr> <td>A</td> <td>C58J</td> <td>18</td> <td>BN</td> <td>1661261C1</td> </tr> <tr> <td>B</td> <td>C58-GJ</td> <td>18</td> <td>WH</td> <td>1661261C1</td> </tr> </tbody> </table>				CAV	CIRCUIT	GA	COLOR	TERMINAL	A	C58J	18	BN	1661261C1	B	C58-GJ	18	WH	1661261C1
CAV	CIRCUIT	GA	COLOR	TERMINAL																						
A	C58J	18	BN	1661261C1																						
B	C58-GJ	18	WH	1661261C1																						
																										
CONNECTOR 1661259C1 BODY LOCK 1661263C1																										
CLUSTER LIGHTS (10020) (LOCATED IN FRONT CAP)								<table border="1" style="width: 100%; border-collapse: collapse; font-size: x-small;"> <thead> <tr> <th>CAV</th> <th>CIRCUIT</th> <th>GA</th> <th>COLOR</th> <th>TERMINAL</th> </tr> </thead> <tbody> <tr> <td>A</td> <td>C58B</td> <td>18</td> <td>BN</td> <td>1661261C1</td> </tr> <tr> <td>B</td> <td>C58-GB</td> <td>18</td> <td>WH</td> <td>1661261C1</td> </tr> </tbody> </table>				CAV	CIRCUIT	GA	COLOR	TERMINAL	A	C58B	18	BN	1661261C1	B	C58-GB	18	WH	1661261C1
CAV	CIRCUIT	GA	COLOR	TERMINAL																						
A	C58B	18	BN	1661261C1																						
B	C58-GB	18	WH	1661261C1																						
																										
CONNECTOR 1661259C1 BODY LOCK 1661263C1																										
CLUSTER LIGHTS (10021) (LOCATED IN FRONT CAP)								<table border="1" style="width: 100%; border-collapse: collapse; font-size: x-small;"> <thead> <tr> <th>CAV</th> <th>CIRCUIT</th> <th>GA</th> <th>COLOR</th> <th>TERMINAL</th> </tr> </thead> <tbody> <tr> <td>A</td> <td>C58C</td> <td>18</td> <td>BN</td> <td>1661261C1</td> </tr> <tr> <td>B</td> <td>C58-GC</td> <td>18</td> <td>WH</td> <td>1661261C1</td> </tr> </tbody> </table>				CAV	CIRCUIT	GA	COLOR	TERMINAL	A	C58C	18	BN	1661261C1	B	C58-GC	18	WH	1661261C1
CAV	CIRCUIT	GA	COLOR	TERMINAL																						
A	C58C	18	BN	1661261C1																						
B	C58-GC	18	WH	1661261C1																						
																										
CONNECTOR 1661259C1 BODY LOCK 1661263C1																										
CLUSTER LIGHTS (10022) (LOCATED IN FRONT CAP)								<table border="1" style="width: 100%; border-collapse: collapse; font-size: x-small;"> <thead> <tr> <th>CAV</th> <th>CIRCUIT</th> <th>GA</th> <th>COLOR</th> <th>TERMINAL</th> </tr> </thead> <tbody> <tr> <td>A</td> <td>C58D</td> <td>18</td> <td>BN</td> <td>1661261C1</td> </tr> <tr> <td>B</td> <td>C58-GD</td> <td>18</td> <td>WH</td> <td>1661261C1</td> </tr> </tbody> </table>				CAV	CIRCUIT	GA	COLOR	TERMINAL	A	C58D	18	BN	1661261C1	B	C58-GD	18	WH	1661261C1
CAV	CIRCUIT	GA	COLOR	TERMINAL																						
A	C58D	18	BN	1661261C1																						
B	C58-GD	18	WH	1661261C1																						
																										
CONNECTOR 1661259C1 BODY LOCK 1661263C1																										
CHK	DATE	CHANGE	REV	REFERENCE	DRAWN	NAME																				
MJVO	15SEP17	INITIAL RELEASE.	A	93784S	23132922	CIRCUIT DIAGRAM, RE BUS - BODY																				
					RELEASE NO.	DATE	PART NO.	SHEET																		
					93784S	15FEB17	AE08085160	049																		

Figure 428 Connector Composites (10017, 10018, 10019, 10020, 10021, 10022)

18.58. CONNECTOR COMPOSITES (10023, 10024, 10025A, 10025B), P. 50

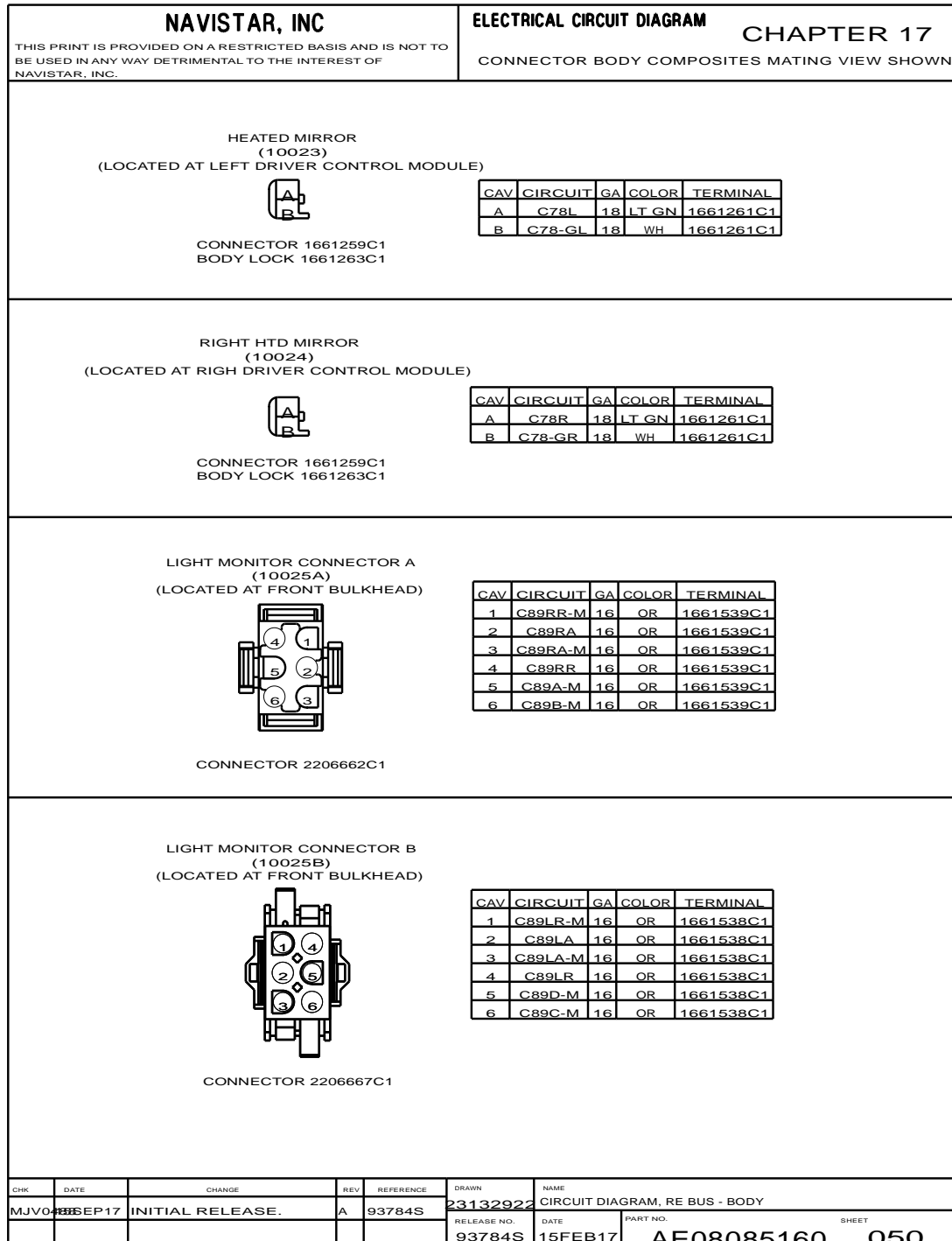


Figure 429 Connector Composites (10023, 10024, 10025A, 10025B)

18.59. CONNECTOR COMPOSITES (10025C, 10025D, 10026A), P. 51

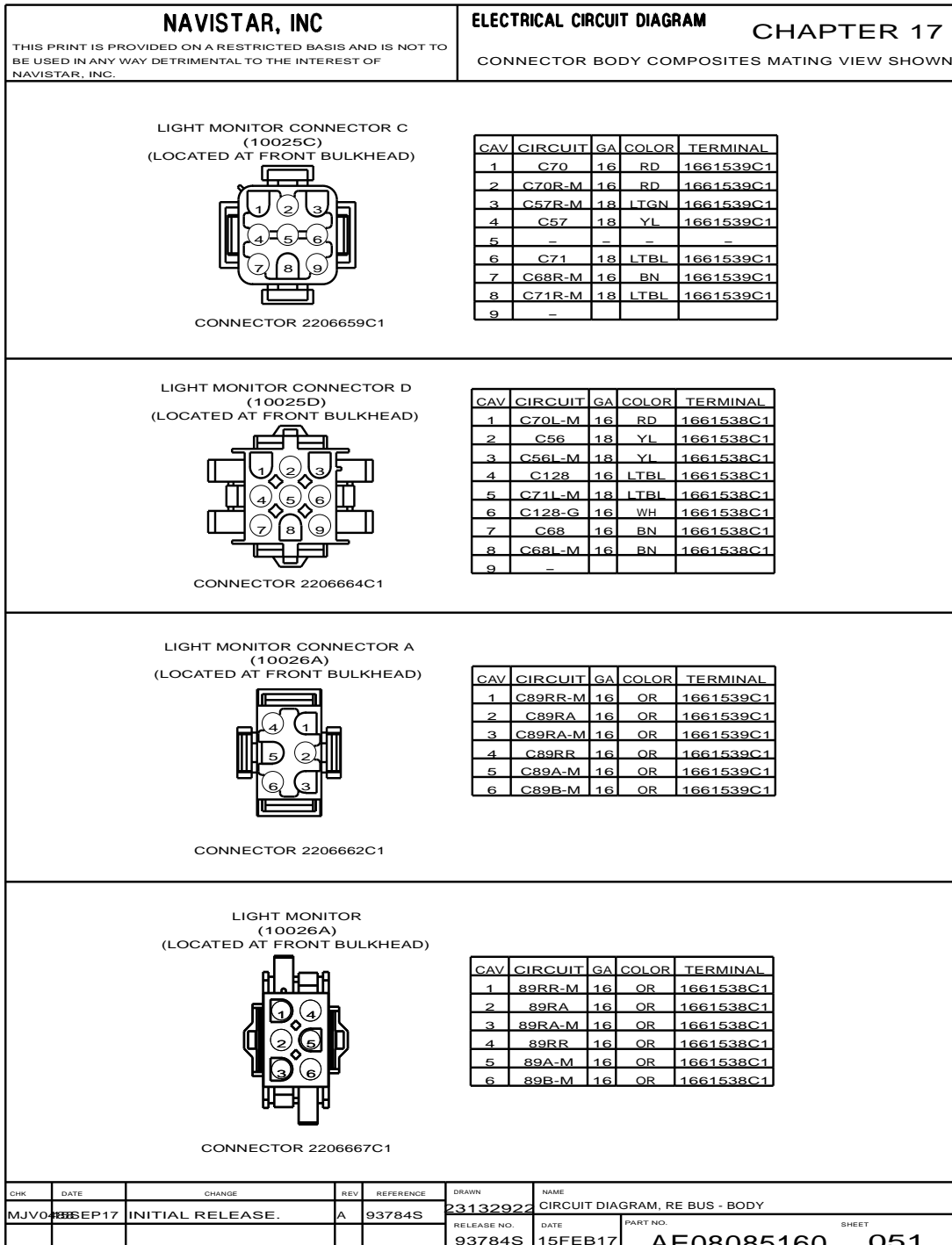


Figure 430 Connector Composites (10025C, 10025D, 10026A)

18.60. CONNECTOR COMPOSITES (10026B, 10026C, 10026D), P. 52

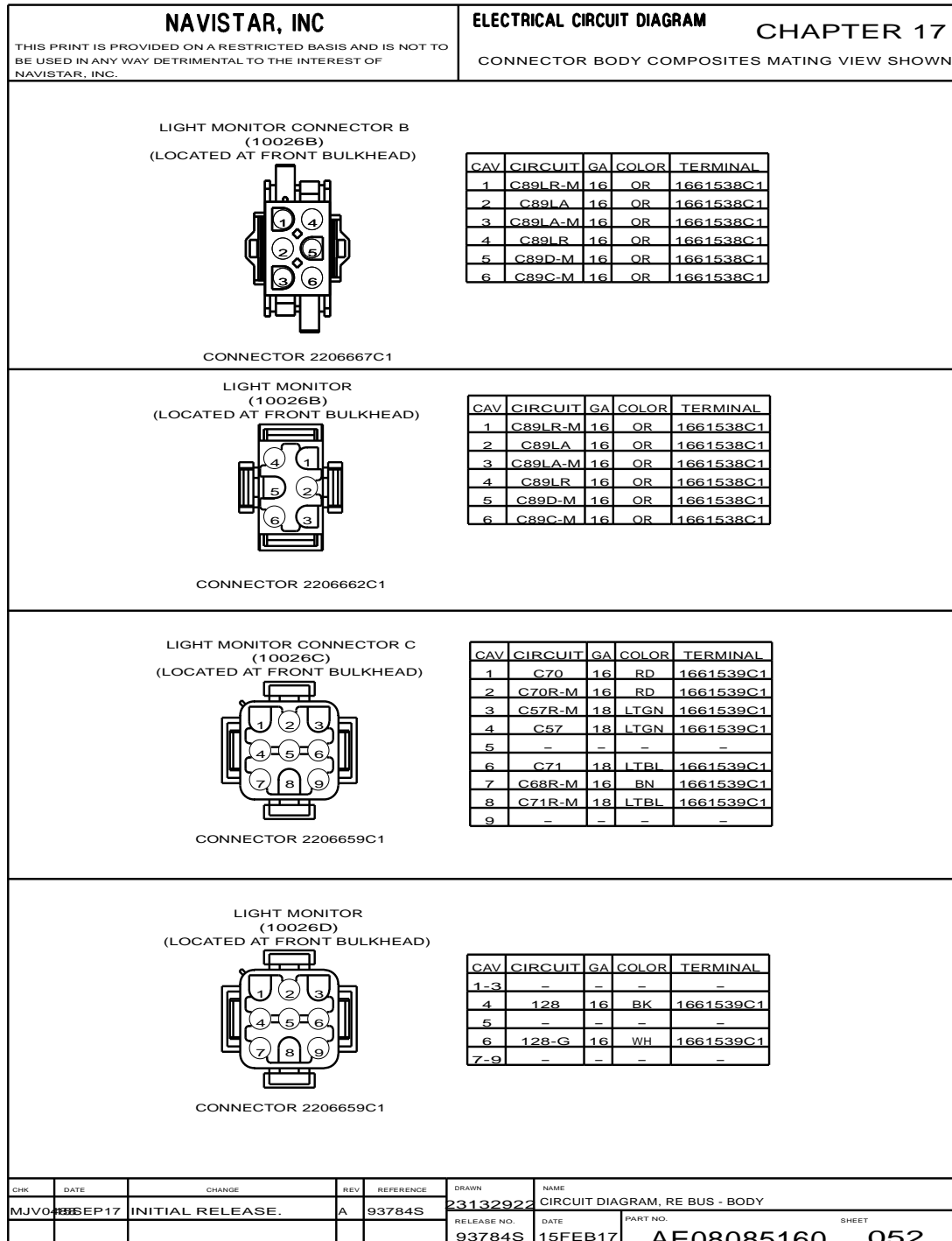


Figure 431 Connector Composites (10026B, 10026C, 10026D)

18.61. CONNECTOR COMPOSITES (10026D, 10027, 10028, 10028A), P. 53

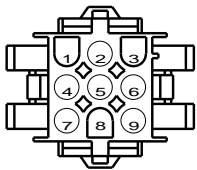

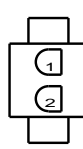
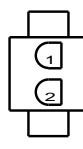
NAVISTAR, INC				ELECTRICAL CIRCUIT DIAGRAM				CHAPTER 17																																																					
THIS PRINT IS PROVIDED ON A RESTRICTED BASIS AND IS NOT TO BE USED IN ANY WAY DETRIMENTAL TO THE INTEREST OF NAVISTAR, INC.				CONNECTOR BODY COMPOSITES MATING VIEW SHOWN																																																									
<p>LIGHT MONITOR CONNECTOR D (10026D) (LOCATED AT FRONT BULKHEAD)</p>  <p>CONNECTOR 2206664C1</p>				<table border="1" style="width: 100%; border-collapse: collapse; font-size: x-small;"> <thead> <tr> <th>CAV</th><th>CIRCUIT</th><th>GA</th><th>COLOR</th><th>TERMINAL</th></tr> </thead> <tbody> <tr><td>1</td><td>C70L-M</td><td>16</td><td>RD</td><td>1661538C1</td></tr> <tr><td>2</td><td>C56</td><td>18</td><td>YL</td><td>1661538C1</td></tr> <tr><td>3</td><td>C56L-M</td><td>18</td><td>YL</td><td>1661538C1</td></tr> <tr><td>4</td><td>C128</td><td>16</td><td>LT BL</td><td>1661538C1</td></tr> <tr><td>5</td><td>C71L-M</td><td>18</td><td>LT BL</td><td>1661538C1</td></tr> <tr><td>6</td><td>C128-G</td><td>16</td><td>WH</td><td>1661538C1</td></tr> <tr><td>7</td><td>C68</td><td>16</td><td>BN</td><td>1661538C1</td></tr> <tr><td>8</td><td>C68L-M</td><td>16</td><td>BN</td><td>1661538C1</td></tr> <tr><td>9</td><td>-</td><td>-</td><td>-</td><td>-</td></tr> </tbody> </table>								CAV	CIRCUIT	GA	COLOR	TERMINAL	1	C70L-M	16	RD	1661538C1	2	C56	18	YL	1661538C1	3	C56L-M	18	YL	1661538C1	4	C128	16	LT BL	1661538C1	5	C71L-M	18	LT BL	1661538C1	6	C128-G	16	WH	1661538C1	7	C68	16	BN	1661538C1	8	C68L-M	16	BN	1661538C1	9	-	-	-	-
CAV	CIRCUIT	GA	COLOR	TERMINAL																																																									
1	C70L-M	16	RD	1661538C1																																																									
2	C56	18	YL	1661538C1																																																									
3	C56L-M	18	YL	1661538C1																																																									
4	C128	16	LT BL	1661538C1																																																									
5	C71L-M	18	LT BL	1661538C1																																																									
6	C128-G	16	WH	1661538C1																																																									
7	C68	16	BN	1661538C1																																																									
8	C68L-M	16	BN	1661538C1																																																									
9	-	-	-	-																																																									
<p>PA HORN (10027) (LOCATED IN CAB)</p>  <p>CONNECTOR 1661259C1 BODY LOCK 1661263C1</p>				<table border="1" style="width: 100%; border-collapse: collapse; font-size: x-small;"> <thead> <tr> <th>CAV</th><th>CIRCUIT</th><th>GA</th><th>COLOR</th><th>TERMINAL</th></tr> </thead> <tbody> <tr><td>A</td><td>C86</td><td>16</td><td>LTGN</td><td>1661261C1</td></tr> <tr><td>B</td><td>C86A</td><td>16</td><td>LTGN</td><td>1661261C1</td></tr> </tbody> </table>								CAV	CIRCUIT	GA	COLOR	TERMINAL	A	C86	16	LTGN	1661261C1	B	C86A	16	LTGN	1661261C1																																			
CAV	CIRCUIT	GA	COLOR	TERMINAL																																																									
A	C86	16	LTGN	1661261C1																																																									
B	C86A	16	LTGN	1661261C1																																																									
<p>RED WARNING LT (10028) (LOCATED AT FRONT BULKHEAD-LEFT)</p>  <p>CONNECTOR 1669029C1</p>				<table border="1" style="width: 100%; border-collapse: collapse; font-size: x-small;"> <thead> <tr> <th>CAV</th><th>CIRCUIT</th><th>GA</th><th>COLOR</th><th>TERMINAL</th></tr> </thead> <tbody> <tr><td>1*</td><td>C89L RA</td><td>16</td><td>OR</td><td>1661539C1</td></tr> <tr><td>1#</td><td>C89LR-M</td><td>16</td><td>OR</td><td>1661539C1</td></tr> <tr><td>1%</td><td>C89LR</td><td>16</td><td>OR</td><td>1661539C1</td></tr> <tr><td>2</td><td>C89-GA</td><td>16</td><td>WH</td><td>1661539C1</td></tr> </tbody> </table> <p style="font-size: x-small;">* W/WRN LT W/O LT MONITOR W/ADDL WRN LT # W/RE/FE WARNING LTS - W/LT MONITOR % W/CE/BE WARNING LIGHTS-4 LAMP W/O LT MONITOR</p>								CAV	CIRCUIT	GA	COLOR	TERMINAL	1*	C89L RA	16	OR	1661539C1	1#	C89LR-M	16	OR	1661539C1	1%	C89LR	16	OR	1661539C1	2	C89-GA	16	WH	1661539C1																									
CAV	CIRCUIT	GA	COLOR	TERMINAL																																																									
1*	C89L RA	16	OR	1661539C1																																																									
1#	C89LR-M	16	OR	1661539C1																																																									
1%	C89LR	16	OR	1661539C1																																																									
2	C89-GA	16	WH	1661539C1																																																									
<p>RED WARNING LT (10028A) (LOCATED AT FRONT BULKHEAD-LEFT)</p>  <p>CONNECTOR 1669029C1</p>				<table border="1" style="width: 100%; border-collapse: collapse; font-size: x-small;"> <thead> <tr> <th>CAV</th><th>CIRCUIT</th><th>GA</th><th>COLOR</th><th>TERMINAL</th></tr> </thead> <tbody> <tr><td>1*</td><td>C89LR-M</td><td>16</td><td>OR</td><td>1661539C1</td></tr> <tr><td>1#</td><td>C89LR</td><td>16</td><td>OR</td><td>1661539C1</td></tr> <tr><td>2</td><td>C89-GA</td><td>16</td><td>WH</td><td>1661539C1</td></tr> </tbody> </table> <p style="font-size: x-small;">* W/AE WARNING LIGHTS W/LIGHT MONITOR # W/AE WARNING LIGHTS N/LIGHT MONITOR</p>								CAV	CIRCUIT	GA	COLOR	TERMINAL	1*	C89LR-M	16	OR	1661539C1	1#	C89LR	16	OR	1661539C1	2	C89-GA	16	WH	1661539C1																														
CAV	CIRCUIT	GA	COLOR	TERMINAL																																																									
1*	C89LR-M	16	OR	1661539C1																																																									
1#	C89LR	16	OR	1661539C1																																																									
2	C89-GA	16	WH	1661539C1																																																									
CHK	DATE	CHANGE	REV	REFERENCE	DRAWN	NAME																																																							
MJVO	13SEP17	INITIAL RELEASE.	A	93784S	23132922	CIRCUIT DIAGRAM, RE BUS - BODY																																																							
RELEASE NO.					DATE	PART NO.		SHEET																																																					
93784S					15FEB17	AE08085160		053																																																					

Figure 432 Connector Composites (10026D, 10027, 10028, 10028A)

18.62. CONNECTOR COMPOSITES (10029, 10029A, 10030, 10030A), P. 54

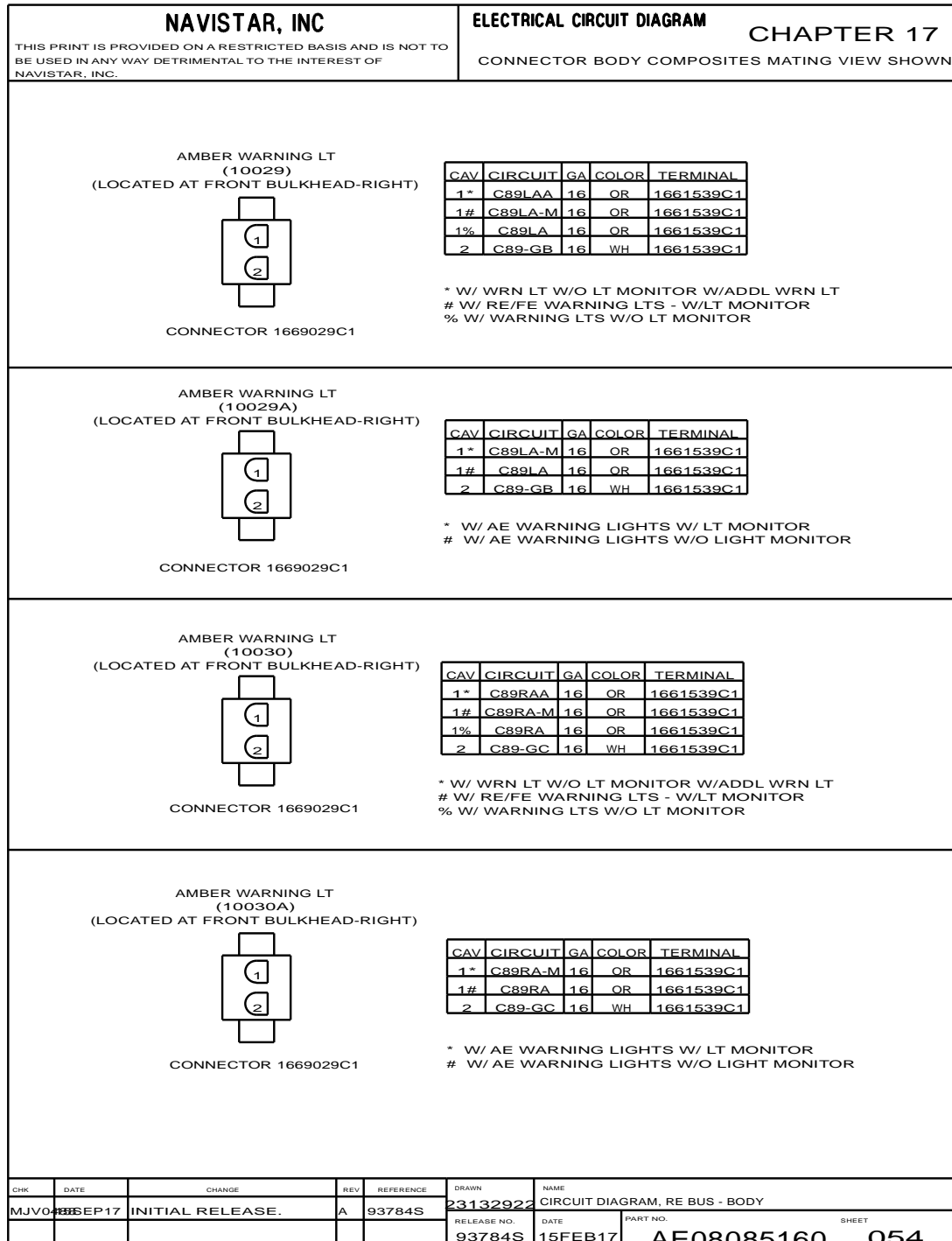


Figure 433 Connector Composites (10029, 10029A, 10030, 10030A)

18.63. CONNECTOR COMPOSITES (10031, 10031A, 10032A), P. 55

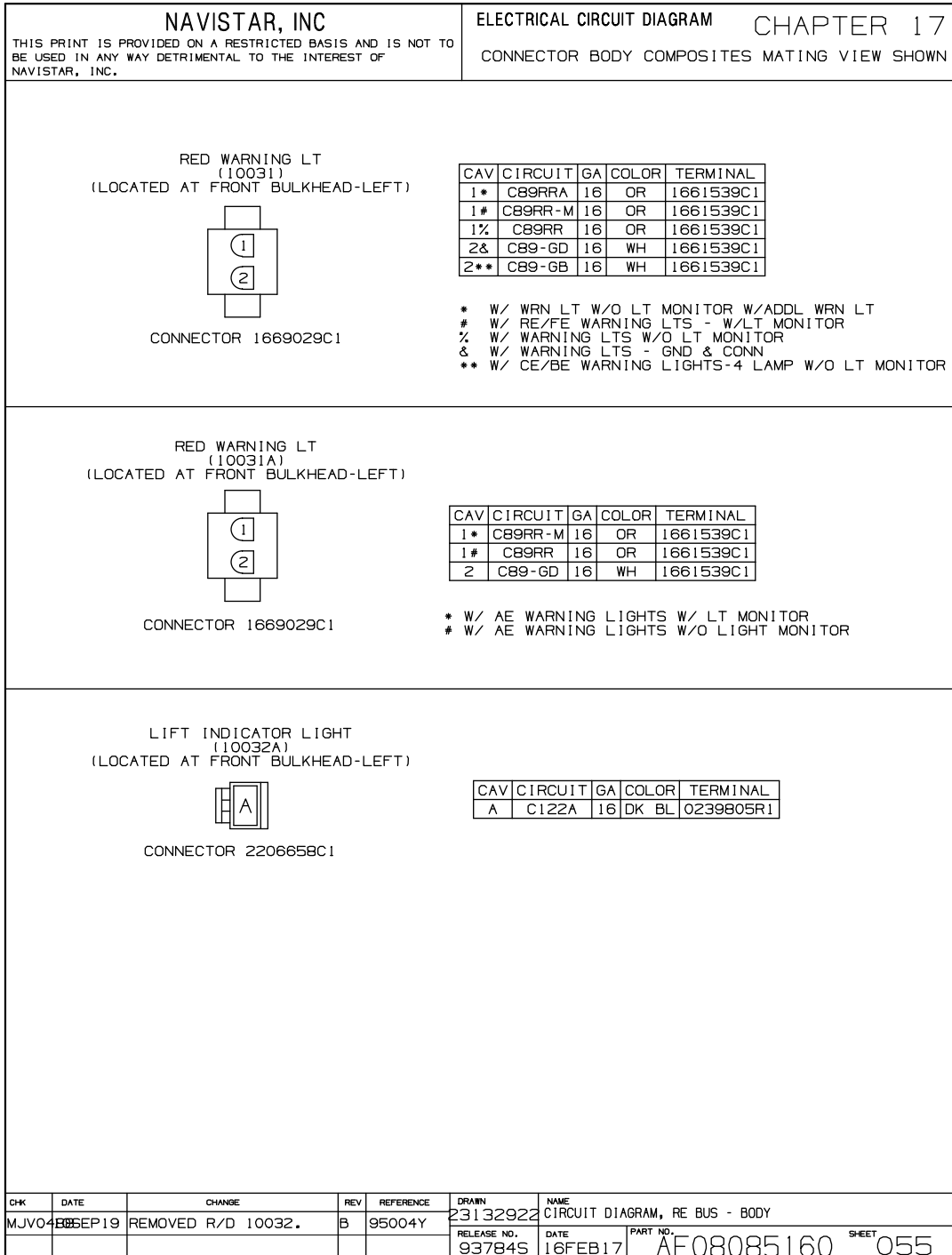


Figure 434 Connector Composites (10031, 10031A, 10032A)

18.64. CONNECTOR COMPOSITES (10032B, 10033A, 10034, 10035), P. 56





NAVISTAR, INC <small>THIS PRINT IS PROVIDED ON A RESTRICTED BASIS AND IS NOT TO BE USED IN ANY WAY DETRIMENTAL TO THE INTEREST OF NAVISTAR, INC.</small>				ELECTRICAL CIRCUIT DIAGRAM CHAPTER 17 CONNECTOR BODY COMPOSITES MATING VIEW SHOWN													
LIFT DOOR INDICATOR (10032B) (LOCATED IN FRONT CAP)  CONNECTOR 2206658C1				<table border="1" style="width:100%; border-collapse: collapse;"> <tr> <th>CAV</th> <th>CIRCUIT</th> <th>GA</th> <th>COLOR</th> <th>TERMINAL</th> </tr> <tr> <td>A</td> <td>C122</td> <td>16</td> <td>DK BL</td> <td>0239805R1</td> </tr> </table>		CAV	CIRCUIT	GA	COLOR	TERMINAL	A	C122	16	DK BL	0239805R1		
CAV	CIRCUIT	GA	COLOR	TERMINAL													
A	C122	16	DK BL	0239805R1													
LIFT INDICATOR LIGHT (10033A) (LOCATED AT FRONT BULKHEAD-LEFT)  CONNECTOR 2206658C1				<table border="1" style="width:100%; border-collapse: collapse;"> <tr> <th>CAV</th> <th>CIRCUIT</th> <th>GA</th> <th>COLOR</th> <th>TERMINAL</th> </tr> <tr> <td>A</td> <td>C122G</td> <td>16</td> <td>WH</td> <td>0239805R1</td> </tr> </table>		CAV	CIRCUIT	GA	COLOR	TERMINAL	A	C122G	16	WH	0239805R1		
CAV	CIRCUIT	GA	COLOR	TERMINAL													
A	C122G	16	WH	0239805R1													
CAMERA (10034) (LOCATED AT FRONT BULKHEAD-CENTER)  CONNECTOR 2206658C1				<table border="1" style="width:100%; border-collapse: collapse;"> <tr> <th>CAV</th> <th>CIRCUIT</th> <th>GA</th> <th>COLOR</th> <th>TERMINAL</th> </tr> <tr> <td>A</td> <td>C137</td> <td>16</td> <td>LT BL</td> <td>0239805R1</td> </tr> </table>		CAV	CIRCUIT	GA	COLOR	TERMINAL	A	C137	16	LT BL	0239805R1		
CAV	CIRCUIT	GA	COLOR	TERMINAL													
A	C137	16	LT BL	0239805R1													
CAMERA (10035) (LOCATED AT FRONT BULKHEAD-CENTER)  CONNECTOR 2206658C1				<table border="1" style="width:100%; border-collapse: collapse;"> <tr> <th>CAV</th> <th>CIRCUIT</th> <th>GA</th> <th>COLOR</th> <th>TERMINAL</th> </tr> <tr> <td>A</td> <td>C137-G</td> <td>16</td> <td>WH</td> <td>0239805R1</td> </tr> </table>		CAV	CIRCUIT	GA	COLOR	TERMINAL	A	C137-G	16	WH	0239805R1		
CAV	CIRCUIT	GA	COLOR	TERMINAL													
A	C137-G	16	WH	0239805R1													
CHK	DATE	CHANGE	REV	REFERENCE	DRAWN	NAME											
MJVO	18SEP19	REMOVED R/D 10033.	B	95004Y	23132922	CIRCUIT DIAGRAM, RE BUS - BODY											
					RELEASE NO.	DATE	PART NO.										
					93784S	16FEB17	AE08085160										
							SHEET 056										

Figure 435 Connector Composites (10032B, 10033A, 10034, 10035)

18.65. CONNECTOR COMPOSITES (10036, 10038, 10039, 10041, 10042), P. 57




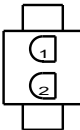

NAVISTAR, INC				ELECTRICAL CIRCUIT DIAGRAM																		
THIS PRINT IS PROVIDED ON A RESTRICTED BASIS AND IS NOT TO BE USED IN ANY WAY DETRIMENTAL TO THE INTEREST OF NAVISTAR, INC.				CHAPTER 17																		
				CONNECTOR BODY COMPOSITES MATING VIEW SHOWN																		
DESTINATION SIGN (10036) (LOCATED AT FRONT BULKHEAD-CENTER)																						
				<table border="1" style="width: 100%; border-collapse: collapse;"> <thead> <tr> <th>CAV</th> <th>CIRCUIT</th> <th>GA</th> <th>COLOR</th> <th>TERMINAL</th> </tr> </thead> <tbody> <tr> <td>A</td> <td>C134A</td> <td>16</td> <td>OR</td> <td>1661261C1</td> </tr> <tr> <td>B</td> <td>C134-G</td> <td>16</td> <td>WH</td> <td>1661261C1</td> </tr> </tbody> </table>				CAV	CIRCUIT	GA	COLOR	TERMINAL	A	C134A	16	OR	1661261C1	B	C134-G	16	WH	1661261C1
CAV	CIRCUIT	GA	COLOR	TERMINAL																		
A	C134A	16	OR	1661261C1																		
B	C134-G	16	WH	1661261C1																		
CONNECTOR 1661259C1 BODY LOCK 1661263C1																						
SAFETY COMPT (10038) (LOCATED IN FRONT CAP)																						
				<table border="1" style="width: 100%; border-collapse: collapse;"> <thead> <tr> <th>CAV</th> <th>CIRCUIT</th> <th>GA</th> <th>COLOR</th> <th>TERMINAL</th> </tr> </thead> <tbody> <tr> <td>A</td> <td>C133A</td> <td>16</td> <td>LT GN</td> <td>0239805R1</td> </tr> </tbody> </table>				CAV	CIRCUIT	GA	COLOR	TERMINAL	A	C133A	16	LT GN	0239805R1					
CAV	CIRCUIT	GA	COLOR	TERMINAL																		
A	C133A	16	LT GN	0239805R1																		
CONNECTOR 2206658C1																						
SAFETY COMPT (10039) (LOCATED IN FRONT CAP)																						
				<table border="1" style="width: 100%; border-collapse: collapse;"> <thead> <tr> <th>CAV</th> <th>CIRCUIT</th> <th>GA</th> <th>COLOR</th> <th>TERMINAL</th> </tr> </thead> <tbody> <tr> <td>A</td> <td>C133-GA</td> <td>16</td> <td>WH</td> <td>0239805R1</td> </tr> </tbody> </table>				CAV	CIRCUIT	GA	COLOR	TERMINAL	A	C133-GA	16	WH	0239805R1					
CAV	CIRCUIT	GA	COLOR	TERMINAL																		
A	C133-GA	16	WH	0239805R1																		
CONNECTOR 2206658C1																						
ALTERNATOR ENTRY DOOR DUMP VALVE (10041) (LOCATED IN FRONT CAP)																						
				<table border="1" style="width: 100%; border-collapse: collapse;"> <thead> <tr> <th>CAV</th> <th>CIRCUIT</th> <th>GA</th> <th>COLOR</th> <th>TERMINAL</th> </tr> </thead> <tbody> <tr> <td>1</td> <td>C120C</td> <td>18</td> <td>LT GN</td> <td>1661539C1</td> </tr> <tr> <td>2</td> <td>C120-GC</td> <td>18</td> <td>WH</td> <td>1661539C1</td> </tr> </tbody> </table>				CAV	CIRCUIT	GA	COLOR	TERMINAL	1	C120C	18	LT GN	1661539C1	2	C120-GC	18	WH	1661539C1
CAV	CIRCUIT	GA	COLOR	TERMINAL																		
1	C120C	18	LT GN	1661539C1																		
2	C120-GC	18	WH	1661539C1																		
CONNECTOR 1669029C1																						
(NC) STARTER INTERLOCK (10042) (LOCATED IN FRONT CAP)																						
				<table border="1" style="width: 100%; border-collapse: collapse;"> <thead> <tr> <th>CAV</th> <th>CIRCUIT</th> <th>GA</th> <th>COLOR</th> <th>TERMINAL</th> </tr> </thead> <tbody> <tr> <td>A</td> <td>C133</td> <td>16</td> <td>LT GN</td> <td>0239805R1</td> </tr> </tbody> </table>				CAV	CIRCUIT	GA	COLOR	TERMINAL	A	C133	16	LT GN	0239805R1					
CAV	CIRCUIT	GA	COLOR	TERMINAL																		
A	C133	16	LT GN	0239805R1																		
CONNECTOR 2206658C1																						
CHK	DATE	CHANGE	REV	REFERENCE	DRAWN	NAME																
MJVO	16SEP17	INITIAL RELEASE.	A	93784S	23132922	CIRCUIT DIAGRAM, RE BUS - BODY																
					RELEASE NO.	DATE	PART NO.															
					93784S	16FEB17	AE08085160															
							SHEET 057															

Figure 436 Connector Composites (10036, 10038, 10039, 10041, 10042)

18.66. CONNECTOR COMPOSITES (10043, 10046, 10046A, 10047), P. 58

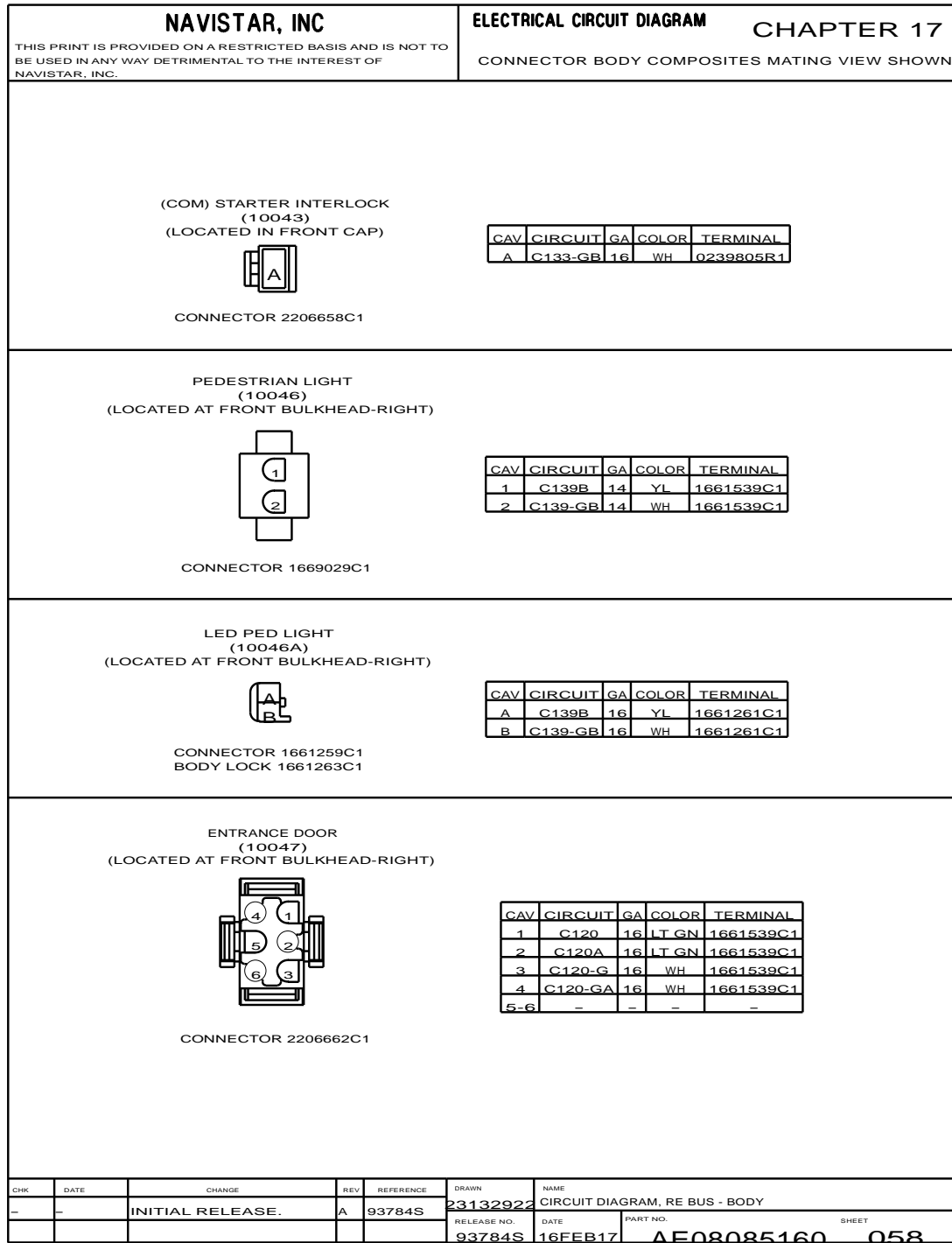


Figure 437 Connector Composites (10043, 10046, 10046A, 10047)

18.67. CONNECTOR COMPOSITES (10047, 10048), P. 59

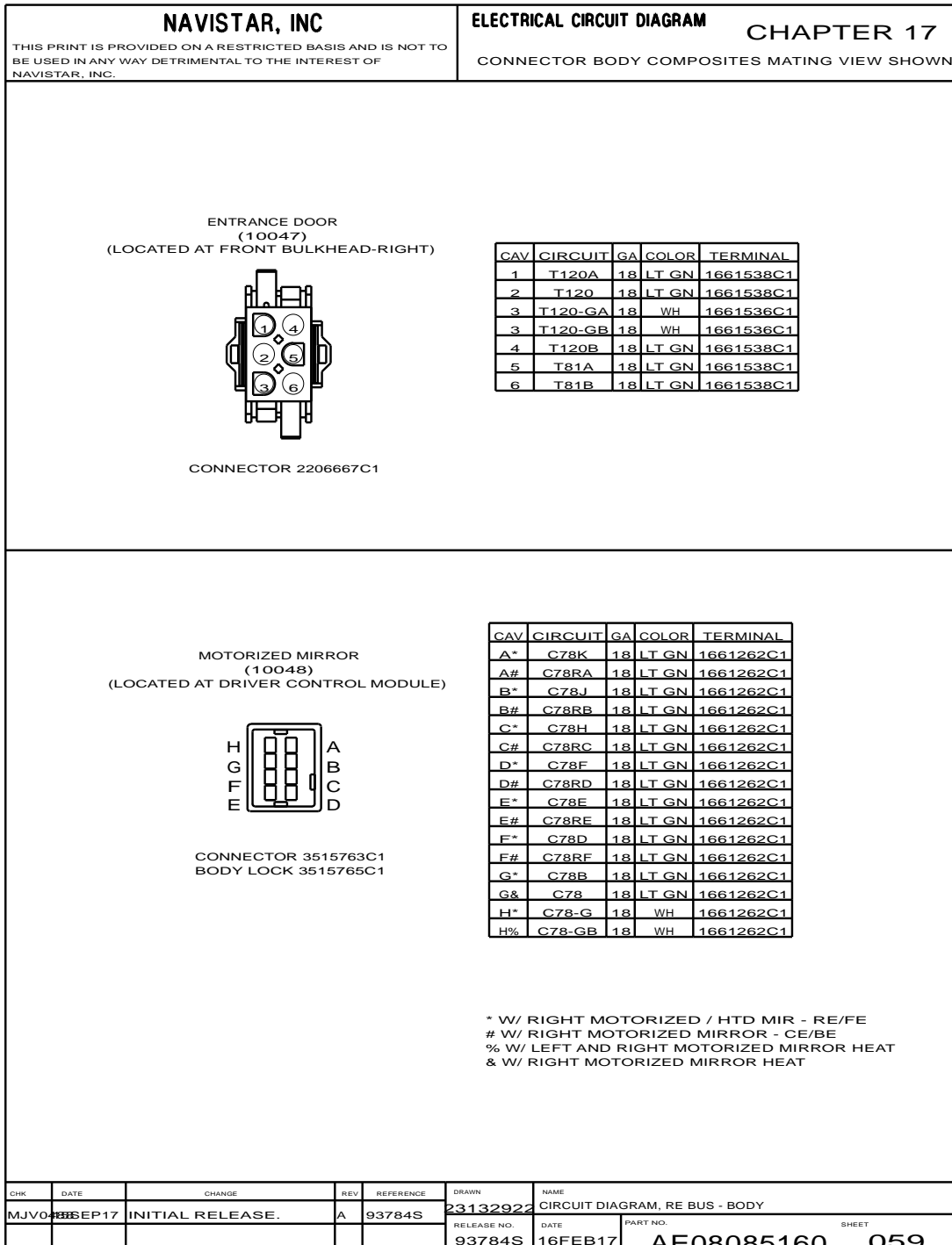


Figure 438 Connector Composites (10047, 10048)

18.68. CONNECTOR COMPOSITES (10049, 10050, 10051, 10052), P. 60

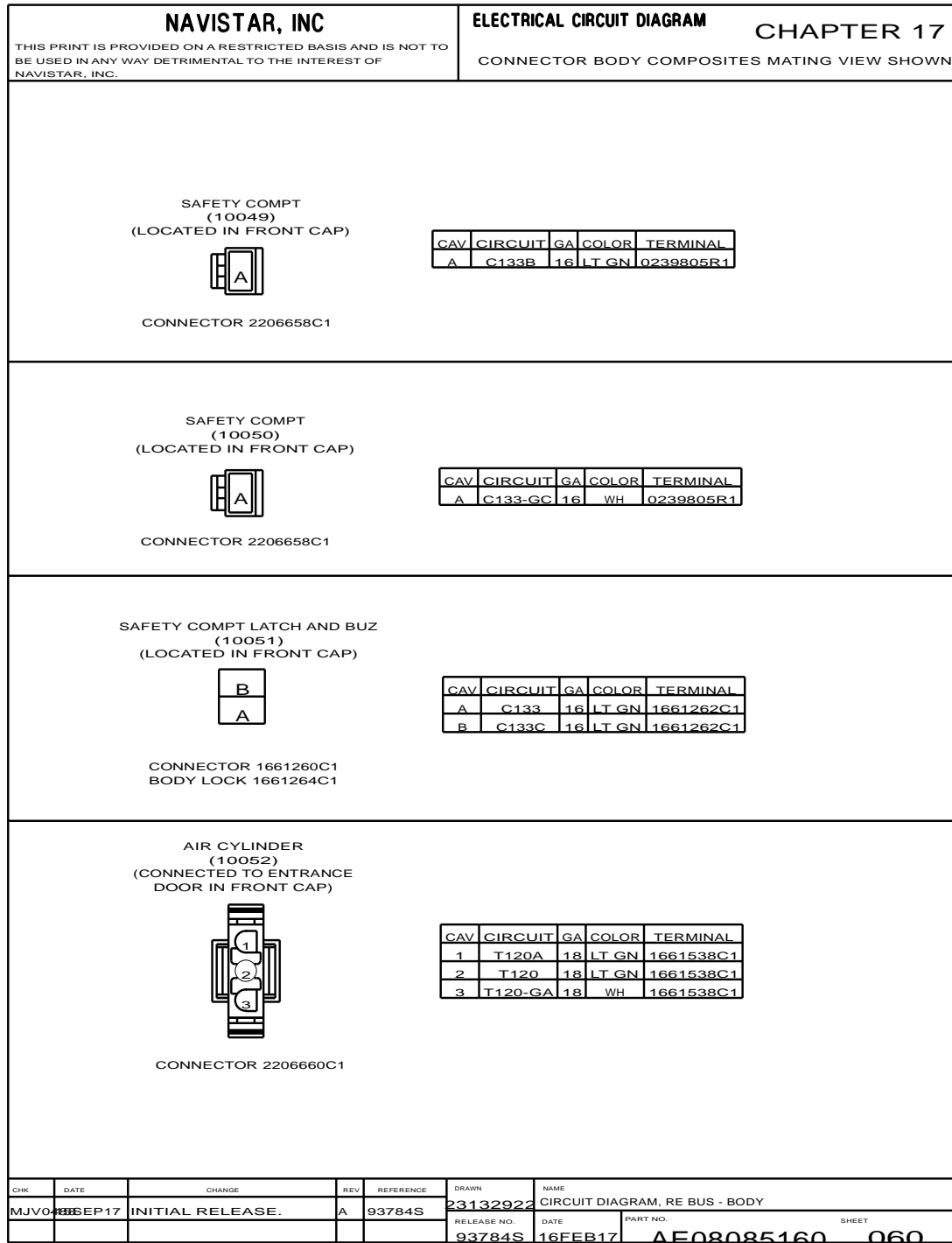


Figure 439 Connector Composites (10049, 10050, 10051, 10052)

18.69. CONNECTOR COMPOSITES (10052, 10053, 10054, 10057A, 10059), P. 61

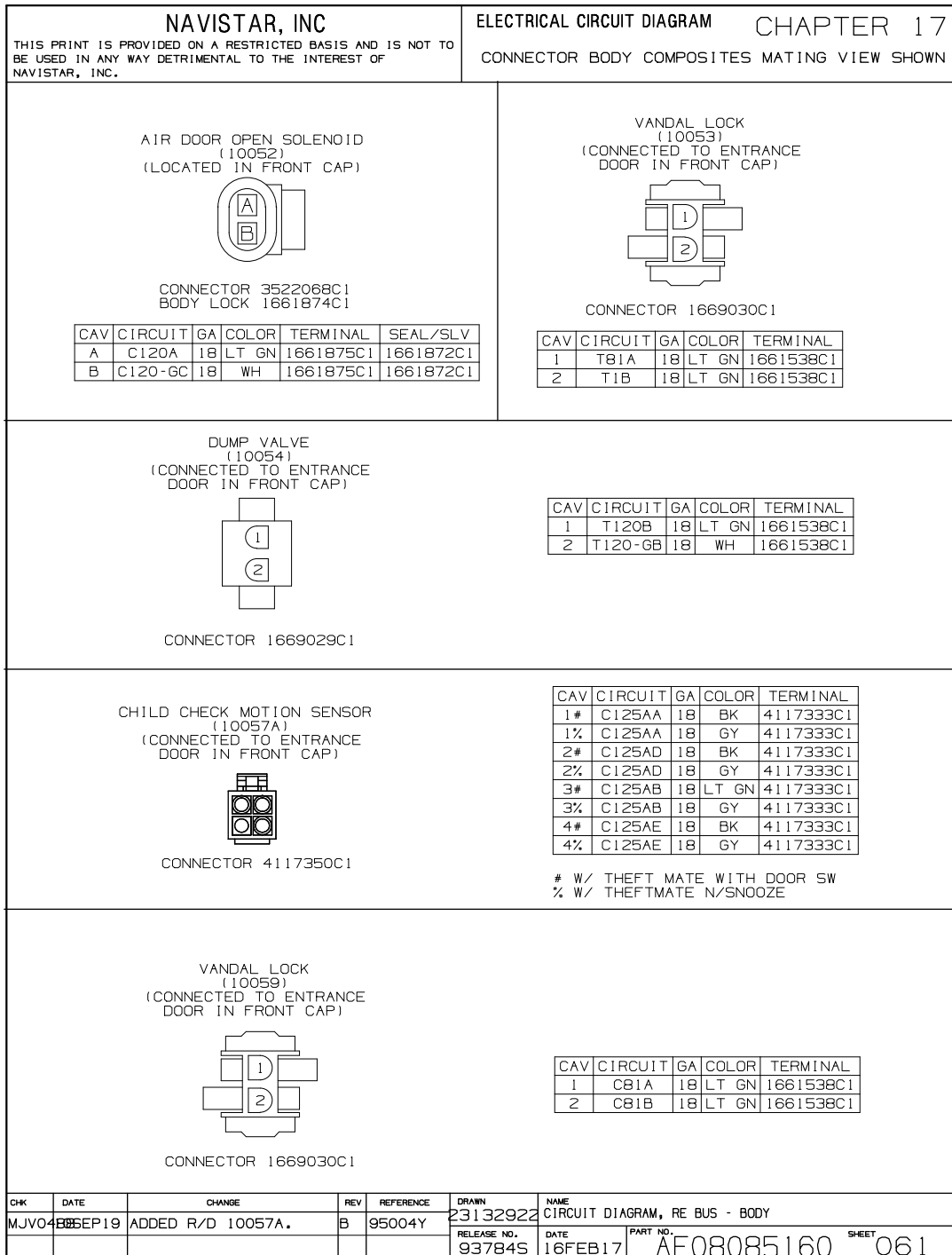


Figure 440 Connector Composites (10052, 10053, 10054, 10057A, 10059)

18.70. CONNECTOR COMPOSITES (10060, 10061, 10070, 10072), P. 62

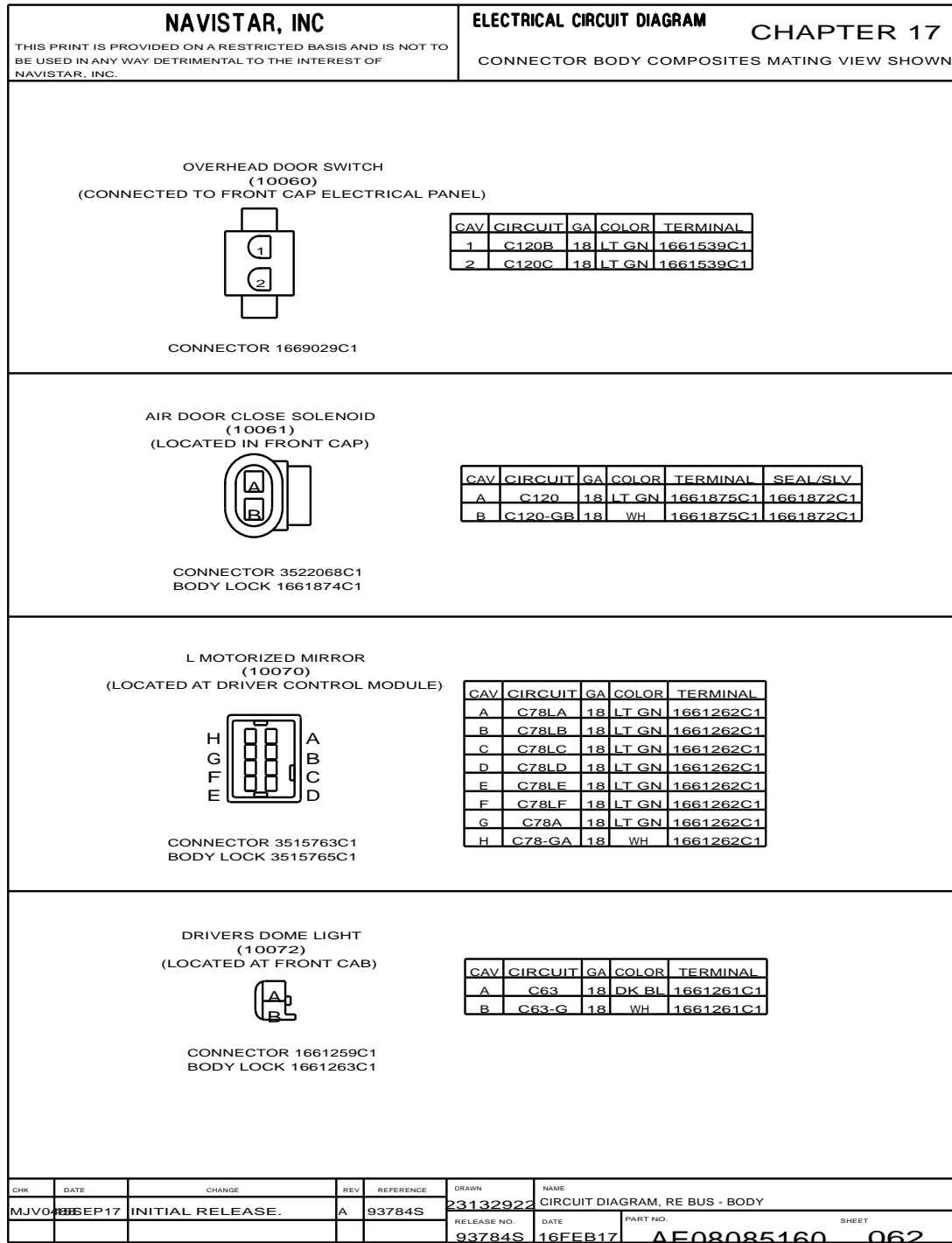


Figure 441 Connector Composites (10060, 10061, 10070, 10072)

18.71. CONNECTOR COMPOSITES (10075, 10076, 10077, 10078, 10083), P. 63

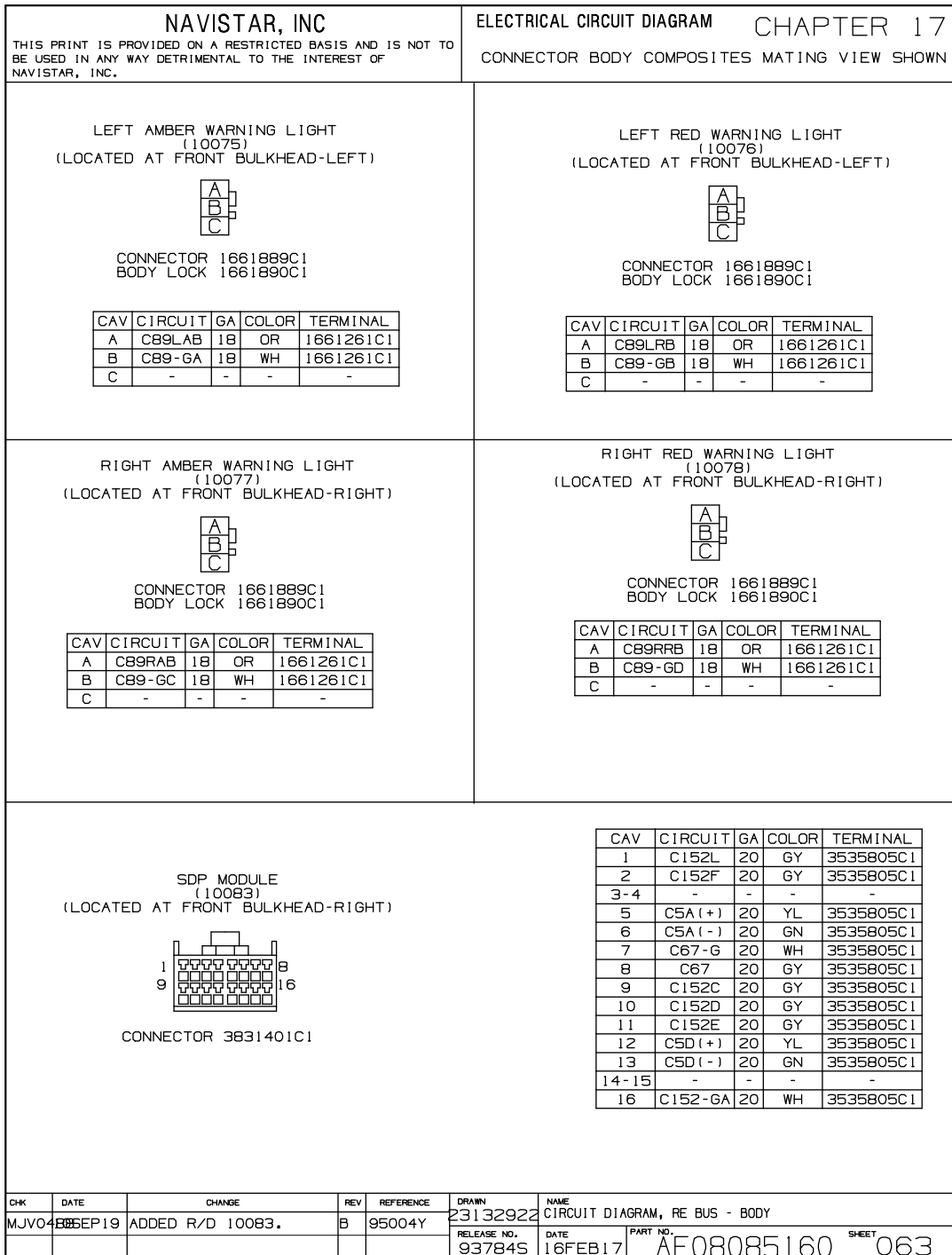


Figure 442 Connector Composites (10075, 10076, 10077, 10078, 10083)

18.72. CONNECTOR COMPOSITES (10084, 10085, 10086), P. 63A

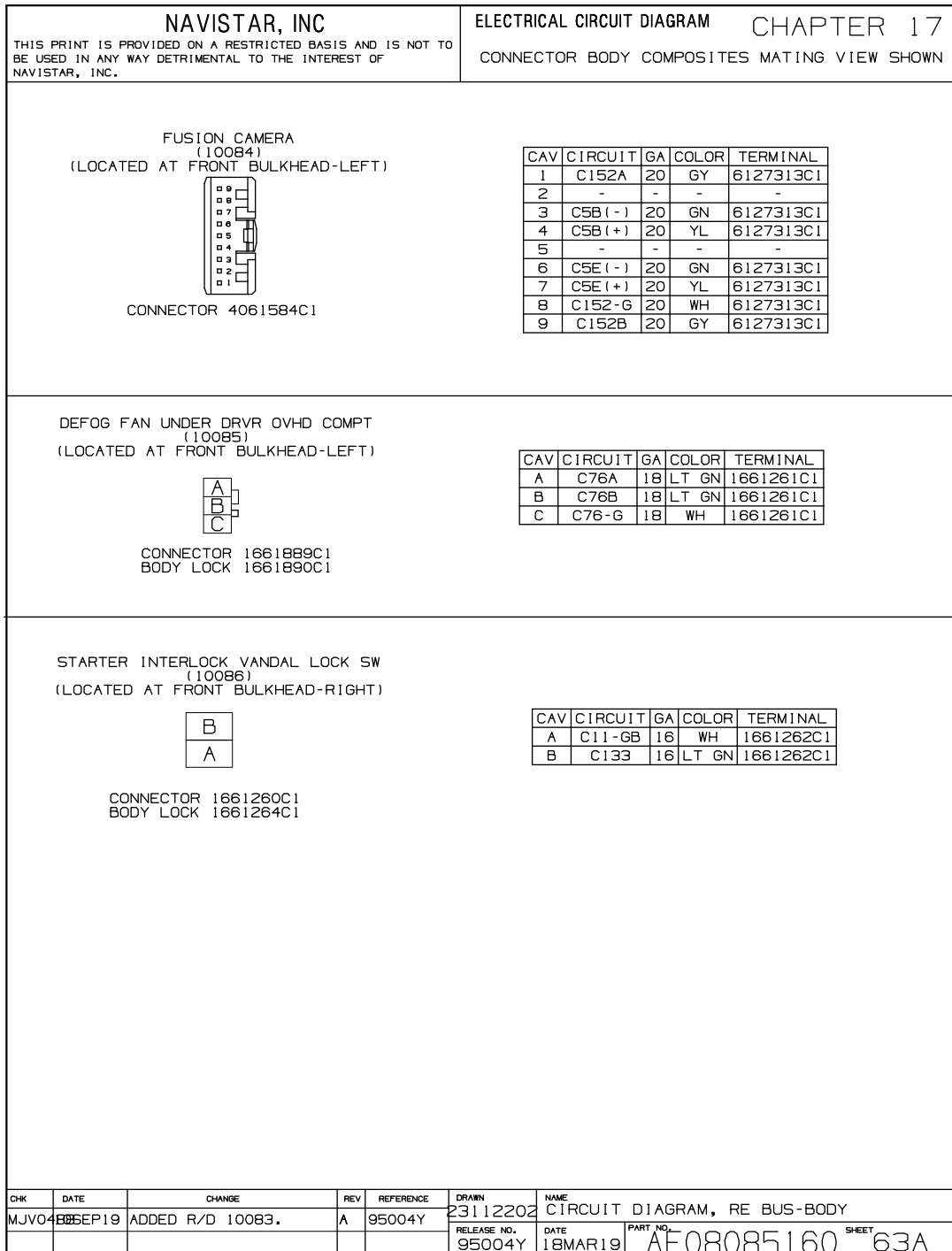


Figure 443 Connector Composites (10084, 10085, 10086)

18.73. CONNECTOR COMPOSITES (10100, 10101, 10102), P. 64

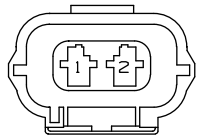
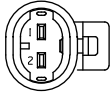
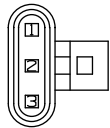
NAVISTAR, INC <small>THIS PRINT IS PROVIDED ON A RESTRICTED BASIS AND IS NOT TO BE USED IN ANY WAY DETRIMENTAL TO THE INTEREST OF NAVISTAR, INC.</small>				ELECTRICAL CIRCUIT DIAGRAM CHAPTER 17 CONNECTOR BODY COMPOSITES MATING VIEW SHOWN																																	
BOOSTER PUMP (10100)  CONNECTOR 2206603C1 BODY LOCK 2206602C1				<table border="1" style="width: 100%; border-collapse: collapse;"> <thead> <tr> <th>CAV</th> <th>CIRCUIT</th> <th>GA</th> <th>COLOR</th> <th>TERMINAL</th> <th>SEAL/SLV</th> </tr> </thead> <tbody> <tr> <td>1</td> <td>D74</td> <td>12</td> <td>LT GN</td> <td>2206597C1</td> <td>2206612C1</td> </tr> <tr> <td>2</td> <td>D74-G</td> <td>12</td> <td>WH</td> <td>2206597C1</td> <td>2206612C1</td> </tr> </tbody> </table>		CAV	CIRCUIT	GA	COLOR	TERMINAL	SEAL/SLV	1	D74	12	LT GN	2206597C1	2206612C1	2	D74-G	12	WH	2206597C1	2206612C1														
CAV	CIRCUIT	GA	COLOR	TERMINAL	SEAL/SLV																																
1	D74	12	LT GN	2206597C1	2206612C1																																
2	D74-G	12	WH	2206597C1	2206612C1																																
DOOR SWITCH (10101) (LOCATED NEAR DOOR)  CONNECTOR 2206588C1				<table border="1" style="width: 100%; border-collapse: collapse;"> <thead> <tr> <th>CAV</th> <th>CIRCUIT</th> <th>GA</th> <th>COLOR</th> <th>TERMINAL</th> <th>SEAL/SLV</th> </tr> </thead> <tbody> <tr> <td>1</td> <td>D121E</td> <td>16</td> <td>YL</td> <td>3522190C1</td> <td>3522194C1</td> </tr> <tr> <td>2</td> <td>D121B</td> <td>16</td> <td>YL</td> <td>3522190C1</td> <td>3522194C1</td> </tr> </tbody> </table>		CAV	CIRCUIT	GA	COLOR	TERMINAL	SEAL/SLV	1	D121E	16	YL	3522190C1	3522194C1	2	D121B	16	YL	3522190C1	3522194C1														
CAV	CIRCUIT	GA	COLOR	TERMINAL	SEAL/SLV																																
1	D121E	16	YL	3522190C1	3522194C1																																
2	D121B	16	YL	3522190C1	3522194C1																																
LH REAR HAZARD LIGHT (10102)  CONNECTOR 3522187C1				<table border="1" style="width: 100%; border-collapse: collapse;"> <thead> <tr> <th>CAV</th> <th>CIRCUIT</th> <th>GA</th> <th>COLOR</th> <th>TERMINAL</th> <th>SEAL/SLV</th> </tr> </thead> <tbody> <tr> <td>1</td> <td>M11-GE</td> <td>16</td> <td>WH</td> <td>3522190C1</td> <td>3522194C1</td> </tr> <tr> <td>2</td> <td>PLUG</td> <td>-</td> <td>-</td> <td>3522197C1</td> <td>-</td> </tr> <tr> <td>3*</td> <td>M56A</td> <td>16</td> <td>YL</td> <td>3522190C1</td> <td>3522194C1</td> </tr> <tr> <td>3%</td> <td>M56</td> <td>16</td> <td>YL</td> <td>3522190C1</td> <td>3522194C1</td> </tr> </tbody> </table>		CAV	CIRCUIT	GA	COLOR	TERMINAL	SEAL/SLV	1	M11-GE	16	WH	3522190C1	3522194C1	2	PLUG	-	-	3522197C1	-	3*	M56A	16	YL	3522190C1	3522194C1	3%	M56	16	YL	3522190C1	3522194C1	* W/ LEFT TURN LIGHTS W/DRIVER'S ALERT SIGN % W/ LEFT TURN LIGHT (STANDARD)	
CAV	CIRCUIT	GA	COLOR	TERMINAL	SEAL/SLV																																
1	M11-GE	16	WH	3522190C1	3522194C1																																
2	PLUG	-	-	3522197C1	-																																
3*	M56A	16	YL	3522190C1	3522194C1																																
3%	M56	16	YL	3522190C1	3522194C1																																
CHK	DATE	CHANGE	REV	REFERENCE	DRAWN	NAME																															
MJVO	19SEP19	REMOVED R/D 10100A.	B	95004Y	23132922	CIRCUIT DIAGRAM, RE BUS - BODY																															
					RELEASE NO.	DATE	PART NO.																														
					93784S	16FEB17	AE08085160																														
							SHEET 064																														

Figure 444 Connector Composites (10100, 10101, 10102)

18.74. CONNECTOR COMPOSITES (10103, 10104, 10105, 10106, 10107), P. 65

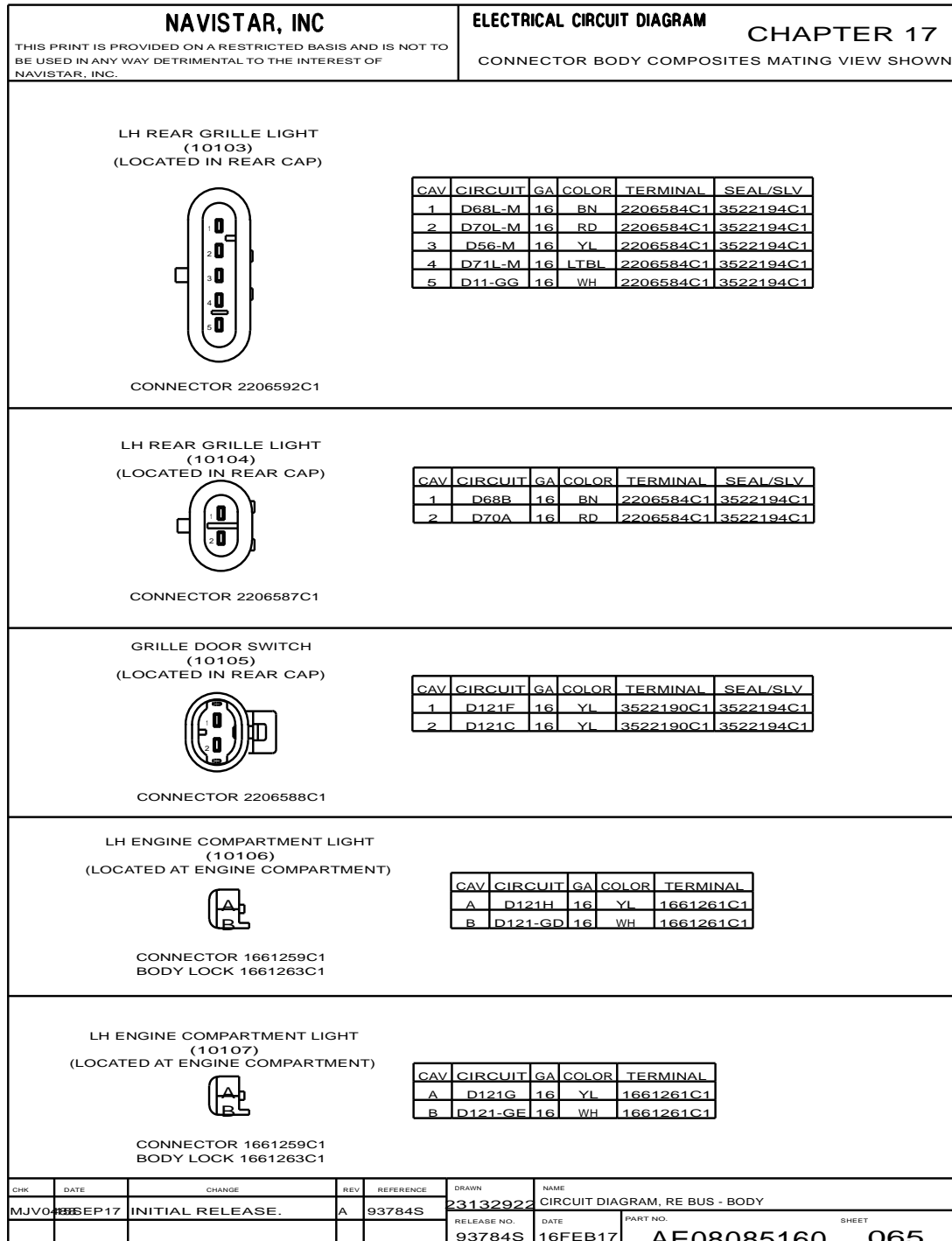


Figure 445 Connector Composites (10103, 10104, 10105, 10106, 10107)

18.75. CONNECTOR COMPOSITES (10108, 10109, 10110, 10112, 10113), P. 66

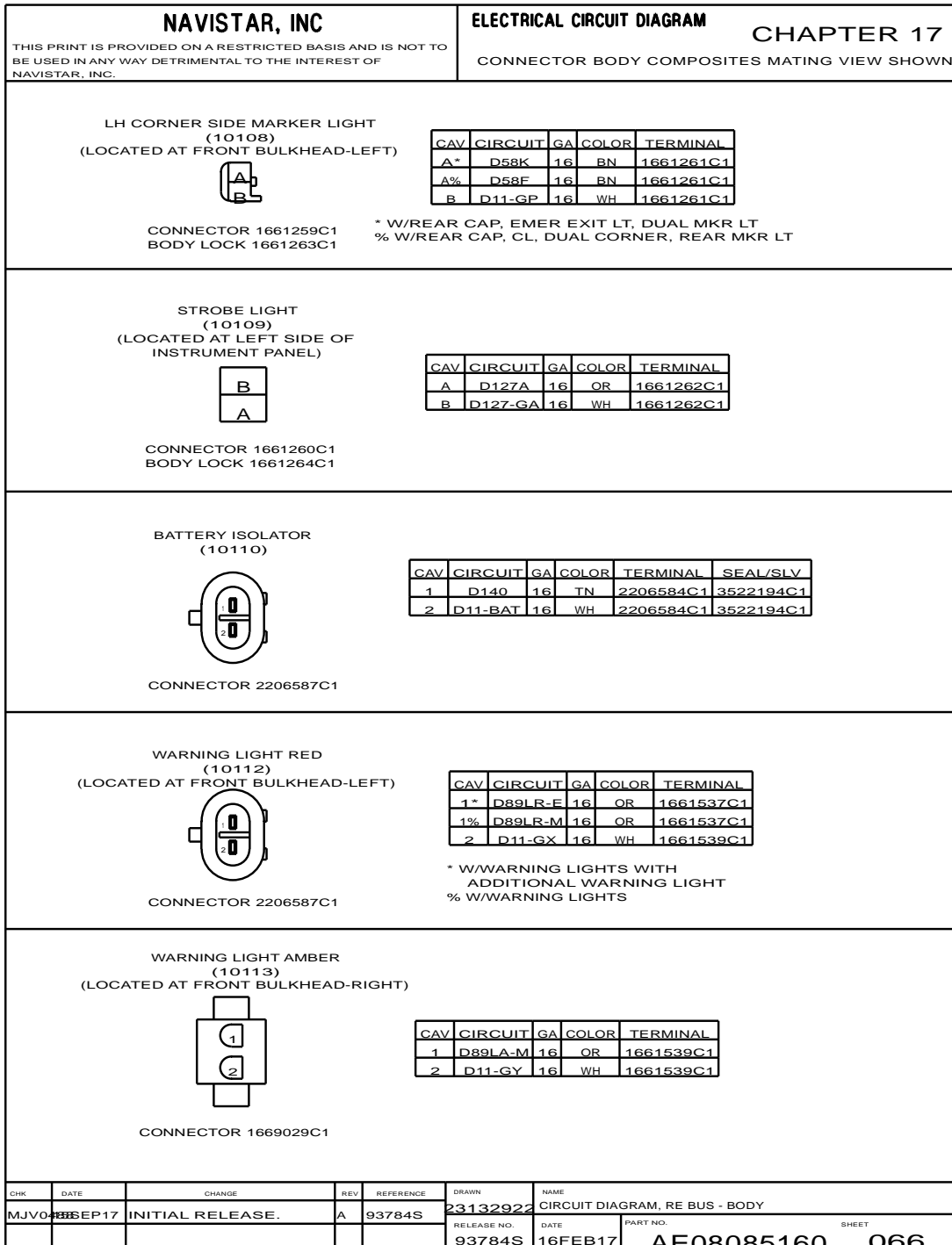


Figure 446 Connector Composites (10108, 10109, 10110, 10112, 10113)

18.76. CONNECTOR COMPOSITES (10114, 10115, 10116, 10117, 10118), P. 67

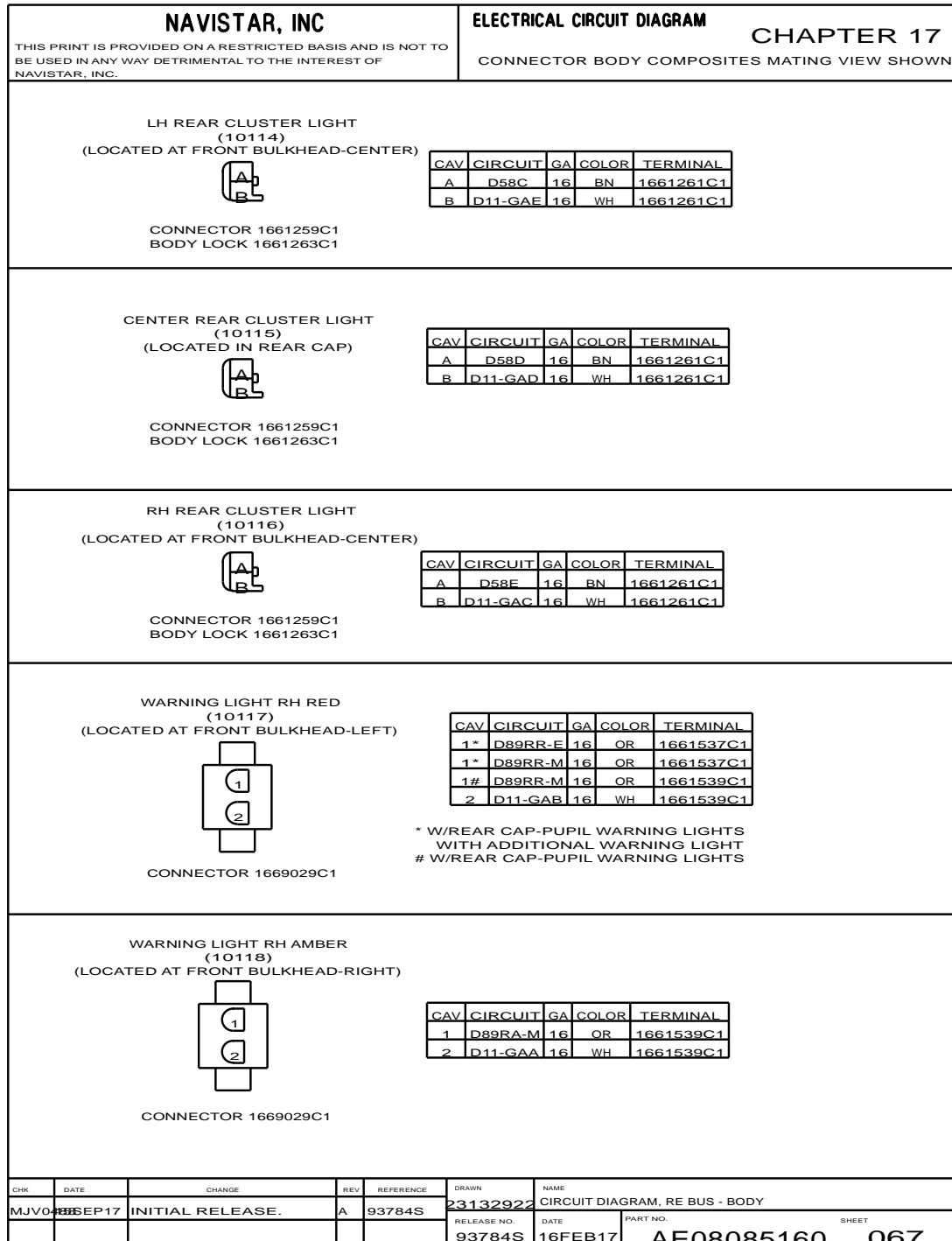


Figure 447 Connector Composites (10114, 10115, 10116, 10117, 10118)

18.77. CONNECTOR COMPOSITES (10119, 10120, 10121, 10122, 10123), P. 68

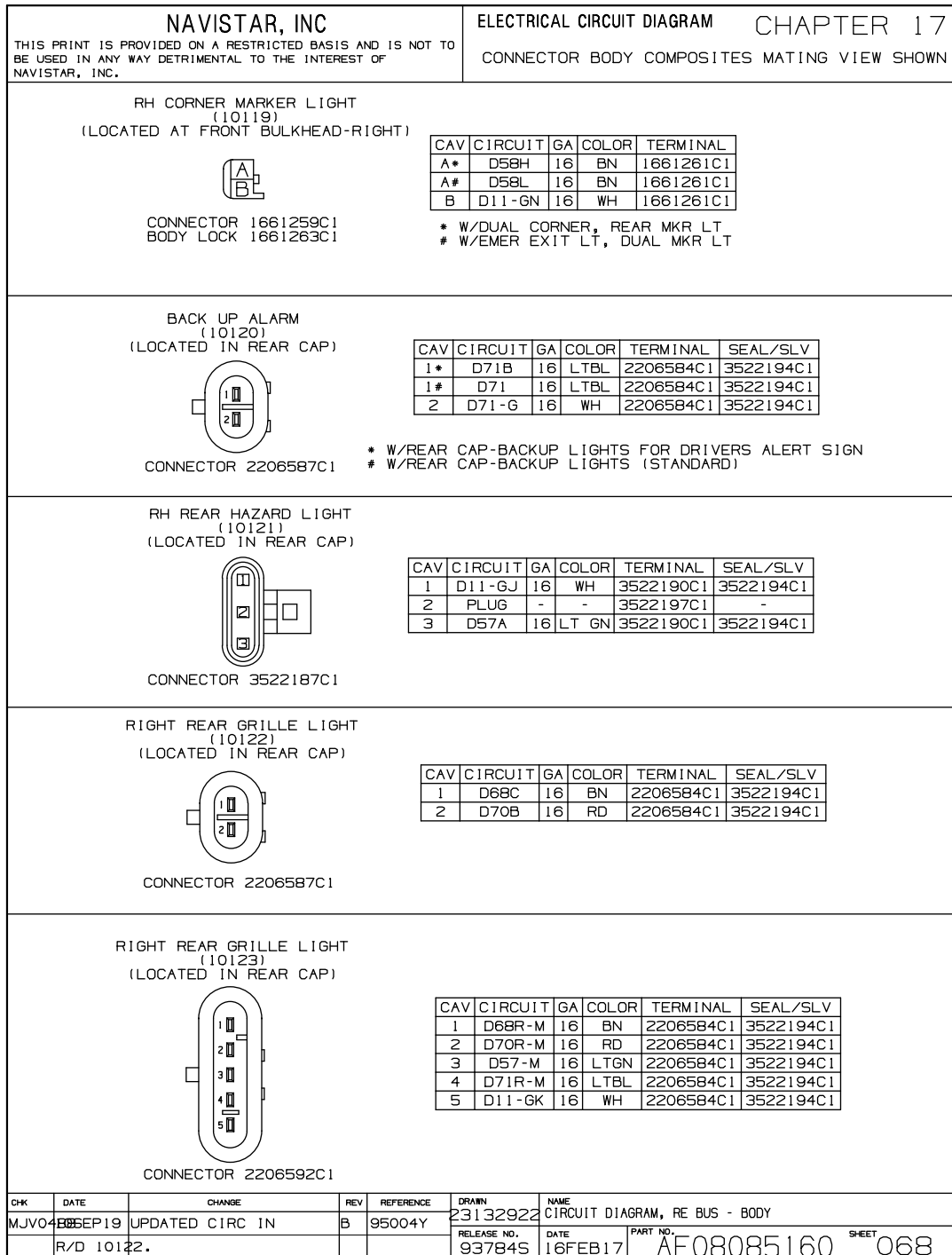


Figure 448 Connector Composites (10119, 10120, 10121, 10122, 10123)

18.78. CONNECTOR COMPOSITES (10124, 10125, 10127, 10127A, 10128), P. 69





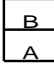
NAVISTAR, INC				ELECTRICAL CIRCUIT DIAGRAM																		
THIS PRINT IS PROVIDED ON A RESTRICTED BASIS AND IS NOT TO BE USED IN ANY WAY DETRIMENTAL TO THE INTEREST OF NAVISTAR, INC.				CHAPTER 17																		
				CONNECTOR BODY COMPOSITES MATING VIEW SHOWN																		
RIGHT REAR ENGINE COMPARTMENT LIGHT (10124) (LOCATED IN REAR CAP)  CONNECTOR 1661259C1 BODY LOCK 1661263C1				<table border="1" style="width: 100%; border-collapse: collapse; font-size: x-small;"> <thead> <tr> <th>CAV</th> <th>CIRCUIT</th> <th>GA</th> <th>COLOR</th> <th>TERMINAL</th> </tr> </thead> <tbody> <tr> <td>A</td> <td>D121L</td> <td>16</td> <td>YL</td> <td>1661261C1</td> </tr> <tr> <td>B</td> <td>D121-GG</td> <td>16</td> <td>WH</td> <td>1661261C1</td> </tr> </tbody> </table>				CAV	CIRCUIT	GA	COLOR	TERMINAL	A	D121L	16	YL	1661261C1	B	D121-GG	16	WH	1661261C1
CAV	CIRCUIT	GA	COLOR	TERMINAL																		
A	D121L	16	YL	1661261C1																		
B	D121-GG	16	WH	1661261C1																		
RIGHT REAR ENGINE COMPARTMENT LIGHT (10125) (LOCATED IN REAR CAP)  CONNECTOR 1661259C1 BODY LOCK 1661263C1				<table border="1" style="width: 100%; border-collapse: collapse; font-size: x-small;"> <thead> <tr> <th>CAV</th> <th>CIRCUIT</th> <th>GA</th> <th>COLOR</th> <th>TERMINAL</th> </tr> </thead> <tbody> <tr> <td>A</td> <td>D121M</td> <td>16</td> <td>YL</td> <td>1661261C1</td> </tr> <tr> <td>B</td> <td>D121-GH</td> <td>16</td> <td>WH</td> <td>1661261C1</td> </tr> </tbody> </table>				CAV	CIRCUIT	GA	COLOR	TERMINAL	A	D121M	16	YL	1661261C1	B	D121-GH	16	WH	1661261C1
CAV	CIRCUIT	GA	COLOR	TERMINAL																		
A	D121M	16	YL	1661261C1																		
B	D121-GH	16	WH	1661261C1																		
VANDAL LOCK CONNECTION(HEHR) (10127) (LOCATED AT LIFT DOOR)  CONNECTOR 2206658C1				<table border="1" style="width: 100%; border-collapse: collapse; font-size: x-small;"> <thead> <tr> <th>CAV</th> <th>CIRCUIT</th> <th>GA</th> <th>COLOR</th> <th>TERMINAL</th> </tr> </thead> <tbody> <tr> <td>A</td> <td>D133C</td> <td>16</td> <td>LTGN</td> <td>0239805R1</td> </tr> </tbody> </table>				CAV	CIRCUIT	GA	COLOR	TERMINAL	A	D133C	16	LTGN	0239805R1					
CAV	CIRCUIT	GA	COLOR	TERMINAL																		
A	D133C	16	LTGN	0239805R1																		
VANDAL LOCK CONNECTION(IC WDO) (10127A) (LOCATED AT LIFT DOOR)  CONNECTOR 2206658C1				<table border="1" style="width: 100%; border-collapse: collapse; font-size: x-small;"> <thead> <tr> <th>CAV</th> <th>CIRCUIT</th> <th>GA</th> <th>COLOR</th> <th>TERMINAL</th> </tr> </thead> <tbody> <tr> <td>A</td> <td>D133</td> <td>16</td> <td>LT GN</td> <td>0239805R1</td> </tr> </tbody> </table>				CAV	CIRCUIT	GA	COLOR	TERMINAL	A	D133	16	LT GN	0239805R1					
CAV	CIRCUIT	GA	COLOR	TERMINAL																		
A	D133	16	LT GN	0239805R1																		
STROBE LIGHT (10128) (LOCATED AT LEFT SIDE OF INSTRUMENT PANEL)  CONNECTOR 1661260C1 BODY LOCK 1661264C1				<table border="1" style="width: 100%; border-collapse: collapse; font-size: x-small;"> <thead> <tr> <th>CAV</th> <th>CIRCUIT</th> <th>GA</th> <th>COLOR</th> <th>TERMINAL</th> </tr> </thead> <tbody> <tr> <td>A</td> <td>D127A</td> <td>16</td> <td>OR</td> <td>1661262C1</td> </tr> <tr> <td>B</td> <td>D127-GA</td> <td>16</td> <td>WH</td> <td>1661262C1</td> </tr> </tbody> </table>				CAV	CIRCUIT	GA	COLOR	TERMINAL	A	D127A	16	OR	1661262C1	B	D127-GA	16	WH	1661262C1
CAV	CIRCUIT	GA	COLOR	TERMINAL																		
A	D127A	16	OR	1661262C1																		
B	D127-GA	16	WH	1661262C1																		
CHK	DATE	CHANGE	REV	REFERENCE	DRAWN	NAME																
MJVO	13SEP17	INITIAL RELEASE.	A	93784S	23132922	CIRCUIT DIAGRAM, RE BUS - BODY																
					RELEASE NO.	DATE	PART NO.															
					93784S	16FEB17	AE08085160															
							SHEET 069															

Figure 449 Connector Composites (10124, 10125, 10127, 10127A, 10128)

18.79. CONNECTOR COMPOSITES (10129, 10130, 10133, 10135, 10136), P. 70

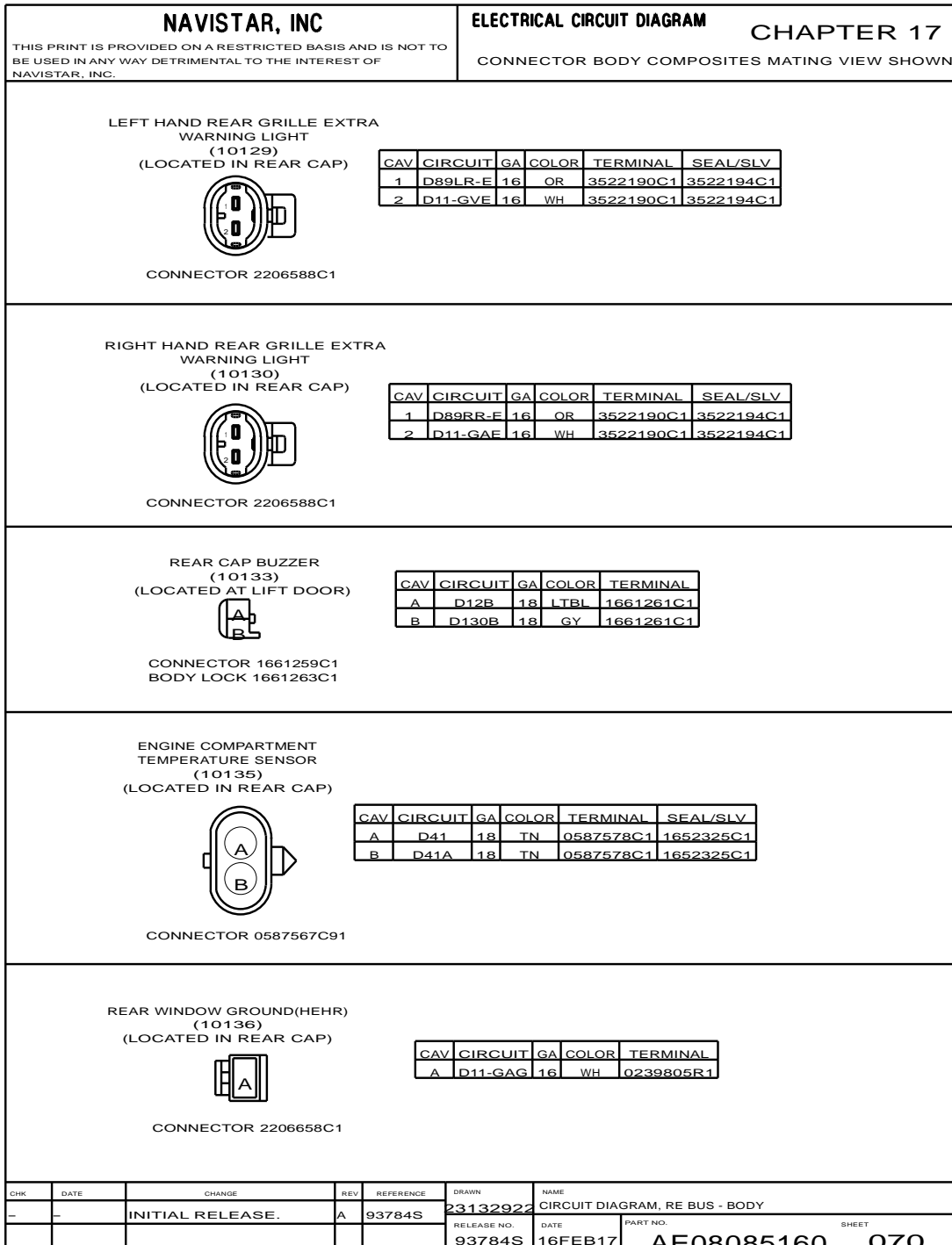


Figure 450 Connector Composites (10129, 10130, 10133, 10135, 10136)

18.80. CONNECTOR COMPOSITES (10137, 10138, 10139, 10140, 10141), P. 71

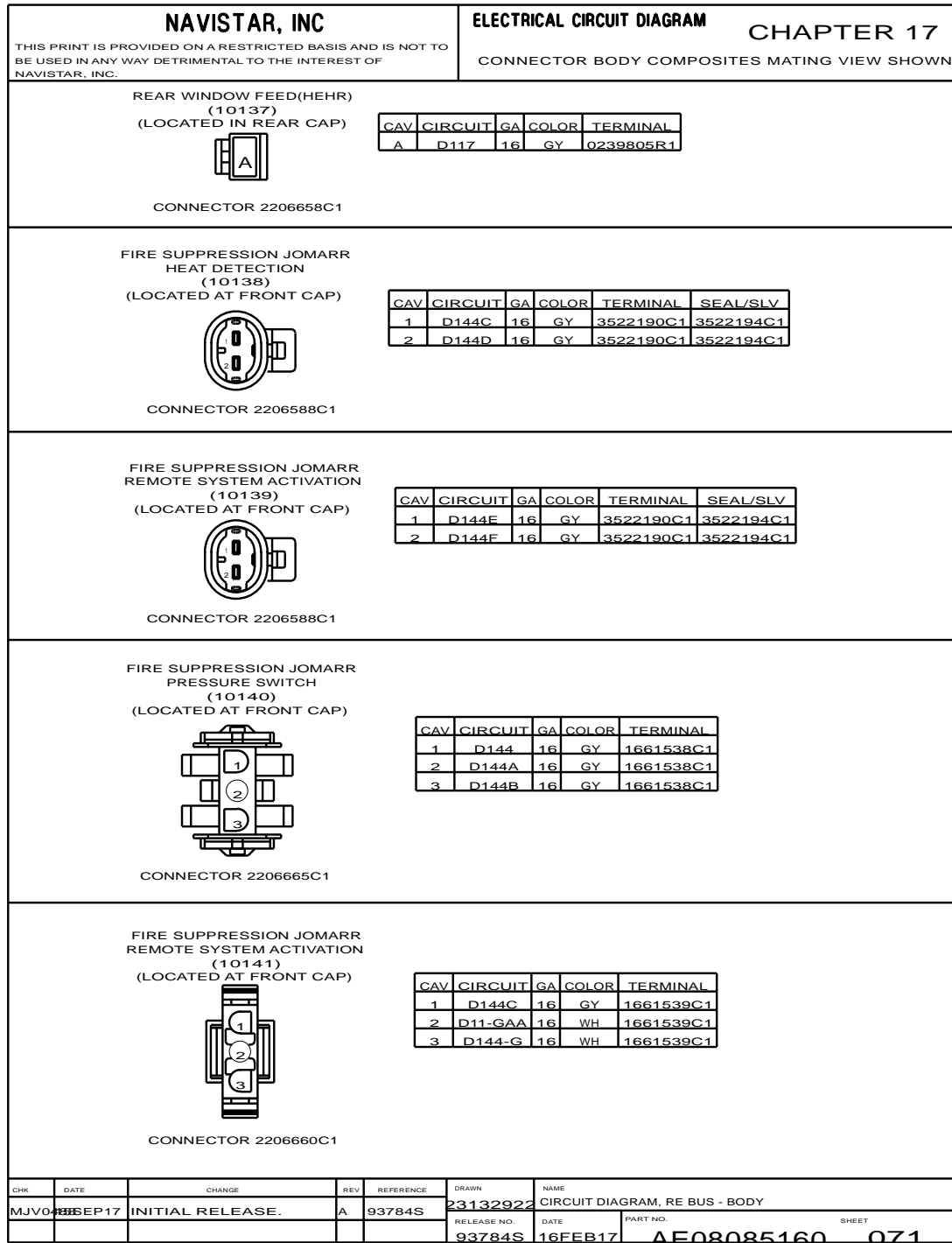


Figure 451 Connector Composites (10137, 10138, 10139, 10140, 10141)

18.81. CONNECTOR COMPOSITES (10142, 10143, 10144, 1046, 10147, 10153), P. 72

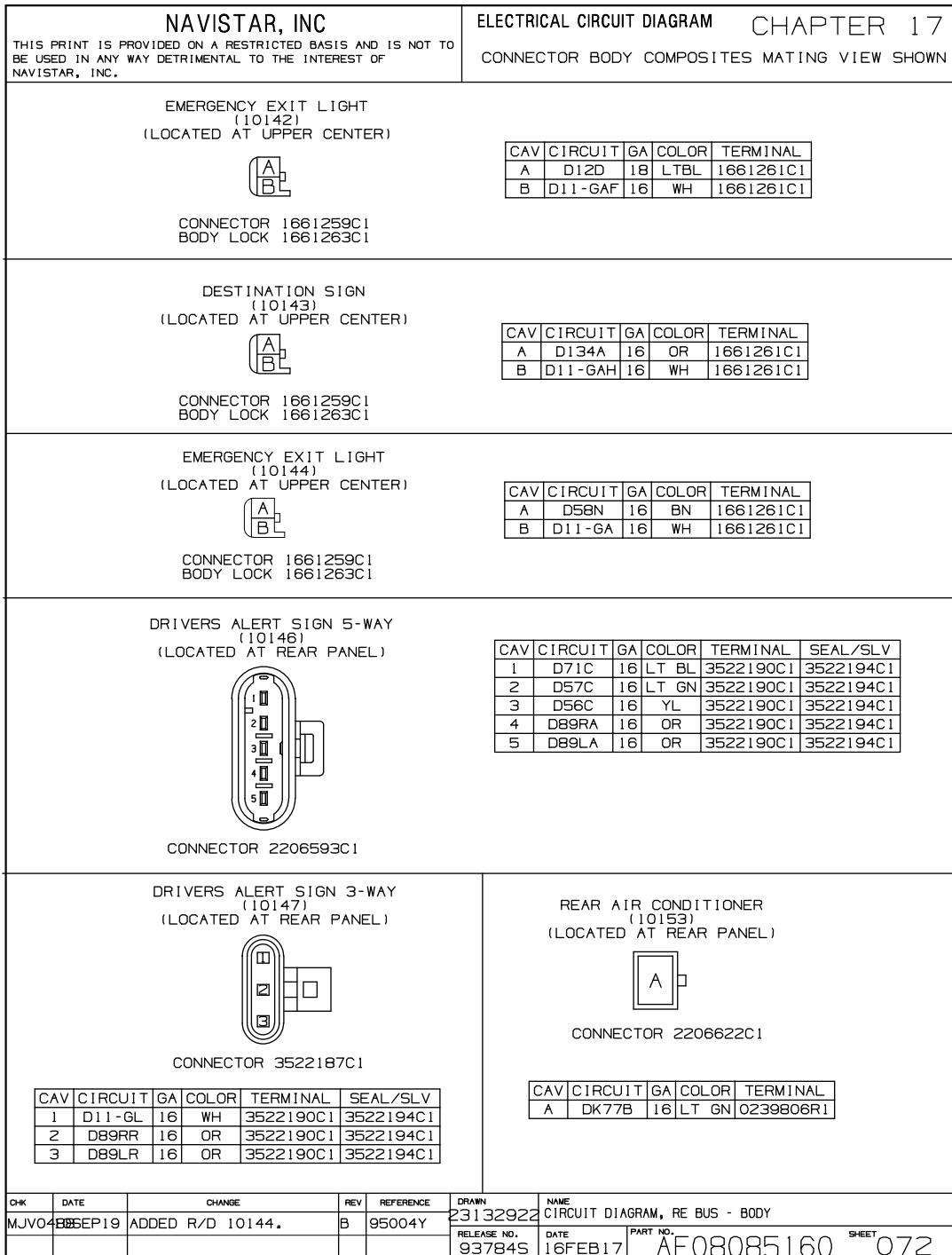


Figure 452 Connector Composites (10142, 10143, 10144, 1046, 10147, 10153)

18.82. CONNECTOR COMPOSITES (10154, 10155A, 10155B, 10156, 10157), P. 73

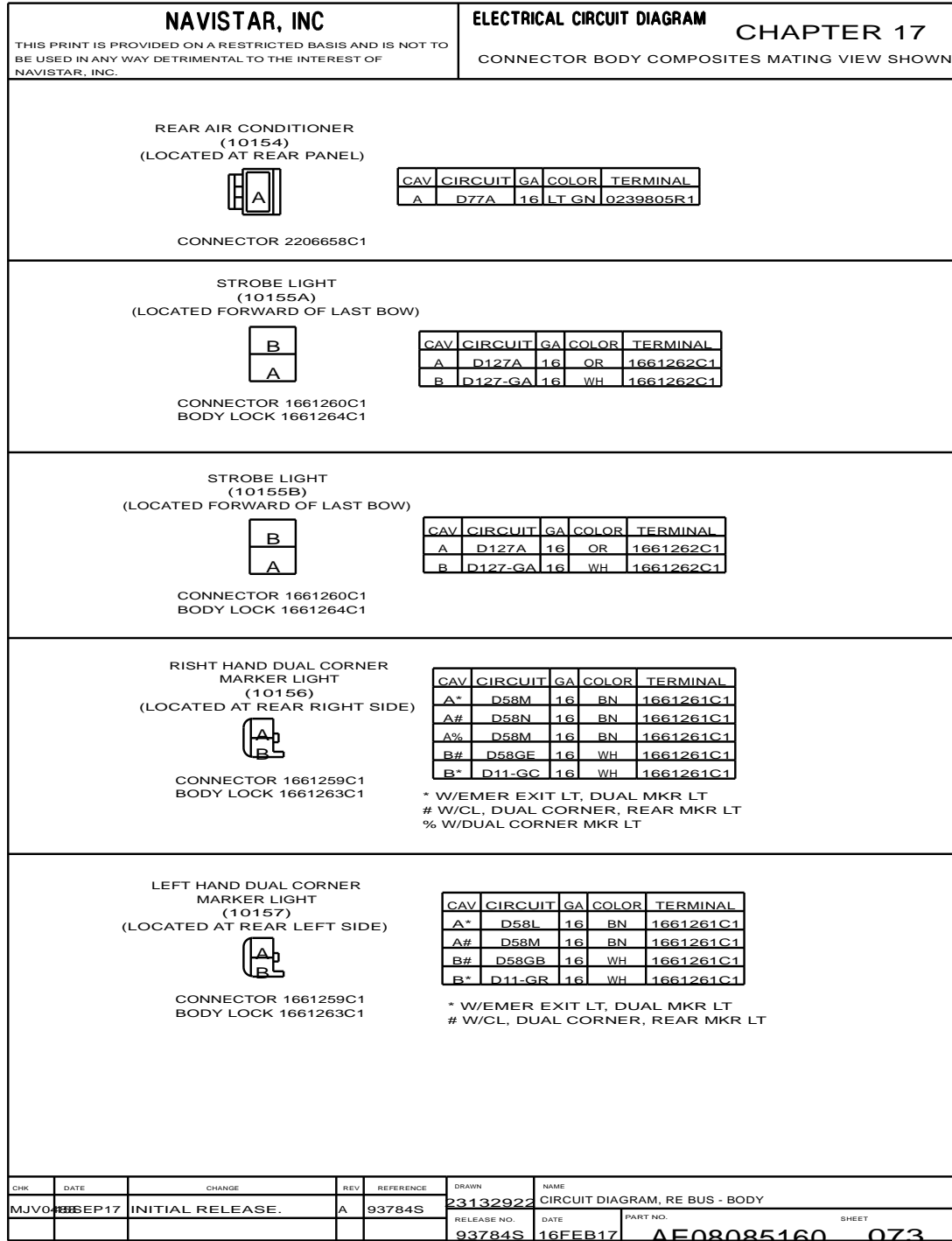


Figure 453 Connector Composites (10154, 10155A, 10155B, 10156, 10157)

18.83. CONNECTOR COMPOSITES (10160, 10161), P. 74

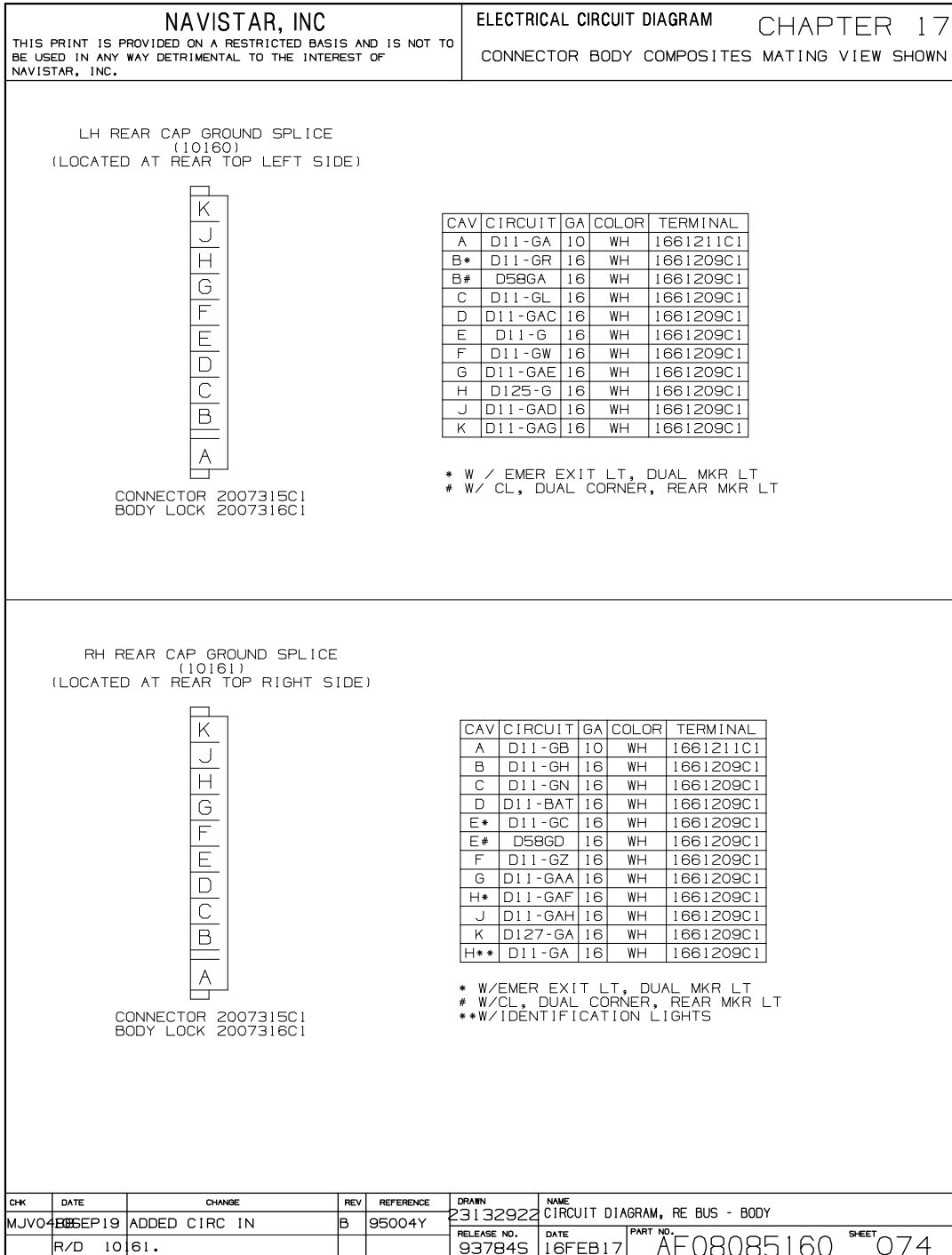


Figure 454 Connector Composites (10160, 10161)

18.84. CONNECTOR COMPOSITES (10176, 10181, 10182), P. 75

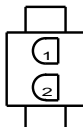
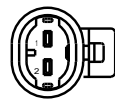
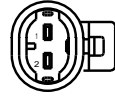
NAVISTAR, INC				ELECTRICAL CIRCUIT DIAGRAM		CHAPTER 17																			
THIS PRINT IS PROVIDED ON A RESTRICTED BASIS AND IS NOT TO BE USED IN ANY WAY DETRIMENTAL TO THE INTEREST OF NAVISTAR, INC.				CONNECTOR BODY COMPOSITES MATING VIEW SHOWN																					
<p>DOME LIGHT LAST BOW SECTION (10176) (LOCATED IN REAR CAP)</p>  <table border="1" style="margin-left: auto; margin-right: auto; font-size: x-small;"> <thead> <tr> <th>CAV</th> <th>CIRCUIT</th> <th>GA</th> <th>COLOR</th> <th>TERMINAL</th> </tr> </thead> <tbody> <tr> <td>1</td> <td>D63BF</td> <td>18</td> <td>DK BL</td> <td>1661539C1</td> </tr> <tr> <td>2</td> <td>D63-GY</td> <td>18</td> <td>WH</td> <td>1661539C1</td> </tr> </tbody> </table> <p style="text-align: center;">CONNECTOR 1669029C1</p>								CAV	CIRCUIT	GA	COLOR	TERMINAL	1	D63BF	18	DK BL	1661539C1	2	D63-GY	18	WH	1661539C1			
CAV	CIRCUIT	GA	COLOR	TERMINAL																					
1	D63BF	18	DK BL	1661539C1																					
2	D63-GY	18	WH	1661539C1																					
<p>SIDE MARKER LIGHT OVER BUMPER (10181) (LOCATED AT REAR RIGHT SIDE)</p>  <table border="1" style="margin-left: auto; margin-right: auto; font-size: x-small;"> <thead> <tr> <th>CAV</th> <th>CIRCUIT</th> <th>GA</th> <th>COLOR</th> <th>TERMINAL</th> <th>SEAL/SLV</th> </tr> </thead> <tbody> <tr> <td>1</td> <td>D58H</td> <td>16</td> <td>BN</td> <td>3522190C1</td> <td>3522194C1</td> </tr> <tr> <td>2</td> <td>D58GC</td> <td>16</td> <td>WH</td> <td>3522190C1</td> <td>3522194C1</td> </tr> </tbody> </table> <p style="text-align: center;">CONNECTOR 2206588C1</p>								CAV	CIRCUIT	GA	COLOR	TERMINAL	SEAL/SLV	1	D58H	16	BN	3522190C1	3522194C1	2	D58GC	16	WH	3522190C1	3522194C1
CAV	CIRCUIT	GA	COLOR	TERMINAL	SEAL/SLV																				
1	D58H	16	BN	3522190C1	3522194C1																				
2	D58GC	16	WH	3522190C1	3522194C1																				
<p>SIDE MARKER LIGHT OVER BUMPER (10182) (LOCATED AT REAR LEFT SIDE)</p>  <table border="1" style="margin-left: auto; margin-right: auto; font-size: x-small;"> <thead> <tr> <th>CAV</th> <th>CIRCUIT</th> <th>GA</th> <th>COLOR</th> <th>TERMINAL</th> <th>SEAL/SLV</th> </tr> </thead> <tbody> <tr> <td>1</td> <td>D58P</td> <td>16</td> <td>BN</td> <td>3522190C1</td> <td>3522194C1</td> </tr> <tr> <td>2</td> <td>D58GF</td> <td>16</td> <td>WH</td> <td>3522190C1</td> <td>3522194C1</td> </tr> </tbody> </table> <p style="text-align: center;">CONNECTOR 2206588C1</p>								CAV	CIRCUIT	GA	COLOR	TERMINAL	SEAL/SLV	1	D58P	16	BN	3522190C1	3522194C1	2	D58GF	16	WH	3522190C1	3522194C1
CAV	CIRCUIT	GA	COLOR	TERMINAL	SEAL/SLV																				
1	D58P	16	BN	3522190C1	3522194C1																				
2	D58GF	16	WH	3522190C1	3522194C1																				
CHK	DATE	CHANGE	REV	REFERENCE	DRAWN	NAME																			
MJVO	13SEP17	INITIAL RELEASE.	A	93784S	23132922	CIRCUIT DIAGRAM, RE BUS - BODY																			
					RELEASE NO.	DATE	PART NO.																		
					93784S	16FEB17	AE08085160																		
						SHEET	075																		

Figure 455 Connector Composites (10176, 10181, 10182)

18.85. CONNECTOR COMPOSITES (10200), P. 76

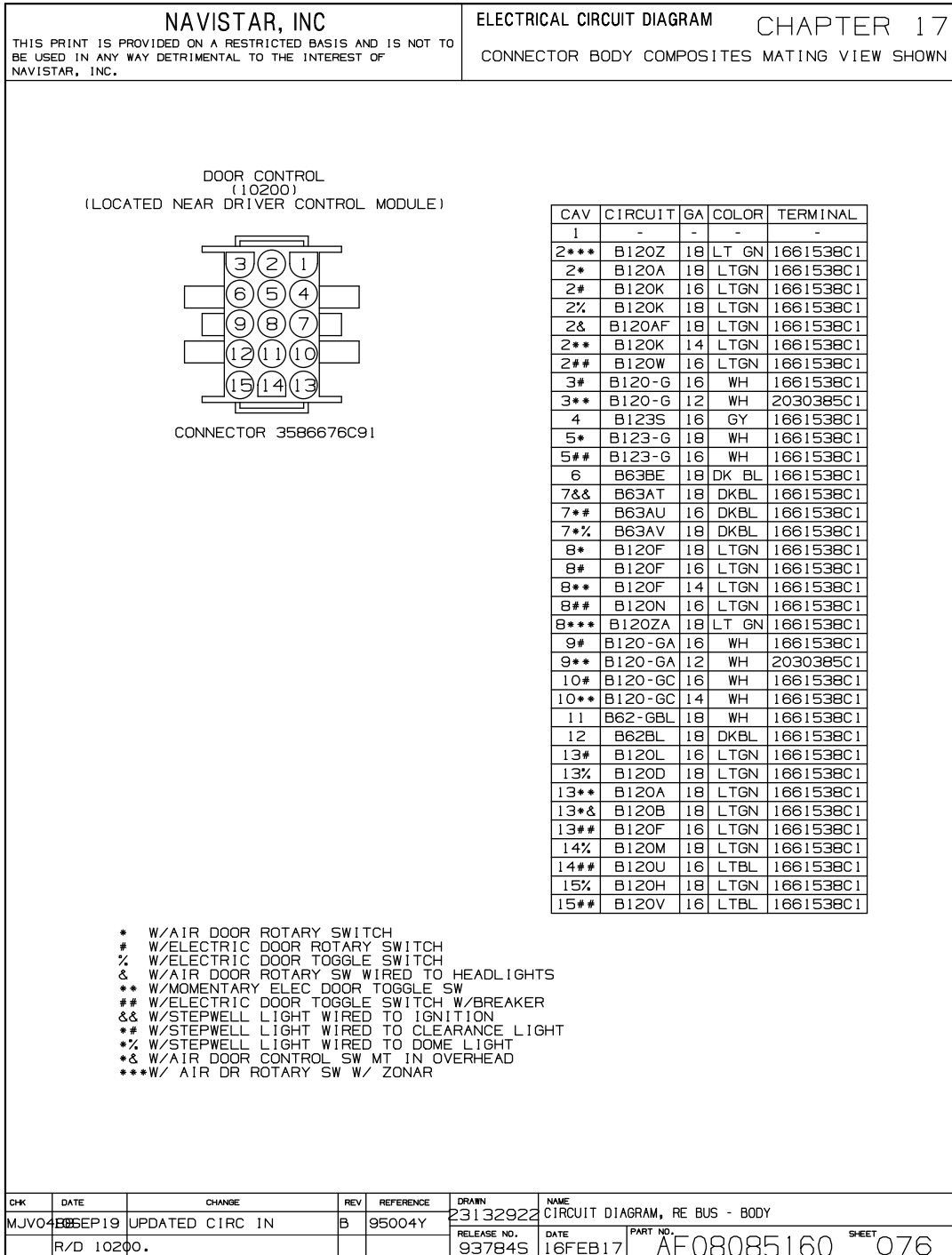


Figure 456 Connector Composites (10200)

18.86. CONNECTOR COMPOSITES (10201, 10202), P. 77

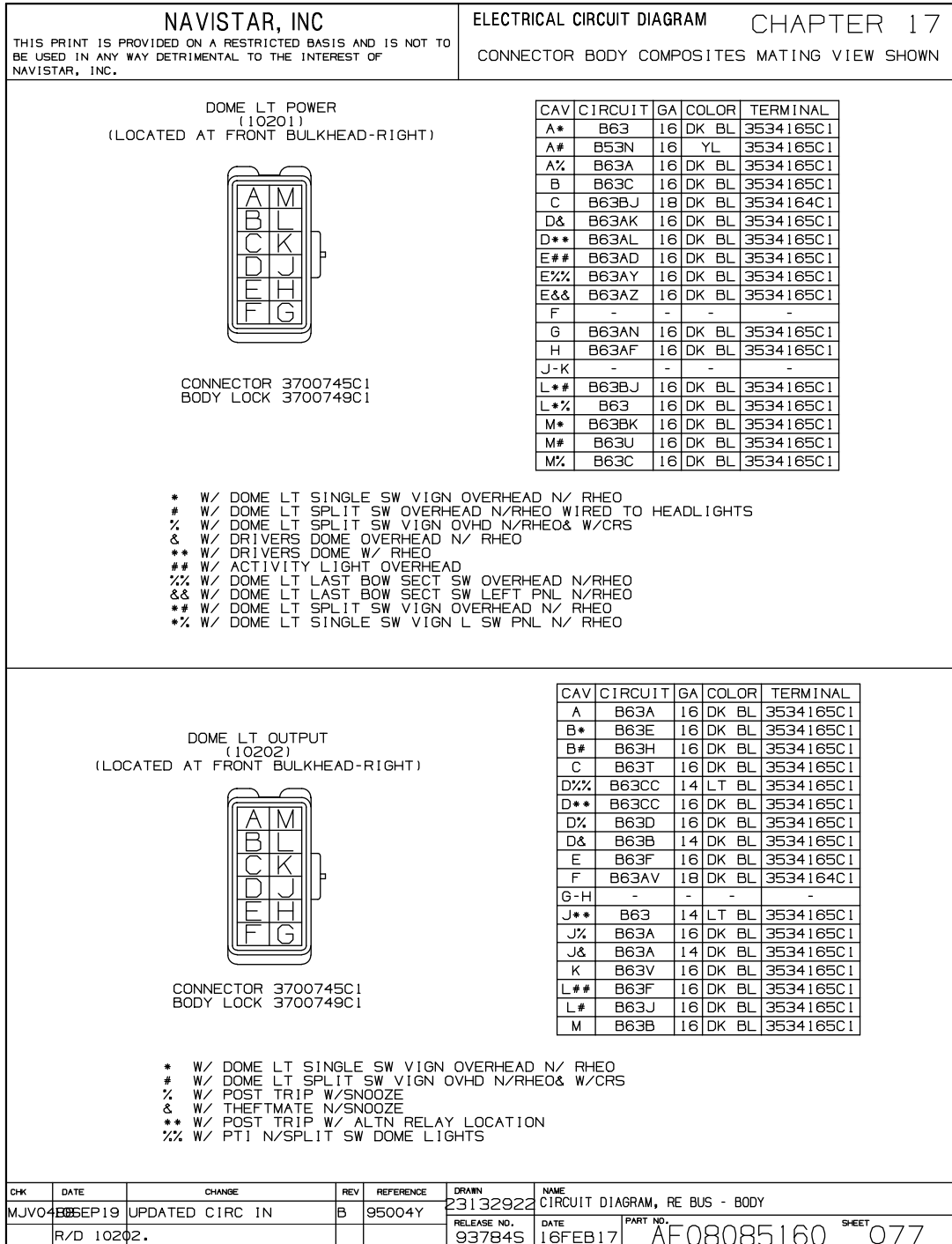


Figure 457 Connector Composites (10201, 10202)

18.87. CONNECTOR COMPOSITES (10203, 10204), P. 78

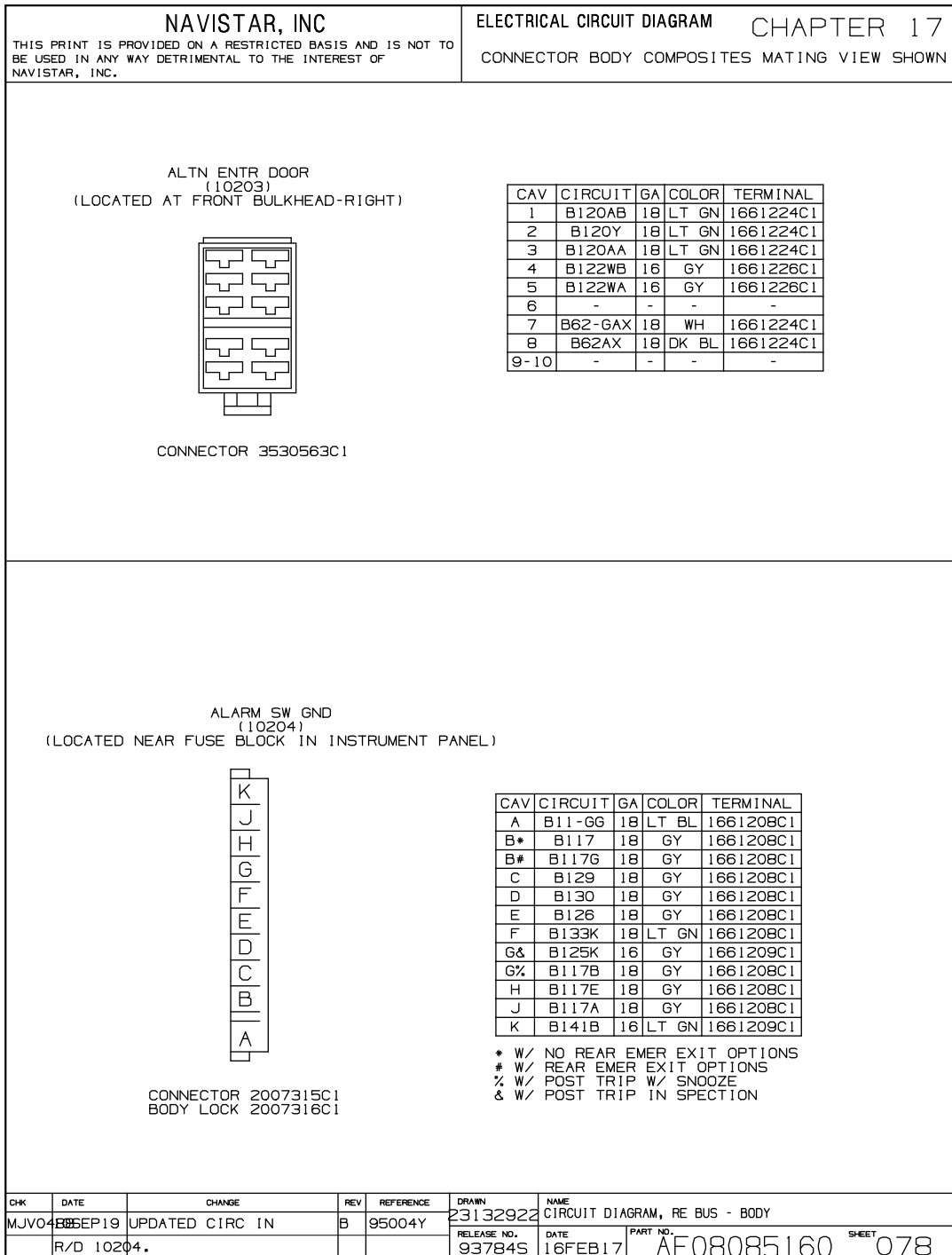


Figure 458 Connector Composites (10203, 10204)

18.88. CONNECTOR COMPOSITES (10207A, 10208), P. 79

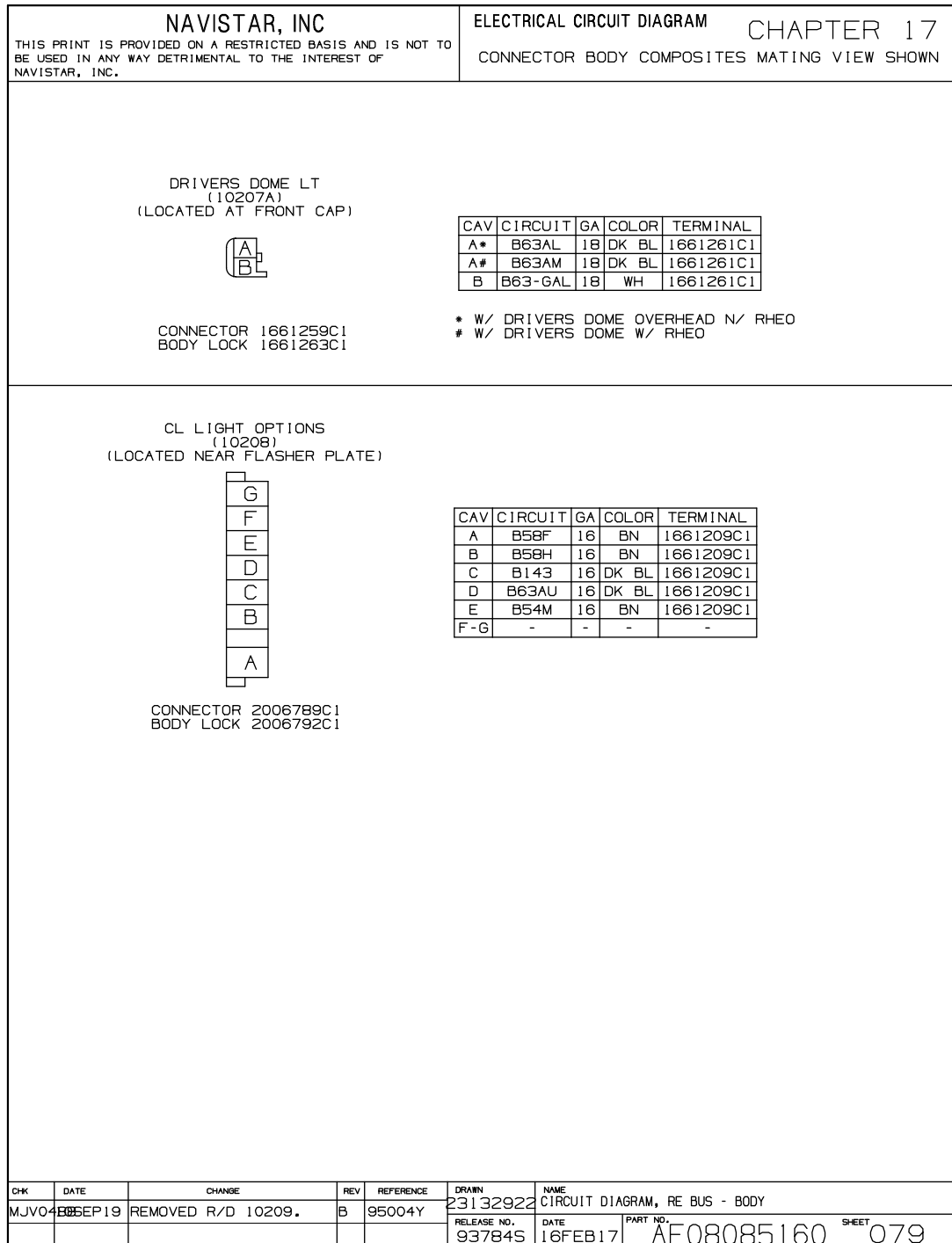


Figure 459 Connector Composites (10207A, 10208)

18.89. CONNECTOR COMPOSITES (10210), P. 80

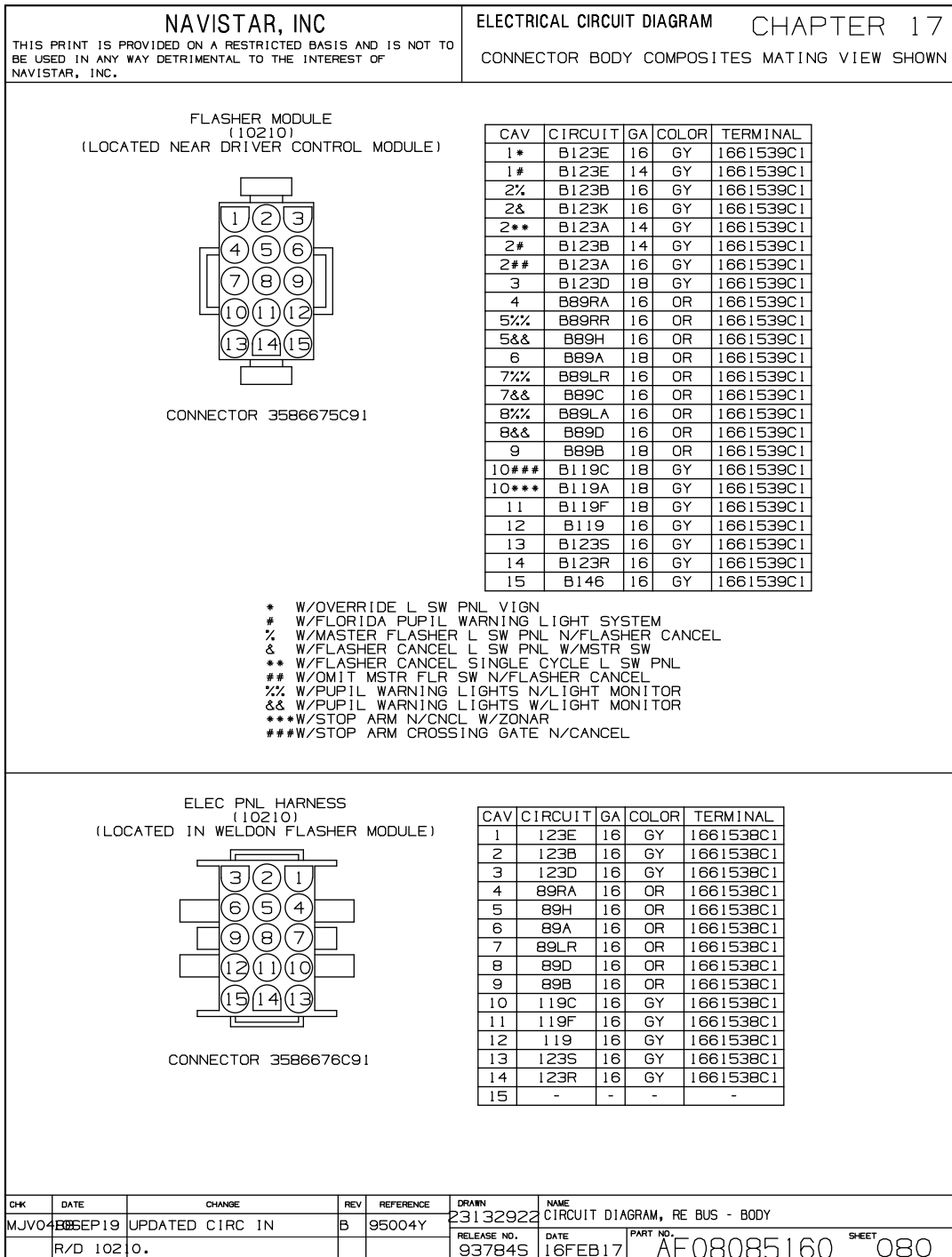


Figure 460 Connector Composites (10210)

18.90. CONNECTOR COMPOSITES (10212, 10213), P. 81

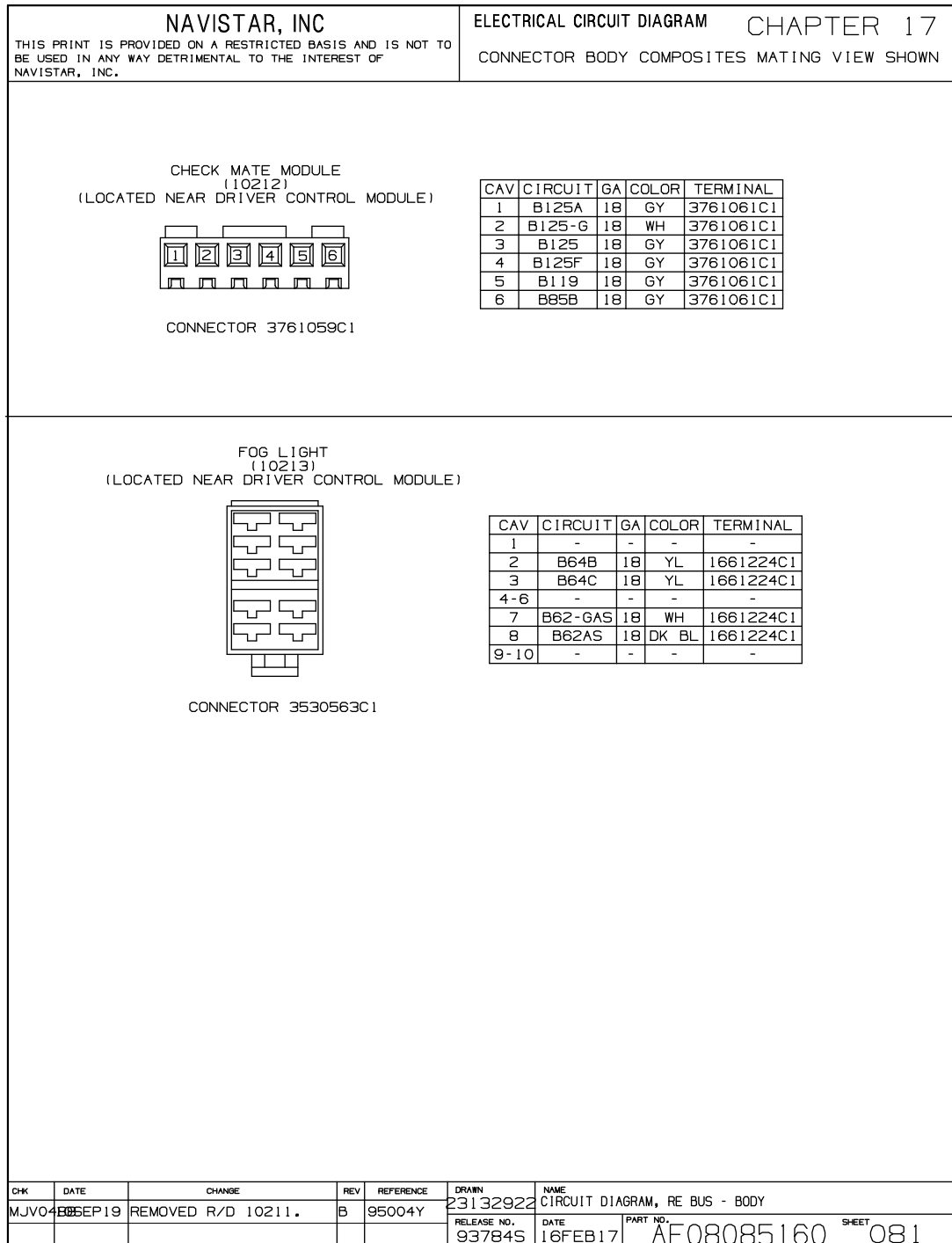


Figure 461 Connector Composites (10212, 10213)

18.91. CONNECTOR COMPOSITES (10214D, 10214L, 10215, 10216), P. 82

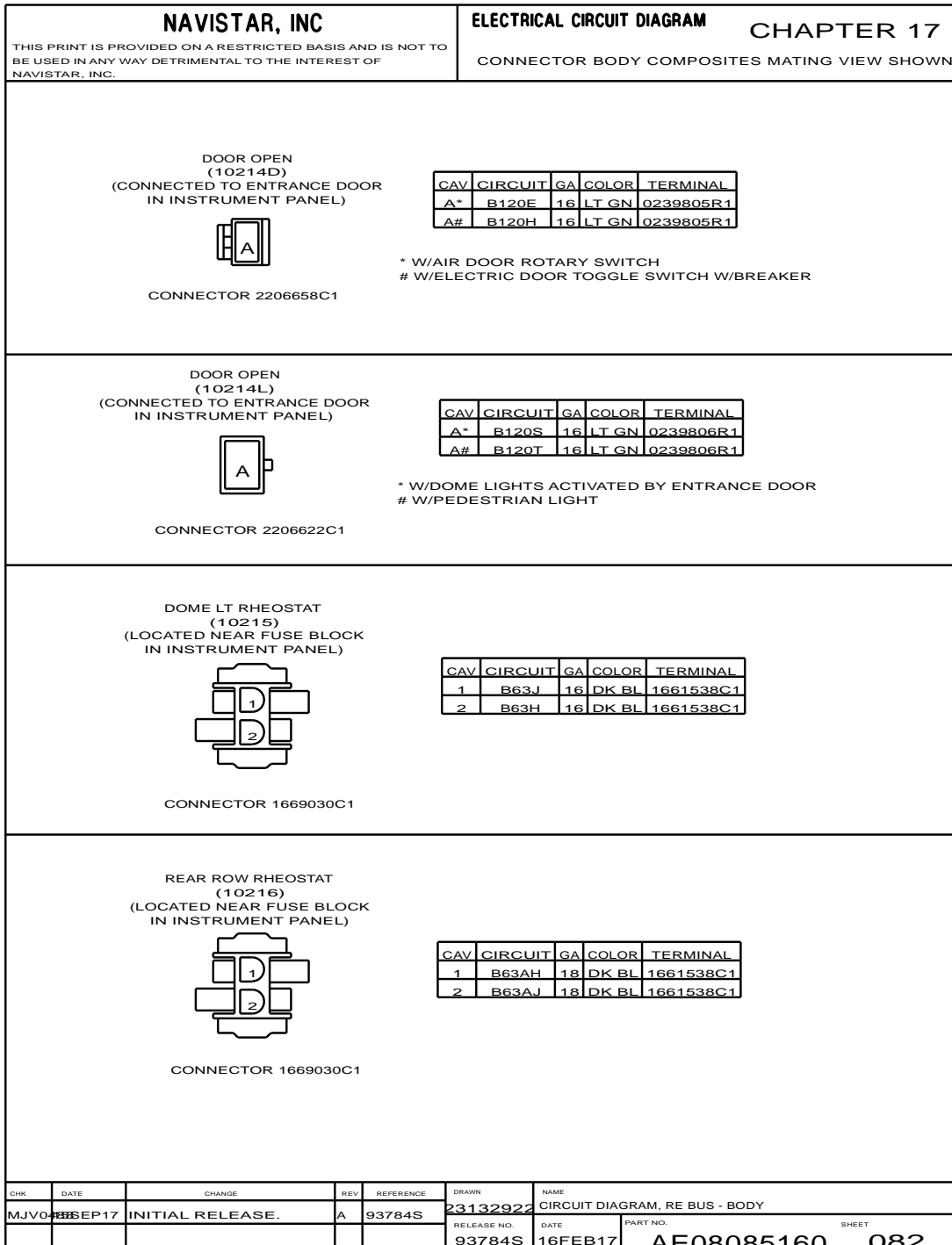


Figure 462 Connector Composites (10214D, 10214L, 10215, 10216)

18.92. CONNECTOR COMPOSITES (10217, 10218, 10219), P. 83

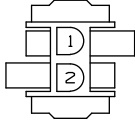
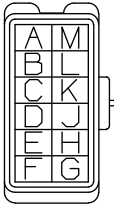
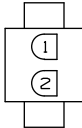
NAVISTAR, INC <small>THIS PRINT IS PROVIDED ON A RESTRICTED BASIS AND IS NOT TO BE USED IN ANY WAY DETRIMENTAL TO THE INTEREST OF NAVISTAR, INC.</small>				ELECTRICAL CIRCUIT DIAGRAM CHAPTER 17 CONNECTOR BODY COMPOSITES MATING VIEW SHOWN																																																																									
DRIVER RHEOSTAT (10217) (LOCATED NEAR FUSE BLOCK IN INSTRUMENT PANEL)  CONNECTOR 1669030C1				<table border="1" style="width:100%; border-collapse: collapse;"> <thead> <tr> <th>CAV</th> <th>CIRCUIT</th> <th>GA</th> <th>COLOR</th> <th>TERMINAL</th> </tr> </thead> <tbody> <tr> <td>1*</td> <td>B63AL</td> <td>18</td> <td>DK BL</td> <td>1661538C1</td> </tr> <tr> <td>1#</td> <td>B63AL</td> <td>16</td> <td>DK BL</td> <td>1661538C1</td> </tr> <tr> <td>2</td> <td>B63AM</td> <td>18</td> <td>DK BL</td> <td>1661538C1</td> </tr> </tbody> </table>		CAV	CIRCUIT	GA	COLOR	TERMINAL	1*	B63AL	18	DK BL	1661538C1	1#	B63AL	16	DK BL	1661538C1	2	B63AM	18	DK BL	1661538C1	* W/ DRIVERS DOME W/ RHEO OVERHEAD # W/ DRIVERS DOME W/ RHEO L SW PNL																																																			
CAV	CIRCUIT	GA	COLOR	TERMINAL																																																																									
1*	B63AL	18	DK BL	1661538C1																																																																									
1#	B63AL	16	DK BL	1661538C1																																																																									
2	B63AM	18	DK BL	1661538C1																																																																									
FLASHER CONTROL (10218) (LOCATED AT LEFT SIDE OF INSTRUMENT PANEL)  CONNECTOR 3700745C1 BOSSY LOCK 3700749C1				<table border="1" style="width:100%; border-collapse: collapse;"> <thead> <tr> <th>CAV</th> <th>CIRCUIT</th> <th>GA</th> <th>COLOR</th> <th>TERMINAL</th> </tr> </thead> <tbody> <tr> <td>A</td> <td>B123</td> <td>16</td> <td>GY</td> <td>3534165C1</td> </tr> <tr> <td>B*</td> <td>B123A</td> <td>16</td> <td>GY</td> <td>3534165C1</td> </tr> <tr> <td>B#</td> <td>B123J</td> <td>16</td> <td>GY</td> <td>3534165C1</td> </tr> <tr> <td>C</td> <td>B123C</td> <td>16</td> <td>GY</td> <td>3534165C1</td> </tr> <tr> <td>D</td> <td>B123H</td> <td>16</td> <td>GY</td> <td>3534165C1</td> </tr> <tr> <td>E</td> <td>-</td> <td>-</td> <td>-</td> <td>-</td> </tr> <tr> <td>F</td> <td>-</td> <td>-</td> <td>-</td> <td>-</td> </tr> <tr> <td>G</td> <td>B123R</td> <td>16</td> <td>GY</td> <td>3534165C1</td> </tr> <tr> <td>H</td> <td>B123S</td> <td>16</td> <td>GY</td> <td>3534165C1</td> </tr> <tr> <td>J</td> <td>B123P</td> <td>16</td> <td>GY</td> <td>3534165C1</td> </tr> <tr> <td>K</td> <td>B123F</td> <td>16</td> <td>GY</td> <td>3534165C1</td> </tr> <tr> <td>L</td> <td>-</td> <td>-</td> <td>-</td> <td>-</td> </tr> <tr> <td>M</td> <td>-</td> <td>-</td> <td>-</td> <td>-</td> </tr> </tbody> </table>		CAV	CIRCUIT	GA	COLOR	TERMINAL	A	B123	16	GY	3534165C1	B*	B123A	16	GY	3534165C1	B#	B123J	16	GY	3534165C1	C	B123C	16	GY	3534165C1	D	B123H	16	GY	3534165C1	E	-	-	-	-	F	-	-	-	-	G	B123R	16	GY	3534165C1	H	B123S	16	GY	3534165C1	J	B123P	16	GY	3534165C1	K	B123F	16	GY	3534165C1	L	-	-	-	-	M	-	-	-	-	* W/ MASTER FLASHER OMIT N/ CANCEL # W/ FLASHER CANCEL PWR N/ MSTR DISC	
CAV	CIRCUIT	GA	COLOR	TERMINAL																																																																									
A	B123	16	GY	3534165C1																																																																									
B*	B123A	16	GY	3534165C1																																																																									
B#	B123J	16	GY	3534165C1																																																																									
C	B123C	16	GY	3534165C1																																																																									
D	B123H	16	GY	3534165C1																																																																									
E	-	-	-	-																																																																									
F	-	-	-	-																																																																									
G	B123R	16	GY	3534165C1																																																																									
H	B123S	16	GY	3534165C1																																																																									
J	B123P	16	GY	3534165C1																																																																									
K	B123F	16	GY	3534165C1																																																																									
L	-	-	-	-																																																																									
M	-	-	-	-																																																																									
STOP ARM SOLENOID (10219) (LOCATED NEAR DRIVER TOP)  CONNECTOR 1669029C1				<table border="1" style="width:100%; border-collapse: collapse;"> <thead> <tr> <th>CAV</th> <th>CIRCUIT</th> <th>GA</th> <th>COLOR</th> <th>TERMINAL</th> </tr> </thead> <tbody> <tr> <td>1*</td> <td>B119E</td> <td>18</td> <td>GY</td> <td>1661539C1</td> </tr> <tr> <td>1#</td> <td>B119E</td> <td>16</td> <td>GY</td> <td>1661539C1</td> </tr> <tr> <td>1&</td> <td>B119ZE</td> <td>18</td> <td>GY</td> <td>1661539C1</td> </tr> <tr> <td>2*</td> <td>B119-GE</td> <td>18</td> <td>WH</td> <td>1661539C1</td> </tr> <tr> <td>2&</td> <td>B119-GY</td> <td>18</td> <td>WH</td> <td>1661539C1</td> </tr> </tbody> </table>		CAV	CIRCUIT	GA	COLOR	TERMINAL	1*	B119E	18	GY	1661539C1	1#	B119E	16	GY	1661539C1	1&	B119ZE	18	GY	1661539C1	2*	B119-GE	18	WH	1661539C1	2&	B119-GY	18	WH	1661539C1	* W/ STOP ARM EXTEND N/ CANCEL # W/ STOP ARM W/ CANCEL OVERHEAD & W/ STOP ARM N/ CANCEL W/ ZONAR																																									
CAV	CIRCUIT	GA	COLOR	TERMINAL																																																																									
1*	B119E	18	GY	1661539C1																																																																									
1#	B119E	16	GY	1661539C1																																																																									
1&	B119ZE	18	GY	1661539C1																																																																									
2*	B119-GE	18	WH	1661539C1																																																																									
2&	B119-GY	18	WH	1661539C1																																																																									
CHK	DATE	CHANGE	REV	REFERENCE	DRAWN	NAME																																																																							
MJV0	19SEP19	UPDATED CIRC IN	B	95004Y	23132922	CIRCUIT DIAGRAM, RE BUS - BODY																																																																							
	R/D 10219.				RELEASE NO.	DATE	PART NO.																																																																						
					93784S	16FEB17	AE08085160																																																																						
							SHEET 083																																																																						

Figure 463 Connector Composites (10217, 10218, 10219)

18.93. CONNECTOR COMPOSITES (10220, 10221, 10224), P. 84

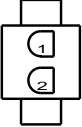
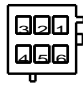
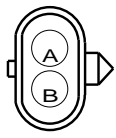
<p style="text-align: center;">NAVISTAR, INC</p> <p style="font-size: small;">THIS PRINT IS PROVIDED ON A RESTRICTED BASIS AND IS NOT TO BE USED IN ANY WAY DETRIMENTAL TO THE INTEREST OF NAVISTAR, INC.</p>	<p style="text-align: center;">ELECTRICAL CIRCUIT DIAGRAM</p> <p style="text-align: right;">CHAPTER 17</p> <p style="text-align: center;">CONNECTOR BODY COMPOSITES MATING VIEW SHOWN</p>																																								
<p style="text-align: center;">CROSSING GATE (10220) (LOCATED NEAR DRIVER TOP)</p>  <p style="text-align: center;">CONNECTOR 1669029C1</p>	<table border="1" style="width: 100%; border-collapse: collapse; font-size: x-small;"> <thead> <tr> <th>CAV</th> <th>CIRCUIT</th> <th>GA</th> <th>COLOR</th> <th>TERMINAL</th> </tr> </thead> <tbody> <tr> <td>1</td> <td>B119L</td> <td>18</td> <td>GY</td> <td>1661539C1</td> </tr> <tr> <td>2</td> <td>B119-GL</td> <td>18</td> <td>WH</td> <td>1661539C1</td> </tr> </tbody> </table>	CAV	CIRCUIT	GA	COLOR	TERMINAL	1	B119L	18	GY	1661539C1	2	B119-GL	18	WH	1661539C1																									
CAV	CIRCUIT	GA	COLOR	TERMINAL																																					
1	B119L	18	GY	1661539C1																																					
2	B119-GL	18	WH	1661539C1																																					
<p style="text-align: center;">STOP ARM (10221) (LOCATED NEAR DRIVER TOP)</p>  <p style="text-align: center;">CONNECTOR 3815785C1 BODY LOCK 3815993C1</p>	<table border="1" style="width: 100%; border-collapse: collapse; font-size: x-small;"> <thead> <tr> <th>CAV</th> <th>CIRCUIT</th> <th>GA</th> <th>COLOR</th> <th>TERMINAL</th> </tr> </thead> <tbody> <tr> <td>1</td> <td>B119A</td> <td>18</td> <td>GY</td> <td>1661261C1</td> </tr> <tr> <td>2</td> <td>B89F</td> <td>18</td> <td>OR</td> <td>1661261C1</td> </tr> <tr> <td>3</td> <td>B89E</td> <td>18</td> <td>OR</td> <td>1661261C1</td> </tr> <tr> <td>4*</td> <td>B119D</td> <td>18</td> <td>GY</td> <td>1661261C1</td> </tr> <tr> <td>4#</td> <td>B119D</td> <td>16</td> <td>GY</td> <td>1661261C1</td> </tr> <tr> <td>5</td> <td>B119T</td> <td>18</td> <td>GY</td> <td>1661261C1</td> </tr> <tr> <td>6</td> <td>B119-GA</td> <td>18</td> <td>WH</td> <td>1661261C1</td> </tr> </tbody> </table> <p style="font-size: x-small;">* W/ STOP ARM EXTEND N/ CANCEL # W/ STOP ARM W/ CANCEL OVERHEAD</p>	CAV	CIRCUIT	GA	COLOR	TERMINAL	1	B119A	18	GY	1661261C1	2	B89F	18	OR	1661261C1	3	B89E	18	OR	1661261C1	4*	B119D	18	GY	1661261C1	4#	B119D	16	GY	1661261C1	5	B119T	18	GY	1661261C1	6	B119-GA	18	WH	1661261C1
CAV	CIRCUIT	GA	COLOR	TERMINAL																																					
1	B119A	18	GY	1661261C1																																					
2	B89F	18	OR	1661261C1																																					
3	B89E	18	OR	1661261C1																																					
4*	B119D	18	GY	1661261C1																																					
4#	B119D	16	GY	1661261C1																																					
5	B119T	18	GY	1661261C1																																					
6	B119-GA	18	WH	1661261C1																																					
<p style="text-align: center;">TEMP SENSOR (10224) (LOCATED NEAR DRIVER TOP)</p>  <p style="text-align: center;">CONNECTOR 0587567C91</p>	<table border="1" style="width: 100%; border-collapse: collapse; font-size: x-small;"> <thead> <tr> <th>CAV</th> <th>CIRCUIT</th> <th>GA</th> <th>COLOR</th> <th>TERMINAL</th> </tr> </thead> <tbody> <tr> <td>A</td> <td>B41H</td> <td>18</td> <td>TN</td> <td>0587578C1</td> </tr> <tr> <td>B</td> <td>B41F</td> <td>18</td> <td>TN</td> <td>0587578C1</td> </tr> </tbody> </table>	CAV	CIRCUIT	GA	COLOR	TERMINAL	A	B41H	18	TN	0587578C1	B	B41F	18	TN	0587578C1																									
CAV	CIRCUIT	GA	COLOR	TERMINAL																																					
A	B41H	18	TN	0587578C1																																					
B	B41F	18	TN	0587578C1																																					
<table border="1" style="width: 100%; border-collapse: collapse;"> <thead> <tr> <th>CHK</th> <th>DATE</th> <th>CHANGE</th> <th>REV</th> <th>REFERENCE</th> <th>DRAWN</th> <th>NAME</th> </tr> </thead> <tbody> <tr> <td>MJVO</td> <td>16SEP17</td> <td>INITIAL RELEASE.</td> <td>A</td> <td>93784S</td> <td>23132922</td> <td>CIRCUIT DIAGRAM, RE BUS - BODY</td> </tr> <tr> <td></td> <td></td> <td></td> <td></td> <td></td> <td>RELEASE NO.</td> <td>DATE</td> </tr> <tr> <td></td> <td></td> <td></td> <td></td> <td></td> <td>93784S</td> <td>16FEB17</td> </tr> </tbody> </table>		CHK	DATE	CHANGE	REV	REFERENCE	DRAWN	NAME	MJVO	16SEP17	INITIAL RELEASE.	A	93784S	23132922	CIRCUIT DIAGRAM, RE BUS - BODY						RELEASE NO.	DATE						93784S	16FEB17												
CHK	DATE	CHANGE	REV	REFERENCE	DRAWN	NAME																																			
MJVO	16SEP17	INITIAL RELEASE.	A	93784S	23132922	CIRCUIT DIAGRAM, RE BUS - BODY																																			
					RELEASE NO.	DATE																																			
					93784S	16FEB17																																			
<table border="1" style="width: 100%; border-collapse: collapse;"> <thead> <tr> <th>PART NO.</th> <th>SHEET</th> </tr> </thead> <tbody> <tr> <td>AE08085160</td> <td>084</td> </tr> </tbody> </table>		PART NO.	SHEET	AE08085160	084																																				
PART NO.	SHEET																																								
AE08085160	084																																								

Figure 464 Connector Composites (10220, 10221, 10224)

18.94. CONNECTOR COMPOSITES (10225, 10226), P. 85

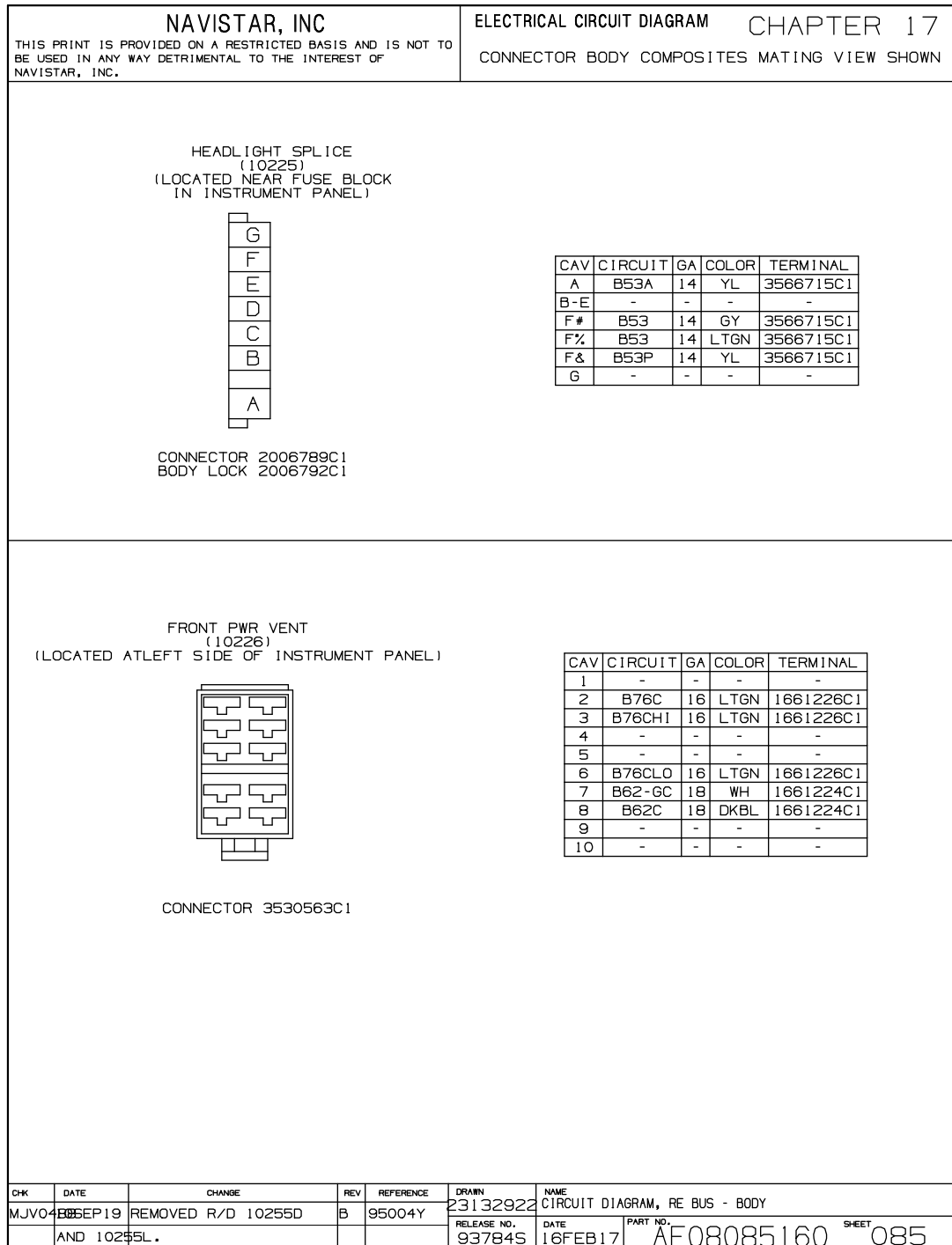


Figure 465 Connector Composites (10225, 10226)

18.95. CONNECTOR COMPOSITES (10227, 10228), P. 86

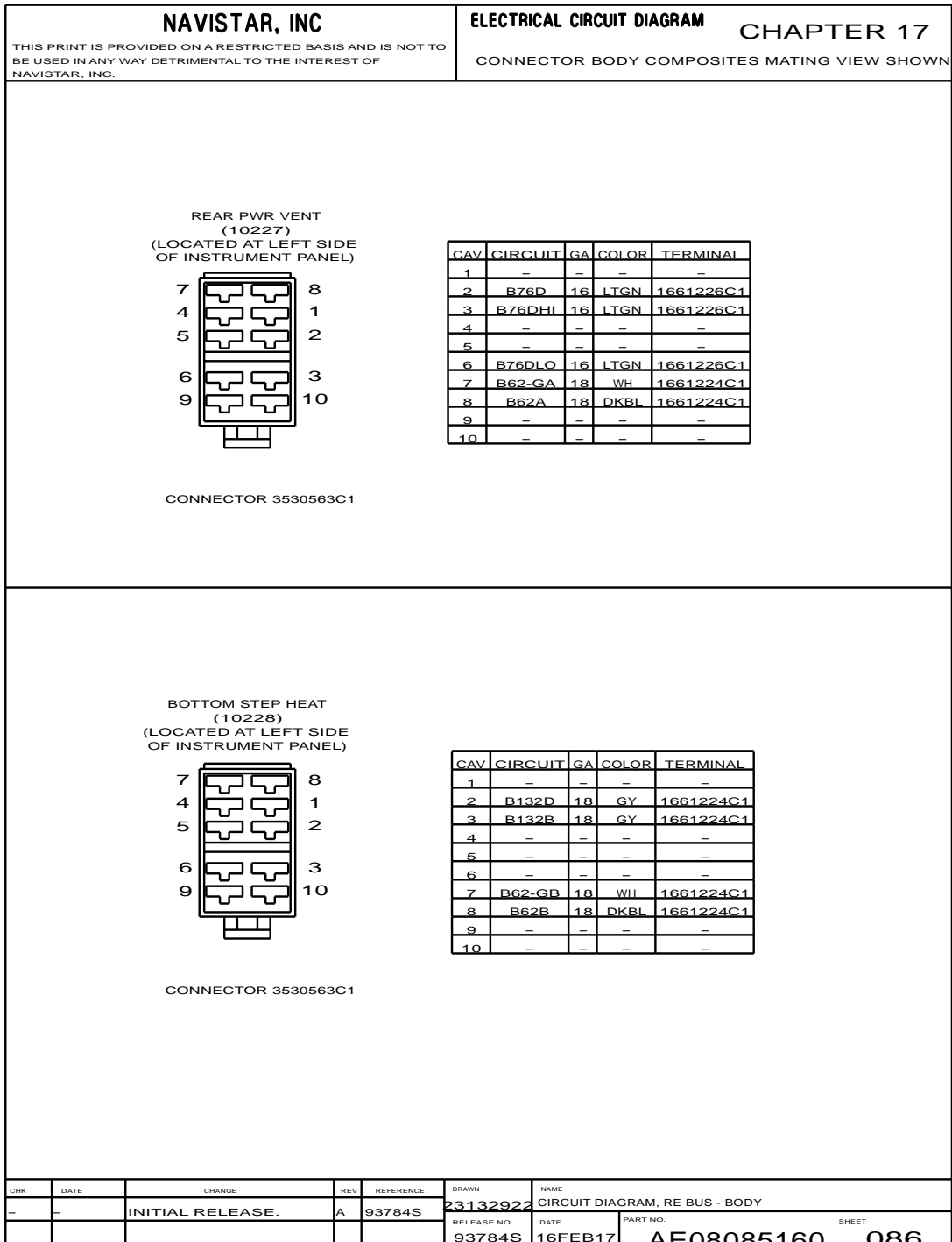


Figure 466 Connector Composites (10227, 10228)

18.96. CONNECTOR COMPOSITES (10229, 10230A), P. 87

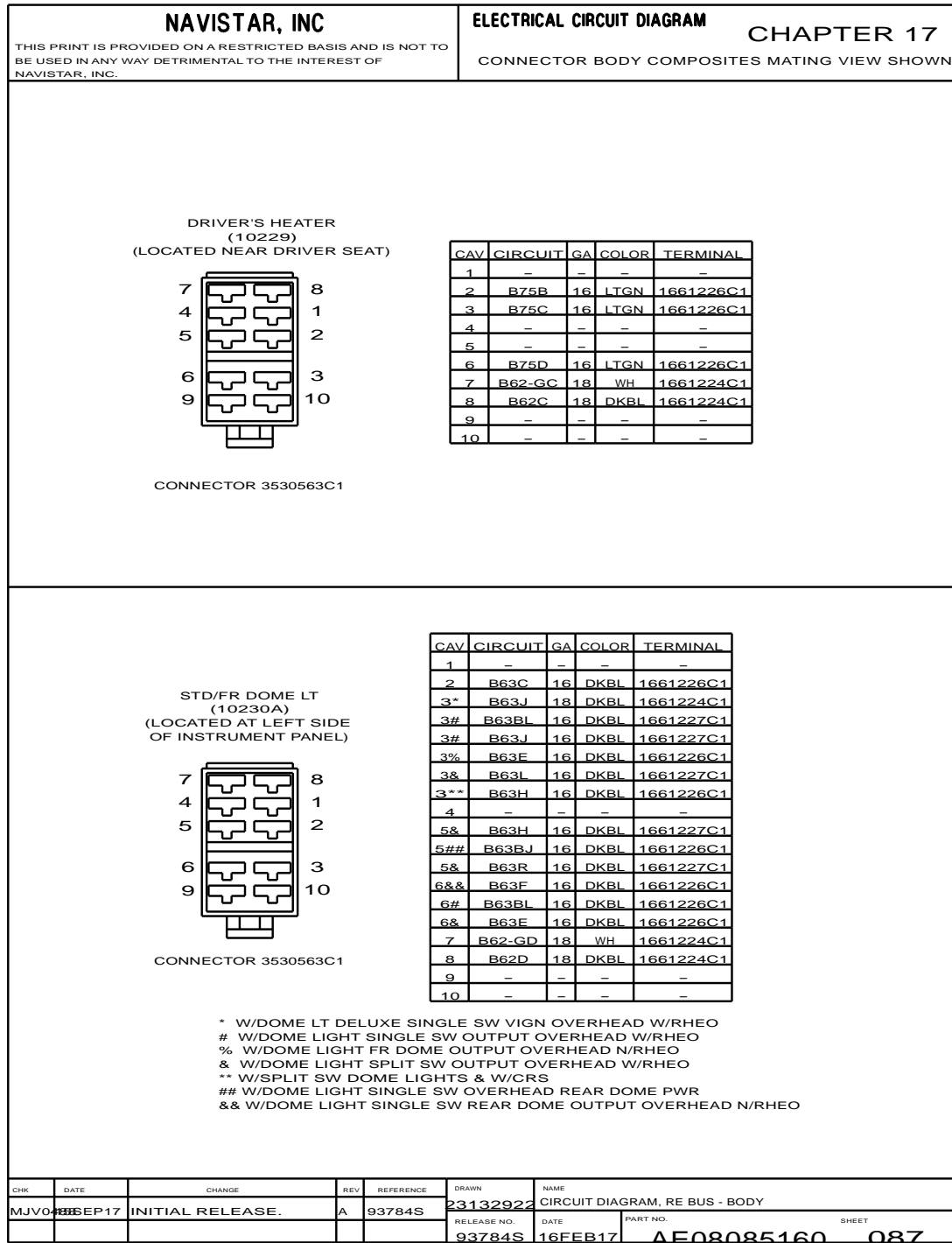


Figure 467 Connector Composites (10229, 10230A)

18.97. CONNECTOR COMPOSITES (10230B, 10231A), P. 88

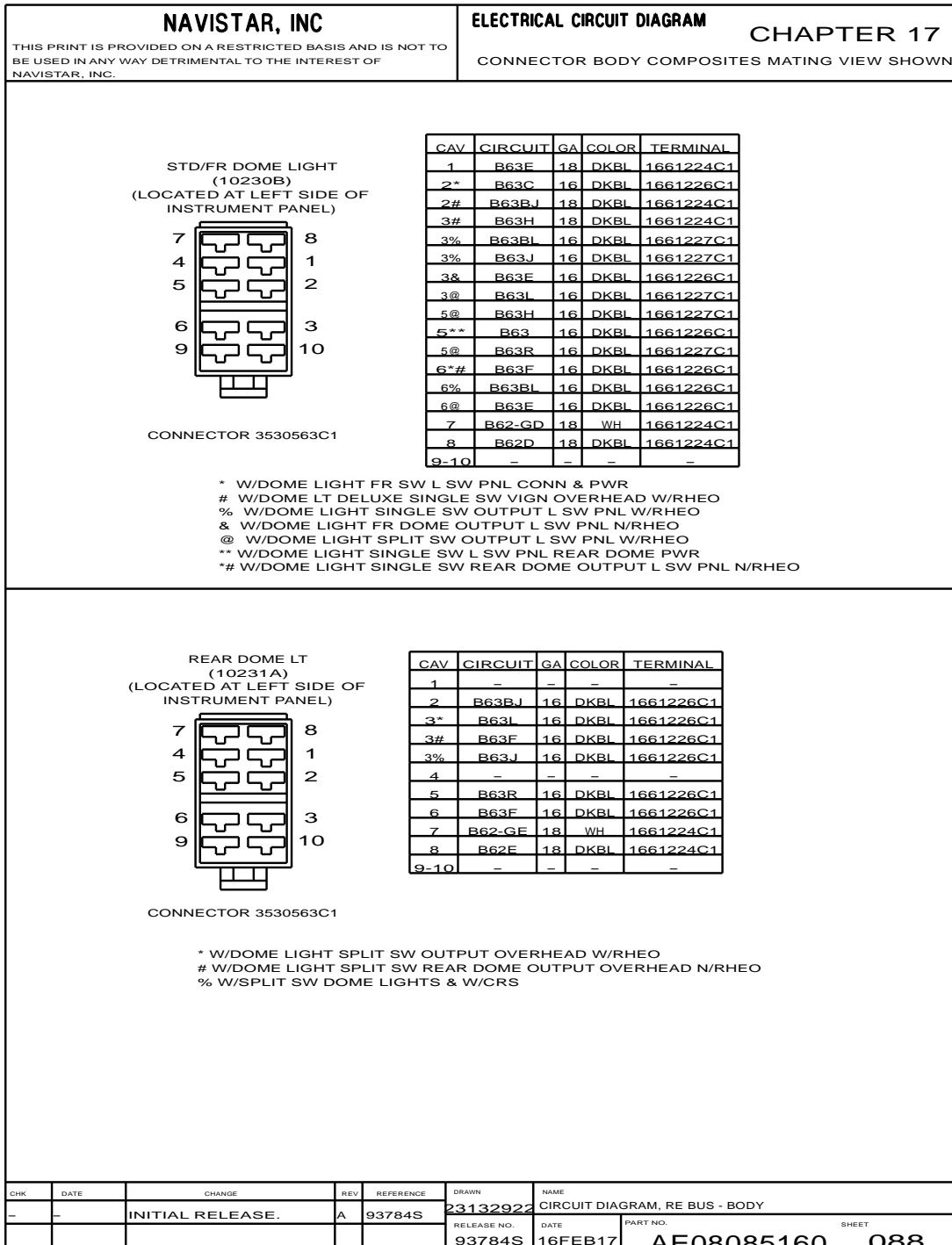


Figure 468 Connector Composites (10230B, 10231A)

18.98. CONNECTOR COMPOSITES (10231B, 10232A, 10232B), P. 89

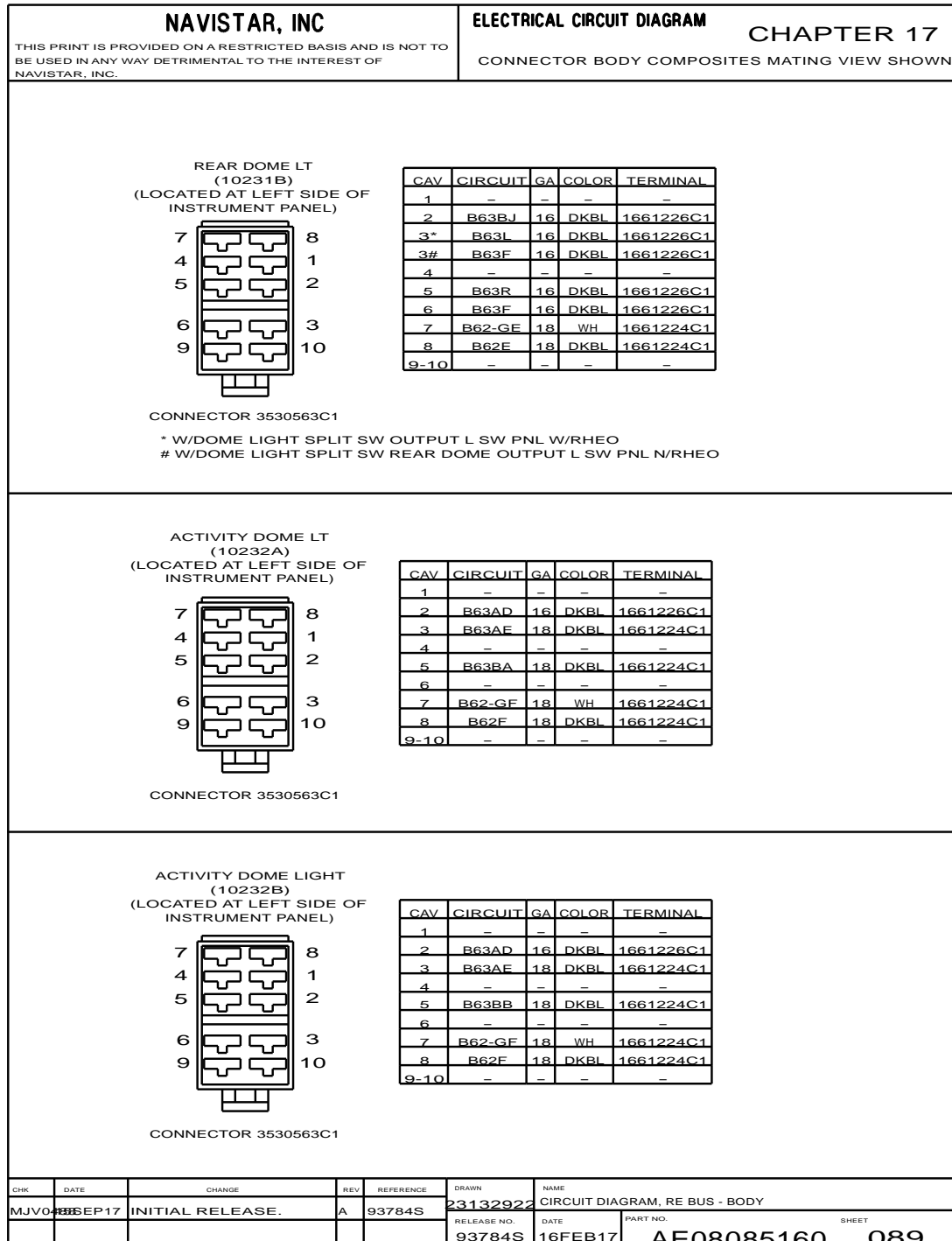


Figure 469 Connector Composites (10231B, 10232A, 10232B)

18.99. CONNECTOR COMPOSITES (10233A, 10233B, 10234A), P. 90

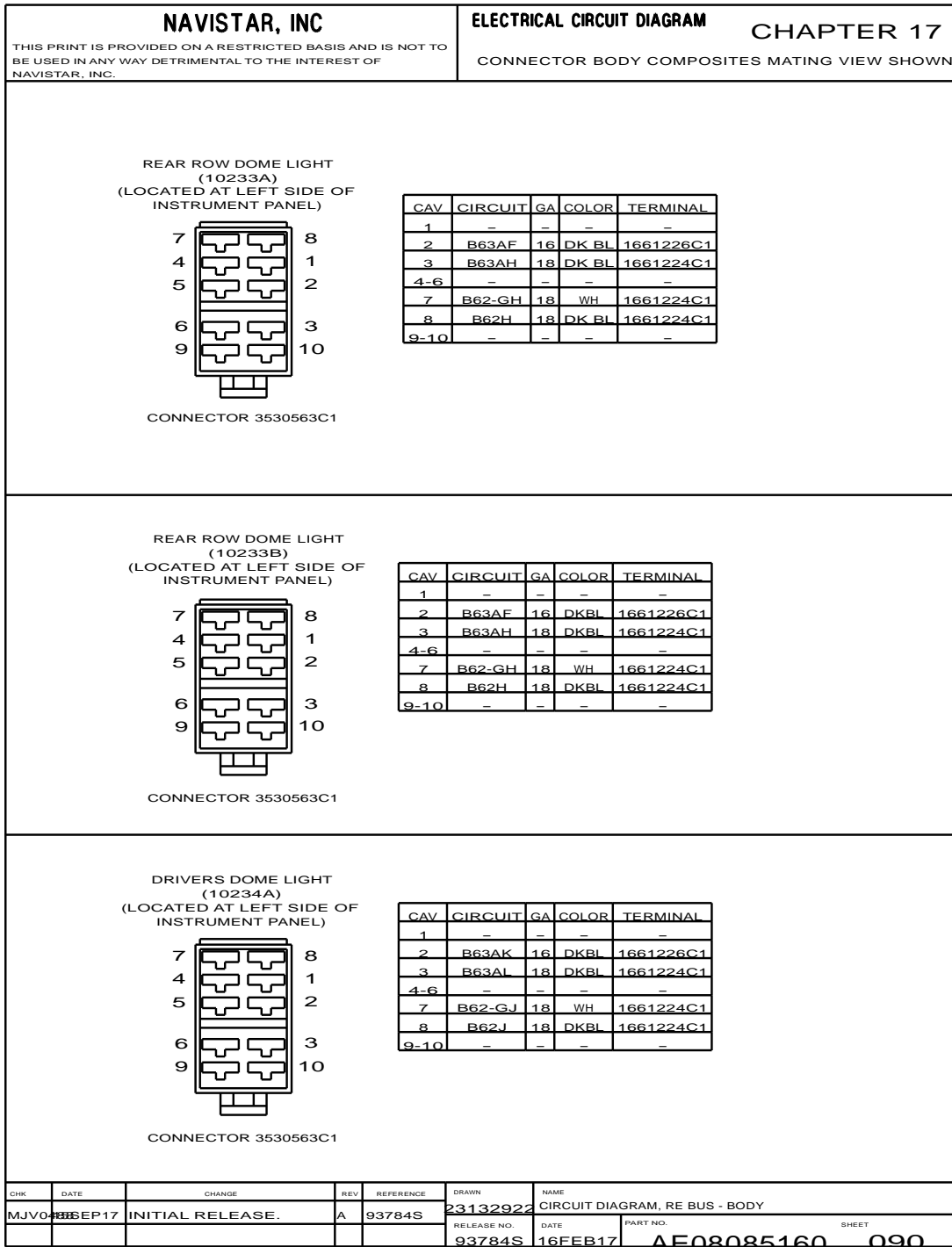


Figure 470 Connector Composites (10233A, 10233B, 10234A)

18.100. CONNECTOR COMPOSITES (10234B, 10235, 10236), P. 91

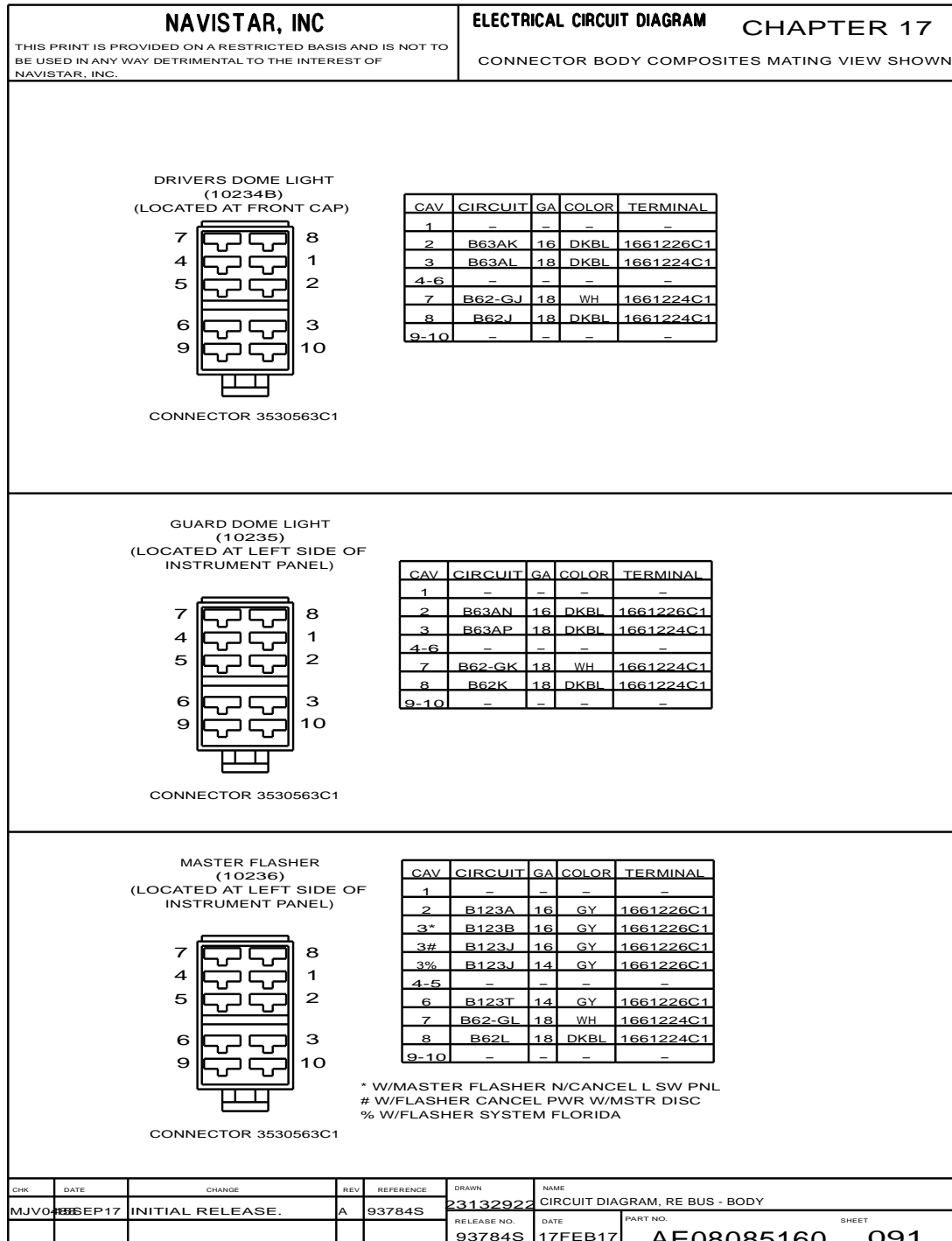


Figure 471 Connector Composites (10234B, 10235, 10236)

18.101. CONNECTOR COMPOSITES (10237, 10238, 10239), P. 92

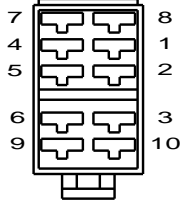
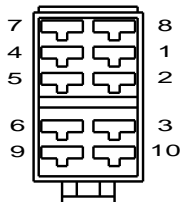
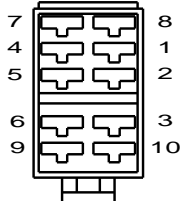
<p style="text-align: center;">NAVISTAR, INC</p> <p style="font-size: small;">THIS PRINT IS PROVIDED ON A RESTRICTED BASIS AND IS NOT TO BE USED IN ANY WAY DETRIMENTAL TO THE INTEREST OF NAVISTAR, INC.</p>	<p style="text-align: center;">ELECTRICAL CIRCUIT DIAGRAM</p> <p style="text-align: right;">CHAPTER 17</p> <p style="text-align: center;">CONNECTOR BODY COMPOSITES MATING VIEW SHOWN</p>																																																		
<p style="text-align: center;">FLASHER START (10237) (LOCATED AT LEFT SIDE OF INSTRUMENT PANEL)</p>  <p style="text-align: center;">CONNECTOR 3530563C1</p>	<table border="1" style="width:100%; border-collapse: collapse; font-size: x-small;"> <thead> <tr> <th>CAV</th> <th>CIRCUIT</th> <th>GA</th> <th>COLOR</th> <th>TERMINAL</th> </tr> </thead> <tbody> <tr><td>1</td><td>-</td><td>-</td><td>-</td><td>-</td></tr> <tr><td>2</td><td>B123C</td><td>16</td><td>GY</td><td>1661226C1</td></tr> <tr><td>3</td><td>B123D</td><td>18</td><td>GY</td><td>1661224C1</td></tr> <tr><td>4-6</td><td>-</td><td>-</td><td>-</td><td>-</td></tr> <tr><td>7</td><td>B62-GM</td><td>18</td><td>WH</td><td>1661224C1</td></tr> <tr><td>8</td><td>B62M</td><td>18</td><td>DKBL</td><td>1661224C1</td></tr> <tr><td>9-10</td><td>-</td><td>-</td><td>-</td><td>-</td></tr> </tbody> </table>	CAV	CIRCUIT	GA	COLOR	TERMINAL	1	-	-	-	-	2	B123C	16	GY	1661226C1	3	B123D	18	GY	1661224C1	4-6	-	-	-	-	7	B62-GM	18	WH	1661224C1	8	B62M	18	DKBL	1661224C1	9-10	-	-	-	-										
CAV	CIRCUIT	GA	COLOR	TERMINAL																																															
1	-	-	-	-																																															
2	B123C	16	GY	1661226C1																																															
3	B123D	18	GY	1661224C1																																															
4-6	-	-	-	-																																															
7	B62-GM	18	WH	1661224C1																																															
8	B62M	18	DKBL	1661224C1																																															
9-10	-	-	-	-																																															
<p style="text-align: center;">FLASHER OVERRIDE (10238) (LOCATED AT LEFT SIDE OF INSTRUMENT PANEL)</p>  <p style="text-align: center;">CONNECTOR 3530563C1</p>	<table border="1" style="width:100%; border-collapse: collapse; font-size: x-small;"> <thead> <tr> <th>CAV</th> <th>CIRCUIT</th> <th>GA</th> <th>COLOR</th> <th>TERMINAL</th> </tr> </thead> <tbody> <tr><td>1</td><td>-</td><td>-</td><td>-</td><td>-</td></tr> <tr><td>2</td><td>B123H</td><td>16</td><td>GY</td><td>1661226C1</td></tr> <tr><td>3</td><td>B123E</td><td>16</td><td>GY</td><td>1661226C1</td></tr> <tr><td>4</td><td>-</td><td>-</td><td>-</td><td>-</td></tr> <tr><td>5</td><td>B123F</td><td>16</td><td>GY</td><td>1661226C1</td></tr> <tr><td>6</td><td>B123-GF</td><td>18</td><td>WH</td><td>1661224C1</td></tr> <tr><td>7</td><td>B62-GN</td><td>18</td><td>WH</td><td>1661224C1</td></tr> <tr><td>8</td><td>B62N</td><td>18</td><td>DKBL</td><td>1661224C1</td></tr> <tr><td>9-10</td><td>-</td><td>-</td><td>-</td><td>-</td></tr> </tbody> </table>	CAV	CIRCUIT	GA	COLOR	TERMINAL	1	-	-	-	-	2	B123H	16	GY	1661226C1	3	B123E	16	GY	1661226C1	4	-	-	-	-	5	B123F	16	GY	1661226C1	6	B123-GF	18	WH	1661224C1	7	B62-GN	18	WH	1661224C1	8	B62N	18	DKBL	1661224C1	9-10	-	-	-	-
CAV	CIRCUIT	GA	COLOR	TERMINAL																																															
1	-	-	-	-																																															
2	B123H	16	GY	1661226C1																																															
3	B123E	16	GY	1661226C1																																															
4	-	-	-	-																																															
5	B123F	16	GY	1661226C1																																															
6	B123-GF	18	WH	1661224C1																																															
7	B62-GN	18	WH	1661224C1																																															
8	B62N	18	DKBL	1661224C1																																															
9-10	-	-	-	-																																															
<p style="text-align: center;">FLASHER CANCEL (10239) (LOCATED AT LEFT SIDE OF INSTRUMENT PANEL)</p>  <p style="text-align: center;">CONNECTOR 3530563C1</p>	<table border="1" style="width:100%; border-collapse: collapse; font-size: x-small;"> <thead> <tr> <th>CAV</th> <th>CIRCUIT</th> <th>GA</th> <th>COLOR</th> <th>TERMINAL</th> </tr> </thead> <tbody> <tr><td>1</td><td>B123A</td><td>14</td><td>GY</td><td>1661226C1</td></tr> <tr><td>2</td><td>B123J</td><td>16</td><td>GY</td><td>1661226C1</td></tr> <tr><td>3*</td><td>B123K</td><td>16</td><td>GY</td><td>1661226C1</td></tr> <tr><td>3#</td><td>B123L</td><td>18</td><td>GY</td><td>1661224C1</td></tr> <tr><td>4-6</td><td>-</td><td>-</td><td>-</td><td>-</td></tr> <tr><td>7</td><td>B62-GP</td><td>18</td><td>WH</td><td>1661224C1</td></tr> <tr><td>8</td><td>B62P</td><td>18</td><td>DKBL</td><td>1661224C1</td></tr> <tr><td>9-10</td><td>-</td><td>-</td><td>-</td><td>-</td></tr> </tbody> </table> <p style="font-size: x-small;">* W/FLASHER CANCEL COMMON # W/FLASHER CANCEL SINGLE CYCLE</p>	CAV	CIRCUIT	GA	COLOR	TERMINAL	1	B123A	14	GY	1661226C1	2	B123J	16	GY	1661226C1	3*	B123K	16	GY	1661226C1	3#	B123L	18	GY	1661224C1	4-6	-	-	-	-	7	B62-GP	18	WH	1661224C1	8	B62P	18	DKBL	1661224C1	9-10	-	-	-	-					
CAV	CIRCUIT	GA	COLOR	TERMINAL																																															
1	B123A	14	GY	1661226C1																																															
2	B123J	16	GY	1661226C1																																															
3*	B123K	16	GY	1661226C1																																															
3#	B123L	18	GY	1661224C1																																															
4-6	-	-	-	-																																															
7	B62-GP	18	WH	1661224C1																																															
8	B62P	18	DKBL	1661224C1																																															
9-10	-	-	-	-																																															
<table border="1" style="width:100%; border-collapse: collapse;"> <tr> <th>CHK</th> <th>DATE</th> <th>CHANGE</th> <th>REV</th> <th>REFERENCE</th> <th>DRAWN</th> <th>NAME</th> </tr> <tr> <td>MJV</td> <td>17SEP17</td> <td>INITIAL RELEASE.</td> <td>A</td> <td>93784S</td> <td>23132922</td> <td>CIRCUIT DIAGRAM, RE BUS - BODY</td> </tr> <tr> <td></td> <td></td> <td></td> <td></td> <td></td> <td>RELEASE NO.</td> <td>DATE</td> </tr> <tr> <td></td> <td></td> <td></td> <td></td> <td></td> <td>93784S</td> <td>17FEB17</td> </tr> <tr> <td></td> <td></td> <td></td> <td></td> <td></td> <td>PART NO.</td> <td>SHEET</td> </tr> <tr> <td></td> <td></td> <td></td> <td></td> <td></td> <td>AE08085160</td> <td>092</td> </tr> </table>		CHK	DATE	CHANGE	REV	REFERENCE	DRAWN	NAME	MJV	17SEP17	INITIAL RELEASE.	A	93784S	23132922	CIRCUIT DIAGRAM, RE BUS - BODY						RELEASE NO.	DATE						93784S	17FEB17						PART NO.	SHEET						AE08085160	092								
CHK	DATE	CHANGE	REV	REFERENCE	DRAWN	NAME																																													
MJV	17SEP17	INITIAL RELEASE.	A	93784S	23132922	CIRCUIT DIAGRAM, RE BUS - BODY																																													
					RELEASE NO.	DATE																																													
					93784S	17FEB17																																													
					PART NO.	SHEET																																													
					AE08085160	092																																													

Figure 472 Connector Composites (10237, 10238, 10239)

18.102. CONNECTOR COMPOSITES (10240, 10241A, 10241B), P. 93

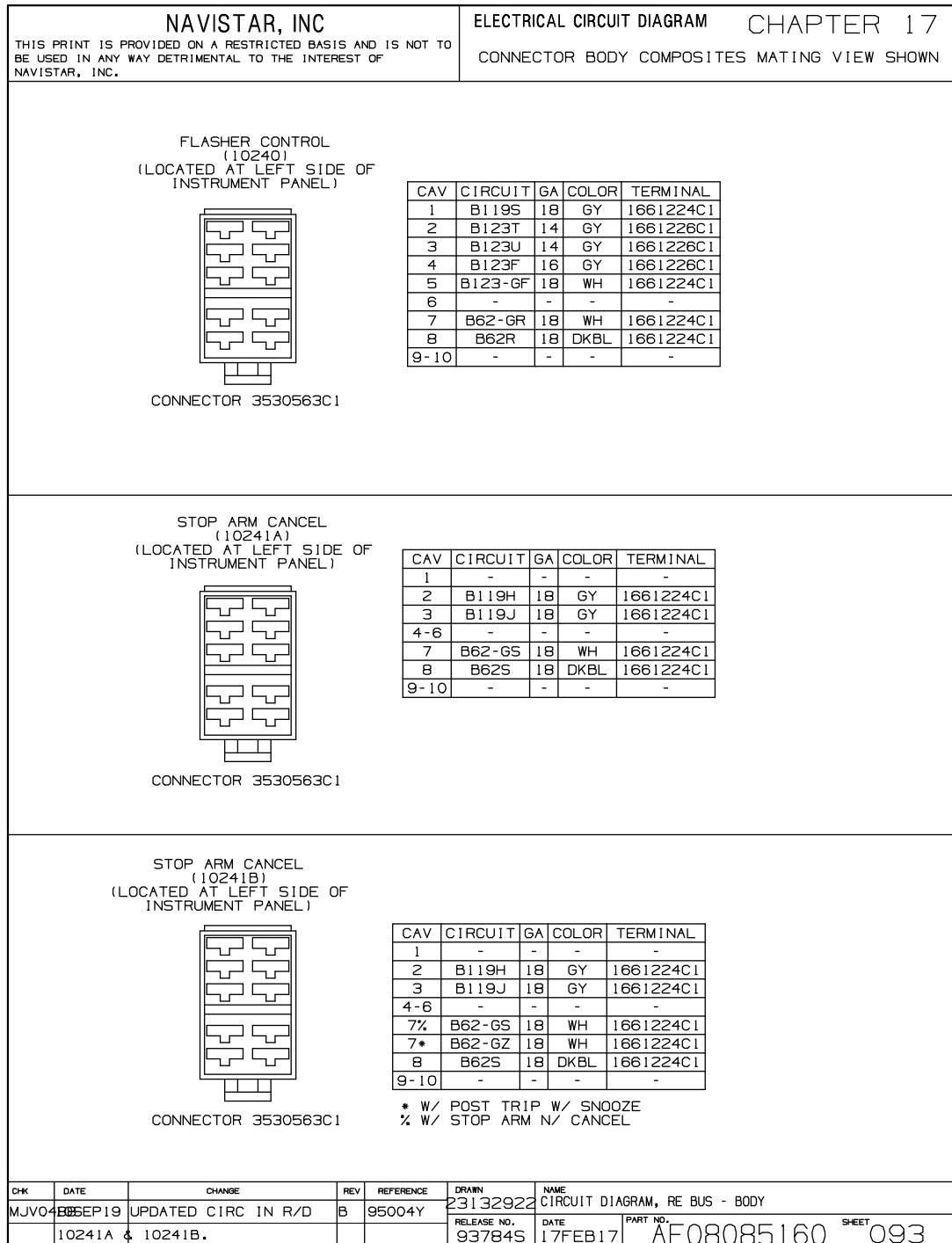


Figure 473 Connector Composites (10240, 10241A, 10241B)

18.103. CONNECTOR COMPOSITES (10242, 10243, 10243B), P. 94

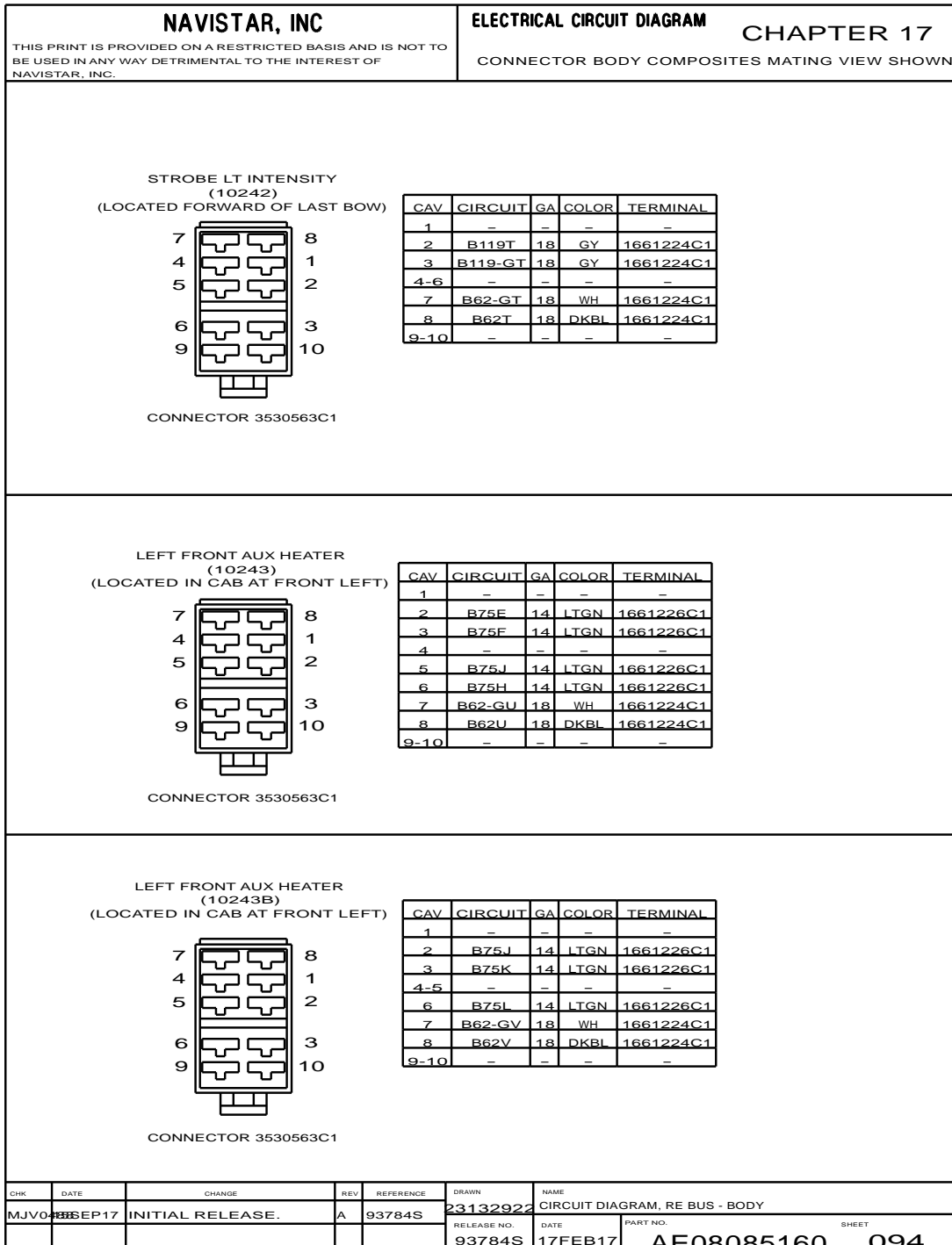


Figure 474 Connector Composites (10242, 10243, 10243B)

18.104. CONNECTOR COMPOSITES (10244, 10244B, 10245), P. 95

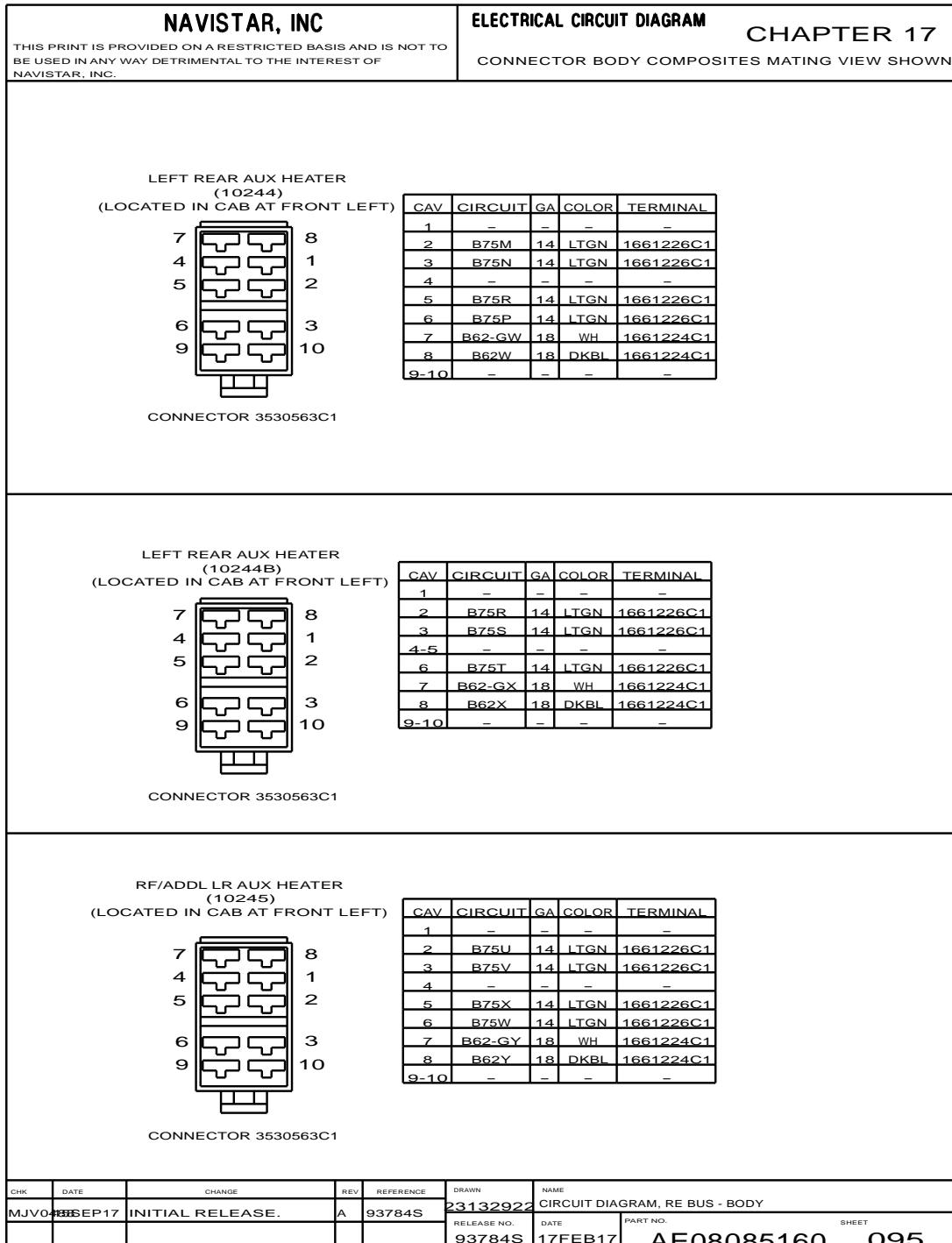


Figure 475 Connector Composites (10244, 10244B, 10245)

18.105. CONNECTOR COMPOSITES (10245B, 10246, 10246B), P. 96

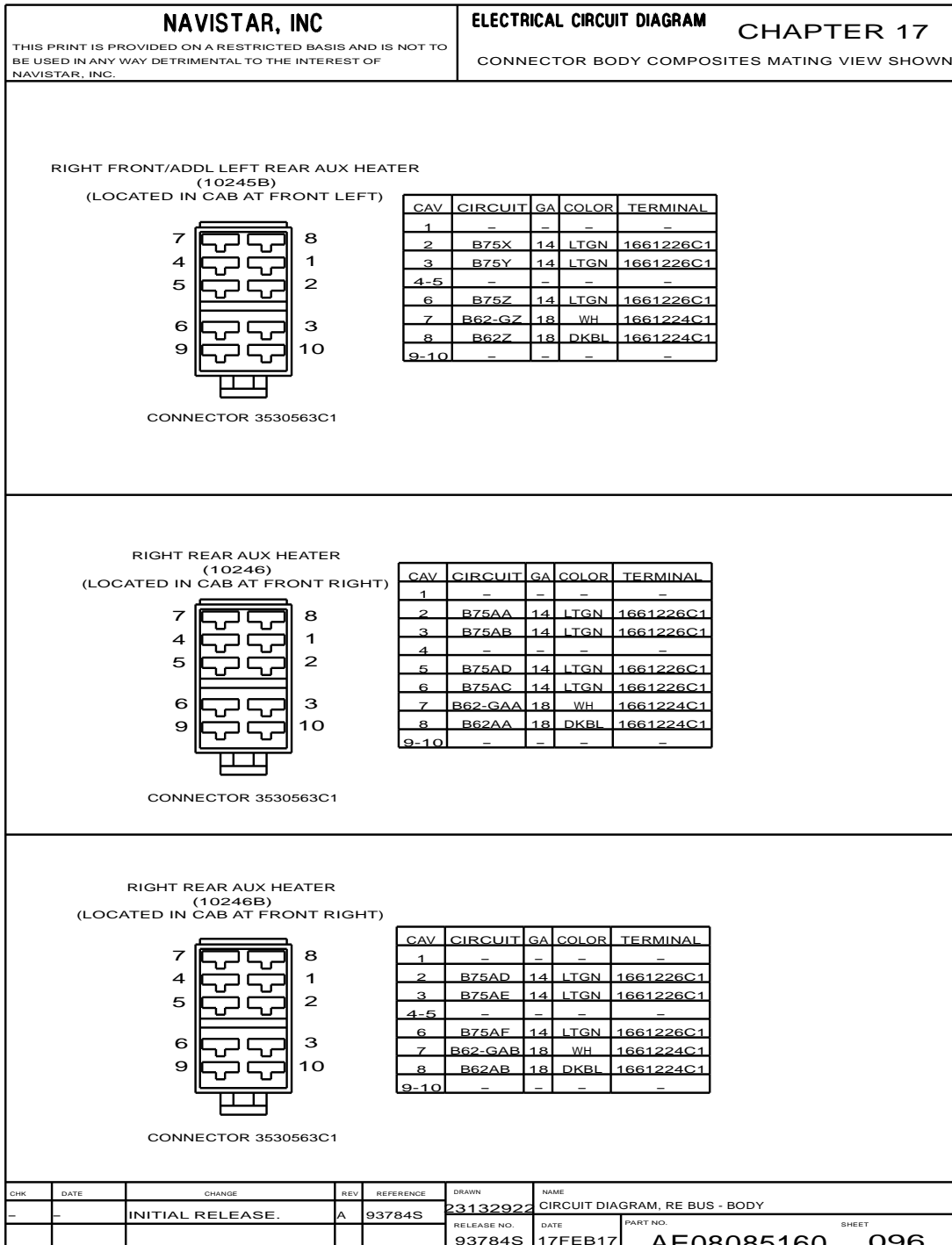


Figure 476 Connector Composites (10245B, 10246, 10246B)

18.106. CONNECTOR COMPOSITES (10247, 10247A, 10248), P. 97

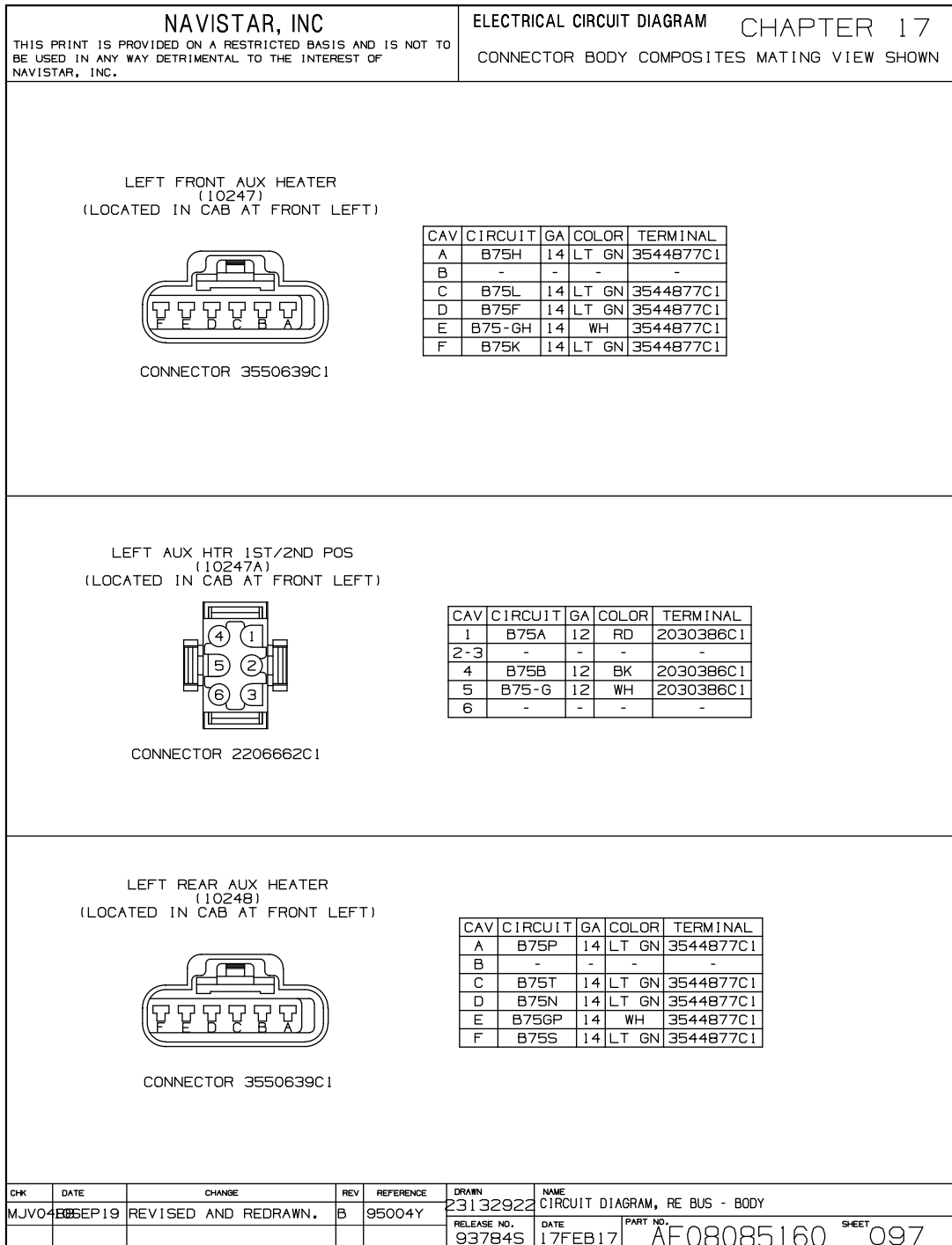


Figure 477 Connector Composites (10247, 10247A, 10248)

18.107. CONNECTOR COMPOSITES (10248A, 10249, 10250), P. 98

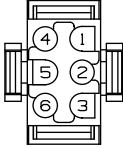
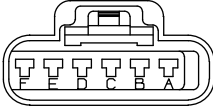
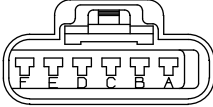
NAVISTAR, INC <small>THIS PRINT IS PROVIDED ON A RESTRICTED BASIS AND IS NOT TO BE USED IN ANY WAY DETRIMENTAL TO THE INTEREST OF NAVISTAR, INC.</small>				ELECTRICAL CIRCUIT DIAGRAM CHAPTER 17 CONNECTOR BODY COMPOSITES MATING VIEW SHOWN																																					
<p>LEFT AUX HEATER REAR POS (10248A) (LOCATED IN CAB AT FRONT LEFT)</p> <div style="display: flex; justify-content: space-around; align-items: center;">  <table border="1" style="border-collapse: collapse; text-align: center;"> <thead> <tr> <th>CAV</th> <th>CIRCUIT</th> <th>GA</th> <th>COLOR</th> <th>TERMINAL</th> </tr> </thead> <tbody> <tr> <td>1</td> <td>B75A</td> <td>12</td> <td>RD</td> <td>2030386C1</td> </tr> <tr> <td>2-3</td> <td>-</td> <td>-</td> <td>-</td> <td>-</td> </tr> <tr> <td>4</td> <td>B75B</td> <td>12</td> <td>BK</td> <td>2030386C1</td> </tr> <tr> <td>5</td> <td>B75-G</td> <td>12</td> <td>WH</td> <td>2030386C1</td> </tr> <tr> <td>6</td> <td>-</td> <td>-</td> <td>-</td> <td>-</td> </tr> </tbody> </table> </div> <p style="text-align: center;">CONNECTOR 2206662C1</p>							CAV	CIRCUIT	GA	COLOR	TERMINAL	1	B75A	12	RD	2030386C1	2-3	-	-	-	-	4	B75B	12	BK	2030386C1	5	B75-G	12	WH	2030386C1	6	-	-	-	-					
CAV	CIRCUIT	GA	COLOR	TERMINAL																																					
1	B75A	12	RD	2030386C1																																					
2-3	-	-	-	-																																					
4	B75B	12	BK	2030386C1																																					
5	B75-G	12	WH	2030386C1																																					
6	-	-	-	-																																					
<p>RIGHT FRONT AUX HEATER (10249) (LOCATED IN CAB AT FRONT RIGHT)</p> <div style="display: flex; justify-content: space-around; align-items: center;">  <table border="1" style="border-collapse: collapse; text-align: center;"> <thead> <tr> <th>CAV</th> <th>CIRCUIT</th> <th>GA</th> <th>COLOR</th> <th>TERMINAL</th> </tr> </thead> <tbody> <tr> <td>A</td> <td>B75W</td> <td>14</td> <td>LT GN</td> <td>3544877C1</td> </tr> <tr> <td>B</td> <td>-</td> <td>-</td> <td>-</td> <td>-</td> </tr> <tr> <td>C</td> <td>B75Z</td> <td>14</td> <td>LT GN</td> <td>3544877C1</td> </tr> <tr> <td>D</td> <td>B75V</td> <td>14</td> <td>LT GN</td> <td>3544877C1</td> </tr> <tr> <td>E</td> <td>B75-GW</td> <td>14</td> <td>WH</td> <td>3544877C1</td> </tr> <tr> <td>F</td> <td>B75Y</td> <td>14</td> <td>LT GN</td> <td>3544877C1</td> </tr> </tbody> </table> </div> <p style="text-align: center;">CONNECTOR 3550639C1</p>							CAV	CIRCUIT	GA	COLOR	TERMINAL	A	B75W	14	LT GN	3544877C1	B	-	-	-	-	C	B75Z	14	LT GN	3544877C1	D	B75V	14	LT GN	3544877C1	E	B75-GW	14	WH	3544877C1	F	B75Y	14	LT GN	3544877C1
CAV	CIRCUIT	GA	COLOR	TERMINAL																																					
A	B75W	14	LT GN	3544877C1																																					
B	-	-	-	-																																					
C	B75Z	14	LT GN	3544877C1																																					
D	B75V	14	LT GN	3544877C1																																					
E	B75-GW	14	WH	3544877C1																																					
F	B75Y	14	LT GN	3544877C1																																					
<p>RIGHT REAR AUX HEATER (10250) (LOCATED IN CAB AT FRONT RIGHT)</p> <div style="display: flex; justify-content: space-around; align-items: center;">  <table border="1" style="border-collapse: collapse; text-align: center;"> <thead> <tr> <th>CAV</th> <th>CIRCUIT</th> <th>GA</th> <th>COLOR</th> <th>TERMINAL</th> </tr> </thead> <tbody> <tr> <td>A</td> <td>B75AC</td> <td>14</td> <td>LT GN</td> <td>3544877C1</td> </tr> <tr> <td>B</td> <td>-</td> <td>-</td> <td>-</td> <td>-</td> </tr> <tr> <td>C</td> <td>B75AF</td> <td>14</td> <td>LT GN</td> <td>3544877C1</td> </tr> <tr> <td>D</td> <td>B75AB</td> <td>14</td> <td>LT GN</td> <td>3544877C1</td> </tr> <tr> <td>E</td> <td>B75-GAC</td> <td>14</td> <td>WH</td> <td>3544877C1</td> </tr> <tr> <td>F</td> <td>B75AE</td> <td>14</td> <td>LT GN</td> <td>3544877C1</td> </tr> </tbody> </table> </div> <p style="text-align: center;">CONNECTOR 3550639C1</p>							CAV	CIRCUIT	GA	COLOR	TERMINAL	A	B75AC	14	LT GN	3544877C1	B	-	-	-	-	C	B75AF	14	LT GN	3544877C1	D	B75AB	14	LT GN	3544877C1	E	B75-GAC	14	WH	3544877C1	F	B75AE	14	LT GN	3544877C1
CAV	CIRCUIT	GA	COLOR	TERMINAL																																					
A	B75AC	14	LT GN	3544877C1																																					
B	-	-	-	-																																					
C	B75AF	14	LT GN	3544877C1																																					
D	B75AB	14	LT GN	3544877C1																																					
E	B75-GAC	14	WH	3544877C1																																					
F	B75AE	14	LT GN	3544877C1																																					
CHK	DATE	CHANGE	REV	REFERENCE	DRAWN	NAME																																			
MJVO	19SEP19	REVISED AND REDRAWN.	B	95004Y	23132922	CIRCUIT DIAGRAM, RE BUS - BODY																																			
					RELEASE NO.	DATE																																			
					93784S	17FEB17																																			
					PART NO.	SHEET																																			
					AE08085160	098																																			

Figure 478 Connector Composites (10248A, 10249, 10250)

18.108. CONNECTOR COMPOSITES (10252, 10253, 10254, 10255), P. 99

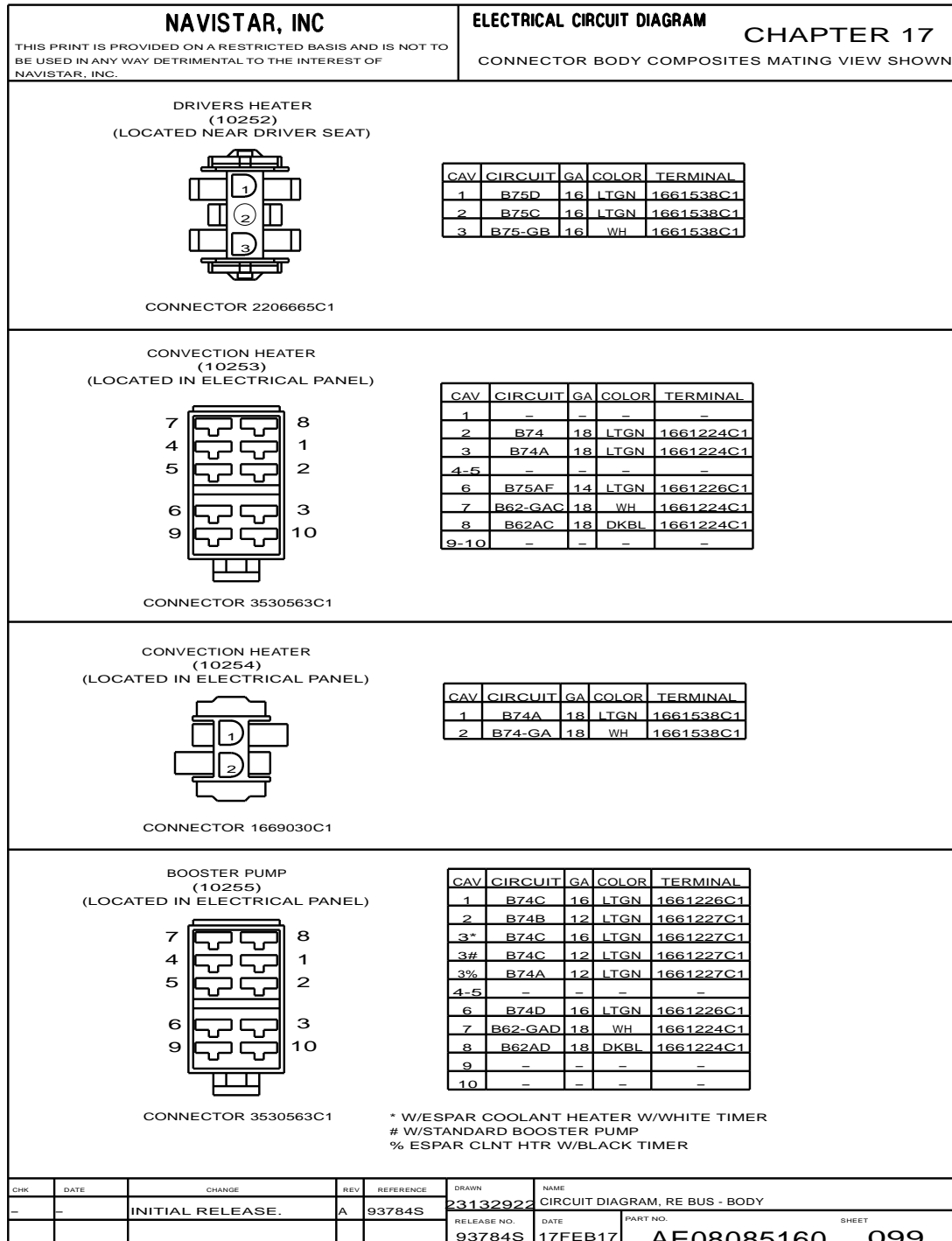


Figure 479 Connector Composites (10252, 10253, 10254, 10255)

18.109. CONNECTOR COMPOSITES (10256, 10257, 10259), P. 100

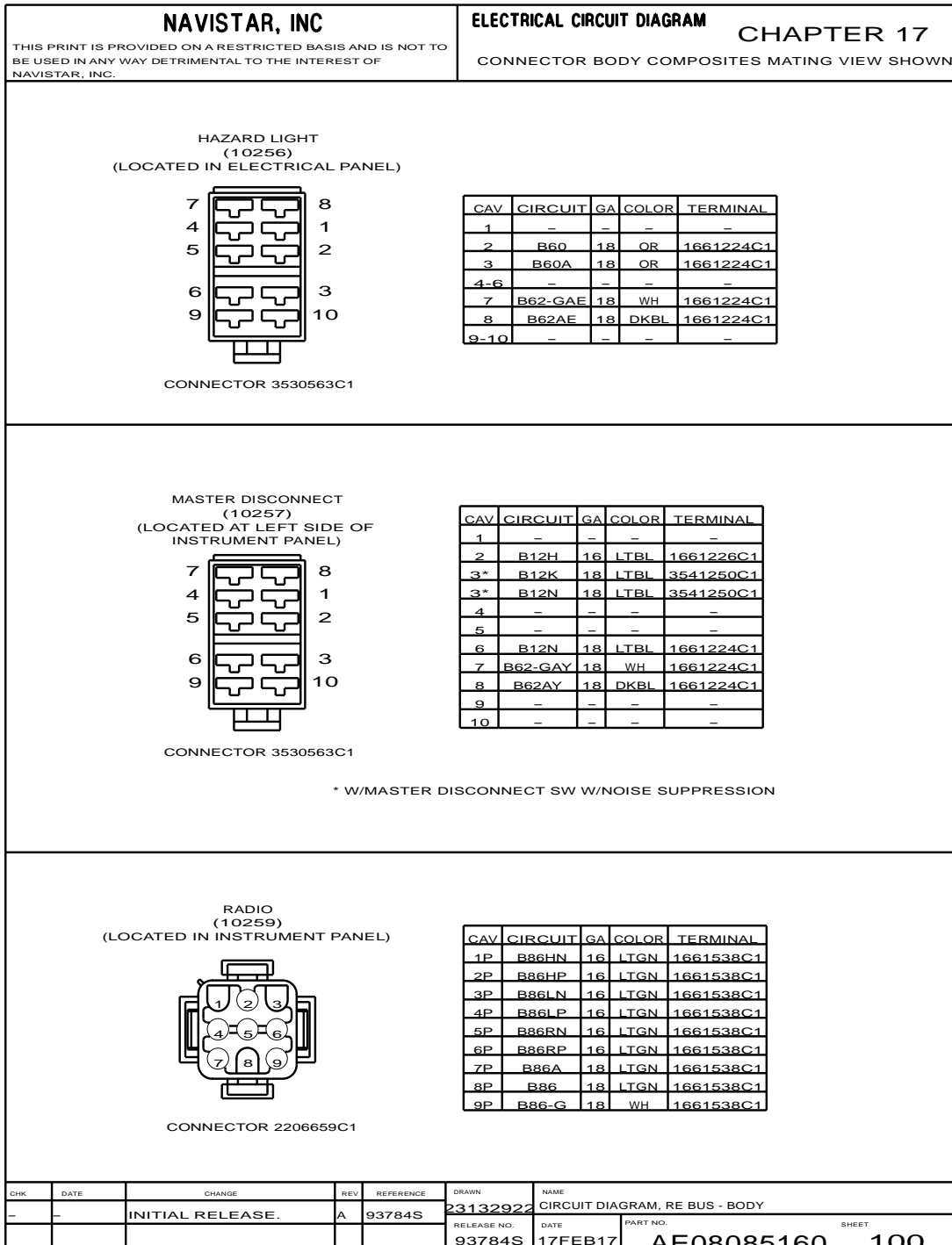
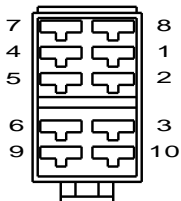
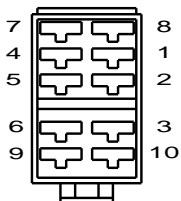


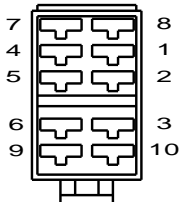
Figure 480 Connector Composites (10256, 10257, 10259)

18.110. CONNECTOR COMPOSITES (10264, 10267, 10268), P. 101

NAVISTAR, INC				ELECTRICAL CIRCUIT DIAGRAM				CHAPTER 17			
THIS PRINT IS PROVIDED ON A RESTRICTED BASIS AND IS NOT TO BE USED IN ANY WAY DETRIMENTAL TO THE INTEREST OF NAVISTAR, INC.				CONNECTOR BODY COMPOSITES MATING VIEW SHOWN							

<p style="text-align: center;">NOISE SUPPRESSION (10264) (LOCATED IN INSTRUMENT PANEL)</p>  <p style="text-align: center;">CONNECTOR 3530563C1</p>	<table border="1" style="width: 100%; border-collapse: collapse; font-size: x-small;"> <thead> <tr> <th>CAV</th> <th>CIRCUIT</th> <th>GA</th> <th>COLOR</th> <th>TERMINAL</th> </tr> </thead> <tbody> <tr><td>1</td><td>B118A</td><td>18</td><td>LTBL</td><td>1661224C1</td></tr> <tr><td>2*</td><td>B12N</td><td>18</td><td>LTBL</td><td>1661224C1</td></tr> <tr><td>2#</td><td>B12N</td><td>16</td><td>LTBL</td><td>1661226C1</td></tr> <tr><td>3</td><td>-</td><td>-</td><td>-</td><td>-</td></tr> <tr><td>4</td><td>-</td><td>-</td><td>-</td><td>-</td></tr> <tr><td>5</td><td>-</td><td>-</td><td>-</td><td>-</td></tr> <tr><td>6</td><td>-</td><td>-</td><td>-</td><td>-</td></tr> <tr><td>7</td><td>B62-GAZ</td><td>18</td><td>WH</td><td>1661224C1</td></tr> <tr><td>8</td><td>B62AZ</td><td>18</td><td>DKBL</td><td>1661224C1</td></tr> <tr><td>9</td><td>-</td><td>-</td><td>-</td><td>-</td></tr> <tr><td>10</td><td>-</td><td>-</td><td>-</td><td>-</td></tr> </tbody> </table> <p style="font-size: x-small;">* MASTER DISCONNECT SW W/NOISE SUPPRESSION # MASTER DISCONNECT VIGN W/NOISE SUPPRESSION</p>	CAV	CIRCUIT	GA	COLOR	TERMINAL	1	B118A	18	LTBL	1661224C1	2*	B12N	18	LTBL	1661224C1	2#	B12N	16	LTBL	1661226C1	3	-	-	-	-	4	-	-	-	-	5	-	-	-	-	6	-	-	-	-	7	B62-GAZ	18	WH	1661224C1	8	B62AZ	18	DKBL	1661224C1	9	-	-	-	-	10	-	-	-	-
CAV	CIRCUIT	GA	COLOR	TERMINAL																																																									
1	B118A	18	LTBL	1661224C1																																																									
2*	B12N	18	LTBL	1661224C1																																																									
2#	B12N	16	LTBL	1661226C1																																																									
3	-	-	-	-																																																									
4	-	-	-	-																																																									
5	-	-	-	-																																																									
6	-	-	-	-																																																									
7	B62-GAZ	18	WH	1661224C1																																																									
8	B62AZ	18	DKBL	1661224C1																																																									
9	-	-	-	-																																																									
10	-	-	-	-																																																									

<p style="text-align: center;">DESTINATION SIGN (10267) (LOCATED IN ELECTRICAL PANEL)</p>  <p style="text-align: center;">CONNECTOR 3530563C1</p>	<table border="1" style="width: 100%; border-collapse: collapse; font-size: x-small;"> <thead> <tr> <th>CAV</th> <th>CIRCUIT</th> <th>GA</th> <th>COLOR</th> <th>TERMINAL</th> </tr> </thead> <tbody> <tr><td>1</td><td>-</td><td>-</td><td>-</td><td>-</td></tr> <tr><td>2</td><td>B134</td><td>16</td><td>OR</td><td>1661226C1</td></tr> <tr><td>3</td><td>B134F</td><td>16</td><td>OR</td><td>1661226C1</td></tr> <tr><td>4</td><td>-</td><td>-</td><td>-</td><td>-</td></tr> <tr><td>5</td><td>-</td><td>-</td><td>-</td><td>-</td></tr> <tr><td>6</td><td>B134R</td><td>16</td><td>OR</td><td>1661226C1</td></tr> <tr><td>7</td><td>B62-GAL</td><td>18</td><td>WH</td><td>1661224C1</td></tr> <tr><td>8</td><td>B62AL</td><td>18</td><td>DKBL</td><td>1661224C1</td></tr> <tr><td>9</td><td>-</td><td>-</td><td>-</td><td>-</td></tr> <tr><td>10</td><td>-</td><td>-</td><td>-</td><td>-</td></tr> </tbody> </table>	CAV	CIRCUIT	GA	COLOR	TERMINAL	1	-	-	-	-	2	B134	16	OR	1661226C1	3	B134F	16	OR	1661226C1	4	-	-	-	-	5	-	-	-	-	6	B134R	16	OR	1661226C1	7	B62-GAL	18	WH	1661224C1	8	B62AL	18	DKBL	1661224C1	9	-	-	-	-	10	-	-	-	-
CAV	CIRCUIT	GA	COLOR	TERMINAL																																																				
1	-	-	-	-																																																				
2	B134	16	OR	1661226C1																																																				
3	B134F	16	OR	1661226C1																																																				
4	-	-	-	-																																																				
5	-	-	-	-																																																				
6	B134R	16	OR	1661226C1																																																				
7	B62-GAL	18	WH	1661224C1																																																				
8	B62AL	18	DKBL	1661224C1																																																				
9	-	-	-	-																																																				
10	-	-	-	-																																																				

<p style="text-align: center;">LUGGAGE BOX LIGHT (10268) (LOCATED AT LEFT SIDE INSTRUMENT PANEL)</p>  <p style="text-align: center;">CONNECTOR 3530563C1</p>	<table border="1" style="width: 100%; border-collapse: collapse; font-size: x-small;"> <thead> <tr> <th>CAV</th> <th>CIRCUIT</th> <th>GA</th> <th>COLOR</th> <th>TERMINAL</th> </tr> </thead> <tbody> <tr><td>1</td><td>-</td><td>-</td><td>-</td><td>-</td></tr> <tr><td>2*</td><td>B135</td><td>16</td><td>OR</td><td>1661226C1</td></tr> <tr><td>2#</td><td>B135</td><td>16</td><td>OR</td><td>1661226C1</td></tr> <tr><td>3*</td><td>B135A</td><td>16</td><td>OR</td><td>1661226C1</td></tr> <tr><td>3#</td><td>B135A</td><td>16</td><td>OR</td><td>1661226C1</td></tr> <tr><td>4</td><td>-</td><td>-</td><td>-</td><td>-</td></tr> <tr><td>5</td><td>-</td><td>-</td><td>-</td><td>-</td></tr> <tr><td>6</td><td>-</td><td>-</td><td>-</td><td>-</td></tr> <tr><td>7</td><td>B62-GAM</td><td>18</td><td>WH</td><td>1661224C1</td></tr> <tr><td>8</td><td>B62AM</td><td>18</td><td>DKBL</td><td>1661224C1</td></tr> <tr><td>9</td><td>-</td><td>-</td><td>-</td><td>-</td></tr> <tr><td>10</td><td>-</td><td>-</td><td>-</td><td>-</td></tr> </tbody> </table> <p style="font-size: x-small;">* W/INDIVIDUAL LUGGAGE COMPARTMENT LT # W/INDIVIDUAL & PASS THRU LUGGAGE COMPT LIGHTS</p>	CAV	CIRCUIT	GA	COLOR	TERMINAL	1	-	-	-	-	2*	B135	16	OR	1661226C1	2#	B135	16	OR	1661226C1	3*	B135A	16	OR	1661226C1	3#	B135A	16	OR	1661226C1	4	-	-	-	-	5	-	-	-	-	6	-	-	-	-	7	B62-GAM	18	WH	1661224C1	8	B62AM	18	DKBL	1661224C1	9	-	-	-	-	10	-	-	-	-
CAV	CIRCUIT	GA	COLOR	TERMINAL																																																														
1	-	-	-	-																																																														
2*	B135	16	OR	1661226C1																																																														
2#	B135	16	OR	1661226C1																																																														
3*	B135A	16	OR	1661226C1																																																														
3#	B135A	16	OR	1661226C1																																																														
4	-	-	-	-																																																														
5	-	-	-	-																																																														
6	-	-	-	-																																																														
7	B62-GAM	18	WH	1661224C1																																																														
8	B62AM	18	DKBL	1661224C1																																																														
9	-	-	-	-																																																														
10	-	-	-	-																																																														

CHK	DATE	CHANGE	REV	REFERENCE	DRAWN	NAME
MJVO	13 SEP 17	INITIAL RELEASE.	A	93784S	23132922	CIRCUIT DIAGRAM, RE BUS - BODY
					RELEASE NO.	DATE
					93784S	17 FEB 17
					PART NO.	SHEET
					AE08085160	101

Figure 481 Connector Composites (10264, 10267, 10268)

18.111. CONNECTOR COMPOSITES (10269, 10270A, 10270B), P. 102

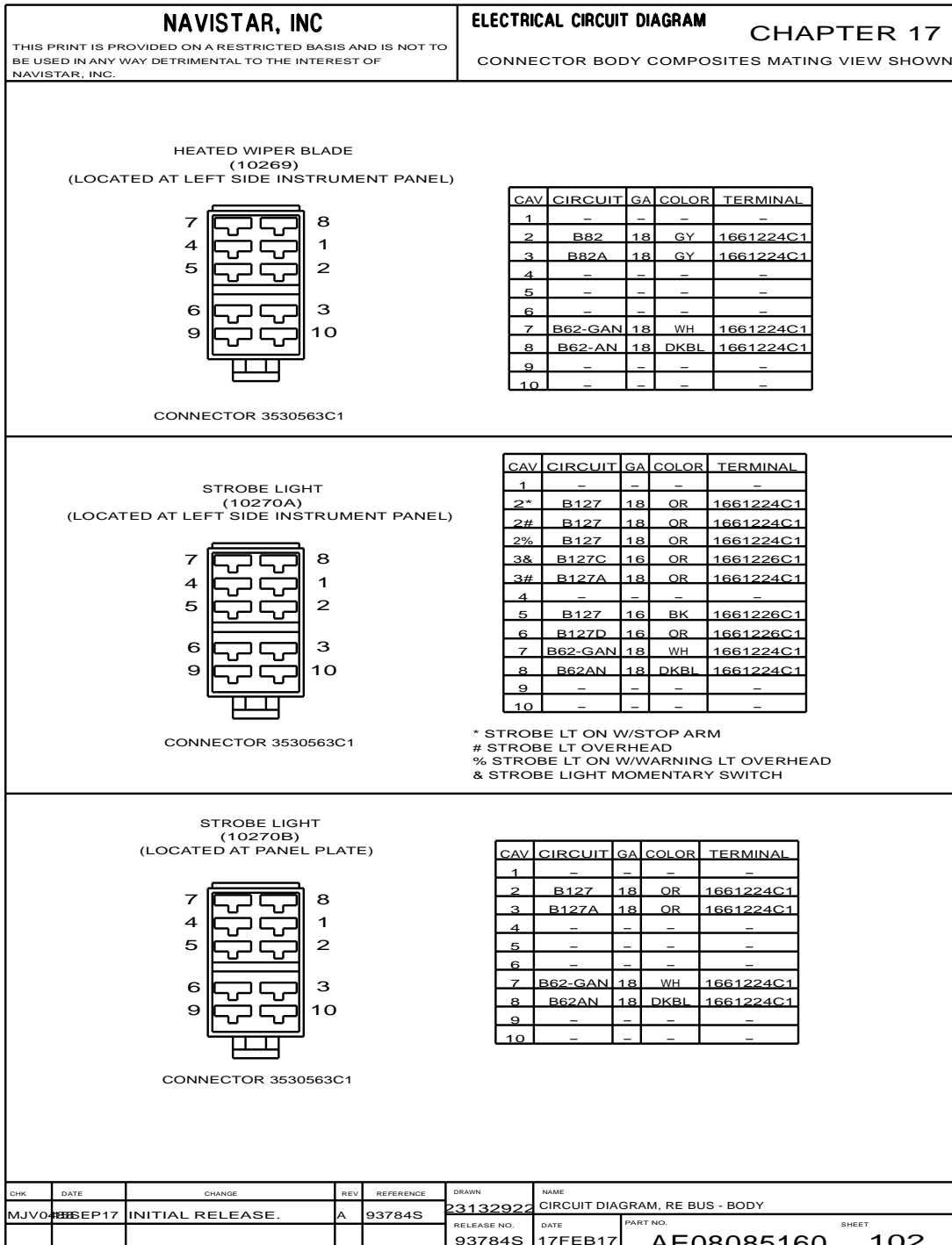


Figure 482 Connector Composites (10269, 10270A, 10270B)

18.112. CONNECTOR COMPOSITES (10275), P. 103

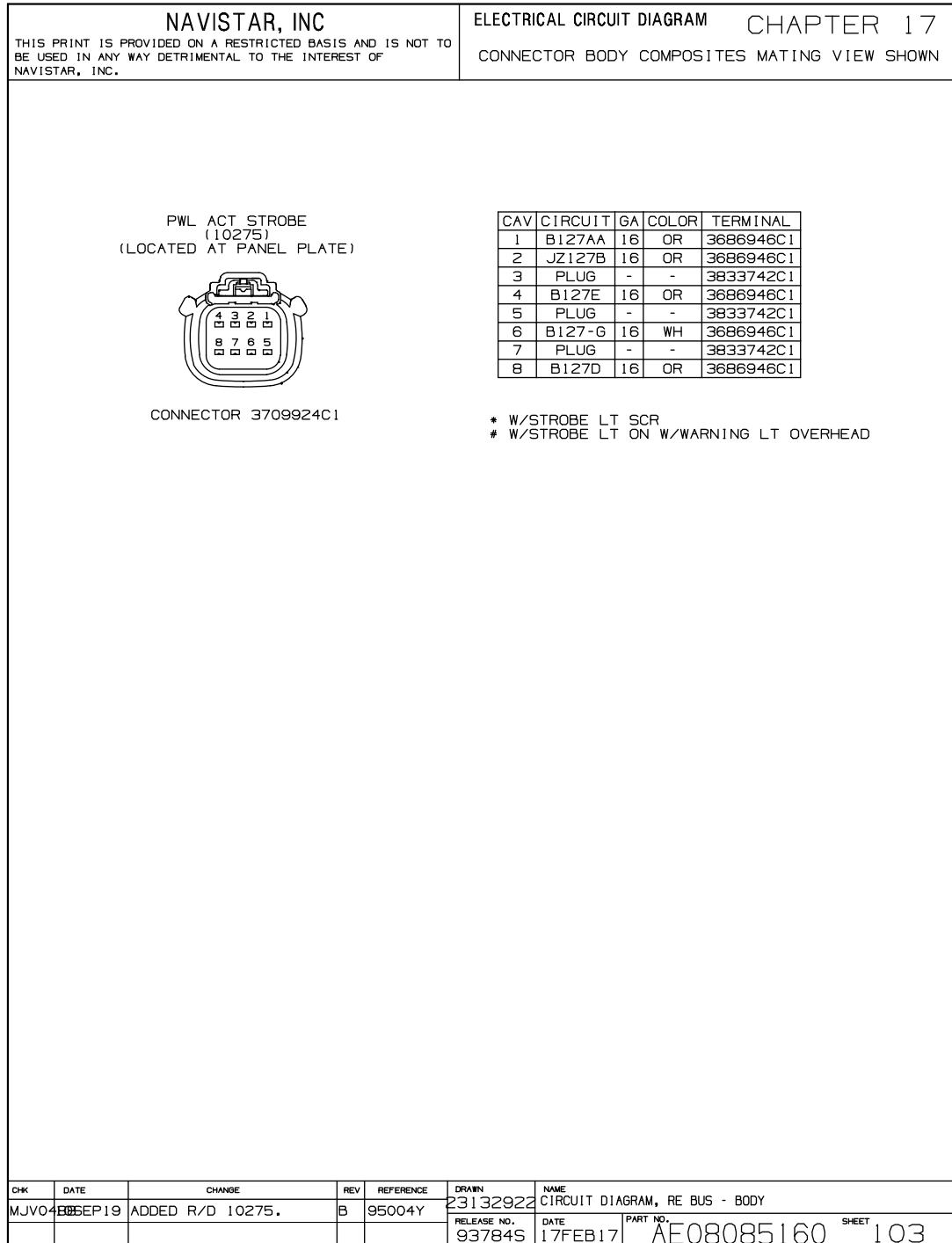


Figure 483 Connector Composites (10275)

18.113. CONNECTOR COMPOSITES (10276, 10277, 10278, 10280), P. 104

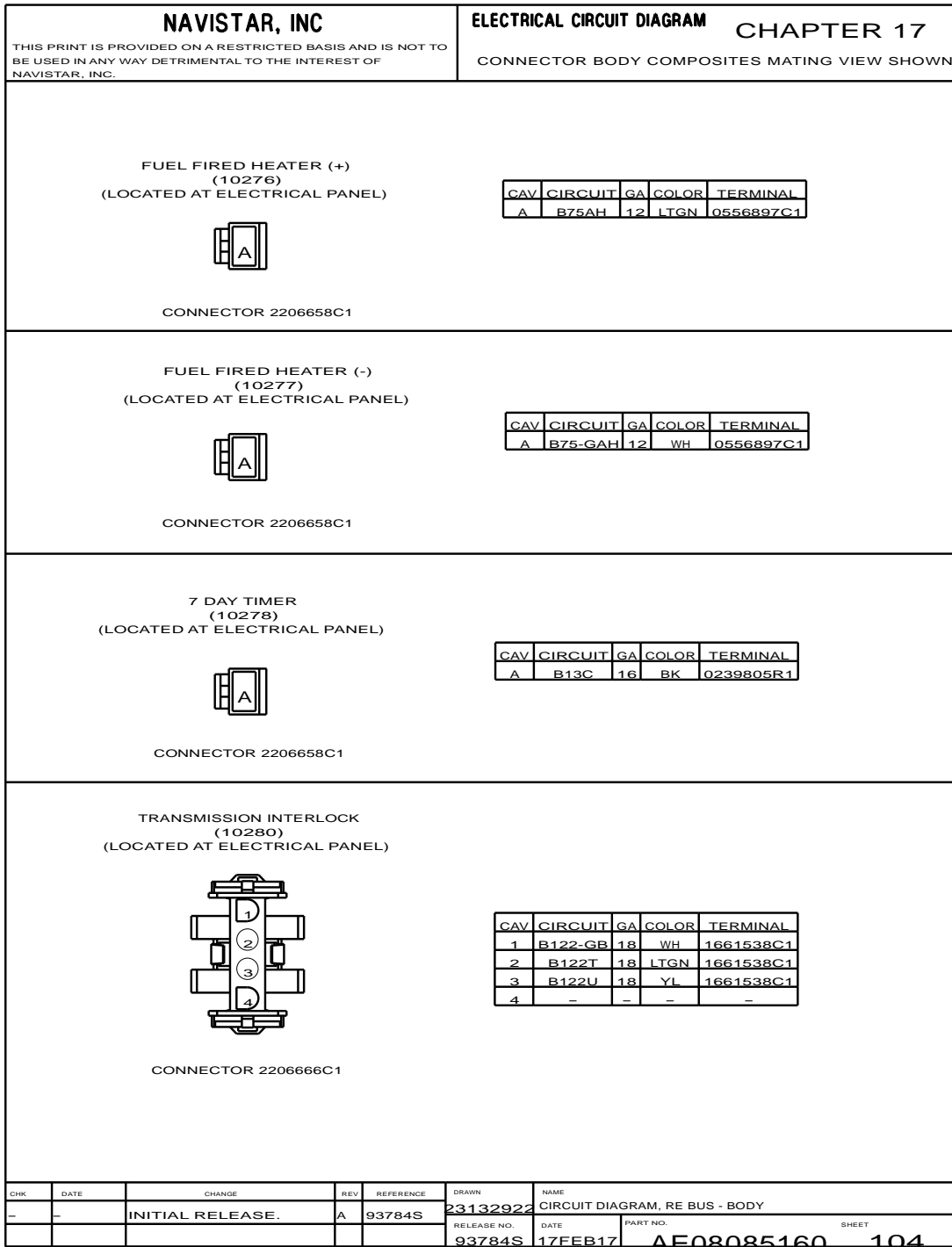


Figure 484 Connector Composites (10276, 10277, 10278, 10280)

18.114. CONNECTOR COMPOSITES (10281, 10282, 10284, 10285), P. 105

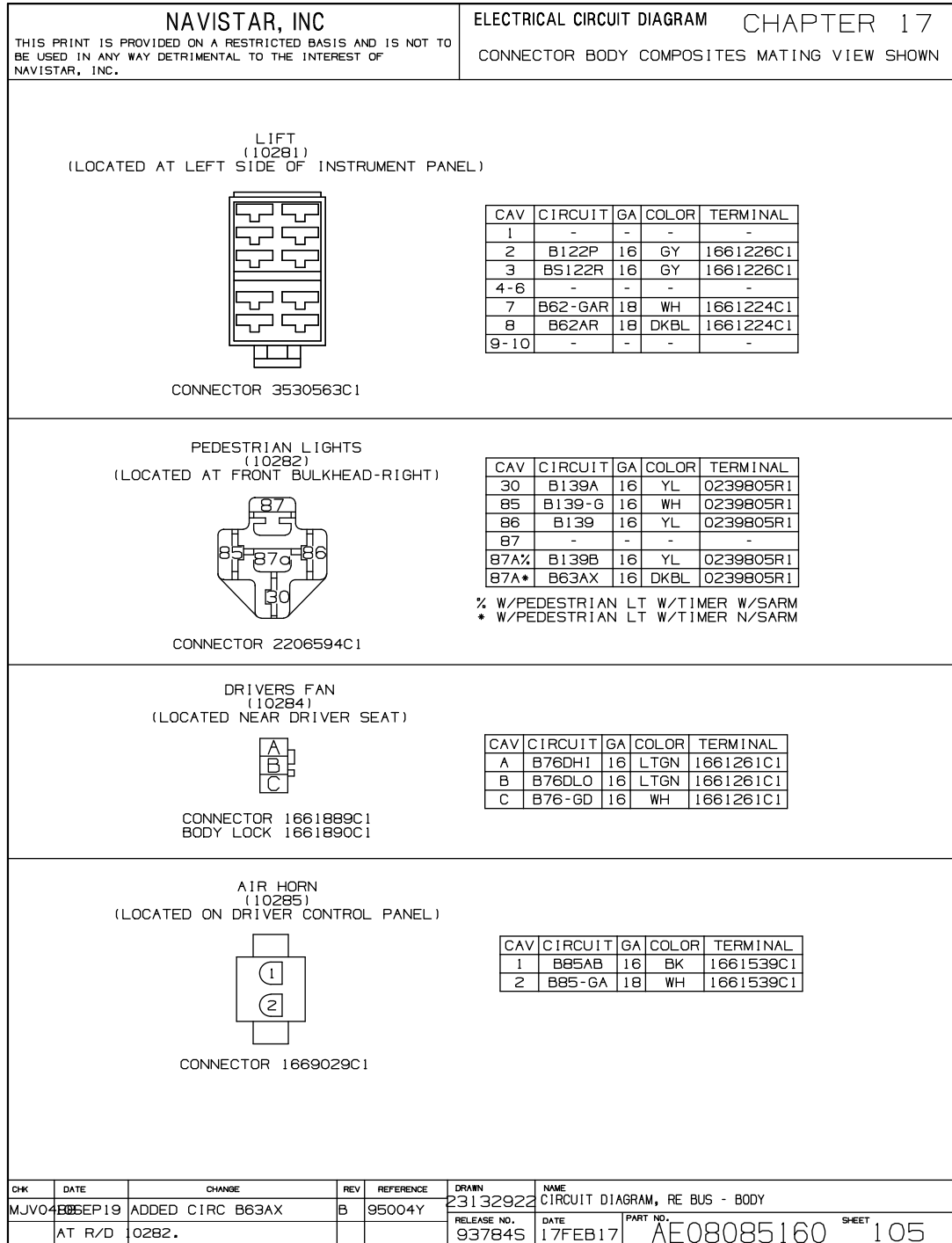


Figure 485 Connector Composites (10281, 10282, 10284, 10285)

18.115. CONNECTOR COMPOSITES (10286, 10290, 10291), P. 106

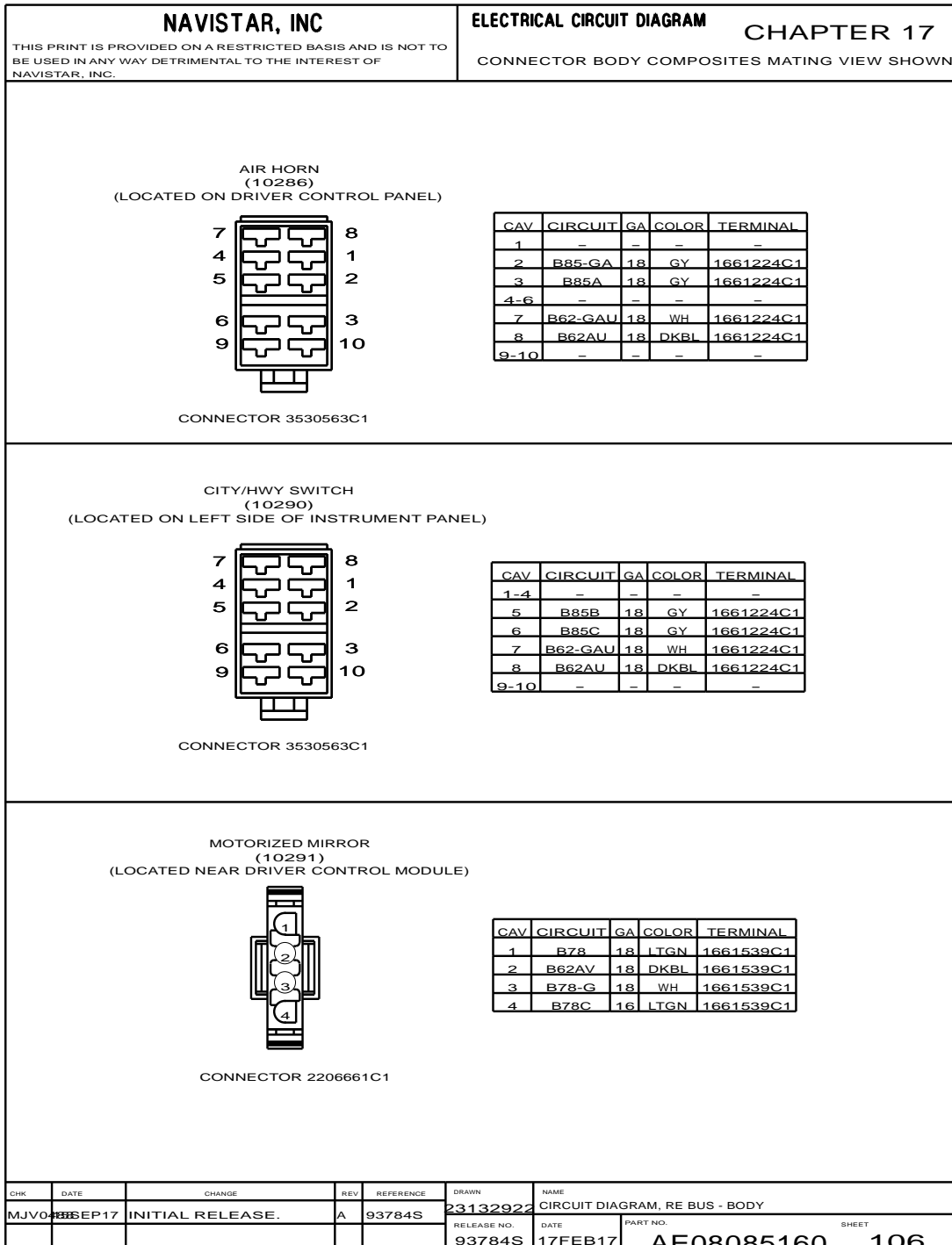


Figure 486 Connector Composites (10286, 10290, 10291)

18.116. CONNECTOR COMPOSITES (10292, 10293A / 10293B, 10294), P. 107

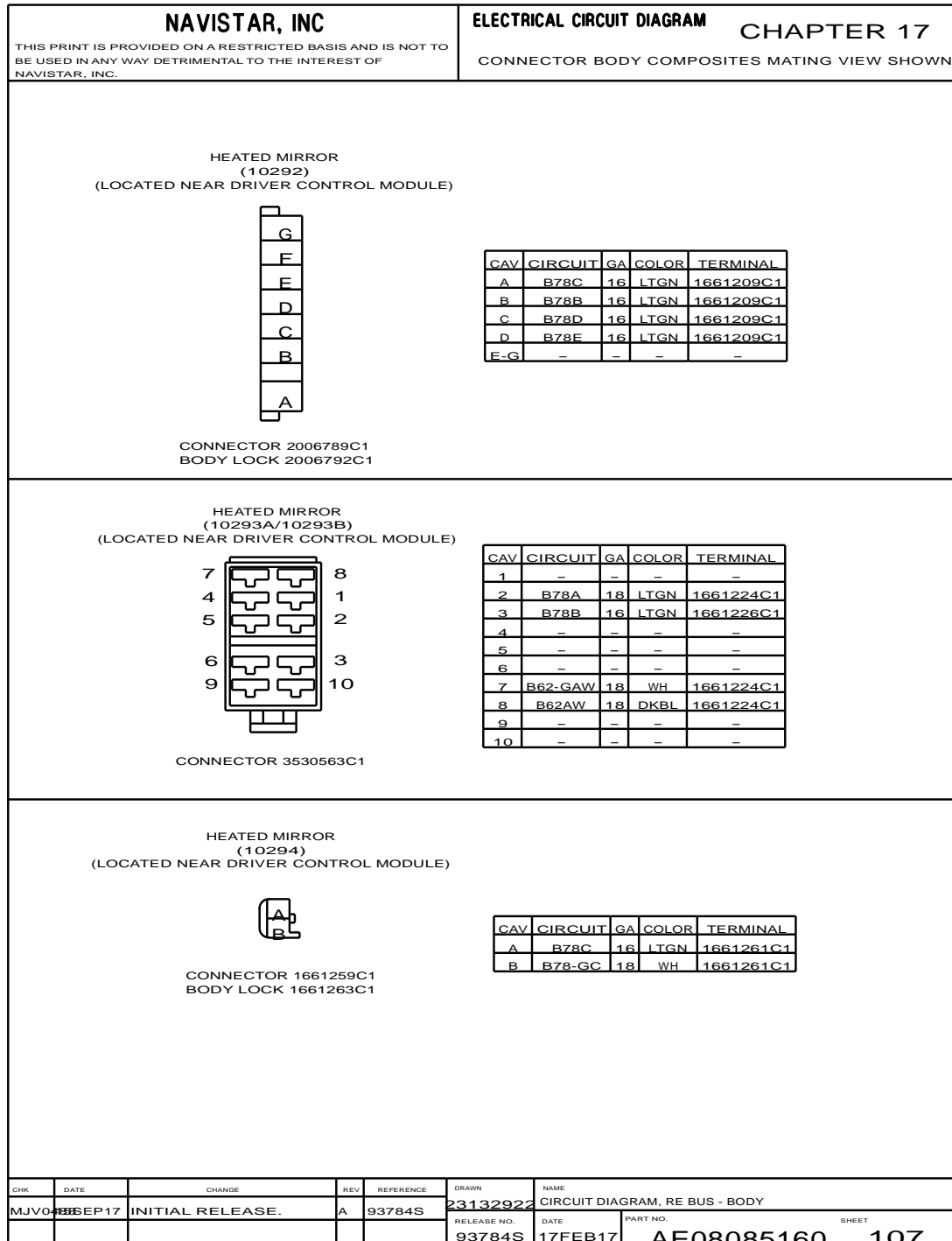


Figure 487 Connector Composites (10292, 10293A / 10293B, 10294)

18.117. CONNECTOR COMPOSITES (10295, 10297, 10299), P. 108

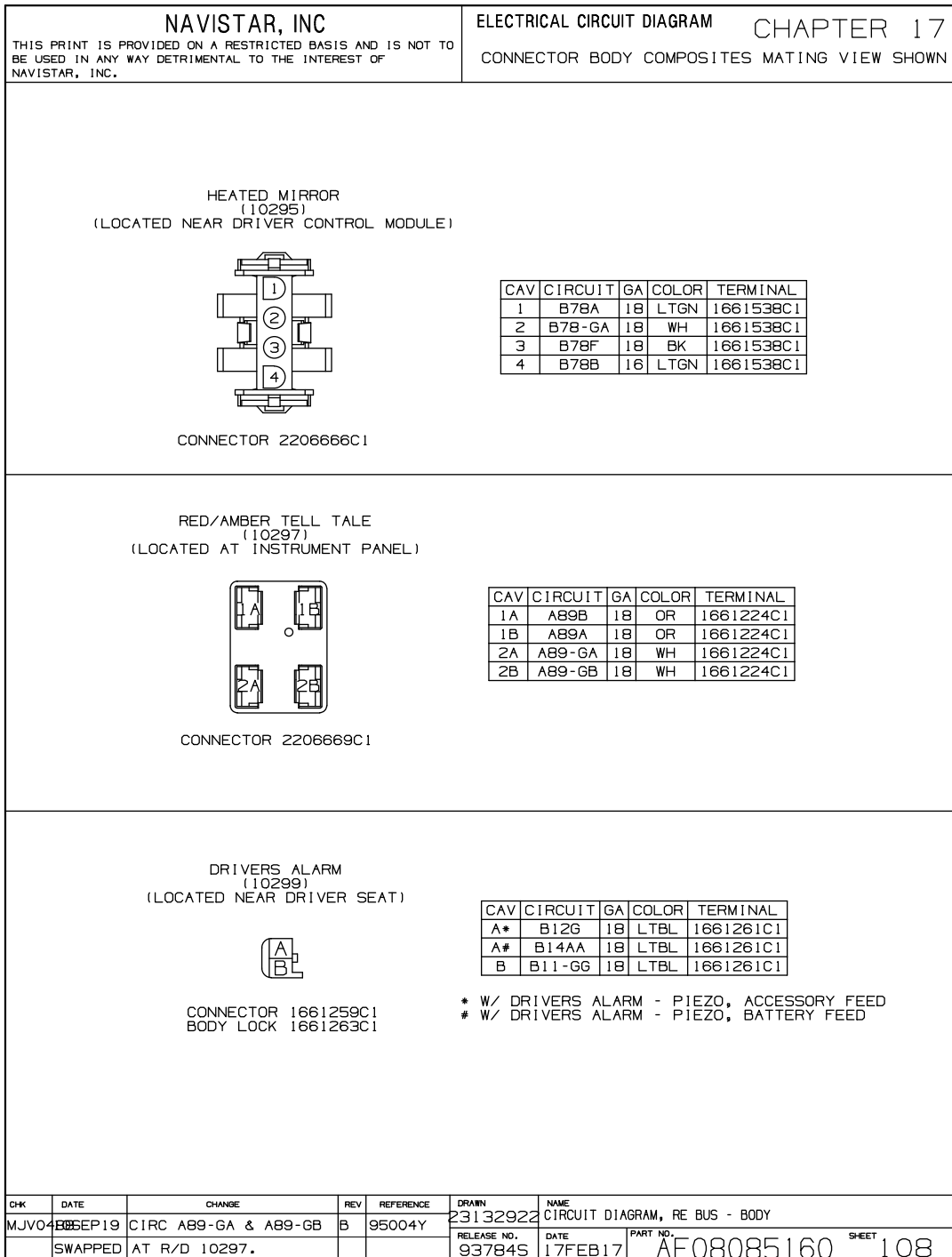


Figure 488 Connector Composites (10295, 10297, 10299)

18.118. CONNECTOR COMPOSITES (10301), P. 109

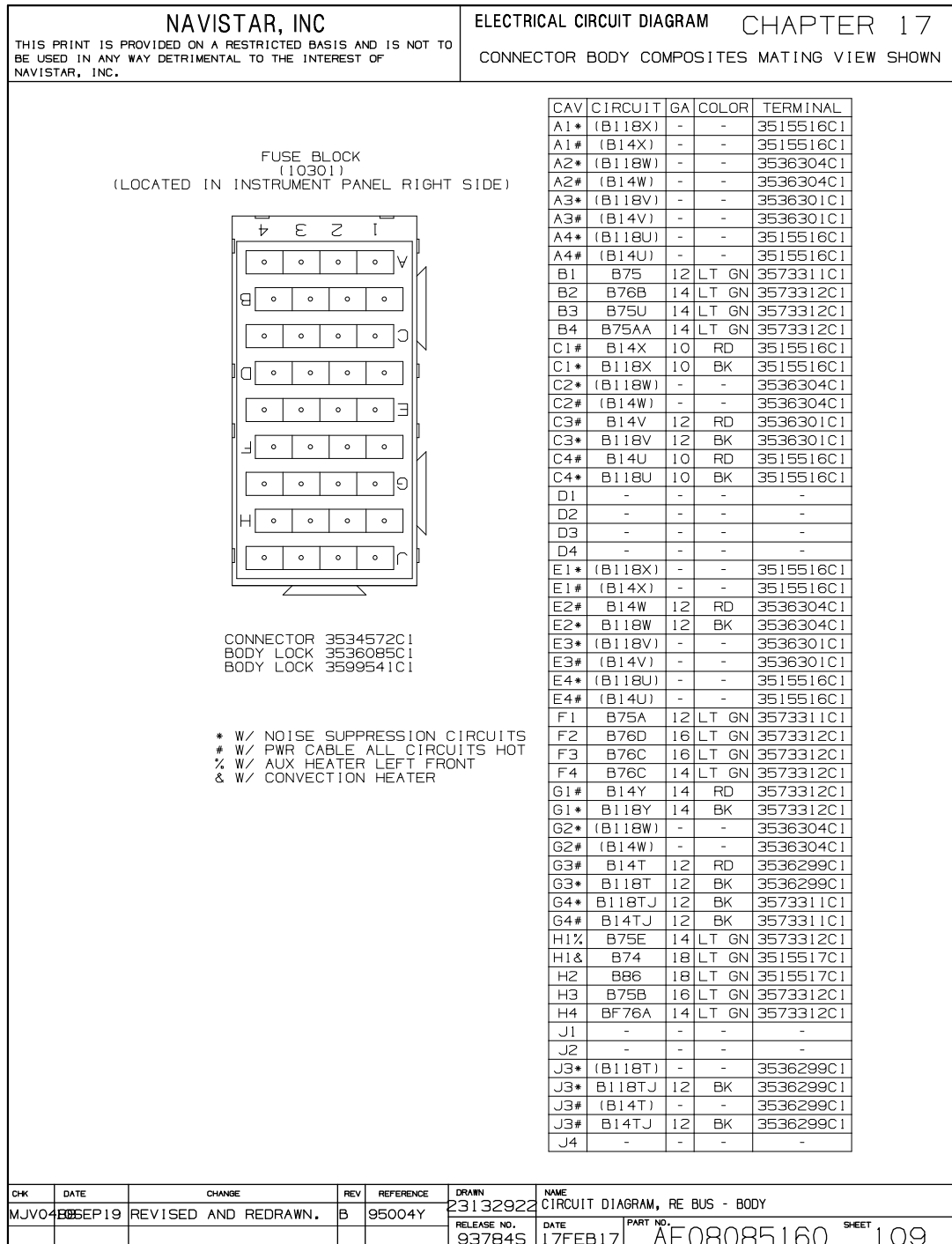


Figure 489 Connector Composites (10301)

18.119. CONNECTOR COMPOSITES (10302), P. 110

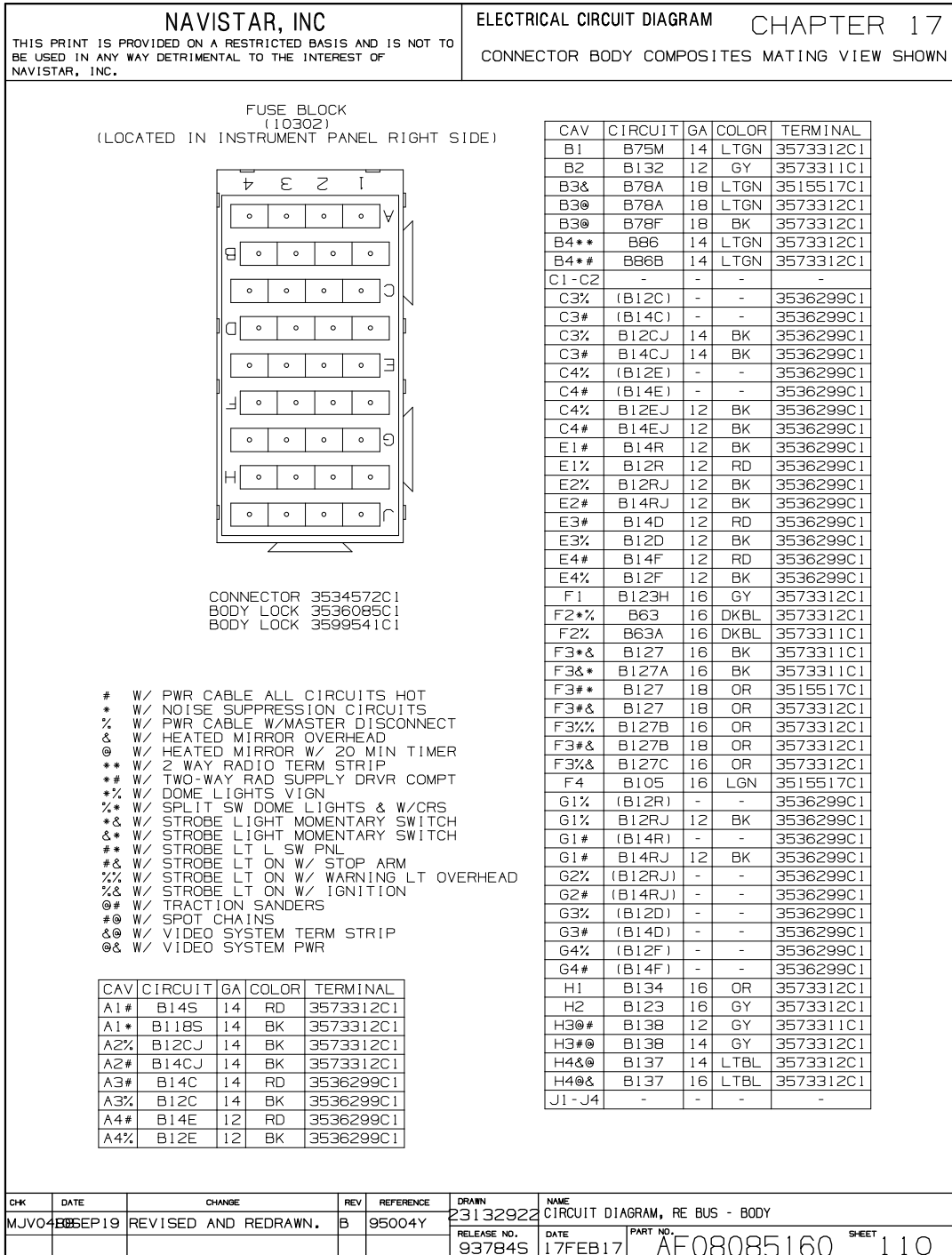


Figure 490 Connector Composites (10302)

18.120. CONNECTOR COMPOSITES (10303), P. 111

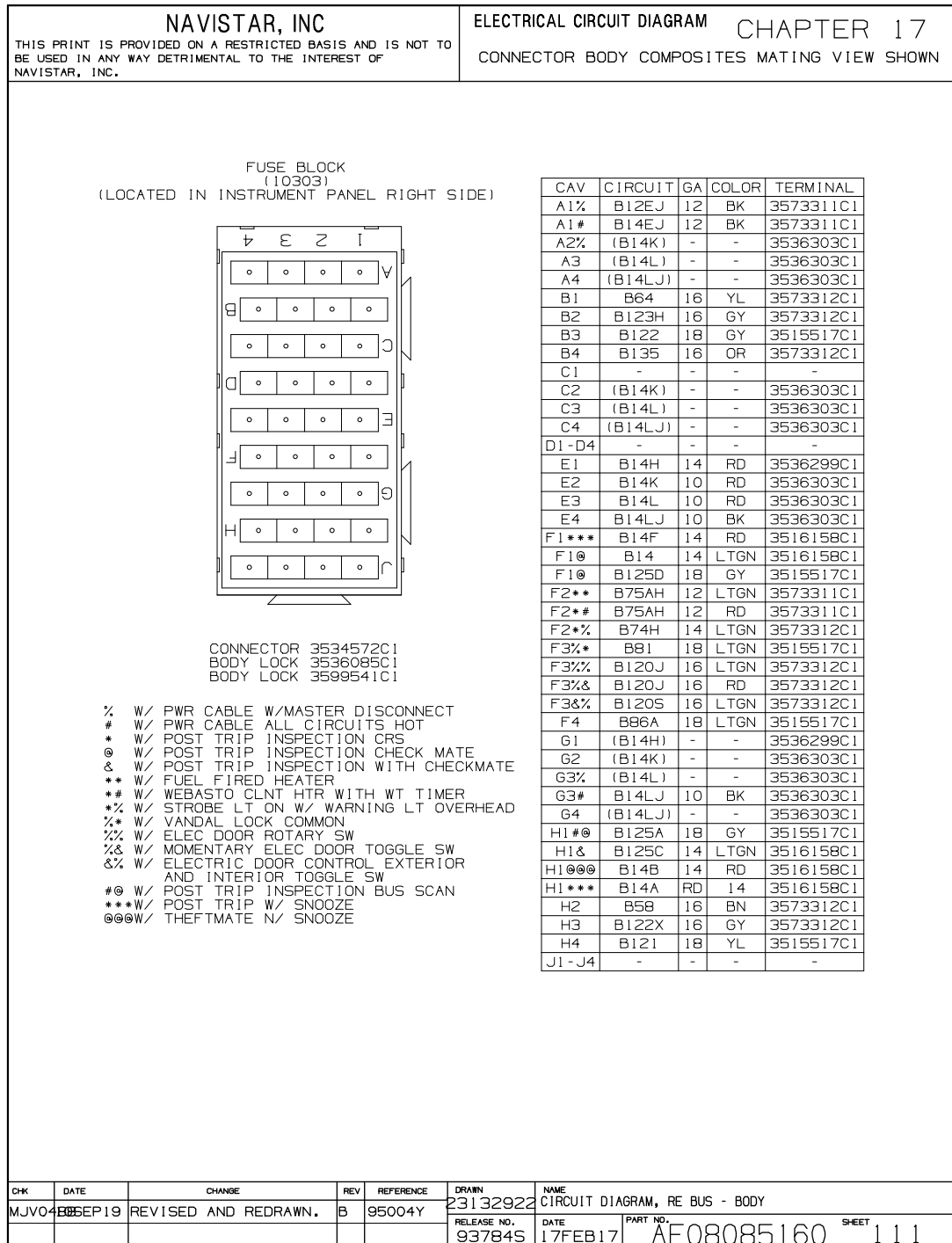


Figure 491 Connector Composites (10303)

18.121. CONNECTOR COMPOSITES (10304), P. 112

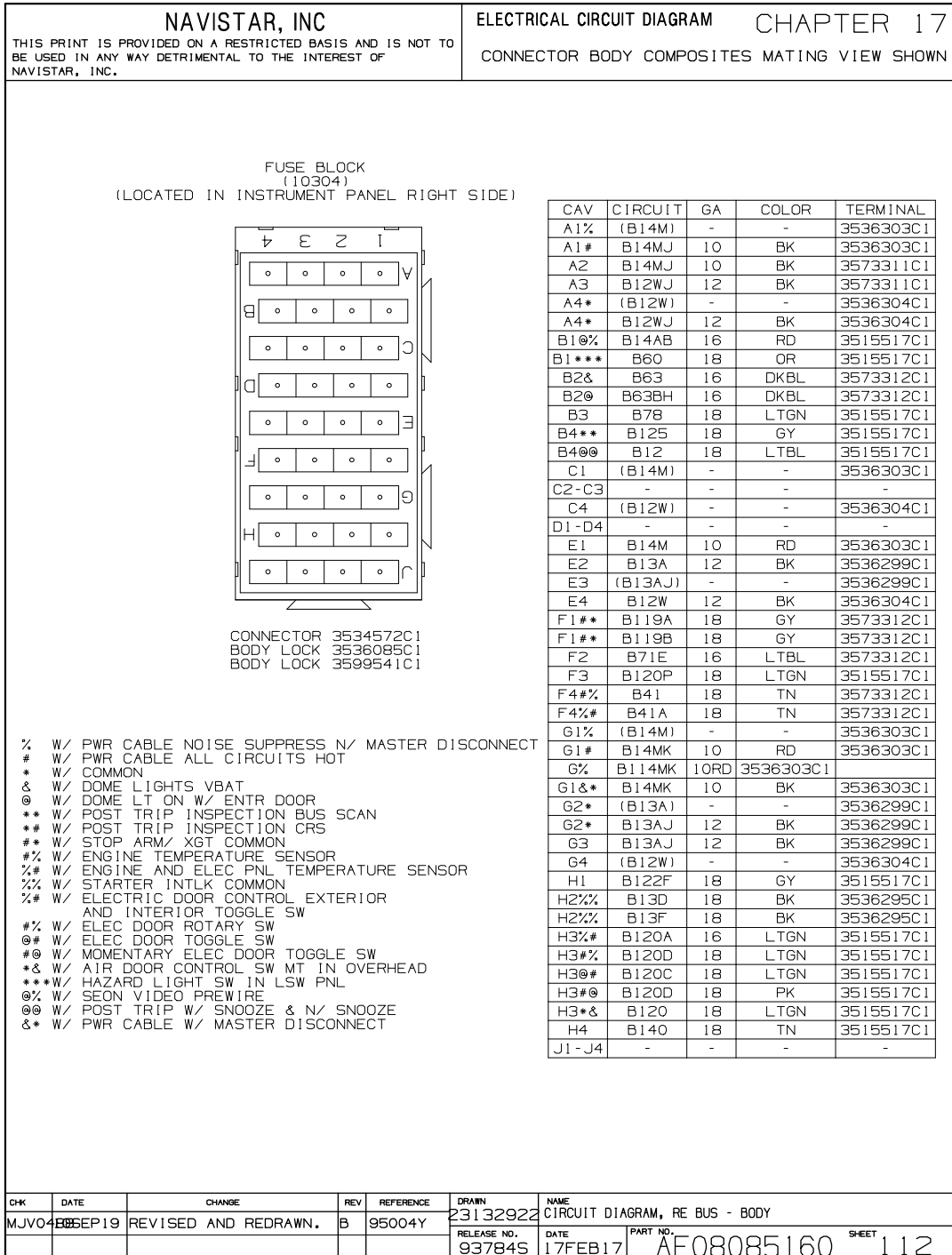


Figure 492 Connector Composites (10304)

18.122. CONNECTOR COMPOSITES (10305), P. 113

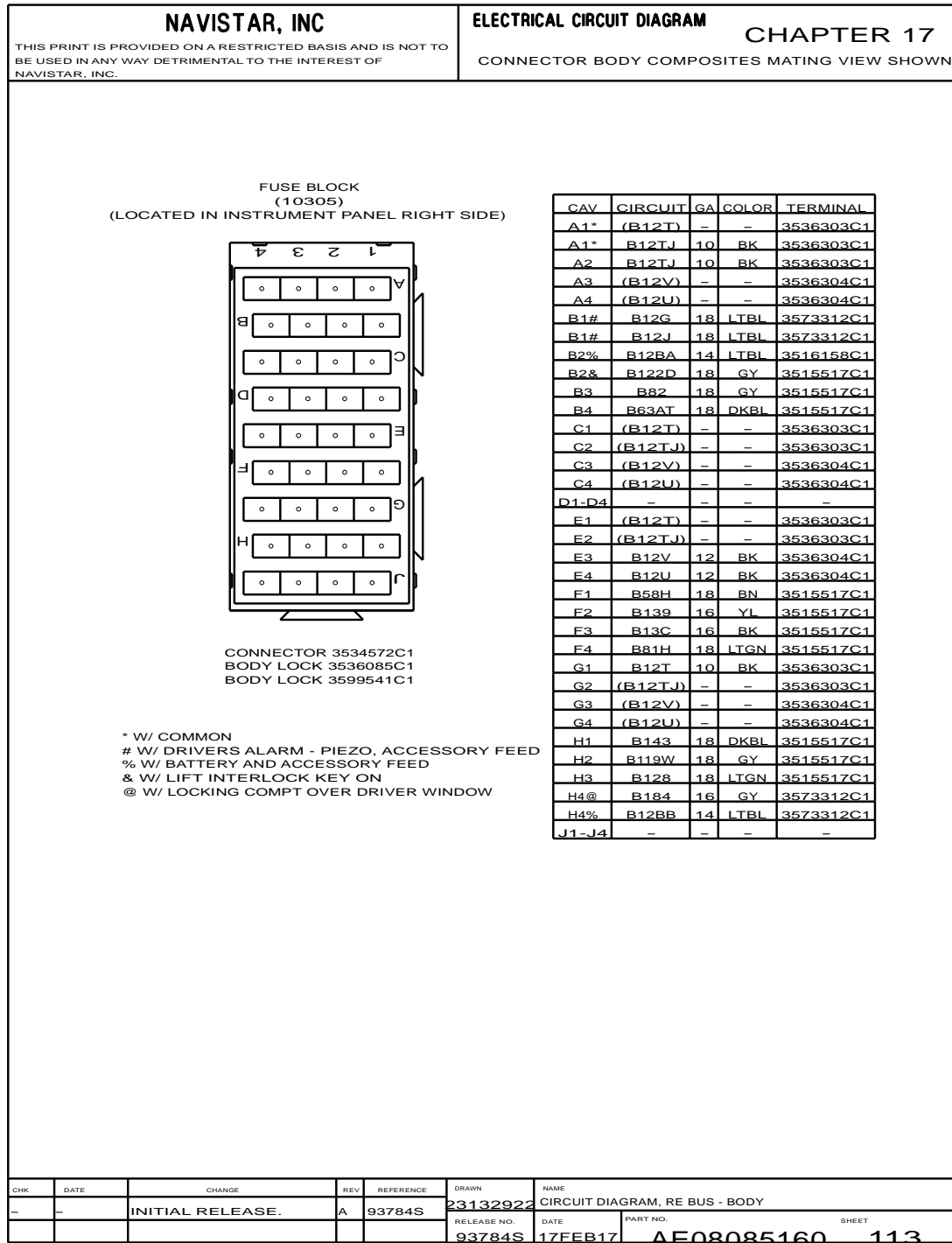


Figure 493 Connector Composites (10305)

18.123. CONNECTOR COMPOSITES (10306), P. 114

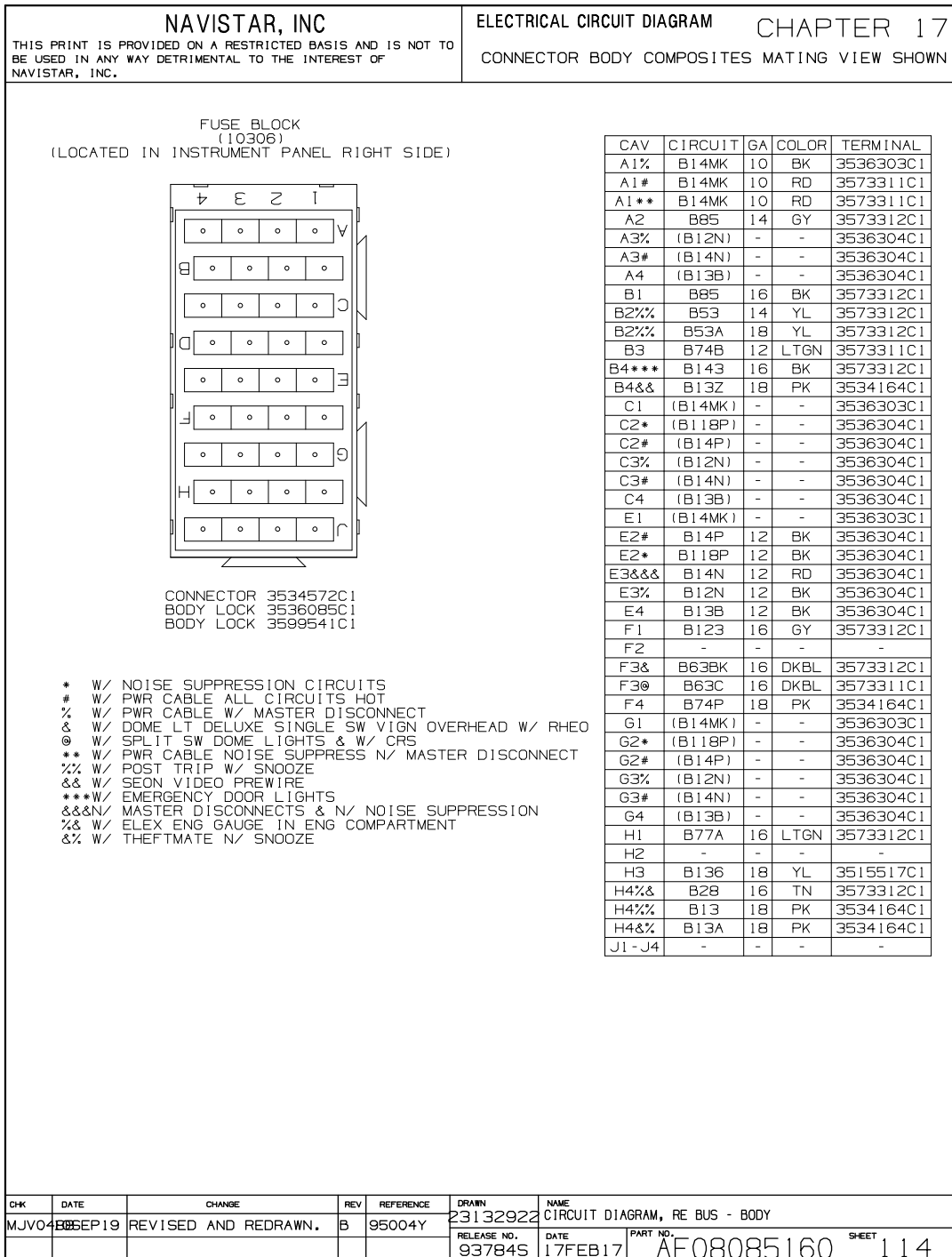


Figure 494 Connector Composites (10306)

18.124. CONNECTOR COMPOSITES (10307), P. 115

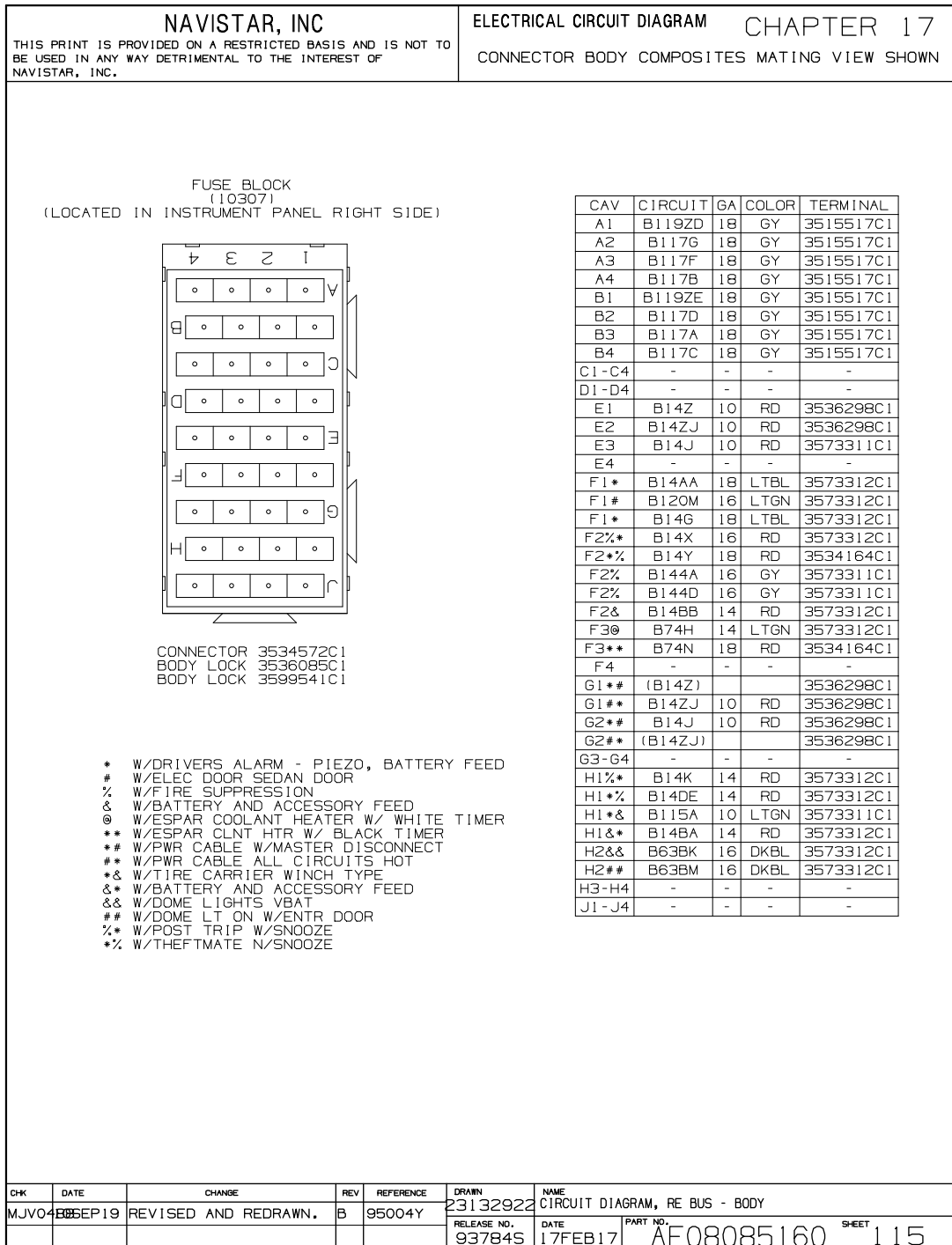


Figure 495 Connector Composites (10307)

18.125. CONNECTOR COMPOSITES (10308), P. 116

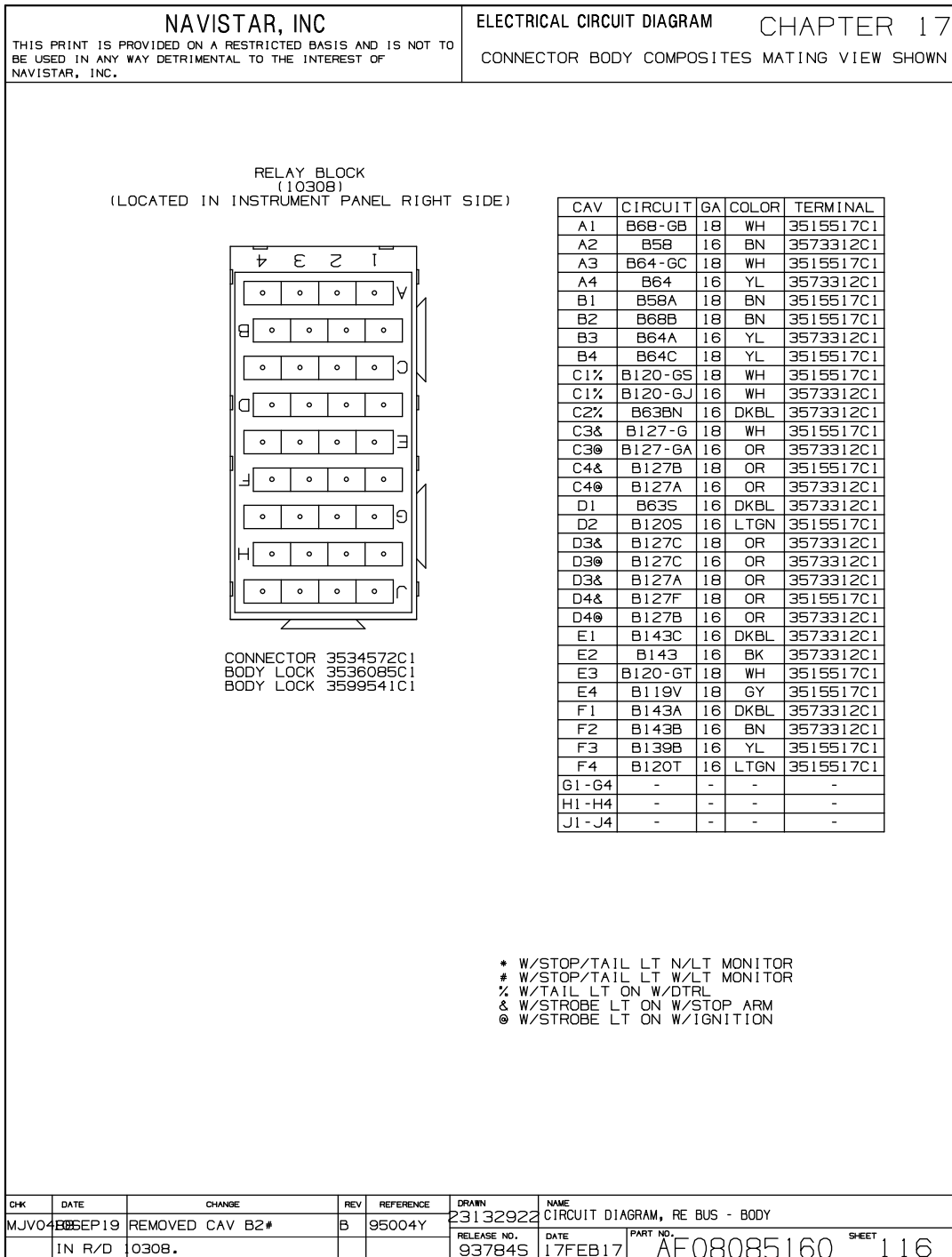


Figure 496 Connector Composites (10308)

18.126. CONNECTOR COMPOSITES (10309), P. 117

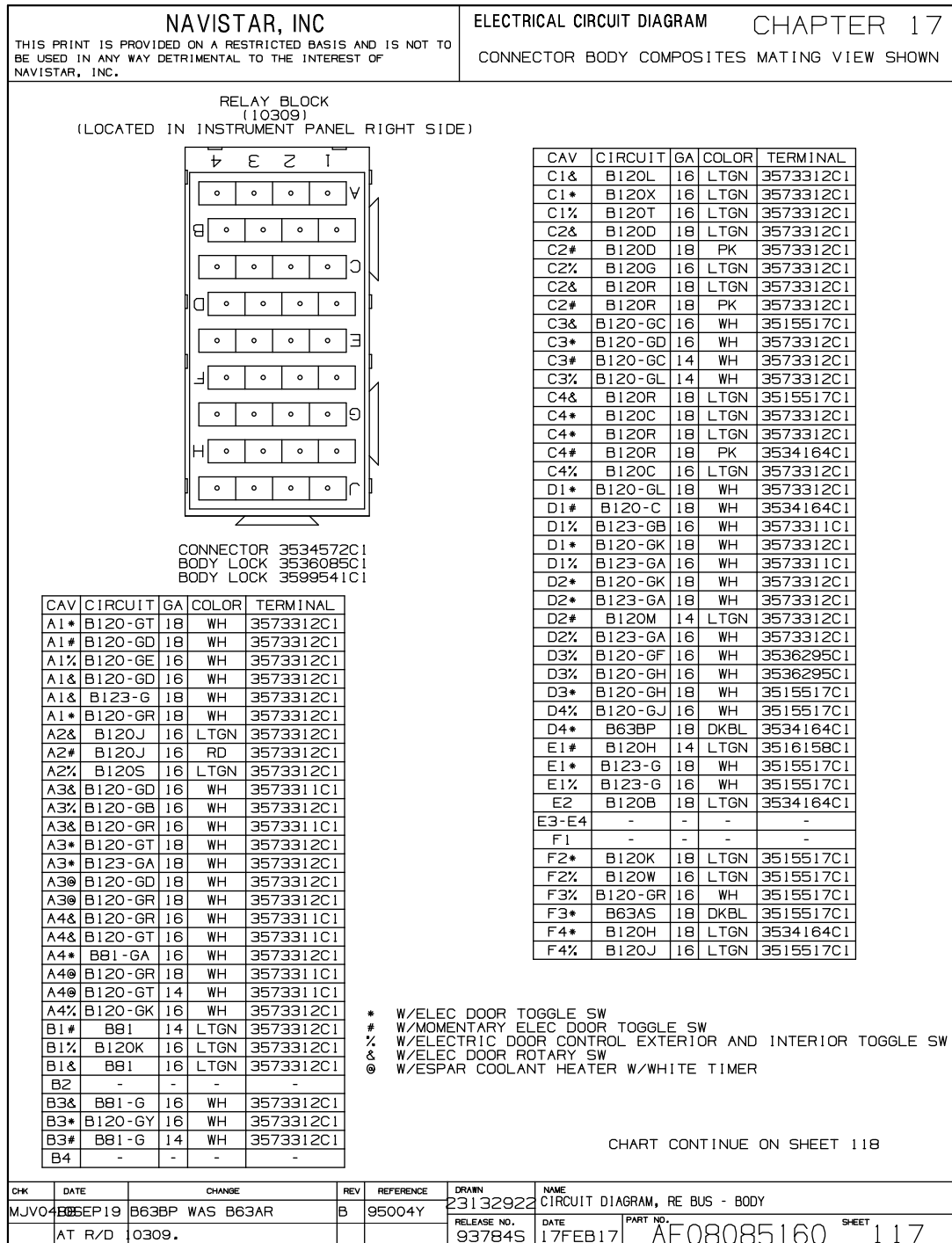


Figure 497 Connector Composites (10309)

18.127. CONNECTOR COMPOSITES (10309) (CONT.), P. 118

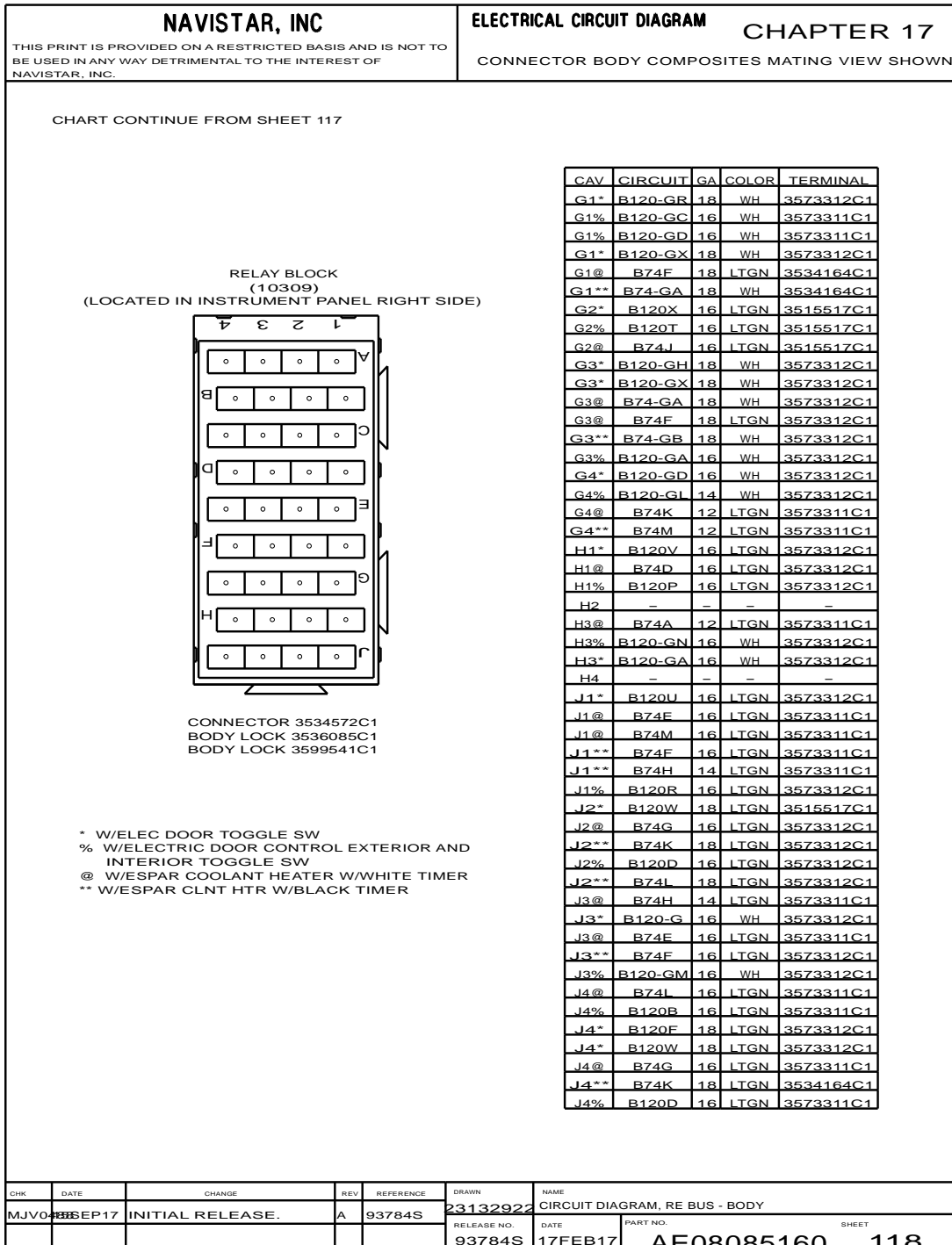


Figure 498 Connector Composites (10309) (Cont.)

18.128. CONNECTOR COMPOSITES (10310), P. 119

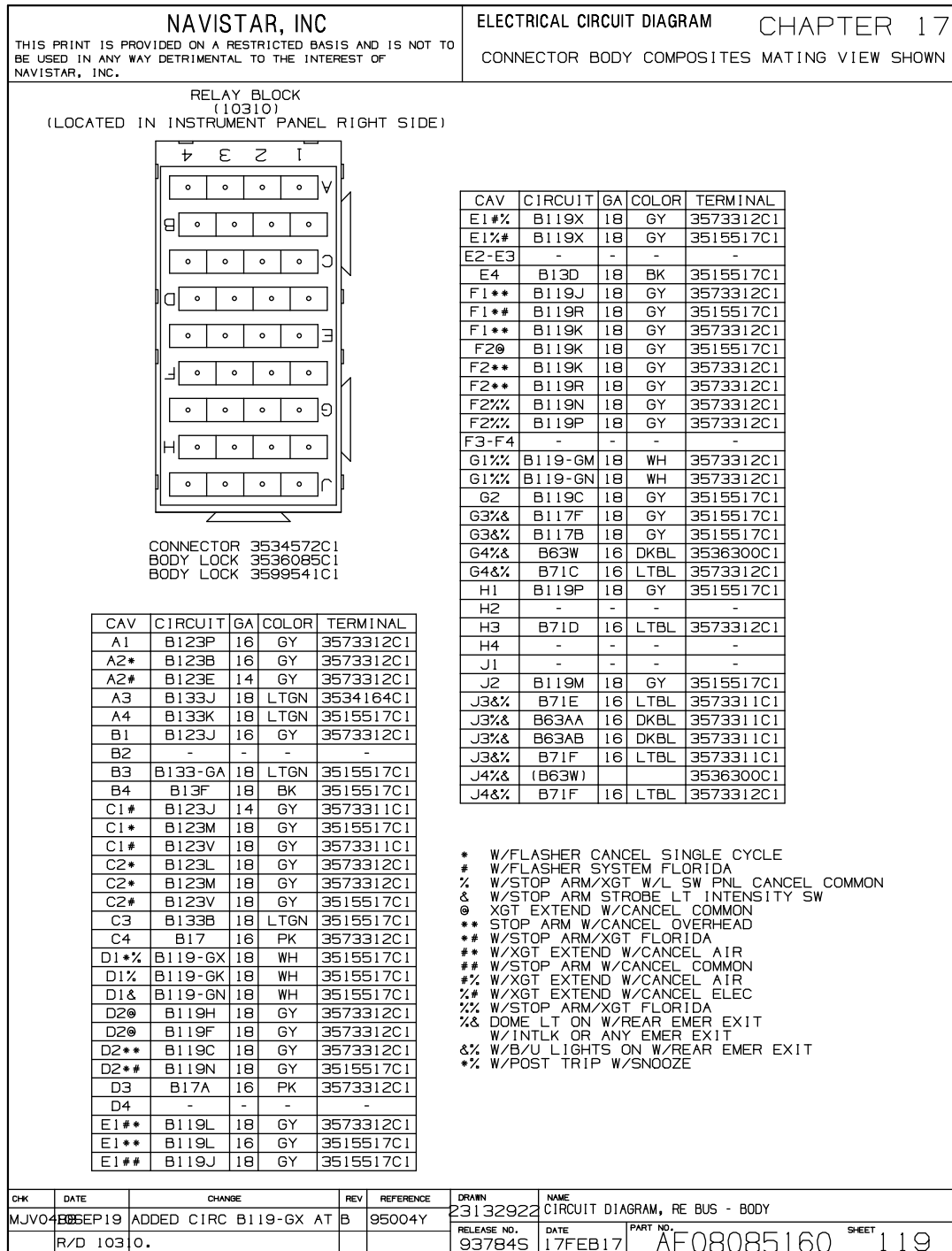


Figure 499 Connector Composites (10310)

18.129. CONNECTOR COMPOSITES (10311) , P. 120

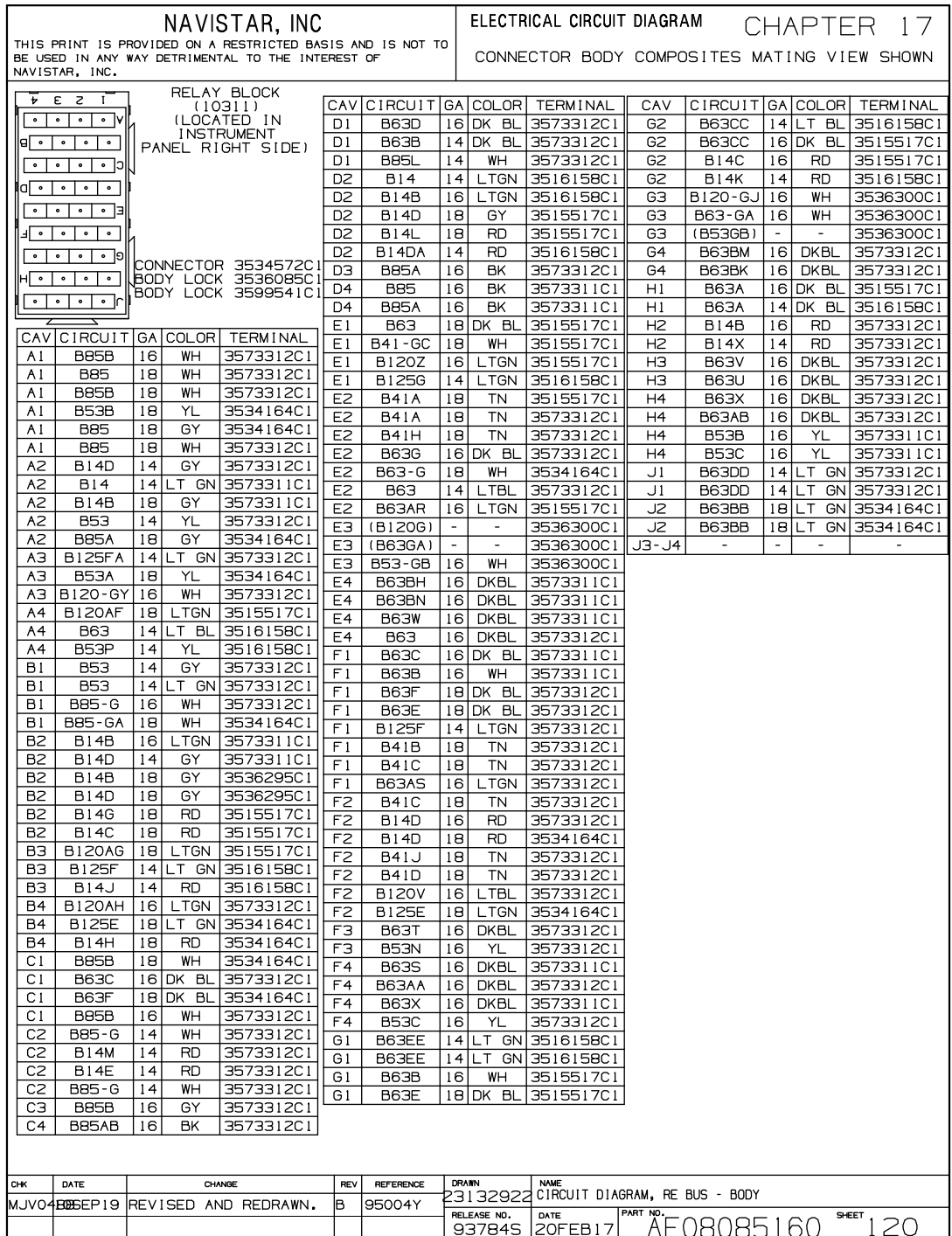


Figure 500 Connector Composites (10311)

18.130. CONNECTOR COMPOSITES (10312, 10314), P. 121

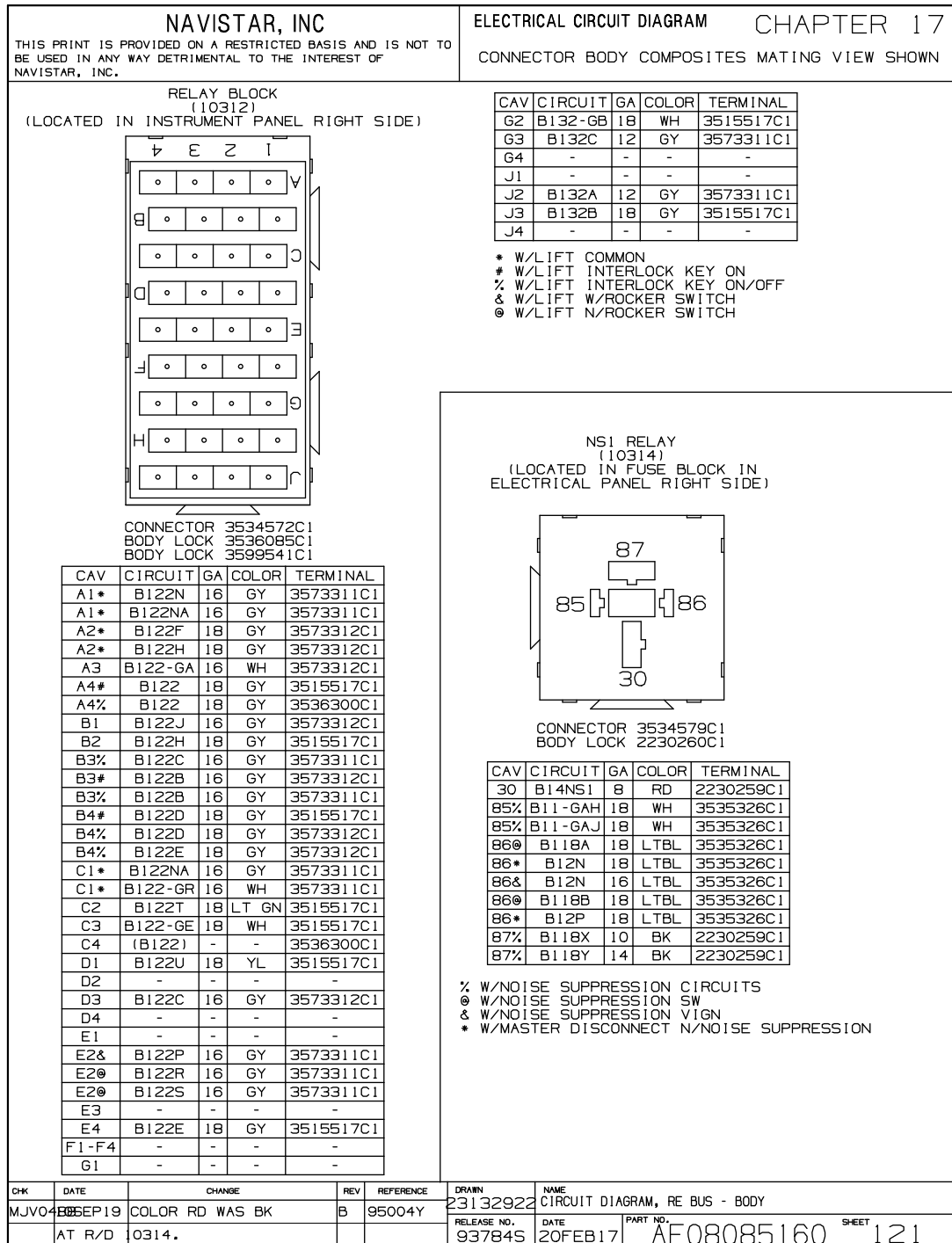


Figure 501 Connector Composites (10312, 10314)

18.131. CONNECTOR COMPOSITES (10315, 10316, 10317, 10318), P. 122

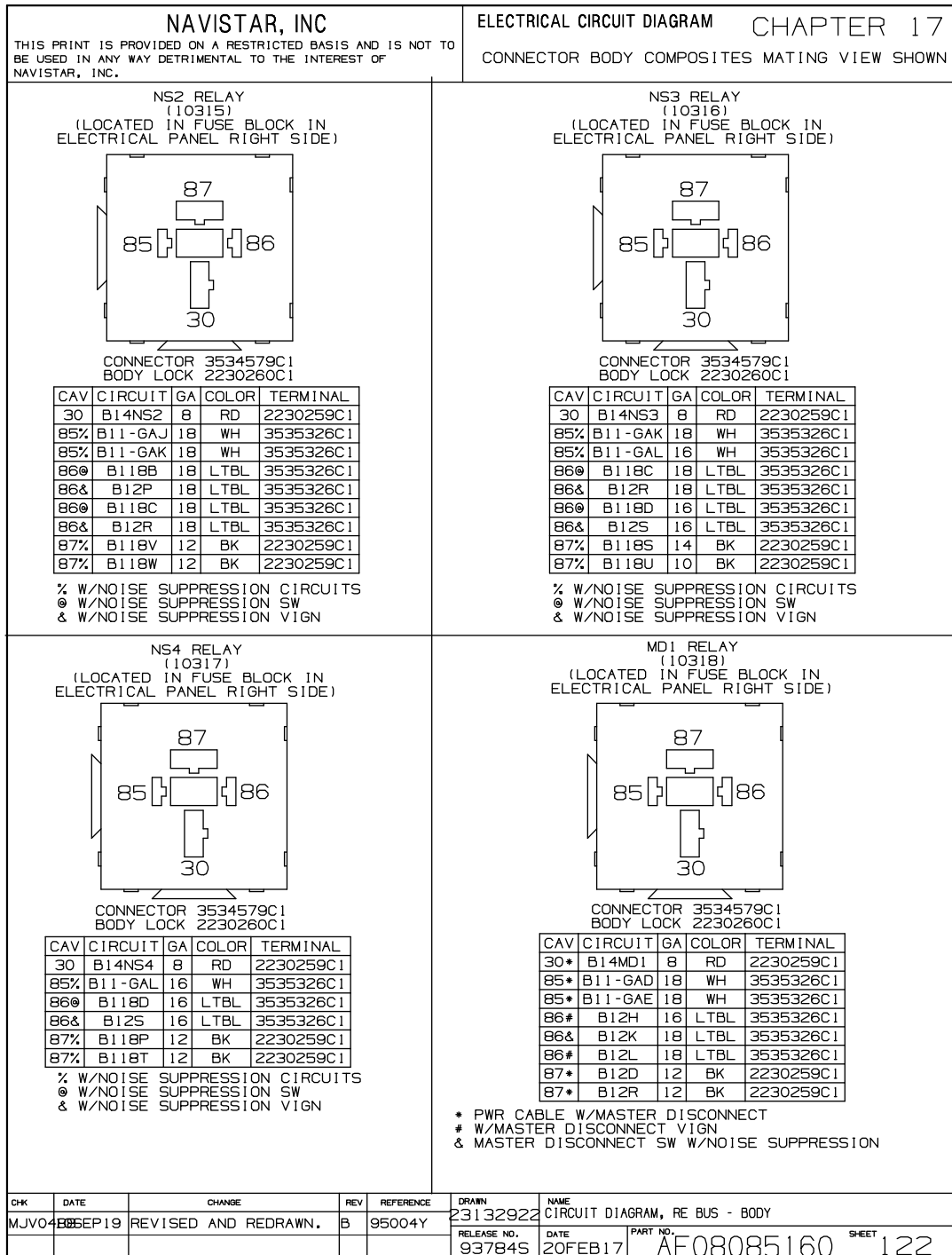


Figure 502 Connector Composites (10315, 10316, 10317, 10318)

18.132. CONNECTOR COMPOSITES (10319, 10320, 10321, 10322), P. 123

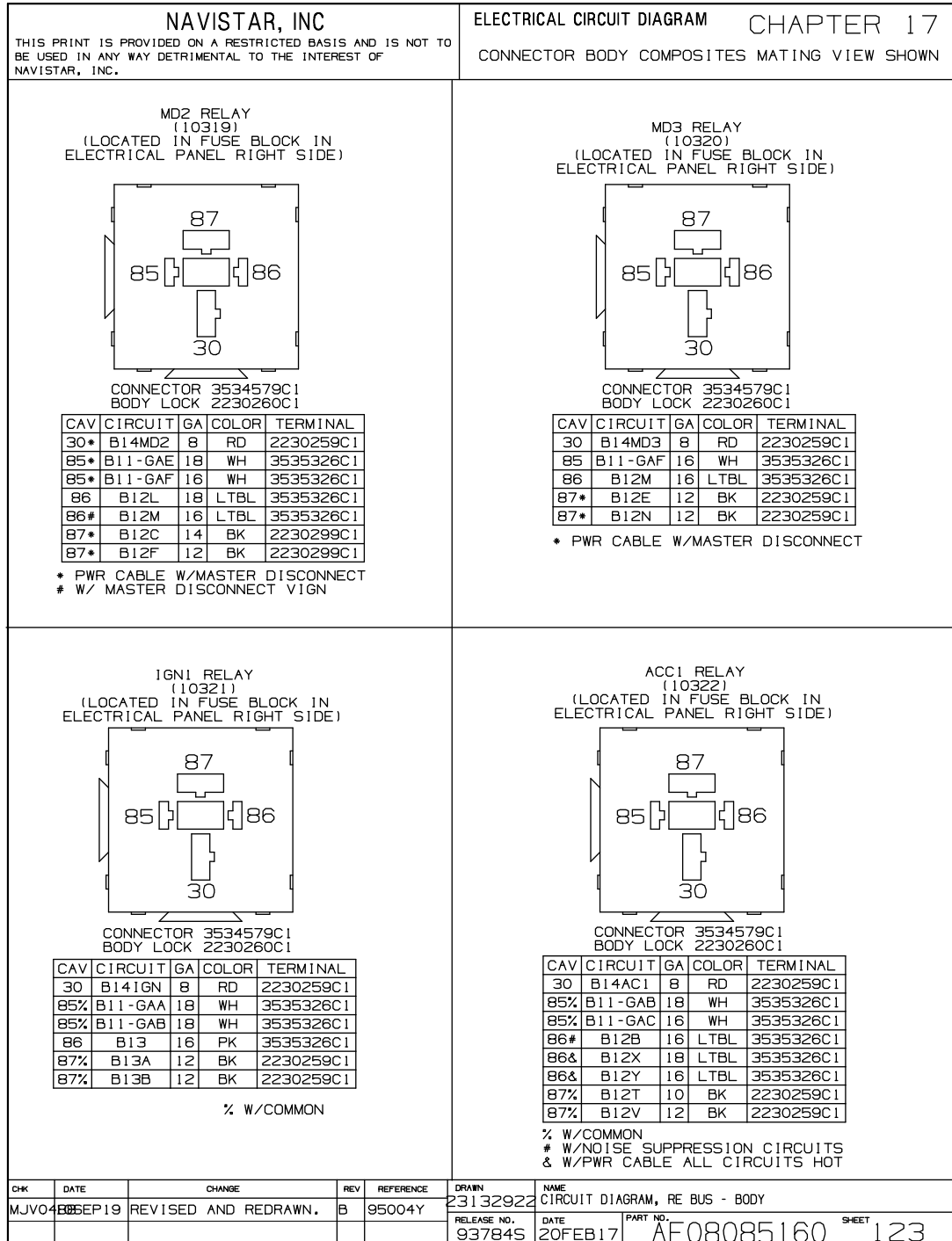


Figure 503 Connector Composites (10319, 10320, 10321, 10322)

18.133. CONNECTOR COMPOSITES (10323, 10326), P. 124

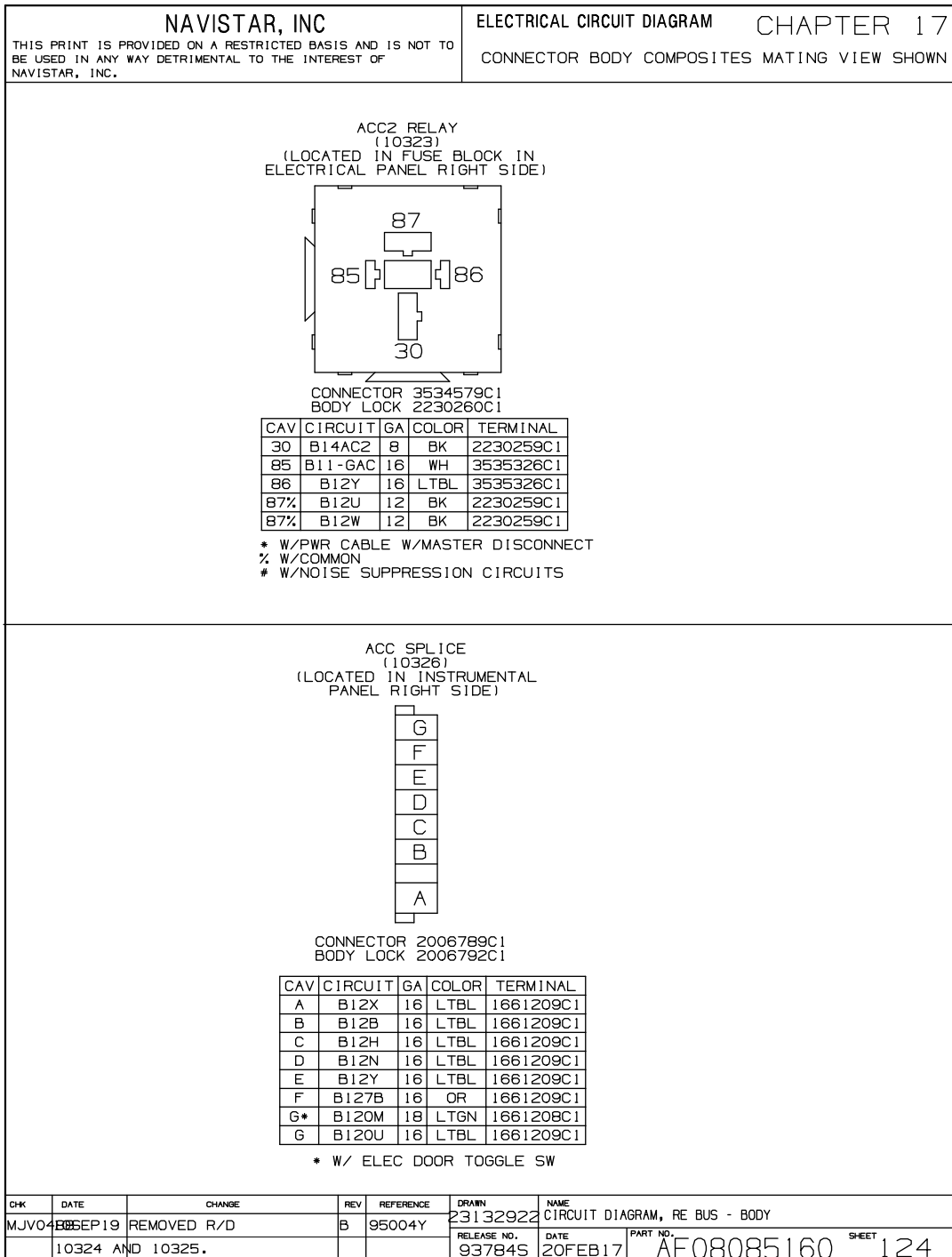


Figure 504 Connector Composites (10323, 10326)

18.134. CONNECTOR COMPOSITES (10327, 10328), P. 125

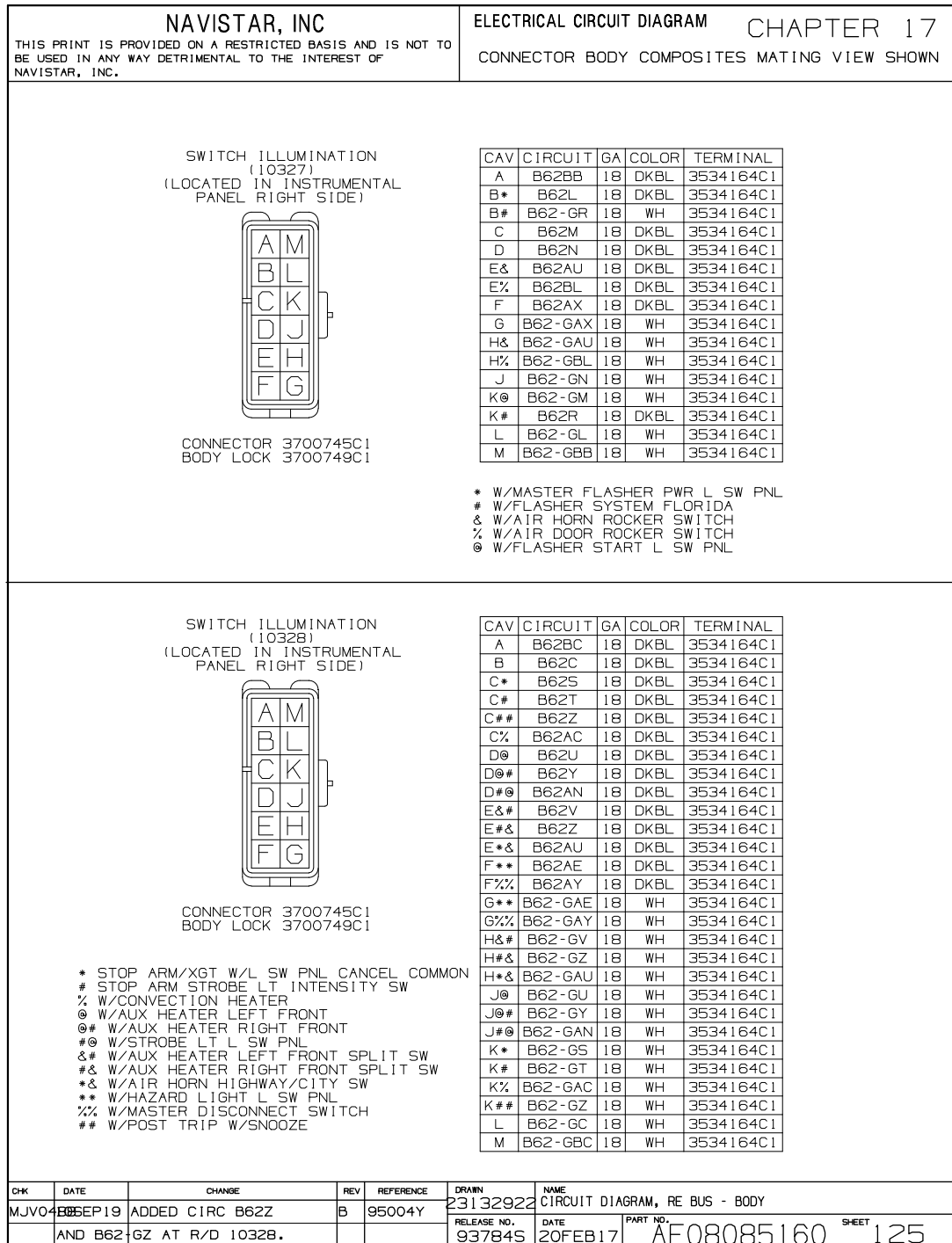


Figure 505 Connector Composites (10327, 10328)

18.135. CONNECTOR COMPOSITES (10329, 10330), P. 126

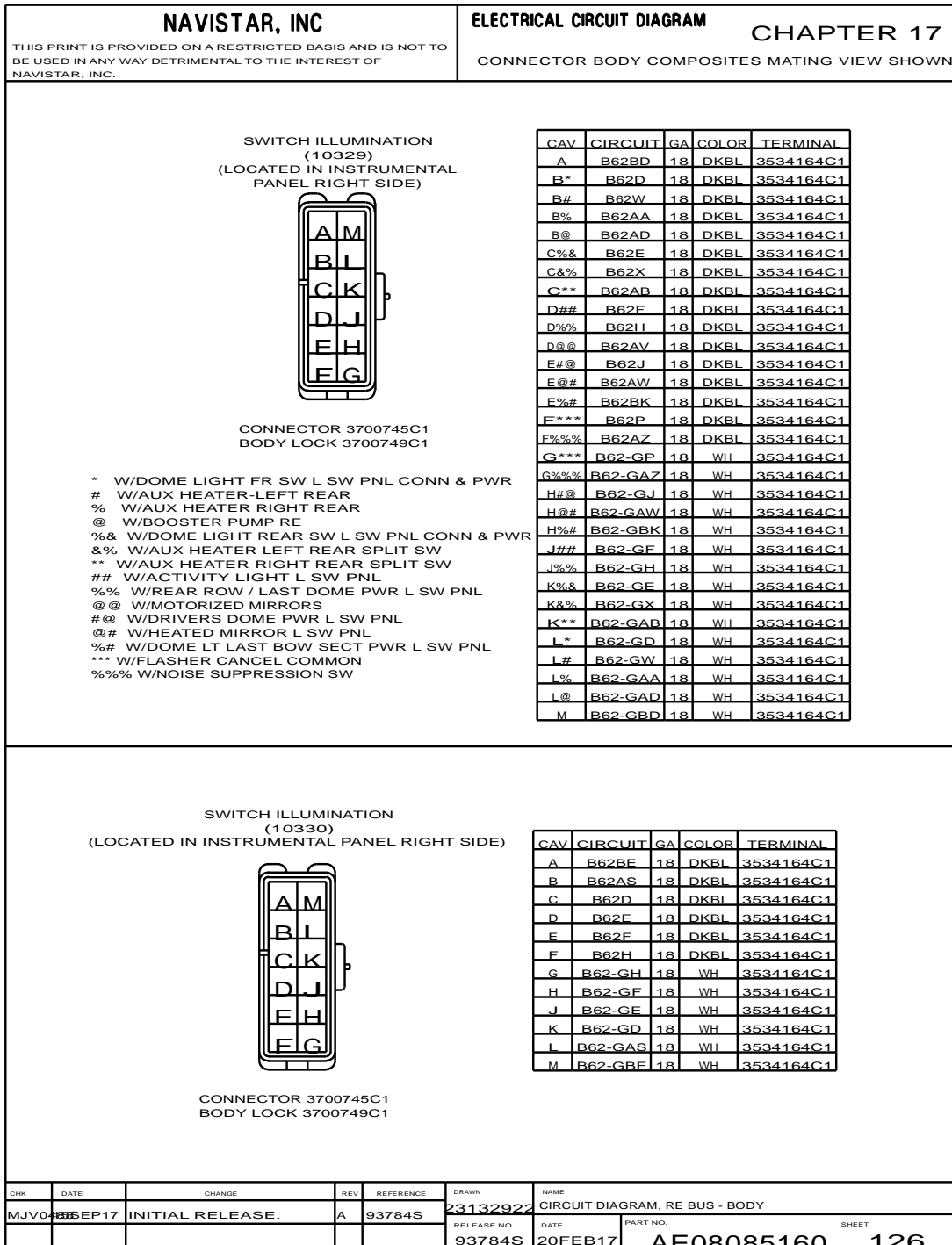


Figure 506 Connector Composites (10329, 10330)

18.136. CONNECTOR COMPOSITES (10331, 10332, 10333), P. 127

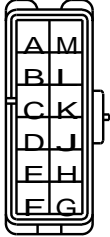
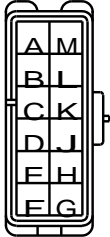
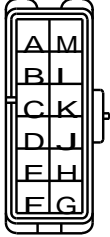
NAVISTAR, INC				ELECTRICAL CIRCUIT DIAGRAM		CHAPTER 17																																																																							
THIS PRINT IS PROVIDED ON A RESTRICTED BASIS AND IS NOT TO BE USED IN ANY WAY DETRIMENTAL TO THE INTEREST OF NAVISTAR, INC.				CONNECTOR BODY COMPOSITES MATING VIEW SHOWN																																																																									
<p>SWITCH ILLUMINATION (10331) (LOCATED IN INSTRUMENTAL PANEL RIGHT SIDE)</p>  <p>CONNECTOR 3700745C1 BODY LOCK 3700749C1</p>				<table border="1" style="width: 100%; border-collapse: collapse; font-size: x-small;"> <thead> <tr> <th>CAV</th> <th>CIRCUIT</th> <th>GA</th> <th>COLOR</th> <th>TERMINAL</th> </tr> </thead> <tbody> <tr><td>A</td><td>B62BF</td><td>18</td><td>DKBL</td><td>3534164C1</td></tr> <tr><td>B</td><td>B62J</td><td>18</td><td>DKBL</td><td>3534164C1</td></tr> <tr><td>C</td><td>B62K</td><td>18</td><td>DKBL</td><td>3534164C1</td></tr> <tr><td>D</td><td>B62BK</td><td>18</td><td>DKBL</td><td>3534164C1</td></tr> <tr><td>E</td><td>B62AM</td><td>18</td><td>DKBL</td><td>3534164C1</td></tr> <tr><td>F</td><td>B62AN</td><td>18</td><td>DKBL</td><td>3534164C1</td></tr> <tr><td>G</td><td>B62-GAN</td><td>18</td><td>WH</td><td>3534164C1</td></tr> <tr><td>H</td><td>B62-GAM</td><td>18</td><td>WH</td><td>3534164C1</td></tr> <tr><td>J</td><td>B62-GBK</td><td>18</td><td>WH</td><td>3534164C1</td></tr> <tr><td>K</td><td>B62-GK</td><td>18</td><td>WH</td><td>3534164C1</td></tr> <tr><td>L</td><td>B62-GJ</td><td>18</td><td>WH</td><td>3534164C1</td></tr> <tr><td>M</td><td>B62-GBF</td><td>18</td><td>WH</td><td>3534164C1</td></tr> </tbody> </table>				CAV	CIRCUIT	GA	COLOR	TERMINAL	A	B62BF	18	DKBL	3534164C1	B	B62J	18	DKBL	3534164C1	C	B62K	18	DKBL	3534164C1	D	B62BK	18	DKBL	3534164C1	E	B62AM	18	DKBL	3534164C1	F	B62AN	18	DKBL	3534164C1	G	B62-GAN	18	WH	3534164C1	H	B62-GAM	18	WH	3534164C1	J	B62-GBK	18	WH	3534164C1	K	B62-GK	18	WH	3534164C1	L	B62-GJ	18	WH	3534164C1	M	B62-GBF	18	WH	3534164C1					
CAV	CIRCUIT	GA	COLOR	TERMINAL																																																																									
A	B62BF	18	DKBL	3534164C1																																																																									
B	B62J	18	DKBL	3534164C1																																																																									
C	B62K	18	DKBL	3534164C1																																																																									
D	B62BK	18	DKBL	3534164C1																																																																									
E	B62AM	18	DKBL	3534164C1																																																																									
F	B62AN	18	DKBL	3534164C1																																																																									
G	B62-GAN	18	WH	3534164C1																																																																									
H	B62-GAM	18	WH	3534164C1																																																																									
J	B62-GBK	18	WH	3534164C1																																																																									
K	B62-GK	18	WH	3534164C1																																																																									
L	B62-GJ	18	WH	3534164C1																																																																									
M	B62-GBF	18	WH	3534164C1																																																																									
<p>SWITCH ILLUMINATION (10332) (LOCATED IN INSTRUMENTAL PANEL RIGHT SIDE)</p>  <p>CONNECTOR 3700745C1 BODY LOCK 3700749C1</p>				<table border="1" style="width: 100%; border-collapse: collapse; font-size: x-small;"> <thead> <tr> <th>CAV</th> <th>CIRCUIT</th> <th>GA</th> <th>COLOR</th> <th>TERMINAL</th> </tr> </thead> <tbody> <tr><td>A</td><td>B62BH</td><td>18</td><td>DKBL</td><td>3534164C1</td></tr> <tr><td>B</td><td>B62C</td><td>18</td><td>DKBL</td><td>3534164C1</td></tr> <tr><td>C</td><td>B62A</td><td>18</td><td>DKBL</td><td>3534164C1</td></tr> <tr><td>D</td><td>B62B</td><td>18</td><td>DKBL</td><td>3534164C1</td></tr> <tr><td>E</td><td>B62AL</td><td>18</td><td>DKBL</td><td>3534164C1</td></tr> <tr><td>F</td><td>B62S</td><td>18</td><td>DKBL</td><td>3534164C1</td></tr> <tr><td>G</td><td>B62-GS</td><td>18</td><td>WH</td><td>3534164C1</td></tr> <tr><td>H</td><td>B62-GAL</td><td>18</td><td>WH</td><td>3534164C1</td></tr> <tr><td>J</td><td>B62-GB</td><td>18</td><td>WH</td><td>3534164C1</td></tr> <tr><td>K</td><td>B62-GA</td><td>18</td><td>WH</td><td>3534164C1</td></tr> <tr><td>L</td><td>B62-GC</td><td>18</td><td>WH</td><td>3534164C1</td></tr> <tr><td>M</td><td>B62-GBH</td><td>18</td><td>WH</td><td>3534164C1</td></tr> </tbody> </table>				CAV	CIRCUIT	GA	COLOR	TERMINAL	A	B62BH	18	DKBL	3534164C1	B	B62C	18	DKBL	3534164C1	C	B62A	18	DKBL	3534164C1	D	B62B	18	DKBL	3534164C1	E	B62AL	18	DKBL	3534164C1	F	B62S	18	DKBL	3534164C1	G	B62-GS	18	WH	3534164C1	H	B62-GAL	18	WH	3534164C1	J	B62-GB	18	WH	3534164C1	K	B62-GA	18	WH	3534164C1	L	B62-GC	18	WH	3534164C1	M	B62-GBH	18	WH	3534164C1					
CAV	CIRCUIT	GA	COLOR	TERMINAL																																																																									
A	B62BH	18	DKBL	3534164C1																																																																									
B	B62C	18	DKBL	3534164C1																																																																									
C	B62A	18	DKBL	3534164C1																																																																									
D	B62B	18	DKBL	3534164C1																																																																									
E	B62AL	18	DKBL	3534164C1																																																																									
F	B62S	18	DKBL	3534164C1																																																																									
G	B62-GS	18	WH	3534164C1																																																																									
H	B62-GAL	18	WH	3534164C1																																																																									
J	B62-GB	18	WH	3534164C1																																																																									
K	B62-GA	18	WH	3534164C1																																																																									
L	B62-GC	18	WH	3534164C1																																																																									
M	B62-GBH	18	WH	3534164C1																																																																									
<p>SWITCH ILLUMINATION (10333) (LOCATED IN INSTRUMENTAL PANEL RIGHT SIDE)</p>  <p>CONNECTOR 3700745C1 BODY LOCK 3700749C1</p>				<table border="1" style="width: 100%; border-collapse: collapse; font-size: x-small;"> <thead> <tr> <th>CAV</th> <th>CIRCUIT</th> <th>GA</th> <th>COLOR</th> <th>TERMINAL</th> </tr> </thead> <tbody> <tr><td>A</td><td>B62BJ</td><td>18</td><td>DKBL</td><td>3534164C1</td></tr> <tr><td>B</td><td>B62-AN</td><td>18</td><td>DKBL</td><td>3534164C1</td></tr> <tr><td>C</td><td>B62AR</td><td>18</td><td>DKBL</td><td>3534164C1</td></tr> <tr><td>D</td><td>B62AW</td><td>18</td><td>DKBL</td><td>3534164C1</td></tr> <tr><td>E*</td><td>B62AP</td><td>18</td><td>DKBL</td><td>3534164C1</td></tr> <tr><td>E#</td><td>B62BM</td><td>18</td><td>DKBL</td><td>3534164C1</td></tr> <tr><td>F</td><td>B62CA</td><td>18</td><td>DKBL</td><td>3534164C1</td></tr> <tr><td>G</td><td>B62C-G</td><td>18</td><td>WH</td><td>3534164C1</td></tr> <tr><td>H</td><td>-</td><td>-</td><td>-</td><td>-</td></tr> <tr><td>J</td><td>B62-GAW</td><td>18</td><td>WH</td><td>3534164C1</td></tr> <tr><td>K</td><td>B62-GAR</td><td>18</td><td>WH</td><td>3534164C1</td></tr> <tr><td>L</td><td>B62-GAN</td><td>18</td><td>WH</td><td>3534164C1</td></tr> <tr><td>M</td><td>B62-GBJ</td><td>18</td><td>WH</td><td>3534164C1</td></tr> </tbody> </table> <p>* W/FUEL FIRED HEATER TIMER # ESPAR CLNT HTR W/BLACK TIMER</p>				CAV	CIRCUIT	GA	COLOR	TERMINAL	A	B62BJ	18	DKBL	3534164C1	B	B62-AN	18	DKBL	3534164C1	C	B62AR	18	DKBL	3534164C1	D	B62AW	18	DKBL	3534164C1	E*	B62AP	18	DKBL	3534164C1	E#	B62BM	18	DKBL	3534164C1	F	B62CA	18	DKBL	3534164C1	G	B62C-G	18	WH	3534164C1	H	-	-	-	-	J	B62-GAW	18	WH	3534164C1	K	B62-GAR	18	WH	3534164C1	L	B62-GAN	18	WH	3534164C1	M	B62-GBJ	18	WH	3534164C1
CAV	CIRCUIT	GA	COLOR	TERMINAL																																																																									
A	B62BJ	18	DKBL	3534164C1																																																																									
B	B62-AN	18	DKBL	3534164C1																																																																									
C	B62AR	18	DKBL	3534164C1																																																																									
D	B62AW	18	DKBL	3534164C1																																																																									
E*	B62AP	18	DKBL	3534164C1																																																																									
E#	B62BM	18	DKBL	3534164C1																																																																									
F	B62CA	18	DKBL	3534164C1																																																																									
G	B62C-G	18	WH	3534164C1																																																																									
H	-	-	-	-																																																																									
J	B62-GAW	18	WH	3534164C1																																																																									
K	B62-GAR	18	WH	3534164C1																																																																									
L	B62-GAN	18	WH	3534164C1																																																																									
M	B62-GBJ	18	WH	3534164C1																																																																									
CHK	DATE	CHANGE	REV	REFERENCE	DRAWN	NAME																																																																							
-	-	INITIAL RELEASE.	A	93784S	23132922	CIRCUIT DIAGRAM, RE BUS - BODY																																																																							
					RELEASE NO.	DATE	PART NO.																																																																						
					93784S	20FEB17	AE08085160																																																																						
						SHEET	127																																																																						

Figure 507 Connector Composites (10331, 10332, 10333)

18.137. CONNECTOR COMPOSITES (10334, 10335), P. 128

NAVISTAR, INC <small>THIS PRINT IS PROVIDED ON A RESTRICTED BASIS AND IS NOT TO BE USED IN ANY WAY DETRIMENTAL TO THE INTEREST OF NAVISTAR, INC.</small>				ELECTRICAL CIRCUIT DIAGRAM CHAPTER 17 CONNECTOR BODY COMPOSITES MATING VIEW SHOWN																																																																																																												
GROUND SPLICE (10334) (LOCATED AT LEFT SIDE OF INSTRUMENTAL PANEL)				<table border="1" style="width:100%; border-collapse: collapse;"> <thead> <tr> <th>CAV</th> <th>CIRCUIT</th> <th>GA</th> <th>COLOR</th> <th>TERMINAL</th> </tr> </thead> <tbody> <tr><td>A</td><td>B11-GH</td><td>10</td><td>WH</td><td>1661211C1</td></tr> <tr><td>B*</td><td>B120-GG</td><td>14</td><td>WH</td><td>3566715C1</td></tr> <tr><td>B#</td><td>B120-G</td><td>18</td><td>WH</td><td>1661208C1</td></tr> <tr><td>B%</td><td>B120-GT</td><td>16</td><td>WH</td><td>1661209C1</td></tr> <tr><td>B&</td><td>B120-GL</td><td>18</td><td>WH</td><td>1661208C1</td></tr> <tr><td>C@</td><td>B120-GG</td><td>14</td><td>WH</td><td>3566715C1</td></tr> <tr><td>C*&</td><td>B123-G</td><td>18</td><td>WH</td><td>1661208C1</td></tr> <tr><td>C&</td><td>BB1-GA</td><td>16</td><td>WH</td><td>1661209C1</td></tr> <tr><td>C&*</td><td>B120-GM</td><td>16</td><td>WH</td><td>1661209C1</td></tr> <tr><td>C**</td><td>B123-G</td><td>18</td><td>WH</td><td>1661208C1</td></tr> <tr><td>D</td><td>BB1-G</td><td>18</td><td>WH</td><td>1661208C1</td></tr> <tr><td>E</td><td>B75-GB</td><td>16</td><td>WH</td><td>1661209C1</td></tr> <tr><td>F</td><td>B133-GA</td><td>18</td><td>LTGN</td><td>1661208C1</td></tr> <tr><td>G</td><td>B132-GB</td><td>18</td><td>WH</td><td>1661208C1</td></tr> <tr><td>H</td><td>B76-GA</td><td>14</td><td>WH</td><td>3566715C1</td></tr> <tr><td>J</td><td>B76-GB</td><td>14</td><td>WH</td><td>3566715C1</td></tr> <tr><td>K</td><td>B119-GT</td><td>18</td><td>GY</td><td>1661208C1</td></tr> </tbody> </table>		CAV	CIRCUIT	GA	COLOR	TERMINAL	A	B11-GH	10	WH	1661211C1	B*	B120-GG	14	WH	3566715C1	B#	B120-G	18	WH	1661208C1	B%	B120-GT	16	WH	1661209C1	B&	B120-GL	18	WH	1661208C1	C@	B120-GG	14	WH	3566715C1	C*&	B123-G	18	WH	1661208C1	C&	BB1-GA	16	WH	1661209C1	C&*	B120-GM	16	WH	1661209C1	C**	B123-G	18	WH	1661208C1	D	BB1-G	18	WH	1661208C1	E	B75-GB	16	WH	1661209C1	F	B133-GA	18	LTGN	1661208C1	G	B132-GB	18	WH	1661208C1	H	B76-GA	14	WH	3566715C1	J	B76-GB	14	WH	3566715C1	K	B119-GT	18	GY	1661208C1	<p>* W/MOMENTARY ELEC DOOR TOGGLE SW # W/AIR DOOR COMMON % W/ELEC DOOR ROTARY SW & W/ELEC DOOR TOGGLE SW @ W/ELECTRIC DOOR CONTROL EXTERIOR & INTERIOR TOGGLE SW *& W/AIR DOOR ROTARY SW ** W/ELEC DOOR SEDAN DOOR ** W/RIGHT HAND AIR DOOR ROTARY SW</p>																
CAV	CIRCUIT	GA	COLOR	TERMINAL																																																																																																												
A	B11-GH	10	WH	1661211C1																																																																																																												
B*	B120-GG	14	WH	3566715C1																																																																																																												
B#	B120-G	18	WH	1661208C1																																																																																																												
B%	B120-GT	16	WH	1661209C1																																																																																																												
B&	B120-GL	18	WH	1661208C1																																																																																																												
C@	B120-GG	14	WH	3566715C1																																																																																																												
C*&	B123-G	18	WH	1661208C1																																																																																																												
C&	BB1-GA	16	WH	1661209C1																																																																																																												
C&*	B120-GM	16	WH	1661209C1																																																																																																												
C**	B123-G	18	WH	1661208C1																																																																																																												
D	BB1-G	18	WH	1661208C1																																																																																																												
E	B75-GB	16	WH	1661209C1																																																																																																												
F	B133-GA	18	LTGN	1661208C1																																																																																																												
G	B132-GB	18	WH	1661208C1																																																																																																												
H	B76-GA	14	WH	3566715C1																																																																																																												
J	B76-GB	14	WH	3566715C1																																																																																																												
K	B119-GT	18	GY	1661208C1																																																																																																												
GROUND SPLICE (10335) (LOCATED AT LEFT SIDE OF INSTRUMENTAL PANEL)				<table border="1" style="width:100%; border-collapse: collapse;"> <thead> <tr> <th>CAV</th> <th>CIRCUIT</th> <th>GA</th> <th>COLOR</th> <th>TERMINAL</th> </tr> </thead> <tbody> <tr><td>A</td><td>B11-GK</td><td>10</td><td>WH</td><td>1661211C1</td></tr> <tr><td>B</td><td>B64-GC</td><td>18</td><td>WH</td><td>1661208C1</td></tr> <tr><td>C*</td><td>B85-G</td><td>16</td><td>WH</td><td>1661209C1</td></tr> <tr><td>C#</td><td>B85-GA</td><td>18</td><td>WH</td><td>1661208C1</td></tr> <tr><td>C%</td><td>B125-G</td><td>18</td><td>WH</td><td>1661208C1</td></tr> <tr><td>C&</td><td>B85-G</td><td>14</td><td>WH</td><td>3566715C1</td></tr> <tr><td>D**</td><td>B120-GS</td><td>18</td><td>WH</td><td>1661208C1</td></tr> <tr><td>D%&</td><td>B63-GA</td><td>16</td><td>WH</td><td>1661209C1</td></tr> <tr><td>E</td><td>B63-GAL</td><td>18</td><td>WH</td><td>1661208C1</td></tr> <tr><td>F</td><td>B123-GF</td><td>18</td><td>WH</td><td>1661208C1</td></tr> <tr><td>G*</td><td>B11G</td><td>14</td><td>WH</td><td>3566715C1</td></tr> <tr><td>G#</td><td>B11G</td><td>18</td><td>WH</td><td>3566715C1</td></tr> <tr><td>G&</td><td>B125B-G</td><td>18</td><td>WH</td><td>1661208C1</td></tr> <tr><td>H</td><td>B11-GF</td><td>16</td><td>WH</td><td>1661209C1</td></tr> <tr><td>J&&</td><td>B119-GK</td><td>18</td><td>WH</td><td>1661208C1</td></tr> <tr><td>J@</td><td>B119-GM</td><td>18</td><td>WH</td><td>1661208C1</td></tr> <tr><td>J*%</td><td>B119-GE</td><td>18</td><td>WH</td><td>1661208C1</td></tr> <tr><td>J%*</td><td>B119-GZ</td><td>18</td><td>WH</td><td>1661208C1</td></tr> <tr><td>K***</td><td>B119-GL</td><td>18</td><td>WH</td><td>1661208C1</td></tr> <tr><td>K%&&</td><td>B119-GR</td><td>18</td><td>WH</td><td>1661208C1</td></tr> </tbody> </table>		CAV	CIRCUIT	GA	COLOR	TERMINAL	A	B11-GK	10	WH	1661211C1	B	B64-GC	18	WH	1661208C1	C*	B85-G	16	WH	1661209C1	C#	B85-GA	18	WH	1661208C1	C%	B125-G	18	WH	1661208C1	C&	B85-G	14	WH	3566715C1	D**	B120-GS	18	WH	1661208C1	D%&	B63-GA	16	WH	1661209C1	E	B63-GAL	18	WH	1661208C1	F	B123-GF	18	WH	1661208C1	G*	B11G	14	WH	3566715C1	G#	B11G	18	WH	3566715C1	G&	B125B-G	18	WH	1661208C1	H	B11-GF	16	WH	1661209C1	J&&	B119-GK	18	WH	1661208C1	J@	B119-GM	18	WH	1661208C1	J*%	B119-GE	18	WH	1661208C1	J%*	B119-GZ	18	WH	1661208C1	K***	B119-GL	18	WH	1661208C1	K%&&	B119-GR	18	WH	1661208C1	<p>* W/POST TRIP W/SNOOZE # W/THEFTMATE N/SNOOZE % W/POST TRIP INSPECTION CHECK MATE & W/POST TRIP INSPECTION WITH CHECKMATE ** W/DOME LT ON W/ENTR DOOR %& DOME LT ON W/REAR EMER EXIT W/INTLK OR ANY EMER EXIT @@ W/POST TRIP INSPECTION CRS && W/STOP ARM/XGT W/L SW PNL CANCEL COMMON @ W/STOP ARM/XGT FLORIDA *** W/XGT EXTEND W/CANCEL AIR %&& W/STOP ARM CANCEL OVERHEAD CHIME GND *% W/STOP ALARM/CROSSING GATE %* W/CNCL W/ZONAR</p>	
CAV	CIRCUIT	GA	COLOR	TERMINAL																																																																																																												
A	B11-GK	10	WH	1661211C1																																																																																																												
B	B64-GC	18	WH	1661208C1																																																																																																												
C*	B85-G	16	WH	1661209C1																																																																																																												
C#	B85-GA	18	WH	1661208C1																																																																																																												
C%	B125-G	18	WH	1661208C1																																																																																																												
C&	B85-G	14	WH	3566715C1																																																																																																												
D**	B120-GS	18	WH	1661208C1																																																																																																												
D%&	B63-GA	16	WH	1661209C1																																																																																																												
E	B63-GAL	18	WH	1661208C1																																																																																																												
F	B123-GF	18	WH	1661208C1																																																																																																												
G*	B11G	14	WH	3566715C1																																																																																																												
G#	B11G	18	WH	3566715C1																																																																																																												
G&	B125B-G	18	WH	1661208C1																																																																																																												
H	B11-GF	16	WH	1661209C1																																																																																																												
J&&	B119-GK	18	WH	1661208C1																																																																																																												
J@	B119-GM	18	WH	1661208C1																																																																																																												
J*%	B119-GE	18	WH	1661208C1																																																																																																												
J%*	B119-GZ	18	WH	1661208C1																																																																																																												
K***	B119-GL	18	WH	1661208C1																																																																																																												
K%&&	B119-GR	18	WH	1661208C1																																																																																																												
CONNECTOR 2007315C1 BODY LOCK 2007316C1				CONNECTOR 2007315C1 BODY LOCK 2007316C1																																																																																																												
CHK	DATE	CHANGE	REV	REFERENCE	DRAWN	NAME																																																																																																										
MJVO	08SEP19	REVISED AND REDRAWN.	B	95004Y	23132922	CIRCUIT DIAGRAM, RE BUS - BODY																																																																																																										
					RELEASE NO.	DATE	PART NO.																																																																																																									
					93784S	20FEB17	AE08085160																																																																																																									
							SHEET 128																																																																																																									

Figure 508 Connector Composites (10334, 10335)

18.138. CONNECTOR COMPOSITES (10336, 10337), P. 129

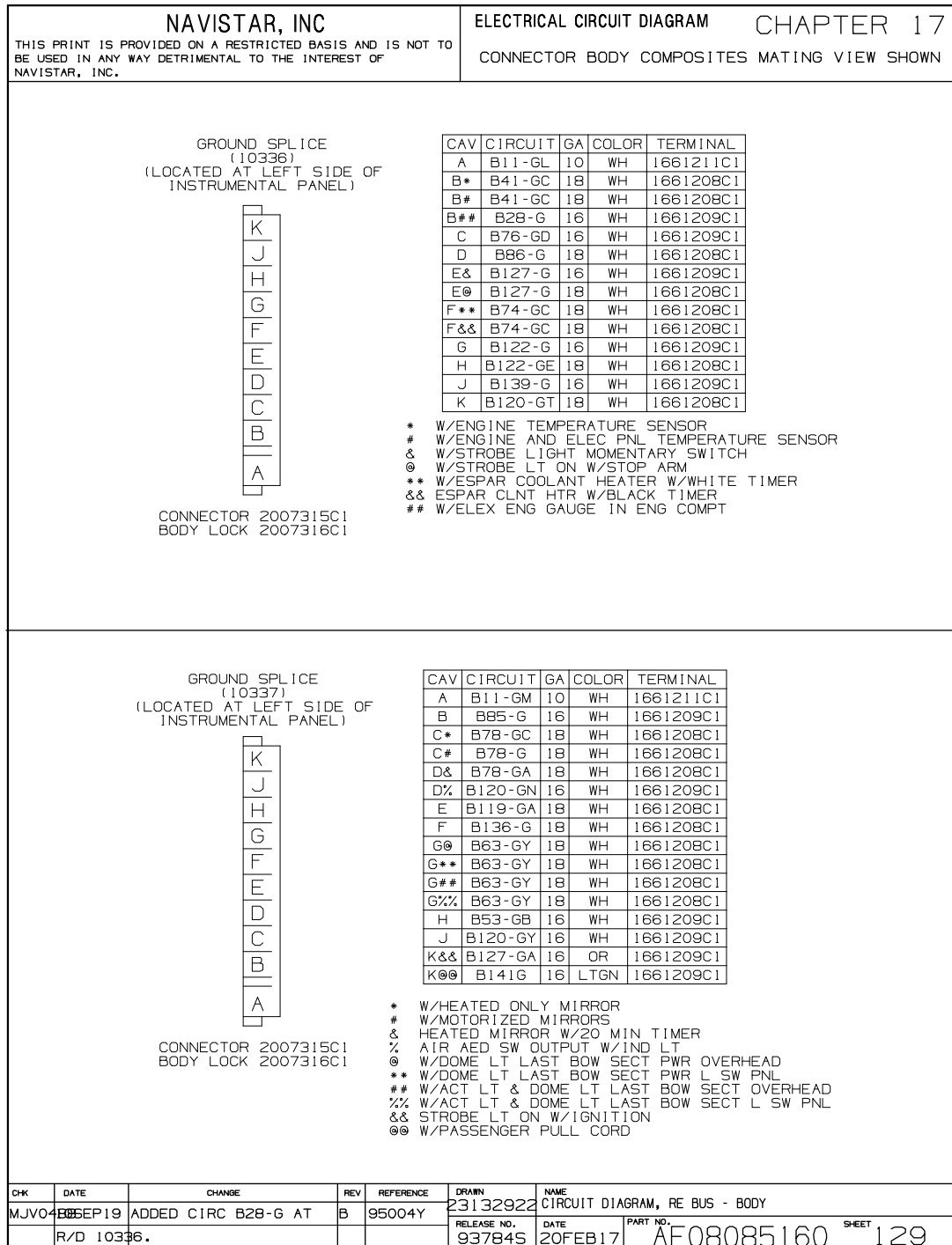


Figure 509 Connector Composites (10336, 10337)

18.139. CONNECTOR COMPOSITES (10340F, 10340M, 10341, 10344A), P. 130

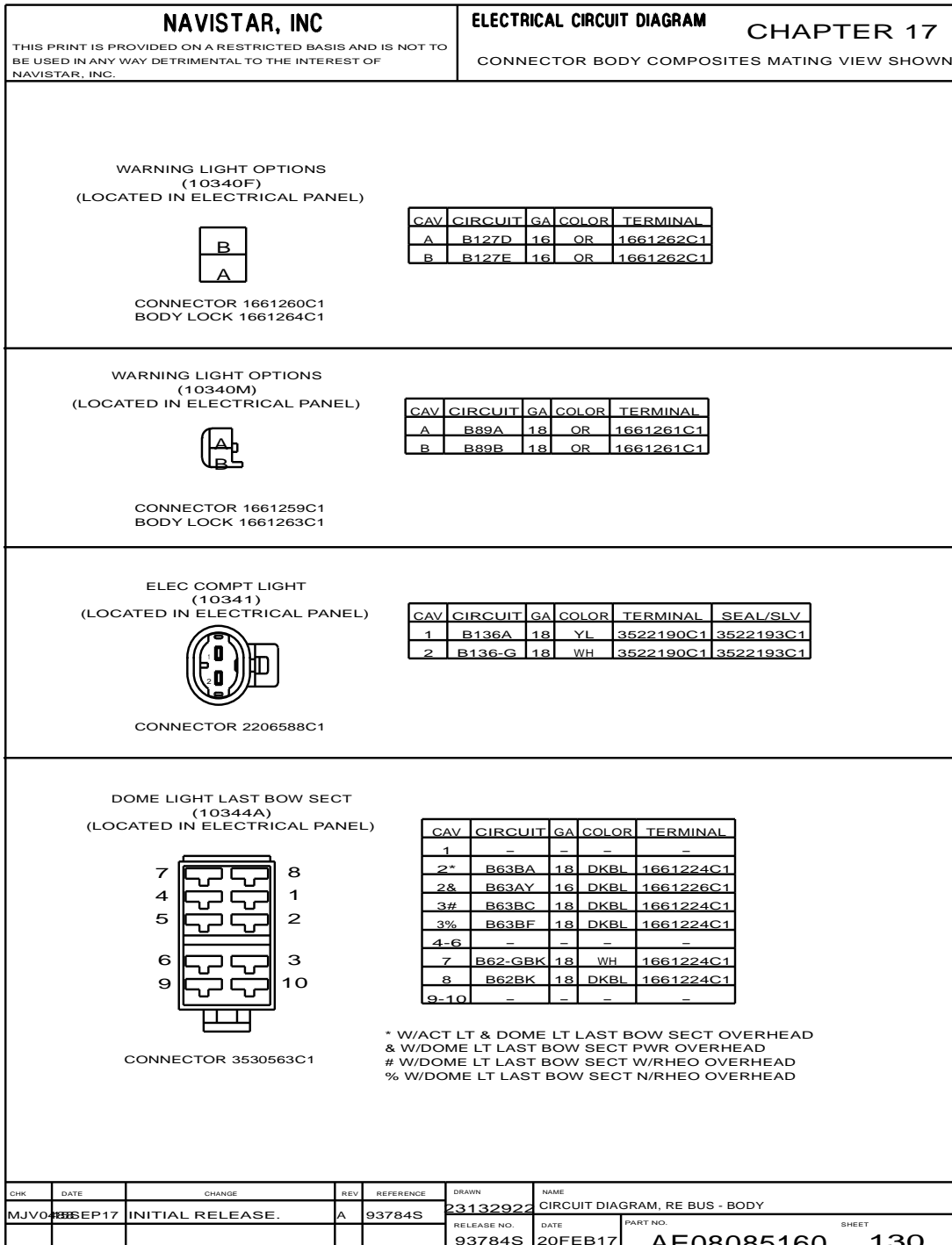


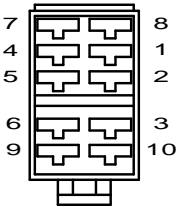
Figure 510 Connector Composites (10340F, 10340M, 10341, 10344A)

CONNECTOR COMPOSITES (CHAPTER 18)

19.1. CONNECTOR COMPOSITES (10344B, 10345, 10346), P. 1

NAVISTAR, INC				ELECTRICAL CIRCUIT DIAGRAM		CHAPTER 18	
THIS PRINT IS PROVIDED ON A RESTRICTED BASIS AND IS NOT TO BE USED IN ANY WAY DETRIMENTAL TO THE INTEREST OF NAVISTAR, INC.				CONNECTOR BODY COMPOSITES MATING VIEW SHOWN			

DOME LIGHTT LAST BOW SECT
(10344B)
(LOCATED IN ELECTRICAL PANEL)

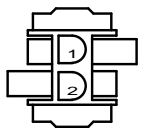


CONNECTOR 3530563C1

CAV	CIRCUIT	GA	COLOR	TERMINAL
1	-	-	-	-
2*	B63BB	18	DKBL	1661224C1
2#	B63AZ	16	DKBL	1661226C1
3%	B63BD	18	DKBL	1661224C1
3&	B63BF	18	DKBL	1661224C1
4-6	-	-	-	-
7	B62-GBK	18	WH	1661224C1
8	B62BK	18	DKBL	1661224C1
9-10	-	-	-	-

* W/ ACT LT & DOME LT LAST BOW SECT L SW PNL
W/ DOME LT LAST BOW SECT PWR L SW PNL
% W/ DOME LT LAST BOW SECT W/RHEO L SW PNL
& W/ DOME LT LAST BOW SECT N/RHEO L SW PNL

DOME LIGHT LAST BOW RHEOSTAT
(10345)
(LOCATED IN ELECTRICAL PANEL)

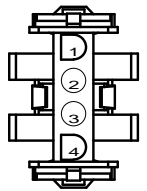


CONNECTOR 1669030C1

CAV	CIRCUIT	GA	COLOR	TERMINAL
1*	B63BC	18	DKBL	1661538C1
1#	B63BD	18	DKBL	1661538C1
2	B63BF	18	DKBL	1661538C1

* W/ DOME LT LAST BOW SECT W/RHEO OVERHEAD
% W/ DOME LT LAST BOW SECT W/RHEO L SW PNL

WINCH CONTROL TIRE CARRIER
(10346)
(LOCATED AT LEFT FRAME RAIL)



CONNECTOR 2206666C1

CAV	CIRCUIT	GA	COLOR	TERMINAL
1	B115A	10	LTGN	2030385C1
2	B115-GA	10	WH	2030385C1
3	B115	10	LTGN	2030385C1
4	B115-GB	10	WH	2030385C1

CHK	DATE	CHANGE	REV	REFERENCE	DRAWN	NAME
					23132922	CIRCUIT DIAGRAM, RE BUS - BODY
MJV0	13SEP17	INITIAL RELEASE.	A	93784S	RELEASE NO.	DATE
					93784S	20FEB17
						PART NO. AE08085161 SHEET 001

Figure 511 Connector Composites (10344B, 10345, 10346)

19.2. CONNECTOR COMPOSITES (10348, 10351, 10352), P. 2

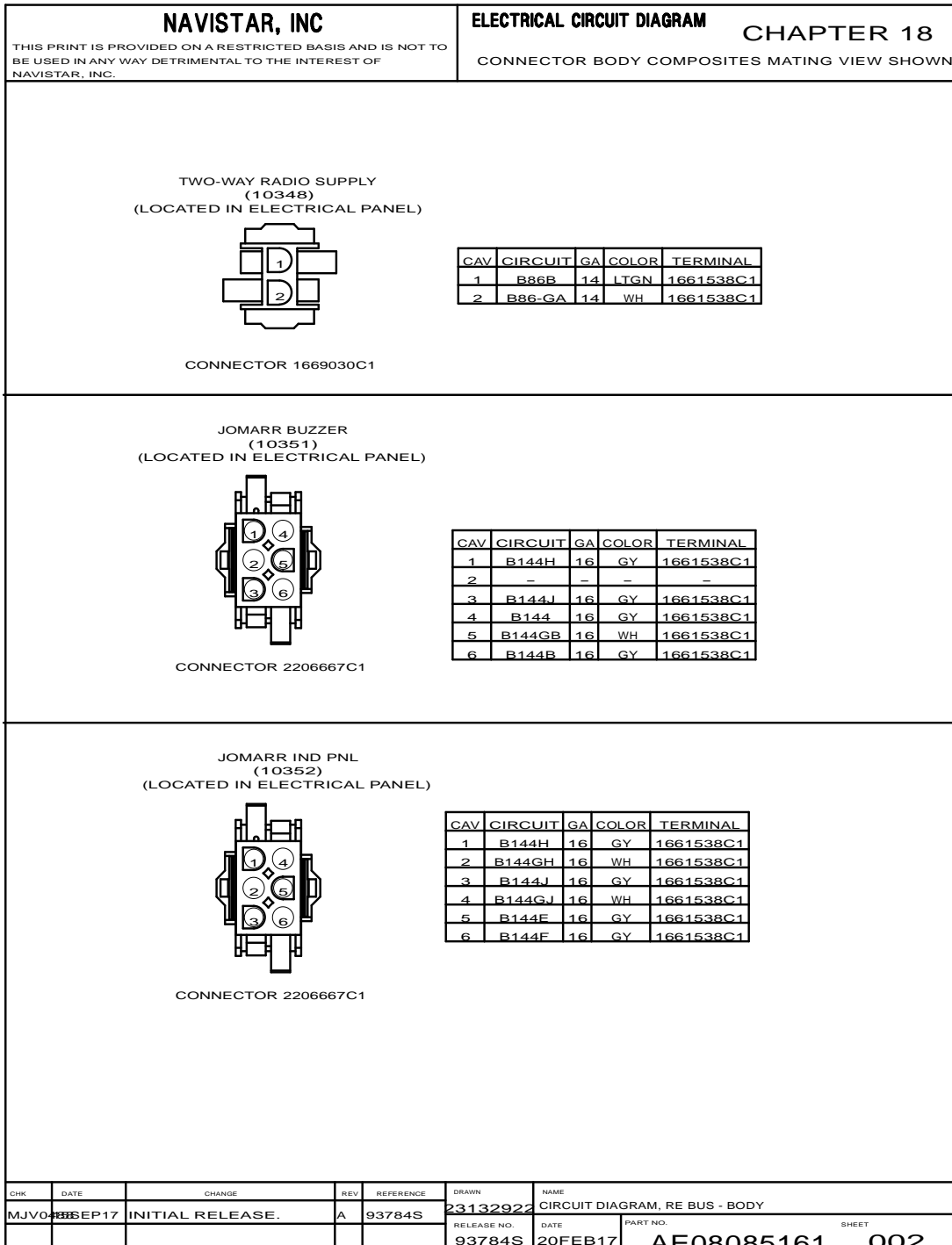


Figure 512 Connector Composites (10348, 10351, 10352)

19.3. CONNECTOR COMPOSITES (10353, 10354, 10355), P. 3

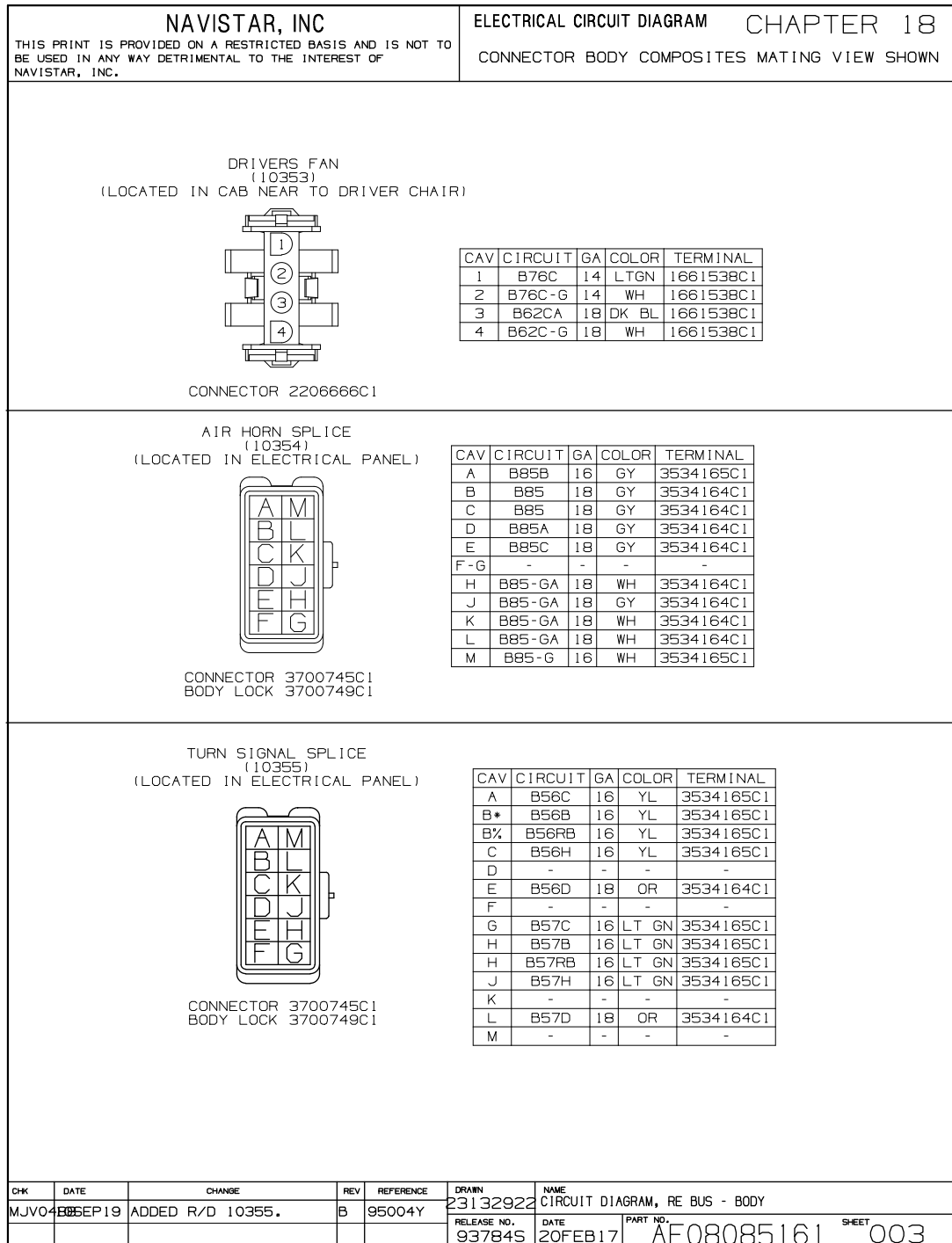


Figure 513 Connector Composites (10353, 10354, 10355)

19.4. CONNECTOR COMPOSITES (10356, 10358), P. 3A

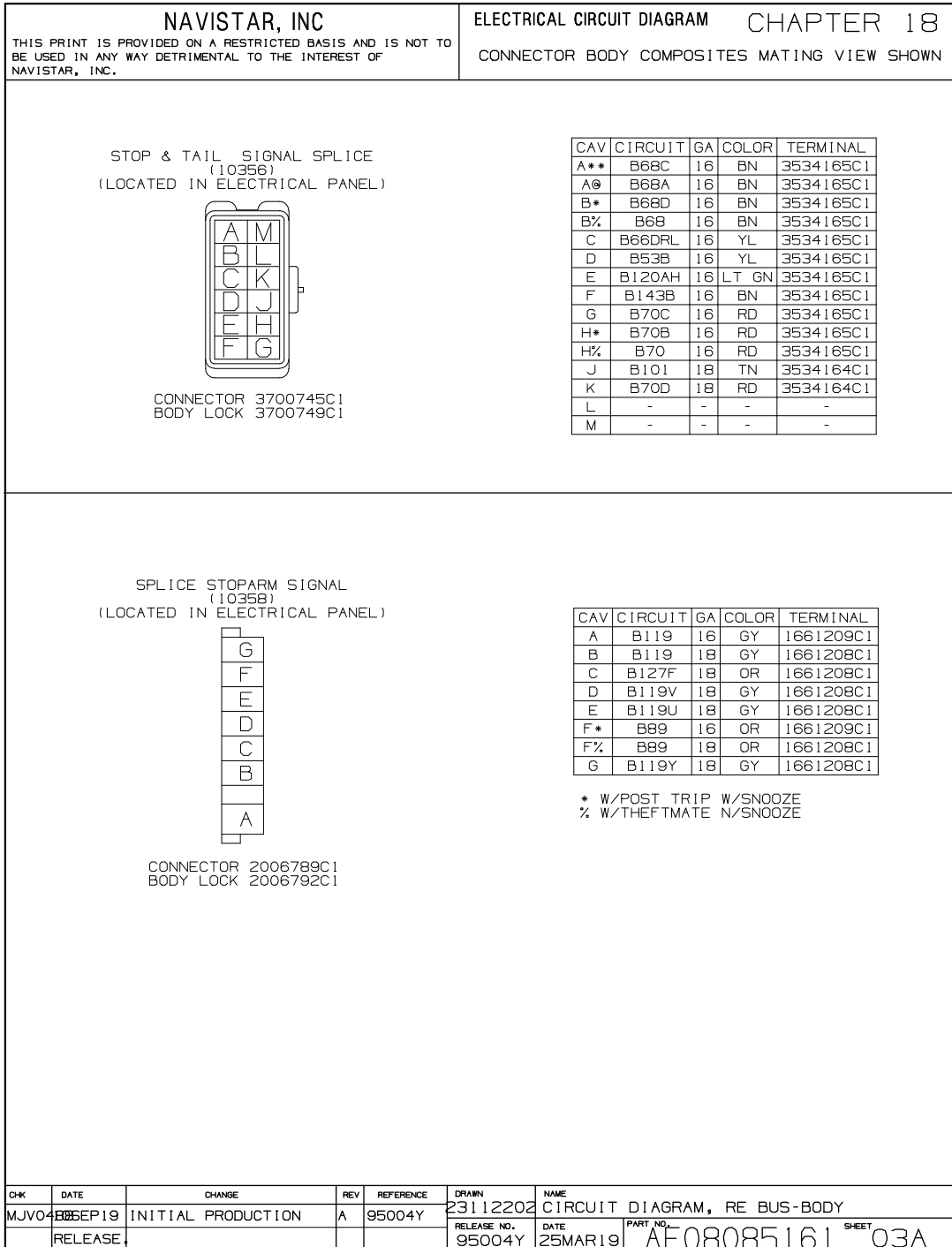


Figure 514 Connector Composites (10356, 10358)

19.5. CONNECTOR COMPOSITES (10360, 10365), P. 4

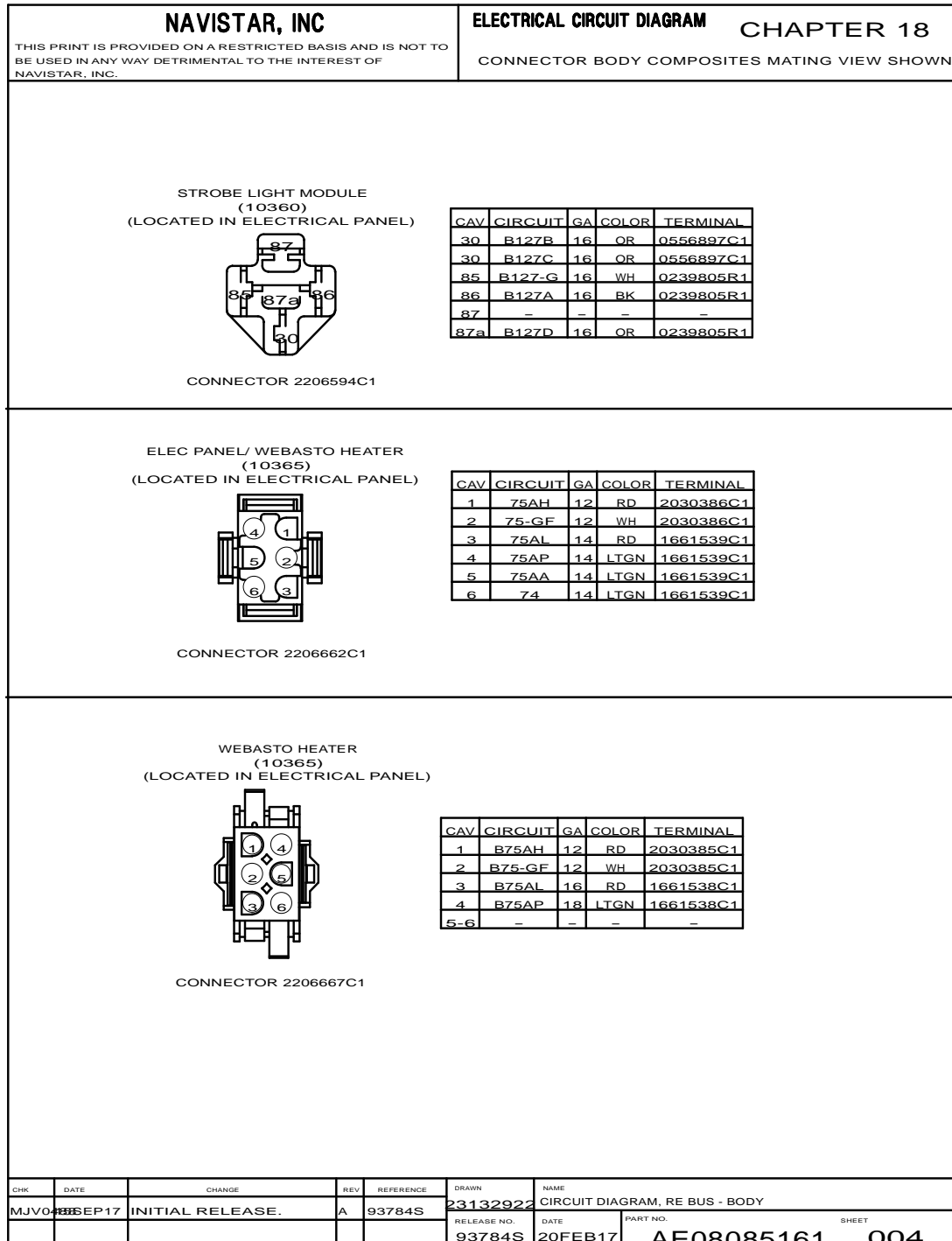


Figure 515 Connector Composites (10360, 10365)

19.6. CONNECTOR COMPOSITES (10368, 10386, 10389, 10398), P. 5

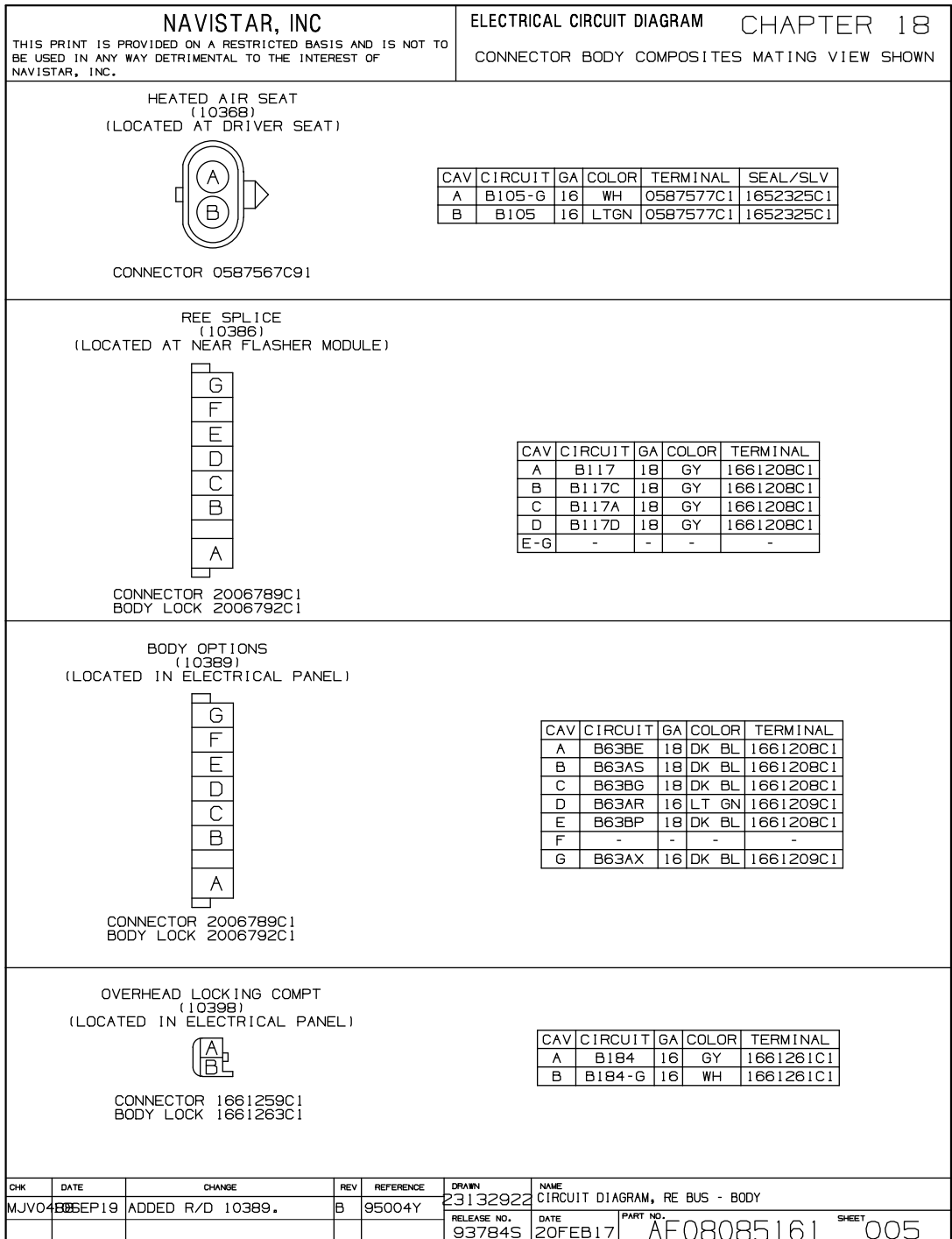


Figure 516 Connector Composites (10368, 10386, 10389, 10398)

19.7. CONNECTOR COMPOSITES (10400), P. 6

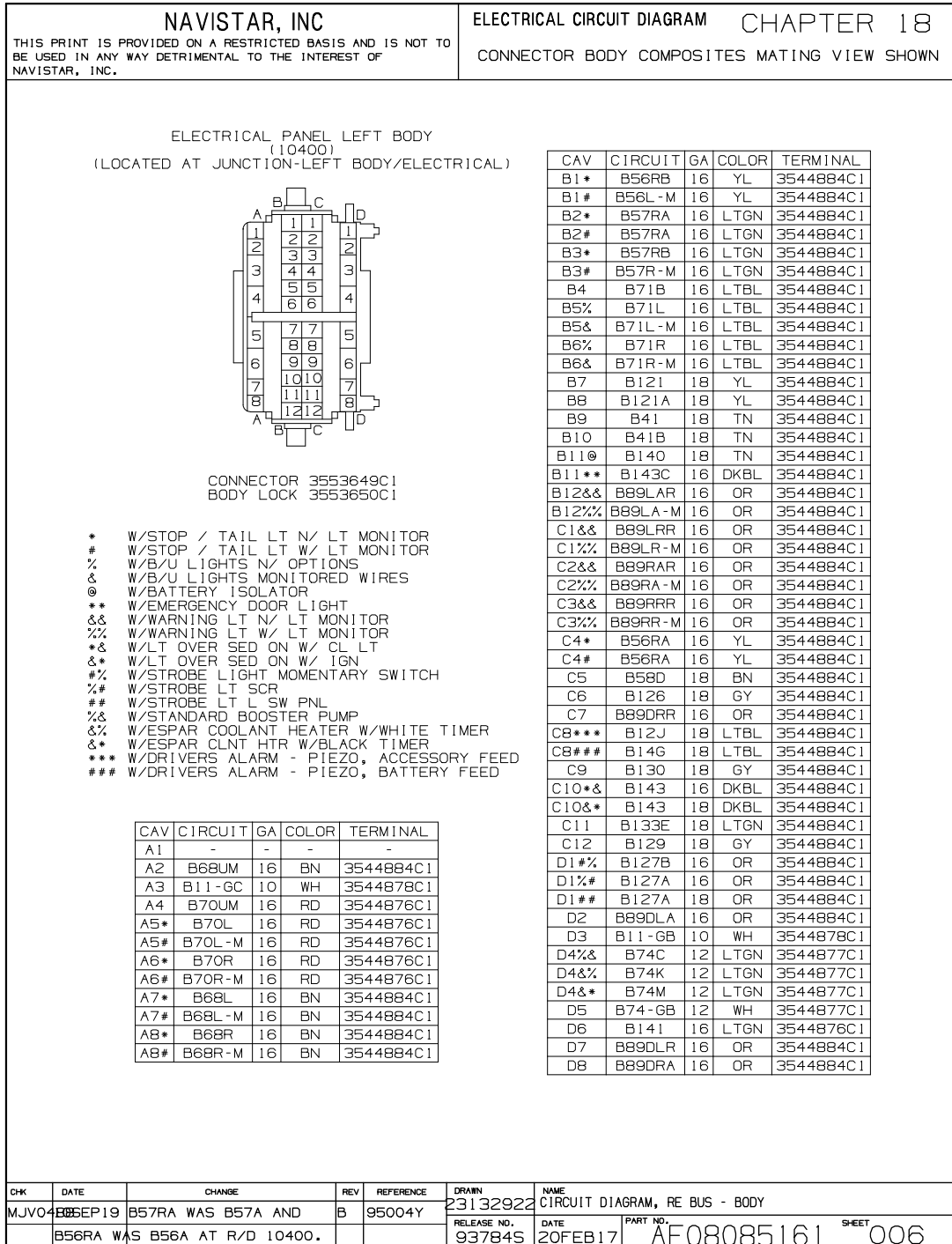


Figure 517 Connector Composites (10400)

19.8. CONNECTOR COMPOSITES (10400) (CONT.), P. 7

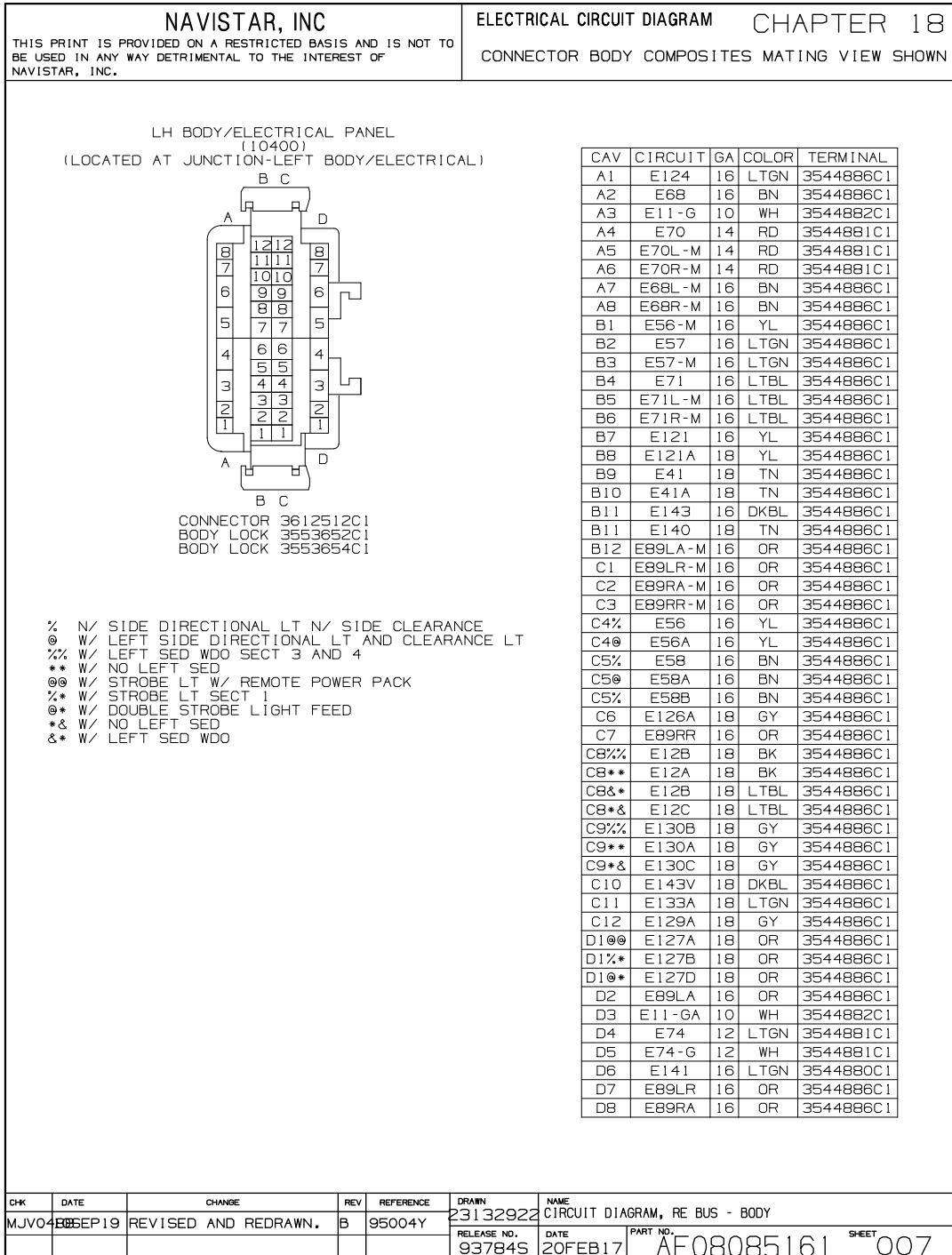


Figure 518 Connector Composites (10400) (Cont.)

19.9. CONNECTOR COMPOSITES (10401), P. 8

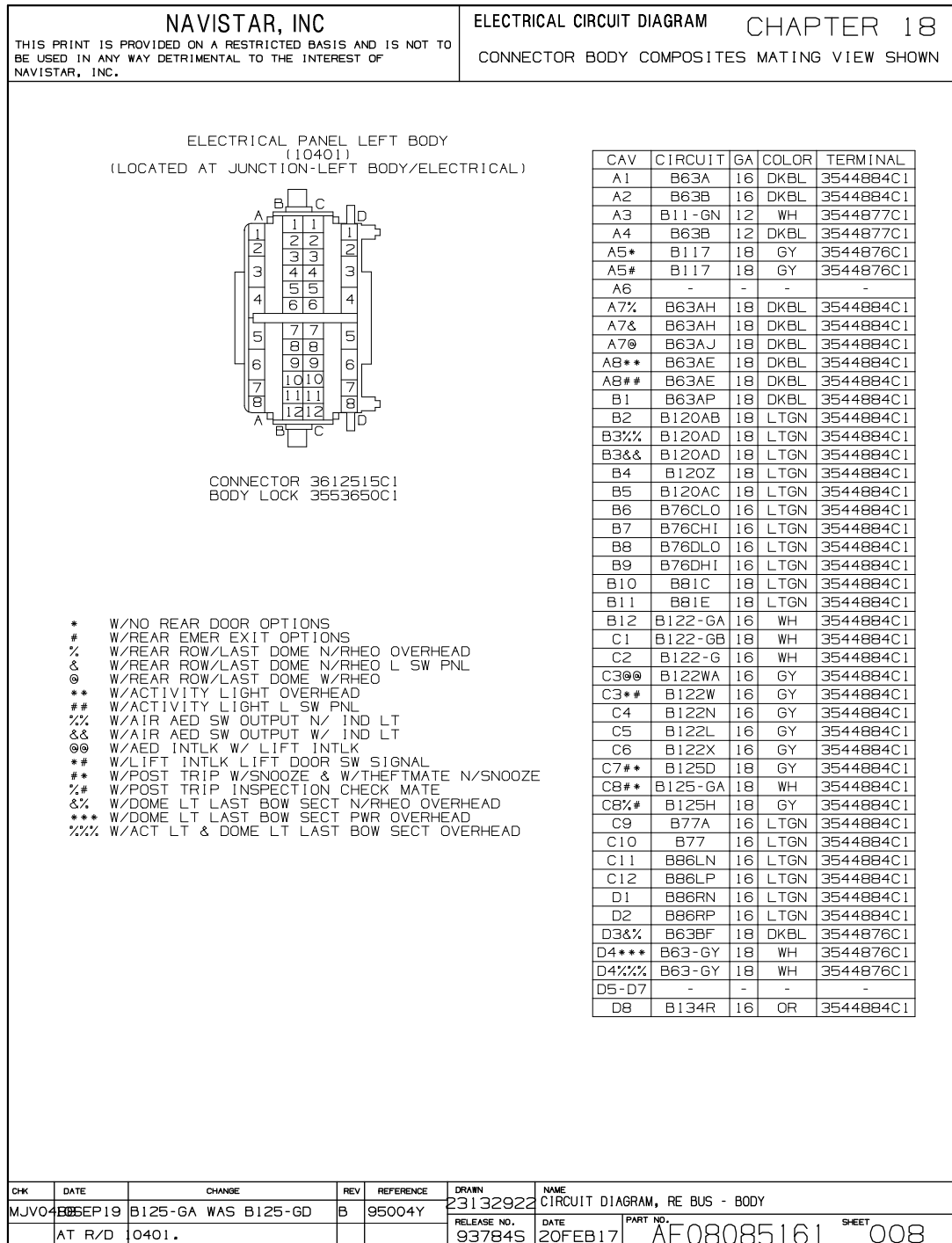


Figure 519 Connector Composites (10401)

19.10. CONNECTOR COMPOSITES (10401) (CONT.), P. 9

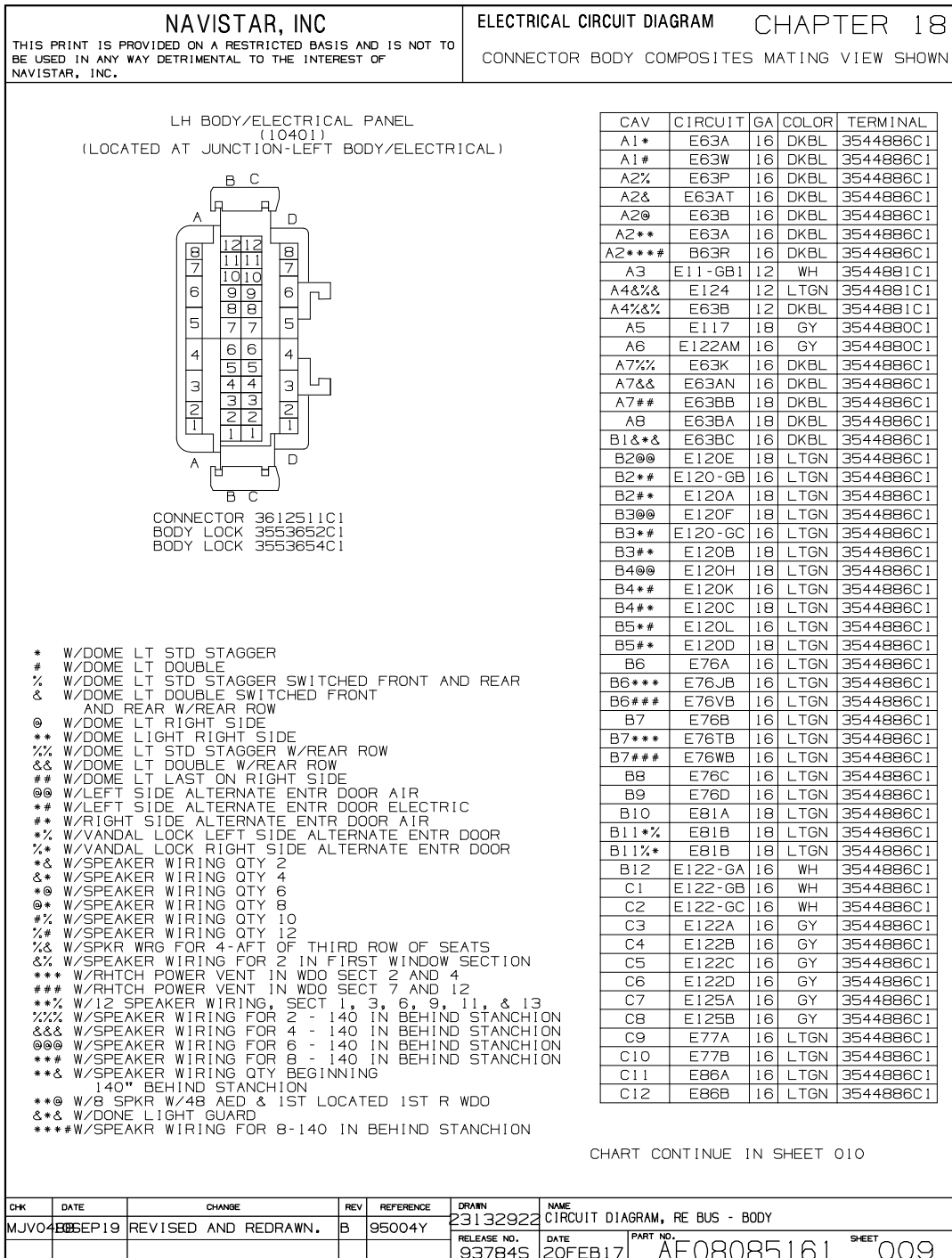


Figure 520 Connector Composites (10401) (Cont.)

19.11. CONNECTOR COMPOSITES (10401) (CONT.), P. 10

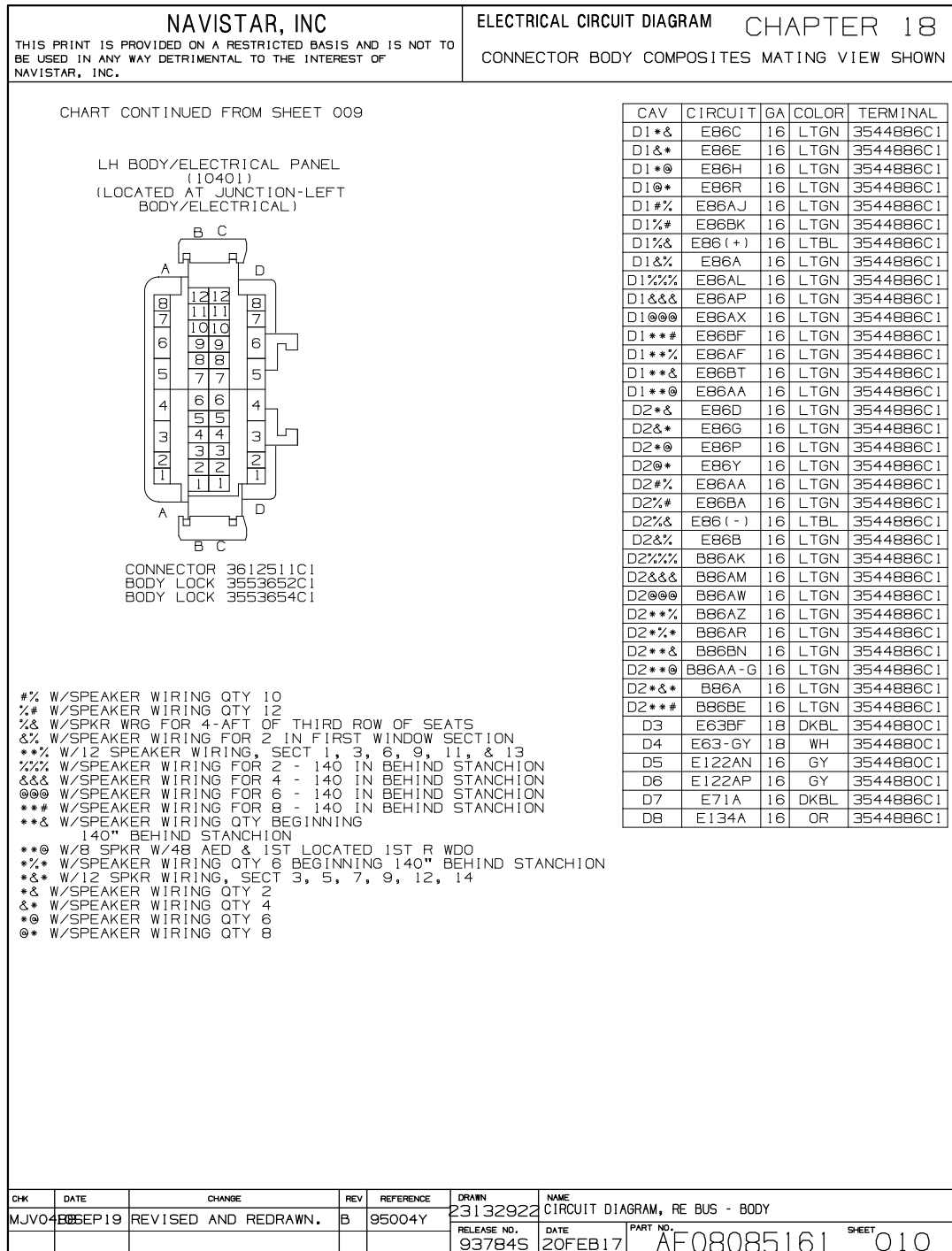


Figure 521 Connector Composites (10401) (Cont.)

19.12. CONNECTOR COMPOSITES (10405) (CONT.), P. 10A

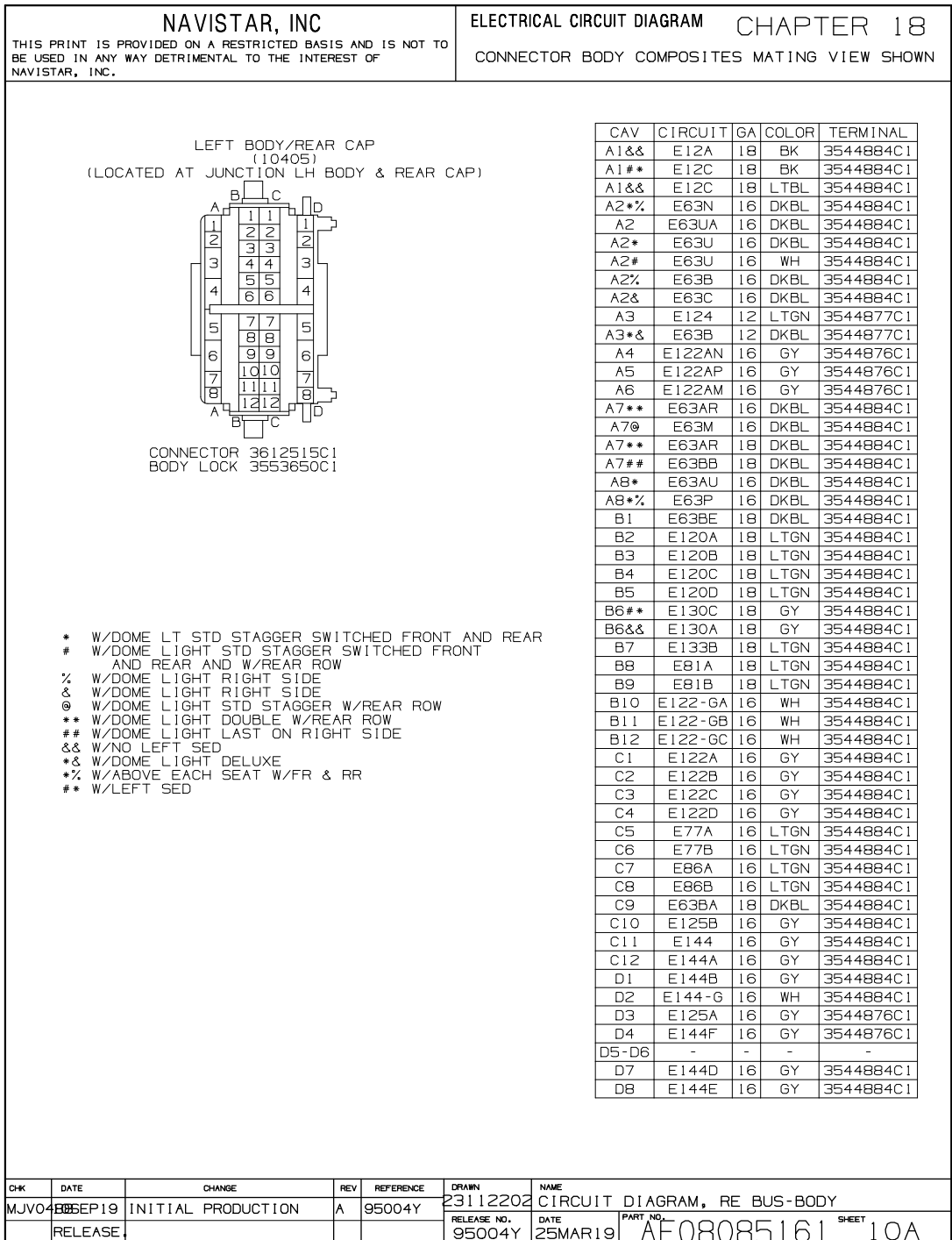


Figure 522 Connector Composites (10405) (Cont.)

19.13. CONNECTOR COMPOSITES (10405), P. 11

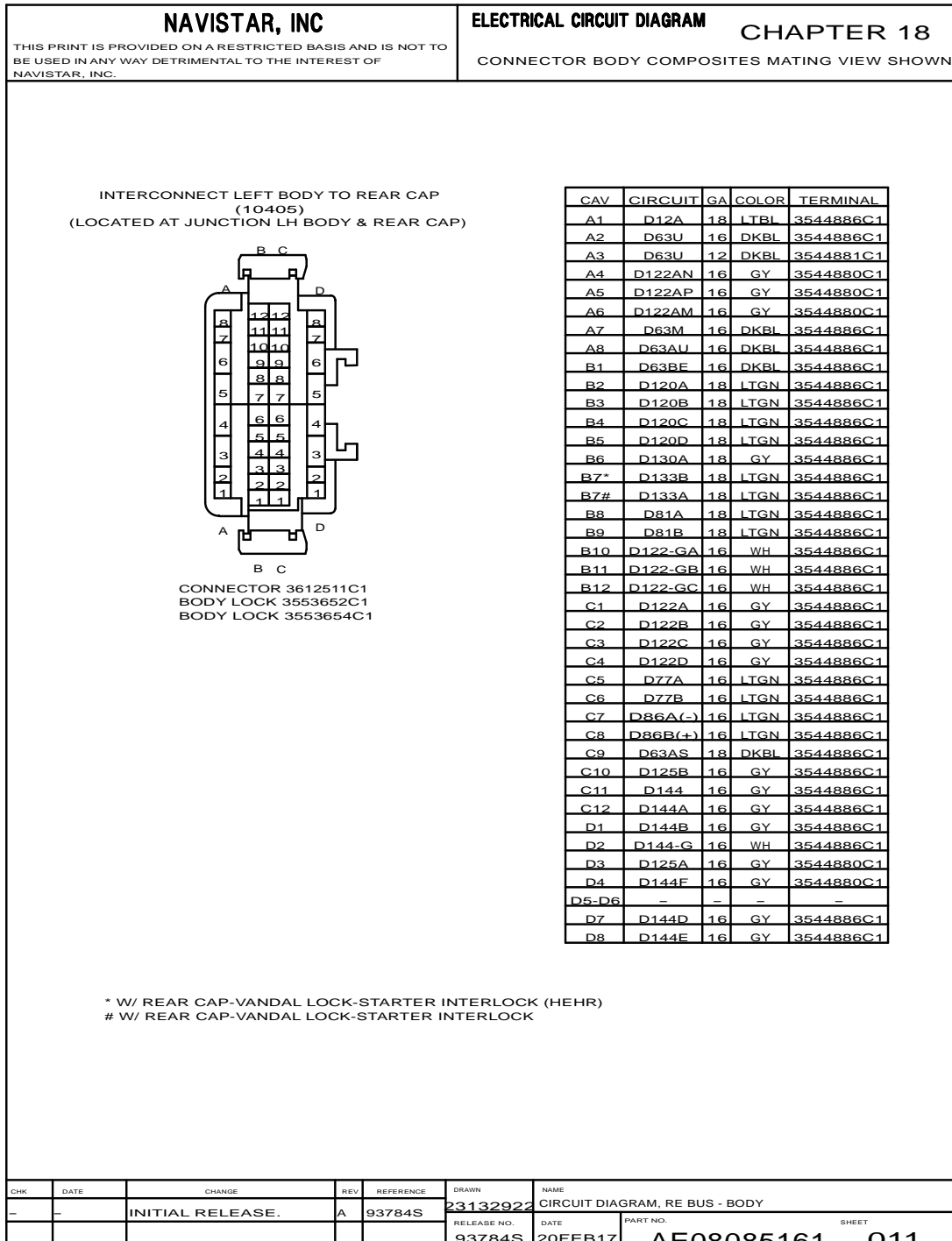


Figure 523 Connector Composites (10405)

19.14. CONNECTOR COMPOSITES (10406), P. 12

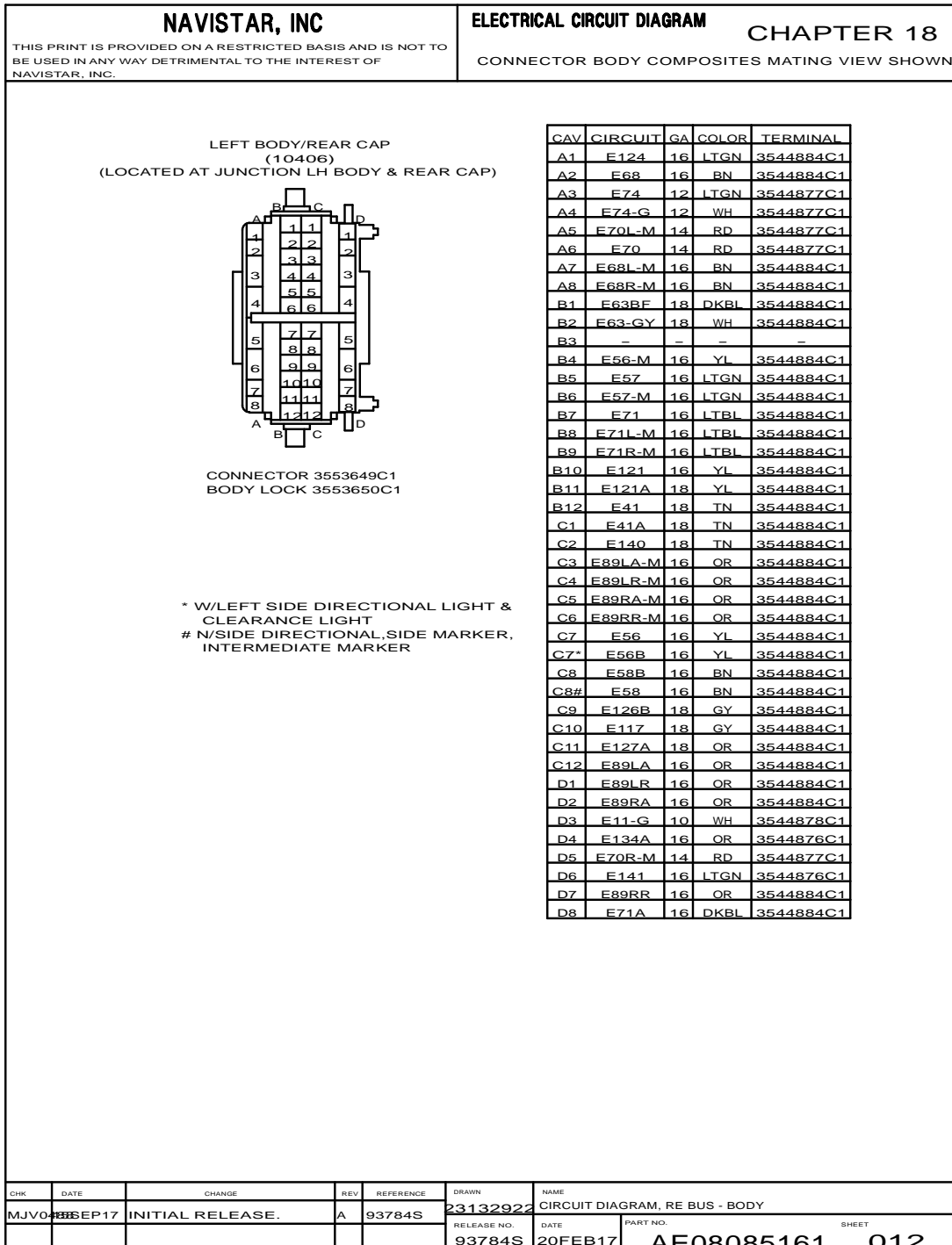


Figure 524 Connector Composites (10406)

19.15. CONNECTOR COMPOSITES (10406) (CONT.), P. 13

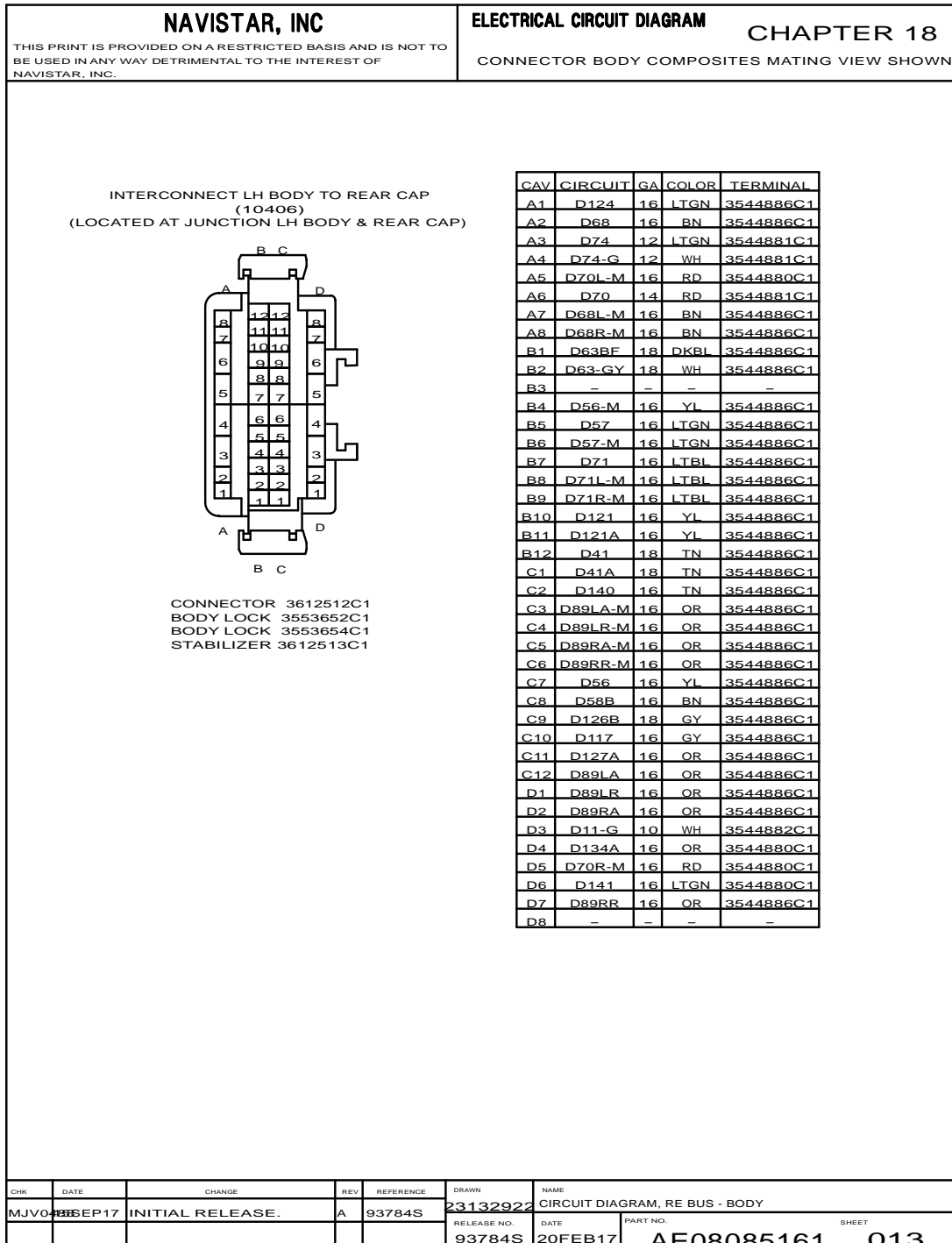


Figure 525 Connector Composites (10406) (Cont.)

19.16. CONNECTOR COMPOSITES (10410, 10411, 10412), P. 14

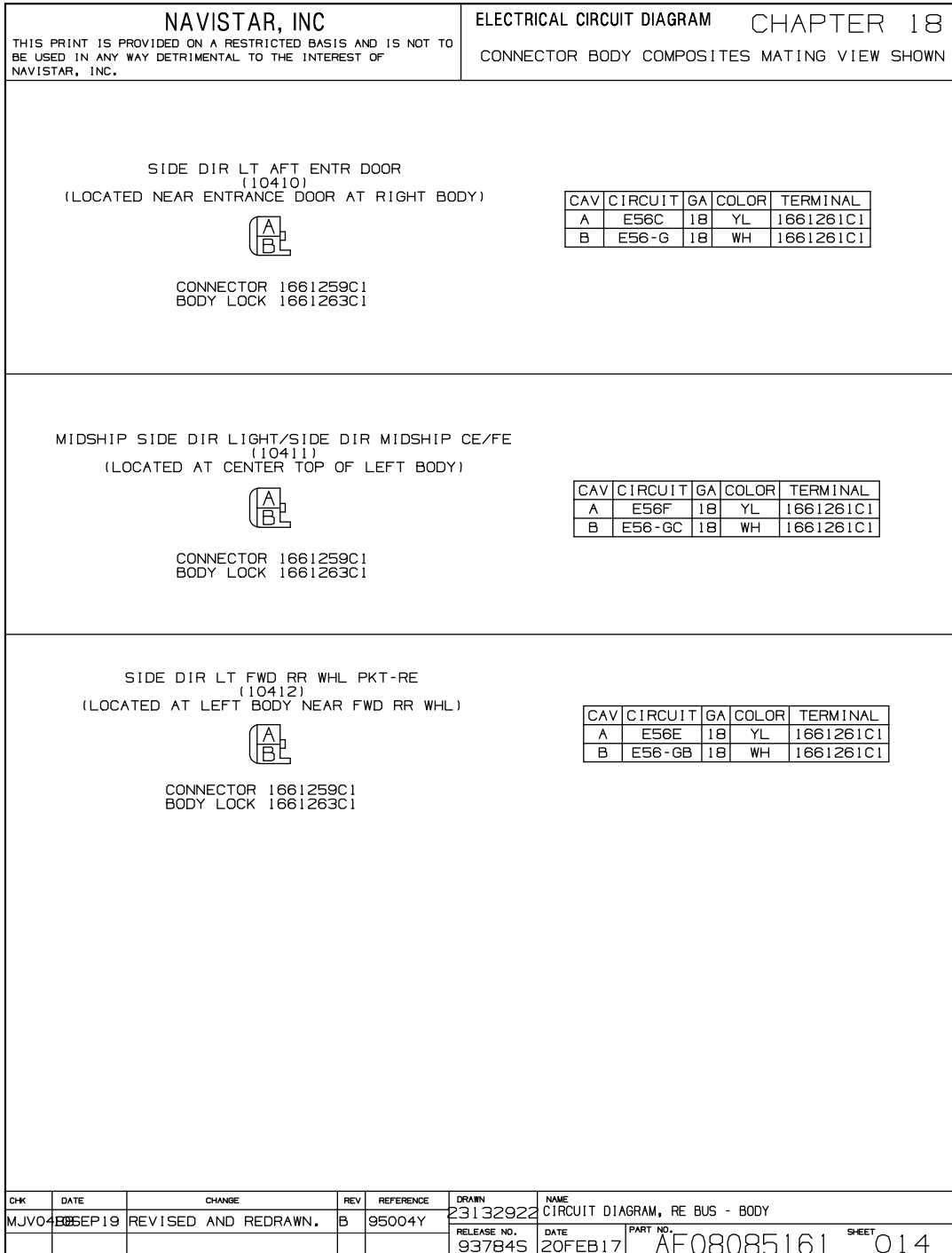


Figure 526 Connector Composites (10410, 10411, 10412)

19.17. CONNECTOR COMPOSITES (10413, 10414, 10416), P. 15

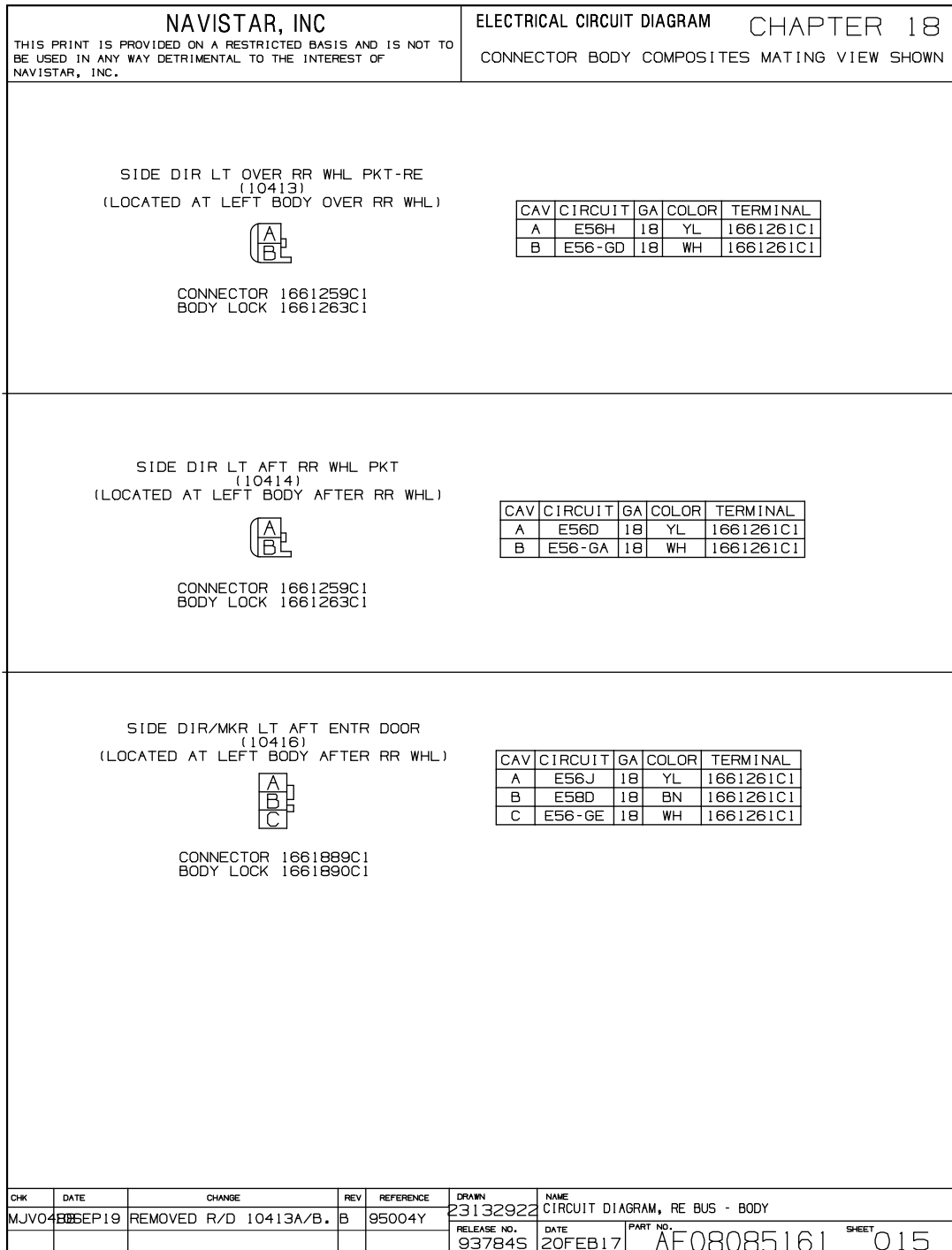


Figure 527 Connector Composites (10413, 10414, 10416)

19.18. CONNECTOR COMPOSITES (10417, 10417A, 10418), P. 16

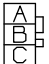


NAVISTAR, INC <small>THIS PRINT IS PROVIDED ON A RESTRICTED BASIS AND IS NOT TO BE USED IN ANY WAY DETRIMENTAL TO THE INTEREST OF NAVISTAR, INC.</small>				ELECTRICAL CIRCUIT DIAGRAM CHAPTER 18 CONNECTOR BODY COMPOSITES MATING VIEW SHOWN																															
SIDE DIR / MKR LT FWD RR WHL PKT-RE (10417) (LOCATED BETWEEN 11TH & 12TH LEFT WINDOW SECTION)																																			
		<table border="1" style="font-size: small;"> <thead> <tr> <th>CAV</th> <th>CIRCUIT</th> <th>GA</th> <th>COLOR</th> <th>TERMINAL</th> </tr> </thead> <tbody> <tr> <td>A</td> <td>E56K</td> <td>18</td> <td>YL</td> <td>1661261C1</td> </tr> <tr> <td>B</td> <td>E58E</td> <td>18</td> <td>BN</td> <td>1661261C1</td> </tr> <tr> <td>C</td> <td>E56-GF</td> <td>18</td> <td>WH</td> <td>1661261C1</td> </tr> </tbody> </table>				CAV	CIRCUIT	GA	COLOR	TERMINAL	A	E56K	18	YL	1661261C1	B	E58E	18	BN	1661261C1	C	E56-GF	18	WH	1661261C1										
CAV	CIRCUIT	GA	COLOR	TERMINAL																															
A	E56K	18	YL	1661261C1																															
B	E58E	18	BN	1661261C1																															
C	E56-GF	18	WH	1661261C1																															
CONNECTOR 1661889C1 BODY LOCK 1661890C1																																			
SIDE DIR / MKR LT FWD RR WHL PKT-CE/FE (10417A) (LOCATED NEAR RIGHT BODY)																																			
		<table border="1" style="font-size: small;"> <thead> <tr> <th>CAV</th> <th>CIRCUIT</th> <th>GA</th> <th>COLOR</th> <th>TERMINAL</th> </tr> </thead> <tbody> <tr> <td>A*</td> <td>E56K</td> <td>18</td> <td>YL</td> <td>1661261C1</td> </tr> <tr> <td>A#</td> <td>E56N</td> <td>18</td> <td>YL</td> <td>1661261C1</td> </tr> <tr> <td>B</td> <td>E58E</td> <td>18</td> <td>BN</td> <td>1661261C1</td> </tr> <tr> <td>C*</td> <td>E56-GF</td> <td>18</td> <td>WH</td> <td>1661261C1</td> </tr> <tr> <td>C#</td> <td>E56-GL</td> <td>18</td> <td>WH</td> <td>1661261C1</td> </tr> </tbody> </table>				CAV	CIRCUIT	GA	COLOR	TERMINAL	A*	E56K	18	YL	1661261C1	A#	E56N	18	YL	1661261C1	B	E58E	18	BN	1661261C1	C*	E56-GF	18	WH	1661261C1	C#	E56-GL	18	WH	1661261C1
CAV	CIRCUIT	GA	COLOR	TERMINAL																															
A*	E56K	18	YL	1661261C1																															
A#	E56N	18	YL	1661261C1																															
B	E58E	18	BN	1661261C1																															
C*	E56-GF	18	WH	1661261C1																															
C#	E56-GL	18	WH	1661261C1																															
CONNECTOR 1661889C1 BODY LOCK 1661890C1																																			
* W/ CONNECTOR SPEAKER SECT 3 # W/ COMBINATION LT LOCATED FWD RR WHL PKT - FE																																			
INTMD MKR LT / INTMD MKR LT - CE (10418) (LOCATED NEAR 8TH LEFT WINDOW SECTION)																																			
		<table border="1" style="font-size: small;"> <thead> <tr> <th>CAV</th> <th>CIRCUIT</th> <th>GA</th> <th>COLOR</th> <th>TERMINAL</th> </tr> </thead> <tbody> <tr> <td>A</td> <td>E58C</td> <td>18</td> <td>BN</td> <td>1661261C1</td> </tr> <tr> <td>B</td> <td>E58-GA</td> <td>18</td> <td>WH</td> <td>1661261C1</td> </tr> </tbody> </table>				CAV	CIRCUIT	GA	COLOR	TERMINAL	A	E58C	18	BN	1661261C1	B	E58-GA	18	WH	1661261C1															
CAV	CIRCUIT	GA	COLOR	TERMINAL																															
A	E58C	18	BN	1661261C1																															
B	E58-GA	18	WH	1661261C1																															
CONNECTOR 1661259C1 BODY LOCK 1661263C1																																			
CHK	DATE	CHANGE	REV	REFERENCE	DRAWN	NAME																													
MJV04	08SEP19	UPDATED R/D 10417A	B	95004Y	23132922	CIRCUIT DIAGRAM, RE BUS - BODY																													
	AND 10418.				RELEASE NO. 93784S	DATE 20FEB17																													
					PART NO.	SHEET																													
					AE08085161	016																													

Figure 528 Connector Composites (10417, 10417A, 10418)

19.19. CONNECTOR COMPOSITES (10419, 10420), P. 17

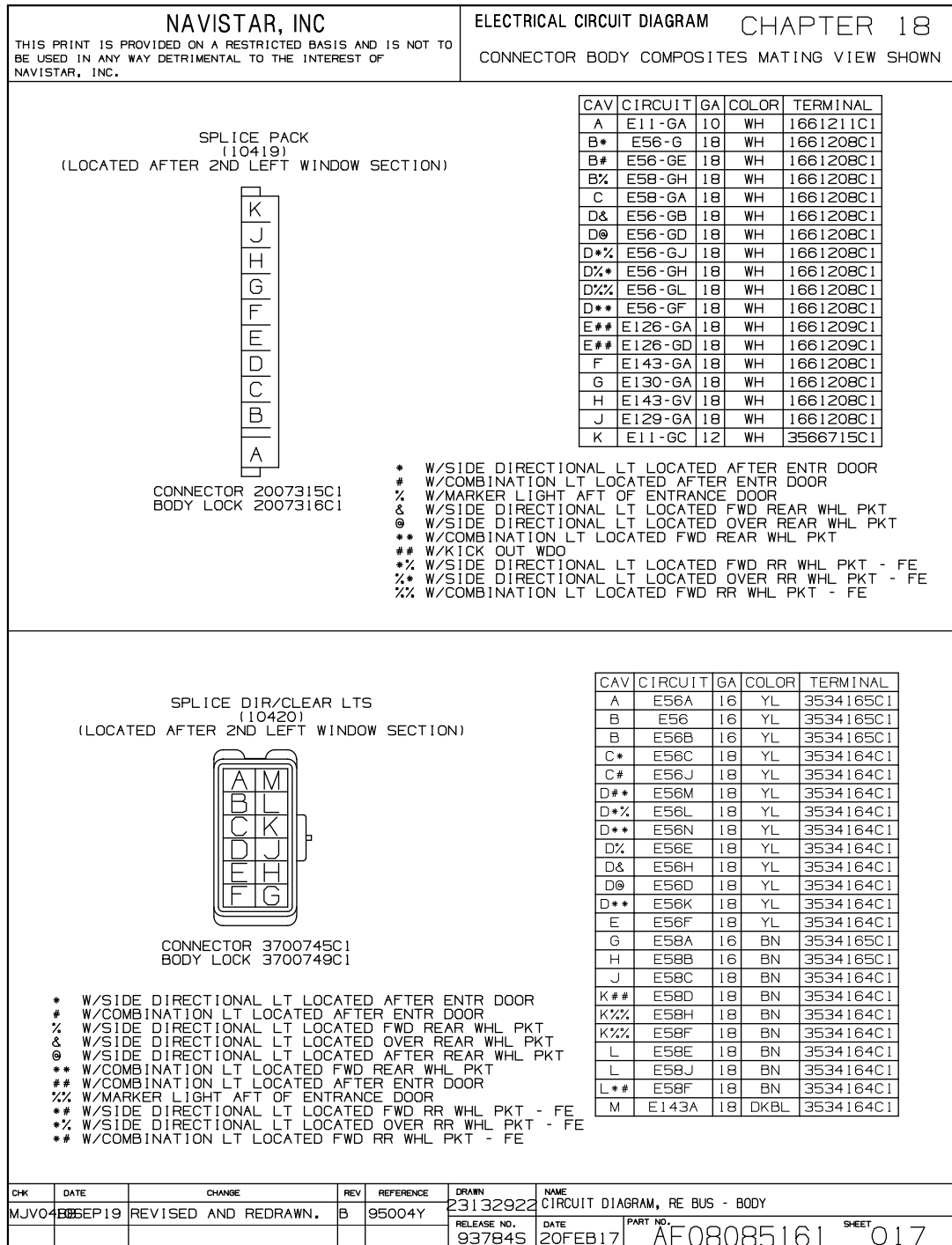


Figure 529 Connector Composites (10419, 10420)

19.20. CONNECTOR COMPOSITES (10421), P. 18

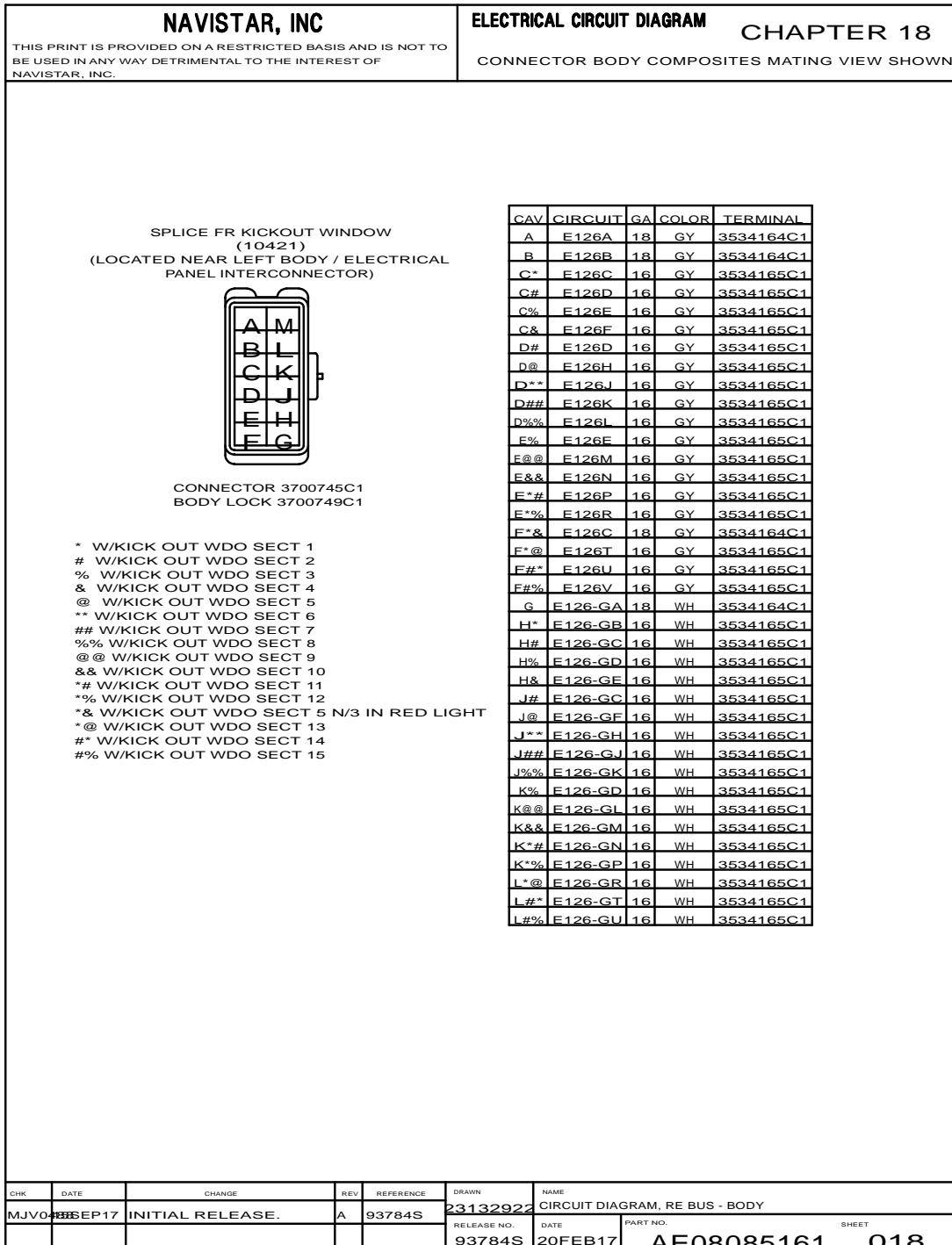


Figure 530 Connector Composites (10421)

19.21. CONNECTOR COMPOSITES (10422), P. 19

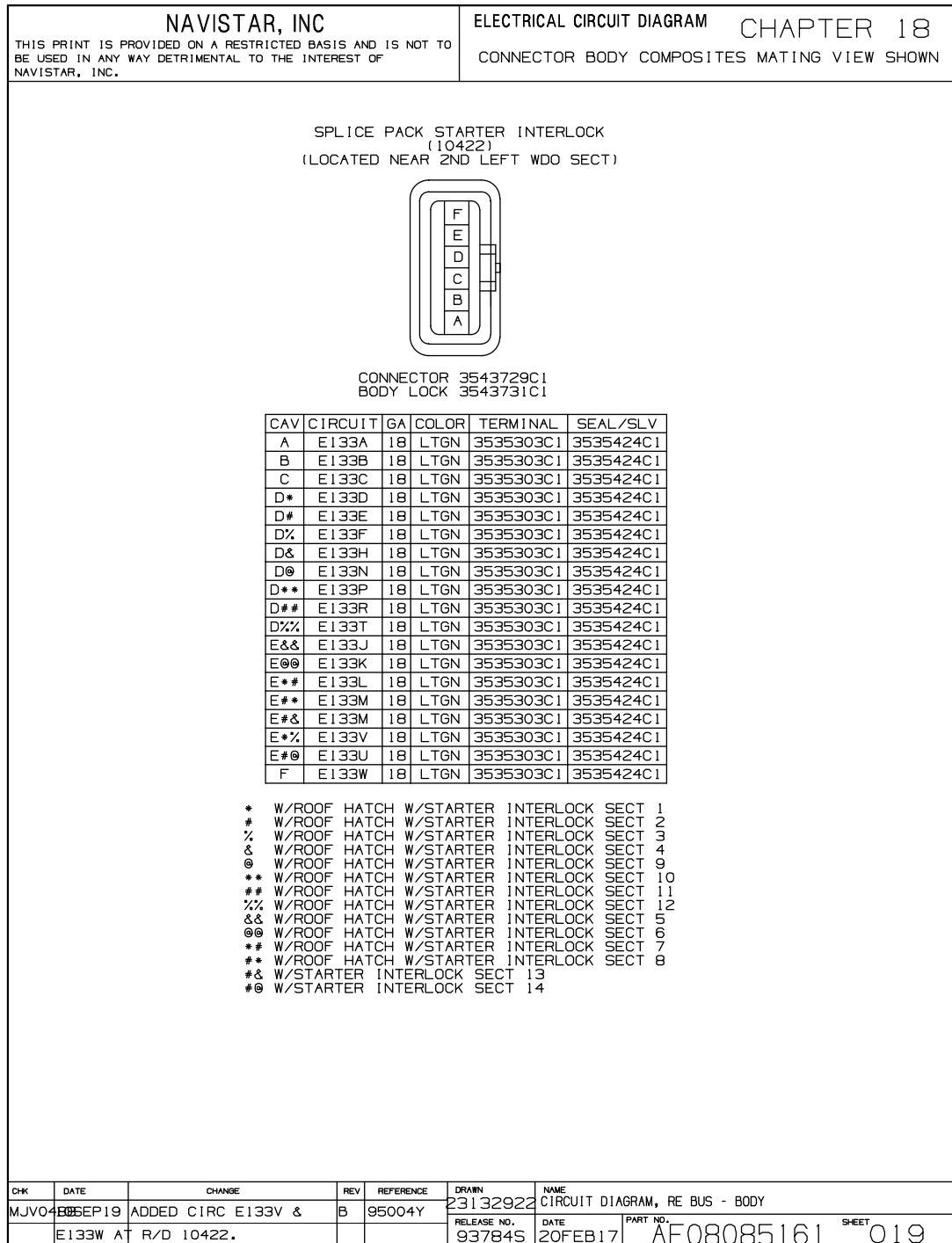


Figure 531 Connector Composites (10422)

19.22. CONNECTOR COMPOSITES (10423), P. 20

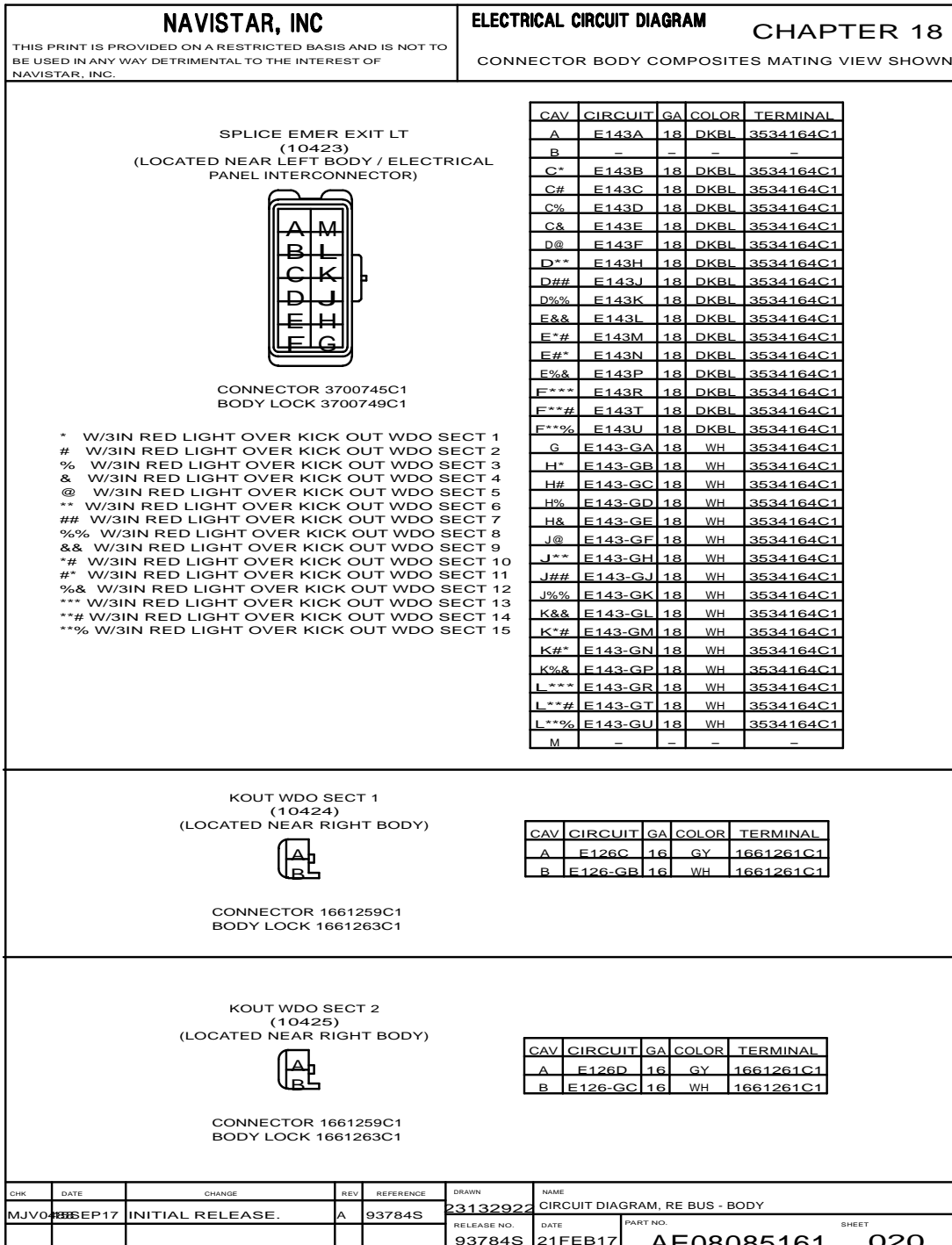


Figure 532 Connector Composites (10423)

19.23. CONNECTOR COMPOSITES (10426, 10427, 10428, 10430, 10431), P. 21







NAVISTAR, INC				ELECTRICAL CIRCUIT DIAGRAM				CHAPTER 18																		
THIS PRINT IS PROVIDED ON A RESTRICTED BASIS AND IS NOT TO BE USED IN ANY WAY DETRIMENTAL TO THE INTEREST OF NAVISTAR, INC.				CONNECTOR BODY COMPOSITES MATING VIEW SHOWN																						
KOUT WDO SECT 3 (10426) (LOCATED NEAR RIGHT BODY)				<table border="1" style="width: 100%; border-collapse: collapse; font-size: x-small;"> <thead> <tr> <th>CAV</th> <th>CIRCUIT</th> <th>GA</th> <th>COLOR</th> <th>TERMINAL</th> </tr> </thead> <tbody> <tr> <td>A</td> <td>E126E</td> <td>16</td> <td>GY</td> <td>1661261C1</td> </tr> <tr> <td>B</td> <td>E126-GD</td> <td>16</td> <td>WH</td> <td>1661261C1</td> </tr> </tbody> </table>				CAV	CIRCUIT	GA	COLOR	TERMINAL	A	E126E	16	GY	1661261C1	B	E126-GD	16	WH	1661261C1				
CAV	CIRCUIT	GA	COLOR	TERMINAL																						
A	E126E	16	GY	1661261C1																						
B	E126-GD	16	WH	1661261C1																						
CONNECTOR 1661259C1 BODY LOCK 1661263C1																										
KOUT WDO SECT 4 (10427) (LOCATED NEAR RIGHT BODY)				<table border="1" style="width: 100%; border-collapse: collapse; font-size: x-small;"> <thead> <tr> <th>CAV</th> <th>CIRCUIT</th> <th>GA</th> <th>COLOR</th> <th>TERMINAL</th> </tr> </thead> <tbody> <tr> <td>A</td> <td>E126F</td> <td>16</td> <td>GY</td> <td>1661261C1</td> </tr> <tr> <td>B</td> <td>E126-GE</td> <td>16</td> <td>WH</td> <td>1661261C1</td> </tr> </tbody> </table>				CAV	CIRCUIT	GA	COLOR	TERMINAL	A	E126F	16	GY	1661261C1	B	E126-GE	16	WH	1661261C1				
CAV	CIRCUIT	GA	COLOR	TERMINAL																						
A	E126F	16	GY	1661261C1																						
B	E126-GE	16	WH	1661261C1																						
CONNECTOR 1661259C1 BODY LOCK 1661263C1																										
KOUT WDO SECT 5 (10428) (LOCATED NEAR RIGHT BODY)				<table border="1" style="width: 100%; border-collapse: collapse; font-size: x-small;"> <thead> <tr> <th>CAV</th> <th>CIRCUIT</th> <th>GA</th> <th>COLOR</th> <th>TERMINAL</th> </tr> </thead> <tbody> <tr> <td>A</td> <td>E126H</td> <td>16</td> <td>GY</td> <td>1661261C1</td> </tr> <tr> <td>B</td> <td>E126-GF</td> <td>16</td> <td>WH</td> <td>1661261C1</td> </tr> </tbody> </table>				CAV	CIRCUIT	GA	COLOR	TERMINAL	A	E126H	16	GY	1661261C1	B	E126-GF	16	WH	1661261C1				
CAV	CIRCUIT	GA	COLOR	TERMINAL																						
A	E126H	16	GY	1661261C1																						
B	E126-GF	16	WH	1661261C1																						
CONNECTOR 1661259C1 BODY LOCK 1661263C1																										
KOUT WDO SECT 6 (10429) (LOCATED NEAR RIGHT BODY)				<table border="1" style="width: 100%; border-collapse: collapse; font-size: x-small;"> <thead> <tr> <th>CAV</th> <th>CIRCUIT</th> <th>GA</th> <th>COLOR</th> <th>TERMINAL</th> </tr> </thead> <tbody> <tr> <td>A</td> <td>E126J</td> <td>16</td> <td>GY</td> <td>1661261C1</td> </tr> <tr> <td>B</td> <td>E126-GH</td> <td>16</td> <td>WH</td> <td>1661261C1</td> </tr> </tbody> </table>				CAV	CIRCUIT	GA	COLOR	TERMINAL	A	E126J	16	GY	1661261C1	B	E126-GH	16	WH	1661261C1				
CAV	CIRCUIT	GA	COLOR	TERMINAL																						
A	E126J	16	GY	1661261C1																						
B	E126-GH	16	WH	1661261C1																						
CONNECTOR 1661259C1 BODY LOCK 1661263C1																										
KOUT WDO SECT 7 (10430) (LOCATED NEAR RIGHT BODY)				<table border="1" style="width: 100%; border-collapse: collapse; font-size: x-small;"> <thead> <tr> <th>CAV</th> <th>CIRCUIT</th> <th>GA</th> <th>COLOR</th> <th>TERMINAL</th> </tr> </thead> <tbody> <tr> <td>A</td> <td>E126K</td> <td>16</td> <td>GY</td> <td>1661261C1</td> </tr> <tr> <td>B</td> <td>E126-GJ</td> <td>16</td> <td>WH</td> <td>1661261C1</td> </tr> </tbody> </table>				CAV	CIRCUIT	GA	COLOR	TERMINAL	A	E126K	16	GY	1661261C1	B	E126-GJ	16	WH	1661261C1				
CAV	CIRCUIT	GA	COLOR	TERMINAL																						
A	E126K	16	GY	1661261C1																						
B	E126-GJ	16	WH	1661261C1																						
CONNECTOR 1661259C1 BODY LOCK 1661263C1																										
KOUT WDO SECT 8 (10431) (LOCATED NEAR RIGHT BODY)				<table border="1" style="width: 100%; border-collapse: collapse; font-size: x-small;"> <thead> <tr> <th>CAV</th> <th>CIRCUIT</th> <th>GA</th> <th>COLOR</th> <th>TERMINAL</th> </tr> </thead> <tbody> <tr> <td>A</td> <td>E126L</td> <td>16</td> <td>GY</td> <td>1661261C1</td> </tr> <tr> <td>B</td> <td>E126-GK</td> <td>16</td> <td>WH</td> <td>1661261C1</td> </tr> </tbody> </table>				CAV	CIRCUIT	GA	COLOR	TERMINAL	A	E126L	16	GY	1661261C1	B	E126-GK	16	WH	1661261C1				
CAV	CIRCUIT	GA	COLOR	TERMINAL																						
A	E126L	16	GY	1661261C1																						
B	E126-GK	16	WH	1661261C1																						
CONNECTOR 1661259C1 BODY LOCK 1661263C1																										
CHK	DATE	CHANGE	REV	REFERENCE	DRAWN	NAME																				
MJVO	13SEP17	INITIAL RELEASE.	A	93784S	23132922	CIRCUIT DIAGRAM, RE BUS - BODY																				
					RELEASE NO.	DATE	PART NO.	SHEET																		
					93784S	21FEB17	AE08085161	021																		

Figure 533 Connector Composites (10426, 10427, 10428, 10430, 10431)

19.24. CONNECTOR COMPOSITES (10432, 10433, 10434, 10435, 10436, 10437), P. 22







NAVISTAR, INC				ELECTRICAL CIRCUIT DIAGRAM				CHAPTER 18																		
THIS PRINT IS PROVIDED ON A RESTRICTED BASIS AND IS NOT TO BE USED IN ANY WAY DETRIMENTAL TO THE INTEREST OF NAVISTAR, INC.				CONNECTOR BODY COMPOSITES MATING VIEW SHOWN																						
KOUT WDO SECT 9 (10432) (LOCATED NEAR RIGHT BODY)				<table border="1" style="width: 100%; border-collapse: collapse;"> <thead> <tr> <th>CAV</th> <th>CIRCUIT</th> <th>GA</th> <th>COLOR</th> <th>TERMINAL</th> </tr> </thead> <tbody> <tr> <td>A</td> <td>E126M</td> <td>16</td> <td>GY</td> <td>1661261C1</td> </tr> <tr> <td>B</td> <td>E126-GL</td> <td>16</td> <td>WH</td> <td>1661261C1</td> </tr> </tbody> </table>				CAV	CIRCUIT	GA	COLOR	TERMINAL	A	E126M	16	GY	1661261C1	B	E126-GL	16	WH	1661261C1				
CAV	CIRCUIT	GA	COLOR	TERMINAL																						
A	E126M	16	GY	1661261C1																						
B	E126-GL	16	WH	1661261C1																						
CONNECTOR 1661259C1 BODY LOCK 1661263C1																										
KOUT WDO SECT 10 (10433) (LOCATED NEAR RIGHT BODY)				<table border="1" style="width: 100%; border-collapse: collapse;"> <thead> <tr> <th>CAV</th> <th>CIRCUIT</th> <th>GA</th> <th>COLOR</th> <th>TERMINAL</th> </tr> </thead> <tbody> <tr> <td>A</td> <td>E126N</td> <td>16</td> <td>GY</td> <td>1661261C1</td> </tr> <tr> <td>B</td> <td>E126-GM</td> <td>16</td> <td>WH</td> <td>1661261C1</td> </tr> </tbody> </table>				CAV	CIRCUIT	GA	COLOR	TERMINAL	A	E126N	16	GY	1661261C1	B	E126-GM	16	WH	1661261C1				
CAV	CIRCUIT	GA	COLOR	TERMINAL																						
A	E126N	16	GY	1661261C1																						
B	E126-GM	16	WH	1661261C1																						
CONNECTOR 1661259C1 BODY LOCK 1661263C1																										
KOUT WDO SECT 11 (10434) (LOCATED NEAR RIGHT BODY)				<table border="1" style="width: 100%; border-collapse: collapse;"> <thead> <tr> <th>CAV</th> <th>CIRCUIT</th> <th>GA</th> <th>COLOR</th> <th>TERMINAL</th> </tr> </thead> <tbody> <tr> <td>A</td> <td>E126P</td> <td>16</td> <td>GY</td> <td>1661261C1</td> </tr> <tr> <td>B</td> <td>E126-GN</td> <td>16</td> <td>WH</td> <td>1661261C1</td> </tr> </tbody> </table>				CAV	CIRCUIT	GA	COLOR	TERMINAL	A	E126P	16	GY	1661261C1	B	E126-GN	16	WH	1661261C1				
CAV	CIRCUIT	GA	COLOR	TERMINAL																						
A	E126P	16	GY	1661261C1																						
B	E126-GN	16	WH	1661261C1																						
CONNECTOR 1661259C1 BODY LOCK 1661263C1																										
KOUT WDO SECT 12 (10435) (LOCATED NEAR RIGHT BODY)				<table border="1" style="width: 100%; border-collapse: collapse;"> <thead> <tr> <th>CAV</th> <th>CIRCUIT</th> <th>GA</th> <th>COLOR</th> <th>TERMINAL</th> </tr> </thead> <tbody> <tr> <td>A</td> <td>E126R</td> <td>16</td> <td>GY</td> <td>1661261C1</td> </tr> <tr> <td>B</td> <td>E126-GP</td> <td>16</td> <td>WH</td> <td>1661261C1</td> </tr> </tbody> </table>				CAV	CIRCUIT	GA	COLOR	TERMINAL	A	E126R	16	GY	1661261C1	B	E126-GP	16	WH	1661261C1				
CAV	CIRCUIT	GA	COLOR	TERMINAL																						
A	E126R	16	GY	1661261C1																						
B	E126-GP	16	WH	1661261C1																						
CONNECTOR 1661259C1 BODY LOCK 1661263C1																										
KOUT WDO SECT 13 (10436) (LOCATED NEAR RIGHT BODY)				<table border="1" style="width: 100%; border-collapse: collapse;"> <thead> <tr> <th>CAV</th> <th>CIRCUIT</th> <th>GA</th> <th>COLOR</th> <th>TERMINAL</th> </tr> </thead> <tbody> <tr> <td>A</td> <td>E126T</td> <td>16</td> <td>GY</td> <td>1661261C1</td> </tr> <tr> <td>B</td> <td>E126-GR</td> <td>16</td> <td>WH</td> <td>1661261C1</td> </tr> </tbody> </table>				CAV	CIRCUIT	GA	COLOR	TERMINAL	A	E126T	16	GY	1661261C1	B	E126-GR	16	WH	1661261C1				
CAV	CIRCUIT	GA	COLOR	TERMINAL																						
A	E126T	16	GY	1661261C1																						
B	E126-GR	16	WH	1661261C1																						
CONNECTOR 1661259C1 BODY LOCK 1661263C1																										
KOUT WDO SECT 14 (10437) (LOCATED NEAR RIGHT BODY)				<table border="1" style="width: 100%; border-collapse: collapse;"> <thead> <tr> <th>CAV</th> <th>CIRCUIT</th> <th>GA</th> <th>COLOR</th> <th>TERMINAL</th> </tr> </thead> <tbody> <tr> <td>A</td> <td>E126U</td> <td>16</td> <td>GY</td> <td>1661261C1</td> </tr> <tr> <td>B</td> <td>E126-GT</td> <td>16</td> <td>WH</td> <td>1661261C1</td> </tr> </tbody> </table>				CAV	CIRCUIT	GA	COLOR	TERMINAL	A	E126U	16	GY	1661261C1	B	E126-GT	16	WH	1661261C1				
CAV	CIRCUIT	GA	COLOR	TERMINAL																						
A	E126U	16	GY	1661261C1																						
B	E126-GT	16	WH	1661261C1																						
CONNECTOR 1661259C1 BODY LOCK 1661263C1																										
CHK	DATE	CHANGE	REV	REFERENCE	DRAWN	NAME																				
MJV	17SEP17	INITIAL RELEASE.	A	93784S	23132922	CIRCUIT DIAGRAM, RE BUS - BODY																				
					RELEASE NO.	DATE	PART NO.	SHEET																		
					93784S	21FEB17	AE08085161	022																		

Figure 534 Connector Composites (10432, 10433, 10434, 10435, 10436, 10437)

19.25. CONNECTOR COMPOSITES (10438, 10439, 10440, 10441, 10442, 10443), P. 23







NAVISTAR, INC				ELECTRICAL CIRCUIT DIAGRAM				CHAPTER 18																		
THIS PRINT IS PROVIDED ON A RESTRICTED BASIS AND IS NOT TO BE USED IN ANY WAY DETRIMENTAL TO THE INTEREST OF NAVISTAR, INC.				CONNECTOR BODY COMPOSITES MATING VIEW SHOWN																						
KOUT WDO SECT 15 (10438) (LOCATED NEAR RIGHT BODY)				<table border="1" style="width: 100%; border-collapse: collapse; font-size: x-small;"> <thead> <tr> <th>CAV</th> <th>CIRCUIT</th> <th>GA</th> <th>COLOR</th> <th>TERMINAL</th> </tr> </thead> <tbody> <tr> <td>A</td> <td>E126V</td> <td>16</td> <td>GY</td> <td>1661261C1</td> </tr> <tr> <td>B</td> <td>E126-GU</td> <td>16</td> <td>WH</td> <td>1661261C1</td> </tr> </tbody> </table>								CAV	CIRCUIT	GA	COLOR	TERMINAL	A	E126V	16	GY	1661261C1	B	E126-GU	16	WH	1661261C1
CAV	CIRCUIT	GA	COLOR	TERMINAL																						
A	E126V	16	GY	1661261C1																						
B	E126-GU	16	WH	1661261C1																						
																										
CONNECTOR 1661259C1 BODY LOCK 1661263C1																										
EMER EXIT LT SECT 1 (10439) (LOCATED NEAR 1ST LEFT WDO SECT)				<table border="1" style="width: 100%; border-collapse: collapse; font-size: x-small;"> <thead> <tr> <th>CAV</th> <th>CIRCUIT</th> <th>GA</th> <th>COLOR</th> <th>TERMINAL</th> </tr> </thead> <tbody> <tr> <td>A</td> <td>E143B</td> <td>18</td> <td>DKBL</td> <td>1661261C1</td> </tr> <tr> <td>B</td> <td>E143-GB</td> <td>18</td> <td>WH</td> <td>1661261C1</td> </tr> </tbody> </table>								CAV	CIRCUIT	GA	COLOR	TERMINAL	A	E143B	18	DKBL	1661261C1	B	E143-GB	18	WH	1661261C1
CAV	CIRCUIT	GA	COLOR	TERMINAL																						
A	E143B	18	DKBL	1661261C1																						
B	E143-GB	18	WH	1661261C1																						
																										
CONNECTOR 1661259C1 BODY LOCK 1661263C1																										
EMER EXIT LT SECT 2 (10440) (LOCATED NEAR 2ND LEFT WDO SECT)				<table border="1" style="width: 100%; border-collapse: collapse; font-size: x-small;"> <thead> <tr> <th>CAV</th> <th>CIRCUIT</th> <th>GA</th> <th>COLOR</th> <th>TERMINAL</th> </tr> </thead> <tbody> <tr> <td>A</td> <td>E143C</td> <td>18</td> <td>DKBL</td> <td>1661261C1</td> </tr> <tr> <td>B</td> <td>E143-GC</td> <td>18</td> <td>WH</td> <td>1661261C1</td> </tr> </tbody> </table>								CAV	CIRCUIT	GA	COLOR	TERMINAL	A	E143C	18	DKBL	1661261C1	B	E143-GC	18	WH	1661261C1
CAV	CIRCUIT	GA	COLOR	TERMINAL																						
A	E143C	18	DKBL	1661261C1																						
B	E143-GC	18	WH	1661261C1																						
																										
CONNECTOR 1661259C1 BODY LOCK 1661263C1																										
EMER EXIT LT SECT 3 (10441) (LOCATED NEAR 3RD LEFT WDO SECT)				<table border="1" style="width: 100%; border-collapse: collapse; font-size: x-small;"> <thead> <tr> <th>CAV</th> <th>CIRCUIT</th> <th>GA</th> <th>COLOR</th> <th>TERMINAL</th> </tr> </thead> <tbody> <tr> <td>A</td> <td>E143D</td> <td>18</td> <td>DKBL</td> <td>1661261C1</td> </tr> <tr> <td>B</td> <td>E143-GD</td> <td>18</td> <td>WH</td> <td>1661261C1</td> </tr> </tbody> </table>								CAV	CIRCUIT	GA	COLOR	TERMINAL	A	E143D	18	DKBL	1661261C1	B	E143-GD	18	WH	1661261C1
CAV	CIRCUIT	GA	COLOR	TERMINAL																						
A	E143D	18	DKBL	1661261C1																						
B	E143-GD	18	WH	1661261C1																						
																										
CONNECTOR 1661259C1 BODY LOCK 1661263C1																										
EMER EXIT LT SECT 4 (10442) (LOCATED NEAR 4TH LEFT WDO SECT)				<table border="1" style="width: 100%; border-collapse: collapse; font-size: x-small;"> <thead> <tr> <th>CAV</th> <th>CIRCUIT</th> <th>GA</th> <th>COLOR</th> <th>TERMINAL</th> </tr> </thead> <tbody> <tr> <td>A</td> <td>E143E</td> <td>18</td> <td>DKBL</td> <td>1661261C1</td> </tr> <tr> <td>B</td> <td>E143-GE</td> <td>18</td> <td>WH</td> <td>1661261C1</td> </tr> </tbody> </table>								CAV	CIRCUIT	GA	COLOR	TERMINAL	A	E143E	18	DKBL	1661261C1	B	E143-GE	18	WH	1661261C1
CAV	CIRCUIT	GA	COLOR	TERMINAL																						
A	E143E	18	DKBL	1661261C1																						
B	E143-GE	18	WH	1661261C1																						
																										
CONNECTOR 1661259C1 BODY LOCK 1661263C1																										
EMER EXIT LT SECT 5 (10443) (LOCATED NEAR 5TH LEFT WDO SECT)				<table border="1" style="width: 100%; border-collapse: collapse; font-size: x-small;"> <thead> <tr> <th>CAV</th> <th>CIRCUIT</th> <th>GA</th> <th>COLOR</th> <th>TERMINAL</th> </tr> </thead> <tbody> <tr> <td>A</td> <td>E143F</td> <td>18</td> <td>DKBL</td> <td>1661261C1</td> </tr> <tr> <td>B</td> <td>E143-GF</td> <td>18</td> <td>WH</td> <td>1661261C1</td> </tr> </tbody> </table>								CAV	CIRCUIT	GA	COLOR	TERMINAL	A	E143F	18	DKBL	1661261C1	B	E143-GF	18	WH	1661261C1
CAV	CIRCUIT	GA	COLOR	TERMINAL																						
A	E143F	18	DKBL	1661261C1																						
B	E143-GF	18	WH	1661261C1																						
																										
CONNECTOR 1661259C1 BODY LOCK 1661263C1																										
CHK	DATE	CHANGE	REV	REFERENCE	DRAWN	NAME																				
MJVO	23SEP17	INITIAL RELEASE.	A	93784S	23132922	CIRCUIT DIAGRAM, RE BUS - BODY																				
					RELEASE NO.	DATE	PART NO.	SHEET																		
					93784S	21FEB17	AE08085161	023																		

Figure 535 Connector Composites (10438, 10439, 10440, 10441, 10442, 10443)

19.26. CONNECTOR COMPOSITES (10444, 10445, 10446, 10447, 10448, 10449), P. 24







NAVISTAR, INC				ELECTRICAL CIRCUIT DIAGRAM				CHAPTER 18																		
THIS PRINT IS PROVIDED ON A RESTRICTED BASIS AND IS NOT TO BE USED IN ANY WAY DETRIMENTAL TO THE INTEREST OF NAVISTAR, INC.				CONNECTOR BODY COMPOSITES MATING VIEW SHOWN																						
EMER EXIT LT SECT 6 (10444) (LOCATED NEAR 6TH L WDO SECT)				<table border="1" style="width: 100%; border-collapse: collapse;"> <thead> <tr> <th>CAV</th> <th>CIRCUIT</th> <th>GA</th> <th>COLOR</th> <th>TERMINAL</th> </tr> </thead> <tbody> <tr> <td>A</td> <td>E143H</td> <td>18</td> <td>DKBL</td> <td>1661261C1</td> </tr> <tr> <td>B</td> <td>E143-GH</td> <td>18</td> <td>WH</td> <td>1661261C1</td> </tr> </tbody> </table>								CAV	CIRCUIT	GA	COLOR	TERMINAL	A	E143H	18	DKBL	1661261C1	B	E143-GH	18	WH	1661261C1
CAV	CIRCUIT	GA	COLOR	TERMINAL																						
A	E143H	18	DKBL	1661261C1																						
B	E143-GH	18	WH	1661261C1																						
																										
CONNECTOR 1661259C1 BODY LOCK 1661263C1																										
EMER EXIT LT SECT 7 (10445) (LOCATED NEAR 7TH L WDO SECT)				<table border="1" style="width: 100%; border-collapse: collapse;"> <thead> <tr> <th>CAV</th> <th>CIRCUIT</th> <th>GA</th> <th>COLOR</th> <th>TERMINAL</th> </tr> </thead> <tbody> <tr> <td>A</td> <td>E143J</td> <td>18</td> <td>DKBL</td> <td>1661261C1</td> </tr> <tr> <td>B</td> <td>E143-GJ</td> <td>18</td> <td>WH</td> <td>1661261C1</td> </tr> </tbody> </table>								CAV	CIRCUIT	GA	COLOR	TERMINAL	A	E143J	18	DKBL	1661261C1	B	E143-GJ	18	WH	1661261C1
CAV	CIRCUIT	GA	COLOR	TERMINAL																						
A	E143J	18	DKBL	1661261C1																						
B	E143-GJ	18	WH	1661261C1																						
																										
CONNECTOR 1661259C1 BODY LOCK 1661263C1																										
EMER EXIT LT SECT 8 (10446) (LOCATED NEAR 8TH L WDO SECT)				<table border="1" style="width: 100%; border-collapse: collapse;"> <thead> <tr> <th>CAV</th> <th>CIRCUIT</th> <th>GA</th> <th>COLOR</th> <th>TERMINAL</th> </tr> </thead> <tbody> <tr> <td>A</td> <td>E143K</td> <td>18</td> <td>DKBL</td> <td>1661261C1</td> </tr> <tr> <td>B</td> <td>E143-GK</td> <td>18</td> <td>WH</td> <td>1661261C1</td> </tr> </tbody> </table>								CAV	CIRCUIT	GA	COLOR	TERMINAL	A	E143K	18	DKBL	1661261C1	B	E143-GK	18	WH	1661261C1
CAV	CIRCUIT	GA	COLOR	TERMINAL																						
A	E143K	18	DKBL	1661261C1																						
B	E143-GK	18	WH	1661261C1																						
																										
CONNECTOR 1661259C1 BODY LOCK 1661263C1																										
EMER EXIT LT SECT 9 (10447) (LOCATED NEAR 9TH L WDO SECT)				<table border="1" style="width: 100%; border-collapse: collapse;"> <thead> <tr> <th>CAV</th> <th>CIRCUIT</th> <th>GA</th> <th>COLOR</th> <th>TERMINAL</th> </tr> </thead> <tbody> <tr> <td>A</td> <td>E143L</td> <td>18</td> <td>DKBL</td> <td>1661261C1</td> </tr> <tr> <td>B</td> <td>E143-GL</td> <td>18</td> <td>WH</td> <td>1661261C1</td> </tr> </tbody> </table>								CAV	CIRCUIT	GA	COLOR	TERMINAL	A	E143L	18	DKBL	1661261C1	B	E143-GL	18	WH	1661261C1
CAV	CIRCUIT	GA	COLOR	TERMINAL																						
A	E143L	18	DKBL	1661261C1																						
B	E143-GL	18	WH	1661261C1																						
																										
CONNECTOR 1661259C1 BODY LOCK 1661263C1																										
EMER EXIT LT SECT 10 (10448) (LOCATED NEAR 10TH L WDO SECT)				<table border="1" style="width: 100%; border-collapse: collapse;"> <thead> <tr> <th>CAV</th> <th>CIRCUIT</th> <th>GA</th> <th>COLOR</th> <th>TERMINAL</th> </tr> </thead> <tbody> <tr> <td>A</td> <td>E143M</td> <td>18</td> <td>DKBL</td> <td>1661261C1</td> </tr> <tr> <td>B</td> <td>E143-GM</td> <td>18</td> <td>WH</td> <td>1661261C1</td> </tr> </tbody> </table>								CAV	CIRCUIT	GA	COLOR	TERMINAL	A	E143M	18	DKBL	1661261C1	B	E143-GM	18	WH	1661261C1
CAV	CIRCUIT	GA	COLOR	TERMINAL																						
A	E143M	18	DKBL	1661261C1																						
B	E143-GM	18	WH	1661261C1																						
																										
CONNECTOR 1661259C1 BODY LOCK 1661263C1																										
EMER EXIT LT SECT 11 (10449) (LOCATED NEAR 11TH L WDO SECT)				<table border="1" style="width: 100%; border-collapse: collapse;"> <thead> <tr> <th>CAV</th> <th>CIRCUIT</th> <th>GA</th> <th>COLOR</th> <th>TERMINAL</th> </tr> </thead> <tbody> <tr> <td>A</td> <td>E143N</td> <td>18</td> <td>DKBL</td> <td>1661261C1</td> </tr> <tr> <td>B</td> <td>E143-GN</td> <td>18</td> <td>WH</td> <td>1661261C1</td> </tr> </tbody> </table>								CAV	CIRCUIT	GA	COLOR	TERMINAL	A	E143N	18	DKBL	1661261C1	B	E143-GN	18	WH	1661261C1
CAV	CIRCUIT	GA	COLOR	TERMINAL																						
A	E143N	18	DKBL	1661261C1																						
B	E143-GN	18	WH	1661261C1																						
																										
CONNECTOR 1661259C1 BODY LOCK 1661263C1																										
CHK	DATE	CHANGE	REV	REFERENCE	DRAWN	NAME																				
MJVO	13SEP17	INITIAL RELEASE.	A	93784S	23132922	CIRCUIT DIAGRAM, RE BUS - BODY																				
					RELEASE NO.	DATE	PART NO.	SHEET																		
					93784S	21FEB17	AE08085161	024																		

Figure 536 Connector Composites (10444, 10445, 10446, 10447, 10448, 10449)

19.27. CONNECTOR COMPOSITES (10450, 10451, 10452, 10453, 10454A, 10454B), P. 25





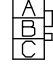
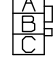
NAVISTAR, INC					ELECTRICAL CIRCUIT DIAGRAM CHAPTER 18																								
THIS PRINT IS PROVIDED ON A RESTRICTED BASIS AND IS NOT TO BE USED IN ANY WAY DETRIMENTAL TO THE INTEREST OF NAVISTAR, INC.					CONNECTOR BODY COMPOSITES MATING VIEW SHOWN																								
EMER EXIT LT SECT 12 (10450) (LOCATED NEAR 12TH L WDO SECT)					<table border="1" style="width:100%; border-collapse: collapse; font-size: x-small;"> <thead> <tr><th>CAV</th><th>CIRCUIT</th><th>GA</th><th>COLOR</th><th>TERMINAL</th></tr> </thead> <tbody> <tr><td>A</td><td>E143P</td><td>18</td><td>DKBL</td><td>1661261C1</td></tr> <tr><td>B</td><td>E143-GP</td><td>18</td><td>WH</td><td>1661261C1</td></tr> </tbody> </table>					CAV	CIRCUIT	GA	COLOR	TERMINAL	A	E143P	18	DKBL	1661261C1	B	E143-GP	18	WH	1661261C1					
CAV	CIRCUIT	GA	COLOR	TERMINAL																									
A	E143P	18	DKBL	1661261C1																									
B	E143-GP	18	WH	1661261C1																									
																													
CONNECTOR 1661259C1 BODY LOCK 1661263C1																													
EMER EXIT LT SECT 13 (10451) (LOCATED NEAR 13TH L WDO SECT)					<table border="1" style="width:100%; border-collapse: collapse; font-size: x-small;"> <thead> <tr><th>CAV</th><th>CIRCUIT</th><th>GA</th><th>COLOR</th><th>TERMINAL</th></tr> </thead> <tbody> <tr><td>A</td><td>E143R</td><td>18</td><td>DKBL</td><td>1661261C1</td></tr> <tr><td>B</td><td>E143-GR</td><td>18</td><td>WH</td><td>1661261C1</td></tr> </tbody> </table>					CAV	CIRCUIT	GA	COLOR	TERMINAL	A	E143R	18	DKBL	1661261C1	B	E143-GR	18	WH	1661261C1					
CAV	CIRCUIT	GA	COLOR	TERMINAL																									
A	E143R	18	DKBL	1661261C1																									
B	E143-GR	18	WH	1661261C1																									
																													
CONNECTOR 1661259C1 BODY LOCK 1661263C1																													
EMER EXIT LT SECT 14 (10452) (LOCATED NEAR 14TH L WDO SECT)					<table border="1" style="width:100%; border-collapse: collapse; font-size: x-small;"> <thead> <tr><th>CAV</th><th>CIRCUIT</th><th>GA</th><th>COLOR</th><th>TERMINAL</th></tr> </thead> <tbody> <tr><td>A</td><td>E143T</td><td>18</td><td>DKBL</td><td>1661261C1</td></tr> <tr><td>B</td><td>E143-GT</td><td>18</td><td>WH</td><td>1661261C1</td></tr> </tbody> </table>					CAV	CIRCUIT	GA	COLOR	TERMINAL	A	E143T	18	DKBL	1661261C1	B	E143-GT	18	WH	1661261C1					
CAV	CIRCUIT	GA	COLOR	TERMINAL																									
A	E143T	18	DKBL	1661261C1																									
B	E143-GT	18	WH	1661261C1																									
																													
CONNECTOR 1661259C1 BODY LOCK 1661263C1																													
EMER EXIT LT SECT 15 (10453) (LOCATED NEAR 15TH L WDO SECT)					<table border="1" style="width:100%; border-collapse: collapse; font-size: x-small;"> <thead> <tr><th>CAV</th><th>CIRCUIT</th><th>GA</th><th>COLOR</th><th>TERMINAL</th></tr> </thead> <tbody> <tr><td>A</td><td>E143U</td><td>18</td><td>DKBL</td><td>1661261C1</td></tr> <tr><td>B</td><td>E143-GU</td><td>18</td><td>WH</td><td>1661261C1</td></tr> </tbody> </table>					CAV	CIRCUIT	GA	COLOR	TERMINAL	A	E143U	18	DKBL	1661261C1	B	E143-GU	18	WH	1661261C1					
CAV	CIRCUIT	GA	COLOR	TERMINAL																									
A	E143U	18	DKBL	1661261C1																									
B	E143-GU	18	WH	1661261C1																									
																													
CONNECTOR 1661259C1 BODY LOCK 1661263C1																													
SIDE EMERGENCY DOOR (SED) (10454A) (LOCATED BETWEEN 1ST & 2ND L WDO SECT)					<table border="1" style="width:100%; border-collapse: collapse; font-size: x-small;"> <thead> <tr><th>CAV</th><th>CIRCUIT</th><th>GA</th><th>COLOR</th><th>TERMINAL</th></tr> </thead> <tbody> <tr><td>A</td><td>E130E</td><td>18</td><td>GY</td><td>1661261C1</td></tr> <tr><td>B</td><td>E130-GA</td><td>18</td><td>WH</td><td>1661261C1</td></tr> <tr><td>C</td><td>E133C</td><td>18</td><td>LTGN</td><td>1661261C1</td></tr> </tbody> </table>					CAV	CIRCUIT	GA	COLOR	TERMINAL	A	E130E	18	GY	1661261C1	B	E130-GA	18	WH	1661261C1	C	E133C	18	LTGN	1661261C1
CAV	CIRCUIT	GA	COLOR	TERMINAL																									
A	E130E	18	GY	1661261C1																									
B	E130-GA	18	WH	1661261C1																									
C	E133C	18	LTGN	1661261C1																									
																													
CONNECTOR 1661889C1 BODY LOCK 1661890C1																													
SIDE EMERGENCY DOOR (SED) (10454B) (LOCATED BETWEEN 3RD & 4TH L WDO SECT)					<table border="1" style="width:100%; border-collapse: collapse; font-size: x-small;"> <thead> <tr><th>CAV</th><th>CIRCUIT</th><th>GA</th><th>COLOR</th><th>TERMINAL</th></tr> </thead> <tbody> <tr><td>A</td><td>E130D</td><td>18</td><td>GY</td><td>1661261C1</td></tr> <tr><td>B</td><td>E130-GA</td><td>18</td><td>WH</td><td>1661261C1</td></tr> <tr><td>C</td><td>E133C</td><td>18</td><td>LTGN</td><td>1661261C1</td></tr> </tbody> </table>					CAV	CIRCUIT	GA	COLOR	TERMINAL	A	E130D	18	GY	1661261C1	B	E130-GA	18	WH	1661261C1	C	E133C	18	LTGN	1661261C1
CAV	CIRCUIT	GA	COLOR	TERMINAL																									
A	E130D	18	GY	1661261C1																									
B	E130-GA	18	WH	1661261C1																									
C	E133C	18	LTGN	1661261C1																									
																													
CONNECTOR 1661889C1 BODY LOCK 1661890C1																													
CHK	DATE	CHANGE	REV	REFERENCE	DRAWN	NAME																							
MJVO	08SEP19	REMOVED CIRC E130D	B	95004Y	23132922	CIRCUIT DIAGRAM, RE BUS - BODY																							
AT	R/D	0454A.			RELEASE NO.	DATE	PART NO.	SHEET																					
					93784S	21FEB17	AE08085161	025																					

Figure 537 Connector Composites (10450, 10451, 10452, 10453, 10454A, 10454B)

19.28. CONNECTOR COMPOSITES (10454C, 10454D, 10454E, 10454F), P. 26

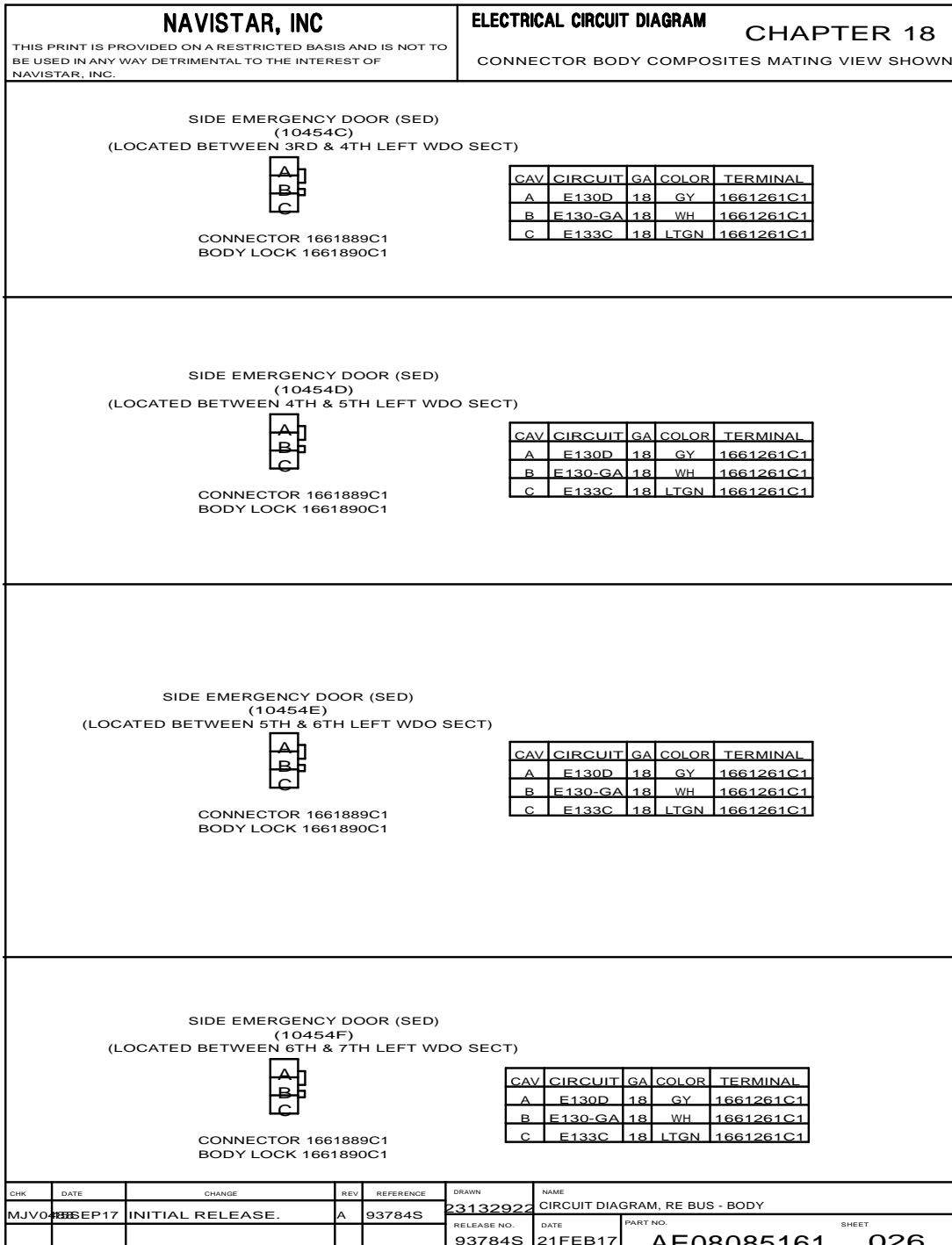


Figure 538 Connector Composites (10454C, 10454D, 10454E, 10454F)

19.29. CONNECTOR COMPOSITES (10454G, 10454J, 10454K, 10455A, 10455B), P. 27

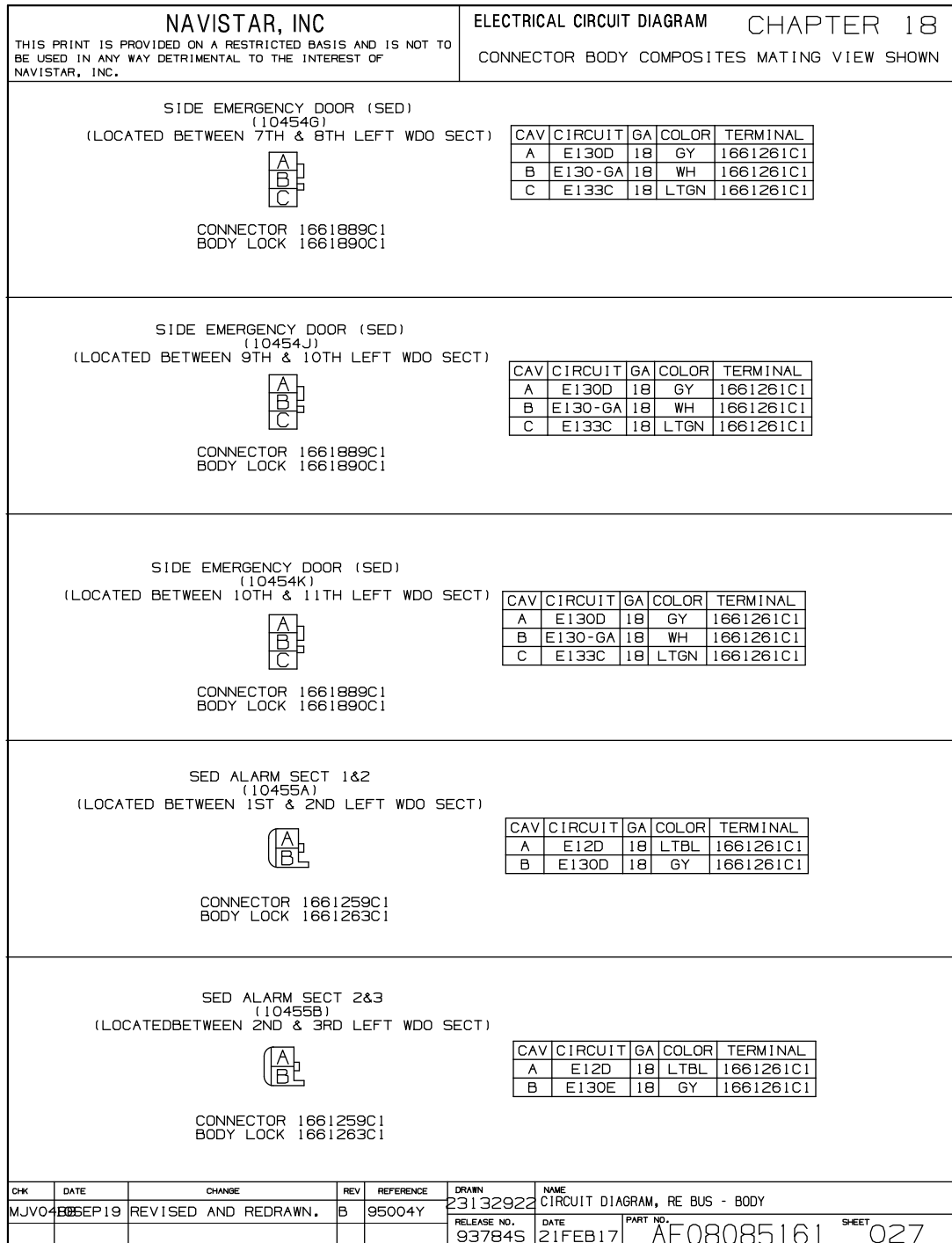


Figure 539 Connector Composites (10454G, 10454J, 10454K, 10455A, 10455B)

19.30. CONNECTOR COMPOSITES (10455C, 10455D, 10455E, 10455F, 10455G), P. 28

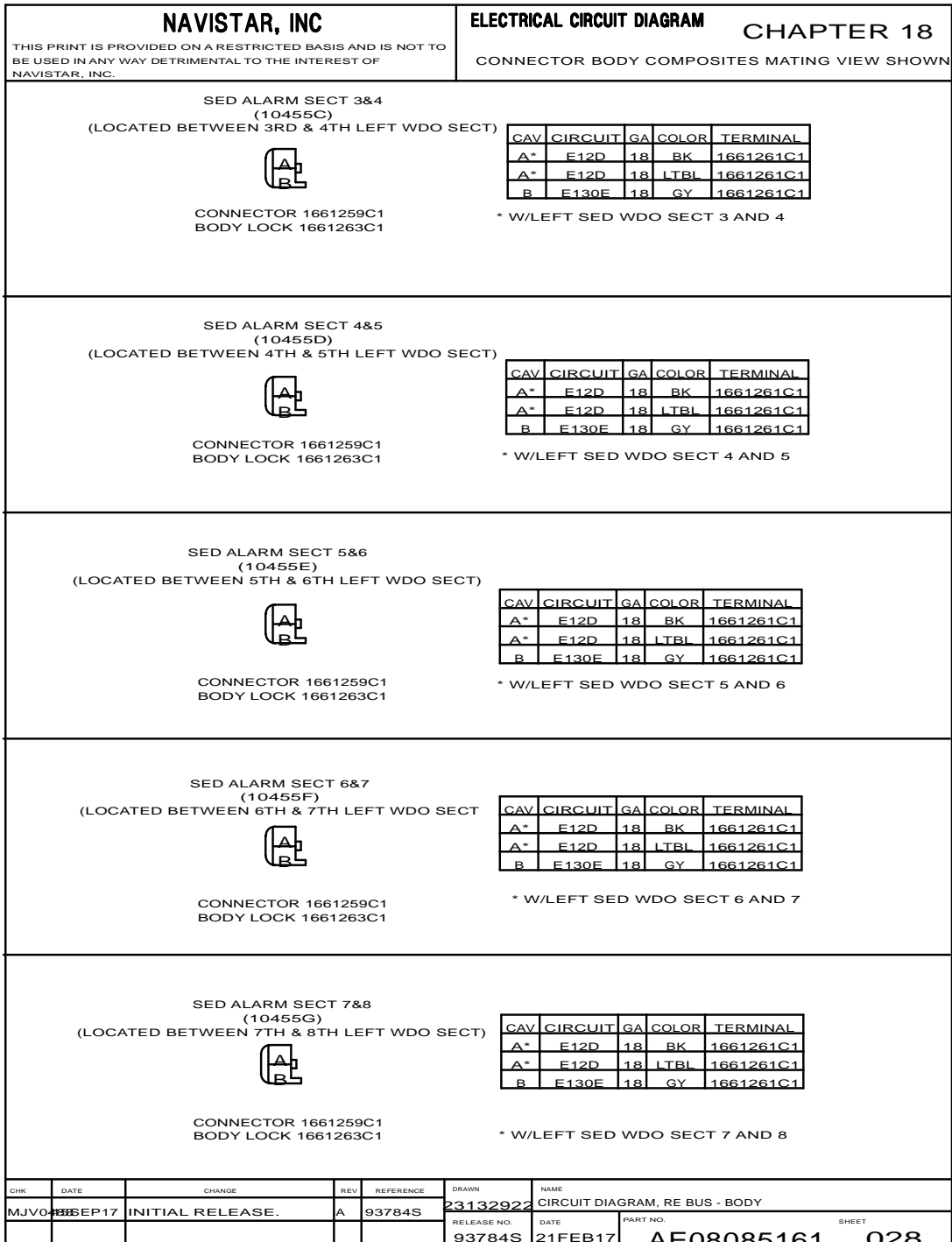


Figure 540 Connector Composites (10455C, 10455D, 10455E, 10455F, 10455G)

19.31. CONNECTOR COMPOSITES (10455H, 10455J, 10455K, 10456A, 10456B), P. 29






NAVISTAR, INC				ELECTRICAL CIRCUIT DIAGRAM				CHAPTER 18																		
THIS PRINT IS PROVIDED ON A RESTRICTED BASIS AND IS NOT TO BE USED IN ANY WAY DETRIMENTAL TO THE INTEREST OF NAVISTAR, INC.				CONNECTOR BODY COMPOSITES MATING VIEW SHOWN																						
SED ALARM SECT 8&9 (10455H) (LOCATED BETWEEN 8TH & 9TH LEFT WDO SECT)								<table border="1" style="width: 100%; border-collapse: collapse; font-size: x-small;"> <thead> <tr> <th>CAV</th> <th>CIRCUIT</th> <th>GA</th> <th>COLOR</th> <th>TERMINAL</th> </tr> </thead> <tbody> <tr> <td>A</td> <td>E12D</td> <td>18</td> <td>BK</td> <td>1661261C1</td> </tr> <tr> <td>B</td> <td>E130E</td> <td>18</td> <td>GY</td> <td>1661261C1</td> </tr> </tbody> </table>				CAV	CIRCUIT	GA	COLOR	TERMINAL	A	E12D	18	BK	1661261C1	B	E130E	18	GY	1661261C1
CAV	CIRCUIT	GA	COLOR	TERMINAL																						
A	E12D	18	BK	1661261C1																						
B	E130E	18	GY	1661261C1																						
																										
CONNECTOR 1661259C1 BODY LOCK 1661263C1																										
SED ALARM 9&10 (10455J) (LOCATED BETWEEN 9TH & 10TH LEFT WDO SECT)								<table border="1" style="width: 100%; border-collapse: collapse; font-size: x-small;"> <thead> <tr> <th>CAV</th> <th>CIRCUIT</th> <th>GA</th> <th>COLOR</th> <th>TERMINAL</th> </tr> </thead> <tbody> <tr> <td>A</td> <td>E12D</td> <td>18</td> <td>BK</td> <td>1661261C1</td> </tr> <tr> <td>B</td> <td>E130E</td> <td>18</td> <td>GY</td> <td>1661261C1</td> </tr> </tbody> </table>				CAV	CIRCUIT	GA	COLOR	TERMINAL	A	E12D	18	BK	1661261C1	B	E130E	18	GY	1661261C1
CAV	CIRCUIT	GA	COLOR	TERMINAL																						
A	E12D	18	BK	1661261C1																						
B	E130E	18	GY	1661261C1																						
																										
CONNECTOR 1661259C1 BODY LOCK 1661263C1																										
SED ALARM 10&11 (10455K) (LOCATED BETWEEN 10TH & 11TH LEFT WDO SECT)								<table border="1" style="width: 100%; border-collapse: collapse; font-size: x-small;"> <thead> <tr> <th>CAV</th> <th>CIRCUIT</th> <th>GA</th> <th>COLOR</th> <th>TERMINAL</th> </tr> </thead> <tbody> <tr> <td>A</td> <td>E12D</td> <td>18</td> <td>BK</td> <td>1661261C1</td> </tr> <tr> <td>B</td> <td>E130E</td> <td>18</td> <td>GY</td> <td>1661261C1</td> </tr> </tbody> </table>				CAV	CIRCUIT	GA	COLOR	TERMINAL	A	E12D	18	BK	1661261C1	B	E130E	18	GY	1661261C1
CAV	CIRCUIT	GA	COLOR	TERMINAL																						
A	E12D	18	BK	1661261C1																						
B	E130E	18	GY	1661261C1																						
																										
CONNECTOR 1661259C1 BODY LOCK 1661263C1																										
SED LIGHT (10456A) (LOCAATED BETWEEN 1ST & 2ND LEFT WDO SECT)								<table border="1" style="width: 100%; border-collapse: collapse; font-size: x-small;"> <thead> <tr> <th>CAV</th> <th>CIRCUIT</th> <th>GA</th> <th>COLOR</th> <th>TERMINAL</th> </tr> </thead> <tbody> <tr> <td>A</td> <td>E143V</td> <td>18</td> <td>DKBL</td> <td>1661261C1</td> </tr> <tr> <td>B</td> <td>E143-GV</td> <td>18</td> <td>WH</td> <td>1661261C1</td> </tr> </tbody> </table>				CAV	CIRCUIT	GA	COLOR	TERMINAL	A	E143V	18	DKBL	1661261C1	B	E143-GV	18	WH	1661261C1
CAV	CIRCUIT	GA	COLOR	TERMINAL																						
A	E143V	18	DKBL	1661261C1																						
B	E143-GV	18	WH	1661261C1																						
																										
CONNECTOR 1661259C1 BODY LOCK 1661263C1																										
SED LIGHT (10456B) (LOCATED BETWEEN 2ND & 3RD WDO SECT)								<table border="1" style="width: 100%; border-collapse: collapse; font-size: x-small;"> <thead> <tr> <th>CAV</th> <th>CIRCUIT</th> <th>GA</th> <th>COLOR</th> <th>TERMINAL</th> </tr> </thead> <tbody> <tr> <td>A</td> <td>E143V</td> <td>18</td> <td>DKBL</td> <td>1661261C1</td> </tr> <tr> <td>B</td> <td>E143-GV</td> <td>18</td> <td>WH</td> <td>1661261C1</td> </tr> </tbody> </table>				CAV	CIRCUIT	GA	COLOR	TERMINAL	A	E143V	18	DKBL	1661261C1	B	E143-GV	18	WH	1661261C1
CAV	CIRCUIT	GA	COLOR	TERMINAL																						
A	E143V	18	DKBL	1661261C1																						
B	E143-GV	18	WH	1661261C1																						
																										
CONNECTOR 1661259C1 BODY LOCK 1661263C1																										
CHK	DATE	CHANGE	REV	REFERENCE	DRAWN	NAME																				
MJVO	13SEP17	INITIAL RELEASE.	A	93784S	23132922	CIRCUIT DIAGRAM, RE BUS - BODY																				
					RELEASE NO.	DATE	PART NO.	SHEET																		
					93784S	21FEB17	AE08085161	029																		

Figure 541 Connector Composites (10455H, 10455J, 10455K, 10456A, 10456B)

19.32. CONNECTOR COMPOSITES (10456C, 10456D, 10456E, 10456F, 10456G), P. 30

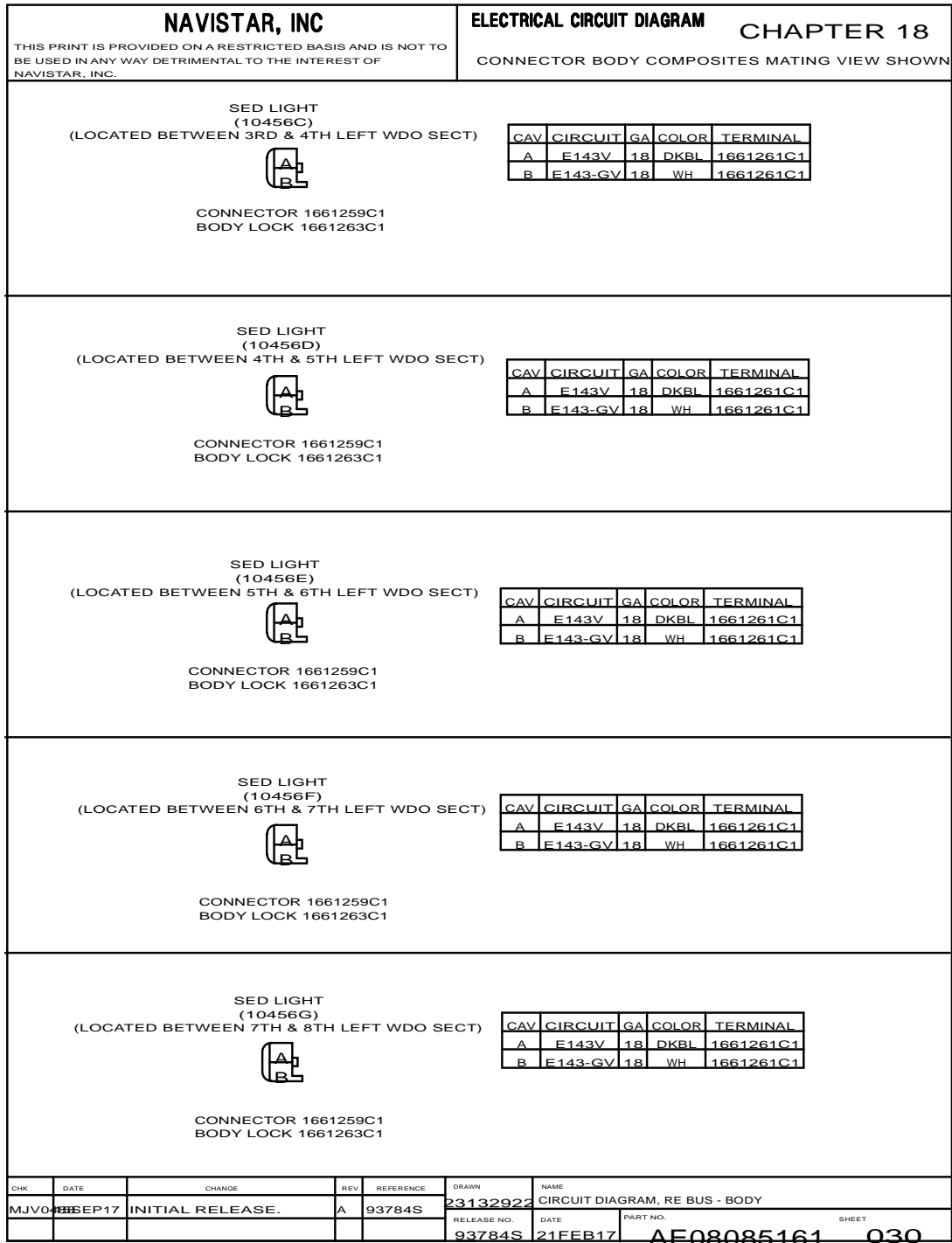


Figure 542 Connector Composites (10456C, 10456D, 10456E, 10456F, 10456G)

19.33. CONNECTOR COMPOSITES (10456H, 10456J, 10456K, 10457), P. 31

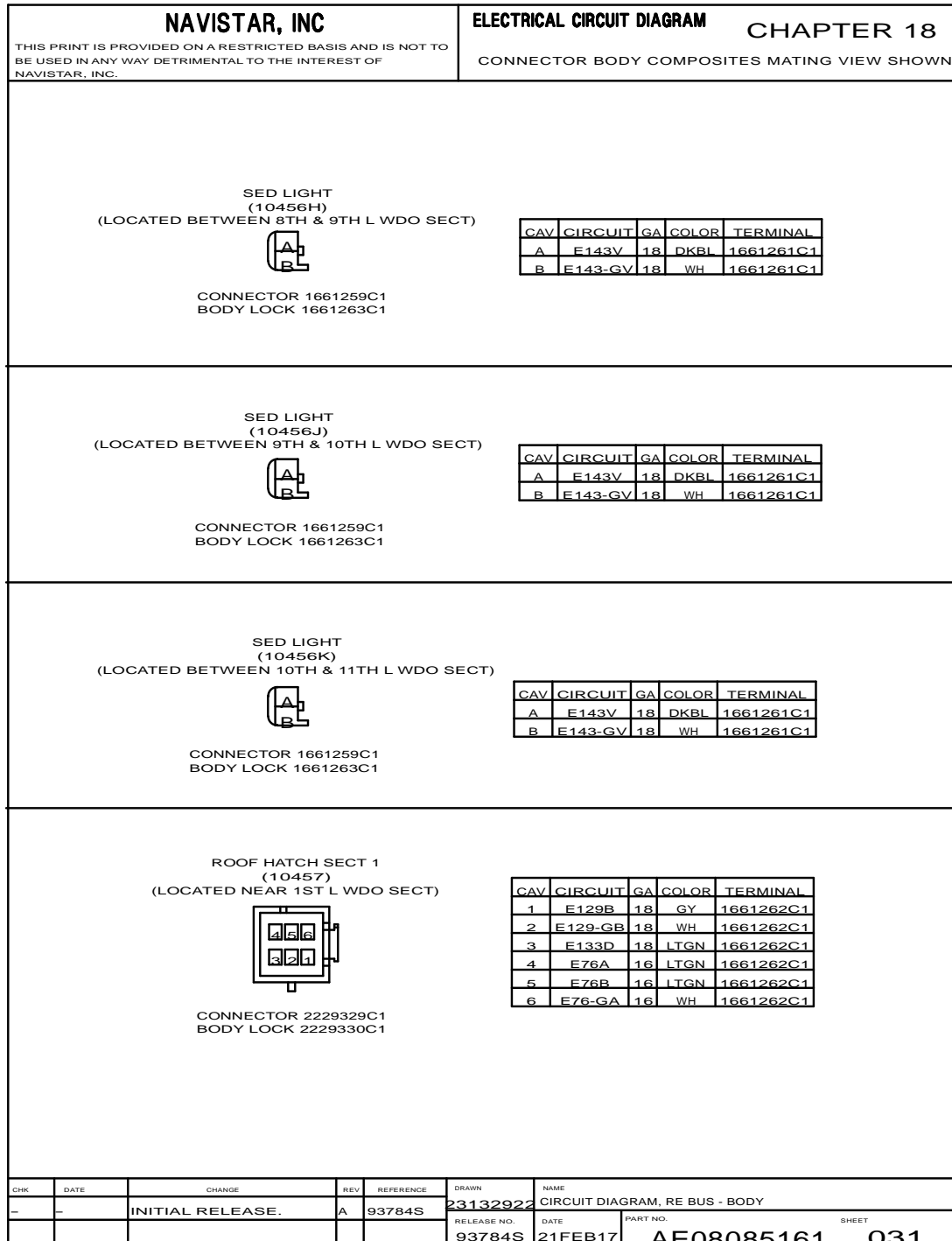


Figure 543 Connector Composites (10456H, 10456J, 10456K, 10457)

19.34. CONNECTOR COMPOSITES (10457A / 10457B, 10458, 10459), P. 32

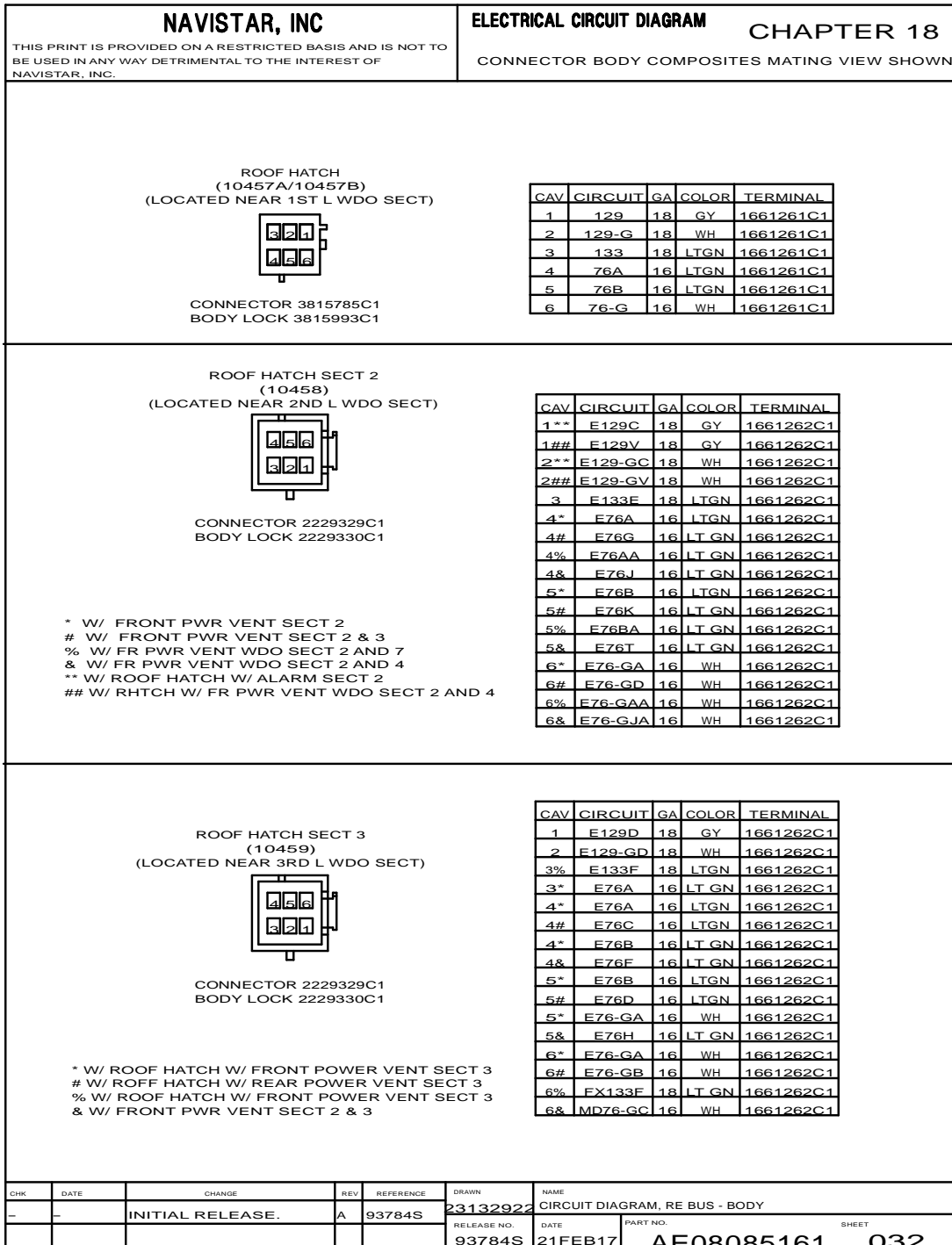


Figure 544 Connector Composites (10457A / 10457B, 10458, 10459)

19.35. CONNECTOR COMPOSITES (10460, 10461, 10462), P. 33

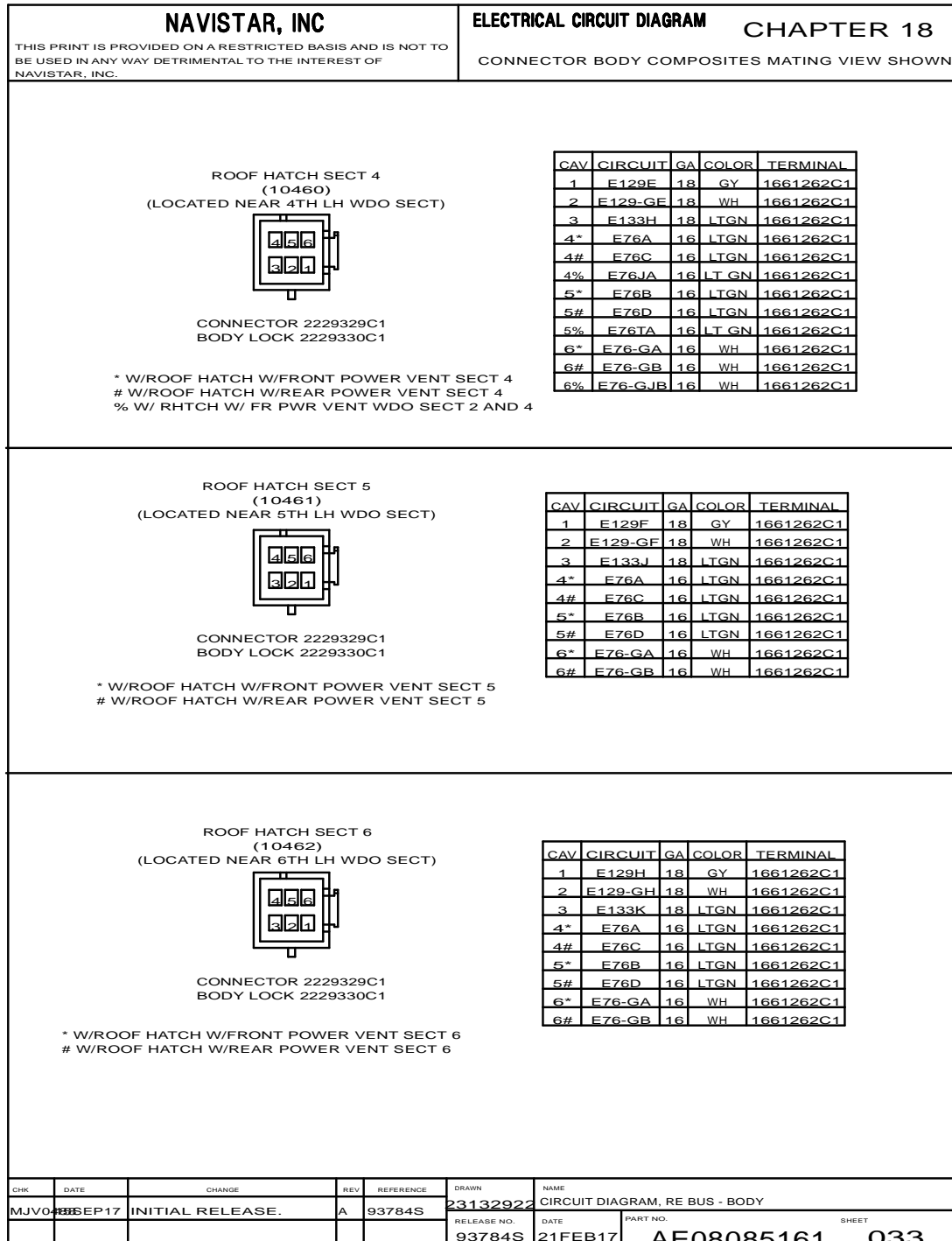


Figure 545 Connector Composites (10460, 10461, 10462)

19.36. CONNECTOR COMPOSITES (10463, 10463A, 10464), P. 34

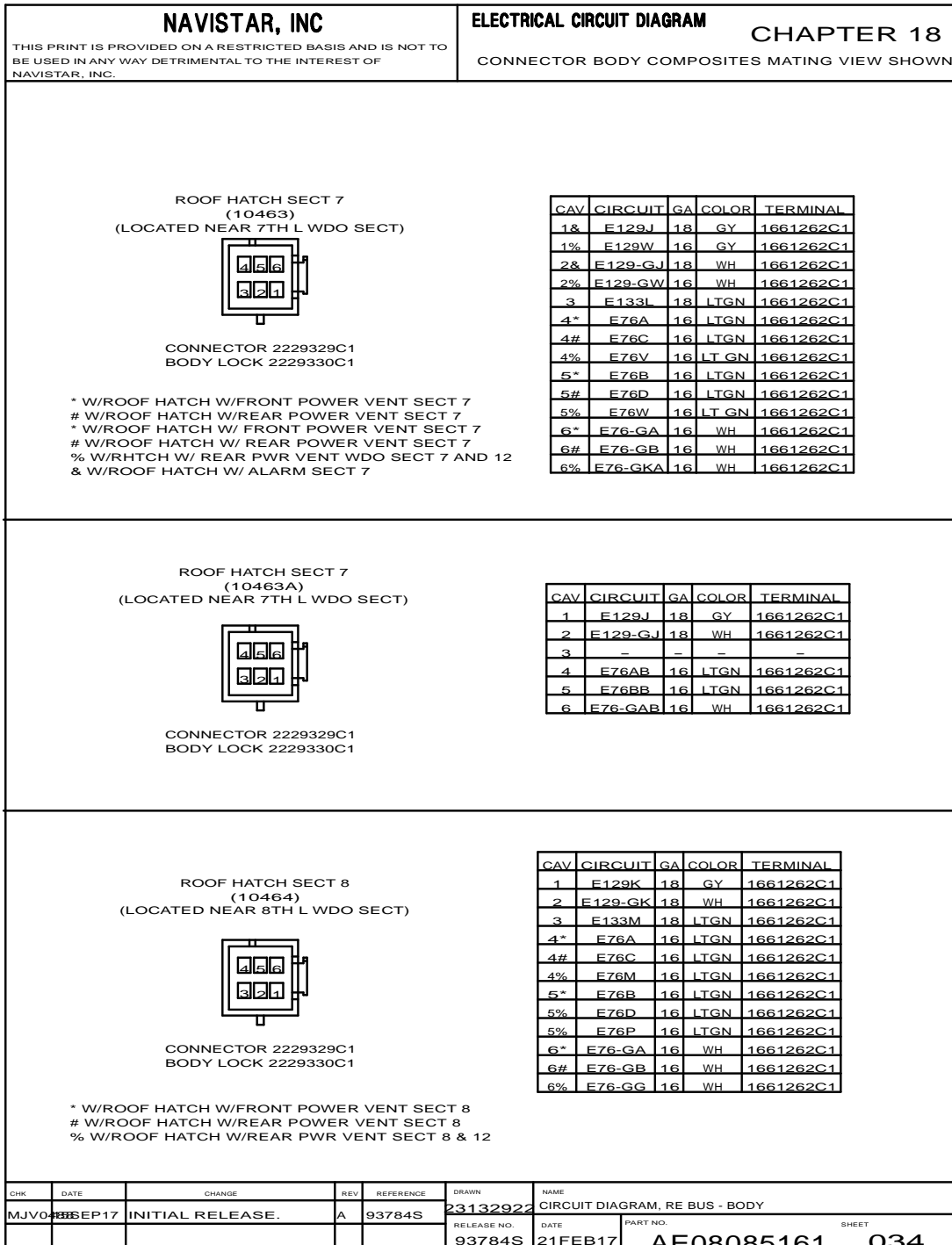


Figure 546 Connector Composites (10463, 10463A, 10464)

19.37. CONNECTOR COMPOSITES (10465, 10466, 10467), P. 35

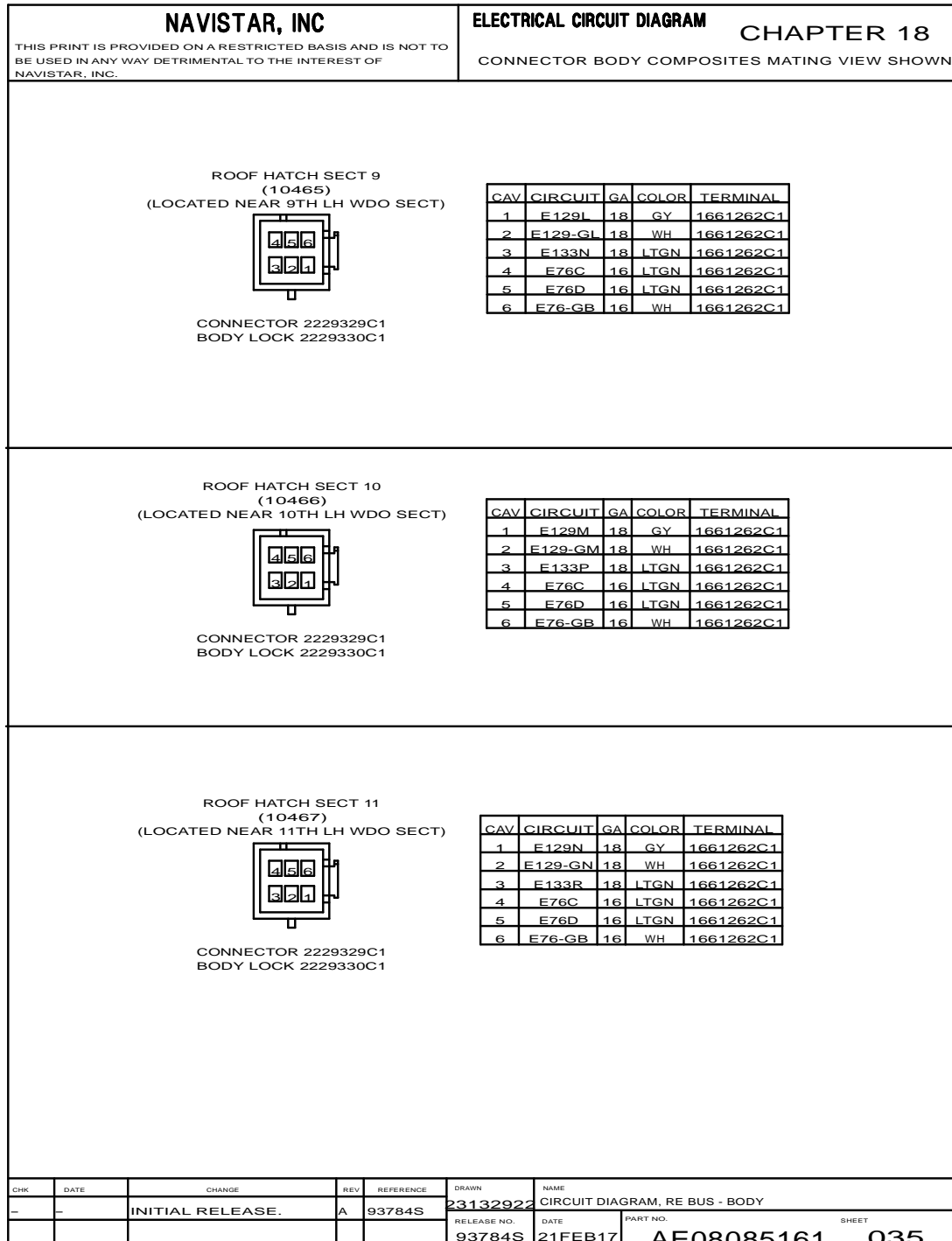


Figure 547 Connector Composites (10465, 10466, 10467)

19.38. CONNECTOR COMPOSITES (10468, 10468A, 10469), P. 36

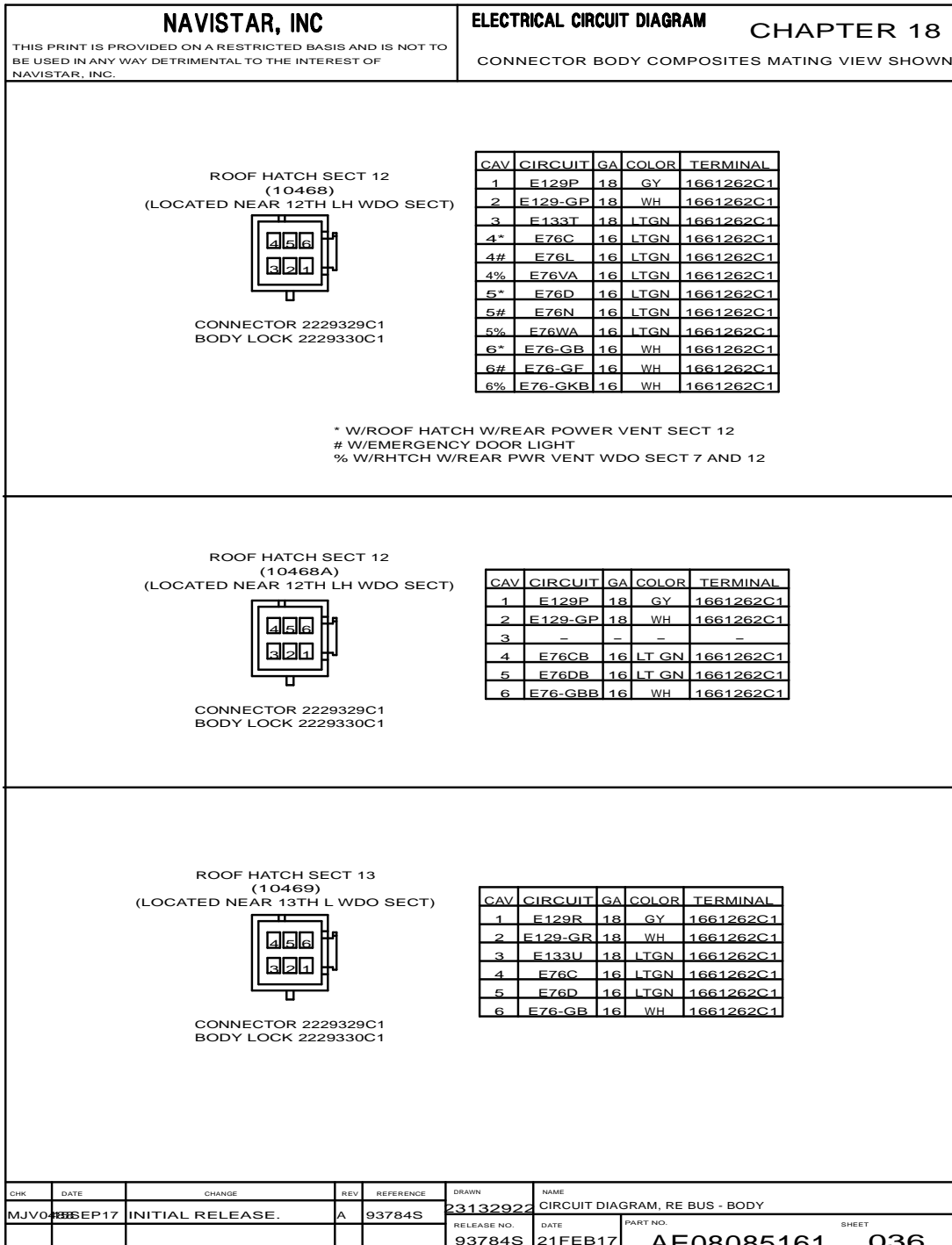


Figure 548 Connector Composites (10468, 10468A, 10469)

19.39. CONNECTOR COMPOSITES (10470, 10471), P. 37

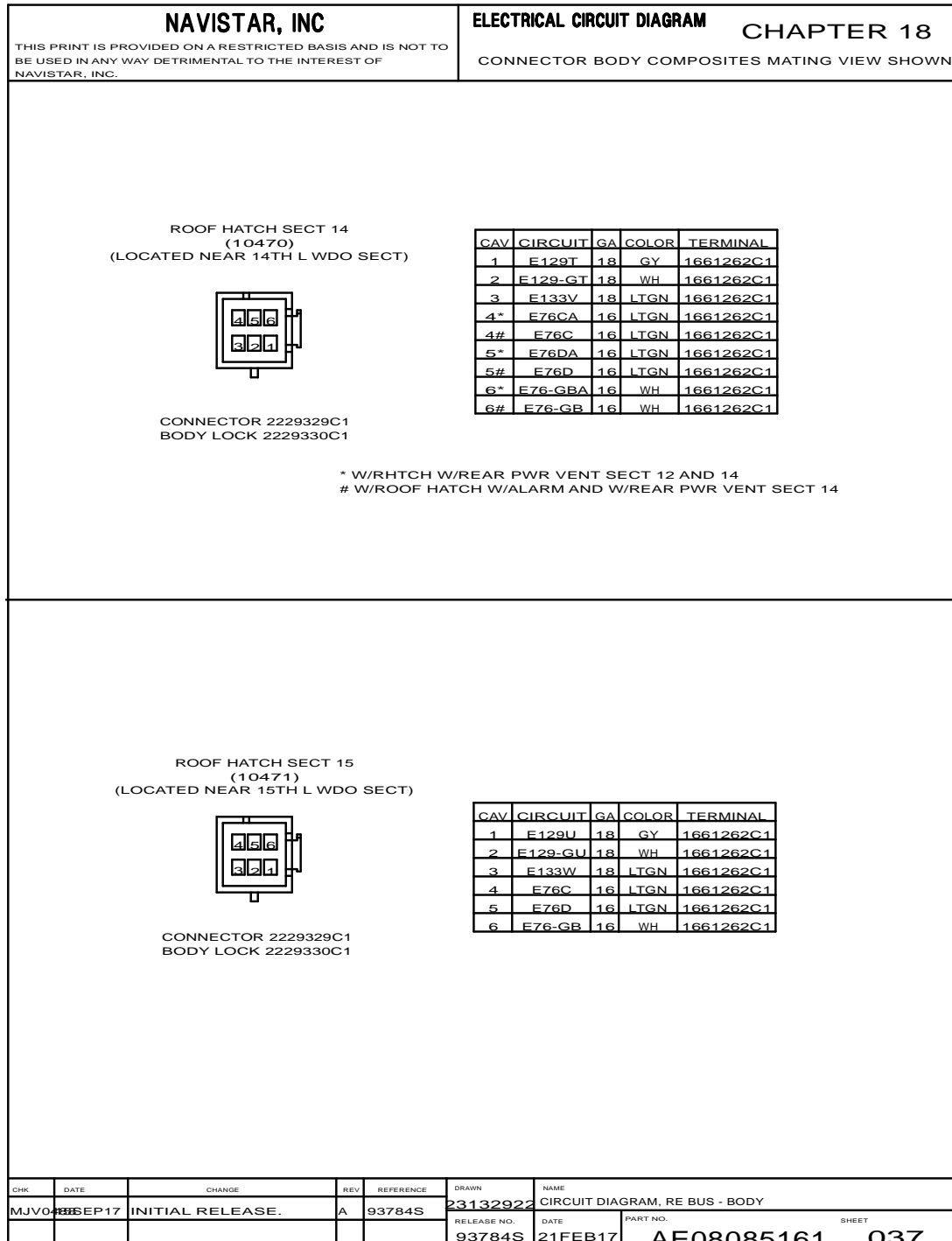


Figure 549 Connector Composites (10470, 10471)

19.40. CONNECTOR COMPOSITES (10472), P. 38

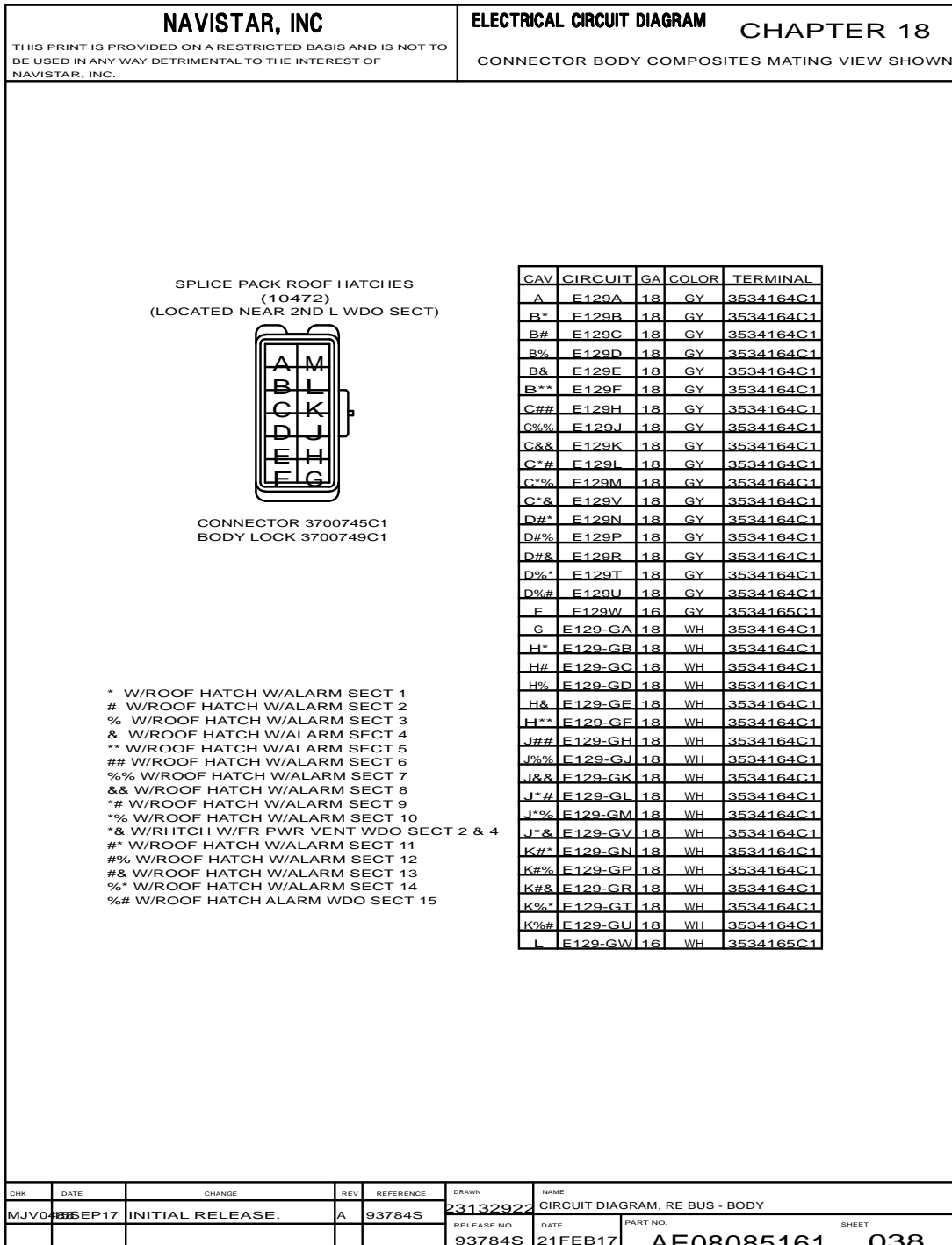


Figure 550 Connector Composites (10472)

19.41. CONNECTOR COMPOSITES (10473, 10474A / 10474B, 10474C, 10474D / 10474E / 10474F / 10474G / 10474H / 10474J / 10474K / 10474L / 10474M / 10474N), P. 39

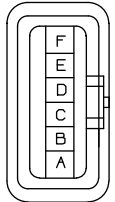



<p>NAVISTAR, INC</p> <p>THIS PRINT IS PROVIDED ON A RESTRICTED BASIS AND IS NOT TO BE USED IN ANY WAY DETRIMENTAL TO THE INTEREST OF NAVISTAR, INC.</p>				<p>ELECTRICAL CIRCUIT DIAGRAM CHAPTER 18</p> <p>CONNECTOR BODY COMPOSITES MATING VIEW SHOWN</p>																																																															
<p>SPLICE PACK OTHER GNDS (10473) (LOCATED AFTER 2ND L WDO SECT)</p>  <p>CONNECTOR 3543729C1 BODY LOCK 3543731C1</p>				<table border="1" style="width: 100%; border-collapse: collapse;"> <thead> <tr> <th>CAV</th> <th>CIRCUIT</th> <th>GA</th> <th>COLOR</th> <th>TERMINAL</th> <th>SEAL/SLV</th> </tr> </thead> <tbody> <tr><td>A</td><td>E11-GB2</td><td>16</td><td>WH</td><td>3535303C1</td><td>3535424C1</td></tr> <tr><td>B*</td><td>E76-GA</td><td>16</td><td>WH</td><td>3535303C1</td><td>3535424C1</td></tr> <tr><td>B#</td><td>E76-GJ</td><td>16</td><td>WH</td><td>3535303C1</td><td>3535424C1</td></tr> <tr><td>C%</td><td>E76-GB</td><td>16</td><td>WH</td><td>3535303C1</td><td>3535424C1</td></tr> <tr><td>C&</td><td>E76-GK</td><td>16</td><td>WH</td><td>3535303C1</td><td>3535424C1</td></tr> <tr><td>D</td><td>E127-GA</td><td>18</td><td>WH</td><td>3535303C1</td><td>3535424C1</td></tr> <tr><td>D</td><td>E127-GB</td><td>18</td><td>WH</td><td>3535303C1</td><td>3535424C1</td></tr> <tr><td>E</td><td>E127-GA</td><td>18</td><td>WH</td><td>3535303C1</td><td>3535424C1</td></tr> <tr><td>F</td><td>PLUG</td><td>-</td><td>-</td><td>-</td><td>-</td></tr> </tbody> </table> <p>* W/RHTCH W/FR PWR VENT WDO SECT 2 AND 7 # W/RHTCH W/FR PWR VENT WDO SECT 2 AND 4 % W/RHTCH W/REAR PWR VENT SECT 12 AND 14 & W/RHTCH W/REAR PWR VENT WDO SECT 7 AND 12</p>				CAV	CIRCUIT	GA	COLOR	TERMINAL	SEAL/SLV	A	E11-GB2	16	WH	3535303C1	3535424C1	B*	E76-GA	16	WH	3535303C1	3535424C1	B#	E76-GJ	16	WH	3535303C1	3535424C1	C%	E76-GB	16	WH	3535303C1	3535424C1	C&	E76-GK	16	WH	3535303C1	3535424C1	D	E127-GA	18	WH	3535303C1	3535424C1	D	E127-GB	18	WH	3535303C1	3535424C1	E	E127-GA	18	WH	3535303C1	3535424C1	F	PLUG	-	-	-	-
CAV	CIRCUIT	GA	COLOR	TERMINAL	SEAL/SLV																																																														
A	E11-GB2	16	WH	3535303C1	3535424C1																																																														
B*	E76-GA	16	WH	3535303C1	3535424C1																																																														
B#	E76-GJ	16	WH	3535303C1	3535424C1																																																														
C%	E76-GB	16	WH	3535303C1	3535424C1																																																														
C&	E76-GK	16	WH	3535303C1	3535424C1																																																														
D	E127-GA	18	WH	3535303C1	3535424C1																																																														
D	E127-GB	18	WH	3535303C1	3535424C1																																																														
E	E127-GA	18	WH	3535303C1	3535424C1																																																														
F	PLUG	-	-	-	-																																																														
<p>STROBE LIGHT (10474A/10474B) (LOCATED NEAR 1ST WDO SECT)</p>  <p>CONNECTOR 1661259C1 BODY LOCK 1661263C1</p>				<table border="1" style="width: 100%; border-collapse: collapse;"> <thead> <tr> <th>CAV</th> <th>CIRCUIT</th> <th>GA</th> <th>COLOR</th> <th>TERMINAL</th> </tr> </thead> <tbody> <tr><td>A*</td><td>E127B</td><td>18</td><td>OR</td><td>1661261C1</td></tr> <tr><td>A%</td><td>E127A</td><td>18</td><td>OR</td><td>1661261C1</td></tr> <tr><td>A#</td><td>E127C</td><td>18</td><td>OR</td><td>1661261C1</td></tr> <tr><td>B</td><td>E127-GA</td><td>18</td><td>WH</td><td>1661261C1</td></tr> <tr><td>B</td><td>E127-GB</td><td>18</td><td>WH</td><td>1661261C1</td></tr> </tbody> </table> <p>* W/STROBE LT SECT 1 # W/DOUBLE STROBE LIGHT SECT 1 % W/STROBE LT SEAT 2</p>				CAV	CIRCUIT	GA	COLOR	TERMINAL	A*	E127B	18	OR	1661261C1	A%	E127A	18	OR	1661261C1	A#	E127C	18	OR	1661261C1	B	E127-GA	18	WH	1661261C1	B	E127-GB	18	WH	1661261C1																														
CAV	CIRCUIT	GA	COLOR	TERMINAL																																																															
A*	E127B	18	OR	1661261C1																																																															
A%	E127A	18	OR	1661261C1																																																															
A#	E127C	18	OR	1661261C1																																																															
B	E127-GA	18	WH	1661261C1																																																															
B	E127-GB	18	WH	1661261C1																																																															
<p>STROBE LIGHT (10474C) (LOCATED NEAR 1ST WDO SECT)</p>  <p>CONNECTOR 1661259C1 BODY LOCK 1661263C1</p>				<table border="1" style="width: 100%; border-collapse: collapse;"> <thead> <tr> <th>CAV</th> <th>CIRCUIT</th> <th>GA</th> <th>COLOR</th> <th>TERMINAL</th> </tr> </thead> <tbody> <tr><td>A*</td><td>E127A</td><td>18</td><td>OR</td><td>1661261C1</td></tr> <tr><td>A#</td><td>E127C</td><td>18</td><td>OR</td><td>1661261C1</td></tr> <tr><td>B</td><td>E127-GA</td><td>18</td><td>WH</td><td>1661261C1</td></tr> <tr><td>B</td><td>E127-GB</td><td>18</td><td>WH</td><td>1661261C1</td></tr> </tbody> </table> <p>* W/ STROBE LT SECT 3 # W/ DOUBLE STROBE LIGHT SECT 3</p>				CAV	CIRCUIT	GA	COLOR	TERMINAL	A*	E127A	18	OR	1661261C1	A#	E127C	18	OR	1661261C1	B	E127-GA	18	WH	1661261C1	B	E127-GB	18	WH	1661261C1																																			
CAV	CIRCUIT	GA	COLOR	TERMINAL																																																															
A*	E127A	18	OR	1661261C1																																																															
A#	E127C	18	OR	1661261C1																																																															
B	E127-GA	18	WH	1661261C1																																																															
B	E127-GB	18	WH	1661261C1																																																															
<p>STROBE LIGHT (10474D/10474E/10474F/10474G/10474H/ 10474J/10474K/10474L/10474M/10474N) (LOCATED NEAR 1ST WDO SECT)</p>  <p>CONNECTOR 1661259C1 BODY LOCK 1661263C1</p>				<table border="1" style="width: 100%; border-collapse: collapse;"> <thead> <tr> <th>CAV</th> <th>CIRCUIT</th> <th>GA</th> <th>COLOR</th> <th>TERMINAL</th> </tr> </thead> <tbody> <tr><td>A*</td><td>E127A</td><td>18</td><td>OR</td><td>1661261C1</td></tr> <tr><td>A#</td><td>E127C</td><td>18</td><td>OR</td><td>1661261C1</td></tr> <tr><td>A#</td><td>E127E</td><td>18</td><td>OR</td><td>1661261C1</td></tr> <tr><td>B</td><td>E127-GA</td><td>18</td><td>WH</td><td>1661261C1</td></tr> <tr><td>B</td><td>E127-GB</td><td>18</td><td>WH</td><td>1661261C1</td></tr> </tbody> </table> <p>* W/STROBE LT SECT 4 # W/DOUBLE STROBE LIGHT SECT 4</p>				CAV	CIRCUIT	GA	COLOR	TERMINAL	A*	E127A	18	OR	1661261C1	A#	E127C	18	OR	1661261C1	A#	E127E	18	OR	1661261C1	B	E127-GA	18	WH	1661261C1	B	E127-GB	18	WH	1661261C1																														
CAV	CIRCUIT	GA	COLOR	TERMINAL																																																															
A*	E127A	18	OR	1661261C1																																																															
A#	E127C	18	OR	1661261C1																																																															
A#	E127E	18	OR	1661261C1																																																															
B	E127-GA	18	WH	1661261C1																																																															
B	E127-GB	18	WH	1661261C1																																																															
CHK	DATE	CHANGE	REV	REFERENCE	DRAWN	NAME																																																													
MJVO4	18SEP19	REVISED AND REDRAWN.	B	95004Y	2313292Z	CIRCUIT DIAGRAM, RE BUS - BODY																																																													
					RELEASE NO.	DATE																																																													
					93784S	21FEB17																																																													
					PART NO.	SHEET																																																													
					AE08085161	039																																																													

Figure 551 Connector Composites (10473, 10474A / 10474B, 10474C, 10474D / 10474E / 10474F / 10474G / 10474H / 10474J / 10474K / 10474L / 10474M / 10474N)

19.42. CONNECTOR COMPOSITES (10474P, 10474R, 10475 / 10476, 10479), P. 40

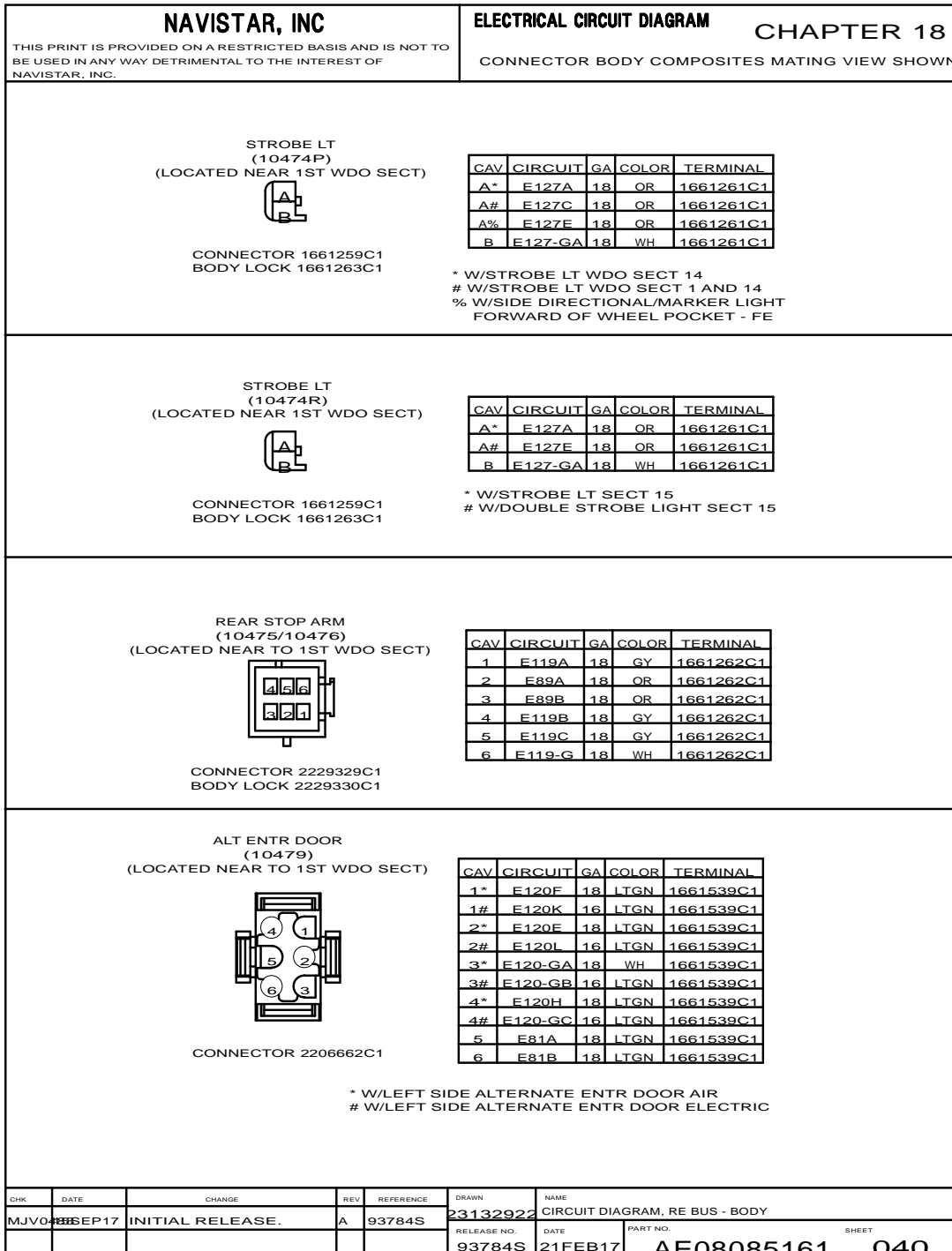


Figure 552 Connector Composites (10474P, 10474R, 10475 / 10476, 10479)

19.43. CONNECTOR COMPOSITES (10482, 10483, 10483A), P. 41




NAVISTAR, INC				ELECTRICAL CIRCUIT DIAGRAM CHAPTER 18																																																																									
THIS PRINT IS PROVIDED ON A RESTRICTED BASIS AND IS NOT TO BE USED IN ANY WAY DETRIMENTAL TO THE INTEREST OF NAVISTAR, INC.				CONNECTOR BODY COMPOSITES MATING VIEW SHOWN																																																																									
SPLICE PACK (10482) (LOCATED AFTER 2ND LH WDO SECT)				<table border="1" style="width:100%; border-collapse: collapse; font-size: x-small;"> <thead> <tr> <th>CAV</th><th>CIRCUIT</th><th>GA</th><th>COLOR</th><th>TERMINAL</th></tr> </thead> <tbody> <tr><td>A</td><td>E11-GC</td><td>12</td><td>WH</td><td>3566715C1</td></tr> <tr><td>B*</td><td>E63-GA</td><td>16</td><td>WH</td><td>1661209C1</td></tr> <tr><td>B#</td><td>E63-GN</td><td>16</td><td>WH</td><td>1661209C1</td></tr> <tr><td>C%</td><td>E76-GA</td><td>16</td><td>WH</td><td>1661209C1</td></tr> <tr><td>C&</td><td>E63-GAE</td><td>18</td><td>WH</td><td>1661208C1</td></tr> <tr><td>D</td><td>E63-GAF</td><td>18</td><td>WH</td><td>1661208C1</td></tr> <tr><td>E**</td><td>E76-GB</td><td>16</td><td>WH</td><td>1661209C1</td></tr> <tr><td>E##</td><td>E120-GA</td><td>18</td><td>WH</td><td>1661208C1</td></tr> <tr><td>F##</td><td>E120-GA</td><td>18</td><td>WH</td><td>1661208C1</td></tr> <tr><td>F%%</td><td>E63-GB</td><td>16</td><td>WH</td><td>1661209C1</td></tr> <tr><td>G</td><td>E56-GC</td><td>18</td><td>WH</td><td>1661208C1</td></tr> <tr><td>H&&</td><td>E56-GA</td><td>18</td><td>WH</td><td>1661208C1</td></tr> <tr><td>H*&</td><td>E58-GJ</td><td>18</td><td>WH</td><td>1661208C1</td></tr> </tbody> </table>				CAV	CIRCUIT	GA	COLOR	TERMINAL	A	E11-GC	12	WH	3566715C1	B*	E63-GA	16	WH	1661209C1	B#	E63-GN	16	WH	1661209C1	C%	E76-GA	16	WH	1661209C1	C&	E63-GAE	18	WH	1661208C1	D	E63-GAF	18	WH	1661208C1	E**	E76-GB	16	WH	1661209C1	E##	E120-GA	18	WH	1661208C1	F##	E120-GA	18	WH	1661208C1	F%%	E63-GB	16	WH	1661209C1	G	E56-GC	18	WH	1661208C1	H&&	E56-GA	18	WH	1661208C1	H*&	E58-GJ	18	WH	1661208C1
CAV	CIRCUIT	GA	COLOR	TERMINAL																																																																									
A	E11-GC	12	WH	3566715C1																																																																									
B*	E63-GA	16	WH	1661209C1																																																																									
B#	E63-GN	16	WH	1661209C1																																																																									
C%	E76-GA	16	WH	1661209C1																																																																									
C&	E63-GAE	18	WH	1661208C1																																																																									
D	E63-GAF	18	WH	1661208C1																																																																									
E**	E76-GB	16	WH	1661209C1																																																																									
E##	E120-GA	18	WH	1661208C1																																																																									
F##	E120-GA	18	WH	1661208C1																																																																									
F%%	E63-GB	16	WH	1661209C1																																																																									
G	E56-GC	18	WH	1661208C1																																																																									
H&&	E56-GA	18	WH	1661208C1																																																																									
H*&	E58-GJ	18	WH	1661208C1																																																																									
				* W/DOME LT STD STAGGER # W/DOME LT DOUBLE % W/ROOF HATCH W/ALARM AND W/FRONT PWR VENT SECT 2 & 3 & W/DOME LT ACTIVITY ** W/ROOF HATCH W/ALARM AND W/REAR PWR VENT SECT 8 & 12 ## W/LEFT SIDE ALTERNATE ENTR DOOR AIR %% W/DOME LT ABOVE EACH SEAT W/FR AND REAR && W/SIDE DIRECTIONAL LT LOCATED AFTER REAR WHL PKT - RE *& W/SIDE MARKER LT LOCATED AFTER REAR WHL PKT																																																																									
CONNECTOR 2007315C1 BODY LOCK 2007316C1																																																																													
DOME LT SECT 1 (10483) (LOCATED NEAR 1ST LH WDO SECT)				<table border="1" style="width:100%; border-collapse: collapse; font-size: x-small;"> <thead> <tr> <th>CAV</th><th>CIRCUIT</th><th>GA</th><th>COLOR</th><th>TERMINAL</th></tr> </thead> <tbody> <tr><td>A*</td><td>E63C</td><td>16</td><td>DKBL</td><td>1661261C1</td></tr> <tr><td>A#</td><td>E63X</td><td>16</td><td>DKBL</td><td>1661261C1</td></tr> <tr><td>B*</td><td>E63-GB</td><td>16</td><td>WH</td><td>1661261C1</td></tr> <tr><td>B#</td><td>E63-GM</td><td>16</td><td>WH</td><td>1661261C1</td></tr> </tbody> </table>				CAV	CIRCUIT	GA	COLOR	TERMINAL	A*	E63C	16	DKBL	1661261C1	A#	E63X	16	DKBL	1661261C1	B*	E63-GB	16	WH	1661261C1	B#	E63-GM	16	WH	1661261C1																																													
CAV	CIRCUIT	GA	COLOR	TERMINAL																																																																									
A*	E63C	16	DKBL	1661261C1																																																																									
A#	E63X	16	DKBL	1661261C1																																																																									
B*	E63-GB	16	WH	1661261C1																																																																									
B#	E63-GM	16	WH	1661261C1																																																																									
				* W/DOME LT STD STAGGER # W/DOME LT DOUBLE																																																																									
CONNECTOR 1661259C1 BODY LOCK 1661263C1																																																																													
DOME LIGHT ABOVE EACH SEAT (10483A) (LOCATED ABOVE EACH SEAT)				<table border="1" style="width:100%; border-collapse: collapse; font-size: x-small;"> <thead> <tr> <th>CAV</th><th>CIRCUIT</th><th>GA</th><th>COLOR</th><th>TERMINAL</th></tr> </thead> <tbody> <tr><td>A</td><td>E63B</td><td>16</td><td>DKBL</td><td>1661261C1</td></tr> <tr><td>B</td><td>E63B-G</td><td>16</td><td>WH</td><td>1661261C1</td></tr> </tbody> </table>				CAV	CIRCUIT	GA	COLOR	TERMINAL	A	E63B	16	DKBL	1661261C1	B	E63B-G	16	WH	1661261C1																																																							
CAV	CIRCUIT	GA	COLOR	TERMINAL																																																																									
A	E63B	16	DKBL	1661261C1																																																																									
B	E63B-G	16	WH	1661261C1																																																																									
																																																																													
CONNECTOR 1661259C1 BODY LOCK 1661263C1																																																																													
CHK	DATE	CHANGE	REV	REFERENCE	DRAWN	NAME																																																																							
MJVO	22SEP19	REMOVED CIRC E58-GC &	B	95004Y	23132922	CIRCUIT DIAGRAM, RE BUS - BODY																																																																							
E56-GC	A	T R/D 10482.			RELEASE NO.	DATE	PART NO.																																																																						
					93784S	21FEB17	AE08085161																																																																						
						SHEET	041																																																																						

Figure 553 Connector Composites (10482, 10483, 10483A)

19.44. CONNECTOR COMPOSITES (10484, 10484A, 10485, 10485A), P. 42

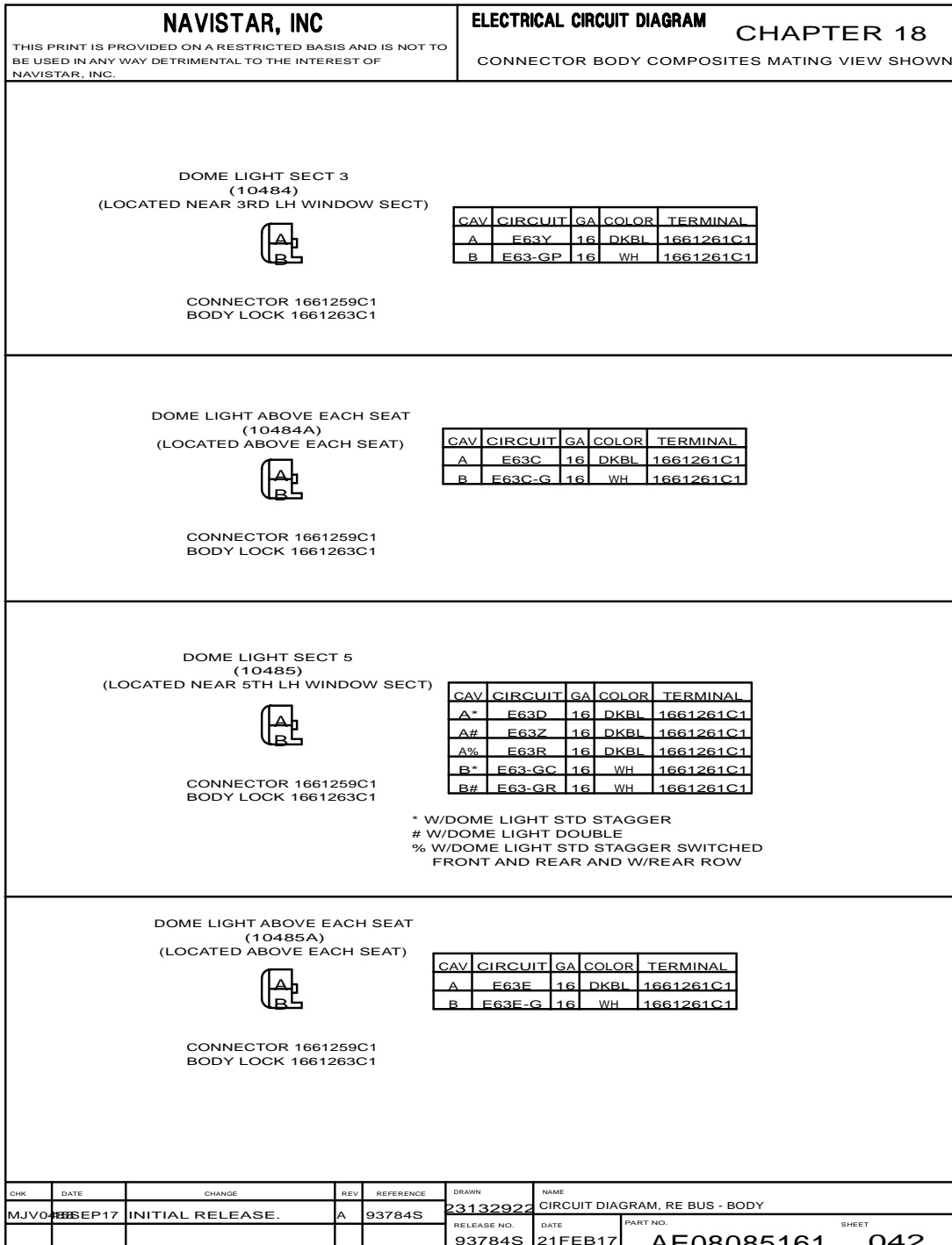


Figure 554 Connector Composites (10484, 10484A, 10485, 10485A)

19.45. CONNECTOR COMPOSITES (10486, 10486A, 10487), P. 43




<p>NAVISTAR, INC</p> <p>THIS PRINT IS PROVIDED ON A RESTRICTED BASIS AND IS NOT TO BE USED IN ANY WAY DETRIMENTAL TO THE INTEREST OF NAVISTAR, INC.</p>	<p>ELECTRICAL CIRCUIT DIAGRAM CHAPTER 18</p> <p>CONNECTOR BODY COMPOSITES MATING VIEW SHOWN</p>																																																		
<p>DOME LIGHT SECT 7 (10486) (LOCATED NEAR 7TH LH WINDOW SECT)</p>  <p>CONNECTOR 1661259C1 BODY LOCK 1661263C1</p> <p>* W/DOME LIGHT DOUBLE # W/DOME LIGHT DOUBLE SWITCHED FRONT AND REAR W/REAR ROW % W/DOME LIGHT DOUBLE SWITCHED FRONT AND REAR</p>	<table border="1" style="width: 100%; border-collapse: collapse;"> <thead> <tr> <th>CAV</th> <th>CIRCUIT</th> <th>GA</th> <th>COLOR</th> <th>TERMINAL</th> </tr> </thead> <tbody> <tr> <td>A*</td> <td>E63AA</td> <td>16</td> <td>DKBL</td> <td>1661261C1</td> </tr> <tr> <td>A#</td> <td>E63AC</td> <td>16</td> <td>DKBL</td> <td>1661261C1</td> </tr> <tr> <td>A%</td> <td>E63AF</td> <td>16</td> <td>DKBL</td> <td>1661261C1</td> </tr> <tr> <td>B</td> <td>E63-GT</td> <td>16</td> <td>WH</td> <td>1661261C1</td> </tr> </tbody> </table>	CAV	CIRCUIT	GA	COLOR	TERMINAL	A*	E63AA	16	DKBL	1661261C1	A#	E63AC	16	DKBL	1661261C1	A%	E63AF	16	DKBL	1661261C1	B	E63-GT	16	WH	1661261C1																									
CAV	CIRCUIT	GA	COLOR	TERMINAL																																															
A*	E63AA	16	DKBL	1661261C1																																															
A#	E63AC	16	DKBL	1661261C1																																															
A%	E63AF	16	DKBL	1661261C1																																															
B	E63-GT	16	WH	1661261C1																																															
<p>DOME LIGHT ABOVE EACH SEAT (10486A) (LOCATED ABOVE EACH SEAT)</p>  <p>CONNECTOR 1661259C1 BODY LOCK 1661263C1</p>	<table border="1" style="width: 100%; border-collapse: collapse;"> <thead> <tr> <th>CAV</th> <th>CIRCUIT</th> <th>GA</th> <th>COLOR</th> <th>TERMINAL</th> </tr> </thead> <tbody> <tr> <td>A</td> <td>E63F</td> <td>16</td> <td>DKBL</td> <td>1661261C1</td> </tr> <tr> <td>B</td> <td>E63F-G</td> <td>16</td> <td>WH</td> <td>1661261C1</td> </tr> </tbody> </table>	CAV	CIRCUIT	GA	COLOR	TERMINAL	A	E63F	16	DKBL	1661261C1	B	E63F-G	16	WH	1661261C1																																			
CAV	CIRCUIT	GA	COLOR	TERMINAL																																															
A	E63F	16	DKBL	1661261C1																																															
B	E63F-G	16	WH	1661261C1																																															
<p>DOME LIGHT SECT 9 (10487) (LOCATED NEAR 9TH LH WINDOW SECT)</p>  <p>CONNECTOR 1661259C1 BODY LOCK 1661263C1</p> <p>* W/DOME LIGHT STD STAGGER # W/DOME LIGHT STD STAGGER SWITCHED FRONT AND REAR % W/DOME LIGHT DOUBLE & W/DOME LIGHT DOUBLE SWITCHED FRONT AND REAR W/REAR ROW ** W/DOME LIGHT DOUBLE SWITCHED FRONT AND REAR ## W/DOME LIGHT STD STAGGER SWITCHED FRONT AND REAR AND W/REAR ROW</p>	<table border="1" style="width: 100%; border-collapse: collapse;"> <thead> <tr> <th>CAV</th> <th>CIRCUIT</th> <th>GA</th> <th>COLOR</th> <th>TERMINAL</th> </tr> </thead> <tbody> <tr> <td>A*</td> <td>E63E</td> <td>16</td> <td>DKBL</td> <td>1661261C1</td> </tr> <tr> <td>A#</td> <td>E63R</td> <td>16</td> <td>DKBL</td> <td>1661261C1</td> </tr> <tr> <td>A%</td> <td>E63AB</td> <td>16</td> <td>DKBL</td> <td>1661261C1</td> </tr> <tr> <td>A&</td> <td>E63AF</td> <td>16</td> <td>DKBL</td> <td>1661261C1</td> </tr> <tr> <td>A&</td> <td>E63AV</td> <td>16</td> <td>DKBL</td> <td>1661261C1</td> </tr> <tr> <td>A**</td> <td>E63AH</td> <td>16</td> <td>DKBL</td> <td>1661261C1</td> </tr> <tr> <td>B*</td> <td>E63-GD</td> <td>16</td> <td>WH</td> <td>1661261C1</td> </tr> <tr> <td>B%</td> <td>E63-GU</td> <td>16</td> <td>WH</td> <td>1661261C1</td> </tr> <tr> <td>B##</td> <td>E63-GL</td> <td>16</td> <td>WH</td> <td>1661261C1</td> </tr> </tbody> </table>	CAV	CIRCUIT	GA	COLOR	TERMINAL	A*	E63E	16	DKBL	1661261C1	A#	E63R	16	DKBL	1661261C1	A%	E63AB	16	DKBL	1661261C1	A&	E63AF	16	DKBL	1661261C1	A&	E63AV	16	DKBL	1661261C1	A**	E63AH	16	DKBL	1661261C1	B*	E63-GD	16	WH	1661261C1	B%	E63-GU	16	WH	1661261C1	B##	E63-GL	16	WH	1661261C1
CAV	CIRCUIT	GA	COLOR	TERMINAL																																															
A*	E63E	16	DKBL	1661261C1																																															
A#	E63R	16	DKBL	1661261C1																																															
A%	E63AB	16	DKBL	1661261C1																																															
A&	E63AF	16	DKBL	1661261C1																																															
A&	E63AV	16	DKBL	1661261C1																																															
A**	E63AH	16	DKBL	1661261C1																																															
B*	E63-GD	16	WH	1661261C1																																															
B%	E63-GU	16	WH	1661261C1																																															
B##	E63-GL	16	WH	1661261C1																																															
<table border="1" style="width: 100%; border-collapse: collapse;"> <thead> <tr> <th>CHK</th> <th>DATE</th> <th>CHANGE</th> <th>REV</th> <th>REFERENCE</th> <th>DRAWN</th> <th>NAME</th> </tr> </thead> <tbody> <tr> <td>-</td> <td>-</td> <td>INITIAL RELEASE.</td> <td>A</td> <td>93784S</td> <td>23132922</td> <td>CIRCUIT DIAGRAM, RE BUS - BODY</td> </tr> <tr> <td></td> <td></td> <td></td> <td></td> <td></td> <td>RELEASE NO.</td> <td>DATE</td> </tr> <tr> <td></td> <td></td> <td></td> <td></td> <td></td> <td>93784S</td> <td>21FEB17</td> </tr> <tr> <td></td> <td></td> <td></td> <td></td> <td></td> <td>PART NO.</td> <td>SHEET</td> </tr> <tr> <td></td> <td></td> <td></td> <td></td> <td></td> <td>AE08085161</td> <td>043</td> </tr> </tbody> </table>	CHK	DATE	CHANGE	REV	REFERENCE	DRAWN	NAME	-	-	INITIAL RELEASE.	A	93784S	23132922	CIRCUIT DIAGRAM, RE BUS - BODY						RELEASE NO.	DATE						93784S	21FEB17						PART NO.	SHEET						AE08085161	043									
CHK	DATE	CHANGE	REV	REFERENCE	DRAWN	NAME																																													
-	-	INITIAL RELEASE.	A	93784S	23132922	CIRCUIT DIAGRAM, RE BUS - BODY																																													
					RELEASE NO.	DATE																																													
					93784S	21FEB17																																													
					PART NO.	SHEET																																													
					AE08085161	043																																													

Figure 555 Connector Composites (10486, 10486A, 10487)

19.46. CONNECTOR COMPOSITES (10487A, 10488, 10489), P. 44




NAVISTAR, INC				ELECTRICAL CIRCUIT DIAGRAM				CHAPTER 18																																																										
THIS PRINT IS PROVIDED ON A RESTRICTED BASIS AND IS NOT TO BE USED IN ANY WAY DETRIMENTAL TO THE INTEREST OF NAVISTAR, INC.				CONNECTOR BODY COMPOSITES MATING VIEW SHOWN																																																														
<p>DOME LIGHT ABOVE EACH SEAT (10487A) (LOCATED ABOVE EACH SEAT)</p>  <p>CONNECTOR 1661259C1 BODY LOCK 1661263C1</p> <table border="1" style="margin-left: auto; margin-right: auto; font-size: x-small;"> <thead> <tr><th>CAV</th><th>CIRCUIT</th><th>GA</th><th>COLOR</th><th>TERMINAL</th></tr> </thead> <tbody> <tr><td>A</td><td>E63H</td><td>16</td><td>DKBL</td><td>1661261C1</td></tr> <tr><td>B</td><td>E63H-G</td><td>16</td><td>WH</td><td>1661261C1</td></tr> </tbody> </table>												CAV	CIRCUIT	GA	COLOR	TERMINAL	A	E63H	16	DKBL	1661261C1	B	E63H-G	16	WH	1661261C1																																								
CAV	CIRCUIT	GA	COLOR	TERMINAL																																																														
A	E63H	16	DKBL	1661261C1																																																														
B	E63H-G	16	WH	1661261C1																																																														
<p>DOME LIGHT SECT 11 (10488) (LOCATED NEAR 11TH LH WINDOW SECT)</p>  <p>CONNECTOR 1661259C1 BODY LOCK 1661263C1</p> <p>* W/DOME LIGHT DOUBLE # W/DOME LIGHT DOUBLE SWITCHED FRONT AND REAR W/REAR ROW % W/DOME LIGHT DOUBLE W/REAR ROW & W/DOME LIGHT DOUBLE SWITCHED FRONT AND REAR</p> <table border="1" style="margin-left: auto; margin-right: auto; font-size: x-small;"> <thead> <tr><th>CAV</th><th>CIRCUIT</th><th>GA</th><th>COLOR</th><th>TERMINAL</th></tr> </thead> <tbody> <tr><td>A*</td><td>E63AC</td><td>16</td><td>DKBL</td><td>1661261C1</td></tr> <tr><td>A#</td><td>E63AH</td><td>16</td><td>DKBL</td><td>1661261C1</td></tr> <tr><td>A%</td><td>E63AP</td><td>18</td><td>DKBL</td><td>1661261C1</td></tr> <tr><td>A&</td><td>E63AJ</td><td>16</td><td>DKBL</td><td>1661261C1</td></tr> <tr><td>B</td><td>E63-GV</td><td>16</td><td>WH</td><td>1661261C1</td></tr> </tbody> </table>												CAV	CIRCUIT	GA	COLOR	TERMINAL	A*	E63AC	16	DKBL	1661261C1	A#	E63AH	16	DKBL	1661261C1	A%	E63AP	18	DKBL	1661261C1	A&	E63AJ	16	DKBL	1661261C1	B	E63-GV	16	WH	1661261C1																									
CAV	CIRCUIT	GA	COLOR	TERMINAL																																																														
A*	E63AC	16	DKBL	1661261C1																																																														
A#	E63AH	16	DKBL	1661261C1																																																														
A%	E63AP	18	DKBL	1661261C1																																																														
A&	E63AJ	16	DKBL	1661261C1																																																														
B	E63-GV	16	WH	1661261C1																																																														
<p>DOME LIGHT SECT 13 (10489) (LOCATED NEAR 13TH LH WINDOW SECT)</p>  <p>CONNECTOR 1661259C1 BODY LOCK 1661263C1</p> <p>* W/DOME LIGHT STD STAGGER # W/DOME LIGHT STD STAGGER W/REAR ROW % W/DOME LIGHT STD STAGGER SWITCHED FRONT AND REAR & W/DOME LIGHT STD STAGGER SWITCHED FRONT AND REAR AND W/REAR ROW ** W/DOME LIGHT DOUBLE ## W/DOME LIGHT DOUBLE SWITCHED FRONT AND REAR W/REAR ROW %% W/DOME LIGHT DOUBLE SWITCHED FRONT AND REAR</p> <table border="1" style="margin-left: auto; margin-right: auto; font-size: x-small;"> <thead> <tr><th>CAV</th><th>CIRCUIT</th><th>GA</th><th>COLOR</th><th>TERMINAL</th></tr> </thead> <tbody> <tr><td>A*</td><td>E63F</td><td>16</td><td>DKBL</td><td>1661261C1</td></tr> <tr><td>A#</td><td>E63L</td><td>16</td><td>DKBL</td><td>1661261C1</td></tr> <tr><td>A%</td><td>E63S</td><td>16</td><td>DKBL</td><td>1661261C1</td></tr> <tr><td>A&</td><td>E63T</td><td>16</td><td>DKBL</td><td>1661261C1</td></tr> <tr><td>A**</td><td>E63AD</td><td>16</td><td>DKBL</td><td>1661261C1</td></tr> <tr><td>A##</td><td>E63AP</td><td>16</td><td>DKBL</td><td>1661261C1</td></tr> <tr><td>A%%</td><td>E63AJ</td><td>16</td><td>DKBL</td><td>1661261C1</td></tr> <tr><td>B*</td><td>E63-GE</td><td>16</td><td>WH</td><td>1661261C1</td></tr> <tr><td>B%</td><td>E63-GK</td><td>16</td><td>WH</td><td>1661261C1</td></tr> <tr><td>B##</td><td>E63-GW</td><td>16</td><td>WH</td><td>1661261C1</td></tr> </tbody> </table>												CAV	CIRCUIT	GA	COLOR	TERMINAL	A*	E63F	16	DKBL	1661261C1	A#	E63L	16	DKBL	1661261C1	A%	E63S	16	DKBL	1661261C1	A&	E63T	16	DKBL	1661261C1	A**	E63AD	16	DKBL	1661261C1	A##	E63AP	16	DKBL	1661261C1	A%%	E63AJ	16	DKBL	1661261C1	B*	E63-GE	16	WH	1661261C1	B%	E63-GK	16	WH	1661261C1	B##	E63-GW	16	WH	1661261C1
CAV	CIRCUIT	GA	COLOR	TERMINAL																																																														
A*	E63F	16	DKBL	1661261C1																																																														
A#	E63L	16	DKBL	1661261C1																																																														
A%	E63S	16	DKBL	1661261C1																																																														
A&	E63T	16	DKBL	1661261C1																																																														
A**	E63AD	16	DKBL	1661261C1																																																														
A##	E63AP	16	DKBL	1661261C1																																																														
A%%	E63AJ	16	DKBL	1661261C1																																																														
B*	E63-GE	16	WH	1661261C1																																																														
B%	E63-GK	16	WH	1661261C1																																																														
B##	E63-GW	16	WH	1661261C1																																																														
CHK	DATE	CHANGE	REV	REFERENCE	DRAWN	NAME																																																												
MJVO	13SEP17	INITIAL RELEASE.	A	93784S	23132922	CIRCUIT DIAGRAM, RE BUS - BODY																																																												
					RELEASE NO.	DATE	PART NO.	SHEET																																																										
					93784S	21FEB17	AE08085161	044																																																										

Figure 556 Connector Composites (10487A, 10488, 10489)

19.47. CONNECTOR COMPOSITES (10489A, 10490, 10491A, 10491B), P. 45





NAVISTAR, INC				ELECTRICAL CIRCUIT DIAGRAM																												
THIS PRINT IS PROVIDED ON A RESTRICTED BASIS AND IS NOT TO BE USED IN ANY WAY DETRIMENTAL TO THE INTEREST OF NAVISTAR, INC.				CHAPTER 18																												
				CONNECTOR BODY COMPOSITES MATING VIEW SHOWN																												
<div style="display: flex; justify-content: space-between;"> <div style="width: 45%;"> <p style="text-align: center;">DOME LIGHT ABOVE EACH SEAT (10489A) (LOCATED ABOVE EACH SEAT)</p>  <p style="text-align: center;">CONNECTOR 1661259C1 BODY LOCK 1661263C1</p> </div> <div style="width: 50%;"> <table border="1" style="width: 100%; border-collapse: collapse; font-size: x-small;"> <thead> <tr> <th>CAV</th> <th>CIRCUIT</th> <th>GA</th> <th>COLOR</th> <th>TERMINAL</th> </tr> </thead> <tbody> <tr> <td>A</td> <td>E63L</td> <td>16</td> <td>DKBL</td> <td>1661261C1</td> </tr> <tr> <td>B</td> <td>E63L-G</td> <td>16</td> <td>WH</td> <td>1661261C1</td> </tr> </tbody> </table> </div> </div>								CAV	CIRCUIT	GA	COLOR	TERMINAL	A	E63L	16	DKBL	1661261C1	B	E63L-G	16	WH	1661261C1										
CAV	CIRCUIT	GA	COLOR	TERMINAL																												
A	E63L	16	DKBL	1661261C1																												
B	E63L-G	16	WH	1661261C1																												
<div style="display: flex; justify-content: space-between;"> <div style="width: 45%;"> <p style="text-align: center;">DOME LIGHT SECT 15 (10490) (LOCATED NEAR 15TH LH WINDOW SECT)</p>  <p style="text-align: center;">CONNECTOR 1661259C1 BODY LOCK 1661263C1</p> <p style="font-size: x-small;">* W/DOME LIGHT DOUBLE # W/DOME LIGHT DOUBLE W/REAR ROW % W/DOME LIGHT DOUBLE SWITCHED FRONT AND REAR</p> </div> <div style="width: 50%;"> <table border="1" style="width: 100%; border-collapse: collapse; font-size: x-small;"> <thead> <tr> <th>CAV</th> <th>CIRCUIT</th> <th>GA</th> <th>COLOR</th> <th>TERMINAL</th> </tr> </thead> <tbody> <tr> <td>A*</td> <td>E63AE</td> <td>16</td> <td>DKBL</td> <td>1661261C1</td> </tr> <tr> <td>A#</td> <td>E63AP</td> <td>16</td> <td>DKBL</td> <td>1661261C1</td> </tr> <tr> <td>A%</td> <td>E63AK</td> <td>16</td> <td>DKBL</td> <td>1661261C1</td> </tr> <tr> <td>B</td> <td>E63-GX</td> <td>16</td> <td>WH</td> <td>1661261C1</td> </tr> </tbody> </table> </div> </div>								CAV	CIRCUIT	GA	COLOR	TERMINAL	A*	E63AE	16	DKBL	1661261C1	A#	E63AP	16	DKBL	1661261C1	A%	E63AK	16	DKBL	1661261C1	B	E63-GX	16	WH	1661261C1
CAV	CIRCUIT	GA	COLOR	TERMINAL																												
A*	E63AE	16	DKBL	1661261C1																												
A#	E63AP	16	DKBL	1661261C1																												
A%	E63AK	16	DKBL	1661261C1																												
B	E63-GX	16	WH	1661261C1																												
<div style="display: flex; justify-content: space-between;"> <div style="width: 45%;"> <p style="text-align: center;">ACTIVITY LIGHT SECT 15 (10491A) (LOCATED NEAR 15TH LH WINDOW SECT)</p>  <p style="text-align: center;">CONNECTOR 1661259C1 BODY LOCK 1661263C1</p> </div> <div style="width: 50%;"> <table border="1" style="width: 100%; border-collapse: collapse; font-size: x-small;"> <thead> <tr> <th>CAV</th> <th>CIRCUIT</th> <th>GA</th> <th>COLOR</th> <th>TERMINAL</th> </tr> </thead> <tbody> <tr> <td>A</td> <td>E63BA</td> <td>18</td> <td>DKBL</td> <td>1661261C1</td> </tr> <tr> <td>B</td> <td>E63-GAE</td> <td>18</td> <td>WH</td> <td>1661261C1</td> </tr> </tbody> </table> </div> </div>								CAV	CIRCUIT	GA	COLOR	TERMINAL	A	E63BA	18	DKBL	1661261C1	B	E63-GAE	18	WH	1661261C1										
CAV	CIRCUIT	GA	COLOR	TERMINAL																												
A	E63BA	18	DKBL	1661261C1																												
B	E63-GAE	18	WH	1661261C1																												
<div style="display: flex; justify-content: space-between;"> <div style="width: 45%;"> <p style="text-align: center;">ACTIVITY DOME LIGHT (10491B) (LOCATED AT RIGHT SIDE OF WINDOW SECTION)</p>  <p style="text-align: center;">CONNECTOR 1661259C1 BODY LOCK 1661263C1</p> </div> <div style="width: 50%;"> <table border="1" style="width: 100%; border-collapse: collapse; font-size: x-small;"> <thead> <tr> <th>CAV</th> <th>CIRCUIT</th> <th>GA</th> <th>COLOR</th> <th>TERMINAL</th> </tr> </thead> <tbody> <tr> <td>A</td> <td>E63BA</td> <td>18</td> <td>DKBL</td> <td>1661261C1</td> </tr> <tr> <td>B</td> <td>E63-GAE</td> <td>18</td> <td>WH</td> <td>1661261C1</td> </tr> </tbody> </table> </div> </div>								CAV	CIRCUIT	GA	COLOR	TERMINAL	A	E63BA	18	DKBL	1661261C1	B	E63-GAE	18	WH	1661261C1										
CAV	CIRCUIT	GA	COLOR	TERMINAL																												
A	E63BA	18	DKBL	1661261C1																												
B	E63-GAE	18	WH	1661261C1																												
CHK	DATE	CHANGE	REV	REFERENCE	DRAWN	NAME																										
MJVO	23SEP17	INITIAL RELEASE.	A	93784S	23132922	CIRCUIT DIAGRAM, RE BUS - BODY																										
					RELEASE NO.	DATE	PART NO.																									
					93784S	21FEB17	AE08085161 045																									

Figure 557 Connector Composites (10489A, 10490, 10491A, 10491B)

19.48. CONNECTOR COMPOSITES (10492, 10513), P. 46

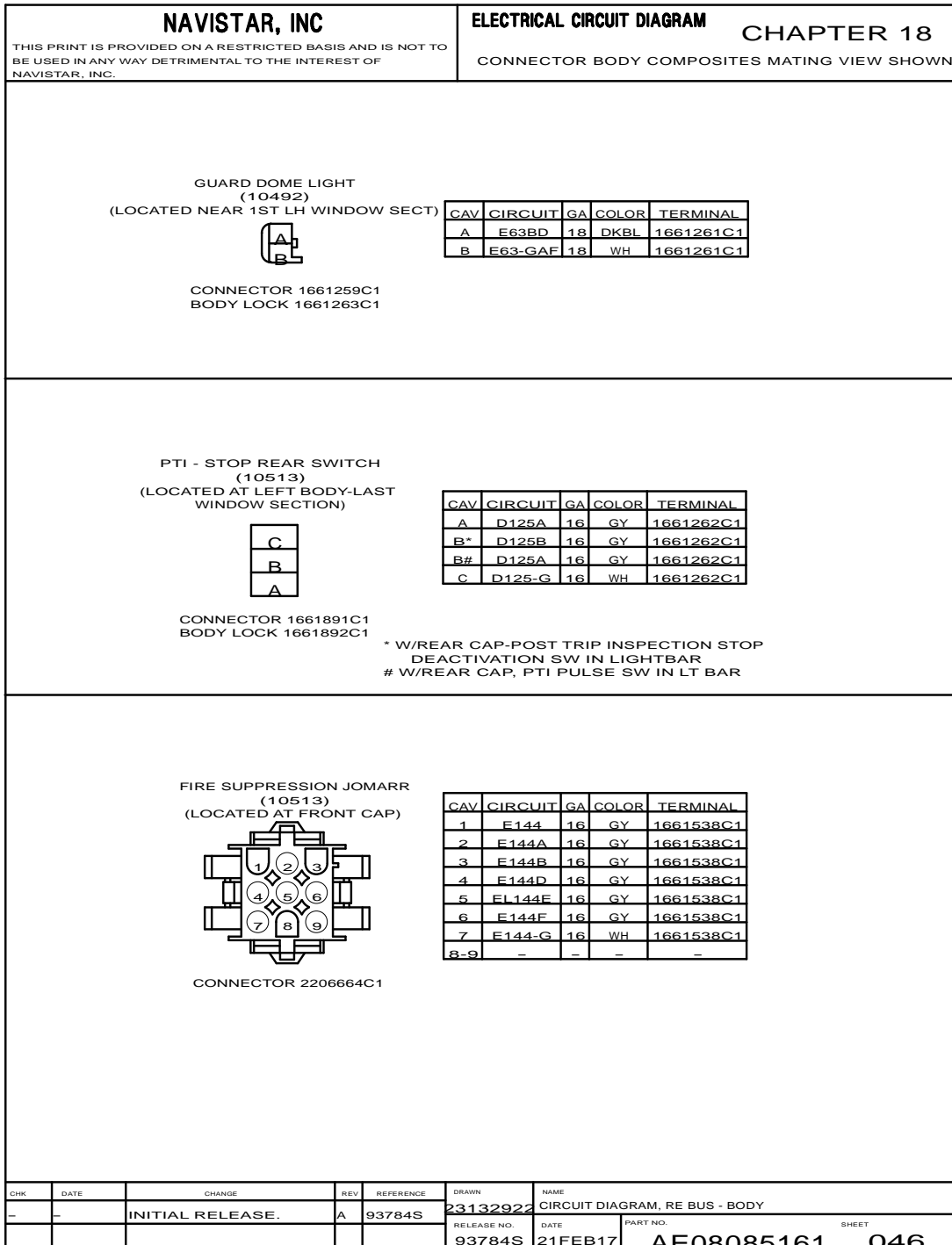


Figure 558 Connector Composites (10492, 10513)

19.49. CONNECTOR COMPOSITES (10513, 10514, 10515), P. 47

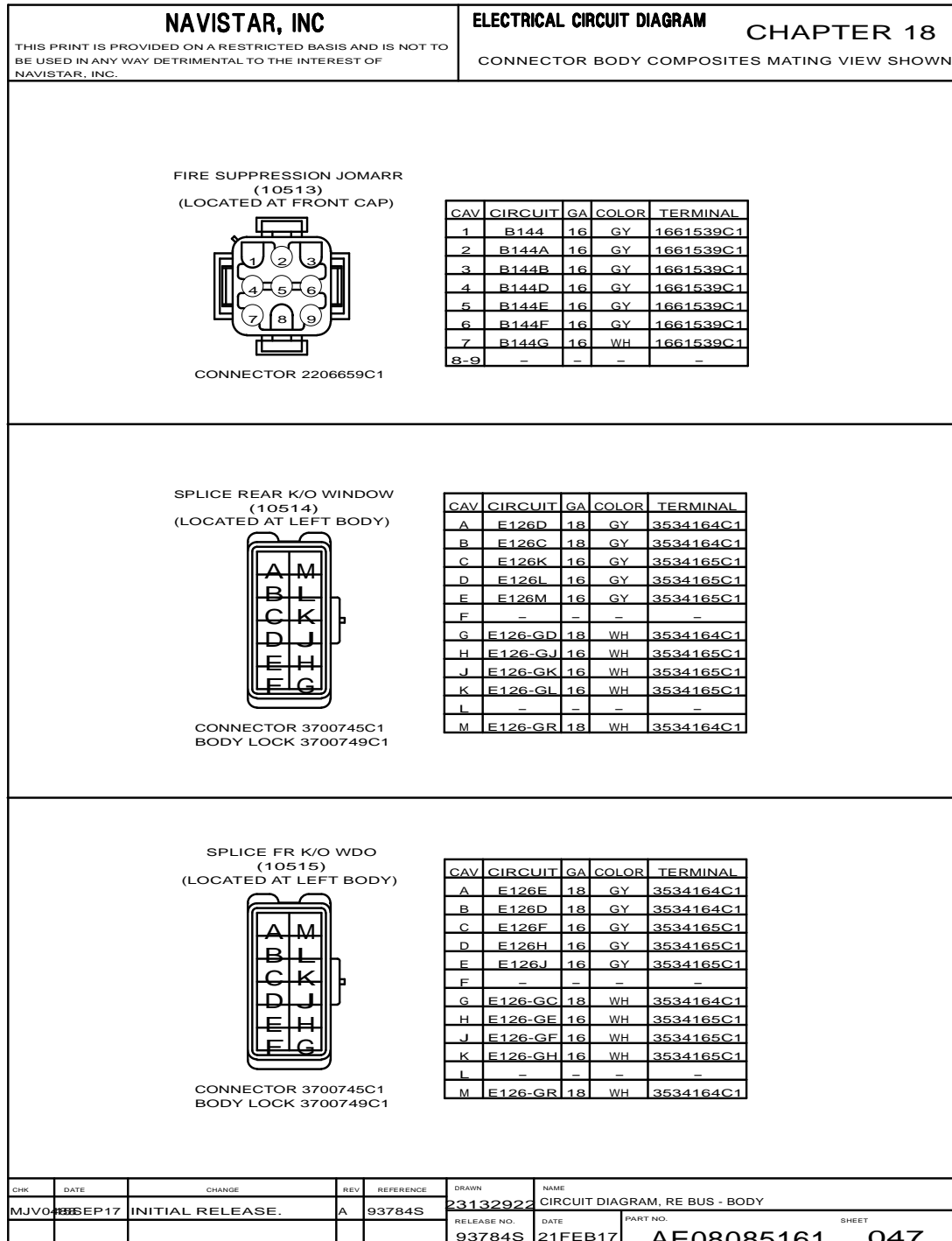


Figure 559 Connector Composites (10513, 10514, 10515)

19.50. CONNECTOR COMPOSITES (10516, 10517, 10518), P. 48

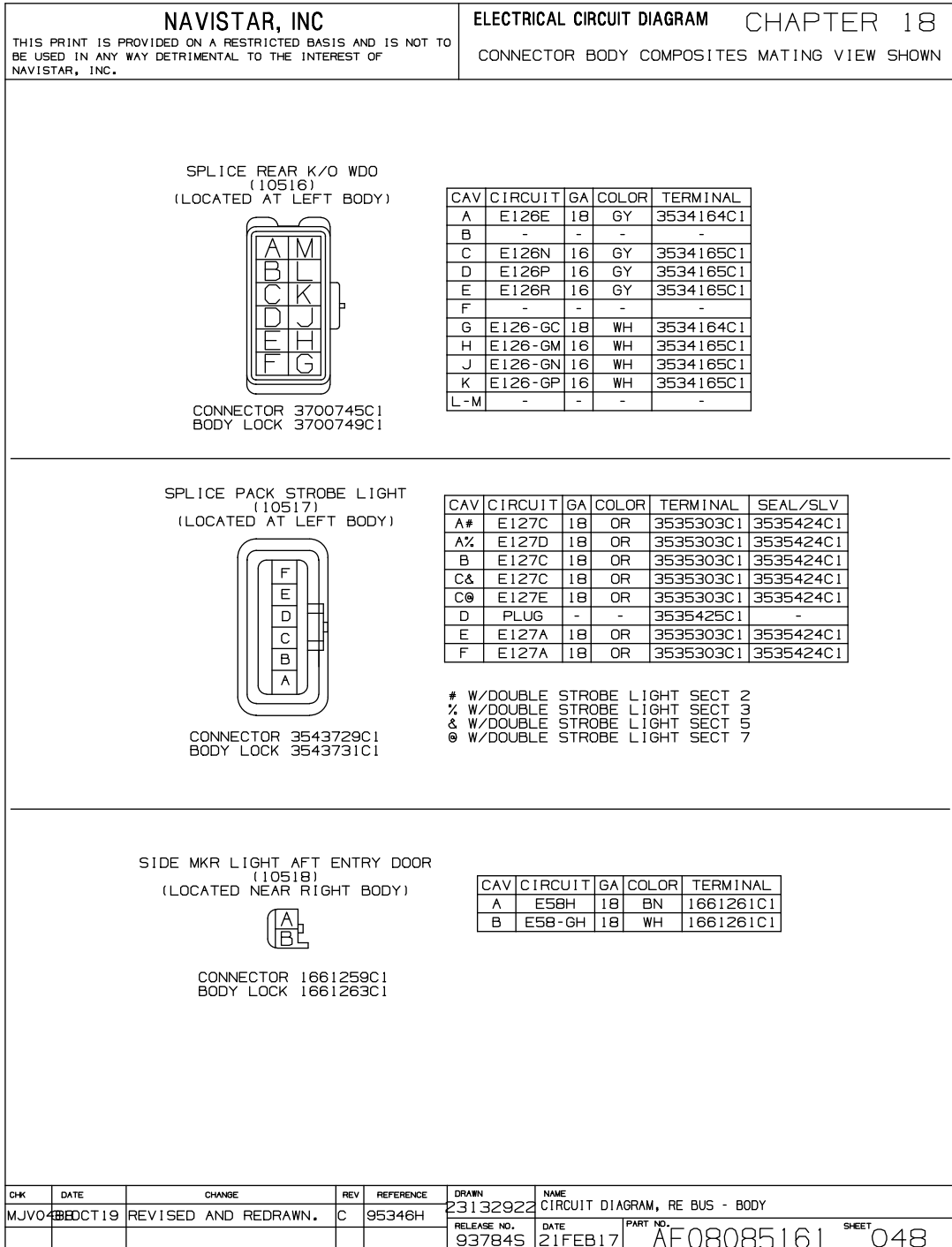


Figure 560 Connector Composites (10516, 10517, 10518)

19.51. CONNECTOR COMPOSITES (10519, 10520A, 10521A, 10522A), P. 49





NAVISTAR, INC <small>THIS PRINT IS PROVIDED ON A RESTRICTED BASIS AND IS NOT TO BE USED IN ANY WAY DETRIMENTAL TO THE INTEREST OF NAVISTAR, INC.</small>					ELECTRICAL CIRCUIT DIAGRAM CHAPTER 18 CONNECTOR BODY COMPOSITES MATING VIEW SHOWN																			
<p style="text-align: center;">SIDE MKR LIGHT AFT LR WHL PKT (10519) (LOCATED NEAR RIGHT BODY)</p> <div style="text-align: center;">  </div> <p style="text-align: center;">CONNECTOR 1661259C1 BODY LOCK 1661263C1</p>					<table border="1" style="width: 100%; border-collapse: collapse; text-align: center;"> <thead> <tr> <th>CAV</th> <th>CIRCUIT</th> <th>GA</th> <th>COLOR</th> <th>TERMINAL</th> </tr> </thead> <tbody> <tr> <td>A</td> <td>E58J</td> <td>18</td> <td>BN</td> <td>1661261C1</td> </tr> <tr> <td>B</td> <td>E58-GJ</td> <td>18</td> <td>WH</td> <td>1661261C1</td> </tr> </tbody> </table>					CAV	CIRCUIT	GA	COLOR	TERMINAL	A	E58J	18	BN	1661261C1	B	E58-GJ	18	WH	1661261C1
CAV	CIRCUIT	GA	COLOR	TERMINAL																				
A	E58J	18	BN	1661261C1																				
B	E58-GJ	18	WH	1661261C1																				
<p style="text-align: center;">DOME LIGHT ABOVE EACH SEAT (10520A) (LOCATED ABOVE EACH SHEET)</p> <div style="text-align: center;">  </div> <p style="text-align: center;">CONNECTOR 1661259C1 BODY LOCK 1661263C1</p>					<table border="1" style="width: 100%; border-collapse: collapse; text-align: center;"> <thead> <tr> <th>CAV</th> <th>CIRCUIT</th> <th>GA</th> <th>COLOR</th> <th>TERMINAL</th> </tr> </thead> <tbody> <tr> <td>A</td> <td>E63D</td> <td>16</td> <td>DKBL</td> <td>1661261C1</td> </tr> <tr> <td>B</td> <td>E63D-G</td> <td>16</td> <td>WH</td> <td>1661261C1</td> </tr> </tbody> </table>					CAV	CIRCUIT	GA	COLOR	TERMINAL	A	E63D	16	DKBL	1661261C1	B	E63D-G	16	WH	1661261C1
CAV	CIRCUIT	GA	COLOR	TERMINAL																				
A	E63D	16	DKBL	1661261C1																				
B	E63D-G	16	WH	1661261C1																				
<p style="text-align: center;">DOME LIGHT ABOVE EACH SEAT (10521A) (LOCATED ABOVE EACH SHEET)</p> <div style="text-align: center;">  </div> <p style="text-align: center;">CONNECTOR 1661259C1 BODY LOCK 1661263C1</p>					<table border="1" style="width: 100%; border-collapse: collapse; text-align: center;"> <thead> <tr> <th>CAV</th> <th>CIRCUIT</th> <th>GA</th> <th>COLOR</th> <th>TERMINAL</th> </tr> </thead> <tbody> <tr> <td>A</td> <td>E63G</td> <td>16</td> <td>DKBL</td> <td>1661261C1</td> </tr> <tr> <td>B</td> <td>E63G-G</td> <td>16</td> <td>WH</td> <td>1661261C1</td> </tr> </tbody> </table>					CAV	CIRCUIT	GA	COLOR	TERMINAL	A	E63G	16	DKBL	1661261C1	B	E63G-G	16	WH	1661261C1
CAV	CIRCUIT	GA	COLOR	TERMINAL																				
A	E63G	16	DKBL	1661261C1																				
B	E63G-G	16	WH	1661261C1																				
<p style="text-align: center;">DOME LIGHT ABOVE EACH SEAT (10522A) (LOCATED ABOVE EACH SHEET)</p> <div style="text-align: center;">  </div> <p style="text-align: center;">CONNECTOR 1661259C1 BODY LOCK 1661263C1</p>					<table border="1" style="width: 100%; border-collapse: collapse; text-align: center;"> <thead> <tr> <th>CAV</th> <th>CIRCUIT</th> <th>GA</th> <th>COLOR</th> <th>TERMINAL</th> </tr> </thead> <tbody> <tr> <td>A</td> <td>E63J</td> <td>16</td> <td>DKBL</td> <td>1661261C1</td> </tr> <tr> <td>B</td> <td>E63J-G</td> <td>16</td> <td>WH</td> <td>1661261C1</td> </tr> </tbody> </table>					CAV	CIRCUIT	GA	COLOR	TERMINAL	A	E63J	16	DKBL	1661261C1	B	E63J-G	16	WH	1661261C1
CAV	CIRCUIT	GA	COLOR	TERMINAL																				
A	E63J	16	DKBL	1661261C1																				
B	E63J-G	16	WH	1661261C1																				
CHK	DATE	CHANGE	REV	REFERENCE	DRAWN	NAME																		
MJVO	08SEP19	REMOVED CIRC E58H &	B	95004Y	23132922	CIRCUIT DIAGRAM, RE BUS - BODY																		
	E58-GC	AT R/D 10519.			RELEASE NO.	DATE	PART NO.	SHEET																
					93784S	21FEB17	AE08085161	049																

Figure 561 Connector Composites (10519, 10520A, 10521A, 10522A)

19.52. CONNECTOR COMPOSITES (10523A, 10524A, 10555A, 10555B, 10555E), P. 50

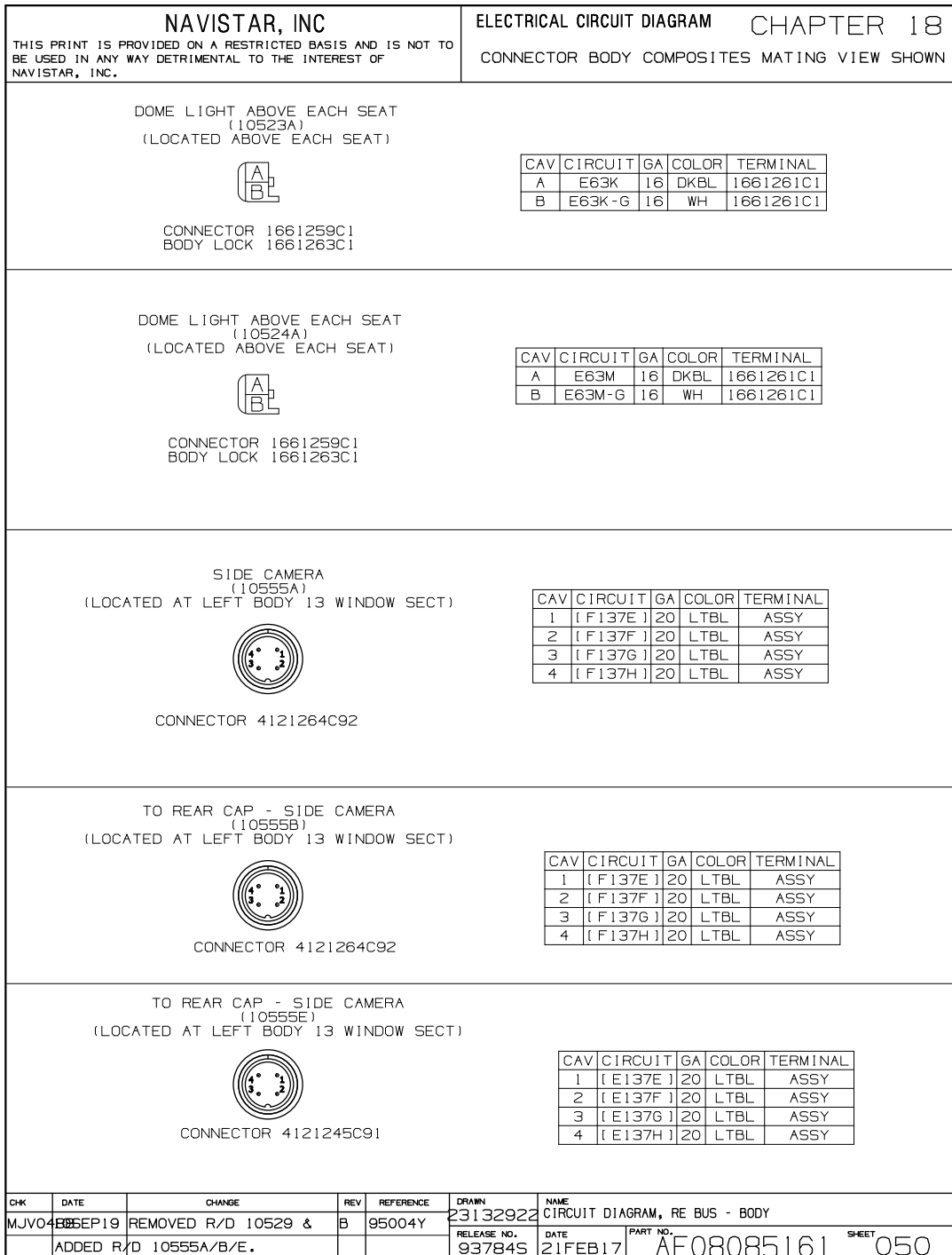


Figure 562 Connector Composites (10523A, 10524A, 10555A, 10555B, 10555E)

19.53. CONNECTOR COMPOSITES (10555F, 10556C, 10556D, 10558A), P. 50A

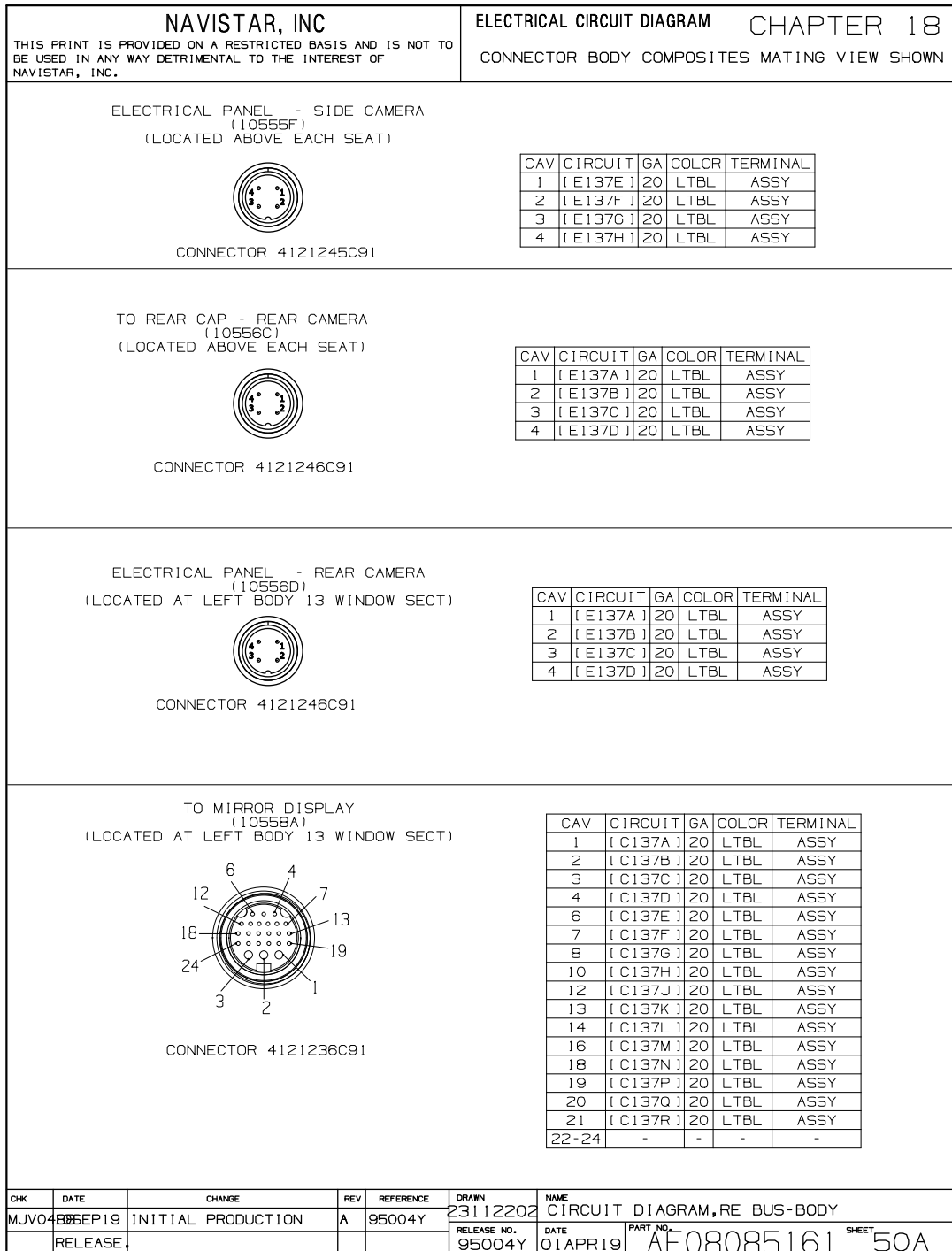


Figure 563 Connector Composites (10555F, 10556C, 10556D, 10558A)

19.54. CONNECTOR COMPOSITES (10558B, 10558C, 10558D), P. 50B

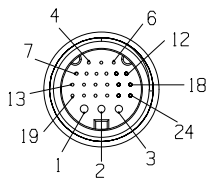
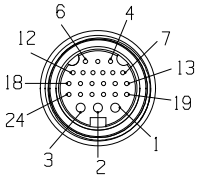
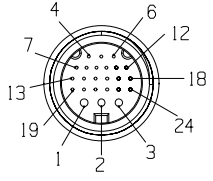
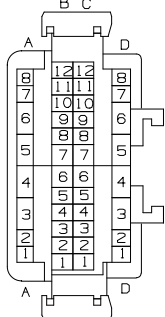
NAVISTAR, INC <small>THIS PRINT IS PROVIDED ON A RESTRICTED BASIS AND IS NOT TO BE USED IN ANY WAY DETRIMENTAL TO THE INTEREST OF NAVISTAR, INC.</small>				ELECTRICAL CIRCUIT DIAGRAM CHAPTER 18 CONNECTOR BODY COMPOSITES MATING VIEW SHOWN																																																																																													
TO SPLITTER CABLE - MIRROR DISPLAY (10558B) (LOCATED ABOVE EACH SEAT)  CONNECTOR 4121236C91				<table border="1" style="width:100%; border-collapse: collapse;"> <thead> <tr> <th>CAV</th> <th>CIRCUIT</th> <th>GA</th> <th>COLOR</th> <th>TERMINAL</th> </tr> </thead> <tbody> <tr><td>1</td><td>[C137A]</td><td>20</td><td>LT BL</td><td>ASSY</td></tr> <tr><td>2</td><td>[C137B]</td><td>20</td><td>LT BL</td><td>ASSY</td></tr> <tr><td>3</td><td>[C137C]</td><td>20</td><td>LT BL</td><td>ASSY</td></tr> <tr><td>4</td><td>[C137D]</td><td>20</td><td>LT BL</td><td>ASSY</td></tr> <tr><td>6</td><td>[C137E]</td><td>20</td><td>LT BL</td><td>ASSY</td></tr> <tr><td>7</td><td>[C137F]</td><td>20</td><td>LT BL</td><td>ASSY</td></tr> <tr><td>8</td><td>[C137G]</td><td>20</td><td>LT BL</td><td>ASSY</td></tr> <tr><td>10</td><td>[C137H]</td><td>20</td><td>LT BL</td><td>ASSY</td></tr> <tr><td>12</td><td>[C137J]</td><td>20</td><td>LT BL</td><td>ASSY</td></tr> <tr><td>13</td><td>[C137K]</td><td>20</td><td>LT BL</td><td>ASSY</td></tr> <tr><td>14</td><td>[C137L]</td><td>20</td><td>LT BL</td><td>ASSY</td></tr> <tr><td>16</td><td>[C137M]</td><td>20</td><td>LT BL</td><td>ASSY</td></tr> <tr><td>18</td><td>[C137N]</td><td>20</td><td>LT BL</td><td>ASSY</td></tr> <tr><td>19</td><td>[C137P]</td><td>20</td><td>LT BL</td><td>ASSY</td></tr> <tr><td>20</td><td>[C137Q]</td><td>20</td><td>LT BL</td><td>ASSY</td></tr> <tr><td>21</td><td>[C137R]</td><td>20</td><td>LT BL</td><td>ASSY</td></tr> <tr><td>22-24</td><td>-</td><td>-</td><td>-</td><td>-</td></tr> </tbody> </table>				CAV	CIRCUIT	GA	COLOR	TERMINAL	1	[C137A]	20	LT BL	ASSY	2	[C137B]	20	LT BL	ASSY	3	[C137C]	20	LT BL	ASSY	4	[C137D]	20	LT BL	ASSY	6	[C137E]	20	LT BL	ASSY	7	[C137F]	20	LT BL	ASSY	8	[C137G]	20	LT BL	ASSY	10	[C137H]	20	LT BL	ASSY	12	[C137J]	20	LT BL	ASSY	13	[C137K]	20	LT BL	ASSY	14	[C137L]	20	LT BL	ASSY	16	[C137M]	20	LT BL	ASSY	18	[C137N]	20	LT BL	ASSY	19	[C137P]	20	LT BL	ASSY	20	[C137Q]	20	LT BL	ASSY	21	[C137R]	20	LT BL	ASSY	22-24	-	-	-	-
CAV	CIRCUIT	GA	COLOR	TERMINAL																																																																																													
1	[C137A]	20	LT BL	ASSY																																																																																													
2	[C137B]	20	LT BL	ASSY																																																																																													
3	[C137C]	20	LT BL	ASSY																																																																																													
4	[C137D]	20	LT BL	ASSY																																																																																													
6	[C137E]	20	LT BL	ASSY																																																																																													
7	[C137F]	20	LT BL	ASSY																																																																																													
8	[C137G]	20	LT BL	ASSY																																																																																													
10	[C137H]	20	LT BL	ASSY																																																																																													
12	[C137J]	20	LT BL	ASSY																																																																																													
13	[C137K]	20	LT BL	ASSY																																																																																													
14	[C137L]	20	LT BL	ASSY																																																																																													
16	[C137M]	20	LT BL	ASSY																																																																																													
18	[C137N]	20	LT BL	ASSY																																																																																													
19	[C137P]	20	LT BL	ASSY																																																																																													
20	[C137Q]	20	LT BL	ASSY																																																																																													
21	[C137R]	20	LT BL	ASSY																																																																																													
22-24	-	-	-	-																																																																																													
TO STANDALONE DISPLAY (10558C) (LOCATED AT LEFT BODY 13 WINDOW SECT)  CONNECTOR 4121274C91				<table border="1" style="width:100%; border-collapse: collapse;"> <thead> <tr> <th>CAV</th> <th>CIRCUIT</th> <th>GA</th> <th>COLOR</th> <th>TERMINAL</th> </tr> </thead> <tbody> <tr><td>1</td><td>[C137A]</td><td>20</td><td>LT BL</td><td>ASSY</td></tr> <tr><td>2</td><td>[C137B]</td><td>20</td><td>LT BL</td><td>ASSY</td></tr> <tr><td>3</td><td>[C137C]</td><td>20</td><td>LT BL</td><td>ASSY</td></tr> <tr><td>4</td><td>[C137D]</td><td>20</td><td>LT BL</td><td>ASSY</td></tr> <tr><td>6</td><td>[C137E]</td><td>20</td><td>LT BL</td><td>ASSY</td></tr> <tr><td>7</td><td>[C137F]</td><td>20</td><td>LT BL</td><td>ASSY</td></tr> <tr><td>8</td><td>[C137G]</td><td>20</td><td>LT BL</td><td>ASSY</td></tr> <tr><td>10</td><td>[C137H]</td><td>20</td><td>LT BL</td><td>ASSY</td></tr> <tr><td>12</td><td>[C137J]</td><td>20</td><td>LT BL</td><td>ASSY</td></tr> <tr><td>13</td><td>[C137K]</td><td>20</td><td>LT BL</td><td>ASSY</td></tr> <tr><td>14</td><td>[C137L]</td><td>20</td><td>LT BL</td><td>ASSY</td></tr> <tr><td>16</td><td>[C137M]</td><td>20</td><td>LT BL</td><td>ASSY</td></tr> <tr><td>18</td><td>[C137N]</td><td>20</td><td>LT BL</td><td>ASSY</td></tr> <tr><td>19</td><td>[C137P]</td><td>20</td><td>LT BL</td><td>ASSY</td></tr> <tr><td>20</td><td>[C137Q]</td><td>20</td><td>LT BL</td><td>ASSY</td></tr> <tr><td>21</td><td>[C137R]</td><td>20</td><td>LT BL</td><td>ASSY</td></tr> <tr><td>22-24</td><td>-</td><td>-</td><td>-</td><td>-</td></tr> </tbody> </table>				CAV	CIRCUIT	GA	COLOR	TERMINAL	1	[C137A]	20	LT BL	ASSY	2	[C137B]	20	LT BL	ASSY	3	[C137C]	20	LT BL	ASSY	4	[C137D]	20	LT BL	ASSY	6	[C137E]	20	LT BL	ASSY	7	[C137F]	20	LT BL	ASSY	8	[C137G]	20	LT BL	ASSY	10	[C137H]	20	LT BL	ASSY	12	[C137J]	20	LT BL	ASSY	13	[C137K]	20	LT BL	ASSY	14	[C137L]	20	LT BL	ASSY	16	[C137M]	20	LT BL	ASSY	18	[C137N]	20	LT BL	ASSY	19	[C137P]	20	LT BL	ASSY	20	[C137Q]	20	LT BL	ASSY	21	[C137R]	20	LT BL	ASSY	22-24	-	-	-	-
CAV	CIRCUIT	GA	COLOR	TERMINAL																																																																																													
1	[C137A]	20	LT BL	ASSY																																																																																													
2	[C137B]	20	LT BL	ASSY																																																																																													
3	[C137C]	20	LT BL	ASSY																																																																																													
4	[C137D]	20	LT BL	ASSY																																																																																													
6	[C137E]	20	LT BL	ASSY																																																																																													
7	[C137F]	20	LT BL	ASSY																																																																																													
8	[C137G]	20	LT BL	ASSY																																																																																													
10	[C137H]	20	LT BL	ASSY																																																																																													
12	[C137J]	20	LT BL	ASSY																																																																																													
13	[C137K]	20	LT BL	ASSY																																																																																													
14	[C137L]	20	LT BL	ASSY																																																																																													
16	[C137M]	20	LT BL	ASSY																																																																																													
18	[C137N]	20	LT BL	ASSY																																																																																													
19	[C137P]	20	LT BL	ASSY																																																																																													
20	[C137Q]	20	LT BL	ASSY																																																																																													
21	[C137R]	20	LT BL	ASSY																																																																																													
22-24	-	-	-	-																																																																																													
TO SPLITTER CABLE - STANDALONE DISPLAY (10558D) (LOCATED AT LEFT BODY 13 WINDOW SECT)  CONNECTOR 4121274C91				<table border="1" style="width:100%; border-collapse: collapse;"> <thead> <tr> <th>CAV</th> <th>CIRCUIT</th> <th>GA</th> <th>COLOR</th> <th>TERMINAL</th> </tr> </thead> <tbody> <tr><td>1</td><td>[C137A]</td><td>20</td><td>LT BL</td><td>ASSY</td></tr> <tr><td>2</td><td>[C137B]</td><td>20</td><td>LT BL</td><td>ASSY</td></tr> <tr><td>3</td><td>[C137C]</td><td>20</td><td>LT BL</td><td>ASSY</td></tr> <tr><td>4</td><td>[C137D]</td><td>20</td><td>LT BL</td><td>ASSY</td></tr> <tr><td>6</td><td>[C137E]</td><td>20</td><td>LT BL</td><td>ASSY</td></tr> <tr><td>7</td><td>[C137F]</td><td>20</td><td>LT BL</td><td>ASSY</td></tr> <tr><td>8</td><td>[C137G]</td><td>20</td><td>LT BL</td><td>ASSY</td></tr> <tr><td>10</td><td>[C137H]</td><td>20</td><td>LT BL</td><td>ASSY</td></tr> <tr><td>12</td><td>[C137J]</td><td>20</td><td>LT BL</td><td>ASSY</td></tr> <tr><td>13</td><td>[C137K]</td><td>20</td><td>LT BL</td><td>ASSY</td></tr> <tr><td>14</td><td>[C137L]</td><td>20</td><td>LT BL</td><td>ASSY</td></tr> <tr><td>16</td><td>[C137M]</td><td>20</td><td>LT BL</td><td>ASSY</td></tr> <tr><td>18</td><td>[C137N]</td><td>20</td><td>LT BL</td><td>ASSY</td></tr> <tr><td>19</td><td>[C137P]</td><td>20</td><td>LT BL</td><td>ASSY</td></tr> <tr><td>20</td><td>[C137Q]</td><td>20</td><td>LT BL</td><td>ASSY</td></tr> <tr><td>21</td><td>[C137R]</td><td>20</td><td>LT BL</td><td>ASSY</td></tr> <tr><td>22-24</td><td>-</td><td>-</td><td>-</td><td>-</td></tr> </tbody> </table>				CAV	CIRCUIT	GA	COLOR	TERMINAL	1	[C137A]	20	LT BL	ASSY	2	[C137B]	20	LT BL	ASSY	3	[C137C]	20	LT BL	ASSY	4	[C137D]	20	LT BL	ASSY	6	[C137E]	20	LT BL	ASSY	7	[C137F]	20	LT BL	ASSY	8	[C137G]	20	LT BL	ASSY	10	[C137H]	20	LT BL	ASSY	12	[C137J]	20	LT BL	ASSY	13	[C137K]	20	LT BL	ASSY	14	[C137L]	20	LT BL	ASSY	16	[C137M]	20	LT BL	ASSY	18	[C137N]	20	LT BL	ASSY	19	[C137P]	20	LT BL	ASSY	20	[C137Q]	20	LT BL	ASSY	21	[C137R]	20	LT BL	ASSY	22-24	-	-	-	-
CAV	CIRCUIT	GA	COLOR	TERMINAL																																																																																													
1	[C137A]	20	LT BL	ASSY																																																																																													
2	[C137B]	20	LT BL	ASSY																																																																																													
3	[C137C]	20	LT BL	ASSY																																																																																													
4	[C137D]	20	LT BL	ASSY																																																																																													
6	[C137E]	20	LT BL	ASSY																																																																																													
7	[C137F]	20	LT BL	ASSY																																																																																													
8	[C137G]	20	LT BL	ASSY																																																																																													
10	[C137H]	20	LT BL	ASSY																																																																																													
12	[C137J]	20	LT BL	ASSY																																																																																													
13	[C137K]	20	LT BL	ASSY																																																																																													
14	[C137L]	20	LT BL	ASSY																																																																																													
16	[C137M]	20	LT BL	ASSY																																																																																													
18	[C137N]	20	LT BL	ASSY																																																																																													
19	[C137P]	20	LT BL	ASSY																																																																																													
20	[C137Q]	20	LT BL	ASSY																																																																																													
21	[C137R]	20	LT BL	ASSY																																																																																													
22-24	-	-	-	-																																																																																													
CHK	DATE	CHANGE	REV	REFERENCE	DRAWN	NAME																																																																																											
MJVO	08SEP19	INITIAL PRODUCTION	A	95004Y	23112202	CIRCUIT DIAGRAM, RE BUS-BODY																																																																																											
	RELEASE				RELEASE NO.	DATE																																																																																											
					95004Y	01APR19																																																																																											
					PART NO.	SHEET																																																																																											
					AE08085161	50B																																																																																											

Figure 564 Connector Composites (10558B, 10558C, 10558D)

19.55. CONNECTOR COMPOSITES (10700), P. 51

<p style="text-align: center;">NAVISTAR, INC</p> <p style="font-size: small;">THIS PRINT IS PROVIDED ON A RESTRICTED BASIS AND IS NOT TO BE USED IN ANY WAY DETRIMENTAL TO THE INTEREST OF NAVISTAR, INC.</p>	<p style="text-align: right;">ELECTRICAL CIRCUIT DIAGRAM CHAPTER 18</p> <p style="text-align: center;">CONNECTOR BODY COMPOSITES MATING VIEW SHOWN</p>
--	--

RIGHT BODY / REAR CAP
(10700)
(LOCATED AT REAR END OF RH BODY HARNESS)



CONNECTOR 3612512C1
BODY LOCK 3553652C1
BODY LOCK 3553654C1

CAV	CIRCUIT	GA	COLOR	TERMINAL
A1	F57B	16	LTGN	3544886C1
A2	F124	16	LTGN	3544886C1
A3	F11-G	12	WH	3544881C1
A4*	F58J	16	BN	3544880C1
A4*	F58	16	BN	3544880C1
A5	F126B	18	GY	3544880C1
A6	F63U	12	DKBL	3544881C1
A7*	F86	16	LTGN	3544886C1
A7%	F86B	16	LTGN	3544886C1
A7&	F86E	16	LTGN	3544886C1
A7@	F86N	16	LTGN	3544886C1
A7**	F86AA	16	LTGN	3544886C1
A7*#	F86BA	16	LTGN	3544886C1
A7*&	F86AZ	16	LTGN	3544886C1
A7*@	F86A(+)	16	LTGN	3544886C1
A7*#	F86A	16	LTGN	3544886C1
AB#	F86A	16	LTGN	3544886C1
AB%	F86C	16	LTGN	3544886C1
AB&	F86J	16	LTGN	3544886C1
AB@	F86S	16	LTGN	3544886C1
AB**	F86AJ	16	LTGN	3544886C1
AB*#	F86BK	16	LTGN	3544886C1
AB*&	F86AF	16	LTGN	3544886C1
AB*@	F86B(-)	16	LTGN	3544886C1
AB*#	F86B	16	LTGN	3544886C1
AB*#%	F86BB	16	LTGN	3544886C1
B1	-	-	-	-
B2*#&	F63M	16	DKBL	3544886C1
B2*@	F63J	16	DKBL	3544886C1
B3**	F63AU	16	DKBL	3544886C1
B3*@	F63D	16	DKBL	3544886C1
B3*%	F63F	16	DKBL	3544886C1
B4	F63BE	16	DKBL	3544886C1
B5*#&	F63U	16	DKBL	3544886C1
B5*%	F63	16	DKBL	3544886C1
B5*@	F63B	16	DKBL	3544886C1
B6	F63AS	16	DKBL	3544886C1
B7*#	F120A	18	LTGN	3544886C1
B7*#	F120H	18	LTGN	3544886C1
B8*#	F120B	18	BK	3544886C1
B8*#	F120B	18	LTGN	3544886C1
B8*#	F120J	18	LTGN	3544886C1
B9*#	F120D	18	LTGN	3544886C1
B9*#	F120E	18	LTGN	3544886C1
B10*#	F120C	18	LTGN	3544886C1
B10*#	F120F	18	LTGN	3544886C1

* W/COMMON
 # W/SPEAKER WIRING QTY 2
 % W/SPEAKER WIRING QTY 4
 & W/SPEAKER WIRING QTY 6
 @ W/SPEAKER WIRING QTY 8
 ** W/SPEAKER WIRING QTY 10
 *# W/SPEAKER WIRING QTY 12
 *# W/SPEAKER WIRING QTY 12
 *# W/SPEAKER WIRING, SECT 1,3,6,9,11&13
 *@ W/SPEAKER WIRING FOR 4-AFT OF THIRD ROW OF SEATS
 *# W/SPEAKER WIRING FOR 2-140 IN BEHIND STANCHION
 *# W/SPEAKER WIRING FOR 8-140 IN BEHIND STANCHION
 *# W/DOME LIGHT STD STAGGER W/RR ROW
 *@ W/DOME LIGHT STD STAGGER SW FR AND REAR AND W/RR ROW
 *# W/DOME LIGHT STD STAGGER SW FR AND REAR
 *# W/DOME LIGHT ABOVE EACH SEAT W/FR & REAR
 *# W/DOME LIGHT STD STAGGER
 *# W/DOME LIGHT ACTIVITY
 *# W/AED IN WDO SECT 7-8
 *# W/AED IN WDO SECT 11-12

CHART CONTINUE ON SHEET 052

CHK	DATE	CHANGE	REV	REFERENCE	DRAWN	NAME
MJV0	08SEP19	REMOVED CIRC F86A(+),	B	95004Y	23132922	CIRCUIT DIAGRAM, RE BUS - BODY
	F86B(-)	& F63X AT R/D 10700.			RELEASE NO. 93784S	DATE 21FEB17 PART NO. AE08085161 SHEET 051

Figure 565 Connector Composites (10700)

19.56. CONNECTOR COMPOSITES (10700) (CONT.), P. 52

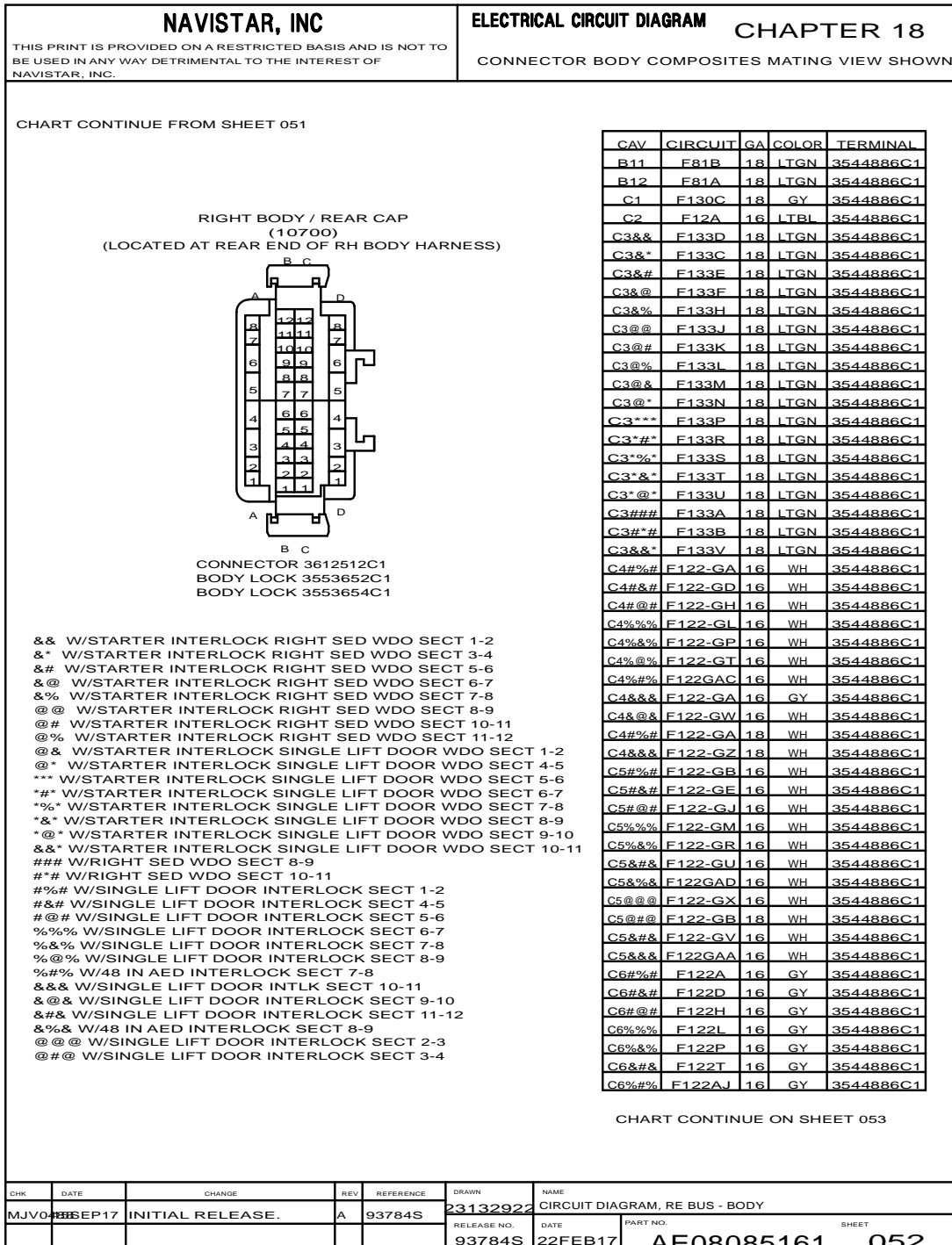


Figure 566 Connector Composites (10700) (Cont.)

19.57. CONNECTOR COMPOSITES (10700) (CONT.), P. 53

<p>NAVISTAR, INC</p> <p>THIS PRINT IS PROVIDED ON A RESTRICTED BASIS AND IS NOT TO BE USED IN ANY WAY DETRIMENTAL TO THE INTEREST OF NAVISTAR, INC.</p>	<p>ELECTRICAL CIRCUIT DIAGRAM</p> <p>CHAPTER 18</p> <p>CONNECTOR BODY COMPOSITES MATING VIEW SHOWN</p>																																																																																																																																																																																																																																																															
<p>CHART CONTINUE FROM SHEET 052</p>																																																																																																																																																																																																																																																																
<p>RIGHT BODY / REAR CAP (10700) (LOCATED AT REAR END OF RH BODY HARNESS)</p>																																																																																																																																																																																																																																																																
<p>CONNECTOR 3612512C1 BODY LOCK 3553652C1 BODY LOCK 3553654C1</p>																																																																																																																																																																																																																																																																
<p>&@& W/SINGLE LIFT DOOR INTERLOCK SECT 9-10 ##%# W/SINGLE LIFT DOOR INTERLOCK SECT 1-2 &## W/SINGLE LIFT DOOR INTERLOCK SECT 11-12 &&& W/SINGLE LIFT DOOR INTERLOCK SECT 10-11 #&# W/SINGLE LIFT DOOR INTERLOCK SECT 4-5 #@# W/SINGLE LIFT DOOR INTERLOCK SECT 5-6 %%% W/SINGLE LIFT DOOR INTERLOCK SECT 6-7 %&% W/SINGLE LIFT DOOR INTERLOCK SECT 7-8 %## W/48 IN AED INTERLOCK SECT 7-8 @#@ W/SINGLE LIFT DOOR INTERLOCK SECT 2-3 @#@ W/SINGLE LIFT DOOR INTERLOCK SECT 3-4 %@% W/SINGLE LIFT DOOR INTERLOCK SECT 8-9 @%% W/TOGGLE SW SECT 12-13 @&% W/TOGGLE SW SECT 1-2 @*% W/TOGGLE SW SECT 3-4 **% W/TOGGLE SW SECT 4-5 **% W/TOGGLE SW SECT 5-6 **& W/TOGGLE SW SECT 6-7 **@ W/TOGGLE SW SECT 7-8 ##% W/TOGGLE SW SECT 11-12</p>																																																																																																																																																																																																																																																																
<table border="1" style="width:100%; border-collapse: collapse;"> <thead> <tr> <th>CAV</th> <th>CIRCUIT</th> <th>GA</th> <th>COLOR</th> <th>TERMINAL</th> </tr> </thead> <tbody> <tr><td>C6&&&</td><td>F122W</td><td>16</td><td>GY</td><td>3544886C1</td></tr> <tr><td>C6##%</td><td>F122A</td><td>18</td><td>GY</td><td>3544886C1</td></tr> <tr><td>C6&#&</td><td>F122C</td><td>16</td><td>GY</td><td>3544886C1</td></tr> <tr><td>C6&&&</td><td>F122Z</td><td>16</td><td>GY</td><td>3544886C1</td></tr> <tr><td>C7#%#</td><td>F122-GC</td><td>16</td><td>WH</td><td>3544886C1</td></tr> <tr><td>C7#&#</td><td>F122-GF</td><td>16</td><td>WH</td><td>3544886C1</td></tr> <tr><td>C7#@#</td><td>F122-GK</td><td>16</td><td>WH</td><td>3544886C1</td></tr> <tr><td>C7%%%</td><td>F122-GN</td><td>16</td><td>WH</td><td>3544886C1</td></tr> <tr><td>C7%&%</td><td>F122-GS</td><td>16</td><td>WH</td><td>3544886C1</td></tr> <tr><td>C7#&#</td><td>F122-GV</td><td>16</td><td>WH</td><td>3544886C1</td></tr> <tr><td>C7%##</td><td>F122GAE</td><td>16</td><td>WH</td><td>3544886C1</td></tr> <tr><td>C7@@@</td><td>F122-GY</td><td>16</td><td>WH</td><td>3544886C1</td></tr> <tr><td>C7@#@</td><td>F122-GC</td><td>18</td><td>WH</td><td>3544886C1</td></tr> <tr><td>C7#&#</td><td>F122-GP</td><td>16</td><td>WH</td><td>3544886C1</td></tr> <tr><td>C7&&&</td><td>F122GAB</td><td>16</td><td>WH</td><td>3544886C1</td></tr> <tr><td>C8#%#</td><td>F122B</td><td>16</td><td>WH</td><td>3544886C1</td></tr> <tr><td>C8#@#</td><td>F122B</td><td>16</td><td>GY</td><td>3544886C1</td></tr> <tr><td>C8#&#</td><td>F122E</td><td>16</td><td>GY</td><td>3544886C1</td></tr> <tr><td>C8#@#</td><td>F122J</td><td>16</td><td>GY</td><td>3544886C1</td></tr> <tr><td>C8%%%</td><td>F122M</td><td>16</td><td>GY</td><td>3544886C1</td></tr> <tr><td>C8%&%</td><td>F122R</td><td>16</td><td>GY</td><td>3544886C1</td></tr> <tr><td>C8%##</td><td>F122U</td><td>16</td><td>GY</td><td>3544886C1</td></tr> <tr><td>C8%##</td><td>F122AK</td><td>16</td><td>GY</td><td>3544886C1</td></tr> <tr><td>C8&&&</td><td>F122X</td><td>16</td><td>GY</td><td>3544886C1</td></tr> <tr><td>C8#%#</td><td>F122B</td><td>18</td><td>GY</td><td>3544886C1</td></tr> <tr><td>C8&#&</td><td>F122A</td><td>16</td><td>GY</td><td>3544886C1</td></tr> <tr><td>C8&&&</td><td>F122AA</td><td>16</td><td>GY</td><td>3544886C1</td></tr> <tr><td>C9#%#</td><td>F122C</td><td>16</td><td>GY</td><td>3544886C1</td></tr> <tr><td>C9%##</td><td>F122AL</td><td>16</td><td>GY</td><td>3544886C1</td></tr> <tr><td>C9#%#</td><td>F122C</td><td>18</td><td>GY</td><td>3544886C1</td></tr> <tr><td>C9@@@</td><td>F122Y</td><td>16</td><td>GY</td><td>3544886C1</td></tr> <tr><td>C9#&#</td><td>F122F</td><td>16</td><td>GY</td><td>3544886C1</td></tr> <tr><td>C9#@#</td><td>F122K</td><td>16</td><td>GY</td><td>3544886C1</td></tr> <tr><td>C9%%%</td><td>F122N</td><td>16</td><td>GY</td><td>3544886C1</td></tr> <tr><td>C9%&%</td><td>F122S</td><td>16</td><td>GY</td><td>3544886C1</td></tr> <tr><td>C9&#&</td><td>F122B</td><td>16</td><td>GY</td><td>3544886C1</td></tr> <tr><td>C10@#@</td><td>F122D</td><td>16</td><td>GY</td><td>3544886C1</td></tr> <tr><td>C10&&&</td><td>F122AC</td><td>18</td><td>GY</td><td>3544886C1</td></tr> <tr><td>C10#@#</td><td>F122AC</td><td>16</td><td>GY</td><td>3544886C1</td></tr> <tr><td>C10**#</td><td>F122AD</td><td>16</td><td>GY</td><td>3544886C1</td></tr> <tr><td>C10***</td><td>F122AE</td><td>16</td><td>GY</td><td>3544886C1</td></tr> <tr><td>C10**&</td><td>F122AF</td><td>16</td><td>GY</td><td>3544886C1</td></tr> <tr><td>C10**@</td><td>F122AH</td><td>16</td><td>GY</td><td>3544886C1</td></tr> <tr><td>C10##%</td><td>F122AK</td><td>16</td><td>GY</td><td>3544886C1</td></tr> <tr><td>C11</td><td>-</td><td>-</td><td>-</td><td>-</td></tr> <tr><td>C12</td><td>F141</td><td>16</td><td>LTGN</td><td>3544886C1</td></tr> <tr><td>D1</td><td>F122AM</td><td>16</td><td>GY</td><td>3544886C1</td></tr> <tr><td>D2</td><td>F122AN</td><td>16</td><td>GY</td><td>3544886C1</td></tr> <tr><td>D3</td><td>F122AP</td><td>16</td><td>GY</td><td>3544880C1</td></tr> <tr><td>D4-D8</td><td>-</td><td>-</td><td>-</td><td>-</td></tr> </tbody> </table>		CAV	CIRCUIT	GA	COLOR	TERMINAL	C6&&&	F122W	16	GY	3544886C1	C6##%	F122A	18	GY	3544886C1	C6&#&	F122C	16	GY	3544886C1	C6&&&	F122Z	16	GY	3544886C1	C7#%#	F122-GC	16	WH	3544886C1	C7#&#	F122-GF	16	WH	3544886C1	C7#@#	F122-GK	16	WH	3544886C1	C7%%%	F122-GN	16	WH	3544886C1	C7%&%	F122-GS	16	WH	3544886C1	C7#&#	F122-GV	16	WH	3544886C1	C7%##	F122GAE	16	WH	3544886C1	C7@@@	F122-GY	16	WH	3544886C1	C7@#@	F122-GC	18	WH	3544886C1	C7#&#	F122-GP	16	WH	3544886C1	C7&&&	F122GAB	16	WH	3544886C1	C8#%#	F122B	16	WH	3544886C1	C8#@#	F122B	16	GY	3544886C1	C8#&#	F122E	16	GY	3544886C1	C8#@#	F122J	16	GY	3544886C1	C8%%%	F122M	16	GY	3544886C1	C8%&%	F122R	16	GY	3544886C1	C8%##	F122U	16	GY	3544886C1	C8%##	F122AK	16	GY	3544886C1	C8&&&	F122X	16	GY	3544886C1	C8#%#	F122B	18	GY	3544886C1	C8&#&	F122A	16	GY	3544886C1	C8&&&	F122AA	16	GY	3544886C1	C9#%#	F122C	16	GY	3544886C1	C9%##	F122AL	16	GY	3544886C1	C9#%#	F122C	18	GY	3544886C1	C9@@@	F122Y	16	GY	3544886C1	C9#&#	F122F	16	GY	3544886C1	C9#@#	F122K	16	GY	3544886C1	C9%%%	F122N	16	GY	3544886C1	C9%&%	F122S	16	GY	3544886C1	C9&#&	F122B	16	GY	3544886C1	C10@#@	F122D	16	GY	3544886C1	C10&&&	F122AC	18	GY	3544886C1	C10#@#	F122AC	16	GY	3544886C1	C10**#	F122AD	16	GY	3544886C1	C10***	F122AE	16	GY	3544886C1	C10**&	F122AF	16	GY	3544886C1	C10**@	F122AH	16	GY	3544886C1	C10##%	F122AK	16	GY	3544886C1	C11	-	-	-	-	C12	F141	16	LTGN	3544886C1	D1	F122AM	16	GY	3544886C1	D2	F122AN	16	GY	3544886C1	D3	F122AP	16	GY	3544880C1	D4-D8	-	-	-	-
CAV	CIRCUIT	GA	COLOR	TERMINAL																																																																																																																																																																																																																																																												
C6&&&	F122W	16	GY	3544886C1																																																																																																																																																																																																																																																												
C6##%	F122A	18	GY	3544886C1																																																																																																																																																																																																																																																												
C6&#&	F122C	16	GY	3544886C1																																																																																																																																																																																																																																																												
C6&&&	F122Z	16	GY	3544886C1																																																																																																																																																																																																																																																												
C7#%#	F122-GC	16	WH	3544886C1																																																																																																																																																																																																																																																												
C7#&#	F122-GF	16	WH	3544886C1																																																																																																																																																																																																																																																												
C7#@#	F122-GK	16	WH	3544886C1																																																																																																																																																																																																																																																												
C7%%%	F122-GN	16	WH	3544886C1																																																																																																																																																																																																																																																												
C7%&%	F122-GS	16	WH	3544886C1																																																																																																																																																																																																																																																												
C7#&#	F122-GV	16	WH	3544886C1																																																																																																																																																																																																																																																												
C7%##	F122GAE	16	WH	3544886C1																																																																																																																																																																																																																																																												
C7@@@	F122-GY	16	WH	3544886C1																																																																																																																																																																																																																																																												
C7@#@	F122-GC	18	WH	3544886C1																																																																																																																																																																																																																																																												
C7#&#	F122-GP	16	WH	3544886C1																																																																																																																																																																																																																																																												
C7&&&	F122GAB	16	WH	3544886C1																																																																																																																																																																																																																																																												
C8#%#	F122B	16	WH	3544886C1																																																																																																																																																																																																																																																												
C8#@#	F122B	16	GY	3544886C1																																																																																																																																																																																																																																																												
C8#&#	F122E	16	GY	3544886C1																																																																																																																																																																																																																																																												
C8#@#	F122J	16	GY	3544886C1																																																																																																																																																																																																																																																												
C8%%%	F122M	16	GY	3544886C1																																																																																																																																																																																																																																																												
C8%&%	F122R	16	GY	3544886C1																																																																																																																																																																																																																																																												
C8%##	F122U	16	GY	3544886C1																																																																																																																																																																																																																																																												
C8%##	F122AK	16	GY	3544886C1																																																																																																																																																																																																																																																												
C8&&&	F122X	16	GY	3544886C1																																																																																																																																																																																																																																																												
C8#%#	F122B	18	GY	3544886C1																																																																																																																																																																																																																																																												
C8&#&	F122A	16	GY	3544886C1																																																																																																																																																																																																																																																												
C8&&&	F122AA	16	GY	3544886C1																																																																																																																																																																																																																																																												
C9#%#	F122C	16	GY	3544886C1																																																																																																																																																																																																																																																												
C9%##	F122AL	16	GY	3544886C1																																																																																																																																																																																																																																																												
C9#%#	F122C	18	GY	3544886C1																																																																																																																																																																																																																																																												
C9@@@	F122Y	16	GY	3544886C1																																																																																																																																																																																																																																																												
C9#&#	F122F	16	GY	3544886C1																																																																																																																																																																																																																																																												
C9#@#	F122K	16	GY	3544886C1																																																																																																																																																																																																																																																												
C9%%%	F122N	16	GY	3544886C1																																																																																																																																																																																																																																																												
C9%&%	F122S	16	GY	3544886C1																																																																																																																																																																																																																																																												
C9&#&	F122B	16	GY	3544886C1																																																																																																																																																																																																																																																												
C10@#@	F122D	16	GY	3544886C1																																																																																																																																																																																																																																																												
C10&&&	F122AC	18	GY	3544886C1																																																																																																																																																																																																																																																												
C10#@#	F122AC	16	GY	3544886C1																																																																																																																																																																																																																																																												
C10**#	F122AD	16	GY	3544886C1																																																																																																																																																																																																																																																												
C10***	F122AE	16	GY	3544886C1																																																																																																																																																																																																																																																												
C10**&	F122AF	16	GY	3544886C1																																																																																																																																																																																																																																																												
C10**@	F122AH	16	GY	3544886C1																																																																																																																																																																																																																																																												
C10##%	F122AK	16	GY	3544886C1																																																																																																																																																																																																																																																												
C11	-	-	-	-																																																																																																																																																																																																																																																												
C12	F141	16	LTGN	3544886C1																																																																																																																																																																																																																																																												
D1	F122AM	16	GY	3544886C1																																																																																																																																																																																																																																																												
D2	F122AN	16	GY	3544886C1																																																																																																																																																																																																																																																												
D3	F122AP	16	GY	3544880C1																																																																																																																																																																																																																																																												
D4-D8	-	-	-	-																																																																																																																																																																																																																																																												
CHK	DATE	CHANGE	REV	REFERENCE	DRAWN	NAME																																																																																																																																																																																																																																																										
-	-	INITIAL RELEASE.	A	93784S	23132922	CIRCUIT DIAGRAM, RE BUS - BODY																																																																																																																																																																																																																																																										
					RELEASE NO.	DATE	PART NO.	SHEET																																																																																																																																																																																																																																																								
					93784S	22FEB17	AE08085161	053																																																																																																																																																																																																																																																								

Figure 567 Connector Composites (10700) (Cont.)

19.58. CONNECTOR COMPOSITES (10700) (CONT.), P. 54

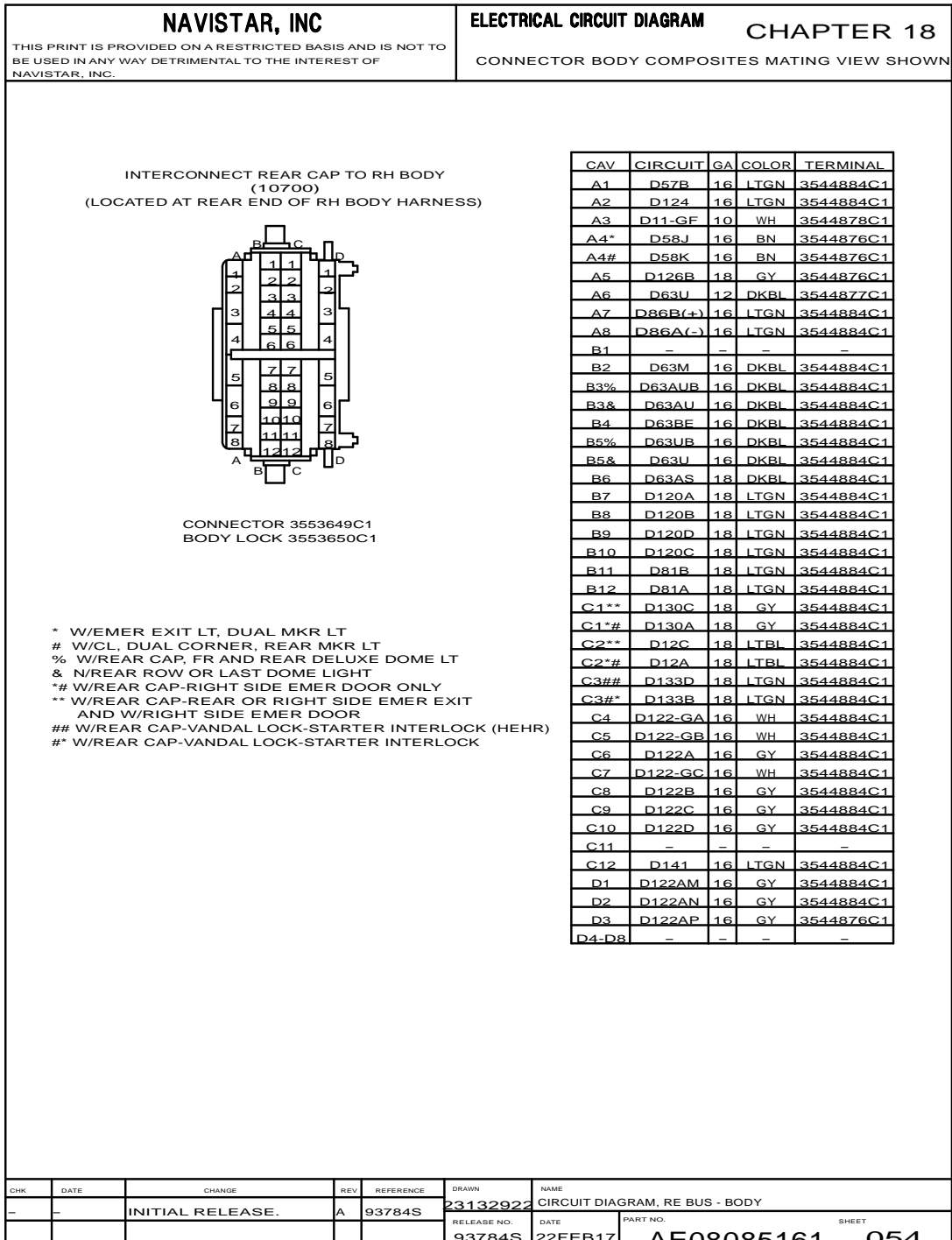


Figure 568 Connector Composites (10700) (Cont.)

19.59. CONNECTOR COMPOSITES (10701), P. 55

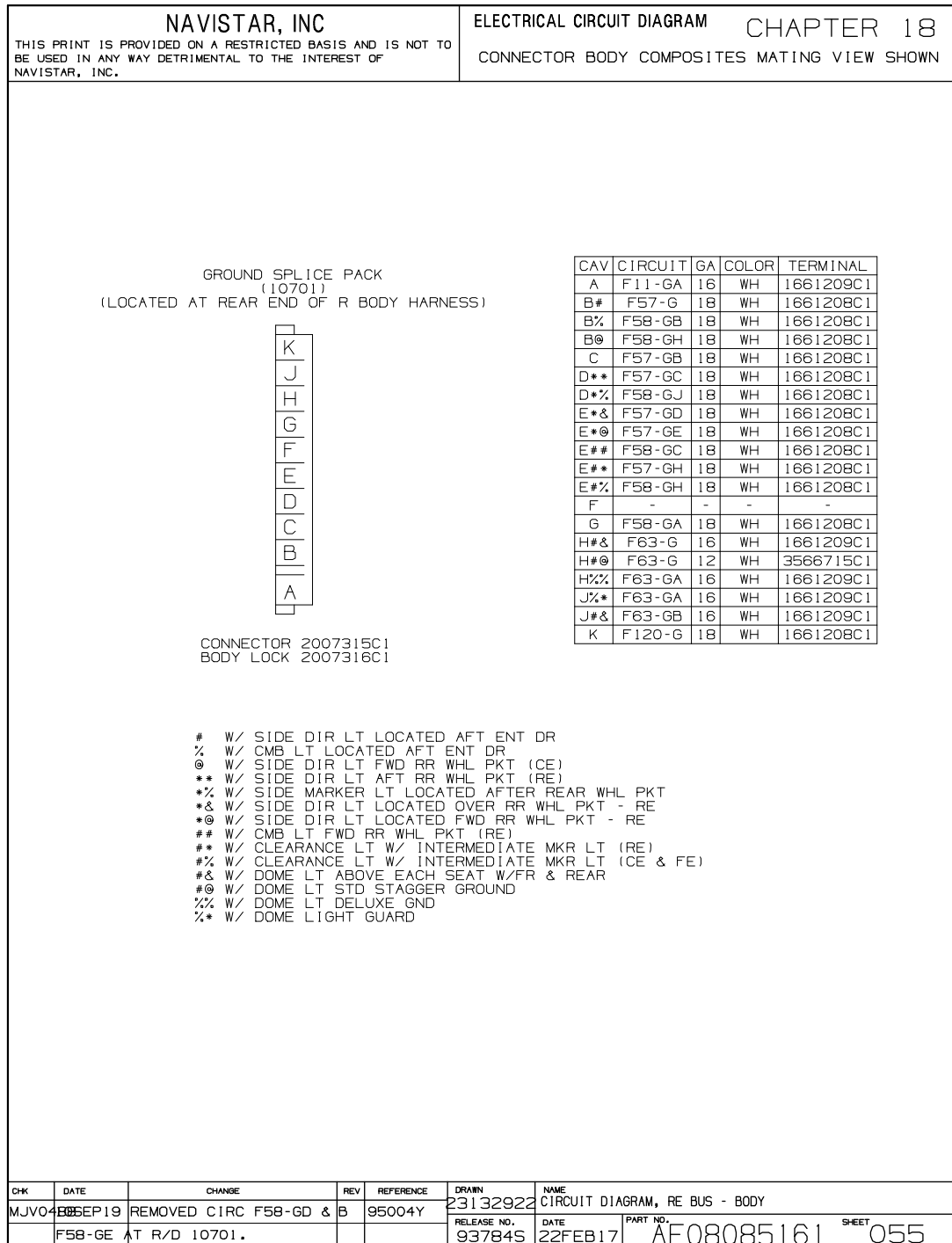


Figure 569 Connector Composites (10701)

19.60. CONNECTOR COMPOSITES (10702, 10703), P. 56

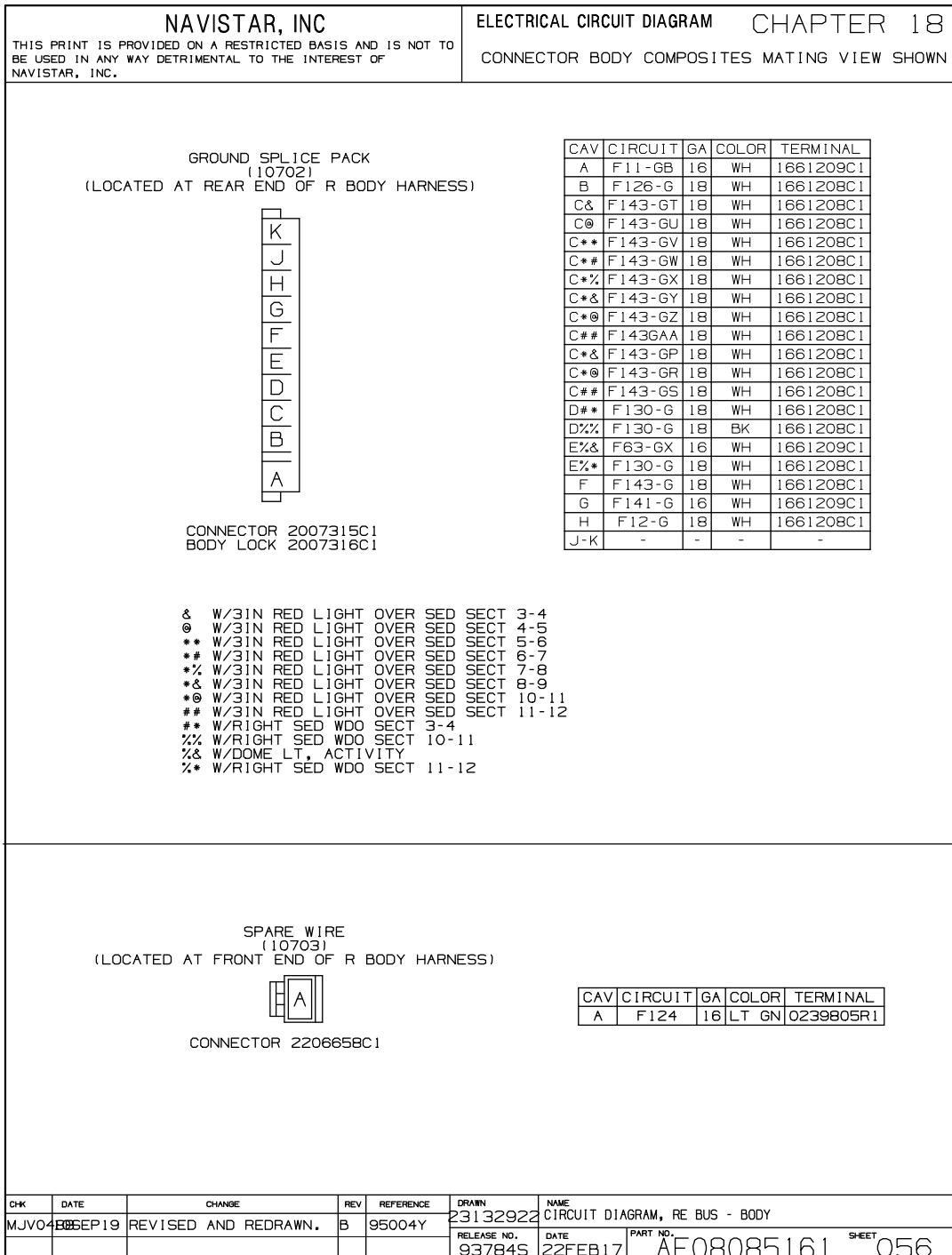
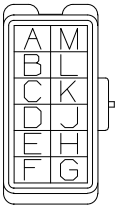


Figure 570 Connector Composites (10702, 10703)

19.61. CONNECTOR COMPOSITES (10704), P. 57

NAVISTAR, INC				ELECTRICAL CIRCUIT DIAGRAM CHAPTER 18			
THIS PRINT IS PROVIDED ON A RESTRICTED BASIS AND IS NOT TO BE USED IN ANY WAY DETRIMENTAL TO THE INTEREST OF NAVISTAR, INC.				CONNECTOR BODY COMPOSITES MATING VIEW SHOWN			

CMB SPLICE CONNECTOR
(10704)
(LOCATED AT END OF RIGHT BODY HARNESS)



CONNECTOR 3700745C1
BODY LOCK 3700749C1

CAV	CIRCUIT	GA	COLOR	TERMINAL
A	F57B	16	LTGN	3534165C1
B*	F57A	18	LTGN	3534164C1
B#	F57C	18	LTGN	3534164C1
C***	F57B	18	LTGN	3534164C1
C***	F57	18	LTGN	3534164C1
C###	F57B	18	LTGN	3534164C1
D	F57C	18	LTGN	3534164C1
E%	F57D	18	LTGN	3534164C1
E&	F57K	18	LTGN	3534164C1
F@	F57E	18	LTGN	3534164C1
F**	F57H	18	LTGN	3534164C1
F*#	F57L	18	LTGN	3534164C1
G*%	F58J	16	BN	3534165C1
G*%	F58B	16	BN	3534165C1
H&	F58A	18	BN	3534164C1
H*&	F122	16	BN	3534165C1
J	F58D	18	BN	3534164C1
J*@	F58B	18	BN	3534164C1
J#	F58H	18	BN	3534164C1
K**	F58C	18	BN	3534164C1
K#&	F58J	18	BN	3534164C1
L%*	F143T	18	DKBL	3534164C1
L%#	F143U	18	DKBL	3534164C1
L%%	F143V	18	DKBL	3534164C1
L%&	F143W	18	DKBL	3534164C1
L%@	F143X	18	DKBL	3534164C1
L%*	F143Y	18	DKBL	3534164C1
L%#	F143Z	18	DKBL	3534164C1
L%&	F143AA	18	DKBL	3534164C1
L%@	F143	18	DKBL	3534164C1
L%*	F143P	18	DKBL	3534164C1
L%#	F143R	18	DKBL	3534164C1
L%&	F143S	18	DKBL	3534164C1
L	F143AB	18	DKBL	3534164C1
M	-	-	-	-

* W/SIDE DIR LIGHT LOCATED AFT ENT DOOR
 # W/CMB LIGHT LOCATED AFT ENT DOOR
 % W/SIDE DIR LIGHT LOCATED OVER RR WHL PKT - RE
 & W/CLEARANCE LIGHT W/INTERMEDIATE MKR LIGHT (RE)
 @ W/SIDE DIR LIGHT FWD RR WHL PKT
 ** W/CMB LIGHT FWD RR WHL PKT (RE)
 ## W/CLEARANCE LIGHT W/INTERMEDIATE MKR LIGHT (CE & FE)
 % W/COMMON
 *& W/LIFT LIGHT WIRING
 *@ W/CMB LIGHT AFT ENT DOOR
 ## W/SIDE DIR LIGHT FWD RR WHL PKT (CE)
 #& W/SIDE MARKER LIGHT LOCATED AFTER REAR WHL PKT
 %* W/3IN RED LIGHT OVER SED SECT 3-4
 %# W/3IN RED LIGHT OVER SED SECT 4-5
 %% W/3IN RED LIGHT OVER SED SECT 5-6
 %& W/3IN RED LIGHT OVER SED SECT 6-7
 %@ W/3IN RED LIGHT OVER SED SECT 7-8
 &* W/3IN RED LIGHT OVER SED SECT 8-9
 # W/3IN RED LIGHT OVER SED SECT 10-11
 % W/3IN RED LIGHT OVER SED SECT 11-12
 &@ W/3IN RED LIGHT OVER KOUT WDO
 *** W/SIDE AIR LIGHT MIDSHIP-RE
 ### W/SIDE AIR LIGHT MIDSHIP-FE

CHK	DATE	CHANGE	REV	REFERENCE	DRAWN	NAME
MJV04	22SEP19	REVISED AND REDRAWN.	B	95004Y	23132922	CIRCUIT DIAGRAM, RE BUS - BODY
					RELEASE NO.	DATE
					93784S	22FEB17
					PART NO.	SHEET
					AE08085161	057

Figure 571 Connector Composites (10704)

19.62. CONNECTOR COMPOSITES (10705, 10706, 10706A), P. 58




NAVISTAR, INC <small>THIS PRINT IS PROVIDED ON A RESTRICTED BASIS AND IS NOT TO BE USED IN ANY WAY DETRIMENTAL TO THE INTEREST OF NAVISTAR, INC.</small>				ELECTRICAL CIRCUIT DIAGRAM CHAPTER 18 CONNECTOR BODY COMPOSITES MATING VIEW SHOWN																
SIDE DIR LIGHT AFT REAR WHL PKT (10705) (LOCATED AT RIGHT HAND SIDE AFTER REAR WHL POCKET)																				
		<table border="1" style="width: 100%; border-collapse: collapse;"> <thead> <tr> <th>CAV</th> <th>CIRCUIT</th> <th>GA</th> <th>COLOR</th> <th>TERMINAL</th> </tr> </thead> <tbody> <tr> <td>A</td> <td>F57C</td> <td>18</td> <td>LT GN</td> <td>1661261C1</td> </tr> <tr> <td>B</td> <td>F57-GC</td> <td>18</td> <td>WH</td> <td>1661261C1</td> </tr> </tbody> </table>				CAV	CIRCUIT	GA	COLOR	TERMINAL	A	F57C	18	LT GN	1661261C1	B	F57-GC	18	WH	1661261C1
CAV	CIRCUIT	GA	COLOR	TERMINAL																
A	F57C	18	LT GN	1661261C1																
B	F57-GC	18	WH	1661261C1																
CONNECTOR 1661259C1 BODY LOCK 1661263C1																				
SIDE DIR LIGHT OVER RR WHL PKT -RE (10706) (LOCATED AT RIGHT HAND SIDE AFTER REAR WHL POCKET)																				
		<table border="1" style="width: 100%; border-collapse: collapse;"> <thead> <tr> <th>CAV</th> <th>CIRCUIT</th> <th>GA</th> <th>COLOR</th> <th>TERMINAL</th> </tr> </thead> <tbody> <tr> <td>A</td> <td>F57D</td> <td>18</td> <td>LT GN</td> <td>1661261C1</td> </tr> <tr> <td>B</td> <td>F57-GD</td> <td>18</td> <td>WH</td> <td>1661261C1</td> </tr> </tbody> </table>				CAV	CIRCUIT	GA	COLOR	TERMINAL	A	F57D	18	LT GN	1661261C1	B	F57-GD	18	WH	1661261C1
CAV	CIRCUIT	GA	COLOR	TERMINAL																
A	F57D	18	LT GN	1661261C1																
B	F57-GD	18	WH	1661261C1																
CONNECTOR 1661259C1 BODY LOCK 1661263C1																				
SIDE DIR LT OVER RR WHL PKT CE/FE (10706A) (LOCATED AT RIGHT HAND SIDE AFTER REAR WHL POCKET)																				
		<table border="1" style="width: 100%; border-collapse: collapse;"> <thead> <tr> <th>CAV</th> <th>CIRCUIT</th> <th>GA</th> <th>COLOR</th> <th>TERMINAL</th> </tr> </thead> <tbody> <tr> <td>A</td> <td>F57K</td> <td>18</td> <td>LTGN</td> <td>1661261C1</td> </tr> <tr> <td>B</td> <td>F57-GH</td> <td>18</td> <td>WH</td> <td>1661261C1</td> </tr> </tbody> </table>				CAV	CIRCUIT	GA	COLOR	TERMINAL	A	F57K	18	LTGN	1661261C1	B	F57-GH	18	WH	1661261C1
CAV	CIRCUIT	GA	COLOR	TERMINAL																
A	F57K	18	LTGN	1661261C1																
B	F57-GH	18	WH	1661261C1																
CONNECTOR 1661259C1 BODY LOCK 1661263C1																				
CHK	DATE	CHANGE	REV	REFERENCE	DRAWN	NAME														
MJVO	19SEP19	REMOVED CIRC F57D &	B	95004Y	23132922	CIRCUIT DIAGRAM, RE BUS - BODY														
	F57-GD	AT R/D 10706A.			RELEASE NO. 93784S	DATE 22FEB17														
						PART NO. AE08085161														
						SHEET 058														

Figure 572 Connector Composites (10705, 10706, 10706A)

19.63. CONNECTOR COMPOSITES (10706B, 10707 / 10707A, 10707B, 10708), P. 59




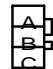
NAVISTAR, INC				ELECTRICAL CIRCUIT DIAGRAM				CHAPTER 18																							
THIS PRINT IS PROVIDED ON A RESTRICTED BASIS AND IS NOT TO BE USED IN ANY WAY DETRIMENTAL TO THE INTEREST OF NAVISTAR, INC.				CONNECTOR BODY COMPOSITES MATING VIEW SHOWN																											
<p>SIDE DIR OVER RR WHL PKT FE (10706B) (LOCATED AT RIGHT HAND SIDE AFTER REAR WHL POCKET)</p>  <p>CONNECTOR 1661259C1 BODY LOCK 1661263C1</p> <table border="1" style="margin-left: auto; margin-right: auto;"> <thead> <tr> <th>CAV</th> <th>CIRCUIT</th> <th>GA</th> <th>COLOR</th> <th>TERMINAL</th> </tr> </thead> <tbody> <tr> <td>A</td> <td>F57D</td> <td>18</td> <td>LTGN</td> <td>1661261C1</td> </tr> <tr> <td>B</td> <td>F57-GD</td> <td>18</td> <td>WH</td> <td>1661261C1</td> </tr> </tbody> </table>												CAV	CIRCUIT	GA	COLOR	TERMINAL	A	F57D	18	LTGN	1661261C1	B	F57-GD	18	WH	1661261C1					
CAV	CIRCUIT	GA	COLOR	TERMINAL																											
A	F57D	18	LTGN	1661261C1																											
B	F57-GD	18	WH	1661261C1																											
<p>SIDE DIR FWD RR WHL PKT RE /SIDE DR LT FWD RR WHL PKT CE/FE (10707/10707A) (LOCATED AT RIGHT HAND SIDE AFTER REAR WHL POCKET)</p>  <p>CONNECTOR 1661259C1 BODY LOCK 1661263C1</p> <table border="1" style="margin-left: auto; margin-right: auto;"> <thead> <tr> <th>CAV</th> <th>CIRCUIT</th> <th>GA</th> <th>COLOR</th> <th>TERMINAL</th> </tr> </thead> <tbody> <tr> <td>A</td> <td>F57E</td> <td>18</td> <td>LTGN</td> <td>1661261C1</td> </tr> <tr> <td>B</td> <td>F57-GE</td> <td>18</td> <td>WH</td> <td>1661261C1</td> </tr> </tbody> </table>												CAV	CIRCUIT	GA	COLOR	TERMINAL	A	F57E	18	LTGN	1661261C1	B	F57-GE	18	WH	1661261C1					
CAV	CIRCUIT	GA	COLOR	TERMINAL																											
A	F57E	18	LTGN	1661261C1																											
B	F57-GE	18	WH	1661261C1																											
<p>SIDE DIR LT OVER RR WHL PKT CE/FE (10707B) (LOCATED AT RIGHT HAND SIDE AFTER REAR WHL POCKET)</p>  <p>CONNECTOR 1661259C1 BODY LOCK 1661263C1</p> <table border="1" style="margin-left: auto; margin-right: auto;"> <thead> <tr> <th>CAV</th> <th>CIRCUIT</th> <th>GA</th> <th>COLOR</th> <th>TERMINAL</th> </tr> </thead> <tbody> <tr> <td>A</td> <td>F57E</td> <td>18</td> <td>LTGN</td> <td>1661261C1</td> </tr> <tr> <td>B</td> <td>F57-GE</td> <td>18</td> <td>WH</td> <td>1661261C1</td> </tr> </tbody> </table>												CAV	CIRCUIT	GA	COLOR	TERMINAL	A	F57E	18	LTGN	1661261C1	B	F57-GE	18	WH	1661261C1					
CAV	CIRCUIT	GA	COLOR	TERMINAL																											
A	F57E	18	LTGN	1661261C1																											
B	F57-GE	18	WH	1661261C1																											
<p>SIDE DIR/MKR LIGHT FWD RR WHL PKT -RE (10708) (LOCATED AT RIGHT HAND SIDE AFTER REAR WHL POCKET)</p>  <p>CONNECTOR 1661889C1 BODY LOCK 1661890C1</p> <table border="1" style="margin-left: auto; margin-right: auto;"> <thead> <tr> <th>CAV</th> <th>CIRCUIT</th> <th>GA</th> <th>COLOR</th> <th>TERMINAL</th> </tr> </thead> <tbody> <tr> <td>A</td> <td>F57H</td> <td>18</td> <td>LTGN</td> <td>1661261C1</td> </tr> <tr> <td>B</td> <td>F58C</td> <td>18</td> <td>BN</td> <td>1661261C1</td> </tr> <tr> <td>C</td> <td>F58-GC</td> <td>18</td> <td>WH</td> <td>1661261C1</td> </tr> </tbody> </table>												CAV	CIRCUIT	GA	COLOR	TERMINAL	A	F57H	18	LTGN	1661261C1	B	F58C	18	BN	1661261C1	C	F58-GC	18	WH	1661261C1
CAV	CIRCUIT	GA	COLOR	TERMINAL																											
A	F57H	18	LTGN	1661261C1																											
B	F58C	18	BN	1661261C1																											
C	F58-GC	18	WH	1661261C1																											
CHK	DATE	CHANGE	REV	REFERENCE	DRAWN	NAME																									
MJVO	23SEP17	INITIAL RELEASE.	A	93784S	23132922	CIRCUIT DIAGRAM, RE BUS - BODY																									
					RELEASE NO.	DATE	PART NO.	SHEET																							
					93784S	22FEB17	AE08085161	059																							

Figure 573 Connector Composites (10706B, 10707 / 10707A, 10707B, 10708)

19.64. CONNECTOR COMPOSITES (10708A, 10708B, 10709, 10709B, 10710), P. 60






NAVISTAR, INC				ELECTRICAL CIRCUIT DIAGRAM CHAPTER 18																							
THIS PRINT IS PROVIDED ON A RESTRICTED BASIS AND IS NOT TO BE USED IN ANY WAY DETRIMENTAL TO THE INTEREST OF NAVISTAR, INC.				CONNECTOR BODY COMPOSITES MATING VIEW SHOWN																							
SIDE DR/MKR LIGHT FWD RR WHL PKT CE/FE (10708A) (LOCATED AT RIGHT HAND SIDE AFTER REAR WHL POCKET)				<table border="1" style="width:100%; border-collapse: collapse; font-size: x-small;"> <thead> <tr> <th>CAV</th> <th>CIRCUIT</th> <th>GA</th> <th>COLOR</th> <th>TERMINAL</th> </tr> </thead> <tbody> <tr> <td>A</td> <td>F57L</td> <td>18</td> <td>LTGN</td> <td>1661261C1</td> </tr> <tr> <td>B</td> <td>F58D</td> <td>18</td> <td>BN</td> <td>1661261C1</td> </tr> <tr> <td>C</td> <td>F58-GH</td> <td>18</td> <td>WH</td> <td>1661261C1</td> </tr> </tbody> </table>				CAV	CIRCUIT	GA	COLOR	TERMINAL	A	F57L	18	LTGN	1661261C1	B	F58D	18	BN	1661261C1	C	F58-GH	18	WH	1661261C1
CAV	CIRCUIT	GA	COLOR	TERMINAL																							
A	F57L	18	LTGN	1661261C1																							
B	F58D	18	BN	1661261C1																							
C	F58-GH	18	WH	1661261C1																							
																											
CONNECTOR 1661889C1 BODY LOCK 1661890C1																											
SIDE DIR/MRKR LIGHT FWD REAR WHEEL PKT - FE (10708B) (LOCATED AT RIGHT HAND SIDE AFTER REAR WHL POCKET)				<table border="1" style="width:100%; border-collapse: collapse; font-size: x-small;"> <thead> <tr> <th>CAV</th> <th>CIRCUIT</th> <th>GA</th> <th>COLOR</th> <th>TERMINAL</th> </tr> </thead> <tbody> <tr> <td>A</td> <td>F57H</td> <td>18</td> <td>LTGN</td> <td>1661261C1</td> </tr> <tr> <td>B</td> <td>F58C</td> <td>18</td> <td>BN</td> <td>1661261C1</td> </tr> <tr> <td>C</td> <td>F58-GC</td> <td>18</td> <td>WH</td> <td>1661261C1</td> </tr> </tbody> </table>				CAV	CIRCUIT	GA	COLOR	TERMINAL	A	F57H	18	LTGN	1661261C1	B	F58C	18	BN	1661261C1	C	F58-GC	18	WH	1661261C1
CAV	CIRCUIT	GA	COLOR	TERMINAL																							
A	F57H	18	LTGN	1661261C1																							
B	F58C	18	BN	1661261C1																							
C	F58-GC	18	WH	1661261C1																							
																											
CONNECTOR 1661889C1 BODY LOCK 1661890C1																											
SIDE DIR LIGHT MIDSHIP - RE/ SIDE DIR LIGHT MIDSHIP CE/FE (10709) (LOCATED AT RIGHT HAND SIDE BETWEEN 8TH AND 9TH WDO)				<table border="1" style="width:100%; border-collapse: collapse; font-size: x-small;"> <thead> <tr> <th>CAV</th> <th>CIRCUIT</th> <th>GA</th> <th>COLOR</th> <th>TERMINAL</th> </tr> </thead> <tbody> <tr> <td>A</td> <td>F57B</td> <td>18</td> <td>LTGN</td> <td>1661261C1</td> </tr> <tr> <td>B</td> <td>F57-GB</td> <td>18</td> <td>WH</td> <td>1661261C1</td> </tr> </tbody> </table>				CAV	CIRCUIT	GA	COLOR	TERMINAL	A	F57B	18	LTGN	1661261C1	B	F57-GB	18	WH	1661261C1					
CAV	CIRCUIT	GA	COLOR	TERMINAL																							
A	F57B	18	LTGN	1661261C1																							
B	F57-GB	18	WH	1661261C1																							
																											
CONNECTOR 1661259C1 BODY LOCK 1661263C1																											
SIDE DIR LT MIDSHIP - FE (10709B) (LOCATED AT RIGHT HAND SIDE ABOVE 8TH WDO)				<table border="1" style="width:100%; border-collapse: collapse; font-size: x-small;"> <thead> <tr> <th>CAV</th> <th>CIRCUIT</th> <th>GA</th> <th>COLOR</th> <th>TERMINAL</th> </tr> </thead> <tbody> <tr> <td>A</td> <td>F57B</td> <td>18</td> <td>LT GN</td> <td>1661261C1</td> </tr> <tr> <td>B</td> <td>F57-GB</td> <td>18</td> <td>WH</td> <td>1661261C1</td> </tr> </tbody> </table>				CAV	CIRCUIT	GA	COLOR	TERMINAL	A	F57B	18	LT GN	1661261C1	B	F57-GB	18	WH	1661261C1					
CAV	CIRCUIT	GA	COLOR	TERMINAL																							
A	F57B	18	LT GN	1661261C1																							
B	F57-GB	18	WH	1661261C1																							
																											
CONNECTOR 1661259C1 BODY LOCK 1661263C1																											
INTMD MKR LIGHT MIDSHIP - RE (10710) (LOCATED AT RIGHT HAND SIDE ABOVE 8TH WDO)				<table border="1" style="width:100%; border-collapse: collapse; font-size: x-small;"> <thead> <tr> <th>CAV</th> <th>CIRCUIT</th> <th>GA</th> <th>COLOR</th> <th>TERMINAL</th> </tr> </thead> <tbody> <tr> <td>A</td> <td>F58A</td> <td>18</td> <td>BN</td> <td>1661261C1</td> </tr> <tr> <td>B</td> <td>F58-GA</td> <td>18</td> <td>WH</td> <td>1661261C1</td> </tr> </tbody> </table>				CAV	CIRCUIT	GA	COLOR	TERMINAL	A	F58A	18	BN	1661261C1	B	F58-GA	18	WH	1661261C1					
CAV	CIRCUIT	GA	COLOR	TERMINAL																							
A	F58A	18	BN	1661261C1																							
B	F58-GA	18	WH	1661261C1																							
																											
CONNECTOR 1661259C1 BODY LOCK 1661263C1																											
CHK	DATE	CHANGE	REV	REFERENCE	DRAWN	NAME																					
MJVO	18SEP19	ADDED R/D 10709B.	B	95004Y	2313292Z	CIRCUIT DIAGRAM, RE BUS - BODY																					
					RELEASE NO.	DATE	PART NO.																				
					93784S	22FEB17	AE08085161																				
						SHEET	060																				

Figure 574 Connector Composites (10708A, 10708B, 10709, 10709B, 10710)

19.65. CONNECTOR COMPOSITES (10710A, 10711, 10712), P. 61




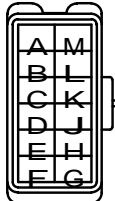
<p>NAVISTAR, INC</p> <p><small>THIS PRINT IS PROVIDED ON A RESTRICTED BASIS AND IS NOT TO BE USED IN ANY WAY DETRIMENTAL TO THE INTEREST OF NAVISTAR, INC.</small></p>	<p>ELECTRICAL CIRCUIT DIAGRAM</p> <p>CHAPTER 18</p> <p>CONNECTOR BODY COMPOSITES MATING VIEW SHOWN</p>																				
<p>INTERMEDIATE MARKER LIGHT MIDSHIP CE/FE (10710A) (LOCATED AT RIGHT HAND SIDE ABOVE 8TH WDO)</p> <div style="display: flex; justify-content: space-around; align-items: center;">  <table border="1" style="border-collapse: collapse; text-align: center;"> <thead> <tr> <th>CAV</th> <th>CIRCUIT</th> <th>GA</th> <th>COLOR</th> <th>TERMINAL</th> </tr> </thead> <tbody> <tr> <td>A</td> <td>F58A</td> <td>18</td> <td>BN</td> <td>1661261C1</td> </tr> <tr> <td>B</td> <td>F58-GA</td> <td>18</td> <td>WH</td> <td>1661261C1</td> </tr> </tbody> </table> </div> <p>CONNECTOR 1661259C1 BODY LOCK 1661263C1</p> <p><small>* W/COMBO LIGHT FWD RR WHL PKT (CE) # W/CLEARANCE LIGHT W/INTERMEDIATE MKR LIGHT (CE & FE)</small></p>		CAV	CIRCUIT	GA	COLOR	TERMINAL	A	F58A	18	BN	1661261C1	B	F58-GA	18	WH	1661261C1					
CAV	CIRCUIT	GA	COLOR	TERMINAL																	
A	F58A	18	BN	1661261C1																	
B	F58-GA	18	WH	1661261C1																	
<p>SIDE DIR LIGHT AFT ENTRY DOOR (10711) (LOCATED AT RIGHT HAND SIDE AFTER ENTERANCE DOOR)</p> <div style="display: flex; justify-content: space-around; align-items: center;">  <table border="1" style="border-collapse: collapse; text-align: center;"> <thead> <tr> <th>CAV</th> <th>CIRCUIT</th> <th>GA</th> <th>COLOR</th> <th>TERMINAL</th> </tr> </thead> <tbody> <tr> <td>A</td> <td>F57A</td> <td>18</td> <td>LTGN</td> <td>1661261C1</td> </tr> <tr> <td>B</td> <td>F57-G</td> <td>18</td> <td>WH</td> <td>1661261C1</td> </tr> </tbody> </table> </div> <p>CONNECTOR 1661259C1 BODY LOCK 1661263C1</p>		CAV	CIRCUIT	GA	COLOR	TERMINAL	A	F57A	18	LTGN	1661261C1	B	F57-G	18	WH	1661261C1					
CAV	CIRCUIT	GA	COLOR	TERMINAL																	
A	F57A	18	LTGN	1661261C1																	
B	F57-G	18	WH	1661261C1																	
<p>SIDE CMB LIGHT AFT ENTRY DOOR (10712) (LOCATED AT RIGHT HAND SIDE AFTER ENTERANCE DOOR)</p> <div style="display: flex; justify-content: space-around; align-items: center;">  <table border="1" style="border-collapse: collapse; text-align: center;"> <thead> <tr> <th>CAV</th> <th>CIRCUIT</th> <th>GA</th> <th>COLOR</th> <th>TERMINAL</th> </tr> </thead> <tbody> <tr> <td>A</td> <td>F57C</td> <td>18</td> <td>LTGN</td> <td>1661261C1</td> </tr> <tr> <td>B</td> <td>F58B</td> <td>18</td> <td>BN</td> <td>1661261C1</td> </tr> <tr> <td>C</td> <td>F58-GB</td> <td>18</td> <td>WH</td> <td>1661261C1</td> </tr> </tbody> </table> </div> <p>CONNECTOR 1661889C1 BODY LOCK 1661890C1</p>		CAV	CIRCUIT	GA	COLOR	TERMINAL	A	F57C	18	LTGN	1661261C1	B	F58B	18	BN	1661261C1	C	F58-GB	18	WH	1661261C1
CAV	CIRCUIT	GA	COLOR	TERMINAL																	
A	F57C	18	LTGN	1661261C1																	
B	F58B	18	BN	1661261C1																	
C	F58-GB	18	WH	1661261C1																	
<small>CHK</small>	<small>DATE</small>	<small>CHANGE</small>	<small>REV</small>	<small>REFERENCE</small>	<small>DRAWN</small>	<small>NAME</small>															
MJVO	17SEP17	INITIAL RELEASE.	A	93784S	23132922	CIRCUIT DIAGRAM, RE BUS - BODY															
					<small>RELEASE NO.</small>	<small>DATE</small>	<small>PART NO.</small>	<small>SHEET</small>													
					93784S	22FEB17	AE08085161	061													

Figure 575 Connector Composites (10710A, 10711, 10712)

19.66. CONNECTOR COMPOSITES (10713), P. 62

<p style="text-align: center;">NAVISTAR, INC</p> <p style="font-size: small;">THIS PRINT IS PROVIDED ON A RESTRICTED BASIS AND IS NOT TO BE USED IN ANY WAY DETRIMENTAL TO THE INTEREST OF NAVISTAR, INC.</p>	<p style="text-align: center;">ELECTRICAL CIRCUIT DIAGRAM</p> <p style="text-align: right;">CHAPTER 18</p> <p style="text-align: center;">CONNECTOR BODY COMPOSITES MATING VIEW SHOWN</p>
--	---

SPLICE CONN KOUT WINDOW
(10713)
(LOCATED AT END OF R BODY HARNESS)



CONNECTOR 3700745C1
BODY LOCK 3700749C1

* W/KOUT WDO SECT 1
W/KOUT WDO SECT 2
% W/KOUT WDO SECT 3
& W/KOUT WDO SECT 4
@ W/KOUT WDO SECT 5
** W/KOUT WDO SECT 6
*# W/KOUT WDO SECT 7
*% W/KOUT WDO SECT 8
*& W/KOUT WDO SECT 9
*@ W/KOUT WDO SECT 10
#* W/KOUT WDO SECT 11
W/KOUT WDO SECT 12
#% W/KOUT WDO SECT 13
#& W/KOUT WDO SECT 14
&& W/KOUT WDO SECT 15

CAV	CIRCUIT	GA	COLOR	TERMINAL
A	F126B	18	GY	3534164C1
B*	F126A	16	GY	3534165C1
B#	F126	16	GY	3534165C1
B%	F126C	16	GY	3534165C1
B*	F126B	16	GY	3534165C1
C&	F126D	16	GY	3534165C1
C@	F126E	16	GY	3534165C1
C**	F126F	16	GY	3534165C1
D*#	F126H	16	GY	3534165C1
D*%	F126J	16	GY	3534165C1
D*&	F126K	16	GY	3534165C1
E*@	F126L	16	GY	3534165C1
E*#	F126M	16	GY	3534165C1
E##	F126N	16	GY	3534165C1
F#%	F126P	16	GY	3534165C1
F#&	F126R	16	GY	3534165C1
F&&	F126T	16	GY	3534165C1
G	F126-G	18	WH	3534164C1
H*	F126-GA	16	WH	3534165C1
H#	F126-GB	16	WH	3534165C1
H%	F126-GC	16	WH	3534165C1
J&	F126-GD	16	WH	3534165C1
J@	F126-GE	16	WH	3534165C1
J**	F126-GF	16	WH	3534165C1
K*#	F126-GH	16	WH	3534165C1
K*%	F126-GJ	16	WH	3534165C1
K*&	F126-GK	16	WH	3534165C1
L*@	F126-GL	16	WH	3534165C1
L*#	F126-GM	16	WH	3534165C1
L##	F126-GN	16	WH	3534165C1
M#%	F126-GP	16	WH	3534165C1
M#&	F126-GR	16	WH	3534165C1
M&&	F126-GT	16	WH	3534165C1

CHK	DATE	CHANGE	REV	REFERENCE	DRAWN	NAME
MJVO	17SEP17	INITIAL RELEASE.	A	93784S	23132922	CIRCUIT DIAGRAM, RE BUS - BODY
					RELEASE NO.	DATE
					93784S	22FEB17
					PART NO.	SHEET
					AE08085161	062

Figure 576 Connector Composites (10713)

19.67. CONNECTOR COMPOSITES (10714), P. 63

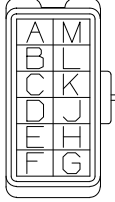
NAVISTAR, INC <small>THIS PRINT IS PROVIDED ON A RESTRICTED BASIS AND IS NOT TO BE USED IN ANY WAY DETRIMENTAL TO THE INTEREST OF NAVISTAR, INC.</small>				ELECTRICAL CIRCUIT DIAGRAM CHAPTER 18 CONNECTOR BODY COMPOSITES MATING VIEW SHOWN																																																																																																																																																																																																																																																						
SPLICE CONN EMERGENCY EXIT LIGHT (10714) (LOCATED AT END OF R BODY HARNESS)																																																																																																																																																																																																																																																										
																																																																																																																																																																																																																																																										
CONNECTOR 3700745C1 BODY LOCK 3700749C1																																																																																																																																																																																																																																																										
* W/KICK OUT WINDOW SECT 12 # W/KICK OUT WINDOW SECT 13 % W/KICK OUT WINDOW SECT 14 ** W/ROOF HATCH W/STARTER INTERLOCK SECT 8 ## W/KICK OUT WINDOW SECT 15 *% W/3IN RED LIGHT OVER KOUT WINDOW SECT 5 *% W/3IN RED LIGHT OVER KICK OUT WINDOW SECT 1 *% W/3IN RED LIGHT OVER SED SECT 4-5 W/KOUT LIGHT ** W/3IN RED LIGHT OVER SED SECT 5-6 W/KOUT LIGHT ## W/3IN RED LIGHT OVER KICK OUT WINDOW SECT 2 *% W/3IN RED LIGHT OVER KICK OUT WINDOW SECT 3 *% W/3IN RED LIGHT OVER KICK OUT WINDOW SECT 4 #% W/ROOF HATCH W/STARTER INTERLOCK SECT 11 %* W/ROOF HATCH W/STARTER INTERLOCK SECT 12 %* W/ROOF HATCH W/STARTER INTERLOCK SECT 13 %% W/ROOF HATCH W/STARTER INTERLOCK SECT 14 %& W/3IN RED LIGHT OVER SED SECT 11-12 W/KOUT LIGHT %& W/3IN RED LIGHT OVER SED SECT 12-13 W/KOUT LIGHT *% W/3IN RED LIGHT OVER KICK OUT WINDOW SECT 5 *% W/3IN RED LIGHT OVER KICK OUT WINDOW SECT 6 *% W/3IN RED LIGHT OVER KICK OUT WINDOW SECT 7 *% W/3IN RED LIGHT OVER KOUT WINDOW SECT 13 *% W/3IN RED LIGHT OVER KOUT WINDOW SECT 14 *** W/3IN RED LIGHT OVER KOUT WINDOW SECT 15 %%% W/3 IN RED LIGHT OVER SED SECT 10-11 W/KOUT LIGHT																																																																																																																																																																																																																																																										
<table border="1" style="width:100%; border-collapse: collapse;"> <thead> <tr> <th>CAV</th><th>CIRCUIT</th><th>GA</th><th>COLOR</th><th>TERMINAL</th></tr> </thead> <tbody> <tr><td>A</td><td>F143</td><td>18</td><td>DKBL</td><td>3534164C1</td></tr> <tr><td>B*</td><td>F143A</td><td>18</td><td>DKBL</td><td>3534164C1</td></tr> <tr><td>B#</td><td>F143B</td><td>18</td><td>DKBL</td><td>3534164C1</td></tr> <tr><td>B%</td><td>F143C</td><td>18</td><td>DKBL</td><td>3534164C1</td></tr> <tr><td>B**</td><td>F143AB</td><td>18</td><td>DKBL</td><td>3534164C1</td></tr> <tr><td>C*#</td><td>F143D</td><td>18</td><td>DKBL</td><td>3534164C1</td></tr> <tr><td>C*%</td><td>F143E</td><td>18</td><td>DKBL</td><td>3534164C1</td></tr> <tr><td>C*&</td><td>F143F</td><td>18</td><td>DKBL</td><td>3534164C1</td></tr> <tr><td>C*%&</td><td>F143AC</td><td>18</td><td>DKBL</td><td>3534164C1</td></tr> <tr><td>C**</td><td>F143AD</td><td>18</td><td>DKBL</td><td>3534164C1</td></tr> <tr><td>D</td><td>F143AJ</td><td>18</td><td>DKBL</td><td>3534164C1</td></tr> <tr><td>D</td><td>F143AK</td><td>18</td><td>DKBL</td><td>3534164C1</td></tr> <tr><td>D</td><td>F143AL</td><td>18</td><td>DKBL</td><td>3534164C1</td></tr> </tbody> </table>						CAV	CIRCUIT	GA	COLOR	TERMINAL	A	F143	18	DKBL	3534164C1	B*	F143A	18	DKBL	3534164C1	B#	F143B	18	DKBL	3534164C1	B%	F143C	18	DKBL	3534164C1	B**	F143AB	18	DKBL	3534164C1	C*#	F143D	18	DKBL	3534164C1	C*%	F143E	18	DKBL	3534164C1	C*&	F143F	18	DKBL	3534164C1	C*%&	F143AC	18	DKBL	3534164C1	C**	F143AD	18	DKBL	3534164C1	D	F143AJ	18	DKBL	3534164C1	D	F143AK	18	DKBL	3534164C1	D	F143AL	18	DKBL	3534164C1																																																																																																																																																																															
CAV	CIRCUIT	GA	COLOR	TERMINAL																																																																																																																																																																																																																																																						
A	F143	18	DKBL	3534164C1																																																																																																																																																																																																																																																						
B*	F143A	18	DKBL	3534164C1																																																																																																																																																																																																																																																						
B#	F143B	18	DKBL	3534164C1																																																																																																																																																																																																																																																						
B%	F143C	18	DKBL	3534164C1																																																																																																																																																																																																																																																						
B**	F143AB	18	DKBL	3534164C1																																																																																																																																																																																																																																																						
C*#	F143D	18	DKBL	3534164C1																																																																																																																																																																																																																																																						
C*%	F143E	18	DKBL	3534164C1																																																																																																																																																																																																																																																						
C*&	F143F	18	DKBL	3534164C1																																																																																																																																																																																																																																																						
C*%&	F143AC	18	DKBL	3534164C1																																																																																																																																																																																																																																																						
C**	F143AD	18	DKBL	3534164C1																																																																																																																																																																																																																																																						
D	F143AJ	18	DKBL	3534164C1																																																																																																																																																																																																																																																						
D	F143AK	18	DKBL	3534164C1																																																																																																																																																																																																																																																						
D	F143AL	18	DKBL	3534164C1																																																																																																																																																																																																																																																						
<table border="1" style="width:100%; border-collapse: collapse;"> <thead> <tr> <th>CAV</th><th>CIRCUIT</th><th>GA</th><th>COLOR</th><th>TERMINAL</th></tr> </thead> <tbody> <tr><td>D#</td><td>F143H</td><td>18</td><td>DKBL</td><td>3534164C1</td></tr> <tr><td>D#%</td><td>F143J</td><td>18</td><td>DKBL</td><td>3534164C1</td></tr> <tr><td>D#&</td><td>F143K</td><td>18</td><td>DKBL</td><td>3534164C1</td></tr> <tr><td>D#%&</td><td>F143AE</td><td>18</td><td>DKBL</td><td>3534164C1</td></tr> <tr><td>D%*</td><td>F143AF</td><td>18</td><td>DKBL</td><td>3534164C1</td></tr> <tr><td>D%#</td><td>F143AH</td><td>18</td><td>DKBL</td><td>3534164C1</td></tr> <tr><td>E</td><td>F143M</td><td>18</td><td>DKBL</td><td>3534164C1</td></tr> <tr><td>E</td><td>F143N</td><td>18</td><td>DKBL</td><td>3534164C1</td></tr> <tr><td>E&*</td><td>F143L</td><td>18</td><td>DKBL</td><td>3534164C1</td></tr> <tr><td>E&%</td><td>F143M</td><td>18</td><td>DKBL</td><td>3534164C1</td></tr> <tr><td>E&#</td><td>F143N</td><td>18</td><td>DKBL</td><td>3534164C1</td></tr> <tr><td>E%#</td><td>F143AJ</td><td>18</td><td>DKBL</td><td>3534164C1</td></tr> <tr><td>E%#%</td><td>E143AK</td><td>18</td><td>DKBL</td><td>3534164C1</td></tr> <tr><td>E%#&</td><td>F143AH</td><td>18</td><td>DKBL</td><td>3534164C1</td></tr> <tr><td>F&%</td><td>F143P</td><td>18</td><td>DKBL</td><td>3534164C1</td></tr> <tr><td>F&&</td><td>F143R</td><td>18</td><td>DKBL</td><td>3534164C1</td></tr> <tr><td>F%&</td><td>F143AK</td><td>18</td><td>DKBL</td><td>3534164C1</td></tr> <tr><td>F***</td><td>F143S</td><td>18</td><td>DKBL</td><td>3534164C1</td></tr> <tr><td>G</td><td>F143-G</td><td>18</td><td>WH</td><td>3534164C1</td></tr> <tr><td>H</td><td>F143GAN</td><td>18</td><td>WH</td><td>3534164C1</td></tr> <tr><td>H</td><td>F143GAP</td><td>18</td><td>WH</td><td>3534164C1</td></tr> <tr><td>H*</td><td>F143-GA</td><td>18</td><td>WH</td><td>3534164C1</td></tr> <tr><td>H#</td><td>F143-GB</td><td>18</td><td>WH</td><td>3534164C1</td></tr> <tr><td>H%#</td><td>F143-GC</td><td>18</td><td>WH</td><td>3534164C1</td></tr> <tr><td>H**</td><td>F143GAB</td><td>18</td><td>WH</td><td>3534164C1</td></tr> <tr><td>J*#</td><td>F143-GD</td><td>18</td><td>WH</td><td>3534164C1</td></tr> <tr><td>J*%#</td><td>F143-GE</td><td>18</td><td>WH</td><td>3534164C1</td></tr> <tr><td>J*&</td><td>F143-GF</td><td>18</td><td>WH</td><td>3534164C1</td></tr> <tr><td>J*%&</td><td>F143GAC</td><td>18</td><td>WH</td><td>3534164C1</td></tr> <tr><td>J**</td><td>F143GAD</td><td>18</td><td>WH</td><td>3534164C1</td></tr> <tr><td>K</td><td>F143GAK</td><td>18</td><td>WH</td><td>3534164C1</td></tr> <tr><td>K</td><td>F143GAL</td><td>18</td><td>WH</td><td>3534164C1</td></tr> <tr><td>K#</td><td>F143-GH</td><td>18</td><td>WH</td><td>3534164C1</td></tr> <tr><td>K#%</td><td>F143-GJ</td><td>18</td><td>WH</td><td>3534164C1</td></tr> <tr><td>K#&</td><td>F143-GK</td><td>18</td><td>WH</td><td>3534164C1</td></tr> <tr><td>K#%&</td><td>F143GAE</td><td>18</td><td>WH</td><td>3534164C1</td></tr> <tr><td>K%*</td><td>F143GAF</td><td>18</td><td>WH</td><td>3534164C1</td></tr> <tr><td>K%#</td><td>F143GAH</td><td>18</td><td>WH</td><td>3534164C1</td></tr> <tr><td>L&*</td><td>F143-GL</td><td>18</td><td>WH</td><td>3534164C1</td></tr> <tr><td>L&%&</td><td>F143-GM</td><td>18</td><td>WH</td><td>3534164C1</td></tr> <tr><td>L&#</td><td>F143-GN</td><td>18</td><td>WH</td><td>3534164C1</td></tr> <tr><td>L%#%</td><td>E143GAK</td><td>18</td><td>WH</td><td>3534164C1</td></tr> <tr><td>L%#&</td><td>F143GAJ</td><td>18</td><td>WH</td><td>3534164C1</td></tr> <tr><td>L%#</td><td>F143GAH</td><td>18</td><td>WH</td><td>3534164C1</td></tr> <tr><td>M&%</td><td>F143-GP</td><td>18</td><td>WH</td><td>3534164C1</td></tr> <tr><td>M&&</td><td>F143-GR</td><td>18</td><td>WH</td><td>3534164C1</td></tr> <tr><td>M%&</td><td>F143GAK</td><td>18</td><td>WH</td><td>3534164C1</td></tr> <tr><td>M***</td><td>F143-GS</td><td>18</td><td>WH</td><td>3534164C1</td></tr> </tbody> </table>						CAV	CIRCUIT	GA	COLOR	TERMINAL	D#	F143H	18	DKBL	3534164C1	D#%	F143J	18	DKBL	3534164C1	D#&	F143K	18	DKBL	3534164C1	D#%&	F143AE	18	DKBL	3534164C1	D%*	F143AF	18	DKBL	3534164C1	D%#	F143AH	18	DKBL	3534164C1	E	F143M	18	DKBL	3534164C1	E	F143N	18	DKBL	3534164C1	E&*	F143L	18	DKBL	3534164C1	E&%	F143M	18	DKBL	3534164C1	E&#	F143N	18	DKBL	3534164C1	E%#	F143AJ	18	DKBL	3534164C1	E%#%	E143AK	18	DKBL	3534164C1	E%#&	F143AH	18	DKBL	3534164C1	F&%	F143P	18	DKBL	3534164C1	F&&	F143R	18	DKBL	3534164C1	F%&	F143AK	18	DKBL	3534164C1	F***	F143S	18	DKBL	3534164C1	G	F143-G	18	WH	3534164C1	H	F143GAN	18	WH	3534164C1	H	F143GAP	18	WH	3534164C1	H*	F143-GA	18	WH	3534164C1	H#	F143-GB	18	WH	3534164C1	H%#	F143-GC	18	WH	3534164C1	H**	F143GAB	18	WH	3534164C1	J*#	F143-GD	18	WH	3534164C1	J*%#	F143-GE	18	WH	3534164C1	J*&	F143-GF	18	WH	3534164C1	J*%&	F143GAC	18	WH	3534164C1	J**	F143GAD	18	WH	3534164C1	K	F143GAK	18	WH	3534164C1	K	F143GAL	18	WH	3534164C1	K#	F143-GH	18	WH	3534164C1	K#%	F143-GJ	18	WH	3534164C1	K#&	F143-GK	18	WH	3534164C1	K#%&	F143GAE	18	WH	3534164C1	K%*	F143GAF	18	WH	3534164C1	K%#	F143GAH	18	WH	3534164C1	L&*	F143-GL	18	WH	3534164C1	L&%&	F143-GM	18	WH	3534164C1	L&#	F143-GN	18	WH	3534164C1	L%#%	E143GAK	18	WH	3534164C1	L%#&	F143GAJ	18	WH	3534164C1	L%#	F143GAH	18	WH	3534164C1	M&%	F143-GP	18	WH	3534164C1	M&&	F143-GR	18	WH	3534164C1	M%&	F143GAK	18	WH	3534164C1	M***	F143-GS	18	WH	3534164C1
CAV	CIRCUIT	GA	COLOR	TERMINAL																																																																																																																																																																																																																																																						
D#	F143H	18	DKBL	3534164C1																																																																																																																																																																																																																																																						
D#%	F143J	18	DKBL	3534164C1																																																																																																																																																																																																																																																						
D#&	F143K	18	DKBL	3534164C1																																																																																																																																																																																																																																																						
D#%&	F143AE	18	DKBL	3534164C1																																																																																																																																																																																																																																																						
D%*	F143AF	18	DKBL	3534164C1																																																																																																																																																																																																																																																						
D%#	F143AH	18	DKBL	3534164C1																																																																																																																																																																																																																																																						
E	F143M	18	DKBL	3534164C1																																																																																																																																																																																																																																																						
E	F143N	18	DKBL	3534164C1																																																																																																																																																																																																																																																						
E&*	F143L	18	DKBL	3534164C1																																																																																																																																																																																																																																																						
E&%	F143M	18	DKBL	3534164C1																																																																																																																																																																																																																																																						
E&#	F143N	18	DKBL	3534164C1																																																																																																																																																																																																																																																						
E%#	F143AJ	18	DKBL	3534164C1																																																																																																																																																																																																																																																						
E%#%	E143AK	18	DKBL	3534164C1																																																																																																																																																																																																																																																						
E%#&	F143AH	18	DKBL	3534164C1																																																																																																																																																																																																																																																						
F&%	F143P	18	DKBL	3534164C1																																																																																																																																																																																																																																																						
F&&	F143R	18	DKBL	3534164C1																																																																																																																																																																																																																																																						
F%&	F143AK	18	DKBL	3534164C1																																																																																																																																																																																																																																																						
F***	F143S	18	DKBL	3534164C1																																																																																																																																																																																																																																																						
G	F143-G	18	WH	3534164C1																																																																																																																																																																																																																																																						
H	F143GAN	18	WH	3534164C1																																																																																																																																																																																																																																																						
H	F143GAP	18	WH	3534164C1																																																																																																																																																																																																																																																						
H*	F143-GA	18	WH	3534164C1																																																																																																																																																																																																																																																						
H#	F143-GB	18	WH	3534164C1																																																																																																																																																																																																																																																						
H%#	F143-GC	18	WH	3534164C1																																																																																																																																																																																																																																																						
H**	F143GAB	18	WH	3534164C1																																																																																																																																																																																																																																																						
J*#	F143-GD	18	WH	3534164C1																																																																																																																																																																																																																																																						
J*%#	F143-GE	18	WH	3534164C1																																																																																																																																																																																																																																																						
J*&	F143-GF	18	WH	3534164C1																																																																																																																																																																																																																																																						
J*%&	F143GAC	18	WH	3534164C1																																																																																																																																																																																																																																																						
J**	F143GAD	18	WH	3534164C1																																																																																																																																																																																																																																																						
K	F143GAK	18	WH	3534164C1																																																																																																																																																																																																																																																						
K	F143GAL	18	WH	3534164C1																																																																																																																																																																																																																																																						
K#	F143-GH	18	WH	3534164C1																																																																																																																																																																																																																																																						
K#%	F143-GJ	18	WH	3534164C1																																																																																																																																																																																																																																																						
K#&	F143-GK	18	WH	3534164C1																																																																																																																																																																																																																																																						
K#%&	F143GAE	18	WH	3534164C1																																																																																																																																																																																																																																																						
K%*	F143GAF	18	WH	3534164C1																																																																																																																																																																																																																																																						
K%#	F143GAH	18	WH	3534164C1																																																																																																																																																																																																																																																						
L&*	F143-GL	18	WH	3534164C1																																																																																																																																																																																																																																																						
L&%&	F143-GM	18	WH	3534164C1																																																																																																																																																																																																																																																						
L&#	F143-GN	18	WH	3534164C1																																																																																																																																																																																																																																																						
L%#%	E143GAK	18	WH	3534164C1																																																																																																																																																																																																																																																						
L%#&	F143GAJ	18	WH	3534164C1																																																																																																																																																																																																																																																						
L%#	F143GAH	18	WH	3534164C1																																																																																																																																																																																																																																																						
M&%	F143-GP	18	WH	3534164C1																																																																																																																																																																																																																																																						
M&&	F143-GR	18	WH	3534164C1																																																																																																																																																																																																																																																						
M%&	F143GAK	18	WH	3534164C1																																																																																																																																																																																																																																																						
M***	F143-GS	18	WH	3534164C1																																																																																																																																																																																																																																																						
CHK	DATE	CHANGE	REV	REFERENCE	DRAWN	NAME																																																																																																																																																																																																																																																				
MJV04	08SEP19	REVISED AND REDRAWN.	B	95004Y	23132922	CIRCUIT DIAGRAM, RE BUS - BODY																																																																																																																																																																																																																																																				
					RELEASE NO.	DATE	PART NO.																																																																																																																																																																																																																																																			
					93784S	22FEB17	AE08085161																																																																																																																																																																																																																																																			
							SHEET 063																																																																																																																																																																																																																																																			

Figure 577 Connector Composites (10714)

19.68. CONNECTOR COMPOSITES (10715, 10716, 10717, 10718), P. 64

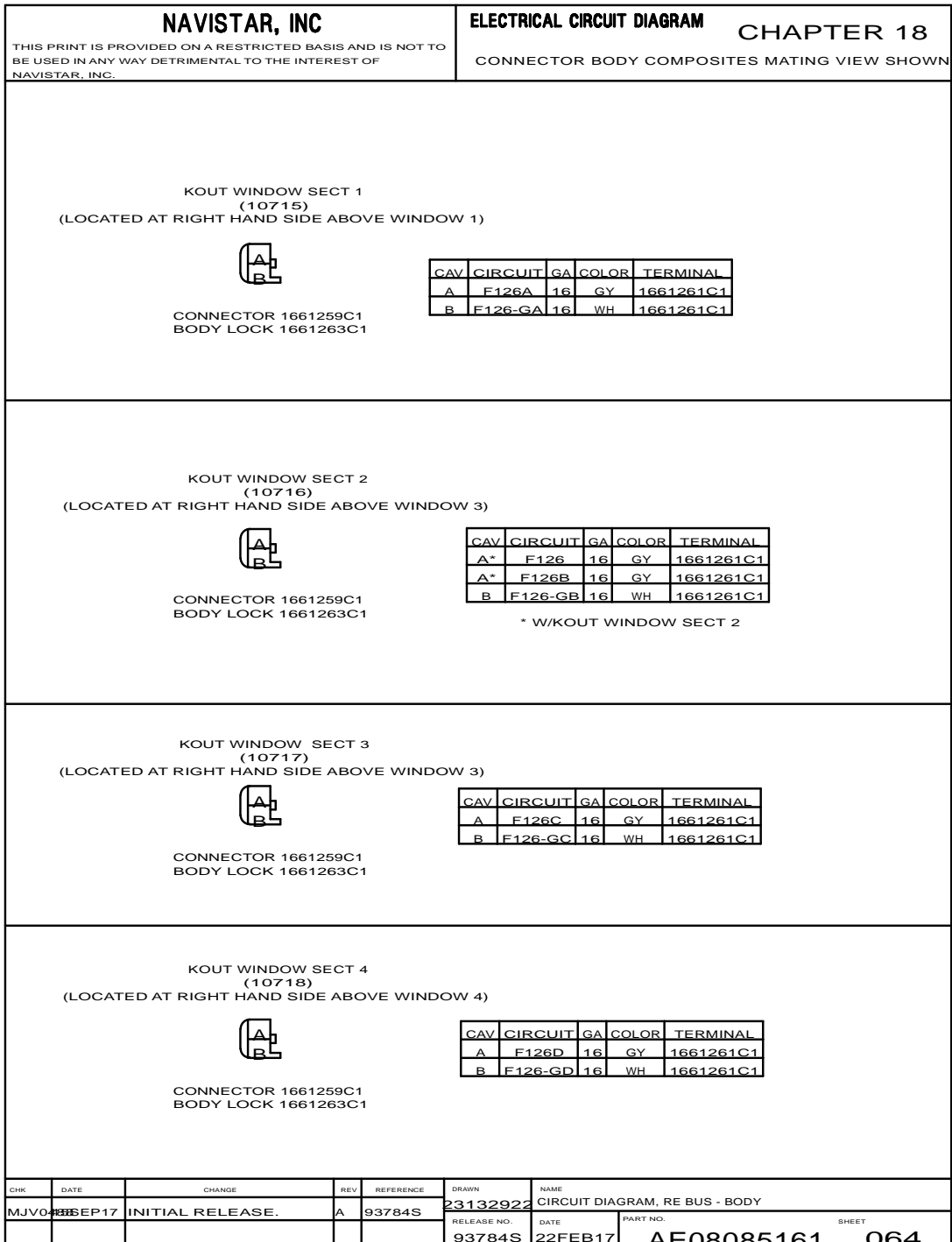


Figure 578 Connector Composites (10715, 10716, 10717, 10718)

19.69. CONNECTOR COMPOSITES (10719, 10720, 10721, 10722), P. 65





<p>NAVISTAR, INC</p> <p><small>THIS PRINT IS PROVIDED ON A RESTRICTED BASIS AND IS NOT TO BE USED IN ANY WAY DETRIMENTAL TO THE INTEREST OF NAVISTAR, INC.</small></p>	<p>ELECTRICAL CIRCUIT DIAGRAM CHAPTER 18</p> <p>CONNECTOR BODY COMPOSITES MATING VIEW SHOWN</p>															
<p>KOUT WINDOW SECT 5 (10719) (LOCATED AT RIGHT HAND SIDE ABOVE WINDOW 5)</p> <div style="display: flex; justify-content: space-around; align-items: center;">  <table border="1" style="border-collapse: collapse; text-align: center;"> <thead> <tr> <th>CAV</th> <th>CIRCUIT</th> <th>GA</th> <th>COLOR</th> <th>TERMINAL</th> </tr> </thead> <tbody> <tr> <td>A</td> <td>F126E</td> <td>16</td> <td>GY</td> <td>1661261C1</td> </tr> <tr> <td>B</td> <td>F126-GE</td> <td>16</td> <td>WH</td> <td>1661261C1</td> </tr> </tbody> </table> </div> <p>CONNECTOR 1661259C1 BODY LOCK 1661263C1</p>		CAV	CIRCUIT	GA	COLOR	TERMINAL	A	F126E	16	GY	1661261C1	B	F126-GE	16	WH	1661261C1
CAV	CIRCUIT	GA	COLOR	TERMINAL												
A	F126E	16	GY	1661261C1												
B	F126-GE	16	WH	1661261C1												
<p>KOUT WINDOW SECT 6 (10720) (LOCATED AT RIGHT HAND SIDE ABOVE WINDOW 7)</p> <div style="display: flex; justify-content: space-around; align-items: center;">  <table border="1" style="border-collapse: collapse; text-align: center;"> <thead> <tr> <th>CAV</th> <th>CIRCUIT</th> <th>GA</th> <th>COLOR</th> <th>TERMINAL</th> </tr> </thead> <tbody> <tr> <td>A</td> <td>F126F</td> <td>16</td> <td>GY</td> <td>1661261C1</td> </tr> <tr> <td>B</td> <td>F126-GF</td> <td>16</td> <td>WH</td> <td>1661261C1</td> </tr> </tbody> </table> </div> <p>CONNECTOR 1661259C1 BODY LOCK 1661263C1</p>		CAV	CIRCUIT	GA	COLOR	TERMINAL	A	F126F	16	GY	1661261C1	B	F126-GF	16	WH	1661261C1
CAV	CIRCUIT	GA	COLOR	TERMINAL												
A	F126F	16	GY	1661261C1												
B	F126-GF	16	WH	1661261C1												
<p>KOUT WINDOW SECT 7 (10721) (LOCATED AT RIGHT HAND SIDE ABOVE WINDOW 7)</p> <div style="display: flex; justify-content: space-around; align-items: center;">  <table border="1" style="border-collapse: collapse; text-align: center;"> <thead> <tr> <th>CAV</th> <th>CIRCUIT</th> <th>GA</th> <th>COLOR</th> <th>TERMINAL</th> </tr> </thead> <tbody> <tr> <td>A</td> <td>F126H</td> <td>16</td> <td>GY</td> <td>1661261C1</td> </tr> <tr> <td>B</td> <td>F126-GH</td> <td>16</td> <td>WH</td> <td>1661261C1</td> </tr> </tbody> </table> </div> <p>CONNECTOR 1661259C1 BODY LOCK 1661263C1</p>		CAV	CIRCUIT	GA	COLOR	TERMINAL	A	F126H	16	GY	1661261C1	B	F126-GH	16	WH	1661261C1
CAV	CIRCUIT	GA	COLOR	TERMINAL												
A	F126H	16	GY	1661261C1												
B	F126-GH	16	WH	1661261C1												
<p>KOUT WINDOW SECT 8 (10722) (LOCATED AT RIGHT HAND SIDE ABOVE WINDOW 8)</p> <div style="display: flex; justify-content: space-around; align-items: center;">  <table border="1" style="border-collapse: collapse; text-align: center;"> <thead> <tr> <th>CAV</th> <th>CIRCUIT</th> <th>GA</th> <th>COLOR</th> <th>TERMINAL</th> </tr> </thead> <tbody> <tr> <td>A</td> <td>F126J</td> <td>16</td> <td>GY</td> <td>1661261C1</td> </tr> <tr> <td>B</td> <td>F126-GJ</td> <td>16</td> <td>WH</td> <td>1661261C1</td> </tr> </tbody> </table> </div> <p>CONNECTOR 1661259C1 BODY LOCK 1661263C1</p>		CAV	CIRCUIT	GA	COLOR	TERMINAL	A	F126J	16	GY	1661261C1	B	F126-GJ	16	WH	1661261C1
CAV	CIRCUIT	GA	COLOR	TERMINAL												
A	F126J	16	GY	1661261C1												
B	F126-GJ	16	WH	1661261C1												
CHK	DATE	CHANGE	REV	REFERENCE	DRAWN	NAME										
-	-	INITIAL RELEASE.	A	93784S	23132922	CIRCUIT DIAGRAM, RE BUS - BODY										
					RELEASE NO.	DATE	PART NO.	SHEET								
					93784S	22FEB17	AE08085161	065								

Figure 579 Connector Composites (10719, 10720, 10721, 10722)

19.70. CONNECTOR COMPOSITES (10723, 10724, 10725, 10726), P. 66

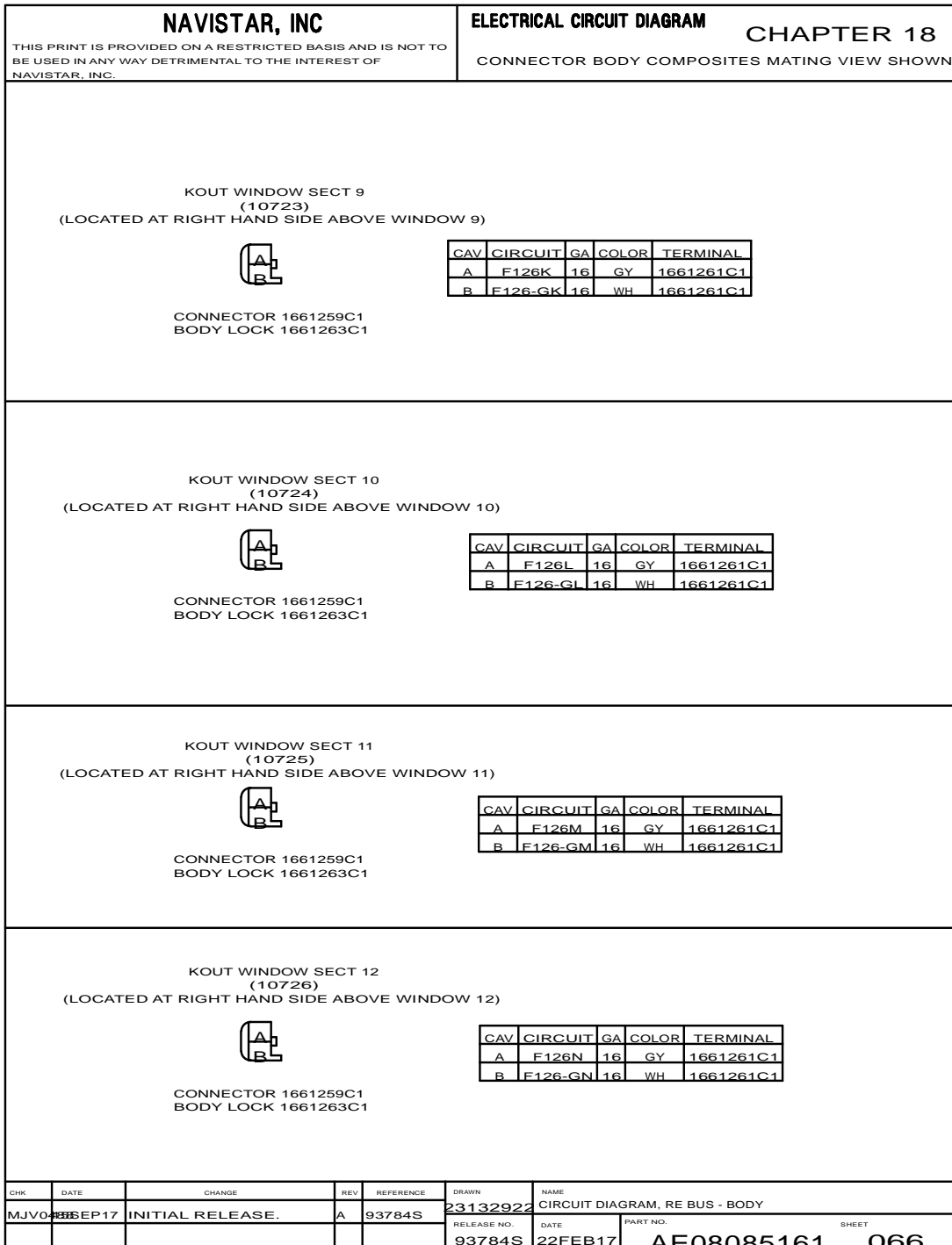


Figure 580 Connector Composites (10723, 10724, 10725, 10726)

19.71. CONNECTOR COMPOSITES (10727, 10728, 10729, 10730, 10731), P. 67






NAVISTAR, INC				ELECTRICAL CIRCUIT DIAGRAM				CHAPTER 18																		
THIS PRINT IS PROVIDED ON A RESTRICTED BASIS AND IS NOT TO BE USED IN ANY WAY DETRIMENTAL TO THE INTEREST OF NAVISTAR, INC.				CONNECTOR BODY COMPOSITES MATING VIEW SHOWN																						
<p>KOUT WINDOW SECT 13 (10727) (LOCATED AT RIGHT HAND SIDE ABOVE WINDOW 13)</p>  <table border="1" style="margin-left: auto; margin-right: auto; font-size: x-small;"> <thead> <tr> <th>CAV</th> <th>CIRCUIT</th> <th>GA</th> <th>COLOR</th> <th>TERMINAL</th> </tr> </thead> <tbody> <tr> <td>A</td> <td>F126P</td> <td>16</td> <td>GY</td> <td>1661261C1</td> </tr> <tr> <td>B</td> <td>F126-GP</td> <td>16</td> <td>WH</td> <td>1661261C1</td> </tr> </tbody> </table> <p>CONNECTOR 1661259C1 BODY LOCK 1661263C1</p>												CAV	CIRCUIT	GA	COLOR	TERMINAL	A	F126P	16	GY	1661261C1	B	F126-GP	16	WH	1661261C1
CAV	CIRCUIT	GA	COLOR	TERMINAL																						
A	F126P	16	GY	1661261C1																						
B	F126-GP	16	WH	1661261C1																						
<p>KOUT WINDOW SECT 14 (10728) (LOCATED AT RIGHT HAND SIDE ABOVE WINDOW 14)</p>  <table border="1" style="margin-left: auto; margin-right: auto; font-size: x-small;"> <thead> <tr> <th>CAV</th> <th>CIRCUIT</th> <th>GA</th> <th>COLOR</th> <th>TERMINAL</th> </tr> </thead> <tbody> <tr> <td>A</td> <td>F126R</td> <td>16</td> <td>GY</td> <td>1661261C1</td> </tr> <tr> <td>B</td> <td>F126-GR</td> <td>16</td> <td>WH</td> <td>1661261C1</td> </tr> </tbody> </table> <p>CONNECTOR 1661259C1 BODY LOCK 1661263C1</p>												CAV	CIRCUIT	GA	COLOR	TERMINAL	A	F126R	16	GY	1661261C1	B	F126-GR	16	WH	1661261C1
CAV	CIRCUIT	GA	COLOR	TERMINAL																						
A	F126R	16	GY	1661261C1																						
B	F126-GR	16	WH	1661261C1																						
<p>KOUT WINDOW SECT 15 (10729) (LOCATED AT RIGHT HAND SIDE ABOVE WINDOW 15)</p>  <table border="1" style="margin-left: auto; margin-right: auto; font-size: x-small;"> <thead> <tr> <th>CAV</th> <th>CIRCUIT</th> <th>GA</th> <th>COLOR</th> <th>TERMINAL</th> </tr> </thead> <tbody> <tr> <td>A</td> <td>F126T</td> <td>16</td> <td>GY</td> <td>1661261C1</td> </tr> <tr> <td>B</td> <td>F126-GT</td> <td>16</td> <td>WH</td> <td>1661261C1</td> </tr> </tbody> </table> <p>CONNECTOR 1661259C1 BODY LOCK 1661263C1</p>												CAV	CIRCUIT	GA	COLOR	TERMINAL	A	F126T	16	GY	1661261C1	B	F126-GT	16	WH	1661261C1
CAV	CIRCUIT	GA	COLOR	TERMINAL																						
A	F126T	16	GY	1661261C1																						
B	F126-GT	16	WH	1661261C1																						
<p>EMER EXIT LIGHT (10730) (LOCATED AT RIGHT HAND SIDE ABOVE WINDOW 1)</p>  <table border="1" style="margin-left: auto; margin-right: auto; font-size: x-small;"> <thead> <tr> <th>CAV</th> <th>CIRCUIT</th> <th>GA</th> <th>COLOR</th> <th>TERMINAL</th> </tr> </thead> <tbody> <tr> <td>A</td> <td>F143A</td> <td>18</td> <td>DKBL</td> <td>1661261C1</td> </tr> <tr> <td>B</td> <td>F143-GA</td> <td>18</td> <td>WH</td> <td>1661261C1</td> </tr> </tbody> </table> <p>CONNECTOR 1661259C1 BODY LOCK 1661263C1</p>												CAV	CIRCUIT	GA	COLOR	TERMINAL	A	F143A	18	DKBL	1661261C1	B	F143-GA	18	WH	1661261C1
CAV	CIRCUIT	GA	COLOR	TERMINAL																						
A	F143A	18	DKBL	1661261C1																						
B	F143-GA	18	WH	1661261C1																						
<p>EMER EXIT LIGHT (10731) (LOCATED AT RIGHT HAND SIDE ABOVE WINDOW 2)</p>  <table border="1" style="margin-left: auto; margin-right: auto; font-size: x-small;"> <thead> <tr> <th>CAV</th> <th>CIRCUIT</th> <th>GA</th> <th>COLOR</th> <th>TERMINAL</th> </tr> </thead> <tbody> <tr> <td>A</td> <td>F143B</td> <td>18</td> <td>DKBL</td> <td>1661261C1</td> </tr> <tr> <td>B</td> <td>F143-GB</td> <td>18</td> <td>WH</td> <td>1661261C1</td> </tr> </tbody> </table> <p>CONNECTOR 1661259C1 BODY LOCK 1661263C1</p>												CAV	CIRCUIT	GA	COLOR	TERMINAL	A	F143B	18	DKBL	1661261C1	B	F143-GB	18	WH	1661261C1
CAV	CIRCUIT	GA	COLOR	TERMINAL																						
A	F143B	18	DKBL	1661261C1																						
B	F143-GB	18	WH	1661261C1																						
CHK	DATE	CHANGE	REV	REFERENCE	DRAWN	NAME																				
MJVO	23SEP17	INITIAL RELEASE.	A	93784S	23132922	CIRCUIT DIAGRAM, RE BUS - BODY																				
					RELEASE NO.	DATE	PART NO.	SHEET																		
					93784S	22FEB17	AE08085161	067																		

Figure 581 Connector Composites (10727, 10728, 10729, 10730, 10731)

19.72. CONNECTOR COMPOSITES (10732, 10733, 10734, 10735), P. 68





NAVISTAR, INC				ELECTRICAL CIRCUIT DIAGRAM				CHAPTER 18																		
THIS PRINT IS PROVIDED ON A RESTRICTED BASIS AND IS NOT TO BE USED IN ANY WAY DETRIMENTAL TO THE INTEREST OF NAVISTAR, INC.				CONNECTOR BODY COMPOSITES MATING VIEW SHOWN																						
<p>EMER EXIT LIGHT (10732) (LOCATED AT RIGHT HAND SIDE ABOVE WINDOW 3)</p>  <table border="1" style="margin-left: auto; margin-right: auto; font-size: x-small;"> <thead> <tr> <th>CAV</th> <th>CIRCUIT</th> <th>GA</th> <th>COLOR</th> <th>TERMINAL</th> </tr> </thead> <tbody> <tr> <td>A</td> <td>F143C</td> <td>18</td> <td>DKBL</td> <td>1661261C1</td> </tr> <tr> <td>B</td> <td>F143-GC</td> <td>18</td> <td>WH</td> <td>1661261C1</td> </tr> </tbody> </table> <p>CONNECTOR 1661259C1 BODY LOCK 1661263C1</p>												CAV	CIRCUIT	GA	COLOR	TERMINAL	A	F143C	18	DKBL	1661261C1	B	F143-GC	18	WH	1661261C1
CAV	CIRCUIT	GA	COLOR	TERMINAL																						
A	F143C	18	DKBL	1661261C1																						
B	F143-GC	18	WH	1661261C1																						
<p>EMER EXIT LIGHT (10733) (LOCATED AT RIGHT HAND SIDE ABOVE WINDOW 4)</p>  <table border="1" style="margin-left: auto; margin-right: auto; font-size: x-small;"> <thead> <tr> <th>CAV</th> <th>CIRCUIT</th> <th>GA</th> <th>COLOR</th> <th>TERMINAL</th> </tr> </thead> <tbody> <tr> <td>A</td> <td>F143D</td> <td>18</td> <td>DKBL</td> <td>1661261C1</td> </tr> <tr> <td>B</td> <td>F143-GD</td> <td>18</td> <td>WH</td> <td>1661261C1</td> </tr> </tbody> </table> <p>CONNECTOR 1661259C1 BODY LOCK 1661263C1</p>												CAV	CIRCUIT	GA	COLOR	TERMINAL	A	F143D	18	DKBL	1661261C1	B	F143-GD	18	WH	1661261C1
CAV	CIRCUIT	GA	COLOR	TERMINAL																						
A	F143D	18	DKBL	1661261C1																						
B	F143-GD	18	WH	1661261C1																						
<p>EMER EXIT LIGHT (10734) (LOCATED AT RIGHT HAND SIDE ABOVE WINDOW 5)</p>  <table border="1" style="margin-left: auto; margin-right: auto; font-size: x-small;"> <thead> <tr> <th>CAV</th> <th>CIRCUIT</th> <th>GA</th> <th>COLOR</th> <th>TERMINAL</th> </tr> </thead> <tbody> <tr> <td>A</td> <td>F143E</td> <td>18</td> <td>DKBL</td> <td>1661261C1</td> </tr> <tr> <td>B</td> <td>F143-GE</td> <td>18</td> <td>WH</td> <td>1661261C1</td> </tr> </tbody> </table> <p>CONNECTOR 1661259C1 BODY LOCK 1661263C1</p>												CAV	CIRCUIT	GA	COLOR	TERMINAL	A	F143E	18	DKBL	1661261C1	B	F143-GE	18	WH	1661261C1
CAV	CIRCUIT	GA	COLOR	TERMINAL																						
A	F143E	18	DKBL	1661261C1																						
B	F143-GE	18	WH	1661261C1																						
<p>EMER EXIT LIGHT (10735) (LOCATED AT RIGHT HAND SIDE ABOVE WINDOW 6)</p>  <table border="1" style="margin-left: auto; margin-right: auto; font-size: x-small;"> <thead> <tr> <th>CAV</th> <th>CIRCUIT</th> <th>GA</th> <th>COLOR</th> <th>TERMINAL</th> </tr> </thead> <tbody> <tr> <td>A</td> <td>F143F</td> <td>18</td> <td>DKBL</td> <td>1661261C1</td> </tr> <tr> <td>B</td> <td>F143-GF</td> <td>18</td> <td>WH</td> <td>1661261C1</td> </tr> </tbody> </table> <p>CONNECTOR 1661259C1 BODY LOCK 1661263C1</p>												CAV	CIRCUIT	GA	COLOR	TERMINAL	A	F143F	18	DKBL	1661261C1	B	F143-GF	18	WH	1661261C1
CAV	CIRCUIT	GA	COLOR	TERMINAL																						
A	F143F	18	DKBL	1661261C1																						
B	F143-GF	18	WH	1661261C1																						
CHK	DATE	CHANGE	REV	REFERENCE	DRAWN	NAME																				
MJVO	23SEP17	INITIAL RELEASE.	A	93784S	23132922	CIRCUIT DIAGRAM, RE BUS - BODY																				
					RELEASE NO.	DATE	PART NO.	SHEET																		
					93784S	22FEB17	AE08085161	068																		

Figure 582 Connector Composites (10732, 10733, 10734, 10735)

19.73. CONNECTOR COMPOSITES (10736, 10737, 10738, 10739), P. 69





NAVISTAR, INC <small>THIS PRINT IS PROVIDED ON A RESTRICTED BASIS AND IS NOT TO BE USED IN ANY WAY DETRIMENTAL TO THE INTEREST OF NAVISTAR, INC.</small>	ELECTRICAL CIRCUIT DIAGRAM CHAPTER 18 CONNECTOR BODY COMPOSITES MATING VIEW SHOWN																																																								
EMER EXIT LIGHT (10736) (LOCATED AT RIGHT HAND SIDE ABOVE WINDOW 7)  CONNECTOR 1661259C1 BODY LOCK 1661263C1	<table border="1" style="margin: auto;"> <thead> <tr> <th>CAV</th> <th>CIRCUIT</th> <th>GA</th> <th>COLOR</th> <th>TERMINAL</th> </tr> </thead> <tbody> <tr> <td>A</td> <td>F143H</td> <td>18</td> <td>DKBL</td> <td>1661261C1</td> </tr> <tr> <td>B</td> <td>F143-GH</td> <td>18</td> <td>WH</td> <td>1661261C1</td> </tr> </tbody> </table>	CAV	CIRCUIT	GA	COLOR	TERMINAL	A	F143H	18	DKBL	1661261C1	B	F143-GH	18	WH	1661261C1																																									
CAV	CIRCUIT	GA	COLOR	TERMINAL																																																					
A	F143H	18	DKBL	1661261C1																																																					
B	F143-GH	18	WH	1661261C1																																																					
EMER EXIT LIGHT (10737) (LOCATED AT RIGHT HAND SIDE ABOVE WINDOW 8)  CONNECTOR 1661259C1 BODY LOCK 1661263C1	<table border="1" style="margin: auto;"> <thead> <tr> <th>CAV</th> <th>CIRCUIT</th> <th>GA</th> <th>COLOR</th> <th>TERMINAL</th> </tr> </thead> <tbody> <tr> <td>A</td> <td>F143J</td> <td>18</td> <td>DKBL</td> <td>1661261C1</td> </tr> <tr> <td>B</td> <td>F143-GJ</td> <td>18</td> <td>WH</td> <td>1661261C1</td> </tr> </tbody> </table>	CAV	CIRCUIT	GA	COLOR	TERMINAL	A	F143J	18	DKBL	1661261C1	B	F143-GJ	18	WH	1661261C1																																									
CAV	CIRCUIT	GA	COLOR	TERMINAL																																																					
A	F143J	18	DKBL	1661261C1																																																					
B	F143-GJ	18	WH	1661261C1																																																					
EMER EXIT LIGHT (10738) (LOCATED AT RIGHT HAND SIDE ABOVE WINDOW 9)  CONNECTOR 1661259C1 BODY LOCK 1661263C1	<table border="1" style="margin: auto;"> <thead> <tr> <th>CAV</th> <th>CIRCUIT</th> <th>GA</th> <th>COLOR</th> <th>TERMINAL</th> </tr> </thead> <tbody> <tr> <td>A</td> <td>F143K</td> <td>18</td> <td>DKBL</td> <td>1661261C1</td> </tr> <tr> <td>B</td> <td>F143-GK</td> <td>18</td> <td>WH</td> <td>1661261C1</td> </tr> </tbody> </table>	CAV	CIRCUIT	GA	COLOR	TERMINAL	A	F143K	18	DKBL	1661261C1	B	F143-GK	18	WH	1661261C1																																									
CAV	CIRCUIT	GA	COLOR	TERMINAL																																																					
A	F143K	18	DKBL	1661261C1																																																					
B	F143-GK	18	WH	1661261C1																																																					
EMER EXIT LIGHT (10739) (LOCATED AT RIGHT HAND SIDE ABOVE WINDOW 10)  CONNECTOR 1661259C1 BODY LOCK 1661263C1	<table border="1" style="margin: auto;"> <thead> <tr> <th>CAV</th> <th>CIRCUIT</th> <th>GA</th> <th>COLOR</th> <th>TERMINAL</th> </tr> </thead> <tbody> <tr> <td>A</td> <td>F143L</td> <td>18</td> <td>DKBL</td> <td>1661261C1</td> </tr> <tr> <td>B</td> <td>F143-GL</td> <td>18</td> <td>WH</td> <td>1661261C1</td> </tr> </tbody> </table>	CAV	CIRCUIT	GA	COLOR	TERMINAL	A	F143L	18	DKBL	1661261C1	B	F143-GL	18	WH	1661261C1																																									
CAV	CIRCUIT	GA	COLOR	TERMINAL																																																					
A	F143L	18	DKBL	1661261C1																																																					
B	F143-GL	18	WH	1661261C1																																																					
<table border="1" style="width:100%; border-collapse: collapse;"> <thead> <tr> <th>CHK</th> <th>DATE</th> <th>CHANGE</th> <th>REV</th> <th>REFERENCE</th> <th>DRAWN</th> <th>NAME</th> </tr> </thead> <tbody> <tr> <td>MJVO</td> <td>23SEP17</td> <td>INITIAL RELEASE.</td> <td>A</td> <td>93784S</td> <td>23132922</td> <td>CIRCUIT DIAGRAM, RE BUS - BODY</td> </tr> <tr> <td></td> <td></td> <td></td> <td></td> <td></td> <td>RELEASE NO.</td> <td>DATE</td> </tr> <tr> <td></td> <td></td> <td></td> <td></td> <td></td> <td>93784S</td> <td>22FEB17</td> </tr> <tr> <td></td> <td></td> <td></td> <td></td> <td></td> <td></td> <td>PART NO.</td> </tr> <tr> <td></td> <td></td> <td></td> <td></td> <td></td> <td></td> <td>AE08085161</td> </tr> <tr> <td></td> <td></td> <td></td> <td></td> <td></td> <td></td> <td>SHEET</td> </tr> <tr> <td></td> <td></td> <td></td> <td></td> <td></td> <td></td> <td>069</td> </tr> </tbody> </table>	CHK	DATE	CHANGE	REV	REFERENCE	DRAWN	NAME	MJVO	23SEP17	INITIAL RELEASE.	A	93784S	23132922	CIRCUIT DIAGRAM, RE BUS - BODY						RELEASE NO.	DATE						93784S	22FEB17							PART NO.							AE08085161							SHEET							069	
CHK	DATE	CHANGE	REV	REFERENCE	DRAWN	NAME																																																			
MJVO	23SEP17	INITIAL RELEASE.	A	93784S	23132922	CIRCUIT DIAGRAM, RE BUS - BODY																																																			
					RELEASE NO.	DATE																																																			
					93784S	22FEB17																																																			
						PART NO.																																																			
						AE08085161																																																			
						SHEET																																																			
						069																																																			

Figure 583 Connector Composites (10736, 10737, 10738, 10739)

19.74. CONNECTOR COMPOSITES (10740, 10741, 10742, 10743, 10744), P. 70






NAVISTAR, INC				ELECTRICAL CIRCUIT DIAGRAM CHAPTER 18																		
THIS PRINT IS PROVIDED ON A RESTRICTED BASIS AND IS NOT TO BE USED IN ANY WAY DETRIMENTAL TO THE INTEREST OF NAVISTAR, INC.				CONNECTOR BODY COMPOSITES MATING VIEW SHOWN																		
EMER EXIT LIGHT (10740) (LOCATED AT RIGHT HAND SIDE ABOVE WINDOW 11)				<table border="1" style="font-size: x-small; border-collapse: collapse;"> <thead> <tr> <th>CAV</th> <th>CIRCUIT</th> <th>GA</th> <th>COLOR</th> <th>TERMINAL</th> </tr> </thead> <tbody> <tr> <td>A</td> <td>F143M</td> <td>18</td> <td>DKBL</td> <td>1661261C1</td> </tr> <tr> <td>B</td> <td>F143-GM</td> <td>18</td> <td>WH</td> <td>1661261C1</td> </tr> </tbody> </table>				CAV	CIRCUIT	GA	COLOR	TERMINAL	A	F143M	18	DKBL	1661261C1	B	F143-GM	18	WH	1661261C1
CAV	CIRCUIT	GA	COLOR	TERMINAL																		
A	F143M	18	DKBL	1661261C1																		
B	F143-GM	18	WH	1661261C1																		
																						
CONNECTOR 1661259C1 BODY LOCK 1661263C1																						
EMER EXIT LIGHT (10741) (LOCATED AT RIGHT HAND SIDE ABOVE WINDOW 12)				<table border="1" style="font-size: x-small; border-collapse: collapse;"> <thead> <tr> <th>CAV</th> <th>CIRCUIT</th> <th>GA</th> <th>COLOR</th> <th>TERMINAL</th> </tr> </thead> <tbody> <tr> <td>A</td> <td>F143N</td> <td>18</td> <td>DKBL</td> <td>1661261C1</td> </tr> <tr> <td>B</td> <td>F143-GN</td> <td>18</td> <td>WH</td> <td>1661261C1</td> </tr> </tbody> </table>				CAV	CIRCUIT	GA	COLOR	TERMINAL	A	F143N	18	DKBL	1661261C1	B	F143-GN	18	WH	1661261C1
CAV	CIRCUIT	GA	COLOR	TERMINAL																		
A	F143N	18	DKBL	1661261C1																		
B	F143-GN	18	WH	1661261C1																		
																						
CONNECTOR 1661259C1 BODY LOCK 1661263C1																						
EMER EXIT LIGHT (10742) (LOCATED AT RIGHT HAND SIDE ABOVE WINDOW 13)				<table border="1" style="font-size: x-small; border-collapse: collapse;"> <thead> <tr> <th>CAV</th> <th>CIRCUIT</th> <th>GA</th> <th>COLOR</th> <th>TERMINAL</th> </tr> </thead> <tbody> <tr> <td>A</td> <td>F143P</td> <td>18</td> <td>DK BL</td> <td>1661261C1</td> </tr> <tr> <td>B</td> <td>F143-GP</td> <td>18</td> <td>WH</td> <td>1661261C1</td> </tr> </tbody> </table>				CAV	CIRCUIT	GA	COLOR	TERMINAL	A	F143P	18	DK BL	1661261C1	B	F143-GP	18	WH	1661261C1
CAV	CIRCUIT	GA	COLOR	TERMINAL																		
A	F143P	18	DK BL	1661261C1																		
B	F143-GP	18	WH	1661261C1																		
																						
CONNECTOR 1661259C1 BODY LOCK 1661263C1																						
EMER EXIT LIGHT (10743) (LOCATED AT RIGHT HAND SIDE ABOVE WINDOW 14)				<table border="1" style="font-size: x-small; border-collapse: collapse;"> <thead> <tr> <th>CAV</th> <th>CIRCUIT</th> <th>GA</th> <th>COLOR</th> <th>TERMINAL</th> </tr> </thead> <tbody> <tr> <td>A</td> <td>F143R</td> <td>18</td> <td>DKBL</td> <td>1661261C1</td> </tr> <tr> <td>B</td> <td>F143-GR</td> <td>18</td> <td>WH</td> <td>1661261C1</td> </tr> </tbody> </table>				CAV	CIRCUIT	GA	COLOR	TERMINAL	A	F143R	18	DKBL	1661261C1	B	F143-GR	18	WH	1661261C1
CAV	CIRCUIT	GA	COLOR	TERMINAL																		
A	F143R	18	DKBL	1661261C1																		
B	F143-GR	18	WH	1661261C1																		
																						
CONNECTOR 1661259C1 BODY LOCK 1661263C1																						
SIDE DIR LT MIDSHIP - FE (10744) (LOCATED AT RIGHT HAND SIDE ABOVE WINDOW 14)				<table border="1" style="font-size: x-small; border-collapse: collapse;"> <thead> <tr> <th>CAV</th> <th>CIRCUIT</th> <th>GA</th> <th>COLOR</th> <th>TERMINAL</th> </tr> </thead> <tbody> <tr> <td>A</td> <td>F143S</td> <td>18</td> <td>DK BL</td> <td>1661261C1</td> </tr> <tr> <td>B</td> <td>F143-GS</td> <td>18</td> <td>WH</td> <td>1661261C1</td> </tr> </tbody> </table>				CAV	CIRCUIT	GA	COLOR	TERMINAL	A	F143S	18	DK BL	1661261C1	B	F143-GS	18	WH	1661261C1
CAV	CIRCUIT	GA	COLOR	TERMINAL																		
A	F143S	18	DK BL	1661261C1																		
B	F143-GS	18	WH	1661261C1																		
																						
CONNECTOR 1661259C1 BODY LOCK 1661263C1																						
CHK	DATE	CHANGE	REV	REFERENCE	DRAWN	NAME																
MJVO	08SEP19	ADDED R/D 10744.	B	95004Y	23132922	CIRCUIT DIAGRAM, RE BUS - BODY																
					RELEASE NO.	DATE	PART NO.															
					93784S	22FEB17	AE08085161															
						SHEET	070															

Figure 584 Connector Composites (10740, 10741, 10742, 10743, 10744)

19.75. CONNECTOR COMPOSITES (10751, 10751A, 10757, 10757A, 10758), P. 71





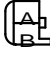
<p>NAVISTAR, INC</p> <p>THIS PRINT IS PROVIDED ON A RESTRICTED BASIS AND IS NOT TO BE USED IN ANY WAY DETRIMENTAL TO THE INTEREST OF NAVISTAR, INC.</p>	<p>ELECTRICAL CIRCUIT DIAGRAM</p> <p>CHAPTER 18</p> <p>CONNECTOR BODY COMPOSITES MATING VIEW SHOWN</p>																												
<p>PARK BRAKE WARNING (-) (10751) (LOCATED NEAR DASH CONN IN PLATFORM)</p>  <p>CONNECTOR 0188395R1</p>	<table border="1" style="margin: auto;"> <thead> <tr> <th>CAV</th> <th>CIRCUIT</th> <th>GA</th> <th>COLOR</th> <th>TERMINAL</th> </tr> </thead> <tbody> <tr> <td>A</td> <td>A79W-G</td> <td>14</td> <td>WH</td> <td>0188396R1</td> </tr> </tbody> </table>	CAV	CIRCUIT	GA	COLOR	TERMINAL	A	A79W-G	14	WH	0188396R1																		
CAV	CIRCUIT	GA	COLOR	TERMINAL																									
A	A79W-G	14	WH	0188396R1																									
<p>PARK BRAKE WARNING (+) (10751A) (LOCATED NEAR DASH CONN IN PLATFORM)</p>  <p>CONNECTOR 0188395R1</p>	<table border="1" style="margin: auto;"> <thead> <tr> <th>CAV</th> <th>CIRCUIT</th> <th>GA</th> <th>COLOR</th> <th>TERMINAL</th> </tr> </thead> <tbody> <tr> <td>A</td> <td>A79V</td> <td>16</td> <td>GY</td> <td>0188396R1</td> </tr> </tbody> </table>	CAV	CIRCUIT	GA	COLOR	TERMINAL	A	A79V	16	GY	0188396R1																		
CAV	CIRCUIT	GA	COLOR	TERMINAL																									
A	A79V	16	GY	0188396R1																									
<p>DOME LIGHT SECT 1 (10757) (LOCATED AT RIGHT SIDE OF 1ST WINDOW SECTION)</p>  <p>CONNECTOR 1661259C1 BODY LOCK 1661263C1</p>	<table border="1" style="margin: auto;"> <thead> <tr> <th>CAV</th> <th>CIRCUIT</th> <th>GA</th> <th>COLOR</th> <th>TERMINAL</th> </tr> </thead> <tbody> <tr> <td>A</td> <td>F63A</td> <td>16</td> <td>DKBL</td> <td>1661261C1</td> </tr> <tr> <td>B</td> <td>F63-GA</td> <td>16</td> <td>WH</td> <td>1661261C1</td> </tr> </tbody> </table>	CAV	CIRCUIT	GA	COLOR	TERMINAL	A	F63A	16	DKBL	1661261C1	B	F63-GA	16	WH	1661261C1													
CAV	CIRCUIT	GA	COLOR	TERMINAL																									
A	F63A	16	DKBL	1661261C1																									
B	F63-GA	16	WH	1661261C1																									
<p>DOME LIGHT OVER EACH SEAT (10757A) (LOCATED ABOVE EACH SEAT)</p>  <p>CONNECTOR 1661259C1 BODY LOCK 1661263C1</p>	<table border="1" style="margin: auto;"> <thead> <tr> <th>CAV</th> <th>CIRCUIT</th> <th>GA</th> <th>COLOR</th> <th>TERMINAL</th> </tr> </thead> <tbody> <tr> <td>A</td> <td>F63A</td> <td>16</td> <td>DKBL</td> <td>1661261C1</td> </tr> <tr> <td>B</td> <td>F63A-G</td> <td>16</td> <td>WH</td> <td>1661261C1</td> </tr> </tbody> </table>	CAV	CIRCUIT	GA	COLOR	TERMINAL	A	F63A	16	DKBL	1661261C1	B	F63A-G	16	WH	1661261C1													
CAV	CIRCUIT	GA	COLOR	TERMINAL																									
A	F63A	16	DKBL	1661261C1																									
B	F63A-G	16	WH	1661261C1																									
<p>DOME LIGHT SECT 3 (10758) (LOCATED AT RIGHT SIDE OF 3RD WINDOW SECTION)</p>  <p>CONNECTOR 1661259C1 BODY LOCK 1661263C1</p>	<table border="1" style="margin: auto;"> <thead> <tr> <th>CAV</th> <th>CIRCUIT</th> <th>GA</th> <th>COLOR</th> <th>TERMINAL</th> </tr> </thead> <tbody> <tr> <td>A*</td> <td>F63B</td> <td>16</td> <td>DKBL</td> <td>1661261C1</td> </tr> <tr> <td>A#</td> <td>F63U</td> <td>16</td> <td>DKBL</td> <td>1661261C1</td> </tr> <tr> <td>B</td> <td>F63-GB</td> <td>16</td> <td>WH</td> <td>1661261C1</td> </tr> </tbody> </table> <p>* W/DOME LIGHT STD STAGGER # W/DOME LIGHT STD STAGGER SWITCH FRONT AND REAR</p>	CAV	CIRCUIT	GA	COLOR	TERMINAL	A*	F63B	16	DKBL	1661261C1	A#	F63U	16	DKBL	1661261C1	B	F63-GB	16	WH	1661261C1								
CAV	CIRCUIT	GA	COLOR	TERMINAL																									
A*	F63B	16	DKBL	1661261C1																									
A#	F63U	16	DKBL	1661261C1																									
B	F63-GB	16	WH	1661261C1																									
<table border="1" style="width: 100%; border-collapse: collapse;"> <thead> <tr> <th>CHK</th> <th>DATE</th> <th>CHANGE</th> <th>REV</th> <th>REFERENCE</th> <th>DRAWN</th> <th>NAME</th> </tr> </thead> <tbody> <tr> <td>-</td> <td>-</td> <td>INITIAL RELEASE.</td> <td>A</td> <td>93784S</td> <td>23132922</td> <td>CIRCUIT DIAGRAM, RE BUS - BODY</td> </tr> <tr> <td></td> <td></td> <td></td> <td></td> <td></td> <td>RELEASE NO.</td> <td>DATE</td> </tr> <tr> <td></td> <td></td> <td></td> <td></td> <td></td> <td>93784S</td> <td>22FEB17</td> </tr> </tbody> </table>	CHK	DATE	CHANGE	REV	REFERENCE	DRAWN	NAME	-	-	INITIAL RELEASE.	A	93784S	23132922	CIRCUIT DIAGRAM, RE BUS - BODY						RELEASE NO.	DATE						93784S	22FEB17	<p>PART NO. AE08085161 SHEET 071</p>
CHK	DATE	CHANGE	REV	REFERENCE	DRAWN	NAME																							
-	-	INITIAL RELEASE.	A	93784S	23132922	CIRCUIT DIAGRAM, RE BUS - BODY																							
					RELEASE NO.	DATE																							
					93784S	22FEB17																							

Figure 585 Connector Composites (10751, 10751A, 10757, 10757A, 10758)

19.76. CONNECTOR COMPOSITES (10758A, 10759, 10759A, 10760), P. 72

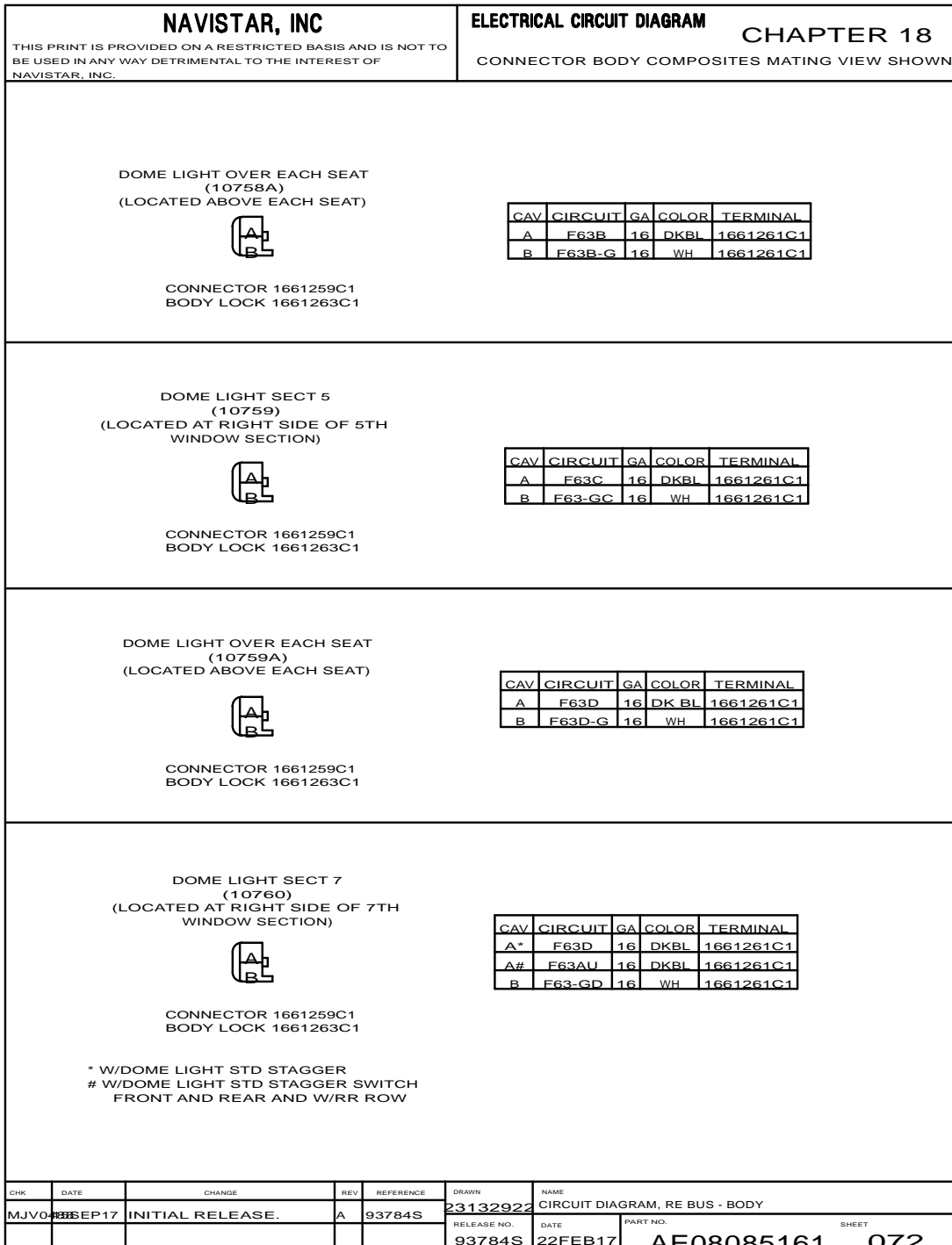


Figure 586 Connector Composites (10758A, 10759, 10759A, 10760)

19.77. CONNECTOR COMPOSITES (10760A, 10761, 10761A, 10762), P. 73




NAVISTAR, INC				ELECTRICAL CIRCUIT DIAGRAM				CHAPTER 18																																						
THIS PRINT IS PROVIDED ON A RESTRICTED BASIS AND IS NOT TO BE USED IN ANY WAY DETRIMENTAL TO THE INTEREST OF NAVISTAR, INC.				CONNECTOR BODY COMPOSITES MATING VIEW SHOWN																																										
<p>DOME LIGHT OVER EACH SEAT (10760A) (LOCATED ABOVE EACH SEAT)</p>  <table border="1" style="margin-left: auto; margin-right: auto; font-size: x-small;"> <thead> <tr><th>CAV</th><th>CIRCUIT</th><th>GA</th><th>COLOR</th><th>TERMINAL</th></tr> </thead> <tbody> <tr><td>A</td><td>F63E</td><td>16</td><td>DKBL</td><td>1661261C1</td></tr> <tr><td>B</td><td>F63E-G</td><td>16</td><td>WH</td><td>1661261C1</td></tr> </tbody> </table> <p style="text-align: center;">CONNECTOR 1661259C1 BODY LOCK 1661263C1</p>												CAV	CIRCUIT	GA	COLOR	TERMINAL	A	F63E	16	DKBL	1661261C1	B	F63E-G	16	WH	1661261C1																				
CAV	CIRCUIT	GA	COLOR	TERMINAL																																										
A	F63E	16	DKBL	1661261C1																																										
B	F63E-G	16	WH	1661261C1																																										
<p>DOME LIGHT SECT 9 (10761) (LOCATED AT R SIDE OF 9TH WINDOW SECTION)</p>  <table border="1" style="margin-left: auto; margin-right: auto; font-size: x-small;"> <thead> <tr><th>CAV</th><th>CIRCUIT</th><th>GA</th><th>COLOR</th><th>TERMINAL</th></tr> </thead> <tbody> <tr><td>A*</td><td>F63E</td><td>16</td><td>DKBL</td><td>1661261C1</td></tr> <tr><td>A#</td><td>F63M</td><td>16</td><td>DKBL</td><td>1661261C1</td></tr> <tr><td>A%</td><td>F63R</td><td>16</td><td>DKBL</td><td>1661261C1</td></tr> <tr><td>B</td><td>F63-GE</td><td>16</td><td>WH</td><td>1661261C1</td></tr> </tbody> </table> <p style="text-align: center;">CONNECTOR 1661259C1 BODY LOCK 1661263C1</p> <p style="text-align: center; font-size: x-small;">* W/DOME LIGHT DOUBLE # W/DOME LIGHT DOUBLE SWITCH FRONT AND REAR % W/DOME LIGHT DOUBLE SWITCH FRONT AND REAR W/RR ROW</p>												CAV	CIRCUIT	GA	COLOR	TERMINAL	A*	F63E	16	DKBL	1661261C1	A#	F63M	16	DKBL	1661261C1	A%	F63R	16	DKBL	1661261C1	B	F63-GE	16	WH	1661261C1										
CAV	CIRCUIT	GA	COLOR	TERMINAL																																										
A*	F63E	16	DKBL	1661261C1																																										
A#	F63M	16	DKBL	1661261C1																																										
A%	F63R	16	DKBL	1661261C1																																										
B	F63-GE	16	WH	1661261C1																																										
<p>DOME LIGHT OVER EACH SEAT (10761A) (LOCATED ABOVE EACH SEAT)</p>  <table border="1" style="margin-left: auto; margin-right: auto; font-size: x-small;"> <thead> <tr><th>CAV</th><th>CIRCUIT</th><th>GA</th><th>COLOR</th><th>TERMINAL</th></tr> </thead> <tbody> <tr><td>A</td><td>F63H</td><td>16</td><td>DKBL</td><td>1661261C1</td></tr> <tr><td>B</td><td>F63H-G</td><td>16</td><td>WH</td><td>1661261C1</td></tr> </tbody> </table> <p style="text-align: center;">CONNECTOR 1661259C1 BODY LOCK 1661263C1</p>												CAV	CIRCUIT	GA	COLOR	TERMINAL	A	F63H	16	DKBL	1661261C1	B	F63H-G	16	WH	1661261C1																				
CAV	CIRCUIT	GA	COLOR	TERMINAL																																										
A	F63H	16	DKBL	1661261C1																																										
B	F63H-G	16	WH	1661261C1																																										
<p>DOME LIGHT SECT 11 (10762) (LOCATED AT RIGHT SIDE OF 11TH WINDOW SECTION)</p>  <table border="1" style="margin-left: auto; margin-right: auto; font-size: x-small;"> <thead> <tr><th>CAV</th><th>CIRCUIT</th><th>GA</th><th>COLOR</th><th>TERMINAL</th></tr> </thead> <tbody> <tr><td>A*</td><td>F63F</td><td>16</td><td>DKBL</td><td>1661261C1</td></tr> <tr><td>A#</td><td>F63N</td><td>16</td><td>DKBL</td><td>1661261C1</td></tr> <tr><td>A%</td><td>F63M</td><td>16</td><td>DKBL</td><td>1661261C1</td></tr> <tr><td>A&</td><td>F63J</td><td>16</td><td>DKBL</td><td>1661261C1</td></tr> <tr><td>A&</td><td>F63AU</td><td>16</td><td>DKBL</td><td>1661261C1</td></tr> <tr><td>B</td><td>F63-GF</td><td>16</td><td>WH</td><td>1661261C1</td></tr> </tbody> </table> <p style="text-align: center;">CONNECTOR 1661259C1 BODY LOCK 1661263C1</p> <p style="text-align: center; font-size: x-small;">* W/DOME LIGHT STD STAGGER # W/DOME LIGHT STD STAGGER SWITCH FRONT AND REAR % W/DOME LIGHT STD STAGGER W/RR ROW & W/DOME LIGHT STD STAGGER SWITCH FRONT AND REAR AND W/RR ROW</p>												CAV	CIRCUIT	GA	COLOR	TERMINAL	A*	F63F	16	DKBL	1661261C1	A#	F63N	16	DKBL	1661261C1	A%	F63M	16	DKBL	1661261C1	A&	F63J	16	DKBL	1661261C1	A&	F63AU	16	DKBL	1661261C1	B	F63-GF	16	WH	1661261C1
CAV	CIRCUIT	GA	COLOR	TERMINAL																																										
A*	F63F	16	DKBL	1661261C1																																										
A#	F63N	16	DKBL	1661261C1																																										
A%	F63M	16	DKBL	1661261C1																																										
A&	F63J	16	DKBL	1661261C1																																										
A&	F63AU	16	DKBL	1661261C1																																										
B	F63-GF	16	WH	1661261C1																																										
CHK	DATE	CHANGE	REV	REFERENCE	DRAWN	NAME																																								
MJVO	13SEP17	INITIAL RELEASE.	A	93784S	23132922	CIRCUIT DIAGRAM, RE BUS - BODY																																								
					RELEASE NO.	DATE	PART NO.		SHEET																																					
					93784S	22FEB17	AE08085161		073																																					

Figure 587 Connector Composites (10760A, 10761, 10761A, 10762)

19.78. CONNECTOR COMPOSITES (10763, 10763A, 10764, 10765A, 10766), P. 74





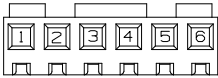
NAVISTAR, INC				ELECTRICAL CIRCUIT DIAGRAM CHAPTER 18																																																																																								
THIS PRINT IS PROVIDED ON A RESTRICTED BASIS AND IS NOT TO BE USED IN ANY WAY DETRIMENTAL TO THE INTEREST OF NAVISTAR, INC.				CONNECTOR BODY COMPOSITES MATING VIEW SHOWN																																																																																								
DOME LIGHT SECT 13 (10763) (LOCATED AT RIGHT SIDE OF 13TH WINDOW SECTION) 				<table border="1" style="width:100%; border-collapse: collapse; font-size: x-small;"> <thead> <tr> <th>CAV</th><th>CIRCUIT</th><th>GA</th><th>COLOR</th><th>TERMINAL</th></tr> </thead> <tbody> <tr><td>A*</td><td>F63H</td><td>16</td><td>DKBL</td><td>1661261C1</td></tr> <tr><td>A#</td><td>F63P</td><td>16</td><td>DKBL</td><td>1661261C1</td></tr> <tr><td>A%</td><td>F63M</td><td>16</td><td>DKBL</td><td>1661261C1</td></tr> <tr><td>A&</td><td>F63H</td><td>16</td><td>DKBL</td><td>1661261C1</td></tr> <tr><td>B</td><td>F63-GH</td><td>16</td><td>WH</td><td>1661261C1</td></tr> </tbody> </table>				CAV	CIRCUIT	GA	COLOR	TERMINAL	A*	F63H	16	DKBL	1661261C1	A#	F63P	16	DKBL	1661261C1	A%	F63M	16	DKBL	1661261C1	A&	F63H	16	DKBL	1661261C1	B	F63-GH	16	WH	1661261C1																																																							
CAV	CIRCUIT	GA	COLOR	TERMINAL																																																																																								
A*	F63H	16	DKBL	1661261C1																																																																																								
A#	F63P	16	DKBL	1661261C1																																																																																								
A%	F63M	16	DKBL	1661261C1																																																																																								
A&	F63H	16	DKBL	1661261C1																																																																																								
B	F63-GH	16	WH	1661261C1																																																																																								
CONNECTOR 1661259C1 BODY LOCK 1661263C1				* W/DOME LIGHT DOUBLE # W/DOME LIGHT DOUBLE SWITCH FRONT AND REAR % W/DOME LIGHT DOUBLE W/RR ROW & W/DOME LIGHT DELUXE																																																																																								
DOME LIGHT OVER EACH SEAT (10763A) (LOCATED ABOVE EACH SEAT) 				<table border="1" style="width:100%; border-collapse: collapse; font-size: x-small;"> <thead> <tr> <th>CAV</th><th>CIRCUIT</th><th>GA</th><th>COLOR</th><th>TERMINAL</th></tr> </thead> <tbody> <tr><td>A</td><td>F63L</td><td>16</td><td>DKBL</td><td>1661261C1</td></tr> <tr><td>B</td><td>F63L-G</td><td>16</td><td>WH</td><td>1661261C1</td></tr> </tbody> </table>				CAV	CIRCUIT	GA	COLOR	TERMINAL	A	F63L	16	DKBL	1661261C1	B	F63L-G	16	WH	1661261C1																																																																						
CAV	CIRCUIT	GA	COLOR	TERMINAL																																																																																								
A	F63L	16	DKBL	1661261C1																																																																																								
B	F63L-G	16	WH	1661261C1																																																																																								
CONNECTOR 1661259C1 BODY LOCK 1661263C1																																																																																												
REAR DOME LT SECT 15 (10764) (LOCATED AT RIGHT SIDE OF 15TH WINDOW SECTION) 				<table border="1" style="width:100%; border-collapse: collapse; font-size: x-small;"> <thead> <tr> <th>CAV</th><th>CIRCUIT</th><th>GA</th><th>COLOR</th><th>TERMINAL</th></tr> </thead> <tbody> <tr><td>A*</td><td>F63J</td><td>16</td><td>DK BL</td><td>1661261C1</td></tr> <tr><td>A#</td><td>F63R</td><td>16</td><td>DK BL</td><td>1661261C1</td></tr> <tr><td>A%</td><td>F63M</td><td>16</td><td>DK BL</td><td>1661261C1</td></tr> <tr><td>B</td><td>F63-GJ</td><td>16</td><td>WH</td><td>1661261C1</td></tr> </tbody> </table>				CAV	CIRCUIT	GA	COLOR	TERMINAL	A*	F63J	16	DK BL	1661261C1	A#	F63R	16	DK BL	1661261C1	A%	F63M	16	DK BL	1661261C1	B	F63-GJ	16	WH	1661261C1																																																												
CAV	CIRCUIT	GA	COLOR	TERMINAL																																																																																								
A*	F63J	16	DK BL	1661261C1																																																																																								
A#	F63R	16	DK BL	1661261C1																																																																																								
A%	F63M	16	DK BL	1661261C1																																																																																								
B	F63-GJ	16	WH	1661261C1																																																																																								
CONNECTOR 1661259C1 BODY LOCK 1661263C1				* W/ DOME LT STD STAGGER # W/ DOME LT STD STAGGER SWITCHED FRONT AND REAR % W/ DOME LT STD STAGGER W/ REAR ROW																																																																																								
ACTIVITY DOME LIGHT SECT 14 (10765A) (LOCATED AT RIGHT SIDE OF 14TH WINDOW SECTION) 				<table border="1" style="width:100%; border-collapse: collapse; font-size: x-small;"> <thead> <tr> <th>CAV</th><th>CIRCUIT</th><th>GA</th><th>COLOR</th><th>TERMINAL</th></tr> </thead> <tbody> <tr><td>A</td><td>F63AS</td><td>16</td><td>DKBL</td><td>1661261C1</td></tr> <tr><td>B</td><td>F63-GX</td><td>16</td><td>WH</td><td>1661261C1</td></tr> </tbody> </table>				CAV	CIRCUIT	GA	COLOR	TERMINAL	A	F63AS	16	DKBL	1661261C1	B	F63-GX	16	WH	1661261C1																																																																						
CAV	CIRCUIT	GA	COLOR	TERMINAL																																																																																								
A	F63AS	16	DKBL	1661261C1																																																																																								
B	F63-GX	16	WH	1661261C1																																																																																								
CONNECTOR 1661259C1 BODY LOCK 1661263C1																																																																																												
EP-1 PLUS (10766) (LOCATED NEAR DRIVER CONTROL MODULE) 				<table border="1" style="width:100%; border-collapse: collapse; font-size: x-small;"> <thead> <tr> <th>CAV</th><th>CIRCUIT</th><th>GA</th><th>COLOR</th><th>TERMINAL</th></tr> </thead> <tbody> <tr><td>1*</td><td>B125A</td><td>18</td><td>GY</td><td>3761061C1</td></tr> <tr><td>1%</td><td>B14E</td><td>18</td><td>RD</td><td>3761061C1</td></tr> <tr><td>1#</td><td>B125A</td><td>18</td><td>GY</td><td>3761061C1</td></tr> <tr><td>2*</td><td>B125B-G</td><td>18</td><td>WH</td><td>3761061C1</td></tr> <tr><td>2%</td><td>B125-G</td><td>18</td><td>WH</td><td>3761061C1</td></tr> <tr><td>2#</td><td>B125B-G</td><td>18</td><td>WH</td><td>3761061C1</td></tr> <tr><td>3*</td><td>B125</td><td>18</td><td>GY</td><td>3761061C1</td></tr> <tr><td>3%</td><td>B13</td><td>18</td><td>PK</td><td>3761061C1</td></tr> <tr><td>3#</td><td>B125</td><td>18</td><td>GY</td><td>3761061C1</td></tr> <tr><td>4</td><td>B125D</td><td>18</td><td>GY</td><td>3761061C1</td></tr> <tr><td>5*</td><td>B119</td><td>18</td><td>GY</td><td>3761061C1</td></tr> <tr><td>5%</td><td>B60B</td><td>18</td><td>OR</td><td>3761061C1</td></tr> <tr><td>5#</td><td>B119</td><td>18</td><td>GY</td><td>3761061C1</td></tr> <tr><td>6*</td><td>B85</td><td>18</td><td>WH</td><td>3761061C1</td></tr> <tr><td>6%</td><td>B53B</td><td>18</td><td>YL</td><td>3761061C1</td></tr> <tr><td>6#</td><td>B85</td><td>18</td><td>WH</td><td>3761061C1</td></tr> </tbody> </table>				CAV	CIRCUIT	GA	COLOR	TERMINAL	1*	B125A	18	GY	3761061C1	1%	B14E	18	RD	3761061C1	1#	B125A	18	GY	3761061C1	2*	B125B-G	18	WH	3761061C1	2%	B125-G	18	WH	3761061C1	2#	B125B-G	18	WH	3761061C1	3*	B125	18	GY	3761061C1	3%	B13	18	PK	3761061C1	3#	B125	18	GY	3761061C1	4	B125D	18	GY	3761061C1	5*	B119	18	GY	3761061C1	5%	B60B	18	OR	3761061C1	5#	B119	18	GY	3761061C1	6*	B85	18	WH	3761061C1	6%	B53B	18	YL	3761061C1	6#	B85	18	WH	3761061C1
CAV	CIRCUIT	GA	COLOR	TERMINAL																																																																																								
1*	B125A	18	GY	3761061C1																																																																																								
1%	B14E	18	RD	3761061C1																																																																																								
1#	B125A	18	GY	3761061C1																																																																																								
2*	B125B-G	18	WH	3761061C1																																																																																								
2%	B125-G	18	WH	3761061C1																																																																																								
2#	B125B-G	18	WH	3761061C1																																																																																								
3*	B125	18	GY	3761061C1																																																																																								
3%	B13	18	PK	3761061C1																																																																																								
3#	B125	18	GY	3761061C1																																																																																								
4	B125D	18	GY	3761061C1																																																																																								
5*	B119	18	GY	3761061C1																																																																																								
5%	B60B	18	OR	3761061C1																																																																																								
5#	B119	18	GY	3761061C1																																																																																								
6*	B85	18	WH	3761061C1																																																																																								
6%	B53B	18	YL	3761061C1																																																																																								
6#	B85	18	WH	3761061C1																																																																																								
CONNECTOR 3761059C1				* W/ PTI N/SPLIT SW DOME LIGHTS # W/ POST TRIP W/ ALTN RELAY LOCATION % W/ POST TRIP W/SNOOZE																																																																																								
CHK	DATE	CHANGE	REV	REFERENCE	DRAWN	NAME																																																																																						
MJV04	08SEP19	REMOVED R/D 10765B.	B	95004Y	23132922	CIRCUIT DIAGRAM, RE BUS - BODY																																																																																						
					RELEASE NO.	DATE	PART NO.																																																																																					
					93784S	22FEB17	AE08085161																																																																																					
						SHEET	074																																																																																					

Figure 588 Connector Composites (10763, 10763A, 10764, 10765A, 10766)

19.79. CONNECTOR COMPOSITES (10767, 10768, 10769), P. 75

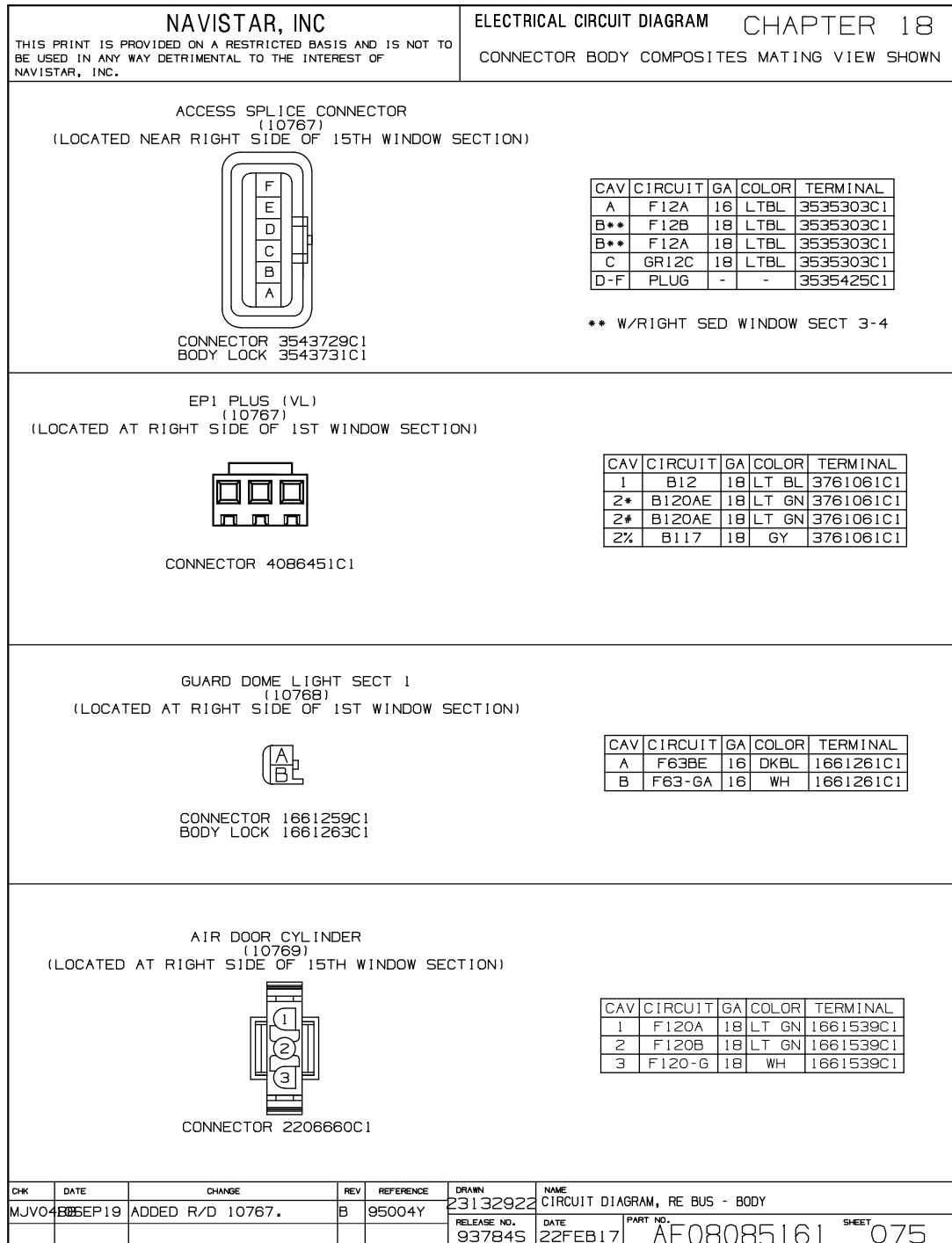


Figure 589 Connector Composites (10767, 10768, 10769)

19.80. CONNECTOR COMPOSITES (*10769, 10769C, 10769D), P. 75A

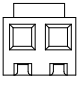
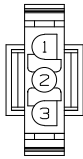
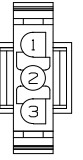
NAVISTAR, INC <small>THIS PRINT IS PROVIDED ON A RESTRICTED BASIS AND IS NOT TO BE USED IN ANY WAY DETRIMENTAL TO THE INTEREST OF NAVISTAR, INC.</small>				ELECTRICAL CIRCUIT DIAGRAM CHAPTER 18 CONNECTOR BODY COMPOSITES MATING VIEW SHOWN																										
EP 1 1 PLUS (OR) (*10769) (LOCATED AT RIGHT SIDE OF 15TH WINDOW SECTION)																														
			<table border="1" style="font-size: small;"> <thead> <tr> <th>CAV</th> <th>CIRCUIT</th> <th>GA</th> <th>COLOR</th> <th>TERMINAL</th> </tr> </thead> <tbody> <tr> <td>1</td> <td>-</td> <td>-</td> <td>-</td> <td>-</td> </tr> <tr> <td>2*</td> <td>B63BA</td> <td>18</td> <td>LT GN</td> <td>3761061C1</td> </tr> <tr> <td>2#</td> <td>B63BA</td> <td>18</td> <td>LT GN</td> <td>3761061C1</td> </tr> <tr> <td>2%</td> <td>B63</td> <td>18</td> <td>DK BL</td> <td>3761061C1</td> </tr> </tbody> </table>			CAV	CIRCUIT	GA	COLOR	TERMINAL	1	-	-	-	-	2*	B63BA	18	LT GN	3761061C1	2#	B63BA	18	LT GN	3761061C1	2%	B63	18	DK BL	3761061C1
CAV	CIRCUIT	GA	COLOR	TERMINAL																										
1	-	-	-	-																										
2*	B63BA	18	LT GN	3761061C1																										
2#	B63BA	18	LT GN	3761061C1																										
2%	B63	18	DK BL	3761061C1																										
CONNECTOR 4086453C1																														
AIR DOOR CYLINDER (10769C) (LOCATED AT RIGHT SIDE OF 8TH WINDOW SECTION)																														
			<table border="1" style="font-size: small;"> <thead> <tr> <th>CAV</th> <th>CIRCUIT</th> <th>GA</th> <th>COLOR</th> <th>TERMINAL</th> </tr> </thead> <tbody> <tr> <td>1</td> <td>F120A</td> <td>18</td> <td>LTGN</td> <td>1661539C1</td> </tr> <tr> <td>2</td> <td>F120B</td> <td>18</td> <td>LTGN</td> <td>1661539C1</td> </tr> <tr> <td>3</td> <td>F120-G</td> <td>18</td> <td>WH</td> <td>1661539C1</td> </tr> </tbody> </table>			CAV	CIRCUIT	GA	COLOR	TERMINAL	1	F120A	18	LTGN	1661539C1	2	F120B	18	LTGN	1661539C1	3	F120-G	18	WH	1661539C1					
CAV	CIRCUIT	GA	COLOR	TERMINAL																										
1	F120A	18	LTGN	1661539C1																										
2	F120B	18	LTGN	1661539C1																										
3	F120-G	18	WH	1661539C1																										
CONNECTOR 2206660C1																														
AIR DOOR CYLINDER (10769D) (LOCATED AT RIGHT SIDE OF 9TH WINDOW SECTION)																														
			<table border="1" style="font-size: small;"> <thead> <tr> <th>CAV</th> <th>CIRCUIT</th> <th>GA</th> <th>COLOR</th> <th>TERMINAL</th> </tr> </thead> <tbody> <tr> <td>1</td> <td>F120A</td> <td>18</td> <td>LTGN</td> <td>1661539C1</td> </tr> <tr> <td>2</td> <td>F120B</td> <td>18</td> <td>LTGN</td> <td>1661539C1</td> </tr> <tr> <td>3</td> <td>F120-G</td> <td>18</td> <td>WH</td> <td>1661539C1</td> </tr> </tbody> </table>			CAV	CIRCUIT	GA	COLOR	TERMINAL	1	F120A	18	LTGN	1661539C1	2	F120B	18	LTGN	1661539C1	3	F120-G	18	WH	1661539C1					
CAV	CIRCUIT	GA	COLOR	TERMINAL																										
1	F120A	18	LTGN	1661539C1																										
2	F120B	18	LTGN	1661539C1																										
3	F120-G	18	WH	1661539C1																										
CONNECTOR 2206660C1																														
CHK	DATE	CHANGE	REV	REFERENCE	DRAWN	NAME																								
MJV04	08SEP19	INITIAL PRODUCTION	A	95004Y	23112202	CIRCUIT DIAGRAM, RE BUS - BODY																								
RELEASE					RELEASE NO.	DATE																								
					95004Y	01APR19																								
					PART NO.	SHEET																								
					AE08085161	75A																								

Figure 590 Connector Composites (*10769, 10769C, 10769D)

19.81. CONNECTOR COMPOSITES (10769E, 10769F, 10769H), P. 76

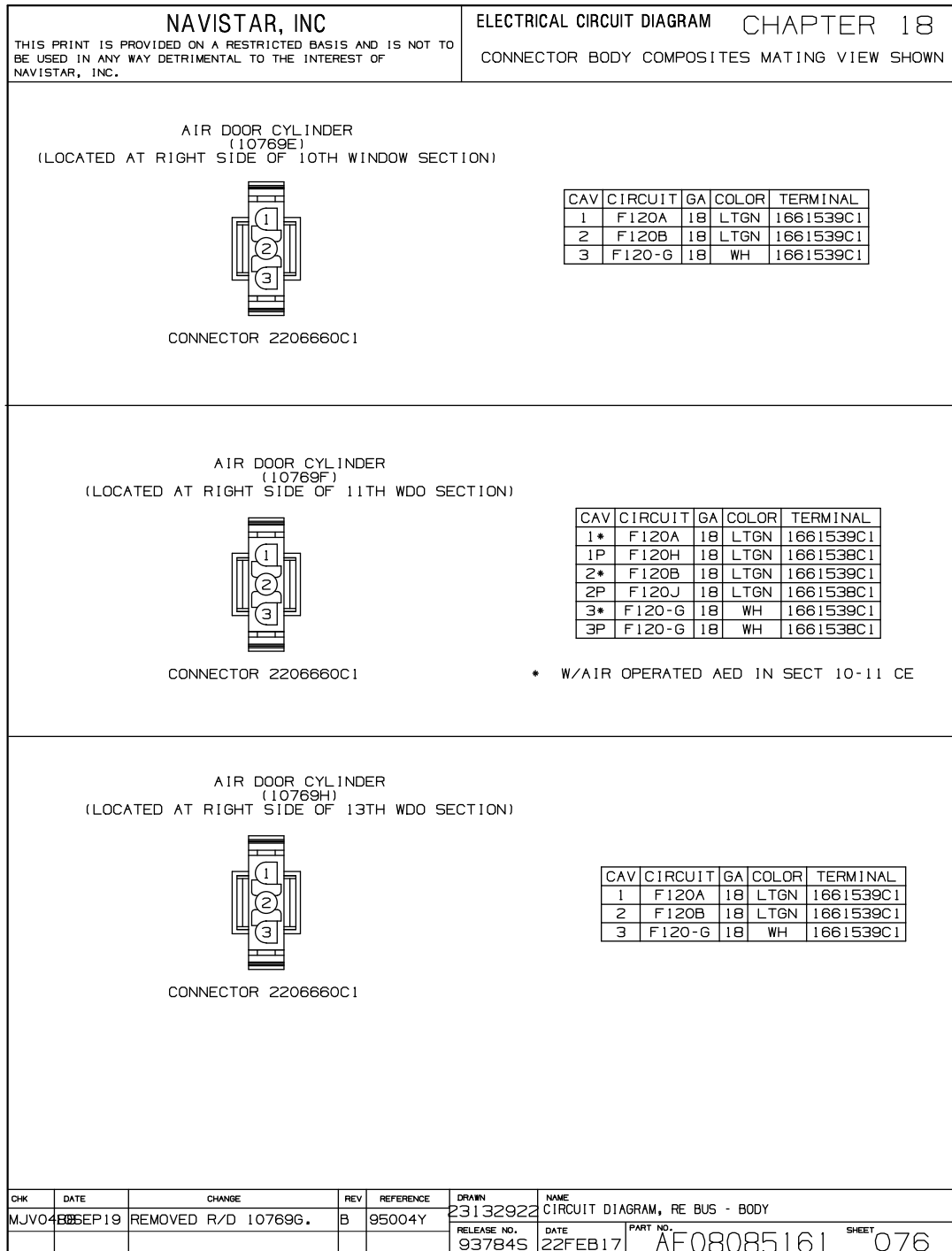


Figure 591 Connector Composites (10769E, 10769F, 10769H)

19.82. CONNECTOR COMPOSITES (10769J, 10770, 10770C, 10770D, 10770E), P. 77

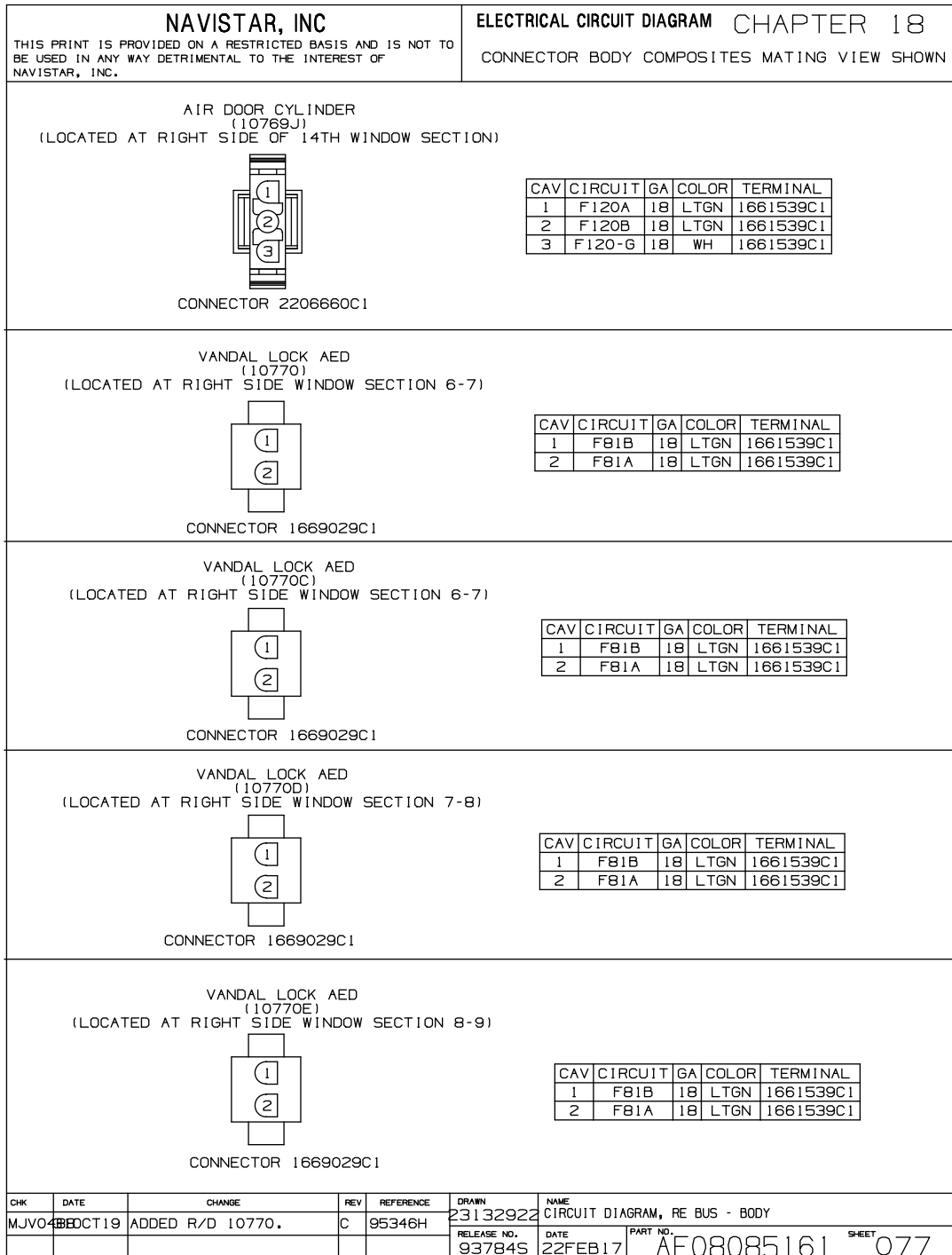


Figure 592 Connector Composites (10769J, 10770, 10770C, 10770D, 10770E)

19.83. CONNECTOR COMPOSITES (10770F, 10770H, 10770J), P. 78

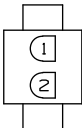
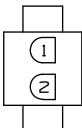
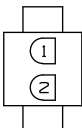
NAVISTAR, INC <small>THIS PRINT IS PROVIDED ON A RESTRICTED BASIS AND IS NOT TO BE USED IN ANY WAY DETRIMENTAL TO THE INTEREST OF NAVISTAR, INC.</small>				ELECTRICAL CIRCUIT DIAGRAM CHAPTER 18 CONNECTOR BODY COMPOSITES MATING VIEW SHOWN																	
<p>AED VANDAL LOCK (10770F) (LOCATED AT RIGHT SIDE WINDOW SECTION 9-10)</p>  <table border="1" style="margin-left: auto; margin-right: auto; border-collapse: collapse;"> <thead> <tr> <th>CAV</th> <th>CIRCUIT</th> <th>GA</th> <th>COLOR</th> <th>TERMINAL</th> </tr> </thead> <tbody> <tr> <td>1</td> <td>F81B</td> <td>18</td> <td>LTGN</td> <td>1661539C1</td> </tr> <tr> <td>2</td> <td>F81A</td> <td>18</td> <td>LTGN</td> <td>1661539C1</td> </tr> </tbody> </table> <p style="text-align: center;">CONNECTOR 1669029C1</p>							CAV	CIRCUIT	GA	COLOR	TERMINAL	1	F81B	18	LTGN	1661539C1	2	F81A	18	LTGN	1661539C1
CAV	CIRCUIT	GA	COLOR	TERMINAL																	
1	F81B	18	LTGN	1661539C1																	
2	F81A	18	LTGN	1661539C1																	
<p>AED VANDAL LOCK SECT 11-12 (10770H) (LOCATED AT RIGHT SIDE WINDOW SECTION 11-12)</p>  <table border="1" style="margin-left: auto; margin-right: auto; border-collapse: collapse;"> <thead> <tr> <th>CAV</th> <th>CIRCUIT</th> <th>GA</th> <th>COLOR</th> <th>TERMINAL</th> </tr> </thead> <tbody> <tr> <td>1</td> <td>F81B</td> <td>18</td> <td>LTGN</td> <td>1661539C1</td> </tr> <tr> <td>2</td> <td>F81A</td> <td>18</td> <td>LTGN</td> <td>1661539C1</td> </tr> </tbody> </table> <p style="text-align: center;">CONNECTOR 1669029C1</p>							CAV	CIRCUIT	GA	COLOR	TERMINAL	1	F81B	18	LTGN	1661539C1	2	F81A	18	LTGN	1661539C1
CAV	CIRCUIT	GA	COLOR	TERMINAL																	
1	F81B	18	LTGN	1661539C1																	
2	F81A	18	LTGN	1661539C1																	
<p>AED VANDAL LOCK SECT 12-13 (10770J) (LOCATED AT RIGHT SIDE WINDOW SECTION 12-13)</p>  <table border="1" style="margin-left: auto; margin-right: auto; border-collapse: collapse;"> <thead> <tr> <th>CAV</th> <th>CIRCUIT</th> <th>GA</th> <th>COLOR</th> <th>TERMINAL</th> </tr> </thead> <tbody> <tr> <td>1</td> <td>F81B</td> <td>18</td> <td>LTGN</td> <td>1661539C1</td> </tr> <tr> <td>2</td> <td>F81A</td> <td>18</td> <td>LTGN</td> <td>1661539C1</td> </tr> </tbody> </table> <p style="text-align: center;">CONNECTOR 1669029C1</p>							CAV	CIRCUIT	GA	COLOR	TERMINAL	1	F81B	18	LTGN	1661539C1	2	F81A	18	LTGN	1661539C1
CAV	CIRCUIT	GA	COLOR	TERMINAL																	
1	F81B	18	LTGN	1661539C1																	
2	F81A	18	LTGN	1661539C1																	
CHK	DATE	CHANGE	REV	REFERENCE	DRAWN	NAME															
MJVO	22SEP19	REMOVED R/D 10770G.	B	95004Y	23132922	CIRCUIT DIAGRAM, RE BUS - BODY															
					RELEASE NO.	DATE															
					93784S	22FEB17															
					PART NO.	SHEET															
					AE08085161	078															

Figure 593 Connector Composites (10770F, 10770H, 10770J)

19.84. CONNECTOR COMPOSITES (10771, 10771A, 10771B, 10771C), P. 79

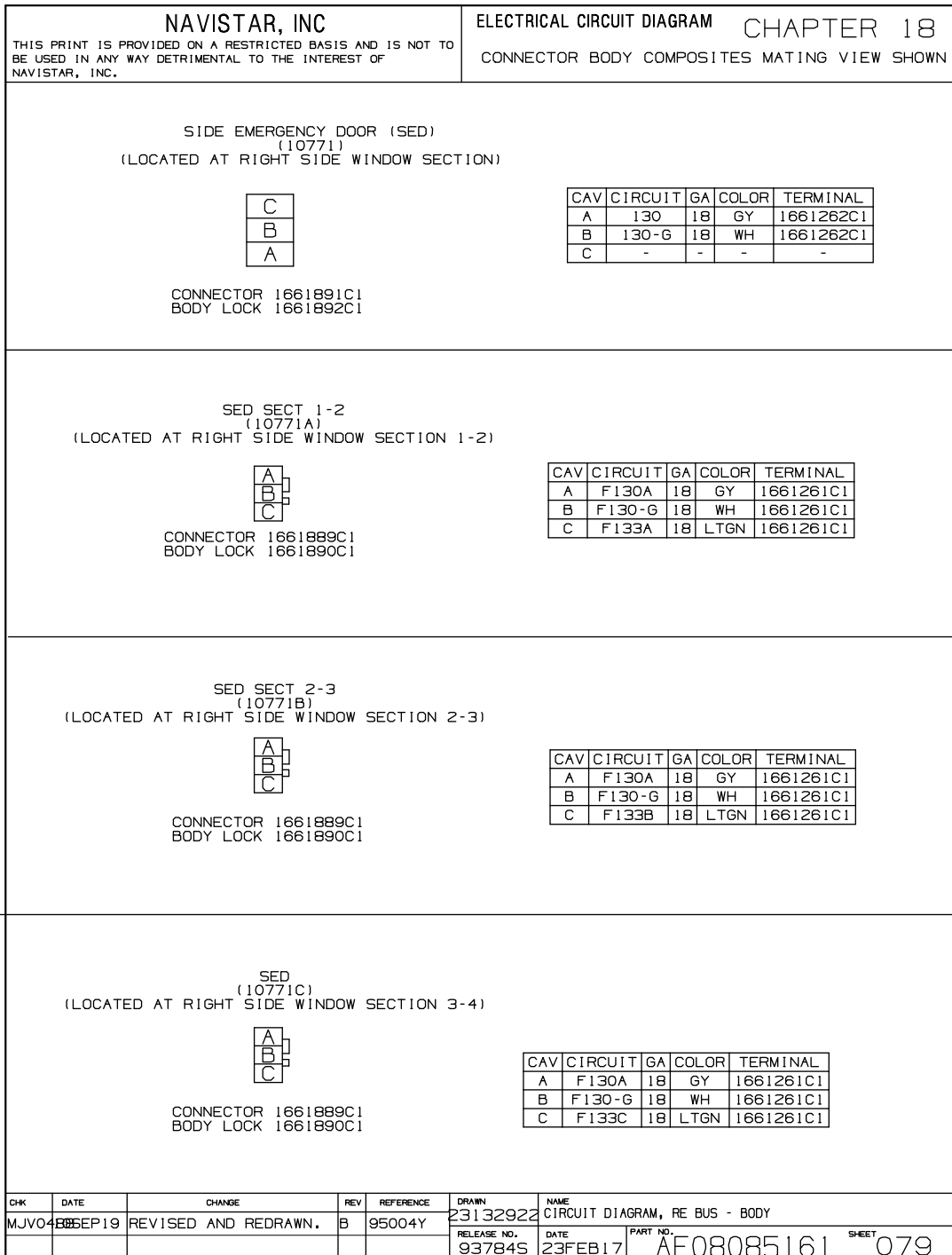


Figure 594 Connector Composites (10771, 10771A, 10771B, 10771C)

19.85. CONNECTOR COMPOSITES (10771D, 10771E, 10771F, 10771G, 10771H, 10771J, 10771K, 10771L), P. 80

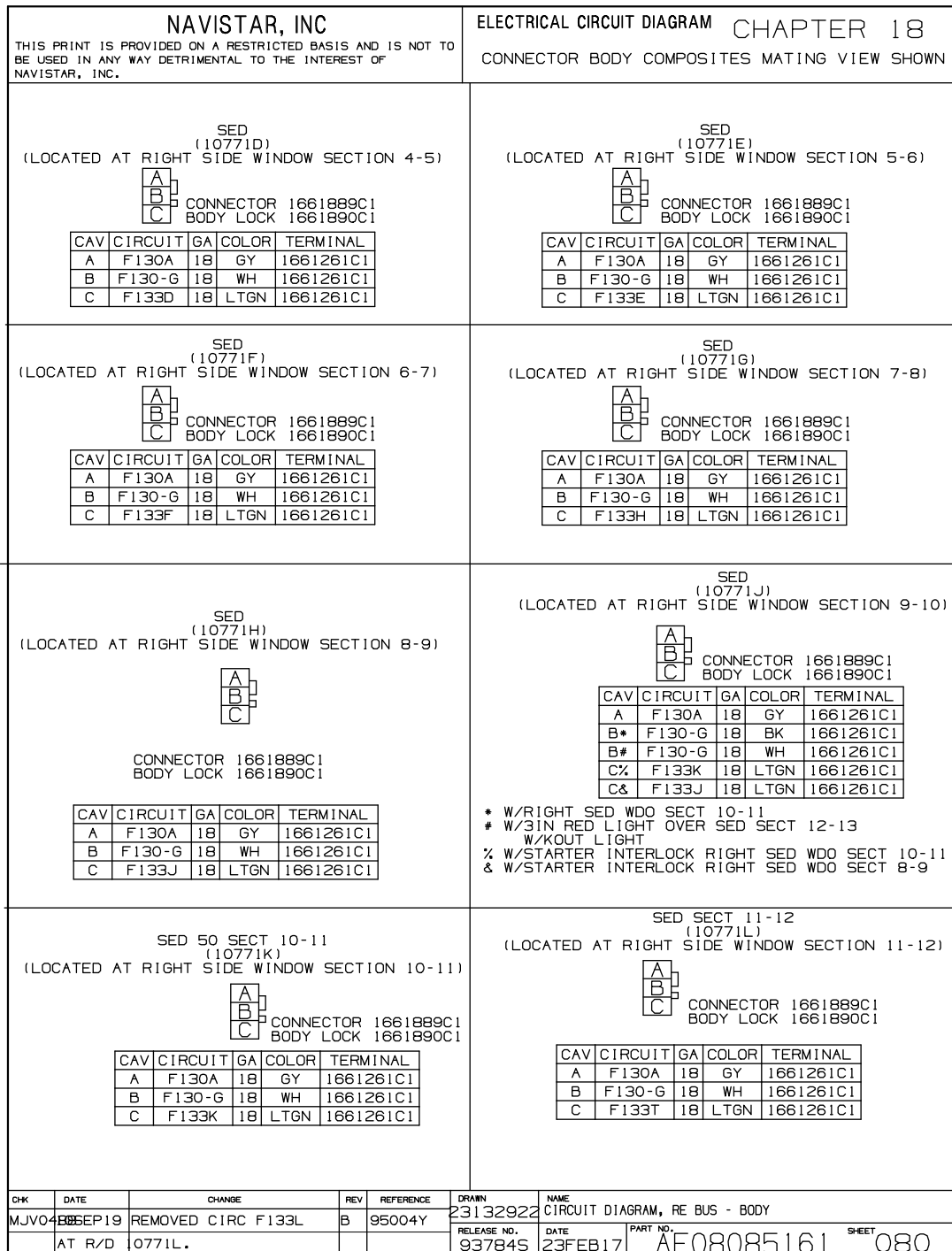


Figure 595 Connector Composites (10771D, 10771E, 10771F, 10771G, 10771H, 10771J, 10771K, 10771L)

19.86. CONNECTOR COMPOSITES (10772A, 10772B, 10772C), P. 81

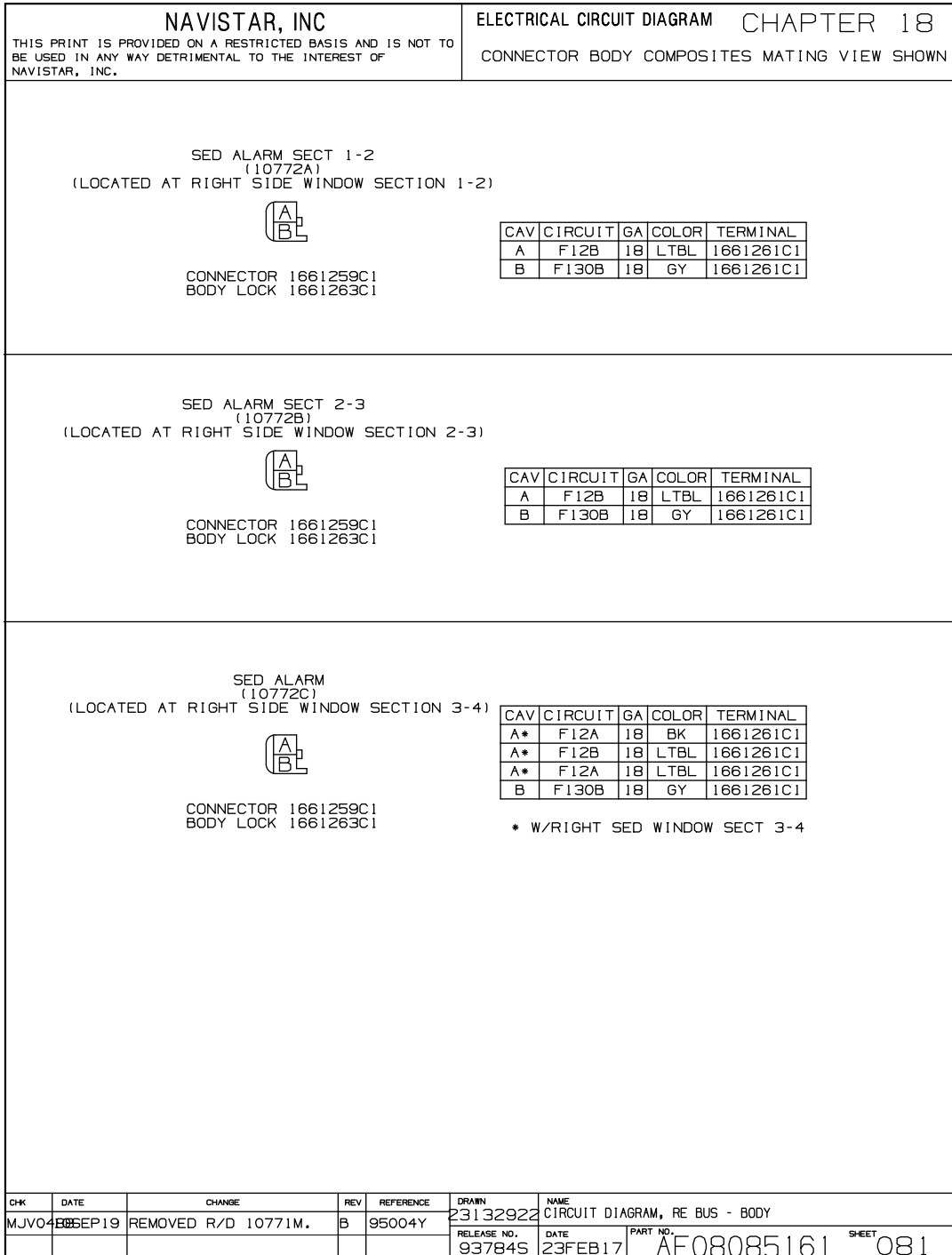


Figure 596 Connector Composites (10772A, 10772B, 10772C)

19.87. CONNECTOR COMPOSITES (10772D, 10772E, 10772F, 10772G), P. 82





NAVISTAR, INC <small>THIS PRINT IS PROVIDED ON A RESTRICTED BASIS AND IS NOT TO BE USED IN ANY WAY DETRIMENTAL TO THE INTEREST OF NAVISTAR, INC.</small>				ELECTRICAL CIRCUIT DIAGRAM CHAPTER 18 CONNECTOR BODY COMPOSITES MATING VIEW SHOWN																
SED ALARM (10772D) (LOCATED AT RIGHT SIDE WINDOW SECTION 4-5)				<table border="1" style="width: 100%; border-collapse: collapse;"> <thead> <tr> <th>CAV</th> <th>CIRCUIT</th> <th>GA</th> <th>COLOR</th> <th>TERMINAL</th> </tr> </thead> <tbody> <tr> <td>A</td> <td>F12B</td> <td>18</td> <td>LT BL</td> <td>1661261C1</td> </tr> <tr> <td>B</td> <td>F130B</td> <td>18</td> <td>GY</td> <td>1661261C1</td> </tr> </tbody> </table>		CAV	CIRCUIT	GA	COLOR	TERMINAL	A	F12B	18	LT BL	1661261C1	B	F130B	18	GY	1661261C1
CAV	CIRCUIT	GA	COLOR	TERMINAL																
A	F12B	18	LT BL	1661261C1																
B	F130B	18	GY	1661261C1																
																				
CONNECTOR 1661259C1 BODY LOCK 1661263C1																				
SED ALARM (10772E) (LOCATED AT RIGHT SIDE WINDOW SECTION 5-6)				<table border="1" style="width: 100%; border-collapse: collapse;"> <thead> <tr> <th>CAV</th> <th>CIRCUIT</th> <th>GA</th> <th>COLOR</th> <th>TERMINAL</th> </tr> </thead> <tbody> <tr> <td>A</td> <td>F12B</td> <td>18</td> <td>LTBL</td> <td>1661261C1</td> </tr> <tr> <td>B</td> <td>F130B</td> <td>18</td> <td>GY</td> <td>1661261C1</td> </tr> </tbody> </table>		CAV	CIRCUIT	GA	COLOR	TERMINAL	A	F12B	18	LTBL	1661261C1	B	F130B	18	GY	1661261C1
CAV	CIRCUIT	GA	COLOR	TERMINAL																
A	F12B	18	LTBL	1661261C1																
B	F130B	18	GY	1661261C1																
																				
CONNECTOR 1661259C1 BODY LOCK 1661263C1																				
SED ALARM (10772F) (LOCATED AT RIGHT SIDE WINDOW SECTION 6-7)				<table border="1" style="width: 100%; border-collapse: collapse;"> <thead> <tr> <th>CAV</th> <th>CIRCUIT</th> <th>GA</th> <th>COLOR</th> <th>TERMINAL</th> </tr> </thead> <tbody> <tr> <td>A</td> <td>F12B</td> <td>18</td> <td>LTBL</td> <td>1661261C1</td> </tr> <tr> <td>B</td> <td>F130B</td> <td>18</td> <td>GY</td> <td>1661261C1</td> </tr> </tbody> </table>		CAV	CIRCUIT	GA	COLOR	TERMINAL	A	F12B	18	LTBL	1661261C1	B	F130B	18	GY	1661261C1
CAV	CIRCUIT	GA	COLOR	TERMINAL																
A	F12B	18	LTBL	1661261C1																
B	F130B	18	GY	1661261C1																
																				
CONNECTOR 1661259C1 BODY LOCK 1661263C1																				
SED ALARM (10772G) (LOCATED AT RIGHT SIDE WINDOW SECTION 7-8)				<table border="1" style="width: 100%; border-collapse: collapse;"> <thead> <tr> <th>CAV</th> <th>CIRCUIT</th> <th>GA</th> <th>COLOR</th> <th>TERMINAL</th> </tr> </thead> <tbody> <tr> <td>A</td> <td>F12B</td> <td>18</td> <td>LTBL</td> <td>1661261C1</td> </tr> <tr> <td>B</td> <td>F130B</td> <td>18</td> <td>GY</td> <td>1661261C1</td> </tr> </tbody> </table>		CAV	CIRCUIT	GA	COLOR	TERMINAL	A	F12B	18	LTBL	1661261C1	B	F130B	18	GY	1661261C1
CAV	CIRCUIT	GA	COLOR	TERMINAL																
A	F12B	18	LTBL	1661261C1																
B	F130B	18	GY	1661261C1																
																				
CONNECTOR 1661259C1 BODY LOCK 1661263C1																				
CHK	DATE	CHANGE	REV	REFERENCE	DRAWN	NAME														
MJV04	19SEP19	REMOVED CIRC AT R/D	B	95004Y	2313292Z	CIRCUIT DIAGRAM, RE BUS - BODY														
	10772D/E/F/G.				RELEASE NO.	DATE	PART NO. SHEET													
					93784S	23FEB17	AE08085161 082													

Figure 597 Connector Composites (10772D, 10772E, 10772F, 10772G)

19.88. CONNECTOR COMPOSITES (10772H, 10772J, 10772K, 10772L), P. 83





NAVISTAR, INC <small>THIS PRINT IS PROVIDED ON A RESTRICTED BASIS AND IS NOT TO BE USED IN ANY WAY DETRIMENTAL TO THE INTEREST OF NAVISTAR, INC.</small>				ELECTRICAL CIRCUIT DIAGRAM CHAPTER 18 CONNECTOR BODY COMPOSITES MATING VIEW SHOWN																							
SED ALARM (10772H) (LOCATED AT RIGHT SIDE WINDOW SECTION 8-9)						<table border="1" style="font-size: small;"> <thead> <tr> <th>CAV</th> <th>CIRCUIT</th> <th>GA</th> <th>COLOR</th> <th>TERMINAL</th> </tr> </thead> <tbody> <tr> <td>A</td> <td>F12B</td> <td>18</td> <td>LTBL</td> <td>1661261C1</td> </tr> <tr> <td>B</td> <td>F130B</td> <td>18</td> <td>GY</td> <td>1661261C1</td> </tr> </tbody> </table>		CAV	CIRCUIT	GA	COLOR	TERMINAL	A	F12B	18	LTBL	1661261C1	B	F130B	18	GY	1661261C1					
CAV	CIRCUIT	GA	COLOR	TERMINAL																							
A	F12B	18	LTBL	1661261C1																							
B	F130B	18	GY	1661261C1																							
CONNECTOR 1661259C1 BODY LOCK 1661263C1																											
SED ALARM (10772J) (LOCATED AT RIGHT SIDE WINDOW SECTION 9-10)						<table border="1" style="font-size: small;"> <thead> <tr> <th>CAV</th> <th>CIRCUIT</th> <th>GA</th> <th>COLOR</th> <th>TERMINAL</th> </tr> </thead> <tbody> <tr> <td>A</td> <td>F12B</td> <td>18</td> <td>LTBL</td> <td>1661261C1</td> </tr> <tr> <td>B*</td> <td>F130B</td> <td>18</td> <td>GY</td> <td>1661261C1</td> </tr> <tr> <td>B#</td> <td>F130B</td> <td>18</td> <td>WH</td> <td>1661261C1</td> </tr> </tbody> </table>		CAV	CIRCUIT	GA	COLOR	TERMINAL	A	F12B	18	LTBL	1661261C1	B*	F130B	18	GY	1661261C1	B#	F130B	18	WH	1661261C1
CAV	CIRCUIT	GA	COLOR	TERMINAL																							
A	F12B	18	LTBL	1661261C1																							
B*	F130B	18	GY	1661261C1																							
B#	F130B	18	WH	1661261C1																							
CONNECTOR 1661259C1 BODY LOCK 1661263C1						* W/RIGHT SED WINDOW SECT 10-11 # W/3IN RED LIGHT OVER SED SECT 12-13 W/KOUT LIGHT																					
SED ALARM SECT 10-11 (10772K) (LOCATED AT RIGHT SIDE WINDOW SECTION 10-11)						<table border="1" style="font-size: small;"> <thead> <tr> <th>CAV</th> <th>CIRCUIT</th> <th>GA</th> <th>COLOR</th> <th>TERMINAL</th> </tr> </thead> <tbody> <tr> <td>A</td> <td>F12B</td> <td>18</td> <td>LTBL</td> <td>1661261C1</td> </tr> <tr> <td>B</td> <td>F130B</td> <td>18</td> <td>GY</td> <td>1661261C1</td> </tr> </tbody> </table>		CAV	CIRCUIT	GA	COLOR	TERMINAL	A	F12B	18	LTBL	1661261C1	B	F130B	18	GY	1661261C1					
CAV	CIRCUIT	GA	COLOR	TERMINAL																							
A	F12B	18	LTBL	1661261C1																							
B	F130B	18	GY	1661261C1																							
CONNECTOR 1661259C1 BODY LOCK 1661263C1																											
SED ALARM SECT 11-12 (10772L) (LOCATED AT RIGHT SIDE WINDOW SECTION 11-12)						<table border="1" style="font-size: small;"> <thead> <tr> <th>CAV</th> <th>CIRCUIT</th> <th>GA</th> <th>COLOR</th> <th>TERMINAL</th> </tr> </thead> <tbody> <tr> <td>A</td> <td>F12B</td> <td>18</td> <td>LTBL</td> <td>1661261C1</td> </tr> <tr> <td>B</td> <td>F130B</td> <td>18</td> <td>GY</td> <td>1661261C1</td> </tr> </tbody> </table>		CAV	CIRCUIT	GA	COLOR	TERMINAL	A	F12B	18	LTBL	1661261C1	B	F130B	18	GY	1661261C1					
CAV	CIRCUIT	GA	COLOR	TERMINAL																							
A	F12B	18	LTBL	1661261C1																							
B	F130B	18	GY	1661261C1																							
CONNECTOR 1661259C1 BODY LOCK 1661263C1																											
CHK	DATE	CHANGE	REV	REFERENCE	DRAWN	NAME																					
MJVO	08SEP19	REMOVED CIRC AT R/D	B	95004Y	23132922	CIRCUIT DIAGRAM, RE BUS - BODY																					
					RELEASE NO.	DATE	PART NO.																				
					10772H/J/K/L.	93784S	23FEB17	AE08085161																			
							SHEET																				
							083																				

Figure 598 Connector Composites (10772H, 10772J, 10772K, 10772L)

19.89. CONNECTOR COMPOSITES (10773A, 10773B), P. 84

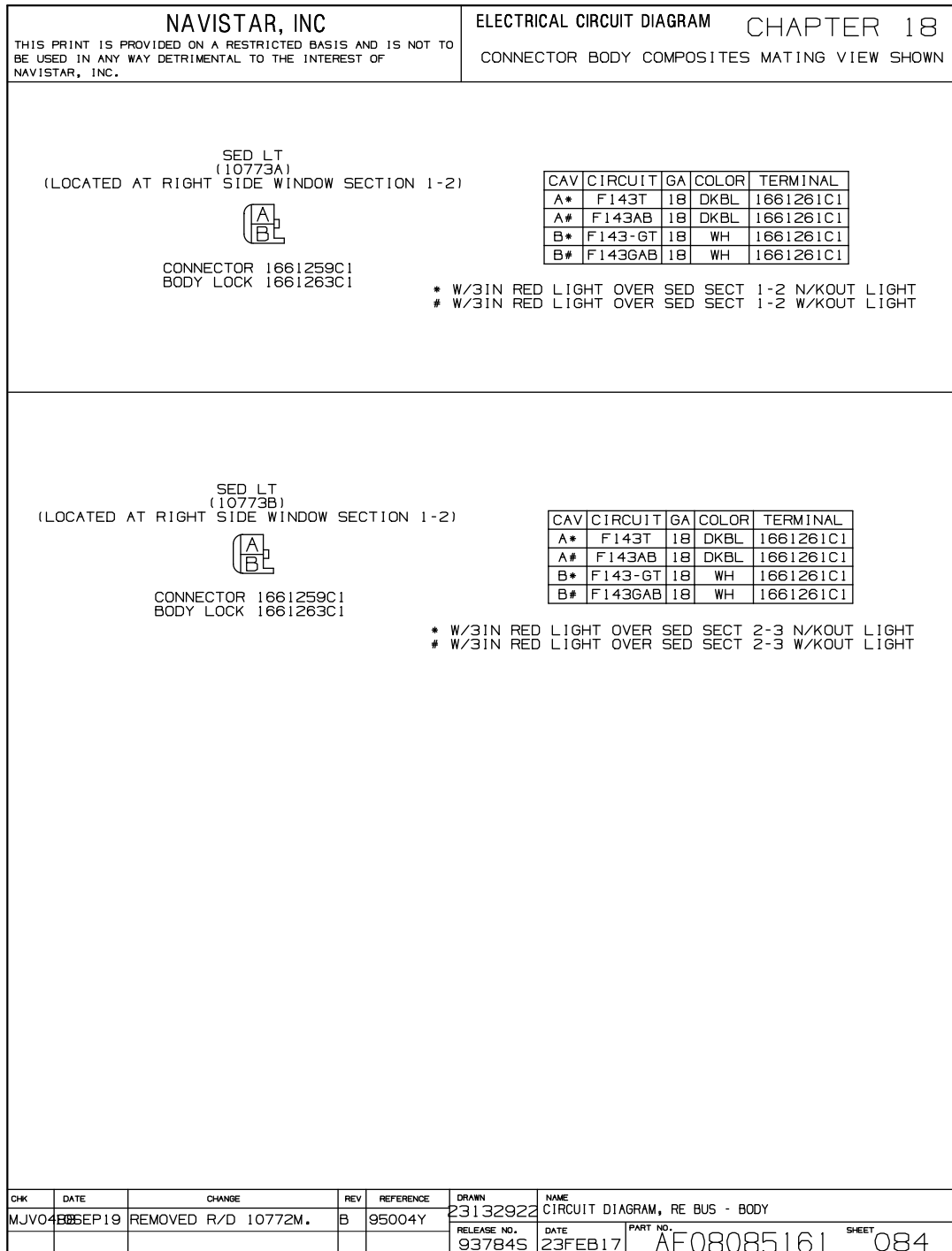


Figure 599 Connector Composites (10773A, 10773B)

19.90. CONNECTOR COMPOSITES (10773C, 10773D, 10773E, 10773F), P. 85

NAVISTAR, INC		ELECTRICAL CIRCUIT DIAGRAM		CHAPTER 18																										
THIS PRINT IS PROVIDED ON A RESTRICTED BASIS AND IS NOT TO BE USED IN ANY WAY DETRIMENTAL TO THE INTEREST OF NAVISTAR, INC.		CONNECTOR BODY COMPOSITES MATING VIEW SHOWN																												
<div style="display: flex; justify-content: space-between;"> <div style="width: 45%;"> <p style="text-align: center;">SED LT (10773C) (LOCATED AT RIGHT SIDE OF WDO SECTION 3-4)</p>  <p style="text-align: center;">CONNECTOR 1661259C1 BODY LOCK 1661263C1</p> <p style="text-align: center;">* W/3IN RED LT OVER SED SECT 3-4 N/KOUT LIGHT # W/3IN RED LT OVER SED SECT 3-4 W/KOUT LIGHT</p> </div> <div style="width: 50%;"> <table border="1" style="width:100%; border-collapse: collapse; font-size: x-small;"> <thead> <tr> <th>CAV</th> <th>CIRCUIT</th> <th>GA</th> <th>COLOR</th> <th>TERMINAL</th> </tr> </thead> <tbody> <tr> <td>A*</td> <td>F143T</td> <td>18</td> <td>DKBL</td> <td>1661261C1</td> </tr> <tr> <td>A#</td> <td>F143AB</td> <td>18</td> <td>DKBL</td> <td>1661261C1</td> </tr> <tr> <td>B*</td> <td>F143-GT</td> <td>18</td> <td>WH</td> <td>1661261C1</td> </tr> <tr> <td>B#</td> <td>F143GAB</td> <td>18</td> <td>WH</td> <td>1661261C1</td> </tr> </tbody> </table> </div> </div>						CAV	CIRCUIT	GA	COLOR	TERMINAL	A*	F143T	18	DKBL	1661261C1	A#	F143AB	18	DKBL	1661261C1	B*	F143-GT	18	WH	1661261C1	B#	F143GAB	18	WH	1661261C1
CAV	CIRCUIT	GA	COLOR	TERMINAL																										
A*	F143T	18	DKBL	1661261C1																										
A#	F143AB	18	DKBL	1661261C1																										
B*	F143-GT	18	WH	1661261C1																										
B#	F143GAB	18	WH	1661261C1																										
<div style="display: flex; justify-content: space-between;"> <div style="width: 45%;"> <p style="text-align: center;">SED LT (10773D) (LOCATED AT RIGHT SIDE OF WDO SECTION 4-5)</p>  <p style="text-align: center;">CONNECTOR 1661259C1 BODY LOCK 1661263C1</p> <p style="text-align: center;">* W/3IN RED LT OVER SED SECT 4-5 N/KOUT LIGHT # W/3IN RED LT OVER SED SECT 4-5 W/KOUT LIGHT</p> </div> <div style="width: 50%;"> <table border="1" style="width:100%; border-collapse: collapse; font-size: x-small;"> <thead> <tr> <th>CAV</th> <th>CIRCUIT</th> <th>GA</th> <th>COLOR</th> <th>TERMINAL</th> </tr> </thead> <tbody> <tr> <td>A*</td> <td>F143U</td> <td>18</td> <td>DKBL</td> <td>1661261C1</td> </tr> <tr> <td>A#</td> <td>F143AC</td> <td>18</td> <td>DKBL</td> <td>1661261C1</td> </tr> <tr> <td>B*</td> <td>F143-GU</td> <td>18</td> <td>WH</td> <td>1661261C1</td> </tr> <tr> <td>B#</td> <td>F143GAC</td> <td>18</td> <td>WH</td> <td>1661261C1</td> </tr> </tbody> </table> </div> </div>						CAV	CIRCUIT	GA	COLOR	TERMINAL	A*	F143U	18	DKBL	1661261C1	A#	F143AC	18	DKBL	1661261C1	B*	F143-GU	18	WH	1661261C1	B#	F143GAC	18	WH	1661261C1
CAV	CIRCUIT	GA	COLOR	TERMINAL																										
A*	F143U	18	DKBL	1661261C1																										
A#	F143AC	18	DKBL	1661261C1																										
B*	F143-GU	18	WH	1661261C1																										
B#	F143GAC	18	WH	1661261C1																										
<div style="display: flex; justify-content: space-between;"> <div style="width: 45%;"> <p style="text-align: center;">SED LT (10773E) (LOCATED AT RIGHT SIDE OF WDO SECTION 5-6)</p>  <p style="text-align: center;">CONNECTOR 1661259C1 BODY LOCK 1661263C1</p> <p style="text-align: center;">* W/3IN RED LT OVER SED SECT 5-6 N/KOUT LIGHT # W/3IN RED LT OVER SED SECT 5-6 W/KOUT LIGHT</p> </div> <div style="width: 50%;"> <table border="1" style="width:100%; border-collapse: collapse; font-size: x-small;"> <thead> <tr> <th>CAV</th> <th>CIRCUIT</th> <th>GA</th> <th>COLOR</th> <th>TERMINAL</th> </tr> </thead> <tbody> <tr> <td>A*</td> <td>F143V</td> <td>18</td> <td>DKBL</td> <td>1661261C1</td> </tr> <tr> <td>A#</td> <td>F143AD</td> <td>18</td> <td>DKBL</td> <td>1661261C1</td> </tr> <tr> <td>B*</td> <td>F143-GV</td> <td>18</td> <td>WH</td> <td>1661261C1</td> </tr> <tr> <td>B#</td> <td>F143GAD</td> <td>18</td> <td>WH</td> <td>1661261C1</td> </tr> </tbody> </table> </div> </div>						CAV	CIRCUIT	GA	COLOR	TERMINAL	A*	F143V	18	DKBL	1661261C1	A#	F143AD	18	DKBL	1661261C1	B*	F143-GV	18	WH	1661261C1	B#	F143GAD	18	WH	1661261C1
CAV	CIRCUIT	GA	COLOR	TERMINAL																										
A*	F143V	18	DKBL	1661261C1																										
A#	F143AD	18	DKBL	1661261C1																										
B*	F143-GV	18	WH	1661261C1																										
B#	F143GAD	18	WH	1661261C1																										
<div style="display: flex; justify-content: space-between;"> <div style="width: 45%;"> <p style="text-align: center;">SED LT (10773F) (LOCATED AT RIGHT SIDE OF WDO SECTION 6-7)</p>  <p style="text-align: center;">CONNECTOR 1661259C1 BODY LOCK 1661263C1</p> <p style="text-align: center;">* W/3IN RED LT OVER SED SECT 6-7 N/KOUT LIGHT # W/3IN RED LT OVER SED SECT 6-7 W/KOUT LIGHT</p> </div> <div style="width: 50%;"> <table border="1" style="width:100%; border-collapse: collapse; font-size: x-small;"> <thead> <tr> <th>CAV</th> <th>CIRCUIT</th> <th>GA</th> <th>COLOR</th> <th>TERMINAL</th> </tr> </thead> <tbody> <tr> <td>A*</td> <td>F143W</td> <td>18</td> <td>DKBL</td> <td>1661261C1</td> </tr> <tr> <td>A#</td> <td>F143AE</td> <td>18</td> <td>DKBL</td> <td>1661261C1</td> </tr> <tr> <td>B*</td> <td>F143-GW</td> <td>18</td> <td>WH</td> <td>1661261C1</td> </tr> <tr> <td>B#</td> <td>F143GAE</td> <td>18</td> <td>WH</td> <td>1661261C1</td> </tr> </tbody> </table> </div> </div>						CAV	CIRCUIT	GA	COLOR	TERMINAL	A*	F143W	18	DKBL	1661261C1	A#	F143AE	18	DKBL	1661261C1	B*	F143-GW	18	WH	1661261C1	B#	F143GAE	18	WH	1661261C1
CAV	CIRCUIT	GA	COLOR	TERMINAL																										
A*	F143W	18	DKBL	1661261C1																										
A#	F143AE	18	DKBL	1661261C1																										
B*	F143-GW	18	WH	1661261C1																										
B#	F143GAE	18	WH	1661261C1																										
CHK	DATE	CHANGE	REV	REFERENCE	DRAWN	NAME																								
-	-	INITIAL RELEASE.	A	93784S	23132922	CIRCUIT DIAGRAM, RE BUS - BODY																								
					RELEASE NO.	DATE																								
					93784S	23FEB17																								
					PART NO.	SHEET																								
					AE08085161	085																								

Figure 600 Connector Composites (10773C, 10773D, 10773E, 10773F)

19.91. CONNECTOR COMPOSITES (10773G, 10773H, 10773J), P. 86

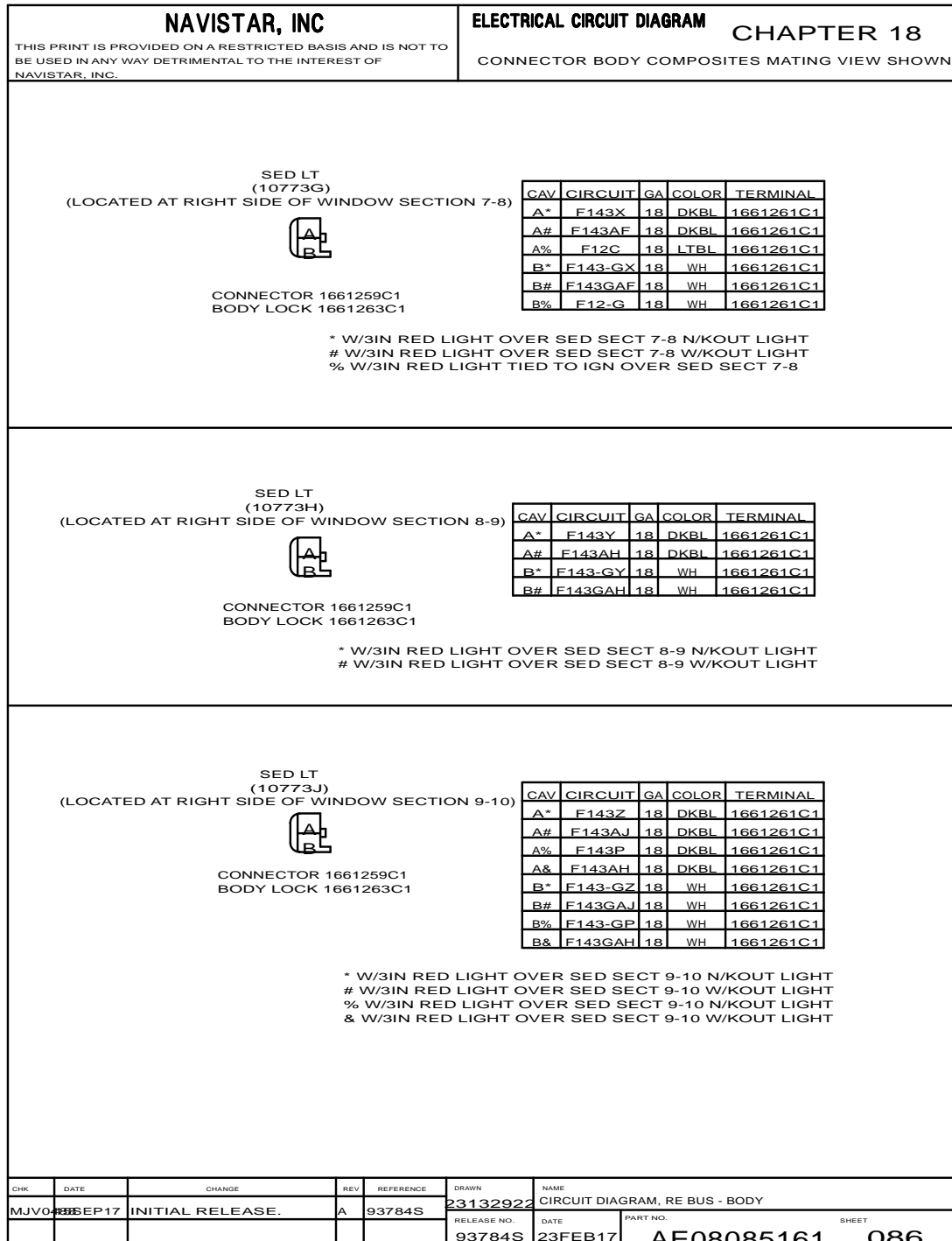


Figure 601 Connector Composites (10773G, 10773H, 10773J)

19.92. CONNECTOR COMPOSITES (10773K, 10773L), P. 87

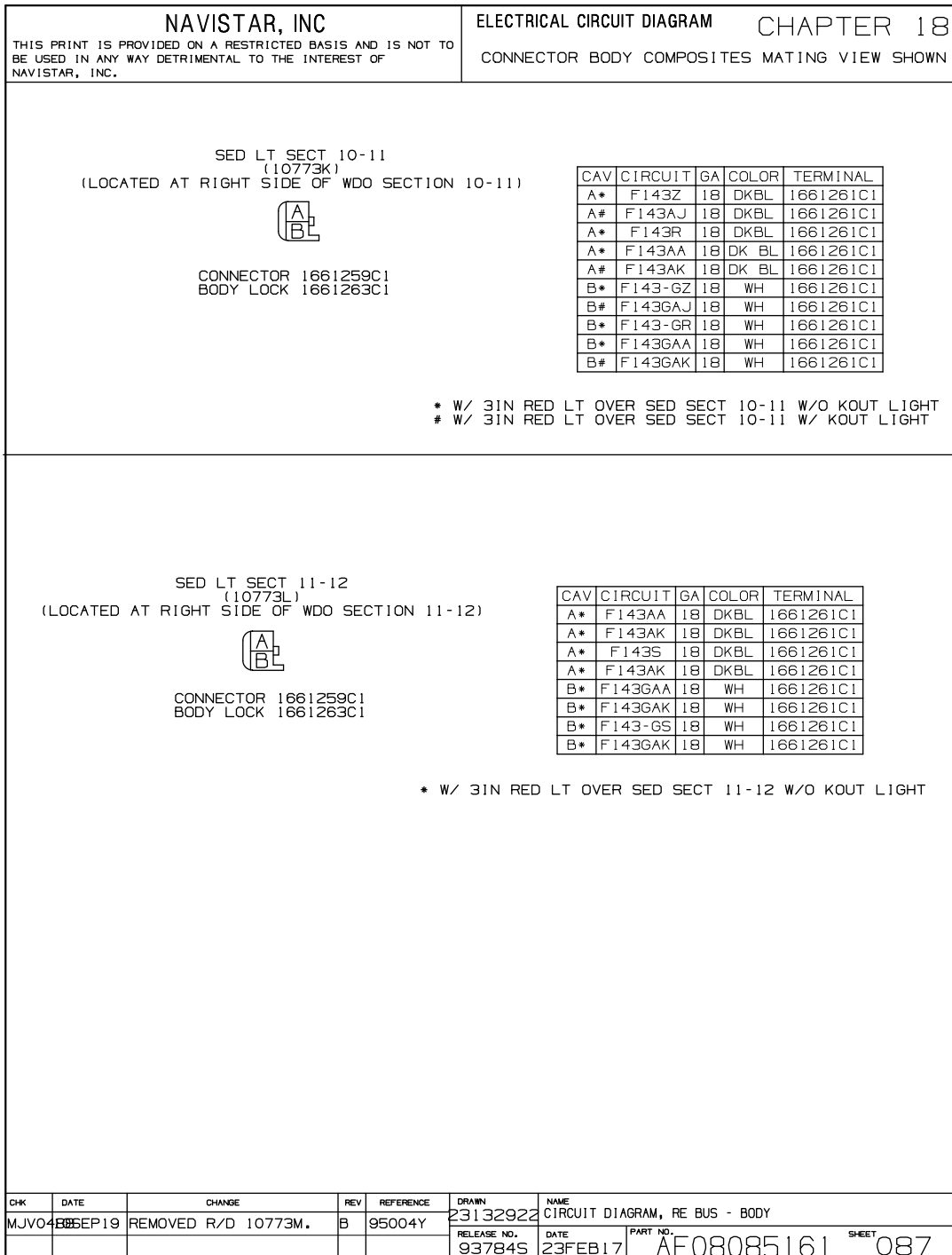


Figure 602 Connector Composites (10773K, 10773L)

19.93. CONNECTOR COMPOSITES (10774, 10774A), P. 88

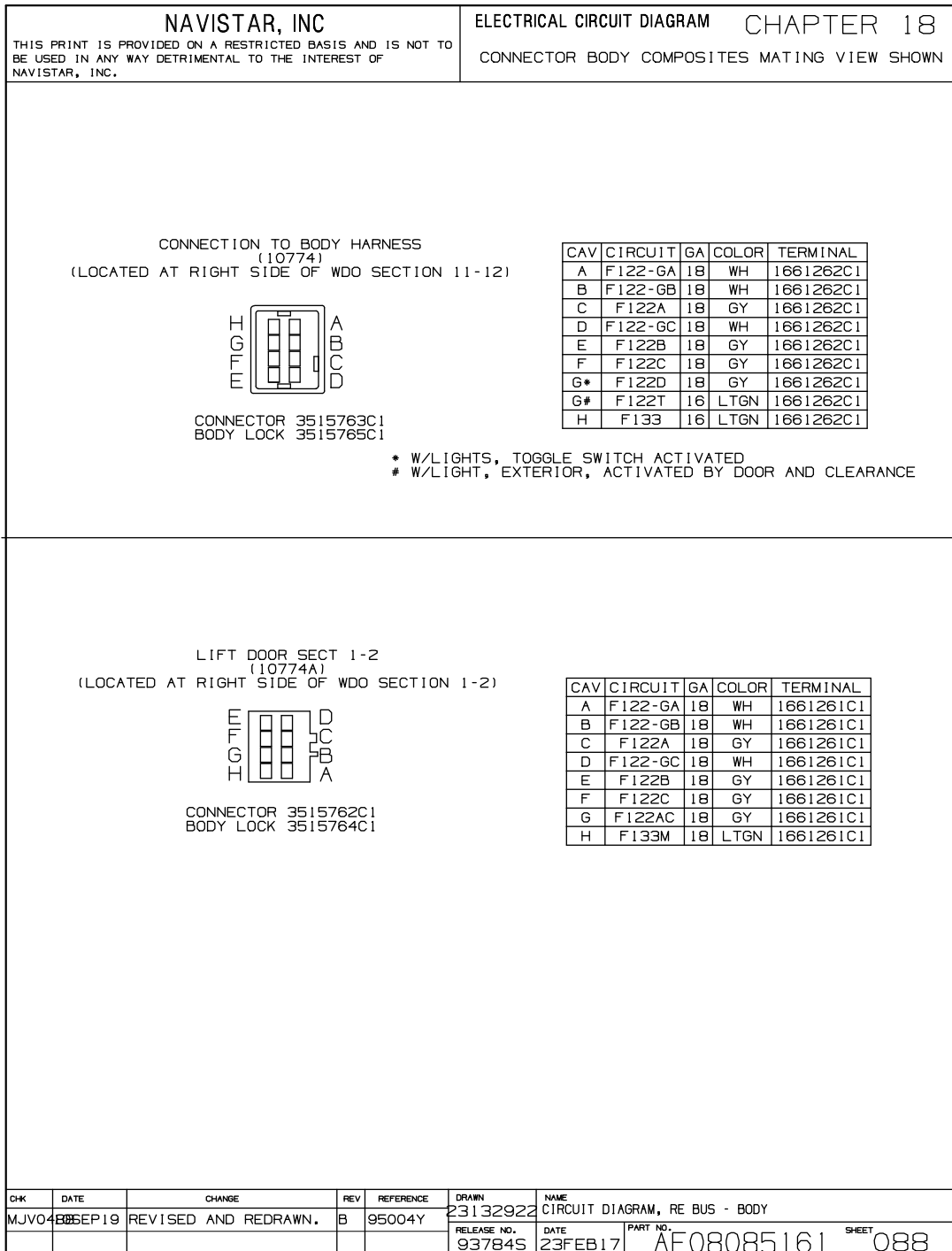


Figure 603 Connector Composites (10774, 10774A)

19.94. CONNECTOR COMPOSITES (10774B, 10774C, 10774D, 10774E), P. 89

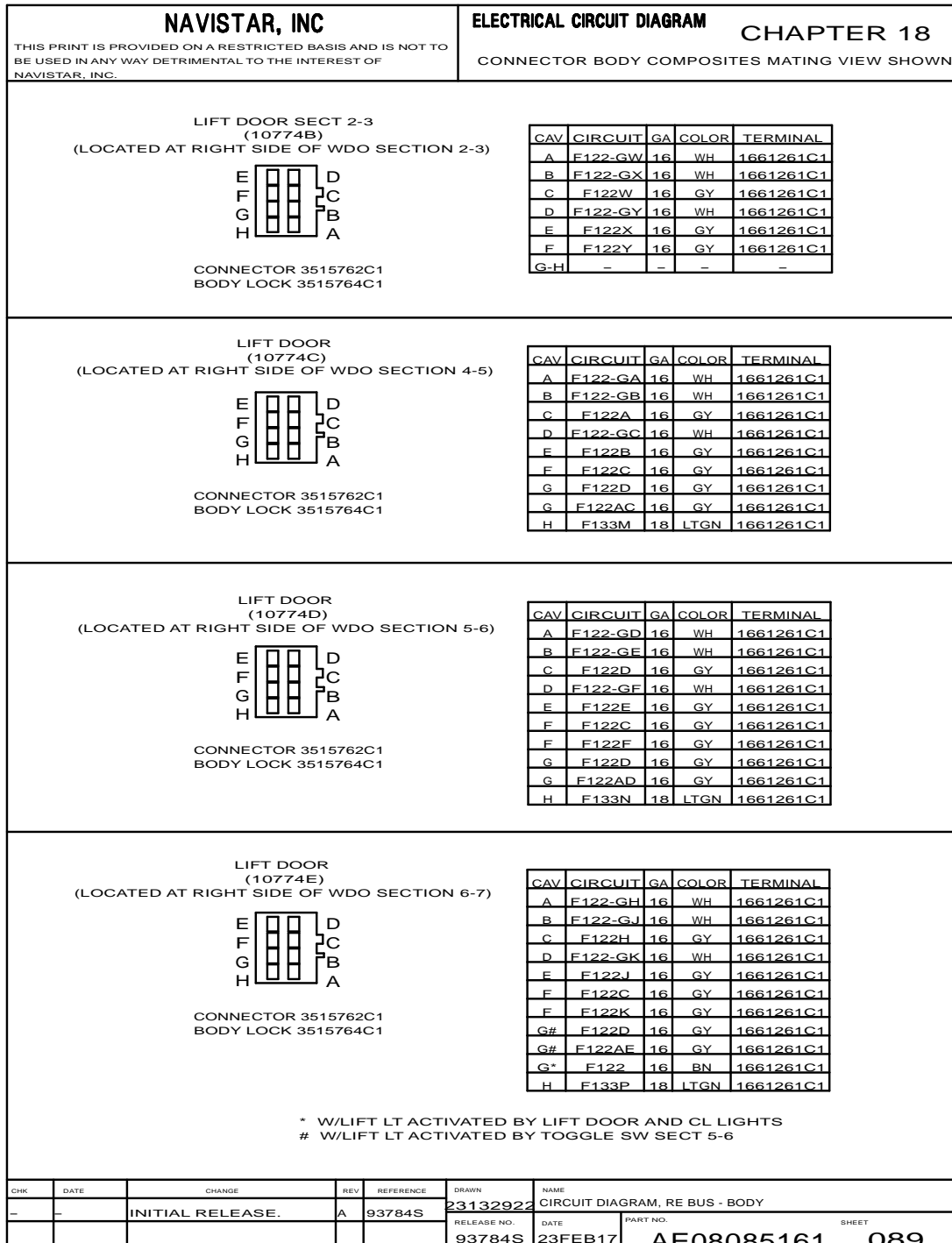


Figure 604 Connector Composites (10774B, 10774C, 10774D, 10774E)

19.95. CONNECTOR COMPOSITES (10774F, 10774G, 10774H, 10774J), P. 90

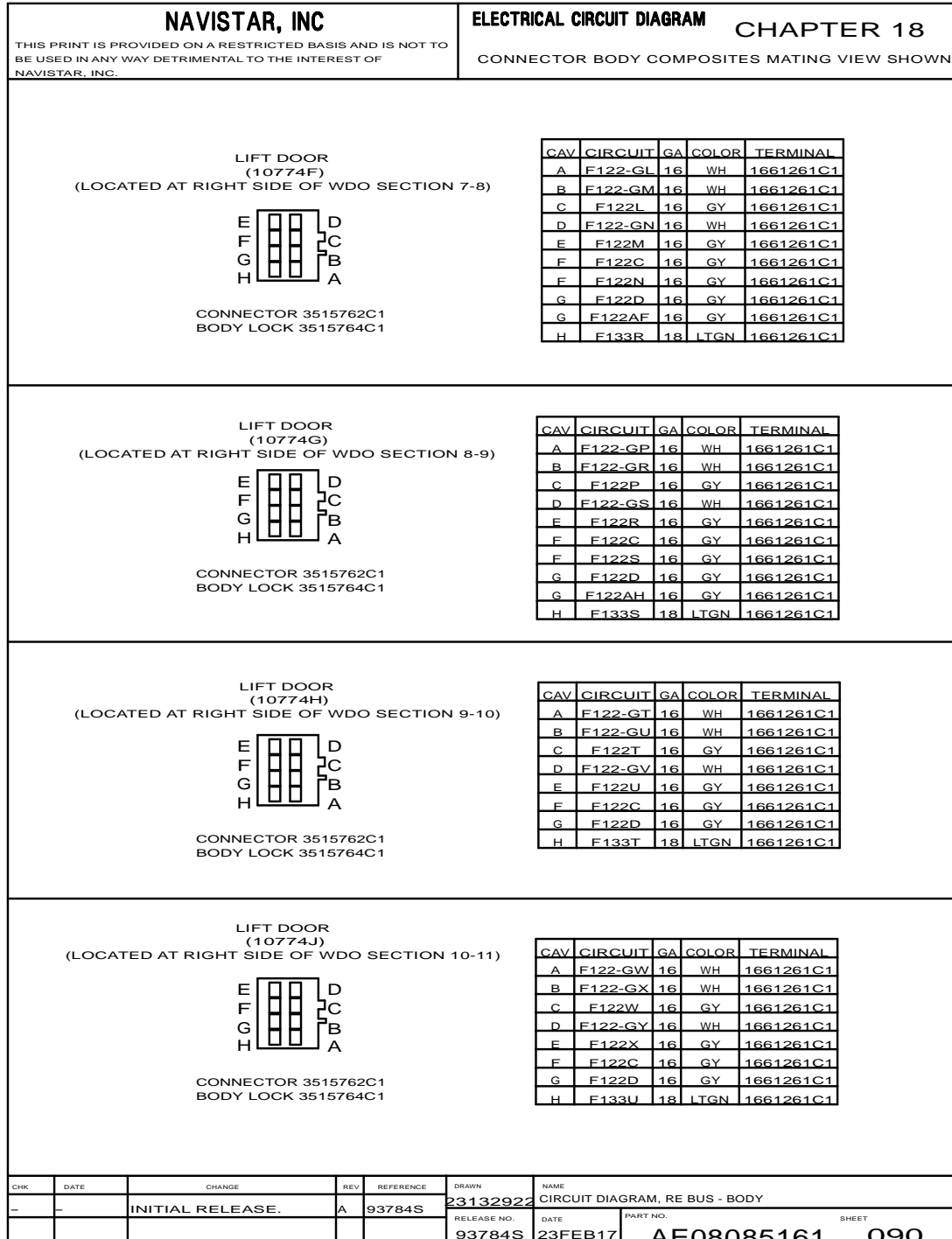


Figure 605 Connector Composites (10774F, 10774G, 10774H, 10774J)

19.96. CONNECTOR COMPOSITES (10774K, 10774L, 10774N, 10774P), P. 91

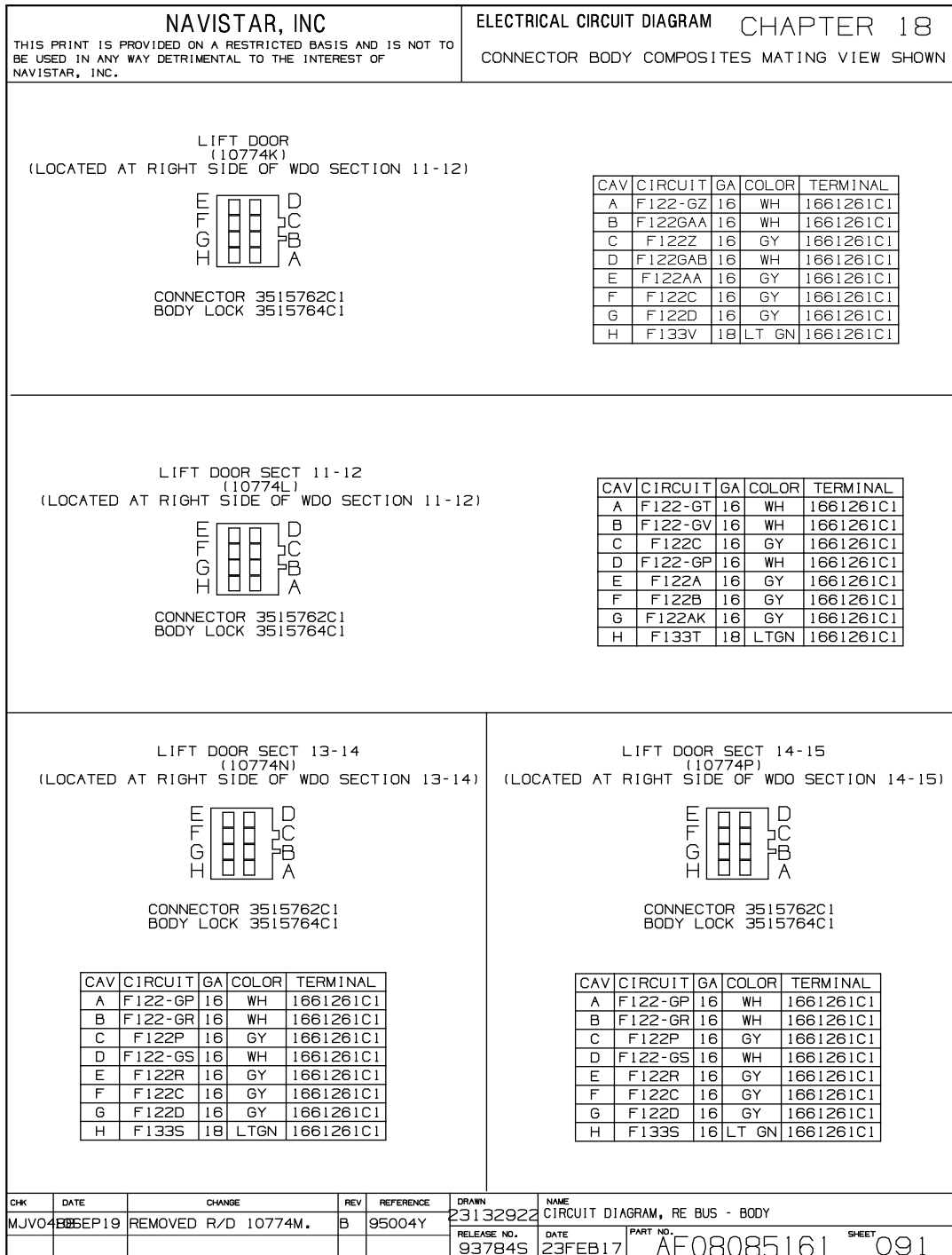


Figure 606 Connector Composites (10774K, 10774L, 10774N, 10774P)

19.97. CONNECTOR COMPOSITES (10778 / 10778C / 10778D / 10778E, 10778F, 10778H / 10778J), P. 92

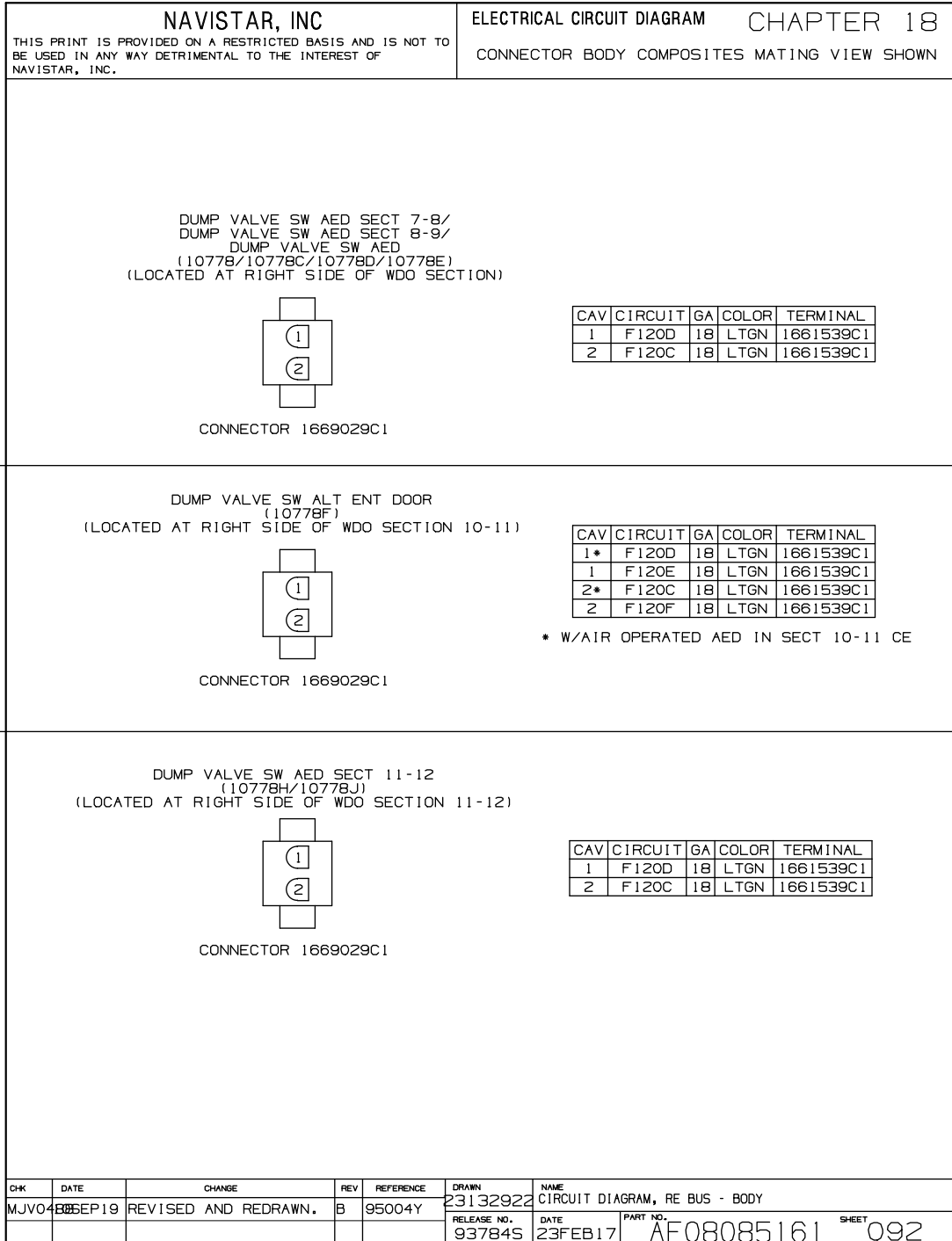
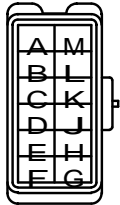


Figure 607 Connector Composites (10778 / 10778C / 10778D / 10778E, 10778F, 10778H / 10778J)

19.98. CONNECTOR COMPOSITES (10780, 10781), P. 93

<p style="text-align: center;">NAVISTAR, INC</p> <p style="font-size: small;">THIS PRINT IS PROVIDED ON A RESTRICTED BASIS AND IS NOT TO BE USED IN ANY WAY DETRIMENTAL TO THE INTEREST OF NAVISTAR, INC.</p>	<p style="text-align: center;">ELECTRICAL CIRCUIT DIAGRAM</p> <p style="text-align: right;">CHAPTER 18</p> <p style="text-align: center;">CONNECTOR BODY COMPOSITES MATING VIEW SHOWN</p>
--	---

SPLICE BLOCK (10780)
 (LOCATED AT RIGHT SIDE OF WDO SECTION)




CONNECTOR 3700745C1
BODY LOCK 3700749C1

CAV	CIRCUIT	GA	COLOR	TERMINAL
A	F122C	18	GY	3534164C1
B*	F122E	18	GY	3534164C1
B#	F122G	18	GY	3534164C1
C	F122F	18	GY	3534164C1
D	F122	18	GY	3534164C1
E%	F122L	18	GY	3534164C1
F&	F122L	18	GY	3534164C1
F@	F122L	16	GY	3534165C1
G	F122-GH	18	WH	3534164C1
H	F122-GE	16	WH	3534165C1
H	F122-GE	18	WH	3534164C1
J**	F122-GG	18	WH	3534164C1
J##	F122-GA	18	WH	3534164C1
K	F122-GF	18	WH	3534164C1
L*	F122-GI	18	WH	3534164C1
L#	F122-GM	18	WH	3534164C1
L&&	F122-GM	16	GY	3534165C1
M	F122-GD	18	WH	3534164C1

* W/LIGHT, INTERIOR - DOME MTD IN DOOR HEADER - RE
 # W/LIGHT, INTERIOR W/TWO EXTERIOR LTS
 % W/BUZZER DEACTIVATED W/DOOR OPEN
 & W/BUZZER
 @ W/BUZZER DEACTIVATED W/DOOR OPEN NORTH CAROLINA
 ** W/LIGHT, EXTERIOR - MTD BELOW LIFT DOOR IN SKIRT
 ## W/LIGHTS, LIFT DOOR 3 EXTERIOR LIGHTS
 && W/LIGHTS, INTERIOR W/EXTERIOR LIGHTS

SKIRT LIFT DOOR LIGHT (10781)
 (LOCATED BELOW LIFT DOOR IN SKIRT)



CONNECTOR 2206588C1

CAV	CIRCUIT	GA	COLOR	TERMINAL	SEAL/SLV
1*	F122B	18	GY	3522190C1	3522193C1
1#	F122	18	GY	3522190C1	3522193C1
1&	F122T	16	LTGN	3522190C1	3522194C1
2*	F122B-G	18	GY	3522190C1	3522193C1
2%	F122-G	16	WH	3522190C1	3522194C1
2#	F122-GG	18	WH	3522190C1	3522193C1

* W/LIGHTS, LIFT DOOR 3 EXTERIOR LIGHTS
 # W/LIGHT, EXTERIOR - MTD BELOW LIFT DOOR IN SKIRT
 & W/LIGHT, EXTERIOR, ACTIVATED BY DOOR AND CLEARANCE
 % W/SPLICE, CLEARANCE LIGHT AND LIFT DOOR ACTVTD LT

CHK	DATE	CHANGE	REV	REFERENCE	DRAWN	NAME
MJVO	23SEP17	INITIAL RELEASE.	A	93784S	23132922	CIRCUIT DIAGRAM, RE BUS - BODY
					RELEASE NO.	DATE
					93784S	23FEB17
					PART NO.	SHEET
					AE08085161	093

Figure 608 Connector Composites (10780, 10781)

19.99. CONNECTOR COMPOSITES (10781A, 10784, 10785, 10786A), P. 94

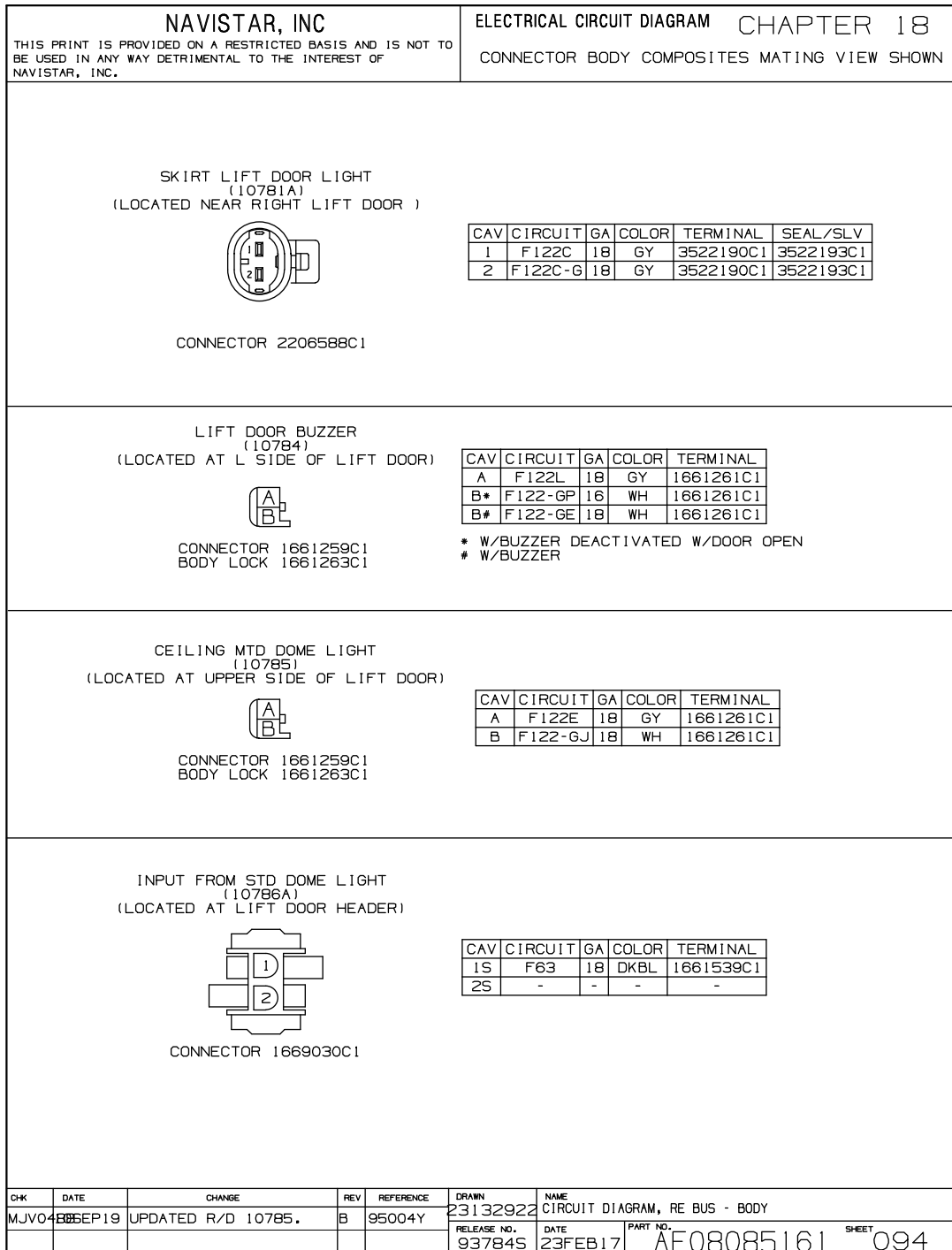


Figure 609 Connector Composites (10781A, 10784, 10785, 10786A)

19.100. CONNECTOR COMPOSITES (10786B, 10787, 10788A, 10788B), P. 95

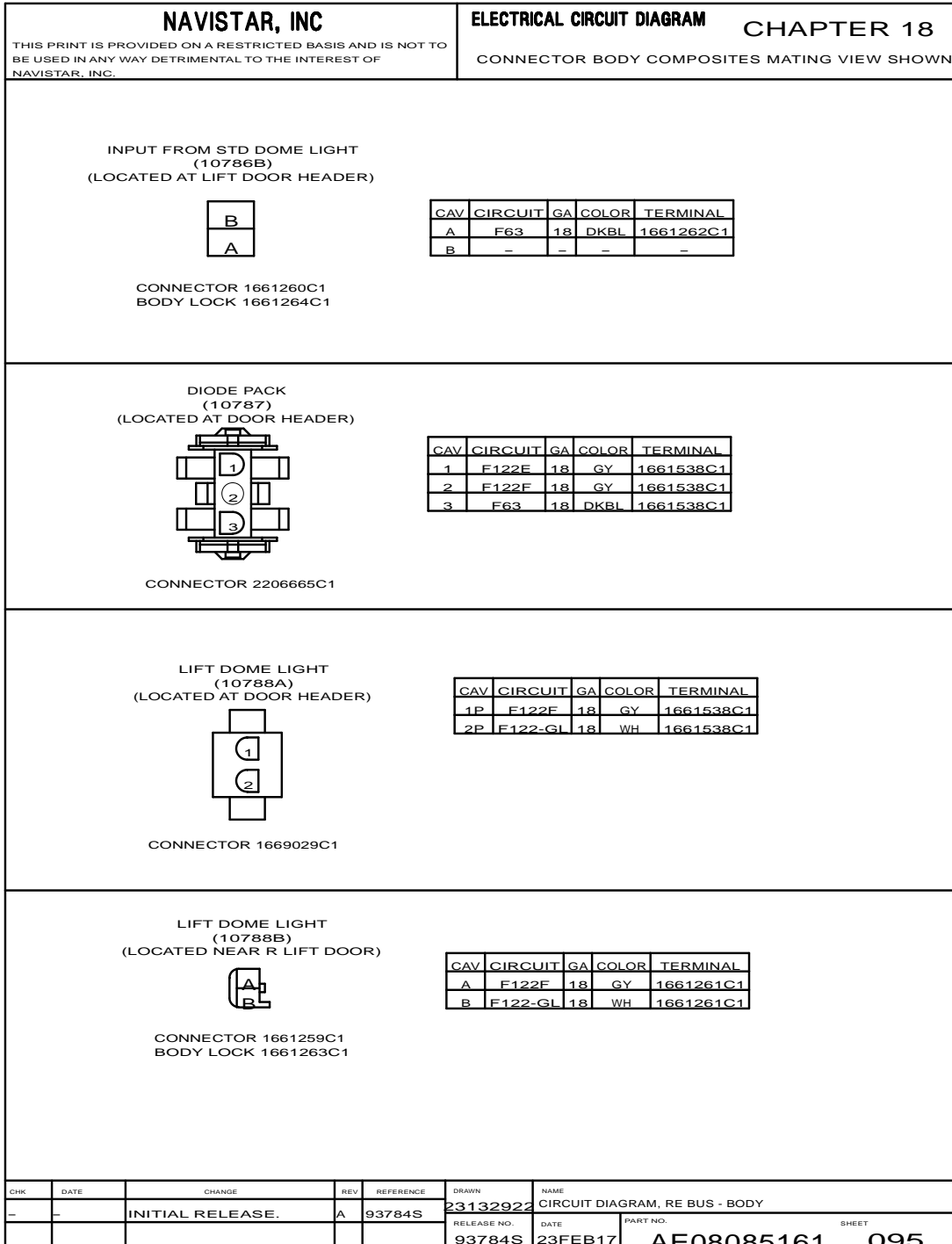


Figure 610 Connector Composites (10786B, 10787, 10788A, 10788B)

19.101. CONNECTOR COMPOSITES (10789, 10795, 10796A, 10796B), P. 96

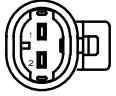
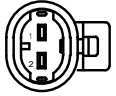


NAVISTAR, INC				ELECTRICAL CIRCUIT DIAGRAM				CHAPTER 18																					
THIS PRINT IS PROVIDED ON A RESTRICTED BASIS AND IS NOT TO BE USED IN ANY WAY DETRIMENTAL TO THE INTEREST OF NAVISTAR, INC.				CONNECTOR BODY COMPOSITES MATING VIEW SHOWN																									
<p>UPPER LIFT DR LIGHT (10789) (LOCATED HI ON LIFT DOOR POS)</p>  <table border="1" style="margin-left: auto; margin-right: auto;"> <thead> <tr> <th>CAV</th> <th>CIRCUIT</th> <th>GA</th> <th>COLOR</th> <th>TERMINAL</th> <th>SEAL/SLV</th> </tr> </thead> <tbody> <tr> <td>1</td> <td>F122F</td> <td>18</td> <td>GY</td> <td>3522190C1</td> <td>3522193C1</td> </tr> <tr> <td>2</td> <td>F122-GF</td> <td>18</td> <td>WH</td> <td>3522190C1</td> <td>3522193C1</td> </tr> </tbody> </table> <p>CONNECTOR 2206588C1</p>												CAV	CIRCUIT	GA	COLOR	TERMINAL	SEAL/SLV	1	F122F	18	GY	3522190C1	3522193C1	2	F122-GF	18	WH	3522190C1	3522193C1
CAV	CIRCUIT	GA	COLOR	TERMINAL	SEAL/SLV																								
1	F122F	18	GY	3522190C1	3522193C1																								
2	F122-GF	18	WH	3522190C1	3522193C1																								
<p>LOWER POST LIFT DOOR LIGHT (10795) (LOCATED AT EXT MTD ACROSS FROM DOOR HANDLE ON POST AND INTERIOR ON CEILING)</p>  <table border="1" style="margin-left: auto; margin-right: auto;"> <thead> <tr> <th>CAV</th> <th>CIRCUIT</th> <th>GA</th> <th>COLOR</th> <th>TERMINAL</th> <th>SEAL/SLV</th> </tr> </thead> <tbody> <tr> <td>1</td> <td>F122K</td> <td>18</td> <td>GY</td> <td>3522190C1</td> <td>3522193C1</td> </tr> <tr> <td>2</td> <td>F122-GK</td> <td>18</td> <td>WH</td> <td>3522190C1</td> <td>3522193C1</td> </tr> </tbody> </table> <p>CONNECTOR 2206588C1</p>												CAV	CIRCUIT	GA	COLOR	TERMINAL	SEAL/SLV	1	F122K	18	GY	3522190C1	3522193C1	2	F122-GK	18	WH	3522190C1	3522193C1
CAV	CIRCUIT	GA	COLOR	TERMINAL	SEAL/SLV																								
1	F122K	18	GY	3522190C1	3522193C1																								
2	F122-GK	18	WH	3522190C1	3522193C1																								
<p>STARTER INTERLOCK (10796A) (LOCATED AT LOW MOUNTED STARTER INTERRUPT/VANDAL LOCK)</p>  <table border="1" style="margin-left: auto; margin-right: auto;"> <thead> <tr> <th>CAV</th> <th>CIRCUIT</th> <th>GA</th> <th>COLOR</th> <th>TERMINAL</th> </tr> </thead> <tbody> <tr> <td>A</td> <td>F133</td> <td>16</td> <td>LTGN</td> <td>0239805R1</td> </tr> </tbody> </table> <p>CONNECTOR 2206658C1</p>												CAV	CIRCUIT	GA	COLOR	TERMINAL	A	F133	16	LTGN	0239805R1								
CAV	CIRCUIT	GA	COLOR	TERMINAL																									
A	F133	16	LTGN	0239805R1																									
<p>STARTER INTERLOCK (10796B) (LOCATED AT LOW MOUNTED STARTER INTERRUPT/VANDAL LOCK)</p>  <table border="1" style="margin-left: auto; margin-right: auto;"> <thead> <tr> <th>CAV</th> <th>CIRCUIT</th> <th>GA</th> <th>COLOR</th> <th>TERMINAL</th> </tr> </thead> <tbody> <tr> <td>A</td> <td>F133</td> <td>16</td> <td>LTGN</td> <td>0239805R1</td> </tr> </tbody> </table> <p>CONNECTOR 2206658C1</p>												CAV	CIRCUIT	GA	COLOR	TERMINAL	A	F133	16	LTGN	0239805R1								
CAV	CIRCUIT	GA	COLOR	TERMINAL																									
A	F133	16	LTGN	0239805R1																									
CHK	DATE	CHANGE	REV	REFERENCE	DRAWN	NAME																							
					23132922	CIRCUIT DIAGRAM, RE BUS - BODY																							
M.JVO	13SEP17	INITIAL RELEASE.	A	93784S	RELEASE NO.	DATE	PART NO.	SHEET																					
					93784S	23FEB17	AE08085161	096																					

Figure 611 Connector Composites (10789, 10795, 10796A, 10796B)

19.102. CONNECTOR COMPOSITES (10807A / 10807B / 10807C, 10831, 10832, *10832, 10833, *10833), P. 97

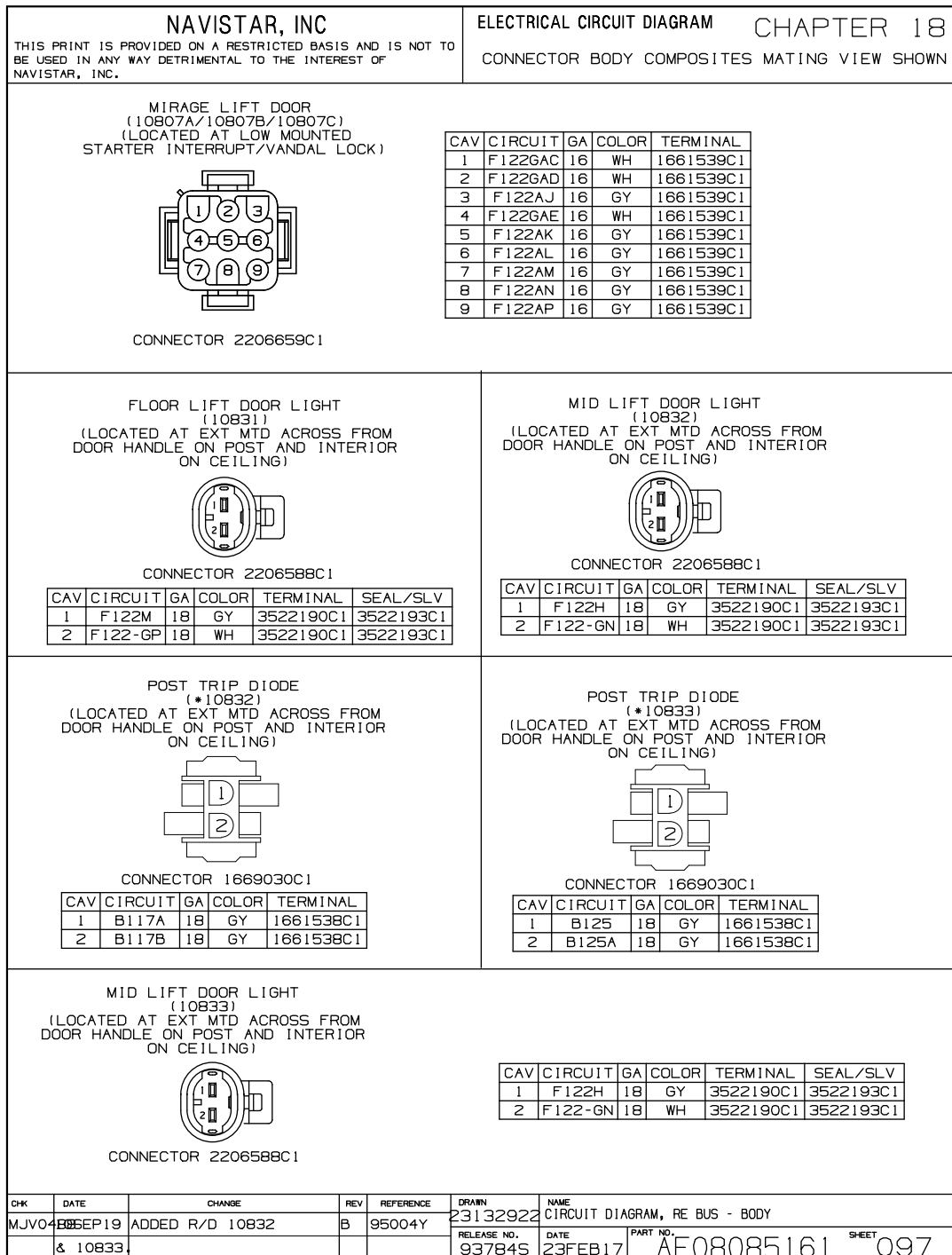


Figure 612 Connector Composites (10807A / 10807B / 10807C, 10831, 10832, *10832, 10833, *10833)

19.103. CONNECTOR COMPOSITES (10833A, 10837, 10838, 10840), P. 98

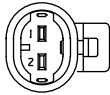


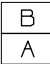
NAVISTAR, INC <small>THIS PRINT IS PROVIDED ON A RESTRICTED BASIS AND IS NOT TO BE USED IN ANY WAY DETRIMENTAL TO THE INTEREST OF NAVISTAR, INC.</small>				ELECTRICAL CIRCUIT DIAGRAM CHAPTER 18 CONNECTOR BODY COMPOSITES MATING VIEW SHOWN																												
MID LIFT DOOR LIGHT (10833A) (LOCATED AT EXT MTD ACROSS FROM DOOR HANDLE ON POST AND INTERIOR ON CEILING)						<table border="1" style="font-size: small;"> <thead> <tr><th>CAV</th><th>CIRCUIT</th><th>GA</th><th>COLOR</th><th>TERMINAL</th><th>SEAL/SLV</th></tr> </thead> <tbody> <tr><td>1</td><td>F122A</td><td>18</td><td>GY</td><td>3522190C1</td><td>3522193C1</td></tr> <tr><td>2</td><td>F122A-G</td><td>18</td><td>GY</td><td>3522190C1</td><td>3522193C1</td></tr> </tbody> </table>		CAV	CIRCUIT	GA	COLOR	TERMINAL	SEAL/SLV	1	F122A	18	GY	3522190C1	3522193C1	2	F122A-G	18	GY	3522190C1	3522193C1							
CAV	CIRCUIT	GA	COLOR	TERMINAL	SEAL/SLV																											
1	F122A	18	GY	3522190C1	3522193C1																											
2	F122A-G	18	GY	3522190C1	3522193C1																											
CONNECTOR 2206588C1																																
SIDE MKR LIGHT AFT ENTRY DOOR (10837) (LOCATED AT EXT MTD ACROSS FROM DOOR HANDLE ON POST AND INTERIOR ON CEILING)						<table border="1" style="font-size: small;"> <thead> <tr><th>CAV</th><th>CIRCUIT</th><th>GA</th><th>COLOR</th><th>TERMINAL</th></tr> </thead> <tbody> <tr><td>A*</td><td>F58D</td><td>18</td><td>BN</td><td>1661261C1</td></tr> <tr><td>A#</td><td>F58H</td><td>18</td><td>BN</td><td>1661261C1</td></tr> <tr><td>B*</td><td>F58-GD</td><td>18</td><td>WH</td><td>1661261C1</td></tr> <tr><td>B#</td><td>F58-GH</td><td>18</td><td>WH</td><td>1661261C1</td></tr> </tbody> </table>		CAV	CIRCUIT	GA	COLOR	TERMINAL	A*	F58D	18	BN	1661261C1	A#	F58H	18	BN	1661261C1	B*	F58-GD	18	WH	1661261C1	B#	F58-GH	18	WH	1661261C1
CAV	CIRCUIT	GA	COLOR	TERMINAL																												
A*	F58D	18	BN	1661261C1																												
A#	F58H	18	BN	1661261C1																												
B*	F58-GD	18	WH	1661261C1																												
B#	F58-GH	18	WH	1661261C1																												
CONNECTOR 1661259C1 BODY LOCK 1661263C1						* W/ SIDE MKR LT AFTER ENTR DOOR & REAR WHL # W/ SIDE MKR LT AFTER ENTR DOOR & AFT REAR WHL PKT																										
SIDE MKR AFT REAR WHL PKT (10838) (LOCATED AT EXT MTD ACROSS FROM DOOR HANDLE ON POST AND INTERIOR ON CEILING)						<table border="1" style="font-size: small;"> <thead> <tr><th>CAV</th><th>CIRCUIT</th><th>GA</th><th>COLOR</th><th>TERMINAL</th></tr> </thead> <tbody> <tr><td>A*</td><td>F58E</td><td>18</td><td>BN</td><td>1661261C1</td></tr> <tr><td>A#</td><td>F58J</td><td>18</td><td>BN</td><td>1661261C1</td></tr> <tr><td>B*</td><td>F58-GE</td><td>18</td><td>WH</td><td>1661261C1</td></tr> <tr><td>B#</td><td>F58-GJ</td><td>18</td><td>WH</td><td>1661261C1</td></tr> </tbody> </table>		CAV	CIRCUIT	GA	COLOR	TERMINAL	A*	F58E	18	BN	1661261C1	A#	F58J	18	BN	1661261C1	B*	F58-GE	18	WH	1661261C1	B#	F58-GJ	18	WH	1661261C1
CAV	CIRCUIT	GA	COLOR	TERMINAL																												
A*	F58E	18	BN	1661261C1																												
A#	F58J	18	BN	1661261C1																												
B*	F58-GE	18	WH	1661261C1																												
B#	F58-GJ	18	WH	1661261C1																												
CONNECTOR 1661259C1 BODY LOCK 1661263C1						* W/ SIDE MARKER LIGHT AFTER REAR WHEEL PKT # W/ SIDE MARKER LT AFT REAR WHL PKT																										
DIRECTIONAL PASSTHROUGH (10840) (LOCATED AT EXT MTD ACROSS FROM DOOR HANDLE ON POST AND INTERIOR ON CEILING)						<table border="1" style="font-size: small;"> <thead> <tr><th>CAV</th><th>CIRCUIT</th><th>GA</th><th>COLOR</th><th>TERMINAL</th></tr> </thead> <tbody> <tr><td>A</td><td>F57</td><td>18</td><td>LT GN</td><td>1661262C1</td></tr> <tr><td>B</td><td>F57-G</td><td>18</td><td>WH</td><td>1661262C1</td></tr> </tbody> </table>		CAV	CIRCUIT	GA	COLOR	TERMINAL	A	F57	18	LT GN	1661262C1	B	F57-G	18	WH	1661262C1										
CAV	CIRCUIT	GA	COLOR	TERMINAL																												
A	F57	18	LT GN	1661262C1																												
B	F57-G	18	WH	1661262C1																												
CONNECTOR 1661260C1 BODY LOCK 1661264C1																																
CHK	DATE	CHANGE	REV	REFERENCE	DRAWN	NAME																										
MJVO	23SEP19	ADDED R/D 10840.	B	95004Y	23132922	CIRCUIT DIAGRAM, RE BUS - BODY																										
					RELEASE NO.	DATE	PART NO.																									
					937845	23FEB17	AE08085161																									
						SHEET	098																									

Figure 613 Connector Composites (10833A, 10837, 10838, 10840)

19.104. CONNECTOR COMPOSITES (10841, 10845, 10848A), P. 98A




NAVISTAR, INC <small>THIS PRINT IS PROVIDED ON A RESTRICTED BASIS AND IS NOT TO BE USED IN ANY WAY DETRIMENTAL TO THE INTEREST OF NAVISTAR, INC.</small>				ELECTRICAL CIRCUIT DIAGRAM CHAPTER 18 CONNECTOR BODY COMPOSITES MATING VIEW SHOWN																																																
DIRECTIONAL PASSTHROUGH (10841) (LOCATED AT EXT MTD ACROSS FROM DOOR HANDLE ON POST AND INTERIOR ON CEILING)  CONNECTOR 1661259C1 BODY LOCK 1661263C1				<table border="1" style="width: 100%; border-collapse: collapse;"> <thead> <tr> <th>CAV</th> <th>CIRCUIT</th> <th>GA</th> <th>COLOR</th> <th>TERMINAL</th> </tr> </thead> <tbody> <tr> <td>A</td> <td>F57</td> <td>18</td> <td>LT GN</td> <td>1661261C1</td> </tr> <tr> <td>B</td> <td>F57-G</td> <td>18</td> <td>WH</td> <td>1661261C1</td> </tr> </tbody> </table>		CAV	CIRCUIT	GA	COLOR	TERMINAL	A	F57	18	LT GN	1661261C1	B	F57-G	18	WH	1661261C1																																
CAV	CIRCUIT	GA	COLOR	TERMINAL																																																
A	F57	18	LT GN	1661261C1																																																
B	F57-G	18	WH	1661261C1																																																
POST TRIP W/SNOOZE HAZARDS ON (10845) (LOCATED AT EXT MTD ACROSS FROM DOOR HANDLE ON POST AND INTERIOR ON CEILING)  CONNECTOR 3709924C1				<table border="1" style="width: 100%; border-collapse: collapse;"> <thead> <tr> <th>CAV</th> <th>CIRCUIT</th> <th>GA</th> <th>COLOR</th> <th>TERMINAL</th> </tr> </thead> <tbody> <tr> <td>1</td> <td>B60A</td> <td>18</td> <td>OR</td> <td>3686945C1</td> </tr> <tr> <td>2</td> <td>B14P</td> <td>16</td> <td>RD</td> <td>3686946C1</td> </tr> <tr> <td>3</td> <td>PLUG</td> <td>-</td> <td>-</td> <td>3833742C1</td> </tr> <tr> <td>4</td> <td>B56H</td> <td>16</td> <td>YL</td> <td>3686946C1</td> </tr> <tr> <td>5</td> <td>PLUG</td> <td>-</td> <td>-</td> <td>3833742C1</td> </tr> <tr> <td>6</td> <td>B60-G</td> <td>16</td> <td>WH</td> <td>3686946C1</td> </tr> <tr> <td>7</td> <td>PLUG</td> <td>-</td> <td>-</td> <td>3833742C1</td> </tr> <tr> <td>8</td> <td>B57H</td> <td>16</td> <td>LT GN</td> <td>3686946C1</td> </tr> </tbody> </table>		CAV	CIRCUIT	GA	COLOR	TERMINAL	1	B60A	18	OR	3686945C1	2	B14P	16	RD	3686946C1	3	PLUG	-	-	3833742C1	4	B56H	16	YL	3686946C1	5	PLUG	-	-	3833742C1	6	B60-G	16	WH	3686946C1	7	PLUG	-	-	3833742C1	8	B57H	16	LT GN	3686946C1		
CAV	CIRCUIT	GA	COLOR	TERMINAL																																																
1	B60A	18	OR	3686945C1																																																
2	B14P	16	RD	3686946C1																																																
3	PLUG	-	-	3833742C1																																																
4	B56H	16	YL	3686946C1																																																
5	PLUG	-	-	3833742C1																																																
6	B60-G	16	WH	3686946C1																																																
7	PLUG	-	-	3833742C1																																																
8	B57H	16	LT GN	3686946C1																																																
DOME LIGHT OVER EACH SEAT (10848A) (LOCATED AT EXT MTD ACROSS FROM DOOR HANDLE ON POST AND INTERIOR ON CEILING)  CONNECTOR 1661259C1 BODY LOCK 1661263C1				<table border="1" style="width: 100%; border-collapse: collapse;"> <thead> <tr> <th>CAV</th> <th>CIRCUIT</th> <th>GA</th> <th>COLOR</th> <th>TERMINAL</th> </tr> </thead> <tbody> <tr> <td>A</td> <td>F63C</td> <td>16</td> <td>DK BL</td> <td>1661261C1</td> </tr> <tr> <td>B</td> <td>F63C-G</td> <td>16</td> <td>WH</td> <td>1661261C1</td> </tr> </tbody> </table>		CAV	CIRCUIT	GA	COLOR	TERMINAL	A	F63C	16	DK BL	1661261C1	B	F63C-G	16	WH	1661261C1																																
CAV	CIRCUIT	GA	COLOR	TERMINAL																																																
A	F63C	16	DK BL	1661261C1																																																
B	F63C-G	16	WH	1661261C1																																																
CHK	DATE	CHANGE	REV	REFERENCE	DRAWN	NAME																																														
MJVO	08OCT19	REVISION HISTORY	B	95346H	23112202	CIRCUIT DIAGRAM, RE BUS-BODY																																														
	MISSED	N REVISION A.			95004Y	28MAR19	AE08085161 SHEET 98A																																													

Figure 614 Connector Composites (10841, 10845, 10848A)

19.105. CONNECTOR COMPOSITES (10849A, 10850A, 10851A, 10852A), P. 99





NAVISTAR, INC				ELECTRICAL CIRCUIT DIAGRAM				CHAPTER 18																		
THIS PRINT IS PROVIDED ON A RESTRICTED BASIS AND IS NOT TO BE USED IN ANY WAY DETRIMENTAL TO THE INTEREST OF NAVISTAR, INC.				CONNECTOR BODY COMPOSITES MATING VIEW SHOWN																						
<p>DOMELIGHT OVER EACH SEAT (10849A) (LOCATED AT EXT MTD ACROSS FROM DOOR HANDLE ON POST AND INTERIOR ON CEILING)</p>																										
				<table border="1" style="width: 100%; border-collapse: collapse; font-size: x-small;"> <thead> <tr> <th>CAV</th> <th>CIRCUIT</th> <th>GA</th> <th>COLOR</th> <th>TERMINAL</th> </tr> </thead> <tbody> <tr> <td>A</td> <td>F63G</td> <td>16</td> <td>DK BL</td> <td>1661261C1</td> </tr> <tr> <td>B</td> <td>F63G-G</td> <td>16</td> <td>WH</td> <td>1661261C1</td> </tr> </tbody> </table>								CAV	CIRCUIT	GA	COLOR	TERMINAL	A	F63G	16	DK BL	1661261C1	B	F63G-G	16	WH	1661261C1
CAV	CIRCUIT	GA	COLOR	TERMINAL																						
A	F63G	16	DK BL	1661261C1																						
B	F63G-G	16	WH	1661261C1																						
<p>CONNECTOR 1661259C1 BODY LOCK 1661263C1</p>																										
<p>DOMELIGHT OVER EACH SEAT (10850A) (LOCATED AT EXT MTD ACROSS FROM DOOR HANDLE ON POST AND INTERIOR ON CEILING)</p>																										
				<table border="1" style="width: 100%; border-collapse: collapse; font-size: x-small;"> <thead> <tr> <th>CAV</th> <th>CIRCUIT</th> <th>GA</th> <th>COLOR</th> <th>TERMINAL</th> </tr> </thead> <tbody> <tr> <td>A</td> <td>F63J</td> <td>16</td> <td>DK BL</td> <td>1661261C1</td> </tr> <tr> <td>B</td> <td>F63J-G</td> <td>16</td> <td>WH</td> <td>1661261C1</td> </tr> </tbody> </table>								CAV	CIRCUIT	GA	COLOR	TERMINAL	A	F63J	16	DK BL	1661261C1	B	F63J-G	16	WH	1661261C1
CAV	CIRCUIT	GA	COLOR	TERMINAL																						
A	F63J	16	DK BL	1661261C1																						
B	F63J-G	16	WH	1661261C1																						
<p>CONNECTOR 1661259C1 BODY LOCK 1661263C1</p>																										
<p>DOMELIGHT OVER EACH SEAT (10851A) (LOCATED AT EXT MTD ACROSS FROM DOOR HANDLE ON POST AND INTERIOR ON CEILING)</p>																										
				<table border="1" style="width: 100%; border-collapse: collapse; font-size: x-small;"> <thead> <tr> <th>CAV</th> <th>CIRCUIT</th> <th>GA</th> <th>COLOR</th> <th>TERMINAL</th> </tr> </thead> <tbody> <tr> <td>A</td> <td>F63K</td> <td>16</td> <td>DK BL</td> <td>1661261C1</td> </tr> <tr> <td>B</td> <td>F63K-G</td> <td>16</td> <td>WH</td> <td>1661261C1</td> </tr> </tbody> </table>								CAV	CIRCUIT	GA	COLOR	TERMINAL	A	F63K	16	DK BL	1661261C1	B	F63K-G	16	WH	1661261C1
CAV	CIRCUIT	GA	COLOR	TERMINAL																						
A	F63K	16	DK BL	1661261C1																						
B	F63K-G	16	WH	1661261C1																						
<p>CONNECTOR 1661259C1 BODY LOCK 1661263C1</p>																										
<p>DOMELIGHT OVER EACH SEAT (10852A) (LOCATED AT EXT MTD ACROSS FROM DOOR HANDLE ON POST AND INTERIOR ON CEILING)</p>																										
				<table border="1" style="width: 100%; border-collapse: collapse; font-size: x-small;"> <thead> <tr> <th>CAV</th> <th>CIRCUIT</th> <th>GA</th> <th>COLOR</th> <th>TERMINAL</th> </tr> </thead> <tbody> <tr> <td>A</td> <td>F63M</td> <td>16</td> <td>DK BL</td> <td>1661261C1</td> </tr> <tr> <td>B</td> <td>F63M-G</td> <td>16</td> <td>WH</td> <td>1661261C1</td> </tr> </tbody> </table>								CAV	CIRCUIT	GA	COLOR	TERMINAL	A	F63M	16	DK BL	1661261C1	B	F63M-G	16	WH	1661261C1
CAV	CIRCUIT	GA	COLOR	TERMINAL																						
A	F63M	16	DK BL	1661261C1																						
B	F63M-G	16	WH	1661261C1																						
<p>CONNECTOR 1661259C1 BODY LOCK 1661263C1</p>																										
CHK	DATE	CHANGE	REV	REFERENCE	DRAWN	NAME																				
MJVO	23SEP17	INITIAL RELEASE.	A	93784S	23132922	CIRCUIT DIAGRAM, RE BUS - BODY																				
					RELEASE NO.	DATE	PART NO.	SHEET																		
					93784S	23FEB17	AE08085161	099																		

Figure 615 Connector Composites (1100)

19.106. CONNECTOR COMPOSITES (11000), P. 100

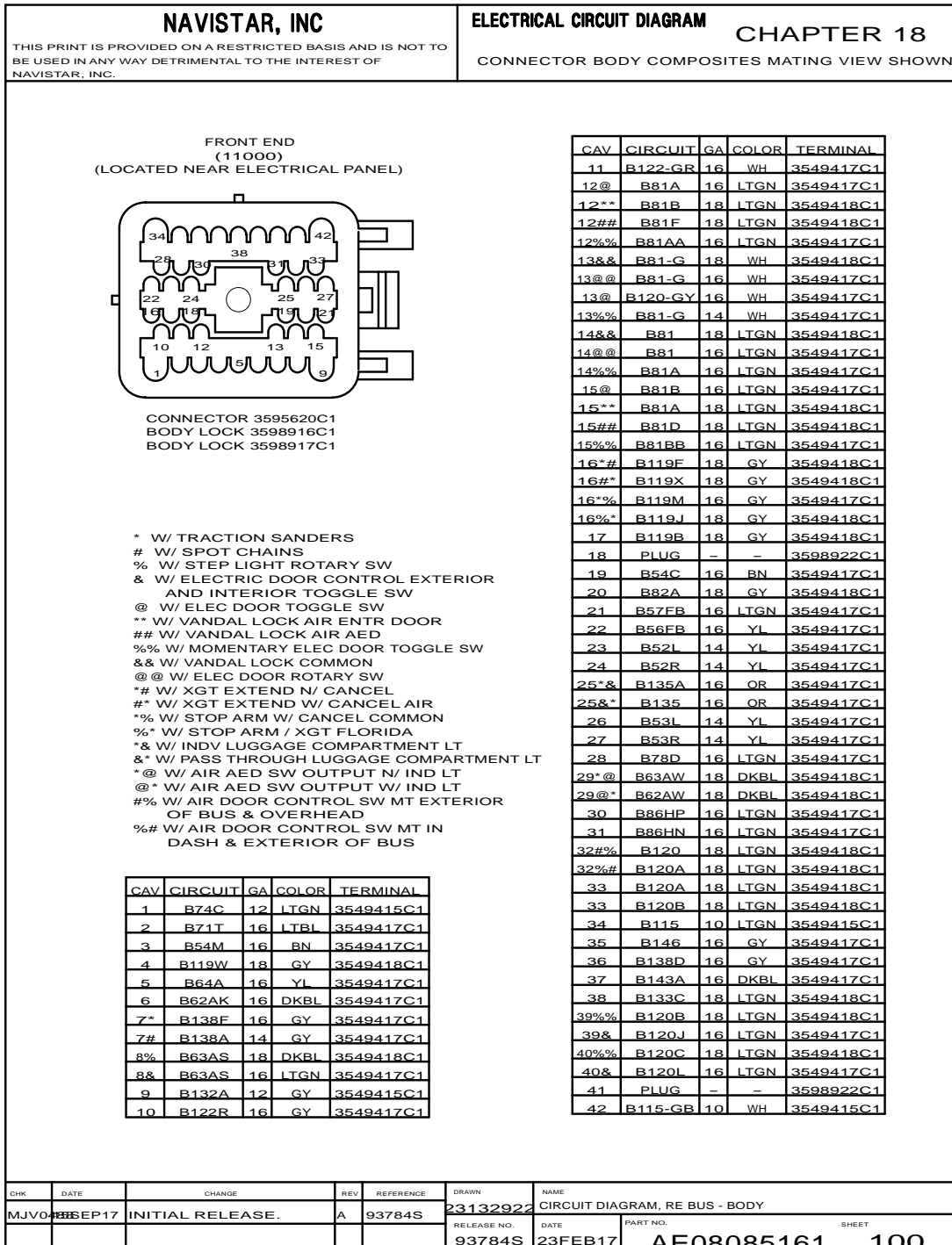


Figure 616 Connector Composites (11000)

19.107. CONNECTOR COMPOSITES (11000) (CONT.), P. 101

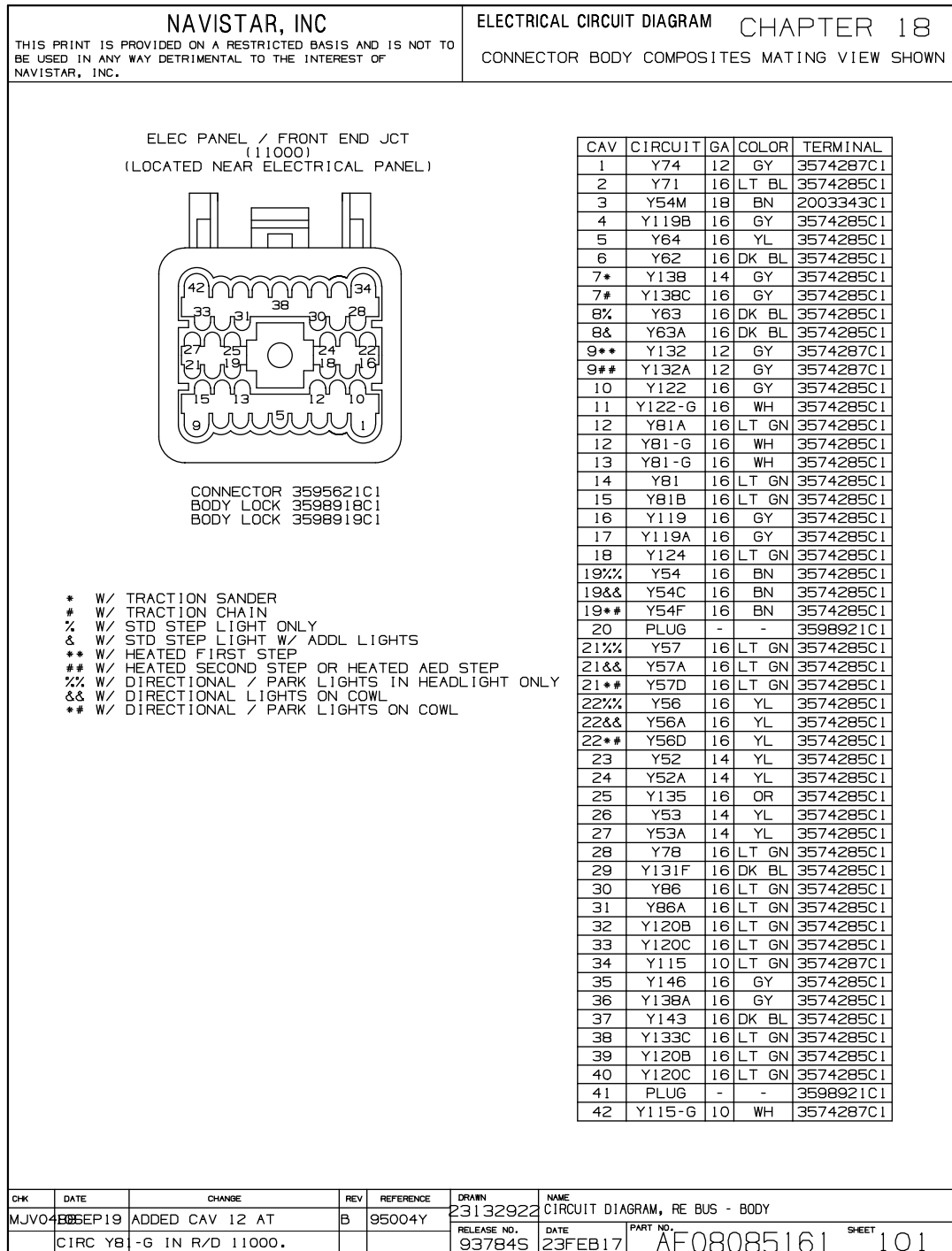


Figure 617 Connector Composites (11000) (Cont.)

19.108. CONNECTOR COMPOSITES (11001, 11003, 11003A, 11004L), P. 102

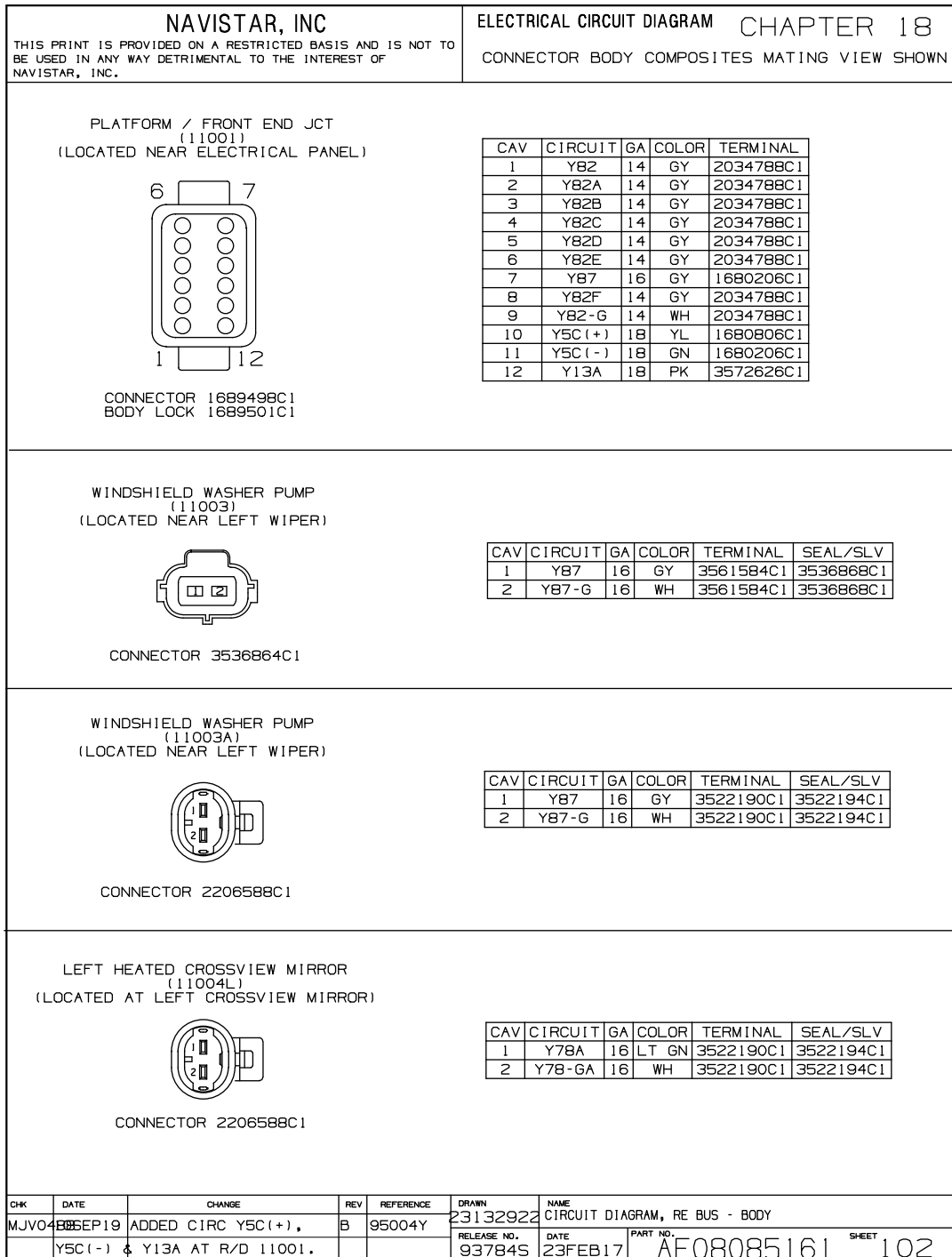


Figure 618 Connector Composites (11001, 11003, 11003A, 11004L)

19.109. CONNECTOR COMPOSITES (11004R, 11005L, 11005R, 11006L), P. 103

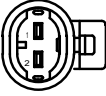
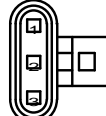
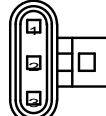
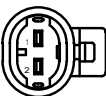
NAVISTAR, INC				ELECTRICAL CIRCUIT DIAGRAM																											
THIS PRINT IS PROVIDED ON A RESTRICTED BASIS AND IS NOT TO BE USED IN ANY WAY DETRIMENTAL TO THE INTEREST OF NAVISTAR, INC.				CHAPTER 18																											
				CONNECTOR BODY COMPOSITES MATING VIEW SHOWN																											
<p>RIGHT HEATED CROSSVIEW MIRROR (11004R) (LOCATED AT RIGHT CROSSVIEW MIRROR)</p>  <p>CONNECTOR 2206588C1</p> <table border="1" style="margin-left: auto; margin-right: auto;"> <thead> <tr> <th>CAV</th> <th>CIRCUIT</th> <th>GA</th> <th>COLOR</th> <th>TERMINAL</th> <th>SEAL/SLV</th> </tr> </thead> <tbody> <tr> <td>1</td> <td>Y78B</td> <td>16</td> <td>LTGN</td> <td>3522190C1</td> <td>3522194C1</td> </tr> <tr> <td>2</td> <td>Y78-GB</td> <td>16</td> <td>WH</td> <td>3522190C1</td> <td>3522194C1</td> </tr> </tbody> </table>								CAV	CIRCUIT	GA	COLOR	TERMINAL	SEAL/SLV	1	Y78B	16	LTGN	3522190C1	3522194C1	2	Y78-GB	16	WH	3522190C1	3522194C1						
CAV	CIRCUIT	GA	COLOR	TERMINAL	SEAL/SLV																										
1	Y78B	16	LTGN	3522190C1	3522194C1																										
2	Y78-GB	16	WH	3522190C1	3522194C1																										
<p>LEFT COWL-MTD DIR/PARK LIGHT (11005L) (LOCATED NEAR ELECTRIC PANEL)</p>  <p>CONNECTOR 3522187C1</p> <table border="1" style="margin-left: auto; margin-right: auto;"> <thead> <tr> <th>CAV</th> <th>CIRCUIT</th> <th>GA</th> <th>COLOR</th> <th>TERMINAL</th> <th>SEAL/SLV</th> </tr> </thead> <tbody> <tr> <td>1</td> <td>Y56F</td> <td>16</td> <td>YL</td> <td>3522190C1</td> <td>3522194C1</td> </tr> <tr> <td>2</td> <td>Y54J</td> <td>16</td> <td>BN</td> <td>3522190C1</td> <td>3522194C1</td> </tr> <tr> <td>3</td> <td>Y56-GB</td> <td>16</td> <td>WH</td> <td>3522190C1</td> <td>3522194C1</td> </tr> </tbody> </table>								CAV	CIRCUIT	GA	COLOR	TERMINAL	SEAL/SLV	1	Y56F	16	YL	3522190C1	3522194C1	2	Y54J	16	BN	3522190C1	3522194C1	3	Y56-GB	16	WH	3522190C1	3522194C1
CAV	CIRCUIT	GA	COLOR	TERMINAL	SEAL/SLV																										
1	Y56F	16	YL	3522190C1	3522194C1																										
2	Y54J	16	BN	3522190C1	3522194C1																										
3	Y56-GB	16	WH	3522190C1	3522194C1																										
<p>R COWL-MTD DIR/PARK LIGHT (11005R) (LOCATED NEAR LEFT WIPER)</p>  <p>CONNECTOR 3522187C1</p> <table border="1" style="margin-left: auto; margin-right: auto;"> <thead> <tr> <th>CAV</th> <th>CIRCUIT</th> <th>GA</th> <th>COLOR</th> <th>TERMINAL</th> <th>SEAL/SLV</th> </tr> </thead> <tbody> <tr> <td>1</td> <td>Y57F</td> <td>16</td> <td>LTGN</td> <td>3522190C1</td> <td>3522194C1</td> </tr> <tr> <td>2</td> <td>Y54K</td> <td>16</td> <td>BN</td> <td>3522190C1</td> <td>3522194C1</td> </tr> <tr> <td>3</td> <td>Y57-GB</td> <td>16</td> <td>WH</td> <td>3522190C1</td> <td>3522194C1</td> </tr> </tbody> </table>								CAV	CIRCUIT	GA	COLOR	TERMINAL	SEAL/SLV	1	Y57F	16	LTGN	3522190C1	3522194C1	2	Y54K	16	BN	3522190C1	3522194C1	3	Y57-GB	16	WH	3522190C1	3522194C1
CAV	CIRCUIT	GA	COLOR	TERMINAL	SEAL/SLV																										
1	Y57F	16	LTGN	3522190C1	3522194C1																										
2	Y54K	16	BN	3522190C1	3522194C1																										
3	Y57-GB	16	WH	3522190C1	3522194C1																										
<p>LEFT COWL-MTD DIR LIGHT (11006L) (LOCATED AT LEFT CROSSVIEW MIRROR)</p>  <p>CONNECTOR 2206588C1</p> <table border="1" style="margin-left: auto; margin-right: auto;"> <thead> <tr> <th>CAV</th> <th>CIRCUIT</th> <th>GA</th> <th>COLOR</th> <th>TERMINAL</th> <th>SEAL/SLV</th> </tr> </thead> <tbody> <tr> <td>1</td> <td>Y56C</td> <td>16</td> <td>YL</td> <td>3522190C1</td> <td>3522194C1</td> </tr> <tr> <td>2</td> <td>Y56-GA</td> <td>16</td> <td>WH</td> <td>3522190C1</td> <td>3522194C1</td> </tr> </tbody> </table>								CAV	CIRCUIT	GA	COLOR	TERMINAL	SEAL/SLV	1	Y56C	16	YL	3522190C1	3522194C1	2	Y56-GA	16	WH	3522190C1	3522194C1						
CAV	CIRCUIT	GA	COLOR	TERMINAL	SEAL/SLV																										
1	Y56C	16	YL	3522190C1	3522194C1																										
2	Y56-GA	16	WH	3522190C1	3522194C1																										
CHK	DATE	CHANGE	REV	REFERENCE	DRAWN	NAME																									
MJVO	13SEP17	INITIAL RELEASE.	A	93784S	23132922	CIRCUIT DIAGRAM, RE BUS - BODY																									
					RELEASE NO.	DATE	PART NO.																								
					93784S	23FEB17	AE08085161																								
							SHEET 103																								

Figure 619 Connector Composites (11004R, 11005L, 11005R, 11006L)

19.110. CONNECTOR COMPOSITES (11006R, 11009L, 11009R, 11010L), P. 104

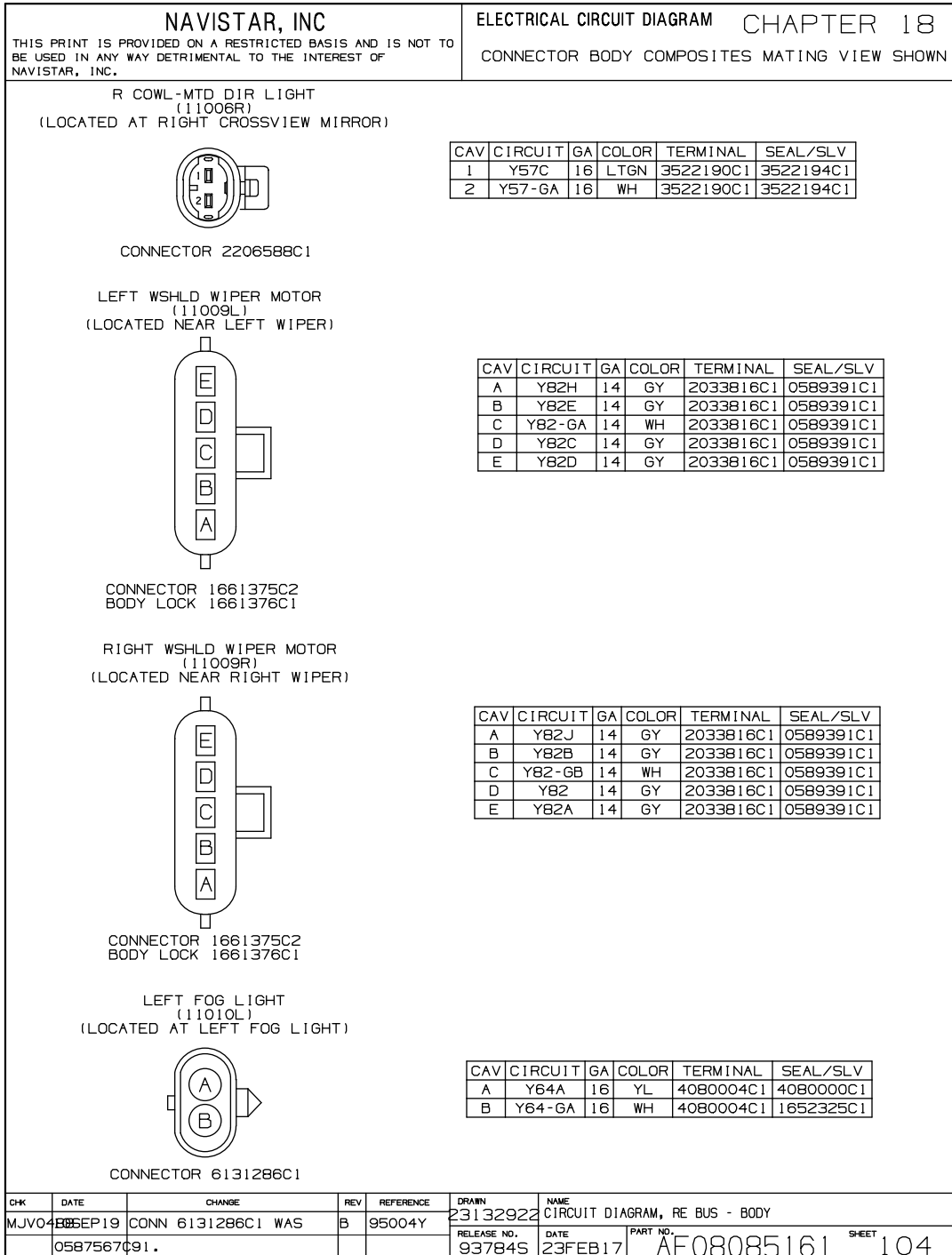


Figure 620 Connector Composites (11006R, 11009L, 11009R, 11010L)

19.111. CONNECTOR COMPOSITES (11010R, 11011L, 11011R), P. 105

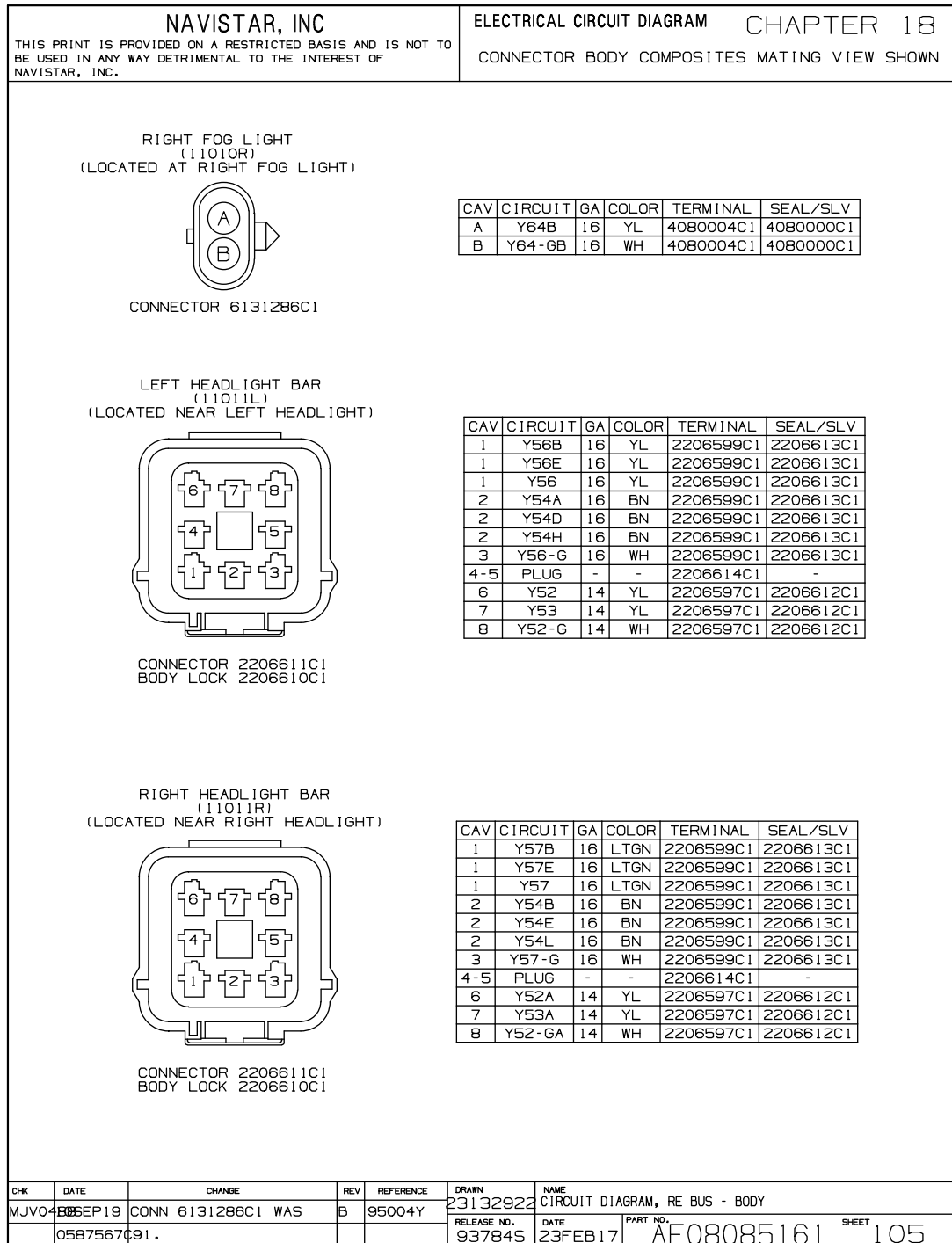


Figure 621 Connector Composites (11010R, 11011L, 11011R)

19.112. CONNECTOR COMPOSITES (11012, 11016, 11017, 11018), P. 106

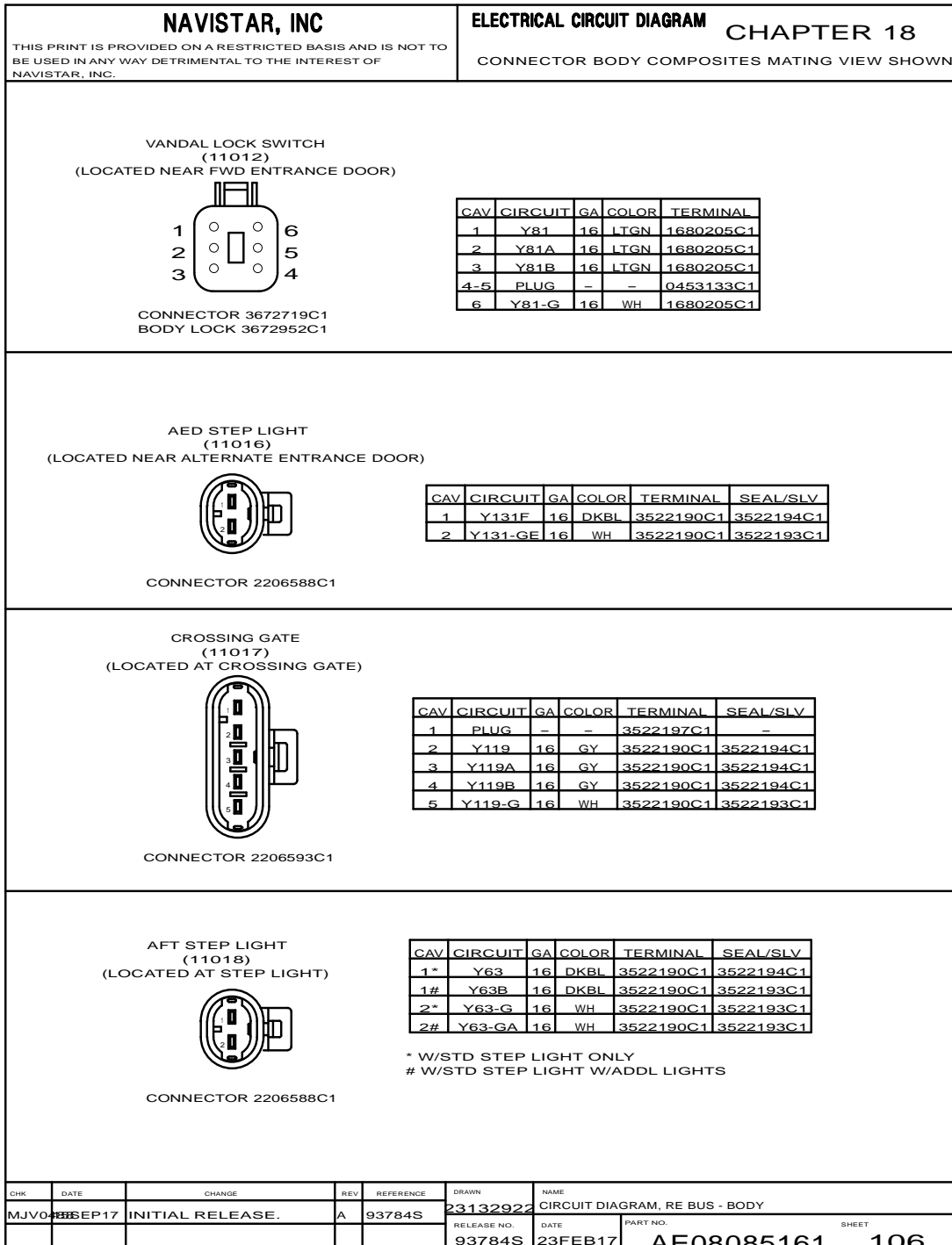


Figure 622 Connector Composites (11012, 11016, 11017, 11018)

19.113. CONNECTOR COMPOSITES (11019, 11020, 11021, 11022), P. 107

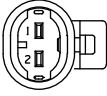
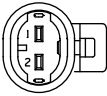
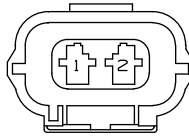
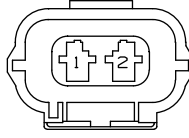
NAVISTAR, INC <small>THIS PRINT IS PROVIDED ON A RESTRICTED BASIS AND IS NOT TO BE USED IN ANY WAY DETRIMENTAL TO THE INTEREST OF NAVISTAR, INC.</small>				ELECTRICAL CIRCUIT DIAGRAM CHAPTER 18 CONNECTOR BODY COMPOSITES MATING VIEW SHOWN																																	
SKIRT LIGHT (11019) (LOCATED AT SKIRT LIGHT)						<table border="1" style="width: 100%; border-collapse: collapse;"> <thead> <tr> <th>CAV</th> <th>CIRCUIT</th> <th>GA</th> <th>COLOR</th> <th>TERMINAL</th> <th>SEAL/SLV</th> </tr> </thead> <tbody> <tr> <td>1</td> <td>Y63D</td> <td>16</td> <td>DKBL</td> <td>3522190C1</td> <td>3522193C1</td> </tr> <tr> <td>2</td> <td>Y63-GC</td> <td>16</td> <td>WH</td> <td>3522190C1</td> <td>3522193C1</td> </tr> </tbody> </table>		CAV	CIRCUIT	GA	COLOR	TERMINAL	SEAL/SLV	1	Y63D	16	DKBL	3522190C1	3522193C1	2	Y63-GC	16	WH	3522190C1	3522193C1												
CAV	CIRCUIT	GA	COLOR	TERMINAL	SEAL/SLV																																
1	Y63D	16	DKBL	3522190C1	3522193C1																																
2	Y63-GC	16	WH	3522190C1	3522193C1																																
CONNECTOR 2206588C1																																					
FORWARD STEP LIGHT (11020) (LOCATED AT FORWARD STEP LIGHT)						<table border="1" style="width: 100%; border-collapse: collapse;"> <thead> <tr> <th>CAV</th> <th>CIRCUIT</th> <th>GA</th> <th>COLOR</th> <th>TERMINAL</th> <th>SEAL/SLV</th> </tr> </thead> <tbody> <tr> <td>1</td> <td>Y63C</td> <td>16</td> <td>DKBL</td> <td>3522190C1</td> <td>3522193C1</td> </tr> <tr> <td>2</td> <td>Y63-GB</td> <td>16</td> <td>WH</td> <td>3522190C1</td> <td>3522193C1</td> </tr> </tbody> </table>		CAV	CIRCUIT	GA	COLOR	TERMINAL	SEAL/SLV	1	Y63C	16	DKBL	3522190C1	3522193C1	2	Y63-GB	16	WH	3522190C1	3522193C1												
CAV	CIRCUIT	GA	COLOR	TERMINAL	SEAL/SLV																																
1	Y63C	16	DKBL	3522190C1	3522193C1																																
2	Y63-GB	16	WH	3522190C1	3522193C1																																
CONNECTOR 2206588C1																																					
FIRST STEP HEATER (11021) (LOCATED AT FIRST STEP)						<table border="1" style="width: 100%; border-collapse: collapse;"> <thead> <tr> <th>CAV</th> <th>CIRCUIT</th> <th>GA</th> <th>COLOR</th> <th>TERMINAL</th> <th>SEAL/SLV</th> </tr> </thead> <tbody> <tr> <td>1*</td> <td>Y132B</td> <td>12</td> <td>GY</td> <td>2206597C1</td> <td>2206612C1</td> </tr> <tr> <td>1#</td> <td>Y132</td> <td>12</td> <td>GY</td> <td>2206597C1</td> <td>2206612C1</td> </tr> <tr> <td>2*</td> <td>Y132-GB</td> <td>12</td> <td>WH</td> <td>2206597C1</td> <td>2206612C1</td> </tr> <tr> <td>2#</td> <td>Y132-G</td> <td>12</td> <td>WH</td> <td>2206597C1</td> <td>2206612C1</td> </tr> </tbody> </table>		CAV	CIRCUIT	GA	COLOR	TERMINAL	SEAL/SLV	1*	Y132B	12	GY	2206597C1	2206612C1	1#	Y132	12	GY	2206597C1	2206612C1	2*	Y132-GB	12	WH	2206597C1	2206612C1	2#	Y132-G	12	WH	2206597C1	2206612C1
CAV	CIRCUIT	GA	COLOR	TERMINAL	SEAL/SLV																																
1*	Y132B	12	GY	2206597C1	2206612C1																																
1#	Y132	12	GY	2206597C1	2206612C1																																
2*	Y132-GB	12	WH	2206597C1	2206612C1																																
2#	Y132-G	12	WH	2206597C1	2206612C1																																
CONNECTOR 2206603C1 BODY LOCK 2206602C1				* W/HEATED SECOND STEP OR HEATED AED STEP # W/HEATED FIRST STEP																																	
SECOND STEP HEATER (11022) (LOCATED AT SECOND STEP)						<table border="1" style="width: 100%; border-collapse: collapse;"> <thead> <tr> <th>CAV</th> <th>CIRCUIT</th> <th>GA</th> <th>COLOR</th> <th>TERMINAL</th> <th>SEAL/SLV</th> </tr> </thead> <tbody> <tr> <td>1</td> <td>Y132C</td> <td>12</td> <td>GY</td> <td>2206597C1</td> <td>2206612C1</td> </tr> <tr> <td>2</td> <td>Y132-GC</td> <td>12</td> <td>WH</td> <td>2206597C1</td> <td>2206612C1</td> </tr> </tbody> </table>		CAV	CIRCUIT	GA	COLOR	TERMINAL	SEAL/SLV	1	Y132C	12	GY	2206597C1	2206612C1	2	Y132-GC	12	WH	2206597C1	2206612C1												
CAV	CIRCUIT	GA	COLOR	TERMINAL	SEAL/SLV																																
1	Y132C	12	GY	2206597C1	2206612C1																																
2	Y132-GC	12	WH	2206597C1	2206612C1																																
CONNECTOR 2206603C1 BODY LOCK 2206602C1																																					
CHK	DATE	CHANGE	REV	REFERENCE	DRAWN	NAME																															
MJVO	08SEP19	REVISED AND REDRAWN.	B	95004Y	23132922	CIRCUIT DIAGRAM, RE BUS - BODY																															
					RELEASE NO.	DATE	PART NO.																														
					937845	23FEB17	AE08085161																														
							SHEET 107																														

Figure 623 Connector Composites (11019, 11020, 11021, 11022)

19.114. CONNECTOR COMPOSITES (11023, 11024, 11025, 11025A), P. 108

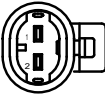
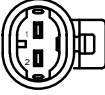
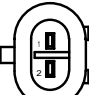
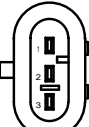
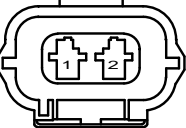
NAVISTAR, INC		ELECTRICAL CIRCUIT DIAGRAM		CHAPTER 18																									
THIS PRINT IS PROVIDED ON A RESTRICTED BASIS AND IS NOT TO BE USED IN ANY WAY DETRIMENTAL TO THE INTEREST OF NAVISTAR, INC.		CONNECTOR BODY COMPOSITES MATING VIEW SHOWN																											
<p>LIFT INTERLOCK (11023) (LOCATED NEAR LUGGAGE BOX)</p>  <p>CONNECTOR 2206588C1</p>		<table border="1" style="width: 100%; border-collapse: collapse; font-size: x-small;"> <thead> <tr> <th>CAV</th> <th>CIRCUIT</th> <th>GA</th> <th>COLOR</th> <th>TERMINAL</th> <th>SEAL/SLV</th> </tr> </thead> <tbody> <tr> <td>1</td> <td>Y122</td> <td>16</td> <td>GY</td> <td>3522190C1</td> <td>3522194C1</td> </tr> <tr> <td>2</td> <td>Y122-G</td> <td>16</td> <td>WH</td> <td>3522190C1</td> <td>3522194C1</td> </tr> </tbody> </table>				CAV	CIRCUIT	GA	COLOR	TERMINAL	SEAL/SLV	1	Y122	16	GY	3522190C1	3522194C1	2	Y122-G	16	WH	3522190C1	3522194C1						
CAV	CIRCUIT	GA	COLOR	TERMINAL	SEAL/SLV																								
1	Y122	16	GY	3522190C1	3522194C1																								
2	Y122-G	16	WH	3522190C1	3522194C1																								
<p>LUGGAGE BOX LIGHT (11024) (LOCATED AT LUGGAGE BOX LIGHT)</p>  <p>CONNECTOR 2206588C1</p>		<table border="1" style="width: 100%; border-collapse: collapse; font-size: x-small;"> <thead> <tr> <th>CAV</th> <th>CIRCUIT</th> <th>GA</th> <th>COLOR</th> <th>TERMINAL</th> <th>SEAL/SLV</th> </tr> </thead> <tbody> <tr> <td>1</td> <td>Y135</td> <td>16</td> <td>OR</td> <td>3522190C1</td> <td>3522194C1</td> </tr> <tr> <td>2</td> <td>Y135-G</td> <td>16</td> <td>WH</td> <td>3522190C1</td> <td>3522193C1</td> </tr> </tbody> </table>				CAV	CIRCUIT	GA	COLOR	TERMINAL	SEAL/SLV	1	Y135	16	OR	3522190C1	3522194C1	2	Y135-G	16	WH	3522190C1	3522193C1						
CAV	CIRCUIT	GA	COLOR	TERMINAL	SEAL/SLV																								
1	Y135	16	OR	3522190C1	3522194C1																								
2	Y135-G	16	WH	3522190C1	3522193C1																								
<p>FRONT END HARNESS CONNECTION (11024) (LOCATED AT LUGGAGE BOX LIGHT)</p>  <p>CONNECTOR 2206587C1</p>		<table border="1" style="width: 100%; border-collapse: collapse; font-size: x-small;"> <thead> <tr> <th>CAV</th> <th>CIRCUIT</th> <th>GA</th> <th>COLOR</th> <th>TERMINAL</th> <th>SEAL/SLV</th> </tr> </thead> <tbody> <tr> <td>1</td> <td>135</td> <td>16</td> <td>OR</td> <td>2206584C1</td> <td>3522194C1</td> </tr> <tr> <td>2</td> <td>135-G</td> <td>16</td> <td>WH</td> <td>2206584C1</td> <td>3522194C1</td> </tr> </tbody> </table>				CAV	CIRCUIT	GA	COLOR	TERMINAL	SEAL/SLV	1	135	16	OR	2206584C1	3522194C1	2	135-G	16	WH	2206584C1	3522194C1						
CAV	CIRCUIT	GA	COLOR	TERMINAL	SEAL/SLV																								
1	135	16	OR	2206584C1	3522194C1																								
2	135-G	16	WH	2206584C1	3522194C1																								
<p>TRACTION SANDER (11025) (LOCATED BELOW LUGGAGE BOX)</p>  <p>CONNECTOR 2206589C1</p>		<table border="1" style="width: 100%; border-collapse: collapse; font-size: x-small;"> <thead> <tr> <th>CAV</th> <th>CIRCUIT</th> <th>GA</th> <th>COLOR</th> <th>TERMINAL</th> <th>SEAL/SLV</th> </tr> </thead> <tbody> <tr> <td>1</td> <td>Y138A</td> <td>16</td> <td>GY</td> <td>2206584C1</td> <td>3522194C1</td> </tr> <tr> <td>2</td> <td>Y62</td> <td>16</td> <td>DKBL</td> <td>2206584C1</td> <td>3522194C1</td> </tr> <tr> <td>3</td> <td>Y138-GA</td> <td>16</td> <td>WH</td> <td>2206584C1</td> <td>3522194C1</td> </tr> </tbody> </table>				CAV	CIRCUIT	GA	COLOR	TERMINAL	SEAL/SLV	1	Y138A	16	GY	2206584C1	3522194C1	2	Y62	16	DKBL	2206584C1	3522194C1	3	Y138-GA	16	WH	2206584C1	3522194C1
CAV	CIRCUIT	GA	COLOR	TERMINAL	SEAL/SLV																								
1	Y138A	16	GY	2206584C1	3522194C1																								
2	Y62	16	DKBL	2206584C1	3522194C1																								
3	Y138-GA	16	WH	2206584C1	3522194C1																								
<p>CONNECTOR BODY (11025A) (LOCATED AT FIRST STEP)</p>  <p>CONNECTOR 2206603C1 BODY LOCK 2206602C1</p>		<table border="1" style="width: 100%; border-collapse: collapse; font-size: x-small;"> <thead> <tr> <th>CAV</th> <th>CIRCUIT</th> <th>GA</th> <th>COLOR</th> <th>TERMINAL</th> <th>SEAL/SLV</th> </tr> </thead> <tbody> <tr> <td>1</td> <td>Y138</td> <td>14</td> <td>GY</td> <td>2206597C1</td> <td>2206612C1</td> </tr> <tr> <td>2</td> <td>Y138-GB</td> <td>16</td> <td>WH</td> <td>2206599C1</td> <td>2206613C1</td> </tr> </tbody> </table>				CAV	CIRCUIT	GA	COLOR	TERMINAL	SEAL/SLV	1	Y138	14	GY	2206597C1	2206612C1	2	Y138-GB	16	WH	2206599C1	2206613C1						
CAV	CIRCUIT	GA	COLOR	TERMINAL	SEAL/SLV																								
1	Y138	14	GY	2206597C1	2206612C1																								
2	Y138-GB	16	WH	2206599C1	2206613C1																								
CHK	DATE	CHANGE	REV	REFERENCE	DRAWN	NAME																							
MJVO	23SEP17	INITIAL RELEASE.	A	93784S	23132922	CIRCUIT DIAGRAM, RE BUS - BODY																							
RELEASE NO.		DATE		PART NO.		SHEET																							
93784S		23FEB17		AE08085161		108																							

Figure 624 Connector Composites (11023, 11024, 11025, 11025A)

19.115. CONNECTOR COMPOSITES (11025A, 11025B, 11025C), P. 109

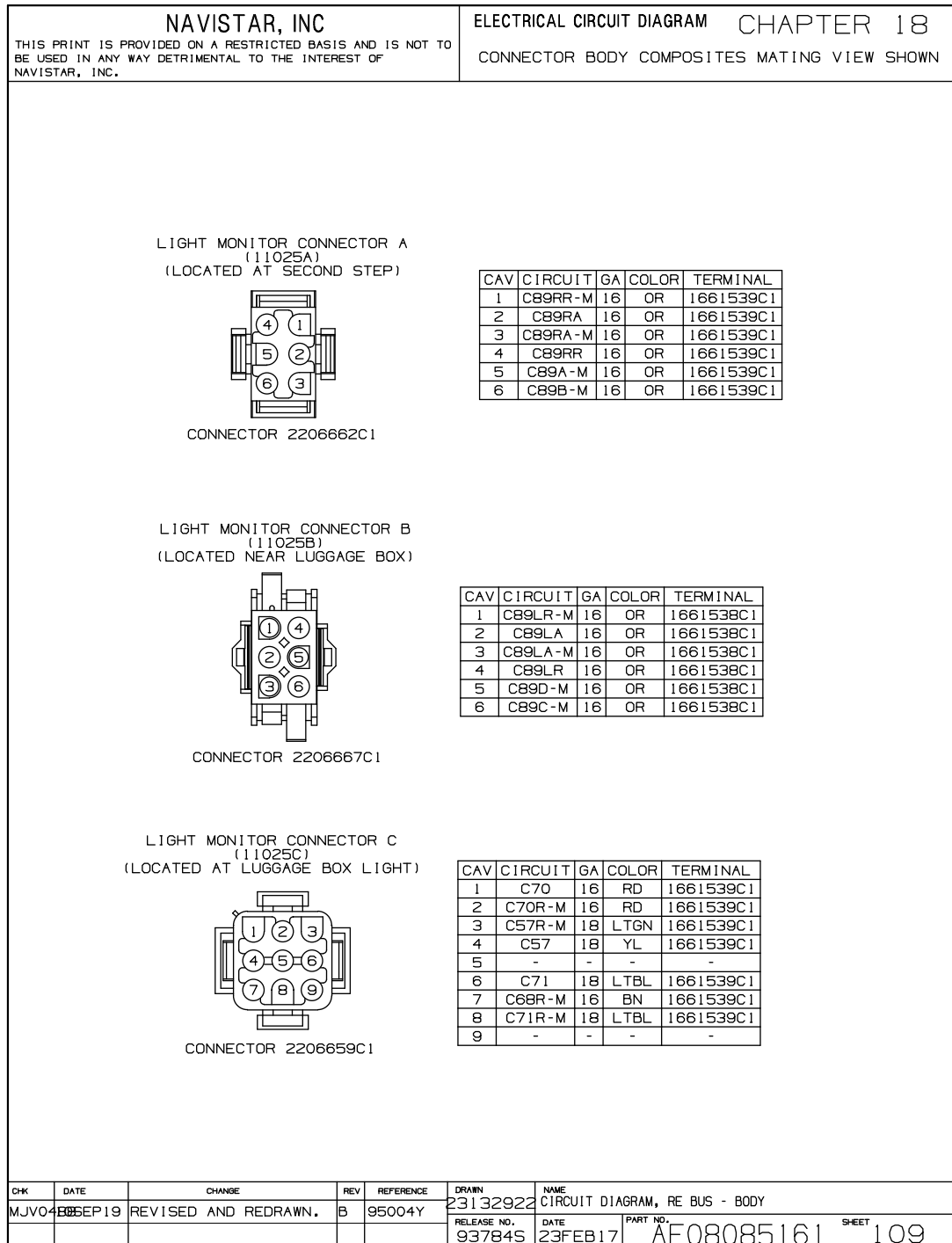


Figure 625 Connector Composites (11025A, 11025B, 11025C)

19.116. CONNECTOR COMPOSITES (11025D, 11026, *11026, 11027, *11027, 11028), P. 110

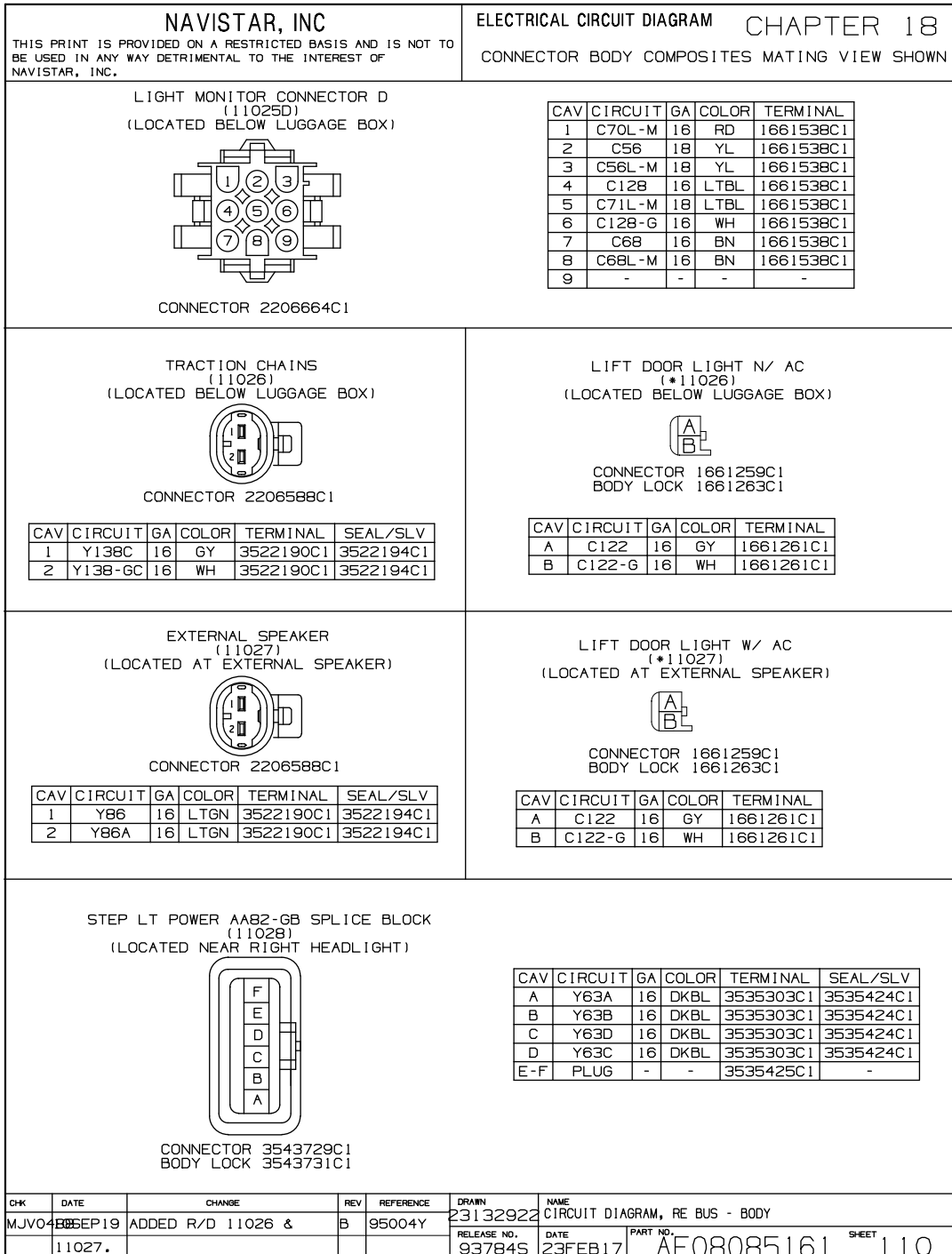
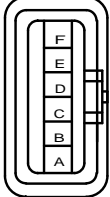


Figure 626 Connector Composites (11025D, 11026, *11026, 11027, *11027, 11028)

19.117. CONNECTOR COMPOSITES (11029, 11033, 11037), P. 111

NAVISTAR, INC				ELECTRICAL CIRCUIT DIAGRAM			
THIS PRINT IS PROVIDED ON A RESTRICTED BASIS AND IS NOT TO BE USED IN ANY WAY DETRIMENTAL TO THE INTEREST OF NAVISTAR, INC.				CHAPTER 18			
				CONNECTOR BODY COMPOSITES MATING VIEW SHOWN			

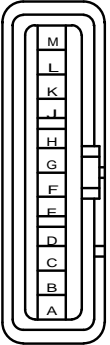
STEP LT GND SPLICE BLOCK (11029)
(LOCATED NEAR RIGHT HEADLIGHT)



CAV	CIRCUIT	GA	COLOR	TERMINAL	SEAL/SLV
A	Y63-GF	16	WH	3535303C1	3535424C1
B	Y63-GA	16	WH	3535303C1	3535424C1
C	Y63-GC	16	WH	3535303C1	3535424C1
D	Y63-GB	16	WH	3535303C1	3535424C1
E-F	PLUG	-	-	3535425C1	-

CONNECTOR 3543729C1
BODY LOCK 3543731C1

OPTION GROUND SPLICE BLOCK (11033)
(LOCATED NEAR FR END GND STUD)

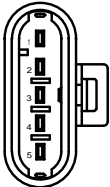


CAV	CIRCUIT	GA	COLOR	TERMINAL	SEAL/SLV
A	Y64-G	16	WH	3535303C1	3535424C1
B	Y135-G	16	WH	3535303C1	3535424C1
C	Y131-GE	16	WH	3535303C1	3535424C1
D	Y11-GC	16	WH	3535303C1	3535424C1
E*	Y63-G	16	WH	3535303C1	3535424C1
E#	Y63-GF	16	WH	3535303C1	3535424C1
F	Y78-G	16	WH	3535303C1	3535424C1
G	Y143-G	16	WH	3535303C1	3535424C1
H	Y11-GD	16	WH	3535303C1	3535424C1
J	Y87-G	16	WH	3535303C1	3535424C1
K	Y119-G	16	WH	3535303C1	3535424C1
L%	Y11-GF	16	WH	3535303C1	3535424C1
L&	Y11-GH	16	WH	3535303C1	3535424C1
M	Y11-GE	16	WH	3535303C1	3535424C1

CONNECTOR 3543733C1
BODY LOCK 3543732C1

* W/ STD STEP LIGHT ONLY
W/ STD STEP LIGHT W/ ADDL LIGHTS
% W/ DIRECTIONAL LIGHTS ON COWL
& W/ DIRECTIONAL / PARK LIGHTS ON COWL

LEFT MARKER LIGHT IN SKIRT (11037)
(LOCATED IN LEFT SIDE OF BODY)



CAV	CIRCUIT	GA	COLOR	TERMINAL	SEAL/SLV
1	Y54N	18	BN	3522190C1	3522193C1
2	Y54-GN	18	WH	3522190C1	3522193C1
3	PLUG	-	-	3522197C1	-
4	Y54P	18	BN	3522190C1	3522193C1
5	Y54-GP	18	WH	3522190C1	3522193C1

CONNECTOR 2206593C1

CHK	DATE	CHANGE	REV	REFERENCE	DRAWN	NAME
MJVO	13SEP17	INITIAL RELEASE.	A	93784S	23132922	CIRCUIT DIAGRAM, RE BUS - BODY
					RELEASE NO.	DATE
					93784S	24FEB17
					PART NO.	SHEET
					AE08085161	111

Figure 627 Connector Composites (11029, 11033, 11037)

19.118. CONNECTOR COMPOSITES (11038, 11044, 11045, 11100), P. 112

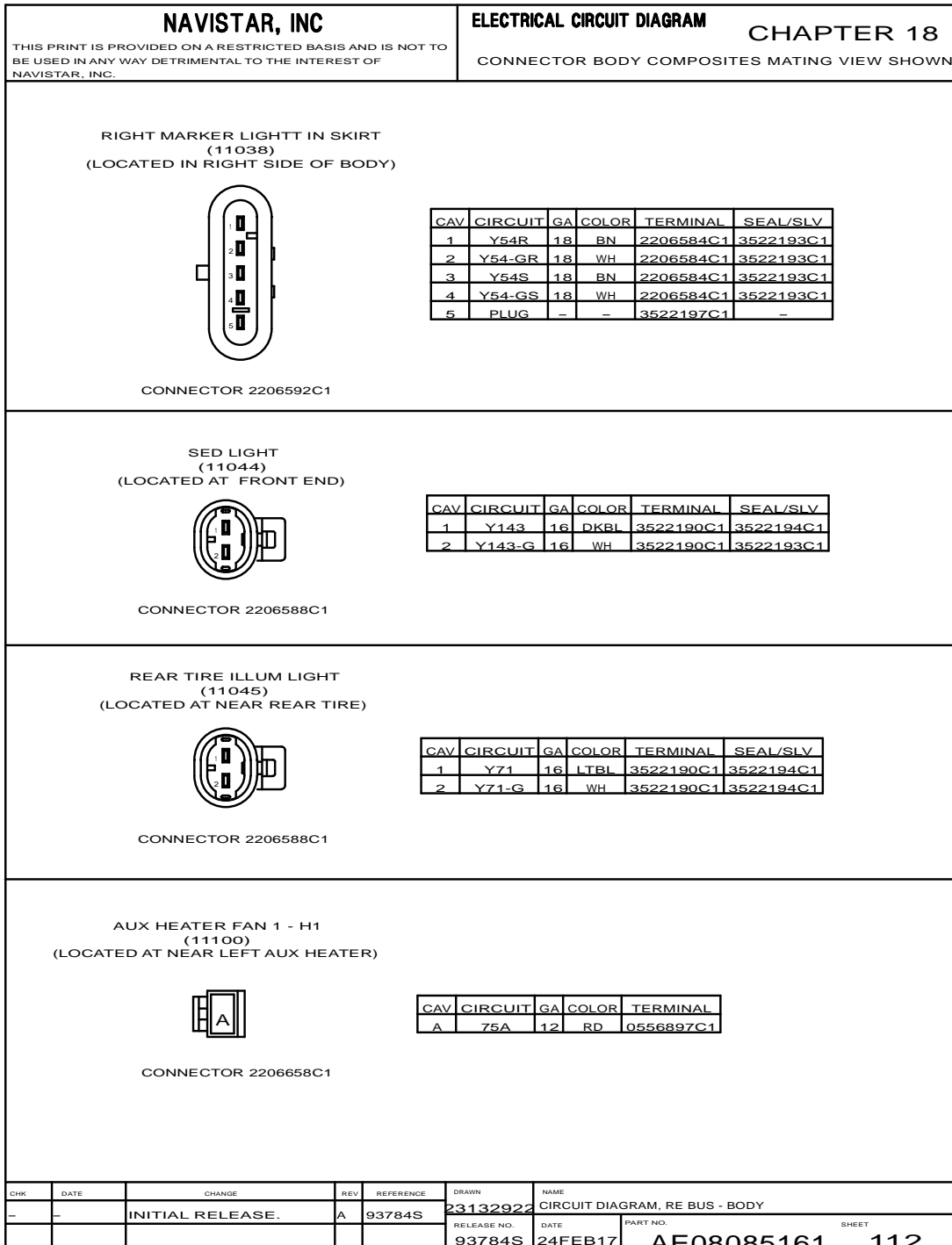


Figure 628 Connector Composites (11038, 11044, 11045, 11100)

19.119. CONNECTOR COMPOSITES (11101, 11102, 11200, 11201, 11202, 11203, 11204), P. 113

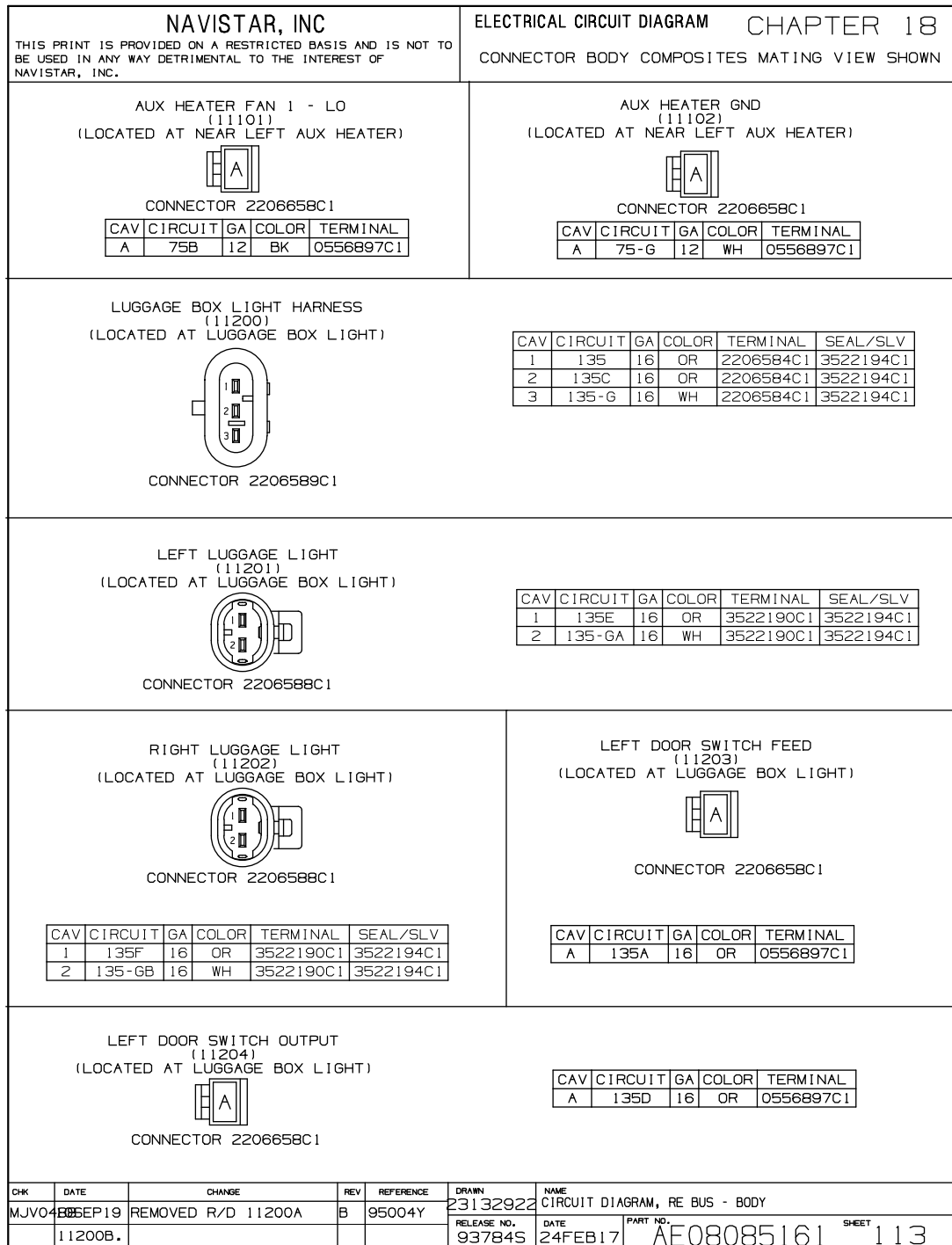


Figure 629 Connector Composites (11101, 11102, 11200, 11201, 11202, 11203, 11204)

19.120. CONNECTOR COMPOSITES (11205, 11206, 11207, 11234, 11337, 11632), P. 114

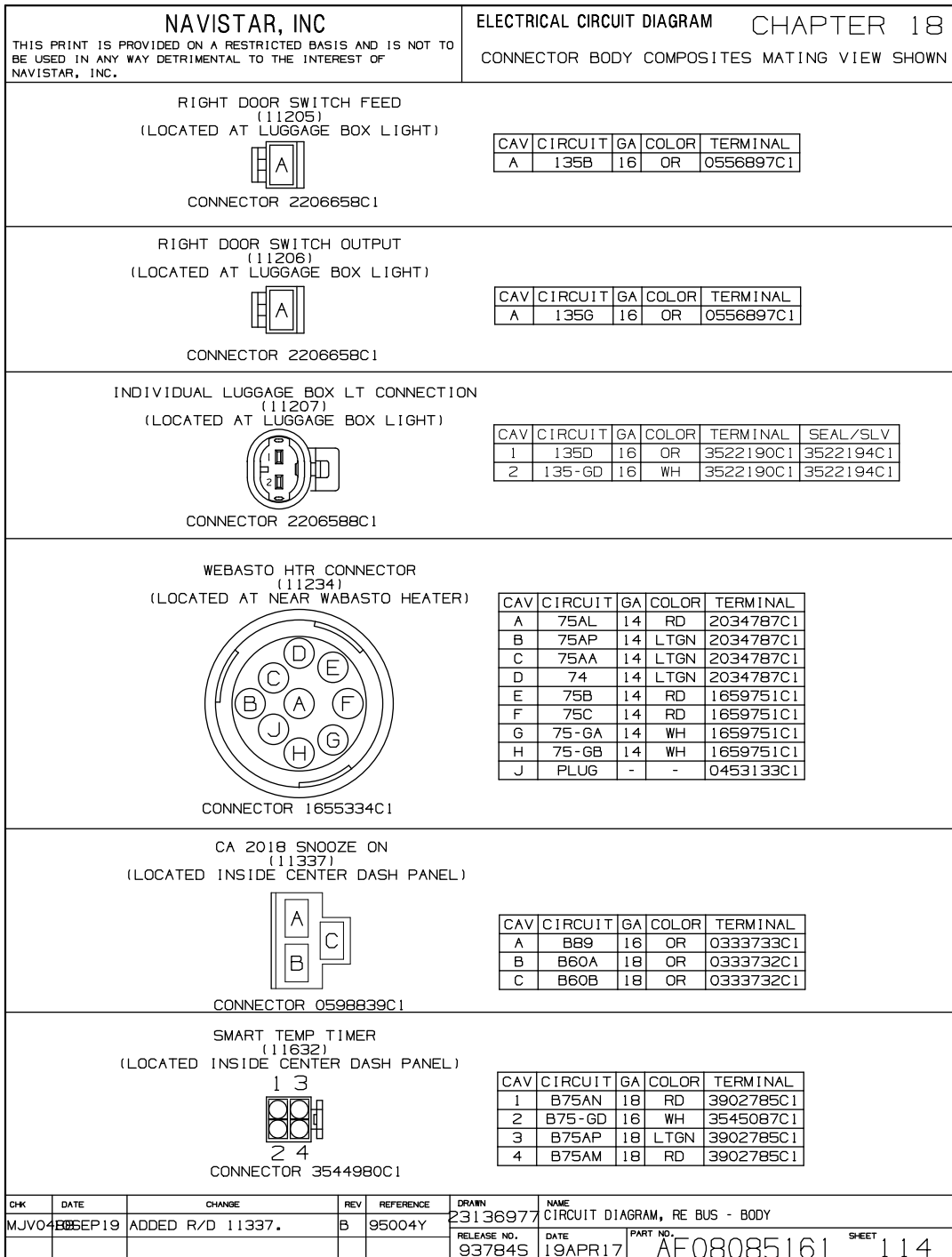


Figure 630 Connector Composites (11205, 11206, 11207, 11234, 11337, 11632)

19.121. CONNECTOR COMPOSITES (11633, 11643, 11644, 11647, 11648), P. 115

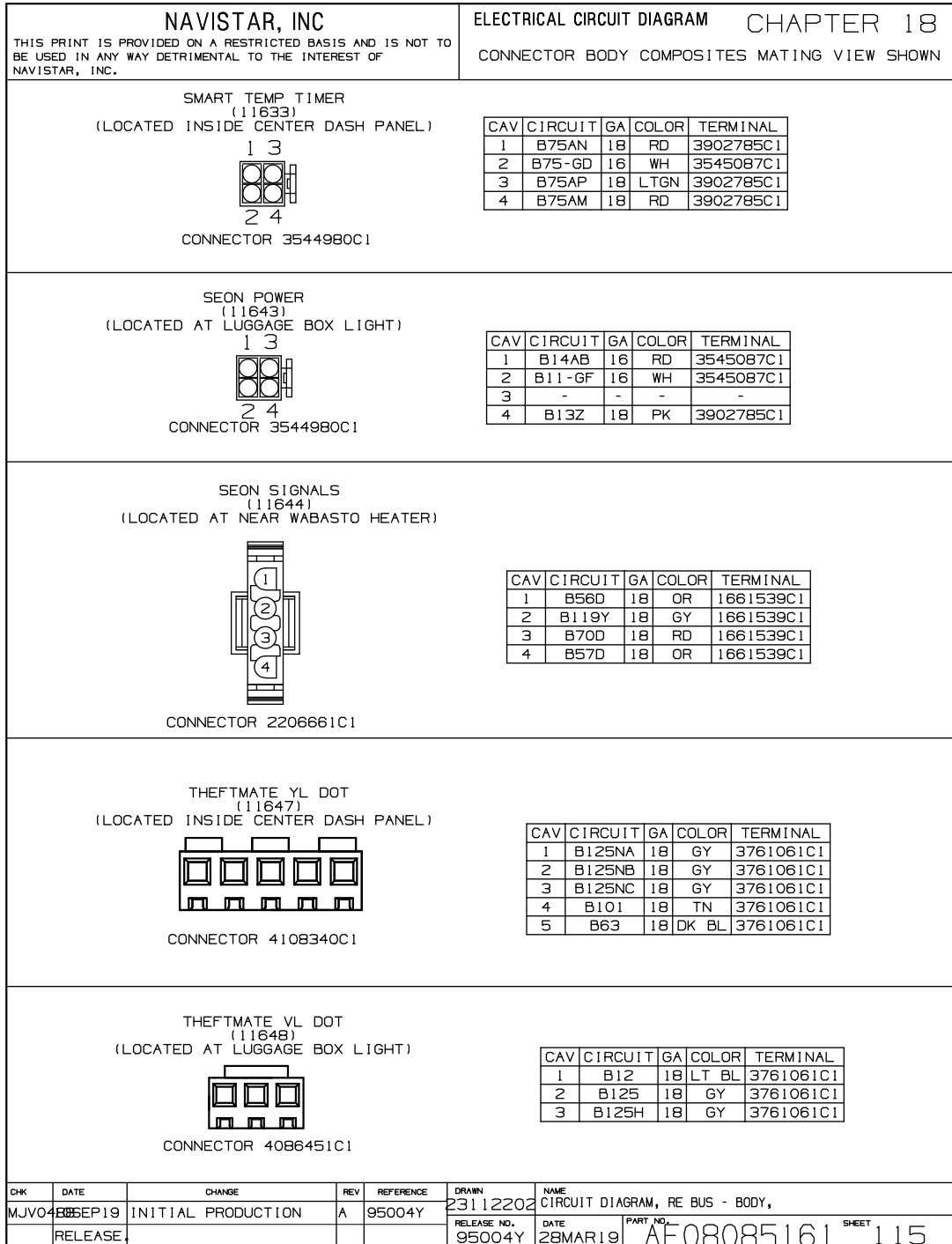


Figure 631 Connector Composites (11633, 11643, 11644, 11647, 11648)