
ELECTRICAL CIRCUIT DIAGRAM MANUAL

CV Series

Navistar, Inc.

2701 Navistar Drive, Lisle, IL 60532 USA

TABLE OF CONTENTS

1. HOW TO USE THIS MANUAL	1
1.1. ELECTRICAL SCHEMATIC SYMBOLS.....	1
1.2. VEHICLE ZONING STRATEGY.....	20
2. POWER DISTRIBUTION.....	22
2.1. UNDER HOOD PDM – BATTERY POWER.....	22
2.2. UNDER HOOD PDM – BATTERY POWER.....	23
2.3. UNDER HOOD PDM – BATTERY POWER (PRE-EPA 21).....	24
2.4. UNDER HOOD PDM – BATTERY POWER (EPA 21).....	25
2.5. UNDER HOOD PDM – BATTERY POWER.....	26
2.6. UNDER HOOD PDM – BATTERY POWER	27
2.7. UNDER HOOD PDM – BATTERY POWER	28
2.8. UNDER HOOD PDM – IGNITION POWER.....	29
2.9. UNDER HOOD PDM – IGNITION POWER.....	30
2.10. UNDER HOOD PDM – IGNITION POWER (PRE-EPA 21).....	31
2.11. UNDER HOOD PDM (EPA 21).....	32
2.12. UNDER HOOD PDM – BATTERY POWER (PRE-EPA 21).....	33
2.13. UNDER HOOD PDM – BATTERY POWER (EPA 21).....	34
2.14. UNDER HOOD PDM / INSTRUMENT PANEL LEFT PDM – IGNITION POWER.....	35
2.15. INSTRUMENT PANEL LEFT PDM – BATTERY POWER.....	36
2.16. INSTRUMENT PANEL LEFT PDM – BATTERY POWER.....	37
2.17. INSTRUMENT PANEL LEFT PDM – IGNITION POWER.....	38
2.18. INSTRUMENT PANEL LEFT PDM – ACCESSORY POWER.....	39
2.19. INSTRUMENT PANEL RIGHT PDM – BATTERY POWER.....	40
2.20. INSTRUMENT PANEL RIGHT PDM – BATTERY POWER.....	41
2.21. INSTRUMENT PANEL RIGHT PDM – BATTERY POWER / RETAINED ACCESSORY POWER.....	42
2.22. INSTRUMENT PANEL RIGHT PDM – BATTERY POWER.....	43
2.23. INSTRUMENT PANEL LEFT PDM / INSTRUMENT PANEL RIGHT PDM – RETAINED ACCESSORY POWER.....	44
2.24. INSTRUMENT PANEL LEFT PDM / INSTRUMENT PANEL RIGHT PDM – IGNITION POWER.....	45
2.25. IGNITION SWITCH.....	46
2.26. 12 VOLT SYSTEM	47
3. GROUND DISTRIBUTION	48
3.1. CAB – GROUND DISTRIBUTION	48
3.2. CENTER CHASSIS – GROUND DISTRIBUTION (PRE-EPA 21).....	49
3.3. CENTER CHASSIS – GROUND DISTRIBUTION (EPA 21).....	50
3.4. DRIVER SIDE DOOR – GROUND DISTRIBUTION.....	51
3.5. PASSENGER SIDE DOOR – GROUND DISTRIBUTION	52
3.6. GROUND DISTRIBUTION	53
3.7. INSTRUMENT PANEL – GROUND DISTRIBUTION	54
3.8. MODULE SPLICE PACK – GROUND DISTRIBUTION.....	55
3.9. SPLICE PACK – GROUND DISTRIBUTION	56
3.10. SPLICE PACK – GROUND DISTRIBUTION	57
3.11. SPLICE PACK – GROUND DISTRIBUTION	58
3.12. SPLICE PACK – GROUND DISTRIBUTION	59
3.13. SPLICE PACK – GROUND DISTRIBUTION	60
3.14. REAR CHASSIS – GROUND DISTRIBUTION	61
3.15. UNDER HOOD PDM – GROUND DISTRIBUTION	62

TABLE OF CONTENTS (CONT.)

4. DATA COMMUNICATION	63
4.1. DATA COMMUNICATION – DATA LINK POWER AND GROUND AND LOW SPEED GMLAN.....	63
4.2. DATA COMMUNICATION – GATEWAY ISOLATED LOW SPEED GMLAN.....	64
4.3. DATA COMMUNICATION – HIGH SPEED GMLAN	65
4.4. DATA COMMUNICATION – GATEWAY ISOLATED HIGH SPEED GMLAN	66
4.5. DATA COMMUNICATION – CHASSIS EXPANSION HIGH SPEED GMLAN	67
4.6. DATA COMMUNICATION – POWERTRAIN EXPANSION BUS HIGH SPEED GMLAN	68
4.7. DATA COMMUNICATION – MOST	69
4.8. DATA COMMUNICATION – MOST COMMUNICATION ENABLE	70
4.9. ACCESSORY WAKEUP AND COMMUNICATIONS ENABLE.....	71
4.10. DATA COMMUNICATION – LINEAR INTERCONNECT NETWORK	72
5. BODY BUILDER PROVISION.....	73
5.1. EMERGENCY VEHICLE PREWIRE.....	73
5.2. BODY BUILDER PROVISION (FEATURE CODE 0008XJP).....	74
5.3. BODY BUILDER PROVISION.....	75
5.4. MASTER DISCONNECT SWITCH.....	76
5.5. ROOF BEACON (FEATURE CODE 0008XKS).....	77
5.6. CARGO LIGHT.....	78
5.7. STOP / TURN // BACKUP LIGHTS (FEATURE CODE 0008HXV).....	79
5.8. STOP / TURN // BACKUP LIGHTS (FEATURE CODE 0508032).....	80
5.9. REAR OF CAB.....	81
5.10. REAR OF CAB.....	82
6. CAB ACCESSORIES	83
6.1. AUXILIARY POWER – REGULAR CAB.....	83
6.2. AUXILIARY POWER – CREW CAB (FEATURE CODE 0016XCN).....	84
6.3. AUXILIARY POWER – 110 VOLT (FEATURE CODE 0008XJX).....	85
6.4. AUXILIARY POWER – WIRELESS CHARGING.....	86
6.5. RADIO AND NAVIGATION – ANTENNA.....	87
6.6. RADIO AND NAVIGATION (FEATURE CODE 0008RNM, 0008RNV).....	88
6.7. RADIO AND NAVIGATION (FEATURE CODE 0008RNM, 0008RNV).....	89
6.8. RADIO AND NAVIGATION (FEATURE CODE 0008RNW).....	90
6.9. RADIO AND NAVIGATION (FEATURE CODE 0008RNX,0008RNP).....	91
6.10. RADIO AND NAVIGATION (FEATURE CODE 0008RNN).....	92
6.11. RADIO AND NAVIGATION (IO3 / IO5 / IO6) WITH FEATURE CODE (00016XCN).....	93
6.12. RADIO AND NAVIGATION (IO3 / IO5 / IO6) WITHOUT FEATURE CODE (00016XCN).....	94
6.13. SPEAKERS.....	95
6.14. RADIO – AUXILIARY INPUT (IOB).....	96
6.15. RADIO – COMMUNICATION.....	97
6.16. RADIO – CD PLAYER.....	98
6.17. WINDOW SWITCH – CREW CAB	99
6.18. POWER WINDOWS AND LOCKS – DRIVER SIDE CONTROL (CREW CAB).....	100
6.19. POWER DOOR LOCKS – REGULAR CAB.....	101
6.20. POWER DOOR LOCKS – REGULAR CAB.....	102
6.21. POWER DOOR LOCKS – CREW CAB.....	103
6.22. POWER WINDOWS – DRIVER.....	104
6.23. POWER WINDOWS SWITCH – FRONT.....	105
6.24. POWER WINDOWS – REAR.....	106
6.25. SAFETY RESTRAINT SYSTEM INDICATORS.....	107

TABLE OF CONTENTS (CONT.)

6.26.	AIR BAG AND SEAT BELT PRETENSIONER WIRING.....	108
6.27.	SIDE IMPACT AND SIDE CURTAIN AIRBAGS (0016XDG, 0016XDH, 0016XDE).....	109
6.28.	THEFT DETERRENT SYSTEM	110
6.29.	AIR BAG SYSTEM	111
6.30.	WINDSHIELD WIPER SYSTEM (MULTIFUNCTION SWITCH WIRING).....	112
6.31.	WINDSHIELD WIPER SYSTEM.....	113
6.32.	HEATED SEAT SWITCH.....	114
6.33.	HEATED SEAT GRID	115
6.34.	KEY FOB – LOCKS.....	116
6.35.	EXTERIOR REARVIEW MIRROR (FEATURE 0016SPS, 0016SPT).....	117
6.36.	EXTERIOR REARVIEW MIRROR (FEATURE 0016SPS, 0016SPT).....	118
6.37.	DRIVER SEAT ADJUSTMENT.....	119
6.38.	PASSENGER SEAT ADJUSTMENT.....	120
6.39.	STEERING WHEEL CONTROLS	121
7.	CHARGING AND CRANKING	122
7.1.	STARTING.....	122
7.2.	CHARGING	123
8.	CHASSIS ACCESSORIES	124
8.1.	ANTILOCK BRAKES	124
8.2.	ANTILOCK BRAKES	125
8.3.	LOW AIR PRESSURE INDICATOR (FEATURE CODE 0014TBL, 0014TBM, 0014TDG).....	126
8.4.	AIR SUSPENSION DUMP VALVE.....	127
8.5.	TRAILER POWER (0008TRA).....	128
8.6.	TRAILER LIGHTING (0008TRA).....	129
8.7.	TRAILER BRAKE CONTROLS (0008HBW).....	130
8.8.	REARVIEW CAMERA (0008RNY, 0008RNN, 0008RNM, 0008RNV).....	131
8.9.	REARVIEW CAMERA (0008RNY, 0008RNW, 0008RNR, 0008RNX, 0008RNP).....	132
8.10.	AIR DRYER VALVE HEATER.....	133
8.11.	HOOD SWITCH	134
8.12.	CITY HORN.....	135
8.13.	WINDOW DEFROST / EXTERIOR HEATED MIRRORS (FEATURE CODE 0008AAB).....	136
8.14.	HYDRAULIC BRAKE	137
8.15.	IMMOBILIZER	138
8.16.	BODY CONTROL MODULE	139
8.17.	BODY CONTROL MODULE.....	140
8.18.	BODY CONTROL MODULE.....	141
8.19.	BODY CONTROL MODULE.....	142
9.	ENGINE SYSTEMS	143
9.1.	AFTERTREATMENT.....	143
9.2.	AFTERTREATMENT.....	144
9.3.	AFTERTREATMENT	145
9.4.	GLOW PLUGS	146
9.5.	FUEL PUMP SINGLE TANK 40 GALLON (PRE-EPA 21).....	147
9.6.	FUEL PUMP SINGLE TANK 40 GALLON (EPA 21).....	148
9.7.	FUEL SYSTEM (PRE-EPA 21).....	149
9.8.	FUEL SYSTEM (EPA 21).....	150
9.9.	FUEL SYSTEM (EARLY).....	151
9.10.	FUEL SYSTEM (LATE).....	152

TABLE OF CONTENTS (CONT.)

9.11. FUEL SYSTEM DUAL TANK (PRE-EPA 21).....	153
9.12. FUEL SYSTEM DUAL TANK (EPA 21).....	154
9.13. ENGINE CONTROL MODULE.....	155
9.14. ENGINE CONTROL MODULE.....	156
9.15. ENGINE CONTROLS	157
9.16. ENGINE CONTROLS.....	158
9.17. ENGINE CONTROLS.....	159
9.18. ENGINE CONTROLS.....	160
9.19. ENGINE CONTROLS.....	161
9.20. ENGINE CONTROLS.....	162
9.21. CRUISE CONTROL.....	163
9.22. EXHAUST BRAKE (0592K40).....	164
9.23. COOLING FAN.....	165
10. GAUGES AND WARNINGS.....	166
10.1. GAUGE CLUSTER – STEERING WHEEL SWITCHES.....	166
10.2. GAUGE CLUSTER (PRE-EPA 21).....	167
10.3. GAUGE CLUSTER (EPA 21).....	168
10.4. GAUGE CLUSTER – WARNING LIGHTS.....	169
10.5. GAUGE CLUSTER – BCM INTERFACE	170
10.6. BACK UP ALARM (FEATURE CODE 0008THB).....	171
11. HVAC	172
11.1. HVAC UNIT ACTUATORS.....	172
11.2. HVAC AUXILIARY HEATER.....	173
11.3. HVAC SYSTEM – COMPRESSOR AND REFRIGERANT SENSORS.....	174
11.4. HVAC CONTROLS	175
12. LIGHTING SYSTEM	176
12.1. DRIVER SIDE PARK AND MARKER LIGHTS.....	176
12.2. PASSENGER SIDE PARK AND MARKER LIGHTS.....	177
12.3. PARK / MARKER LIGHTING.....	178
12.4. CARGO LIGHTS	179
12.5. TAIL LIGHTS	180
12.6. TAIL LIGHTS (FEATURE CODE 0008TUL).....	181
12.7. TAIL LIGHTS (FEATURE CODE 0008TUK).....	182
12.8. CENTER HIGH MOUNTED STOP LIGHT.....	183
12.9. EXTERIOR REARVIEW MIRRORS	184
12.10. CLEARANCE LIGHTS	185
12.11. INTERIOR LIGHTING	186
12.12. INTERIOR LIGHTING	187
12.13. INTERIOR LIGHTING	188
12.14. INTERIOR LIGHTING	189
12.15. INTERIOR LIGHTING	190
12.16. INTERIOR LIGHTING	191
12.17. INTERIOR LIGHTING DIMMING	192
12.18. EXTERIOR LIGHTING SWITCHES.....	193
12.19. EXTERIOR LIGHTING SWITCHES.....	194
12.20. HEAD LIGHT ASSEMBLY	195
12.21. FOG LIGHTS	196

TABLE OF CONTENTS (CONT.)

13. TRANSFER CASE	197
13.1. TRANSFER CASE CONTROL	197
13.2. TRANSFER CASE CONTROL	198
14. TRANSMISSION	199
14.1. TRANSMISSION CONTROL MODULE (TCM)	199
14.2. TRANSMISSION CONTROL MODULE (TCM)	200
14.3. TRANSMISSION CONTROL MODULE (TCM)	201
14.4. POWER TAKE-OFF (PTO).....	202
14.5. POWER TAKE-OFF (PTO)	203
14.6. SHIFT LOCK CONTROL	204
15. HARNESS ROUTING AND COMPONENT LOCATIONS	205
15.1. HARNESS ROUTING VIEWS.....	205
15.2. COMPONENT LOCATOR.....	240
Master Electrical Component List.....	240
Front of Vehicle / Engine Compartment Component Views.....	293
Powertrain Component Views.....	300
Instrument Panel / Center Console Component Views.....	306
Passenger Compartment / Roof Component Views.....	315
Door Component Views.....	324
Luggage Compartment / Rear of Vehicle Component Views.....	328
Wheels / Vehicle Underbody Component Views.....	329
Ground Views.....	336
Electrical Center Identification Views.....	349
16. CONNECTOR END VIEWS	453
16.1. IN-LINE HARNESS CONNECTOR END VIEWS.....	453
16.2. SPLICE PACK CONNECTOR END VIEWS.....	741
16.3. COMPONENT CONNECTOR END VIEWS.....	751
17. APPENDICES.....	1206
17.1. APPENDIX A: FEATURE CODE TABLE.....	1206
17.2. APPENDIX B: NAMING CONVENTION AND ACRONYMS TABLE.....	1226

TABLE OF CONTENTS

HOW TO USE THIS MANUAL

1.1. ELECTRICAL SCHEMATIC SYMBOLS

Table 1 Voltage Indicators

Symbol	Description	Symbol	Description
	Battery Voltage		Ignition Switch– Run Position
	Ignition Switch– Off Position		Ignition Switch– Start Position
	Ignition Switch– Accessory Position		

Table 2 General Icons

Symbol	Description	Symbol	Description
	Master Component List Icon This icon is used on the schematic to link to the Master Electrical Component List.		Previous Schematic Page Icon This icon is used on the schematic to navigate to the previous schematic in the subsystem.

Table 2 General Icons (cont.)







Symbol	Description	Symbol	Description
	<p>Description and Operation Icon</p> <p>This icon is used on the schematic to link to the Description and Operation of that particular system.</p>		<p>Supplemental Inflatable Restraint (SIR) or Supplemental Restraint System (SRS) Icon</p> <p>This icon is used to alert the technician that the system contains SIR / SRS components that require certain precautions before servicing.</p>
	<p>Computer Programming Icon</p> <p>This icon is used on the schematic to link to Control Module References, which identifies which components need programming upon replacement.</p>		<p>Information Icon</p> <p>This icon is used to alert the technician that there is additional information that will aid in servicing a system.</p>
	<p>Next Schematic Page Icon</p> <p>This icon is used on the schematic to navigate to the next schematic in the subsystem.</p>		<p>Danger Icon</p> <p>This icon is intended to alert the technician that a component within the system contains labeling with the same icon.</p> <p>This icon is used when a source component has potential for 60 volts DC or greater or has potential for 42 volts AC or greater.</p>

Table 2 General Icons (cont.)




Symbol	Description	Symbol	Description
	<p>High Voltage Icon</p> <p>This icon is intended to alert the technician that a component within the system contains labeling with the same icon.</p> <p>This icon is used when a component / circuit has potential for 60 volts DC or greater or has potential for 42 volts AC or greater.</p>		<p>Functional Serial Data Communication</p> <p>This icon is used to show the technician that the serial data circuit detail is shown incomplete. It also provides an active link to the Data Communication Schematics were the circuit is shown complete.</p>
	<p>Caution Icon</p> <p>This icon is used to advise the technician to use caution when servicing this component.</p> <p>This icon may be used when a component / circuit has a voltage range potential between 30-60 volts DC or 15-42 volts AC.</p>		

Table 3 Switch Position Icons









Symbol	Description	Symbol	Description
	Generic Up Arrows		On / Off Icon
	Generic Down Arrows		Generic Lock Icon
	Generic Left Arrows		Generic Unlock Icon
	Generic Right Arrows		Generic Window Switch Positions- 4 Door

Table 3 Switch Position Icons (cont.)



Symbol	Description		Symbol	Description
	Generic Express Down Arrows			Generic Window Switch Positions– 2 Door

Table 4 Module Circuit Function Icons

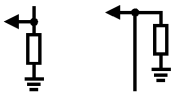
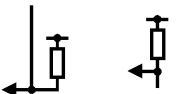




Symbol	Description	Symbol	Description
	I / O Pull-Down Resistors (-)	5V	Voltage Reference
	I / O Pull-Up Resistors (+)	5V AC	A / C Voltage
	I / O High-Side Drive Switch (+)		Low Reference
	I / O Low-Side Drive Switch (+)		Ground

Table 4 Module Circuit Function Icons (cont.)

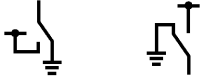





Symbol	Description	Symbol	Description
	I / O Bidirectional Switch (+ / -)		Serial Data
	Pulse-Width Modulation Symbol		Antenna Signal- In
B+	Battery Voltage		Antenna Signal- Out
IGN	Ignition Voltage		Brake Apply

Table 5 Harness Components


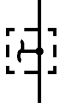



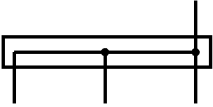

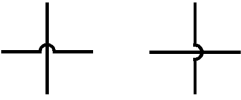
Symbol	Description	Symbol	Description
	Fuse		Incomplete Physical Splice
	Fuse Supplied by a Relay		Complete Physical Splice- 2 Wires
	Circuit Breaker		Complete Physical Splice- 3 or more wires
	Fusible Link		Wire Crosses

Table 5 Harness Components (cont.)


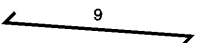

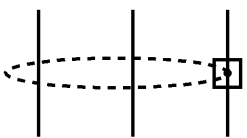
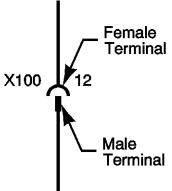
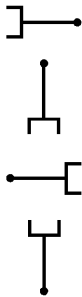
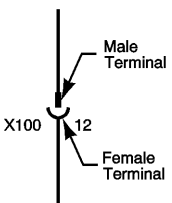

Symbol	Description	Symbol	Description
	Ground		Twisted Wires
	Case Ground		Shield
	Inline Harness Connector		Circuit References
	Inline Harness Connector		Circuit Continuation Arrowheads

Table 5 Harness Components (cont.)

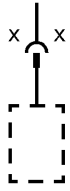
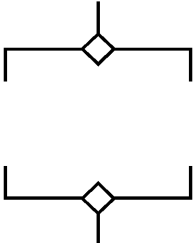
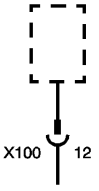
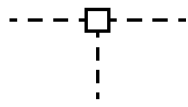

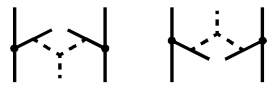

Symbol	Description	Symbol	Description
	Pigtail Connection		Option Breakpoint
	Pigtail Connection		Ground Circuit Connection
	Provisional or Diagnostic Connector		Connector Shorting Clip
	Blunt Cut Wire		

Table 6 Component Parts


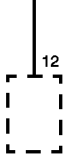
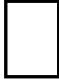

Symbol	Description	Symbol	Description
	<p>Partial Component</p> <p>When a component is represented in a dashed box, the component or its wiring is not shown in its entirety.</p>		<p>Connector Directly Attached to Component</p>
	<p>Entire Component</p> <p>When a component is represented in a solid box the component or its wiring is shown in its entirety.</p>		<p>Pigtail Connector</p>

Table 7 Switches and Relays



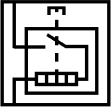
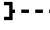



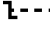
Symbol	Description	Symbol	Description
	Accessory Power Outlet		Switch Actuator- Push (Latching)
	Cigar Lighter		Switch Actuator- Pull (Momentary)
	Switch- 2 Position Normally Open		Switch Actuator- Pull (Latching)
	Switch- 2 Position Normally Closed		Switch Actuator- Rotate (Momentary)

Table 7 Switches and Relays (cont.)




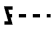
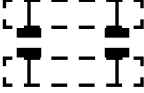

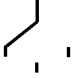
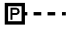
Symbol	Description	Symbol	Description
	Switch- Rocker		Switch Actuator- Rotate (Latching)
	Switch- Contact Plate (1 Wire)		Switch Actuator- Slide (Momentary)
	Switch- Contact Plate (2 Wire)		Switch Actuator- Slide (Latching)
	Switch- 3 Position		Switch Actuator- Pressure (Momentary)

Table 7 Switches and Relays (cont.)

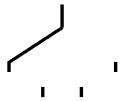
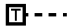
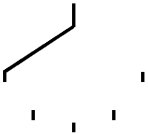

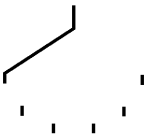

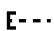
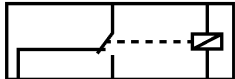
Symbol	Description	Symbol	Description
	Switch- 4 Position		Switch Actuator- Temperature (Momentary)
	Switch- 5 Position		Switch Actuator- Volume (Latching)
	Switch- 6 Position		4-Pin Single Pole / Throw Relay- Normally Open
	Switch Actuator- Push (Momentary)		5-Pin Relay- Normally Closed

Table 8 Devices and Sensors

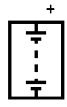
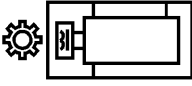



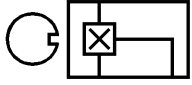
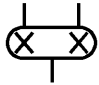

Symbol	Description	Symbol	Description
	Battery		Inductive Type Sensor-3-Wire
	Battery Assembly-Hybrid		Hall Effect Sensor-2-Wire
	Single Filament Light Bulb		Hall Effect Sensor-3-Wire
	Double Filament Light Bulb		Oxygen Sensor-2-Wire

Table 8 Devices and Sensors (cont.)


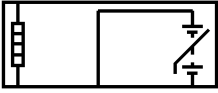



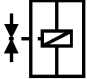
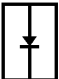
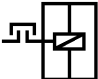
Symbol	Description	Symbol	Description
	Light Emitting Diode (LED)		Heated Oxygen Sensor- 4-Wire
	Photo Sensor		Solenoid- Actuator
	Gauge		Solenoid- Valve
	Diode		Clutch

Table 8 Devices and Sensors (cont.)


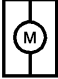
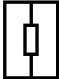





Symbol	Description	Symbol	Description
	Capacitor		Motor
	Resistor		Motor with PTC
	Variable Resistor		Antenna
	Variable Resistor- NTC		Speaker

Table 8 Devices and Sensors (cont.)



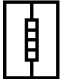
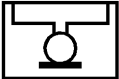
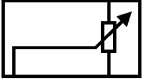

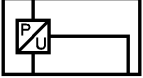


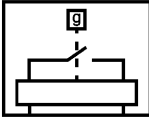
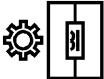
Symbol	Description	Symbol	Description
	Breakable Wire		Horn
	Heating Element		Microphone
	Position Sensor		Airbag
	Pressure Sensor		SIR Coil

Table 8 Devices and Sensors (cont.)

Symbol	Description	Symbol	Description
	Knock Sensor		SIR Impact Sensor
	Inductive Type Sensor- 2-Wire		

1.2. VEHICLE ZONING STRATEGY

All grounds, in-line connectors, and splices have identifying numbers that correspond to where they are located in the vehicle. The following table explains the numbering system.

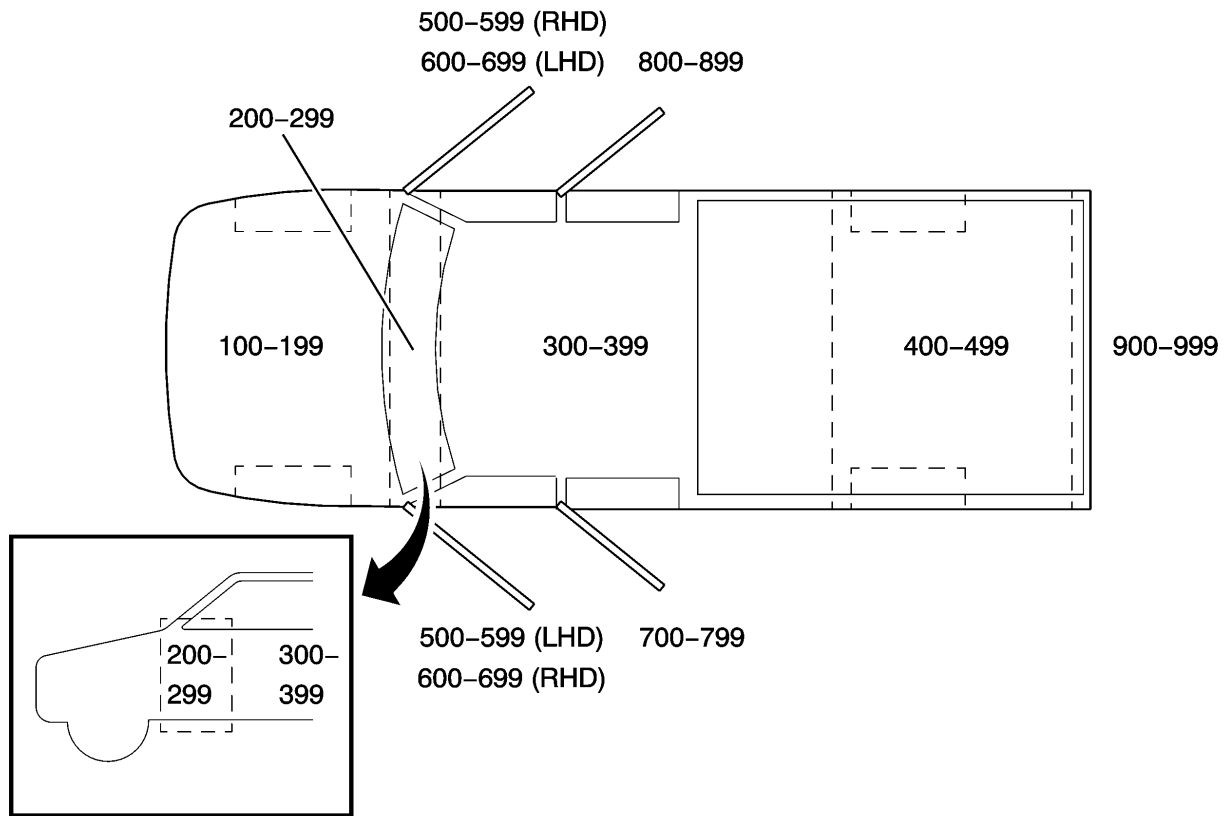
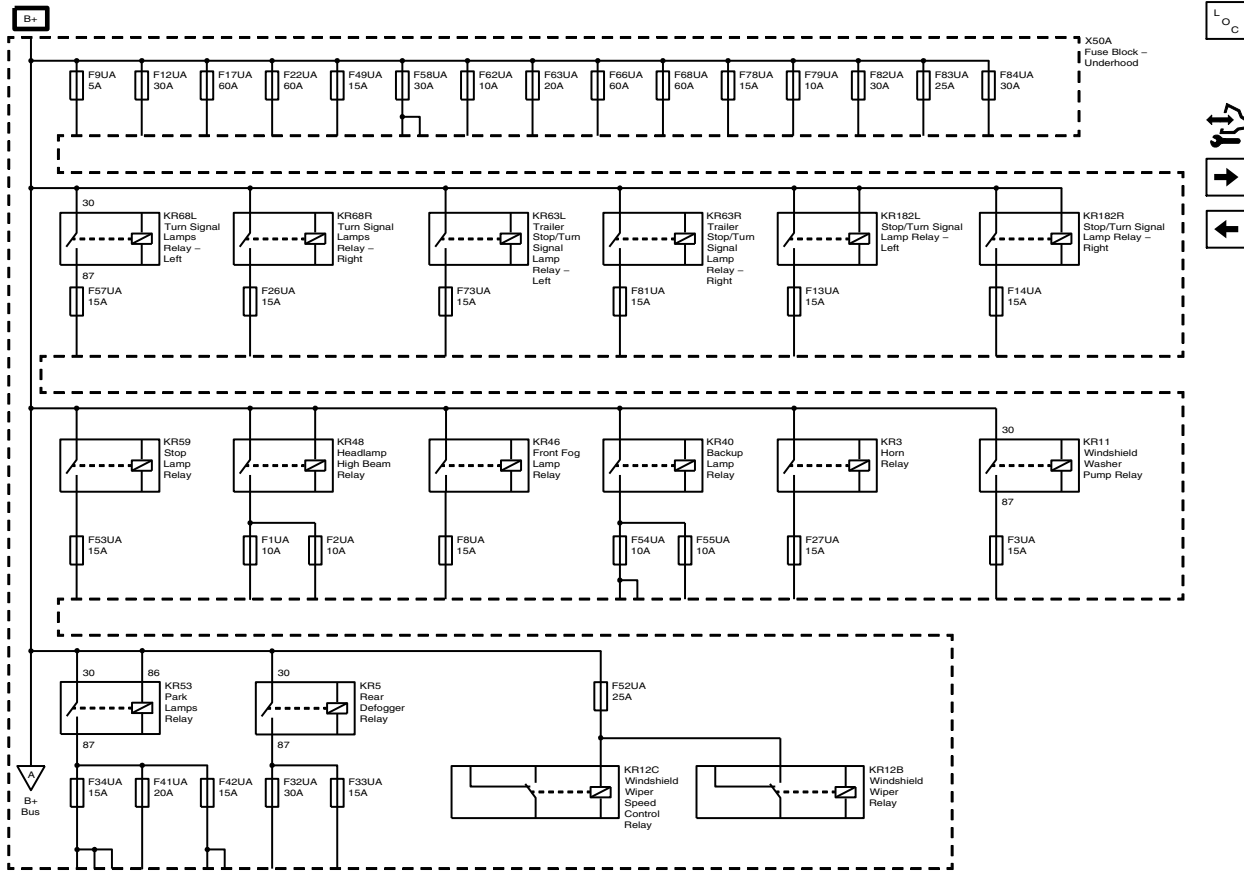


Table 9 Vehicle Zoning Strategy

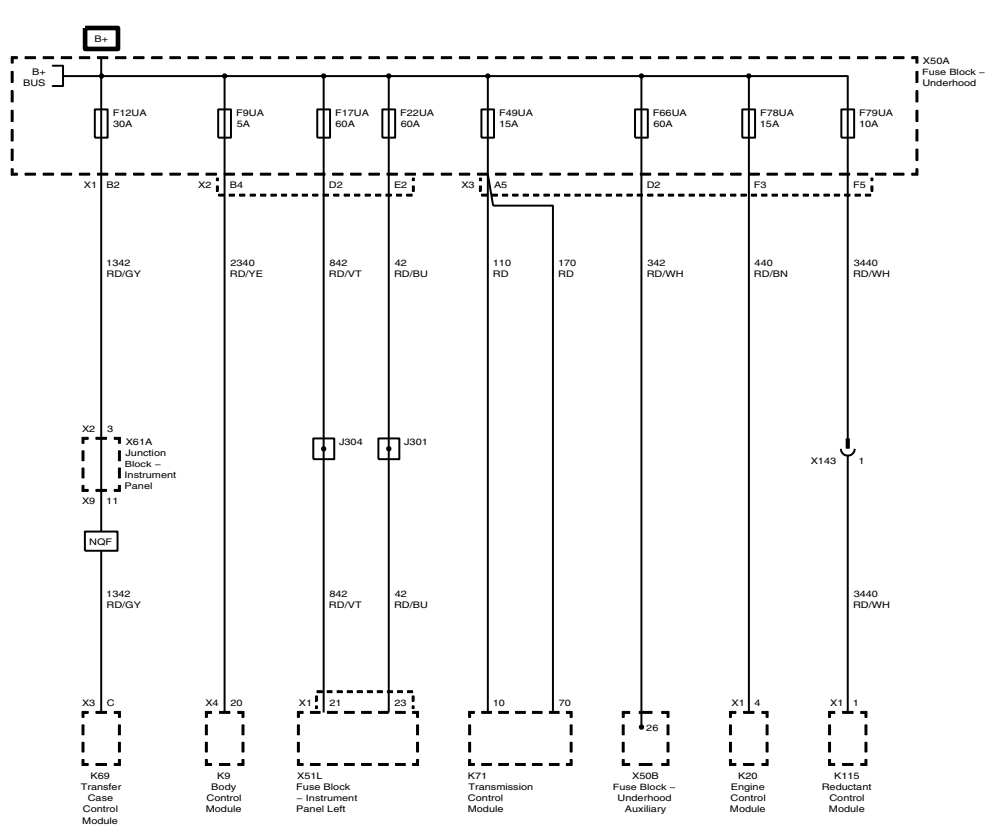
Callout Numbers	Zone Description
100-199	Engine compartment (all forward of the instrument panel)
200-299	Within the instrument panel area (between the bulkhead and the front plane of the instrument panel)
300-399	Passenger compartment (from the instrument panel to the rear of the cab)
400-499	Truck bed / chassis (from the rear of the cab to the rear of the vehicle)
500-599	Inline harness connectors to or within the driver door
600-699	Inline harness connectors to or within the front passenger door
700-799	Inline harness connectors to or within the left rear door
800-899	Inline harness connectors to or within the right rear door
900-999	Inline harness connectors to end of frame.

POWER DISTRIBUTION

2.1. UNDER HOOD PDM – BATTERY POWER



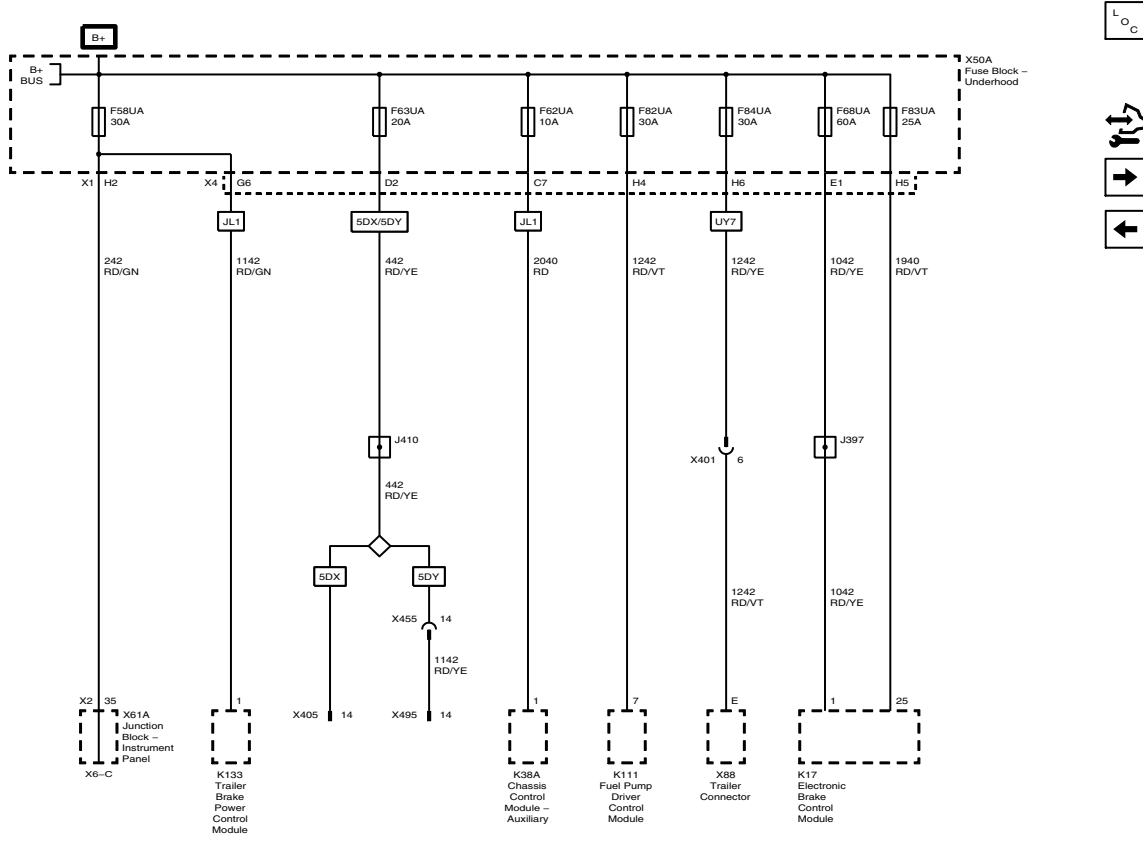
2.2. UNDER HOOD PDM – BATTERY POWER



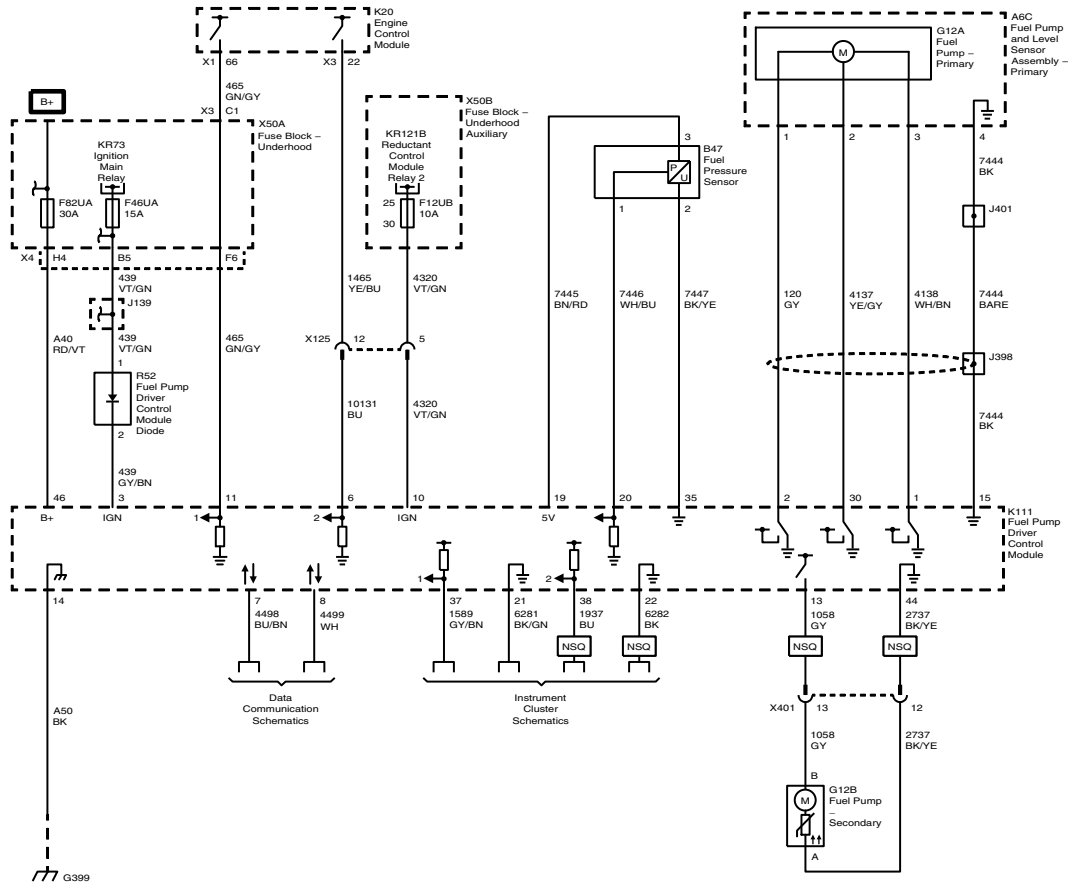
L
O
C



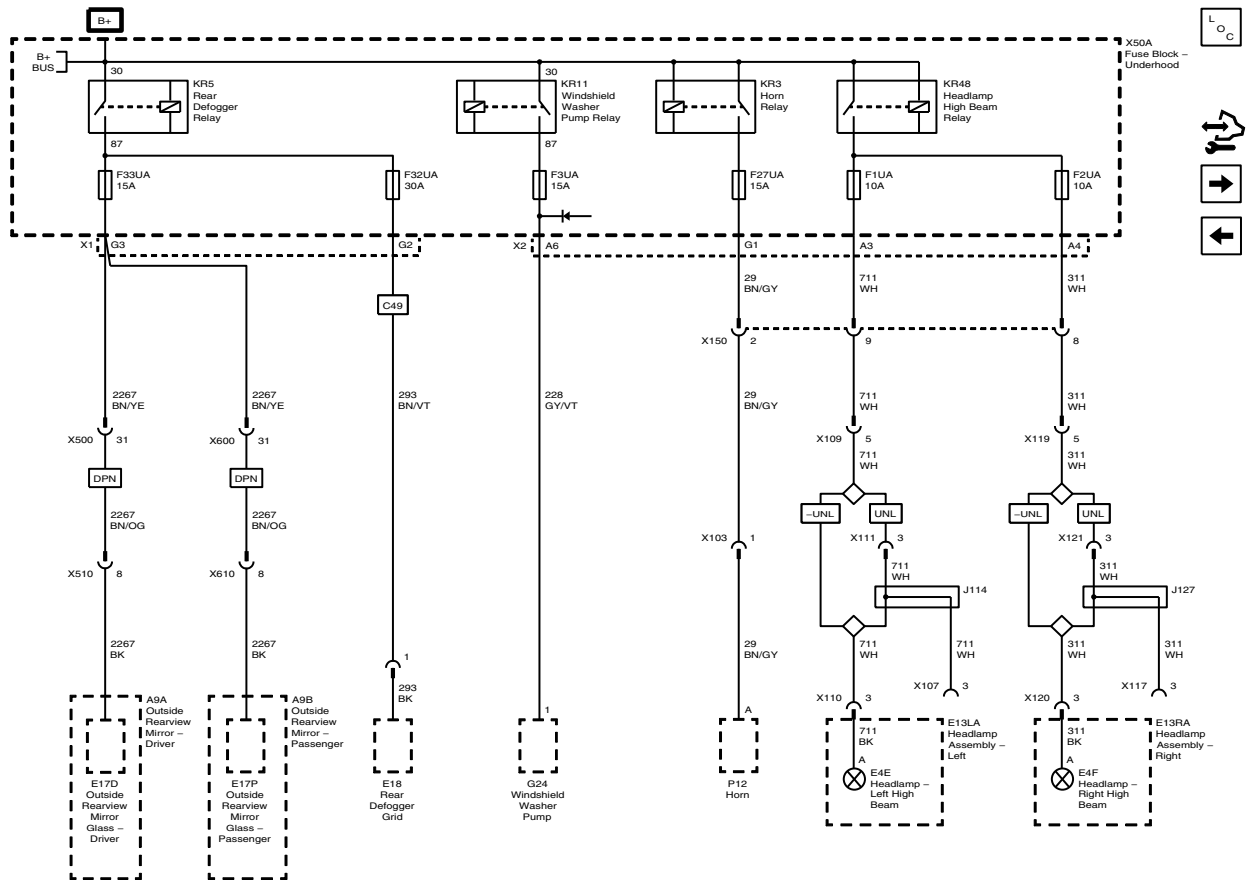
2.3. UNDER HOOD PDM – BATTERY POWER (PRE-EPA 21)



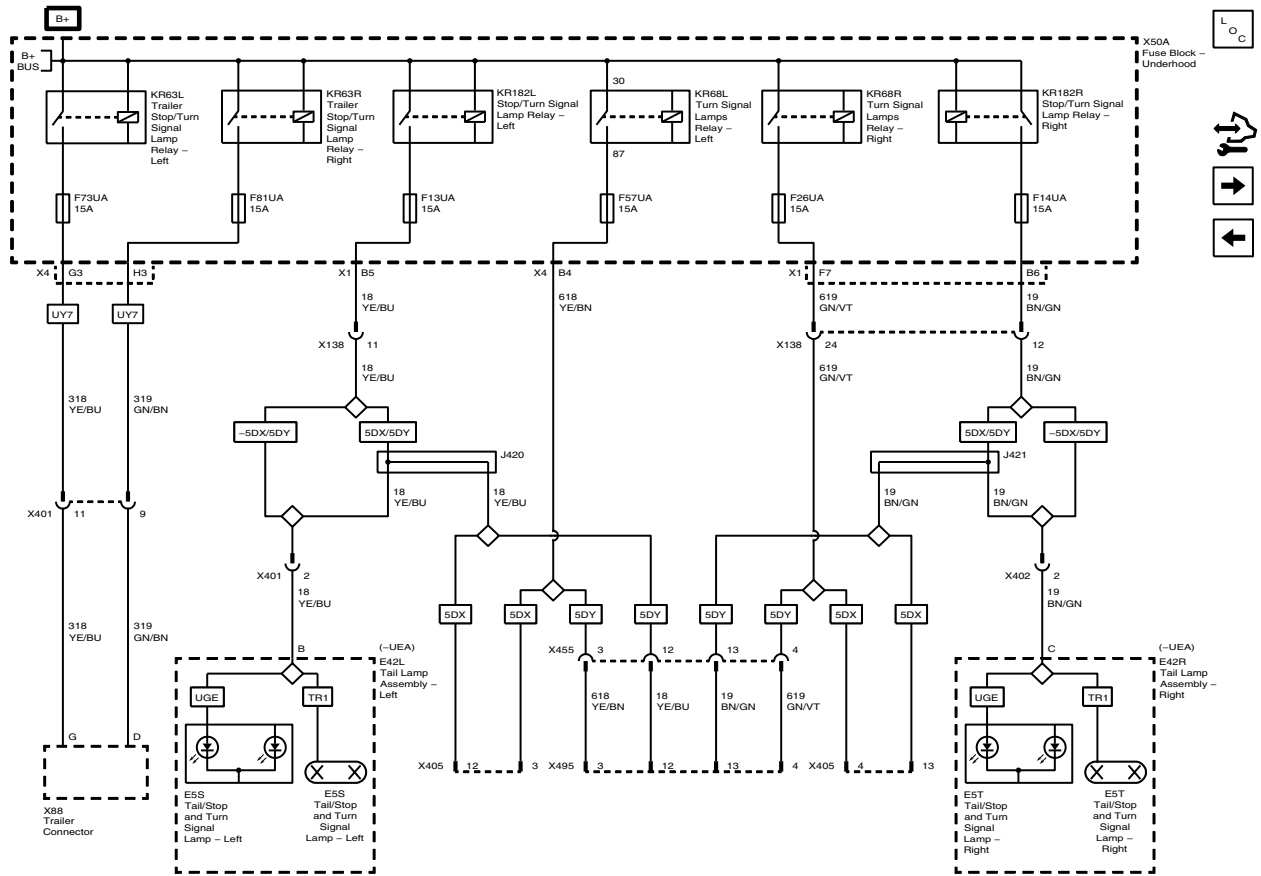
2.4. UNDER HOOD PDM – BATTERY POWER (EPA 21)



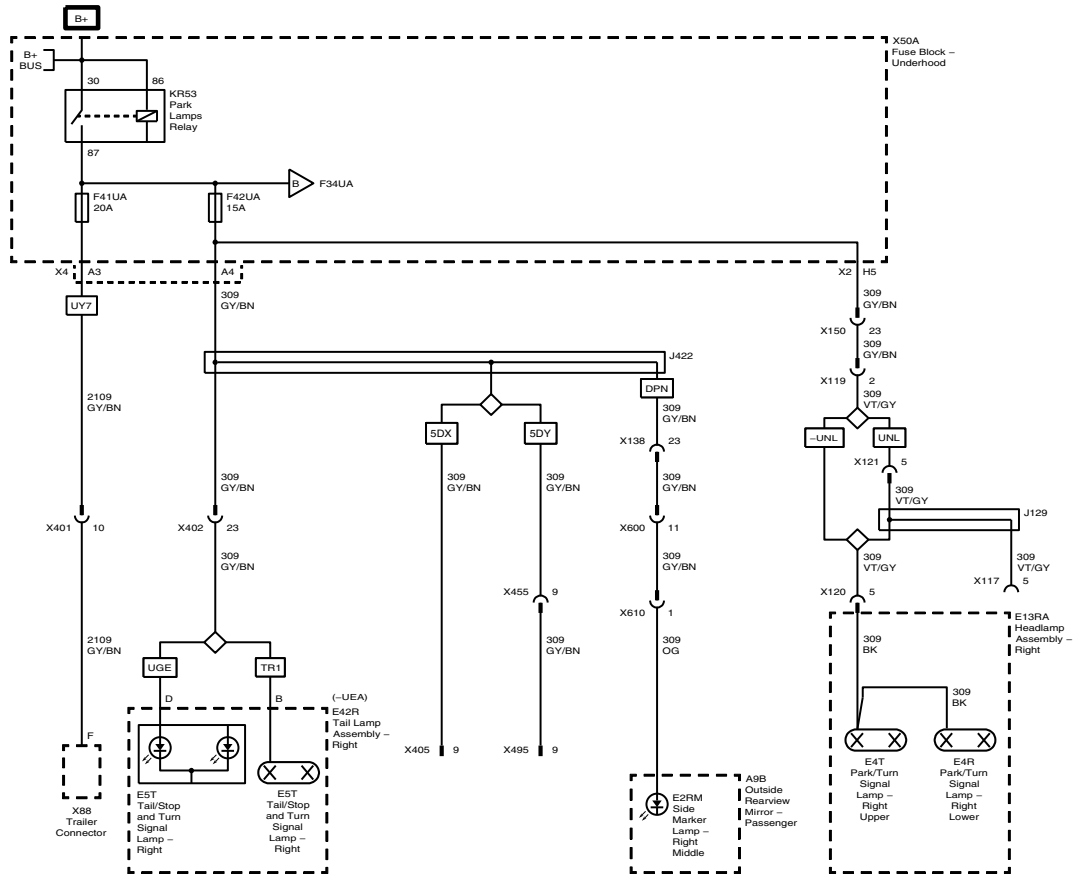
2.5. UNDER HOOD PDM – BATTERY POWER



2.6. UNDER HOOD PDM – BATTERY POWER



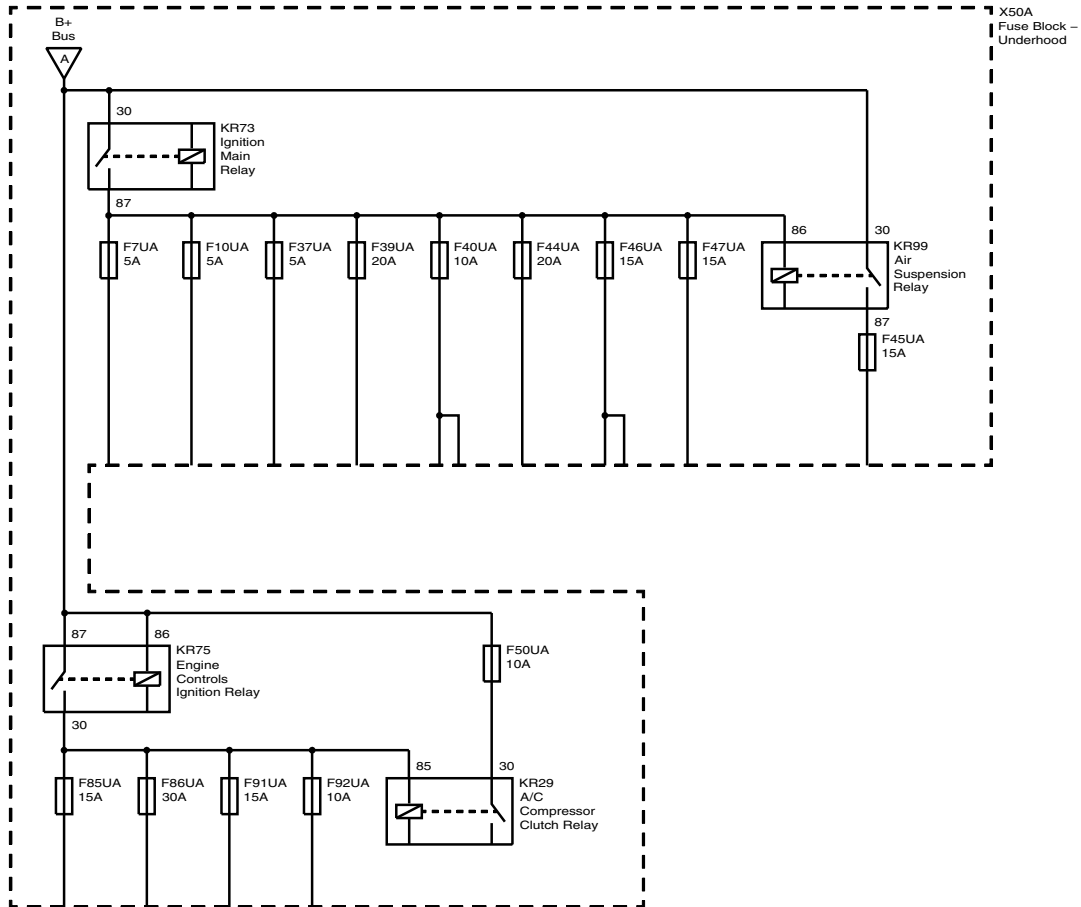
2.7. UNDER HOOD PDM – BATTERY POWER



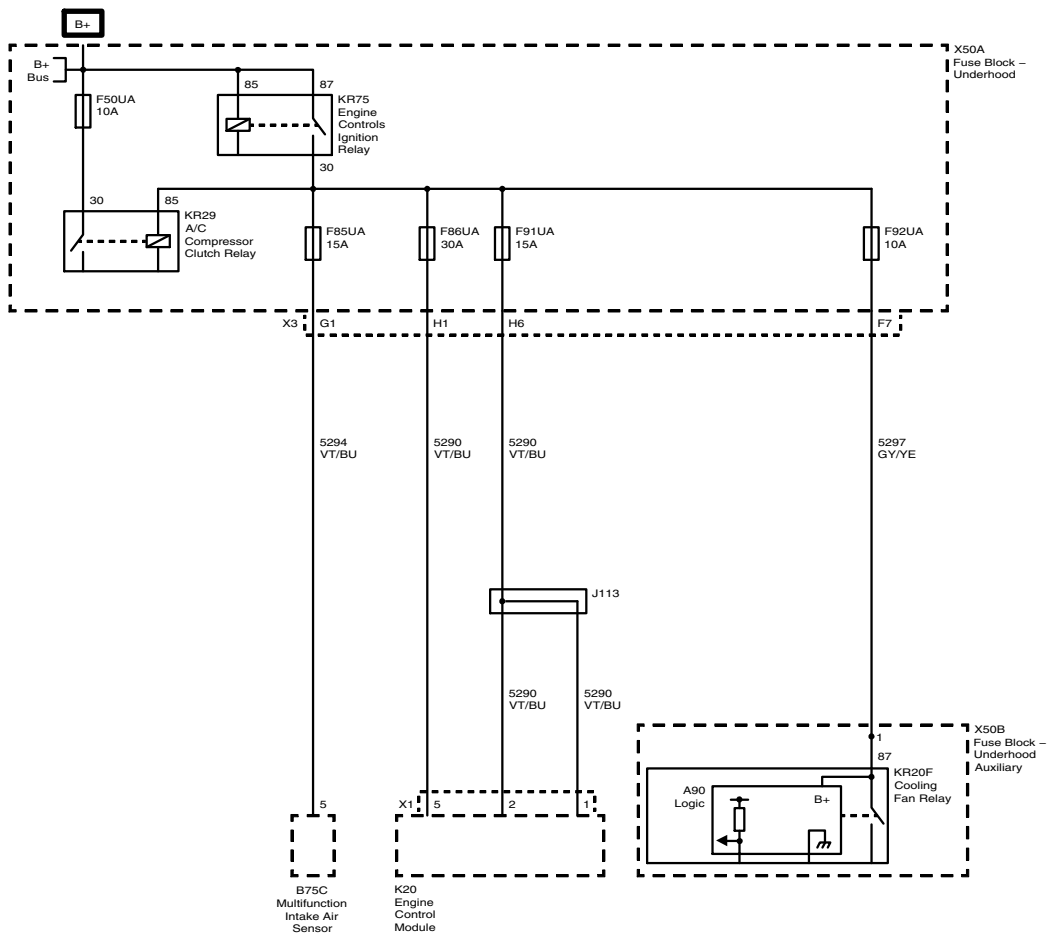
L
O
C



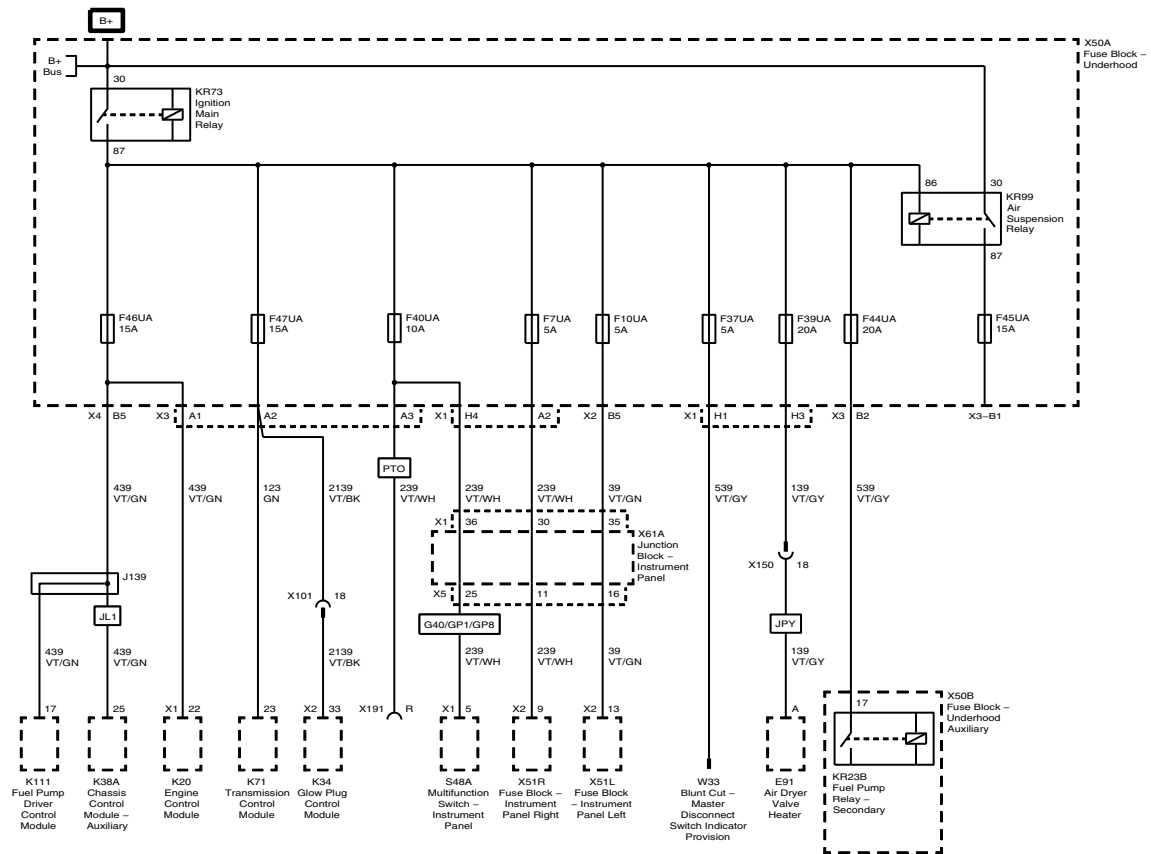
2.8. UNDER HOOD PDM – IGNITION POWER



2.9. UNDER HOOD PDM – IGNITION POWER

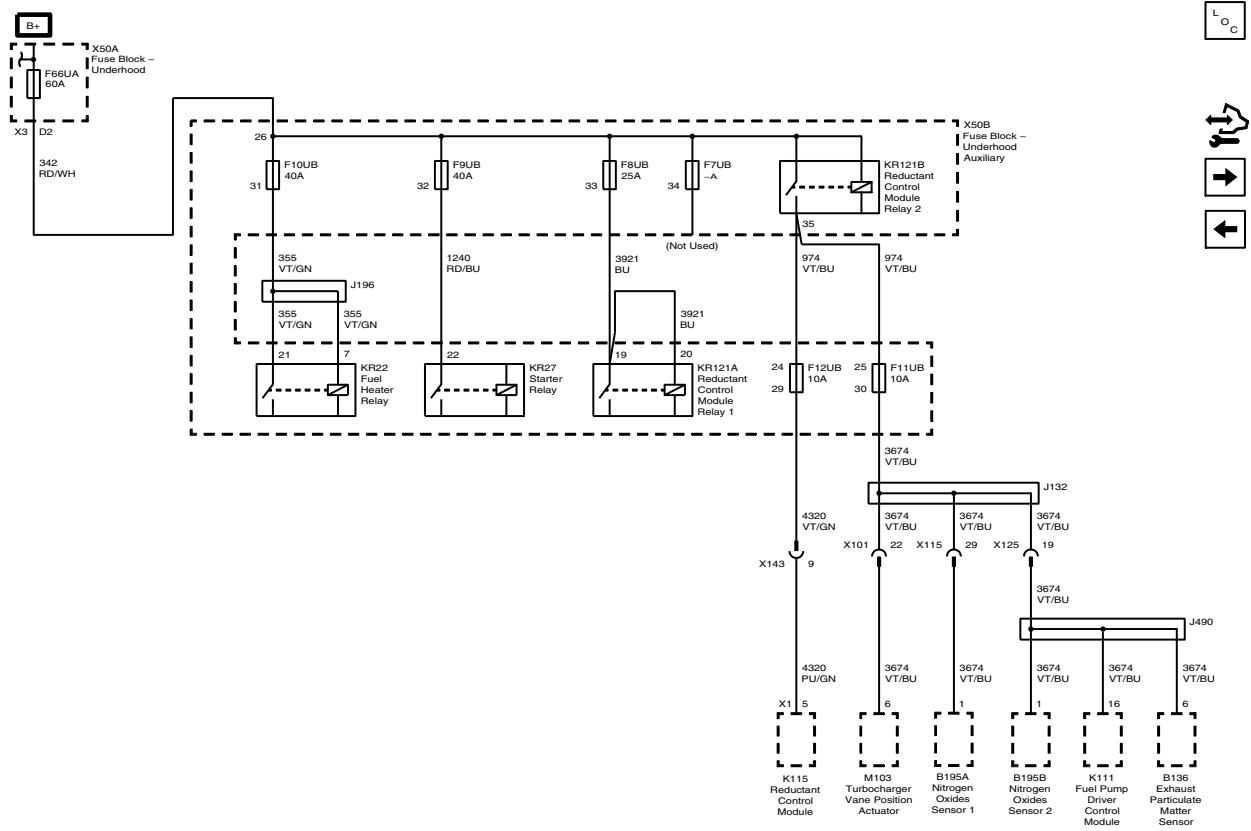


2.10. UNDER HOOD PDM – IGNITION POWER (PRE-EPA 21)

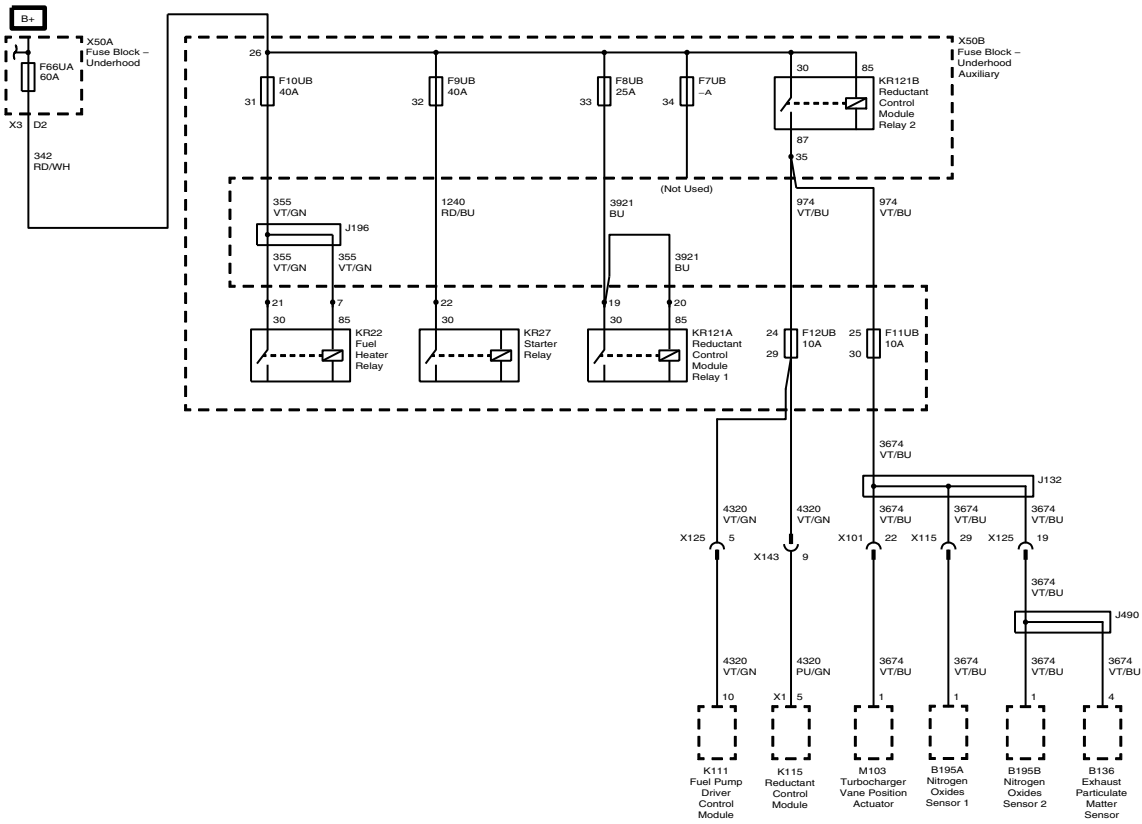


2.11. UNDER HOOD PDM (EPA 21)

2.12. UNDER HOOD PDM – BATTERY POWER (PRE-EPA 21)



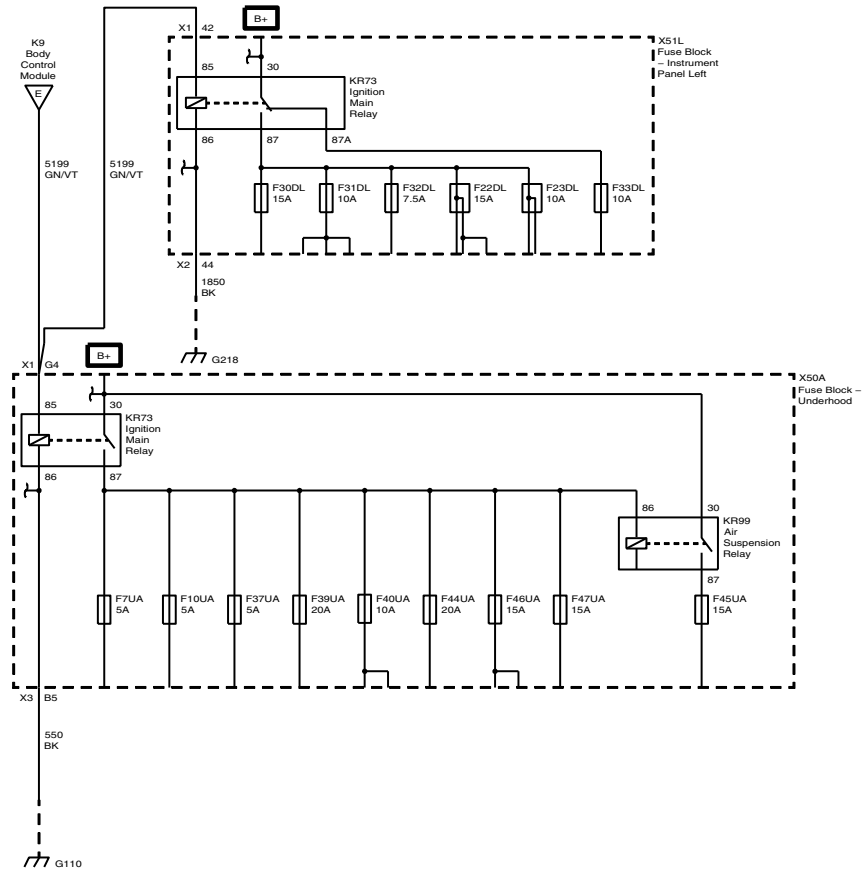
2.13. UNDER HOOD PDM – BATTERY POWER (EPA 21)



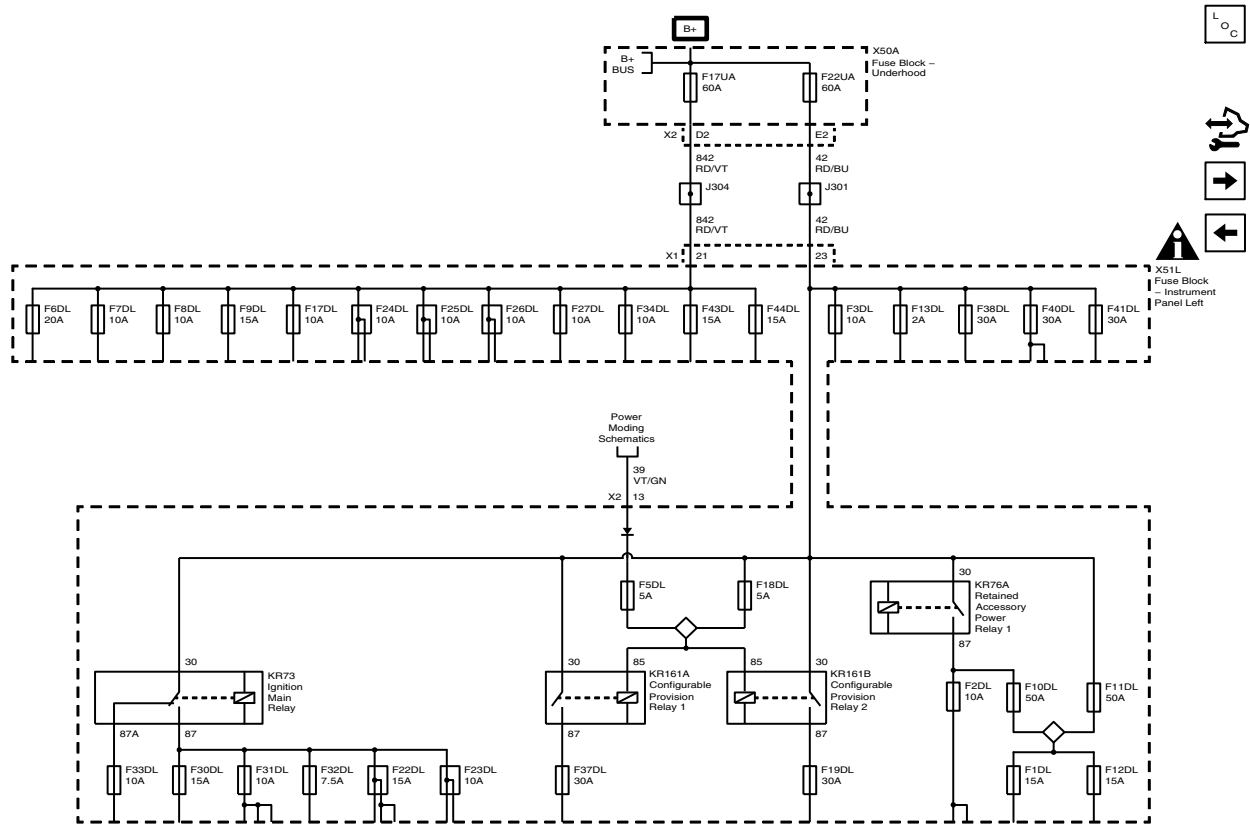
L O C



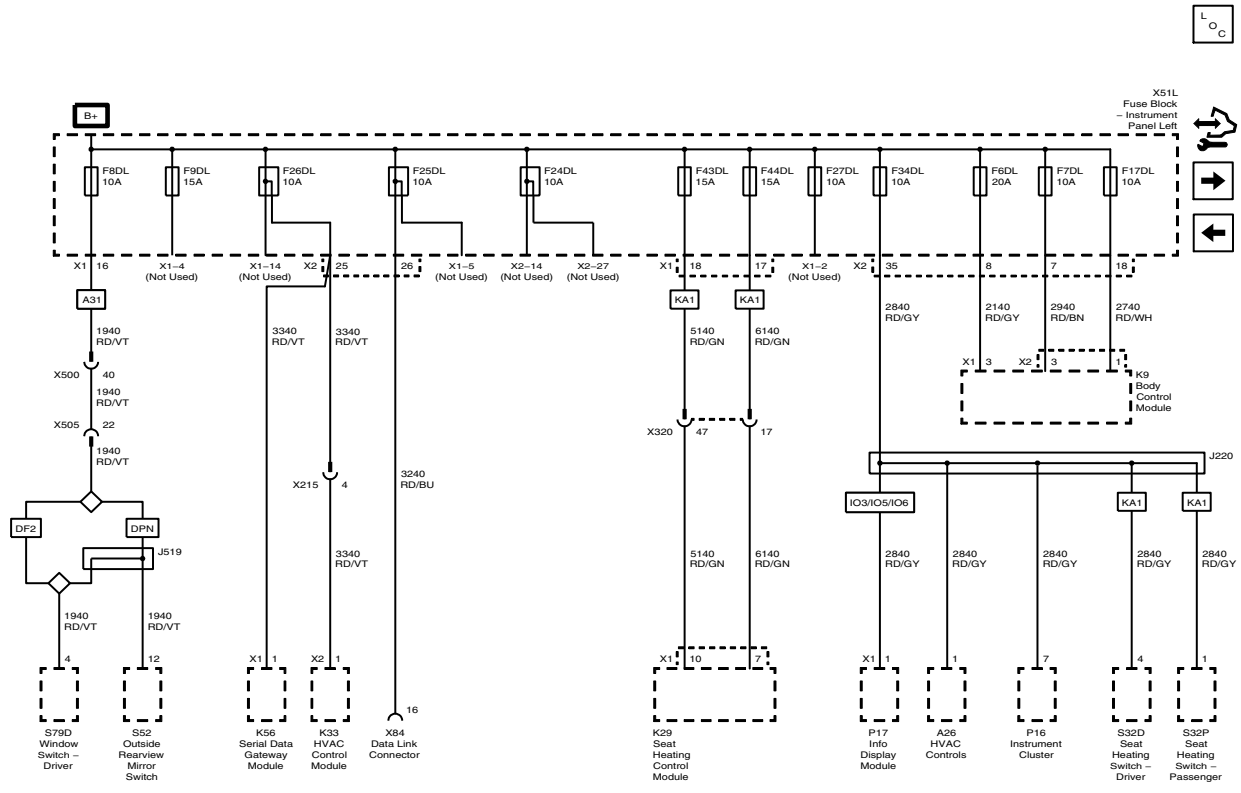
2.14. UNDER HOOD PDM / INSTRUMENT PANEL LEFT PDM – IGNITION POWER



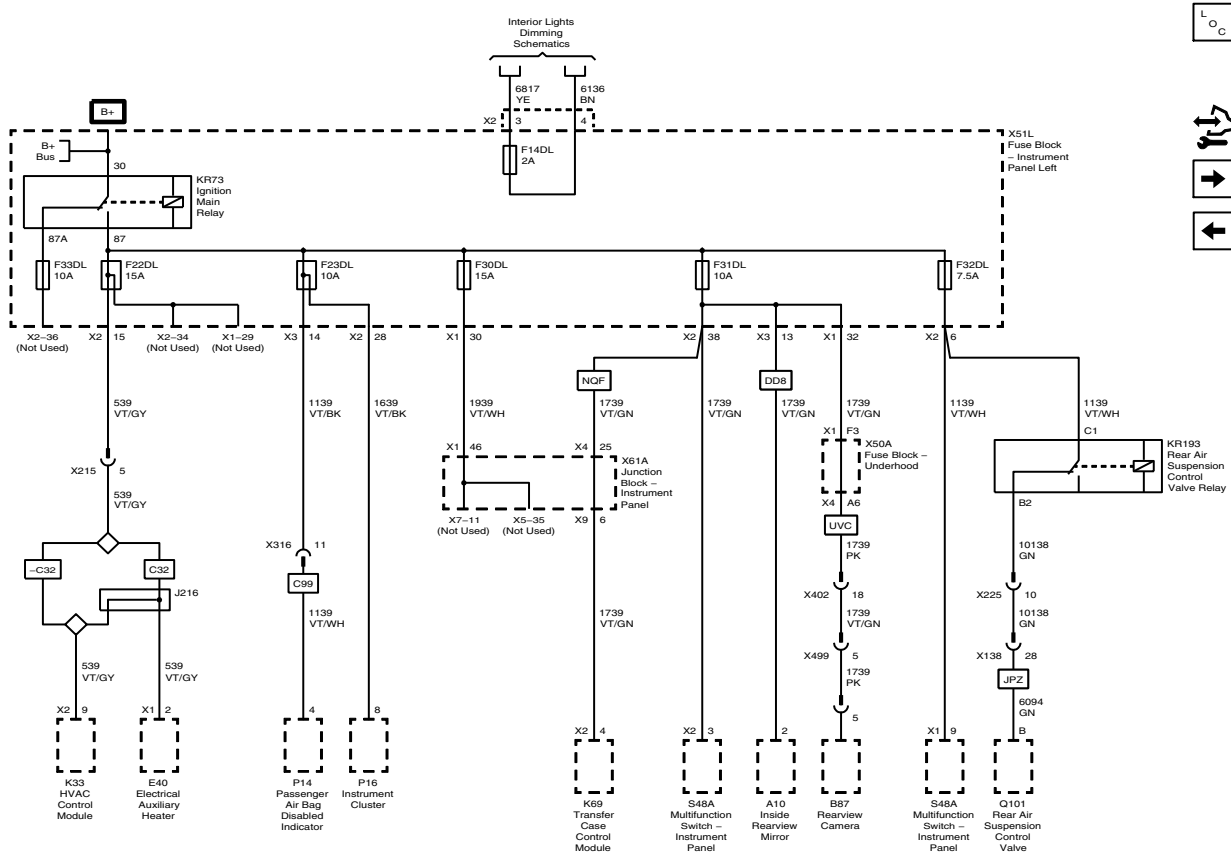
2.15. INSTRUMENT PANEL LEFT PDM – BATTERY POWER



2.16. INSTRUMENT PANEL LEFT PDM – BATTERY POWER



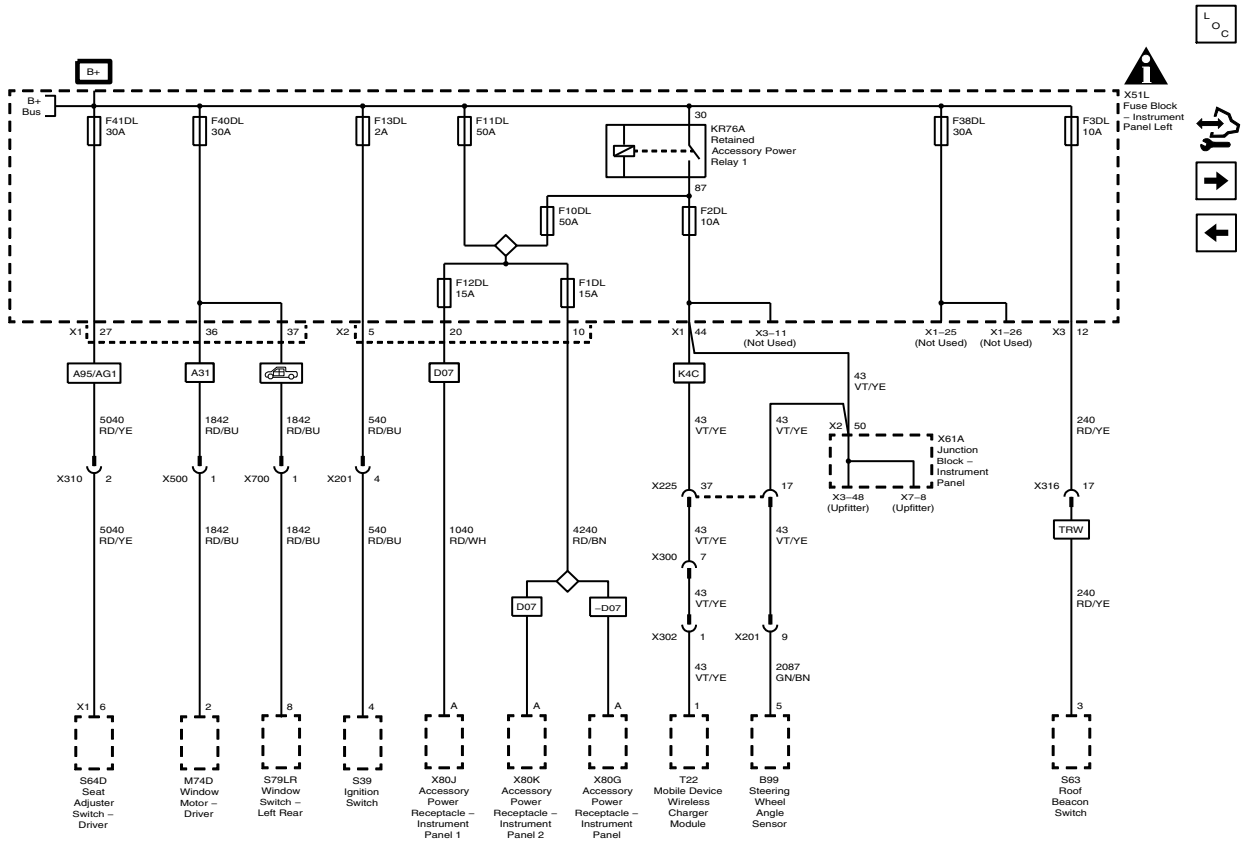
2.17. INSTRUMENT PANEL LEFT PDM – IGNITION POWER



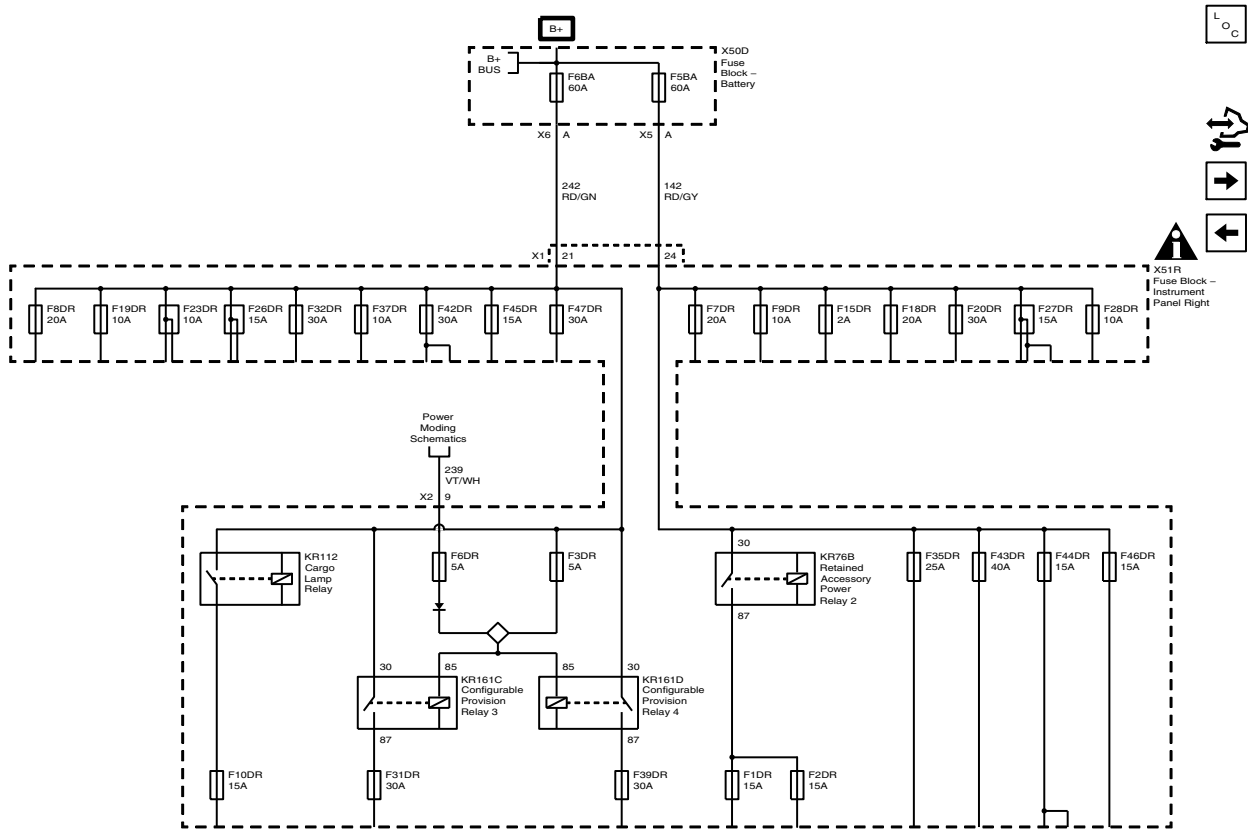
L
O
C



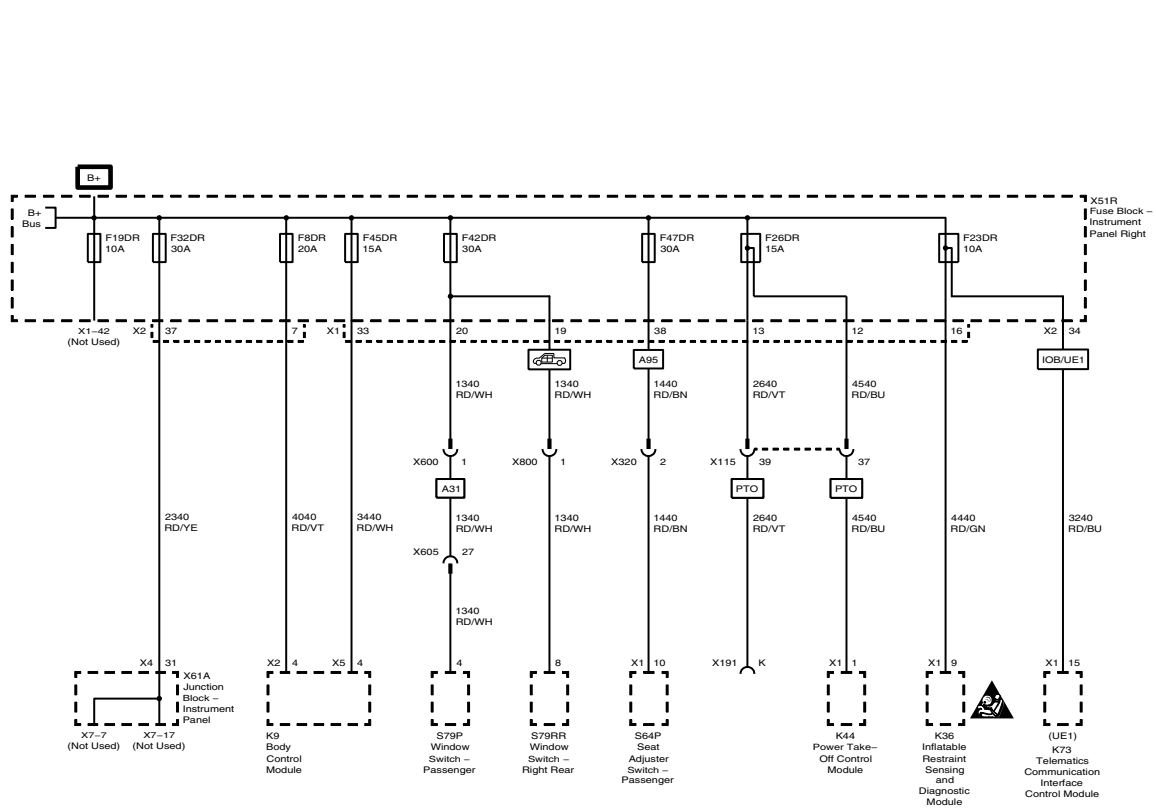
2.18. INSTRUMENT PANEL LEFT PDM – ACCESSORY POWER



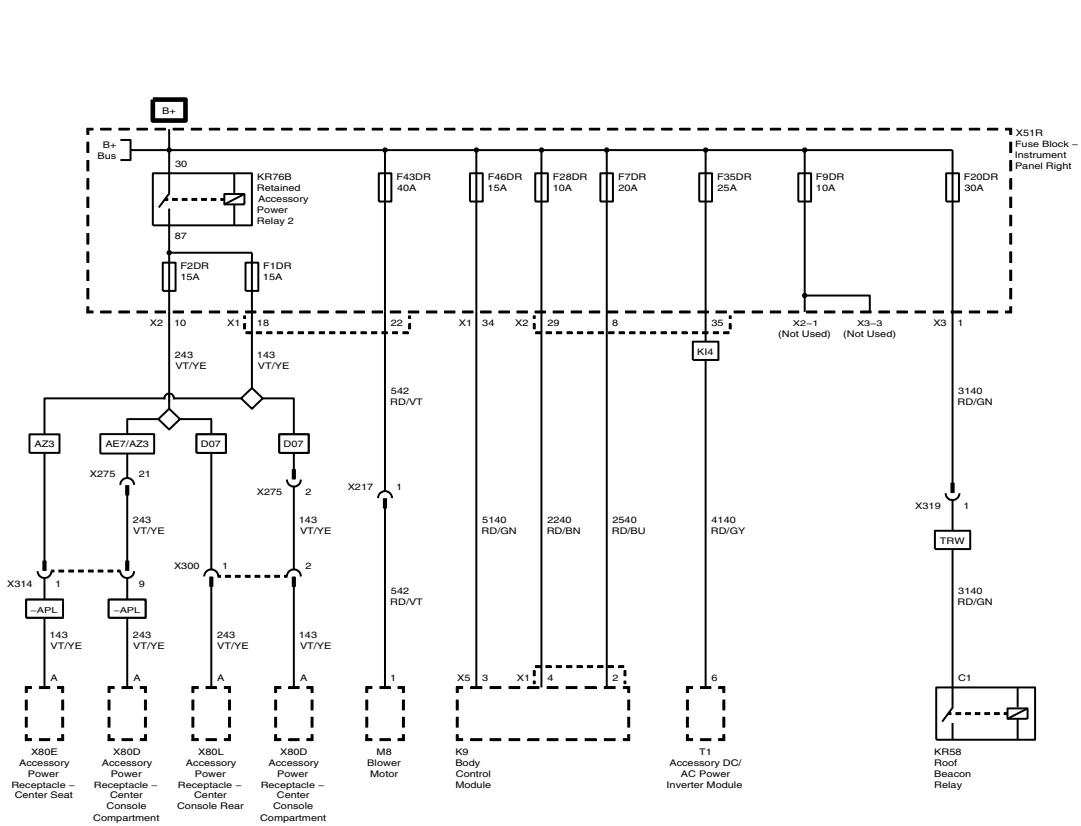
2.19. INSTRUMENT PANEL RIGHT PDM – BATTERY POWER



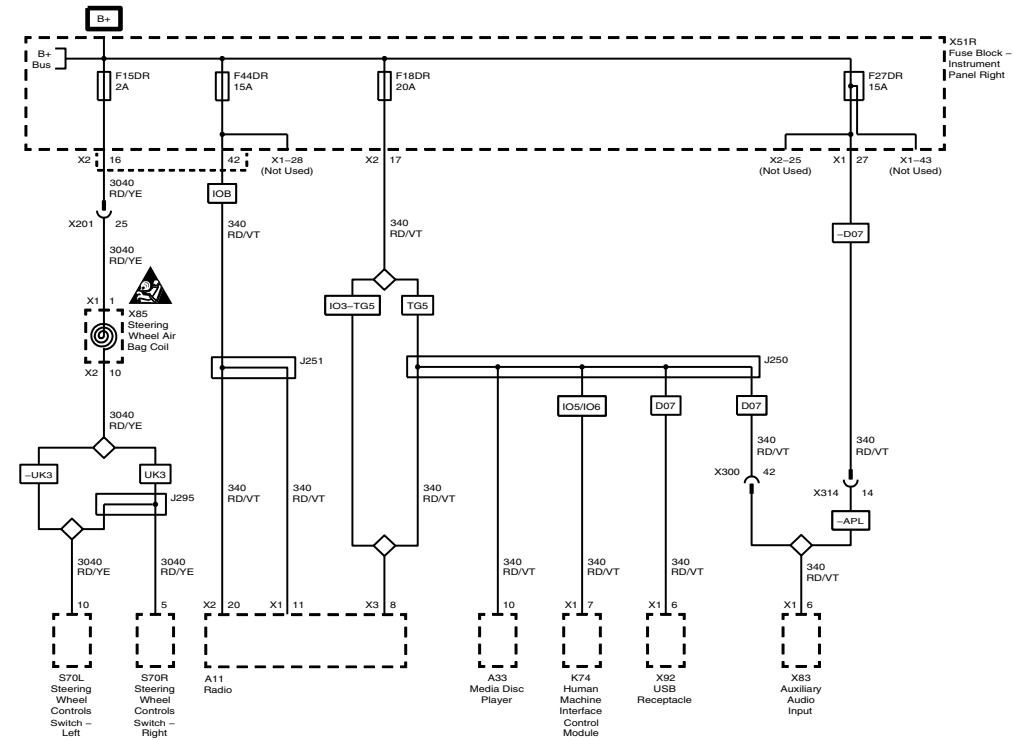
2.20. INSTRUMENT PANEL RIGHT PDM – BATTERY POWER



2.21. INSTRUMENT PANEL RIGHT PDM – BATTERY POWER / RETAINED ACCESSORY POWER



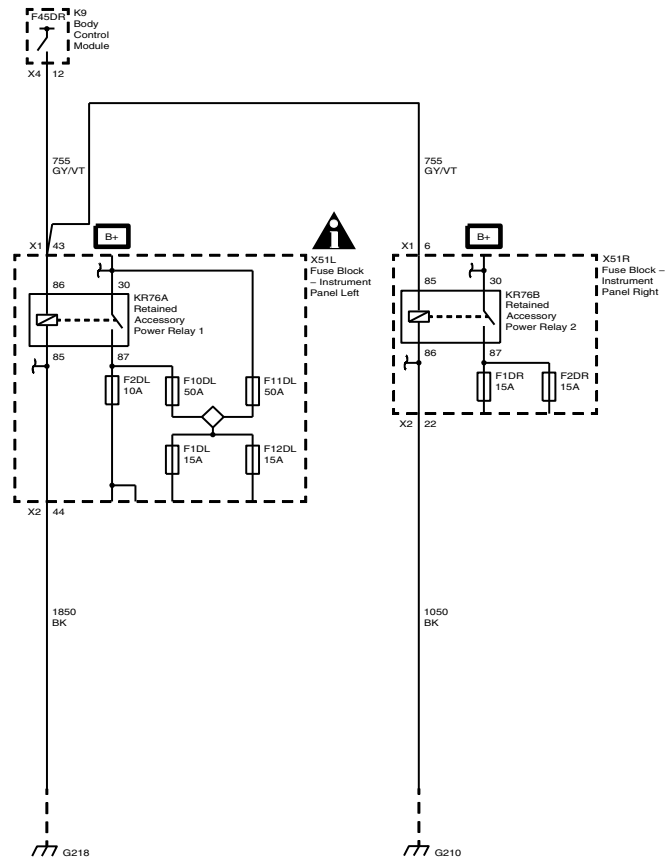
2.22. INSTRUMENT PANEL RIGHT PDM – BATTERY POWER



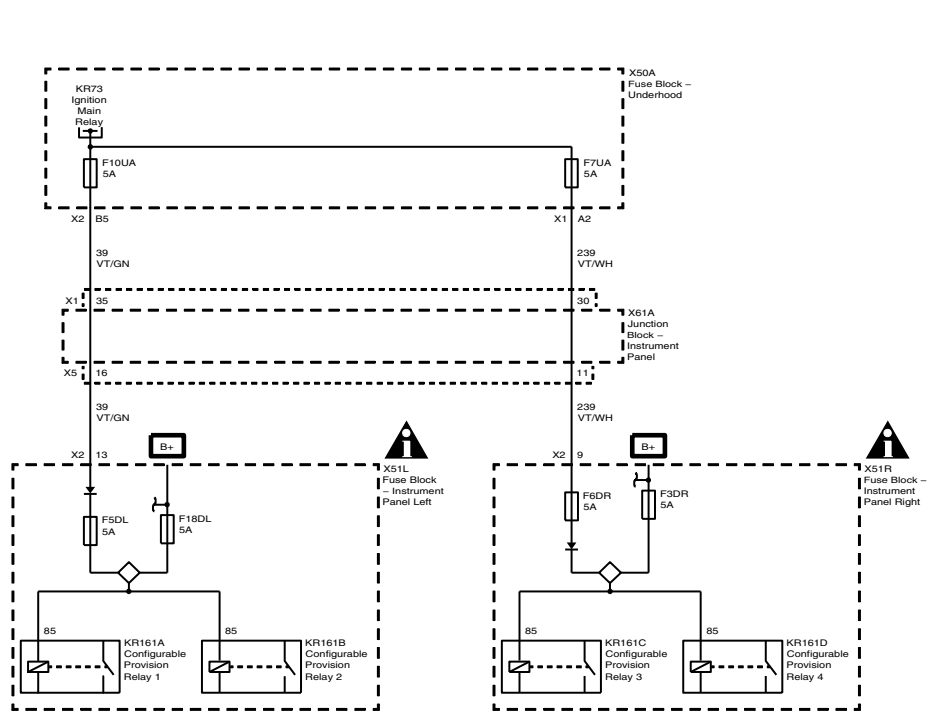
L
O
C



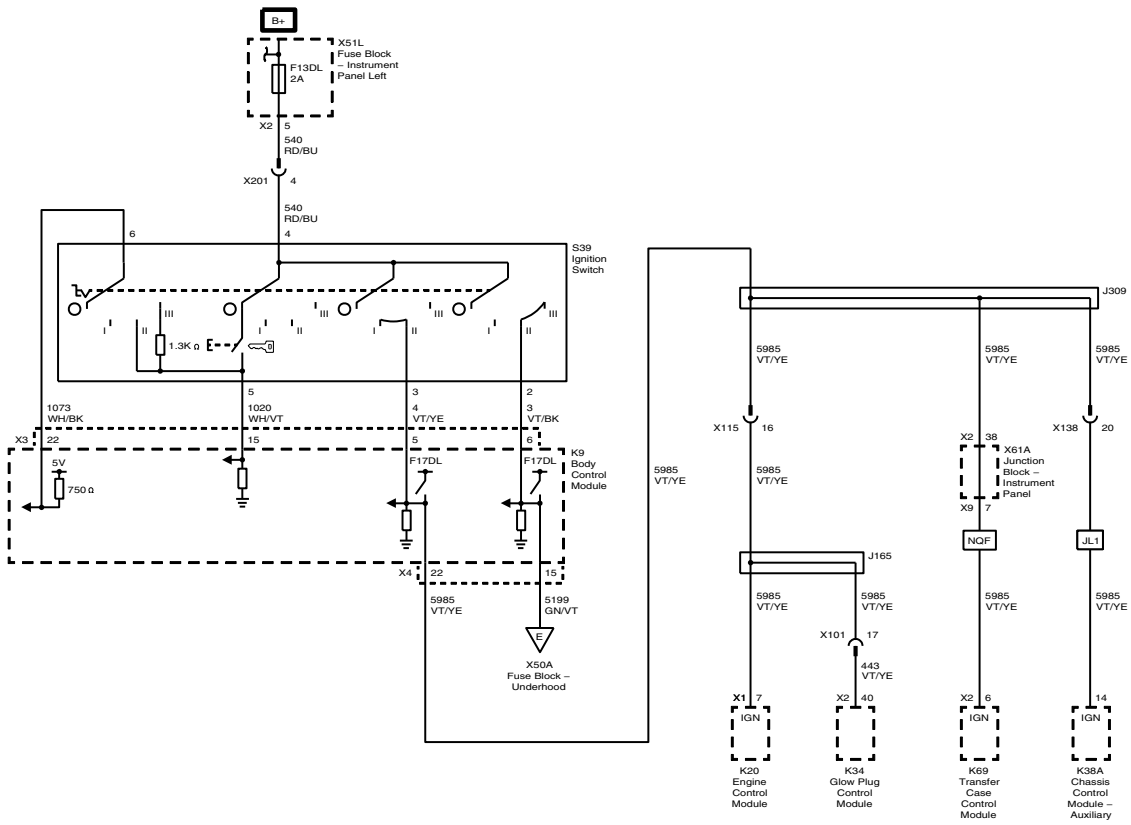
2.23. INSTRUMENT PANEL LEFT PDM / INSTRUMENT PANEL RIGHT PDM –
RETAINED ACCESSORY POWER



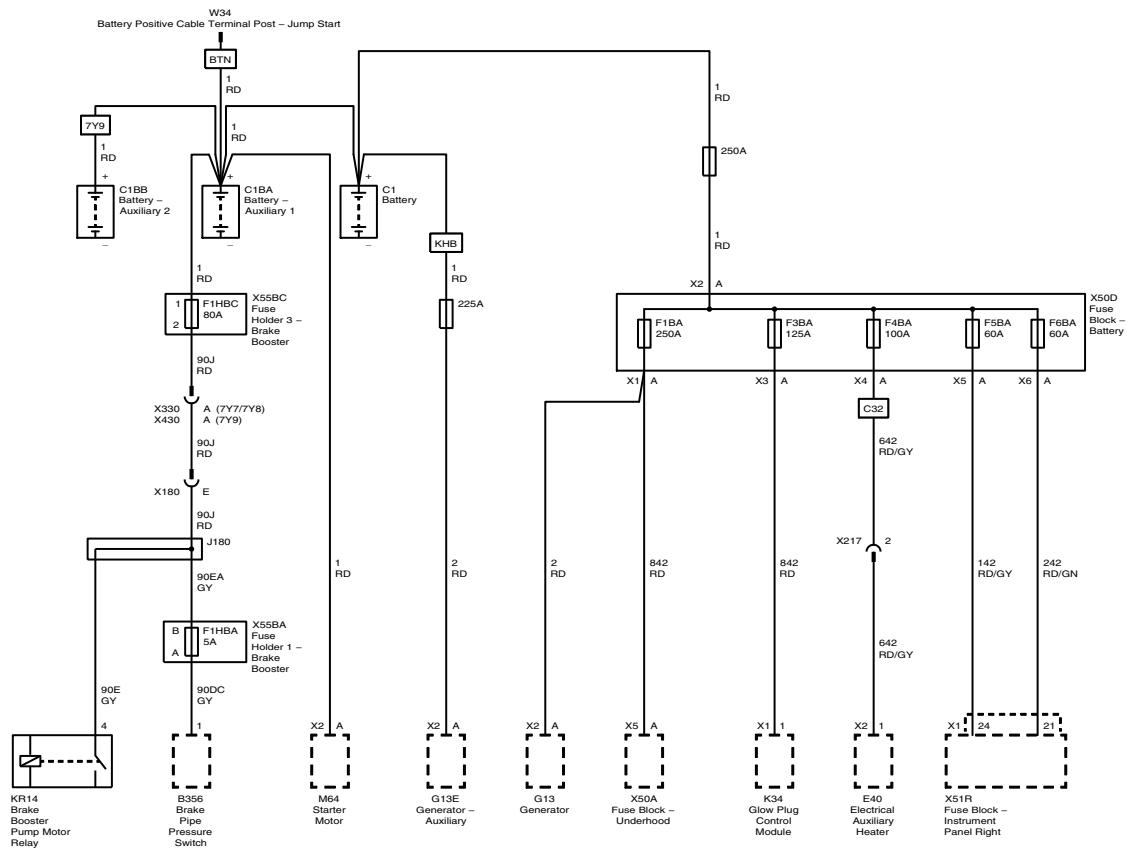
2.24. INSTRUMENT PANEL LEFT PDM / INSTRUMENT PANEL RIGHT PDM – IGNITION POWER



2.25. IGNITION SWITCH

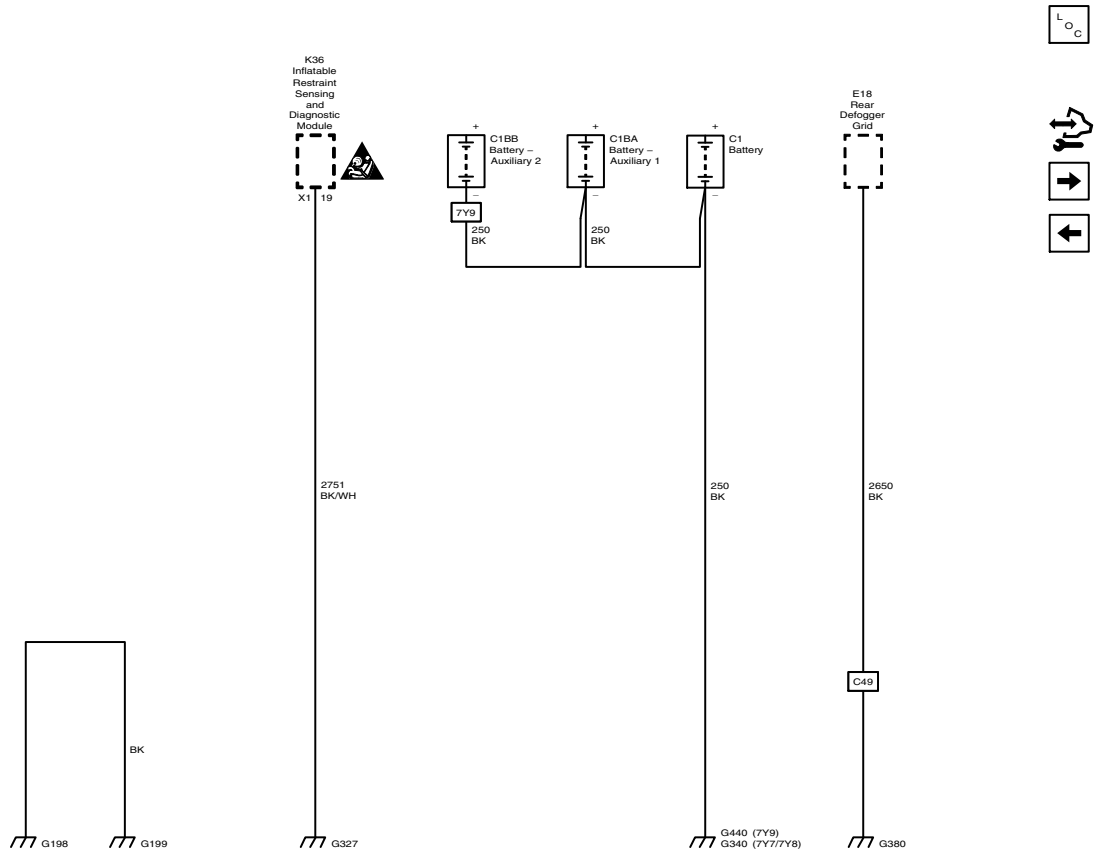


2.26. 12 VOLT SYSTEM

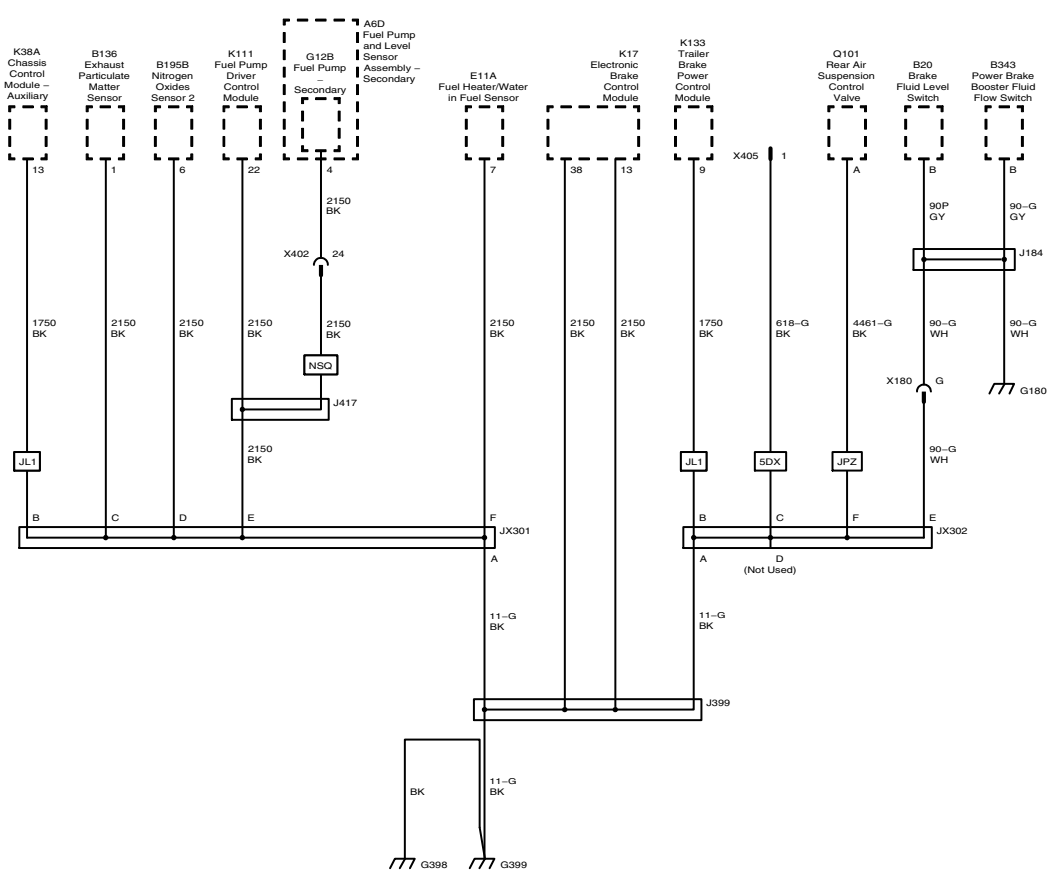


GROUND DISTRIBUTION

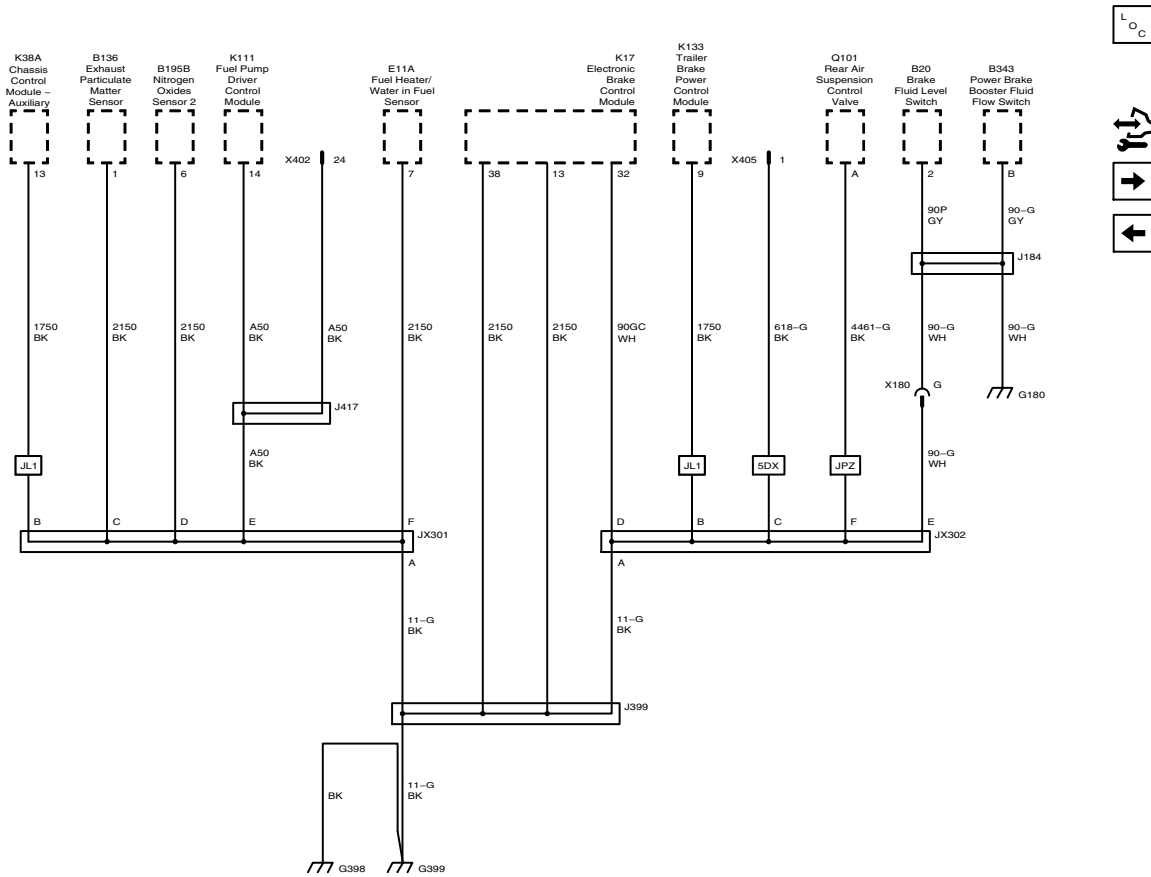
3.1. CAB – GROUND DISTRIBUTION



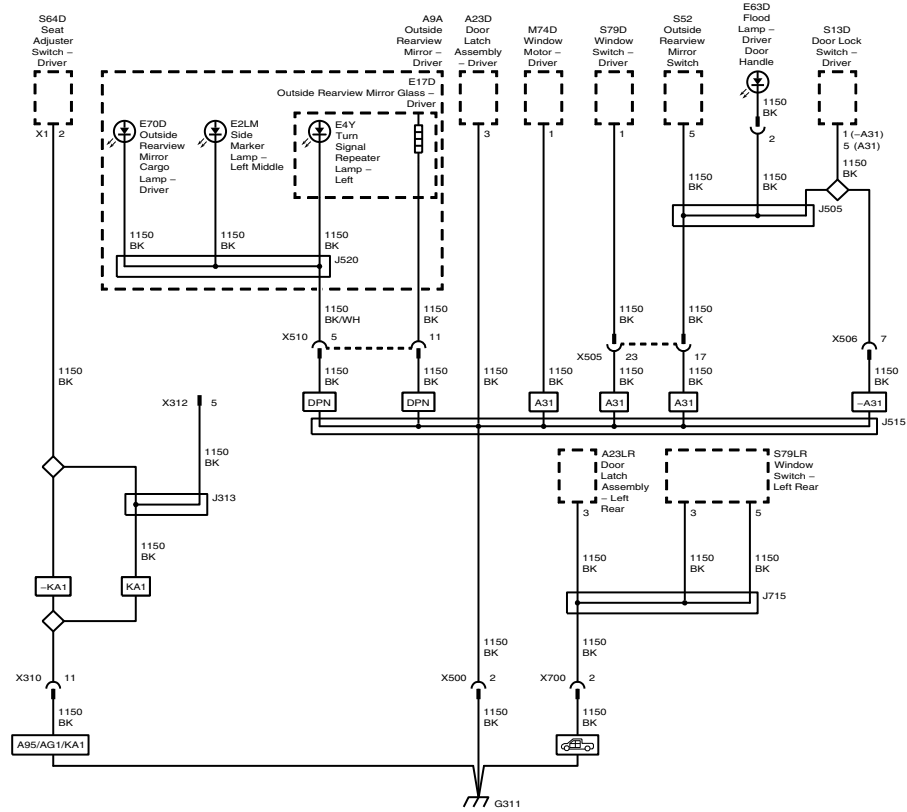
3.2. CENTER CHASSIS – GROUND DISTRIBUTION (PRE-EPA 21)



3.3. CENTER CHASSIS – GROUND DISTRIBUTION (EPA 21)



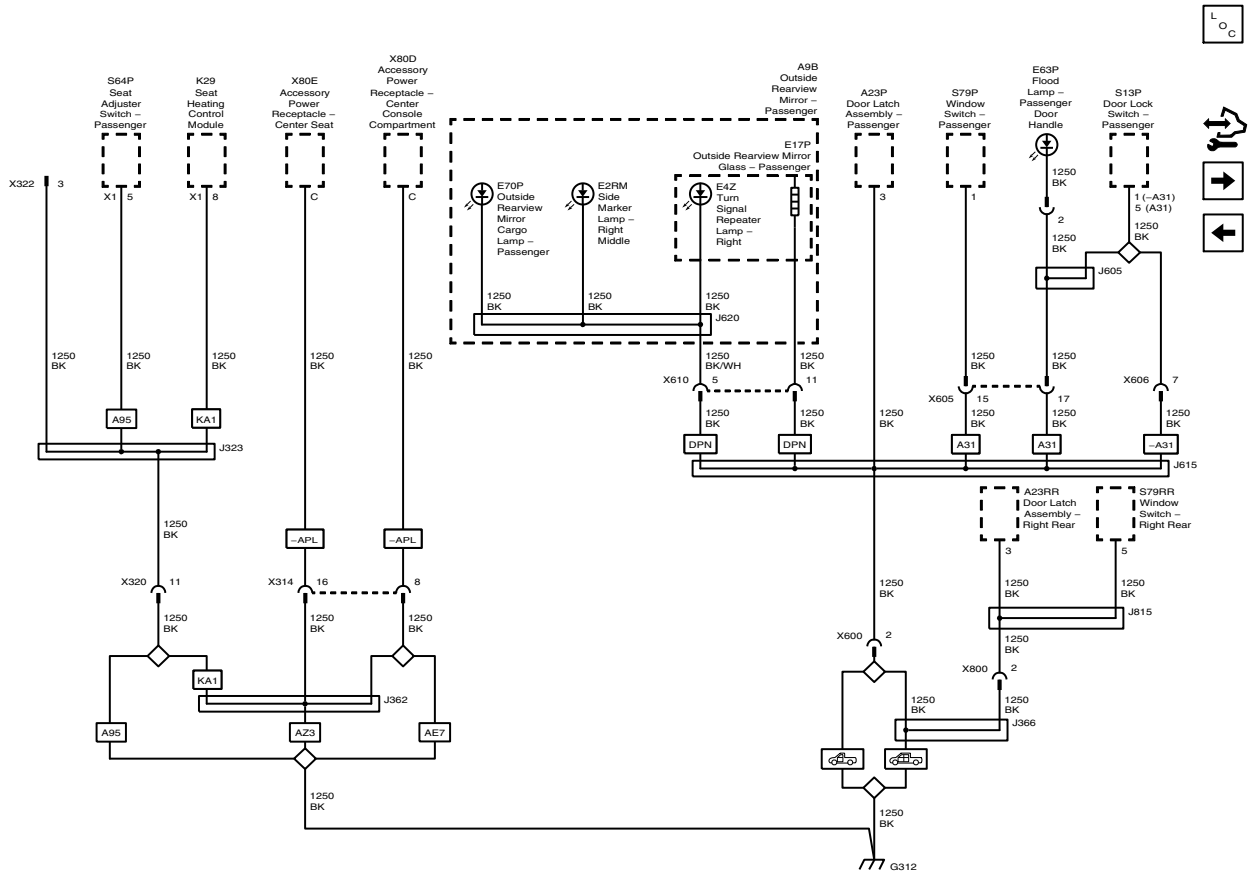
3.4. DRIVER SIDE DOOR – GROUND DISTRIBUTION



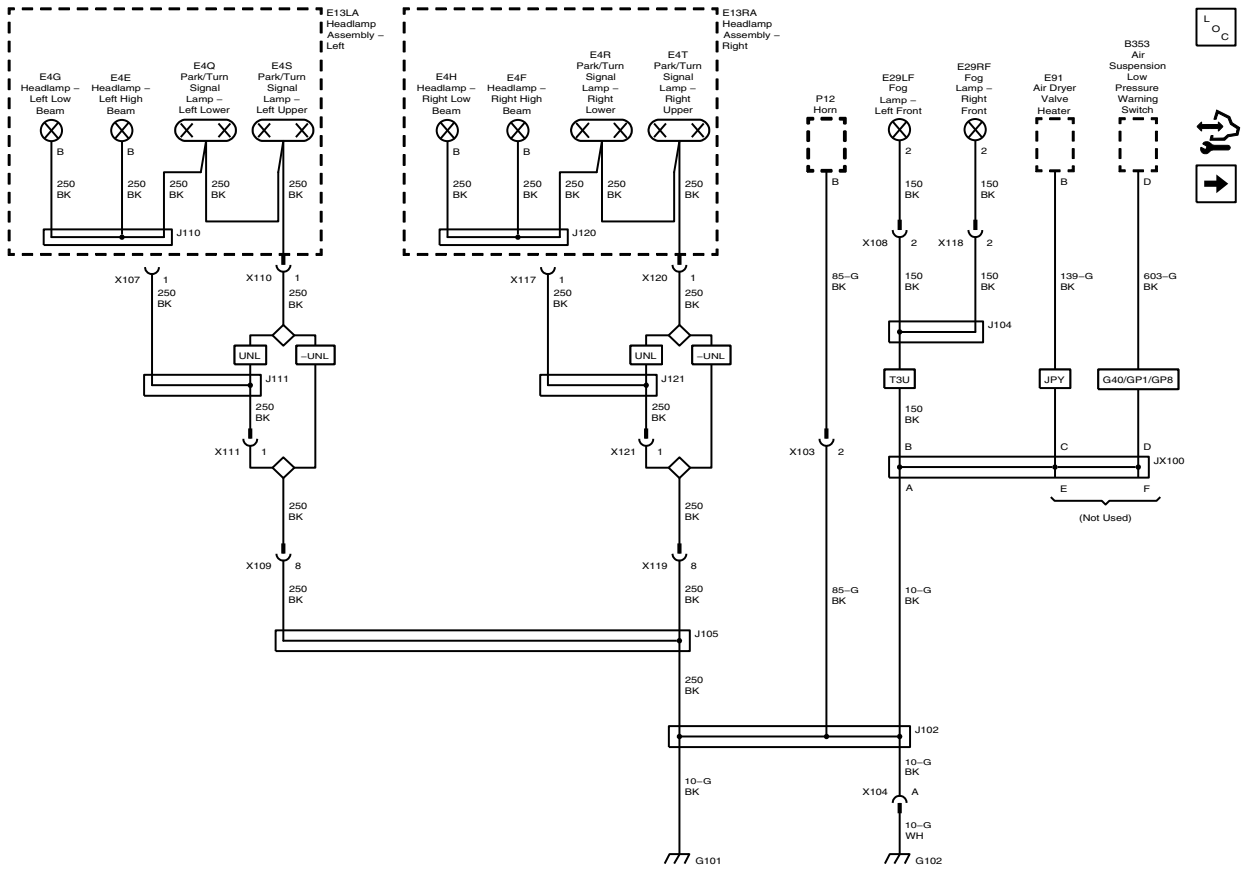
L
O
C



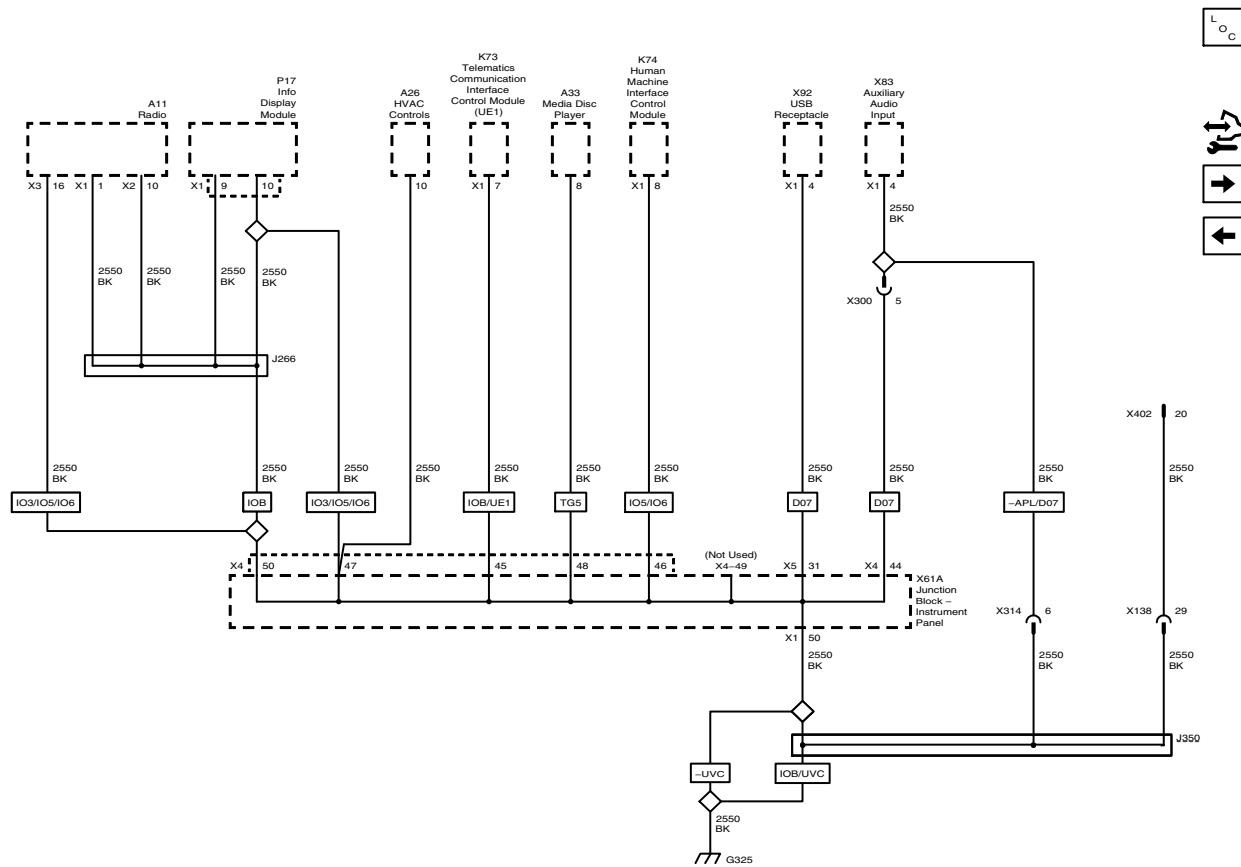
3.5. PASSENGER SIDE DOOR – GROUND DISTRIBUTION



3.6. GROUND DISTRIBUTION



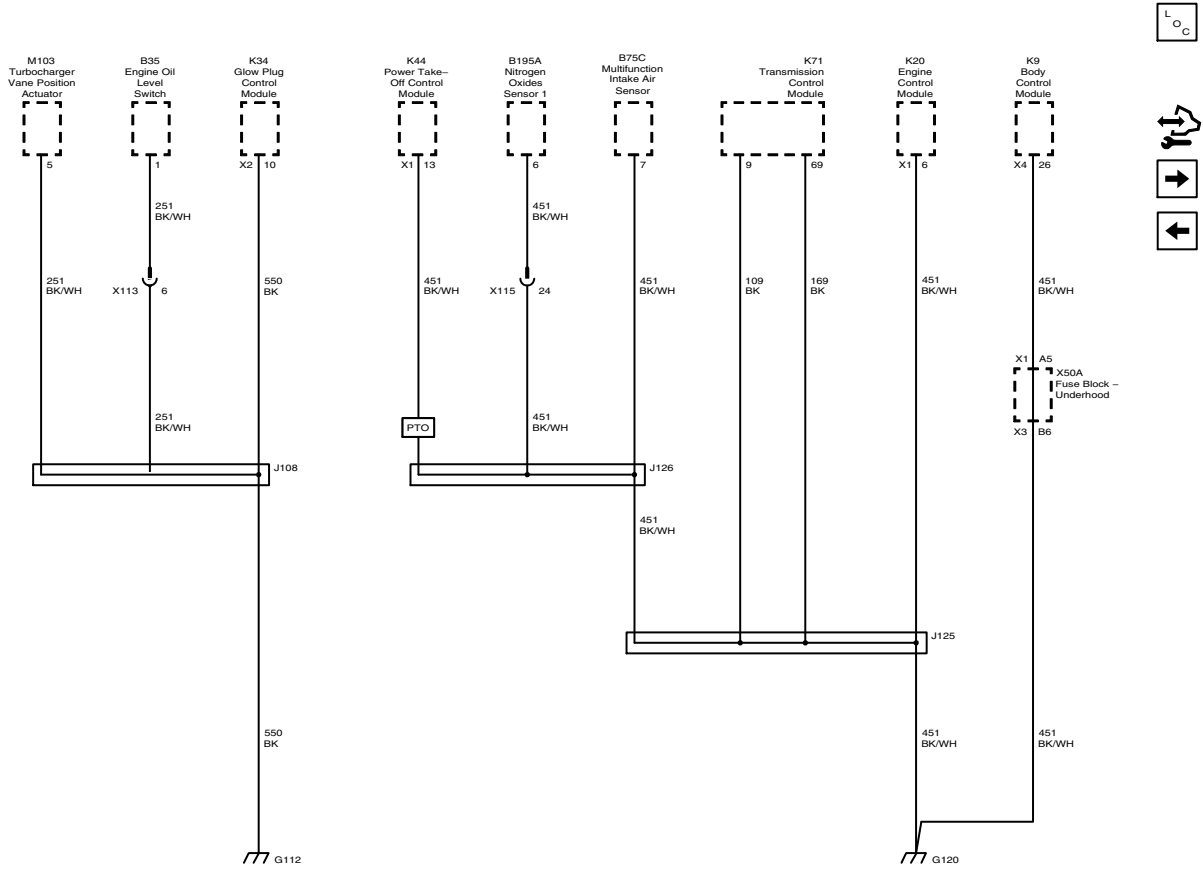
3.7. INSTRUMENT PANEL – GROUND DISTRIBUTION



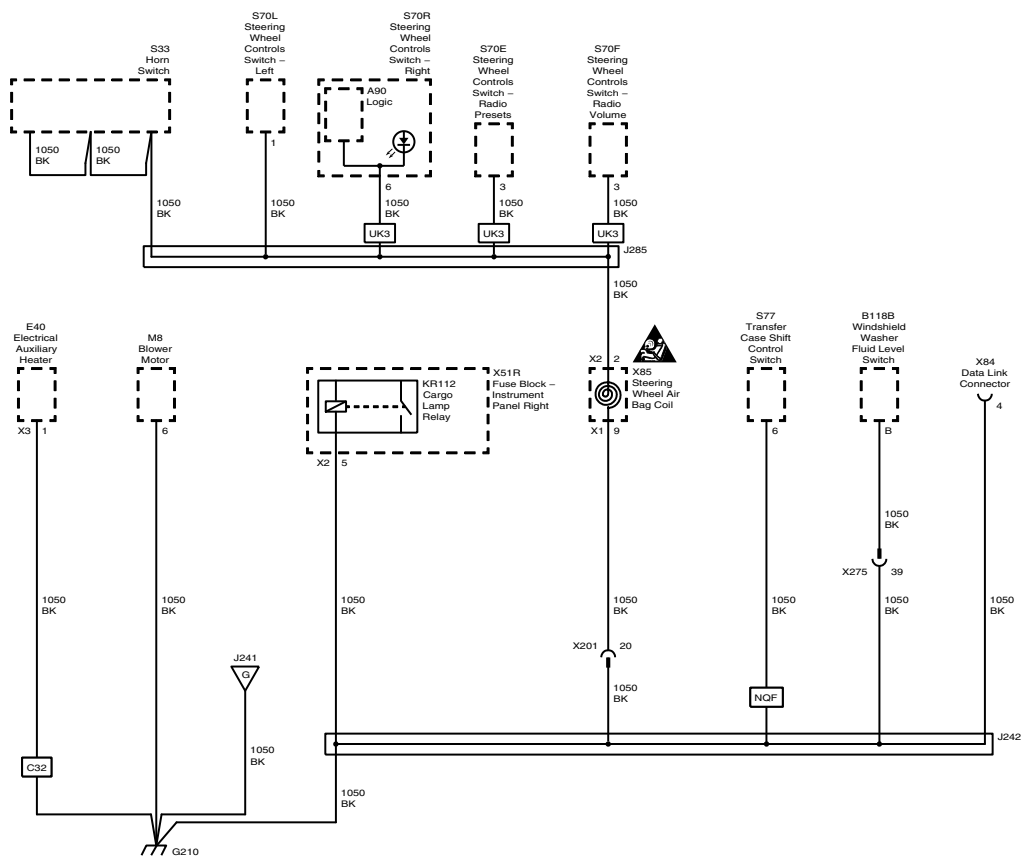
L
O
C



3.8. MODULE SPLICE PACK – GROUND DISTRIBUTION



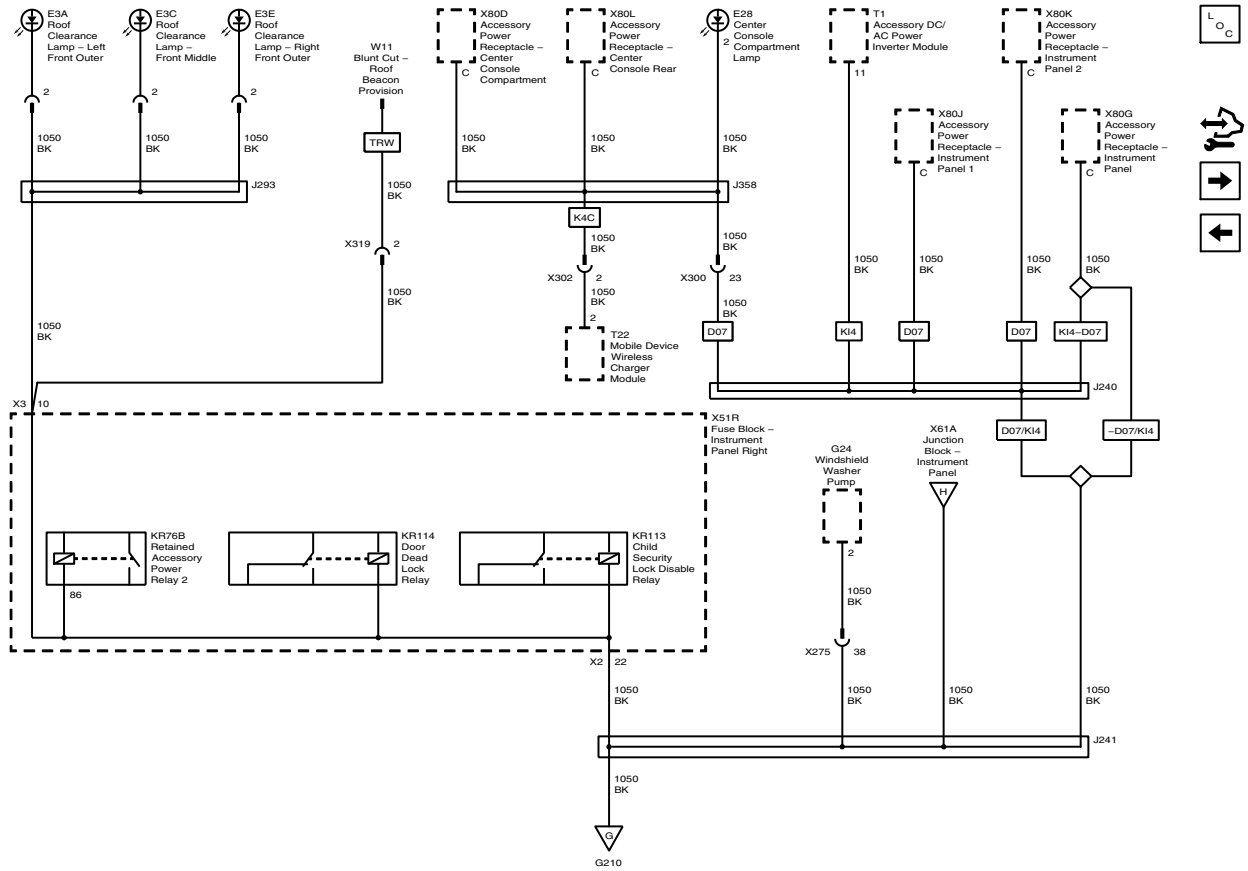
3.9. SPLICE PACK – GROUND DISTRIBUTION



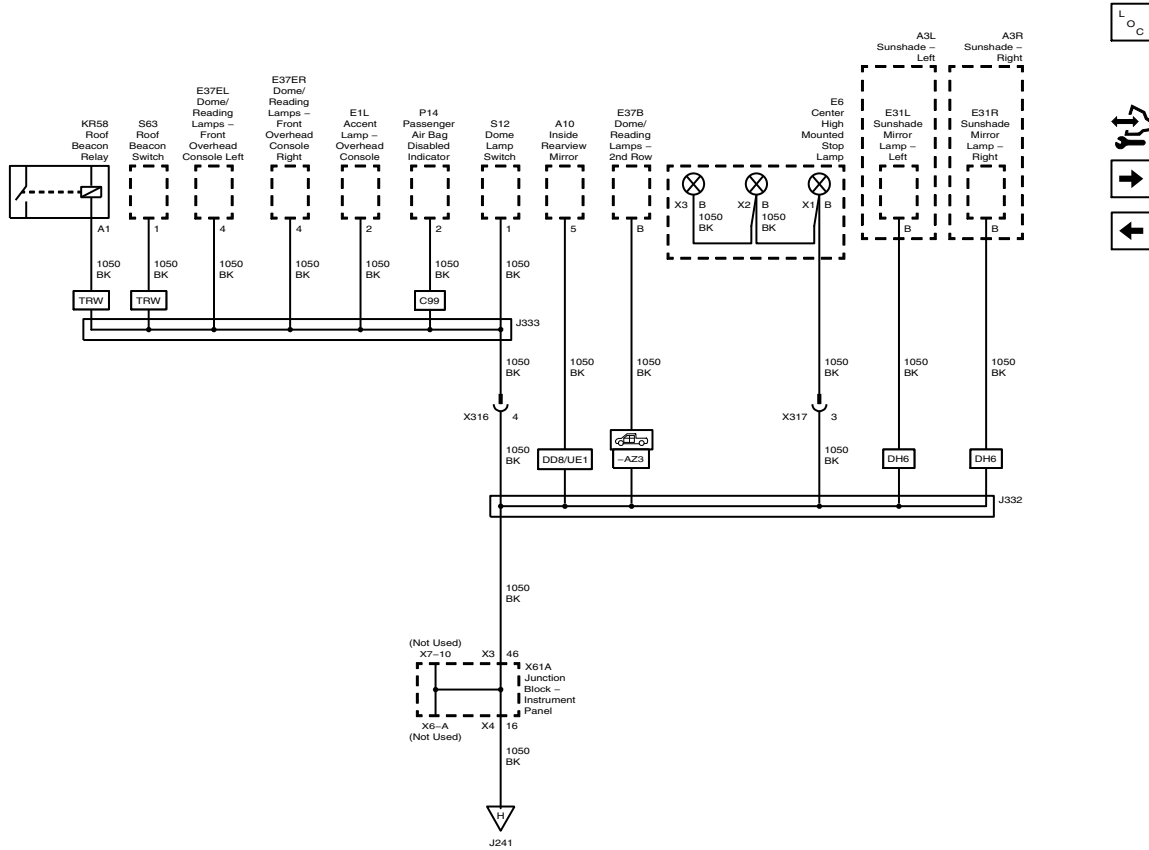
L
O
C



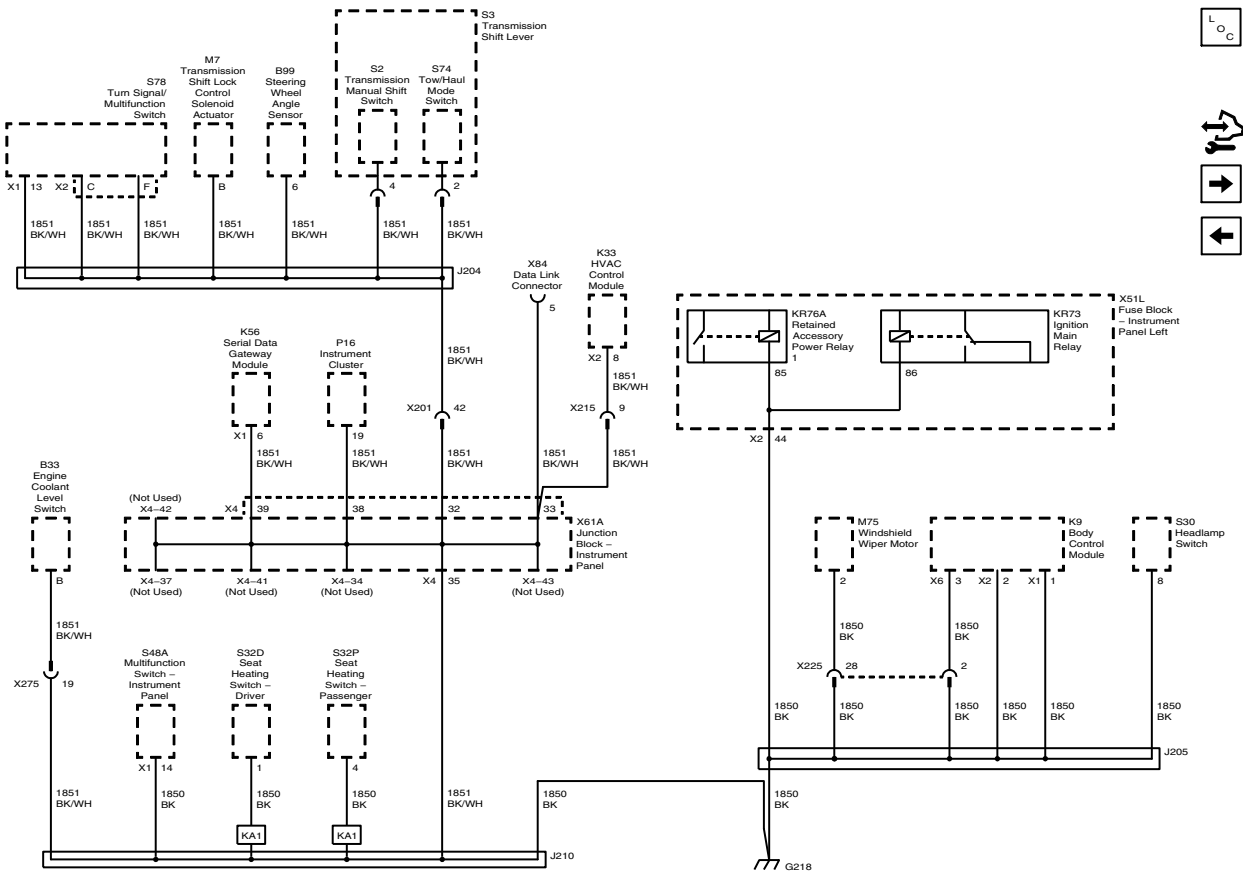
3.10. SPLICE PACK – GROUND DISTRIBUTION



3.11. SPLICE PACK – GROUND DISTRIBUTION



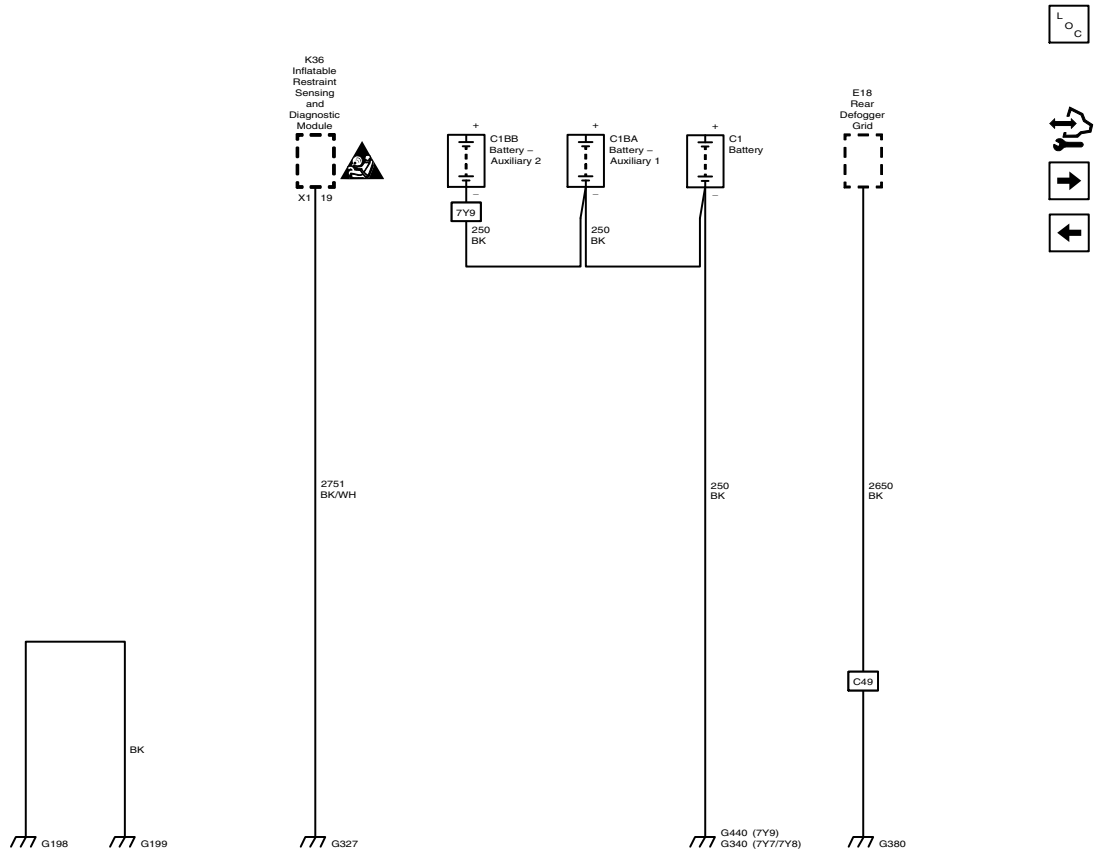
3.12. SPLICE PACK – GROUND DISTRIBUTION



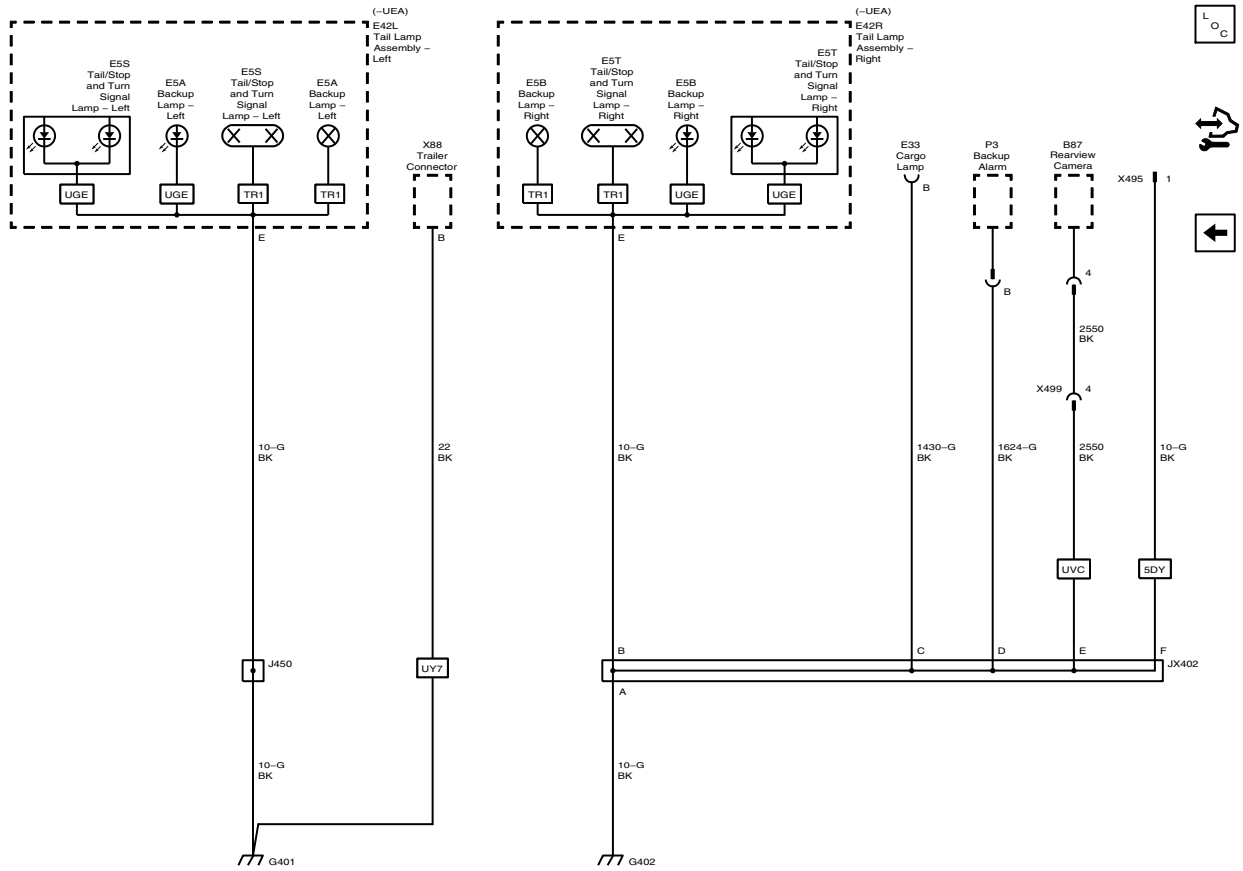
L
O
C



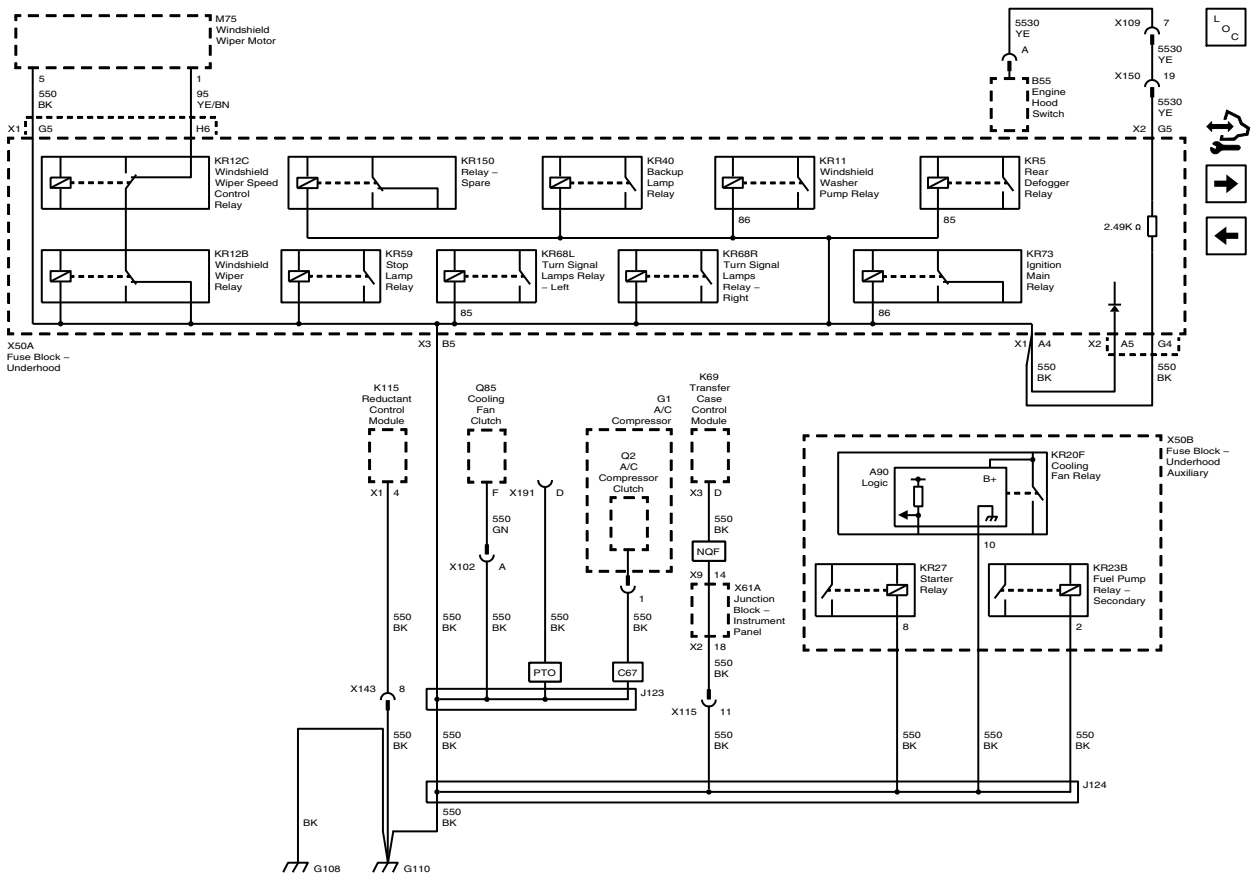
3.13. SPLICE PACK – GROUND DISTRIBUTION



3.14. REAR CHASSIS – GROUND DISTRIBUTION

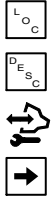
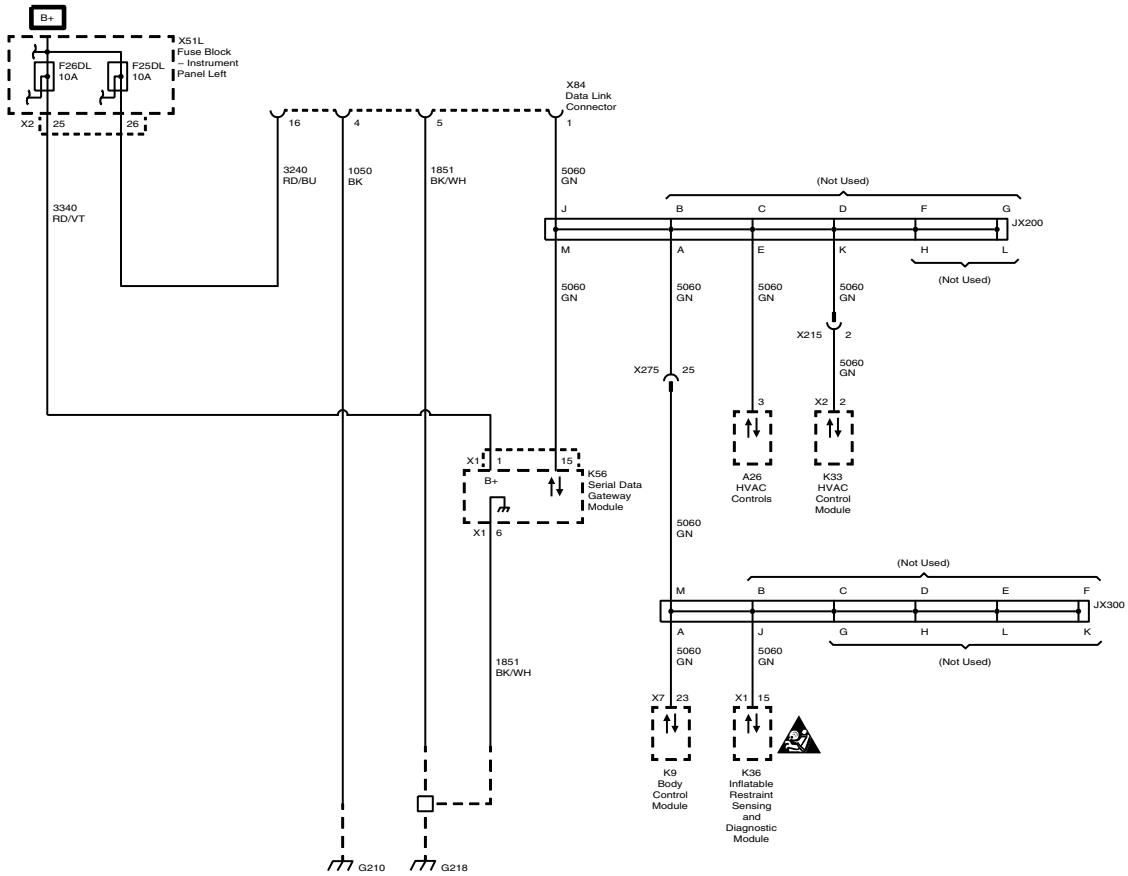


3.15. UNDER HOOD PDM – GROUND DISTRIBUTION

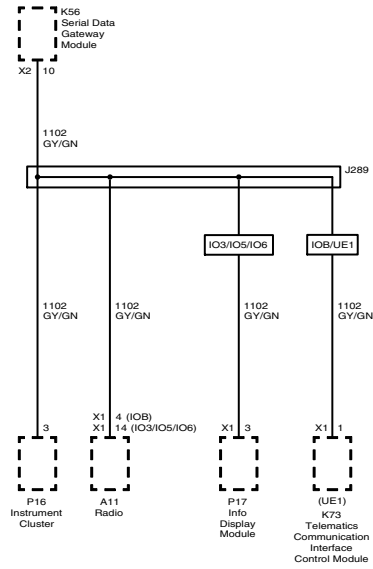


DATA COMMUNICATION

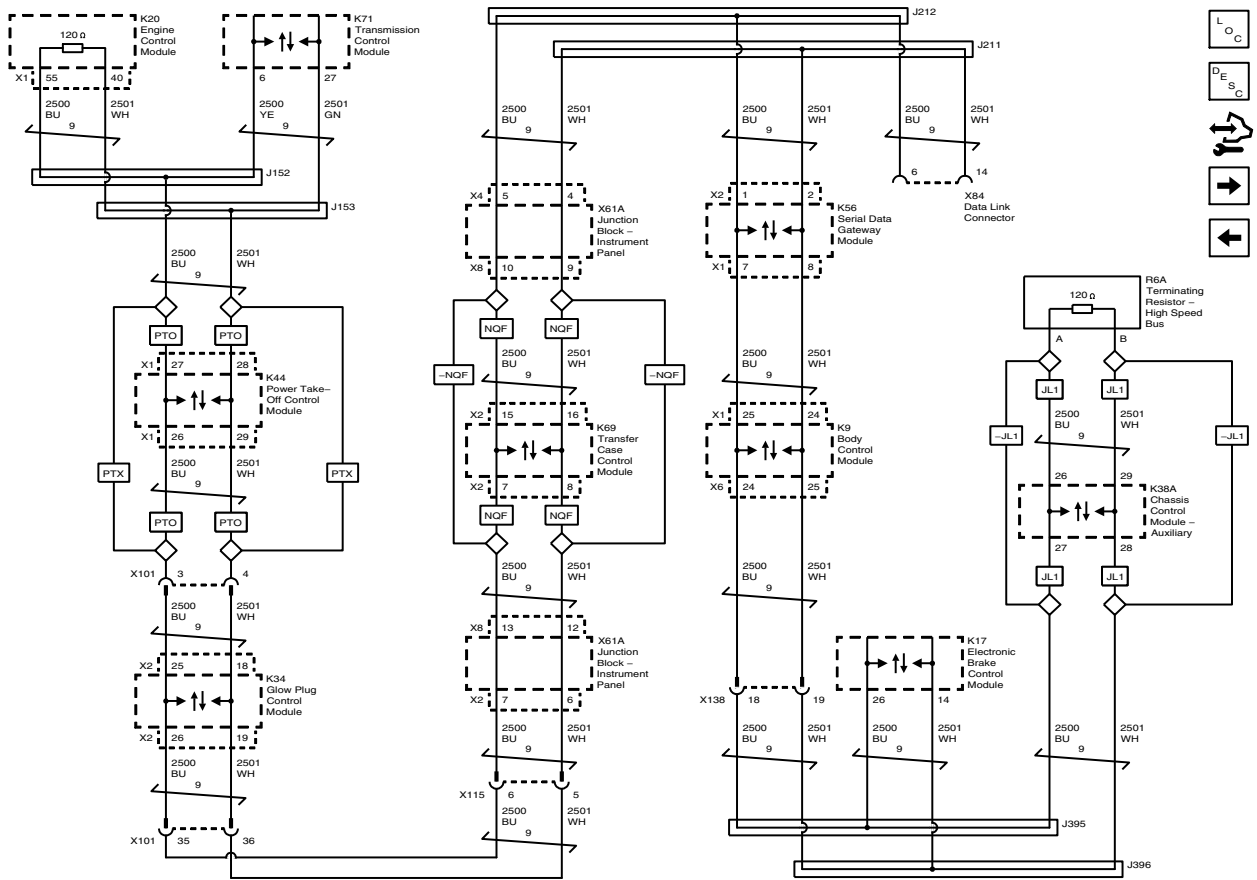
4.1. DATA COMMUNICATION – DATA LINK POWER AND GROUND AND LOW SPEED GMLAN



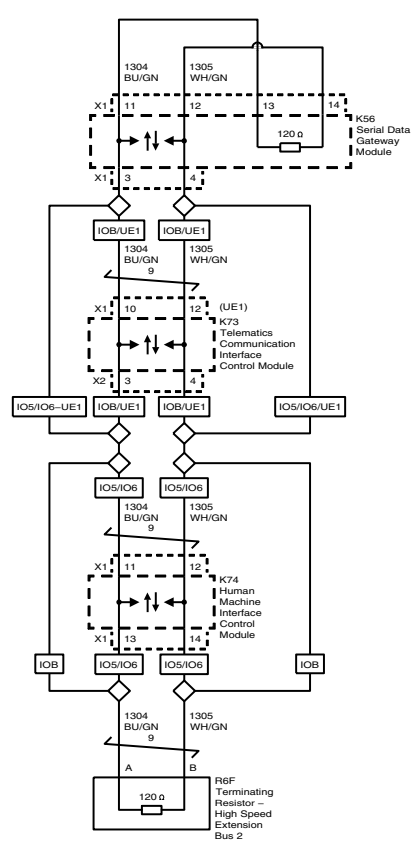
4.2. DATA COMMUNICATION – GATEWAY ISOLATED LOW SPEED GMLAN



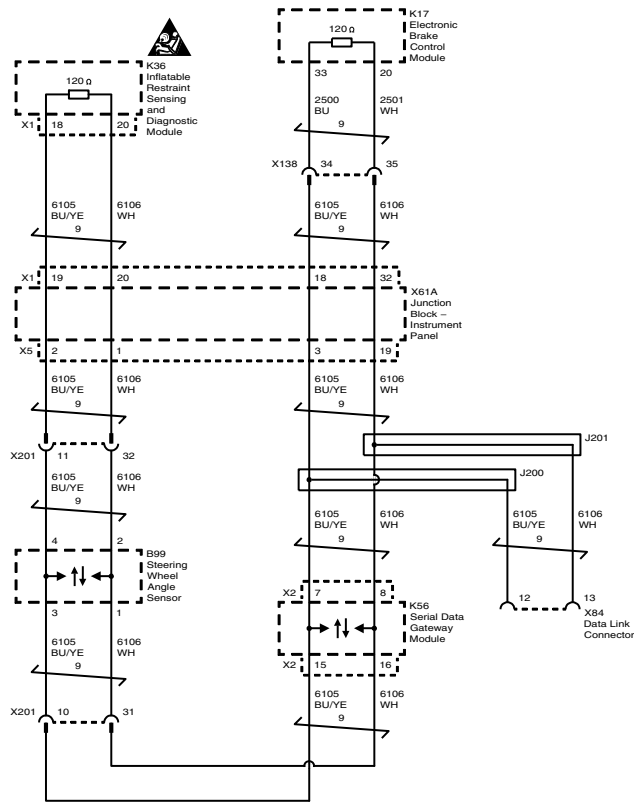
4.3. DATA COMMUNICATION – HIGH SPEED GMLAN



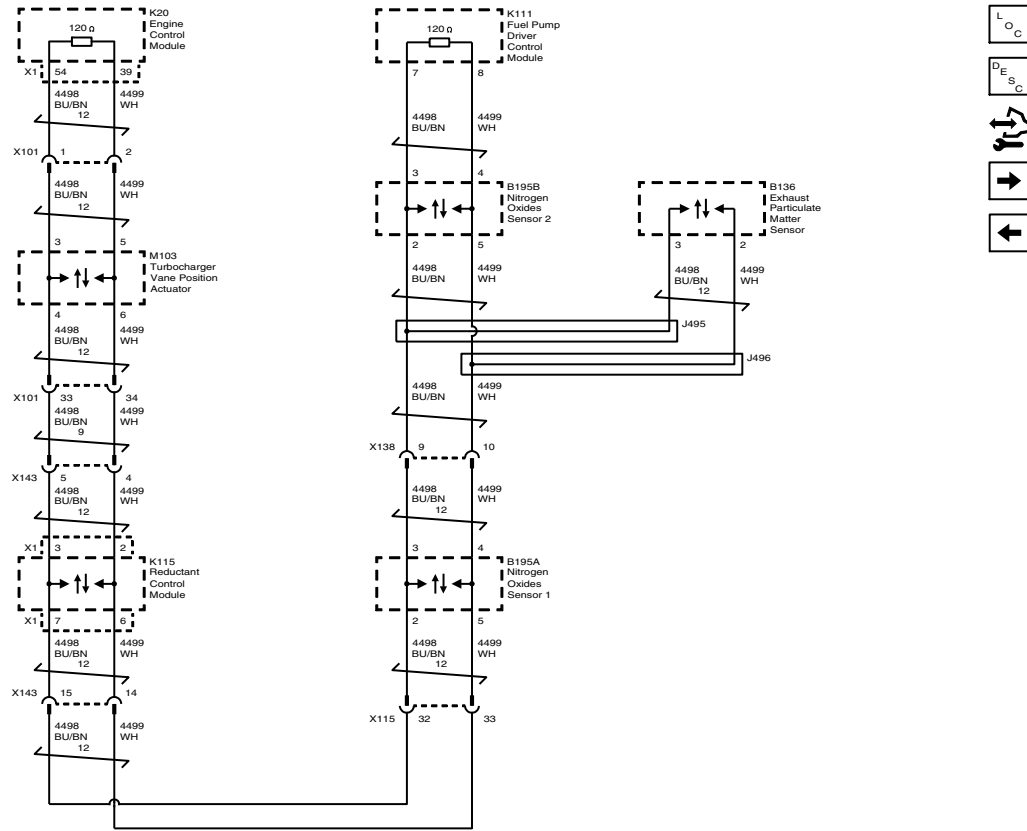
4.4. DATA COMMUNICATION – GATEWAY ISOLATED HIGH SPEED GMLAN



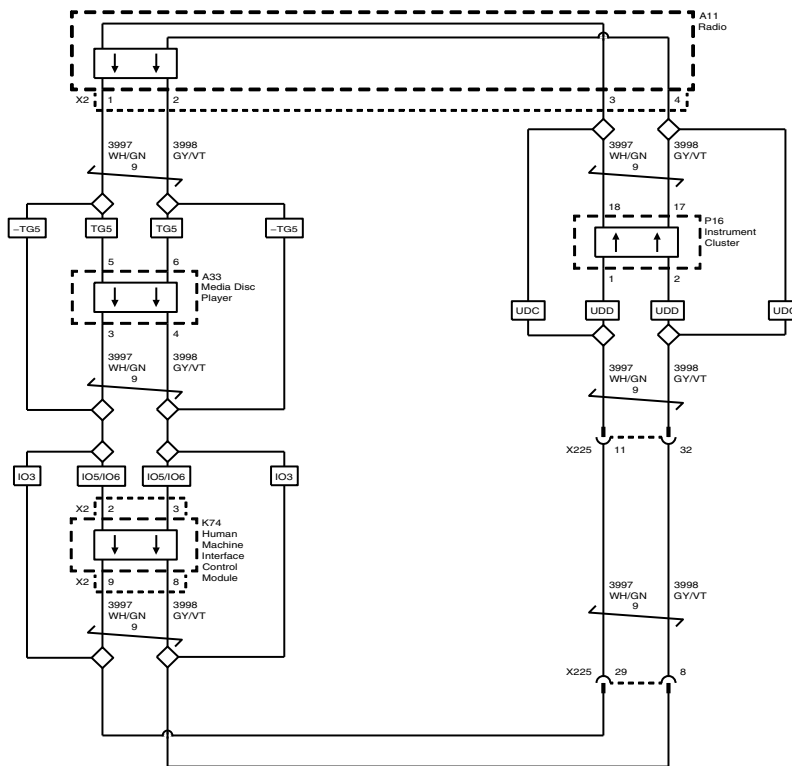
4.5. DATA COMMUNICATION – CHASSIS EXPANSION HIGH SPEED GMLAN



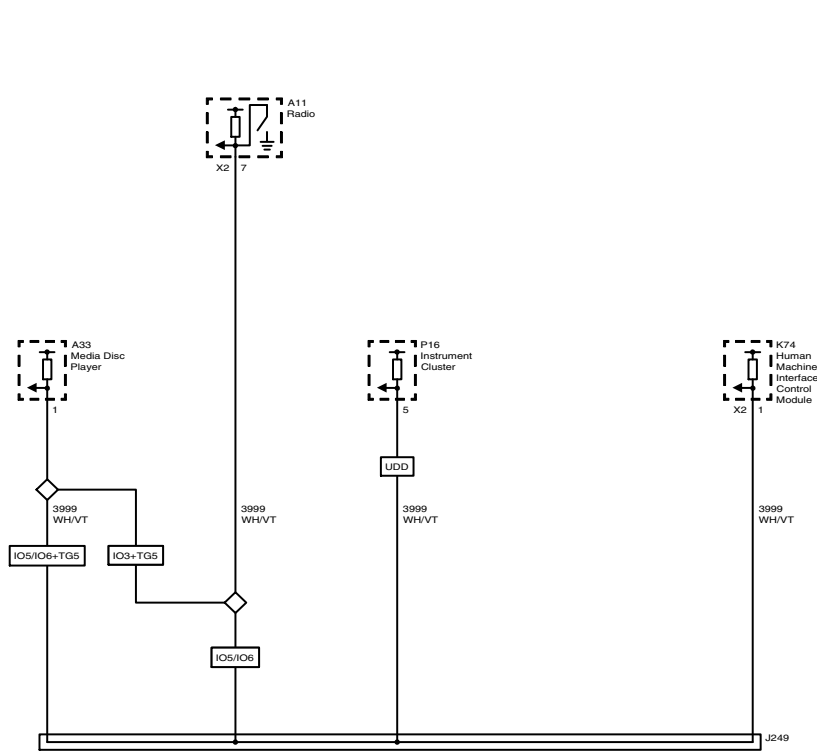
4.6. DATA COMMUNICATION – POWERTRAIN EXPANSION BUS HIGH SPEED GMLAN



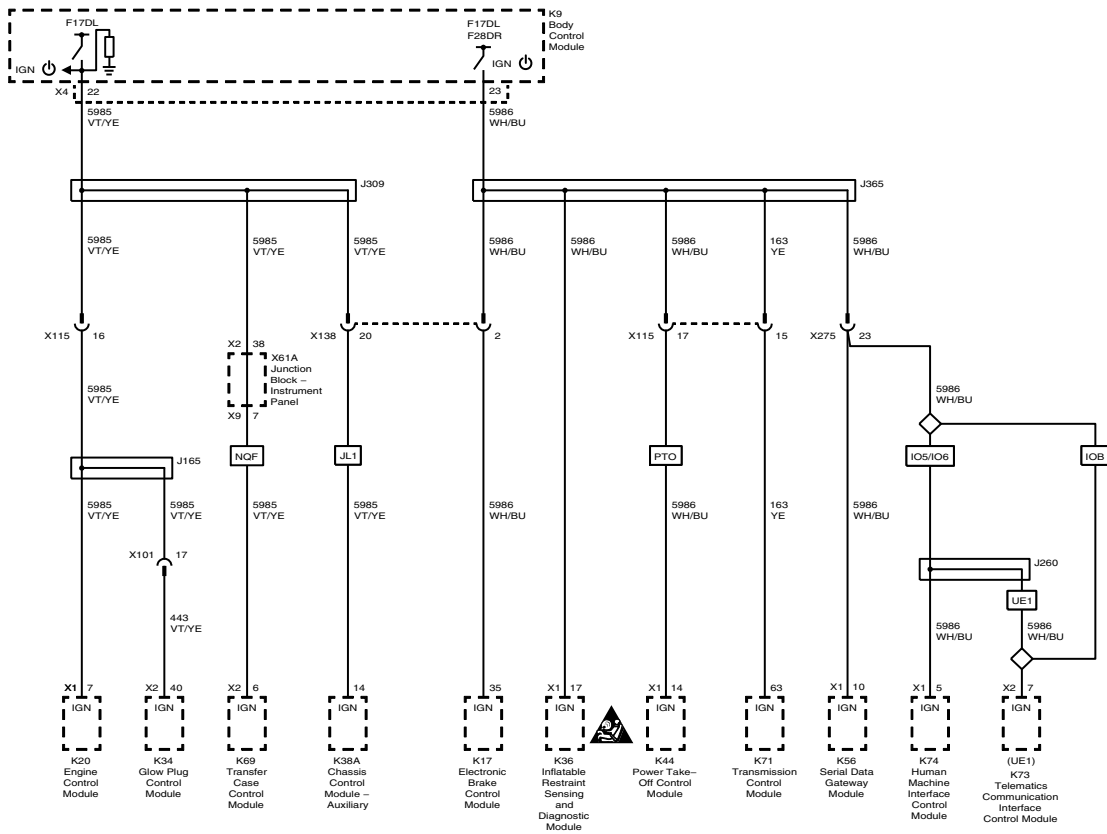
4.7. DATA COMMUNICATION – MOST



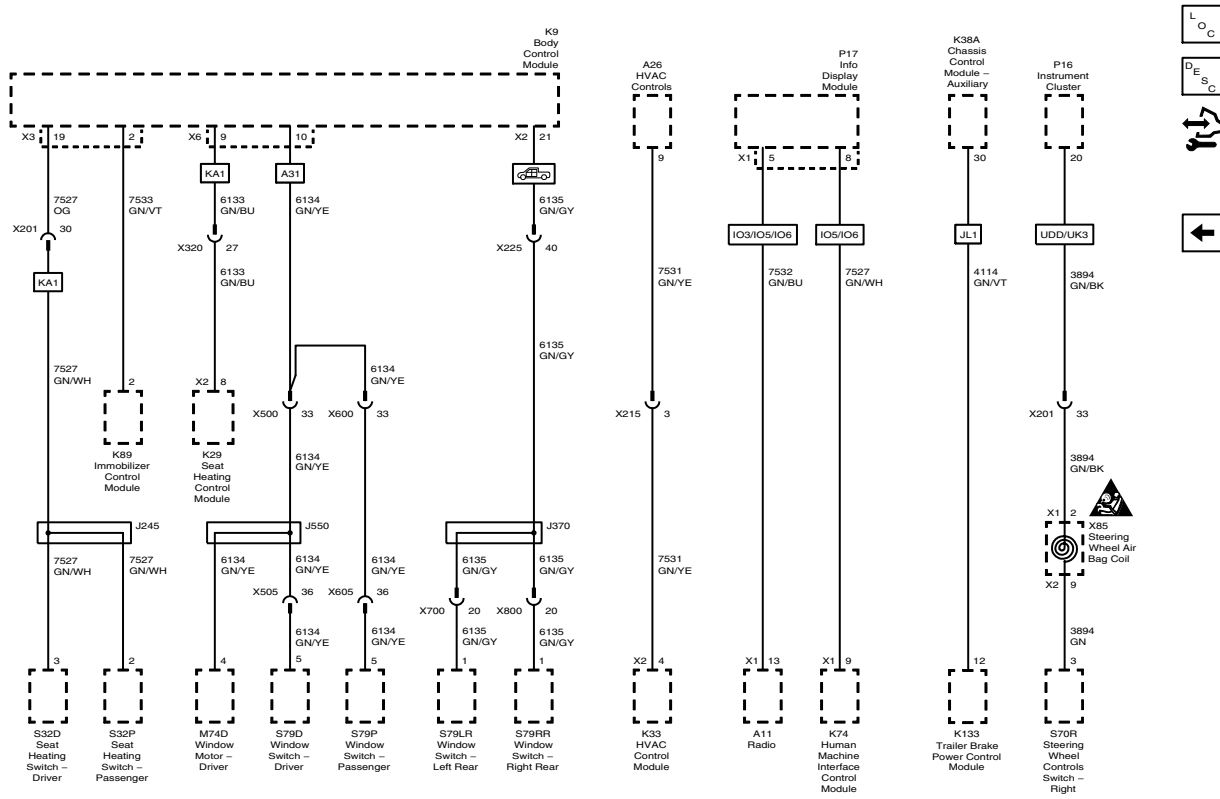
4.8. DATA COMMUNICATION – MOST COMMUNICATION ENABLE



4.9. ACCESSORY WAKEUP AND COMMUNICATIONS ENABLE

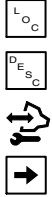
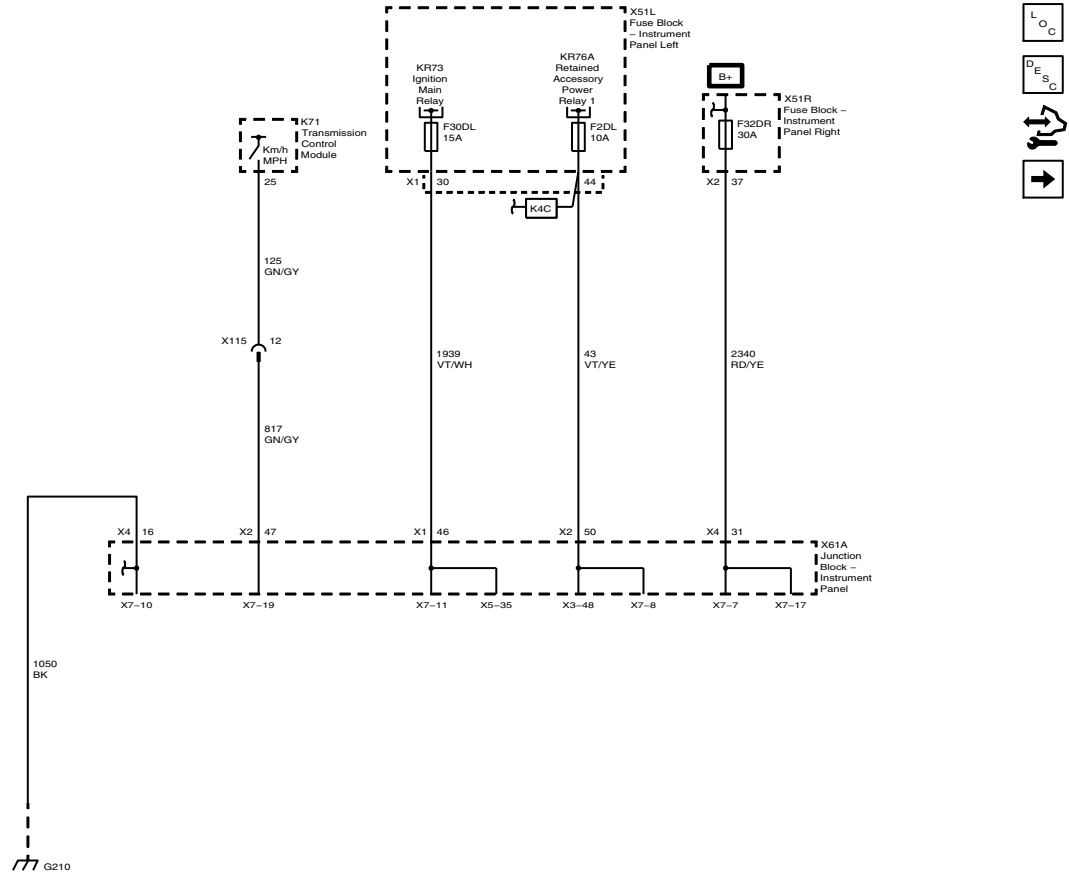


4.10. DATA COMMUNICATION – LINEAR INTERCONNECT NETWORK

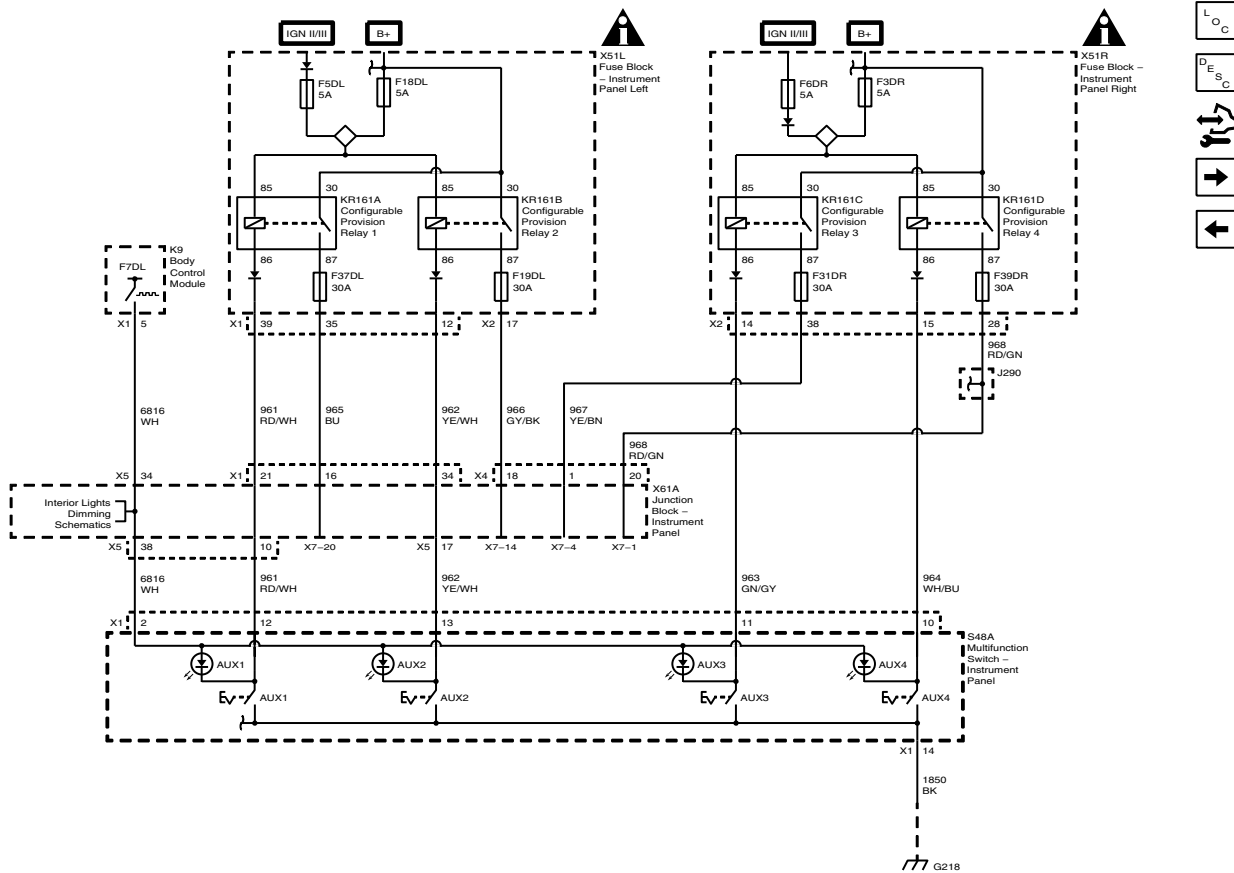


BODY BUILDER PROVISION

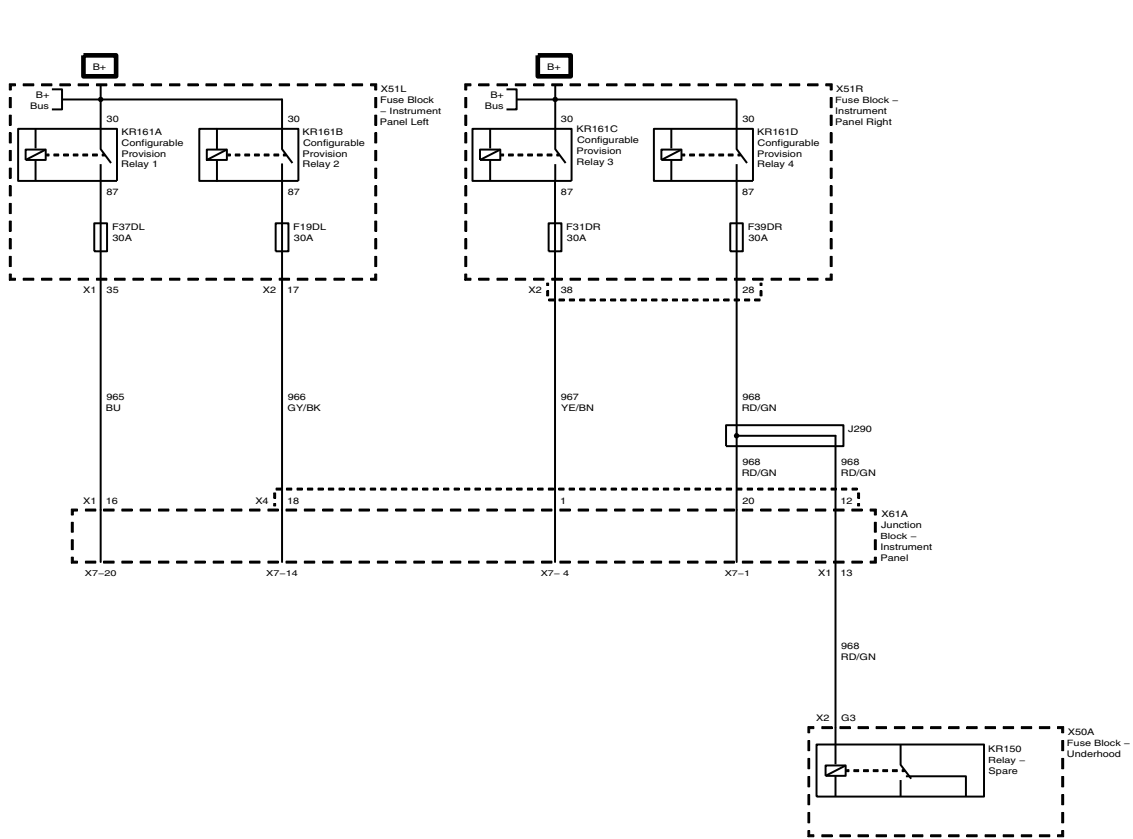
5.1. EMERGENCY VEHICLE PREWIRE



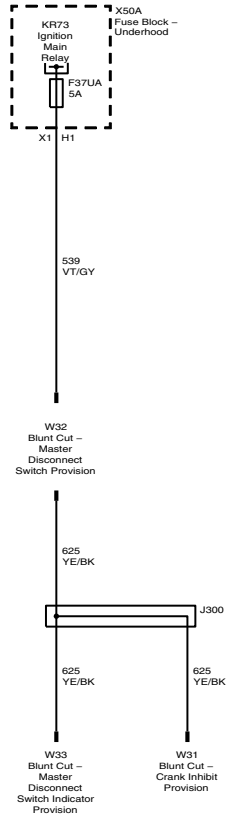
5.2. BODY BUILDER PROVISION (FEATURE CODE 0008XJP)



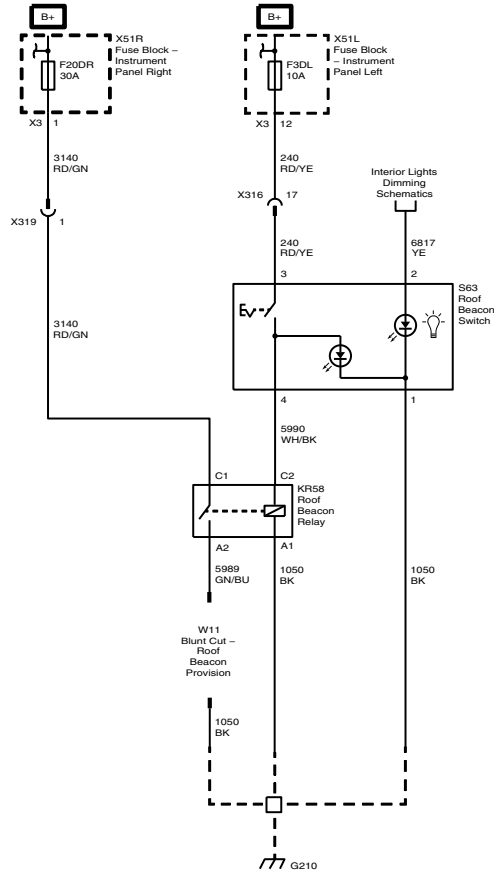
5.3. BODY BUILDER PROVISION



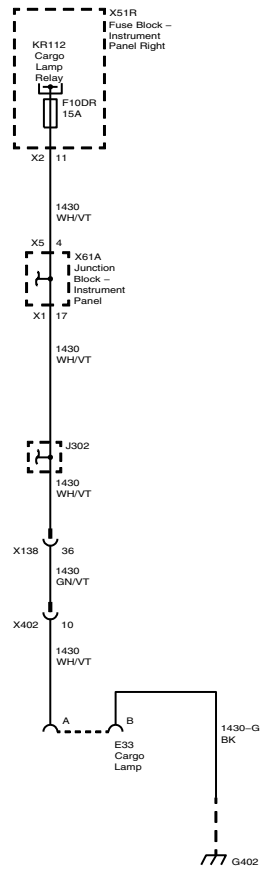
5.4. MASTER DISCONNECT SWITCH



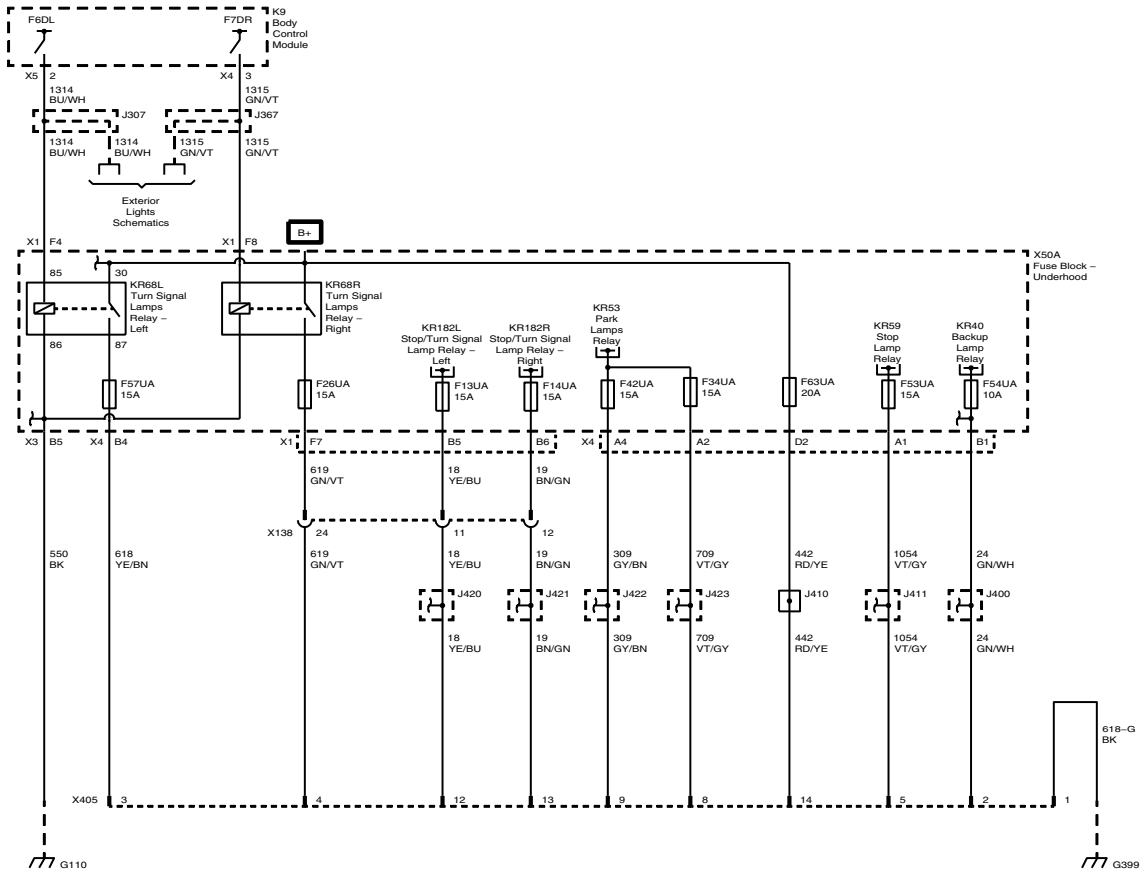
5.5. ROOF BEACON (FEATURE CODE 0008XKS)



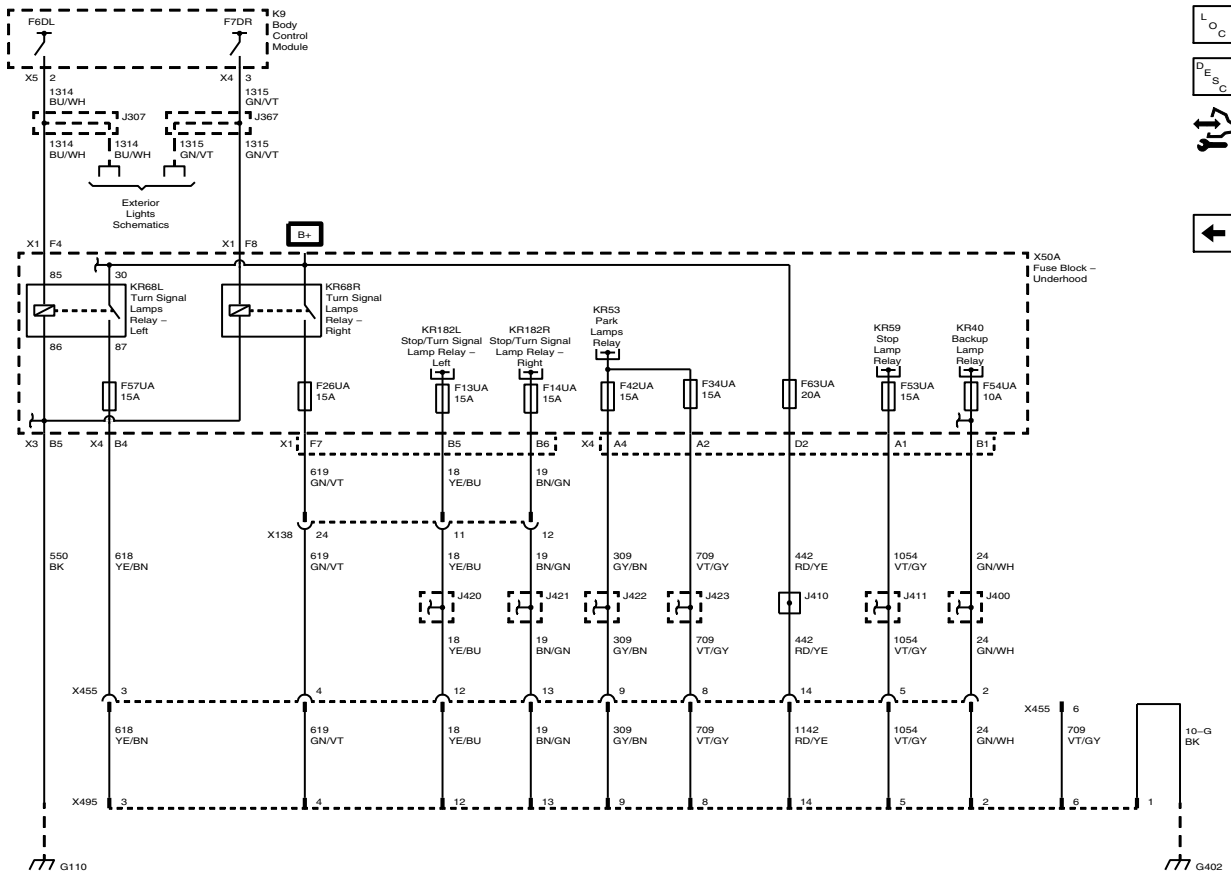
5.6. CARGO LIGHT



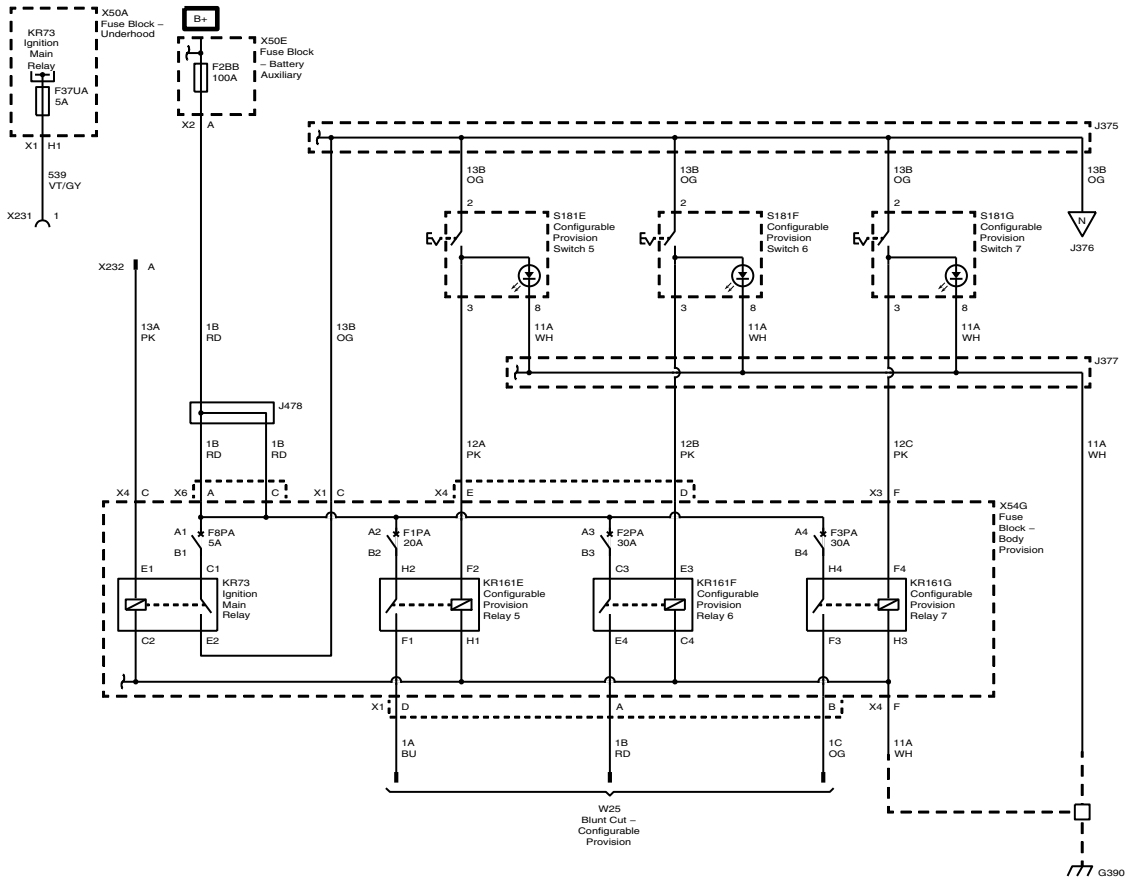
5.7. STOP / TURN // BACKUP LIGHTS (FEATURE CODE 0008HXV)



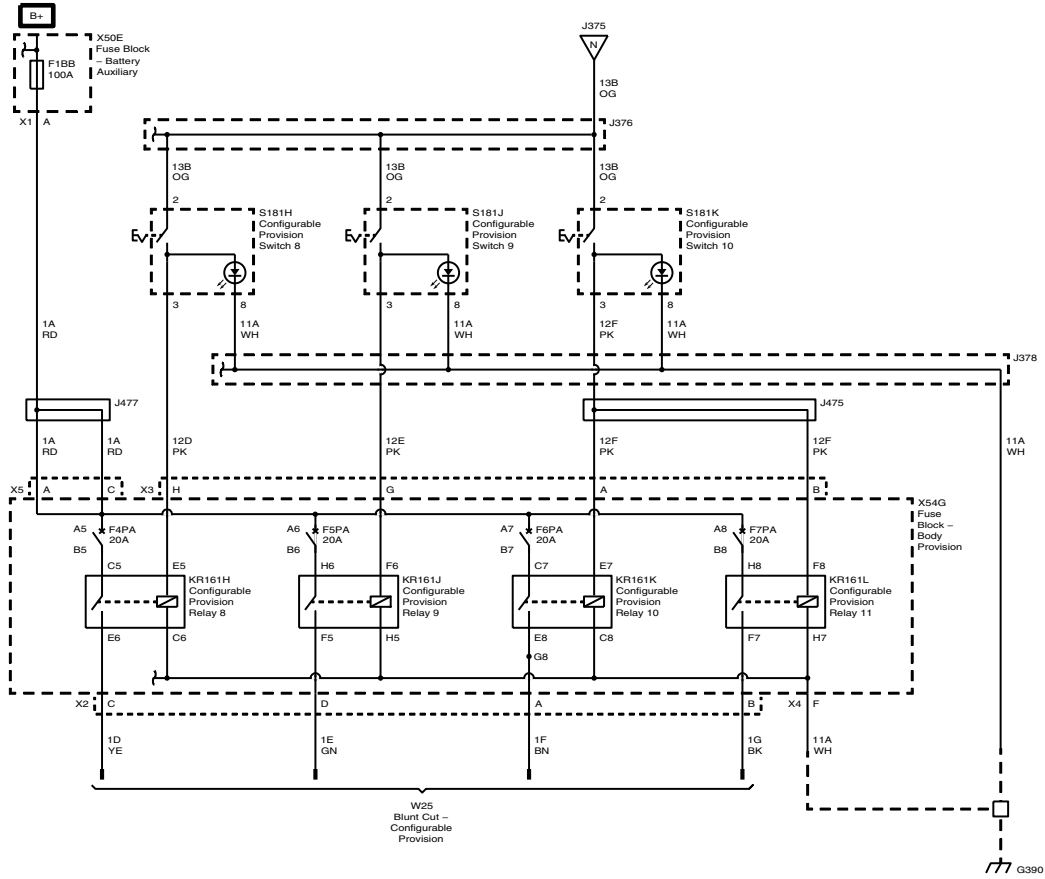
5.8. STOP / TURN // BACKUP LIGHTS (FEATURE CODE 0508032)



5.9. REAR OF CAB

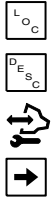
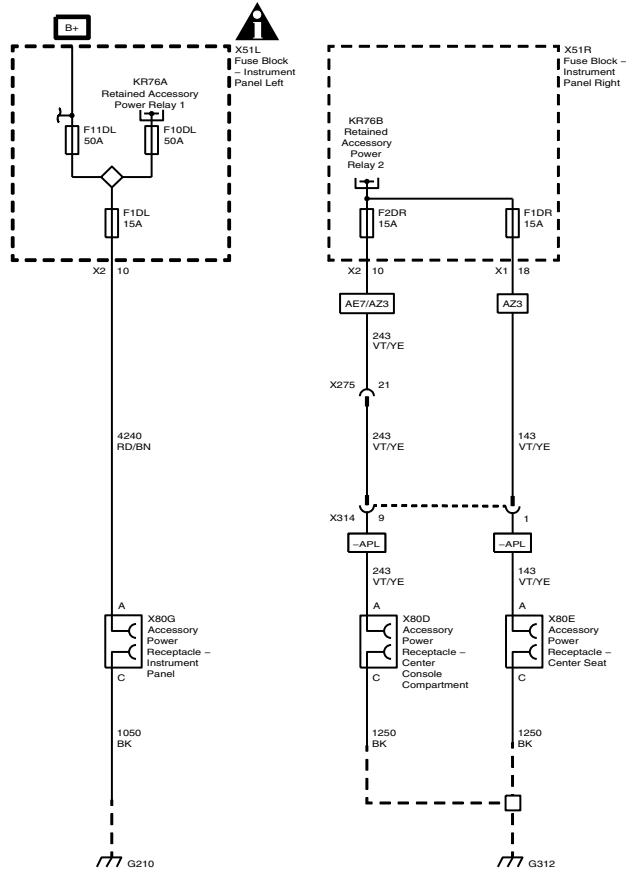


5.10. REAR OF CAB

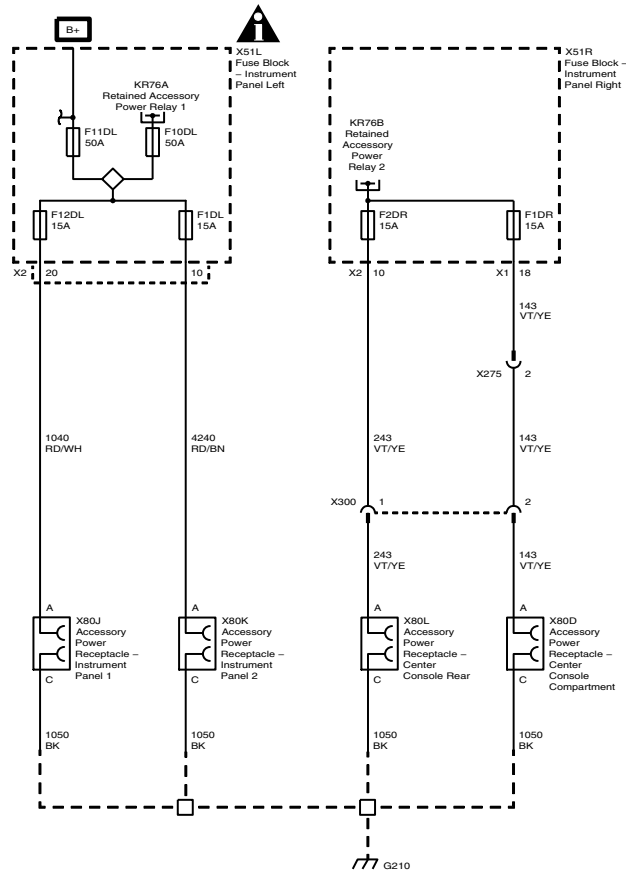


CAB ACCESSORIES

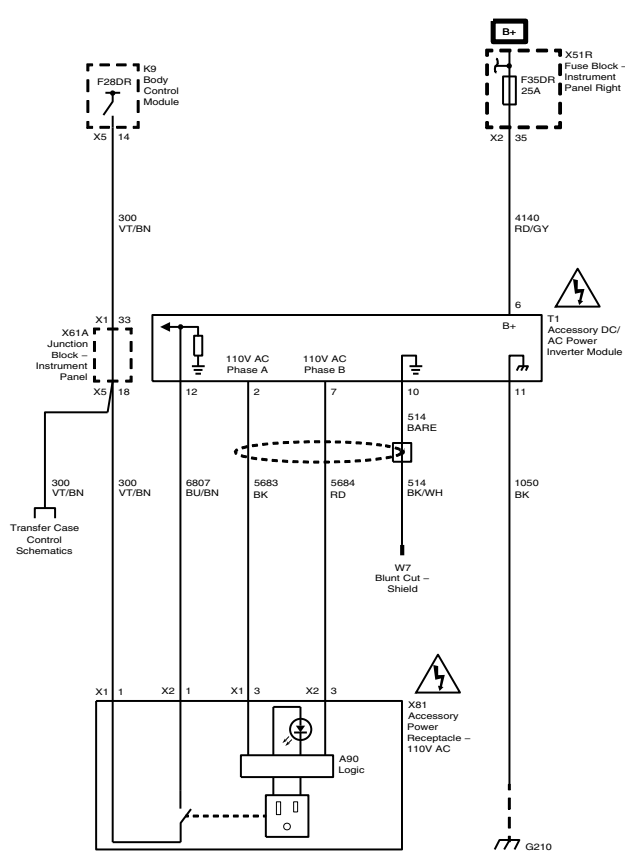
6.1. AUXILIARY POWER – REGULAR CAB



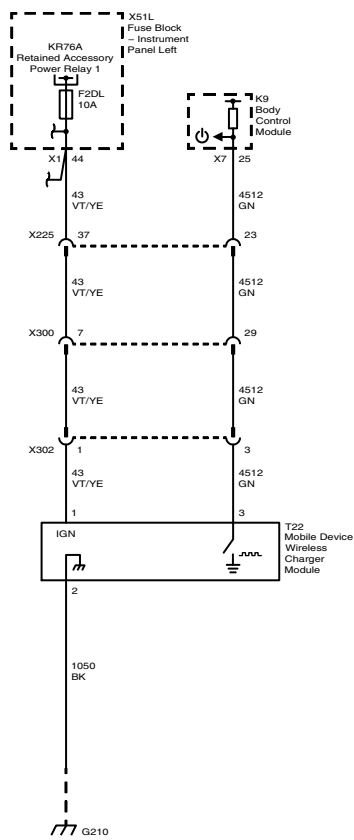
6.2. AUXILIARY POWER – CREW CAB (FEATURE CODE 0016XCN)



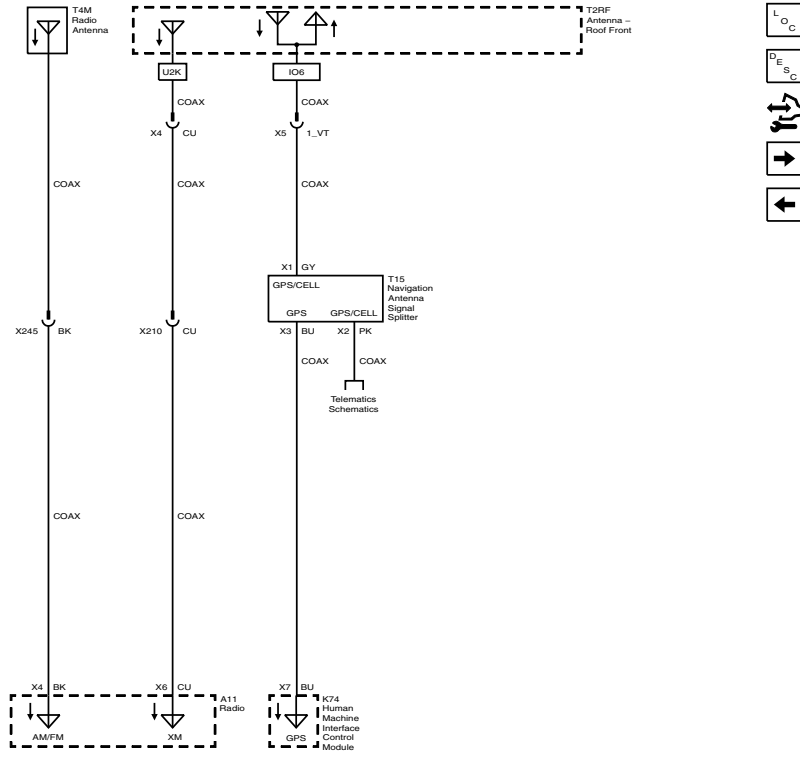
6.3. AUXILIARY POWER – 110 VOLT (FEATURE CODE 0008XJX)



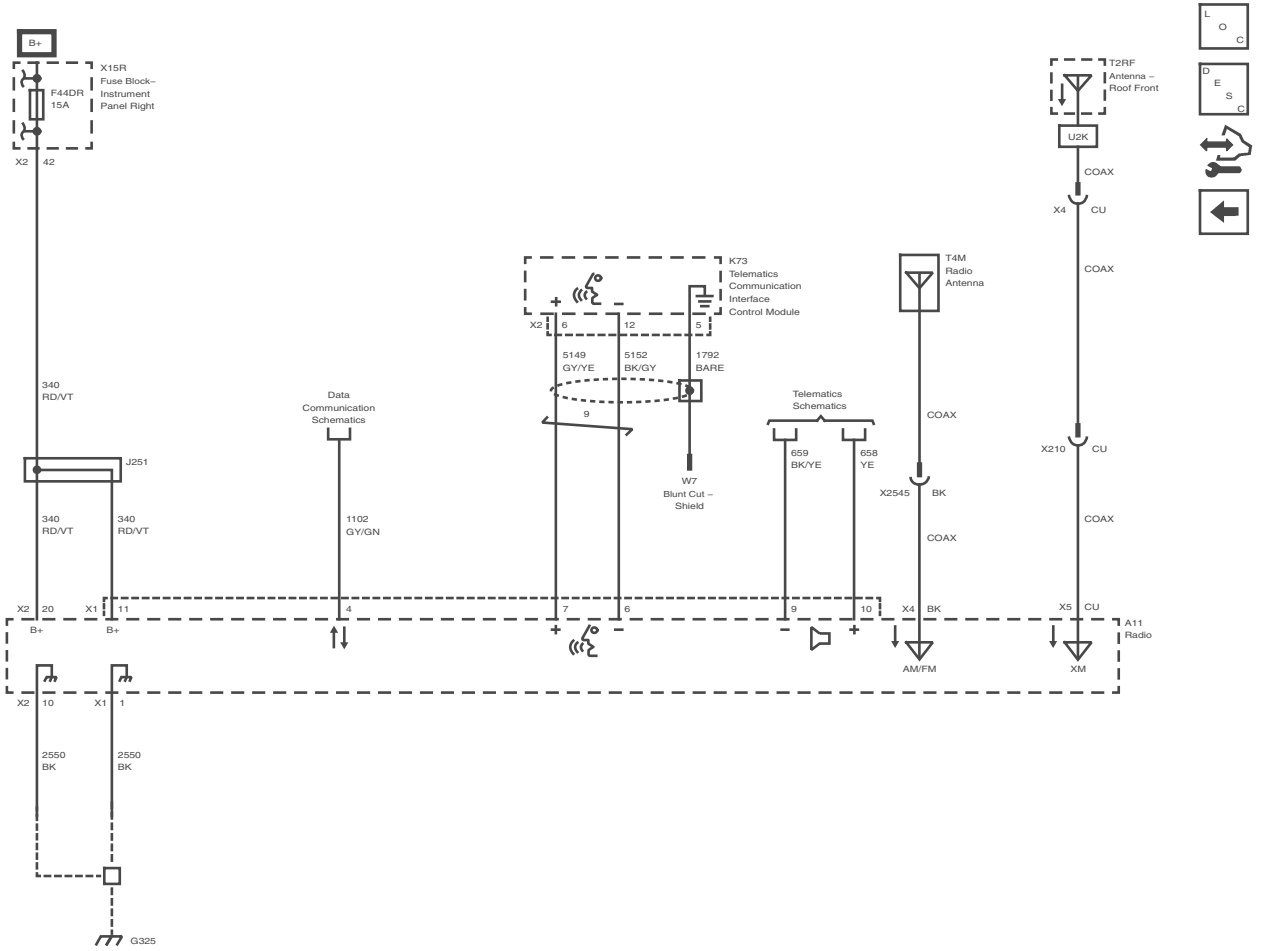
6.4. AUXILIARY POWER – WIRELESS CHARGING



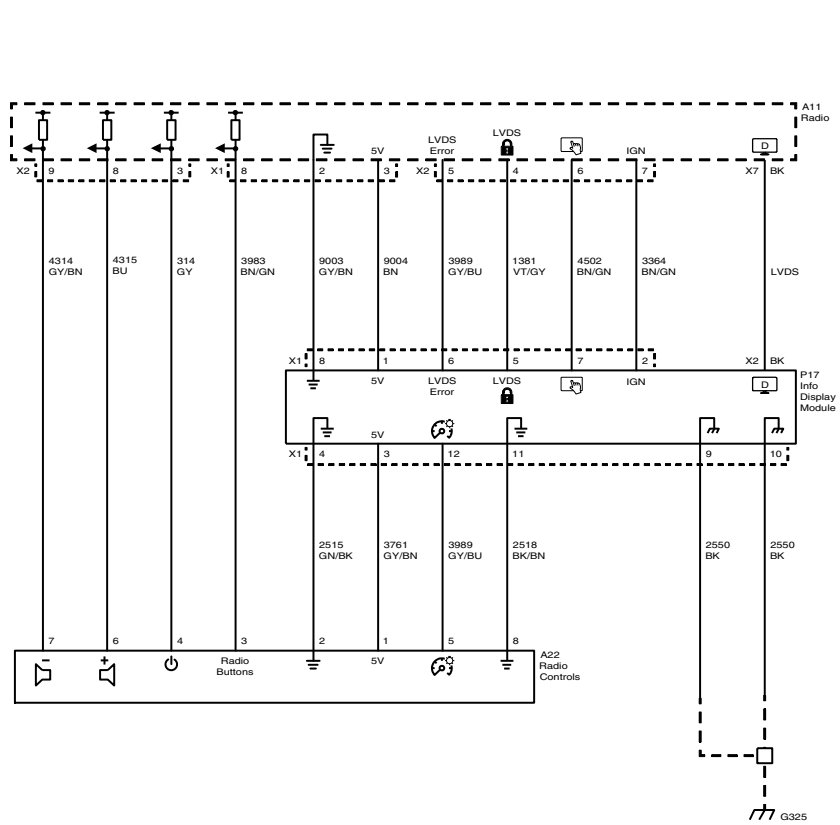
6.5. RADIO AND NAVIGATION – ANTENNA



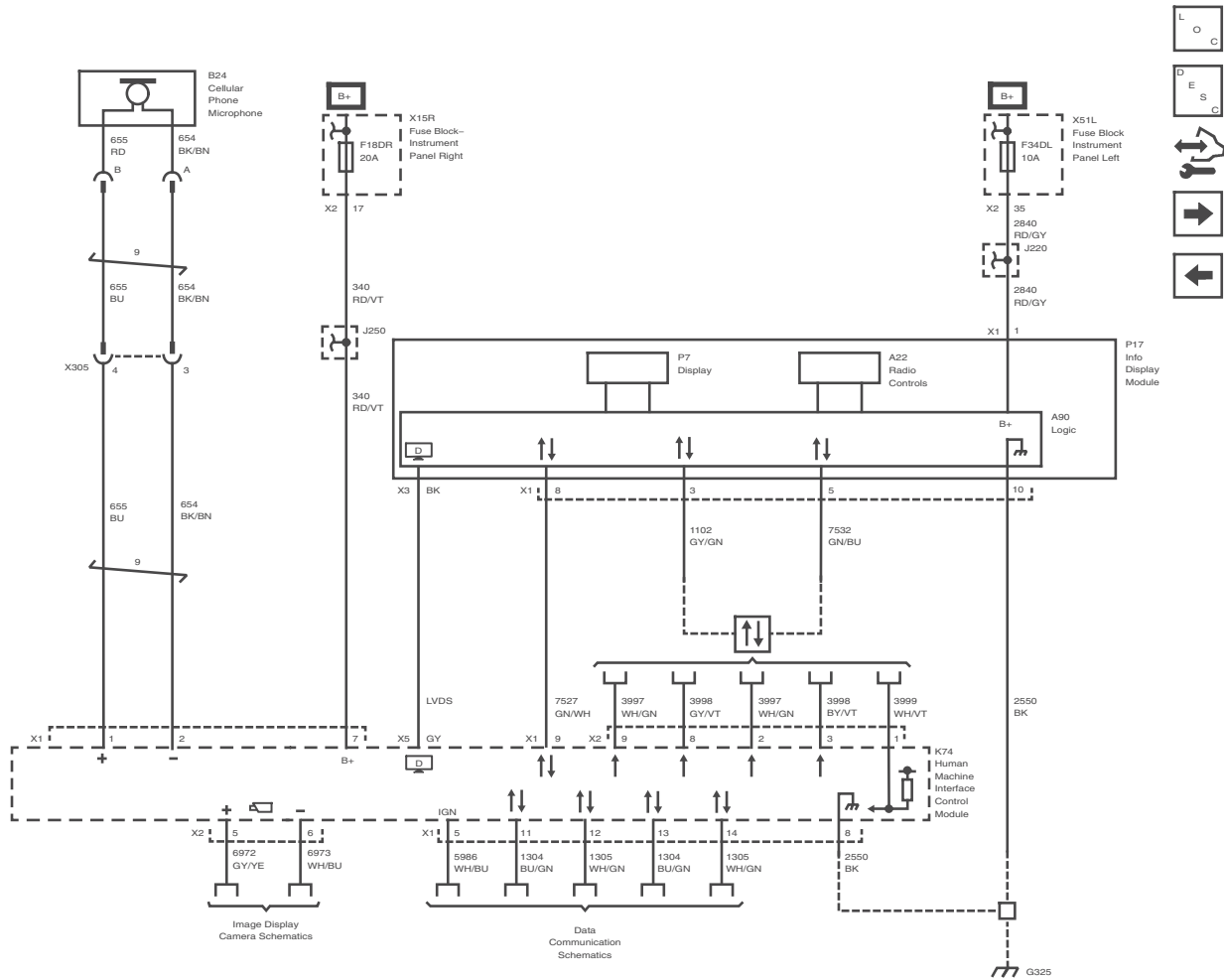
6.6. RADIO AND NAVIGATION (FEATURE CODE 0008RNM, 0008RNV)



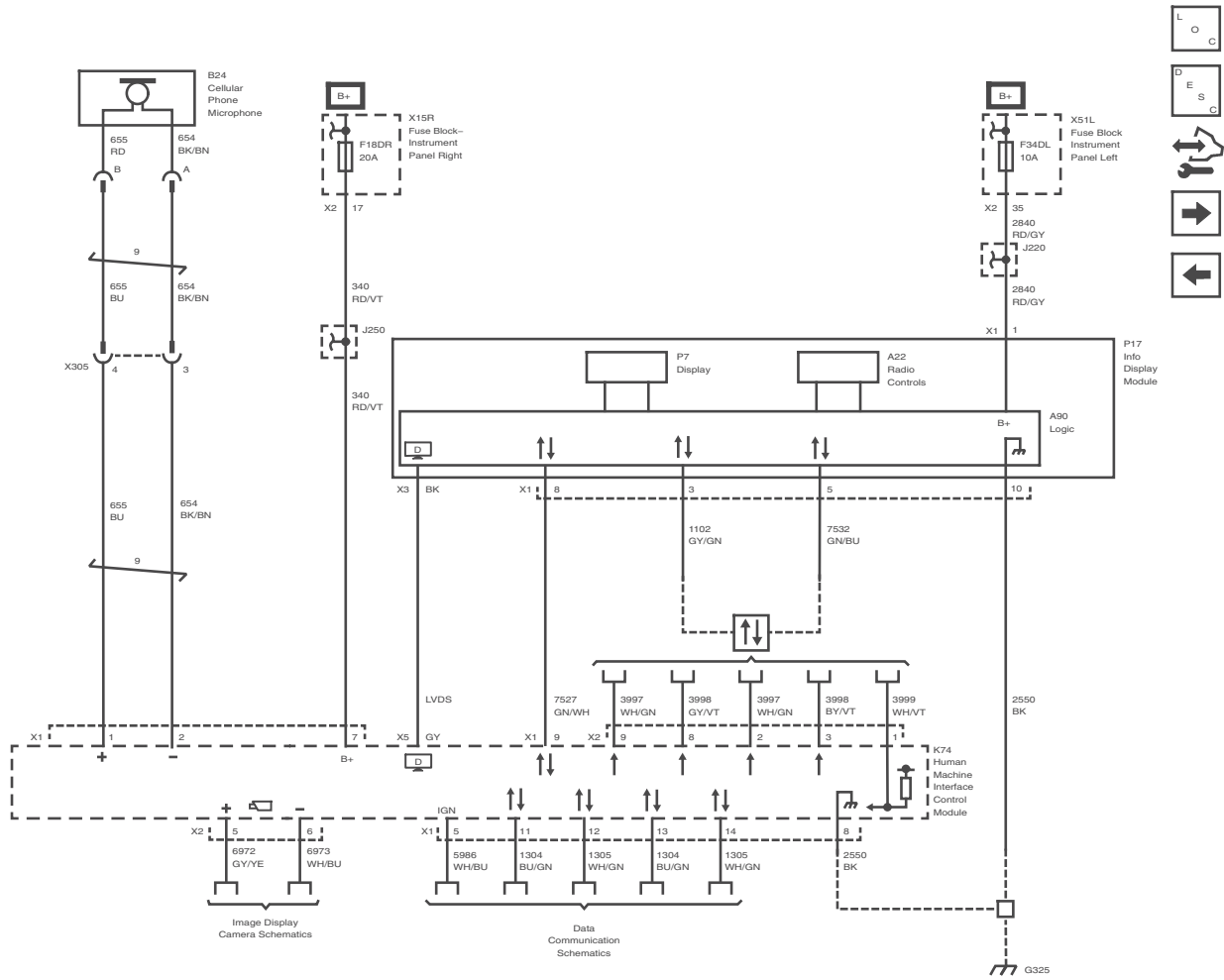
6.7. RADIO AND NAVIGATION (FEATURE CODE 0008RNM, 0008RNV)



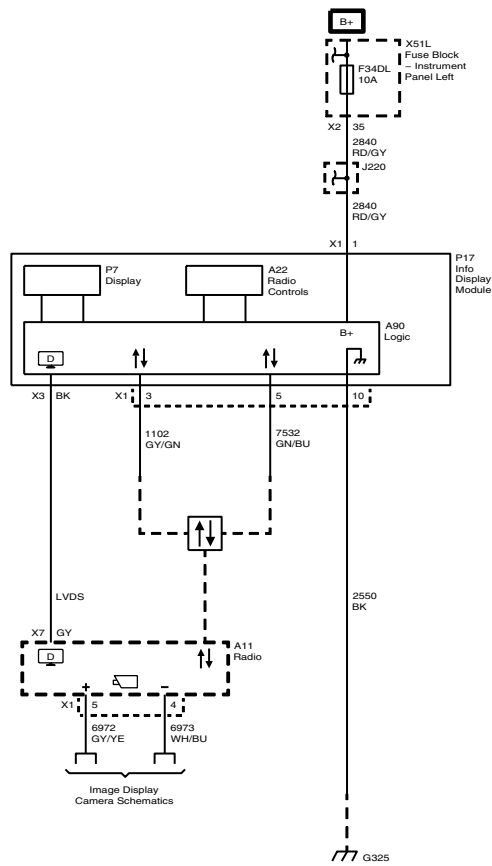
6.8. RADIO AND NAVIGATION (FEATURE CODE 0008RNW)



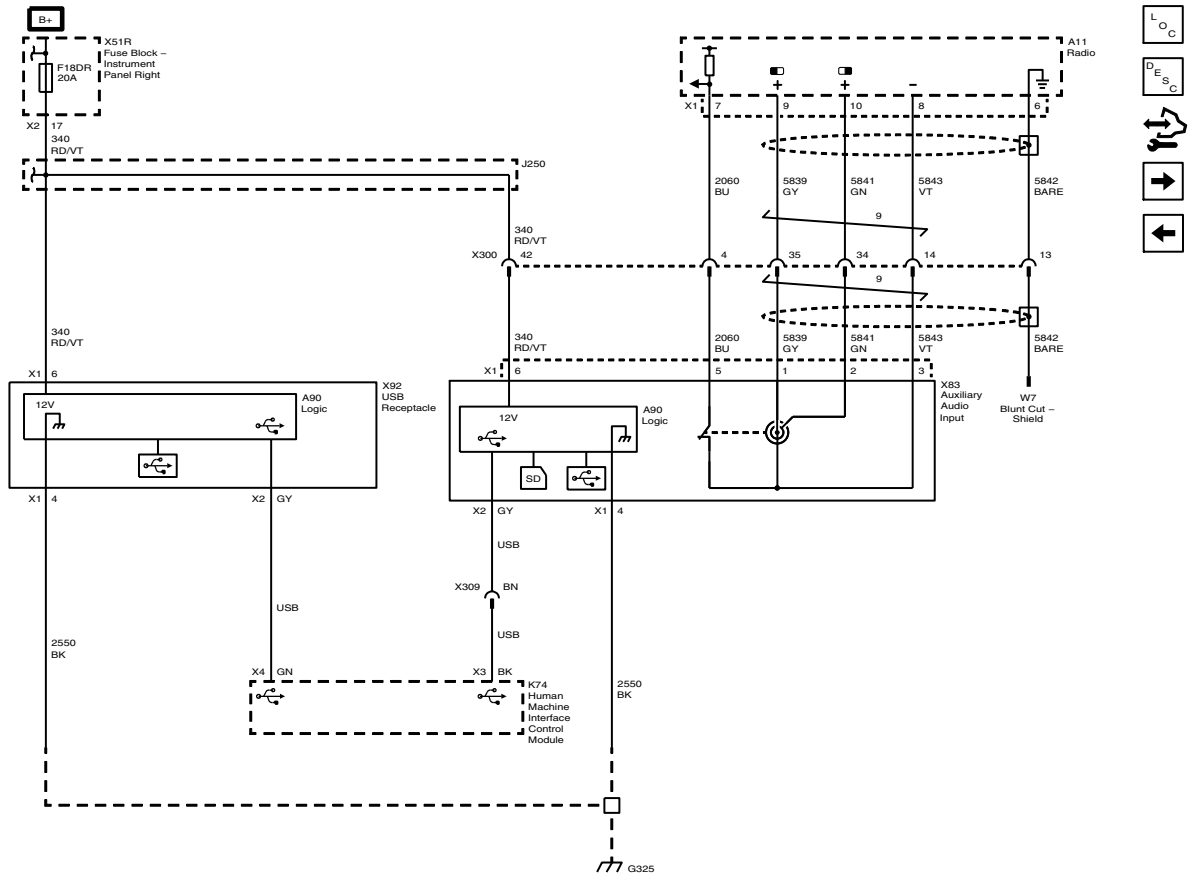
6.9. RADIO AND NAVIGATION (FEATURE CODE 0008RNX,0008RNP)



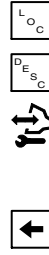
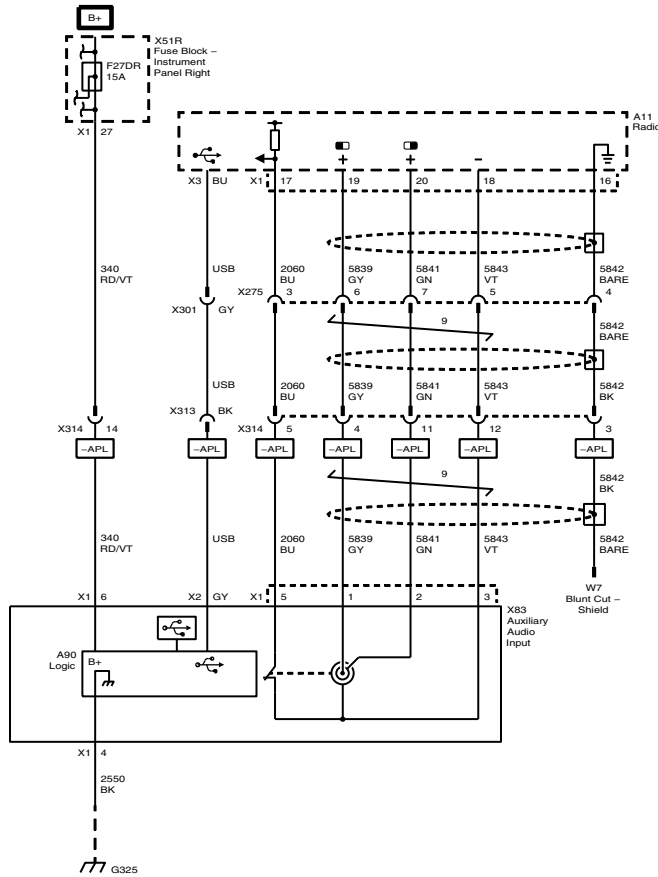
6.10. RADIO AND NAVIGATION (FEATURE CODE 0008RNN)



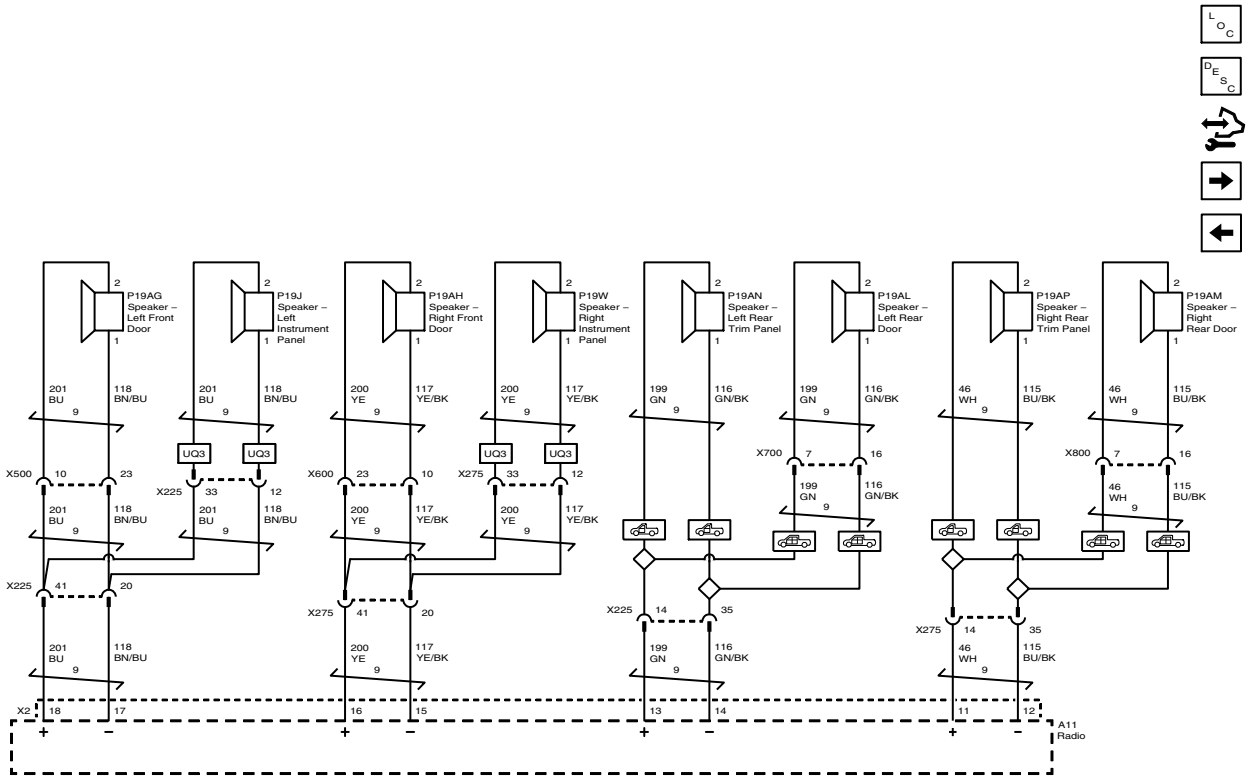
6.11. RADIO AND NAVIGATION (IO3 / IO5 / IO6) WITH FEATURE CODE (00016XCN)



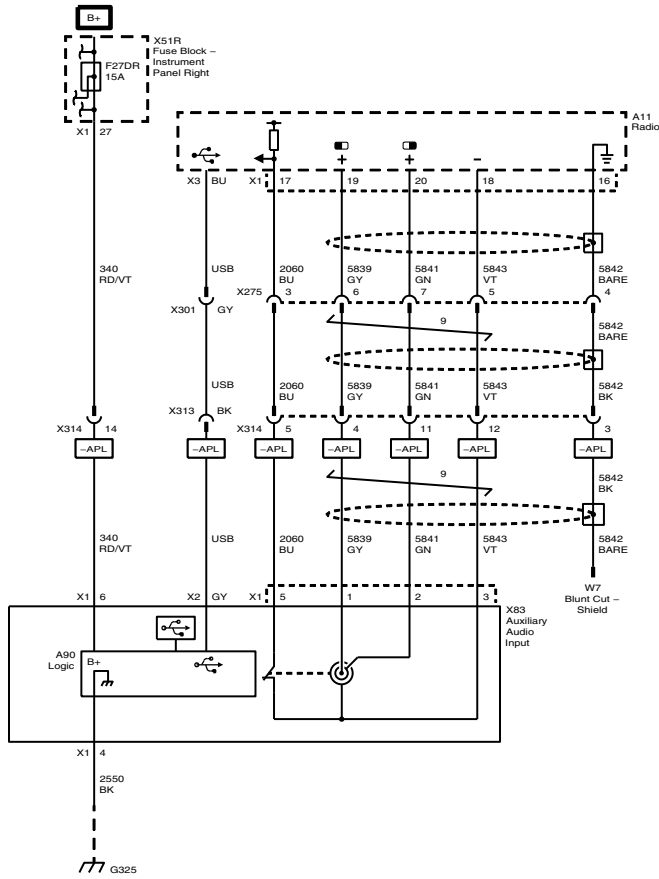
6.12. RADIO AND NAVIGATION (IO3 / IO5 / IO6) WITHOUT FEATURE CODE (00016XCN)



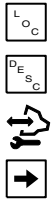
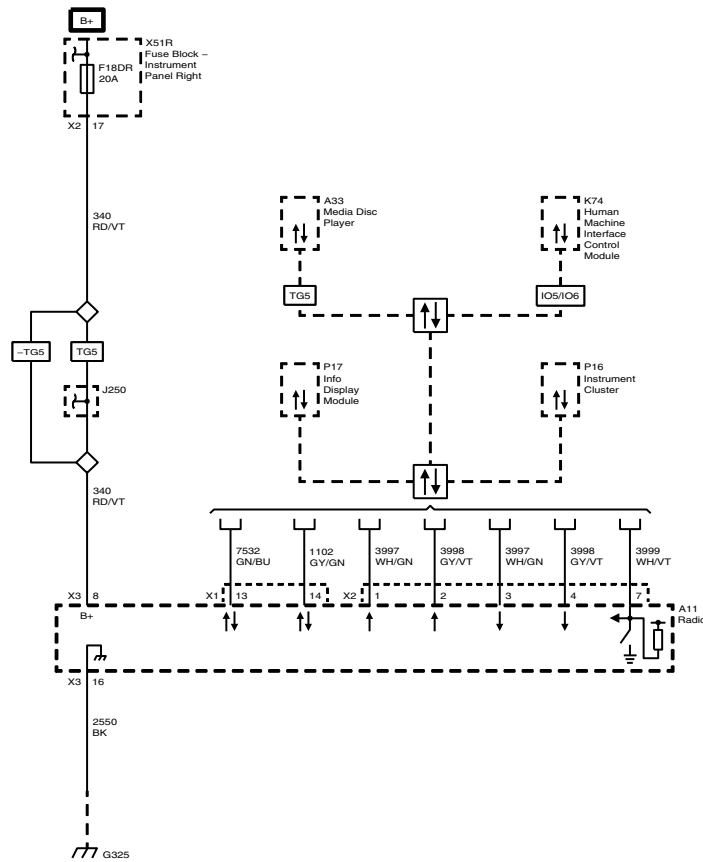
6.13. SPEAKERS



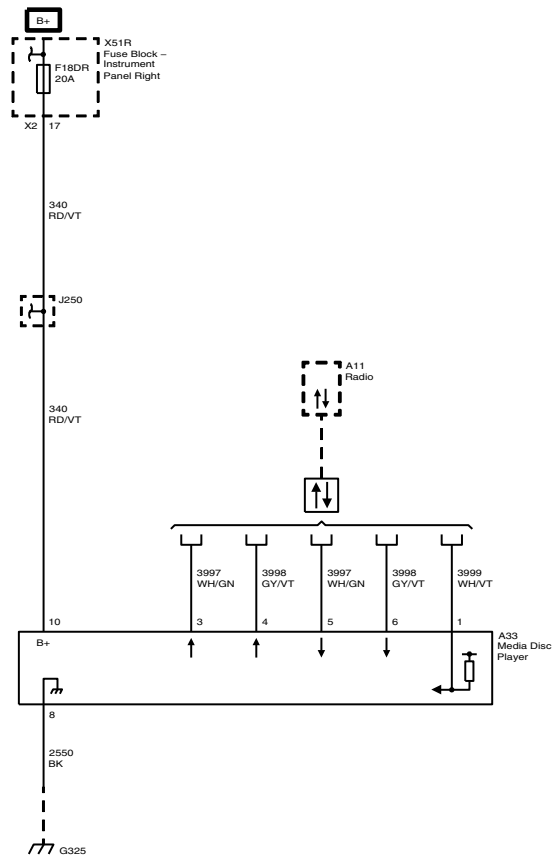
6.14. RADIO – AUXILIARY INPUT (IOB)



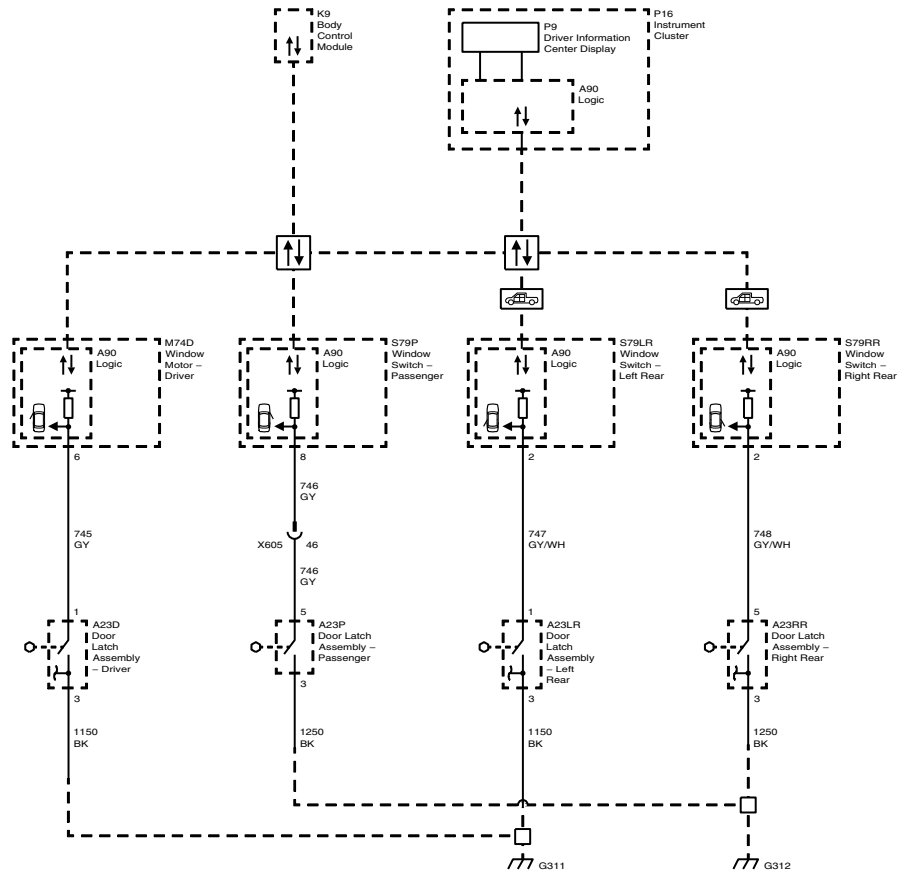
6.15. RADIO – COMMUNICATION



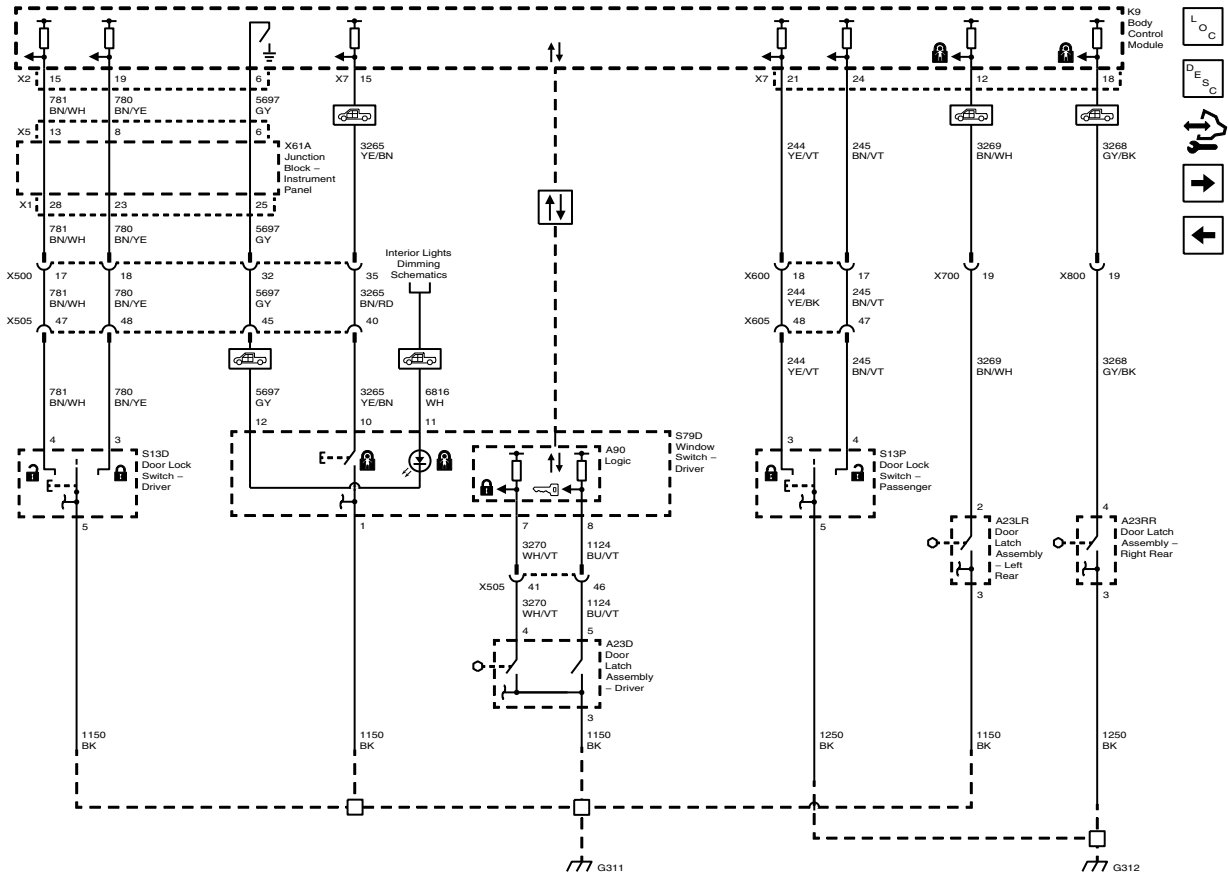
6.16. RADIO – CD PLAYER



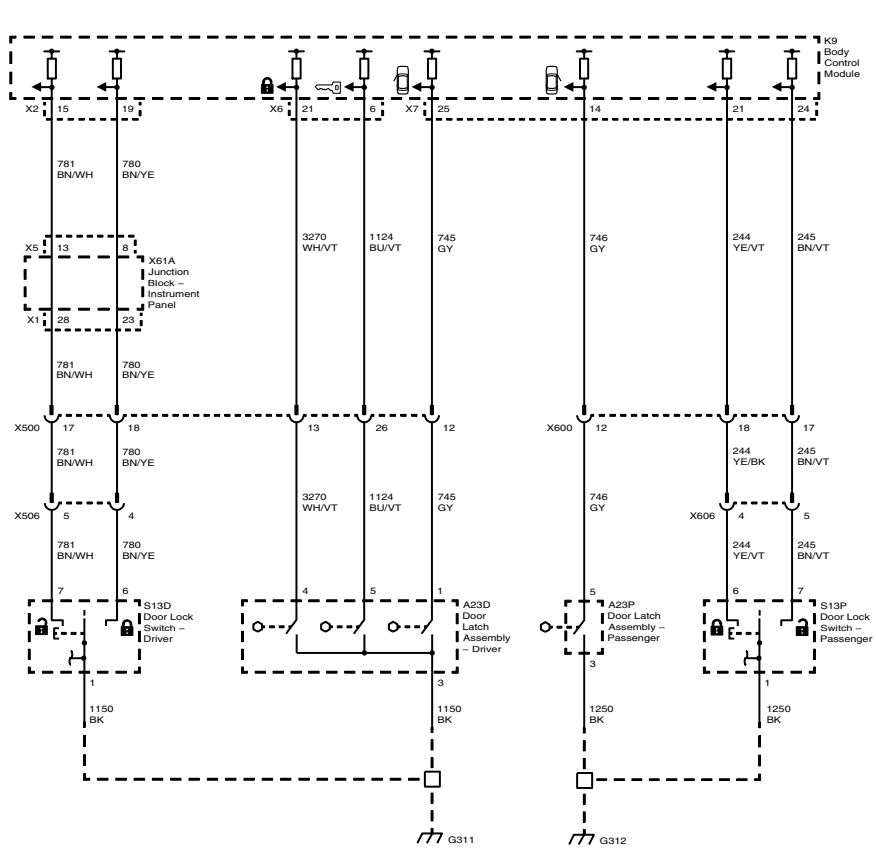
6.17. WINDOW SWITCH –CREW CAB



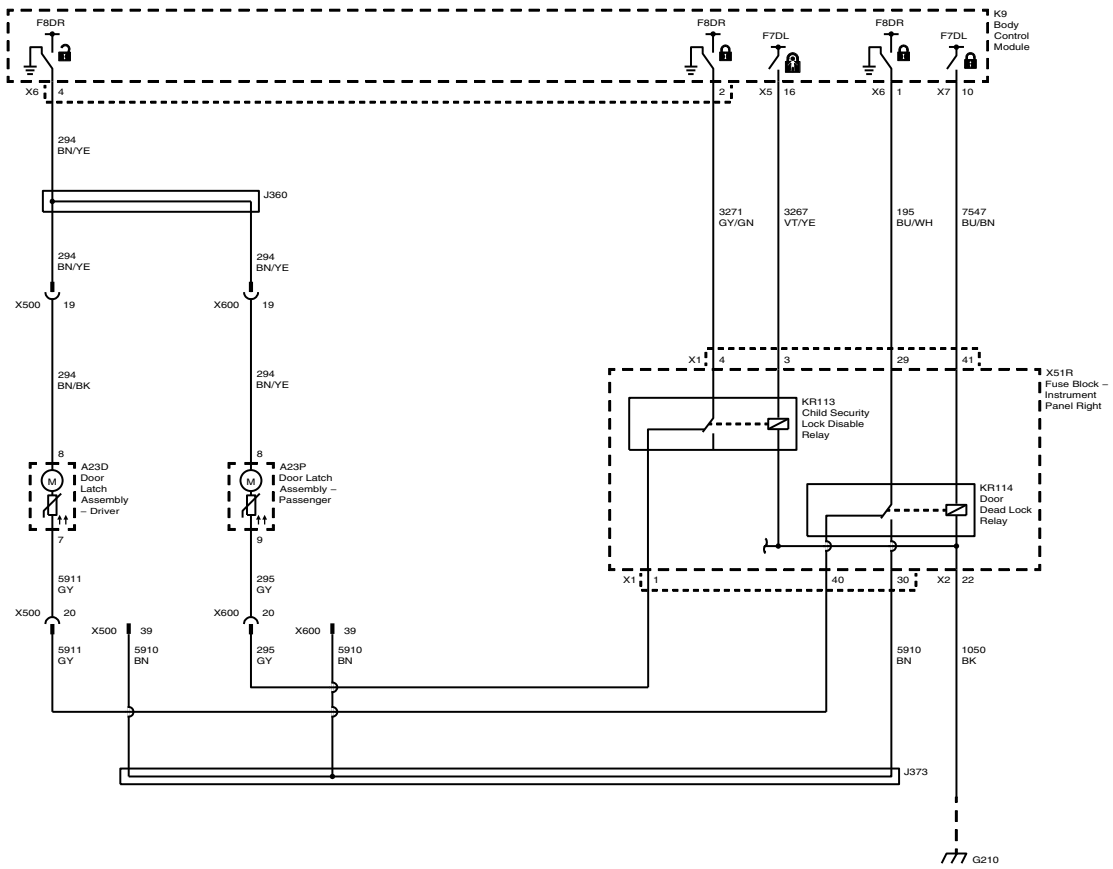
6.18. POWER WINDOWS AND LOCKS – DRIVER SIDE CONTROL (CREW CAB)



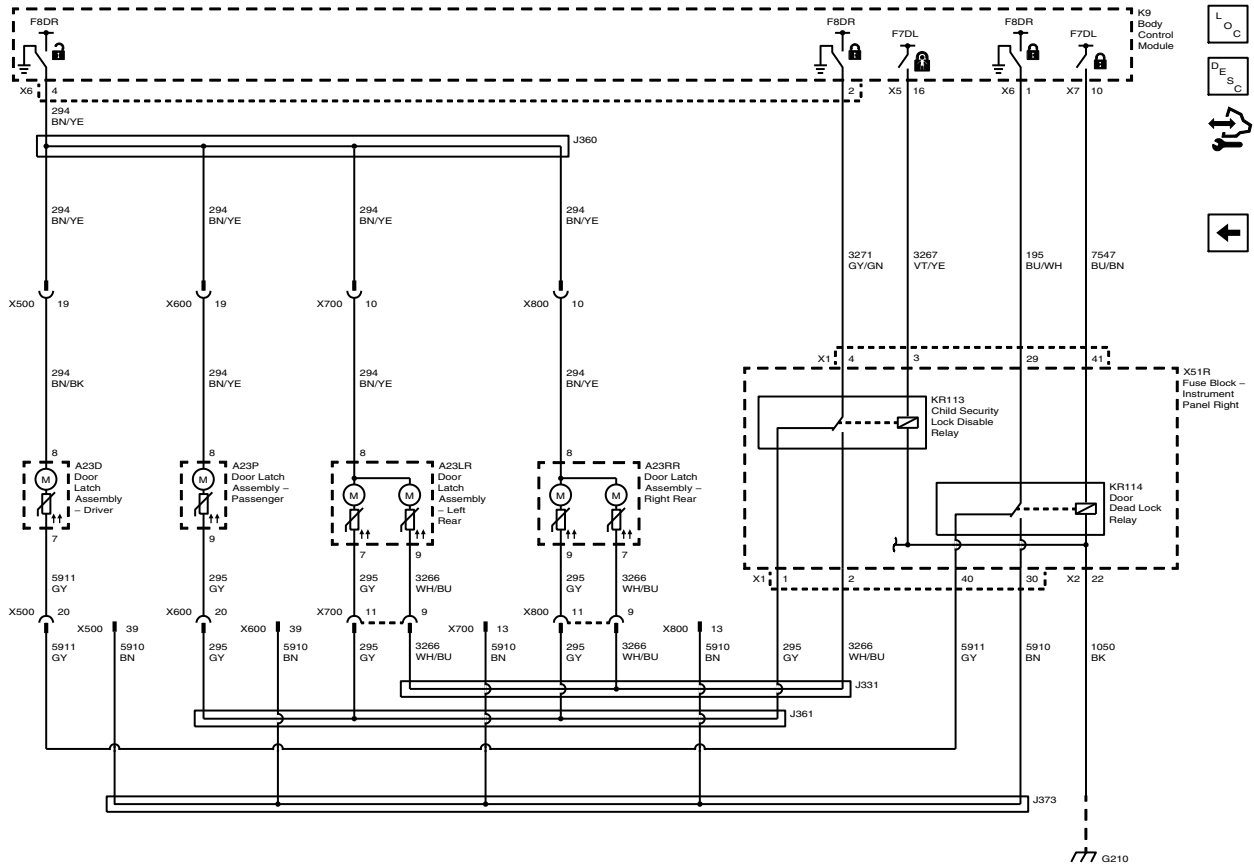
6.19. POWER DOOR LOCKS – REGULAR CAB



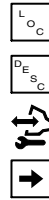
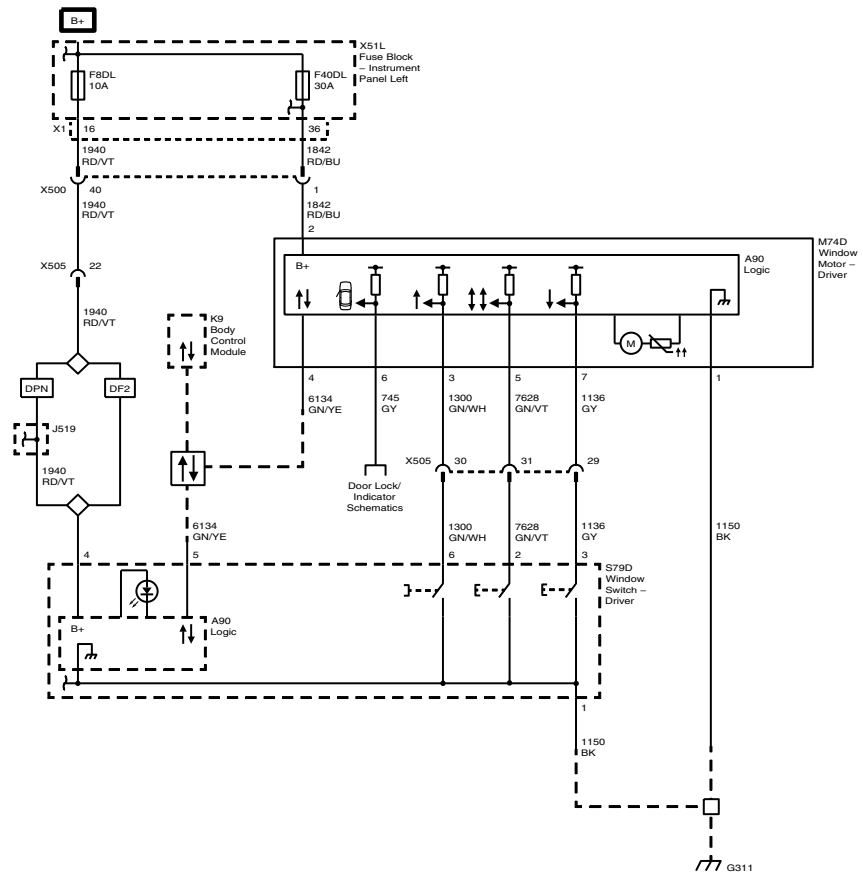
6.20. POWER DOOR LOCKS – REGULAR CAB



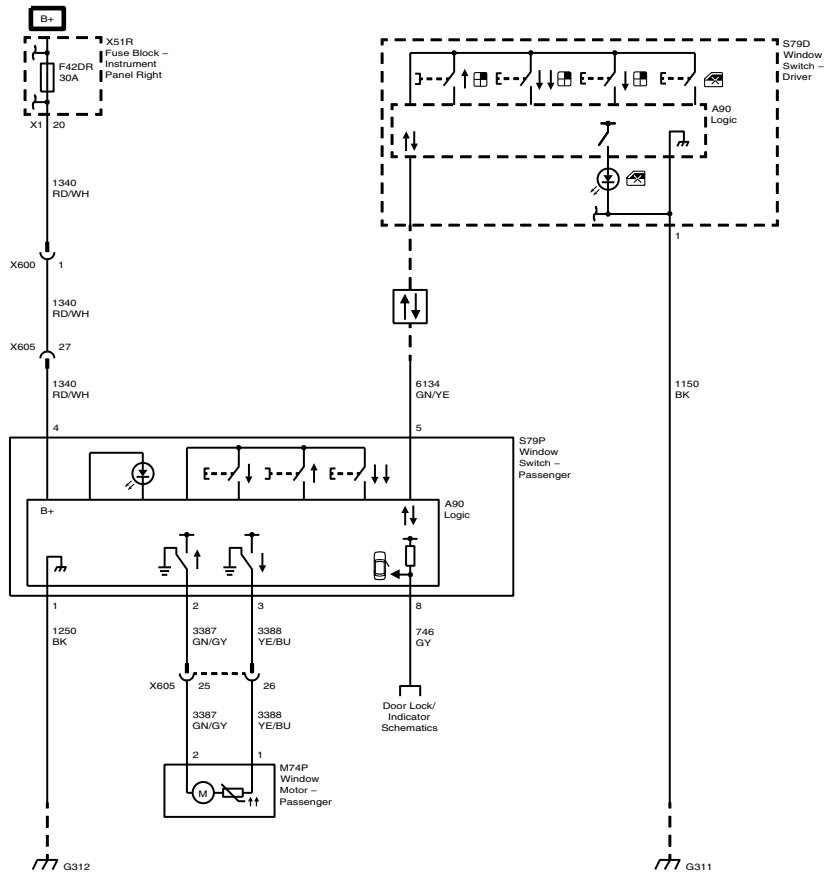
6.21. POWER DOOR LOCKS – CREW CAB



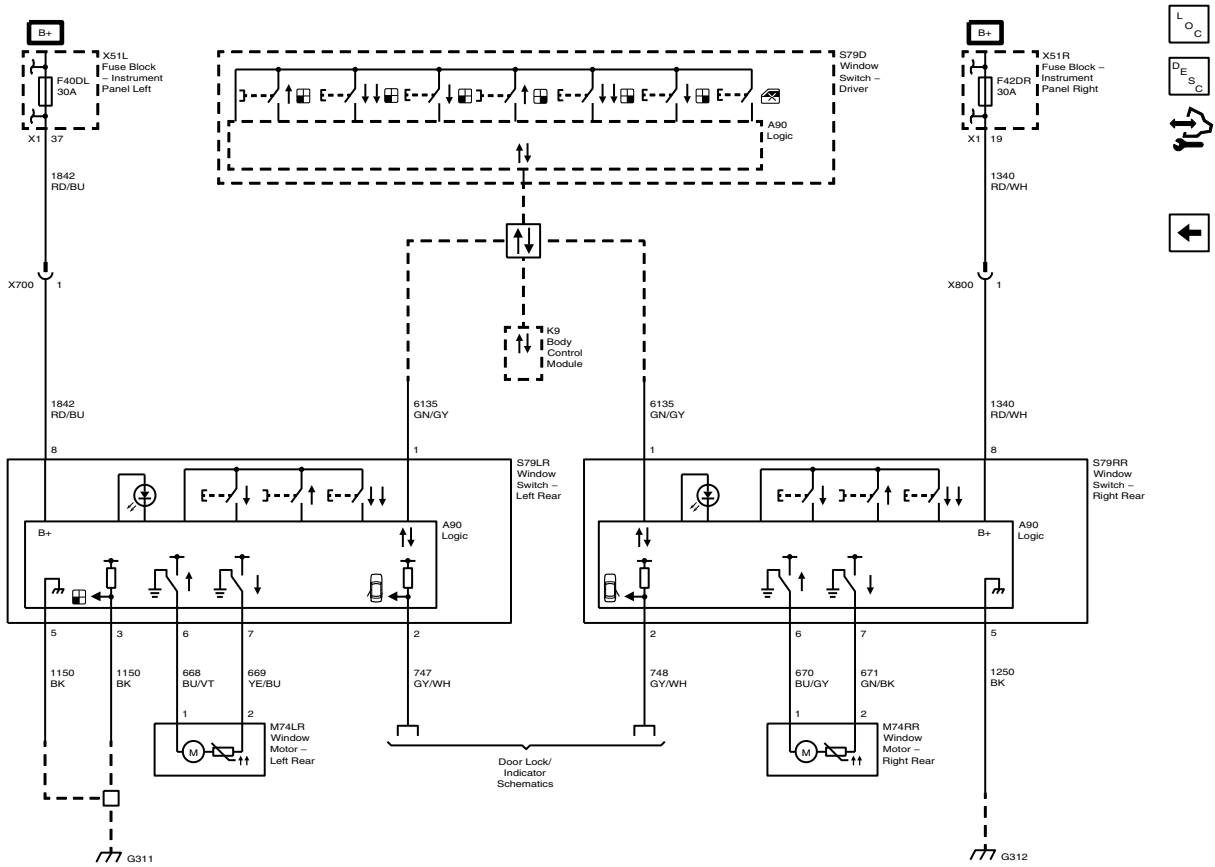
6.22. POWER WINDOWS – DRIVER



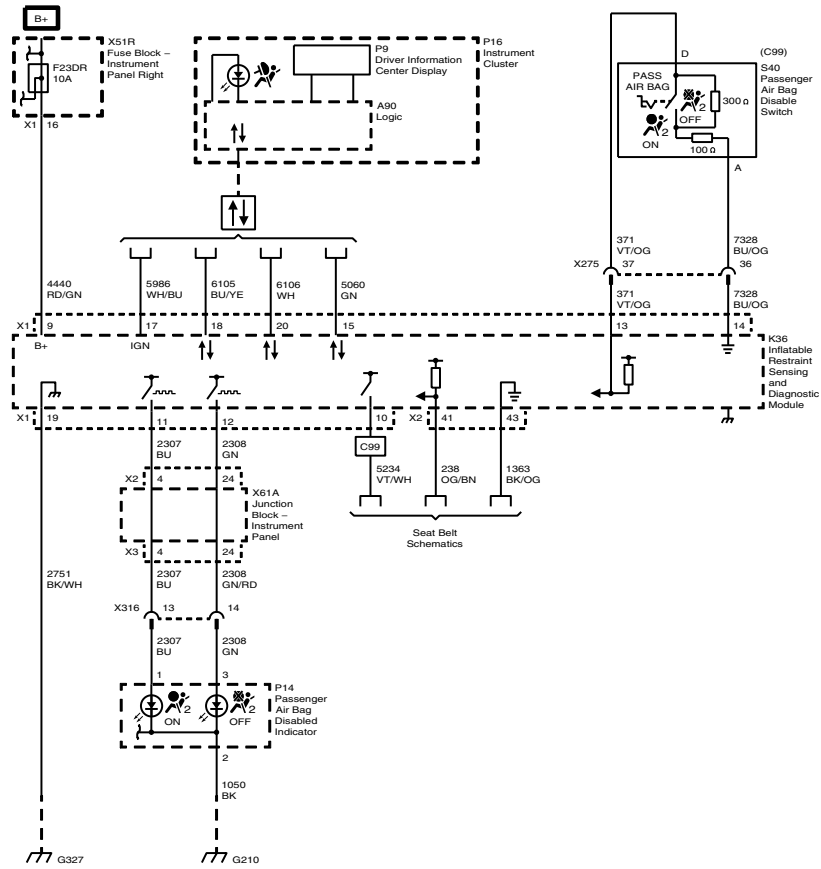
6.23. POWER WINDOWS SWITCH – FRONT



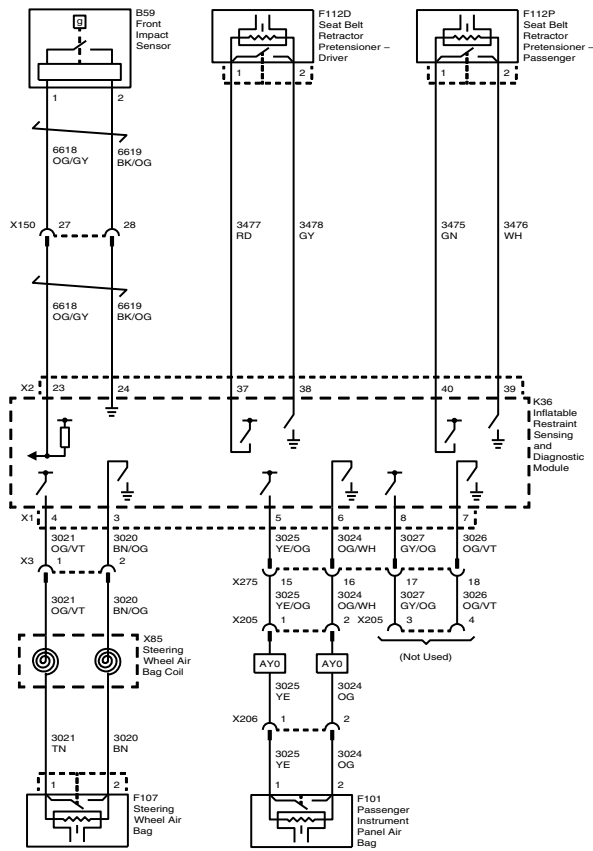
6.24. POWER WINDOWS – REAR



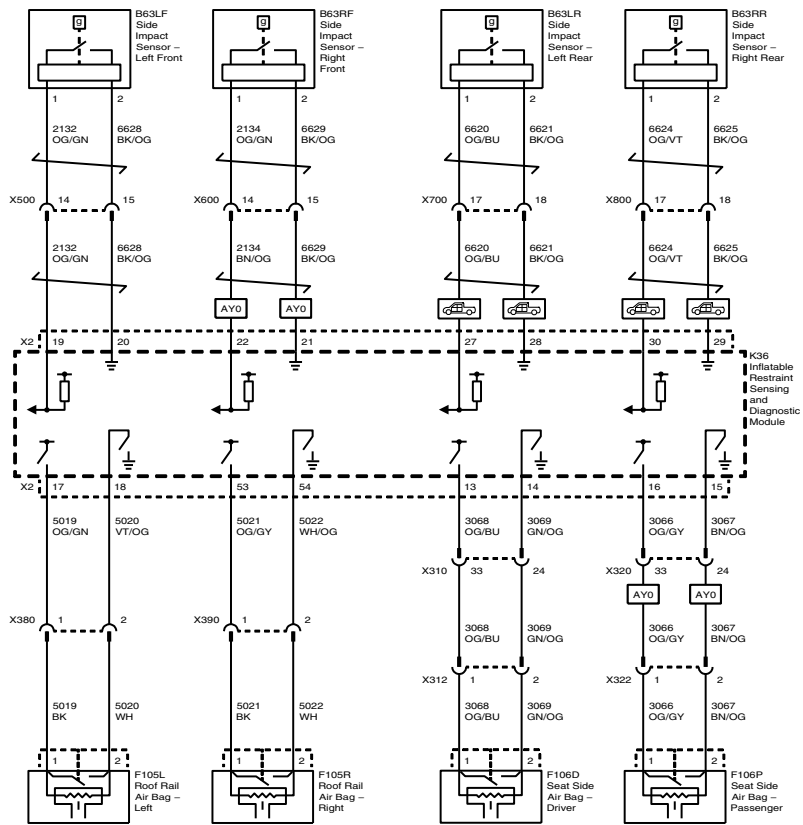
6.25. SAFETY RESTRAINT SYSTEM INDICATORS



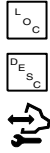
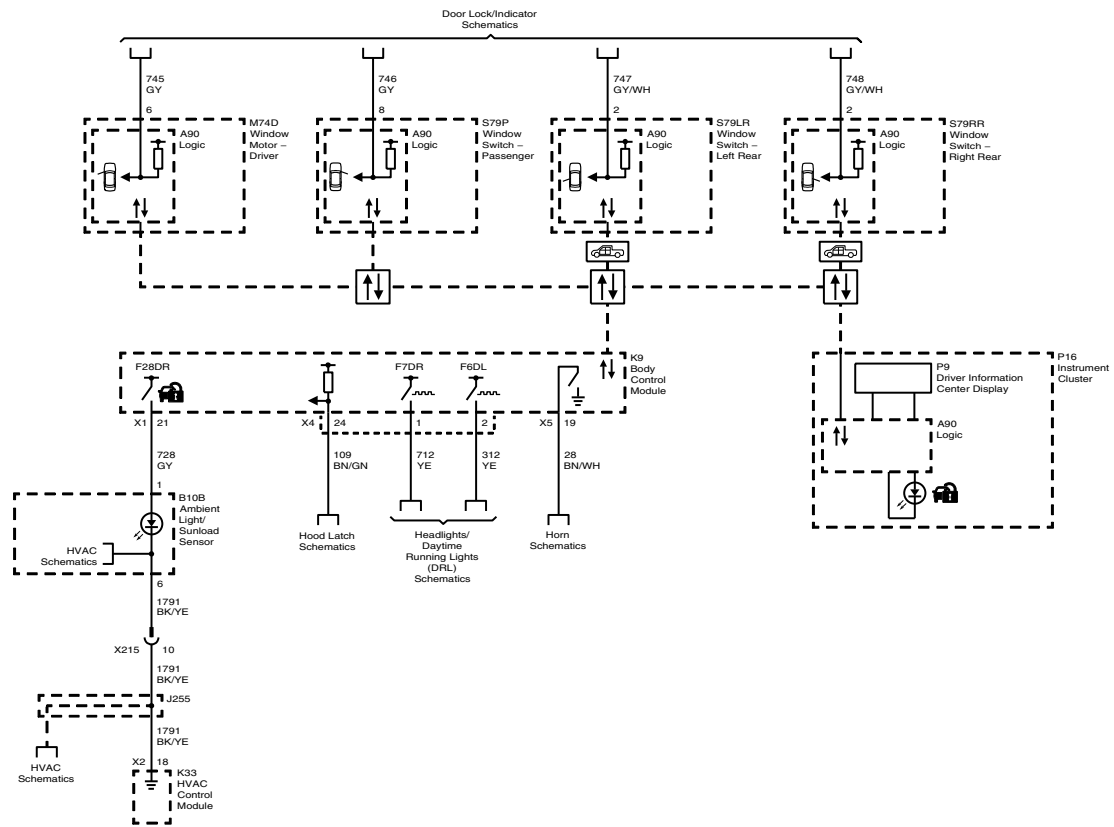
6.26. AIR BAG AND SEAT BELT PRETENSIONER WIRING



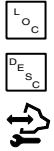
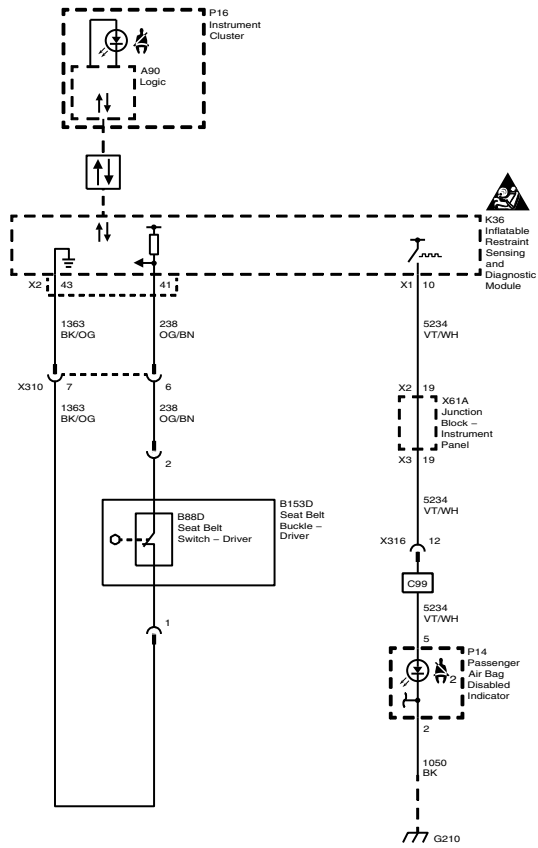
6.27. SIDE IMPACT AND SIDE CURTAIN AIRBAGS (0016XDG, 0016XDH, 0016XDE)



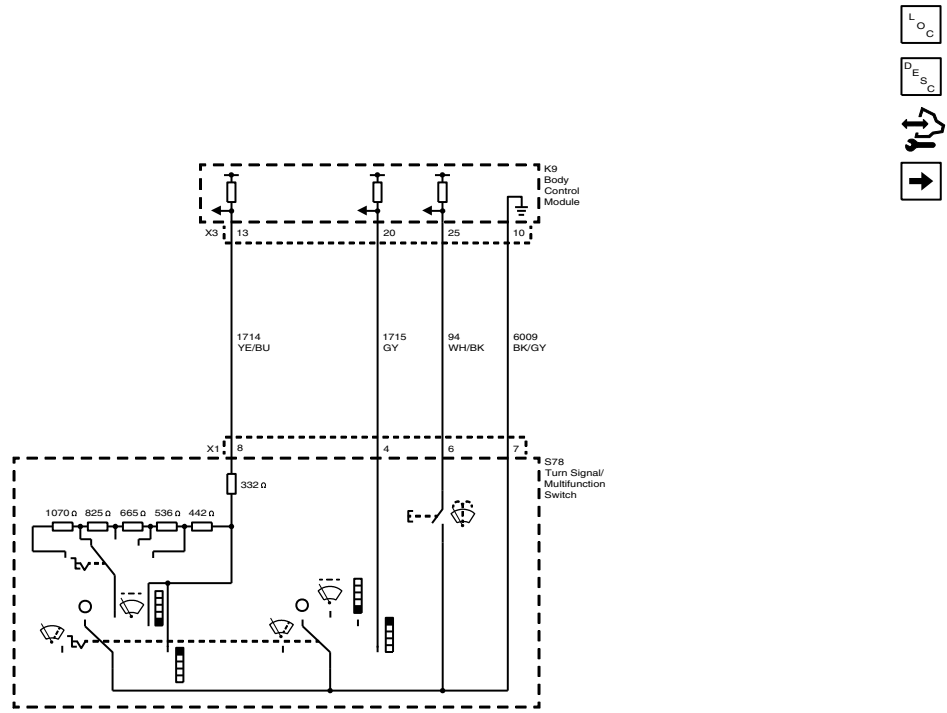
6.28. THEFT DETERRENT SYSTEM



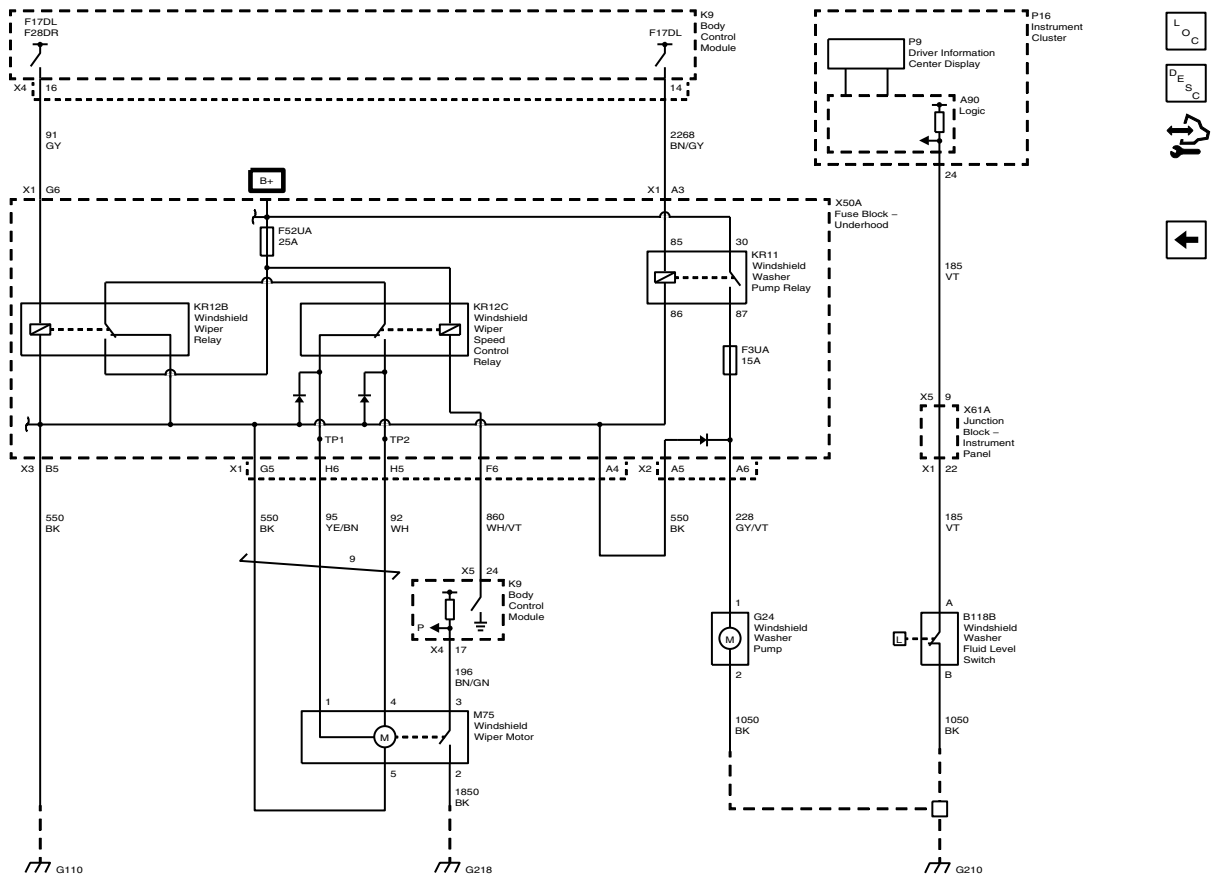
6.29. AIR BAG SYSTEM



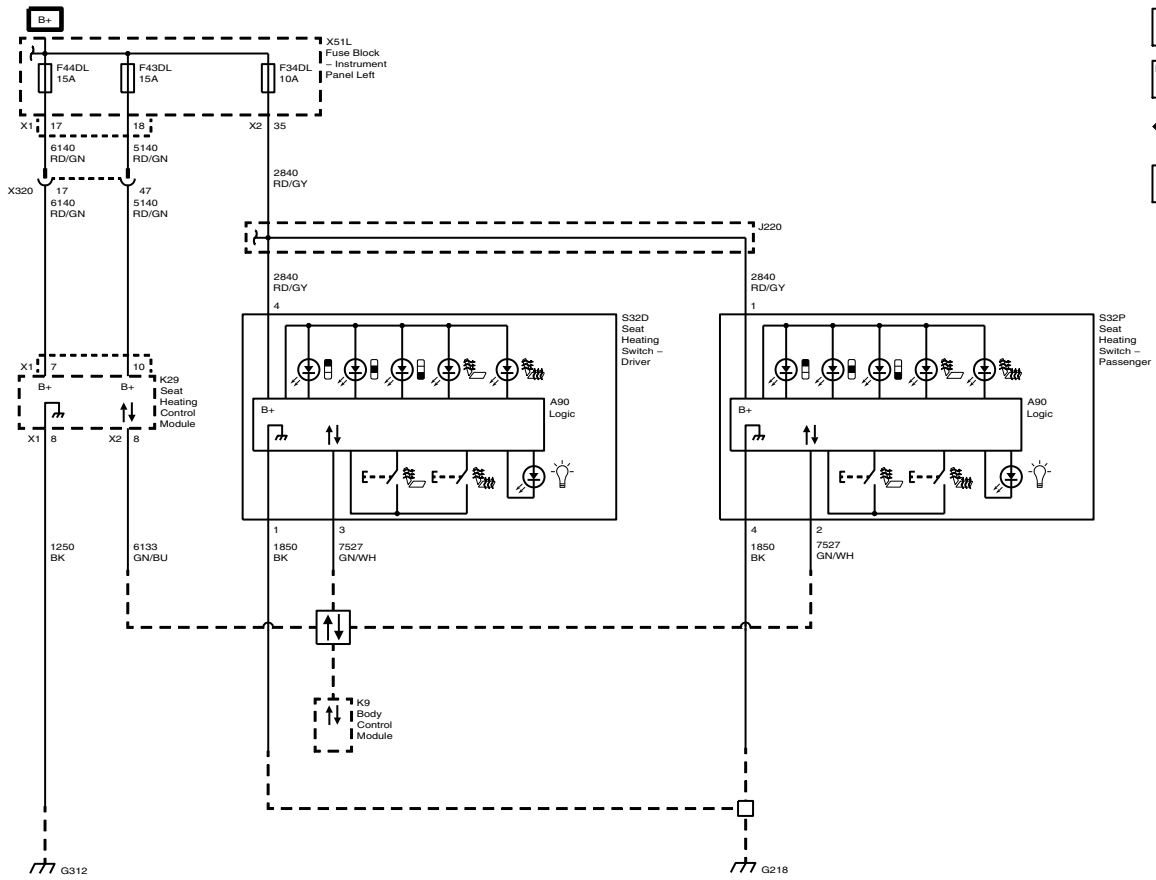
6.30. WINDSHIELD WIPER SYSTEM (MULTIFUNCTION SWITCH WIRING)



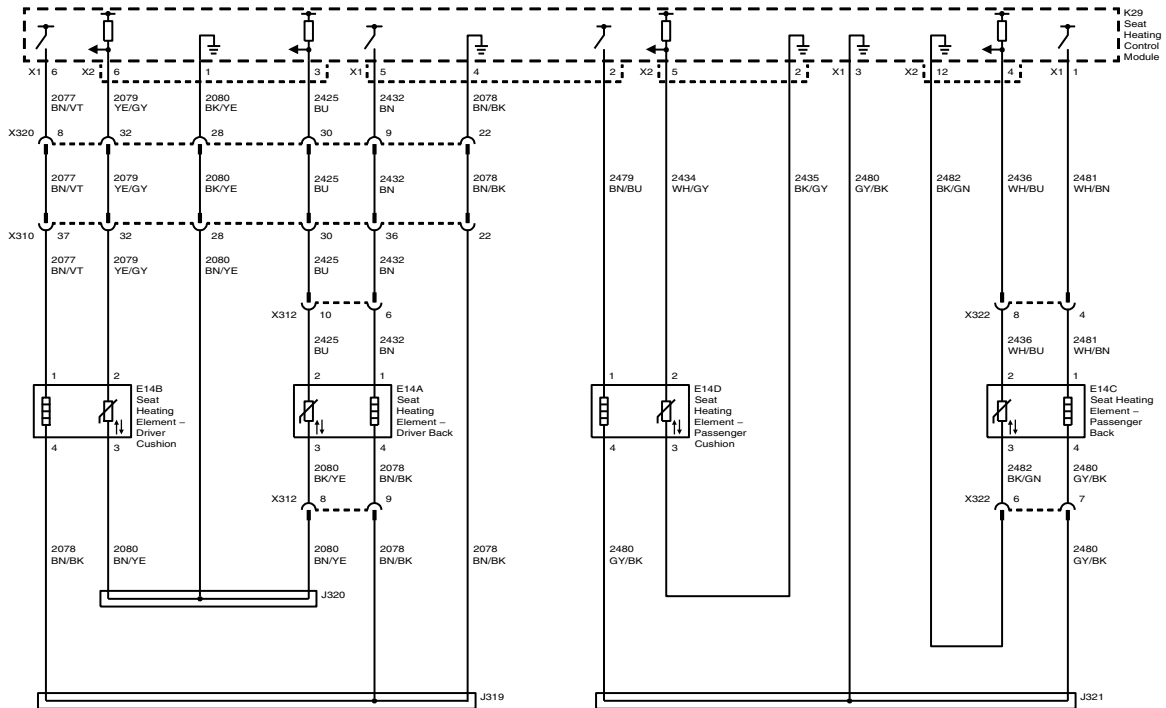
6.31. WINDSHIELD WIPER SYSTEM



6.32. HEATED SEAT SWITCH



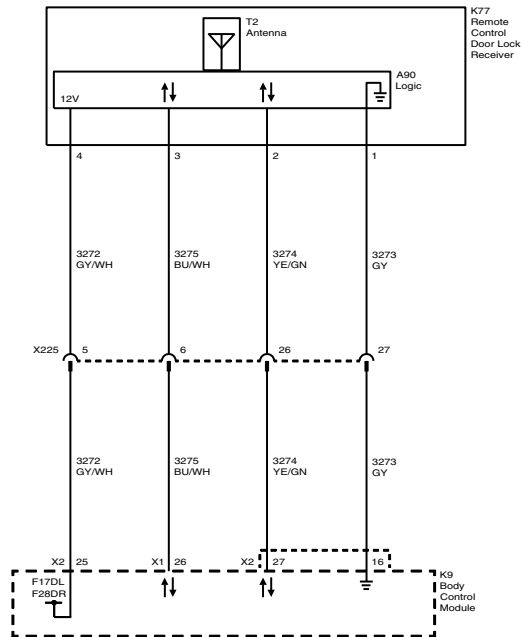
6.33. HEATED SEAT GRID



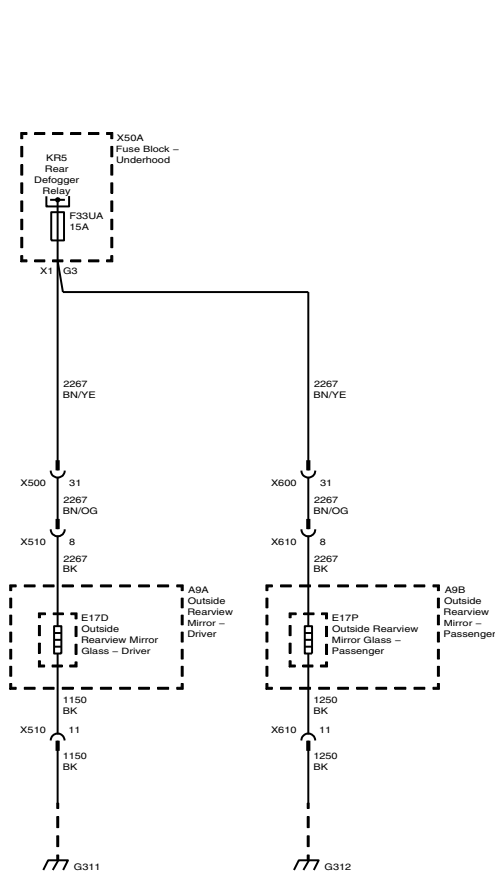
6.34. KEY FOB – LOCKS

L
O
C

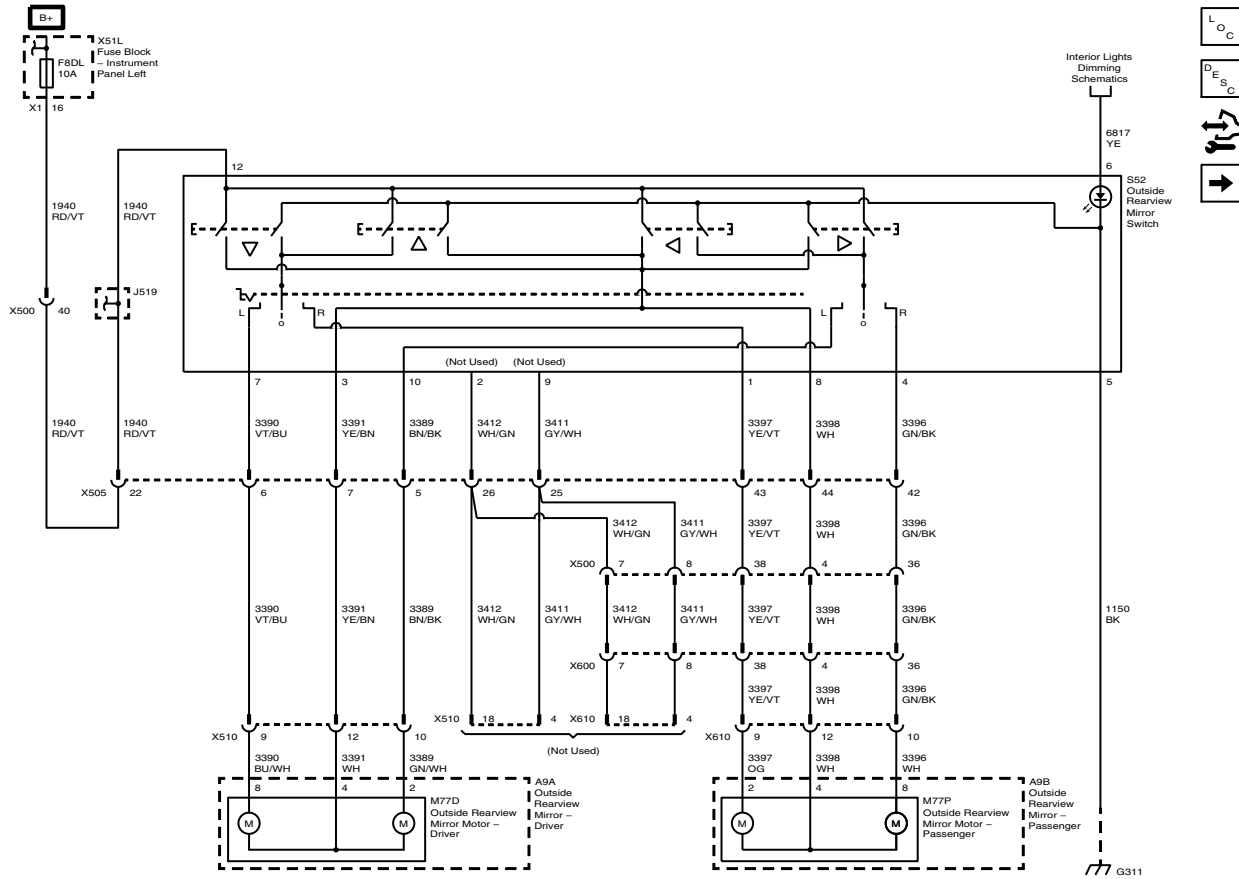
D
E
S
C



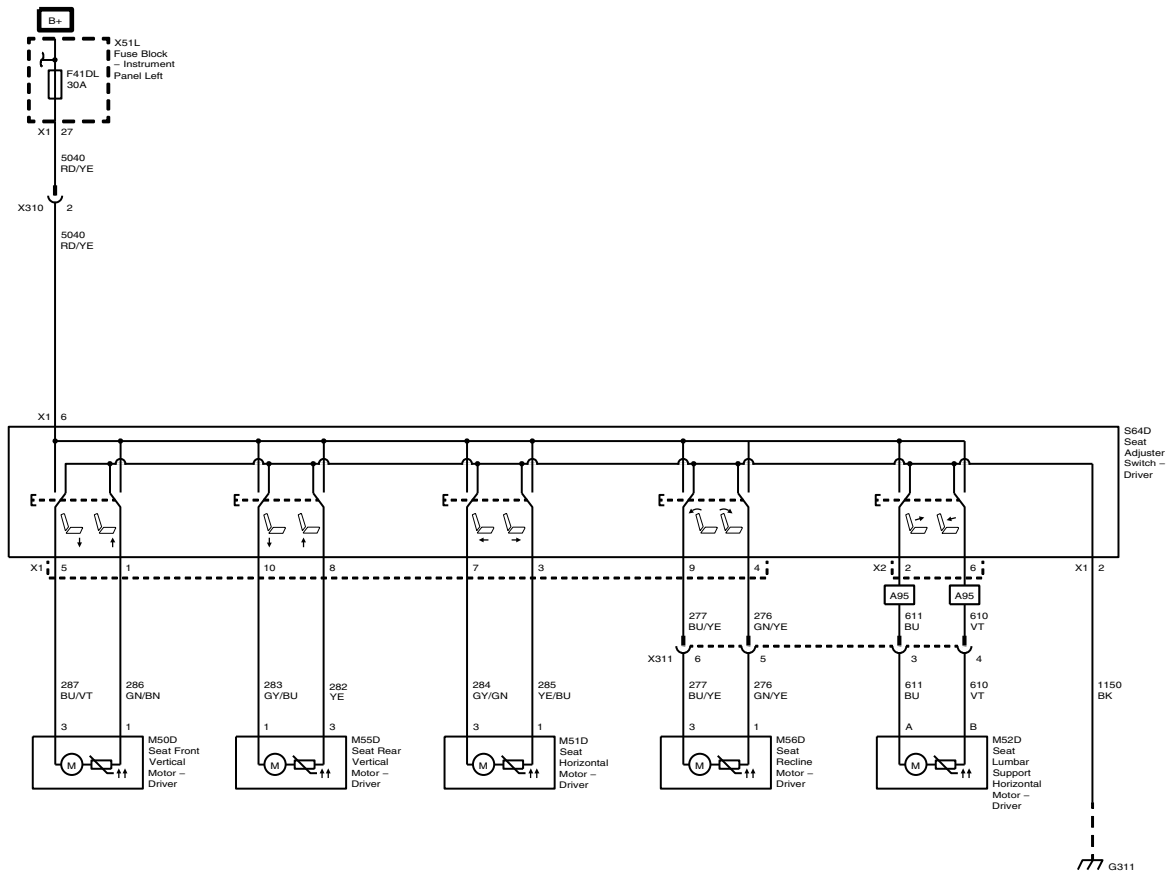
6.35. EXTERIOR REARVIEW MIRROR (FEATURE 0016SPS, 0016SPT)



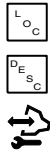
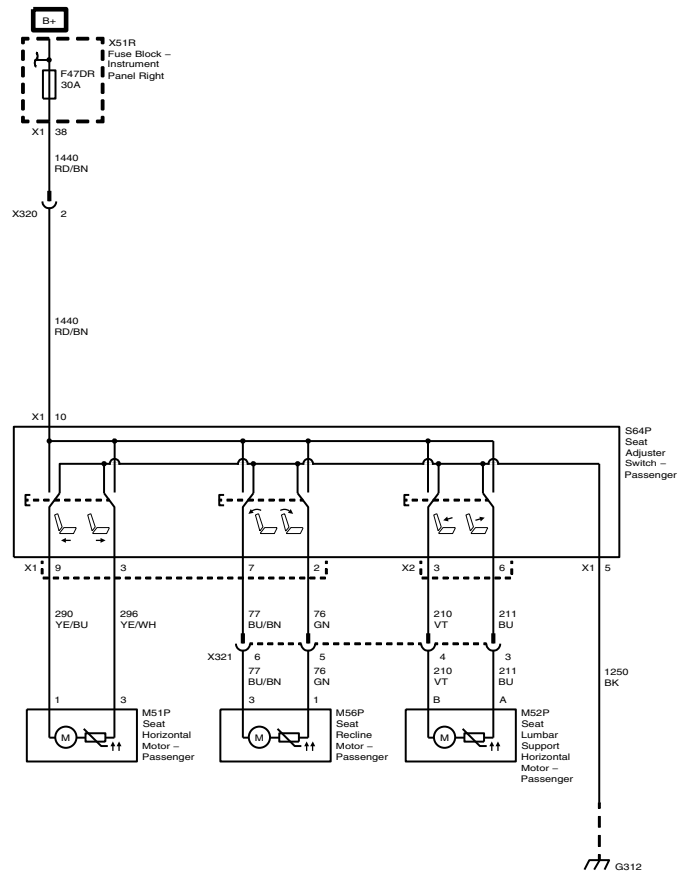
6.36. EXTERIOR REARVIEW MIRROR (FEATURE 0016SPS, 0016SPT)



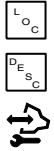
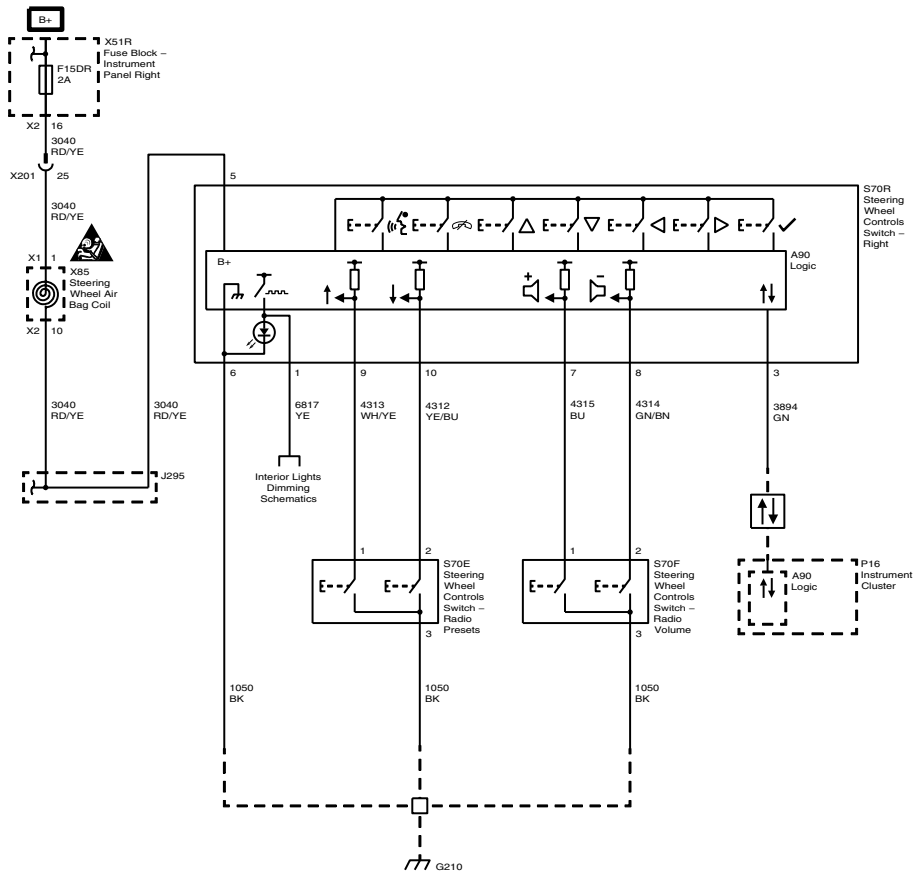
6.37. DRIVER SEAT ADJUSTMENT



6.38. PASSENGER SEAT ADJUSTMENT

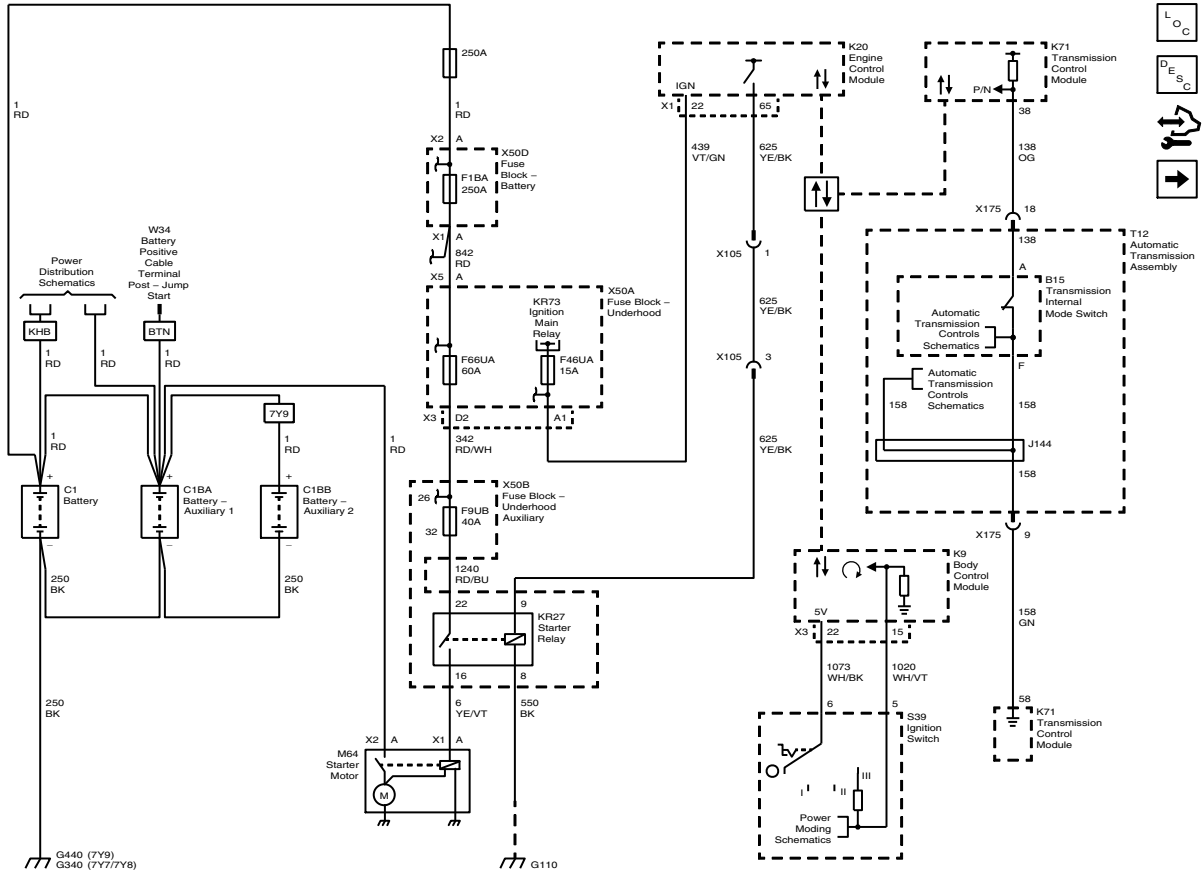


6.39. STEERING WHEEL CONTROLS

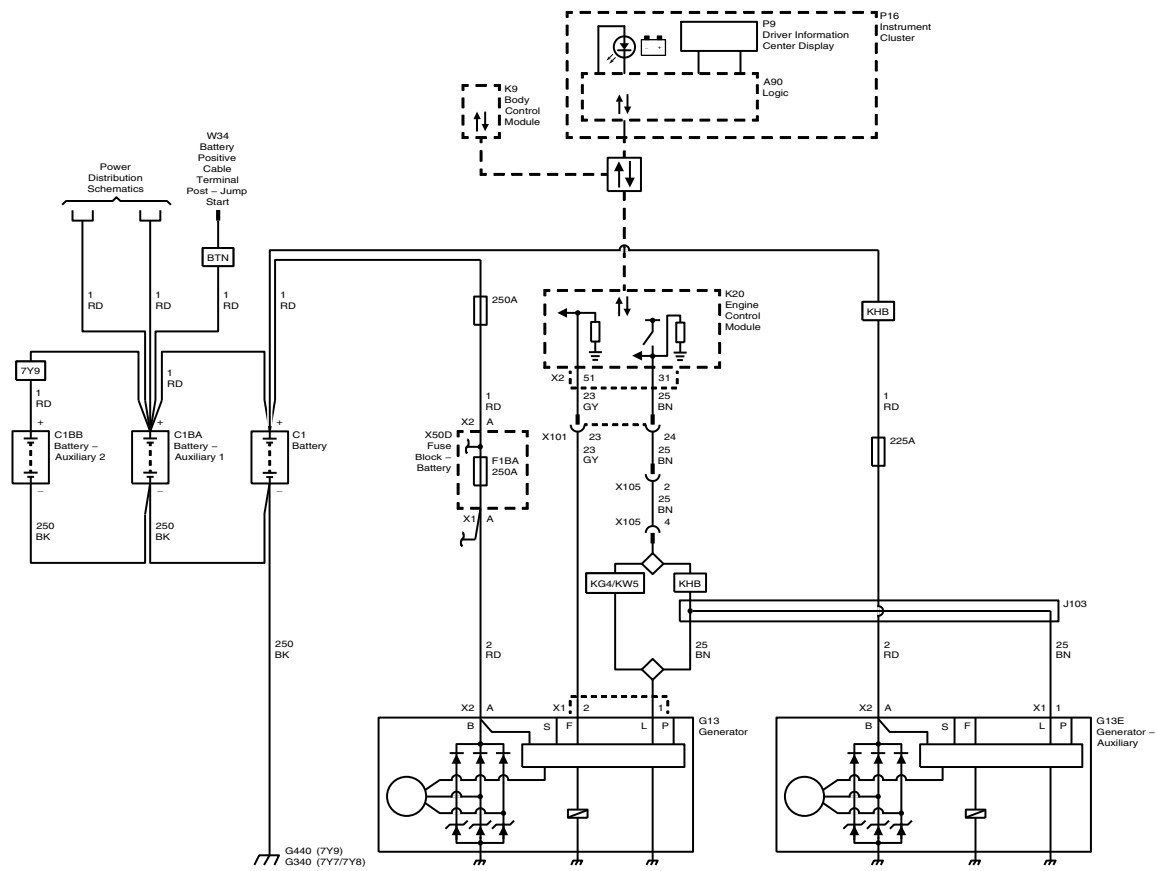


CHARGING AND CRANKING

7.1. STARTING

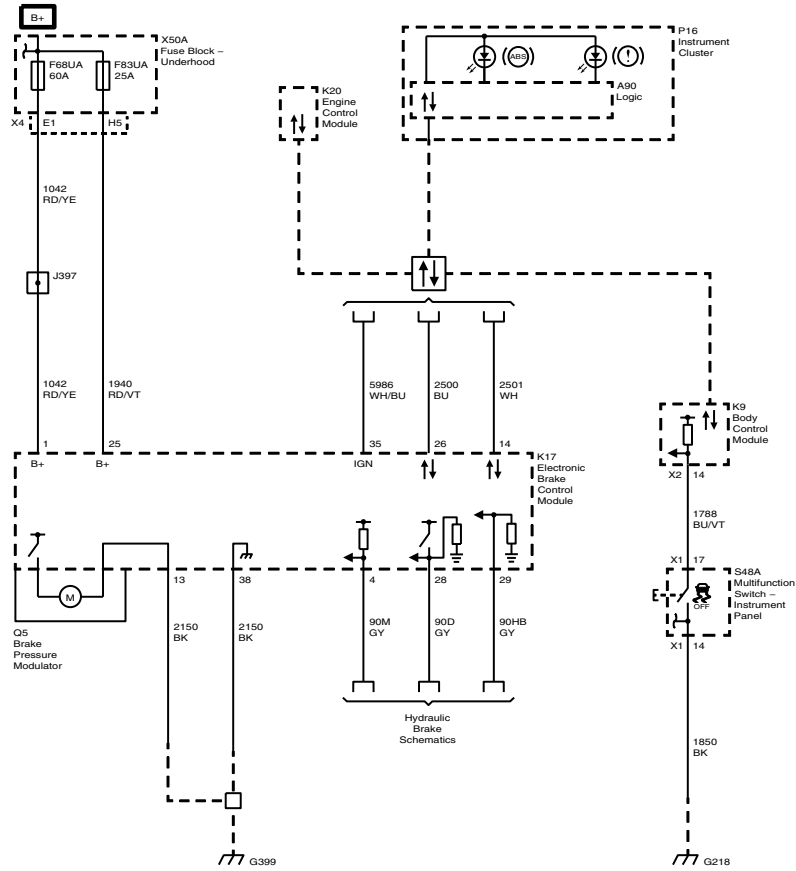


7.2. CHARGING



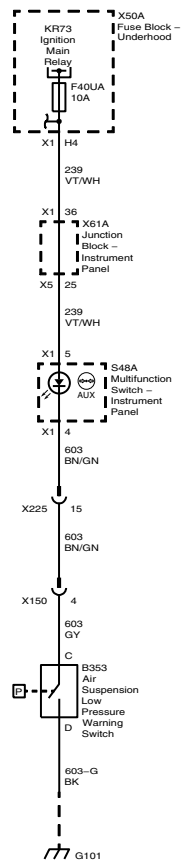
CHASSIS ACCESSORIES

8.1. ANTILOCK BRAKES

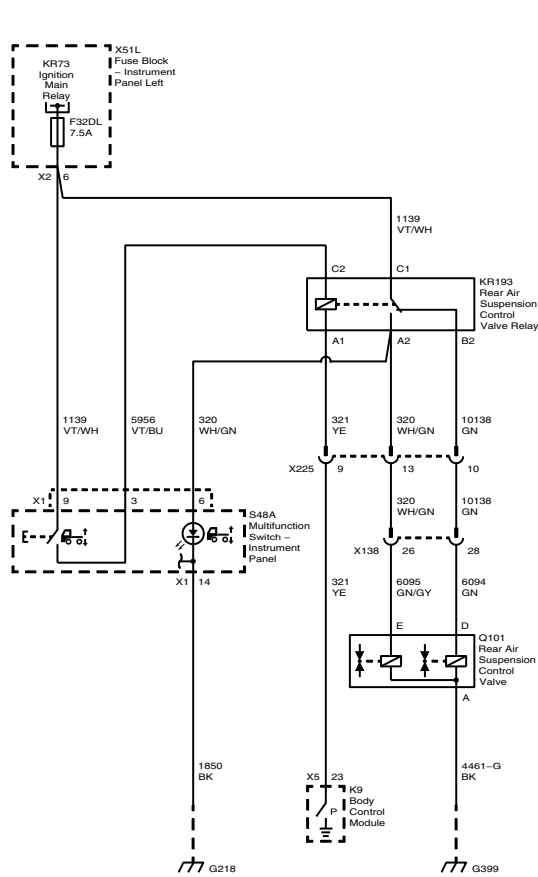


8.2. ANTILOCK BRAKES

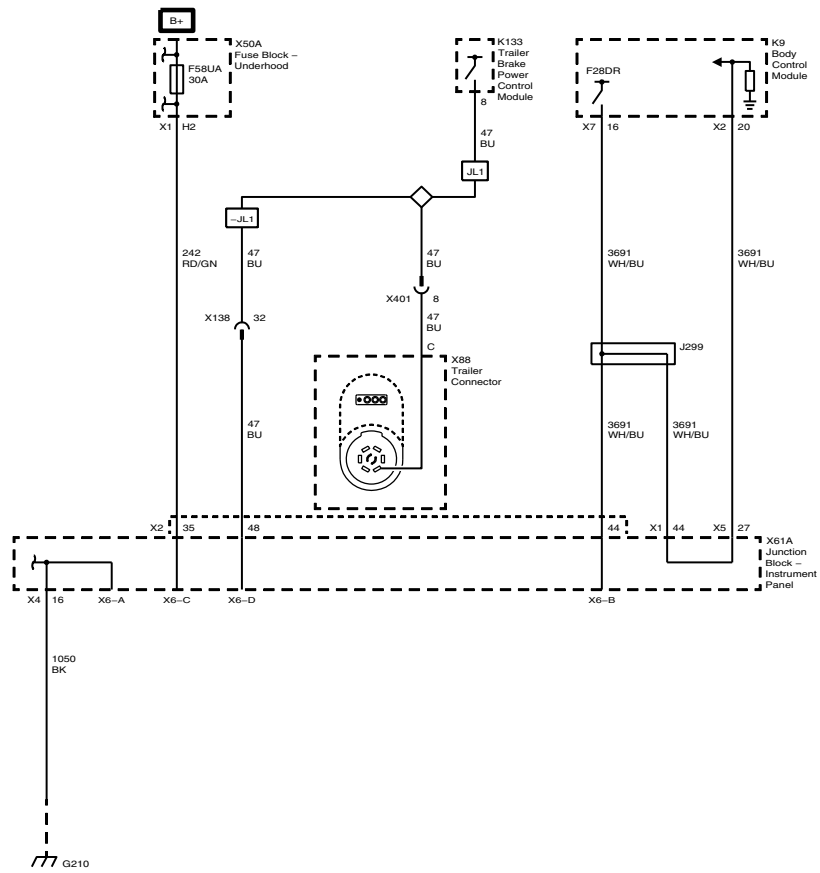
8.3. LOW AIR PRESSURE INDICATOR (FEATURE CODE 0014TBL, 0014TBM, 0014TDG)



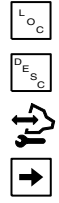
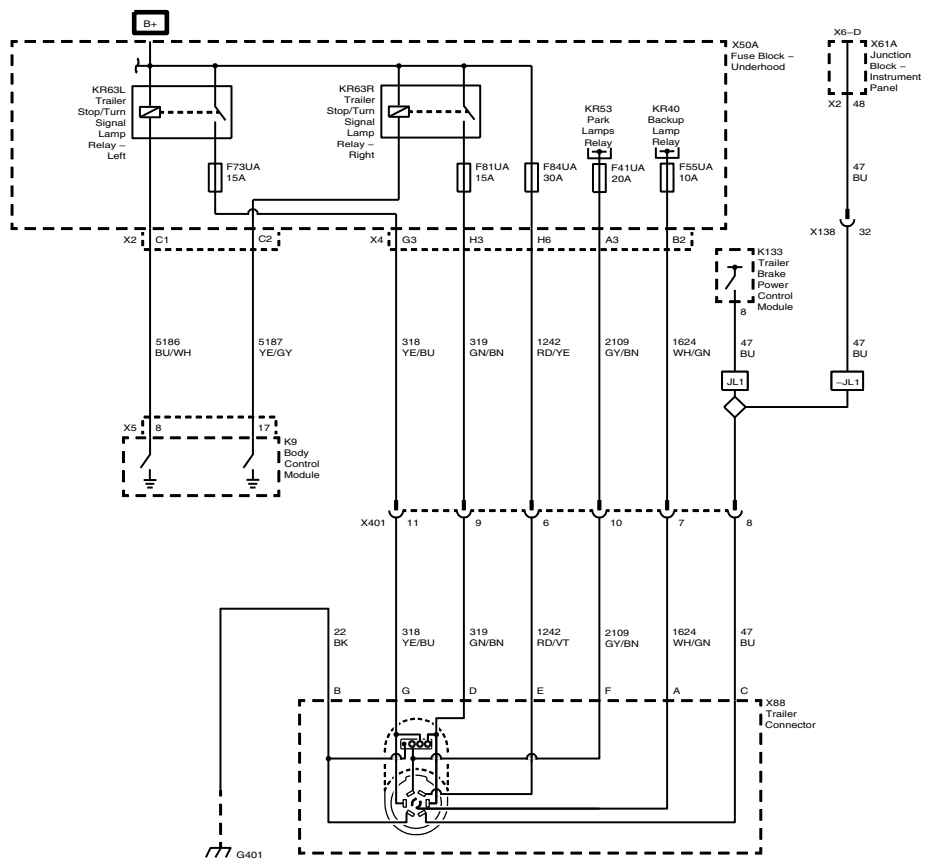
8.4. AIR SUSPENSION DUMP VALVE



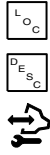
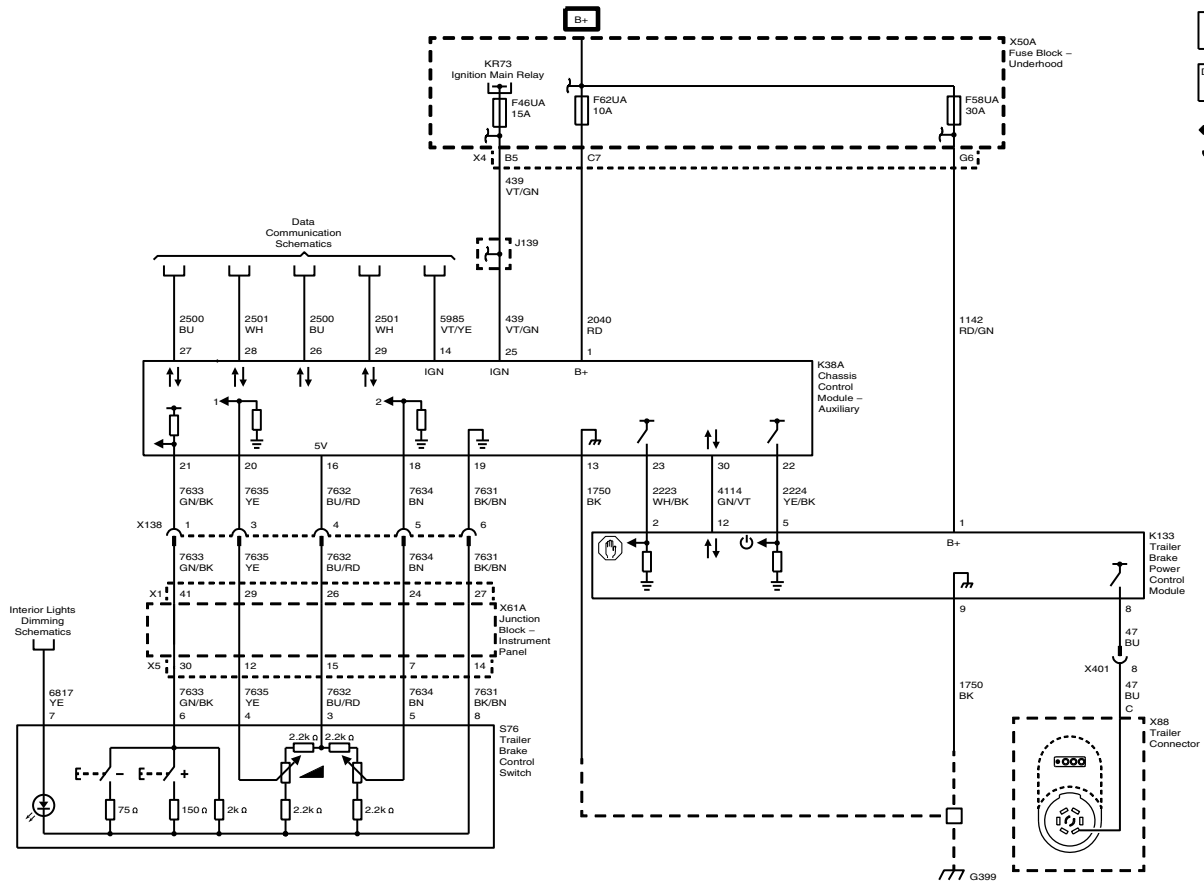
8.5. TRAILER POWER (0008TRA)



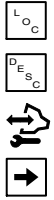
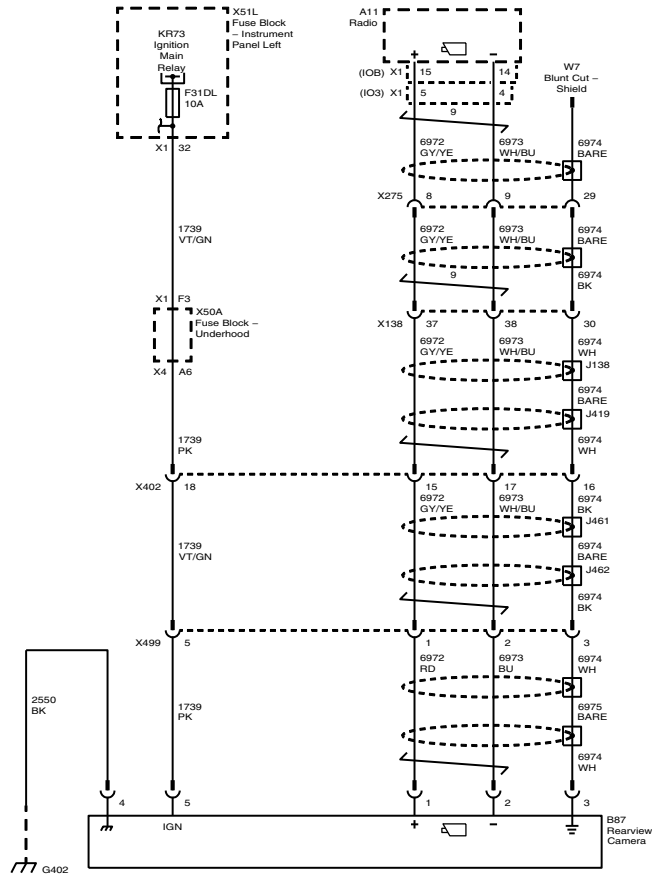
8.6. TRAILER LIGHTING (0008TRA)



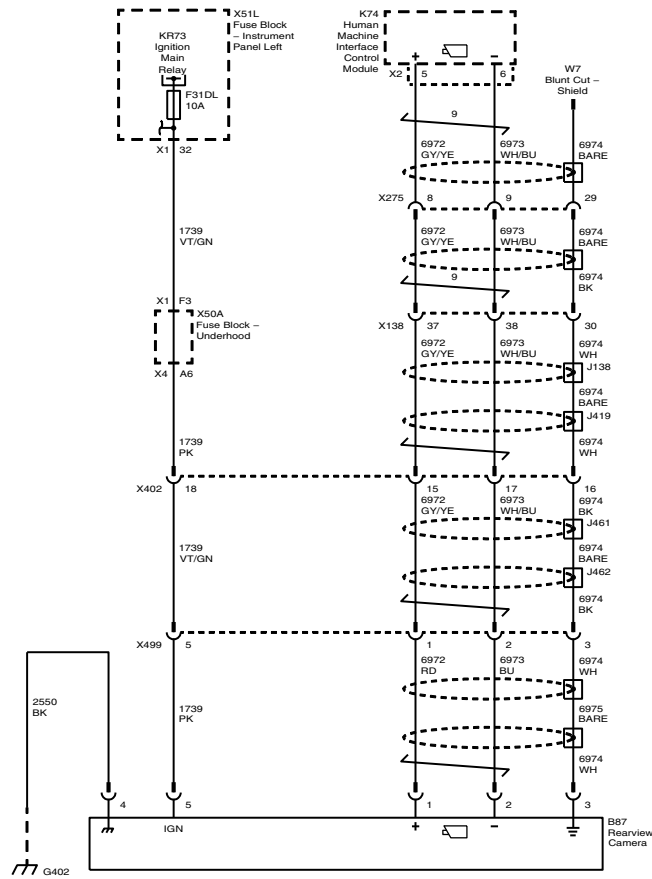
8.7. TRAILER BRAKE CONTROLS (0008HBW)



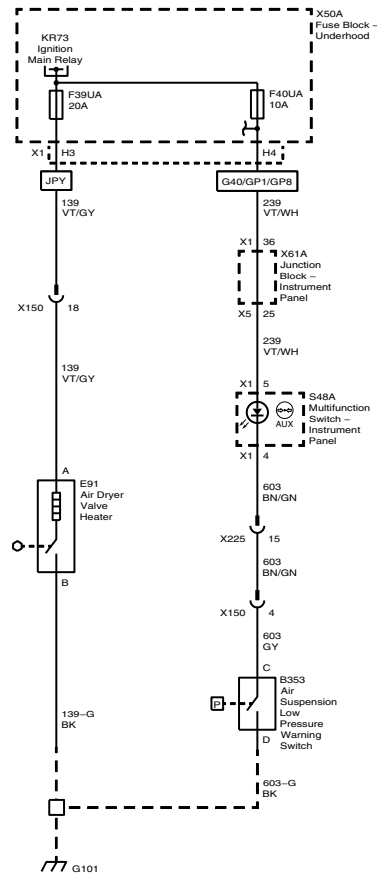
8.8. REARVIEW CAMERA (0008RNY, 0008RNN, 0008RNM, 0008RNV)



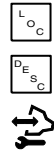
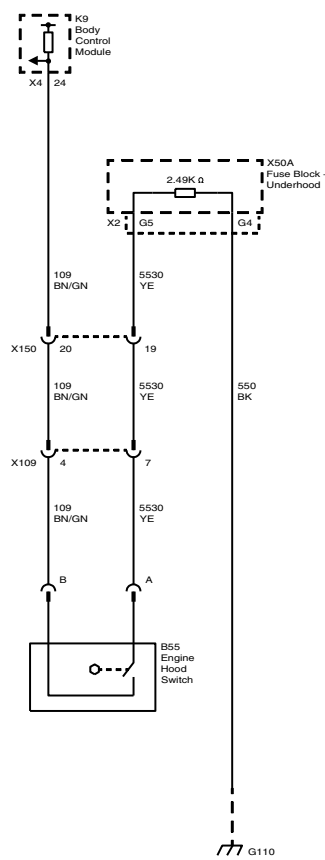
8.9. REARVIEW CAMERA (0008RNY, 0008RNW, 0008RNR, 0008RNX, 0008RNP)



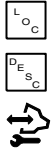
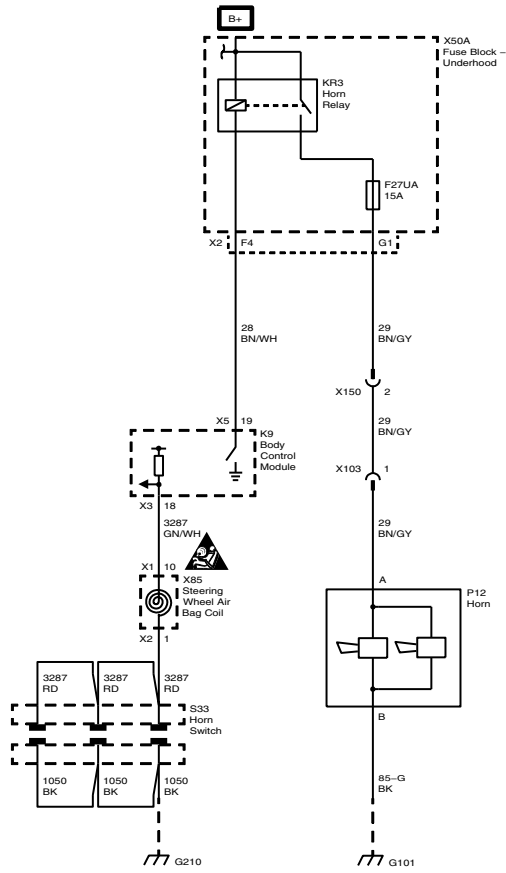
8.10. AIR DRYER VALVE HEATER



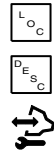
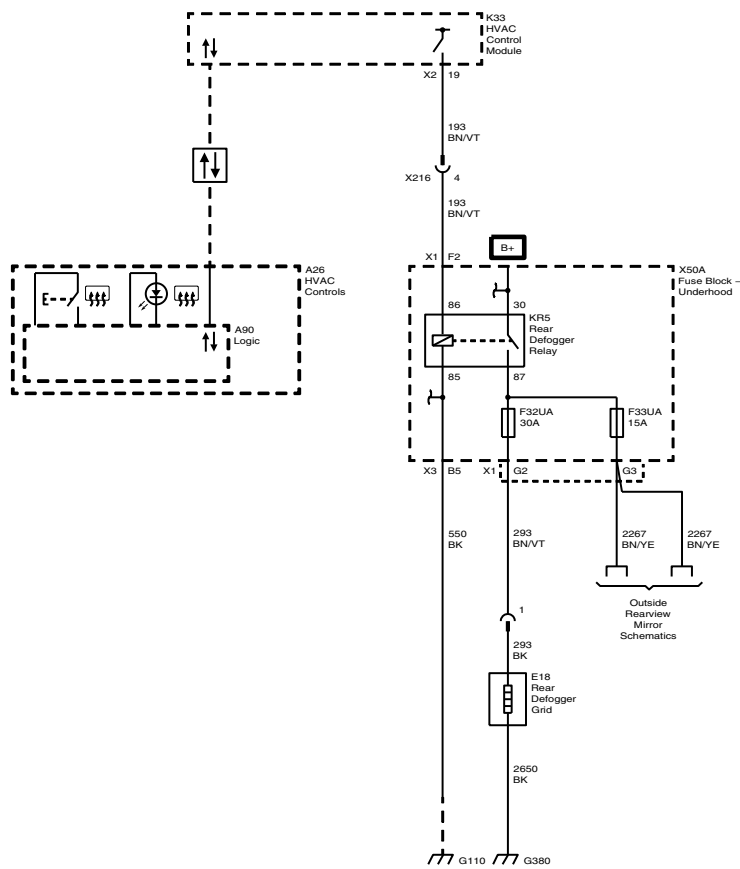
8.11. HOOD SWITCH



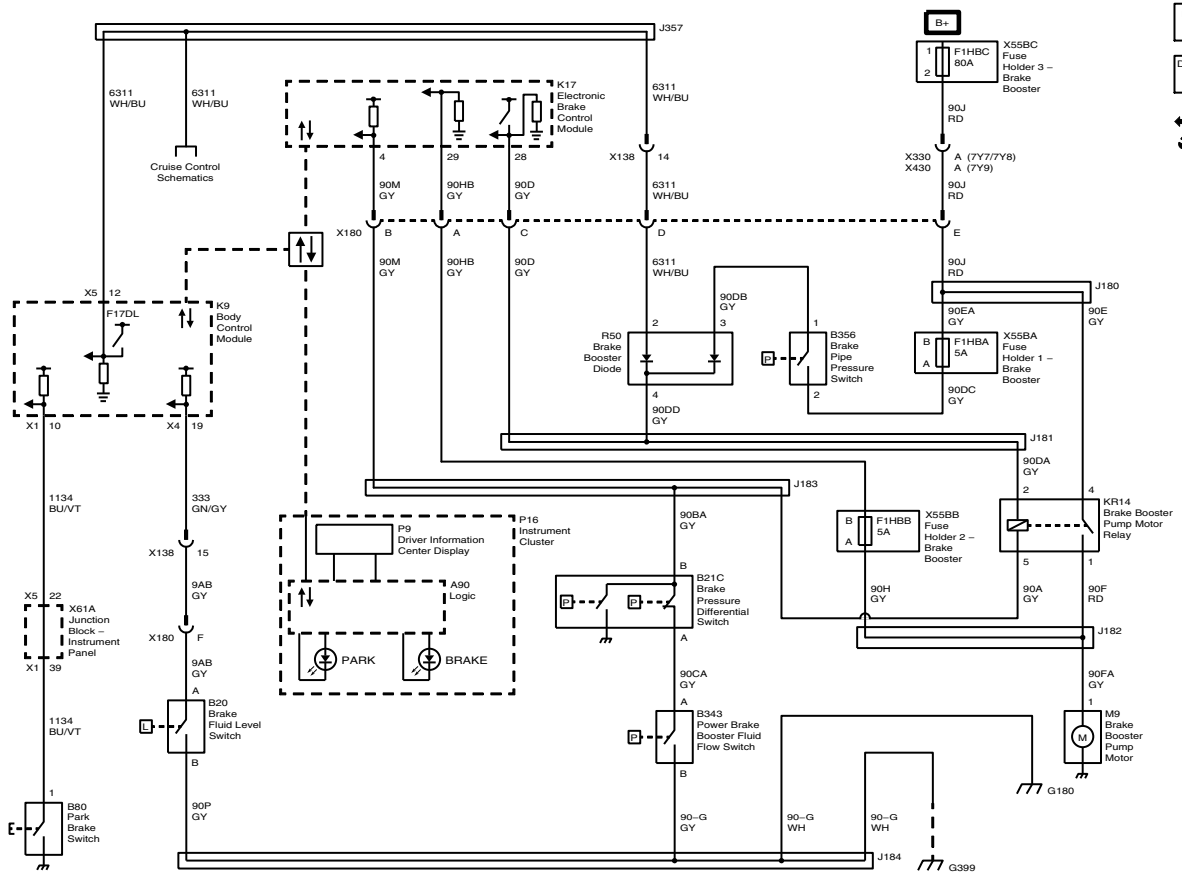
8.12. CITY HORN



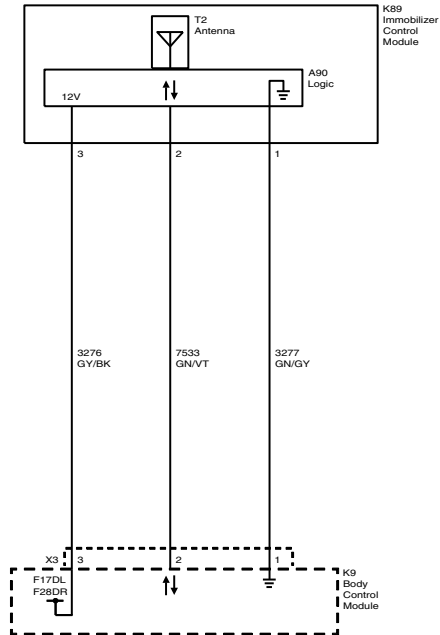
8.13. WINDOW DEFROST / EXTERIOR HEATED MIRRORS (FEATURE CODE 0008AAB)



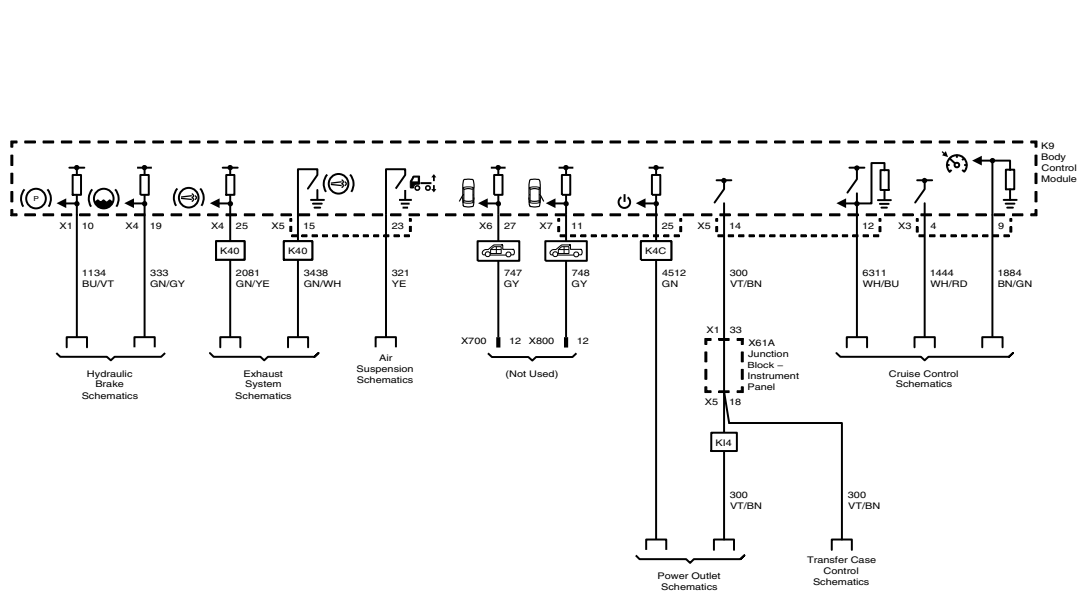
8.14. HYDRAULIC BRAKE



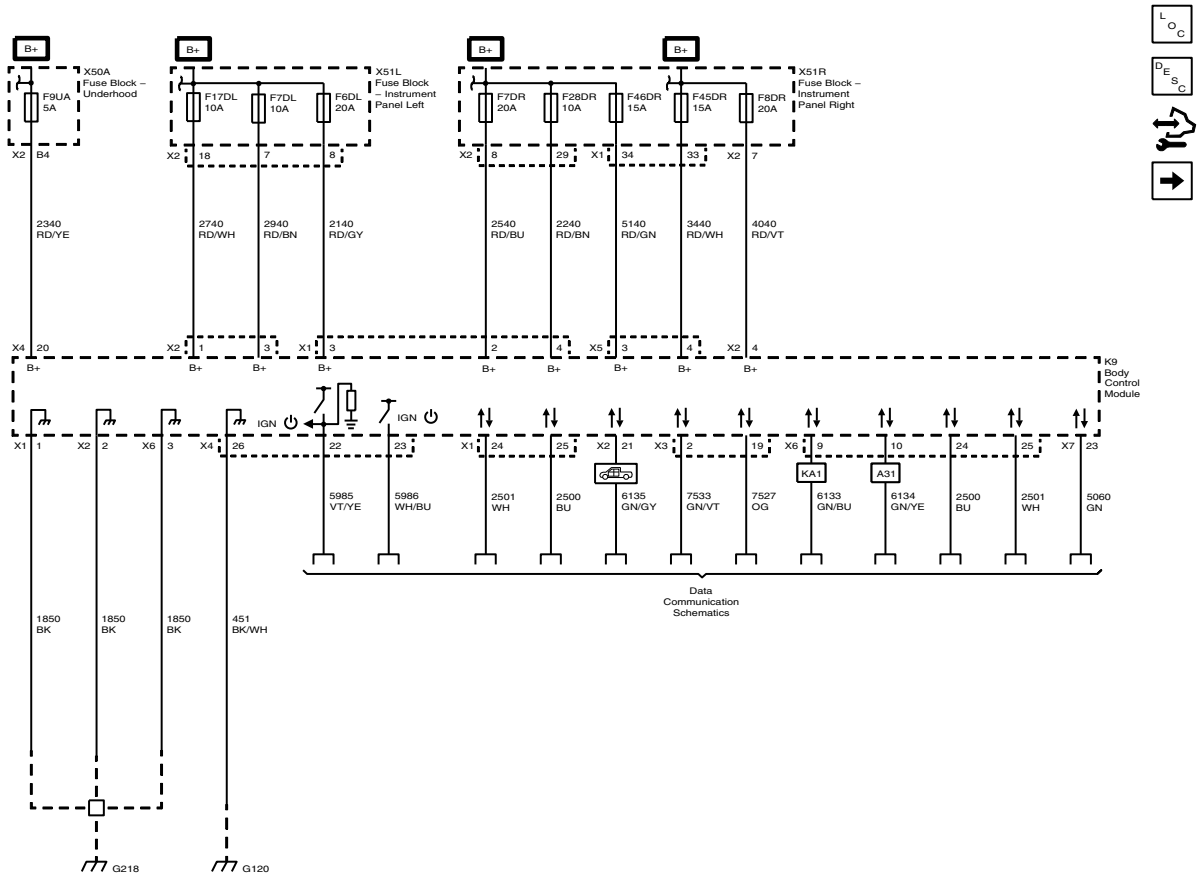
8.15. IMMOBILIZER



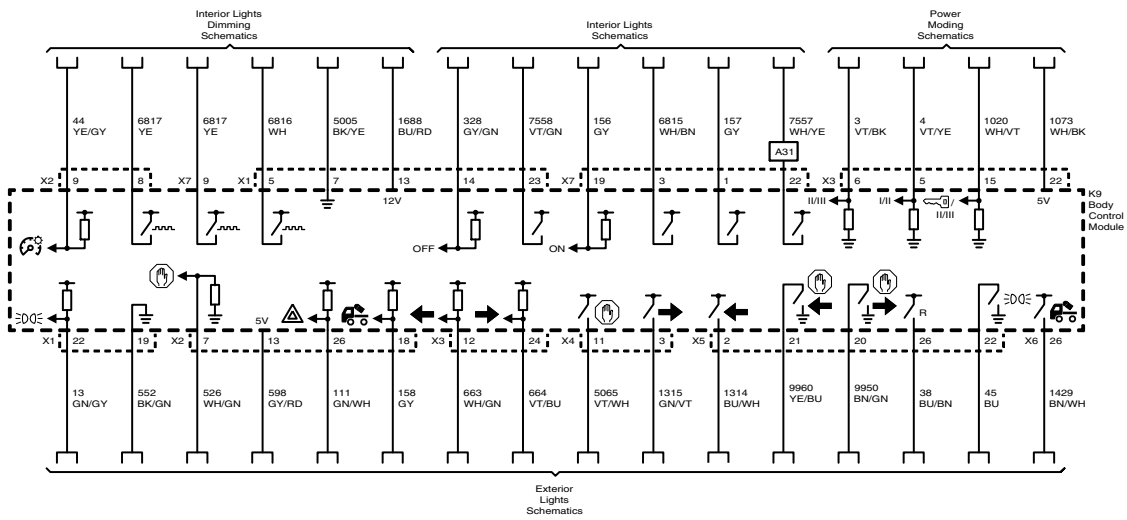
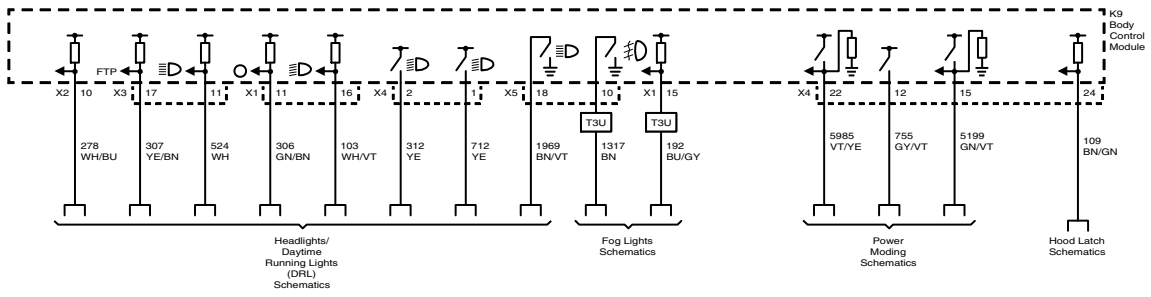
8.16. BODY CONTROL MODULE



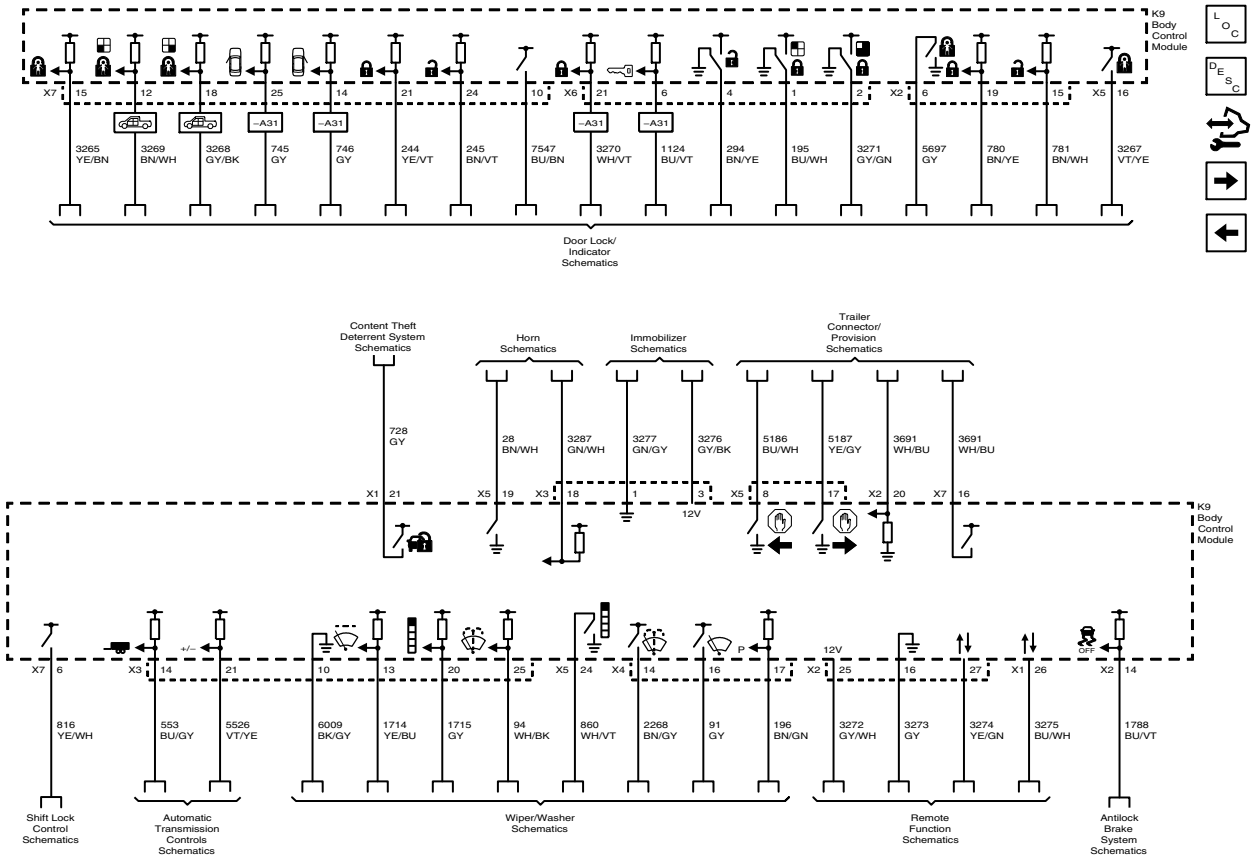
8.17. BODY CONTROL MODULE



8.18. BODY CONTROL MODULE

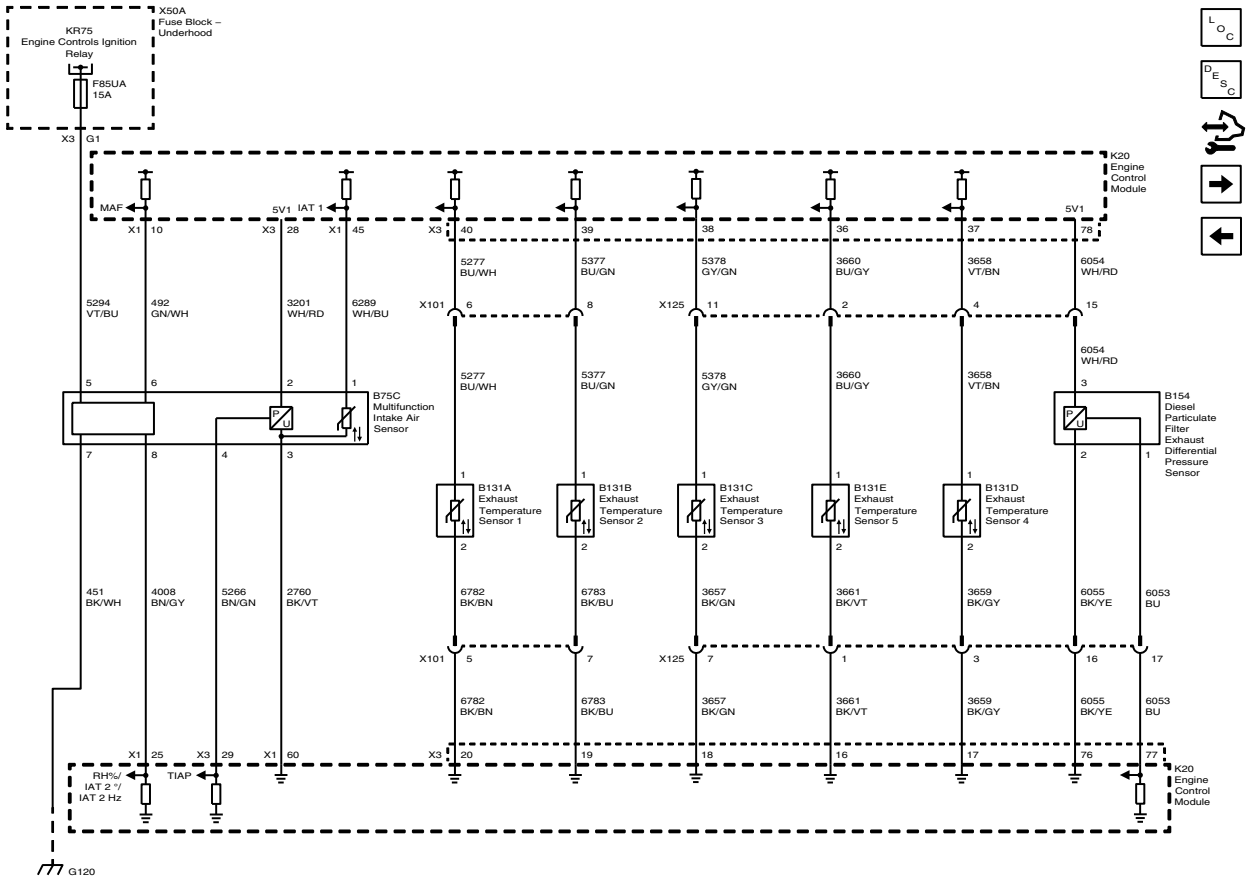


8.19. BODY CONTROL MODULE

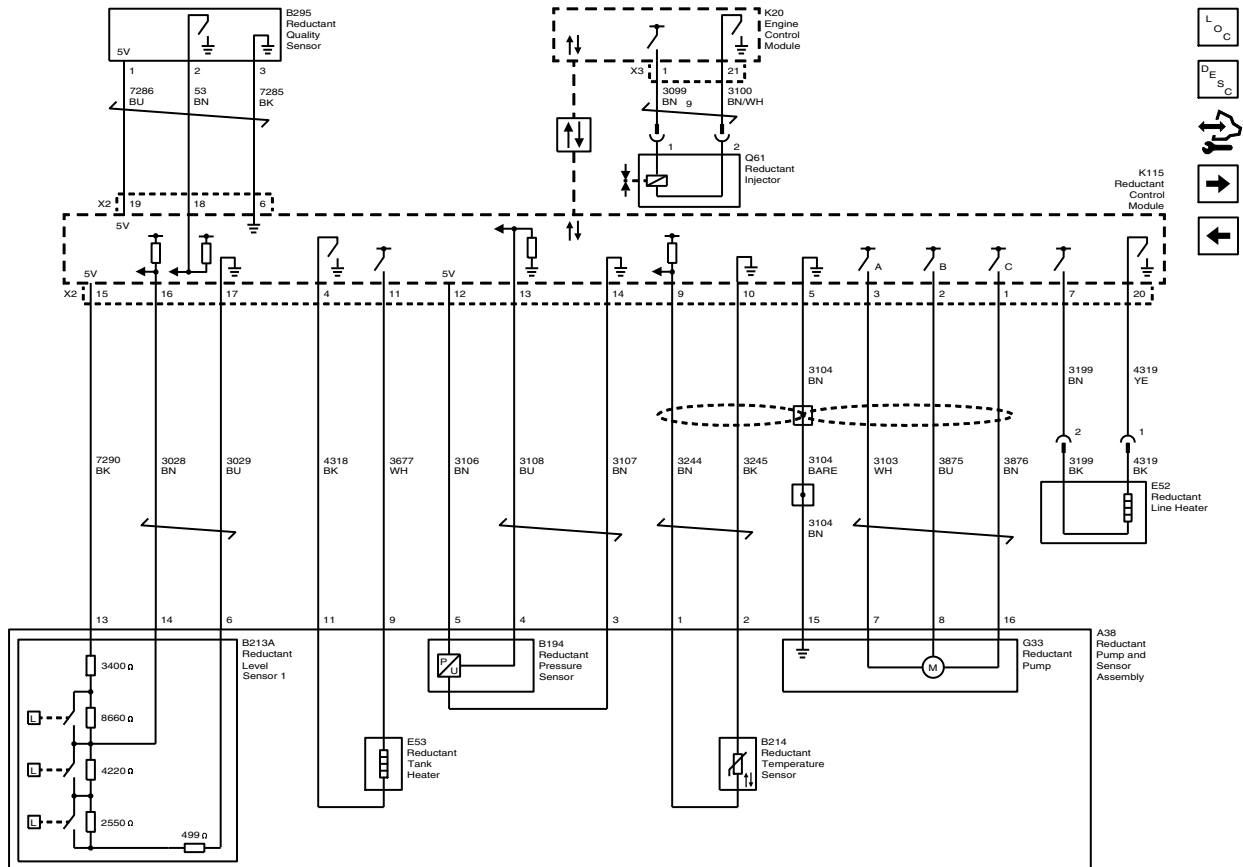


ENGINE SYSTEMS

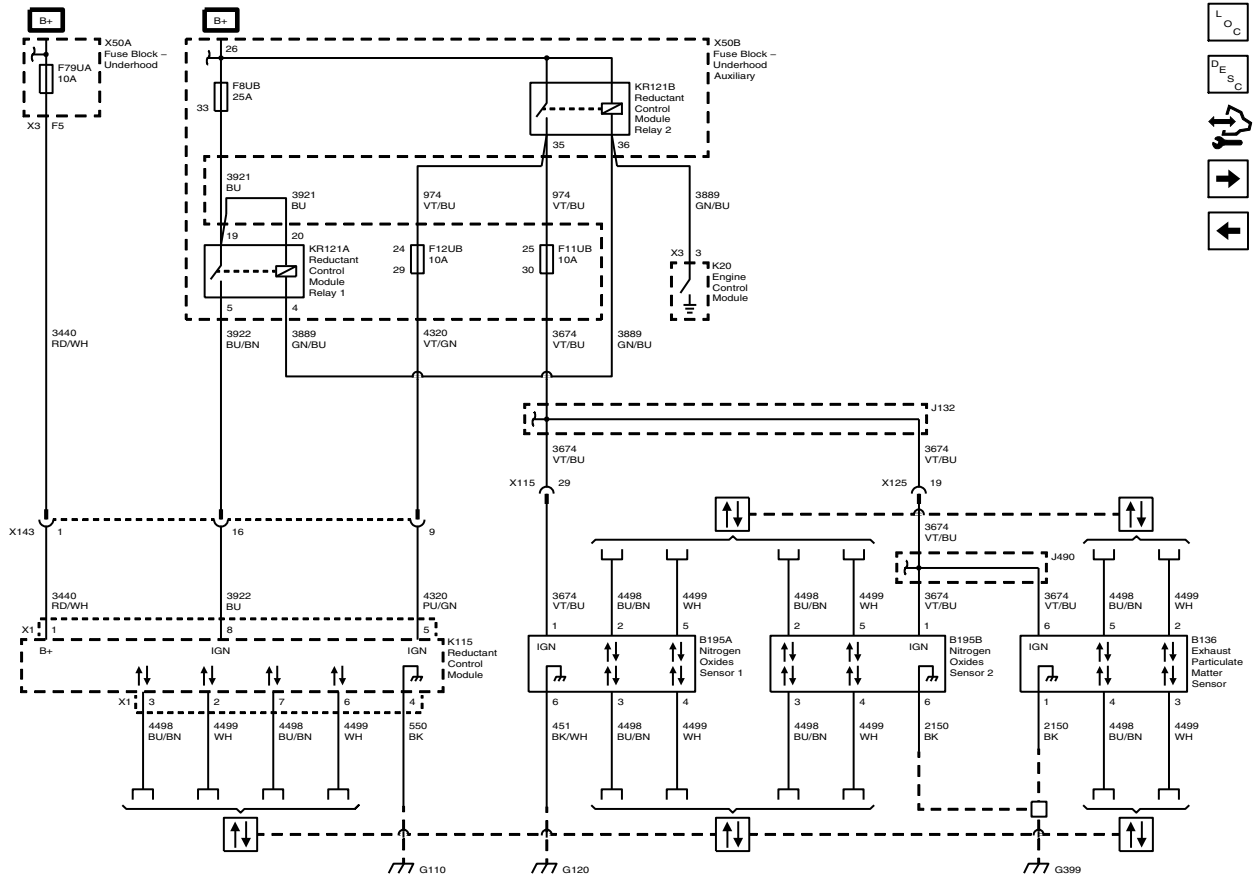
9.1. AFTERTREATMENT



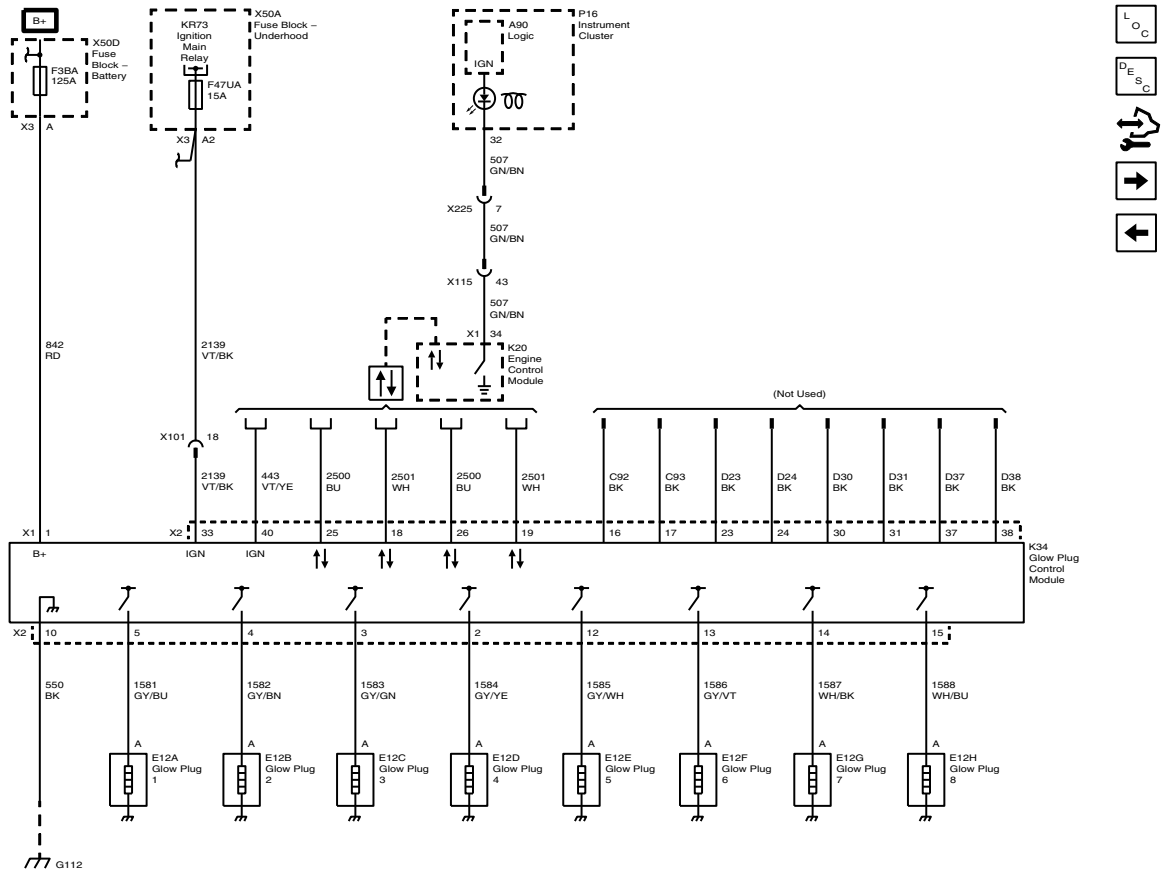
9.2. AFTERTREATMENT



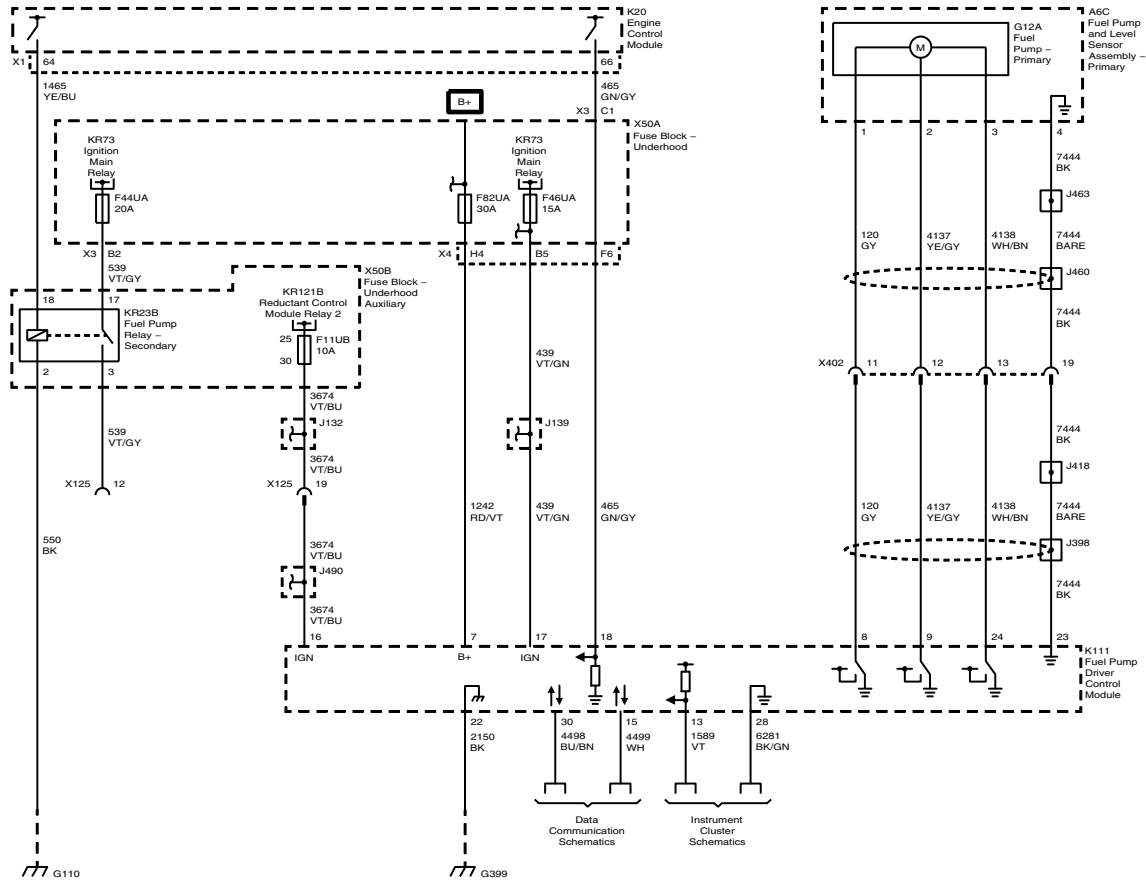
9.3. AFTERTREATMENT



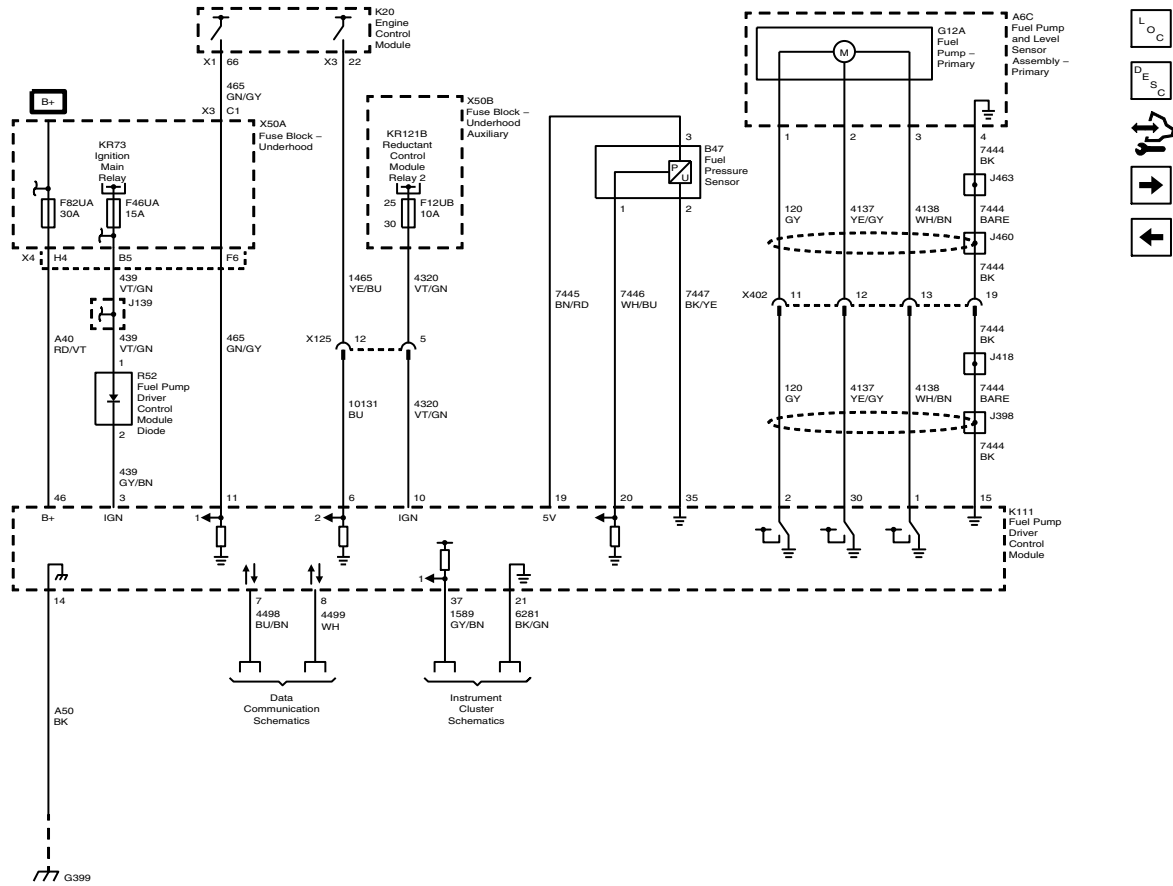
9.4. GLOW PLUGS



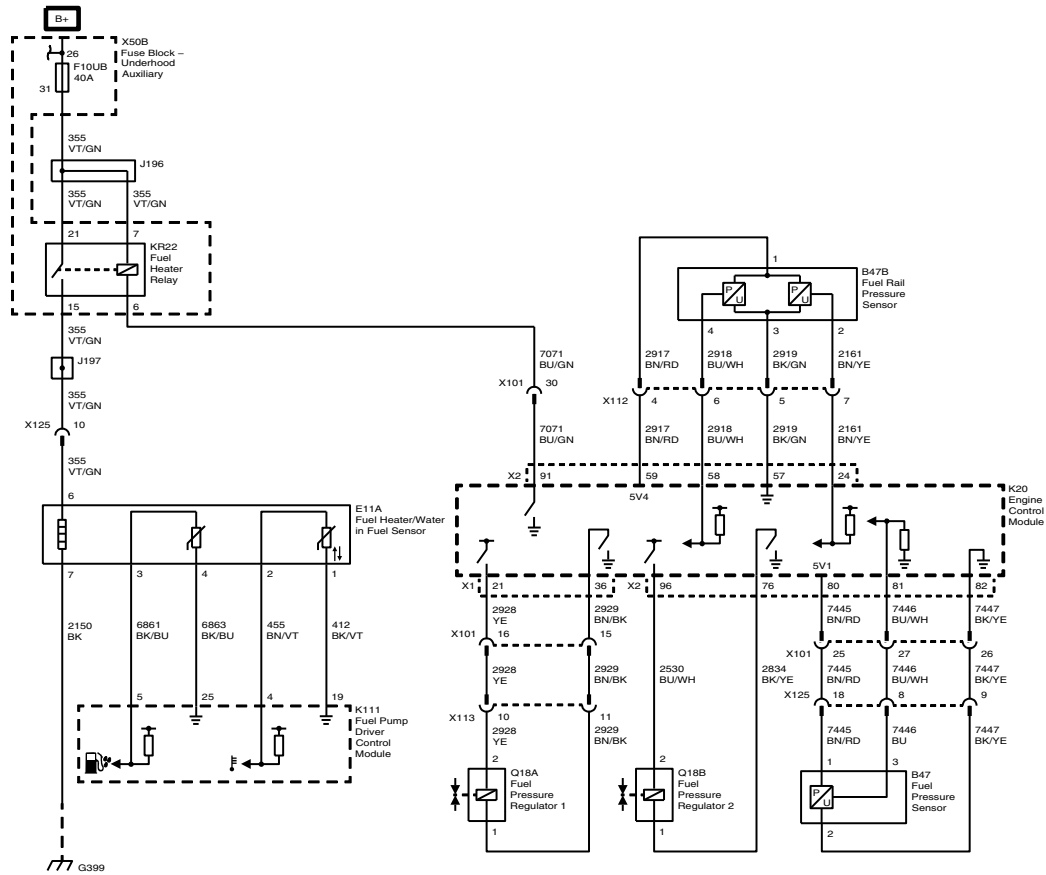
9.5. FUEL PUMP SINGLE TANK 40 GALLON (PRE-EPA 21)



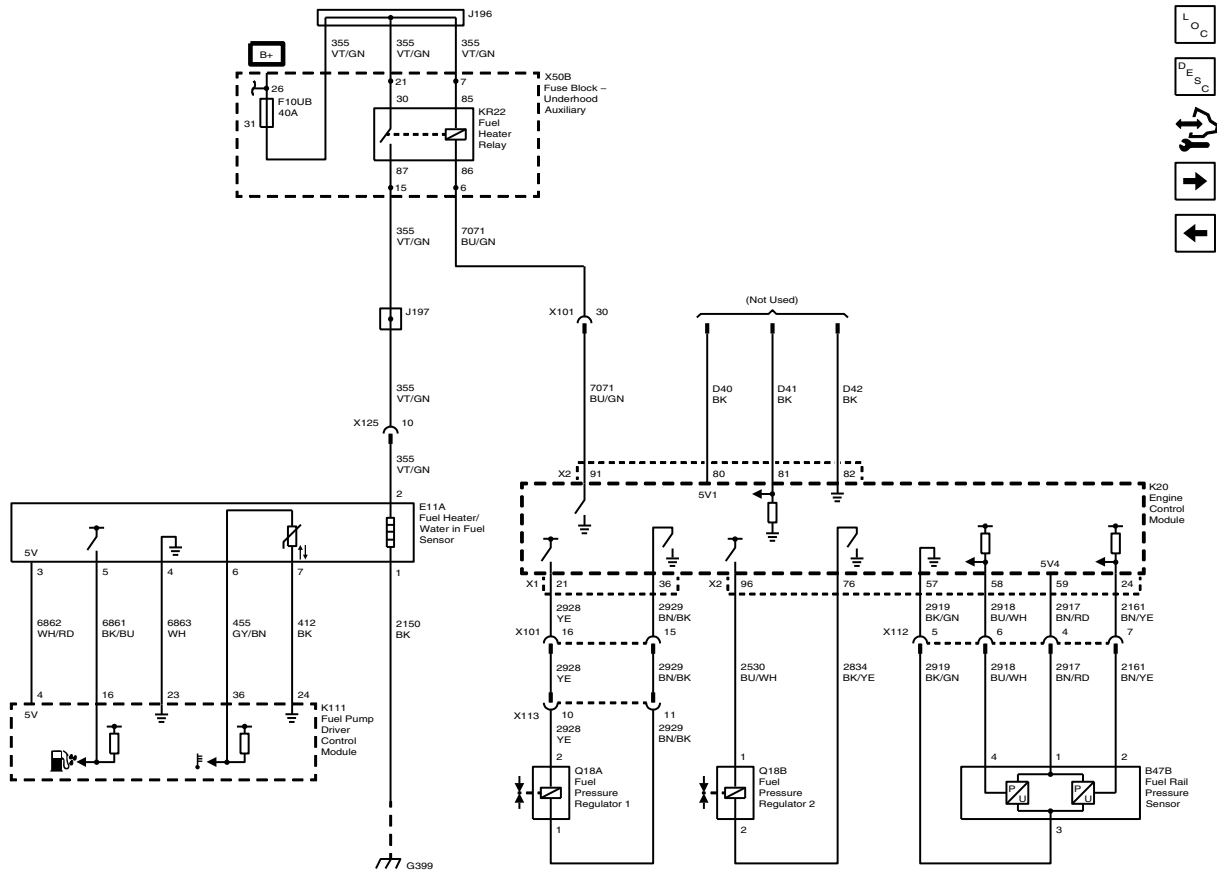
9.6. FUEL PUMP SINGLE TANK 40 GALLON (EPA 21)



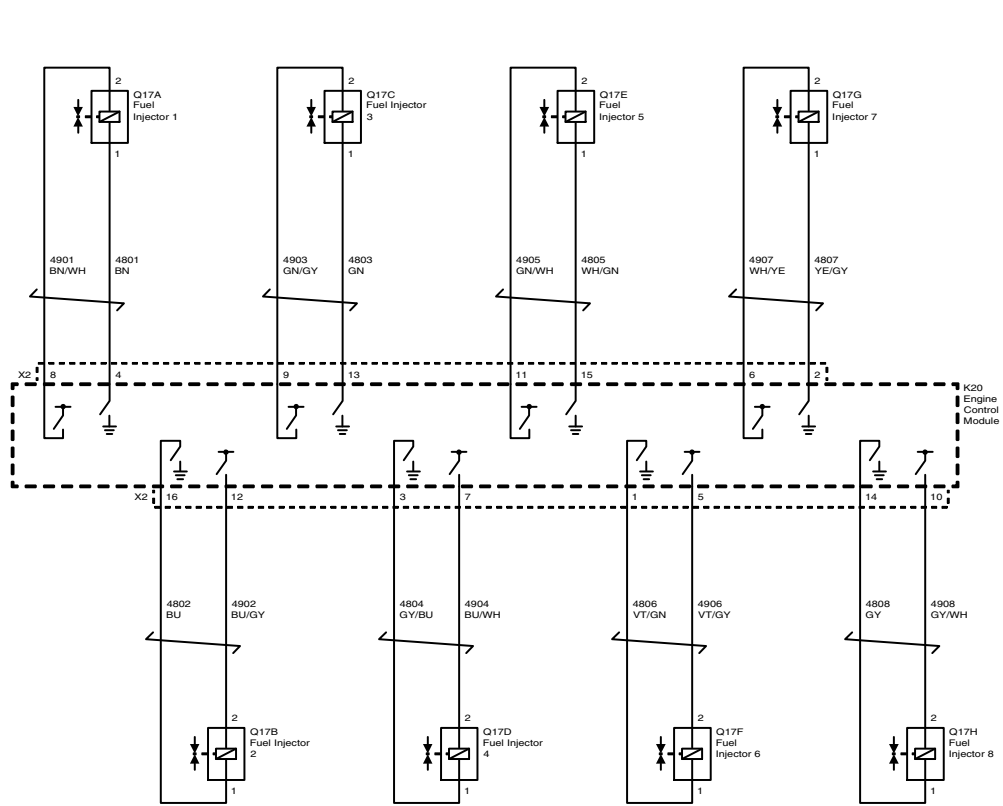
9.7. FUEL SYSTEM (PRE-EPA 21)



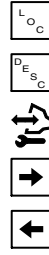
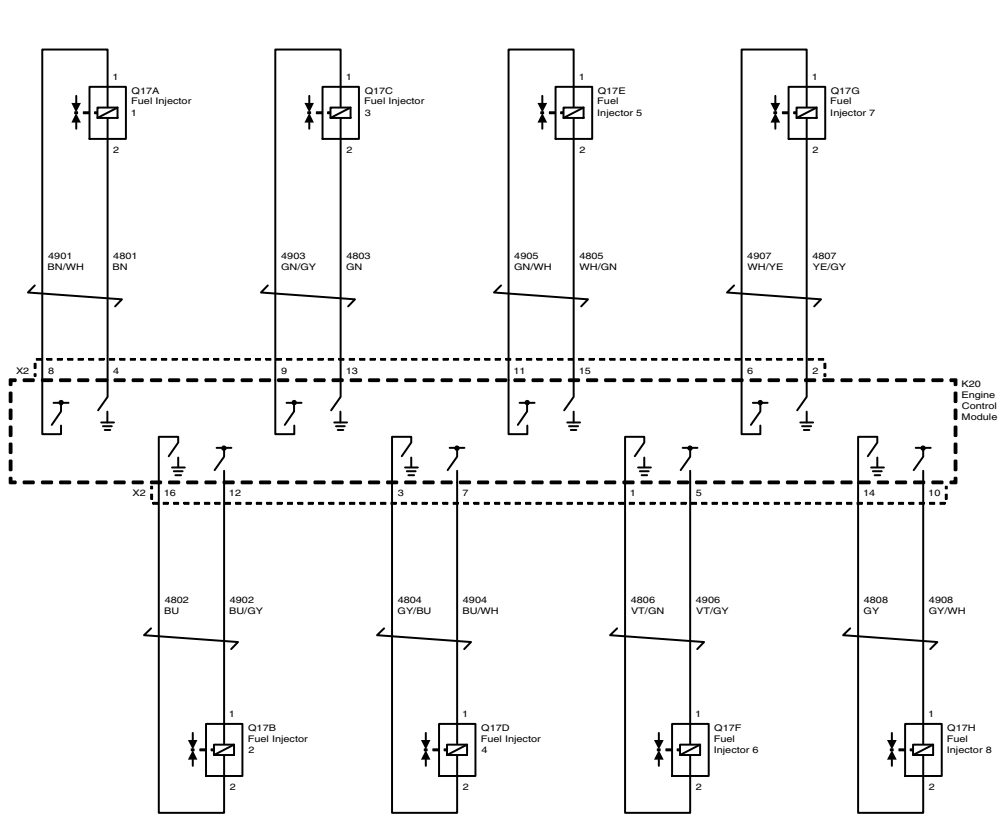
9.8. FUEL SYSTEM (EPA 21)



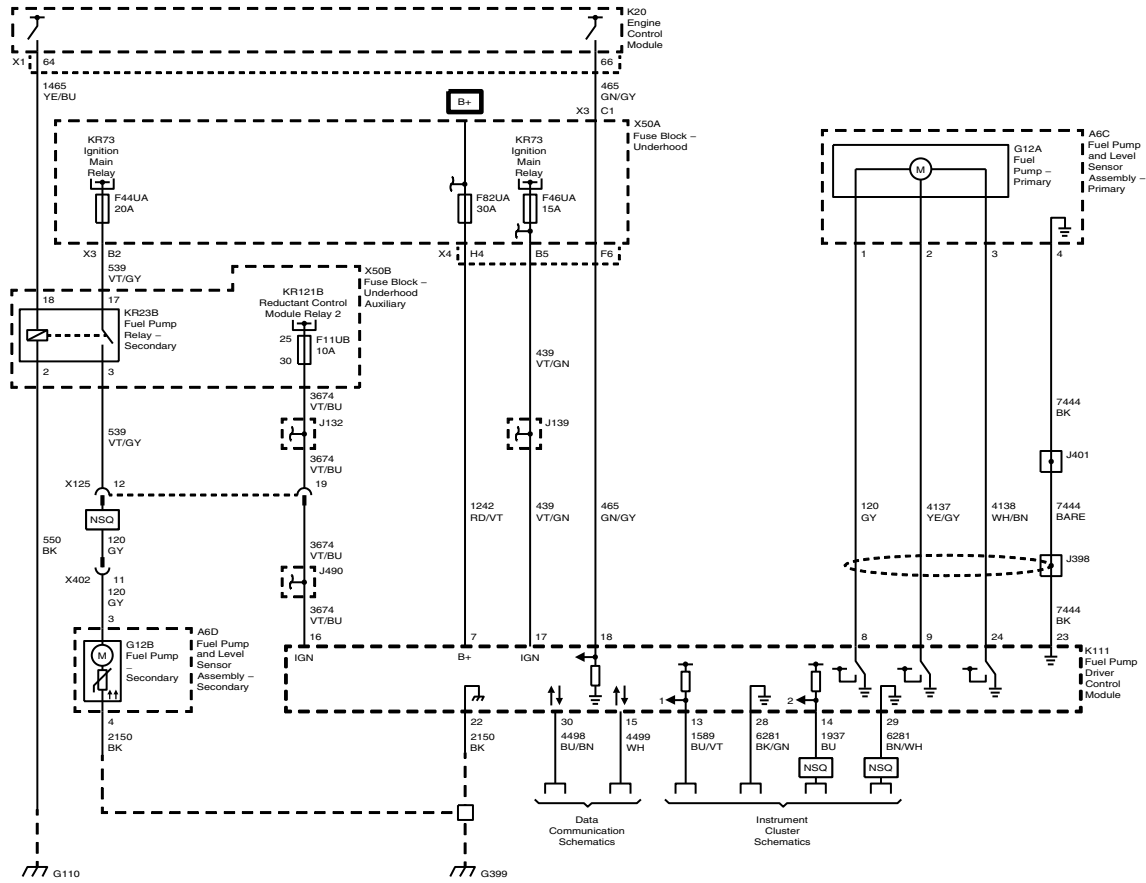
9.9. FUEL SYSTEM (EARLY)



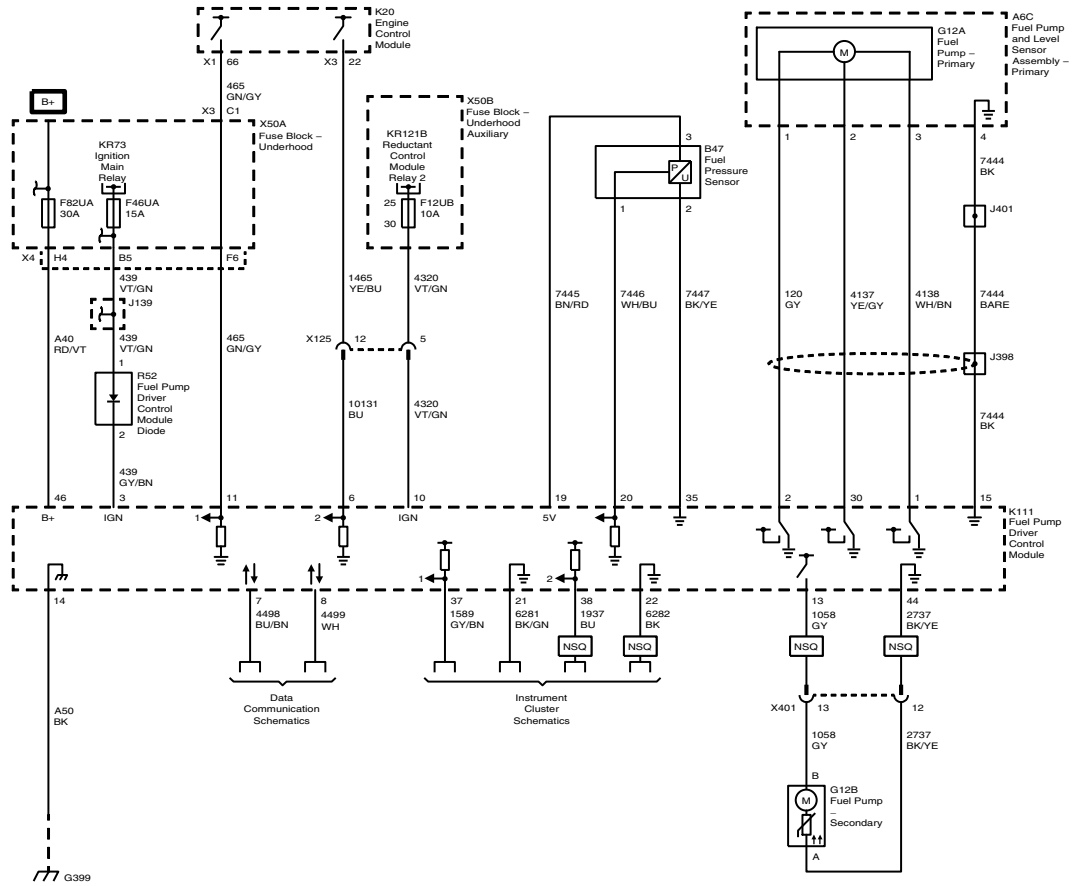
9.10. FUEL SYSTEM (LATE)



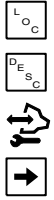
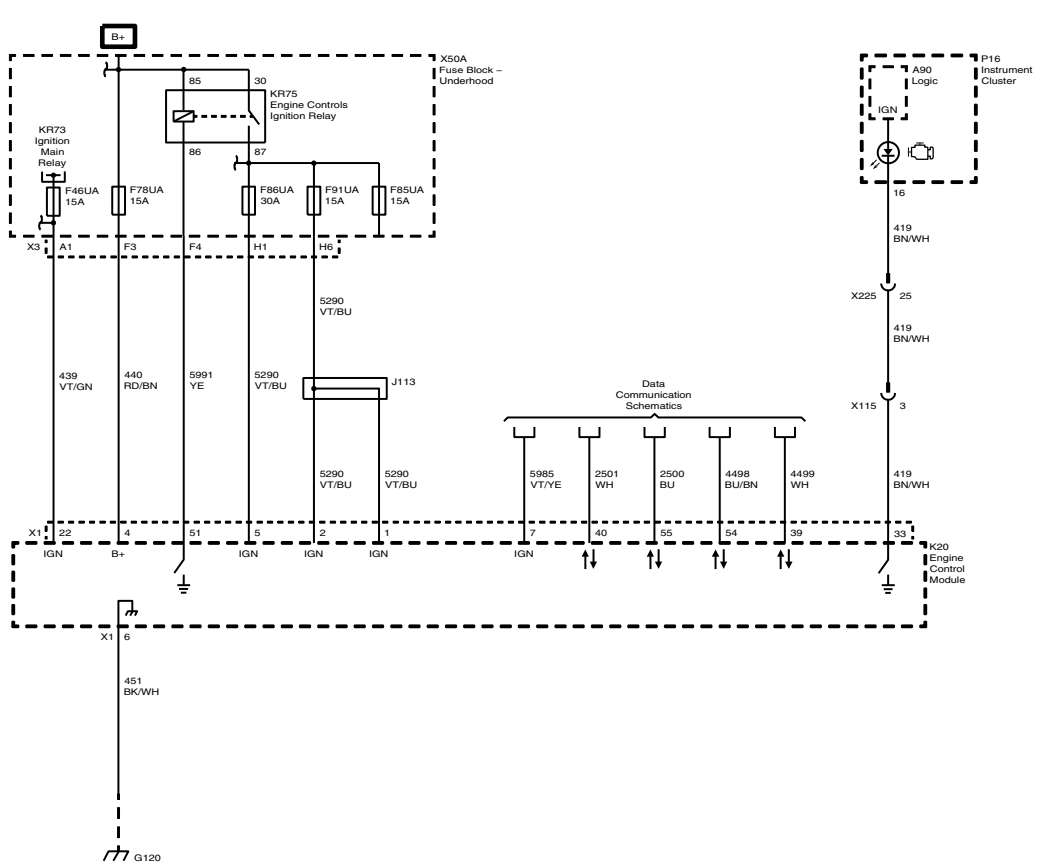
9.11. FUEL SYSTEM DUAL TANK (PRE-EPA 21)



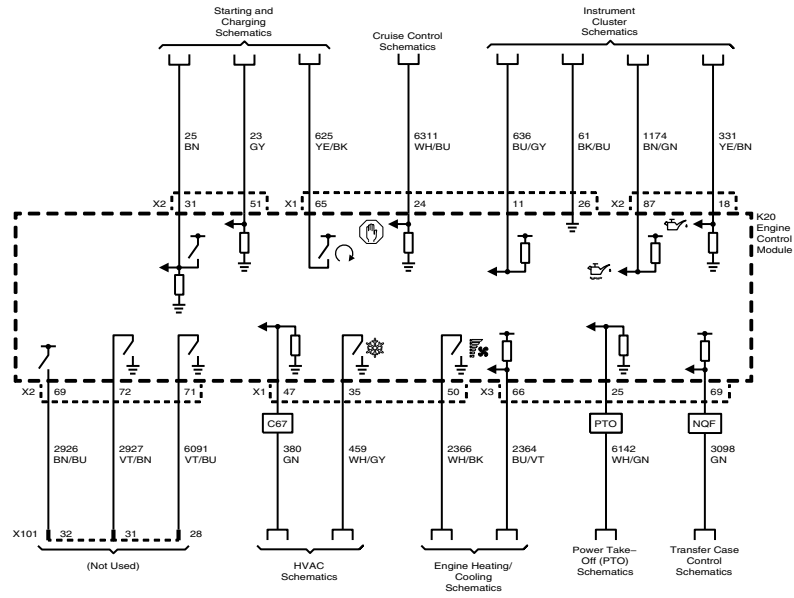
9.12. FUEL SYSTEM DUAL TANK (EPA 21)



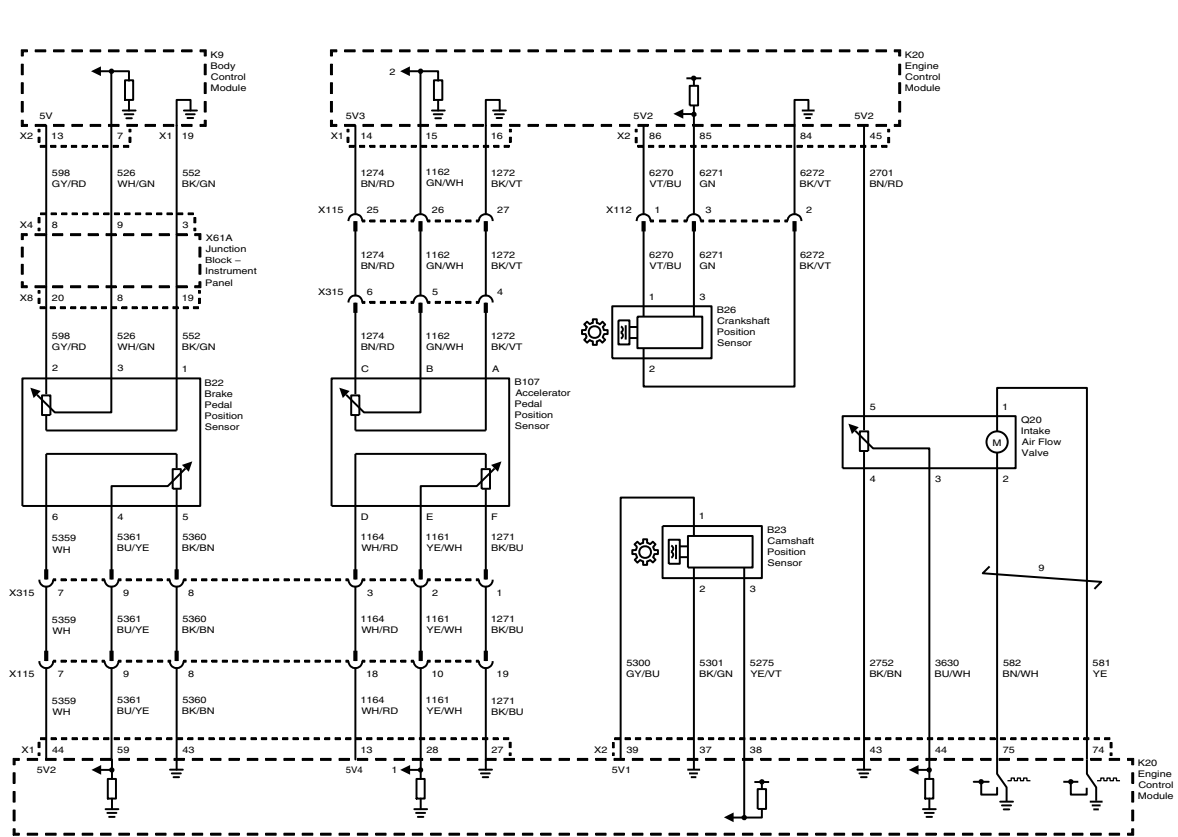
9.13. ENGINE CONTROL MODULE



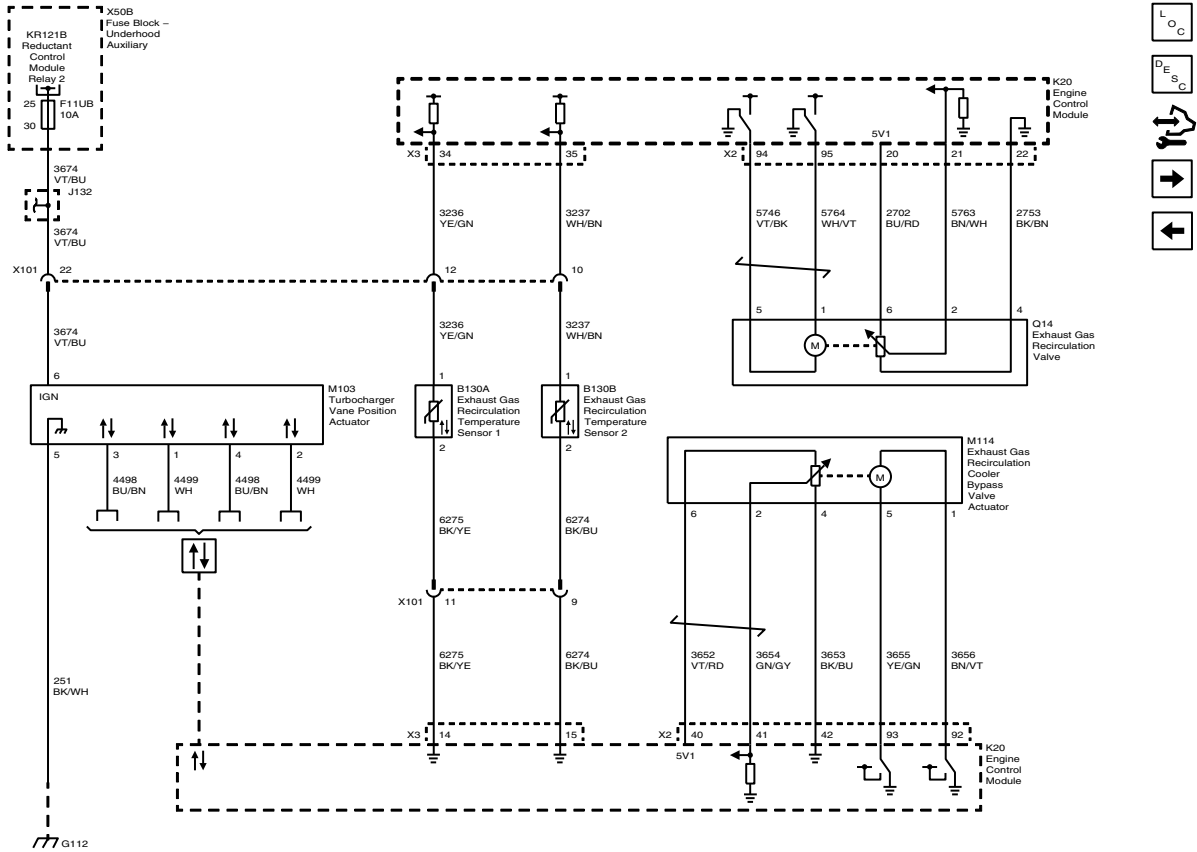
9.14. ENGINE CONTROL MODULE



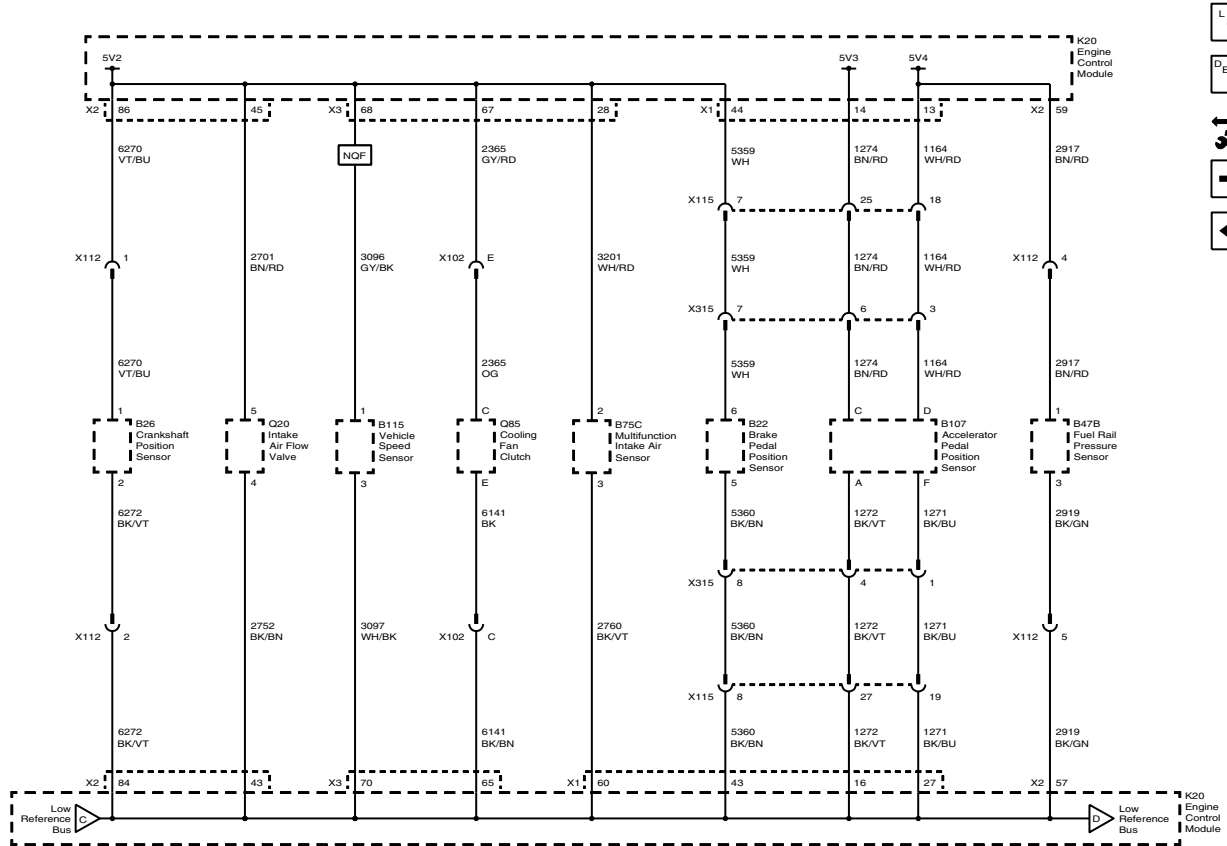
9.15. ENGINE CONTROLS



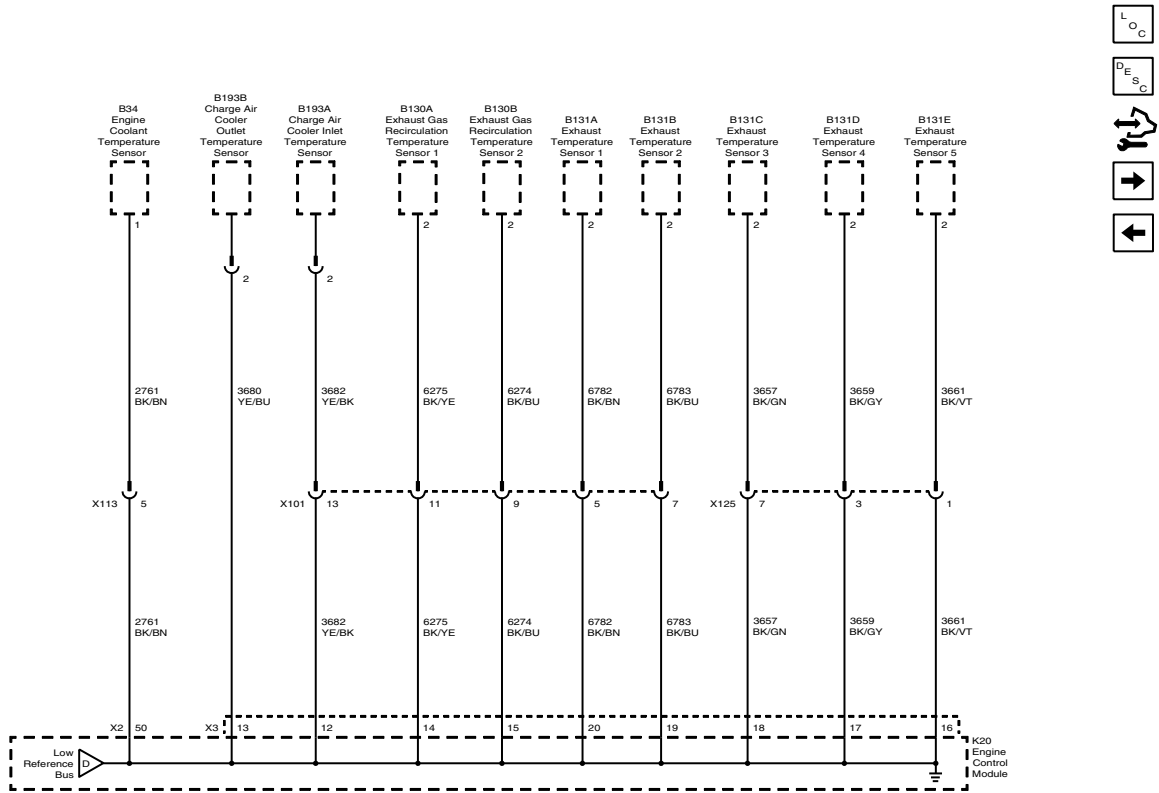
9.16. ENGINE CONTROLS



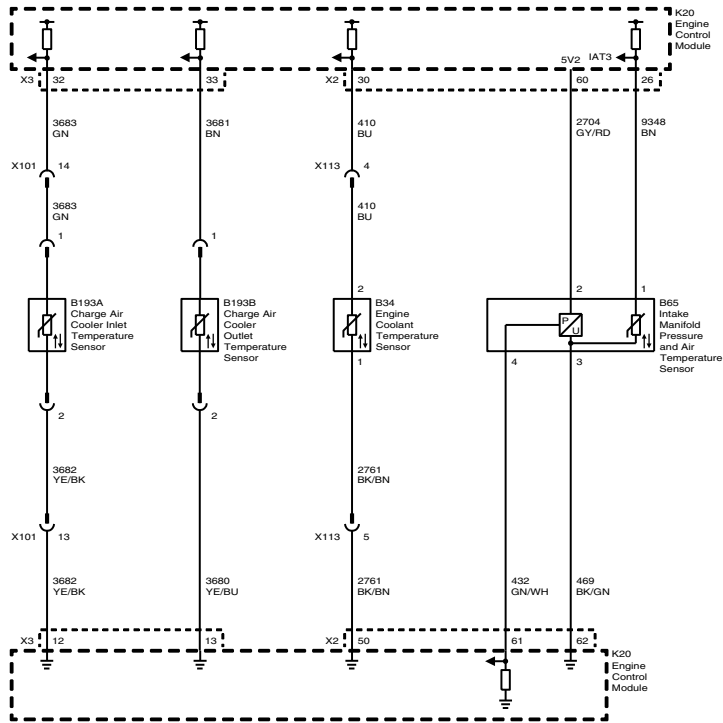
9.17. ENGINE CONTROLS



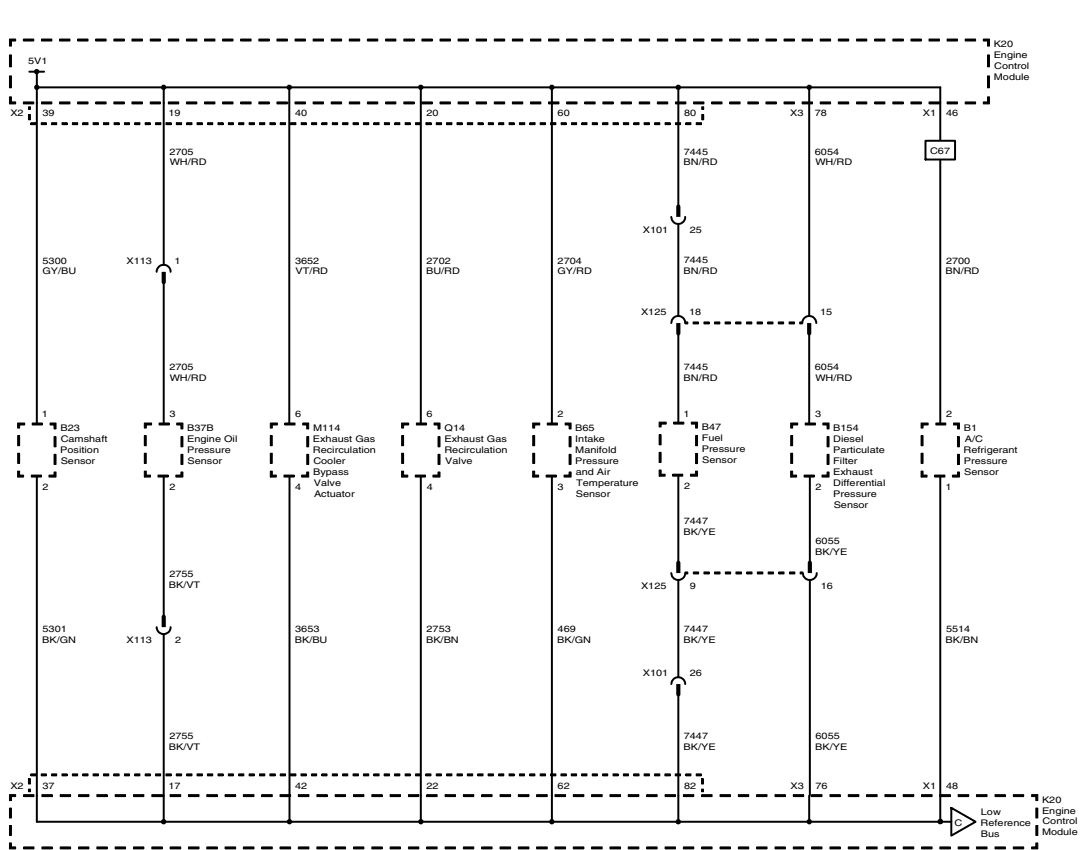
9.18. ENGINE CONTROLS



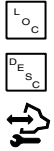
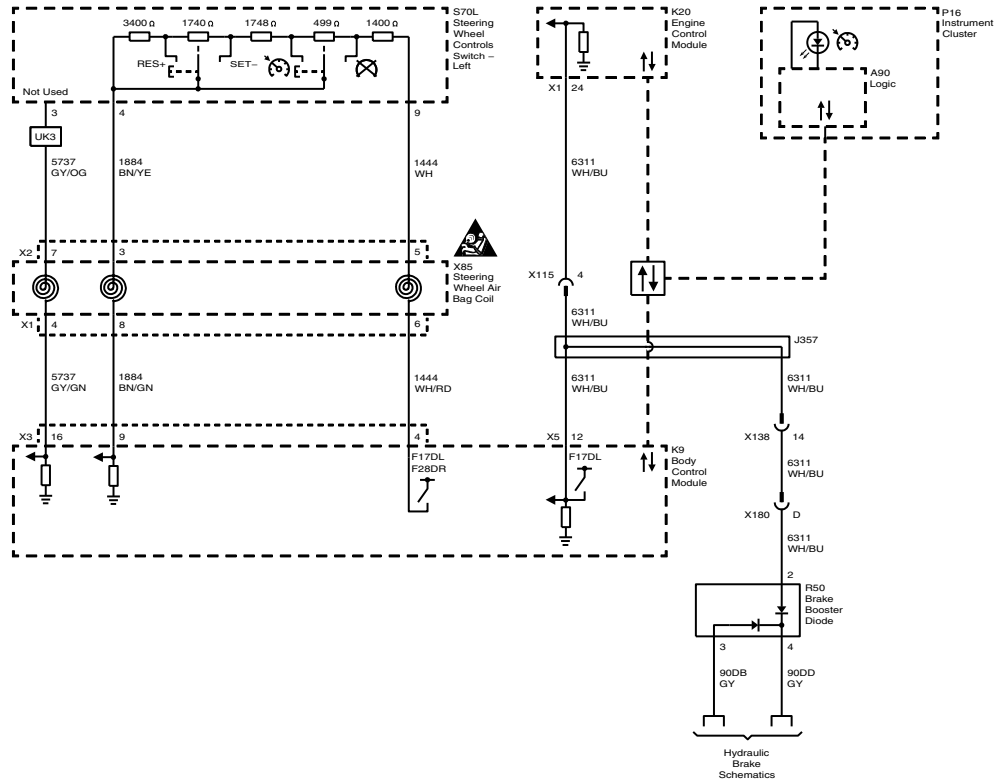
9.19. ENGINE CONTROLS



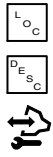
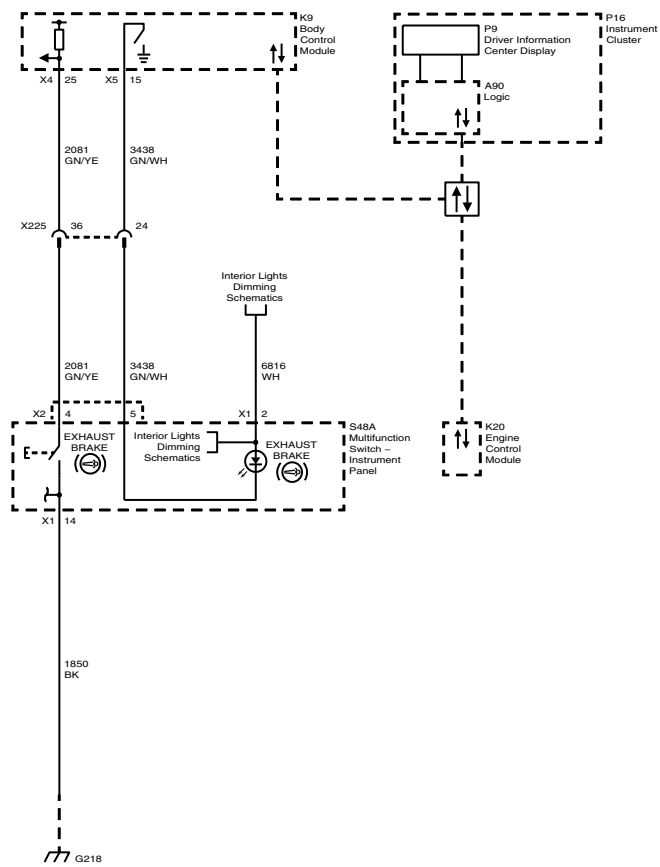
9.20. ENGINE CONTROLS



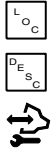
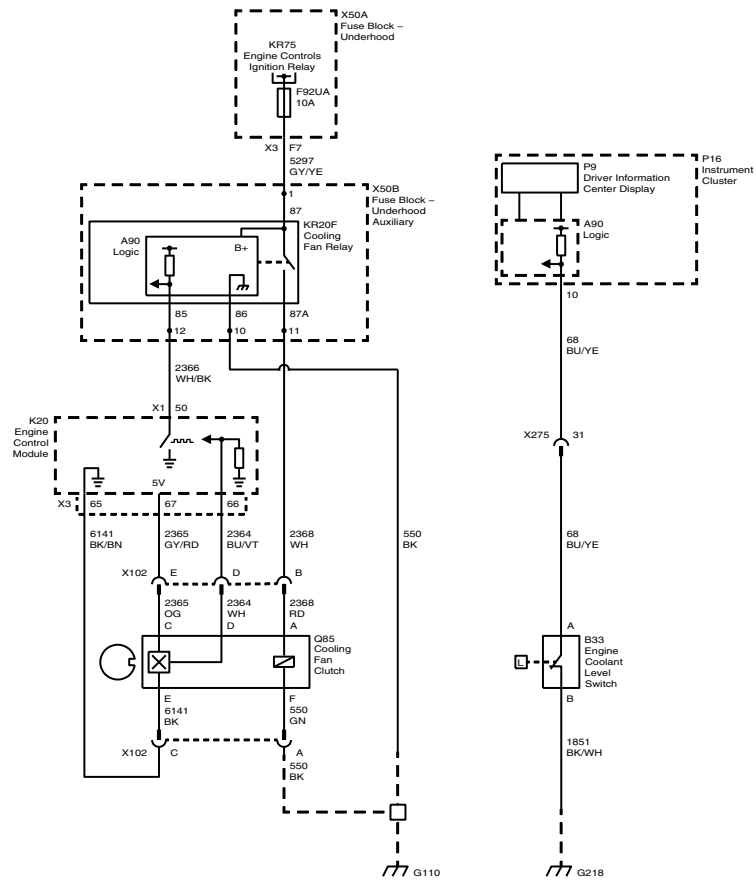
9.21. CRUISE CONTROL



9.22. EXHAUST BRAKE (0592K40)

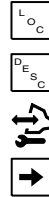
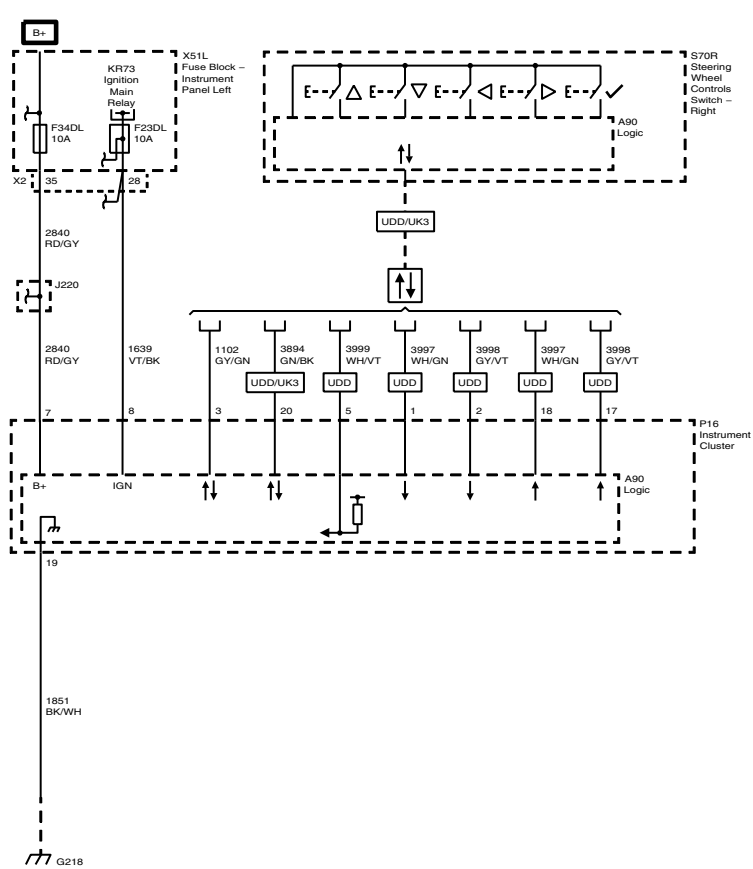


9.23. COOLING FAN

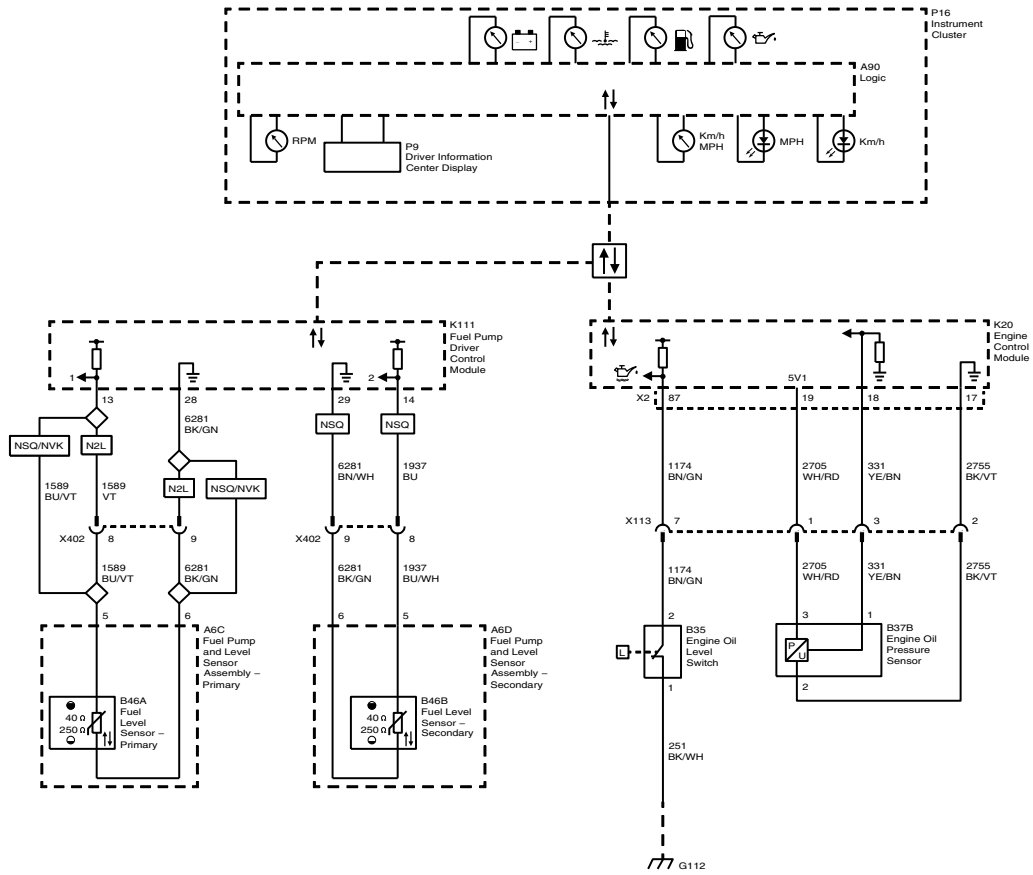


GAUGES AND WARNINGS

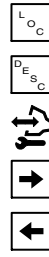
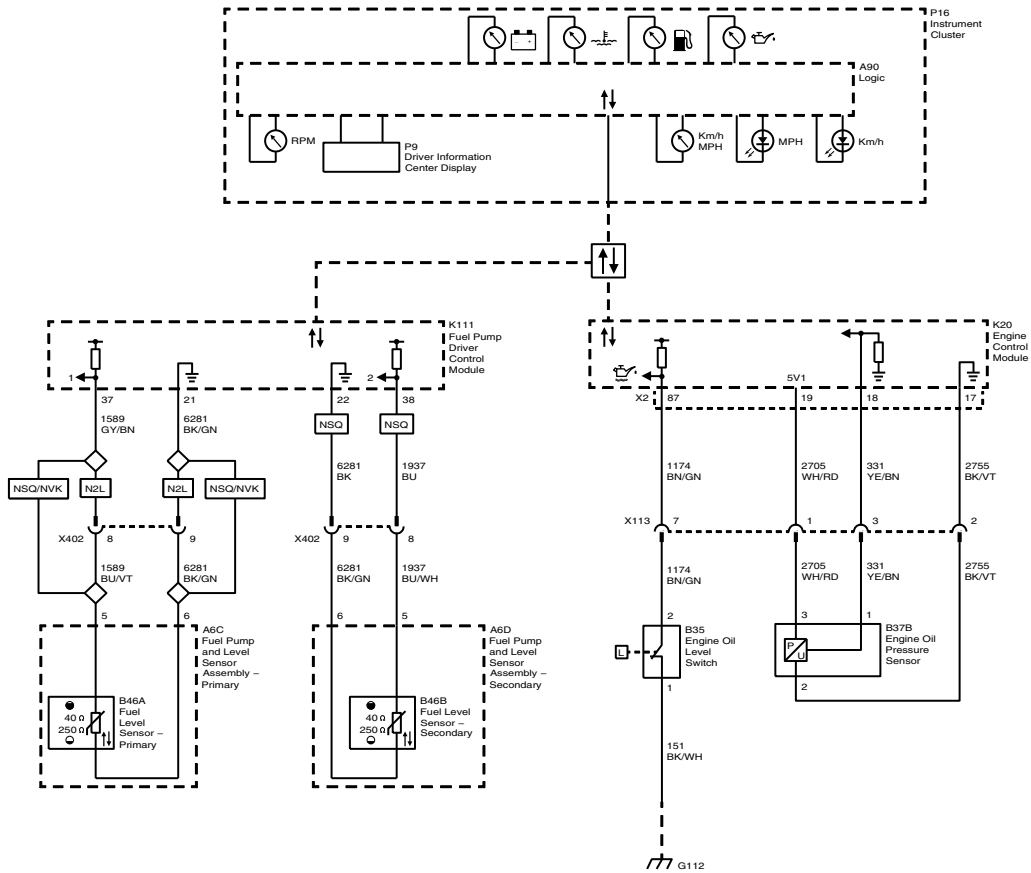
10.1. GAUGE CLUSTER – STEERING WHEEL SWITCHES.



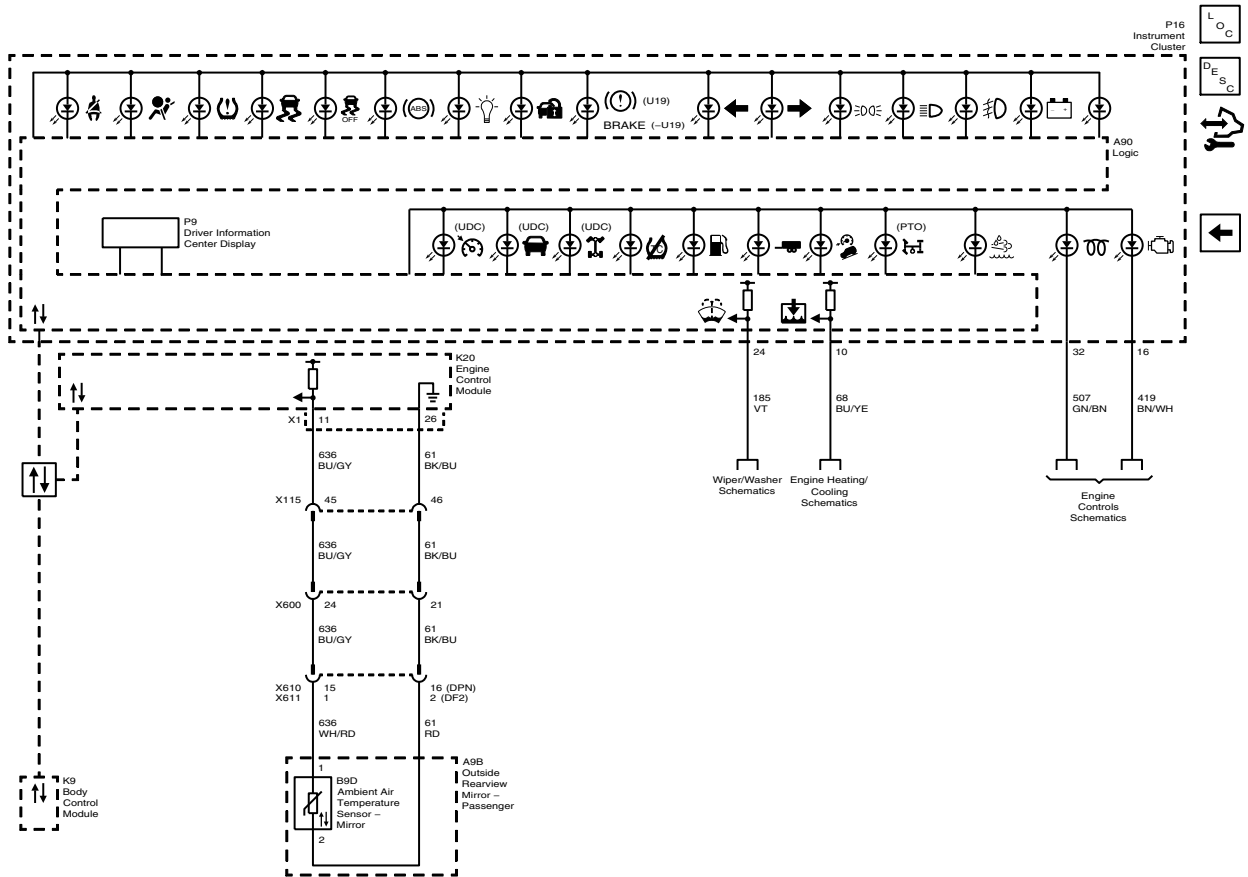
10.2. GAUGE CLUSTER (PRE-EPA 21)



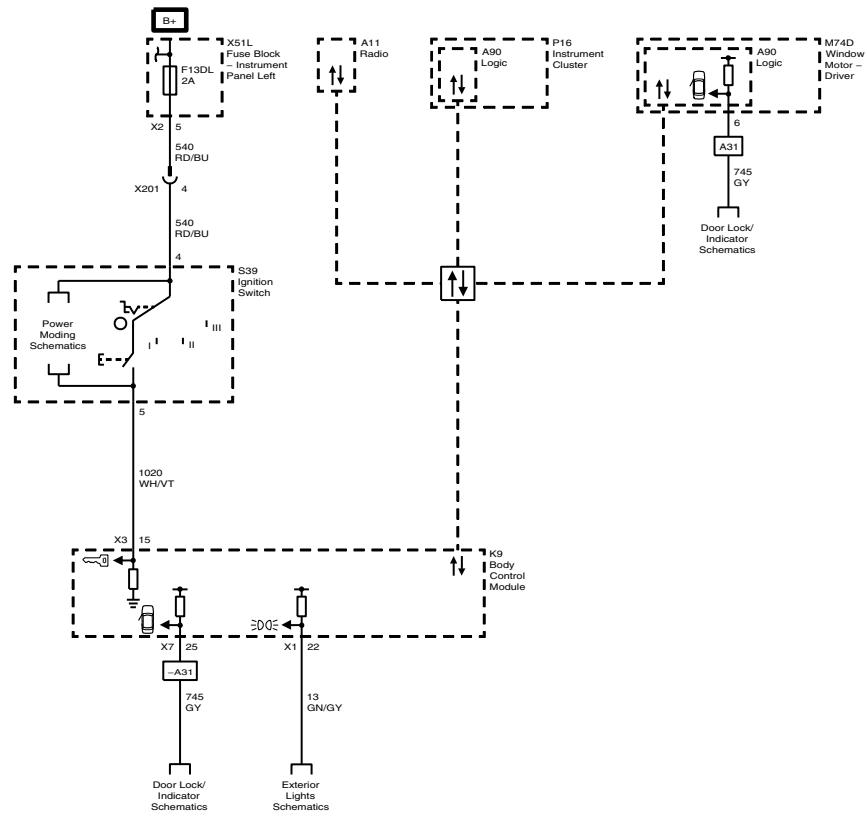
10.3. GAUGE CLUSTER (EPA 21)



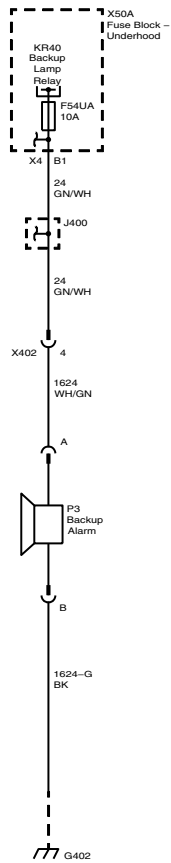
10.4. GAUGE CLUSTER – WARNING LIGHTS



10.5. GAUGE CLUSTER – BCM INTERFACE

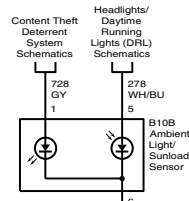
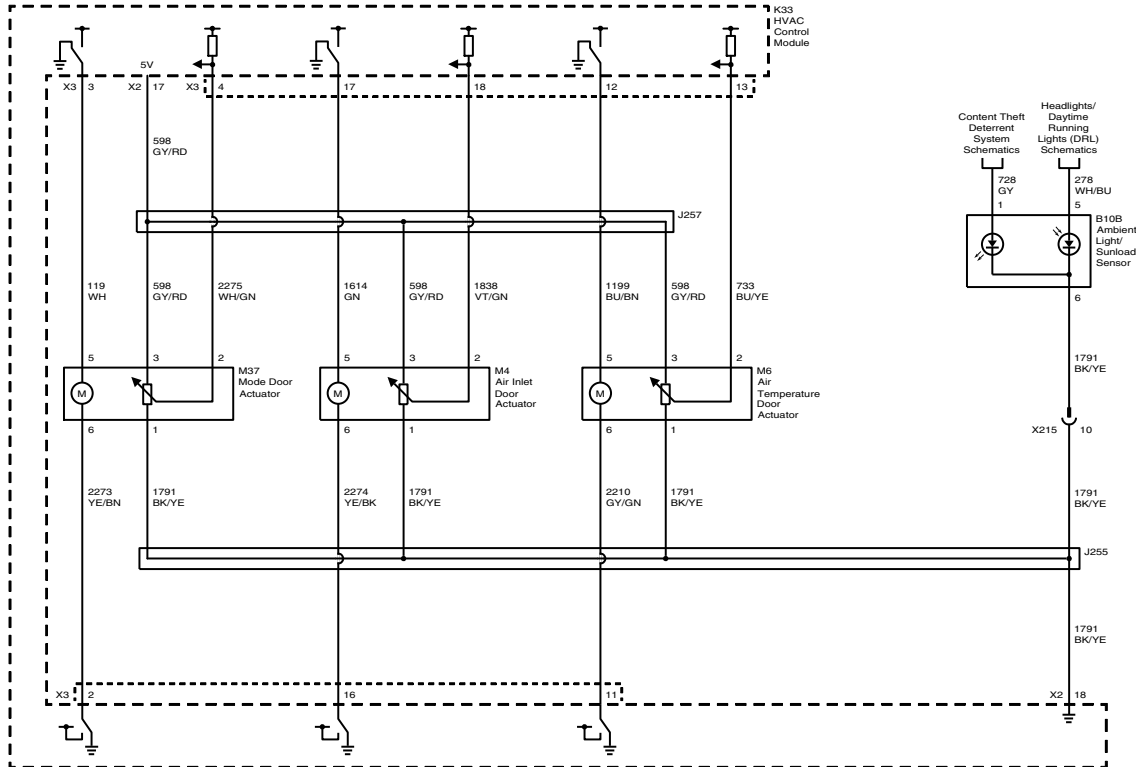


10.6. BACK UP ALARM (FEATURE CODE 0008THB)



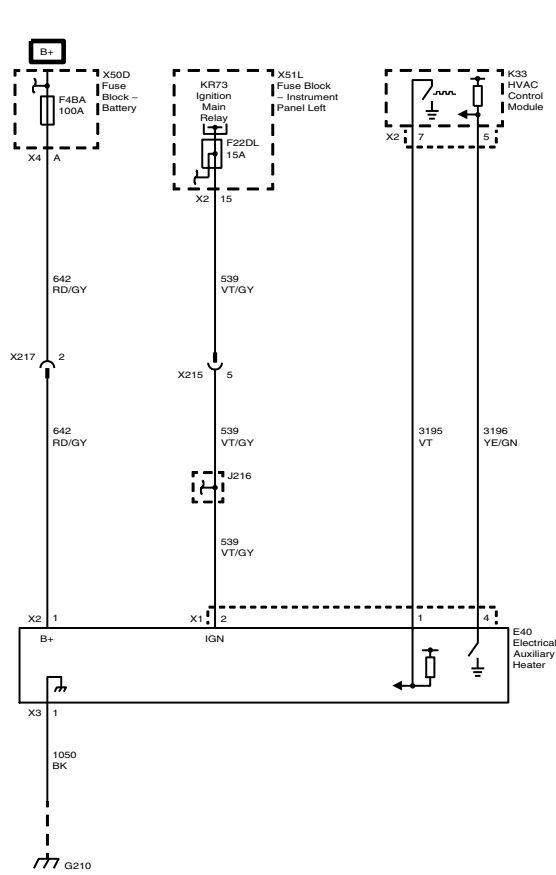
HVAC

11.1. HVAC UNIT ACTUATORS

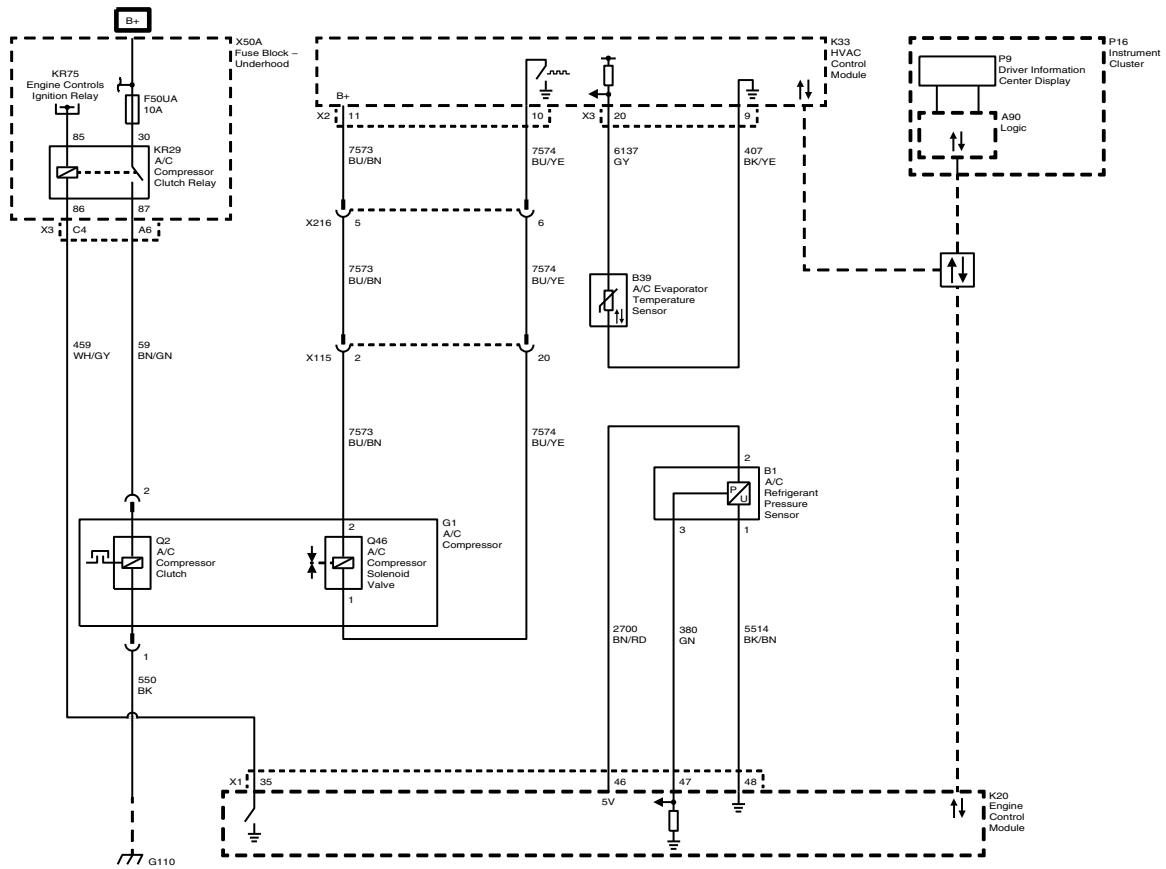


-
-
-
-
-

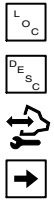
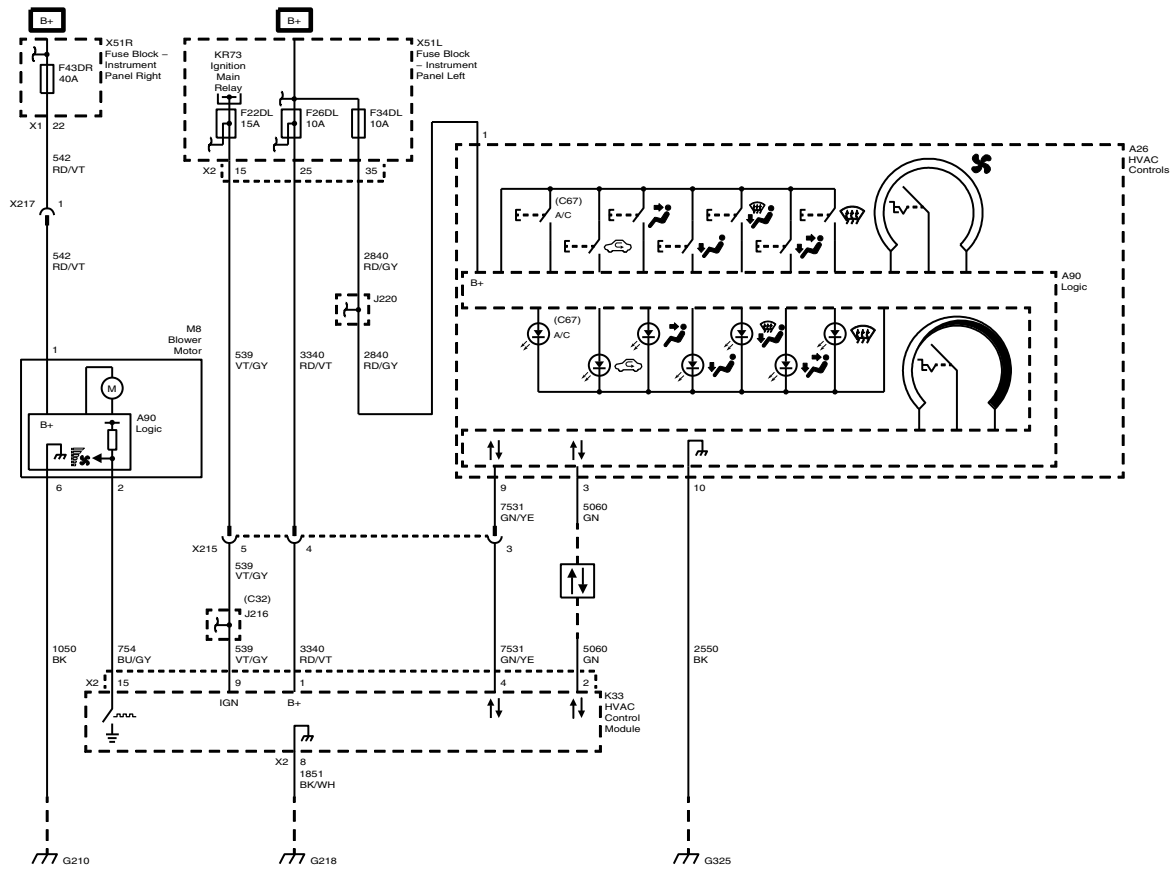
11.2. HVAC AUXILIARY HEATER



11.3. HVAC SYSTEM – COMPRESSOR AND REFRIGERANT SENSORS

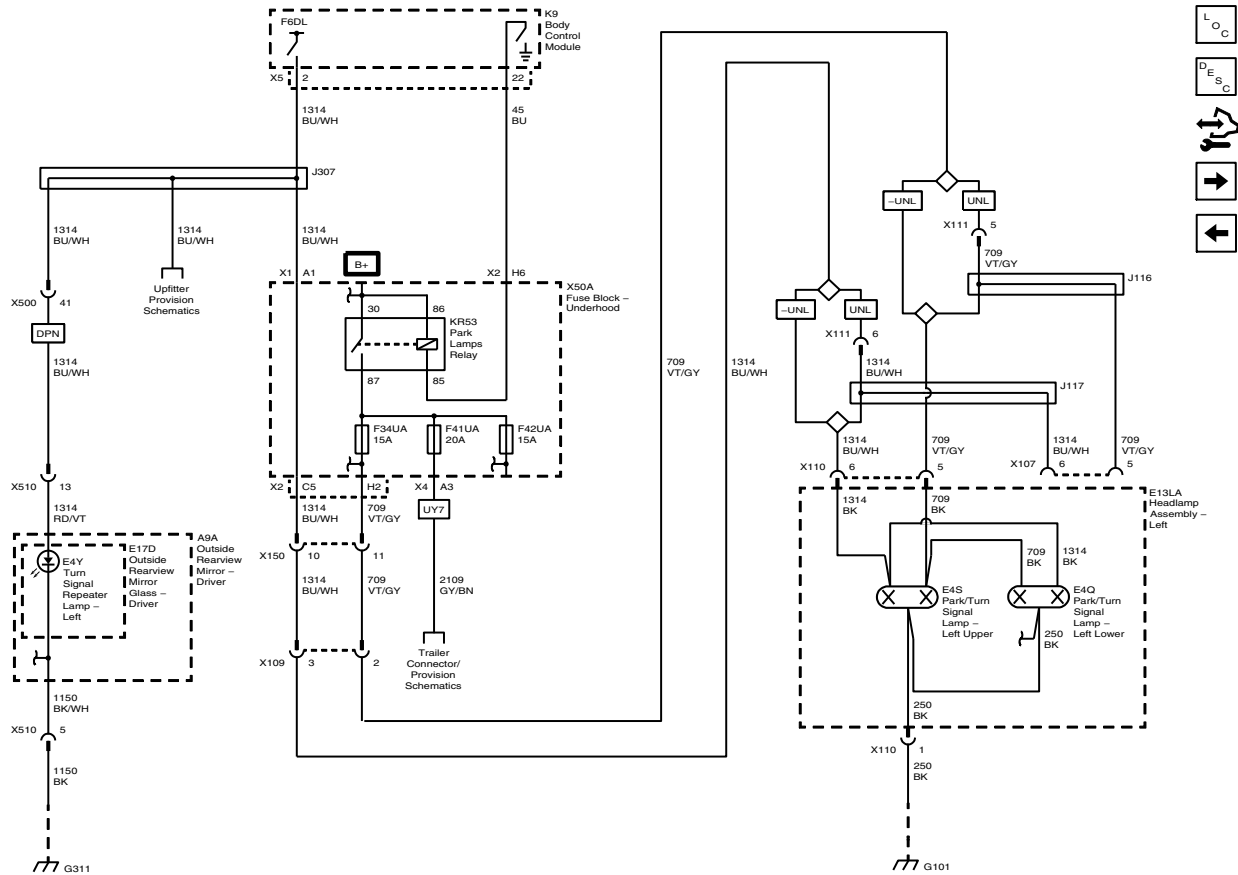


11.4. HVAC CONTROLS

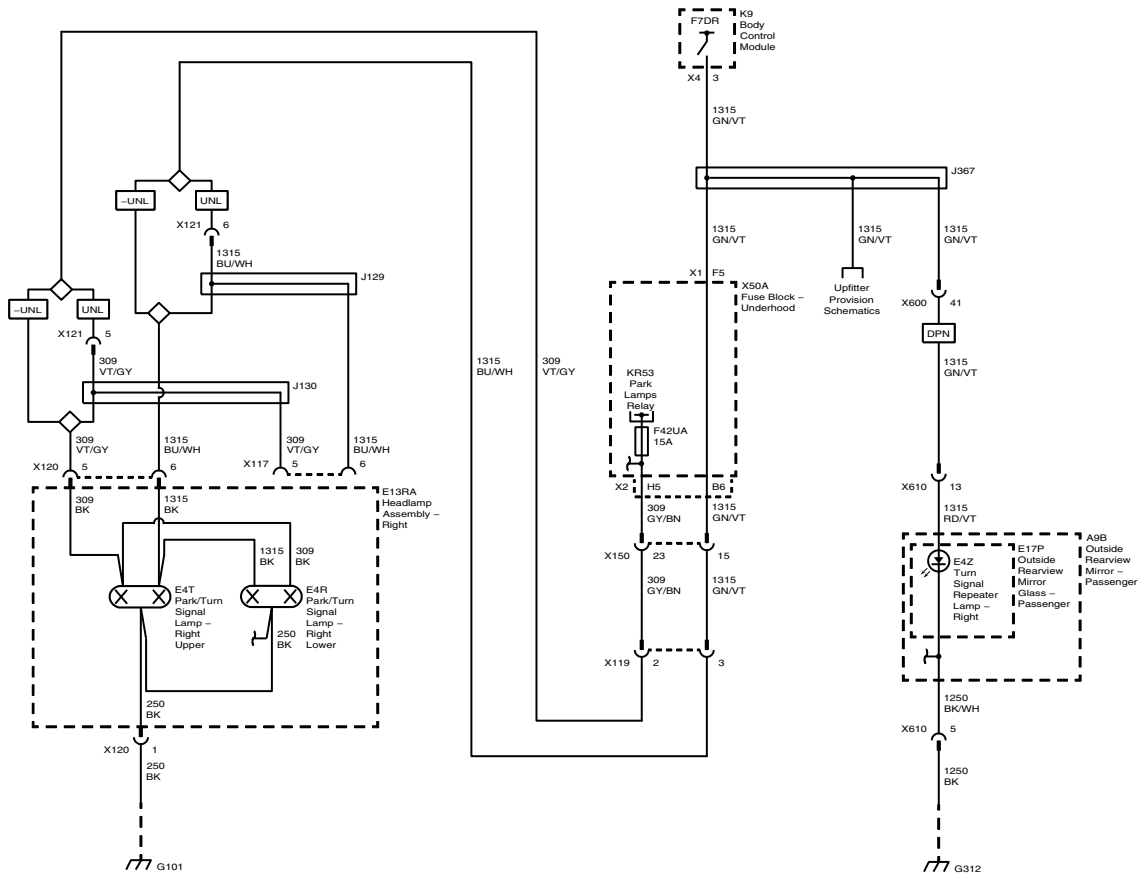


LIGHTING SYSTEM

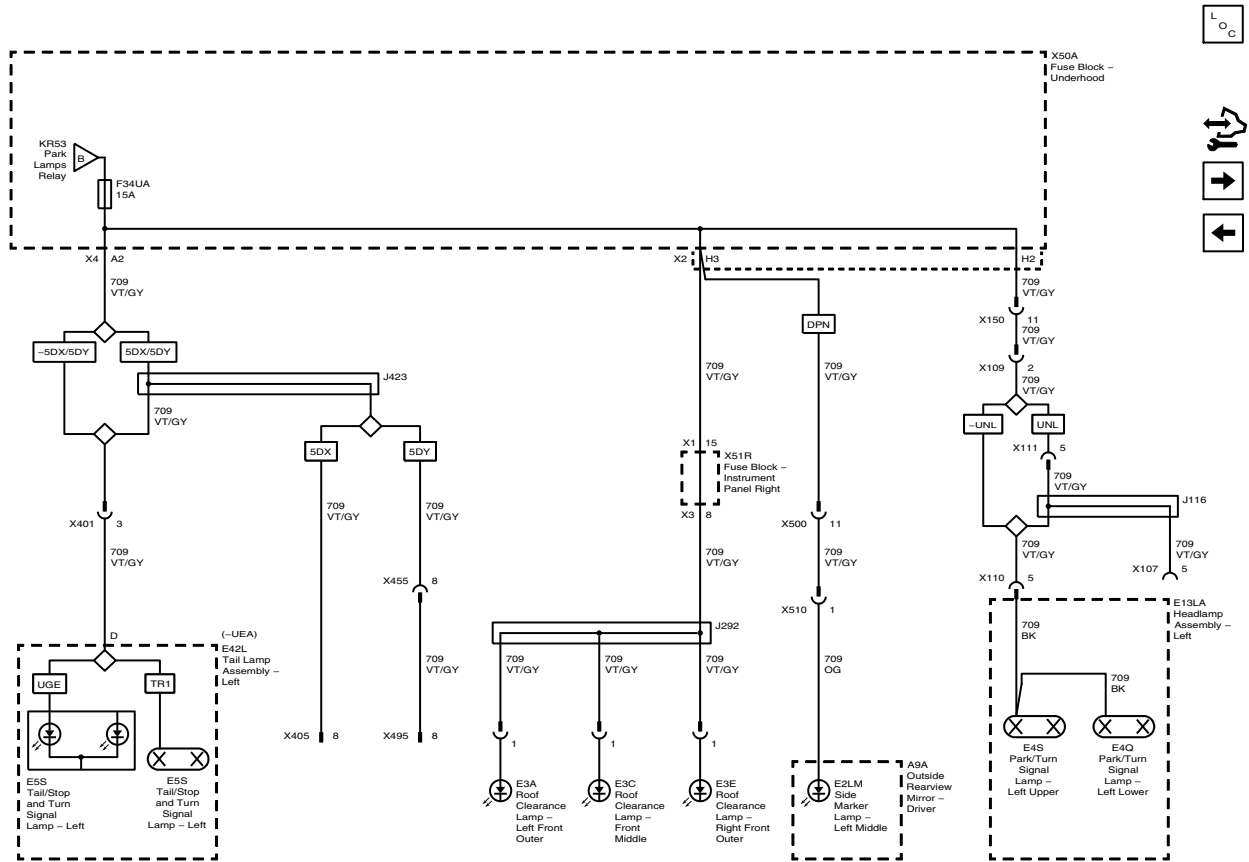
12.1. DRIVER SIDE PARK AND MARKER LIGHTS



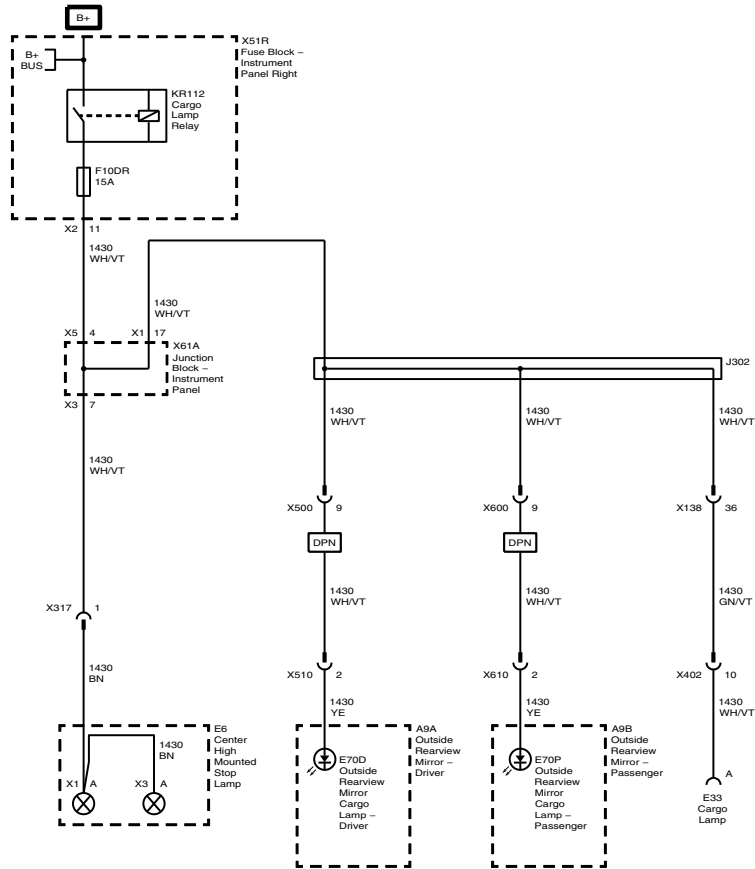
12.2. PASSENGER SIDE PARK AND MARKER LIGHTS



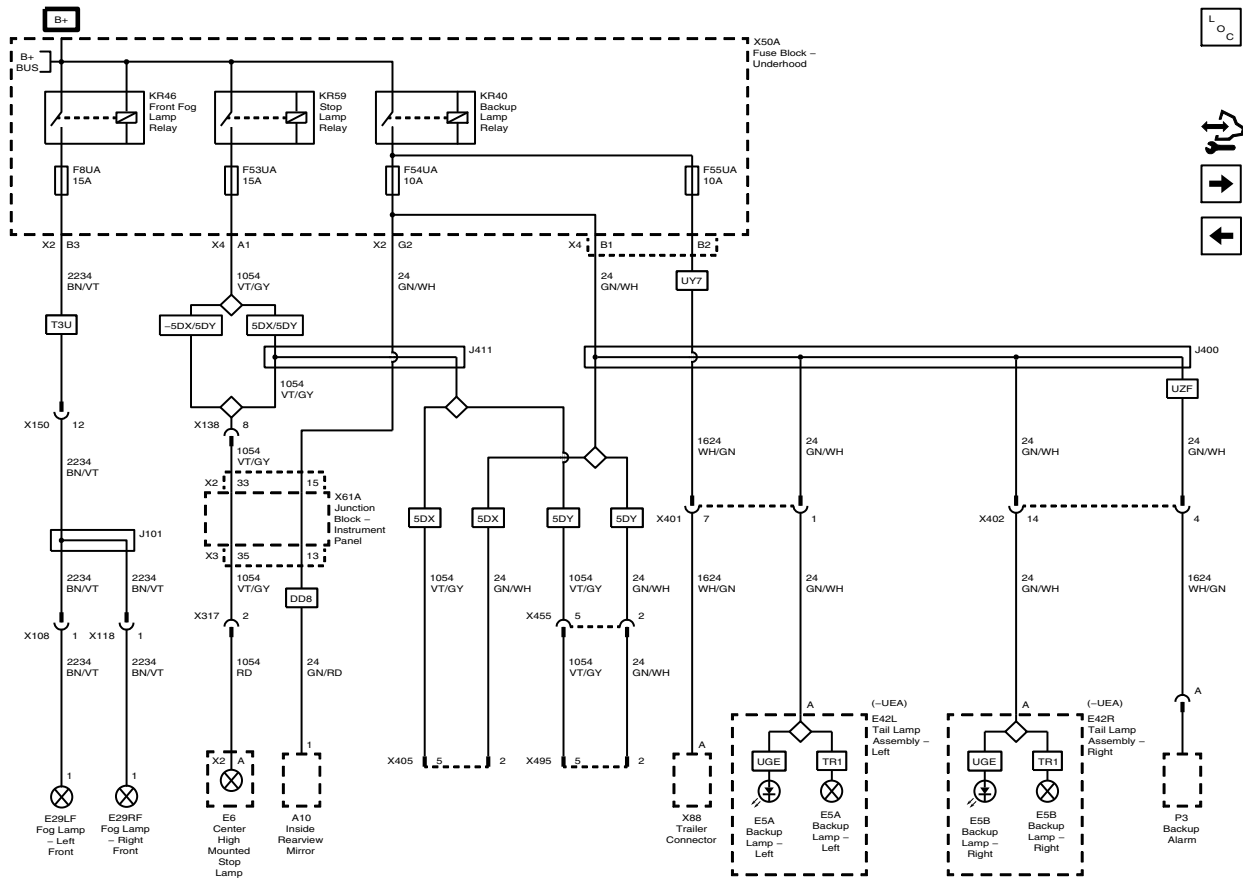
12.3. PARK / MARKER LIGHTING



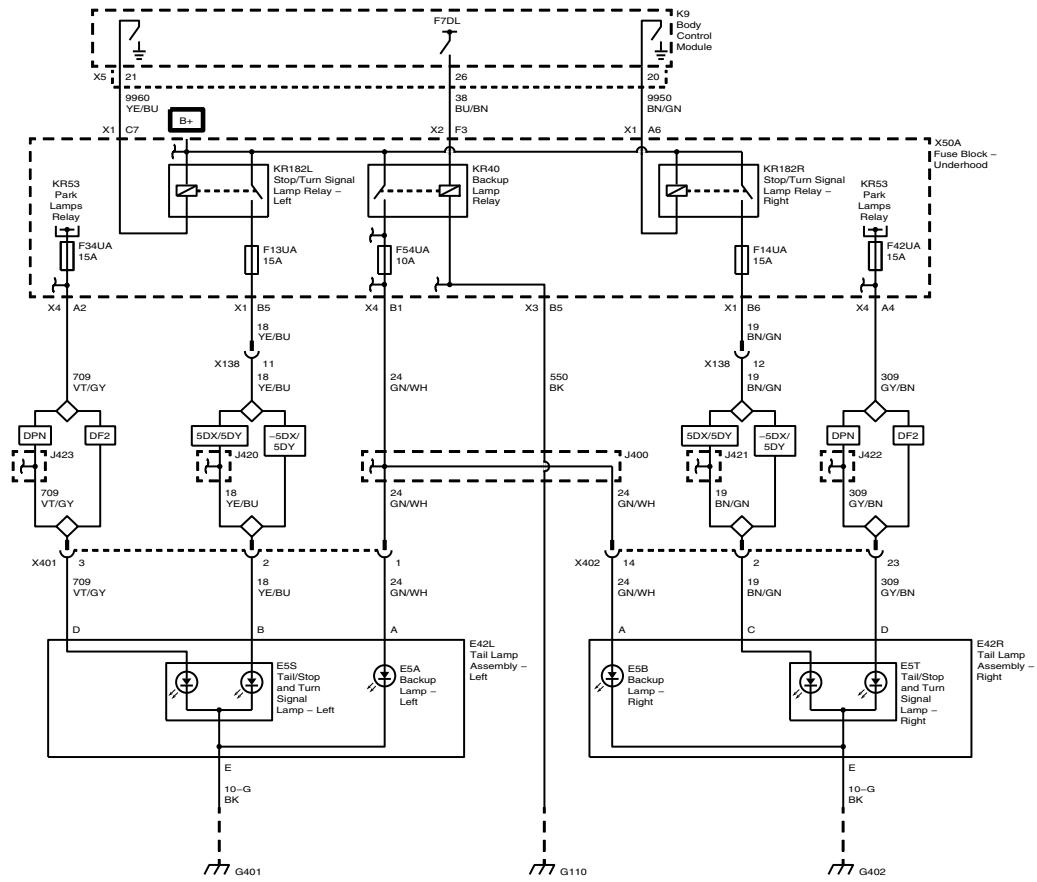
12.4. CARGO LIGHTS



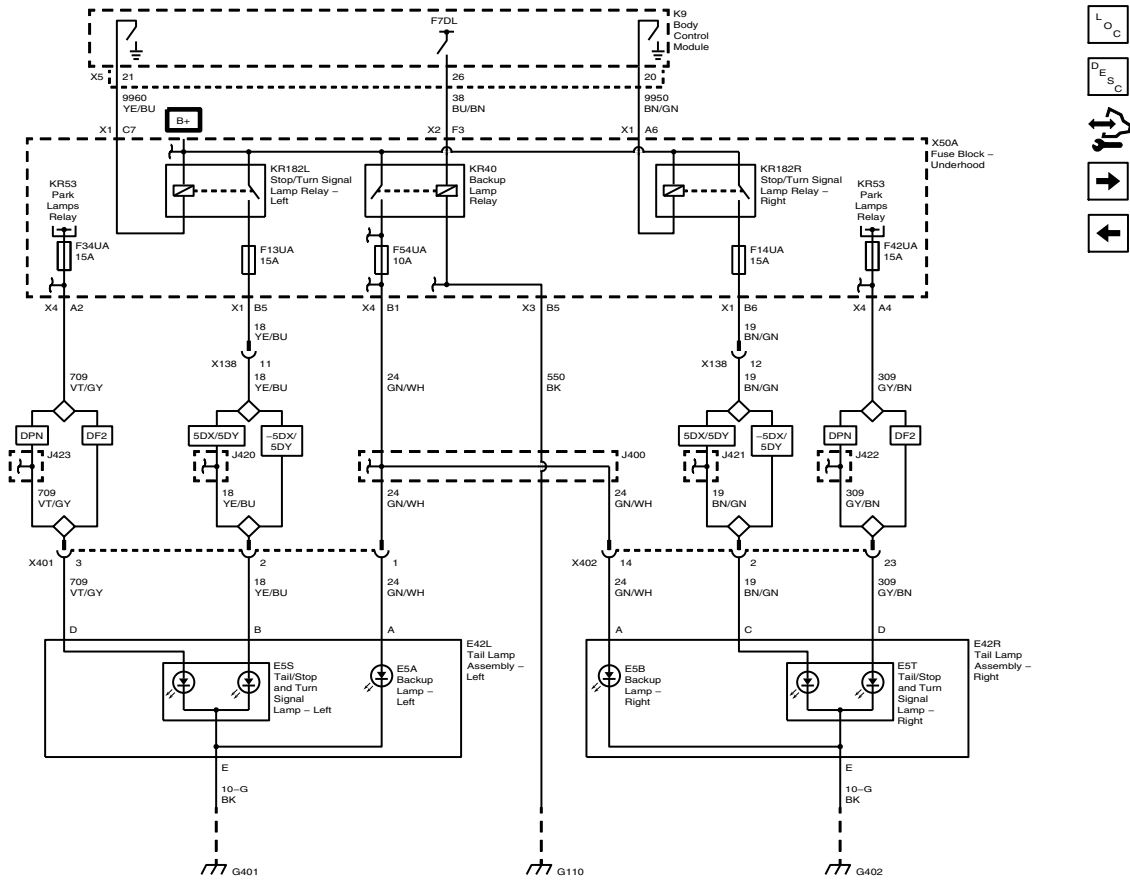
12.5. TAIL LIGHTS



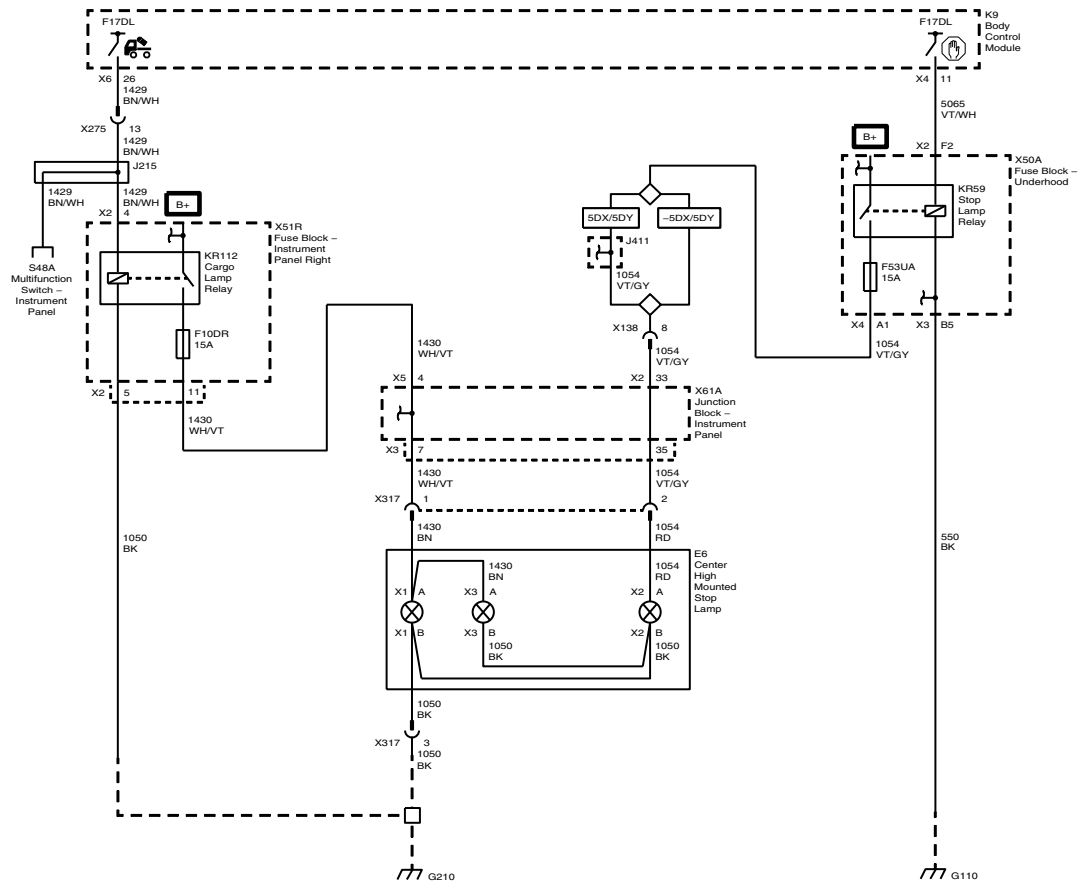
12.6. TAIL LIGHTS (FEATURE CODE 0008TUL)



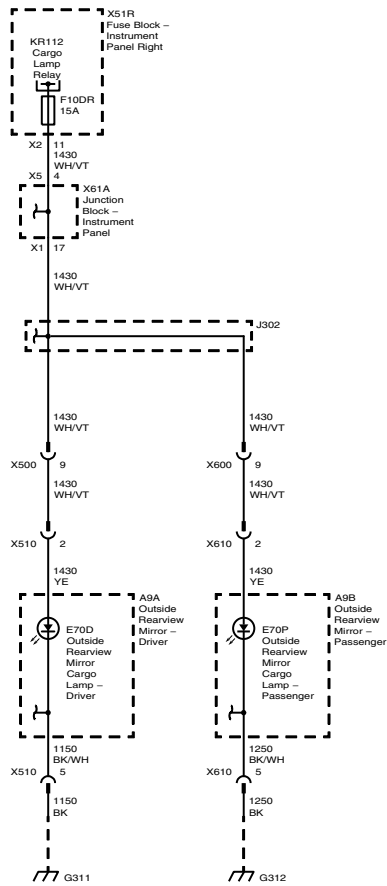
12.7. TAIL LIGHTS (FEATURE CODE 0008TUK)



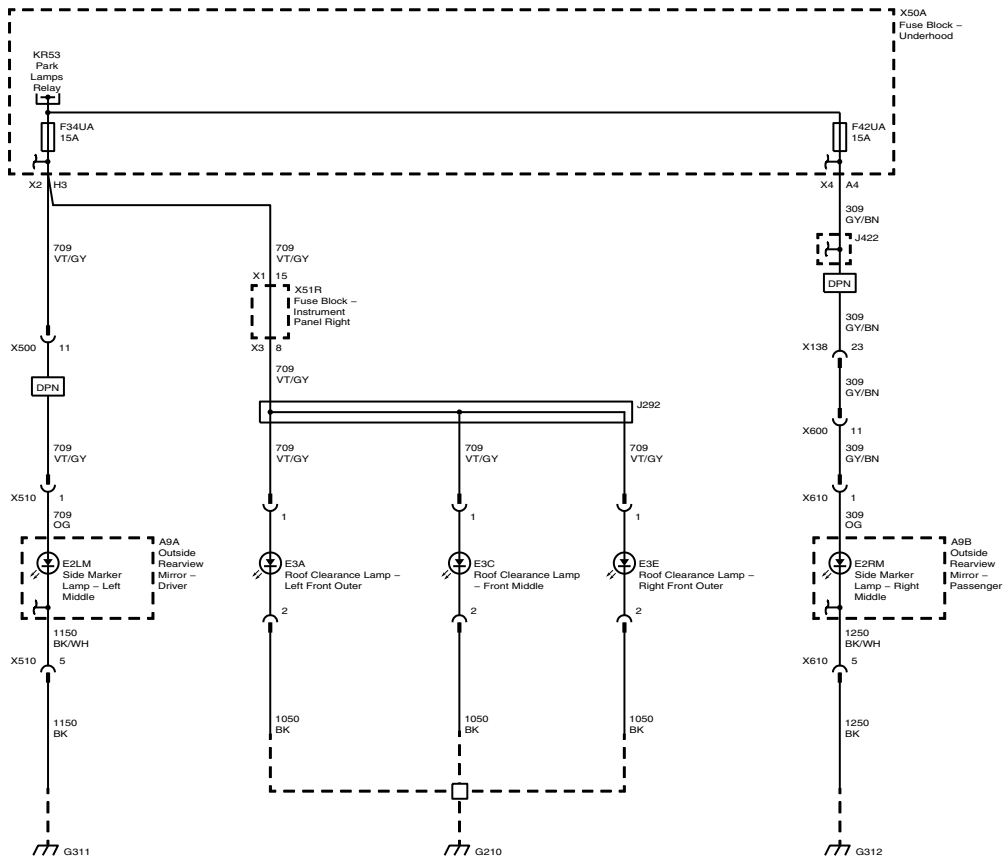
12.8. CENTER HIGH MOUNTED STOP LIGHT



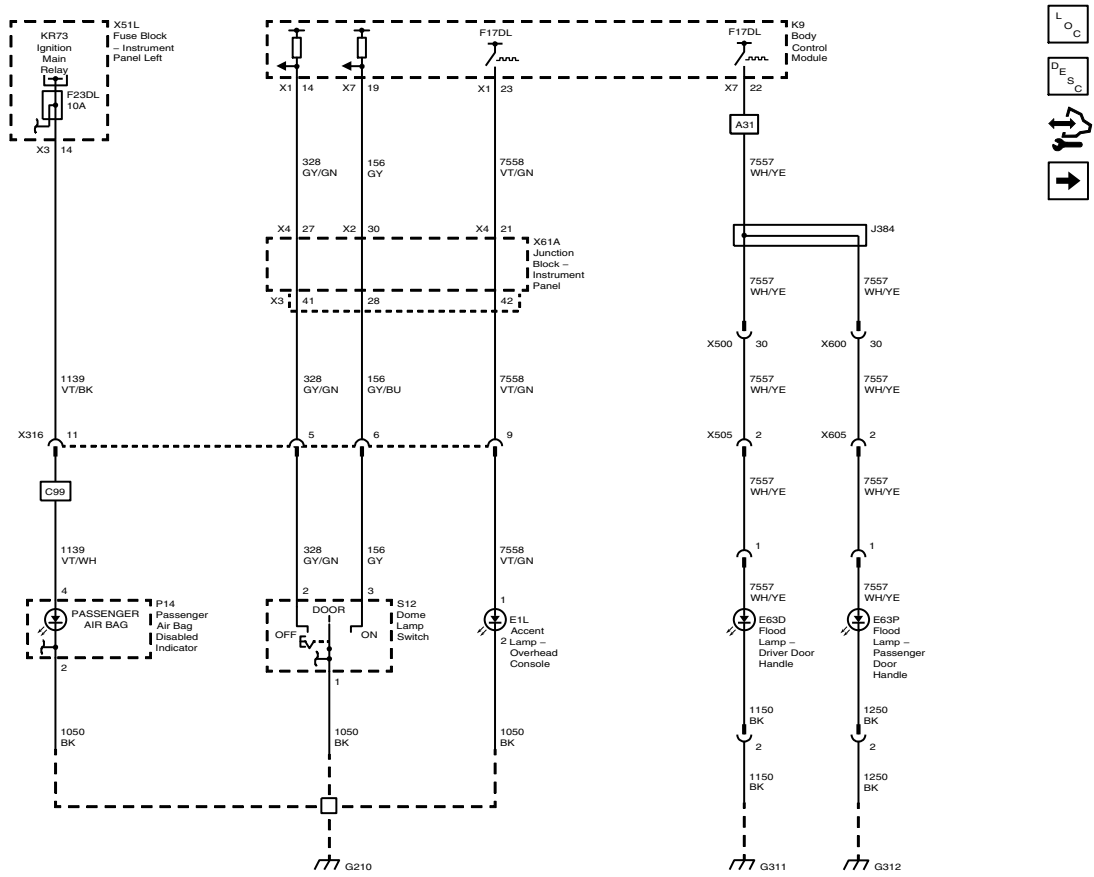
12.9. EXTERIOR REARVIEW MIRRORS



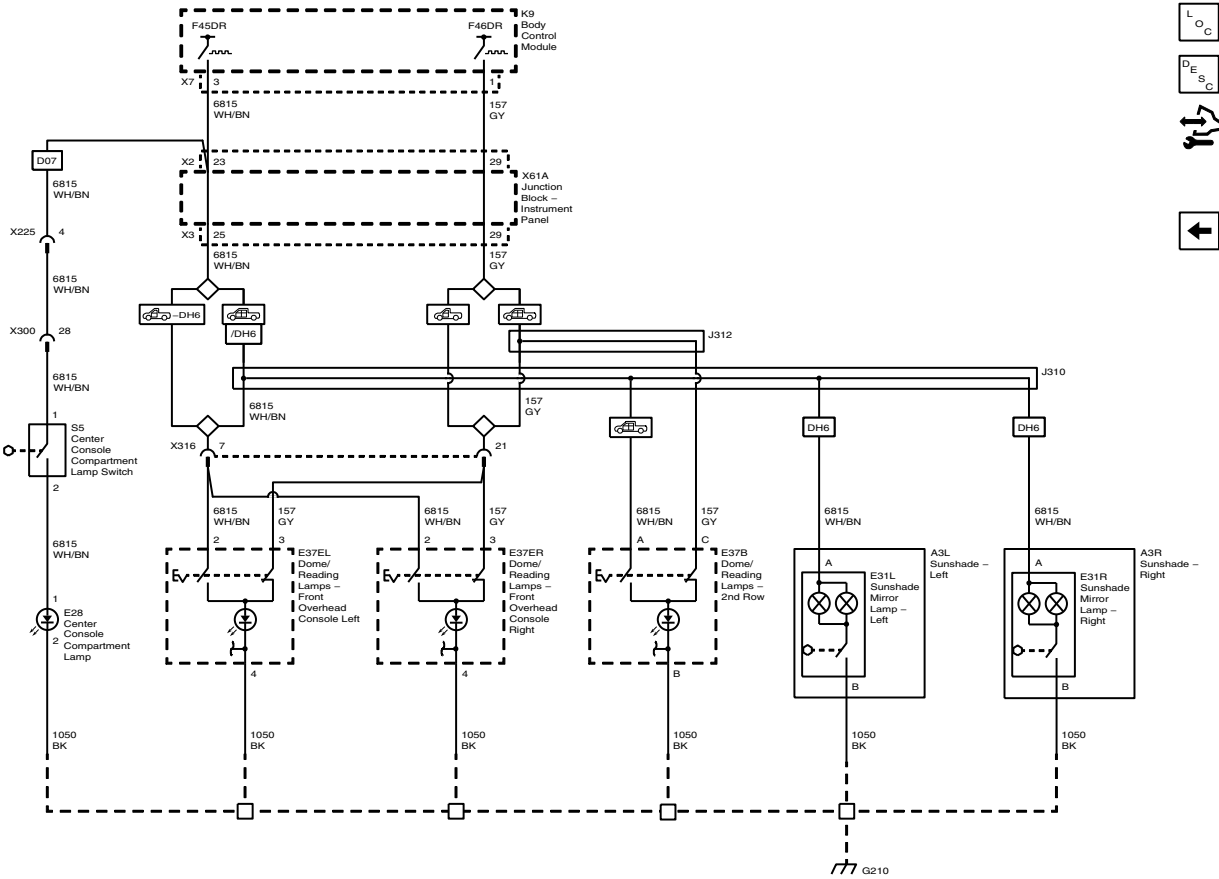
12.10. CLEARANCE LIGHTS



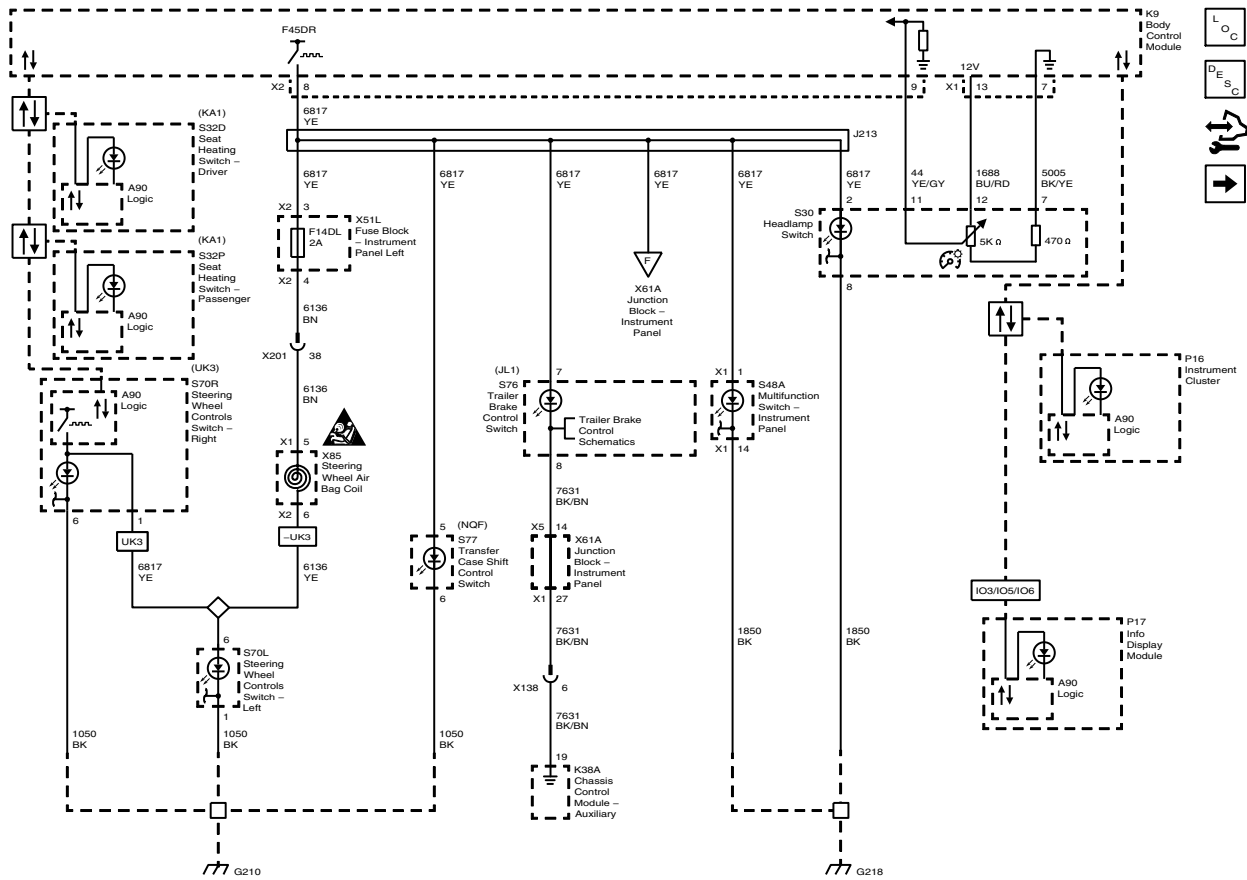
12.11. INTERIOR LIGHTING



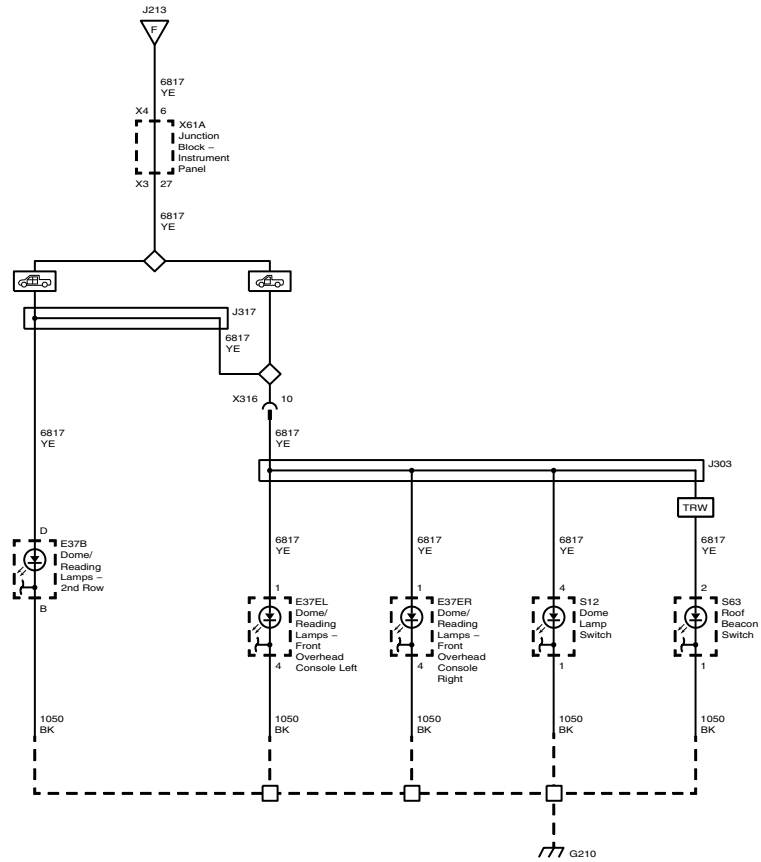
12.12. INTERIOR LIGHTING



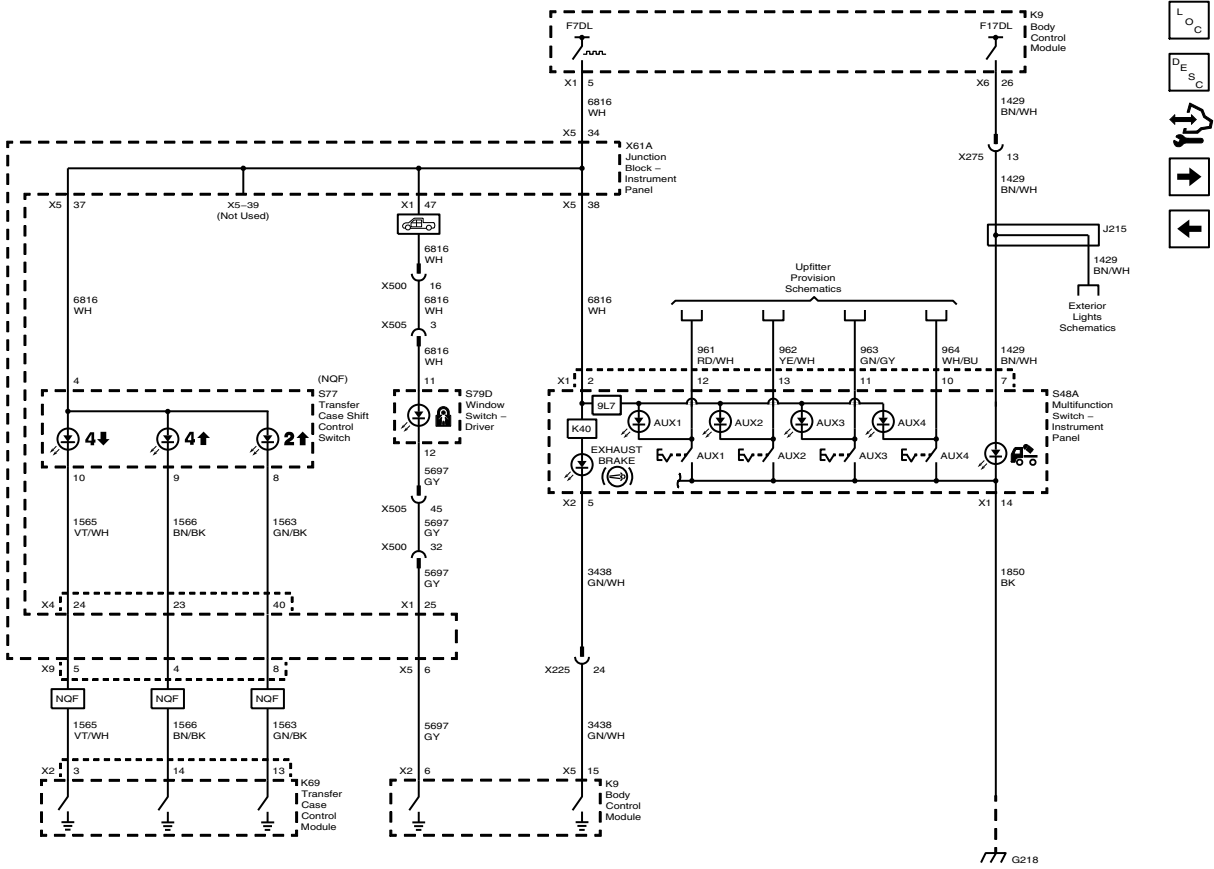
12.13. INTERIOR LIGHTING



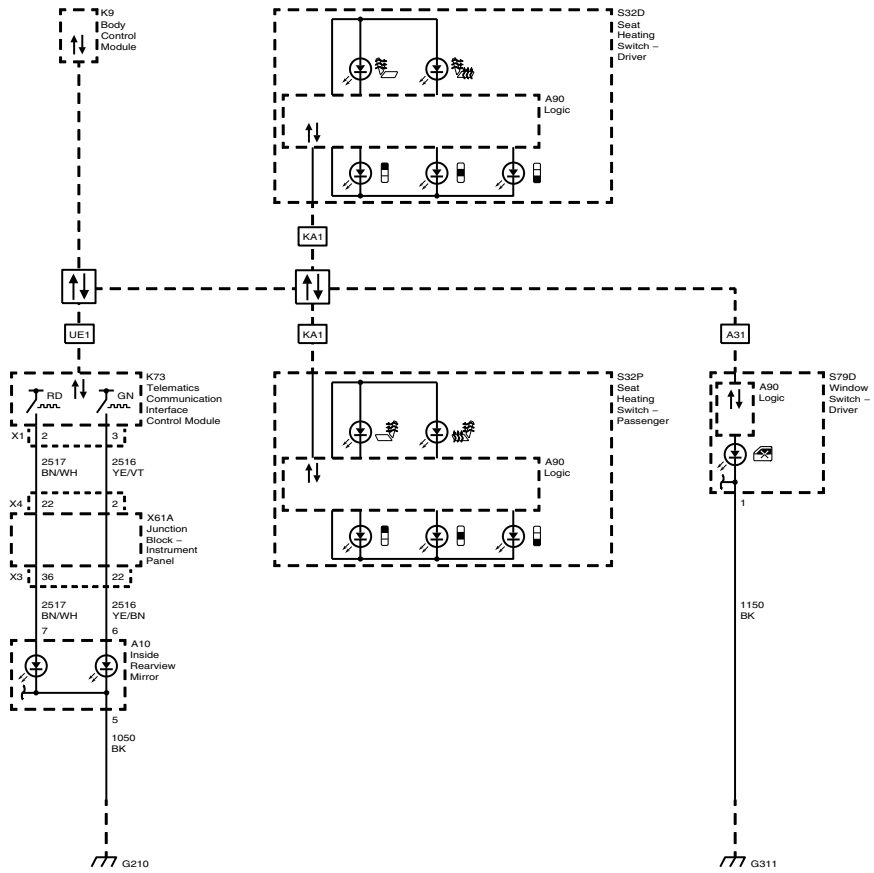
12.14. INTERIOR LIGHTING



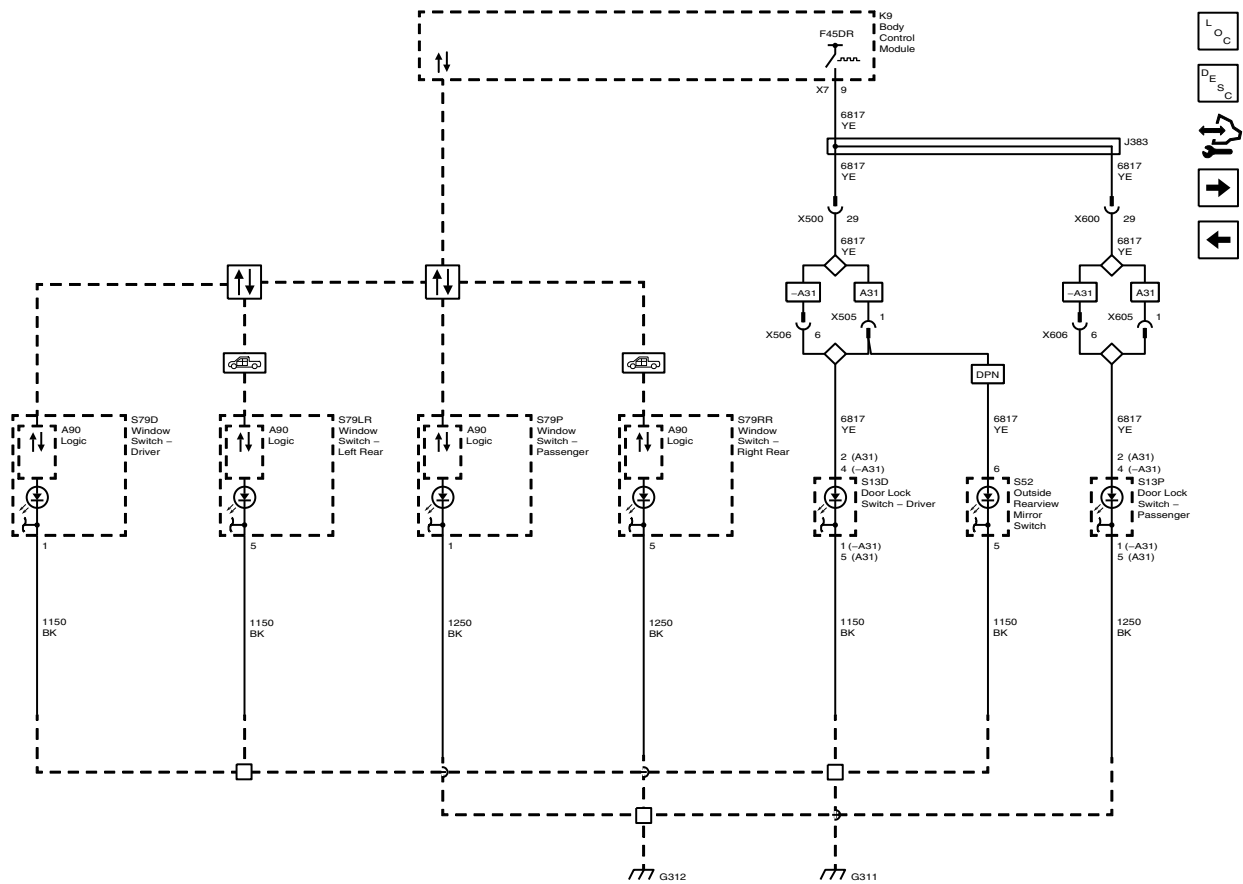
12.15. INTERIOR LIGHTING



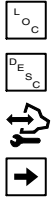
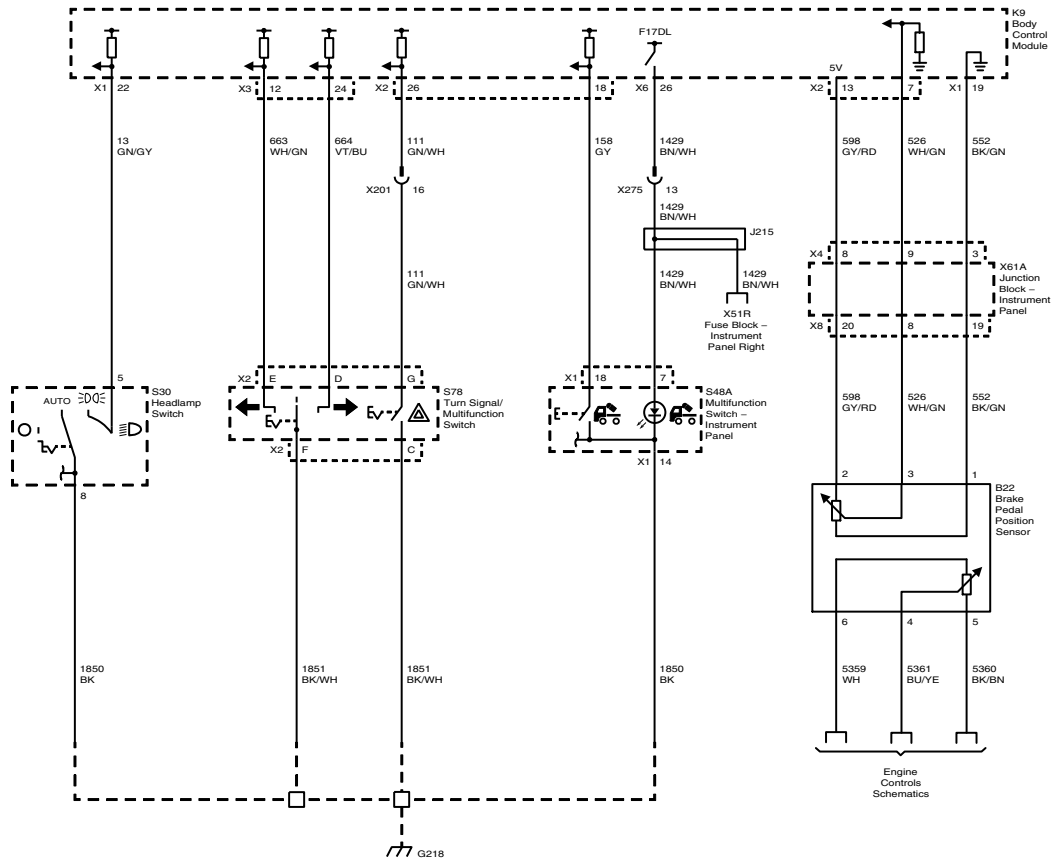
12.16. INTERIOR LIGHTING



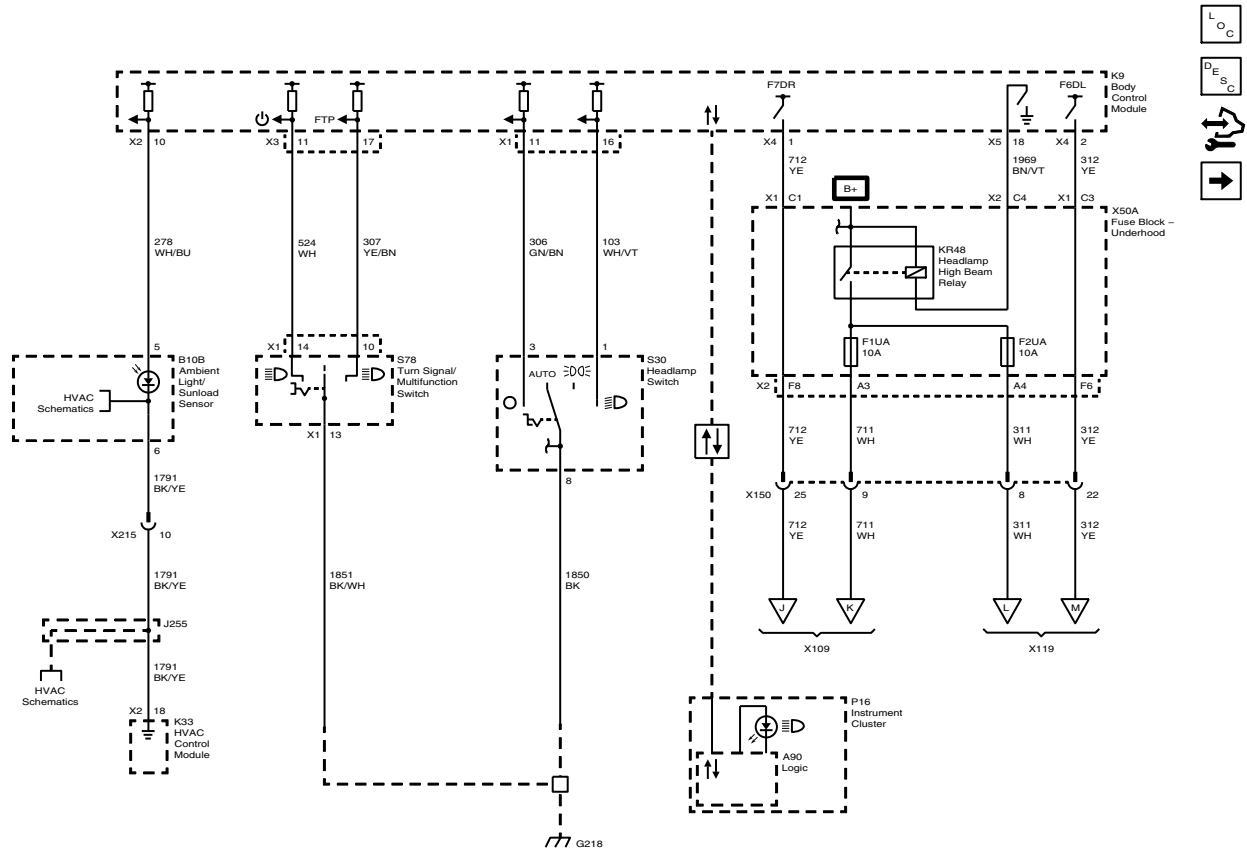
12.17. INTERIOR LIGHTING DIMMING



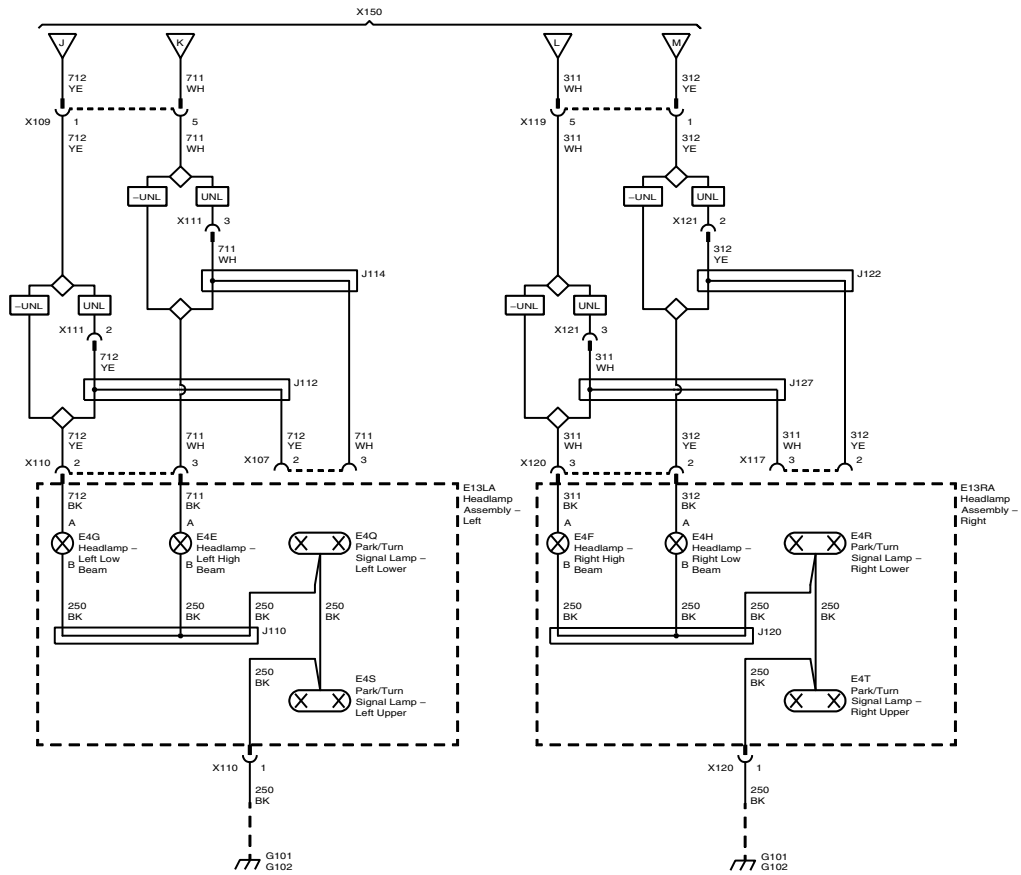
12.18. EXTERIOR LIGHTING SWITCHES



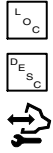
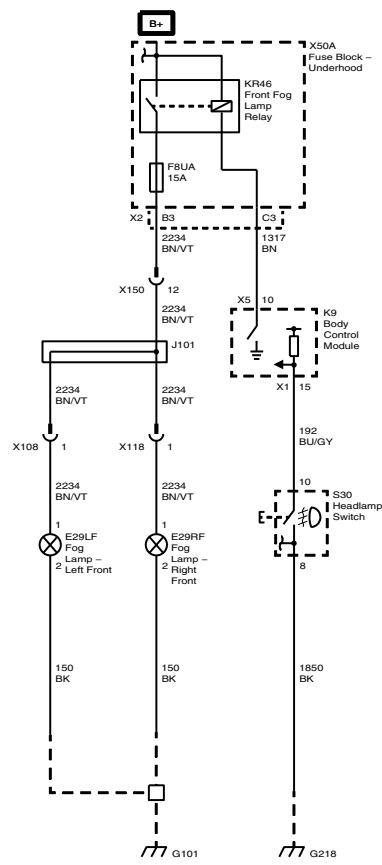
12.19. EXTERIOR LIGHTING SWITCHES



12.20. HEAD LIGHT ASSEMBLY

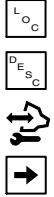
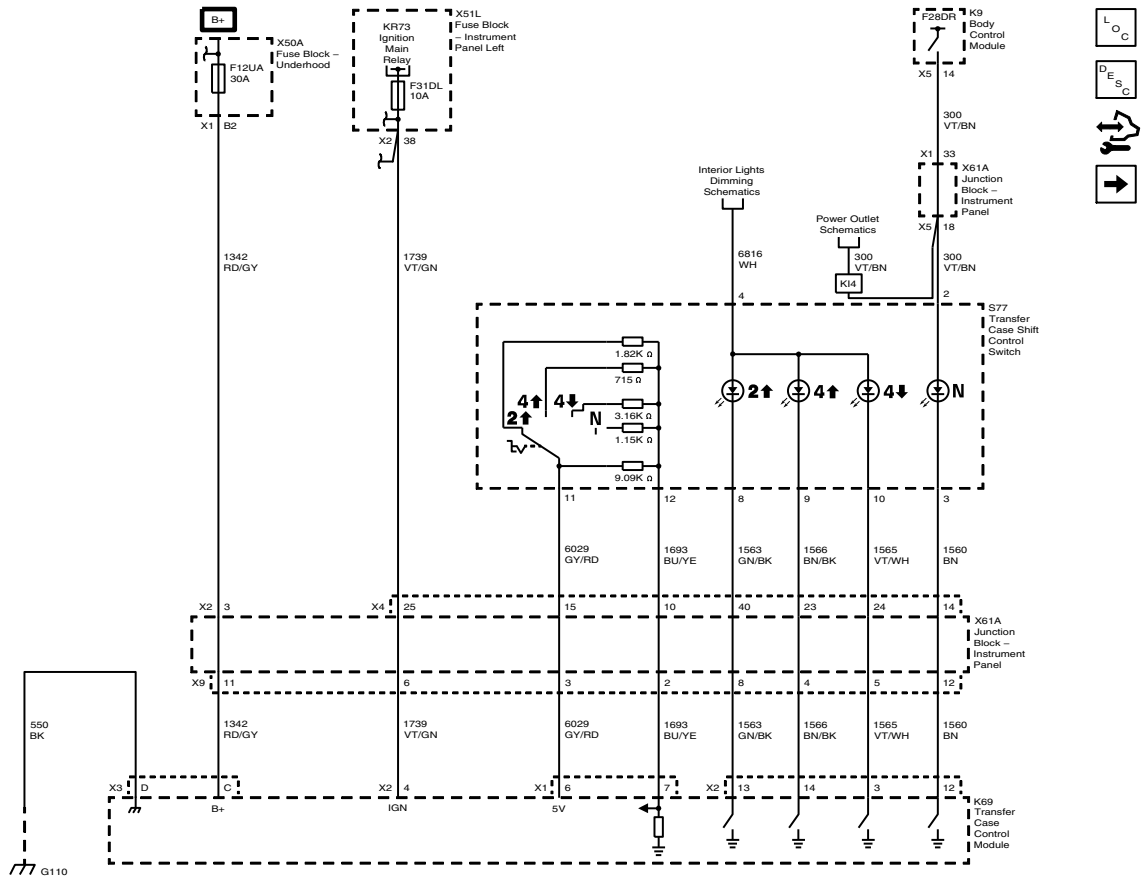


12.21. FOG LIGHTS

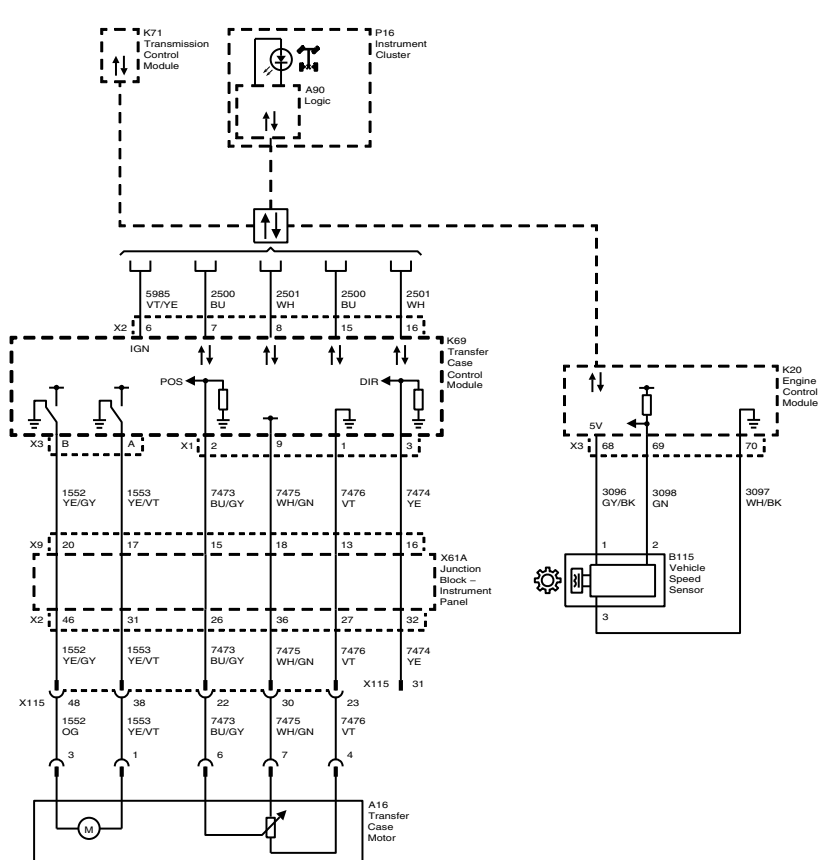


TRANSFER CASE

13.1. TRANSFER CASE CONTROL

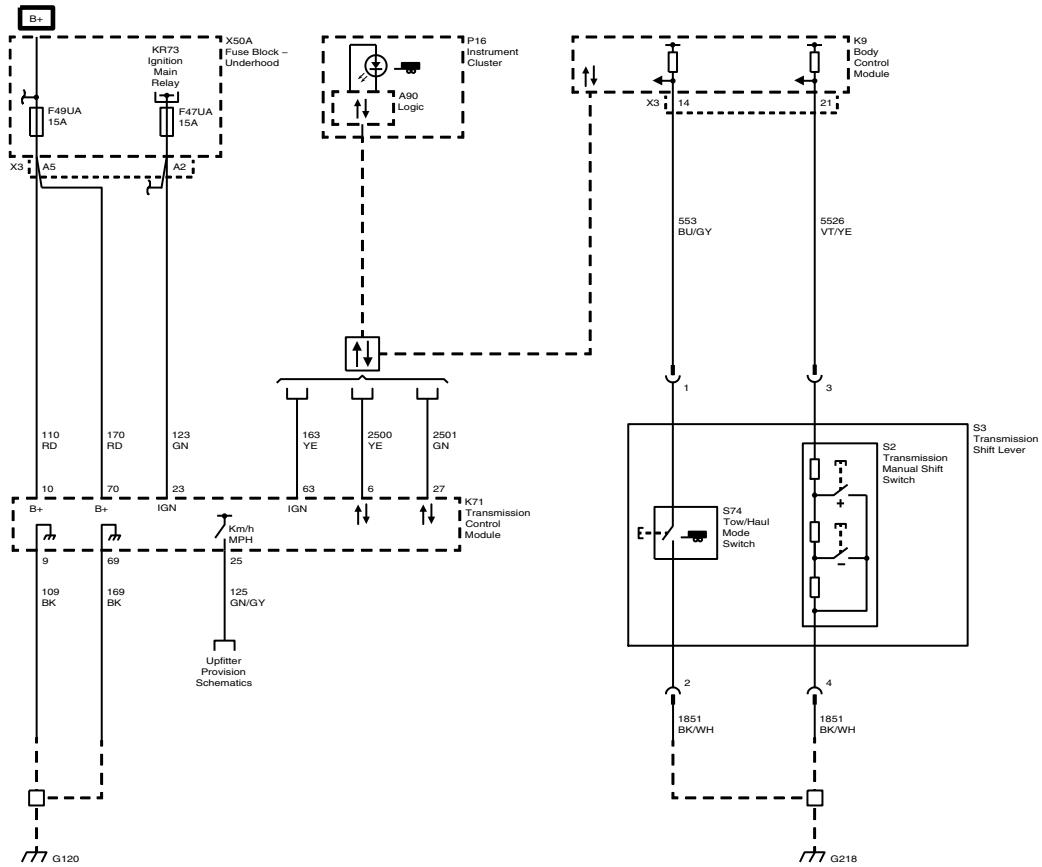


13.2. TRANSFER CASE CONTROL

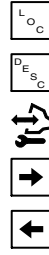
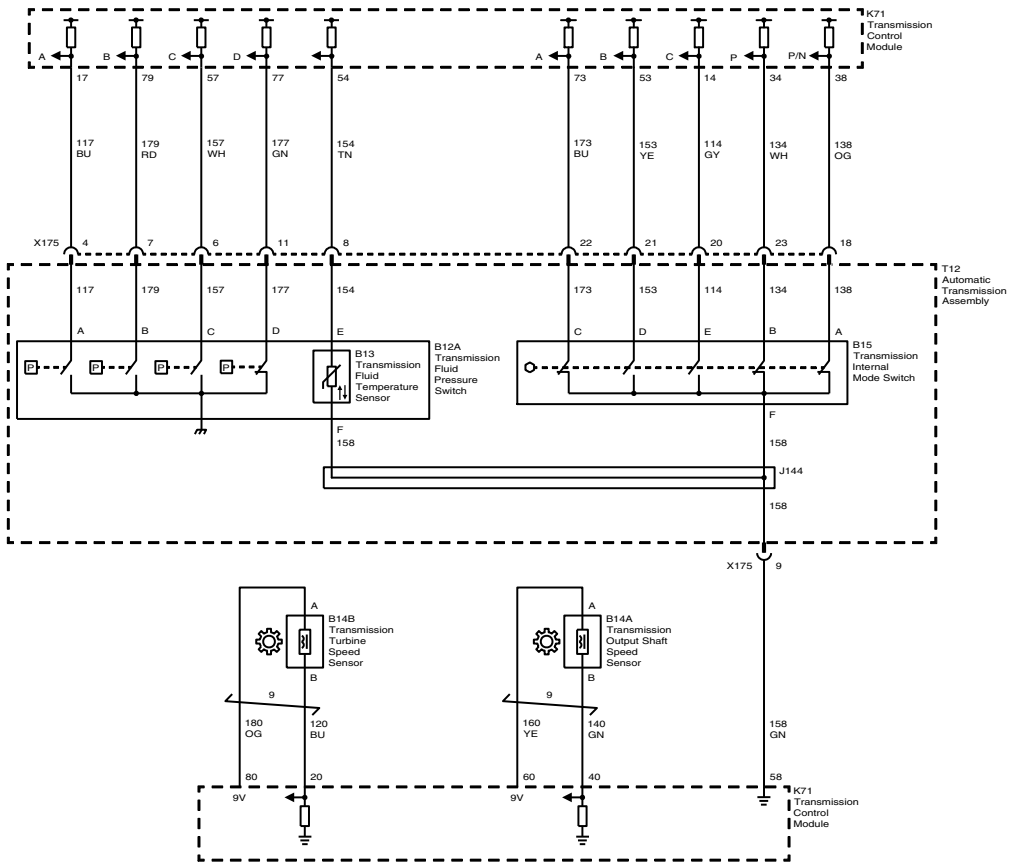


TRANSMISSION

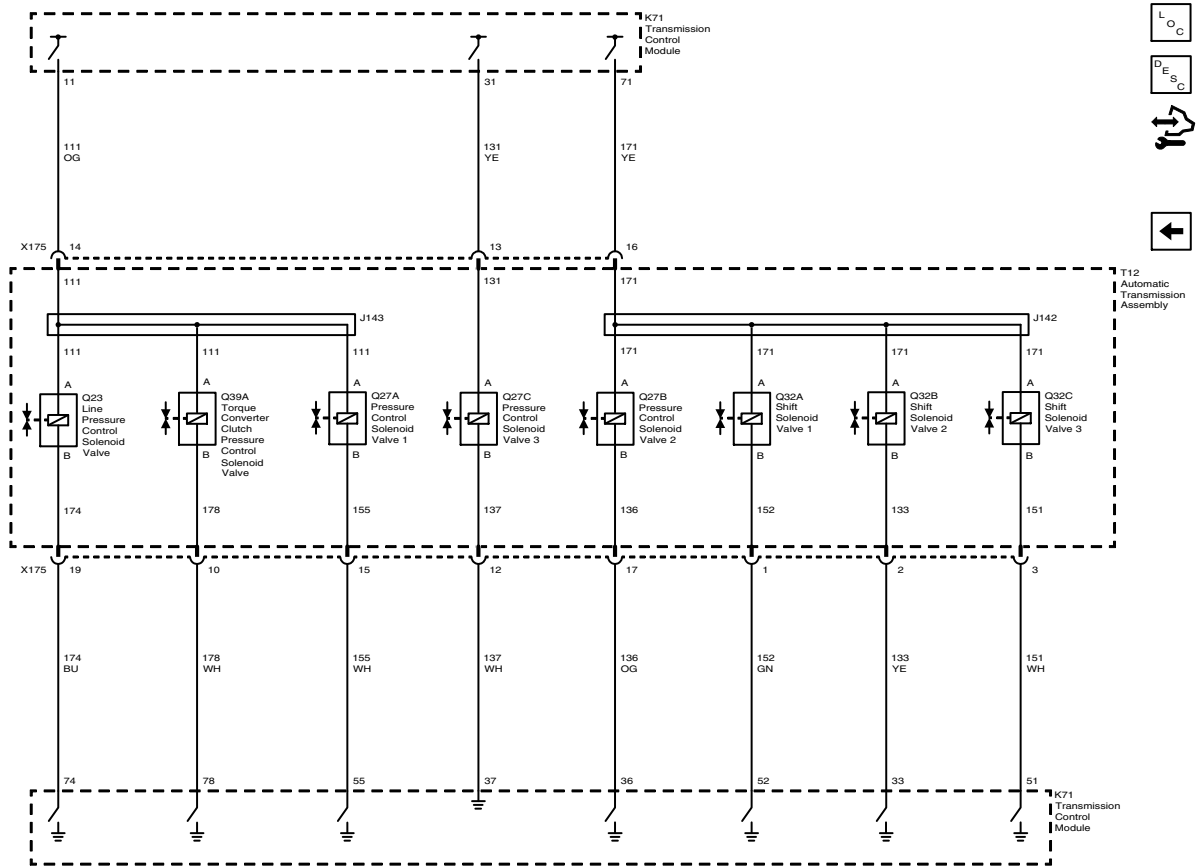
14.1. TRANSMISSION CONTROL MODULE (TCM)



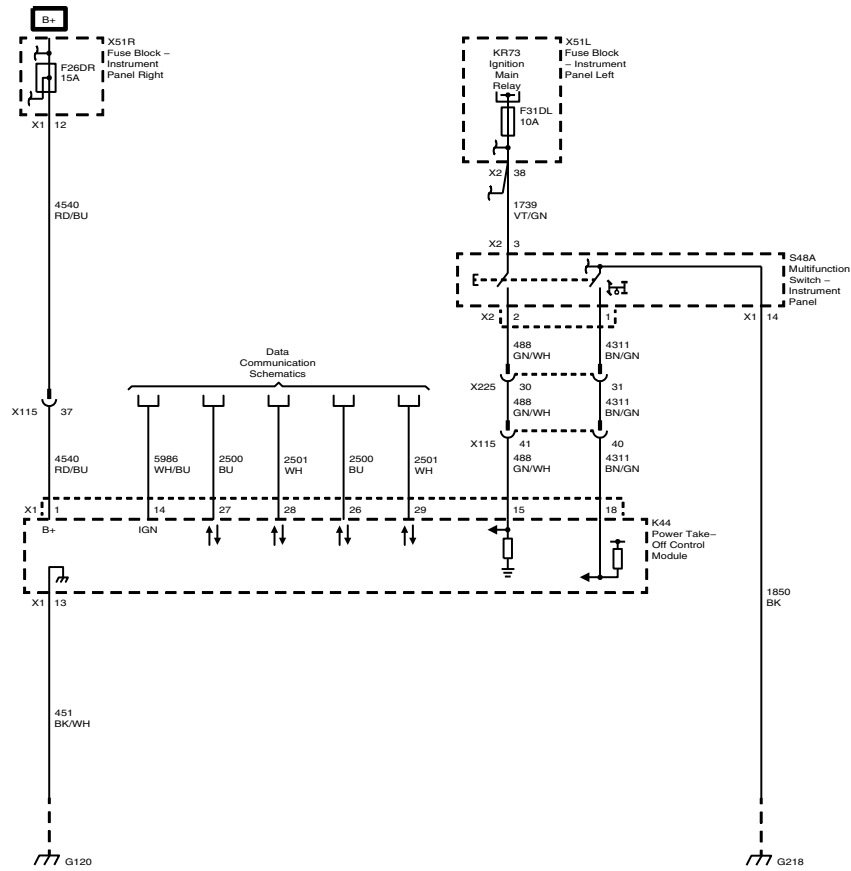
14.2. TRANSMISSION CONTROL MODULE (TCM)



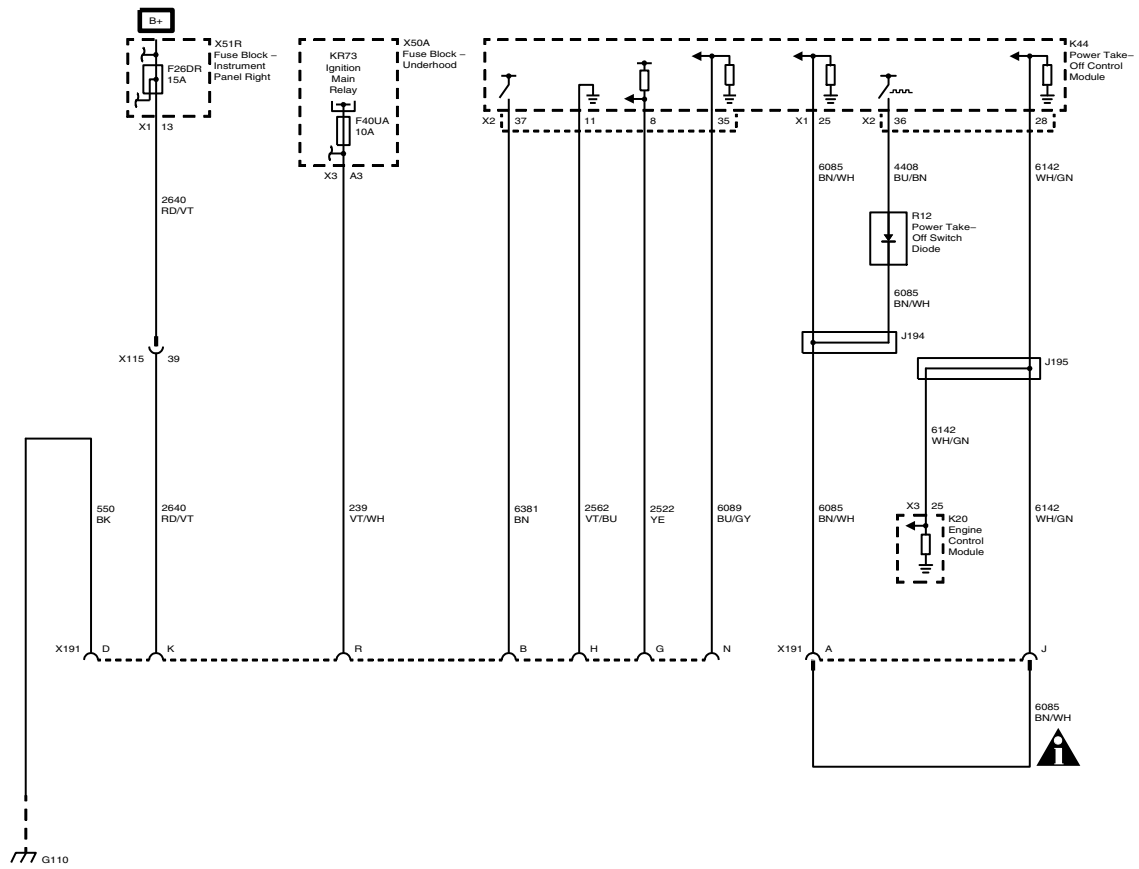
14.3. TRANSMISSION CONTROL MODULE (TCM)



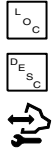
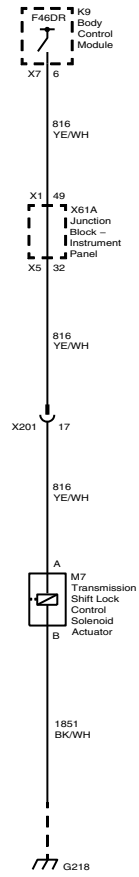
14.4. POWER TAKE-OFF (PTO)



14.5. POWER TAKE-OFF (PTO)

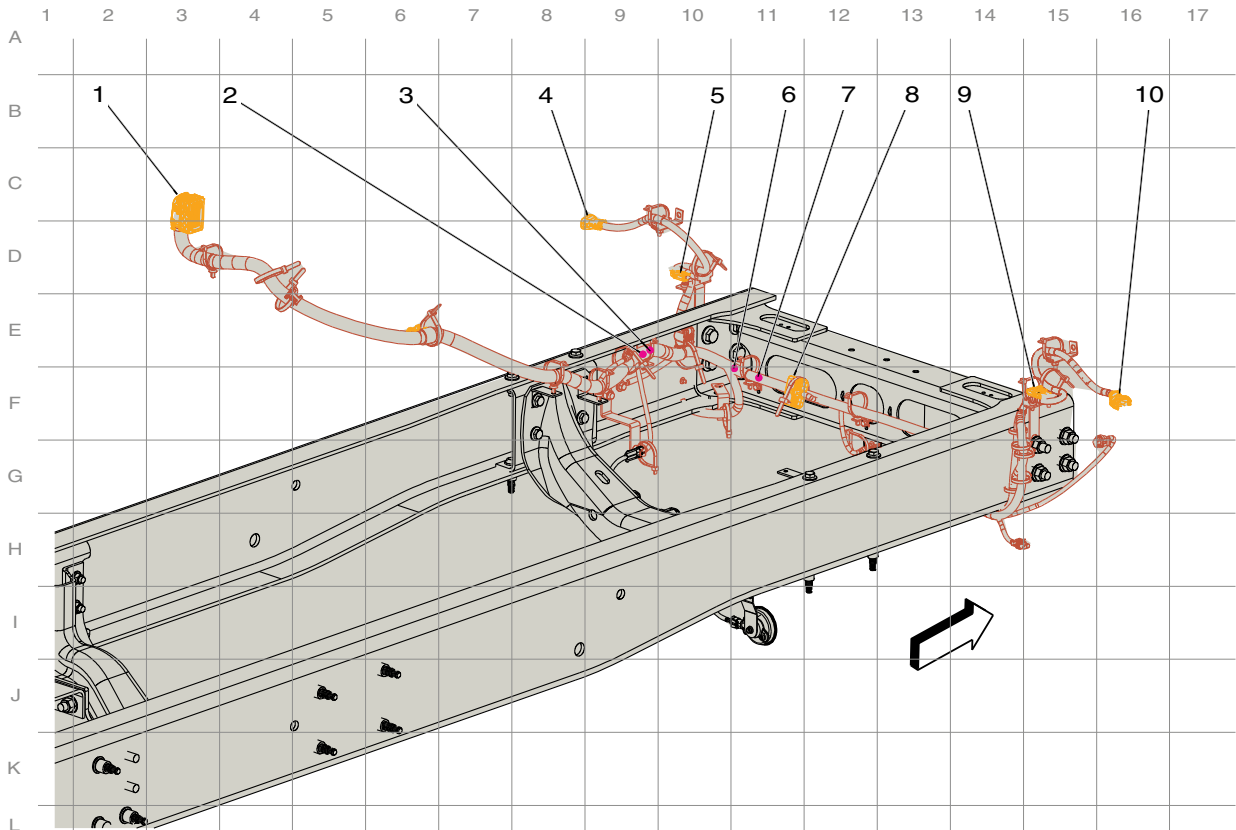


14.6. SHIFT LOCK CONTROL



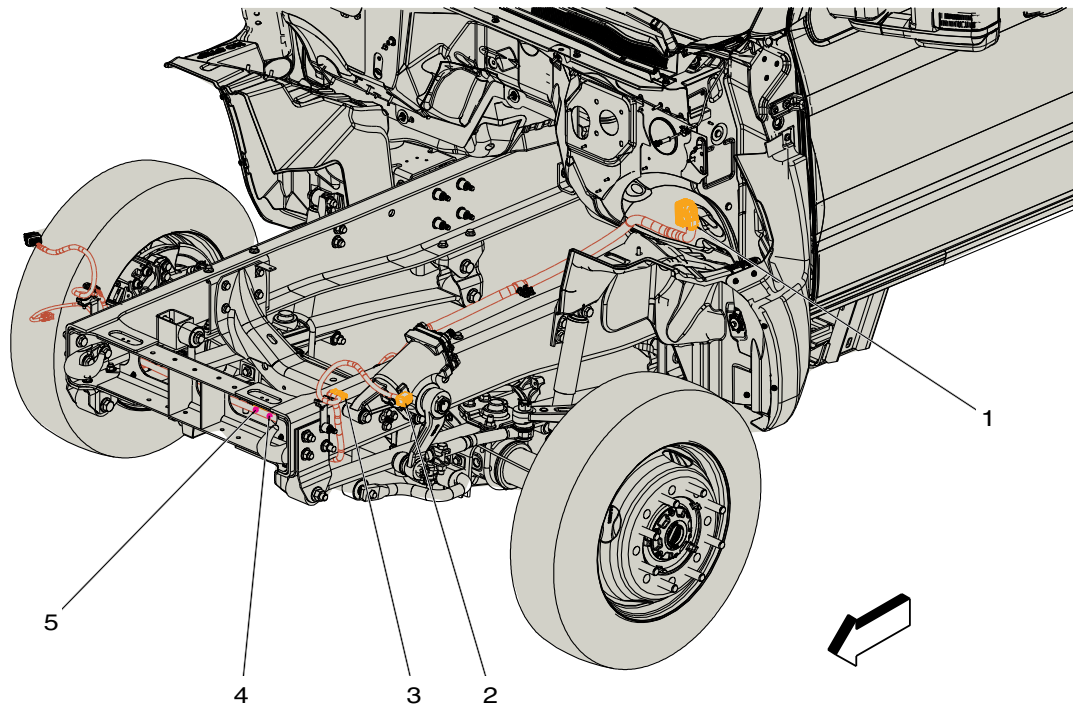
HARNESS ROUTING AND COMPONENT LOCATIONS

15.1. HARNESS ROUTING VIEWS



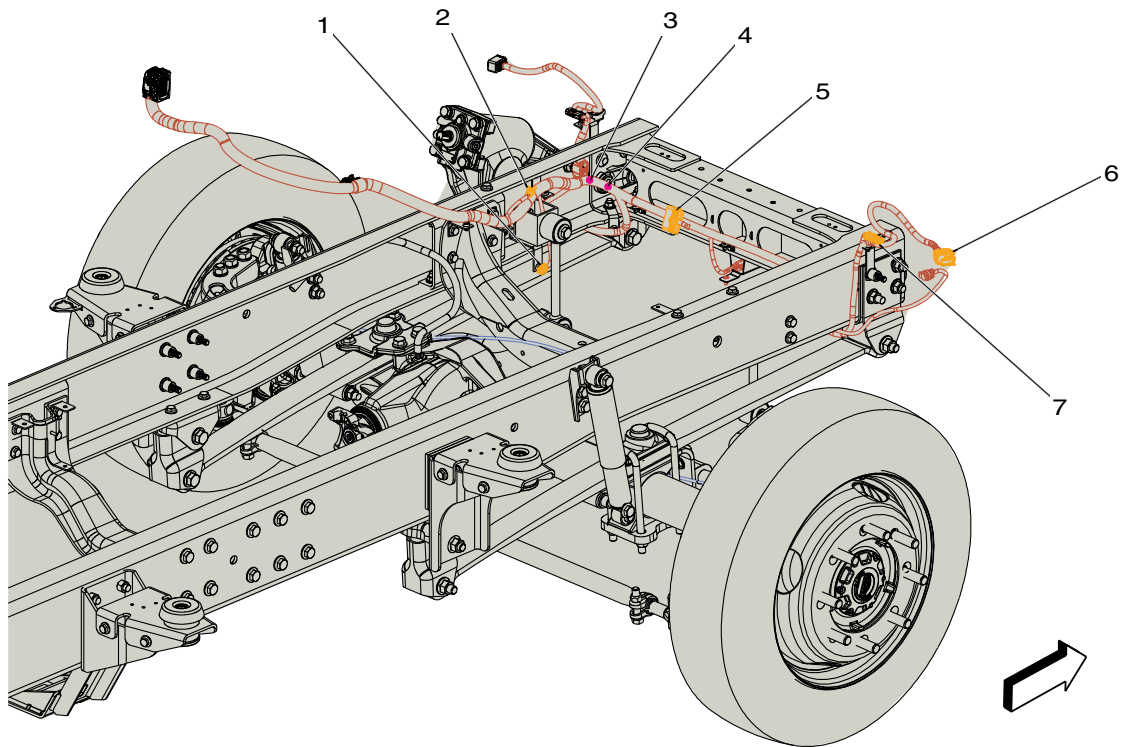
- | | |
|---|---|
| 1. X150 Forward Lamp Harness to Body Harness | 7. J104 Forward Lamp Harness (Feature Code: 0008XJG) |
| 2. J102 Forward Lamp Harness | 8. X100 |
| 3. J101 Forward Lamp Harness (Feature Code: 0008XJG) | 9. X118 Forward Lamp Harness to Right Fog Lamp Interconnect Harness (Feature Code: 0008XJG) |
| 4. X109 Left Headlight Interconnect Harness to Forward Lamp Harness | 10. X109 Left Headlight Interconnect Harness to Forward Lamp Harness |
| 5. X103 | |
| 6. J105 Forward Lamp Harness | |

Figure 185 Forward Light Harness Routing



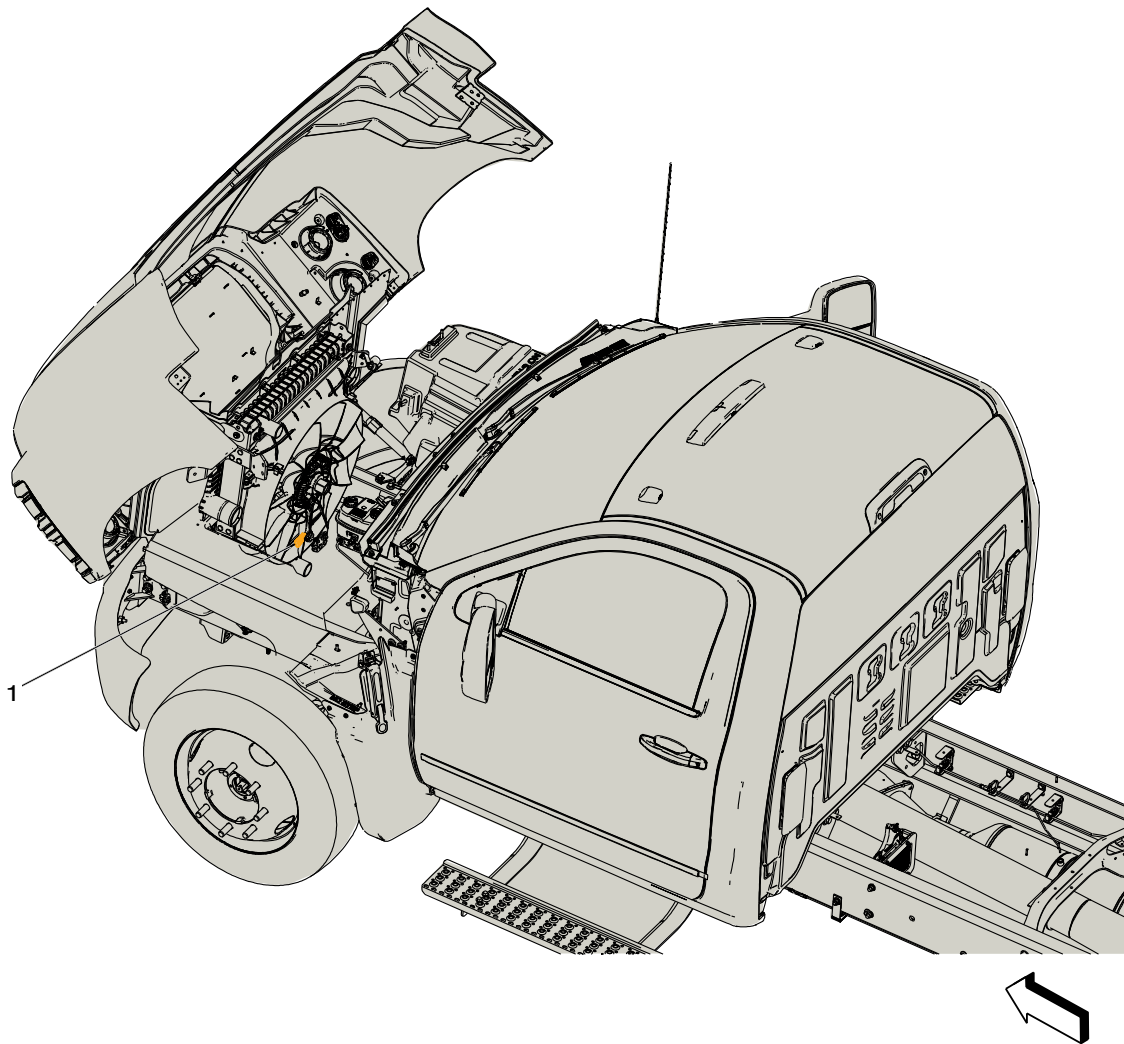
- 1. X150 Forward Lamp Harness to Body Harness
- 2. X109 Left Headlight Jumper Harness to Forward Lamp Harness
- 3. X108 Forward Lamp Harness to Left Fog Lamp Jumper Harness (T3U)
- 4. J105 Forward Lamp Harness
- 5. J104 Forward Lamp Harness (T3U)

Figure 186 Forward Lamp Harness Routing - Left Front



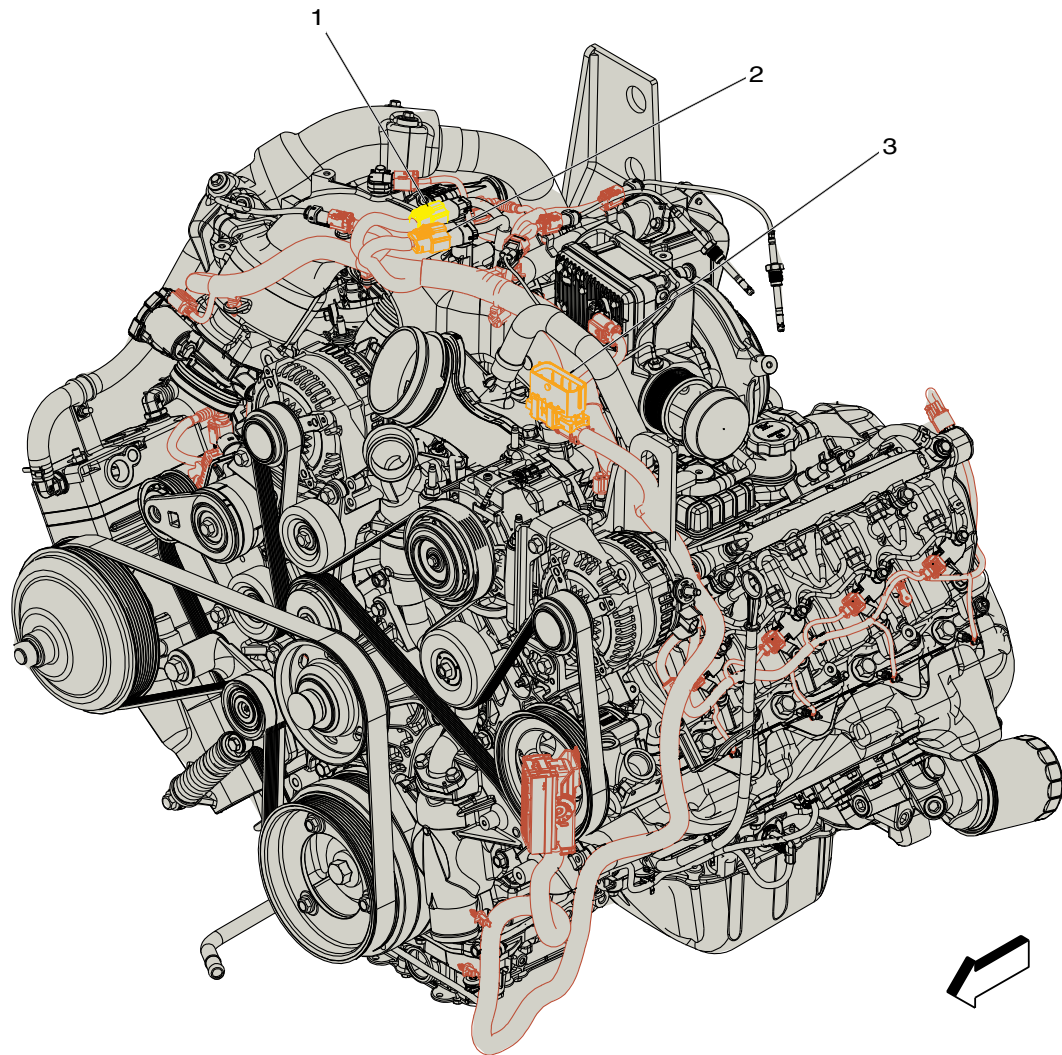
- | | |
|---|---|
| 1. X103 Forward Lamp Harness to Horn Jumper Harness | 5. JX100 Forward Lamp Harness |
| 2. X104 Forward Lamp Harness to Radiator Ground Harness | 6. X119 Right Headlight Jumper Harness to Forward Lamp Harness |
| 3. J102 Forward Lamp Harness | 7. X118 Forward Lamp Harness to Right Fog Lamp Jumper Harness (0008XJG) |
| 4. J101 Forward Lamp Harness (0008XJG) | |

Figure 187 Forward Lamp Harness Routing - Right Front



1. X102 Engine Chassis Harness to Engine Cooling Fan Harness

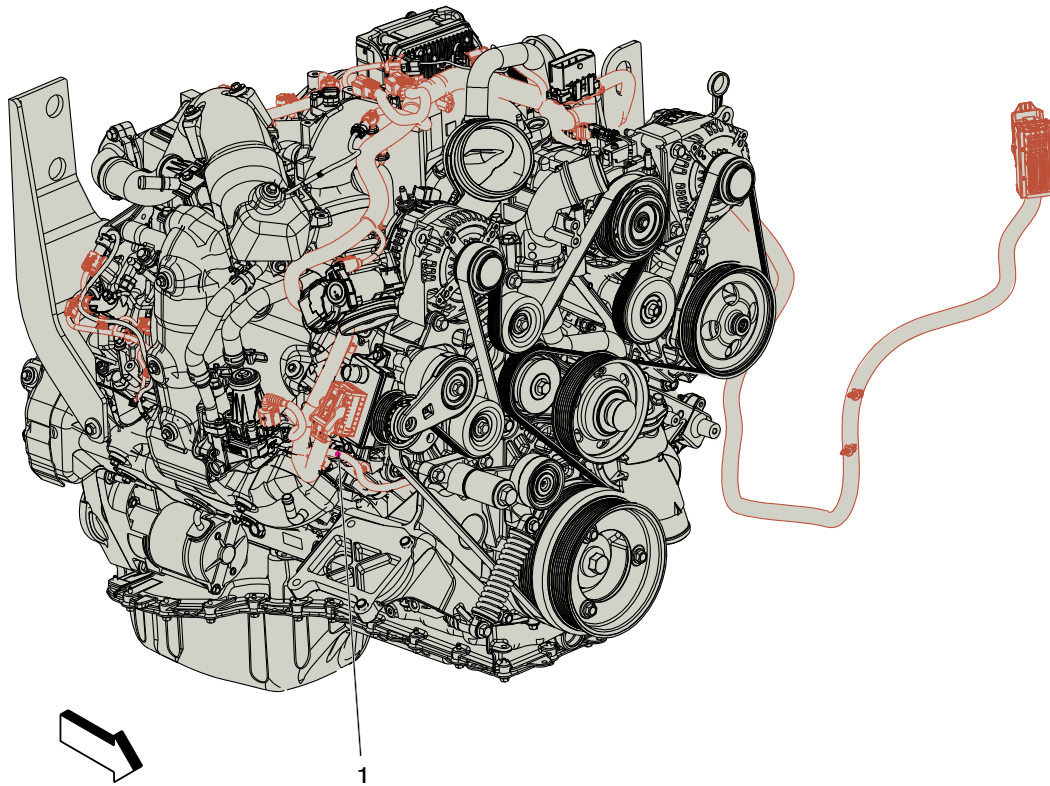
Figure 188 Engine Cooling Fan Harness Routing



- 1. X112 Engine Harness to Engine Jumper Harness
- 2. X113 Engine Harness to Engine Jumper Harness

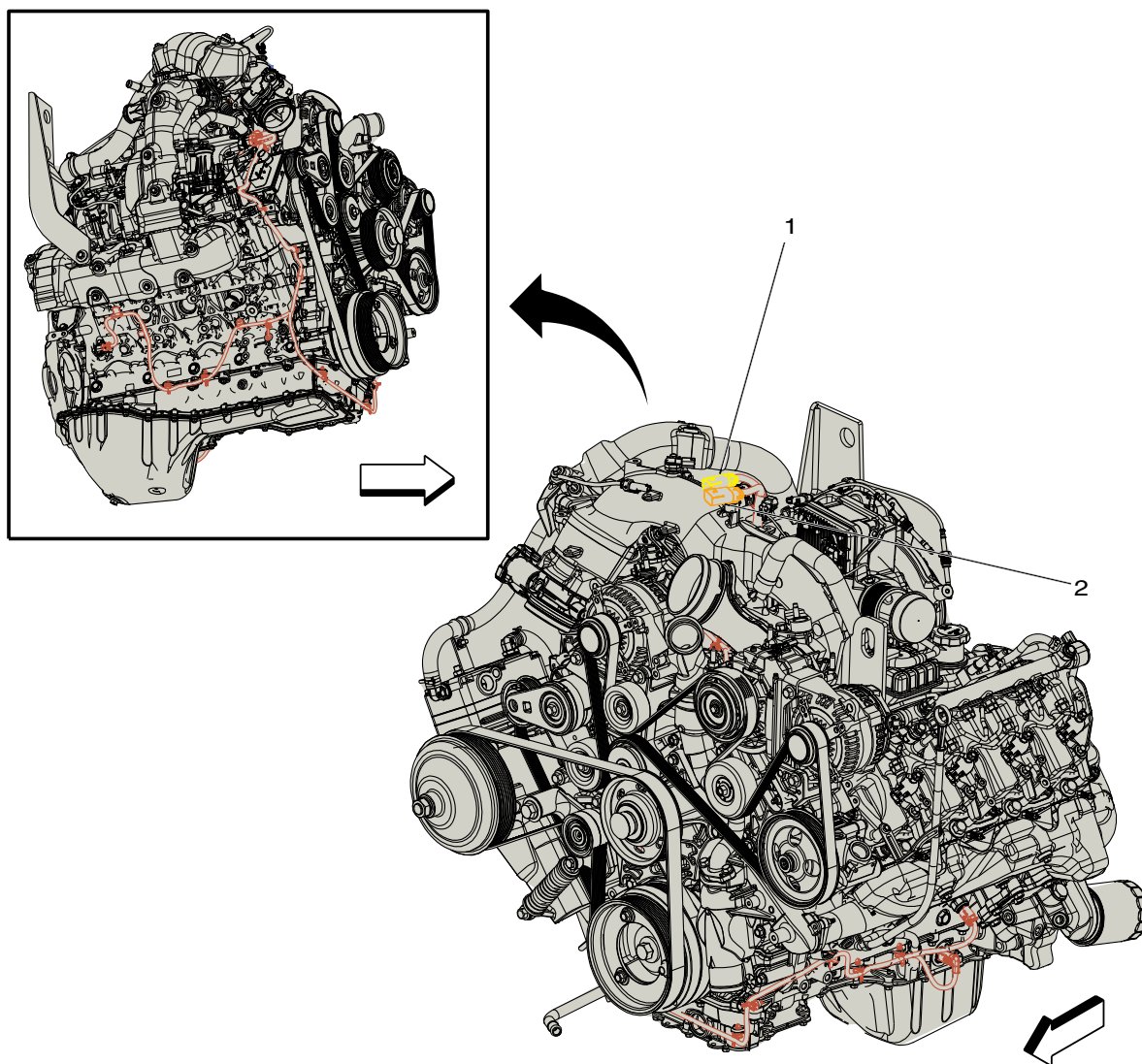
- 3. X101 Engine Chassis Harness to Engine Harness

Figure 189 Engine Harness Routing - Left Front



1. J124 Engine Chassis Harness

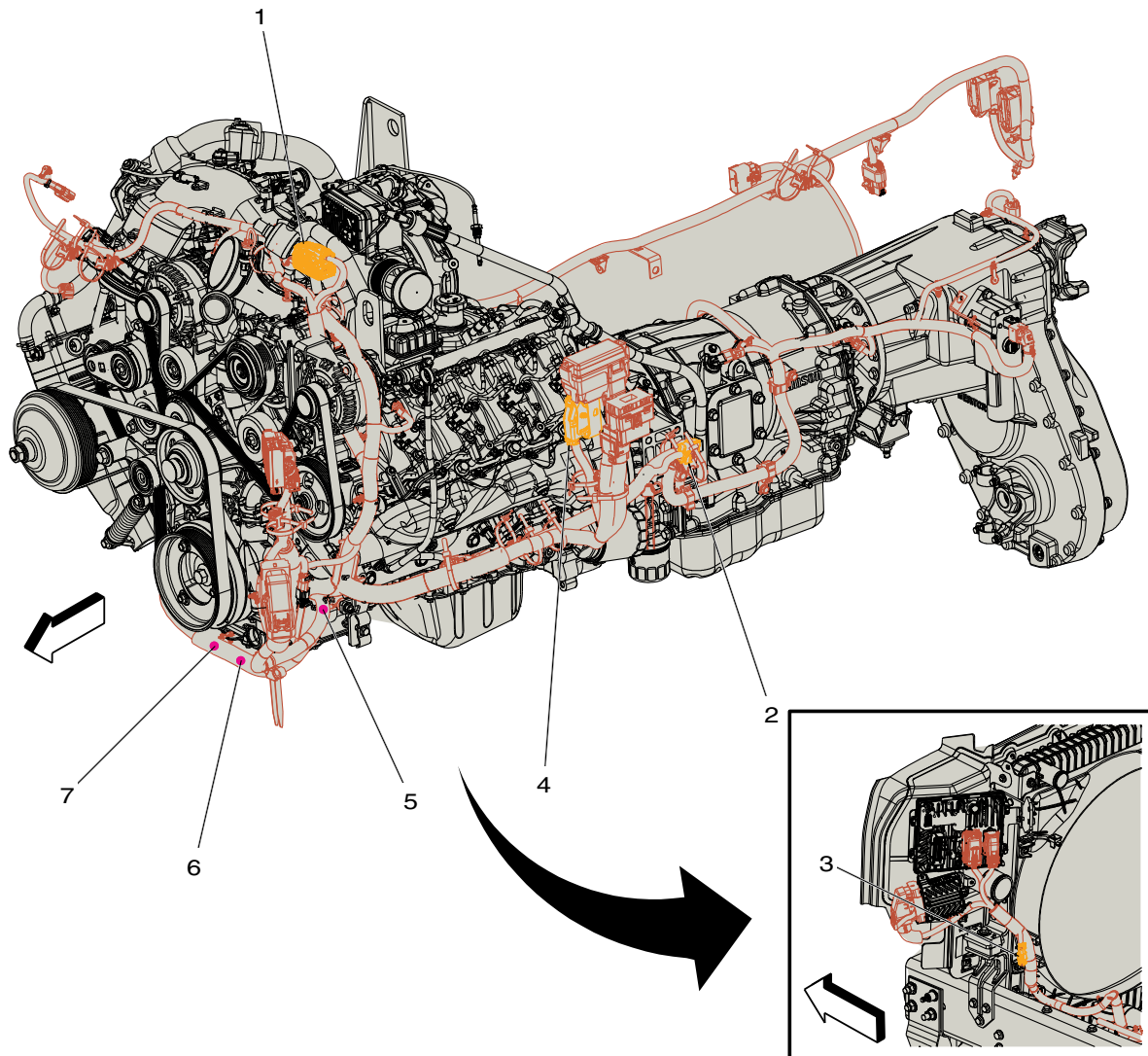
Figure 190 Engine Harness Routing - Right Front



1. X112 Engine Harness to Engine Jumper Harness

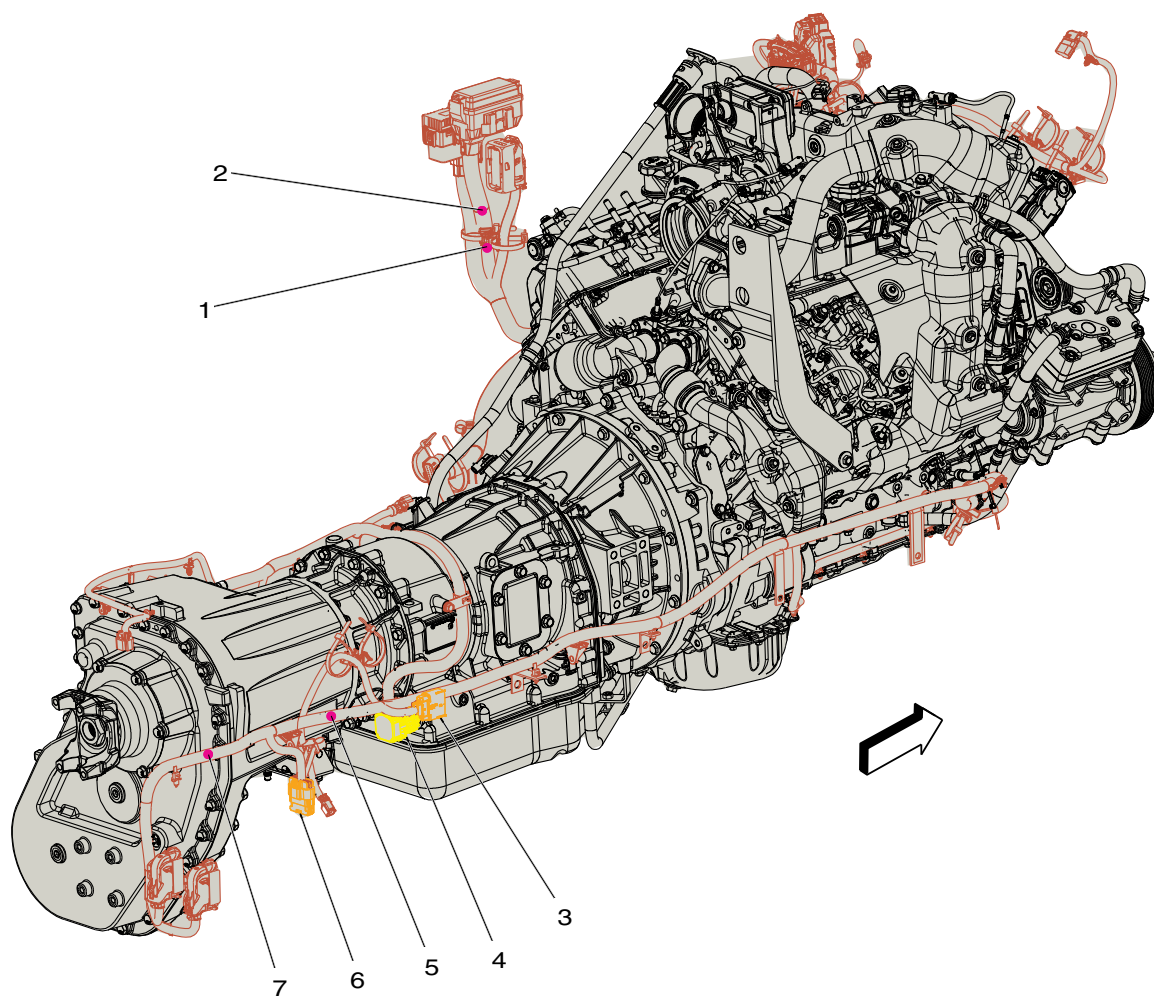
2. X113 Engine Harness to Engine Jumper Harness

Figure 191 Engine Jumper Harness Routing



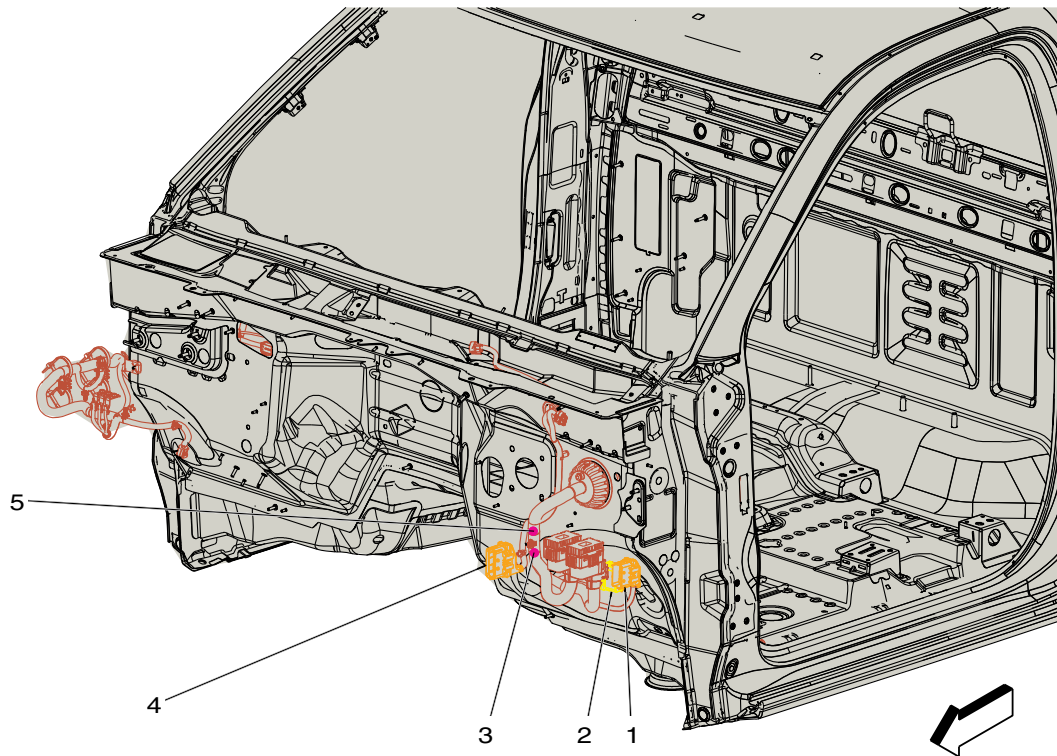
- | | |
|--|--|
| 1. X101 Engine Chassis Harness to Engine Harness | 4. X115 Engine Harness to Body Harness |
| 2. X125 Engine Chassis Harness to Chassis Harness | 5. J123 Engine Chassis Harness |
| 3. X105 Engine Chassis Harness to Engine Chassis Harness | 6. J124 Engine Chassis Harness |
| | 7. J126 Engine Chassis Harness |

Figure 192 Engine Chassis Harness Routing - Left



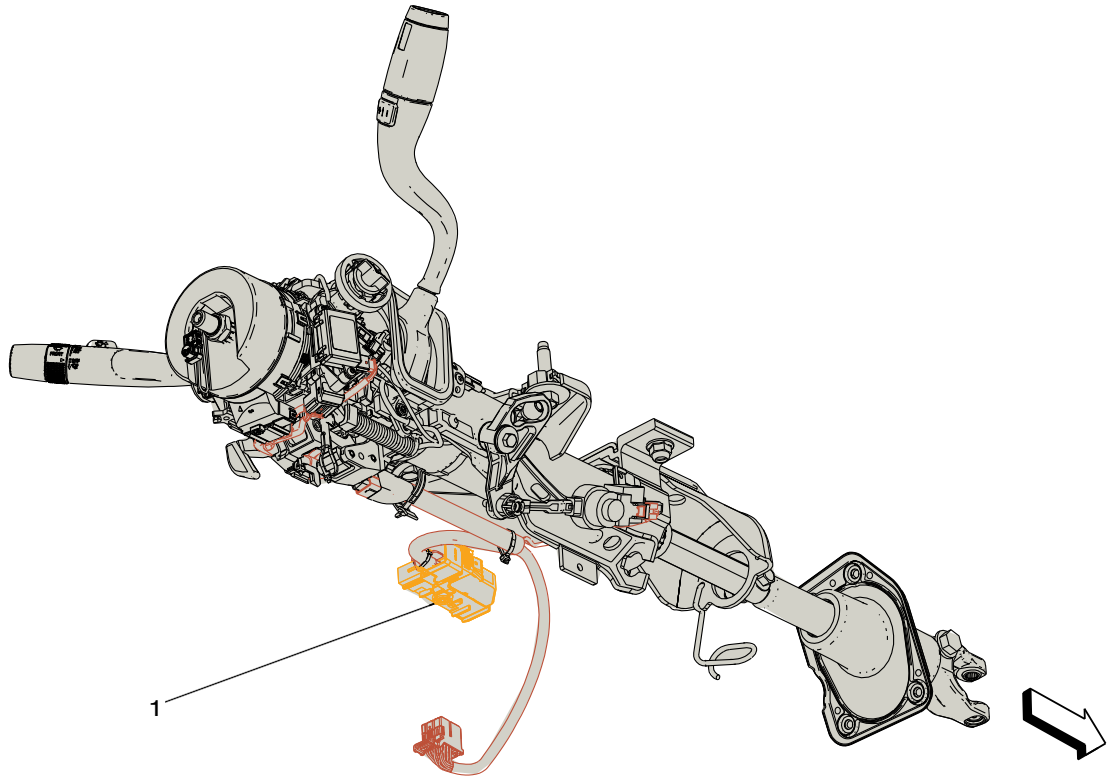
1. J196 Engine Chassis Harness
2. J197 Engine Chassis Harness
3. X143 Reductant Control Module
Jumper Harness to Engine
Chassis Harness
4. X175 Engine Chassis Harness to
Transmission Harness
5. J195 Engine Chassis Harness
(Feature Code: 0012WGG)
6. X191 Engine Chassis Harness to
Engine Chassis Harness (Feature
Code: 0012WGG)
7. J194 Engine Chassis Harness
(Feature Code: 0012WGG)

Figure 193 Engine Chassis Harness Routing - Right



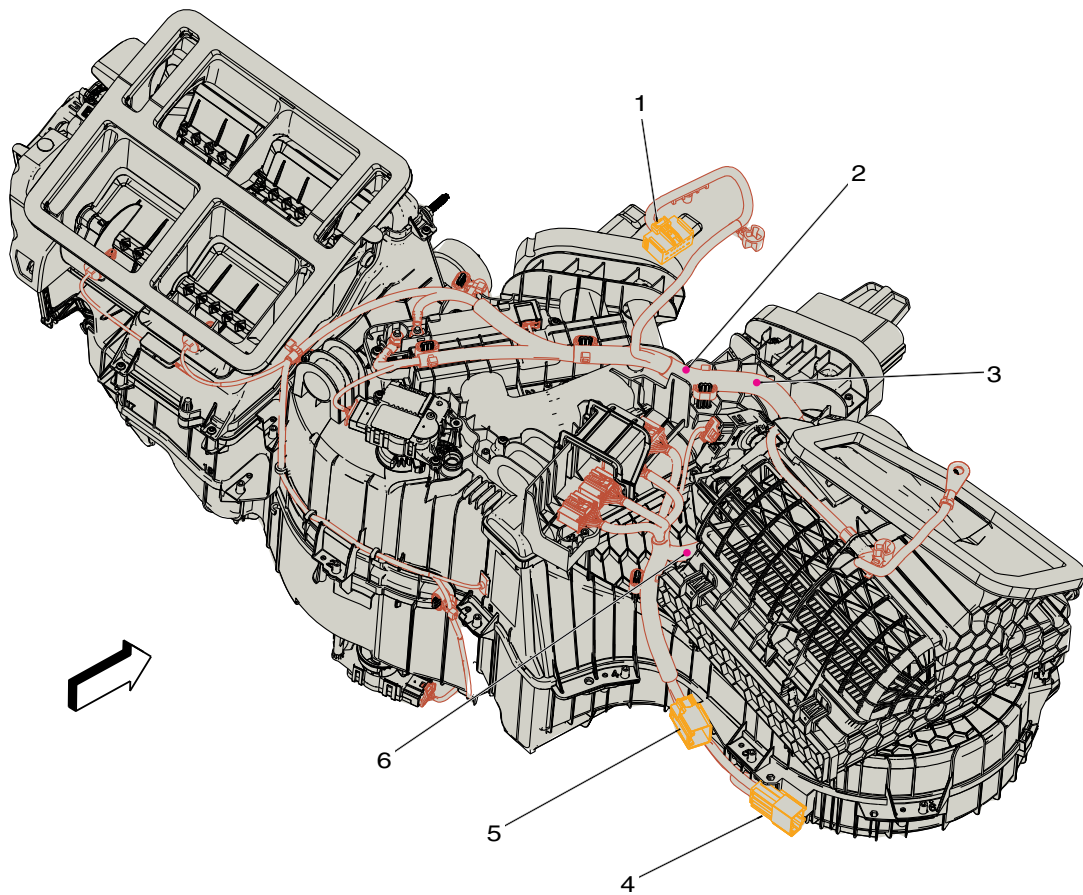
- | | |
|--|--|
| 1. X150 Forward Lamp Harness to Body Harness | 3. J307 Body Harness |
| 2. X138 Chassis Harness To Body Harness | 4. X115 Engine Harness to Body Harness |
| | 5. J367 Body Harness |

Figure 194 Body Harness Routing - Engine Compartment



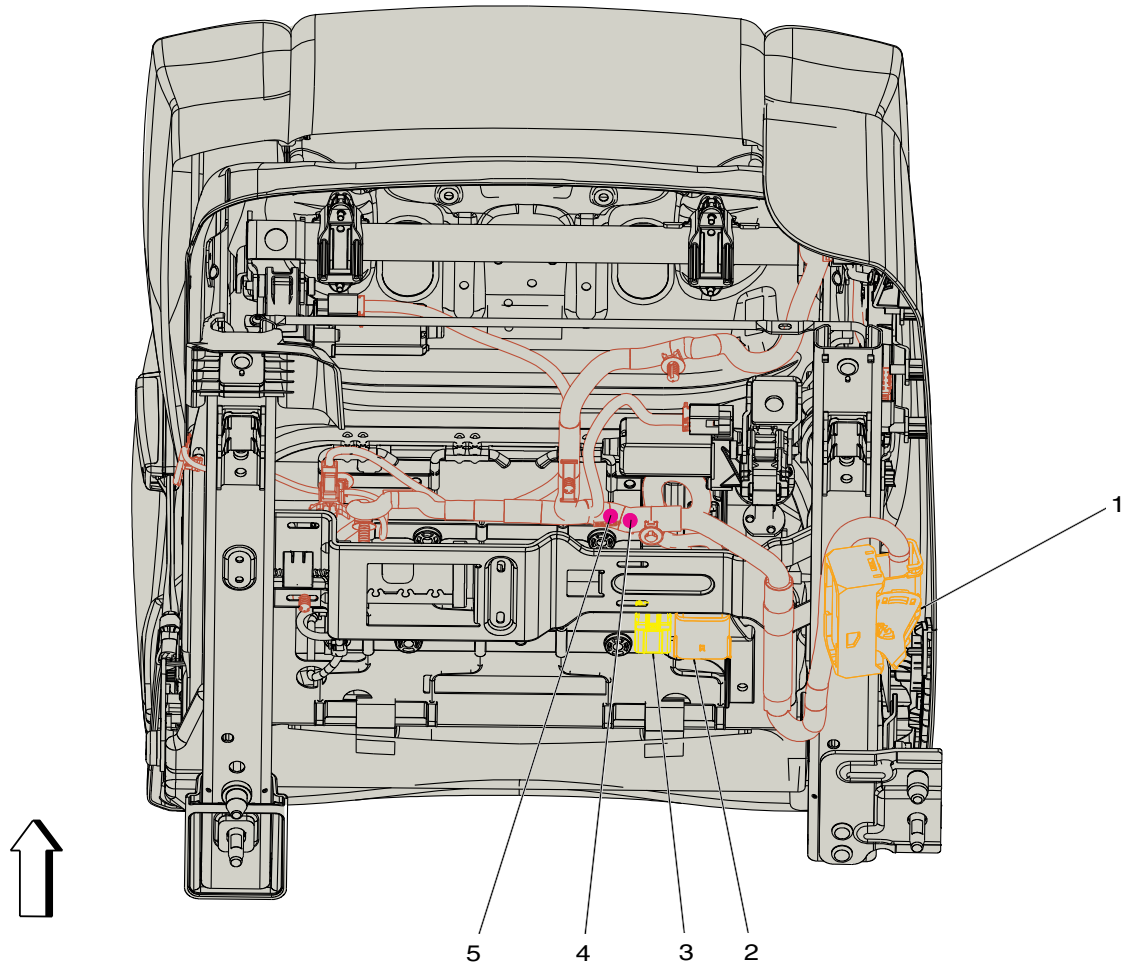
1. X201 Steering Column Harness to Instrument Panel Harness

Figure 195 Body Harness Routing - Engine Compartment



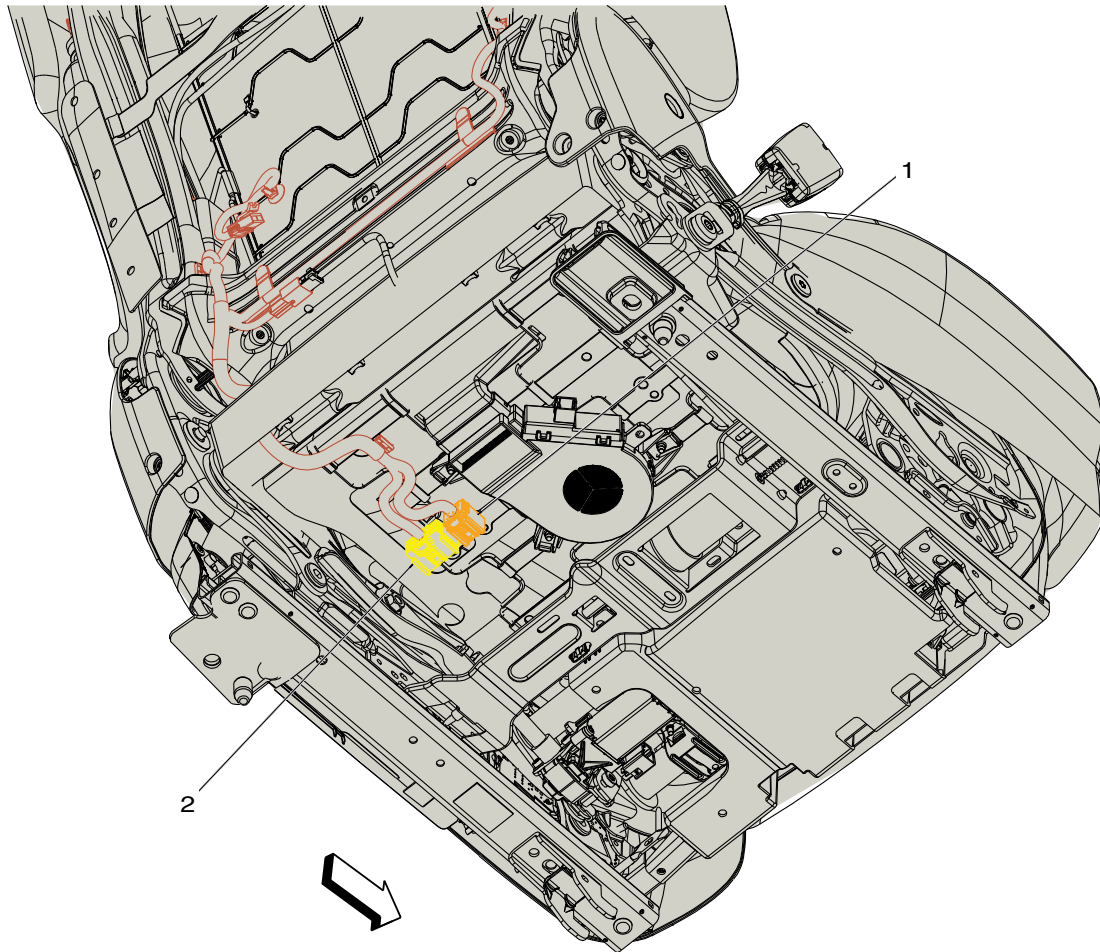
- 1. X215 HVAC Harness to Instrument Panel Harness
- 2. J255 HVAC Harness
- 3. J216 HVAC Harness
- 4. X217 Body Harness To HVAC Harness
- 5. X216 Body Harness To HVAC Harness
- 6. J257 HVAC Harness

Figure 196 HVAC Assembly Harness Routing



1. X310 Driver Seat Cushion Harness to Body Harness
2. X312 Driver Seat Back Harness to Driver Seat Cushion Harness (Feature Code: 0016XJR)
3. X311 Driver Seat Back Harness to Driver Seat Cushion Harness (Feature Code: 0016KVV / 0016KVU)
4. J320 Driver Seat Cushion Harness (Feature Code: 0016XJR)
5. J319 Driver Seat Cushion Harness (Feature Code: 0016XJR)

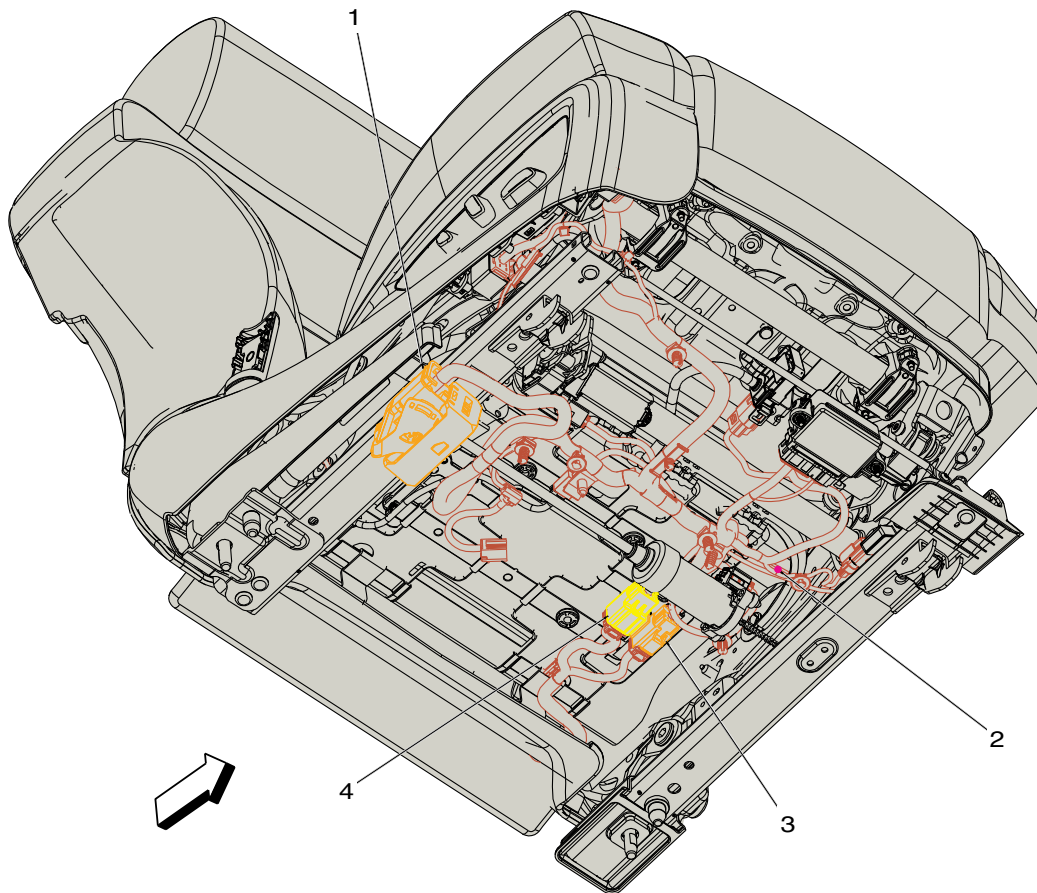
Figure 197 Driver Seat Cushion Harness Routing



1. X311 Driver Seat Back Harness to Driver Seat Cushion Harness ((Feature Code: 0016KVV / 0016KVU)

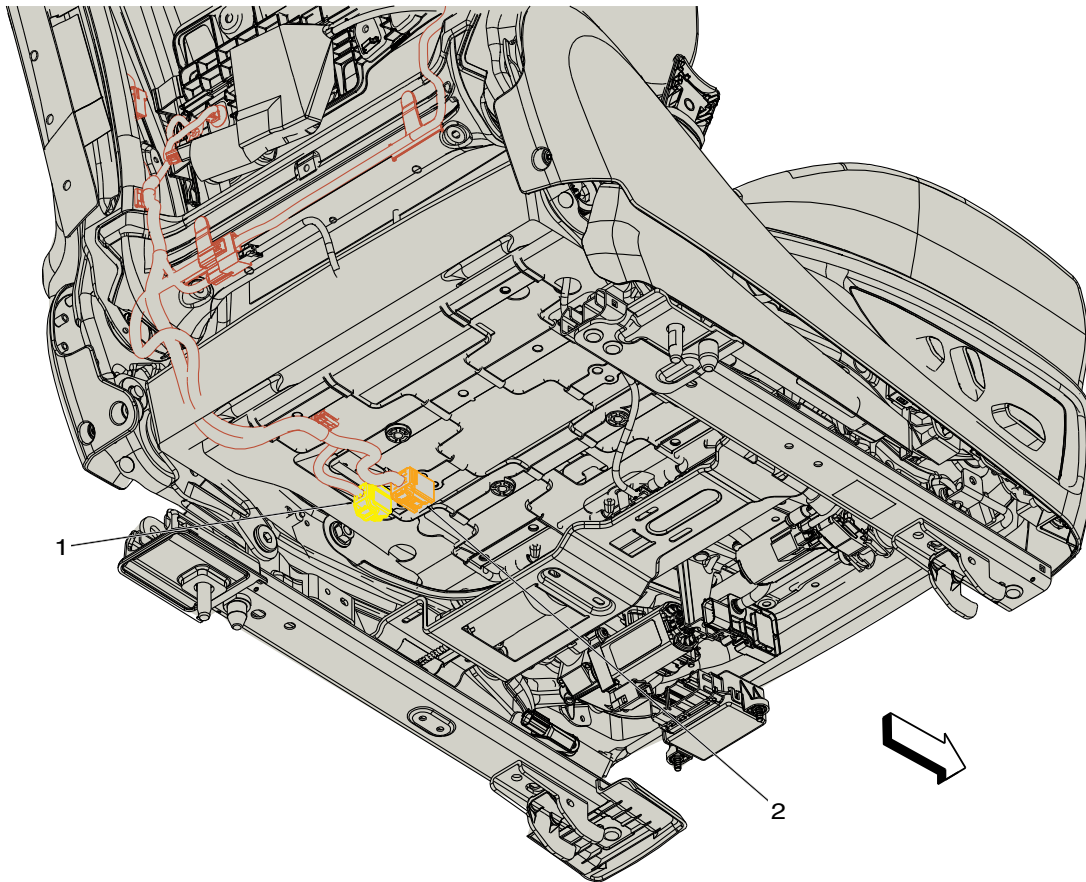
2. X312 Driver Seat Back Harness to Driver Seat Cushion Harness (Feature Code: 0016XJR)

Figure 198 Driver Seat Back Harness Routing



- | | |
|--|--|
| 1. X320 Passenger Seat Cushion
Harness to Body Harness (Feature
Code: 0016KVV / AG2 / 0016XJR) | Cushion Harness (Feature Code:
0016XJR) |
| 2. J321 Passenger Seat Cushion
Harness (Feature Code:
0016XJR) | |
| 3. X322 Passenger Seat Back
Harness to Passenger Seat | |
| | 4. X321 Passenger Seat Back
Harness to Passenger Seat
Cushion Harness (Feature Code:
0016KVV / AG2) |

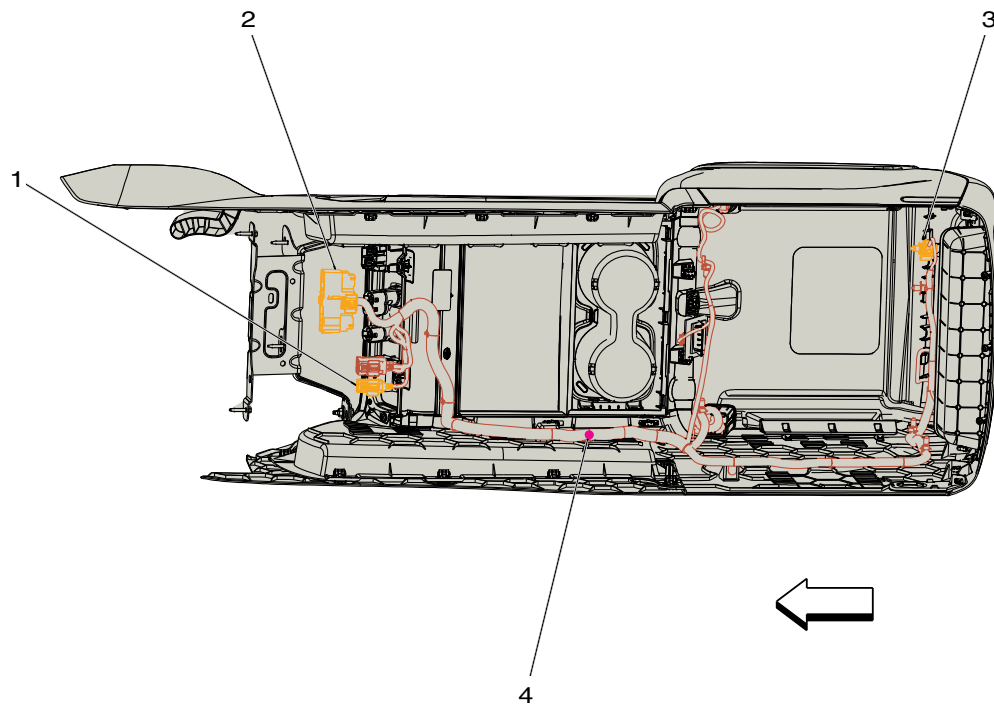
Figure 199 Passenger Seat Cushion Harness Routing



1. X322 Passenger Seat Back
Harness to Passenger Seat
Cushion Harness (Feature Code:
0016XJR)

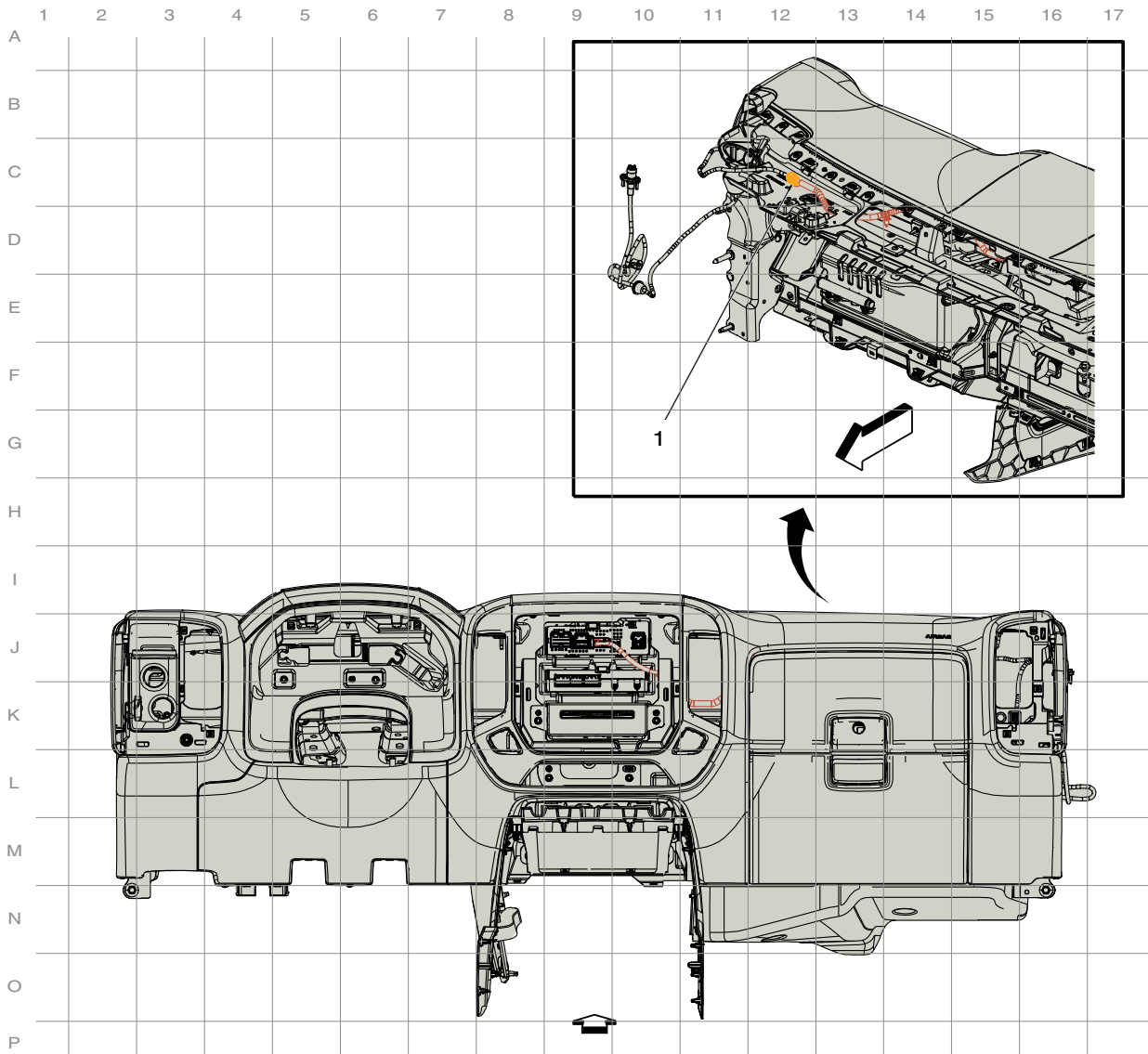
2. X321 Passenger Seat Back
Harness to Passenger Seat
Cushion Harness (Feature Code:
0016KVV / AG2)

Figure 200 Passenger Seat Back Harness Routing



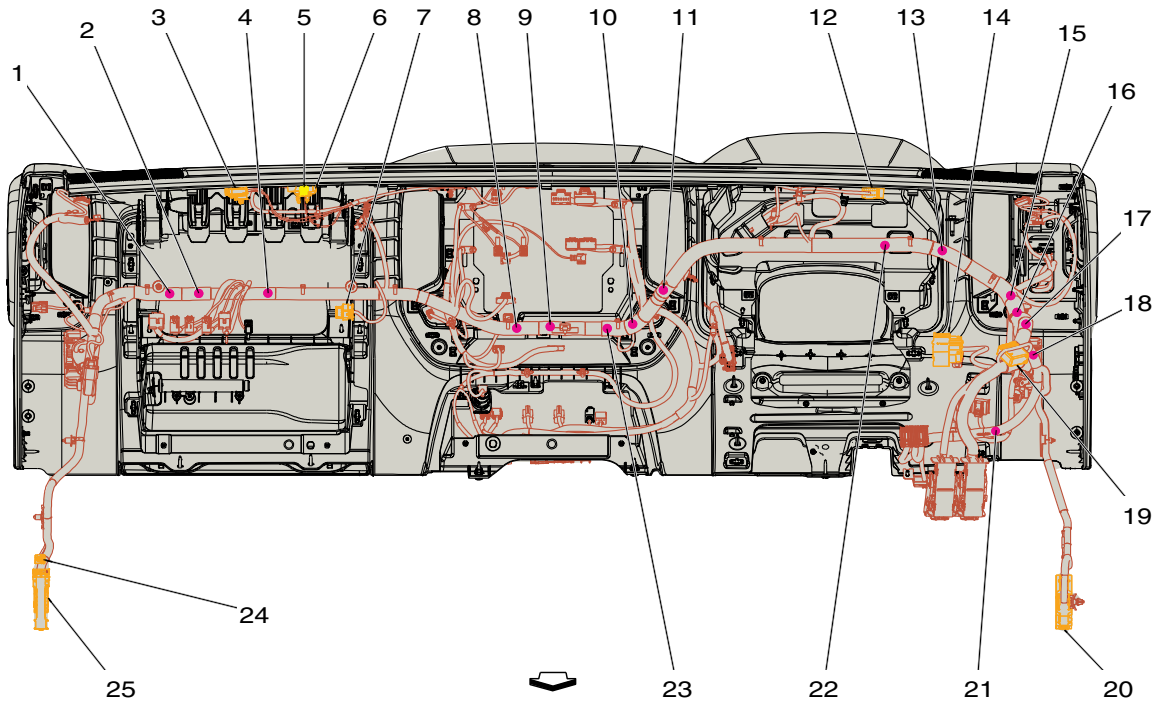
- 1. X309 Center Console Harness
USB to Instrument Panel Harness
USB
- 2. X300 Instrument Panel Harness
to Floor Console Harness
- 3. X302 Wireless Charger Harness
to Floor Console Harness
- 4. J358 Floor Console

Figure 201 Floor Console Harness Routing (Feature Code: 0016XCN)



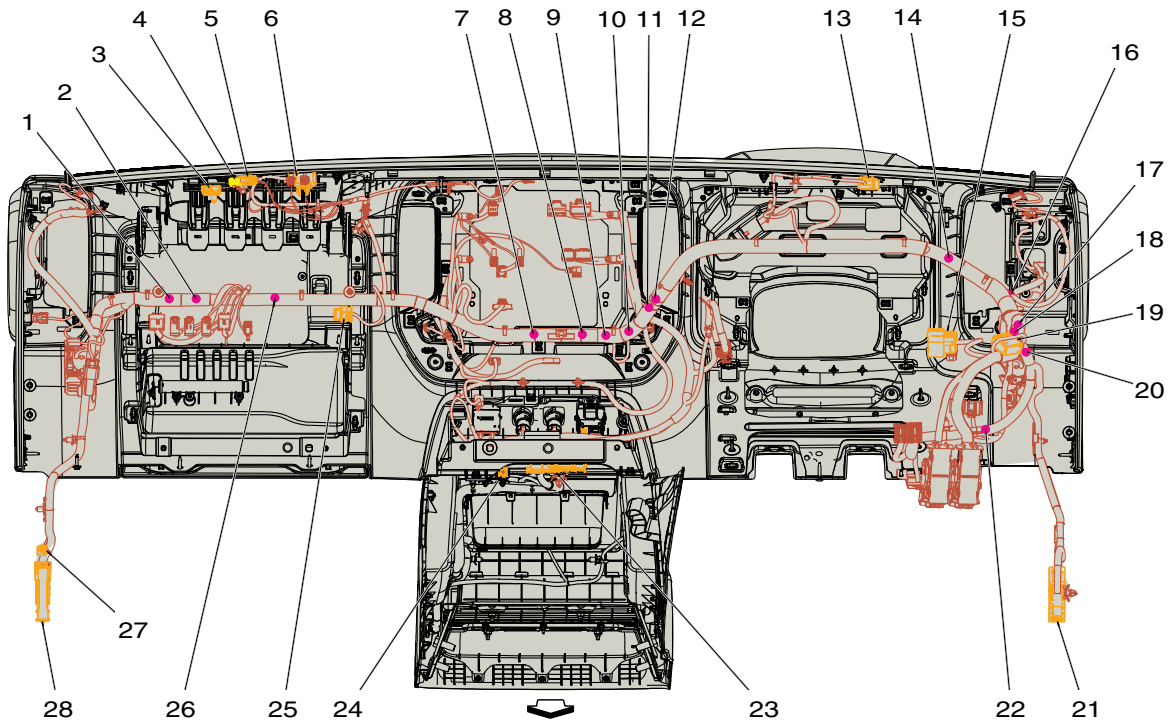
- 1. X245 Antenna Jumper Harness
COAX to Antenna Jumper Harness
COAX

Figure 202 Radio COAX Routing



- | | |
|--|---|
| <ol style="list-style-type: none"> 1. J241 Instrument Panel Harness 2. J242 Instrument Panel Harness 3. X222 Instrument Panel Harness COAX to Antenna Jumper Harness COAX (Feature Code: 0008AAE) 4. J215 Instrument Panel Harness 5. X210 Instrument Panel Harness COAX to Antenna Jumper Harness COAX (Feature Code: 0008RNV) 6. X215 HVAC Harness to Instrument Panel Harness 7. X205 Instrument Panel Harness to Passenger Instrument Panel Air Bag Harness 8. J251 Instrument Panel Harness (Feature Code: 0008RNM) 9. J266 Instrument Panel Harness (Feature Code: 0008RNM) 10. J240 Instrument Panel Harness (Feature Code: 0016XCN / 0008XJX) 11. J289 Instrument Panel Harness | <ol style="list-style-type: none"> 12. X305 Instrument Panel Harness to Headliner Harness 13. J205 Instrument Panel Harness 14. X201 Steering Column Harness to Instrument Panel Harness 15. J210 Instrument Panel Harness 16. J200 Instrument Panel Harness 17. J201 Instrument Panel Harness 18. J212 Instrument Panel Harness 19. JX200 Instrument Panel Harness 20. X225 Body Harness To Instrument Panel Harness 21. J211 Instrument Panel Harness 22. J213 Instrument Panel Harness 23. J290 Instrument Panel Harness (Feature Code: 0008XJP / 14899) 24. X301 Body Harness USB to Instrumental Panel Harness USB (Without Feature Code: 0016XCN) 25. X275 Instrument Panel Harness to Body Harness |
|--|---|

Figure 203 Instrument Panel Harness Routing (Feature Code: 0008RNN or 0008RNM)

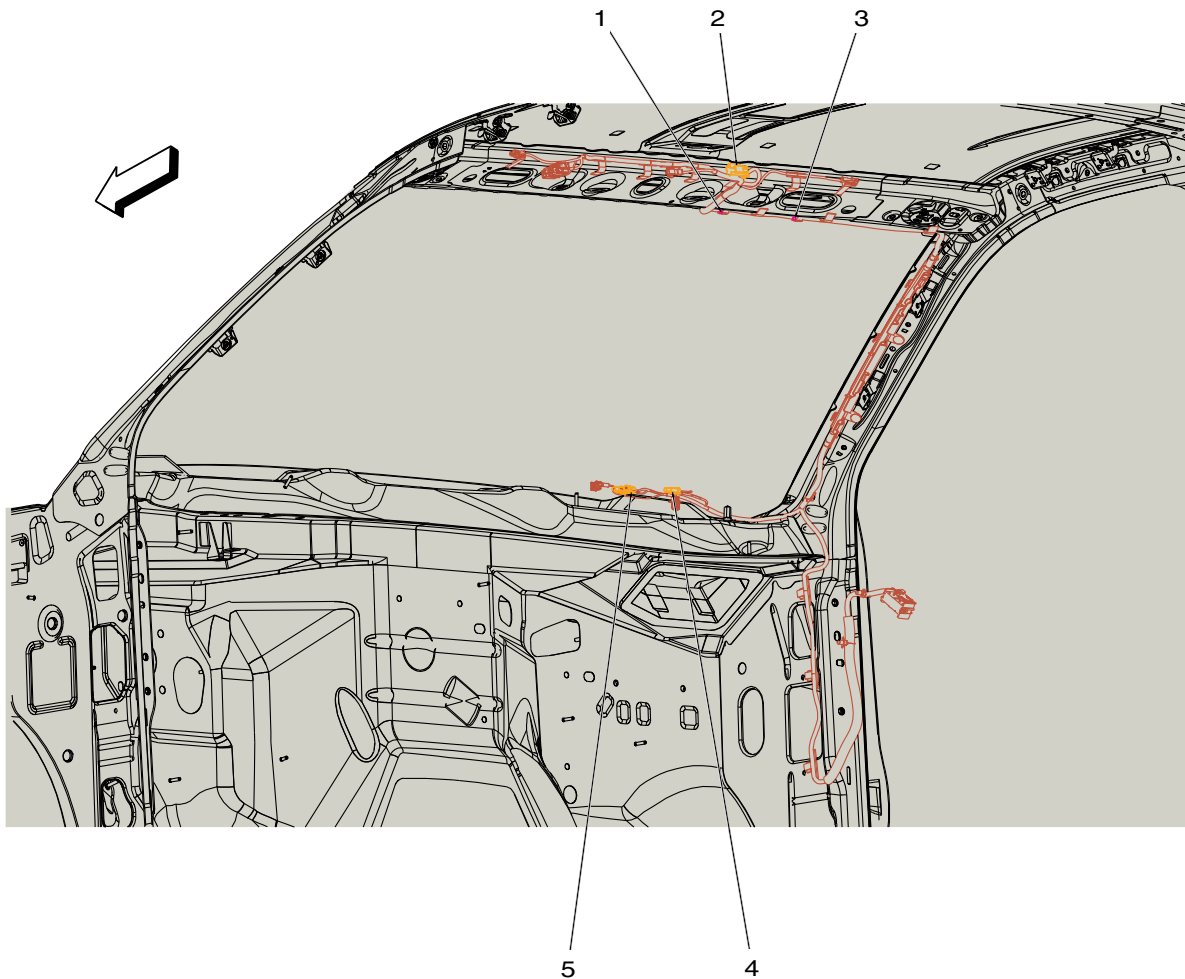


- | | |
|--|---|
| <ol style="list-style-type: none"> 1. J241 Instrument Panel Harness 2. J242 Instrument Panel Harness 3. X210 Instrument Panel Harness
COAX to Antenna Jumper Harness
COAX (Feature Code: 0008RNV) 4. X222 Instrument Panel Harness
COAX to Antenna Jumper Harness
COAX (Feature Code: 0008AAE) 5. X211 Instrument Panel Harness
COAX to Antenna Jumper Harness
COAX (Feature Code: 0008RNX
without 0008AAE) 6. X215 HVAC Harness to
Instrument Panel Harness 7. J249 Instrument Panel Harness
(Feature Code: 0008RNV /
0008RNX) 8. J220 Instrument Panel Harness 9. J290 Instrument Panel Harness
(Feature Code: 0008XJP / 14899) 10. J240 Instrument Panel Harness
(Feature Code: 0016XCN /
0008XJX) 11. J245 Instrument Panel Harness
(Feature Code: 0016XJR) | <ol style="list-style-type: none"> 12. J289 Instrument Panel Harness 13. X305 Instrument Panel Harness
to Headliner Harness 14. J205 Instrument Panel Harness 15. X201 Steering Column Harness
to Instrument Panel Harness 16. J213 Instrument Panel Harness 17. J200 Instrument Panel Harness 18. J201 Instrument Panel Harness 19. JX200 Instrument Panel Harness 20. J212 Instrument Panel Harness 21. X225 Body Harness To
Instrument Panel Harness 22. J211 Instrument Panel Harness 23. X300 Instrument Panel Harness
to Floor Console Harness (Feature
Code: 0016XCN) 24. X309 Center Console Harness
USB to Instrument Panel Harness
USB (Feature Code: 0016XCN) 25. X205 Instrument Panel Harness
to Passenger Instrument Panel Air
Bag Harness 26. J215 Instrument Panel Harness |
|--|---|

27. X301 Body Harness USB to
Instrumental Panel Harness USB
(Without Feature Code: 0016XCN)

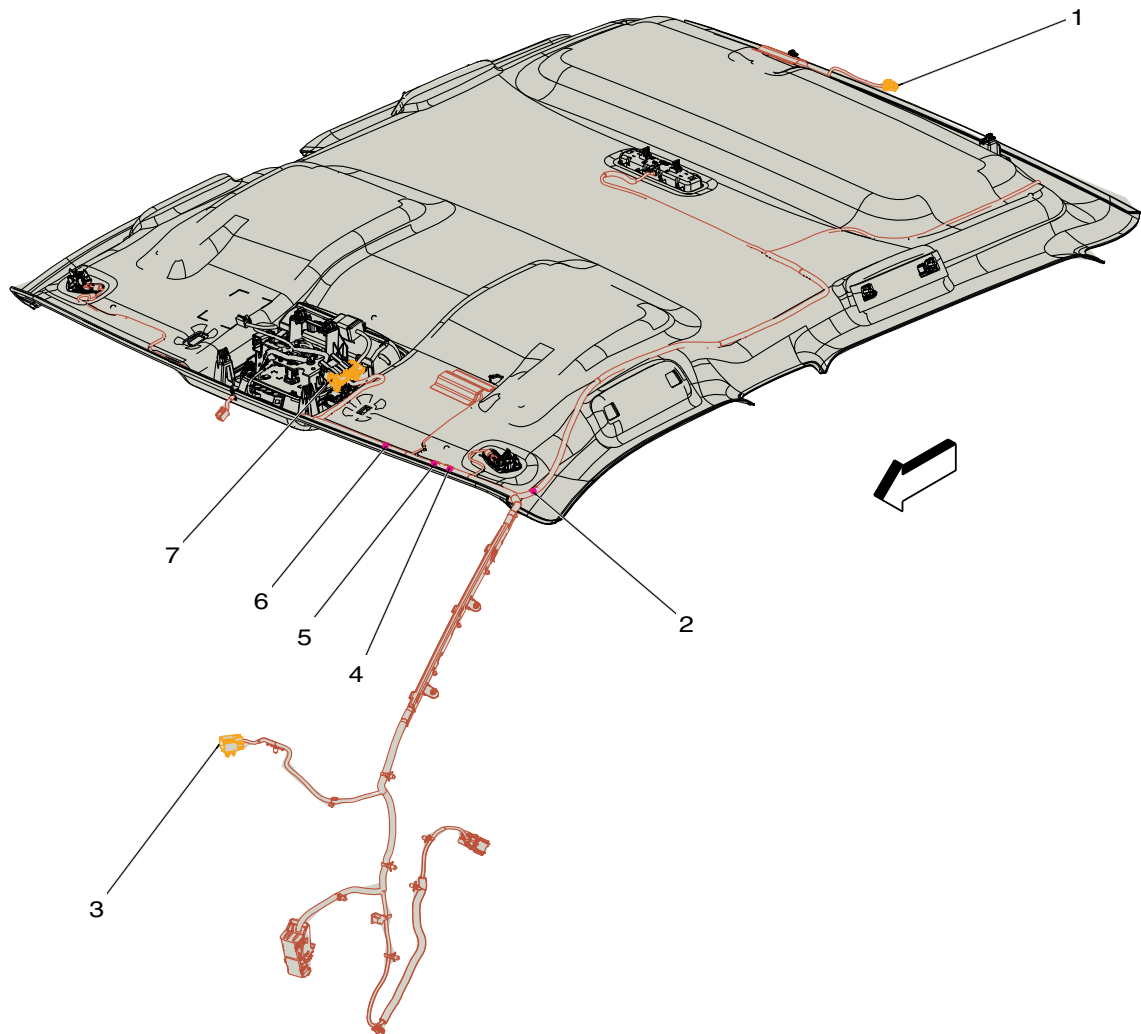
28. X275 Instrument Panel Harness
to Body Harness

Figure 204 Instrument Panel Harness Routing (Feature Code: 0008RNW or 0008RNX)



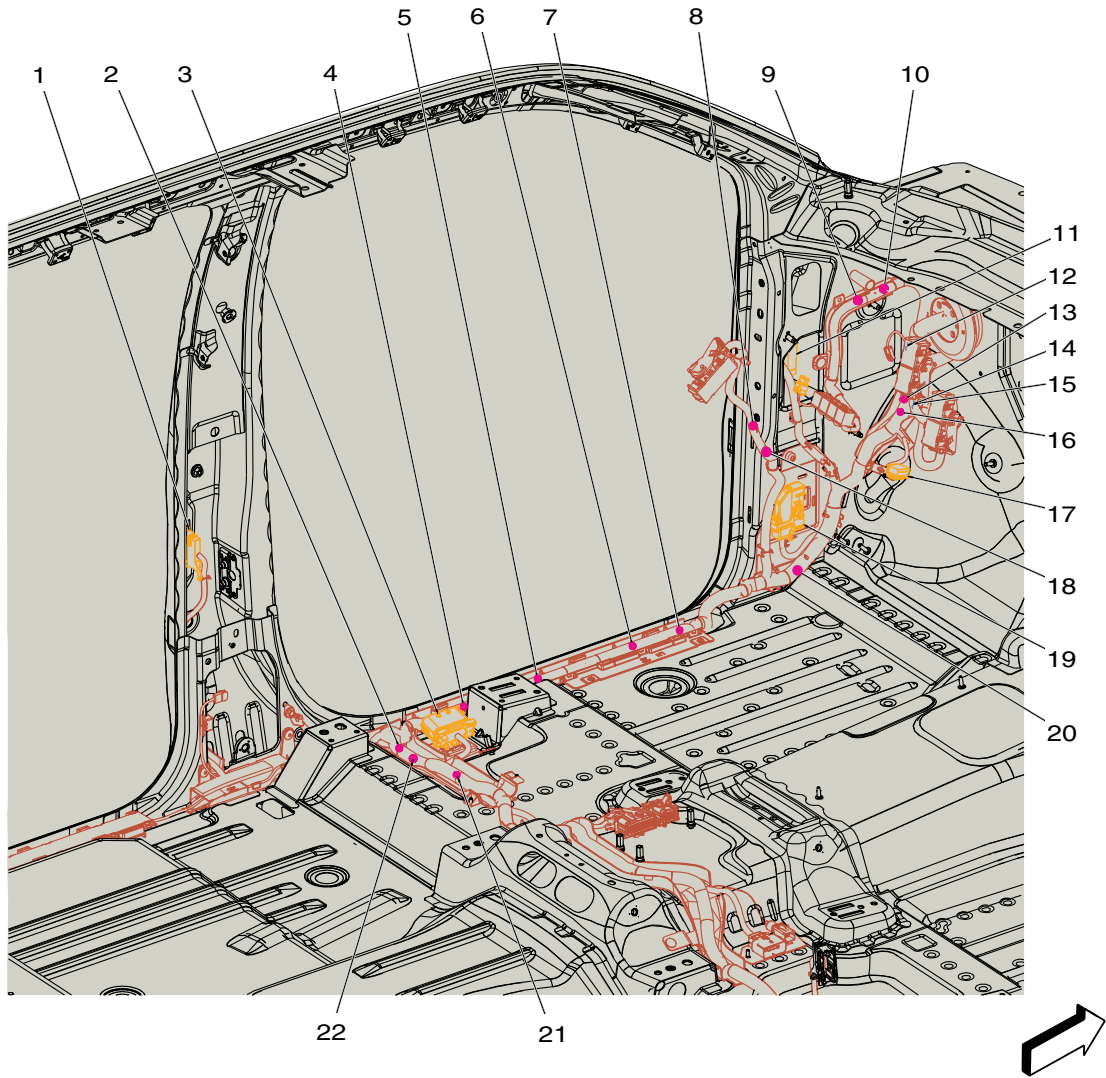
- 1. J292 Right A-Pillar Harness
- 2. X319 Overhead Console Harness
to Right A-Pillar Harness (Feature
Code: 0008XKS)
- 3. J293 Right A-Pillar Harness
- 4. X210 Instrument Panel Harness
COAX to Antenna Jumper Harness
COAX (Feature Code: 0008RNV)
- 5. X222 Instrument Panel Harness
COAX to Antenna Jumper Harness
COAX (Feature Code: 0008AAE)

Figure 205 Right A-Pillar Harness Routing



- | | |
|---|--|
| <ul style="list-style-type: none"> 1. X317 Headliner Harness to Center High Mounted Stop Lamp Harness 2. J317 Headliner Harness (Crew Cab) 3. X305 Instrument Panel Harness to Headliner Harness | <ul style="list-style-type: none"> 4. J310 Headliner Harness (Crew Cab / 0016XCS) 5. J312 Headliner Harness (Crew Cab) 6. J332 Headliner Harness 7. X316 Headliner Harness to Overhead Console Harness |
|---|--|

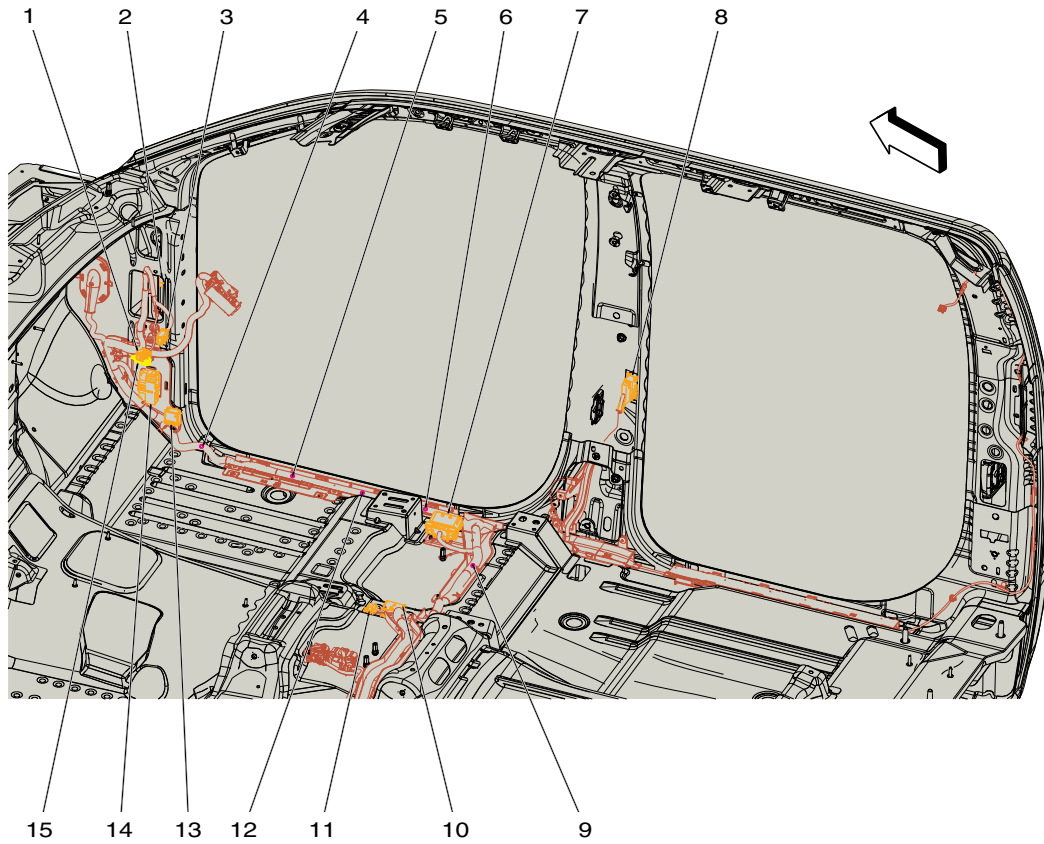
Figure 206 Headliner Harness Routing



- | | |
|---|--|
| <ol style="list-style-type: none"> 1. X700 Left Rear Door Harness to Body Harness (Crew Cab) 2. J350 Body Harness (Feature Code: 0008RNM / 0008RNY) 3. X310 Driver Seat Cushion Harness to Body Harness 4. J365 Body Harness 5. J309 Body Harness ((Feature Code: 0008HBW / 0013TLP (0013WDB)) 6. J383 Body Harness 7. J384 Body Harness (Feature Code: 0016WAK) 8. J301 Body Harness | <ol style="list-style-type: none"> 9. J299 Body Harness (Feature Code: 0008TRA) 10. J357 Body Harness 11. X500 Driver Door Harness to Body Harness 12. W33 Blunt Cut - Master Disconnect Switch Indicator Provision 13. J300 Body Harness 14. W31 Blunt Cut - Crank Inhibit Provision 15. W32 Blunt Cut - Master Disconnect Switch Provision 16. J302 Body Harness (Feature Code: 0016SPS) |
|---|--|

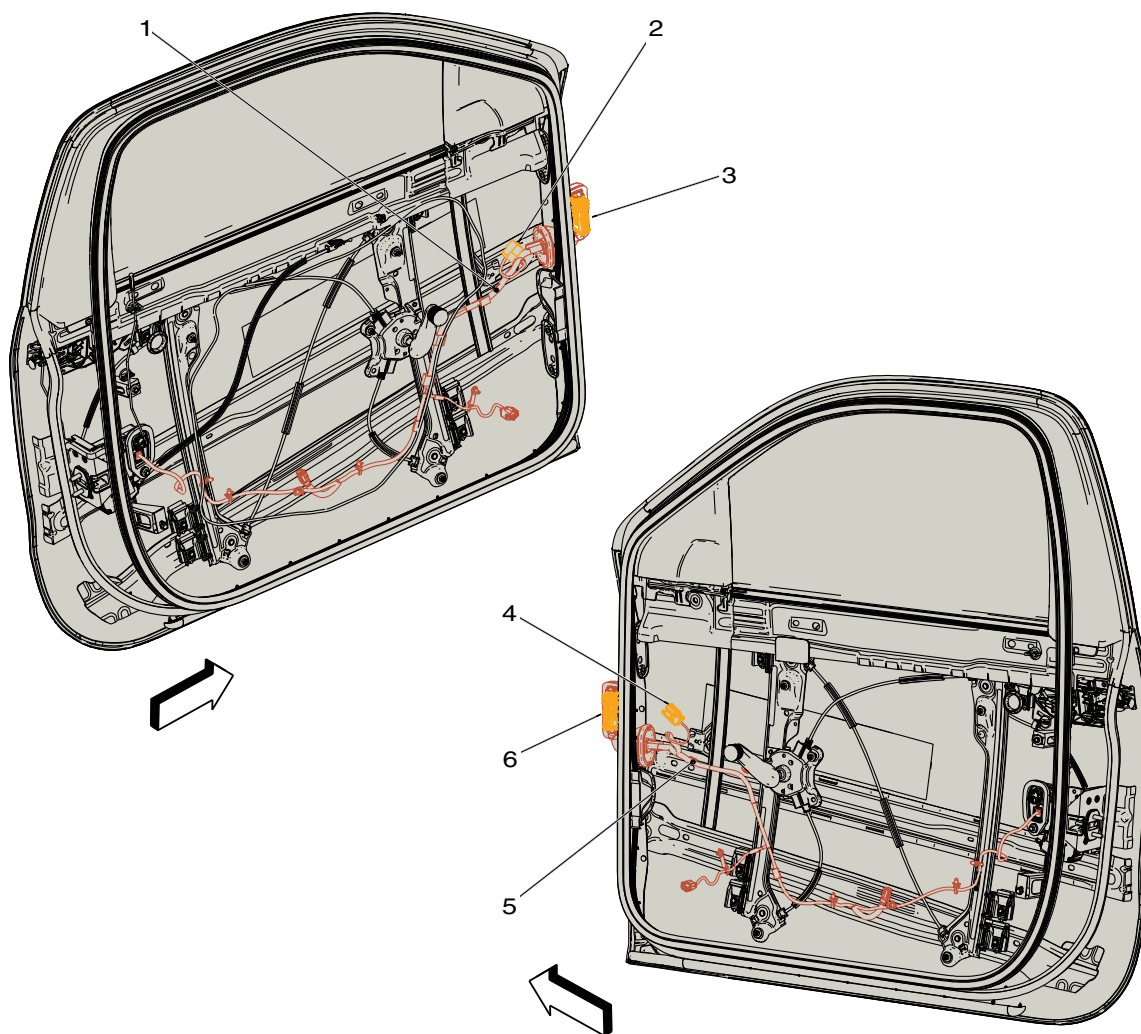
- | | |
|--|----------------------------------|
| 17. X315 Body Harness to Brake
Clutch Harness | 20. J367 Body Harness |
| 18. J304 Body Harness | 21. J360 Body Harness |
| 19. X225 Body Harness To
Instrument Panel Harness | 22. J370 Body Harness (Crew Cab) |

Figure 207 Body Harness Routing - Passenger Compartment Left



- | | |
|--|--|
| <ol style="list-style-type: none"> 1. X216 Body Harness To HVAC Harness 2. X600 Passenger Door Harness to Body Harness 3. X217 Body Harness To HVAC Harness 4. J373 Body Harness 5. J361 Body Harness (Crew Cab) 6. J331 Body Harness (Crew Cab) 7. X320 Passenger Seat Cushion Harness to Body Harness (Feature Code: 0016KVV / AG2 / 0016XJR) 8. X800 Right Rear Door Harness to Body Harness (Crew Cab) 9. J362 Body Harness (Feature Code: 0016LVT) | <ol style="list-style-type: none"> 10. X314 Center Seat Harness to Body Harness (Without Feature Code: 0016XCN) 11. X313 Body Harness USB to Center Seat Harness USB (Without Feature Code: 0016XCN) 12. J366 Body Harness (Crew Cab) 13. JX200 Instrument Panel Harness 14. X275 Instrument Panel Harness to Body Harness 15. X301 Body Harness USB to Instrumental Panel Harness USB (Without Feature Code: 0016XCN) |
|--|--|

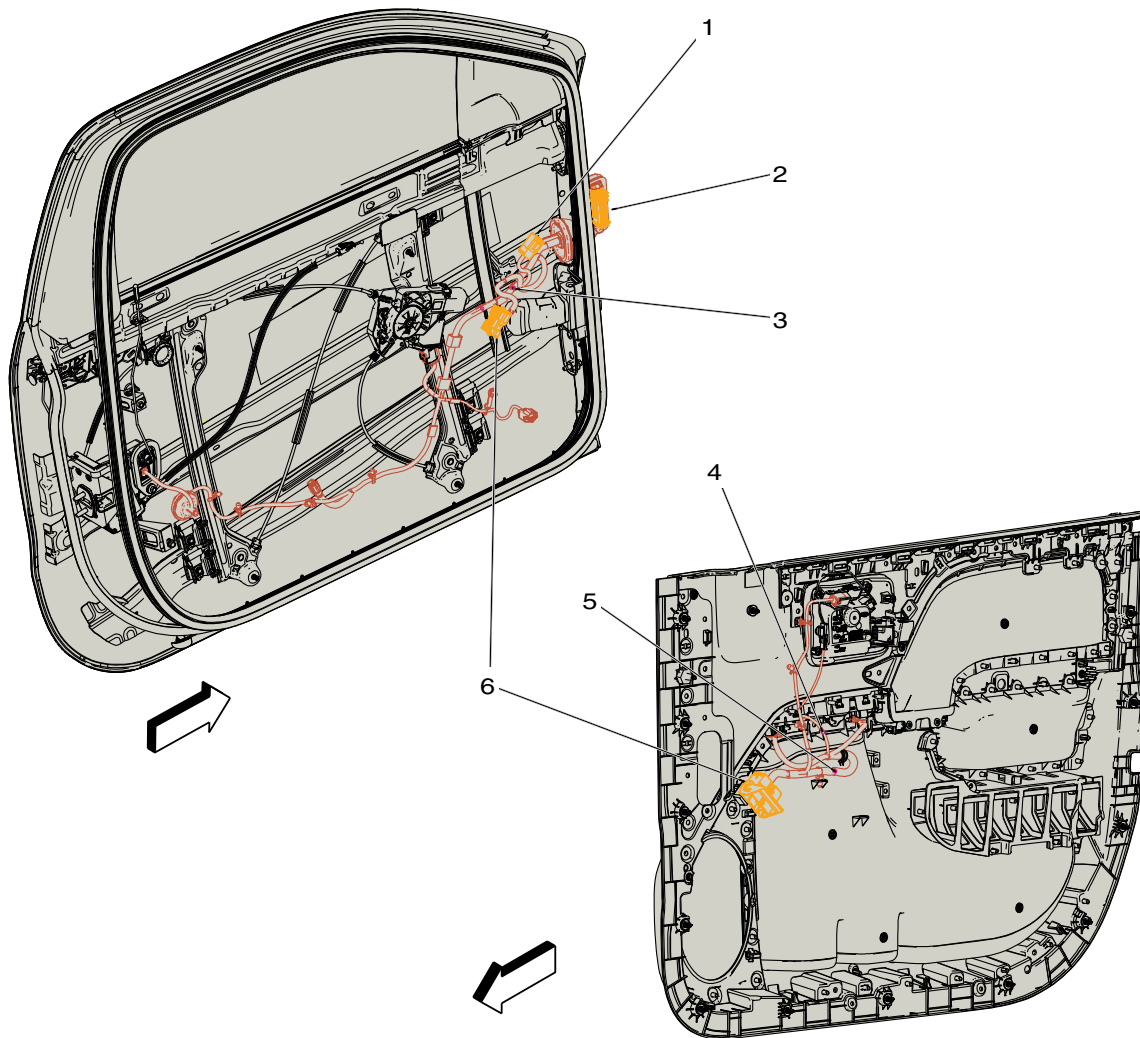
Figure 208 Body Harness Routing - Passenger Compartment Right



1. J515 Driver Door Harness
2. X506 Driver Door Trim Harness to Driver Door Harness (Without Feature Code: 0016WAK)
3. X500 Driver Door Harness to Body Harness
4. X606 Passenger Door Trim Harness to Passenger Door

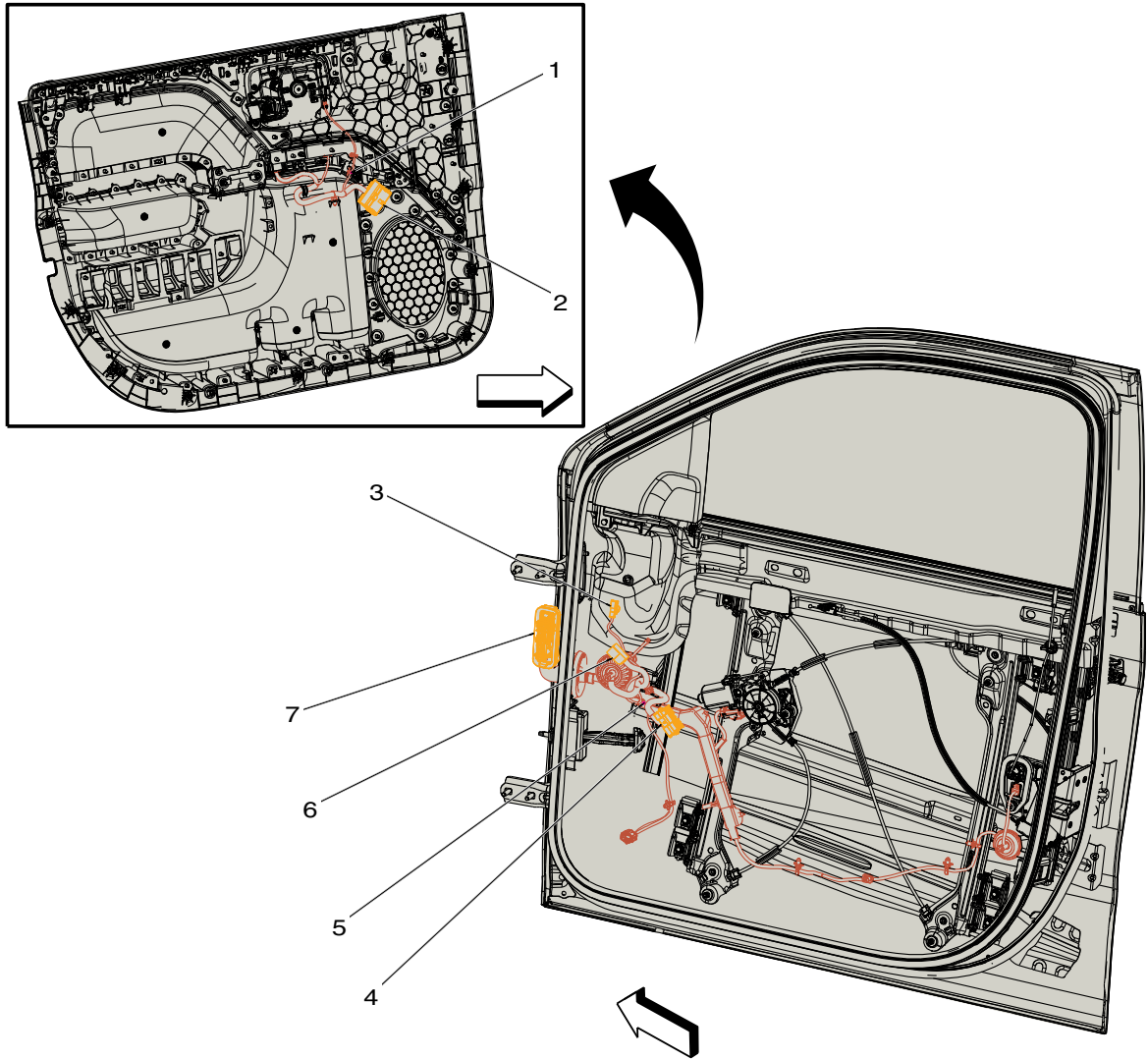
- Harness (Without Feature Code: 0016WAK)
5. J615 Passenger Door Harness
 6. X600 Passenger Door Harness to Body Harness

Figure 209 Driver Door and Passenger Door Harness Routing (Without Feature Code: 0016WAK)



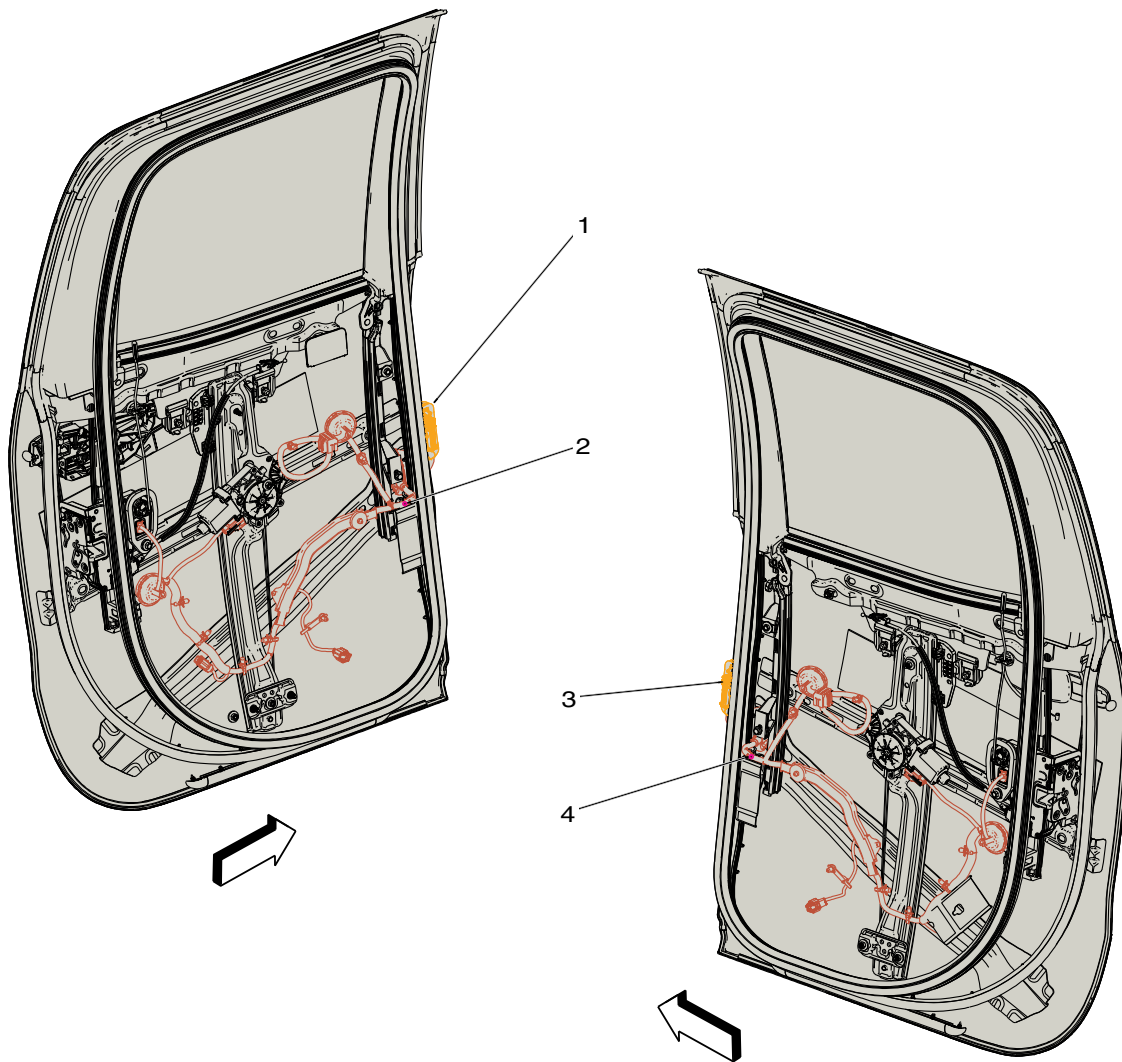
- | | |
|---|--|
| <ol style="list-style-type: none">1. X510 Outside Rearview Mirror
- Driver Harness to Driver
Door Harness (Feature Code:
0016SPS)2. X500 Driver Door Harness to
Body Harness3. J550 Driver Door Harness
(Feature Code: 0016WAK) | <ol style="list-style-type: none">4. J515 Driver Door Harness5. J519 Driver Door Trim Harness
(Feature Code: 0016SPS)6. X505 Driver Door Harness To
Driver Door Trim Harness (Feature
Code: 0016WAK) |
|---|--|

Figure 210 Driver Door and Driver Door Trim Harness Routing (Feature Code: 0016WAK)



- | | |
|---|---|
| 1. J615 Passenger Door Harness | 5. J615 Passenger Door Harness |
| 2. X605 Passenger Door Harness to Passenger Door Trim Harness (Feature Code: 0016WAK) | 6. X610 Outside Rearview Mirror - Passenger Harness to Passenger Door Harness (Feature Code: 0016SPS) |
| 3. X611 Outside Rearview Mirror – Passenger Harness to Passenger Door Harness (Feature Code: 0016SPR) | 7. X600 Passenger Door Harness to Body Harness |
| 4. X605 Passenger Door Harness to Passenger Door Trim Harness (Feature Code: 0016WAK) | |

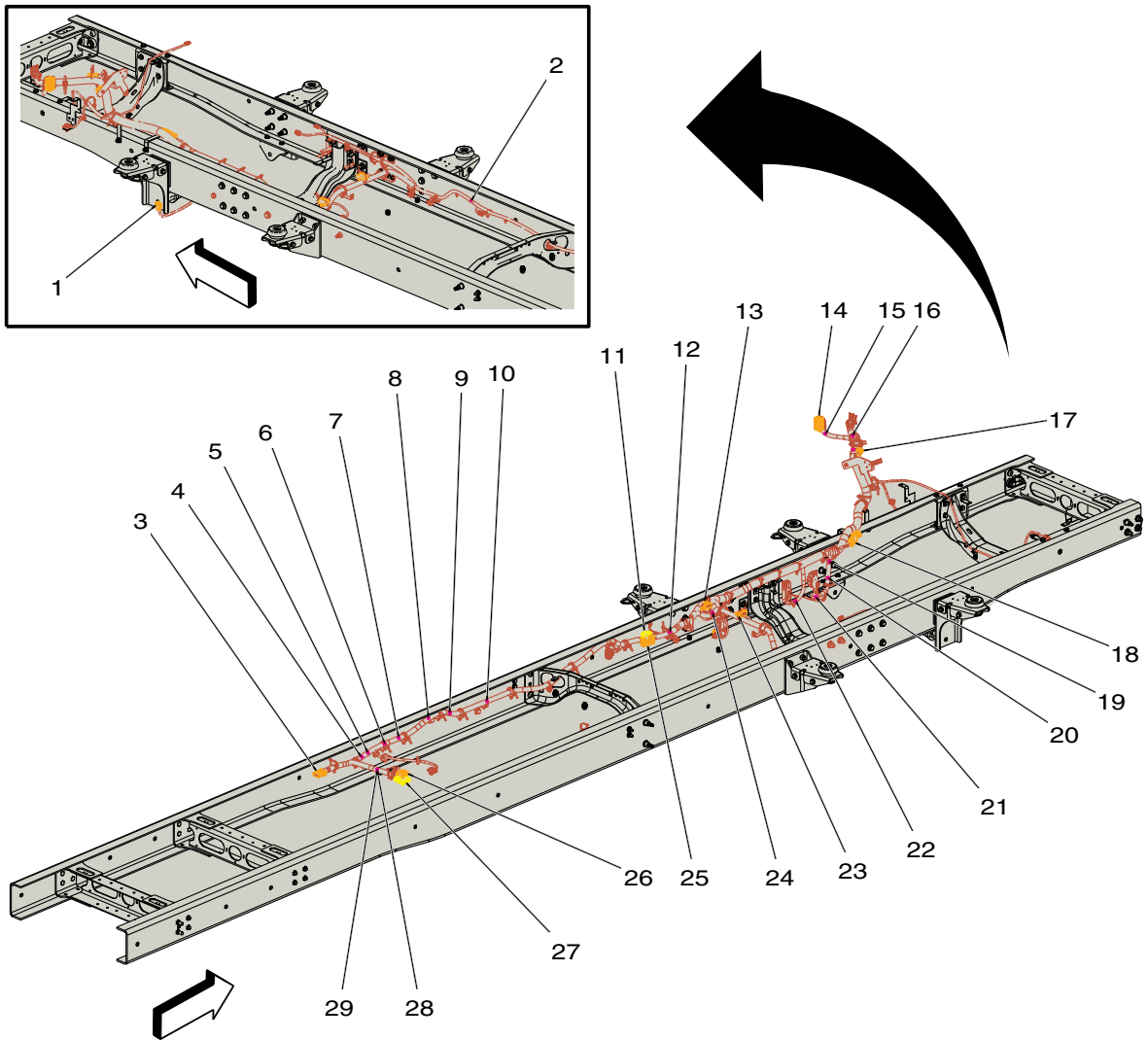
Figure 211 Passenger Door and Passenger Door Trim Harness Routing (Feature Code: 0016WAK)



- 1. X700 Left Rear Door Harness to Body Harness (Crew Cab)
- 2. J715 Left Rear Door Harness (Crew Cab)

- 3. X800 Right Rear Door Harness to Body Harness (Crew Cab)
- 4. J815 Right Rear Door Harness (Crew Cab)

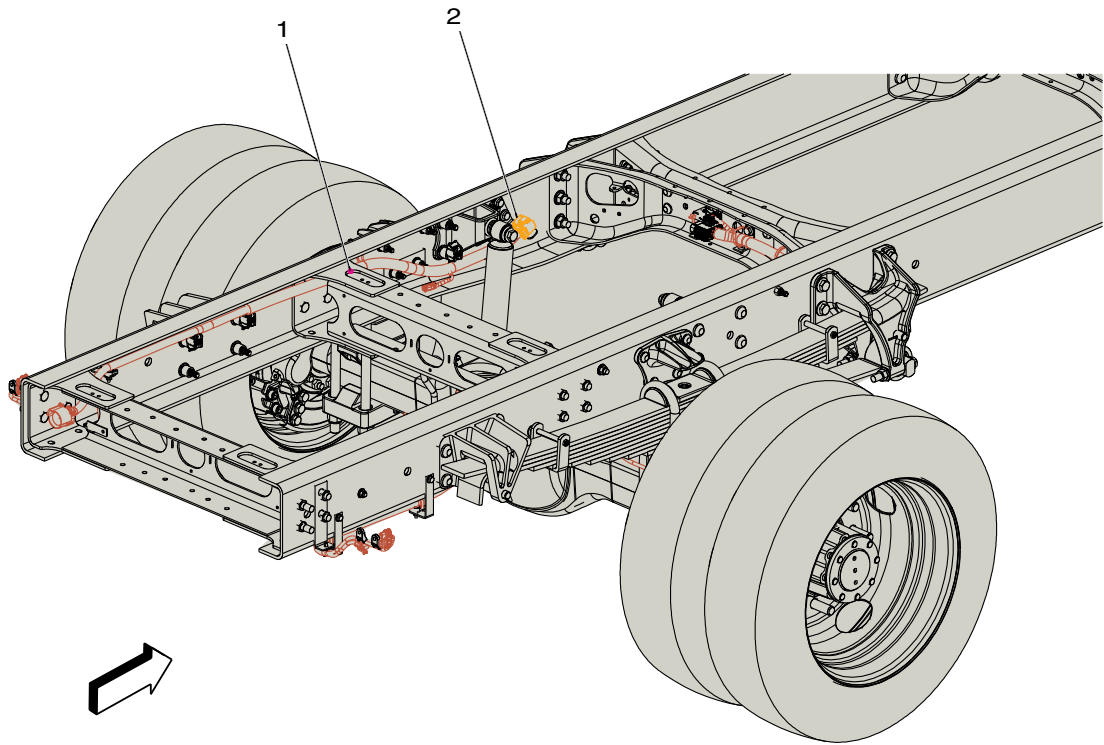
Figure 212 Left Rear Door and Right Rear Door Harness Routing (Crew Cab)



- | | |
|---|--|
| 1. X330 Chassis Harness to Battery Feed Harness (0008MVZ / 0008MWA) | 8. J422 Chassis Harness (0008HXV / 0008HXU / 0016SPT) |
| 2. J490 Chassis Harness | 9. J423 Chassis Harness (0008HXV / 0008HXU) |
| 3. X401 Chassis Rear Left Harness to Chassis Harness | 10. J400 Chassis Harness |
| 4. J417 Chassis Harness (0015DSZ) | 11. X430 Chassis Harness to Battery Feed Harness (0008MSD) |
| 5. J418 Chassis Harness (0015SZN) | 12. J411 Chassis Harness (0008HXV / 0008HXU) |
| 6. J420 Chassis Harness (0008HXV / 0008HXU) | 13. JX301 Chassis Harness |
| 7. J421 Chassis Harness (0008HXV / 0008HXU) | 14. X138 Chassis Harness to Body Harness |
| | 15. J138 Chassis Harness (0008RNY) |
| | 16. J139 Chassis Harness |

- 17. X180 Brake Booster Harness to Chassis Harness
- 18. X125 Engine Chassis Harness to Chassis Harness
- 19. J395 Chassis Harness
- 20. J396 Chassis Harness
- 21. J397 Chassis Harness
- 22. J398 Chassis Harness
- 23. JX302 Chassis Harness
- 24. J399 Chassis Harness
- 25. X405 Body Builder Connection Harness to Chassis Harness (0008HXV)
- 26. X455 Chassis Harness to Chassis Rear Right Harness (0008HXU)
- 27. X402 Chassis Rear Right Harness to Chassis Harness
- 28. J401 Chassis Harness (0015DSZ / 0015SZP)
- 29. J419 Chassis Harness (0008RNY)

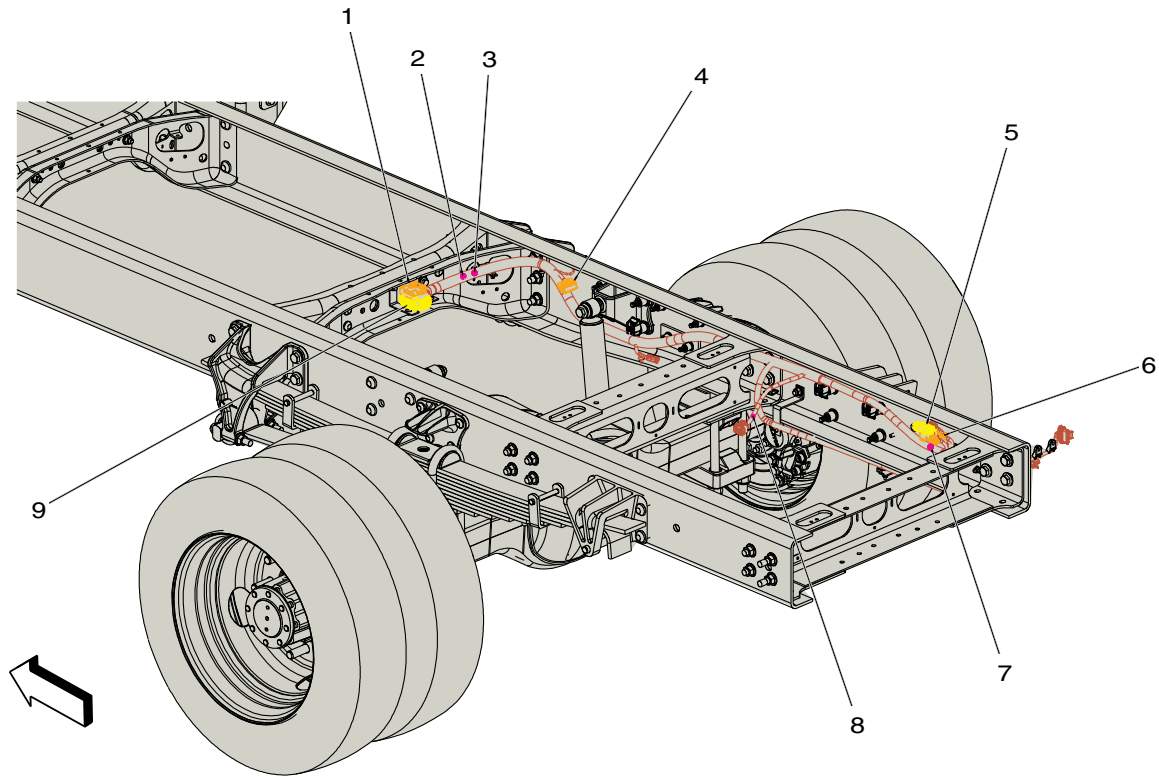
Figure 213 Chassis Harness Routing



1. J450 Chassis Rear Left Harness

2. X401 Chassis Rear Left Harness
to Chassis Harness

Figure 214 Chassis Rear Left Harness Routing



- | | |
|--|---|
| 1. X455 Chassis Harness to Chassis Rear Right Harness (0008HXU) | 6. X495 Body Builder Connection Harness to Chassis Rear Right Harness (0008HXU) |
| 2. J460 Chassis Rear Right Harness (0015SZN) | 7. J462 Chassis Rear Right Harness (0008RNY) |
| 3. J461 Chassis Rear Right Harness (0008RNY) | 8. J463 Chassis Rear Right Harness (0015SZN) |
| 4. JX402 Chassis Rear Right Harness | 9. X402 Chassis Rear Right Harness to Chassis Harness |
| 5. X499 Rearview Camera Jumper Harness to Chassis Rear Right Harness (0008RNY) | |

Figure 215 Chassis Rear Right Harness Routing

15.2. COMPONENT LOCATOR

Master Electrical Component List

Table 10 Master Electrical Component List

Code	Name	Option	Location	Locator View
A3L	Sunshade - Left	Feature Code: 0016XCS	In the passenger compartment, at the front of the headliner	Headliner Components page 318
A3R	Sunshade - Right	Feature Code: 0016XCS	In the passenger compartment, at the front of the headliner	Headliner Components. page 318
A6C	Fuel Pump and Level Sensor Assembly - Primary	<ul style="list-style-type: none"> Feature Code: 0015DSZ / 0015SZP Feature Code: 0015SZN 	<ul style="list-style-type: none"> Under the vehicle, mounted in the front fuel tank Under the vehicle, mounted in the rear fuel tank 	Rear of Frame Components. page 335
A6D	Fuel Pump and Level Sensor Assembly - Secondary	Feature Code: 0015DSZ	Under the vehicle, mounted in the rear fuel tank	Rear of Frame Components. page 335
A9A	Outside Rearview Mirror - Driver	Feature Code: 0016SPS	Outside the vehicle, at the front of the driver door	Front of Vehicle Components. page 293
A9B	Outside Rearview Mirror - Passenger	—	Outside the vehicle, at the front of the passenger door	Front of Vehicle Components page 293
A10	Inside Rearview Mirror	Feature Code: 0016ACB / 0008AAE	In the passenger compartment, at the top center of the windshield	Headliner Components page 318
A11	Radio	—	In the passenger compartment, in the center of the Instrument Panel behind Info Display Module, P17	Inside Center of Instrument Panel Components page 311
A16	Transfer Case Motor	Feature Code: 0013TLP	Under the vehicle, mounted to the transfer case	Transmission and Transfer Case Components page 305
A22	Radio Controls	<ul style="list-style-type: none"> Feature Code: 0008RNN / 0008RNM / 0008RNX Feature Code: 0008RNV 	<ul style="list-style-type: none"> In the passenger compartment, at the center of the Instrument Panel, part of Info Display Module, P17 In the passenger compartment, at the center of the Instrument Panel, below Info Display Module, P17 	Front of Instrument Panel Components page 309

Table 10 Master Electrical Component List (cont.)

Code	Name	Option	Location	Locator View
A23D	Door Latch Assembly - Driver	—	At the rear of the driver door	Driver Door Components page 324
A23LR	Door Latch Assembly - Left Rear	Crew Cab	At the rear of the left rear door	Left Rear Door Components (Crew Cab) page 326
A23P	Door Latch Assembly - Passenger	—	At the rear of the passenger door	Passenger Door Components page 325
A23RR	Door Latch Assembly - Right Rear	Crew Cab	At the rear of the right rear door	Right Rear Door Components (Crew Cab) page 327
A26	HVAC Controls	—	In the passenger compartment, at the center of the instrument panel	Front of Instrument Panel Components page 309
A33	Media Disc Player	Feature Code: 0008RNS	In the passenger compartment, at the center of the Instrument Panel, behind Info Display Module, P17	Inside Center of Instrument Panel Components page 311
A38	Reductant Pump and Sensor Assembly	—	Under the vehicle, mounted to the outboard side of the frame, below the passenger side of the cab	Below Right Side of Cab Components page 329
B1	A / C Refrigerant Pressure Sensor	Feature Code: 0016XZA	In the engine compartment, at front of the engine, mounted to A / C pipe	Left Front of Engine Components page 300
B5LF	Wheel Speed Sensor - Left Front	—	Under the vehicle, mounted the left front knuckle	—
B5LR	Wheel Speed Sensor - Left Rear	—	Under the vehicle, mounted to the outboard end of the left axle tube	—
B5RF	Wheel Speed Sensor - Right Front	—	Under the vehicle, mounted the right front knuckle	—
B5RR	Wheel Speed Sensor - Right Rear	—	Under the vehicle, mounted to the outboard end of the right axle tube	—
B9D	Ambient Air Temperature Sensor - Mirror	—	Outside the vehicle, at the front of the passenger door, within Passenger Outside Rearview Mirror, A9B	—
B10B	Ambient Light / Sunload Sensor	—	In the passenger compartment, at the top middle of the instrument panel	Front of Instrument Panel Components page 309

Table 10 Master Electrical Component List (cont.)

Code	Name	Option	Location	Locator View
B12A	Transmission Fluid Pressure Switch	—	Under the vehicle, inside of assembly, Automatic Transmission Assembly, T12	—
B13	Transmission Fluid Temperature Sensor	—	Under the vehicle, inside of assembly, Automatic Transmission Assembly, T12, part of the Transmission Fluid Pressure Switch, B12A	—
B14A	Transmission Output Shaft Speed Sensor	—	Under the vehicle, mounted to Automatic Transmission Assembly, T12, near rear	Transmission and Transfer Case Components page 305
B14B	Transmission Turbine Speed Sensor	—	Under the vehicle, mounted to Automatic Transmission Assembly, T12, near front	Transmission and Transfer Case Components page 305
B15	Transmission Internal Mode Switch	—	Under the vehicle, inside of assembly, Automatic Transmission Assembly, T12	—
B20	Brake Fluid Level Switch	—	In the engine compartment, mounted to the brake fluid reservoir	Brake Booster Components page 298
B21C	Brake Pressure Differential Switch	—	In the engine compartment, mounted to the brake master cylinder	Brake Booster Components page 298
B22	Brake Pedal Position Sensor	—	In the passenger compartment, in the driver side foot-well, under the instrument panel	Bulkhead Components Interior page 306
B23	Camshaft Position Sensor	—	In the engine compartment, at the front of the engine, mounted the timing chain cover, above crankshaft pulley	Front of Engine Components page 303
B24	Mobile Telephone Microphone	Feature Code: 0008RNW / 0008RNX / 0008RNM / 0008AAE	In the passenger compartment, in the left side of the overhead console	Headliner Components page 318
B26	Crankshaft Position Sensor	—	In the engine compartment, mounted to the right side of the engine block, at rear	Right Side of Engine Components page 302
B33	Engine Coolant Level Switch	—	In the engine compartment, right rear, in the engine coolant reservoir	Bulkhead Components - Engine Compartment page 299

Table 10 Master Electrical Component List (cont.)

Code	Name	Option	Location	Locator View
B34	Engine Coolant Temperature Sensor	—	In the engine compartment, top front of the engine, next to the thermostat housing	Top of Engine Components page 304
B35	Engine Oil Level Switch	—	In the engine compartment, bottom left of the engine oil pan	Left Front of Engine Components page 300
B37B	Engine Oil Pressure Sensor	—	In the engine compartment, mounted to the right side of engine block at rear	Left Front of Engine Components page 300
B39	A / CEvaporator Temperature Sensor	Feature Code: 0016XZA	In the passenger compartment, behind the instrument panel, mounted in the rear of the HVAC housing	Back of HVAC Assembly Components page 308
B46A	Fuel Level Sensor - Primary	<ul style="list-style-type: none"> • Feature Code: 0015DSZ / 0015SZP • Feature Code: 0015SZN 	<ul style="list-style-type: none"> • Under the vehicle, inside the front fuel tank, part of the Primary Fuel Pump and Level Sensor Assembly, A6C • Under the vehicle, inside the rear fuel tank, part of the Primary Fuel Pump and Level Sensor Assembly, A6C 	—
B46B	Fuel Level Sensor - Secondary	Feature Code: 0015DSZ	Under the vehicle, inside the rear fuel tank, part of the Secondary Fuel Pump and Level Sensor Assembly, A6D	—
B47	Fuel Pressure Sensor	—	Under the vehicle, mounted fuel pipe, along the left frame rail, under left side of cab	—
B47B	Fuel Rail Pressure Sensor	—	In the engine compartment, at the top of the engine, mounted to the fuel rail at front	Top of Engine Components page 304
B55	Engine Hood Switch	Feature Code: 0012VEG	At the front vehicle, mounted to the hood, near the left Headlight	Radiator Support Components page 296
B59	Front Impact Sensor	—	In the engine compartment, at the center of front frame cross-member	Front of Frame Components page 299
B63LF	Side Impact Sensor - Left Front	—	In the left front door, near center, mounted to door structure	Driver Door Components page 324

Table 10 Master Electrical Component List (cont.)

Code	Name	Option	Location	Locator View
B63LR	Side Impact Sensor - Left Rear	Crew Cab	In the left rear door, near center, mounted to door structure	Left Rear Door Components (Crew Cab) page 326
B63RF	Side Impact Sensor - Right Front	—	In the right front door, near center, mounted to door structure	Passenger Door Components page 325
B63RR	Side Impact Sensor - Right Rear	Crew Cab	In the right rear door, near center, mounted to door structure	Right Rear Door Components (Crew Cab) page 327
B65	Intake Manifold Pressure and Air Temperature Sensor	—	In the engine compartment, at front of engine, mounted to the upper intake manifold	Top of Engine Components page 304
B75C	Multifunction Intake Air Sensor	—	In the engine compartment, front, right of center, in air intake tube, near the air filter housing	Left Front of Engine Components page 300
B80	Park Brake Switch	—	In the passenger compartment, at the left side of the driver foot-well	Bulkhead Components Interior page 306
B87	Rearview Camera	Feature Code: 0008RNY	At the rear of vehicle, on right frame rail	—
B88D	Seat Belt Switch - Driver	—	In the passenger compartment, at the inboard side of the driver seat, part of Driver Seat Belt Buckle, B153D	Front of Driver Seat Components page 295
B107	Accelerator Pedal Position Sensor	—	In the passenger compartment, in the driver side foot-well, under the instrument panel	Bulkhead Components Interior page 306
B115	Vehicle Speed Sensor	<ul style="list-style-type: none"> • Without Feature Code: 0013TLP • 0013TLP 	<ul style="list-style-type: none"> • Under the vehicle, at the rear of Automatic Transmission Assembly, T12 • Under the vehicle, at the rear of the transfer case 	Transmission and Transfer Case Components page 305
B118B	Windshield Washer Fluid Level Switch	—	The the engine compartment, right rear, in the washer fluid reservoir	Bulkhead Components - Engine Compartment page 299
B130A	EGRIT (Exhaust Gas Recirculation Temperature Sensor 1)	—	In the engine compartment, on right side of the engine, mounted to the exhaust manifold	Right Side of Engine Components page 302

Table 10 Master Electrical Component List (cont.)

Code	Name	Option	Location	Locator View
B130B	EGROT (Exhaust Gas Recirculation Temperature Sensor 2)	—	In the engine compartment, at right front of the engine, in the exhaust gas recirculation pipe, near intake manifold	Top of Engine Components page 304
B131A	DOCIT (Exhaust Temperature Sensor 1)	—	In the engine compartment, at the center rear of the engine, mounted on right front of Oxidation Catalytic Converter	Top of Engine Components page 304
B131B	DOCOT (Exhaust Temperature Sensor 2)	—	In the engine compartment, at the rear of the engine right of center, mounted to the exhaust pipe after the Oxidation Catalytic Converter	Top of Engine Components page 304
B131C	DPFIT (Exhaust Temperature Sensor 3)	—	Under the vehicle, attached to the exhaust pipe, forward of the diesel particulate filter	Right Side of Frame Components page 334
B131D	DPFOT (Exhaust Temperature Sensor 4)	—	Under the vehicle, attached to the middle of the diesel particulate filter	Right Side of Frame Components page 334
B131E	Exhaust Temperature Sensor 5	—	Under the vehicle, attached to the exhaust pipe, rearward of the diesel particulate filter	Right Side of Frame Components page 334
B136	Exhaust Particulate Matter Sensor	—	Under the vehicle, attached to the exhaust pipe, rearward of the diesel particulate filter	Right Side of Frame Components page 334
B153D	Seat Belt Buckle - Driver	—	In the passenger compartment, at the inboard side of the driver seat	Right Side of Frame Components page 334
B154	Diesel Particulate Filter Exhaust Differential Pressure Sensor	—	Under the vehicle, mounted to the right frame rail, near the diesel particulate filter	Right Side of Frame Components page 334
B193A	Charge Air Cooler Inlet Temperature Sensor	—	In the engine compartment, mounted in the air inlet tube, below Turbocharger Vane Position Actuator, M103	Top of Engine Components page 304
B193B	Charge Air Cooler Outlet Temperature Sensor	—	In the engine compartment, mounted in the air inlet tube, near Intake Air Flow Valve, Q20	Left Front of Engine Components page 300
B194	Reductant Pressure Sensor	—	Inside of Assembly, Reductant Pump and Sensor Assembly, A38	—

Table 10 Master Electrical Component List (cont.)

Code	Name	Option	Location	Locator View
B195A	Nitrogen Oxides Sensor 1	—	In the engine compartment, at the center rear of the engine, mounted on left front of Oxidation Catalytic Converter	Bulkhead Components - Engine Compartment page 299
B195B	Nitrogen Oxides Sensor 2	—	Under the vehicle, attached to the exhaust pipe	Right Side of Frame Components page 334
B213A	Reductant Level Sensor 1	—	Inside of Assembly, Reductant Pump and Sensor Assembly, A38	—
B214	Reductant Temperature Sensor	—	Inside of Assembly, Reductant Pump and Sensor Assembly, A38	—
B295	Reductant Quality Sensor	—	Under the vehicle, mounted to reductant reservoir, below the passenger side of the cab	—
B343	Power Brake Booster Fluid Flow Switch	—	In the engine compartment, left rear, on the front of the brake booster at the top	Brake Booster Components page 298
B353	Air Suspension Low Pressure Warning Switch	G40 / GP1 / GP8	In the engine compartment, right front, at front of right frame rail, at front of air dryer assembly	Front of Frame Components page 299
B356	Brake Pipe Pressure Switch	—	In the engine compartment, left rear, on brake pipe below M9 Brake Booster Pump Motor	Brake Booster Components page 298
C1	Battery	<ul style="list-style-type: none"> • Feature Code: 0008MVZ / 0008MWA • Feature Code: 0008MSD 	<ul style="list-style-type: none"> • Outside the vehicle, under the driver door, in battery box • Outside the vehicle, rear of cab, on temporary frame mount 	<ul style="list-style-type: none"> • Battery Box Components (0008MVZ / 0008MWA) page 330 • Rear of Vehicle Components page 328
C1BA	Battery - Auxiliary 1	—	<ul style="list-style-type: none"> • (0008MVZ / 0008MWA) Outside the vehicle, under the driver door, in battery box, front position • 0008MSD Outside the vehicle, rear of cab, on temporary battery mount, center position 	<ul style="list-style-type: none"> • Battery Box Components (0008MVZ / 0008MWA) page 330 • Rear of Vehicle Components page 328

Table 10 Master Electrical Component List (cont.)

Code	Name	Option	Location	Locator View
C1BB	Battery - Auxiliary 2	0008MSD	Outside the vehicle, rear of cab, on temporary battery mount, right position	Rear of Vehicle Components page 328
E1L	Accent Lamp - Overhead Console	—	In the passenger compartment, at the front of the headliner, in the overhead console	Overhead Console Components (Figure 217)
E2LM	Side Marker Lamp - Left Middle	Feature Code: 0016SPS	Outside the vehicle, at the front of the driver door, within Driver Outside Rearview Mirror, A9A	Front of Vehicle Components page 293
E2RM	Side Marker Lamp - Right Middle	Feature Code: 0016SPS	Outside the vehicle, at the front of the passenger door, within Passenger Outside Rearview Mirror, A9B	Front of Vehicle Components page 293
E3A	Roof Clearance Lamp - Left Front Outer	—	Outside the vehicle, at the front of the roof	Front of Vehicle Components page 293
E3C	Roof Clearance Lamp - Front Middle	—	Outside the vehicle, at the front of the roof	Front of Vehicle Components page 293
E3E	Roof Clearance Lamp - Right Front Outer	—	Outside the vehicle, at the front of the roof	Front of Vehicle Components page 293
E4E	Headlight - Left High Beam	—	Outside the vehicle, at the left front corner, within Left Headlight Assembly, E13LA	Front of Vehicle Components page 293
E4F	Headlight - Right High Beam	—	Outside the vehicle, at the left front corner, within Right Headlight Assembly, E13RA	Front of Vehicle Components page 293
E4G	Headlight - Left Low Beam	—	Outside the vehicle, at the left front corner, within Left Headlight Assembly, E13LA	Front of Vehicle Components page 293
E4H	Headlight - Right Low Beam	—	Outside the vehicle, at the left front corner, within Right Headlight Assembly, E13RA	Front of Vehicle Components page 293
E4Q	Park / Turn Signal Lamp - Left Lower	—	Outside the vehicle, at the left front corner, within Left Headlight Assembly, E13LA	Front of Vehicle Components page 293
E4R	Park / Turn Signal Lamp - Right Lower	—	Outside the vehicle, at the left front corner, within Right Headlight Assembly, E13RA	Front of Vehicle Components page 293

Table 10 Master Electrical Component List (cont.)

Code	Name	Option	Location	Locator View
E4S	Park / Turn Signal Lamp - Left Upper	—	Outside the vehicle, at the left front corner, within Left Headlight Assembly, E13LA	Front of Vehicle Components page 293
E4T	Park / Turn Signal Lamp - Right Upper	—	Outside the vehicle, at the left front corner, within Right Headlight Assembly, E13RA	Front of Vehicle Components page 293
E4Y	Turn Signal Repeater Lamp - Left	Feature Code: 0016SPS	Outside the vehicle, at the front of the driver door, within Driver Outside Rearview Mirror, A9A	Rear of Vehicle Components page 328
E4Z	Turn Signal Repeater Lamp - Right	Feature Code: 0016SPS	Outside the vehicle, at the front of the passenger door, within Passenger Outside Rearview Mirror, A9B	Rear of Vehicle Components page 328
E5A	Backup Lamp - Left	Without Feature Code: 0008TKD	Outside the vehicle, at the left rear of the vehicle, within Left Tail Lamp Assembly, E42L	—
E5B	Backup Lamp - Right	Without Feature Code: 0008TKD	Outside the vehicle, at the left rear of the vehicle, within Right Tail Lamp Assembly, E42R	—
E5S	Tail / Stop and Turn Signal Lamp - Left	Without Feature Code: 0008TKD	Outside the vehicle, at the left rear of the vehicle, within Left Tail Lamp Assembly, E42L	—
E5T	Tail / Stop and Turn Signal Lamp - Right	Without Feature Code: 0008TKD	Outside the vehicle, at the left rear of the vehicle, within Right Tail Lamp Assembly, E42R	—
E6	Center High Mounted Stop Lamp	—	Outside the vehicle, at the rear center of the roof	Rear of Vehicle Components page 328
E11A	Fuel Heater / Water in Fuel Sensor	—	Under the vehicle, mounted to the left frame rail, under left side of cab	Left Side of Frame Components page 333
E12A	Glow Plug 1	—	In the engine compartment, In the bank 1 cylinder head at cylinder 1	Right Side of Engine Components page 302
E12B	Glow Plug 2	—	In the engine compartment, In the bank 2 cylinder head at cylinder 2	Left Front of Engine Components page 300
E12C	Glow Plug 3	—	In the engine compartment, In the bank 1 cylinder head at cylinder 3	Right Side of Engine Components page 302

Table 10 Master Electrical Component List (cont.)

Code	Name	Option	Location	Locator View
E12D	Glow Plug 4	—	In the engine compartment, In the bank 2 cylinder head at cylinder 4	Left Front of Engine Components. page 300
E12E	Glow Plug 5	—	In the engine compartment, In the bank 1 cylinder head at cylinder 5	Right Side of Engine Components. page 302
E12F	Glow Plug 6	—	In the engine compartment, In the bank 2 cylinder head at cylinder 6	Left Front of Engine Components. page 300
E12G	Glow Plug 7	—	In the engine compartment, In the bank 1 cylinder head at cylinder 7	Right Side of Engine Components. page 302
E12H	Glow Plug 8	—	In the engine compartment, In the bank 2 cylinder head at cylinder 8	Left Front of Engine Components. page 300
E13LA	Headlight Assembly - Left	—	Outside the vehicle, at the left front corner	Front of Vehicle Components. page 293
E13RA	Headlight Assembly - Right	—	Outside the vehicle, at the right front corner	Front of Vehicle Components. page 293
E14A	Seat Heating Element - Driver Back	Feature Code: 0016XJR	In the passenger compartment, in the driver seat back	Front of Driver Seat Components. page 295
E14B	Seat Heating Element - Driver Cushion	Feature Code: 0016XJR	In the passenger compartment, in the driver seat cushion	Front of Driver Seat Components. page 295
E14C	Seat Heating Element - Passenger Back	Feature Code: 0016XJR	In the passenger compartment, in the passenger seat back	Back of Passenger Seat Components. page 322
E14D	Seat Heating Element - Passenger Cushion	Feature Code: 0016XJR	In the passenger compartment, in the passenger seat cushion	Front of Passenger Seat Components. page 321
E17D	Outside Rearview Mirror Glass - Driver	Feature Code: 0016SPS	Outside the vehicle, at the front of the driver door, within Driver Outside Rearview Mirror, A9A	Rear of Vehicle Components. page 328
E17P	Outside Rearview Mirror Glass - Passenger	Feature Code: 0016SPS	Outside the vehicle, at the front of the passenger door, within Passenger Outside Rearview Mirror, A9B	Rear of Vehicle Components. page 328
E18	Rear Defogger Grid	Feature Code: 0008AAB	At the rear of the passenger compartment, part of the rear window glass	Rear of Vehicle Components. page 328

Table 10 Master Electrical Component List (cont.)

Code	Name	Option	Location	Locator View
E28	Center Console Compartment Lamp	Feature Code: 0016XCN	In the passenger compartment, inside the center console storage bin	Floor Console Components. page 314
E29LF	Fog Lamp - Left Front	Feature Code: 0008XJG	Outside the vehicle, at the left front corner, in the front bumper, below the headlight assembly	Front of Vehicle Components. page 293
E29RF	Fog Lamp - Right Front	Feature Code: 0008XJG	Outside the vehicle, at the right front corner, in the front bumper, below the headlight assembly	Front of Vehicle Components. page 293
E31L	Sunshade Mirror Lamp - Left	Feature Code: 0016XCS	In the passenger compartment, at the front of the headliner, part of assembly, Left Sunshade, A3L	Headliner Components. page 318
E31R	Sunshade Mirror Lamp - Right	Feature Code: 0016XCS	In the passenger compartment, at the front of the headliner, part of assembly, Right Sunshade, A3R	Headliner Components. page 318
E33	Cargo Lamp	—	At the rear of vehicle, on right frame rail	—
E37B	Dome / Reading Lamps - 2nd Row	Crew Cab-Feature Code: 0016LVT	In the passenger compartment, near the center of the headliner	Headliner Components. page 318
E37EL	Dome / Reading Lamps - Front Overhead Console Left	—	In the passenger compartment, at the left side of the overhead console	Overhead Console Components. (Figure 217)
E37ER	Dome / Reading Lamps - Front Overhead Console Right	—	In the passenger compartment, at the right side of the overhead console	Overhead Console Components. (Figure 217)
E40	Electrical Auxiliary Heater	Feature Code: C32	In the passenger compartment, at the top of the HVAC box	Front of HVAC Assembly Components. page 307
E42L	Tail Lamp Assembly - Left	Without Feature Code: 0008TKD	Outside the vehicle, at the left rear of the vehicle	—
E42R	Tail Lamp Assembly - Right	Without Feature Code: 0008TKD	Outside the vehicle, at the right rear of the vehicle	—

Table 10 Master Electrical Component List (cont.)

Code	Name	Option	Location	Locator View
E52	Reductant Line Heater	—	Under the vehicle, part of the fluid pipe between Q61 Reductant Injector and reductant reservoir	Below Right Side of Cab Components. page 329
E53	Reductant Tank Heater	—	Inside of Assembly, Reductant Pump and Sensor Assembly, A38	—
E63D	Flood Lamp - Driver Door Handle	Feature Code: 0016WAK	In the driver door, door handle trim	Rear of Vehicle Components. page 324
E63P	Flood Lamp - Passenger Door Handle	Feature Code: 0016WAK	In the passenger door, door handle trim	Passenger Door Components. page 325
E70D	Outside Rearview Mirror Cargo Lamp - Driver	Feature Code: 0016SPS	Outside the vehicle, at the front of the driver door, within A9A Outside Rearview Mirror - Driver	Rear of Vehicle Components. page 328
E70P	Outside Rearview Mirror Cargo Lamp - Passenger	Feature Code: 0016SPS	Outside the vehicle, at the front of the passenger door, within A9B Outside Rearview Mirror - Passenger	Rear of Vehicle Components. page 328
E91	Air Dryer Valve Heater	0004EBD	In the engine compartment, right front, at front of right frame rail, near bottom of air dryer assembly	Front of Frame Components. page 299
F101	Passenger Instrument Panel Air Bag	—	In the passenger compartment, behind the instrument panel upper glove box	Face of Instrument Panel Components
F105L	Roof Rail Air Bag - Left	—	In the passenger compartment, along left roof rail and rear of roof	Roof Rail Air Bags. page 319
F105R	Roof Rail Air Bag - Right	—	In the passenger compartment, along right roof rail and rear of roof	Roof Rail Air Bags. page 319
F106D	Seat Side Air Bag - Driver	—	In the driver seat back, outboard side	Front of Driver Seat Components page 295
F106P	Seat Side Air Bag - Passenger	—	In the passenger seat back, outboard side	Front of Passenger Seat Components. page 321
F107	Steering Wheel Air Bag	—	In the passenger compartment, mounted to the middle of the steering wheel	Steering Wheel Components. page 313

Table 10 Master Electrical Component List (cont.)

Code	Name	Option	Location	Locator View
F112D	Seat Belt Retractor Pretensioner - Driver	—	In the passenger compartment, at the base of the driver side B-pillar	Passenger Compartment Components – Left. page 315
F112P	Seat Belt Retractor Pretensioner - Passenger	—	In the passenger compartment, at the base of the passenger side B-pillar	Passenger Compartment Components – Right. page 316
G1	A / C Compressor	Feature Code: 0016XZA	In the engine compartment, mounted to the front of the engine	Left Front of Engine Components. page 300
G12A	Fuel Pump - Primary	<ul style="list-style-type: none"> • Feature Code: 0015DSZ / 0015SZP • Feature Code: 0015SZN 	<ul style="list-style-type: none"> • Under the vehicle, inside the front fuel tank, part of Primary Fuel Pump and Level Sensor Assembly, A6C • Under the vehicle, inside the rear fuel tank, part of Primary Fuel Pump and Level Sensor Assembly, A6C 	—
G12B	Fuel Pump - Secondary	Feature Code: 0015DSZ	Under the vehicle, inside the rear fuel tank, part of Secondary Fuel Pump and Level Sensor Assembly, A6D	—
G13	Alternator (Generator)	—	In the engine compartment, at the top left front of the engine	Left Front of Engine Components. page 300
G13E	Alternator (Generator) - Auxiliary	Feature Code: 0008GJC	In the engine compartment, at the top right front of the engine	Left Front of Engine Components. page 300
G24	Windshield Washer Pump	—	The the engine compartment, right rear, in the washer fluid reservoir	Bulkhead Components - Engine Compartment. page 299
G33	Reductant Pump	—	Inside of Reductant Pump and Sensor Assembly, K38	—
K9	Body Control Module	—	In the passenger compartment, behind the driver side of the instrument panel, outboard of the steering column	Back of Instrument Panel Components. page 310 Steering Column Components
K17	Electronic Brake Control Module	—	Under the vehicle, mounted to the left frame rail, under left side of cab	Left Side of Frame Components. page 333

Table 10 Master Electrical Component List (cont.)

Code	Name	Option	Location	Locator View
K20	Engine Control Module	—	In the engine compartment, left front, mounted to the radiator support near top	Radiator Support Components. page 296
K29	Seat Heating Control Module	Feature Code: 0016XJR	In the passenger compartment, under the passenger seat cushion	Bottom of Passenger Seat Components. page 323
K33	HVAC Control Module	—	In the passenger compartment, behind the instrument panel, right of center, at the top of the HVAC box	Front of HVAC Assembly Components. page 307
K34	Glow Plug Control Module	—	In the engine compartment, mounted to the top of the engine at right	Front of Engine Components. page 303
K36	Inflatable Restraint Sensing and Diagnostic Module	—	In the passenger compartment, bolted to the floor between the front seats	Passenger Compartment Components – Left. page 315
K38A	Chassis Control Module - Auxiliary	Feature Code: 0008HBW	Under the vehicle, mounted to the left frame rail, under left side of cab	Left Side of Frame Components. page 333
K44	Power Take-Off Control Module	Feature Code: 0012WGG	Under the vehicle, mounted to the right frame rail, near rear of cab	Below Right Side of Cab Components. page 329
K56	Serial Data Gateway Module	—	In the passenger compartment, under the instrument panel, left of the steering column	Back of Instrument Panel Components. page 310
K69	Transfer Case Control Module	Feature Code: 0013TLP	In the passenger compartment, behind the instrument panel, mounted to the bulkhead above accelerator pedal	Bulkhead Components Interior. page 306
K71	Transmission Control Module	—	In the engine compartment, left front, mounted to the radiator support, below K20 Engine Control Module	Radiator Support Components. page 296
K73	Telematics Communication Interface Control Module	Feature Code: 0008AAE	In the passenger compartment, in the middle of the instrument panel, behind the info display module	Inside Center of Instrument Panel Components. page 311

Table 10 Master Electrical Component List (cont.)

Code	Name	Option	Location	Locator View
K74	Human Machine Interface Control Module	Feature Code: 0008RNW / 0008RNX	In the passenger compartment, behind the passenger side of the instrument panel, behind lower instrument panel compartment	Back of Instrument Panel Components. page 310
K77	Remote Control Door Lock Receiver	—	In the passenger compartment, right rear, above headliner	Passenger Compartment Components – Right. page 316
K89	Immobilizer Control Module	—	In the passenger compartment, on the steering column side, near the ignition cylinder	Steering Column Components. page 312
K111	Fuel Pump Driver Control Module	—	Under the vehicle, mounted to the left frame rail, under left side of cab	Left Side of Frame Components. page 333
K115	Reductant Control Module	—	Under the vehicle, mounted to reductant reservoir, below the passenger side of the cab	Below Right Side of Cab Components. page 329
K133	Trailer Brake Power Control Module	Feature Code: 0008HBW	Under the vehicle, mounted to the left frame rail, near rear of cab	Left Side of Frame Components. page 333
KR14	Brake Booster Pump Motor Relay	—	In the engine compartment, left rear, near brake master cylinder	Brake Booster Components. page 298
KR58	Roof Beacon Relay	Feature Code: 0008XKS	In the passenger compartment, above the overhead console	Overhead Console Components. (Figure 217)
KR193	Rear Air Suspension Control Valve Relay	Feature Code: 00014899	In the passenger compartment, within the instrument panel, inboard of X51R Fuse Block - Instrument Panel Right	—
M4	Air Inlet Door Actuator	—	In the passenger compartment, behind the instrument panel glove box, mounted to the HVAC housing	Front of HVAC Assembly Components. page 307
M6	Air Temperature Door Actuator	—	In the passenger compartment, center, mounted to the top of the HVAC housing	Front of HVAC Assembly Components. page 307

Table 10 Master Electrical Component List (cont.)

Code	Name	Option	Location	Locator View
M7	Transmission Shift Lock Control Solenoid Actuator	—	In the passenger compartment, right side of the steering wheel, attached to transmission shift lever	Steering Column Components. page 312
M8	Blower Motor	—	In the passenger compartment, under the right side of the instrument panel, above the hush panel	Back of HVAC Assembly Components. page 308
M9	Brake Booster Pump Motor	—	In the engine compartment, left rear, mounted to bottom of brake booster	Brake Booster Components. page 298
M37	Mode Door Actuator	—	In the passenger compartment, left of center, mounted to the left side of the HVAC housing	Front of HVAC Assembly Components. page 307
M50D	Seat Front Vertical Motor - Driver	Feature Code: 0016KVV / 0016KVU	In the passenger compartment, under the driver seat cushion	Bottom of Driver Seat Components. page 320
M50P	Seat Front Vertical Motor - Passenger	Feature Code: 0016KVV / AG2	In the passenger compartment, under the passenger seat cushion	—
M51D	Seat Horizontal Motor - Driver	Feature Code: 0016KVV / 0016KVU	In the passenger compartment, under the driver seat cushion	Bottom of Driver Seat Components. page 320
M51P	Seat Horizontal Motor - Passenger	Feature Code: 0016KVV / AG2	In the passenger compartment, under the passenger seat cushion	Bottom of Passenger Seat Components. page 323
M52D	Seat Lumbar Support Horizontal Motor - Driver	Feature Code: 0016KVV	In the passenger compartment, in the driver seat back	—
M52P	Seat Lumbar Support Horizontal Motor - Passenger	Feature Code: 0016KVV	In the passenger compartment, in the passenger seat back	Back of Passenger Seat Components. page 322
M55D	Seat Rear Vertical Motor - Driver	Feature Code: 0016KVV / 0016KVU	In the passenger compartment, under the driver seat cushion	Bottom of Driver Seat Components. page 320
M55P	Seat Rear Vertical Motor - Passenger	Feature Code: 0016KVV	In the passenger compartment, under the passenger seat cushion	—
M56D	Seat Recline Motor - Driver	Feature Code: 0016KVV / 0016KVU	In the passenger compartment, in the driver seat back	—

Table 10 Master Electrical Component List (cont.)

Code	Name	Option	Location	Locator View
M56P	Seat Recline Motor - Passenger	Feature Code: 0016KVV	In the passenger compartment, in the passenger seat back	Back of Passenger Seat Components. page 322
M64	Starter Motor	—	In the engine compartment, mounted to the right side of the engine block, at rear	Right Side of Engine Components. page 302
M74D	Window Motor - Driver	—	In the driver door, near middle	Driver Door Components page 324
M74LR	Window Motor - Left Rear	Crew Cab	In the left rear door, near middle	Left Rear Door Components (Crew Cab). page 326
M74P	Window Motor - Passenger	—	In the passenger door, near middle	Passenger Door Components. page 325
M74RR	Window Motor - Right Rear	Crew Cab	In the right rear door, near middle	Right Rear Door Components (Crew Cab). page 327
M75	Windshield Wiper Motor	—	In the engine compartment, below the left lower corner of the windshield	Bulkhead Components - Engine Compartment. page 299
M77D	Outside Rearview Mirror Motor - Driver	Feature Code: 0016SPS	Outside the vehicle, at the front of the driver door, within A9A Outside Rearview Mirror - Driver	—
M77P	Outside Rearview Mirror Motor - Passenger	Feature Code: 0016SPS	Outside the vehicle, at the front of the passenger door, within A9B Outside Rearview Mirror - Passenger	—
M103	Turbocharger Vane Position Actuator	—	In the engine compartment, at the top of the engine, above the turbocharger	Top of Engine Components. page 304
M114	Exhaust Gas Recirculation Cooler Bypass Valve Actuator	—	In the engine compartment, at top of engine, near turbocharger	Top of Engine Components. page 304
P3	Backup Alarm	Feature Code: 0008THB	At the rear of vehicle, on right frame rail	Rear of Frame Components. page 335
P12	Horn	—	In the engine compartment, center of the second frame cross-member	Front of Frame Components. page 299
P14	Passenger Air Bag Disabled Indicator	—	In the passenger compartment, at the front of the roof, in the overhead console	Overhead Console Components. (Figure 217)

Table 10 Master Electrical Component List (cont.)

Code	Name	Option	Location	Locator View
P16	Instrument Cluster	—	In the passenger compartment, in the driver side of the instrument panel	Front of Instrument Panel Components. page 309
P17	Info Display Module	—	In the passenger compartment, at the center of the instrument panel	Front of Instrument Panel Components. page 309
P19AG	Speaker - Left Front Door	—	In the driver door, at front bottom	Driver Door Components. page 324
P19AH	Speaker - Right Front Door	—	In the passenger door, at front bottom	Passenger Door Components. page 325
P19AL	Speaker - Left Rear Door	Crew Cab	In the left rear door, at front bottom	Left Rear Door Components (Crew Cab). page 326
P19AM	Speaker - Right Rear Door	Crew Cab	In the right rear door, at front bottom	Right Rear Door Components (Crew Cab). page 327
P19AN	Speaker - Left Rear Trim Panel	Standard Cab	In the passenger compartment, at the left rear corner of the cab, near the driver seat headrest	Passenger Compartment Components – Left. page 315
P19AP	Speaker - Right Rear Trim Panel	Standard Cab	In the passenger compartment, at the right rear corner of the cab, near the passenger seat headrest	Passenger Compartment Components – Right. page 316
P19J	Speaker - Left Instrument Panel	—	In the passenger compartment, in the top of the left side of the instrument panel	Back of Instrument Panel Components. page 310
P19W	Speaker - Right Instrument Panel	—	In the passenger compartment, in the top of the right side of the instrument panel	Back of Instrument Panel Components. page 310
Q2	A / C Compressor Clutch	Feature Code: 0016XZA	In the engine compartment, at the front of A / C compressor, G1	Left Front of Engine Components. page 300
Q5	Brake Pressure Modulator	—	Under the vehicle, along the left frame rail, under left side of cab, mounted to Electronic Brake Control Module, K17	—
Q14	Exhaust Gas Recirculation Valve	—	In the engine compartment, at right front of engine	Front of Engine Components. page 303

Table 10 Master Electrical Component List (cont.)

Code	Name	Option	Location	Locator View
Q17A	Fuel Injector 1	—	In the engine compartment, In the bank 1 cylinder head at cylinder 1	Right Side of Engine Components. page 302
Q17B	Fuel Injector 2	—	In the engine compartment, In the bank 2 cylinder head at cylinder 2	Left Front of Engine Components. page 300
Q17C	Fuel Injector 3	—	In the engine compartment, In the bank 1 cylinder head at cylinder 3	Right Side of Engine Components. page 302
Q17D	Fuel Injector 4	—	In the engine compartment, In the bank 2 cylinder head at cylinder 4	Left Front of Engine Components. page 300
Q17E	Fuel Injector 5	—	In the engine compartment, In the bank 1 cylinder head at cylinder 5	Right Side of Engine Components. page 302
Q17F	Fuel Injector 6	—	In the engine compartment, In the bank 2 cylinder head at cylinder 6	Left Front of Engine Components. page 300
Q17G	Fuel Injector 7	—	In the engine compartment, In the bank 1 cylinder head at cylinder 7	Right Side of Engine Components. page 302
Q17H	Fuel Injector 8	—	In the engine compartment, In the bank 2 cylinder head at cylinder 8	Left Front of Engine Components. page 300
Q18A	Fuel Pressure Regulator 1	—	In the engine compartment, mounted on top of the fuel injection pump, near thermostat housing	Top of Engine Components. page 304
Q18B	Fuel Pressure Regulator 2	—	In the engine compartment, rear left of center, at rear of fuel rail	—
Q20	Intake Air Flow Valve	—	In the engine compartment, at the top front of the engine, mounted to the intake manifold inlet	Top of Engine Components. page 304
Q23	Line Pressure Control Solenoid Valve	—	Under the vehicle, inside of Automatic Transmission Assembly, T12	—
Q27A	Pressure Control Solenoid Valve 1	—	Under the vehicle, inside of Automatic Transmission Assembly, T12	—
Q27B	Pressure Control Solenoid Valve 2	—	Under the vehicle, inside of Automatic Transmission Assembly, T12	—

Table 10 Master Electrical Component List (cont.)

Code	Name	Option	Location	Locator View
Q27C	Pressure Control Solenoid Valve 3	—	Under the vehicle, inside of Automatic Transmission Assembly, T12	—
Q32A	Shift Solenoid Valve 1	—	Under the vehicle, inside of Automatic Transmission Assembly, T12	—
Q32B	Shift Solenoid Valve 2	—	Under the vehicle, inside of Automatic Transmission Assembly, T12	—
Q32C	Shift Solenoid Valve 3	—	Under the vehicle, inside of Automatic Transmission Assembly, T12	—
Q39A	Torque Converter Clutch Pressure Control Solenoid Valve	—	Under the vehicle, inside of Automatic Transmission Assembly, T12	—
Q46	A / C Compressor Solenoid Valve	Feature Code: 0016XZA	In the engine compartment, within A / C compressor, G1	Left Front of Engine Components. page 300
Q61	Reductant Injector	—	Under the vehicle, attached to the exhaust pipe, downstream of the warm up nitrogen oxide catalytic converter	Below Right Side of Cab Components. page 329
Q85	Cooling Fan Clutch	—	In the engine compartment, front center, at cooling fan	Radiator Support Components. page 296
Q101	Rear Air Suspension Control Valve	00014899	Under the vehicle, near the left frame rail, forward of X401, on cross-member forward of the rear axle	<ul style="list-style-type: none"> • Left Side of Frame Components page 333 • Right Side of Frame Components page 334
R6A	Terminating Resistor - High Speed Bus	—	Under the vehicle, mounted to the left frame rail, under left side of cab	—
R6F	Terminating Resistor - High Speed Extension Bus 2	Feature Code: 0008RNW / 0008RNX / 0008AAE	In the passenger compartment, behind the instrument panel, at right side	Back of Instrument Panel Components. page 310
R12	Power Take-Off Switch Diode	Feature Code: 0012WGG	Under the vehicle, under cab, along right frame rail, in the main bundle, between X191 and K44 Power Take-Off Control Module	—

Table 10 Master Electrical Component List (cont.)

Code	Name	Option	Location	Locator View
R50	Brake Booster Diode	—	In the engine compartment, left rear, near brake master cylinder	—
S2	Transmission Manual Shift Switch	—	In the passenger compartment, within S3 Transmission Shift Lever	Steering Column Components page 312
S3	Transmission Shift Lever	—	In the passenger compartment, mounted to the steering column	Steering Column Components page 312
S5	Center Console Compartment Lamp Switch	Feature Code: 0016XCN	In the passenger compartment, under the center console compartment lid	Floor Console Components page 314
S12	Dome Lamp Switch	—	In the passenger compartment, near the center of the headliner, in the overhead console	Overhead Console Components (Figure 217)
S13D	Door Lock Switch - Driver	—	In the passenger compartment, in the driver door handle trim panel	Driver Door Components page 324
S13P	Door Lock Switch - Passenger	—	In the passenger compartment, in the passenger door handle trim panel	Passenger Door Components page 325
S30	Headlight Switch	—	In the passenger compartment, left of the steering column	Front of Instrument Panel Components page 309
S32D	Seat Heating Switch - Driver	Feature Code: 0016XJR	In the passenger compartment, on driver side of HVAC controls, A26	Front of Instrument Panel Components page 309
S32P	Seat Heating Switch - Passenger	Feature Code: 0016XJR	In the passenger compartment, on passenger side of HVAC controls, A26	Front of Instrument Panel Components page 309
S33	Horn Switch	—	In the passenger compartment, in the center of the steering wheel, behind the driver side air bag	Steering Wheel Components page 313
S39	Ignition Switch	—	In the passenger compartment, behind the steering wheel, on the right side of the steering column	Steering Column Components page 312
S40	Passenger Air Bag Disable Switch	Feature Code: 0016XCR	In the passenger compartment, in the right instrument panel closeout	Front of Instrument Panel Components page 309

Table 10 Master Electrical Component List (cont.)

Code	Name	Option	Location	Locator View
S48A	Multifunction Switch - Instrument Panel	—	In the passenger compartment, near the center of the instrument panel	Front of Instrument Panel Components page 309
S51	Telematics Button Assembly	Feature Code: 0008AAE	In the passenger compartment, within Inside Rearview Mirror, A11	—
S52	Outside Rearview Mirror Switch	Feature Code: 0016SPS	In the passenger compartment, on the driver door trim panel	Driver Door Components page 324
S63	Roof Beacon Switch	Feature Code: 0008XKS	In the passenger compartment, behind the overhead console, near the top	Overhead Console Components (Figure 217)
S64D	Seat Adjuster Switch - Driver	Feature Code: 0016KVV / 0016KVU	In the passenger compartment, mounted to the outboard side of the driver seat cushion	Front of Driver Seat Components page 295
S64P	Seat Adjuster Switch - Passenger	Feature Code: 0016KVV / AG2	In the passenger compartment, mounted to the outboard side of the passenger seat cushion	Front of Passenger Seat Components page 321
S70E	Steering Wheel Controls Switch - Radio Presets	Feature Code: UK3	In the passenger compartment, on the left rear side of the steering wheel	Steering Wheel Components page 313
S70F	Steering Wheel Controls Switch - Radio Volume	Feature Code: UK3	In the passenger compartment, on the right rear side of the steering wheel	Steering Wheel Components page 313
S70L	Steering Wheel Controls Switch - Left	—	In the passenger compartment, on the left side of the steering wheel	Steering Wheel Components page 313
S70R	Steering Wheel Controls Switch - Right	Feature Code: UK3	In the passenger compartment, on the right side of the steering wheel	Steering Wheel Components page 313
S74	Tow / Haul Mode Switch	—	In the passenger compartment, within Transmission Shift Lever, S3	Steering Column Components page 312
S76	Trailer Brake Control Switch	Feature Code: 0008HBW	In the passenger compartment, lower left side of the instrument panel	Front of Instrument Panel Components page 309
S77	Transfer Case Shift Control Switch	Feature Code: 0013TLP	In the passenger compartment, left side of the instrument panel	Front of Instrument Panel Components page 309

Table 10 Master Electrical Component List (cont.)

Code	Name	Option	Location	Locator View
S78	Turn Signal / Multifunction Switch	—	In the passenger compartment, on the left side of the steering column	Steering Column Components page 312
S79D	Window Switch - Driver	—	In the driver door, at the center of the driver door, on the door trim panel	Driver Door Components page 324
S79LR	Window Switch - Left Rear	Crew Cab	In the left rear door, at the center of the left rear door, on the door trim panel	Left Rear Door Components (Crew Cab) page 326
S79P	Window Switch - Passenger	—	In the passenger door, at the center of the passenger door, on the door trim panel	Passenger Door Components page 325
S79RR	Window Switch - Right Rear	Crew Cab	In the right rear door, at the center of the right rear door, on the door trim panel	Right Rear Door Components (Crew Cab) page 327
T1	Accessory DC / AC Power Inverter Module	Feature Code: 0008XJX	In the instrument panel, right side of the steering column	—
T2	Antenna	—	In the passenger compartment, on the steering column side, inside of assembly, Immobilizer Control Module, K89	—
T2RF	Antenna - Roof Front	Feature Code: 0008RNX / 0008RNR / 0008AAE	Outside the vehicle, on the roof	Front of Vehicle Components page 293
T4M	Radio Antenna	—	Outside the vehicle, at the right rear of the hood	Front of Vehicle Components page 293
T12	Automatic Transmission Assembly	—	Under the vehicle, mounted to the rear of the engine	—
T15	Navigation Antenna Signal Splitter	Feature Code: 0008RNX and 0008AAE	In the passenger compartment, on passenger side, below defroster grille	Back of Instrument Panel Components page 310
T22	Mobile Device Wireless Charger Module	K4C	In the passenger compartment, forward of center, in the floor console bin lid.	Floor Console Components page 314
W11	Blunt Cut - Roof Beacon Provision	Feature Code: 0008XKS	In the passenger compartment, above the headliner	—

Table 10 Master Electrical Component List (cont.)

Code	Name	Option	Location	Locator View
W12	Blunt Cut - Emergency Vehicle Provision	(Feature Code:) (ANM)	In the passenger compartment, X61A, Junction Block - Instrument Panel, X7	—
W31	Blunt Cut - Crank Inhibit Provision	—	In the passenger compartment, at the left side of the driver footwell, left of the X61A Junction Block - Instrument Panel	Body Harness Routing - Passenger Compartment Left page 228
W32	Blunt Cut - Master Disconnect Switch Provision	—	In the passenger compartment, at the left side of the driver footwell, left of the X61A Junction Block - Instrument Panel	Body Harness Routing - Passenger Compartment Left page 228
W33	Blunt Cut - Master Disconnect Switch Indicator Provision	—	In the passenger compartment, behind the instrument panel, near the bulkhead, near breakout to B80 Park Brake Switch	Body Harness Routing - Passenger Compartment Left page 228
W34	Battery Positive Cable Terminal Post - Jump Start	—	Outside the vehicle, under the driver door, forward of the battery box	Battery Box Components (7Y7 or 7Y8) page 330
X50A	Fuse Block - Underhood	—	In the engine compartment, left rear	Bulkhead Components - Engine Compartment page 299
X50B	Fuse Block - Underhood Auxiliary	—	In the engine compartment, left rear	Bulkhead Components - Engine Compartment page 299
X50D	Fuse Block - Battery	—	In the engine compartment, right rear, forward of the engine coolant reservoir	Bulkhead Components - Engine Compartment page 299
X50E	X50E Fuse Block - Battery Auxiliary	—	—	—
X51L	Fuse Block - Instrument Panel Left	—	In the passenger compartment, left side of the instrument panel, behind end trim panel	—
X51R	Fuse Block - Instrument Panel Right	—	In the passenger compartment, right side of the instrument panel, behind end trim panel	—
X55BA	Fuse Holder 1 - Brake Booster	—	In the engine compartment, left rear, near master cylinder	—
X55BB	Fuse Holder 2 - Brake Booster	—	In the engine compartment, left rear, near master cylinder	—

Table 10 Master Electrical Component List (cont.)

Code	Name	Option	Location	Locator View
X55BC	Fuse Holder 3 - Brake Booster	—	<ul style="list-style-type: none"> (0008MVZ / 0008MWA) Outside the vehicle, under the driver door, in battery box (0008MSD) Outside the vehicle, rear of cab, on temporary frame mount 	Battery Box Components (0008MVZ / 0008MWA) page 330
X61A	Junction Block - Instrument Panel	—	In the passenger compartment, behind the instrument panel, mounted to the bulkhead, left of the brake pedal	Bulkhead Components Interior page 306
X80D	Accessory Power Receptacle - Center Console Compartment	<ul style="list-style-type: none"> Feature Code: 0016XCN Without Feature Code: 0016XCN 	<ul style="list-style-type: none"> In the passenger compartment, in the center console compartment In the passenger compartment, in the center seat 	Floor Console Components page 314
X80E	Accessory Power Receptacle - Center Seat	Feature Code: 0016KVU	In the passenger compartment, at the rear of the center seat	—
X80G	Accessory Power Receptacle - Instrument Panel	Except Feature Code: 0016XCN	In the passenger compartment, in the instrument panel, below Instrument Panel Multifunction Switch, S48A	Front of Instrument Panel Components page 309
X80J	Accessory Power Receptacle - Instrument Panel 1	Feature Code: 0016XCN	In the passenger compartment, at the left center of the center console	Floor Console Components page 314
X80K	Accessory Power Receptacle - Instrument Panel 2	Feature Code: 0016XCN	In the passenger compartment, at the right center of the center console	Floor Console Components page 314
X80L	Accessory Power Receptacle - Center Console Rear	Feature Code: 0016XCN	In the passenger compartment, at the rear of the center console	Floor Console Components page 314

Table 10 Master Electrical Component List (cont.)

Code	Name	Option	Location	Locator View
X81	Accessory Power Receptacle - 110 volt AC	<ul style="list-style-type: none"> Feature Code: 0008XJX Without Feature Code: 0016XCN 	<ul style="list-style-type: none"> In the passenger compartment, right front of the center console In the passenger compartment, in the instrument panel, below Instrument Panel Multifunction Switch, S48A 	<p>Front of Instrument Panel Components page 309</p> <p>Floor Console Components page 314</p>
X83	Auxiliary Audio Input	—	In the passenger compartment, in the center console storage compartment	Floor Console Components page 314
X84	Data Link Connector	—	In the passenger compartment, at the bottom of the instrument panel, at driver side	Front of Instrument Panel Components page 309
X85	Steering Wheel Air Bag Coil	—	In the passenger compartment, mounted to the steering column, behind the steering wheel	Steering Column Components page 312
X88	Trailer Connector	Feature Code: 0008TRA	At the rear of the vehicle, near left frame rail	Rear of Frame Components page 335
X92	USB Receptacle	Feature Code: 0008RNW / 0008RNX	<ul style="list-style-type: none"> (Feature Code: 0016XCN) In the passenger compartment, at left front of the center console (Without Feature Code: 0016XCN) In the passenger compartment, in the instrument panel compartment 	Floor Console Components page 314
X101	Engine Chassis Harness to Engine Harness	—	In the engine compartment, at the top of the engine, near A / C compressor, G1	<ul style="list-style-type: none"> Engine Harness Routing – Left Front page 209 Engine Chassis Harness Routing – Left page 212
X102	Engine Chassis Harness To Engine Cooling Fan Harness	—	In the engine compartment, front center, near cooling fan	Engine Cooling Fan Harness Routing
X103	Forward Lamp Harness to Horn Jumper Harness	—	In the engine compartment, at left frame rail, rear of radiator	Floor Console Components page 314

Table 10 Master Electrical Component List (cont.)

Code	Name	Option	Location	Locator View
X104	Forward Lamp Harness to Radiator Ground Harness	—	In the engine compartment, left side, above frame rail, rear of the radiator	Floor Console Components page 314
X105	Engine Chassis Harness to Engine Chassis Harness	—	In the engine compartment, at left front of engine	Engine Chassis Harness Routing - Left page 212
X108	Forward Lamp Harness to Left Fog Lamp Interconnect Harness	Feature Code: 0008XJG	In the engine compartment, left front, attached to hood	Forward Lamp Harness Routing - Left Frontpage 207
X109	Left Headlight Interconnect Harness to Forward Lamp Harness	—	In the engine compartment, left front, near front of left frame rail	<ul style="list-style-type: none"> • Forward Lamp Harness Routingpage 205
X110	Left Headlight Interconnect Harness to Left Headlight Harness	without 0008TUM	In the engine compartment, at the rear of the Left Headlight Assembly, E13LA	—
X110	Left Snow Plow Tee Harness to Left Headlight Harness	0008TUM	Installed by upfitter, In the engine compartment, at the rear of the E13LA Headlamp Assembly - Left	—
X111	Left Headlight Jumper Harness to Left Snow Plow Tee Harness	0008TUM	Installed by upfitter, In the engine compartment, left front, near E13LA Headlamp Assembly - Left	—
X112	Engine Harness to Engine Jumper Harness	—	In the engine compartment, at the top of the engine, attached to intake manifold, right of X113	<ul style="list-style-type: none"> • Engine Harness Routing – Left Front page 209 • Engine Jumper Harness Routing page 211
X113	Engine Harness to Engine Jumper Harness	—	In the engine compartment, at the top of the engine, attached to intake manifold, left of X112	<ul style="list-style-type: none"> • Engine Harness Routing – Left Front page 209 • Engine Jumper Harness Routing page 211

Table 10 Master Electrical Component List (cont.)

Code	Name	Option	Location	Locator View
X115	Engine Harness to Body Harness	—	In the engine compartment, left rear, near Underhood Auxiliary Fuse Block, X50B	<ul style="list-style-type: none"> • Engine Chassis Harness Routing – Left page 212 • Bulkhead Components - Engine Compartment page 299
X118	Forward Lamp Harness to Right Fog Lamp Interconnect Harness	Feature Code: 0008XJG	In the engine compartment, right front, attached to hood	Forward Lamp Harness Routing page 205
X119	Right Headlight Interconnect Harness to Forward Lamp Harness	—	In the engine compartment, right front, near front of right frame rail	Forward Lamp Harness Routing - Right Front page 207
X120	Right Headlight Interconnect Harness to Right Headlight Harness	Without feature code: 0008TUM	In the engine compartment, at the rear of the Right Headlight Assembly, E13RA	—
X120	Right Snow Plow Tee Harness to Right Headlight Harness	0008TUM	Installed by upfitter, In the engine compartment, at the rear of the E13RA Headlamp Assembly - Right	—
X121	Right Headlight Jumper Harness to Right Snow Plow Tee Harness	0008TUM	Installed by upfitter, In the engine compartment, right front, near E13RA Headlamp Assembly - Right	—
X125	Engine Chassis Harness to Chassis Harness	—	Under the vehicle, at left side of transmission bell-housing	<ul style="list-style-type: none"> • Engine Chassis Harness Routing – Left page 235 • Body Harness Routing – Engine Compartment page 214
X138	Chassis Harness To Body Harness	—	In the engine compartment, left rear, near the rear of the Underhood Fuse Block, X50A	<ul style="list-style-type: none"> • Body Harness Routing – Engine Compartment page 214 • Chassis Harness Routing page 235

Table 10 Master Electrical Component List (cont.)

Code	Name	Option	Location	Locator View
X143	Reductant Control Module Jumper Harness to Engine Chassis Harness	—	Under the vehicle, along right frame rail, near reductant reservoir	Engine Chassis Harness Routing – Right page 213
X150	Forward Lamp Harness to Body Harness	—	In the engine compartment, left rear, near the rear of the Underhood Fuse Block, X50A	<ul style="list-style-type: none"> • Forward Lamp Harness Routing page 205 • Bulkhead Components - Engine Compartment page 299
X175	Engine Chassis Harness to Transmission Harness	—	Under the vehicle, at the rear of the Automatic Transmission Assembly, T12	Engine Chassis Harness Routing – Right page 213
X180	Hydromax Interconnect Harness to Chassis Harness	—	In the engine compartment, left rear, near brake master cylinder	Chassis Harness Routing page 235
X191	Engine Chassis Harness to Engine Chassis Harness	Feature Code: 0012WGG	Under the vehicle, along right frame rail, forward of the Power Take-Off Control Module, K44	Engine Chassis Harness Routing – Right page 213
X201	Steering Column Harness to Instrument Panel Harness	—	In the passenger compartment, behind the left side of the instrument panel, near the steering column	<ul style="list-style-type: none"> • Instrument Panel Harness Routing page 224 • Steering Column Harness Routing page 215
X205	Instrument Panel Harness to Passenger Instrument Panel Air Bag Harness	—	In the passenger compartment, behind the right side of the instrument panel near the center	<ul style="list-style-type: none"> • Instrument Panel Harness Routing page 223 • Instrument Panel Harness Routing page 224
X206	Passenger Instrument Panel Air Bag Jumper Harness to Passenger Instrument Panel Air Bag Harness	—	In the passenger compartment, behind the right side of the instrument panel near Passenger Instrument Panel Air Bag	—

Table 10 Master Electrical Component List (cont.)

Code	Name	Option	Location	Locator View
X210	Instrument Panel Harness COAX to Antenna Jumper Harness COAX	Feature Code: 0008RNV	In the passenger compartment, between the instrument panel harness and the A-pillar	<ul style="list-style-type: none"> Instrument Panel Harness Routing page 223 Instrument Panel Harness Routing page 224 Right A-Pillar Harness Routing page 226
X211	Instrument Panel Harness COAX to Antenna Jumper Harness COAX	Feature Code: 0008RNX without 0008AAE	In the passenger compartment, at the top right of the instrument panel, under the defroster duct trim	Instrument Panel Harness Routing page 224
X212	Antenna Jumper Harness COAX to Instrument Panel Harness COAX	Feature Code: 0008AAE and 0592CV3	In the passenger compartment, at the top right of the instrument panel, under the defroster duct trim	—
X215	HVAC Harness to Instrument Panel Harness	—	In the passenger compartment, behind the upper right side of the instrument panel	<ul style="list-style-type: none"> HVAC Assembly Harness Routing page 216 Instrument Panel Harness Routing page 223 Instrument Panel Harness Routing page 224
X216	Body Harness To HVAC Harness	—	In the passenger compartment, behind the lower right side of the instrument panel	<ul style="list-style-type: none"> HVAC Assembly Harness Routing page 216 Body Harness Routing – Passenger Compartment Right. page 230
X217	Body Harness To HVAC Harness	—	In the passenger compartment, behind the lower right side of the instrument panel	<ul style="list-style-type: none"> HVAC Assembly Harness Routing page 216 Body Harness Routing – Passenger Compartment Right. page 230

Table 10 Master Electrical Component List (cont.)

Code	Name	Option	Location	Locator View
X222	Instrument Panel Harness COAX to Antenna Jumper Harness COAX	Feature Code: 0008AAE	<ul style="list-style-type: none"> • ((Feature Codes: 0008RNX) with (0008AAG) or (0008AAE with 0592CV3)) In the passenger compartment, between the instrument panel harness and the A-pillar • ((Feature Codes: 0008RNN or 0008RNW) with (0008AAG) or (0008AAE with 0592CV3)) In the passenger compartment, between the instrument panel harness and the A-pillar 	<ul style="list-style-type: none"> • Instrument Panel Harness Routing page 223 • Instrument Panel Harness Routing page 224 • Right A-Pillar Harness Routing page 226
X225	Body Harness To Instrument Panel Harness	—	In the passenger compartment, behind the lower left side of the instrument panel	<ul style="list-style-type: none"> • Instrument Panel Harness Routing page 223 • Body Harness Routing – Passenger Compartment Left page 228
X245	Antenna Jumper Harness COAX to Antenna Jumper Harness COAX	—	In the passenger compartment, at the top right of the instrument panel, under the defroster duct trim	Radio Coax Routing page 222
X250	Instrument Panel Harness to Instrument Panel Harness	Feature Code: 0008RNM	In the passenger compartment, in the instrument panel, near center, on breakout to A11 radio	—
X275	Instrument Panel Harness to Body Harness	—	In the passenger compartment, behind the lower right side of the instrument panel	<ul style="list-style-type: none"> • Instrument Panel Harness Routing page 223 • Body Harness Routing – Passenger Compartment Right. page 230
X300	Instrument Panel Harness to Floor Console Harness	Feature Code: 0016XCN	In the passenger compartment, behind the lower center of the instrument panel	<ul style="list-style-type: none"> • Floor Console Harness Routing page 221

Table 10 Master Electrical Component List (cont.)

Code	Name	Option	Location	Locator View
X301	Body Harness USB to Instrumental Panel Harness USB	Without Feature Code: 0016XCN	In the passenger compartment, at the base of the right A-pillar behind the trim panel	<ul style="list-style-type: none"> Instrument Panel Harness Routing page 224 Body Harness Routing – Passenger Compartment Right.page 230
X302	Wireless Charger Harness to Floor Console Harness	0016XCN	In the passenger compartment, forward of center, in the floor console	Floor Console Harness Routing (0016XCN) page 221
X305	Instrument Panel Harness to Headliner Harness	—	In the passenger compartment, behind the upper left side of the instrument panel, near the instrument cluster	<ul style="list-style-type: none"> Instrument Panel Harness Routing page 223 Instrument Panel Harness Routing page 224 Headliner Harness Routing page 227
X307	Rear Window Defogger - Positive Harness to Body Harness	Feature Code: 0008AAB	At the rear of the passenger compartment, part of the rear window glass	Body Harness Routing – Passenger Compartment Left page 228
X309	Center Console Harness USB to Instrument Panel Harness USB	Feature Code: 0016XCN	Between the instrument panel harness and the front console	<ul style="list-style-type: none"> Floor Console Harness Routing page 221 Instrument Panel Harness Routing page 224
X310	Driver Seat Cushion Harness to Body Harness	—	In the passenger compartment, under the driver seat cushion	<ul style="list-style-type: none"> Driver Seat Cushion Harness Routing page 217 Body Harness Routing – Passenger Compartment Left page 228
X311	Driver Seat Back Harness to Driver Seat Cushion Harness	Feature Code: 0016KVV / 0016KVU	In the passenger compartment, under the driver seat cushion	<ul style="list-style-type: none"> Driver Seat Cushion Harness Routing page 217 Driver Seat Back Harness Routing page 218

Table 10 Master Electrical Component List (cont.)

Code	Name	Option	Location	Locator View
X312	Driver Seat Back Harness to Driver Seat Cushion Harness	Feature Code: 0016XJR	In the passenger compartment, under the driver seat cushion	<ul style="list-style-type: none"> • Driver Seat Cushion Harness Routing page 217 • Driver Seat Back Harness Routing page 218
X313	Body Harness USB to Center Seat Harness USB	Without Feature Code: 0016XCN	In the passenger compartment, under the inboard side of the passenger seat, USB cable	Body Harness Routing – Passenger Compartment Right. page 230
X314	Center Seat Harness to Body Harness	Without Feature Code: 0016XCN	In the passenger compartment, under the driver seat	Body Harness Routing – Passenger Compartment Right. page 230
X315	Body Harness to Brake Clutch Harness	—	In the passenger compartment, near the middle of the left A-pillar	Body Harness Routing – Passenger Compartment Left page 228
X316	Headliner Harness to Overhead Console Harness	—	In the passenger compartment, above roof console	Headliner Harness Routing page 227
X317	Headliner Harness to Center High Mounted Stop Lamp Harness	—	In the passenger compartment, rear center, forward of the Center High Mounted Stop Lamp, E6	Headliner Harness Routing page 227
X319	Overhead Console Harness to Right A-Pillar Harness	Feature Code: 0008XKS	In the passenger compartment, in the headliner, between near the A-pillar	Right A-Pillar Harness Routing page 226
X320	Passenger Seat Cushion Harness to Body Harness	Feature Code: 0016KVV / AG2 / 0016XJR	In the passenger compartment, under the passenger seat cushion	<ul style="list-style-type: none"> • Passenger Seat Cushion Harness Routing page 219 • Body Harness Routing – Passenger Compartment Right. page 230
X321	Passenger Seat Back Harness to Passenger Seat Cushion Harness	Feature Code: 0016KVV / AG2	In the passenger compartment, under the passenger seat cushion	<ul style="list-style-type: none"> • Passenger Seat Cushion Harness Routing page 219 • Passenger Seat Back Harness Routing page 220

Table 10 Master Electrical Component List (cont.)

Code	Name	Option	Location	Locator View
X322	Passenger Seat Back Harness to Passenger Seat Cushion Harness	Feature Code: 0016XJR	In the passenger compartment, under the passenger seat cushion	<ul style="list-style-type: none"> Passenger Seat Cushion Harness Routing page 219 Passenger Seat Back Harness Routing page 220
X330	Chassis Harness to Battery Feed Harness	(0008MVZ / 0008MWA)	Under the vehicle, near the K17 Electronic Brake Control Module, along the left frame rail	Chassis Harness Routing page 235
X380	Body Harness to Roof Rail Air Bag - Left Harness	—	In the passenger compartment, near the top of the left rear pillar	—
X390	Body Harness to Roof Rail Air Bag - Right Harness	—	In the passenger compartment, near the top of the right rear pillar	—
X401	Chassis Rear Left Harness to Chassis Harness	—	Under the vehicle, along the left frame rail	—
X402	Chassis Rear Right Harness to Chassis Harness	—	Under the vehicle, near the left frame rail	—
X405	Body Builder Connection Harness to Chassis Harness	0008HXV	Under the vehicle, on left frame rail, near the rear of cab	Chassis Harness Routing page 235
X410	Chassis Rear Left Harness to Tail Lamp Assembly - Left Harness	Without Feature Code: 0008TKD	At the rear of the vehicle, along left frame rail, at Left Tail Lamp Assembly, E42L	—
X420	Chassis Rear Right Harness to Tail Lamp Assembly - Right Harness	Without Feature Code: 0008TKD	At the rear of the vehicle, along right frame rail, at Right Tail Lamp Assembly, E42R	—
X430	Chassis Harness to Battery Feed Harness	Feature Code: 0008MSD	Behind the cab, on left frame rail, near temporary battery mount	Chassis Harness Routing page 235
X455	Chassis Harness to Chassis Rear Right Harness	Feature Code: 0008HXU	Under the vehicle, near the left frame rail	—

Table 10 Master Electrical Component List (cont.)

Code	Name	Option	Location	Locator View
X495	Body Builder Connection Harness to Chassis Rear Right Harness	Feature Code: 0008HXU	At the rear of vehicle, near end of the right frame rail	Chassis Rear Right Harness Routing page 238
X499	Rearview Camera Jumper Harness to Chassis Rear Right Harness	Feature Code: 0008RNY	At the rear of vehicle, on right frame rail	Chassis Rear Right Harness Routing page 238
X500	Driver Door Harness to Body Harness	—	In the passenger compartment, behind the left side of the instrument panel	<ul style="list-style-type: none"> • Body Harness Routing – Passenger Compartment Left page 228 • Driver Door and Passenger Door harness Routing (without Feature Code: 0016WAK) page 231 • Driver Door and Driver Door Trim Harness Routing (Feature Code: 0016WAK) page 232
X505	Driver Door Harness To Driver Door Trim Harness	Feature Code: 0016WAK	In the driver door, behind the driver door panel	Driver Door and Driver Door Trim Harness Routing (Feature Code: 0016WAK) page 232
X506	Driver Door Trim Harness to Driver Door Harness	Without Feature Code: 0016WAK	In the driver door, behind the driver door panel	Driver Door and Passenger Door harness Routing (without Feature Code: 0016WAK) page 231
X510	Outside Rearview Mirror - Driver Harness to Driver Door Harness	Feature Code: 0016SPS	In the driver door, behind the driver door panel, near Driver Outside Rearview Mirror, A9A	Driver Door and Driver Door Trim Harness Routing (Feature Code: 0016WAK) page 232

Table 10 Master Electrical Component List (cont.)

Code	Name	Option	Location	Locator View
X600	Passenger Door Harness to Body Harness	—	In the passenger compartment, behind the right side of the instrument panel	<ul style="list-style-type: none"> • Body Harness Routing – Passenger Compartment Right. page 230 • Driver Door and Passenger Door harness Routing (without Feature Code: 0016WAK) page 231 • Passenger Door and Passenger Door Trim Harness Routing (Feature Code: 0016WAK) page 233
X605	Passenger Door Harness to Passenger Door Trim Harness	Feature Code: 0016WAK	In the passenger door, behind the passenger door panel	<ul style="list-style-type: none"> • Passenger Door and Passenger Door Trim Harness Routing (Feature Code: 0016WAK) page 233
X606	Passenger Door Trim Harness to Passenger Door Harness	Without Feature Code: 0016WAK	In the passenger door, behind the passenger door panel	Driver Door and Passenger Door harness Routing (without Feature Code: 0016WAK) page 231
X610	Outside Rearview Mirror - Passenger Harness to Passenger Door Harness	Feature Code: 0016SPS	In the passenger door, behind the passenger door panel, near Passenger Outside Rearview Mirror, A9B	Passenger Door and Passenger Door Trim Harness Routing (Feature Code: 0016WAK) page 233
X611	Outside Rearview Mirror - Passenger Harness to Passenger Door Harness	Feature Code: 0016SPR	In the passenger door, behind the passenger door panel, near Passenger Outside Rearview Mirror, A9B	Passenger Door and Passenger Door Trim Harness Routing (Feature Code: 0016WAK) page 233

Table 10 Master Electrical Component List (cont.)

Code	Name	Option	Location	Locator View
X700	Left Rear Door Harness to Body Harness	Crew Cab	In the passenger compartment, at the left B-pillar, near the middle	<ul style="list-style-type: none"> Body Harness Routing – Passenger Compartment Left page 228 Left Rear Door and Right Rear Door Harness Routing (Crew Cab) page 234
X800	Right Rear Door Harness to Body Harness	Crew Cab	In the passenger compartment, at the right B-pillar, near the middle	<ul style="list-style-type: none"> Body Harness Routing – Passenger Compartment Right. page 230 Left Rear Door and Right Rear Door Harness Routing (Crew Cab) page 234
G101	Forward Lamp Harness	—	In the engine compartment, on left frame rail, near second cross-member	G101, G399 and G401 page 336
G102	Forward Lamp Harness	—	In the engine compartment, on left frame rail, rear of front cross-member	G102 page 337
G108	Engine Ground Harness	—	In the vehicle underbody, along right frame rail, near reductant tank	G108, G398 and G402 page 338
G110	Engine Chassis Harness, Engine Ground Harness	—	In the engine compartment, at left front of engine	G110 and G112 page 339
G112	Engine Harness	—	In the engine compartment, on right front of engine, near camshaft position sensor	G110 and G112 page 339
G120	Engine Chassis Harness	—	In the engine compartment, on right front of engine, near oil pan, below G112	G120 page 340
G141	Battery Cable	—	Under the vehicle, at right front cab mounting rear of the frame	—
G180	Brake Booster Harness	—	In the engine compartment, left rear, on the master cylinder	G180, G198 and G199 page 341

Table 10 Master Electrical Component List (cont.)

Code	Name	Option	Location	Locator View
G198	Body Ground Harness	—	In the engine compartment, left rear, on the bulkhead	G180, G198 and G199 page 341
G199	Body Ground Harness	—	In the engine compartment, left rear, on the left frame rail, in wheelhouse, rear of shock	G180, G198 and G199 page 341
G210	Instrument Panel Harness	—	In the passenger compartment, under the instrument panel defroster grille, near the right A-pillar	G210 and G218 page 342
G218	Instrument Panel Harness	—	In the passenger compartment, under the instrument panel defroster grille, near the left A-pillar	G210 and G218 page 342
G311	Body Harness	—	In the passenger compartment, on the left side B-pillar, near floor, behind the trim panel	G311 and G325 page 343
G312	Body Harness	—	In the passenger compartment, on the right side B-pillar, near floor, behind the trim panel	G312 and G327 page 344
G325	Body Harness	—	In the passenger compartment, under the left side of the driver seat	G311 and G325 page 343
G327	Body Harness	—	In the passenger compartment, under the right side of the passenger seat	G312 and G327 page 344
G340	Battery Negative Cable	(0008MVZ / 0008MWA)	On the left frame rail near battery box	G340 and G380 page 345
G380	Rear Defogger Grid	Feature Code: 0008AAB	In the passenger compartment, below the passenger side of the rear window, mounted to the rear wall of the cab, behind the trim	G340 and G380 page 345
G398	Frame Ground Harness	—	Under the vehicle, attached to the right frame rail, under the cab	G108, G398 and G402 page 338
G399	Chassis Harness	—	Under the vehicle, on the left frame rail, between Electronic Brake Control Module, K17, and Fuel Pressure Sensor, B47	G101, G399 and G401 page 336

Table 10 Master Electrical Component List (cont.)

Code	Name	Option	Location	Locator View
G401	Chassis Rear Left Harness	—	Under the vehicle, on left frame rail	G101, G399 and G401 page 336
G402	Chassis Rear Right Harness	—	Under the vehicle, on right frame rail	G108, G398 and G402 page 338
G415	Chassis Rear Left Harness	Feature Code: 0008TRA	Under the vehicle, on left frame rail	—
G440	Battery Negative Cable	0008VUV	Behind the cab, on frame rail, near temporary battery mount	<ul style="list-style-type: none"> • G440 (Left Frame Rail) page 347 • G440 (Right Frame Rail) page 348
J101	Forward Lamp Harness	Feature Code: 0008XJG	In the engine compartment, along left frame rail, in the main bundle between G102 and cross-frame branch	Forward Lamp Harness Routing page 205
J102	Forward Lamp Harness	—	In the engine compartment, along left frame rail, in the main bundle between G102 and cross-frame branch	Forward Lamp Harness Routing page 205
J103	Engine Chassis Harness	Feature Code: 0008GJC	In the engine compartment, at front of engine, approximately 16 cm from Auxiliary Alternator (Generator), G13E, breakout	—
J104	Forward Lamp Harness	Feature Code: 0008XJG	In the engine compartment, along front cross-member, between main bundle and JX100	Forward Lamp Harness Routing page 205
J105	Forward Lamp Harness	—	In the engine compartment, along front cross-member, between main bundle and JX100	Forward Lamp Harness Routing page 205
J108	Engine Harness	—	In the engine compartment, between Camshaft Position Sensor, B23, and Glow Plug 1, E12A, breakouts	Right Side of Engine Components page 302
J110	Left Headlight Harness	—	At the front of the vehicle, inside of assembly, Left Headlight Assembly, E13LA	—
J111	Left Snow Plow Light Harness	Feature Code: 0008TUM	Installed by upfitter, In the engine compartment, left front, between X110 and X111	—
J112	Left Snow Plow Light Harness	Feature Code: 0008TUM	Installed by upfitter, In the engine compartment, left front, between X110 and X111	—

Table 10 Master Electrical Component List (cont.)

Code	Name	Option	Location	Locator View
J113	Engine Chassis Harness	—	In the engine compartment, left front, between Engine Control Module, K20, breakouts and X105 breakout	—
J114	Left Snow Plow Light Harness	Feature Code: 0008TUM	Installed by upfitter, In the engine compartment, left front, between X110 and X111	—
J116	Left Snow Plow Light Harness	Feature Code: 0008TUM	Installed by upfitter, In the engine compartment, left front, between X110 and X111	—
J117	Left Snow Plow Light Harness	Feature Code: 0008TUM	Installed by upfitter, In the engine compartment, left front, between X110 and X111	—
J120	Right Headlight Harness	—	At the front of the vehicle, inside of assembly, Right Headlight Assembly, E13RA	—
J121	Right Snow Plow Light Harness	Feature Code: 0008TUM	Installed by upfitter, In the engine compartment, right front, between X120 and X121	—
J122	Right Snow Plow Light Harness	Feature Code: 0008TUM	Installed by upfitter, In the engine compartment, right front, between X120 and X121	—
J123	Engine Chassis Harness	—	In the engine compartment, left side, between G120 and branch to radiator support	Engine Chassis Harness Routing – Left page 212
J124	Engine Chassis Harness	—	In the engine compartment, in front of oil pan, between G110 and G120	<ul style="list-style-type: none"> • Engine Harness Routing – Right Front page 210 • Engine Chassis Harness Routing – Left page 212
J125	Engine Chassis Harness	—	In the engine compartment, left front, approximately 84 cm from X105 breakout toward engine	—
J126	Engine Chassis Harness	—	In the engine compartment, in front of oil pan, between G110 and G120	Engine Chassis Harness Routing – Left page 212
J127	Right Snow Plow Light Harness	Feature Code: 0008TUM	Installed by upfitter, In the engine compartment, right front, between X120 and X121	—

Table 10 Master Electrical Component List (cont.)

Code	Name	Option	Location	Locator View
J129	Right Snow Plow Light Harness	Feature Code: 0008TUM	Installed by upfitter, In the engine compartment, right front, between X120 and X121	—
J130	Right Snow Plow Light Harness	Feature Code: 0008TUM	Installed by upfitter, In the engine compartment, right front, between X120 and X121	—
J132	Engine Chassis Harness	—	In the engine compartment, left rear, in the main bundle, approximately 16 cm from branch to Underhood Fuse Block, X50A, X3, Underhood Auxiliary Fuse Block, X50B, and X115	—
J138	Chassis Harness	Feature Code: 0008RNY	In the engine compartment, approximately 8 cm from X138	Chassis Harness Routing page 235
J139	Chassis Harness	—	In the engine compartment, approximately 35 cm from Underhood Fuse Block, X50A, X4	Chassis Harness Routing page 235
J142	Transmission Harness	—	Under the vehicle, inside the transmission assembly	—
J143	Transmission Harness	—	Under the vehicle, inside the transmission assembly	—
J144	Transmission Harness	—	Under the vehicle, inside the transmission assembly	—
J152	Engine Chassis Harness	—	In the engine compartment, left front, approximately 50 cm from Transmission Control Module, K71	—
J153	Engine Chassis Harness	—	In the engine compartment, left front, approximately 31 cm from Transmission Control Module, K71	—
J165	Engine Chassis Harness	—	In the engine compartment, left front, approximately 10 cm from X105 breakout toward engine	—
J180	Hydromax Interconnect Harness	—	In the engine compartment, left rear	—

Table 10 Master Electrical Component List (cont.)

Code	Name	Option	Location	Locator View
J181	Hydromax Interconnect Harness	—	In the engine compartment, left rear	—
J182	Hydromax Interconnect Harness	—	In the engine compartment, left rear	—
J183	Hydromax Interconnect Harness	—	In the engine compartment, left rear	—
J184	Hydromax Interconnect Harness	—	In the engine compartment, left rear	—
J194	Engine Chassis Harness	Feature Code: 0012WGG	Under the vehicle, along right frame rail, approximately 10 cm rear of X191	Engine Chassis Harness Routing – Right page 213
J195	Engine Chassis Harness	Feature Code: 0012WGG	Under the vehicle, along right frame rail, between X143 and Reductant Injector, Q61	Engine Chassis Harness Routing – Right page 213
J196	Engine Chassis Harness	—	In the engine compartment, left rear, approximately 22 cm from Underhood Auxiliary Fuse Block, X50B	Engine Chassis Harness Routing – Right page 213
J197	Engine Chassis Harness	—	In the engine compartment, left rear, approximately 17 cm from Underhood Auxiliary Fuse Block, X50B	Engine Chassis Harness Routing – Right page 213
J200	Instrument Panel Harness	—	In the passenger compartment, behind the left side of the instrument panel, in the main bundle, between X225 and JX200	<ul style="list-style-type: none"> • Instrument Panel Harness Routing page 223 • Instrument Panel Harness Routing page 224
J201	Instrument Panel Harness	—	In the passenger compartment, behind the left side of the instrument panel, in the main bundle, between X225 and JX200	<ul style="list-style-type: none"> • Instrument Panel Harness Routing page 223 • Instrument Panel Harness Routing page 224
J204	Steering Column Harness	—	In the passenger compartment, on the steering column assembly	—

Table 10 Master Electrical Component List (cont.)

Code	Name	Option	Location	Locator View
J205	Instrument Panel Harness	—	In the passenger compartment, behind the left side of the instrument panel, between G218 and Instrument Cluster, P16	<ul style="list-style-type: none"> Instrument Panel Harness Routing page 223 Instrument Panel Harness Routing page 224
J210	Instrument Panel Harness	—	In the passenger compartment, behind the left side of the instrument panel, between G218 and branch to Serial Data Gateway Module, K56	Instrument Panel Harness Routing page 223
J211	Instrument Panel Harness	—	In the passenger compartment, behind the left side of the instrument panel, between X225 and X84 Data Link Connector	<ul style="list-style-type: none"> Instrument Panel Harness Routing page 223 Instrument Panel Harness Routing page 224
J212	Instrument Panel Harness	—	In the passenger compartment, behind the left side of the instrument panel, approximately 4 cm from breakout to X225	<ul style="list-style-type: none"> Instrument Panel Harness Routing page 223 Instrument Panel Harness Routing page 224
J213	Instrument Panel Harness	<ul style="list-style-type: none"> Feature Code: 0008RNN / 0008RNM Feature Code: 0008RNW / 0008RNX 	<ul style="list-style-type: none"> In the passenger compartment, behind the left side of the instrument panel, between G218 and P16 Instrument Cluster In the passenger compartment, behind the left side of the instrument panel, approximately 40 cm from X51L Fuse Block - Instrument Panel Left X2 	<ul style="list-style-type: none"> Instrument Panel Harness Routing page 223 Instrument Panel Harness Routing page 224
J215	Instrument Panel Harness	—	In the passenger compartment, behind the right side of the instrument panel, in the main bundle, between branch to X51R Fuse Block - Instrument Panel Right X2 and X205	<ul style="list-style-type: none"> Instrument Panel Harness Routing page 223 Instrument Panel Harness Routing page 224

Table 10 Master Electrical Component List (cont.)

Code	Name	Option	Location	Locator View
J216	HVAC Harness	Feature Code: C32	In the passenger compartment, behind the glove box, in the HVAC harness	HVAC Assembly Harness Routing page 216
J220	Instrument Panel Harness	—	In the passenger compartment, behind the center of the instrument panel, in the main bundle, between P17 Info Display Module and A11 Radio X1	Instrument Panel Harness Routing page 224
J240	Instrument Panel Harness	Feature Code: 0016XCN / 0008XJX	In the passenger compartment, behind the center of the instrument panel, in the main bundle, between P17 Info Display Module and A11 Radio X1	<ul style="list-style-type: none"> • Instrument Panel Harness Routing page 223 • Instrument Panel Harness Routing page 224
J241	Instrument Panel Harness	—	In the passenger compartment, behind the right side of the instrument panel, in the main bundle, between branch to X51R Fuse Block - Instrument Panel Right X2 and X205	<ul style="list-style-type: none"> • Instrument Panel Harness Routing page 223 • Instrument Panel Harness Routing page 224
J242	Instrument Panel Harness	—	In the passenger compartment, behind the right side of the instrument panel, in the main bundle, between branch to X51R Fuse Block - Instrument Panel Right X2 and X205	<ul style="list-style-type: none"> • Instrument Panel Harness Routing page 223 • Instrument Panel Harness Routing page 224
J245	Instrument Panel Harness	Feature Code: 0016XJR	In the passenger compartment, behind the center of the instrument panel, in the main bundle, between P16 Instrument Cluster and A11 Radio	Instrument Panel Harness Routing page 224
J249	Instrument Panel Harness	Feature Code: 0008RNW / 0008RNX	In the passenger compartment, behind the center of the instrument panel, in the main bundle, between P17 Info Display Module and A11 Radio X1	Instrument Panel Harness Routing page 224

Table 10 Master Electrical Component List (cont.)

Code	Name	Option	Location	Locator View
J250	Instrument Panel Harness	Feature Code: 0008RNS	In the passenger compartment, behind the center of the instrument panel, in the main bundle, between P17 Info Display Module and X205	—
J251	Instrument Panel Harness	Feature Code: 0008RNM	In the passenger compartment, behind the center of the instrument panel, in the main bundle, between P17 Info Display Module and A11 Radio X1	Instrument Panel Harness Routing page 223
J255	HVAC Harness	—	In the passenger compartment, behind the glove box, in the HVAC harness	HVAC Assembly Harness Routing page 216
J257	HVAC Harness	—	In the passenger compartment, behind the glove box, in the HVAC harness	HVAC Assembly Harness Routing page 216
J260	Instrument Panel Harness	Feature Code: 0008RNW / 0008RNX + 0008AAE	In the passenger compartment, behind the center of the instrument panel, in the main bundle, between P17 Info Display Module and X205	—
J266	Instrument Panel Harness	Feature Code: 0008RNM	In the passenger compartment, behind the center of the instrument panel, in the main bundle, between P17 Info Display Module and A11 Radio X1	Instrument Panel Harness Routing page 223
J285	Steering Wheel Harness	—	In the passenger compartment, behind the driver air bag	—
J289	Instrument Panel Harness	—	In the passenger compartment, behind the center of the instrument panel, in the main bundle, between P16 Instrument Cluster and A11 Radio	<ul style="list-style-type: none"> • Instrument Panel Harness Routing page 223 • Instrument Panel Harness Routing page 224

Table 10 Master Electrical Component List (cont.)

Code	Name	Option	Location	Locator View
J290	Instrument Panel Harness	Feature Code: 0008XJP / 14899	In the passenger compartment, behind the center of the instrument panel, in the main bundle, between P17 Info Display Module and A11 Radio X1	<ul style="list-style-type: none"> Instrument Panel Harness Routing page 223 Instrument Panel Harness Routing page 224
J292	Right A-Pillar Harness	—	In the passenger compartment, above the headliner, approximately 42 cm from E3E Roof Clearance Lamp - Right Front Outer	Right A-Pillar Harness Routing page 226
J293	Right A-Pillar Harness	—	In the passenger compartment, above the headliner, approximately 57 cm from E3E Roof Clearance Lamp - Right Front Outer	Right A-Pillar Harness Routing page 226
J295	Steering Wheel Harness	Feature Code: UK3	In the passenger compartment, behind the driver air bag	—
J299	Body Harness	Feature Code: 0008TRA	In the passenger compartment, behind the instrument panel, approximately 34 cm from K9 Body Control Module X7, in the formed conduit	Body Harness Routing – Passenger Compartment Left page 228
J300	Body Harness	—	In the passenger compartment, behind the instrument panel, between B80 Park Brake Switch breakout and X315 breakout	Body Harness Routing – Passenger Compartment Left page 228
J301	Body Harness	—	In the passenger compartment, behind the instrument panel, approximately 30 cm from X51L Fuse Block - Instrument Panel Left X1	Body Harness Routing – Passenger Compartment Left page 228
J302	Body Harness	Feature Code: 0016SPS	In the passenger compartment, behind the instrument panel, between B80 Park Brake Switch breakout and X315 breakout	Body Harness Routing – Passenger Compartment Left page 228

Table 10 Master Electrical Component List (cont.)

Code	Name	Option	Location	Locator View
J303	Roof Console Harness	—	In the passenger compartment, above the roof console, approximately 16 cm from E37ER Dome / Reading Lamps - Front Overhead Console Right	—
J304	Body Harness	—	In the passenger compartment, behind the instrument panel, approximately 34 cm from X51L Fuse Block - Instrument Panel Left X1	Body Harness Routing – Passenger Compartment Left page 228
J307	Body Harness	—	In the engine compartment, in the main bundle, between X115 and X50A Fuse Block - Underhood X1	Bulkhead Components - Engine Compartment page 299
J309	Body Harness	Feature Code: 0008HBW / 0013TLP (0013WDB)	In the passenger compartment, in the formed conduit at the driver door opening	Body Harness Routing – Passenger Compartment Left page 228
J310	Headliner Harness	Crew Cab / Feature Code: 0016XCS	In the passenger compartment, above the headliner, near the left B-pillar, approximately 63 cm from X316	Headliner Harness Routing page 227
J312	Headliner Harness	Crew Cab	In the passenger compartment, above the headliner, near the left B-pillar, approximately 60 cm from X316	Headliner Harness Routing page 227
J313	Driver Seat Cushion Harness	Feature Code: 0016XJR	In the driver seat cushion	—
J317	Headliner Harness	Crew Cab	In the passenger compartment, above the headliner, left of center, approximately 49 cm from X316	Headliner Harness Routing page 227
J319	Driver Seat Cushion Harness	Feature Code: 0016XJR	In the driver seat cushion, approximately 52 cm from X310	Driver Seat Cushion Harness Routing page 217
J320	Driver Seat Cushion Harness	Feature Code: 0016XJR	In the driver seat cushion, approximately 51 cm from X310	Driver Seat Cushion Harness Routing page 217

Table 10 Master Electrical Component List (cont.)

Code	Name	Option	Location	Locator View
J321	Passenger Seat Cushion Harness	Feature Code: 0016XJR	In the passenger seat cushion, approximately 22 cm from X322	Passenger Seat Cushion Harness Routing page 219
J323	Passenger Seat Cushion Harness	Feature Code: 0016XJR	In the passenger seat cushion	—
J331	Body Harness	Crew Cab	In the passenger compartment, in the formed conduit at the passenger door opening	Body Harness Routing – Passenger Compartment Right. page 230
J332	Headliner Harness	—	In the passenger compartment, above the headliner, near the left B-pillar, approximately 83 cm from X316	Headliner Harness Routing page 227
J333	Roof Console Harness	—	In the passenger compartment, above the roof console, approximately 30 cm from E37EL Dome / Reading Lamps - Front Overhead Console Left	—
J350	Body Harness	Feature Code: 0008RNM / 0008RNY	<ul style="list-style-type: none"> (Crew Cab) In the passenger compartment, left side, near driver seat, in the cross-vehicle bundle, between the main bundle and G325 (Standard Cab) In the passenger compartment, center, in the cross-vehicle bundle, approximately 13 cm from branch to K36 Inflatable Restraint Sensing and Diagnostic Module 	Body Harness Routing – Passenger Compartment Left page 228
J357	Body Harness	—	In the passenger compartment, behind the instrument panel, approximately 40 cm from K9 Body Control Module X5, in the formed conduit	Body Harness Routing – Passenger Compartment Left page 228
J358	Floor Console	Feature Code: 0016XCN	In the center console, approximately 58 cm rear of X300	Floor Console Harness Routing page 221

Table 10 Master Electrical Component List (cont.)

Code	Name	Option	Location	Locator View
J360	Body Harness	—	In the passenger compartment, left side, near driver seat, in the cross-vehicle bundle, between the branch to K36 Inflatable Restraint Sensing and Diagnostic Module and G325	Body Harness Routing – Passenger Compartment Left page 228
J361	Body Harness	Crew Cab	In the passenger compartment, in the formed conduit at the passenger door opening	Body Harness Routing – Passenger Compartment Right. page 230
J362	Body Harness	Feature Code: 0016LVT	In the passenger compartment, left side, near passenger seat, in the cross-vehicle bundle, approximately 11 cm from G327, toward center	Body Harness Routing – Passenger Compartment Right. page 230
J365	Body Harness	—	In the passenger compartment, in the formed conduit at the driver door opening	Body Harness Routing – Passenger Compartment Left page 228
J366	Body Harness	Crew Cab	In the passenger compartment, in the formed conduit at the passenger door opening	Body Harness Routing – Passenger Compartment Right. page 230
J367	Body Harness	<ul style="list-style-type: none"> • Crew Cab • Standard Cab 	<ul style="list-style-type: none"> • In the passenger compartment, behind the instrument panel, in the main bundle, between X225 and X51L Fuse Block - Instrument Panel Left X1 • In the engine compartment, in the main bundle, between X115 and X50A Fuse Block - Underhood X1 	<ul style="list-style-type: none"> • Bulkhead Components - Engine Compartment page 299 • Body Harness Routing – Passenger Compartment Left page 228
J370	Body Harness	Crew Cab	In the passenger compartment, left side, near driver seat, in the cross-vehicle bundle, between the main bundle and G325	Body Harness Routing – Passenger Compartment Left page 228

Table 10 Master Electrical Component List (cont.)

Code	Name	Option	Location	Locator View
J373	Body Harness	—	In the passenger compartment, right front, approximately 4 cm rearward of JX200	Instrument Panel Harness Routing page 223 Body Harness Routing – Passenger Compartment Right. page 230
J383	Body Harness	—	In the passenger compartment, in the formed conduit at the driver door opening	Body Harness Routing – Passenger Compartment Left page 228
J384	Body Harness	Feature Code: 0016WAK	In the passenger compartment, in the formed conduit at the driver door opening	Body Harness Routing – Passenger Compartment Left page 228
J395	Chassis Harness	—	Under the vehicle, approximately 27 cm from K17 Electronic Brake Control Module	Chassis Harness Routing page 235
J396	Chassis Harness	—	Under the vehicle, approximately 21 cm from K17 Electronic Brake Control Module	Chassis Harness Routing page 235
J397	Chassis Harness	—	Under the vehicle, approximately 5 cm from K17 Electronic Brake Control Module	Chassis Harness Routing page 235
J398	Chassis Harness	—	Under the vehicle, in the breakout to K111 Fuel Pump Driver Control Module	Chassis Harness Routing page 235
J399	Chassis Harness	—	Under the vehicle, in the cross-over to right frame rail	Chassis Harness Routing page 235
J400	Chassis Harness	—	Under the vehicle, approximately 48 cm from X401	Chassis Harness Routing page 235
J401	Chassis Harness	Feature Code: 0015DSZ / 0015SZP	Under the vehicle in the breakout to A6C Fuel Pump and Level Sensor Assembly - Primary	Chassis Harness Routing page 235
J410	Chassis Harness	Feature Code: 0008HBW plus 0008HXV / 0008HXU)	Under the vehicle, in the main bundle, approximately 8 cm behind breakout to E11A Fuel Heater / Water in Fuel Sensor	—

Table 10 Master Electrical Component List (cont.)

Code	Name	Option	Location	Locator View
J411	Chassis Harness	Feature Code: 0008HXV / 0008HXU	Under the vehicle, in the main bundle, approximately 22 cm behind breakout to E11A Fuel Heater / Water in Fuel Sensor	Chassis Harness Routing page 235
J417	Chassis Harness	Feature Code: 0015DSZ	Under the vehicle, approximately 13 cm from X401	Chassis Harness Routing page 235
J418	Chassis Harness	Feature Code: 0015SZN	Under the vehicle, approximately 15 cm from X401	Chassis Harness Routing page 235
J419	Chassis Harness	Feature Code: 0008RNY	Under the vehicle, approximately 18 cm from X402	Chassis Harness Routing page 235
J420	Chassis Harness	Feature Code: 0008HXV / 0008HXU	Under the vehicle, approximately 23 cm from X401	Chassis Harness Routing page 235
J421	Chassis Harness	Feature Code: 0008HXV / 0008HXU	Under the vehicle, approximately 25 cm from X401	Chassis Harness Routing page 235
J422	Chassis Harness	Feature Code: 0008HXV / 0008HXU / 0016SPS	Under the vehicle, approximately 30 cm from X401	Chassis Harness Routing page 235
J423	Chassis Harness	Feature Code: 0008HXV / 0008HXU	Under the vehicle, approximately 34 cm from X401	Chassis Harness Routing page 235
J450	Chassis Rear Left Harness	—	Under the vehicle, on left frame rail, rear of G401	Chassis Rear Left Harness Routing page 237
J460	Chassis Rear Right Harness	Feature Code: 0015SZN	Under the vehicle, rear of X402	Chassis Rear Right Harness Routing page 238
J461	Chassis Rear Right Harness	Feature Code: 0008RNY	Under the vehicle, approximately 19 cm rear of X402	Chassis Rear Right Harness Routing page 238
J462	Chassis Rear Right Harness	Feature Code: 0008RNY	Under the vehicle, approximately 21 cm forward of B87 Rearview Camera	Chassis Rear Right Harness Routing page 238
J463	Chassis Rear Right Harness	Feature Code: 0015SZN	Under the vehicle, approximately 15 cm from A6C Fuel Pump and Level Sensor Assembly - Primary	Chassis Rear Right Harness Routing page 238

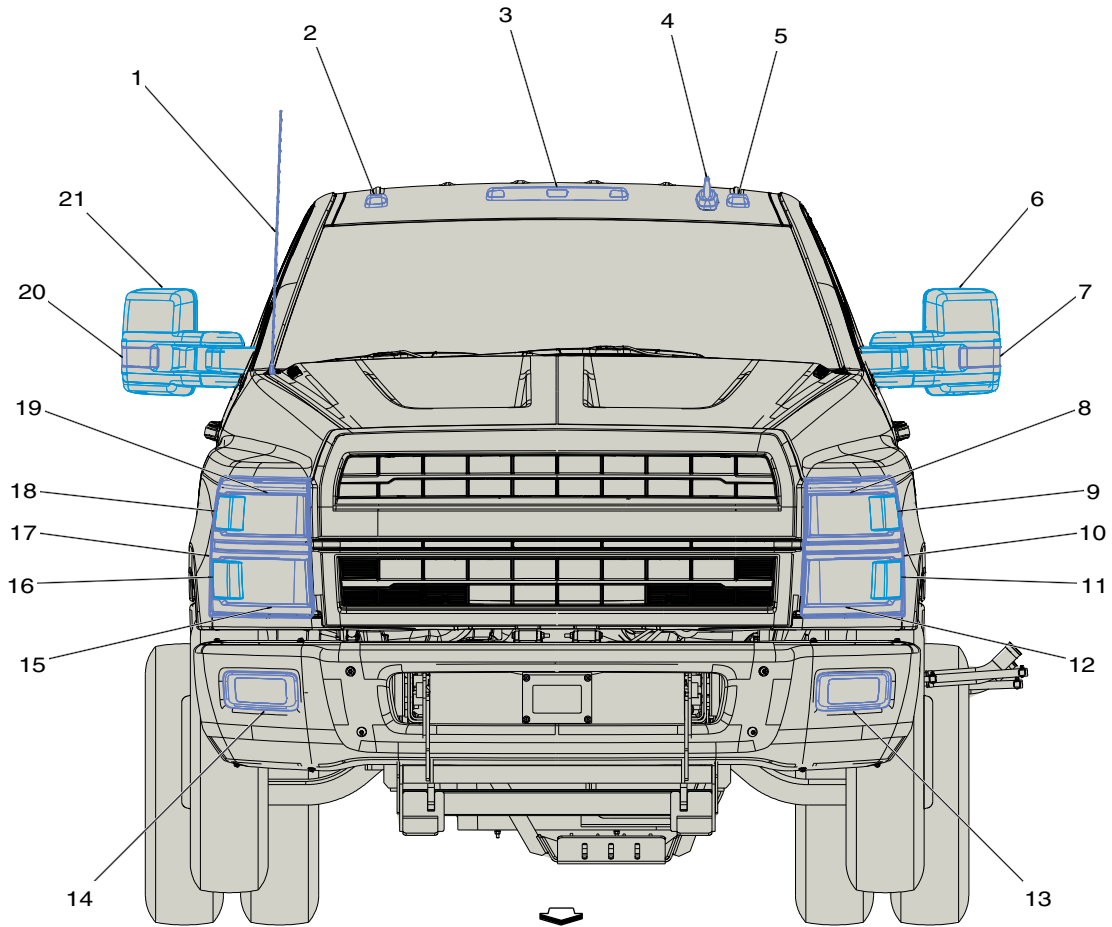
Table 10 Master Electrical Component List (cont.)

Code	Name	Option	Location	Locator View
J490	Chassis Harness	—	Under the vehicle, in the branch to B136 Exhaust Particulate Matter Sensor	Chassis Harness Routing page 235
J505	Driver Door Trim Harness	Feature Code: 0016WAK	In the driver door trim, approximately 20 cm from E63D Flood Lamp - Driver Door Handle	—
J515	Driver Door Harness	—	In the driver door, in main bundle, approximately 4 cm rear of branch to X505 / X506	<ul style="list-style-type: none"> • Driver Door and Passenger Door harness Routing (without Feature Code: 0016WAK) page 231 • Driver Door and Driver Door Trim Harness Routing (Feature Code: 0016WAK)page 232
J519	Driver Door Trim Harness	Feature Code: 0016SPS	In the driver door trim, approximately 5 cm from E63D Flood Lamp - Driver Door Handle breakout	Driver Door and Driver Door Trim Harness Routing (Feature Code: 0016WAK)page 232
J520	Outside Rearview Mirror - Driver Harness	Feature Code: 0016SPS	Outside the vehicle, inside of assembly, A9A Outside Rearview Mirror - Driver	—
J550	Driver Door Harness	Feature Code: 0016WAK	In the driver door, between P19AG Speaker - Left Front Door and M74D Window Motor - Driver	Driver Door and Driver Door Trim Harness Routing (Feature Code: 0016WAK)page 232
J605	Passenger Door Trim Harness	Feature Code: 0016WAK	In the passenger door, approximately 19 cm from E63P Flood Lamp - Passenger Door Handle	—

Table 10 Master Electrical Component List (cont.)

Code	Name	Option	Location	Locator View
J615	Passenger Door Harness	—	In the passenger door, in the main bundle, between X605 / X606 and P19AH Speaker - Right Front Door	<ul style="list-style-type: none"> • Driver Door and Passenger Door Harness Routing (without Feature Code: 0016WAK)page 231 • Passenger Door and Passenger Door Trim Harness Routing (Feature Code: 0016WAK)page 233
J620	Outside Rearview Mirror - Passenger Harness	Feature Code: 0016SPS	Outside the vehicle, inside of assembly, A9B Outside Rearview Mirror - Passenger	—
J715	Left Rear Door Harness	Crew Cab	In the left rear door, near the front window track, approximately 5 cm away from the breakout to S79LR Window Switch - Left Rear	Left Rear Door and Right Rear Door Harness Routing (Crew Cab)page 234
J815	Right Rear Door Harness	Crew Cab	In the right rear door, near the front window track, approximately 5 cm away from the breakout to S79RR Window Switch - Right Rear	Left Rear Door and Right Rear Door Harness Routing (Crew Cab)page 234
JX100	Forward Lamp Harness	—	Under the vehicle, along front frame cross member, left of center	Forward Lamp Harness Routingpage 205
JX200	Instrument Panel Harness	—	In the passenger compartment, at the base of the left A-pillar behind the trim panel, near X201	<ul style="list-style-type: none"> • Instrument Panel Harness Routingpage 224
JX300	Body Harness	—	In the passenger compartment, at the base of the right A-pillar behind the trim panel	—
JX301	Chassis Harness	—	Under the vehicle, in the cross-over to right frame rail	Chassis Harness Routingpage 235
JX302	Chassis Harness	—	Under the vehicle, in the cross-over to right frame rail	Chassis Harness Routingpage 235
JX402	Chassis Rear Right Harness	—	Under the vehicle, on right frame rail, rear of G402	Chassis Rear Right Harness Routingpage 238

Front of Vehicle / Engine Compartment Component Views

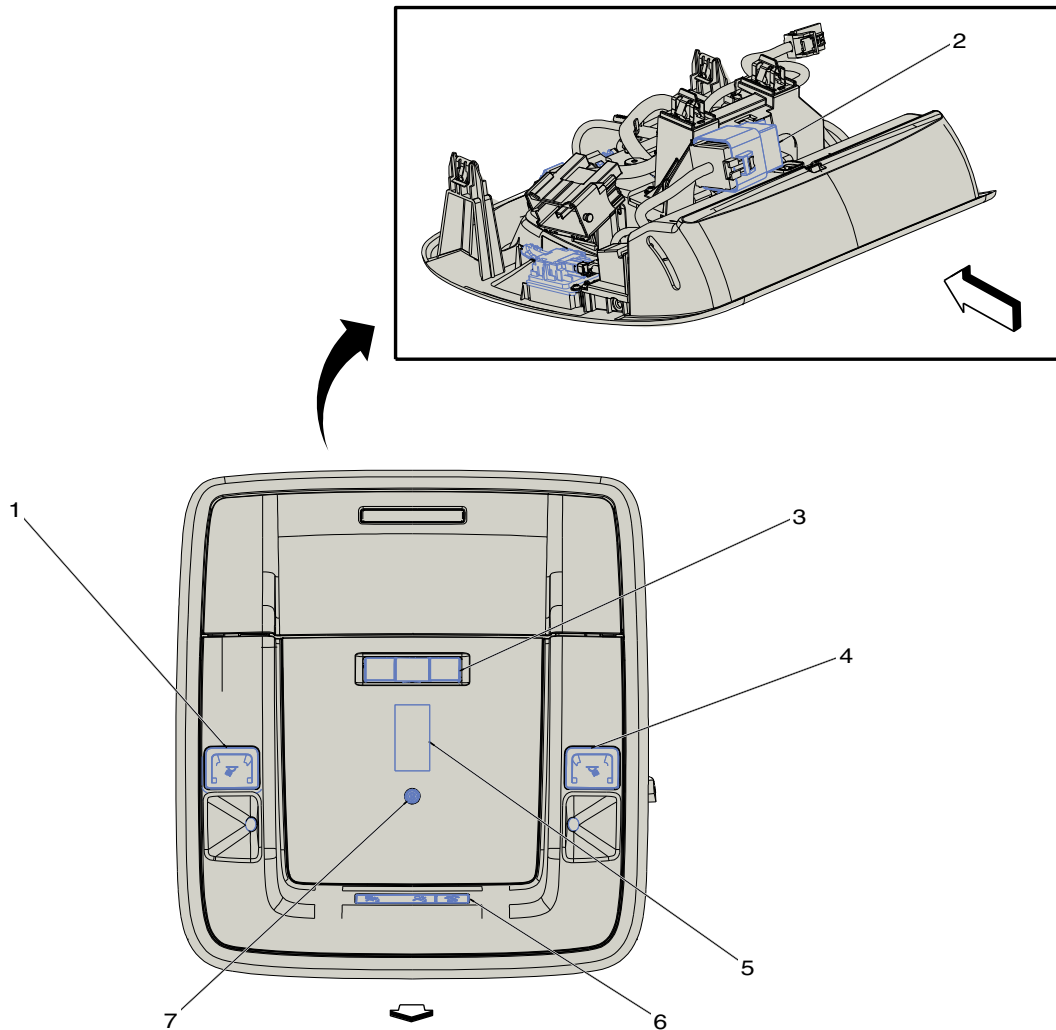


- | | |
|--|---|
| 1. T4M Radio Antenna | 9. E13LA Headlamp Assembly - Left |
| 2. E3E Roof Clearance Lamp - Right Front Outer | 10. E4SPark / Turn Signal Lamp - Left Upper |
| 3. E3C Roof Clearance Lamp - Front Middle | 11. E4Q Park / Turn Signal Lamp - Left Lower |
| 4. T2RF Antenna - Roof Front (Feature Code: 0008RNX / 0008RNV / 0008AAE) | 12. E4E Headlight - Left High Beam |
| 5. E3A Roof Clearance Lamp - Left Front Outer | 13. E29LFFog Lamp - Left Front (Feature Code: 0008XJG) |
| 6. A9A Outside Rearview Mirror - Driver | 14. E29RFFog Lamp - Right Front (Feature Code: 0008XJG) |
| 7. E2LM Side Marker Lamp - Left Middle (Feature Code: 0016SPS) | 15. E4F Headlight - Right High Beam |
| 8. E4G Headlight - Left Low Beam | 16. E4R Park / Turn Signal Lamp - Right Lower |
| | 17. E13RA Headlamp Assembly - Right |

- 18. E4TPark / Turn Signal Lamp - Right Upper
- 19. E4HHeadlight - Right Low Beam
- 20. E2RMSide Marker Lamp - Right Middle (Feature Code: 0016SPS)

- 21. A9B Outside Rearview Mirror - Passenger

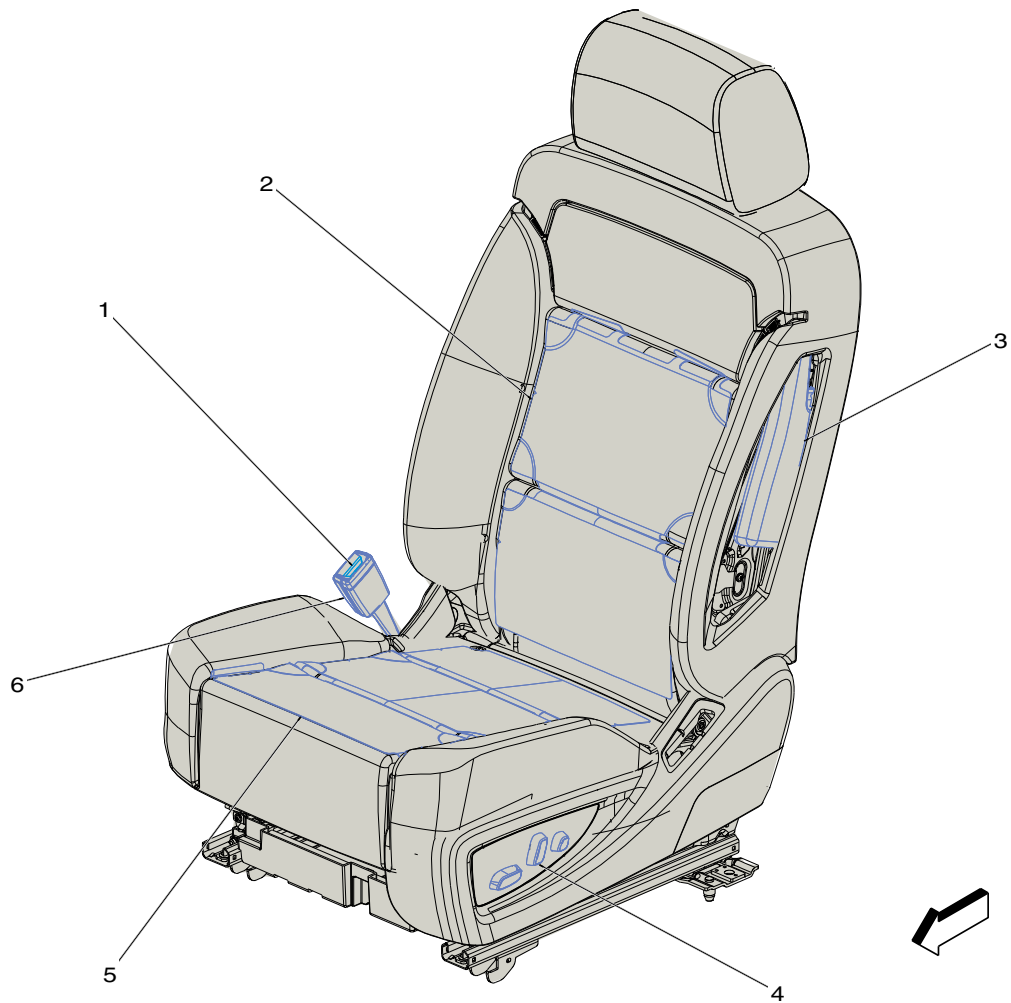
Figure 216 Front of Vehicle Components



- 1. E37EL Dome / Reading Lamps - Front Overhead Console Left
- 2. KR58 Roof Beacon Relay
- 3. S12 Dome Lamp Switch
- 4. E37ER Dome / Reading Lamps - Front Overhead Console Right

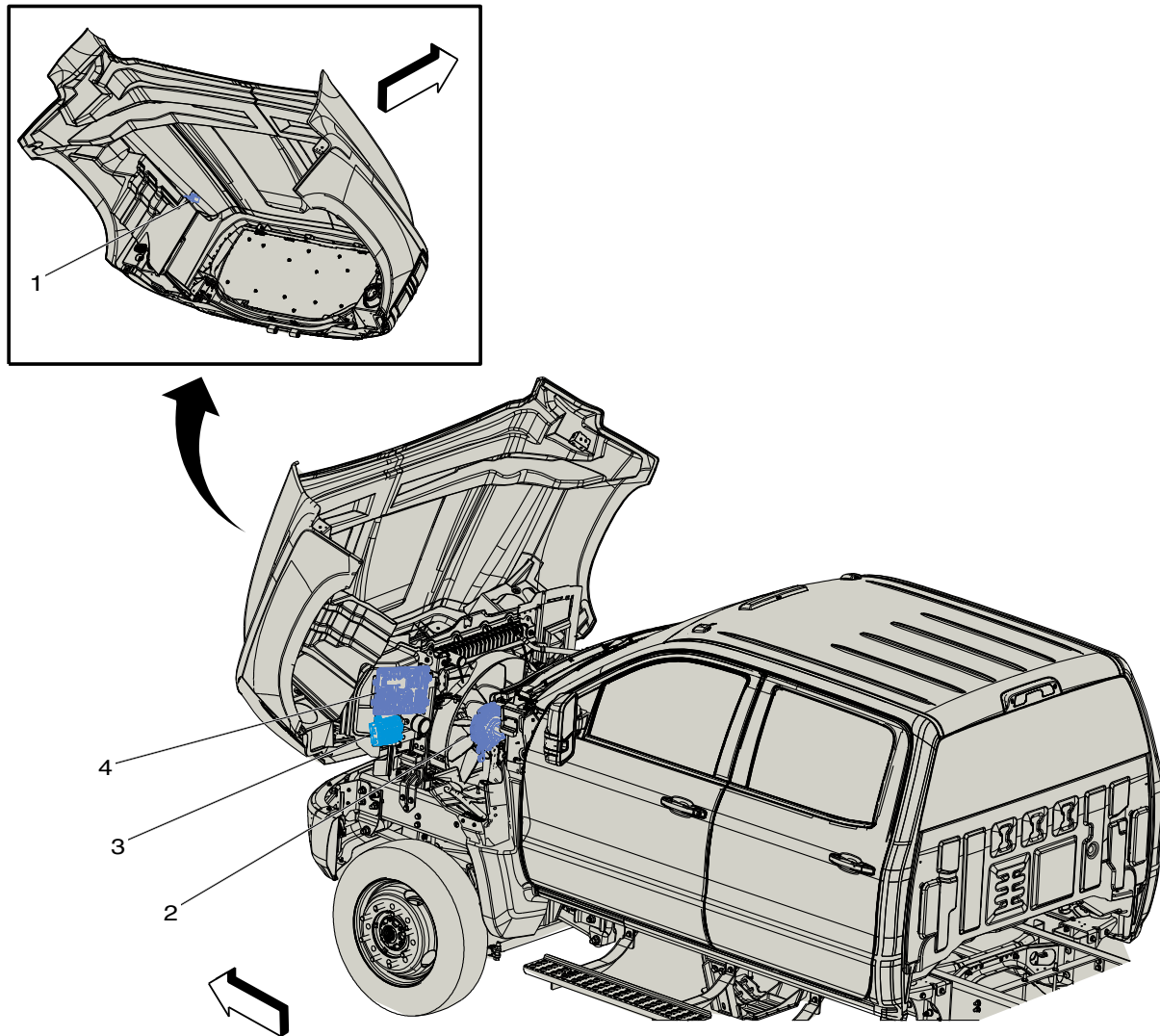
- 5. S63 Roof Beacon Switch
- 6. P14 Passenger Air Bag Disabled Indicator
- 7. E1L Accent Lamp - Overhead Console

Figure 217 Overhead Console Components



- | | |
|--|---|
| 1. B88D Seat Belt Switch - Driver | 5. E14B Seat Heating Element - Driver Cushion |
| 2. E14A Seat Heating Element - Driver Back | 6. B153D Seat Belt Buckle - Driver |
| 3. F106D Seat Side Air Bag - Driver | |
| 4. S64D Seat Adjuster Switch - Driver | |

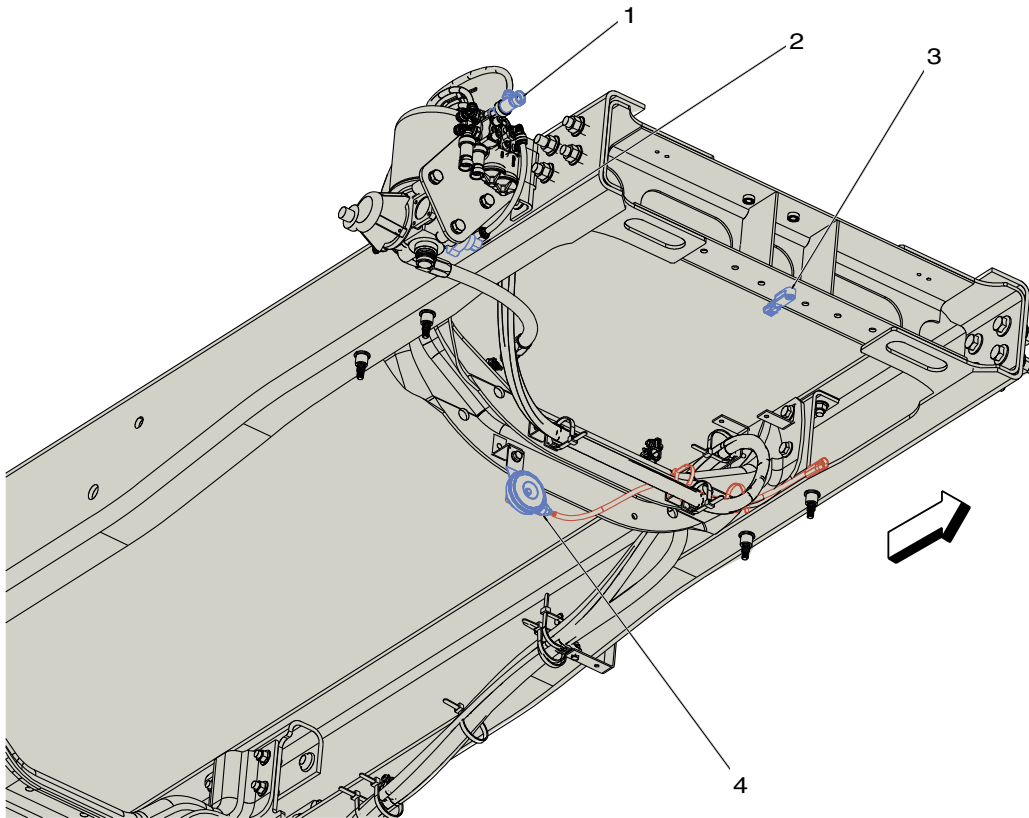
Figure 218 Front of Driver Seat Components



- 1. B55 Engine Hood Switch
- 2. Q85 Cooling Fan Clutch
- 3. K71 Transmission Control Module

- 4. K20 Engine Control Module

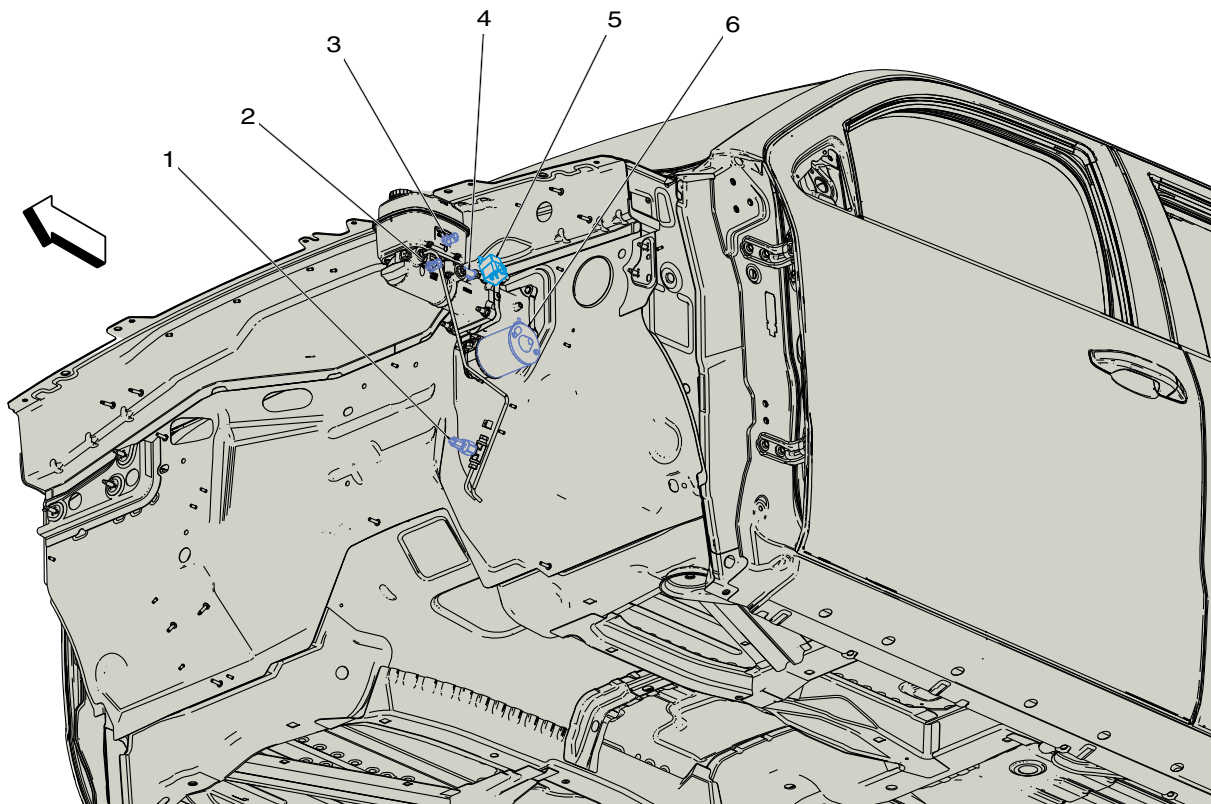
Figure 219 Radiator Support Components



- 1. B353 Air Suspension Low Pressure Warning Switch
- 2. E91 Air Dryer Valve Heater

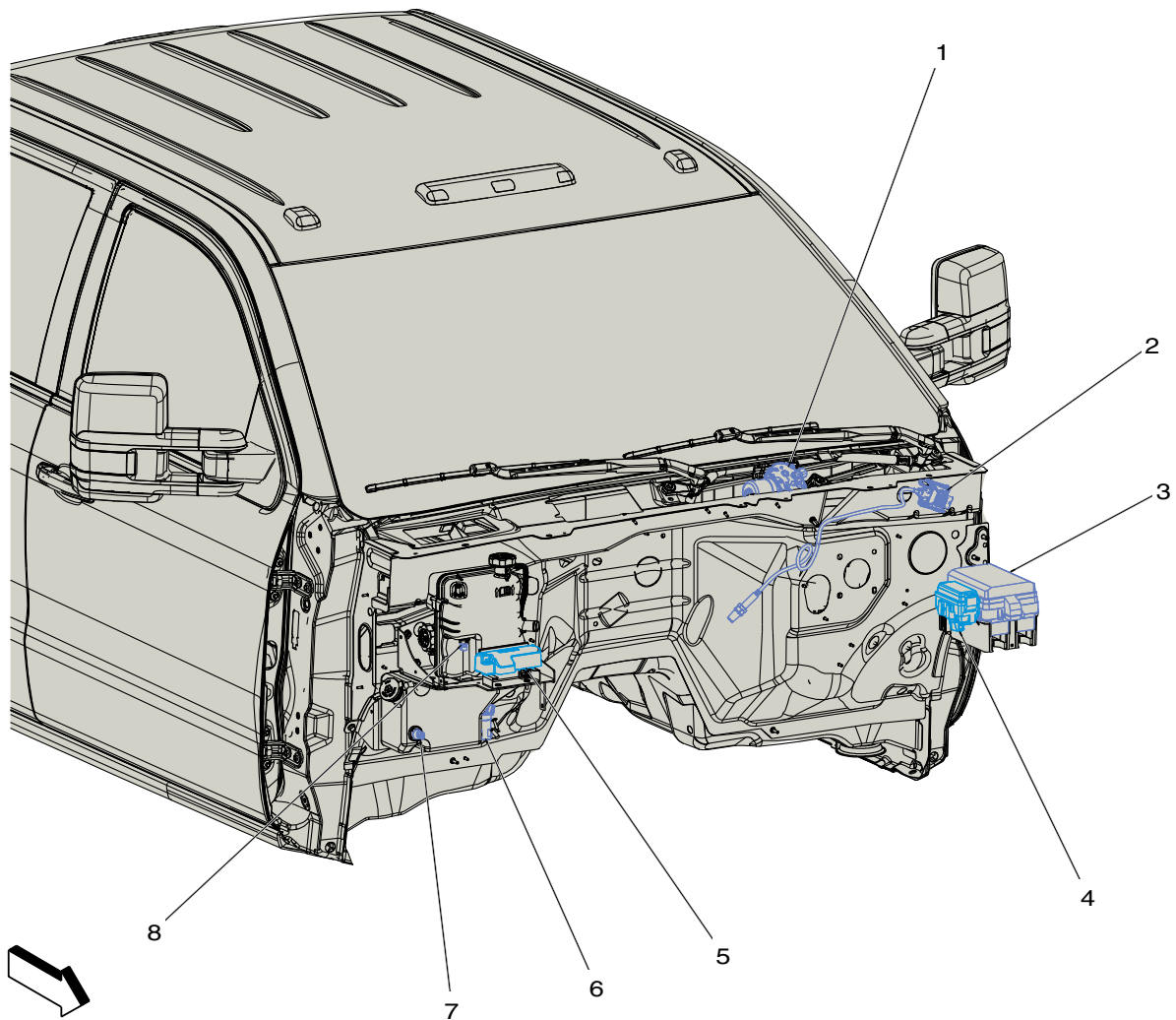
- 3. B59 Front Impact Sensor
- 4. P12 Horn

Figure 220 Front of Frame Components



- | | |
|---|--|
| 1. B356 Brake Pipe Pressure Switch | 5. KR14 Brake Booster Pump Motor Relay |
| 2. B21C Brake Pressure Differential Switch | 6. M9 Brake Booster Pump Motor |
| 3. B20 Brake Fluid Level Switch | |
| 4. B343 Power Brake Booster Fluid Flow Switch | |

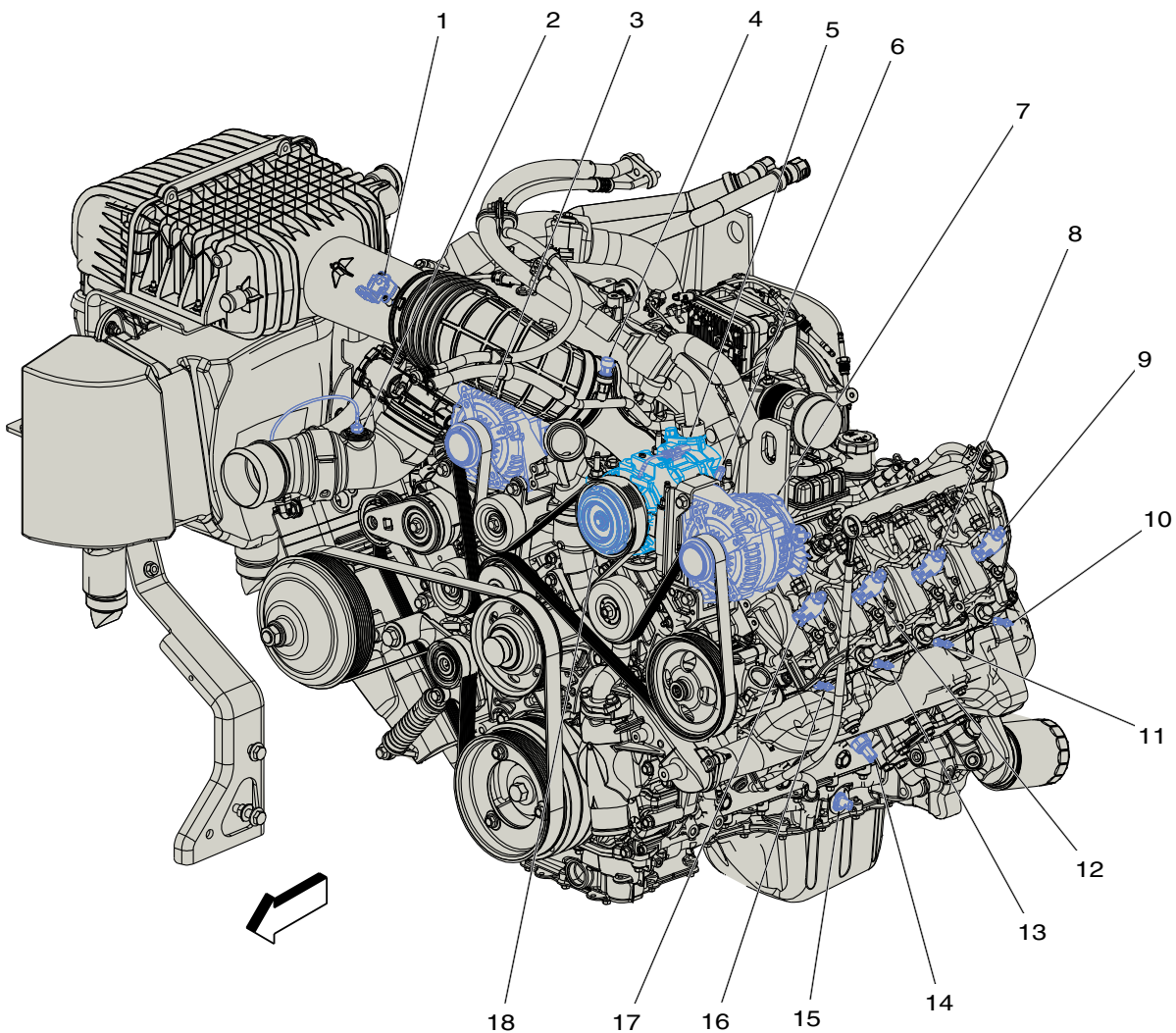
Figure 221 Brake Booster Components



- | | |
|--|---|
| 1. M75 Windshield Wiper Motor | 5. X50D Fuse Block - Battery |
| 2. B195A Nitrogen Oxides Sensor 1 | 6. G24 Windshield Washer Pump |
| 3. X50A Fuse Block - Underhood | 7. B118B Windshield Washer Fluid Level Switch |
| 4. X50B Fuse Block - Underhood Auxiliary | 8. B33 Engine Coolant Level Switch |

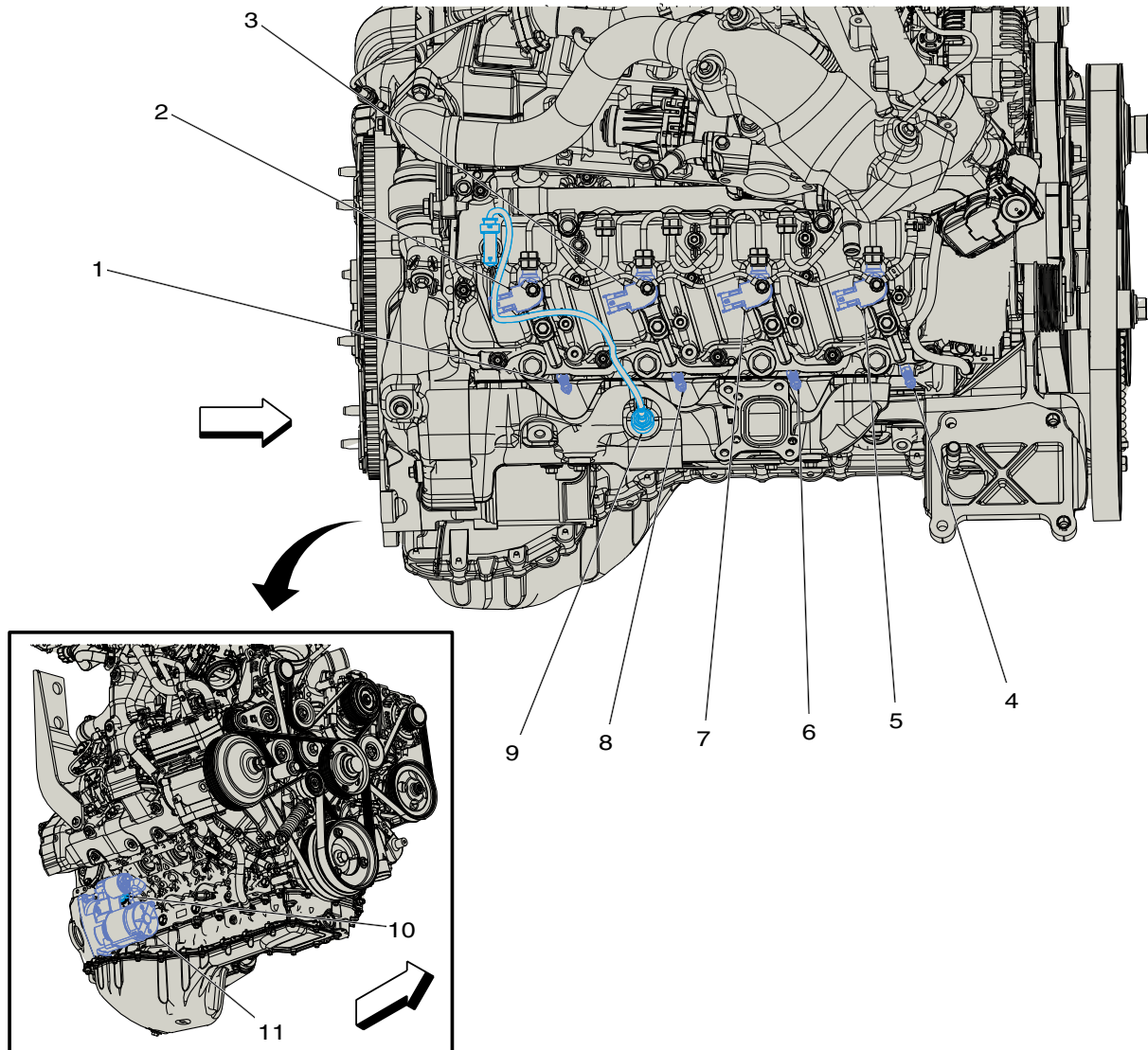
Figure 222 Bulkhead Components - Engine Compartment

Powertrain Component Views



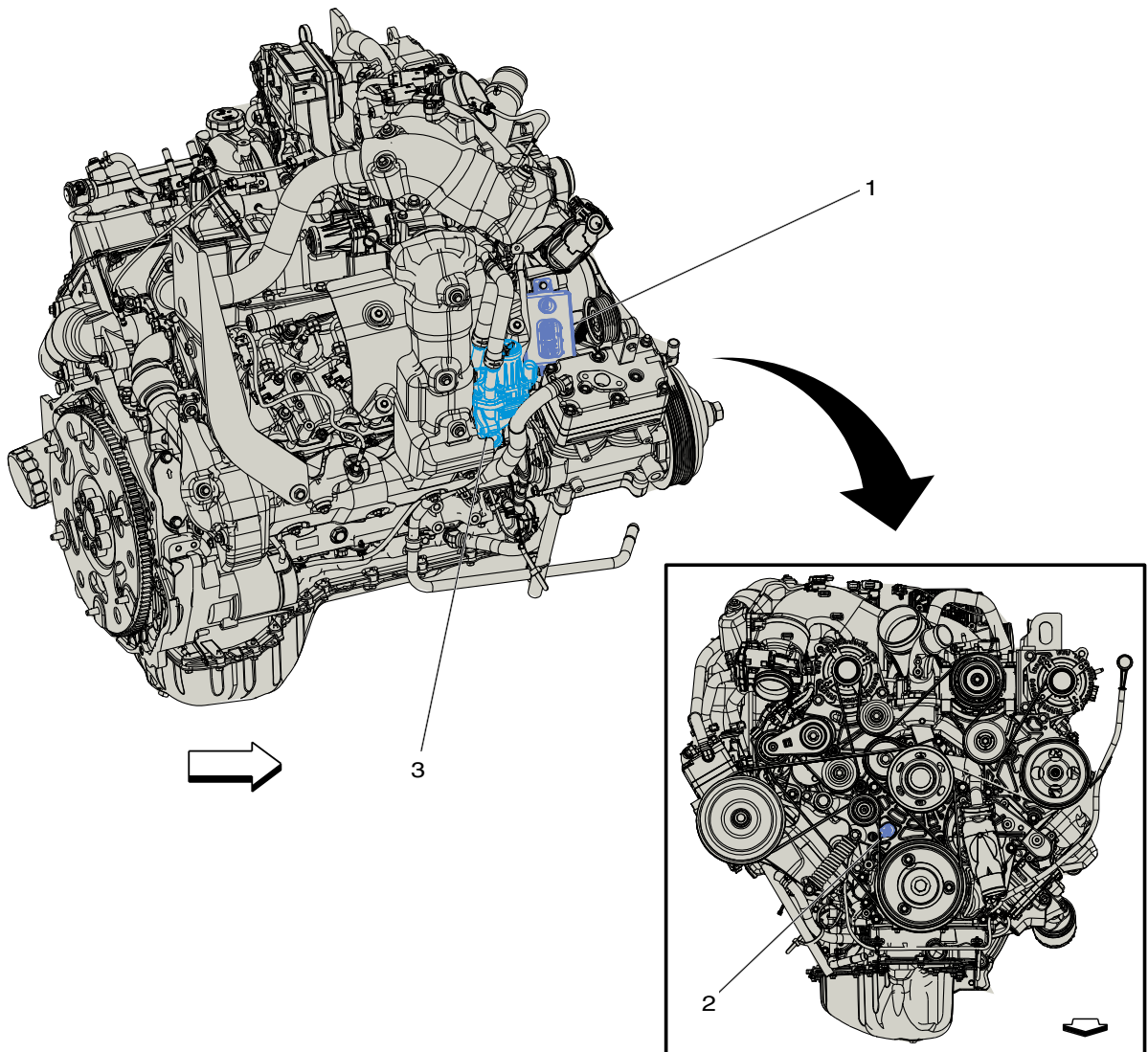
- | | |
|--|---|
| 1. B75C Multifunction Intake Air Sensor | 8. Q17F Fuel Injector 6 |
| 2. B193B Charge Air Cooler Outlet Temperature Sensor | 9. Q17H Fuel Injector 8 |
| 3. G13 Alternator (Generator) | 10. E12H Glow Plug 8 |
| 4. B1A / C Refrigerant Pressure Sensor (Feature Code: 0016XZA) | 11. E12F Glow Plug 6 |
| 5. G1 A / C Compressor | 12. Q17D Fuel Injector 4 |
| 6. Q46A / C Compressor Solenoid Valve (Feature Code: 0016XZA) | 13. E12D Glow Plug 4 |
| 7. G13E Alternator (Generator) - Auxiliary (Feature Code: 0008GJC) | 14. B37B Engine Oil Pressure Sensor |
| | 15. B35 Engine Oil Level Switch |
| | 16. E12B Glow Plug 2 |
| | 17. Q17B Fuel Injector 2 |
| | 18. Q2A / C Compressor Clutch (Feature Code: 0016XZA) |

Figure 223 Left Front of Engine Components



- | | |
|-------------------------|--|
| 1. E12G Glow Plug 7 | 7. Q17C Fuel Injector 3 |
| 2. Q17G Fuel Injector 7 | 8. E12E Glow Plug 5 |
| 3. Q17E Fuel Injector 5 | 9. B130A Exhaust Gas Recirculation
Temperature Sensor 1 |
| 4. E12A Glow Plug 1 | 10. B26 Crankshaft Position Sensor |
| 5. Q17A Fuel Injector 1 | 11. M64 Starter Motor |
| 6. E12C Glow Plug 3 | |

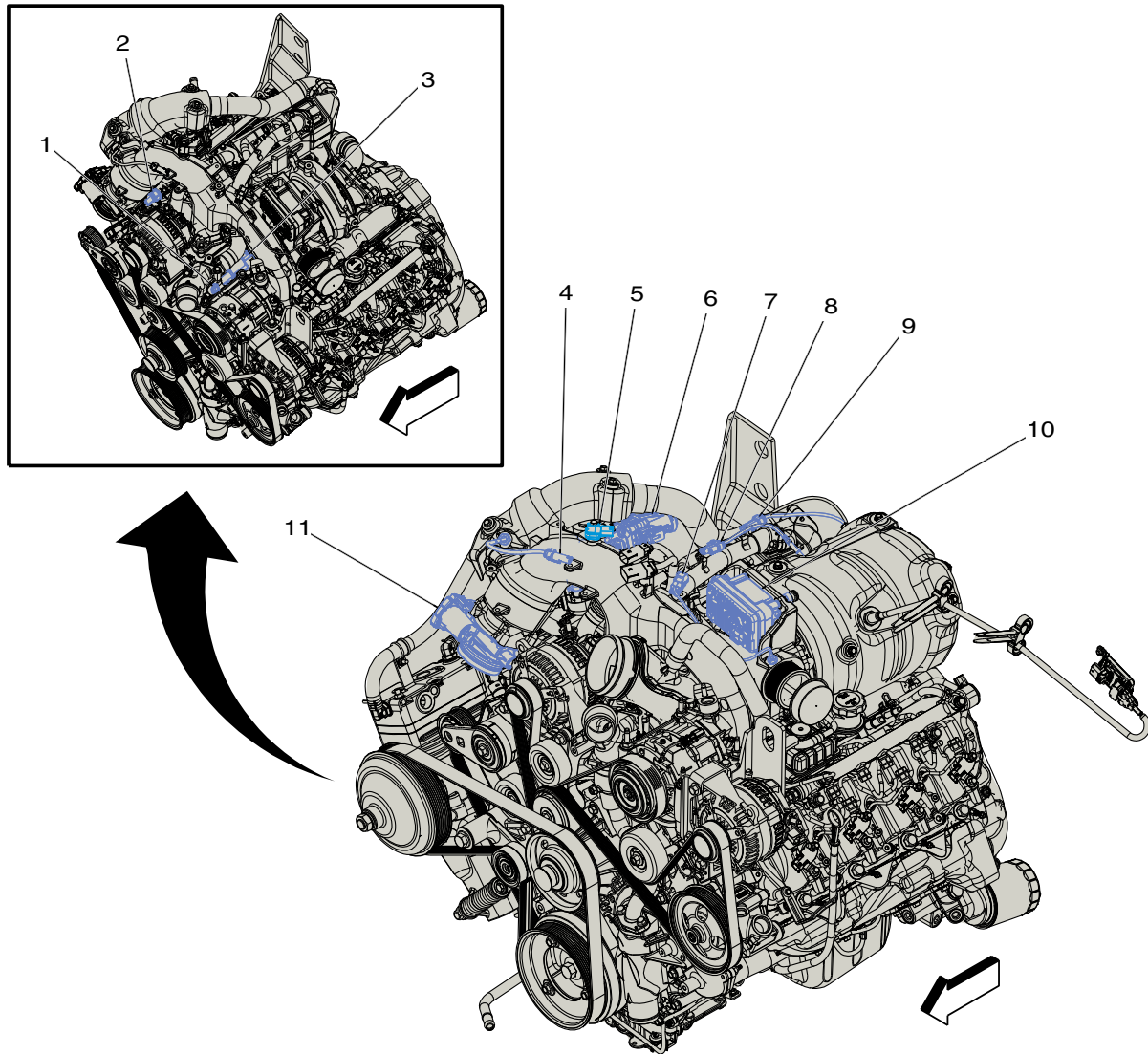
Figure 224 Right Side of Engine Components



- 1. K34 Glow Plug Control Module
- 2. B23 Camshaft Position Sensor

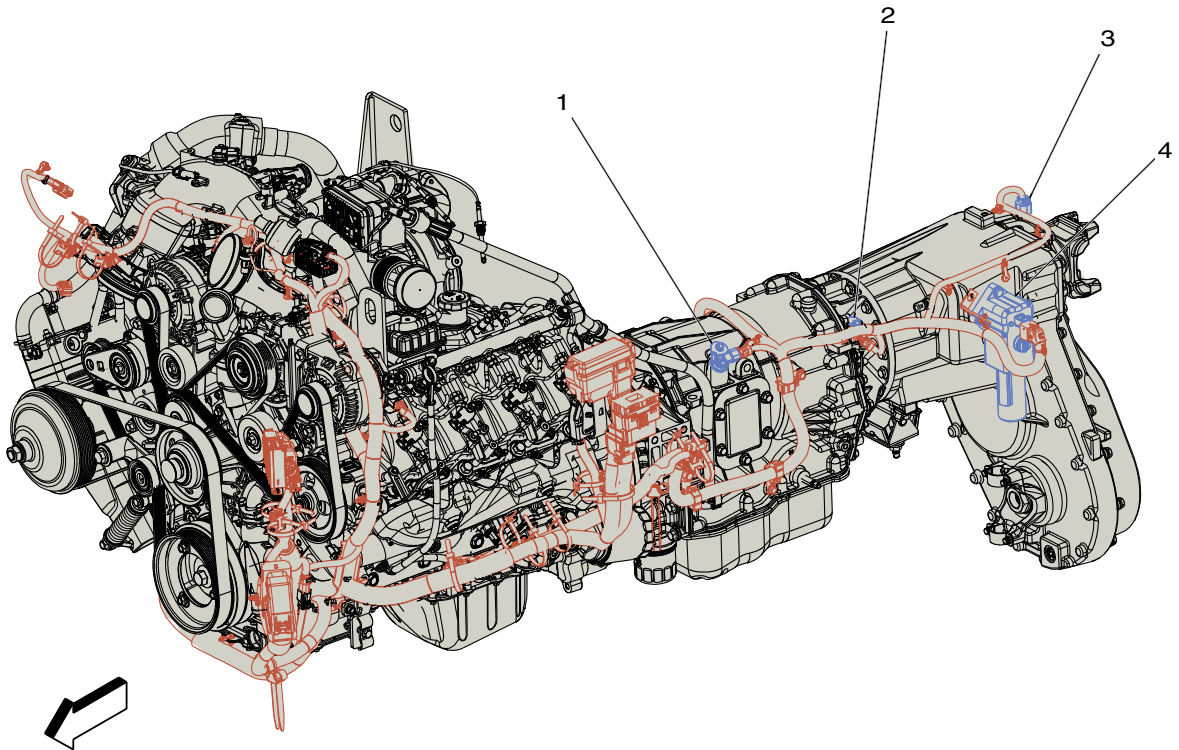
- 3. Q14 Exhaust Gas Recirculation Valve

Figure 225 Front of Engine Components



- | | |
|--|---|
| 1. B34 Engine Coolant Temperature Sensor | 7. B193A Charge Air Cooler Inlet Temperature Sensor |
| 2. B47B Fuel Rail Pressure Sensor | 8. B131A Exhaust Temperature Sensor 1 |
| 3. Q18A Fuel Pressure Regulator 1 | 9. B131B Exhaust Temperature Sensor 2 |
| 4. B130B Exhaust Gas Recirculation Temperature Sensor 2 | 10. M103 Turbocharger Vane Position Actuator |
| 5. B65 Intake Manifold Pressure and Air Temperature Sensor | 11. Q20 Intake Air Flow Valve |
| 6. M114 Exhaust Gas Recirculation Cooler Bypass Valve Actuator | |

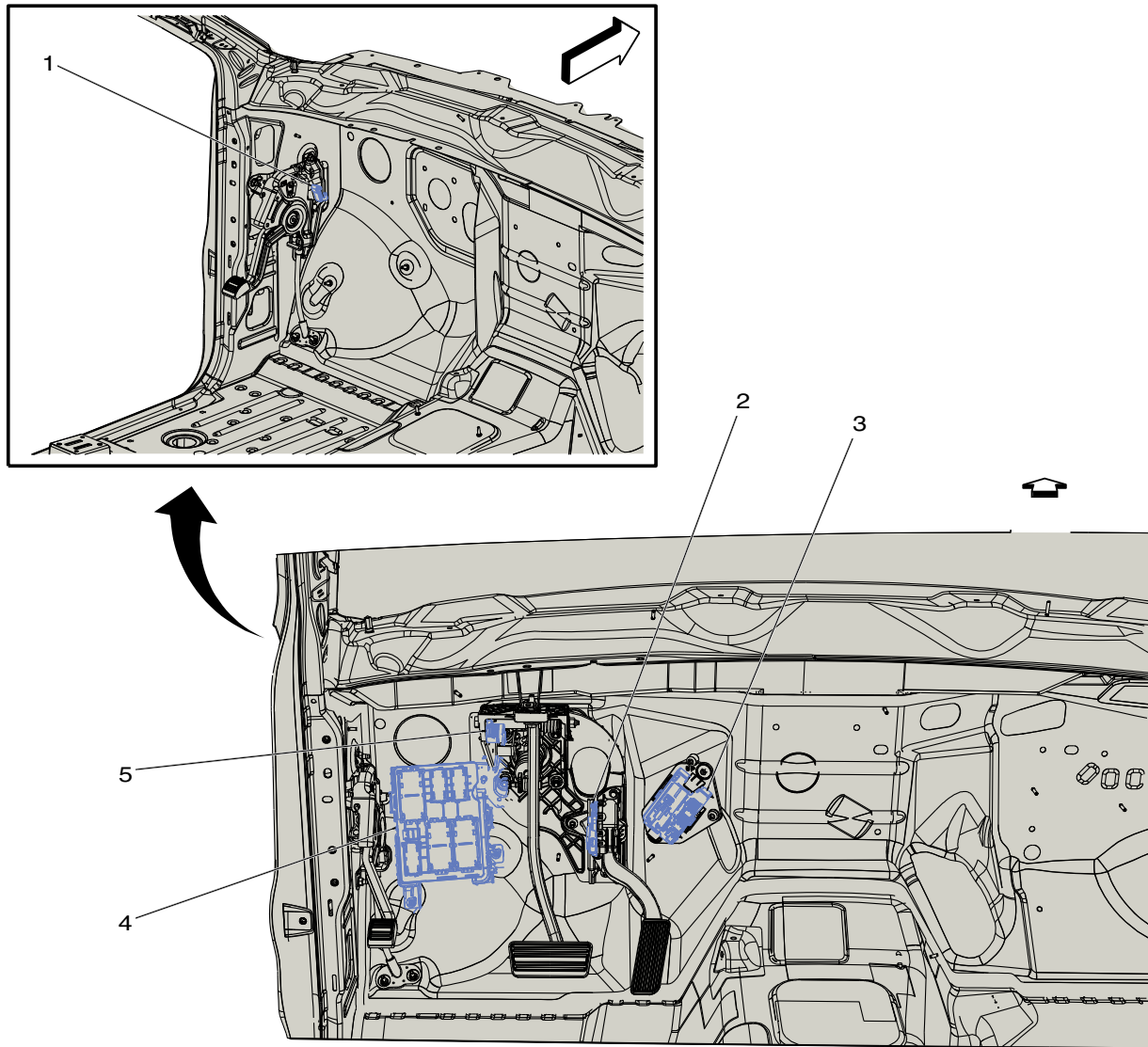
Figure 226 Top of Engine Components



- | | |
|---|--|
| 1. B14B Transmission Turbine
Speed Sensor | 3. B115 Vehicle Speed Sensor |
| 2. B14A Transmission Output Shaft
Speed Sensor | 4. A16 Transfer Case Motor
(Feature Code: 0013TLP
(0013WDB)) |

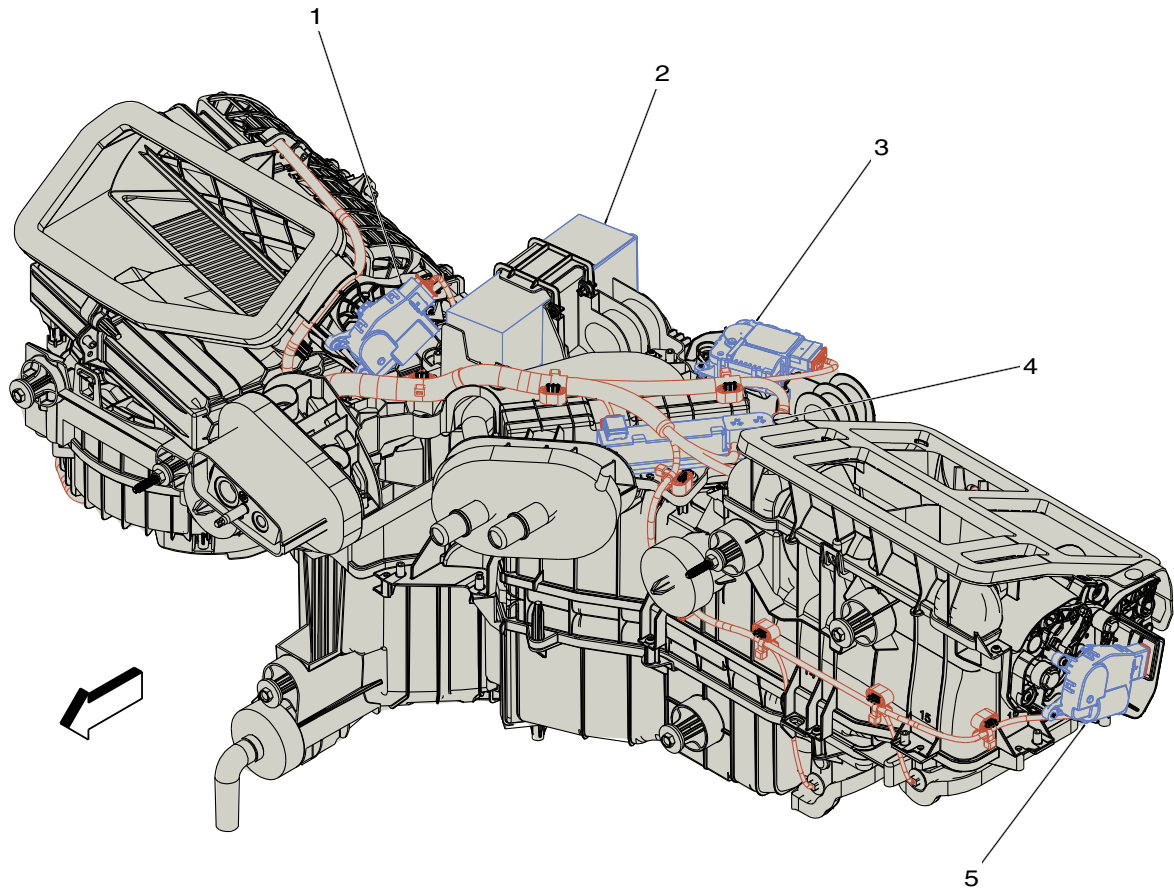
Figure 227 Transmission and Transfer Case Components

Instrument Panel / Center Console Component Views



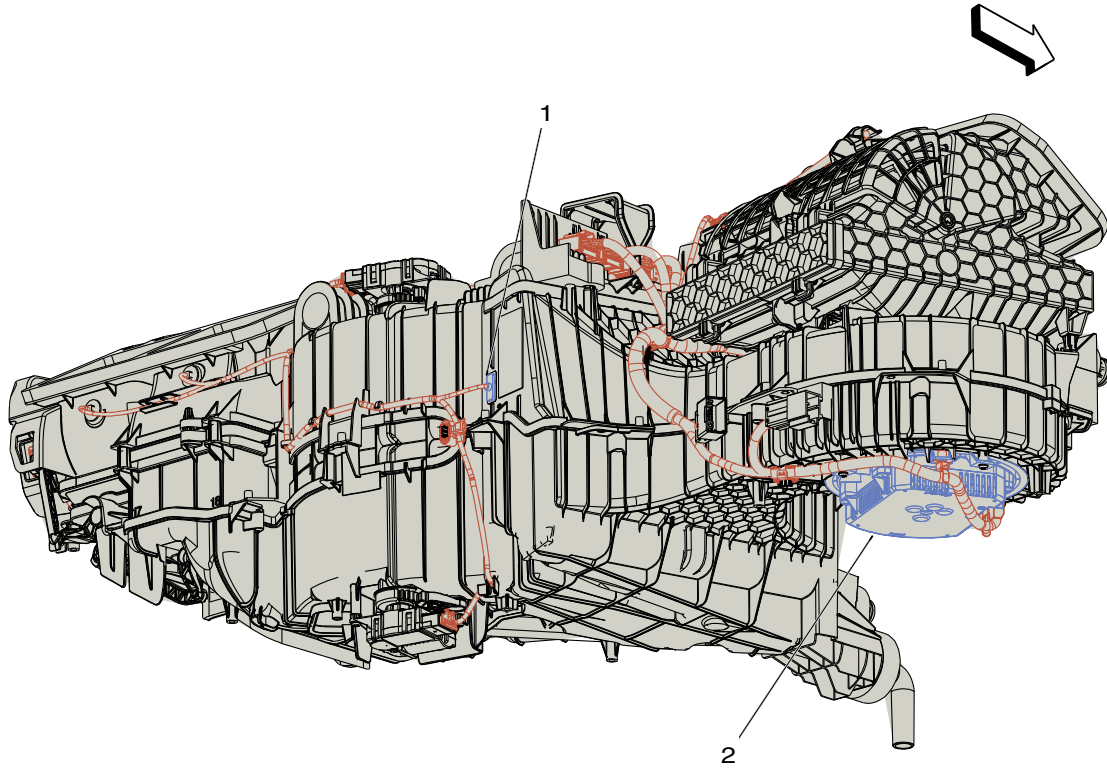
- 1. B80 Park Brake Switch
- 2. B107 Accelerator Pedal Position Sensor
- 3. K69 Transfer Case Control Module (Feature Code: 0013TLP (0013WDB))
- 4. X61A Junction Block - Instrument Panel
- 5. B22 Brake Pedal Position Sensor

Figure 228 Bulkhead Components - Interior



- | | |
|--|---|
| 1. M4 Air Inlet Door Actuator | 4. E40 Electrical Auxiliary Heater
(Feature Code: C32) |
| 2. K33 HVAC Control Module | 5. M37 Mode Door Actuator |
| 3. M6 Air Temperature Door
Actuator | |

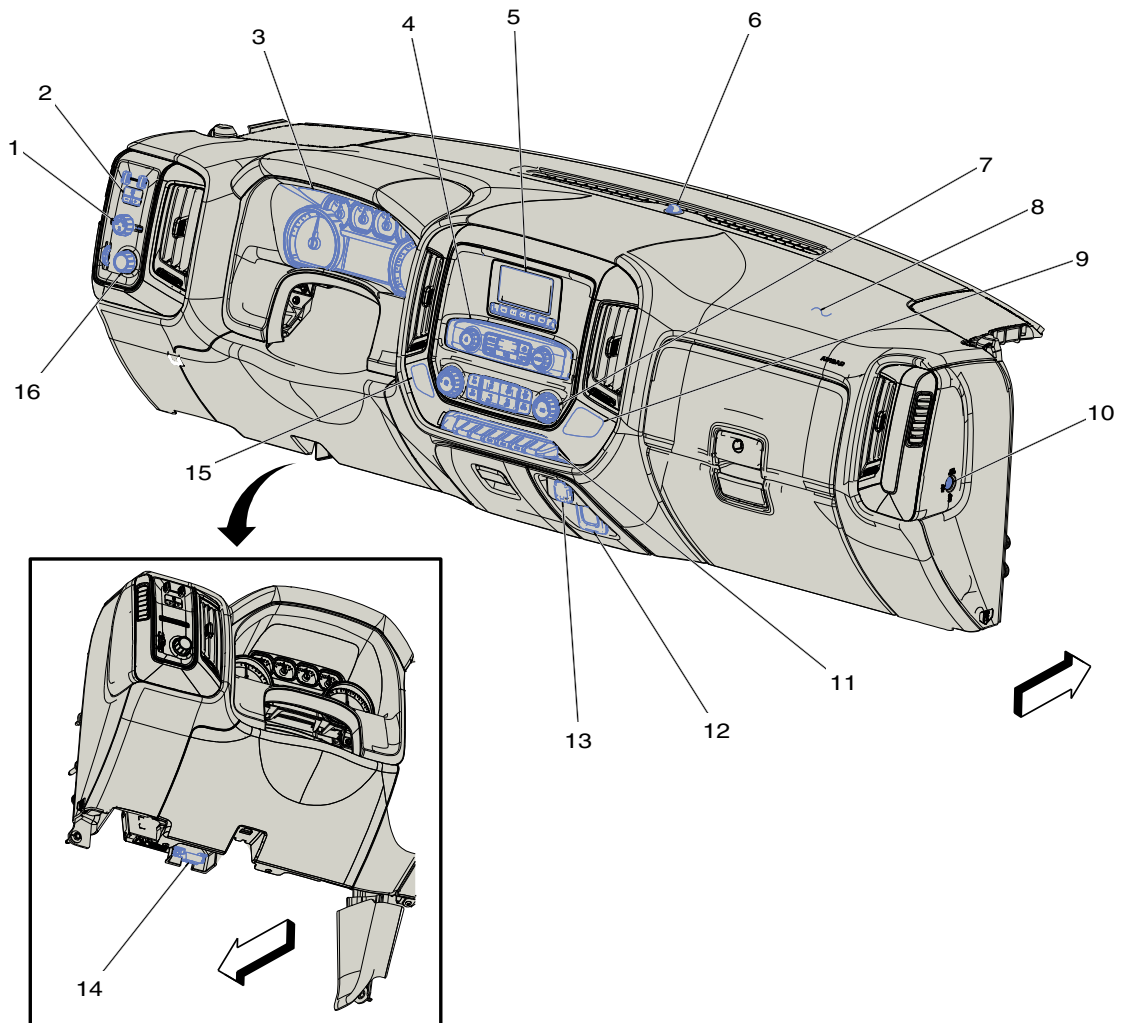
Figure 229 Front of HVAC Assembly Components



1. B39A / C Evaporator
Temperature Sensor (Feature
Code: 0016XZA)

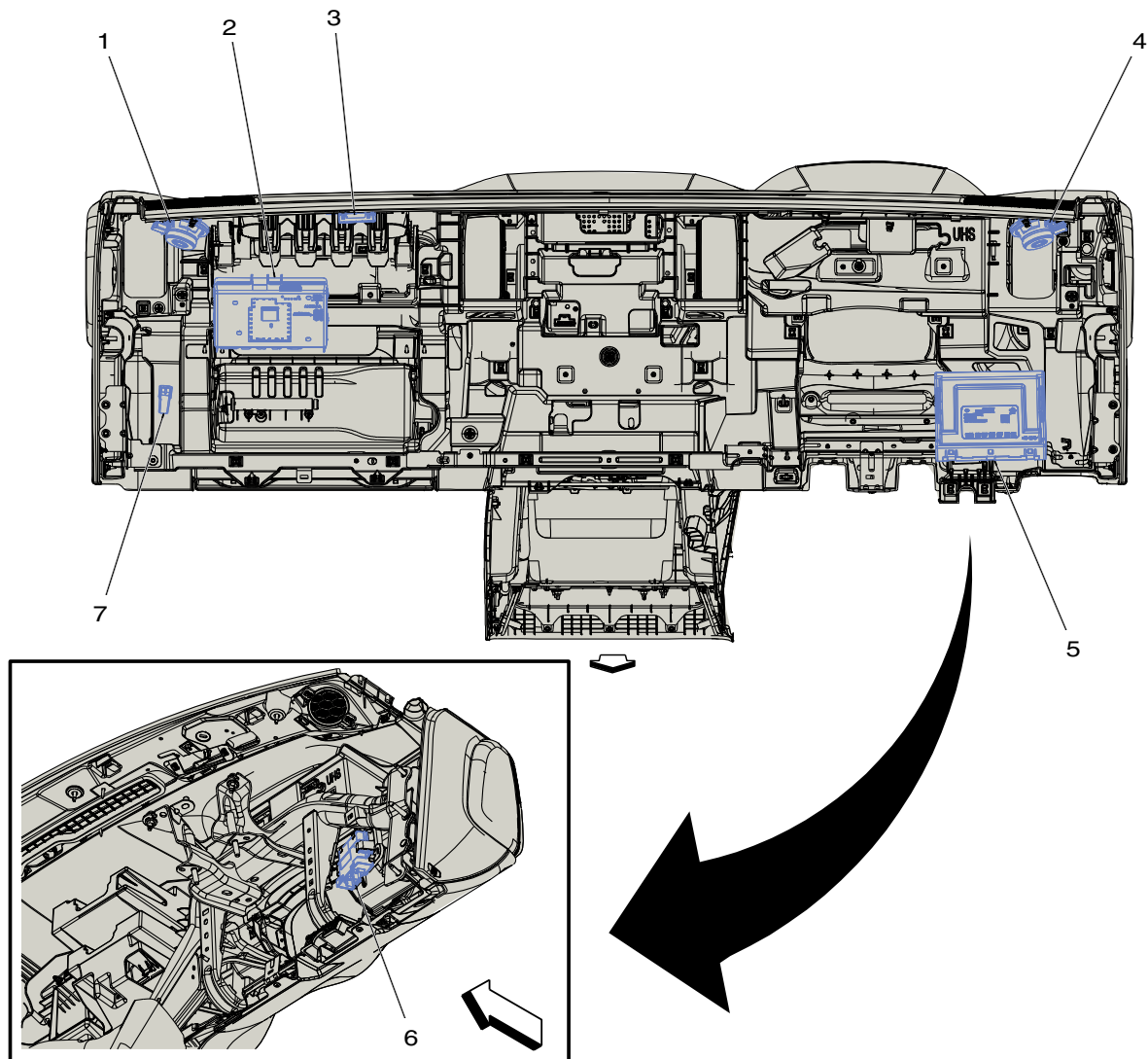
2. M8Blower Motor

Figure 230 Back of HVAC Assembly Components



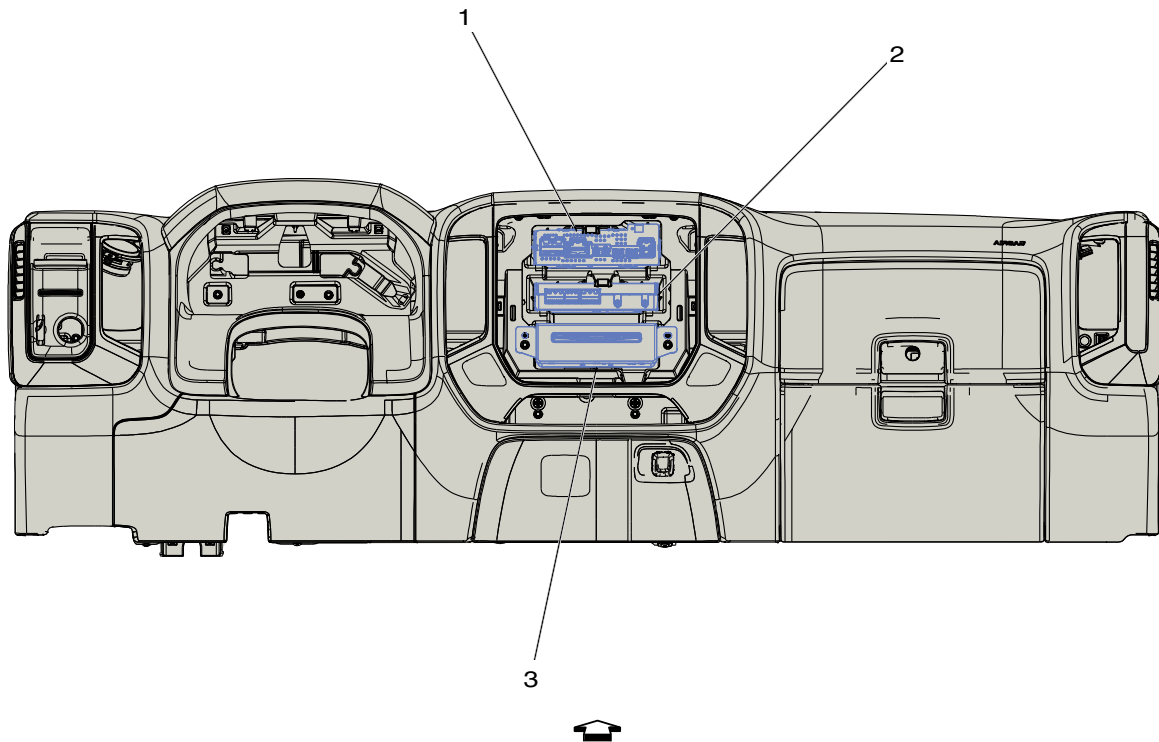
- | | |
|---|--|
| <ul style="list-style-type: none"> 1. S77 Transfer Case Shift Control Switch (Feature Code: 0013TLP (0013WDB)) 2. S76 Trailer Brake Control Switch (Feature Code: 0008HBW) 3. P16 Instrument Cluster 4. A22 Radio Controls 5. P17 Info Display Module 6. B10B Ambient Light / Sunload Sensor 7. A26 HVAC Controls 8. F101 Passenger Instrument Panel Air Bag 9. S32P Seat Heating Switch - Passenger (Feature Code: 0016XJR) | <ul style="list-style-type: none"> 10. S40 Passenger Air Bag Disable Switch (Feature Code: 0016XCR) 11. S48A Multifunction Switch - Instrument Panel 12. X81 Accessory Power Receptacle - 110 volt AC (Feature Code: 0008XJX) 13. X80G Accessory Power Receptacle - Instrument Panel (Without Feature Code: 0016XCN) 14. X84 Data Link Connector 15. S32D Seat Heating Switch - Driver (Feature Code: 0016XJR) 16. S30 Headlight Switch |
|---|--|

Figure 231 Front of Instrument Panel Components



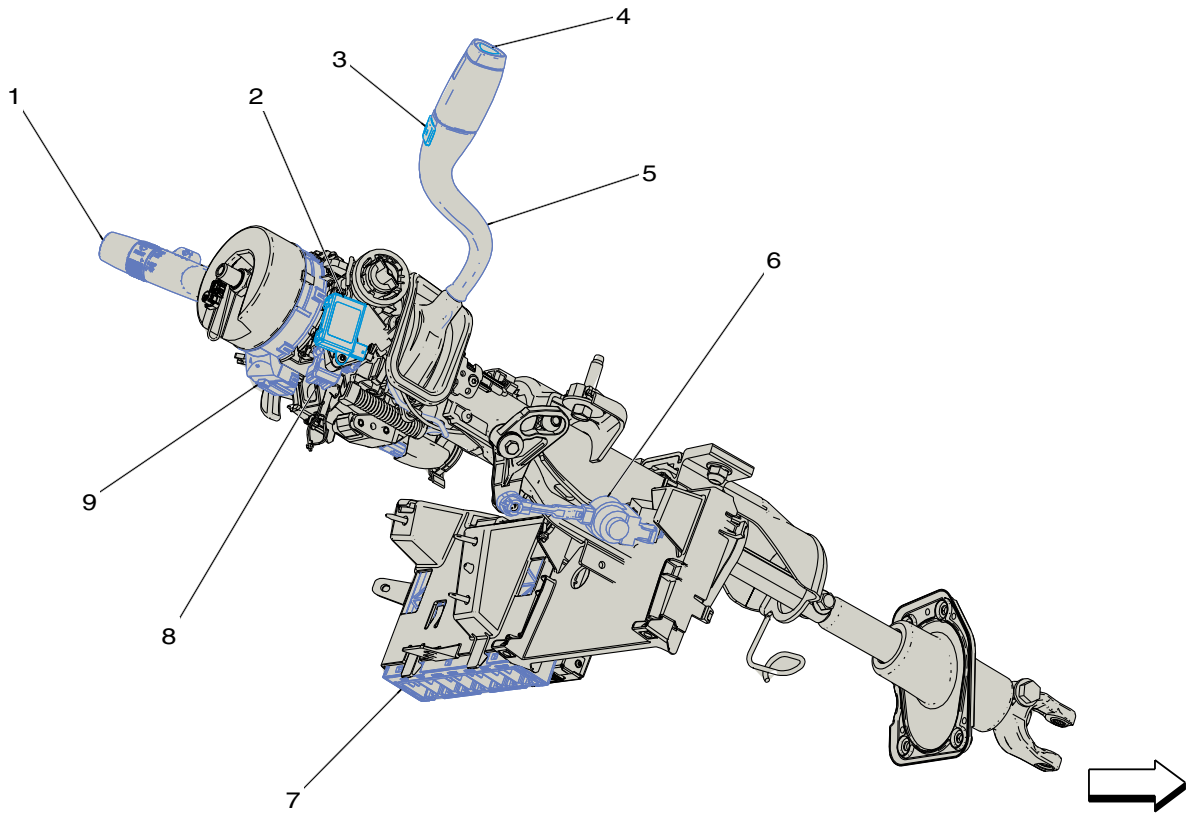
- | | |
|---|---|
| <ol style="list-style-type: none"> 1. P19W Speaker - Right Instrument Panel 2. K74 Human Machine Interface Control Module (Feature Code: 0008RNW / 0008RNX) 3. T15 Navigation Antenna Signal Splitter (Feature Code: 0008RNX plus 0008AAE) | <ol style="list-style-type: none"> 4. P19J Speaker - Left Instrument Panel 5. K9 Body Control Module 6. K56 Serial Data Gateway Module 7. R6F Terminating Resistor - High Speed Extension Bus 2 (Feature Code: 0008RNW / 0008RNX / 0008AAE) |
|---|---|

Figure 232 Back of Instrument Panel Components



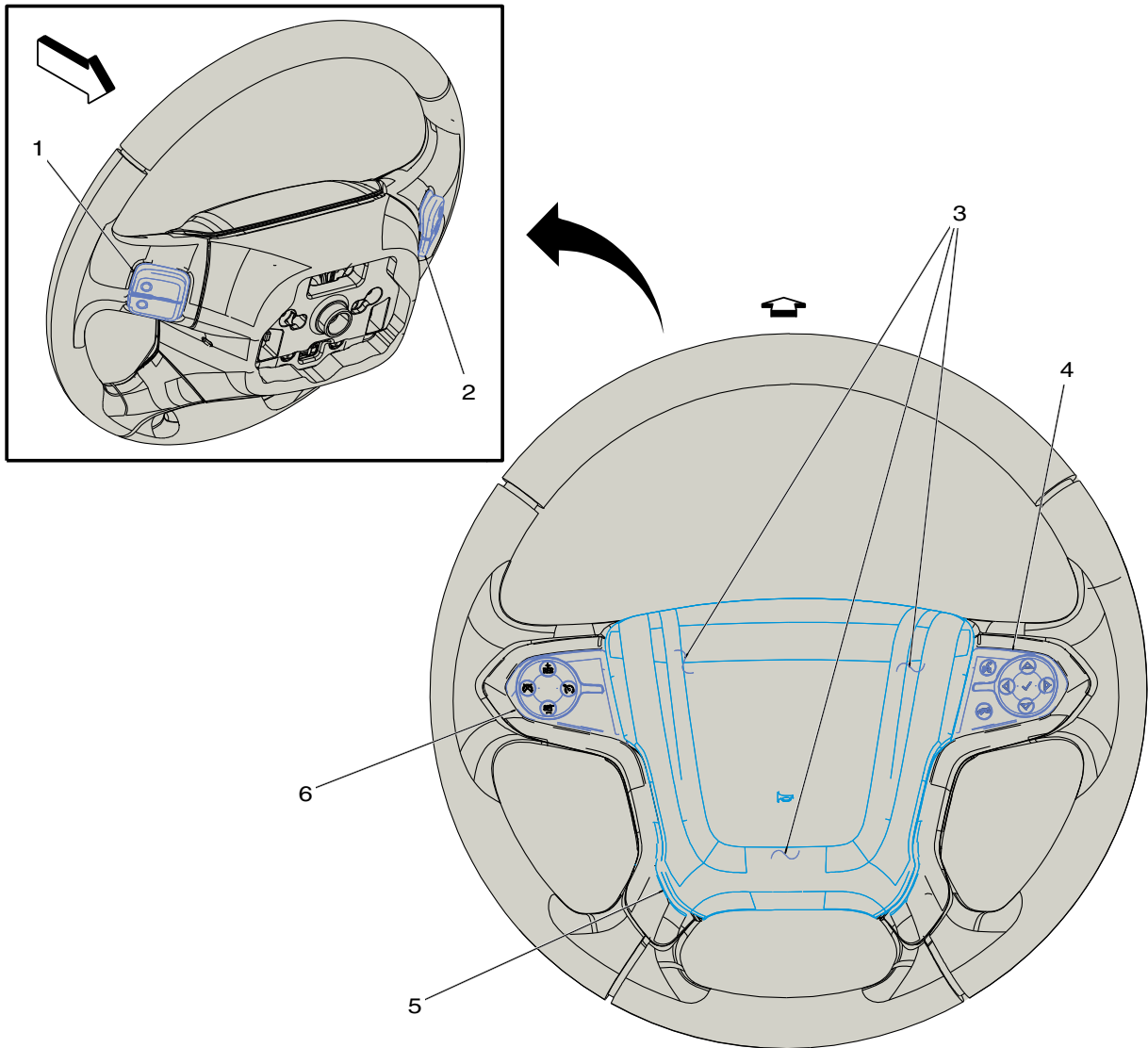
- 1. A11 Radio
- 2. K73 Telematics Communication Interface Control Module (Feature Code: 0008AAE)
- 3. A33 Media Disc Player (Feature Code: 0008RNS)

Figure 233 Inside Center of Instrument Panel Components



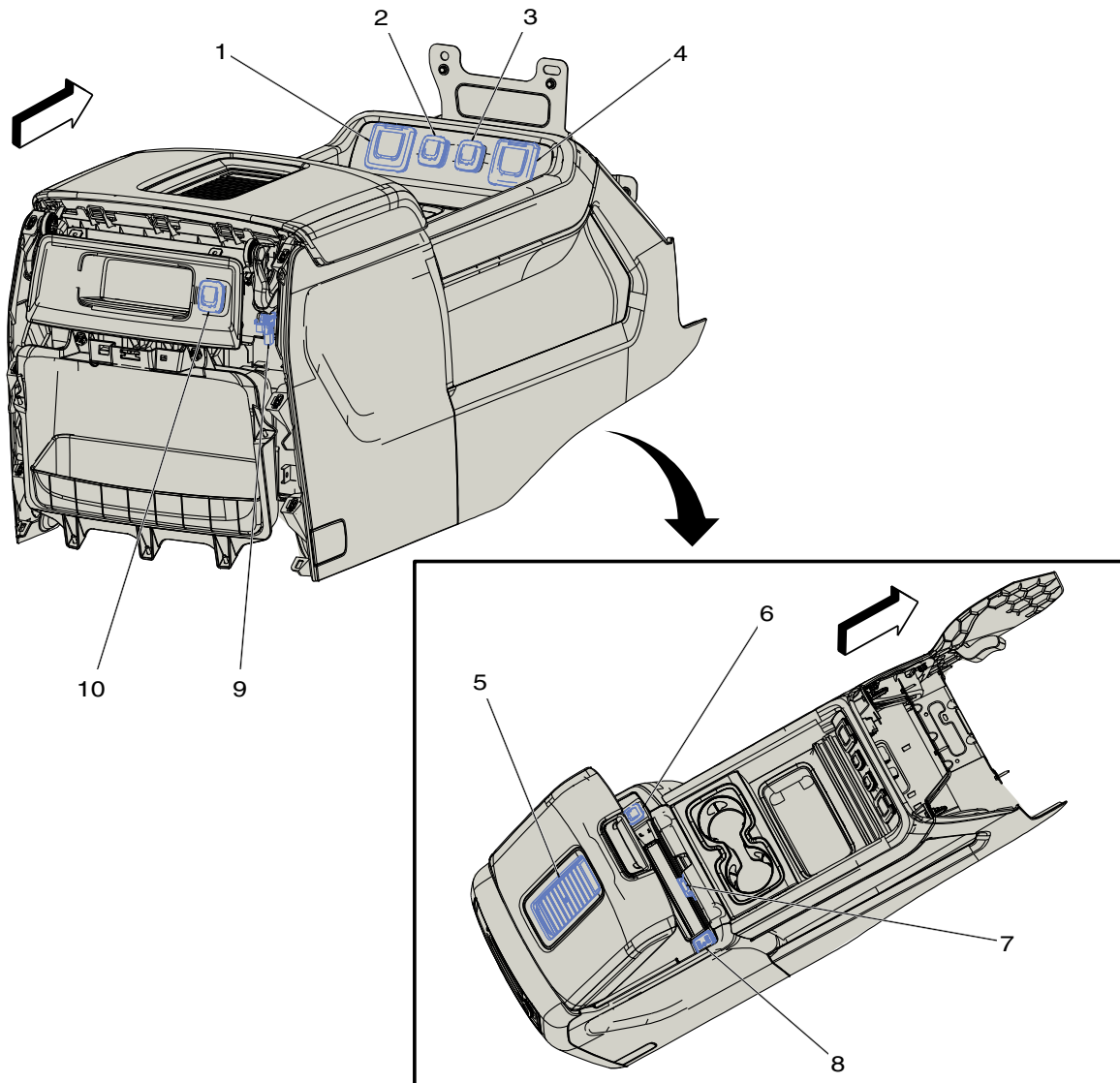
- | | |
|---|---|
| 1. S78 Turn Signal / Multifunction Switch | 5. S3 Transmission Shift Lever |
| 2. K89 Immobilizer Control Module | 6. M7 Transmission Shift Lock Control Solenoid Actuator |
| 3. S2 Transmission Manual Shift Switch | 7. K9 Body Control Module |
| 4. S74 Tow / Haul Mode Switch | 8. S39 Ignition Switch |
| | 9. X85 Steering Wheel Air Bag Coil |

Figure 234 Steering Column Components



- | | |
|---|---|
| 1. S70F Steering Wheel Controls
Switch - Radio Volume | 4. S70R Steering Wheel Controls
Switch - Right |
| 2. S70E Steering Wheel Controls
Switch - Radio Presets | 5. F107 Steering Wheel Air Bag |
| 3. S33 Horn Switch | 6. S70L Steering Wheel Controls
Switch - Left |

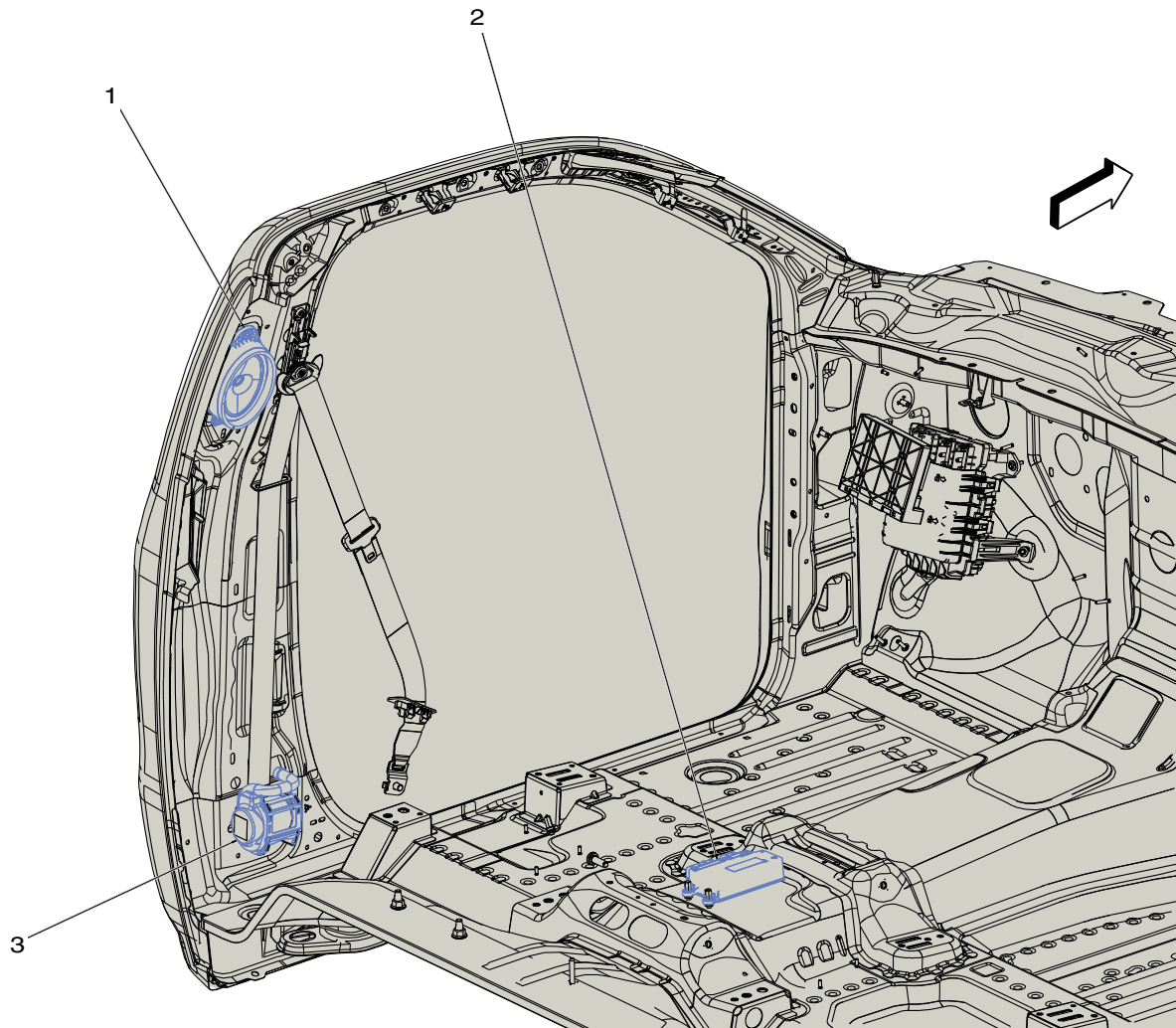
Figure 235 Steering Wheel Components



- | | |
|---|---|
| <ul style="list-style-type: none"> 1. X92USB Receptacle (Feature Code: 0008RNW / 0008RNX) 2. X80JAccessory Power Receptacle - Instrument Panel 1 (Feature Code: 0016XCN) 3. X80KAccessory Power Receptacle - Instrument Panel 2 (Feature Code: 0016XCN) 4. X81Accessory Power Receptacle - 110V AC (Feature Code: 0008XJX) 5. T22Mobile Device Wireless Charger Module (Feature Code: 0016XCN) | <ul style="list-style-type: none"> 6. X80DAccessory Power Receptacle - Center Console Compartment 7. E28Center Console Compartment Lamp (Feature Code: 0016XCN) 8. X83Auxiliary Audio Input 9. S5Center Console Compartment Lamp Switch (Feature Code: 0016XCN) 10. X80LAccessory Power Receptacle - Center Console Rear (Feature Code: 0016XCN) |
|---|---|

Figure 236 Floor Console Components (Feature Code: 0016XCN)

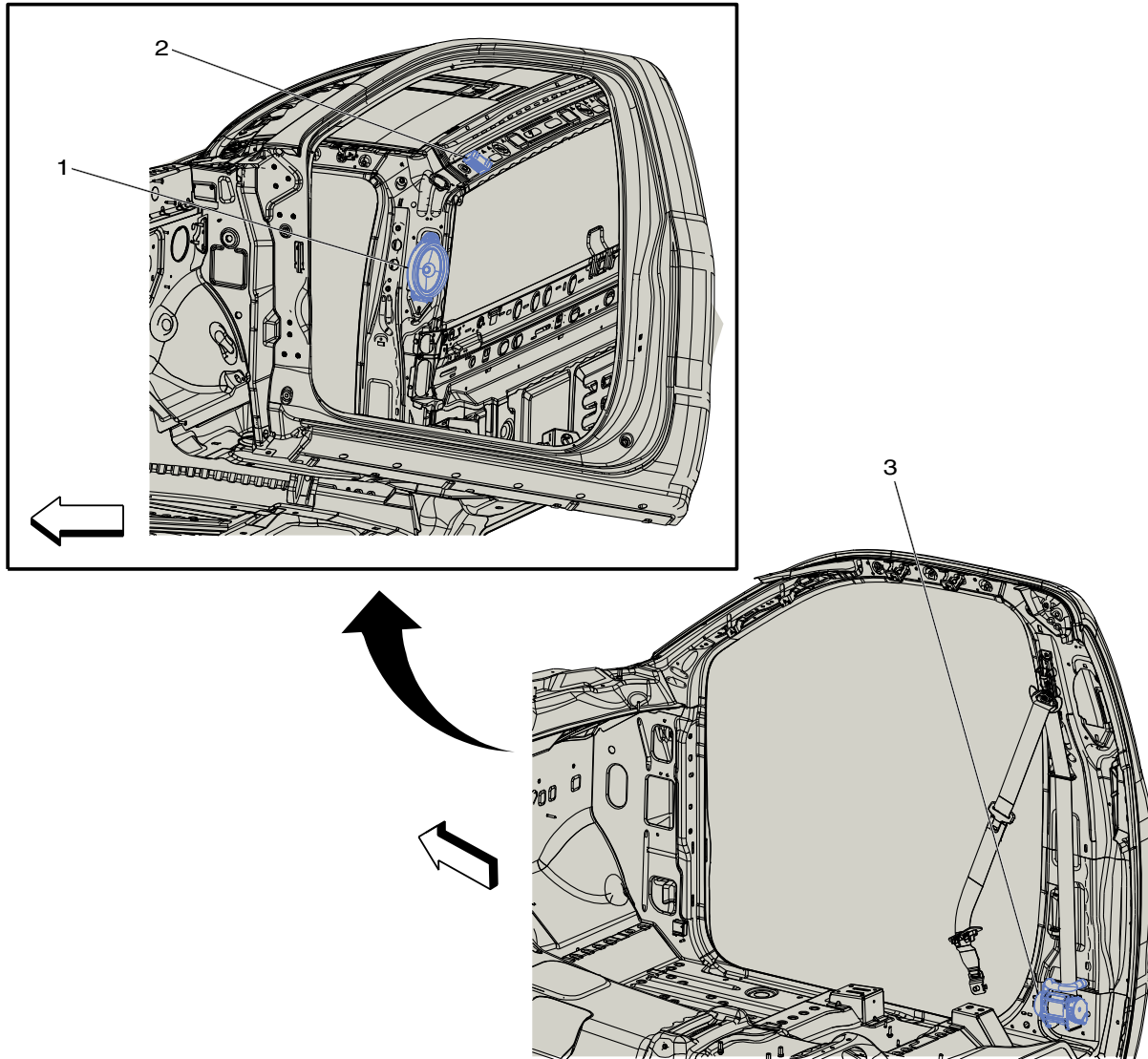
Passenger Compartment / Roof Component Views



1. P19AN Speaker - Left Rear Trim Panel (Standard Cab)
2. K36 Inflatable Restraint Sensing and Diagnostic Module

3. F112D Seat Belt Retractor Pretensioner - Driver

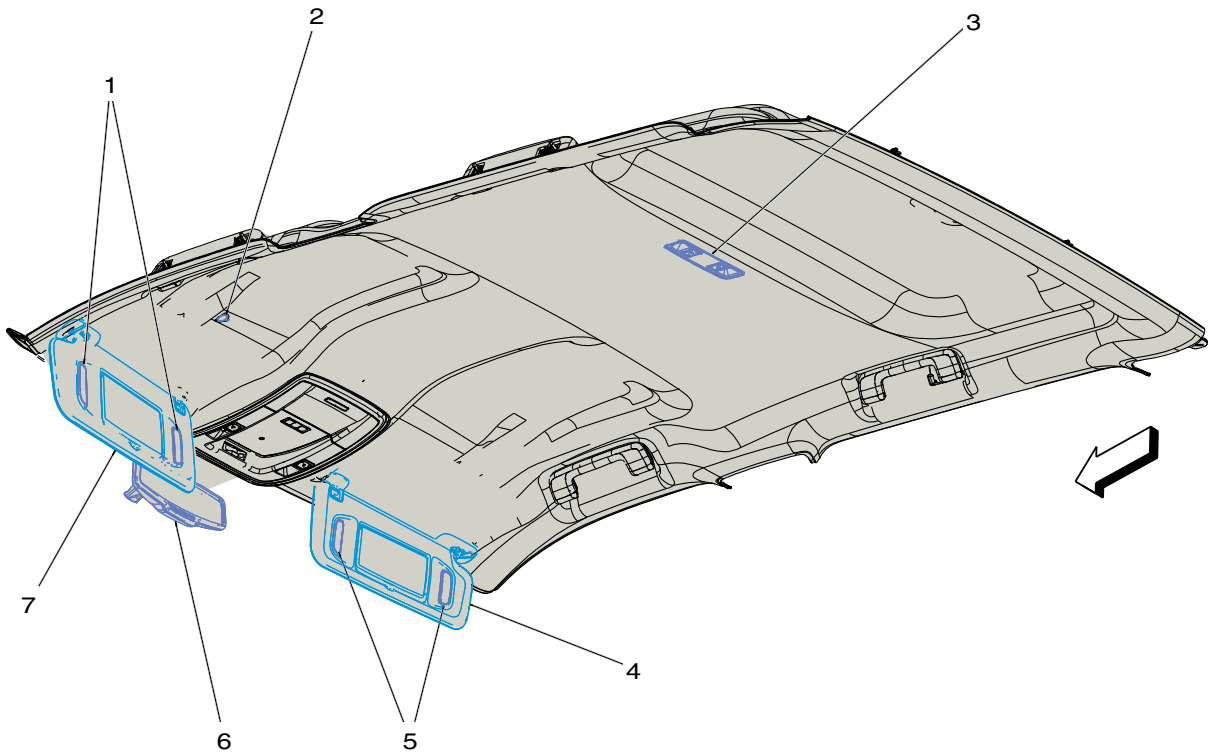
Figure 237 Passenger Compartment Components - Left



- 1. P19AP Speaker - Right Rear Trim Panel (Standard Cab)
- 2. K77 Remote Control Door Lock Receiver

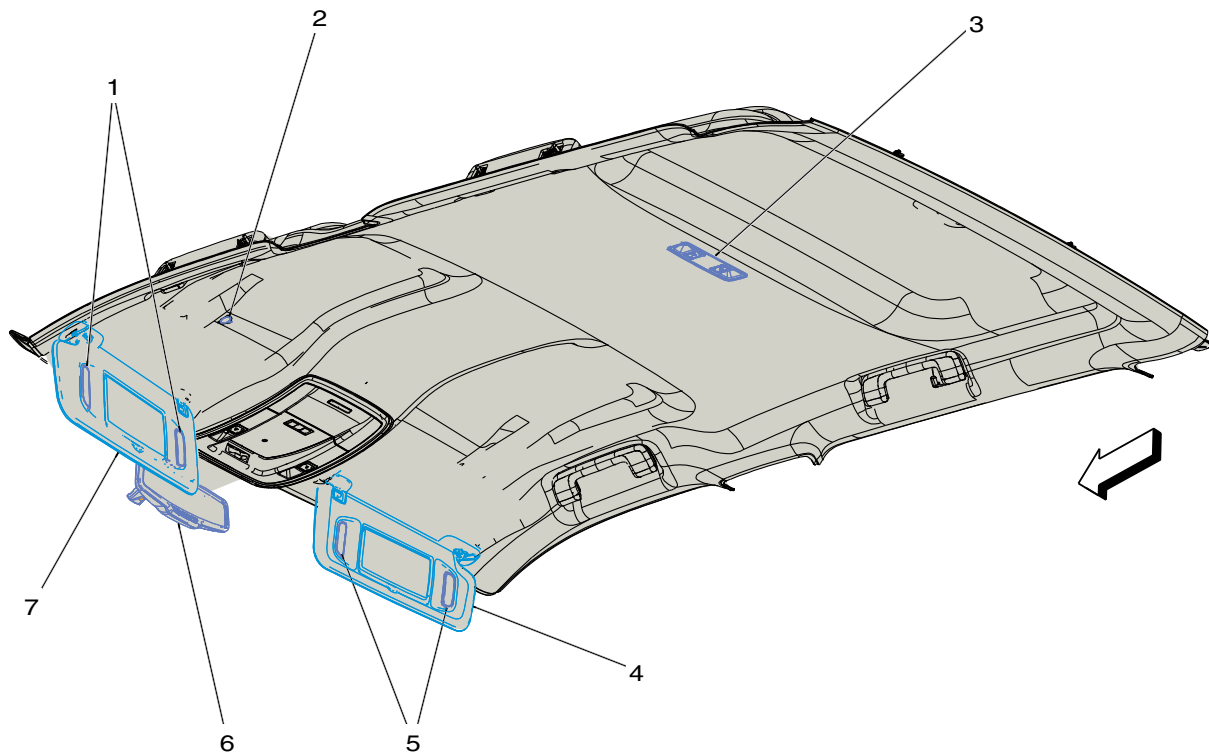
- 3. F112P Seat Belt Retractor Pretensioner - Passenger

Figure 238 Passenger Compartment Components - Right



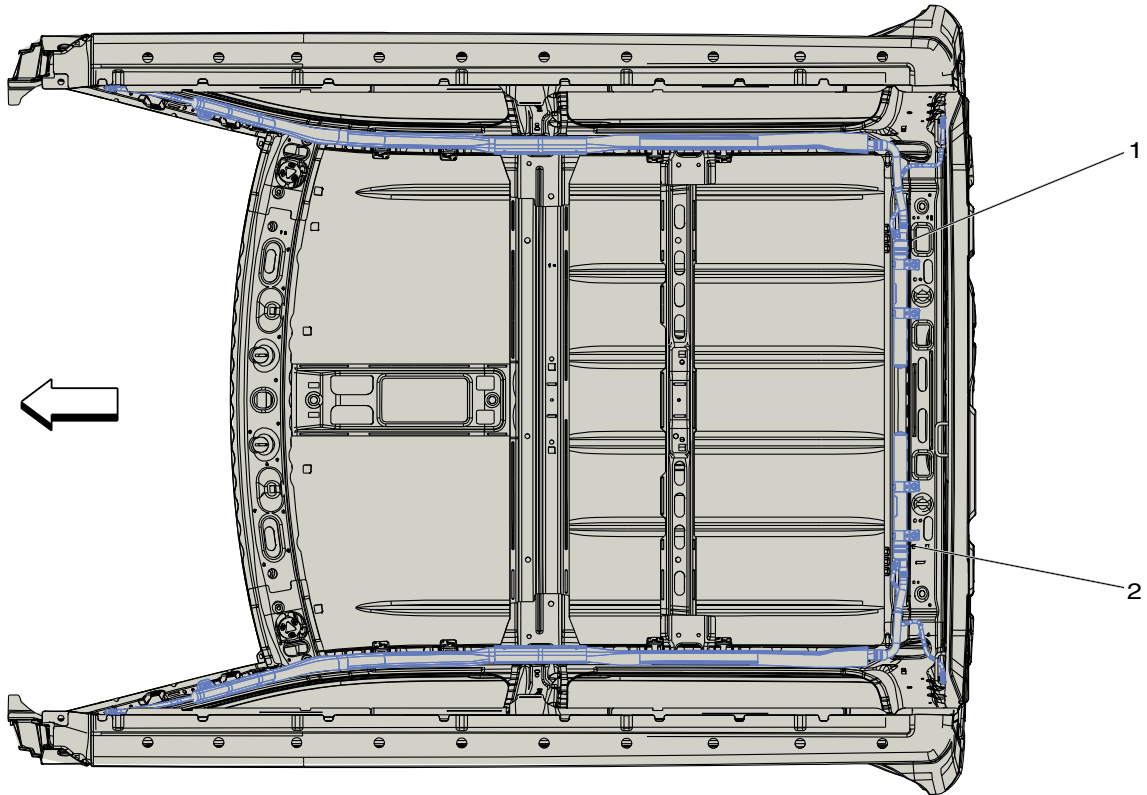
1. E31L Sunshade Mirror Lamp - Left (Feature Code: 0016XCS)
2. B24 Mobile Telephone Microphone (Feature Code: 0008RNW / 0008RNX / 0008RNM / 0008AAE)
3. E37B Dome / Reading Lamps - 2nd Row (Crew Cab-Feature Code: 0016LVT)
4. Sunshade
5. E31R Sunshade Mirror Lamp - Right (Feature Code: 0016XCS)
6. A10 Inside Rearview Mirror (Feature Code: 0016ACC / 0008AAE)
7. Sunshade

Figure 239 Headliner Components



- | | |
|--|---|
| 1. E31L Sunshade Mirror Lamp - Left (Feature Code: 0016XCS) | 4. Sunshade |
| 2. B24 Mobile Telephone Microphone (Feature Code: 0008RNW / 0008RNX / 0008RNM / 0008AAE) | 5. E31R Sunshade Mirror Lamp - Right (Feature Code: 0016XCS) |
| 3. E37B Dome / Reading Lamps - 2nd Row (Crew Cab-Feature Code: 0016LVT) | 6. A10 Inside Rearview Mirror (Feature Code: 0016ACC / 0008AAE) |
| | 7. Sunshade |

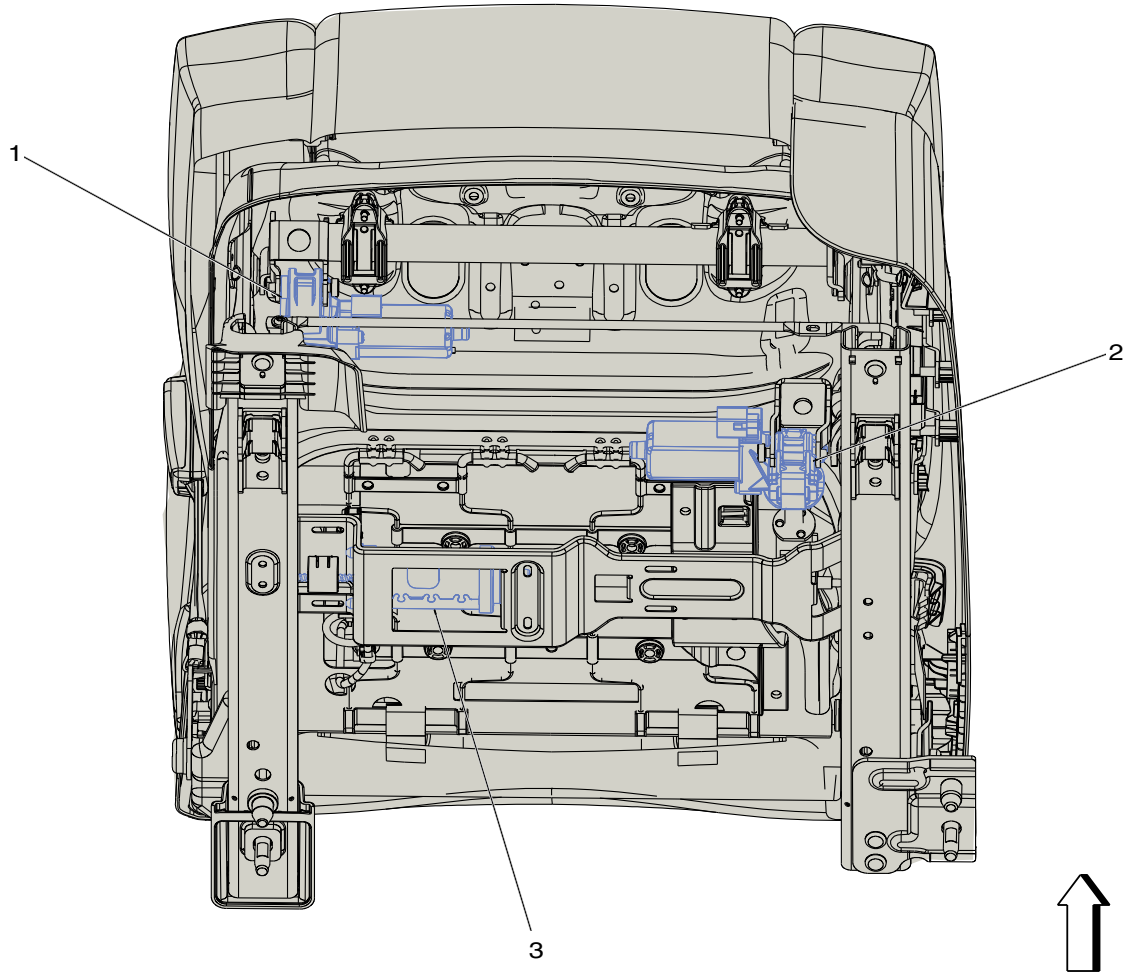
Figure 240 Headliner Components



1. F105L Roof Rail Air Bag - Left

2. F105R Roof Rail Air Bag - Right

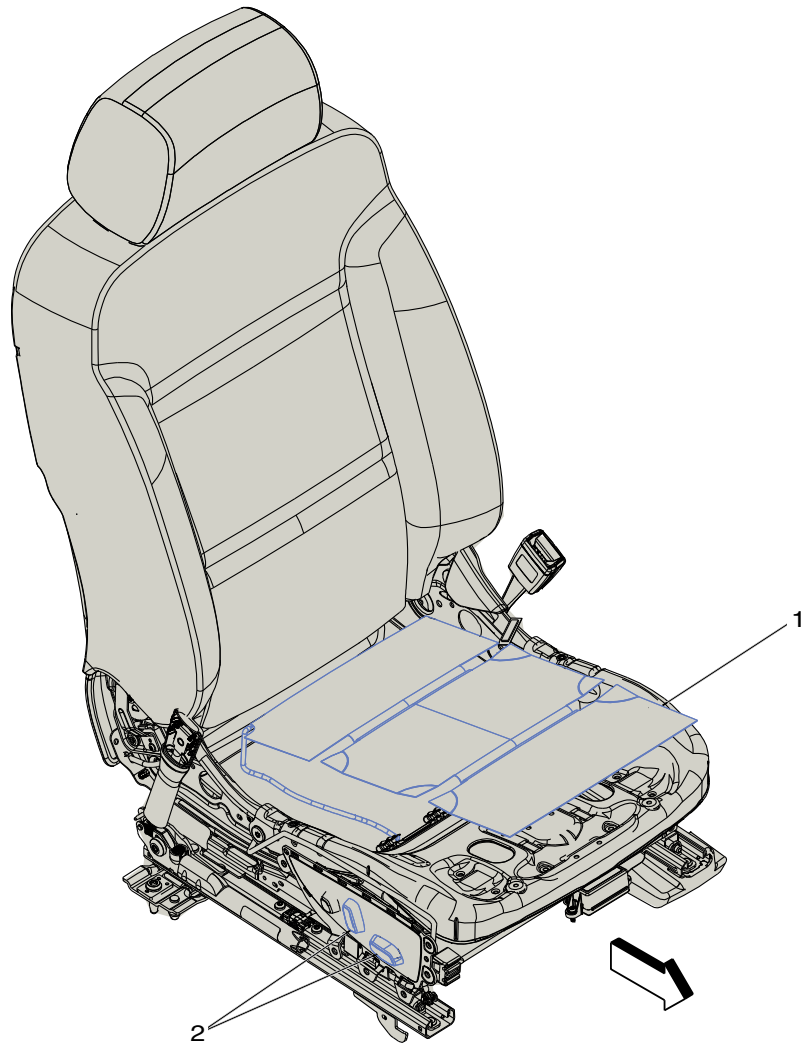
Figure 241 Roof Rail Air Bags



- 1. M50DSeat Front Vertical Motor - Driver (Feature Code: 0016KVV / 0016KVU)
- 2. M55DSeat Rear Vertical Motor - Driver (Feature Code: 0016KVV / 0016KVU)

- 3. M51DSeat Horizontal Motor - Driver (Feature Code: 0016KVV / 0016KVU)

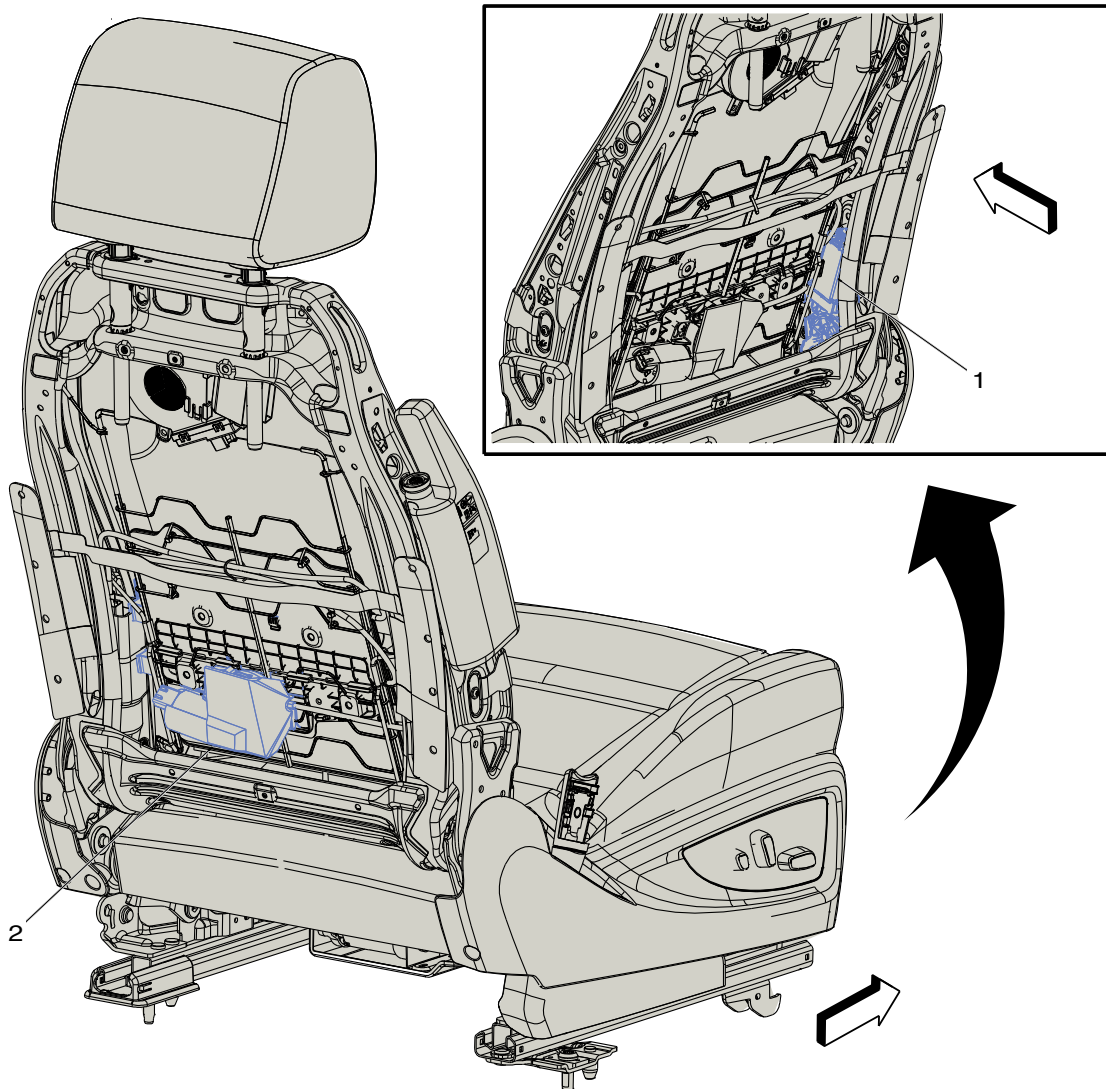
Figure 242 Bottom of Driver Seat Components



1. E14DSeat Heating Element
- Passenger Cushion (Feature
Code: 0016XJR)

2. S64PSeat Adjuster Switch
- Passenger ((Feature Code:
0016KVV / AG2)

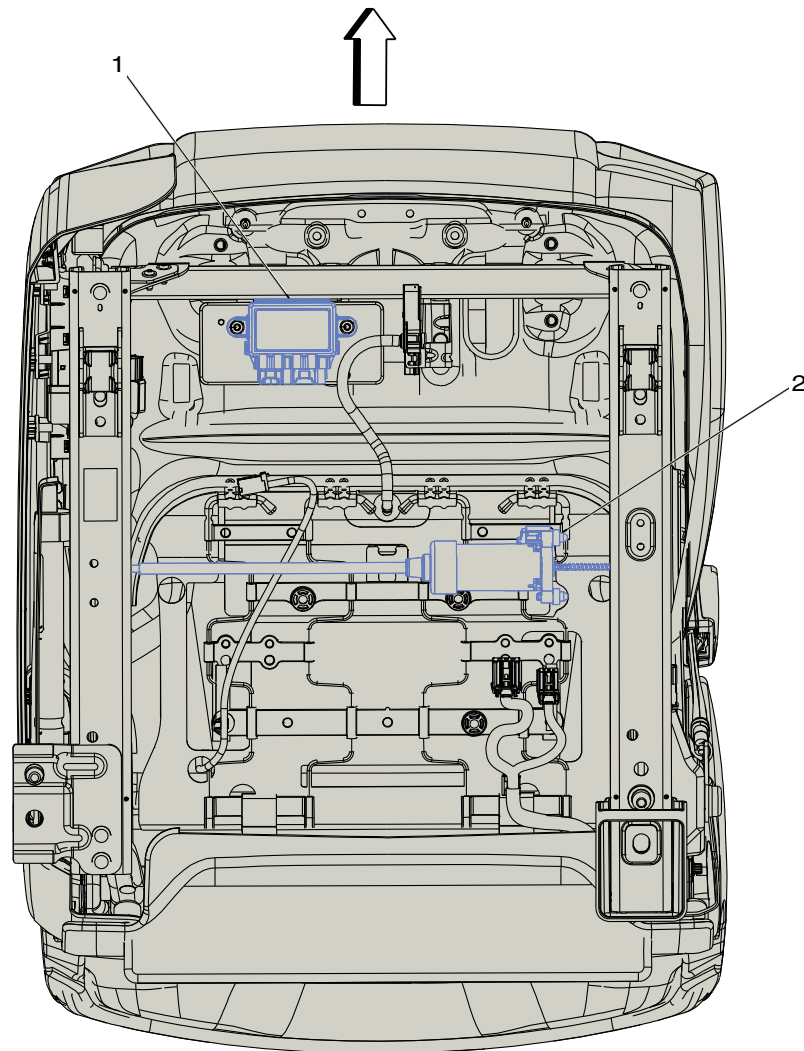
Figure 243 Front of Passenger Seat Components



1. M56P Seat Recline Motor - Passenger

2. M52P Seat Lumbar Support Horizontal Motor - Passenger

Figure 244 Back of Passenger Seat Components (0016KVV)

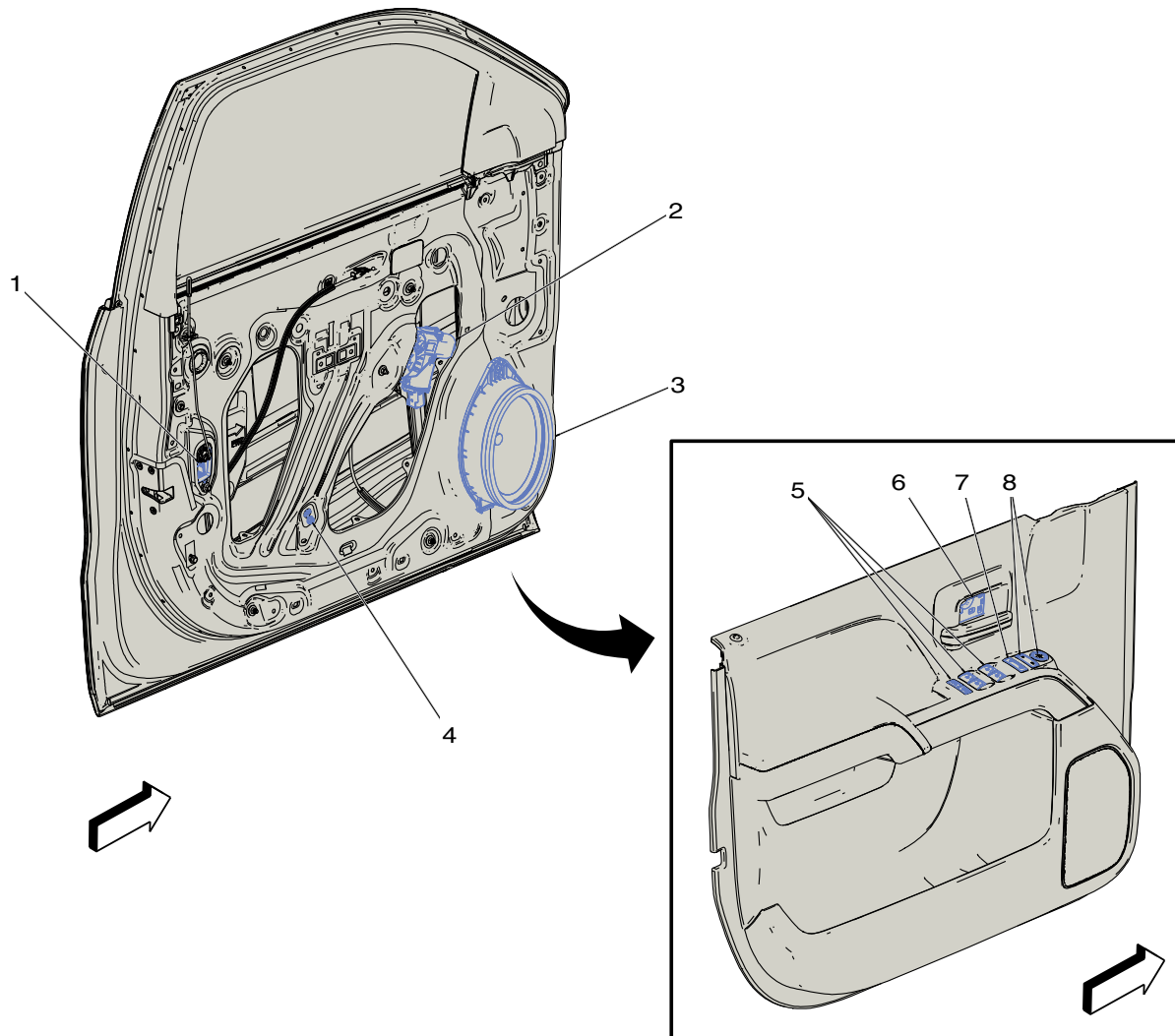


1. K29Seat Heating Control Module
(Feature Code: 0016XJR)

2. M51PSeat Horizontal Motor
- Passenger (Feature Code:
0016KVV / AG2)

Figure 245 Bottom of Passenger Seat Components

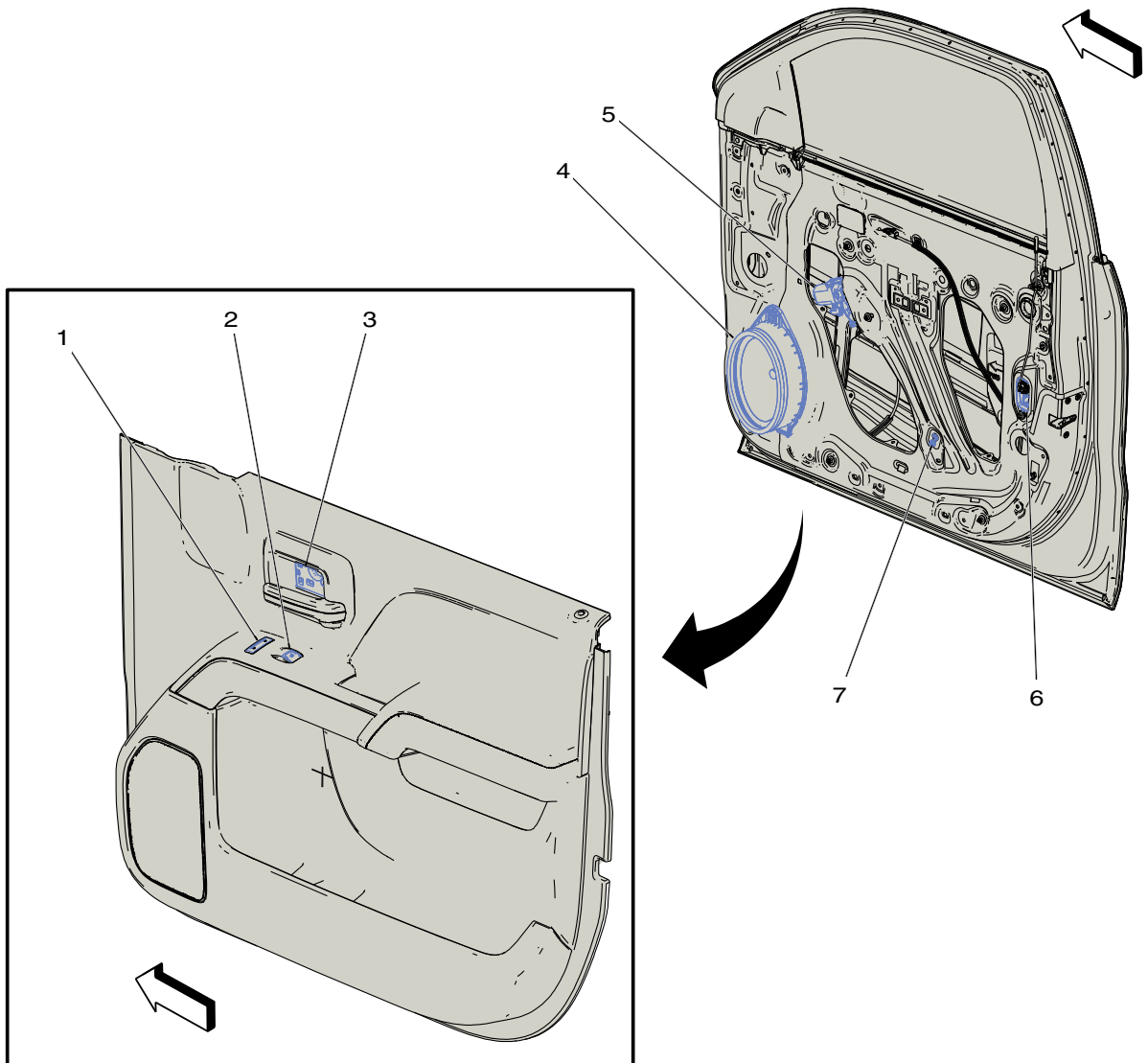
Door Component Views



- 1. A23D Door Latch Assembly - Driver
- 2. M74D Window Motor - Driver
- 3. P19AG Speaker - Left Front Door
- 4. B63LF Side Impact Sensor - Left Front

- 5. S79D Window Switch - Driver
- 6. E63D Flood Lamp - Driver Door Handle
- 7. S13D Door Lock Switch - Driver
- 8. S52 Outside Rearview Mirror Switch

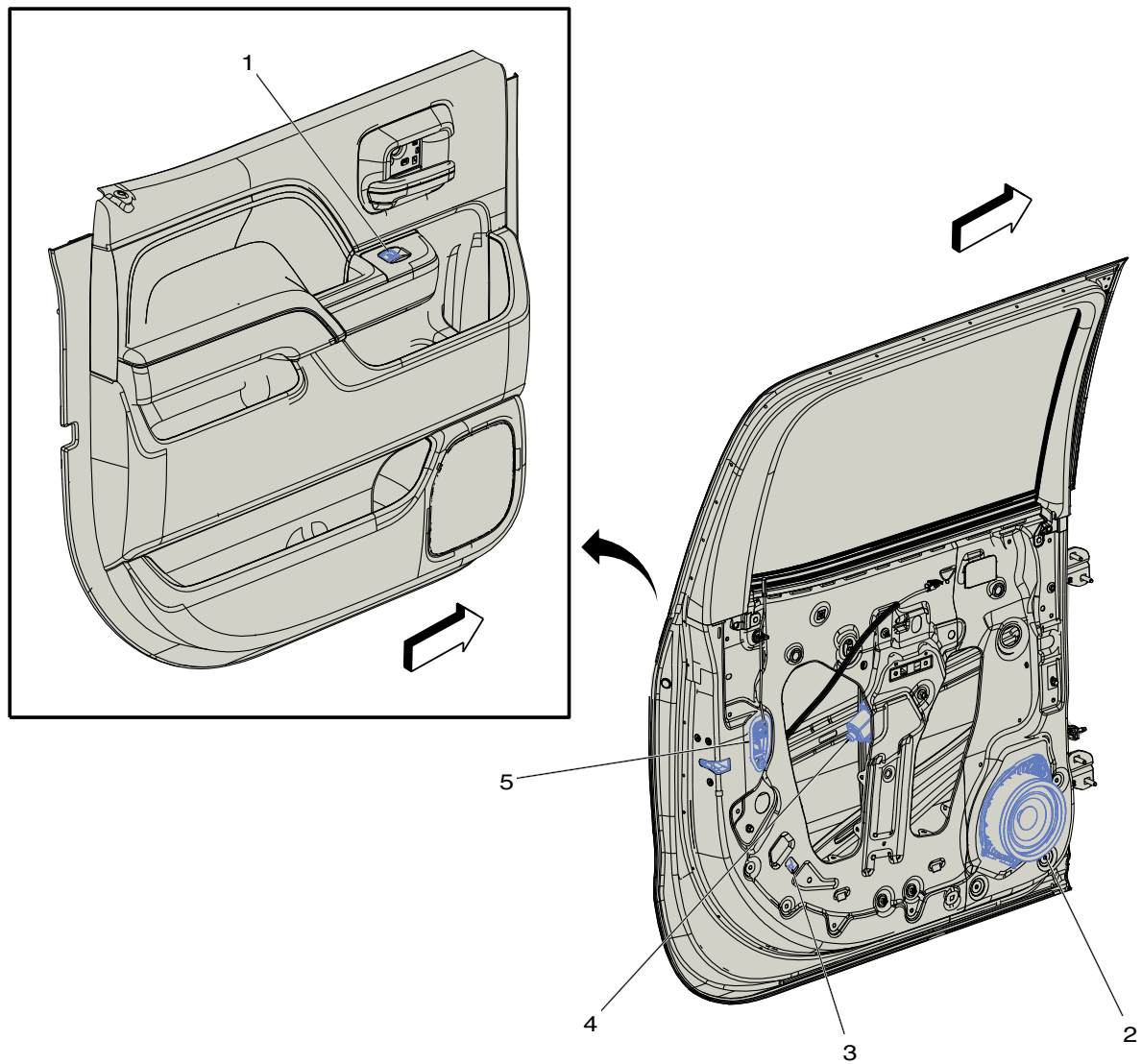
Figure 246 Driver Door Components



- 1. S13P Door Lock Switch - Passenger
- 2. S79P Window Switch - Passenger
- 3. E63P Flood Lamp - Passenger Door Handle
- 4. P19AH Speaker - Right Front Door

- 5. M74P Window Motor - Passenger
- 6. A23P Door Latch Assembly - Passenger
- 7. B63RF Side Impact Sensor - Right Front

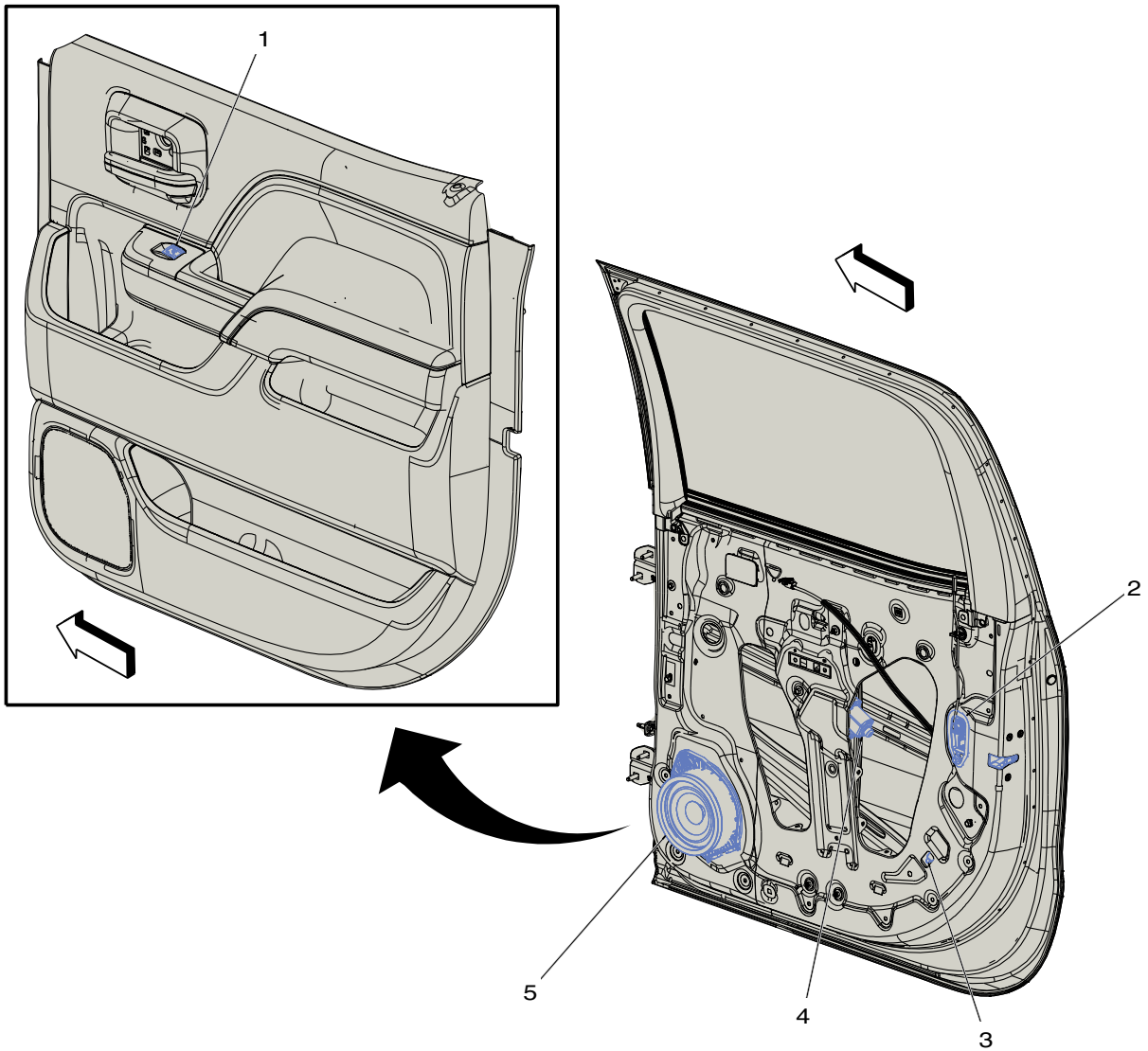
Figure 247 Passenger Door Components



- 1. S79LR Window Switch - Left Rear
- 2. P19AL Speaker - Left Rear Door
- 3. B63LR Side Impact Sensor - Left Rear

- 4. M74LR Window Motor - Left Rear
- 5. A23LR Door Latch Assembly - Left Rear

Figure 248 Left Rear Door Components (Crew Cab)

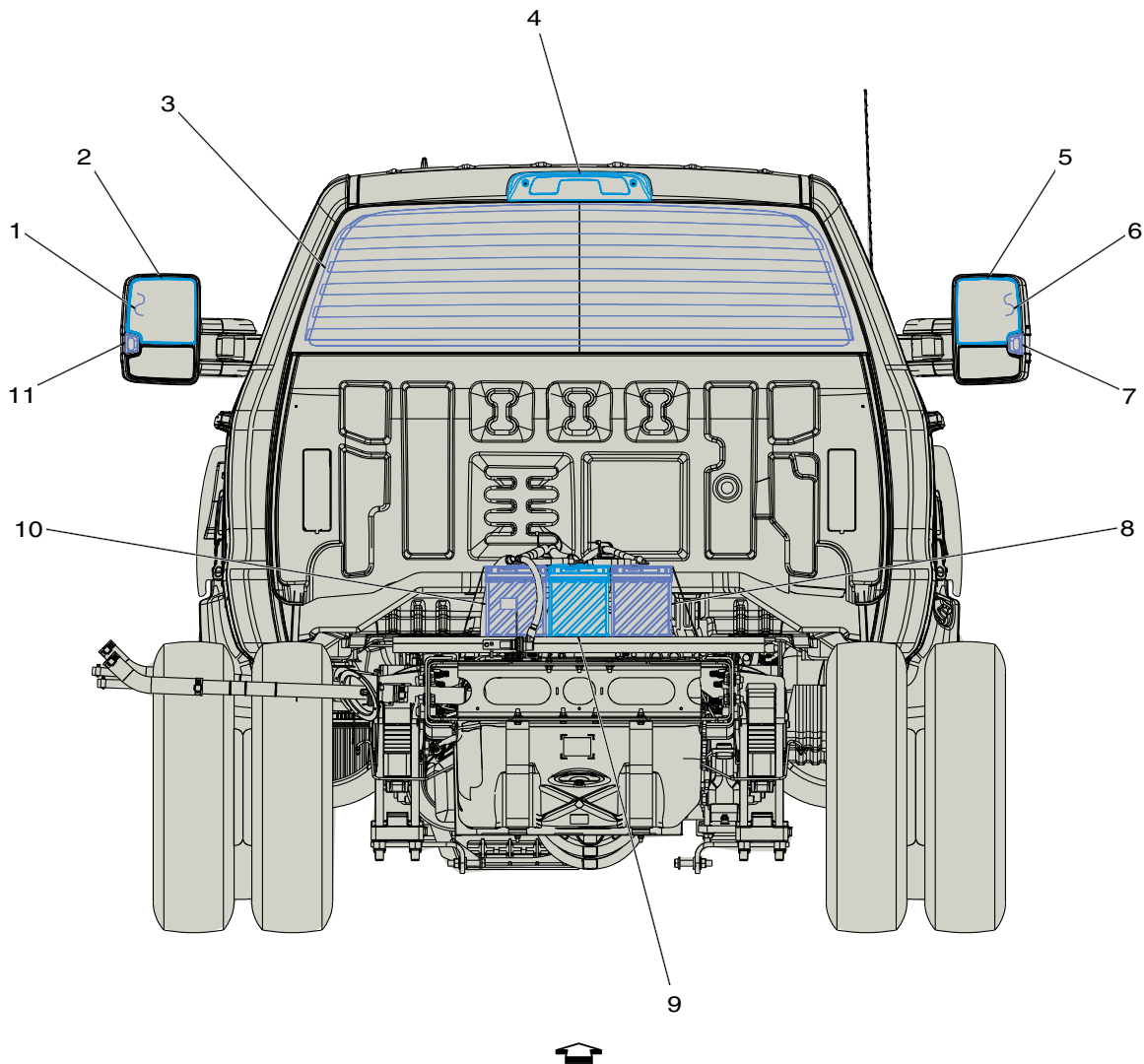


- 1. S79RR Window Switch - Right Rear
- 2. A23RR Door Latch Assembly - Right Rear
- 3. B63RR Side Impact Sensor - Right Rear

- 4. M74RR Window Motor - Right Rear
- 5. P19AM Speaker - Right Rear Door

Figure 249 Right Rear Door Components (Crew Cab)

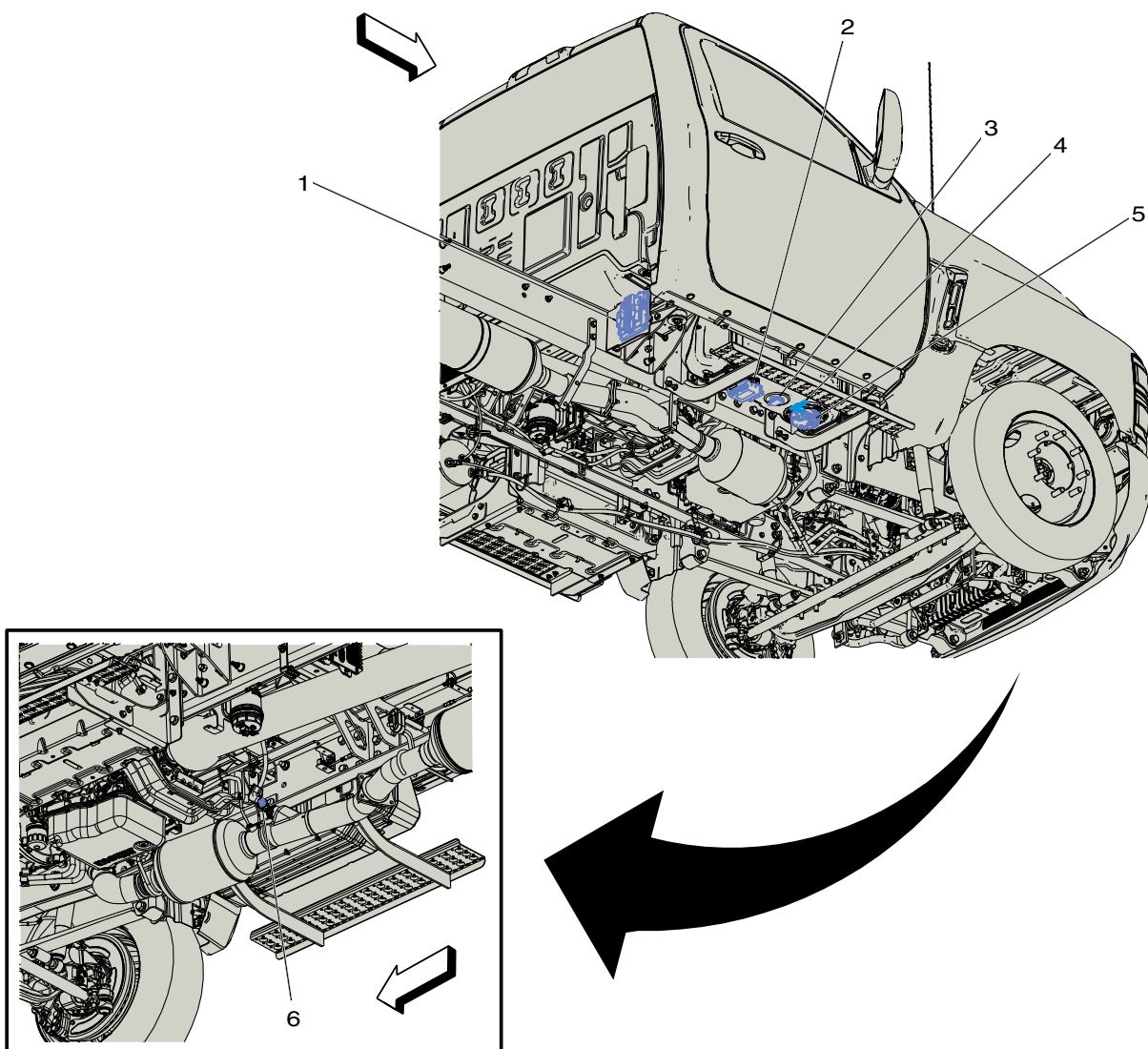
Luggage Compartment / Rear of Vehicle Component Views



- | | |
|---|---|
| <p>1. E4Y Turn Signal Repeater Lamp - Left (Feature Code: 0016SPS)</p> <p>2. E17D Outside Rearview Mirror Glass - Driver (Feature Code: 0016SPS)</p> <p>3. E18 Rear Defogger Grid (Feature Code: 0008AAB)</p> <p>4. E6 Center High Mounted Stop Lamp</p> <p>5. E17P Outside Rearview Mirror Glass - Passenger (Feature Code: 0016SPS)</p> | <p>6. E4Z Turn Signal Repeater Lamp - Right (Feature Code: 0016SPS)</p> <p>7. E70P Outside Rearview Mirror Cargo Lamp - Passenger (Feature Code: 0016SPS)</p> <p>8. C1BB Battery - Auxiliary 2</p> <p>9. C1BA Battery - Auxiliary 1</p> <p>10. C1 Battery</p> <p>11. E70D Outside Rearview Mirror Cargo Lamp - Driver</p> |
|---|---|

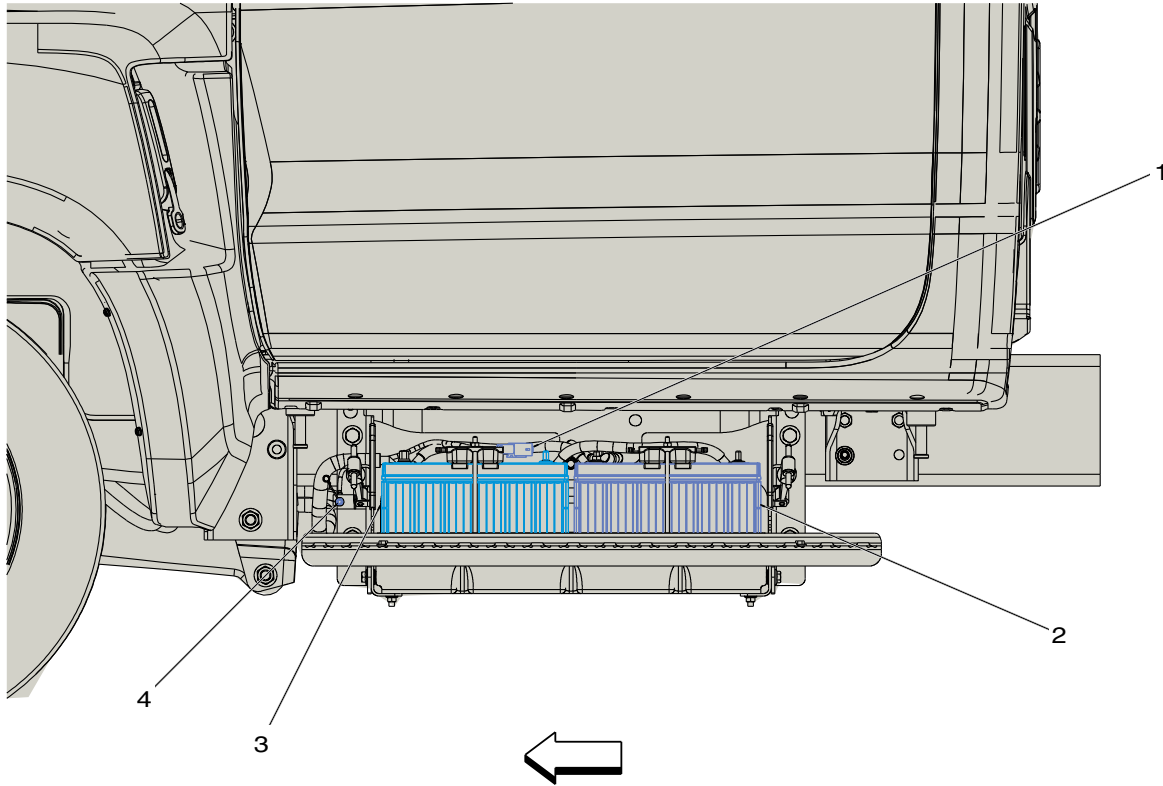
Figure 250 Rear of Vehicle Components

Wheels / Vehicle Underbody Component Views



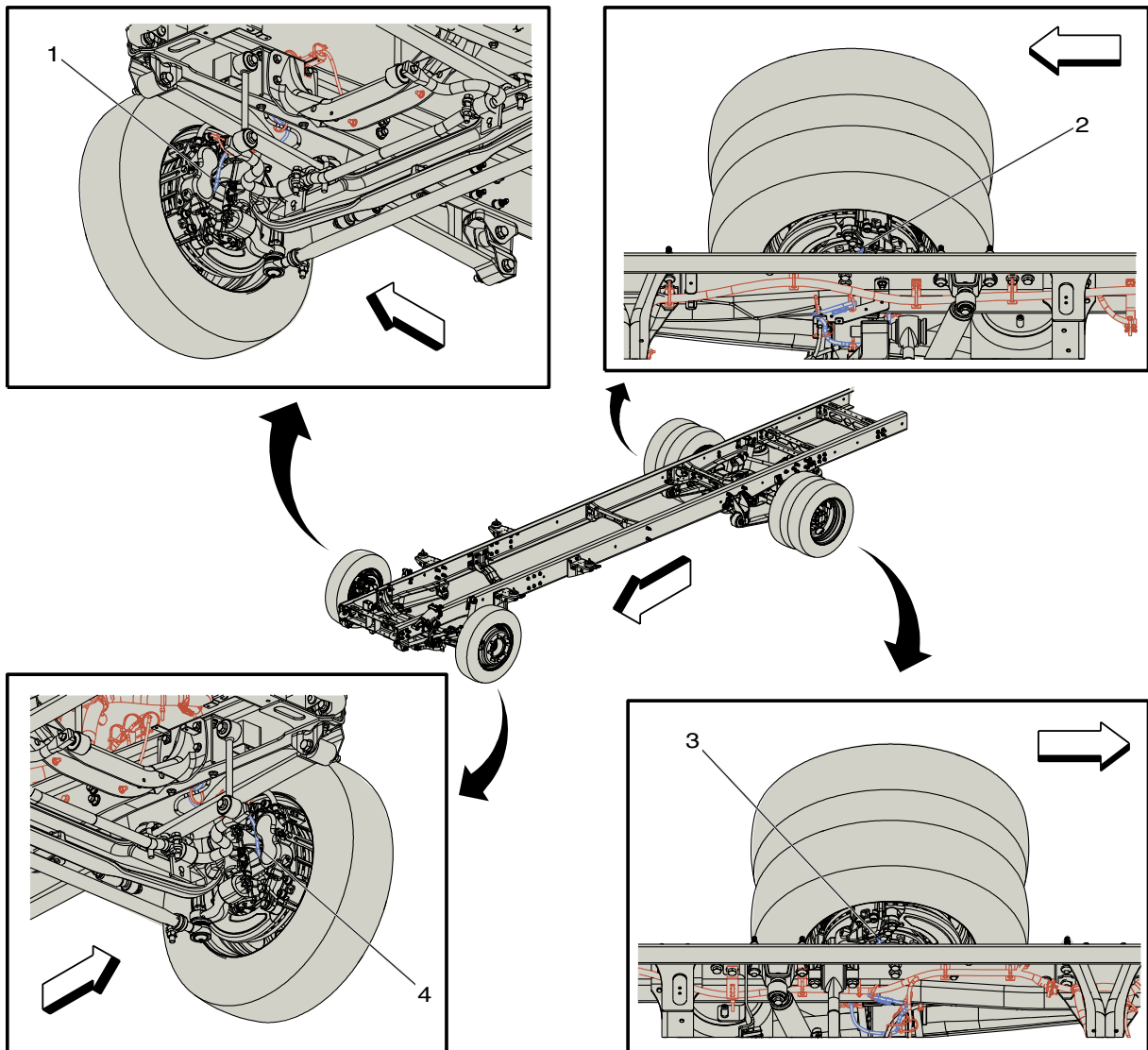
- | | |
|--|---|
| 1. K44 Power Take-Off Control Module (Feature Code: 0012WGG) | 4. E52 Reductant Line Heater |
| 2. K115 Reductant Control Module | 5. A38 Reductant Pump and Sensor Assembly |
| 3. B295 Reductant Quality Sensor | 6. Q61 Reductant Injector |

Figure 251 Below Right Rear of Cab Components



- | | |
|---|---|
| 1. X55BC Fuse Holder 3 - Brake
Booster | 3. C1BA Battery - Auxiliary 1 |
| 2. C1 Battery | 4. W34 Battery Positive Cable
Terminal Post - Jump Start |

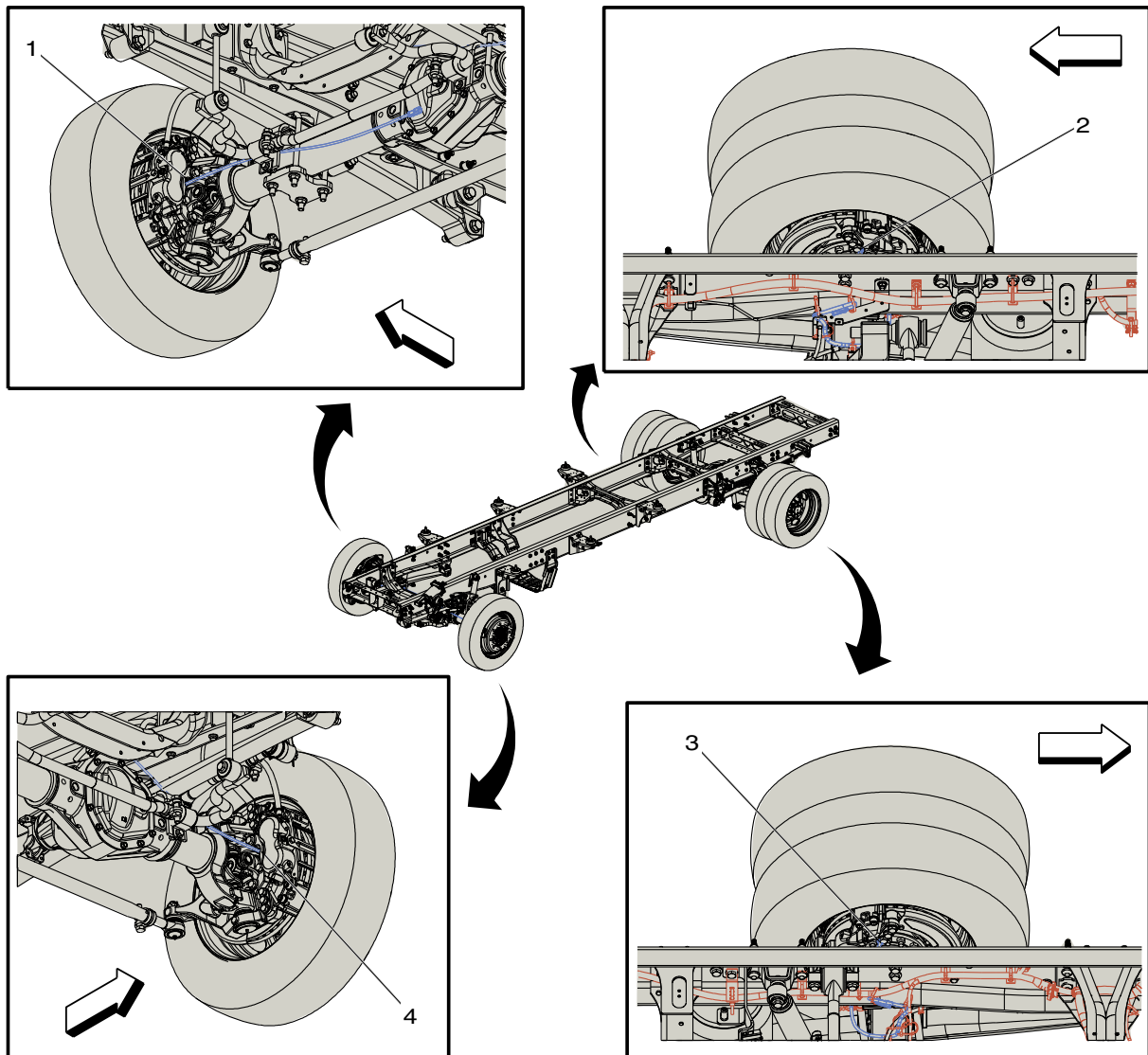
Figure 252 Battery Box Components (0008MVZ or 0008MWA)



- 1. B5RF Wheel Speed Sensor - Right Front
- 2. B5RR Wheel Speed Sensor - Right Rear

- 3. B5LR Wheel Speed Sensor - Left Rear
- 4. B5LF Wheel Speed Sensor - Left Front

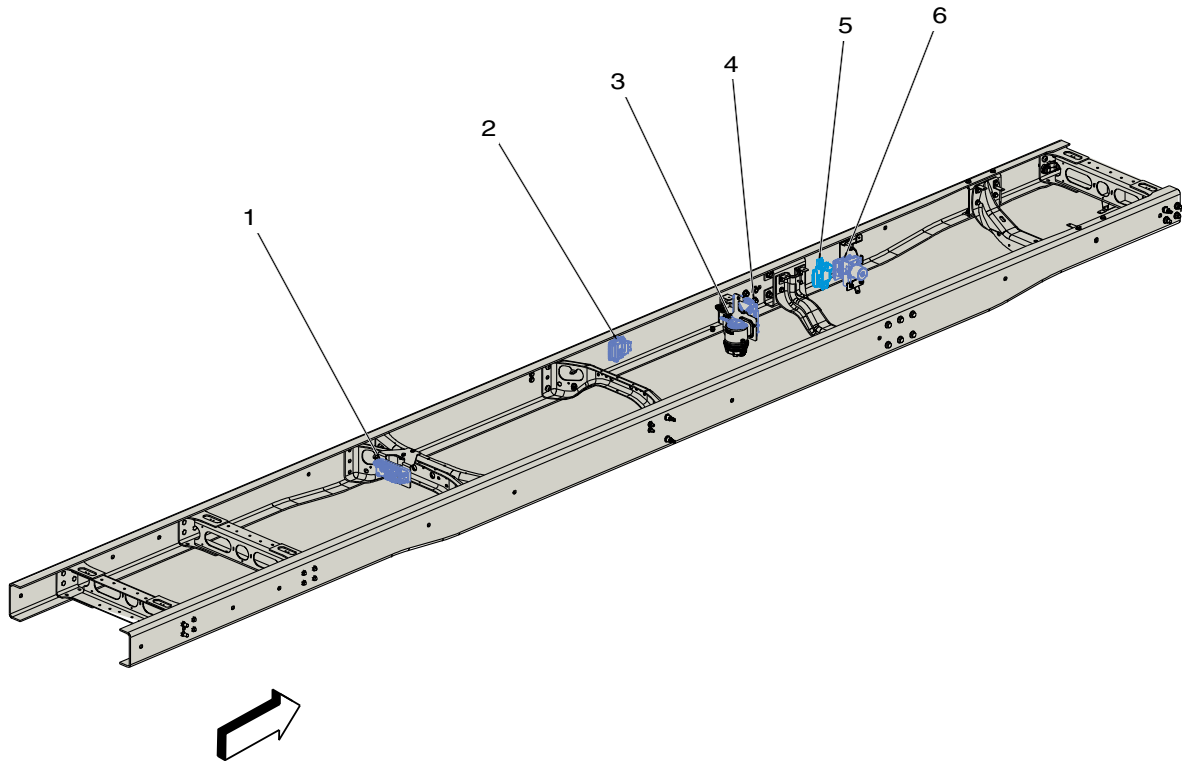
Figure 253 Wheel Speed Sensors - 2WD



- 1. B5RF Wheel Speed Sensor - Right Front
- 2. B5RR Wheel Speed Sensor - Right Rear

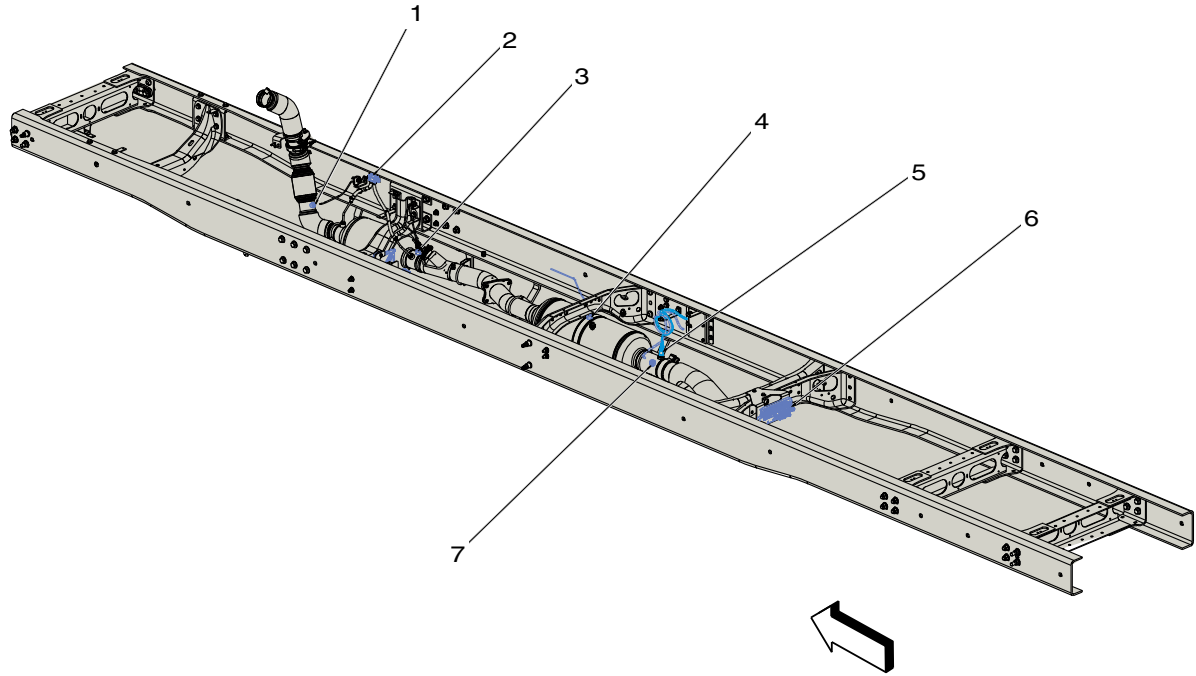
- 3. B5LR Wheel Speed Sensor - Left Rear
- 4. B5LF Wheel Speed Sensor - Left Front

Figure 254 Wheel Speed Sensors - 4WD



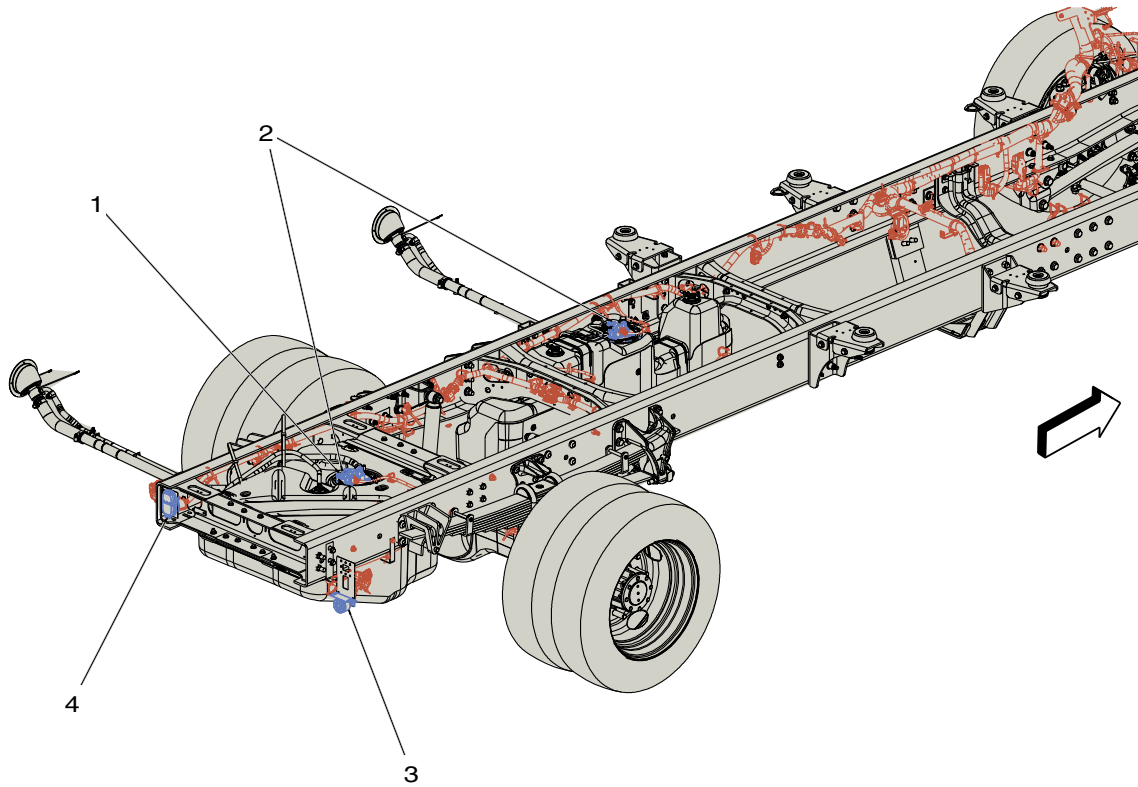
- | | |
|--|--|
| 1. Q101 Rear Air Suspension Control Valve | 4. K38A Chassis Control Module - Auxiliary |
| 2. K133 Trailer Brake Power Control Module | 5. K111 Fuel Pump Driver Control Module |
| 3. E11A Fuel Heater / Water in Fuel Sensor | 6. K17 Electronic Brake Control Module |

Figure 255 Left Side of Frame Components



- | | |
|--|---|
| 1. B131C Exhaust Temperature Sensor 3 | 4. B131E Exhaust Temperature Sensor 5 |
| 2. B154 Diesel Particulate Filter Exhaust Differential Pressure Sensor | 5. B136 Exhaust Particulate Matter Sensor |
| 3. B131D Exhaust Temperature Sensor 4 | 6. Q101 Rear Air Suspension Control Valve |
| | 7. B195B Nitrogen Oxides Sensor 2 |

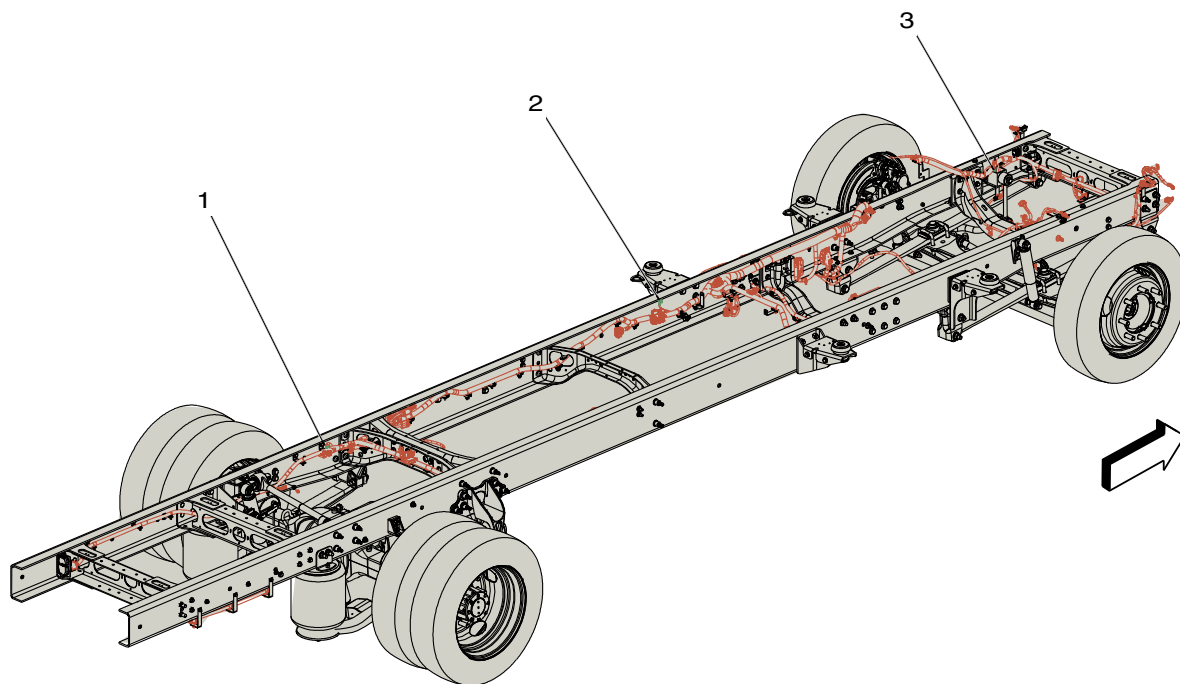
Figure 256 Right Side of Frame Components



- | | |
|---|--------------------------|
| 1. A6D Fuel Pump and Level
Sensor Assembly - Secondary | 3. P3 Backup Alarm |
| 2. A6C Fuel Pump and Level
Sensor Assembly - Primary | 4. X88 Trailer Connector |

Figure 257 Rear of Frame Components

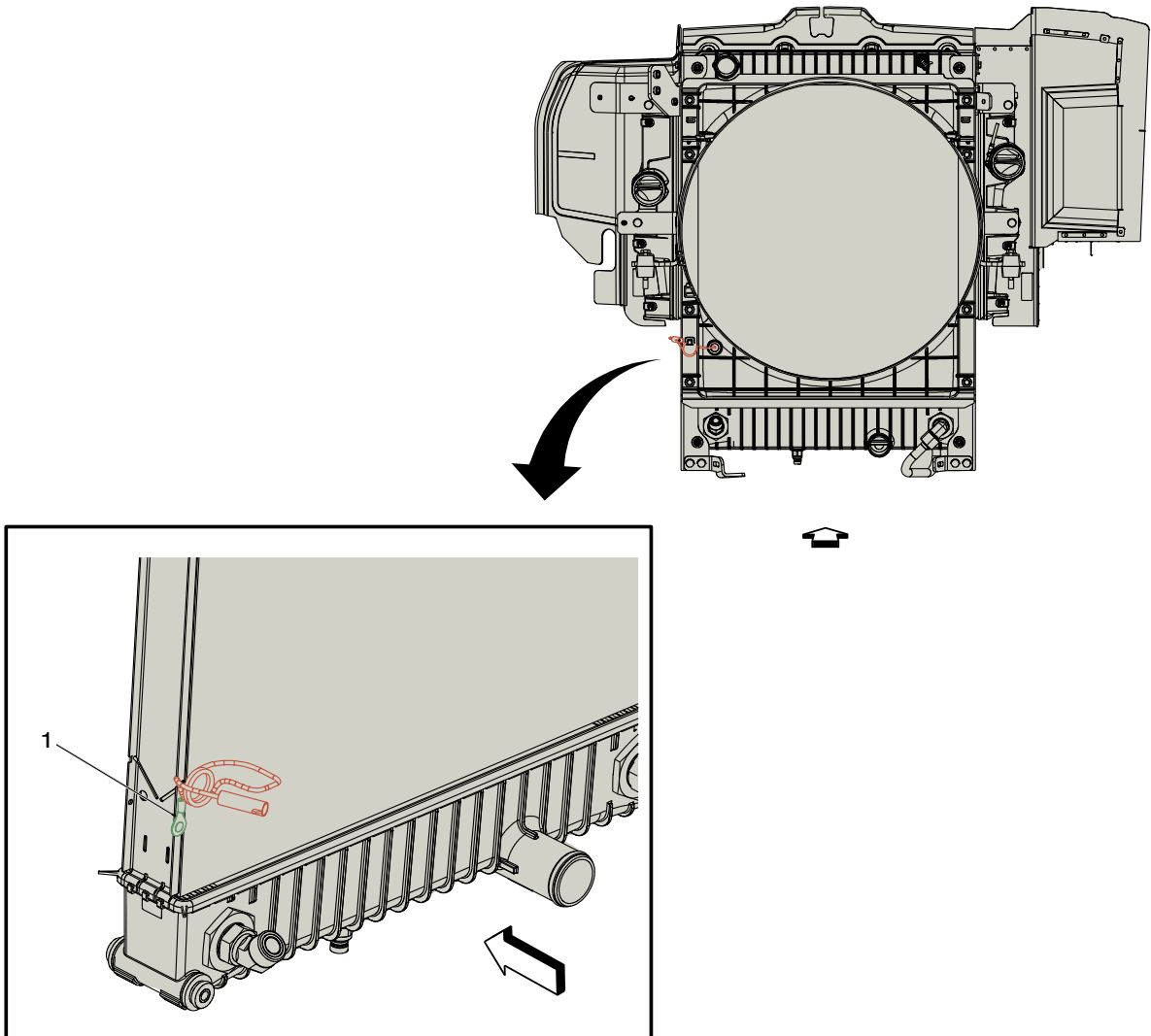
Ground Views



- 1. G401 Chassis Rear Left Harness
- 2. G399 Chassis Harness, Frame
Ground Harness

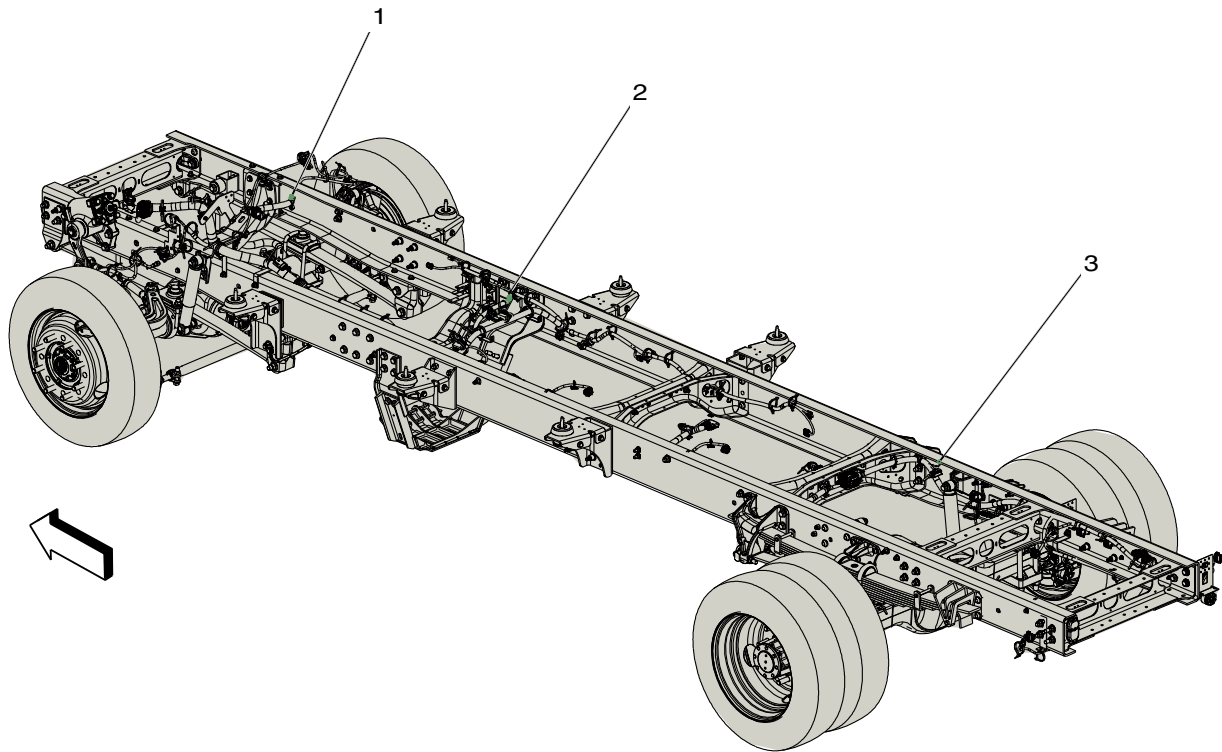
- 3. G101 Forward Lamp Harness

Figure 258 G101, G399, and G401



1. G102 Radiator Ground

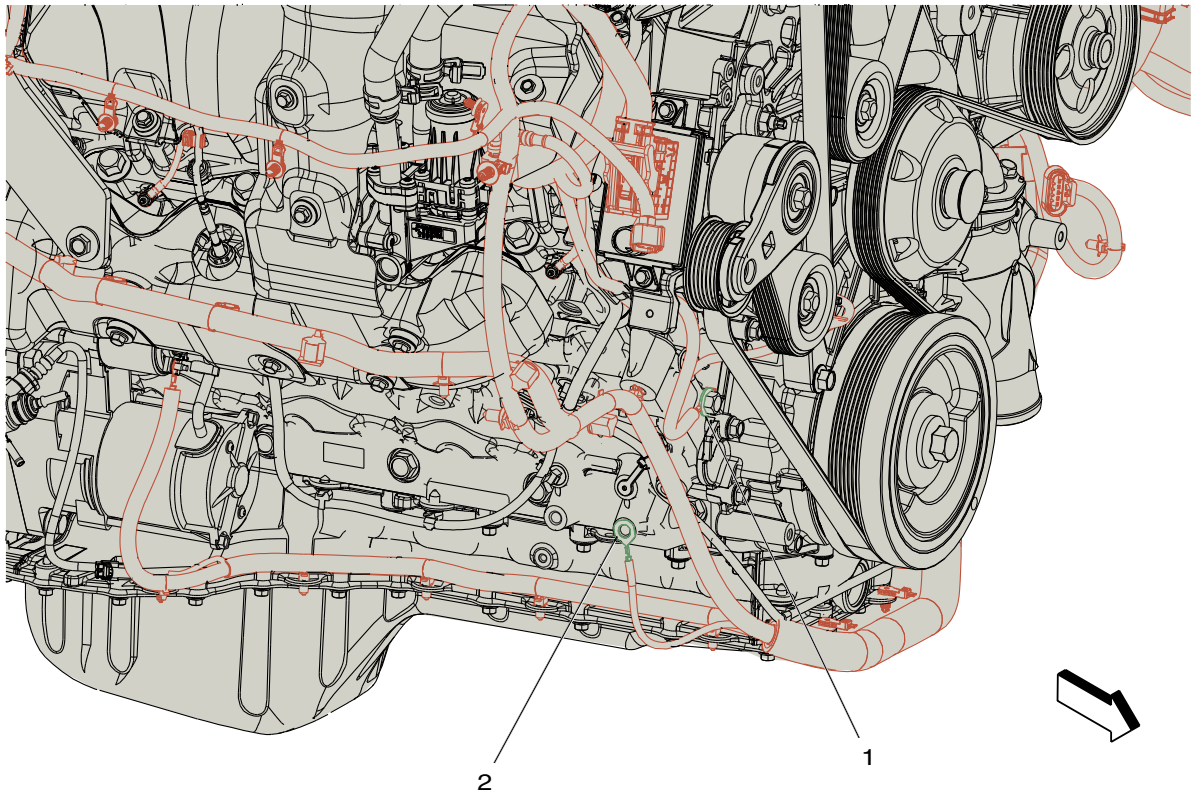
Figure 259 G102



- 1. G108 Engine Ground Harness
- 2. G398 Frame Ground Harness

- 3. G402 Chassis Rear Right Harness

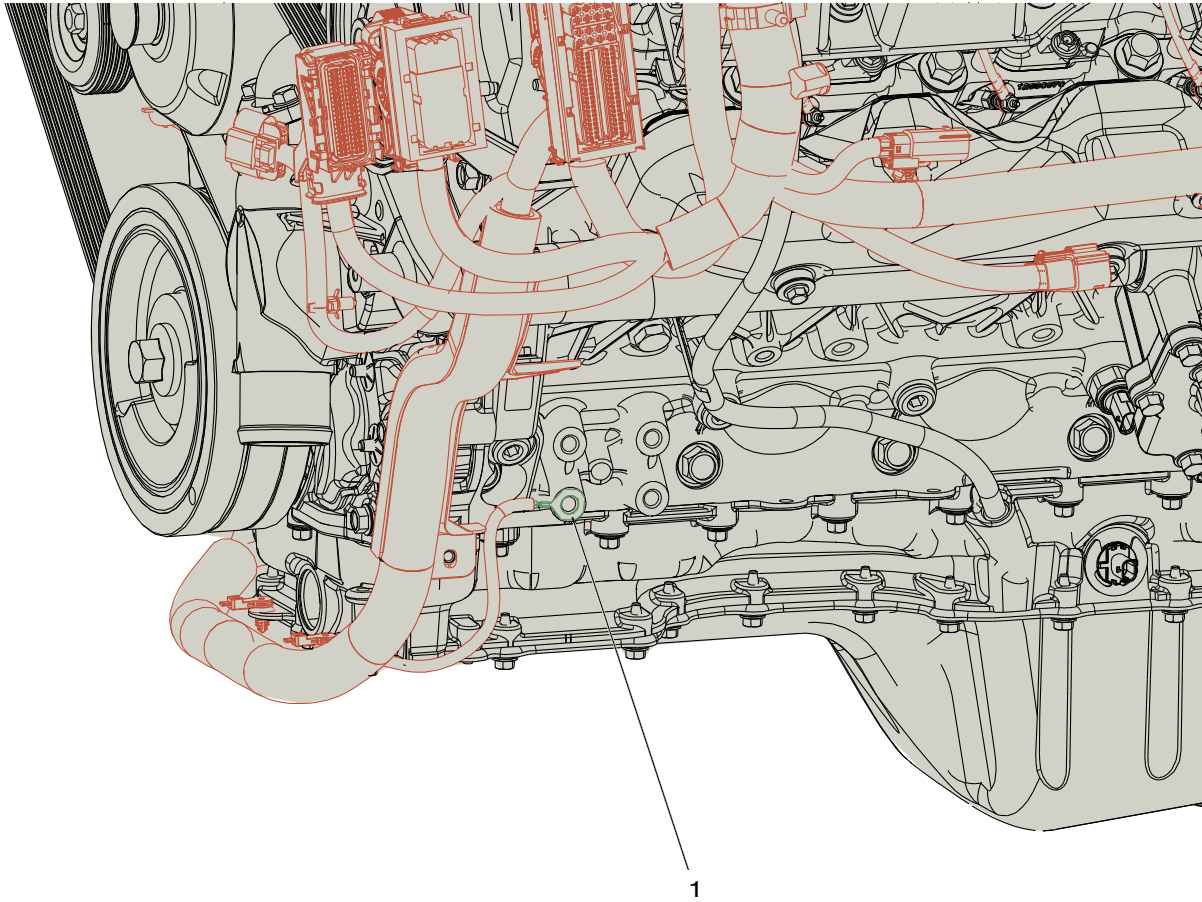
Figure 260 G108, G398 and G402



1. G112 Engine Harness

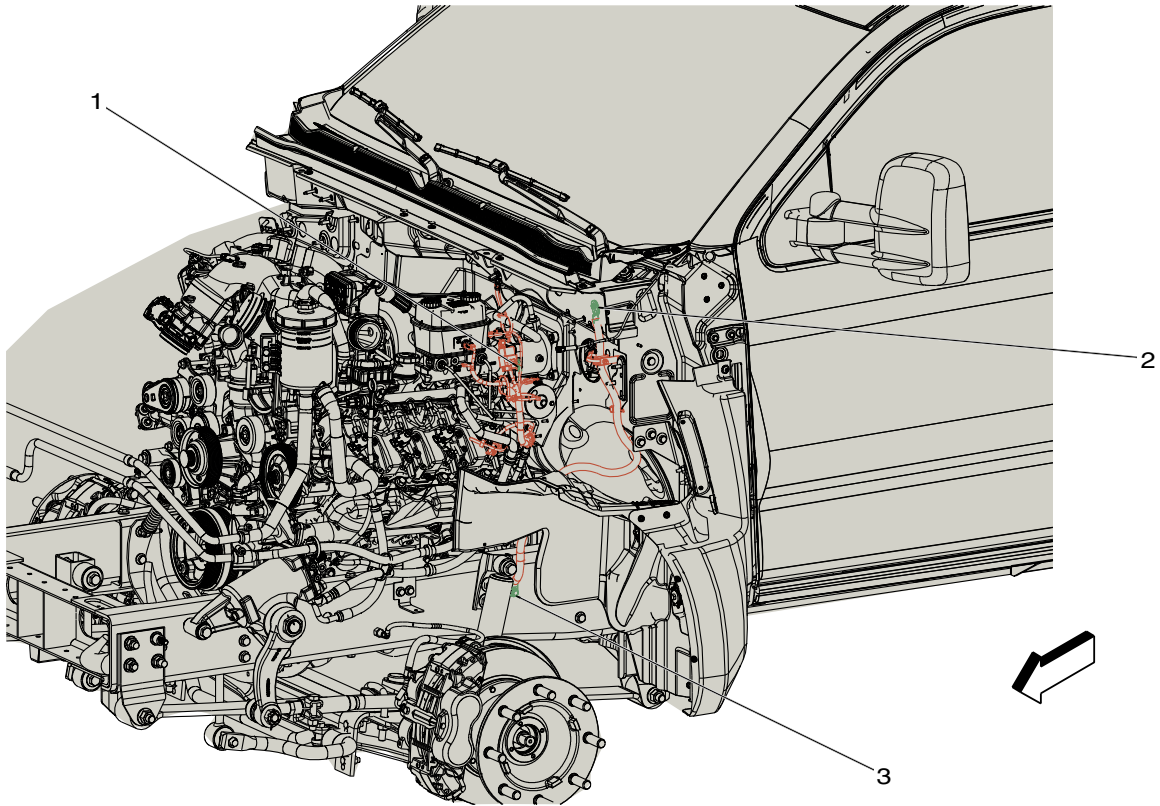
2. G110 Engine Chassis Harness

Figure 261 G110 and G112



1. G120 Engine Chassis Harness

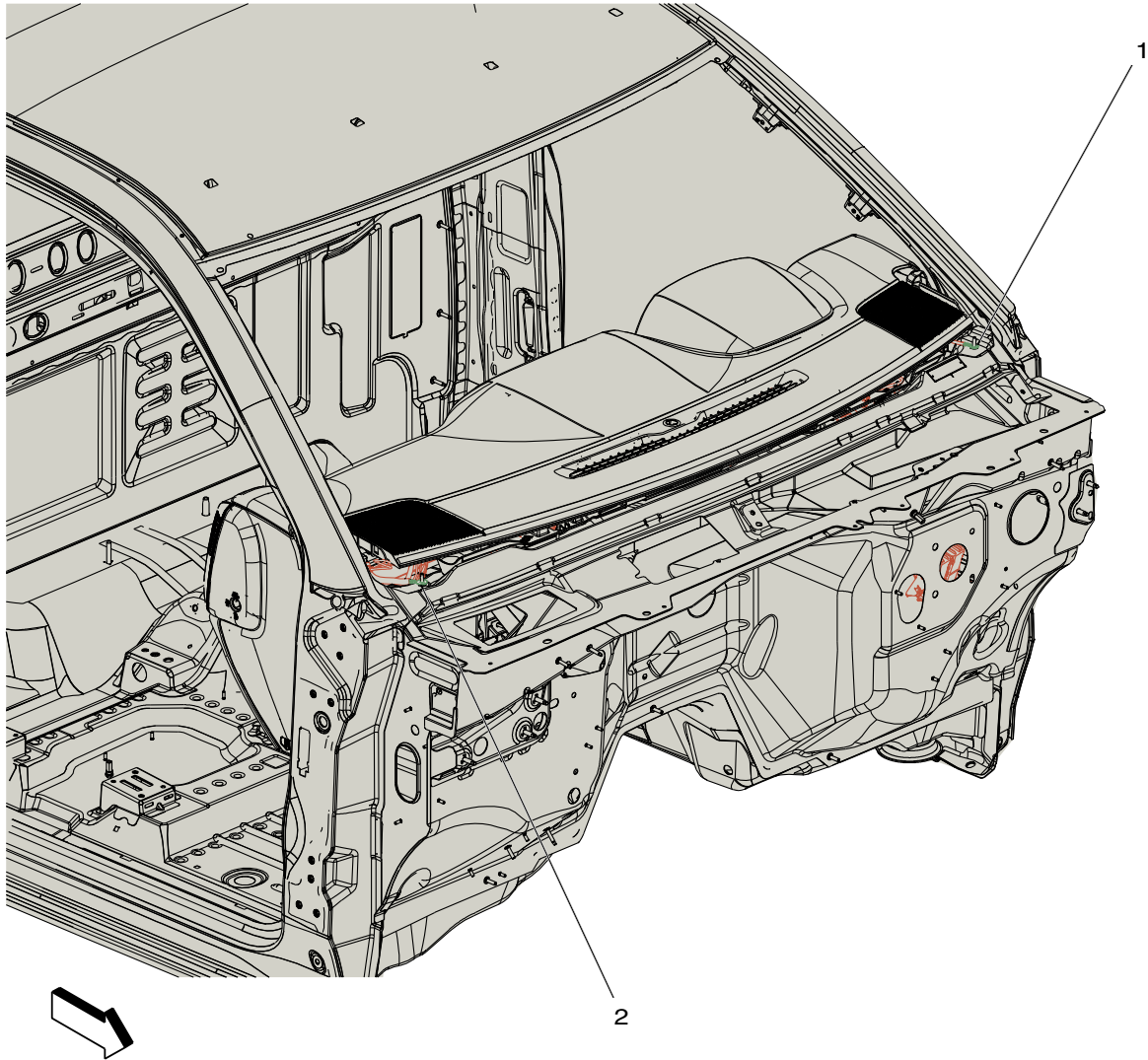
Figure 262 G120



- 1. G180 Brake Booster Harness
- 2. G198 Body Ground Harness

- 3. G199 Body Ground Harness

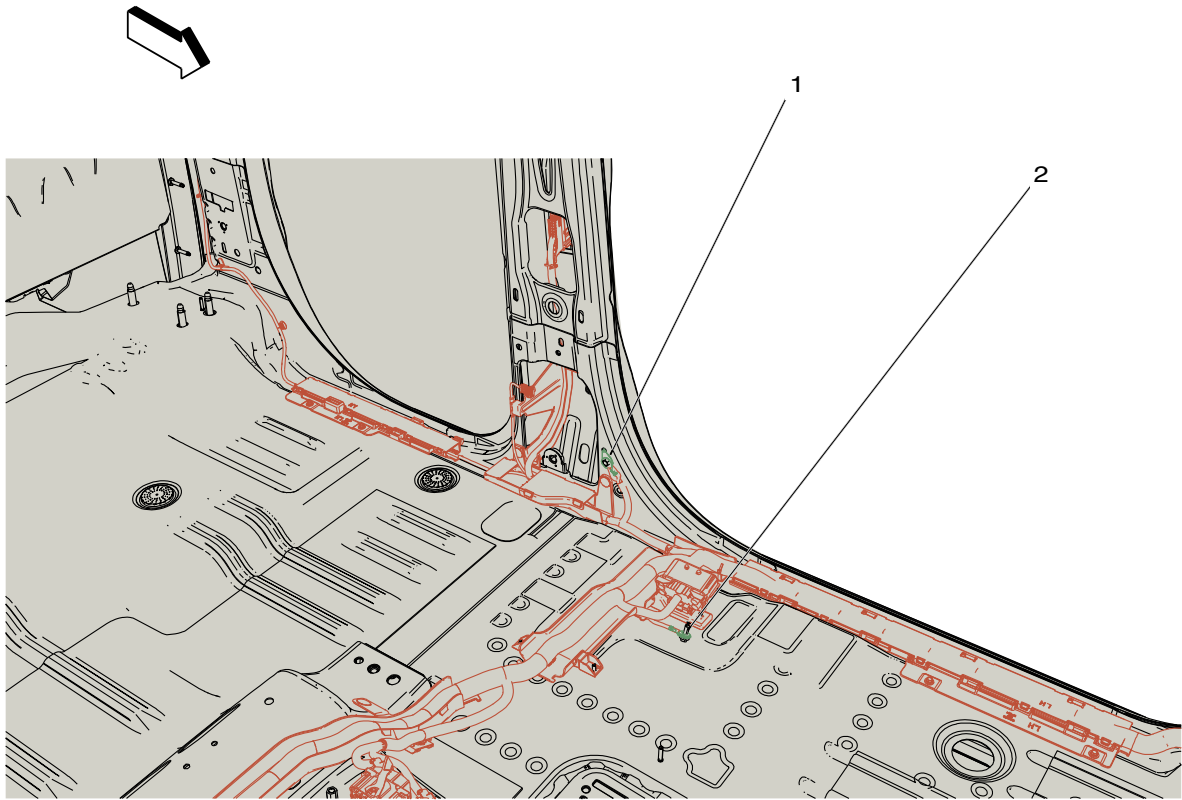
Figure 263 G180, G198 and G199



1. G218 Instrument Panel Harness

2. G210 Instrument Panel Harness

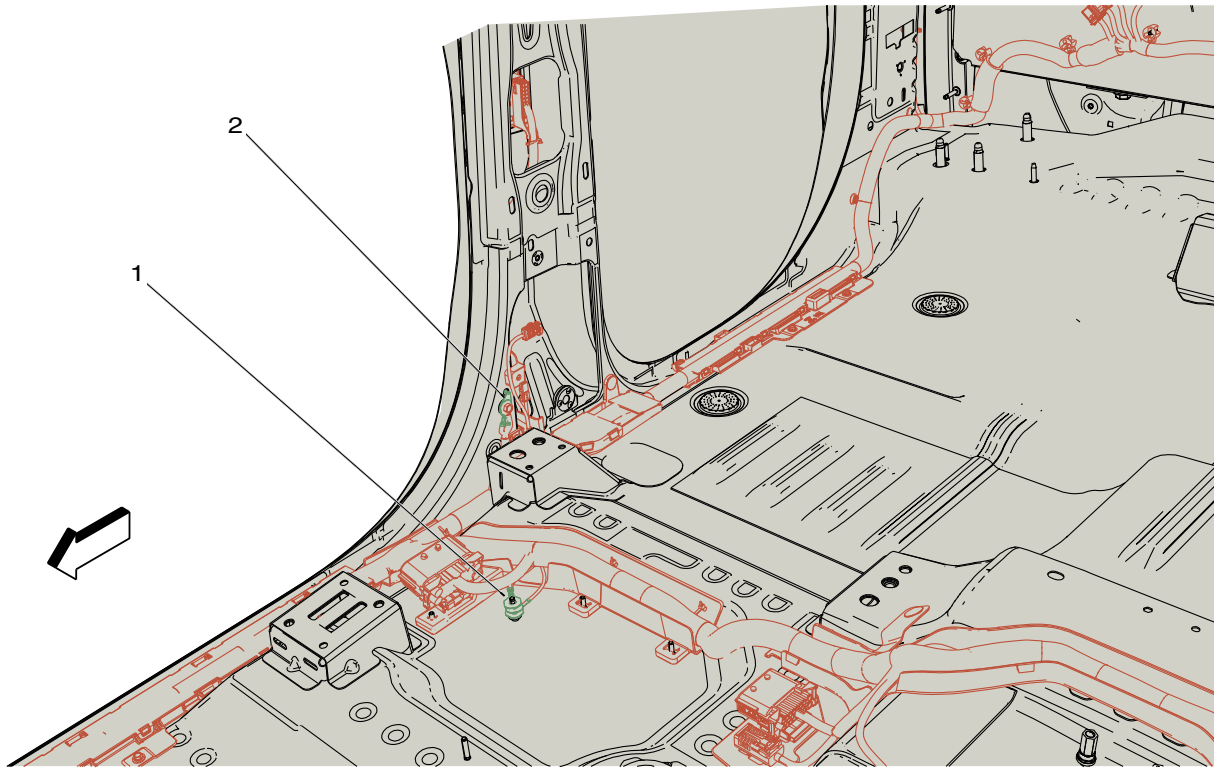
Figure 264 G210 and G218



1. G311 Body Harness

2. G325 Body Harness

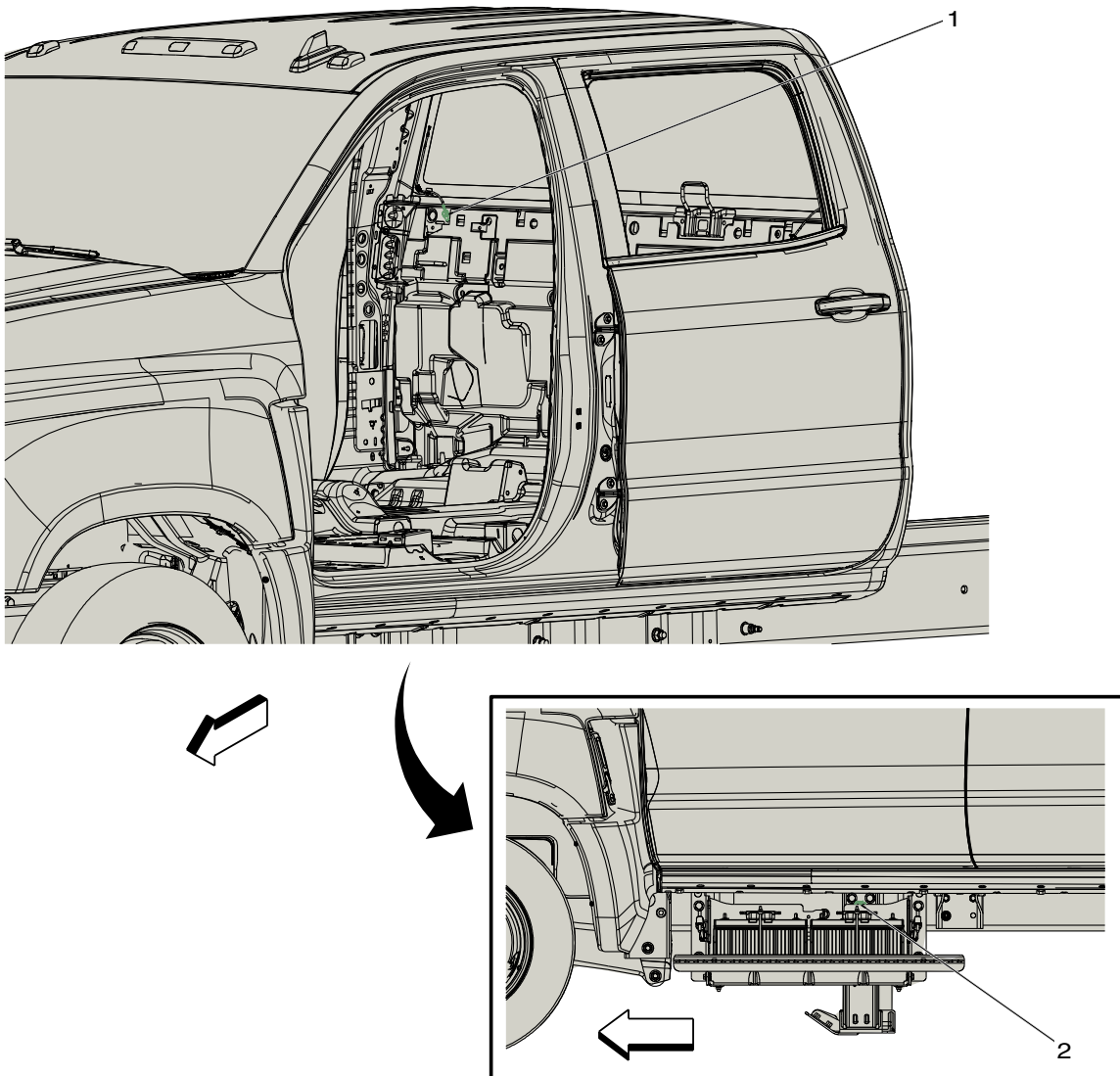
Figure 265 G311 and G325



1. G327 Body Harness

2. G312 Body Harness

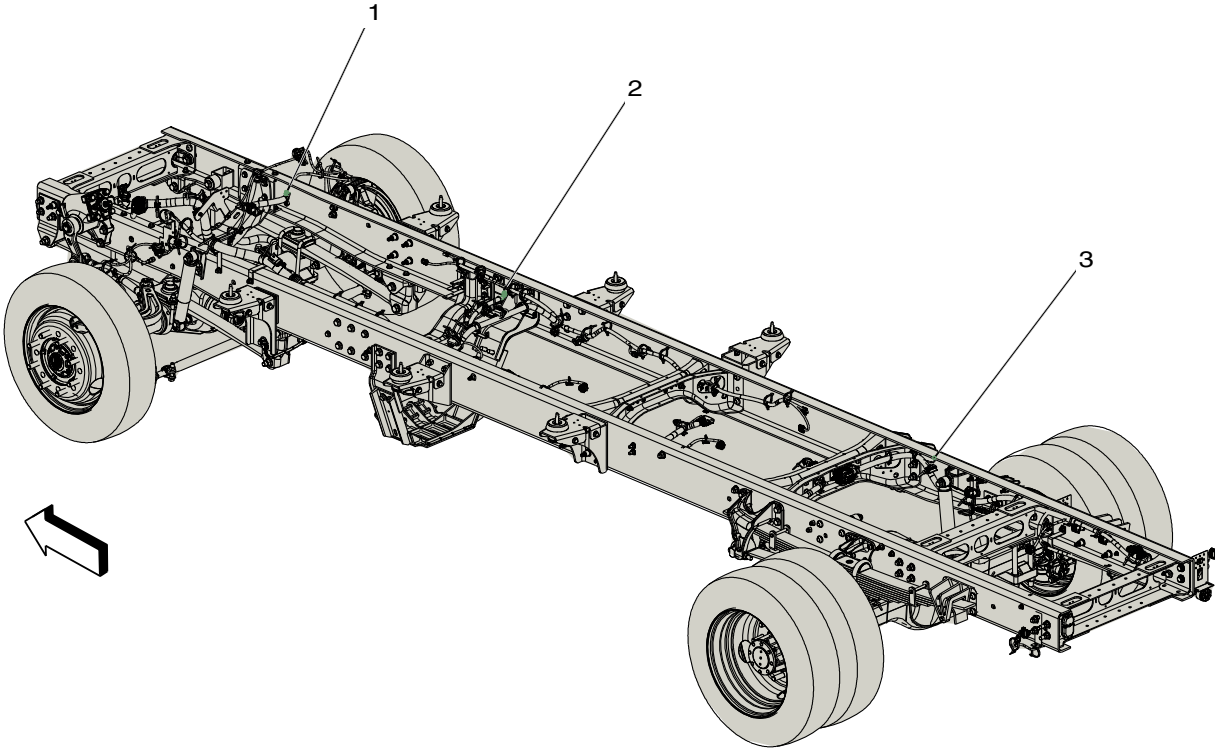
Figure 266 G312 and G327



1. G380 Rear Defogger Grid (C49)

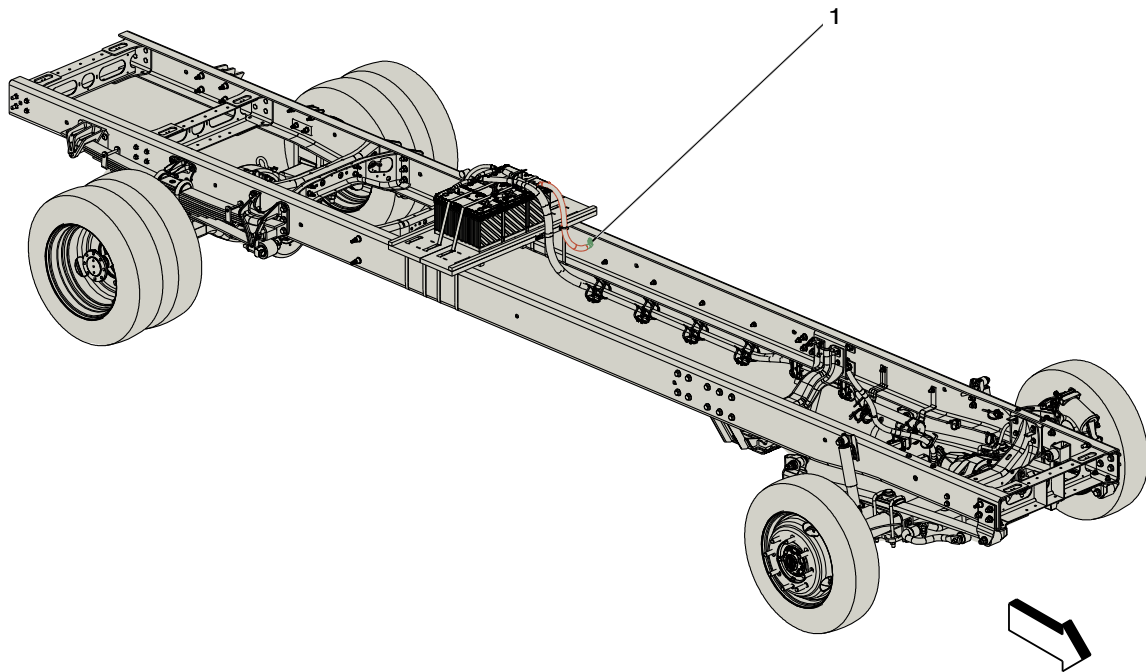
2. G340 Battery Negative Cable
(7Y7 / 7Y8)

Figure 267 G340 and G380



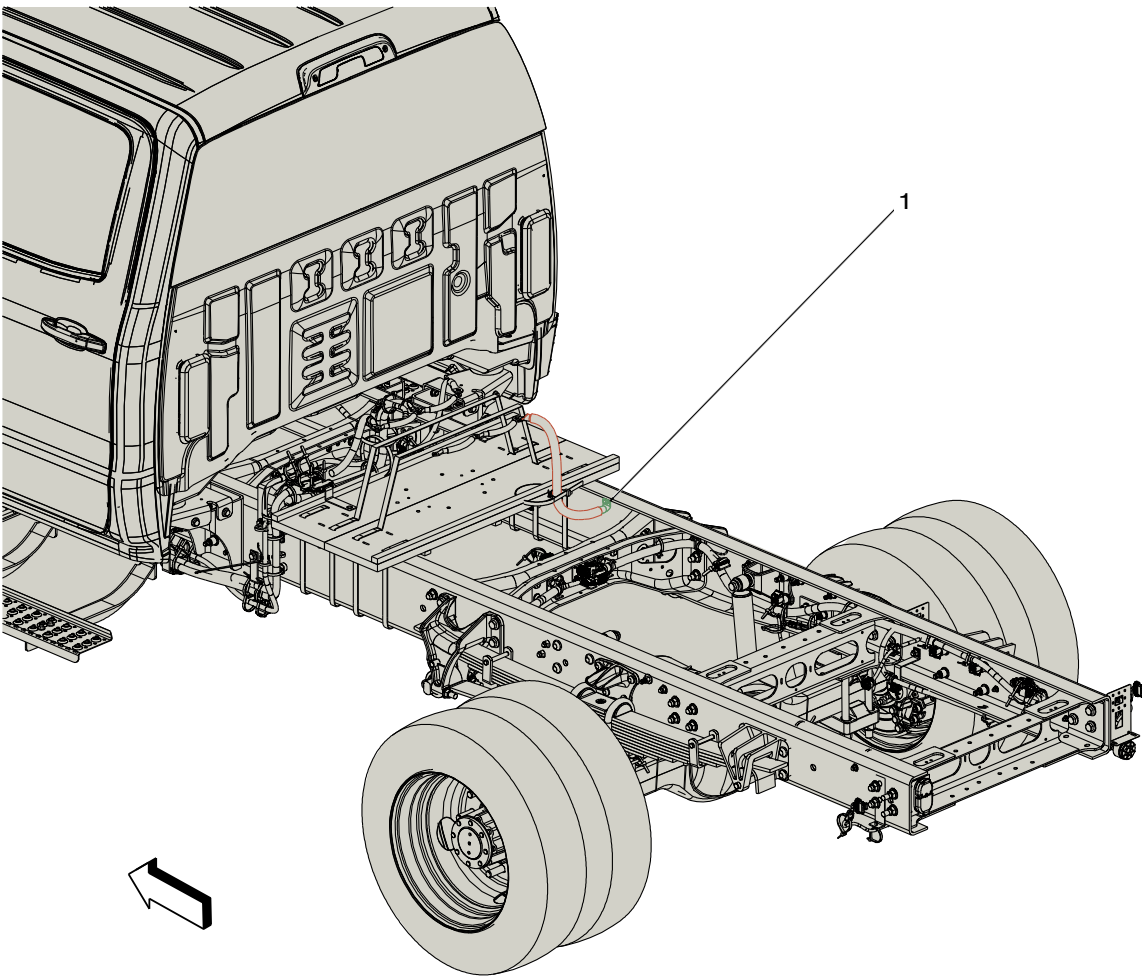
1. G402 Chassis Rear Right
Harness

Figure 268 G402



1. G440 Battery Negative Cable (0008MSD)

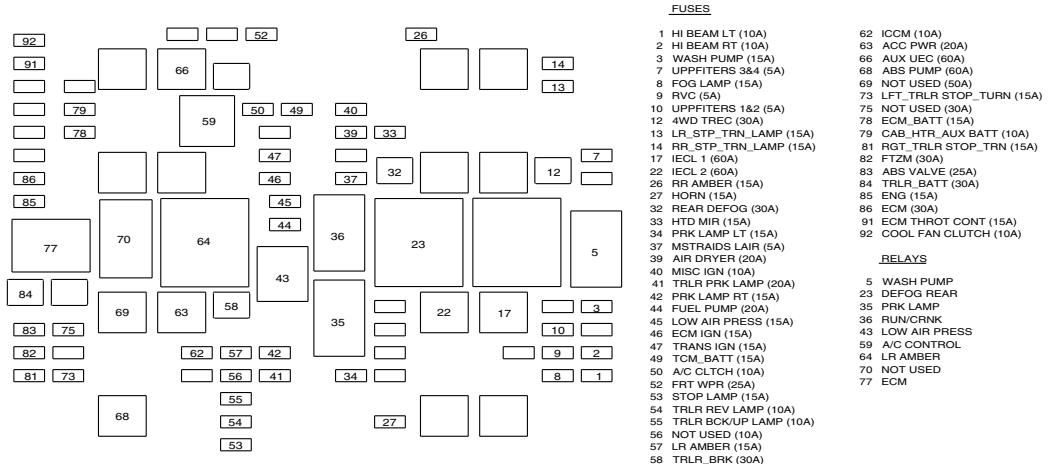
Figure 269 G440 (Left Frame Rail)



1. G440 Battery Negative Cable (0008MSD)

Figure 270 G440 (Right Frame Rail)

Electrical Center Identification Views



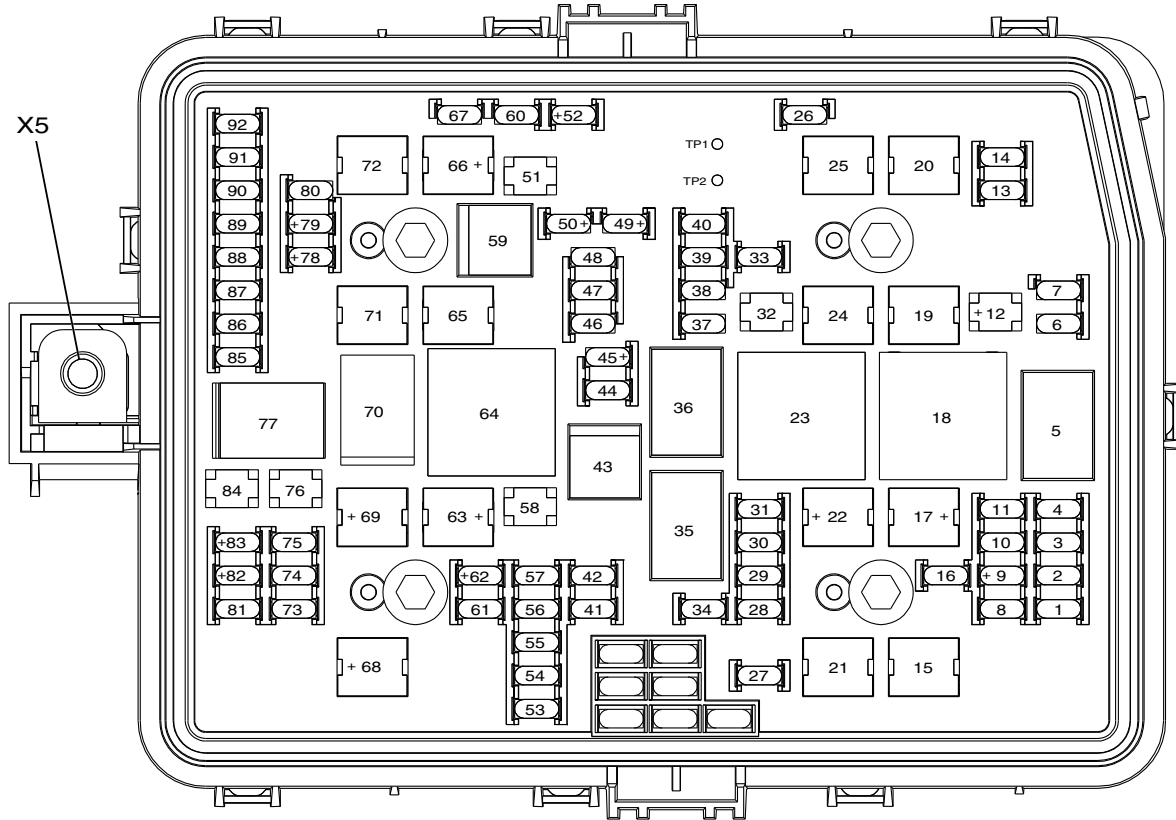


Table 11 Usage Table

No.	Device Label Name	Device Assigned Name	Rating	Description
Fuses				
1	HI BEAM LT	F1UA	10 amps	<ul style="list-style-type: none"> E4E Headlight - Left High Beam X107 Left Snow Plow Tee Harness to Left Snow Plow Headlight Harness (0008TUM)
2	HI BEAM RT	F2UA	10 amps	<ul style="list-style-type: none"> E4F Headlight - Right High Beam X117 Right Snow Plow Tee Harness to Right Snow Plow Headlight Harness (0008TUM)

Table 11 Usage Table (cont.)

No.	Device Label Name	Device Assigned Name	Rating	Description
3	WASH PUMP	F3UA	15 amps	• G24 Windshield Washer Pump
7	UPPFITERS 3 and 4	F7UA	5 amps	• F6DR
8	FOG LAMP	F8UA	15 amps	• E29LF Fog Lamp - Left Front (Feature Code: 0008XJG) • E29RF Fog Lamp - Right Front (Feature Code: 0008XJG)
9	RVC	F9UA	5 amps	• K9 Body Control Module
10	UPFITERS 1 and 2	F10UA	5 amps	• F5DL
12	4WD TREC	F12UA	30 amps	• K69 Transfer Case Control Module (Feature Code: 0013TLP (0013WDB))
13	LR_STP_TRN_LAMP	F13UA	15 amps	• E5S Tail / Stop and Turn Signal Lamp - Left (without 0008TKD) • X405 Chassis Harness to Body Builder Connection Harness (0008HXV) • X495 Body Builder Connection Harness to Chassis Rear Right Harness (0008HXU)
14	RR_STP_TRN_LAMP	F14UA	15 amps	• E5T Tail / Stop and Turn Signal Lamp - Right (0008TKD) • X405 (Feature Code: 0008HXV) • X495 (Feature Code: 0008HXU)
17	IECL 1	F17UA	60 amps	• X51L Fuse Block - Instrument Panel Left
22	IECL 2	F22UA	60 amps	• X51L Fuse Block - Instrument Panel Left
26	RR AMBER	F26UA	15 amps	• X405 Chassis Harness to Body Builder Connection Harness (Feature Code: 0008HXV) • X495 Body Builder Connection Harness to Chassis Rear Right Harness (Feature Code: 0008HXU)
27	HORN	F27UA	15 amps	• P12 Horn
32	REAR DEFOG	F32UA	30 amps	• E18 Rear Defogger Grid (Feature Code: 0008AAB)
33	HTD MIR	F33UA	15 amps	• E17D Outside Rearview Mirror Glass - Driver (Feature Code: 0016SPS) • E17P Outside Rearview Mirror Glass - Passenger (Feature Code: 0016SPS)

Table 11 Usage Table (cont.)

No.	Device Label Name	Device Assigned Name	Rating	Description
34	PRK LAMP LT	F34UA	15 amps	<ul style="list-style-type: none"> • E2LM Side Marker Lamp - Left Middle (Feature Code: 0016SPS) • E3A Roof Clearance Lamp - Left Front Outer • E3C Roof Clearance Lamp - Front Middle • E3E Roof Clearance Lamp - Right Front Outer • E4S Park / Turn Signal Lamp - Left Upper • E4Q Park / Turn Signal Lamp - Left Lower • E5S Tail / Stop and Turn Signal Lamp - Left (without feature code 0008TKD) • X107 Left Snow Plow Tee Harness to Left Snow Plow Headlight Harness (0008TUM) • X405 (Feature Code: 0008HXV) • X495 (Feature Code: 0008HXU)
37	MSTRAIDS LAIR	F37UA	5 amps	<ul style="list-style-type: none"> • W33 Blunt Cut - Master Disconnect Switch Indicator Provision
39	AIR DRYER	F39UA	20 amps	<ul style="list-style-type: none"> • E91 Air Dryer Valve Heater (Feature Code: 0004SBX)
40	MISC IGN	F40UA	10 amps	<ul style="list-style-type: none"> • S48A Multifunction Switch - Instrument Panel (Feature Code: 0014TCH / 0014TDG / 0014TDH) • X191 (Feature Code: 0012WGG)
41	TRLR PRK LAMP	F41UA	20 amps	<ul style="list-style-type: none"> • X88 Trailer Connector (Feature Code: 0008TRA)
42	PRK LAMP RT	F42UA	15 amps	<ul style="list-style-type: none"> • E2RM Side Marker Lamp - Right Middle (Feature Code: 0016SPS) • E4R Park / Turn Signal Lamp - Right Lower • E4T Park / Turn Signal Lamp - Right Upper • E5T Tail / Stop and Turn Signal Lamp - Right (without feature code 0008TKD) • X117 Right Snow Plow Tee Harness to Right Snow Plow Headlight Harness (0008TUM) • X405 Chassis Harness to Body Builder Connection Harness (0008HXV)
44	FUEL PUMP	F44UA	20 amps	<ul style="list-style-type: none"> • KR23B Fuel Pump Relay - Secondary (Feature Code: 0015DSZ)

Table 11 Usage Table (cont.)

No.	Device Label Name	Device Assigned Name	Rating	Description
45	LOW AIR PRESS	F45UA	15 amps	• Not Used
46	ECM IGN	F46UA	15 amps	• K20 Engine Control Module • K38A Chassis Control Module - Auxiliary (Feature Code: 0008HBW) • K111 Fuel Pump Control Module
47	TRANS IGN	F47UA	15 amps	• K34 Glow Plug Control Module • K71 Transmission Control Module
49	TCM_BATT	F49UA	15 amps	• K71 Transmission Control Module
50	A / C CLTCH	F50UA	10 amps	• KR29 A / C Compressor Clutch Relay
52	FRT WPR	F52UA	25 amps	• KR12B Windshield Wiper Relay • KR12C Windshield Wiper Speed Control Relay
53	STOP LAMP	F53UA	15 amps	• E6 Center High Mounted Stop Lamp • X405 (Feature Code: 0008HXV) • X495 (Feature Code: 0008HXU)
54	TRLR REV LAMP	F54UA	10 amps	• A10 Inside Rearview Mirror (0016ACB) • E5A Backup Lamp - Left (Without feature code: 0008TKD) • E5B Backup Lamp - Right (Without feature code: 0008TKD) • P3 Backup Alarm (Feature Code: 0008THB) • X405 (Feature Code: 0008HXV) • X495 (Feature Code: 0008HXU)
55	TRLR BCK / UP LAMP	F55UA	10 amps	• X88 Trailer Connector (Feature Code: 0008TRA)
56	AIR DUMP	F56UA	10 amps	• Not Used
57	LR AMBER	F57UA	15 amps	• X405 (Feature Code: 0008HXV) • X495 (Feature Code: 0008HXU)
58	TRLR_BRK	F58UA	30 amps	• K133 Trailer Brake Power Control Module (Feature Code: 0008HBW) • X61A Junction Block - Instrument Panel
62	ICCM	F62UA	10 amps	• K38A Chassis Control Module - Auxiliary (Feature Code: 0008HBW)

Table 11 Usage Table (cont.)

No.	Device Label Name	Device Assigned Name	Rating	Description
63	ACCY PWR	F63UA	20 amps	<ul style="list-style-type: none"> X405 Chassis Harness to Body Builder Connection Harness (0008HXV) X495 Body Builder Connection Harness to Chassis Rear Right Harness (0008HXU)
66	AUX UEC	F66UA	60 amps	<ul style="list-style-type: none"> X50B Fuse Block - Underhood Auxiliary
68	ABS PUMP	F68UA	60 amps	<ul style="list-style-type: none"> K17 Electronic Brake Control Module
69	SPARE	F69UA	30 amps	<ul style="list-style-type: none"> Not Used
73	LFT_TRLR_STOP_TURN	F73UA	15 amps	<ul style="list-style-type: none"> X88 Trailer Connector (Feature Code: 0008TRA)
75	SPARE	F75UA	30 amps	<ul style="list-style-type: none"> Not Used
78	ECM_BATT	F78UA	15 amps	<ul style="list-style-type: none"> K20 Engine Control Module
79	CAB_HTR_AUX_BATT	F79UA	10 amps	<ul style="list-style-type: none"> K115 Reductant Control Module
81	RGT_TRLR_STOP_TURN	F81UA	15 amps	<ul style="list-style-type: none"> X88 Trailer Connector (Feature Code: 0008TRA)
82	FTZM	F82UA	30 amps	<ul style="list-style-type: none"> K111 Fuel Pump Control Module
83	ABS VALVE	F83UA	25 amps	<ul style="list-style-type: none"> K17 Electronic Brake Control Module
84	TRLR_BATT	F84UA	30A	<ul style="list-style-type: none"> X88 Trailer Connector (Feature Code: 0008TRA)
85	ENG	F85UA	15 amps	<ul style="list-style-type: none"> B75C Multifunction Intake Air Sensor
86	ECM	F86UA	30 amps	<ul style="list-style-type: none"> K20 Engine Control Module
91	ECM THROT CONT	F91UA	15 amps	<ul style="list-style-type: none"> K20 Engine Control Module
92	COOL FAN CLUTCH	F92UA	10 amps	<ul style="list-style-type: none"> KR20F Cooling Fan Relay
Relays				
5	WASH PUMP	KR11 Windshield Washer Pump Relay	—	<ul style="list-style-type: none"> F3UA
23	DEFOG REAR	KR5 Rear Defogger Relay	—	<ul style="list-style-type: none"> F32UA F33UA
35	PRK LAMP	KR53 Park Lamps Relay	—	<ul style="list-style-type: none"> F34UA F41UA F42UA

Table 11 Usage Table (cont.)

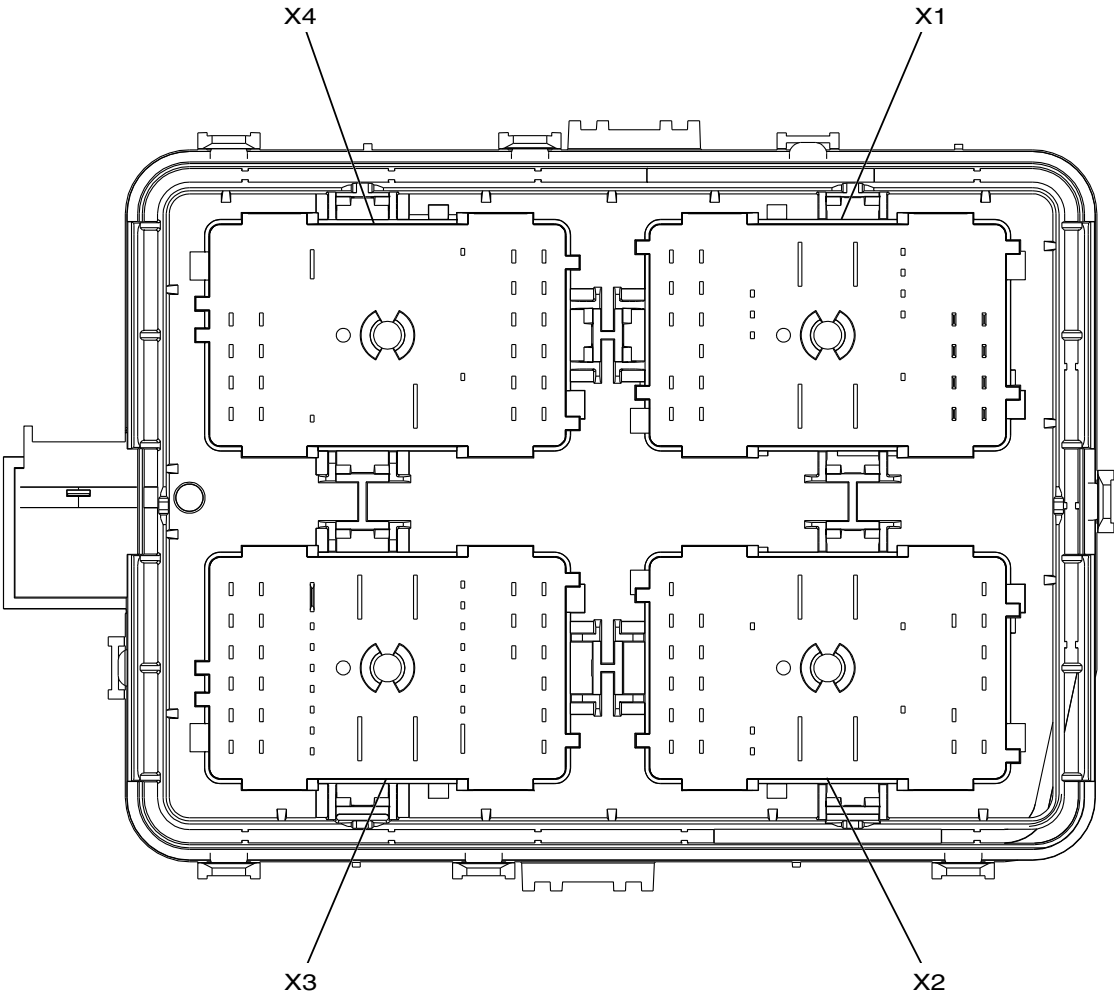
No.	Device Label Name	Device Assigned Name	Rating	Description
36	RUN / CRNK	KR73 Ignition Main Relay	—	<ul style="list-style-type: none"> • F7UA • F10UA • F37UA • F39UA • F40UA • F44UA • F46UA • F47UA • KR99 Air Suspension Relay
43	LOW AIR PRESS	KR99 Air Suspension Relay	—	<ul style="list-style-type: none"> • F45UA
59	A / C CONTROL	KR29 A / C Compressor Clutch Relay	—	<ul style="list-style-type: none"> • Q2 A / C Compressor Clutch (Feature Code: 0016XZA)
70	SPARE	—	—	<ul style="list-style-type: none"> • Not Used
77	ECM	KR75 Engine Controls Ignition Relay	—	<ul style="list-style-type: none"> • F85UA • F86UA • F91UA • F92UA • KR29 A / C Compressor Clutch Relay
<p>Note: Relays listed below are non-serviceable Printed Circuit Board (PCB) relays and are internal to the block.</p>				
—	—	KR12B Windshield Wiper Relay	—	<ul style="list-style-type: none"> • KR12C Windshield Wiper Speed Control Relay

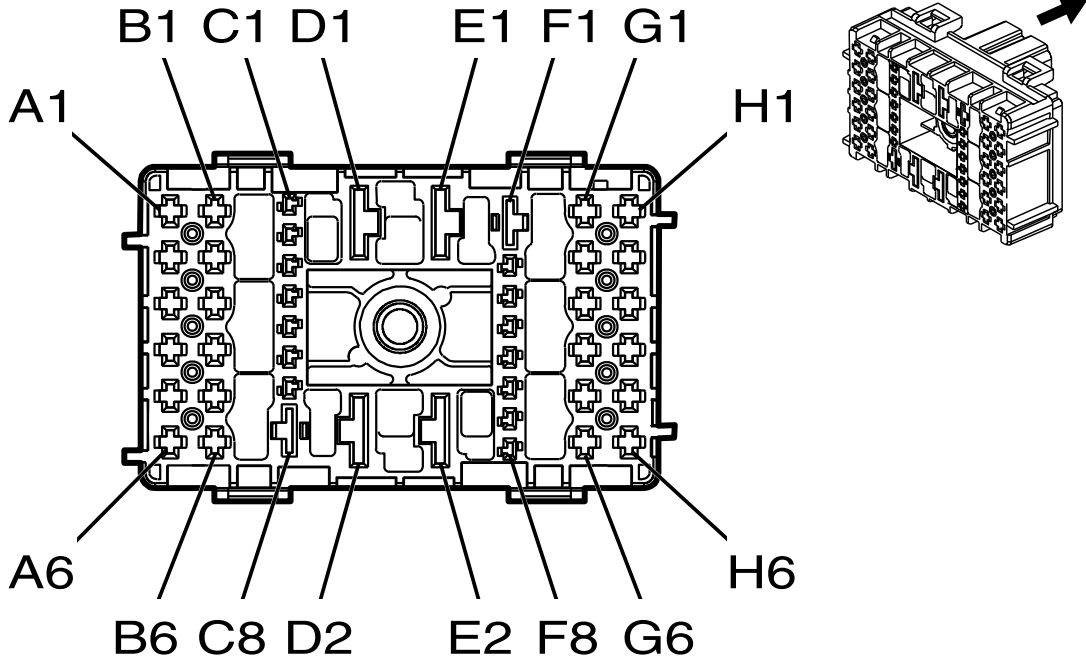
Table 11 Usage Table (cont.)

No.	Device Label Name	Device Assigned Name	Rating	Description
—	—	KR12C Windshield Wiper Speed Control Relay		• M75 Windshield Wiper Motor
—	—	KR3 Horn Relay	—	• F27UA
—	—	KR40 Backup Lamp Relay	—	• F54UA • F55UA
—	—	KR46 Front Fog Lamp Relay	—	• F8UA
—	—	KR48 Headlight High Beam Relay	—	• F1UA • F2UA
—	—	KR59 Stop Lamp Relay	—	• F53UA
—	—	KR63L Trailer Stop / Turn Signal Lamp Relay - Left	—	• F73UA
—	—	KR63R Trailer Stop / Turn Signal Lamp Relay - Right	—	• F81UA
—	—	KR68L Turn Signal Lamps Relay - Left	—	• F57UA
—	—	KR68R Turn Signal Lamps Relay - Right	—	• F26UA
—	—	KR150 Relay - Spare	—	• Not Used
—	—	KR182L KR182L Stop/Turn Signal Lamp Relay - Left	—	• F13UA
—	—	KR182R Stop/Turn Signal Lamp Relay - Right	—	• F14UA
Test Points				

Table 11 Usage Table (cont.)

No.	Device Label Name	Device Assigned Name	Rating	Description
TP1	CKT 95	TP1	—	• KR12C Windshield Wiper Speed Control Relay
TP2	CKT 92	TP2	—	• KR12C Windshield Wiper Speed Control Relay





Connector Part Information

- Harness Type: Body
- Service Connector: 6041827C1
- Description: 44-pin F 1.5, 2.8, 6.3 CTS, 9.5 MCON-LL Series (BU)

Table 13 Terminal Part Information

Terminal Type ID	Service Terminal	Diagnostic Test Probe
I	6042033C1	J-35616-14 (GN)
II	6042038C1 0.35mm 6041881C1 0.5mm-0.75mm 6041882C1 1.5mm-2.0mm	J-35616-35 (VT)

Table 14 X50A Fuse Block - Underhood X1

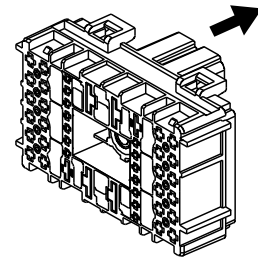
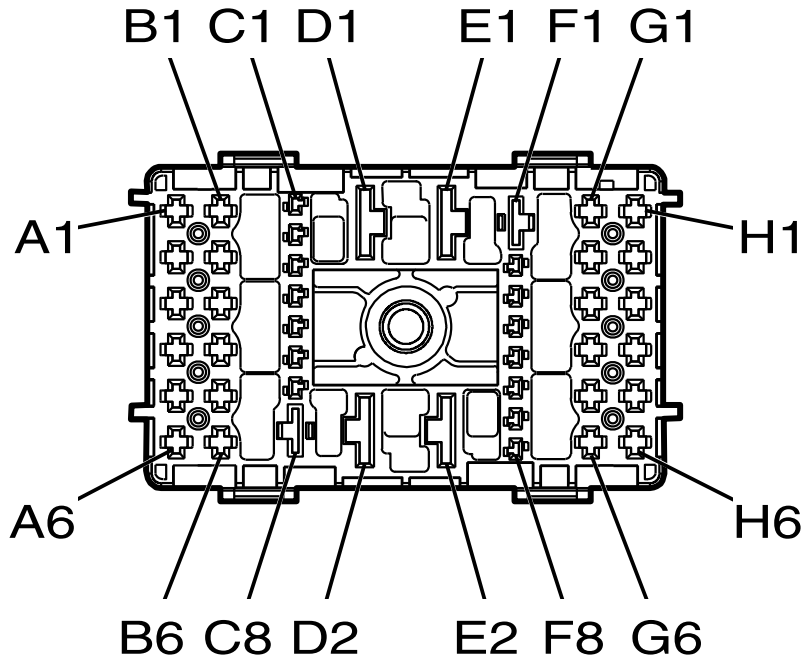
Pin	Size	Color	Circuit	Function	Terminal Type ID	Option
A1	0.75	D-BU / WH	1314	Left Front Turn Signal Lamp Control	II	—
A2	0.5	VT / WH	239	Run / Crank Ignition 1 Voltage	II	—

Table 14 X50A Fuse Block - Underhood X1 (cont.)

Pin	Size	Color	Circuit	Function	Terminal Type ID	Option
A3	0.35	BN / GY	2268	Windshield Washer Relay Control	II	—
A4	0.5	BK	550	Ground	II	—
A5	0.75	BK / WH	451	Signal Ground	II	—
A6	0.75	BN / L-GN	9950	Stop / Turn Signal Lamp Relay - Right Low Control	II	—
B1	—	—	—	Not Occupied	—	—
B2	2	RD / GY	1342	Battery Positive Voltage	II	—
B3-B4	—	—	—	Not Occupied	—	—
B5	0.75	YE / D-BU	18	Left Rear Stop / Turn Lamp Control	II	—
B6	0.75	BN / L-GN	19	Right Rear Stop / Turn Lamp Control	II	—
C1	0.75	YE	712	Left Headlight Low Beam Control	I	—
C2	—	—	—	Not Occupied	—	—
C3	0.75	YE	312	Right Headlight Low Beam Control	I	—
C4-C6	—	—	—	Not Occupied	—	—
C7	0.75	YE / D-BU	9960	Stop / Turn Signal Lamp Relay - Left Low Control	I	—
C8-F1	—	—	—	Not Occupied	—	—
F2	0.35	BN / VT	193	Rear Defog Relay Control	I	—
F3	0.35	VT / L-GN	1739	Run / Crank Ignition 1 Voltage	I	—
F4	0.5	D-BU / WH	1314	Left Front Turn Signal Lamp Control	I	—
F5	0.75	GN / VT	1315	Right Front Turn Signal Lamp Control	—	—
F6	0.35	WH / VT	860	Front Windshield Wiper Switch High Signal	I	—
F7	0.75	L-GN / VT	619	Right Rear Turn Signal Lamp Control	I	—
F8	0.5	L-GN / VT	1315	Right Front Turn Signal Lamp Control	I	—
G1	—	—	—	Not Occupied	—	—
G2	2.5	BN / VT	293	Rear Defog Element Control	II	—
G3	0.5	BN / YE	2267	Mirror Heating Element Control	II	—
G4	0.35	L-GN / VT	5199	Run / Crank Relay Coil Control	II	—
G5	2	BK	550	Ground	II	—

Table 14 X50A Fuse Block - Underhood X1 (cont.)

Pin	Size	Color	Circuit	Function	Terminal Type ID	Option
G6	0.35	GY	91	Windshield Wiper Motor Relay Coil Control	II	—
H1	0.5	VT / GY	539	Run / Crank Ignition 1 Voltage	II	—
H2	2.5	RD / L-GN	242	Battery Positive Voltage	II	—
H3	1.5	VT / GY	139	Run / Crank Ignition 1 Voltage	II	—
H4	0.5	VT / WH	239	Run / Crank Ignition 1 Voltage	II	—
H5	2	WH	92	Windshield Wiper Motor High Speed Control	II	—
H6	2	YE / BN	95	Windshield Wiper Motor Low Speed Control	II	—



Connector Part Information

- Harness Type: Body
- Service Connector: Service by Component Assembly
- Description: 44-pin F 1.5, 2.8, 6.3 CTS, 9.5 MCON-LL Series (GN)

Table 16 Terminal Part Information

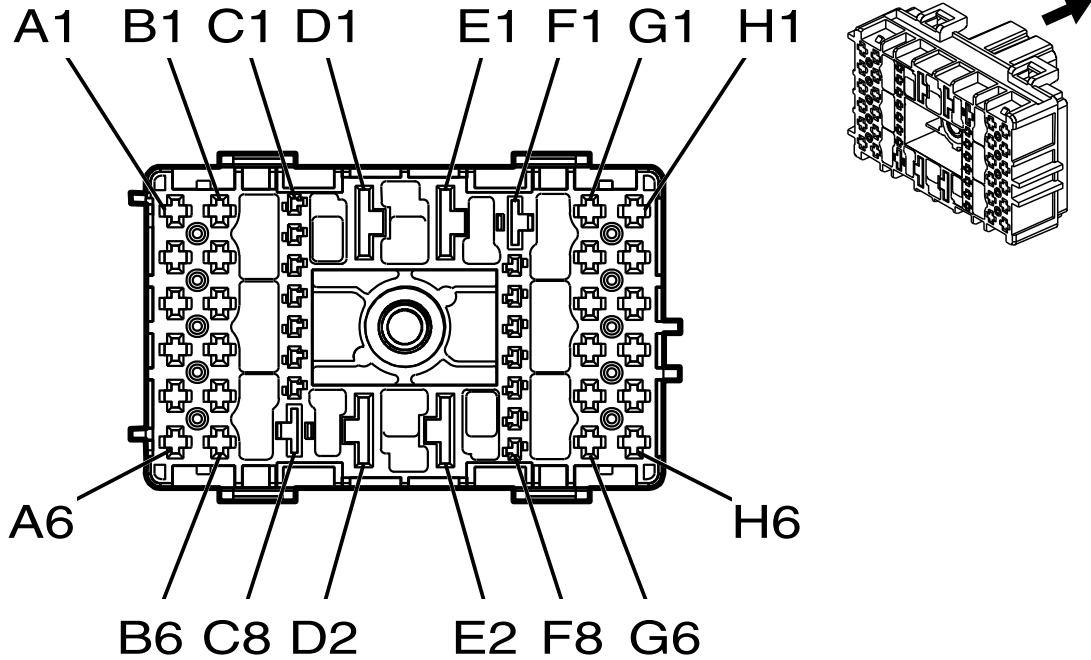
Terminal Type ID	Service Terminal	Diagnostic Test Probe
I	6042034C1 0.35mm	J-35616-14 (GN)
	6042033C1 0.5mm-0.75mm	
II	6042038C1 0.35mm	J-35616-35 (VT)
	6041881C1 0.5mm-.75mm	
	6041882C1 2mm	
III	6042043C1	J-35616-22 (RD)

Table 17 X50A Fuse Block - Underhood X2

Pin	Size	Color	Circuit	Function	Terminal Type ID	Option
A1-A2	—	—	—	Not Occupied	—	—
A3	0.5	WH	711	Left Headlight High Beam Control	II	—
A4	0.5	WH	311	Right Headlight High Beam Control	II	—
A5	0.5	BK	550	Ground	II	—
A6	0.75	GY / VT	228	Windshield Washer Pump Control	II	—
B1-B2	—	—	—	Not Occupied	—	—
B3	0.5	BN / VT	2234	Front Fog Lamp Control	II	—
B4	0.5	RD / YE	2340	Battery Positive Voltage	II	—
B5	0.5	VT / L-GN	39	Run / Crank Ignition 1 Voltage	II	—
B6	0.75	L-GN / VT	1315	Right Front Turn Signal Lamp Control	II	—
C1	0.35	D-BU / WH	5186	Left Trailer Turn Signal Lamp Control	I	—
C2	0.35	YE / GY	5187	Right Trailer Turn Signal Lamp Control	I	—
C3	0.5	BN	1317	Fog Lamp Relay Control	I	—
C4	0.35	BN / VT	1969	Headlight High Beam Relay Control	I	—
C5	0.75	D-BU / WH	1314	Left Front Turn Signal Lamp Control	I	—
C6-D1	—	—	—	Not Occupied	—	—
D2	10	RD / VT	842	Battery Positive Voltage	III	—
E1	—	—	—	Not Occupied	—	—
E2	10	RD / D-BU	42	Battery Positive Voltage	III	—
F1	—	—	—	Not Occupied	—	—
F2	0.5	VT / WH	5065	Stop Lamp Relay Coil Control	I	—
F3	0.35	D-BU / BN	38	Backup Lamp Relay Control	I	—
F4	0.35	BN / WH	28	Horn Relay Control	I	—
F5	—	—	—	Not Occupied	—	—
F6	0.75	YE	312	Right Headlight Low Beam Control	I	—
F7	—	—	—	Not Occupied	—	—
F8	0.75	YE	712	Left Headlight Low Beam Control	I	—
G1	0.75	BN / GY	29	Horn Control	II	—
G2	0.5	L-GN / WH	24	Backup Lamp Control	II	—

Table 17 X50A Fuse Block - Underhood X2 (cont.)

Pin	Size	Color	Circuit	Function	Terminal Type ID	Option
G3	2	RD / L-GN	968	—	II	—
G4	0.5	YE	5530	Hood Open Switch Signal	II	—
G5	0.5	YE	5530	Hood Open Switch Signal	II	—
G6-H1	—	—	—	Not Occupied	—	—
H2	0.5	VT / GY	709	Left Park Lamp Control	II	—
H3	0.5	VT / GY	709	Left Park Lamp Control	II	—
H4	—	—	—	Not Occupied	—	—
H5	0.5	GY / BN	309	Right Park Lamp Control	II	—
H6	0.35	D-BU	45	Park Lamp Relay Control	II	—



Connector Part Information

- Harness Type: Engine Chassis
- Service Connector: Service by Component Assembly
- Description: 44-pin F 1.5, 2.8, 6.3 CTS, 9.5 MCON-LL Series (GY)

Table 19 Terminal Part Information

Terminal Type ID	Service Terminal	Diagnostic Test Probe
I	6042033C1	J-35616-14 (GN)
II	6041881C1	J-35616-35 (VT)
III	6041882C1	J-35616-35 (VT)
IV	6042043C1	J-35616-22 (RD)

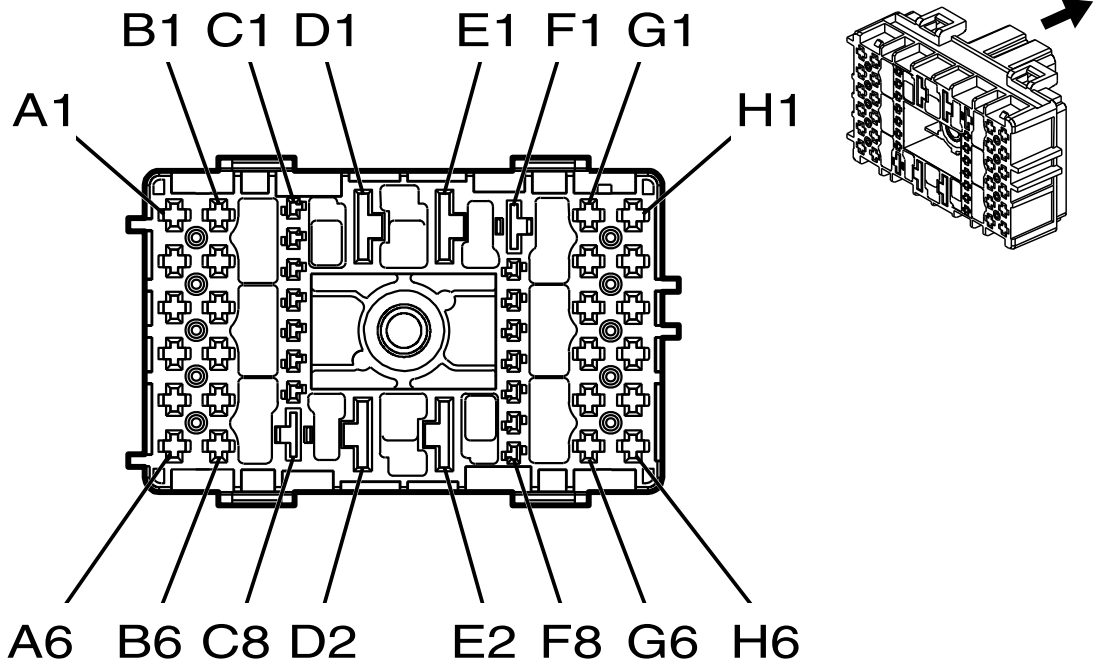
ELECTRICAL CIRCUIT DIAGRAM MANUAL

Table 20 X50A Fuse Block - Underhood X3

Pin	Size	Color	Circuit	Function	Terminal Type ID	Option
A1	0.5	VT / L-GN	439	Run / Crank Ignition 1 Voltage	II	—
A2	0.5	VT / BK	2139	Run / Crank Ignition 1 Voltage	III	—
	0.75	L-GN	123	Run / Crank Ignition 1 Voltage	III	—
A3	0.5	VT / WH	239	Run / Crank Ignition 1 Voltage	II	—
A4	—	—	—	Not Occupied	—	—
A5	1	RD	110	Sunroof Switch Close Signal	III	—
			170	Power Window Master Switch Right Rear Up Signal	III	
A6	0.75	BN / L-GN	59	A / C Compressor Clutch Control	II	—
B1	—	—	—	Not Occupied	—	—
B2	1	VT / GY	539	Run / Crank Ignition 1 Voltage	II	—
B3-B4	—	—	—	Not Occupied	—	—
B5	2.5	BK	550	Ground	II	—
B6	1	BK / WH	451	Signal Ground	II	—
C1	0.5	L-GN / GY	465	Fuel Pump Primary Relay Control	I	—
C2-C3	—	—	—	Not Occupied	—	—
C4	0.5	WH / GY	459	A / C Compressor Clutch Relay Control	I	—
C5-D1	—	—	—	Not Occupied	—	—
D2	10	RD / WH	342	Battery Positive Voltage	IV	—
E1-F2	—	—	—	Not Occupied	—	—
F3	0.5	RD / BN	440	Battery Positive Voltage	I	—
F4	0.5	YE	5991	Powertrain Relay Coil Control	I	—
F5	0.75	RD / WH	3440	Battery Positive Voltage	I	—
F6	—	—	—	Not Occupied	—	—
F7	0.5	GY / YE	5297	Camshaft Position Exhaust Sensor Control 1	I	—
F8	—	—	—	Not Occupied	—	—
G1	0.5	VT / D-BU	5294	Powertrain Main Relay Fused Supply 5	II	—
G2-G6	—	—	—	Not Occupied	—	—

Table 20 X50A Fuse Block - Underhood X3 (cont.)

Pin	Size	Color	Circuit	Function	Terminal Type ID	Option
H1	2.5	VT / D-BU	5290	Powertrain Main Relay Fused Supply 1	II	—
H2-H5	—	—	—	Not Occupied	—	—
H6	0.75	VT / D-BU	5290	Powertrain Main Relay Fused Supply 1	II	—



Connector Part Information	
•	Harness Type: Chassis
•	Service Connector: 4110744C1
•	Description: Description: 44-Way F 1.5, 2.8, 6.3 CTS, 9.5 MCON-LL Series (BK)

Table 22 Terminal Part Information

Terminal Type ID	Service Terminal	Diagnostic Test Probe
I	4100429C1	Not Available

Table 23 X50A Fuse Block - Underhood X4

Pin	Size	Color	Circuit	Function	Terminal Type ID	Option
A1	0.75	VT / GY	1054	Stop Lamp Control	I	—
A2	2	VT / GY	709	Left Park Lamp Control	I	—
A3	5	GY / BN	2109	Trailer Park Lamp Control	I	—
A4	2	GY / BN	309	Right Park Lamp Control	I	—
A5	—	—	—	Not Occupied	—	—
A6	0.5	PK	1739	Run / Crank Ignition 1 Voltage	I	—

Table 23 X50A Fuse Block - Underhood X4 (cont.)

Pin	Size	Color	Circuit	Function	Terminal Type ID	Option
B1	2	GN / WH	24	Backup Lamp Control	I	—
B2	2	WH / GN	1624	Trailer Backup Lamp Control	I	—
B3	—	—	—	Not Occupied	—	—
B4	2	YE / BN	618	Left Rear Turn Signal Lamp Control	I	—
B5	1.5	VT / GN	439	Run / Crank Ignition 1 Voltage	I	—
B6–C6	—	—	—	Not Occupied	—	—
C7	1	RD	2040	Battery Positive Voltage	I	—
C8–D1	—	—	—	Not Occupied	—	—
D2	10	RD / YE	—	—	I	—
E1	10	RD / YE	1042	Battery Positive Voltage	V	—
E2–F5	—	—	—	Not Occupied	—	—
F6	0.5	GN / GY	465	Fuel Pump Primary Relay Control	I	—
F7–G2	—	—	—	Not Occupied	—	—
G3	1.5	YE / BU	318	Left Rear Trailer Stop / Turn Lamp Control	I	—
G4–G5	—	—	—	Not Occupied	—	—
G6	2	RD / GN	1142	Battery Positive Voltage	I	—
H1–H2	—	—	—	Not Occupied	—	—
H3	2	GN / BN	319	Right Rear Trailer Stop / Turn Lamp Control	I	—
H4	2.5	RD / VT	1242	Battery Positive Voltage	I	—
H5	2	RD / VT	1940	Battery Positive Voltage	I	—
H6	2	RD / YE	1242	Battery Positive Voltage	I	—

Connector Part Information

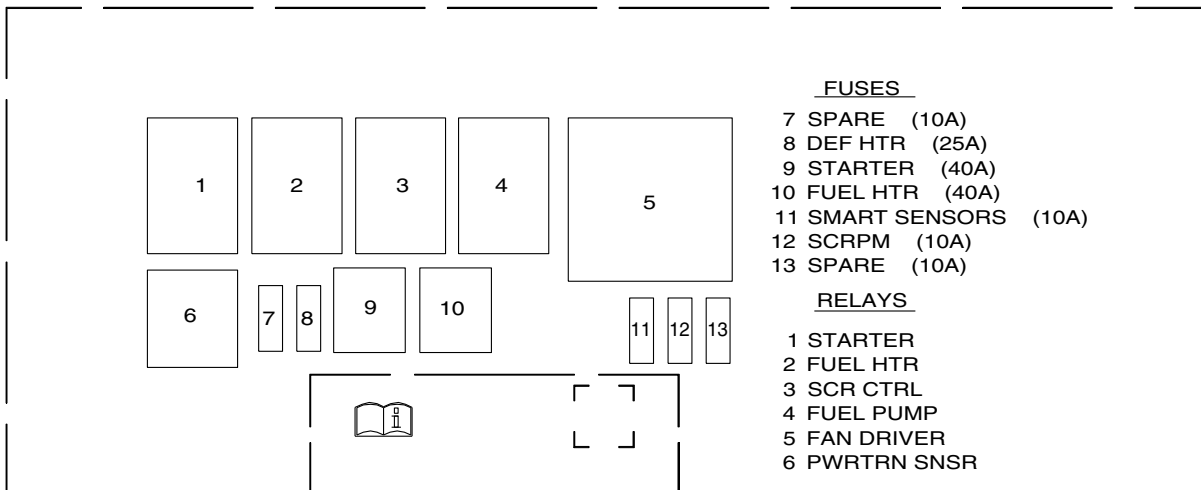
- Harness Type: Fuse Block - Underhood Power
- Service Connector: Service by Cable Assembly — See Part Catalog
- Description: Ring Terminal

Table 25 Terminal Part Information

Terminal Type ID	Service Terminal	Diagnostic Test Probe
I	Not Available	Not Available

Table 26 X50A Fuse Block - Underhood X5

Pin	Size	Color	Circuit	Function	Terminal Type ID	Option
A1	—	RD	842	Battery Positive Voltage	I	—



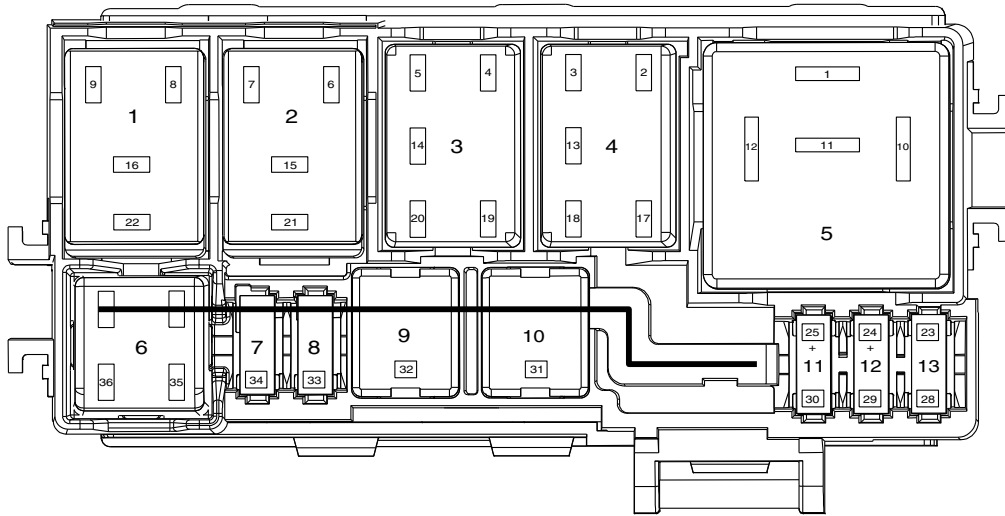
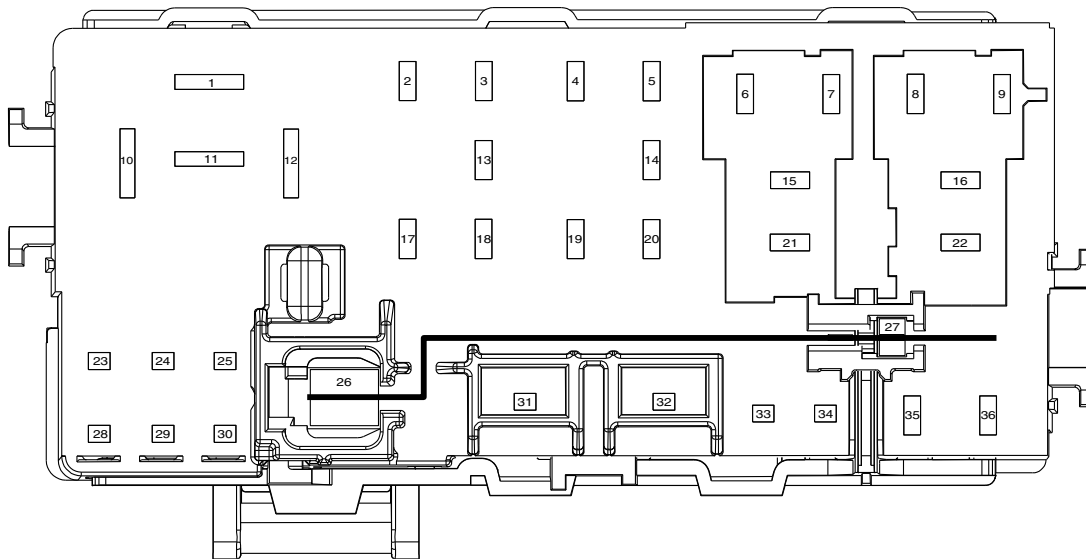


Table 27 Usage Table

No.	Device Label Name	Device Assigned Name	Rating	Description
7	SPARE	F7UB	—	• Not Used
8	DEF HTR	F8UB	25 amp	• KR121A Reductant Control Module Relay 1
9	STARTER	F9UB	40 amp	• KR27 Starter Relay
10	FUEL HTR	F10UB	40 amp	• KR22 Fuel Heater Relay
11	SMART SENSORS	F11UB	10 amp	• B136 Exhaust Particulate Sensor • B195A Nitrogen Oxides Sensor 1 • B195B Nitrogen Oxides Sensor 2 • K111 Fuel Pump Driver Control Module • M103 Turbocharger Vane Position Actuator
12	SCRPM	F12UB	10 amp	• K115 Reductant Control Module
13	SPARE	F13UB	—	• Not Used
Relays				

Table 27 Usage Table (cont.)

No.	Device Label Name	Device Assigned Name	Rating	Description
1	STARTER	KR27 Starter Relay	—	• M64 Starter Motor
2	FUEL HTR	KR22 Fuel Heater Relay	—	• E11A Fuel Heater / Water in Fuel Sensor
3	SCR CTRL	KR121A Reductant Control Module Relay 1	—	• K115 Reductant Control Module
4	FUEL PUMP	KR23B Fuel Pump Relay - Secondary	—	• G12B Fuel Pump – Secondary (Feature Code: 0015DSZ) (NSQ)
5	FAN DRIVER	KR20F Cooling Fan Relay	—	• Q85 Cooling Fan Clutch
6	PWRTRN SNSR	KR121B Reductant Control Module Relay 2	—	• F11UB • F12UB



Connector Part Information

- Harness Type: Engine Chassis
- Service Connector: Service by Component Assembly
- Description: Wire Entry Fuse Block

Table 29 Terminal Part Information

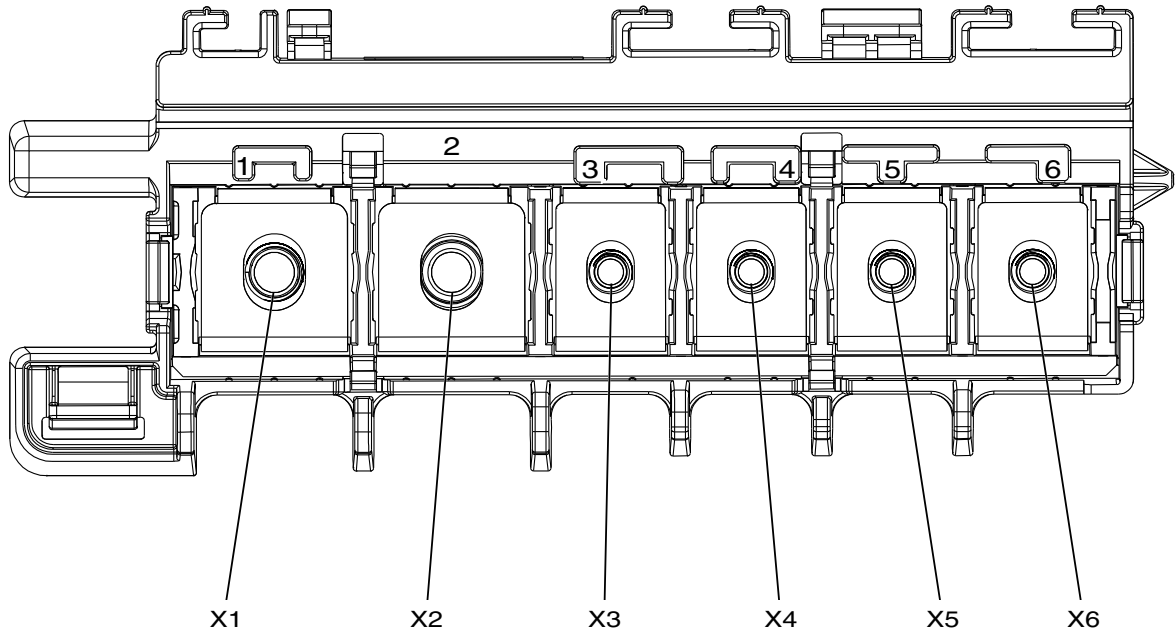
Terminal Type ID	Service Terminal	Diagnostic Test Probe
I	Not Available	J-35616-42 (RD)
II	Not Available	J-35616-43 (RD)
III	Not Available	J-35616-35 (VT)
IV	Not Available	J-35616-21 (RD)
V	Not Available	J-35616-42 (RD)
VI	Not Available	J-35616-22 (RD)

Table 30 X50B Fuse Block – Underhood Auxiliary Bottom View

Pin	Size	Color	Circuit	Function	Terminal Type ID	Option
1	0.5	GY / YE	5297	Exhaust Camshaft Position Sensor 1 Voltage Reference	V	—
2	1	BK	550	Ground	III	—
3	1.5	VT / GY	539	Run / Crank Ignition 1 Voltage	III	—
4	0.5	GN / BU	3889	DEF Power Module Relay Control	III	—
5	2.5	BU / BN	3922	DEF Heater Supply 2	III	—
6	0.5	BU / GN	7071	Heater Fuel Control	I	—
7	0.5	VT / GN	355	Fuel Filter Heater Voltage	I	—
8	1	BK	550	Ground	I	—
9	0.5	YE / BK	625	Starter Enable Relay Control	I	—
10	1	BK	550	Ground	V	—
11	0.5	WH	2368	Cooling Fan Control Signal	V	—
12	0.5	WH / BK	2366	Cooling Fan Control Relay Speed Signal	V	—
13–14	—	—	—	Not Occupied	—	—
15	2.5	VT / GN	355	Fuel Filter Heater Voltage	IV	—
16	3	YE / VT	6	Starter Solenoid Crank Ignition Voltage	IV	—
17	17. 1	VT / GY	539	Run / Crank Ignition 1 Voltage	III	—
18	0.5	YE / BU	1465	Secondary Fuel Pump Relay Control	III	—
19	0.5 2.5	BU	3921	DEF Heater Supply 1	III	—
20	0.5	BU	3921	DEF Heater Supply 1	III	—
21	2.5	VT / GN	355	Fuel Filter Heater Voltage	IV	—
22	2.5	RD / BU	1240	Battery Positive Voltage	IV	—
23	—	—	—	—	—	—
24	0.5	VT / BU	974	Reductant Control Module Relay 2 Supplied Power	III	—
25	2.5	VT / BU	974	Reductant Control Module Relay 2 Supplied Power	III	—
26	10	RD / WH	342	Battery Positive Voltage	VI	—
27–28	—	—	—	Not Occupied	—	—
29	0.5	VT / GN	4320	Powertrain Sensor Bus Enable	III	—
30	2.5	VT / BU	3674	NOx Sensor 1 Control	III	—
31	2.5	VT / GN	355	Fuel Filter Heater Voltage	II	—

Table 30 X50B Fuse Block – Underhood Auxiliary Bottom View (cont.)

Pin	Size	Color	Circuit	Function	Terminal Type ID	Option
32	2.5	RD / BU	1240	Battery Positive Voltage	II	—
33	2.5	BU	3921	DEF Heater Supply 1	III	—
34	—	—	—	Not Occupied	—	—
35	0.5	VT / BU	974	—	III	—
	2.5					—
36	0.5	GN / BU	3889	Powertrain Sensor Bus Relay Control	III	—



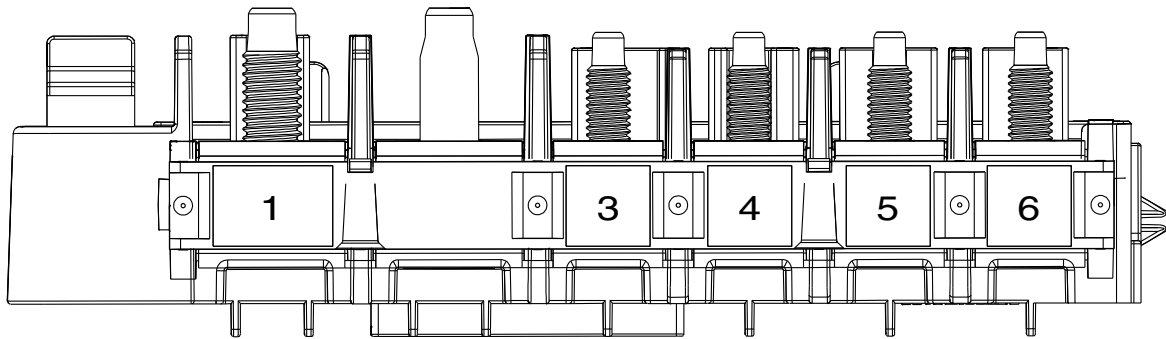
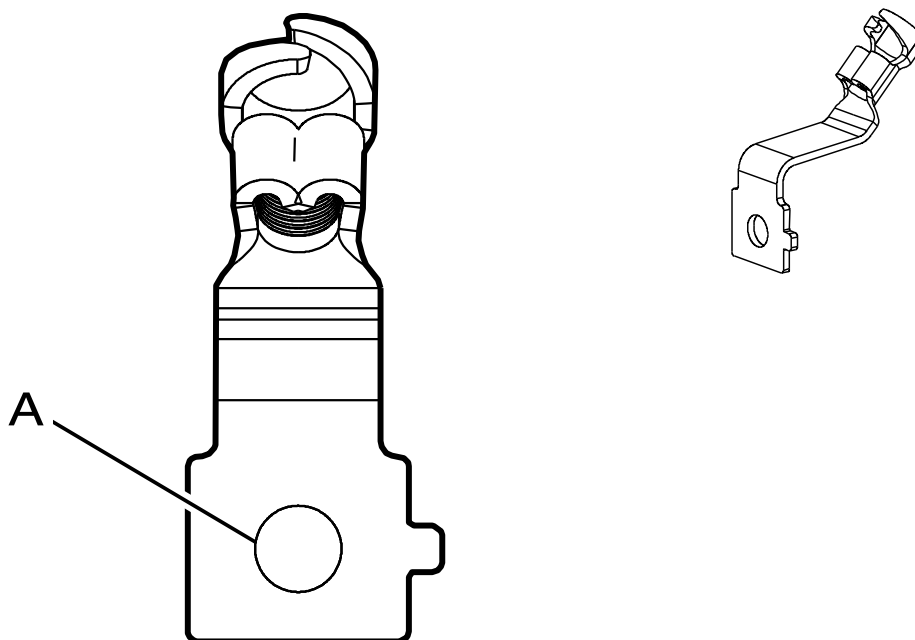


Table 31 Usage Table

No.	Device Label Name	Device Assigned Name	Rating	Description
1	—	F1BA	250 amp	<ul style="list-style-type: none"> G13 Alternator (Generator) X50A Fuse Block Underhood
2	—	—	—	<ul style="list-style-type: none"> C1 Battery
3	—	F3BA	125 amp	<ul style="list-style-type: none"> K34 Glow Plug Control Module
4	—	F4BA	100 amp	<ul style="list-style-type: none"> E40 Electrical Auxiliary Heater (Feature Code: C32)
5	—	F5BA	60 amp	<ul style="list-style-type: none"> X51R Fuse Block – Instrument Panel Right
6	—	F6BA	60 amp	<ul style="list-style-type: none"> X51R Fuse Block – Instrument Panel Right



Connector Part Information

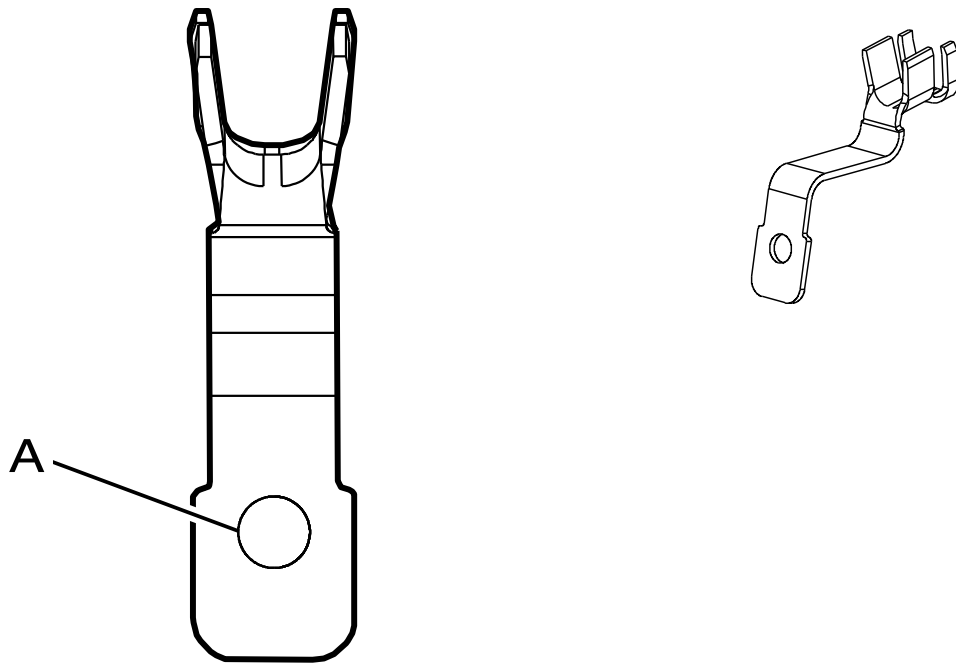
- Harness Type: Generator
- Service Connector: Service by Cable Assembly
- Description: 1-Way Ring Terminal

Table 33 Terminal Part Information

Terminal Type ID	Service Terminal	Diagnostic Test Probe
I	Not Available	No Tool Required

Table 34 X50D Fuse Block - Battery X1 (Feature Code: C32)

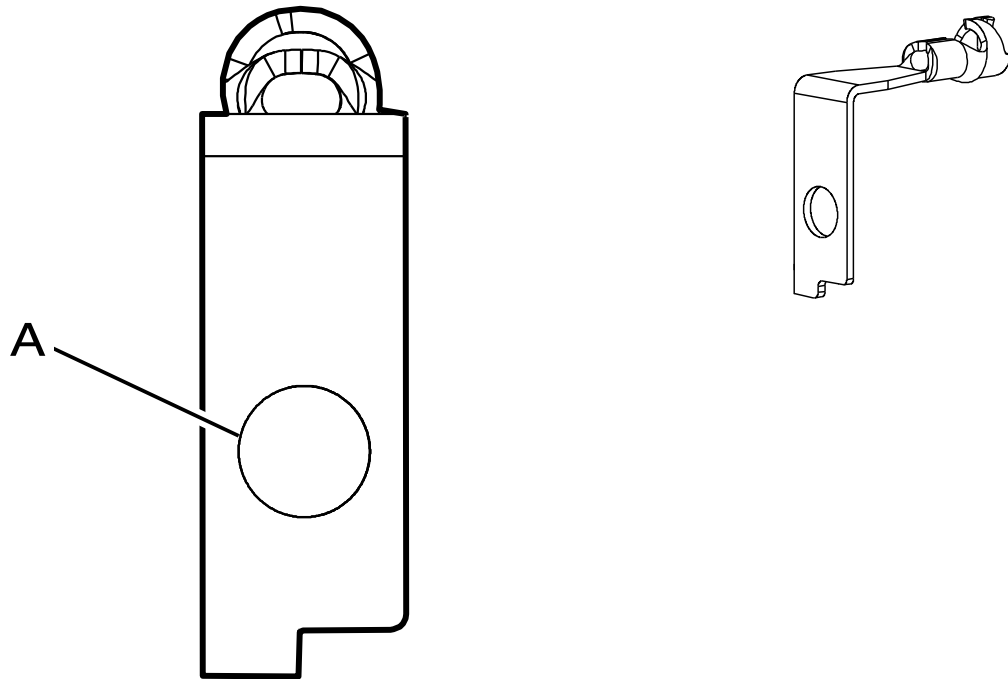
Pin	Size	Color	Circuit	Function	Terminal Type ID	Option
A	—	RD	2	Battery Positive Voltage	I	—



Connector Part Information	
•	Harness Type: Body
•	Service Connector: Service by Cable Assembly
•	Description: 1-Way Ring Terminal

Table 36 Terminal Part Information

Terminal Type ID	Service Terminal	Terminated Lead
I	Not Available	Not Required



Connector Part Information

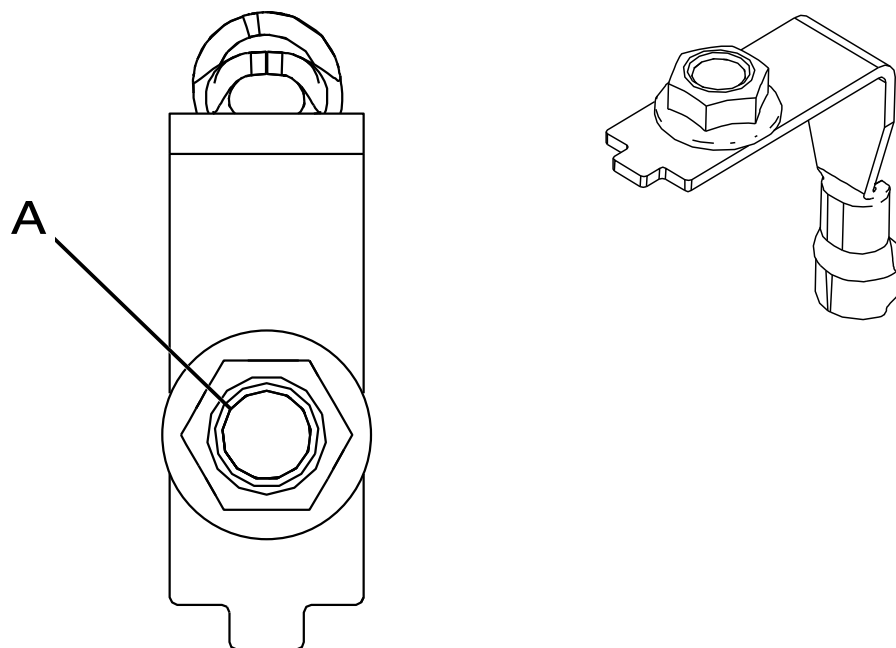
- Harness Type: Body
- Service Connector: Service by Cable Assembly
- Description: 1-Way Ring Terminal

Table 38 Terminal Part Information

Terminal Type ID	Service Terminal	Diagnostic Test Probe
I	Not Available	No Tool Required

Table 39 X50D Fuse Block - Battery X3 (Feature Code: C32)

Pin	Size	Color	Circuit	Function	Terminal Type ID	Option
A	—	RD	842	Unfused Battery Positive Voltage	I	—



Connector Part Information

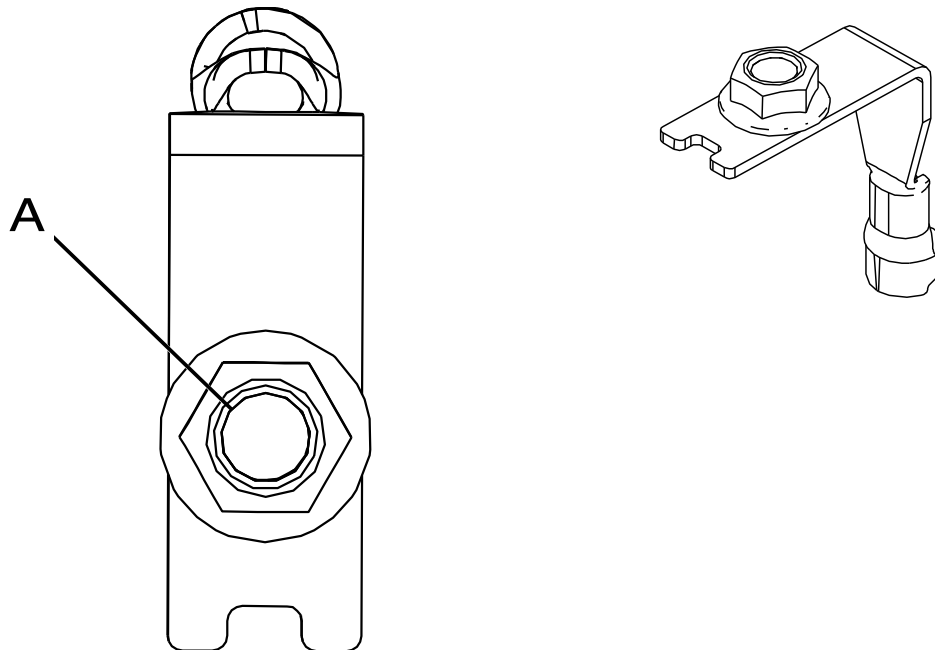
- Harness Type: Body
- Service Connector: Service by Cable Assembly
- Description: 1-Way Ring Terminal

Table 41 Terminal Part Information

Terminal Type ID	Service Terminal	Diagnostic Test Probe
I	Not Available	Not Required

Table 42 X50D Fuse Block - Battery X4 (Feature Code: C32)

Pin	Size	Color	Circuit	Function	Terminal Type ID	Option
A	10	RD / GY	642	Battery Positive Voltage	I	—



Connector Part Information	
•	Harness Type: Body
•	Service Connector: Service by Cable Assembly
•	Description: 1-pin Ring Terminal

Table 44 Terminal Part Information

Terminal Type ID	Service Terminal	Diagnostic Test Probe
I	Not Available	No Tool Required

Table 45 X50D Fuse Block - Battery X5

Pin	Size	Color	Circuit	Function	Terminal Type ID	Option
A	6	RD / GY	142	Primary Fused Battery Positive Voltage 1	I	—

Connector Part Information

- Harness Type: Body
- Service Connector: Service by Cable Assembly
- Description: 1-pin Ring Terminal

Table 47 Terminal Part Information

Terminal Type ID	Service Terminal	Diagnostic Test Probe
I	Not Available	No Tool Required

Table 48 X50D Fuse Block - Battery X6

Pin	Size	Color	Circuit	Function	Terminal Type ID	Option
1	6	RD / GN	242	Primary Fused Battery Positive Voltage 2	I	—

Table 49 Usage Table

No.	Device Label Name	Device Assigned Name	Rating	Description
Fuses				
1	CB1	F1BB	30A	• KR161F Configurable Provision Relay 6
2	CB2	F2BB	30A	• KR161G Configurable Provision Relay 7
3	CB3	F3PA	30A	• KR161G Configurable Provision Relay 7
4	CB4	F4PA	20A	• KR161H Configurable Provision Relay 8
5	CB5	F5PA	20A	• KR161J Configurable Provision Relay 9
6	CB6A	F6PA	20A	• KR161K Configurable Provision Relay 10
7	CB6B	F7PA	20A	• KR161L Configurable Provision Relay 11
8	CB8	F8PA	5A	• KR73 Ignition Main Relay
Relays				
1	RELAY 1	KR161E Configurable Provision Relay 5	—	• W25 Blunt Cut Configurable Provision (BU)
2	RELAY 2	KR161F Configurable Provision Relay 6	—	• W25 Blunt Cut Configurable Provision (RD)
3	RELAY 3	KR161G Configurable Provision Relay 7	—	• W25 Blunt Cut Configurable Provision (OG)
4	RELAY 4	KR161H Configurable Provision Relay 8	—	• W25 Blunt Cut Configurable Provision (YE)
5	RELAY 5	KR161J Configurable Provision Relay 9	—	• W25 Blunt Cut Configurable Provision (GN)
6	RELAY 6A	KR161K Configurable Provision Relay 10	—	• W25 Blunt Cut Configurable Provision (BN)

Table 49 Usage Table (cont.)

No.	Device Label Name	Device Assigned Name	Rating	Description
7	RELAY 6B	KR161L Configurable Provision Relay 11	—	<ul style="list-style-type: none">• W25 Blunt Cut Configurable Provision (BK)
8	RELAY 8 IGN	KR73 Ignition Main Relay	—	<ul style="list-style-type: none">• S181E Configurable Provision Switch 5• S181F Configurable Provision Switch 6• S181G Configurable Provision Switch 7• S181H Configurable Provision Switch 8• S181J Configurable Provision Switch 9• S181K Configurable Provision Switch 10

Connector Part Information

- Harness Type: PDM-VEC Power Cable
- OEM Connector: 2241627C1
- Service Connector: Service by Cable Assembly
- Description: 1-Way Ring Terminal

Table 51 Terminal Part Information

Terminal Type ID	Service Terminal	Diagnostic Test Probe
I	Not Available	No Tool Required

Table 52 X50E Fuse Block - Battery Auxiliary X1 (UEH)

Pin	Size	Color	Circuit	Function	Terminal Type ID	Option
A	4	RD	1A	Battery Positive Voltage	I	—

Connector Part Information

- Harness Type: PDM-VEC Power Cable
- OEM Connector: 2241627C1
- Service Connector: Service by Cable Assembly
- Description: 1-Way Ring Terminal

Table 54 Terminal Part Information

Terminal Type ID	Service Terminal	Diagnostic Test Probe
I	Not Available	No Tool Required

Table 55 X50E Fuse Block - Battery Auxiliary X2 (UEH)

Pin	Size	Color	Circuit	Function	Terminal Type ID	Option
A	4	RD	1B	Battery Positive Voltage	I	—

Connector Part Information

- Harness Type: PDM Power Cable 2
- OEM Connector: 2241353C1
- Service Connector: Service by Cable Assembly
- Description: 1-Way Ring Terminal

Table 57 Terminal Part Information

Terminal Type ID	Service Terminal	Diagnostic Test Probe
I	Not Available	No Tool Required

Table 58 X50E Fuse Block - Battery Auxiliary X3 (UEH)

Pin	Size	Color	Circuit	Function	Terminal Type ID	Option
A	2	RD	A	Unfused Battery Positive Voltage	I	—

Table 59 Usage Table

No.	Device Label Name	Device Assigned Name	Rating	Description
Fuses				
1	—	F1BB	100A	<ul style="list-style-type: none">• F4PA• F5PA• F6PA• F7PA
2	—	F2BB	100A	<ul style="list-style-type: none">• F1PA• F2PA• F3PA• F8PA

Connector Part Information

- Harness Type: Switch Bank
- OEM Connector: 3590906C1
- Service Connector: Service by Cable Assembly
- Description: 8-Way F 280 Metri-Pack Series, Sealed (BK)

Table 61 Terminal Part Information

Terminal Type ID	Service Terminal	Diagnostic Test Probe
I	Not Available	No Tool Required

Table 62 X54G Fuse Block - Body Provision X1 (UEH)

Pin	Size	Color	Circuit	Function	Terminal Type ID	Option
A	3.3	RD	1B	Configurable Provision 6 Control	I	—

Connector Part Information

- Harness Type: Switch Bank
- OEM Connector: 3590905C1
- Service Connector: Service by Cable Assembly
- Description: 8-Way F 280 Metri-Pack Series, Sealed (GY)

Table 64 Terminal Part Information

Terminal Type ID	Service Terminal	Diagnostic Test Probe
I	Not Available	No Tool Required

Table 65 X54G Fuse Block - Body Provision X2 (UEH)

Pin	Size	Color	Circuit	Function	Terminal Type ID	Option
A	1.31	BN	1F	Configurable Provision 10 Control 1	I	—
B	1.31	BK	1G	Configurable Provision 10 Control 2	I	—
C	1.31	YE	1D	Configurable Provision 10 Control 3	I	—
D	1.31	GN	1E	Configurable Provision 10 Control 4	I	—

Connector Part Information

- Harness Type: Switch Bank
- OEM Connector: 3814193C1
- Service Connector: Service by Cable Assembly
- Description: 8-Way F 280 Metri-Pack Series, Sealed

Table 67 Terminal Part Information

Terminal Type ID	Service Terminal	Diagnostic Test Probe
I	Not Available	No Tool Required

Table 68 X54G Fuse Block - Body Provision X3 (UEH)

Pin	Size	Color	Circuit	Function	Terminal Type ID	Option
A	0.82	PK	12F	Configurable Provision 10 Control	I	—
B	0.82	PK	12F	Configurable Provision 10 Control	I	—
F	0.82	PK	12C	Configurable Provision Relay 7 Control	I	—
G	0.82	PK	12E	Configurable Provision Relay 9 Control	I	—
H	0.82	PK	12D	Configurable Provision Relay 8 Control	I	—

Connector Part Information

- Harness Type: Switch Bank
- OEM Connector: 3814194C1
- Service Connector: Service by Cable Assembly
- Description: 8-Way F 280 Metri-Pack Series, Sealed

Table 70 Terminal Part Information

Terminal Type ID	Service Terminal	Diagnostic Test Probe
I	Not Available	No Tool Required

Table 71 X54G Fuse Block - Body Provision X4 (UEH)

Pin	Size	Color	Circuit	Function	Terminal Type ID	Option
C	0.82	PK	31A	Run/Crank Ignition Voltage	I	—
D	0.82	PK	12B	Configurable Provision Relay 6 Control	I	—
E	0.82	PK	12A	Configurable Provision Relay 5 Control	I	—
F	0.82	PK	11A	Ground	I	—

Connector Part Information

- Harness Type: Switch Bank
- OEM Connector: 3590903C1
- Service Connector: Service by Cable Assembly
- Description: 2-Way F 800 Metri-Pack Series, Sealed (GY)

Table 73 Terminal Part Information

Terminal Type ID	Service Terminal	Diagnostic Test Probe
I	Not Available	No Tool Required

Table 74 X54G Fuse Block - Body Provision X5 (UEH)

Pin	Size	Color	Circuit	Function	Terminal Type ID	Option
A	8	RD	1A	Battery Positive Voltage	I	—
C	8	RD	1A	Battery Positive Voltage	I	—

Connector Part Information

- Harness Type: Switch Bank
- OEM Connector: 3590904C1
- Service Connector: Service by Cable Assembly
- Description: 2-Way F 800 Metri-Pack Series, Sealed (BK)

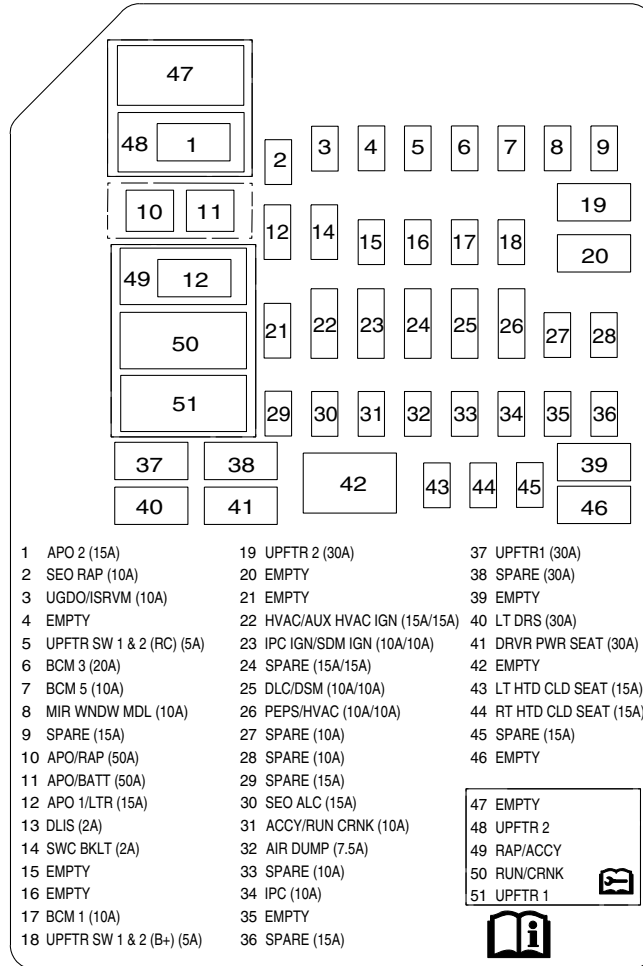
Table 76 Terminal Part Information

Terminal Type ID	Service Terminal	Diagnostic Test Probe
I	Not Available	No Tool Required

Table 77 X54G Fuse Block - Body Provision X6 (UEH)

Pin	Size	Color	Circuit	Function	Terminal Type ID	Option
A	8	RD	1B	Battery Positive Voltage	I	—
C	8	RD	1B	Battery Positive Voltage	I	—

ELECTRICAL CIRCUIT DIAGRAM MANUAL



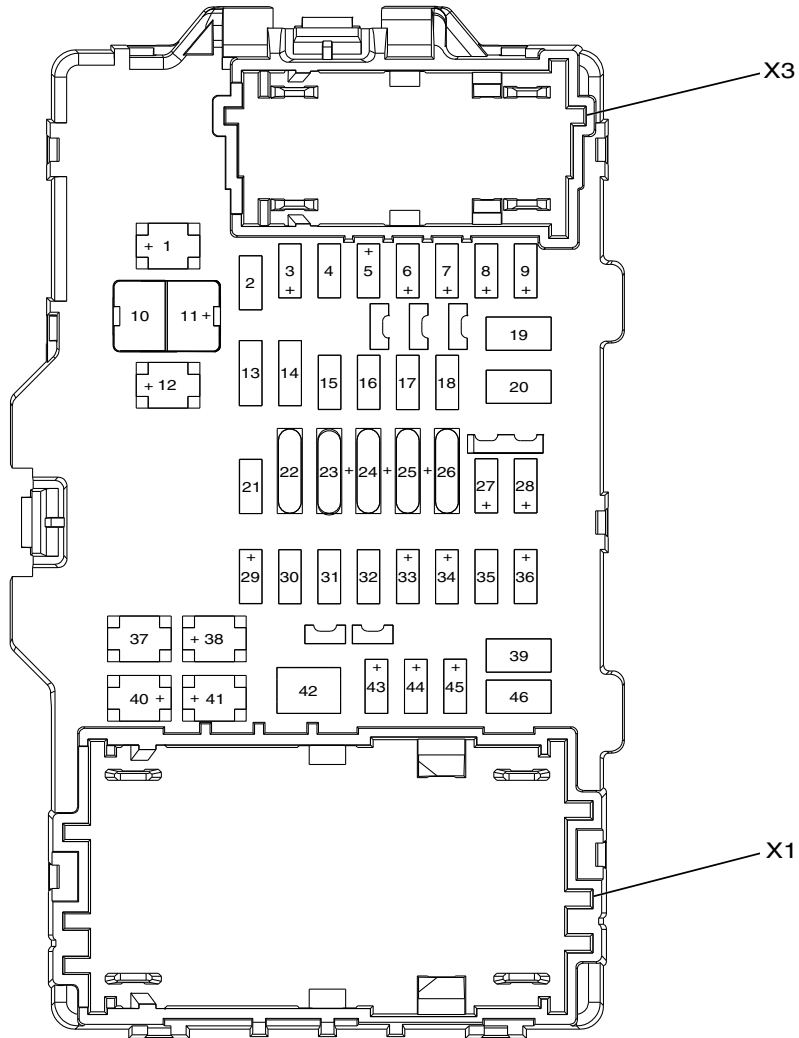


Table 78 Usage Table

No.	Device Label Name	Device Assigned Name	Rating	Description
Fuses				
1	APO 2	F1DL	15 amps	<ul style="list-style-type: none"> X80G Accessory Power Receptacle – Instrument Panel (Without Feature Code: 0016XCN) X80K Accessory Power Receptacle – Instrument Panel 2 (Feature Code: 0016XCN)

Table 78 Usage Table (cont.)

No.	Device Label Name	Device Assigned Name	Rating	Description
2	SEO RAP	F2DL	10 amps	<ul style="list-style-type: none"> X61A Junction Block-Instrument Pane T22 Modile Device Wireless Charger Module (0016XCN)
3	UGDO / ISRVM	F3DL	10 amps	<ul style="list-style-type: none"> S63 Roof Beacon Switch (Feature Code: 0008XKS)
4	EMPTY	F4DL	—	<ul style="list-style-type: none"> Not Used
5	UPFTR SW 1 and 2 (RC)	F5DL	5 amps	<ul style="list-style-type: none"> KR161A Configurable Provision Relay 1 (Feature Code: 0008XJP) KR161B Configurable Provision Relay 2 (Feature Code: 0008XJP)
6	BCM 3	F6DL	20 amps	<ul style="list-style-type: none"> K9 Body Control Module E4H Headlamp - Right Low Beam E4S Park / Turn Signal Lamp - Left Upper E4Q Park / Turn Signal Lamp - Left Lower E4Y Turn Signal Reapeater Lamp - Left (0016SPS) KR68L Turn Signal Lamps Relay - Left (0008HXV / 0008HXU) X117 Right Snow Plow Tee Harness to Right Snow Plow Light Harness (0008TUM)
7	BCM 5	F7DL	10 amps	<ul style="list-style-type: none"> K9 Body Control Module KR40 Backup Lamp Relay KR113 Child Security Lock Disable Relay KR114 Door Dead Lock Relay S48A Multifunction Switch - Instrument Panel S77 Transfer Case Shift Control Switch (0013WDB) S79D Window Switch - Driver (Crew Cab)
8	MIR WNDW MDL	F8DL	10 amps	<ul style="list-style-type: none"> S52 Outside Rearview Mirror Switch (Feature Code: 0016SPS) S79D Window Switch – Driver (Feature Code: 0016WAK)
9	SPARE	F9DL	15 amps	<ul style="list-style-type: none"> Not Used
10	APO / RAP	F10DL	50 amps	<ul style="list-style-type: none"> F1DL F12DL

Table 78 Usage Table (cont.)

No.	Device Label Name	Device Assigned Name	Rating	Description
11	APO / BATT	F11DL	50 amps	<ul style="list-style-type: none">• F1DL• F12DL
12	APO 1 / LTR	F12DL	15 amps	<ul style="list-style-type: none">• X80J Accessory Power Receptacle – Instrument Panel 1 (Feature Code: 0016XCN)
13	DLIS	F13DL	2 amps	<ul style="list-style-type: none">• S39 Ignition Switch
14	SWC BKLT	F14DL	2 amps	<ul style="list-style-type: none">• S70L Steering Wheel Controls Switch – Left
15	EMPTY	F15DL	—	<ul style="list-style-type: none">• Not Used
16	EMPTY	F16DL	—	<ul style="list-style-type: none">• Not Used

Table 78 Usage Table (cont.)

No.	Device Label Name	Device Assigned Name	Rating	Description
17	BCM 1	F17DL	10 amps	<ul style="list-style-type: none"> • K9 Body Control Module • E1L Accent Lamp - Overhead Console • E63D Flood Lamp - Driver Door Handle (0016WAK) • E63P Flood Lamp - Passenger Door Handle (0016WAK) • K17 Electronic Brake Control Module • K20 Engine Control Module • K34 Glow Plug Control Module • K36 Inflatable Restraint Sensing and Diagnostic Module • K38A Chassis Control Module - Auxiliary (0008HBW) • K44 Power Take-Off Control Module (PTO) • K56 Serial Data Gateway Module • K69 Transfer Case Control Module (0013WDB) • K71 Transmission Control Module • K73 Telematics Communication Interface Control Module (0008AAE) • K74 Human Machine Interface Control Module (0008RNR / 0008RNP) • K77 Remote Control Door Lock Receiver • K89 Immobilizer Control Module • KR11 Windshield Washer Pump Relay • KR12B Windshield Wiper Relay • KR59 Stop Lamp Relay • KR73 Ignition Main Relay (X50A Fuse Block Underhood) • KR73 Ignition Main Relay (X51L Fuse Block Instrument Panel - Left) • KR112 Cargo Lamp Relay • S48A Multifunction Switch - Instrument Panel • S70L Steering Wheel Controls Switch - Left • R50 Brake Booster Diode

Table 78 Usage Table (cont.)

No.	Device Label Name	Device Assigned Name	Rating	Description
18	UPFTR SW 1 and 2 (B+)	F18DL	5 amps	<ul style="list-style-type: none"> • KR161A Configurable Provision Relay 1 (Feature Code: 0008XJP) • KR161B Configurable Provision Relay 2 (Feature Code: 0008XJP)
19	UPFTR 2	F19DL	30 amps	<ul style="list-style-type: none"> • X61A Junction Block – Instrument Panel (Feature Code: 0008XJP)
20	EMPTY	F20DL	—	<ul style="list-style-type: none"> • Not Used
21	EMPTY	F21DL	—	<ul style="list-style-type: none"> • Not Used
22	HVAC / AUX HVAC IGN	F22DL	15 amps / 15 amps	<ul style="list-style-type: none"> • K33 HVAC Control Module • E40 Electrical Auxiliary Heater (Feature Code: C32)
23	IPC IGN / SDM IGN	F23DL	10 amps / 10 amps	<ul style="list-style-type: none"> • P14 Passenger Air Bag Disable Indicator (Feature Code: 0016XCR) • P16 Instrument Cluster
24	SPARE	F24DL	15 amps / 15 amps	<ul style="list-style-type: none"> • Not Used
25	DLC / DSM	F25DL	10 amps / 10 amps	<ul style="list-style-type: none"> • X84 Data Link Connector
26	PEPS / HVAC	F26DL	10 amps / 10 amps	<ul style="list-style-type: none"> • K33 HVAC Control Module • K56 Serial Data Gateway Module
27	SPARE	F27DL	10 amps	<ul style="list-style-type: none"> • Not Used
28	SPARE	F28DL	10 amps	<ul style="list-style-type: none"> • Not Used
29	SPARE	F29DL	15 amps	<ul style="list-style-type: none"> • Not Used
30	SEO ALC	F30DL	15 amps	<ul style="list-style-type: none"> • W12 Blunt Cut – Emergency Vehicle Provision (Feature Code: ANM) • X61A Junction Block – Instrument Panel (Without Feature Code: -ANM)
31	ACCY / RUN CRNK	F31DL	10 amps	<ul style="list-style-type: none"> • A10 Inside Rearview Mirror (Feature Code: 0016ACC) (DD8) • K69 Transfer Case Control Module (Feature Code: 0013TLP (0013WDB)) • B87 Rearview Camera (Feature Code: 0008RNY) • S48A Multifunction Switch – Instrument Panel (Feature Code: 0012WGG)

Table 78 Usage Table (cont.)

No.	Device Label Name	Device Assigned Name	Rating	Description
32	AIR DUMP	F32DL	7.5 amps	<ul style="list-style-type: none"> KR193 Rear Air Suspension Control Relay S48A Multifunction Switch - Instrument Panel
33	SPARE	F33DL	10 amps	<ul style="list-style-type: none"> Not Used
34	IPC	F34DL	10 amps	<ul style="list-style-type: none"> A26 HVAC Controls P16 Instrument Cluster P17 Info Display Module (Feature Code: 0008RNN / 0008RNW / 0008RNX) S32D Seat Heating Switch – Driver (Feature Code: 0016XJR) S32P Seat Heating Switch – Passenger (Feature Code: 0016XJR)
35	EMPTY	F35DL	—	<ul style="list-style-type: none"> Not Used
36	SPARE	F36DL	15 amps	<ul style="list-style-type: none"> Not Used
37	UPFTR 1	F37DL	30 amps	<ul style="list-style-type: none"> X61A Junction Block – Instrument Panel (Feature Code: 0008XJP)
38	SPARE	F38DL	30 amps	<ul style="list-style-type: none"> Not Used
39	EMPTY	F39DL	—	<ul style="list-style-type: none"> Not Used
40	LT DRS	F40DL	30 amps	<ul style="list-style-type: none"> M74D Window Motor – Driver (Feature Code: 0016WAK) S79LR Window Switch – Left Rear (Crew Cab)
41	DRVR PWR SEAT	F41DL	30 amps	<ul style="list-style-type: none"> S64D Seat Adjuster Switch-Driver ((Feature Code: 0016KVV / AZF)
42	EMPTY	F42DL	—	<ul style="list-style-type: none"> Not Used
43	LT HTD CLD SEAT	F43DL	15 amps	<ul style="list-style-type: none"> K29 Seat Heating Control Module (Feature Code: 0016XJR)
44	RH HTD CLD SEAT	F44DL	15 amps	<ul style="list-style-type: none"> K29 Seat Heating Control Module (Feature Code: 0016XJR)
45	SPARE	F45DL	15 amps	<ul style="list-style-type: none"> Not Used
46	EMPTY	F46DL	—	<ul style="list-style-type: none"> Not Used

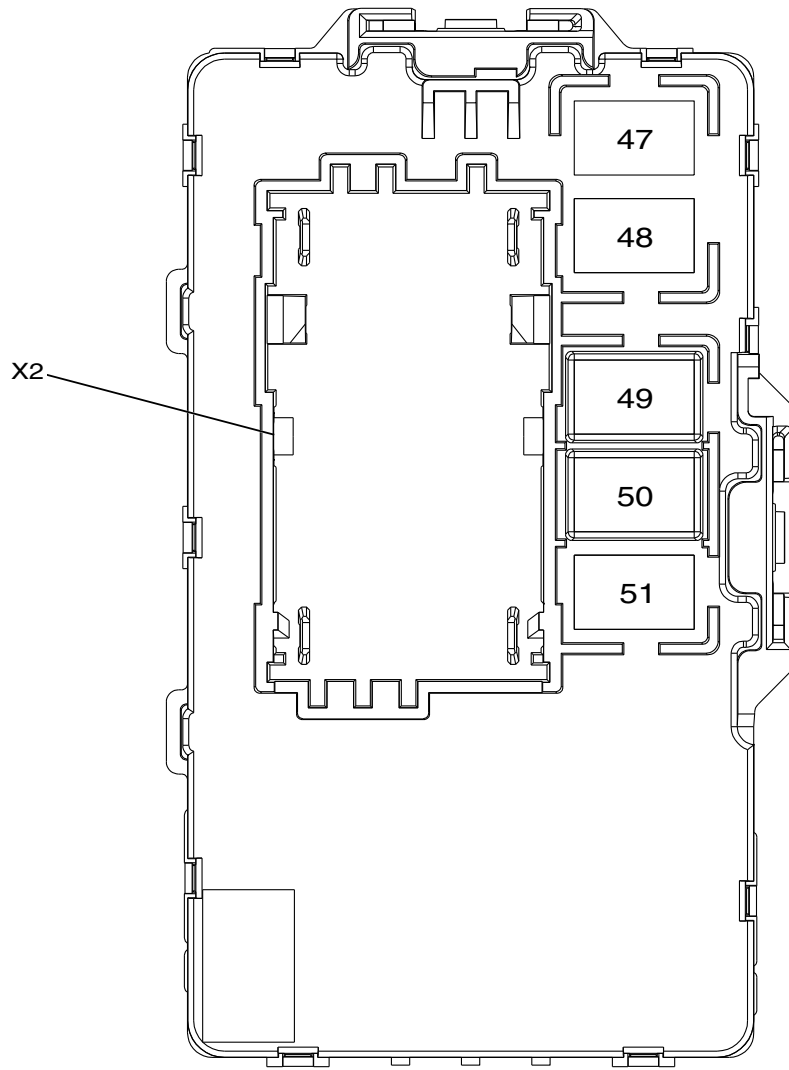
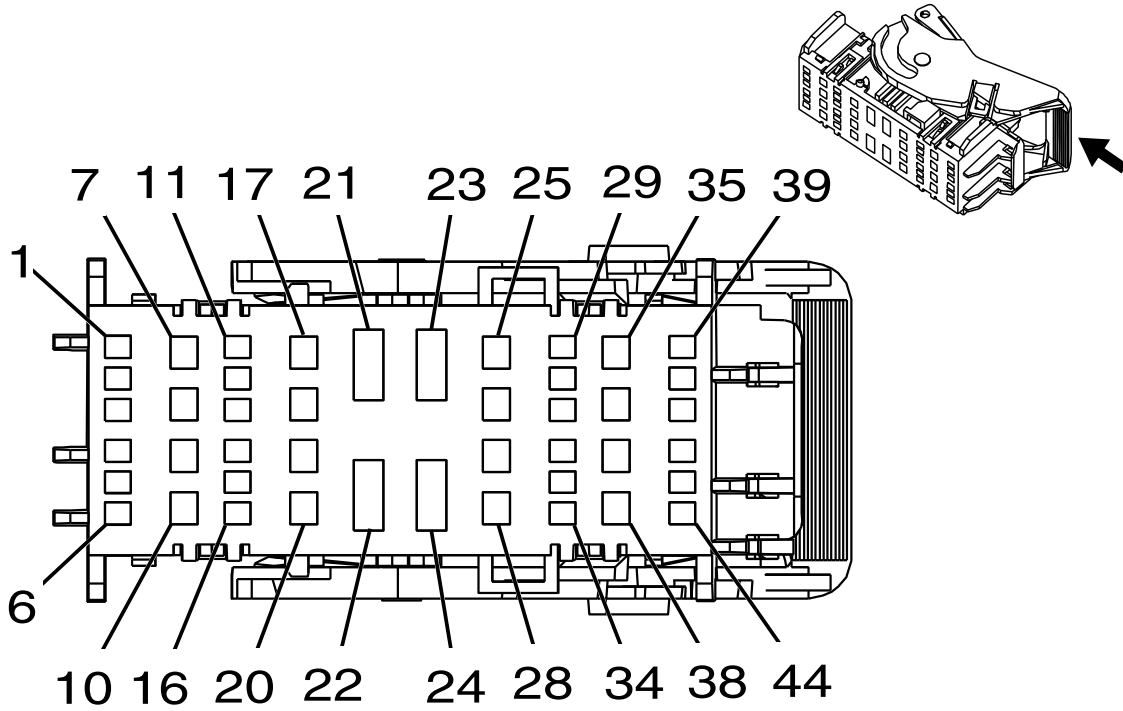


Table 79 Usage Table

No.	Device Label Name	Device Assigned Name	Rating	Description
Relays				
47	EMPTY	—	—	• Not Used
48	UPFTR 2	KR161B Configurable Provision Relay 2	—	• F19DL

Table 79 Usage Table (cont.)

No.	Device Label Name	Device Assigned Name	Rating	Description
49	RAP / ACCY	KR76A Retained Accessory Power Relay 1	—	<ul style="list-style-type: none"> • F2DL • F10DL
50	RUN / CRNK	KR73 Ignition Main Relay	—	<ul style="list-style-type: none"> • F22DL • F23DL • F30DL • F31DL • F32DL • F33DL
51	UPFTR 1	KR161A Configurable Provision Relay 1	—	<ul style="list-style-type: none"> • F37DL



Connector Part Information

- Harness Type: Body
- Service Connector: 6040246C1
- Description: 44-pin F 1.5, 2.8, 800 Metri-Pack Series (BK)

Table 81 Terminal Part Information

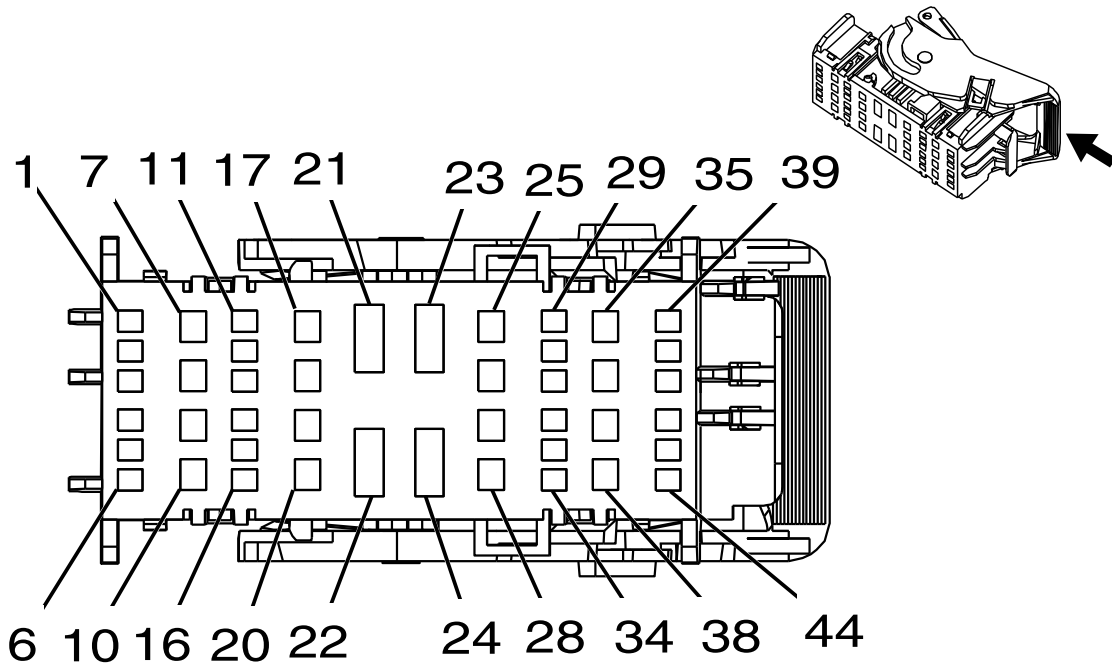
Terminal Type ID	Service Terminal	Diagnostic Test Probe
I	6042055C1	J-35616-4A (PU)
II	6042051C1, 6042052C1	J-35616-2A (GY)
III	3614762C1	J-35616-44 (YE)
IV	6042054C1	J-35616-4A (PU)

Table 82 X51L Fuse Block – Instrument Panel Left X1

Pin	Size	Color	Circuit	Function	Terminal Type ID	Option
1-11	—	—	—	Not Occupied	—	—
12	0.5	YE / WH	962	Configurable Provision Relay 2 Control	III	—
13-15	—	—	—	Not Occupied	—	—

Table 82 X51L Fuse Block – Instrument Panel Left X1 (cont.)

Pin	Size	Color	Circuit	Function	Terminal Type ID	Option
16	0.5	RD / VT	1940	Battery Positive Voltage	III	—
17	0.75	RD / L-GN	6140	Battery Positive Voltage	II	—
18	0.75	RD / L-GN	5140	Battery Positive Voltage	II	—
19-20	—	—	—	Not Occupied	—	—
21	6	RD / VT	842	Battery Positive Voltage	IV	—
22	—	—	—	Not Occupied	—	—
23	6	RD / BU	42	Primary Fused Battery Positive Voltage	IV	—
24-26	—	—	—	Not Occupied	—	—
27	2.5	RD / YE	5040	Secondary Fused Battery Positive Voltage 50	IV	—
28-29	—	—	—	Not Occupied	—	—
30	0.5	VT / WH	1939	Run/Crank Ignition 1 Voltage 19	III	—
31	—	—	—	Not Occupied	—	—
32	0.35	VT / L-GN	1739	Run / Crank Ignition 1 Voltage 17	III	—
33-34	—	—	—	Not Occupied	—	—
35	2.5	D-BU	965	Configurable Provision 1 Control	I	—
36	2.5	RD / D-BU	1842	Battery Positive Voltage	I	—
37	2.5	RD / D-BU	1842	Battery Positive Voltage	I	—
38	—	—	—	Not Occupied	—	—
39	0.5	RD / WH	961	Configurable Provision Relay 1 Control	IV	—
40-41	—	—	—	Not Occupied	—	—
42	0.35	GN / VT	5199	Run / Crank Relay Coil Control	III	—
43	0.35	GY / VT	755	RAP Relay Coil Control	III	—
44	0.35	VT / YE	43	Accessory Ignition Voltage	III	—



Connector Part Information

- Harness Type: Instrument Panel
- Service Connector: 6040247C1
- Description: 44-pin F 1.5, 2.8, 800 Metri-Pack Series (GY)

Table 84 Terminal Part Information

Terminal Type ID	Service Terminal	Diagnostic Test Probe
I	6042056C1	J-35616-4A (PU)
II	6042055C1	J-35616-4A (PU)
III	6042051C1, 6042052C1	J-35616-2A (GY)
IV	6042054C1	J-35616-4A (PU)

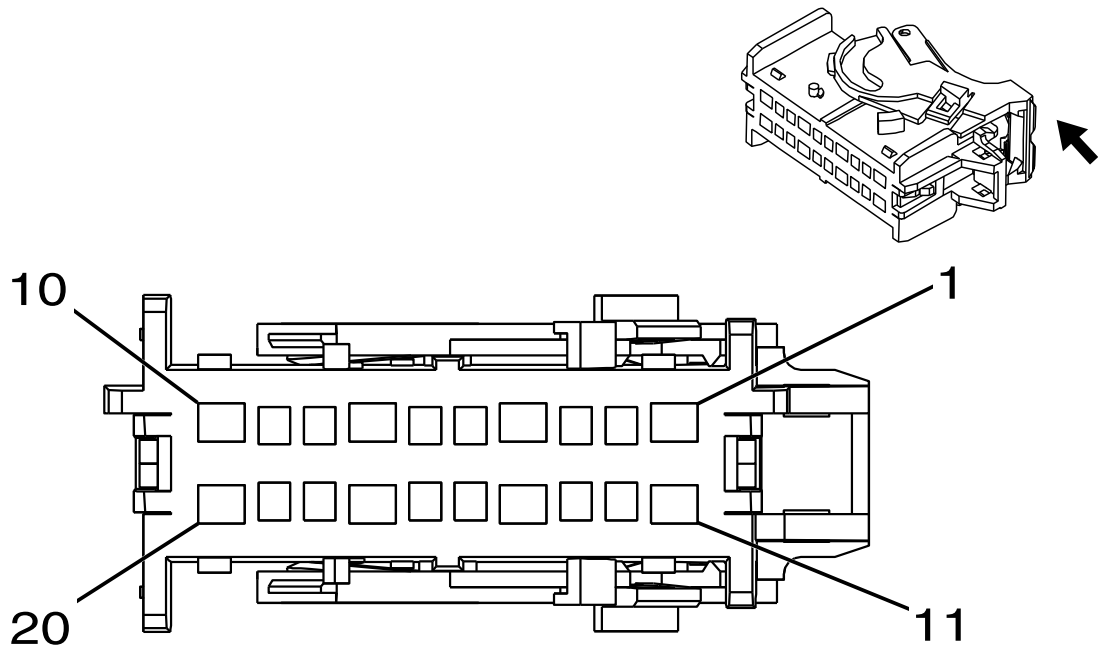
Table 85 X51L Fuse Block – Instrument Panel Left X2

Pin	Size	Color	Circuit	Function	Terminal Type ID	Option
1-2	—	—	—	Not Occupied	—	—
3	0.5	YE	6817	LED Backlight Dimming Control	IV	—
4	0.35	BN	6136	Control	IV	—

ELECTRICAL CIRCUIT DIAGRAM MANUAL

Table 85 X51L Fuse Block – Instrument Panel Left X2 (cont.)

Pin	Size	Color	Circuit	Function	Terminal Type ID	Option
5	0.35	RD / D-BU	540	Battery Positive Voltage	IV	—
6	0.35 0.5	VT / WH	1139	Run / Crank Ignition 1 Voltage	IV	—
7	0.75	RD / BN	2940	Battery Positive Voltage	III	—
8	1	RD / GY	2140	Battery Positive Voltage	III	—
9	—	—	—	Not Occupied	—	—
10	1.5	RD / BN	4240	Battery Positive Voltage	II	—
11-12	—	—	—	Not Occupied	—	—
13	0.5	VT / L-GN	39	Run / Crank Ignition 1 Voltage	IV	—
14	—	—	—	Not Occupied	—	—
15	0.5	VT / GY	539	Run / Crank Ignition 1 Voltage	IV	—
16	—	—	—	Not Occupied	—	—
17	2.5	GY / BK	966	—	II	—
18	0.75	RD / WH	2740	Battery Positive Voltage	III	—
19	—	—	—	Not Occupied	—	—
20	1.5	RD / WH	1040	Battery Positive Voltage	II	—
21-24	—	—	—	Not Occupied	—	—
25	0.35 0.5	RD / VT	3340	Battery Positive Voltage	III	—
26	0.35	RD / BU	6. 3240	Battery Positive Voltage	I	—
27	—	—	—	Not Occupied	—	—
28	0.5	VT / BK	1639	Run / Crank Ignition 1 Voltage	I	—
29-34	—	—	—	Not Occupied	—	—
35	0.5	RD / GY	2840	Secondary Fused Battery Positive Voltage 28	I	—
36 - 37	—	—	—	Not Occupied	—	—
38	0.35	VT / GN	1739	Run / Crank Ignition 1 Voltage	III	—
39-43	—	—	—	Not Occupied	—	—
44	0.75	BK	1850	Ground	IV	—



Connector Part Information

- Harness Type: Headliner
- Service Connector: 6040226C1
- Description: 20-pin F 1.5, 2.8 OCS Series (BK)

Table 87 Terminal Part Information

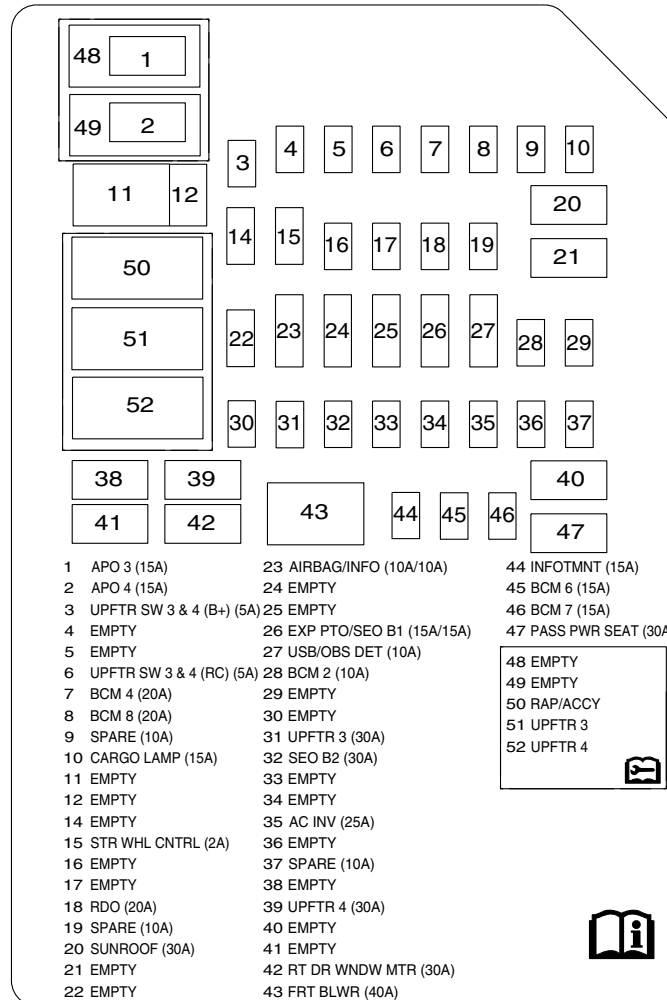
Terminal Type ID	Service Terminal	Diagnostic Test Probe
I	6042056C1	J-35616-4A (PU)
II	6042055C1	J-35616-4A (PU)
III	6042052C1	J-35616-2A (GY)

Table 88 X51L Fuse Block – Instrument Panel Left X3

Pin	Size	Color	Circuit	Function	Terminal Type ID	Option
1-11	—	—	—	Not Occupied	—	—
12	0.5	RD / YE	240	Secondary Fused Battery Positive Voltage 2	III	—
13	0.35	VT / L-GN	1739	Run/Crank Ignition 1 Voltage 17	III	—

Table 88 X51L Fuse Block – Instrument Panel Left X3 (cont.)

Pin	Size	Color	Circuit	Function	Terminal Type ID	Option
14	0.35	VT / BK	1139	Run/Crank Ignition 1 Voltage 11	I	—
15-20	—	—	—	Not Occupied	—	—



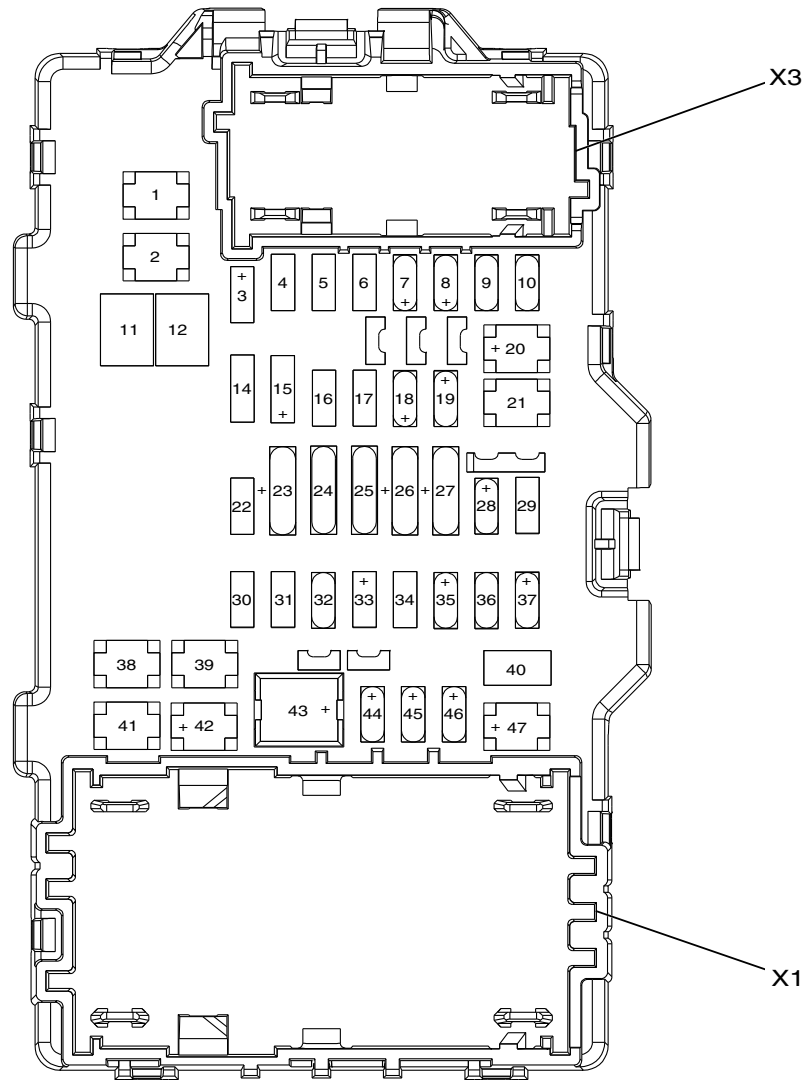


Table 89 Usage Table

No.	Device Label Name	Device Assigned Name	Rating	Description
Fuses				
1	APO 3	F1DR	15 amps	<ul style="list-style-type: none"> X80D Accessory Power Receptacle – Center Console Compartment (Feature Code: 0016XCN) X80E Accessory Power Receptacle – Center Seat (Without Feature Code: 0016XCN)

Table 89 Usage Table (cont.)

No.	Device Label Name	Device Assigned Name	Rating	Description
2	APO 4	F2DR	15 amps	<ul style="list-style-type: none"> X80D Accessory Power Receptacle – Center Console Compartment (Without Feature Code: 0016XCN) X80L Accessory Power Receptacle – Center Console Rear (Feature Code: 0016XCN)
3	UPFTR SW 3 and 4 (B+)	F3DR	5 amps	<ul style="list-style-type: none"> KR161C Configurable Provision Relay 3 (Feature Code: 0008XJP) KR161D Configurable Provision Relay 4 (Feature Code: 0008XJP)
4	EMPTY	F4DR	—	<ul style="list-style-type: none"> Not Used
5	EMPTY	F5DR	—	<ul style="list-style-type: none"> Not Used
6	UPFTR SW 3 and 4 (RC)	F6DR	5 amps	<ul style="list-style-type: none"> KR161C Configurable Provision Relay 3 (Feature Code: 0008XJP) KR161D Configurable Provision Relay 4 (Feature Code: 0008XJP)
7	BCM 4	F7DR	20 amps	<ul style="list-style-type: none"> K9 Body Control Module E4G Headlamp - Left Low Beam E4R Park / Turn Signal Lamp - Right Lower E4T Park / Turn Signal Lamp - Right Upper E4Z Turn Signal Repeater Lamp - Right (DPN) KR68R Turn Signal Lamps Relay - Right (5DX / 5DY) X107 Left Snow Plow Tee Harness to Left Snow Plow Light Harness (UNL) X117 Right Snow Plow Tee Harness to Right Snow Plow Headlight Harness (UNL)
8	BCM 8	F8DR	20 amps	<ul style="list-style-type: none"> K9 Body Control Module A23D Door Latch Assembly - Driver A23LR Door Latch Assembly - Left Rear (Crew Cab) A23P Door Latch Assembly - Passenger A23RR Door Latch Assembly - Right Rear (Crew Cab)
9	SPARE	F9DR	10 amps	<ul style="list-style-type: none"> Not Used

Table 89 Usage Table (cont.)

No.	Device Label Name	Device Assigned Name	Rating	Description
10	CARGO LAMP	F10DR	15 amps	<ul style="list-style-type: none"> E6 Center High Mounted Stop Lamp E33 Cargo Lamp E70D Outside Rearview Mirror Cargo Lamp – Driver (Feature Code: 0016SPS) E70P Outside Rearview Mirror Cargo Lamp – Passenger (Feature Code: 0016SPS)
11	EMPTY	F11DR	—	<ul style="list-style-type: none"> Not Used
12	EMPTY	F12DR	—	<ul style="list-style-type: none"> Not Used
14	EMPTY	F14DR	—	<ul style="list-style-type: none"> Not Used
15	STR WHL CNTRL	F15DR	2 amps	<ul style="list-style-type: none"> S70L Steering Wheel Controls – Left S70R Steering Wheel Controls Switch – Right (Feature Code: UK3)
16	EMPTY	F16DR	—	<ul style="list-style-type: none"> Not Used
17	EMPTY	F17DR	—	<ul style="list-style-type: none"> Not Used
18	RDO	F18DR	20 amps	<ul style="list-style-type: none"> A11 Radio (Feature Code: 0008RNN / 0008RNW / 0008RNX) A33 Media Disc Player (Feature Code: 0008RNS) K74 Human Machine Interface Control (Feature Code: 0008RNW / 0008RNX) X83 Auxiliary Audio Input (Feature Code: 0016XCN) X92 USB Receptacle (Feature Code: 0016XCN)
19	SPARE	F19DR	10 amps	<ul style="list-style-type: none"> Not Used
20	SUNROOF	F20DR	30 amps	<ul style="list-style-type: none"> KR58 Roof Beacon Relay (Feature Code: 0008XKS)
21	EMPTY	F21DR	—	<ul style="list-style-type: none"> Not Used
22	EMPTY	F22DR	—	<ul style="list-style-type: none"> Not Used
23	AIRBAG / INFO	F23DR	10 amps / 10 amps	<ul style="list-style-type: none"> K36 Inflatable Restraint Sensing and Diagnostic Module K73 Telematics Communication Interface Control Module (Feature Code: 0008AAE)
24	EMPTY	F24DR	—	<ul style="list-style-type: none"> Not Used
25	EMPTY	F25DR	—	<ul style="list-style-type: none"> Not Used

Table 89 Usage Table (cont.)

No.	Device Label Name	Device Assigned Name	Rating	Description
26	EXP PTO / SEO B1	F26DR	15 amps / 15 amps	<ul style="list-style-type: none"> K44 Power Take- Off Control Module (Feature Code: 0012WGG) X191 (Feature Code: 0012WGG)
27	USB / OBS DET	F27DR	10 amps	<ul style="list-style-type: none"> X83 Auxiliary Audio Input (Without Feature Code: 0016XCN)
28	BCM 2	F28DR	10 amps	<ul style="list-style-type: none"> K9 Body Control Module B10B Ambient Light / Sunload Sensor K17 Electronic Brake Control Module K36 Inflatable Restraint Sensing and Diagnostic Module K44 Power Take-Off Control Module (PTO) K56 Serial Data Gateway Module K71 Transmission Control Module K73 Telematics Communication Interface Control Module (0008AAE) K74 Human Machine Interface Control Module (0008RNR / 0008RNX) K77 Remote Control Door Lock Receiver K89 Immobilizer Control Module KR12B Windshield Wiper Relay S70L Steering Wheel Controls Switch - Left S77 Transfer Case Shift Control Switch (0013WDB) X61A Junction Block - Instrument Panel X81 Accessory Power Receptacle - 110V AC (0008XJX)
29	EMPTY	F29DR	—	<ul style="list-style-type: none"> Not Used
30	EMPTY	F30DR	—	<ul style="list-style-type: none"> Not Used
31	UPFTR 3	F31DR	30 amps	<ul style="list-style-type: none"> X61A Junction Block – Instrument Panel (Feature Code: 0008XJP)
32	SEO B2	F32DR	30 amps	<ul style="list-style-type: none"> X61A Junction Block – Instrument Panel
33	EMPTY	F33DR	—	<ul style="list-style-type: none"> Not Used
34	EMPTY	F34DR	—	<ul style="list-style-type: none"> Not Used
35	AC INV	F35DR	25 amps	<ul style="list-style-type: none"> T1 Accessory DC / AC Power Inverter Module (Feature Code: 0008XJX)
36	EMPTY	F36DR	—	<ul style="list-style-type: none"> Not Used

Table 89 Usage Table (cont.)

No.	Device Label Name	Device Assigned Name	Rating	Description
37	SPARE	F37DR	10 amps	• Not Used
38	EMPTY	F38DR	—	• Not Used
39	UPFTR 4	F39DR	30 amps	<ul style="list-style-type: none"> • X61A Junction Block – Instrument Panel (Feature Code: 0008XJP / 14899) • Air pressure release relay (Feature Code: 14899)
40	EMPTY	F40DR	—	• Not Used
41	EMPTY	F41DR	—	• Not Used
42	RT DR WNDW MTR	F42DR	30 amps	<ul style="list-style-type: none"> • S79P Window Switch – Passenger (Feature Code: 0016WAK) • S79RR window Switch – Right Rear (Crew Cab)
43	FRT BLWR	F43DR	40 amps	• M8 Blower Motor
44	INFOTMNT	F44DR	15 amps	• A11 Radio (Feature Code: 0008RNM)

Table 89 Usage Table (cont.)

No.	Device Label Name	Device Assigned Name	Rating	Description
45	BCM 6	F45DR	15 amps	<ul style="list-style-type: none"> • K9 Body Control Module • E31L Sunshade Mirror Lamp - Left (0016XCS) • E31R Sunshade Mirror Lamp - Right (0016XCS) • E37B Dome / Reading Lamps - 2nd Row (Crew Cab) • E37EL Dome / Reading Lamps - Front Overhead Console Left • E37ER Dome / Reading Lamps - Front Overhead Console Right • F14DL • KR76A Retained Accessory Power Relay 1 • KR76B Retained Accessory Power Relay 2 • S5 Center Console Compartment Lamp Switch (0016XCN) • S12 Dome Lamp Switch • S13D Door Lock Switch - Driver • S13P Door Lock Switch - Passenger • S30 Headlamp Switch • S48A Multifunction Switch - Instrument Panel • S52 Outside Rearview Mirror Switch (0016SPS) • S63 Roof Beacon Switch (0008XKS) • S63 Roof Beacon Switch (0008XKS) • S76 Trailer Brake Control Switch (0592JL1) • S77 Transfer Case Shift Control Switch (0013WDB)

Table 89 Usage Table (cont.)

No.	Device Label Name	Device Assigned Name	Rating	Description
46	BCM 7	F46DR	15 amps	<ul style="list-style-type: none"> • K9 Body Control Module • E37B Dome / Reading Lamps - 2nd Row (Crew Cab) • E37EL Dome / Reading Lamps - Front Overhead Console Left • E37ER Dome / Reading Lamps - Front Overhead Console Right • M7 Transmission Shift Lock Control Solenoid Actuator
47	PASS PWR SEAT	F47DR	30 amps	<ul style="list-style-type: none"> • S64P Seat Adjuster Switch – Passenger (Feature Code: 0016KVV / AZF)

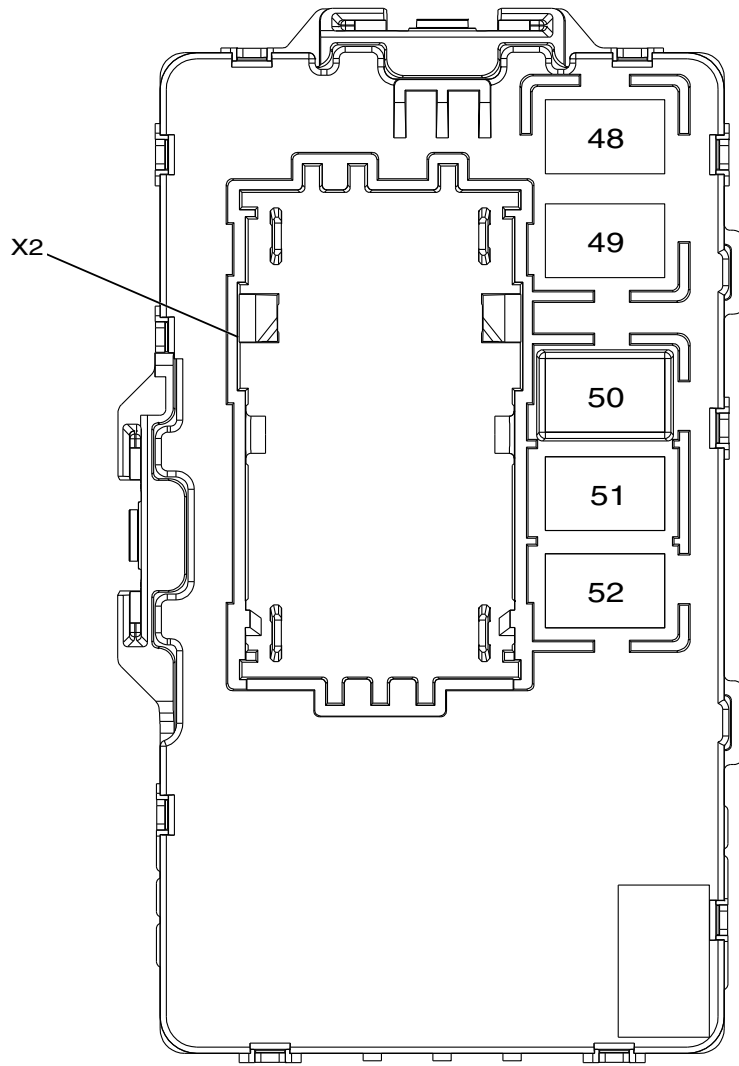
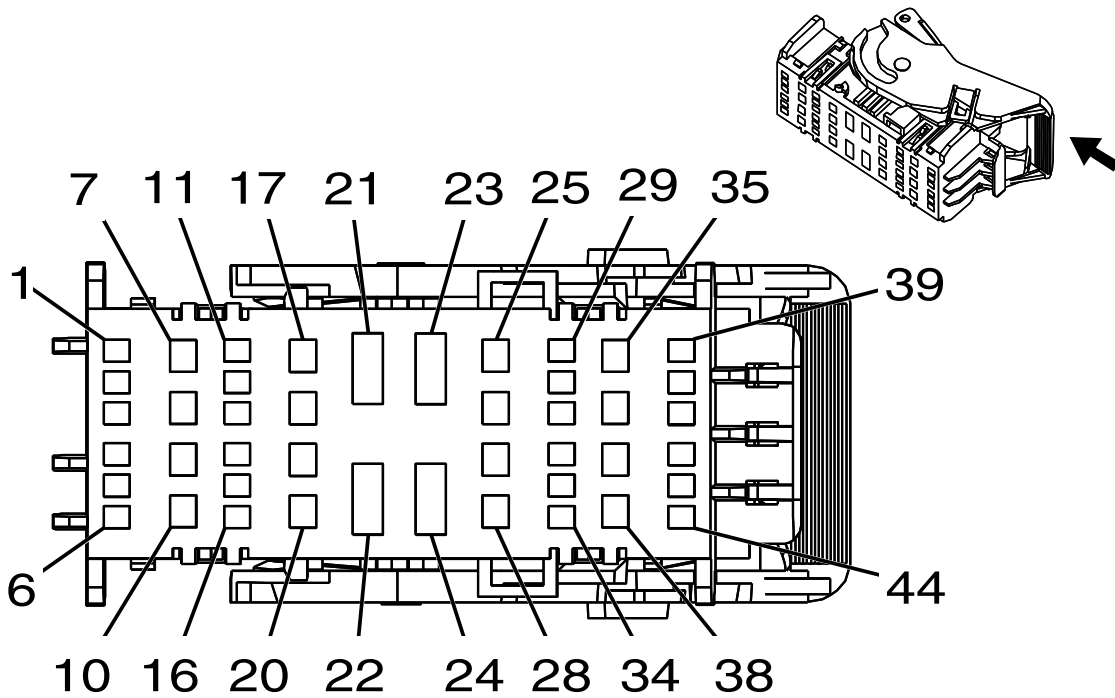


Table 90 Usage Table

No.	Device Label Name	Device Assigned Name	Rating	Description
Relays				
48	EMPTY	—	—	• Not Used
49	EMPTY	—	—	• Not Used
50	RAP / ACCY	KR76B Retained Accessory Power Relay 2	—	• F1DR • F2DR

Table 90 Usage Table (cont.)

No.	Device Label Name	Device Assigned Name	Rating	Description
51	UPFTR 3	KR161C Configurable Provision Relay 3	—	<ul style="list-style-type: none"> • F31DR
52	UPFTR 4	KR161D Configurable Provision Relay 4	—	<ul style="list-style-type: none"> • F39DR
<p>Note: Relays listed below are non-serviceable Printed Circuit Board (PCB) relays and are internal to the block.</p>				
—	—	KR112 Cargo Lamp Relay	—	<ul style="list-style-type: none"> • F10DR
—	—	KR113 Child Security Lock Disable Relay	—	<ul style="list-style-type: none"> • A23LR Door Latch Assembly – Left Rear (Crew Cab) • A23RR Door Latch Assembly – Right Rear (Crew Cab)
—	—	KR114 Door Dead Lock Relay	—	<ul style="list-style-type: none"> • A23D Door Latch Assembly – Driver • A23LR Door Latch Assembly – Left Rear (Crew Cab) • A23P Door Latch Assembly – Passenger • A23RR Door Latch Assembly – Right Rear (Crew Cab)



Connector Part Information

- Harness Type: Body
- Service Connector: 6040248C1
- Description: 44-pin F 1.5, 2.8, 800 Metri-Pack Series (NA)

Table 92 Terminal Part Information

Terminal Type ID	Service Terminal	Diagnostic Test Probe
I	6042055C1	J-35616-4A (PU)
II	6042051C1 or 6042052C1	J-35616-2A (GY)
III	3614762C1	J-35616-44 (YE)
IV	3614762C1	J-35616-44 (YE)
V	6042050C1	J-35616-14 (GN)
VI	6042050C1	J-35616-4A (PU)

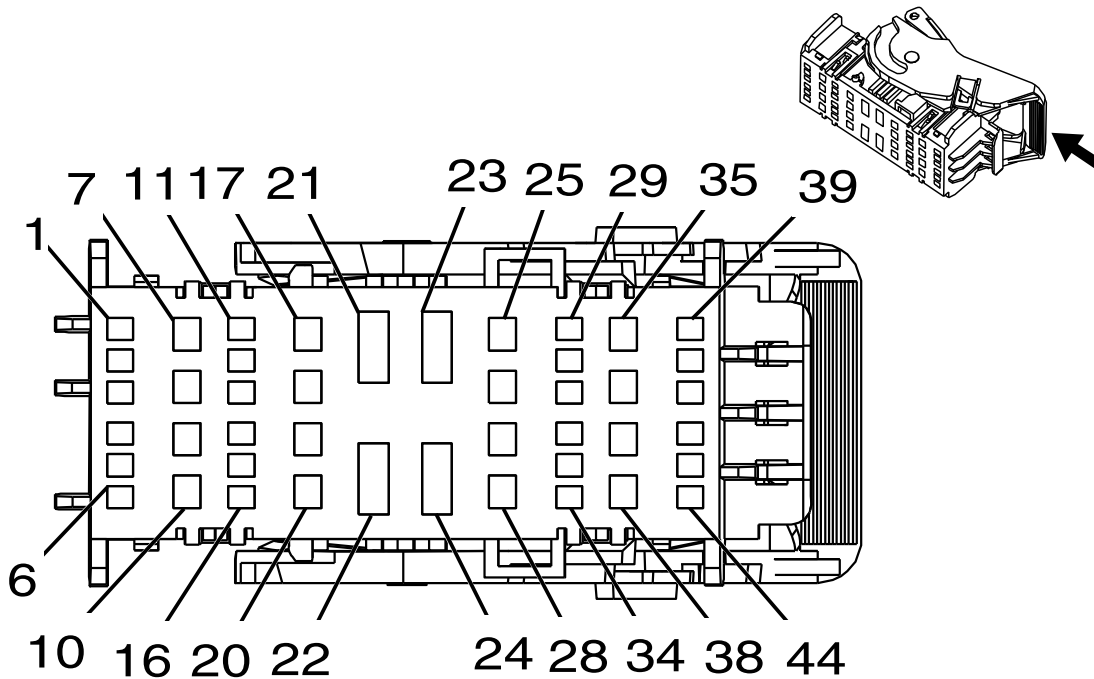
ELECTRICAL CIRCUIT DIAGRAM MANUAL

Table 93 X51R Fuse Block – Instrument Panel Right X1

Pin	Size	Color	Circuit	Function	Terminal Type ID	Option
1	0.75	GY	295	Door Lock Actuator Lock Control	V	CREW CAB 43
	1.5	GY	295	Door Lock Actuator Lock Control	II	STANDARD CAB 03
2	1.5	WH / D-BU	3266	Child Security Lock Motor Lock Control	V	—
3	0.35	VT / YE	3267	Child Security Lock Relay Control	II	—
4	1.5	GY / L-GN	3271	Door Lock Control 2	V	—
5	—	—	—	Not Occupied	—	—
6	0.35	GY / VT	755	RAP Relay Coil Control	II	—
7-11	—	—	—	Not Occupied	—	—
12	0.75	RD / D-BU	4540	Battery Positive Voltage	II	—
13	0.75	RD / VT	2640	Battery Positive Voltage	II	—
14	—	—	—	Not Occupied	—	—
15	0.5	VT / GY	709	Left Park Lamp Control	II	—
16	0.5	RD / L-GN	4440	Battery Positive Voltage	II	—
17	—	—	—	Not Occupied	—	—
18	1.5	VT / YE	143	Accessory Ignition Voltage	VI	—
19	2.5	RD / WH	1340	Battery Positive Voltage	VI	—
20	2.5	RD / WH	1340	Battery Positive Voltage	III	—
21	6	RD / L-GN	242	Battery Positive Voltage	III	—
22	4	RD / VT	542	Battery Positive Voltage	III	—
23	—	—	—	Not Occupied	—	—
24	6	RD / GY	142	Battery Positive Voltage	IV	—
25-26	—	—	—	Not Occupied	—	—
27	0.75	RD / VT	340	Battery Positive Voltage	I	—
28	—	—	—	Not Occupied	—	—
29	1.5	D-BU / WH	195	Door Lock Control	V	—
30	1.5	BN	5910	Door Double Lock Actuator Lock Control	V	—
31-32	—	—	—	Not Occupied	—	—
33	0.75	RD / WH	3440	Battery Positive Voltage	II	—

Table 93 X51R Fuse Block – Instrument Panel Right X1 (cont.)

Pin	Size	Color	Circuit	Function	Terminal Type ID	Option
34	0.75	RD / L-GN	5140	Battery Positive Voltage	II	—
35-37	—	—	—	Not Occupied	—	—
38	2.5	RD / YE	1440	Battery Positive Voltage	VI	—
39	—	—	—	Not Occupied	—	—
40	0.75	GY	5911	Door Lock Actuator Lock Control 2	II	—
41	0.35	D-BU / BN	7547	Security Lock Relay Control	II	—
42-44	—	—	—	Not Occupied	—	—



Connector Part Information

- Harness Type: Instrument Panel
- Service Connector: 6040249C1
- Description: 44-pin F 1.5, 2.8, 800 Metri-Pack Series (GN)

Table 95 Terminal Part Information

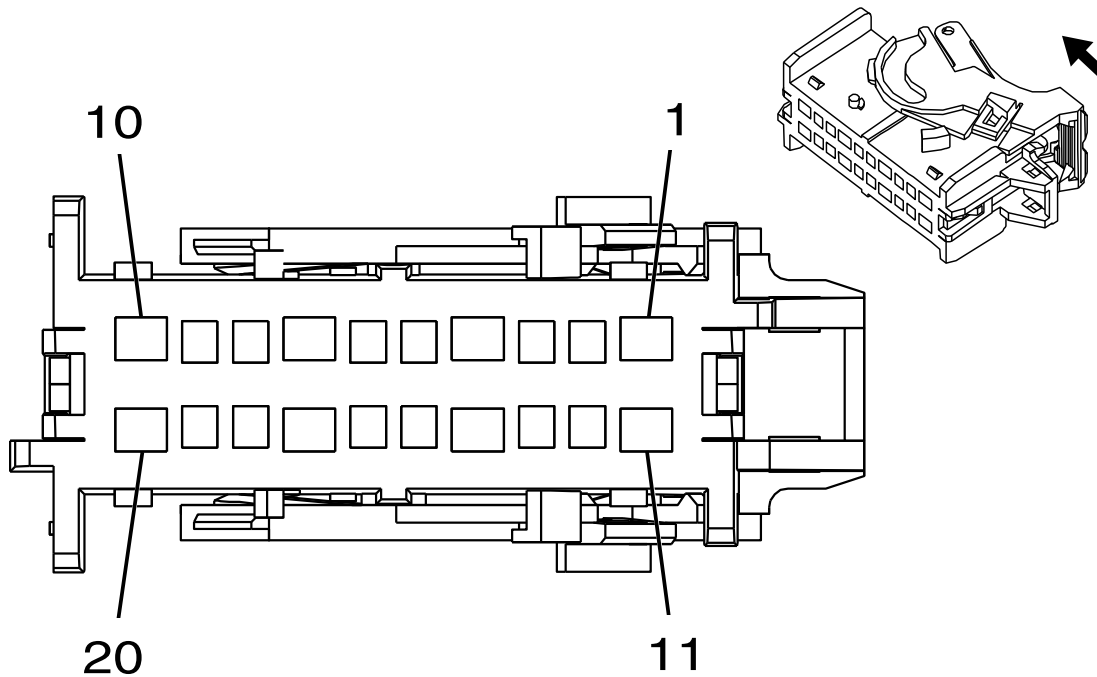
Terminal Type ID	Service Terminal	Diagnostic Test Probe
I	3614762C1	J-35616-44 (YE)
II	6042056C1	J-35616-4A (PU)
III	6042055C1	J-35616-4A (PU)
IV	6042051C1	J-35616-2A (GY)
V	6042054C1	J-35616-4A (PU)

Table 96 X51R Fuse Block – Instrument Panel Right X2

Pin	Size	Color	Circuit	Function	Terminal Type ID	Option
1-3	—	—	—	Not Occupied	—	—
4	0.5	BN / WH	1429	Standing Lamp Relay Control	I	—

Table 96 X51R Fuse Block – Instrument Panel Right X2 (cont.)

Pin	Size	Color	Circuit	Function	Terminal Type ID	Option
5	0.5	BK	1050	Ground	I	—
6	—	—	—	Not Occupied	—	—
7	0.75	RD / VT	4040	Battery Positive Voltage	III	—
8	0.75	RD / D-BU	2540	Battery Positive Voltage	III	—
9	0.5	VT / WH	239	Run / Crank Ignition 1 Voltage	III	—
10	1.5	VT / YE	243	Accessory Ignition Voltage	III	—
11	0.75	WH / VT	1430	Exterior Courtesy Lamp Control	I	—
12 - 13	—	—	—	Not Occupied	—	—
14	0.5	L-GN / GY	963	Configurable Provision Relay 3 Control	I	—
15	0.5	WH / D-BU	964	Configurable Provision Relay 4 Control	I	—
16	0.35	RD / YE	3040	Battery Positive Voltage	I	—
17	0.75	RD / VT	340	Battery Positive Voltage	III	Feature Code: 0008RNM
	1	RD / VT	340	Battery Positive Voltage	III	Feature Code: 0008RNS
18-21	—	—	—	Not Occupied	—	—
22	2.5	BK	1050	Ground	I	—
23-27	—	—	—	Not Occupied	—	—
28	2.5	RD / L-GN	968	Configurable Provision 4 Control	V	—
29	0.75	RD / BN	2240	Battery Positive Voltage	IV	—
30-33	—	—	—	Not Occupied	—	—
34	0.35	RD / D-BU	3240	Battery Positive Voltage	I	—
35	2.5	RD / GY	4140	Battery Positive Voltage	V	—
36	—	—	—	Not Occupied	—	—
37	1.5	RD / YE	2340	Battery Positive Voltage	V	—
38	2.5	YE / BN	967	Configurable Provision 3 Control	V	—
39-41	—	—	—	Not Occupied	—	—
42	0.75	RD / VT	340	Battery Positive Voltage	IV	—
43-44	—	—	—	Not Occupied	—	—



Connector Part Information

- Harness Type: Right A-pillar
- Service Connector: Service by Harness
- Description: 20-pin F 1.5, 2.8 OCS Series (GY)

Table 98 Terminal Part Information

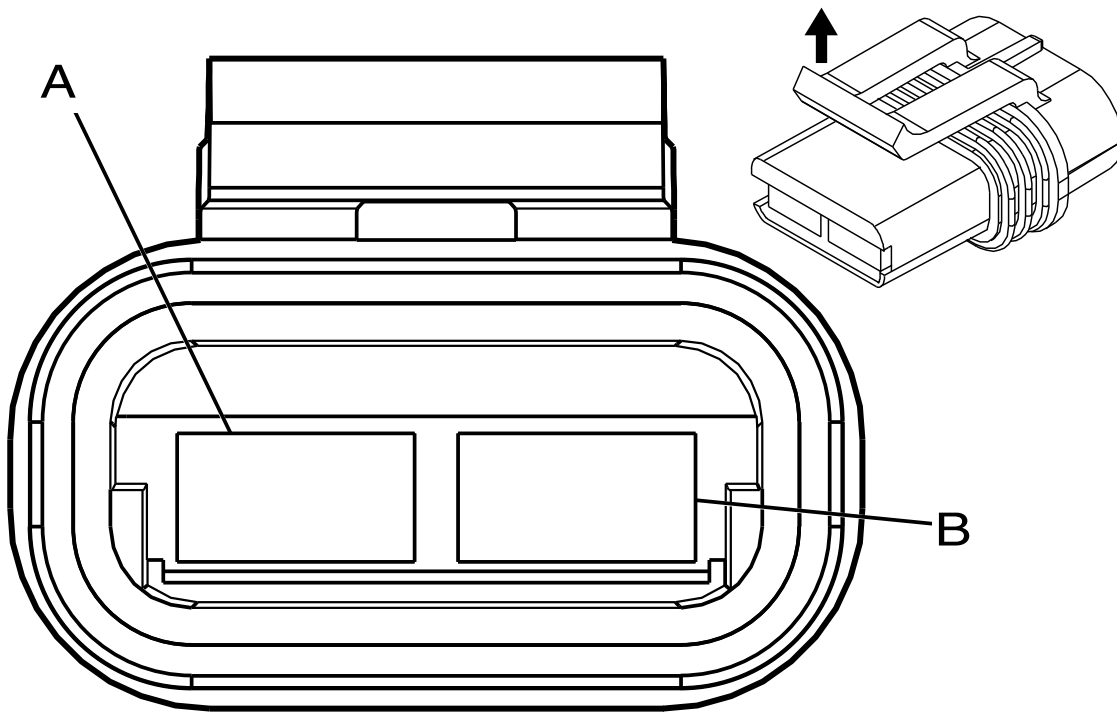
Terminal Type ID	Service Terminal	Diagnostic Test Probe
I	6042053C1	J-35616-2A (GY)
II	6041946C1 or 6042053C1	J-35616-4A (PU)

Table 99 X51R Fuse Block – Instrument Panel Right X3

Pin	Size	Color	Circuit	Function	Terminal Type ID	Option
1	2.5	RD / L-GN	3140	Battery Positive Voltage	II	—
2-7	—	—	—	Not Occupied	—	—
8	0.5	VT / GY	709	Left Park Lamp Control	I	—
9	—	—	—	Not Occupied	—	—

Table 99 X51R Fuse Block – Instrument Panel Right X3 (cont.)

Pin	Size	Color	Circuit	Function	Terminal Type ID	Option
10	0.5	BK	1050	Ground	II	Feature Code: 0008XJV
	2.5	BK	1050	Ground	II	Without Feature Code: 0008XJV
11-20	—	—	—	Not Occupied	—	—



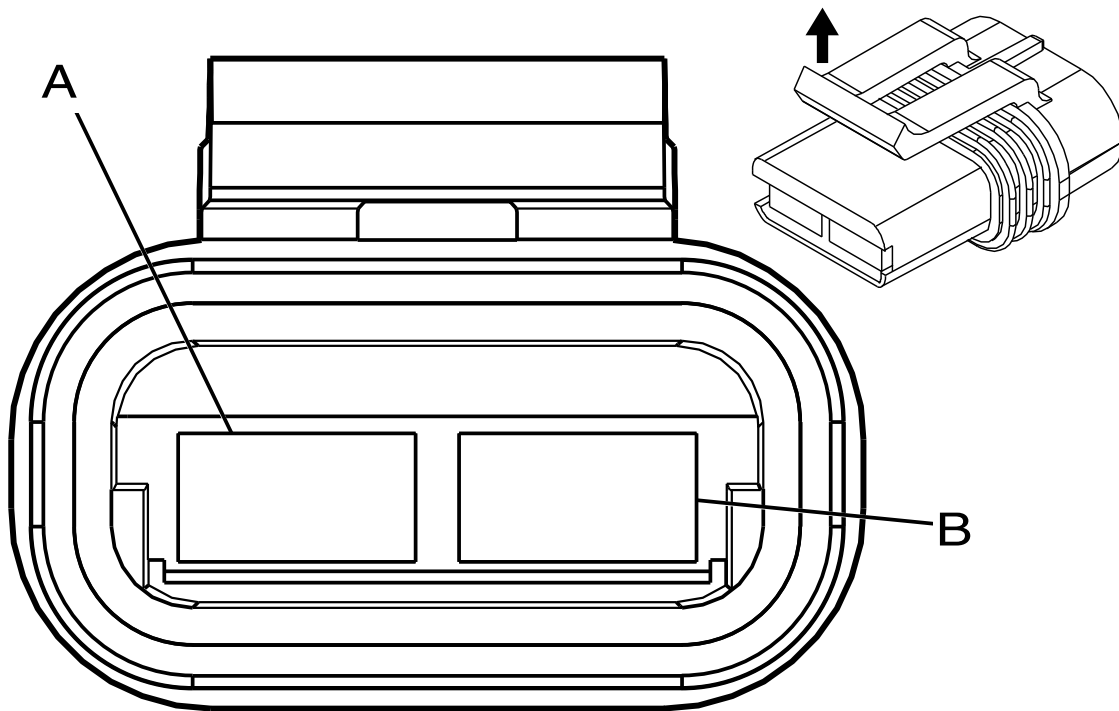
Connector Part Information	
•	Harness Type: Brake Booster
•	Service Connector: 1667639C1
•	Description: 2-Way F 630 Metri-Pack Series, Sealed (BK)

Table 101 Terminal Part Information

Terminal Type ID	Service Terminal	Diagnostic Test Probe
I	Not Available	J-35616-35 (VT)

Table 102 X55BA Fuse Holder 1 - Brake Booster

Pin	Size	Color	Circuit	Function	Terminal Type ID	Option
A	2	GY	90DC	Brake Booster Power Splice	I	—
B	2	GY	90EA	Brake Pipe Pressure Switch	I	—



Connector Part Information

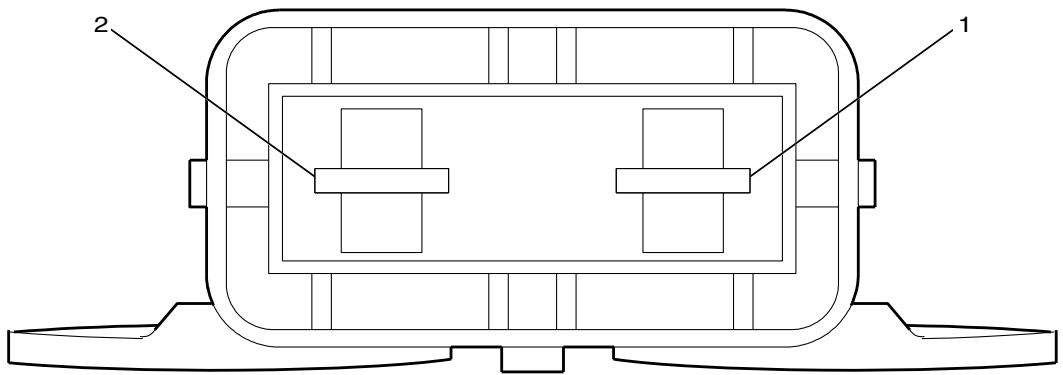
- Harness Type: Brake Booster
- Service Connector: 1667639C1
- Description: 2-Way F 630 Metri-Pack Series, Sealed (BK)

Table 104 Terminal Part Information

Terminal Type ID	Service Terminal	Diagnostic Test Probe
I	Not Available	Not Available

Table 105 X55BB Fuse Holder 2 - Brake Booster

Pin	Size	Color	Circuit	Function	Terminal Type ID	Option
A	2	GY	90H	Brake Booster Pump Motor Active Signal	I	—
B	2	GY	90HA	Brake Booster Pump Motor Active Signal	I	—



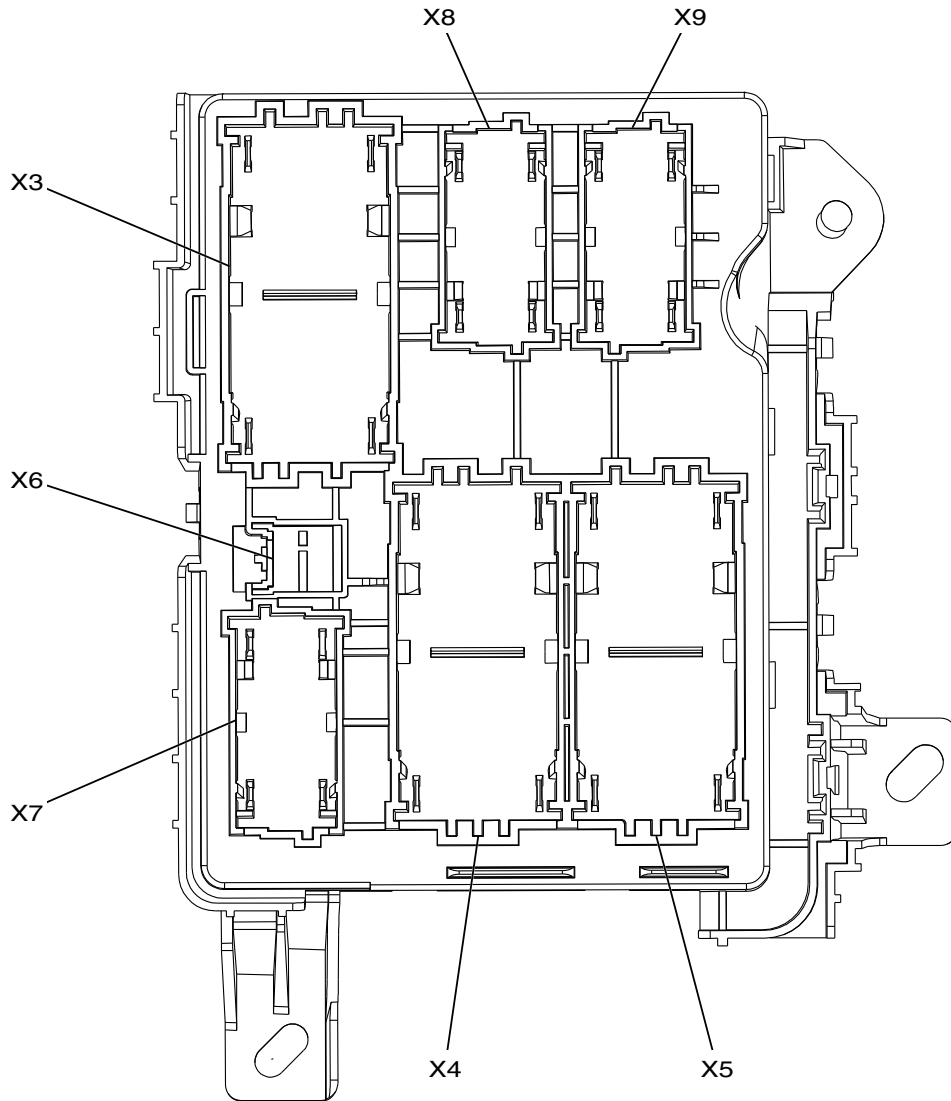
Connector Part Information	
•	Harness Type: Brake Booster
•	Service Connector: Not Available
•	Description: 2-Way F 630 Metri-Pack Series, Sealed (BK)

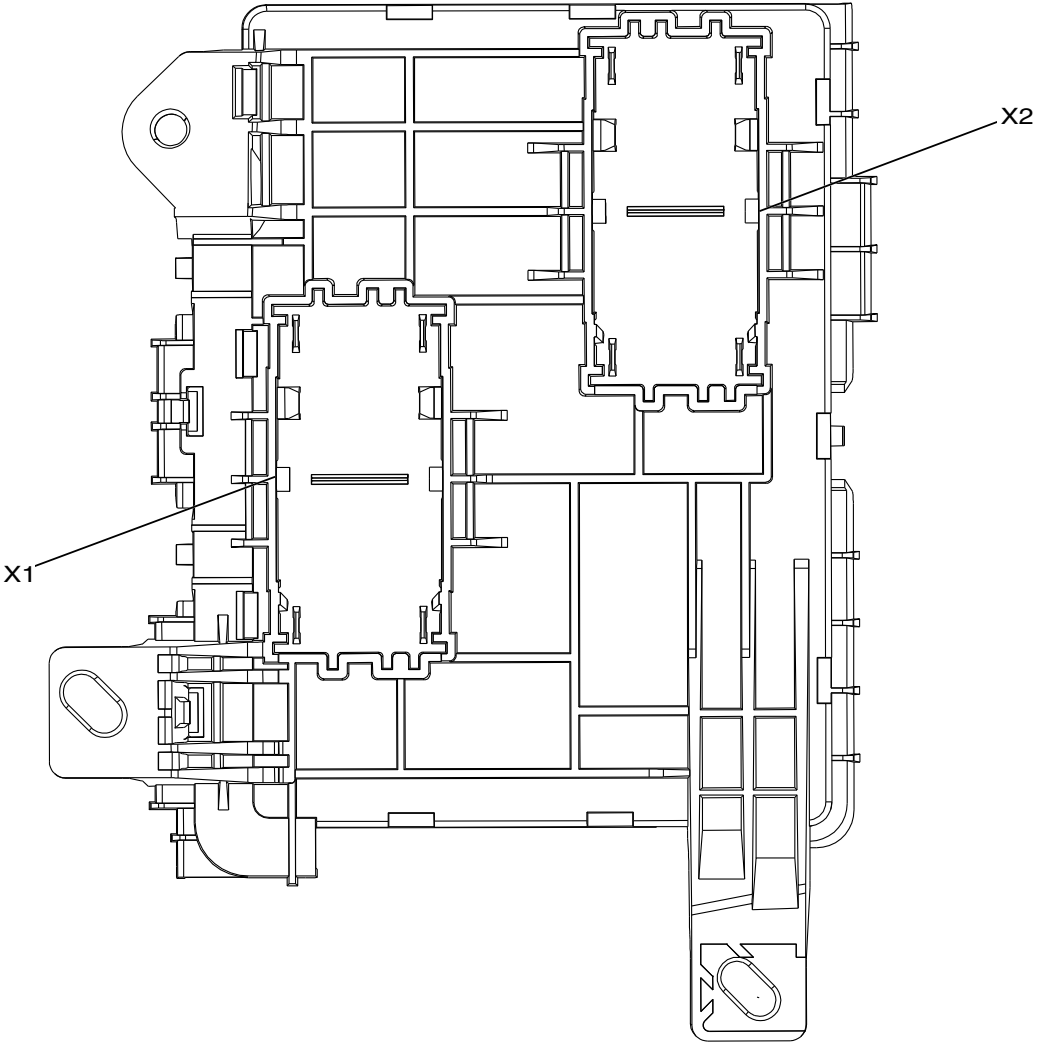
Table 107 Terminal Part Information

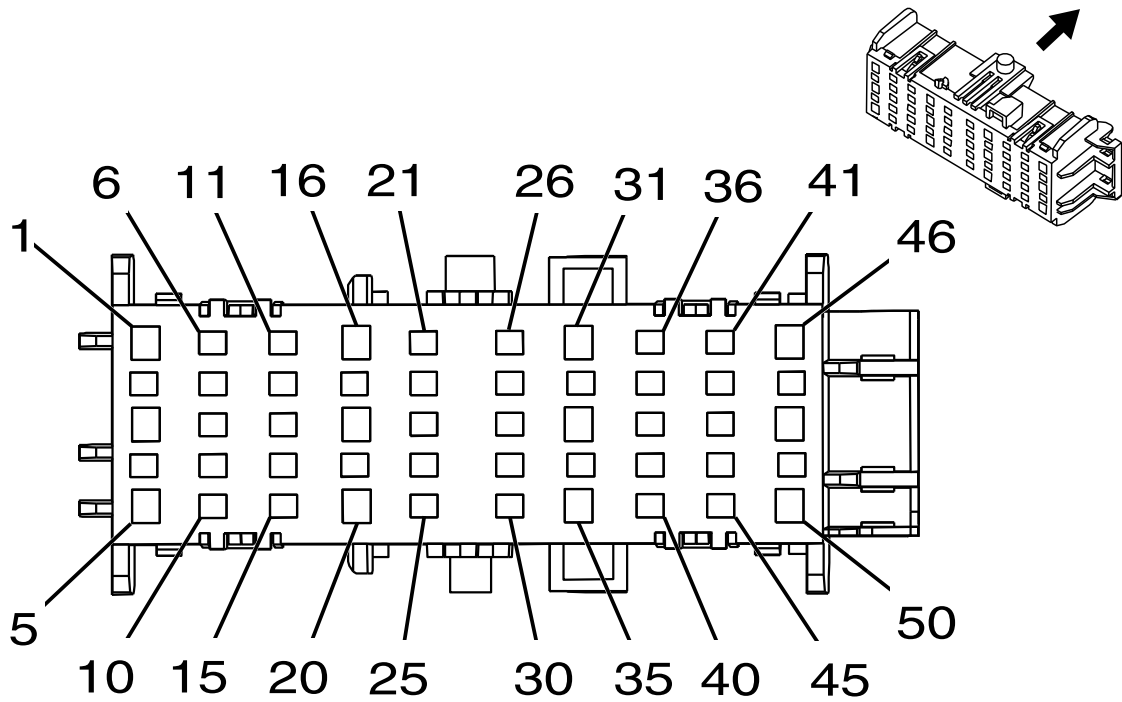
Terminal Type ID	Service Terminal	Diagnostic Test Probe
I	Not Available	Not Available

Table 108 X55BC Fuse Holder 3- Brake Booster

Pin	Size	Color	Circuit	Function	Terminal Type ID	Option
A	2	GY	90H	Brake Booster Pump Motor Active Signal	I	—
B	2	GY	90HA	Brake Booster Pump Motor Active Signal	I	—







Connector Part Information

- Harness Type: Body
- Service Connector: 6040239C1
- Description: 50-Way F 1.5, 2.8 OCS Series (BK)

Table 110 Terminal Part Information

Terminal Type ID	Service Terminal	Diagnostic Test Probe
I	6042056C1	J-35616-4A (PU)
II	6042051C1	J-35616-2A (GY)
III	6042050C1	J-35616-14 (GN)
IV	6042054C1	J-35616-4A (PU)

Table 111 X61A Junction Block – Instrument Panel X1

Pin	Size	Color	Circuit	Function	Terminal Type ID	Option
1-12	—	—	—	Not Occupied	—	—
13	2	RD / GN	13. 968	Configurable Provision 4 Control	I	—
14-15	—	—	—	Not Occupied	—	—

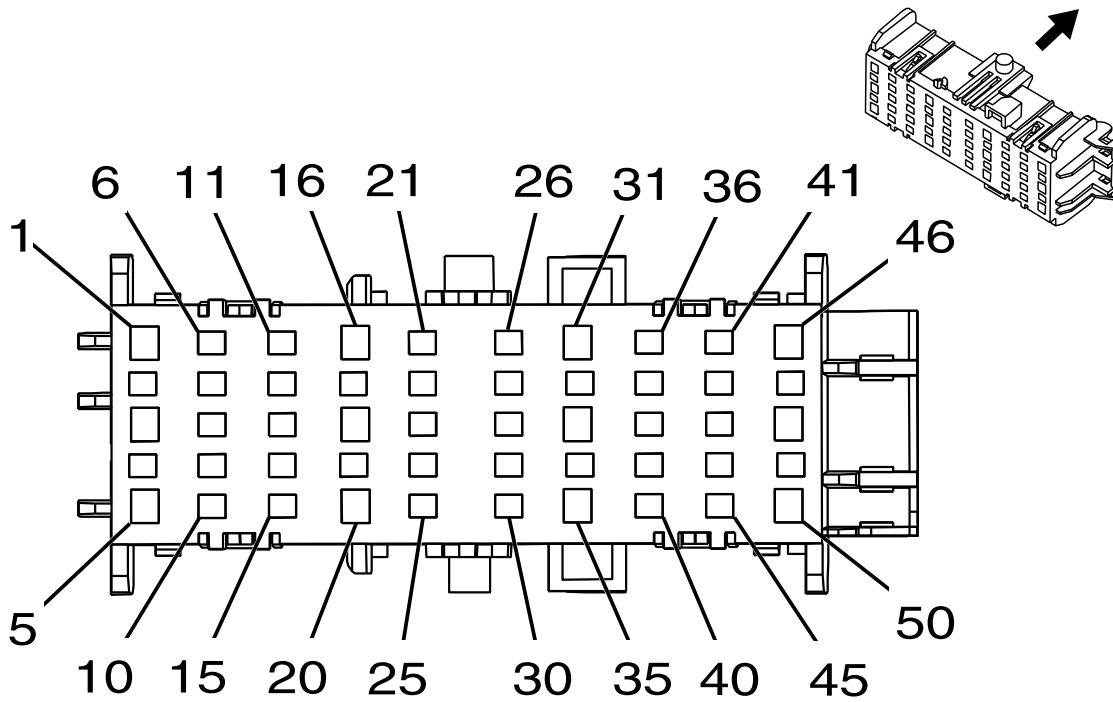
ELECTRICAL CIRCUIT DIAGRAM MANUAL

Table 111 X61A Junction Block – Instrument Panel X1 (cont.)

Pin	Size	Color	Circuit	Function	Terminal Type ID	Option
16	2.5	BU	965	Configurable Provision 1 Control	II	—
17	0.75	WH / VT	1430	Exterior Courtesy Lamp Control	I	—
18	—	—	—	Not Occupied	—	—
19	0.5	BU / YE	19. 6105	High Speed GMLAN Serial Data (+) 2	II	—
20	0.5	WH	6106	High Speed GMLAN Serial Data (-) 2	I	—
21	0.5	RD / WH	961	Configurable Provision Relay 1 Control	II	—
22	0.5	VT	185	Low Washer Fluid Indicator Control	II	—
23	0.35	BN / YE	780	Driver Door Lock Switch Lock Signal	I	—
24	0.5	BN	7634	Integrated Trailer Brake Controller Redundant Manual Apply Signal	I	—
25	0.35	GY	5697	Child Lockout Indicator Control	I	—
26	0.5	BU / RD	7632	Integrated Trailer Brake Controller Switch 5 volt Reference	I	—
27	0.5	BK / BN	7631	Integrated Trailer Brake Controller Switch Low Reference	I	—
28	0.35	BN / WH	781	Driver Door Lock Switch Unlock Signal	I	—
29	0.5	YE	7635	Integrated Trailer Brake Controller Manual Apply Signal	I	—
30	0.5	VT / WH	239	Run / Crank Ignition 1 Voltage	I	—
31-32	—	—	—	Not Occupied	—	—
33	0.35	VT / BN	300	Run Ignition 3 Voltage	II	—
34	0.5	YE / WH	962	Configurable Provision Relay 2 Control	I	—
35	0.5	VT / GN	39	Run / Crank Ignition 1 Voltage	II	—
36	0.5	VT / WH	239	Run / Crank Ignition 1 Voltage	I	—
37-38	—	—	—	Not Occupied	—	—
39	1	BU / VT	1134	Park Brake Switch Signal	I	—
40	—	—	—	Not Occupied	—	—
41	0.5	GN / BK	7633	Integrated Trailer Brake Controller User Gain Signal	I	—
42-43	—	—	—	Not Occupied	—	—
44	0.5	WH / BU	3691	Trailer Brake Apply Signal	I	—
45	—	—	—	Not Occupied	—	—
46	0.5	VT / WH	1939	Run / Crank Ignition 1 Voltage	II	—
47	0.5	WH	6816	Indicator Dimming Control	I	—
48	—	—	—	Not Occupied	—	—

Table 111 X61A Junction Block – Instrument Panel X1 (cont.)

Pin	Size	Color	Circuit	Function	Terminal Type ID	Option
49	0.35	YE / WH	816	Brake Transmission Shift Interlock Solenoid Control	I	—
50	2.5	BK	2550	Ground	II	—



Connector Part Information

- Harness Type: Body
- Service Connector: 6040250C1
- Description: 50-pin F 1.5, 2.8 OCS Series (GY)

Table 113 Terminal Part Information

Terminal Type ID	Service Terminal	Diagnostic Test Probe
I	6042056C1	J-35616-4A (PU)
II	6042055C1	J-35616-4A (PU)
III	6042051C1, 6042052C1	J-35616-2A (GY)
IV	6041879C1	J-35616-35 (VT)
V	6042054C1	J-35616-4A (PU)

Table 114 X61A Junction Block – Instrument Panel X2

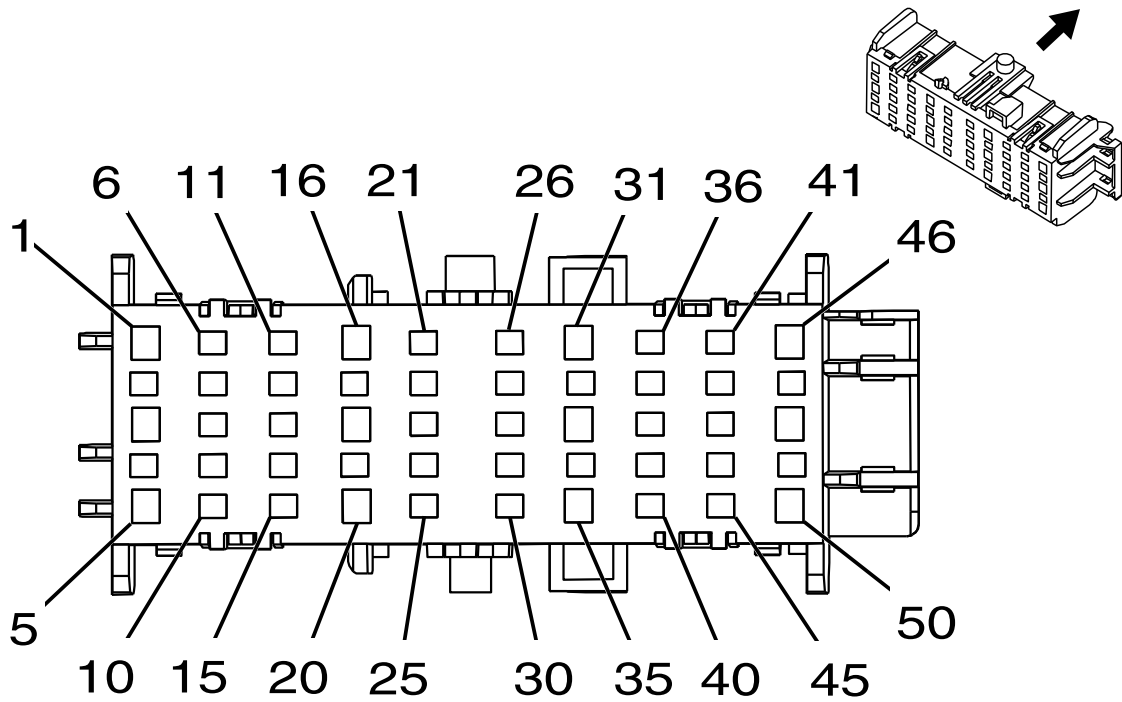
Pin	Size	Color	Circuit	Function	Terminal Type ID
1-2	—	—	—	Not Occupied	—
3	2	RD / GY	1342	Primary Fused Battery Positive Voltage 13	V

Table 114 X61A Junction Block – Instrument Panel X2 (cont.)

Pin	Size	Color	Circuit	Function	Terminal Type ID
4	0.35	BU	2307	Passenger Air Bag On Indicator Control	III
5	—	—	—	Not Occupied	—
6	0.5	WH	2501	High Speed GMLAN Serial Data (-) 1	III
7	0.5	BU	2500	High Speed GMLAN Serial Data (+) 1	III
8-14	—	—	—	Not Occupied	—
15	0.5	GN / WH	24	Backup Lamp Control	III
16-17	—	—	—	Not Occupied	—
18	4	BK	550	Ground	IV
19	0.35	VT / WH	5234	Passenger Seat Belt Indicator Control	III
20-22	—	—	—	Not Occupied	—
23	0.5	WH / BN	6815	Inadvertent Power Control	III
	0.75	WH / BN	6815	Inadvertent Power Control	III
24	0.35	GN	2308	Passenger Air Bag Off Indicator Control	III
25	—	—	—	Not Occupied	—
26	0.35	BU / GY	7473	Incremental Encoder Impulse Signal	III
27	0.35	VT	7476	Incremental Encoder Sensor Low Reference	III
28	—	—	—	Not Occupied	—
29	0.75	GY	157	Interior Lamp Control	III
30	0.35	GY	156	Courtesy Lamp Switch Signal	III
31	1	YE / VT	1553	Transfer Case Motor Counter Clockwise Control	II
32	0.35	YE	7474	Incremental Encoder Direction Signal	IIII
33	0.75	VT / GY	1054	Stop Lamp Control	II
34	—	—	—	Not Occupied	—
35	2.5	RD / GN	242	Battery Positive Voltage	V
36	0.35	WH / GN	7475	Incremental Encoder Sensor 8 volt Reference	III
37	—	—	—	Not Occupied	—
38	0.35	VT / YE	5985	Accessory Wakeup Serial Data	III
39-43	—	—	—	Not Occupied	—
44	0.5	WH / BU	3691	Trailer Brake Apply Signal	III
45	—	—	—	Not Occupied	—
46	1	YE / GY	1552	Transfer Case Motor Clockwise Control	II
47	0.5	GN / GY	817	Vehicle Speed Signal	III
48	2.5	BU	47	Trailer Auxiliary Control	V

Table 114 X61A Junction Block – Instrument Panel X2 (cont.)

Pin	Size	Color	Circuit	Function	Terminal Type ID
49	—	—	—	Not Occupied	—
50	0.35	VT / YE	43	Accessory Ignition Voltage	I



Connector Part Information

- Harness Type: Headliner
- Service Connector: 6040253C1
- Description: 50-pin F 1.5, 2.8 OCS Series (BU)

Table 116 Terminal Part Information

Terminal Type ID	Service Terminal	Diagnostic Test Probe
I	6041943C1	J-35616-2A (GY)
II	6041943C1	J-35616-2A (GY)
III	6042056C1	J-35616-4A (PU)
IV	6042052C1 0.35mm–0.5mm	J-35616-2A (GY)
	6042051C1 0.75mm	
V	6042054C1	J-35616-4A (PU)

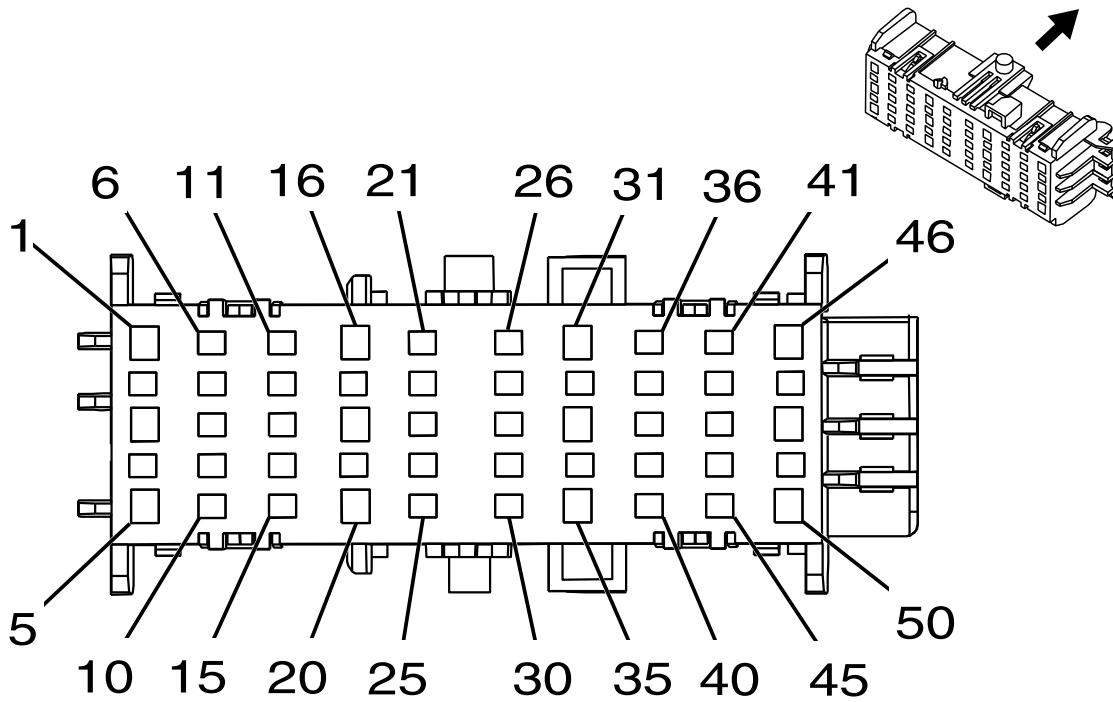
ELECTRICAL CIRCUIT DIAGRAM MANUAL

Table 117 X61A Junction Block – Instrument Panel X3

Pin	Size	Color	Circuit	Function	Terminal Type ID	Option
1-3	—	—	—	Not Occupied	—	—
4	0.35	BU	2307	Passenger Air Bag On Indicator Control	II	—
5-6	—	—	—	Not Occupied	—	—
7	0.75	WH / VT	1430	Exterior Courtesy Lamp Control	IV	—
8	0.35	YE / WH	1690	Automatic Day / Night Mirror Signal	IV	—
9	0.35	BK / YE	1691	Automatic Day / Night Mirror Low Reference	IV	—
10-12	—	—	—	Not Occupied	—	—
13	0.35	GN / RD	24	Backup Lamp Control	I	—
14-16	—	—	—	Not Occupied	—	—
17	0.35	GN / BK	2515	Keypad Control	I	—
18	—	—	—	Not Occupied	—	—
19	0.35	VT / WH	5234	Passenger Seat Belt Indicator Control	II	—
20	—	—	—	Not Occupied	—	—
21	0.35	GN / BU	2514	Keypad Signal	I	—
22	0.35	YE / BN	2516	Keypad Green LED Control	I	—
23	—	—	—	Not Occupied	—	—
24	0.35	GN / RD	2308	Passenger Air Bag Off Indicator Control	II	—
25	0.5	WH / BN	6815	Inadvertent Power Control Inadvertent Power Control	I	Without Feature Code: 0016XCS
26	0.35	WH	6192	Power Sliding Window Switch Close Signal	II	—
27	0.5	YE	6817	LED Backlight Dimming Control	I	—
28	0.35	GY / BU	156	Courtesy Lamp Switch Signal	II	—
29	0.5	GY	157	Interior Lamp Control	IV	—
30-31	—	—	—	Not Occupied	—	—
32	0.35	YE / VT	6191	Power Sliding Window Switch Open Signal	II	—
33-34	—	—	—	Not Occupied	—	—
35	0.5	VT / GY	1054	Stop Lamp Control	III	—
36	0.35	BN / WH	2517	Keypad Red LED Control	IV	—
37-40	—	—	—	Not Occupied	—	—
41	0.35	GY / GN	328	Interior Lamp Defeat Switch Signal	II	—

Table 117 X61A Junction Block – Instrument Panel X3 (cont.)

Pin	Size	Color	Circuit	Function	Terminal Type ID	Option
42	0.35	VT / GN	7558	LED Ambient Lighting Control 2	IV	—
43-44	—	—	—	Not Occupied	—	—
45	0.35	GY / WH	3153	Lane Departure Warning Disable Switch Signal	IV	—
46	2.5	BK	1050	Ground	V	—
47	0.35	GN	5060	Low Speed GMLAN Serial Data	IV	—
48	—	—	—	Not Occupied	—	—
49	0.35	WH	3152	Lane Departure Warning Indicator Control	IV	—
50	—	—	—	Not Occupied	—	—



Connector Part Information

- Harness Type: Instrument Panel
- Service Connector: 6040252C1
- Description: 50-Way F 1.5, 2.8 OCS Series (GN)

Table 119 Terminal Part Information

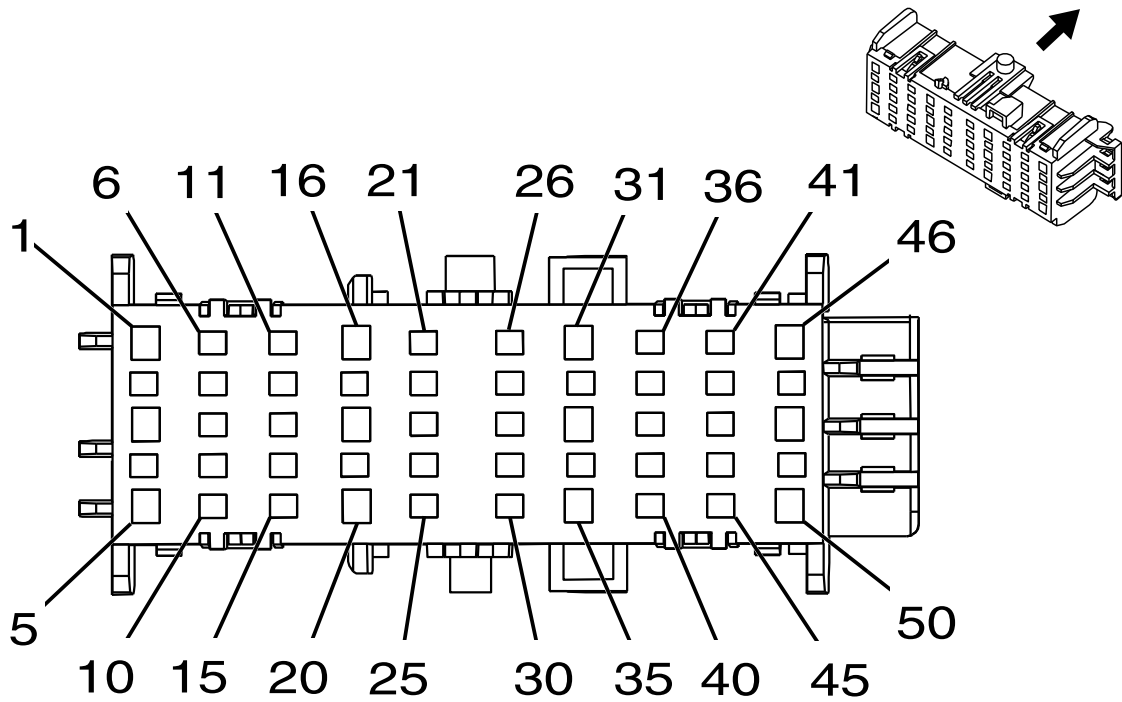
Terminal Type ID	Service Terminal	Diagnostic Test Probe
I	6042056C1	J-35616-4A (PU)
II	6042055C1	J-35616-4A (PU)
III	6042051C1	J-35616-2A (GY)
	6042052C1	
IV	6042050C1	J-35616-14 (GN)
V	6042054C1	J-35616-4A (PU)

Table 120 X61A Junction Block – Instrument Panel X4

Pin	Size	Color	Circuit	Function	Terminal Type ID
1	2.5	YE / BN	967	—	V
2	0.35	YE / VT	2516	Keypad Green LED Control	III
3	0.35	BK / GN	552	Sensor Low Reference	I
4	0.5	WH	2501	High Speed GMLAN Serial Data (-) 1	III
5	0.5	BU	2500	High Speed GMLAN Serial Data (+) 1	I
6	0.5	YE	6817	LED Backlight Dimming Control	III
7	0.35	GN / WH	2514	Keypad Signal	III
8	0.35	GY / RD	598	5 volt Reference	III
9	0.35	WH / GN	526	Stop Lamp Switch Signal	III
10	0.35	BU / YE	1693	Four Wheel Drive Switch Signal	III
11	—	—	—	Not Occupied	—
12	2	RD / GN	968	—	IV
13	—	—	—	Not Occupied	—
14	0.35	BN	1560	Neutral Indicator Control	III
15	0.35	GY / RD	6029	Four Wheel Drive Mode Switch 5 volt Reference	III
16	2.5	BK	1050	Ground	V
17	—	—	—	Not Occupied	—
18	2.5	GY / BK	966	Configurable Provision 2 Control	V
19	0.35	GN / BK	2515	Keypad Control	III
20	2.5	RD / GN	968	Configurable Provision 4 Control	V
21	0.5	VT / GN	7558	LED Ambient Lighting Control 2	III
22	0.35	BN / WH	2517	Keypad Red LED Control	III
23	0.35	BN / BK	1566	4 HI Indicator Control	III
24	0.35	VT / WH	1565	4 LO Indicator Control	III
25	0.35	VT / GN	1739	Run / Crank Ignition 1 Voltage	III
26	—	—	—	Not Occupied	—
27	0.35	GY / GN	328	Interior Lamp Defeat Switch Signal	III
28-30	—	—	—	Not Occupied	—
31	1.5	RD / YE	2340	Battery Positive Voltage	V
32	0.5	BK / WH	1851	Signal Ground	III
33	0.5	BK / WH	1851	Signal Ground	II
34	—	—	—	Not Occupied	—
35	2.5	BK / WH	1851	Signal Ground	V
36-37	—	—	—	Not Occupied	—

Table 120 X61A Junction Block – Instrument Panel X4 (cont.)

Pin	Size	Color	Circuit	Function	Terminal Type ID
38	0.5	BK / WH	1851	Signal Ground	III
39	0.35	BK / WH	1851	Signal Ground	III
40	0.35	GN / BK	1563	2 HI Indicator Control	III
41-43	—	—	—	Not Occupied	—
44	0.75	BK	2550	Ground	III
45	0.35	BK	2550	Ground	III
46	0.75	BK	2550	Ground	II
47	0.35	BK	2550	Ground	III
48	0.75	BK	2550	Ground	II
49	—	—	—	Not Occupied	—
50	0.75	BK	2550	Ground	II



Connector Part Information

- Harness Type: Instrument Panel
- Service Connector: 6040251C1
- Description: 50-pin F 1.5, 2.8 OCS Series (NA)

Table 122 Terminal Part Information

Terminal Type ID	Service Terminal	Diagnostic Test Probe
I	6042056C1	J-35616-4A (PU)
II	6042055C1	J-35616-4A (PU)
III	6042052C1 0.35mm-0.50mm	J-35616-2A (GY)
	6042051C1 0.75mm	

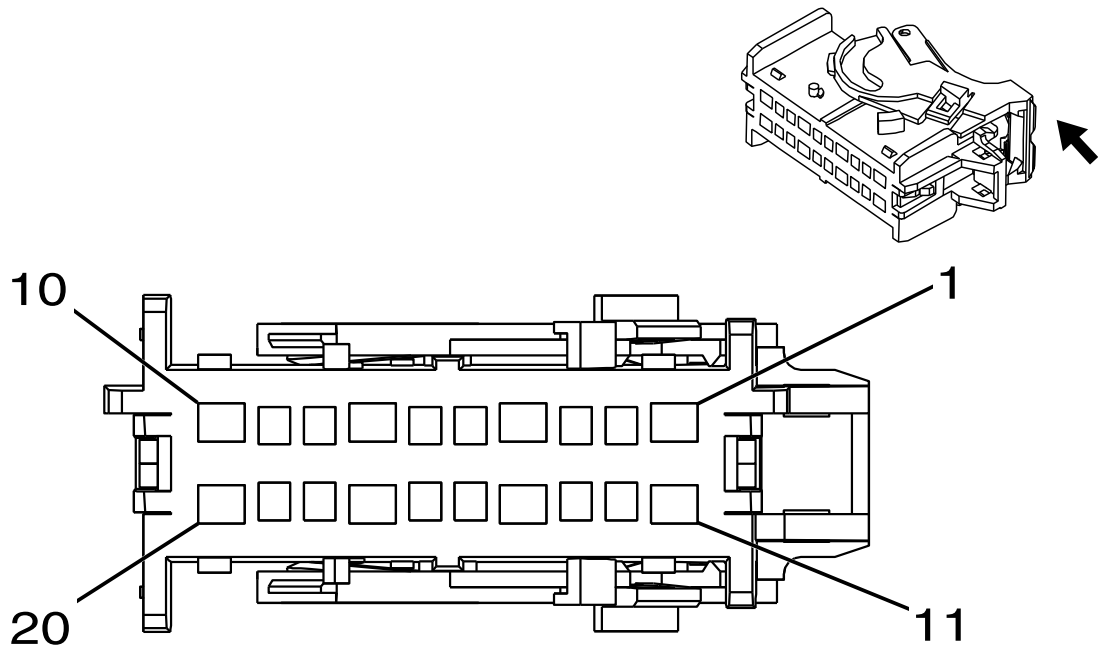
Table 123 X61A Junction Block – Instrument Panel X5

Pin	Size	Color	Circuit	Function	Terminal Type ID
1-2	—	—	—	Not Occupied	—
3	0.5	D-BU / YE	6105	High Speed GMLAN Serial Data (+) 2	I
4	0.75	WH / VT	1430	Exterior Courtesy Lamp Control	III

ELECTRICAL CIRCUIT DIAGRAM MANUAL

Table 123 X61A Junction Block – Instrument Panel X5 (cont.)

Pin	Size	Color	Circuit	Function	Terminal Type ID
5	—	—	—	Not Occupied	—
6	0.35	GY	5697	Child Security Lock Indicator Control	III
7	0.5	BN	7634	Trailer Brake Control Redundant Manual Apply Signal	III
8	0.35	BN / YE	780	Driver Door Lock Switch Lock Signal	III
9	0.35	VT	185	Low Washer Fluid Indicator Control	III
10	0.5	RD / WH	961	Configurable Provision Relay 2 Control	III
11	0.5	VT / WH	239	Run/Crank Ignition 1 Voltage 2	III
12	0.5	YE	7635	Trailer Brake Control Manual Apply Signal	III
13	0.35	BN / WH	781	Driver Door Lock Switch Unlock Signal	III
14	0.5	BK / BN	7631	Trailer Brake Control Switch Low Reference	III
15	0.5	D-BU / RD	7632	Trailer Brake Control Switch 5V Reference	III
16	0.5	VT / L-GN	39	Run/Crank Ignition 1 Voltage	I
17	0.5	YE / WH	962	Configurable Provision Relay 1 Control	III
18	0.35	VT / BN	300	Run Ignition 3 Voltage	II
19	0.5	WH	6106	High Speed GMLAN Serial Data (-) 2	III
20-21	—	—	—	Not Occupied	—
22	0.5	BU / VT	1134	Park Brake Switch Signal	III
23-24	—	—	—	Not Occupied	—
25	0.5	VT / WH	239	Run/Crank Ignition 1 Voltage 2	III
26	—	—	—	Not Occupied	—
27	0.5	WH / D-BU	3691	Trailer Brake Apply Signal	III
28-29	—	—	—	Not Occupied	—
30	0.5	L-GN / BK	7633	Trailer Brake Control User Gain Signal	III
31	0.35	BK	2550	Ground 25	I
32	0.35	YE / WH	816	Brake Transmission Shift Interlock Solenoid Actuator Control	III
33	—	—	—	Not Occupied	—
34	0.5	WH	6816	Indicator Dimming Control	III
35-36	—	—	—	Not Occupied	—
37	0.35	WH	6816	Indicator Dimming Control	III
38	0.35	WH	6816	Indicator Dimming Control	III
39-50	—	—	—	Not Occupied	—



Connector Part Information

- Harness Type: Brake Clutch
- Service Connector: Service by Harness
- Description: 20-pin F 1.5, 2.8 OCS Series (BK)

Table 125 Terminal Part Information

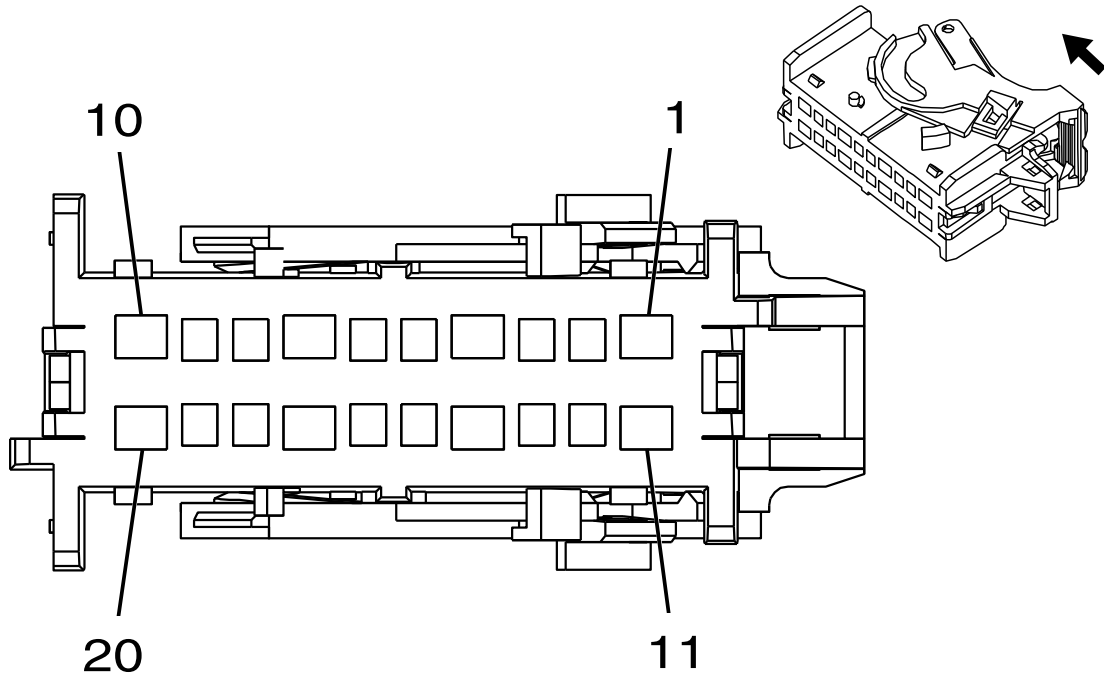
Terminal Type ID	Service Terminal	Diagnostic Test Probe
I	6041915C1 or 6042052C1	J-35616-14 (GN)
II	6042052C1	J-35616-2A (GY)
III	6041977C1	J-35616-35 (VT)
IV	6042056C1	J-35616-4A (PU)

Table 126 X61A Junction Block – Instrument Panel X8

Pin	Size	Color	Circuit	Function	Terminal Type ID
1-7	—	—	—	Not Occupied	—
8	0.5	WH / GN	526	Stop Lamp Switch Signal	I
9	0.5	WH	2501	High Speed GMLAN Serial Data (-) 1	I

Table 126 X61A Junction Block – Instrument Panel X8 (cont.)

Pin	Size	Color	Circuit	Function	Terminal Type ID
10	0.5	BU	2500	High Speed GMLAN Serial Data (+) 1	IV
11	—	—	—	Not Occupied	—
12	0.5	WH	2501	High Speed GMLAN Serial Data (-) 1	II
13	0.5	BU	2500	High Speed GMLAN Serial Data (+) 1	II
14	0.5	WH / RD	6207	Memory Sensor High Reference	III
15	0.5	BU	5952	Adjustable Pedal Position Sensor Brake Signal	I
16	1.5	YE	5129	Adjustable Pedal Actuator Rearward Control	I
17	0.5	BK / GY	6206	Memory Sensor Low Reference	III
18	1.5	GN / VT	5130	Adjustable Pedal Actuator Forward Control	I
19	0.5	BK / GN	552	Sensor Low Reference	II
20	0.5	GY / RD	598	HVAC Air Inlet 5 Volt Reference	III



Connector Part Information

- Harness Type: Brake Clutch
- Service Connector: Service by Harness
- Description: 20-Way F 1.5, 2.8 OCS Series (GY)

Table 128 Terminal Part Information

Terminal Type ID	Service Terminal	Diagnostic Test Probe
I	6042052C1	J-35616-2A (GY)
II	6041879C1	J-35616-35 (VT)
III	6042055C1 or 6042056C1	J-35616-4A (PU)

Table 129 X61A Junction Block – Instrument Panel X9

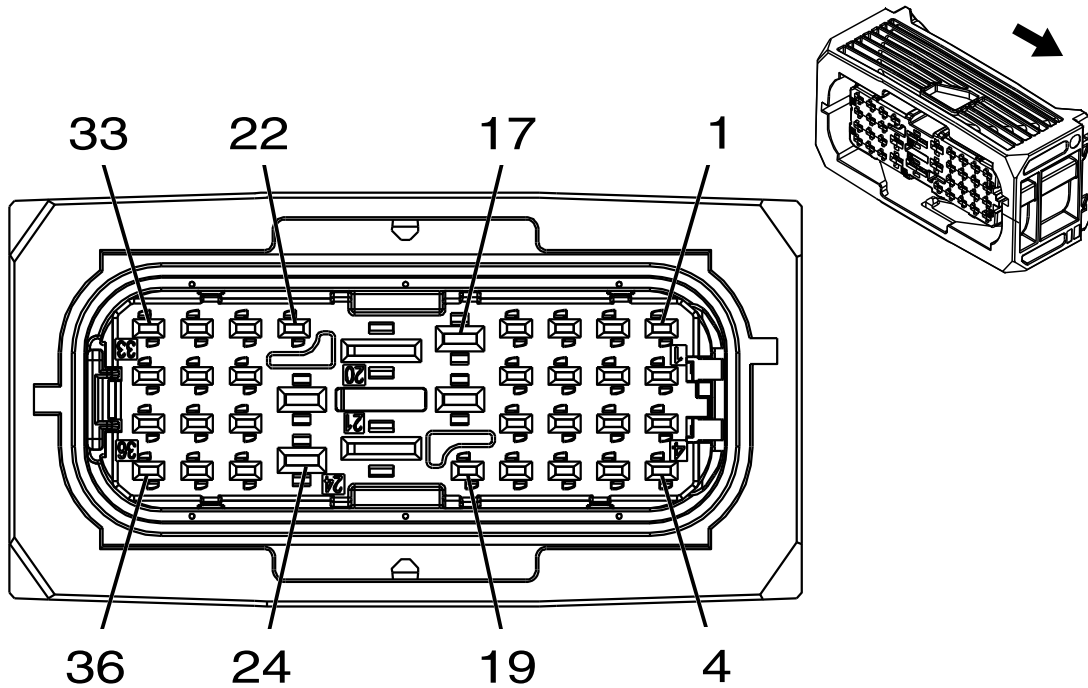
Pin	Size	Color	Circuit	Function	Terminal Type ID
1	—	—	—	Not Occupied	—
2	0.35	BU / YE	1693	Four Wheel Drive Switch Signal	I
3	0.35	GY / RD	6029	Four Wheel Drive Mode Switch 5 volt Reference	I
4	0.35	BN / BK	1566	4 HI Indicator Control	III

Table 129 X61A Junction Block – Instrument Panel X9 (cont.)

Pin	Size	Color	Circuit	Function	Terminal Type ID
5	0.35	VT / WH	1565	4 LO Indicator Control	I
6	0.35	VT /GN	1739	Run / Crank Ignition 1 Voltage	I
7	0.35	VT / YE	5985	Accessory Wake-up Serial Data	III
8	0.35	GN / BK	1563	2 HI Indicator Control	I
9–10	—	—	—	Not Occupied	—
11	3	RD / GY	1342	Battery Positive Voltage	II
12	0.35	BN	1560	Neutral Indicator Control	I
13	0.35	VT	7476	Incremental Encoder Sensor Low Reference	I
14	3	BK	550	Ground	II
15	0.35	BU / GY	7473	Incremental Encoder Impulse Signal	I
16	0.35	YE	7474	Incremental Encoder Direction Signal	I
17	1	YE / VT	1553	Transfer Case Motor Counter Clockwise Control	III
18	0.35	WH/L-GN	7475	Incremental Encoder Sensor 8 volt Reference	I
19	—	—	—	Not Occupied	—
20	1	YE / GY	1552	Transfer Case Motor Clockwise Control	III

CONNECTOR END VIEWS

16.1. IN-LINE HARNESS CONNECTOR END VIEWS



Connector Part Information

- Harness Type: Reductant Tank
- Service Connector: Service by Harness
- Description: 16-Way F 1.2 Multilock Series (BK)

Table 131 Terminal Part Information

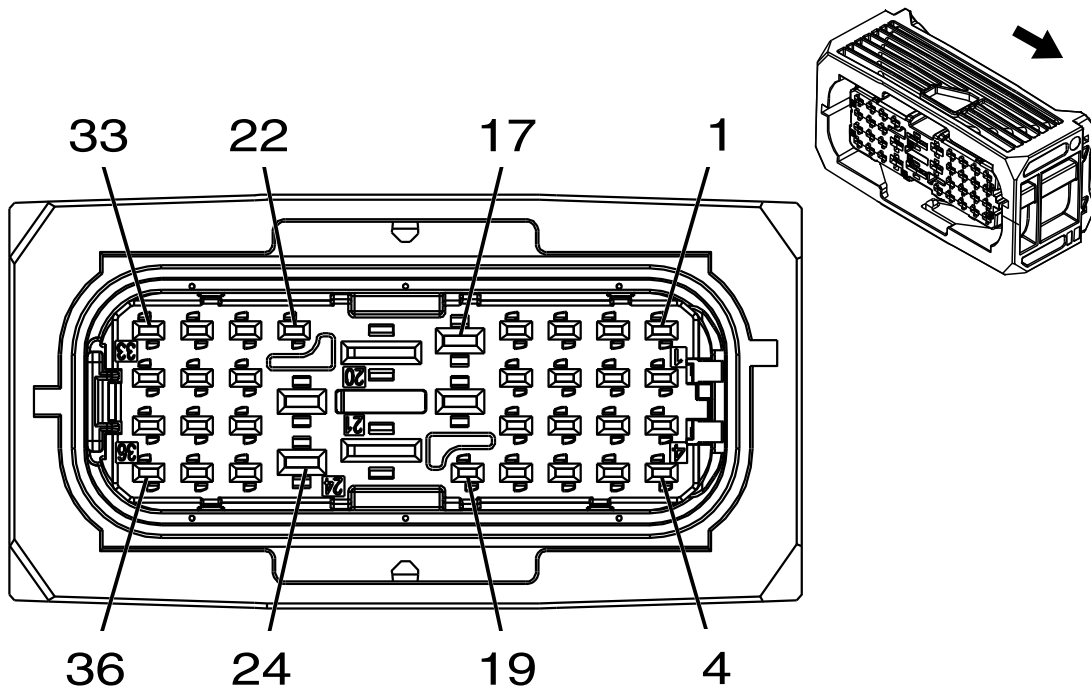
Terminal Type ID	Service Terminal	Diagnostic Test Probe
I	Not Available	J-35616-16 (LT GN)

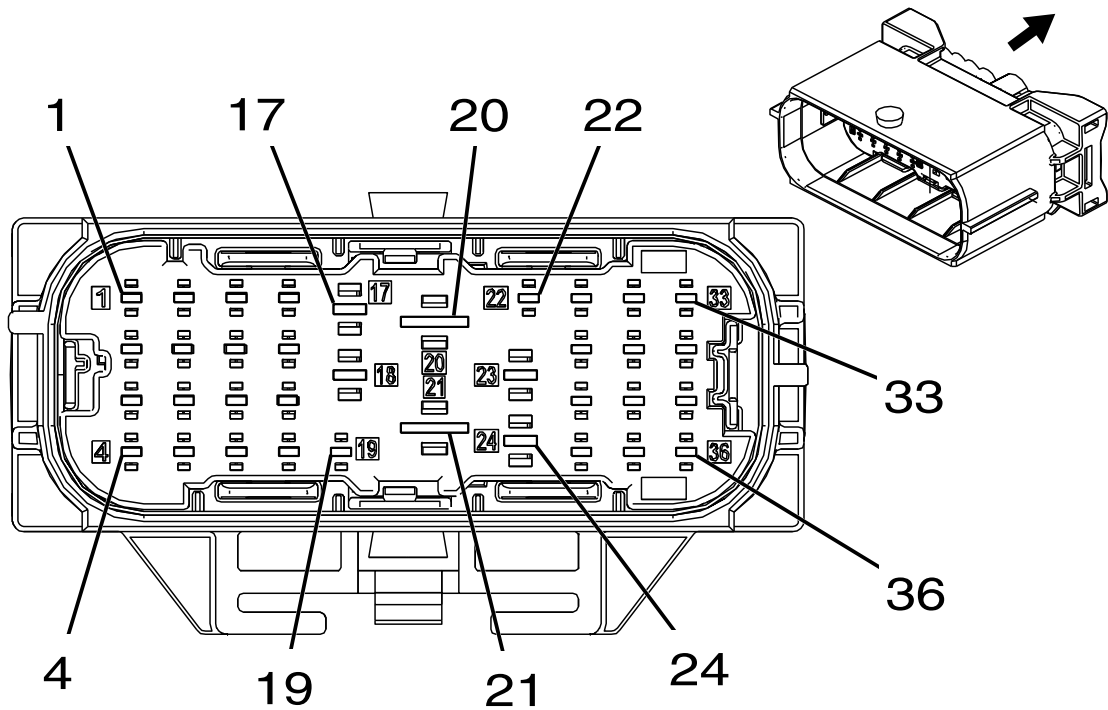
Table 132 A38 Reductant Pump and Sensor Assembly

Pin	Size	Color	Circuit	Terminal Type ID	Function
1	0.5	BN	3244	I	DEF Tank Temperature Sensor Signal
2	0.5	BK	3245	I	DEF Tank Temperature Sensor Low Reference
3	0.5	BN	3107	I	DEF Pressure Sensor Low Reference
4	0.5	BU	3108	I	DEF Pressure Sensor Signal

Table 132 A38 Reductant Pump and Sensor Assembly (cont.)

Pin	Size	Color	Circuit	Terminal Type ID	Function
5	0.5	BN	3106	I	DEF Pressure Sensor 5V Reference
6	0.5	BU	3029	I	DEF Tank Level Sensor Low Reference
7	1	WH	3103	I	DEF Smart Pump Control
8	0.5	BU	3875	I	DEF Smart Pump Control Phase 2
9	1	WH	3677	I	DEF Reservoir Heater Control
10	—	—	—	—	Not Occupied
11	1	BK	4318	I	DEF Tank Heater Low Control
12	—	—	—	I	Not Occupied
13	0.5	BK	7290	I	Diesel Exhaust Fluid Sensor Voltage Reference (1)
14	0.5	BN	3028	I	DEF Tank Level Sensor Signal
15	1	BN	3104	I	DEF Smart Pump Low Reference
16	1	BN	3876	I	DEF Smart Pump Control Phase 3





Connector Part Information	Connector Part Information
<ul style="list-style-type: none"> • Harness Type: Engine Chassis • Service Connector: 6040261C1 • Description: 36-pin F 1.5, 2.8 CTS, 6.3 MCP Series (BK) 	<ul style="list-style-type: none"> • Harness Type: Engine • Service Connector: 6040256C1 • Description: 36-pin M 1.5, 2.8, 5.8 Series, Sealed (BK)

Table 134 Terminal Part Information

Terminal Type ID	Service Terminal	Diagnostic Test Probe
I	6041998C1	J-35616-14 (GN)
II	6042031C1	J-35616-14 (GN)
III	6041910C1	J-35616-35 (VT)
IV	6042040C1	J-35616-5 (PU)
V	6041908C1	J-35616-3 (GY)
VI	6041886C1	J-35616-3 (GY)

Table 135 X101 Engine Chassis Harness to Engine Harness

Male						Female				
Pin	Size	Color	Circuit	Terminal Type ID	Function	Pin	Size	Color	Circuit	Terminal Type ID
1	0.5	BU / BN	4498	I	High Speed GMLAN Serial Data (+) 7	1	0.5	BU / BN	4498	V
2	0.5	WH	4499	I	High Speed GMLAN Serial Data (-) 7	2	0.5	WH	4499	V
3	0.5	BU	2500	II	High Speed GMLAN Serial Data (+) 1	3	0.5	BU	2500	V
4	0.5	WH	2501	II	High Speed GMLAN Serial Data (-) 1	4	0.5	WH	2501	V
5	0.5	BK / BN	6782	I	DOCIT(Exhaust Gas Temperature Sensor 1) Low Reference	5	0.5	BK / BN	6782	V
6	0.5	BU / WH	5277	I	DOCIT (Exhaust Gas Temperature Sensor 1) Signal	6	0.5	BU / WH	5277	V
7	0.5	BK / BU	6783	I	DOCOT (Exhaust Gas Temperature Sensor 2) Low Reference	7	0.5	BK / BU	6783	V
8	0.5	BU / GN	5377	I	DOCOT (Exhaust Gas Temperature Sensor 2) Signal	8	0.5	BU / GN	5377	V
9	0.5	BK / BU	6274	I	EGRIT (Exhaust Gas Recirculation Temperature Sensor 1) Low Reference	9	0.5	BK / BU	6274	V

Table 135 X101 Engine Chassis Harness to Engine Harness (cont.)

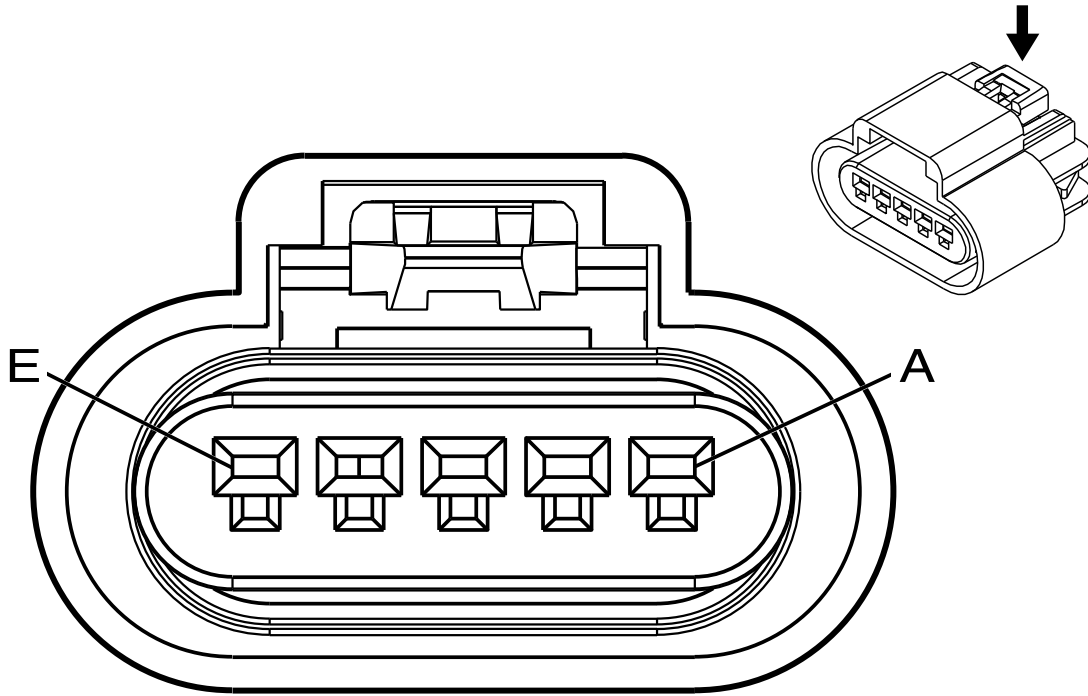
Male					Function	Female				
Pin	Size	Color	Circuit	Terminal Type ID		Pin	Size	Color	Circuit	Terminal Type ID
10	0.5	WH / BN	3237	I	EGRIT (Exhaust Gas Recirculation Temperature Sensor 1) Signal	10	0.5	WH / BN	3237	V
11	0.5	BK / YE	6275	I	EGROT (Exhaust Gas Recirculation Temperature Sensor 2) Low Reference	11	0.5	BK / YE	6275	V
12	0.5	YE / GN	3236	I	EGROT (Exhaust Gas Recirculation Temperature Sensor 2) Signal	12	0.5	YE / GN	3236	V
13	0.5	YE / BK	3682	I	Charge Air Cooler Inlet Temperature Sensor Low Reference	13	0.5	YE / BK	3682	V
14	0.5	GN	3683	I	Charge Air Cooler Inlet Temperature Sensor Signal	14	0.5	GN	3683	V
15	0.5	BN / BK	2929	I	Fuel Metering Valve Low Control	15	0.5	BN / BK	2929	V
16	0.5	YE	2928	I	Fuel Metering Valve High Control	16	0.5	YE	2928	V
17	0.5	VT / YE	5985	III	Accessory Wake-up Serial Data	17	0.5	VT / YE	443	IV
18	0.5	VT / BK	2139	III	Run / Crank Ignition 1 Voltage	18	0.5	VT / BK	2139	IV
19-21	—	—	—	—	Not Occupied	19-21	—	—	—	—
22	0.5	VT / BU	3674	II	NOx Sensor 1 Control	22	0.5	VT / BU	3674	VI

Table 135 X101 Engine Chassis Harness to Engine Harness (cont.)

Male					Function	Female				
Pin	Size	Color	Circuit	Terminal Type ID		Pin	Size	Color	Circuit	Terminal Type ID
23	0.5	GY	23	III	Alternator (Generator) Field Duty Cycle Signal	23	0.5	GY	23	IV
24	0.75	BN	25	III	Charge Indicator Control	24	0.5	BN	25	IV
25	0.5	BN / RD	7445	I	Fuel Line Pressure Sensor 5 volt Reference	25	0.5	BN / RD	7445	V
26	0.5	BK / YE	7447	I	Fuel Line Pressure Sensor Low Reference	26	0.5	BK / YE	7447	V
27	0.5	BU / WH	7446	I	Fuel Line Pressure Sensor Signal	27	0.5	BU / WH	7446	V
28	—	—	—	—	Crankshaft Position Sensor Replicated Signal	28	0.5	VT / BU	6091	V
29	—	—	—	—	Not Occupied	29	—	—	—	—
30	0.5	BU / GN	7071	I	Heater Fuel Control	30	0.5	BU / GN	7071	V
31	—	—	—	—	Hydrocarbon Injector Low Control	31	0.5	VT / BN	2927	V
32	—	—	—	—	Hydrocarbon Injector High Control	32	0.5	BN / BU	2926	V
33	0.5	BU / BN	4498	I	High Speed GMLAN Serial Data (+) 7	33	0.5	BU / BN	4498	V
34	0.5	WH	4499	I	High Speed GMLAN Serial Data (-) 7	34	0.5	WH	4499	V

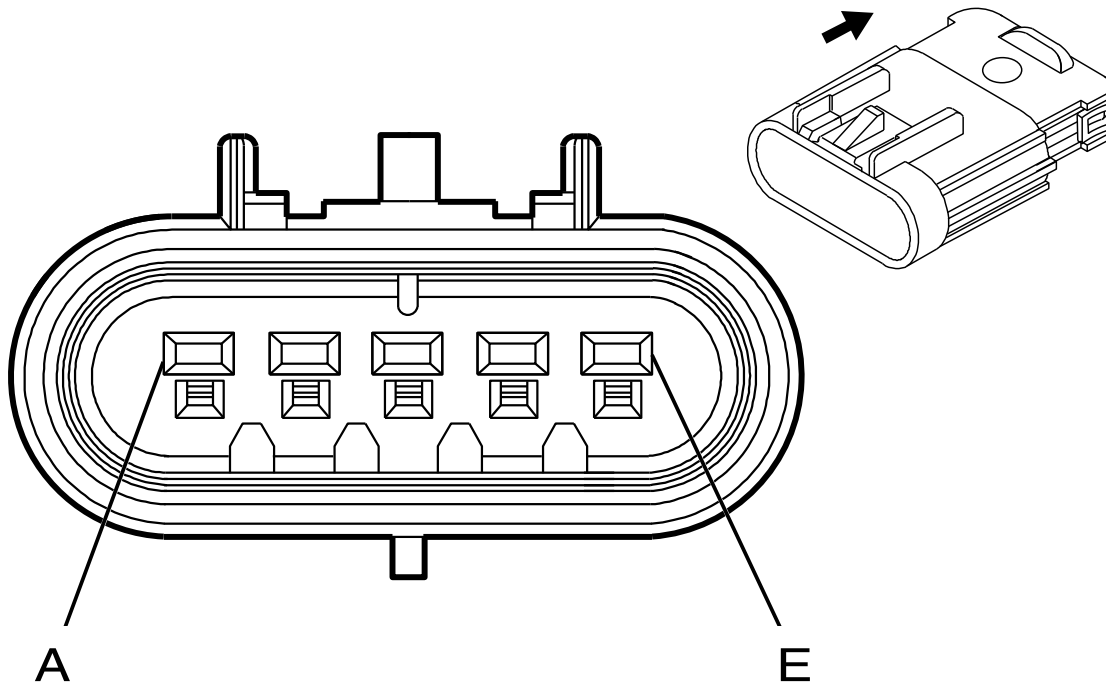
Table 135 X101 Engine Chassis Harness to Engine Harness (cont.)

Male					Function	Female				
Pin	Size	Color	Circuit	Terminal Type ID		Pin	Size	Color	Circuit	Terminal Type ID
35	0.5	BU	2500	II	High Speed GMLAN Serial Data (+) 1	35	0.5	BU	2500	V
36	0.5	WH	2501	II	High Speed GMLAN Serial Data (-) 1	36	0.5	WH	2501	V



Connector Part Information

- Harness Type: Engine Chassis
- Service Connector: 6040211C1
- Description: 5-way F 150 GT Series, Sealed (BK)



Connector Part Information

- Harness Type: Engine Cooling Fan
- Service Connector: 6040211C1
- Description: 5-Way F 150 GT Series, Sealed (BK)

Table 138 Terminal Part Information

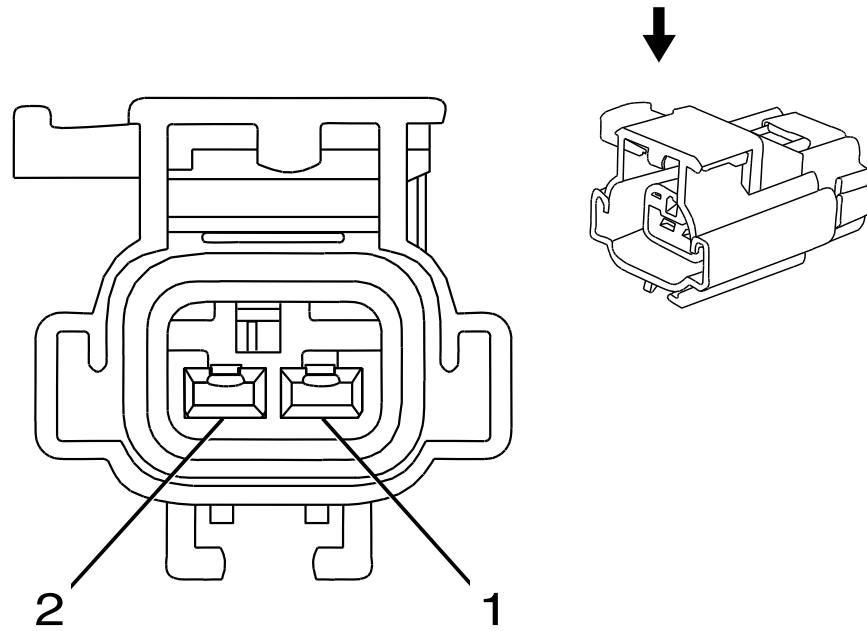
Terminal Type ID	Service Terminal	Diagnostic Test Probe
I	6042023C1	J-35616-14 (GN)
II	Not Available	Not Available

Table 139 X102 Engine Chassis Harness to Engine Cooling Fan Harness

Male					Function	Female				
Pin	Size	Color	Circuit	Terminal Type ID		Pin	Size	Color	Circuit	Terminal Type ID
A	0.75	BK	550	I	Ground	A	0.75	BK	550	II
B	0.5	WH	2368	I	Cooling Fan Control Signal	B	0.5	WH	2368	II

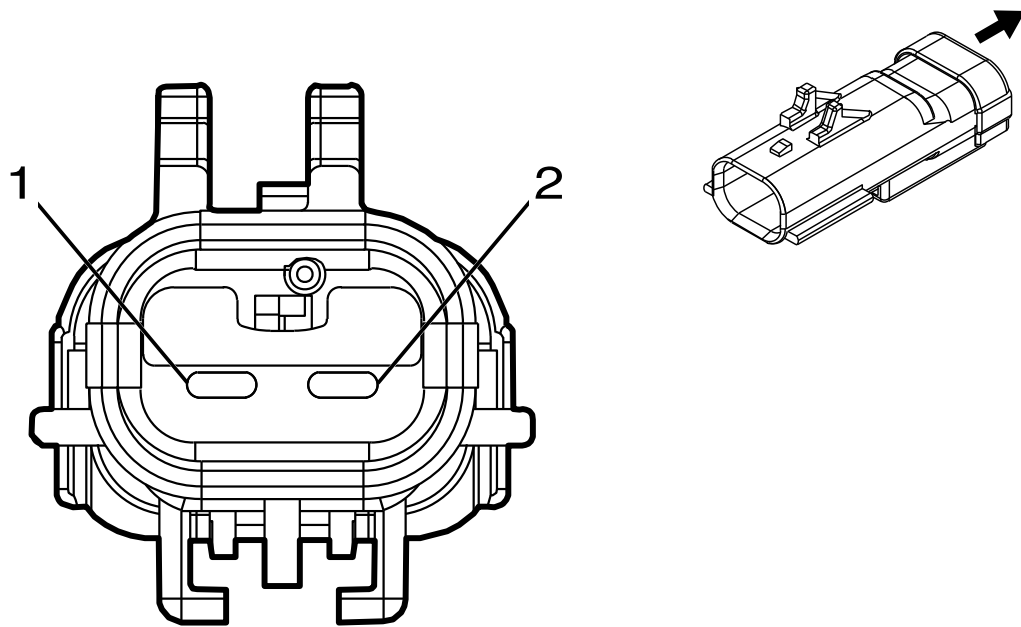
Table 139 X102 Engine Chassis Harness to Engine Cooling Fan Harness (cont.)

Male					Function	Female				
Pin	Size	Color	Circuit	Terminal Type ID		Pin	Size	Color	Circuit	Terminal Type ID
C	0.5	BK / BN	6141	I	Cooling Fan Speed Low Reference	C	0.5	BK / BN	6141	II
D	0.5	D-BU / VT	2364	I	Cooling Fan Speed Signal	D	0.5	D-BU / VT	2364	II
E	0.5	GY / RD	2365	I	Cooling Fan Speed 5 volt Reference	E	0.5	GY / RD	2365	II



Connector Part Information

- Harness Type: Forward Lamp
- Service Connector: 3626435C1
- Description: 2-Way F 2.8 Series, Sealed (BK)



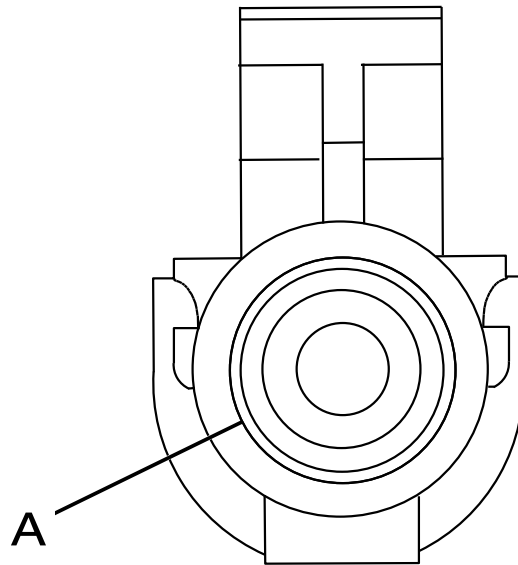
Connector Part Information	
•	Harness Type: Horn Jumper
•	Service Connector: 3924162C1
•	Description: 2-Way M 2.8 APEX Series, Sealed (BK)

Table 142 Terminal Part Information

Terminal Type ID	Service Terminal	Diagnostic Test Probe
I	3613771C1	J-35616-4A (PU)
II	3618273C1	J-35616-4A (PU)

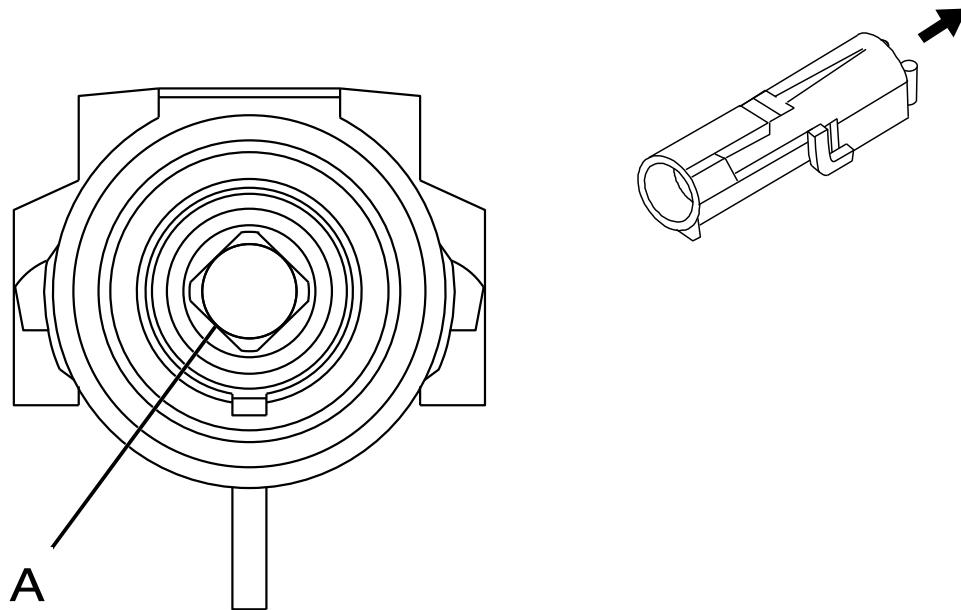
Table 143 X103 Forward Lamp Harness to Horn Jumper Harness

Male						Female				
Pin	Size	Color	Circuit	Terminal Type ID	Function	Pin	Size	Color	Circuit	Terminal Type ID
1	1	BN / GY	29	I	Horn Control	1	1	BN / GY	29	II
2	1	BK	85	I	Ground	2	1	BK	85	II



Connector Part Information

- Harness Type: Forward Lamp
- Service Connector: Service by Harness
- Description: 1-Way F Weather Pack Series (BK)



Connector Part Information

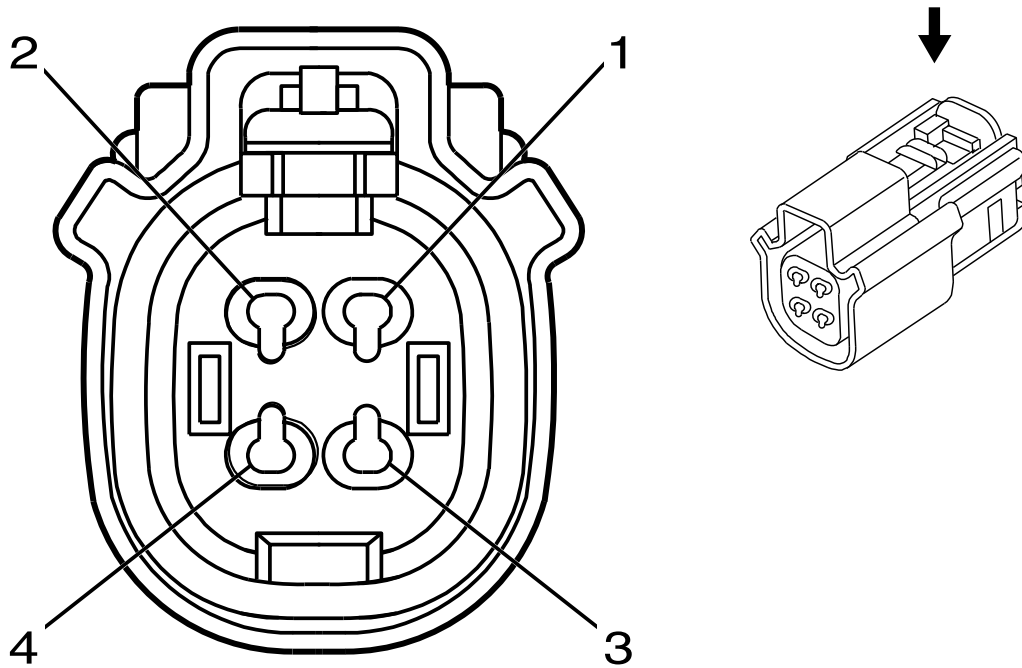
- Harness Type: Radiator Ground
- Service Connector: Service by Harness
- Description: 1-Way M

Table 146 Terminal Part Information

Terminal Type ID	Service Terminal	Diagnostic Test Probe
I	Not Available	J-35616-4A (PU)
II	Not Available	Not Available

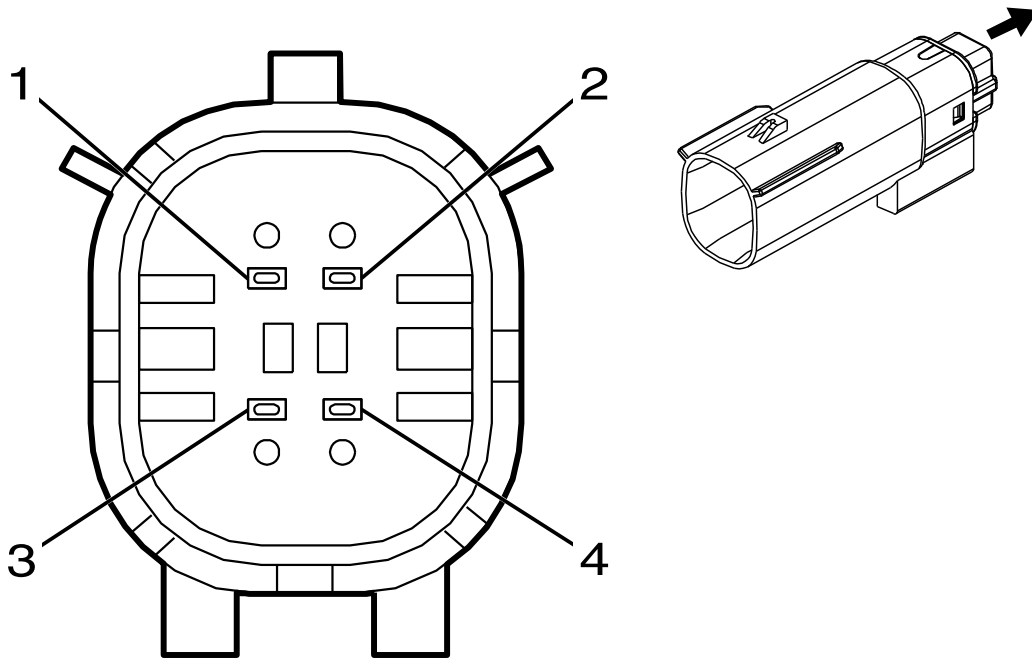
Table 147 X104 Forward Lamp Harness to Radiator Ground Harness

Male						Female				
Pin	Size	Color	Circuit	Terminal Type ID	Function	Pin	Size	Color	Circuit	Terminal Type ID
A	3	BK	10-G	I	Ground	A	—	WH	10-G	II



Connector Part Information

- Harness Type: Engine Chassis
- Service Connector: 6040304C1
- Description: 4-Way F 150 MX Series, Sealed (BK)



Connector Part Information

- Harness Type: Engine Chassis
- Service Connector: 6040255C1
- Description: 4-Way M 150 MX Series, Sealed (BK)

Table 150 Terminal Part Information

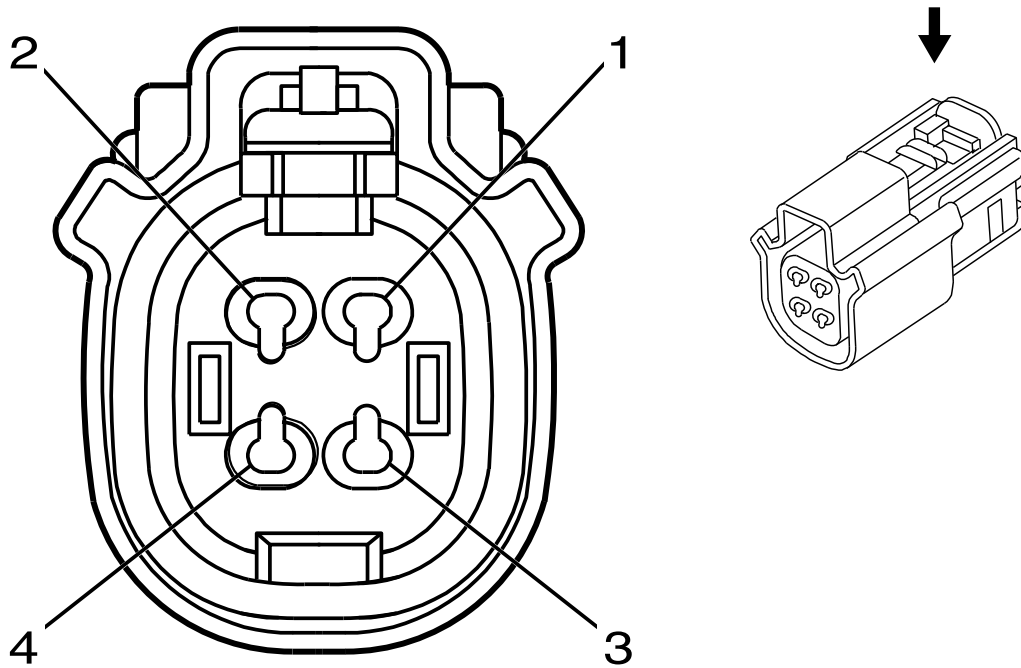
Terminal Type ID	Service Terminal	Diagnostic Test Probe
I	6041961C1	J-35616-14 (GN)
II	6041883C1	J-35616-3 (GY)

Table 151 X105 Engine Chassis Harness to Engine Chassis Harness

Male					Function	Female				
Pin	Size	Color	Circuit	Terminal Type ID		Pin	Size	Color	Circuit	Terminal Type ID
1	0.5	YE / BK	625	I	Starter Enable Relay Control	1	0.5	YE / BK	625	II
2	0.75	BN	25	I	Charge Indicator Control	2	0.75	BN	25	II

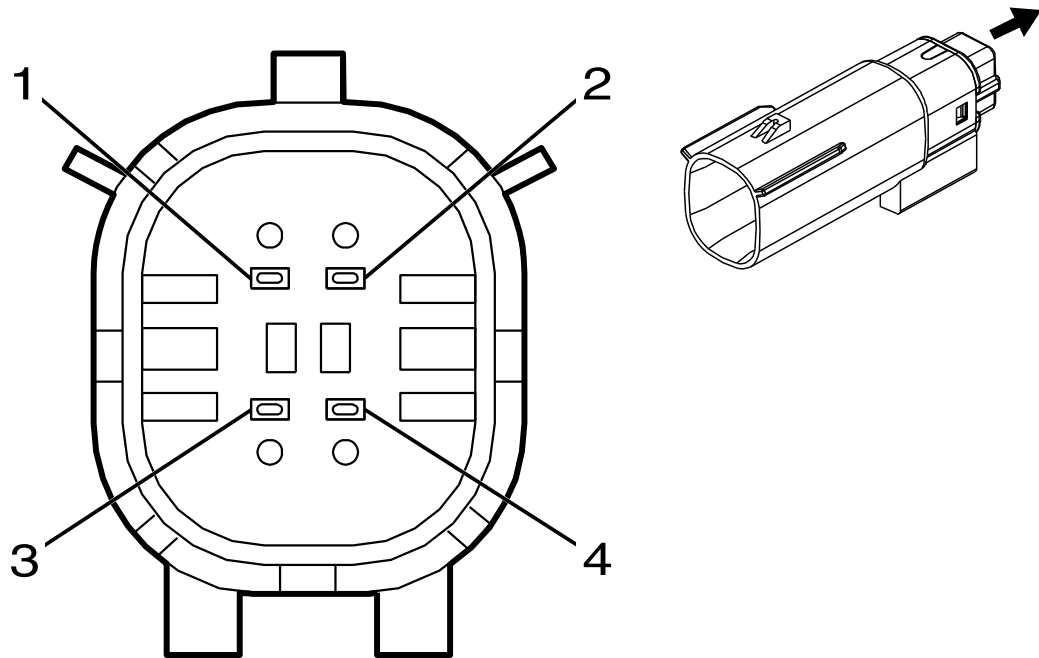
Table 151 X105 Engine Chassis Harness to Engine Chassis Harness (cont.)

Male					Function	Female				
Pin	Size	Color	Circuit	Terminal Type ID		Pin	Size	Color	Circuit	Terminal Type ID
3	0.5	YE / BK	625	I	Starter Enable Relay Control	3	0.5	YE / BK	625	II
4	0.75	BN	25	I	Charge Indicator Control	4	0.75	BN	25	II



Connector Part Information

- Left Snow Plow Tee
- Service Connector: 3612305C1
- Description: 6-Way F 2.8 APEX Series, Sealed (BK)



Connector Part Information

- Harness Type: Left Snow Plow Headlight
- Service Connector: Service by Harness - See Part Catalog
- Description: 6-Way M

Table 154 Terminal Part Information

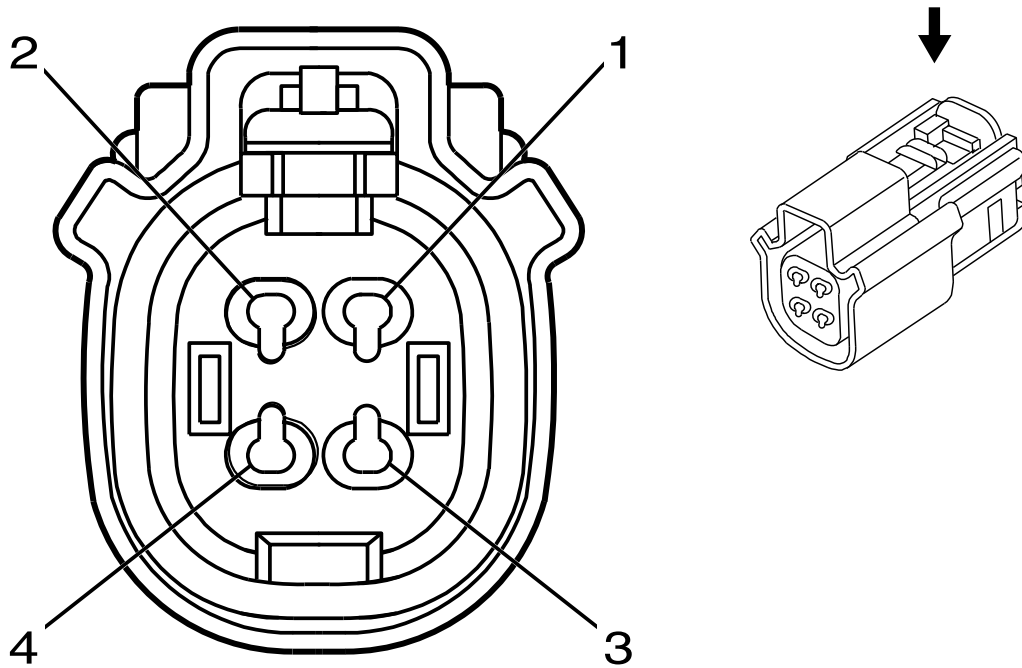
Terminal Type ID	Service Terminal	Diagnostic Test Probe
I	Not Available	J-35616-35 (VT)
II	Not Available	Not Available

Table 155 X107 Left Snow Plow Tee Harness to Left Snow Plow Headlight Harness (UNL)

Male					Function	Female				
Pin	Size	Color	Circuit	Terminal Type ID		Pin	Size	Color	Circuit	Terminal Type ID
1	1.5	BK	250	I	Ground	1	—	—	250	II
2	1.5	YE	712	I	Left Headlamp Low Beam Control	2	—	—	712	II

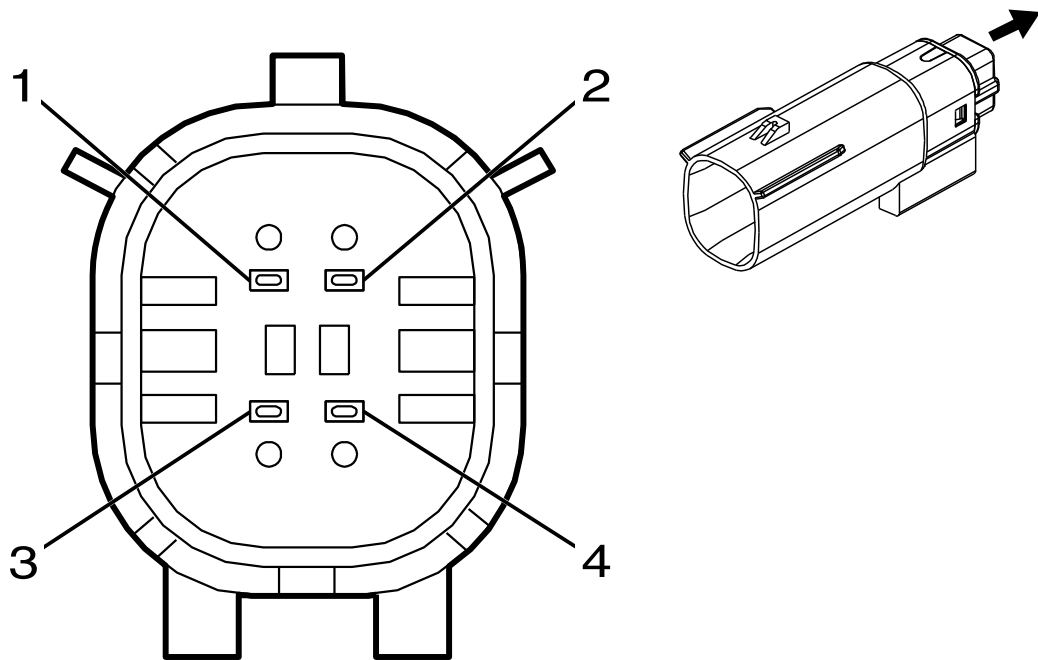
Table 155 X107 Left Snow Plow Tee Harness to Left Snow Plow Headlight Harness (UNL) (cont.)

Male					Function	Female				
Pin	Size	Color	Circuit	Terminal Type ID		Pin	Size	Color	Circuit	Terminal Type ID
3	1.5	WH	711	I	Left Headlamp High Beam Control	3	—	—	711	II
4	1.5	GY / BU	7538	I	Left Front DRL Control	4	—	—	7538	II
5	1.5	VT / GY	709	I	Left Park Lamp Control	5	—	—	709	II
6	1.5	BU / WH	1314	I	Left Front Turn Signal Lamp Control	6	—	—	1314	II



Connector Part Information

- Harness Type: Engine Chassis
- Service Connector: 6040304C1
- Description: 4-pin F 150 MX Series, Sealed (BK)



Connector Part Information

- Harness Type: Engine Chassis
- Service Connector: 6040255C1
- Description: 4-pin M 150 MX Series, Sealed (BK)

Table 158 Terminal Part Information

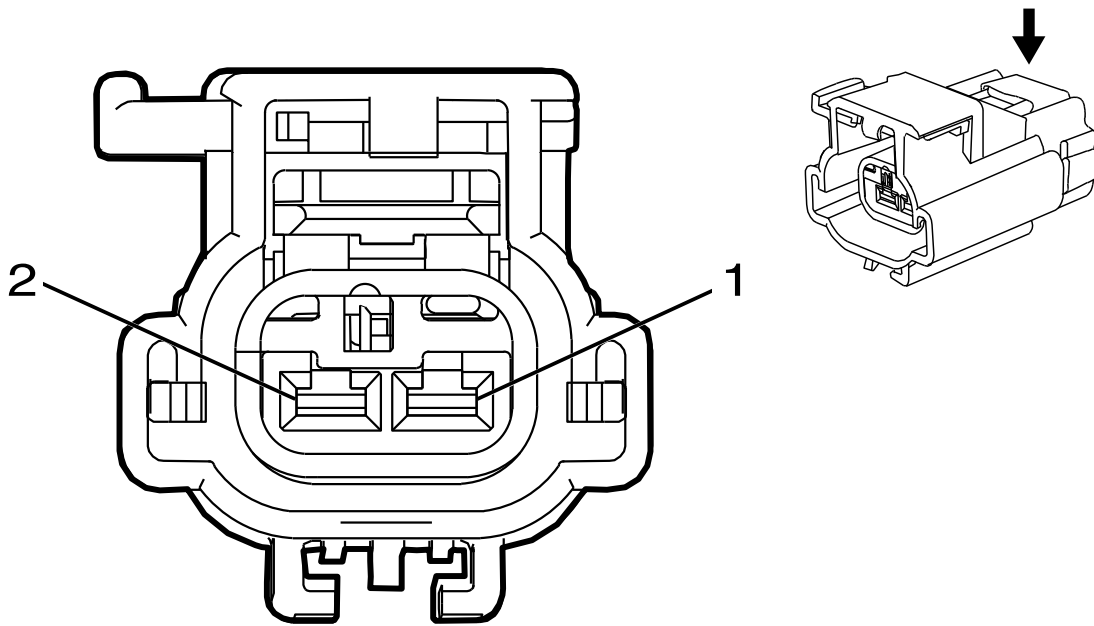
Terminal Type ID	Service Terminal
I	6042041C1
II	Not Available

Table 159 X107 Engine Chassis Harness to Engine Chassis Harness

Male					Function	Female				
Pin	Size	Color	Circuit	Terminal Type ID		Pin	Size	Color	Circuit	Terminal Type ID
1	0.5	YE / BK	625	I	Starter Enable Relay Control	1	0.5	YE / BK	625	II
2	0.75	BN	25	I	Charge Indicator Control	2	0.75	BN	25	II

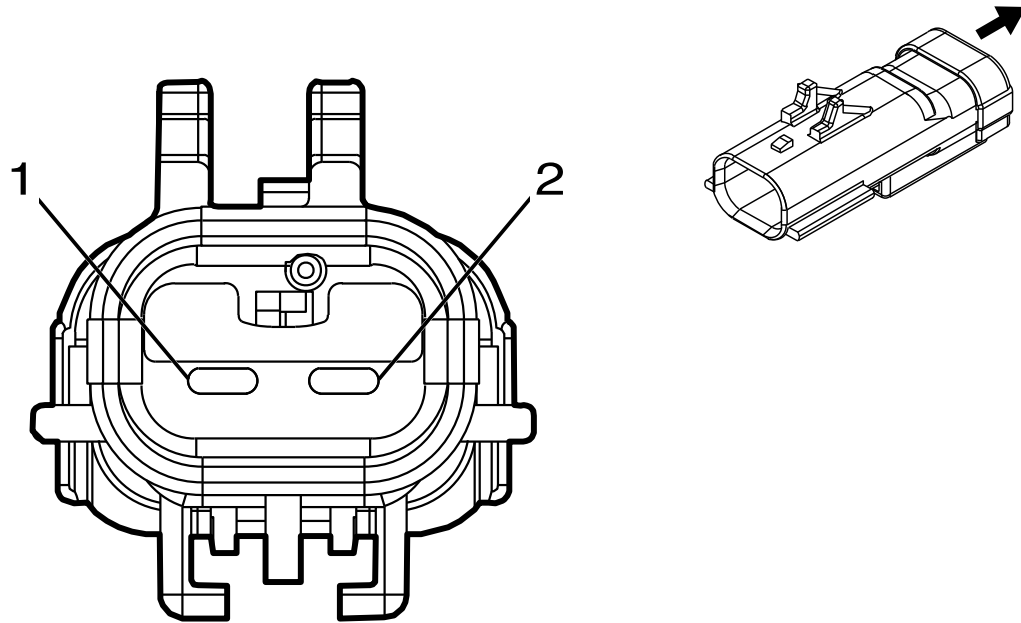
Table 159 X107 Engine Chassis Harness to Engine Chassis Harness (cont.)

Male					Function	Female				
Pin	Size	Color	Circuit	Terminal Type ID		Pin	Size	Color	Circuit	Terminal Type ID
3	0.5	YE / BK	625	I	Starter Enable Relay Control	3	0.5	YE / BK	625	II
4	0.75	BN	25	I	Charge Indicator Control	4	0.75	BN	25	II



Connector Part Information

- Harness Type: Forward Lamp
- Service Connector: 6105358C1
- Description: 2-Way F 2.8 APEX Series, Sealed (BK)



Connector Part Information

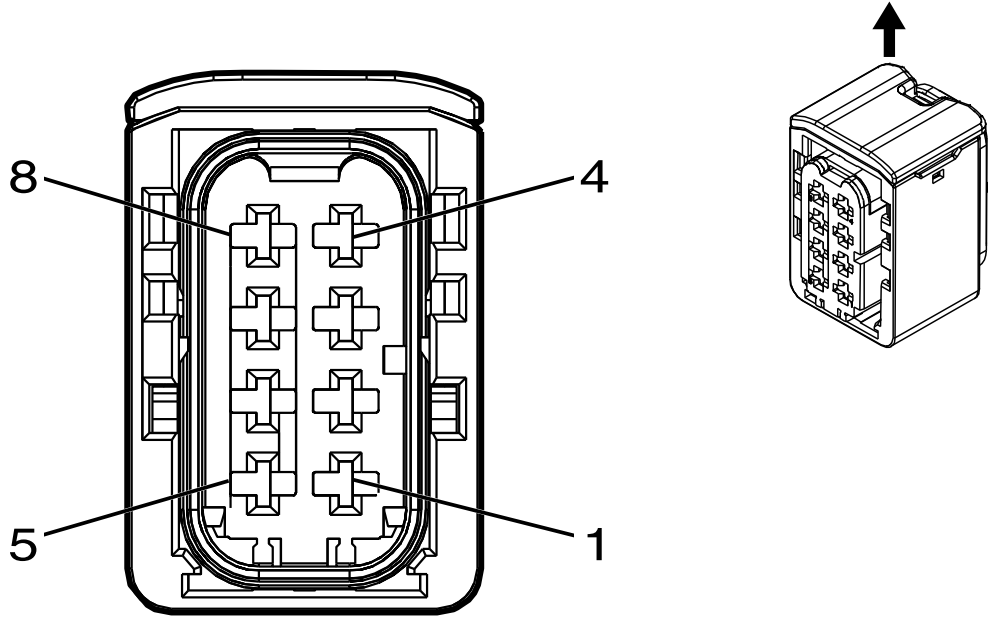
- Harness Type: Left Fog Lamp Interconnect
- Service Connector: 3924162C1
- Description: 2-Way M 2.8 APEX Series, Sealed (BK)

Table 162 Terminal Part Information

Terminal Type ID	Service Terminal	Diagnostic Test Probe
I	3613770C1	J-35616-4A (PU)
II	3618273C1	J-35616-4A (PU)

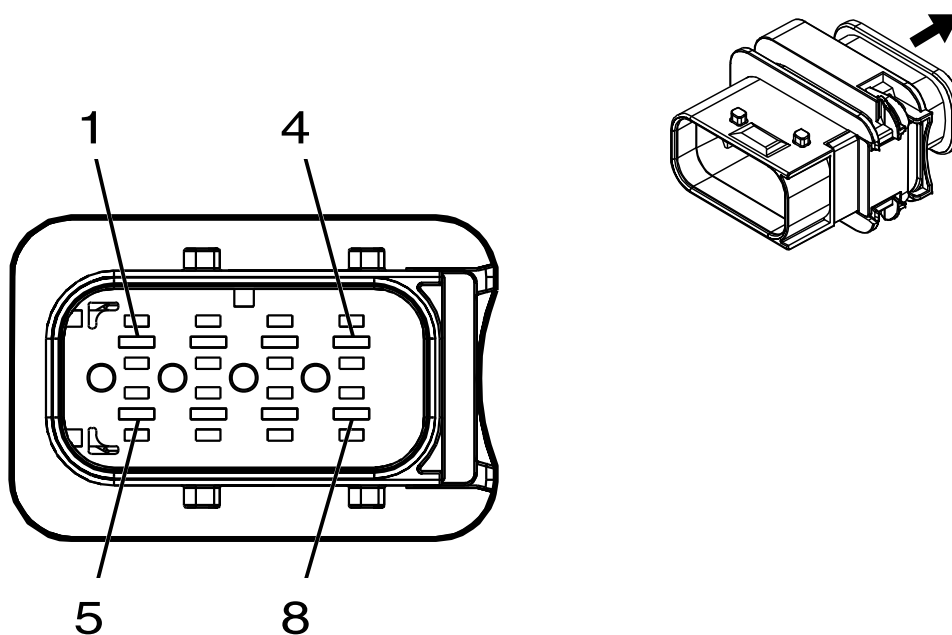
Table 163 X108 Forward Lamp Harness to Left Fog Lamp Jumper Harness (Feature Code: 0008XJG)

Male					Function	Female				
Pin	Size	Color	Circuit	Terminal Type ID		Pin	Size	Color	Circuit	Terminal Type ID
1	1.5	BN / VT	2234	I	Front Fog Lamp Control	1	1.5	BN / VT	2234	II
2	1.5	BK	150	I	Ground	2	1.5	BK	150	II



Connector Part Information

- Harness Type: Left Headlight Interconnect
- Service Connector: 4100562C1
- Description: 8-Way F 2.8 MCP Series, Sealed (BK)



Connector Part Information

- Harness Type: Forward Lamp
- Service Connector: 4100563C1
- Description: 8-Way M 2.8 Series, Sealed (BK)

Table 166 Terminal Part Information

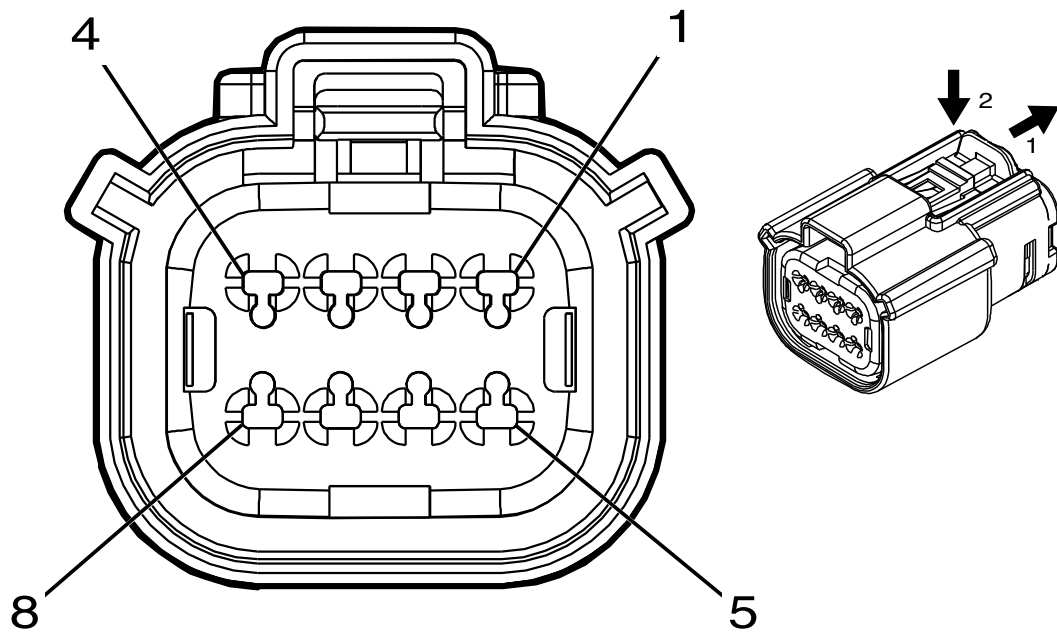
Terminal Type ID	Service Terminal	Diagnostic Test Probe
I	3830798C1	J-35616-4A (PU)
II	4086477C1	J-35616-4A (PU)

Table 167 X109 Left Headlight Jumper Harness to Forward Lamp Harness

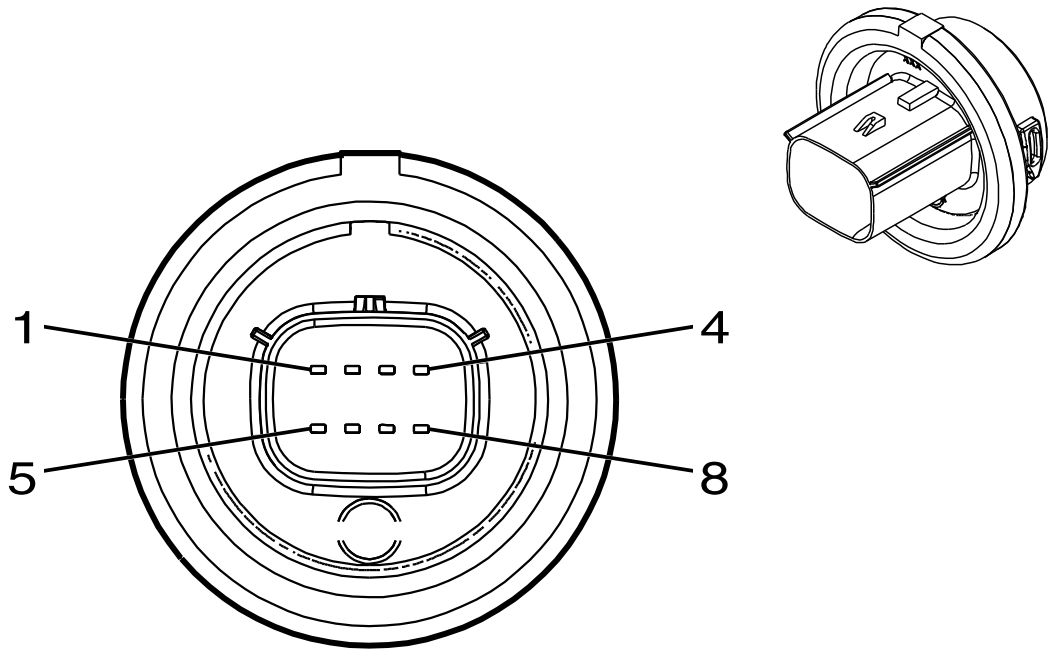
Male					Function	Female				
Pin	Size	Color	Circuit	Terminal Type ID		Pin	Size	Color	Circuit	Terminal Type ID
1	1	YE	712	I	Left Headlight Low Beam Control	1	1	YE	712	II
2	1	VT / GY	709	I	Left Park Lamp Control	2	1	VT / GY	709	II

Table 167 X109 Left Headlight Jumper Harness to Forward Lamp Harness (cont.)

Male					Function	Female				
Pin	Size	Color	Circuit	Terminal Type ID		Pin	Size	Color	Circuit	Terminal Type ID
3	1	BU / WH	1314	I	Left Front Turn Signal Lamp Control	3	1	BU / WH	1314	II
4	1	BN / GN	109	I	Hood Ajar Switch Signal	4	1	BN / GN	109	II
5	1	WH	711	I	Left Headlight High Beam Control	5	1	WH	711	II
6	1	GY / BU	7538	I	Left Front DRL Control	6	1	GY / BU	7538	II
7	1	YE	5530	I	Hood Open Switch Signal	7	1	YE	5530	II
8	1.5 2	BK	250	I	Ground	8	1.5	BK	250	II

**Connector Part Information**

- Harness Type: Left Snow Plow Tee
- Service Connector: 3709924C1
- Description: 8-Way F 150 MX Series, Sealed (BK)



Connector Part Information	
•	Harness Type: Left Headlight
•	Service Connector: Service by Harness - See Part Catalog
•	Description: 8-Way M

Table 170 Terminal Part Information

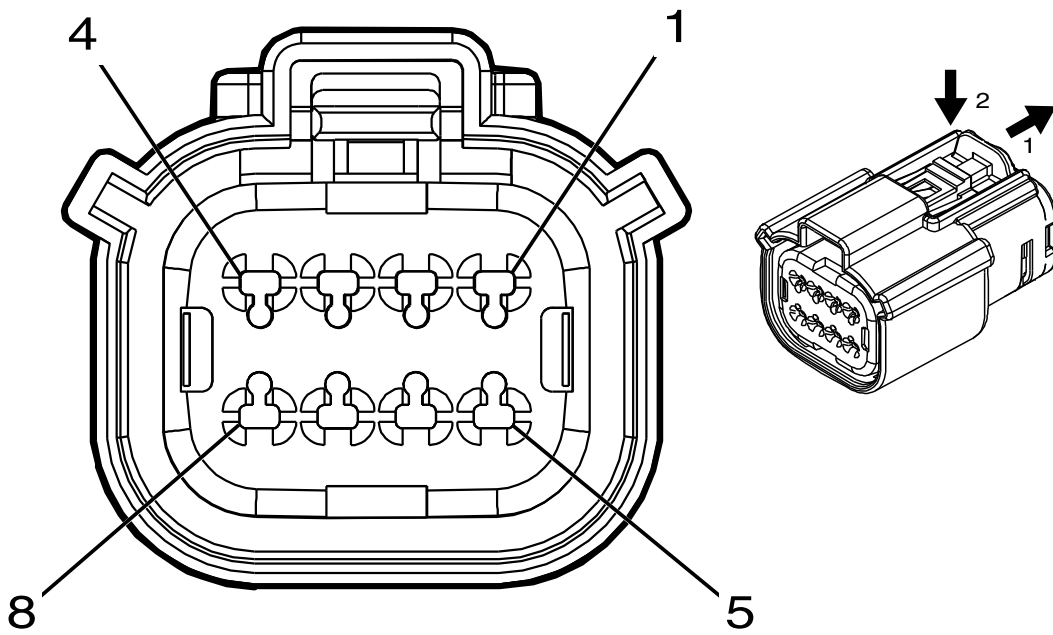
Terminal Type ID	Service Terminal	Diagnostic Test Probe
I	3686943C1	J-35616-2A (GY)
II	Not Available	Not Available
III	Not Available	Not Available

Table 171 X110 Left Snow Plow Tee Harness to Left Headlight Harness (UNL)

Male					Function	Female				
Pin	Size	Color	Circuit	Terminal Type ID		Pin	Size	Color	Circuit	Terminal Type ID
1	0.75	BK	250	II	Ground	1	0.75	BK	250	III
2	0.75	YE	712	I	Left Headlight Low Beam Control	2	0.75	YE	712	III

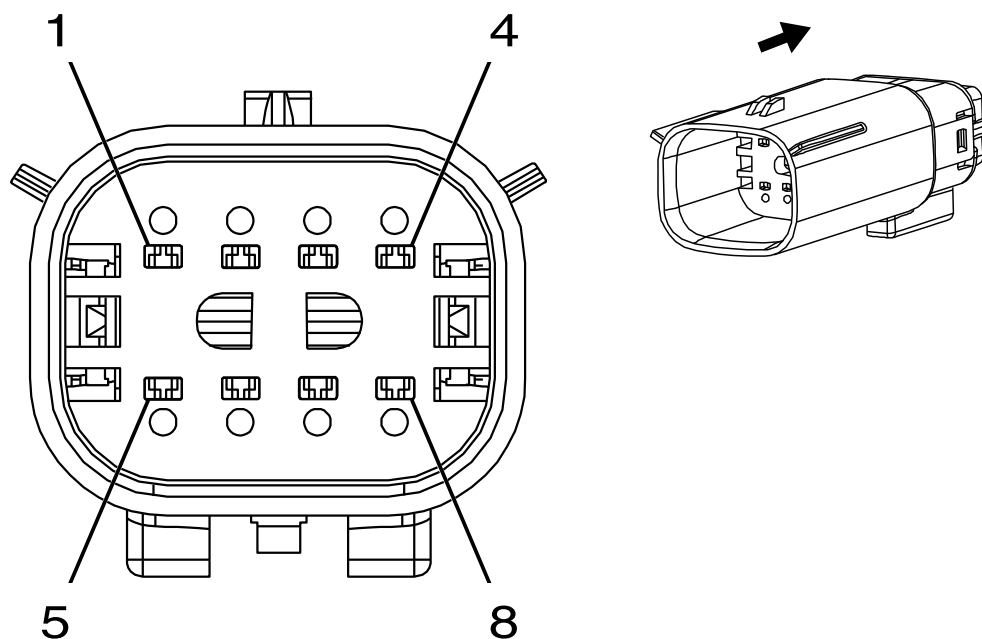
Table 171 X110 Left Snow Plow Tee Harness to Left Headlight Harness (UNL) (cont.)

Male					Function	Female				
Pin	Size	Color	Circuit	Terminal Type ID		Pin	Size	Color	Circuit	Terminal Type ID
3	0.75	WH	711	I	Left Headlight High Beam Control	3	0.75	BK	711	III
4	0.75	GY / BU	7538	I	Left Front DRL, Control	4	0.75	BK	7538	III
5	0.75	VT / GY	709	I	Left Park Lamp Control	5	0.75	BK	709	III
6	0.75	BU / WH	1314	I	Left Front Turn Signal Lamp Control	6	0.75	BK	1314	III
7-8	—	—	—	I	Unoccupied	7	—	—	—	—



Connector Part Information

- Harness Type: Left Snow Plow Tee
- Service Connector: 3709924C1
- Description: 8-Way F 150 MX Series, Sealed (BK)



Connector Part Information

- Harness Type: Left Headlight
- Service Connector: Service by Harness - See Part Catalog
- Description: 8-Way M

Table 174 Terminal Part Information

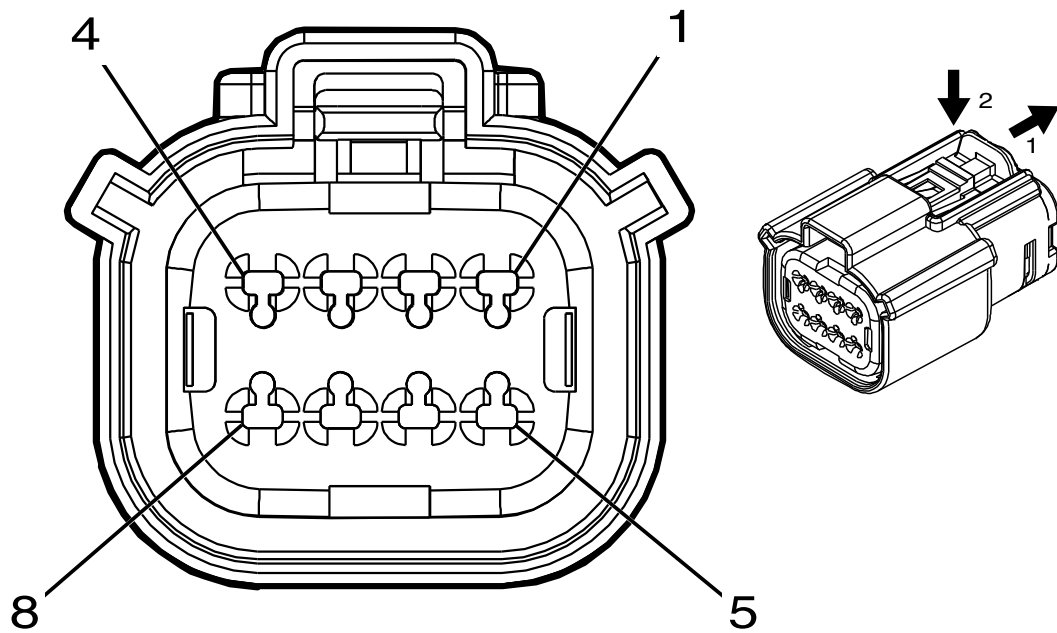
Terminal Type ID	Service Terminal	Diagnostic Test Probe
I	3686943C1	J-35616-2A (GY)
II	Not Available	Not Available

Table 175 X110 Left Headlight Jumper Harness to Left Headlight Harness (-UNL)

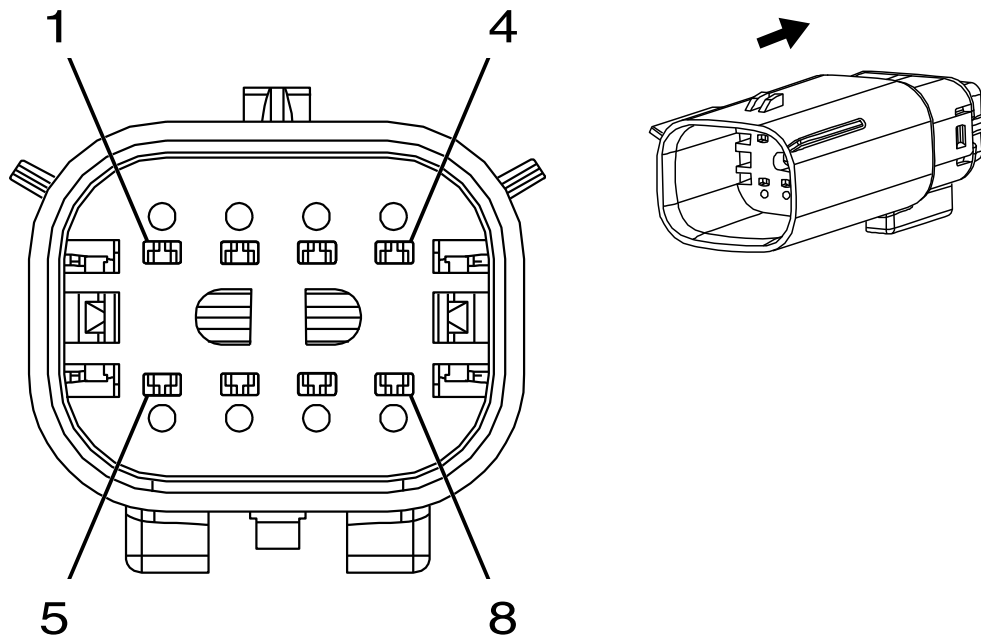
Male					Function	Female				
Pin	Size	Color	Circuit	Terminal Type ID		Pin	Size	Color	Circuit	Terminal Type ID
1	0.75	BK	250	I	Ground	1	0.75	BK	250	II
2	0.75	YE	712	I	Left Headlight Low Beam Control	2	0.75	YE	712	II

Table 175 X110 Left Headlight Jumper Harness to Left Headlight Harness (-UNL) (cont.)

Male					Function	Female				
Pin	Size	Color	Circuit	Terminal Type ID		Pin	Size	Color	Circuit	Terminal Type ID
3	0.75	WH	711	I	Left Headlight High Beam Control	3	0.75	WH	711	II
4	0.75	GY / BU	7538	I	Left Front DRL, Control	4	0.75	GY / BU	7538	II
5	0.75	VT / GY	709	I	Left Park Lamp Control	5	0.75	VT / GY	709	II
6	0.75	BU / WH	1314	I	Left Front Turn Signal Lamp Control	6	0.75	BU / WH	1314	II
7-8	—	—	—	I	Unoccupied	7	—	—	—	—

**Connector Part Information**

- Harness Type: Left Headlight Jumper
- Service Connector: 3709924C1
- Description: 8-Way F 150 MX Series, Sealed (BK)



Connector Part Information

- Harness Type: Left Snow Plow Tee
- Service Connector: 3709925C1
- Description: 8-Way M 150 MX Series, Sealed (BK)

Table 178 Terminal Part Information

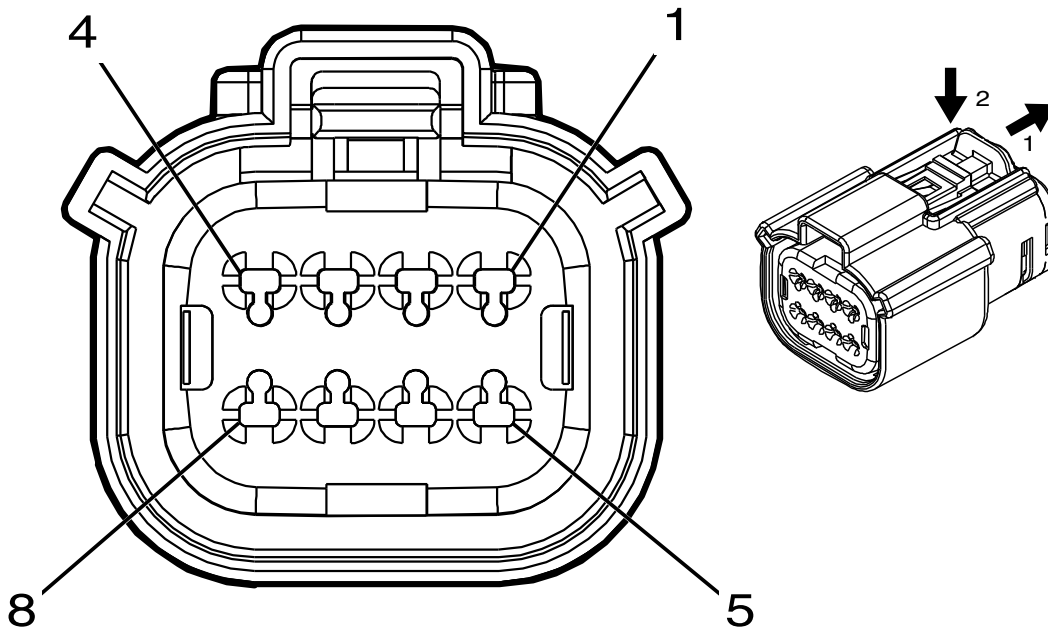
Terminal Type ID	Service Terminal	Diagnostic Test Probe
I	4088383C91	Not Available
II	4089337C91	J-35616-3 (GY)

Table 179 X111 Left Headlight Jumper Harness to Snow Plow Jumper Harness (UNL)

Male						Female				
Pin	Size	Color	Circuit	Terminal Type ID	Function	Pin	Size	Color	Circuit	Terminal Type ID
1	1.5	BK	250	I	Ground	1	1.5	BK	250	II
2	1.5	YE	712	I	Left Headlamp Low Beam Control	2	1.5	YE	709	II

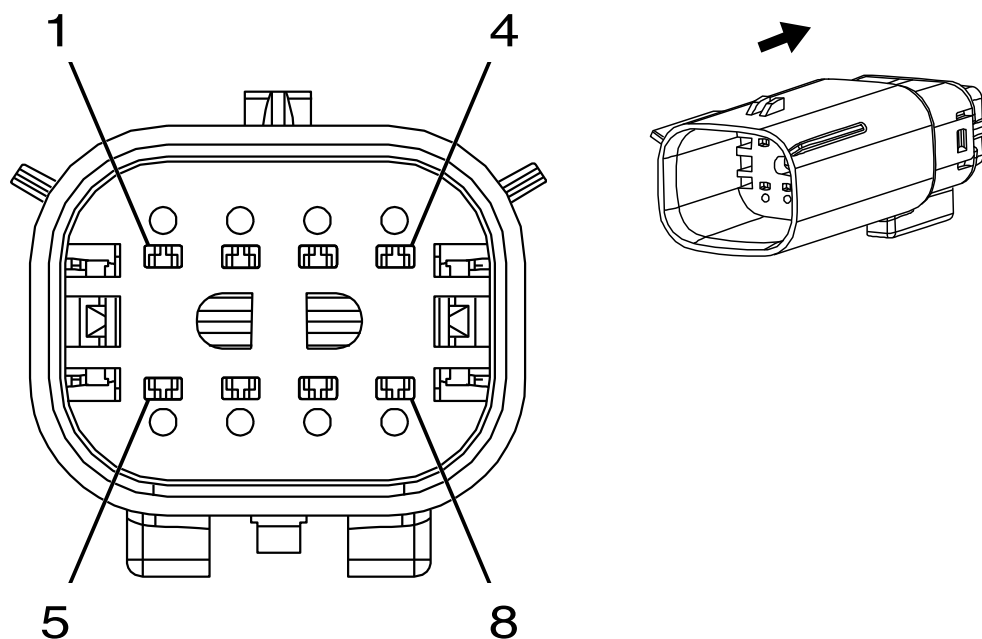
Table 179 X111 Left Headlight Jumper Harness to Snow Plow Jumper Harness (UNL) (cont.)

Male					Function	Female				
Pin	Size	Color	Circuit	Terminal Type ID		Pin	Size	Color	Circuit	Terminal Type ID
3	1.5	BU / WH	1314	I	Left Headlamp High Beam Control	3	1.5	BU / WH	1314	II
4	1.5	GY/BU	7538	I	Left Front DRL Control	4	GY/BU	GY/BU	7538	II
5	1.5	VT/GY	709	I	Left Park Lamp Control	5	1.5	VT/GY	709	II
6	1.5	BU/WH	1314	I	Left Front Turn Signal Lamp Control	6	1.5	BU/WH	1314	II
7 – 8	—	—	—	—	Not Occupied	7	—	—	—	—



Connector Part Information

- Harness Type: Engine
- Service Connector: 6041821C1
- Description: 8-pin F 150 MX Series, Sealed (BK)



Connector Part Information

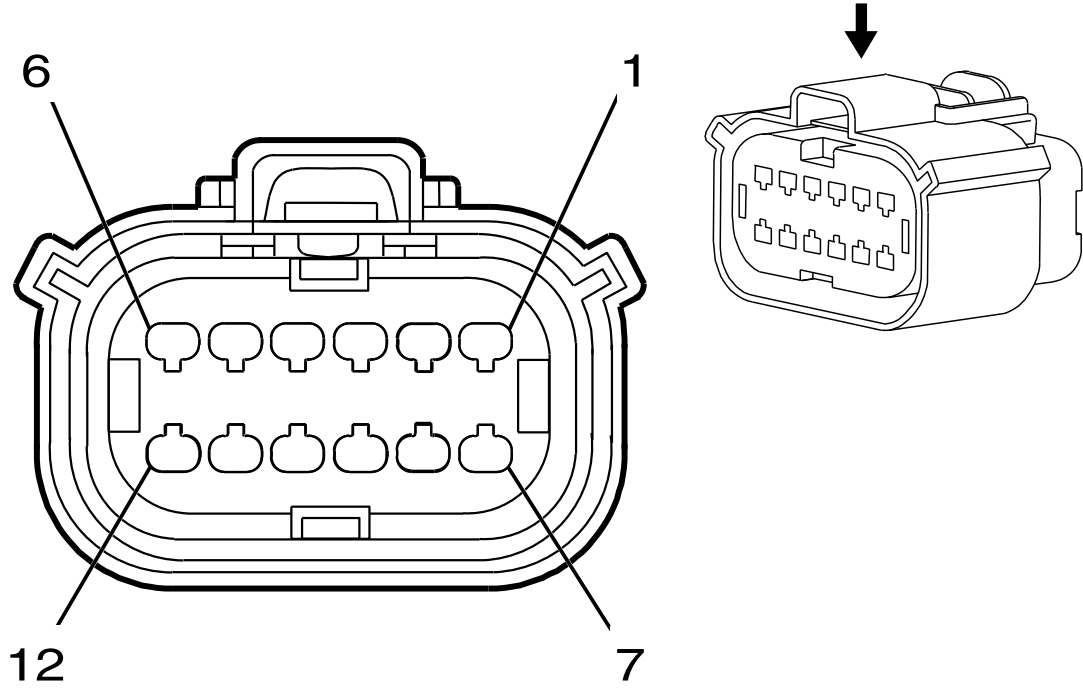
- Harness Type: Engine Left
- Service Connector: Service by Harness
- Description: 8-pin M 150 MX Series, Sealed (BK)

Table 182 Terminal Part Information

Terminal Type ID	Service Terminal	Diagnostic Test Probe
I	6042061C1	J-35616-14 (GN)
II	6042063C1	J-35616-3 (GY)

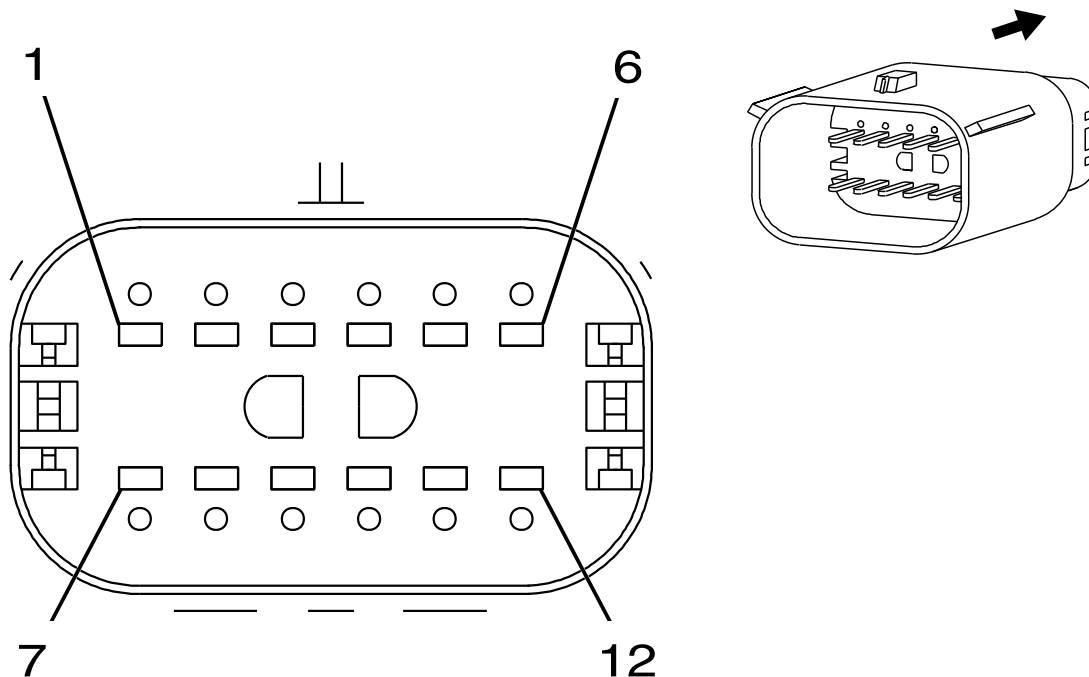
Table 183 X112 Engine Harness to Engine Left Harness

Male						Female				
Pin	Size	Color	Circuit	Terminal Type ID	Function	Pin	Size	Color	Circuit	Terminal Type ID
1	0.5	VT / BU	6270	I	Crankshaft 60X Sensor 5 volt Reference	1	0.5	VT / BU	6270	II
2	0.5	BK / VT	6272	I	Crankshaft 60X Sensor Low Reference	2	0.5	BK / VT	6272	II
3	0.5	GN	6271	I	Crankshaft 60X Sensor Signal	3	0.5	GN	6271	II
4	0.5	BN / RD	2917	I	Fuel Rail Pressure Sensor 5 volt Reference	4	0.5	BN / RD	2917	II
5	0.5	BK / GN	2919	I	Fuel Rail Pressure Sensor Low Reference	5	0.5	BK / GN	2919	II
6	0.5	BU / WH	2918	I	Fuel Rail Pressure Sensor Signal	6	0.5	BU / WH	2918	II
7	0.5	BN / YE	2161	I	Fuel Rail Pressure Sensor 2 Signal	7	0.5	BN / YE	2161	II
8	—	—	—	—	Not Occupied	8	—	—	—	—



Connector Part Information

- Harness Type: Engine
- Service Connector: 6040288C1
- Description: 12-Way F 1.5 Series, Sealed (BK)



Connector Part Information	
•	Harness Type: Engine Left
•	Service Connector: Service by Harness
•	Description: 12-Way M 150 MX Series, Sealed (BK)

Table 186 Terminal Part Information

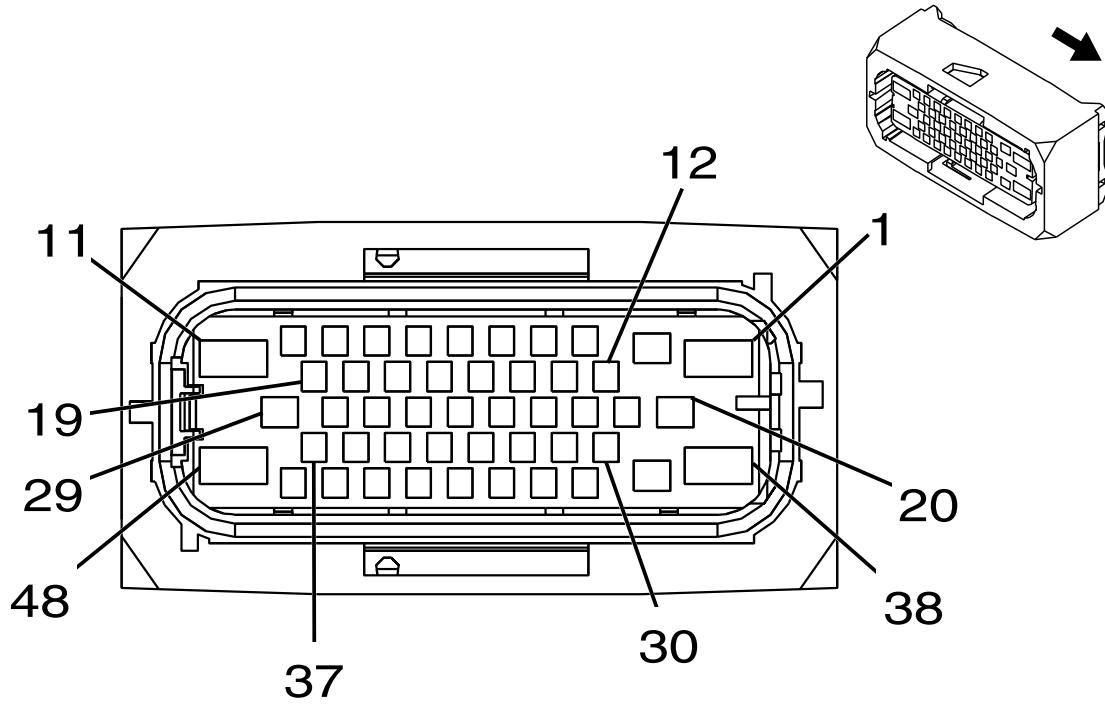
Terminal Type ID	Service Terminal	Diagnostic Test Probe
I	6042061C1	J-35616-14 (GN)
II	6042063C1	J-35616-3 (GY)

Table 187 X113 Engine Harness to Engine Left Harness

Male					Function	Female				
Pin	Size	Color	Circuit	Terminal Type ID		Pin	Size	Color	Circuit	Terminal Type ID
1	0.5	WH / RD	2705	I	Oil Pressure Sensor 5 volt Reference	1	0.5	WH / RD	2705	II
2	0.5	BK / VT	2755	I	Oil Pressure Sensor Low Reference	2	0.5	BK / VT	2755	II

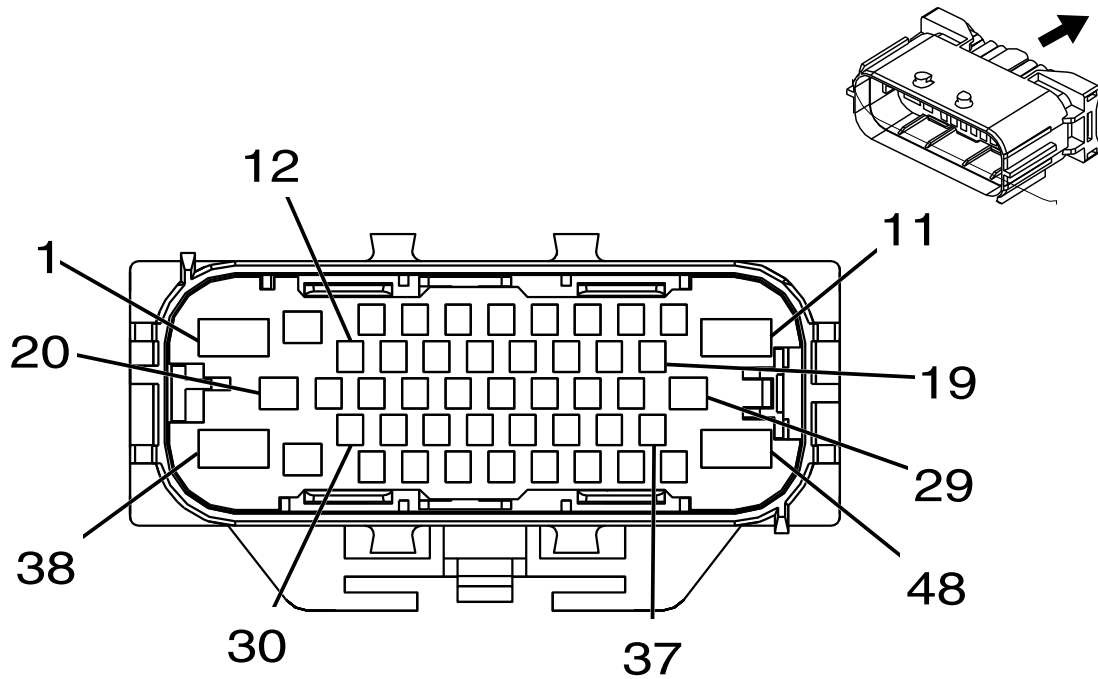
Table 187 X113 Engine Harness to Engine Left Harness (cont.)

Male					Function	Female				
Pin	Size	Color	Circuit	Terminal Type ID		Pin	Size	Color	Circuit	Terminal Type ID
3	0.5	YE / BN	331	I	Oil Pressure Sensor Signal	3	0.5	YE / BN	331	II
4	0.5	BU	410	I	Engine Coolant Temperature Sensor Signal	4	0.5	BU	410	II
5	0.5	BK / BN	2761	I	Coolant Temperature Sensor Low Reference	5	0.5	BK / BN	2761	II
6	0.5	BK / WH	251	I	Signal Ground	6	0.5	BK / WH	251	II
7	0.5	BN / GN	1174	I	7. Oil Level Switch Signal	7	0.5	BN / GN	1174	II
8-9	—	—	—	—	Not Occupied	8-9	—	—	—	—
10	0.5	YE	2928	I	Fuel Metering Valve High Control	10	0.5	YE	2928	II
11	0.5	BN / BK	2929	I	Fuel Metering Valve Low Control	11	0.5	BN / BK	2929	II
12	—	—	—	—	Not Occupied	12	—	—	—	—



Connector Part Information

- Harness Type: Engine Chassis
- Service Connector: 6040233C1
- Description: 48-pin F 1.5 MCP, 2.8 JPT, 6.3 MCP Series, Sealed (GY)



Connector Part Information

- Harness Type: Body
- Service Connector: 6040214C1
- Description: 48-pin M 1.6, 2.8, 5.8 Series, Sealed (GY)

Table 190 Terminal Part Information

Terminal Type ID	Service Terminal	Diagnostic Test Probe
I	6042012C1	J-35616-4A (PU)
II	6041985C1	J-35616-40 (BU)
III	6041986C1	J-35616-40 (BU)
IV	6042010C1	J-35616-35 (VT)
V	6041998C1	J-35616-14 (GN)
VI	6042031C1	J-35616-14 (GN)
VII	6041957C1	J-35616-3 (GY)
VIII	6041951C1	J-35616-5 (PU)
IX	6041933C1	J-35616-43 (RD)
X	6041958C1	J-35616-3 (GY)
XI	6041927C1	J-35616-3 (GY)

ELECTRICAL CIRCUIT DIAGRAM MANUAL

Table 190 Terminal Part Information (cont.)

Terminal Type ID	Service Terminal	Diagnostic Test Probe
XII	6042013C1	J-35616-32 (OR)
XIII	6041945C1	J-35616-5 (PU)

Table 191 X115 Engine Harness to Body Harness

Male					Function	Female				
Pin	Size	Color	Circuit	Terminal Type ID		Pin	Size	Color	Circuit	Terminal Type ID
1	—	—	—	—	Not Occupied	1	—	—	—	—
2	0.75	D-BU / BN	7573	I	Electric Variable Displacement Supply	2	0.5	D-BU / BN	7573	VIII
3	0.5	BN / WH	419	VI	Check Engine Indicator Control	3	0.35	BN / WH	419	X
4	0.5	WH / D-BU	6311	VI	Cruise / ETC / TCC Brake Signal	4	0.5	WH / D-BU	6311	XI
5	0.5	WH	2501	VI	High Speed GMLAN Serial Data (-) 1	5	0.5	WH	2501	XI
6	0.5	D-BU	2500	VI	High Speed GMLAN Serial Data (+) 1	6	0.5	D-BU	2500	XI
7	0.5	WH	5359	VI	Brake Apply Sensor Control	7	0.35	WH	5359	X
8	0.5	BK / BN	5360	VI	Brake Apply Sensor Low Reference	8	0.35	BK / BN	5360	X
9	0.5	D-BU / YE	5361	VI	Brake Apply Sensor Signal	9	0.35	D-BU / YE	5361	X
10	0.5	YE / WH	1161	V	Accelerator Pedal Position Signal 1	10	0.35	YE / WH	1161	VII
11	3	BK	550	III	Ground	11	4	BK	550	XII
12	0.75	GN / GY	125	VI	Folding Top Bypass Switch Control	12	0.5	GN / GY	817	XI
13-14	—	—	—	—	Not Occupied	13-14	—	—	—	—

Table 191 X115 Engine Harness to Body Harness (cont.)

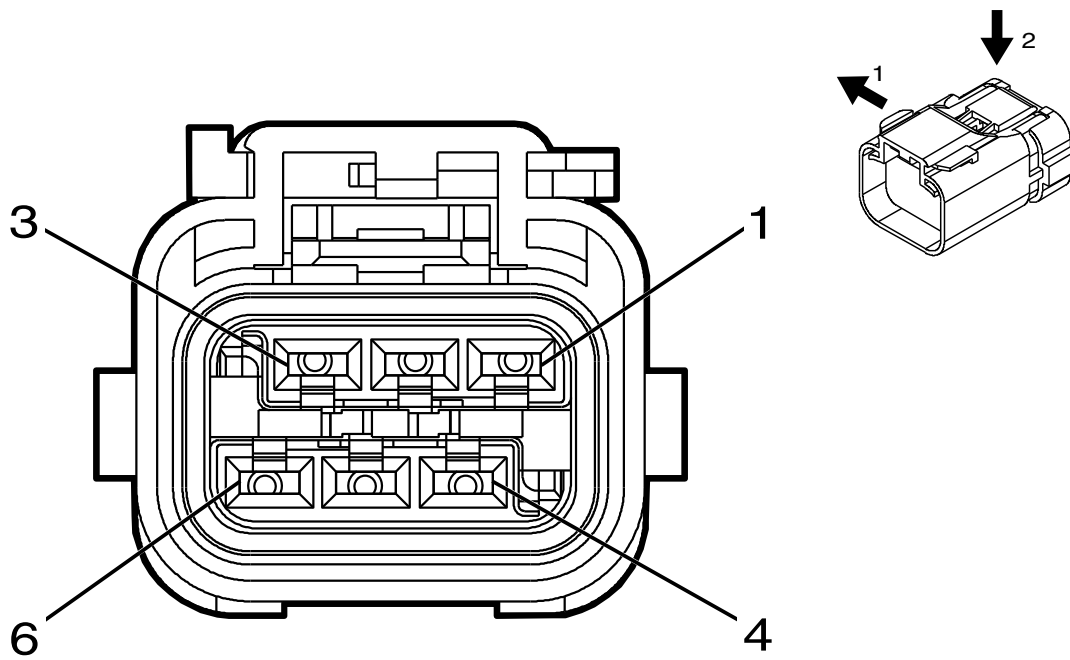
Male					Function	Female				
Pin	Size	Color	Circuit	Terminal Type ID		Pin	Size	Color	Circuit	Terminal Type ID
15	0.75	YE	163	VI	Folding Top Motor Down Control	15	0.75	YE	163	XI
16	0.5	VT / YE	5985	VI	Accessory Wake-up Serial Data	16	0.35	VT / YE	5985	X
17	0.5	WH / D-BU	5986	VI	Serial Data Communication Enable	17	0.5	WH / D-BU	5986	XI
18	0.5	WH / RD	1164	V	Accelerator Pedal Position 5 volt Reference 1	18	0.35	WH / RD	1164	VII
19	0.5	BK / D-BU	1271	V	Accelerator Pedal Position Low Reference 1	19	0.35	BK / D-BU	1271	VII
20	0.75	D-BU / YE	7574	I	Electric Variable Displacement Control	20	0.5	D-BU / YE	7574	VIII
21	—	—	—	—	Not Occupied	21	—	—	—	—
22	0.5	D-BU / GY	7473	VI	Incremental Encoder Impulse Signal	22	0.35	D-BU / GY	7473	X
23	0.5	VT	7476	VI	Incremental Encoder Sensor Low Reference	23	0.35	VT	7476	X
24	0.5	BK / WH	451	VI	Signal Ground	24	0.5	BK / WH	451	XI
25	0.5	BN / RD	1274	V	Accelerator Pedal Position 5 volt Reference 2	25	0.35	BN / RD	1274	VII
26	0.5	L-GN / WH	1162	V	Accelerator Pedal Position Signal 2	26	0.35	L-GN / WH	1162	VII

Table 191 X115 Engine Harness to Body Harness (cont.)

Male					Function	Female				
Pin	Size	Color	Circuit	Terminal Type ID		Pin	Size	Color	Circuit	Terminal Type ID
27	0.5	BK / VT	1272	V	Accelerator Pedal Position Low Reference 2	27	0.35	BK / VT	1272	VII
28	—	—	—	—	Not Occupied	28	—	—	—	—
29	0.5	VT / D-BU	3674	I	NOx Sensor 1 Control	29	0.5	VT / D-BU	3674	VIII
30	0.5	WH / L-GN	7475	VI	Incremental Encoder Sensor 8V Reference	30	0.35	WH / L-GN	7475	X
31	—	—	—	—	Incremental Encoder Direction Signal	31	0.35	YE	7474	X
32	0.5	D-BU / BN	4498	VI	High Speed GMLAN Serial Data (+) 7	32	0.5	D-BU / BN	4498	XI
33	0.5	WH	4499	VI	High Speed GMLAN Serial Data (-) 7	33	0.5	WH	4499	XI
34-36	—	—	—	—	Not Occupied	34-36	—	—	—	—
37	0.75	RD / D-BU	4540	VI	Battery Positive Voltage	37	0.75	RD / D-BU	4540	XI
38	1	YE / VT	1553	II	Transfer Case Motor Counter Clockwise Control	38	1	YE / VT	1553	IX
39	0.75	RD / VT	2640	39. I	39. Battery Positive Voltage	39	0.75	RD / VT	2640	XIII
40	0.5	BN / L-GN	4311	VI	Power Take-off Enable In Cab Switch Normally Closed Signal	40	0.35	BN / L-GN	4311	X
41	0.5	L-GN / WH	488	VI	Power Take Off Control Switch	41	0.35	L-GN / WH	488	X
42	—	—	—	—	Not Occupied	42	—	—	—	—

Table 191 X115 Engine Harness to Body Harness (cont.)

Male					Function	Female				
Pin	Size	Color	Circuit	Terminal Type ID		Pin	Size	Color	Circuit	Terminal Type ID
43	0.5	L-GN / BN	507	VI	Wait To Start Indicator Control	43	0.35	L-GN / BN	507	X
44	—	—	—	—	Not Occupied	44	—	—	—	—
45	0.5	D-BU / GY	636	VI	Outside Ambient Air Temperature Sensor Signal	45	0.35	D-BU / GY	636	X
46	0.5	BK / D-BU	61	VI	Outside Ambient Temperature Sensor Low Reference	46	0.35	BK / D-BU	61	X
47	—	—	—	—	Not Occupied	47	—	—	—	—
48	1	OG	1552	II	Transfer Case Motor Clockwise Control	48	1	YE / GY	1552	IX



Connector Part Information

- Harness Type: Right Snow Plow Tee
- Service Connector: 3612305C1
- Description: 6-Way F 2.8 APEX Series, Sealed (BK)

Connector Part Information

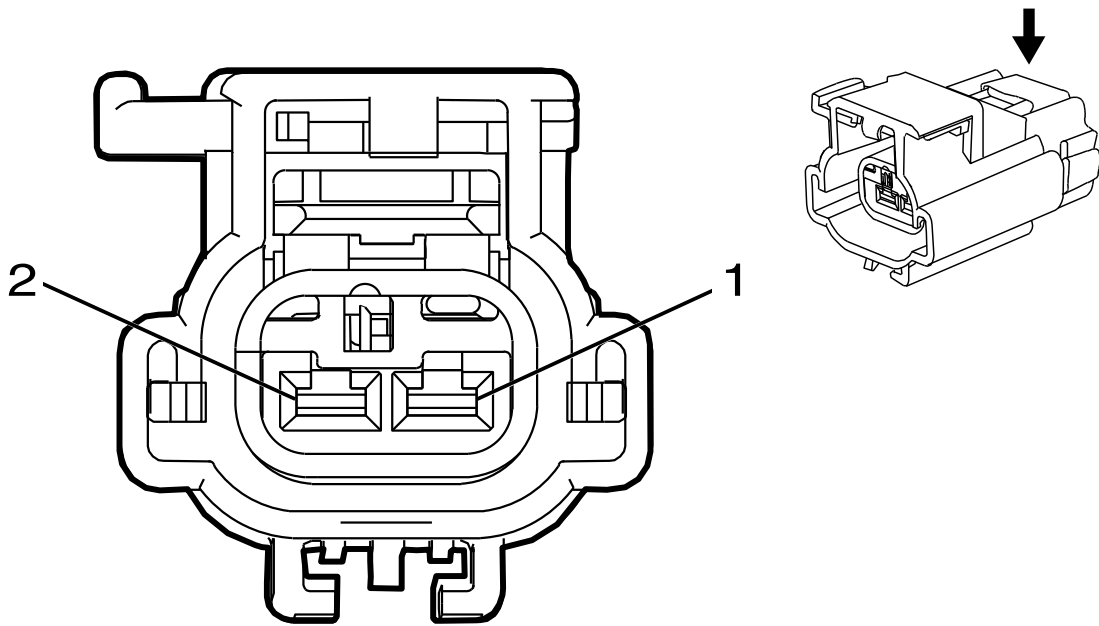
- Harness Type: Right Snow Plow Headlight
- Service Connector: Service by Harness
- Description: 6-Way M

Table 194 Terminal Part Information

Terminal Type ID	Service Terminal	Diagnostic Test Probe
I	Not Available	J-35616-35 (VT)
II	Not Available	Not Available

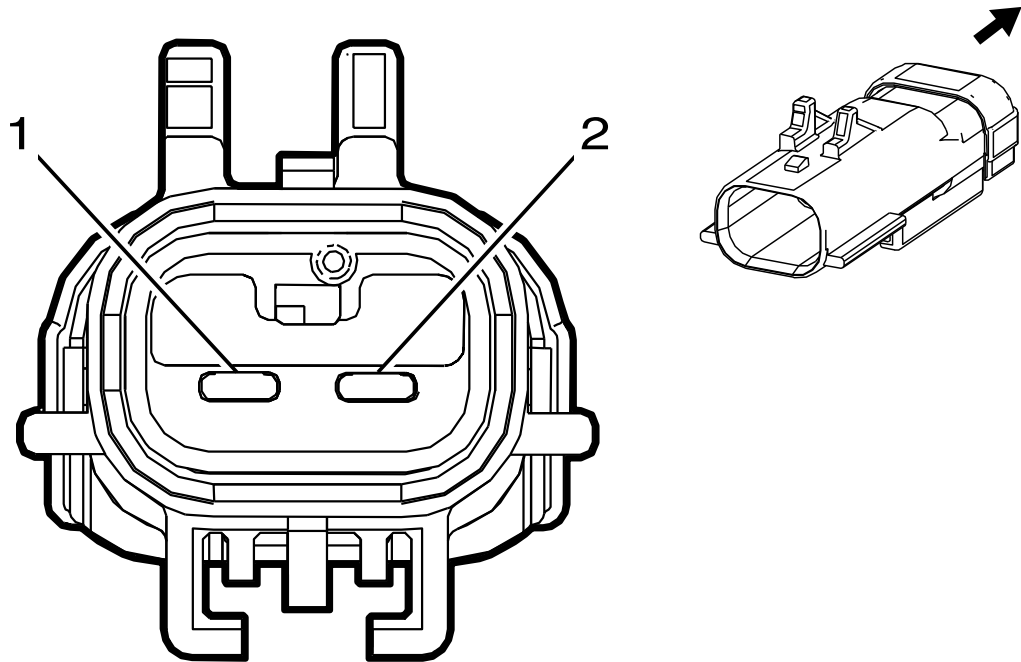
Table 195 X117 Snow Plow Tee Harness to Right Snow Plow Headlight Harness (UNL)

Male					Function	Female				
Pin	Size	Color	Circuit	Terminal Type ID		Pin	Size	Color	Circuit	Terminal Type ID
1	1.5	BK	250	I	Ground	1	—	—	250	II
2	1.5	YE	312	I	Right Headlamp Low Beam Control	2	—	—	312	II
3	1.5	WH	311	I	Right Headlamp High Beam Control	3	—	—	311	II
4	1.5	GY / BU	7539	I	Right Front DRL Control	4	—	—	7539	II
5	1.5	VT / GY	309	I	Right Park Lamp Control	5	—	—	309	II
6	1.5	BU / WH	1315	I	Right Front Turn Signal Lamp Control	6	—	—	1315	II



Connector Part Information

- Harness Type: Forward Lamp
- Service Connector: 6105358C1
- Description: 2-Way F 2.8 APEX Series, Sealed (BK)



Connector Part Information

- Harness Type: Right Fog Lamp Interconnect
- Service Connector: 3924162C1
- Description: 2-Way M 2.8 APEX Series, Sealed (BK)

Table 198 Terminal Part Information

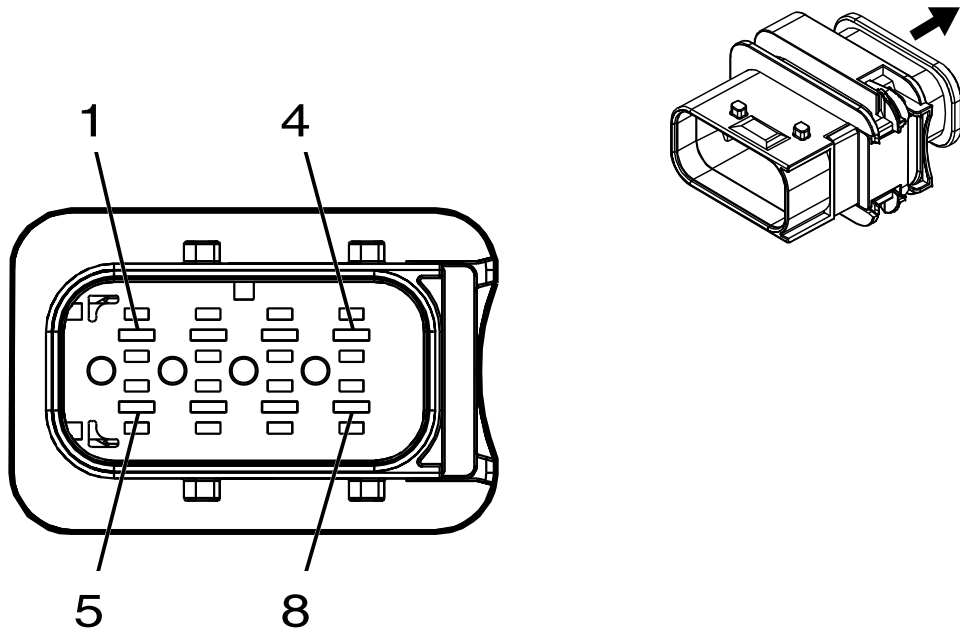
Terminal Type ID	Service Terminal	Diagnostic Test Probe
I	3613770C1	J-35616-4A (PU)
II	3618273C1	J-35616-4A (PU)

Table 199 X118 Forward Lamp Harness to Right Fog Lamp Jumper Harness (Feature Code: 0008XJG)

Male					Function	Female				
Pin	Size	Color	Circuit	Terminal Type ID		Pin	Size	Color	Circuit	Terminal Type ID
1	1.5	BN / VT	2234	I	Front Fog Lamp Control	1	1.5	BN / VT	2234	II
2	1.5	BK	150	I	Ground	2	1.5	BK	150	II

Connector Part Information

- Harness Type: Right Headlight Interconnect
- Service Connector: 4100562C1
- Description: 8-Way F 2.8 MCP Series, Sealed (BK)



Connector Part Information

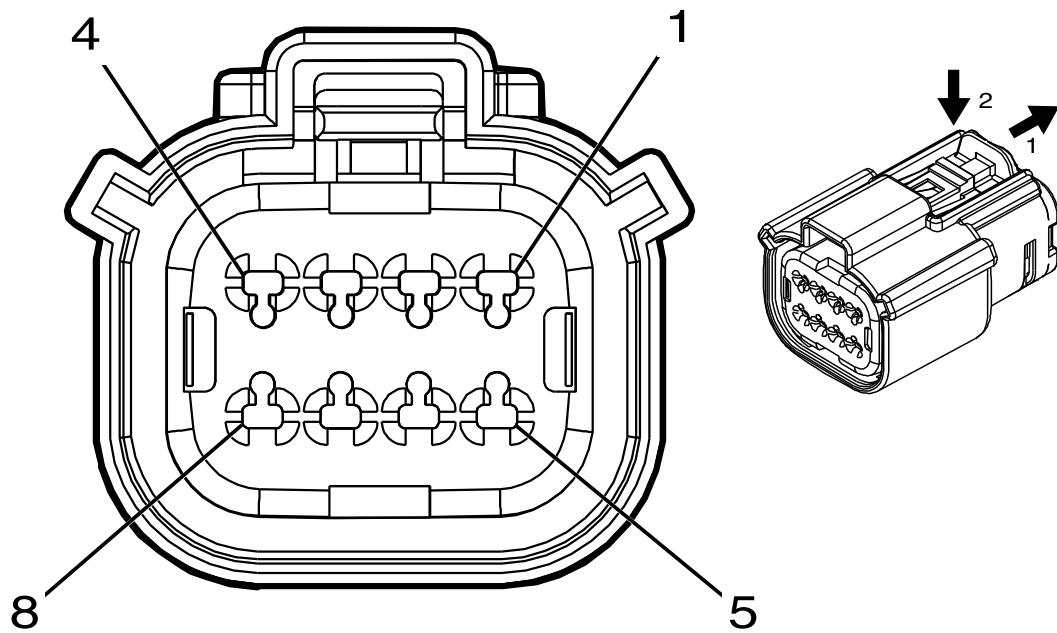
- Harness Type: Forward Lamp
- Service Connector: 4100563C1
- Description: 8-Way M 2.8 Series, Sealed (BK)

Table 202 Terminal Part Information

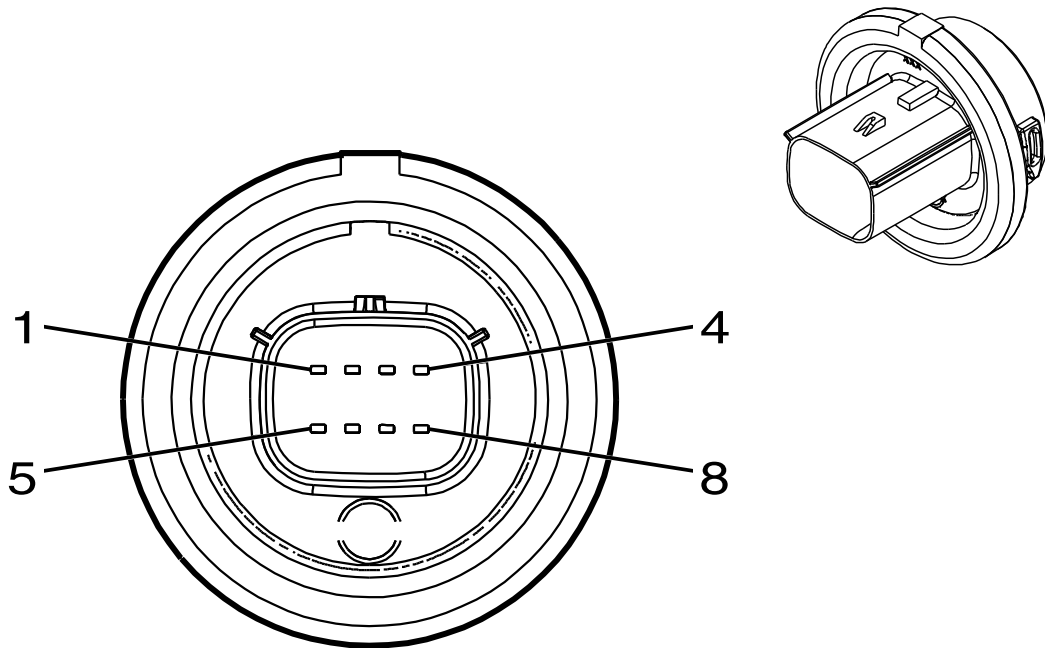
Terminal Type ID	Service Terminal	Diagnostic Test Probe
I	Not Available	J-35616-5 (PU)
II	4086477C1	J-35616-4A (PU)

Table 203 X119 Right Headlight Jumper Harness to Forward Lamp Harness

Male						Female				
Pin	Size	Color	Circuit	Terminal Type ID	Function	Pin	Size	Color	Circuit	Terminal Type ID
1	1	YE	312	I	Right Headlight Low Beam Control	1	1	YE	312	II
2	1	GY/BN	309	I	Right Park Lamp Control	2	1	GY / BN	309	II
3	1	GN/VT	1315	I	Right Front Turn Signal Lamp Control	3	1	GN / VT	1315	II
4	—	—	—	—	Not Occupied	—	—	—	—	—
5	1	WH	311	I	Right Headlight High Beam Control	5	1	WH	311	II
6	1	BU/BN	7539	I	Right Front DRL Control	6	1	BU / BN	7539	II
7	—	—	—	—	Not Occupied	—	—	—	—	—
8	1.5	BK	250	I	Ground	8	1.5	BK	250	II

**Connector Part Information**

- Harness Type: Engine
- Service Connector: 3709924C1
- Description: 8-pin F 150 MX Series, Sealed (BK)



Connector Part Information

- Harness Type: Engine Left
- Service Connector: Service by Harness
- 8-Way M

Table 206 Terminal Part Information

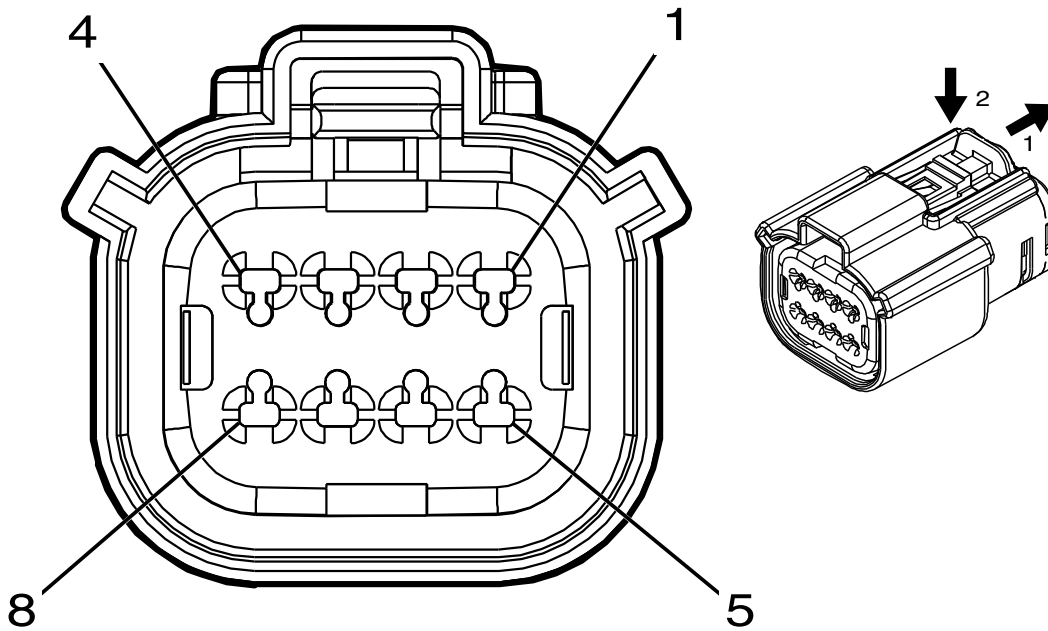
Terminal Type ID	Service Terminal	Diagnostic Test Probe
I	3686943C1	J-35616-14 (GN)
II	Not Required	Not Available
III	Not Required	Not Required

Table 207 X120 Right Snow Plow Tee Harness to Right Headlight Harness (UNL)

Male					Function	Female				
Pin	Size	Color	Circuit	Terminal Type ID		Pin	Size	Color	Circuit	Terminal Type ID
1	1.5	BK	250	II	Ground	1	1.5	BK	250	III
2	1	YE	312	I	Right Headlight Low Beam Control	2	1	BK	312	III

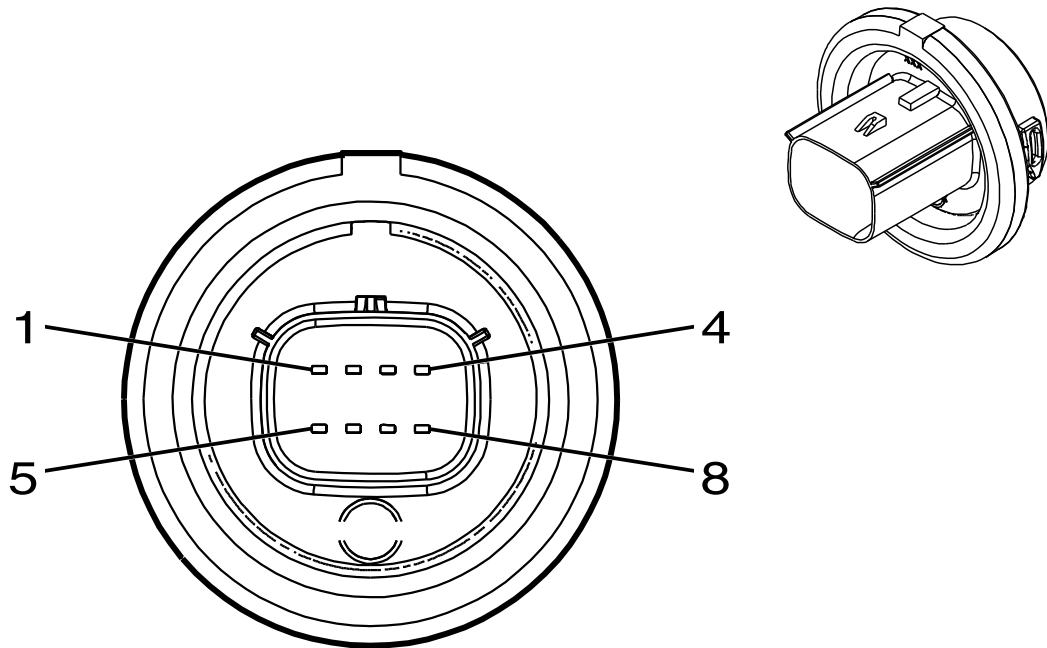
Table 207 X120 Right Snow Plow Tee Harness to Right Headlight Harness (UNL) (cont.)

Male					Function	Female				
Pin	Size	Color	Circuit	Terminal Type ID		Pin	Size	Color	Circuit	Terminal Type ID
3	1	WH	311	I	Right Headlight High Beam Control	3	1	BK	311	III
4	0.75	GY / BU	7539	I	Right Front DRL Control	4	0.75	GY / BU	7539	III
5	0.75	VT / GY	309	I	Right Park Lamp Control	5	0.75	VT / GY	309	III
6	0.75	BU / WH	1315	I	Right Front Turn Signal Lamp Control	6	0.75	BU / WH	1315	III
7-8	—	—	—	—	Not Occupied	—	—	—	—	—



Connector Part Information

- Harness Type: Engine
- Service Connector: 3709924C1
- Description: 8-pin F 150 MX Series, Sealed (BK)



Connector Part Information

- Harness Type: Engine Left
- Service Connector: Service by Harness
- Description: 8-Way M

Table 210 Terminal Part Information

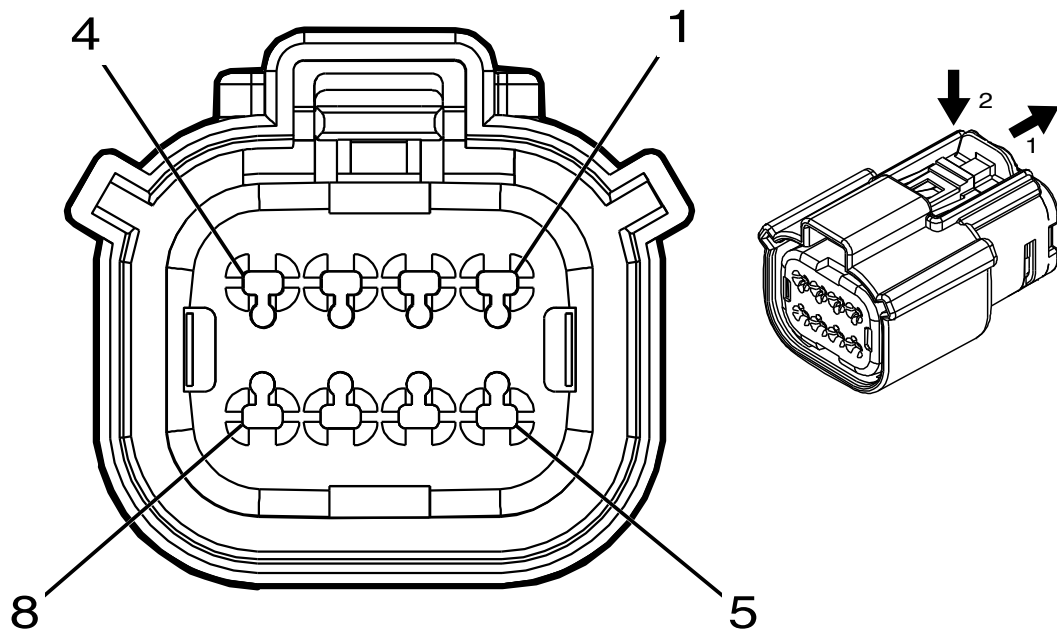
Terminal Type ID	Service Terminal	Diagnostic Test Probe
I	3686943C1	Not Available
II	Not Required	Not Available

Table 211 X120 Right Headlight Jumper Harness to Right Headlight Harness (-UNL)

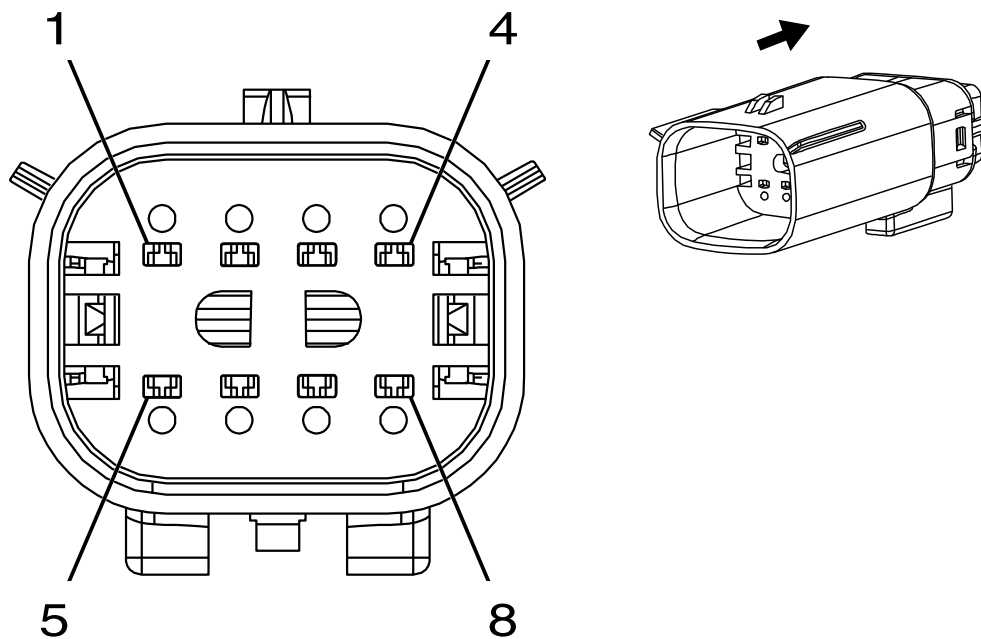
Male					Function	Female				
Pin	Size	Color	Circuit	Terminal Type ID		Pin	Size	Color	Circuit	Terminal Type ID
1	1.5	BK	250	I	Ground	1	1.5	BK	250	II
2	0.75	YE	312	I	Right Headlight Low Beam Control	2	0.75	YE	312	II

Table 211 X120 Right Headlight Jumper Harness to Right Headlight Harness (-UNL) (cont.)

Male					Function	Female				
Pin	Size	Color	Circuit	Terminal Type ID		Pin	Size	Color	Circuit	Terminal Type ID
3	0.75	WH	311	I	Right Headlight High Beam Control	3	0.75	WH	311	II
4	0.75	GY / BU	7539	I	Right Front DRL Control	4	0.75	GY / BU	7539	II
5	0.75	VT / GY	309	I	Right Park Lamp Control	5	0.75	VT / GY	309	II
6	0.75	BU / WH	1315	I	Right Front Turn Signal Lamp Control	6	0.75	BU / WH	1315	II
7-8	—	—	—	—	Not Occupied	—	—	—	—	—

**Connector Part Information**

- Harness Type: Engine
- Service Connector: 3709924C1
- Description: 8-pin F 150 MX Series, Sealed (BK)



Connector Part Information

- Harness Type: Engine Left
- Service Connector: 3709925C1
- Description: 8-pin M 150 MX Series, Sealed (BK)

Table 214 Terminal Part Information

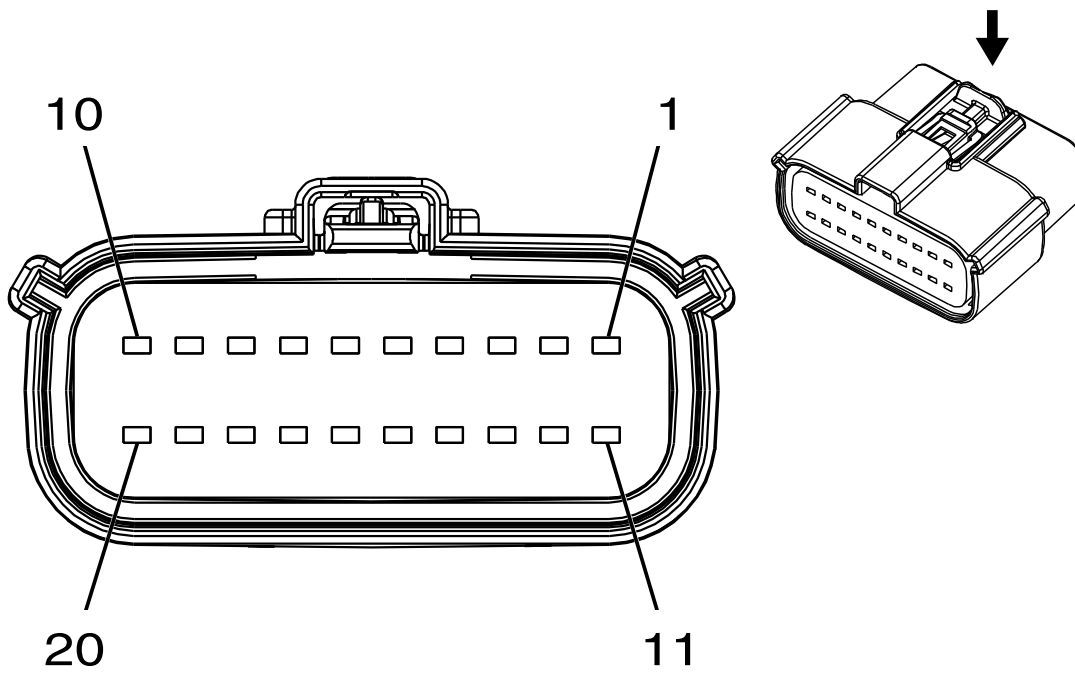
Terminal Type ID	Service Terminal	Diagnostic Test Probe
I	3686943C1	Not Available
II	4089337C91	J-35616-3 (GY)

Table 215 X121 Right Headlight Jumper Harness to Right Snow Plow Tee Harness (UNL)

Male						Female				
Pin	Size	Color	Circuit	Terminal Type ID	Function	Pin	Size	Color	Circuit	Terminal Type ID
1	1.5	BK	250	I	Ground	1	1.5	BK	250	II
2	1.5	YE	312	I	Right Headlamp Low Beam Control	2	1.5	YE	312	II

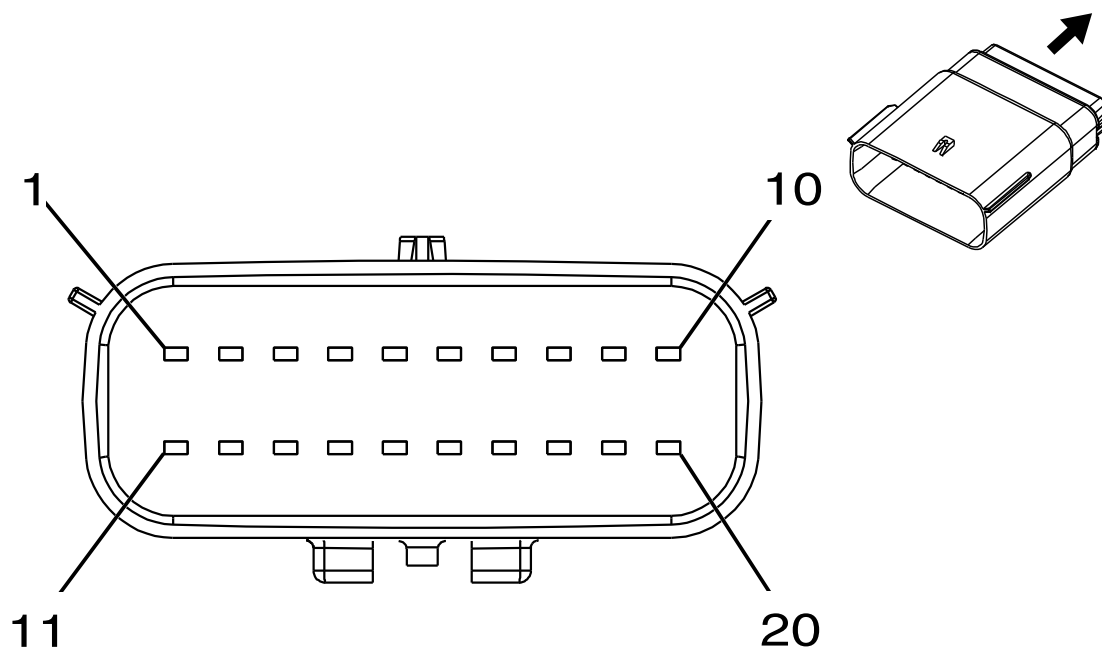
Table 215 X121 Right Headlight Jumper Harness to Right Snow Plow Tee Harness (UNL) (cont.)

Male					Function	Female				
Pin	Size	Color	Circuit	Terminal Type ID		Pin	Size	Color	Circuit	Terminal Type ID
3	1.5	WH	311	I	Right Front Turn Signal Lamp Control	3	1.5	WH	311	II
4	1.5	GY/BU	7539	I	Right Front DRL Control	4	1.5	GY/BU	7539	II
5	1.5	VT/GY	309	I	Right Park Lamp Control	5	1.5	VT/GY	309	II
6	1.5	BU/WH	1315	I	Right Front Turn Signal Lamp Control	6	1.5	BU/WH	1315	II
7 – 8	—	—	—	—	Not Occupied	7	—	—	—	—



Connector Part Information

- Harness Type: Engine Chassis
- Service Connector: 6040237C1
- Description: 20-Way F 1.5 Series, Sealed (BK)



Connector Part Information

- Harness Type: Chassis
- Service Connector: 3990222C1
- Description: 20-Way M 1.5 Series, Sealed (BK)

Table 218 Terminal Part Information

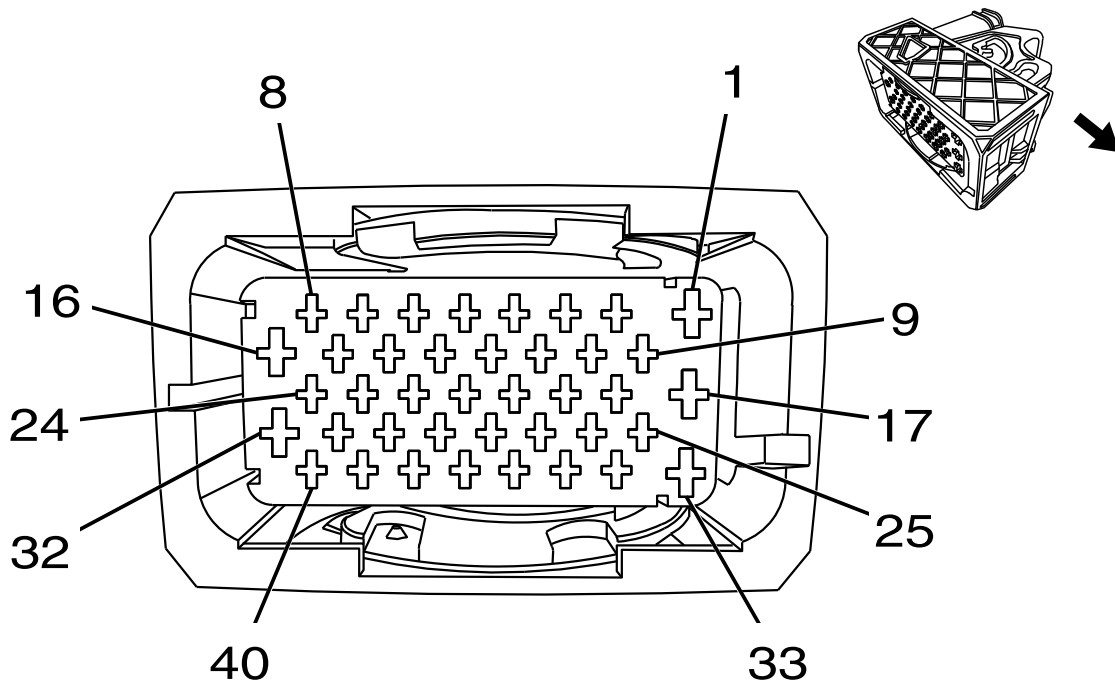
Terminal Type ID	Service Terminal	Diagnostic Test Probe
I	6041962C1	J-35616-14 (GN)
II	6041961C1	J-35616-2A (GY)
III	3850120C1	J-35616-3 (GY)
IV	3708931C1	J-35616-3 (GY)

Table 219 X125 Engine Chassis Harness to Chassis Harness

Male						Female				
Pin	Size	Color	Circuit	Terminal Type ID	Function	Pin	Size	Color	Circuit	Terminal Type ID
1	0.5	BK / VT	3661	II	Exhaust Gas Temperature Sensor 5 Low Reference	1	0.5	BK / VT	3661	III
2	0.5	D-BU / GY	3660	II	Exhaust Gas Temperature Sensor 5 Signal	2	0.5	BU / GY	3660	III
3	0.5	BK / GY	3659	II	DPF Outlet Temperature (Exhaust Gas Temperature Sensor 4) Low Reference	3	0.5	BK / GY	3659	III
4	0.5	VT / BN	3658	II	DPFOT (Exhaust Gas Temperature Sensor 4) Signal	4	0.5	VT / BN	3658	III
5-6	—	—	—	—	Not Occupied	5-6	—	—	—	—
7	0.5	BK / L-GN	3657	II	DPF Intake Temperature (Exhaust Gas Temperature Sensor 3) Low Reference	7	0.5	BK / GN	3657	III
8	0.5	D-BU / WH	7446	II	Fuel Line Pressure Sensor Signal	8	0.5	BU	7446	III
9	0.5	BK / YE	7447	II	Fuel Line Pressure Sensor Low Reference	9	0.5	BK / YE	7447	III
10	1.5	VT / L-GN	355	I	Fuel Filter Heater Voltage	10	1.5	VT / GN	355	IV
11	0.5	GY / L-GN	5378	II	DPF Intake Temperature (Exhaust Gas Temperature Sensor 3) Signal	11	0.5	GY / GN	5378	III

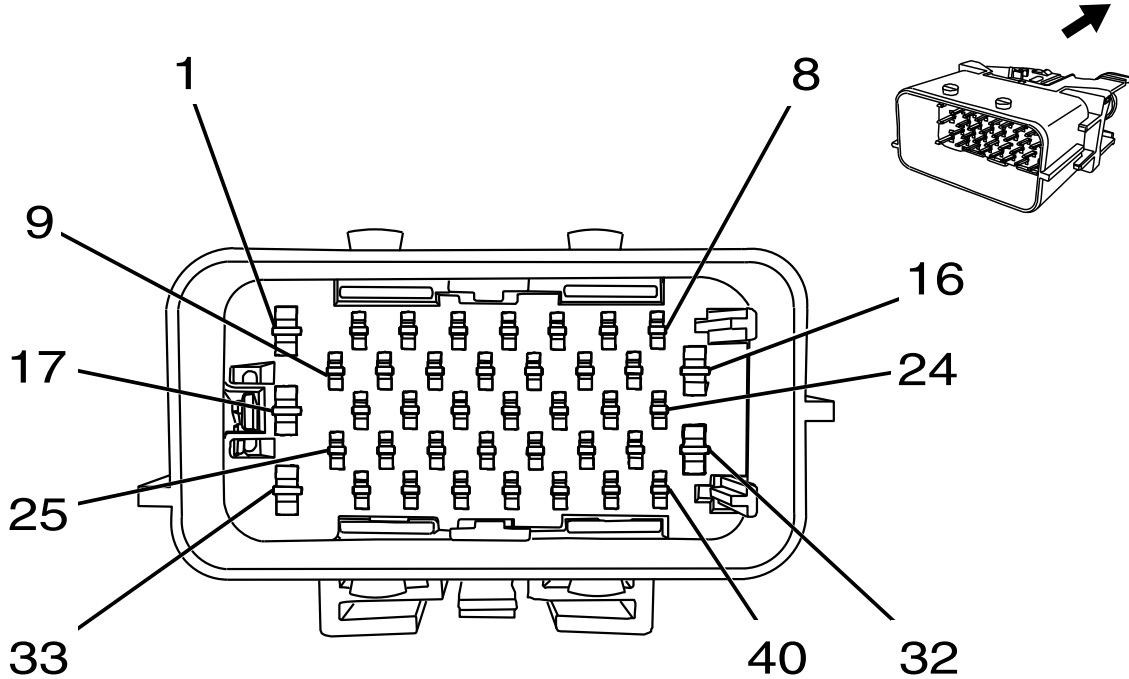
Table 219 X125 Engine Chassis Harness to Chassis Harness (cont.)

Male					Function	Female				
Pin	Size	Color	Circuit	Terminal Type ID		Pin	Size	Color	Circuit	Terminal Type ID
12	1.5	VT / GY	539	I	Run / Crank Ignition 1 Voltage	12	1.5	GY	539	IV
13-14	—	—	—	—	Not Occupied	13-14	—	—	—	—
15	0.5	WH / RD	6054	II	DPF Differential Pressure (Exhaust Pressure Sensor) 5 volt Reference	15	0.5	WH / RD	6054	III
16	0.5	BK / YE	6055	II	DPF Differential Pressure (Exhaust Pressure Sensor) Low Reference	16	0.5	BK / YE	6055	III
17	0.5	D-BU	6053	II	DPF Differential Pressure (Exhaust Pressure Sensor) Signal	17	0.5	BU	6053	III
18	0.5	BN / RD	7445	II	Fuel Line Pressure Sensor 5 volt Reference	18	0.5	BN / RD	7445	III
19	1.5	VT / D-BU	3674	I	NOx Sensor 1 Control	19	1.5	VT / BU	3674	IV
20	—	—	—	—	Not Occupied	20	—	—	—	—



Connector Part Information

- Harness Type: Chassis
- Service Connector: 4086709C1
- Description: 40-Way F 1.5, 2.8 Series, Sealed (BK)



Connector Part Information

- Harness Type: Body
- Service Connector: 6040199C1
- Description: 40-Way M 1.5 DSQ, 2.8 ATS Series, Sealed (BK)

Table 222 Terminal Part Information

Terminal Type ID	Service Terminal	Diagnostic Test Probe
I	4089916C1	J-35616-14 (GN)
II	4089915C1	J-35616-14 (GN)
III	4089914C1	J-35616-4A (PU)
IV	4089911C1	J-35616-4A (PU)
V	4089917C1	J-35616-14 (GN)
VI	Not Available	J-35616-3 (GY)
VII	Not Available	J-35616-5 (PU)
VIII	Not Available	J-35616-5 (PU)
IX	Not Available	J-35616-3 (GY)

Table 223 X138 Chassis Harness to Body Harness

Male						Female				
Pin	Size	Color	Circuit	Terminal Type ID	Function	Pin	Size	Color	Circuit	Terminal Type ID
1	0.5	GN / BK	7633	IV	Integrated Trailer Brake Controller User Gain Signal	1	0.5	L-GN / BK	7633	VIII
2	0.75	WH / BU	5986	I	Serial Data Communication Enable	2	0.5	WH / D-BU	5986	VI
3	0.5	YE	7635	II	Integrated Trailer Brake Controller Manual Apply Signal	3	0.5	YE	7635	VI
4	0.5	BU / RD	7632	I	Integrated Trailer Brake Controller Switch 5 volt Reference	4	0.5	D-BU / RD	7632	VI
5	0.5	BN	7634	II	Integrated Trailer Brake Controller Redundant Manual Apply Signal	5	0.5	BN	7634	VI
6	0.5	BK / BN	7631	II	Integrated Trailer Brake Controller Switch Low Reference	6	0.5	BK / BN	7631	VI
7	—	—	—	—	Not Occupied	7	—	—	—	—
8	1.0 0.75	VT / GY	1054	I	Stop Lamp Control	8	0.75	VT / GY	1054	VI
9	0.5	BU / BN	4498	II	High Speed GMLAN Serial Data (+) 7	9	0.5	BU / BN	4498	VI
10	0.5	WH	4499	II	High Speed GMLAN Serial Data (-) 7	10	0.5	WH	4499	VI
11	1	YE / BU	18	I	Left Rear Stop / Turn Lamp Control	11	0.75	YE / D-BU	18	VI

Table 223 X138 Chassis Harness to Body Harness (cont.)

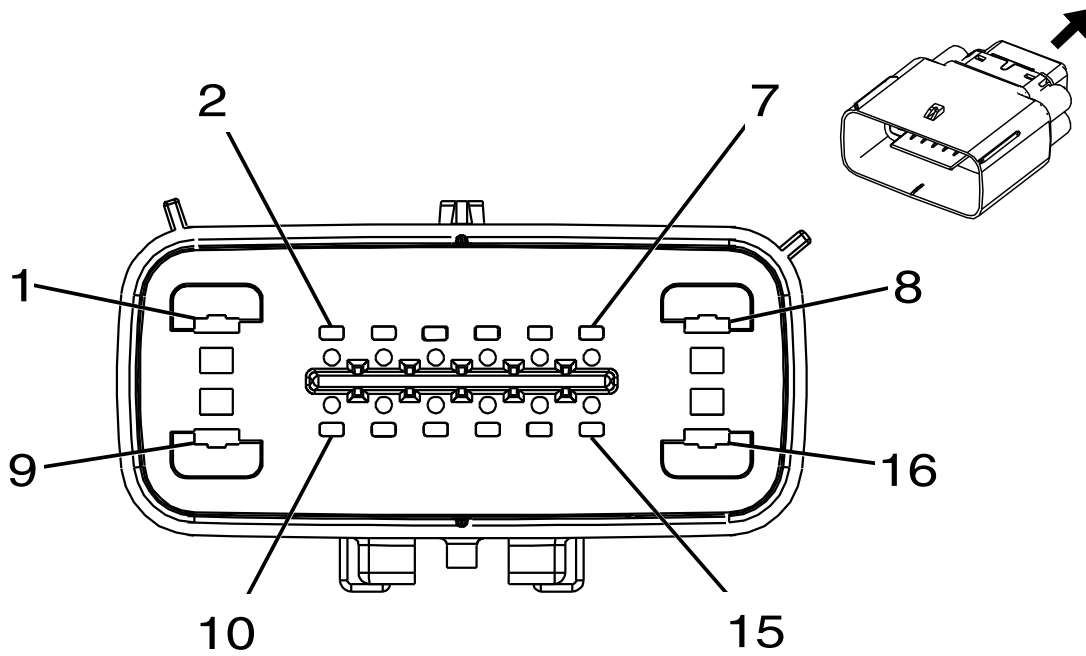
Male					Function	Female				
Pin	Size	Color	Circuit	Terminal Type ID		Pin	Size	Color	Circuit	Terminal Type ID
12	1	BN / GN	19	I	Right Rear Stop / Turn Lamp Control	12	0.75	BN / L-GN	19	VI
13	—	—	—	—	Not Occupied	13	—	—	—	—
14	0.75	WH / BU	6311	I	Cruise / ETC / TCC Brake Signal	14	0.35	WH / BU	6311	IX
15	0.75	GY	9AB	I	Brake Fluid Level Sensor	15	0.5	GN / GY	333	VI
16-17	—	—	—	—	Not Occupied	15-17	—	—	—	—
18	0.5	BU	2500	II	High Speed GMLAN Serial Data (+) 1	18	0.5	BU	BU	VI
19	0.5	WH	2501	II	High Speed GMLAN Serial Data (-) 1	19	0.5	WH	2501	VI
20	0.5	VT / YE	5985	II	Accessory Wake-up Serial Data	20	0.5	VT / YE	5985	VI
21-22	—	—	—	—	Not Occupied	21-22	—	—	—	—
23	1.5	GY / BN	309	V	Right Park Lamp Control	23	0.5	GY / BN	309	VI
24	1	GN / VT	619	I	Right Rear Turn Signal Lamp Control	24	0.75	GN / VT	619	VI
25	—	—	—	—	Not Occupied	25	—	—	—	—
26	0.75	GN / GY	6095	I	Right Rear Air Spring Solenoid Control	26	0.5	WH / L-GN	320	VI
27	—	—	—	—	Not Occupied	27	—	—	—	—
28	0.75	GN	6094	I	Left / Rear Air Spring Solenoid Control	28	0.5	GN	10138	VI
29	0.5	BK	2550	II	Ground	29	0.75	BK	2550	VI
30	0.5	WH	6974	II	Camera Low Reference	30	0.5	BK	6974	VI
31	—	—	—	—	Not Occupied	31	—	—	—	—

Table 223 X138 Chassis Harness to Body Harness (cont.)

Male					Function	Female				
Pin	Size	Color	Circuit	Terminal Type ID		Pin	Size	Color	Circuit	Terminal Type ID
32	1.5	BU	47	I	Trailer Auxiliary Control	32	2.5	D-BU	47	VII
33-35	—	—	—	—	Not Occupied	33-35	—	—	—	—
36	0.75	GN / VT	1430	I	Exterior Courtesy Lamp Control	36	0.75	WH / VT	1430	VI
37	0.75	GY / YE	6972	I	Camera Signal 2 (+)	37	0.35	GY / YE	6972	IX
38	0.75	WH / BU	6973	I	Camera Signal 2	38	0.35	WH / D-BU	6973	IX
39-40	—	—	—	—	Not Occupied	39	—	—	—	—

Connector Part Information

- Harness Type: Reductant Control Module Jumper
- Service Connector: Service by Harness
- Description: 16-Way F



Connector Part Information

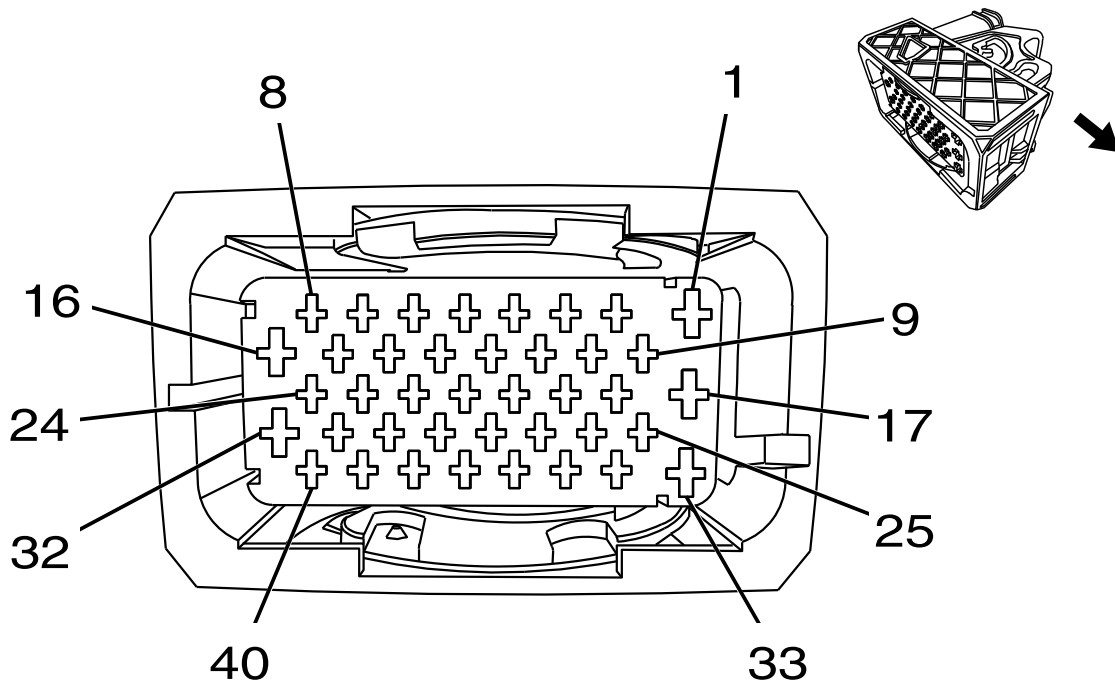
- Harness Type: Engine Chassis
- Service Connector: 6040264C1
- Description: 16-Way M 150 MX Series, Sealed (L-GY)

Table 226 Terminal Part Information

Terminal Type ID	Service Terminal	Diagnostic Test Probe
I	Not Available	J-35616-2A (GY)
II	Not Available	J-35616-3 (GY)
III	Not Available	J-35616-5 (PU)
IV	Not Available	J-35616-5 (PU)

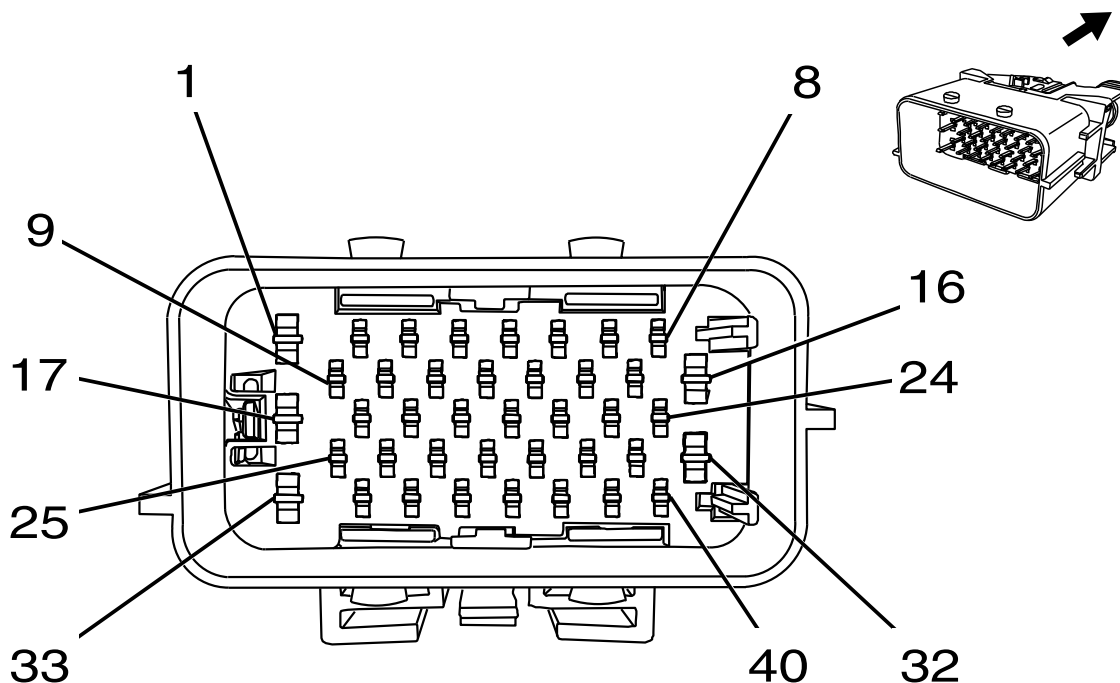
Table 227 X143 Reductant Control Module Jumper Harness to Engine Chassis Harness

Male					Function	Female				
Pin	Size	Color	Circuit	Terminal Type ID		Pin	Size	Color	Circuit	Terminal Type ID
1	0.75	RD / WH	3440	I	Battery Positive Voltage	1	0.75	RD / WH	3440	III
2-3	—	—	—	—	Not Occupied	—	—	—	—	—
4	0.5	WH	4499	I	High Speed GMLAN Serial Data (-) 7	4	0.5	WH	4499	II
5	0.5	BU / BN	4498	I	High Speed GMLAN Serial Data (+) 7	5	0.5	BU / BN	4498	II
6-7	—	—	—	—	Not Occupied	—	—	—	—	—
8	2.5	BK	550	I	Ground	8	2.5	BK	550	IV
9	0.5	VT / GN	4320	I	Powertrain Sensor Bus Enable	9	0.5	VT / GN	4320	III
10-13	—	—	—	—	Not Occupied	—	—	—	—	—
14	0.5	WH	4499	I	High Speed GMLAN Serial Data (-) 7	14	0.5	WH	4499	II
15	0.5	BU / BN	4498	I	High Speed GMLAN Serial Data (+) 7	15	0.5	BU / BN	4498	II
16	2.5	BU / BN	3922	I	DEF Heater Supply 2	16	2.5	BU / BN	3922	IV



Connector Part Information

- Harness Type: Forward Lamp
- Service Connector: 4086709C1
- Description: 40-pin F 1.5, 2.8 Series, Sealed (BK)



Connector Part Information

- Harness Type: Body
- Service Connector: 4086709C1
- Description: 40-Way M 1.5 DSQ, 2.8 ATS Series, Sealed (BK)

Table 230 Terminal Part Information

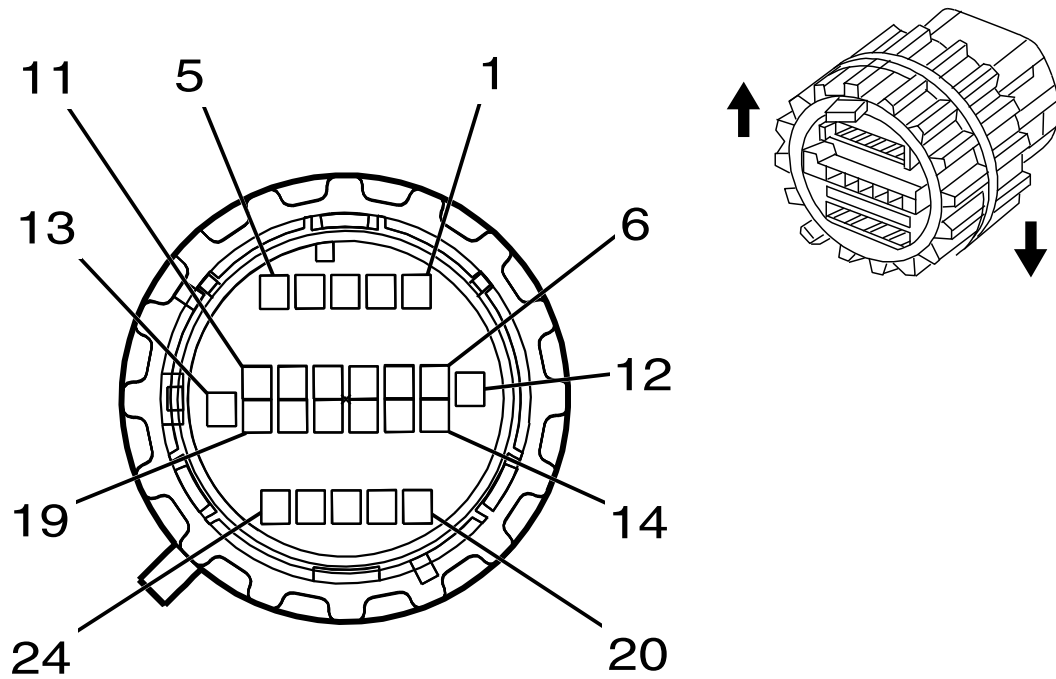
Terminal Type ID	Service Terminal	Diagnostic Test Probe
I	4089916C1	J-35616-4A (PU)
II	4089917C1	J-35616-4A (PU)
III	6041928C1	J-35616-3 (GY)
IV	6041928C1	J-35616-3 (GY)

Table 231 X150 Forward Lamp Harness to Body Harness

Male					Function	Female				
Pin	Size	Color	Circuit	Terminal Type ID		Pin	Size	Color	Circuit	Terminal Type ID
1	—	—	—	—	Not Occupied	1	—	—	—	—
2	2	BN / GY	29	I	Horn Control	2	0.75	BN / GY	29	III
3	1	GY / BU	7538	I	Left Front DRL Control	3	—	—	—	—
4	1	GY	603	I	A / C Low Pressure Switch Signal	4	0.5	BN / L-GN	603	III
5-6	—	—	—	—	Not Occupied	5-6	—	—	—	—
7	1	BU / BN	7539	I	Right Front DRL Control	7	—	—	—	—
8	1	WH	311	I	Right Headlight High Beam Control	8	0.5	WH	311	III
9	1	WH	711	I	Left Headlight High Beam Control	9	0.5	WH	711	III
10	1	BU / WH	1314	I	Left Front Turn Signal Lamp Control	10	0.75	D-BU / WH	1314	III
11	1	VT / GY	709	I	Left Park Lamp Control	11	0.5	VT / GY	709	III
12	1	BN / VT	2234	I	Front Fog Lamp Control	12	0.5	BN / VT	2234	III
13-14	—	—	—	—	Not Occupied	13-14	—	—	—	—
15	1	GN / VT	1315	I	Right Front Turn Signal Lamp Control	15	0.75	L-GN / VT	1315	III
16-17	—	—	—	—	Not Occupied	16-17	—	—	—	—
18	1	VT / GY	139	I	Run / Crank Ignition 1 Voltage	18	1.5	VT / GY	139	IV
19	1	YE	5530	I	Hood Open Switch Signal	19	0.5	YE	5530	III
20	1	BN / GN	109	I	Hood Ajar Switch Signal	20	0.5	BN / L-GN	109	III
21	—	—	—	—	Not Occupied	21	—	—	—	—
22	1	YE	312	I	Right Headlight Low Beam Control	22	0.75	YE	312	III
23	1	GY / BN	309	I	Right Park Lamp Control	23	0.5	GY / BN	309	III
24	—	—	—	—	Not Occupied	24	—	—	—	—

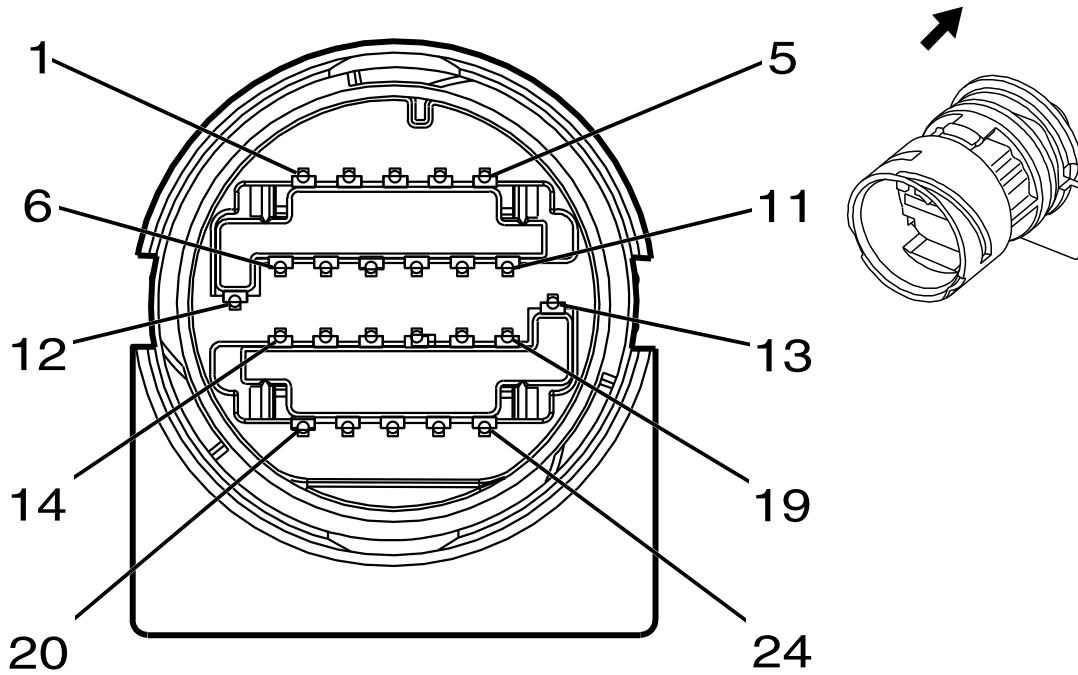
Table 231 X150 Forward Lamp Harness to Body Harness (cont.)

Male					Function	Female				
Pin	Size	Color	Circuit	Terminal Type ID		Pin	Size	Color	Circuit	Terminal Type ID
25	1	YE	712	I	Left Headlight Low Beam Control	25	0.75	YE	712	III
26	—	—	—	—	Not Occupied	26	—	—	—	—
27	1.5	OG / GY	6618	II	Middle Front Discriminating Sensor Signal	27	0.5	OG / GY	6618	III
28	1.5	BK / OG	6619	II	Middle Front Discriminating Sensor Low Reference	28	0.5	BK / OG	6619	III
29-40	—	—	—	—	Not Occupied	29-40	—	—	—	—



Connector Part Information

- Harness Type: Engine Chassis
- Service Connector: 6040283C1
- Description: 24-Way F 1.5 Series, Sealed (BK)



Connector Part Information

- Harness Type: Transmission
- Service Connector: Not Available
- Description: 24-Way M

Table 234 Terminal Part Information

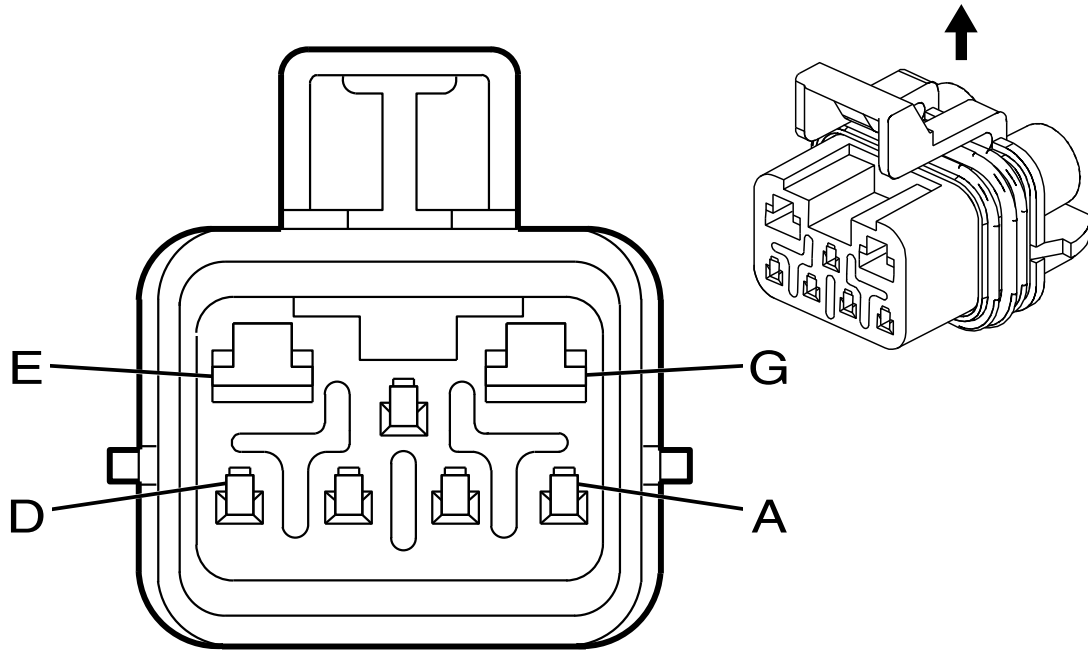
Terminal Type ID	Service Terminal	Diagnostic Test Probe
I	6041963C1	J-35616-14 (GN)
II	Not Available	Not Available

Table 235 X175 Engine Chassis Harness to Transmission Harness

Male					Function	Female				
Pin	Size	Color	Circuit	Terminal Type ID		Pin	Size	Color	Circuit	Terminal Type ID
1	0.75	GN	152	I	Driver Information Center Gauge LED Control	1	—	—	152	II
2	0.75	YE	133	I	Sunroof Limit Switch Low Reference	2	0.75	YE	133	II
3	0.75	WH	151	I	Signal Ground	3	0.75	WH	151	II
4	0.75	BU	117	I	Right Front Speaker Signal (-) 1	4	0.75	BU	117	II
5	—	—	—	—	Not Occupied	5	—	—	—	—
6	0.75	WH	157	I	Interior Lamp Control	6	0.75	WH	157	II
7	0.75	RD	179	I	Oil Pump Command Signal	7	0.75	RD	179	II
8	0.75	TN	154	I	Driver Information Center Date LED Control	8	0.75	TN	154	II
9	0.75	GN	158	I	Cargo Lamp Switch Signal	9	0.75	GN	158	II
10	0.75	WH	178	I	Right Folding Top Motor Down Control	10	0.75	WH	178	II
11	0.75	GN	177	I	Left Folding Top Motor Down Control	11	0.75	GN	177	II
12	0.75	WH	137	I	Driver Information Center Switch Economy LED Control	12	0.75	WH	137	II
13	0.75	YE	131	I	Sunroof Limit Switch Range Signal	13	0.75	YE	131	II
14	0.75	OG	111	I	Hazard Switch Signal	14	0.75	OG	111	II

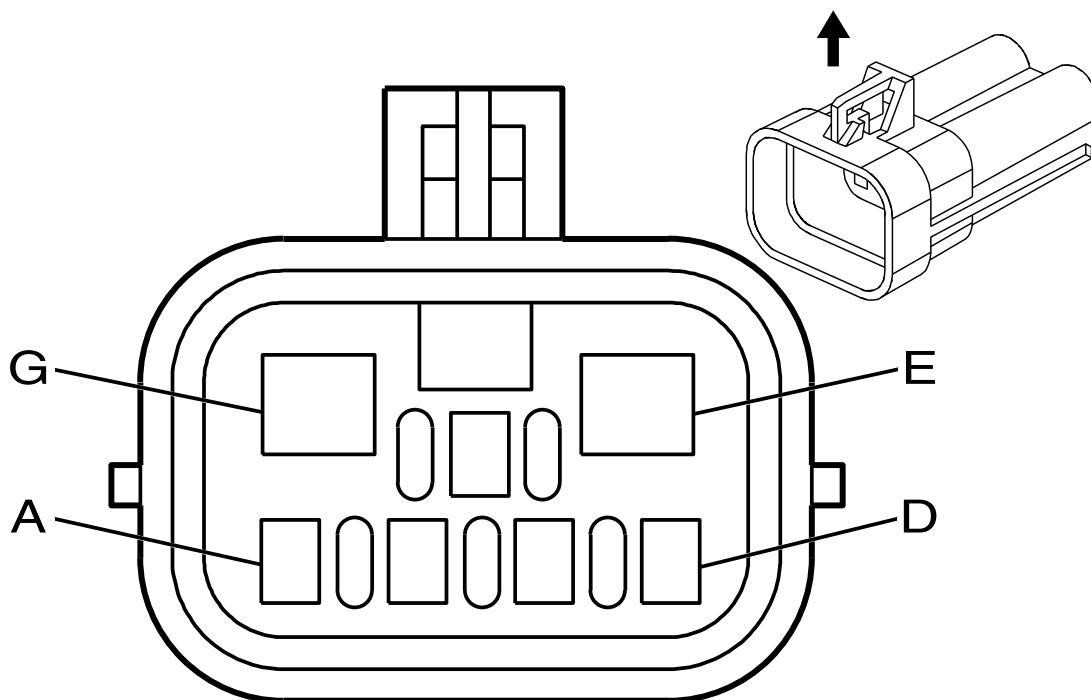
Table 235 X175 Engine Chassis Harness to Transmission Harness (cont.)

Male					Function	Female				
Pin	Size	Color	Circuit	Terminal Type ID		Pin	Size	Color	Circuit	Terminal Type ID
15	0.75	WH	155	I	Driver Seat Belt Retractor Solenoid Control	15	0.75	WH	155	II
16	0.75	YE	171	I	Power Window Master Switch Right Rear Down Signal	16	0.75	YE	171	II
17	0.75	OG	136	I	Driver Information Center Fuel LED Control	17	0.75	OG	136	II
18	0.75	OG	138	I	Rear Compartment Lid Pull Down Motor Control	18	0.75	OG	138	II
19	0.75	BU	174	I	Low Washer Fluid Indicator Control	19	0.75	BU	174	II
20	0.75	GY	114	I	Low Oil Pressure Switch Signal	20	0.75	GY	114	II
21	0.75	YE	153	I	Driver Information Center Oil LED Control	21	0.75	YE	153	II
22	0.75	BU	173	I	ABS Pump Motor Control	22	0.75	BU	173	II
23	0.75	WH	134	I	Charge Port Valve Command Signal	23	0.75	WH	134	II
24	—	—	—	—	Not Occupied	24	—	—	—	—



Connector Part Information

- Harness Type: Hydromax Interconnect
- Service Connector: 3540565C1
- Description: 7-Way F 150 Metri-Pack, 480 Series, Sealed (BK)



Connector Part Information

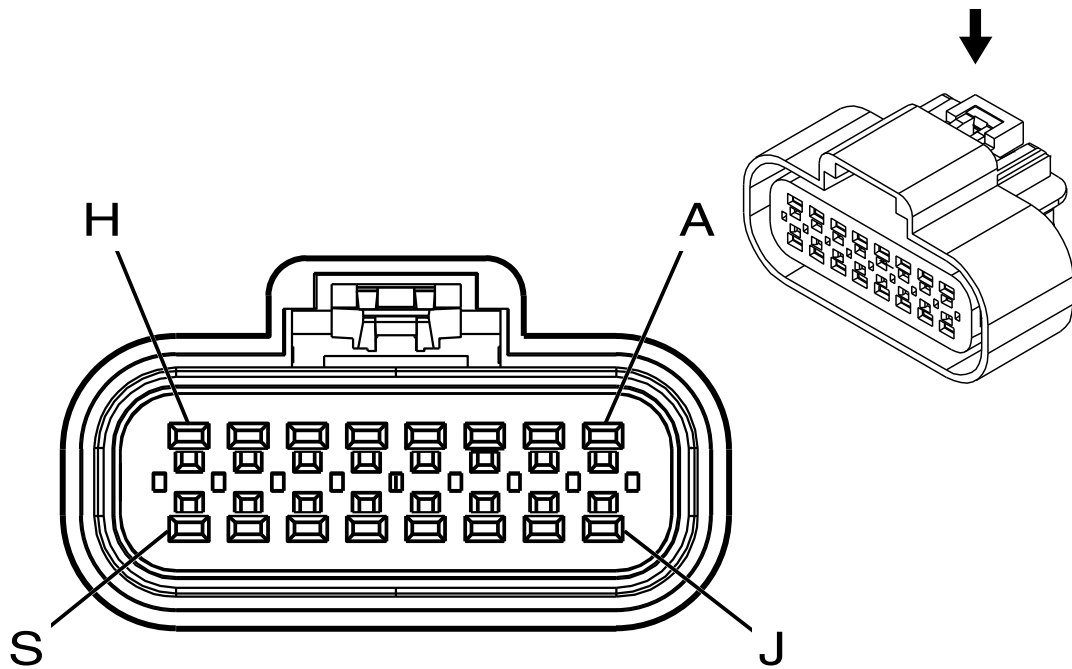
- Harness Type: Chassis
- Service Connector: 3540569C1
- Description: 7-Way M 150, 480 Metri-Pack Series, Sealed (BK)

Table 238 Terminal Part Information

Terminal Type ID	Service Terminal	Diagnostic Test Probe
I	1667742C1	J-35616-2A (GY)
II	Not Available	J-35616-64B (LT BU)
III	2025422C1	J-35616-3 (GY)

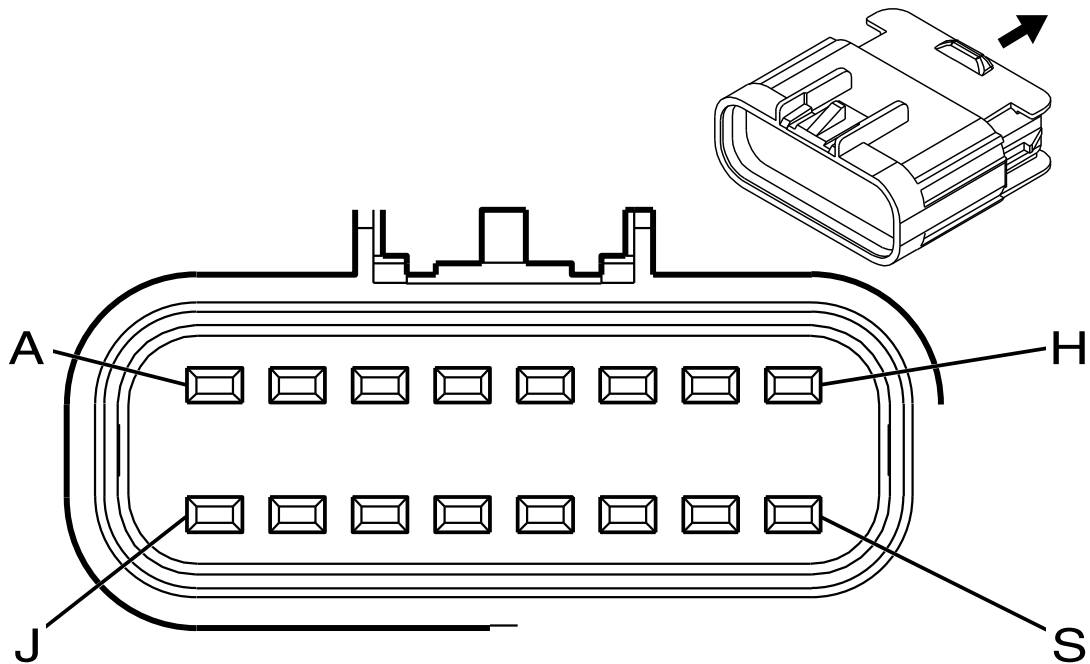
Table 239 X180 Brake Booster Harness to Chassis Harness

Male						Function	Female					
Pin	Size	Color	Circuit	Terminal Type ID	Option		Pin	Size	Color	Circuit	Terminal Type ID	Option
A	0.75	GY	90HB	II	—	Right Mirror Motor Left Control	A	0.75	GY	90HB	III	—
B	0.75	GY	90M	II	—	Right Mirror Motor Left Control	B	0.75	GY	90M	III	—
C	0.75	GY	90D	II	—	Right Mirror Motor Left Control	C	0.75	GY	90D	III	—
D	0.75	WH / BU	6311	II	—	Cruise / ETC / TCC Brake Signal	D	0.75	WH / BU	6311	III	—
E	6	RD	90J	I	—	Right Mirror Motor Left Control	E	6	RD	90J	III	—
F	0.75	GY	9AB	II	—	Park Lamp Control	F	0.75	GY	9AB	III	—
G	3	WH	90G	I	—	Right Mirror Motor Left Control	G	3	WH	90-G	III	—



Connector Part Information

- Harness Type: Engine Chassis
- Service Connector: 6040235C1
- Description: 16-Way F 150 GT Series, Sealed (BK)



Connector Part Information

- Harness Type: Engine Chassis
- Service Connector: 6040230C1
- Description: 16-pin M 150 Series, Sealed (BK)

Table 242 Terminal Part Information

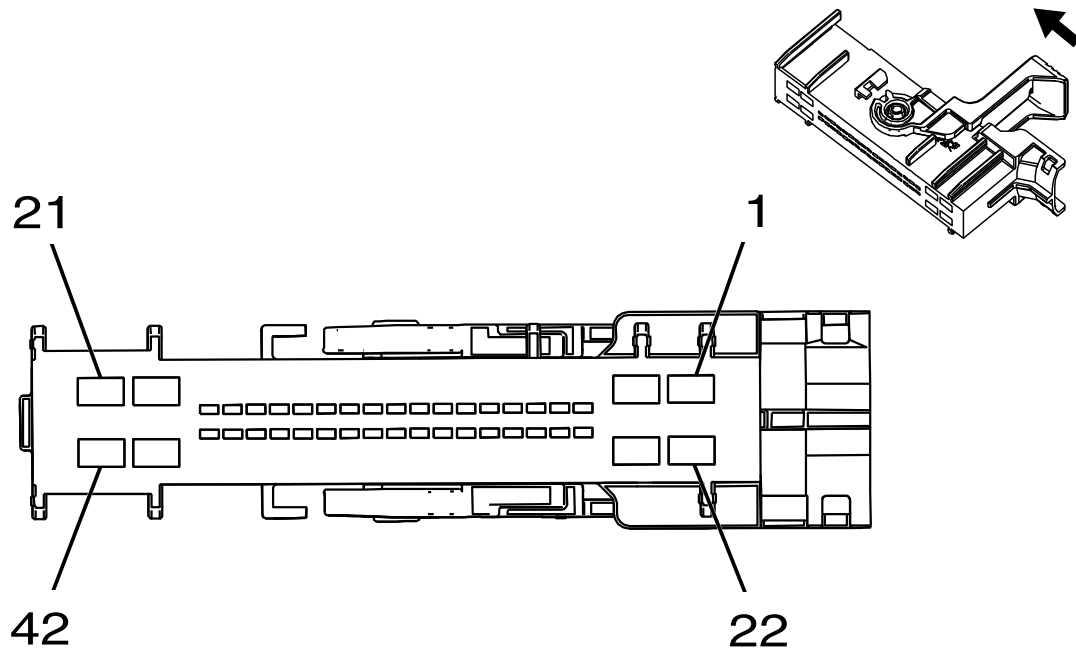
Terminal Type ID	Service Terminal	Diagnostic Test Probe
I	6042022C1	J-35616-14 (GN)
II	6042023C1	J-35616-14 (GN)
III	3535304C1	J-35616-3 (GY)

Table 243 X191 Engine Chassis Harness to Engine Chassis Harness (PTO)

Male						Function	Female					
Pin	Size	Color	Circuit	Terminal Type ID	Option		Pin	Size	Color	Circuit	Terminal Type ID	Option
A	0.75	BN / WH	6085	I	—	Power Take-off Remote Engine Start Switch Signal	A	0.5	BN / WH	6085	III	—
B	0.75	BN	6381	I	—	Power Take-off Relay Engage Signal	B	—	—	6381	IV	—
C	—	—	—	—	—	Not Occupied	C	—	—	—	—	—
D	0.75	BK	550	I	—	Ground	D	—	—	550	IV	—
E-F	—	—	—	—	—	Not Occupied	E-F	—	—	—	—	—
G	0.75	YE	2522	II	—	Power Take-off Status Signal	G	—	—	2522	IV	—
H	0.5	VT / D-BU	2562	II	—	Power Take-off Relay Coil Control	H	—	—	2562	IV	—
J	0.5	WH / L-GN	6142	II	—	Power Take-off Engine Shutdown Signal	J	0.5	BN / WH	6085	III	—
K	0.75	RD / VT	2640	I	—	Battery Positive Voltage	K	—	—	2640	IV	—
L-M	—	—	—	—	—	Not Occupied	L-M	—	—	—	—	—
N	0.5	D-BU / GY	6089	II	—	Power Take-off Remote Switch Set Signal 1	N	—	—	6089	IV	—
P	—	—	—	—	—	Not Occupied	P	—	—	—	—	—

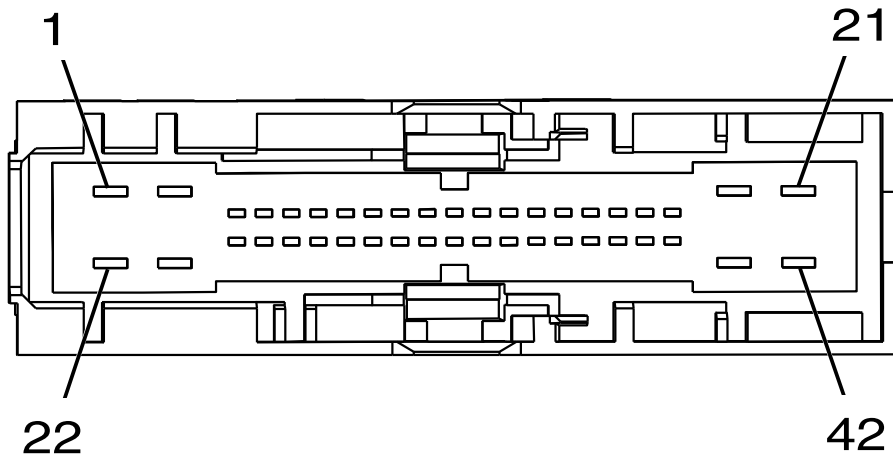
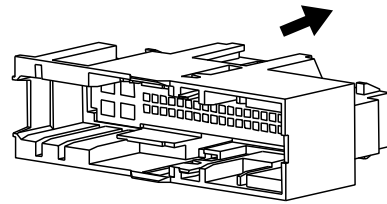
Table 243 X191 Engine Chassis Harness to Engine Chassis Harness (PTO) (cont.)

Male						Function	Female					
Pin	Size	Color	Circuit	Terminal Type ID	Option		Pin	Size	Color	Circuit	Terminal Type ID	Option
R	0.5	VT / WH	239	II	—	Run / Crank Ignition 1 Voltage	R	—	—	239	IV	—
S	—	—	—	—	—	Not Occupied	S	—	—	—	—	—



Connector Part Information

- Harness Type: Steering Column
- Service Connector: Service by Harness
- Description: 42-Way F



Connector Part Information

- Harness Type: Instrument Panel
- Service Connector: 6040225C1
- Description: 42-pin M 0.64, 2.8 Series (GY)

Table 246 Terminal Part Information

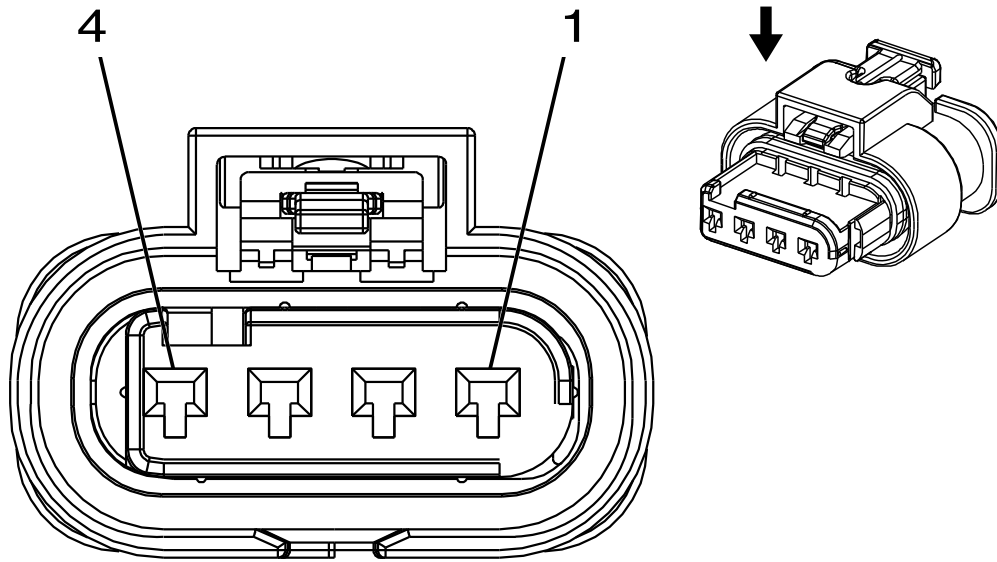
Terminal Type ID	Service Terminal	Diagnostic Test Probe
I	Not Available	J-35616-4A (PU)
II	Not Available	J-35616-64B (LT BU)
III	6041952C1	J-35616-5 (PU)
IV	6041934C1	J-35616-65B (LT BU)
V	6041970C1	J-35616-65B (LT BU)

Table 247 X201 Steering Column Harness to Instrument Panel Harness

Male							Female					
Pin	Size	Color	Circuit	Terminal Type ID	Option	Function	Pin	Size	Color	Circuit	Terminal Type ID	Option
1-3	—	—	—	—	—	Not Occupied	1-3	—	—	—	—	—
4	0.35	RD / D-BU	540	II	—	Battery Positive Voltage	4	0.35	RD / D-BU	540	IV	—
5-15	—	—	—	—	—	Not Occupied	5-15	—	—	—	—	—
16	0.35	L-GN / WH	111	II	—	Hazard Switch Signal	16	0.35	L-GN / WH	111	IV	—
17	0.35	YE / WH	816	II	—	Brake Transmission Shift Interlock Solenoid Control	17	0.35	YE / WH	816	IV	—
18-19	—	—	—	—	—	Not Occupied	18-19	—	—	—	—	—
20	0.5	BK	1050	I	—	Ground	20	0.5	BK	1050	III	—
21-24	—	—	—	—	—	Not Occupied	21-24	—	—	—	—	—
25	0.35	RD / YE	3040	II	—	Battery Positive Voltage	25	0.35	RD / YE	3040	IV	—
26-29	—	—	—	—	—	Not Occupied	26-29	—	—	—	—	—
30	0.5	L-GN / WH	7527	I	—	Local Interconnect Network Serial Data Bus 5	30	0.5	L-GN / WH	7527	V	—
31-32	—	—	—	—	—	—	31-32	—	—	—	—	—
33	0.5	L-GN / BK	3894	I	—	Local Interconnect Network Serial Data Bus 12	33	0.5	L-GN / BK	3894	V	—
34-37	—	—	—	—	—	Not Occupied	34-37	—	—	—	—	—
38	0.35	BN	6136	I	—	Control	38	0.35	BN	6136	IV	—

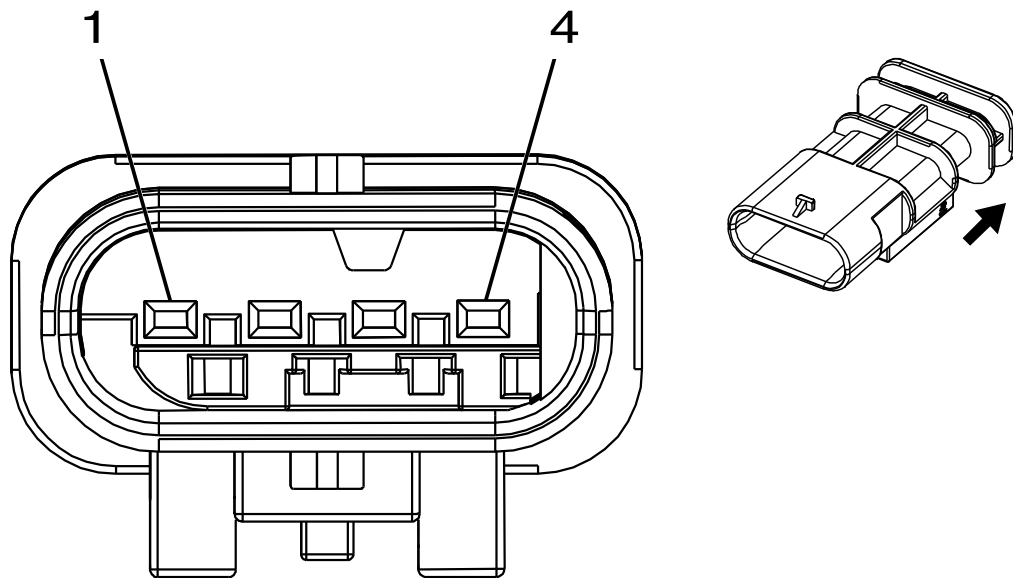
Table 247 X201 Steering Column Harness to Instrument Panel Harness (cont.)

Male						Function	Female					
Pin	Size	Color	Circuit	Terminal Type ID	Option		Pin	Size	Color	Circuit	Terminal Type ID	Option
39-41	—	—	—	—	—	Not Occupied	39-41	—	—	—	—	—
42	0.5	BK / WH	1851	I	—	Signal Ground	42	0.5	BK / WH	1851	III	—



Connector Part Information

- Harness Type: Instrument Panel
- Service Connector: 6040212C1
- Description: 4-pin F 1.2 Series, Sealed (YE)



Connector Part Information

- Harness Type: Passenger Instrument Panel Air Bag
- Service Connector: Service by Harness
- Description: 4-pin M

Table 250 Terminal Part Information

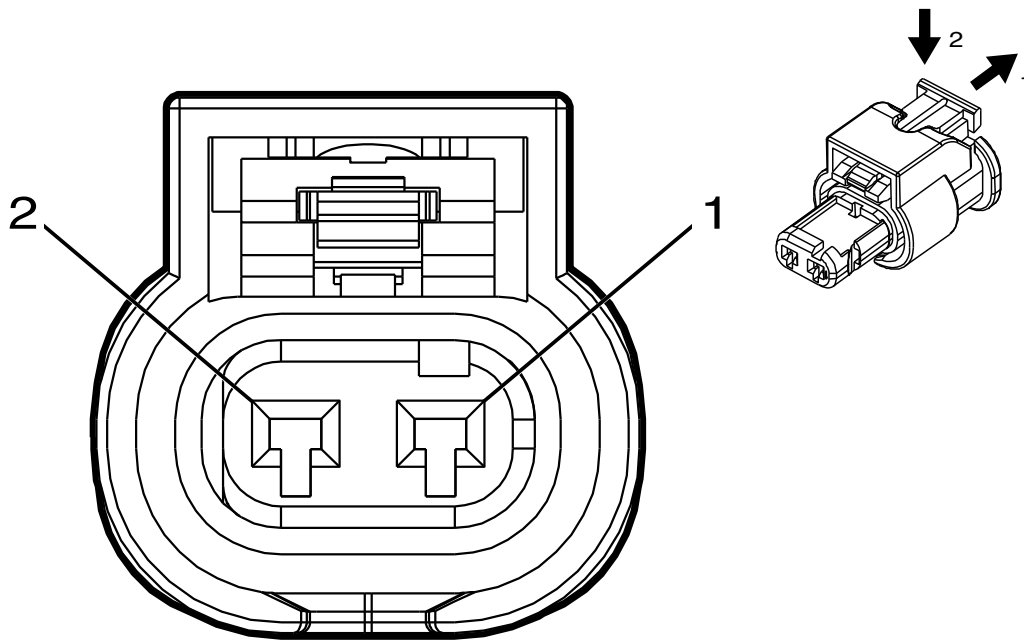
Terminal Type ID	Service Terminal	Diagnostic Test Probe
I	6041956C1	J-35616-16 (LT GN)
II	Not Available	J-35616-17 (LT GN)

Table 251 X205 Instrument Panel Harness to Passenger Instrument Panel Air Bag Harness

Male					Function	Female				
Pin	Size	Color	Circuit	Terminal Type ID		Pin	Size	Color	Circuit	Terminal Type ID
1	0.35	YE / OG	3025	I	Passenger IP Module Stage 1 High Control	1	0.35	YE / OG	3025	II
2	0.35	OG / WH	3024	I	Passenger IP Module Stage 1 Low Control	2	0.35	OG / WH	3024	II

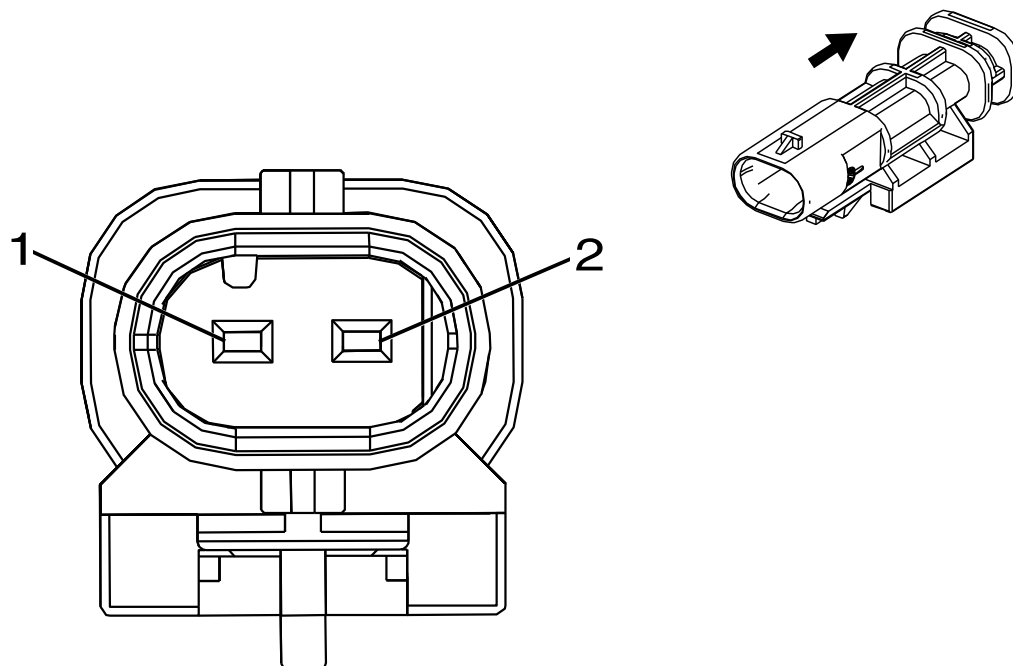
Table 251 X205 Instrument Panel Harness to Passenger Instrument Panel Air Bag Harness (cont.)

Male					Function	Female				
Pin	Size	Color	Circuit	Terminal Type ID		Pin	Size	Color	Circuit	Terminal Type ID
3	0.35	GY / OG	3027	I	Passenger IP Module Stage 2 High Control	3	0.35	GY / OG	3027	II
4	0.35	OG / VT	3026	I	Passenger IP Module Stage 2 Low Control	4	0.35	OG / VT	3026	II



Connector Part Information

- Harness Type: Instrument Panel
- Service Connector: Service by Harness - See Part Catalog
- Description: 2-Way F 1.2 MCP Series, Sealed (YE)



Connector Part Information

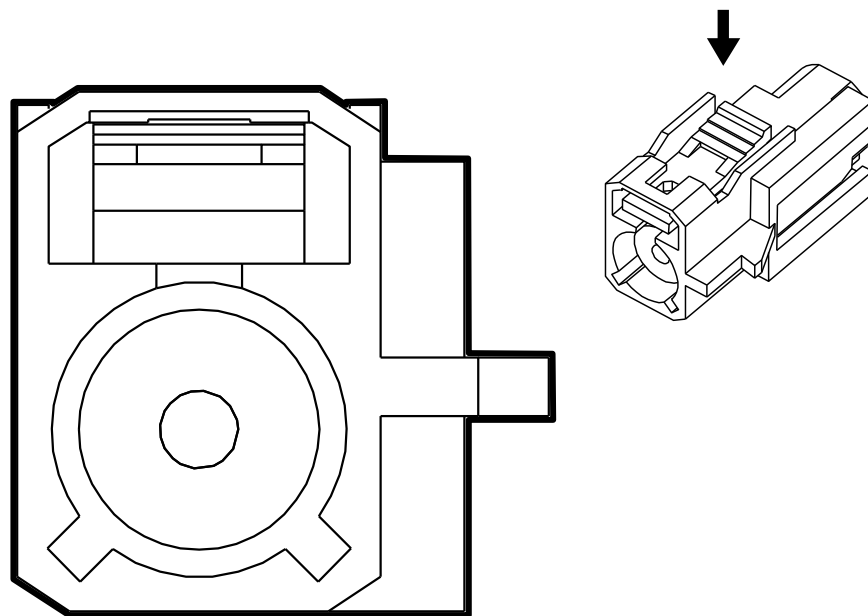
- Harness Type: Passenger Instrument Panel Air Bag
- Service Connector: Service by Harness
- Description: 2-Way M (YE)

Table 254 Terminal Part Information

Terminal Type ID	Service Terminal	Diagnostic Test Probe
I	Not Available	J-35616-16 (LT GN)
II	Not Available	J-35616-17 (LT GN)

Table 255 X206 Passenger Instrument Panel Air Bag Jumper Harness to Passenger Instrument Panel Air Bag Harness

Male						Function	Female					
Pin	Size	Color	Circuit	Terminal Type ID	Option		Pin	Size	Color	Circuit	Terminal Type ID	Option
1	0.35	YE / OG	3025	I	—	Passenger IP Module Stage 1 High Control	1	—	YE / OG	3025	II	—
2	0.35	OG / WH	3024	I	—	Passenger IP Module Stage 1 Low Control	2	—	OG / WH	3024	II	—



Connector Part Information

- Harness Type: Instrument Panel
- Service Connector: Service by Harness
- Description: 1-Way F Coax Type (CU)

Connector Part Information

- Harness Type: Passenger Instrument Panel Air Bag
- Service Connector: Service by Harness
- Description: 1-Way M Coax Type

Table 258 Terminal Part Information

Terminal Type ID	Service Terminal	Diagnostic Test Probe
I	Not Available	Not Available

Table 259 X210 Passenger Instrument Panel Air Bag Jumper Harness to Passenger Instrument Panel Air Bag Harness

Male						Function	Female					
Pin	Size	Color	Circuit	Terminal Type ID	Option		Pin	Size	Color	Circuit	Terminal Type ID	Option
—	—	Coax	—	—	—	(XM + / -HD) Coaxial Antenna XM Signal	—	—	Coax	—	—	—

<p>Connector Part Information</p> <ul style="list-style-type: none"> • Harness Type: Instrument Panel • Service Connector: Service by Harness • Description: 2-Way F Coax Type
--

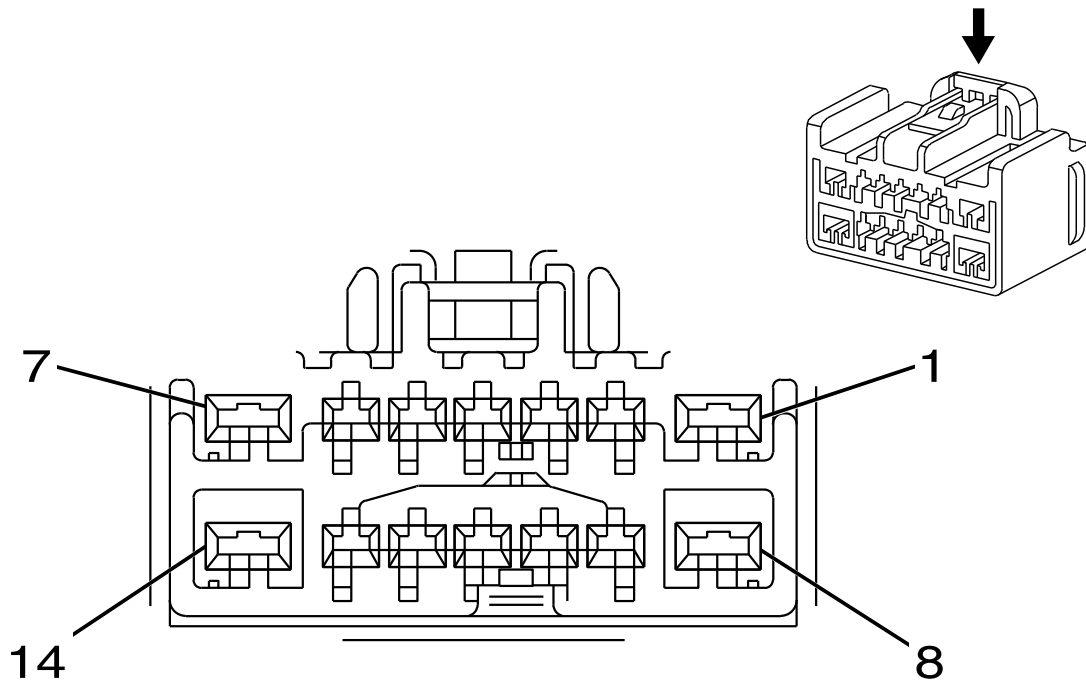
<p>Connector Part Information</p> <ul style="list-style-type: none"> • Harness Type: Passenger Instrument Panel Air Bag • Service Connector: Service by Harness • Description: 2-Way M Coax Type
--

Table 262 Terminal Part Information

Terminal Type ID	Service Terminal	Diagnostic Test Probe
I	None	Not Available

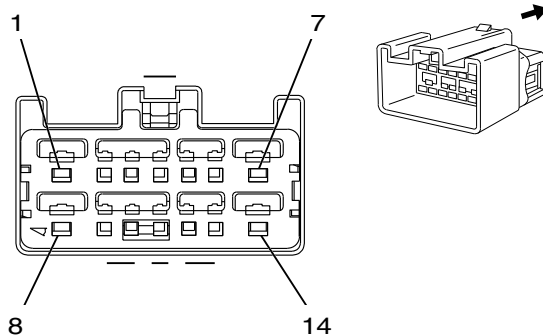
Table 263 X211 Passenger Instrument Panel Air Bag Jumper Harness to Passenger Instrument Panel Air Bag Harness

Male						Function	Female					
Pin	Size	Color	Circuit	Terminal Type ID	Option		Pin	Size	Color	Circuit	Terminal Type ID	Option
1	—	—	Coax	I	—	(GPS only) Coaxial Antenna GPS Signal	1	Coax	Coax	Coax	II	—



Connector Part Information

- Harness Type: HVAC
- Service Connector: Service by Harness
- Description: 14-Way F 1.5, 2.8 Series (L-GY)



Connector Part Information

- Harness Type: Instrument Panel
- Service Connector: 6040279C1
- Description: 14-Way M 1.5, 2.8 Series (L-GY)

Table 266 Terminal Part Information

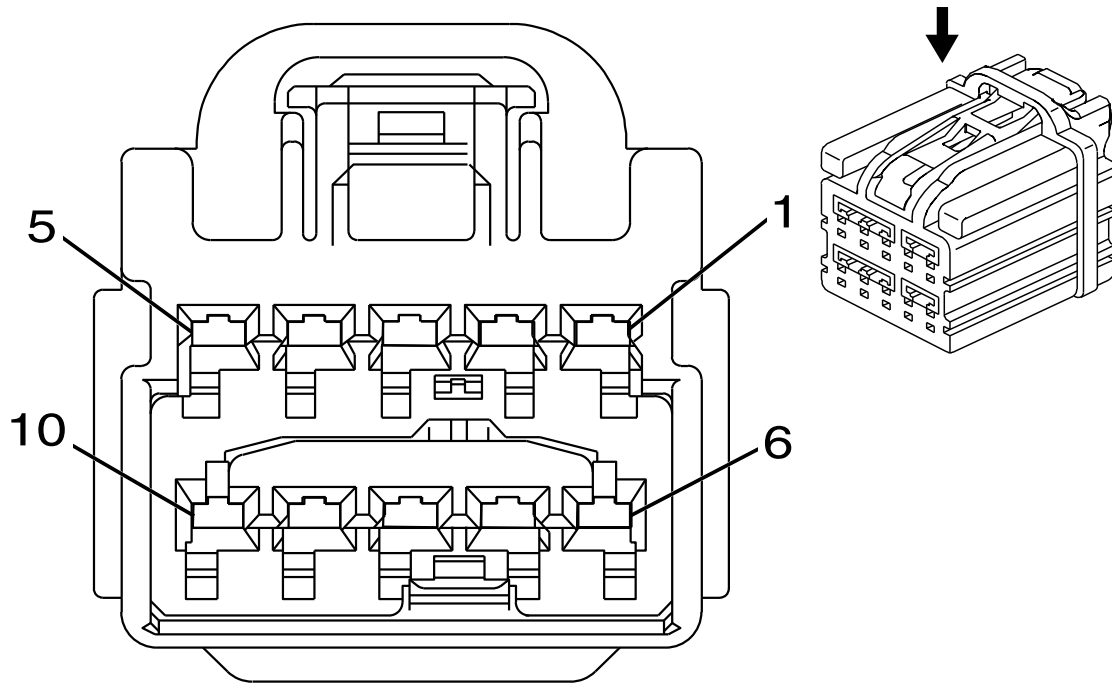
Terminal Type ID	Service Terminal	Diagnostic Test Probe
I	6041944C1 or 6041990C1	J-35616-2A (GY)
II	6041912C1	J-35616-3 (GY)

Table 267 X215 HVAC Harness to Instrument Panel Harness

Male					Function	Female				
Pin	Size	Color	Circuit	Terminal Type ID		Pin	Size	Color	Circuit	Terminal Type ID
1	—	—	—	—	Not Occupied	1	—	—	—	—
2	0.35	L-GN	5060	I	Low Speed GMLAN Serial Data	2	0.35	L-GN	5060	II
3	0.35	D-GN/YE	7531	I	HVAC Control Module LIN Bus 1	3	0.35	L-GN / YE	7531	II
4	0.5	RD / VT	3340	I	Secondary Fused Battery Positive Voltage	4	0.5	RD / VT	3340	II
5	0.5	VT / GY	539	I	Run / Crank Ignition 1 Voltage	5	0.5	VT / GY	539	II
6-8	—	—	—	—	Not Occupied	6-8	—	—	—	—

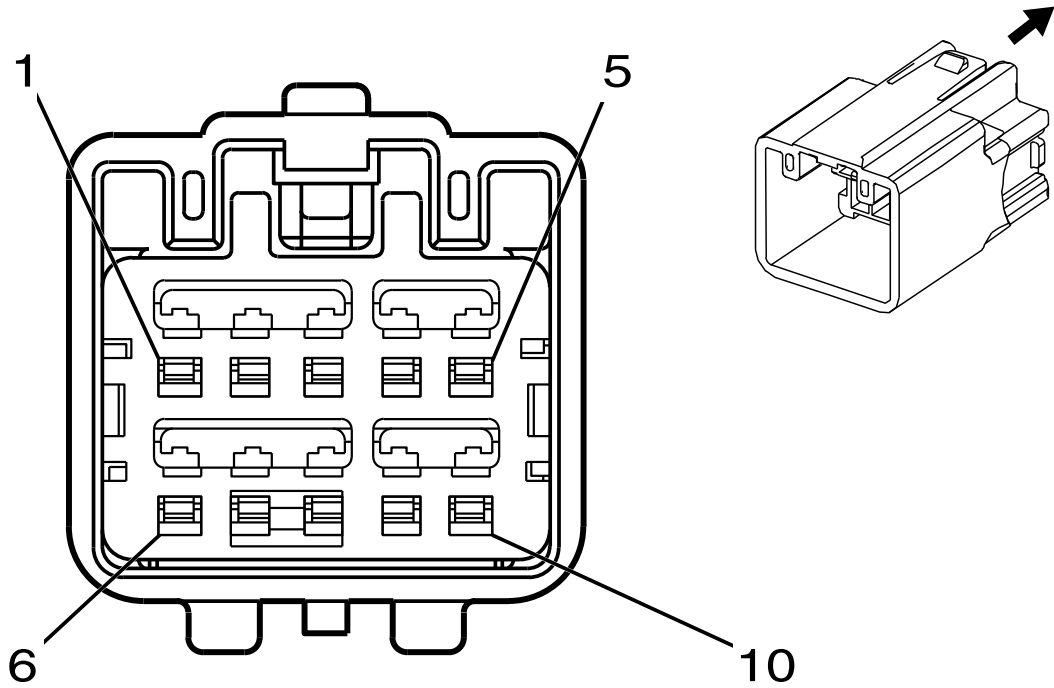
Table 267 X215 HVAC Harness to Instrument Panel Harness (cont.)

Male					Function	Female				
Pin	Size	Color	Circuit	Terminal Type ID		Pin	Size	Color	Circuit	Terminal Type ID
9	0.35	BK / WH	1851	I	Ground 18	9	0.35	BK / WH	1851	II
10	0.35	BK / YE	1791	I	Air Temperature Door Low Reference	10	0.35	BK / YE	1791	II
11-14	—	—	—	I	—	11	—	—	—	—



Connector Part Information

- Harness Type: Body
- Service Connector: 6040277C1
- Description: 10-Way F YESC Kaizen Series (L-GY)



Connector Part Information

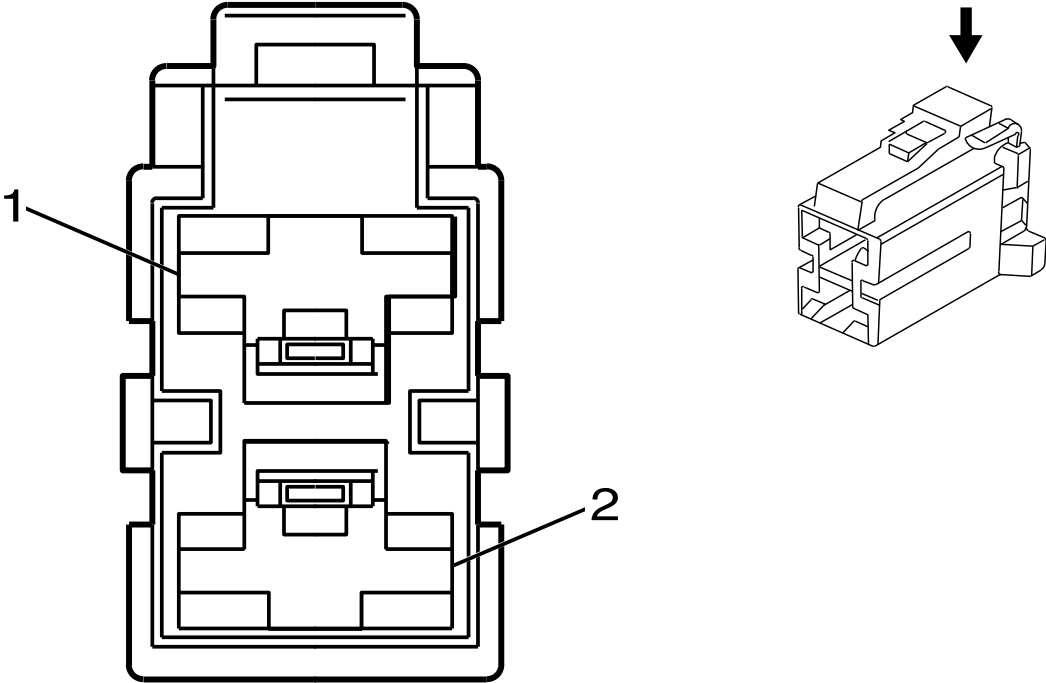
- Harness Type: HVAC
- Service Connector: Service by Harness
- Description: Description: 10-Way M YESC Kaizen Series (L-GY)

Table 270 Terminal Part Information

Terminal Type ID	Service Terminal	Diagnostic Test Probe
I	6041990C1	J-35616-2A (GY)
II	6041884C1	J-35616-3 (GY)

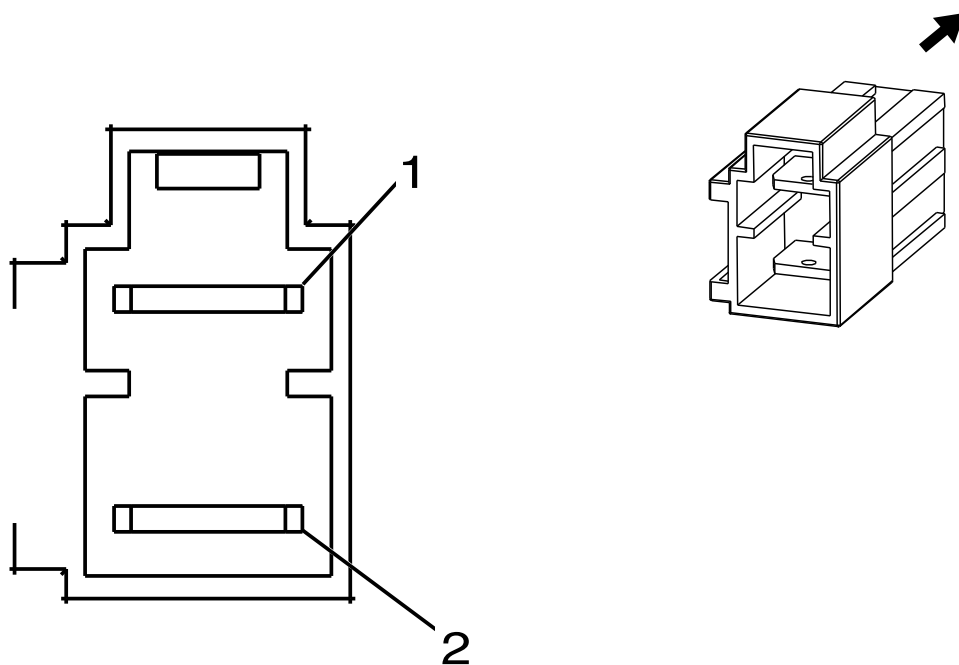
Table 271 X216 Body Harness to HVAC Harness

Male							Female					
Pin	Size	Color	Circuit	Terminal Type ID	Option	Function	Pin	Size	Color	Circuit	Terminal Type ID	Option
1-3	—	—	—	—	—	Not Occupied	1-3	—	—	—	—	—
4	0.35	BN / VT	193	I	—	Rear Defog Relay Control	4	0.35	BN / VT	193	II	—
5	0.5	D-BU / BN	7573	I	—	Electric Variable Displacement Supply	5	0.5	D-BU / BN	7573	II	—
6	0.5	D-BU / YE	7574	I	—	Electric Variable Displacement Control	6	0.5	D-BU / YE	7574	II	—
7-10	—	—	—	—	—	Not Occupied	7-10	—	—	—	—	—



Connector Part Information

- Harness Type: Body
- Service Connector: 6040273C1
- Description: 2-Way F 56 Series (BK)



Connector Part Information

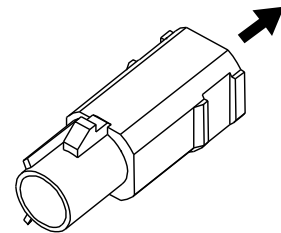
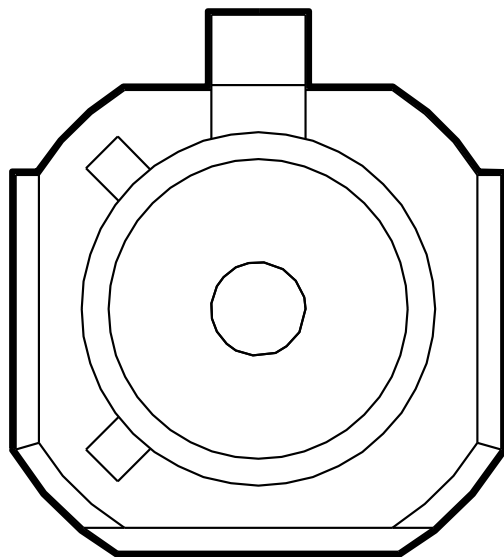
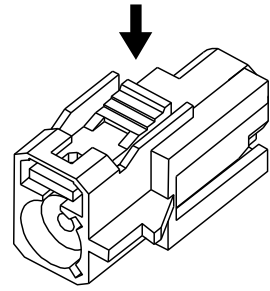
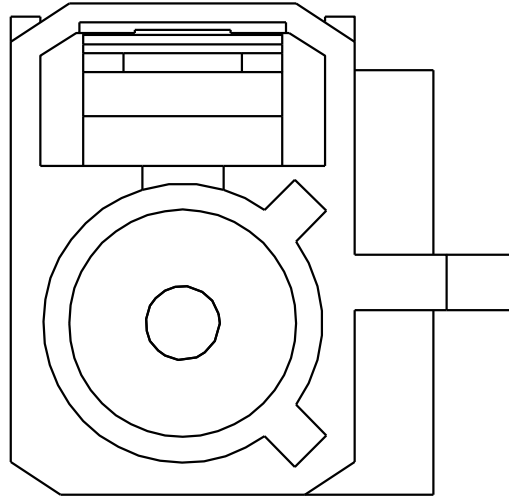
- Harness Type: HVAC
- Service Connector: Service by Harness
- Description: 2-Way M 375 Series (BK)

Table 274 Terminal Part Information

Terminal Type ID	Service Terminal	Diagnostic Test Probe
I	6041948C1	J-35616-22 (RD)
II	6041930C1	J-35616-4A (PU)
III	6041944C1	J-35616-21 (RD)

Table 275 X217 Body Harness to HVAC Harness

Male						Function	Female					
Pin	Size	Color	Circuit	Termina Type ID	Option		Pin	Size	Color	Circuit	Termina Type ID	Option
1	4	RD / VT	542	I	—	Battery Positive Voltage	1	4	RD / VT	542	III	—
2	10	RD / GY	642	II	—	Battery Positive Voltage	2	10	RD / GY	642	III	—



Connector Part Information

- Harness Type: Instrument Panel Coax
- Service Connector: Service by Harness
- Description: 2-Way F Coax Type (PU)

Connector Part Information

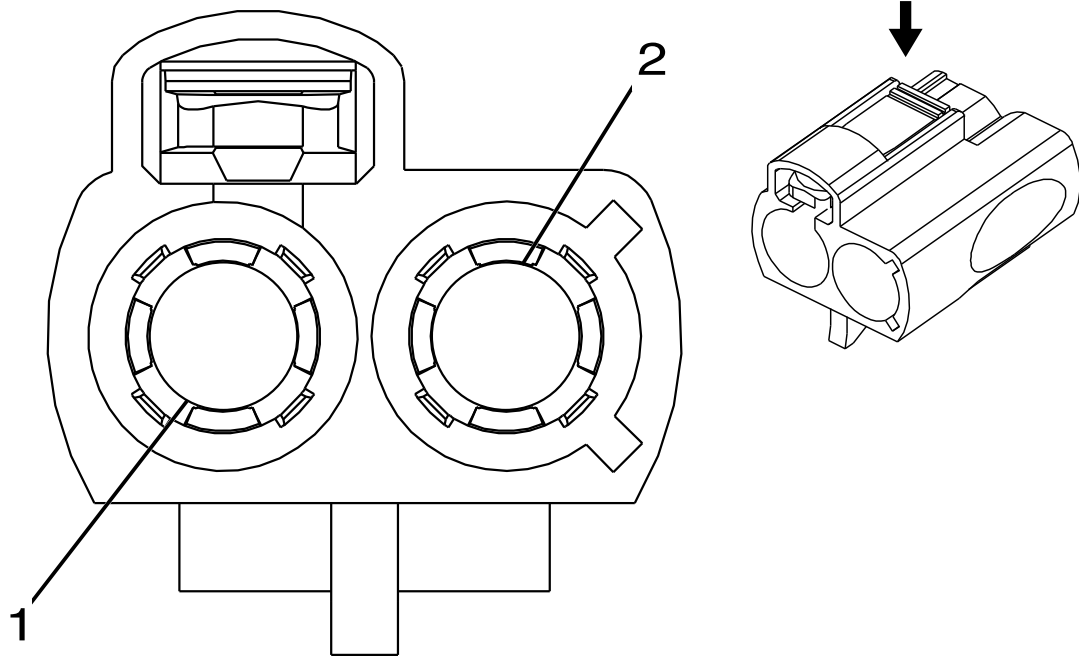
- Harness Type: Right A-Pillar Coax
- Service Connector: Service by Harness
- Description: 2-Way M Coax Type (VT)

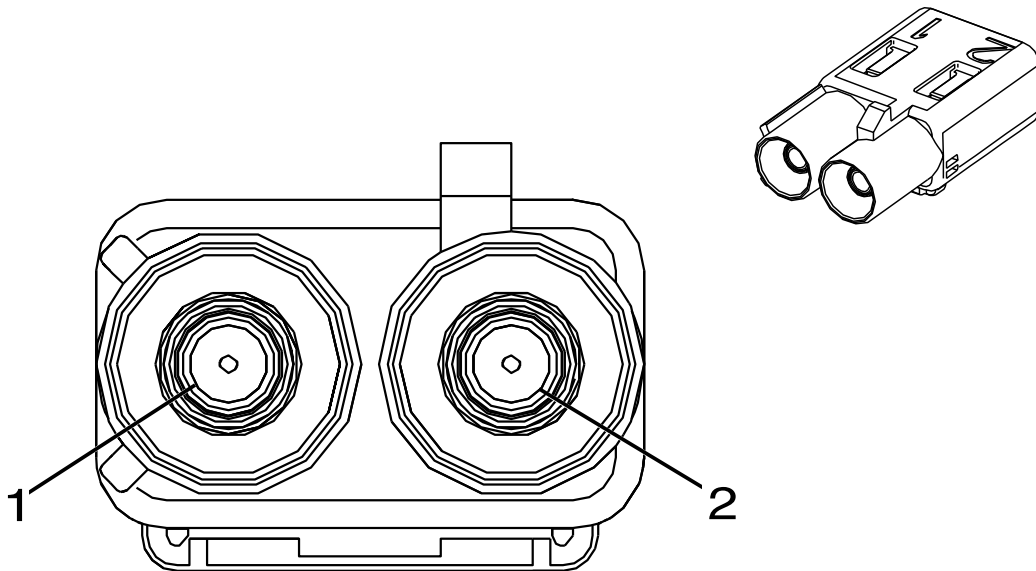
Table 278 Terminal Part Information

Terminal Type ID	Service Terminal	Diagnostic Test Probe
I	Not Available	No Tool Required

Table 279 X222 Instrument Panel Coax Harness to Right A-Pillar Coax Harness

Male						Function	Female					
Pin	Size	Color	Circuit	Terminal Type ID	Option		Pin	Size	Color	Circuit	Terminal Type ID	Option
—	—	—	Coax	I1	—	(Cell only) Coaxial Antenna Cell Phone Signal	—	—	—	Coax	I	—





Connector Part Information

- Harness Type: Instrument Panel Coax
- Service Connector: Service by Harness
- Description: 2-Way F Coax Type (PU)

Connector Part Information

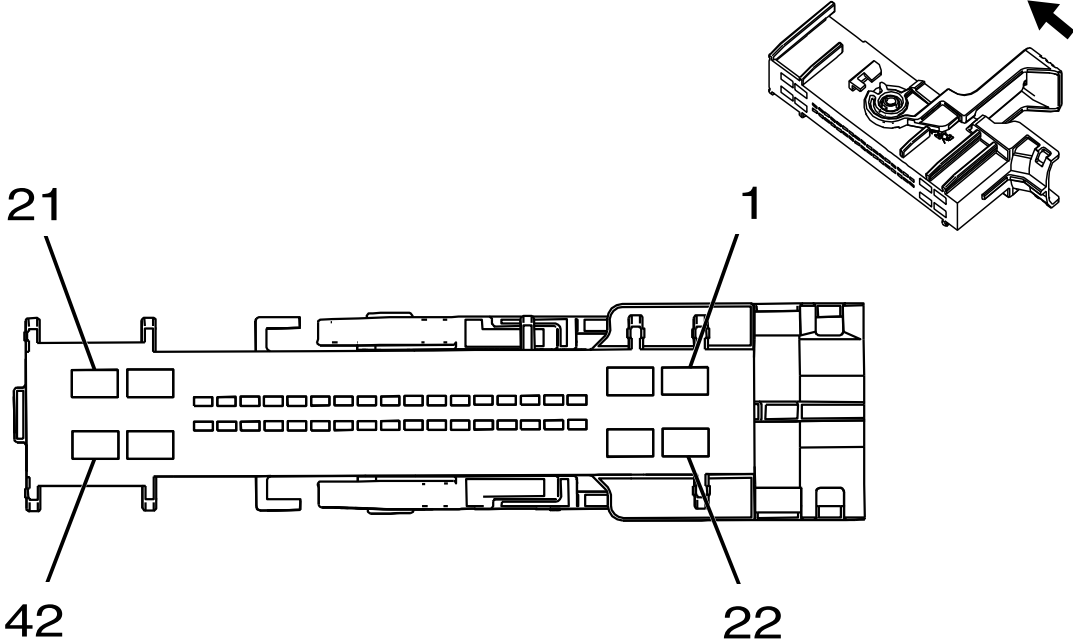
- Harness Type: Right A-Pillar Coax
- Service Connector: Service by Harness
- Description: 2-Way M Coax Type (VT)

Table 282 Terminal Part Information

Terminal Type ID	Service Terminal	Diagnostic Test Probe
I	Not Available	No Tool Required

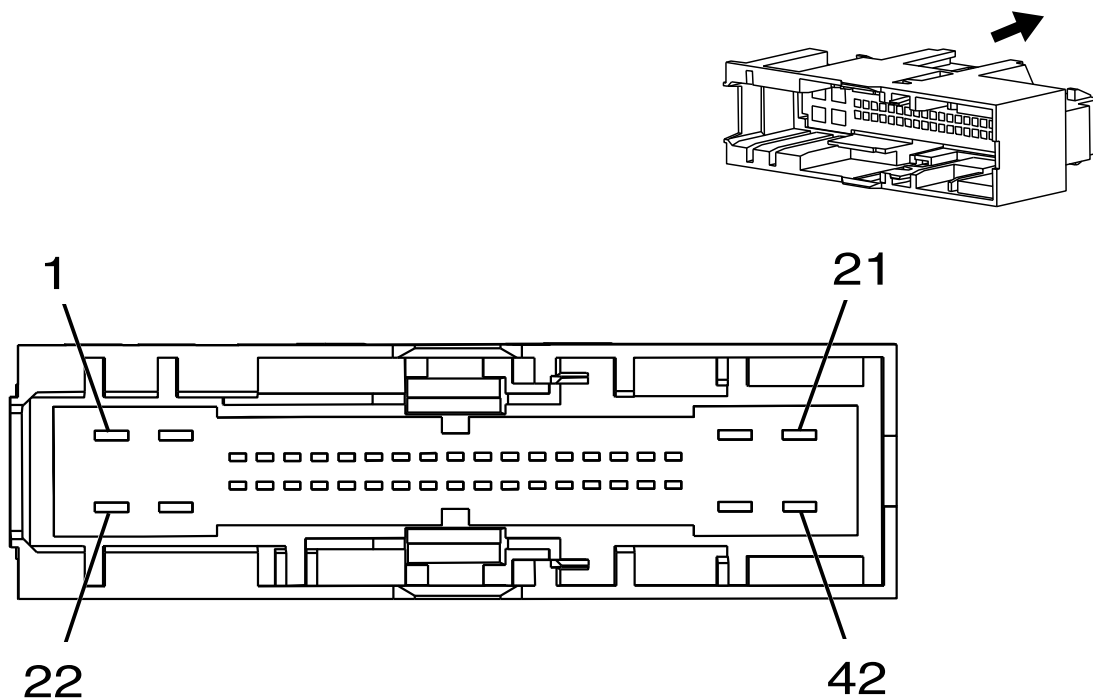
Table 283 X222 Instrument Panel Coax Harness to Right A-Pillar Coax Harness

Male							Female					
Pin	Size	Color	Circuit	Termina Type ID	Option	Function	Pin	Size	Color	Circuit	Termina Type ID	Option
—	—	—	Coax	I1	—	(XM +/-HD) Coaxial Antenna XM Signal	—	—	—	Coax	I	—



Connector Part Information

- Harness Type: Body
- Service Connector: 6040240C1
- Description: 42-pin F 1.2, 2.8 Series (GY)



Connector Part Information

- Harness Type: Instrument Panel
- Service Connector: 6040213C1
- Description: 42-pin M 0.64, 2.8 Series (GY)

Table 286 Terminal Part Information

Terminal Type ID	Service Terminal	Diagnostic Test Probe
I	6042056C1	J-35616-4A (PU)
II	6042055C1	J-35616-4A (PU)
III	6042054C1	J-35616-16 (LT GN)
IV	6042054C1	J-35616-4A (PU)
V	6041952C1	J-35616-5 (PU)
VI	6041952C1	J-35616-5 (PU)
VII	6041934C1	J-35616-65B (LT BU)
VIII	6041970C1	J-35616-65B (LT BU)

Table 287 X225 Body Harness to Instrument Panel Harness

Male					Function	Female				
Pin	Size	Color	Circuit	Terminal Type ID		Pin	Size	Color	Circuit	Terminal Type ID
1	—	—	—	—	Not Occupied	1	—	—	—	—
2	1.5	BK	1850	IV	Ground	2	0.75	BK	1850	VI
3	—	—	—	—	Not Occupied	3	—	—	—	—
4	0.5	WH / BN	6815	III	Inadvertent Power Control	4	0.5	WH / BN	6815	VIII
5	0.35	GY / WH	3272	III	Remote Function Actuator Control	5	0.35	GY / WH	3272	VII
6	0.35	D-BU / WH	3275	III	Remote Function Actuator Receive Signal	6	0.35	D-BU / WH	3275	VII
7	0.35	L-GN / BN	507	III	Wait To Start Indicator Control	7	0.35	L-GN / BN	507	VII
8	0.5	GY / VT	3998	III	MOST Serial Data (+)	8	0.5	GY / VT	3998	VIII
9	0.35	YE	321	III	Leveling Suspension Relay Coil Low Reference	9	0.35	YE	321	VII
10	0.5	L-GN	10138	III	Left / Rear Air Spring Solenoid Control	10	0.5	L-GN	10138	VIII
11	0.5	WH / L-GN	3997	III	MOST Serial Data (-)	11	0.5	WH / L-GN	3997	VIII
12	0.5	BN / D-BU	118	III	Left Front Speaker Signal (-) 1	12	0.5	BN / D-BU	118	VIII
13	0.5	WH / L-GN	320	III	Automatic Level Control Exhaust Solenoid Control	13	0.5	WH / L-GN	320	VIII
14	0.5	L-GN	199	III	Left Rear Speaker Control (+)	14	0.5	L-GN	199	VIII

Table 287 X225 Body Harness to Instrument Panel Harness (cont.)

Male					Function	Female				
Pin	Size	Color	Circuit	Terminal Type ID		Pin	Size	Color	Circuit	Terminal Type ID
15	0.5	BN / L-GN	603	III	A / C Low Pressure Switch Signal	15	0.5	BN / L-GN	603	VIII
16-19	—	—	—	—	Not Occupied	16-19	—	—	—	—
20	0.5	BN / D-BU	118	II	Left Front Speaker Signal (-) 1	20	0.75	BN / D-BU	118	VI
	0.75	BN / D-BU	118	II	Left Front Speaker Signal (-) 1					
21-22	—	—	—	—	Not Occupied	21-22	—	—	—	—
23	0.35	L-GN	4512	I	Wireless Charging System Charge Indicator Control	23	0.35	L-GN	4512	V
24	0.35	L-GN / WH	3438	III	Exhaust Brake Switch Signal	24	0.35	L-GN / WH	3438	VII
25	0.35	BN / WH	419	III	Check Engine Indicator Control	25	0.35	BN / WH	419	VII
26	0.35	YE / L-GN	3274	III	Remote Function Actuator Transmit Signal	26	0.35	YE / L-GN	3274	VII
27	0.35	GY	3273	III	Remote Function Actuator Low Reference	27	0.35	GY	3273	VII
28	0.5	BK	1850	III	Ground	28	0.5	BK	1850	VIII
29	0.5	WH / L-GN	3997	III	MOST Serial Data (-)	29	0.5	WH / L-GN	3997	VIII
30	0.35	L-GN / WH	488	III	Power Take-off Control Switch	30	0.35	L-GN / WH	488	VII

Table 287 X225 Body Harness to Instrument Panel Harness (cont.)

Male					Function	Female				
Pin	Size	Color	Circuit	Terminal Type ID		Pin	Size	Color	Circuit	Terminal Type ID
31	0.35	BN / L-GN	4311	III	Power Take-off Enable In Cab Switch Normally Closed Signal	31	0.35	BN / L-GN	4311	VII
32	0.5	GY / VT	3998	III	MOST Serial Data (+)	32	0.5	GY / VT	3998	VIII
33	0.5	D-BU	201	III	Left Front Speaker Control (+) 1	33	0.5	D-BU	201	VIII
34	—	—	—	—	Not Occupied	34	—	—	—	—
35	0.5	L-GN / BK	116	III	Left Rear Speaker Signal (-)	35	0.5	L-GN / BK	116	VIII
36	0.5	L-GN / YE	2081	III	Exhaust Brake Switch Control	36	0.5	L-GN / YE	2081	VIII
37	0.35	VT / YE	43	III	Accessory Ignition Voltage	37	0.35	VT / YE	43	VII
38-39	—	—	—	—	Not Occupied	38-39	—	—	—	—
40	0.5	L-GN / GY	6135	III	Local Interconnect Network Serial Data Bus 4	40	0.5	L-GN / GY	6135	VIII
41	0.5	D-BU	201	II	Left Front Speaker Control (+) 1	41	0.75	D-BU	201	VI
	0.75	D-BU	201	II	Left Front Speaker Control (+) 1					
42	—	—	—	—	Not Occupied	42	—	—	—	—

Connector Part Information

- Harness Type: Body
- Service Connector: Not Available
- Description: 2-Way F 1.2 Series (GY)

Connector Part Information

- Harness Type: Instrument Panel
- Service Connector: Not Available
- Description: 2-Way M

Table 290 Terminal Part Information

Terminal Type ID	Service Terminal	Diagnostic Test Probe
I	Not Available	J-35616-13 (BU)
II	Not Available	J-35616-12 (BU)

Table 291 X231 Body Harness to Upfitter Harness

Male					Function	Female				
Pin	Size	Color	Circuit	Terminal Type ID		Pin	Size	Color	Circuit	Terminal Type ID
1	0.5	VT/GY	539	I	Run/Crank Ignition 1 Voltage 5	1	0.5	VT/GY	539	II
2	—	—	—	—	Not Occupied	2	—	—	—	—

Connector Part Information

- Harness Type: Body
- Service Connector: Not Available
- 1-Way F

Connector Part Information

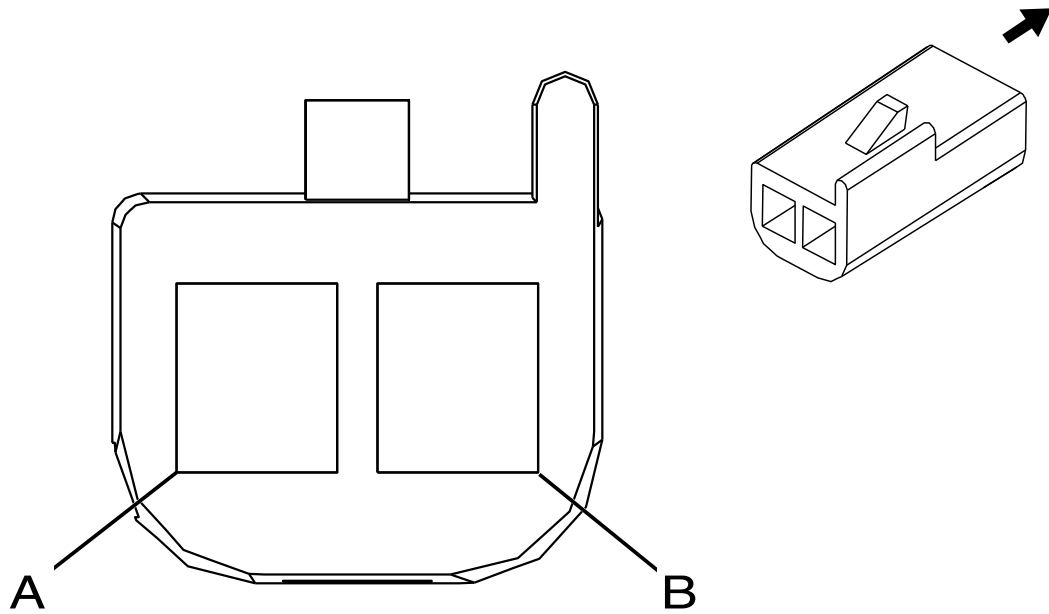
- Harness Type: Instrument Panel
- Service Connector: Not Available
- Description: 1-Way M 280 Metri-Pack Series, Sealed (BK)

Table 294 Terminal Part Information

Terminal Type ID	Service Terminal	Diagnostic Test Probe
I	Not Available	Not Available
II	Not Available	Not Available

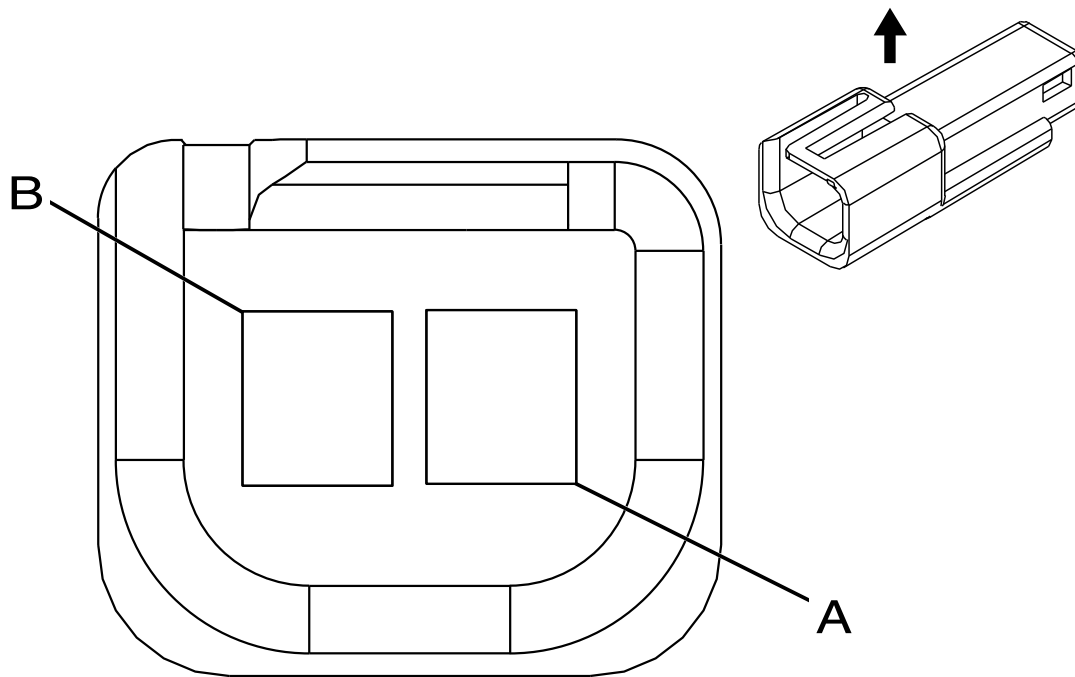
Table 295 X232 Body Harness to Upfitter Harness

Male					Function	Female				
Pin	Size	Color	Circuit	Terminal Type ID		Pin	Size	Color	Circuit	Terminal Type ID
1	—	—	13	I	Headlamp Switch Park Lamp Signal	1	0.83	PK	13	II



Connector Part Information

- Instrument Panel
- Service Connector: Service by Harness
- Description: 2-Way F 150 Metri-Pack Series (BK)



Connector Part Information

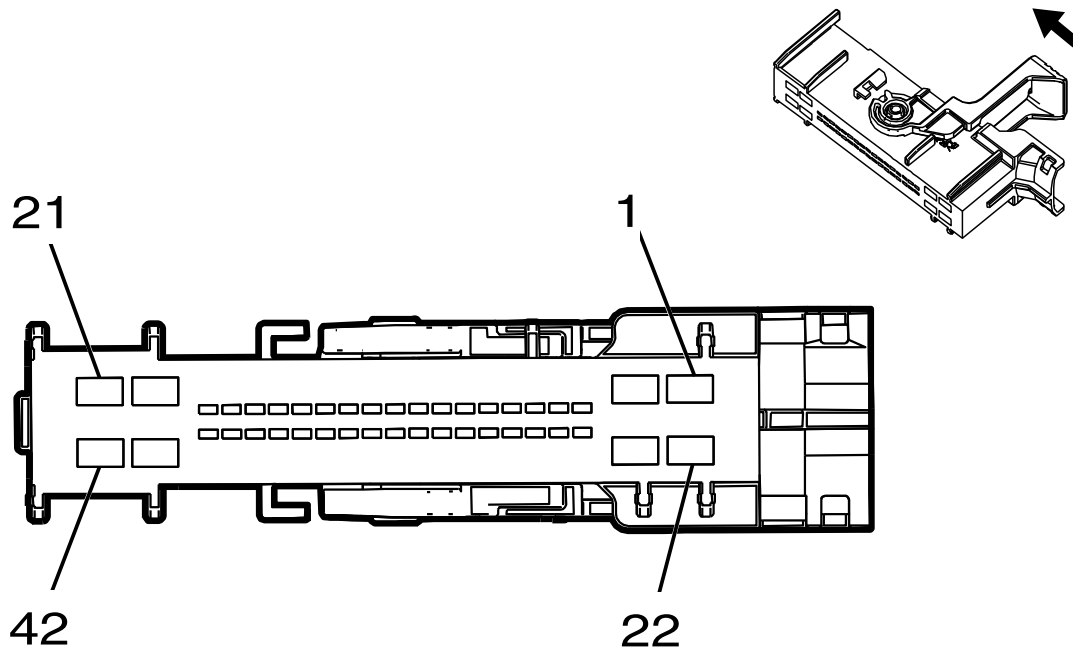
- Instrument Panel
- Service Connector: 6040210C1
- Description: 2-Way M 150 Metri-Pack Series (BK)

Table 298 Terminal Part Information

Terminal Type ID	Service Terminal	Diagnostic Test Probe
I	3544254C1	J-35616-14 (GN)
II	6041897C1	J-35616-3 (GY)

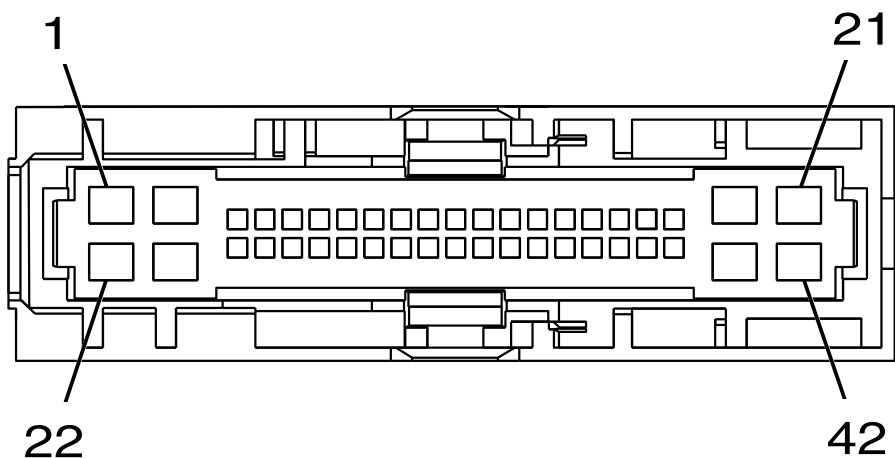
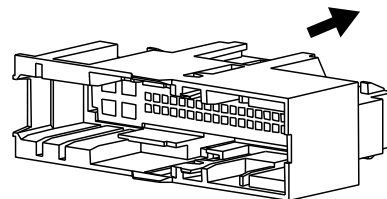
Table 299 X250 Instrument Panel Harness to Instrument Panel Harness (0008RNM)

Male						Function	Female					
Pin	Size	Color	Circuit	Terminal Type ID	Option		Pin	Size	Color	Circuit	Terminal Type ID	Option
A	0.35	D-BU	655	I	—	Cellular Telephone Microphone Signal	A	0.35	GY / YE	5149	II	—
B	0.35	BK / BN	654	I	—	Cellular Telephone Microphone Low Reference	B	0.35	BK / GY	5152	II	—



Connector Part Information

- Harness Type: Instrument Panel
- Service Connector: 6040259C1
- Description: 42-Way F 1.2, 2.8 Series (YE)



Connector Part Information

- Harness Type: Body
- Service Connector: 6040224C1
- Description: 42-pin M 0.64, 2.8 Series (YE)

Table 302 Terminal Part Information

Terminal Type ID	Service Terminal	Diagnostic Test Probe
I	6041935C1	J-35616-16 (LT GN)
II	6042056C1	J-35616-4A (PU)
III	6042055C1	J-35616-4A (PU)
IV	6042057C1	J-35616-16 (LT GN)
V	6042057C1	J-35616-16 (LT GN)
VI	6042054C1	J-35616-4A (PU)
VII	6041952C1	J-35616-5 (PU)
VIII	6041952C1	J-35616-5 (PU)
IX	6041953C1	J-35616-5 (PU)
X	6041934C1	J-35616-65B (LT BU)

Table 302 Terminal Part Information (cont.)

Terminal Type ID	Service Terminal	Diagnostic Test Probe
XI	6041970C1	J-35616-65B (LT BU)
XII	6041891C1	J-35616-65B (LT BU)

Table 303 X275 Instrument Panel Harness to Body Harness

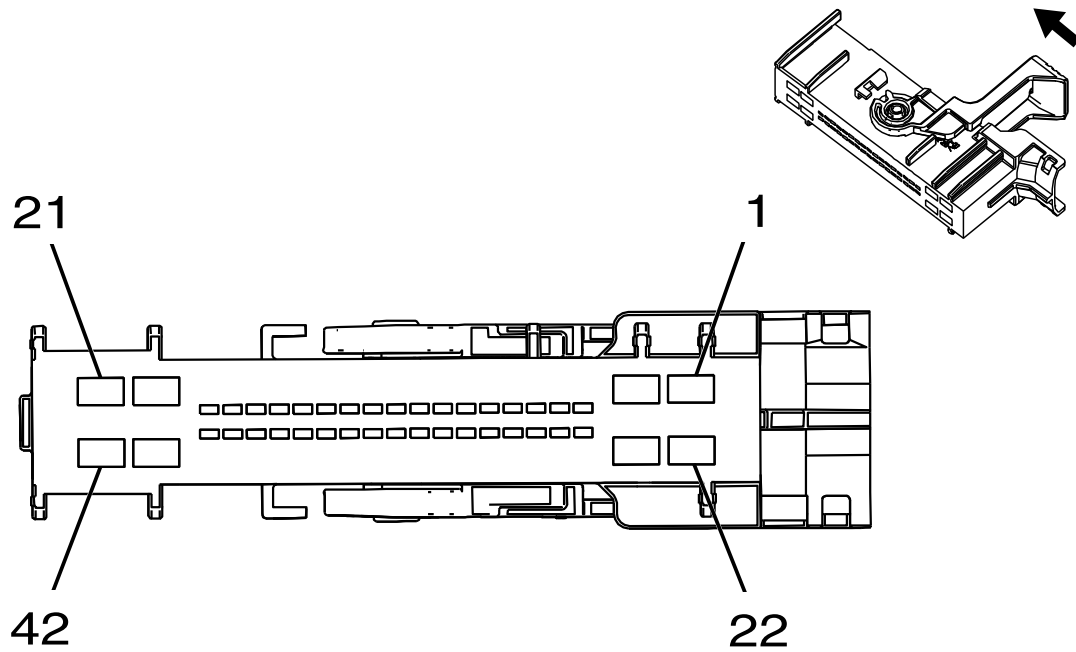
Male					Function	Female				
Pin	Size	Color	Circuit	Terminal Type ID		Pin	Size	Color	Circuit	Terminal Type ID
1	—	—	—	—	Not Occupied	1	—	—	—	—
2	1.5	VT / YE	143	VI	Accessory Ignition Voltage	2	1.5	VT / YE	143	IX
3	0.35	D-BU	2060	V	Auxiliary Detection Signal	3	0.5	D-BU	2060	XI
4	0.5	BARE	5842	V	Auxiliary Audio Screen 2	4	0.5	BARE	5842	XI
5	0.35	VT	5843	V	Auxiliary Audio Common Signal	5	0.5	VT	5843	XI
6	0.35	GY	5839	V	Left Auxiliary Audio Signal 2	6	0.5	GY	5839	XI
7	0.35	L-GN	5841	V	Right Auxiliary Audio Signal 2	7	0.5	L-GN	5841	XI
8	0.35	GY / YE	6972	V	Camera Signal 2 (+)	8	0.35	GY / YE	6972	X
9	0.35	WH / D-BU	6973	V	Camera Signal 2	9	0.35	WH / D-BU	6973	X
10-11	—	—	—	—	Not Occupied	10-11	—	—	—	—
12	0.5	YE / BK	117	V	Right Front Speaker Signal (-) 1	12	0.5	YE / BK	117	XI
13	0.5	BN / WH	1429	V	Standing Lamp Relay Control	13	0.5	BN / WH	1429	XI
14	0.5	WH	46	V	Right Rear Speaker Control (+)	14	0.5	WH	46	XI
15	0.35	YE / OG	3025	I	Passenger IP Module Stage 1 High Control	15	0.35	YE / OG	3025	XII

Table 303 X275 Instrument Panel Harness to Body Harness (cont.)

Male					Function	Female				
Pin	Size	Color	Circuit	Terminal Type ID		Pin	Size	Color	Circuit	Terminal Type ID
16	0.35	OG / WH	3024	I	Passenger IP Module Stage 1 Low Control	16	0.35	OG / WH	3024	XII
17	0.35	GY / OG	3027	I	Passenger IP Module Stage 2 High Control	17	0.35	GY / OG	3027	XII
18	0.35	OG / VT	3026	I	Passenger IP Module Stage 2 Low Control	18	0.35	OG / VT	3026	XII
19	0.75	BK / WH	1851	IV	Signal Ground	19	0.75	BK / WH	1851	XI
20	0.75	YE / BK	117	III	Right Front Speaker Signal (-) 1	20	0.5	YE / BK	117	VIII
					Right Front Speaker Signal (-) 1		0.75	YE / BK	117	
21	1.5	VT / YE	243	VI	Accessory Ignition Voltage	21	1.5	VT / YE	243	IX
22	—	—	—	—	Not Occupied	22	—	—	—	—
23	0.5 0.35	WH / D-BU	5986	III	Serial Data Communication Enable	23	0.5	WH / D-BU	5986	VII
					Serial Data Communication Enable					
					Serial Data Communication Enable					
24	—	—	—	—	Not Occupied	24	—	—	—	—
25	0.5	L-GN	5060	V	Low Speed GMLAN Serial Data	25	0.5	L-GN	5060	XI
26-28	—	—	—	—	Not Occupied	26-28	—	—	—	—
29	0.35	BARE	6974	V	Camera Low Reference	29	0.35	BARE	6974	X
30	—	—	—	—	Not Occupied	30	—	—	—	—

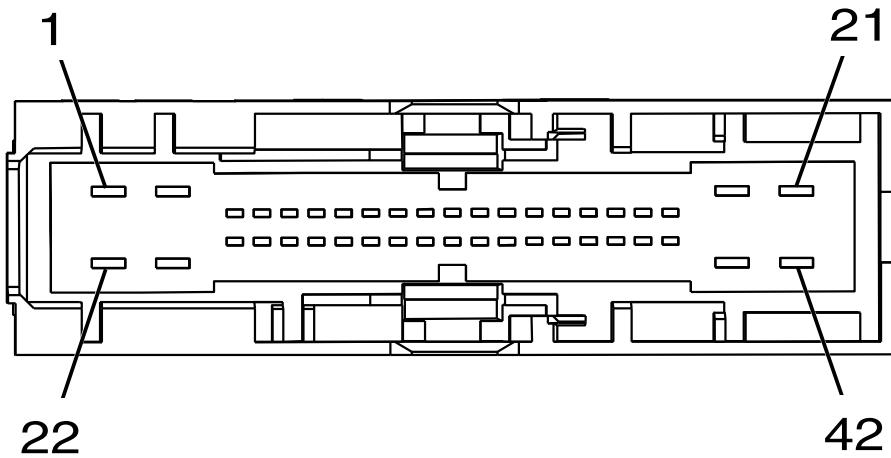
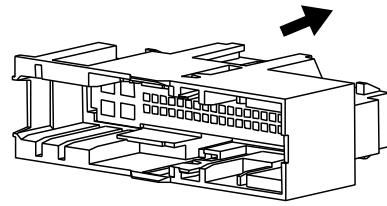
Table 303 X275 Instrument Panel Harness to Body Harness (cont.)

Male					Function	Female				
Pin	Size	Color	Circuit	Terminal Type ID		Pin	Size	Color	Circuit	Terminal Type ID
31	0.5	D-BU / YE	68	V	Low Coolant Level Indicator Control	31	0.75	D-BU / YE	68	XI
32	—	—	—	—	Not Occupied	32	—	—	—	—
33	0.5	YE	200	V	Right Front Speaker Control (+) 1	33	0.5	YE	200	XI
34	—	—	—	—	Not Occupied	34	—	—	—	—
35	0.5	D-BU / BK	115	V	Right Rear Speaker Signal (-)	35	0.5	D-BU / BK	115	XI
36	0.35	D-BU / OG	7328	V	Passenger IP Module Disable Switch Low Reference	36	0.35	D-BU / OG	7328	X
37	0.35	VT / OG	371	V	Passenger IP Module Disable Switch Signal	37	0.35	VT / OG	371	X
38	0.75	BK	1050	IV	Ground	38	0.75	BK	1050	XI
39	0.75	BK	1050	IV	Ground	39	0.75	BK	1050	XI
40	—	—	—	—	Not Occupied	40	—	—	—	—
41	0.75	YE	200	III	Right Front Speaker Control (+) 1 Right Front Speaker Control (+) 1	41	0.5 0.75	YE YE	200 200	VIII
42	—	—	—	—	Not Occupied	42	—	—	—	—



Connector Part Information

- Harness Type: Instrument Panel
- Service Connector: 6040240C1
- Description: 42-Way F 1.2, 2.8 Series (GY)



Connector Part Information

- Harness Type: Floor Console
- Service Connector: Service by Harness
- Description: 42-pin M 0.64, 2.8 Series (GY)

Table 306 Terminal Part Information

Terminal Type ID	Service Terminal	Diagnostic Test Probe
I	6042055C1	J-35616-4A (PU)
II	6042057C1	J-35616-16 (LT GN)
III	6042057C1	J-35616-16 (LT GN)
IV	6042054C1	J-35616-4A (PU)
V	6041967C1, 6041968C1	J-35616-5 (PU)
VI	6041970C1, 6041934C1	J-35616-65B (LT BU)

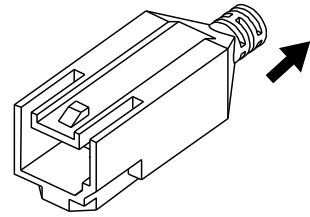
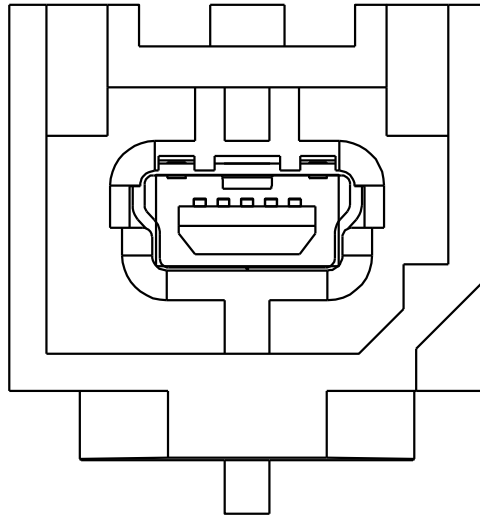
Table 307 X300 Instrument Panel Harness to Floor Console Harness (0016XCN)

Male						Function	Female					
Pin	Size	Color	Circuit	Terminal Type ID	Option		Pin	Size	Color	Circuit	Terminal Type ID	Option
1	1.5	VT / YE	243	IV	—	Accessory Ignition Voltage	1	1.5	VT / YE	243	V	—
2	1.5	VT / YE	143	IV	—	Accessory Ignition Voltage	2	1.5	VT / YE	143	V	—
3	—	—	—	—	—	Not Occupied	3	—	—	—	—	—
4	0.35	D-BU	2060	III	—	Auxiliary Detection Signal	4	0.35	D-BU	2060	VI	—
5	0.75	BK	2550	II	—	5. Ground	5	0.75	BK	2550	VI	—
6	—	—	—	—	—	Not Occupied	6	—	—	—	—	—
7	0.35	VT / YE	43	III	—	Accessory Ignition Voltage	7	0.35	VT / YE	43	VI	—
8-12	—	—	—	—	—	Not Occupied	8-12	—	—	—	—	—
13	0.5	BARE	5842	III	—	Auxiliary Audio Screen 2	13	0.5	BARE	5842	VI	—
14	0.35	VT	5843	III	—	Auxiliary Audio Common Signal	14	0.35	VT	5843	VI	—
15	—	—	—	—	—	Not Occupied	15	—	—	—	—	—
16	—	—	—	—	—	Left Rear Seat Audio Headphone Signal	16	0.35	L-GN / WH	3355	VI	—
17	—	—	—	—	—	Rear Seat Audio Headphone Low Reference	17	0.5	BARE	3354	VI	—
18-22	—	—	—	—	—	Not Occupied	—	—	—	—	—	—
23	2.5	BK	1050	IV	—	Ground	23	2.5	BK	1050	V	—

ELECTRICAL CIRCUIT DIAGRAM MANUAL

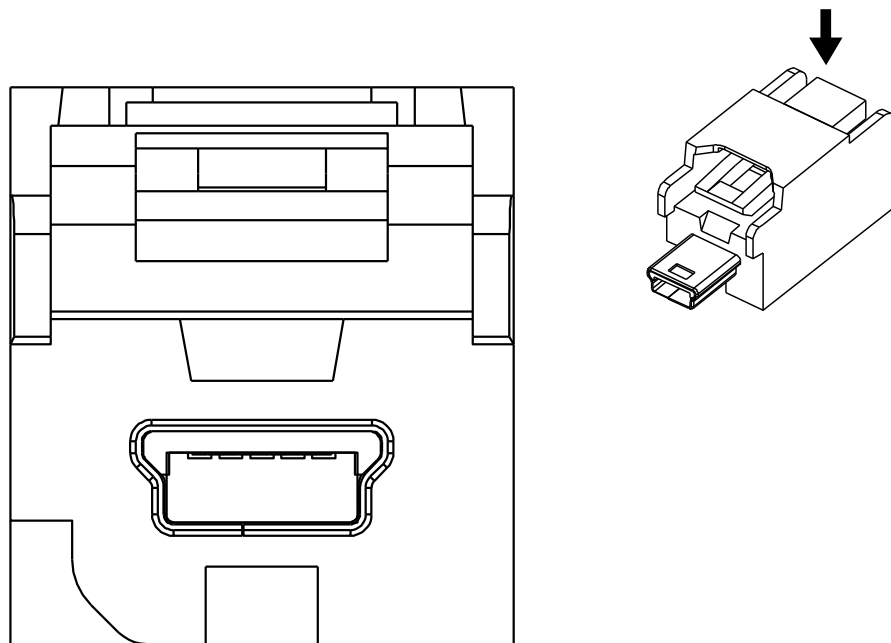
Table 307 X300 Instrument Panel Harness to Floor Console Harness (0016XCN) (cont.)

Male						Function	Female					
Pin	Size	Color	Circuit	Terminal Type ID	Option		Pin	Size	Color	Circuit	Terminal Type ID	Option
24	—	—	—	—	—	Battery Positive Voltage	24	0.75	RD / VT	340	VI	—
25-27	—	—	—	—	—	Not Occupied	25-27	—	—	—	—	—
28	0.5	WH / BN	6815	III	—	Inadvertent Power Control	28	0.5	WH / BN	6815	VI	—
29	0.35	L-GN	4512	III	—	Wireless Charging System Charge Indicator Control	29	0.35	L-GN	4512	VI	—
30-33	—	—	—	—	—	Not Occupied	30-33	—	—	—	—	—
34	0.35	L-GN	5841	III	—	Right Auxiliary Audio Signal 2	34	0.35	L-GN	5841	VI	—
35	0.35	GY	5839	III	—	Left Auxiliary Audio Signal 2	35	0.35	GY	5839	VI	—
36	—	—	—	—	—	Not Occupied	36	—	—	—	—	—
37	—	—	—	—	—	Right Rear Seat Audio Headphone Signal	37	0.35	BN / GY	3357	VI	—
38	—	—	—	—	—	Rear Seat Audio Headphone Common Signal	38	0.35	D-BU / VT	3356	VI	—
39-41	—	—	—	—	—	Not Occupied	39-41	—	—	—	—	—
42	0.75	RD / VT	340	I	—	Battery Positive Voltage	42	0.75	RD / VT	340	V	—



Connector Part Information

- Harness Type: Body USB
- Service Connector: Service by Harness
- Description: 5-Way F 2.0 Mini-B USB Type (GY)



Connector Part Information

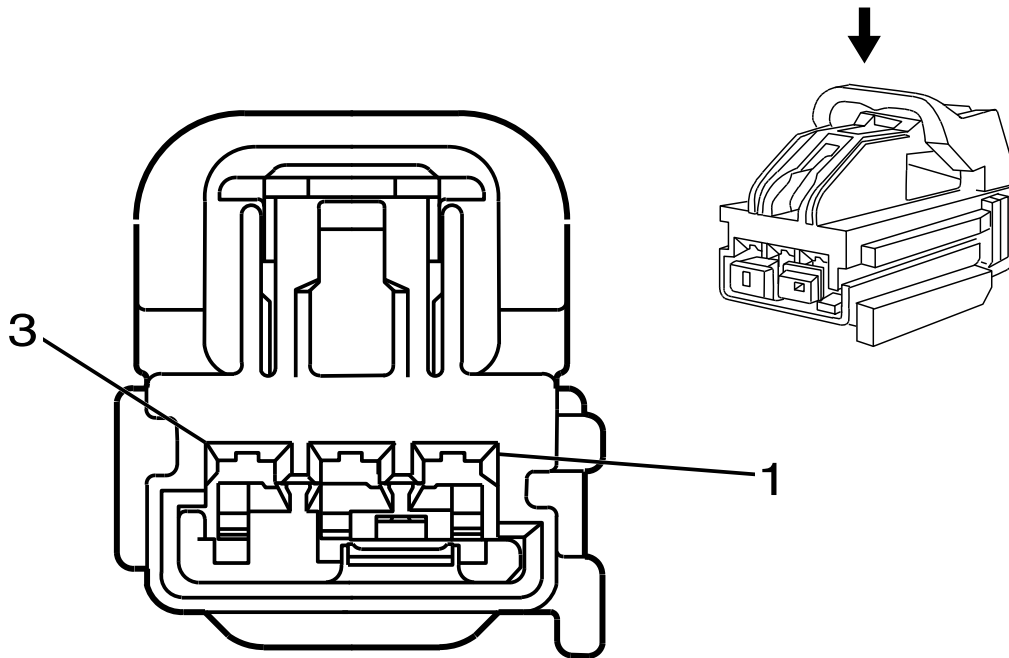
- Instrumental Panel USB
- Service Connector: Service by Harness
- Description: 5-Way M 2.0 Mini-B USB Type (GY)

Table 310 Terminal Part Information

Terminal Type ID	Service Terminal	Diagnostic Test Probe
I	Not Available	Not Available

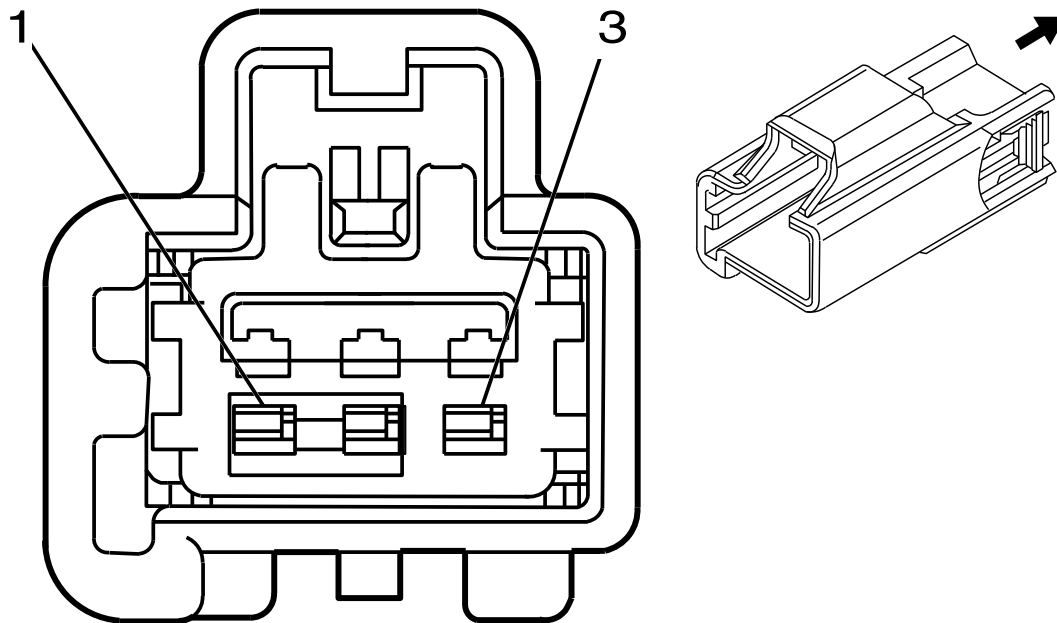
Table 311 X301 Body USB Harness to Instrumental Panel USB Harness (Without 0016XCN)

Male							Female						
Pin	Size	Color	Circuit	Terminal Type ID	Option	Function	Pin	Size	Color	Circuit	Terminal Type ID	Option	
—	—	USB	—	—	—	USB Serial Data	—	—	USB	—	—	—	



Connector Part Information

- Harness Type: Wireless Charger
- Service Connector: Service by Harness
- Description: 3-Way F 1.5 Kaizen Series (L-GY)



Connector Part Information

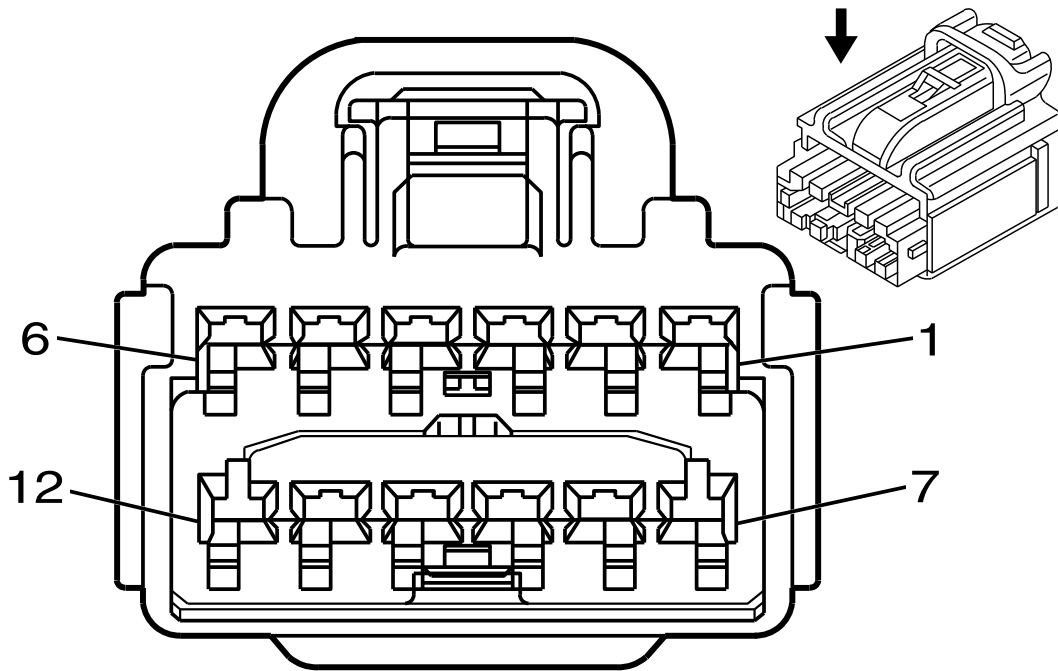
- Harness Type: Floor Console
- Service Connector: Service by Harness
- Description: 3-Way M 1.5 YESC Kaizen Series (L-GY)

Table 314 Terminal Part Information

Terminal Type ID	Service Terminal	Diagnostic Test Probe
I	6041944C1 or 6041943C1	J-35616-2A (GY)
II	6041999C1 or 6042000C1	J-35616-3 (GY)

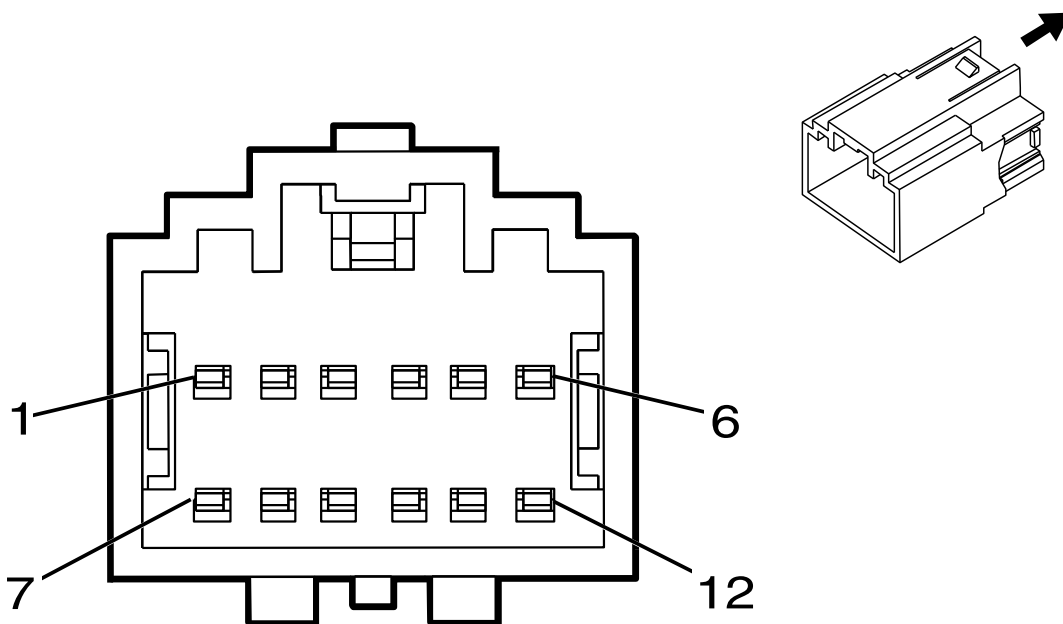
Table 315 X302 Wireless Charger Harness to Floor Console Harness (Feature Code: 0016XCN)

Male						Function	Female					
Pin	Size	Color	Circuit	Terminal Type ID	Option		Pin	Size	Color	Circuit	Terminal Type ID	Option
1	0.35	VT / YE	43	I	—	Accessory Ignition Voltage	1	0.35	VT / YE	43	II	—
2	0.75	BK	1050	I	—	Ground	2	0.75	BK	1050	II	—
3	0.35	L-GN	4512	I	—	Wireless Charging System Charge Indicator Control	3	0.35	L-GN	4512	II	—



Connector Part Information

- Harness Type: Instrument Panel
- Service Connector: 6040285C1
- Description: 12-Way F YESC Kaizen Series (L-GY)



Connector Part Information

- Harness Type: Headliner
- Service Connector: 6040281C1
- Description: 12-pin M 1.5 Series (L-GY)

Table 318 Terminal Part Information

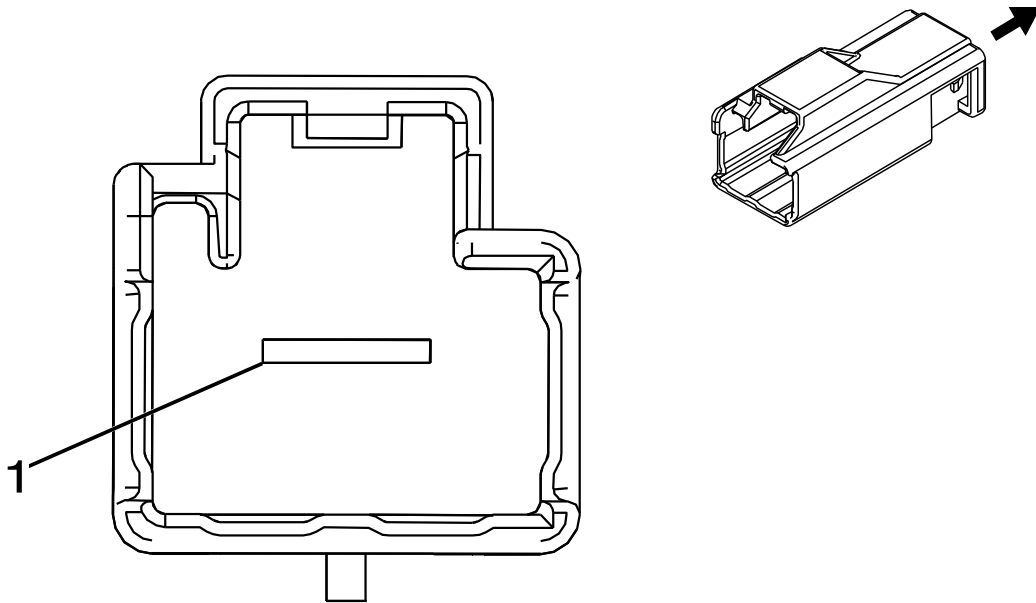
Terminal Type ID	Service Terminal	Diagnostic Test Probe
I	6041990C1	J-35616-2A (GY)
II	6041999C1 0.35mm-0.5mm	J-35616-3 (GY)
	6042000C1 0.75mm	

Table 319 X305 Instrument Panel Harness to Headliner Harness

Male					Function	Female				
Pin	Size	Color	Circuit	Terminal Type ID		Pin	Size	Color	Circuit	Terminal Type ID
1-2	—	—	—	—	Not Occupied	1-2	—	—	—	—
3	0.35	BK / BN	654	I	Cellular Telephone Microphone Low Reference	3	0.35	BK / BN	654	II
4	0.35	D-BU	655	I	Cellular Telephone Microphone Signal	4	0.35	D-BU	655	II
5-12	—	—	—	—	Not Occupied	5-12	—	—	—	II

Connector Part Information

- Harness Type: Rear Window Defog – Positive
- Service Connector: Service by Harness
- Description: 1-pin F



Connector Part Information

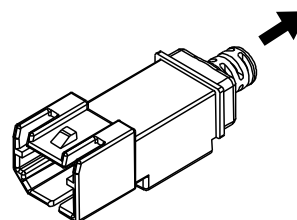
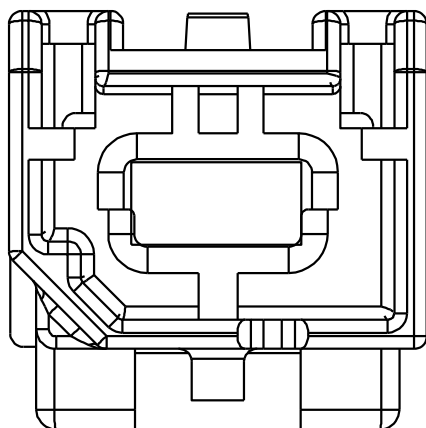
- Harness Type: Body
- Service Connector: 6040262C1
- Description: 1-pin M 6.3 Series (BK)

Table 322 Terminal Part Information

Terminal Type ID	Service Terminal
I	Not Available
II	Not Available

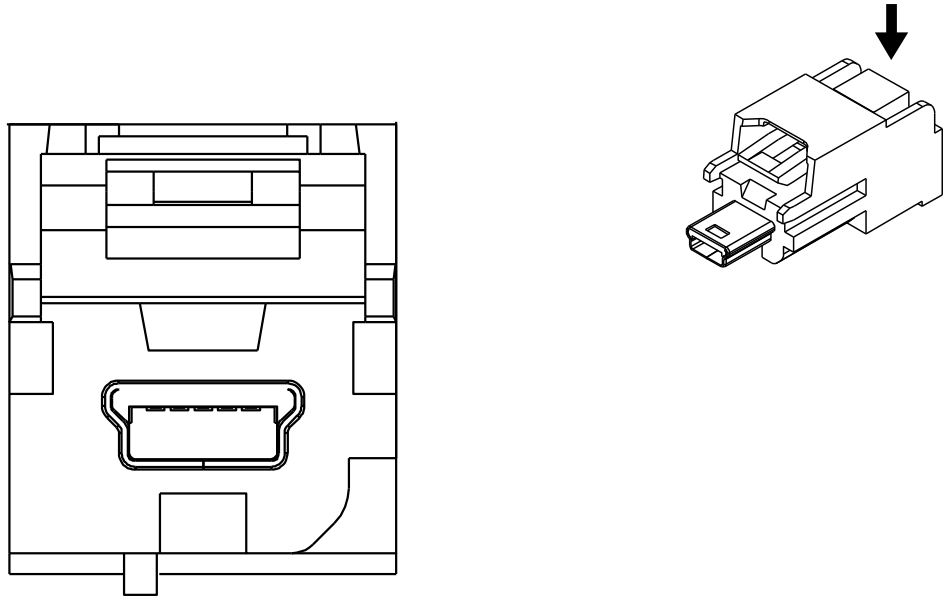
Table 323 X307 Rear Window Defogger – Positive Harness to Body Harness (Feature Code: 0008AAB)

Male						Function	Female					
Pin	Size	Color	Circuit	Terminal Type ID	Option		Pin	Size	Color	Circuit	Terminal Type ID	Option
1	2.5	BN / VT	293	I	—	Rear Defog Element Control	1	2.5	BN / VT	293	II	—



Connector Part Information

- Harness Type: Floor Console USB
- Service Connector: 6041821C1
- Description: 5-Way F 2.0 Mini-B USB Type (BN)



Connector Part Information

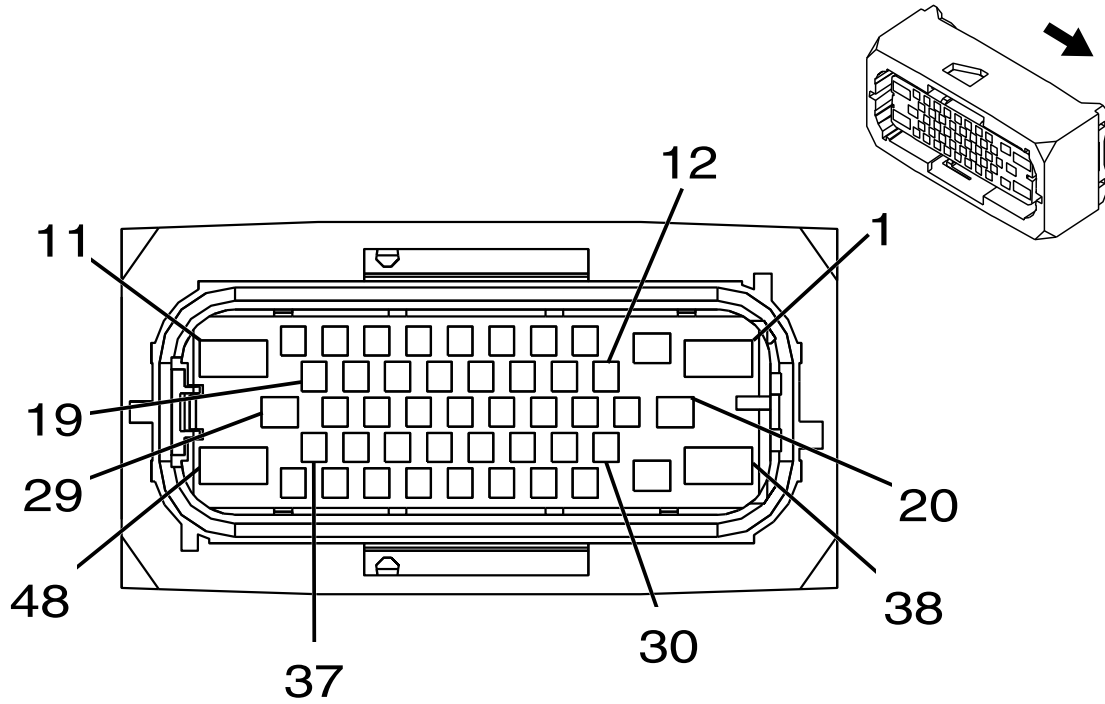
- Harness Type: Instrumental Panel USB
- Service Connector: 6040262C1
- Description: 5-Way M 2.0 Mini-B USB Type (BN)

Table 326 Terminal Part Information

Terminal Type ID	Service Terminal	Diagnostic Test Probe
I	Not Available	Not Available

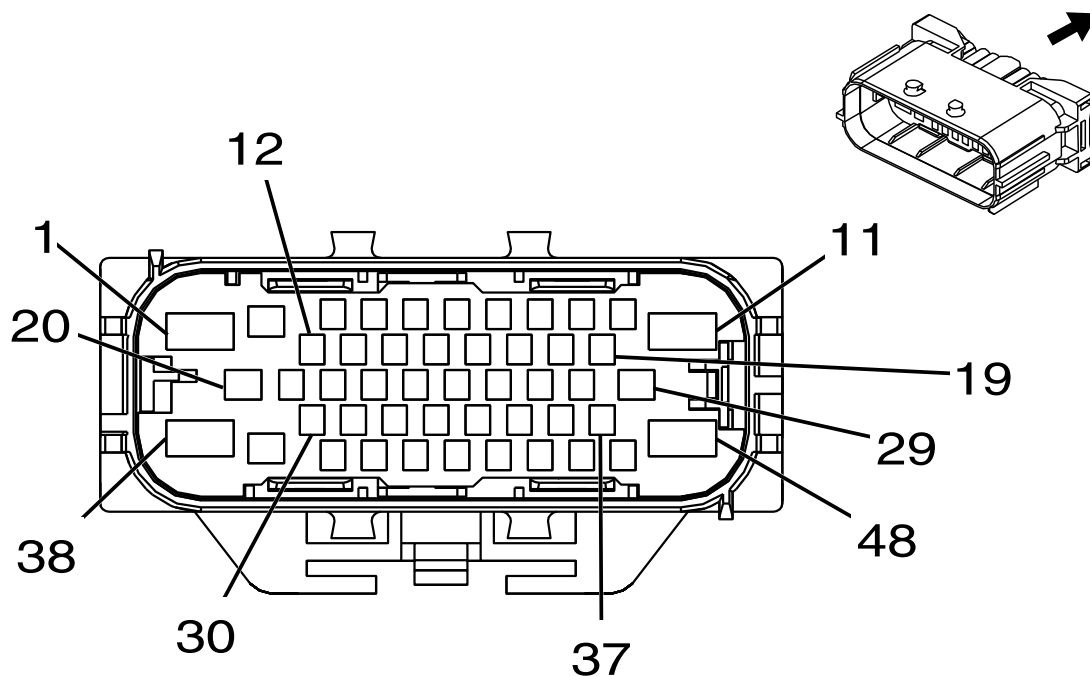
Table 327 X309 Floor Console USB Harness to Instrumental Panel USB Harness (D07)

Male						Female						
Pin	Size	Color	Circuit	Terminal Type ID	Option	Function	Pin	Size	Color	Circuit	Terminal Type ID	Option
—	—	USB	—	I	—	USB	—	—	USB	—	I	—



Connector Part Information

- Harness Type: Driver Seat Cushion
- Service Connector: Service by Harness
- Description: 48-Way F 1.5 MCP, 2.8 JPT, 6.3 MCP Series, Sealed (YE)

**Connector Part Information**

- Harness Type: Body
- Service Connector: 6040238C1
- Description: 48-pin M 1.6, 2.8, 5.8 Series, Sealed (BK)

Table 330 Terminal Part Information

Terminal Type ID	Service Terminal	Diagnostic Test Probe
I	6041998C1, 6041880C1, 6042031C1, 6042032C1	J-35616-14 (GN)
II	6041940C1	J-35616-40 (BU)
III	6042011C1	J-35616-4A (PU)
IV	6042001C1	J-35616-5 (PU)
V	6041957C1	J-35616-3 (GY)
VI	6041958C1	J-35616-3 (GY)
VII	6041927C1	J-35616-3 (GY)
VIII	6042013C1	J-35616-32 (OR)

ELECTRICAL CIRCUIT DIAGRAM MANUAL

Table 331 X310 Driver Seat Cushion Harness to Body Harness (Without Feature Code: 0016KVV / 0016KVU)

Male						Function	Female					
Pin	Size	Color	Circuit	Terminal Type ID	Option		Pin	Size	Color	Circuit	Terminal Type ID	Option
1	—	—	—	—	—	Not Occupied	1	—	—	—	—	—
2	2.5	RD / YE	5040	III	—	Battery Positive Voltage	2	2.5	RD / YE	5040	IV	—
3	1.5	YE	5129	I	—	Adjustable Pedal Actuator Rearward Control	3	—	—	—	—	—
4	1.5	L-GN / VT	5130	I	—	Adjustable Pedal Actuator Forward Control	4	—	—	—	—	—
5	0.35	OG / L-GN	5055	I	—	Driver Seat Position Switch Signal	5	—	—	—	—	—
6	0.35	OG / BN	238	I	—	Driver Seat Belt Switch Signal	6	0.35	OG / BN	238	VI	—
7	0.35	BK / OG	1363	I	—	Driver Seat Belt Switch Low Reference	7	0.35	BK / OG	1363	VI	—
8	—	—	—	—	—	Not Occupied	8	—	—	—	—	—
9	0.35	L-GN / GY	5286	I	—	Adjustable Pedal Switch Forward Signal	9	—	—	—	—	—
10	0.35	WH / GY	5285	I	—	Adjustable Pedal Switch Rearward Signal	10	—	—	—	—	—

Table 331 X310 Driver Seat Cushion Harness to Body Harness (Without Feature Code: 0016KVV / 0016KVU) (cont.)

Male						Function	Female					
Pin	Size	Color	Circuit	Terminal Type ID	Option		Pin	Size	Color	Circuit	Terminal Type ID	Option
11	4	BK	1150	II	—	Ground	11	4	BK	1150	VIII	—
12	—	—	—	—	—	Not Occupied	12	—	—	—	—	—
13	0.5	WH / RD	6207	I	—	Memory Sensor High Reference	13	—	—	—	—	—
14	0.35	L-BU	5952	I	—	Adjustable Pedal Position Sensor Brake Signal	14	—	—	—	—	—
15	0.5	BK / GY	6206	I	—	Memory Sensor Low Reference	15	—	—	—	—	—
16	—	—	—	—	—	Not Occupied	16	—	—	—	—	—
17	0.5	L-GN / WH	7530	I	—	Local Interconnect Network Serial Data Bus 8	17	—	—	—	—	—
18	—	—	—	—	—	Not Occupied	18	—	—	—	—	—
19	0.35	L-GN / VT	5906	I	—	Driver Seat Vent Motor Control 1	19	—	—	—	—	—
20-21	—	—	—	—	—	Not Occupied	20-21	—	—	—	—	—
22	0.75	BN / BK	2078	I	—	Driver Heated Seat Element Low Reference	22	0.75	BN / BK	2078	VII	—

ELECTRICAL CIRCUIT DIAGRAM MANUAL

Table 331 X310 Driver Seat Cushion Harness to Body Harness (Without Feature Code: 0016KVV / 0016KVU) (cont.)

Male						Function	Female					
Pin	Size	Color	Circuit	Terminal Type ID	Option		Pin	Size	Color	Circuit	Terminal Type ID	Option
23	0.75	RD / BN	1140	I	—	Battery Positive Voltage	23	—	—	—	—	—
24	0.5	L-GN / OG	3069	I	—	Driver Side Impact Module Low Control	24	0.35	L-GN / OG	3069	V	—
25	0.5	YE / OG	3482	I	—	Driver Seat Belt Anchor Pretensioner Low Control	25	—	—	—	—	—
26	0.5	L-GN	5060	I	—	Low Speed GMLAN Serial Data	26	—	—	—	—	—
27	—	—	—	—	—	Not Occupied	27	—	—	—	—	—
28	0.5	BN / YE	2080	I	—	Driver Heated Seat NTC Low Reference	28	0.5	BK / YE	2080	VII	—
29	—	—	—	—	—	Not Occupied	29	—	—	—	—	—
30	0.5	L-BU	2425	I	—	Driver Heated Back NTC Signal	30	0.5	D-BU	2425	VII	—
31	—	—	—	—	—	Not Occupied	31	—	—	—	—	—
32	0.5	YE / GY	2079	I	—	Driver Heated Seat NTC Signal	32	0.5	YE / GY	2079	VII	—

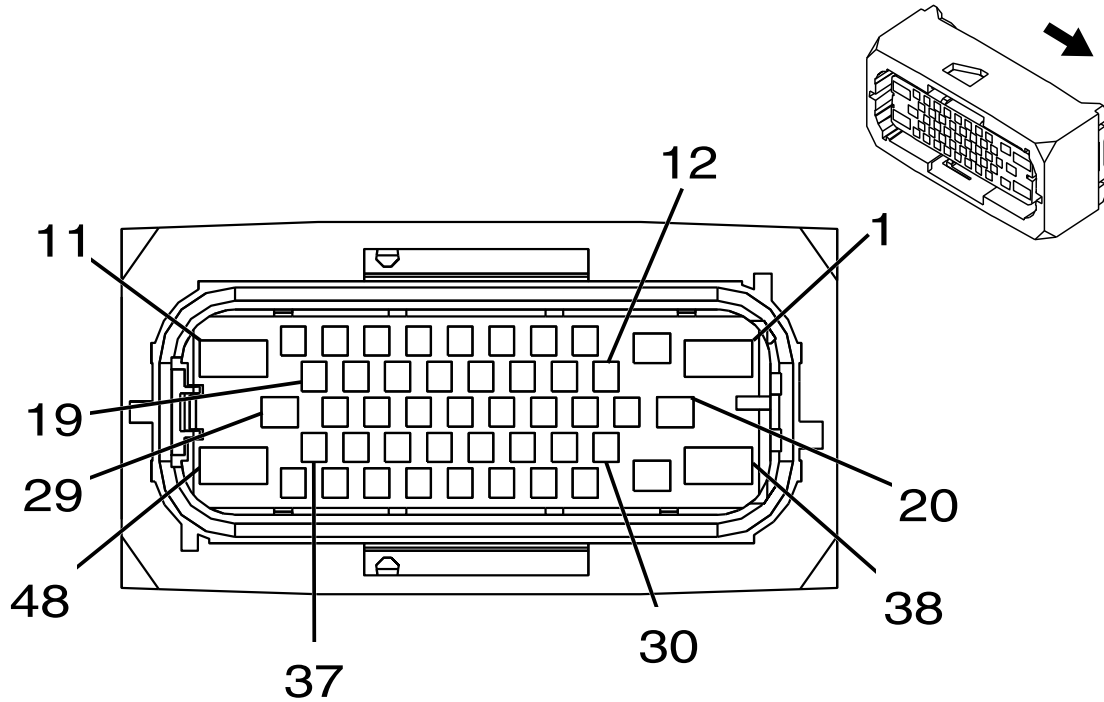
Table 331 X310 Driver Seat Cushion Harness to Body Harness (Without Feature Code: 0016KVV / 0016KVU) (cont.)

Male						Function	Female					
Pin	Size	Color	Circuit	Terminal Type ID	Option		Pin	Size	Color	Circuit	Terminal Type ID	Option
33	0.5	OG / L-BU	3068	I	—	Driver Side Impact Module High Control	33	0.35	OG / D-BU	3068	V	—
34	0.5	OG / YE	3481	I	—	Driver Seat Belt Anchor Pretensioner High Control	34	—	—	—	—	—
35	0.35	L-GN / L-BU	614	I	—	Memory Seat Switch Set Signal	35	—	—	—	—	—
36	0.75	BN	2432	I	—	Driver Heated Back Element Control	36	0.75	BN	2432	VII	—
37	0.75	BN / VT	2077	I	—	Driver Heated Seat Element Control	37	0.75	BN / VT	2077	VII	—
38-39	—	—	—	—	—	Not Occupied	38-39	—	—	—	—	—
40	0.35	BK / L-BU	5978	I	—	Memory Switch Low Reference	40	—	—	—	—	—
41	0.35	WH	615	I	—	Memory Seat Switch Signal 1	41	—	—	—	—	—
42	—	—	—	—	—	Not Occupied	42	—	—	—	—	—

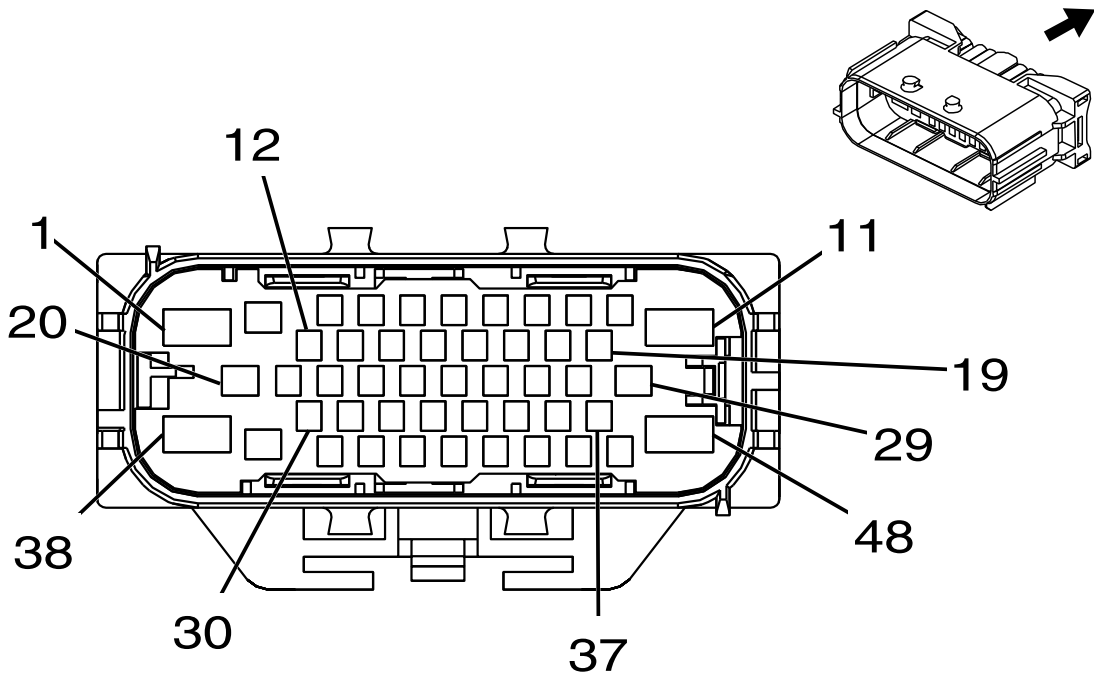
ELECTRICAL CIRCUIT DIAGRAM MANUAL

Table 331 X310 Driver Seat Cushion Harness to Body Harness (Without Feature Code: 0016KVV / 0016KVU) (cont.)

Male						Function	Female					
Pin	Size	Color	Circuit	Terminal Type ID	Option		Pin	Size	Color	Circuit	Terminal Type ID	Option
43	0.5	VT	4106	I	—	Center Side Impact Module Low Control	43	—	—	—	—	—
44	0.5	BN / WH	4107	I	—	Center Side Impact Module High Control	44	—	—	—	—	—
45	—	—	—	—	—	Not Occupied	45	—	—	—	—	—
46	0.35	GY	157	I	—	Interior Lamp Control	46	—	—	—	—	—
47	0.75	RD / L-GN	5140	I	—	Battery Positive Voltage	47	—	—	—	—	—
48	—	—	—	—	—	Not Occupied	48	—	—	—	—	—

**Connector Part Information**

- Harness Type: Driver Seat Cushion
- Service Connector: Service by Harness
- Description: 48-pin F 1.5 MCP, 2.8 JPT, 6.3 MCP Series, Sealed (YE)



Connector Part Information

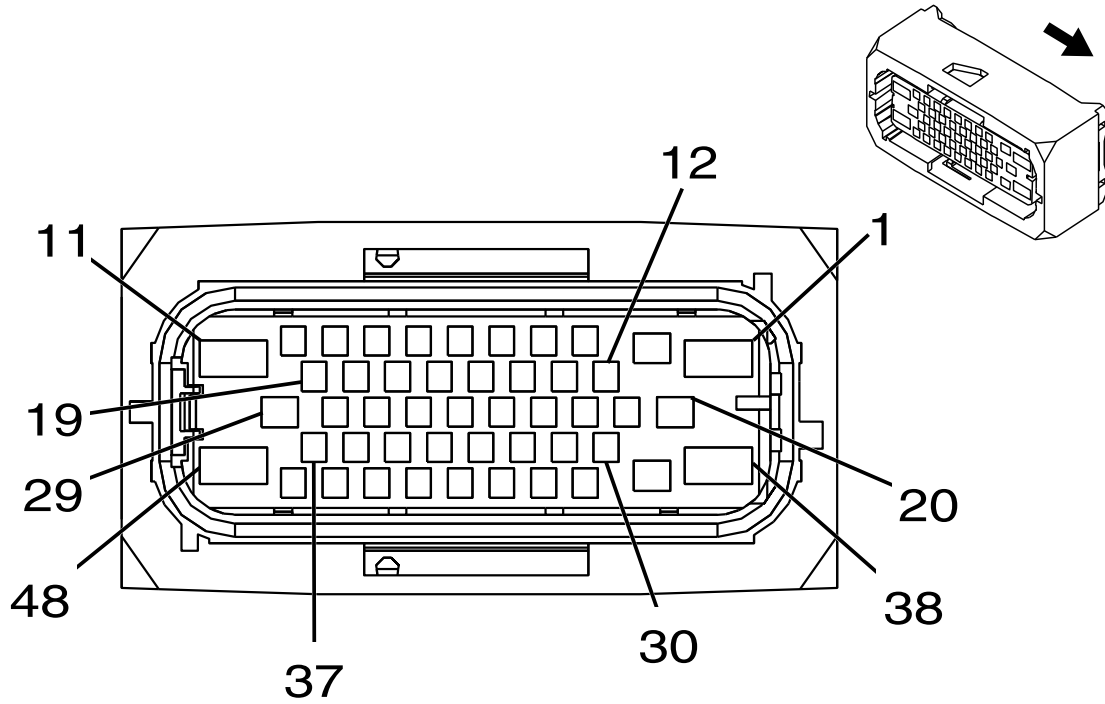
- Harness Type: Body
- Service Connector: 6040238C1
- Description: 48-pin M 1.6, 2.8, 5.8 Series, Sealed (BK)

Table 334 Terminal Part Information

Terminal Type ID	Service Terminal	Diagnostic Test Probe
I	6041998C1, 6041880C1, 6042031C1, 6042032C1	J-35616-14 (GN)
II	6041940C1	J-35616-40 (BU)
III	6042011C1	J-35616-4A (PU)
IV	6042001C1	J-35616-5 (PU)
V	6041957C1	J-35616-3 (GY)
VI	6041958C1	J-35616-3 (GY)
VII	6041927C1	J-35616-3 (GY)
VIII	6042013C1	J-35616-32 (OR)

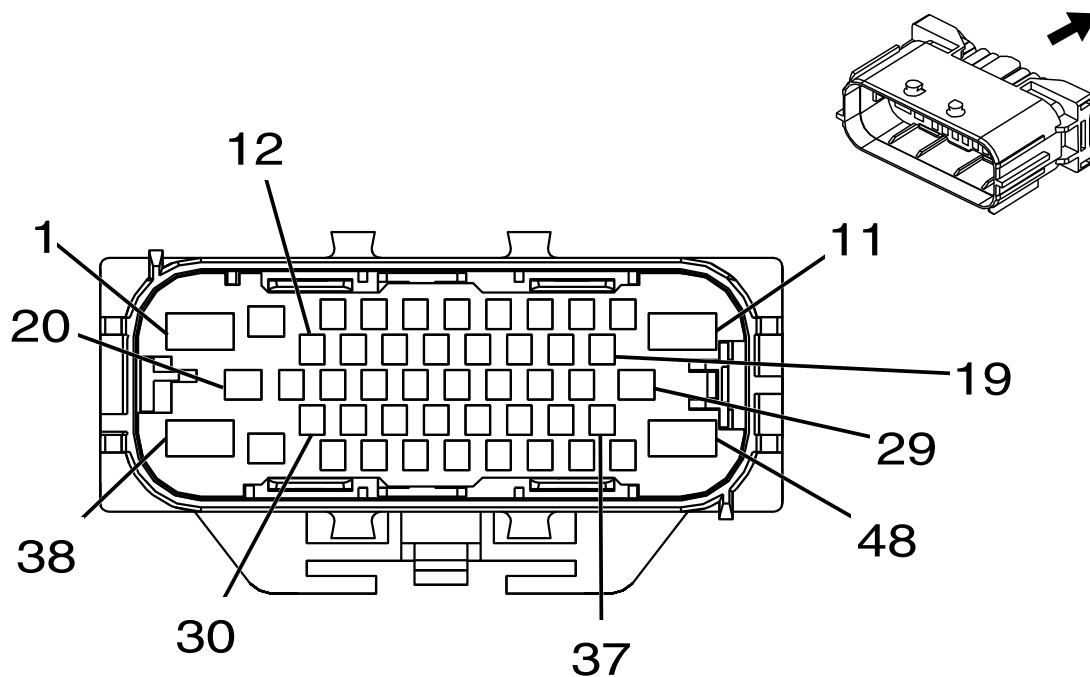
Table 335 X310 Driver Seat Cushion Harness to Body Harness ((Feature Code: 0016KVV / 0016KVU) and 0016XJR)

Male						Function	Female					
Pin	Size	Color	Circuit	Terminal Type ID	Option		Pin	Size	Color	Circuit	Terminal Type ID	Option
1	—	—	—	—	—	Not Occupied	1	—	—	—	—	—
2	2.5	RD / YE	5040	II	—	Battery Positive Voltage	2	2.5	RD / YE	5040	IV	—
3-5	—	—	—	—	—	Adjustable Pedal Actuator Rearward Control	3-5	—	—	—	—	—
6	0.35	OG / BN	238	I	—	Driver Seat Belt Switch Signal	6	0.35	OG / BN	238	VI	—
7	0.35	BK / OG	1363	I	—	Driver Seat Belt Switch Low Reference	7	0.35	BK / OG	1363	VI	—
8-10	—	—	—	—	—	Not Occupied	8-10	—	—	—	—	—
11	2.5 4	BK BK	1150 1150	III III	—	Ground	11	4	BK	1150	VIII	—
12-23	—	—	—	—	—	Not Occupied	12-23	—	—	—	—	—
24	0.5	L-GN / OG	3069	I	—	Driver Side Impact Module Low Control	24	0.35	L-GN / OG	3069	V	—
25-32	—	—	—	—	—	Not Occupied	25-32	—	—	—	—	—
33	0.5	OG / L-BU	3068	I	—	Driver Side Impact Module High Control	33	0.35	OG / D-BU	3068	V	—
34-48	—	—	—	—	—	Not Occupied	34-48	—	—	—	—	—



Connector Part Information

- Harness Type: Driver Seat Cushion
- Service Connector: Service by Harness
- Description: 48-pin F 1.5 MCP, 2.8 JPT, 6.3 MCP Series, Sealed (YE)



Connector Part Information

- Harness Type: Body
- Service Connector: 6040238C1
- Description: 48-pin M 1.6, 2.8, 5.8 Series, Sealed (BK)

Table 338 Terminal Part Information

Terminal Type ID	Service Terminal	Diagnostic Test Probe
I	6041998C1, 6041880C1, 6042031C1, 6042032C1	J-35616-14 (GN)
II	6041940C1	J-35616-40 (BU)
III	6042011C1	J-35616-4A (PU)
IV	6042001C1	J-35616-5 (PU)
V	6041957C1	J-35616-3 (GY)
VI	6041958C1	J-35616-3 (GY)
VII	6041927C1	J-35616-3 (GY)
VIII	6042013C1	J-35616-32 (OR)

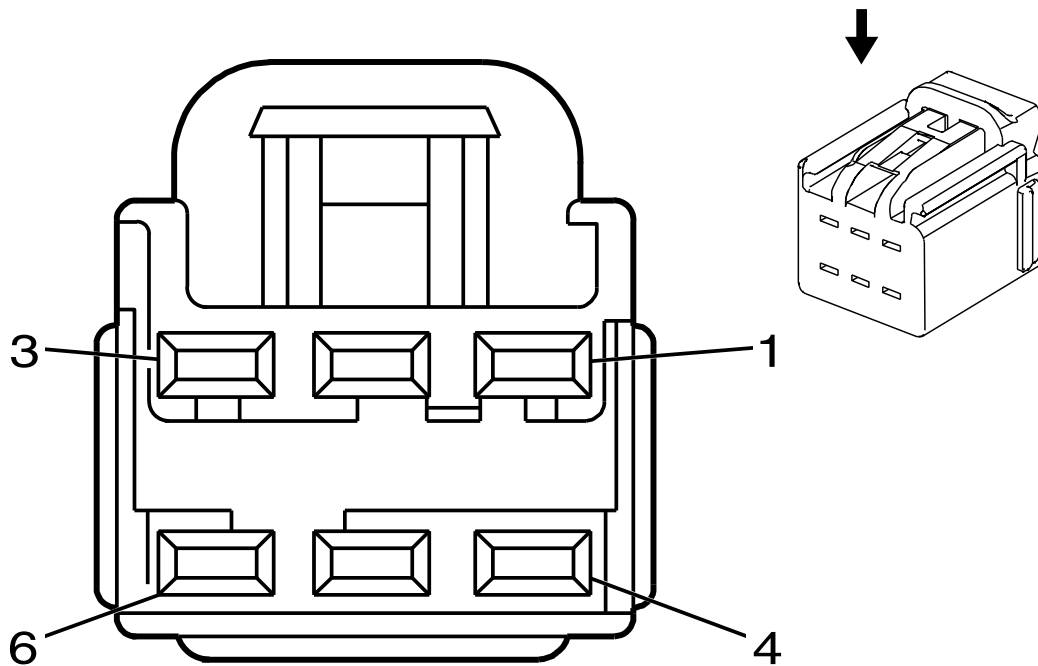
ELECTRICAL CIRCUIT DIAGRAM MANUAL

Table 339 X310 Driver Seat Cushion Harness to Body Harness ((Feature Code: 0016KVV / 0016KVU) without 0016XJR)

Male					Function	Female				
Pin	Size	Color	Circuit	Terminal Type ID		Pin	Size	Color	Circuit	Terminal Type ID
1	—	—	—	—	Not Occupied	1	—	—	—	—
2	2.5	RD / YE	5040	III	Battery Positive Voltage	2	2.5	RD / YE	5040	II
3-5	—	—	—	—	Not Occupied	3-5	—	—	—	—
6	0.35	OG / BN	238	I	Driver Seat Belt Switch Signal	6	0.35	OG / BN	238	IV
7	0.35	BK / OG	1363	I	Driver Seat Belt Switch Low Reference	7	0.35	BK / OG	1363	IV
8-10	—	—	—	—	Not Occupied	8-10	—	—	—	—
11	2.5	BK	1150	II	Ground Ground	11	4	BK	1150	VI
12-21	—	—	—	—	Not Occupied	12-21	—	—	—	—
22	—	—	—	—	Driver Heated Seat Element Low Reference	22	0.75	BN / BK	2078	V
23	—	—	—	—	Not Occupied	23	—	—	—	—
24	0.5	L-GN / OG	3069	I	Driver Side Impact Module Low Control	24	0.35	L-GN / OG	3069	III
25-27	—	—	—	—	Not Occupied	25-27	—	—	—	—
28	—	—	—	—	Driver Heated Seat NTC Low Reference	28	0.5	BK / YE	2080	V
29	—	—	—	—	Not Occupied	29	—	—	—	—
30	—	—	—	—	Driver Heated Back NTC Signal	30	0.5	D-BU	2425	V
31	—	—	—	—	Not Occupied	31	—	—	—	—
32	—	—	—	—	Driver Heated Seat NTC Signal	32	0.5	YE / GY	2079	V

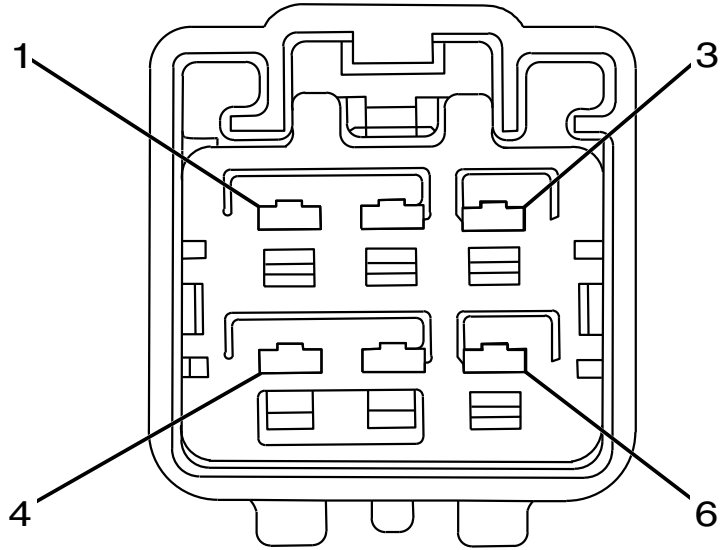
Table 339 X310 Driver Seat Cushion Harness to Body Harness ((Feature Code: 0016KVV / 0016KVU) without 0016XJR) (cont.)

Male					Function	Female				
Pin	Size	Color	Circuit	Terminal Type ID		Pin	Size	Color	Circuit	Terminal Type ID
33	0.5	OG / L-BU	3068	—	Driver Side Impact Module High Control	33	0.35	OG / D-BU	3068	III
34–35	—	—	—	—	Not Occupied	34–35	—	—	—	—
36	—	—	—	—	Driver Heated Back Element Control	36	0.75	BN	2432	V
37	—	—	—	—	Driver Heated Seat Element Control	37	0.75	BN / VT	2077	V
38–48	—	—	—	—	Not Occupied	38–48	—	—	—	—



Connector Part Information

- Harness Type: Driver Seat Back
- Service Connector: Service by Harness
- Description: 6-Way F YESC Kaizen Series (L-GY)



Connector Part Information

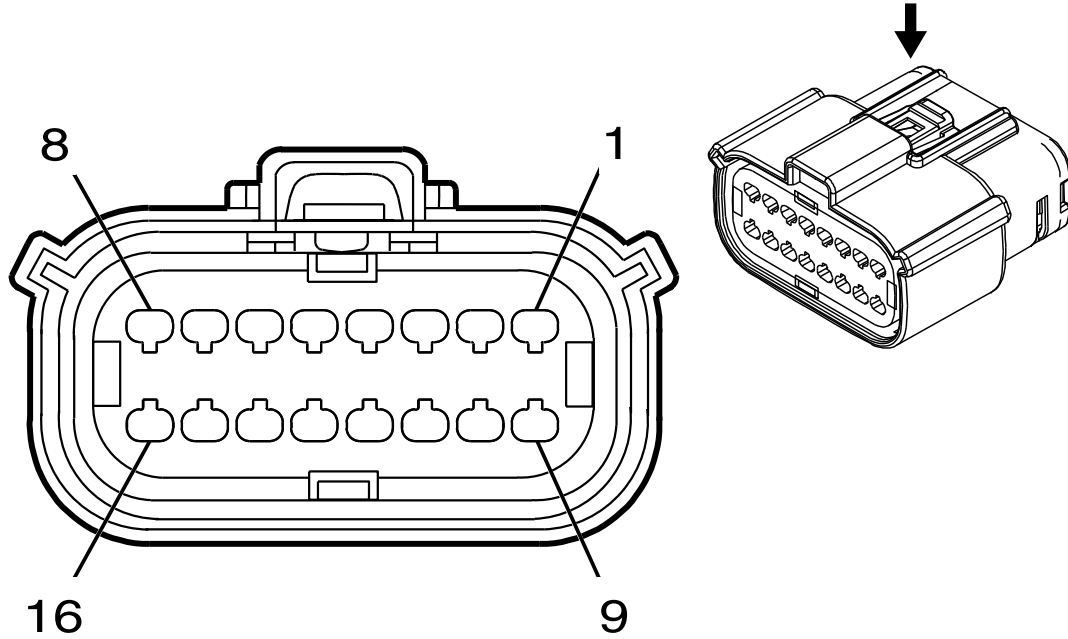
- Harness Type: Driver Seat Cushion
- Service Connector: Service by Harness
- Description: 6-pin M YESC Kaizen Series (L-GY)

Table 342 Terminal Part Information

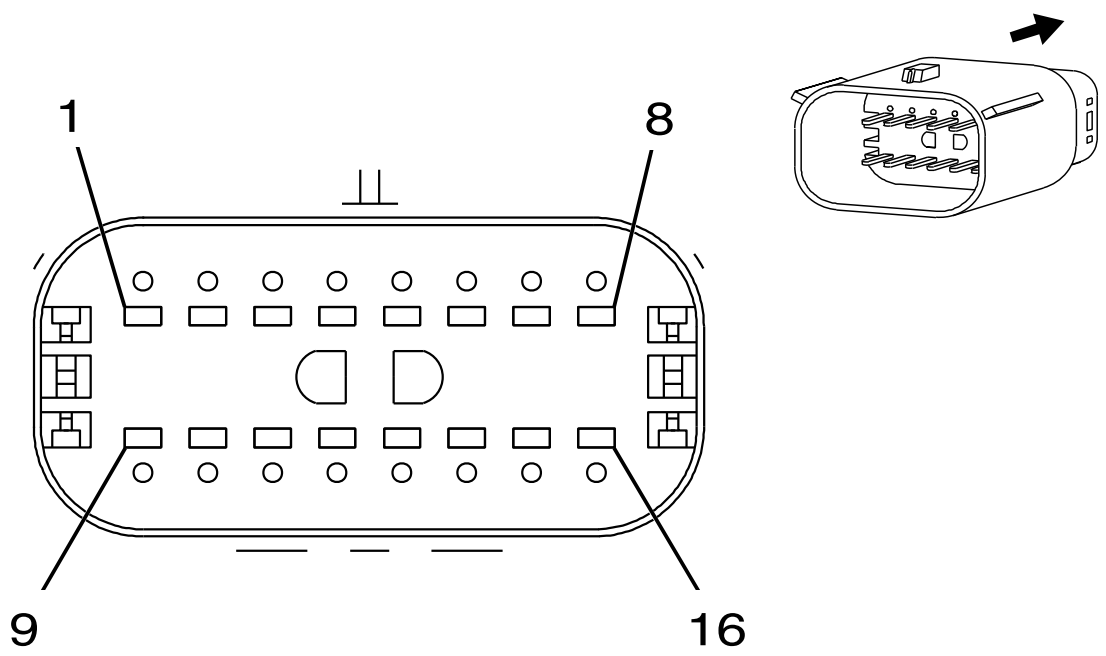
Terminal Type ID	Service Terminal	Diagnostic Test Probe
I	6042070C1	J-35616-35 (VT)
II	6042070C1 or 6042071C1	J-35616-4A (PU)
III	6042067C1	J-35616-5 (PU)

Table 343 X311 Driver Seat Back Harness to Driver Seat Cushion Harness (Feature Code: 0016KVV / 0016KVU)

Male					Function	Female				
Pin	Size	Color	Circuit	Terminal Type ID		Pin	Size	Color	Circuit	Terminal Type ID
1-2	—	—	—	I	Not Occupied	1-2	—	—	—	III
3	1.5	L-BU	611	I	Driver Power Seat Lumbar Motor Forward Control	3	1.5	L-BU	611	II
4	1.5	VT	610	II	Driver Power Seat Lumbar Motor Rearward Control	4	1.5	VT	610	III
5	1.5	L-GN / YE	276	II	Driver Power Seat Recline Motor Forward Control	5	1.5	L-GN / YE	276	III
6	1.5	L-BU / YE	277	II	Driver Power Seat Recline Motor Rearward Control	6	1.5	L-BU / YE	277	III

**Connector Part Information**

- Harness Type: Driver Seat Back
- Service Connector: Service by Harness
- Description: 16-pin F 150 MX Series, Sealed (YE)



Connector Part Information

- Harness Type: Driver Seat Cushion
- Service Connector: Service by Harness
- Description: 16-pin M 150 MX Series, Sealed (YE)

Table 346 Terminal Part Information

Terminal Type ID	Service Terminal	Diagnostic Test Probe
I	6042060C1	J-35616-14 (GN)
II	6042066C1	J-35616-2A (GY)
III	3850120C1 or 6042059C1 or 6042062C1	J-35616-3 (GY)

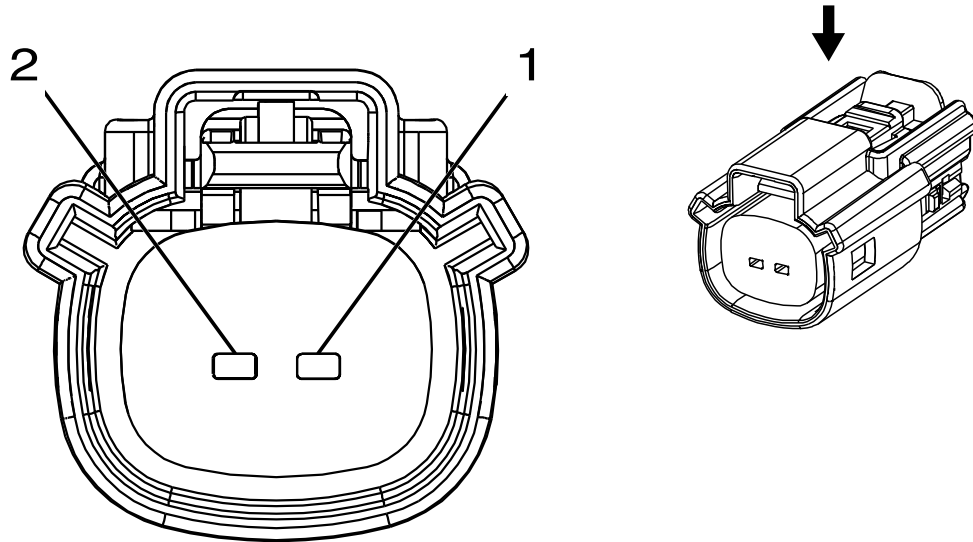
Table 347 X312 Driver Seat Back Harness to Driver Seat Cushion Harness (0016XJR)

Male							Female					
Pin	Size	Color	Circuit	Terminal Type ID	Option	Function	Pin	Size	Color	Circuit	Terminal Type ID	Option
1	0.5	OG / L-BU	3068	I	—	Driver Side Impact Module High Control	1	0.5	OG / L-BU	3068	III	—
2	0.5	L-GN / OG	3069	I	—	Driver Side Impact Module Low Control	2	0.5	L-GN / OG	3069	III	—
3	0.5	VT	4106	I	—	Center Side Impact Module Low Control	3	0.5	VT	4106	III	—
4	0.5	BN / WH	4107	I	—	Center Side Impact Module High Control	4	0.5	BN / WH	4107	III	—
5	0.75	BK	1150	II	—	Ground	5	0.75	BK	1150	III	—
6	0.75	BN	2432	II	—	Driver Heated Back Element Control	6	0.75	BN	2432	III	—
7	0.35	L-GN / VT	5906	I	—	Driver Seat Vent Motor Control 1	7	0.35	L-GN / VT	5906	III	—
8	0.5	BK / YE	2080	I	—	Driver Heated Seat NTC Low Reference	8	0.5	BN / YE	2080	III	—

ELECTRICAL CIRCUIT DIAGRAM MANUAL

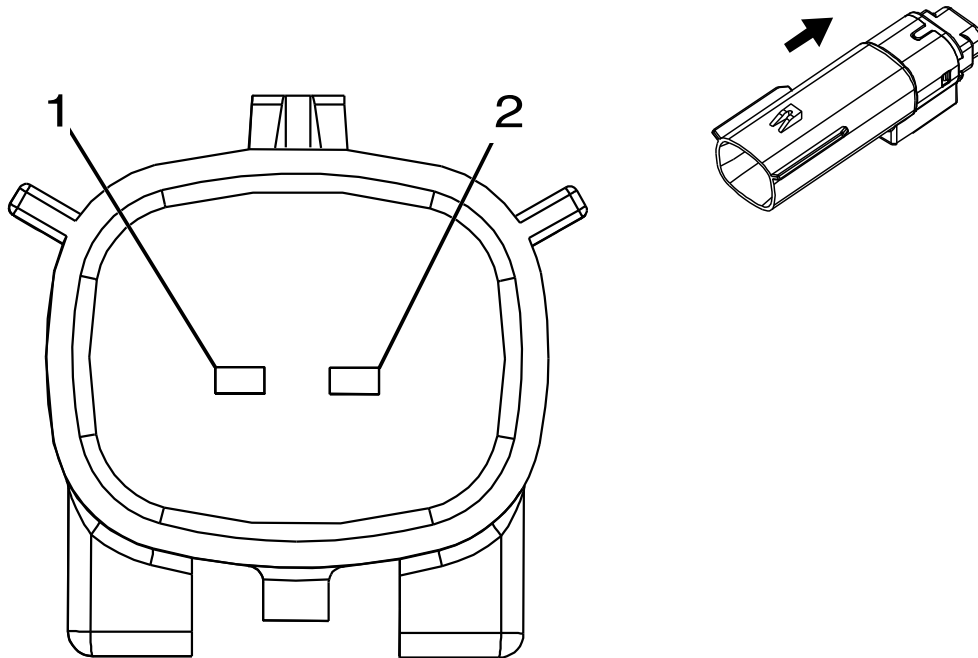
Table 347 X312 Driver Seat Back Harness to Driver Seat Cushion Harness (0016XJR) (cont.)

Male						Function	Female					
Pin	Size	Color	Circuit	Terminal Type ID	Option		Pin	Size	Color	Circuit	Terminal Type ID	Option
9	0.75	BN / BK	2078	II	—	Driver Heated Seat Element Low Reference	9	0.75	BN / BK	2078	III	—
10	0.5	L-BU	2425	I	—	Driver Heated Back NTC Signal	10	0.5	L-BU	2425	III	—
11	0.75	RD / L-GN	5140	II	—	Battery Positive Voltage	11	0.75	RD / L-GN	5140	III	—
12	0.35	WH / BK	570	I	—	Driver Memory Seat Recline Motor Position Sensor Signal	12	0.5	WH / BK	570	III	—
13	0.35	WH / RD	3298	I	—	Memory Sensor High Reference 2	13	0.35	WH / RD	3298	III	—
14-16	—	—	—	—	—	Not Occupied	14-16	—	—	—	—	—



Connector Part Information

- Harness Type: Driver Seat Back
- Service Connector: Service by Harness
- Description: 2-Way F 1.5 Series, Sealed (YE)



Connector Part Information

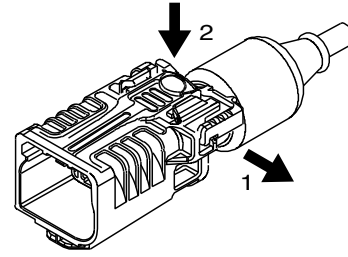
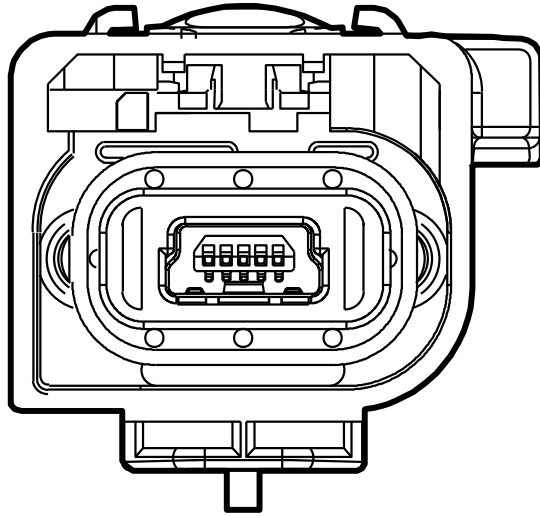
- Harness Type: Driver Seat Cushion
- Service Connector: Service by Harness
- Description: 2-Way M 1.5 MX Series, Sealed (YE)

Table 350 Terminal Part Information

Terminal Type ID	Service Terminal	Diagnostic Test Probe
I	Not Available	J-35616-14 (GN)
II	Not Available	J-35616-3 (GY)

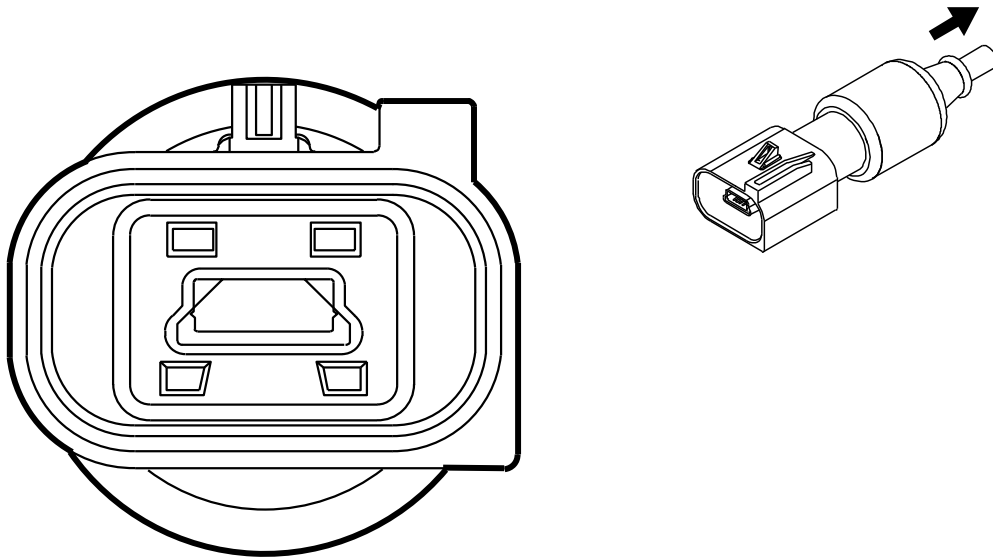
Table 351 X312 Driver Seat Back Harness to Driver Seat Cushion Harness (Without: 0016XJR)

Male							Female					
Pin	Size	Color	Circuit	Terminal Type ID	Option	Function	Pin	Size	Color	Circuit	Terminal Type ID	Option
1	0.5	OG / L-BU	3068	I	—	Driver Side Impact Module High Control	1	0.5	OG / L-BU	3068	II	—
2	0.5	L-GN / OG	3069	I	—	Driver Side Impact Module Low Control	2	0.5	L-GN / OG	3069	II	—



Connector Part Information

- Harness Type: Floor Console USB
- Service Connector: Service by Harness
- Description: 5-Way F 2.0 Mini-B USB Type, Sealed (BK)



Connector Part Information

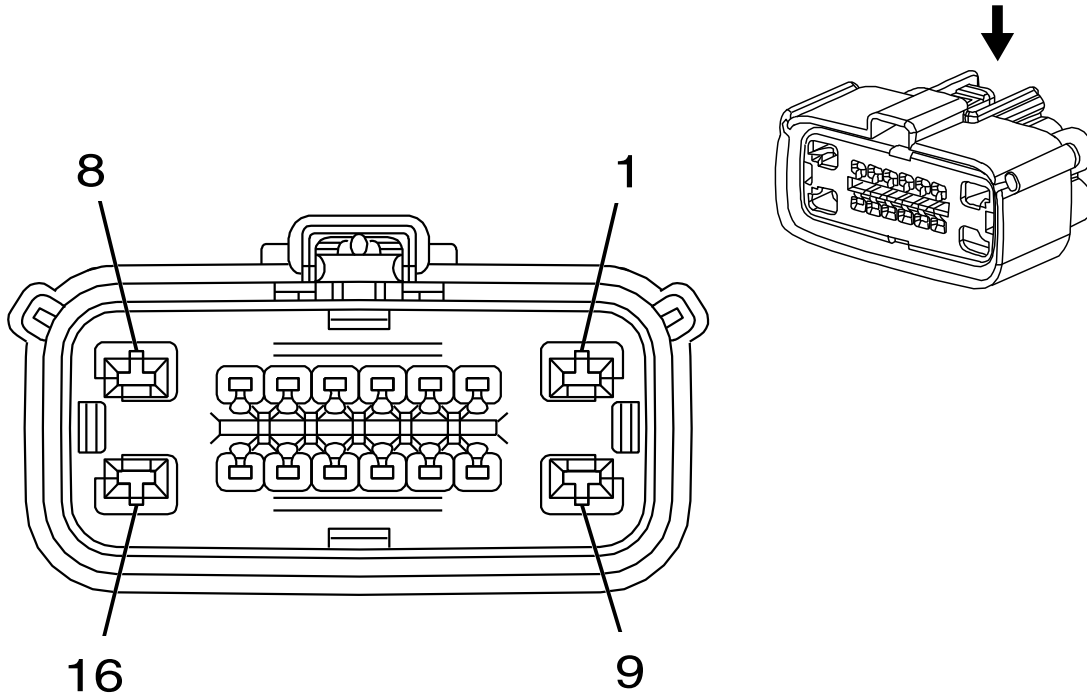
- Harness Type: Instrumental Panel USB
- OEM Connector: Service by Harness
- Description: 5-Way M 2.0 Mini-B USB Type, Sealed (BK)

Table 354 Terminal Part Information

Terminal Type ID	Service Terminal	Diagnostic Test Probe
I	Not Available	No Tool Required

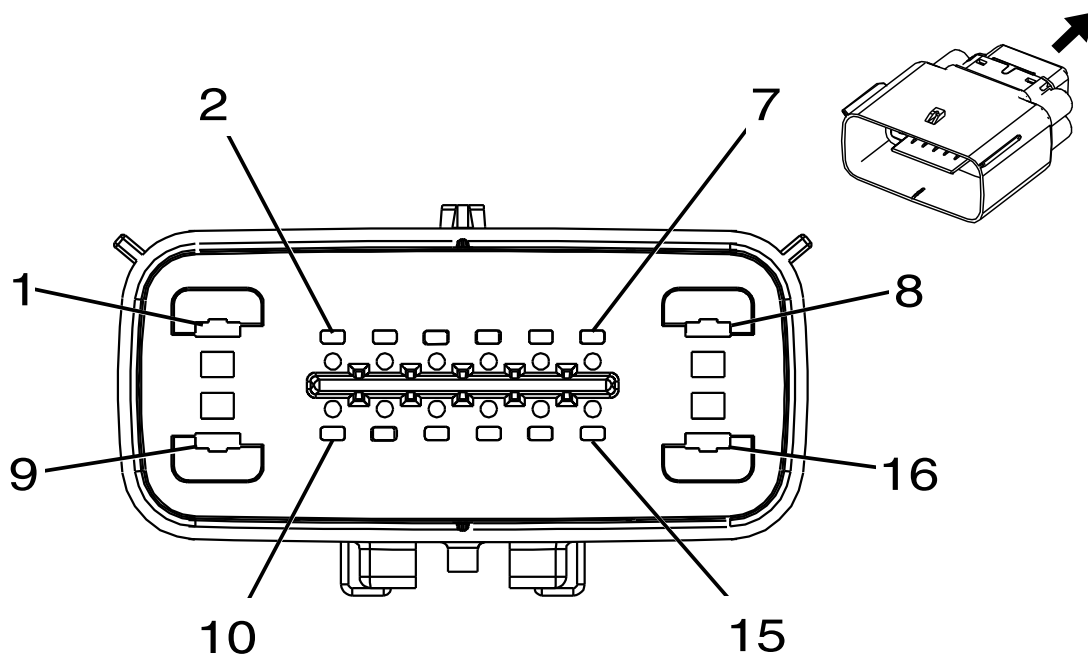
Table 355 X313 Body USB Harness to Center Seat USB Harness (-0016XCN)

Male						Female						
Pin	Size	Color	Circuit	Terminal Type ID	Option	Function	Pin	Size	Color	Circuit	Terminal Type ID	Option
—	—	USB	—	I	—	USB	—	—	USB	—	I	—



Connector Part Information

- Harness Type: Center Seat
- Service Connector: Service by Harness
- Description: 16-pin F 1.5, 2.8 Series, Sealed (BK)



Connector Part Information

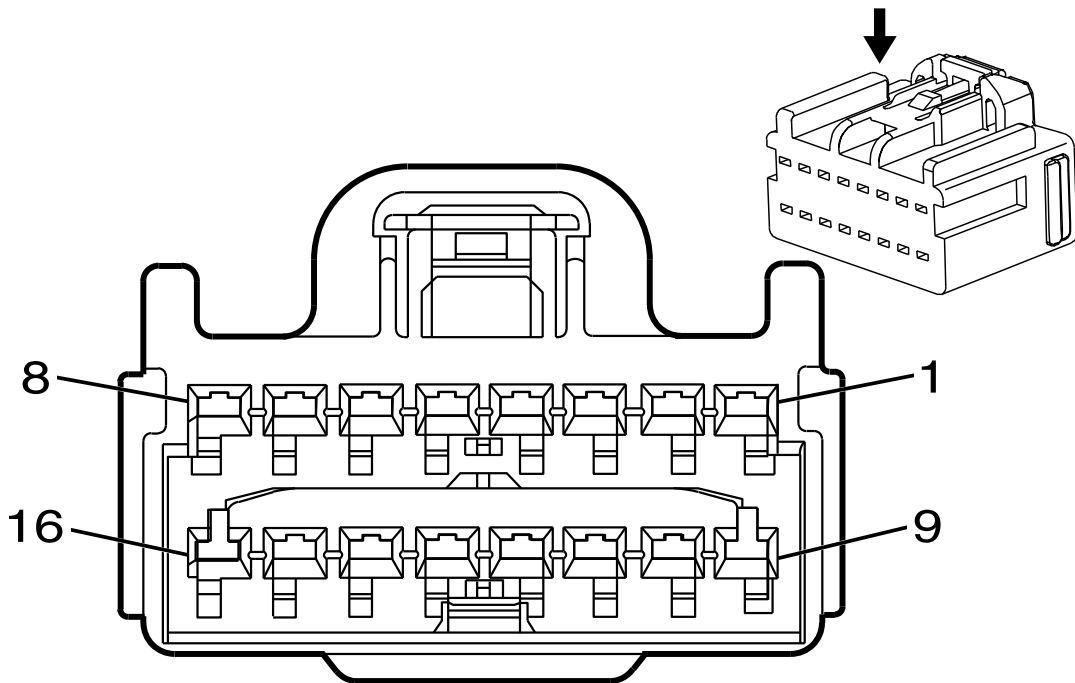
- Harness Type: Body
- Service Connector: 6040257C1
- Description: 16-pin M 1.5, 2.8 Series, Sealed (BK)

Table 358 Terminal Part Information

Terminal Type ID	Service Terminal	Diagnostic Test Probe
I	3686943C1 or 6042065C1	J-35616-2A (GY)
II	6042069C1	J-35616-4A (PU)
III	6041883C1	J-35616-3 (GY)
IV	6041936C1	J-35616-35 (VT)

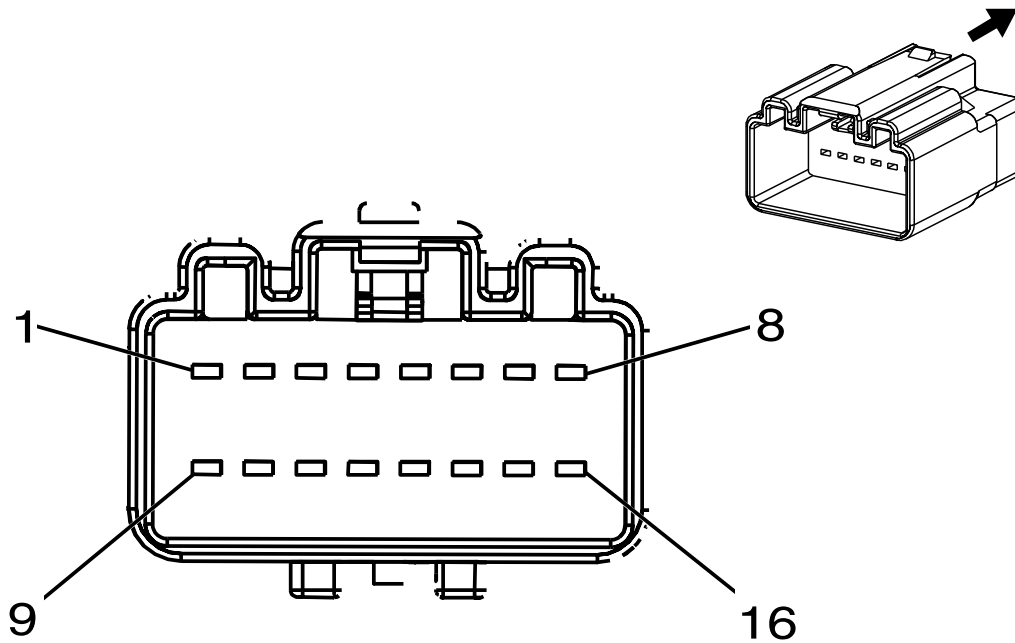
Table 359 X314 Center Seat Harness to Body Harness (Without Feature Code: 0016XCN)

Male					Function	Female				
Pin	Size	Color	Circuit	Terminal Type ID		Pin	Size	Color	Circuit	Terminal Type ID
1	1.5	VT / YE	143	II	Accessory Ignition Voltage	1	1.5	VT / YE	143	IV
2	—	—	—	—	Not Occupied	2	—	—	—	—
3	0.35	BK	5842	I	Auxiliary Audio Screen 2	3	0.5	BK	5842	III
4	0.35	GY	5839	I	Left Auxiliary Audio Signal 2	4	0.5	GY	5839	III
5	0.35	L-BU	2060	I	Auxiliary Detection Signal	5	0.5	D-BU	2060	III
6	0.35	BK	2550	I	Ground	6	0.75	BK	2550	III
7	—	—	—	—	Not Occupied	7	—	—	—	—
8	1.5	BK	1250	II	Ground	8	1.5	BK	1250	IV
9	1.5	VT / YE	243	II	Accessory Ignition Voltage	9	1.5	VT / YE	243	IV
10	—	—	—	—	Not Occupied	10	—	—	—	—
11	0.35	L-GN	5841	I	Right Auxiliary Audio Signal 2	11	0.5	L-GN	5841	III
12	0.35	VT	5843	I	Auxiliary Audio Common Signal	12	0.5	VT	5843	III
13	—	—	—	—	Not Occupied	13	—	—	—	—
14	0.75	RD / VT	340	I	Battery Positive Voltage	14	0.75	RD / VT	340	III
15	—	—	—	—	Not Occupied	15	—	—	—	—
16	1.5	BK	1250	II	Ground	16	1.5	BK	1250	IV



Connector Part Information

- Harness Type: Body
- Service Connector: 6040223C1
- Description: 16-pin F 1.5 Kaizen Series (GN)



Connector Part Information

- Harness Type: Brake Clutch
- Service Connector: Service by Harness
- Description: 16-pin M 1.5 Kaizen Series (GN)

Table 362 Terminal Part Information

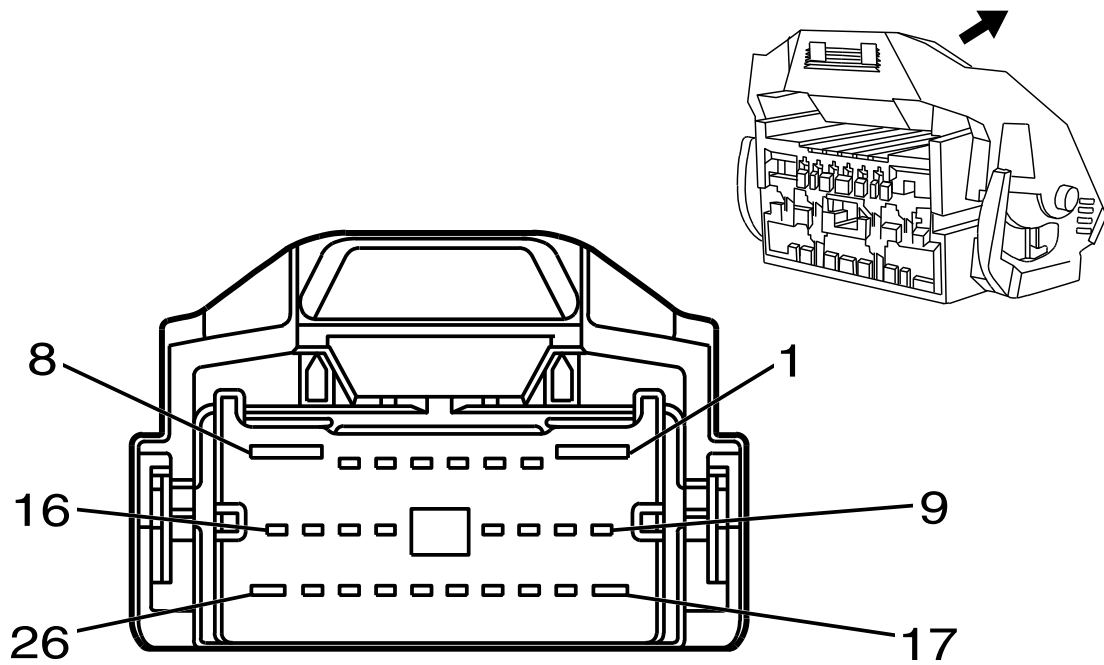
Terminal Type ID	Service Terminal	Diagnostic Test Probe
I	6041990C1	J-35616-2A (GY)
II	6041971C1	J-35616-14 (GN)
III	6041999C1	J-35616-3 (GY)

Table 363 X315 Body Harness to Brake Clutch Harness

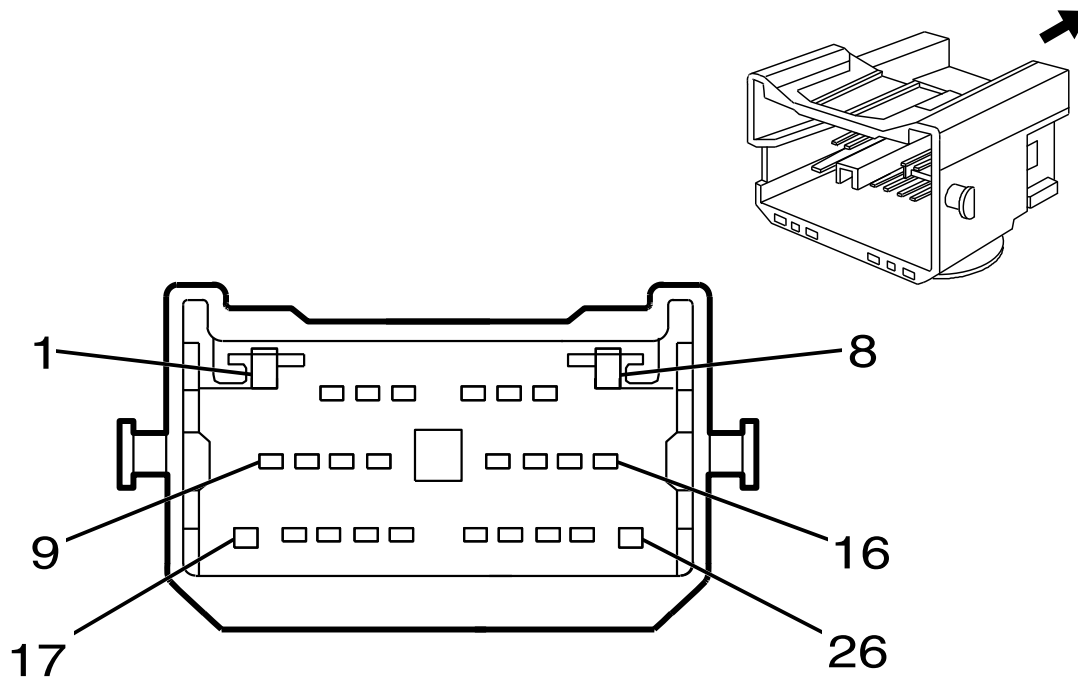
Male							Female					
Pin	Size	Color	Circuit	Terminal Type ID	Option	Function	Pin	Size	Color	Circuit	Terminal Type ID	Option
1	0.35	BK / D-BU	1271	II	—	Accelerator Pedal Position Low Reference 1	1	0.35	BK / D-BU	1271	III	—
2	0.35	YE / WH	1161	II	—	Accelerator Pedal Position Signal 1	2	0.35	YE / WH	1161	III	—
3	0.35	WH / RD	1164	II	—	Accelerator Pedal Position 5 volt Reference 1	3	0.35	WH / RD	1164	III	—
4	0.35	BK / VT	1272	II	—	Accelerator Pedal Position Low Reference 2	4	0.35	BK / VT	1272	III	—
5	0.35	L-GN / WH	1162	II	—	Accelerator Pedal Position Signal 2	5	0.35	L-GN / WH	1162	III	—
6	0.35	BN / RD	1274	II	—	Accelerator Pedal Position 5V Reference 2	6	0.35	BN / RD	1274	III	—
7	0.35	WH	5359	II	—	Brake Apply Sensor Control	7	0.5	WH	5359	III	—
8	0.35	BK / BN	5360	I	—	Brake Apply Sensor Low Reference	8	0.5	BK / BN	5360	III	—

Table 363 X315 Body Harness to Brake Clutch Harness (cont.)

Male						Function	Female					
Pin	Size	Color	Circuit	Terminal Type ID	Option		Pin	Size	Color	Circuit	Terminal Type ID	Option
9	0.35	D-BU / YE	5361	I	—	Brake Apply Sensor Signal	9	0.5	D-BU / YE	5361	III	—
10	—	—	—	—	—	Rotary Position Sensor Low Reference	10	0.5	YE / BK	7478	III	—
11	—	—	—	—	—	Rotary Position Sensor 5V Reference	11	0.5	WH / RD	7477	III	—
12	—	—	—	—	—	Rotary Position Sensor Signal	12	0.5	WH / L-GN	7479	III	—
13-15	—	—	—	—	—	Rotary Position Sensor Low Reference	10	—	—	—	—	—

**Connector Part Information**

- Harness Type: Headliner
- Service Connector: 6040221C1
- Description: 26-Way F 1.5, 2.8, 6.3 Series (BK)



Connector Part Information

- Harness Type: Overhead Console
- Service Connector: Service by Harness
- Description: 26-Way M 1.5, 2.8, 6.3 YESC Series (BK)

Table 366 Terminal Part Information

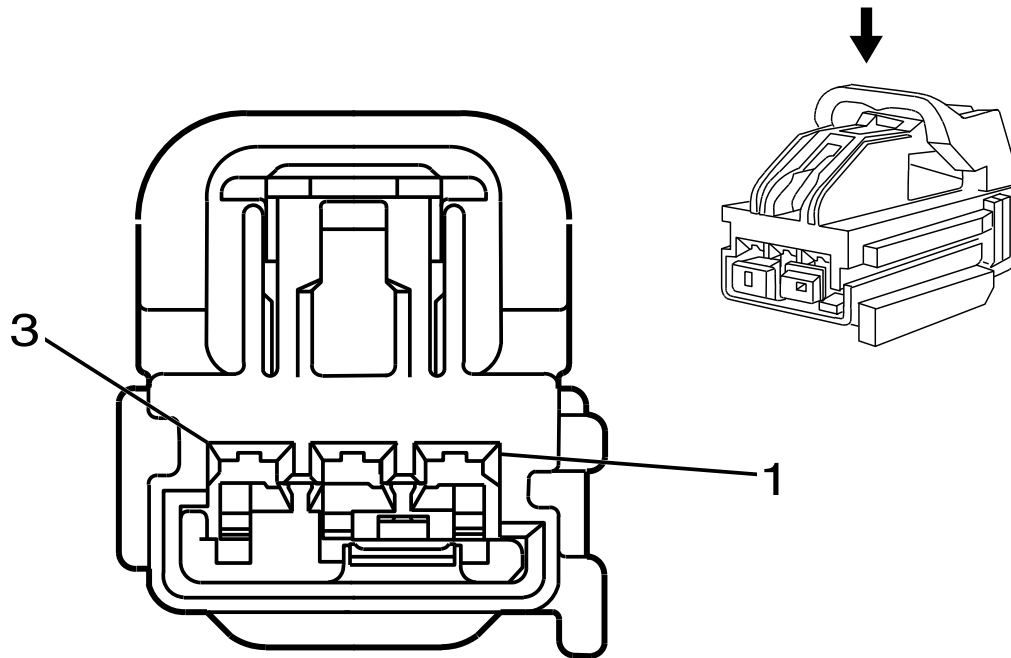
Terminal Type ID	Service Terminal	Diagnostic Test Probe
I	6041943C1	J-35616-2A (GY)
II	6041943C1	J-35616-2A (GY)
III	3605695C1	J-35616-4A (PU)
IV	6041982C1, 6041999C1	J-35616-3 (GY)
V	6041966C1	J-35616-5 (PU)

Table 367 X316 Headliner Harness to Overhead Console Harness

Male							Female					
Pin	Size	Color	Circuit	Terminal Type ID	Option	Function	Pin	Size	Color	Circuit	Terminal Type ID	Option
1-3	—	—	—	—	—	Not Occupied	1-3	—	—	—	—	—
4	0.5	BK	1050	I	—	Ground	4	0.5	BK	1050	IV	—
5	0.35	GY / L-GN	328	II	—	Interior Lamp Defeat Switch Signal	5	0.35	GY / L-GN	328	IV	—
6	0.35	GY / D-BU	156	II	—	Courtesy Lamp Switch Signal	6	0.35	GY	156	IV	—
7	0.5	WH / BN	6815	I	—	Inadvertent Power Control	7	0.5	WH / BN	6815	IV	—
8	—	—	—	—	—	Not Occupied	8	—	—	—	—	—
9	0.35	VT / L-GN	7558	II	—	LED Ambient Lighting Control 2	9	0.35	VT / L-GN	7558	IV	—
10	0.5	YE	6817	I	—	LED Backlight Dimming Control	10	0.5	YE	6817	IV	—
11	0.35	VT / BK	1139	II	—	Run / Crank Ignition 1 Voltage	11	0.35	VT / WH	1139	IV	—
12	0.35	VT / WH	5234	II	—	Passenger Seat Belt Indicator Control	12	0.35	VT / WH	5234	IV	—
13	0.35	D-BU	2307	II	—	Passenger Air Bag On Indicator Control	13	0.35	D-BU	2307	IV	—
14	0.35	L-GN / RD	2308	II	—	Passenger Air Bag Off Indicator Control	14	0.35	L-GN	2308	IV	—

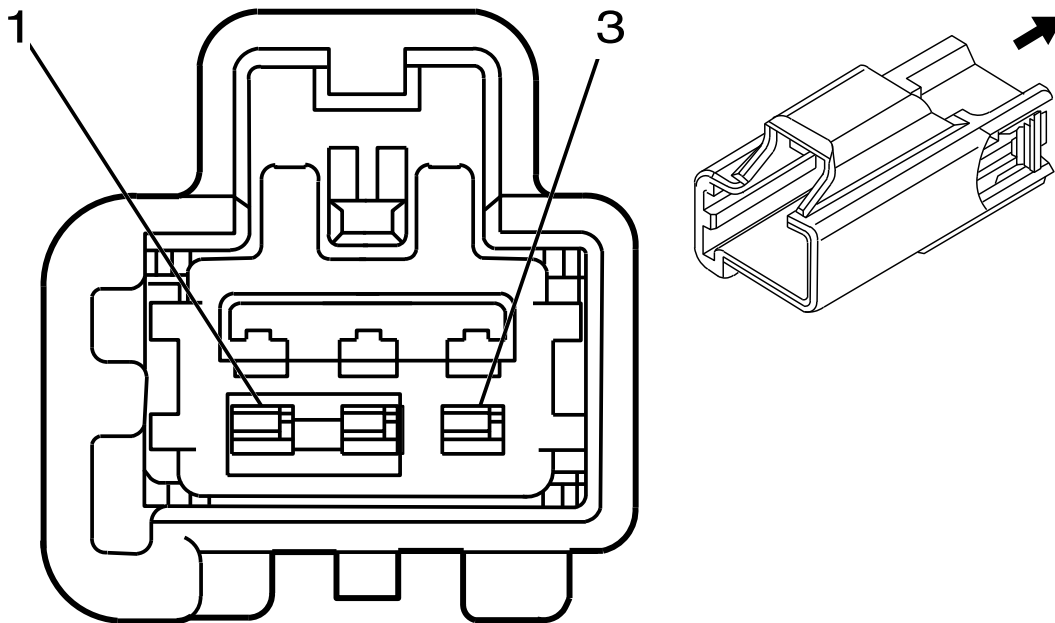
Table 367 X316 Headliner Harness to Overhead Console Harness (cont.)

Male						Function	Female					
Pin	Size	Color	Circuit	Terminal Type ID	Option		Pin	Size	Color	Circuit	Terminal Type ID	Option
15-16	—	—	—	—	—	Not Occupied	15-16	—	—	—	—	—
17	0.5	RD / YE	240	III	—	Battery Positive Voltage	17	0.5	RD / YE	240	V	—
18-20	—	—	—	—	—	Not Occupied	18-20	—	—	—	—	—
21	0.5	GY	157	I	—	Interior Lamp Control	21	0.5	GY	157	IV	—
22-26	—	—	—	—	—	Not Occupied	22-26	—	—	—	—	—



Connector Part Information

- Harness Type: Headliner
- Service Connector: 6040296C1
- Description: 3-Way F 1.5 Kaizen Series (L-GY)



Connector Part Information

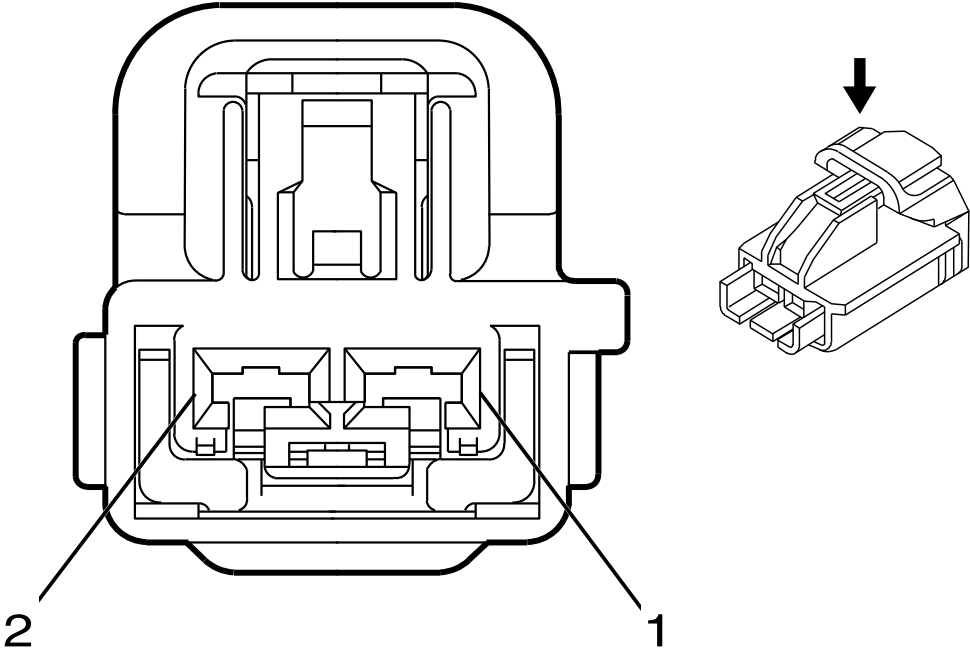
- Harness Type: Center High Mounted Stop Lamp
- Service Connector: Service by Harness
- Description: 3-pin M

Table 370 Terminal Part Information

Terminal Type ID	Service Terminal	Diagnostic Test Probe
I	6041944C1 or 6041943C1	J-35616-2A (GY)
II	Not Available	J-35616-3 (GY)

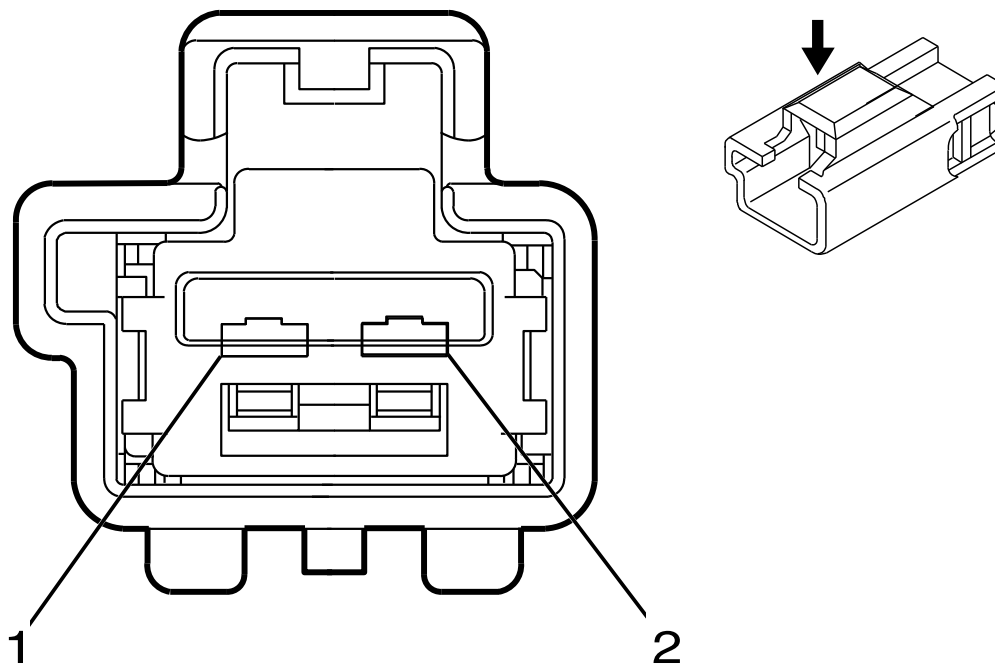
Table 371 X317 Headliner Harness to Center High Mounted Stop Lamp Harness

Male						Function	Female					
Pin	Size	Color	Circuit	Terminal Type ID	Option		Pin	Size	Color	Circuit	Terminal Type ID	Option
1	0.75	WH / VT	1430	I	—	Exterior Courtesy Lamp Control	1	0.75	WH / VT	1430	II	—
2	0.5	VT / GY	1054	I	—	Stop Lamp Control	2	0.5	VT / GY	1054	II	—
3	0.5	BK	1050	I	—	Ground	3	0.5	BK	1050	II	—



Connector Part Information

- Harness Type: Overhead Console
- Service Connector: Service by Harness
- Description: 2-pin F YESC Kaizen Series (L-GY)



Connector Part Information

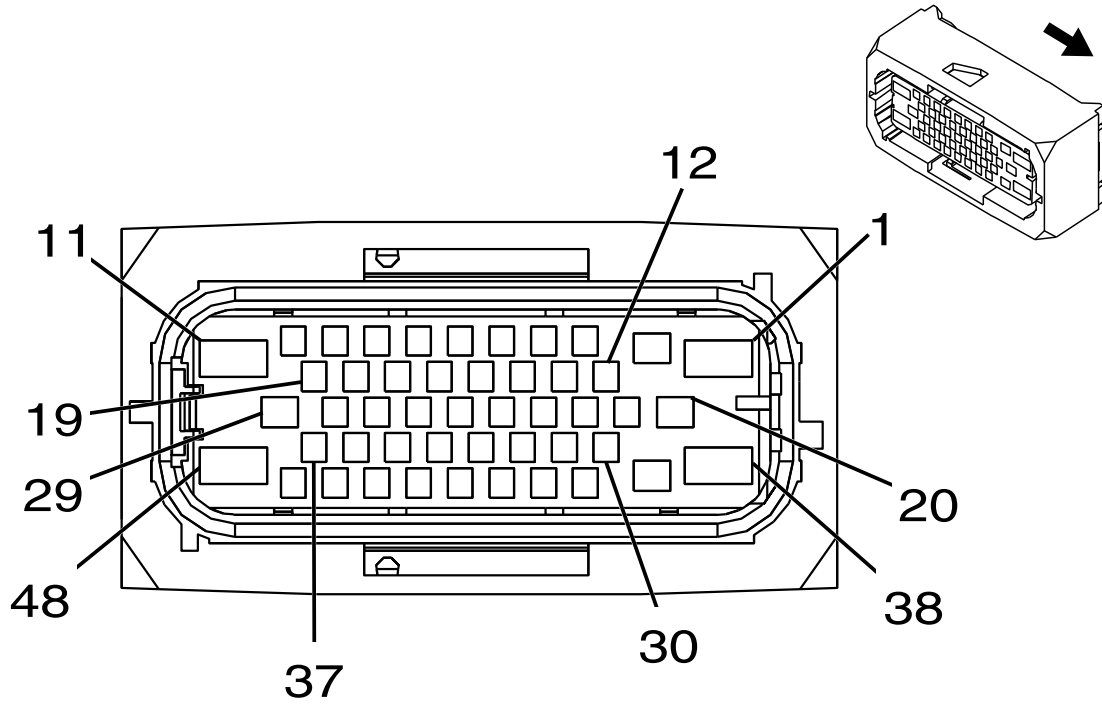
- Harness Type: Right A-Pillar
- Service Connector: Service by Harness
- Description: 2-pin M YESC Kaizen Series (L-GY)

Table 374 Terminal Part Information

Terminal Type ID	Service Terminal	Diagnostic Test Probe
I	6041990C1	J-35616-35 (VT)
II	6041953C1	J-35616-5 (PU)

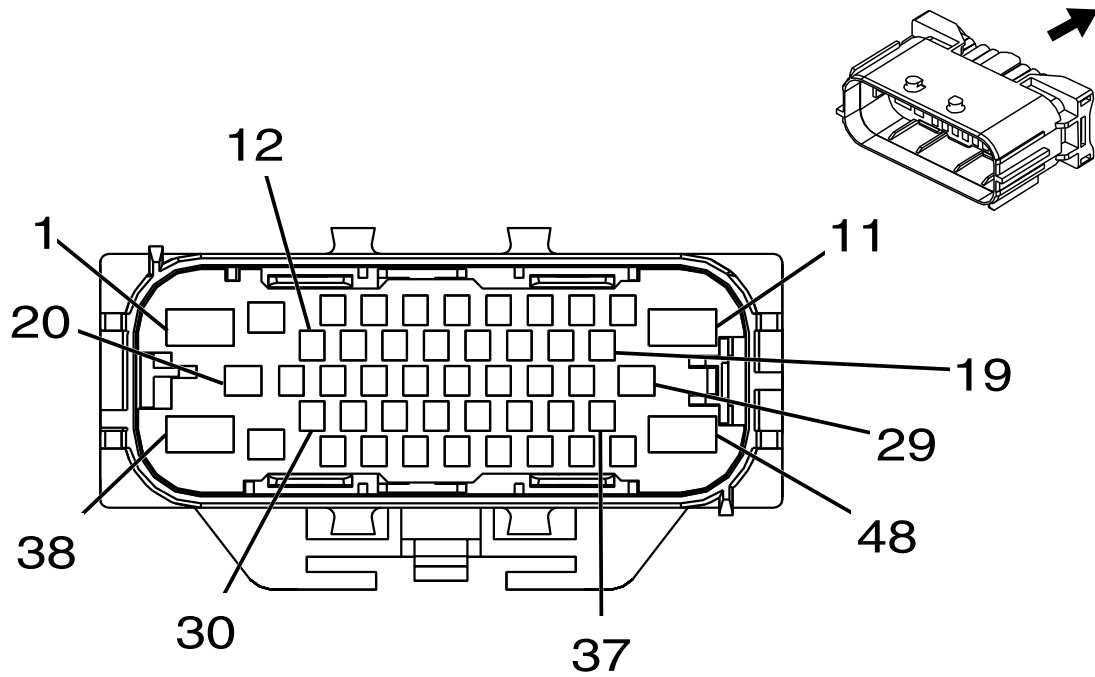
Table 375 X319 Overhead Console Harness to Right A-Pillar Harness (Feature Code: 0008XKS)

Male							Female					
Pin	Size	Color	Circuit	Terminal Type ID	Option	Function	Pin	Size	Color	Circuit	Terminal Type ID	Option
1	2.5	RD / L-GN	3140	I	—	Battery Positive Voltage	1	2.5	RD / L-GN	3140	II	—
2	2.5	BK	1050	I	—	Ground	2	2.5	BK	1050	II	—



Connector Part Information

- Harness Type: Passenger Seat Cushion
- Service Connector: Service by Harness
- Description: 48-pin F 1.5 MCP, 2.8 JPT, 6.3 MCP Series, Sealed (YE)



Connector Part Information

- Harness Type: Body
- Service Connector: 6040238C1
- Description: 48-pin M 1.6, 2.8, 5.8 Series, Sealed (BK)

Table 378 Terminal Part Information

Terminal Type ID	Service Terminal	Diagnostic Test Probe
I	6041998C1, 6041880C1, 6042031C1	J-35616-14 (GN)
II	6041940C1	J-35616-40 (BU)
III	6042011C1	J-35616-4A (PU)
IV	6042001C1	J-35616-5 (PU)
V	6041957C1	J-35616-3 (GY)
VI	6041901C1	J-35616-43 (RD)
VII	6041927C1	J-35616-3 (GY)
VIII	6041901C1	J-35616-43 (RD)
IX	6042013C1	J-35616-32 (OR)

ELECTRICAL CIRCUIT DIAGRAM MANUAL

Table 379 X320 Passenger Seat Cushion Harness to Body Harness (Feature Code: 0016KVV / AG2 / 0016XJR)

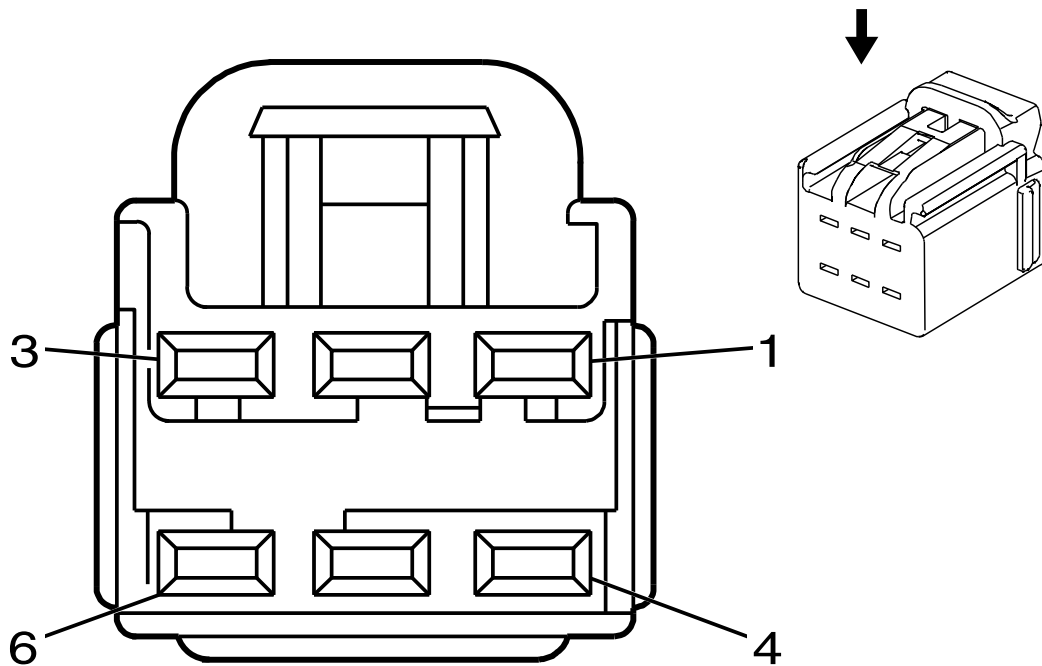
Male						Function	Female					
Pin	Size	Color	Circuit	Terminal Type ID	Option		Pin	Size	Color	Circuit	Terminal Type ID	Option
1	—	—	—	—	—	Not Occupied	1	—	—	—	—	—
2	2.5	RD / BN	1440	III	—	Battery Positive Voltage	2	2.5	RD / YE	1440	IV	—
3-7	—	—	—	—	—	Not Occupied	3-5	—	—	—	—	—
8	0.75	BN / VT	2077	I	—	Driver Heated Seat Element Control	8	0.75	BN / VT	2077	VI	—
9	0.75	BN	2432	I	—	Driver Heated Back Element Control	9	0.75	BN	2432	VI	—
10	—	—	—	—	—	Not Occupied	10	—	—	—	—	—
11	4	BK	1250	II	—	Ground Ground	11	1 4	BK BK	1250 1250	VIII VII	Feature Code: 0016KVU AG2
12-16	—	—	—	—	—	Not Occupied	12-16	—	—	—	—	—
17	0.75	RD / L-GN	6140	I	—	Battery Positive Voltage	17	0.75	RD / L-GN	6140	VI	—
18-21	—	—	—	—	—	Not Occupied	18-21	—	—	—	—	—
22	0.75	BN / BK	2078	I	—	Driver Heated Seat Element Low Reference	22	0.75	BN / BK	2078	VI	—
23	—	—	—	—	—	Not Occupied	23	—	—	—	—	—

Table 379 X320 Passenger Seat Cushion Harness to Body Harness (Feature Code: 0016KVV / AG2 / 0016XJR) (cont.)

Male						Function	Female					
Pin	Size	Color	Circuit	Terminal Type ID	Option		Pin	Size	Color	Circuit	Terminal Type ID	Option
24	0.5	BN / OG	3067	I	—	Passenger Side Impact Module Low Control	24	0.35	BN / OG	3067	V	—
25-26	—	—	—	—	—	Not Occupied	25	—	—	—	—	—
27	0.35	GN / BU	6133	I	—	Local Interconnect Network Serial Data Bus 2	27	0.5	GN / BU	6133	VI	—
28	0.5	BK / YE	2080	I	—	Driver Heated Seat NTC Low Reference	28	0.5	BK / YE	2080	VI	—
29	—	—	—	—	—	Not Occupied	29	—	—	—	—	—
30	0.5	-BU	2425	I	—	Driver Heated Back NTC Signal	30	0.5	BU	2425	VI	—
31	—	—	—	—	—	Not Occupied	31	—	—	—	—	—
32	0.5	YE / GY	2079	I	—	Driver Heated Seat NTC Signal	32	0.5	YE / GY	2079	VI	—
33	0.5	OG / GY	3066	I	—	Passenger Side Impact Module High Control	33	0.35	OG / GY	3066	V	—
34-46	—	OG / BN	3479	I	—	Not Occupied	34-46	—	—	—	—	—

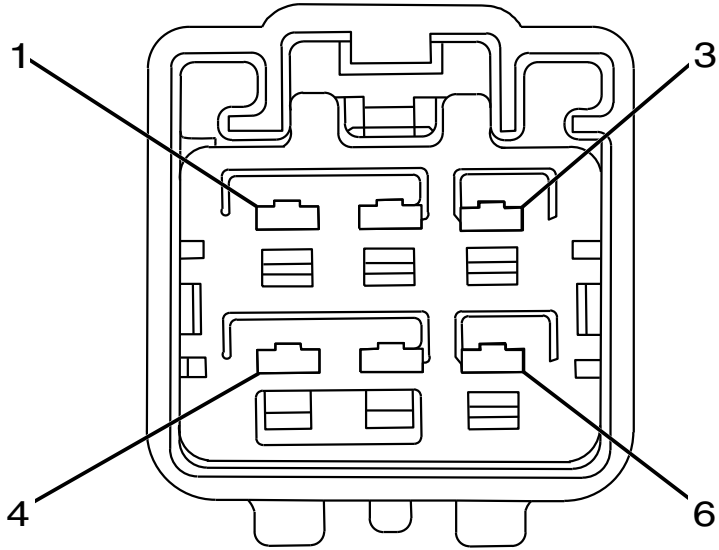
Table 379 X320 Passenger Seat Cushion Harness to Body Harness (Feature Code: 0016KVV / AG2 / 0016XJR) (cont.)

Male						Function	Female					
Pin	Size	Color	Circuit	Terminal Type ID	Option		Pin	Size	Color	Circuit	Terminal Type ID	Option
47	0.75	RD /GN	5140	I	—	Battery Positive Voltage	47	0.75	RD /GN	5140	VI	—
48	—	—	—	—	—	Not Occupied	48	—	—	—	—	—



Connector Part Information

- Harness Type: Passenger Seat Back
- Service Connector: Service by Harness
- Description: 6-Way F YESC Kaizen Series (L-GY)



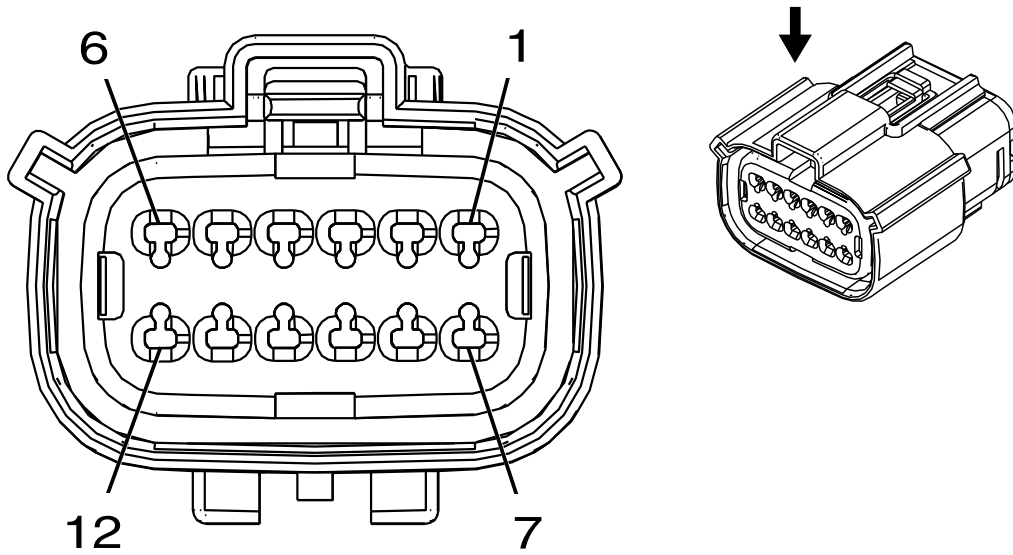
Connector Part Information	
•	Harness Type: Passenger Seat Cushion
•	Service Connector: Service by Harness
•	Description: 6-pin M YESC Kaizen Series (L-GY)

Table 382 Terminal Part Information

Terminal Type ID	Service Terminal	Diagnostic Test Probe
I	6042070C1, 6042071C1	J-35616-4A (PU)
II	3825384C1	J-35616-5 (PU)

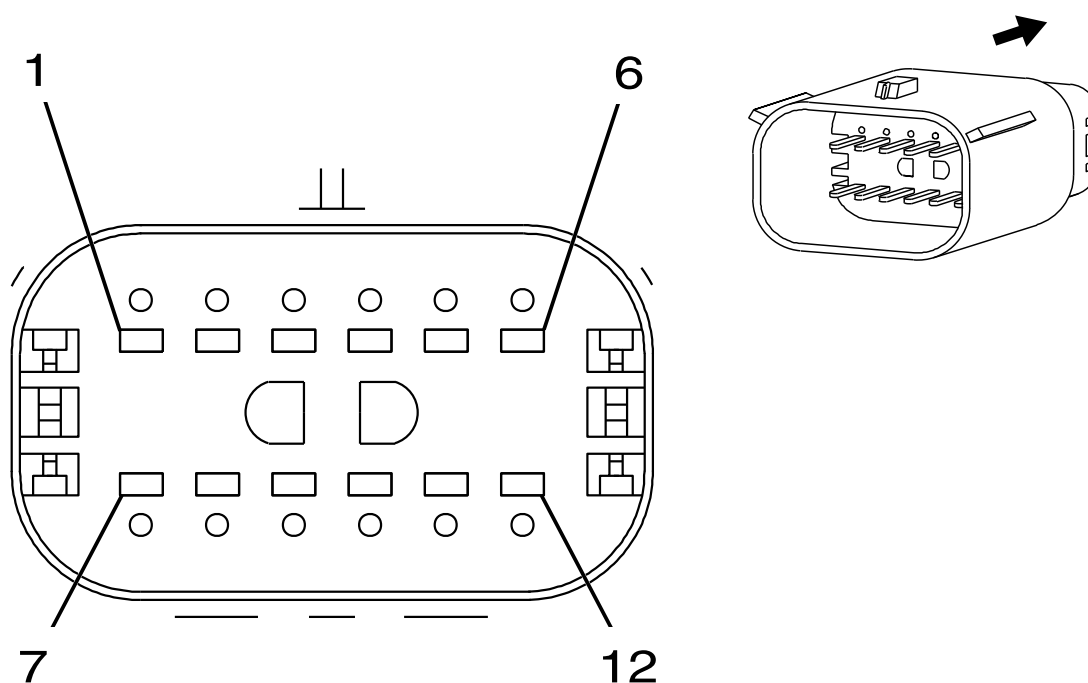
Table 383 X321 Passenger Seat Back Harness to Passenger Seat Cushion Harness (Feature Code: 0016KVV / AG2)

Male						Function	Female					
Pin	Size	Color	Circuit	Terminal Type ID	Option		Pin	Size	Color	Circuit	Terminal Type ID	Option
1 - 2	—	—	—	—	—	Not Occupied	1 - 2	—	—	—	—	—
3	0.75	L-BU	211	I	—	Passenger Power Seat Lumbar Motor Forward Control	3	1.5	L-BU	211	II	—
4	0.75	VT	210	I	—	Passenger Power Seat Lumbar Motor Rearward Control	4	1.5	VT	210	II	—
5	1.5	L-GN	76	I	—	Passenger Power Seat Recline Motor Forward Control	5	1.5	L-GN	76	II	—
6	1.5	L-BU / BN	77	I	—	Passenger Power Seat Recline Motor Rearward Control	6	1.5	L-BU / BN	77	II	—



Connector Part Information

- Harness Type: Passenger Seat Back
- Service Connector: Service by Harness
- Description: 12-Way F 150 MX Series, Sealed (YE)



Connector Part Information

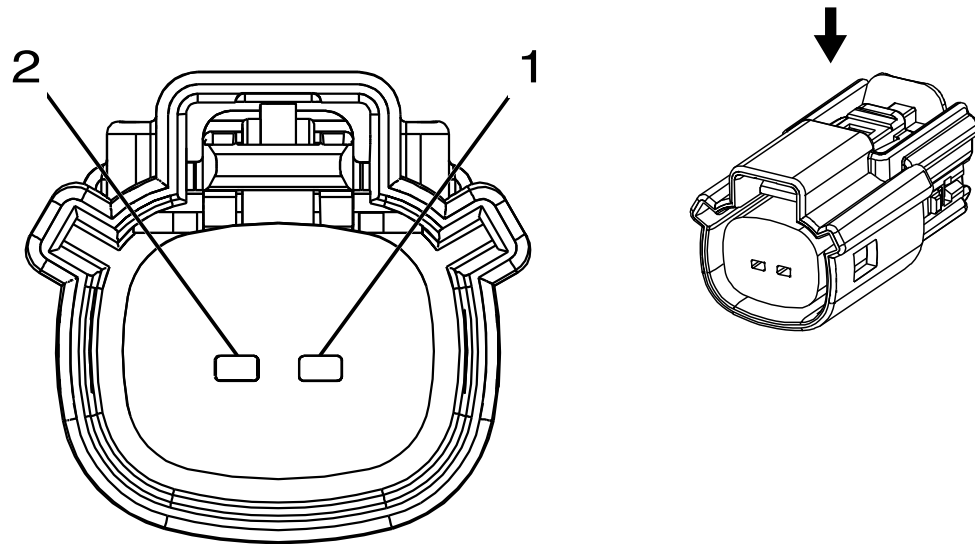
- Harness Type: Passenger Seat Cushion
- Service Connector: Service by Harness
- Description: 12-Way M 150 MX Series, Sealed (YE)

Table 386 Terminal Part Information

Terminal Type ID	Service Terminal	Diagnostic Test Probe
I	6042060C1, 6041895C1	J-35616-14 (GN)
II	6042066C1	J-35616-2A (GY)
III	Not Available	J-35616-3 (GY)
IV	3850120C1, 6042059C1, 6042062C1	J-35616-3 (GY)

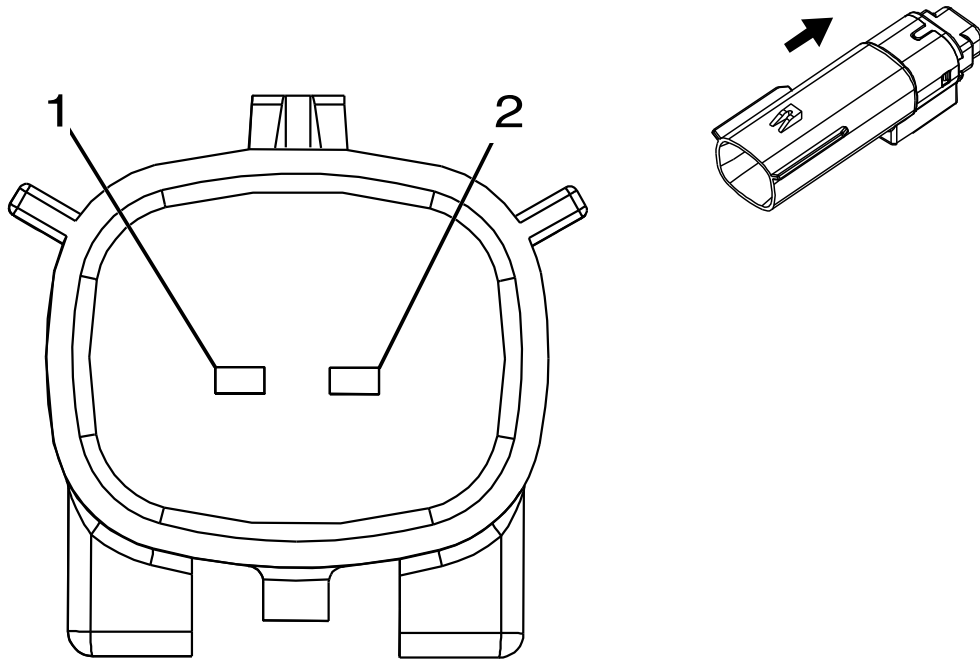
Table 387 X322 Passenger Seat Back Harness to Passenger Seat Cushion Harness (0016XJR)

Male						Female				
Pin	Size	Color	Circuit	Terminal Type ID	Function	Pin	Size	Color	Circuit	Terminal Type ID
1	0.5	OG / GY	3066	I	Passenger Side Impact Module High Control	1	0.5	OG / GY	3066	III
2	0.5	BN / OG	3067	I	Passenger Side Impact Module Low Control	2	0.5	BN / OG	3067	III
3	—	—	—	—	Ground	3	0.75	BK	1250	III
4	0.75	WH / BN	2481	II	Passenger Heated Back Element Control	4	0.75	WH / BN	2481	III
5	0.35	VT / WH	5908	I	Passenger Seat Vent Motor Control 1	5	—	—	—	—
6	0.5	BK / GN	2482	I	Passenger Heated Back NTC Low Reference	6	0.5	BK / GN	2482	III
7	0.75	GY / BK	2480	II	Passenger Heated Seat Element Low Reference	7	0.75	GY / BK	2480	III
8	0.5	WH / BU	2436	I	Passenger Heated Back NTC Signal	8	0.5	WH / BU	2436	III
9-12	—	—	—	—	Not Occupied	9 -12	—	—	—	—



Connector Part Information

- Harness Type: Passenger Seat Back
- Service Connector: Service by Harness
- Description: 2-Way F 1.5 Series, Sealed (YE)



Connector Part Information

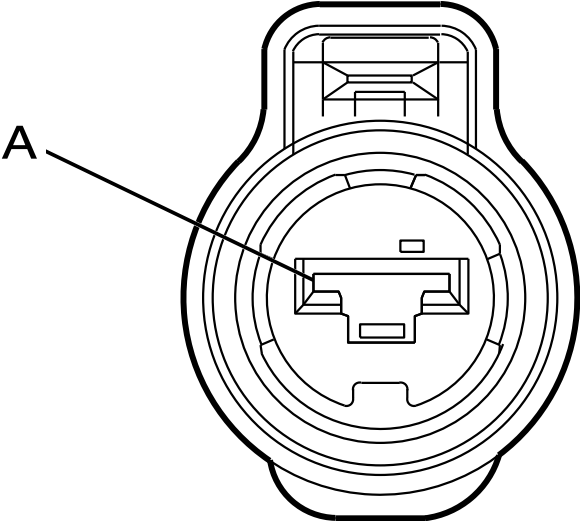
- Harness Type: Passenger Seat Cushion
- Service Connector: Service by Harness
- Description: 2-Way M 1.5 MX Series, Sealed (YE)

Table 390 Terminal Part Information

Terminal Type ID	Service Terminal	Diagnostic Test Probe
I	Not Available	Not available
II	6042062C1	J-35616-2A (GY)

Table 391 X322 Passenger Seat Back Harness to Passenger Seat Cushion Harness (0016XJR)

Male							Female					
Pin	Size	Color	Circuit	Terminal Type ID	Option	Function	Pin	Size	Color	Circuit	Terminal Type ID	Option
1	0.5	OG / GY	3066	I	—	Passenger Side Impact Module High Control	1	0.5	OG / GY	3066	II	—
2	0.5	BN / OG	3067	I	—	Passenger Side Impact Module Low Control	2	0.5	BN / OG	3067	II	—



Connector Part Information

- Harness Type: Chassis
- Service Connector: 3537133C1
- Description: 1-pin F 312 Series (GY)

Connector Part Information

- Harness Type: Battery Feed
- Service Connector: Service by Harness
- Description: 1-pin M

Table 394 Terminal Part Information

Terminal Type ID	Service Terminal	Diagnostic Test Probe
I	3700153C1	J-35616-4A (PU)
II	Not Available	J-35616-5 (PU)

Table 395 X330 Chassis Harness to Battery Feed Harness (Feature Code: 0008MVZ / 0008MWA)

Male						Function	Female					
Pin	Size	Color	Circuit	Terminal Type ID	Option		Pin	Size	Color	Circuit	Terminal Type ID	Option
A	6	RD	90J	I	—	Right Mirror Motor Left Control	A	6	RD	90J	II	—

Connector Part Information

- Harness Type: Body
- OEM Connector: 3606342C1
- Service Connector: Not Available
- Description: 1-Way F 14.3 Series (RD)

Connector Part Information

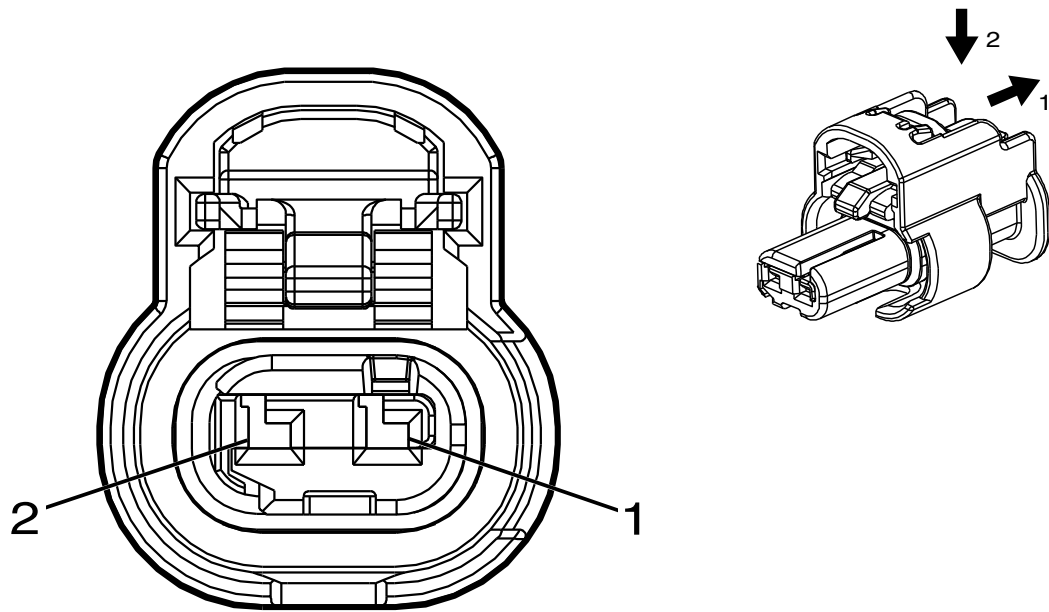
- Harness Type: Instrument Panel
- OEM Connector: 3663256C1
- Service Connector: Not Available
- Description: 1-Way M 14.3 Series (RD)

Table 398 Terminal Part Information

Terminal Type ID	Service Terminal	Diagnostic Test Probe
I	Not Available	Not Available
II	Not Available	Not Available

Table 399 X331 Body Harness to Upfitter Harness

Male					Function	Female				
Pin	Size	Color	Circuit	Terminal Type ID		Pin	Size	Color	Circuit	Terminal Type ID
1	2	RD	A	I	Unfused Battery Positive Voltage	1	0.83	RD	A	II



Connector Part Information

- Harness Type: Body
- OEM Connector: Not Available
- Description: 2-Way F 1.2 MCON-CB Series, Sealed (BK)

Connector Part Information

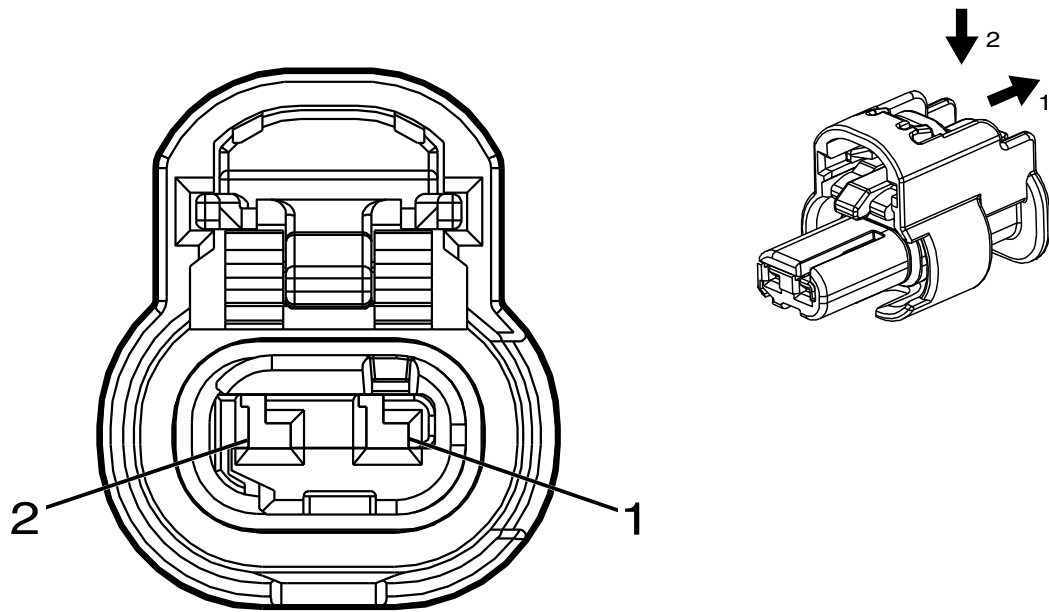
- Harness Type: Roof Rail Air Bag - Left
- OEM Connector: Not Available.
- Service Connector: Service by Harness
- Description: 2-Way M

Table 402 Terminal Part Information

Terminal Type ID	Service Terminal	Diagnostic Test Probe
I	1661875C1	J-35616-16 (LT GN)
II	Not Available	J-35616-17 (LT GN)

Table 403 X380 Chassis Harness to Battery Feed Harness (Feature Code: 0008MVZ / 0008MWA)

Male						Function	Female					
Pin	Size	Color	Circuit	Terminal Type ID	Option		Pin	Size	Color	Circuit	Terminal Type ID	Option
1	0.35	OG / L-GN	5019	I	—	Left Front Head Curtain Module High Control	1	0.35	OG / L-GN	5019	II	—
2	0.35	VT / OG	5020	I	—	Left Front Head Curtain Module Low Control	2	0.35	VT / OG	5020	II	—



Connector Part Information

- Harness Type: Body
- OEM Connector: Not Available
- Description: 2-Way F 1.2 MCON-CB Series, Sealed (BK)

Connector Part Information

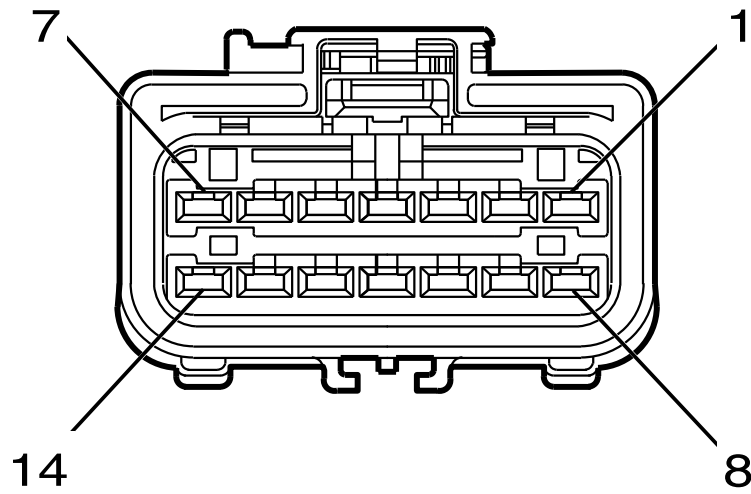
- Harness Type: Roof Rail Air Bag - Left
- OEM Connector: Not Available.
- Service Connector: Service by Harness
- Description: 2-Way M

Table 406 Terminal Part Information

Terminal Type ID	Service Terminal	Diagnostic Test Probe
I	Not Available	J-35616-16 (LT GN)
II	Not Available	J-35616-17 (LT GN)

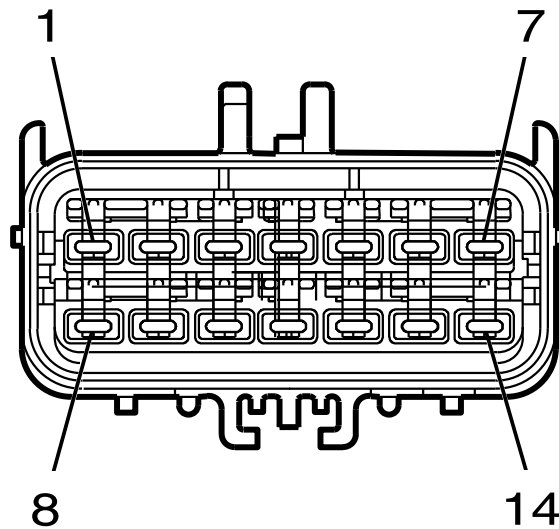
Table 407 X390 Body Harness to Roof Rail Air Bag - Right Harness

Male						Function	Female					
Pin	Size	Color	Circuit	Terminal Type ID	Option		Pin	Size	Color	Circuit	Terminal Type ID	Option
1	0.35	OG / GY	5021	I	—	Right Front Head Curtain Module High Control	1	0.35	OG / L-GN	5021	II	—
2	0.35	WH / OG	5022	I	—	Right Front Head Curtain Module Low Control	2	0.35	VT / OG	5022	II	—



Connector Part Information

- Harness Type: Chassis Rear Left
- OEM Connector: 3573078C1
- Description: 14-pin F 2.8 APEX Series, Sealed (BK)



Connector Part Information

- Harness Type: Chassis
- Service Connector: 3618231C1
- Description: 14-pin M 2.8 APEX Series, Sealed (BK)

Table 410 Terminal Part Information

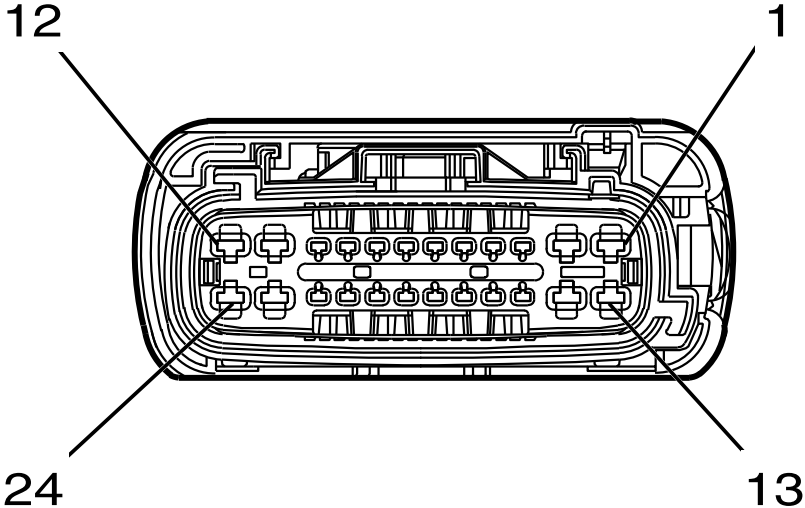
Terminal Type ID	Service Terminal	Diagnostic Test Probe
I	Not Available	J-35616-4A (PU)
II	3618273C1	J-35616-4A (PU)

Table 411 X401 Chassis Rear Left Harness to Chassis Harness

Male					Function	Female				
Pin	Size	Color	Circuit	Terminal Type ID		Pin	Size	Color	Circuit	Terminal Type ID
1	2	GN / WH	24	I	Backup Lamp Control	1	2	GN / WH	24	II
2	2	YE / BU	18	I	Left Rear Stop / Turn Lamp Control	2	1	YE / BU	18	II

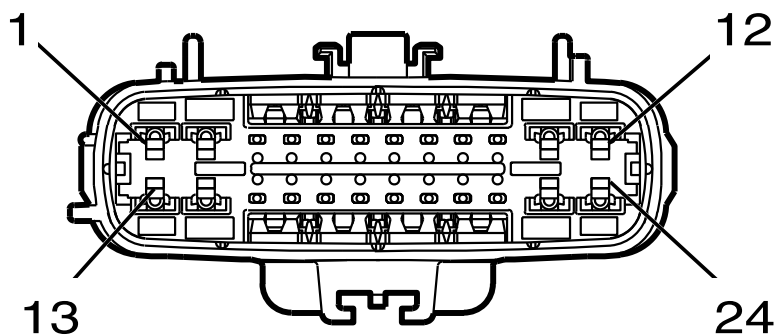
Table 411 X401 Chassis Rear Left Harness to Chassis Harness (cont.)

Male					Function	Female				
Pin	Size	Color	Circuit	Terminal Type ID		Pin	Size	Color	Circuit	Terminal Type ID
3	2	VT / GY	709	I	Left Park Lamp Control	3	2	VT / GY	709	II
4	1	GY / BK	7127	I	Wheel Speed Sensor Control Left Rear	4	0.75	GY / BK	7127	II
5	1	BU	884	I	Wheel Speed Sensor Signal Left Rear	5	0.75	BU	884	II
6	2.5	RD / VT	1242	I	Battery Positive Voltage	6	2	RD / YE	1242	II
7	2.5	WH / GN	1624	I	Trailer Backup Lamp Control	7	2	WH / GN	1624	II
8	2.5	BU	47	I	Trailer Auxiliary Control	8	1.5	BU	47	II
					Trailer Auxiliary Control		3	BU	47	II
9	2.5	GN / BN	319	I	Right Rear Trailer Stop / Turn Lamp Control	9	2	GN / BN	319	II
10	2.5	GY / BN	2109	I	Trailer Park Lamp Control	10	5	GY / BN	2109	II
11	2.5	YE / BU	318	I	Left Rear Trailer Stop / Turn Lamp Control	11	1.5	YE / BU	318	II
12-14	—	—	—	—	Not Occupied	12-14	—	—	—	—



Connector Part Information

- Harness Type: Chassis Rear Right
- Service Connector: 3857801C1
- Description: 24-pin F 1.5, 2.8 APEX Series, Sealed (BK)

**Connector Part Information**

- Harness Type: Chassis
- Service Connector: 3920649C1
- Description: 24-pin M 1.5, 2.8 APEX Series, Sealed (BK)

Table 414 Terminal Part Information

Terminal Type ID	Service Terminal	Diagnostic Test Probe
I	Not Available	J-35616-2A (GY)
II	Not Available	J-35616-4A (PU)

Table 415 X402 Chassis Rear Right Harness to Chassis Harness

Male						Female						
Pin	Size	Color	Circuit	Terminal Type ID	Option	Function	Pin	Size	Color	Circuit	Terminal Type ID	Option
1	—	—	—	—	—	Not Occupied	1	—	—	—	—	—
2	2	BN / GN	19	I	—	Right Rear Stop / Turn Lamp Control	2	1	BN / GN	19	II	—
3	—	—	—	—	—	Not Occupied	3	—	—	—	—	—
4	0.75	WH / GN	1624	I	—	Trailer Backup Lamp Control	4	1.5	GN / WH	24	II	—
5	0.75	WH / BU	7128	I	—	Wheel Speed Sensor Control Right Rear	5	0.75	WH / BU	7128	II	—
6	1	VT	882	I	—	Wheel Speed Sensor Signal Right Rear	6	0.75	VT	882	II	—
7	—	—	—	—	—	Not Occupied	7	—	—	—	—	—
8	0.5	BU / VT	1589	I	—	Primary Fuel Level Sensor Signal	8	0.5	VT	1589	II	—
	0.5	BU / WH	1937	I	—	Secondary Fuel Level Sensor Signal		0.5	BU	1937	II	—
9	0.5	BK / GN	6281	I	—	Fuel Level Sensor Low Reference	9	0.5	BN / WH	6281	II	—
						Fuel Level Sensor Low Reference		0.5	BK / GN	6281	II	—

Table 415 X402 Chassis Rear Right Harness to Chassis Harness (cont.)

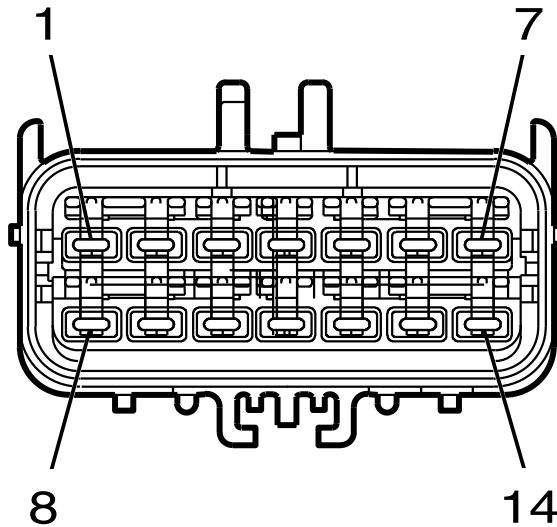
Male						Function	Female					
Pin	Size	Color	Circuit	Terminal Type ID	Option		Pin	Size	Color	Circuit	Terminal Type ID	Option
10	0.75	WH / VT	1430	I	—	Exterior Courtesy Lamp Control	10	0.75	GN / VT	1430	II	—
11	1.5	GY	120	I	—	Fuel Pump Control	11	1.5	GY	120	II	—
12	1.5	YE / GY	4137	I	—	Fuel Pump Supply Voltage Phase 2	12	1.5	YE / GY	4137	II	—
13	1.5	WH / BN	4138	I	—	Fuel Pump Supply Voltage Phase 3	13	1.5	WH / BN	4138	II	—
14	2	GN / WH	24	I	—	Backup Lamp Control	14	2	GN / WH	24	II	—
15	0.75	GY / YE	6972	I	—	Camera Signal 2 (+)	15	0.75	GY / YE	6972	II	—
16	0.5	BK	6974	I	—	Camera Low Reference	16	0.75	WH	6974	II	—
17	0.75	WH / BU	6973	I	—	Camera Signal 2	17	0.75	WH / BU	6973	II	—
18	0.75	VT / GN	1739	I	—	Run / Crank Ignition 1 Voltage	18	0.5	PK	1739	II	—
19	0.5	BK	7444	I	—	Fuel System Control Module Shield Ground	19	0.5	BK	7444	II	—
20	—	—	—	I	—	Ground	20	0.5	BK	2550	II	—
21-22	—	—	—	—	—	Not Occupied	21-22	—	—	—	—	—

Table 415 X402 Chassis Rear Right Harness to Chassis Harness (cont.)

Male						Function	Female					
Pin	Size	Color	Circuit	Terminal Type ID	Option		Pin	Size	Color	Circuit	Terminal Type ID	Option
23	2	GY / BN	309	I	—	Right Park Lamp Control	23	2	GY / BN	309	II	—
24	1.5	BK	2150	I	—	Ground	24	2	BK	2150	II	—

Connector Part Information

- Harness Type: Body Builder Connection
- Service Connector: Not Available
- Description: 14-Way F



Connector Part Information

- Harness Type: Chassis
- Service Connector: 3618231C1
- Description: 14-Way M 2.8 APEX Series, Sealed (BK)

Table 418 Terminal Part Information

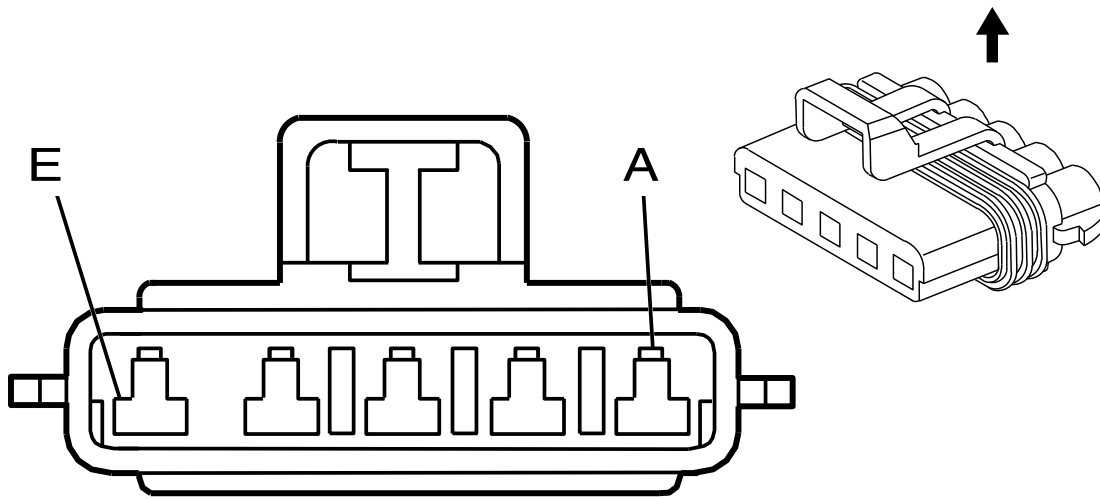
Terminal Type ID	Service Terminal	Diagnostic Test Probe
I	Not Available	Not Available
II	Not Available	J-35616-4A (PU)

Table 419 X405 Chassis Harness to Body Builder Connection Harness (Feature Code: 0008HXV)

Male							Female						
Pin	Size	Color	Circuit	Terminal Type ID	Option	Function	Pin	Size	Color	Circuit	Terminal Type ID	Option	
1	3	BK	618-G	I	—	Ground	1	3	BK	618-G	II	—	
2	2	GN / WH	24	I	—	Backup Lamp Control	2	2	GN / WH	24	II	—	

**Table 419 X405 Chassis Harness to Body Builder Connection Harness (Feature Code: 0008HXV)
(cont.)**

Male							Female					
Pin	Size	Color	Circuit	Terminal Type ID	Option	Function	Pin	Size	Color	Circuit	Terminal Type ID	Option
3	2	YE / BN	618	I	—	Left Rear Turn Signal Lamp Control	3	2	YE / BN	618	II	—
4	1	GN / VT	619	I	—	Right Rear Turn Signal Lamp Control	4	1	GN / VT	619	II	—
5	0.75	VT / GY	1054	I	—	Stop Lamp Control	5	0.75	VT / GY	1054	II	—
6-7	—	—	—	—	—	Not Occupied	6-7	—	—	—	—	—
8	2	VT / GY	709	I	—	Left Park Lamp Control	8	2	VT / GY	709	II	—
9	2	GY / BN	309	I	—	Right Park Lamp Control	9	2	GY / BN	309	II	—
10-11	—	—	—	—	—	Not Occupied	10-11	—	—	—	—	—
12	1	YE / BU	18	I	—	Left Rear Stop / Turn Lamp Control	12	1	YE / BU	18	II	—
	2	YE / BU	18	I	—	Left Rear Stop / Turn Lamp Control		2	YE / BU	18	II	—
13	1	BN / GN	19	I	—	Right Rear Stop / Turn Lamp Control	13	1	BN / GN	19	II	—
14	2	RD / YE	1142	I	—	Battery Positive Voltage	14	2	RD / YE	1142	II	—
	Battery Positive Voltage					3		—				



Connector Part Information

- Harness Type: Chassis Rear Left
- Service Connector: 1661375C2
- Description: 4-pin F 280 Metri-Pack Series, Sealed

Connector Part Information

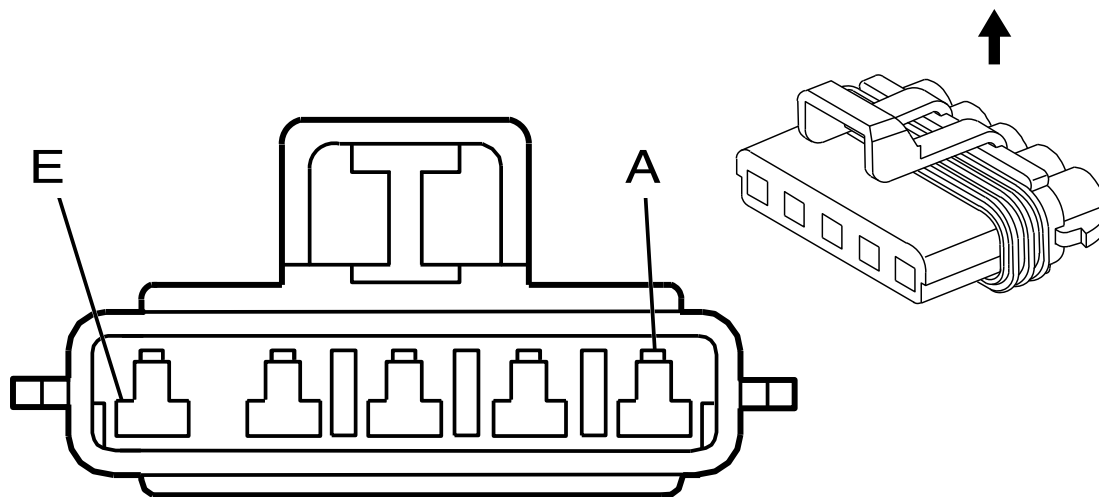
- Harness Type: Left Outside Stop, Tail and Turn Lamp
- Service Connector: Service by Harness
- Description: 4-pin M

Table 422 Terminal Part Information

Terminal Type ID	Service Terminal
I	2033816C1
II	Not Available

Table 423 X410 Chassis Rear Left Harness to Tail Lamp Assembly - Left Harness

Male							Female					
Pin	Size	Color	Circuit	Terminal Type ID	Option	Function	Pin	Size	Color	Circuit	Terminal Type ID	Option
A	2	GN / WH	24	I	—	Backup Lamp Control	A	2	GN / WH	24	II	—
B	2	YE / BU	18	I	—	Left Rear Stop / Turn Lamp Control	B	2	YE / BU	18	II	—
C	—	—	—	—	—	Not Occupied	C	—	—	—	—	—
D	2	VT / GY	709	I	—	Left Park Lamp Control	D	2	VT / GY	709	II	—
E	3	BK	10	I	—	Headlight Switch Signal	E	3	BK	10	II	—



Connector Part Information

- Harness Type: Chassis Rear Right
- Service Connector: 1661375C2
- Description: 4-pin F 280 Metri-Pack Series, Sealed

Connector Part Information

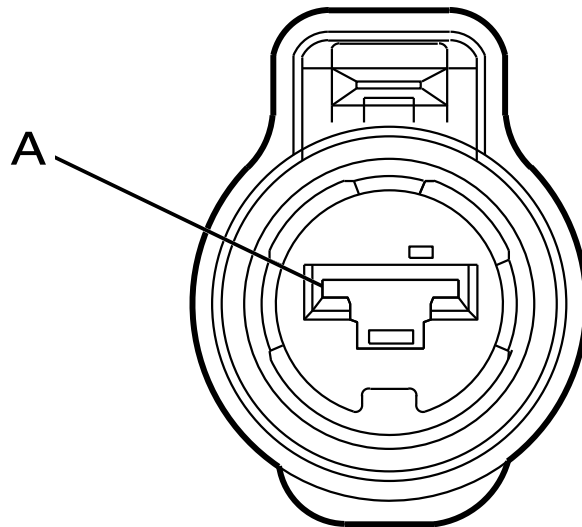
- Harness Type: Right Outside Stop, Tail and Turn Lamp
- Service Connector: Service by Harness
- Description: 4-pin M

Table 426 Terminal Part Information

Terminal Type ID	Service Terminal
I	2033816C1
II	Not Available

Table 427 X420 Chassis Rear Right Harness to Tail Lamp Assembly - Right Harness

Male							Female					
Pin	Size	Color	Circuit	Terminal Type ID	Option	Function	Pin	Size	Color	Circuit	Terminal Type ID	Option
A	2	GN / WH	24	I	—	Backup Lamp Control	A	2	GN / WH	24	II	—
B	2	GY / BN	309	I	—	Right Park Lamp Control	B	2	GY / BN	309	II	—
C	2	BN / GN	19	I	—	Right Rear Stop / Turn Lamp Control	C	2	BN / GN	19	II	—
D	2	GY / BN	309	I	—	Right Park Lamp Control	D	2	GY / BN	309	II	—
E	3	BK	10	I	—	Headlight Switch Signal	E	3	BK	10	II	—



Connector Part Information

- Harness Type: Chassis
- Service Connector: 3537133C1
- Description: 1-Way F 312 Series, Sealed (GY)

Connector Part Information

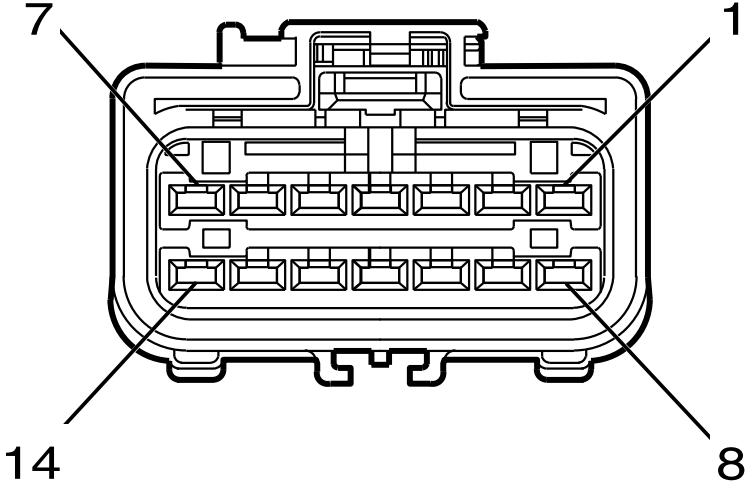
- Harness Type: Battery Feed
- Service Connector: Service by Harness
- Description: 1-Way M

Table 430 Terminal Part Information

Terminal Type ID	Service Terminal	Diagnostic Test Probe
I	Not Available	J-35616-4A (PU)
II	Not Available	Not Available

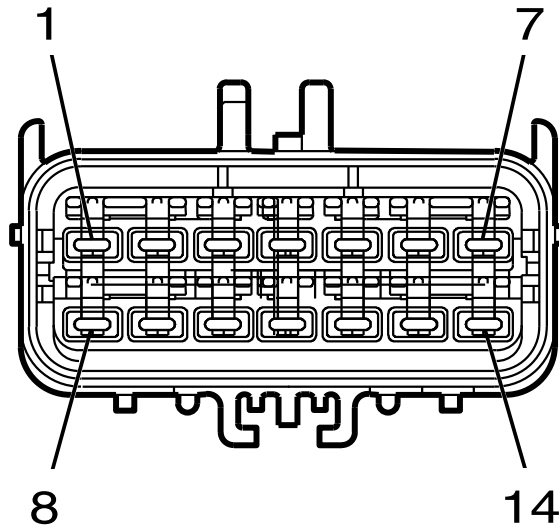
Table 431 X430 Chassis Harness to Battery Feed Harness (Feature Code: 0008MSD (0008VUV))

Male						Function	Female					
Pin	Size	Color	Circuit	Terminal Type ID	Option		Pin	Size	Color	Circuit	Terminal Type ID	Option
A	6	RD	90J	I	—	Battery Positive Voltage	A	6	RD	90J	II	—



Connector Part Information

- Harness Type: Chassis
- Service Connector: 3573078C1
- Description: 14-pin F 2.8 APEX Series, Sealed (BK)



Connector Part Information

- Harness Type: Chassis Rear Right
- Service Connector: 3618231C1
- Description: 14-pin M 2.8 APEX Series, Sealed (BK)

Table 434 Terminal Part Information

Terminal Type ID	Service Terminal	Diagnostic Test Probe
I	Not Available	J-35616-4A (PU)
II	Not Available	J-35616-4A (PU)

Table 435 X455 Chassis Harness to Chassis Rear Right Harness (Feature Code: 0008HXU)

Male						Function	Female					
Pin	Size	Color	Circuit	Terminal Type ID	Option		Pin	Size	Color	Circuit	Terminal Type ID	Option
1	—	—	—	—	—	Not Occupied	1	—	—	—	—	—
2	2	GN / WH	24	I	—	Backup Lamp Control	2	2	GN / WH	24	II	—

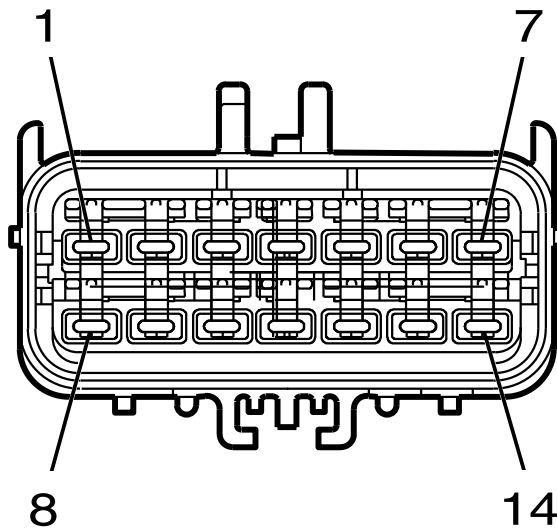
ELECTRICAL CIRCUIT DIAGRAM MANUAL

Table 435 X455 Chassis Harness to Chassis Rear Right Harness (Feature Code: 0008HXU) (cont.)

Male						Function	Female					
Pin	Size	Color	Circuit	Terminal Type ID	Option		Pin	Size	Color	Circuit	Terminal Type ID	Option
3	2	YE / BN	618	I	—	Left Rear Turn Signal Lamp Control	3	2	YE / BN	618	II	—
4	1	GN / VT	619	I	—	Right Rear Turn Signal Lamp Control	4	2	GN / VT	619	II	—
5	0.75	VT / GY	1054	I	—	Stop Lamp Control	5	2	VT / GY	1054	II	—
	1	VT / GY	1054	I	—	Stop Lamp Control						
6	—	—	—	—	—	Left Park Lamp Control	6	2	VT/GY	709	III	—
7	—	—	—	—	—	Left Park Lamp Control	7	—	—	—	—	—
8	2	VT / GY	709	I	—	Left Park Lamp Control	8	2	VT / GY	709	II	—
9	2	GY / BN	309	I	—	Right Park Lamp Control	9	2	GY / BN	309	II	—
10-11	—	—	—	—	—	Not Occupied	10-11	—	—	—	—	—
12	1	YE / BU	YE / BU	I	—	Left Rear Stop / Turn Lamp Control	12	2	YE / BU	18	II	—
13	1	BN / GN	19	I	—	Right Rear Stop / Turn Lamp Control	13	2	BN / GN	19	II	—
14	5	RD / GN	1142	I	—	Battery Positive Voltage	14	2	RD / YE	1142	II	—

Connector Part Information

- Harness Type: Body Builder Connection
- Service Connector: Service by Harness
- Description: 14-Way F



Connector Part Information

- Harness Type: Chassis Rear Right
- Service Connector: 3618231C1
- Description: 14-pin M 2.8 APEX Series, Sealed (BK)

Table 438 Terminal Part Information

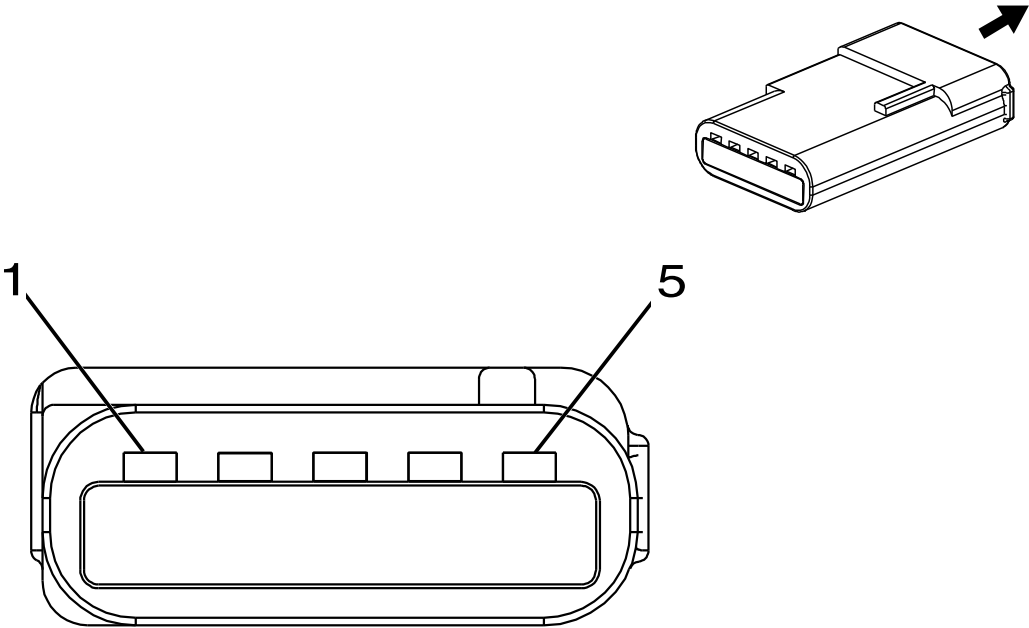
Terminal Type ID	Service Terminal	Diagnostic Test Probe
I	Not Available	Not Available
II	Not Available	Not Available

Table 439 X495 Body Builder Connection Harness to Chassis Rear Right Harness (Feature Code: 0008HXU)

Male					Function	Female				
Pin	Size	Color	Circuit	Terminal Type ID		Pin	Size	Color	Circuit	Terminal Type ID
1	—	—	—	I	Ground	1	1.5	BK	10-G	II
2	2	GN / WH	—	I	Backup Lamp Control	2	2	GN / WH	24	II

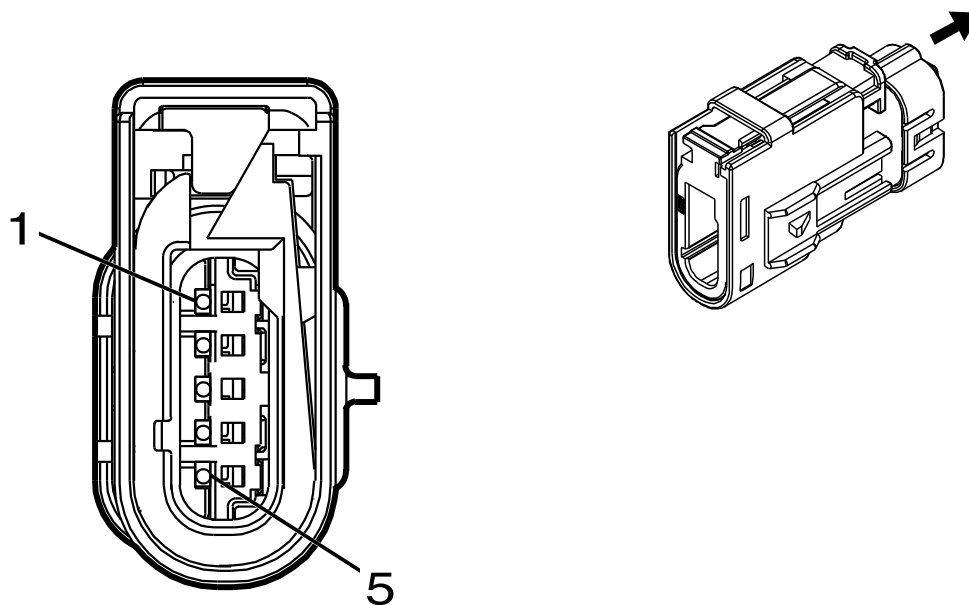
Table 439 X495 Body Builder Connection Harness to Chassis Rear Right Harness (Feature Code: 0008HXU) (cont.)

Male					Function	Female				
Pin	Size	Color	Circuit	Terminal Type ID		Pin	Size	Color	Circuit	Terminal Type ID
3	2	YE / BN	—	I	Left Rear Turn Signal Lamp Control	3	2	YE / BN	618	II
4	2	GN / VT	—	I	Right Rear Turn Signal Lamp Control	4	2	GN / VT	619	II
5	2	VT / GY	—	I	Stop Lamp Control	5	2	VT / GY	1054	II
6	2	VT / GY	—	I	Left Park Lamp Control	6	2	VT / GY	709	II
7	—	—	—	—	Not Occupied	7	—	—	—	—
8	2	VT / GY	I	II	Left Park Lamp Control	8	2	VT / GY	709	II
9	2	GY / BN	—	I	Right Park Lamp Control	9	2	GY / BN	309	II
10-11	—	—	—	—	Not Occupied	10-11	—	—	—	—
12	2	YE / BU	—	I	Left Rear Stop / Turn Lamp Control	12	2	YE / BU	218	II
13	2	BN / GN	—	I	Right Rear Stop / Turn Lamp Control	13	2	BN / GN	319	II
14	2	RD / YE	—	I	Battery Positive Voltage	14	2	RD / YE	1142	II



Connector Part Information

- Harness Type: Rearview Camera Jumper
- Service Connector: Service by Harness
- Description: 5-pin F 1.2 Series, Sealed (GY)



Connector Part Information

- Harness Type: Chassis Rear Right
- Service Connector: 4102336C1
- Description: 5-pin M 1.2 Series, Sealed (BK)

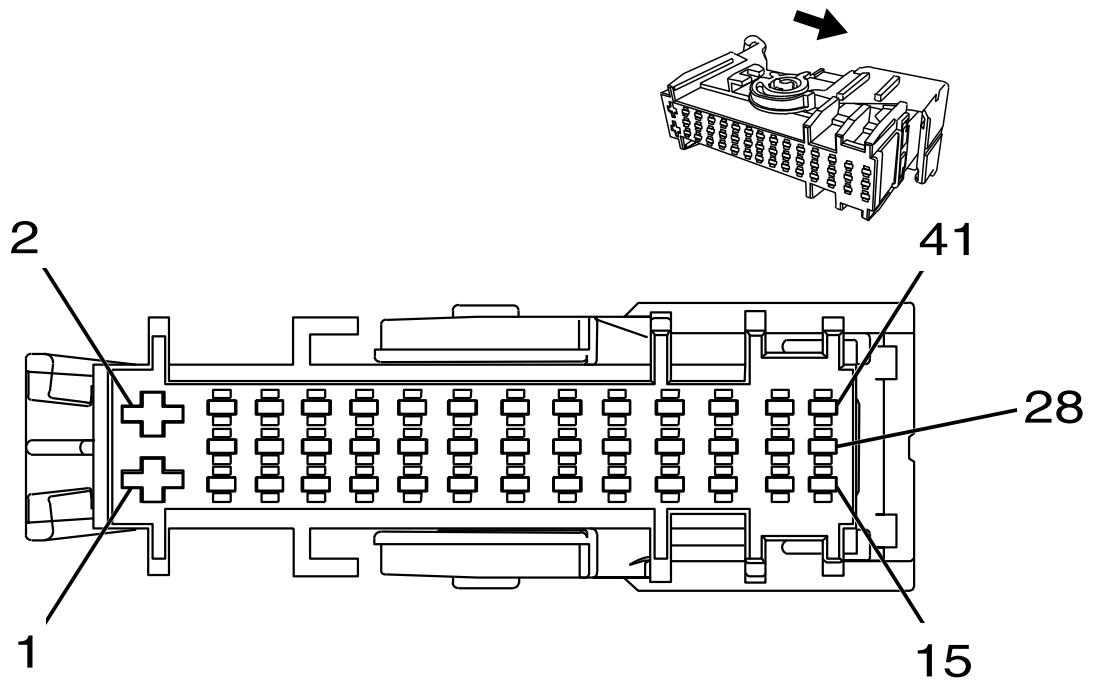
Table 442 Terminal Part Information

Terminal Type ID	Service Terminal	Diagnostic Test Probe
I	Not Available	J-35616-16 (LT GN)
II	4102338C1	J-35616-2A (GY)

ELECTRICAL CIRCUIT DIAGRAM MANUAL

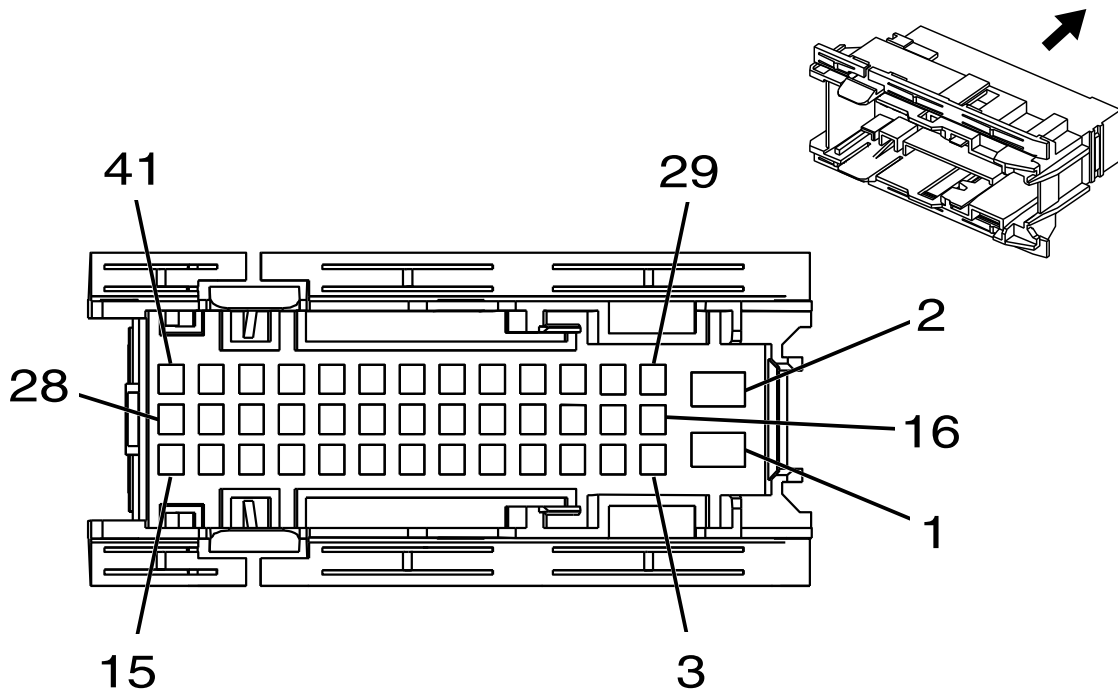
Table 443 X499 Rearview Camera Jumper Harness to Chassis Rear Right Harness (Feature Code: 0008RNY)

Male					Function	Female				
Pin	Size	Color	Circuit	Terminal Type ID		Pin	Size	Color	Circuit	Terminal Type ID
1	0.75	GY / YE	6972	I	Rearview Camera Signal 2 (+)	1	0.75	GY / YE	6972	II
2	0.75	WH / BU	6973	I	Rearview Camera Signal 2	2	0.75	WH / BU	6973	II
3	0.5	WH	6974	I	Rearview Camera Low Reference	3	0.5	BK	6974	II
4	0.75	BK	2550	I	Ground 25	4	0.75	BK	2550	II
5	0.75	VT / GN	1739	I	Run / Crank Ignition 1 Voltage	5	0.75	VT / GN	1739	II



Connector Part Information

- Harness Type: Driver Door
- Service Connector: Service by Harness
- Description: 41-pin F 4.8 Timer, 1.5 DSQ Series



Connector Part Information

- Harness Type: Body
- Service Connector: 6040220C1
- Description: 41-pin M 1.5, 2.8 Series (GY)

Table 446 Terminal Part Information

Terminal Type ID	Service Terminal	Diagnostic Test Probe
I	6042024C1 0.35-0.5mm	J-35616-14 (GN)
	6042025C1 1mm	
II	6042002C1 2.5mm	J-35616-42 (RD)
	6042015C1 3mm	
III	6041852C1	J-35616-34 (YE)
IV	6042026C1	J-35616-34 (YE)
V	6041981C1	J-35616-32 (OR)
VI	6042027C1	J-35616-3 (GY)
VII	6042027C1	J-35616-3 (GY)
VIII	6041981C1	J-35616-32 (OR)

Table 447 X500 Driver Door Harness to Body Harness

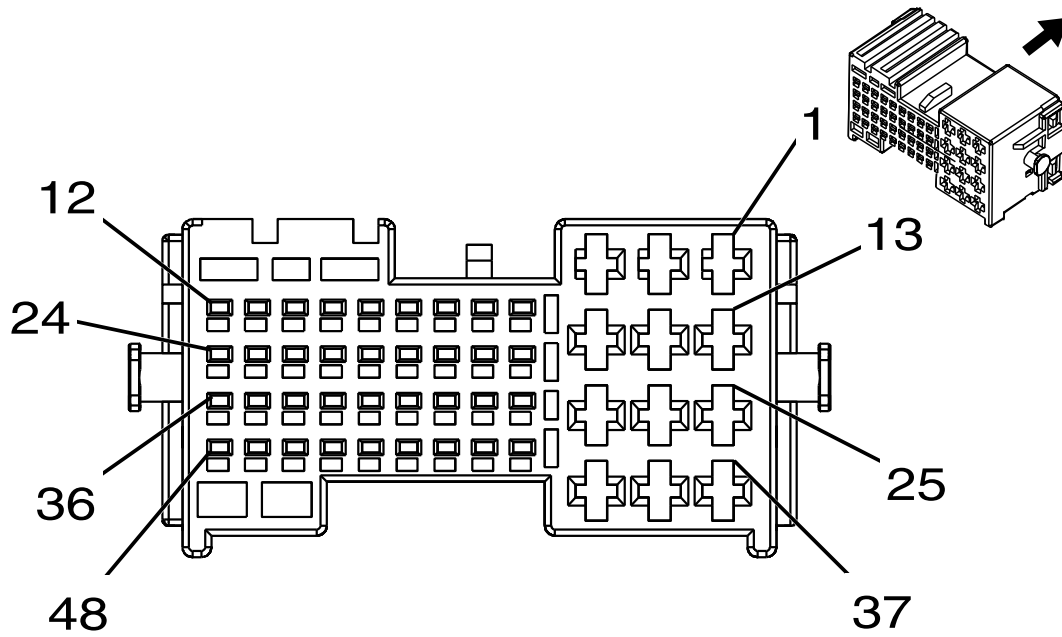
Male					Function	Female				
Pin	Size	Color	Circuit	Terminal Type ID		Pin	Size	Color	Circuit	Terminal Type ID
1	2.5	RD / D-BU	1842	II	Battery Positive Voltage	1	2.5	RD / D-BU	1842	V
2	3	BK	1150	II	Ground	2	4	BK	1150	VIII
3	3	GY / WH	5996	I	Driver Outside Rear View Mirror Puddle Lamp Control	3	—	—	—	—
4	0.5	WH	3398	I	Passenger Mirror Motor Common Control	4	0.5	WH	3398	VI
5	0.3	YE / BK	1690	I	Automatic Day / Night Mirror Signal	5	—	—	—	—
6	0.35	BK / YE	1691	I	Automatic Day / Night Mirror Low Reference	6	—	—	—	—
7	0.35	D-BU / L-GN	614	I	Memory Seat Switch Set Signal	7	0.5	WH / L-GN	3412	VI
8	0.35	WH	615	I	Memory Seat Switch Signal 1	8	0.5	GY / WH	3411	VI
9	0.5	WH / VT	1430	I	Exterior Courtesy Lamp Control	9	0.5	WH / VT	1430	VI
10	1	D-BU	201	I	Left Front Speaker Control (+) 1	10	0.75	D-BU	201	VII
11	0.5	VT / GY	709	I	Left Park Lamp Control	11	0.5	VT / GY	709	VI
12	0.35	GY	745	I	Left Front Door Ajar Switch Signal	12	0.35	GY	745	IV
13	0.35	WH / VT	3270	I	Driver Door Lock Motor Status Signal	13	0.35	WH / VT	3270	IV

Table 447 X500 Driver Door Harness to Body Harness (cont.)

Male					Function	Female				
Pin	Size	Color	Circuit	Terminal Type ID		Pin	Size	Color	Circuit	Terminal Type ID
14	0.5	OG / L-GN	2132	I	Left Front Side Impact Sensing Module Signal	14	0.35	OG / L-GN	2132	IV
15	0.5	BK / OG	6628	I	Left Front Side Impact Sensing Module Low Reference	15	0.35	BK / OG	6628	IV
16	0.35	WH	6816	I	Indicator Dimming Control	16	0.5	WH	6816	VI
17	0.35	BN / WH	781	I	Driver Door Lock Switch Unlock Signal	17	0.35	BN / WH	781	IV
18	0.35	BN / YE	780	I	Driver Door Lock Switch Lock Signal	18	0.35	BN / YE	780	IV
19	0.75	BN / BK	294	I	Door Lock Actuator Unlock Control	19	0.75	BN / YE	294	VII
20	0.75	GY	5911	I	Door Lock Actuator Lock Control 2	20	0.75	GY	5911	VII
21	0.35	BK / D-BU	5978	I	Memory Switch Low Reference	22	—	—	—	—
22	—	—	—	—	Not Occupied	22	—	—	—	—
23	1	BN / D-BU	118	I	Left Front Speaker Signal (-) 1	23	0.75	BN / D-BU	118	VII
24-25	—	—	—	—	Not Occupied	24-25	—	—	—	—
26	0.35	D-BU / VT	1124	I	Door Lock Key Switch Unlock Signal	26	0.35	D-BU / VT	1124	IV
27-28	—	—	—	—	Not Occupied	27-28	—	—	—	—
29	0.35	YE	6817	I	LED Backlight Dimming Control	29	0.35	YE	6817	IV

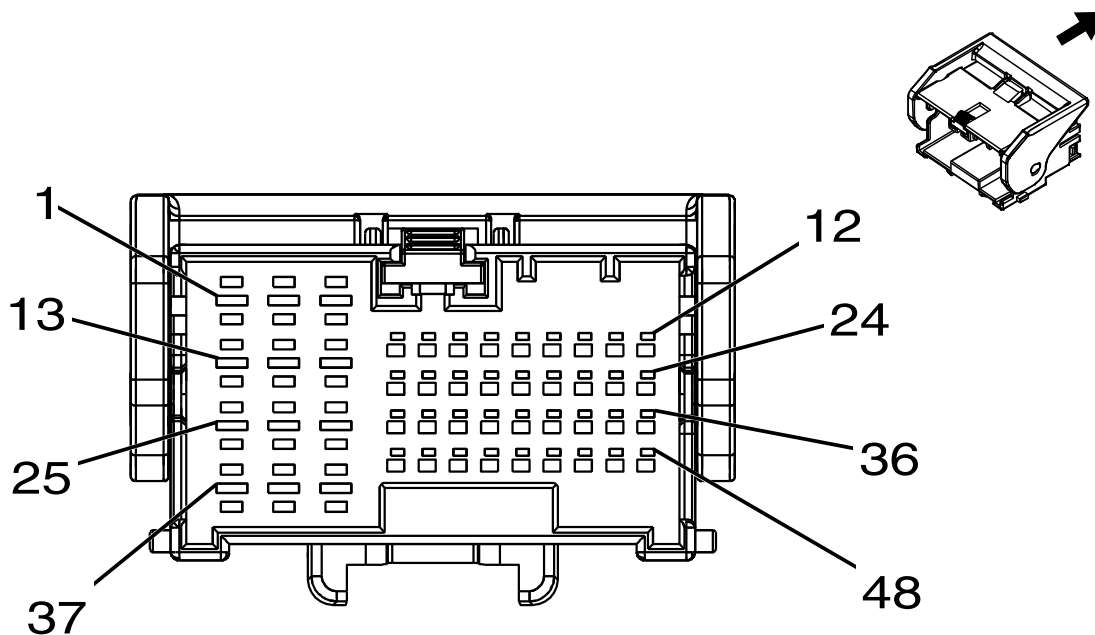
Table 447 X500 Driver Door Harness to Body Harness (cont.)

Male					Function	Female				
Pin	Size	Color	Circuit	Terminal Type ID		Pin	Size	Color	Circuit	Terminal Type ID
30	0.35	WH / YE	7557	I	LED Ambient Lighting Control 1	30	0.35	WH / YE	7557	IV
31	0.5	BN / OG	2267	I	Mirror Heating Element Control	31	0.5	BN / YE	2267	VI
32	0.35	GY	5697	I	Child Lockout Indicator Control	32	0.35	GY	5697	IV
33	0.5	L-GN / YE	6134	I	Local Interconnect Network Serial Data Bus 3	33	0.5	L-GN / YE	6134	III
34	0.5	L-GN / WH	7530	I	Local Interconnect Network Serial Data Bus 8	34	—	—	—	—
35	0.35	BN / RD	3265	I	Child Security Lock Switch Signal	35	0.35	YE / BN	3265	IV
36	0.5	L-GN / BK	3396	I	Passenger Mirror Motor Right (+) Left (-) Control	36	0.5	L-GN / BK	3396	VI
37	—	—	—	—	Not Occupied	37	—	—	—	—
38	0.5	YE / VT	3397	I	Passenger Mirror Motor Up (+) Down (-) Control	38	0.5	YE / VT	3397	VI
39	—	—	—	—	Door Double Lock Actuator Lock Control	39	0.75	BN	5910	VII
40	0.5	RD / VT	1940	I	Battery Positive Voltage	40	0.5	RD / VT	1940	VI
41	0.5	D-BU / WH	1314	I	Left Front Turn Signal Lamp Control	41	0.75	D-BU / WH	1314	VII



Connector Part Information

- Harness Type: Driver Door
- Service Connector: Service by Harness
- Description: 48-pin F 1.2 MCON, 2.8 MCP Series (BK)



Connector Part Information

- Harness Type: Driver Door Trim
- Service Connector: Service by Harness
- Description: 48-pin M 1.2 MCON, 2.8 MCP Series (BK)

Table 450 Terminal Part Information

Terminal Type ID	Service Terminal	Diagnostic Test Probe
I	6041993C1, 6041994C1	J-35616-16 (LT GN)
II	6042018C1, 6042028C1	J-35616-4A (PU)
III	6041995C1, 6041959C1	J-35616-17 (LT GN)
IV	6042006C1, 6042014C1	J-35616-5 (PU)

Table 451 X505 Driver Door Harness to Driver Door Trim Harness (Feature Code: 0016WAK)

Male						Female				
Pin	Size	Color	Circuit	Terminal Type ID	Function	Pin	Size	Color	Circuit	Terminal Type ID
1	0.35	YE	6817	II	LED Backlight Dimming Control	1	0.35	YE	6817	IV
2	0.35	WH / YE	7557	II	LED Ambient Lighting Control 1	2	0.35	WH / YE	7557	IV
3	0.35	WH	6816	II	Indicator Dimming Control	3	0.35	WH	6816	IV
4	—	—	—	—	Not Occupied	4	—	—	—	—
5	0.5	BN / BK	3389	I	Driver Mirror Motor Right (+) Left (-) Control	5	0.75	BN / BK	3389	III
6	0.5	VT / D-BU	3390	I	Driver Mirror Motor Up (+) Down (-) Control	6	0.75	VT / D-BU	3390	III
7	0.5	YE / BN	3391	I	Driver Mirror Motor Common Control	7	0.75	YE / BN	3391	III
8	0.5	GY / WH	3411	I	Driver Mirror Motor Fold Out Control	8	0.75	GY / WH	3411	III
9	0.5	WH / L-GN	3412	I	Driver Mirror Motor Fold In Control	9	0.75	WH / L-GN	3412	III
10	0.35	GY / BN	3394	I	Driver Mirror Position Sensor Up (+) Down (-) Signal	10	0.35	GY / BN	3394	III
11	0.5	BN / BK	3389	I	Driver Mirror Motor Right (+) Left (-) Control	11	0.75	BN / BK	3389	III
12	0.35	VT / RD	3392	I	Driver Mirror Position Sensor 5 volt Reference	12	0.35	VT / RD	3392	III

Table 451 X505 Driver Door Harness to Driver Door Trim Harness (Feature Code: 0016WAK) (cont.)

Male					Function	Female				
Pin	Size	Color	Circuit	Terminal Type ID		Pin	Size	Color	Circuit	Terminal Type ID
13	0.35	WH / YE	3395	II	Driver Mirror Position Sensor Left (-) Right (+) Signal	13	0.35	WH / YE	3395	IV
14	0.35	BK / BN	3393	II	Driver Mirror Position Sensor Low Reference	14	0.35	BK / BN	3393	IV
15-16	—	—	—	—	Not Occupied	15-16	—	—	—	—
17	0.5	BK	1150	I	Ground	17	0.35	BK	1150	III
18-21	—	—	—	—	Not Occupied	18-21	—	—	—	—
22	0.5	RD / VT	1940	I	Battery Positive Voltage	22	0.5	RD / VT	1940	III
23	0.75	BK	1150	I	Ground	23	0.75	BK	1150	III
24	—	—	—	—	Not Occupied	24	—	—	—	—
25	0.5	GY / WH	3411	II	Driver Mirror Motor Fold Out Control	25	0.75	GY / WH	3411	IV
26	0.5	WH / L-GN	3412	II	Driver Mirror Motor Fold In Control	26	0.75	WH / L-GN	3412	IV
27-28	—	—	—	—	Not Occupied	27-28	—	—	—	—
29	0.35	GY	1136	I	Power Window Master Switch Left Front Down Signal	29	0.35	GY	1136	III
30	0.35	L-GN / WH	1300	I	Power Window Master Switch Left Front Up Signal	30	0.35	L-GN / WH	1300	III
31	0.35	L-GN / VT	7628	I	Power Window Motor Left Front Express Control	31	0.35	L-GN / VT	7628	III

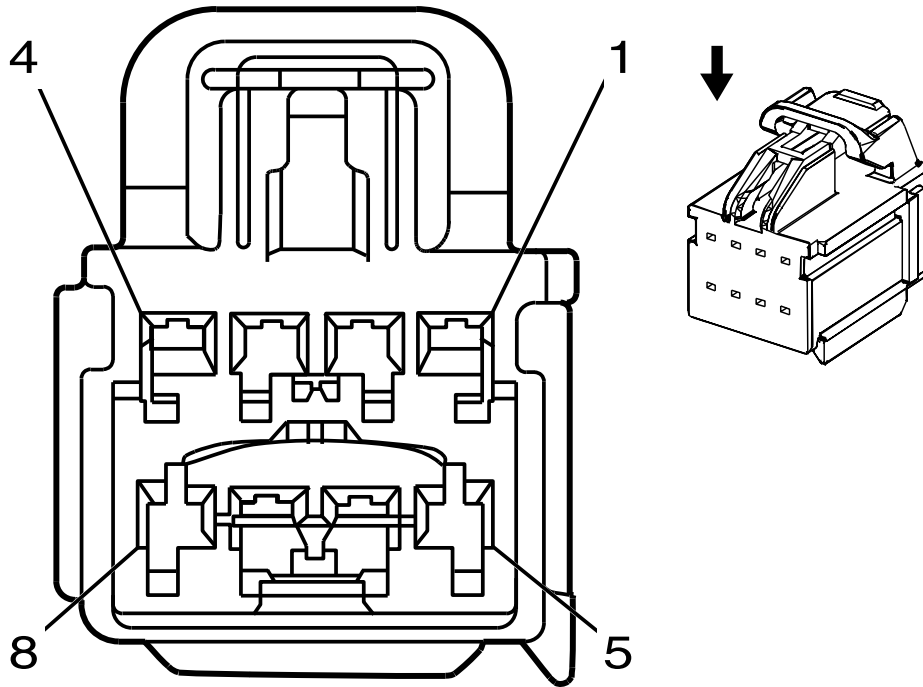
ELECTRICAL CIRCUIT DIAGRAM MANUAL

Table 451 X505 Driver Door Harness to Driver Door Trim Harness (Feature Code: 0016WAK) (cont.)

Male					Function	Female				
Pin	Size	Color	Circuit	Terminal Type ID		Pin	Size	Color	Circuit	Terminal Type ID
32	0.35	BK / D-BU	5978	I	Memory Switch Low Reference	32	0.35	BK / D-BU	5978	III
33	0.35	D-BU / L-GN	614	I	Memory Seat Switch Set Signal	33	0.35	D-BU / L-GN	614	III
34	0.35	WH	615	I	Memory Seat Switch Signal 1	34	0.35	WH	615	III
35	—	—	—	—	Not Occupied	35	—	—	—	—
36	0.5	L-GN / YE	6134	I	Local Interconnect Network Serial Data Bus 3	36	0.5	L-GN / YE	6134	III
37	0.5	L-GN / WH	7530	II	Local Interconnect Network Serial Data Bus 8	37	0.5	L-GN / WH	7530	IV
38-39	—	—	—	—	Not Occupied	38-39	—	—	—	—
40	0.35	BN / RD	3265	I	Child Security Lock Switch Signal	40	0.35	YE / BN	3265	III
41	0.35	WH / VT	3270	I	Driver Door Lock Motor Status Signal	41	0.35	WH / VT	3270	III
42	0.5	L-GN / BK	3396	I	Passenger Mirror Motor Right (+) Left (-) Control	42	0.75	L-GN / BK	3396	III
43	0.5	YE / VT	3397	I	Passenger Mirror Motor Up (+) Down (-) Control	43	0.75	YE / VT	3397	III
44	0.5	WH	3398	I	Passenger Mirror Motor Common Control	44	0.75	WH	3398	III
45	0.35	GY	5697	I	Child Lockout Indicator Control	45	0.35	GY	5697	III

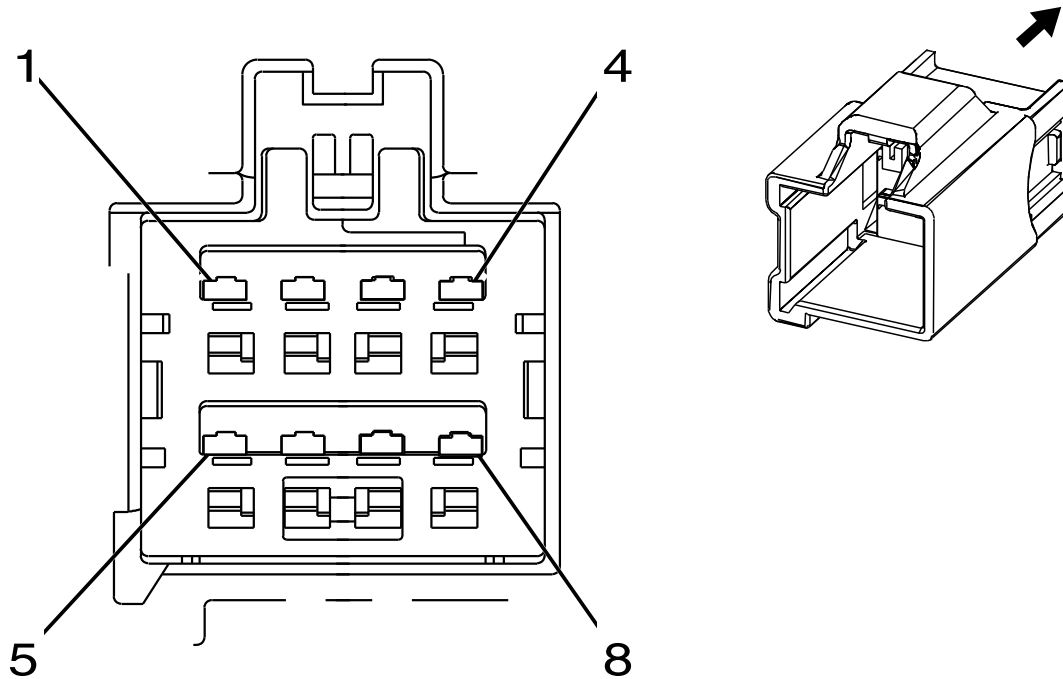
Table 451 X505 Driver Door Harness to Driver Door Trim Harness (Feature Code: 0016WAK) (cont.)

Male					Function	Female				
Pin	Size	Color	Circuit	Terminal Type ID		Pin	Size	Color	Circuit	Terminal Type ID
46	0.35	D-BU / VT	1124	I	Door Lock Key Switch Unlock Signal	46	0.35	D-BU / VT	1124	III
47	0.35	BN / WH	781	I	Driver Door Lock Switch Unlock Signal	47	0.35	BN / WH	781	III
48	0.35	BN / YE	780	I	Driver Door Lock Switch Lock Signal	48	0.35	BN / YE	780	III



Connector Part Information

- Harness Type: Driver Door Trim
- Service Connector: Service by Harness
- Description: 8-pin F 1.5 YESC Kaizen Series (L-GY)



Connector Part Information

- Harness Type: Driver Door
- Service Connector: Service by Harness
- Description: 8-pin M 1.5 YESC Kaizen Series (L-GY)

Table 454 Terminal Part Information

Terminal Type ID	Service Terminal	Diagnostic Test Probe
I	6041949C1	J-35616-14 (GN)
II	6041999C1	J-35616-3 (GY)

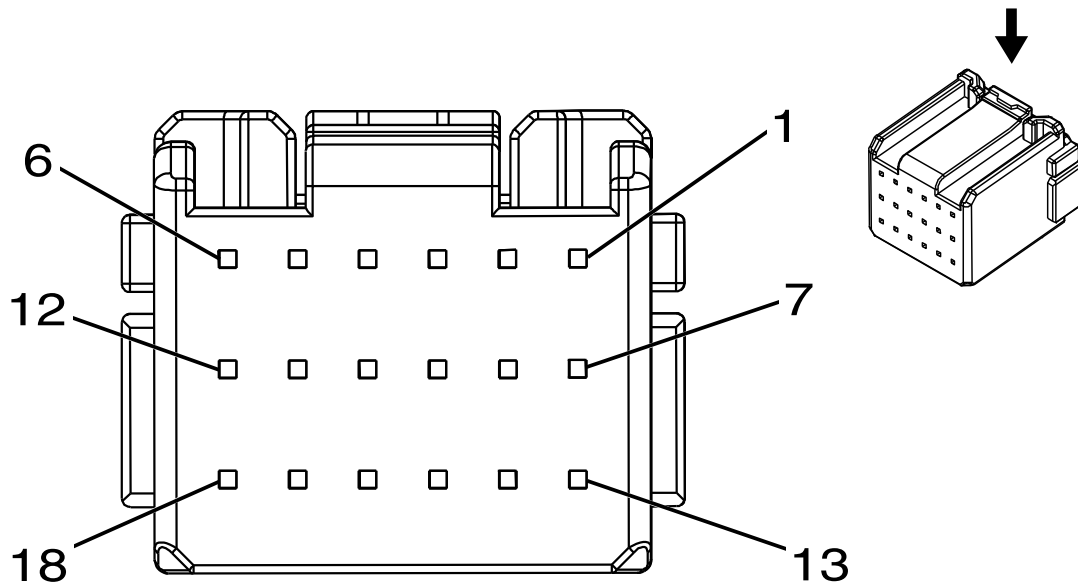
Table 455 X506 Driver Door Trim Harness to Driver Door Harness (-Feature Code: 0016WAK)

Male					Function	Female				
Pin	Size	Color	Circuit	Terminal Type ID		Pin	Size	Color	Circuit	Terminal Type ID
1-3	—	—	—	—	Not Occupied	1-3	—	—	—	—
4	0.35	BN / YE	780	I	Driver Door Lock Switch Lock Signal	4	0.35	BN / YE	780	II

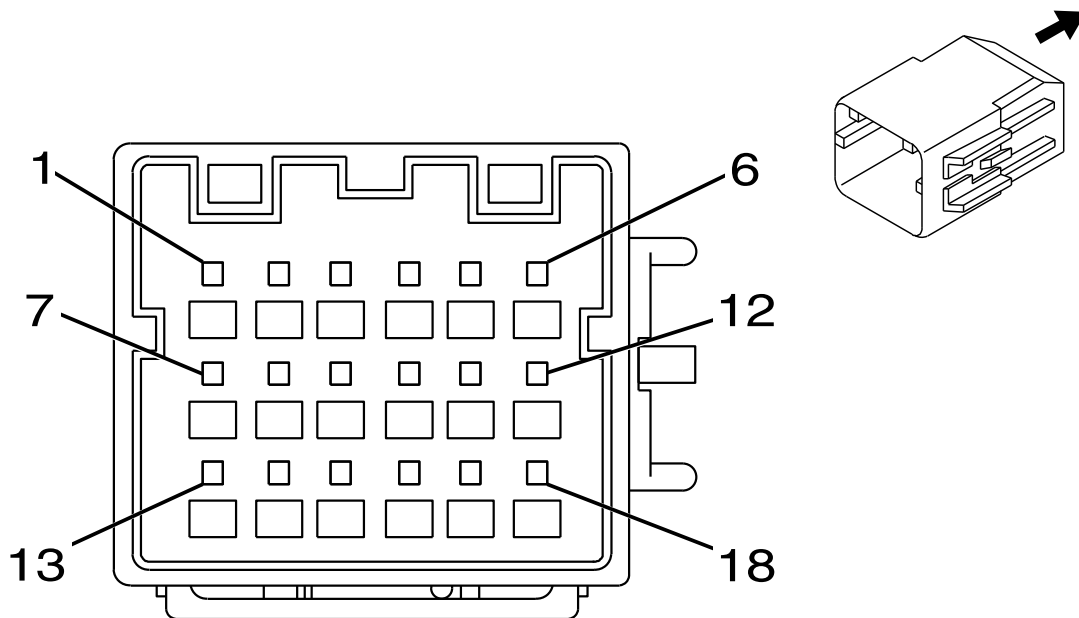
ELECTRICAL CIRCUIT DIAGRAM MANUAL

Table 455 X506 Driver Door Trim Harness to Driver Door Harness (-Feature Code: 0016WAK) (cont.)

Male					Function	Female				
Pin	Size	Color	Circuit	Terminal Type ID		Pin	Size	Color	Circuit	Terminal Type ID
5	0.35	BN / WH	781	I	Driver Door Lock Switch Unlock Signal	5	0.35	BN / WH	781	II
6	0.35	YE	6817	I	LED Backlight Dimming Control	6	0.35	YE	6817	II
7	0.35	BK	1150	I	Ground	7	0.5	BK	1150	II
8	—	—	—	—	Not Occupied	8	—	—	—	—

**Connector Part Information**

- Harness Type: Outside Rearview Mirror – Driver
- Service Connector: Service by Harness
- Description: 18-pin F



Connector Part Information

- Harness Type: Driver Door
- Service Connector: Service by Harness
- Description: 18-pin M 0.64 Series (BK)

Table 458 Terminal Part Information

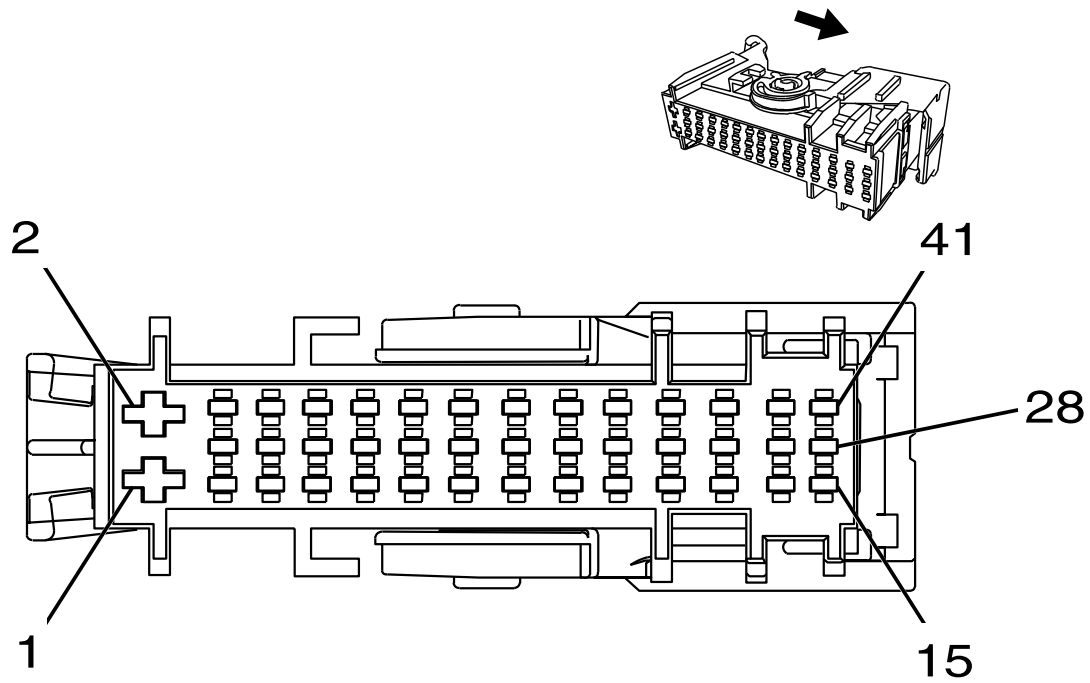
Terminal Type ID	Service Terminal	Diagnostic Test Probe
I	Not Available	J-35616-64B (LT BU)
II	6041996C1	J-35616-65B (LT BU)

Table 459 X510 Outside Rearview Mirror - Driver Harness to Driver Door Harness (Feature Code: 0016SPS)

Male					Function	Female				
Pin	Size	Color	Circuit	Terminal Type ID		Pin	Size	Color	Circuit	Terminal Type ID
1	0.5	OG	709	I	Left Park Lamp Control	1	0.5	VT / GY	709	II
2	0.5	YE	1430	I	Exterior Courtesy Lamp Control	2	0.5	WH / TV	1430	II

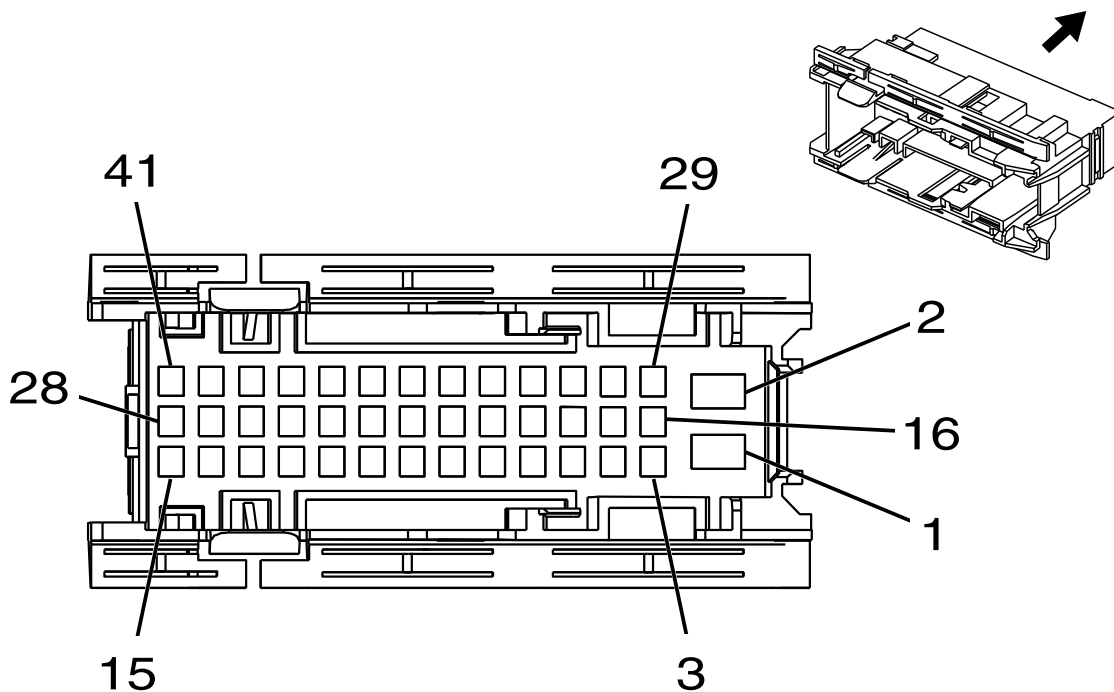
Table 459 X510 Outside Rearview Mirror - Driver Harness to Driver Door Harness (Feature Code: 0016SPS) (cont.)

Male					Function	Female				
Pin	Size	Color	Circuit	Terminal Type ID		Pin	Size	Color	Circuit	Terminal Type ID
3 – 4	—	—	—	I	Not Occupied	3 – 4	—	—	—	II
5	0.5	BK / WH	1150	I	Ground	5	0.5	BK	1150	II
6 – 7	—	—	—	—	Not Occupied	6	—	—	—	—
8	0.5	BN / OG	2267	I	Mirror Heating Element Control	8	0.5	BN / OG	2267	II
9	0.5	BU / WH	3390	I	Driver Mirror Motor Up (+) Down (-) Control	9	0.5	VT / D-BU	3390	II
10	0.5	BN / BK	3389	I	Driver Mirror Motor Right (+) Left (-) Control	10	0.5	BN / BK	3389	II
11	0.5	BK	1150	I	Ground	11	0.5	BK	1150	II
12	0.5	YE / BN	3391	I	Driver Mirror Motor Common Control	12	0.5	YE / BN	3391	II
13	0.5	D-BU/WH	1314	I	Left Front Turn Signal Lamp Control	13	0.5	D-BU / WH	1314	II
14 – 18	—	—	—	—	Not Occupied	14 – 18	—	—	—	—



Connector Part Information

- Harness Type: Passenger Door
- Service Connector: Service by Harness
- Description: 41-pin F 4.8 Timer, 1.5 DSQ Series



Connector Part Information

- Harness Type: Body
- Service Connector: 6040220C1
- Description: 41-pin M 1.5, 2.8 Series (GY)

Table 462 Terminal Part Information

Terminal Type ID	Service Terminal	Diagnostic Test Probe
I	6042024C1 0.35mm-0.50mm 6042025C1 0.75mm-1mm	J-35616-14 (GN)
II	6042002C1	J-35616-42 (RD)
III	6042026C1	J-35616-34 (YE)
IV	6041981C1	J-35616-32 (OR)
V	6042027C1	J-35616-3 (GY)
VI	6042027C1	J-35616-3 (GY)

ELECTRICAL CIRCUIT DIAGRAM MANUAL

Table 463 X600 Passenger Door Harness to Body Harness

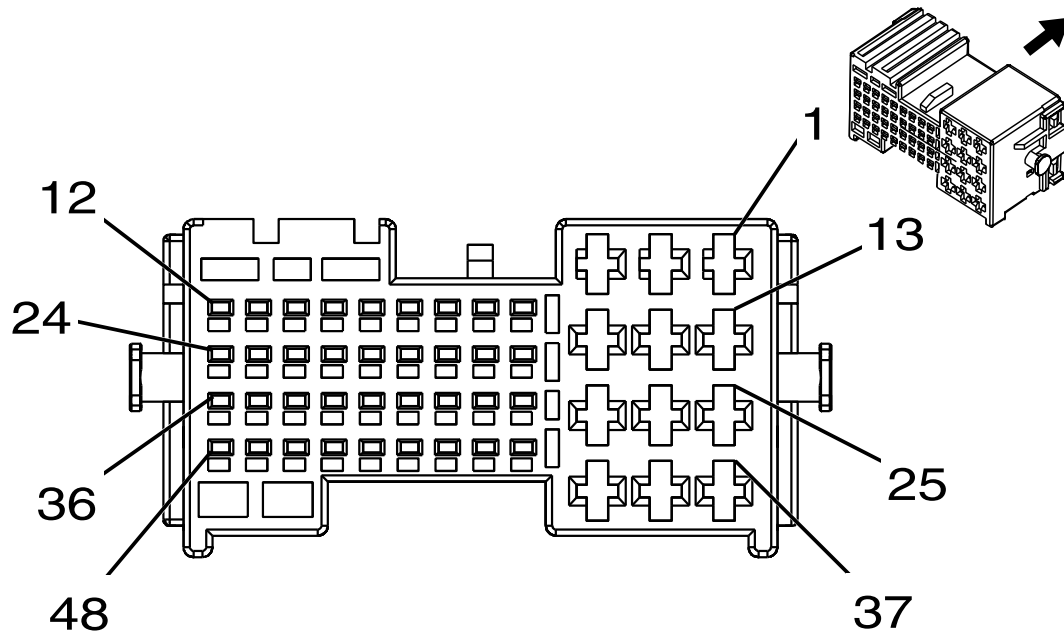
Male					Function	Female				
Pin	Size	Color	Circuit	Terminal Type ID		Pin	Size	Color	Circuit	Terminal Type ID
1	2.5	RD / WH	1340	II	Battery Positive Voltage	1	2.5	RD / WH	1340	IV
2	2.5	BK	1250	II	Ground	2	2.5	BK	1250	IV
3	0.5	GY / L-GN	5996	I	Driver Outside Rear View Mirror Puddle Lamp Control	3	—	—	—	—
4	0.5	WH	3398	I	Passenger Mirror Motor Common Control	4	0.5	WH	3398	V
5-6	—	—	—	—	Not Occupied	5-6	—	—	—	—
7	0.5	WH / L-GN	3412	I	Driver Mirror Motor Fold In Control	7	0.5	WH / L-GN	3412	V
8	0.5	GY / WH	3411	I	Driver Mirror Motor Fold Out Control	8	0.5	GY / WH	3411	V
9	0.5	WH / VT	1430	I	Exterior Courtesy Lamp Control	9	0.5	WH / VT	1430	V
10	1	YE / BK	117	I	Right Front Speaker Signal (-) 1	10	0.75	YE / BK	117	VI
11	0.5	GY / BN	309	I	Right Park Lamp Control	11	0.5	GY / BN	309	V
12	0.35	GY	746	I	Right Front Door Ajar Switch Signal	12	0.35	GY	746	III
13	—	—	—	—	Not Occupied	13	—	—	—	—
14	0.5	OG / L-GN	2134	I	Right Front Side Impact Sensing Module Signal	14	0.35	BN / OG	2134	III
15	0.5	BK / OG	6629	I	Right Front Side Impact Sensing Module Low Reference	15	0.35	BK / OG	6629	III
16	—	—	—	—	Not Occupied	16	—	—	—	—

Table 463 X600 Passenger Door Harness to Body Harness (cont.)

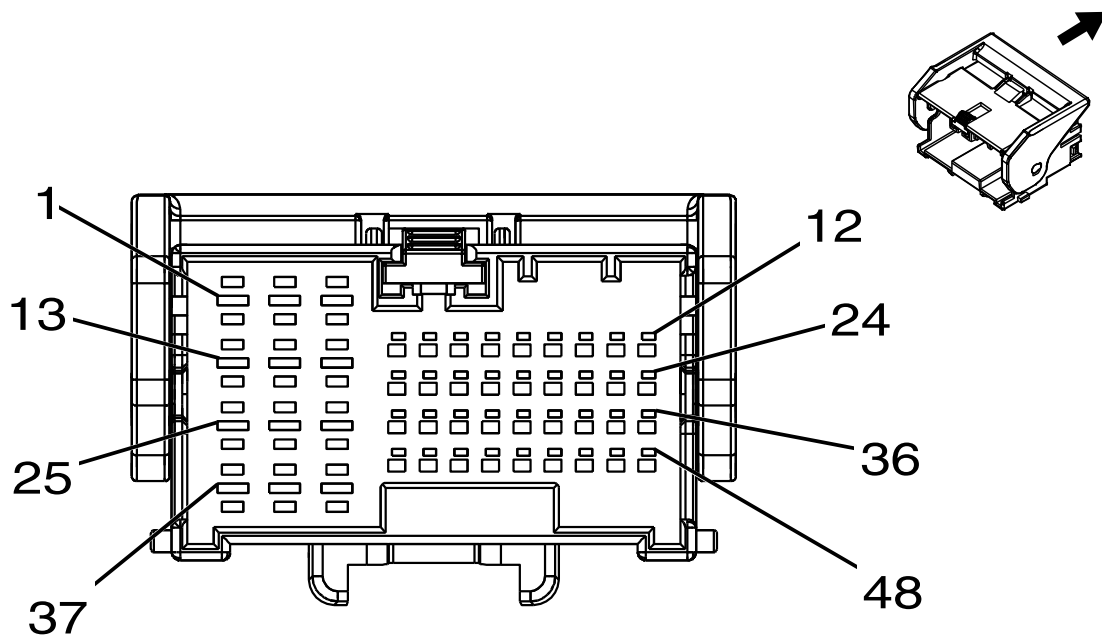
Male					Function	Female				
Pin	Size	Color	Circuit	Terminal Type ID		Pin	Size	Color	Circuit	Terminal Type ID
17	0.35	BN / VT	245	I	Passenger Door Lock Switch Unlock Control	17	0.35	BN / VT	245	III
18	0.35	YE / BK	244	I	Passenger Door Lock Switch Lock Control	18	0.35	YE / VT	244	III
19	0.75	BN / YE	294	I	Door Lock Actuator Unlock Control	19	0.75	BN / YE	294	VI
20	0.75	GY	295	I	Door Lock Actuator Lock Control	20	0.75	GY	295	VI
21	0.5	BK / D-BU	61	I	Outside Ambient Temperature Sensor Low Reference	21	0.35	BK / D-BU	61	III
22	—	—	—	—	Not Occupied	22	—	—	—	—
23	1	YE	200	I	Right Front Speaker Control (+) 1	23	0.75	YE	200	VI
24	0.5	D-BU / GY	636	I	Outside Ambient Air Temperature Sensor Signal	24	0.35	D-BU / GY	636	III
25-28	—	—	—	—	Not Occupied	25-28	—	—	—	—
29	0.35	YE	6817	I	LED Backlight Dimming Control	29	0.5	YE	6817	V
30	0.35	WH / YE	7557	I	LED Ambient Lighting Control 1	30	0.35	WH / YE	7557	III
31	0.5	BN / OG	2267	I	Mirror Heating Element Control	31	0.5	BN / YE	2267	V
32	—	—	—	—	Not Occupied	32	—	—	—	—

Table 463 X600 Passenger Door Harness to Body Harness (cont.)

Male					Function	Female				
Pin	Size	Color	Circuit	Terminal Type ID		Pin	Size	Color	Circuit	Terminal Type ID
33	0.5	L-GN / YE	6134	I	Local Interconnect Network Serial Data Bus 3	33	0.5	L-GN / YE	6134	V
34-35	—	—	—	—	Not Occupied	34-35	—	—	—	—
36	0.5	L-GN / BK	3396	I	Passenger Mirror Motor Right (+) Left (-) Control	36	0.5	L-GN / BK	3396	V
37	—	—	—	—	Not Occupied	37	—	—	—	—
38	0.5	YE / VT	3397	I	Passenger Mirror Motor Up (+) Down (-) Control	38	0.5	YE / VT	3397	V
39	—	—	—	—	Door Double Lock Actuator Lock Control	39	0.75	BN	5910	VI
40	—	—	—	—	Not Occupied	40	—	—	—	—
41	0.5	L-GN / VT	1315	I	Right Front Turn Signal Lamp Control	41	0.75	L-GN / VT	1315	VI

**Connector Part Information**

- Harness Type: Passenger Door
- Service Connector: Service by Harness
- Description: 48-pin F 1.2 MCON, 2.8 MCP Series (BK)



Connector Part Information

- Harness Type: Passenger Door Trim
- Service Connector: Service by Harness
- Description: 48-pin M 1.2 MCON, 2.8 MCP Series (BK)

Table 466 Terminal Part Information

Terminal Type ID	Service Terminal	Diagnostic Test Probe
I	6041993C1 0.35 mm	J-35616-16 (LT GN)
	6041994C1 0.5 mm	
II	6042028C1 0.35 mm	J-35616-4A (PU)
	6042018C1 0.5 mm	
	6042019C1 2.5 mm	
III	6041959C1 0.35 mm	J-35616-17 (LT GN)
	6041995C1 0.5-0.75 mm	
IV	6042014C1 0.35-0.5 mm	J-35616-5 (PU)
	6042007C1 2.5 mm	

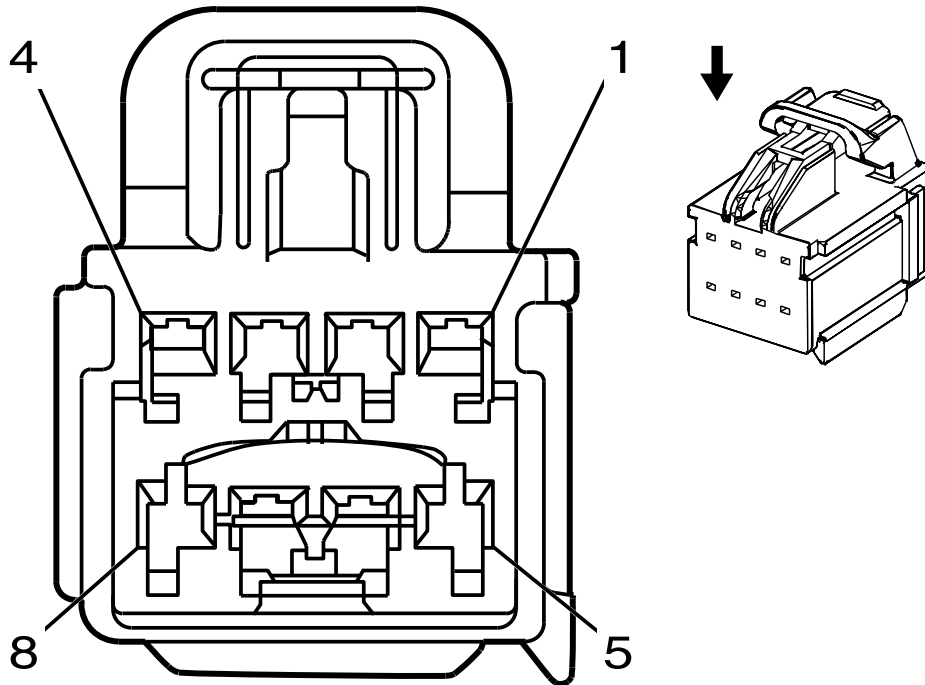
Table 467 X605 Passenger Door Harness to Passenger Door Trim Harness (Feature Code: 0016WAK)

Male					Function	Female				
Pin	Size	Color	Circuit	Terminal Type ID		Pin	Size	Color	Circuit	Terminal Type ID
1	0.35	YE	6817	II	LED Backlight Dimming Control	1	0.35	YE	6817	IV
2	0.35	WH / YE	7557	II	LED Ambient Lighting Control 1	2	0.35	WH / YE	7557	IV
3-5	—	—	—	—	Not Occupied	3-5	—	—	—	—
6	0.5	YE / VT	3397	I	Passenger Mirror Motor Up (+) Down (-) Control	6	0.75	YE / VT	3397	III
7	0.5	WH	3398	I	Passenger Mirror Motor Common Control	7	0.75	WH	3398	III
8	0.5	YE / GY	3413	I	Passenger Mirror Motor Fold Out Control	8	0.75	YE / WH	3413	III
9	0.5	D-BU / GY	3414	I	Passenger Mirror Motor Fold In Control	9	0.75	D-BU / GY	3414	III
10	0.35	D-BU / YE	3401	I	Passenger Mirror Position Sensor Up (+) Down (-) Signal	10	0.35	D-BU / YE	3401	III
11	0.5	L-GN / BK	3396	I	Passenger Mirror Motor Right (+) Left (-) Control	11	0.75	L-GN / BK	3396	III
12	0.35	YE / RD	3399	I	Passenger Mirror Position Sensor 5V Reference	12	0.35	YE / RD	3399	III
13	0.35	VT / WH	3403	II	Passenger Mirror Position Sensor Left (-) Right (+) Signal	13	0.35	VT / WH	3403	IV

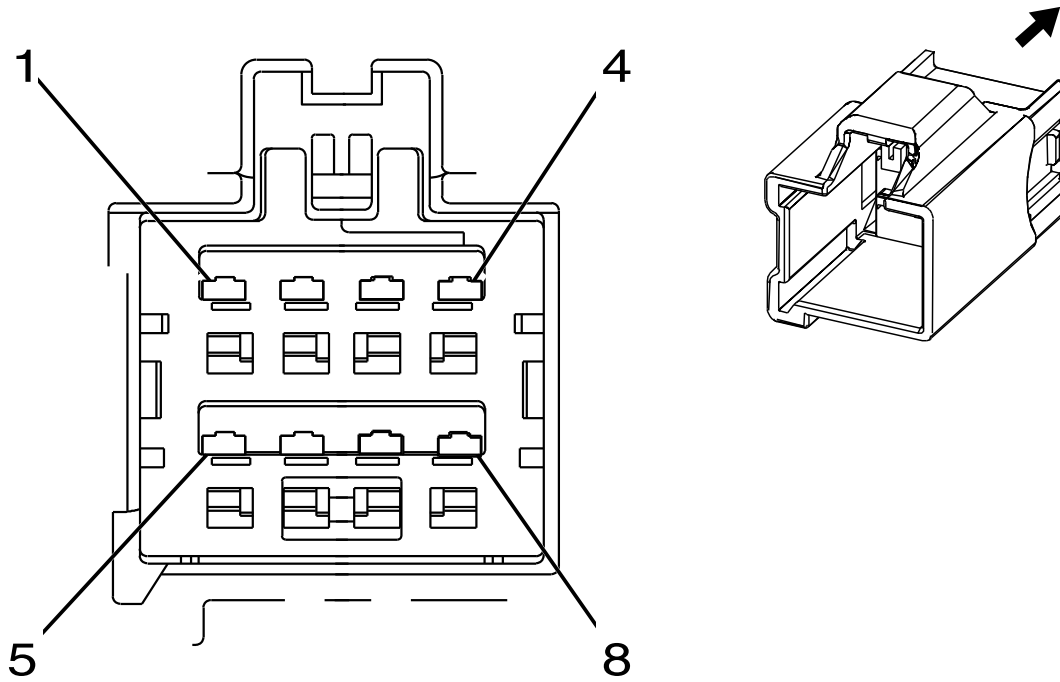
ELECTRICAL CIRCUIT DIAGRAM MANUAL

**Table 467 X605 Passenger Door Harness to Passenger Door Trim Harness (Feature Code: 0016WAK)
(cont.)**

Male					Function	Female				
Pin	Size	Color	Circuit	Terminal Type ID		Pin	Size	Color	Circuit	Terminal Type ID
14	0.35	BK / L-GN	3400	II	Passenger Mirror Position Sensor Low Reference	14	0.35	BK / L-GN	3400	IV
15	2.5	BK	1250	II	Ground	15	2.5	BK	1250	IV
16	—	—	—	—	Not Occupied	16	—	—	—	—
17	0.5	BK	1250	I	Ground	17	0.35	BK	1250	III
18-24	—	—	—	—	Not Occupied	18-24	—	—	—	—
25	2.5	L-GN / GY	3387	II	Power Window Motor Passenger Up Control	25	2.5	L-GN / GY	3387	IV
26	2.5	YE / D-BU	3388	II	Power Window Motor Passenger Down Control	26	2.5	YE / D-BU	3388	IV
27	2.5	RD / WH	1340	II	Battery Positive Voltage	27	2.5	RD / WH	1340	IV
28-35	—	—	—	—	Not Occupied	28-35	—	—	—	—
36	0.5	L-GN / YE	6134	I	Local Interconnect Network Serial Data Bus 3	36	0.5	L-GN / YE	6134	III
37	0.5	L-GN / WH	7530	II	Local Interconnect Network Serial Data Bus 8	37	0.5	L-GN / WH	7530	IV
38-45	—	—	—	—	Not Occupied	38-45	—	—	—	—
46	0.35	GY	746	I	Right Front Door Ajar Switch Signal	46	0.35	GY	746	III
47	0.35	BN / VT	245	I	Passenger Door Lock Switch Unlock Control	47	0.35	BN / VT	245	III
48	0.35	YE / BK	244	I	Passenger Door Lock Switch Lock Control	48	0.35	YE / VT	244	III

**Connector Part Information**

- Harness Type: Passenger Door Trim
- Service Connector: Service by Harness
- Description: 8-pin F 1.5 YESC Kaizen Series (L-GY)



Connector Part Information

- Harness Type: Passenger Door
- Service Connector: Service by Harness
- Description: 8-pin M 1.5 YESC Kaizen Series (L-GY)

Table 470 Terminal Part Information

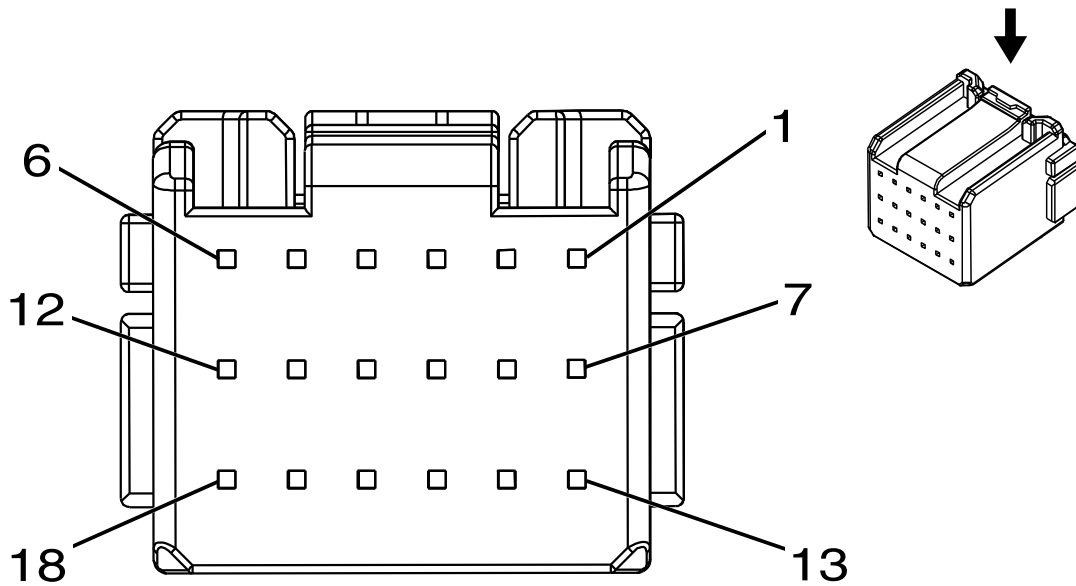
Terminal Type ID	Service Terminal	Diagnostic Test Probe
I	6041949C1	J-35616-14 (GN)
II	6041999C1	J-35616-3 (GY)

Table 471 X606 Passenger Door Trim Harness to Passenger Door Harness (Without Feature Code: 0016WAK)

Male					Function	Female				
Pin	Size	Color	Circuit	Terminal Type ID		Pin	Size	Color	Circuit	Terminal Type ID
1-3	—	—	—	—	Not Occupied	1-3	—	—	—	—
4	0.35	YE / VT	244	I	Passenger Door Lock Switch Lock Control	4	0.35	YE / BK	244	II

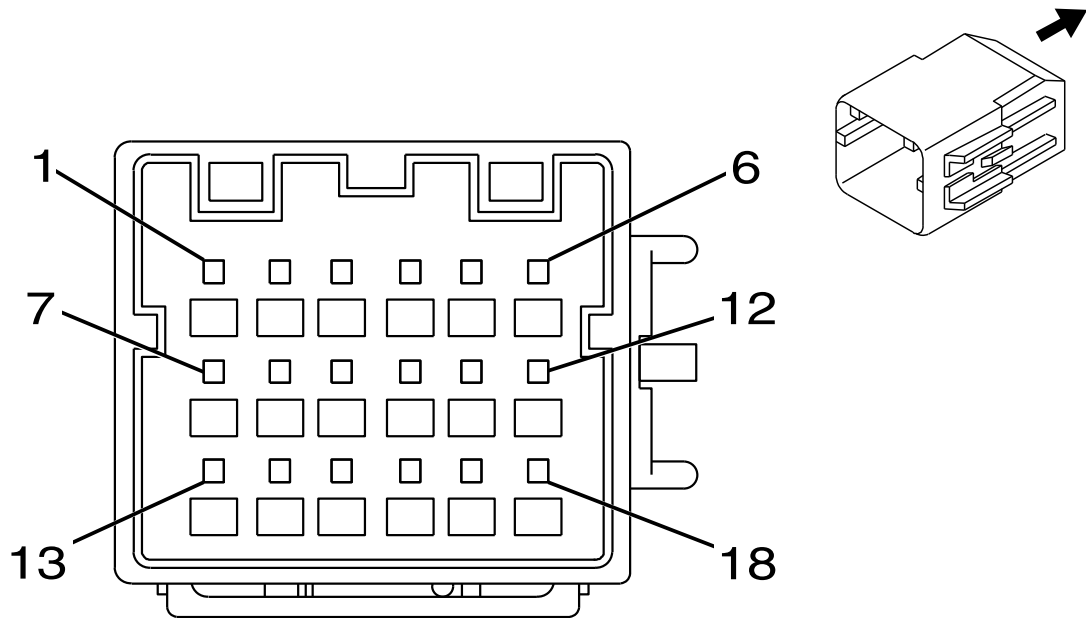
Table 471 X606 Passenger Door Trim Harness to Passenger Door Harness (Without Feature Code: 0016WAK) (cont.)

Male					Function	Female				
Pin	Size	Color	Circuit	Terminal Type ID		Pin	Size	Color	Circuit	Terminal Type ID
5	0.35	BN / VT	245	I	Passenger Door Lock Switch Unlock Control	5	0.35	BN / VT	245	II
6	0.35	YE	6817	I	LED Backlight Dimming Control	6	0.35	YE	6817	II
7	0.35	BK	1250	I	Ground	7	0.5	BK	1250	II
8	—	—	—	—	Not Occupied	8	—	—	—	—



Connector Part Information

- Harness Type: Outside Rearview Mirror – Passenger
- Service Connector: Service by Harness
- Description: 18-pin F



Connector Part Information

- Harness Type: Passenger Door
- Service Connector: Service by Harness
- Description: 18-pin M 0.64 Series (BK)

Table 474 Terminal Part Information

Terminal Type ID	Service Terminal	Diagnostic Test Probe
I	Not Available	J-35616-64B (LT BU)
II	6041996C1	J-35616-65B (LT BU)

Table 475 X610 Outside Rearview Mirror - Passenger Harness to Passenger Door Harness (Feature Code: 0016SPS)

Male					Function	Female				
Pin	Size	Color	Circuit	Terminal Type ID		Pin	Size	Color	Circuit	Terminal Type ID
1	0.5	OG	309	I	Right Park Lamp Control	1	0.5	GY / BN	309	II
2	0.5	WH / VT	1430	I	Exterior Courtesy Lamp Control	2	0.5	WH / VT	1430	II

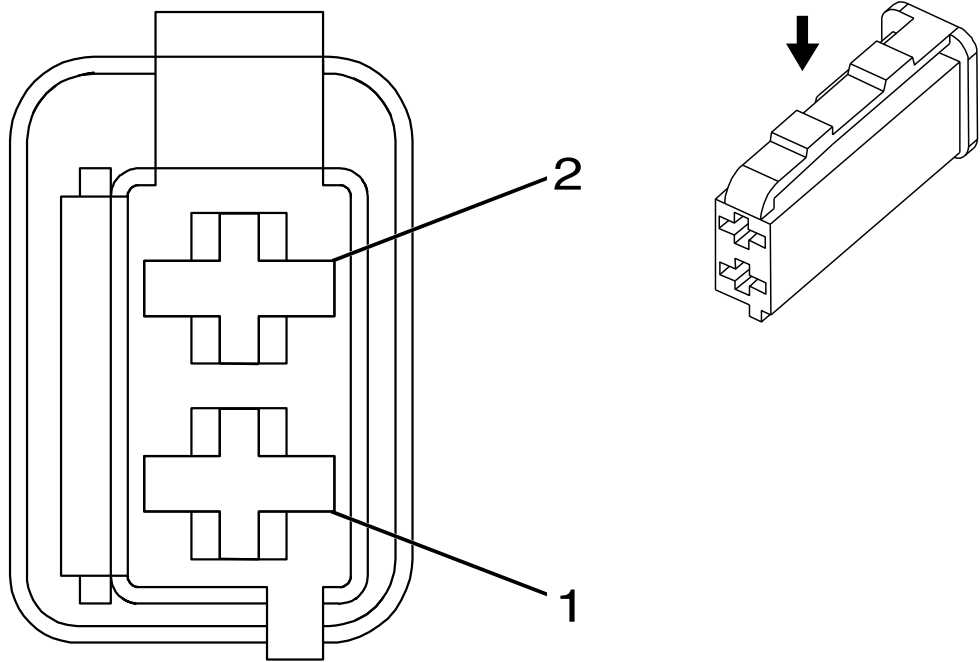
ELECTRICAL CIRCUIT DIAGRAM MANUAL

Table 475 X610 Outside Rearview Mirror - Passenger Harness to Passenger Door Harness (Feature Code: 0016SPS) (cont.)

Male					Function	Female				
Pin	Size	Color	Circuit	Terminal Type ID		Pin	Size	Color	Circuit	Terminal Type ID
3	—	—	—	—	Passenger Mirror Position Sensor Low Reference	3	—	—	—	—
4	0.5	YE / GY	3413	I	Driver Mirror Motor Fold Out Control	4	0.5	YE / GY	3413	II
5	0.5	BK	1250	I	Ground	5	0.5	BK	1250	II
6 – 7	—	—	—	—	Not Occupied	6 – 7	—	—	—	—
8	0.5	BN / OG	2267	I	Mirror Heating Element Control	8	0.5	BN / OG	2267	II
9	0.5	YE / VT	3397	I	Passenger Mirror Motor Up (+) Down (-) Control	9	0.5	YE / VT	3397	II
10	0.5	L-GN / BK	3396	I	Passenger Mirror Motor Right (+) Left (-) Control	10	0.5	L-GN / BK	3396	II
11	0.5	BK	1250	I	Ground	11	0.5	BK	1250	II
12	0.5	WH	3398	I	Passenger Mirror Motor Common Control	12	0.5	WH	3398	II
13	0.5	L-GN / VT	1315	I	Right Front Turn Signal Lamp Control	13	0.5	L-GN / VT	1315	II
14	—	—	—	—	Not Occupied	14	—	—	—	—
15	0.5	D-BU / GY	636	I	Outside Ambient Air Temperature Sensor Signal	15	0.5	D-BU / GY	636	II
16	0.5	BK / D-BU	61	I	Outside Ambient Temperature Sensor Low Reference	16	0.5	BK / D-BU	61	II

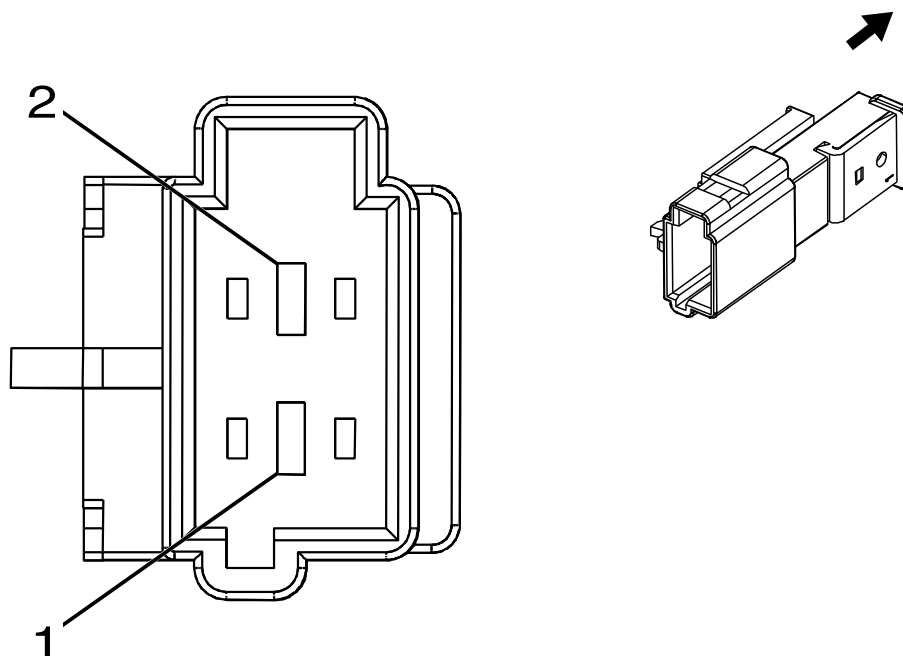
Table 475 X610 Outside Rearview Mirror - Passenger Harness to Passenger Door Harness (Feature Code: 0016SPS) (cont.)

Male					Function	Female				
Pin	Size	Color	Circuit	Terminal Type ID		Pin	Size	Color	Circuit	Terminal Type ID
17	—	—	—	—	Not Occupied	17	—	—	—	—
18	0.5	D-BU / GY	3414	I	Driver Mirror Motor Fold In Control	18	0.5	D-BU/GY	3414	II



Connector Part Information

- Harness Type: Outside Rearview Mirror – Passenger
- Service Connector: Service by Harness
- Description: 2-pin F



Connector Part Information

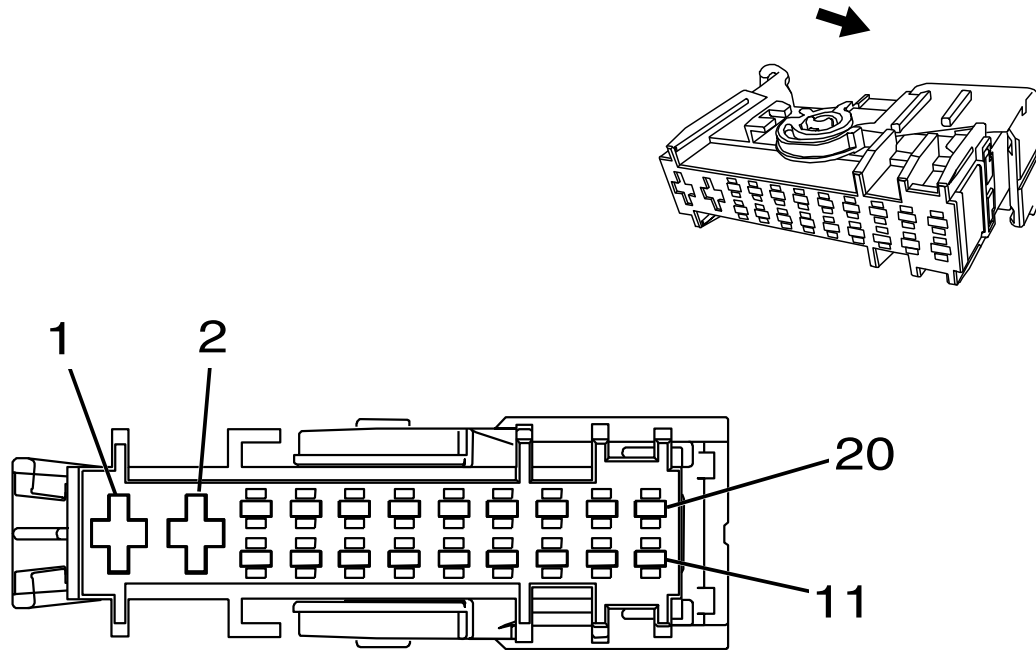
- Harness Type: Passenger Door
- Service Connector: Service by Harness
- Description: 2-pin M 1.6 Timer Series (BK)

Table 478 Terminal Part Information

Terminal Type ID	Service Terminal	Diagnostic Test Probe
I	Not Available	J-35616-33 (YE)
II	6042005C1	J-35616-34 (YE)

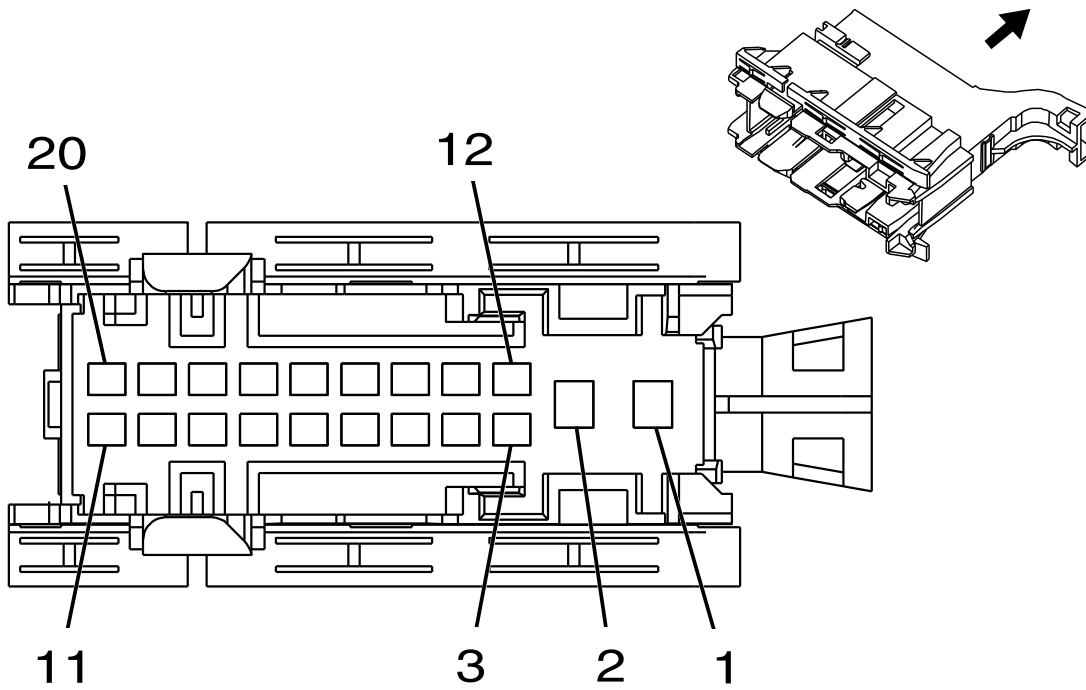
Table 479 X611 Outside Rearview Mirror - Passenger Harness to Passenger Door Harness (Feature Code: 0016SPR)

Male					Function	Female				
Pin	Size	Color	Circuit	Terminal Type ID		Pin	Size	Color	Circuit	Terminal Type ID
1	0.5	WH / RD	636	I	Ambient Air Temperature Sensor Signal	1	0.5	BU / GY	636	II
2	0.5	RD	61	I	Ambient Temperature Sensor Low Reference	2	0.5	BK / BU	61	II



Connector Part Information

- Harness Type: Left Rear Door
- Service Connector: Service by Harness
- Description: 20-pin F 1.5 DSQ, 4.8 Timer Series (GY)



Connector Part Information

- Harness Type: Body
- Service Connector: 6040254C1
- Description: 20-pin M 1.5, 5.8 TTS Series (D-GY)

Table 482 Terminal Part Information

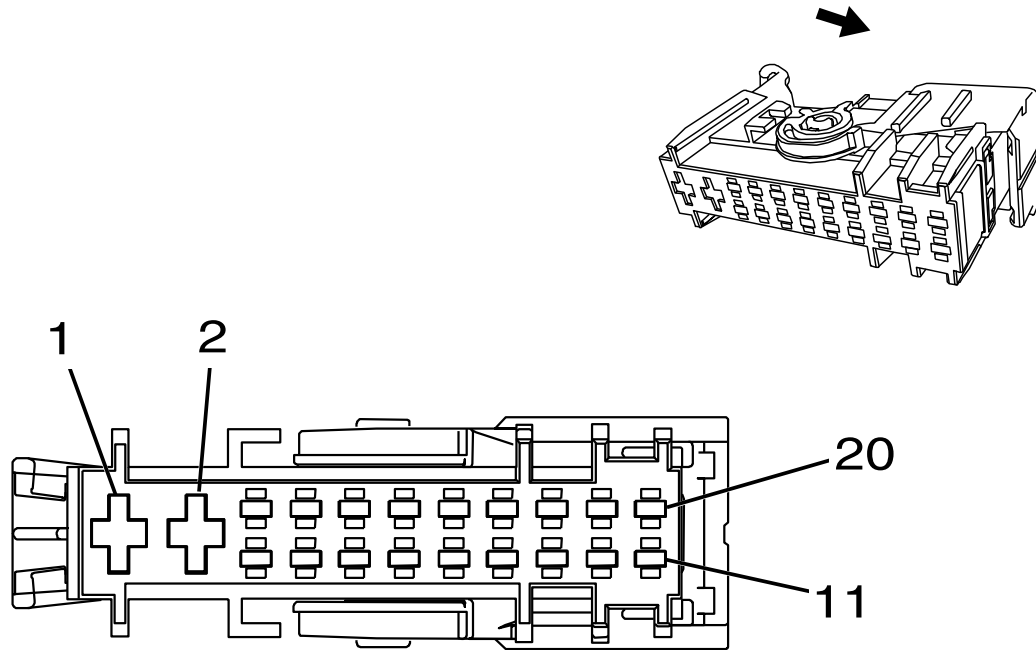
Terminal Type ID	Service Terminal	Diagnostic Test Probe
I	6042024C1 0.35-0.5mm	J-35616-14 (GN)
	6042025C1 0.75-1mm	
II	6042002C1 2.5mm	J-35616-42 (RD)
	6042015C1 3mm	
III	6042026C1	J-35616-34 (YE)
IV	6041981C1	J-35616-32 (OR)
V	6042027C1	J-35616-3 (GY)
VI	6042027C1	J-35616-3 (GY)
VII	6041981C1	J-35616-32 (OR)

Table 483 X700 Left Rear Door Harness to Body Harness (Crew Cab)

Male					Function	Female				
Pin	Size	Color	Circuit	Terminal Type ID		Pin	Size	Color	Circuit	Terminal Type ID
1	2.5	RD / D-BU	1842	II	Battery Positive Voltage	1	2.5	RD / D-BU	1842	IV
2	3	BK	1150	II	Ground	2	4	BK	1150	VII
3-6	—	—	—	—	Not Occupied	3-6	—	—	—	—
7	1	L-GN	199	I	Left Rear Speaker Control (+)	7	0.5	L-GN	199	V
8	—	—	—	—	Not Occupied	8	—	—	—	—
9	0.75	WH / D-BU	3266	I	Child Security Lock Motor Lock Control	9	0.75	WH / D-BU	3266	VI
10	0.75	BN / YE	294	I	Door Lock Actuator Unlock Control	10	0.75	BN / YE	294	VI
11	0.75	GY	295	I	Door Lock Actuator Lock Control	11	0.75	GY	295	VI
12	—	—	—	—	Left Rear Door Ajar Switch Signal	12	0.35	GY	747	III
13	—	—	—	—	Door Double Lock Actuator Lock Control	13	0.75	BN	5910	VI
14-15	—	—	—	—	Not Occupied	14-15	—	—	—	—
16	1	L-GN / BK	116	I	Left Rear Speaker Signal (-)	16	0.5	L-GN / BK	116	V
17	0.5	OG / D-BU	6620	I	Left Middle Side Impact Sensing Module Signal	17	0.35	OG / D-BU	6620	III
18	0.5	BK / OG	6621	I	Left Middle Side Impact Sensing Module Low Reference	18	0.35	BK / OG	6621	III

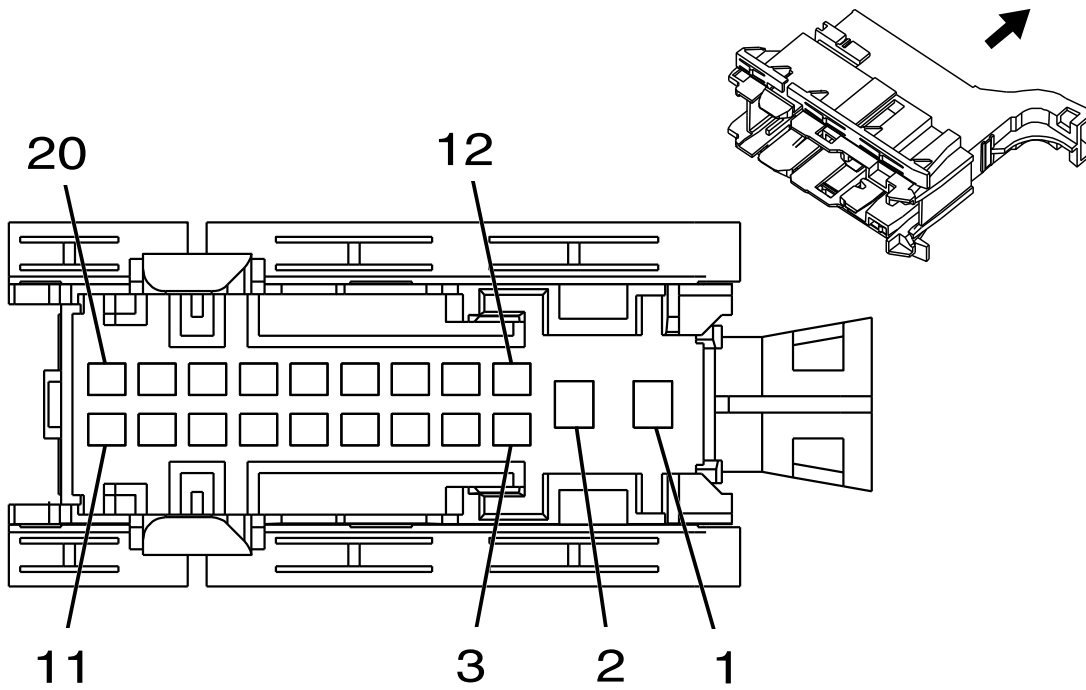
Table 483 X700 Left Rear Door Harness to Body Harness (Crew Cab) (cont.)

Male					Function	Female				
Pin	Size	Color	Circuit	Terminal Type ID		Pin	Size	Color	Circuit	Terminal Type ID
19	0.35	BN / WH	3269	I	Child Security Lock Motor Status Signal Left Rear	19	0.35	BN / WH	3269	III
20	0.5	L-GN / GY	6135	I	Local Interconnect Network Serial Data Bus 4	20	0.5	L-GN / GY	6135	V



Connector Part Information

- Harness Type: Right Rear Door
- Service Connector: Service by Harness
- Description: 20-pin F 1.5 DSQ, 4.8 Timer Series (GY)



Connector Part Information

- Harness Type: Body
- Service Connector: 6040254C1
- Description: 20-Way M 1.5, 5.8 TTS Series (D-GY)

Table 486 Terminal Part Information

Terminal Type ID	Service Terminal	Diagnostic Test Probe
I	6042024C1 0.35-0.5 mm	J-35616-14 (GN)
	6042025C1 0.75-1 mm	
II	6042002C1 2.5mm	J-35616-42 (RD)
III	6042026C1	J-35616-34 (YE)
IV	6041981C1	J-35616-32 (OR)
V	6042027C1	J-35616-3 (GY)
VI	6042027C1	J-35616-3 (GY)

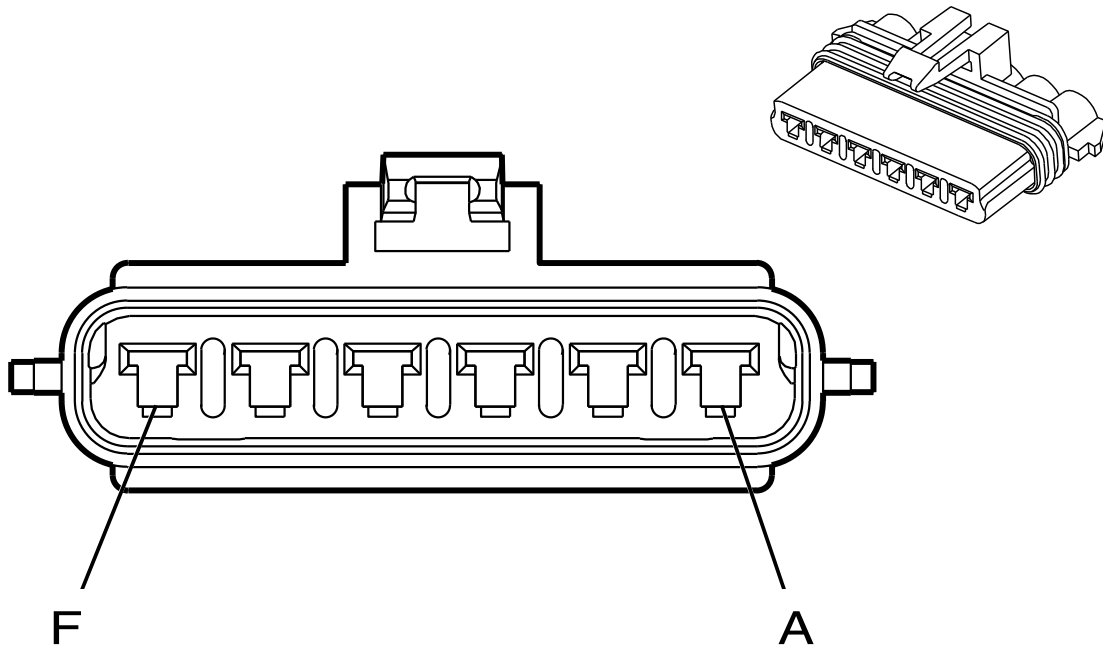
Table 487 X800 Right Rear Door Harness to Body Harness (Crew Cab)

Male					Function	Female				
Pin	Size	Color	Circuit	Terminal Type ID		Pin	Size	Color	Circuit	Terminal Type ID
1	2.5	RD / WH	1340	II	Secondary Fused Battery Positive Voltage	1	2.5	RD / WH	1340	IV
2	2.5	BK	1250	II	Ground	2	2.5	BK	1250	IV
3-6	—	—	—	—	Not Occupied	3-6	—	—	—	—
7	1	WH	46	I	Right Rear Speaker Control (+)	7	0.5	WH	46	V
8	—	—	—	—	Not Occupied	8	—	—	—	—
9	0.75	WH / D-BU	3266	I	Child Security Lock Motor Lock Control	9	0.75	WH / D-BU	3266	VI
10	0.75	BN / YE	294	I	Door Lock Actuator Unlock Control	10	0.75	BN / YE	294	VI
11	0.75	GY	295	I	Door Lock Actuator Lock Control	11	0.75	GY	295	VI
12	—	—	—	—	Right Rear Door Ajar Switch Signal	12	0.35	GY	748	III
13-15	—	—	—	—	Not Occupied	13-15	—	—	—	—
16	1	D-BU / BK	115	I	Right Rear Speaker Signal (-)	16	0.5	D-BU / BK	115	V
17	0.5	OG / VT	6624	I	Right Middle Side Impact Sensing Module Signal	17	0.35	OG / VT	6624	III
18	0.5	BK / OG	6625	I	Right Middle Side Impact Sensing Module Low Reference	18	0.35	BK / OG	6625	III

Table 487 X800 Right Rear Door Harness to Body Harness (Crew Cab) (cont.)

Male					Function	Female				
Pin	Size	Color	Circuit	Terminal Type ID		Pin	Size	Color	Circuit	Terminal Type ID
19	0.35	GY / BK	3268	I	Child Security Lock Motor Status Signal Right Rear	19	0.35	GY / BK	3268	III
20	0.5	L-GN / GY	6135	I	Local Interconnect Network Serial Data Bus 4	20	0.5	L-GN / GY	6135	V

16.2. SPLICE PACK CONNECTOR END VIEWS



Connector Part Information

- Harness Type: Forward Lamp
- Service Connector: 3551896C1
- Description: 6-Way F 280 Metri-Pack Series, Sealed (BK)

Table 489 Terminal Part Information

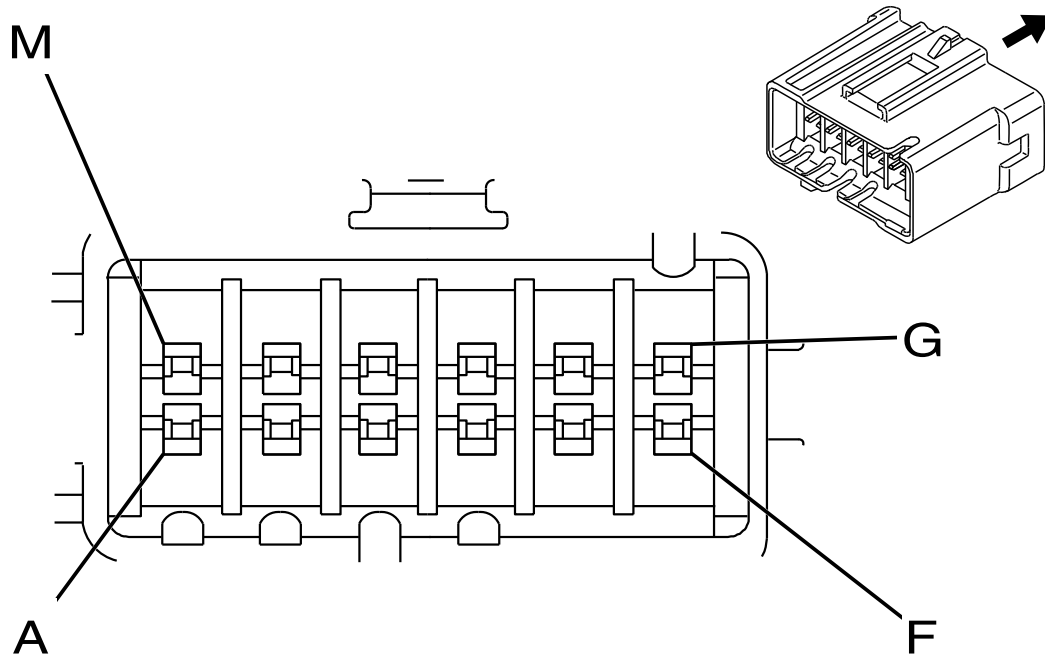
Terminal Type ID	Service Terminal	Diagnostic Test Probe
I	2033819C1 1mm 2033816C1 1.5mm-2mm	J-35616-4A (PU)

Table 490 JX100 Splice Pack

Pin	Size	Color	Circuit	Function	Terminal Type ID	Option
A	2	BK	10G	Ground	I	—
B	1.5	BK	150	Ground	I	—
C	1	BK	139G	Ground	I	—

Table 490 JX100 Splice Pack (cont.)

Pin	Size	Color	Circuit	Function	Terminal Type ID	Option
D	1	BK	603G	Ground	I	—
E-F	—	—	—	Not Occupied	—	—



Connector Part Information

- Harness Type: Instrument Panel
- Service Connector: 6042191C1
- Description: 12-pin F 280 Metri-Pack Series (BK)

Table 492 Terminal Part Information

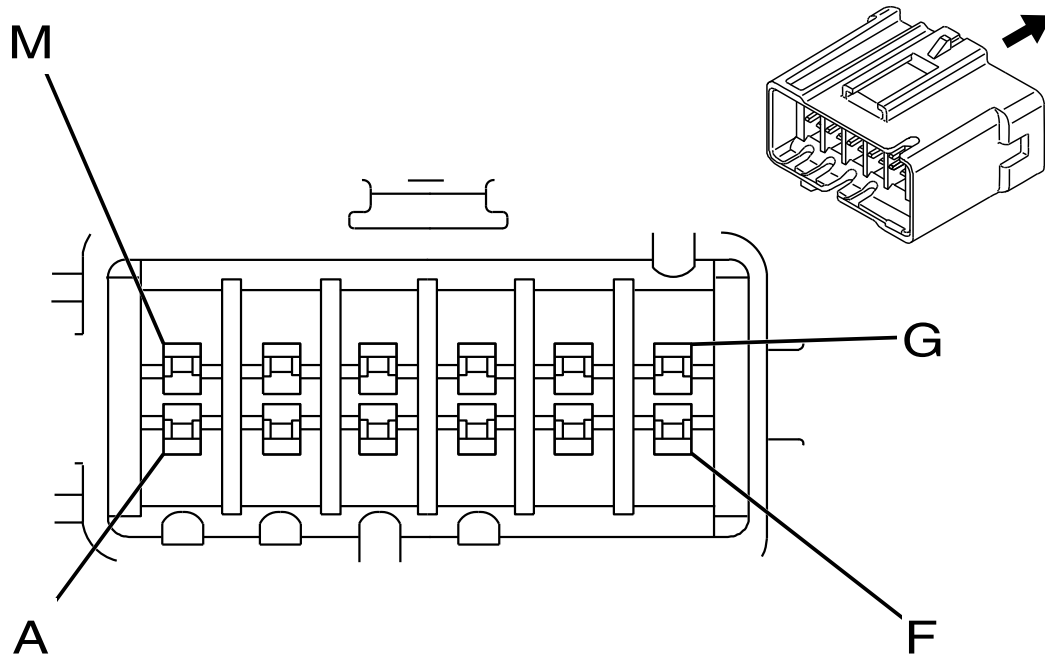
Terminal Type ID	Service Terminal	Diagnostic Test Probe
I	3535484C1	J-35616-4A (PU)

Table 493 JX200 Splice Pack

Pin	Size	Color	Circuit	Function	Terminal Type ID	Option
A	0.5	GN	5060	Low Speed GMLAN Serial Data	I	—
B—D	—	—	—	Not Occupied	—	—
E	0.5	GN	5060	Low Speed GMLAN Serial Data	I	—
F- H	—	—	—	Not Occupied	—	—
J	0.5	GN	5060	Low Speed GMLAN Serial Data	II	—
K	0.35	GN	5060	Low Speed GMLAN Serial Data	I	—

Table 493 JX200 Splice Pack (cont.)

Pin	Size	Color	Circuit	Function	Terminal Type ID	Option
L	—	—	—	Not Occupied	—	—
M	0.5	GN	5060	Low Speed GMLAN Serial Data	I	—



Connector Part Information

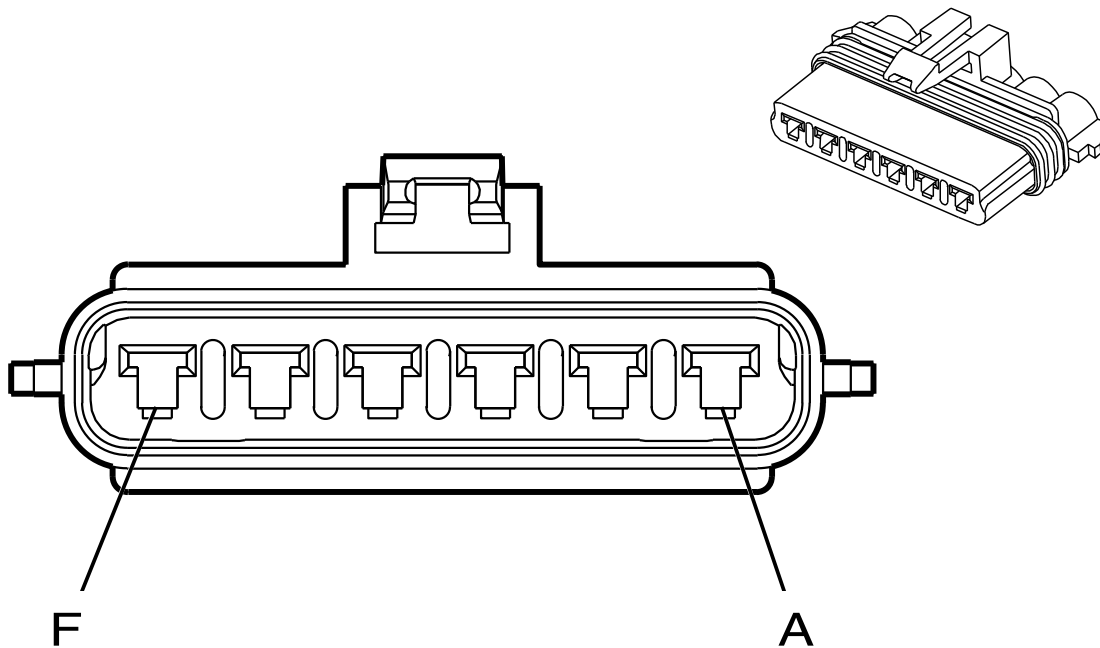
- Harness Type: Body
- Service Connector: 6042191C1
- Description: 12-pin F 280 Metri-Pack Series (BK)

Table 495 Terminal Part Information

Terminal Type ID	Service Terminal	Diagnostic Test Probe
I	3535484C1	J-35616-4A (PU)

Table 496 JX300 Splice Pack

Pin	Size	Color	Circuit	Function	Terminal Type ID	Option
A	0.5	GN	A. 5060	A. Low Speed GMLAN Serial Data	I	—
B-H	—	—	—	Not Occupied	—	—
J	0.5	GN	J. 5060	Low Speed GMLAN Serial Data	I	—
K-L	—	—	—	Not Occupied	—	—
M	0.5	GN	M. 5060	Low Speed GMLAN Serial Data	I	—



Connector Part Information

- Harness Type: Chassis
- Service Connector: 3551896C1
- Description: 6-Way F 280 Metri-Pack Series, Sealed (BK)

Table 498 Terminal Part Information

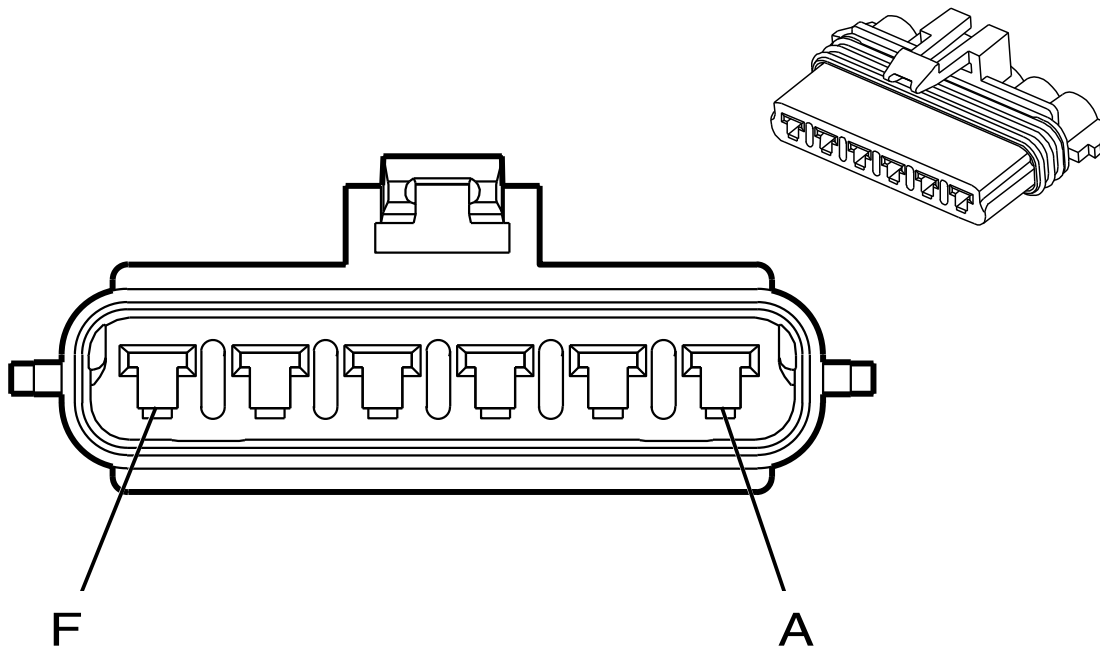
Terminal Type ID	Service Terminal	Diagnostic Test Probe
I	2033819C1 1mm 2033816C1 1.5mm–3mm	Not Available

Table 499 JX301 Splice Pack

Pin	Size	Color	Circuit	Function	Terminal Type ID	Option
A	3	BK	11	Headlight High Beam Control	I	—
B	1	BK	1750	Ground 17	I	—
C	1.5	BK	2150	Ground 21	I	—
D	1.5	BK	2150	Ground 21	I	—

Table 499 JX301 Splice Pack (cont.)

Pin	Size	Color	Circuit	Function	Terminal Type ID	Option
E	3	BK	2150	Ground 21	I	—
F	1.5	BK	2150	Ground 21	I	—



Connector Part Information

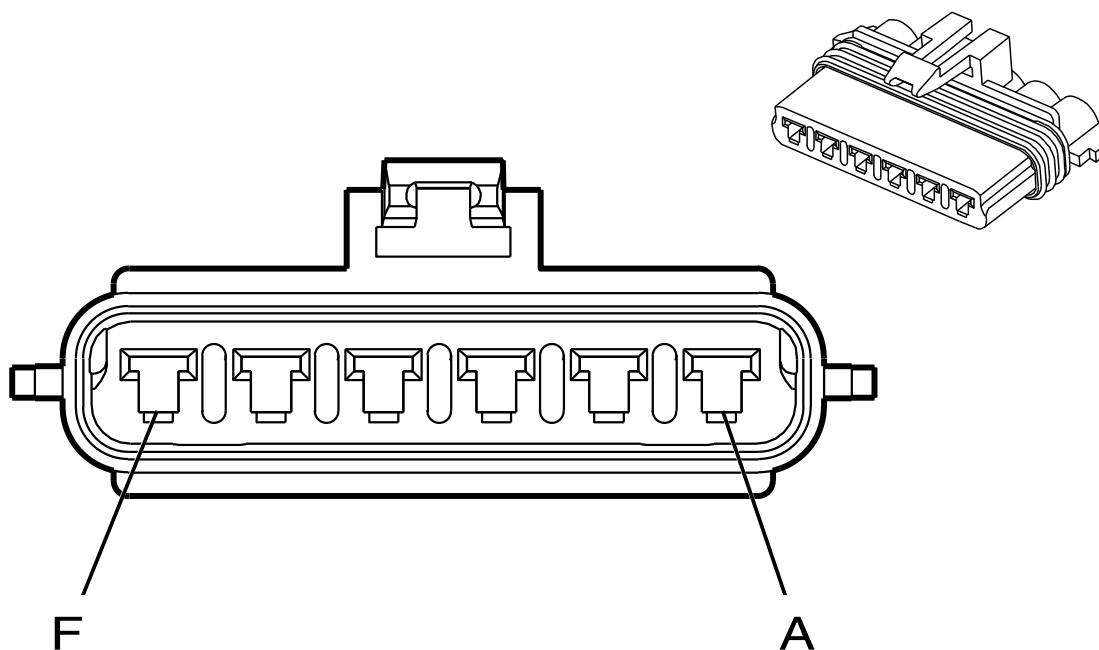
- Harness Type: Chassis
- Service Connector: 3551896C1
- Description: 6-Way F 280 Metri-Pack Series, Sealed (BK)

Table 501 Terminal Part Information

Terminal Type ID	Service Terminal	Diagnostic Test Probe
I	2033816C1	J-35616-4A (PU)

Table 502 JX302 Splice Pack

Pin	Size	Color	Circuit	Function	Terminal Type ID	Option
A	3	BK	11	Ground	I	—
B	3	BK	1750	Ground 17	I	—
C	1.5	BK	618-G	Ground	I	—
D	—	—	—	Not Occupied	—	—
E	3	WH	90-G	Ground	I	—
F	2	BK	4461-G	Ground	I	—

**Connector Part Information**

- Harness Type: Chassis Rear Right
- Service Connector: 3551896C1
- Description: 6-Way F 280 Metri-Pack Series, Sealed (BK)

Table 504 Terminal Part Information

Terminal Type ID	Service Terminal	Diagnostic Test Probe
I	2033816C1 1.5mm-3mm	J-35616-14 (GN)
II	2033819C1 0.75mm-1mm	J-35616-4A (PU)

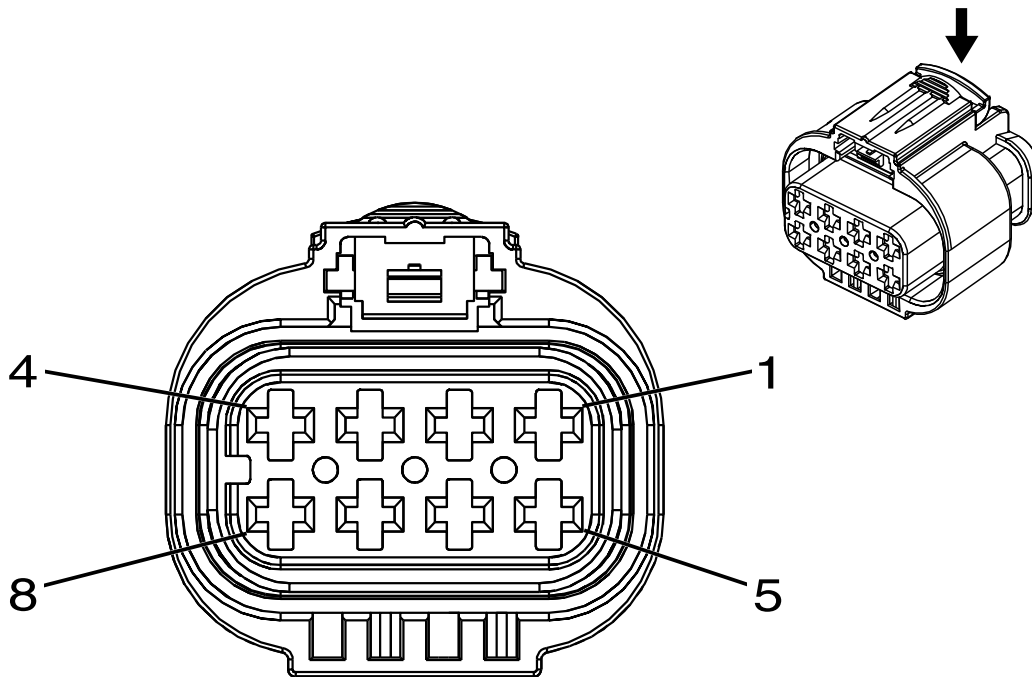
Table 505 JX402 Splice Pack

Pin	Size	Color	Circuit	Function	Terminal Type ID	Option
A	3	BK	10-G	Ground	I	—
B	3	BK	10-G	Ground	I	—
C	1	BK	1430	Ground	II	—
D	1	BK	1624	Ground	II	—

Table 505 JX402 Splice Pack (cont.)

Pin	Size	Color	Circuit	Function	Terminal Type ID	Option
E	0.75	BK	2550	Ground 25	II	—
F	1.5	BK	10-G	Ground	I	—

16.3. COMPONENT CONNECTOR END VIEWS



Connector Part Information

- Harness Type: Chassis Rear Right
- Service Connector: 4088330C1
- Description: 8-pin F 2.8 Series, Sealed (GY)

Table 507 Terminal Part Information

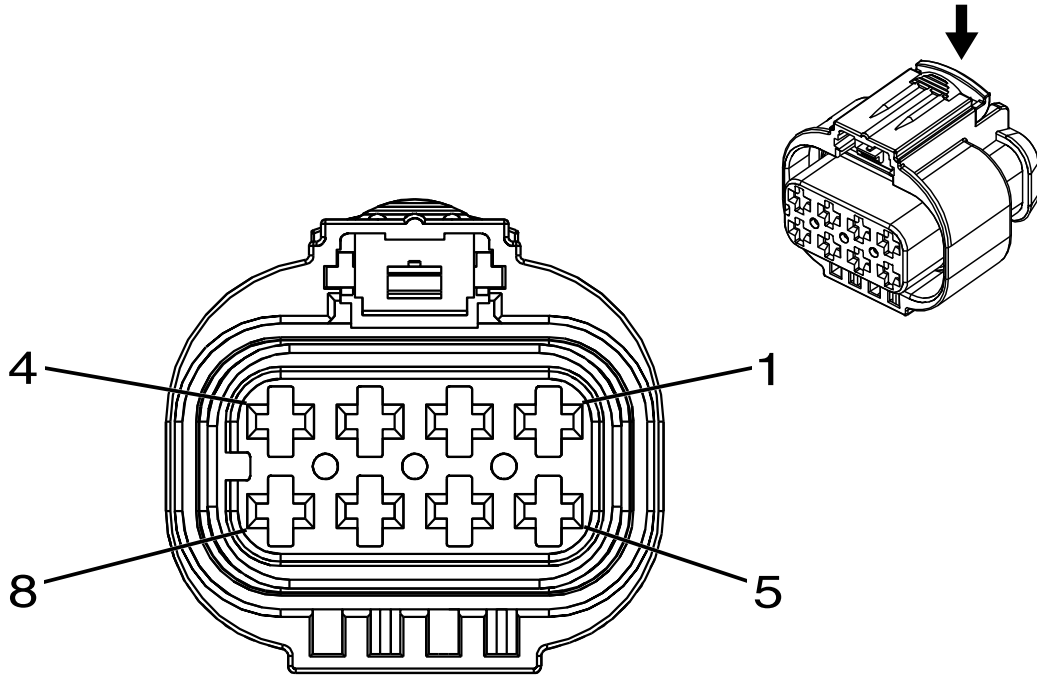
Terminal Type ID	Service Terminal	Diagnostic Test Probe
I	3830798C1	J-35616-35 (VT)
II	3830792C1	J-35616-4A (PU)

Table 508 A6C Fuel Pump and Level Sensor Assembly – Primary 40 Gallon Tank (Feature Code: 0015SZN)

Pin	Size	Color	Circuit	Function	Terminal Type ID	Option
1	1.5	GY	120	Fuel Pump Control	I	—
2	1.5	YE / GY	4137	Fuel Pump Supply Voltage Phase 2	I	—
3	1.5	WH / BN	4138	Fuel Pump Supply Voltage Phase 3	I	—

Table 508 A6C Fuel Pump and Level Sensor Assembly – Primary 40 Gallon Tank (Feature Code: 0015SZN) (cont.)

Pin	Size	Color	Circuit	Function	Terminal Type ID	Option
4	0.5	BK	7444	Fuel Pump Assembly Shield Ground	II	—
5	0.5	BU / VT	1589	Primary Fuel Level Sensor Signal	II	—
6	0.5	BK / GN	6281	Fuel Level Sensor Low Reference	II	—
7-8	—	—	—	Not Occupied	—	—



Connector Part Information

- Harness Type: Chassis
- Service Connector: 4088330C1
- Description: 8-pin F 2.8 Series, Sealed (GY)

Table 510 Terminal Part Information

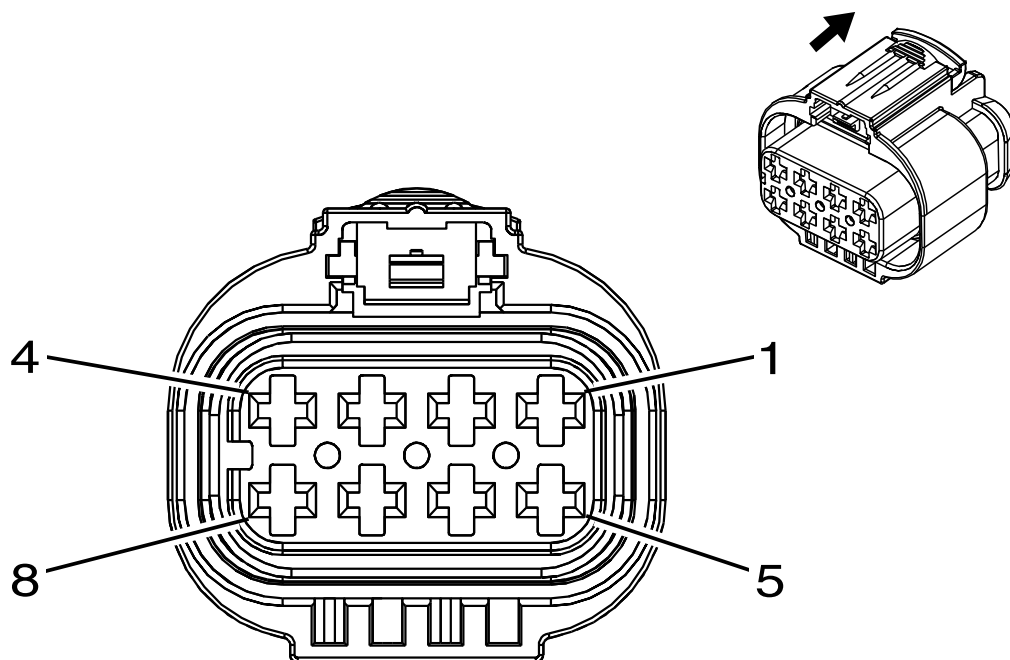
Terminal Type ID	Service Terminal	Diagnostic Test Probe
I	3830792C1	J-35616-4A (PU)

Table 511 A6C Fuel Pump and Level Sensor Assembly – Primary (Feature Code: 0015DSZ / 0015SZP)

Pin	Size	Color	Circuit	Function	Terminal Type ID	Option
1	1.5	GY	120	Fuel Pump Control	I	—
2	1.5	YE / GY	4137	Fuel Pump Supply Voltage Phase 2	I	—
3	1.5	WH / BN	4138	Fuel Pump Supply Voltage Phase 3	I	—
4	0.5	BK	7444	Fuel Pump Assembly Shield Ground	I	—
5	0.5	BU / VT	1589	Primary Fuel Level Sensor Signal 2	I	—

**Table 511 A6C Fuel Pump and Level Sensor Assembly – Primary (Feature Code: 0015DSZ / 0015SZP)
(cont.)**

Pin	Size	Color	Circuit	Function	Terminal Type ID	Option
6	0.5	BK / GN	6281	Fuel Level Sensor Low Reference	I	—
7-8	—	—	—	Not Occupied	—	—



Connector Part Information

- Harness Type: Chassis Rear Right
- Service Connector: 4088872C1
- Description: 8-pin F 2.8 Series, Sealed (L-BU)

Table 513 Terminal Part Information

Terminal Type ID	Service Terminal	Diagnostic Test Probe
I	3830798C1	J-35616-35 (VT)
II	3830792C1	J-35616-4A (PU)

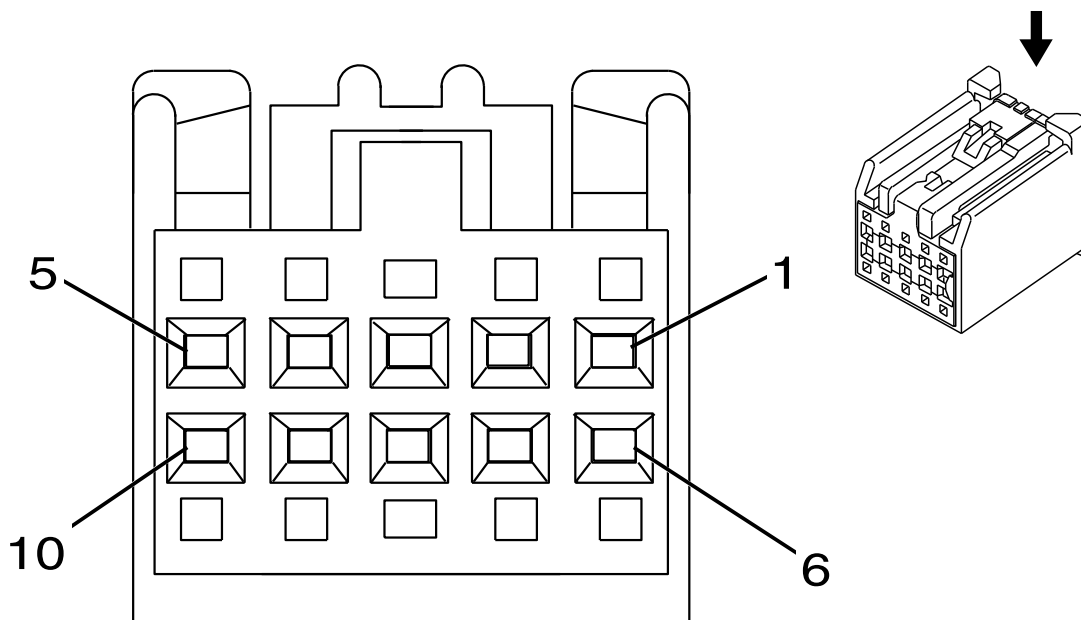
Table 514 A6D Fuel Pump and Level Sensor Assembly – Secondary (Feature Code: 0015DSZ)

Pin	Size	Color	Circuit	Function	Terminal Type ID	Option
1-2	—	—	—	Not Occupied	—	—
3	1.5	GY	120	Fuel Pump Control	I	—
4	1.5	BK	2150	Ground	I	—
5	0.5	BU / WH	1937	Secondary Fuel Level Sensor Signal	II	—

ELECTRICAL CIRCUIT DIAGRAM MANUAL

Table 514 A6D Fuel Pump and Level Sensor Assembly – Secondary (Feature Code: 0015DSZ) (cont.)

Pin	Size	Color	Circuit	Function	Terminal Type ID	Option
6	0.5	BK / GN	6281	Fuel Level Sensor Low Reference	II	—
7-8	—	—	—	Not Occupied	—	—



Connector Part Information

- Harness Type: Headliner
- Service Connector: 6040201C1
- Description: 10-pin F 0.64 Kaizen Series (BK)

Table 516 Terminal Part Information

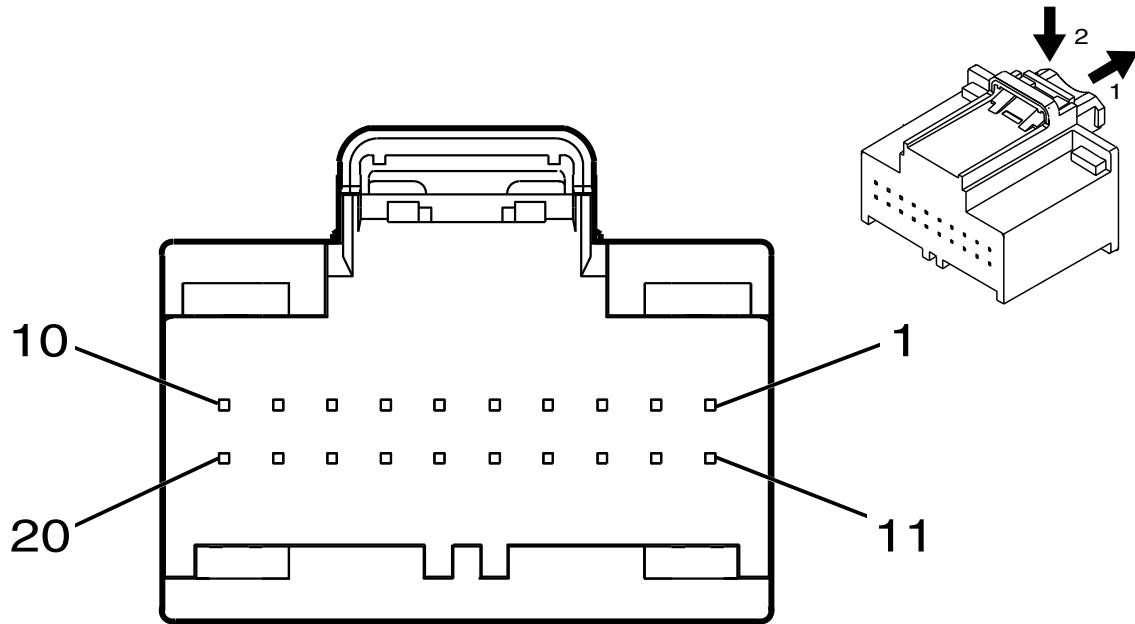
Terminal Type ID	Service Terminal	Diagnostic Test Probe
I	6041998C1	J-35616-64B (LT BU)

Table 517 A10 Inside Rearview Mirror (Feature Code: 0016ACC / 0008AAE)

Pin	Size	Color	Circuit	Function	Terminal Type ID	Option
1	0.35	GN / RD	24	Backup Lamp Control	I	—
2	0.35	VT / GN	1739	Run / Crank Ignition 1 Voltage	I	—
3	0.35	GN / BU	2514	Keypad Signal	I	—
4	0.35	GN / BK	2515	Keypad Control	I	—
5	0.5	BK	1050	Ground 10	I	—
6	0.35	YE / BN	2516	Keypad Green LED Control	I	—

Table 517 A10 Inside Rearview Mirror (Feature Code: 0016ACC / 0008AAE) (cont.)

Pin	Size	Color	Circuit	Function	Terminal Type ID	Option
7	0.35	BN / WH	2517	Keypad Red LED Control	I	—
8	0.35	BK / YE	1691	Mirror Dimming Low Reference	I	—
9	0.35	YE / WH	1690	Mirror Dimming Signal	I	—
10	—	—	—	Not Occupied	—	—



Connector Part Information

- Harness Type: Instrument Panel
- Service Connector: 6040228C1
- Description: 20-Way F 0.64 Series (GY)

Table 519 Terminal Part Information

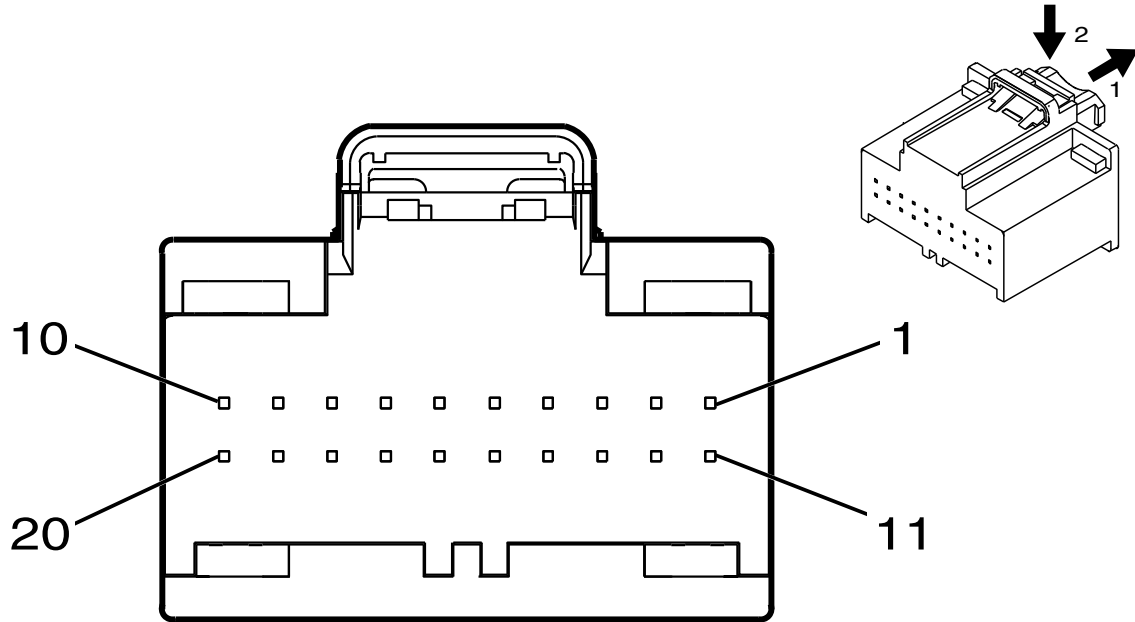
Terminal Type ID	Service Terminal	Diagnostic Test Probe
I	6042047C1 0.35-0.5mm, 6041997C1 0.75mm	J-35616-64B (LT BU)

Table 520 A11 Radio X1 (Feature Code: 0008RNN)

Pin	Size	Color	Circuit	Function	Terminal Type ID	Option
1-3	—	—	—	Not Occupied	—	—
4	0.35	WH/BU	6973	Rearview Camera Signal [-]	I	—
5	0.35	GY/YE	6972	Rearview Camera Signal [+]	I	—
6	0.5	BARE	5842	Auxiliary Audio Shield 2	I	—
7	0.5	D-BU	2060	Auxiliary Audio Plug Detection Signal	I	—

Table 520 A11 Radio X1 (Feature Code: 0008RNN) (cont.)

Pin	Size	Color	Circuit	Function	Terminal Type ID	Option
8	0.35	VT	5843	Auxiliary Audio Common Signal	I	—
9	0.35	GY	5839	Left Auxiliary Audio Signal 2	I	—
10	0.35	L-GN	5841	Right Auxiliary Audio Signal 2	I	—
11-12	—	—	—	Not Occupied	—	—
13	0.5	GN / BU	7532	Radio LIN Bus 1	I	—
14	0.5	GY / GN	1102	Low Speed GMLAN Serial Data 2	I	—
15-20	—	—	—	Not Occupied	—	—



Connector Part Information

- Harness Type: Instrument Panel
- Service Connector: 6040228C1
- Description: 20-Way F 0.64 Series (GY)

Table 522 Terminal Part Information

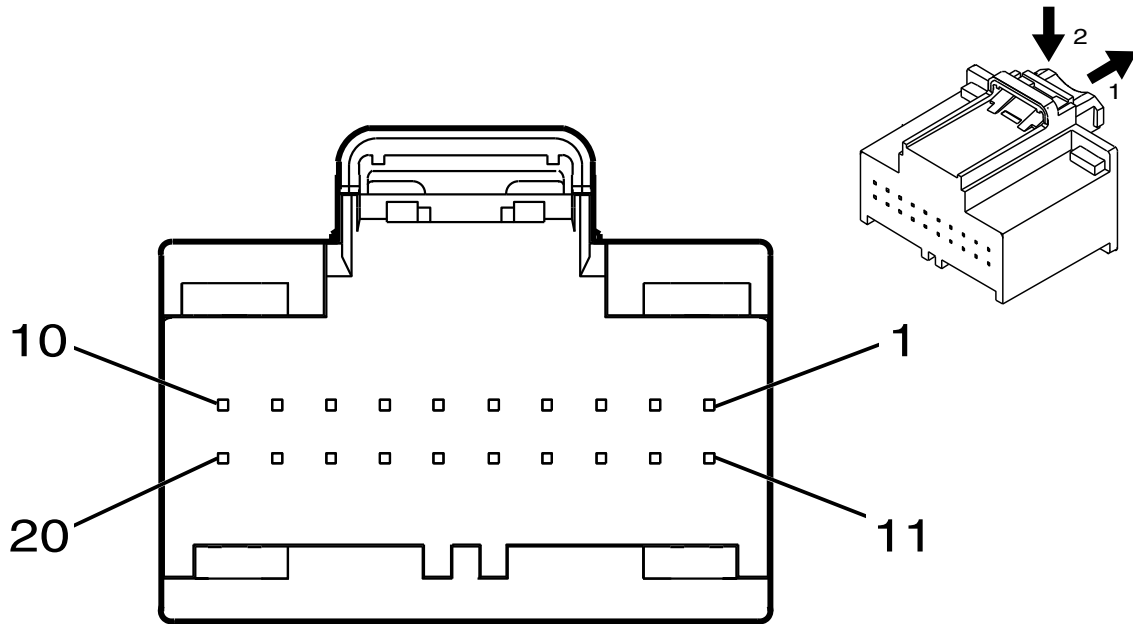
Terminal Type ID	Service Terminal	Diagnostic Test Probe
I	6042047C1 0.35-0.5mm, 6041997C1 0.75mm	J-35616-64B (LT BU)

Table 523 A11 Radio X1 (Feature Code: 0008RNP / 0008RNR / 0008RNW / 0008RNX)

Pin	Size	Color	Circuit	Function	Terminal Type ID	Option
1-5	—	—	—	Not Occupied	—	—
6	0.5	BARE	5842	Auxiliary Audio Shield 2	I	—
7	0.5	D-BU	2060	Auxiliary Audio Plug Detection Signal	I	—
8	0.35	VT	5843	Auxiliary Audio Common Signal	I	—
9	0.35	GY	5839	Left Auxiliary Audio Signal 2	I	—

ELECTRICAL CIRCUIT DIAGRAM MANUAL**Table 523 A11 Radio X1 (Feature Code: 0008RNP / 0008RNR / 0008RNW / 0008RNX) (cont.)**

Pin	Size	Color	Circuit	Function	Terminal Type ID	Option
10	0.35	L-GN	5841	Right Auxiliary Audio Signal 2	I	—
11-12	—	—	—	Not Occupied	—	—
13	0.5	GN / BU	7532	Radio LIN Bus 1	I	—
14	0.5	GY / GN	1102	Low Speed GMLAN Serial Data 2	I	—
15-18	—	—	—	Not Occupied	—	—
19	0.35	BK/YE	659	Cellular Telephone Voice Low Reference	I	—
20	0.35	YE	658	Cellular Telephone Voice Signal	I	—



Connector Part Information

- Harness Type: Instrument Panel
- Service Connector: 6040228C1
- Description: 20-Way F 0.64 Series (GY)

Table 525 Terminal Part Information

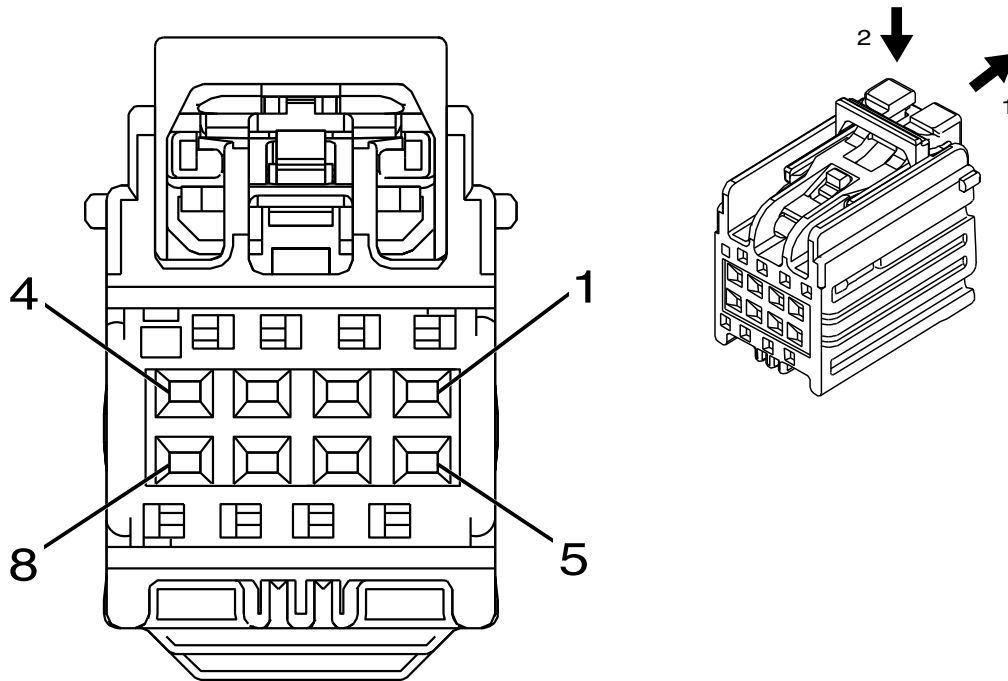
Terminal Type ID	Service Terminal	Diagnostic Test Probe
I	6042047C1 0.35-0.5mm, 6041997C1 0.75mm	J-35616-64B (LT BU)
II	6042047C1	J-35616-64B (LT BU)

Table 526 A11 Radio X1 (Feature Code: 0008RNM / 0008RNV)

Pin	Size	Color	Circuit	Function	Terminal Type ID	Option
1	0.75	BK	2550	Ground 25	I	—
2	0.35	GY / BN	9003	Low Reference	II	—
3	0.35	BN	9004	5Volt Reference	II	—
4	0.5	GY / GN	1102	Low Speed GMLAN Serial Data #2	II	—

Table 526 A11 Radio X1 (Feature Code: 0008RNM / 0008RNV) (cont.)

Pin	Size	Color	Circuit	Function	Terminal Type ID	Option
5	—	—	—	Not Occupied	—	—
6	0.5	BK / GY	5152	Voice Recognition Audio Low Reference	I	—
7	0.5	GY / YE	5149	Voice Recognition Audio Signal	I	—
8	0.35	BN / GN	3983	Display Radio Bank Switch Signal 2	I	—
9	0.35	BK / YE	659	Cellular Telephone Voice Low Reference	I	—
10	0.35	YE	658	Cellular Telephone Voice Signal	I	—
11	0.75	RD / VT	340	Battery Positive Voltage	—	—
12–13	—	—	—	Not Occupied	—	—
14	0.5	GY / GN	1102	Camera Signal 2	II	—
15	0.35	GY/YE	6972	Camera Signal 2 +	II	—
16	0.5	BARE	5842	Auxiliary Audio Screen 2	II	—
17	0.35	D-BU	2060	Auxiliary Detection Signal	II	—
18	0.35	VT	5843	Auxiliary Audio Common Signal	II	—
19	0.35	BK/YE	5839	Left Auxiliary Audio Signal 2	I	—
20	0.35	YE	5841	Right Auxiliary Audio Signal 2	I	—



Connector Part Information

- Harness Type: Instrument Panel
- Service Connector: 6040265C1
- Description: 8-Way F YESC Kaizen Series (GY)

Table 528 Terminal Part Information

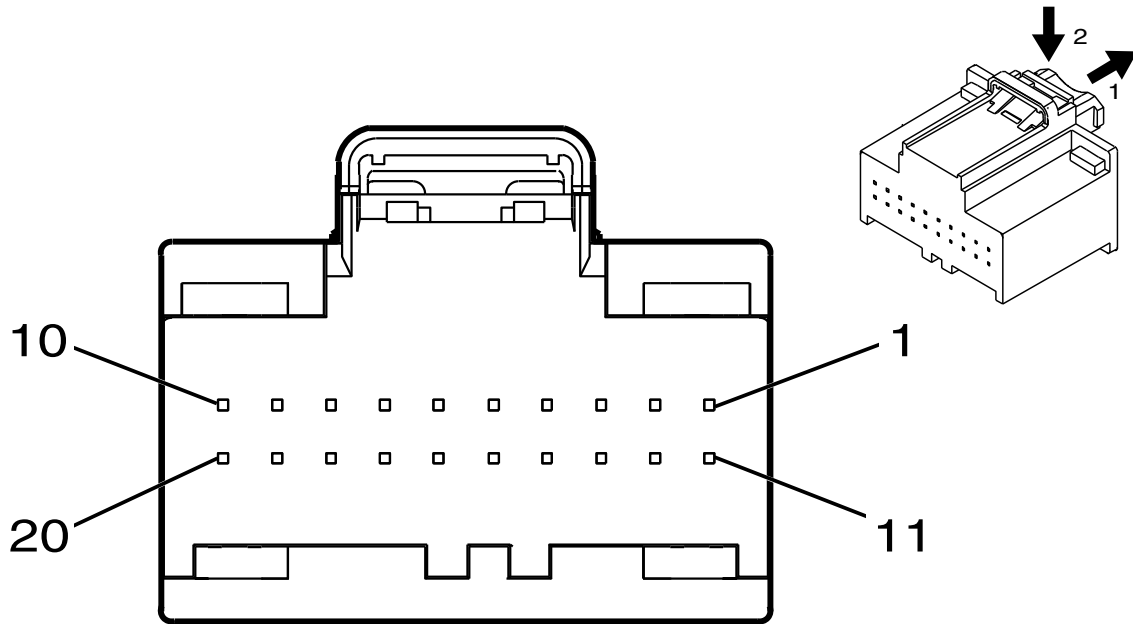
Terminal Type ID	Service Terminal	Diagnostic Test Probe
I	6042047C1	J-35616-64B (LT BU)

Table 529 A11 Radio X2 (Without Feature Code: 0008RNM / 0008RNW)

Pin	Size	Color	Circuit	Function	Terminal Type ID	Option
1	0.5	WH/GN	3997	MOST Serial Data (-)	I	—
2	0.5	GY/VT	3998	MOST Serial Data (+)	I	—
3	0.5	WH/GN	3997	MOST Serial Data (-)	I	—
4	0.5	GY/VT	3998	MOST Serial Data (+)	I	—
5-6	—	—	—	Not Occupied	—	—

Table 529 A11 Radio X2 (Without Feature Code: 0008RNM / 0008RNW) (cont.)

Pin	Size	Color	Circuit	Function	Terminal Type ID	Option
7	0.35	WH/VT	3999	MOST Control	II	—
8	—	—	—	Not Occupied	II	—



Connector Part Information	
•	Harness Type: Instrument Panel
•	Service Connector: 6040265C1
•	Description: 20-Way F 0.64 Series (BN)

Table 531 Terminal Part Information

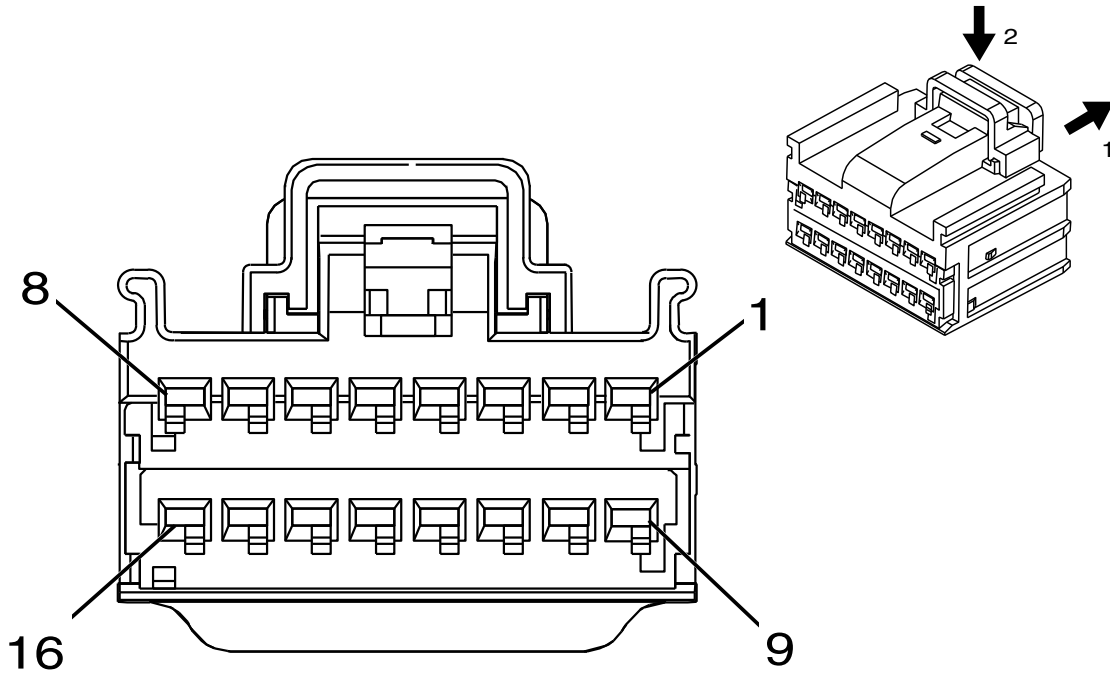
Terminal Type ID	Service Terminal	Diagnostic Test Probe
I	6042047C1 0.35-0.5mm, 6041997C1 0.75mm	J-35616-64B (LT BU)
II	6042047C1	J-35616-64B (LT BU)

Table 532 A11 Radio X2 (Feature Code: 0008RNM / 0008RNW)

Pin	Size	Color	Circuit	Function	Terminal Type ID	Option
1-2	—	—	—	Not Occupied	—	—
3	0.35	GY	314	Radio On Signal	II	—
4	0.35	VT / GY	1381	LCD Dimming Signal	II	—
5	0.35	GY / BU	3989	Display Radio Bank Switch Dim Signal	II	—

Table 532 A11 Radio X2 (Feature Code: 0008RNM / 0008RNW) (cont.)

Pin	Size	Color	Circuit	Function	Terminal Type ID	Option
6	0.35	BN / GN	4502	Video Display Request Signal	II	—
7	0.35	BN / GN	3364	Navigation Display Reset Signal	II	—
8	0.35	BU	4315	Radio Volume Up Signal	II	—
9	0.35	GY / BN	4314	Radio Volume Down Signal	II	—
10	0.75	BK	2550	Ground 25	I	—
11	0.5	WH	46	Right Rear Speaker Control (+)	I	—
12	0.5	D-BU / BK	115	Right Rear Speaker Signal (-)	I	—
13	0.5	L-GN	199	Left Rear Speaker Control (+)	I	—
14	0.5	L-GN / BK	116	Left Rear Speaker Signal (-)	I	—
15	0.75	YE / BK	117	Right Front Speaker Signal (-) 1	I	—
16	0.75	YE	200	Right Front Speaker Control (+) 1	I	—
17	0.75	BN / D-BU	118	Left Front Speaker Signal (-) 1	I	—
18	0.75	D-BU	201	Left Front Speaker Control (+) 1	I	—
19	—	—	—	Not Occupied	—	—
20	0.75	RD / VT	340	Secondary Fused Battery Positive Voltage 3	I	—



Connector Part Information

- Harness Type: Instrument Panel
- Service Connector: 6040223C1
- Description: 16-pin F 1.5 OCS Series (BK)

Table 534 Terminal Part Information

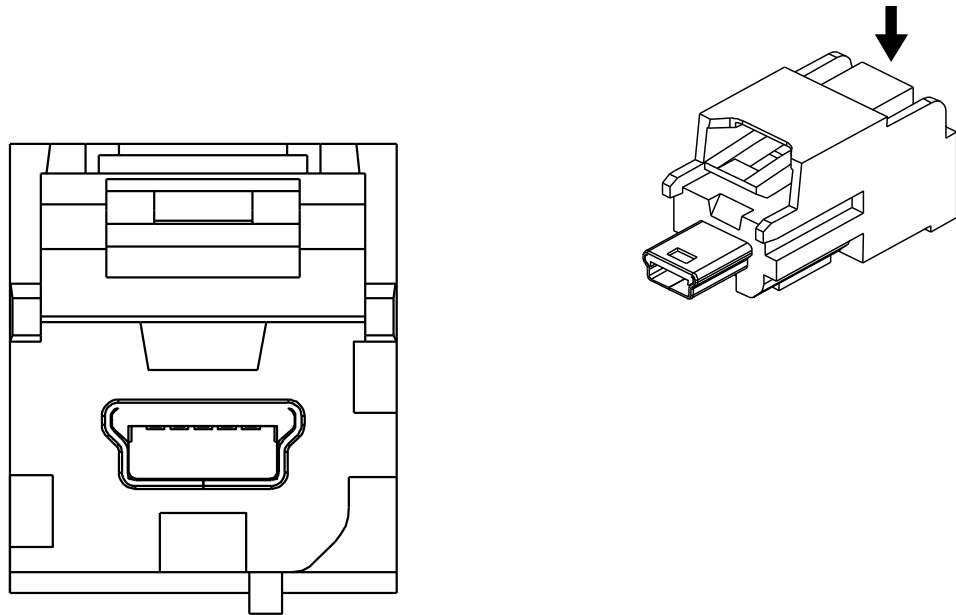
Terminal Type ID	Service Terminal	Diagnostic Test Probe
I	6042052C1 0.5mm, 6042051C1 0.75mm	J-35616-2A (GY)

Table 535 A11 Radio X3 (Without Feature Code: 0008RNM / 0008RNW)

Pin	Size	Color	Circuit	Function	Terminal Type ID	Option
1	0.75	BU	201	Left Front Speaker Control (+) 1	I	—
2	0.75	YE	200	Right Front Speaker Control (+) 1	I	—
3	0.5	GN	199	Left Rear Speaker Control (+)	I	—
4	0.5	WH	46	Right Rear Speaker Control (+)	I	—
5-7	—	—	—	Not Occupied	—	—

Table 535 A11 Radio X3 (Without Feature Code: 0008RNM / 0008RNW) (cont.)

Pin	Size	Color	Circuit	Function	Terminal Type ID	Option
8	0.75	RD / VT	340	Secondary Fused Battery Positive Voltage 3	I	—
9	0.75	BN / D-BU	118	Left Front Speaker [-] Control 1	I	—
10	0.75	YE / BK	117	Right Front Speaker [-] Control 1	I	—
11	0.5	L-GN / BK	116	Left Rear Speaker [-] Control	I	—
12	0.5	D-BU / BK	115	Right Rear Speaker [-] Control	I	—
13-15	—	—	—	Not Occupied	—	—
16	0.75	BK	2550	Ground 25	I	—



Connector Part Information

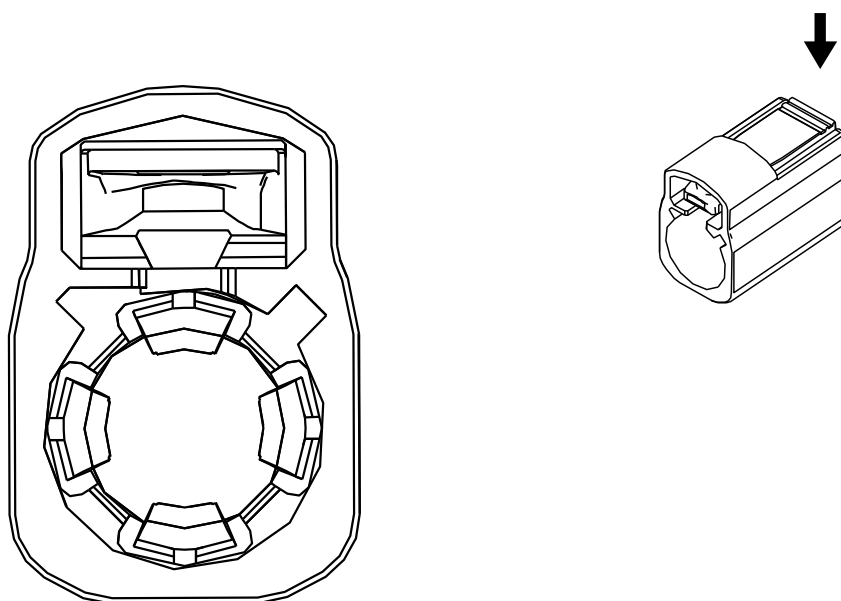
- Harness Type: Instrument Panel USB
- Service Connector: Service by Cable Assembly
- Description: 5-Way M 2.0 Mini-B USB Type (BU)

Table 537 Terminal Part Information

Terminal Type ID	Service Terminal	Diagnostic Test Probe
I	Not Available	No Tool Required

Table 538 A11 Radio X3 (Feature Code: 0008RNM / 0008RNV)

Pin	Size	Color	Circuit	Function	Terminal Type ID	Option
—	—	USB	—	USB Serial Data	I	—



Connector Part Information

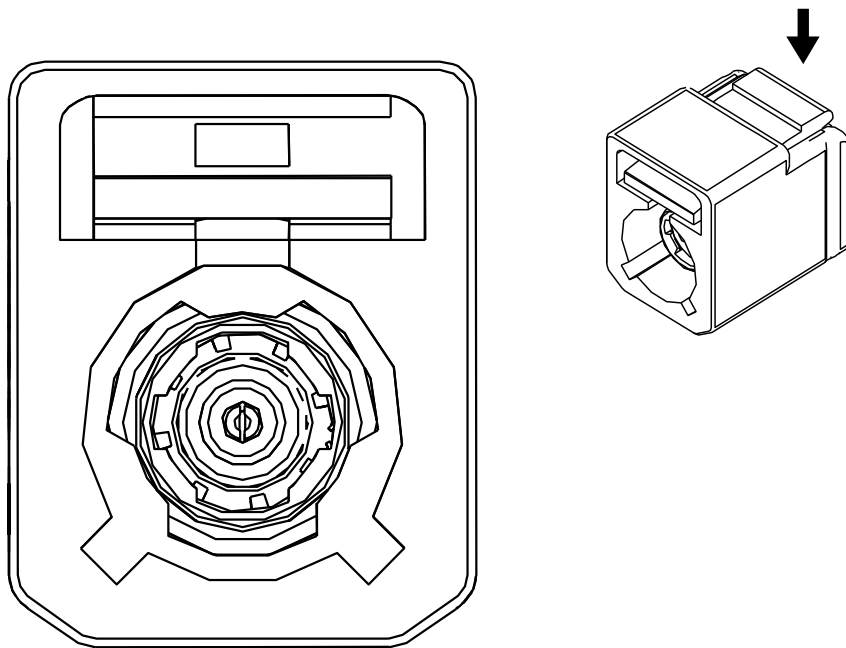
- Harness Type: Radio Antenna Jumper Coax
- Service Connector: Service by Harness
- Description: Description: 1-Way F Coax Type (BK)

Table 540 Terminal Part Information

Terminal Type ID	Service Terminal	Diagnostic Test Probe
I	Not Available	No Tool Required

Table 541 A11 Radio X4

Pin	Size	Color	Circuit	Function	Terminal Type ID	Option
Coax	Coax	Coax	Coax	(AM / FM) Antenna RF Signal	Coax.	Coax.



Connector Part Information

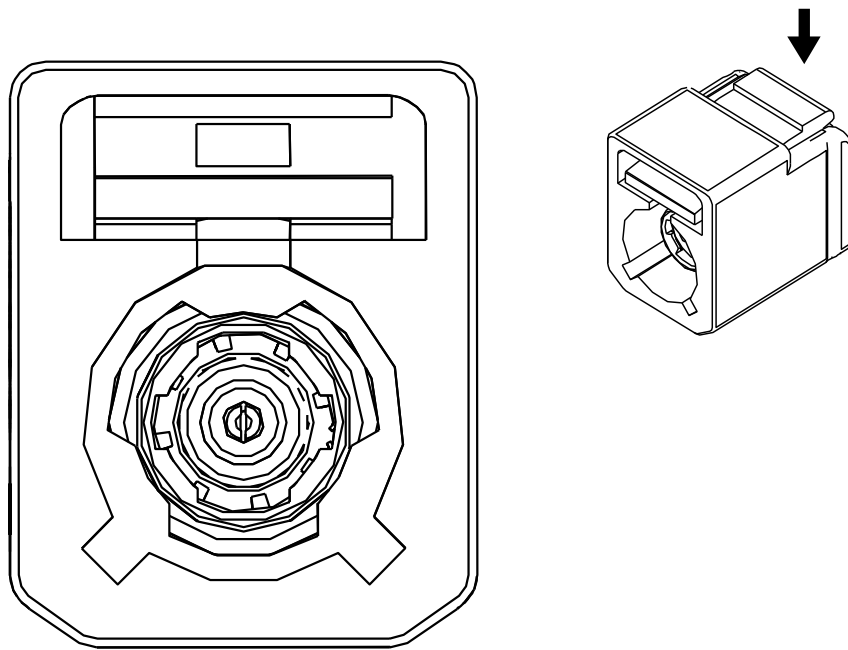
- Harness Type: Instrument Panel Coax
- Service Connector: Service by Harness
- Description: 1-Way F Coax Type (CU)

Table 543 Terminal Part Information

Terminal Type ID	Service Terminal	Diagnostic Test Probe
I	Not Available	No Tool Required

Table 544 A11 Radio X5

Pin	Size	Color	Circuit	Function	Terminal Type ID	Option
—	—	Coax	—	(XM + / -HD) Coaxial Antenna XM Signal	Coax.	Coax.



Connector Part Information

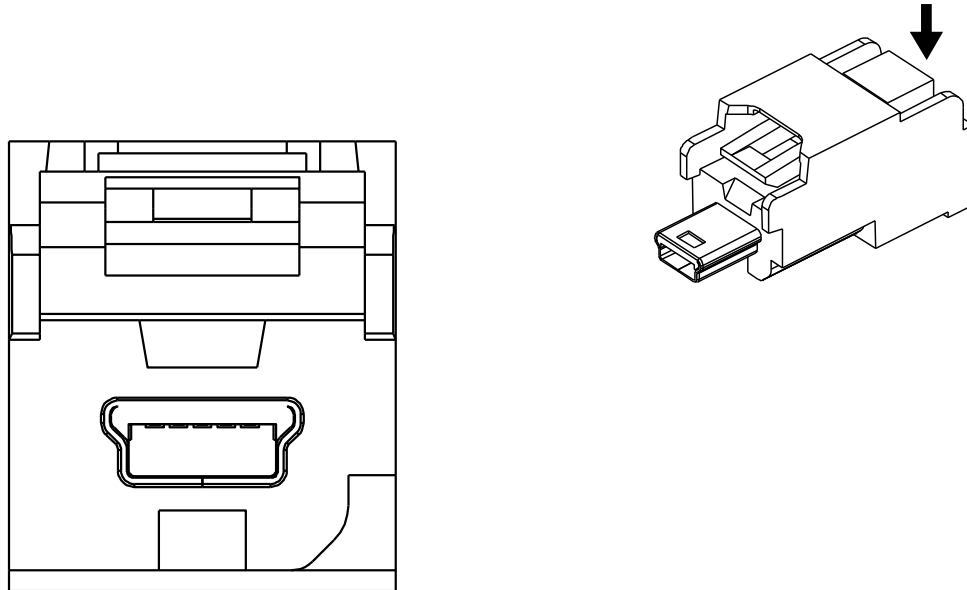
- Harness Type: Instrument Panel Coax
- Service Connector: Service by Harness
- Description: 1-Way F Coax Type (CU)

Table 546 Terminal Part Information

Terminal Type ID	Service Terminal	Diagnostic Test Probe
I	Not Available	No Tool Required

Table 547 A11 Radio X6

Pin	Size	Color	Circuit	Function	Terminal Type ID	Option
Coax	Coax	Coax	Coax	Coax. (XM + / -HD) Coaxial Antenna XM Signal	Coax.	Coax.



Connector Part Information

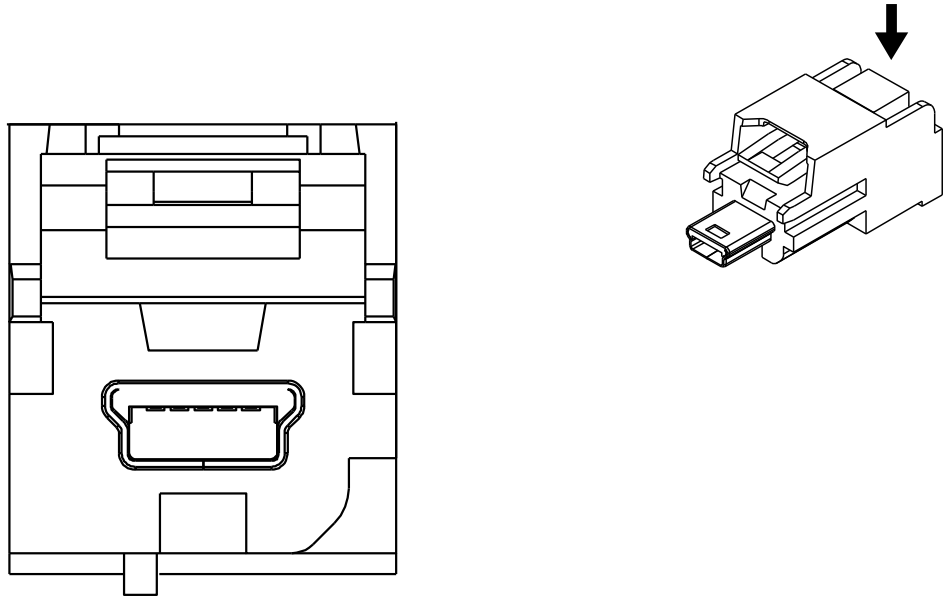
- Harness Type: Instrument Panel LVDS
- Service Connector: Service by Cable Assembly
- Description: 5-Way M 2.0 Mini-B USB Type (BK)

Table 549 Terminal Part Information

Terminal Type ID	Service Terminal	Diagnostic Test Probe
I	Not Available	No Tool Required

Table 550 A11 Radio X7 (Feature Code: 0008RNM)

Pin	Size	Color	Circuit	Function	Terminal Type ID	Option
—	—	LVDS	—	Infotainment Display Signal	I	—



Connector Part Information

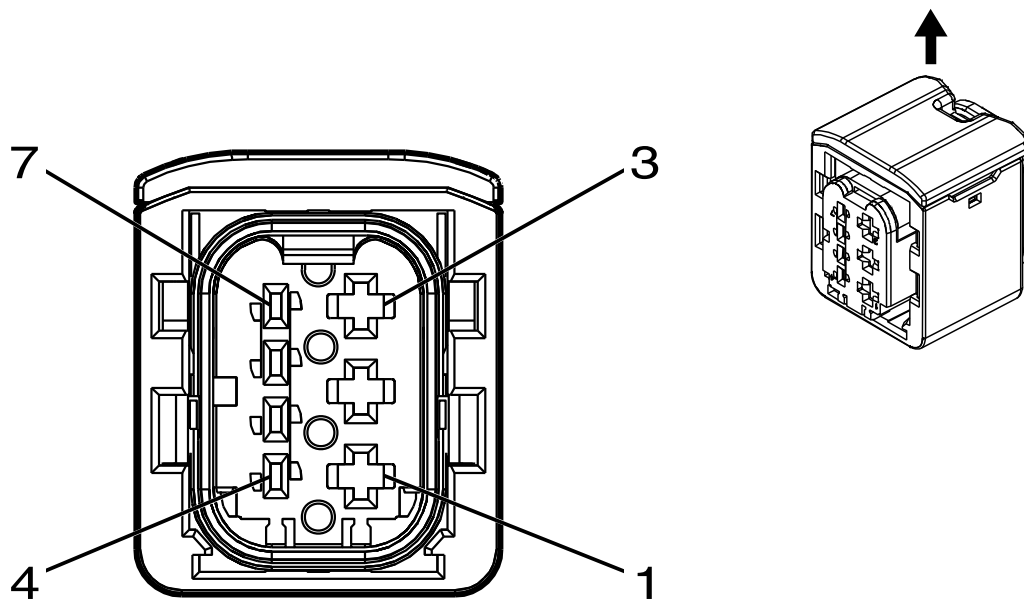
- Harness Type: Instrument Panel USB
- Service Connector: Service by Cable Assembly
- Description: 5-Way M 2.0 Mini-B USB Type (BN)

Table 552 Terminal Part Information

Terminal Type ID	Service Terminal	Diagnostic Test Probe
I	Not Available	No Tool Required

Table 553 A11 Radio X8 (Feature Code: 0008RNM)

Pin	Size	Color	Circuit	Function	Terminal Type ID	Option
—	—	USB	—	USB Serial Data	I	—



Connector Part Information

- Harness Type: Engine Chassis
- Service Connector: 6040276C1
- Description: 7-pin F 1.5, 2.8 MCP Series, Sealed (BK)

Table 555 Terminal Part Information

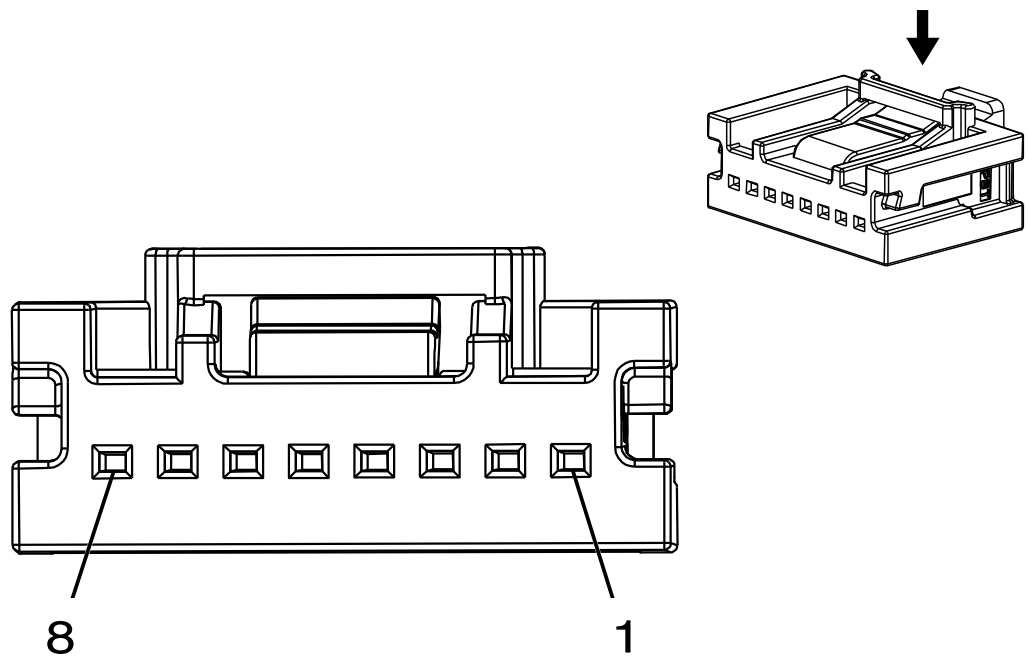
Terminal Type ID	Service Terminal	Diagnostic Test Probe
I	6041983C1	J-35616-14 (GN)
II	6041988C1	J-35616-4A (PU)

Table 556 A16 Transfer Case Motor (Feature Code: 0013TLP (0013WDB))

Pin	Size	Color	Circuit	Function	Terminal Type ID	Option
1	1	YE / VT	1553	Transfer Case Motor Counter Clockwise Control	II	—
2	—	—	—	Not Occupied	—	—
3	1	OG	1552	Transfer Case Motor Clockwise Control	II	—
4	0.5	VT	7476	Incremental Encoder Sensor Low Reference	I	—

Table 556 A16 Transfer Case Motor (Feature Code: 0013TLP (0013WDB)) (cont.)

Pin	Size	Color	Circuit	Function	Terminal Type ID	Option
5	—	—	—	Not Occupied	—	—
6	0.5	D-BU / GY	7473	Incremental Encoder Impulse Signal	I	—
7	0.5	WH / L-GN	7475	Incremental Encoder Sensor 8 volt Reference	I	—



Connector Part Information	
•	Harness Type: Instrument Panel
•	Service Connector: 6040266C1
•	Description: 8-pin F 0.64 Series (BK)

Table 558 Terminal Part Information

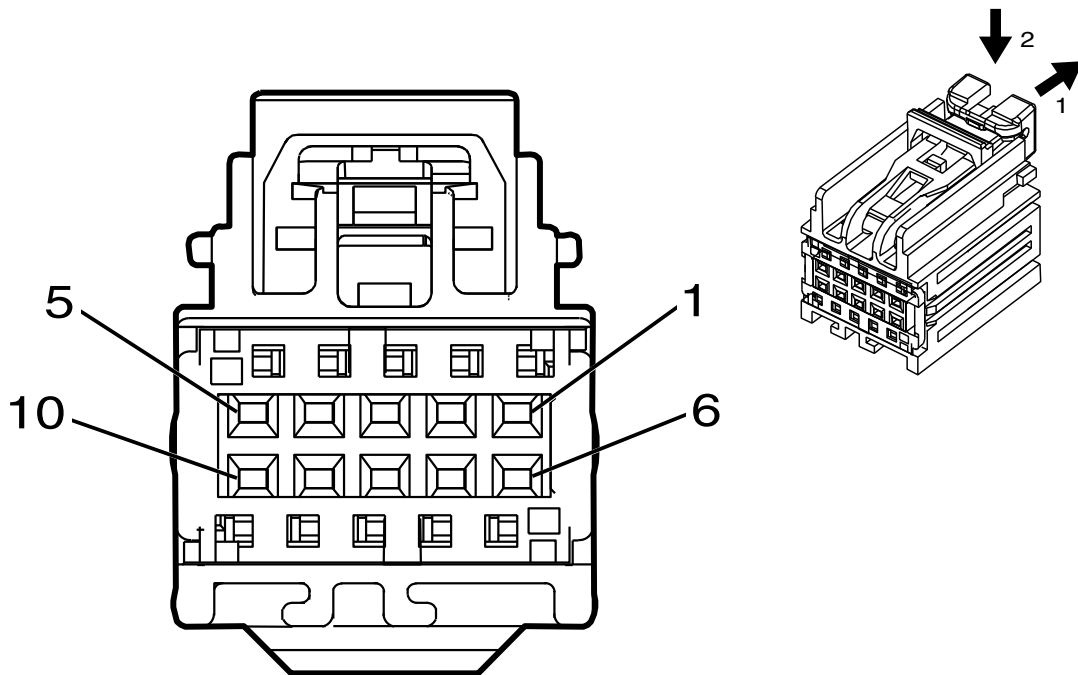
Terminal Type ID	Service Terminal	Diagnostic Test Probe
I	6042042C1	EL-35616-58 (BK)

Table 559 A22 Radio Controls (Feature Code: 0008RNM)

Pin	Size	Color	Circuit	Function	Terminal Type ID	Option
1	0.35	GY / BN	3761	Infotainment Regulated Control	I	—
2	0.35	GN / BK	2515	Keypad Control	I	—
3	0.35	BN / GN	3983	Radio Controls Switch Signal 2	I	—
4	0.35	GY	314	Radio On Signal	I	—
5	0.35	GY / BU	3989	Display Radio Bank Switch Dim Signal	I	—
6	0.35	BU	4315	Radio Volume Up Switch Signal	I	—

Table 559 A22 Radio Controls (Feature Code: 0008RNM) (cont.)

Pin	Size	Color	Circuit	Function	Terminal Type ID	Option
7	0.35	GY / BN	4314	Radio Volume Down Switch Signal	I	—
8	0.35	BK / BN	2518	Keypad Low Reference	I	—



Connector Part Information

- Harness Type: Driver Door
- Service Connector: Service by Harness
- Description: 10-pin F 0.64 YESC Kaizen Series (GN)

Table 561 Terminal Part Information

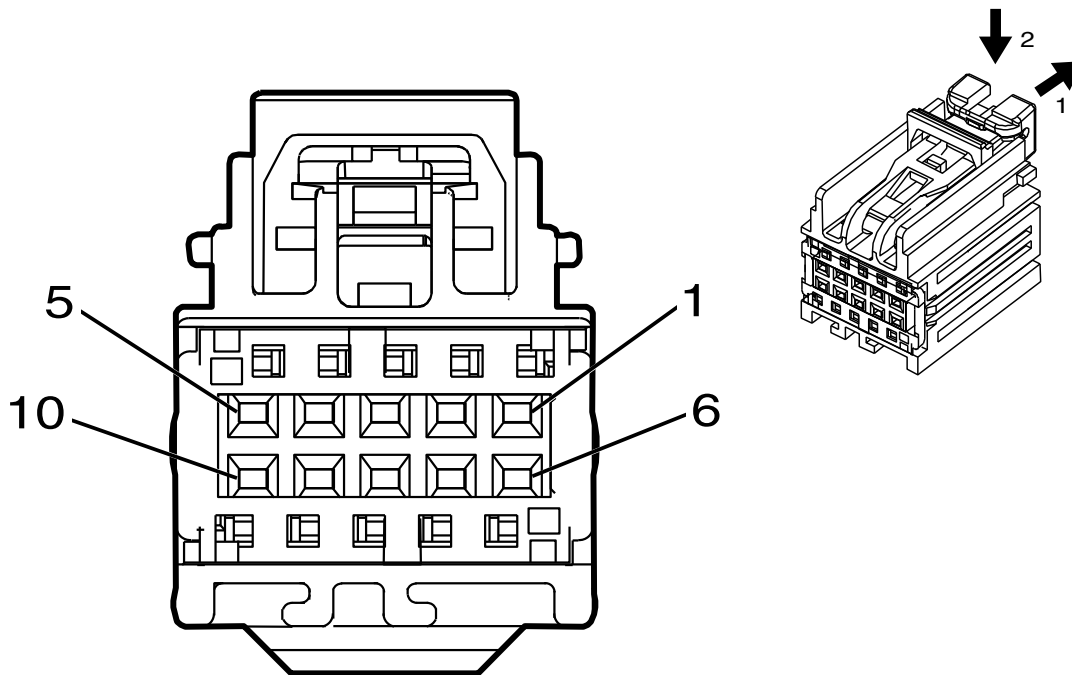
Terminal Type ID	Service Terminal	Diagnostic Test Probe
I	6041998C1 0.35mm-0.5mm 6041997C1 0.75mm	J-35616-64B (LT BU)

Table 562 A23D Door Latch Assembly – Driver

Pin	Size	Color	Circuit	Function	Terminal Type ID	Option
1	0.35	GY	745	Left Front Door Ajar Switch Signal	I	—
2	—	—	—	Not Occupied	—	—
3	0.5	BK	1150	Ground	I	—
4	0.35	WH / VT	3270	Driver Door Lock Motor Status Signal	I	—
5	0.35	BU / VT	1124	Door Lock Key Switch Unlock Signal	I	—

Table 562 A23D Door Latch Assembly – Driver (cont.)

Pin	Size	Color	Circuit	Function	Terminal Type ID	Option
6	—	—	—	Not Occupied	—	—
7	0.75	GY	5911	Door Lock Actuator Lock Control 2	I	—
8	0.75	BN / BK	294	Door Lock Actuator Unlock Control	I	—
9-10	—	—	—	Not Occupied	—	—



Connector Part Information

- Harness Type: Left Rear Door
- Service Connector: Service by Harness
- Description: 10-pin F 0.64 YESC Kaizen Series (GN)

Table 564 Terminal Part Information

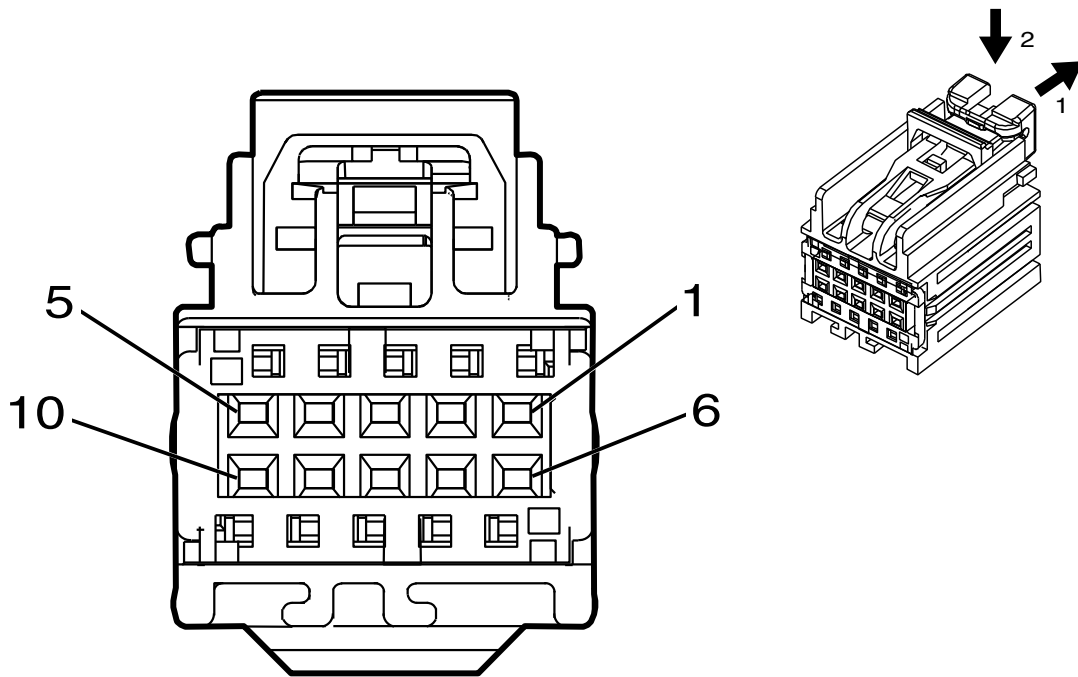
Terminal Type ID	Service Terminal	Diagnostic Test Probe
I	6041998C1 0.35mm-0.5mm 6041997C1 0.75mm	J-35616-64B (LT BU)

Table 565 A23LR Door Latch Assembly – Left Rear (Crew Cab)

Pin	Size	Color	Circuit	Function	Terminal Type ID	Option
1	0.35	GY / WH	747	Left Rear Door Ajar Switch Signal	I	—
2	0.35	BN / WH	3269	Child Security Lock Motor Status Signal Left Rear	I	—
3	0.5	BK	1150	Ground 11	I	—
4-6	—	—	—	Not Occupied	—	—

Table 565 A23LR Door Latch Assembly – Left Rear (Crew Cab) (cont.)

Pin	Size	Color	Circuit	Function	Terminal Type ID	Option
7	0.75	GY	295	Door Lock Actuator Lock Control	I	—
8	0.75	BN / YE	294	Door Lock Actuator Unlock Control	I	—
9	0.75	WH / D-BU	3266	Child Security Lock Motor Lock Control	I	—
10	—	—	—	Not Occupied	—	—



Connector Part Information

- Harness Type: Passenger Door
- Service Connector: Service by Harness
- Description: 10-Way F 0.64 YESC Kaizen Series (GN)

Table 567 Terminal Part Information

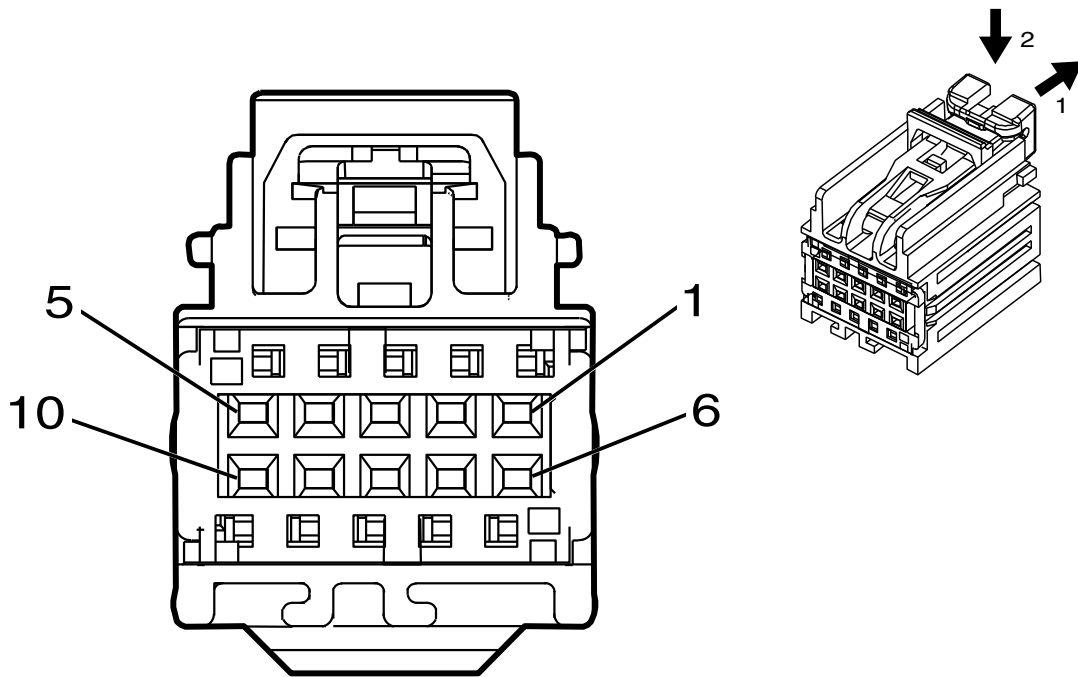
Terminal Type ID	Service Terminal	Diagnostic Test Probe
I	6041998C1 0.35mm-0.5mm 6041997C1 0.75mm	J-35616-64B (LT BU)

Table 568 A23P Door Latch Assembly – Passenger

Pin	Size	Color	Circuit	Function	Terminal Type ID	Option
1-2	—	—	—	Not Occupied	—	—
3	0.5	BK	1250	Ground 12	I	—
4	—	—	—	Not Occupied	—	—
5	0.35	GY	746	Right Front Door Ajar Switch Signal	I	—
6-7	—	—	—	Not Occupied	—	—

Table 568 A23P Door Latch Assembly – Passenger (cont.)

Pin	Size	Color	Circuit	Function	Terminal Type ID	Option
8	0.75	BN / YE	294	Door Lock Actuator Unlock Control	I	—
9	0.75	GY	295	Door Lock Actuator Lock Control	I	—
10	—	—	—	Not Occupied	—	—



Connector Part Information

- Harness Type: Right Rear Door
- Service Connector: Service by Harness
- Description: 10-pin F 0.64 YESC Kaizen Series (GN)

Table 570 Terminal Part Information

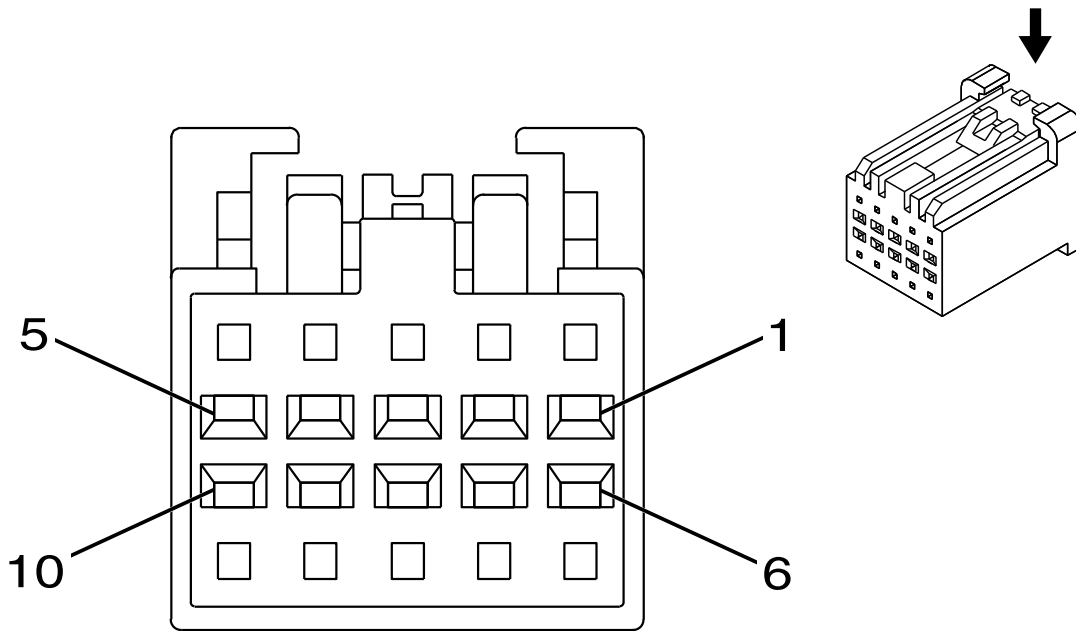
Terminal Type ID	Service Terminal	Diagnostic Test Probe
I	6041998C1 0.35mm-0.5mm 6041997C1 0.75mm	J-35616-64B (LT BU)

Table 571 A23RR Door Latch Assembly – Right Rear (Crew Cab)

Pin	Size	Color	Circuit	Function	Terminal Type ID	Option
1-2	—	—	—	Not Occupied	—	—
3	0.5	BK	1250	Ground 12	I	—
4	0.35	GY / BK	3268	Child Security Lock Motor Status Signal Right Rear	I	—
5	0.35	GY / WH	748	Right Rear Door Ajar Switch Signal	I	—

Table 571 A23RR Door Latch Assembly – Right Rear (Crew Cab) (cont.)

Pin	Size	Color	Circuit	Function	Terminal Type ID	Option
6	—	—	—	Not Occupied	—	—
7	0.75	WH / BU	3266	Child Security Lock Motor Lock Control	I	—
8	0.75	BN / YE	294	Door Lock Actuator Unlock Control	I	—
9	0.75	GY	295	Door Lock Actuator Lock Control	I	—
10	—	—	—	Not Occupied	—	—



Connector Part Information

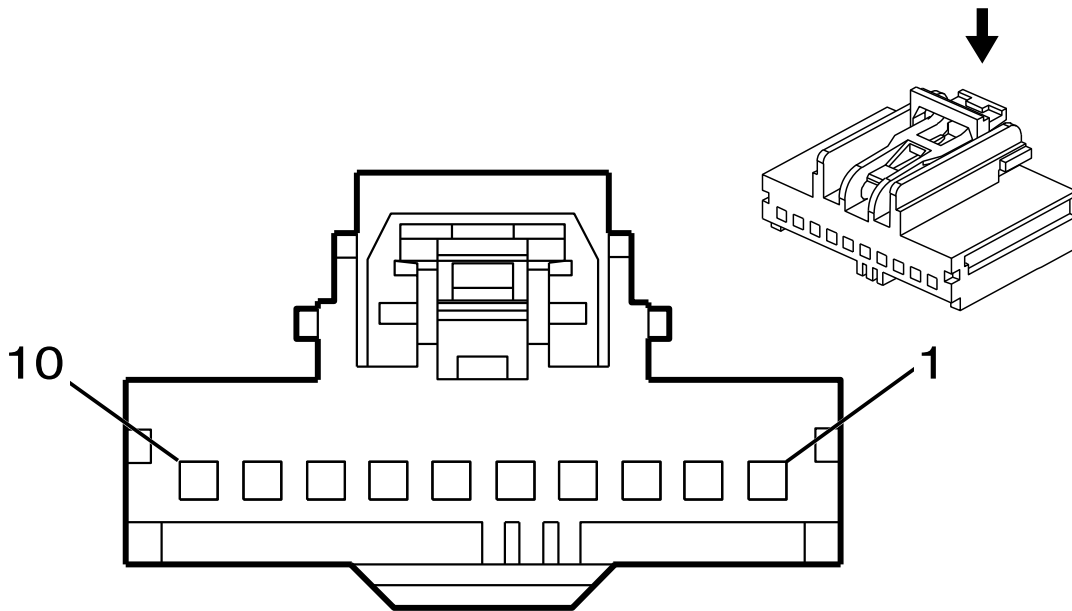
- Harness Type: Instrument Panel
- Service Connector:6040205C1
- Description: 10-pin F 0.64 Kaizen Series (GY)

Table 573 Terminal Part Information

Terminal Type ID	Service Terminal	Diagnostic Test Probe
I	6042047C1	J-35616-64B (LT BU)

Table 574 A26 HVAC Controls

Pin	Size	Color	Circuit	Function	Terminal Type ID	Option
1	0.5	RD / GY	2840	Secondary Fused Battery Positive Voltage 28	I	—
2	—	—	—	Not Occupied	—	—
3	0.35	GN	5060	Low Speed GMLAN Serial Data	I	—
4-8	—	—	—	Not Occupied	—	—
9	0.35	GN / YE	7531	HVAC Control Module LIN Bus 1	I	—
10	0.35	BK	2550	Ground 25	I	—



Connector Part Information

- Harness Type: Instrument Panel
- Service Connector: 6040287C1
- Description: 10-pin F 0.64 Kaizen Series (BK)

Table 576 Terminal Part Information

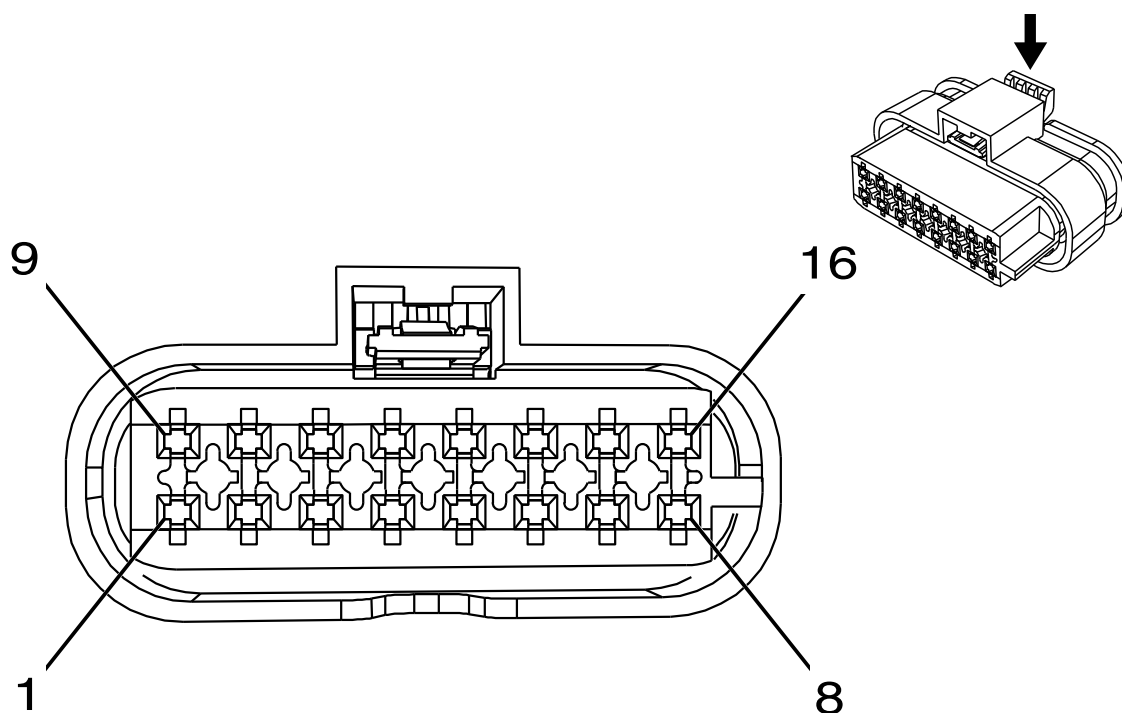
Terminal Type ID	Service Terminal	Diagnostic Test Probe
I	6041997C1	J-35616-64B (LT BU)
II	6042047C1	J-35616-64B (LT BU)

Table 577 A33 Media Disc Player (Feature Code: 0008RNS)

Pin	Size	Color	Circuit	Function	Terminal Type ID	Option
1	0.35	WH / VT	3999	MOST Bus Control	II	—
2	—	—	—	Not Occupied	—	—
3	0.5	WH / GN	3997	MOST Serial Data (-)	II	—
4	0.5	GY / VT	3998	MOST Serial Data (+)	II	—
5	0.5	WH / GN	3997	MOST Serial Data (-)	II	—

Table 577 A33 Media Disc Player (Feature Code: 0008RNS) (cont.)

Pin	Size	Color	Circuit	Function	Terminal Type ID	Option
6	0.5	GY / VT	3998	MOST Serial Data (+)	II	—
7	—	—	—	Not Occupied	—	—
8	0.75	BK	2550	Ground 25	II	—
9	—	—	—	Not Occupied	—	—
10	0.75	RD / VT	340	Secondary Fused Battery Positive Voltage 3	I	—



Connector Part Information

- Harness Type: Instrument Panel
- Service Connector: Not Available
- Description: 16-Way F 1.2 Multilock Series (BK)

Table 579 Terminal Part Information

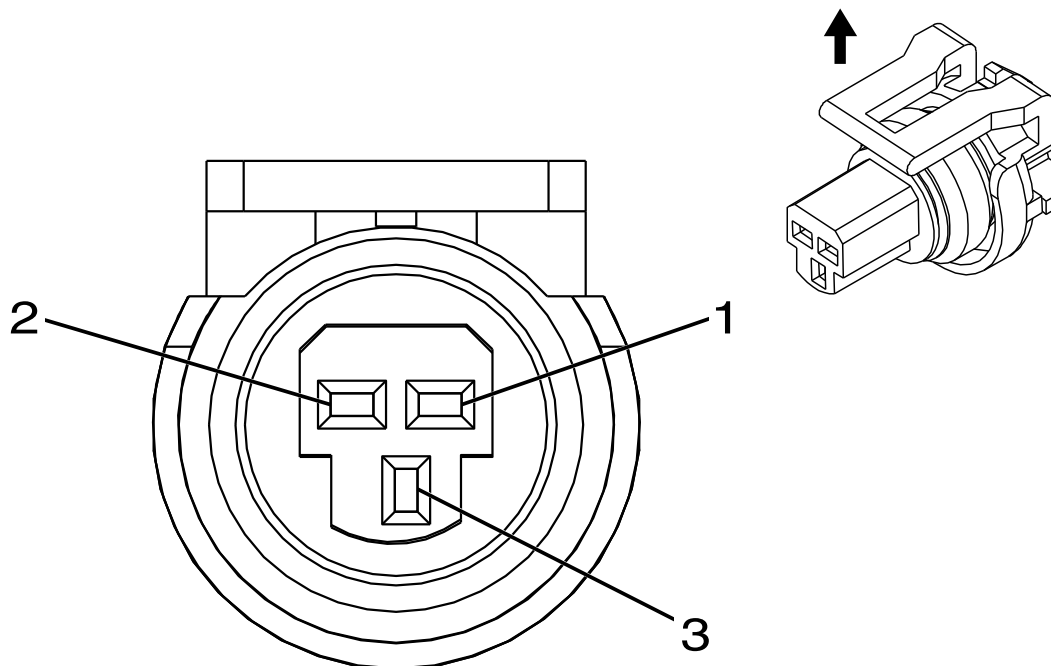
Terminal Type ID	Service Terminal	Diagnostic Test Probe
I	Not Available	J-35616-64B (LT GN)

Table 580 A38 Reductant Pump and Sensor Assembly

Pin	Size	Color	Circuit	Function	Terminal Type ID	Option
1	0.5	BN	3244	Diesel Exhaust Fluid Tank Temperature Sensor Signal	I	—
2	0.5	BK	3245	Diesel Exhaust Fluid Tank Temperature Sensor Feedback Signal	—	—
3	0.5	WH / GN	3997	Diesel Exhaust Fluid Pressure Sensor Low Reference	II	—

Table 580 A38 Reductant Pump and Sensor Assembly (cont.)

Pin	Size	Color	Circuit	Function	Terminal Type ID	Option
4	0.5	GY / VT	3998	Diesel Exhaust Fluid Pressure Sensor Signal	II	—
5	0.5	WH / GN	3997	Diesel Exhaust Fluid Pressure Sensor 5 Volt Reference	II	—
6	0.5	GY / VT	3998	Diesel Exhaust Fluid Tank Level Sensor Low Reference	II	—
7	—	—	—	Diesel Exhaust Fluid Smart Pump Control	—	—
8	0.75	BK	2550	Diesel Exhaust Fluid Smart Pump Supply Voltage Phase 2	II	—
9	—	—	—	Diesel Exhaust Fluid Reservoir Heater Control	—	—
10	—	—	—	Not Occupied	—	—
11	1	BK	4318	Diesel Exhaust Fluid Tank Heater Low Control	I	—
12	—	—	—	Not Occupied	—	—
13	0.5	BK	7290	Diesel Exhaust Fluid Sensor Voltage Reference 1	I	—
14	0.5	BN	3028	Diesel Exhaust Fluid Tank Level Sensor Signal	I	—
15	1	BN	3104	Diesel Exhaust Fluid Smart Pump Low Reference	I	—
16	1	BN	3876	Diesel Exhaust Fluid Smart Pump Supply Voltage Phase 3	I	—



Connector Part Information

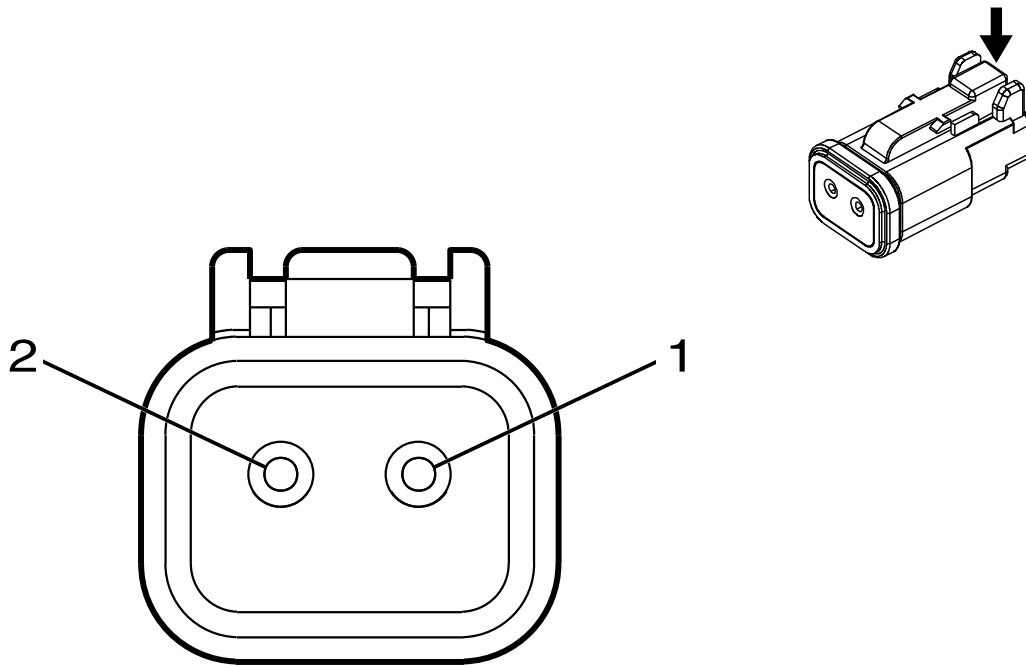
- Harness Type: Engine Chassis
- Service Connector: 6040275C1
- Description: 3-Way F 150 GT Series, Sealed (BK)

Table 582 Terminal Part Information

Terminal Type ID	Service Terminal	Diagnostic Test Probe
I	6042023C1	J-35616-14 (GN)

Table 583 B1 A / C Refrigerant Pressure Sensor (Feature Code: 0016XZA)

Pin	Size	Color	Circuit	Function	Terminal Type ID	Option
1	0.5	BK / BN	5514	A / C Refrigerant Pressure Sensor Low Reference	I	—
2	0.5	BN / RD	2700	A / C Pressure Sensor 5 volt Reference	I	—
3	0.5	L-GN	380	A / C Refrigerant Pressure Sensor Signal	I	—



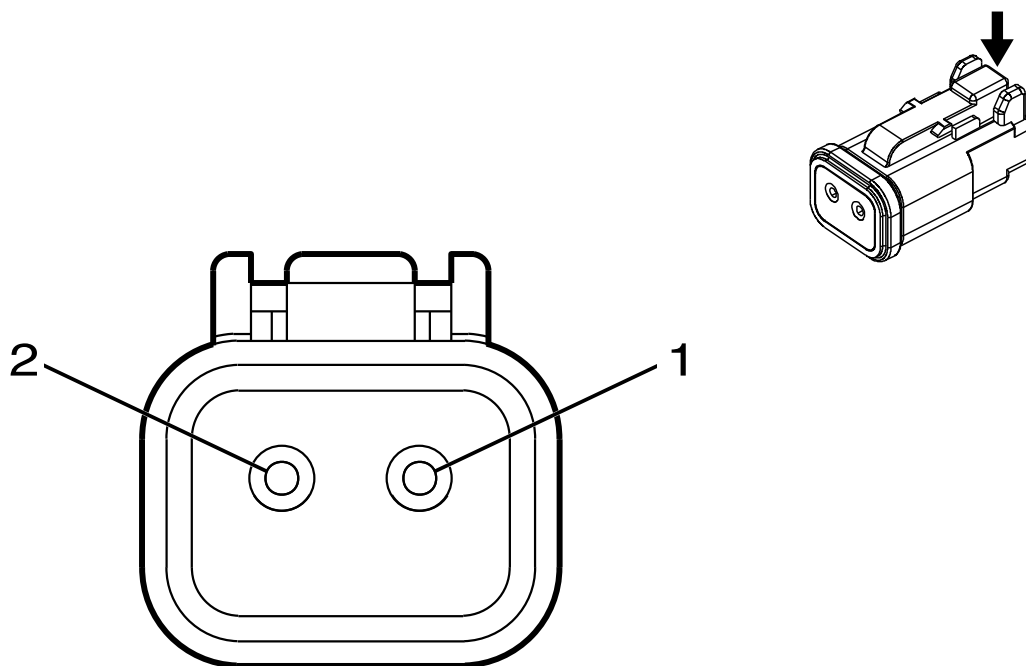
Connector Part Information	
•	Harness Type: Chassis
•	Service Connector: 3866308C1
•	Description: 2-pin F DT Series, Sealed (BK)

Table 585 Terminal Part Information

Terminal Type ID	Service Terminal	Diagnostic Test Probe
I	2034787C1	J-35616-66 (YE)

Table 586 B5LF Wheel Speed Sensor – Left Front

Pin	Size	Color	Circuit	Function	Terminal Type ID	Option
1	0.75	GY / WH	7064	Wheel Speed Sensor Control Left Front	I	—
2	0.75	GY	830	Wheel Speed Sensor Signal Left Front	I	—



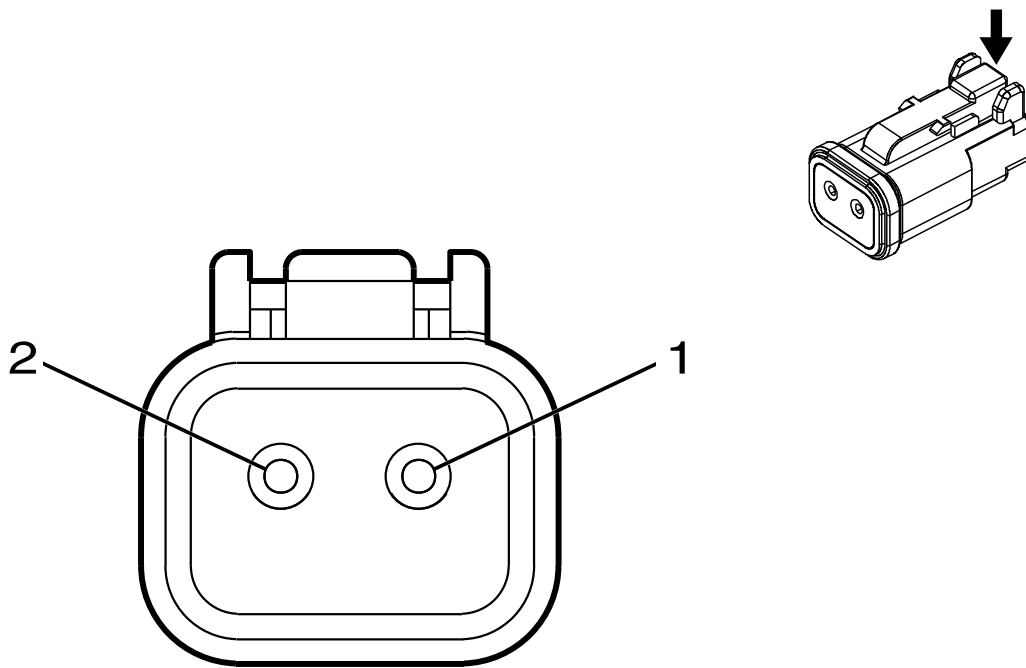
Connector Part Information	
•	Harness Type: Chassis Rear Left
•	Service Connector: 3866308C1
•	Description: 2-pin F DT Series, Sealed (BK)

Table 588 Terminal Part Information

Terminal Type ID	Service Terminal	Diagnostic Test Probe
I	2034787C1	J-35616-66 (YE)

Table 589 B5LR Wheel Speed Sensor – Left Rear

Pin	Size	Color	Circuit	Function	Terminal Type ID	Option
1	1	GY / BK	7127	Left Rear Wheel Speed Sensor Control	I	—
2	1	BU	884	Left Rear Wheel Speed Sensor Signal	I	—



Connector Part Information

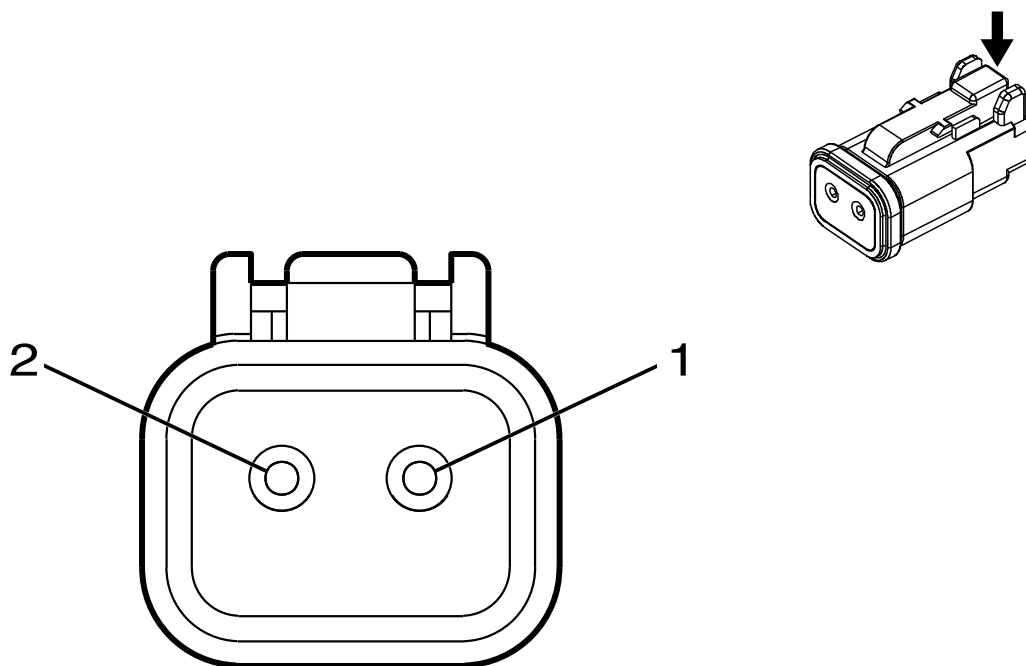
- Harness Type: Chassis
- Service Connector: 3866308C1
- Description: 2-pin F DT Series, Sealed (BK)

Table 591 Terminal Part Information

Terminal Type ID	Service Terminal	Diagnostic Test Probe
I	N/A	J-35616-17 (LT GN)
II	2034787C1	J-35616-66 (YE)

Table 592 B5RF Wheel Speed Sensor – Right Front

Pin	Size	Color	Circuit	Function	Terminal Type ID	Option
1	0.75	GY / BN	7065	Wheel Speed Sensor Control Right Front	I	—
2	0.75	YE	872	Wheel Speed Sensor Signal Right Front	II	—



Connector Part Information	
•	Harness Type: Chassis Rear Right
•	Service Connector: 3866308C1
•	Description: 2-pin F DT Series, Sealed (BK)

Table 594 Terminal Part Information

Terminal Type ID	Service Terminal	Diagnostic Test Probe
I	N/A	J-35616-17 (LT GN)
II	2034787C1	J-35616-66 (YE)

Table 595 B5RR Wheel Speed Sensor – Right Rear

Pin	Size	Color	Circuit	Function	Terminal Type ID	Option
1	0.75	WH / BU	7128	Wheel Speed Sensor Control Right Rear	I	—
2	1	VT	882	Wheel Speed Sensor Signal Right Rear	II	—

Connector Part Information

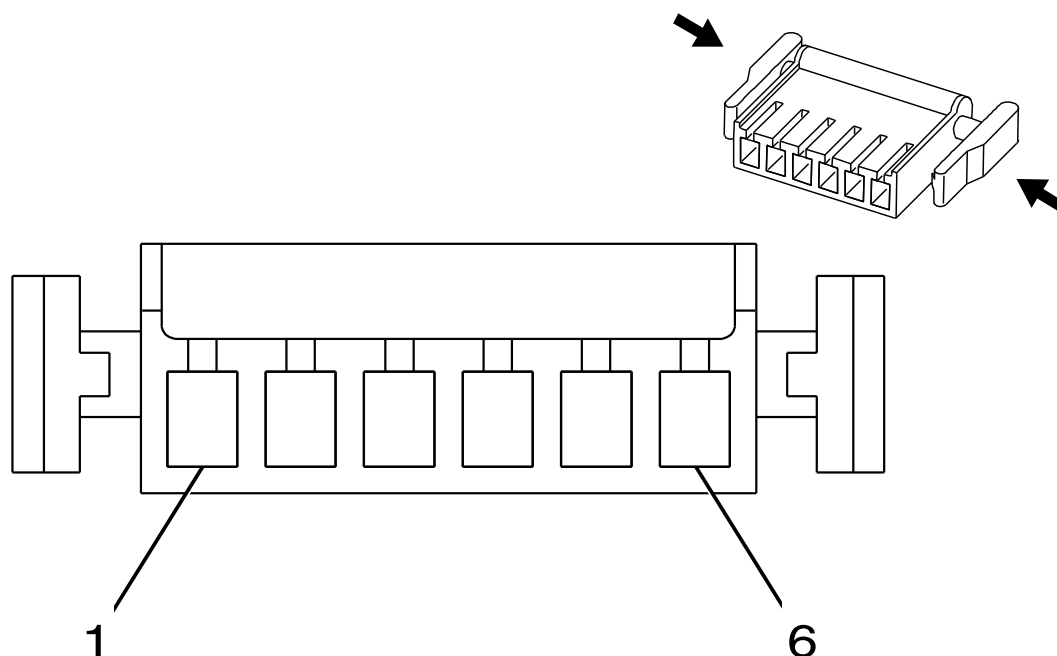
- Harness Type: Outside Rearview Mirror - Passenger
- Service Connector: Service by Harness
- Description: 2-Way

Table 597 Terminal Part Information

Terminal Type ID	Service Terminal	Diagnostic Test Probe
I	Not Available	Not Available

Table 598 B9D Ambient Air Temperature Sensor - Mirror

Pin	Size	Color	Circuit	Function	Terminal Type ID	Option
1	—	WH / RD	636	Ambient Air Temperature Sensor Signal	I	—
2	—	RD	61	Ambient Air Temperature Sensor Low Reference	I	—



Connector Part Information

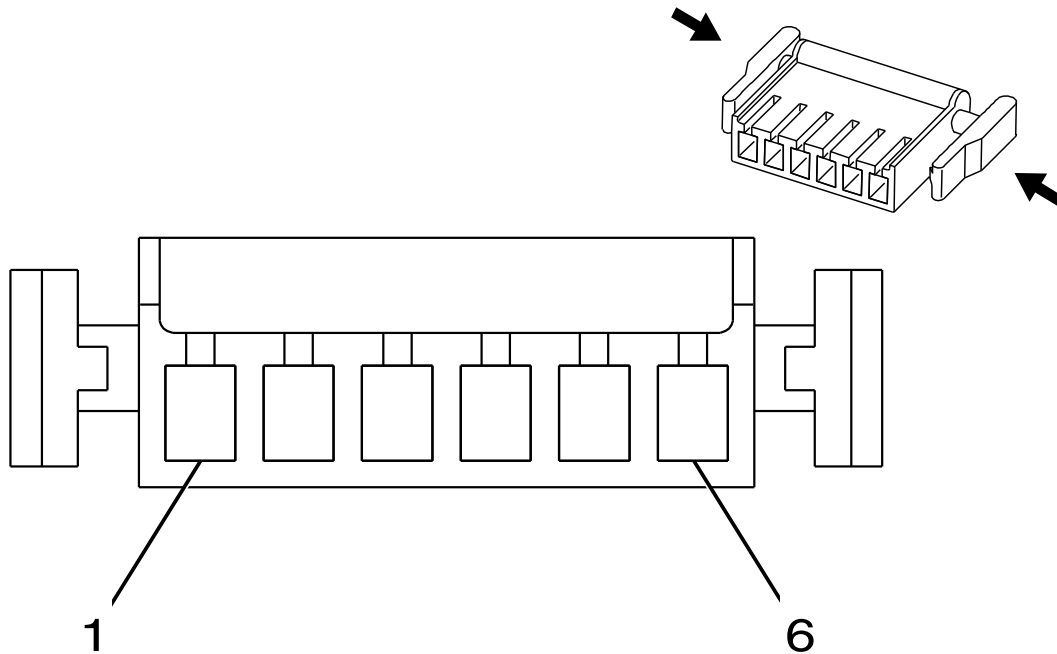
- Harness Type: Instrument Panel
- Service Connector: 6040197C1
- Description: 6-pin F 0.64 Micro-Quadlock Series (BK)

Table 600 Terminal Part Information

Terminal Type ID	Service Terminal	Diagnostic Test Probe
I	6042016C1	J-35616-64B (LT BU)

Table 601 B10B Ambient Light / Sunload Sensor

Pin	Size	Color	Circuit	Function	Terminal Type ID	Option
1	0.35	GY	728	Security Indicator Control	I	—
2-4	—	—	—	Not Occupied	—	—
5	0.35	WH / BU	278	Ambient Light Sensor Signal	I	—
6	0.35	BK / YE	1791	Air Temperature Door Control Low Reference	I	—



Connector Part Information

- Harness Type: Transmission
- Service Connector: Service by Harness
- Description: 6-Way

Table 603 Terminal Part Information

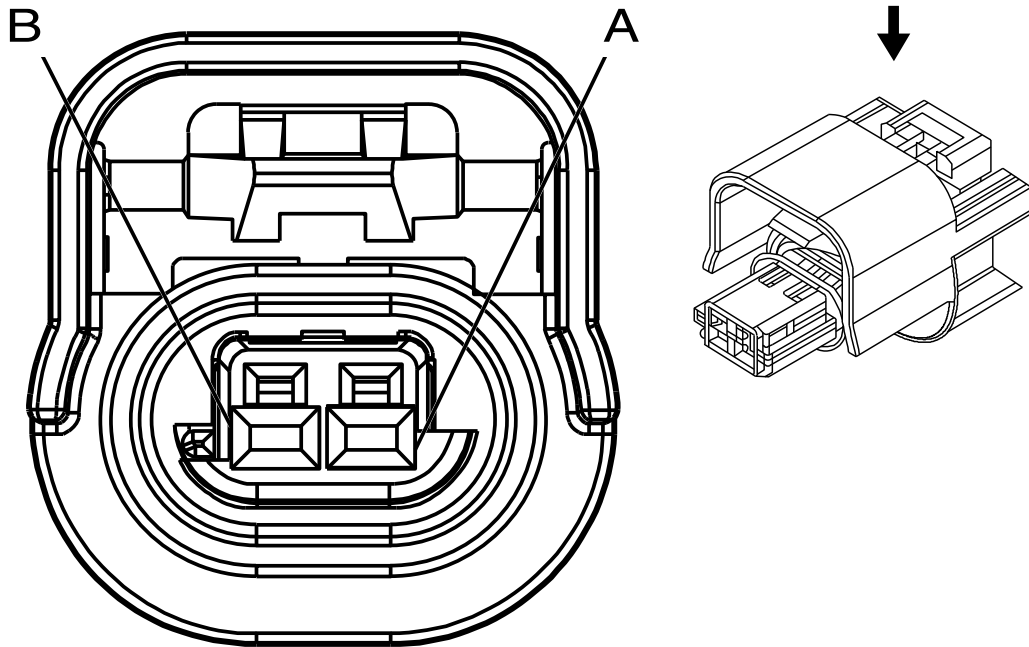
Terminal Type ID	Service Terminal	Diagnostic Test Probe
I	Not Available	Not Available

Table 604 B12A Transmission Fluid Pressure Switch

Pin	Size	Color	Circuit	Function	Terminal Type ID	Option
A	—	—	117	Transmission Fluid Pressure Switch Signal Bit 1	I	—
B	—	—	179	Transmission Fluid Pressure Switch Signal Bit 2	—	—
C	—	—	157	Transmission Fluid Pressure Switch Signal Bit 3	I	—

Table 604 B12A Transmission Fluid Pressure Switch (cont.)

Pin	Size	Color	Circuit	Function	Terminal Type ID	Option
D	—	—	177	Transmission Fluid Pressure Switch Signal Bit 4	I	—
E	—	—	154	Transmission Temperature Sensor Signal	I	
F	—	—	158	Transmission Fluid Temperature Sensor Low Reference	I	



Connector Part Information

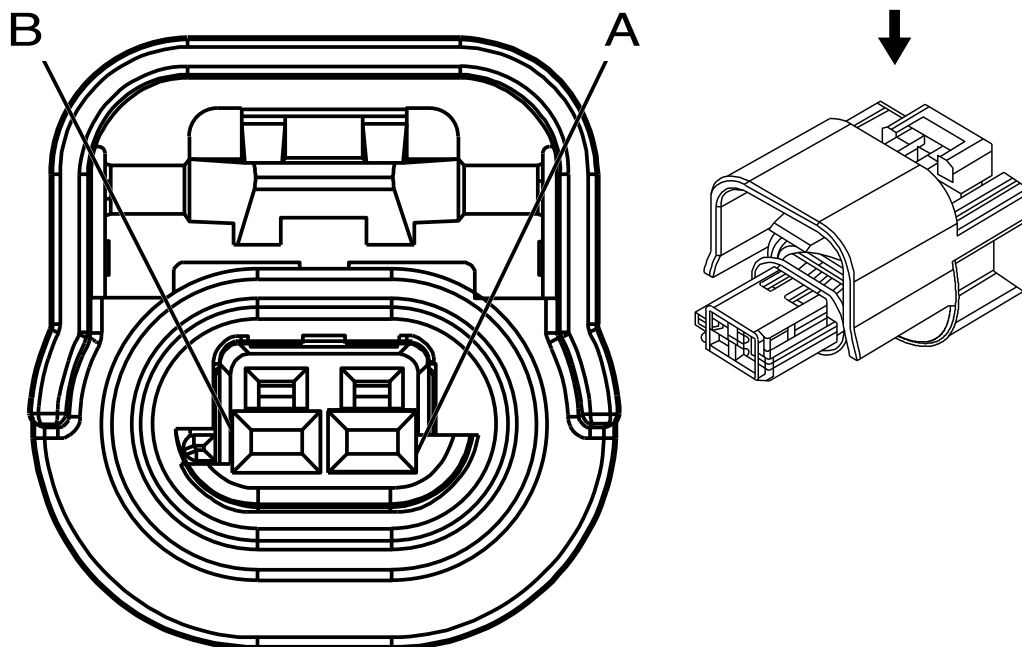
- Harness Type: Engine Chassis
- Service Connector: 6040192C1
- Description: 2-pin F 150 GT Series, Sealed (BK)

Table 606 Terminal Part Information

Terminal Type ID	Service Terminal	Diagnostic Test Probe
I	6041912C1	J-35616-14 (GN)

Table 607 B14A Transmission Output Shaft Speed Sensor

Pin	Size	Color	Circuit	Function	Terminal Type ID	Option
A	0.75	YE	160	Transmission Output Shaft Reference Voltage	I	—
B	0.75	GN	140	Transmission Output Shaft Signal	I	—



Connector Part Information

- Harness Type: Engine Chassis
- Service Connector: 6040192C1
- Description: 2-pin F 150 GT Series, Sealed (BK)

Table 609 Terminal Part Information

Terminal Type ID	Service Terminal	Diagnostic Test Probe
I	6041912C1	J-35616-14 (GN)

Table 610 B14B Transmission Turbine Speed Sensor

Pin	Size	Color	Circuit	Function	Terminal Type ID	Option
A	0.75	OG	180	Transmission Input Shaft Sensor Reference Voltage	I	—
B	0.75	BU	120	Transmission Input Shaft Sensor Signal	I	—

Table 611 B15 Transmission Internal Mode Switch

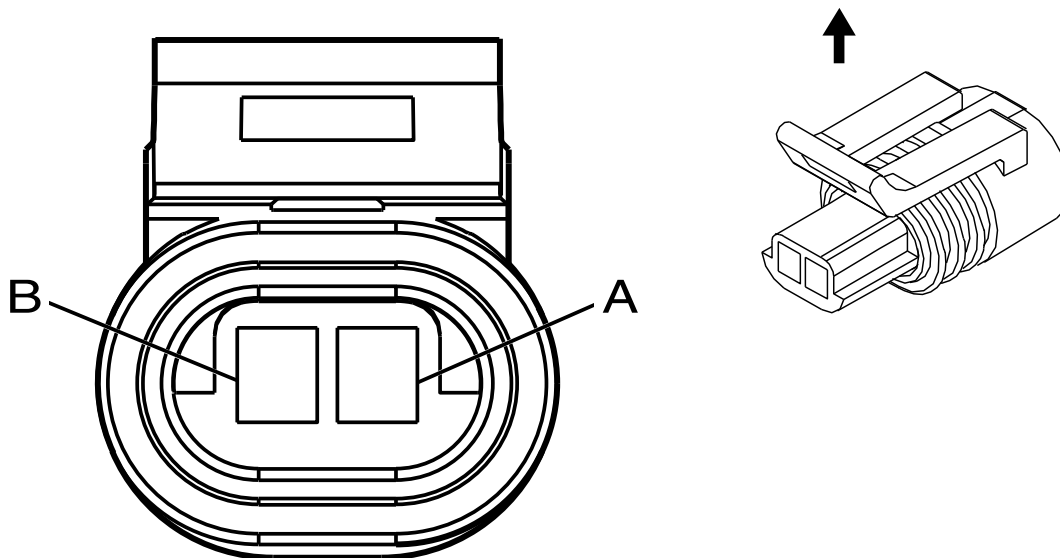
<p>Connector Part Information</p> <ul style="list-style-type: none"> • Harness Type: Engine Chassis • Service Connector: Service by Harness • Description: 6-Way
--

Table 612 Terminal Part Information

Terminal Type ID	Service Terminal	Diagnostic Test Probe
I	Not Available	Not Available

Table 613 B15 Transmission Internal Mode Switch

Pin	Size	Color	Circuit	Function	Terminal Type ID	Option
A	—	—	138	Transmission Park / Neutral Signal 1	I	—
B	—	—	134	Transmission Position Switch Parity Bit Signal	I	—
C			173	Transmission Position Switch Bit 1 Signal	I	—
D			153	Transmission Position Switch Bit 2 Signal	I	—
E			114	Transmission Position Switch Bit 3 Signal	I	—
F			158	Transmission Fluid Temperature Sensor Low Reference	I	—



Connector Part Information

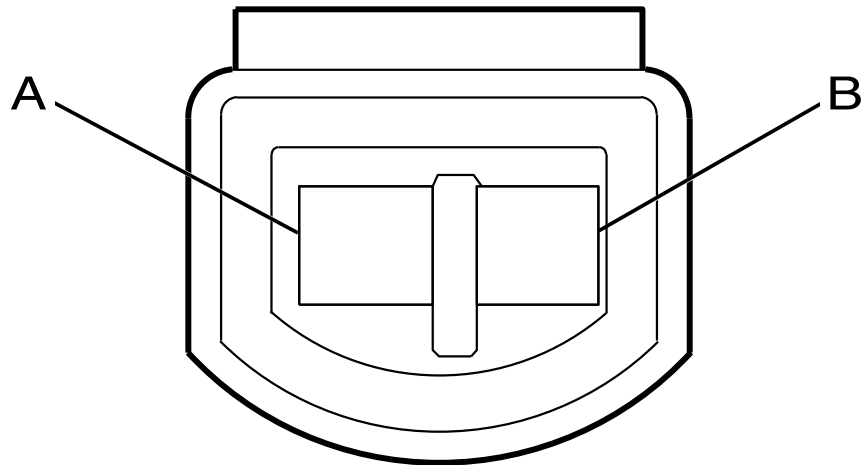
- Harness Type: Brake Booster
- Service Connector: 2036583C1
- Description: 2-Way F 150.2 Metri-Pack Series, Sealed (BK)

Table 615 Terminal Part Information

Terminal Type ID	Service Terminal	Diagnostic Test Probe
I	2036586C1	J-35616-2A (GY)

Table 616 B20 Brake Pedal Position Sensor

Pin	Size	Color	Circuit	Function	Terminal Type ID	Option
A	0.75	GY	9	Brake Fluid Level Switch Signal	I	—
B	0.75	GY	90	Ground	I	—



Connector Part Information

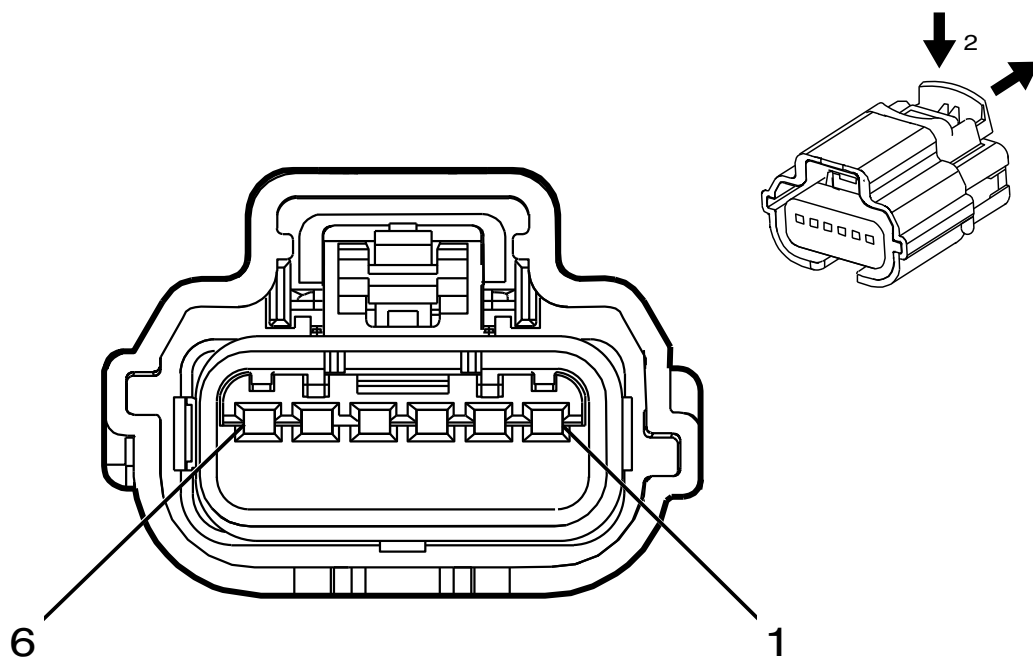
- Harness Type: Brake Booster
- Service Connector: 3518873C91
- Description: 2-Way F Sealed (NA)

Table 618 Terminal Part Information

Terminal Type ID	Service Terminal	Diagnostic Test Probe
I	Not Available	Not Available

Table 619 B21C Brake Pressure Differential Switch

Pin	Size	Color	Circuit	Function	Terminal Type ID	Option
A	3	GY	90CA	Power Brake Booster Fluid Flow Switch Signal	I	—
B	3	GY	90BA	Brake Pressure Differential Switch Signal	I	—



Connector Part Information

- Harness Type: Brake Clutch
- Service Connector: Service by Harness
- Description: 6-pin F 64 Series, Sealed (NA)

Table 621 Terminal Part Information

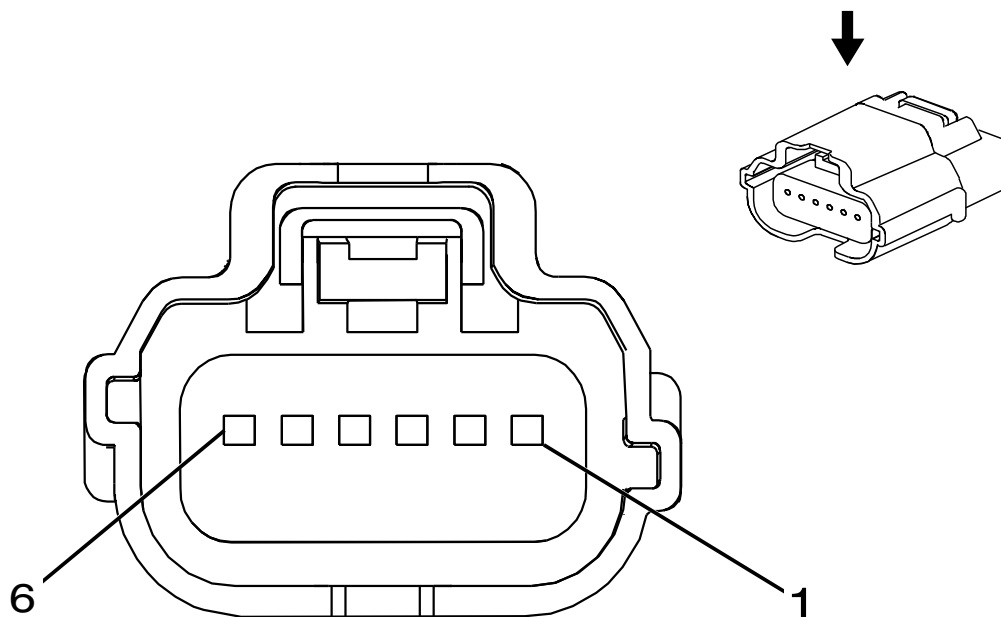
Terminal Type ID	Service Terminal	Diagnostic Test Probe
I	6042044C1	J-35616-64B (LT BU)

Table 622 B22 Brake Pedal Position Sensor (0013TLP)

Pin	Size	Color	Circuit	Function	Terminal Type ID	Option
1	0.5	BK / L-GN	552	Sensor Low Reference 5	I	—
2	0.5	GY / RD	598	HVAC Air Inlet 5 Volt Reference	I	—
3	0.5	WH / L-GN	526	Stop Lamp Switch Signal 2	I	—
4	0.5	D-BU / YE	5361	Brake Apply Sensor Signal	I	—

Table 622 B22 Brake Pedal Position Sensor (0013TLP) (cont.)

Pin	Size	Color	Circuit	Function	Terminal Type ID	Option
5	0.5	BK / BN	5360	Brake Apply Sensor Low Reference	I	—
6	0.5	WH	5359	Brake Apply Sensor Voltage Reference	I	—



Connector Part Information

- Harness Type: Brake Clutch
- Service Connector: Service by Harness
- Description: 6-pin F 64 Series, Sealed (NA)

Table 624 Terminal Part Information

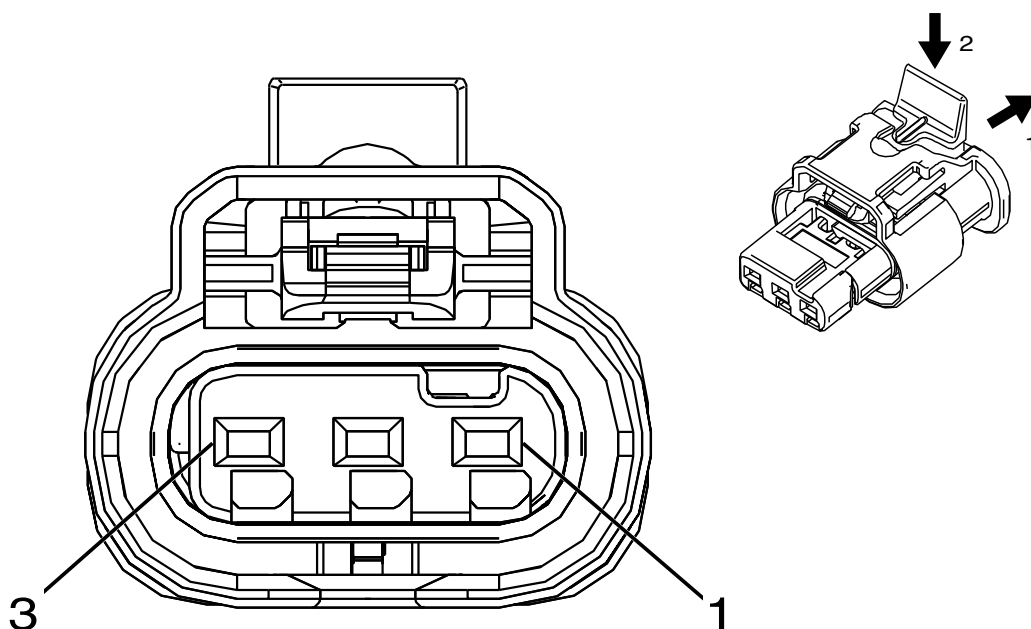
Terminal Type ID	Service Terminal	Diagnostic Test Probe
I	6042044C1	J-35616-64B (LT BU)

Table 625 B22 Brake Pedal Position Sensor (without 0013TLP)

Pin	Size	Color	Circuit	Function	Terminal Type ID	Option
1	0.5	BK / L-GN	552	Sensor Low Reference	I	—
2	0.5	GY / RD	598	5 Volt Reference	I	—
3	0.5	WH / L-GN	526	Stop Lamp Switch Signal	I	—
4	0.5	BU / YE	5361	Brake Apply Sensor Signal	I	—

Table 625 B22 Brake Pedal Position Sensor (without 0013TLP) (cont.)

Pin	Size	Color	Circuit	Function	Terminal Type ID	Option
5	0.5	BK / BN	5360	Brake Apply Sensor Low Reference	I	—
6	0.5	WH	5359	Brake Apply Sensor Control	I	—



Connector Part Information

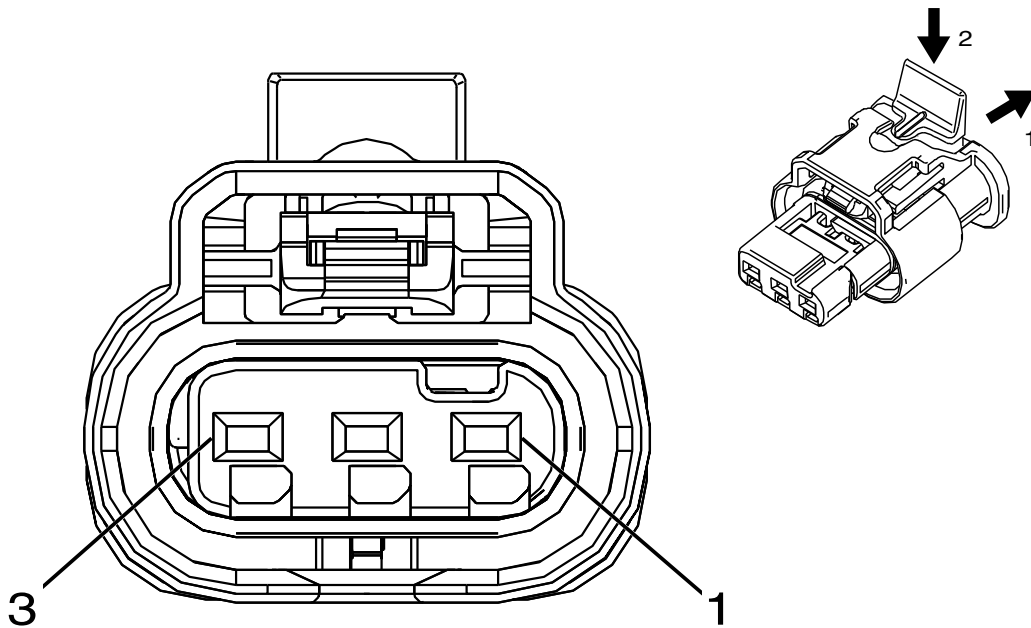
- Harness Type: Engine
- Service Connector: 6042039C1
- Description: 3-pin F 1.2 MCP Series, Sealed (BN)

Table 627 Terminal Part Information

Terminal Type ID	Service Terminal	Diagnostic Test Probe
I	6042039C1	J-35616-16 (LT GN)

Table 628 B23 Camshaft Position Sensor (Early)

Pin	Size	Color	Circuit	Function	Terminal Type ID	Option
1	0.5	GY / BU	5300	Camshaft Position Intake Sensor Control 1	I	—
2	0.5	BK / GN	5301	Camshaft Position Intake Sensor Low Reference 1	I	—
3	0.5	YE / VT	5275	Camshaft Position Intake Sensor 1	I	—



Connector Part Information

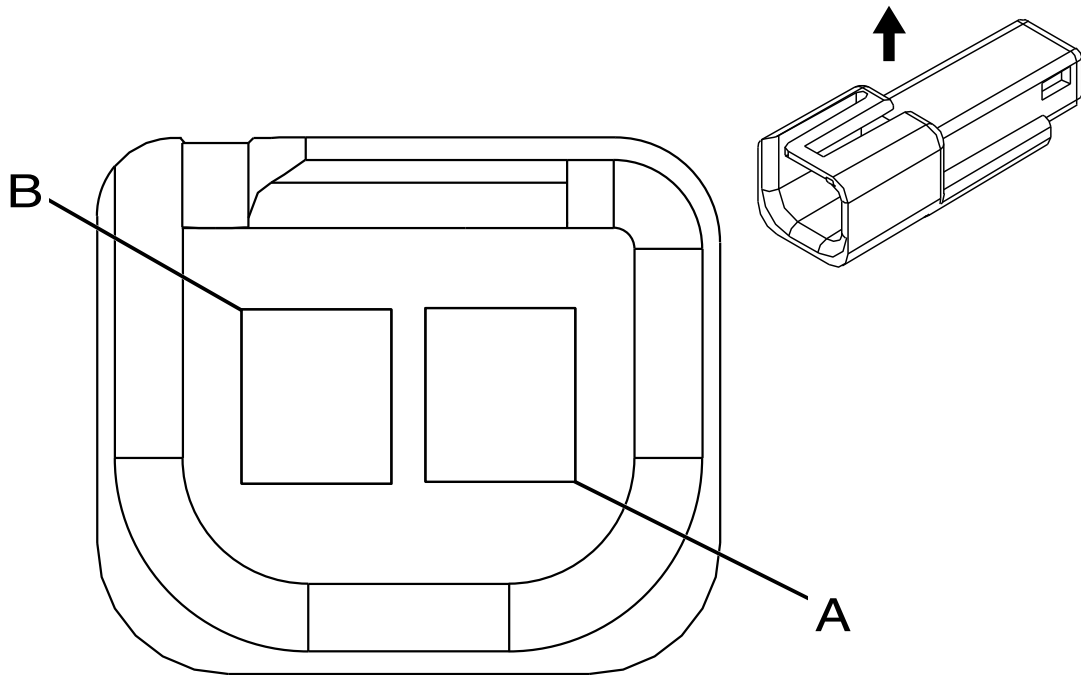
- Harness Type: Engine
- Service Connector: 6042039C1
- Description: 3-pin F 1.2 MCP Series, Sealed (BN)

Table 630 Terminal Part Information

Terminal Type ID	Service Terminal	Diagnostic Test Probe
I	6042039C1	J-35616-16 (LT GN)

Table 631 B23 Camshaft Position Sensor (Late)

Pin	Size	Color	Circuit	Function	Terminal Type ID	Option
1	0.5	GY / YE	5297	Exhaust Camshaft Position Sensor 1 Voltage	I	—
2	0.5	BK / GY	5296	Exhaust Camshaft Position Sensor Low Reference 1	I	—
3	0.5	VT / BK	5273	Exhaust Camshaft Position Sensor 1	I	—



Connector Part Information

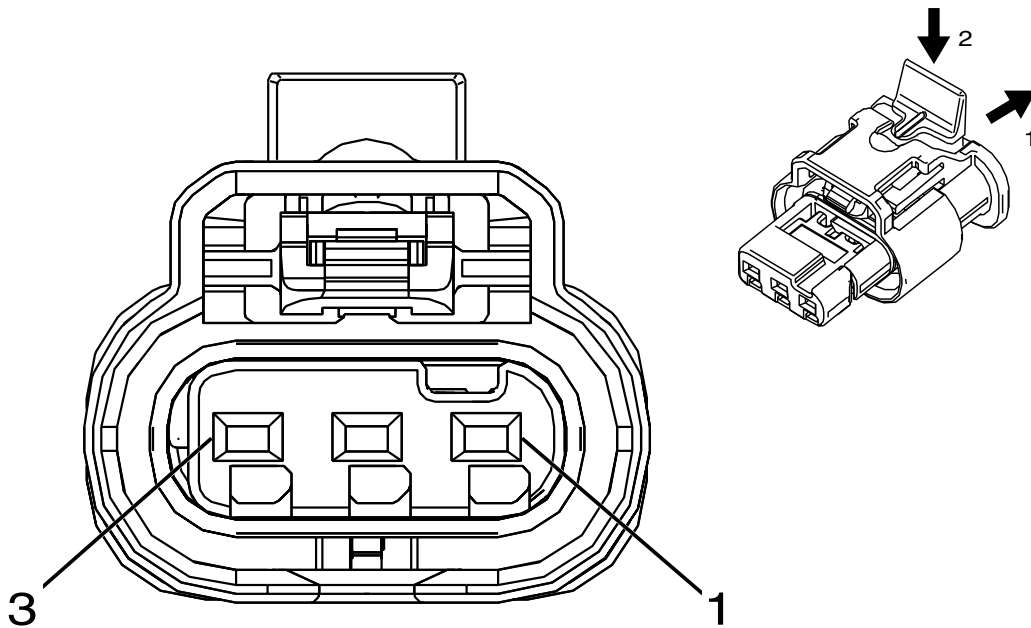
- Harness Type: Headliner
- Service Connector: 6040210C1
- Description: 2-Way M 150 Metri-Pack Series (BK)

Table 633 Terminal Part Information

Terminal Type ID	Service Terminal	Diagnostic Test Probe
I	6041897C1	J-35616-3 (GY)

Table 634 B24 Mobile Telephone Microphone (Feature Code: 0008RNW / 0008RNX / 0008RNM / 0008AAE)

Pin	Size	Color	Circuit	Function	Terminal Type ID	Option
A	0.35	BK / BN	654	Cellular Telephone Microphone Low Reference	I	—
B	0.35	D-BU	655	Cellular Telephone Microphone Signal	I	—



Connector Part Information

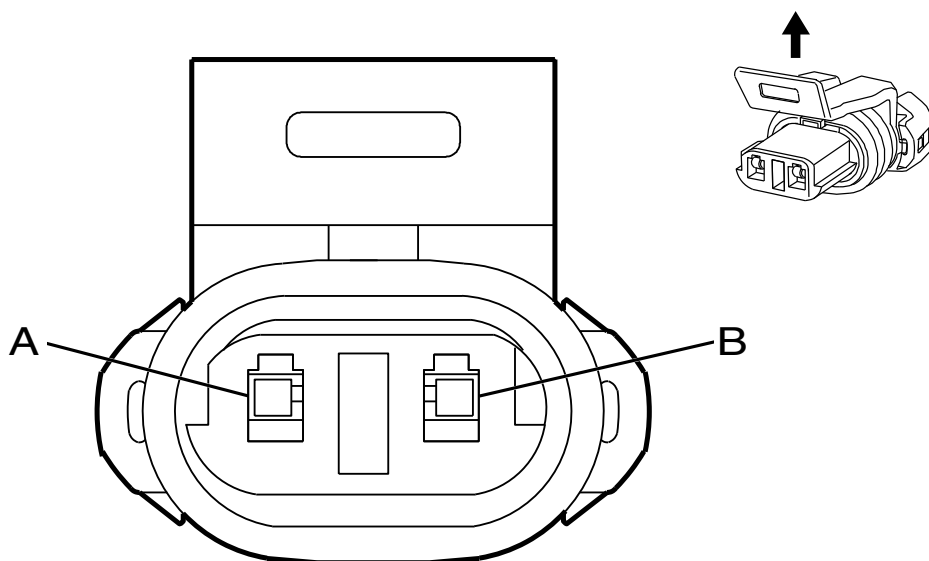
- Harness Type: Engine Left
- Service Connector: Service by Harness
- Description: 3-pin F 1.2 MCP Series, Sealed (BN)

Table 636 Terminal Part Information

Terminal Type ID	Service Terminal	Diagnostic Test Probe
I	6042039C1	J-35616-16 (LT GN)

Table 637 B26 Crankshaft Position Sensor

Pin	Size	Color	Circuit	Function	Terminal Type ID	Option
1	0.5	VT / BU	6270	Crankshaft Position Sensor Voltage	I	—
2	0.5	BK / VT	6272	Crankshaft Position Sensor Low Reference	I	—
3	0.5	GN	6271	Crankshaft Position Sensor Signal	I	—



Connector Part Information

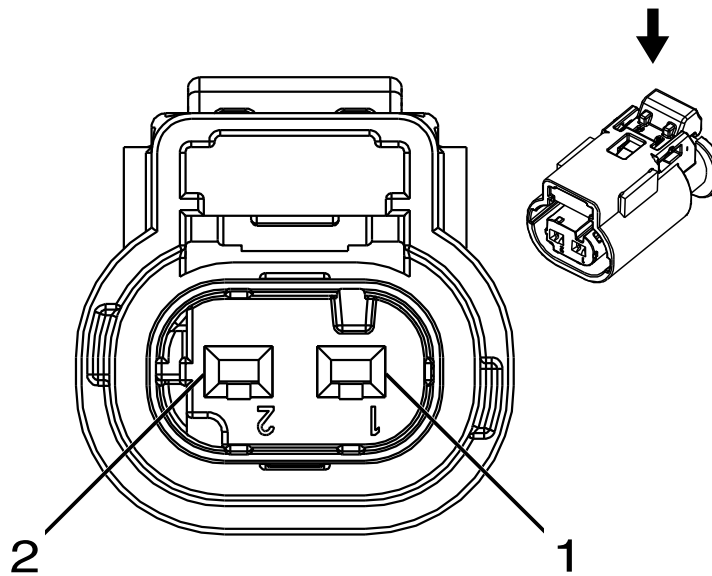
- Harness Type: Body
- Service Connector: 6041823C1
- Description: 2-pin F 150 Metri-Pack Series, Sealed (GY)

Table 639 Terminal Part Information

Terminal Type ID	Service Terminal	Diagnostic Test Probe
I	1661875C1	J-35616-14 (GN)

Table 640 B33 Engine Coolant Level Switch

Pin	Size	Color	Circuit	Function	Terminal Type ID	Option
A	0.5	BU / YE	68	Low Coolant Level Indicator Control	I	—
B	0.75	BK / WH	1851	Signal Ground	I	—



Connector Part Information

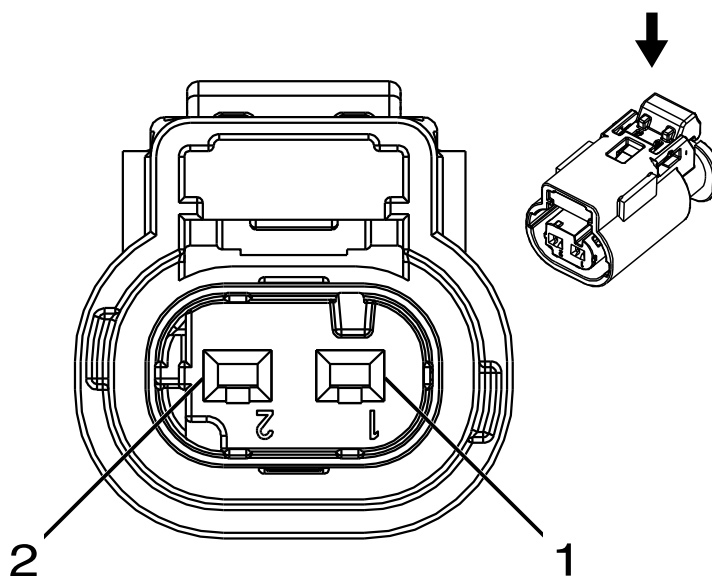
- Harness Type: Engine Left
- Service Connector: Service by Harness
- Description: 2-pin F 1.2 Multilock Series, Sealed (BK)

Table 642 Terminal Part Information

Terminal Type ID	Service Terminal	Diagnostic Test Probe
I	6042077C1	J-35616-16 (LT GN)

Table 643 B34 Engine Coolant Temperature Sensor

Pin	Size	Color	Circuit	Function	Terminal Type ID	Option
1	0.5	BU	410	Engine Coolant Temperature Sensor Signal	I	—
2	0.5	BK / BN	2761	Coolant Temperature Sensor Low Reference	I	—



Connector Part Information

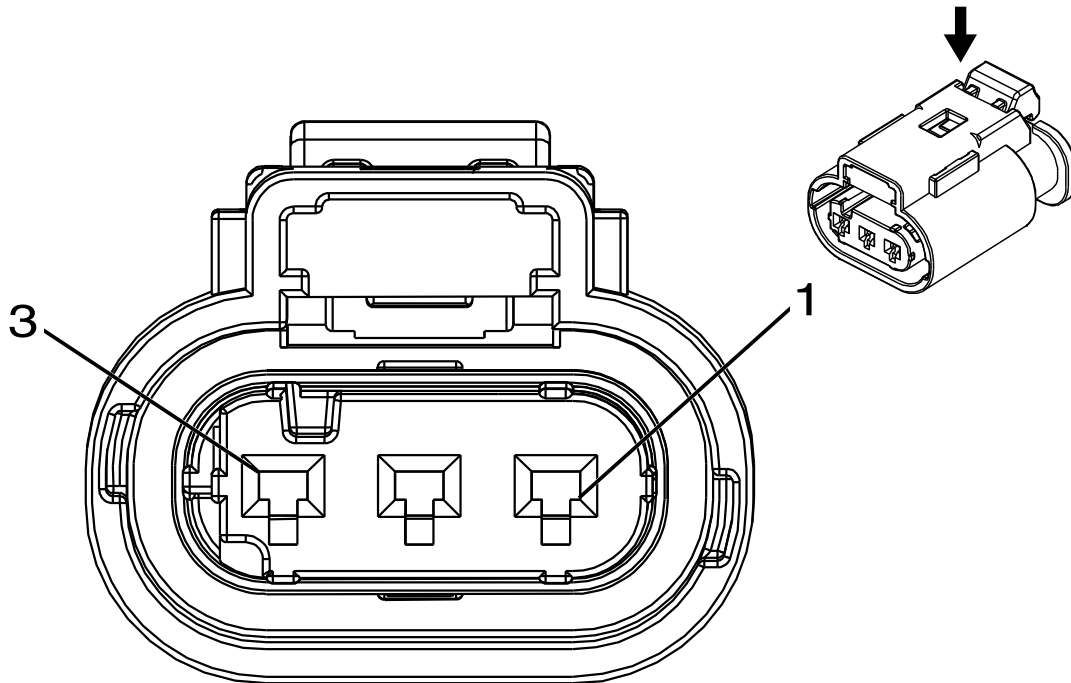
- Harness Type: Engine Left
- Service Connector: Service by Harness
- Description: 2-Way F 1.2 Multilock Series, Sealed (BK)

Table 645 Terminal Part Information

Terminal Type ID	Service Terminal	Diagnostic Test Probe
I	6042077C1	J-35616-16 (LT GN)

Table 646 B35 Engine Oil Level Switch

Pin	Size	Color	Circuit	Function	Terminal Type ID	Option
1	0.5	BK / WH	251	Ground 2	I	Early
			151	Ground 1		Late
2	0.5	BN / GN	1174	Oil Level Switch Signal	I	—



Connector Part Information

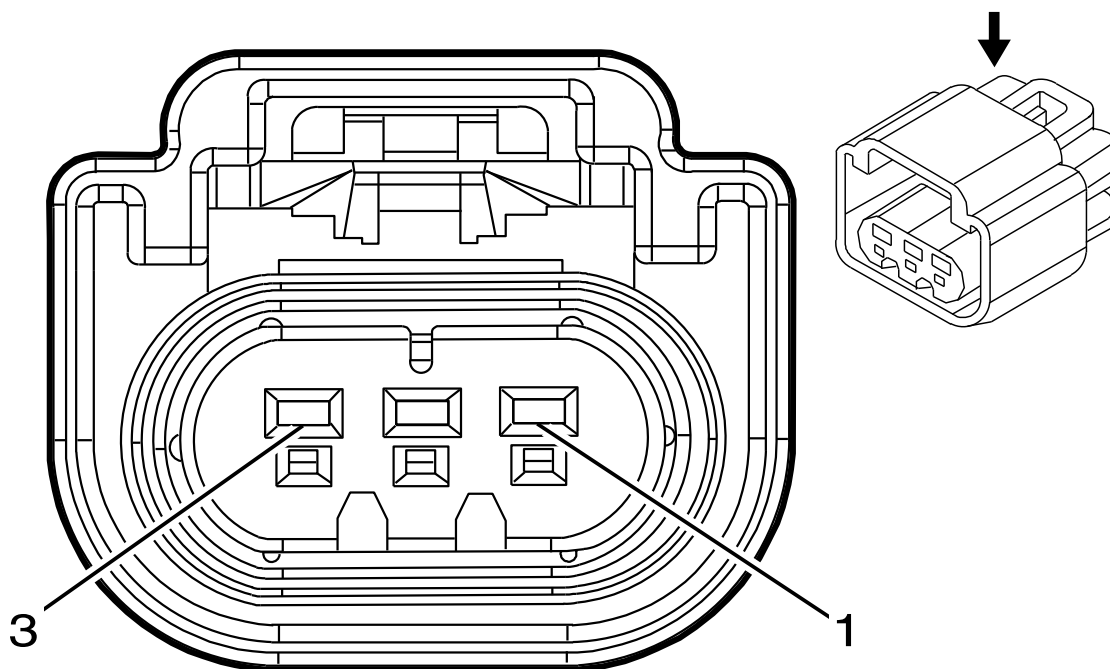
- Harness Type: Engine Left
- Service Connector: Service by Harness
- Description: 3-pin F 1.2 Multilock Series, Sealed (BK)

Table 648 Terminal Part Information

Terminal Type ID	Service Terminal	Diagnostic Test Probe
I	6042078C1	J-35616-16 (LT GN)

Table 649 B37B Engine Oil Pressure Sensor

Pin	Size	Color	Circuit	Function	Terminal Type ID	Option
1	0.5	YE / BN	331	Oil Pressure Sensor Signal	I	—
2	0.5	BK / VT	2755	Oil Pressure Sensor Low Reference	I	—
3	0.5	WH / RD	2705	Oil Pressure Sensor 5 volt Reference	I	—



Connector Part Information

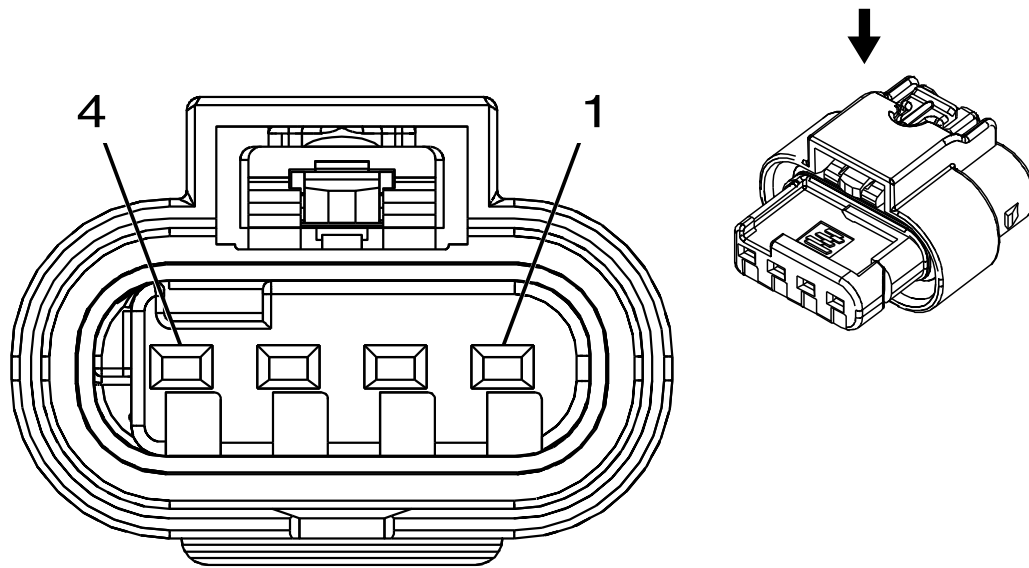
- Harness Type: Chassis
- Service Connector: 4088567C1
- Description: 3-Way F 1.2 Multilock Series, Sealed (BK)

Table 651 Terminal Part Information

Terminal Type ID	Service Terminal	Diagnostic Test Probe
I	4089847C1	J-35616-16 (LT GN)

Table 652 B47 Fuel Pressure Sensor

Pin	Size	Color	Circuit	Function	Terminal Type ID	Option
1	0.5	BN / RD	7445	Fuel Line Pressure Sensor 5 volt Reference	I	—
2	0.5	BK / YE	7447	Fuel Line Pressure Sensor Low Reference	I	—
3	0.5	BU	7446	Fuel Line Pressure Sensor Signal	I	—



Connector Part Information

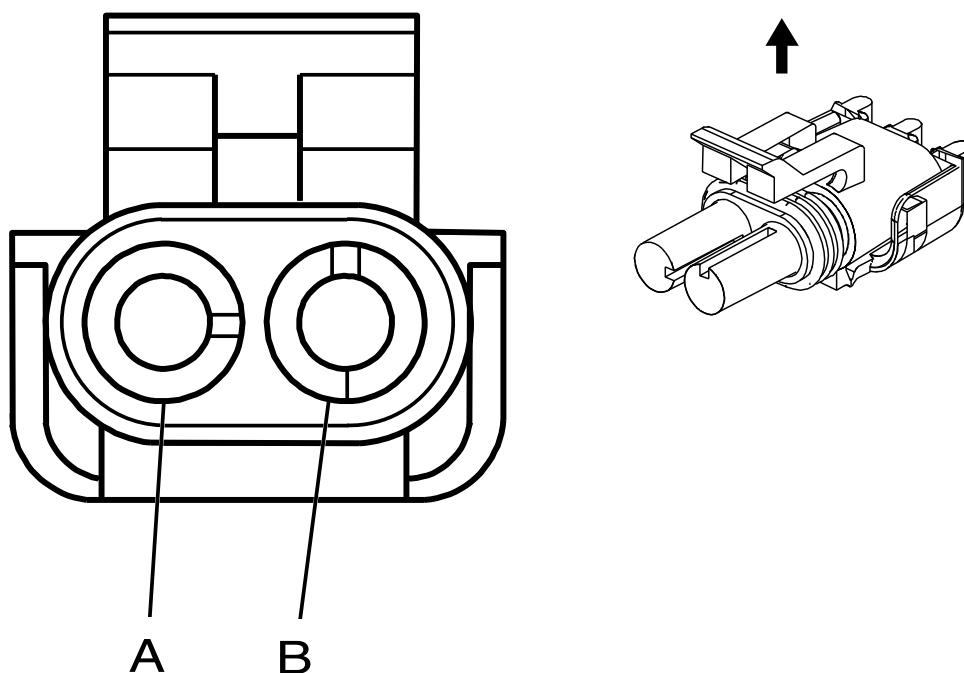
- Harness Type: Engine Left
- Service Connector: Service by Harness
- Description: 4-Way F 1.2 MCP Series, Sealed (BK)

Table 654 Terminal Part Information

Terminal Type ID	Service Terminal	Diagnostic Test Probe
I	6042039C1	J-35616-16 (LT GN)

Table 655 B47B Fuel Rail Pressure Sensor

Pin	Size	Color	Circuit	Function	Terminal Type ID	Option
1	0.5	BN / RD	2917	Fuel Rail Pressure Sensor 5 V Reference	I	—
2	0.5	BN / YE	2161	Fuel Rail Pressure Sensor 2 Signal	I	—
3	0.5	BK / GN	2919	Fuel Rail Pressure Sensor Low Reference	I	—
4	0.5	BU / WH	2918	Fuel Rail Pressure Sensor Signal	I	—

**Connector Part Information**

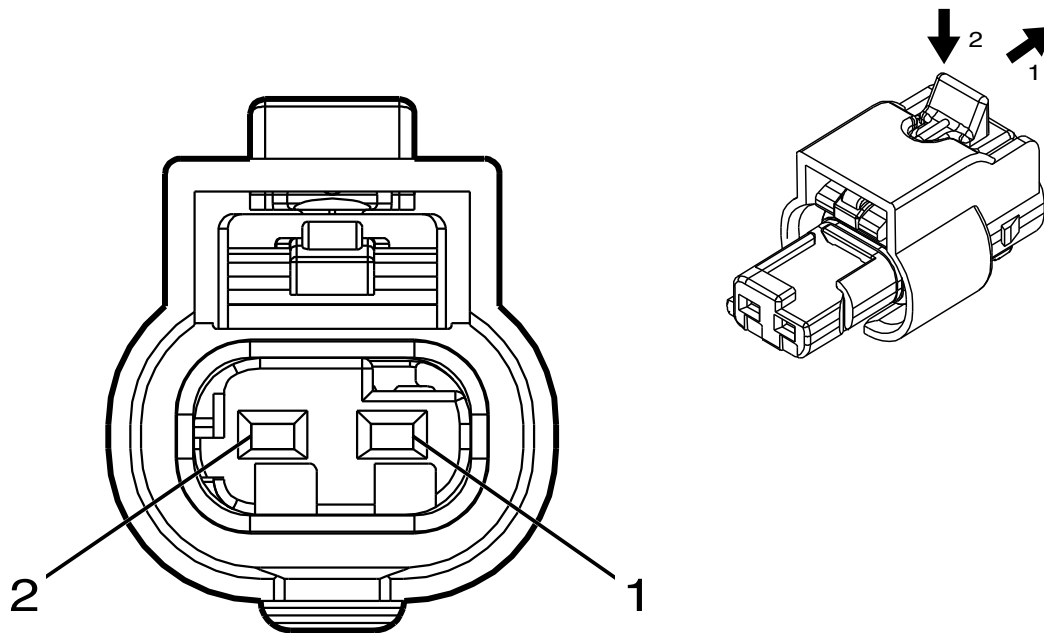
- Harness Type: Engine Left
- Service Connector: 587568C91
- Description: 2-Way F Weather Pack Series (BK)

Table 657 Terminal Part Information

Terminal Type ID	Service Terminal	Diagnostic Test Probe
I	587575C1	J-35616-8 (OR)

Table 658 B55 Engine Hood Switch

Pin	Size	Color	Circuit	Function	Terminal Type ID	Option
A	1.5	YE	5530	Hood Open Switch Signal	I	—
B	1.5	BN / GN	109	Hood Ajar Switch Signal	I	—



Connector Part Information

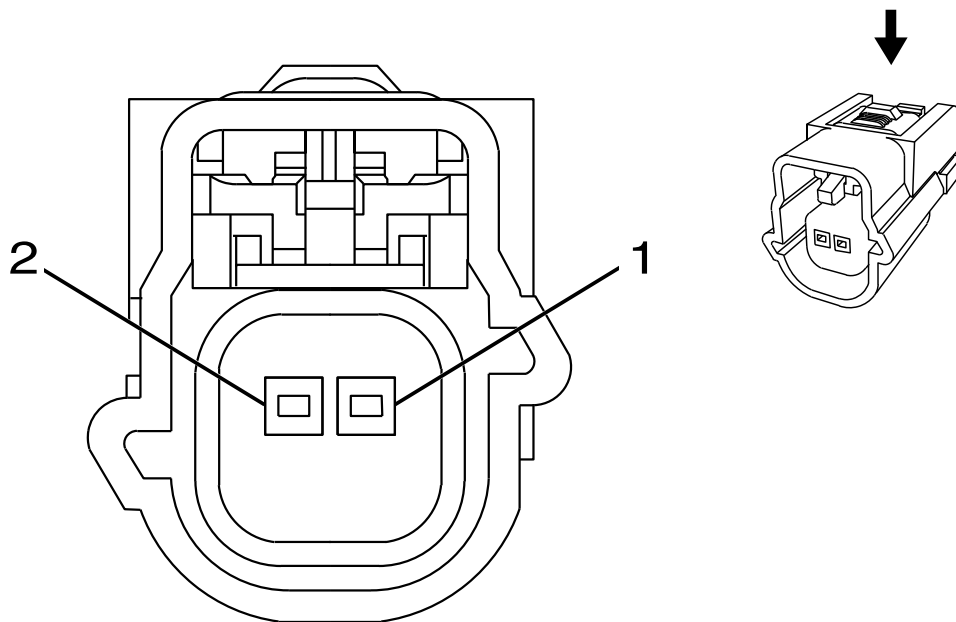
- Harness Type: Forward Lamp
- Service Connector: 4087999C1
- Description: 2-pin F 1.2 MCON-CB Series, Sealed (BK)

Table 660 Terminal Part Information

Terminal Type ID	Service Terminal	Diagnostic Test Probe
I	4088468C1	J-35616-16 (LT GN)

Table 661 B59 Front Impact Sensor

Pin	Size	Color	Circuit	Function	Terminal Type ID	Option
1	1.5	OG / GY	6618	Front Middle Impact Discriminating Sensor Signal	I	—
2	1.5	BK / OG	6619	Front Middle Impact Discriminating Sensor Low Reference	I	—



Connector Part Information

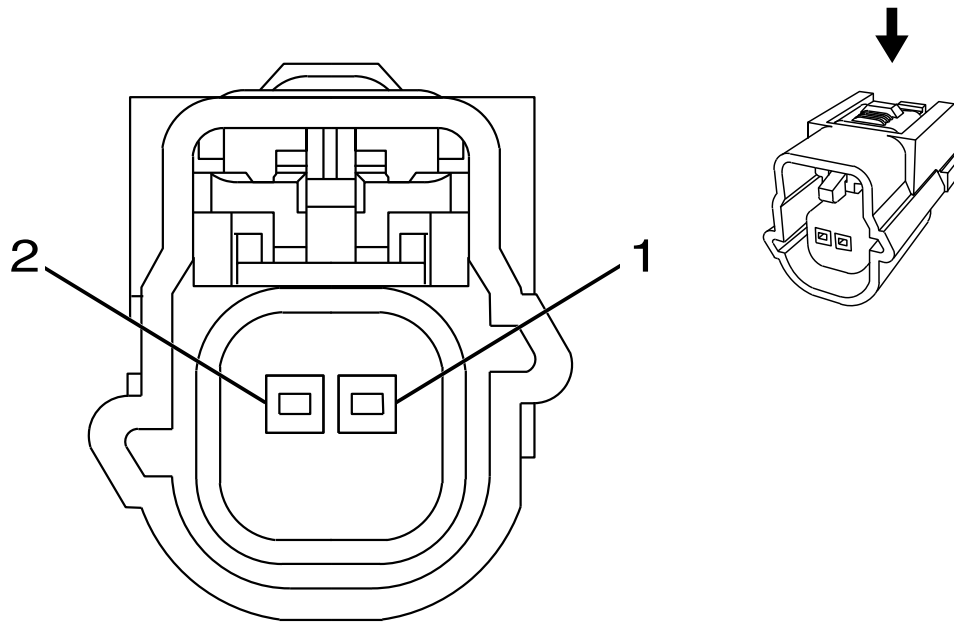
- Harness Type: Forward Lamp
- Service Connector: Service by Harness
- Description: 2-Way F 0.64 Series, Sealed (L-GY)

Table 663 Terminal Part Information

Terminal Type ID	Service Terminal	Diagnostic Test Probe
I	Not Available	J-35616-64B (LT BU)

Table 664 B63LF Side Impact Sensor - Left Front

Pin	Size	Color	Circuit	Function	Terminal Type ID	Option
1	0.5	OG / GN	2132	Left Front Side Impact Sensing Module Signal	I	—
2	0.5	BK / OG	6628	Left Front Side Impact Sensing Module Low Reference	I	—



Connector Part Information

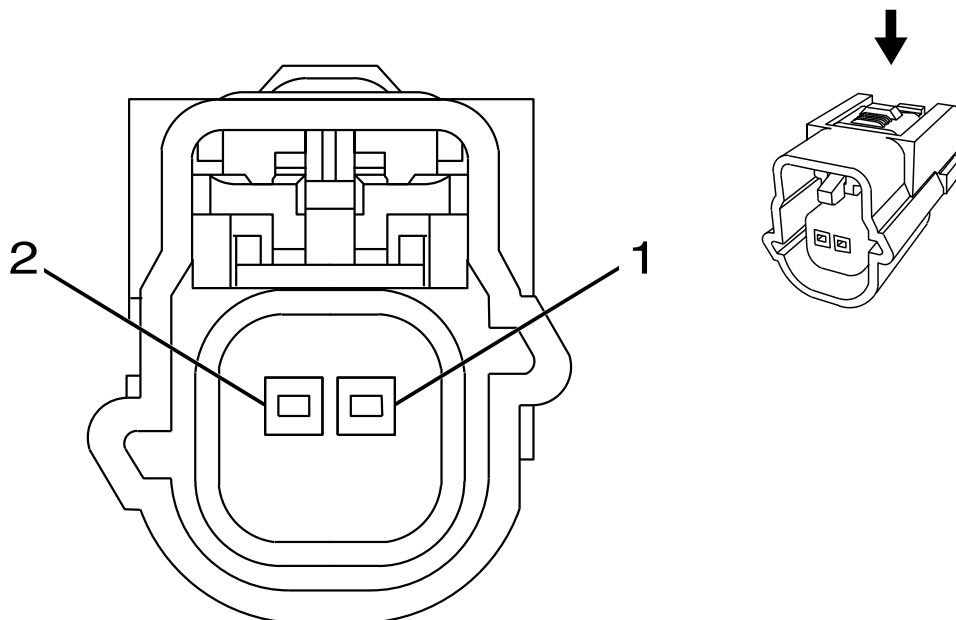
- Harness Type: Forward Lamp
- Service Connector: Service by Harness
- Description: 2-Way F 0.64 Series, Sealed (L-GY)

Table 666 Terminal Part Information

Terminal Type ID	Service Terminal	Diagnostic Test Probe
I	Not Available	J-35616-64B (LT BU)

Table 667 B63LR Side Impact Sensor - Left Rear

Pin	Size	Color	Circuit	Function	Terminal Type ID	Option
1	0.5	OG / BU	6620	Left Middle Side Impact Sensor Signal	I	—
2	0.5	BK / OG	6621	Left Middle Side Impact Sensing Module Low Reference	I	—



Connector Part Information

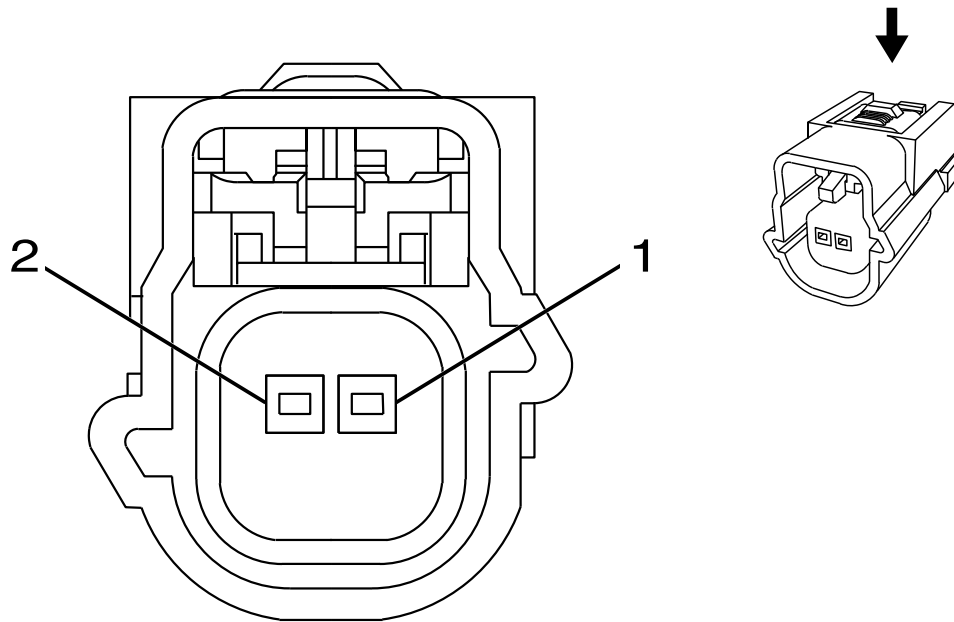
- Harness Type: Forward Lamp
- Service Connector: Service by Harness
- Description: 2-Way F 0.64 Series, Sealed (L-GY)

Table 669 Terminal Part Information

Terminal Type ID	Service Terminal	Diagnostic Test Probe
I	Not Available	J-35616-64B (LT BU)

Table 670 B63RF Side Impact Sensor - Left Rear

Pin	Size	Color	Circuit	Function	Terminal Type ID	Option
1	0.5	OG / GN	2134	Right Front Side Impact Sensor Signal	I	—
2	0.5	BK / OG	6629	Right Front Side Impact Sensor Low Reference	I	—



Connector Part Information

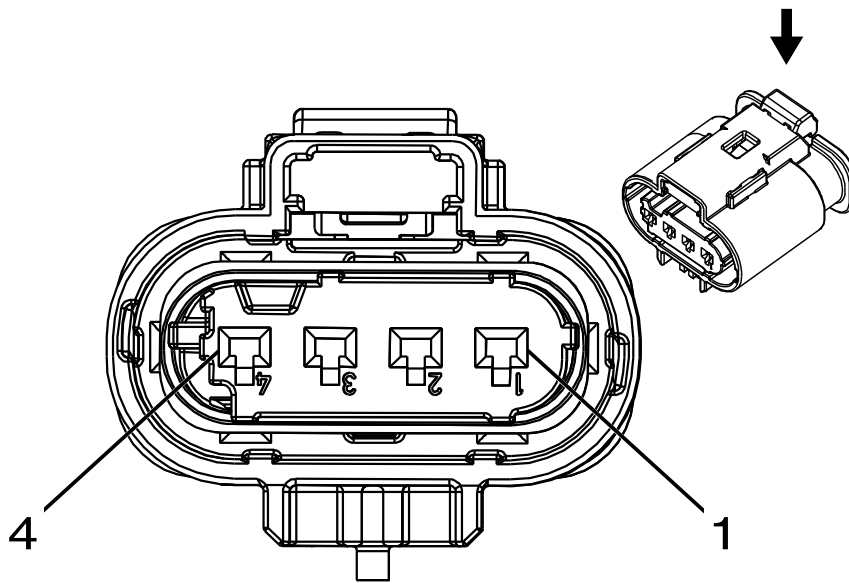
- Harness Type: Forward Lamp
- Service Connector: Service by Harness
- Description: 2-Way F 0.64 Series, Sealed (D-GY)

Table 672 Terminal Part Information

Terminal Type ID	Service Terminal	Diagnostic Test Probe
I	Not Available	J-35616-64B (LT BU)

Table 673 B63RR Side Impact Sensor - Left Rear

Pin	Size	Color	Circuit	Function	Terminal Type ID	Option
1	0.5	OG / VT	6624	Right Middle Side Impact Sensing Module Signal	I	—
2	0.5	BK / OG	6625	Right Middle Side Impact Sensing Module Low Reference	I	—



Connector Part Information

- Harness Type: Engine
- Service Connector: 6040293C1
- Description: 4-pin F 1.2 Multilock Series, Sealed (BK)

Table 675 Terminal Part Information

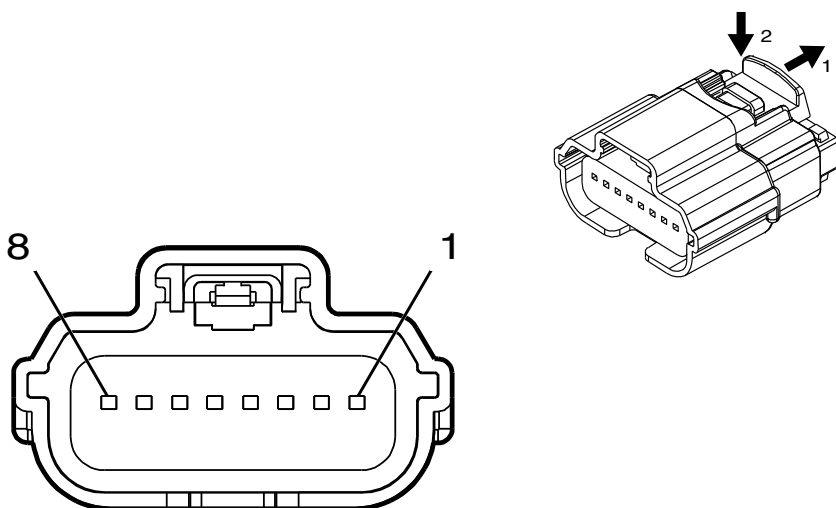
Terminal Type ID	Service Terminal	Diagnostic Test Probe
I	6042077C1	J-35616-16 (LT GN)

Table 676 B65 Intake Manifold Pressure and Air Temperature Sensor

Pin	Size	Color	Circuit	Function	Terminal Type ID	Option
1	0.5	BN	9348	Intake Air Temperature Sensor 3Signal	I	Early
		WH /BU	7329	Pre-Throttle Air Temperature Signal		Late
2	0.5	GY / RD	2704	Manifold Absolute Pressure Sensor 5 V Reference	I	—

Table 676 B65 Intake Manifold Pressure and Air Temperature Sensor (cont.)

Pin	Size	Color	Circuit	Function	Terminal Type ID	Option
3	0.5	BK / GN	469	Manifold Absolute Pressure Sensor Low Reference	I	—
4	0.5	GN / WH	432	Manifold Absolute Pressure Sensor Signal	I	—



Connector Part Information

- Harness Type: Engine Chassis
- Service Connector: 6040207C1
- Description: 8-pin F 0.64 Series, Sealed (BK)

Table 678 Terminal Part Information

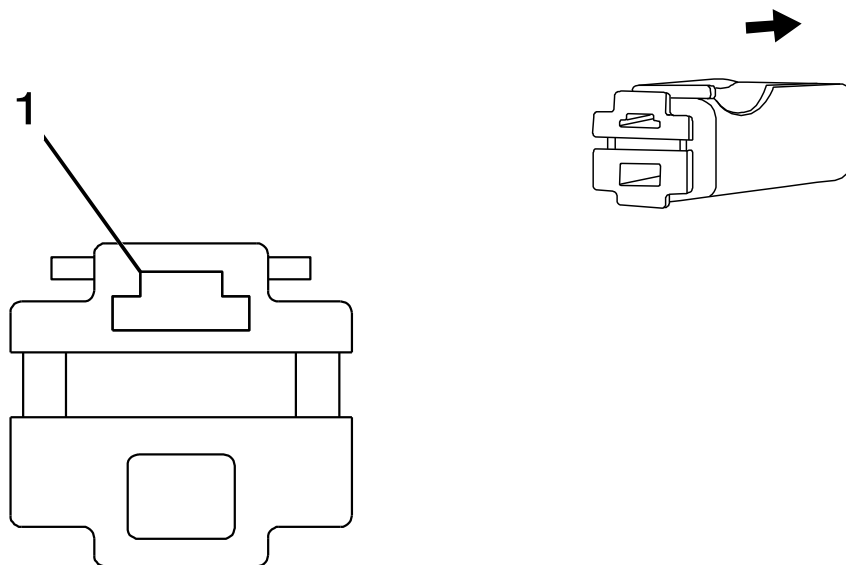
Terminal Type ID	Service Terminal	Diagnostic Test Probe
I	6042047C1 0.5mm 6041997C1 0.75mm	J-35616-64B (LT BU)

Table 679 B75C Multifunction Intake Air Sensor

Pin	Size	Color	Circuit	Function	Terminal Type ID	Option
1	0.5	WH / BU	6289	Intake Air Temperature Sensor Signal	I	—
2	0.5	WH / RD	3201	Throttle Inlet Absolute Pressure Sensor 5V Reference	I	—
3	0.5	BK / VT	2760	Intake Air Temperature Sensor Low Reference	I	—
4	0.5	BN / GN	5266	Barometric Pressure Sensor Signal	I	—
5	0.5	VT / BU	5294	Powertrain Main Relay Fused Supply 5	I	—
6	0.5	GN / WH	492	Mass Air Flow Sensor Signal	I	—

Table 679 B75C Multifunction Intake Air Sensor (cont.)

Pin	Size	Color	Circuit	Function	Terminal Type ID	Option
7	0.75	BK / WH	451	Ground 4	I	—
8	0.5	BN / GY	4008	Humidity Sensor Signal	I	—



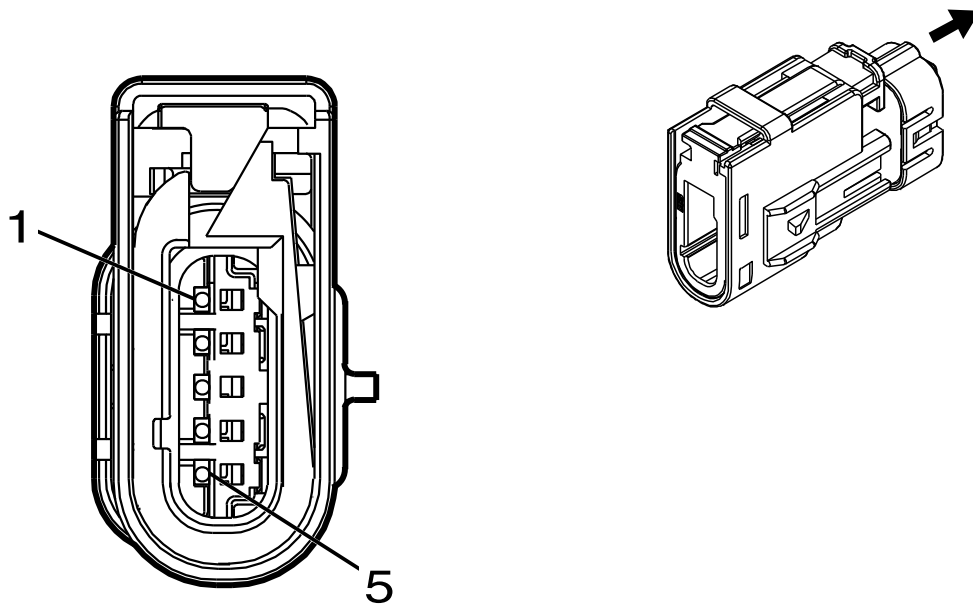
Connector Part Information	
•	Harness Type: Body
•	Service Connector: 6040270C1
•	Description: 1-Way F 250 Series (BK)

Table 681 Terminal Part Information

Terminal Type ID	Service Terminal	Diagnostic Test Probe
I	6041900C1	J-35616-42 (RD)

Table 682 B80 Park Brake Switch

Pin	Size	Color	Circuit	Function	Terminal Type ID	Option
1	1	BU / VT	1134	Park Brake Switch Signal	I	—



Connector Part Information

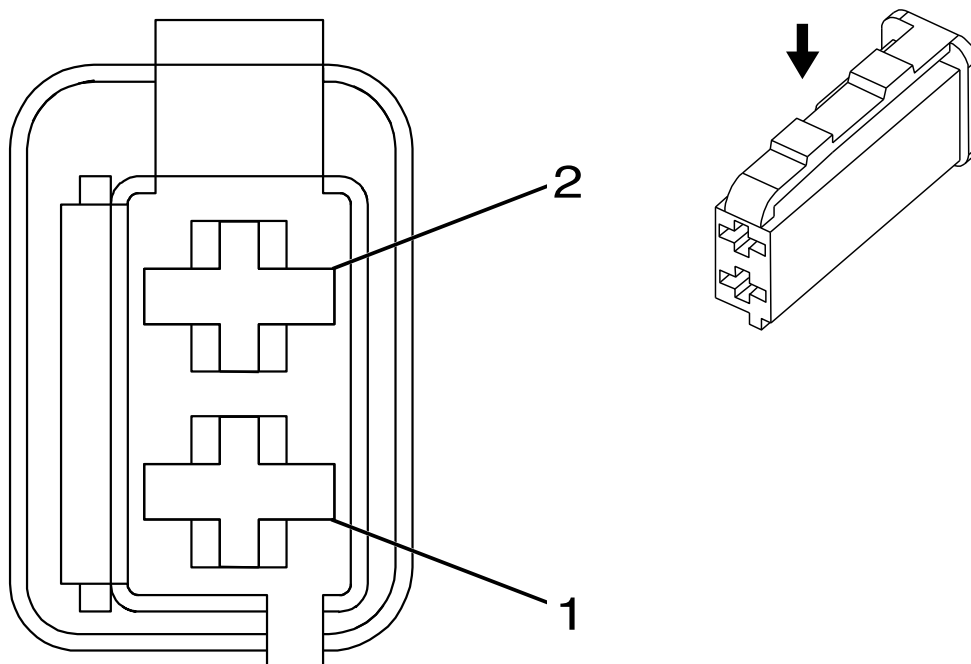
- Harness Type: Rearview Camera Jumper
- Service Connector: Service by Harness
- Description: 5-Way M 1.2 Series, Sealed (GY)

Table 684 Terminal Part Information

Terminal Type ID	Service Terminal	Diagnostic Test Probe
I	1661875C1	J-35616-17 (LT GN)

Table 685 B87 Rearview Camera (Feature Code: 0008RNY)

Pin	Size	Color	Circuit	Function	Terminal Type ID	Option
1	0.5	RD	6972	Rearview Camera Signal [+]	I	—
2	0.5	BU	6973	Rearview Camera Signal [-]	I	—
3	0.5	WH	6974	Rearview Camera Low Reference	I	—
4	0.5	BK	2550	Ground 25	I	—
5	0.5	PK	1739	Run/Crank Ignition 1 Voltage 17	I	—



Connector Part Information

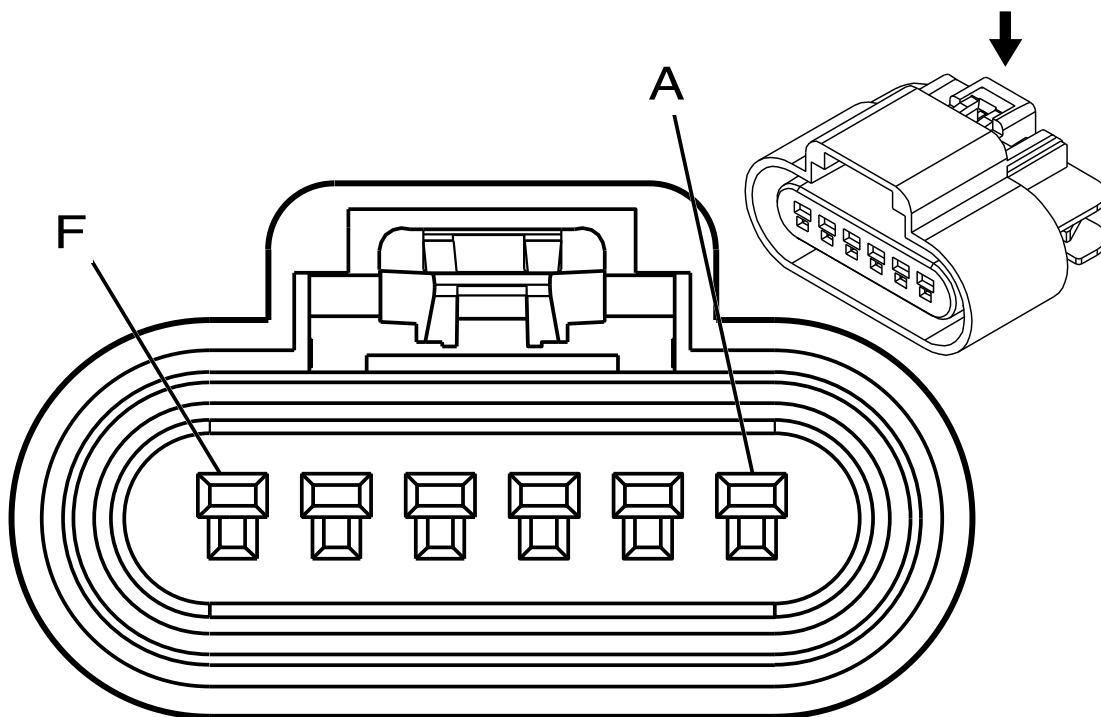
- Harness Type: Driver Seat Cushion
- Service Connector: Service by Harness
- Description: 2-pin F 1.6 Timer Series (BK)

Table 687 Terminal Part Information

Terminal Type ID	Service Terminal	Diagnostic Test Probe
I	6041905C1	J-35616-14 (GN)

Table 688 B88D Seat Belt Switch – Driver

Pin	Size	Color	Circuit	Function	Terminal Type ID	Option
1	0.35	BK / OG	1363	Driver Seat Belt Switch Low Reference	I	—
2	0.35	OG / BN	238	Driver Seat Belt Switch Signal	I	—



Connector Part Information

- Harness Type: Brake Clutch
- Service Connector: Service by Harness
- Description: 6-pin F 150 GT Series, Sealed (BK)

Table 690 Terminal Part Information

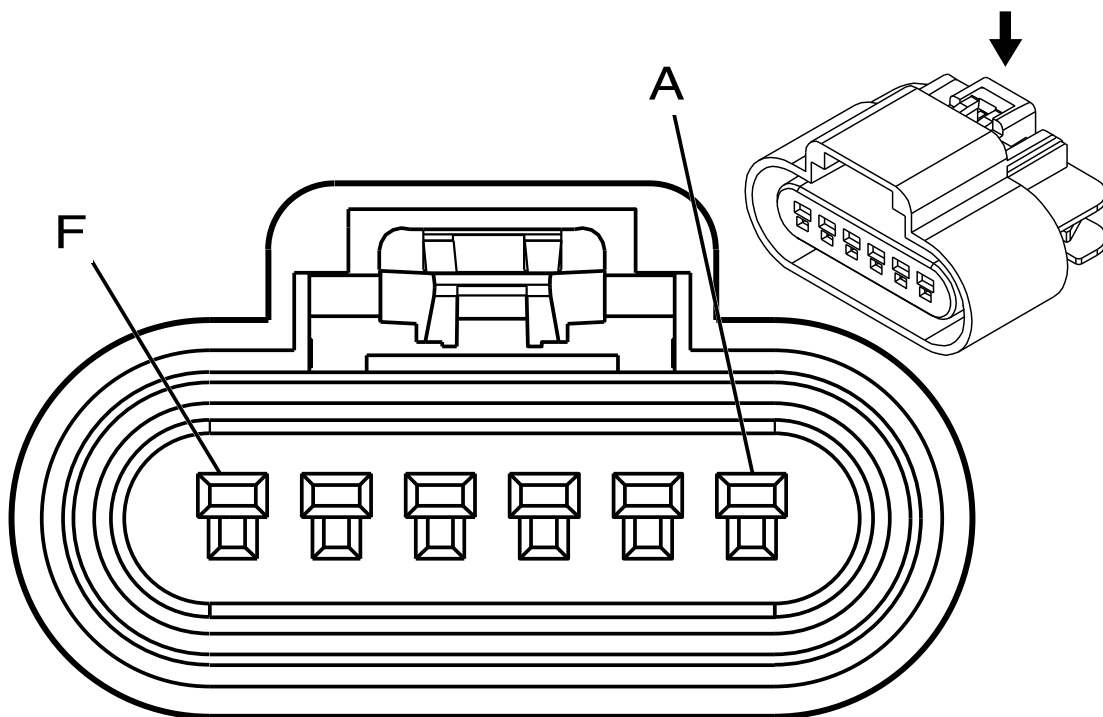
Terminal Type ID	Service Terminal	Diagnostic Test Probe
I	6041909C1	J-35616-14 (GN)

Table 691 B107 Accelerator Pedal Position Sensor (0013TLP)

Pin	Size	Color	Circuit	Function	Terminal Type ID	Option
A	0.35	BK / VT	1272	Accelerator Pedal Position Low Reference 2	I	—
B	0.35	GN / WH	1162	Accelerator Pedal Position Signal 2	I	—
C	0.35	BN / RD	1274	Accelerator Pedal Position 5 volt Reference 2	I	—
D	0.35	WH / RD	1164	Accelerator Pedal Position 5 volt Reference 1	I	—

Table 691 B107 Accelerator Pedal Position Sensor (0013TLP) (cont.)

Pin	Size	Color	Circuit	Function	Terminal Type ID	Option
E	0.35	YE / WH	1161	Accelerator Pedal Position Signal 1	I	—
F	0.35	BK / BU	1271	Accelerator Pedal Position Low Reference 1	I	—



Connector Part Information

- Harness Type: Brake Clutch
- Service Connector: Service by Harness
- Description: 6-pin F 150 GT Series, Sealed (BK)

Table 693 Terminal Part Information

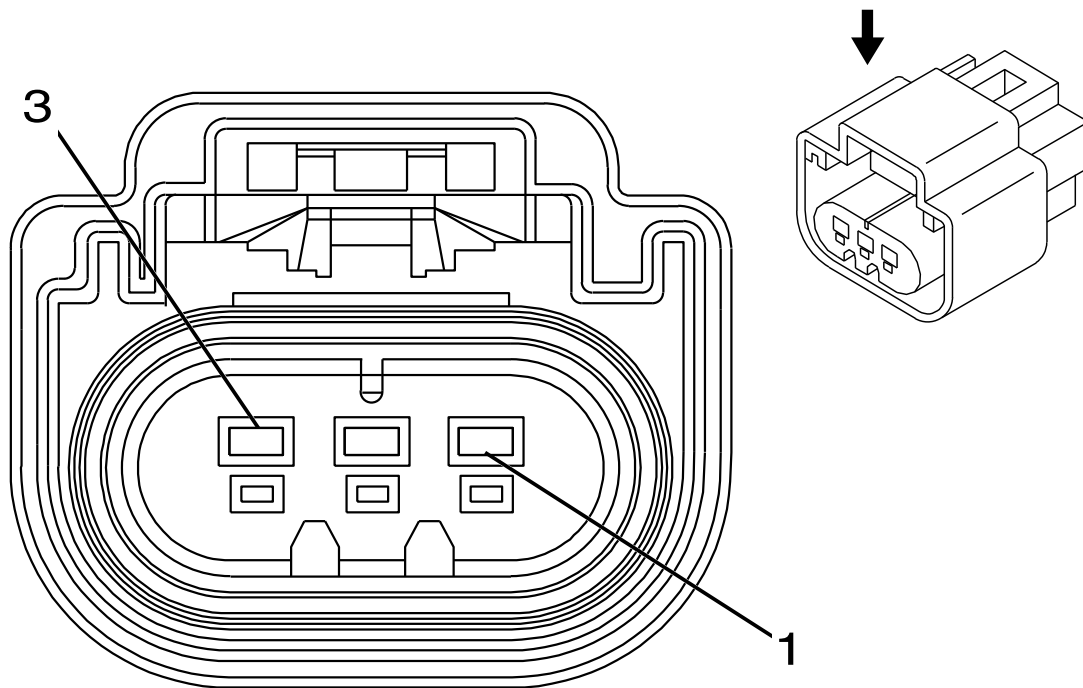
Terminal Type ID	Service Terminal	Diagnostic Test Probe
I	6041909C1	J-35616-14 (GN)

Table 694 B107 Accelerator Pedal Position Sensor (without 0013TLP)

Pin	Size	Color	Circuit	Function	Terminal Type ID	Option
A	0.35	BK / VT	1272	Accelerator Pedal Position Low Reference 2	I	—
B	0.35	GN / WH	1162	Accelerator Pedal Position Signal 2	I	—
C	0.35	BN / RD	1274	Accelerator Pedal Position 5 volt Reference 2	I	—
D	0.35	WH / RD	1164	Accelerator Pedal Position 5 volt Reference 1	I	—

Table 694 B107 Accelerator Pedal Position Sensor (without 0013TLP) (cont.)

Pin	Size	Color	Circuit	Function	Terminal Type ID	Option
E	0.35	YE / WH	1161	Accelerator Pedal Position Signal 1	I	—
F	0.35	BK / D-BU	1271	Accelerator Pedal Position Low Reference 1	I	—



Connector Part Information

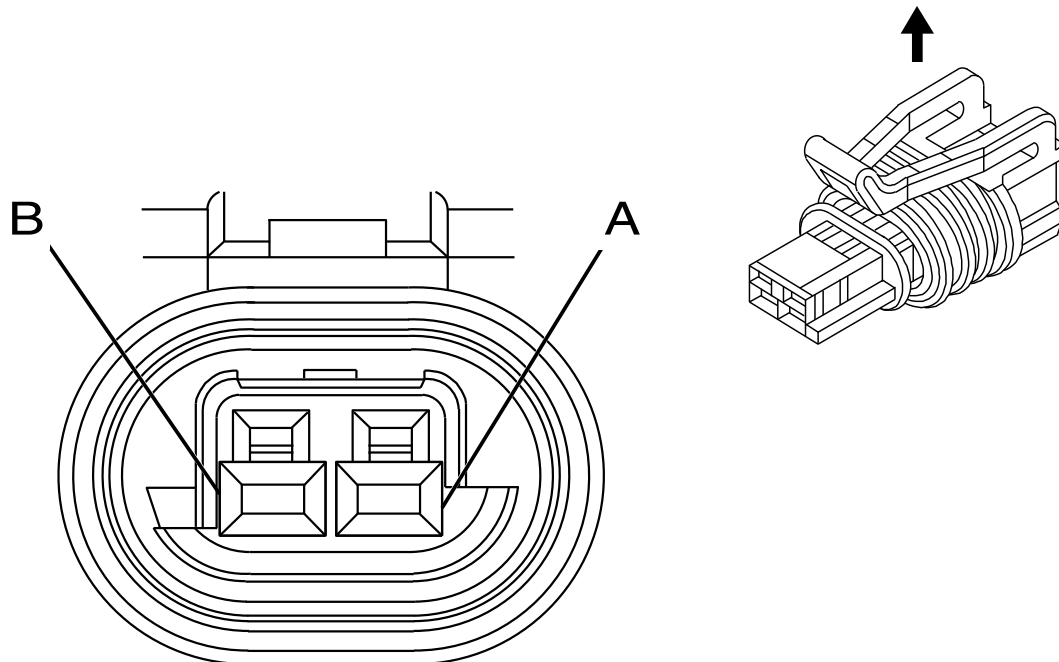
- Harness Type: Body
- Service Connector: Not Available
- Description: 3-Way F 150 GT Series, Sealed (GY)

Table 696 Terminal Part Information

Terminal Type ID	Service Terminal	Diagnostic Test Probe
I	6041966C1	J-35616-14 (GN)

Table 697 B115 Vehicle Speed Sensor (0013TLP)

Pin	Size	Color	Circuit	Function	Terminal Type ID	Option
1	0.5	GY / BK	3096	Output Speed (Digital) Sensor 5V Reference	I	—
2	0.5	GN	3098	Output Speed (Digital) Signal	I	—
3	0.5	WH / BK	3097	Output Speed (Digital) Sensor Low Reference	I	—



Connector Part Information

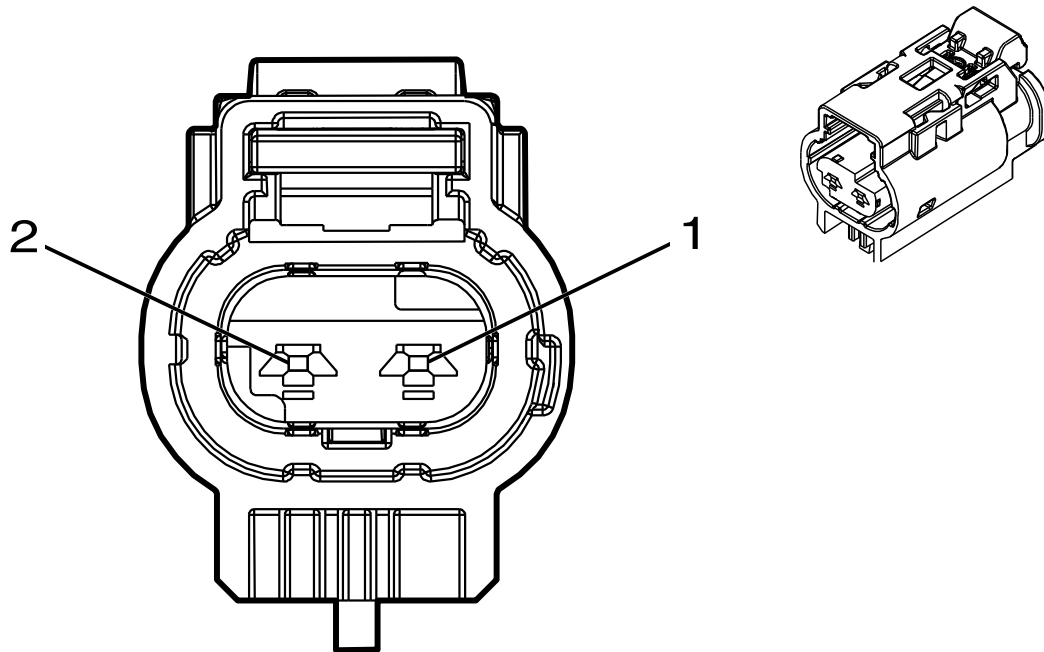
- Harness Type: Body
- Service Connector: 6040280C1
- Description: 2-Way F 150 GT Series, Sealed (BK)

Table 699 Terminal Part Information

Terminal Type ID	Service Terminal	Diagnostic Test Probe
I	6042023C1 0.5mm 6042022C1 0.75mm	J-35616-14 (GN)

Table 700 B118B Windshield Washer Fluid Level Switch

Pin	Size	Color	Circuit	Function	Terminal Type ID	Option
A	0.5	VT	185	Low Washer Fluid Indicator Control	I	—
B	0.75	BK	1050	Ground 10	I	—



Connector Part Information

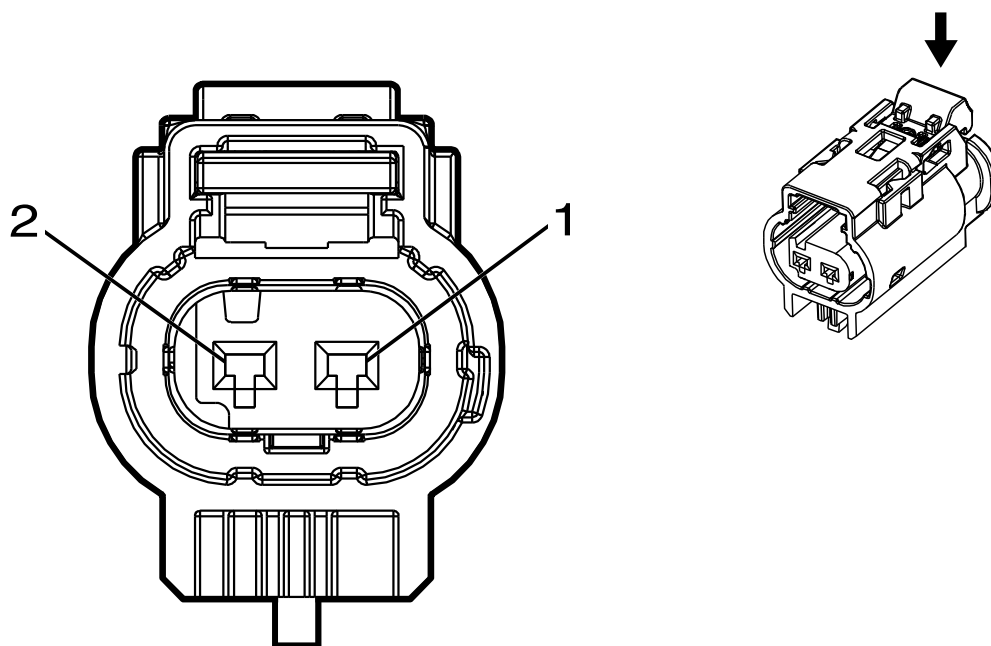
- Harness Type: Engine
- Service Connector: 6040270C1
- Description: 2-pin F 1.2 Multilock Series, Sealed

Table 702 Terminal Part Information

Terminal Type ID	Service Terminal	Diagnostic Test Probe
I	6042077C1	J-35616-16 (LT GN)

Table 703 B130A Exhaust Gas Recirculation Temperature Sensor 1

Pin	Size	Color	Circuit	Function	Terminal Type ID	Option
1	0.5	YE / GN	3236	Exhaust Gas Recirculation Temperature Sensor 2 Signal	I	—
2	0.5	BK / YE	6275	Exhaust Gas Recirculation Temperature Sensor 2 Low Reference	I	—



Connector Part Information

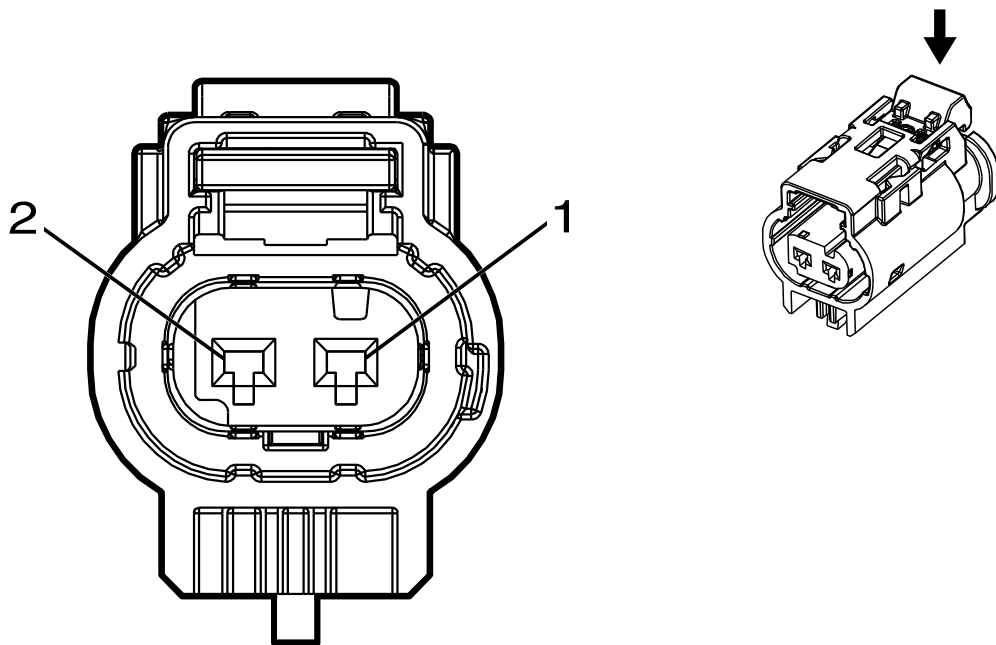
- Harness Type: Engine
- Service Connector: 6040298C1
- Description: 2-pin F 1.2 Multilock Series, Sealed (GY)

Table 705 Terminal Part Information

Terminal Type ID	Service Terminal	Diagnostic Test Probe
I	6042077C1	J-35616-16 (LT GN)

Table 706 B130B Exhaust Gas Recirculation Temperature Sensor 2

Pin	Size	Color	Circuit	Function	Terminal Type ID	Option
1	0.5	WH / BN	3237	Exhaust Gas Recirculation Temperature Sensor Signal	I	—
2	0.5	BK / BU	6274	Exhaust Gas Recirculation Temperature Sensor Low Reference	I	—



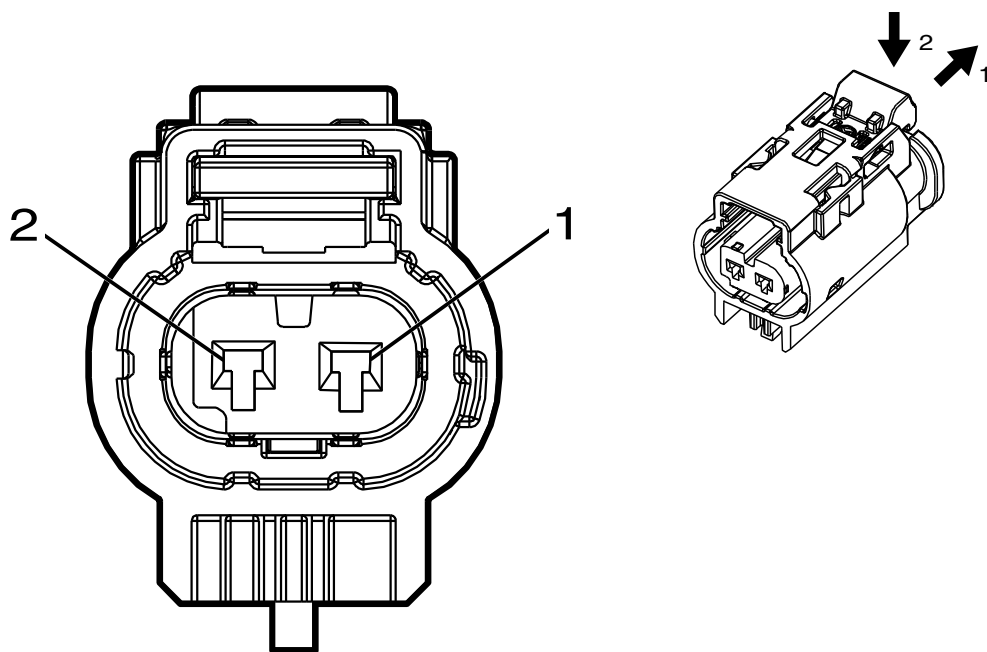
Connector Part Information	
•	Harness Type: Engine
•	Service Connector: 6040260C1
•	Description: 2-pin F 1.2 Multilock Series, Sealed (BK)

Table 708 Terminal Part Information

Terminal Type ID	Service Terminal	Diagnostic Test Probe
I	6042077C1	J-35616-16 (LT GN)

Table 709 B131A Exhaust Temperature Sensor 1

Pin	Size	Color	Circuit	Function	Terminal Type ID	Option
1	0.5	BU / WH	5277	Diesel Oxidation Catalyst Intake Temperature (Exhaust Temperature Sensor 1) Signal	I	—
2	0.5	BK / BN	6782	Diesel Oxidation Catalyst Intake Temperature (Exhaust Temperature Sensor 1) Low Reference	I	—



Connector Part Information

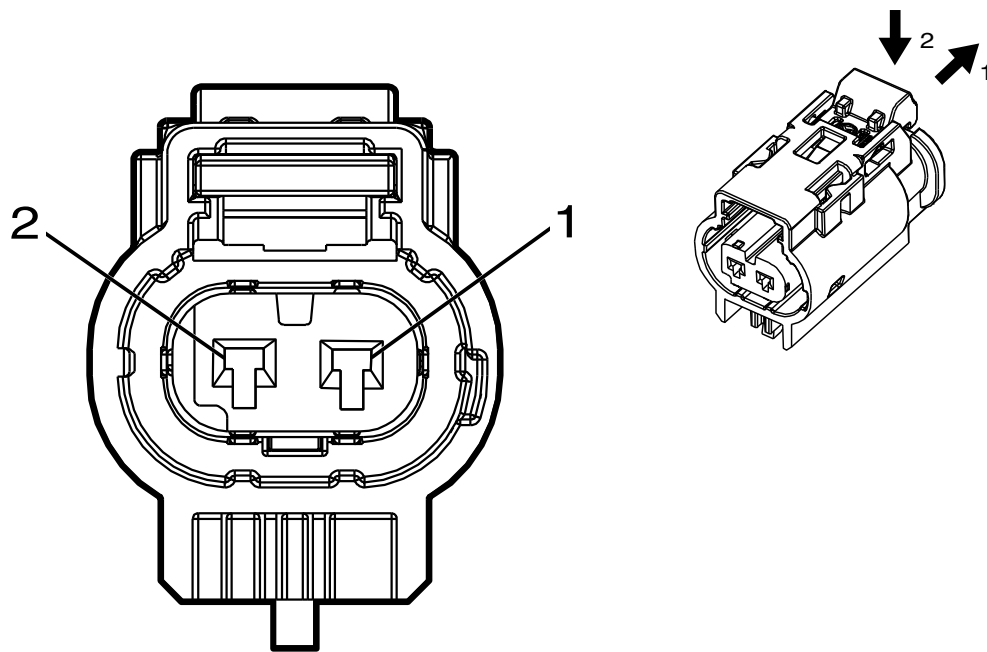
- Harness Type: Engine
- Service Connector: 6040258C1
- Description: 2-pin F 1.2 Multilock Series, Sealed

Table 711 Terminal Part Information

Terminal Type ID	Service Terminal	Diagnostic Test Probe
I	6042077C1	J-35616-16 (LT GN)

Table 712 B131B Exhaust Temperature Sensor 2

Pin	Size	Color	Circuit	Function	Terminal Type ID	Option
1	0.5	BU / GN	5377	Diesel Oxidation Catalyst (Exhaust Temperature Sensor 2) Signal	I	—
2	0.5	BK / BU	6783	Diesel Oxidation Catalyst (Exhaust Temperature Sensor 2) Low Reference	I	—



Connector Part Information

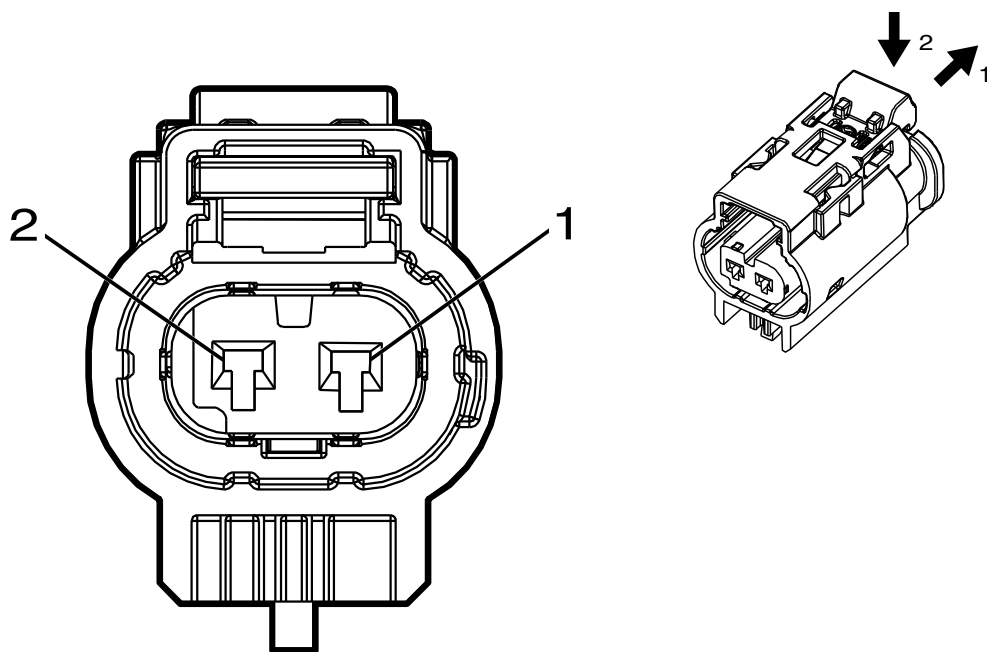
- Harness Type: Chassis
- Service Connector: 4109620C1
- Description: 2-pin F 1.2 Multilock Series, Sealed

Table 714 Terminal Part Information

Terminal Type ID	Service Terminal	Diagnostic Test Probe
I	4088570C1	J-35616-14 (GN)

Table 715 B131C Exhaust Temperature Sensor 3

Pin	Size	Color	Circuit	Function	Terminal Type ID	Option
1	0.5	GY / GN	5378	Diesel Particulate Filter Inlet Temperature (Exhaust Temperature Sensor 3) Signal	I	—
2	0.5	BK / GN	3657	Diesel Particulate Filter Inlet Temperature (Exhaust Temperature Sensor 3) Low Reference	I	—



Connector Part Information

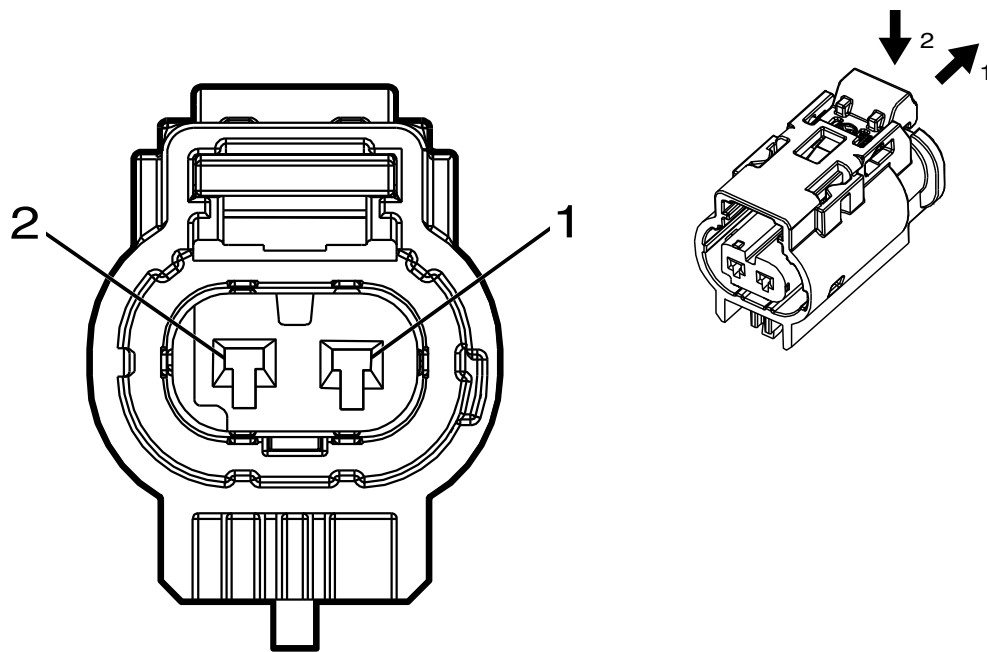
- Harness Type: Chassis
- Service Connector: 4109620C1
- Description: 2-pin F 1.2 Multilock Series, Sealed

Table 717 Terminal Part Information

Terminal Type ID	Service Terminal	Diagnostic Test Probe
I	4088570C1	J-35616-14 (GN)

Table 718 B131D Exhaust Temperature Sensor 4

Pin	Size	Color	Circuit	Function	Terminal Type ID	Option
1	0.5	VT / BN	3658	Diesel Particulate Filter Outlet Temperature (Exhaust Gas Temperature Sensor 4) Signal	I	—
2	0.5	BK / GY	3659	Diesel Particulate Filter Outlet Temperature (Exhaust Gas Temperature Sensor 4) Low Reference	I	—



Connector Part Information

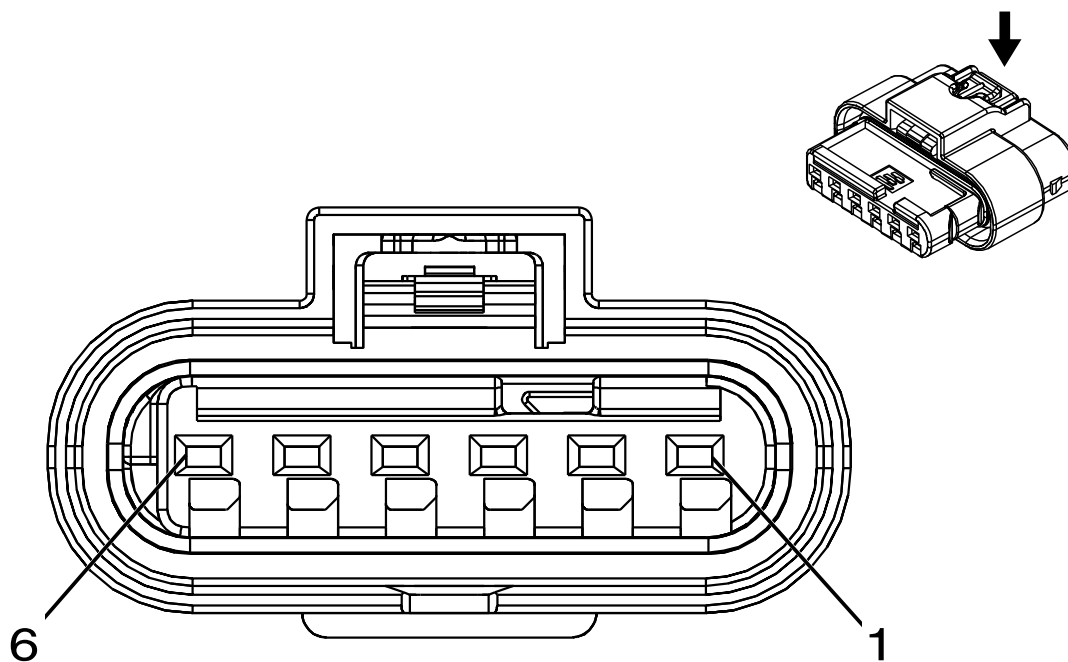
- Harness Type: Chassis
- Service Connector: 4088566C1
- Description: 2-pin F 1.2 Multilock Series, Sealed

Table 720 Terminal Part Information

Terminal Type ID	Service Terminal	Diagnostic Test Probe
I	4088570C1	J-35616-14 (GN)

Table 721 B131E Exhaust Temperature Sensor 5

Pin	Size	Color	Circuit	Function	Terminal Type ID	Option
1	0.5	BU / GY	3660	Exhaust Gas Temperature Sensor 5 Signal	I	—
2	0.5	BK / VT	3661	Exhaust Gas Temperature Sensor 5 Low Reference	I	—

**Connector Part Information**

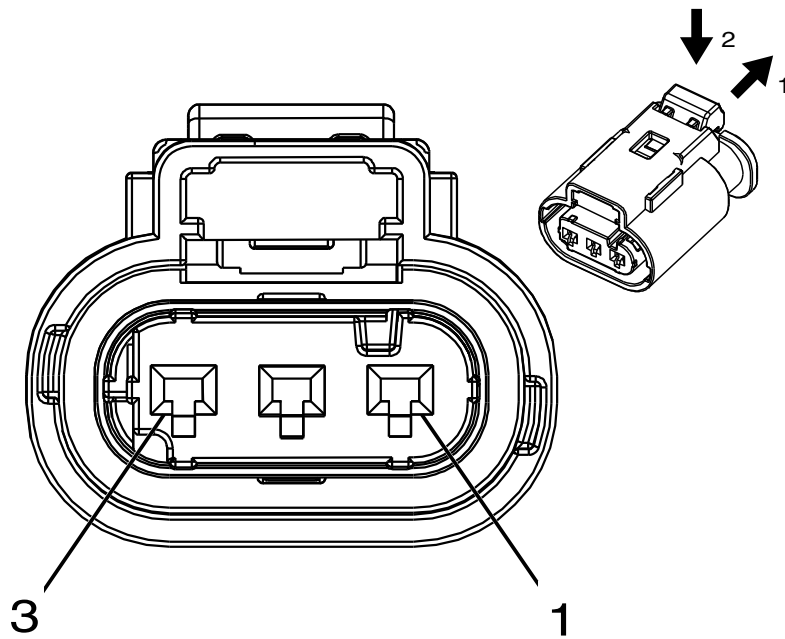
- Harness Type: Chassis
- Service Connector: 4088465C1
- Description: 6-pin F 1.2 MCON-CB Series, Sealed (BK)

Table 723 Terminal Part Information

Terminal Type ID	Service Terminal	Diagnostic Test Probe
I	4088467C1	J-35616-14 (GN)

Table 724 B136 Exhaust Particulate Matter Sensor

Pin	Size	Color	Circuit	Function	Terminal Type ID	Option
1	1.5	BK	2150	Ground	I	—
2	0.5	WH	4499	High Speed GMLAN Serial Data (-) 7	I	—
3	0.5	WH	4499	High Speed GMLAN Serial Data (-) 7	I	—
4	0.5	BU / BN	4498	High Speed GMLAN Serial Data (+) 7	I	—
5	0.5	BU / BN	4498	High Speed GMLAN Serial Data (+) 7	I	—
6	1.5	VT / BU	3674	NOx Sensor 1 Control	I	—



Connector Part Information

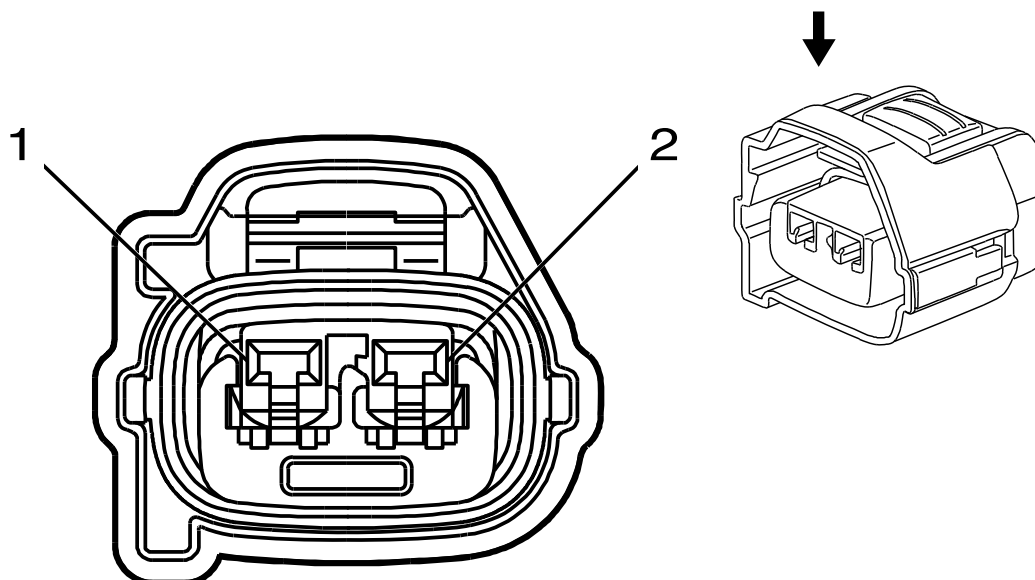
- Harness Type: Chassis
- Service Connector: 4088567C1
- Description: 3-pin F 1.2 Multilock Series, Sealed (BK)

Table 726 Terminal Part Information

Terminal Type ID	Service Terminal	Diagnostic Test Probe
I	4089847C1	Not Available

Table 727 B154 Diesel Particulate Filter Exhaust Differential Pressure Sensor

Pin	Size	Color	Circuit	Function	Terminal Type ID	Option
1	0.5	BU	6053	Exhaust Pressure Sensor Signal 1	I	—
2	0.5	BK / YE	6055	Exhaust Pressure Sensor Low Reference 1	I	—
3	0.5	WH / RD	6054	Exhaust Pressure Sensor 5V Reference 1	I	—



Connector Part Information

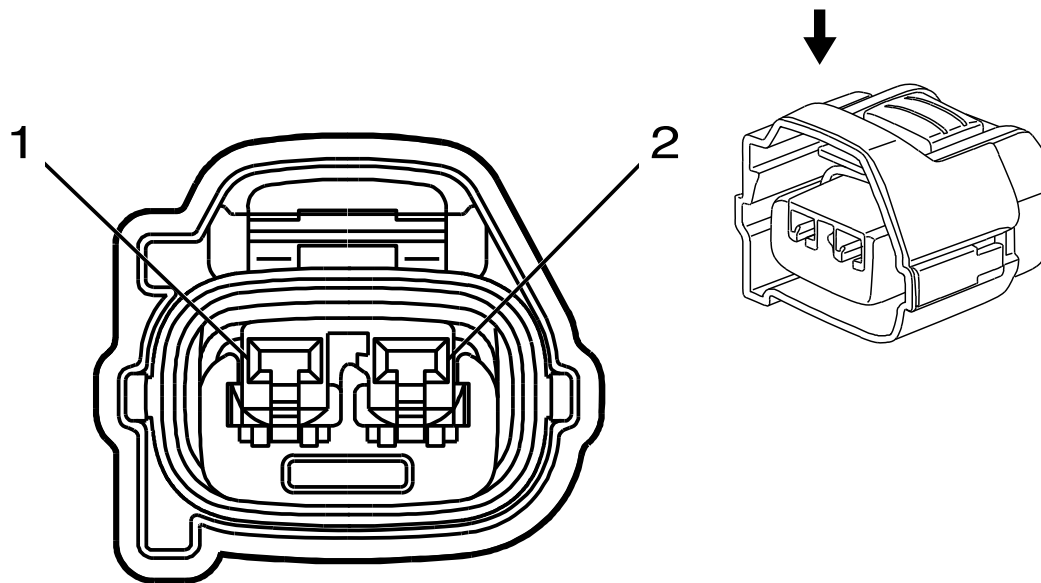
- Harness Type: Engine
- Service Connector: 6040274C1
- Description: 2-pin F 090 Series, Sealed (D-GY)

Table 729 Terminal Part Information

Terminal Type ID	Service Terminal	Diagnostic Test Probe
I	6042068C1	J-35616-18 (BK)

Table 730 B193A Charge Air Cooler Inlet Temperature Sensor

Pin	Size	Color	Circuit	Function	Terminal Type ID	Option
1	0.5	GN	3683	Charge Air Cooler Inlet Temperature Sensor Signal	I	—
2	0.5	YE / BK	3682	Charge Air Cooler Inlet Temperature Sensor Low Reference	I	—



Connector Part Information

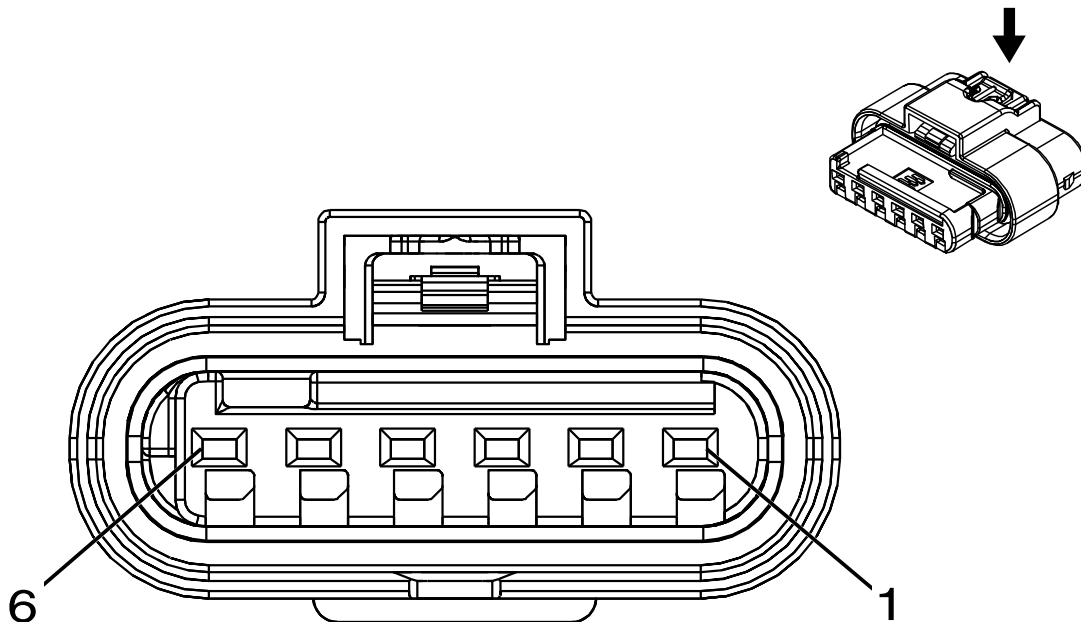
- Harness Type: Engine Chassis
- Service Connector: 6040274C1
- Description: 2-Way F 090 Series, Sealed (D-GY)

Table 732 Terminal Part Information

Terminal Type ID	Service Terminal	Diagnostic Test Probe
I	6042016C1	J-35616-18 (BK)

Table 733 B193B Charge Air Cooler Outlet Temperature Sensor

Pin	Size	Color	Circuit	Function	Terminal Type ID	Option
1	0.5	BN	3681	Charge Air Cooler Outlet Temperature Sensor Signal	I	—
2	0.5	YE / BU	3680	Charge Air Cooler Outlet Temperature Sensor Low Reference	I	—

**Connector Part Information**

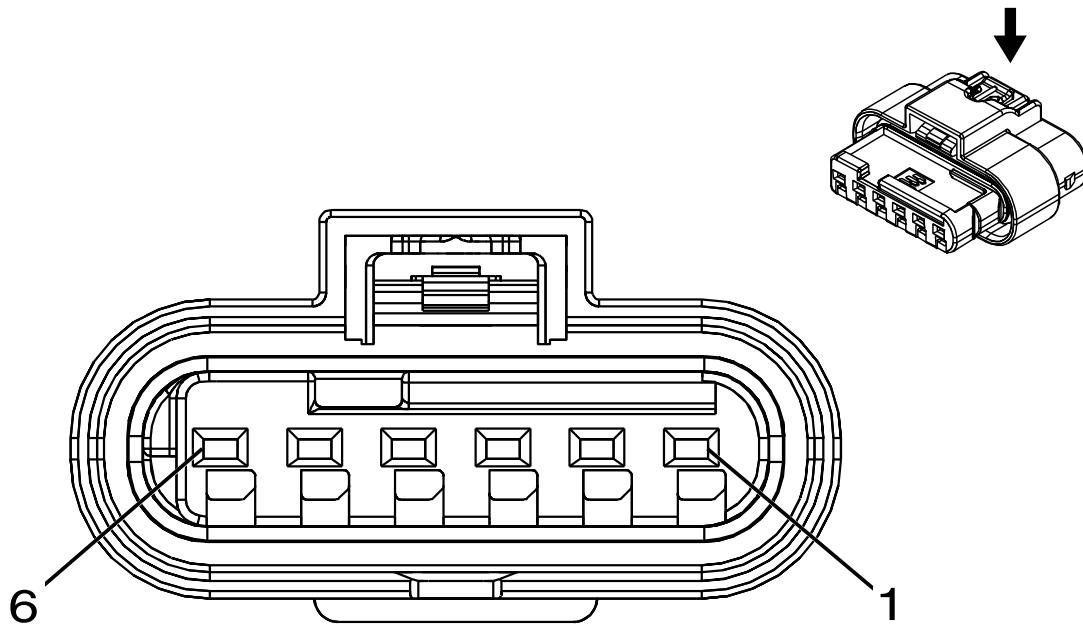
- Harness Type: Body
- Service Connector: 6040244C1
- Description: 6-pin F 1.2 MCON-CB Series, Sealed (BN)

Table 735 Terminal Part Information

Terminal Type ID	Service Terminal	Diagnostic Test Probe
I	6041892C1	J-35616-16 (LT GN)

Table 736 B195A Nitrogen Oxides Sensor 1

Pin	Size	Color	Circuit	Function	Terminal Type ID	Option
1	0.5	VT / BU	3674	NOx Sensor 1 Control	I	—
2	0.5	BU / BN	4498	High Speed GMLAN Serial Data (+) 7	I	—
3	0.5	BU / BN	4498	High Speed GMLAN Serial Data (+) 7	I	—
4	0.5	WH	4499	High Speed GMLAN Serial Data (-) 7	I	—
5	0.5	WH	4499	High Speed GMLAN Serial Data (-) 7	I	—
6	0.5	BK / WH	451	Ground 4	I	—



Connector Part Information

- Harness Type: Chassis
- OEM Connector: 4088640C1
- Description: 6-Way F 1.2 MCON-CB Series, Sealed (BK)

Table 738 Terminal Part Information

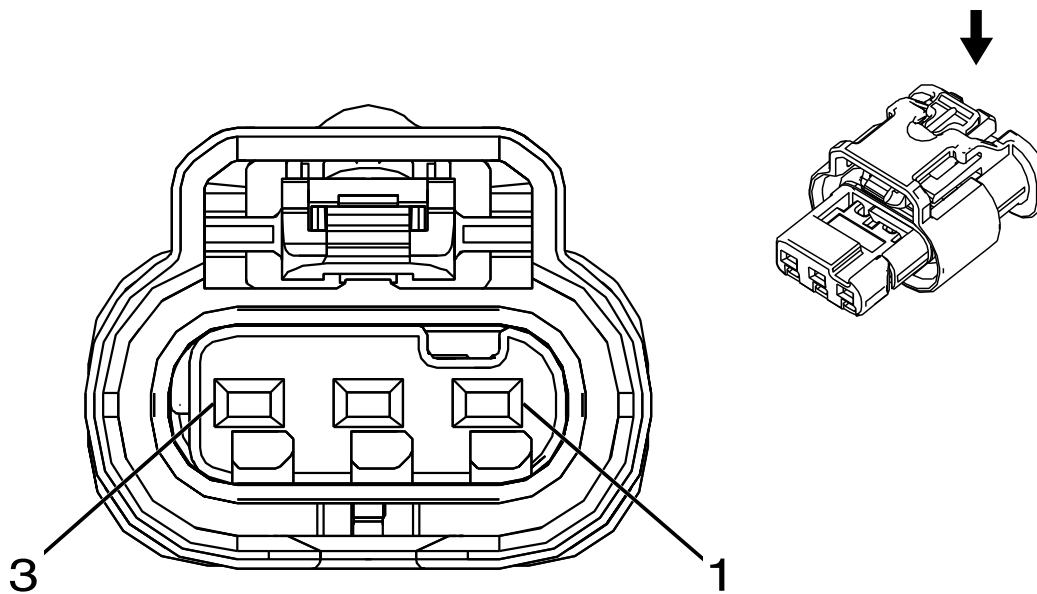
Terminal Type ID	Service Terminal	Diagnostic Test Probe
I	4088467C1 0.5mm	J-35616-14 (GN)
	4088468C1 1.5mm	

Table 739 B195B Nitrogen Oxides Sensor 2

Pin	Size	Color	Circuit	Function	Terminal Type ID	Option
1	1.5	VT / BU	3674	NOx Sensor 1 Control	I	—
2	0.5	BU / BN	4498	High Speed GMLAN Serial Data (+) 7	I	—
3	0.5	BU / BN	4498	High Speed GMLAN Serial Data (+) 7	I	—
4	0.5	WH	4499	High Speed GMLAN Serial Data (-) 7	I	—

Table 739 B195B Nitrogen Oxides Sensor 2 (cont.)

Pin	Size	Color	Circuit	Function	Terminal Type ID	Option
5	0.5	WH	4499	High Speed GMLAN Serial Data (-) 7	I	—
6	1.5	BK	2150	Ground	I	—



Connector Part Information

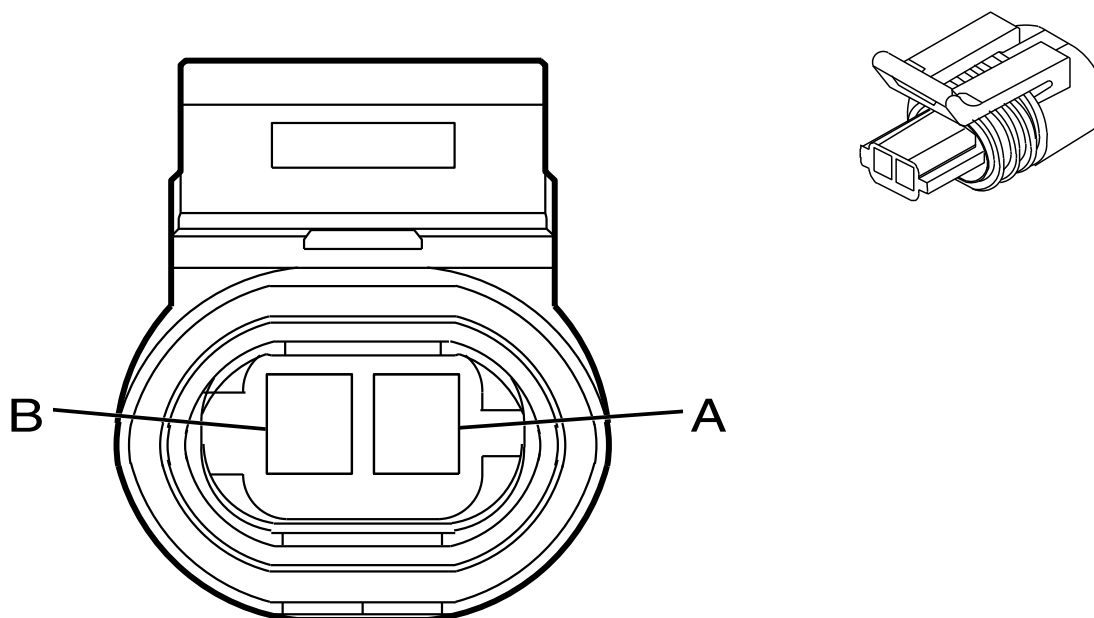
- Harness Type: Chassis
- Service Connector: Service by Harness
- Description: 6-pin F 1.2 MCON-CB Series, Sealed (BN)

Table 741 Terminal Part Information

Terminal Type ID	Service Terminal
I	Not Available

Table 742 B295 Reductant Quality Sensor

Pin	Size	Color	Circuit	Function	Terminal Type ID	Option
1	0.5	BU	7286	Diesel Exhaust Fluid Sensor Voltage Reference (2)	I	—
2	0.5	BN	53	Diesel Exhaust Fluid Quality Signal	I	—
3	0.5	BK	7285	Diesel Exhaust Fluid Liquid Quality Temperature Sensor Low Reference	I	—

**Connector Part Information**

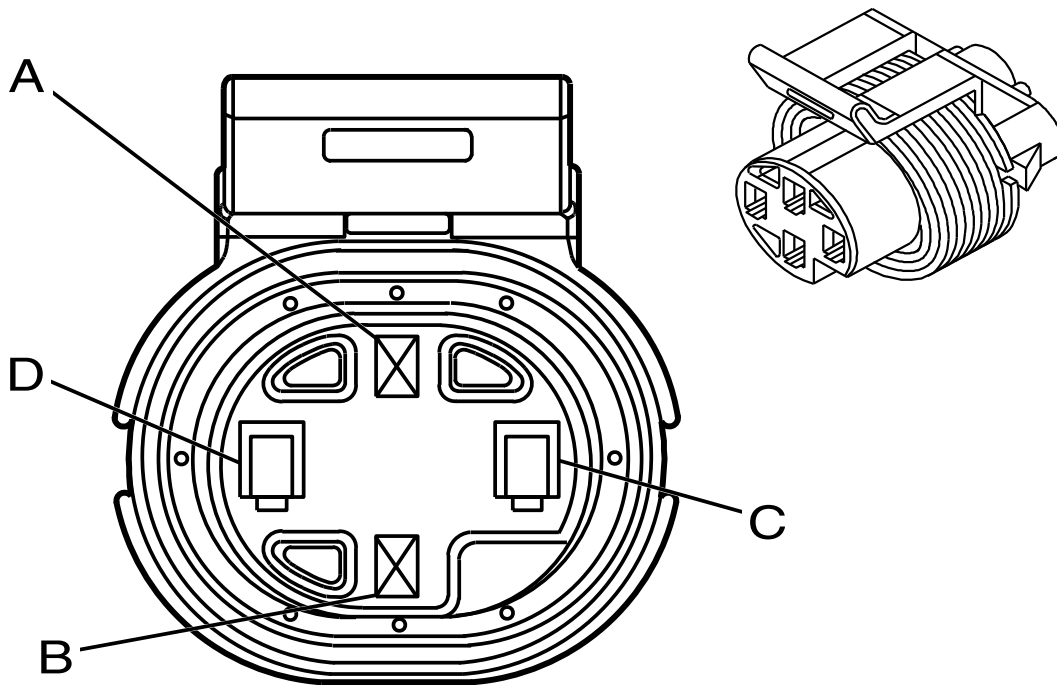
- Harness Type: Brake Booster
- Service Connector: 2036584C1
- Description: 2-Way F 150.2 Metri-Pack Series, Sealed (GY)

Table 744 Terminal Part Information

Terminal Type ID	Service Terminal	Diagnostic Test Probe
I	Not Available	J-35616-14 (GN)

Table 745 B343 Power Brake Booster Fluid Flow Switch

Pin	Size	Color	Circuit	Function	Terminal Type ID	Option
A	1	GY	90CA	Power Brake Booster Fluid Flow Switch Signal	I	—
B	1	GY	90G	Ground	I	—



Connector Part Information

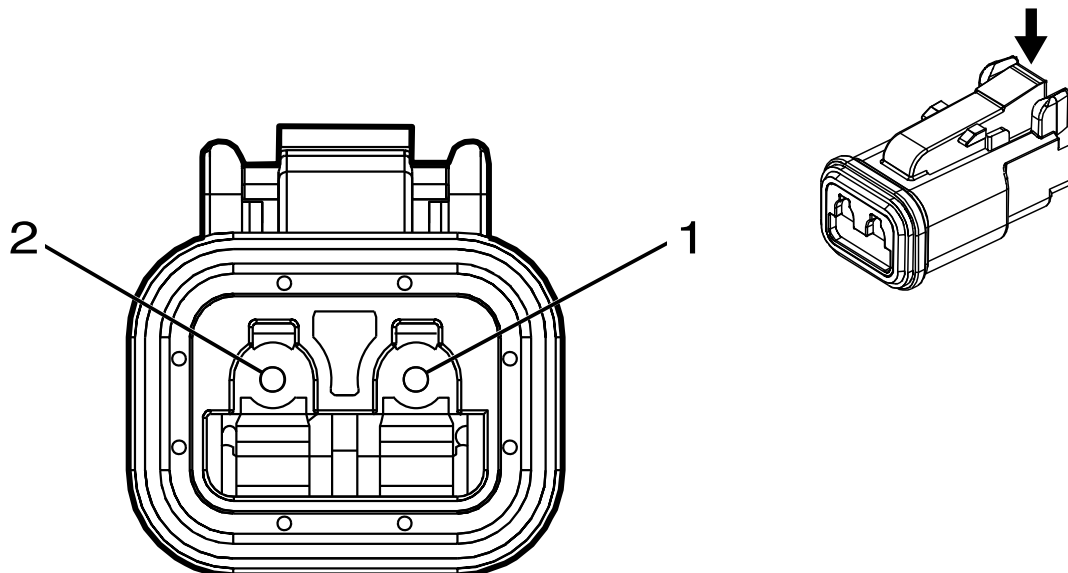
- Harness Type: Brake Booster
- Service Connector: 1661777C1
- Description: 4-Way F 150 Metri-Pack Series, Sealed (BN)

Table 747 Terminal Part Information

Terminal Type ID	Service Terminal	Diagnostic Test Probe
I	Not Available	J-35616-4A (PU)

Table 748 B353 Air Suspension Low Pressure Warning Switch

Pin	Size	Color	Circuit	Function	Terminal Type ID	Option
C	1	GY	603	Air Suspension Low Pressure Warning Switch Signal	I	—
D	1	BK	603G	Ground	I	—



Connector Part Information

- Harness Type: Brake Booster
- Service Connector: 3602747C1
- Description: 2-Way F 1.5 DT Series, Sealed (BK)

Table 750 Terminal Part Information

Terminal Type ID	Service Terminal	Diagnostic Test Probe
I	Not Available	J-35616-14 (GN)

Table 751 B356 Brake Pipe Pressure Switch

Pin	Size	Color	Circuit	Function	Terminal Type ID	Option
1	1	GY	90DB	Brake Pipe Pressure Switch Signal	I	—
2	2	GY	90G	Battery Positive Voltage	II	—

Connector Part Information

- PDM Power Cable 1
- Service Connector: 2241342C1
- Description: 1-Way Ring Terminal

Table 753 Terminal Part Information

Terminal Type ID	Service Terminal	Diagnostic Test Probe
I	Not Available	Not Available

Table 754 C1BA Battery - Auxiliary 1 ((UEH+7Y7/7Y8))

Pin	Size	Color	Circuit	Function	Terminal Type ID	Option
A	2	RD	A	Unfused Battery Positive Voltage	I	—

Connector Part Information

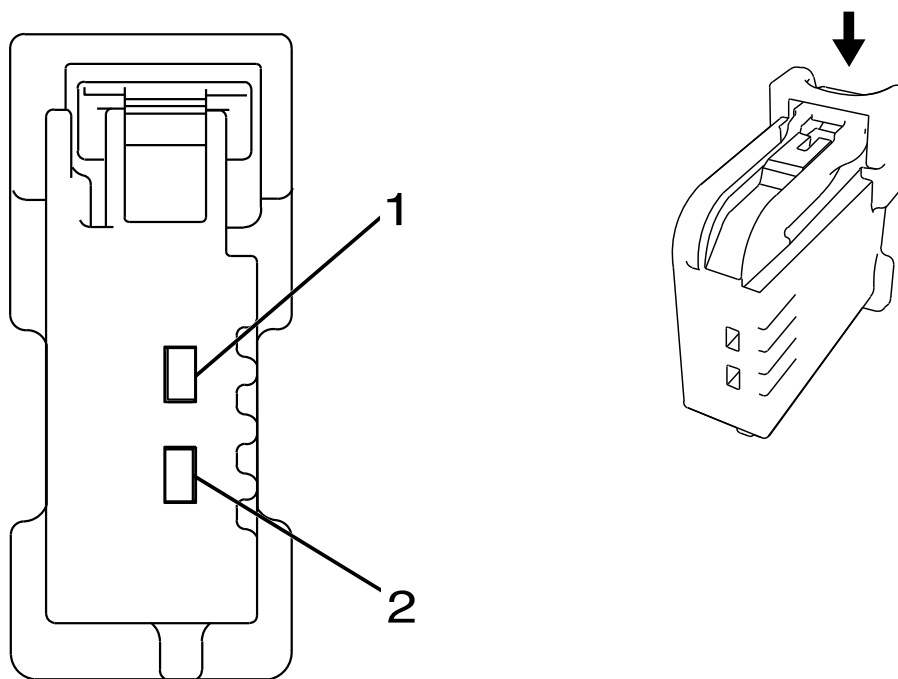
- PDM Power Cable 1
- Service Connector: 4137476C1
- Description: 1-Way Ring Terminal

Table 756 Terminal Part Information

Terminal Type ID	Service Terminal	Diagnostic Test Probe
I	Not Available	Not Available

Table 757 C1BA Battery - Auxiliary 1 ((UEH+7Y9))

Pin	Size	Color	Circuit	Function	Terminal Type ID	Option
A	2	RD	A	Unfused Battery Positive Voltage	I	—



Connector Part Information

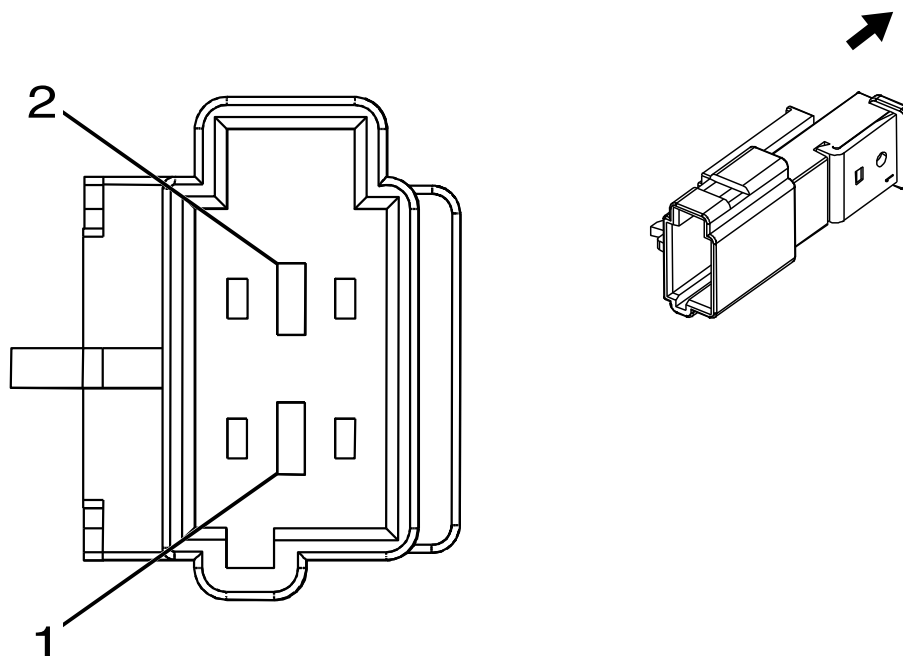
- Harness Type: Overhead Console
- Service Connector: Service by Harness
- Description: 2-pin F 1.5 Series (BK)

Table 759 Terminal Part Information

Terminal Type ID	Service Terminal	Diagnostic Test Probe
I	3544883C1	J-35616-14 (GN)

Table 760 E1L Accent Lamp - Overhead Console

Pin	Size	Color	Circuit	Function	Terminal Type ID	Option
1	0.35	VT / GN	7558	Front Footwell Accent Lighting Control	I	—
2	0.35	BK	1050	Ground 10	I	—



Connector Part Information

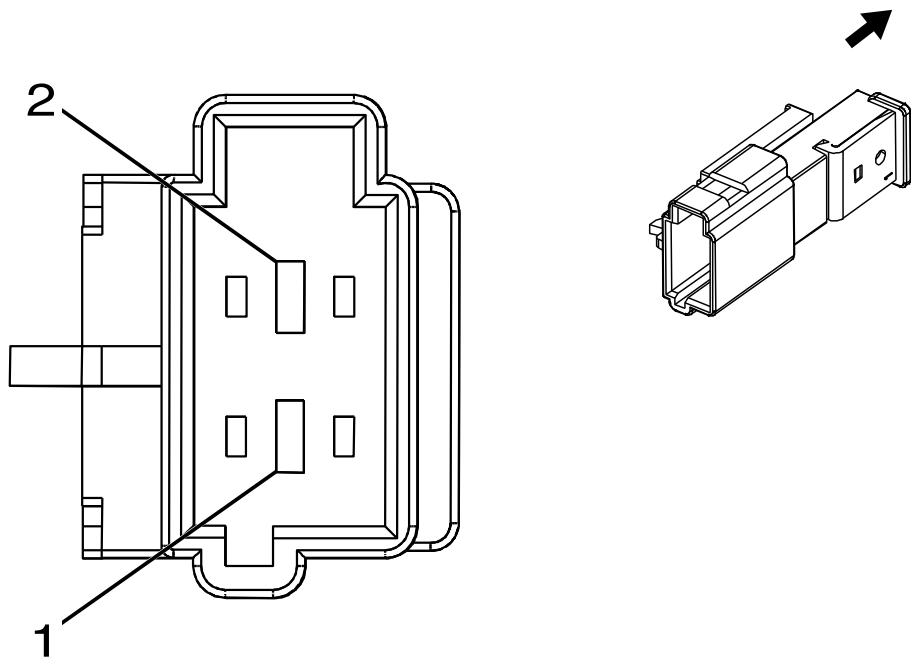
- Harness Type: Right A-pillar
- Service Connector: Service by Harness
- Description: 2-pin M 1.6 Timer Series (BK)

Table 762 Terminal Part Information

Terminal Type ID	Service Terminal	Diagnostic Test Probe
I	6042004C1	J-35616-34 (YE)

Table 763 E3A Roof Clearance Lamp – Left Front Outer

Pin	Size	Color	Circuit	Function	Terminal Type ID	Option
1	0.5	VT / GY	709	Left Park Lamp Control	I	—
2	0.5	BK	1050	Ground 10	I	—



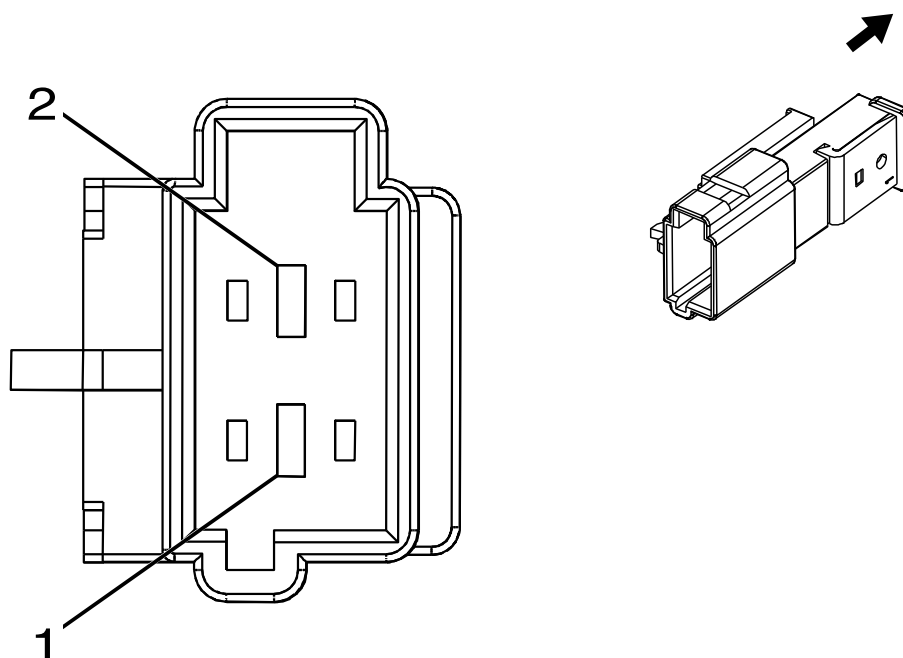
Connector Part Information	
•	Harness Type: Right A-Pillar
•	Service Connector: Service by Harness
•	Description: 2-Way M 1.6 Timer Series (BK)

Table 765 Terminal Part Information

Terminal Type ID	Service Terminal	Diagnostic Test Probe
I	6042004C1	J-35616-34 (YE)

Table 766 E3C Roof Clearance Lamp – Front Middle

Pin	Size	Color	Circuit	Function	Terminal Type ID	Option
1	0.5	VT / GY	709	Left Park Lamp Control	I	—
2	0.5	BK	1050	Ground 10	I	—



Connector Part Information

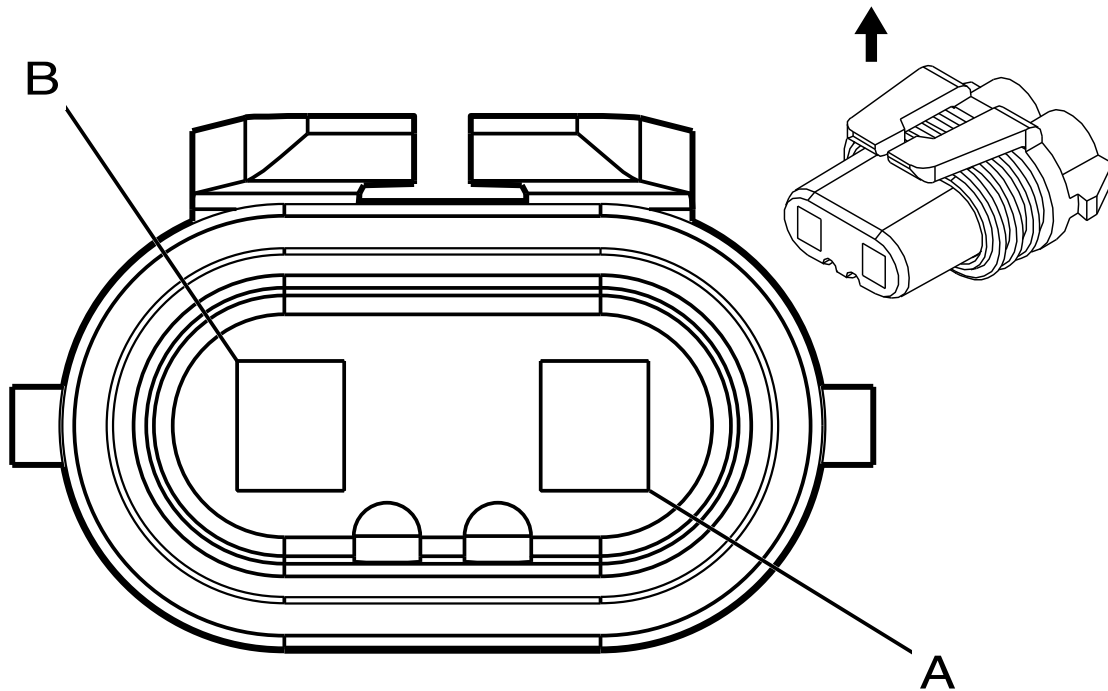
- Harness Type: Right A-pillar
- Service Connector: Service by Harness
- Description: 2-Way M 1.6 Timer Series (BK)

Table 768 Terminal Part Information

Terminal Type ID	Service Terminal	Diagnostic Test Probe
I	6042004C1	J-35616-34 (YE)

Table 769 E3E Roof Clearance Lamp – Right Front Outer

Pin	Size	Color	Circuit	Function	Terminal Type ID	Option
1	0.5	VT / GY	709	Left Park Lamp Control	I	—
2	0.5	BK	1050	Ground 10	I	—



Connector Part Information

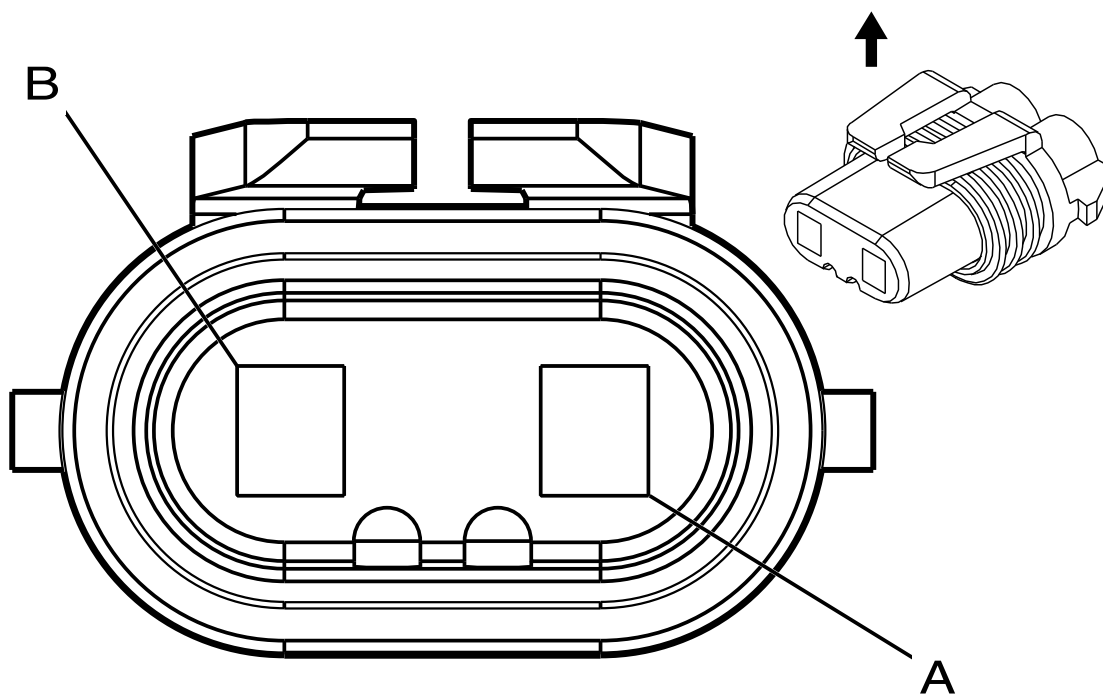
- Harness Type: Left Headlight
- Service Connector: Service by Harness
- Description: 2-Way M 1.6 Timer Series (BK)

Table 771 Terminal Part Information

Terminal Type ID	Service Terminal	Diagnostic Test Probe
I	Not Available	Not Available

Table 772 E4E Headlamp - Left High Beam

Pin	Size	Color	Circuit	Function	Terminal Type ID	Option
A	—	BK	711	Left Headlamp High Beam Control	I	—
B	—	BK	250	Ground	I	—



Connector Part Information

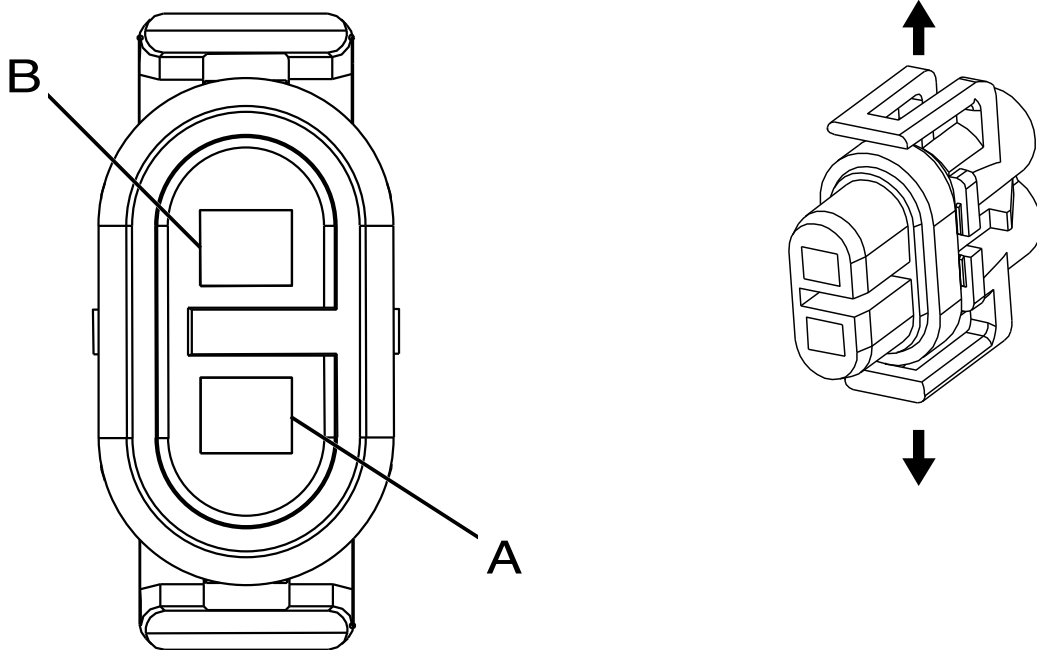
- Harness Type: Right Headlight
- Service Connector: Service by Harness
- Description: 2-Way F

Table 774 Terminal Part Information

Terminal Type ID	Service Terminal	Diagnostic Test Probe
I	Not Available	Not Available

Table 775 E4F Headlamp - Right High Beam

Pin	Size	Color	Circuit	Function	Terminal Type ID	Option
A	—	BK	311	Right Headlamp High Beam Control	I	—
B	—	BK	250	Ground	I	—



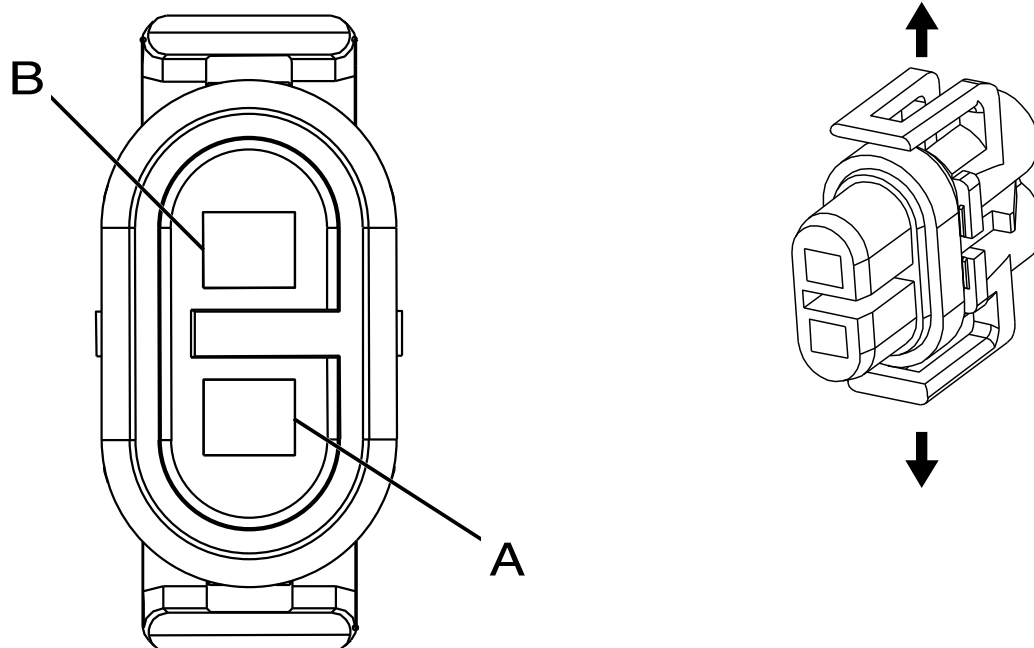
Connector Part Information	
•	Harness Type: Left Headlight
•	Service Connector: Service by Harness
•	Description: 2-Way F

Table 777 Terminal Part Information

Terminal Type ID	Service Terminal
I	Not Available

Table 778 E4G Headlamp - Left Low Beam

Pin	Size	Color	Circuit	Function	Terminal Type ID	Option
A	—	BK	712	Left Headlamp Low Beam Control	I	—
B	—	BK	250	Ground	I	—



Connector Part Information

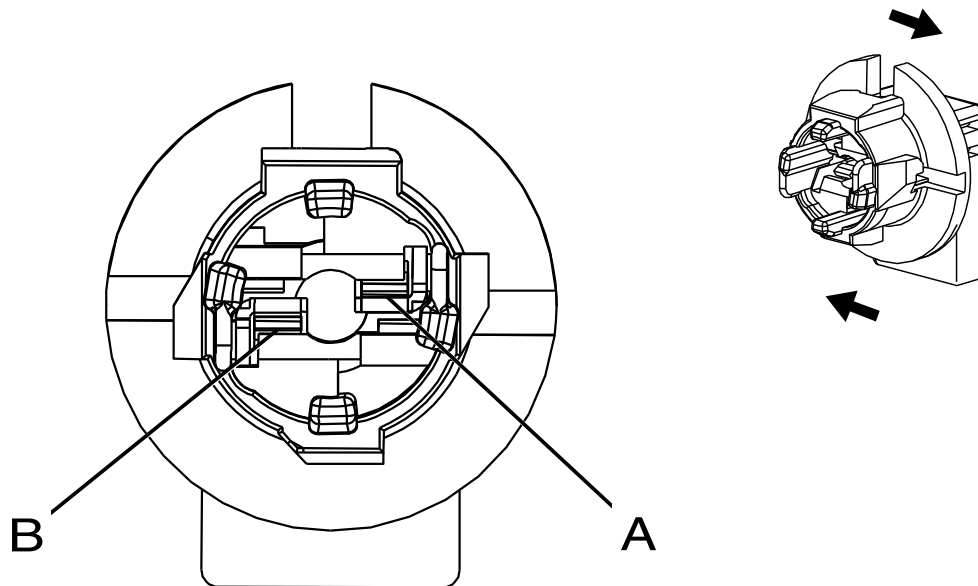
- Harness Type: Right Headlight
- Service Connector: Service by Harness
- Description: 2-Way F

Table 780 Terminal Part Information

Terminal Type ID	Service Terminal
I	Not Available

Table 781 E4H Headlamp - Right Low Beam

Pin	Size	Color	Circuit	Function	Terminal Type ID	Option
A	—	BK	312	Right Headlamp Low Beam Control	I	—
B	—	BK	250	Ground	I	—



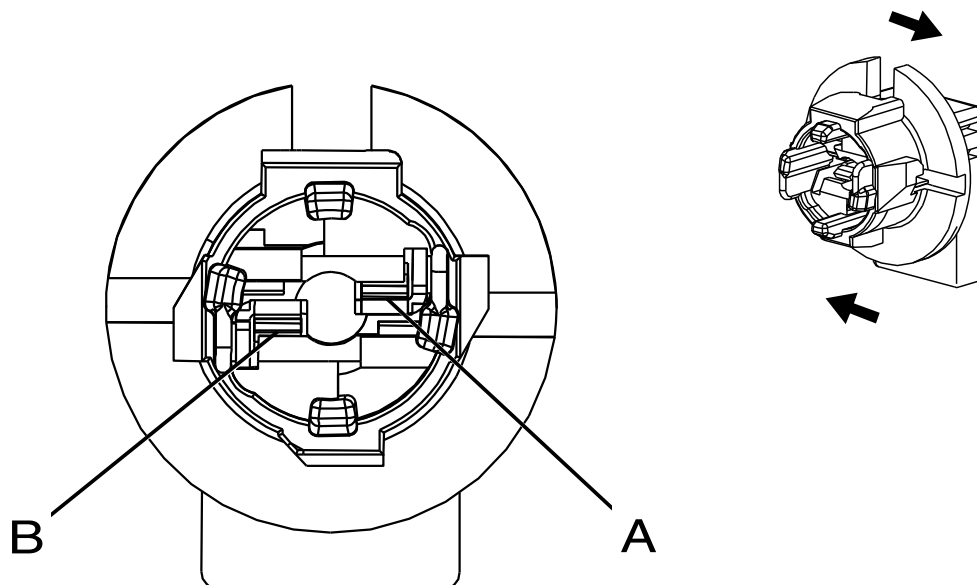
Connector Part Information	
•	Harness Type: CHMSL
•	Service Connector: Service by Harness
•	Description: 2-Way F

Table 783 Terminal Part Information

Terminal Type ID	Service Terminal
I	Not Available

Table 784 E6 Center High Mounted Stop Lamp X1

Pin	Size	Color	Circuit	Function	Terminal Type ID	Option
A	—	BN	1430	Exterior Courtesy Lamp Control	I	—
B	—	BK	1050	Ground	I	—



Connector Part Information

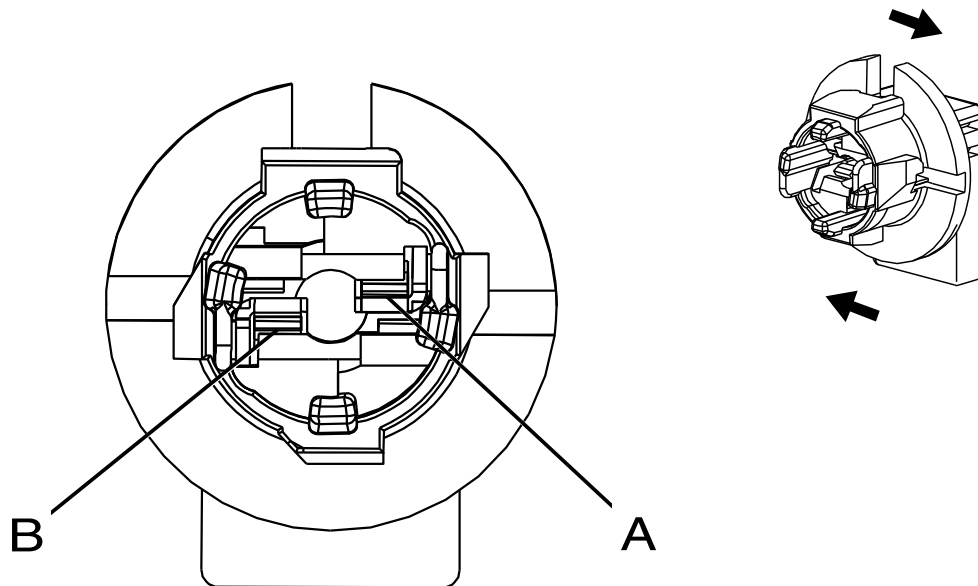
- Harness Type: CHMSL
- Service Connector: Service by Harness
- Description: 2-Way F

Table 786 Terminal Part Information

Terminal Type ID	Service Terminal
I	Not Available

Table 787 E6 Center High Mounted Stop Lamp X2

Pin	Size	Color	Circuit	Function	Terminal Type ID	Option
A	—	RD	1054	Stop Lamp Control	I	—
B	—	BK	1050	Ground	I	—



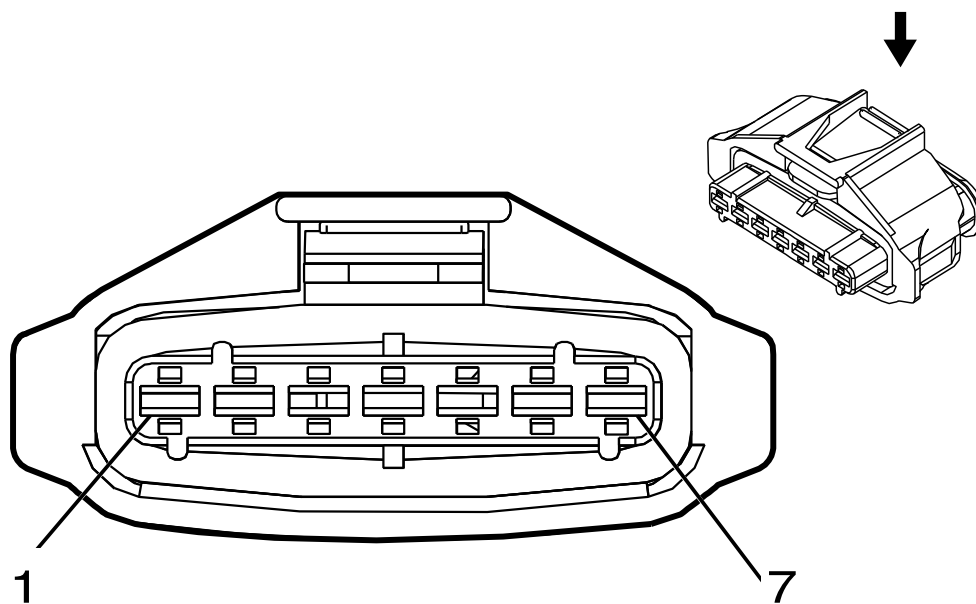
Connector Part Information	
•	Harness Type: CHMSL
•	Service Connector: Service by Harness
•	Description: 2-Way F

Table 789 Terminal Part Information

Terminal Type ID	Service Terminal
I	Not Available

Table 790 E6 Center High Mounted Stop Lamp X3

Pin	Size	Color	Circuit	Function	Terminal Type ID	Option
A	—	BN	1430	Exterior Courtesy Lamp Control	I	—
B	—	BK	1050	Ground	I	—



Connector Part Information

- Harness Type: Chassis
- Service Connector: 4088469C1
- Description: 7-pin F 2.8 Junior Power Timer Series, Sealed (BK)

Table 792 Terminal Part Information

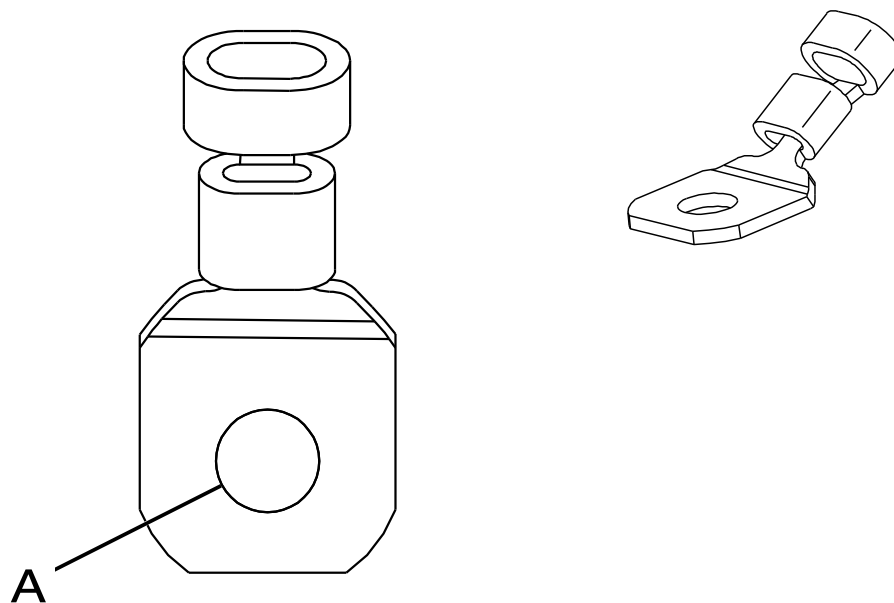
Terminal Type ID	Service Terminal	Diagnostic Test Probe
I	3509874C1	J-35616-4A (PU)

Table 793 E11A Fuel Heater / Water in Fuel Sensor

Pin	Size	Color	Circuit	Function	Terminal Type ID	Option
1	0.5	BK / VT	412	Fuel Filter Temperature Sensor Low Reference	I	—
2	0.5	BN / VT	455	Fuel Filter Temperature Signal	I	—
3	0.5	BK / BU	6861	Water In Fuel Sensor Signal	I	—
4	0.5	BK / BU	6863	Water In Fuel Sensor Low Reference	I	—
5	—	—	—	Not Occupied	—	—

Table 793 E11A Fuel Heater / Water in Fuel Sensor (cont.)

Pin	Size	Color	Circuit	Function	Terminal Type ID	Option
6	2.0	VT / GN	355	Fuel Filter Heater Voltage	I	—
7	1.5	BK	2150	Ground 21	I	—



Connector Part Information

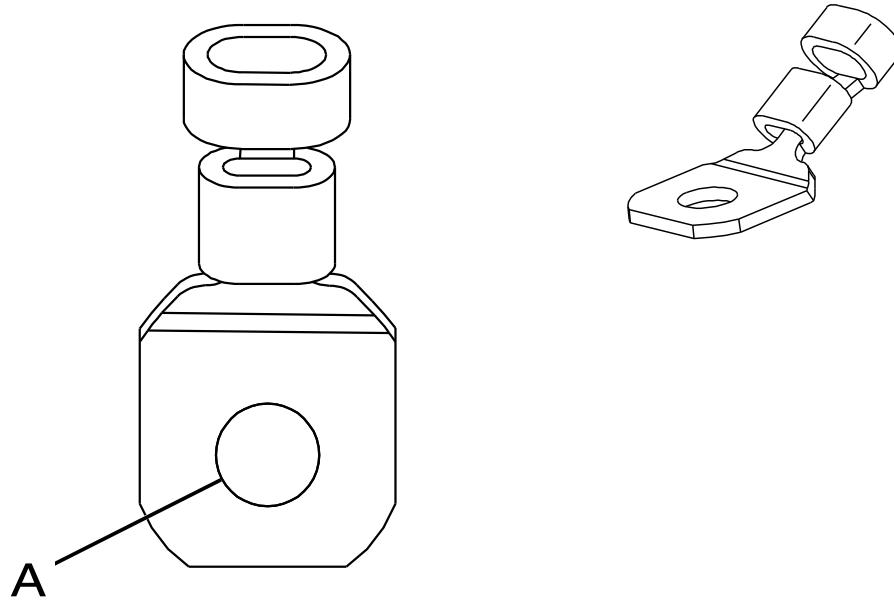
- Harness Type: Engine
- Service Connector: Service by Cable Assembly
- Description: 1-Way Ring Terminal

Table 795 Terminal Part Information

Terminal Type ID	Service Terminal	Diagnostic Test Probe
I	Not Available	No Tool Required

Table 796 E12A Glow Plug 1

Pin	Size	Color	Circuit	Function	Terminal Type ID	Option
A	2	GY / BU	1581	Glow Plug Control 1	I	—



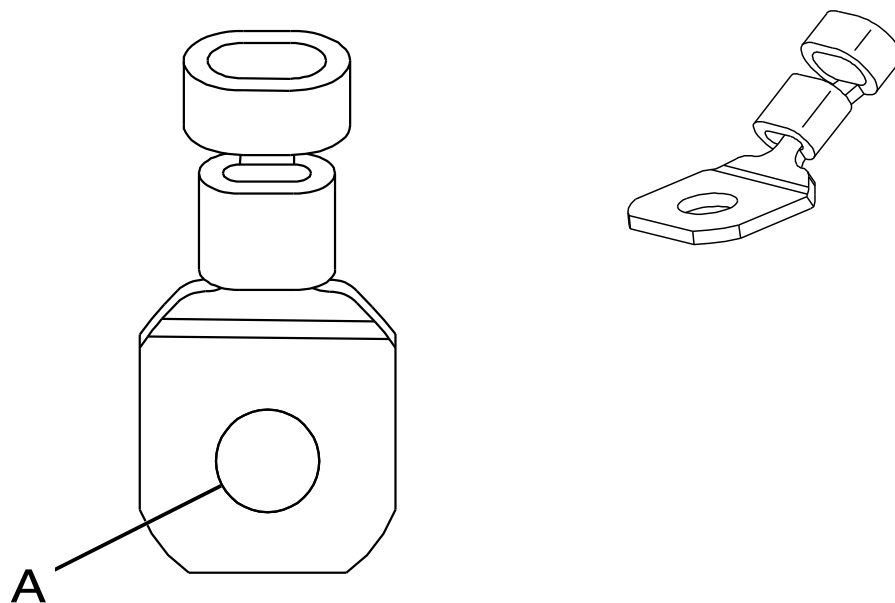
Connector Part Information
<ul style="list-style-type: none"> • Harness Type: Engine • Service Connector: Service by Cable Assembly • Description: 1-Way Ring Terminal

Table 798 Terminal Part Information

Terminal Type ID	Service Terminal	Diagnostic Test Probe
I	Not Available	No Tool Required

Table 799 E12B Glow Plug 2

Pin	Size	Color	Circuit	Function	Terminal Type ID	Option
A	2	GY / BN	1582	Glow Plug Control 2	I	—

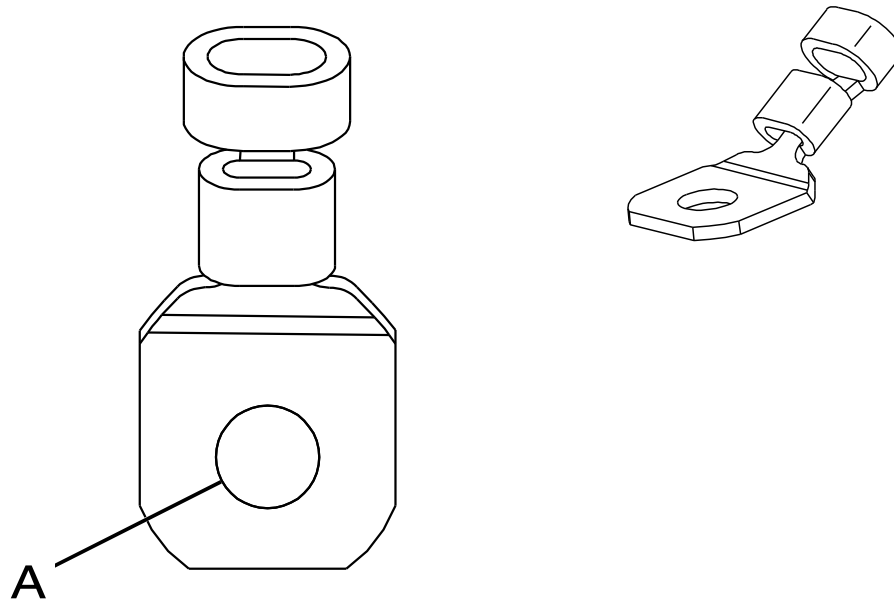


Connector Part Information

- Harness Type: Engine
- Service Connector: Service by Cable Assembly
- Description: 1-Way Ring Terminal

Table 801 Terminal Part Information

Terminal Type ID	Service Terminal	Diagnostic Test Probe
I	Not Available	No Tool Required



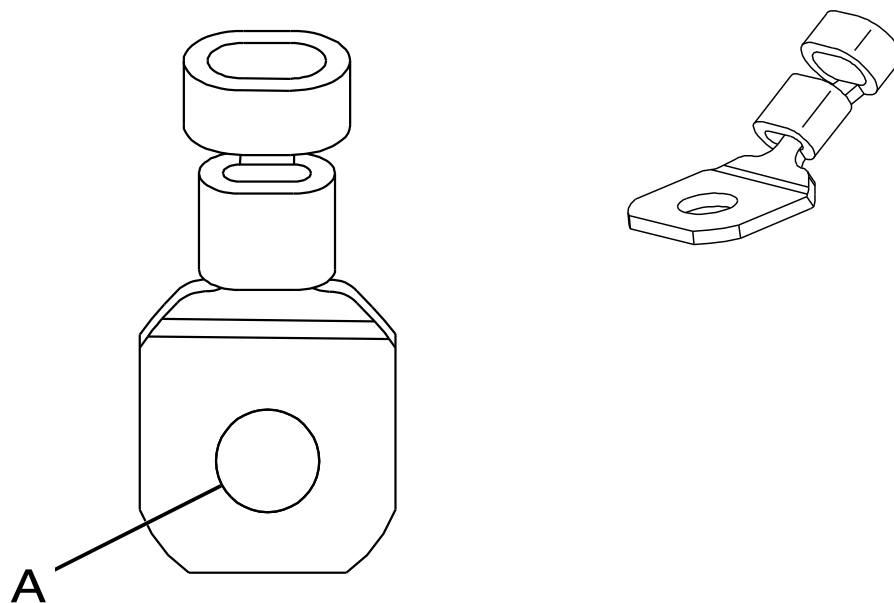
Connector Part Information	
•	Harness Type: Engine
•	Service Connector: Service by Cable Assembly
•	Description: 1-pin Ring Terminal

Table 803 Terminal Part Information

Terminal Type ID	Service Terminal	Diagnostic Test Probe
I	Not Available	No Tool Required

Table 804 E12D Glow Plug 4

Pin	Size	Color	Circuit	Function	Terminal Type ID	Option
A	2	GY / YE	1584	Glow Plug Control 4	I	—



Connector Part Information

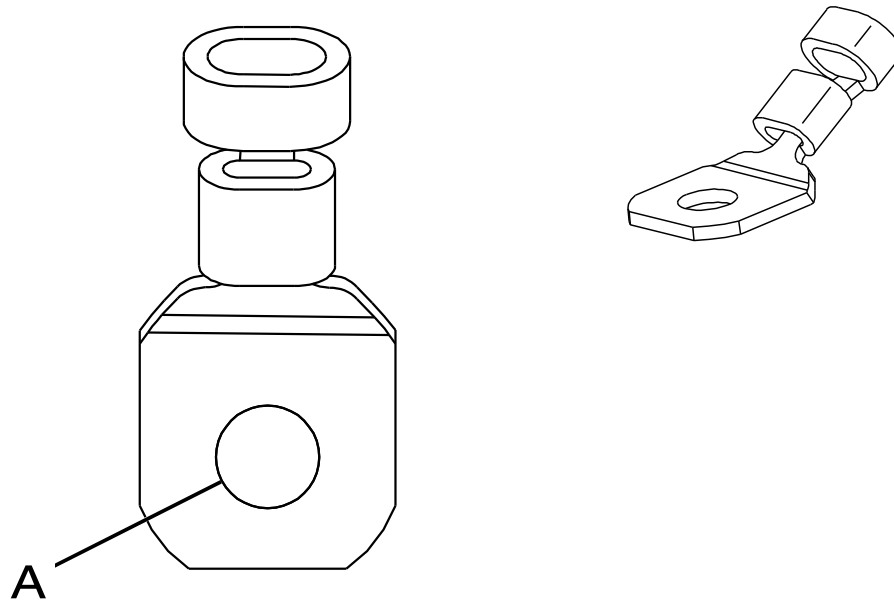
- Harness Type: Engine
- Service Connector: Service by Cable Assembly
- Description: 1-pin Ring Terminal

Table 806 Terminal Part Information

Terminal Type ID	Service Terminal	Diagnostic Test Probe
I	Not Available	No Tool Required

Table 807 E12E Glow Plug 5

Pin	Size	Color	Circuit	Function	Terminal Type ID	Option
A	2	GY / WH	1585	Glow Plug Control 5	I	—



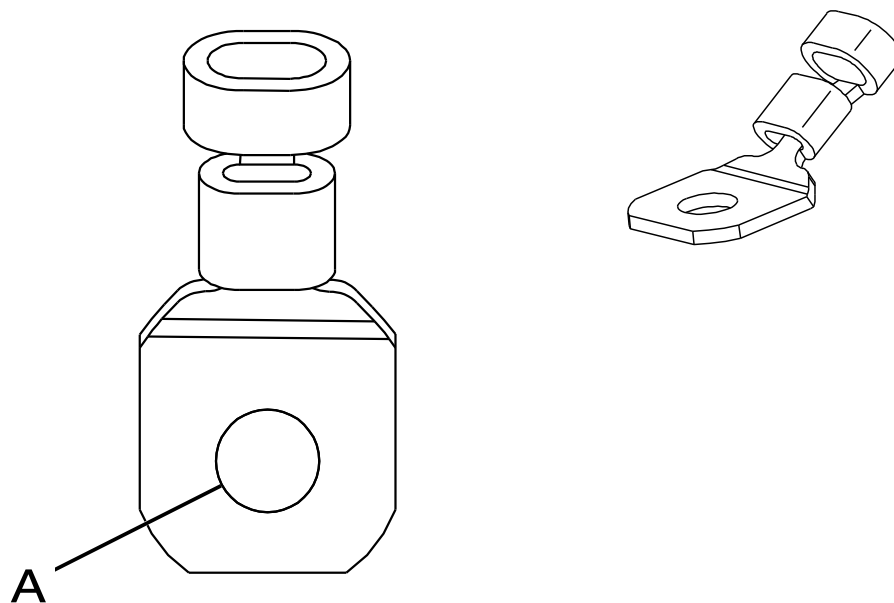
<p>Connector Part Information</p> <ul style="list-style-type: none"> • Harness Type: Engine • Service Connector: Service by Cable Assembly • Description: 1-pin Ring Terminal 	
---	--

Table 809 Terminal Part Information

Terminal Type ID	Service Terminal	Diagnostic Test Probe
I	Not Available	No Tool Required

Table 810 E12F Glow Plug 6

Pin	Size	Color	Circuit	Function	Terminal Type ID	Option
A	2	GY / VT	1586	Glow Plug Control 6	I	—



Connector Part Information

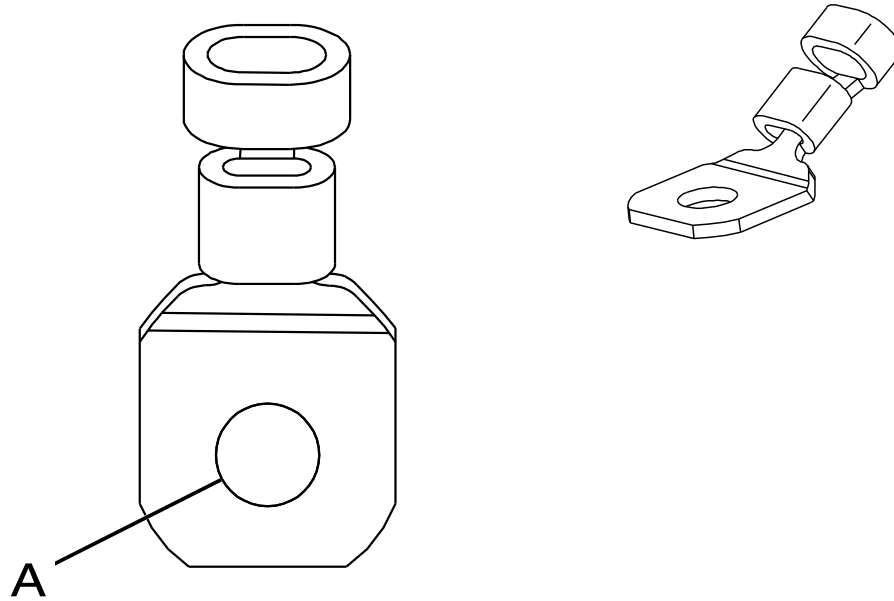
- Harness Type: Engine
- Service Connector: Service by Cable Assembly
- Description: 1-pin Ring Terminal

Table 812 Terminal Part Information

Terminal Type ID	Service Terminal	Diagnostic Test Probe
I	Not Available	No Tool Required

Table 813 E12G Glow Plug 7

Pin	Size	Color	Circuit	Function	Terminal Type ID	Option
A	2	WH / BU	1588	Glow Plug Control 8	I	—



Connector Part Information

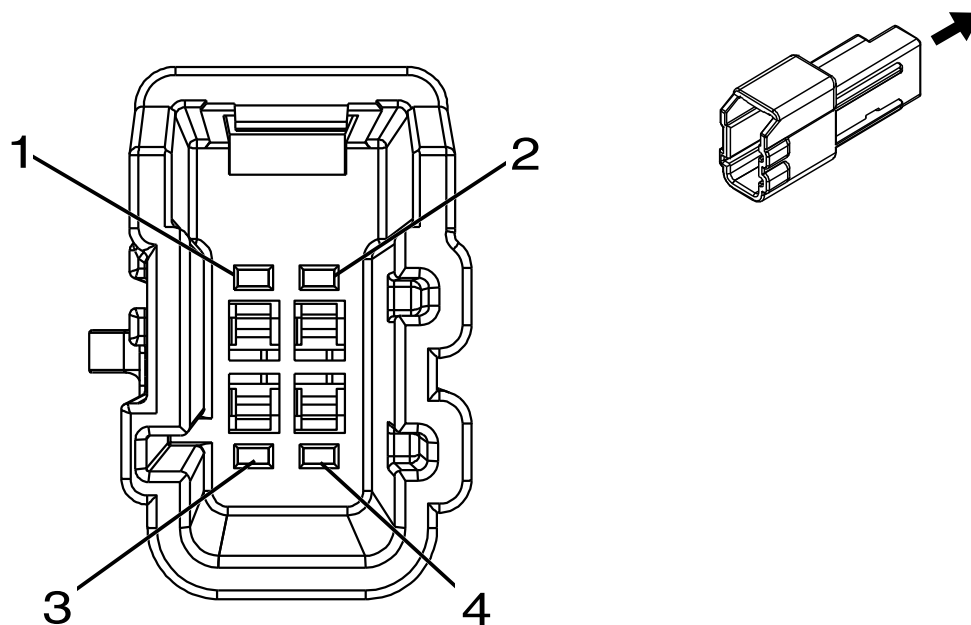
- Harness Type: Engine
- Service Connector: Service by Cable Assembly
- Description: 1-pin Ring Terminal

Table 815 Terminal Part Information

Terminal Type ID	Service Terminal	Diagnostic Test Probe
I	Not Available	No Tool Required

Table 816 E12H Glow Plug 8

Pin	Size	Color	Circuit	Function	Terminal Type ID	Option
A	2	WH / BK	1587	Glow Plug Control 7	I	—

**Connector Part Information**

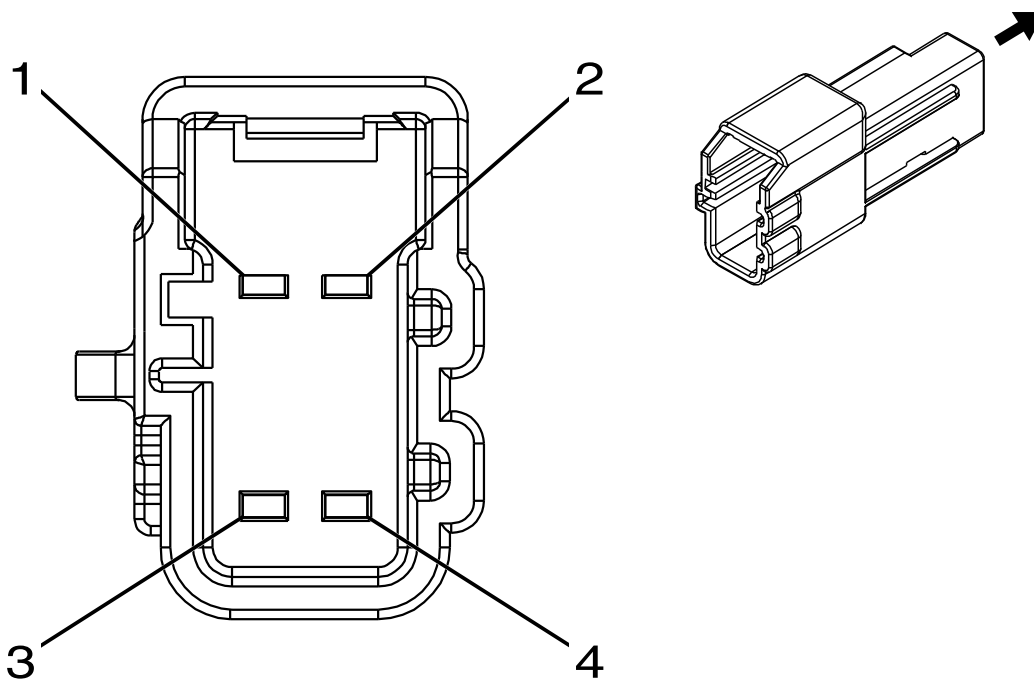
- Harness Type: Driver Seat Back
- Service Connector: Service by Harness
- Description: 4-Way M 1.2 Series (GY)

Table 818 Terminal Part Information

Terminal Type ID	Service Terminal	Diagnostic Test Probe
I	6041938C1	J-35616-13 (BU)

Table 819 E14A Seat Heating Element – Driver Back (Feature Code: 0016XJR)

Pin	Size	Color	Circuit	Function	Terminal Type ID	Option
1	0.75	BN	2432	Driver Seat Back Heating Element Control	I	—
2	0.5	BU	2425	Driver Seat Back Heating Temperature Sensor	I	—
3	0.5	BK / YE	2080	Driver Heated Seat Thermistor Low Reference	I	—
4	0.75	BN / BK	2078	Driver Seat Heating Element Low Reference	I	—



Connector Part Information

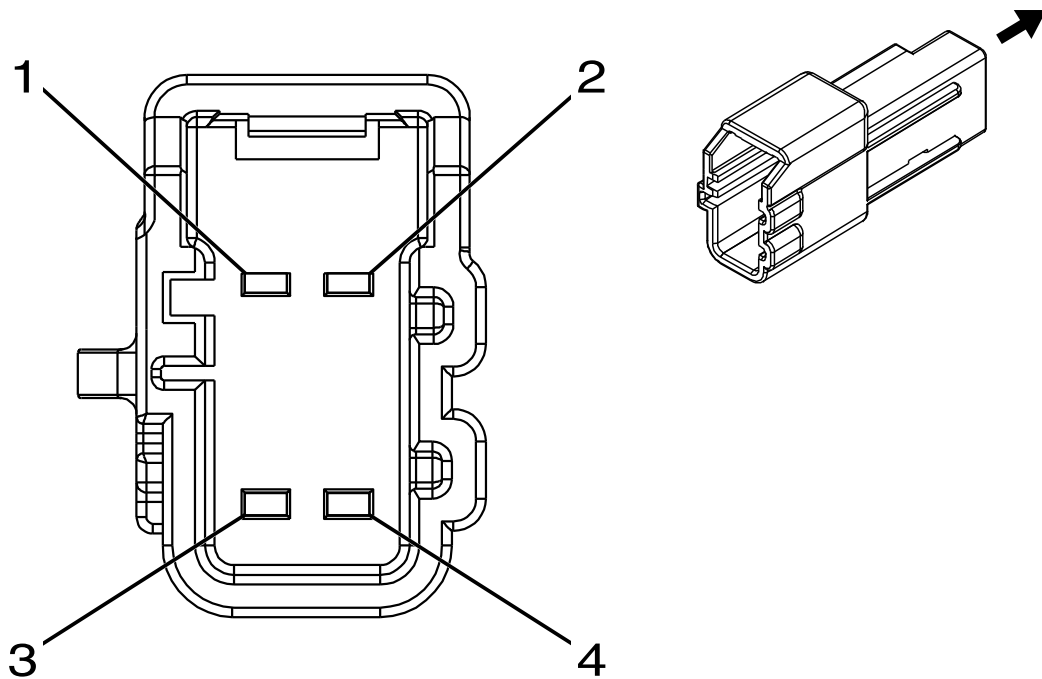
- Harness Type: Driver Seat Cushion
- Service Connector: Service by Harness
- Description: 4-pin M 1.2 Series (BK)

Table 821 Terminal Part Information

Terminal Type ID	Service Terminal	Diagnostic Test Probe
I	6041938C1	J-35616-13 (BU)

Table 822 E14B Seat Heating Element – Driver Cushion (Feature Code: 0016XJR)

Pin	Size	Color	Circuit	Function	Terminal Type ID	Option
1	0.75	BN / VT	2077	Driver Seat Heating Element Control	I	—
2	0.5	YE / GY	2079	Driver Seat Heating Temperature Sensor Signal	I	—
3	0.5	BN / YE	2080	Driver Heated Seat Thermistor Low Reference	I	—
4	0.75	BN / BK	2078	Driver Seat Heating Element Low Reference	I	—



Connector Part Information

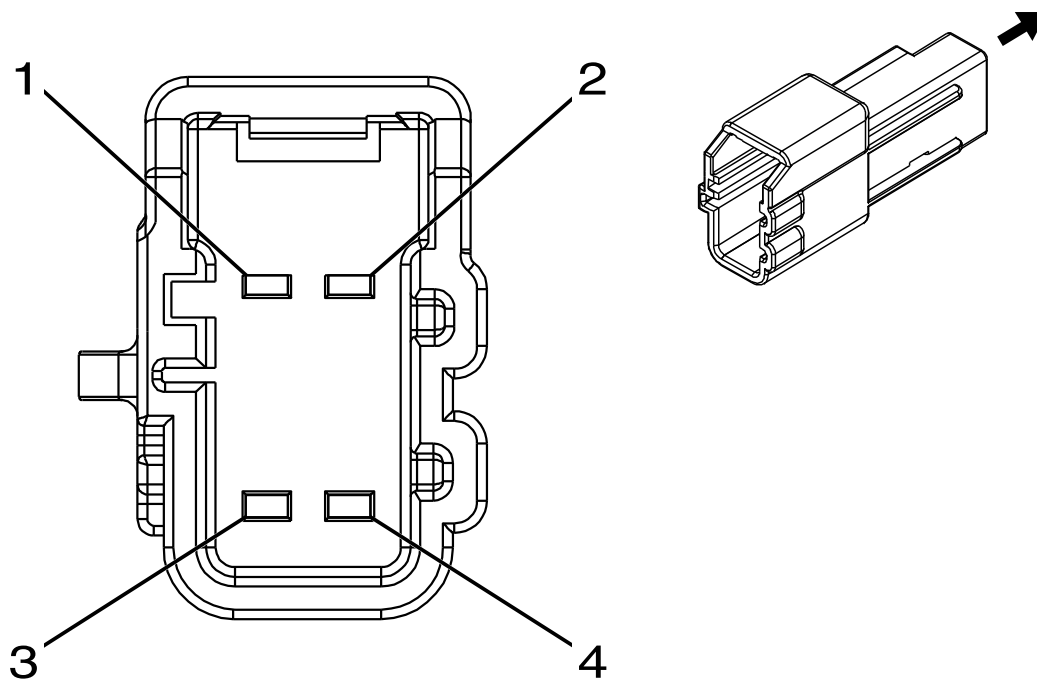
- Harness Type: Driver Seat Cushion
- Service Connector: Service by Harness
- Description: 4-Way M 1.2 Series (GY)

Table 824 Terminal Part Information

Terminal Type ID	Service Terminal	Diagnostic Test Probe
I	6041938C1	Not Available

Table 825 E14C Seat Heating Element – Passenger Back

Pin	Size	Color	Circuit	Function	Terminal Type ID	Option
1	0.75	WH / BN	2481	Passenger Heated Back Element Control	I	—
2	0.5	WH / BU	2436	Passenger Seat Back Heating Temperature Sensor Signal	I	—
3	0.5	BK / GN	2482	Co-Driver Heated Back Thermistor Low Reference	I	—
4	0.75	GY / BK	2480	Passenger Seat Heating Element Low Reference	I	—



Connector Part Information

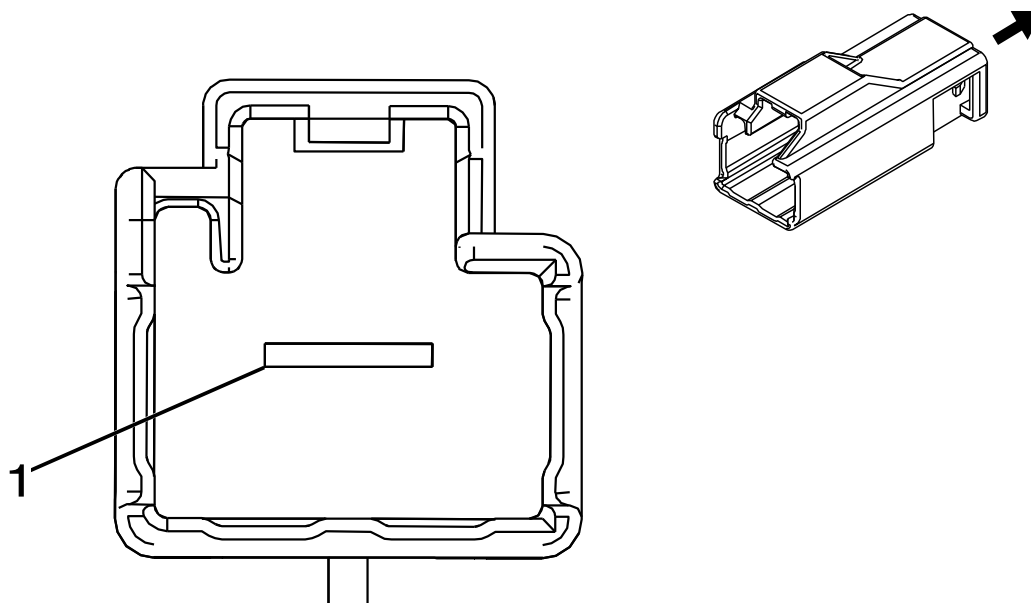
- Harness Type: Passenger Seat Cushion
- Service Connector: Service by Harness
- Description: 4-Way M 1.2 Series (BK)

Table 827 Terminal Part Information

Terminal Type ID	Service Terminal	Diagnostic Test Probe
I	6041938C1	J-35616-13 (BU)

Table 828 E14D Seat Heating Element – Passenger Cushion (Feature Code: 0016XJR)

Pin	Size	Color	Circuit	Function	Terminal Type ID	Option
1	0.75	BN / BU	2479	Passenger Heated Seat Element Control	I	—
2	0.5	WH / GY	2434	Passenger Seat Heating Temperature Sensor Signal	I	—
3	0.5	BK / GY	2435	Co-Driver Heated Seat Thermistor Low Reference	I	—
4	0.75	GY / BK	2480	Passenger Seat Heating Element Low Reference	I	—



Connector Part Information

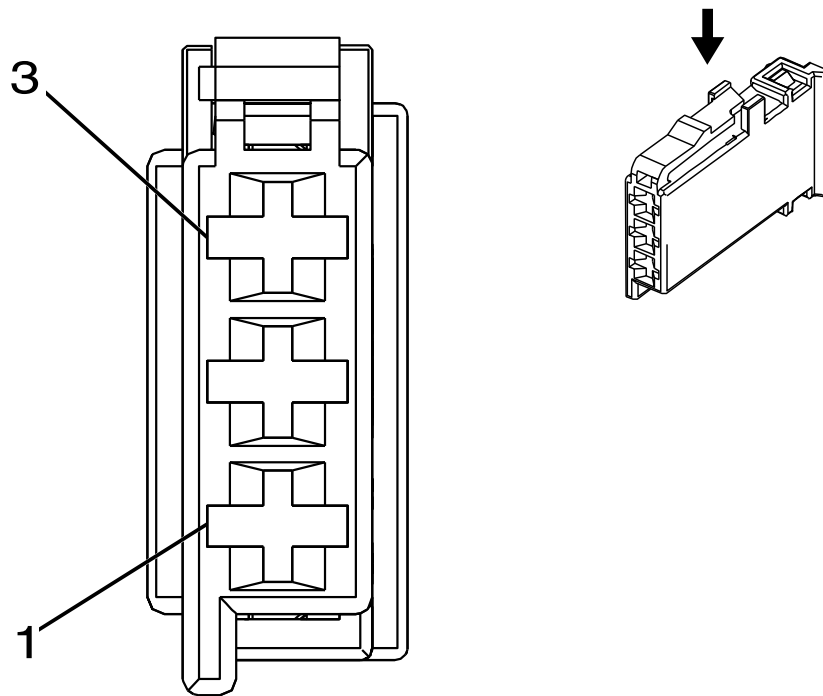
- Harness Type: Body
- Service Connector: 6040262C1
- Description: 1-Way M 6.3 Series (BK)

Table 830 Terminal Part Information

Terminal Type ID	Service Terminal	Diagnostic Test Probe
I	6041954C1	J-35616-43 (RD)

Table 831 E18 Rear Defogger Grid

Pin	Size	Color	Circuit	Function	Terminal Type ID	Option
1	2.5	BN / VT	293	Rear Defog Element Control	I	—



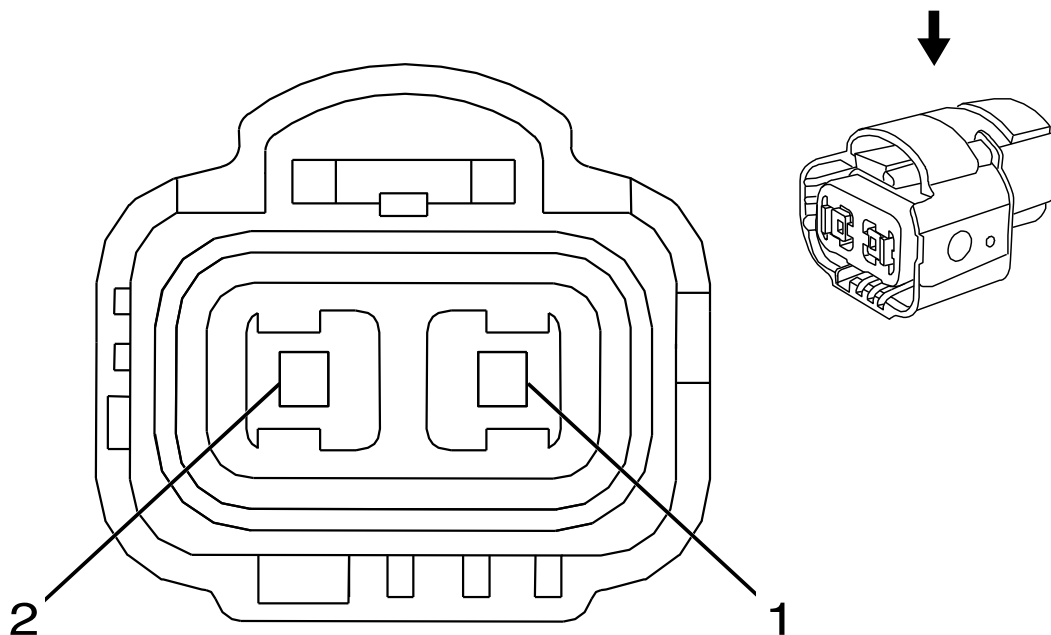
Connector Part Information	
•	Harness Type: Floor Console
•	Service Connector: Service by Harness
•	Description: 3-Way F 1.6 Micro-Timer Series (BK)

Table 833 Terminal Part Information

Terminal Type ID	Service Terminal	Diagnostic Test Probe
I	6042024C1 0.5mm	J-35616-14 (GN)
	6042003C1 0.75mm	

Table 834 E28 Center Console Compartment Lamp (Feature Code: 0016XCN)

Pin	Size	Color	Circuit	Function	Terminal Type ID	Option
1	0.5	WH / BN	6815	Inadvertent Power Control	I	—
2	0.75	BK	1050	Ground	I	—
3	—	—	—	Not Occupied	—	—



Connector Part Information

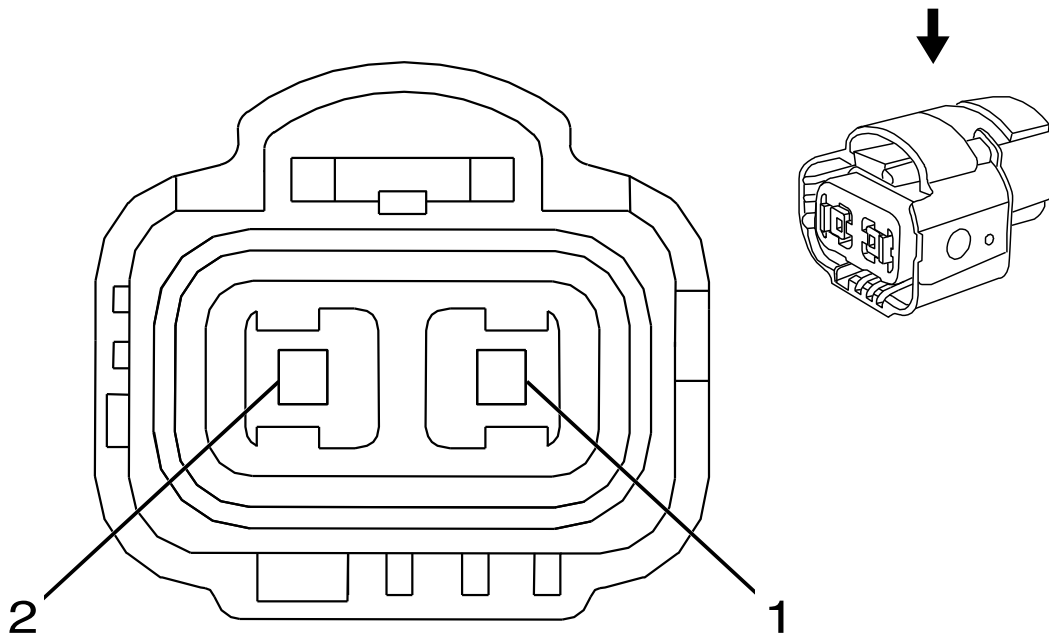
- Harness Type: Left Fog Lamp Jumper
- Service Connector: 6131286C1
- Description: 2-Way F 1.5 Series, Sealed (BK)

Table 836 Terminal Part Information

Terminal Type ID	Service Terminal	Diagnostic Test Probe
I	4080386C1	J-35616-2A (GY)

Table 837 E29RF Fog Lamp – Right Front

Pin	Size	Color	Circuit	Function	Terminal Type ID	Option
1	1.5	BN / VT	2234	Front Fog Lamp Control	I	—
2	1.5	BK	150	Ground	I	—



Connector Part Information

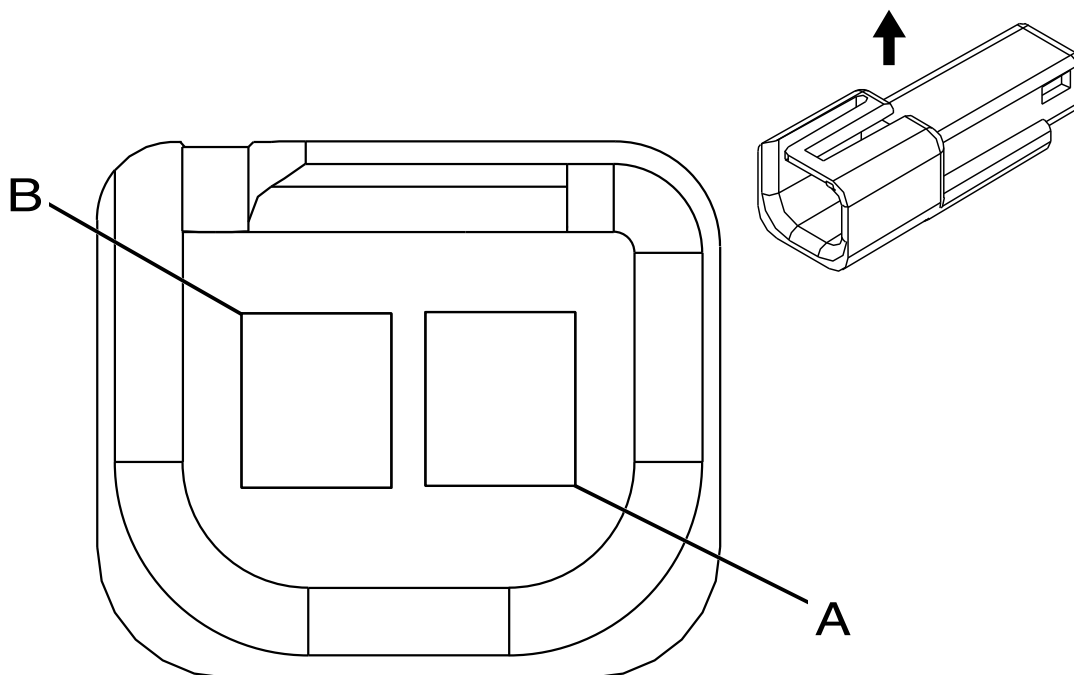
- Harness Type: Left Fog Lamp Jumper
- Service Connector: 6131286C1
- Description: 2-Way F 1.5 Series, Sealed (BK)

Table 839 Terminal Part Information

Terminal Type ID	Service Terminal	Diagnostic Test Probe
I	4080386C1	J-35616-14 (GN)

Table 840 E29LF Fog Lamp – Right Front

Pin	Size	Color	Circuit	Function	Terminal Type ID	Option
1	1.5	BN / VT	2234	Front Fog Lamp Control 2	I	—
2	1.5	BK	150	Ground 1	I	—



Connector Part Information

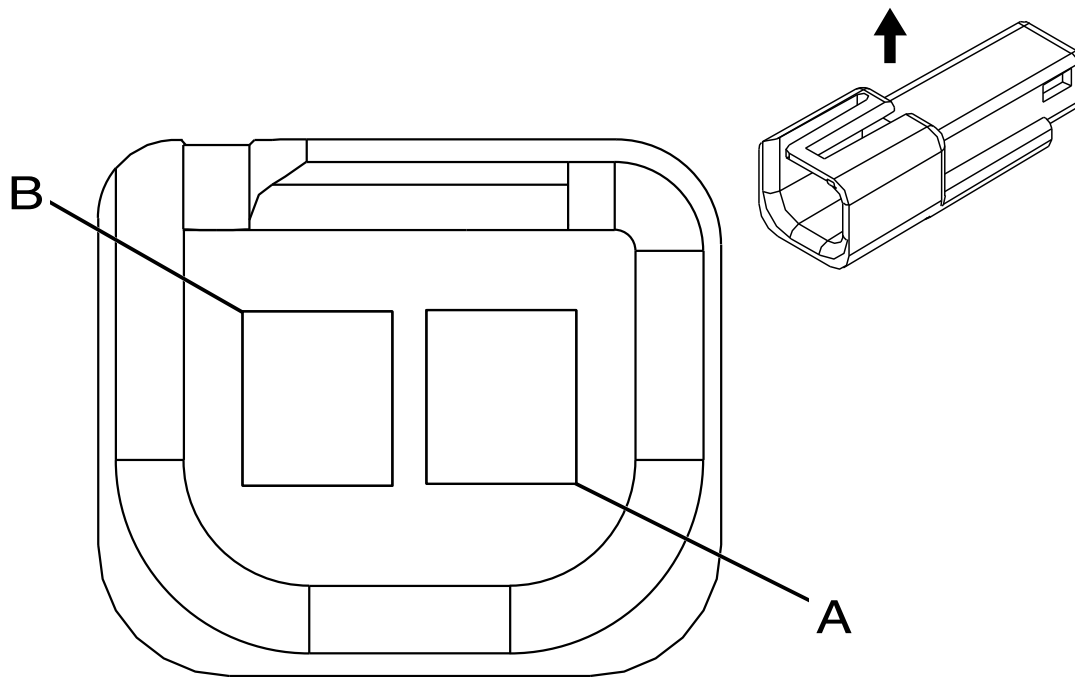
- Harness Type: Headliner
- Service Connector: 6040210C1
- Description: 2-pin M 150 Metri-Pack Series (BK)

Table 842 Terminal Part Information

Terminal Type ID	Service Terminal	Diagnostic Test Probe
I	6041897C1	J-35616-3 (GY)

Table 843 E31L Sunshade Mirror Lamp – Left (Feature Code: 0016XCS)

Pin	Size	Color	Circuit	Function	Terminal Type ID	Option
A	0.5	WH / BN	6815	Inadvertent Load Control	I	—
B	0.5	BK	1050	Ground 10	I	—



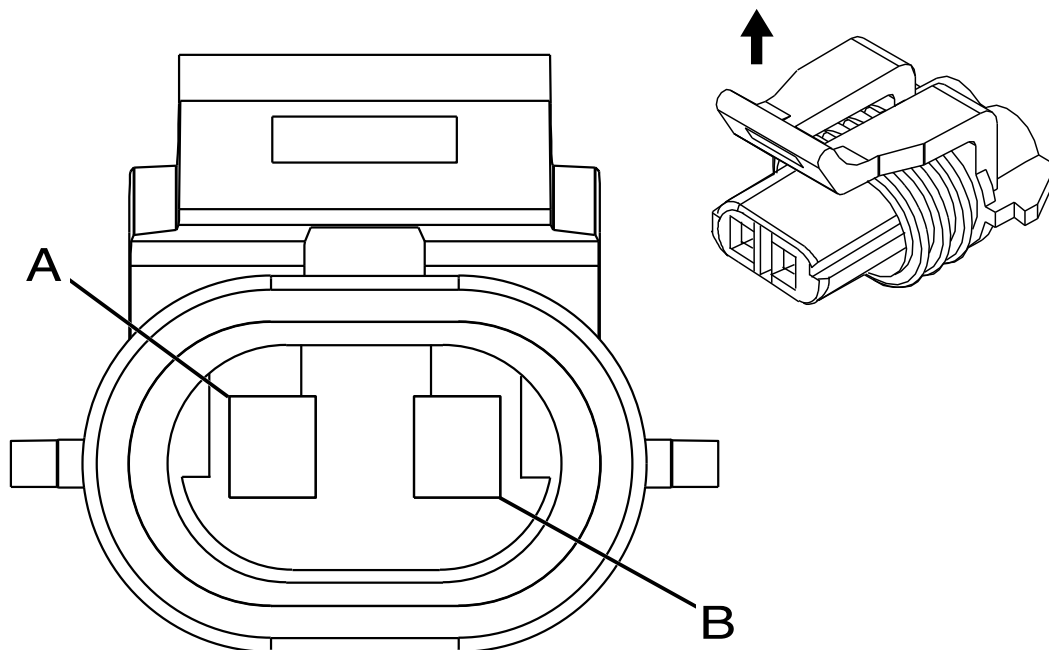
Connector Part Information	
•	Harness Type: Headliner
•	Service Connector: 6040210C1
•	Description: 2-pin M 150 Metri-Pack Series (BK)

Table 845 Terminal Part Information

Terminal Type ID	Service Terminal	Diagnostic Test Probe
I	6041897C1	J-35616-3 (GY)

Table 846 E31R Sunshade Mirror Lamp – Right (Feature Code: 0016XCS)

Pin	Size	Color	Circuit	Function	Terminal Type ID	Option
A	0.5	WH / BN	6815	Inadvertent Power Control	I	—
B	0.5	BK	1050	Ground 10	I	—



Connector Part Information

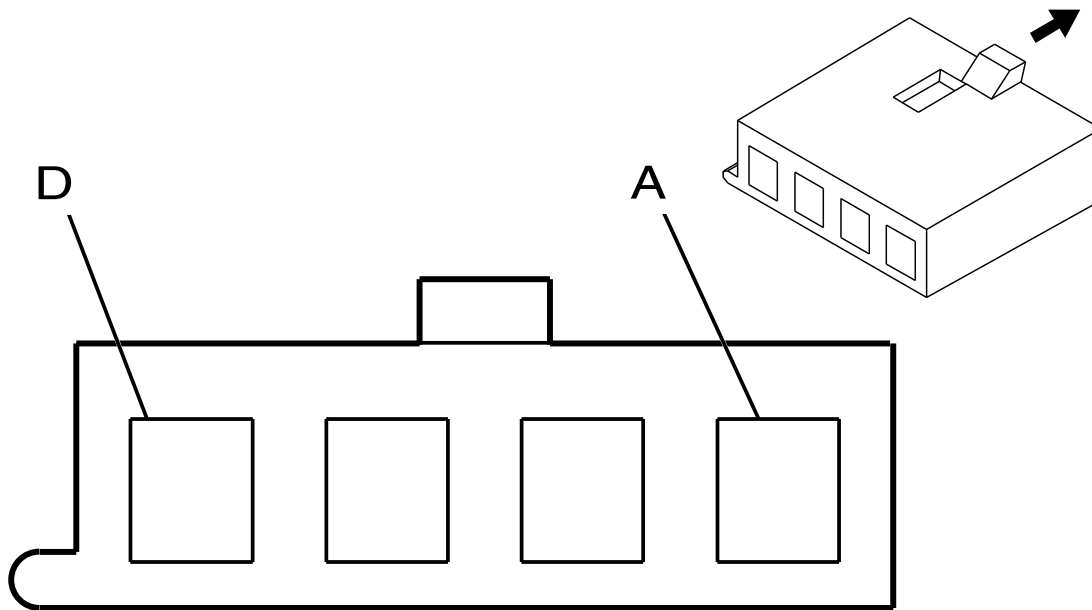
- Harness Type: Chassis Rear Right
- Service Connector: 1661778C1
- Description: 2-Way F 150 Metri-Pack Series, Sealed (GY)

Table 848 Terminal Part Information

Terminal Type ID	Service Terminal	Diagnostic Test Probe
I	1661875C1	J-35616-2A (GY)

Table 849 E33 Cargo Lamp

Pin	Size	Color	Circuit	Function	Terminal Type ID	Option
A	0.75	WH / VT	1430	Exterior Courtesy Lamp Control	I	—
B	1	BK	1430	Ground	I	—



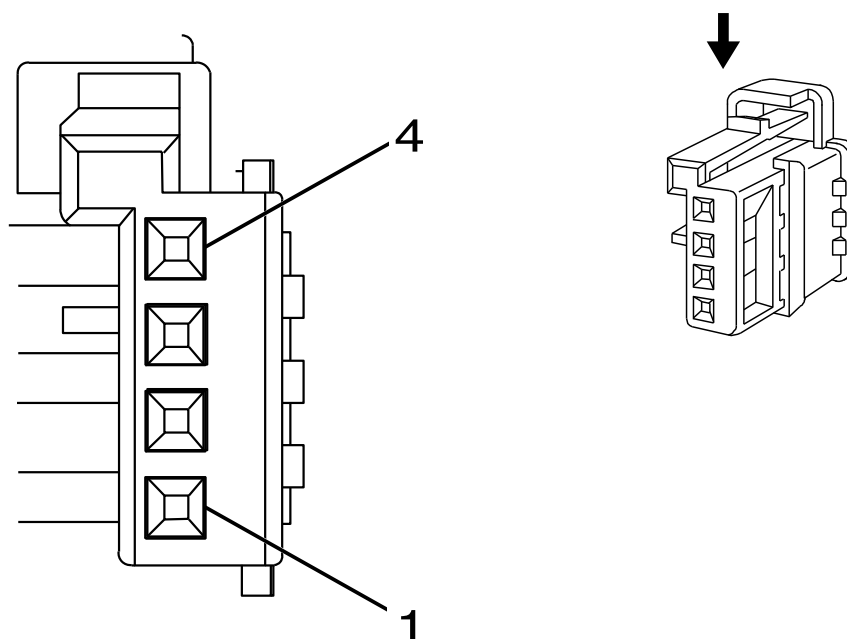
Connector Part Information	
•	Harness Type: Headliner
•	Service Connector: 6040295C1
•	Description: 4-pin F 150 Metri-Pack Series (BK)

Table 851 Terminal Part Information

Terminal Type ID	Service Terminal	Diagnostic Test Probe
I	3544254C1	J-35616-14 (GN)

Table 852 E37B Dome / Reading Lamps – 2nd Row (Crew Cab-Feature Code: 0016LVT)

Pin	Size	Color	Circuit	Function	Terminal Type ID	Option
A	0.5	WH / BN	6815	Inadvertent Power Control	I	—
B	0.5	BK	1050	Ground 10	I	—
C	0.5	GY	157	Dome/Reading Lamp Control	I	—
D	0.5	YE	6817	LED Backlight Dimming Control 1	I	—



Connector Part Information

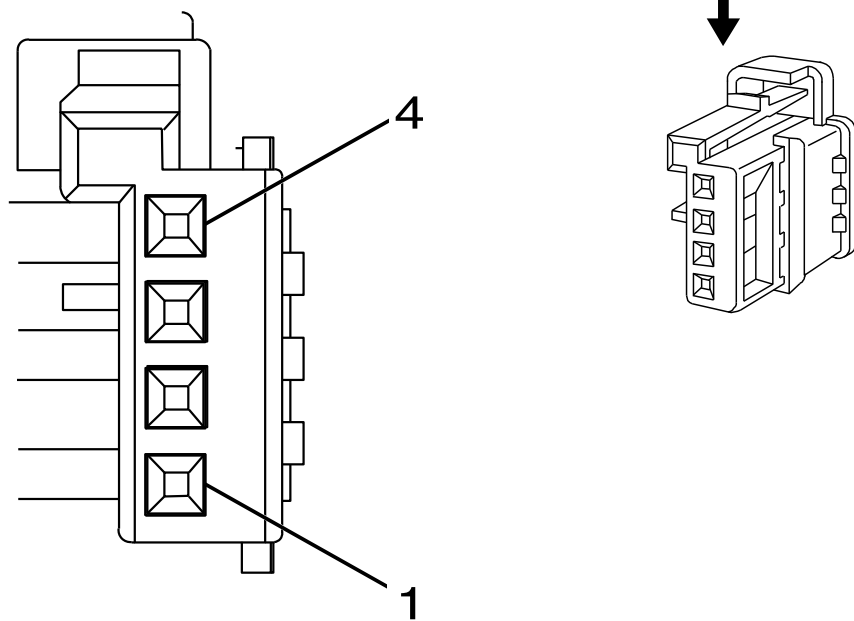
- Harness Type: Overhead Console
- Service Connector: Service by Harness
- Description: 4-Way F 0.64 Micro-Quadlock Series (GY)

Table 854 Terminal Part Information

Terminal Type ID	Service Terminal	Diagnostic Test Probe
I	6042008C1	J-35616-64B (LT BU)

Table 855 E37EL Dome / Reading Lamps – Front Overhead Console Left

Pin	Size	Color	Circuit	Function	Terminal Type ID	Option
1	0.35	YE	6817	LED Backlight Dimming Control 1	I	—
2	0.5	WH / BN	6815	Inadvertent Load Control	I	—
3	0.5	GY	157	Dome/Reading Lamp Control	I	—
4	0.5	BK	1050	Ground 10	I	—



Connector Part Information

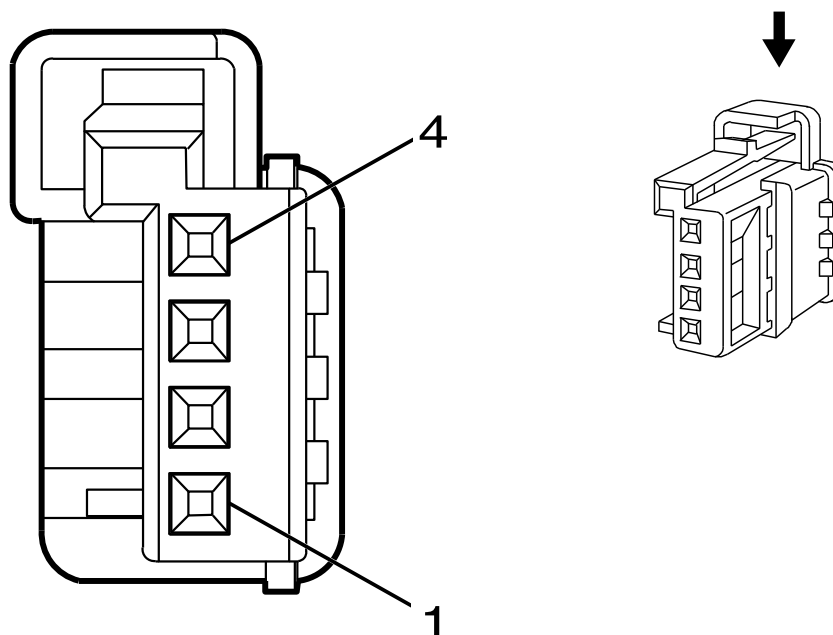
- Harness Type: Overhead Console
- Service Connector: Service by Harness
- Description: 4-pin F 0.64 Micro-Quadlock Series (GY)

Table 857 Terminal Part Information

Terminal Type ID	Service Terminal	Diagnostic Test Probe
I	6042008C1	J-35616-64B (LT BU)

Table 858 E37ER Dome / Reading Lamps – Front Overhead Console Right

Pin	Size	Color	Circuit	Function	Terminal Type ID	Option
1	0.35	YE	6817	LED Backlight Dimming Control 1	I	—
2	0.5	WH / BN	6815	Inadvertent Load Control	I	—
3	0.5	GY	157	Dome/Reading Lamp Control	I	—
4	0.5	BK	1050	Ground 10	I	—



Connector Part Information

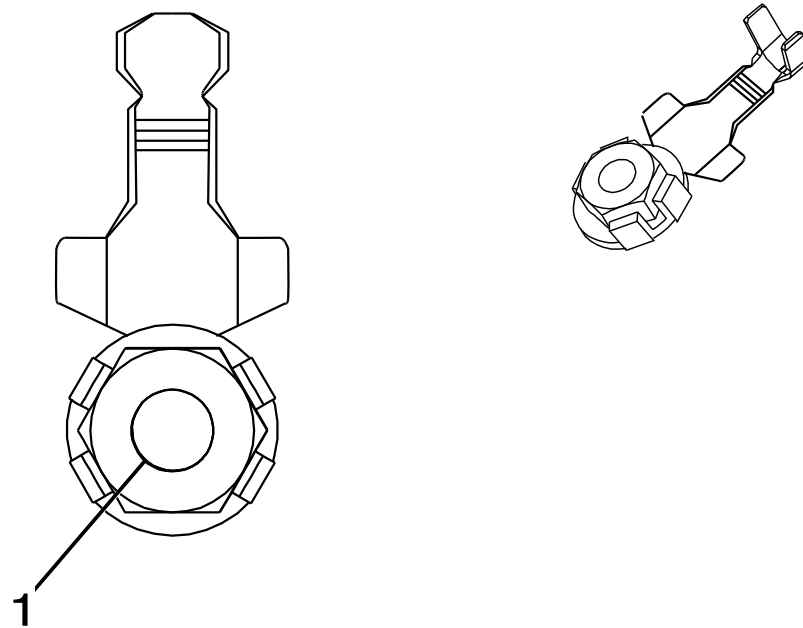
- Harness Type: HVAC
- Service Connector: Service by Harness
- Description: Description: 4-Way F 0.64 Micro-Quadlock Series (BK)

Table 860 Terminal Part Information

Terminal Type ID	Service Terminal	Diagnostic Test Probe
I	6042008C1	J-35616-64B (LT BU)

Table 861 E40 Electrical Auxiliary Heater X1

Pin	Size	Color	Circuit	Function	Terminal Type ID	Option
1	0.5	VT	3195	Auxiliary Heater Control	I	—
2	0.5	VT / GY	539	Run / Crank Ignition 1 Voltage 5	I	—
3	—	—	—	Not Occupied	—	—
4	0.5	YE / GN	3196	Auxiliary Heater Status Signal	I	—



Connector Part Information

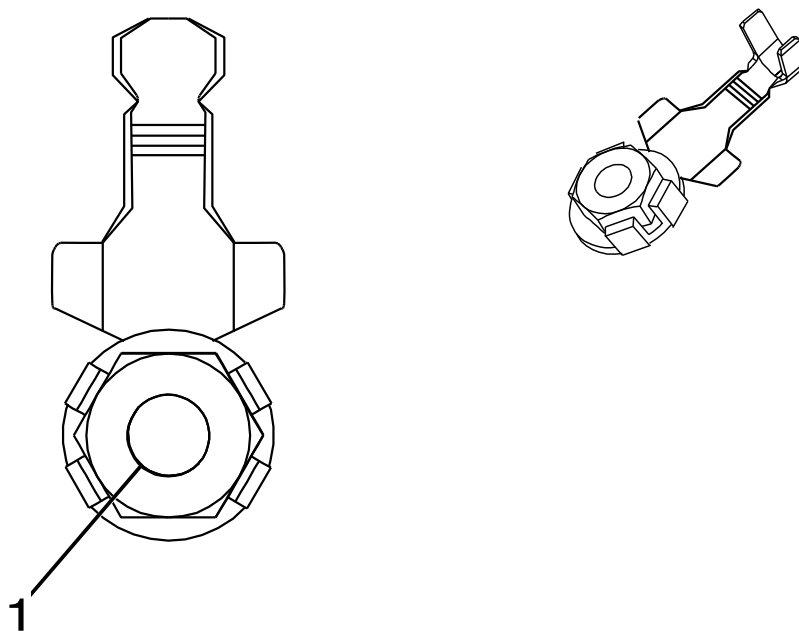
- Harness Type: HVAC
- Service Connector: Service by Harness
- Description: 1-Way Ring Terminal

Table 863 Terminal Part Information

Terminal Type ID	Service Terminal	Diagnostic Test Probe
I	Not Available	No Tool Required

Table 864 E40 Electrical Auxiliary Heater X2

Pin	Size	Color	Circuit	Function	Terminal Type ID	Option
1	10	RD / GY	642	Primary Fused Battery Positive Voltage 6	I	—



Connector Part Information

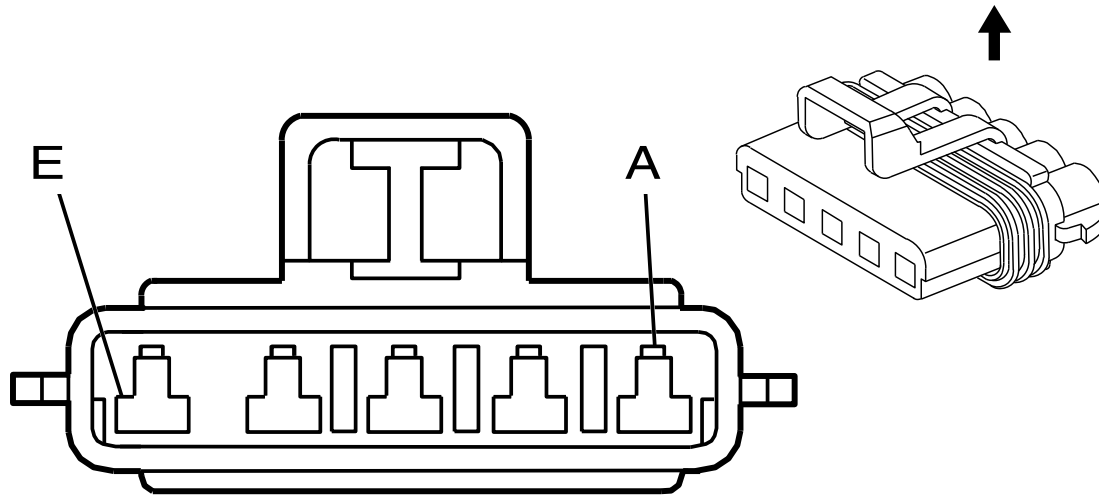
- Harness Type: HVAC
- Service Connector: Service by Harness
- Description: 1-Way Ring Terminal

Table 866 Terminal Part Information

Terminal Type ID	Service Terminal	Diagnostic Test Probe
I	Not Available	No Tool Required

Table 867 E40 Electrical Auxiliary Heater X3

Pin	Size	Color	Circuit	Function	Terminal Type ID	Option
1	10	BK	1050	Ground 10	I	—



Connector Part Information

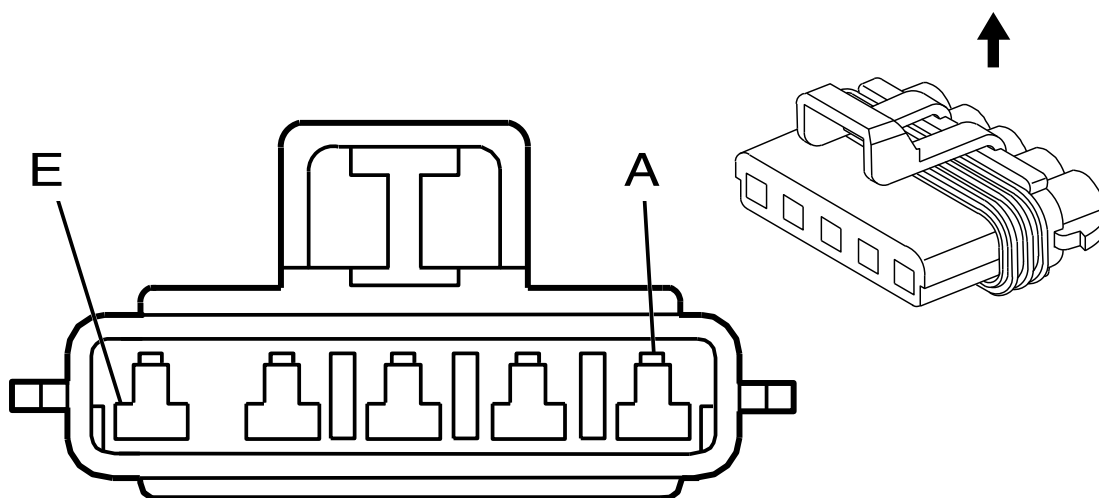
- Harness Type: Chassis Rear Left
- Service Connector: 1661375C2
- Description: 5-Way F 280 Metri-Pack Series, Sealed (GY)

Table 869 Terminal Part Information

Terminal Type ID	Service Terminal	Diagnostic Test Probe
I	2033816C1	J-35616-4A (PU)

Table 870 E42R Tail Lamp Assembly - Right

Pin	Size	Color	Circuit	Function	Terminal Type ID	Option
A	2	GN / WH	24	Backup Lamp Control	I	—
B	2	YE / BU	309	Right Park Lamp Control	I	—
C	2	BN / GN	19	Right Rear Stop / Turn Lamp Control	I	—
D	2	VT / GY	309	Right Park Lamp Control	I	—
E	3	BK	10-G	Ground	I	—



Connector Part Information

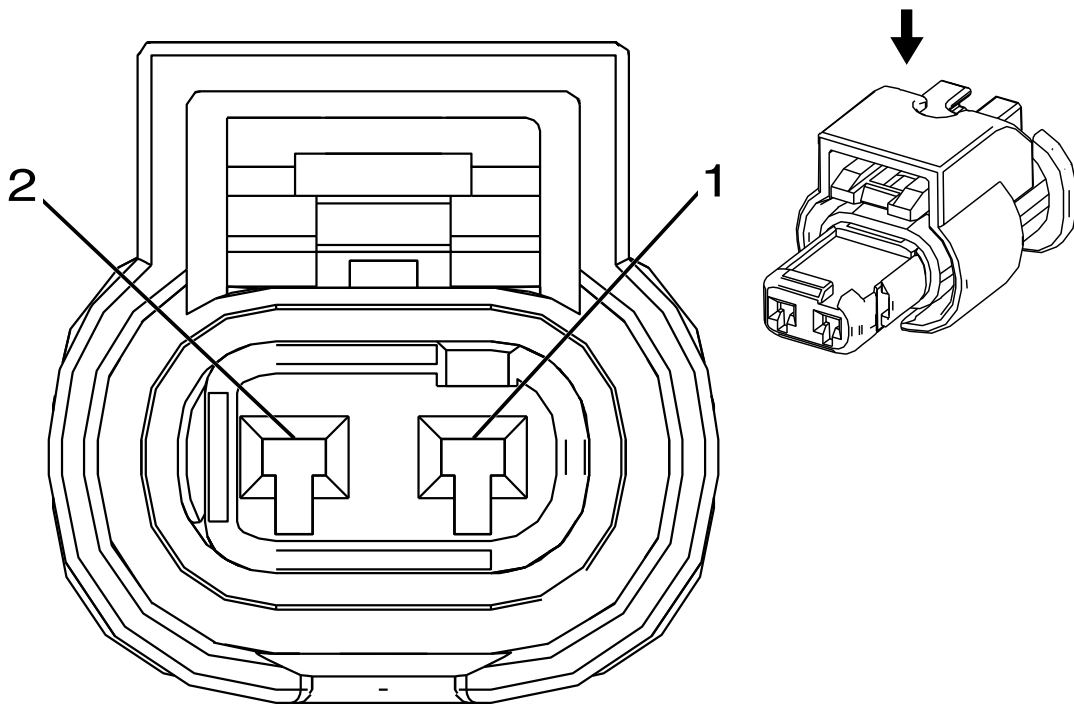
- Harness Type: Chassis Rear Left
- Service Connector: 1661375C2
- Description: 5-Way F 280 Metri-Pack Series, Sealed (GY)

Table 872 Terminal Part Information

Terminal Type ID	Service Terminal	Diagnostic Test Probe
I	2033816C1	J-35616-4A (PU)

Table 873 E42L Tail Lamp Assembly - Left

Pin	Size	Color	Circuit	Function	Terminal Type ID	Option
A	2	GN / WH	24	Backup Lamp Control	I	—
B	2	YE / BU	18	Left Rear Stop / Turn Signal Lamp Control	I	—
C	—	—	—	Not Occupied	—	—
D	2	VT / GY	709	Left Park Lamp Control	I	—
E	3	BK	10-G	Ground	I	—



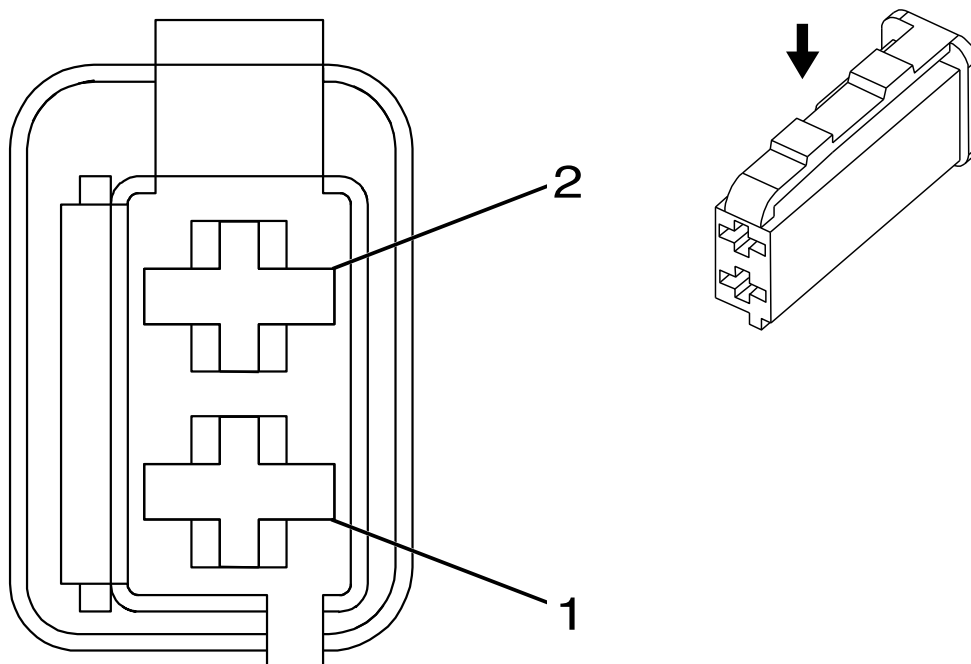
Connector Part Information	
•	Harness Type: Overhead Console
•	Service Connector: Service by Harness
•	Description: 4-pin F 0.64 Micro-Quadlock Series (GY)

Table 875 Terminal Part Information

Terminal Type ID	Service Terminal	Diagnostic Test Probe
I	Not Available	J-35616-16 (LT GN)

Table 876 E52 Dome / Reading Lamps – Front Overhead Console Right

Pin	Size	Color	Circuit	Function	Terminal Type ID	Option
1	1	YE	4319	DEF Line Heater Low Control	I	—
2	1	BN	3919	DEF Pressure Line Heater Control	I	—



Connector Part Information

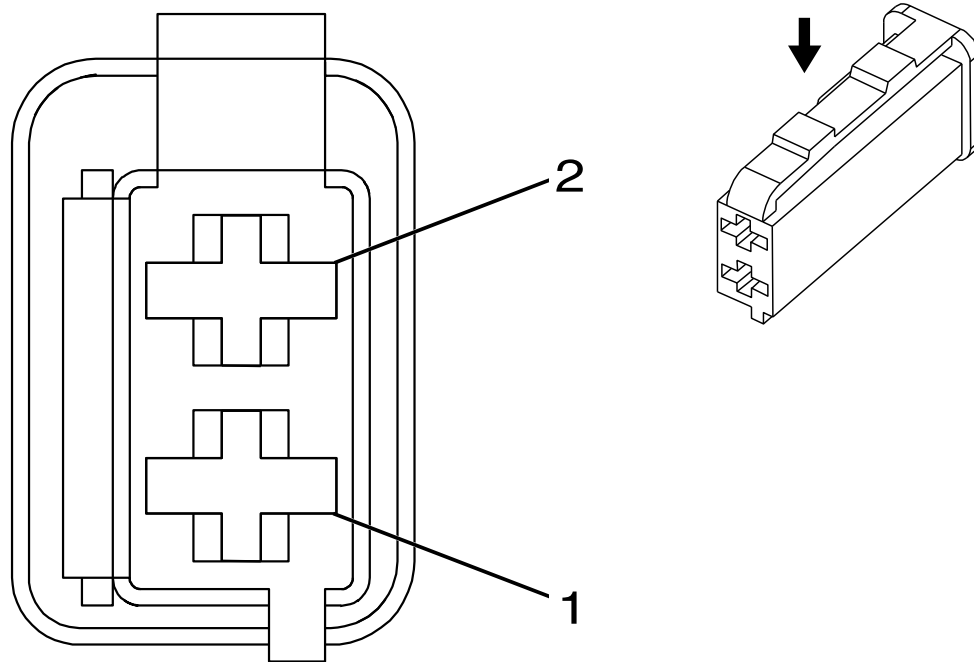
- Harness Type: Driver Door Trim
- Service Connector: Service by Harness
- Description: 2-pin F 1.6 Timer Series (BK)

Table 878 Terminal Part Information

Terminal Type ID	Service Terminal	Diagnostic Test Probe
I	6042024C1	J-35616-14 (GN)

Table 879 E63D Flood Lamp – Driver Door Handle (Feature Code: 0016WAK)

Pin	Size	Color	Circuit	Function	Terminal Type ID	Option
1	0.35	WH / YE	7557	Interior Door Handle Accent Lighting Control	I	—
2	0.35	BK	1150	Ground 11	I	—



Connector Part Information

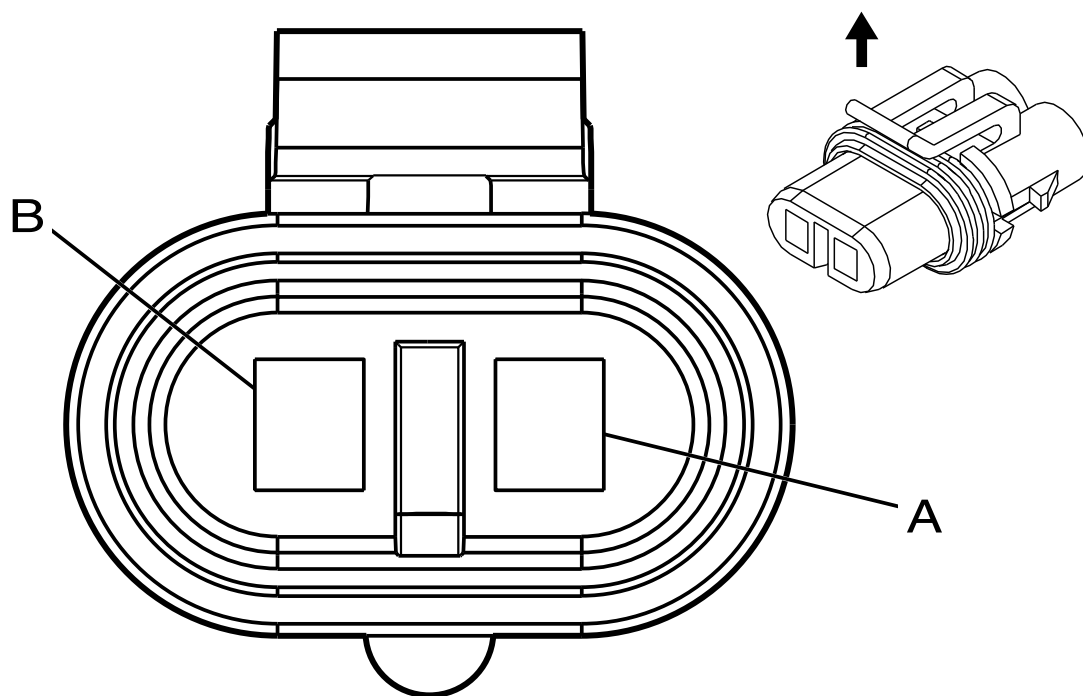
- Harness Type: Passenger Door Trim
- Service Connector: Service by Harness
- Description: 2-Way F 1.6 Timer Series (BK)

Table 881 Terminal Part Information

Terminal Type ID	Service Terminal	Diagnostic Test Probe
I	6041942C1	J-35616-14 (GN)

Table 882 E63P Flood Lamp – Passenger Door Handle (Feature Code: 0016WAK)

Pin	Size	Color	Circuit	Function	Terminal Type ID	Option
1	0.35	WH / YE	7557	Interior Door Handle Accent Lighting Control	I	—
2	0.35	BK	1250	Ground 12	I	—



Connector Part Information

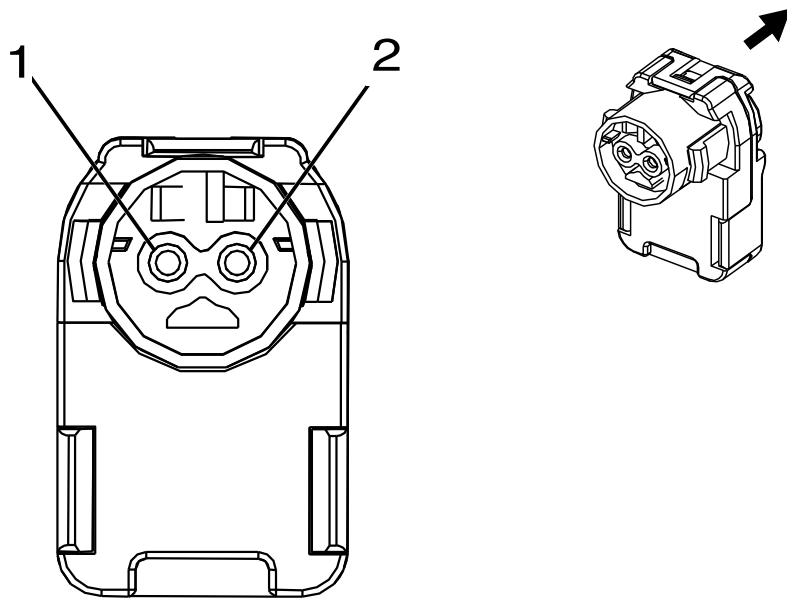
- Harness Type: Passenger Instrument Panel Air Bag
- Service Connector: 1673790C1
- Description: 2-Way F 280 Metri-Pack Series, Sealed (BK)

Table 884 Terminal Part Information

Terminal Type ID	Service Terminal	Diagnostic Test Probe
I	Not Available	J-35616-4A (PU)

Table 885 E91 Passenger Instrument Panel Air Bag

Pin	Size	Color	Circuit	Function	Terminal Type ID	Option
A	1	VT / GY	139	Run / Crank Ignition 1 Voltage	I	—
B	1	BK	139G	Ground	I	—



Connector Part Information

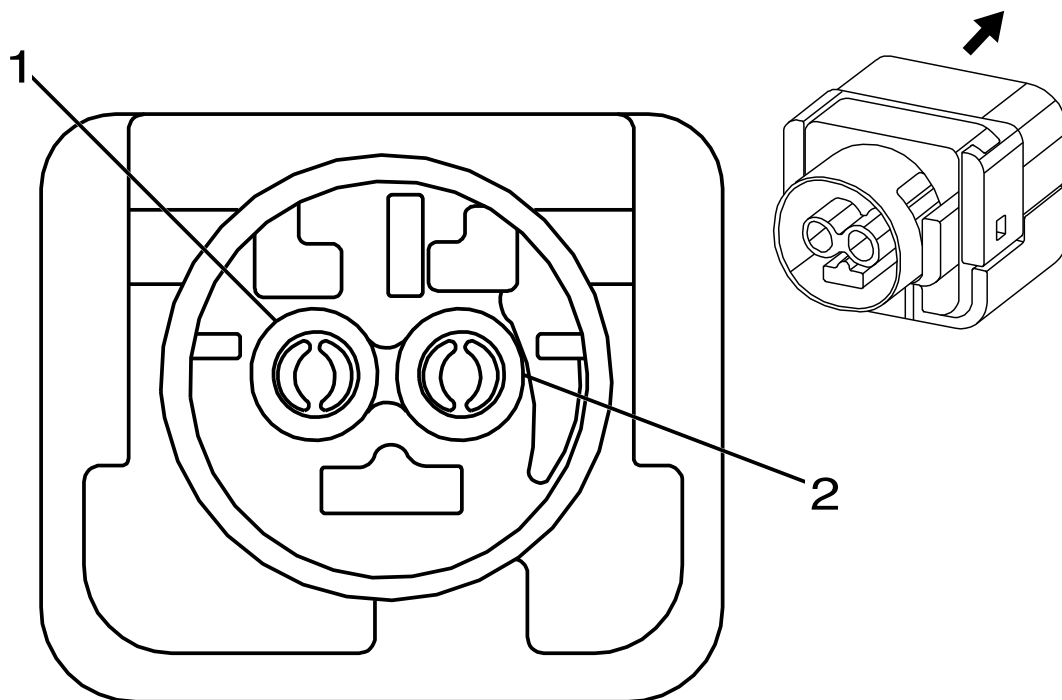
- Harness Type: Passenger Instrument Panel Air Bag
- Service Connector: Service by harness
- Description: 2-Way F

Table 887 Terminal Part Information

Terminal Type ID	Service Terminal	Diagnostic Test Probe
I	Not Available	Not Available

Table 888 F101 Passenger Instrument Panel Air Bag

Pin	Size	Color	Circuit	Function	Terminal Type ID	Option
1	—	YE	3025	Passenger IP Module Stage 1 High Control	I	—
2	—	OG	3024	Passenger IP Module Stage 1 Low Control	I	—



Connector Part Information

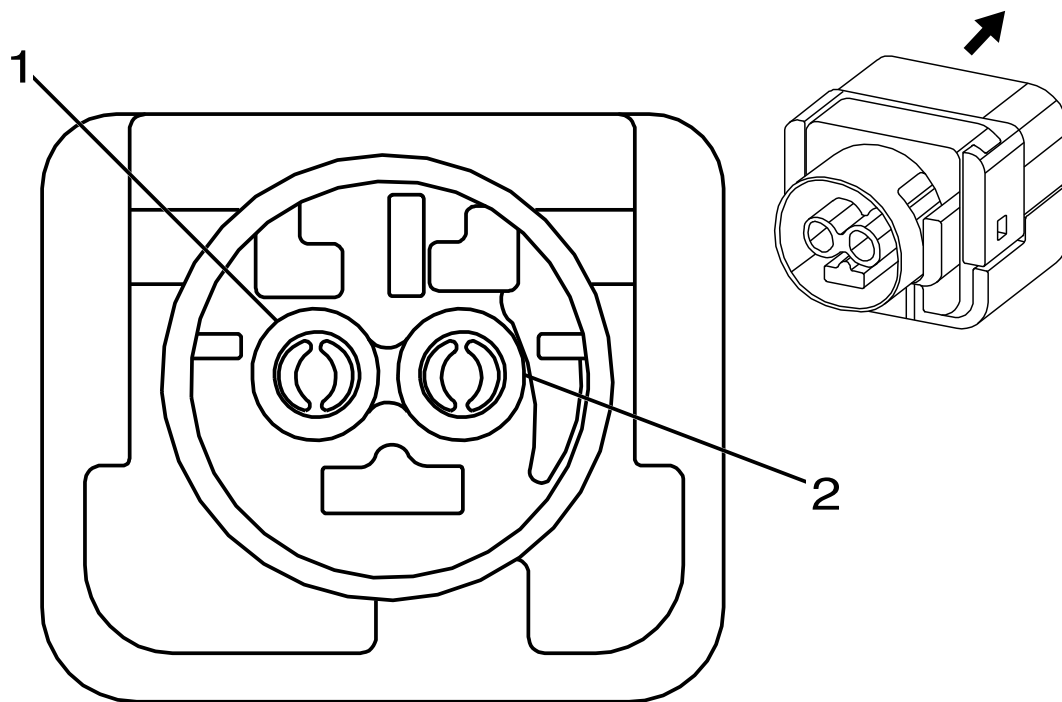
- Harness Type: Roof Rail Air Bag - Left
- Service Connector: Service by harness
- Description: 2-Way F FPB 180-1 Series (BK with YE Cover)

Table 890 Terminal Part Information

Terminal Type ID	Service Terminal	Diagnostic Test Probe
I	Not Available	J-35616-10 (GN)

Table 891 F106D Seat Side Air Bag - Driver (without 0016KVV / 0016KVU / 0016XJR)

Pin	Size	Co-lor	Circuit	Function	Terminal Type ID	Option
1	—	BK	5019	Left Front Roof Rail Air Bag High Control	I	—
2	—	WH	5020	Left Front Roof Rail Air Bag Low Control	I	—



Connector Part Information

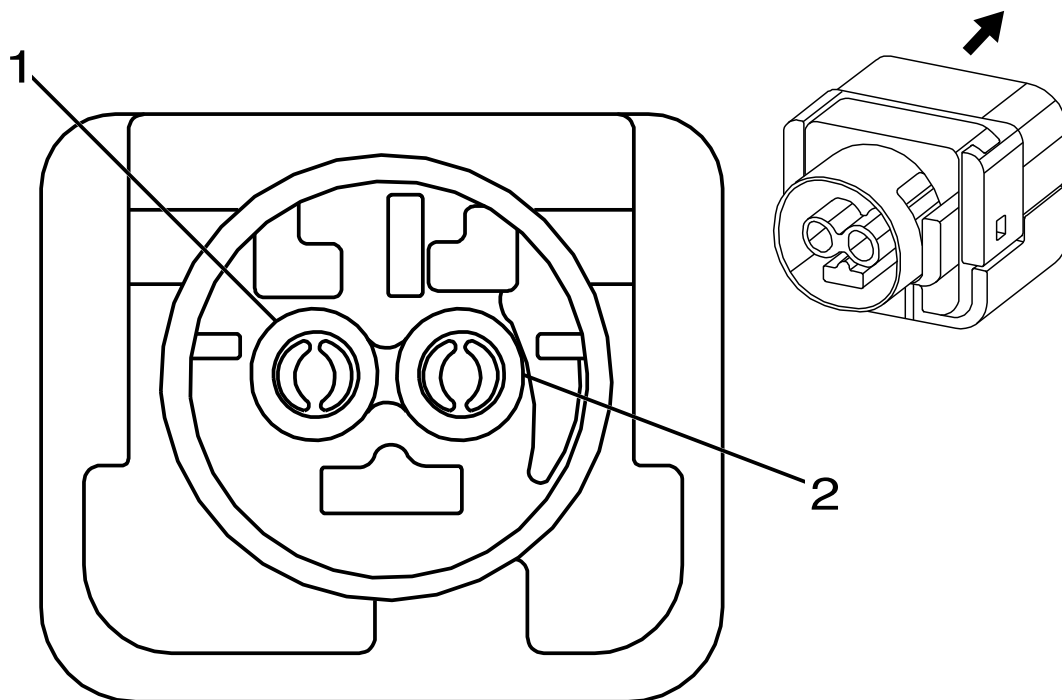
- Harness Type: Roof Rail Air Bag - Right
- Service Connector: Service by harness
- Description: 2-Way F FPB 180-1 Series (BK with YE Cover)

Table 893 Terminal Part Information

Terminal Type ID	Service Terminal	Diagnostic Test Probe
I	Not Available	J-35616-10 (GN)

Table 894 F106D Seat Side Air Bag - Driver (without 0016KVV / 0016KVVU / 0016XJR)

Pin	Size	Co-lor	Circuit	Function	Terminal Type ID	Option
1	—	BK	5021	Right Front Roof Rail Air Bag High Control	I	—
2	—	WH	5022	Right Front Roof Rail Air Bag Low Control	I	—



Connector Part Information

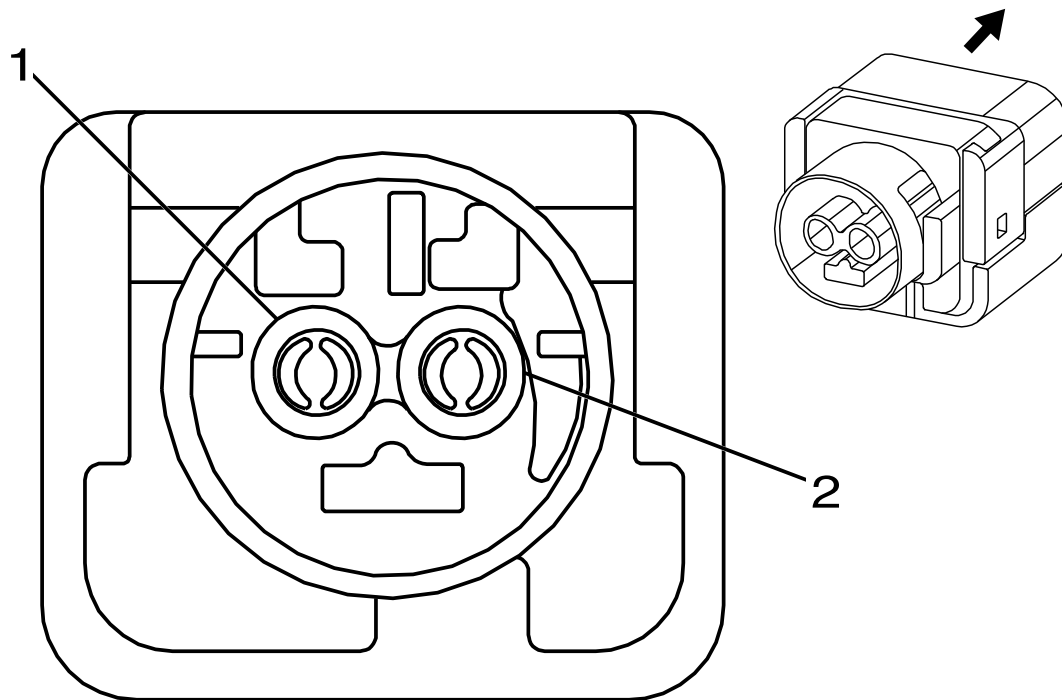
- Harness Type: Driver Seat Back
- Service Connector: Service by harness
- Description: 2-Way F FPB 180-1 Series (BK with YE Cover)

Table 896 Terminal Part Information

Terminal Type ID	Service Terminal	Diagnostic Test Probe
I	Not Available	J-35616-10 (GN)

Table 897 F106D Seat Side Air Bag - Driver (without 0016KVV / 0016KVU / 0016XJR)

Pin	Size	Co-lor	Circuit	Function	Terminal Type ID	Option
1	0.5	OG / BU	3068	Driver Seat Side Air Bag High Control	I	—
2	0.5	GN / OG	3069	Driver Seat Side Air Bag Low Control	I	—



Connector Part Information

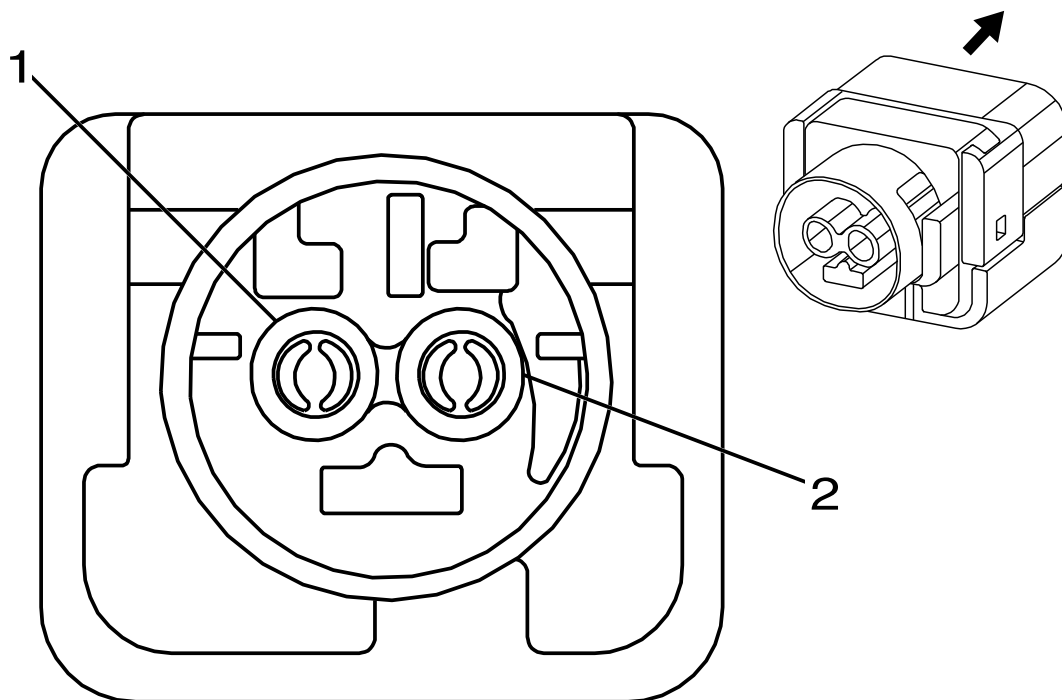
- Harness Type: Driver Seat Back
- Service Connector: Service by harness
- Description: 2-Way F FPB 180-1 Series (BK with YE Cover)

Table 899 Terminal Part Information

Terminal Type ID	Service Terminal	Diagnostic Test Probe
I	Not Available	J-35616-10 (GN)

Table 900 F106D Seat Side Air Bag - Driver (0016KVV / 0016KVU, without 0016XJR)

Pin	Size	Color	Circuit	Function	Terminal Type ID	Option
1	0.5	OG / BU	3068	Driver Seat Side Air Bag High Control	I	—
2	0.5	GN / OG	3069	Driver Seat Side Air Bag Low Control	I	—



Connector Part Information

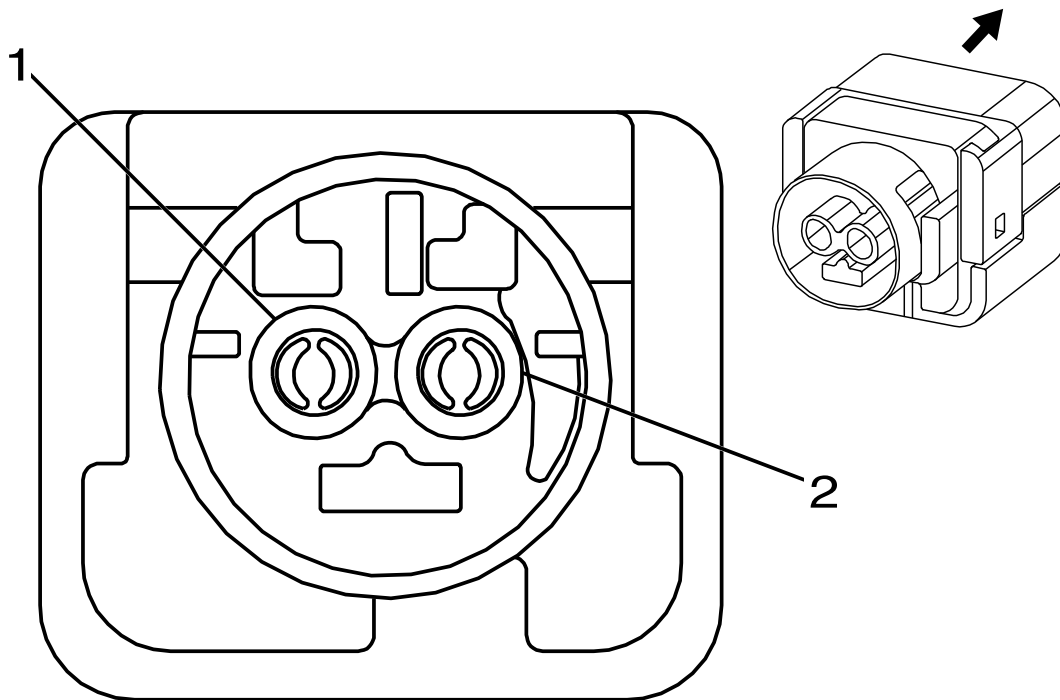
- Harness Type: Driver Seat Back
- Service Connector: Service by harness
- Description: 2-Way F FPB 180-1 Series (BK with YE Cover)

Table 902 Terminal Part Information

Terminal Type ID	Service Terminal	Diagnostic Test Probe
I	Not Available	J-35616-10 (GN)

Table 903 F106D Seat Side Air Bag - Driver (0016KVV / 0016KVU, without 0016XJR)

Pin	Size	Color	Circuit	Function	Terminal Type ID	Option
1	0.5	OG / BU	3068	Driver Seat Side Air Bag High Control	I	—
2	0.5	GN / OG	3069	Driver Seat Side Air Bag Low Control	I	—



Connector Part Information

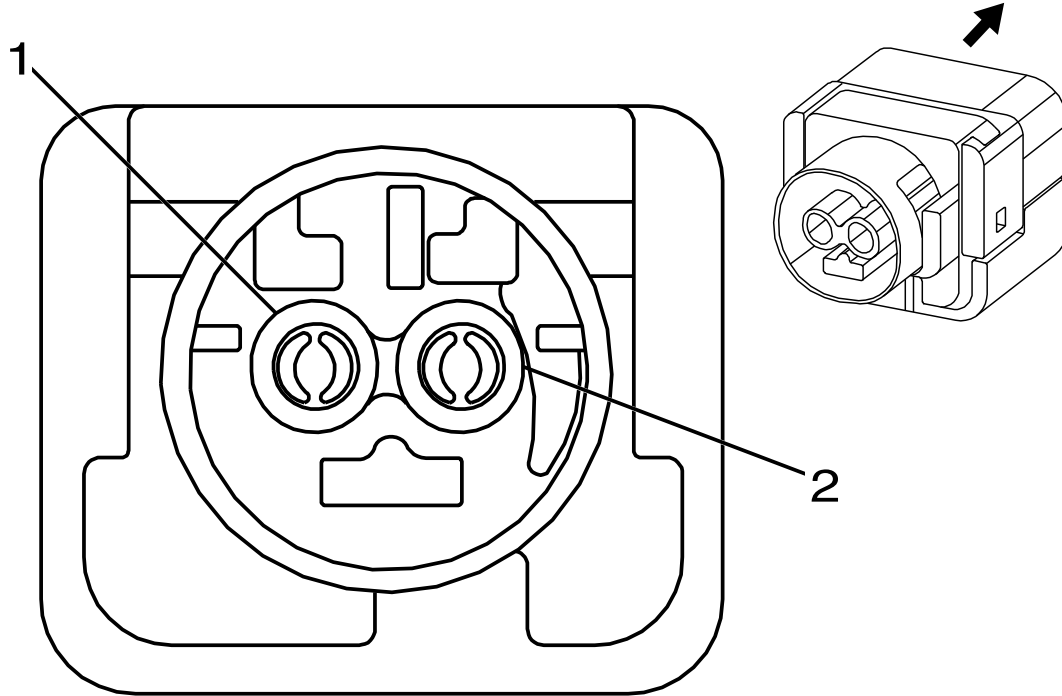
- Harness Type: Driver Seat Back
- Service Connector: Service by harness
- Description: 2-Way F FPB 180-1 Series (BK with YE Cover)

Table 905 Terminal Part Information

Terminal Type ID	Service Terminal	Diagnostic Test Probe
I	Not Available	J-35616-33 (YE)

Table 906 F106P Seat Side Air Bag - Passenger (without 0016XJR)

Pin	Size	Color	Circuit	Function	Terminal Type ID	Option
1	0.5	OG / GY	3066	Passenger Seat Side Air Bag High Control	I	—
2	0.5	BN / OG	3067	Passenger Seat Side Air Bag Low Control	I	—



Connector Part Information

- Harness Type: Driver Seat Back
- Service Connector: Service by harness
- Description: 2-Way F FPB 180-1 Series (BK with YE Cover)

Table 908 Terminal Part Information

Terminal Type ID	Service Terminal	Diagnostic Test Probe
I	Not Available	J-35616-33 (YE)

Table 909 F106P Seat Side Air Bag - Passenger (0016KVV / 0016XJR / 0016XCP)

Pin	Size	Color	Circuit	Function	Terminal Type ID	Option
1	0.5	OG / GY	3066	Passenger Side Impact Module High Control	I	—
2	0.5	BN / OG	3067	Passenger Side Impact Module Low Control	I	—

Connector Part Information

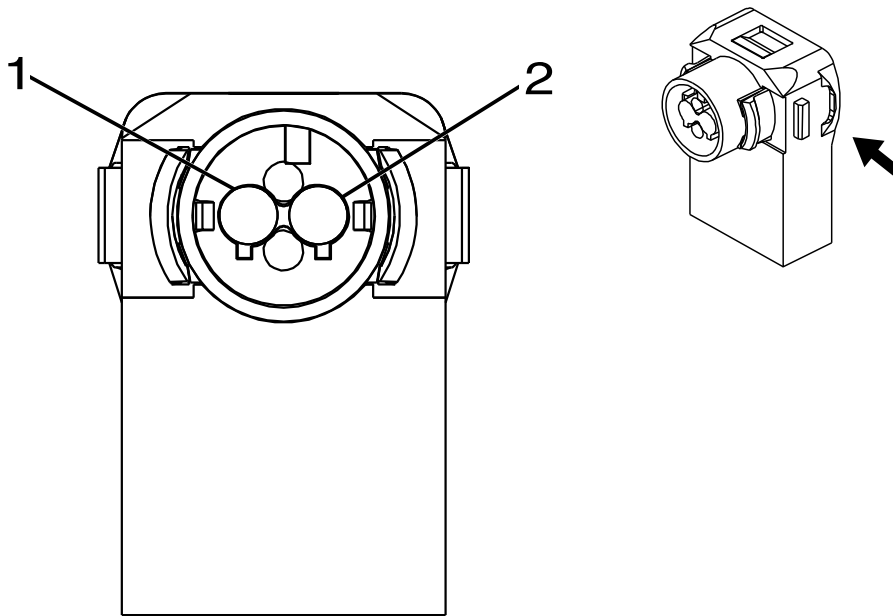
- Harness Type: Steering Wheel Air Bag Coil
- Service Connector: Service by harness
- Description: 2-Way F

Table 911 Terminal Part Information

Terminal Type ID	Service Terminal	Diagnostic Test Probe
I	Not Available	Not Available

Table 912 F107 Passenger Instrument Panel Air Bag

Pin	Size	Color	Circuit	Function	Terminal Type ID	Option
1	—	TN	3021	Steering Wheel Module Stage 1 High Control	I	—
2	—	BN	3020	Steering Wheel Module Stage 1 Low Control	I	—



Connector Part Information

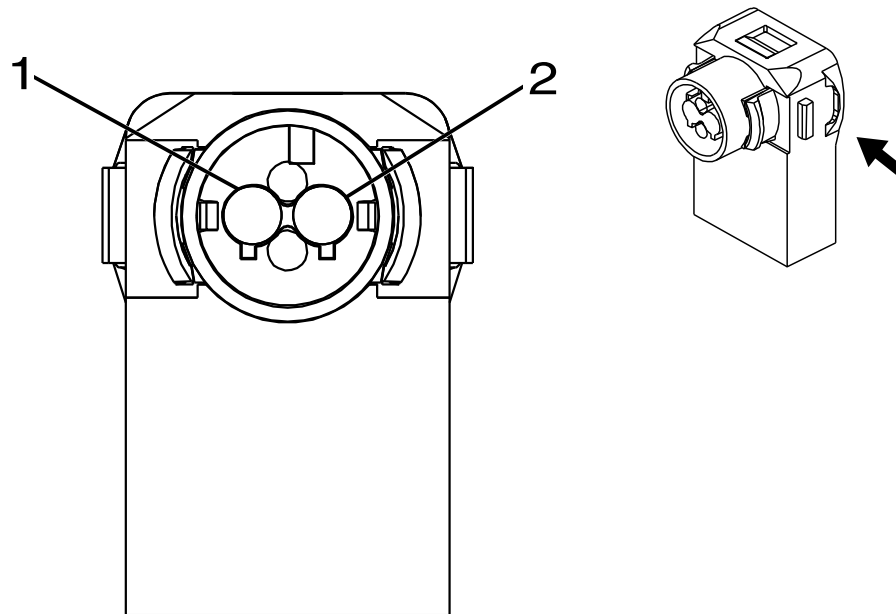
- Harness Type: Body
- Service Connector: 6040267C1
- Description: 2-pin F ABX-5 Series (PU with YE Cover)

Table 914 Terminal Part Information

Terminal Type ID	Service Terminal	Diagnostic Test Probe
I	Not Available	J-35616-64B (LT BU)

Table 915 F112D Seat Belt Retractor Pretensioner – Driver (Crew Cab)

Pin	Size	Color	Circuit	Function	Terminal Type ID	Option
1	0.5	RD	3477	Driver Seat Belt Retractor Pretensioner High Control	I	—
2	0.5	GY	3478	Driver Seat Belt Retractor Pretensioner Low Control	I	—



Connector Part Information

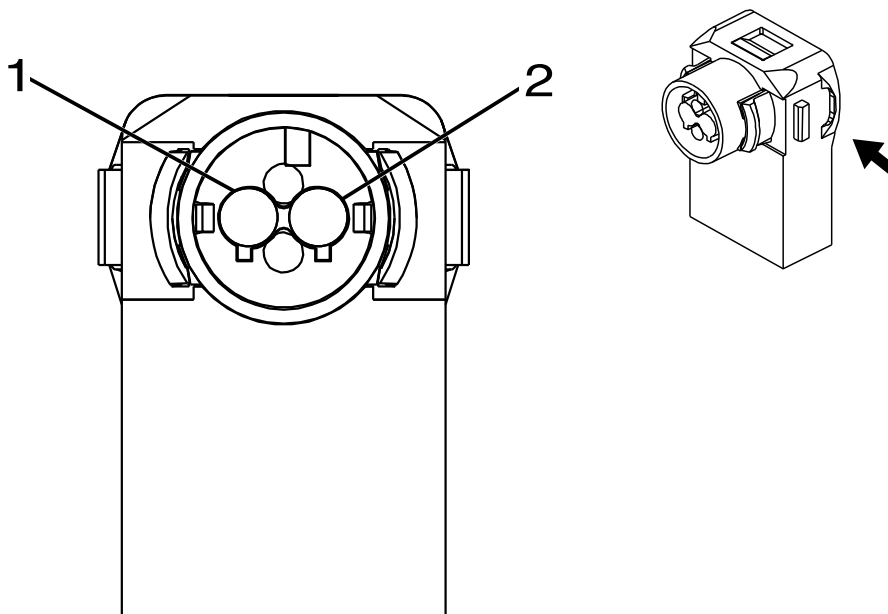
- Harness Type: Body
- Service Connector: 6040268C1
- Description: 2-Way F ABX-5 Series (PU with YE Cover)

Table 917 Terminal Part Information

Terminal Type ID	Service Terminal	Diagnostic Test Probe
I	Not Available	J-35616-64B (LT BU)

Table 918 F112D Seat Belt Retractor Pretensioner – Driver (Standard Cab)

Pin	Size	Color	Circuit	Function	Terminal Type ID	Option
1	0.5	RD	3477	Driver Seat Belt Retractor Pretensioner High Control	I	—
2	0.5	GY	3478	Driver Seat Belt Retractor Pretensioner Low Control	I	—



Connector Part Information

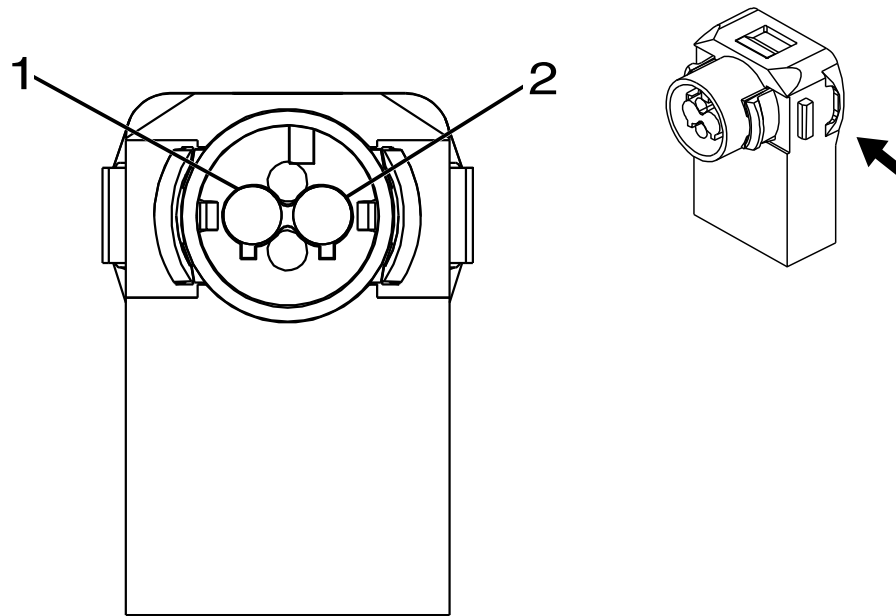
- Harness Type: Body
- Service Connector: 6040267C1
- Description: 2-pin F ABX-5 Series (PU with YE Cover)

Table 920 Terminal Part Information

Terminal Type ID	Service Terminal	Diagnostic Test Probe
I	Not Available	J-35616-64B (LT BU)

Table 921 F112P Seat Belt Retractor Pretensioner – Passenger (Crew Cab)

Pin	Size	Color	Circuit	Function	Terminal Type ID	Option
1	0.5	GN	3475	Passenger Seat Belt Retractor Pretensioner High Control	I	—
2	0.5	WH	3476	Passenger Seat Belt Retractor Pretensioner Low Control	I	—



Connector Part Information

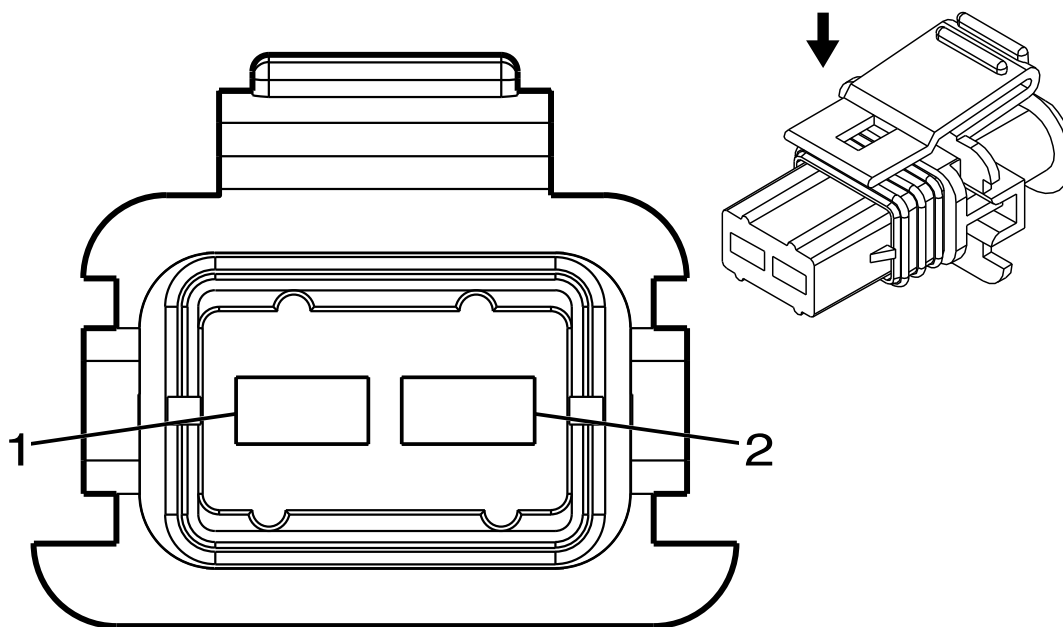
- Harness Type: Body
- Service Connector: 6040268C1
- Description: 2-pin F 0.64 Series, Sealed (BK with YE Cover)

Table 923 Terminal Part Information

Terminal Type ID	Service Terminal	Diagnostic Test Probe
I	Not Available	J-35616-64B (LT BU)

Table 924 F112P Seat Belt Retractor Pretensioner – Passenger (Standard Cab)

Pin	Size	Color	Circuit	Function	Terminal Type ID	Option
1	0.5	GN	3475	Passenger Seat Belt Retractor Pretensioner High Control	I	—
2	0.5	WH	3476	Passenger Seat Belt Retractor Pretensioner Low Control	I	—



Connector Part Information

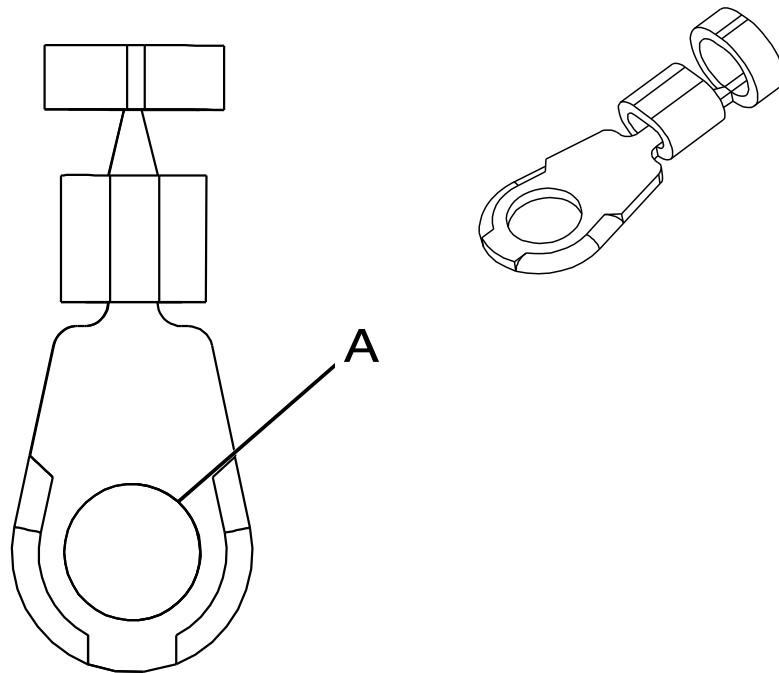
- Harness Type: Engine Chassis
- Service Connector: 6040292C1
- Description: 2-Way F Junior Power Timer Series, Sealed (BK)

Table 926 Terminal Part Information

Terminal Type ID	Service Terminal	Diagnostic Test Probe
I	6042010C1 0.5mm 6041945C1 0.75mm	J-35616-35 (VT)

Table 927 G13 Alternator (Generator) X1

Pin	Size	Color	Circuit	Function	Terminal Type ID	Option
1	0.75	BN	25	Charge Indicator Control	I	—
2	0.5	GY	23	Alternator (Generator) Field Duty Cycle Signal	I	—



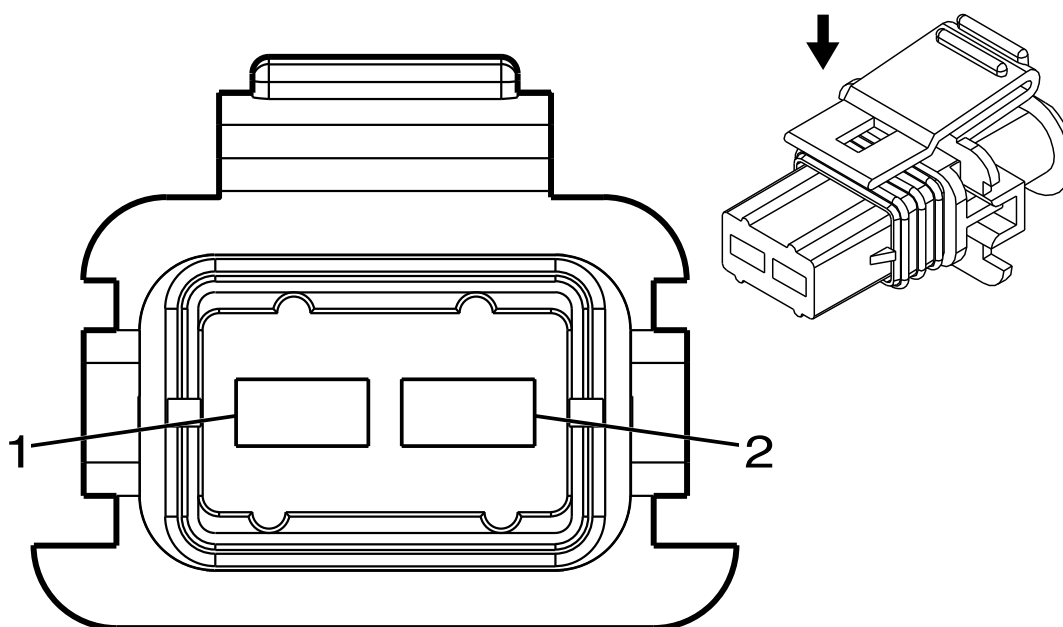
Connector Part Information
<ul style="list-style-type: none"> • Harness Type: Generator • Service Connector: Service by Harness • Description: Ring Terminal

Table 929 Terminal Part Information

Terminal Type ID	Service Terminal	Diagnostic Test Probe
I	Not Available	No Tool Required

Table 930 G13 Alternator X2 (Generator)

Pin	Size	Color	Circuit	Function	Terminal Type ID	Option
A	—	RD	2	Battery Positive Voltage	I	—



Connector Part Information

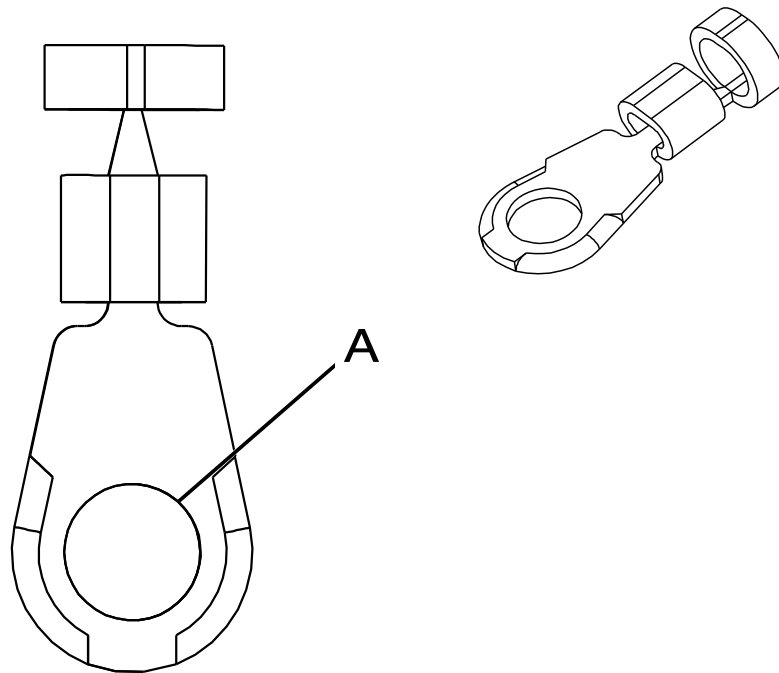
- Harness Type: Engine Chassis
- Service Connector: 6040292C1
- Description: 2-Way F Junior Power Timer Series, Sealed (BK)

Table 932 Terminal Part Information

Terminal Type ID	Service Terminal	Diagnostic Test Probe
I	6041945C1 0.75mm	J-35616-35 (VT)

Table 933 G13E Alternator – Auxiliary X1 (Generator)

Pin	Size	Color	Circuit	Function	Terminal Type ID	Option
1	0.75	BN	25	Charge Indicator Control	I	—
2	—	—	—	Not Occupied	—	—



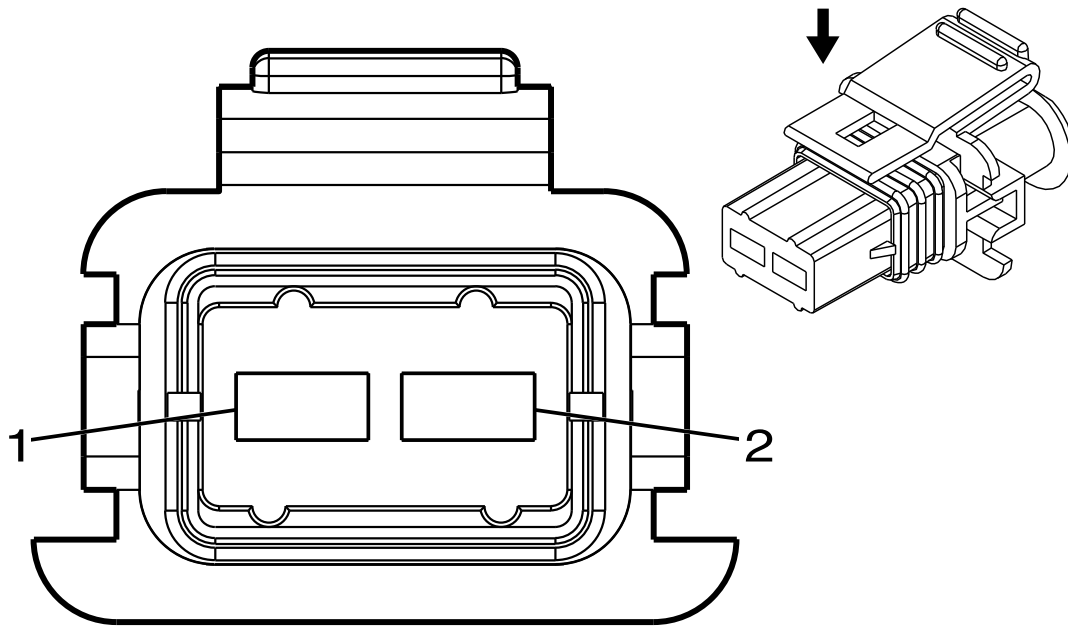
Connector Part Information
<ul style="list-style-type: none"> • Harness Type: Generator • Service Connector: Service by Harness • Description: Ring Terminal

Table 935 Terminal Part Information

Terminal Type ID	Service Terminal	Diagnostic Test Probe
I	Not Available	No Tool Required

Table 936 G13E Alternator – Auxiliary X2 (Generator)

Pin	Size	Color	Circuit	Function	Terminal Type ID	Option
A	—	RD	2	Battery Positive Voltage	I	—



Connector Part Information

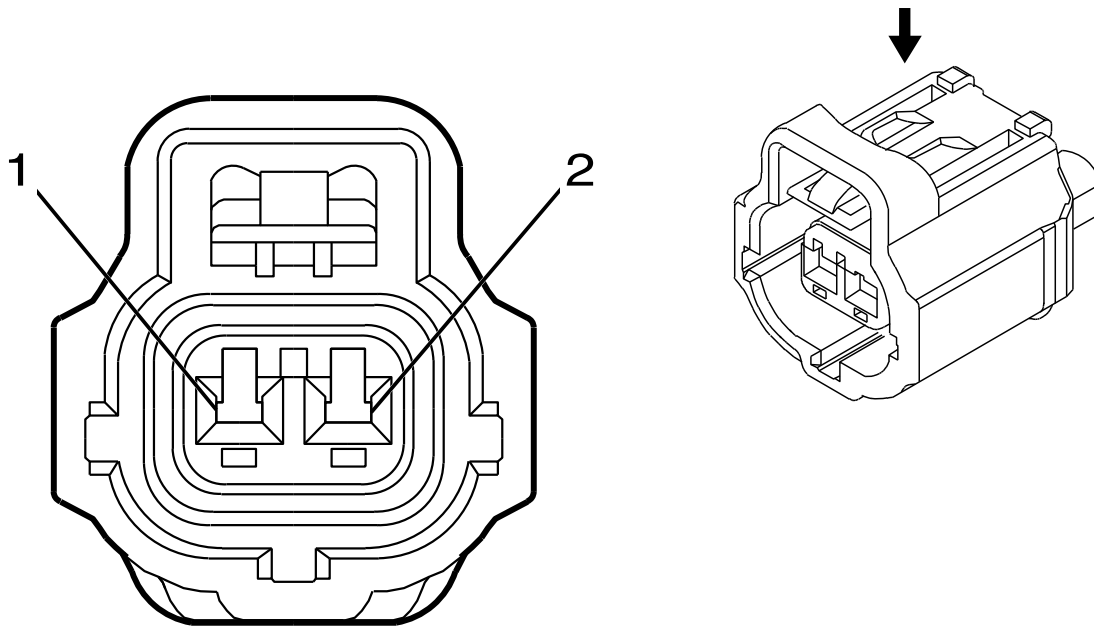
- Harness Type: Engine Chassis
- Service Connector: 6040292C1
- Description: 2-pin F Junior Power Timer Series, Sealed (BK)

Table 938 Terminal Part Information

Terminal Type ID	Service Terminal
I	Not Available

Table 939 G13E Alternator (Generator) – Auxiliary (Feature Code: 0008GJC)

Pin	Size	Color	Circuit	Function	Terminal Type ID	Option
1	0.75	BN	25	Charge Indicator Control	I	—
2	—	—	—	Not Occupied	—	—



Connector Part Information

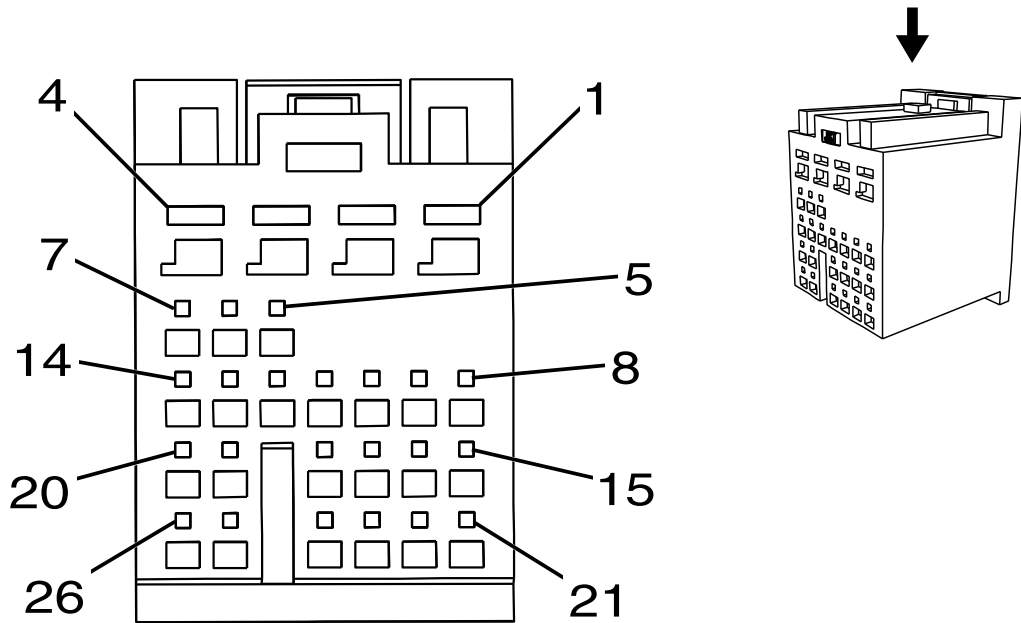
- Harness Type: Body
- Service Connector: 6041829C1
- Description: 2-Way F SSC Series, Sealed (BK)

Table 941 Terminal Part Information

Terminal Type ID	Service Terminal	Diagnostic Test Probe
I	6042017C1	J-35616-4A (PU)

Table 942 G24 Windshield Washer Pump

Pin	Size	Color	Circuit	Function	Terminal Type ID	Option
1	0.75	GY / VT	228	Windshield Washer Pump Control	I	—
2	0.75	BK	1050	Ground 10	I	—



Connector Part Information

- Harness Type: Instrument Panel
- Service Connector: 6040206C1
- Description: 26-pin F 0.64, 2.8 Series (NA)

Table 944 Terminal Part Information

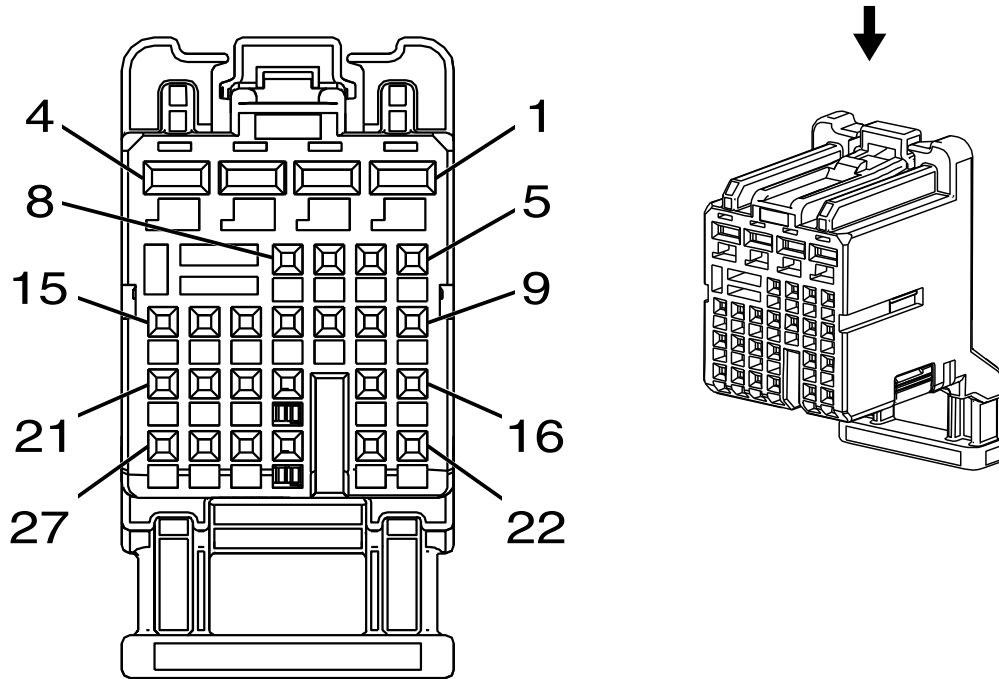
Terminal Type ID	Service Terminal	Diagnostic Test Probe
I	N / A	J-35616-35 (VT)
II	N / A	J-35616-64B (LT BU)

Table 945 K9 Body Control Module X1

Pin	Size	Color	Circuit	Function	Terminal Type ID	Option
1	0.75	BK	1850	Ground 18	I	—
2	0.75	RD / D-BU	2540	Secondary Fused Battery Positive Voltage 25	I	—
3	1	RD / GY	2140	Secondary Fused Battery Positive Voltage 21	I	—

Table 945 K9 Body Control Module X1 (cont.)

Pin	Size	Color	Circuit	Function	Terminal Type ID	Option
4	0.75	RD / BN	2240	Secondary Fused Battery Positive Voltage 22	I	—
5	0.5	WH	6816	Indicator Dimming Control	II	—
6	—	—	—	Not Occupied	—	—
7	0.35	BK / YE	5005	Instrument Panel Lamp Dimmer Switch Low Reference	II	—
8-9	—	—	—	Not Occupied	—	—
10	0.5	D-BU / VT	1134	Park Brake Switch Signal	II	—
11	0.35	L-GN / BN	306	Headlight Switch Headlights Off Signal Control	II	—
12	—	—	—	Not Occupied	—	—
13	0.35	D-BU / RD	1688	5 volt Reference	II	—
14	0.35	GY / L-GN	328	Interior Lamp Defeat Switch Signal	II	—
15	0.35	D-BU / GY	192	Front Fog Lamp Switch Signal	II	—
16	0.35	WH / VT	103	Headlight Switch On Signal	II	—
17-18	—	—	—	Not Occupied	—	—
19	0.35	BK / L-GN	552	Sensor Low Reference	II	—
20	—	—	—	Not Occupied	—	—
21	0.35	GY	728	Security Indicator Control	II	—
22	0.35	GN / GY	13	Headlight Switch Park Lamp Signal	II	—
23	0.5	VT / GN	7558	LED Ambient Lighting Control 2	II	—
24	0.5	WH	2501	High Speed GMLAN Serial Data (-) 1	II	—
25	0.5	BU	2500	High Speed GMLAN Serial Data (+) 1	II	—
26	0.35	BU / WH	3275	Remote Control Door Lock Receiver Receive Signal	II	—



Connector Part Information

- Harness Type: Instrument Panel
- Service Connector: 6040200C1
- Description: 27-pin F 0.64, 2.8 Series (L-BU)

Table 947 Terminal Part Information

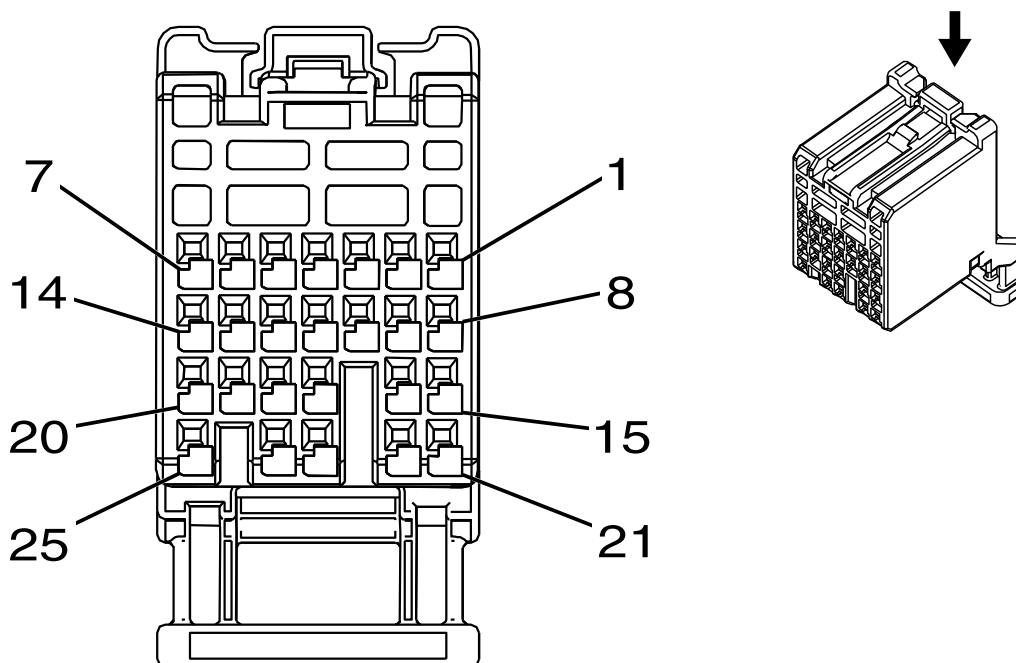
Terminal Type ID	Service Terminal	Diagnostic Test Probe
I	6041887C1	J-35616-35 (VT)
II	6042049C1	J-35616-64B (LT BU)

Table 948 K9 Body Control Module X2

Pin	Size	Color	Circuit	Function	Terminal Type ID	Option
1	0.75	RD / WH	2740	Secondary Fused Battery Positive Voltage 27	II	—
2	0.75	BK	1850	Ground 18	II	—
3	0.75	RD / BN	2940	Secondary Fused Battery Positive Voltage 29	II	—

Table 948 K9 Body Control Module X2 (cont.)

Pin	Size	Color	Circuit	Function	Terminal Type ID	Option
4	0.75	RD / VT	4040	Secondary Fused Battery Positive Voltage 40	II	—
5	—	—	—	Not Occupied	—	—
6	0.35	GY	5697	Child Security Lock Indicator Control	I	—
7	0.35	WH / GN	526	Stop Lamp Switch Signal 2	I	—
8	0.5	YE	6817	LED Backlight Dimming Control 1	I	—
9	0.35	YE / GY	44	Instrument Panel Lamp Dimmer Switch Signal	I	—
10	0.35	WH / BU	278	Ambient Light Sensor Signal	I	—
11-12	—	—	—	Not Occupied	—	—
13	0.35	GY / RD	598	HVAC Air Inlet 5 Volt Reference	I	—
14	0.35	BU / VT	1788	Traction Control Switch Signal 1	I	—
15	0.35	BN / WH	781	Driver Door Lock Switch Unlock Signal	I	—
16	0.35	GY	3273	Remote Control Door Lock Receiver Low	I	—
17	—	—	—	Not Occupied	—	—
18	0.5	GY	158	Cargo Lamp Switch Signal	I	—
19	0.35	BN / YE	780	Driver Door Lock Switch Lock Signal	I	—
20	0.5	WH / D	3691	Trailer Brake Apply Signal	I	—
21	0.5	GN / GY	6135	Body Control Module LIN Bus 4	I	—
22-24	—	—	—	Not Occupied	—	—
25	0.35	GY / WH	3272	Remote Control Door Lock Receiver Control	I	—
26	0.35	GN / WH	111	Hazard Warning Switch Signal	I	—
27	0.35	YE / GN	3274	Remote Control Door Lock Receiver Transmit	I	—



Connector Part Information

- Harness Type: Instrument Panel
- Service Connector: Service by Harness
- Description: 25-Way F 0.64 Series (GN)

Table 950 Terminal Part Information

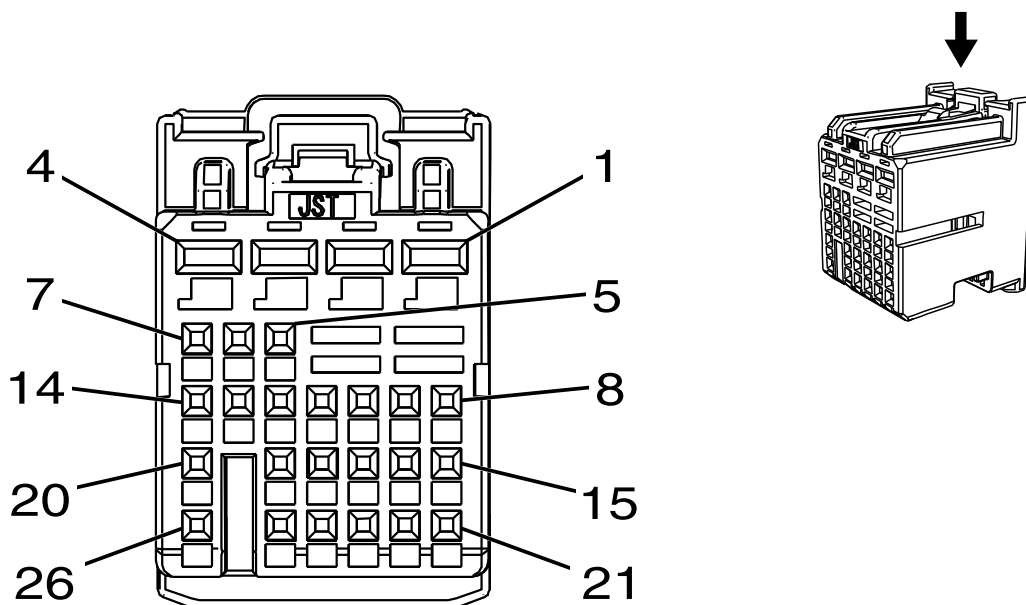
Terminal Type ID	Service Terminal	Diagnostic Test Probe
I	Not Available	J-35616-4A (PU)

Table 951 K9 Body Control Module X3

Pin	Size	Color	Circuit	Function	Terminal Type ID	Option
1	0.35	GN / GY	3277	Vehicle Anti-Theft System Immobilizer Low Reference	I	—
2	0.5	GN / VT	7533	Local Interconnect Network Serial Data Bus 11	I	—
3	0.35	GY / BK	3276	Vehicle Anti-Theft System Immobilizer Control	I	—
4	0.75	WH / RD	1444	12V Reference	I	—

Table 951 K9 Body Control Module X3 (cont.)

Pin	Size	Color	Circuit	Function	Terminal Type ID	Option
5	0.5	VT / YE	4	Accessory Ignition Voltage	I	—
6	0.5	VT / BK	3	Run / Crank Ignition 1 Voltage	I	—
7–8	—	—	—	Not Occupied	—	—
9	0.35	BN / GN	1884	Cruise Control Set / Coast / Resume / Accelerate Switch Signal	I	—
10	0.35	BK / GY	6009	Windshield Wiper Switch Low Reference	I	—
11	0.35	WH	524	Headlamp Dimmer Switch High Beam Signal	I	—
12	0.35	WH / GN	663	Hazard Switch Left Turn Signal	I	—
13	0.35	YE / BU	1714	Windshield Wiper Switch Low Signal	I	—
14	0.35	BU / GY	553	Shift Select Switch Performance Signal	I	—
15	0.5	WH / VT	1020	Off / Run / Crank Ignition Voltage	I	—
16	0.35	GY / GN	5737	Adaptive Cruise Control Gap Up / Down Switch Signal	I	—
17	0.35	YE / BN	307	Headlamp Switch Flash To Pass Signal	—	—
18	0.35	GN / WH	3287	Horn Switch Signal	I	—
19	0.5	OG	7527	Local Interconnect Network Serial Data Bus 5	I	—
20	0.35	GY	1715	Windshield Wiper Switch High Signal	I	—
21	0.35	VT / YE	5526	Tap Up / Tap Down Switch Signal	I	—
22	0.5	WH / BK	1073	Ignition Key Resistor Signal	—	—
23	—	—	—	Not Occupied	—	—
24	0.35	VT / BU	664	Hazard Switch Right Turn Signal	I	—
25	0.35	WH / BK	94	Windshield Washer Switch Signal	I	—



Connector Part Information

- Harness Type: Body
- Service Connector: 6040219C1
- Description: 26-pin F 0.64, 2.8 Series (BK)

Table 953 Terminal Part Information

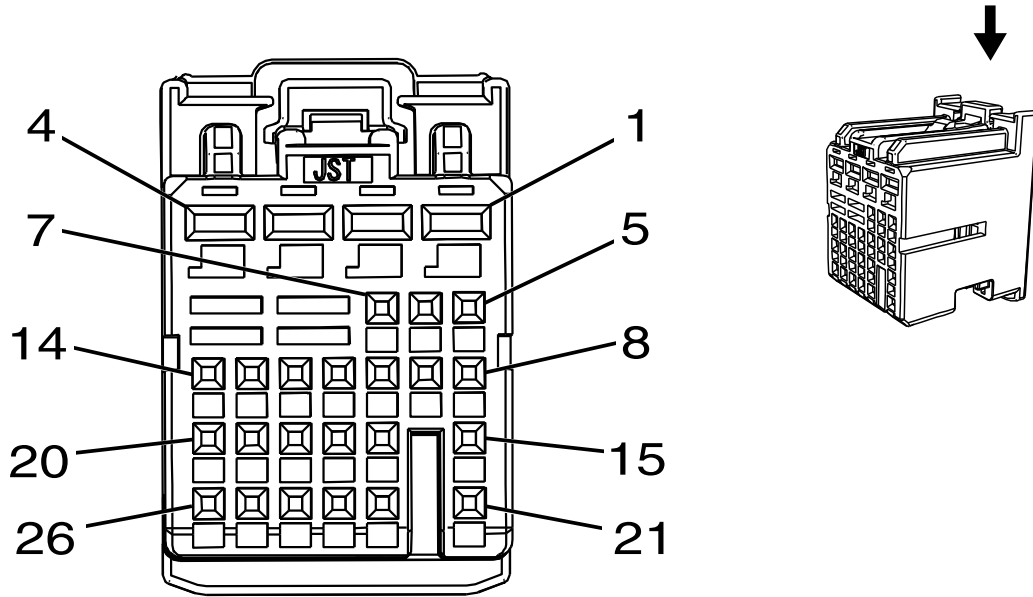
Terminal Type ID	Service Terminal	Diagnostic Test Probe
I	6042049C1	J-35616-64B (LT BU)
II	6042046C1	J-35616-64B (LT BU)
III	6041887C1	J-35616-35 (VT)

Table 954 K9 Body Control Module X4

Pin	Size	Color	Circuit	Function	Terminal Type ID	Option
1	0.75	YE	712	Left Headlight Low Beam Control	III	—
2	0.75	YE	312	Right Headlight Low Beam Control	III	—
3	0.75	L-GN / VT	1315	Right Front Turn Signal Lamp Control	III	—

Table 954 K9 Body Control Module X4 (cont.)

Pin	Size	Color	Circuit	Function	Terminal Type ID	Option
4-10	—	—	—	Not Occupied	—	—
11	0.5	VT / WH	5065	Stop Lamp Relay Coil Control	I	—
12	0.35	GY / VT	755	RAP Relay Coil Control	I	—
13	—	—	—	Not Occupied	—	—
14	0.35	BN / GY	2268	Windshield Washer Relay Control	I	—
15	0.35	L-GN / VT	5199	Run / Crank Relay Coil Control	I	—
16	0.35	GY	91	Windshield Wiper Motor Relay Coil Control	I	—
17	0.5	BN / L-GN	196	Windshield Wiper Motor Park Switch Signal	I	—
18-	—	—	—	Not Occupied	—	—
19	0.5	GN / GY	333	Brake Fluid Level Sensor Signal	I	—
20	0.5	RD / YE	2340	Battery Positive Voltage	I	—
21	—	—	—	Not Occupied	I	—
22	0.35	VT / YE	5985	Accessory Wake-up Serial Data	I	—
23	0.5	WH / D-BU	5986	Serial Data Communication Enable	I	—
24	0.5	BN / L-GN	109	Hood Ajar Switch Signal	I	—
25	0.5	L-GN / YE	2081	Exhaust Brake Switch Control	I	—
26	0.75	BK / WH	451	Signal Ground	II	—



Connector Part Information

- Harness Type: Body
- Service Connector: 6040217C1
- Description: 26-pin F 0.64, 2.8 Series (BN)

Table 956 Terminal Part Information

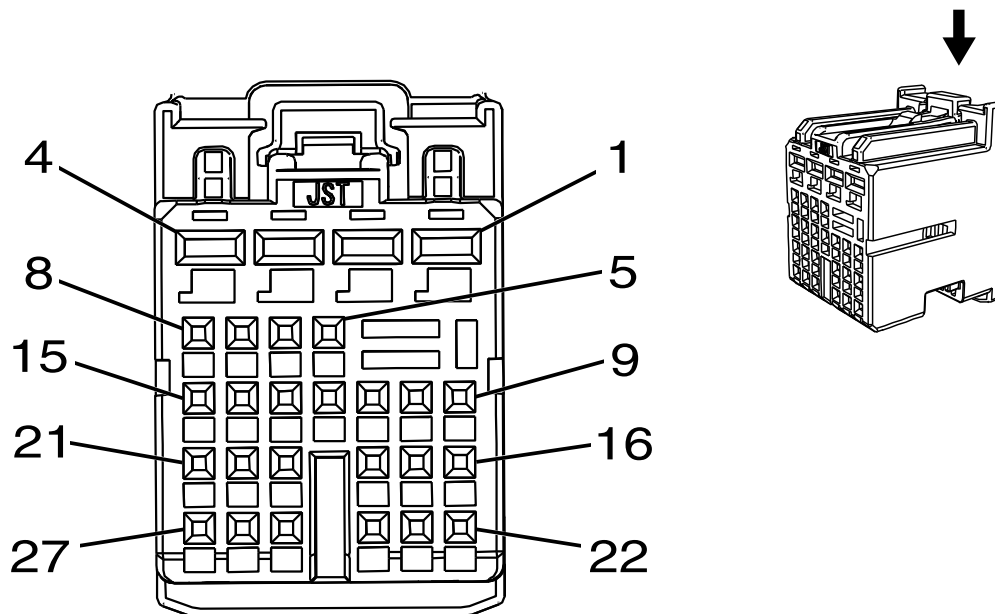
Terminal Type ID	Service Terminal	Diagnostic Test Probe
I	6042047C1	J-35616-64B (LT BU)
II	6042046C1	J-35616-64B (LT BU)
III	6041854C1	J-35616-35 (VT)

Table 957 K9 Body Control Module X5

Pin	Size	Color	Circuit	Function	Terminal Type ID	Option
1	—	—	—	Not Occupied	—	—
2	0.75	D-BU / WH	1314	Left Front Turn Signal Lamp Control	III	—
3	0.75	RD / L-GN	5140	Battery Positive Voltage	III	—

Table 957 K9 Body Control Module X5 (cont.)

Pin	Size	Color	Circuit	Function	Terminal Type ID	Option
4	0.75	RD / WH	3440	Battery Positive Voltage	III	—
5-7	—	—	—	Not Occupied	—	—
8	0.35	D-BU / WH	5186	Left Trailer Turn Signal Lamp Control	I	—
9	—	—	—	Not Occupied	—	—
10	0.5	BN	1317	Fog Lamp Relay Control	I	—
11	—	—	—	Not Occupied	—	—
12	0.35	WH / D-BU	6311	Cruise / ETC / TCC Brake Signal	I	—
13	—	—	—	Not Occupied	—	—
14	0.35	VT / BN	300	Run Ignition 3 Voltage	I	—
15	0.35	L-GN / WH	3438	Exhaust Brake Switch Signal	I	—
16	0.35	VT / YE	3267	Child Security Lock Relay Control	I	—
17	0.35	YE / GY	5187	Right Trailer Turn Signal Lamp Control	I	—
18	0.35	BN / VT	1969	Headlight High Beam Relay Control	I	—
19	0.35	BN / WH	28	Horn Relay Control	I	—
20	0.75	BN / L-GN	9950	—	II	—
21	0.75	YE / D-BU	9960	—	II	—
22	0.35	D-BU	45	Park Lamp Relay Control	I	—
23	0.35	YE	321	Automatic Level Control Relay Coil Control	—	—
24	0.35	WH / VT	860	Front Windshield Wiper Switch High Signal	I	—
25	—	—	—	Not Occupied	—	—
26	0.35	D-BU / BN	38	Backup Lamp Relay Control	I	—



Connector Part Information

- Harness Type: Body
- Service Connector: 6040216C1
- Description: 27-pin F 0.64, 2.8 Series (L-PU)

Table 959 Terminal Part Information

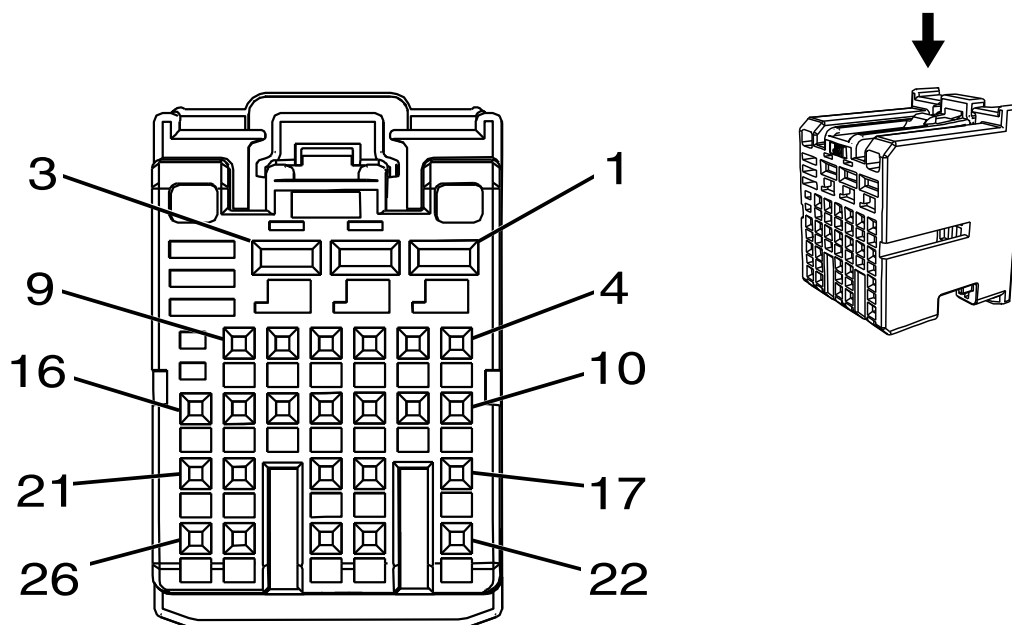
Terminal Type ID	Service Terminal	Diagnostic Test Probe
I	6041854C1	J-35616-35 (VT)
II	6042047C1	J-35616-64B (LT BU)
III	6041854C1	J-35616-35 (VT)

Table 960 K9 Body Control Module X6

Pin	Size	Color	Circuit	Function	Terminal Type ID	Option
1	1.5	D-BU / WH	195	Door Lock Control	I	—
2	1.5	GY / L-GN	3271	Door Lock Control 2	I	—
3	1.5	BK	1850	Ground	I	—

Table 960 K9 Body Control Module X6 (cont.)

Pin	Size	Color	Circuit	Function	Terminal Type ID	Option
4	1.5	BN / YE	294	Door Lock Actuator Unlock Control	I	CREW CAB 43
	0.75	BN / YE	294	Door Lock Actuator Unlock Control	III	STANDARD CAB 03
5	—	—	—	Not Occupied	—	—
6	0.35	D-BU / VT	1124	Door Lock Key Switch Unlock Signal	II	—
7-8	—	—	—	Not Occupied	—	—
9	0.5	L-GN / D-BU	6133	Local Interconnect Network Serial Data Bus 2	II	—
10	0.5	L-GN / YE	6134	Local Interconnect Network Serial Data Bus 3	II	—
11-20	—	—	—	Not Occupied	—	—
21	0.35	WH / VT	3270	Driver Door Lock Motor Status Signal	II	—
22-23	—	—	—	Not Occupied	—	—
24	0.5	D-BU	2500	High Speed GMLAN Serial Data (+) 1	II	—
25	0.5	WH	2501	High Speed GMLAN Serial Data (-) 1	II	—
26	0.5	BN / WH	1429	Standing Lamp Relay Control	II	—
27	0.35	GY	747	Left Rear Door Ajar Switch Signal	II	—



Connector Part Information

- Harness Type: Body
- Service Connector: 6040218C1
- Description: 26-pin F 0.64, 2.8 Series (L-GY)

Table 962 Terminal Part Information

Terminal Type ID	Service Terminal	Diagnostic Test Probe
I	6042047C1	J-35616-64B (LT BU)
II	6041854C1	J-35616-35 (VT)

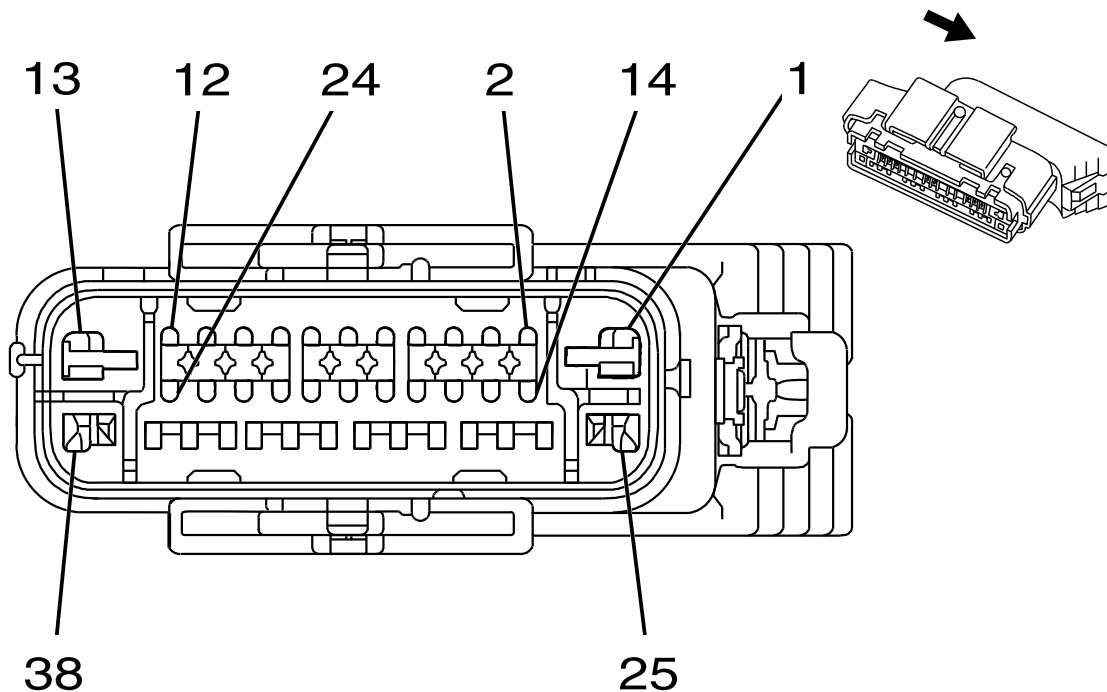
Table 963 K9 Body Control Module X7

Pin	Size	Color	Circuit	Function	Terminal Type ID	Option
1	0.75	GY	157	Interior Lamp Control	II	—
2	—	—	—	Not Occupied	—	—
3	0.75	WH / BN	6815	Inadvertent Power Control	II	—
4-5	—	—	—	Not Occupied	—	—

ELECTRICAL CIRCUIT DIAGRAM MANUAL

Table 963 K9 Body Control Module X7 (cont.)

Pin	Size	Color	Circuit	Function	Terminal Type ID	Option
6	0.35	YE / WH	816	Brake Transmission Shift Interlock Solenoid Control	I	—
7-8	—	—	—	Not Occupied	—	—
9	0.5	YE	6817	LED Backlight Dimming Control	I	—
10	0.35	D-BU / BN	7547	Security Lock Relay Control	I	—
11	0.35	GY	748	Right Rear Door Ajar Switch Signal	I	—
12	0.35	BN / WH	3269	Child Security Lock Motor Status Signal Left Rear	I	—
13	—	—	—	Not Occupied	—	—
14	0.35	GY	746	Right Front Door Ajar Switch Signal	I	—
15	0.35	YE / BN	3265	Child Security Lock Switch Signal	I	—
16	0.5	WH / D-BU	3691	Trailer Brake Apply Signal	I	—
17	—	—	—	Not Occupied	—	—
18	0.35	GY / BK	3268	Child Security Lock Motor Status Signal Right Rear	I	—
19	0.35	GY	156	Courtesy Lamp Switch Signal	I	—
20	—	—	—	Not Occupied	—	—
21	0.35	YE / VT	244	Passenger Door Lock Switch Lock Control	I	—
22	0.35	WH / YE	7557	LED Ambient Lighting Control 1	I	—
23	0.5	L-GN	5060	Low Speed GMLAN Serial Data	I	—
24	0.35	BN / VT	245	Passenger Door Lock Switch Unlock Control	I	—
25	0.35	L-GN	4512	Left Front Door Ajar Switch Signal	I	CREW CAB 43
	0.35	GY	745		I	STANDARD CAB 03
26	—	—	—	Not Occupied	—	—



Connector Part Information

- Harness Type: Chassis
- Service Connector: 4089378C1
- Description: 38-pin F 0.64, 2.8, 6.3 Series, Sealed (BK)

Table 965 Terminal Part Information

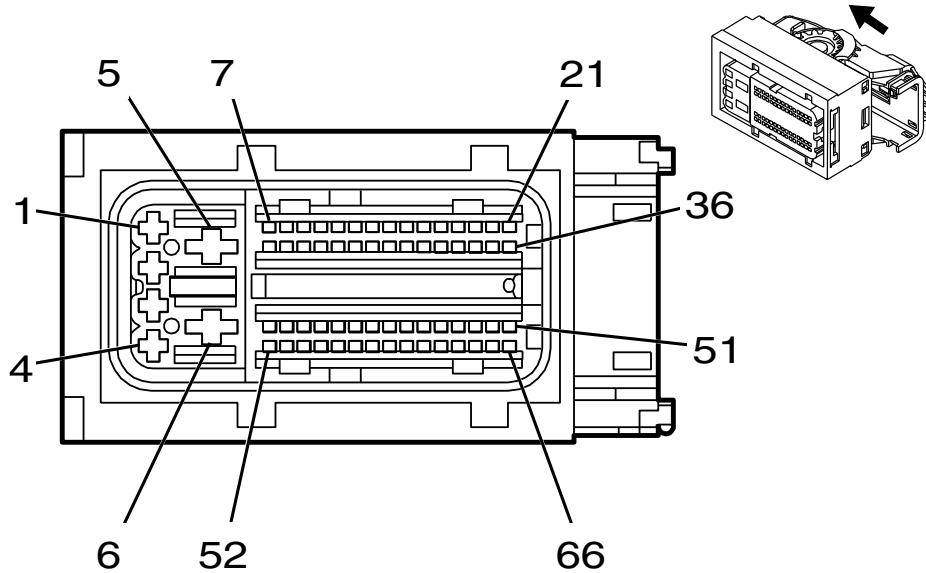
Terminal Type ID	Service Terminal	Diagnostic Test Probe
I	3592378C1 5mm	J-35616-42 (RD)
II	4089393C1 0.5mm	J-35616-4A (PU)
III	3534163C1 1.5mm-2mm	J-35616-4A (PU)
IV	4089394C1 0.75	J-35616-64B (LT BU)
V	3592382C1 3mm	J-35616-4A (PU)

Table 966 K17 Electronic Brake Control Module

Pin	Size	Color	Circuit	Function	Terminal Type ID	Option
1	5	RD / YE	1042	Primary Fused Battery Positive Voltage 10	I	—
2-3	—	—	—	Not Occupied	—	—

Table 966 K17 Electronic Brake Control Module (cont.)

Pin	Size	Color	Circuit	Function	Terminal Type ID	Option
4	0.75	GY	90M	Brake Hydraulic Fault	IV	—
5	—	—	—	Not Occupied	—	—
6	0.75	GY / BN	7065	Wheel Speed Sensor Control Right Front	IV	—
7-12	—	—	—	Not Occupied	—	—
13	3	BK	2150	Ground	V	—
14	0.5	WH	2501	High Speed GMLAN Serial Data (-) 1	II	—
15-17	—	—	—	Not Occupied	—	—
18	0.75	YE	872	Wheel Speed Sensor Signal Right Front	IV	—
19	0.75	VT	882	Wheel Speed Sensor Signal Right Rear	IV	—
20	0.75	GY / BK	7127	Wheel Speed Sensor Control Left Rear	IV	—
21	0.75	GY	830	Wheel Speed Sensor Signal Left Front	IV	—
22-24	—	—	—	Not Occupied	—	—
25	2	RD / VT	1940	Battery Positive Voltage	III	—
26	0.5	BU	2500	High Speed GMLAN Serial Data (+) 1	II	—
27	—	—	—	Not Occupied	—	—
28	0.75	GY	90D	Brake Booster Pump Motor Relay High Control / Signal	IV	—
29	0.75	GY	90HB	Brake Booster Pump Motor Active Signal	IV	—
30	—	—	—	Not Occupied	—	—
31	0.75	WH / BU	7128	Wheel Speed Sensor Control Right Rear	IV	—
32	—	—	—	Not Occupied	—	—
33	0.75	BU	884	Wheel Speed Sensor Signal Left Rear	IV	—
34	0.75	GY / WH	7064	Wheel Speed Sensor Control Left Front	IV	—
35	0.75	WH / BU	5986	Serial Data Communication Enable	IV	—
36-37	—	—	—	Not Occupied	—	—
38	1.5	BK	2150	Ground	III	—



Connector Part Information

- Harness Type: Engine Chassis
- Service Connector: 6041825C1
- Description: 66-pin F 0.64 MTS-B, 2.8 ATS, 6.3 Ducon Series, Sealed (BK)

Table 968 Terminal Part Information

Terminal Type ID	Service Terminal	Diagnostic Test Probe
I	6041901C1	J-35616-42 (RD)
II	6041933C1	J-35616-64B (LT BU)
III	6041930C1	J-35616-64B (LT BU)
IV	6041951C1	J-35616-4A (PU)

Table 969 K20 Engine Control Module X1

Pin	Size	Color	Circuit	Function	Terminal Type ID	Option
1	0.75	VT / BU	5290	Powertrain Main Relay Fused Supply 1	II	—
2	0.5	VT / D-BU	5290	Powertrain Main Relay Fused Supply 1	II	—
3	—	—	—	Not Occupied	—	—
4	0.5	RD / BN	440	Battery Positive Voltage	II	—
5	2.5	VT / D-BU	5290	Powertrain Main Relay Fused Supply 1	III	—

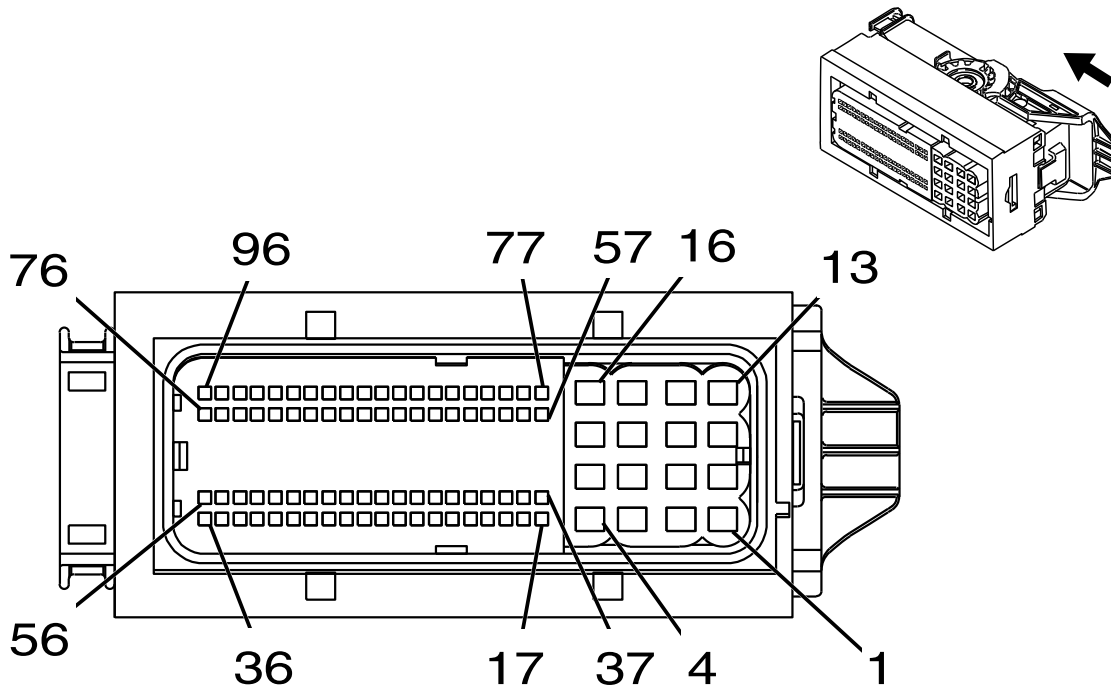
ELECTRICAL CIRCUIT DIAGRAM MANUAL

Table 969 K20 Engine Control Module X1 (cont.)

Pin	Size	Color	Circuit	Function	Terminal Type ID	Option
6	4	BK / WH	451	Signal Ground	IV	—
7	0.5	VT / YE	5985	Accessory Wake-up Serial Data	I	—
8-9	—	—	—	Not Occupied	—	—
10	0.5	L-GN / WH	492	Mass Air Flow Sensor Signal	I	—
11	0.5	D-BU / GY	636	Outside Ambient Air Temperature Sensor Signal	I	—
12	—	—	—	Not Occupied	—	—
13	0.5	WH / RD	1164	Accelerator Pedal Position 5 volt Reference 1	I	—
14	0.5	BN / RD	1274	Accelerator Pedal Position 5 volt Reference 2	I	—
15	0.5	L-GN / WH	1162	Accelerator Pedal Position Signal 2	I	—
16	0.5	BK / VT	1272	Accelerator Pedal Position Low Reference 2	I	—
17-20	—	—	—	Not Occupied	—	—
21	0.5	YE	2928	Fuel Metering Valve High Control	I	—
22	0.5	VT / L-GN	439	Run / Crank Ignition 1 Voltage	I	—
23	—	—	—	Not Occupied	—	—
24	0.5	WH / D-BU	6311	Cruise / ETC / TCC Brake Signal	I	—
25	0.5	BN / GY	4008	Humidity Sensor Signal	I	—
26	0.5	BK / D-BU	61	Outside Ambient Temperature Sensor Low Reference	I	—
27	0.5	BK / D-BU	1271	Accelerator Pedal Position Low Reference 1	I	—
28	0.5	YE / WH	1161	Accelerator Pedal Position Signal 1	I	—
29-32	—	—	—	Not Occupied	—	—
33	0.5	BN / WH	419	Check Engine Indicator Control	I	—
34	0.5	L-GN / BN	507	Wait To Start Indicator Control	I	—
35	0.5	WH / GY	459	A / C Compressor Clutch Relay Control	I	—
36	0.5	BN / BK	2929	Fuel Metering Valve Low Control	I	—
37-38	—	—	—	Not Occupied	—	—
39	0.5	WH	4499	High Speed GMLAN Serial Data (-) 7	I	—

Table 969 K20 Engine Control Module X1 (cont.)

Pin	Size	Color	Circuit	Function	Terminal Type ID	Option
40	0.5	WH	2501	High Speed GMLAN Serial Data (-) 1	I	—
41-42	—	—	—	Not Occupied	—	—
43	0.5	BK / BN	5360	Brake Apply Sensor Low Reference	I	—
44	0.5	WH	5359	Brake Apply Sensor Control	I	—
45	0.5	WH / D-BU	6289	Induction Air Temperature Sensor Signal	I	—
46	0.5	BN / RD	2700	A / C Pressure Sensor 5 volt Reference	I	—
47	0.5	L-GN	380	A / C Refrigerant Pressure Sensor Signal	I	—
48	0.5	BK / BN	5514	A / C Refrigerant Pressure Sensor Low Reference	I	—
49	—	—	—	Not Occupied	—	—
50	0.5	WH / BK	2366	Cooling Fan Control Relay Speed Signal	I	—
51	0.5	YE	5991	Powertrain Relay Coil Control	I	—
52-53	—	—	—	Not Occupied	—	—
54	0.5	D-BU / BN	4498	High Speed GMLAN Serial Data (+) 7	I	—
55	0.5	D-BU	2500	High Speed GMLAN Serial Data (+) 1	I	—
56-58	—	—	—	Not Occupied	—	—
59	0.5	D-BU / YE	5361	Brake Apply Sensor Signal	I	—
60	0.5	BK / VT	2760	Intake Air Temperature Sensor Low Reference	I	—
61-63	—	—	—	Not Occupied	—	—
64	0.5	YE / D-BU	1465	Secondary Fuel Pump Relay Control	I	—
65	0.5	YE / BK	625	Starter Enable Relay Control	I	—
66	0.5	L-GN / GY	465	Fuel Pump Primary Relay Control	I	—



Connector Part Information

- Harness Type: Engine
- Service Connector: 6041828C1
- Description: 96-pin F 0.64 MTS-B, 2.8 ATS Series, Sealed (BK)

Table 971 Terminal Part Information

Terminal Type ID	Service Terminal	Diagnostic Test Probe
I	6041931C1	J-35616-64B (LT BU)
II	6042057C1	J-35616-64B (LT BU)
III	6041911C1	J-35616-4A (PU)

Table 972 K20 Engine Control Module X2

Pin	Size	Color	Circuit	Function	Terminal Type ID	Option
1	0.75	VT / GN	4806	Direct Fuel Injector (DFI) High Voltage Control Cylinder 6	III	—
2	0.75	YE / GY	4807	Direct Fuel Injector (DFI) High Voltage Control Cylinder 7	III	—

Table 972 K20 Engine Control Module X2 (cont.)

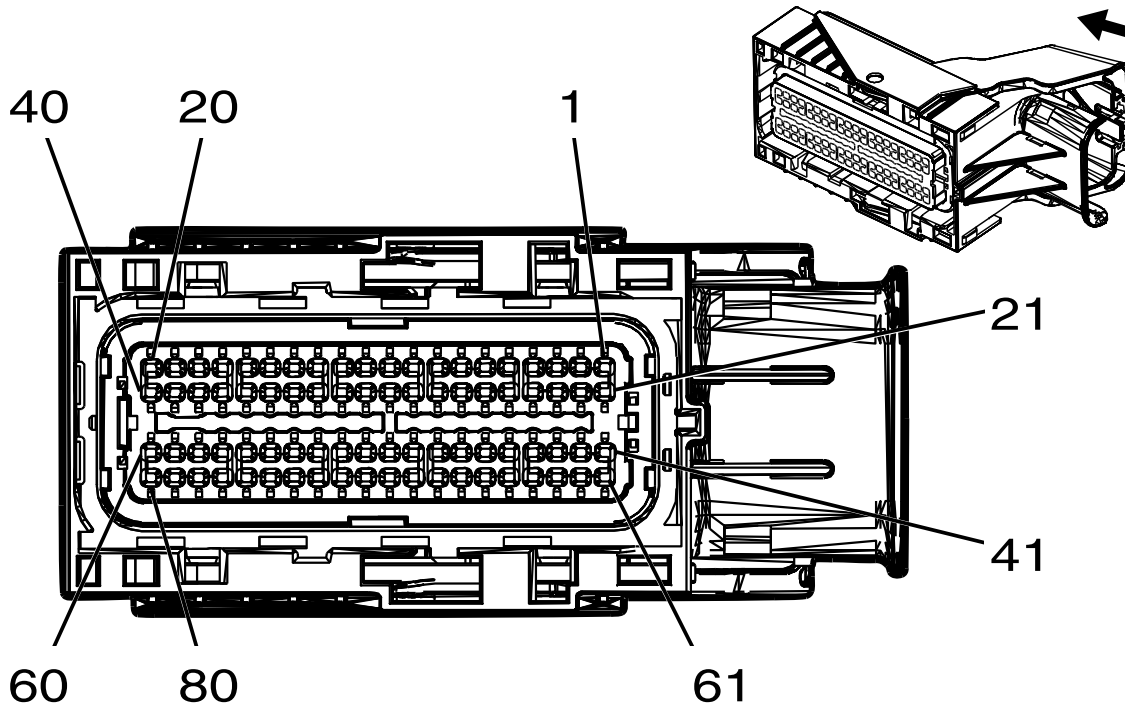
Pin	Size	Color	Circuit	Function	Terminal Type ID	Option
3	0.75	GY / BU	4804	Direct Fuel Injector (DFI) High Voltage Control Cylinder 4	III	—
4	0.75	BN	4801	Direct Fuel Injector (DFI) High Voltage Control Cylinder 1	III	—
5	0.75	VT / GY	4906	Direct Fuel Injector (DFI) High Voltage Supply Cylinder 6	III	—
6	0.75	WH / YE	4907	Direct Fuel Injector (DFI) High Voltage Supply Cylinder 7	III	—
7	0.75	BU / WH	4904	Direct Fuel Injector (DFI) High Voltage Supply Cylinder 4	III	—
8	0.75	BN / WH	4901	Direct Fuel Injector (DFI) High Voltage Supply Cylinder 1	III	—
9	0.75	GN / GY	4903	Direct Fuel Injector (DFI) High Voltage Supply Cylinder 3	III	—
10	0.75	GY / WH	4908	Direct Fuel Injector (DFI) High Voltage Supply Cylinder 8	III	—
11	0.75	GN / WH	4905	Direct Fuel Injector (DFI) High Voltage Supply Cylinder 5	III	—
12	0.75	BU / GY	4902	Direct Fuel Injector (DFI) High Voltage Supply Cylinder 2	III	—
13	0.75	GN	4803	Direct Fuel Injector (DFI) High Voltage Control Cylinder 3	III	—
14	0.75	GY	4808	Direct Fuel Injector (DFI) High Voltage Control Cylinder 8	III	—
15	0.75	WH / GN	4805	Direct Fuel Injector (DFI) High Voltage Control Cylinder 5	III	—
16	0.75	BU	4802	Direct Fuel Injector (DFI) High Voltage Control Cylinder 2	III	—
17	0.5	BK / VT	2755	Oil Pressure Sensor Low Reference	II	—
18	0.5	YE / BN	331	Oil Pressure Sensor Signal	II	—
19	0.5	WH / RD	2705	Oil Pressure Sensor 5 volt Reference	II	—
20	0.5	BU / RD	2702	Exhaust Gas Recirculation 5 volt Reference 2	II	—
21	0.5	BN / WH	5763	Exhaust Gas Recirculation Valve Sensor Signal	II	—
22	0.5	BK / BN	2753	Exhaust Gas Recirculation Sensor Low Reference	II	—
23	—	—	—	Not Occupied	—	—
24	0.5	BN / YE	2161	Fuel Rail Pressure Sensor 2 Signal	II	—

Table 972 K20 Engine Control Module X2 (cont.)

Pin	Size	Color	Circuit	Function	Terminal Type ID	Option
25	—	—	—	Not Occupied	—	—
26	0.5	BN	7348	Induction Air Temperature Sensor 2 Signal	II	—
27-29	—	—	—	Not Occupied	—	—
30	0.5	BU	410	Engine Coolant Temperature Sensor Signal	II	—
31	0.5	BN	25	Charge Indicator Control	II	—
32-36	—	—	—	Not Occupied	—	—
37	0.5	BK / GN	5301	Camshaft Position Intake Sensor Low Reference 1	II	—
38	0.5	YE / VT	5275	Camshaft Position Intake Sensor 1	II	—
39	0.5	GY / BU	5300	Camshaft Position Intake Sensor Control 1	II	—
40	0.5	VT / RD	3652	EGR Cooler Bypass Position Sensor 5 volt Reference	II	—
41	0.5	GN / GY	3654	EGR Cooler Bypass Position Sensor Signal	II	—
42	0.5	BK / BU	3653	EGR Cooler Bypass Position Sensor Low Reference	II	—
43	0.5	BK / BN	2752	Throttle Position Sensor Low Reference	II	—
44	0.5	BU / WH	3630	Throttle Position Sensor (SENT1) Signal	II	—
45	0.5	BN / RD	2701	Throttle Position Sensor 5 volt Reference	II	—
46-49	—	—	—	Not Occupied	—	—
50	0.5	BK / BN	2761	Coolant Temperature Sensor Low Reference	II	—
51	0.5	GY	23	Alternator (Generator) Field Duty Cycle Signal	II	—
52-56	—	—	—	Not Occupied	—	—
57	0.5	BK / GN	2919	Fuel Rail Pressure Sensor Low Reference	II	—
58	0.5	BU / WH	2918	Fuel Rail Pressure Sensor Signal	II	—
59	0.5	BN / RD	2917	Fuel Rail Pressure Sensor 5 volt Reference	II	—
60	0.5	GY / RD	2704	Manifold Absolute Pressure Sensor 5 volt Reference	II	—
61	0.5	GN / WH	432	Manifold Absolute Pressure Sensor Signal	II	—

Table 972 K20 Engine Control Module X2 (cont.)

Pin	Size	Color	Circuit	Function	Terminal Type ID	Option
62	0.5	BK / GN	469	Manifold Absolute Pressure Sensor Low Reference	II	—
63-68	—	—	—	Not Occupied	—	—
69	0.5	BN / BU	2926	Hydrocarbon Injector High Control	II	—
70	—	—	—	Not Occupied	—	—
71	0.5	VT / BU	6091	Crankshaft Position Sensor Replicated Signal	II	—
72	0.5	VT / BN	2927	Hydrocarbon Injector Low Control	II	—
73	—	—	—	Not Occupied	—	—
74	0.5	YE	581	Throttle Actuator Control Open	II	—
75	0.5	BN / WH	582	Throttle Actuator Control Close	II	—
76	0.75	BK / YE	2834	Fuel Rail Pressure Solenoid Low Reference	I	—
77-79	—	—	—	Not Occupied	—	—
80	0.5	BN / RD	7445	Fuel Line Pressure Sensor 5 volt Reference	II	—
81	0.5	BU / WH	7446	Fuel Line Pressure Sensor Signal	II	—
82	0.5	BK / YE	7447	Fuel Line Pressure Sensor Low Reference	II	—
83	—	—	—	Not Occupied	—	—
84	0.5	BK / VT	6272	Crankshaft 60X Sensor Low Reference	II	—
85	0.5	GN	6271	Crankshaft 60X Sensor Signal	II	—
86	0.5	VT / BU	6270	Crankshaft 60X Sensor 5 volt Reference	II	—
87	0.5	BN / GN	1174	Oil Level Switch Signal	II	—
88-90	—	—	—	Not Occupied	—	—
91	0.5	BU / GN	7071	Heater Fuel Control	II	—
92	0.5	BN / VT	3656	EGR Cooler Bypass Motor Close Control	II	—
93	0.5	YE / GN	3655	EGR Cooler Bypass Motor Open Control	II	—
94	0.5	VT / BK	5746	Exhaust Gas Recirculation Valve Motor Low Signal	II	—
95	0.5	WH / VT	5764	Exhaust Gas Recirculation Valve Motor High Signal	II	—
96	0.75	BU / WH	2530	Fuel Rail Pressure Solenoid Control	I	—



Connector Part Information

- Harness Type: Engine Chassis
- Service Connector: 6040202C1
- Description: 80-Way F MX123 Series, Sealed (BK with BU Terminal Position Assurance)

Table 974 Terminal Part Information

Terminal Type ID	Service Terminal	Diagnostic Test Probe
I	6041973C1 0.5mm, 6041972C1 0.75mm	J-35616-4A (PU)

Table 975 K20 Engine Control Module X3

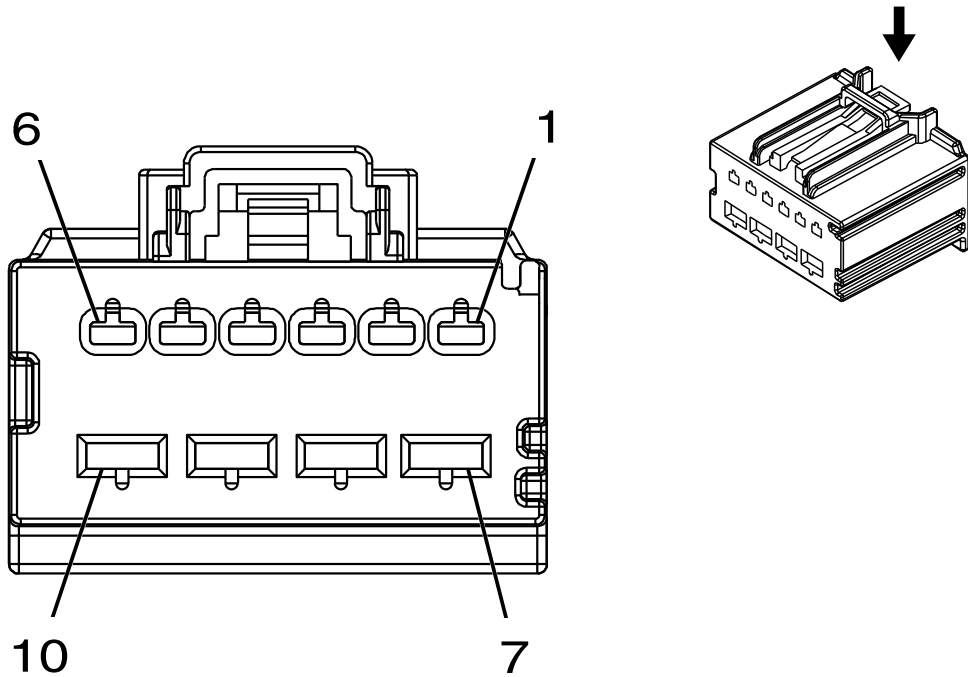
Pin	Size	Color	Circuit	Function	Terminal Type ID	Option
1	0.75	BN	3099	DEF Dosing Valve High Control	I	—
2	—	—	—	Not Occupied	—	—
3	0.5	L-GN / D-BU	3889	DEF Power Module Relay Control	I	—
4-11	—	—	—	Not Occupied	—	—
12	0.5	YE / BK	3682	Charge Air Cooler Inlet Temperature Sensor Low Reference	I	—

Table 975 K20 Engine Control Module X3 (cont.)

Pin	Size	Color	Circuit	Function	Terminal Type ID	Option
13	0.5	YE / D-BU	3680	Charge Air Cooler Outlet Temperature Sensor Low Reference	I	—
14	0.5	BK / YE	6275	EGR Outlet Temperature (Exhaust Gas Recirculation Temperature Sensor 2) Low Reference	I	—
15	0.5	BK / D-BU	6274	EGR Inlet Temperature (Exhaust Gas Recirculation Temperature Sensor 1) Low Reference	I	—
16	0.5	BK / VT	3661	Exhaust Gas Temperature Sensor 5 Low Reference	I	—
17	0.5	BK / GY	3659	Diesel Particulate Filter Outlet Temperature (Exhaust Gas Temperature Sensor 4) Low Reference	I	—
18	0.5	BK / L-GN	3657	Diesel Particulate Filter Intake Temperature (Exhaust Gas Temperature Sensor 3) Low Reference	I	—
19	0.5	BK / D-BU	6783	Diesel Oxidation Catalyst Outlet Temperature (Exhaust Gas Temperature Sensor 2) Low Reference	I	—
20	0.5	BK / BN	6782	Diesel Oxidation Catalyst Intake Temperature (Exhaust Gas Temperature Sensor 1) Low Reference	I	—
21	0.75	BN / WH	3100	DEF Dosing Valve Low Control	I	—
22-24	—	—	—	Not Occupied	—	—
25	0.5	WH / L-GN	6142	Power Take Off Engine Shutdown Signal	I	—
26-27	—	—	—	Not Occupied	—	—
28	0.5	WH / RD	3201	28. Throttle Inlet Absolute Pressure Sensor 5 volt Reference	I	—
29	0.5	BN / L-GN	5266	29. Ambient Air Pressure Sensor Signal	I	—
30-31	—	—	—	Not Occupied	—	—
32	0.5	L-GN	3683	Charge Air Cooler Inlet Temperature Sensor Signal	I	—
33	0.5	BN	3681	Charge Air Cooler Outlet Temperature Sensor Signal	I	—
34	0.5	YE / L-GN	3236	Exhaust Gas Recirculation Outlet Temperature (Exhaust Gas Recirculation Temperature Sensor 2) Signal	I	—

Table 975 K20 Engine Control Module X3 (cont.)

Pin	Size	Color	Circuit	Function	Terminal Type ID	Option
35	0.5	WH / BN	3237	Exhaust Gas Recirculation Inlet Temperature (Exhaust Gas Recirculation Temperature Sensor 1) Signal	I	—
36	0.5	D-BU / GY	3660	Exhaust Gas Temperature Sensor 5 Signal	I	—
37	0.5	VT / BN	3658	Diesel Particulate Filter Outlet Temperature (Exhaust Gas Temperature Sensor 4) Signal	I	—
38	0.5	GY / L-GN	5378	Diesel Particulate Filter Intake Temperature (Exhaust Gas Temperature Sensor 3) Signal	I	—
39	0.5	D-BU / L-GN	5377	Diesel Oxidation Catalyst Outlet Temperature (Exhaust Gas Temperature Sensor 2) Signal	I	—
40	0.5	D-BU / WH	5277	Diesel Oxidation Catalyst Intake Temperature (Exhaust Gas Temperature Sensor 1) Signal	I	—
41-64	—	—	—	Not Occupied	—	—
65	0.5	BK / BN	6141	Cooling Fan Speed Low Reference	I	—
66	0.5	D-BU / VT	2364	Cooling Fan Speed Signal	I	—
67	0.5	GY / RD	2365	Cooling Fan Speed 5 volt Reference	I	—
68	0.5	GY / BK	3096	Output Speed (Digital) Sensor 5 volt Reference	I	—
69	0.5	L-GN	3098	Output Speed (Digital) Signal	I	—
70	0.5	WH / BK	3097	Output Speed (Digital) Sensor Low Reference	I	—
71-75	—	—	—	Not Occupied	—	—
76	0.5	BK / YE	6055	Diesel Particulate Filter Differential Pressure (Exhaust Pressure Sensor) Low Reference	I	—
77	0.5	D-BU	6053	Diesel Particulate Filter Differential Pressure (Exhaust Pressure Sensor) Signal	I	—
78	0.5	WH / RD	6054	Diesel Particulate Filter Differential Pressure (Exhaust Pressure Sensor) 5 volt Reference	I	—
79-80	—	—	—	Not Occupied	—	—



Connector Part Information

- Harness Type: Passenger Seat Cushion
- Service Connector: Service by Harness
- Description: 10-pin F 1.5, 2.8 Series (BK)

Table 977 Terminal Part Information

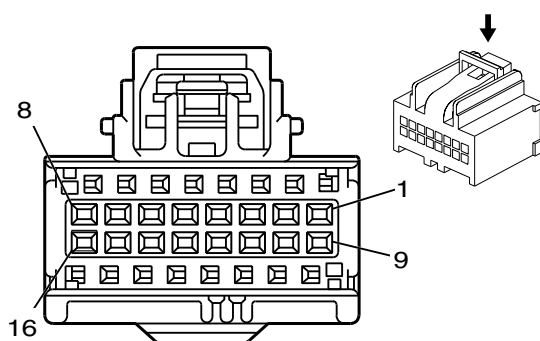
Terminal Type ID	Service Terminal
I	3686943C1
II	6042070C1

Table 978 K29 Seat Heating Control Module X1 (Feature Code: 0016XJR)

Pin	Size	Color	Circuit	Function	Terminal Type ID	Option
1	0.75	WH / BN	2481	Passenger Heated Back Element Control	I	—
2	0.75	BN / L-BU	2479	Passenger Heated Seat Element Control	I	—
3	0.75	GY / BK	2480	Passenger Heated Seat Element Low Reference	I	—

ELECTRICAL CIRCUIT DIAGRAM MANUAL**Table 978 K29 Seat Heating Control Module X1 (Feature Code: 0016XJR) (cont.)**

Pin	Size	Color	Circuit	Function	Terminal Type ID	Option
4	0.75	BN / BK	2078	Driver Heated Seat Element Low Reference	I	—
5	0.75	BN	2432	Driver Heated Back Element Control	I	—
6	0.75	BN / VT	2077	Driver Heated Seat Element Control	I	—
7	0.75	RD / L-GN	6140	Battery Positive Voltage	I	—
8	0.75	BK	1250	Ground	I	—
9	—	—	—	Not Occupied	—	—
10	0.75	RD / L-GN	5140	Battery Positive Voltage	I	—

**Connector Part Information**

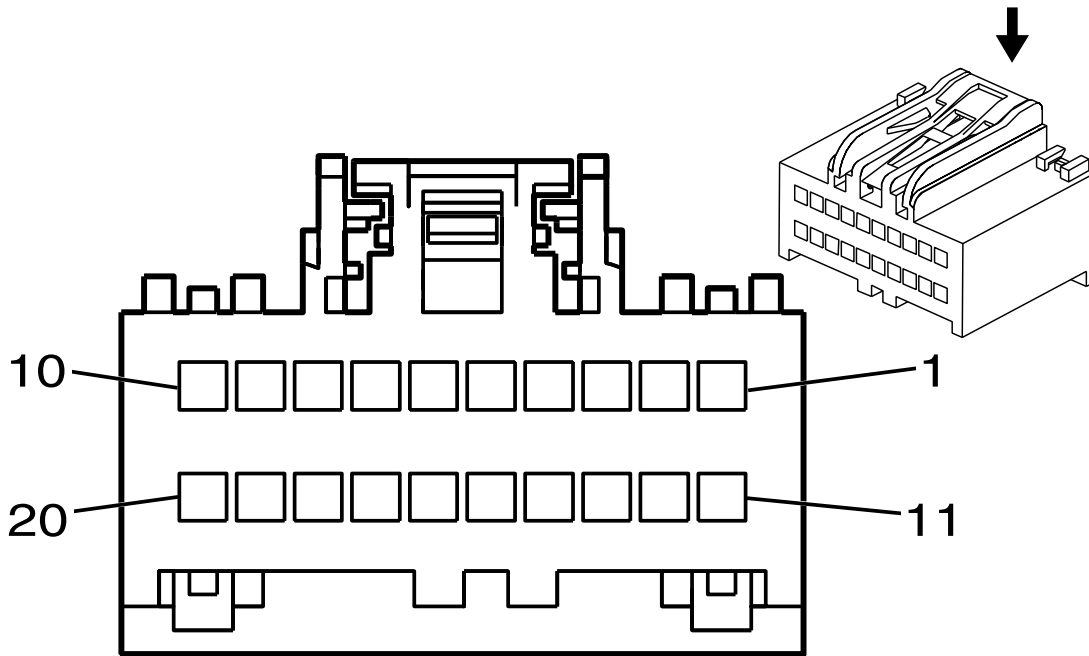
- Harness Type: Passenger Seat Cushion
- Service Connector: Service by Harness
- Description: 16-pin F 0.64 Kaizen Series (BK)

Table 980 Terminal Part Information

Terminal Type ID	Service Terminal	Diagnostic Test Probe
I	6042072C1	J-35616-2A (GY)

Table 981 K29 Seat Heating Control Module X2 (Feature Code: 0016XJR)

Pin	Size	Color	Circuit	Function	Terminal Type ID
1	0.5	BK / YE	2080	Driver Heated Seat Thermistor Low Reference	I
2	0.5	BK / GY	2435	Co-Driver Heated Seat Thermistor Low Reference	I
3	0.5	BU	2425	Driver Seat Back Heating Temperature Sensor Signal	I
4	0.5	WH / BU	2436	Passenger Seat Back Heating Temperature Sensor Signal	I
5	0.5	WH / GY	2434	Passenger Seat Heating Temperature Sensor Signal	I
6	0.5	YE / GY	2079	Driver Seat Heating Temperature Sensor Signal	I
7	—	—	—	Not Occupied	—
8	0.35	GN / BU	6133	Body Control Module LIN Bus 2	I
9-11	—	—	—	Not Occupied	—
12	0.5	BK / GN	2482	Co-Driver Heated Back Thermistor Low Reference	I
13-16	—	—	—	Not Occupied	—



Connector Part Information

- Harness Type: HVAC
- Service Connector: Service by Harness
- Description: 20-Way F USCAR 64 Series (BN)

Table 983 Terminal Part Information

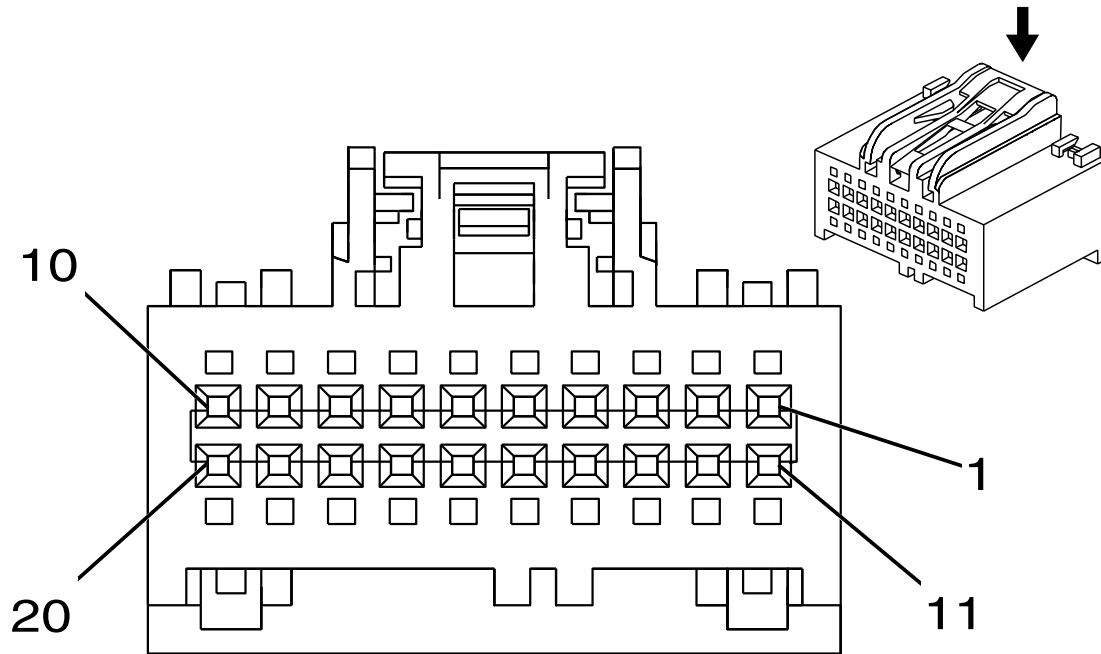
Terminal Type ID	Service Terminal	Diagnostic Test Probe
I	6041966C1	J-35616-4A (PU)

Table 984 K33 HVAC Control Module X2

Pin	Size	Color	Circuit	Function	Terminal Type ID
1	0.5	RD / VT	3340	Secondary Fused Battery Positive Voltage 33	I
2	0.35	GN	5060	Low Speed GMLAN Serial Data	I
3	—	—	—	Not Occupied	—
4	0.35	GN / YE	7531	HVAC Control Module LIN Bus 1	I
5	0.5	YE / GN	3196	Auxiliary Heater Status Signal	I
6	—	—	—	Not Occupied	—

Table 984 K33 HVAC Control Module X2 (cont.)

Pin	Size	Color	Circuit	Function	Terminal Type ID
7	0.5	VT	3195	Auxiliary Heater Control	I
8	0.35	BK / WH	1851	Ground 18	I
9	0.5	VT / GY	539	Run / Crank Ignition 1 Voltage	I
10	0.5	BU / YE	7574	A/C Compressor Solenoid Valve Control	I
11	0.5	BU / BN	7573	A/C Compressor Solenoid Valve Control	I
12-14	—	—	—	Not Occupied	I
15	0.35	BU / GY	754	Blower Motor Speed Control	I
16	0.35	L-GN/BK	2211	Rear Blower Motor Speed Control	I
17	0.35	GY / RD	598	HVAC Air Inlet 5 Volt Reference	I
18	0.35	BK / YE	1791	Air Temperature Door Control Low Reference	I
19	0.35	BN / VT	193	Rear Defog Relay Control	I
20	—	—	—	Not Occupied	—



Connector Part Information

- Harness Type: HVAC
- Service Connector: Service by Harness
- Description: 20-Way F 0.64 Series (BK)

Table 986 Terminal Part Information

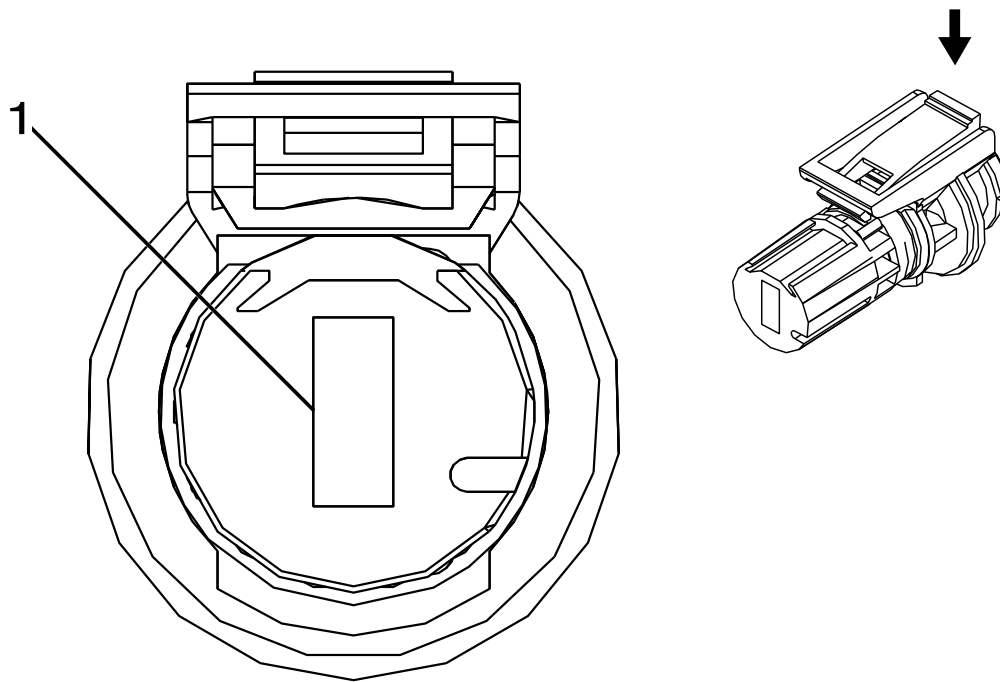
Terminal Type ID	Service Terminal	Diagnostic Test Probe
I	6041966C1	J-35616-64B (LT BU)

Table 987 K33 HVAC Control Module X3

Pin	Size	Color	Circuit	Function	Terminal Type ID
1	—	—	—	Not Occupied	—
2	0.35	YE / BN	2273	Mode Door Control	I
3	0.35	WH	119	Mode Door Control	I
4	0.35	WH / GN	2275	Mode Door 1 Position Sensor Signal	I
5-8	—	—	—	Not Occupied	I
9	0.35	BK / YE	407	Sensor Low Reference	I

Table 987 K33 HVAC Control Module X3 (cont.)

Pin	Size	Color	Circuit	Function	Terminal Type ID
10	—	—	—	Not Occupied	I
11	0.35	GY / GN	2210	Air Temperature Door Control	I
12	0.35	BU / BN	1199	Air Temperature Door Control	I
13	0.35	BU / YE	733	Air Temperature Door Position Signal	I
14–15	—	—	—	Not Occupied	—
16	0.35	YE / BK	2274	Air Recirculation Door Control	I
17	0.35	D-GN	1614	Air Recirculation Door Control	I
18	0.35	VT/L-GN	1838	Air Recirculation Door Position Signal	I
19	—	—	—	Not Occupied	—
20	0.35	GY	6137	A/C Evaporator Temperature Sensor Signal	I



Connector Part Information

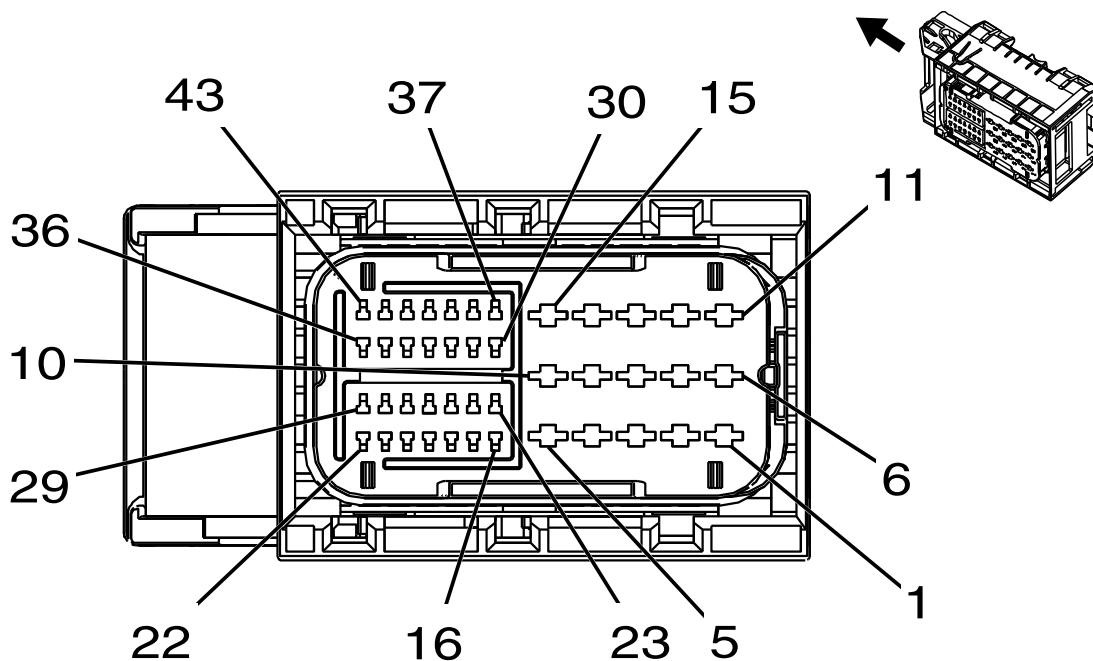
- Harness Type: Engine
- Service Connector: Service By Harness
- Description: 1–Way F

Table 989 Terminal Part Information

Terminal Type ID	Service Terminal	Diagnostic Test Probe
I	Not Available	Not Available

Table 990 K34 Glow Plug Control Module X1

Pin	Size	Color	Circuit	Function	Terminal Type ID
1	—	RD	842	Battery Positive Voltage	I



Connector Part Information

- Harness Type: Engine
- Service Connector: 6040290C1
- Description: 43-pin F 1.2, 2.8 Series, Sealed (BK)

Table 992 Terminal Part Information

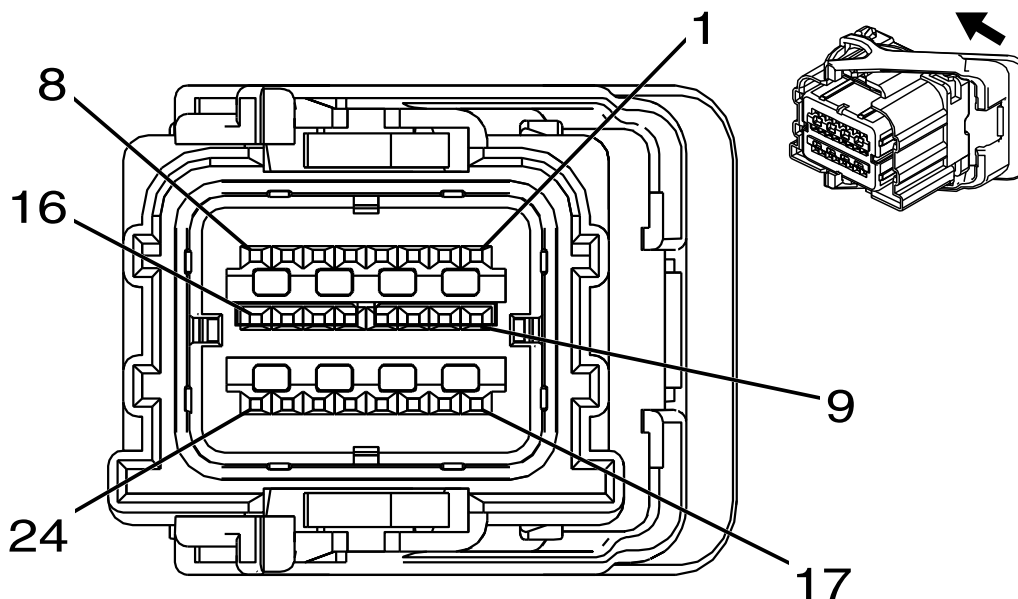
Terminal Type ID	Service Terminal	Diagnostic Test Probe
I	6042076C1	J-35616-16 (LT GN)
II	3710403C1	J-35616-4A (PU)

Table 993 K34 Glow Plug Control Module X2

Pin	Size	Color	Circuit	Function	Terminal Type ID
1	—	—	—	Not Occupied	—
2	2	GY / YE	1584	Glow Plug Control 4	II
3	2	GY / GN	1583	Glow Plug Control 3	II
4	2	GY / BN	1582	Glow Plug Control 2	II
5	2	GY / BU	1581	Glow Plug Control 1	II

Table 993 K34 Glow Plug Control Module X2 (cont.)

Pin	Size	Color	Circuit	Function	Terminal Type ID
6-9	—	—	—	Not Occupied	—
10	2	BK	550 250	Ground	II
11	—	—	—	Not Occupied	—
12	2	GY / WH	1585	Glow Plug Control 5	II
13	2	GY / VT	1586	Glow Plug Control 6	II
14	2	WH / BK	1587	Glow Plug Control 7	II
15	2	WH / BU	1588	Glow Plug Control 8	II
16	0.5	BK	—	—	I
17	0.5	BK	—	—	I
18	0.5	WH	2501	High Speed GMLAN Serial Data (-) 1	I
19	0.5	WH	2501	High Speed GMLAN Serial Data (-) 1	I
20-22	—	—	—	Not Occupied	—
23	0.5	23. BK	—	—	I
24	0.5	24. BK	—	—	I
25	0.5	25. BU	2500	High Speed GMLAN Serial Data (+) 1	I
26	0.5	26. BU	2500	High Speed GMLAN Serial Data (+) 1	I
27-29	—	—	—	Not Occupied	—
30	0.5	BK	—	—	I
31	0.5	BK	—	—	I
32	—	—	—	Not Occupied	—
33	0.5	VT / BK	2139	Run / Crank Ignition 1 Voltage	I
34-36	—	—	—	Not Occupied	—
37	0.5	BK	—	—	I
38	0.5	BK	—	—	I
39	—	—	—	Not Occupied	—
40	0.5	VT / YE	443	Accessory Ignition Voltage	I
41-43	—	—	—	Not Occupied	—



Connector Part Information

- Harness Type: Body
- Service Connector: 6040202C1
- Description: 24-pin F 0.64 Series, Sealed (YE)

Table 995 Terminal Part Information

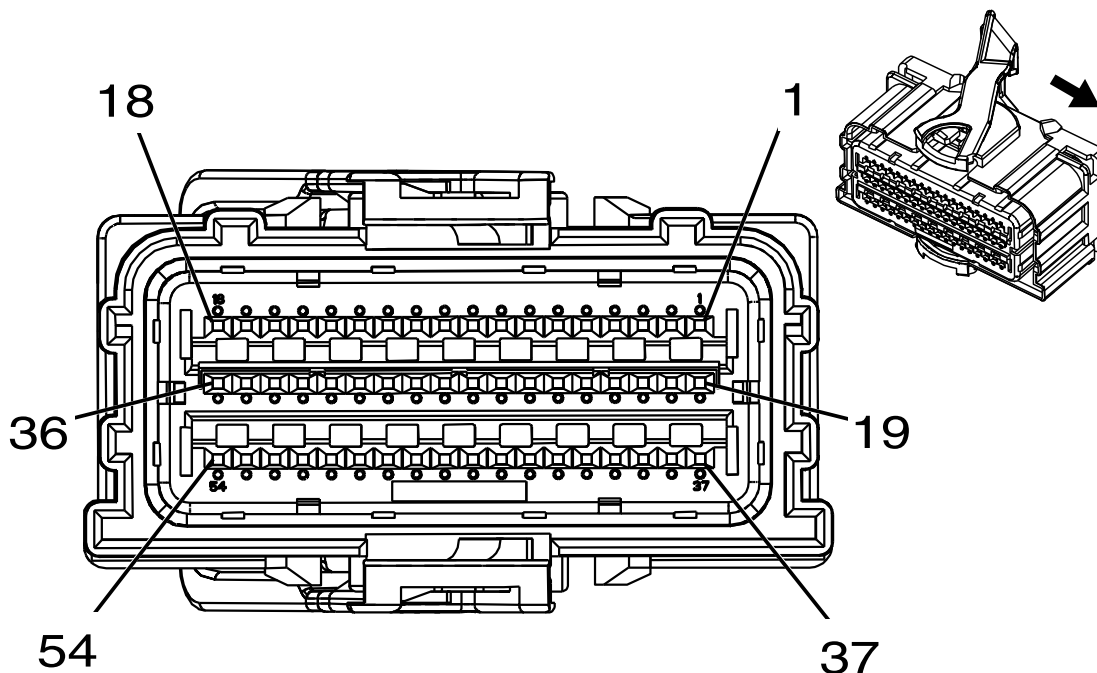
Terminal Type ID	Service Terminal	Diagnostic Test Probe
I	6042044C1	J-35616-64B (LT BU)
II	6042048C1	J-35616-64B (LT BU)
III	6042044C1 0.5mm	J-35616-64B (LT BU)
	6042045C1 0.75mm	

Table 996 K36 Inflatable Restraint Sensing and Diagnostic Module X1

Pin	Size	Color	Circuit	Function	Terminal Type ID
1-2	—	—	—	Not Occupied	—
3	0.35	BN / OG	3020	Steering Wheel Module Stage 1 Low Control	II
4	0.35	OG / VT	3021	Steering Wheel Module Stage 1 High Control	II

Table 996 K36 Inflatable Restraint Sensing and Diagnostic Module X1 (cont.)

Pin	Size	Color	Circuit	Function	Terminal Type ID
5	0.35	YE / OG	3025	Passenger IP Module Stage 1 High Control	II
6	0.35	OG / WH	3024	Passenger IP Module Stage 1 Low Control	II
7	0.35	OG / VT	3026	Passenger IP Module Stage 2 Low Control	II
8	0.35	GY / OG	3027	Passenger IP Module Stage 2 High Control	II
9	0.5	RD / L-GN	4440	Battery Positive Voltage	III
10	0.35	VT / WH	5234	Passenger Seat Belt Indicator Control	I
11	0.35	D-BU	2307	Passenger Air Bag On Indicator Control	I
12	0.35	L-GN	2308	Passenger Air Bag Off Indicator Control	I
13	0.35	VT / OG	371	Passenger IP Module Disable Switch Signal	I
14	0.35	D-BU / OG	7328	Passenger IP Module Disable Switch Low Reference	I
15	0.5	L-GN	5060	Low Speed GMLAN Serial Data	III
16	—	—	—	Not Occupied	—
17	0.5	WH / D-BU	5986	Serial Data Communication Enable	III
18	0.5	D-BU / YE	6105	High Speed GMLAN Serial Data (+) 2	III
19	0.75	BK / WH	2751	Signal Ground	III
20	0.5	WH	6106	High Speed GMLAN Serial Data (-) 2	III
21-24	—	—	—	Not Occupied	—



Connector Part Information

- Harness Type: Body
- Service Connector: 6040241C1
- Description: 54-Way F 0.64 Series, Sealed (YE)

Table 998 Terminal Part Information

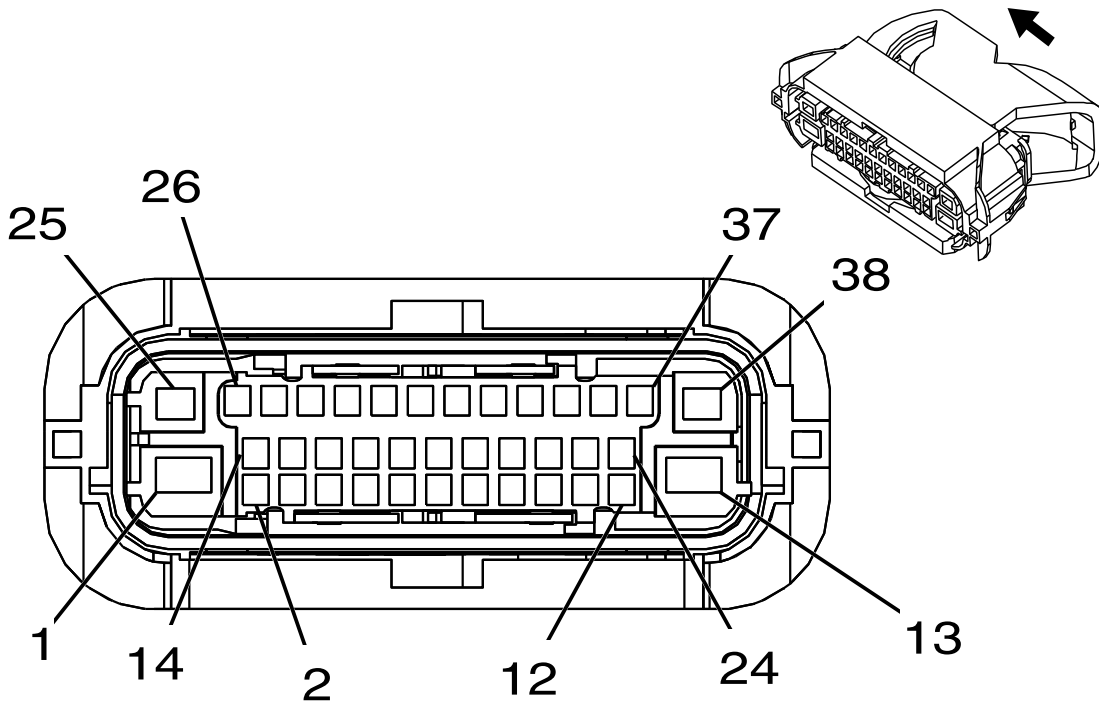
Terminal Type ID	Service Terminal	Diagnostic Test Probe
I	6042044C1	J-35616-64B (LT BU)
II	6042044C1	J-35616-64B (LT BU)

Table 999 K36 Inflatable Restraint Sensing and Diagnostic Module X2

Pin	Size	Color	Circuit	Function	Terminal Type ID
1-12	—	—	—	Not Occupied	—
13	0.35	OG / D-BU	3068	Driver Seat Side Air Bag High Control	I
14	0.35	L-GN / OG	3069	Driver Seat Side Air Bag Low Control	I
15	0.35	BN / OG	3067	Passenger Seat Side Air Bag Low Control	I
16	0.35	OG / GY	3066	Passenger Seat Side Air Bag High Control	I

Table 999 K36 Inflatable Restraint Sensing and Diagnostic Module X2 (cont.)

Pin	Size	Color	Circuit	Function	Terminal Type ID
17	0.35	OG / L-GN	5019	Left Front Roof Rail Air Bag High Control	I
18	0.35	VT / OG	5020	Left Front Roof Rail Air Bag Low Control	I
19	0.35	OG / L-GN	2132	Left Front Side Impact Sensor Signal	I
20	0.35	BK / OG	6628	Left Front Side Impact Sensor Low Reference	I
21	0.35	BK / OG	6629	Right Front Side Impact Sensor Low Reference	—
22	0.35	BN / OG	2134	Right Front Side Impact Sensor Signal	—
23	0.5	OG / GY	6618	Front Middle Impact Discriminating Sensor Signal	II
24	0.5	BK / OG	6619	Front Middle Impact Discriminating Sensor Low Reference	II
25-26	—	—	—	Not Occupied	—
27	0.35	OG / D-BU	6620	Left Middle Side Impact Sensor Signal	I
28	0.35	BK / OG	6621	Left Middle Side Impact Sensor Low Reference	I
29	0.35	BK / OG	6625	Right Middle Side Impact Sensor Low Reference	I
30	0.35	OG / VT	6624	Right Middle Side Impact Sensor Signal	I
31-36	—	—	—	Not Occupied	—
37	0.5	RD	3477	Driver Seat Belt Retractor Pretensioner High Control	II
38	0.5	GY	3478	Driver Seat Belt Retractor Pretensioner Low Control	II
39	0.5	WH	3476	Passenger Seat Belt Retractor Pretensioner Low Control	II
40	0.5	L-GN	3475	Passenger Seat Belt Retractor Pretensioner High Control	II
41	0.35	OG / BN	238	Driver Seat Belt Switch Signal	I
42	—	—	—	Not Occupied	—
43	0.35	BK / OG	1363	Driver Seat Belt Switch Low Reference	I
44 - 52	—	—	—	Not Occupied	—
53	0.35	OG / GY	5021	Right Front Roof Rail Air Bag High Control	I
54	0.35	WH / OG	5022	Right Front Roof Rail Air Bag Low Control	I



Connector Part Information

- Harness Type: Chassis
- Service Connector: 4086720C1
- Description: 38-pin F 1.5 CTS, 2.8 MCP, 4.8 MCP Series, Sealed (BK)

Table 1001 Terminal Part Information

Terminal Type ID	Service Terminal	Diagnostic Test Probe
I	4086472C1 0.5mm	J-35616-4A (PU)
	6113342C1 1.0mm	
	3830798C1 1.5mm	

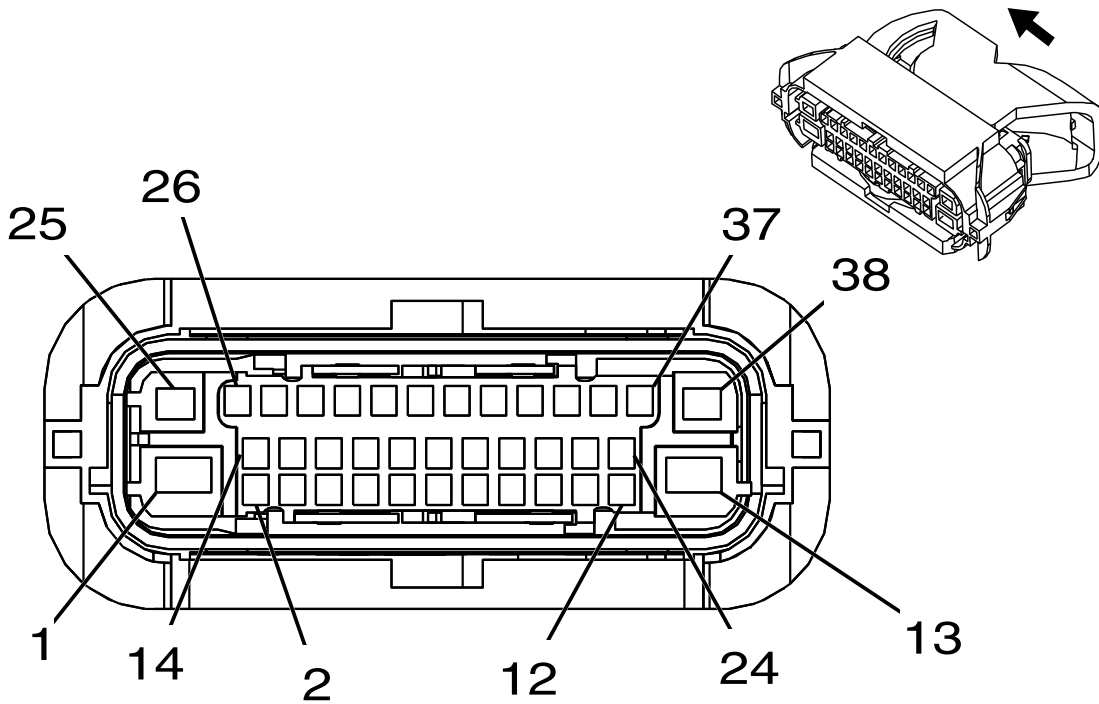
Table 1002 K38A Chassis Control Module – Auxiliary (Feature Code: 0008HBW) (JL1)

Pin	Size	Color	Circuit	Function	Terminal Type ID
1	1	RD	2040	Battery Positive Voltage	I
2-12	—	—	—	Not Occupied	—
13	1	BK	1750	Ground	I

ELECTRICAL CIRCUIT DIAGRAM MANUAL

Table 1002 K38A Chassis Control Module – Auxiliary (Feature Code: 0008HBW) (JL1) (cont.)

Pin	Size	Color	Circuit	Function	Terminal Type ID
14	0.5	VT / YE	5985	Accessory Wake-up Serial Data	I
15	—	—	—	Not Occupied	—
16	0.5	BU / RD	7632	Integrated Trailer Brake Controller Switch 5 volt Reference	I
17	—	—	—	Not Occupied	—
18	0.5	BN	7634	Integrated Trailer Brake Controller Redundant Manual Apply Signal	I
19	0.5	BK / BN	7631	Integrated Trailer Brake Controller Switch Low Reference	I
20	0.5	YE	7635	Integrated Trailer Brake Controller Manual Apply Signal	I
21	0.5	GN / BK	7633	Integrated Trailer Brake Controller User Gain Signal	I
22	0.5	YE / BK	2224	Trailer Brake Enable Signal	I
23	0.5	WH / BK	2223	Trailer Brake Control Signal	I
24	—	—	—	Not Occupied	—
25	1.5	VT / GN	439	Run / Crank Ignition 1 Voltage	I
26	0.5	BU	2500	High Speed GMLAN Serial Data (+) 1	I
27	0.5	BU	2500	High Speed GMLAN Serial Data (+) 1	I
28	0.5	WH	2501	High Speed GMLAN Serial Data (-) 1	I
29	0.5	WH	2501	High Speed GMLAN Serial Data (-) 1	I
30	0.5	GN / VT	4114	Local Interconnect Network Serial Data Bus 14	I
31-38	—	—	—	Not Occupied	—



Connector Part Information

- Harness Type: Engine Chassis
- Service Connector: 6040232C1
- Description: 38-Way F 1.5 CTS, 2.8 MCP, 4.8 MCP Series, Sealed (BK with BK Inner Connector)

Table 1004 Terminal Part Information

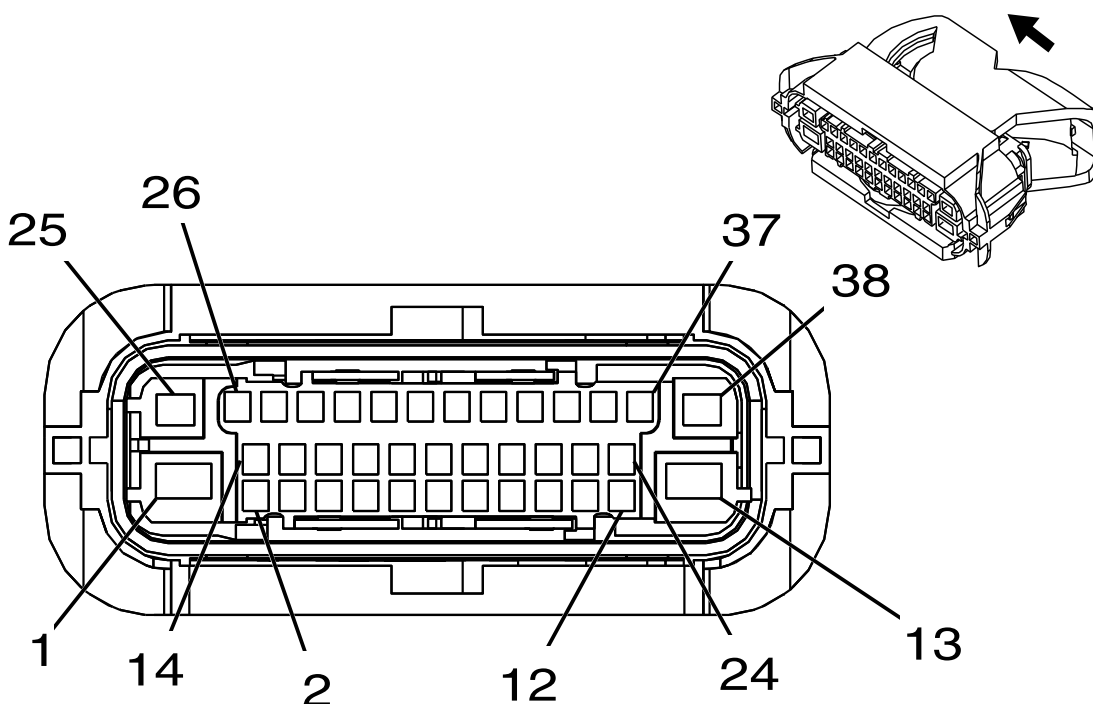
Terminal Type ID	Service Terminal	Diagnostic Test Probe
I	6041985C1	J-35616-40 (BU)
II	6041985C1	J-35616-40 (BU)
III	6041985C1	J-35616-14 (GN)
IV	6041985C1	J-35616-35 (VT)

Table 1005 K44 Power Take-off Control Module X1 (Feature Code: 0012WGG)

Pin	Size	Color	Circuit	Function	Terminal Type ID
1	0.75	RD / BU	4540	Battery Positive Voltage	I
2-12	—	—	—	Not Occupied	—
13	1.5	BK / WH	451	Signal Ground	II

Table 1005 K44 Power Take-off Control Module X1 (Feature Code: 0012WGG) (cont.)

Pin	Size	Color	Circuit	Function	Terminal Type ID
14	0.5	WH / BU	5986	Serial Data Communication Enable	III
15	0.5	GN / WH	488	Power Take-off Control Switch	III
16-17	—	—	—	Not Occupied	—
18	0.5	BN / GN	4311	Power Take-off Enable In Cab Switch Normally Closed Signal	III
19-24	—	—	—	Not Occupied	—
25	0.75	BN / WH	6085	Power Take-off Remote Engine Start Switch Signal	IV
26	0.5	BU	2500	High Speed GMLAN Serial Data (+) 1	III
27	0.5	BU	2500	High Speed GMLAN Serial Data (+) 1	III
28	0.5	WH	2501	High Speed GMLAN Serial Data (-) 1	III
29	0.5	WH	2501	High Speed GMLAN Serial Data (-) 1	III
30 - 38	—	—	—	Not Occupied	—



Connector Part Information

- Harness Type: Engine Chassis
- Service Connector: 6040242C1
- Description: 38-pin F 1.5 CTS, 2.8 MCP, 4.8 MCP Series, Sealed (BK with BN Inner Connector)

Table 1007 Terminal Part Information

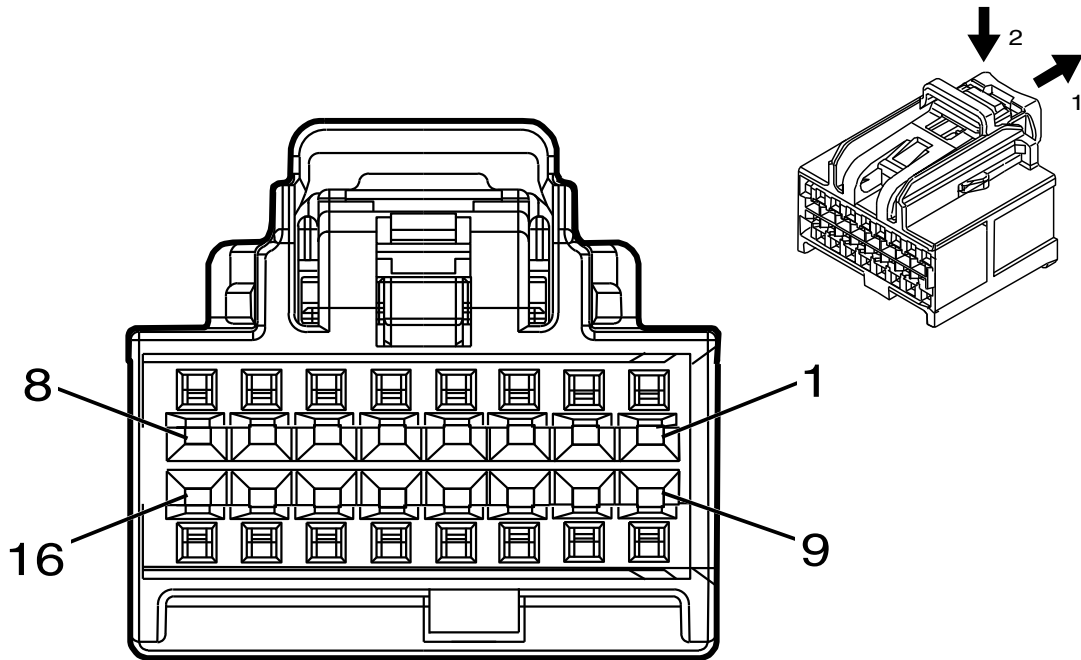
Terminal Type ID	Service Terminal	Diagnostic Test Probe
I	6042031C1	J-35616-14 (GN)

Table 1008 K44 Power Take-Off Control Module X2 (Feature Code: 0012WGG) (PTO)

Pin	Size	Color	Circuit	Function	Terminal Type ID
1-7	—	—	—	Not Occupied	—
8	0.75	YE	2522	Power Take-off Status Signal	I
9-10	—	—	—	Not Occupied	—
11	0.5	VT / BU	2562	Power Take-off Relay Coil Control	I
12-27	—	—	—	Not Occupied	—
28	0.5	WH / GN	6142	Power Take-off Engine Shutdown Signal	I

Table 1008 K44 Power Take-Off Control Module X2 (Feature Code: 0012WGG) (PTO) (cont.)

Pin	Size	Color	Circuit	Function	Terminal Type ID
29-34	—	—	—	Not Occupied	—
35	0.5	BU / GY	6089	Power Take-off Remote Switch Set Signal 1	I
36	0.75	BU / BN	4408	Power Take-off Enable Signal	I
37	0.75	BN	6381	Power Take-off Relay Engage Signal	I
38	—	—	—	Not Occupied	—



Connector Part Information

- Harness Type: Instrument Panel
- Service Connector: 6040194C1
- Description: 16-pin F 0.64 OCS Series (BK)

Table 1010 Terminal Part Information

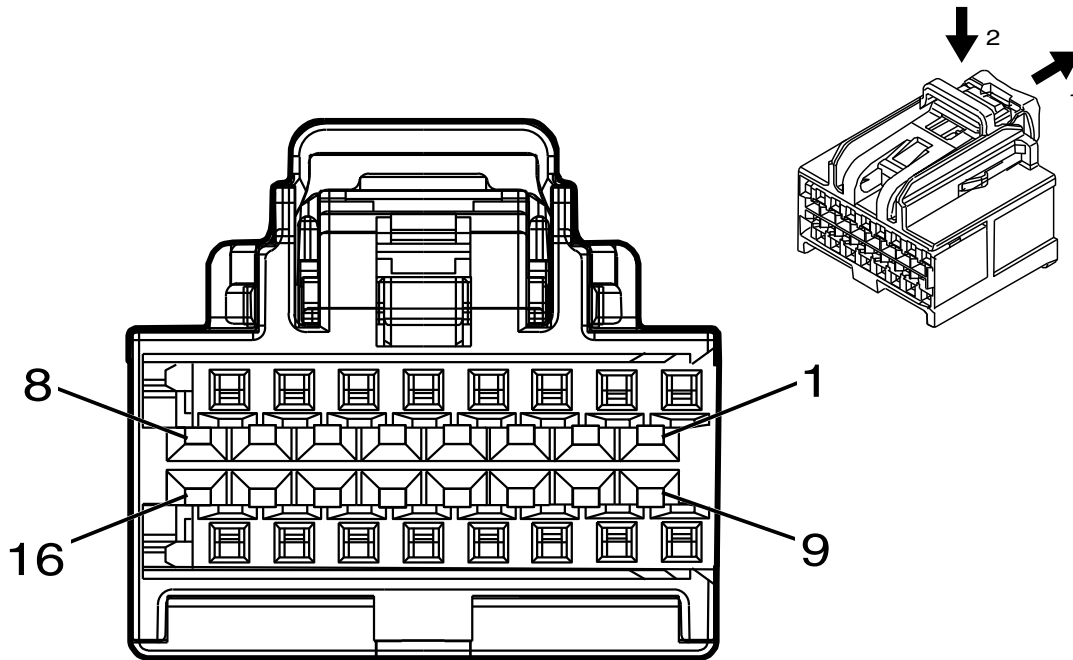
Terminal Type ID	Service Terminal	Diagnostic Test Probe
I	6042048C1	J-35616-64B (LT BU)

Table 1011 K56 Serial Data Gateway Module X1

Pin	Size	Color	Circuit	Function	Terminal Type ID
1	0.35	RD / VT	3340	Secondary Fused Battery Positive Voltage	I
2	—	—	—	Not Occupied	—
3	0.35	BU / GN	1304	3. High Speed GMLAN Serial Data (+) 9	I
4	0.35	WH / GN	1305	4. High Speed GMLAN Serial Data (-) 9	I
5	—	—	—	Not Occupied	—
6	0.35	BK / WH	1851	Ground 18	I

Table 1011 K56 Serial Data Gateway Module X1 (cont.)

Pin	Size	Color	Circuit	Function	Terminal Type ID
7	0.5	D-BU	2500	High Speed GMLAN Serial Data (+) 1	I
8	0.5	WH	2501	High Speed GMLAN Serial Data (-) 1	I
9	—	—	—	Not Occupied	—
10	0.35	WH / BU	5986	Serial Data Communication Enable	I
11	0.35	BU / GN	1304	High Speed GMLAN Serial Data (+) 9	I
12	0.35	WH / GN	1305	High Speed GMLAN Serial Data (-) 9	I
13	0.35	BU / GN	1304	High Speed GMLAN Serial Data (+) 9	I
14	0.35	WH / GN	1305	High Speed GMLAN Serial Data (-) 9	I
15	0.5	GN	5060	Low Speed GMLAN Serial Data	I
16	—	—	—	Not Occupied	—



Connector Part Information

- Harness Type: Instrument Panel
- Service Connector: 6040195C1
- Description: 16-Way F 0.64 OCS Series (GY)

Table 1013 Terminal Part Information

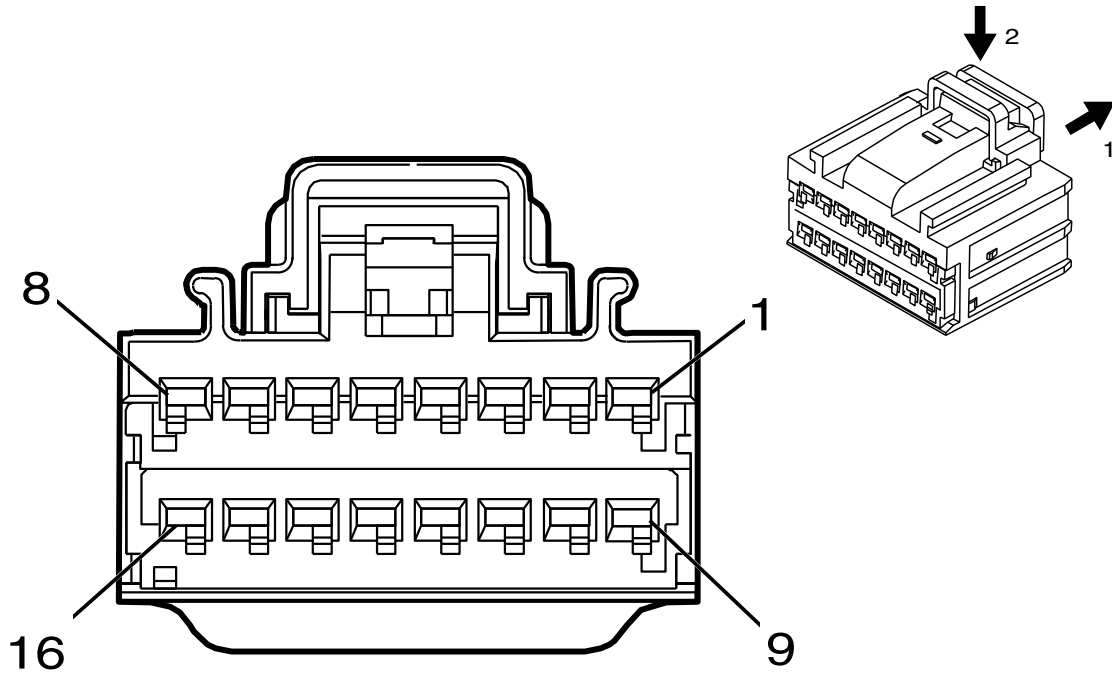
Terminal Type ID	Service Terminal	Diagnostic Test Probe
I	6042048C1	J-35616-64B (LT BU)

Table 1014 K56 Serial Data Gateway Module X2

Pin	Size	Color	Circuit	Function	Terminal Type ID
1	0.5	BU	2500	High Speed GMLAN Serial Data (+) 1	I
2	0.5	WH	2501	High Speed GMLAN Serial Data (-) 1	I
3-6	—	—	—	Not Occupied	—
7	0.5	BU / YE	6105	High Speed GMLAN Serial Data (+) 2	I
8	0.5	WH	6106	High Speed GMLAN Serial Data (-) 2	I
9	—	—	—	Not Occupied	—

Table 1014 K56 Serial Data Gateway Module X2 (cont.)

Pin	Size	Color	Circuit	Function	Terminal Type ID
10	0.5	GY / GN	1102	Low Speed GMLAN Serial Data #2	I
11-16	—	—	—	Not Occupied	—



Connector Part Information

- Harness Type: Brake Clutch
- Service Connector: Service by Harness
- Description: 16-Way F 1.5 OCS Series (GY)

Table 1016 Terminal Part Information

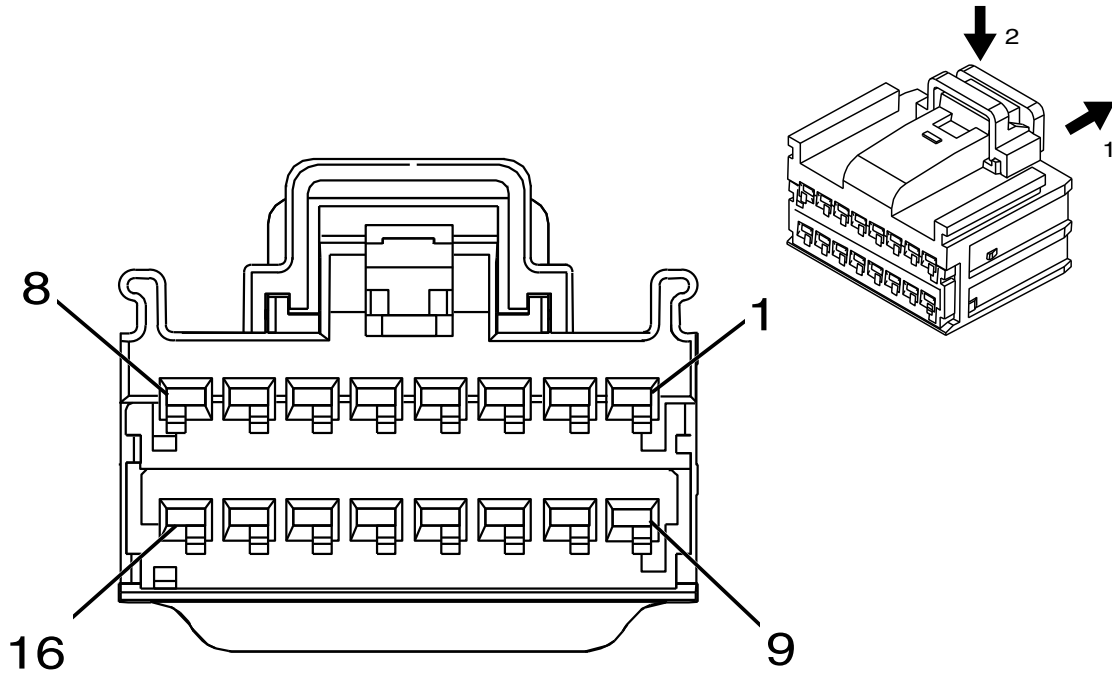
Terminal Type ID	Service Terminal	Diagnostic Test Probe
I	6042052C1	J-35616-2A (GY)

Table 1017 K69 Transfer Case Control Module X1 (Feature Code: 0013TLP (0013WDB))

Pin	Size	Color	Circuit	Function	Terminal Type ID
1	0.35	VT	7476	Incremental Encoder Sensor Low Reference	I
2	0.35	BU/GY	7473	Incremental Encoder Impulse Signal	I
3	0.35	YE	7474	Incremental Encoder Direction Signal	I
4-5	—	—	—	Not Occupied	—
6	0.35	GY/RD	6029	Four Wheel Drive Mode Switch 5V Reference	I
7	0.35	BU/YE	1693	Four Wheel Drive Switch Signal	I

Table 1017 K69 Transfer Case Control Module X1 (Feature Code: 0013TLP (0013WDB)) (cont.)

Pin	Size	Color	Circuit	Function	Terminal Type ID
8	—	—	—	Not Occupied	I
9	0.35	WH/GN	7475	Incremental Encoder Sensor 8V Reference	I
10–16	—	—	—	—	—



Connector Part Information

- Harness Type: Brake Clutch
- Service Connector: Service by Harness
- Description: 16-Way F 1.5 OCS Series (BK)

Table 1019 Terminal Part Information

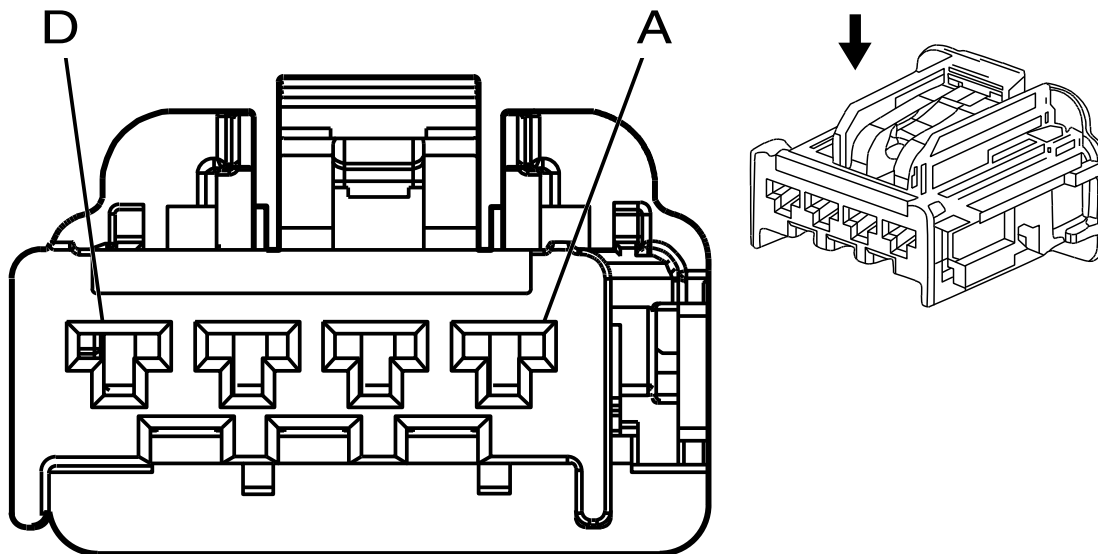
Terminal Type ID	Service Terminal	Diagnostic Test Probe
I	6042052C1	J-35616-2A (GY)

Table 1020 K69 Transfer Case Control Module X2 (Feature Code: 0013TLP (0013WDB))

Pin	Size	Color	Circuit	Function	Terminal Type ID
1-2	—	—	—	Not Occupied	—
3	0.35	VT / WH	1565	4 LO Indicator Control	I
4	0.35	VT / GN	1739	Run / Crank Ignition 1 Voltage	I
5	—	—	—	Not Occupied	—
6	0.35	VT / YE	5985	Accessory Wake-up Serial Data	I
7	0.5	BU	2500	High Speed GMLAN Serial Data (+) 1	I

Table 1020 K69 Transfer Case Control Module X2 (Feature Code: 0013TLP (0013WDB)) (cont.)

Pin	Size	Color	Circuit	Function	Terminal Type ID
8	0.5	WH	2501	High Speed GMLAN Serial Data (-) 1	I
9-11	—	—	—	Not Occupied	—
12	0.35	BN	1560	Neutral Indicator Control	I
13	0.35	GN / BK	1563	2 HI Indicator Control	I
14	0.35	BN / BK	1566	4 HI Indicator Control	I
15	0.5	BU	2500	High Speed GMLAN Serial Data (+) 1	I
16	0.5	WH	2501	High Speed GMLAN Serial Data (-) 1	I



Connector Part Information

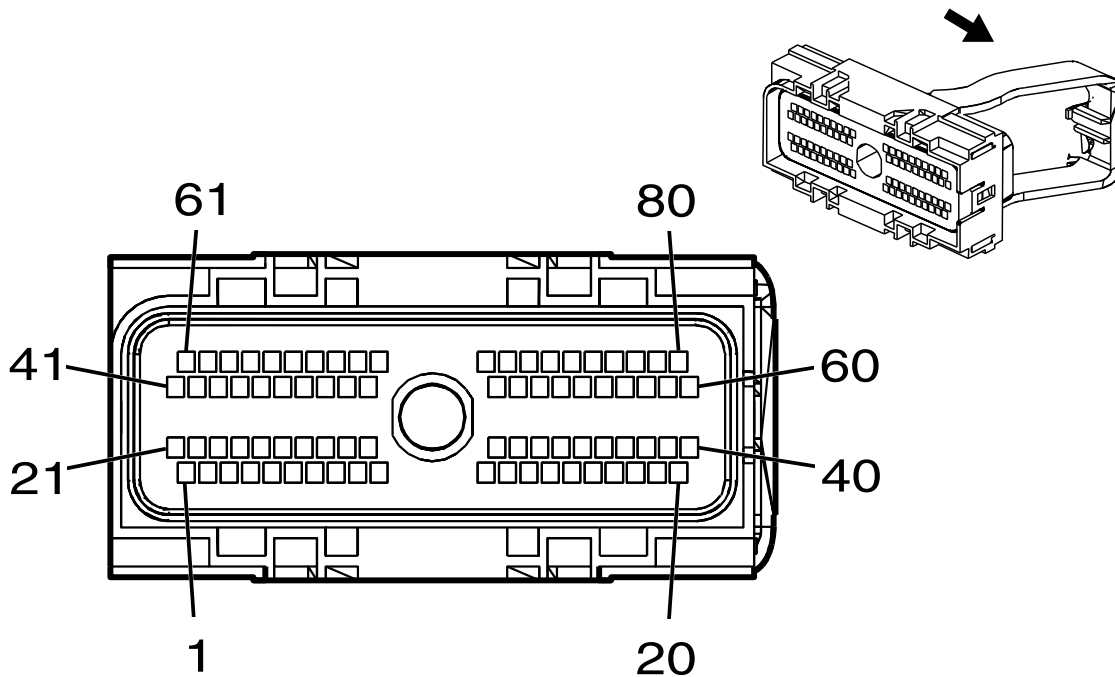
- Harness Type: Brake Clutch
- Service Connector: Service by Harness
- Description: 4-Way F 280 GT Series (L-GY)

Table 1022 Terminal Part Information

Terminal Type ID	Service Terminal	Diagnostic Test Probe
I	3544876C1 1mm	J-35616-4A (PU)
	3544877C1 3mm	

Table 1023 K69 Transfer Case Control Module X3 (Feature Code: 0013TLP (0013WDB))

Pin	Size	Color	Circuit	Function	Terminal Type ID
A	1	YE / VT	1553	Transfer Case Motor Counter Clockwise Control	I
B	1	YE / GY	1552	Transfer Case Motor Clockwise Control	I
C	3	RD / GY	1342	Primary Fused Battery Positive Voltage 13	I
D	3	BK	550	Ground 5	I



Connector Part Information

- Harness Type: Engine Chassis
- Service Connector: 6040284C1
- Description: 80-pin F 1.5 Series, Sealed (BK)

Table 1025 Terminal Part Information

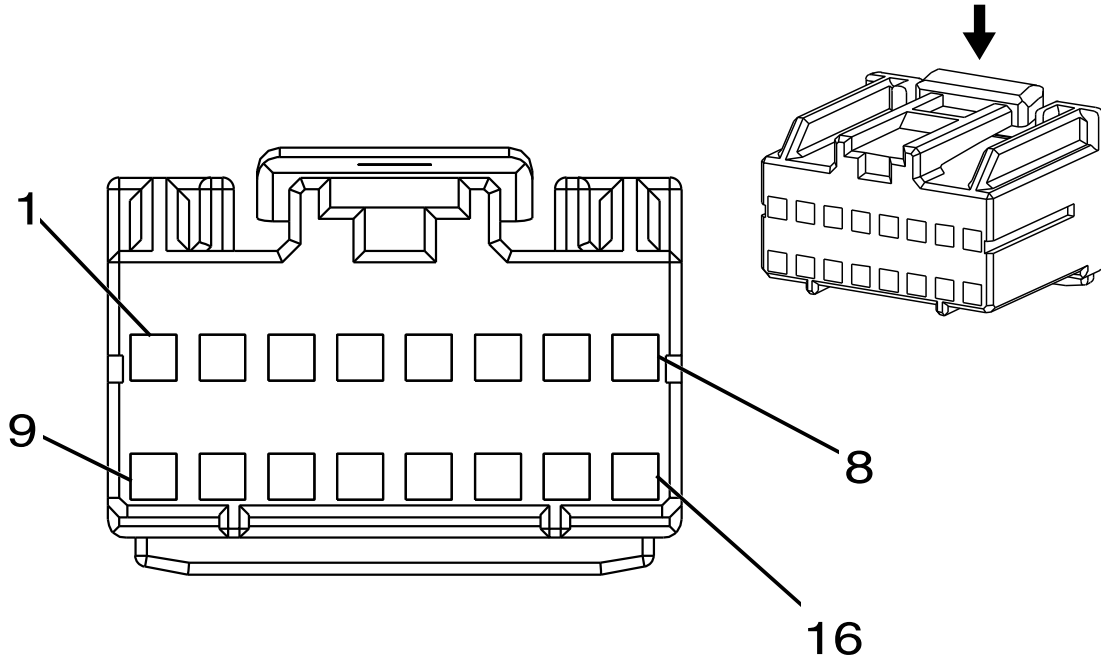
Terminal Type ID	Service Terminal	Diagnostic Test Probe
I	6041963C1	J-35616-14 (GN)

Table 1026 K71 Transmission Control Module

Pin	Size	Color	Circuit	Function	Terminal Type ID
1-5	—	—	—	Not Occupied	—
6	0.75	YE	2500	High Speed GMLAN Serial Data (+) 1	I
7-8	—	—	—	Not Occupied	—
9	1	BK	109	Hood Ajar Switch Signal	I
10	1	RD	110	Sunroof Switch Close Signal	I
11	0.75	OG	111	Hazard Switch Signal	I
12-13	—	—	—	Not Occupied	—
14	0.75	GY	114	Engine Oil Pressure Switch Signal	I
15-16	—	—	—	Not Occupied	—
17	0.75	BU	117	Right Front Speaker Signal (-) 1	I
18-19	—	—	—	Not Occupied	—
20	0.75	BU	120	Transmission Input Shaft Speed Sensor Signal	I
21-22	—	—	—	Not Occupied	—
23	0.75	GN	123	Folding Top Relay Up Control	I
24	—	—	—	Not Occupied	—
25	0.75	GN / GY	125	Folding Top Bypass Switch Control	I
26	—	—	—	Not Occupied	—
27	0.75	GN	2501	High Speed GMLAN Serial Data (-) 1	III
28-30	—	—	—	Not Occupied	—
31	0.75	YE	131	Sunroof Limit Switch Range Signal	I
32	—	—	—	Not Occupied	—
33	0.75	YE	133	Sunroof Limit Switch Low Reference	I
34	0.75	WH	134	Charge Port Valve Command Signal	I
35	—	—	—	Not Occupied	—
36	0.75	OG	136	Driver Information Center Fuel LED Control	I
37	0.75	WH	137	Driver Information Center Switch Economy LED Control	I
38	0.75	OG	138	Rear Compartment Lid Pull Down Motor Control	I
39	—	—	—	Not Occupied	—
40	0.75	GN	140	Transmission Output Shaft Speed Sensor Signal	I
41-50	—	—	—	Not Occupied	—
51	0.75	WH	151	Signal Ground	I
52	0.75	GN	152	Driver Information Center Gauge LED Control	I
53	0.75	YE	153	Driver Information Center Oil LED Control	I

Table 1026 K71 Transmission Control Module (cont.)

Pin	Size	Color	Circuit	Function	Terminal Type ID
54	0.75	TN	154	Driver Information Center Date LED Control	I
55	0.75	WH	155	Driver Seat Belt Retractor Solenoid Control	I
56	—	—	—	Not Occupied	—
57	0.75	WH	157	Interior Lamp Control	I
58	0.75	GN	158	Cargo Lamp Switch Signal	I
59	—	—	—	Not Occupied	—
60	0.75	YE	160	Transmission Output Shaft Speed Sensor Reference Voltage	I
61-62	—	—	—	Not Occupied	—
63	0.75	YE	163	Folding Top Motor Down Control	I
64-68	—	—	—	Not Occupied	—
69	1	BK	169	Power Window Master Switch Left Rear Down Signal	I
70	1	RD	170	Power Window Master Switch Right Rear Up Signal	I
71	0.75	YE	171	Power Window Master Switch Right Rear Down Signal	I
72	—	—	—	Not Occupied	—
73	0.75	BU	173	ABS Pump Motor Control	I
74	0.75	BU	174	Low Washer Fluid Indicator Control	I
75 - 76	—	—	—	Not Occupied	—
77	0.75	GN	177	Left Folding Top Motor Down Control	I
78	0.75	WH	178	Right Folding Top Motor Down Control	I
79	0.75	RD	179	Oil Pump Command Signal	I
80	0.75	OG	180	Transmission Input Shaft Speed Sensor Reference Voltage	I



Connector Part Information

- Harness Type: Instrument Panel
- Service Connector: 6040229C1
- Description: 16-pin F 100A Micro-Pack Series (NA)

Table 1028 Terminal Part Information

Terminal Type ID	Service Terminal	Diagnostic Test Probe
I	6042036C1	J-35616-4A (PU)
II	6042036C1	J-35616-4A (PU)

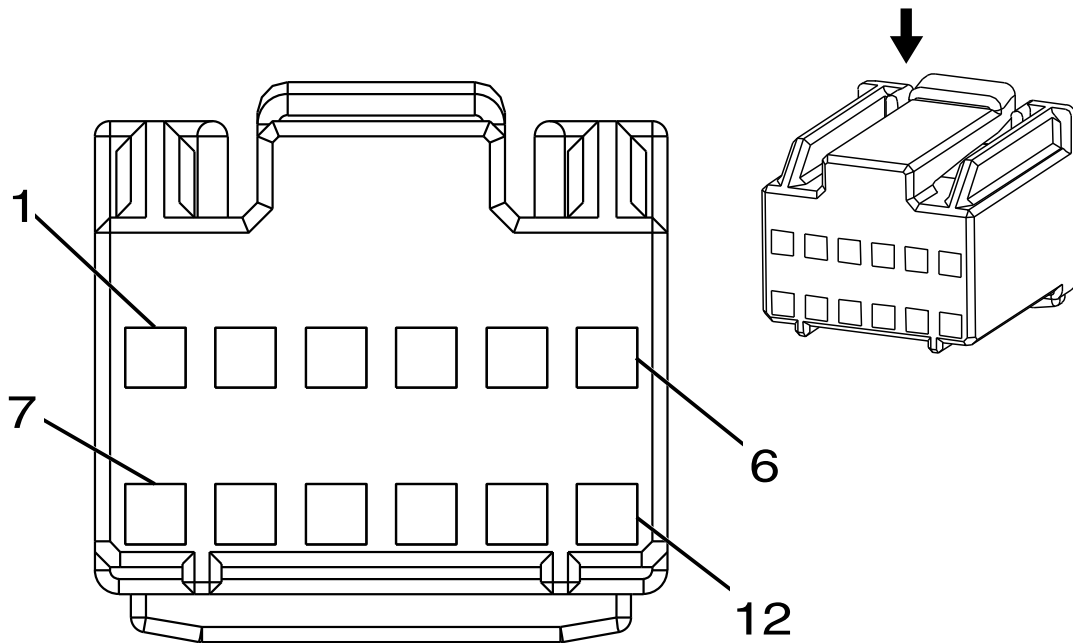
Table 1029 K73 Telematics Communication Interface Control Module X1 (Feature Code: 0008AAE)

Pin	Size	Color	Circuit	Function	Terminal Type ID
1	0.5	GY / GN	1102	Low Speed GMLAN Serial Data #2	II
2	0.35	BN / WH	2517	Keypad Red LED Control	I
3	0.35	YE / VT	2516	Keypad Green LED Control	I
4-5	—	—	—	Not Occupied	—
6	0.35	GN / BK	2515	Keypad Control	I

ELECTRICAL CIRCUIT DIAGRAM MANUAL

**Table 1029 K73 Telematics Communication Interface Control Module X1 (Feature Code: 0008AAE)
(cont.)**

Pin	Size	Color	Circuit	Function	Terminal Type ID
7	0.35	BK	2550	Ground	I
8-9	—	—	—	Not Occupied	—
10	0.35	BU / GN	1304	High Speed GMLAN Serial Data (+) 9	I
11	0.35	GN / WH	2514	Keypad Signal	I
12	0.35	WH / GN	1305	High Speed GMLAN Serial Data (-) 9	I
13-14	—	—	—	Not Occupied	—
15	0.35	RD / BU	3240	Battery Positive Voltage	I
16	—	—	—	Not Occupied	—



Connector Part Information

- Harness Type: Instrument Panel
- Service Connector: 6040278C1
- Description: 12-pin F 100 amp Micro-Pack Series (NA)

Table 1031 Terminal Part Information

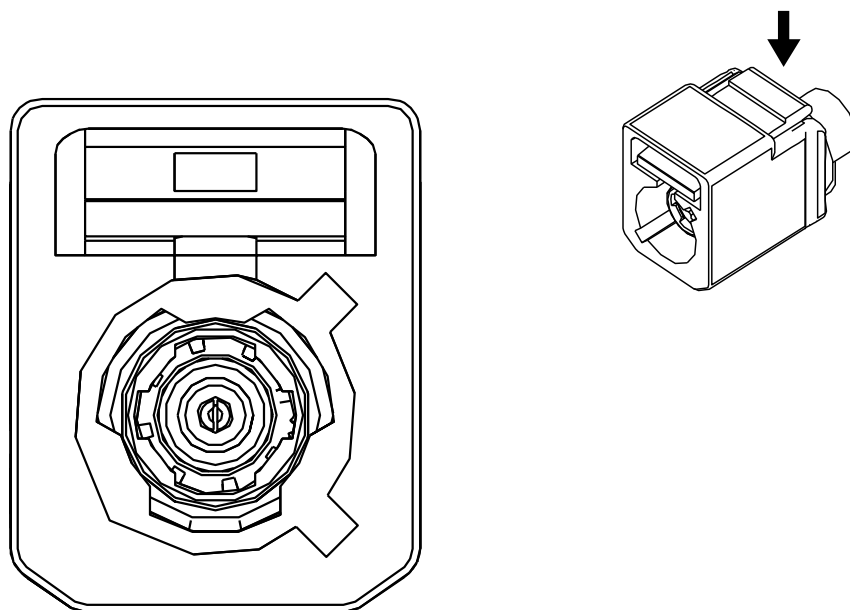
Terminal Type ID	Service Terminal	Diagnostic Test Probe
I	6042036C1	J-35616-16 (LT GN)
II	6042036C1	J-35616-16 (LT GN)
III	6041999C1	J-35616-16 (LT GN)

Table 1032 K73 Telematics Communication Interface Control Module X2 (Feature Code: 0008AAE)

Pin	Size	Color	Circuit	Function	Terminal Type ID
1	0.35	YE	658	Cellular Telephone Voice Signal	I
2	0.35	BK / YE	659	Cellular Telephone Voice Low Reference	I
3	0.5	D-BU / L-GN	1304	High Speed GMLAN Serial Data (+) 9	II

**Table 1032 K73 Telematics Communication Interface Control Module X2 (Feature Code: 0008AAE)
(cont.)**

Pin	Size	Color	Circuit	Function	Terminal Type ID
4	0.5	WH / L-GN	1305	High Speed GMLAN Serial Data (-) 9	II
5	0.5	BARE	1792	Low Reference	II
6	0.35	GY / YE	5149	Voice Recognition Audio Signal	III
7	0.35	WH / D-BU	5986	Serial Data Communication Enable	I
8	0.35	BARE	1782	Low Reference	I
9	0.35	D-BU	655	Cellular Telephone Microphone Signal	I
10	0.35	BK / BN	654	Cellular Telephone Microphone Low Reference	I
11	—	—	—	Not Occupied	—
12	0.35	BK / GY	5152	Voice Recognition Audio Low Reference	I



Connector Part Information

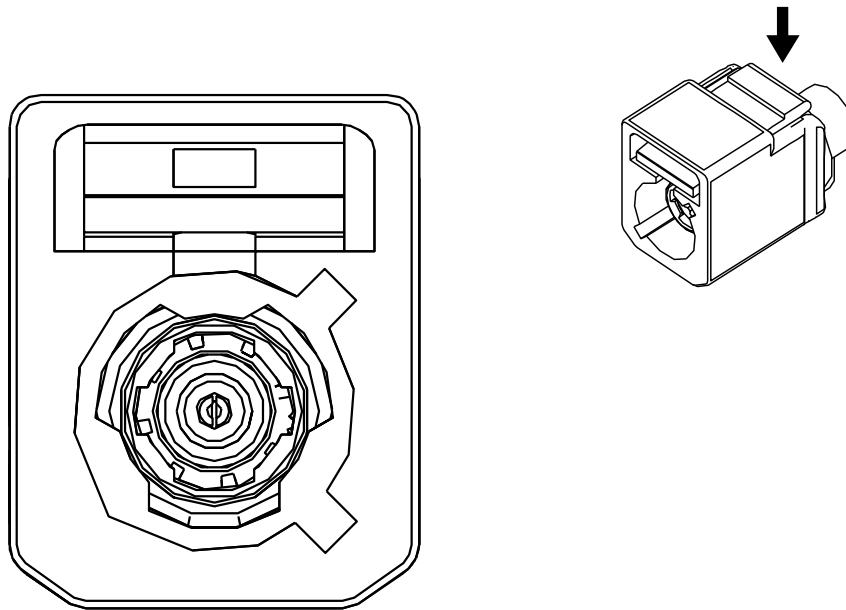
- Harness Type: Instrument Panel
- Service Connector: Service by Cable Assembly
- Description: 1-Way F Coax Type (VT)

Table 1034 Terminal Part Information

Terminal Type ID	Service Terminal	Diagnostic Test Probe
I	Not Available	No Tool Required

Table 1035 K73 Telematics Communication Interface Control Module X5 (0008RNP /0008RNX)

Pin	Size	Color	Circuit	Function	Terminal Type ID	Option
1	Coax.	Coax.	Coax.	(Cell only) Coaxial Antenna Cell Phone Signal	Coax.I	—



Connector Part Information

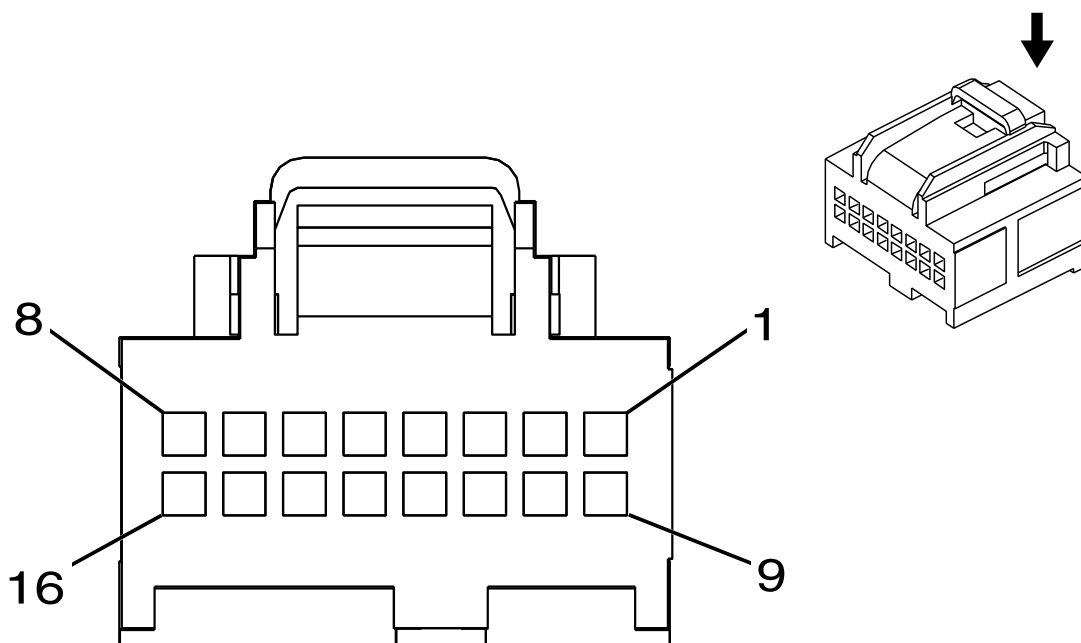
- Harness Type: Instrument Panel
- Service Connector: Service by Cable Assembly
- Description: 1-Way F Coax Type (BN)

Table 1037 Terminal Part Information

Terminal Type ID	Service Terminal	Diagnostic Test Probe
I	Not Available	No Tool Required

Table 1038 K73 Telematics Communication Interface Control Module X7 (0008RNP /0008RNX)

Pin	Size	Color	Circuit	Function	Terminal Type ID	Option
1	Coax.	Coax.	Coax.	(Cell only) Coaxial Antenna Cell Phone Signal	Coax.I	—



Connector Part Information

- Harness Type: Instrument Panel
- Service Connector: 6040193C1
- Description: 16-Way F 0.64 OCS Series (BK)

Table 1040 Terminal Part Information

Terminal Type ID	Service Terminal	Diagnostic Test Probe
I	6042048C1 0.35mm-0.5mm	J-35616-64B (LT BU)
	6042049C1 0.75 mm	

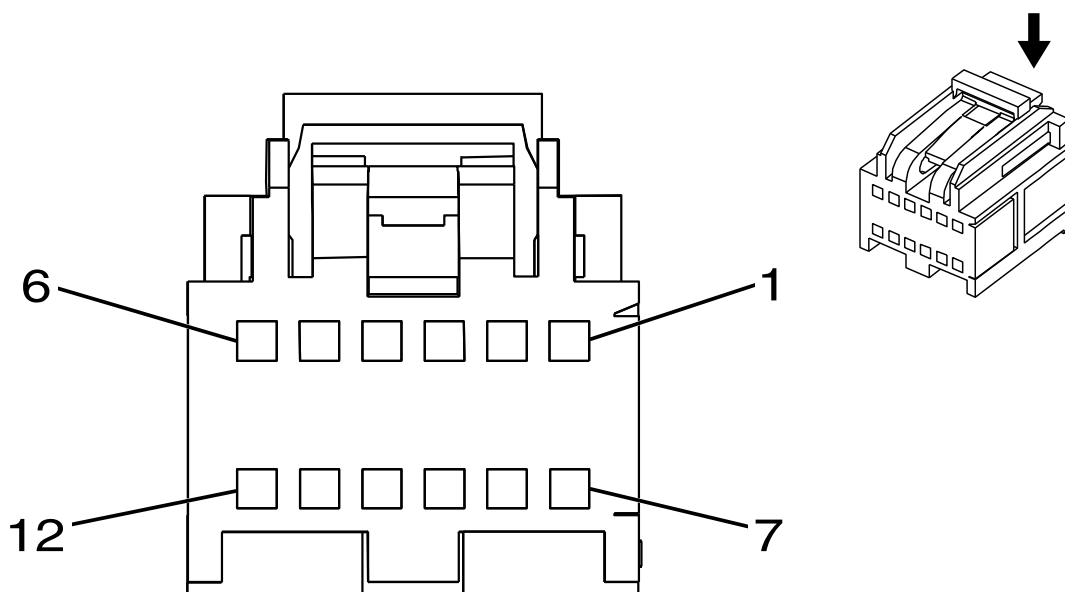
Table 1041 K74 Human Machine Interface Control Module X1 (Feature Code: 0008RNW / 0008RNX)

Pin	Size	Color	Circuit	Function	Terminal Type ID
1	0.35	GY / YE	5149	Voice Recognition Audio Signal	I
		D-BU	655	Cellular Telephone Microphone Signal	I
2	0.35	BK / GY	5152	Voice Recognition Audio Low Reference	I
		BK / GN	654	Cellular Telephone Microphone Low Reference	I

ELECTRICAL CIRCUIT DIAGRAM MANUAL

**Table 1041 K74 Human Machine Interface Control Module X1 (Feature Code: 0008RNW / 0008RNX)
(cont.)**

Pin	Size	Color	Circuit	Function	Terminal Type ID
3-4	—	—	—	Not Occupied	I
5	0.35	WH / BU	5986	Serial Data Communication Enable	I
6	—	—	—	Not Occupied	—
7	0.75	RD / VT	340	Battery Positive Voltage	I
8	0.75	BK	2550	Ground	I
9	0.5	L-GN/WH	7527	Local Interconnect Network Serial Data Bus 5	I
10	—	—	—	Not Occupied	—
11	0.35	D-BU/L-GN	1304	High Speed GMLAN Serial Data (+)9	I
	0.5	D-BU/L-GN	1304	High Speed GMLAN Serial Data (+)9	I
12	0.35	WH/L-GN	1305	High Speed GMLAN Serial Data (-)9	I
	0.5	WH/L-GN	1305	High Speed GMLAN Serial Data (-)9	I
13	0.5	D-BU/L-GN	1304	High Speed GMLAN Serial Data (+)9	I
14	0.5	WH/L-GN	1305	High Speed GMLAN Serial Data (-)9	I
15-16	—	—	—	Not Occupied	—



Connector Part Information

- Harness Type: Instrument Panel
- Service Connector: 6041826C1
- Description: 12-pin F 0.64 OCS Series (GY)

Table 1043 Terminal Part Information

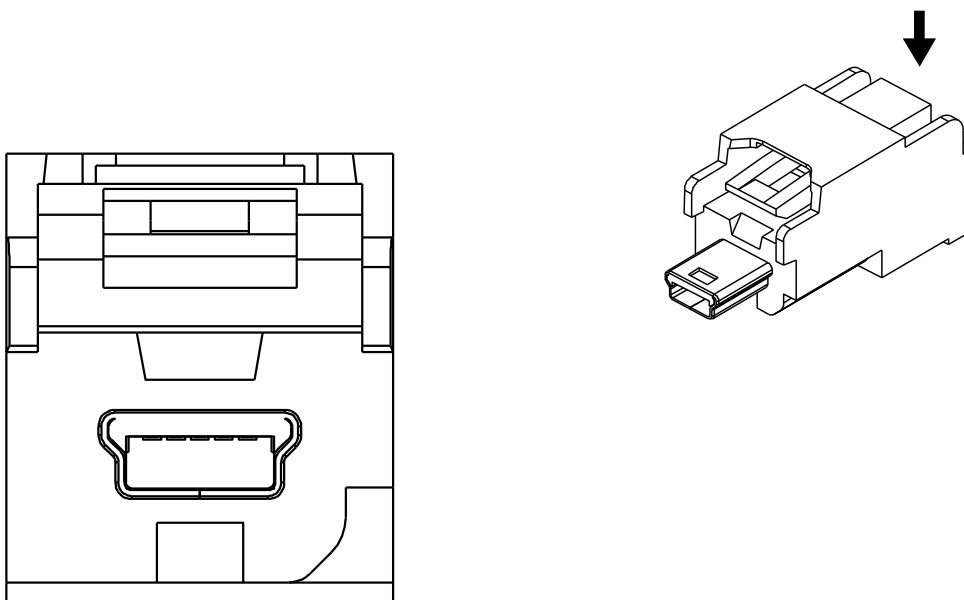
Terminal Type ID	Service Terminal	Diagnostic Test Probe
I	6042048C1	J-35616-64B (LT BU)

Table 1044 K74 Human Machine Interface Control Module X2 (Feature Code: 0008RNW / 0008RNX)

Pin	Size	Color	Circuit	Function	Terminal Type ID
1	0.35	WH / VT	3999	MOST Bus Control	I
2	0.5	WH / GN	3997	MOST Serial Data (-)	I
3	0.5	GY / VT	3998	MOST Serial Data (+)	I
4	—	—	—	Not Occupied	—
5	0.35	GY / YE	6972	Camera Signal 2 (+)	I
6	0.35	WH / BU	6973	Camera Signal 2	I

**Table 1044 K74 Human Machine Interface Control Module X2 (Feature Code: 0008RNW / 0008RNX)
(cont.)**

Pin	Size	Color	Circuit	Function	Terminal Type ID
7	—	—	—	Not Occupied	—
8	0.5	GY / VT	3998	MOST Bus Serial Data (+)	I
9	0.5	WH / GN	3997	MOST Bus Serial Data (-)	I
10-12	—	—	—	Not Occupied	—



Connector Part Information

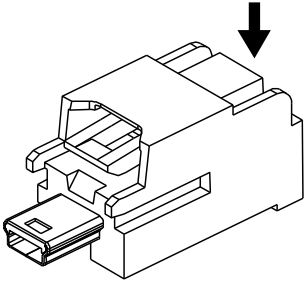
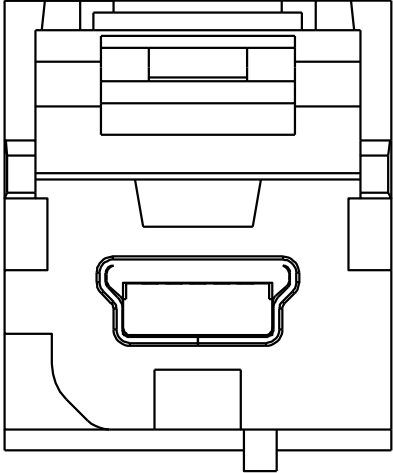
- Harness Type: Instrument Panel USB
- Service Connector: Service by Cable Assembly
- Description: 5-Way M 2.0 Mini-B USB Type (BK)

Table 1046 Terminal Part Information

Terminal Type ID	Service Terminal	Diagnostic Test Probe
I	Not Available	No Tool Required

Table 1047 K74 Human Machine Interface Control Module X3 (0008RNW / 0008RNX / 0008RNP / 0008RNR)

Pin	Size	Color	Circuit	Function	Terminal Type ID
USB	USB	USB	USB	USB	USB



Connector Part Information

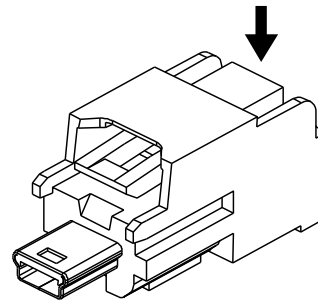
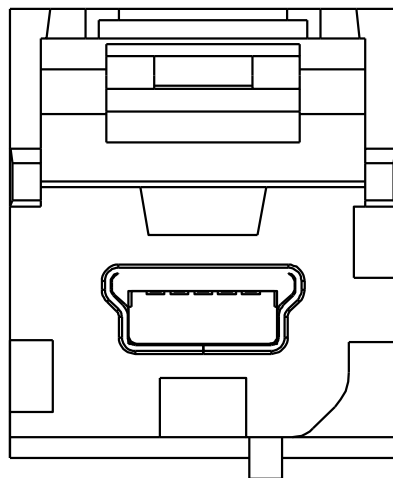
- Harness Type: Instrument Panel
- Service Connector: Service by Cable Assembly
- Description:—

Table 1049 Terminal Part Information

Terminal Type ID	Service Terminal	Diagnostic Test Probe
I	Not Available	No Tool Required

Table 1050 K74 Human Machine Interface Control Module X4 (0008RNW / 0008RNX / 0008RNP / 0008RNR)

Pin	Size	Color	Circuit	Function	Terminal Type ID
USB	USB	USB	USB	USB	USB



Connector Part Information

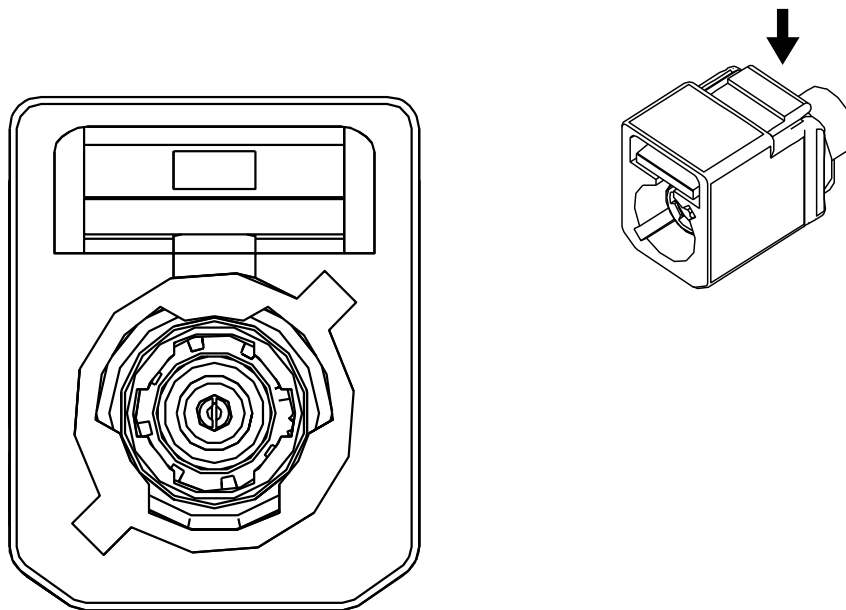
- Harness Type: Instrument Panel LVDS
- Service Connector: Service by Cable Assembly
- Description: 5-Way M 2.0 Mini-B USB Type (BU)

Table 1052 Terminal Part Information

Terminal Type ID	Service Terminal	Diagnostic Test Probe
I	Not Available	No Tool Required

Table 1053 K74 Human Machine Interface Control Module X5 (0008RNW / 0008RNX / 0008RNP / 0008RNR)

Pin	Size	Color	Circuit	Function	Terminal Type ID
—	—	LVDS	—	Infotainment Display Signal	I



Connector Part Information

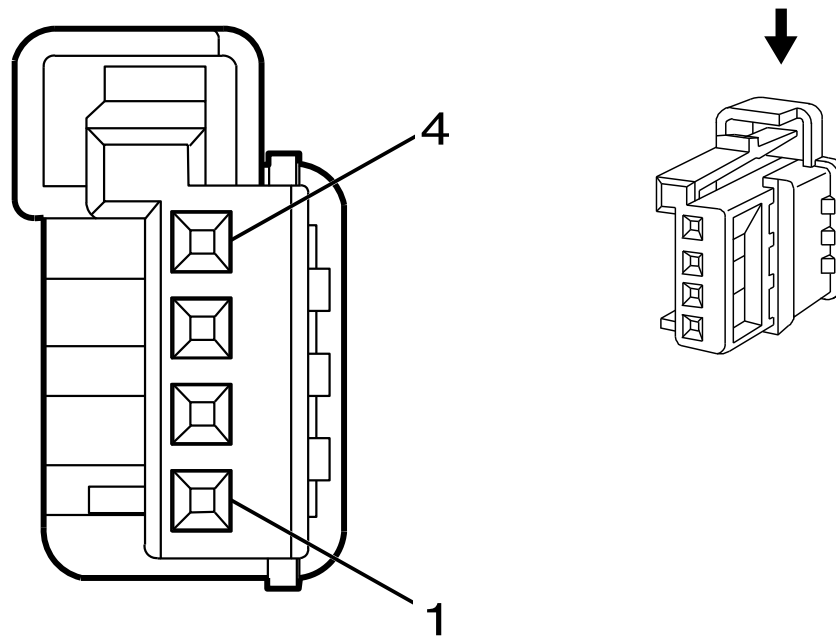
- Harness Type: Instrument Panel
- Service Connector: Service by Cable Assembly
- Description:—

Table 1055 Terminal Part Information

Terminal Type ID	Service Terminal
I	Not Available

Table 1056 K74 Human Machine Interface Control Module X7 (0008RNP / 0008RNX)

Pin	Size	Color	Circuit	Function	Terminal Type ID
—	—	Coax.	—	Coax. (GPS only) Coaxial Antenna GPS Signal	I



Connector Part Information

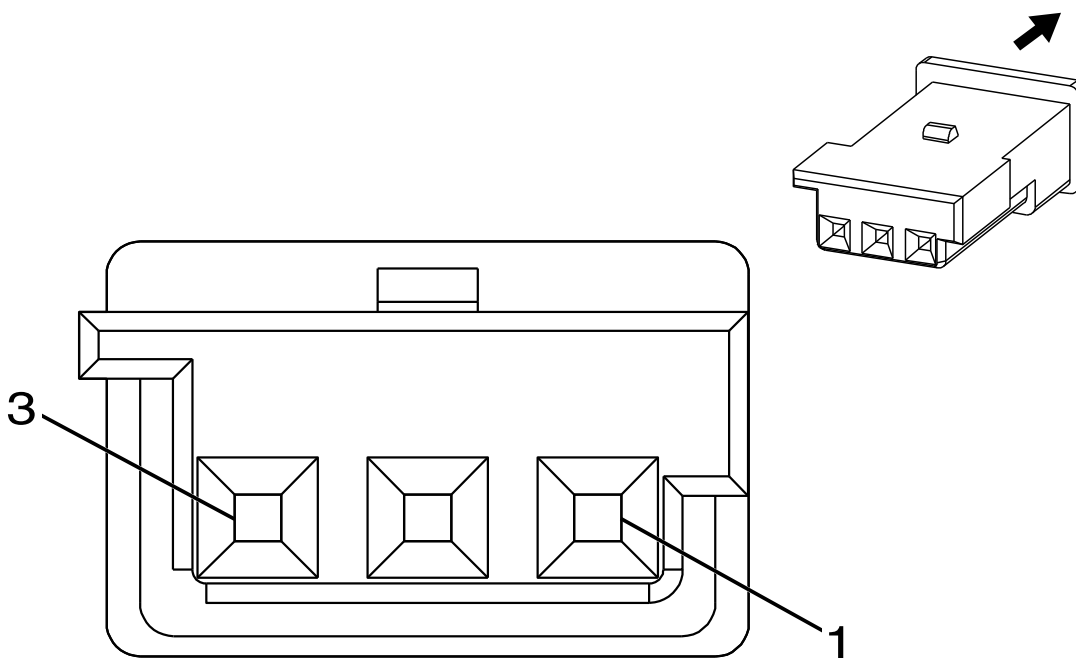
- Harness Type: Body
- Service Connector: 6040208C1
- Description: 4-Way F 0.64 Micro-Quadlock Series (BK)

Table 1058 Terminal Part Information

Terminal Type ID	Service Terminal	Diagnostic Test Probe
I	6042016C1	J-35616-64B (LT BU)

Table 1059 K77 Remote Control Door Lock Receiver

Pin	Size	Color	Circuit	Function	Terminal Type ID
1	0.35	GY	3273	Remote Control Door Lock Receiver Low Reference	I
2	0.35	YE / GN	3274	Remote Control Door Lock Receiver Transmit Signal	I
3	0.35	BU / WH	3275	Remote Control Door Lock Receiver Receive Signal	I
4	0.35	GY / WH	3272	Remote Control Door Lock Receiver Control	I



Connector Part Information

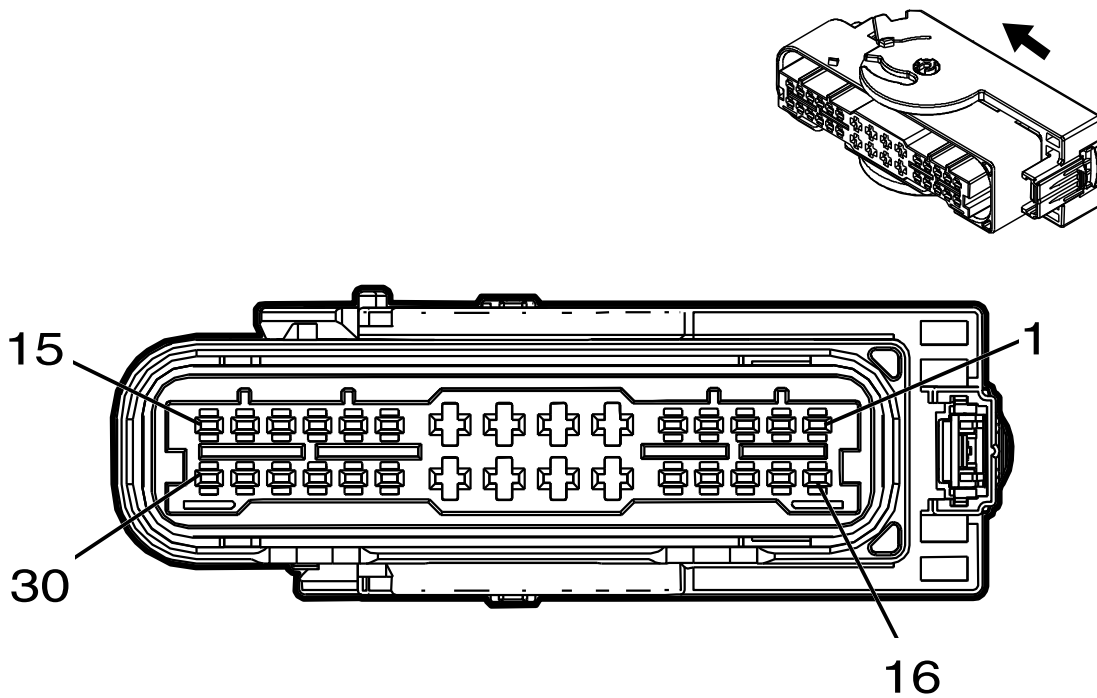
- Harness Type: Body
- Service Connector: Service by Harness
- Description: 3-Way F Micro-Quadlock Series (PU)

Table 1061 Terminal Part Information

Terminal Type ID	Service Terminal	Diagnostic Test Probe
I	Not Available	J-35616-4A (PU)

Table 1062 K89 Immobilizer Control Module

Pin	Size	Color	Circuit	Function	Terminal Type ID
1	0.35	GN / GY	3277	Vehicle Anti-Theft System Immobilizer Low Reference	I
2	0.5	GN / VT	7533	Local Interconnect Network Serial Data Bus 11	I
3	0.35	GY / BK	3276	Vehicle Anti-Theft System Immobilizer Control	I



Connector Part Information

- Harness Type: Chassis
- Service Connector: 4086737C1
- Description: 30-Way F 1.5, 2.8 Series, Sealed (BK)

Table 1064 Terminal Part Information

Terminal Type ID	Service Terminal	Diagnostic Test Probe
I	4086472C1	J-35616-4A (PU)
II	3830798C1	J-35616-4A (PU)

Table 1065 K111 Fuel Pump Driver Control Module

Pin	Size	Color	Circuit	Function	Terminal Type ID
1-3	—	—	—	Not Occupied	—
4	0.5	BN / VT	455	Fuel Filter Temperature Signal	I
5	0.5	BK / BU	6861	Water In Fuel Sensor Signal	I
6	—	—	—	Not Occupied	—
7	2.5	RD / VT	1242	Battery Positive Voltage	II

Table 1065 K111 Fuel Pump Driver Control Module (cont.)

Pin	Size	Color	Circuit	Function	Terminal Type ID
8	1.5	GY	120	Fuel Pump Control	II
9	1.5	YE / GY	4137	Fuel Pump Supply Voltage Phase 2	II
10-12	—	—	—	Not Occupied	—
13	0.5	BU / VT	1589	Primary Fuel Level Sensor Signal	I
	0.5	VT	1589	Primary Fuel Level Sensor Signal	I
14	0.5	BU	1937	Secondary Fuel Level Sensor Signal	I
15	0.5	WH	4499	High Speed GMLAN Serial Data (-) 7	I
16	1	VT / BU	3674	NOx Sensor 1 Control	I
17	1	VT / GN	439	Run / Crank Ignition 1 Voltage	I
18	0.5	GN / GY	465	Fuel Pump Primary Relay Control	I
19	0.5	BK / VT	412	Fuel Filter Temperature Sensor Low Reference	I
20-21	—	—	—	Not Occupied	—
22	1.5	BK	2150	Ground	II
23	0.5	BK	7444	Fuel System Control Module Shield Ground	II
24	1.5	WH / BN	4138	Fuel Pump Supply Voltage Phase 3	II
25	0.5	BK / BU	6863	Water In Fuel Sensor Low Reference	I
26-27	—	—	—	Not Occupied	—
28	0.5	BK / GN	6281	Fuel Level Sensor Low Reference	I
29	0.5	BN / WH	6281	Fuel Level Sensor Low Reference	I
30	0.5	BU / BN	4498	High Speed GMLAN Serial Data (+) 7	I

ELECTRICAL CIRCUIT DIAGRAM MANUAL

Connector Part Information

- Harness Type: Chassis
- Service Connector: 4164172C1
- Description: 46-Way F 1.2 OCS, 2.8, 6.3 CTS Series, Sealed (GY)

Table 1067 Terminal Part Information

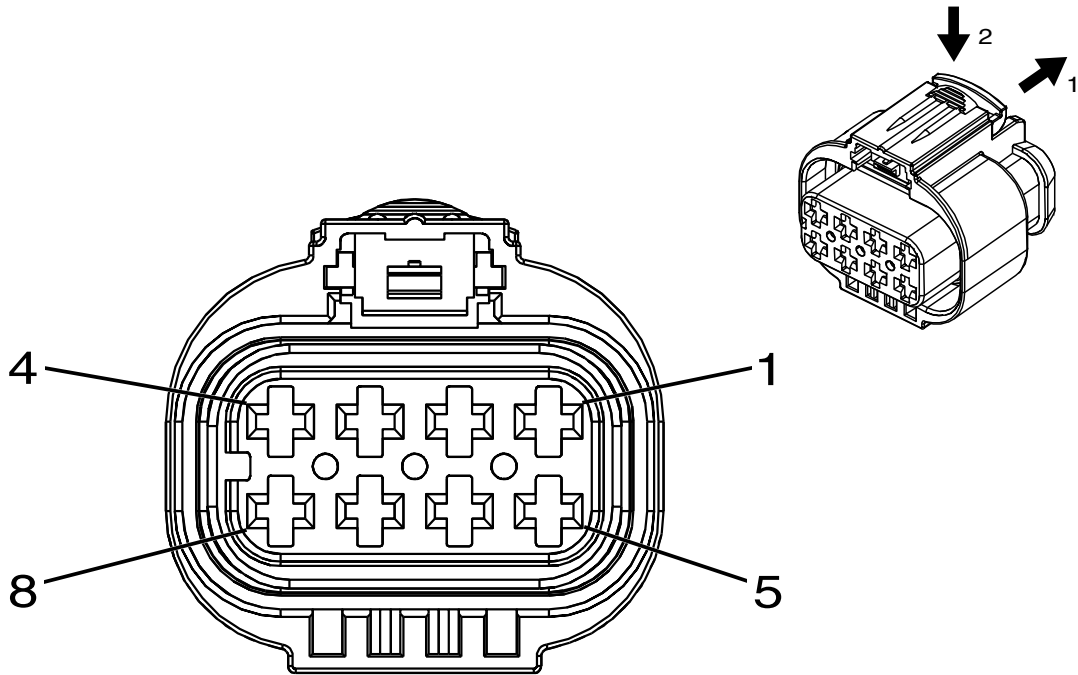
Terminal Type ID	Service Terminal	Diagnostic Test Probe
I	Not Available	Not Available

Table 1068 K111 Fuel Pump Driver Control Module

Pin	Size	Color	Circuit	Function	Terminal Type ID
1	1.5	WH/BN	4138	Fuel Pump Supply Voltage Phase 3	I
2	1.5	GY	120	Fuel Pump Control	I
3	2	GY/BN	439	Run/Crank Ignition 1 Voltage 4	I
4	0.5	WH/RD	6862	Water In Fuel Sensor Voltage Reference	I
5	—	—	—	Not Occupied	—
6	0.75	BU	10131	Fuel Balance Pump Disable Control	I
7	0.5	BU/BN	4498	High Speed GMLAN Serial Data [+] 7	I
8	0.5	WH	4499	Fuel Pump Assembly Shield Ground	I
—	—	—	—	Not Occupied	—
10	0.75	VT/GN	4320	Powertrain Sensor Bus Enable	I
11	0.5	GN/GY	465	Fuel Pump Primary Relay Control	I
12	—	—	—	Not Occupied	—
13	2.5	GY	1058	Fuel Transfer Pump Control	I
14	2.5	BK	A50	Ground	I
15	0.75	BK	7444	Fuel Pump Assembly Shield Ground	I
16	0.5	BK/YE	6861	Water In Fuel Sensor Signal	I
17–18	—	—	—	Not Occupied	—
19	0.5	BN/RD	7445	Fuel Pressure Sensor 5V Reference	I
20	0.5	WH/BU	7446	Fuel Pressure Sensor Signal	I
21	0.5	BK/GN	6281	Fuel Level Sensor Low Reference	I
22	0.5	BK	6282	Fuel Level Sensor 2 Low Reference	I
23	0.5	WH	6382	Reverse Indicator Signal	I
24	0.5	BK	412	Fuel Filter Temperature Sensor Low Reference	I
25–29	—	—	—	Not Occupied	—
30	1.5	YE/GY	4137	Fuel Pump Supply Voltage Phase 2	I

Table 1068 K111 Fuel Pump Driver Control Module (cont.)

Pin	Size	Color	Circuit	Function	Terminal Type ID
31-34	—	—	—	Not Occupied	I
35	0.5	BK/YE	7447	Fuel Pressure Sensor Low Reference	I
36	0.5	GY/BN	455	Fuel Filter Temperature Signal	I
37	0.5	GY/BN	1589	Primary Fuel Level Sensor Signal 2	I
38	0.5	BU	1937	Secondary Fuel Level Sensor Signal	I
39-43	—	—	—	Not Occupied	—
44	0.75	BK/YE	2737	Low Reference	I
45	—	—	—	Not Occupied	—
46	2.5	RD/VT	A40	Secondary Fused Battery Positive Voltage	I



Connector Part Information

- Harness Type: Reductant Control Module
- Service Connector: Service by Harness
- Description: 8-Way F 2.8 Series, Sealed (BK)

Table 1070 Terminal Part Information

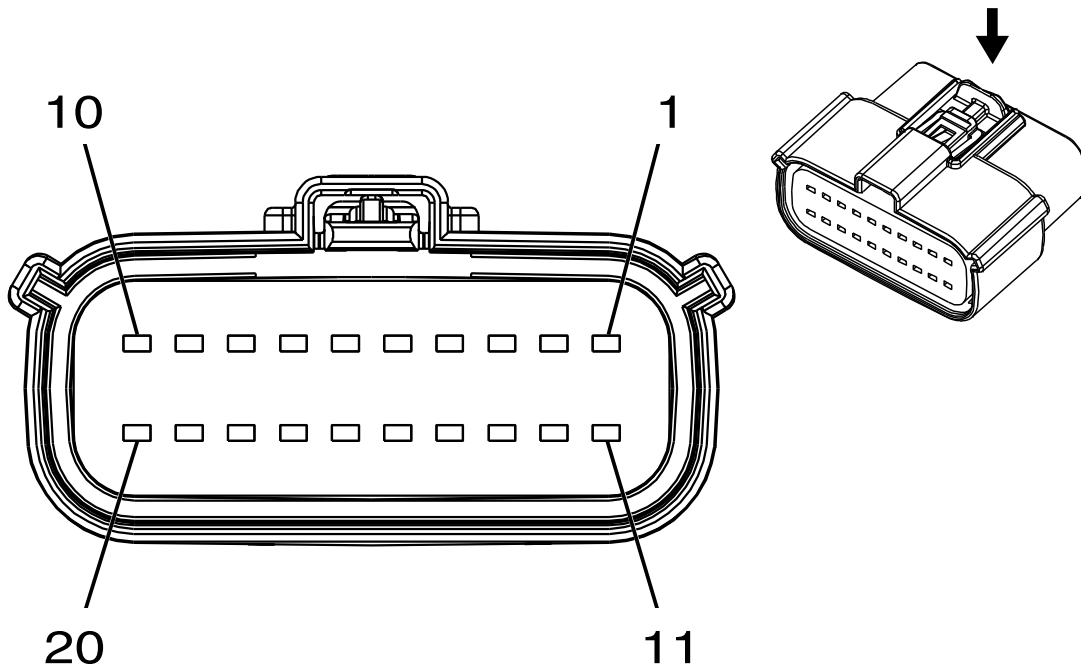
Terminal Type ID	Service Terminal	Diagnostic Test Probe
I	Not Available	J-35616-35 (VT)
II	Not Required	J-35616-4A (PU)

Table 1071 K115 Reductant Control Module X1

Pin	Size	Color	Circuit	Function	Terminal Type ID
1	2.5	RD / WH	3440	Battery Positive Voltage	I
2	0.5	WH	4499	High Speed GMLAN Serial Data (-) 7	II
3	0.5	BU / BN	4498	High Speed GMLAN Serial Data (+) 7	II
4	2.5	BK	550	Ground	I
5	2.5	PU / GN	4320	Powertrain Sensor Bus Enable	I

Table 1071 K115 Reductant Control Module X1 (cont.)

Pin	Size	Color	Circuit	Function	Terminal Type ID
6	0.5	WH	4499	High Speed GMLAN Serial Data (-) 7	II
7	0.5	BU / BN	4498	High Speed GMLAN Serial Data (+) 7	II
8	2.5	BU	3922	DEF Heater Supply 2	—



Connector Part Information

- Harness Type: Chassis
- Service Connector: Service by Harness
- Description: 20-Way F 1.5 Series, Sealed (BK)

Table 1073 Terminal Part Information

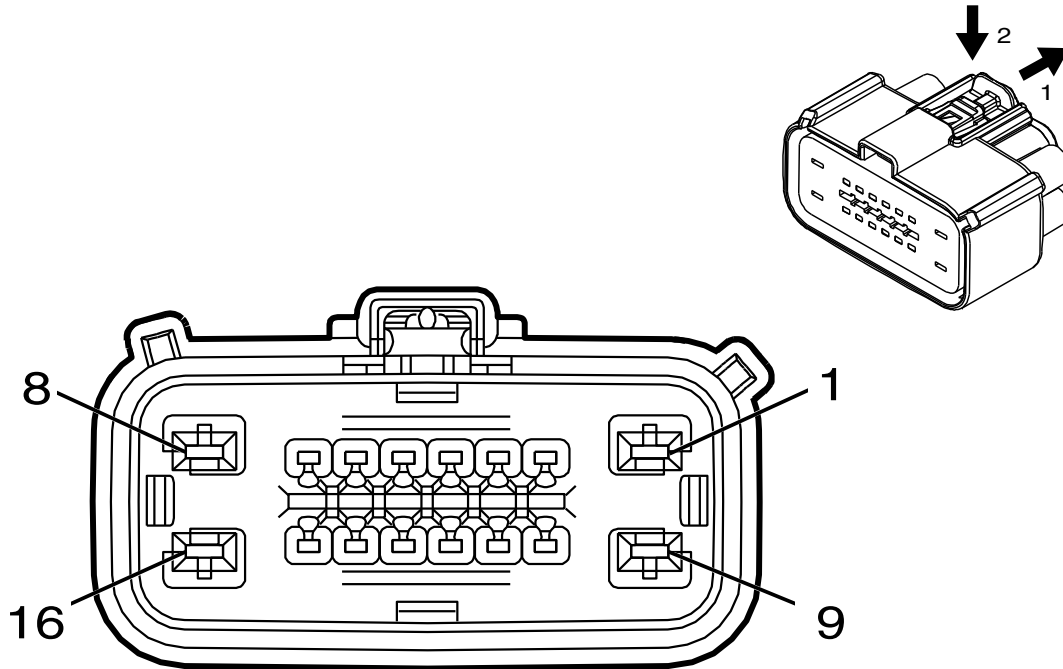
Terminal Type ID	Service Terminal	Diagnostic Test Probe
I	Not Available	J-35616-14 (GN)
II	Not Required	J-35616-2A (GY)

Table 1074 K115 Reductant Control Module X2

Pin	Size	Color	Circuit	Function	Terminal Type ID
1	1	BN	3876	DEF Smart Pump Control Phase 3	—
2	1	BU	3875	DEF Smart Pump Control Phase 2	2
3	1	WH	3103	DEF Smart Pump Control	2
4	1	BK	4318	DEF Tank Heater Low Control	I
5	1	BN	3104	DEF Smart Pump Low Reference	I

Table 1074 K115 Reductant Control Module X2 (cont.)

Pin	Size	Color	Circuit	Function	Terminal Type ID
6	0.5	BK	7285	Diesel Exhaust Fluid Liquid Quality Temperature Sensor Low Reference	I
7	1	BN	3199	DEF Pressure Line Heater Control	II
8	—	—	—	Not Occupied	—
9	0.5	BN	3244	DEF Tank Temperature Sensor Signal	I
10	0.5	BK	3245	DEF Tank Temperature Sensor Low Reference	—
11	1	WH	3677	DEF Reservoir Heater Control	
12	0.5	BN	3106	DEF Pressure Sensor 5V Reference	
13	0.5	BU	3108	DEF Pressure Sensor Signal	I I
14	0.5	BU	3107	DEF Pressure Sensor Low Reference	I
15	0.5	BK	7290	Diesel Exhaust Fluid Sensor Voltage Reference (1)	I
16	0.5	BN	3028	DEF Tank Level Sensor Signal	I
17	0.5	BU	3029	DEF Tank Level Sensor Low Reference	I
18	0.5	BN	53	Diesel Exhaust Fluid Quality Signal	I
19	0.5	BU	7286	Diesel Exhaust Fluid Sensor Voltage Reference (2)	I
20	1	YE	4319	DEF Line Heater Low Control	II



Connector Part Information	
•	Harness Type: Chassis
•	Service Connector: 4086719C1
•	Description: 16-Way F 1.5, 2.8 Series, Sealed (GY)

Table 1076 Terminal Part Information

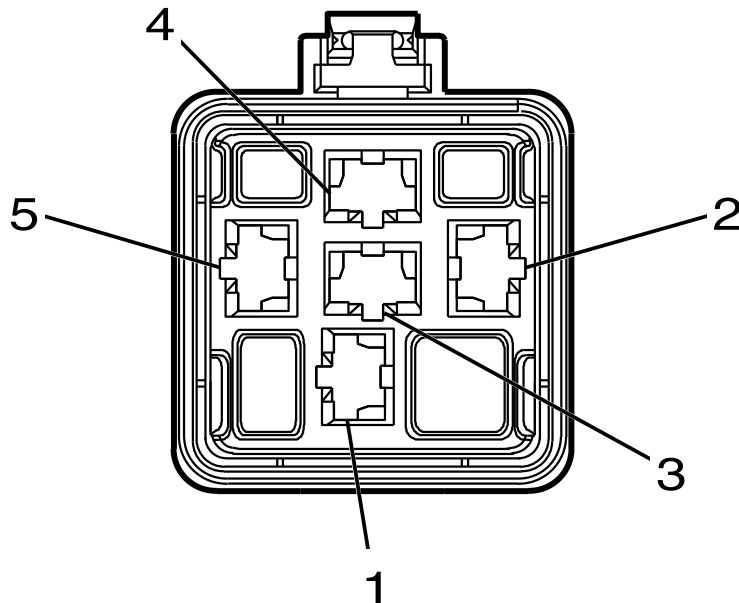
Terminal Type ID	Service Terminal	Diagnostic Test Probe
I	Not Available	J-35616-4A (PU)

Table 1077 K133 Trailer Brake Power Control Module (Feature Code: 0008HBW)

Pin	Size	Color	Circuit	Function	Terminal Type ID
1	2	RD / GN	1142	Battery Positive Voltage	I
	3	RD / GN	1142	Battery Positive Voltage	I
2	0.5	WH / BK	2223	Trailer Brake Control Signal	I
3-4	—	—	—	Not Occupied	—
5	0.5	YE / BK	2224	Trailer Brake Enable Signal	I
6-7	—	—	—	Not Occupied	—

Table 1077 K133 Trailer Brake Power Control Module (Feature Code: 0008HBW) (cont.)

Pin	Size	Color	Circuit	Function	Terminal Type ID
8	3	BU	47	Trailer Auxiliary Control	I
9	3	BK	1750	Ground	I
10-11	—	—	—	Not Occupied	—
12	0.5	GN / VT	4114	Local Interconnect Network Serial Data Bus 14	I
13-16	—	—	—	Not Occupied	—



Connector Part Information

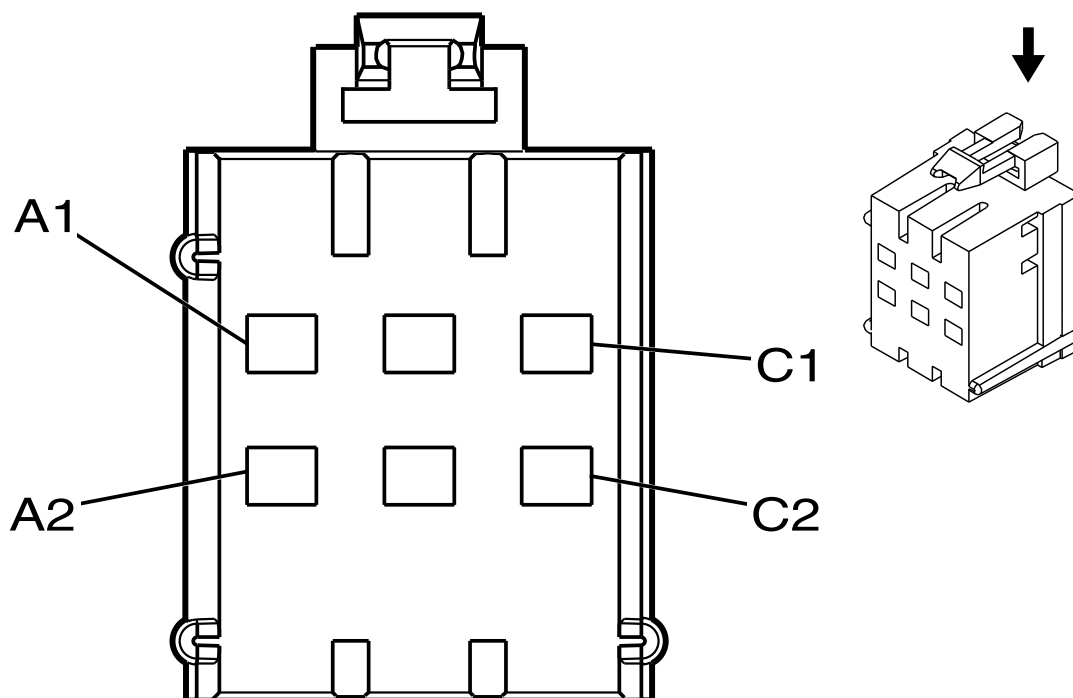
- Harness Type: Chassis
- Service Connector: 1661747C91
- Description: 5-Way F 630 Metri-Pack Series, Sealed (BK)

Table 1079 Terminal Part Information

Terminal Type ID	Service Terminal	Diagnostic Test Probe
I	3895713C1 1mm 1661708C1 5mm	J-35616-42 (RD)

Table 1080 KR14 Brake Booster Pump Motor Relay

Pin	Size	Color	Circuit	Function	Terminal Type ID
1	5	RD	90F	Brake Booster Pump Supply	I
2	1	GY	90DA	Brake Booster Pump Motor Relay High Control	I
3	—	—	—	Not Occupied	—
4	5	GY	90E	Battery Positive Voltage	I
5	1	GY	90A	Brake Booster Pump Motor Relay Low Control	I

**Connector Part Information**

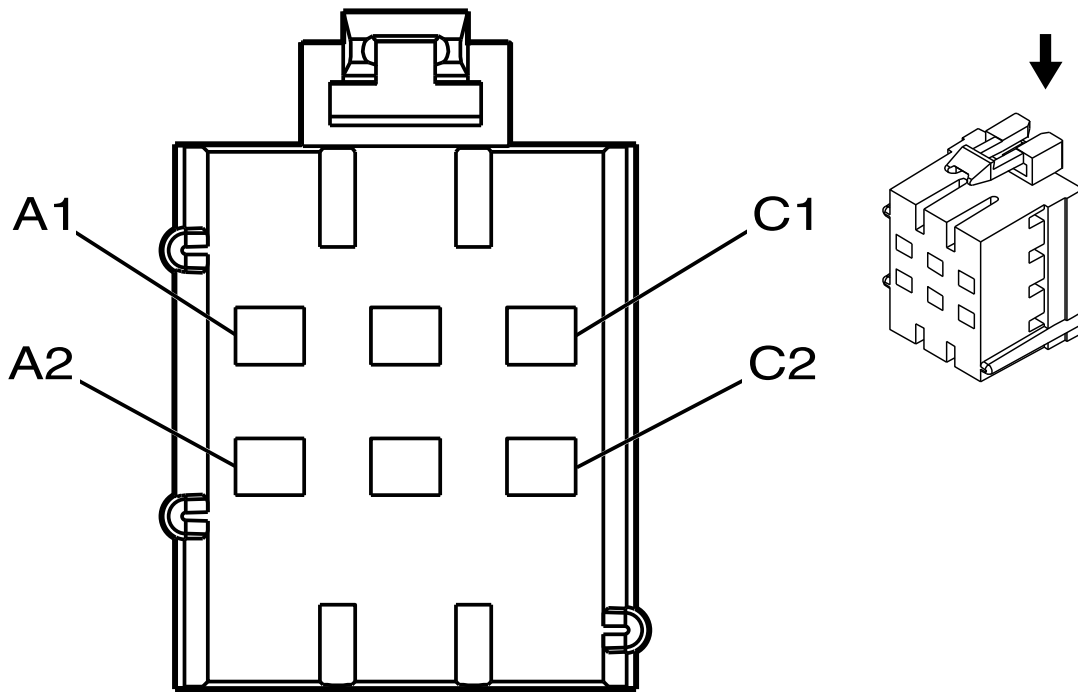
- Harness Type: Overhead Console
- Service Connector: Service by Harness
- Description: 6-pin F 280 Metri-Pack Flexlock Series (BK)

Table 1082 Terminal Part Information

Terminal Type ID	Service Terminal	Diagnostic Test Probe
I	3535484C1	J-35616-4A (PU)
II	6041899C1	J-35616-64B (LT BU)

Table 1083 KR58 Roof Beacon Relay (Feature Code: 0008XKS)

Pin	Size	Color	Circuit	Function	Terminal Type ID
A1	0.35	BK	1050	Ground	I
A2	2.5	L-GN / D-BU	5989	Emergency Lamp Relay Contact Control	I
B1-B2	—	—	—	Not Occupied	—
C1	2.5	RD / L-GN	3140	Battery Positive Voltage	I
C2	0.5	WH / BK	5990	Emergency Lamp Switch Signal	I



Connector Part Information

- Harness Type: Overhead Console
- Service Connector: Service by Harness
- Description: 6-Way F 280 Metri-Pack Flexlock Series (GY)

Table 1085 Terminal Part Information

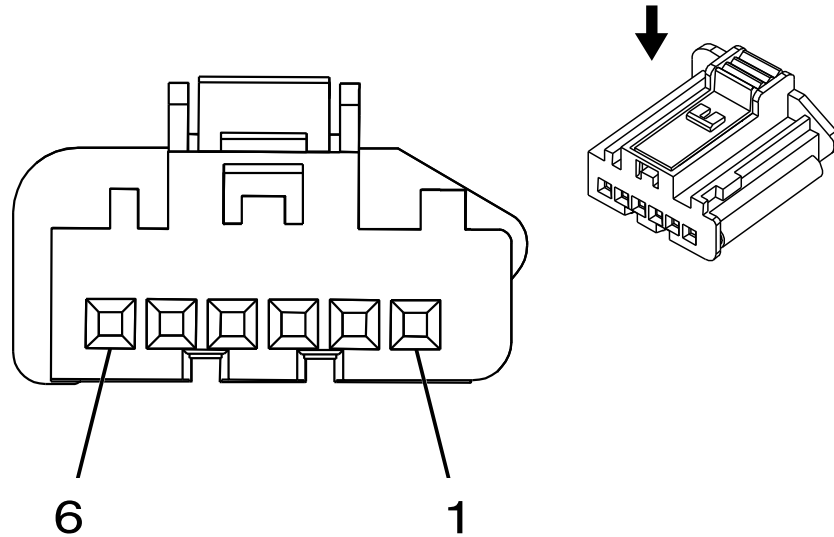
Terminal Type ID	Service Terminal	Diagnostic Test Probe
I	3535484C1	J-35616-4A (PU)
	3534164C1	

Table 1086 KR193 Rear Air Suspension Control Valve Relay

Pin	Size	Color	Circuit	Function	Terminal Type ID
A1	0.35	YE	321	Automatic Level Control Relay Coil Control	I
A2	0.35	WH/L-GN	320	Automatic Level Control Exhaust Solenoid Control	I
	0.5	WH/L-GN	320	Automatic Level Control Exhaust Solenoid Control	

Table 1086 KR193 Rear Air Suspension Control Valve Relay (cont.)

Pin	Size	Color	Circuit	Function	Terminal Type ID
B1	—	—	—	Not Occupied	—
B2	0.5	L-GN	10138	Left / Rear Air Spring Solenoid Control	I
C1	0.5	VT / WH	1139	Run / Crank Ignition 1 Voltage	I
C2	0.35	YE / GN	5956	Leveling Suspension Relay Coil Control	I



Connector Part Information

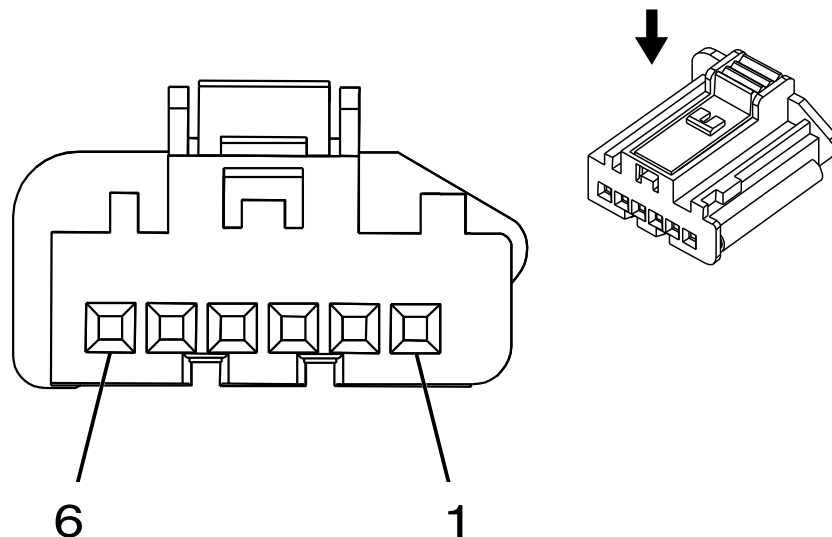
- Harness Type: HVAC
- Service Connector: Service by Harness
- Description: 6-Way F 0.64 Micro-Quadlock Series (BK)

Table 1088 Terminal Part Information

Terminal Type ID	Service Terminal	Diagnostic Test Probe
I	6041996C1	J-35616-64B (LT BU)

Table 1089 M4 Air Inlet Actuator

Pin	Size	Color	Circuit	Function	Terminal Type ID
1	0.35	BK / YE	1791	Air Temperature Door Control Low Reference	I
2	0.35	VT / GN	1838	Air Recirculation Door Position Signal	I
3	0.35	GY / RD	598	HVAC Air Inlet 5 Volt Reference	I
4	—	—	—	Not Occupied	—
5	0.35	GN	1614	Air Recirculation Door Control	I
6	0.35	YE / BK	2274	Air Recirculation Door Control 2	I



Connector Part Information

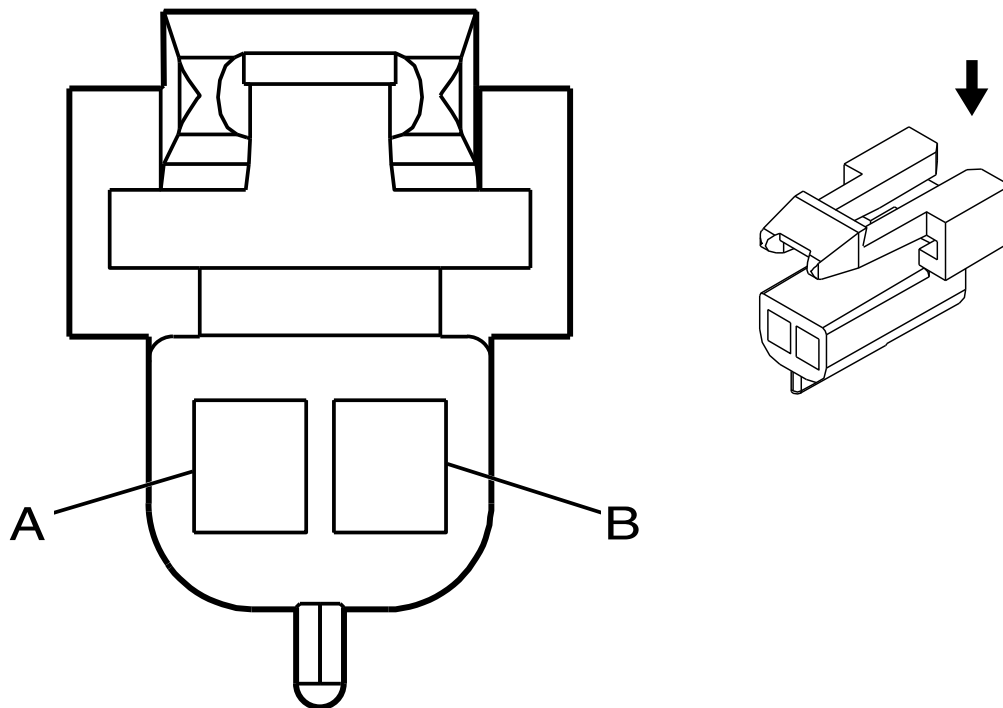
- Harness Type: Driver Seat Cushion
- Service Connector: Service by Harness
- Description: 6-Way F 0.64 Micro-Quadlock Series (BK)

Table 1091 Terminal Part Information

Terminal Type ID	Service Terminal	Diagnostic Test Probe
I	Not Available	J-35616-64B (LT BU)

Table 1092 M6 Air Temperature Door Actuator

Pin	Size	Color	Circuit	Function	Terminal Type ID
1	0.35	BK / YE	1791	Air Temperature Door Control Low Reference	I
2	0.35	BU / YE	733	Air Temperature Door Position Signal	I
3	0.35	GY / RD	598	HVAC Air Inlet 5 Volt Reference	I
4	—	—	—	Not Occupied	—
5	0.35	BU / BN	1199	Air Temperature Door Control	I
6	0.35	GY / GN	2210	Air Temperature Door Control	I



Connector Part Information

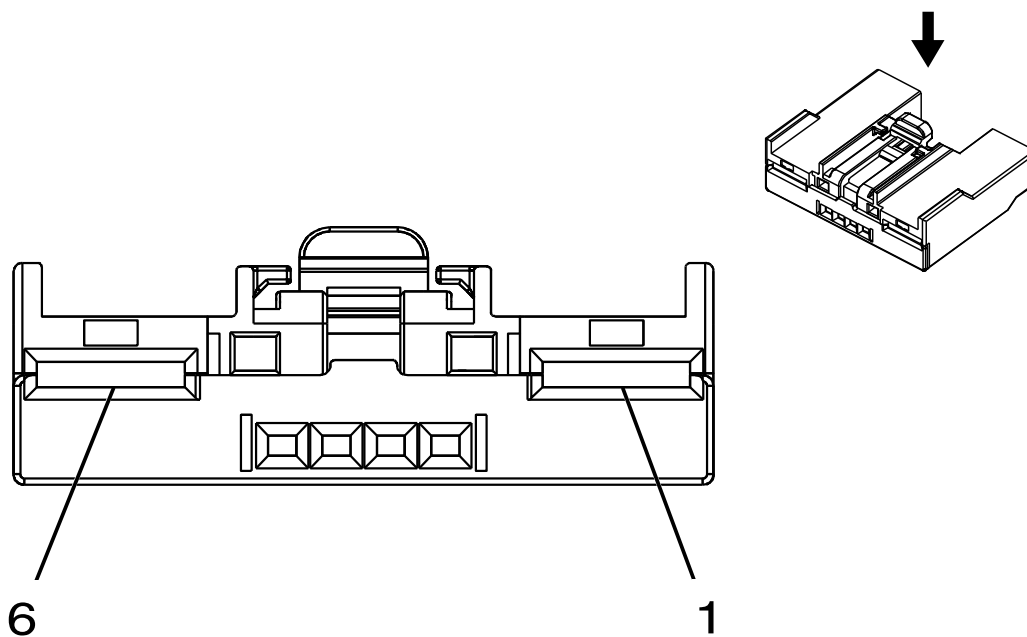
- Harness Type: Driver Seat Cushion
- Service Connector: Service by Harness
- Description: 2-Way F 150 Metri-Pack Series (BK)

Table 1094 Terminal Part Information

Terminal Type ID	Service Terminal	Diagnostic Test Probe
I	Not Available	J-35616-14 (GN)

Table 1095 M7 Transmission Shift Lock Control Solenoid Actuator

Pin	Size	Color	Circuit	Function	Terminal Type ID
A	0.5	YE / WH	816	Brake Transmission Shift Interlock Solenoid Control	I
B	0.5	BK / WH	1851	Signal Ground	I



Connector Part Information

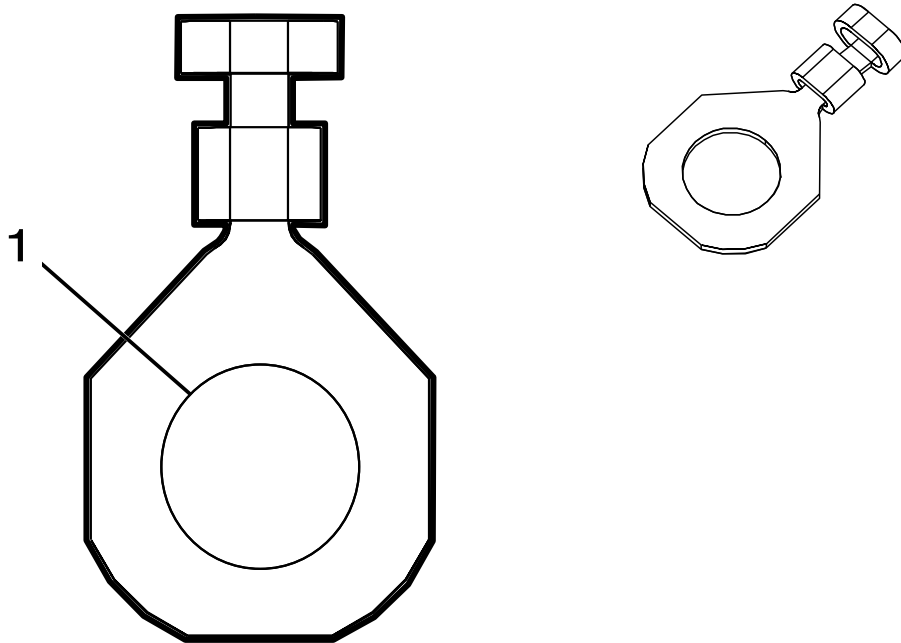
- Harness Type: HVAC
- Service Connector: Service by Harness
- Description: 6-Way F 0.64 GET, 6.3 Series (BK)

Table 1097 Terminal Part Information

Terminal Type ID	Service Terminal	Diagnostic Test Probe
I	6042029C1	J-35616-17 (LT GN)
II	6042037C1 5mm	J-35616-2A (GY)
III	6041946C1 4mm	J-35616-64B (LT BU)

Table 1098 M8 Blower Motor

Pin	Size	Color	Circuit	Function	Terminal Type ID
1	4	RD / VT	542	Primary Fused Battery Positive Voltage 5	III
2	0.35	BU / GY	754	Blower Motor Speed Control	I
3	—	—	—	Not Occupied	—
4	5	BK	1050	Ground 10	II



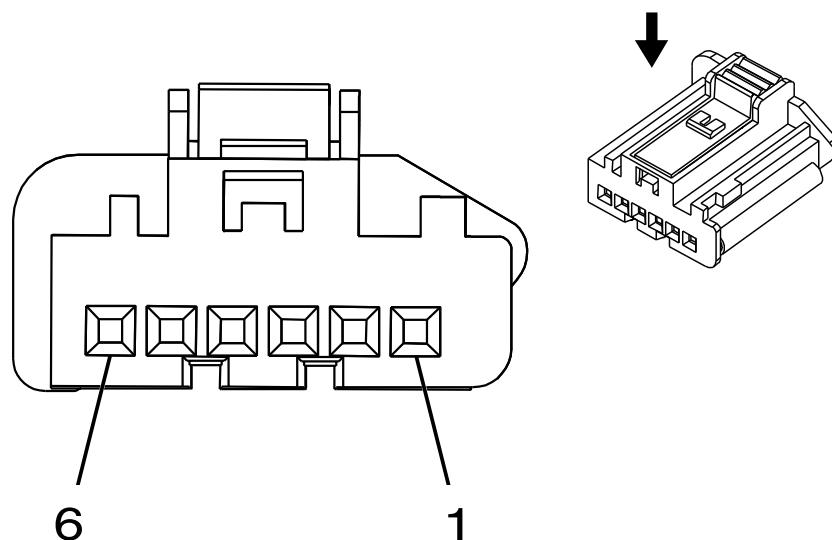
Connector Part Information	
•	Harness Type: Driver Seat Cushion
•	OEM Connector: 365682C2
•	Description: 1-Way Ring Terminal

Table 1100 Terminal Part Information

Terminal Type ID	Service Terminal	Diagnostic Test Probe
I	Not Available	Not Available

Table 1101 M9 Blower Moter

Pin	Size	Color	Circuit	Function	Terminal Type ID
1	5	GY	90FA	Brake Booster Pump Supply	I



Connector Part Information

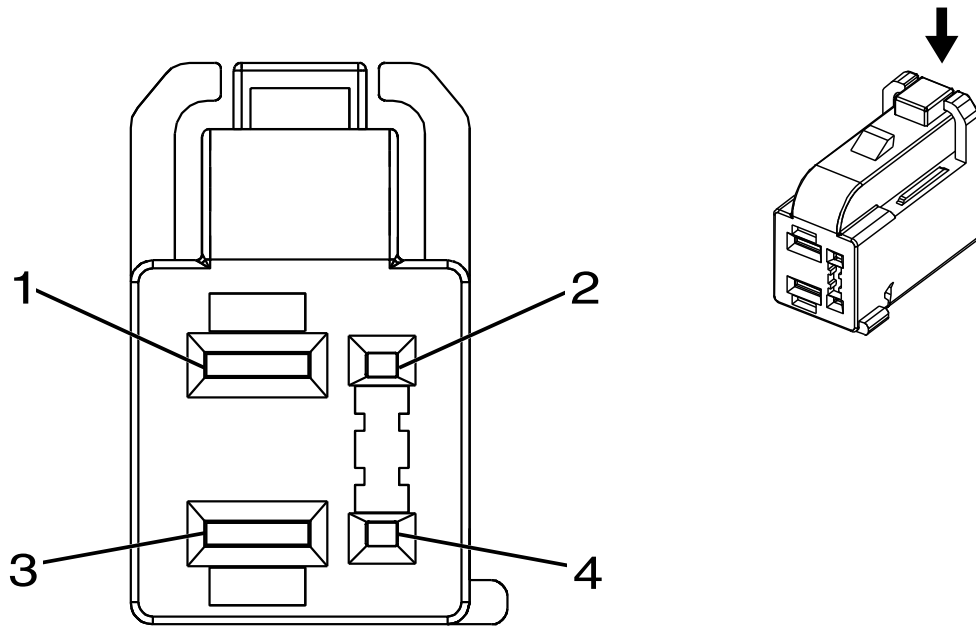
- Harness Type: HVAC
- Service Connector: Service by Harness
- Description: 6-Way F 0.64 Micro-Quadlock Series (BK)

Table 1103 Terminal Part Information

Terminal Type ID	Service Terminal	Diagnostic Test Probe
I	6041996C1	J-35616-64B (LT BU)

Table 1104 M37 Mode Door Actuator

Pin	Size	Color	Circuit	Function	Terminal Type ID
1	0.35	BK / YE	1791	Air Temperature Door Control Low Reference	I
2	0.35	WH / GN	2275	Mode Door 1 Position Sensor Signal	I
3	0.35	GY / RD	598	HVAC Air Inlet 5 Volt Reference	I
4	0.35	—	—	Not Occupied	—
5	0.35	WH	119	Mode Door Control	I
6	0.35	YE / BN	2273	Mode Door Control 2	I



Connector Part Information

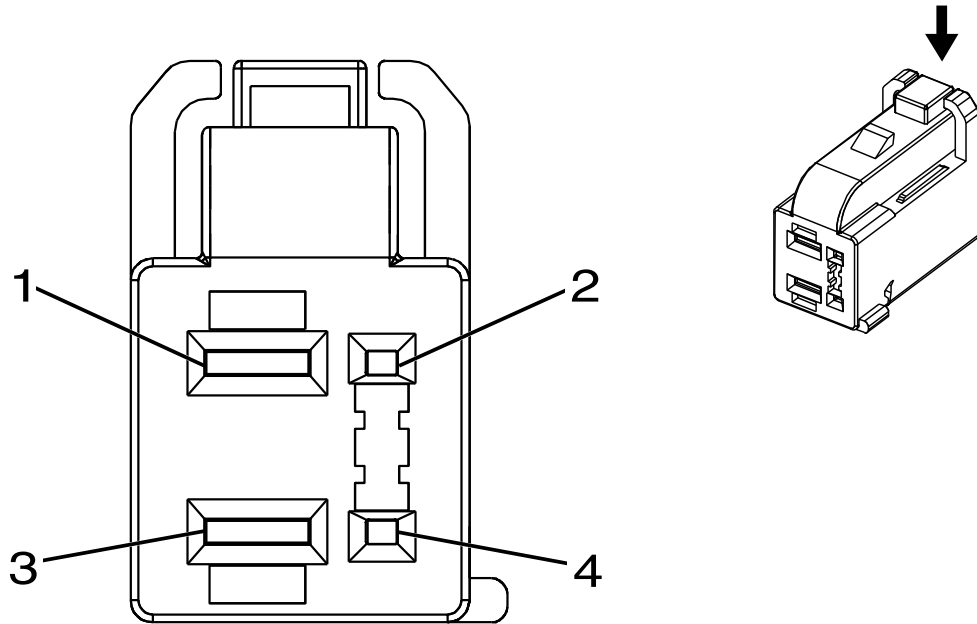
- Harness Type: Driver Seat Cushion
- Service Connector: Service by Harness
- Description: 4-pin F 0.64, 2.8 Series (BN)

Table 1106 Terminal Part Information

Terminal Type ID	Service Terminal	Diagnostic Test Probe
I	6041906C1	J-35616-40 (BU)

Table 1107 M50D Seat Front Vertical Motor – Driver (Feature Code: 0016KVV / 0016KVU)

Pin	Size	Color	Circuit	Function	Terminal Type ID
1	1.5	GN / BN	286	Driver Power Seat Front Vertical Motor Up Control	I
2	—	—	—	—	—
3	1.5	BU / VT	287	Driver Power Seat Front Vertical Motor Down Control	I
4	—	—	—	—	—



Connector Part Information

- Harness Type: Driver Seat Cushion
- Service Connector: Service by Harness
- Description: 4-Way F 0.64, 2.8 Series (BN)

Table 1109 Terminal Part Information

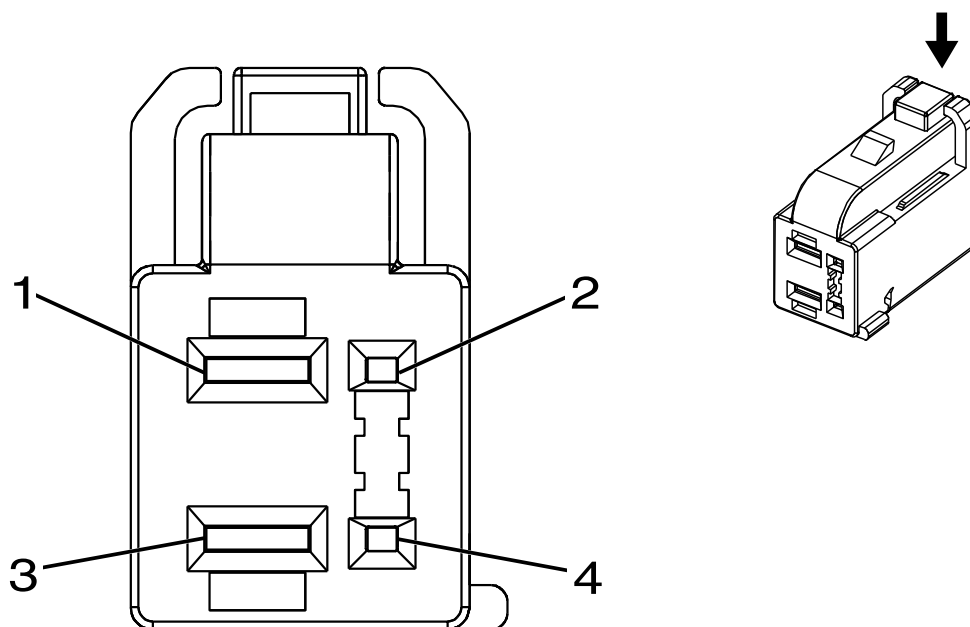
Terminal Type ID	Service Terminal	Diagnostic Test Probe
I	6041906C1	J-35616-4A (PU)
II	6041902C1 0.35mm	J-35616-64B (LT BU)
	6041904C1 0.5mm	

Table 1110 M51D Seat Horizontal Motor – Driver (Feature Code: 0016KVV / 0016KVU)

Pin	Size	Color	Circuit	Function	Terminal Type ID
1	1.5	YE / BU	285	Driver Power Seat Horizontal Motor Forward Control	I
2	—	—	—	—	—

Table 1110 M51D Seat Horizontal Motor – Driver (Feature Code: 0016KVV / 0016KVU) (cont.)

Pin	Size	Color	Circuit	Function	Terminal Type ID
3	1.5	GY / GN	284	Driver Power Seat Horizontal Motor Rearward Control	I
4	—	—	—	—	—



Connector Part Information

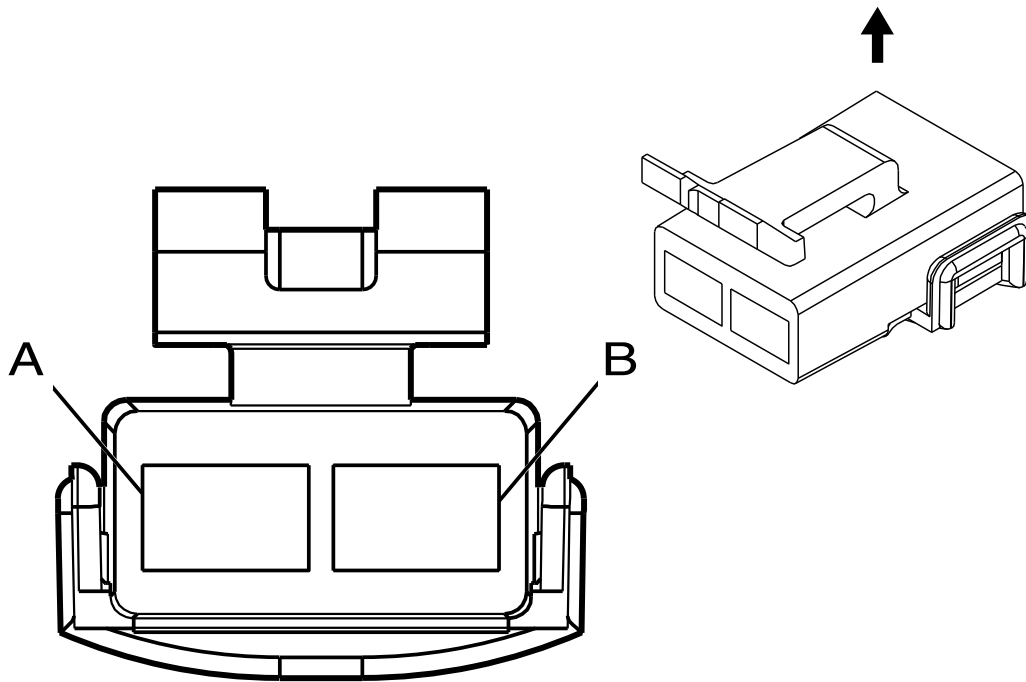
- Harness Type: Passenger Seat Cushion
- Service Connector: Service by Harness
- Description: 4-Way F 0.64, 2.8 Series (BN)

Table 1112 Terminal Part Information

Terminal Type ID	Service Terminal	Diagnostic Test Probe
I	6041906C1	J-35616-40 (BU)

Table 1113 M51P Seat Horizontal Motor – Passenger (Feature Code: 0016KVV / AG2)

Pin	Size	Color	Circuit	Function	Terminal Type ID
1	1.5	YE/BU	290	Passenger Power Seat Horizontal Motor Rearward Control	I
2	—	—	—	Not Occupied	—
3	1.5	YE / WH	296	Passenger Power Seat Horizontal Motor Forward Control	I
4	—	—	—	Not Occupied	—



Connector Part Information

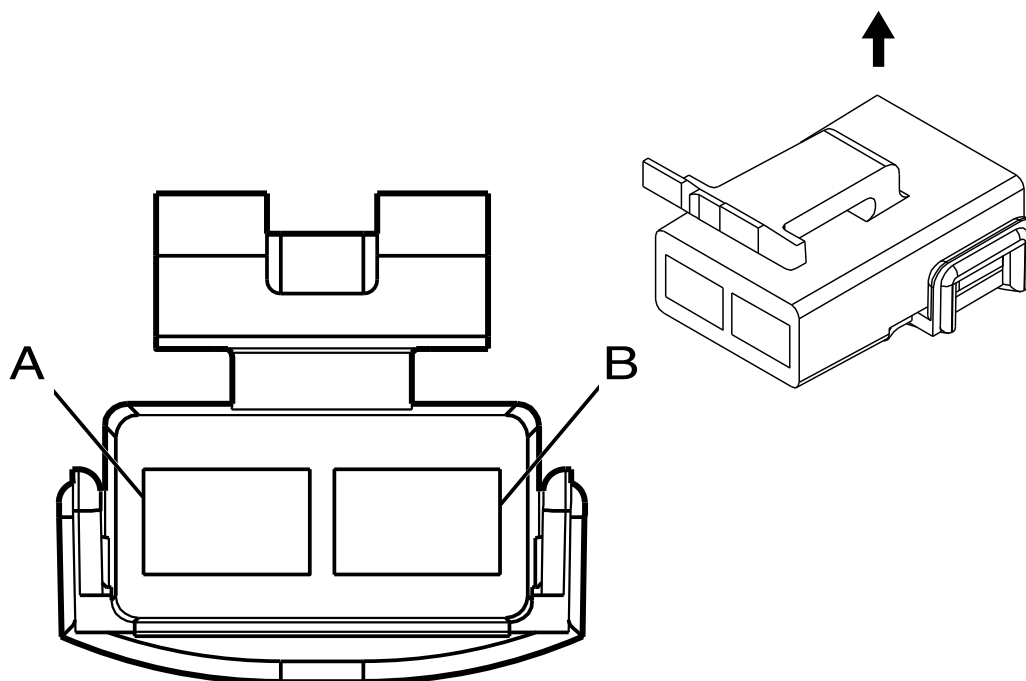
- Harness Type: Driver Seat Back
- Service Connector: Service by Harness
- Description: 2-pin F 480 Metri-Pack Series (BK)

Table 1115 Terminal Part Information

Terminal Type ID	Service Terminal	Diagnostic Test Probe
I	1661218C1	J-35616-40 (BU)

Table 1116 M52D Seat Lumbar Support Horizontal Motor – Driver (Feature Code: 0016KVV / 0016KVU)

Pin	Size	Color	Circuit	Function	Terminal Type ID
A	1.5	BU	611	Driver Seat Lumbar Support Motor Forward Control	I
B	1.5	VT	610	Driver Seat Lumbar Support Motor Backward Control	I



Connector Part Information

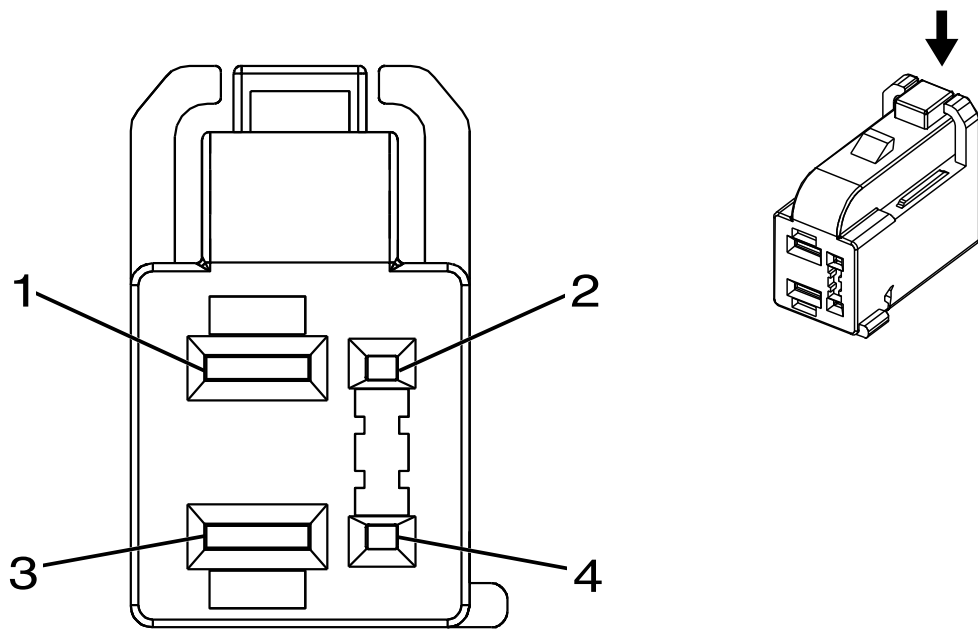
- Harness Type: Driver Seat Back
- Service Connector: Service by Harness
- Description: 2-Way F 480 Metri-Pack Series (BK)

Table 1118 Terminal Part Information

Terminal Type ID	Service Terminal	Diagnostic Test Probe
I	1661218C1	J-35616-40 (BU)

Table 1119 M52P Seat Lumbar Support Horizontal Motor – Driver (Feature Code: 0016KVV / 0016KVU)

Pin	Size	Color	Circuit	Function	Terminal Type ID
A	1.5	L-BU	211	Passenger Power Seat Lumbar Motor Forward Control	I
B	1.5	VT	210	Passenger Power Seat Lumbar Motor Rearward Control	I



Connector Part Information

- Harness Type: Driver Seat Cushion
- Service Connector: Service by Harness
- Description: 4-Way F 0.64, 2.8 Series (BN)

Table 1121 Terminal Part Information

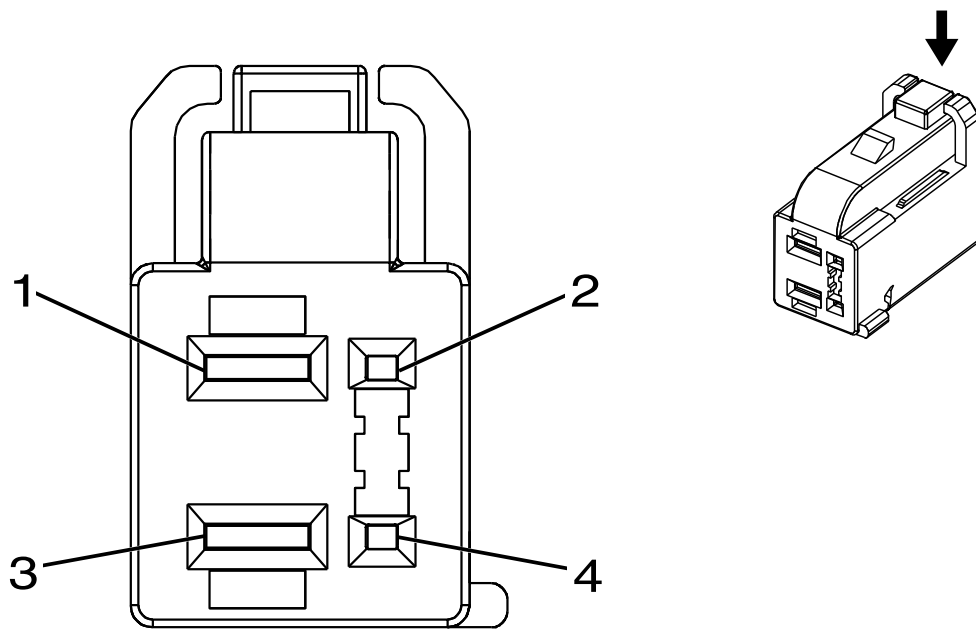
Terminal Type ID	Service Terminal	Diagnostic Test Probe
I	6041906C1	J-35616-4A (PU)
II	6041902C1 0.35mm 6041904C1 0.5mm	J-35616-64B (LT BU)

Table 1122 M55D Seat Rear Vertical Motor – Driver (Feature Code: 0016KVV / 0016KVU)

Pin	Size	Color	Circuit	Function	Terminal Type ID
1	1.5	GY / BU	283	Driver Power Seat Rear Vertical Motor Down Control	I
2	—	—	—	—	—

Table 1122 M55D Seat Rear Vertical Motor – Driver (Feature Code: 0016KVV / 0016KVU) (cont.)

Pin	Size	Color	Circuit	Function	Terminal Type ID
3	1.5	YE	282	Driver Power Seat Rear Vertical Motor Up Control	I
4	—	—	—	—	—



Connector Part Information

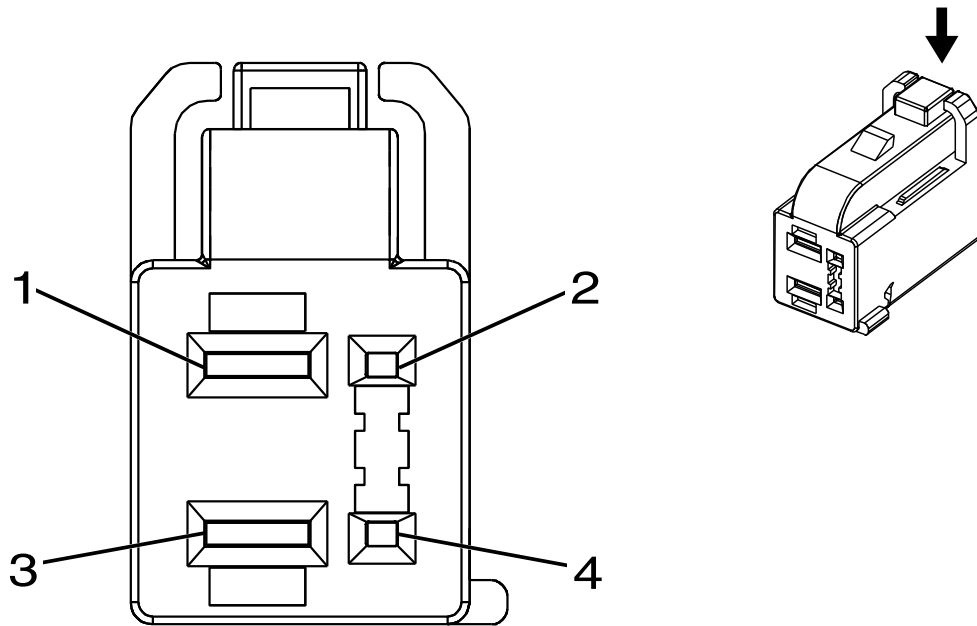
- Harness Type: Driver Seat Back
- Service Connector: Service by Harness
- Description: 4-pin F 0.64, 2.8 Series (BN)

Table 1124 Terminal Part Information

Terminal Type ID	Service Terminal	Diagnostic Test Probe
I	6041906C1	J-35616-40 (BU)

Table 1125 M56D Seat Recline Motor – Driver (Feature Code: 0016KVV / 0016KVU and 0016XJR)

Pin	Size	Color	Circuit	Function	Terminal Type ID
1	1.5	GN / YE	276	Driver Power Seat Recline Motor Forward Control	I
2	—	—	—	—	—
3	1.5	L-BU/YE	277	Driver Power Seat Recline Motor Rearward Control	I
4	—	—	—	—	II



Connector Part Information

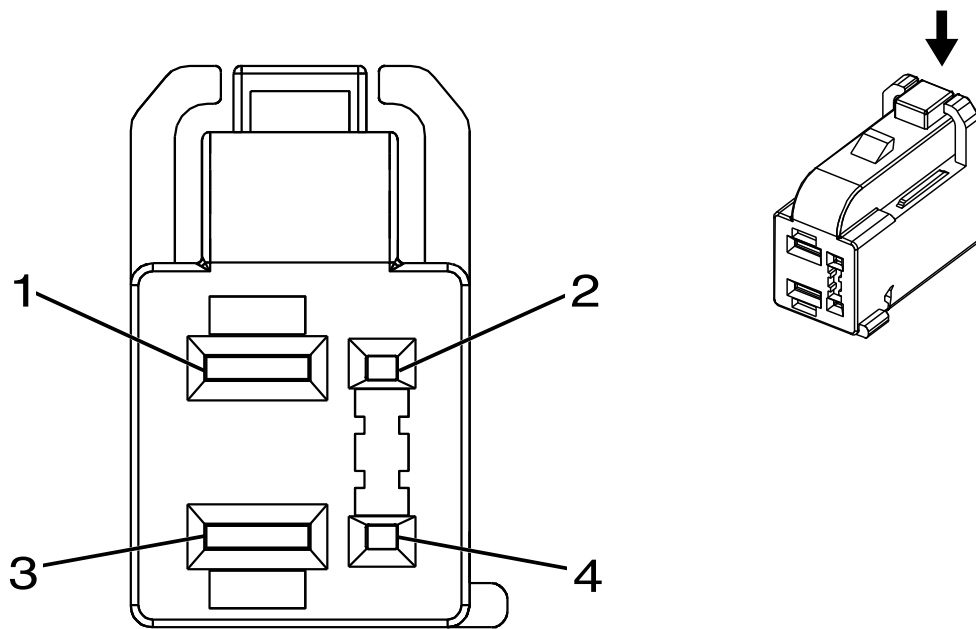
- Harness Type: Driver Seat Back
- Service Connector: Service by Harness
- Description: 4-Way F 0.64, 2.8 Series (BN)

Table 1127 Terminal Part Information

Terminal Type ID	Service Terminal	Diagnostic Test Probe
I	6041906C1	J-35616-40 (BU)

Table 1128 M56D Seat Recline Motor – Driver (Feature Code: 0016KVV / 0016KVU without 0016XJR)

Pin	Size	Color	Circuit	Function	Terminal Type ID
1	1.5	GN / YE	276	Driver Power Seat Recline Motor Forward Control	I
2	—	—	—	—	—
3	1.5	L-BU/YE	277	Driver Power Seat Recline Motor Rearward Control	I
4	—	—	—	—	—



Connector Part Information

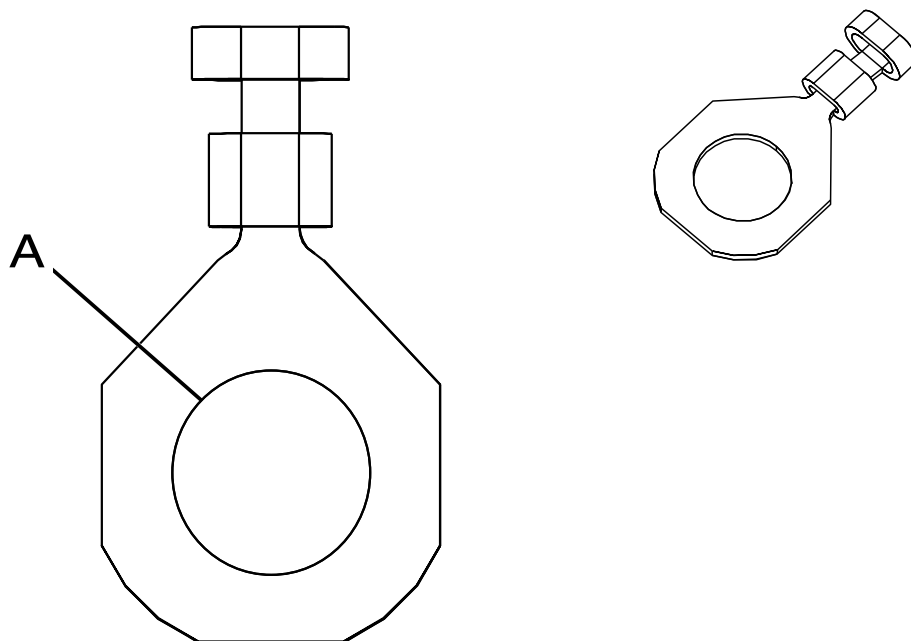
- Harness Type: Driver Seat Back
- Service Connector: Service by Harness
- Description: 4-Way F 0.64, 2.8 Series (BN)

Table 1130 Terminal Part Information

Terminal Type ID	Service Terminal	Diagnostic Test Probe
I	6041906C1	J-35616-4A (PU)

Table 1131 M56P Seat Recline Motor – Passenger (Feature Code: 0016KVV)

Pin	Size	Color	Circuit	Function	Terminal Type ID
1	1.5	L-GN	76	Passenger Power Seat Recline Motor Forward Control	I
2	—	—	—	Not Occupied	—
3	—	BU / BN	77	Passenger Power Seat Recline Motor Rearward Control	I
4	—	—	—	Not Occupied	—



Connector Part Information

- Harness Type: Engine Chassis
- Service Connector: Service by Cable Assembly
- Description: 1-pin Ring Terminal

Table 1133 Terminal Part Information

Terminal Type ID	Service Terminal	Diagnostic Test Probe
I	Not Available	No Tool Required

Table 1134 M64 Starter Motor X1

Pin	Size	Color	Circuit	Function	Terminal Type ID
A	3	YE / VT	6	Starter Solenoid Crank Ignition Voltage	I

Connector Part Information

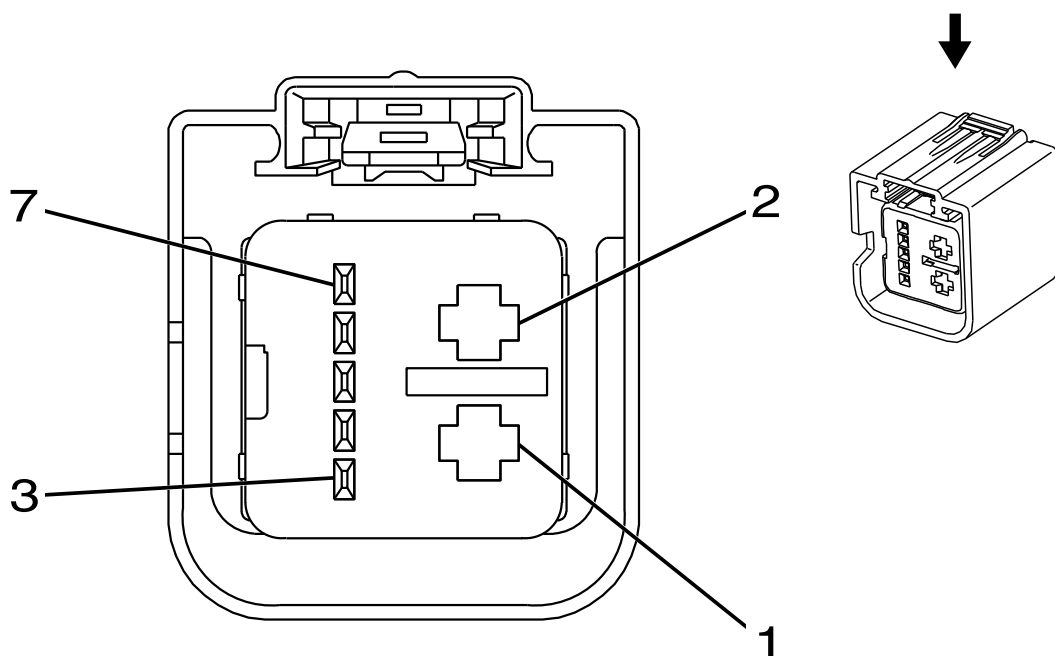
- Harness Type: Starter Motor Power
- Service Connector: Service by Harness
- Description: 1-Way

Table 1136 Terminal Part Information

Terminal Type ID	Service Terminal	Diagnostic Test Probe
I	Not Available	Not Available

Table 1137 M64 Starter Motor X2

Pin	Size	Color	Circuit	Function	Terminal Type ID
A	—	RD	1	Unfused Battery Positive Voltage	I



Connector Part Information

- Harness Type: Driver Door
- Service Connector: Service by Harness
- Description: 7-Way F 0.64, 2.8 Kaizen Timer Series, Sealed (GY)

Table 1139 Terminal Part Information

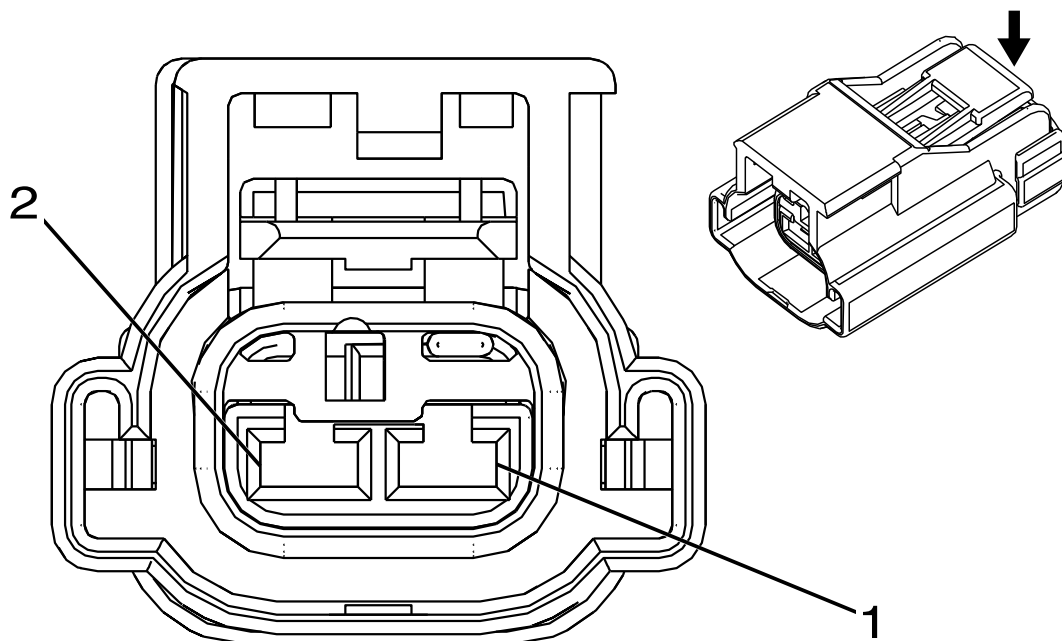
Terminal Type ID	Service Terminal	Diagnostic Test Probe
I	6041955C1	J-35616-4A (PU)
II	6041998C1	J-35616-64B (LT BU)

Table 1140 M74D Window Motor – Driver (Feature Code: 0016WAK)

Pin	Size	Color	Circuit	Function	Terminal Type ID
1	2.5	BK	1150	Ground	I
2	2.5	RD / BU	1842	Battery Positive Voltage	I
3	0.35	GN / WH	1300	Power Window Master Switch Left Front Up Signal	II
4	0.5	GN / YE	6134	Local Interconnect Network Serial Data Bus 3	II

Table 1140 M74D Window Motor – Driver (Feature Code: 0016WAK) (cont.)

Pin	Size	Color	Circuit	Function	Terminal Type ID
5	0.35	GN / VT	7628	Power Window Motor Left Front Express Control	II
6	0.35	GY	745	Left Front Door Ajar Switch Signal	II
7	0.35	GY	1136	Power Window Master Switch Left Front Down Signal	II



Connector Part Information

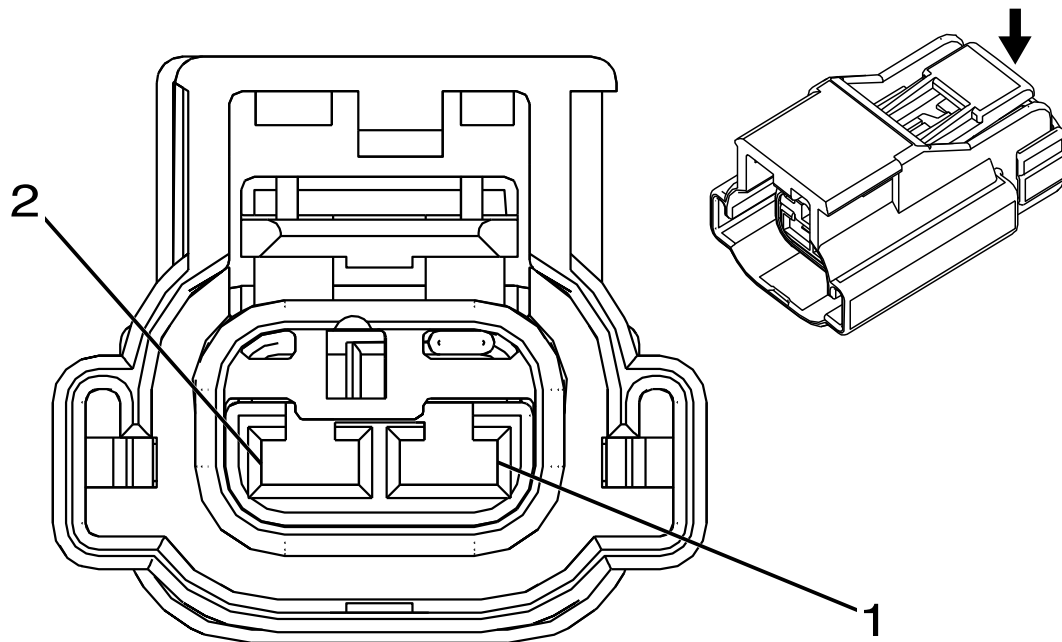
- Harness Type: Left Rear Door
- Service Connector: Service by Harness
- Description: 2-pin F 2.8 APEX Series, Sealed (BK)

Table 1142 Terminal Part Information

Terminal Type ID	Service Terminal	Diagnostic Test Probe
I	6042030C1	J-35616-35 (VT)

Table 1143 M74LR Window Motor – Left Rear (Crew Cab)

Pin	Size	Color	Circuit	Function	Terminal Type ID
1	2.5	BU / VT	668	Power Window Motor Left Rear Up Control	I
2	2.5	YE / BU	669	Power Window Motor Left Rear Down Control	I



Connector Part Information

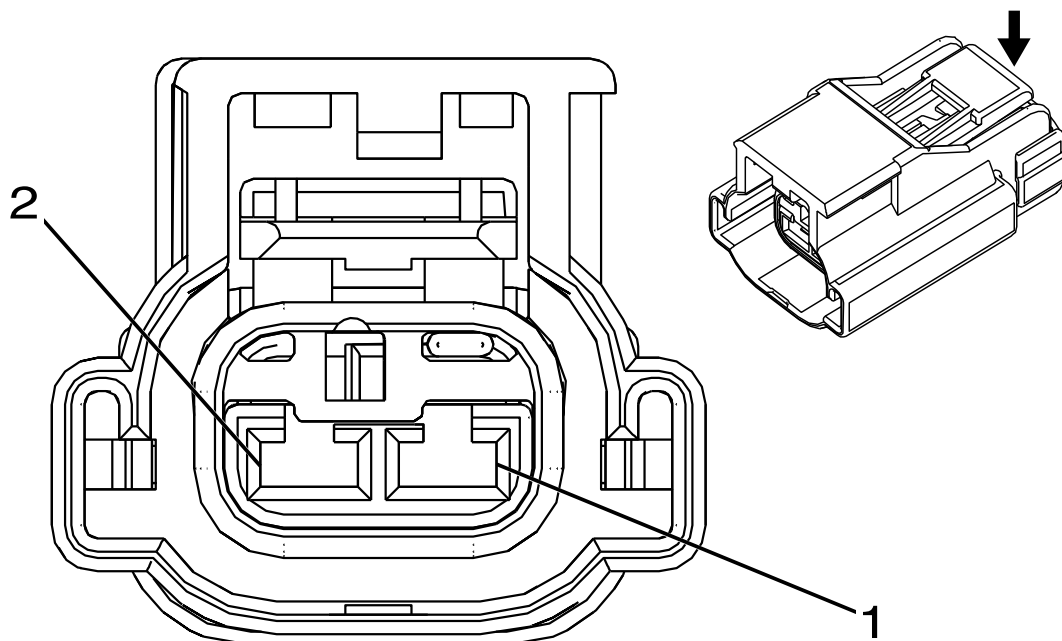
- Harness Type: Passenger Door
- Service Connector: Service by Harness
- Description: 2-pin F 2.8 APEX Series, Sealed (BK)

Table 1145 Terminal Part Information

Terminal Type ID	Service Terminal	Diagnostic Test Probe
I	6042030C1	J-35616-35 (VT)

Table 1146 M74P Window Motor – Passenger

Pin	Size	Color	Circuit	Function	Terminal Type ID
1	2.5	YE / BU	3388	Power Window Motor Passenger Down Control	I
2	2.5	GN / GY	3387	Power Window Motor Passenger Up Control	I



Connector Part Information

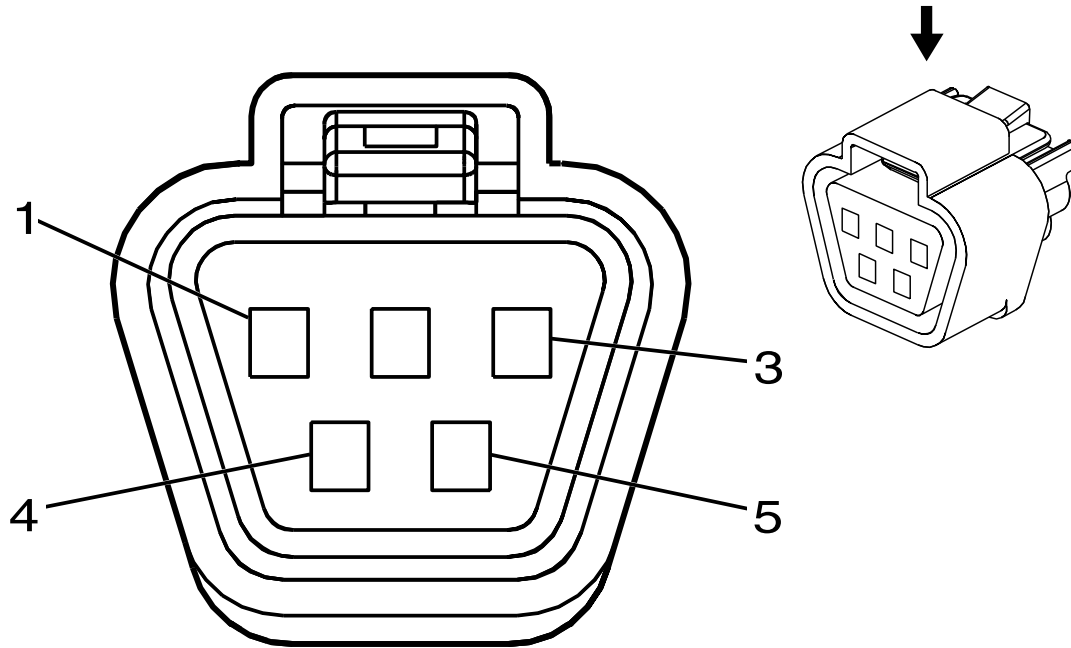
- Harness Type: Right Rear Door
- Service Connector: Service by Harness
- Description: 2-Way F 2.8 APEX Series, Sealed (BK)

Table 1148 Terminal Part Information

Terminal Type ID	Service Terminal	Diagnostic Test Probe
I	6042030C1	J-35616-35 (VT)

Table 1149 M74RR Window Motor – Right Rear (Crew Cab)

Pin	Size	Color	Circuit	Function	Terminal Type ID
1	2.5	BU / GY	670	Power Window Motor Right Rear Up Control	I
2	2.5	GN / BK	671	Power Window Motor Right Rear Down Control	I



Connector Part Information

- Harness Type: Body
- Service Connector: 6040215C1
- Description: 5-pin F 090 Series, Sealed (BK)

Table 1151 Terminal Part Information

Terminal Type ID	Service Terminal	Diagnostic Test Probe
I	6041941C1 0.5mm 3515522C1 2mm	J-35616-18 (BK)

Table 1152 M75 Windshield Wiper Motor

Pin	Size	Color	Circuit	Function	Terminal Type ID
1	1	YE / BN	95	Windshield Wiper Motor Low Speed Control	I
2	0.5	BK	1850	Ground	I
3	0.5	BN / L-GN	196	Windshield Wiper Motor Park Switch Signal	I
4	2	WH	92	Windshield Wiper Motor High Speed Control	I
5	2	BK	550	Ground	I

M77D Outside Rearview Mirror Motor - Driver**Connector Part Information**

- Harness Type: Outside Rearview Mirror - Driver
- Service Connector: Service by Harness
- Description: 8-Way

Table 1154 Terminal Part Information

Terminal Type ID	Service Terminal	Diagnostic Test Probe
I	Not Available	Not Available

Table 1155 M77D Outside Rearview Mirror Motor - Driver

Pin	Size	Color	Circuit	Function	Terminal Type ID
1	—	—	—	Not Occupied	I
2	—	GN / WH	3389	Driver Mirror Motor Right (+) Left (-) Control	I
3	—	—	—	Not Occupied	I
4	—	WH	3391	Driver Mirror Motor Common Control	I
5-7	—	—	—	—	—
8	—	BU / WH	3390	Driver Mirror Motor Up (+) Down (-) Control	I

M77P Outside Rearview Mirror Motor - Passenger

Connector Part Information

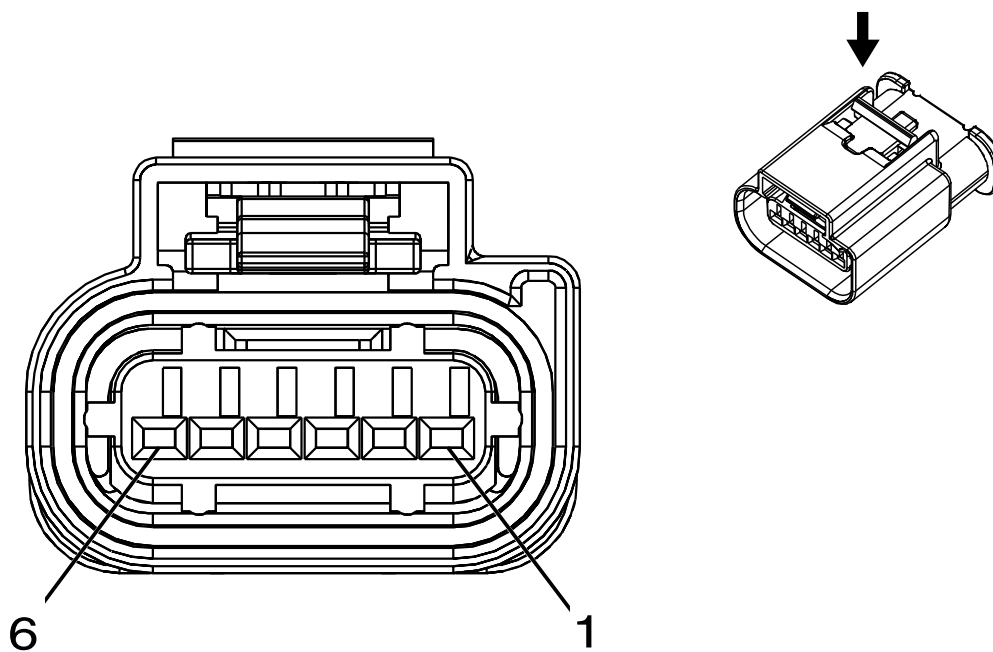
- Harness Type: Outside Rearview Mirror - Passenger
- Service Connector: Service by Harness
- Description: 8-Way

Table 1157 Terminal Part Information

Terminal Type ID	Service Terminal	Diagnostic Test Probe
I	Not Available	Not Available

Table 1158 M77P Outside Rearview Mirror Motor - Passenger

Pin	Size	Color	Circuit	Function	Terminal Type ID
1	—	—	—	Not Occupied	I
2	—	OG	3397	Passenger Mirror Motor Up (+) Down (-) Control	I
3	—	—	—	Not Occupied	I
4	—	WH	3398	Passenger Mirror Motor Common Control	I
5-7	—	—	—	—	—
8	—	BU / WH	3396	Passenger Mirror Motor Right (+) Left (-) Control	I

**Connector Part Information**

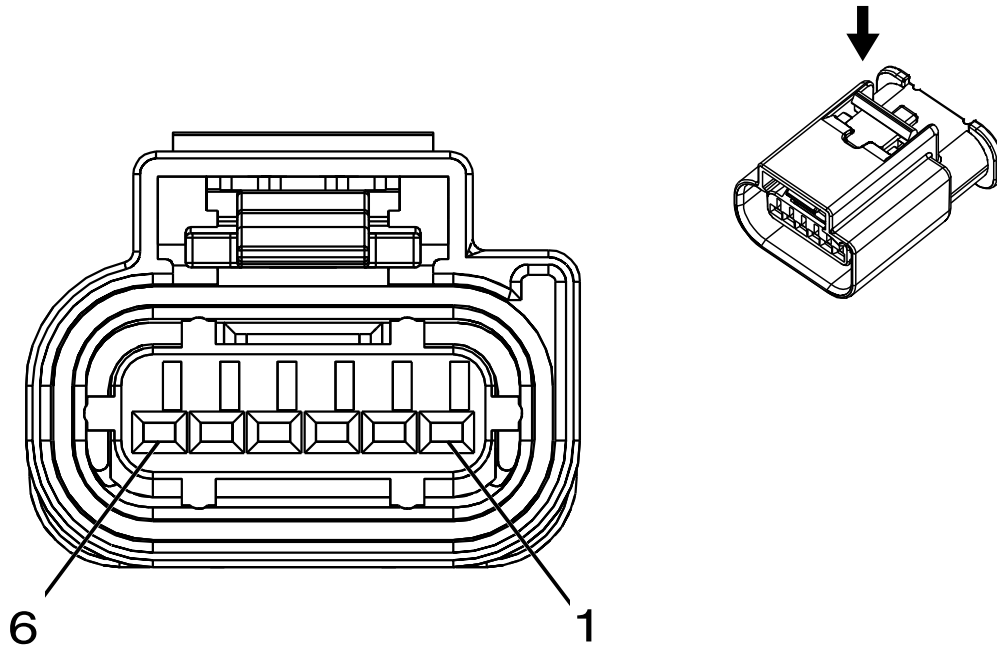
- Harness Type: Engine
- Service Connector: 6040303C1
- Description: 6-pin F 1.2 MCON Series, Sealed (BK)

Table 1160 Terminal Part Information

Terminal Type ID	Service Terminal	Diagnostic Test Probe
I	6041941C1	J-35616-16 (LT GN)

Table 1161 M103 Turbocharger Vane Position Actuator

Pin	Size	Color	Circuit	Function	Terminal Type ID
1	0.5	WH	4499	High Speed GMLAN Serial Data (-) 7	I
2	0.5	WH	4499	High Speed GMLAN Serial Data (-) 7	I
3	0.5	BU / BN	4498	High Speed GMLAN Serial Data (+) 7	I
4	0.5	BU / BN	4498	High Speed GMLAN Serial Data (+) 7	I
5	0.5	BK / WH	251	Signal Ground	I
6	0.5	VT / BU	3674	NOx Sensor 1 Control	I



Connector Part Information

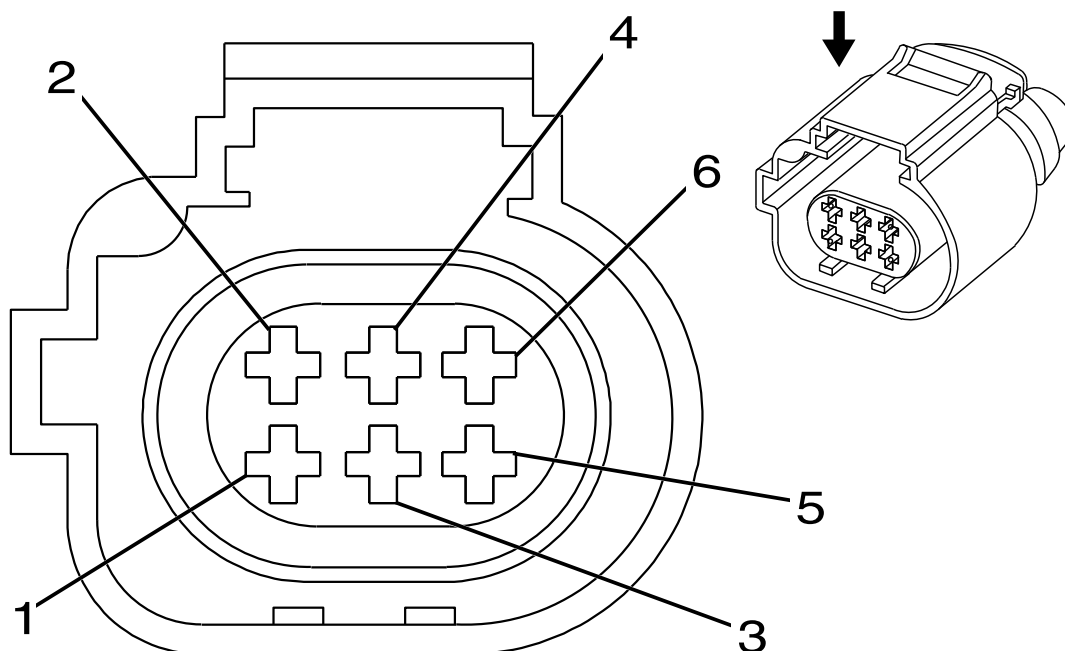
- Harness Type: Engine
- Service Connector: 6040303C1
- Description: 6-pin F 1.2 MCON Series, Sealed (BK)

Table 1163 Terminal Part Information

Terminal Type ID	Service Terminal	Diagnostic Test Probe
I	6041941C1	J-35616-16 (LT GN)

Table 1164 M103 Turbocharger Vane Position Actuator

Pin	Size	Color	Circuit	Function	Terminal Type ID
1	0.5	VT / BU	3674	NOx Sensor 1 Control	I
2	0.5	BK / WH	251	Ground 2	I
3	0.5	BU / BN	4498	High Speed GMLAN Serial Data (+) 7	I
4	0.5	BU / BN	4498	High Speed GMLAN Serial Data (+) 7	I
5	0.5	WH	4499	High Speed GMLAN Serial Data [-] 7	I
6	0.5	WH	4499	High Speed GMLAN Serial Data [-] 7	I

**Connector Part Information**

- Harness Type: Engine
- Service Connector: 6040263C1
- Description: 6-pin F 1.6 Micro-Timer Series, Sealed (GY)

Table 1166 Terminal Part Information

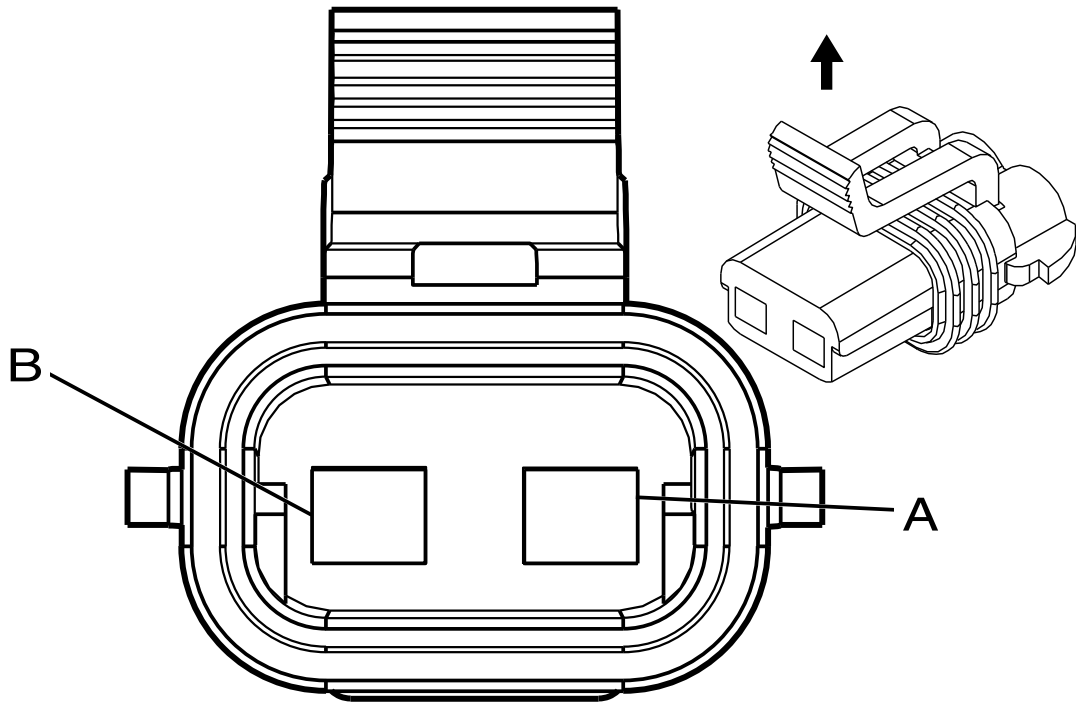
Terminal Type ID	Service Terminal	Diagnostic Test Probe
I	6041903C1	J-35616-14 (GN)

Table 1167 M114 Exhaust Gas Recirculation Cooler Bypass Valve Actuator

Pin	Size	Color	Circuit	Function	Terminal Type ID
1	0.5	BN / VT	3656	EGR Cooler Bypass Motor Close Control	I
2	0.5	GN / GY	3654	EGR Cooler Bypass Position Sensor Signal	I
3	—	—	—	Not Occupied	—
4	0.5	BK / BU	3653	EGR Cooler Bypass Position Sensor Low Reference	I

Table 1167 M114 Exhaust Gas Recirculation Cooler Bypass Valve Actuator (cont.)

Pin	Size	Color	Circuit	Function	Terminal Type ID
5	0.5	YE / GN	3655	EGR Cooler Bypass Motor Open Control	I
6	0.5	VT / RD	3652	EGR Cooler Bypass Position Sensor 5 volt Reference	I



Connector Part Information

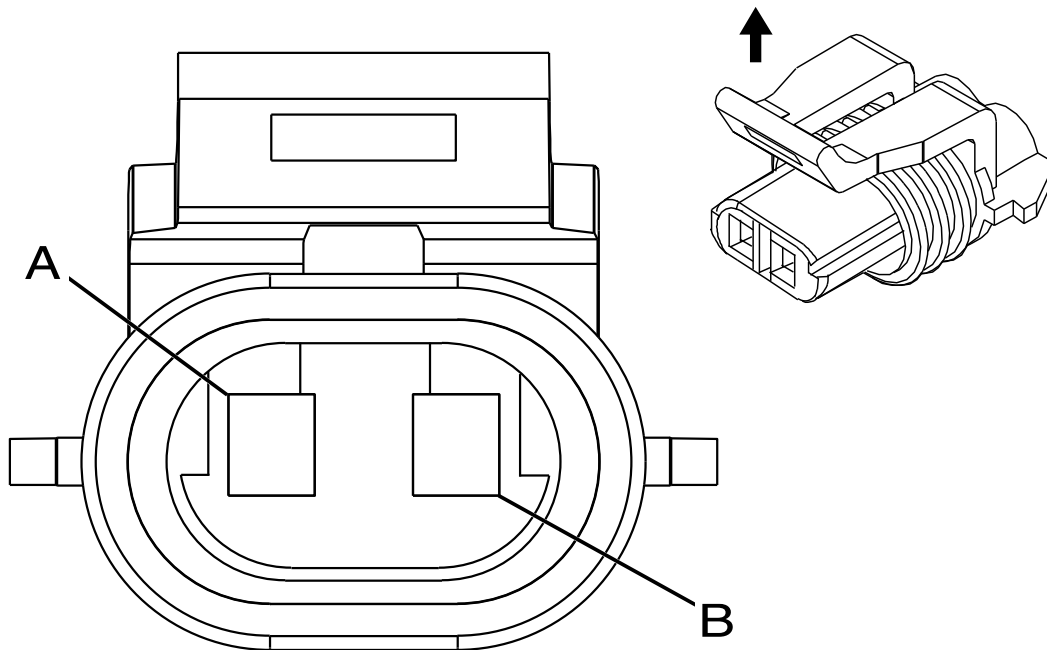
- Harness Type: Chassis Rear Right
- Service Connector: 1671610C1
- Description: 2-pin F 280 Metri-Pack Series, Sealed (BK)

Table 1169 Terminal Part Information

Terminal Type ID	Service Terminal	Diagnostic Test Probe
I	2033819C1	J-35616-4A (PU)

Table 1170 P3 Backup Alarm (Feature Code: 0008THB)

Pin	Size	Color	Circuit	Function	Terminal Type ID
A	0.75	WH / GN	1624	Trailer Backup Lamp Control	I
B	1	BK	1624	Trailer Backup Lamp Control	I



Connector Part Information

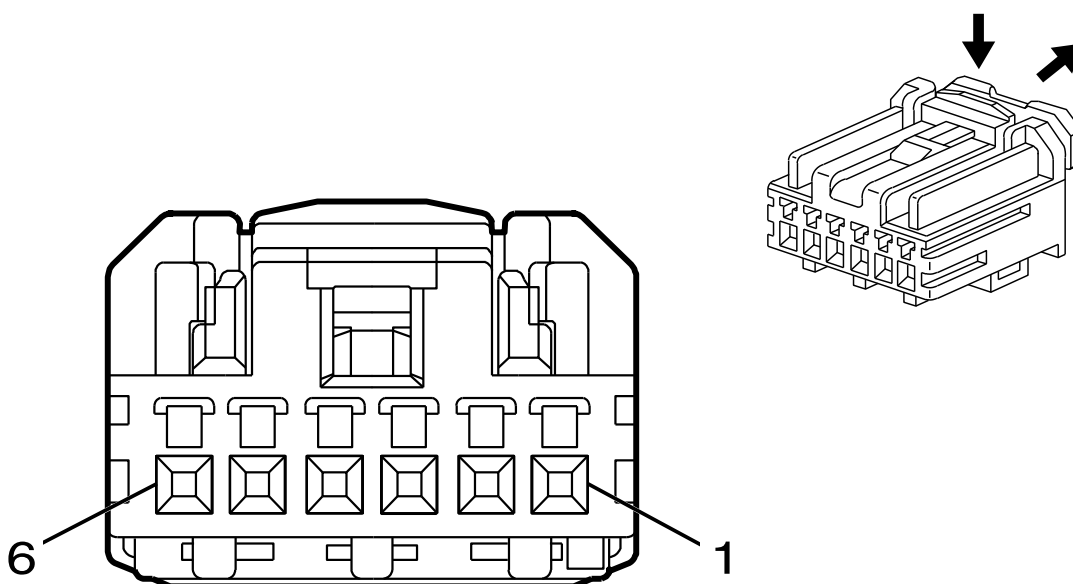
- Harness Type: Forward Lamp
- Service Connector: 1661778C1
- Description: 2-Way F 150 Metri-Pack Series, Sealed (GY)

Table 1172 Terminal Part Information

Terminal Type ID	Service Terminal	Diagnostic Test Probe
I	1661875C1	J-35616-14 (GN)

Table 1173 P12 Horn

Pin	Size	Color	Circuit	Function	Terminal Type ID
A	1	BN / GY	29	Horn Control	I
B	1	BK	85	Cruise Control Engaged Indicator	I



Connector Part Information

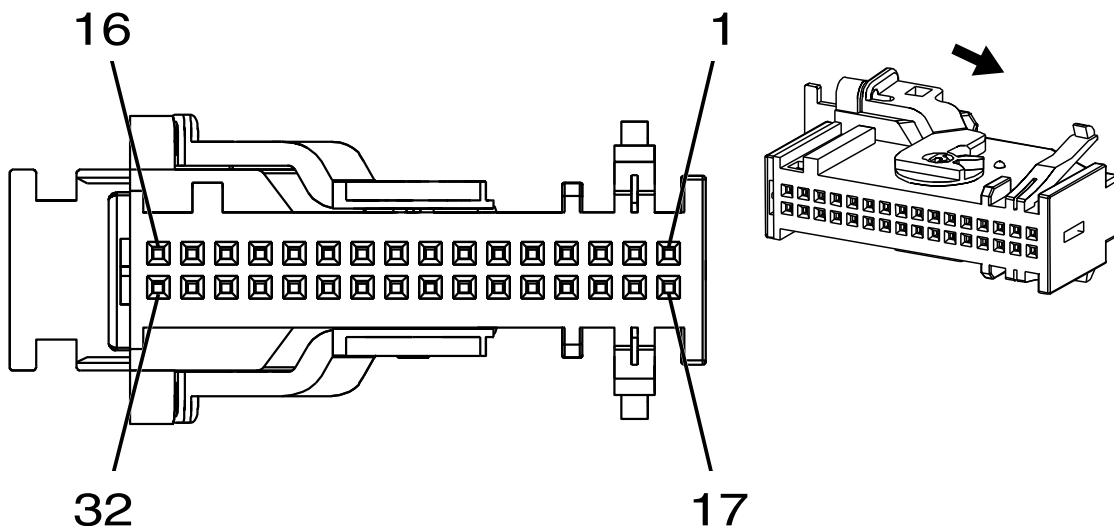
- Harness Type: Overhead Console
- Service Connector: Service by Harness
- Description: 6-pin F 0.64 HCM Series (NA)

Table 1175 Terminal Part Information

Terminal Type ID	Service Terminal	Diagnostic Test Probe
I	6042029C1	J-35616-64B (LT BU)

Table 1176 P14 Passenger Air Bag Disabled Indicator

Pin	Size	Color	Circuit	Function	Terminal Type ID
1.	0.35	BU	2307	Passenger Air Bag On Indicator Control	I
2.	. 0.5	BK	1050	Ground	I
3.	0.35	L-GN	2308	Passenger Air Bag Off Indicator Control	. I
4.	0.35	VT / WH	1139	Run / Crank Ignition 1 Voltage	. I
5.	0.35	VT / WH	5234	Passenger Seat Belt Indicator Control	I
6	—	—	—	Not Occupied	—



Connector Part Information	
•	Harness Type: Instrument Panel
•	Service Connector: 6040282C1
•	Description: 32-Way F 0.64 Micro-Quadlock Series (BK with GY Cover)

Table 1178 Terminal Part Information

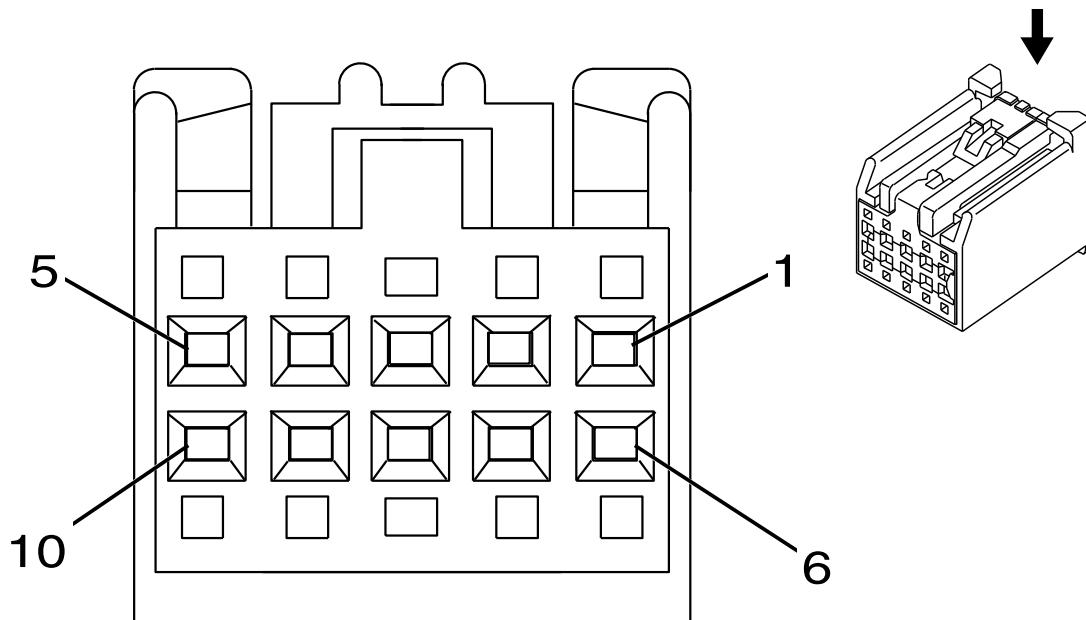
Terminal Type ID	Service Terminal	Diagnostic Test Probe
I	6042016C1	J-35616-64B (LT BU)

Table 1179 P16 Instrument Cluster

Pin	Size	Color	Circuit	Function	Terminal Type ID
1	0.5	WH / GN	3997	MOST Serial Data (-)	I
2	0.5	GY / VT	3998	MOST Serial Data (+)	I
3	0.5	GY / GN	1102	Low Speed GMLAN Serial Data #2	I
4	—	—	—	Not Occupied	—
5	0.35	WH / VT	3999	MOST Control	I
6	—	—	—	Not Occupied	—

Table 1179 P16 Instrument Cluster (cont.)

Pin	Size	Color	Circuit	Function	Terminal Type ID
7	0.5	RD / GY	2840	Battery Positive Voltage	I
8	0.5	VT / BK	1639	Run / Crank Ignition 1 Voltage	I
9	—	—	—	Not Occupied	—
10	0.5	D-BU / YE	68	Low Coolant Level Indicator Control	I
11-15	—	—	—	Not Occupied	—
16	0.35	BN / WH	419	Check Engine Indicator Control	I
17	0.5	GY / VT	3998	MOST Serial Data (+)	I
18	0.5	WH / L-GN	3997	MOST Serial Data (-)	I
19	0.5	BK / WH	1851	Signal Ground	I
20	0.5	L-GN / BK	3894	Local Interconnect Network Serial Data Bus 12	I
21-23	—	—	—	Not Occupied	—
24	0.35	VT	185	Low Washer Fluid Indicator Control	I
25-31	—	—	—	Not Occupied	—
32	0.35	L-GN / BN	507	Wait To Start Indicator Control	I



Connector Part Information

- Harness Type: Instrument Panel
- Service Connector: 6040282C1
- Description: 10-pin F 0.64 Kaizen Series (BK)

Table 1181 Terminal Part Information

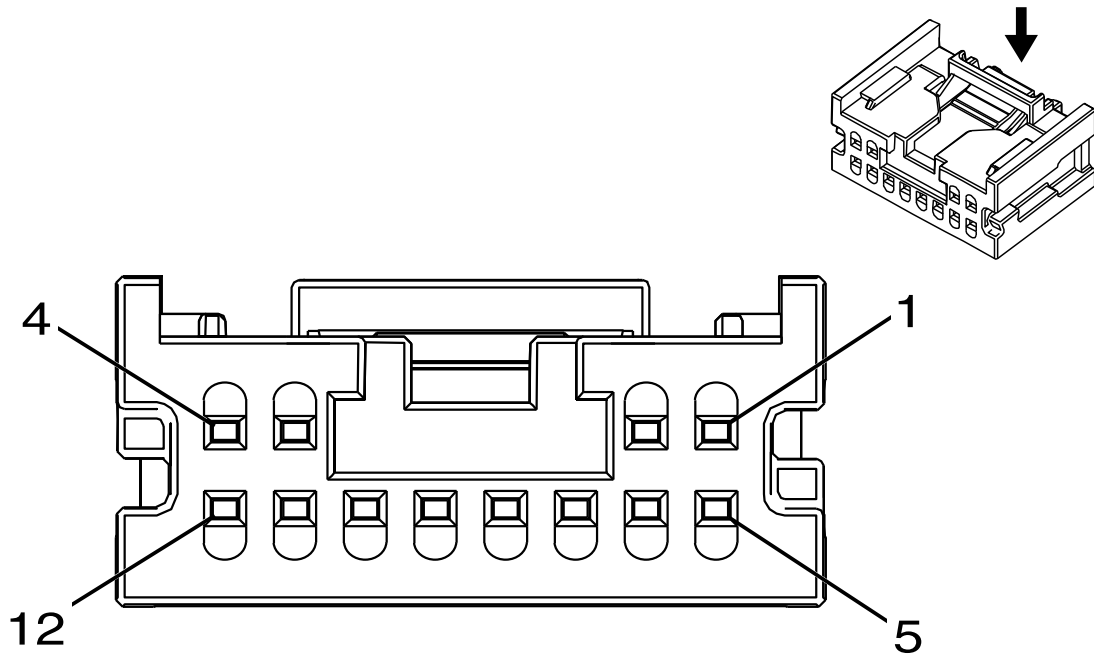
Terminal Type ID	Service Terminal	Diagnostic Test Probe
I	6042047C1	J-35616-64B (LT BU)

Table 1182 P17 Info Display Module X1 (Feature Code: 0008RNN / 0008RNW / 0008RNX)

Pin	Size	Color	Circuit	Function	Terminal Type ID
1	0.5	RD / GY	2840	Battery Positive Voltage	I
2	—	—	—	Not Occupied	—
3	0.5	GY / L-GN	1102	Low Speed GMLAN Serial Data #2	I
4	—	—	—	Not Occupied	—
5	0.5	L-GN / D-BU	7532	Local Interconnect Network Serial Data Bus 10	I

Table 1182 P17 Info Display Module X1 (Feature Code: 0008RNN / 0008RNW / 0008RNX) (cont.)

Pin	Size	Color	Circuit	Function	Terminal Type ID
6-7	—	—	—	Not Occupied	—
8	0.5	L-GN / WH	7527	Local Interconnect Network Serial Data Bus 5	I
9	—	—	—	Not Occupied	—
10	0.35	BK	2550	Ground	I



Connector Part Information	
•	Harness Type: Instrument Panel
•	Service Connector: 6040222C1
•	Description: 12-pin F Mini 50 Series (BK)

Table 1184 Terminal Part Information

Terminal Type ID	Service Terminal	Diagnostic Test Probe
I	6042047C1	EL-35616-58 (BK)

Table 1185 P17 Info Display Module X1 (Feature Code: 0008RNM)

Pin	Size	Color	Circuit	Function	Terminal Type ID
1	0.35	BN	9004	5 Volt Reference	I
2	0.35	BN / L-GN	3364	Navigation Display Reset Signal	I
3	0.35	GY / BN	3761	Infotainment Regulated Control	I
4	0.35	L-GN / BK	2515	Keypad Control	I
5	0.35	VT / GY	1381	LCD Dimming Signal	I
6	0.35	GY / D-BU	3989	Display Radio Bank Switch Dim Signal	I

Table 1185 P17 Info Display Module X1 (Feature Code: 0008RNM) (cont.)

Pin	Size	Color	Circuit	Function	Terminal Type ID
7	0.35	BN / L-GN	4502	Video Display Request Signal	I
8	0.35	GY / BN	9003	Low Reference	I
9	0.35	BK	2550	Ground	I
10	0.35	BK	2550	Ground	I
11	0.35	BK / BN	2518	Keypad Low Reference	I
12	0.35	GY / D-BU	3989	Display Radio Bank Switch Dim Signal	I

P17 Info Display Module X2 (IOB)

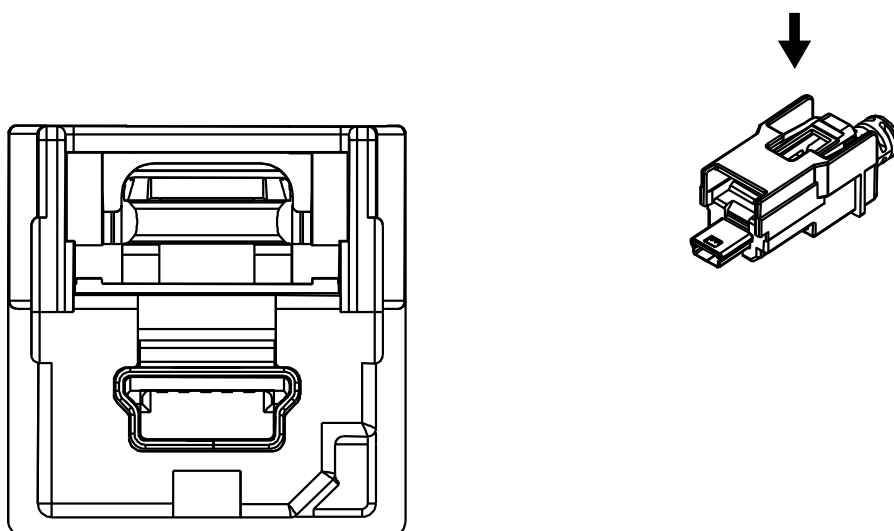
Connector Part Information
<ul style="list-style-type: none">• Harness Type: Instrument Panel• Service Connector: Service By Cable Assembly• Description: —

Table 1187 Terminal Part Information

Terminal Type ID	Service Terminal	Diagnostic Test Probe
I	Not Available	No Tool Required

Table 1188 P17 Info Display Module X2 (IOB)

Pin	Size	Color	Circuit	Function	Terminal Type ID
—	—	LVDS.	—	Infotainment Display Signal	I



Connector Part Information

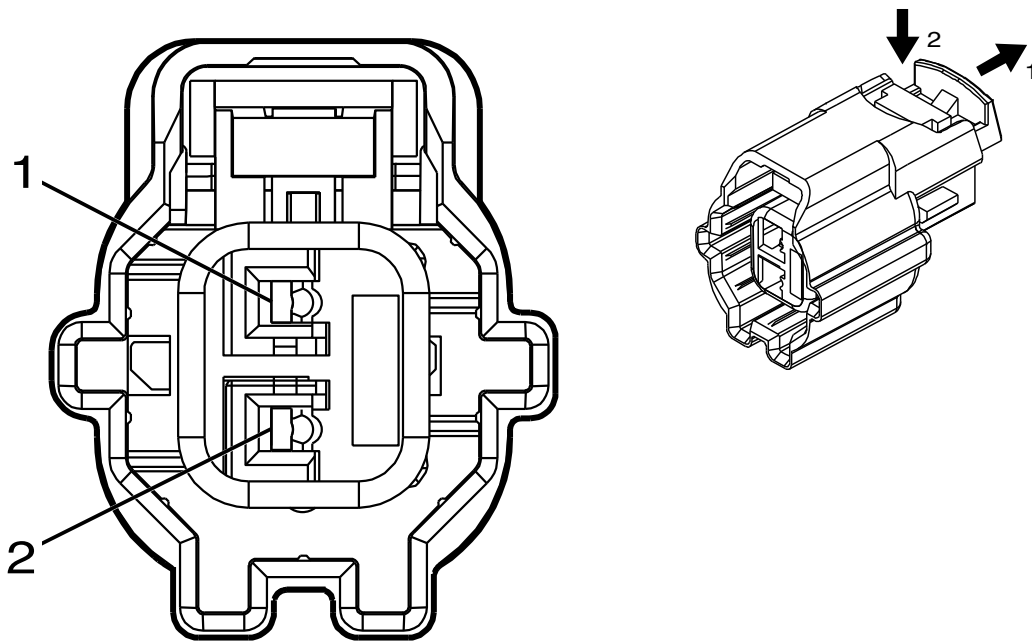
- Harness Type: Instrument Panel
- Service Connector: Service By Cable Assembly
- Description: 5-Way M 2.0 Mini-B USB Type (BK)

Table 1190 Terminal Part Information

Terminal Type ID	Service Terminal	Diagnostic Test Probe
I	Not Available	No Tool Required

Table 1191 P17 Info Display Module X3 (IO3 / IO5 / IO6)

Pin	Size	Color	Circuit	Function	Terminal Type ID
LVDS.	LVDS.	LVDS.	LVDS.	Infotainment Display Signal	LVDS



Connector Part Information

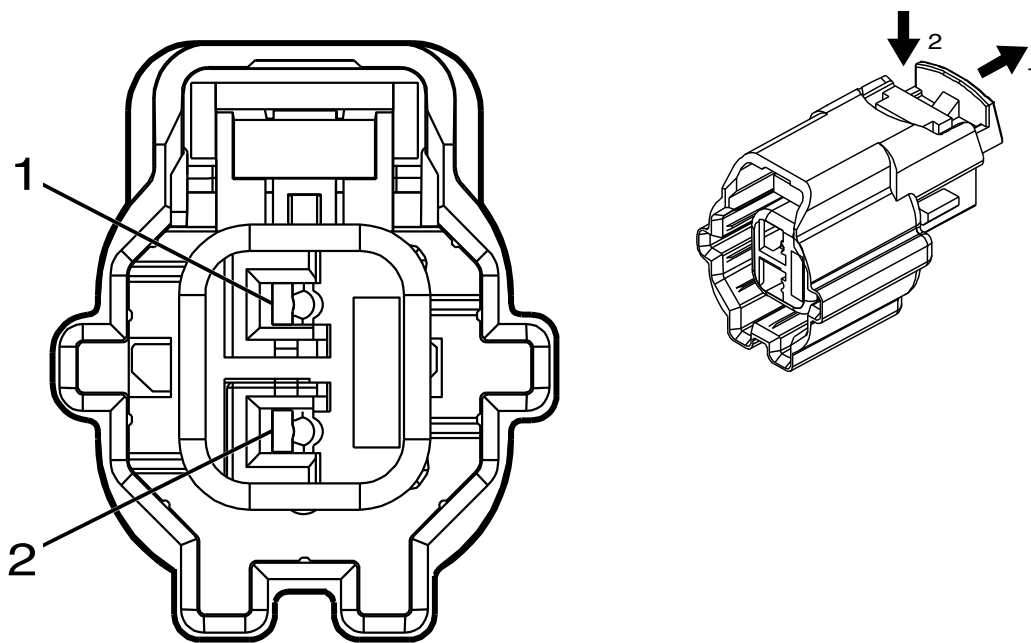
- Harness Type: Driver Door
- Service Connector: Service by Harness
- Description: 2-pin F 150 MX Series (BK)

Table 1193 Terminal Part Information

Terminal Type ID	Service Terminal	Diagnostic Test Probe
I	6042009C1	J-35616-2A (GY)

Table 1194 P19AG Speaker – Left Front Door

Pin	Size	Color	Circuit	Function	Terminal Type ID
1	1	BN / BU	118	Left Front Speaker Signal (-) 1	I
2	1	BU	201	Left Front Speaker Control (+) 1	I



Connector Part Information

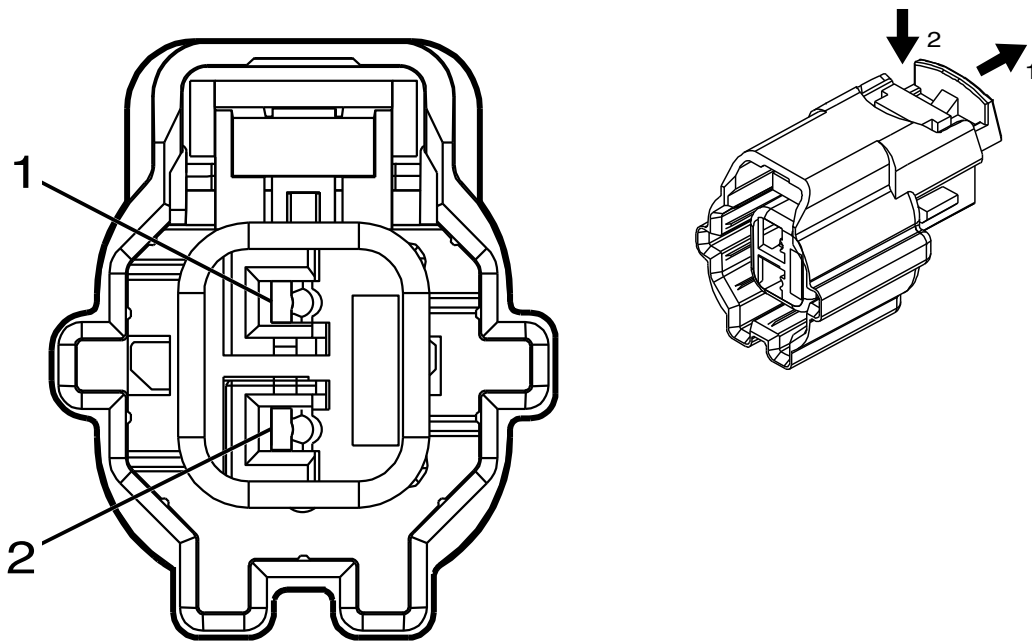
- Harness Type: Passenger Door
- Service Connector: Service by Harness
- Description: 2-pin F 150 MX Series (BK)

Table 1196 Terminal Part Information

Terminal Type ID	Service Terminal	Diagnostic Test Probe
I	6042009C1	J-35616-2A (GY)

Table 1197 P19AH Speaker – Right Front Door

Pin	Size	Color	Circuit	Function	Terminal Type ID
1	1	YE / BK	117	Right Front Speaker Signal (-) 1	I
2	1	YE	200	Right Front Speaker Control (+) 1	I



Connector Part Information

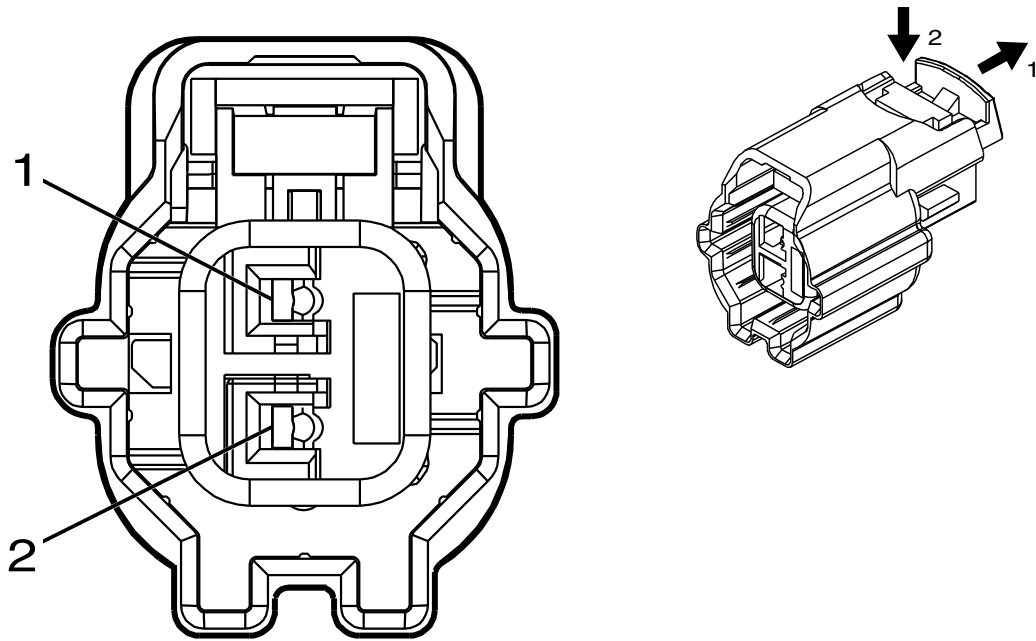
- Harness Type: Left Rear Door
- Service Connector: Service by Harness
- Description: 2-pin F 150 MX Series (BK)

Table 1199 Terminal Part Information

Terminal Type ID	Service Terminal	Diagnostic Test Probe
I	6042009C1	J-35616-2A (GY)

Table 1200 P19AL Speaker – Left Rear Door (Crew Cab)

Pin	Size	Color	Circuit	Function	Terminal Type ID
1	1	GN / BK	116	Left Rear Speaker Signal (-)	I
2	1	GN	199	Left Rear Speaker Control (+)	I



Connector Part Information

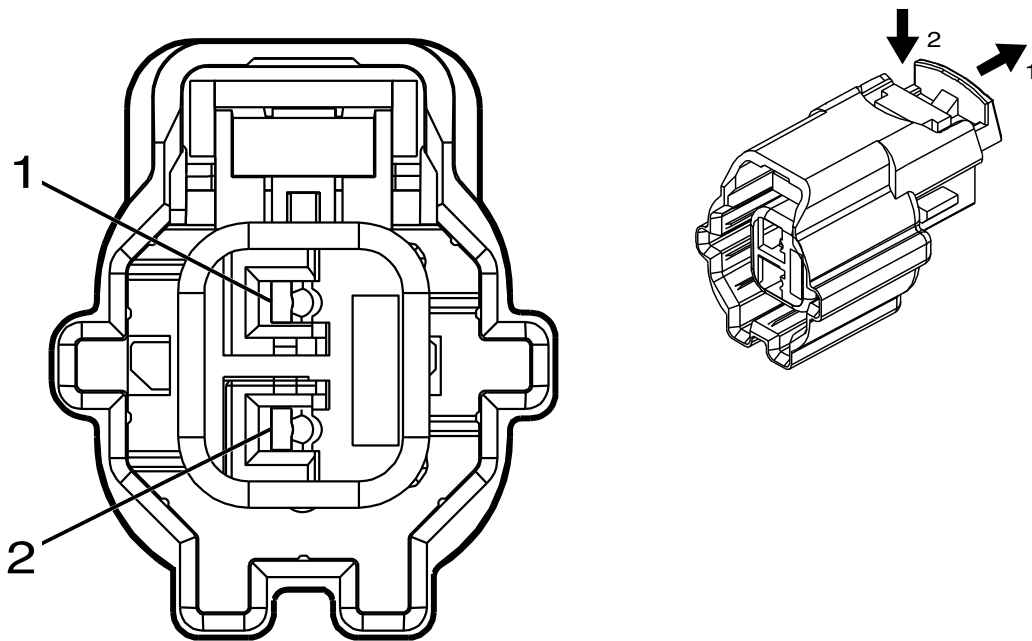
- Harness Type: Right Rear Door
- Service Connector: Service by Harness
- Description: 2-Way F 150 MX Series (BK)

Table 1202 Terminal Part Information

Terminal Type ID	Service Terminal	Diagnostic Test Probe
I	6042009C1	J-35616-2A (GY)

Table 1203 P19AM Speaker – Right Rear Door (Crew Cab)

Pin	Size	Color	Circuit	Function	Terminal Type ID
1	1	BU / BK	115	Right Rear Speaker Signal (-)	I
2	1	WH	46	Right Rear Speaker Control (+)	I



Connector Part Information

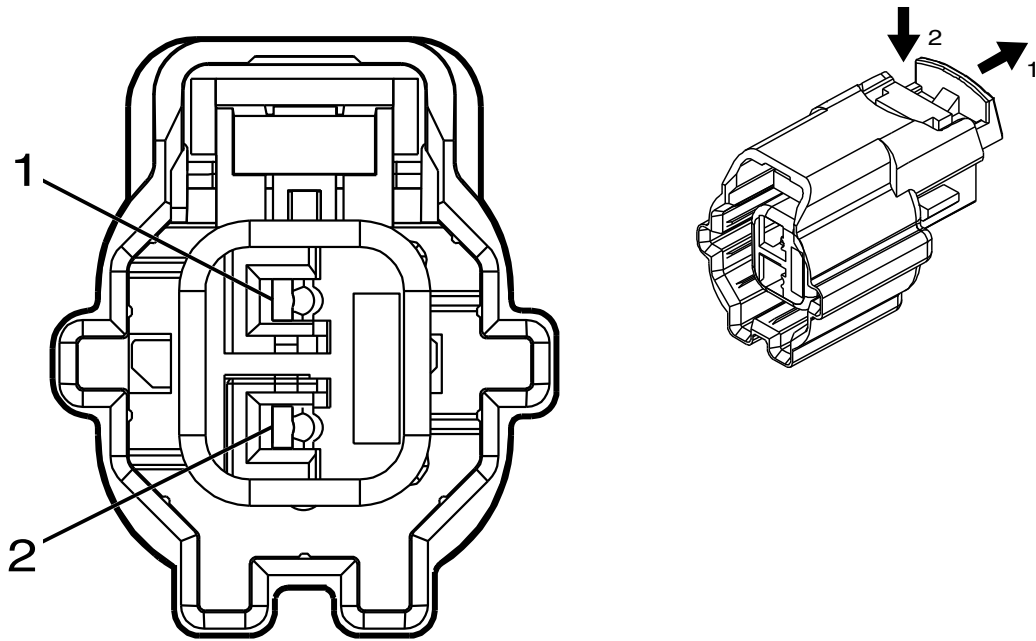
- Harness Type: Body
- Service Connector: 6041824C1
- Description: 2-Way F 150 MX Series (BK)

Table 1205 Terminal Part Information

Terminal Type ID	Service Terminal	Diagnostic Test Probe
I	6041964C1	J-35616-2A (GY)

Table 1206 P19AN Speaker - Left Rear Trim Panel (Standard Cab)

Pin	Size	Color	Circuit	Function	Terminal Type ID
1	0.5	GN / BK	116	Left Rear Speaker Signal (-)	I
2	0.5	GN	199	Left Rear Speaker Control (+)	I



Connector Part Information

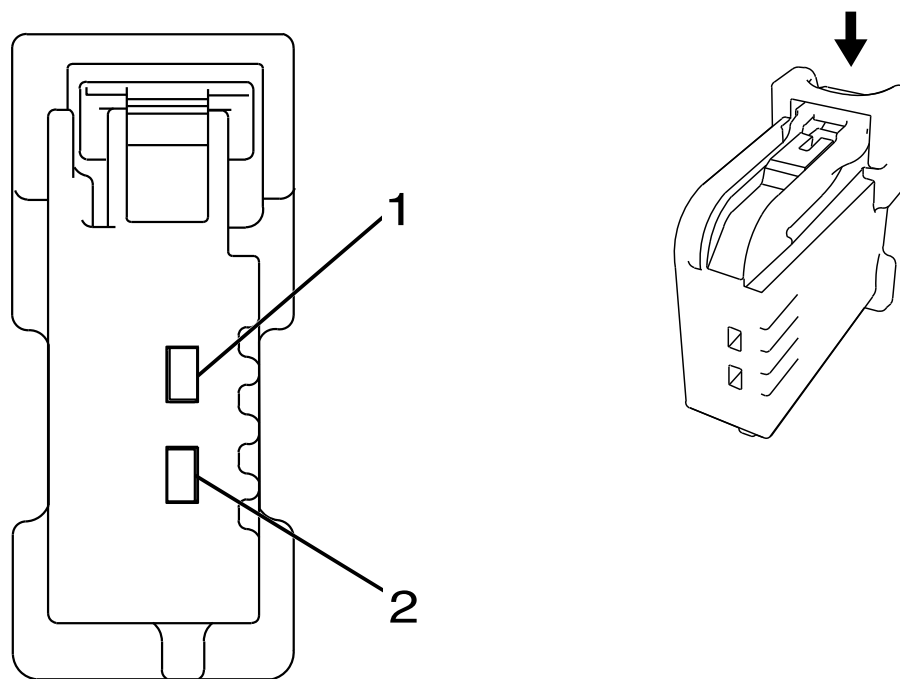
- Harness Type: Body
- Service Connector: 6041824C1
- Description: 2-pin F 150 MX Series (BK)

Table 1208 Terminal Part Information

Terminal Type ID	Service Terminal	Diagnostic Test Probe
I	6041964C1	J-35616-2A (GY)

Table 1209 P19AP Speaker – Right Rear Trim Panel (Standard Cab)

Pin	Size	Color	Circuit	Function	Terminal Type ID
1	0.5	BU / BK	115	Right Rear Speaker Signal (-)	I
2	0.5	WH	46	Right Rear Speaker Control (+)	I



Connector Part Information

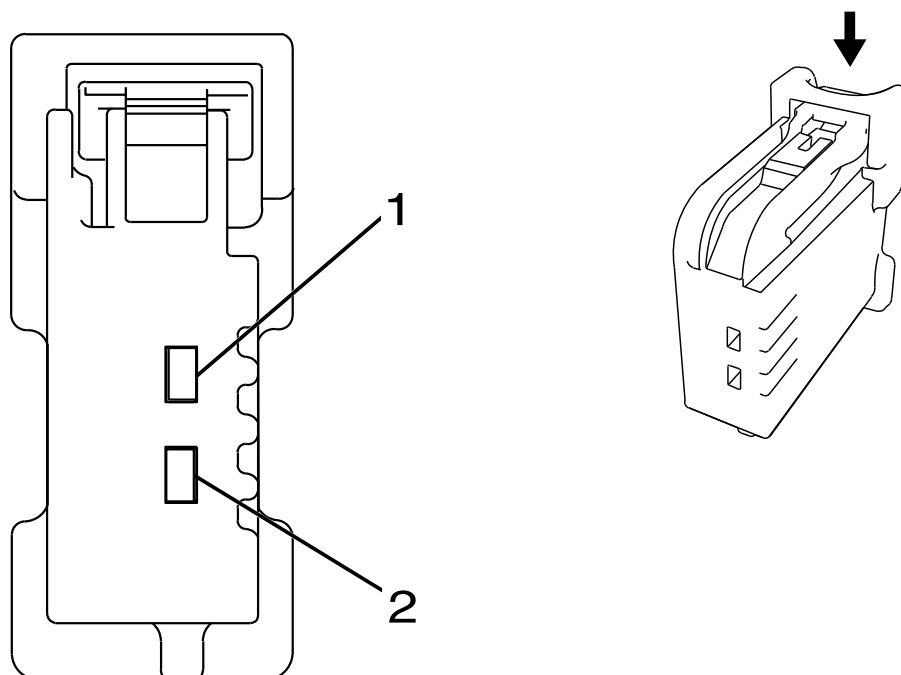
- Harness Type: Instrument Panel
- Service Connector: 6040291C1
- Description: 2-pin F 1.5 Series (BK)

Table 1211 Terminal Part Information

Terminal Type ID	Service Terminal	Diagnostic Test Probe
I	6041890C1	J-35616-4A (PU)

Table 1212 P19J Speaker – Left Instrument Panel (Feature Code: 0008RNU)

Pin	Size	Color	Circuit	Function	Terminal Type ID
1	0.5	BN / BU	118	Left Front Speaker Signal (-) 1	I
2	0.5	BU	201	Left Front Speaker Control (+) 1	I



Connector Part Information

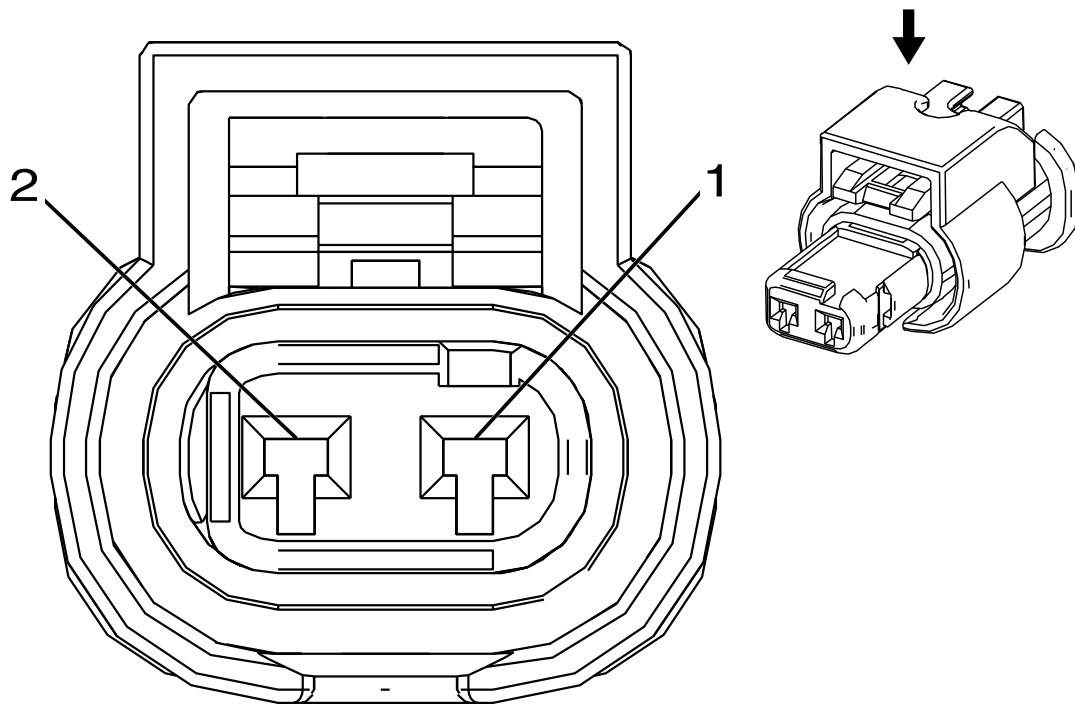
- Harness Type: Instrument Panel
- Service Connector: 6040291C1
- Description: 2-pin F 1.5 Series (BK)

Table 1214 Terminal Part Information

Terminal Type ID	Service Terminal	Diagnostic Test Probe
I	6041890C1	J-35616-2A (GY)

Table 1215 P19W Speaker – Right Instrument Panel (Feature Code: 0008RNU)

Pin	Size	Color	Circuit	Function	Terminal Type ID
1	0.5	YE / BK	117	Right Front Speaker Signal (-) 1	I
2	0.5	YE	200	Right Front Speaker Control (+) 1	I



Connector Part Information

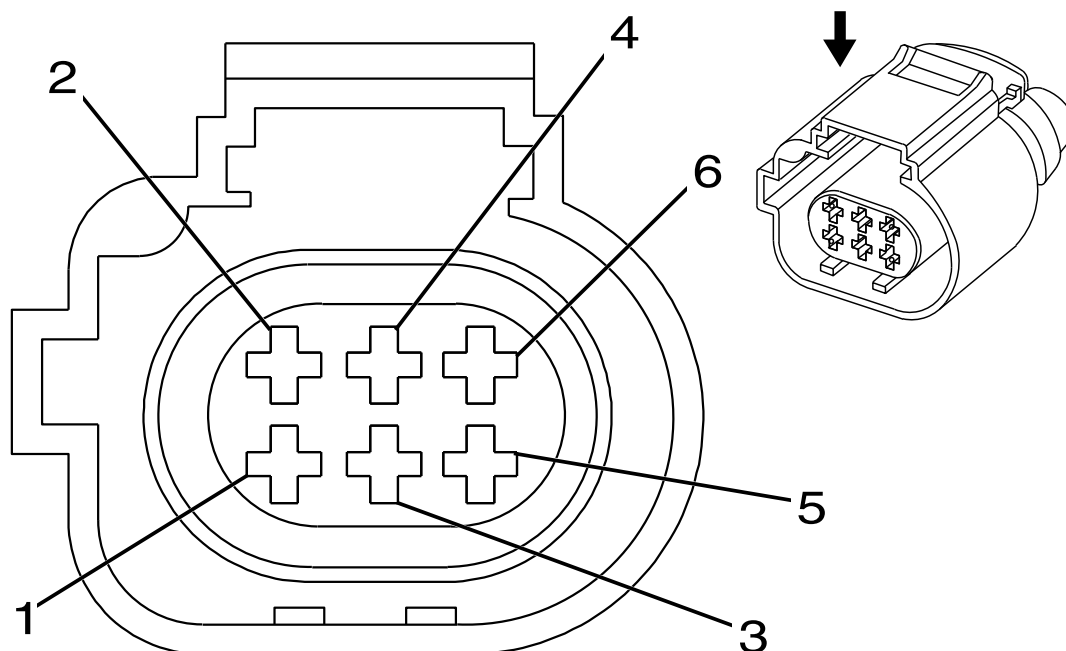
- Harness Type: Engine Chassis
- Service Connector: 6040245C1
- Description: 2-pin F 1.2 MCP Series, Sealed (BK)

Table 1217 Terminal Part Information

Terminal Type ID	Service Terminal	Diagnostic Test Probe
I	6042042C1 1mm	J-35616-14 (GN)
II	6041991C1 0.75mm	J-35616-16 (LT GN)

Table 1218 Q2 A / C Compressor Clutch (Feature Code: 0016XZA)

Pin	Size	Color	Circuit	Function	Terminal Type ID
1	1	BK	550	Ground	I
2	0.75	BN / GN	59	A / C Compressor Clutch Control	II

**Connector Part Information**

- Harness Type: Engine
- Service Connector: 6040263C1
- Description: 6-Way F 1.6 Micro-Timer Series, Sealed (GY)

Table 1220 Terminal Part Information

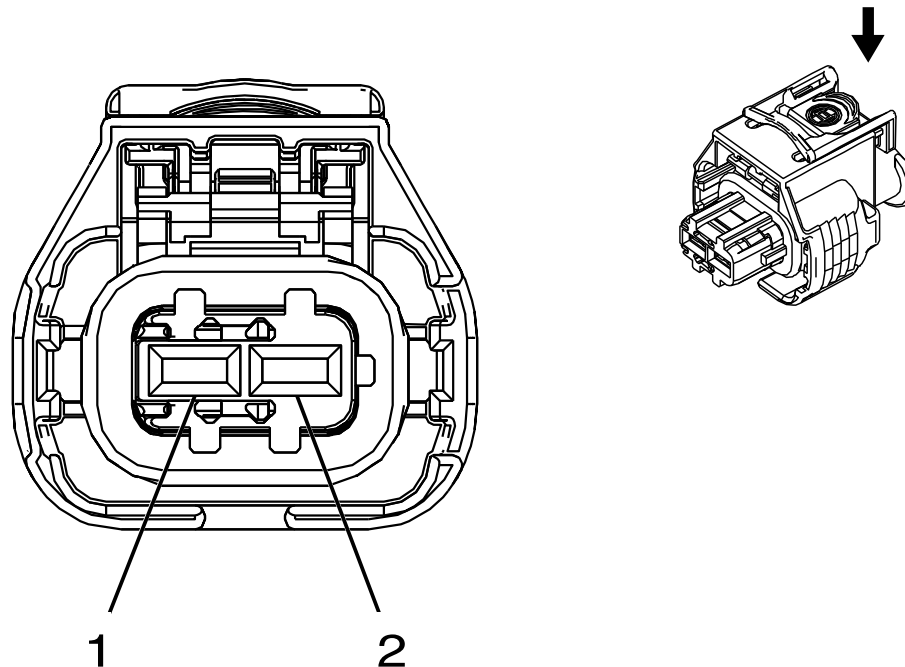
Terminal Type ID	Service Terminal	Diagnostic Test Probe
I	6041903C1	J-35616-14 (GN)

Table 1221 Q14 Exhaust Gas Recirculation Valve

Pin	Size	Color	Circuit	Function	Terminal Type ID
1	0.5	WH / VT	5764	Exhaust Gas Recirculation Valve Motor High Control	I
2	0.5	BN / WH	5763	Exhaust Gas Recirculation Valve Sensor Signal	I
3	—	—	—	Not Occupied	—
4	0.5	BK / BN	2753	Exhaust Gas Recirculation Sensor Low Reference	I

Table 1221 Q14 Exhaust Gas Recirculation Valve (cont.)

Pin	Size	Color	Circuit	Function	Terminal Type ID
5	0.5	VT / BK	5746	Exhaust Gas Recirculation Valve Motor Low Signal	I
6	0.5	BU / RD	2702	Exhaust Gas Recirculation 5 volt Reference 2	I



Connector Part Information

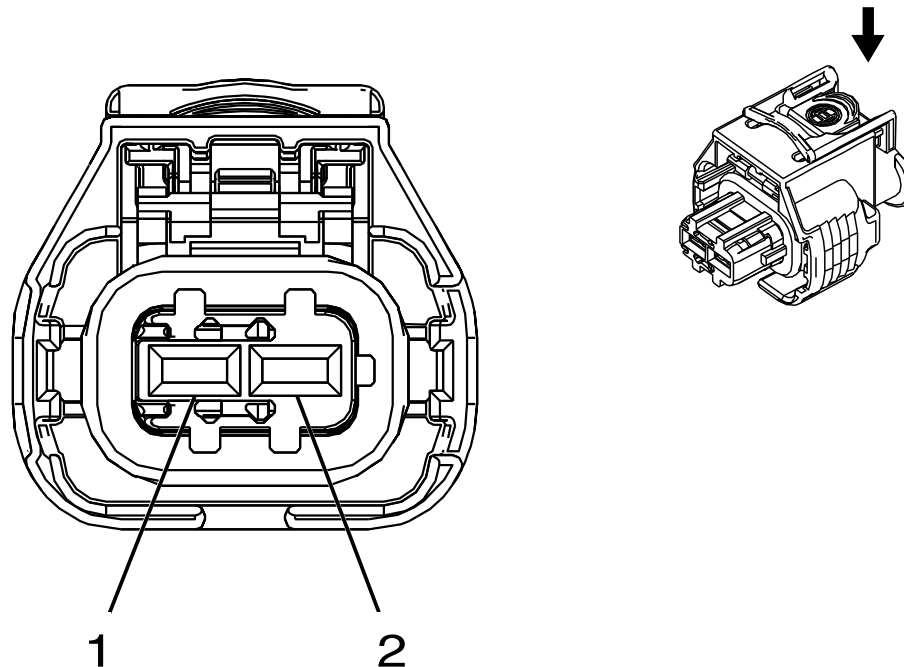
- Harness Type: Engine
- Service Connector: 6040272C1
- Description: 2-Way F 2.8 Series, Sealed (BK)

Table 1223 Terminal Part Information

Terminal Type ID	Service Terminal	Diagnostic Test Probe
I	3689960C1	J-35616-35 (VT)

Table 1224 Q17A Fuel Injector 1

Pin	Size	Color	Circuit	Function	Terminal Type ID
1	0.75	BN	4801	Direct Fuel Injector (DFI) High Voltage Control Cylinder 1	I
2	0.75	BN / WH	4901	Direct Fuel Injector (DFI) High Voltage Supply Cylinder 1	I



Connector Part Information

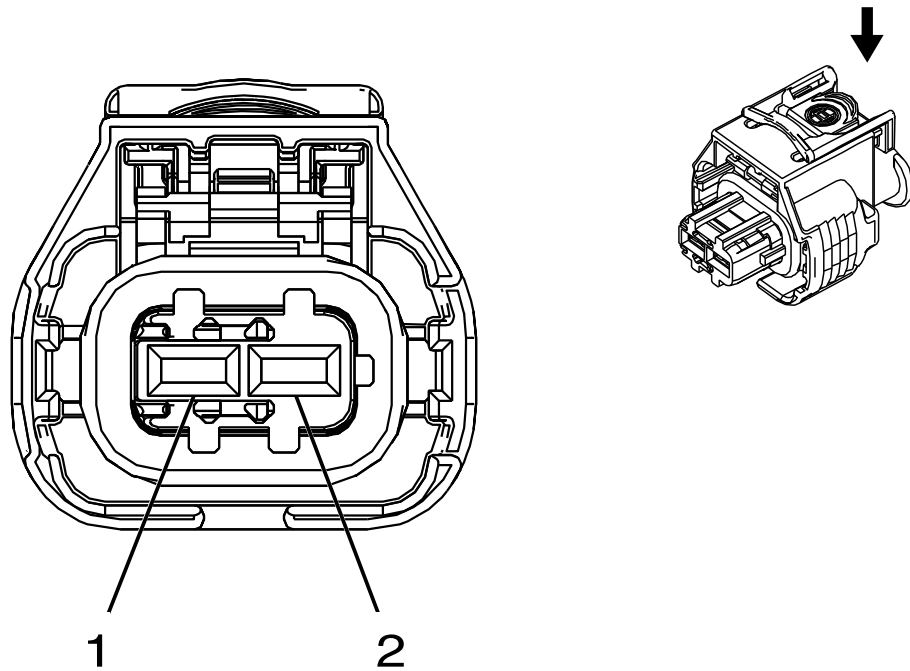
- Harness Type: Engine
- Service Connector: 6040272C1
- Description: 2-Way F 2.8 Series, Sealed (BK)

Table 1226 Terminal Part Information

Terminal Type ID	Service Terminal	Diagnostic Test Probe
I	3689960C1	J-35616-35 (VT)

Table 1227 Q17A Fuel Injector 1

Pin	Size	Color	Circuit	Function	Terminal Type ID
1	0.75	BN / WH	4901	Direct Fuel Injector (DFI) High Voltage Supply Cylinder 1	I
2	0.75	BN	4801	Direct Fuel Injector (DFI) High Voltage Control Cylinder 1	I



Connector Part Information

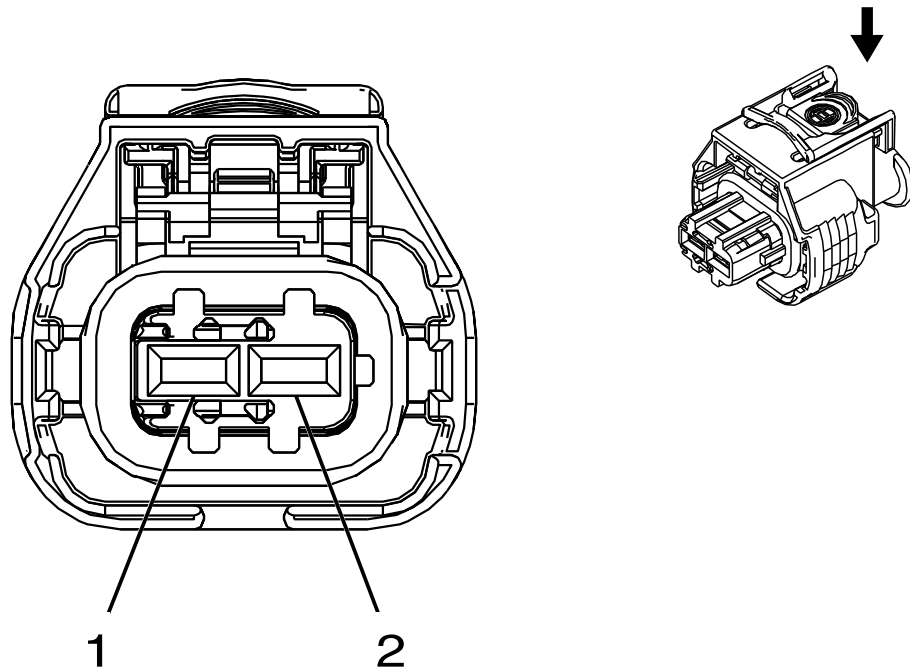
- Harness Type: Engine
- Service Connector: 6040272C1
- Description: 2-Way F 2.8 Series, Sealed (BK)

Table 1229 Terminal Part Information

Terminal Type ID	Service Terminal	Diagnostic Test Probe
I	3689960C1	J-35616-35 (VT)

Table 1230 Q17B Fuel Injector 2

Pin	Size	Color	Circuit	Function	Terminal Type ID
1	0.75	BU	4802	Direct Fuel Injector (DFI) High Voltage Control Cylinder 2	I
2	0.75	BU / GY	4902	Direct Fuel Injector (DFI) High Voltage Supply Cylinder 2	I



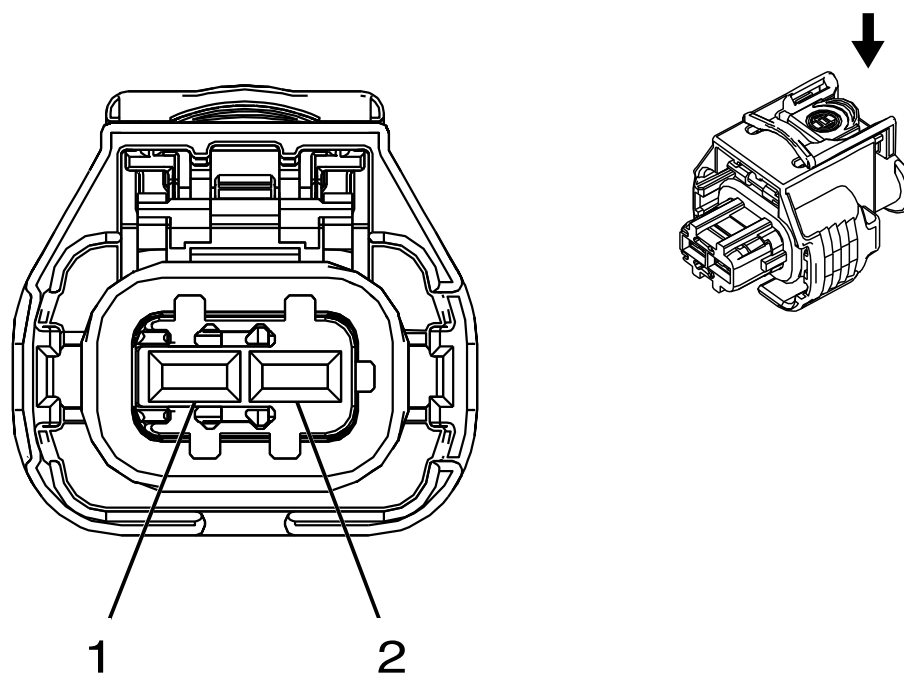
Connector Part Information	
•	Harness Type: Engine
•	Service Connector: 6040272C1
•	Description: 2-Way F 2.8 Series, Sealed (BK)

Table 1232 Terminal Part Information

Terminal Type ID	Service Terminal	Diagnostic Test Probe
I	3689960C1	J-35616-35 (VT)

Table 1233 Q17B Fuel Injector 2

Pin	Size	Color	Circuit	Function	Terminal Type ID
1	0.75	BU / GY	4902	Direct Fuel Injector (DFI) High Voltage Supply Cylinder 2	I
2	0.75	BU	4802	Direct Fuel Injector (DFI) High Voltage Control Cylinder 2	I



Connector Part Information

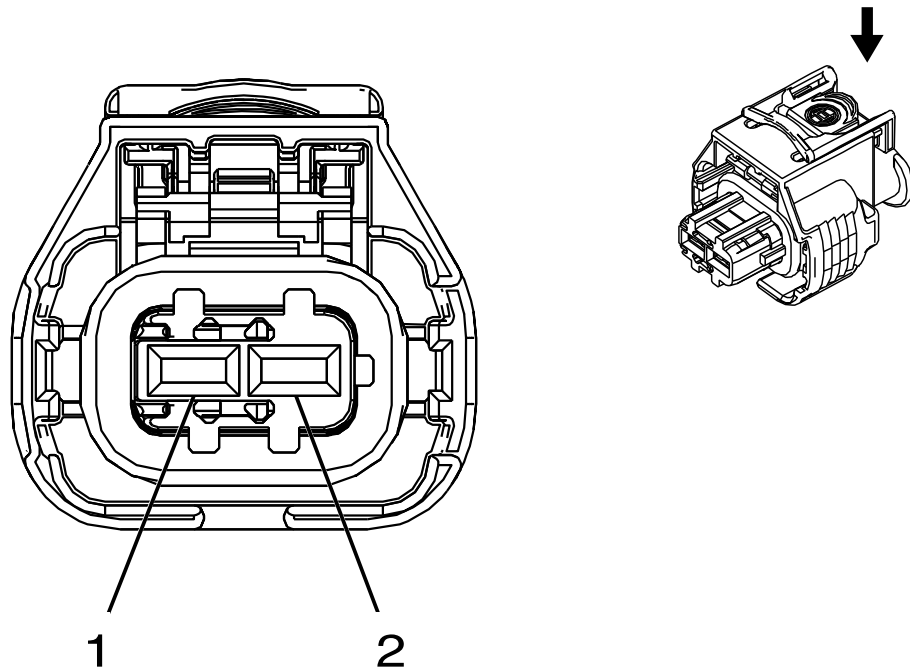
- Harness Type: Engine
- Service Connector: 6040272C1
- Description: 2-Way F 2.8 Series, Sealed (BK)

Table 1235 Terminal Part Information

Terminal Type ID	Service Terminal	Diagnostic Test Probe
I	3689960C1	J-35616-35 (VT)

Table 1236 Q17C Fuel Injector 3

Pin	Size	Color	Circuit	Function	Terminal Type ID
1	0.75	GN	4803	Direct Fuel Injector (DFI) High Voltage Control Cylinder 3	I
2	0.75	GN / GY	4903	Direct Fuel Injector (DFI) High Voltage Supply Cylinder 3	I



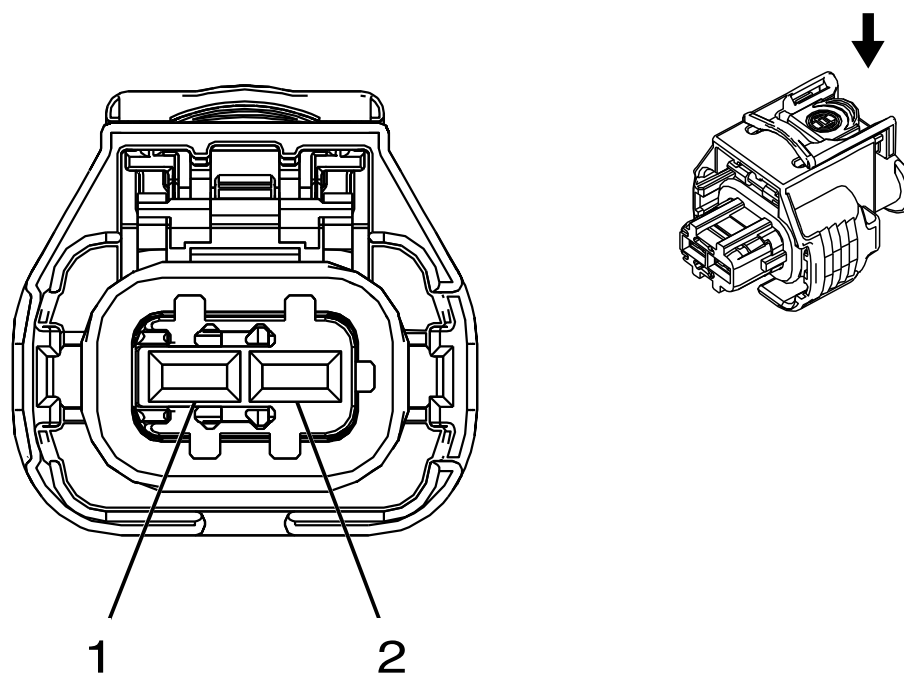
Connector Part Information	
•	Harness Type: Engine
•	Service Connector: 6040272C1
•	Description: 2-Way F 2.8 Series, Sealed (BK)

Table 1238 Terminal Part Information

Terminal Type ID	Service Terminal	Diagnostic Test Probe
I	3689960C1	J-35616-35 (VT)

Table 1239 Q17C Fuel Injector 3

Pin	Size	Color	Circuit	Function	Terminal Type ID
1	0.75	GN / GY	4903	Direct Fuel Injector (DFI) High Voltage Supply Cylinder 3	I
2	0.75	GN	4803	Direct Fuel Injector (DFI) High Voltage Control Cylinder 3	I



Connector Part Information

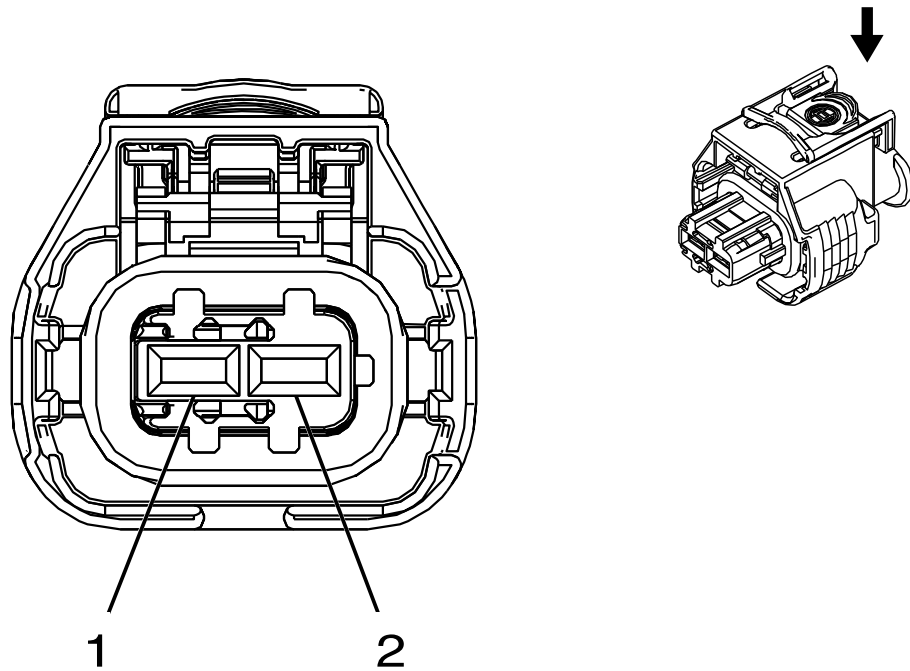
- Harness Type: Engine
- Service Connector: 6040272C1
- Description: 2-Way F 2.8 Series, Sealed (BK)

Table 1241 Terminal Part Information

Terminal Type ID	Service Terminal	Diagnostic Test Probe
I	3689960C1	J-35616-35 (VT)

Table 1242 Q17D Fuel Injector 4

Pin	Size	Color	Circuit	Function	Terminal Type ID
1	0.75	GY / BU	4804	Direct Fuel Injector (DFI) High Voltage Control Cylinder 4	I
2	0.75	BU / WH	4904	Direct Fuel Injector (DFI) High Voltage Supply Cylinder 4	I



Connector Part Information

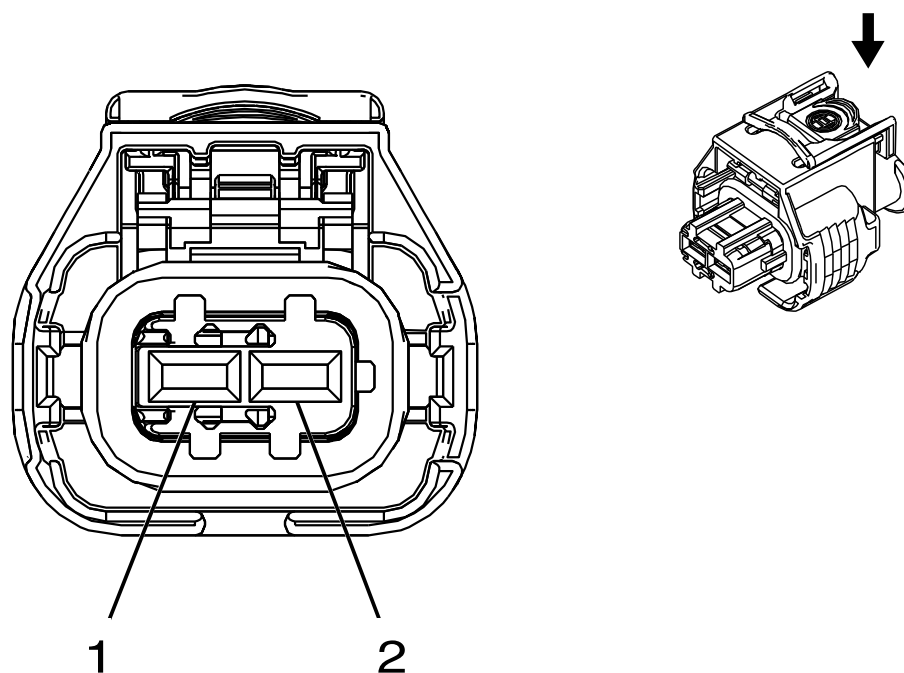
- Harness Type: Engine
- Service Connector: 6040272C1
- Description: 2-Way F 2.8 Series, Sealed (BK)

Table 1244 Terminal Part Information

Terminal Type ID	Service Terminal	Diagnostic Test Probe
I	3689960C1	J-35616-35 (VT)

Table 1245 Q17D Fuel Injector 4

Pin	Size	Color	Circuit	Function	Terminal Type ID
1	0.75	BU / WH	4904	Direct Fuel Injector (DFI) High Voltage Supply Cylinder 4	I
2	0.75	GY / BU	4804	Direct Fuel Injector (DFI) High Voltage Control Cylinder 4	I



Connector Part Information

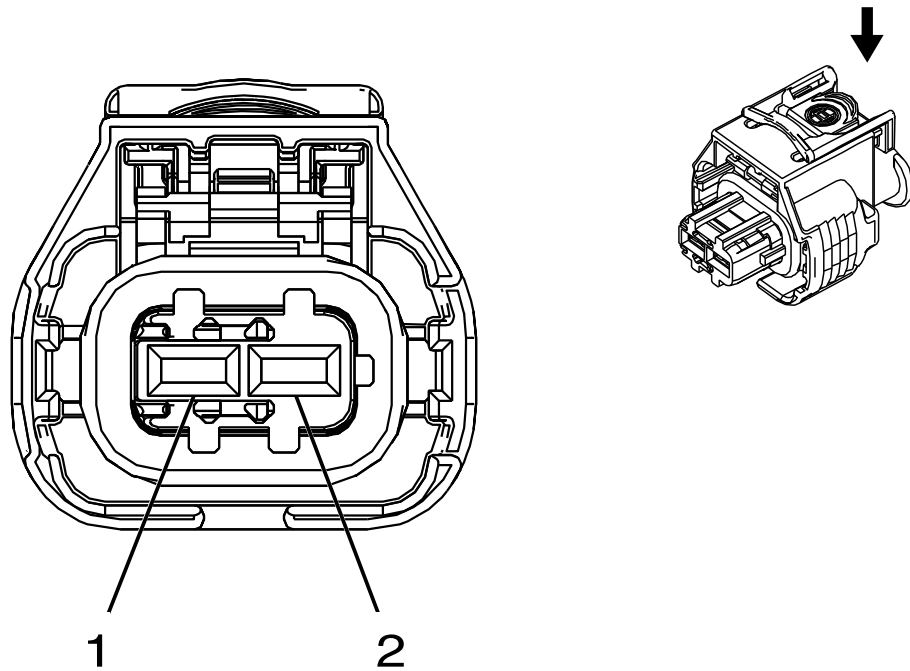
- Harness Type: Engine
- Service Connector: 6040272C1
- Description: 2-Way F 2.8 Series, Sealed (BK)

Table 1247 Terminal Part Information

Terminal Type ID	Service Terminal	Diagnostic Test Probe
I	3689960C1	J-35616-35 (VT)

Table 1248 Q17E Fuel Injector 5

Pin	Size	Color	Circuit	Function	Terminal Type ID
1	0.75	WH / GN	4805	Direct Fuel Injector (DFI) High Voltage Control Cylinder 5	I
2	0.75	GN / WH	4905	Direct Fuel Injector (DFI) High Voltage Supply Cylinder 5	I



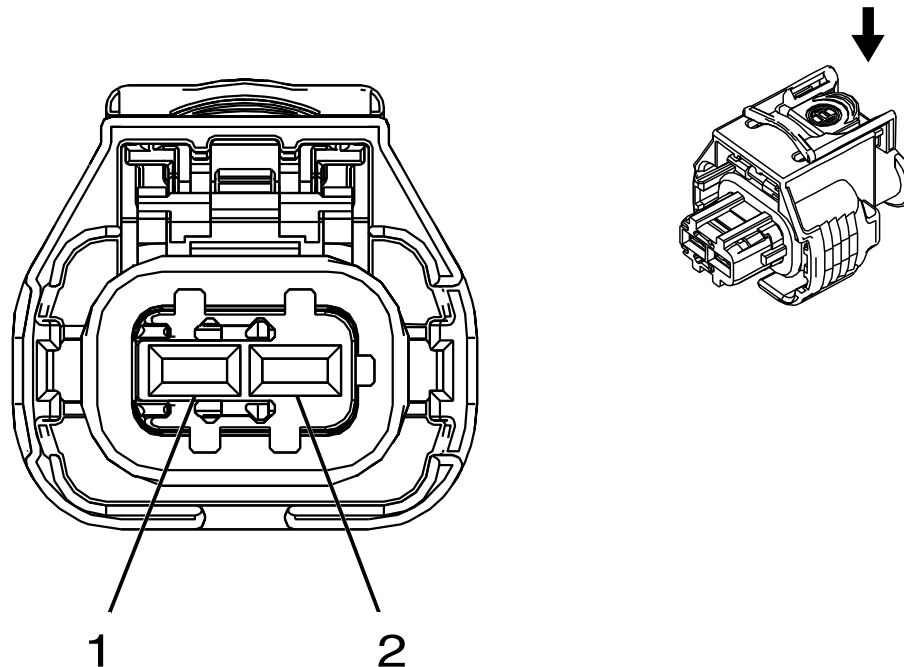
Connector Part Information	
•	Harness Type: Engine
•	Service Connector: 6040272C1
•	Description: 2-Way F 2.8 Series, Sealed (BK)

Table 1250 Terminal Part Information

Terminal Type ID	Service Terminal	Diagnostic Test Probe
I	3689960C1	J-35616-35 (VT)

Table 1251 Q17E Fuel Injector 5

Pin	Size	Color	Circuit	Function	Terminal Type ID
1	0.75	GN / WH	4905	Direct Fuel Injector (DFI) High Voltage Supply Cylinder 5	I
2	0.75	WH / GN	4805	Direct Fuel Injector (DFI) High Voltage Control Cylinder 5	I



Connector Part Information

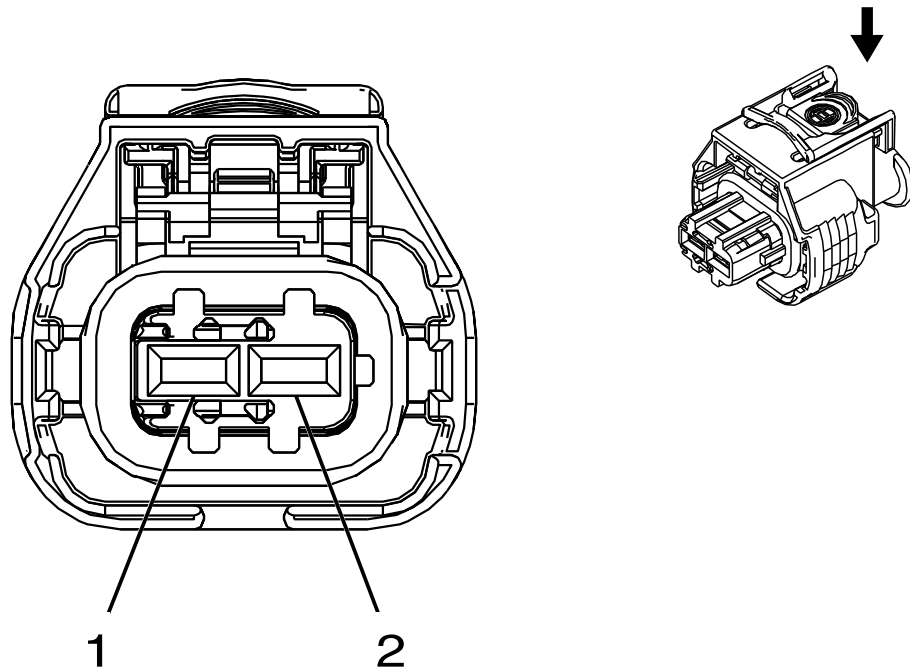
- Harness Type: Engine
- Service Connector: 6040272C1
- Description: 2-pin F 2.8 Series, Sealed (BK)

Table 1253 Terminal Part Information

Terminal Type ID	Service Terminal	Diagnostic Test Probe
I	3689960C1	J-35616-35 (VT)

Table 1254 Q17F Fuel Injector 6

Pin	Size	Color	Circuit	Function	Terminal Type ID
1	0.75	VT / GN	4806	Direct Fuel Injector (DFI) High Voltage Control Cylinder 6	I
2	0.75	VT / GY	4906	Direct Fuel Injector (DFI) High Voltage Supply Cylinder 6	I



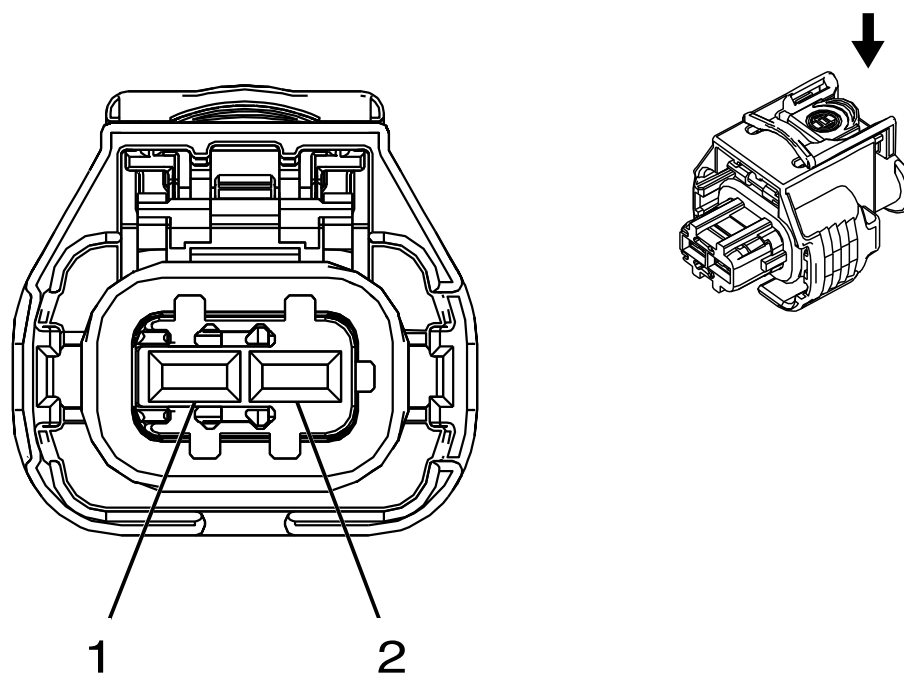
Connector Part Information	
•	Harness Type: Engine
•	Service Connector: 6040272C1
•	Description: 2-pin F 2.8 Series, Sealed (BK)

Table 1256 Terminal Part Information

Terminal Type ID	Service Terminal	Diagnostic Test Probe
I	3689960C1	J-35616-35 (VT)

Table 1257 Q17F Fuel Injector 6

Pin	Size	Color	Circuit	Function	Terminal Type ID
1	0.75	VT / GY	4906	Direct Fuel Injector (DFI) High Voltage Supply Cylinder 6	I
2	0.75	VT / GN	4806	Direct Fuel Injector (DFI) High Voltage Control Cylinder 6	I



Connector Part Information

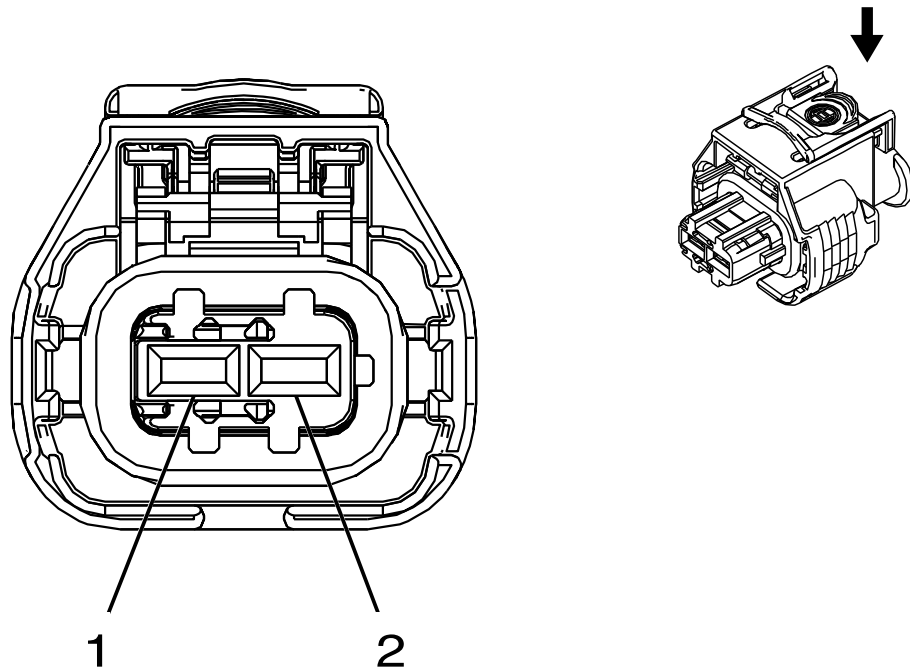
- Harness Type: Engine
- Service Connector: 6040272C1
- Description: 2-Way F 2.8 Series, Sealed (BK)

Table 1259 Terminal Part Information

Terminal Type ID	Service Terminal	Diagnostic Test Probe
I	3689960C1	J-35616-35 (VT)

Table 1260 Q17G Fuel Injector 7

Pin	Size	Color	Circuit	Function	Terminal Type ID
1	0.75	YE / GY	4807	Direct Fuel Injector (DFI) High Voltage Control Cylinder 7	I
2	0.75	WH / YE	4907	Direct Fuel Injector (DFI) High Voltage Supply Cylinder 7	I



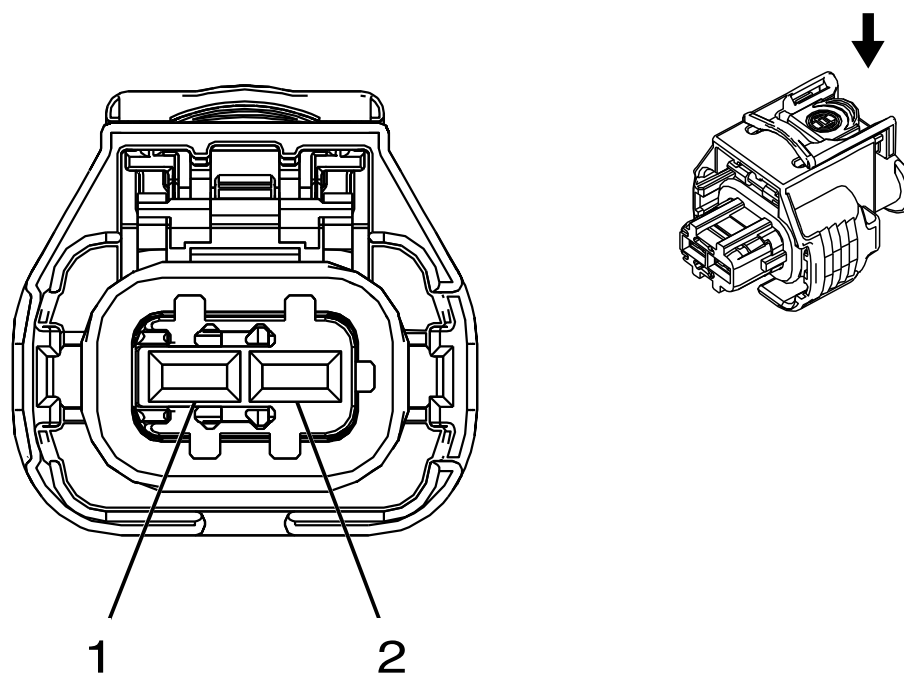
Connector Part Information	
•	Harness Type: Engine
•	Service Connector: 6040272C1
•	Description: 2-Way F 2.8 Series, Sealed (BK)

Table 1262 Terminal Part Information

Terminal Type ID	Service Terminal	Diagnostic Test Probe
I	3689960C1	J-35616-35 (VT)

Table 1263 Q17G Fuel Injector 7

Pin	Size	Color	Circuit	Function	Terminal Type ID
1	0.75	WH / YE	4907	Direct Fuel Injector (DFI) High Voltage Supply Cylinder 7	I
2	0.75	YE / GY	4807	Direct Fuel Injector (DFI) High Voltage Control Cylinder 7	I



Connector Part Information

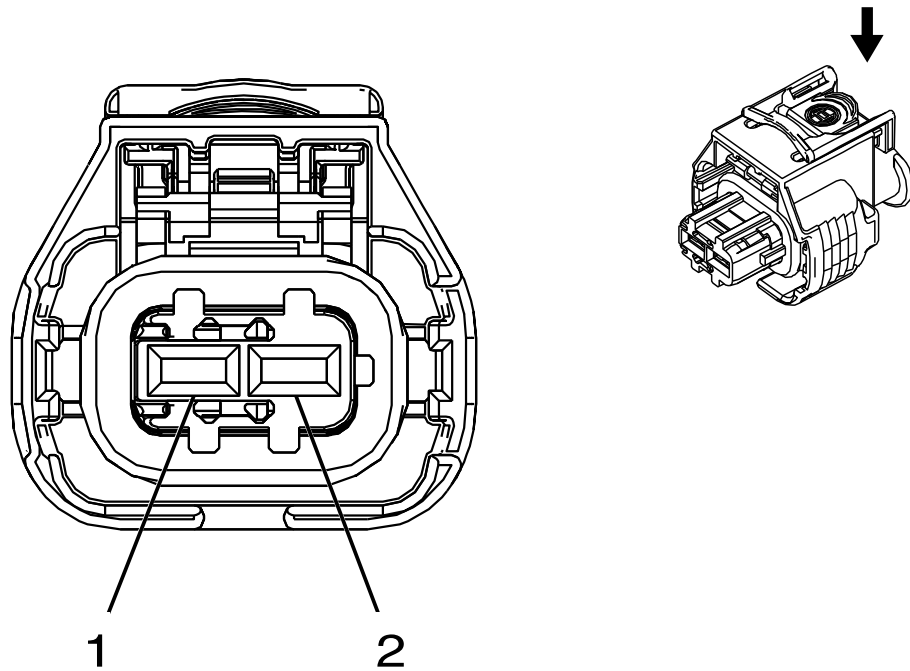
- Harness Type: Engine
- Service Connector: 6040272C1
- Description: 2-pin F 2.8 Series, Sealed (BK)

Table 1265 Terminal Part Information

Terminal Type ID	Service Terminal	Diagnostic Test Probe
I	3689960C1	J-35616-35 (VT)

Table 1266 Q17H Fuel Injector 8

Pin	Size	Color	Circuit	Function	Terminal Type ID
1	0.75	GY	4808	Direct Fuel Injector (DFI) High Voltage Control Cylinder 8	I
2	0.75	GY / WH	4908	Direct Fuel Injector (DFI) High Voltage Supply Cylinder 8	I



Connector Part Information

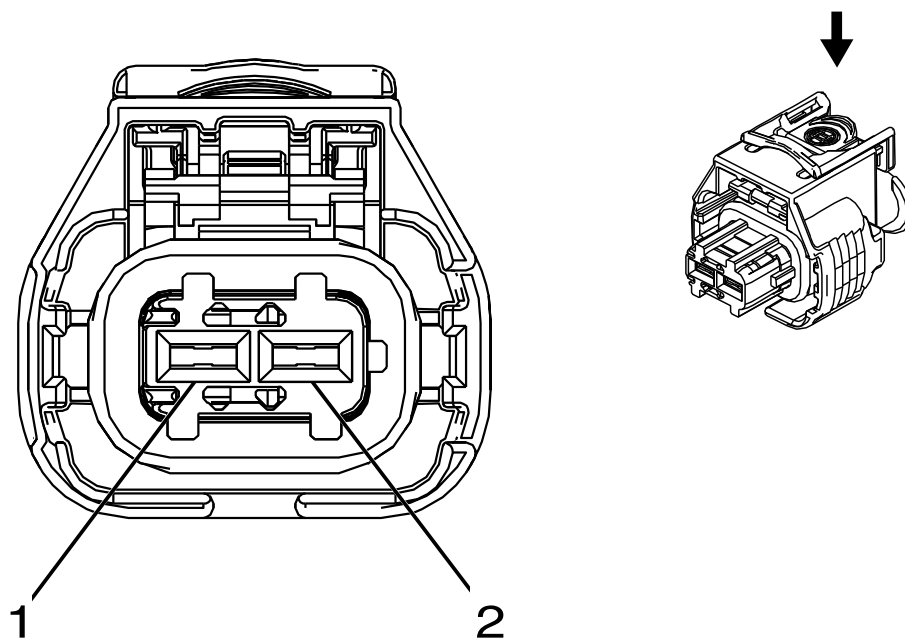
- Harness Type: Engine
- Service Connector: 6040272C1
- Description: 2-pin F 2.8 Series, Sealed (BK)

Table 1268 Terminal Part Information

Terminal Type ID	Service Terminal	Diagnostic Test Probe
I	3689960C1	J-35616-35 (VT)

Table 1269 Q17H Fuel Injector 8

Pin	Size	Color	Circuit	Function	Terminal Type ID
1	0.75	GY / WH	4908	Direct Fuel Injector (DFI) High Voltage Supply Cylinder 8	I
2	0.75	GY	4808	Direct Fuel Injector (DFI) High Voltage Control Cylinder 8	I



Connector Part Information

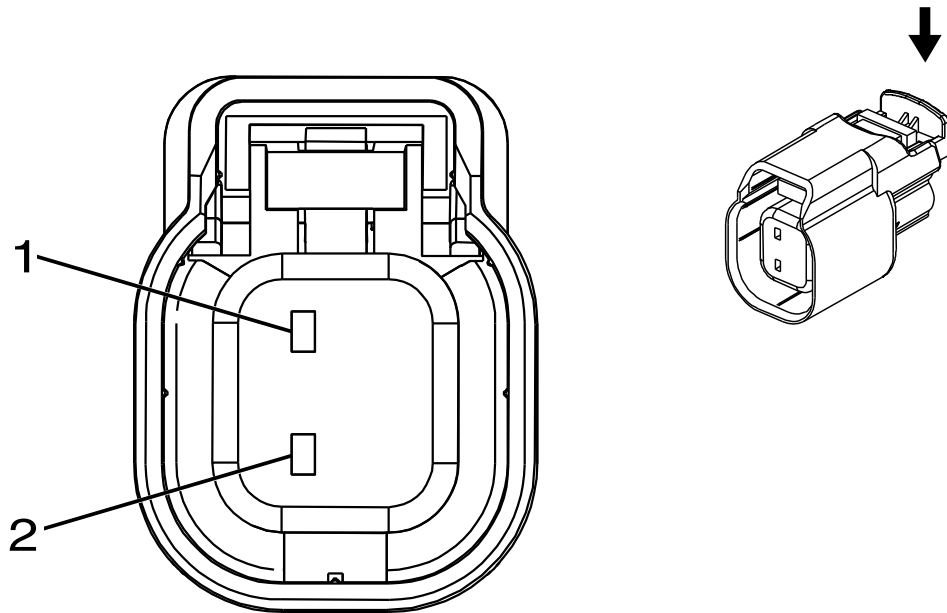
- Harness Type: Engine Left
- Service Connector: Service by Harness
- Description: 2-pin F 2.8 Series, Sealed (BK)

Table 1271 Terminal Part Information

Terminal Type ID	Service Terminal	Diagnostic Test Probe
I	3689960C1	J-35616-35 (VT)

Table 1272 Q18A Fuel Pressure Regulator 1

Pin	Size	Color	Circuit	Function	Terminal Type ID
1	0.5	BN / BK	2929	Fuel Metering Valve Low Control	I
2	0.5	YE	2928	Fuel Metering Valve High Control	I



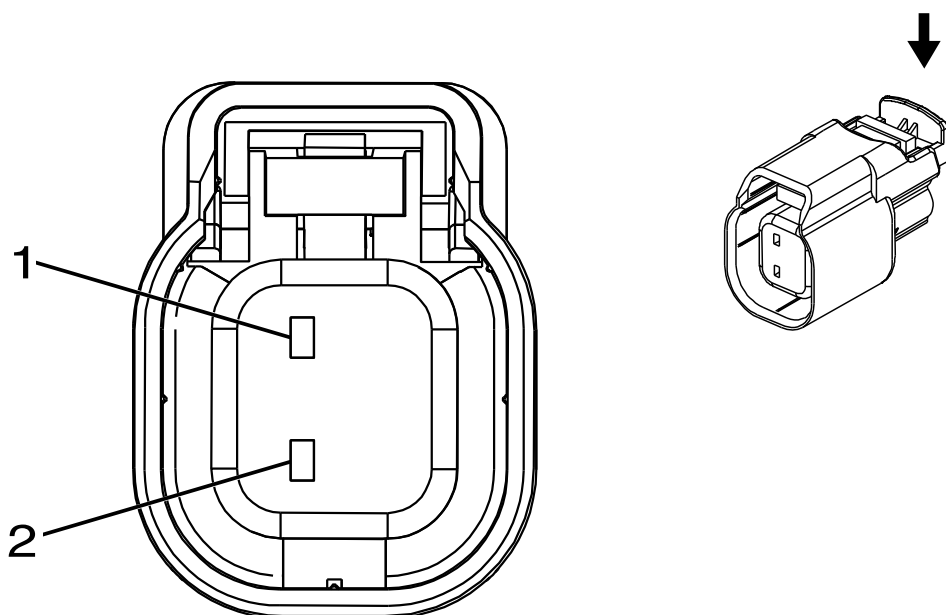
Connector Part Information	
•	Harness Type: Engine
•	Service Connector: 6040300C1
•	Description: 2-Way F 1.5 Series, Sealed (BK)

Table 1274 Terminal Part Information

Terminal Type ID	Service Terminal	Diagnostic Test Probe
I	6041974C1	J-35616-16 (LT GN)

Table 1275 Q18B Fuel Pressure Regulator 2

Pin	Size	Color	Circuit	Function	Terminal Type ID
1	0.75	BK / YE	2834	Fuel Rail Pressure Solenoid Low Reference	I
2	0.75	BU / WH	2530	Fuel Rail Pressure Solenoid Control	I



Connector Part Information

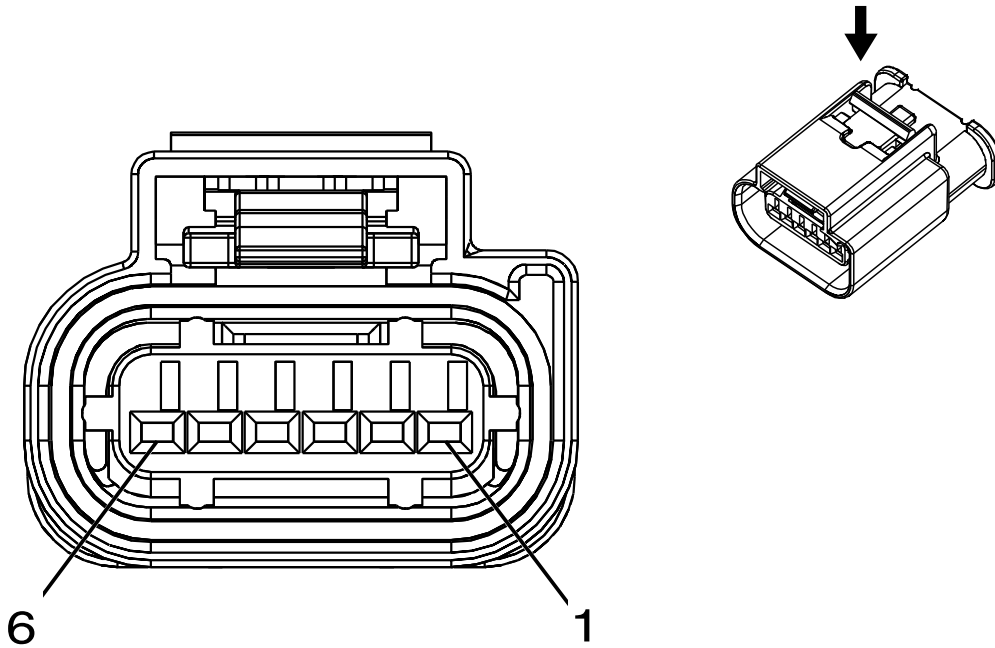
- Harness Type: Engine
- Service Connector: 6040300C1
- Description: 2-Way F 1.5 Series, Sealed (BK)

Table 1277 Terminal Part Information

Terminal Type ID	Service Terminal	Diagnostic Test Probe
I	6041974C1	J-35616-16 (LT GN)

Table 1278 Q18B Fuel Pressure Regulator 2

Pin	Size	Color	Circuit	Function	Terminal Type ID
1	0.75	BU / WH	2530	Fuel Rail Pressure Solenoid Control	I
2	0.75	BK / YE	2834	Fuel Rail Pressure Solenoid Low Reference	I



Connector Part Information

- Harness Type: Engine
- Service Connector: 6040301C1
- Description: 6-pin F 1.2 MCON Series, Sealed (BK)

Table 1280 Terminal Part Information

Terminal Type ID	Service Terminal	Diagnostic Test Probe
I	6041894C1	J-35616-16 (LT GN)

Table 1281 Q20 Intake Air Flow Valve

Pin	Size	Color	Circuit	Function	Terminal Type ID
1	0.5	YE	581	Throttle Actuator Control Open	I
2	0.5	BN / WH	582	Throttle Actuator Control Close	I
3	0.5	BU / WH	3630	Throttle Position Sensor (SENT1) Signal	I
4	0.5	BK / BN	2752	Throttle Position Sensor Low Reference	I
5	0.5	BN / RD	2701	Throttle Position Sensor 5 volt Reference	I
6	—	—	—	Not Occupied	—

Q23 Line Pressure Control Solenoid Valve**Connector Part Information**

- Harness Type: Engine
- Service Connector: Service by Harness
- Description: 2-Way

Table 1283 Terminal Part Information

Terminal Type ID	Service Terminal	Diagnostic Test Probe
I	Not Available	Not Available

Table 1284 Q23 Line Pressure Control Solenoid Valve

Pin	Size	Color	Circuit	Function	Terminal Type ID
A	—	—	111	Transmission Solenoid Supply	I
B	—	—	174	Transmission Mainline Pressure Solenoid Control	I

Q27A Pressure Control Solenoid Valve 1

Connector Part Information

- Harness Type: Transmission
- Service Connector: Service by Harness
- Description: 2-Way

Table 1286 Terminal Part Information

Terminal Type ID	Service Terminal	Diagnostic Test Probe
I	Not Available	Not Available

Table 1287 Q27A Pressure Control Solenoid Valve 1

Pin	Size	Color	Circuit	Function	Terminal Type ID
A	—	—	111	Transmission Solenoid Supply	I
B	—	—	155	Pressure Control Solenoid Valve 1 Low Control	I

Q27B Pressure Control Solenoid Valve 2**Connector Part Information**

- Harness Type: Transmission
- Service Connector: Service by Harness
- Description: 2-Way

Table 1289 Terminal Part Information

Terminal Type ID	Service Terminal	Diagnostic Test Probe
I	Not Available	Not Available

Table 1290 Q27B Pressure Control Solenoid Valve 2

Pin	Size	Color	Circuit	Function	Terminal Type ID
A	—	—	171	Transmission Solenoid Supply	I
B	—	—	136	Pressure Control Solenoid Valve 1 Low Control	I

Q27C Pressure Control Solenoid Valve 3

Connector Part Information

- Harness Type: Transmission
- Service Connector: Service by Harness
- Description: 2-Way

Table 1292 Terminal Part Information

Terminal Type ID	Service Terminal	Diagnostic Test Probe
I	Not Available	Not Available

Table 1293 Q27C Pressure Control Solenoid Valve 3

Pin	Size	Color	Circuit	Function	Terminal Type ID
A	—	—	131	Transmission Solenoid Supply	I
B	—	—	137	Pressure Control Solenoid Valve 1 Low Control	I

Q32A Shift Solenoid Valve 1**Connector Part Information**

- Harness Type: Transmission
- Service Connector: Service by Harness
- Description: 2-Way

Table 1295 Terminal Part Information

Terminal Type ID	Service Terminal	Diagnostic Test Probe
I	Not Available	Not Available

Table 1296 Q32A Shift Solenoid Valve 1

Pin	Size	Color	Circuit	Function	Terminal Type ID
A	—	—	171	Transmission Solenoid Supply	I
B	—	—	152	1 Shift Solenoid Valve Control	I

Q32B Shift Solenoid Valve 2

<p>Connector Part Information</p> <ul style="list-style-type: none"> • Harness Type: Transmission • Service Connector: Service by Harness • Description: 2-Way
--

Table 1298 Terminal Part Information

Terminal Type ID	Service Terminal	Diagnostic Test Probe
I	Not Available	Not Available

Table 1299 Q32B Shift Solenoid Valve 2

Pin	Size	Color	Circuit	Function	Terminal Type ID
A	—	—	171	Transmission Solenoid Supply	I
B	—	—	133	2 Shift Solenoid Valve Control	I

Q32C Shift Solenoid Valve 3**Connector Part Information**

- Harness Type: Transmission
- Service Connector: Service by Harness
- Description: 2-Way

Table 1301 Terminal Part Information

Terminal Type ID	Service Terminal	Diagnostic Test Probe
I	Not Available	Not Available

Table 1302 Q32C Shift Solenoid Valve 3

Pin	Size	Color	Circuit	Function	Terminal Type ID
A	—	—	171	Transmission Solenoid Supply	I
B	—	—	151	3 Shift Solenoid Valve Control	I

Q39A Torque Converter Clutch Pressure Control Solenoid Valve

Connector Part Information

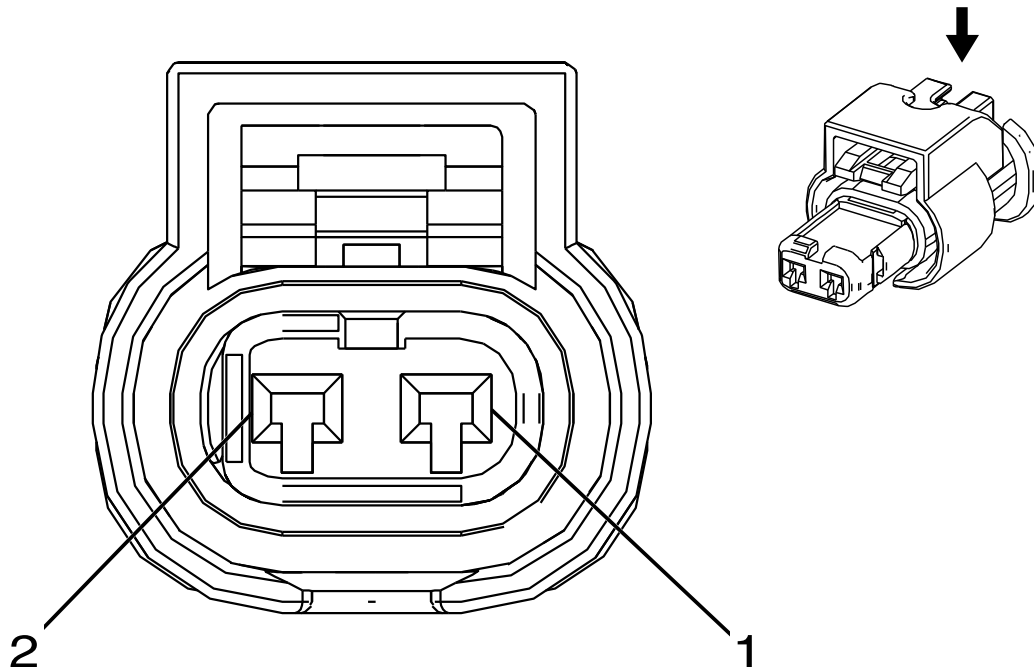
- Harness Type: Transmission
- Service Connector: Service by Harness
- Description: 2-Way

Table 1304 Terminal Part Information

Terminal Type ID	Service Terminal	Diagnostic Test Probe
I	Not Available	Not Available

Table 1305 Q39A Torque Converter Clutch Pressure Control Solenoid Valve

Pin	Size	Color	Circuit	Function	Terminal Type ID
A	—	—	111	Transmission Solenoid Supply	I
B	—	—	178	Torque Converter Clutch PWM Solenoid Control	I



Connector Part Information

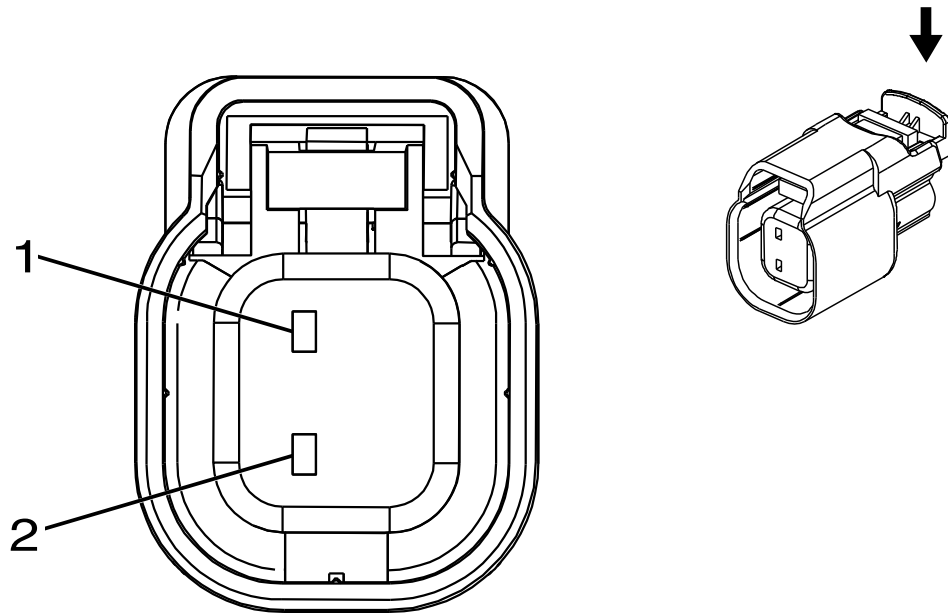
- Harness Type: Engine Chassis
- Service Connector: 6040236C1
- Description: 2-Way F 1.2 MCP Series, Sealed (BK with NA Inner Connector)

Table 1307 Terminal Part Information

Terminal Type ID	Service Terminal	Diagnostic Test Probe
I	6041991C1	J-35616-16 (LT GN)

Table 1308 Q46 A / C Compressor Solenoid Valve (Feature Code: 0016XZA)

Pin	Size	Color	Circuit	Function	Terminal Type ID
1	0.75	D-BU / YE	7574	A/C Compressor Solenoid Valve Control	I
2	0.75	D-BU / BN	7573	A/C Compressor Solenoid Valve Control	I



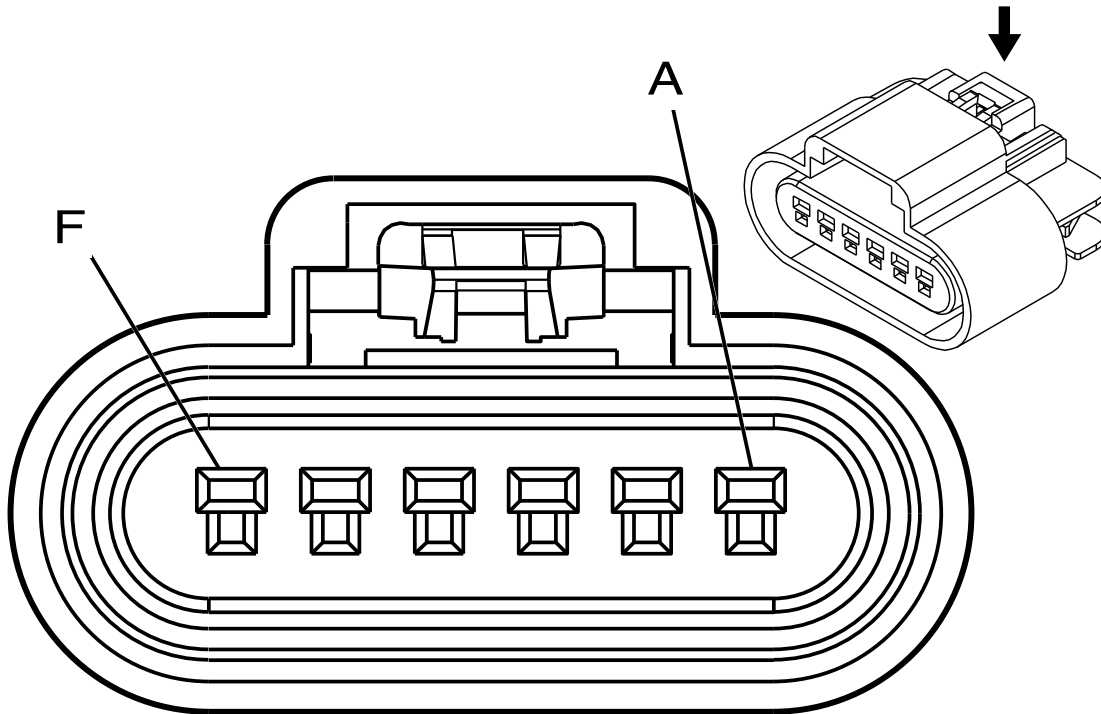
Connector Part Information	
•	Harness Type: Engine Chassis
•	Service Connector: 6040300C1
•	Description: 2-pin F 1.5 Series, Sealed (BK)

Table 1310 Terminal Part Information

Terminal Type ID	Service Terminal	Diagnostic Test Probe
I	6041974C1	J-35616-2A (GY)

Table 1311 Q61 Reductant Injector

Pin	Size	Color	Circuit	Function	Terminal Type ID
1	0.75	BN	3099	DEF Dosing Valve High Control	I
2	0.75	BN / WH	3100	DEF Dosing Valve Low Control	I



Connector Part Information

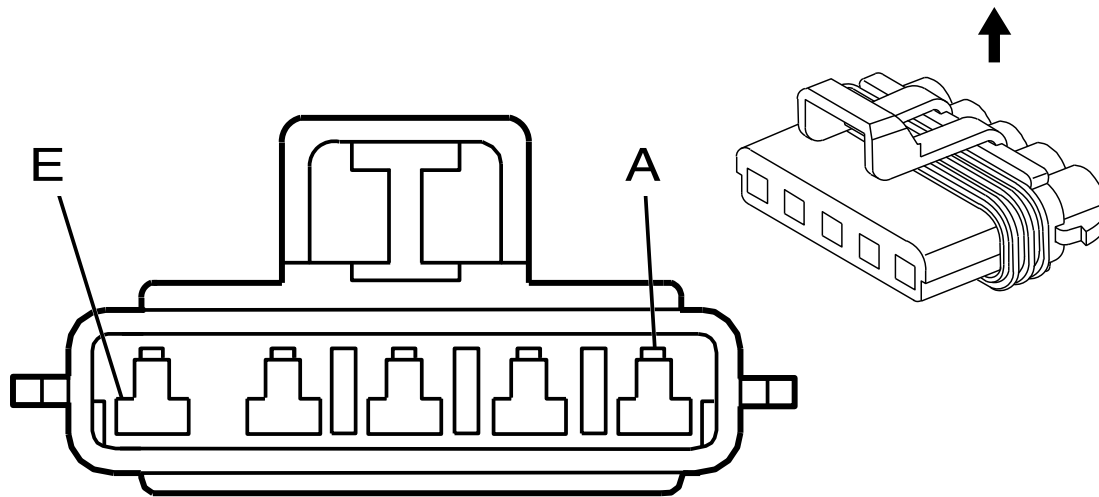
- Harness Type: Engine Chassis
- Service Connector: Service by Harness
- Description: 6-Way F Sealed

Table 1313 Terminal Part Information

Terminal Type ID	Service Terminal	Diagnostic Test Probe
I	Not Available	Not Available

Table 1314 Q85 Cooling Fan Clutch

Pin	Size	Color	Circuit	Function	Terminal Type ID
A	—	RD	2368	Cooling Fan Control Signal	I
B	—	—	—	Not Occupied	I
C	—	OG	2365	Cooling Fan Speed 5V Reference	I
D	—	WH	2364	Cooling Fan Speed Signal	I
E	—	BK	6141	Cooling Fan Speed Low Reference	I
F	—	GN	550	Ground	I



Connector Part Information

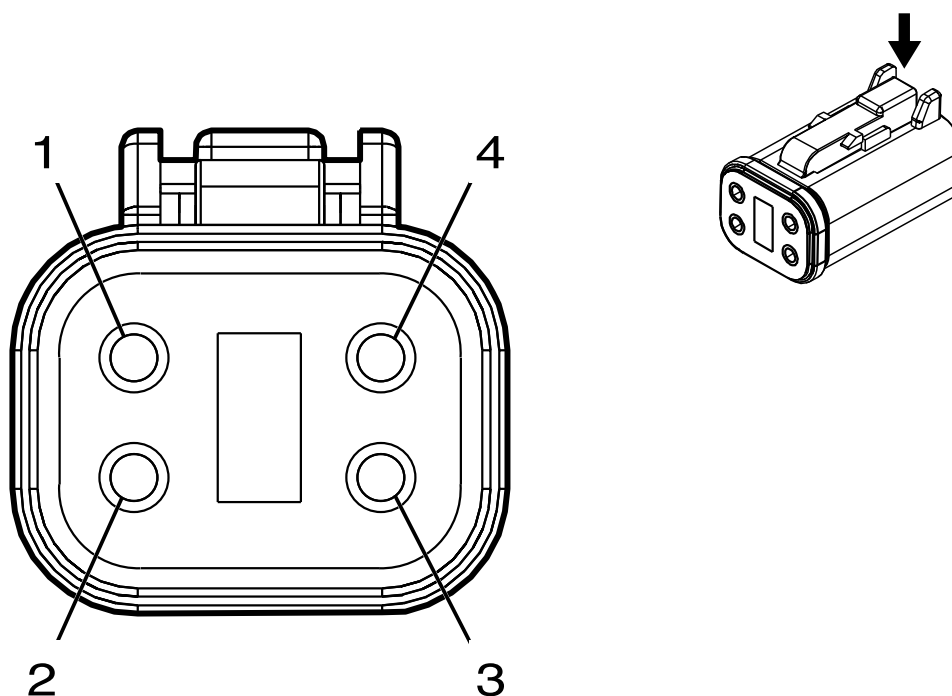
- Harness Type: Engine Chassis
- OEM Connector: 1661375C2
- Description: 5-Way F 280 Metri-Pack Series, Sealed (GY)

Table 1316 Terminal Part Information

Terminal Type ID	Service Terminal	Diagnostic Test Probe
I	None Available	J-35616-4A (PU)

Table 1317 Q101 Rear Air Suspension Control Valve (00014899)

Pin	Size	Color	Circuit	Function	Terminal Type ID
A	2	BK	4461-G	Ground	I
B-C	—	—	—	Not Occupied	—
D	0.75	GN	6094	Left / Rear Air Spring Solenoid Control	I
E	0.75	GN / GY	6095	Right Rear Air Spring Solenoid Control	I

**Connector Part Information**

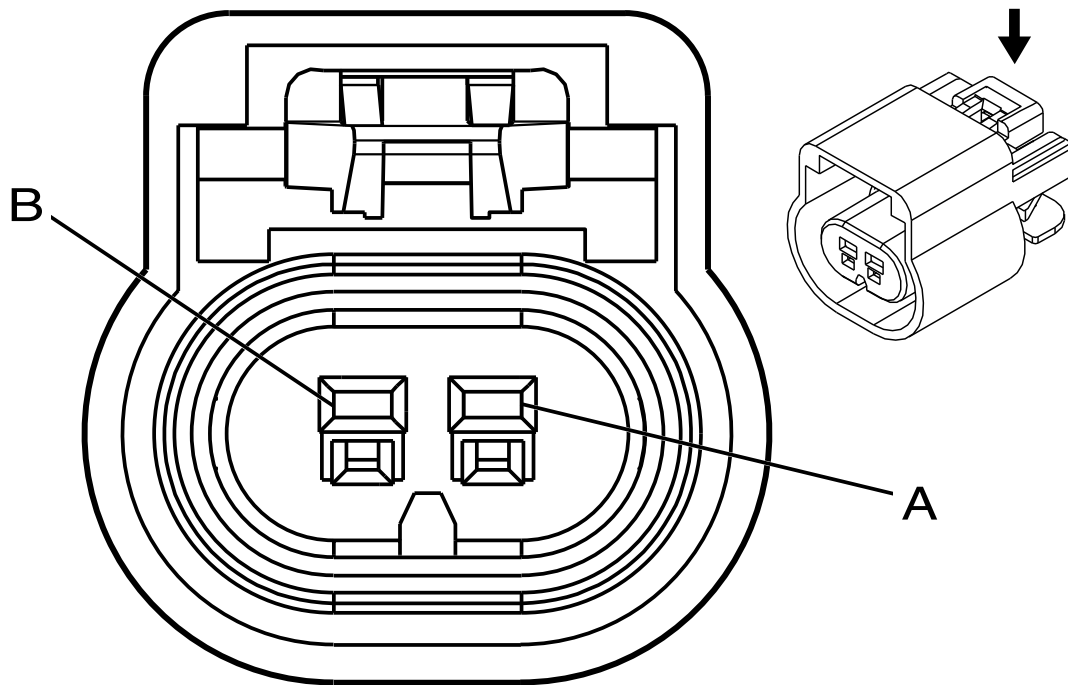
- Harness Type: Chassis
- Service Connector: 3991593C1
- Description: 4-Way F 1.5 DT Series, Sealed (GY)

Table 1319 Terminal Part Information

Terminal Type ID	Service Terminal	Diagnostic Test Probe
I	3757932C1	J-35616-2A (GY)

Table 1320 R50 Brake Booster Diode

Pin	Size	Color	Circuit	Function	Terminal Type ID
1	—	—	—	Not Occupied	—
2	0.75	WH / BU	6311	Cruise / ETC / TCC Brake Signal	—
3	1	GY	90DB	Brake Pipe Pressure Switch Signal	—
4	1	GY	90DD	Brake Pipe Pressure Switch Signal (Diode)	—



Connector Part Information

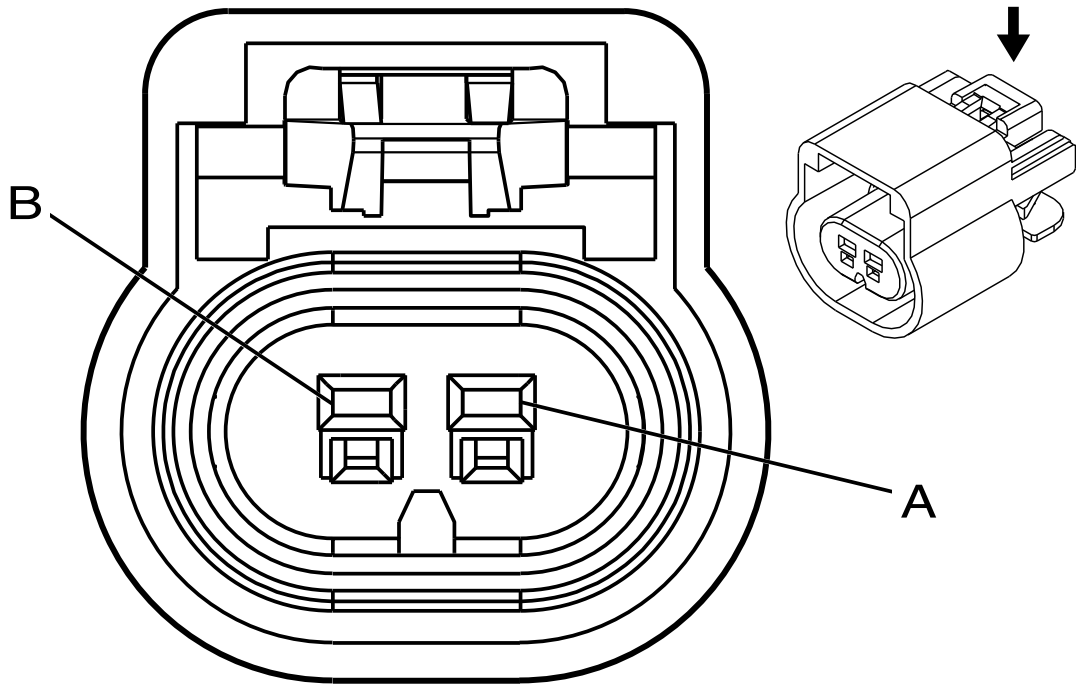
- Harness Type: Chassis
- Service Connector: 3683465C1
- Description: 2-pin F 150 GT Series, Sealed (BK)

Table 1322 Terminal Part Information

Terminal Type ID	Service Terminal	Diagnostic Test Probe
I	3535302C1	J-35616-14 (GN)

Table 1323 R6A Terminating Resistor – High Speed Bus

Pin	Size	Color	Circuit	Function	Terminal Type ID
A	0.5	BU	2500	High Speed GMLAN Serial Data (+) 1	I
B	0.5	WH	2501	High Speed GMLAN Serial Data (-) 1	I



Connector Part Information

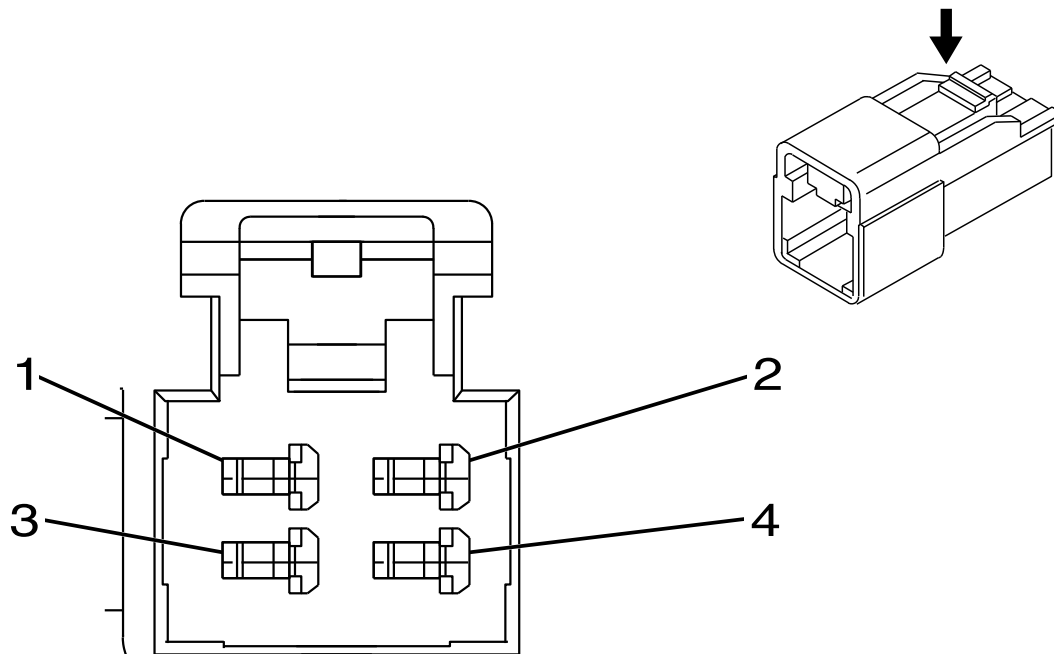
- Harness Type: Instrument Panel
- Service Connector: 6040203C1
- Description: 2-pin F 150 GT Series, Sealed (BK)

Table 1325 Terminal Part Information

Terminal Type ID	Service Terminal	Diagnostic Test Probe
I	6042023C1	J-35616-14 (GN)

Table 1326 R6F Terminating Resistor – High Speed Extension Bus 2

Pin	Size	Color	Circuit	Function	Terminal Type ID
A	0.5	D-BU / L-GN	1304	High Speed GMLAN Serial Data (+) 9	I
B	0.5	WH / L-GN	1305	High Speed GMLAN Serial Data (-) 9	I



Connector Part Information

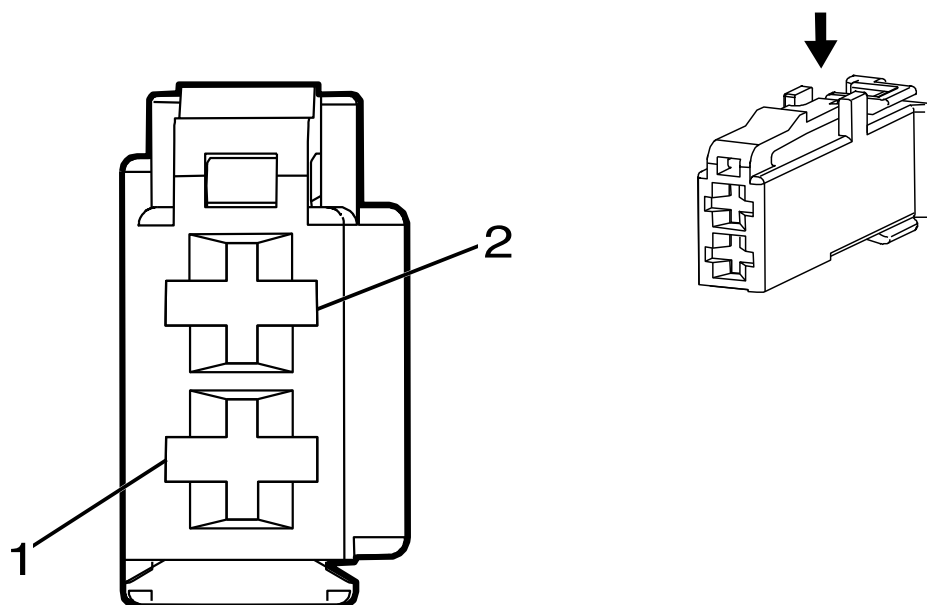
- Harness Type: Floor Console
- Service Connector: Service by Harness
- Description: 4-Way M HCM Series (BK)

Table 1328 Terminal Part Information

Terminal Type ID	Service Terminal	Diagnostic Test Probe
I	Not Available	J-35616-4A (PU)

Table 1329 S3 Transmission Shift Lever

Pin	Size	Color	Circuit	Function	Terminal Type ID
1	0.35	BU / GY	553	Shift Select Switch Performance	—
2	0.35	BK / WH	1851	Ground	—
3	0.35	VT / YE	5526	Tap Up / Tap Down Switch Signal	—
4	0.35	BK / WH	1851	Ground	—



Connector Part Information

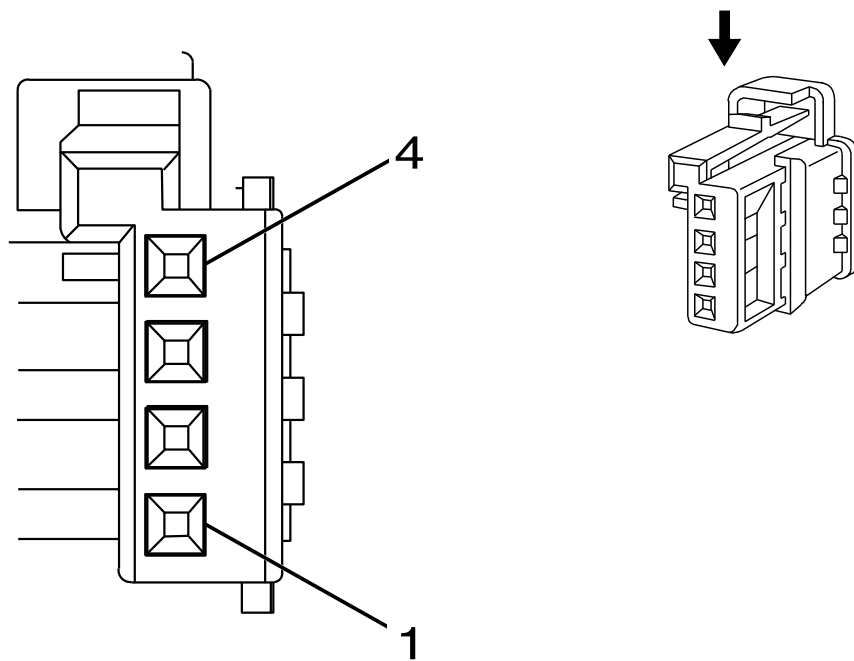
- Harness Type: Floor Console
- OEM Connector: 10787635
- Description: 2-pin F 1.2 Timer Series (NA)

Table 1331 Terminal Part Information

Terminal Type ID	Service Terminal	Diagnostic Test Probe
I	6041942C1	J-35616-14 (GN)

Table 1332 S5 Center Console Compartment Lamp Switch (Feature Code: 0016XCN)

Pin	Size	Color	Circuit	Function	Terminal Type ID
1	0.5	WH / BN	6815	Inadvertent Power Control	I
2	0.5	WH / BN	6815	Inadvertent Power Control	I



Connector Part Information

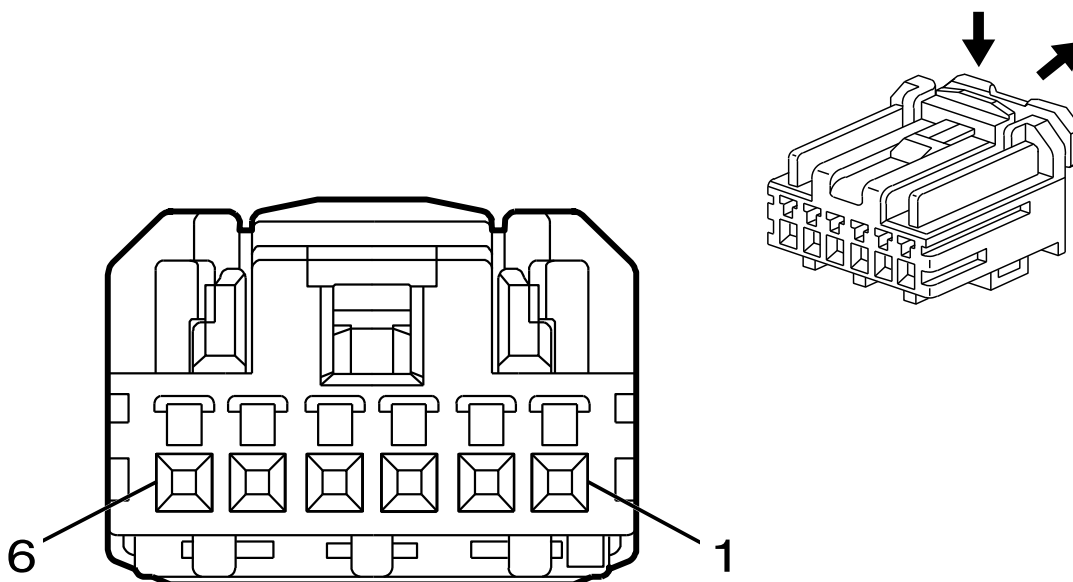
- Harness Type: Overhead Console
- Service Connector: Service by Harness
- Description: 4-pin F 0.64 Micro-Quadlock Series (BN)

Table 1334 Terminal Part Information

Terminal Type ID	Service Terminal	Diagnostic Test Probe
I	6042008C1	J-35616-64B (LT BU)

Table 1335 S12 Dome Lamp Switch

Pin	Size	Color	Circuit	Function	Terminal Type ID
1	0.5	BK	1050	Ground	I
2	0.35	GY / GN	328	Interior Lamp Defeat Switch Signal	I
3	0.35	GY	156	Courtesy Lamp Switch Signal	I
4	0.35	YE	6817	LED Backlight Dimming Control	I



Connector Part Information

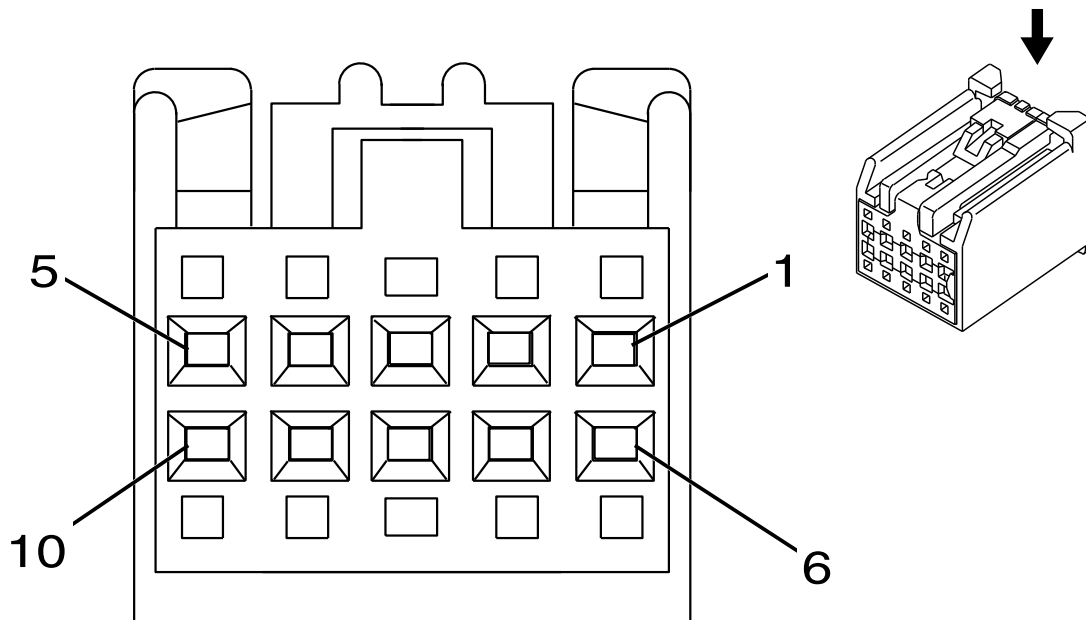
- Harness Type: Driver Door Trim
- Service Connector: Service by Harness
- Description: 6-pin F 0.64 HCM Series (BK)

Table 1337 Terminal Part Information

Terminal Type ID	Service Terminal	Diagnostic Test Probe
I	6042029C1	J-35616-64B (LT BU)

Table 1338 S13D Door Lock Switch – Driver (Feature Code: 0016WAK)

Pin	Size	Color	Circuit	Function	Terminal Type ID
1	—	—	—	Not Occupied	—
2	0.35	YE	6817	LED Backlight Dimming Control	I
3	0.35	BN / YE	780	Driver Door Lock Switch Lock Signal	I
4	0.35	BN / WH	781	Driver Door Lock Switch Unlock Signal	I
5	0.35	BK	1150	Ground	I
6	—	—	—	Not Occupied	—



Connector Part Information

- Harness Type: Driver Door Trim
- Service Connector: Service by Harness
- Description: 10-pin F 0.64 Kaizen Series (BK)

Table 1340 Terminal Part Information

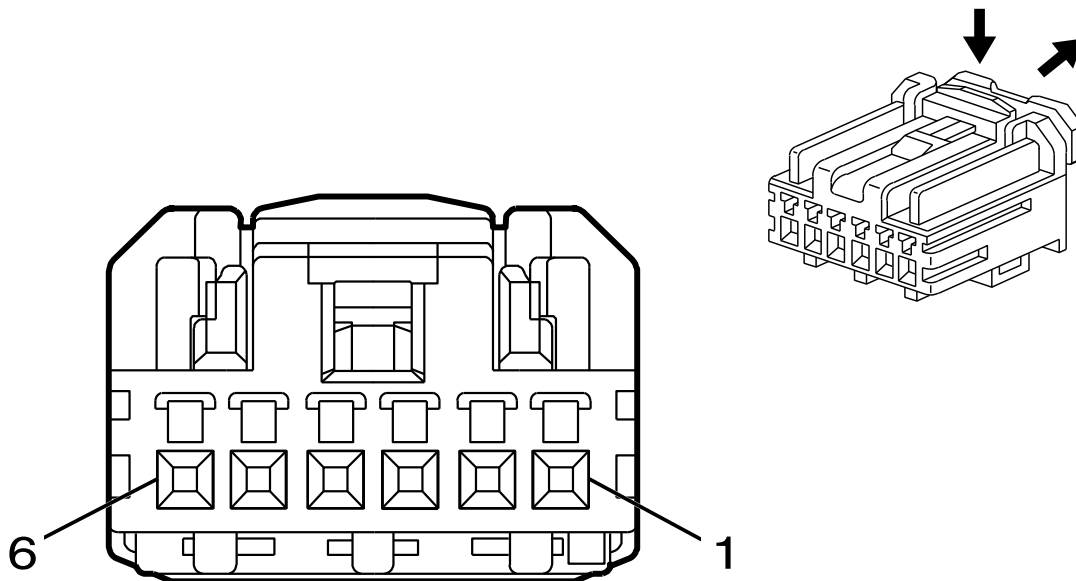
Terminal Type ID	Service Terminal	Diagnostic Test Probe
I	6041998C1	J-35616-64B (LT BU)

Table 1341 S13D Door Lock Switch – Driver (Without Feature Code: 0016WAK)

Pin	Size	Color	Circuit	Function	Terminal Type ID
1	0.35	1. BK	1. 1150	1. Ground	I
2-3	—	—	—	Not Occupied	—
4	0.35	4. YE	4. 6817	4. LED Backlight Dimming Control	I
5	—	—	—	Not Occupied	—
6	0.35	6. BN / YE	6. 780	6. Driver Door Lock Switch Lock Signal	I

Table 1341 S13D Door Lock Switch – Driver (Without Feature Code: 0016WAK) (cont.)

Pin	Size	Color	Circuit	Function	Terminal Type ID
7	0.35	7. BN / WH	7. 781	7. Driver Door Lock Switch Unlock Signal	I
8-10	—	—	—	Not Occupied	—



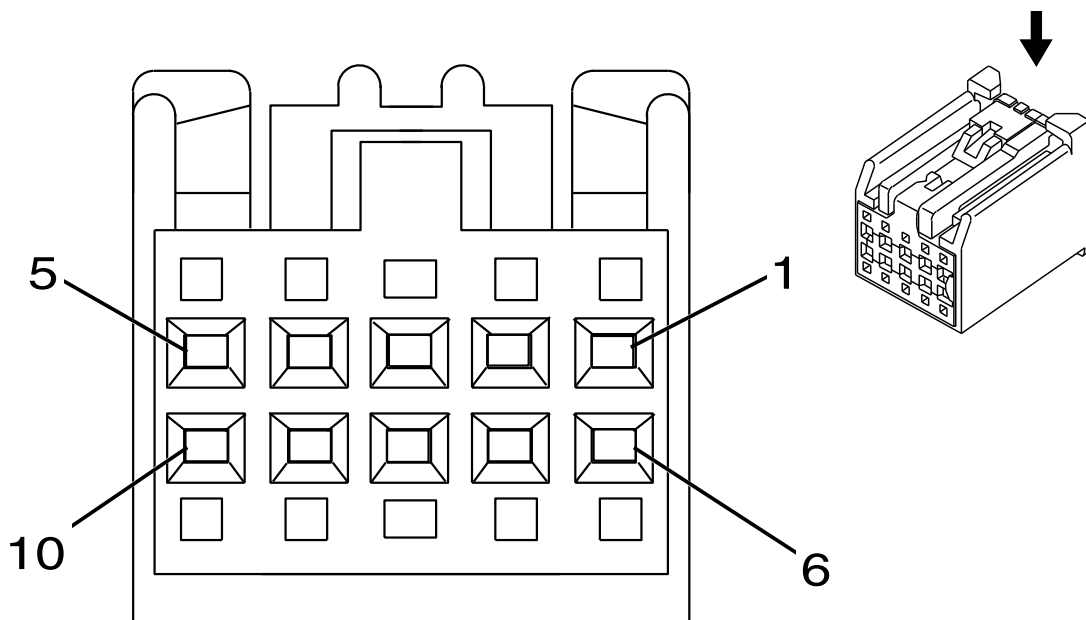
Connector Part Information	
•	Harness Type: Passenger Door Trim
•	Service Connector: Service by Harness
•	Description: 6-Way F 0.64 HCM Series (BK)

Table 1343 Terminal Part Information

Terminal Type ID	Service Terminal	Diagnostic Test Probe
I	6042029C1	J-35616-64B (LT BU)

Table 1344 S13P Door Lock Switch – Passenger (Feature Code: 0016WAK)

Pin	Size	Color	Circuit	Function	Terminal Type ID
1	—	—	—	Not Occupied	—
2	0.35	2. YE	2. 6817	2. LED Backlight Dimming Control	I
3	0.35	3. YE / VT	3. 244	3. Passenger Door Lock Switch Lock Control	I
4	0.35	4. BN / VT	4. 245	4. Passenger Door Lock Switch Unlock Control	I
5	0.35	5. BK	5. 1250	5. Ground	I
6	—	—	—	Not Occupied	—



Connector Part Information

- Harness Type: Passenger Door Trim
- Service Connector: Service by Harness
- Description: 10-pin F 0.64 Kaizen Series (BK)

Table 1346 Terminal Part Information

Terminal Type ID	Service Terminal	Diagnostic Test Probe
I	6041998C1	J-35616-64B (LT BU)

Table 1347 S13P Door Lock Switch – Passenger (Without Feature Code: 0016WAK)

Pin	Size	Color	Circuit	Function	Terminal Type ID
1	0.35	BK	1250	Ground	I
2-3	—	—	—	Not Occupied	—
4	0.35	YE	6817	LED Backlight Dimming Control	I
5	—	—	—	Not Occupied	—
6	0.35	YE / VT	244	Passenger Door Lock Switch Lock Control	I

Table 1347 S13P Door Lock Switch – Passenger (Without Feature Code: 0016WAK) (cont.)

Pin	Size	Color	Circuit	Function	Terminal Type ID
7	0.35	BN / VT	245	Passenger Door Lock Switch Unlock Control	I
8-10	—	—	—	Not Occupied	—

Connector Part Information

- Harness Type: Passenger Door Trim
- OEM Connector: 3530407C1
- Service Connector: Service by Harness
- Description: 10-Way F 2.8 Timer Sealed (BK)

Table 1349 Terminal Part Information

Terminal Type ID	Service Terminal	Diagnostic Test Probe
I	Not Available	Not Available

Table 1350 S181E Configurable Provision Switch 5 (UEH)

Pin	Size	Color	Circuit	Function	Terminal Type ID
2	0.82	OG	13B	Run/Crank Ignition Voltage	I
3	0.82	PK	12A	Configurable Provision Relay 5 Control	I
7	0.82	OG	13B	Run/Crank Ignition Voltage	I
8	0.82	WH	11A	Ground	I
9	0.82	WH	11A	Ground	I

Connector Part Information

- Harness Type: Passenger Door Trim
- OEM Connector: 3530407C1
- Service Connector: Service by Harness
- Description: 10-Way F 2.8 Timer Sealed (BK)

Table 1352 Terminal Part Information

Terminal Type ID	Service Terminal	Diagnostic Test Probe
I	Not Available	Not Available

Table 1353 S181F Configurable Provision Switch 6(UFH)

Pin	Size	Color	Circuit	Function	Terminal Type ID
2	0.82	OG	13B	Run/Crank Ignition Voltage	I
3	0.82	PK	12B	Configurable Provision Relay 6 Control	I
7	0.82	OG	13B	Run/Crank Ignition Voltage	I
8	0.82	WH	11A	Ground	I
9	0.82	WH	11A	Ground	I

Connector Part Information

- Harness Type: Passenger Door Trim
- OEM Connector: 3530407C1
- Service Connector: Service by Harness
- Description: 10-Way F 2.8 Timer Sealed (BK)

Table 1355 Terminal Part Information

Terminal Type ID	Service Terminal	Diagnostic Test Probe
I	Not Available	Not Available

Table 1356 S181G Configurable Provision Switch 7 (UEH)

Pin	Size	Color	Circuit	Function	Terminal Type ID
2	0.82	OG	13B	Run/Crank Ignition Voltage	I
3	0.82	PK	12C	Configurable Provision Relay 7 Control	I
7	0.82	OG	13B	Run/Crank Ignition Voltage	I
8	0.82	WH	11A	Ground	I
9	0.82	WH	11A	Ground	I

Connector Part Information

- Harness Type: Passenger Door Trim
- OEM Connector: 3530407C1
- Service Connector: Service by Harness
- Description: 10-Way F 2.8 Timer Sealed (BK)

Table 1358 Terminal Part Information

Terminal Type ID	Service Terminal	Diagnostic Test Probe
I	Not Available	Not Available

Table 1359 S181H Configurable Provision Switch 8 (UEH)

Pin	Size	Color	Circuit	Function	Terminal Type ID
2	0.82	OG	13B	Run/Crank Ignition Voltage	I
3	0.82	PK	12D	Configurable Provision Relay 8 Control	I
7	0.82	OG	13B	Run/Crank Ignition Voltage	I
8	0.82	WH	11A	Ground	I
9	0.82	WH	11A	Ground	I

Connector Part Information

- Harness Type: Passenger Door Trim
- OEM Connector: 3530407C1
- Service Connector: Service by Harness
- Description: 10-Way F 2.8 Timer Sealed (BK)

Table 1361 Terminal Part Information

Terminal Type ID	Service Terminal	Diagnostic Test Probe
I	Not Available	Not Available

Table 1362 S181J Configurable Provision Switch 9 (UEH)

Pin	Size	Color	Circuit	Function	Terminal Type ID
2	0.82	OG	13B	Run/Crank Ignition Voltage	I
3	0.82	PK	12E	Configurable Provision Relay 9 Control	I
7	0.82	OG	13B	Run/Crank Ignition Voltage	I
8	0.82	WH	11A	Ground	I
9	0.82	WH	11A	Ground	I

Connector Part Information

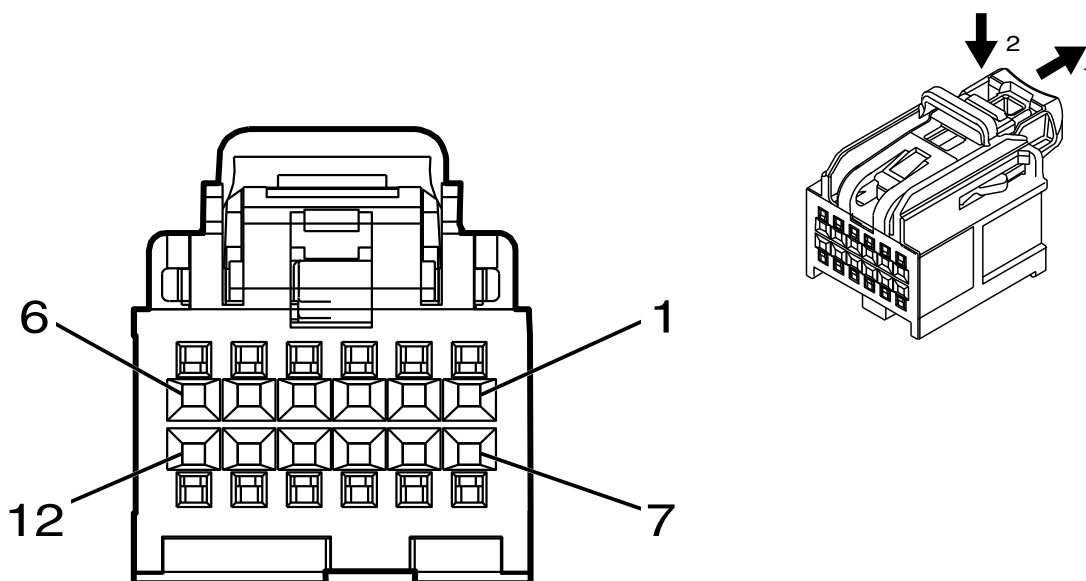
- Harness Type: Passenger Door Trim
- OEM Connector: 3530407C1
- Service Connector: Service by Harness
- Description: 10-Way F 2.8 Timer Sealed (BK)

Table 1364 Terminal Part Information

Terminal Type ID	Service Terminal	Diagnostic Test Probe
I	Not Available	Not Available

Table 1365 S181K Configurable Provision Switch 10 (UEH)

Pin	Size	Color	Circuit	Function	Terminal Type ID
2	0.82	OG	13B	Run/Crank Ignition Voltage	I
3	0.82	PK	12F	Configurable Provision Relay 10 Control	I
7	0.82	OG	13B	Run/Crank Ignition Voltage	I
8	0.82	WH	11A	Ground	I
9	0.82	WH	11A	Ground	I



Connector Part Information

- Harness Type: Instrument Panel
- Service Connector: 6040196C1
- Description: 12-Way F 0.64 OCS Series (BK)

Table 1367 Terminal Part Information

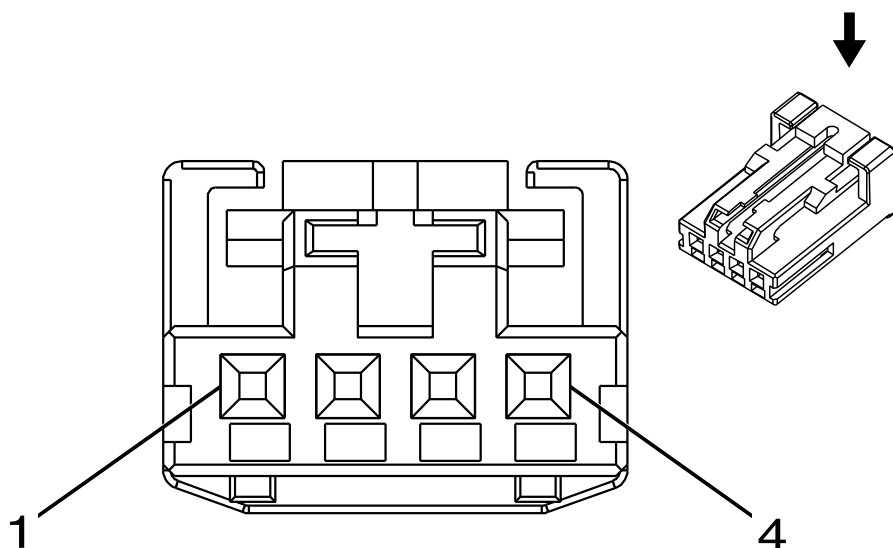
Terminal Type ID	Service Terminal	Diagnostic Test Probe
I	6042048C1	J-35616-64B (LT BU)

Table 1368 S30 Headlight Switch

Pin	Size	Color	Circuit	Function	Terminal Type ID
1	0.35	WH / VT	103	Headlight Switch On Signal	I
2	0.5	YE	6817	LED Backlight Dimming Control	I
3	0.35	GN / BN	306	Headlight Switch Headlights Off Signal Control	I
4	—	—	—	Not Occupied	—
5	0.35	GN / GY	13	Headlight Switch Park Lamp Signal	I
6	—	—	—	Not Occupied	—

Table 1368 S30 Headlight Switch (cont.)

Pin	Size	Color	Circuit	Function	Terminal Type ID
7	0.35	BK / YE	5005	Instrument Panel Lamp Dimmer Switch Low Reference	I
8	0.5	BK	1850	Ground	I
9	—	—	—	Not Occupied	—
10	0.35	BU / GY	192	Front Fog Lamp Switch Signal	I
11	0.35	YE / GY	44	Instrument Panel Lamp Dimmer Switch Signal	I
12	0.35	BU / RD	1688	5 volt Reference	I



Connector Part Information

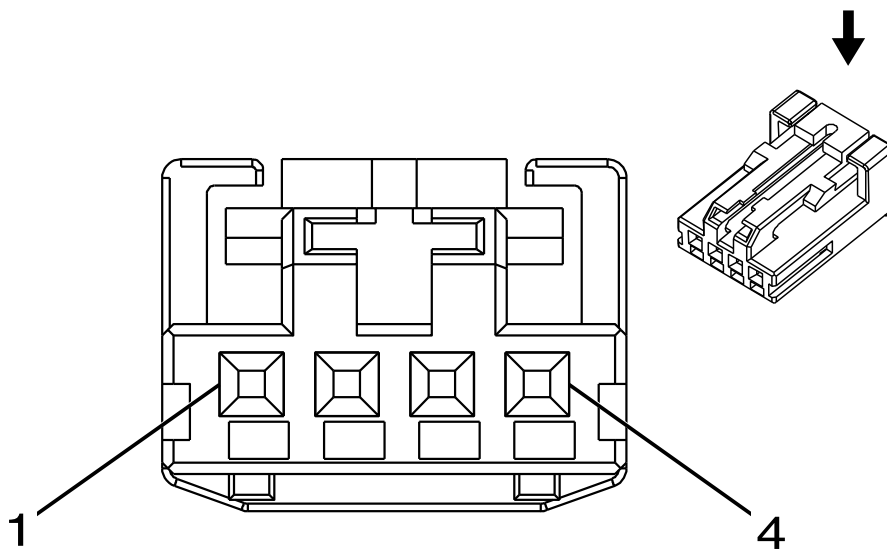
- Harness Type: Instrument Panel
- Service Connector: 6040269C1
- Description: 4-pin F 0.64 Micro-Quadlock Series (BK)

Table 1370 Terminal Part Information

Terminal Type ID	Service Terminal	Diagnostic Test Probe
I	6042016C1 0.35mm 6041942C1 0.5mm	J-35616-64B (LT BU)

Table 1371 S32D Seat Heating Switch – Driver (Feature Code: 0016XJR)

Pin	Size	Color	Circuit	Function	Terminal Type ID
1	0.5	BK	1850	Ground	I
2	—	—	—	Not Occupied	—
3	0.5	GN / WH	7527	Local Interconnect Network Serial Data Bus 5	I
4	0.35	RD / GY	2840	Battery Positive Voltage	I



Connector Part Information

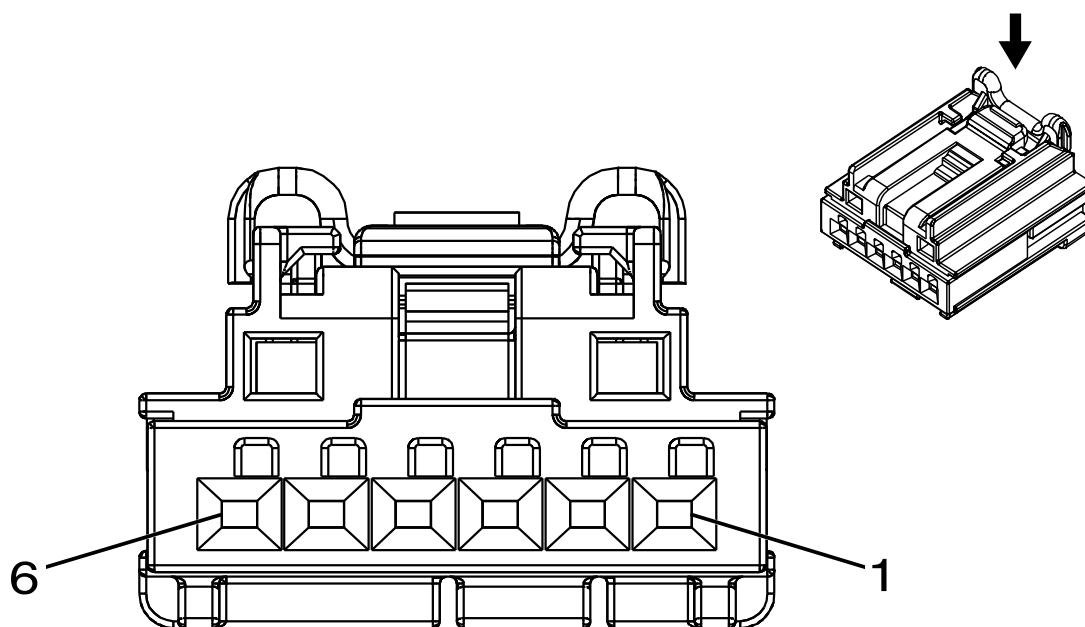
- Harness Type: Instrument Panel
- Service Connector: 6040269C1
- Description: 4-pin F 0.64 Micro-Quadlock Series (BK)

Table 1373 Terminal Part Information

Terminal Type ID	Service Terminal	Diagnostic Test Probe
I	6042016C1 0.35mm-0.5mm 6041942C1 0.75mm	J-35616-64B (LT BU)

Table 1374 S32P Seat Heating Switch – Passenger (Feature Code: 0016XJR)

Pin	Size	Color	Circuit	Function	Terminal Type ID
1	0.35	RD / GY	2840	Secondary Fused Battery Positive Voltage 28	I
2	0.5	GN / WH	7527	Human Machine Interface Control Module LIN Bus 1	I
3	—	—	—	Not Occupied	—
4	0.75	BK	1850	Ground 18	I



Connector Part Information

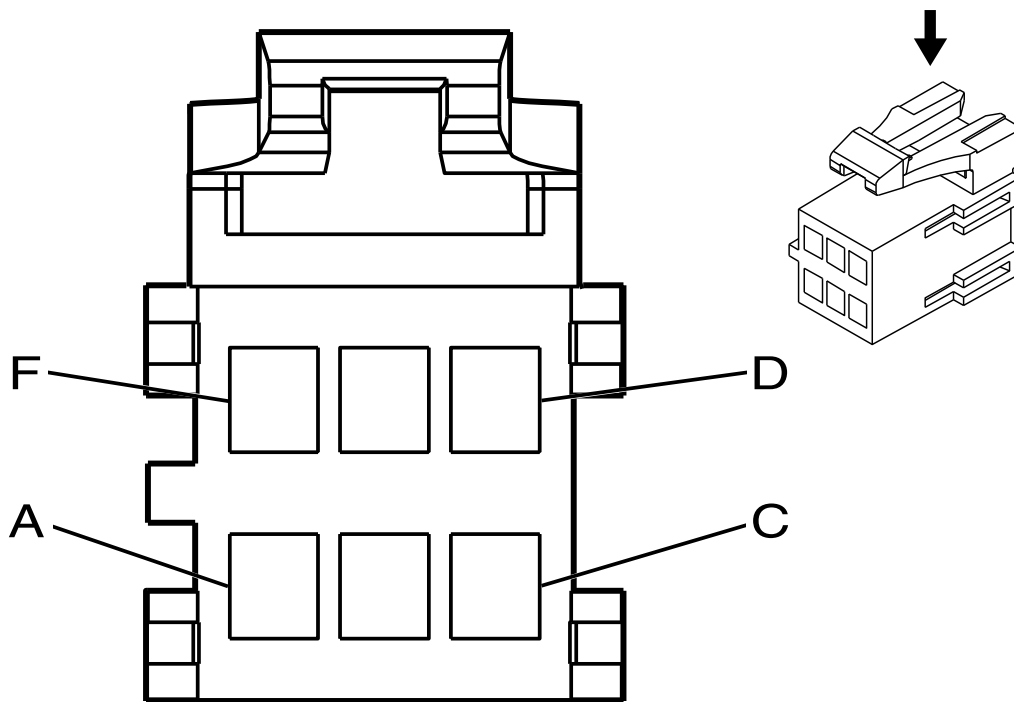
- Harness Type: Instrument Panel
- Service Connector: Service by Harness
- Description: 6-Way F 0.64 Generation Y Series (BK)

Table 1376 Terminal Part Information

Terminal Type ID	Service Terminal	Diagnostic Test Probe
I	Not Available	J-35616-4A (PU)

Table 1377 S39 Ignition Switch

Pin	Size	Color	Circuit	Function	Terminal Type ID
1	—	—	—	Not Occupied	—
2	0.5	VT / BK	3	Run / Crank Ignition 1 Voltage	—
3	0.5	VT / YE	4	Accessory Ignition Voltage	—
4	0.35	RD / BU	540	Battery Positive Voltage	—
5	0.5	WH / VT	1020	Off / Run / Crank Ignition Voltage	—
6	0.5	WH / BK	1073	Ignition Key Resistor Signal	—



Connector Part Information

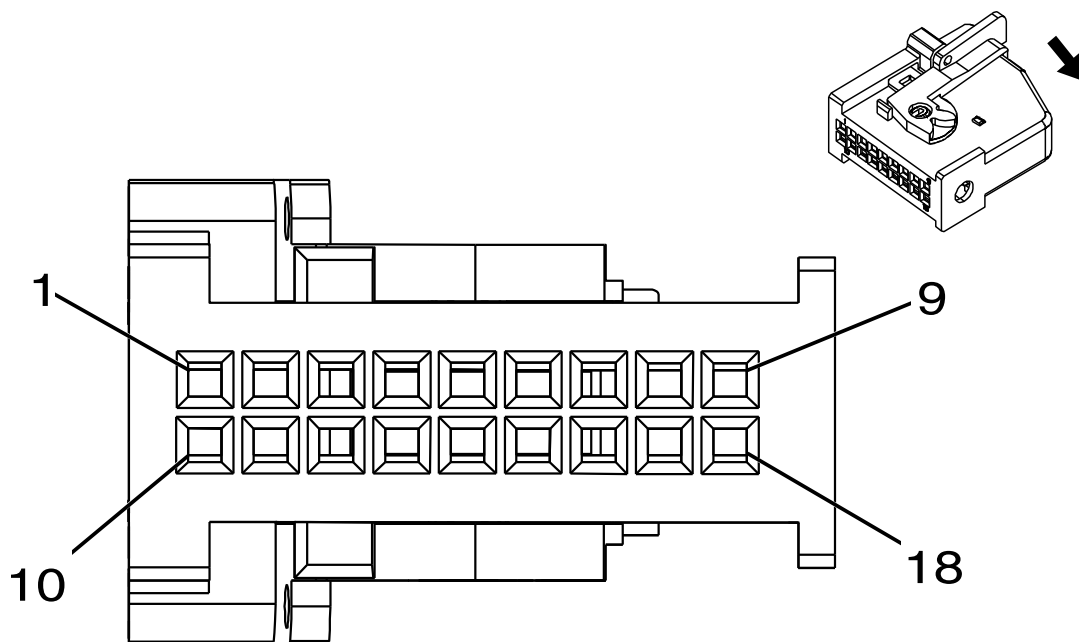
- Harness Type: Instrument Panel
- Service Connector: 6040294C1
- Description: 6-Way F 150 Metri-Pack Series (YE)

Table 1379 Terminal Part Information

Terminal Type ID	Service Terminal	Diagnostic Test Probe
I	3577860C1	J-35616-14 (GN)

Table 1380 S40 Passenger Air Bag Disable Switch (Feature Code: 0016XCR) (C99)

Pin	Size	Color	Circuit	Function	Terminal Type ID
A	0.35	D-BU / OG	7328	Passenger IP Module Disable Switch Low Reference	I
B-C	—	—	—	Not Occupied	—
D	0.35	VT / OG	371	Passenger IP Module Disable Switch Signal	I
E-F	—	—	—	Not Occupied	—



Connector Part Information

- Harness Type: Instrument Panel
- Service Connector: 6040209C1
- Description: 18-pin F 0.64 Series (BK)

Table 1382 Terminal Part Information

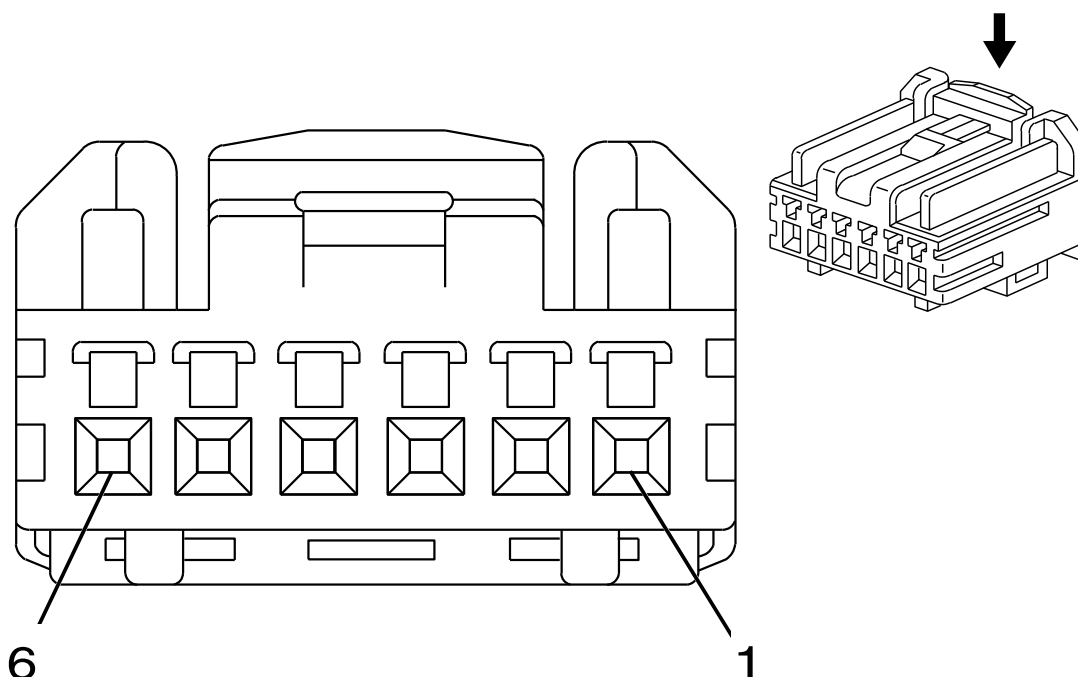
Terminal Type ID	Service Terminal	Diagnostic Test Probe
I	6041942C1	J-35616-64B (LT BU)
II	6042016C1	J-35616-64B (LT BU)

Table 1383 S48A Multifunction Switch – Instrument Panel X1

Pin	Size	Color	Circuit	Function	Terminal Type ID
1	0.35	YE	6817	LED Backlight Dimming Control	II
2	0.35	WH	6816	Indicator Dimming Control	II
3	0.35	VT/ BU	5956	Leveling Compressor Relay Coil Control	II
4	0.5	BN / GN	603	A / C Low Pressure Switch Signal	II
5	0.5	VT / WH	239	Run / Crank Ignition 1 Voltage	II

Table 1383 S48A Multifunction Switch – Instrument Panel X1 (cont.)

Pin	Size	Color	Circuit	Function	Terminal Type ID
6	0.35	WH / GN	320	Automatic Level Control Exhaust Solenoid Control	II
7	0.5	BN / WH	1429	Standing Lamp Relay Control	II
8	—	—	—	Not Occupied	—
9	0.35	VT / WH	1139	Run/Crank Ignition 1 Voltage	II
10	0.5	WH / BU	964	Configurable Provision Relay 4 Control	II
11	0.5	GN / GY	963	Configurable Provision Relay 3 Control	II
12	0.5	RD / WH	961	Configurable Provision Relay 1 Control	II
13	0.5	YE / WH	962	Configurable Provision Relay 2 Control	II
14	0.75	BK	1850	Ground 18	I
15-16	—	—	—	Not Occupied	—
17	0.35	BU / VT	1788	Traction Control Switch Signal 1	II
18	0.5	GY	158	Cargo Lamp Switch Signal	II



Connector Part Information

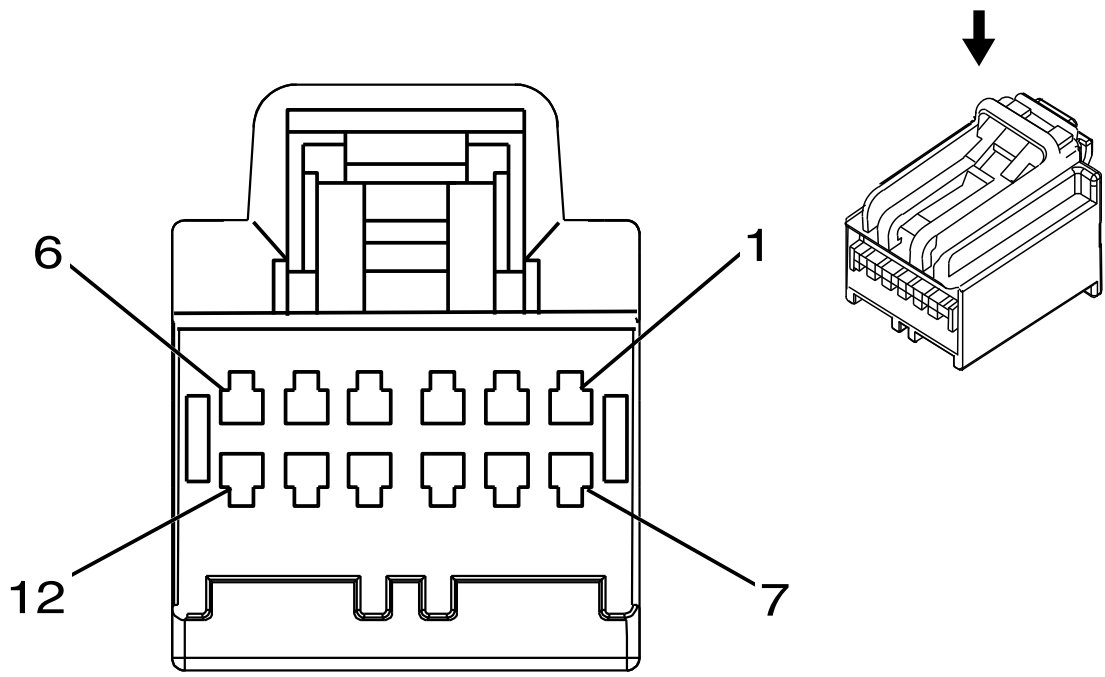
- Harness Type: Instrument Panel
- Service Connector: 6040231C1
- Description: 6-Way F 0.64 HCM Series (BK)

Table 1385 Terminal Part Information

Terminal Type ID	Service Terminal	Diagnostic Test Probe
I	6042029C1	J-35616-64B (LT BU)

Table 1386 S48A Multifunction Switch – Instrument Panel X2

Pin	Size	Color	Circuit	Function	Terminal Type ID
1	0.35	BN / GN	4311	Power Take-off Enable In Cab Switch Normally Closed Signal	I
2	0.35	GN / WH	488	Power Take-off Control Switch	I
3	0.35	VT / GN	1739	Run / Crank Ignition 1 Voltage	I
4	0.5	GN / YE	2081	Exhaust Brake Switch Control	I
5	0.35	GN / WH	3438	Exhaust Brake Switch Signal	I
6	—	—	—	Not Occupied	—



Connector Part Information	
•	Harness Type: Driver Door Trim
•	Service Connector: Service by Harness
•	Description: 12-pin F 64 Series, Sealed (GY)

Table 1388 Terminal Part Information

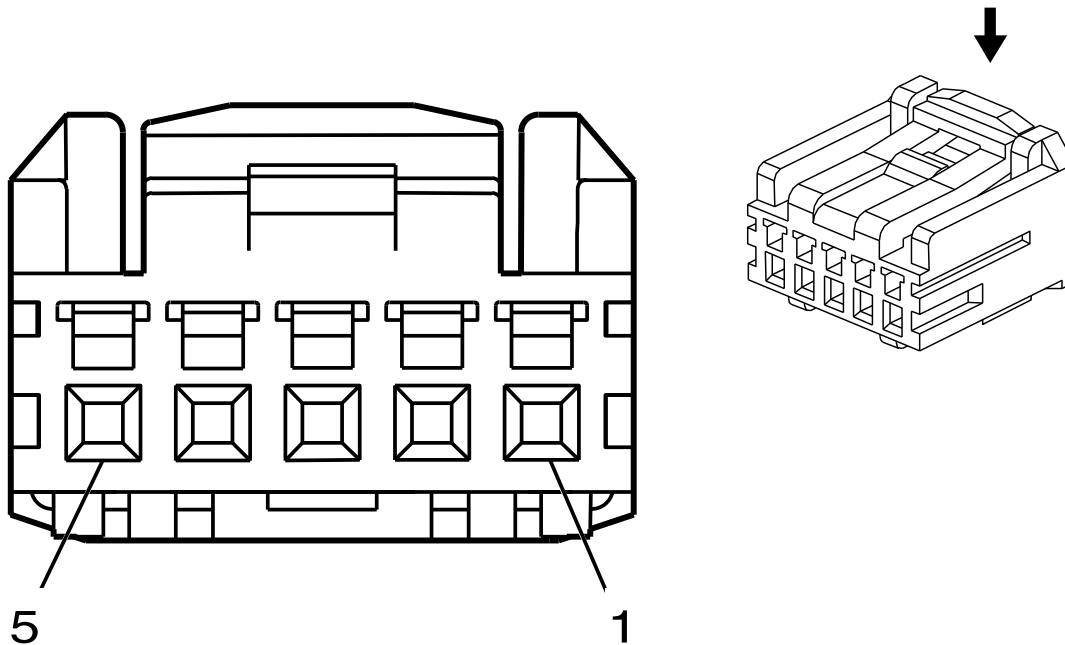
Terminal Type ID	Service Terminal	Diagnostic Test Probe
I	6041997C1 0.5mm	J-35616-64B (LT BU)

Table 1389 S52 Outside Rearview Mirror Switch (Feature Code: 0016SPS)

Pin	Size	Color	Circuit	Function	Terminal Type ID
1	0.75	YE / VT	3397	Passenger Mirror Motor Up (+) Down (-) Control	I
2	0.75	WH / GN	3412	Driver Mirror Motor Fold In Control	I
3	0.75	YE / BN	3391	Driver Mirror Motor Common Control	I
4	0.75	GN / BK	3396	Passenger Mirror Motor Right (+) Left (-) Control	I
5	0.75	BK	1150	Ground 11	I
6	0.35	YE	6817	LED Backlight Dimming Control 1	I

Table 1389 S52 Outside Rearview Mirror Switch (Feature Code: 0016SPS) (cont.)

Pin	Size	Color	Circuit	Function	Terminal Type ID
7	0.75	VT / BU	3390	Driver Outside Rearview Mirror Motor Up [+] Down [-] Control	I
8	0.75	WH	3398	Passenger Outside Rearview Mirror Motor Common Control	I
9	0.75	GY / WH	3411	Driver Outside Rearview Mirror Motor Unfold Control	I
10	0.75	BN / BK	3389	Driver Outside Rearview Mirror Motor Right [+] Left [-] Control	I
11	—	—	—	Not Occupied	—
12	0.75	RD / VT	1940	Secondary Fused Battery Positive Voltage 19	I



Connector Part Information

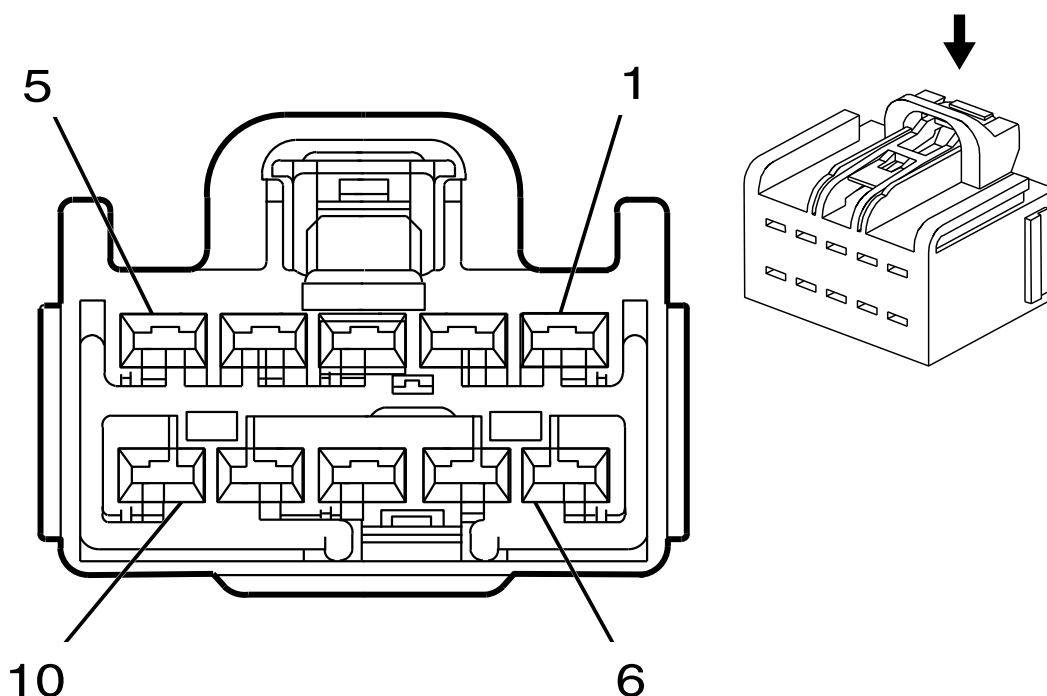
- Harness Type: Overhead Console
- Service Connector: Service by Harness
- Description: 5-pin F HCM Series (BK)

Table 1391 Terminal Part Information

Terminal Type ID	Service Terminal	Diagnostic Test Probe
I	6042029C1	J-35616-64B (LT BU)

Table 1392 S63 Roof Beacon Switch (Feature Code: 0008XKS)

Pin	Size	Color	Circuit	Function	Terminal Type ID
1	0.35	BK	1050	Ground	I
2	0.5	YE	6817	LED Backlight Dimming Control	I
3	0.5	RD / YE	240	Secondary Fused Battery Positive Voltage 2	I
4	0.5	WH / BK	5990	Emergency Vehicle Roof Lamp Switch Signal	I
5	—	—	—	Not Occupied	—



Connector Part Information

- Harness Type: Driver Seat Cushion
- Service Connector: Service by Harness
- Description: 10-pin F YESC Kaizen Series (L-GY)

Table 1394 Terminal Part Information

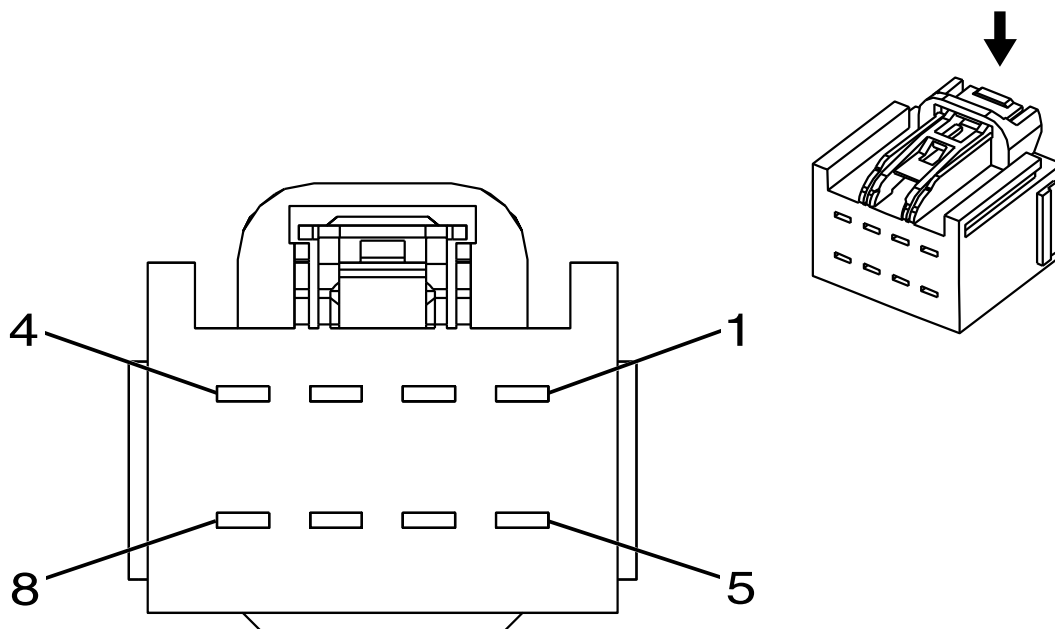
Terminal Type ID	Service Terminal	Diagnostic Test Probe
I	6042071C1	J-35616-4A (PU)

Table 1395 S64D Seat Adjuster Switch – Driver X1 (Feature Code: 0016KVV / 0016KVU)

Pin	Size	Color	Circuit	Function	Terminal Type ID
1	1.5	GN / BN	286	Driver Power Seat Front Vertical Motor Up Control	I
2	2.5	BK	1150	Ground	I
3	1.5	YE / BU	285	Driver Power Seat Horizontal Motor Forward Control	I
4	1.5	GN / YE	276	Driver Power Seat Recline Motor Forward Control	I

Table 1395 S64D Seat Adjuster Switch – Driver X1 (Feature Code: 0016KVV / 0016KVU) (cont.)

Pin	Size	Color	Circuit	Function	Terminal Type ID
5	1.5	BU / VT	287	Driver Power Seat Front Vertical Motor Down Control	I
6	2.5	RD / YE	5040	Battery Positive Voltage	I
7	1.5	GY / GN	284	Driver Power Seat Horizontal Motor Rearward Control	I
8	1.5	YE	282	Driver Power Seat Rear Vertical Motor Up Control	I
9	1.5	BU / YE	277	Driver Power Seat Recline Motor Rearward Control	I
10	1.5	GY / BU	283	Driver Power Seat Rear Vertical Motor Down Control	I



Connector Part Information

- Harness Type: Driver Seat Cushion
- Service Connector: Service by Harness
- Description: 8-Way F 2.8 Series (L-GY)

Table 1397 Terminal Part Information

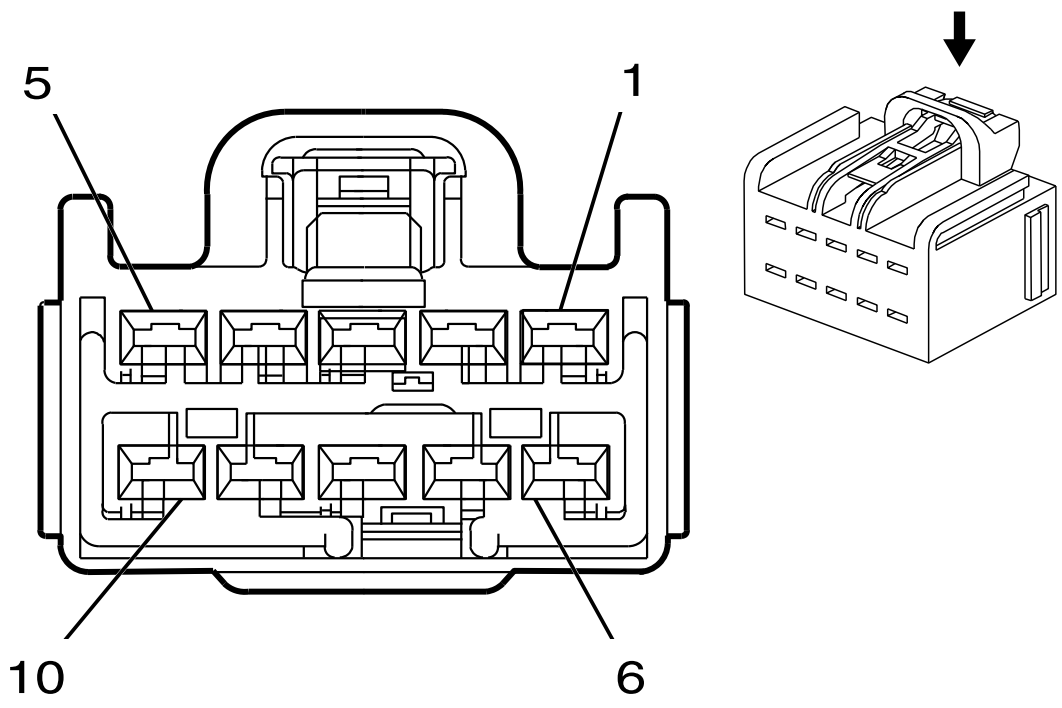
Terminal Type ID	Service Terminal	Diagnostic Test Probe
I	6042070C1	J-35616-35 (VT)
II	6042071C1	J-35616-4A (PU)

Table 1398 S64D Seat Adjuster Switch – Driver X2 (Feature Code: 0016KVV / 0016KVU)

Pin	Size	Color	Circuit	Function	Terminal Type ID
1	—	—	—	Not Occupied	—
2	1.5	BU	611	Driver Power Seat Lumbar Motor Forward Control	I
3-5	—	—	—	Not Occupied	—

Table 1398 S64D Seat Adjuster Switch – Driver X2 (Feature Code: 0016KVV / 0016KVU) (cont.)

Pin	Size	Color	Circuit	Function	Terminal Type ID
6	1.5	VT	610	Driver Seat Lumbar Support Motor Backward Control	I
7-8	—	—	—	Not Occupied	—



Connector Part Information	
•	Harness Type: Passenger Seat Cushion
•	Service Connector: Service by Harness
•	Description: 10-pin F YESC Kaizen Series (L-GY)

Table 1400 Terminal Part Information

Terminal Type ID	Service Terminal	Diagnostic Test Probe
I	6042071C1	J-35616-4A (PU)

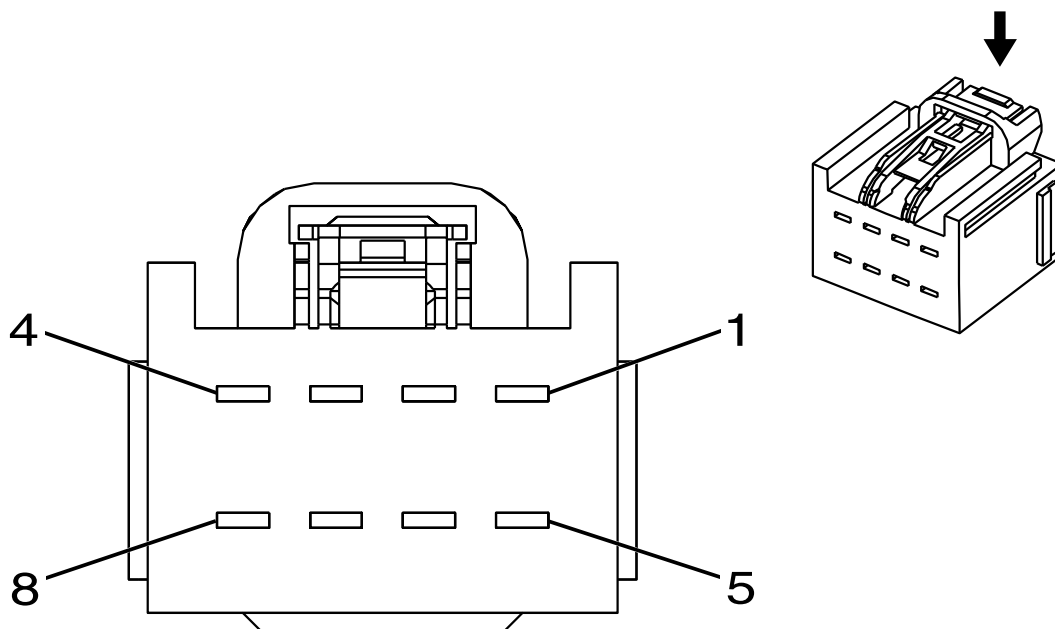
Table 1401 S64P Seat Adjuster Switch – Passenger X1 (Feature Code: 0016KVV / AG2)

Pin	Size	Color	Circuit	Function	Terminal Type ID
1	—	—	—	Not Occupied	—
2	1.5	GN	76	Passenger Power Seat Recline Motor Forward Control	I
3	1.5	YE / WH	296	Passenger Power Seat Horizontal Motor Forward Control	I
4	—	—	—	Not Occupied	—
5	2.5	BK	1250	Ground	I

ELECTRICAL CIRCUIT DIAGRAM MANUAL

Table 1401 S64P Seat Adjuster Switch – Passenger X1 (Feature Code: 0016KVV / AG2) (cont.)

Pin	Size	Color	Circuit	Function	Terminal Type ID
6	—	—	—	Not Occupied	—
7	1.5	L-BU / BN	77	Passenger Power Seat Recline Motor Rearward Control	I
8	—	—	—	Not Occupied	—
9	1.5	YE / L-BU	290	Passenger Power Seat Horizontal Motor Rearward Control	I
10	2.5	RD / BN	1440	Battery Positive Voltage	I



Connector Part Information

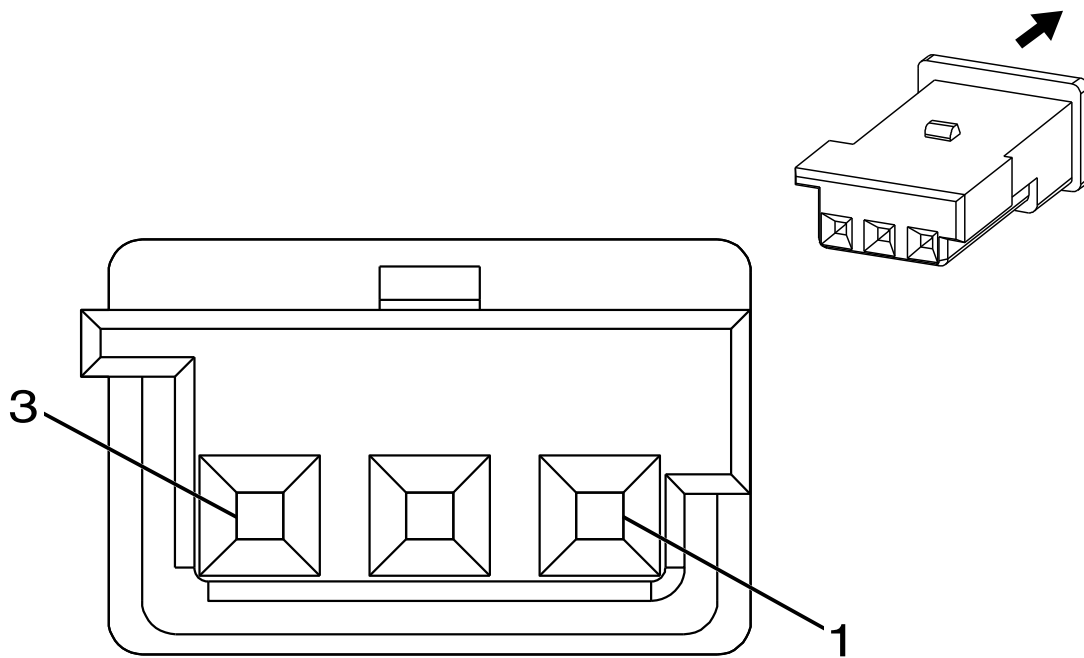
- Harness Type: Passenger Seat Cushion
- Service Connector: Service by Harness
- Description: 8-pin F 2.8 Series (L-GY)

Table 1403 Terminal Part Information

Terminal Type ID	Service Terminal	Diagnostic Test Probe
I	6042071C1	J-35616-4A (PU)

Table 1404 S64P Seat Adjuster Switch – Passenger X2 (Feature Code: 0016KVV / AG2)

Pin	Size	Color	Circuit	Function	Terminal Type ID
1-2	—	—	—	Not Occupied	—
3	1.5	VT	210	Passenger Power Seat Lumbar Motor Rearward Control	I
4-5	—	—	—	Not Occupied	—
6	1.5	L-BU	211	Passenger Power Seat Lumbar Motor Forward Control	I
7-8	—	—	—	Not Occupied	—



Connector Part Information

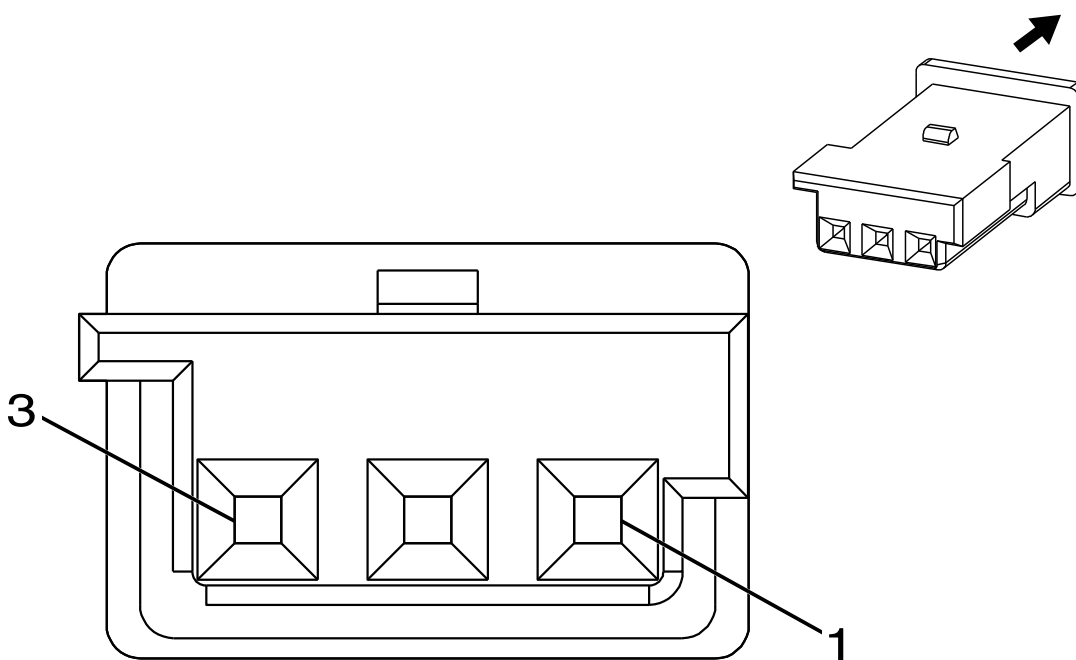
- Harness Type: Instrument Panel
- OEM Connector: Service by Harness
- Description: 3-Way F 0.64 Micro-Quadlock Series (PU)

Table 1406 Terminal Part Information

Terminal Type ID	Service Terminal	Diagnostic Test Probe
I	Not Available	Not Available

Table 1407 S70E Steering Wheel Controls Switch - Radio Presets (UK3)

Pin	Size	Color	Circuit	Function	Terminal Type ID
1	0.35	WH / YE	4313	Radio Favorite Forward Signal	I
2	0.35	YE / BU	4312	Radio Favorite Back Signal	I
3	0.35	BK	1050	Ground	I



Connector Part Information

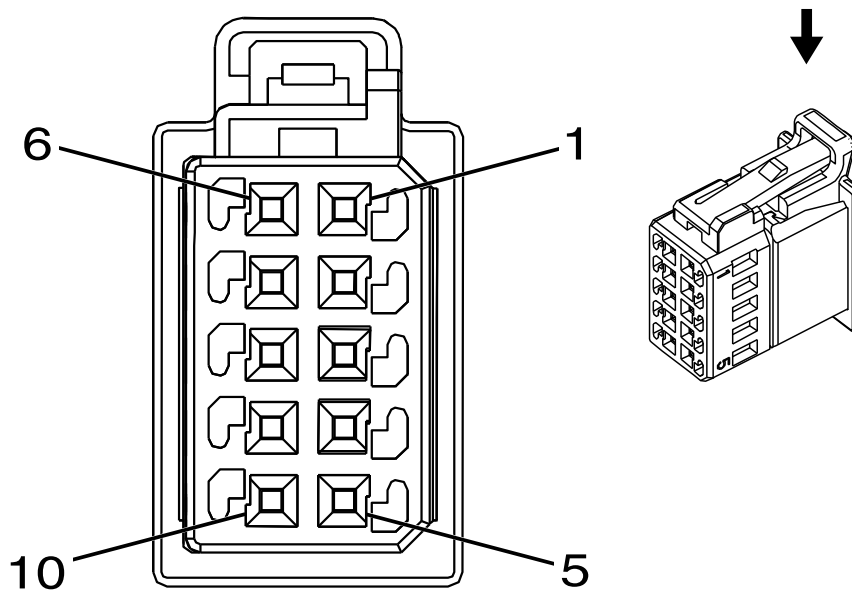
- Harness Type: Steering Wheel
- OEM Connector: Service by Harness
- Description: 3-Way F 0.64 Micro-Quadlock Series (PU)

Table 1409 Terminal Part Information

Terminal Type ID	Service Terminal	Diagnostic Test Probe
I	None	Not Available

Table 1410 S70F Steering Wheel Controls Switch - Radio Presets (UK3)

Pin	Size	Color	Circuit	Function	Terminal Type ID
1	0.35	BU	4315	Radio Volume Up Signal	I
2	0.35	GN / BN	4314	Radio Volume Down Signal	I
3	0.35	BK	1050	Ground	I



Connector Part Information

- Harness Type: Instrument Panel
- OEM Connector: Service by Harness
- Description: 10-Way F 0.64 Micro-Quadlock Series (BK)

Table 1412 Terminal Part Information

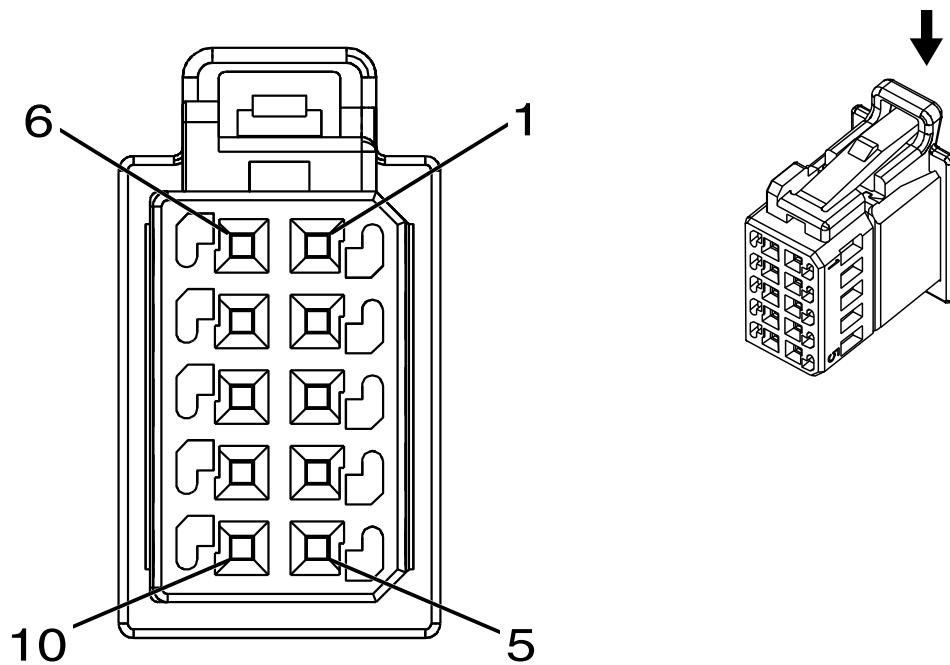
Terminal Type ID	Service Terminal	Diagnostic Test Probe
I	None	Not Available

Table 1413 S70L Steering Wheel Controls Switch - Left

Pin	Size	Color	Circuit	Function	Terminal Type ID
1	0.35	BK	1050	Ground	—
2	—	—	—	Not Occupied	I
3	0.35	GY / OG	5737	Not Used	I
4	0.35	BN / YE	1884	Cruise Control Set / Coast / Resume / Accelerate Switch Signal	I
5	—	—	—	Not Occupied	—

Table 1413 S70L Steering Wheel Controls Switch - Left (cont.)

Pin	Size	Color	Circuit	Function	Terminal Type ID
6	0.35	YE	6817	LED Backlight Dimming Control	I
	0.35	YE	6136	Control	I
7-8	—	—	—	Not Occupied	—
9	0.35	WH	1444	12V Reference	I
10	0.35	RD / YE	3040	Battery Positive Voltage	I



Connector Part Information

- Harness Type: Instrument Panel
- Service Connector: Service by Harness
- Description: 10-Way F 0.64 Micro-Quadlock Series (BK)

Table 1415 Terminal Part Information

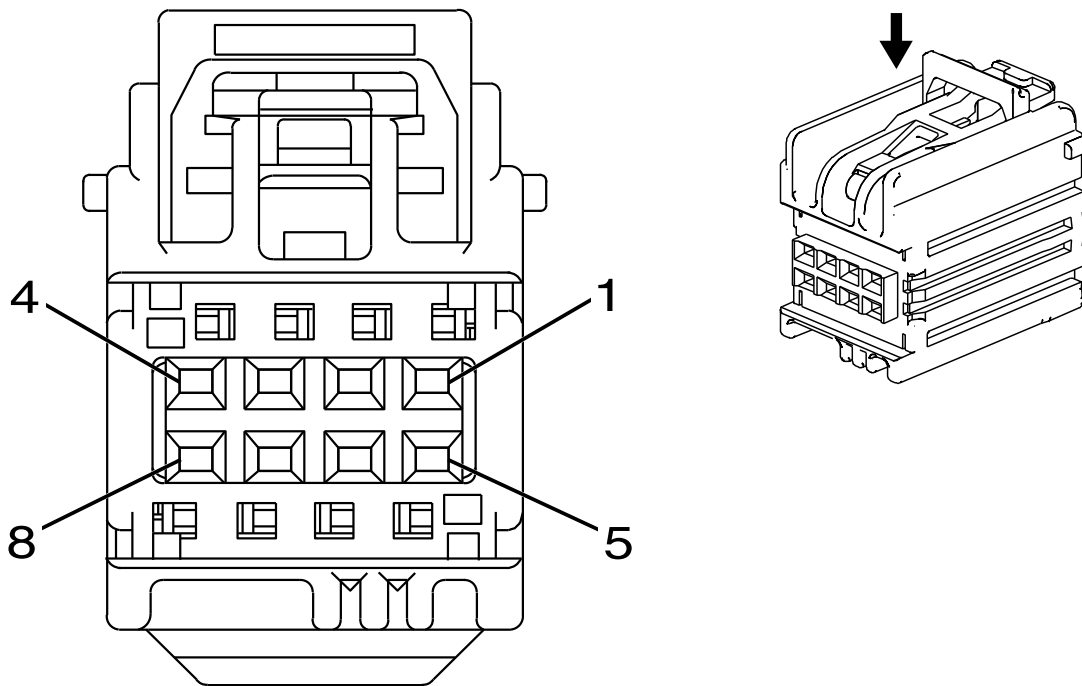
Terminal Type ID	Service Terminal
I	Not Available

Table 1416 S70R Steering Wheel Controls Switch - Right (UK3)

Pin	Size	Color	Circuit	Function	Terminal Type ID
1	0.35	YE	6817	LED Backlight Dimming Control	I
2	—	—	—	Not Occupied	—
3	0.5	GN	3894	Local Interconnect Network Serial Data Bus 12	I
4	—	—	—	Not Occupied	—
5	0.35	RD / YE	3040	Battery Positive Voltage	I
6	0.35	BK	1050	Ground	I

Table 1416 S70R Steering Wheel Controls Switch - Right (UK3) (cont.)

Pin	Size	Color	Circuit	Function	Terminal Type ID
7	0.35	BU	4315	Radio Volume Up Signal	I
8	0.35	GN / BN	4314	Radio Volume Down Signal	I
9	0.35	WH / YE	4313	Radio Favorite Forward Signal	I
10	0.35	YE / BU	4312	Radio Favorite Back Signal	I



Connector Part Information

- Harness Type: Instrument Panel
- Service Connector: 6040198C1
- Description: 8-pin F YESC Kaizen Series (BK)

Table 1418 Terminal Part Information

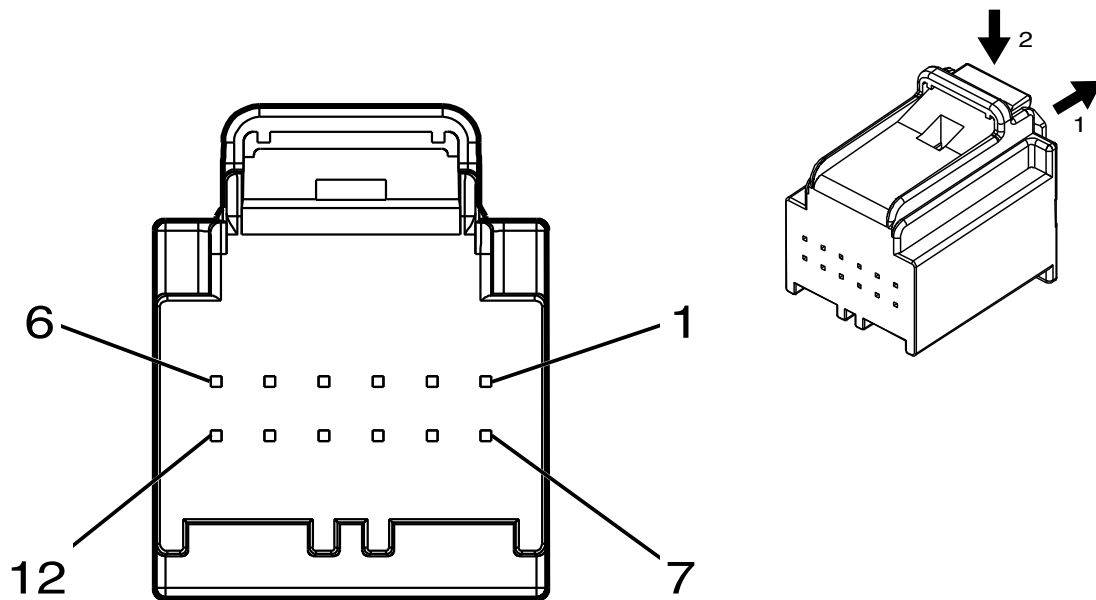
Terminal Type ID	Service Terminal	Diagnostic Test Probe
I	6042047C1	J-35616-64B (LT BU)

Table 1419 S76 Trailer Brake Control Switch (J71)

Pin	Size	Color	Circuit	Function	Terminal Type ID
1-2	—	—	—	Not Occupied	—
3	0.5	BU / RD	7632	Trailer Brake Control Switch 5V Reference	I
4	0.5	YE	7635	Trailer Brake Control Manual Apply Signal	I
5	0.5	BN	7634	Trailer Brake Control Redundant Manual Apply Signal	I
6	0.5	GN / BK	7633	Trailer Brake Control User Gain Signal	I

Table 1419 S76 Trailer Brake Control Switch (J71) (cont.)

Pin	Size	Color	Circuit	Function	Terminal Type ID
7	0.35	YE	6817	LED Backlight Dimming Control 1	I
8	0.5	BK / BN	7631	Trailer Brake Control Switch Low Reference	I



Connector Part Information

- Harness Type: Instrument Panel
- Service Connector: 6040234C1
- Description: 12-pin F 64 Series, Sealed (GY)

Table 1421 Terminal Part Information

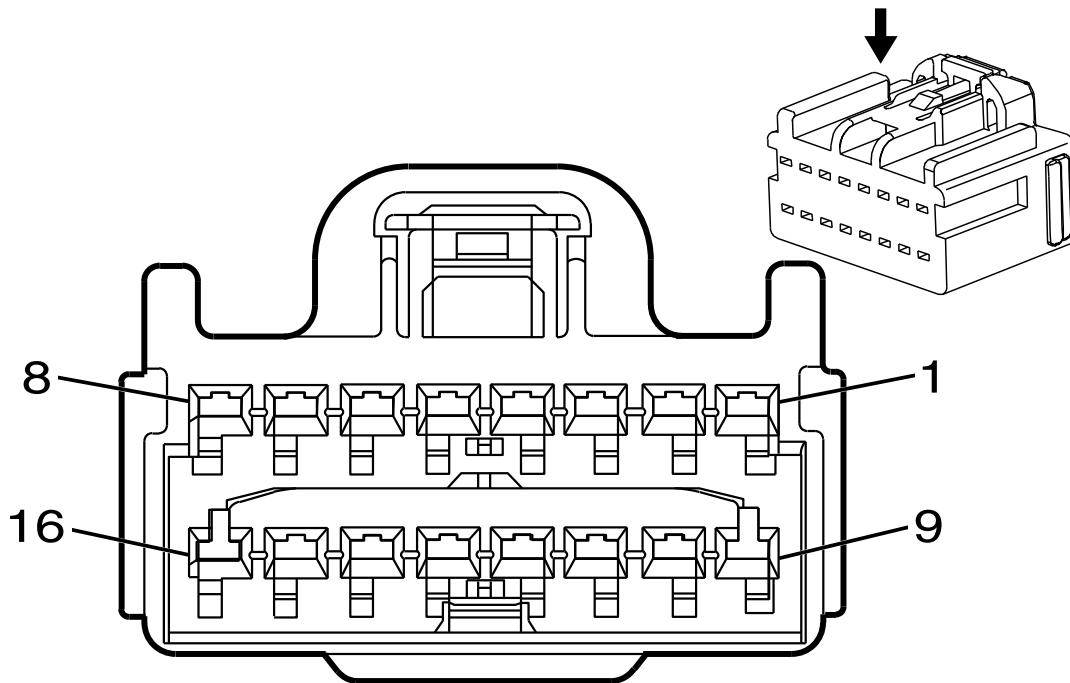
Terminal Type ID	Service Terminal	Diagnostic Test Probe
I	6042047C1	J-35616-64B (LT BU)

Table 1422 S77 Transfer Case Shift Control Switch (Feature Code: 0013TLP (0013WDB))

Pin	Size	Color	Circuit	Function	Terminal Type ID
1	—	—	—	Not Occupied	—
2	0.35	VT / BN	300	Run Ignition 3 Voltage	I
3	0.35	BN	1560	Neutral Indicator Control	I
4	0.35	WH	6816	Indicator Dimming Control	I
5	0.35	YE	6817	LED Backlight Dimming Control 1	I
6	0.5	BK	1050	Ground 10	I

Table 1422 S77 Transfer Case Shift Control Switch (Feature Code: 0013TLP (0013WDB)) (cont.)

Pin	Size	Color	Circuit	Function	Terminal Type ID
7	—	—	—	Not Occupied	—
8	0.35	GN / BK	1563	2WD HI Indicator Control	I
9	0.35	BN / BK	1566	4WD HI Indicator Control	I
10	0.35	VT / WH	1565	4WD LO Indicator Control	I
11	0.35	GY / RD	6029	Four Wheel Drive Mode Switch 5V Reference	I
12	0.35	D-BU / YE	1693	Four Wheel Drive Switch Signal	I



Connector Part Information

- Harness Type: Instrument Panel
- Service Connector: Service by Harness
- Description: 16-Way F 1.5 Kaizen Series (GN)

Table 1424 Terminal Part Information

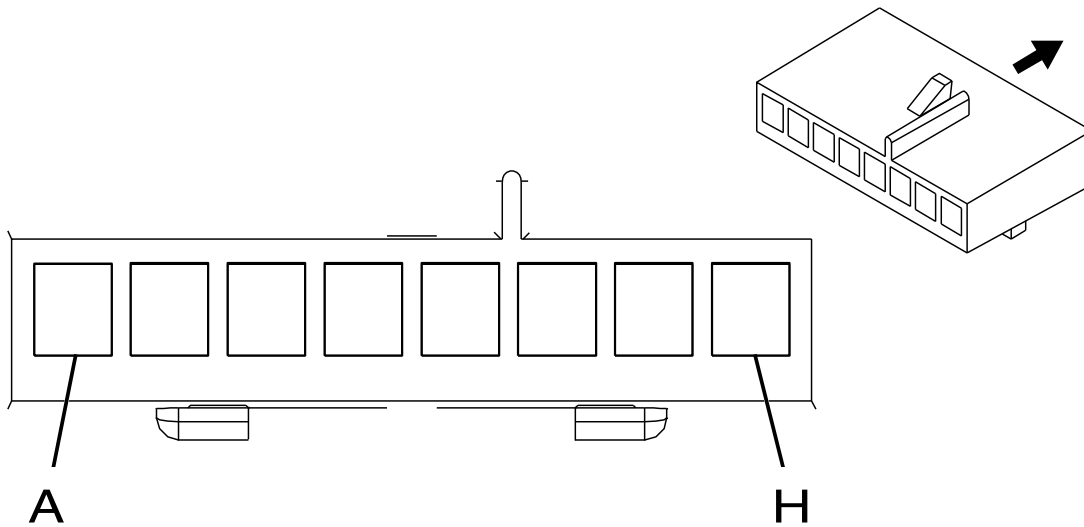
Terminal Type ID	Service Terminal	Diagnostic Test Probe
I	None	J-35616-4A (PU)

Table 1425 S78 Turn Signal / Multifunction Switch X1

Pin	Size	Color	Circuit	Function	Terminal Type ID
1-3	—	—	—	Not Occupied	—
4	0.35	GY	1715	Windshield Wiper Switch High Signal	I
5	—	—	—	Not Occupied	—
6	0.35	WH / BK	94	Windshield Washer Switch Signal	I
7	0.35	BK / GY	6009	Windshield Wiper Switch Low Reference	I
8	0.35	YE / BU	1714	Windshield Wiper Switch Low Signal	I

Table 1425 S78 Turn Signal / Multifunction Switch X1 (cont.)

Pin	Size	Color	Circuit	Function	Terminal Type ID
9	—	—	—	Not Occupied	—
10	0.35	YE / BN	307	Headlamp Switch Flash To Pass Signal	I
11-12	—	—	—	Not Occupied	—
13	0.35	BK / WH	1851	Signal Ground	I
14	0.35	WH	524	Headlamp Dimmer Switch High Beam Signal	I
15-16	—	—	—	Not Occupied	—



Connector Part Information	
•	Harness Type: Instrument Panel
•	Service Connector: Service by Harness
•	Description: 8-Way F 150 Metri-Pack Series (L-GY)

Table 1427 Terminal Part Information

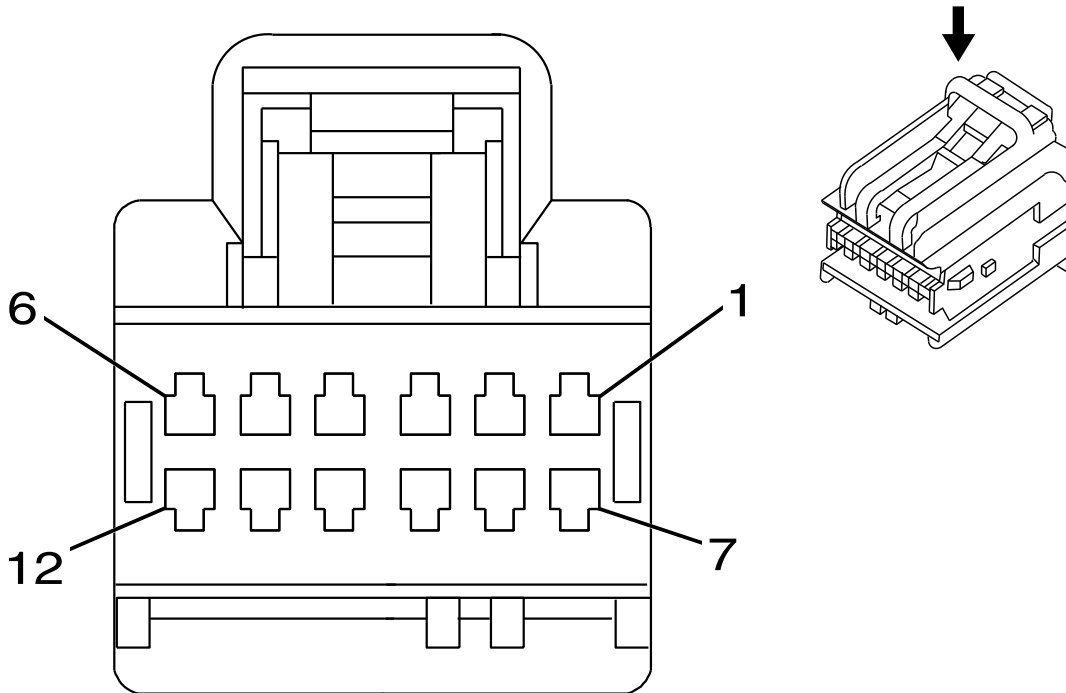
Terminal Type ID	Service Terminal	Diagnostic Test Probe
I	None	J-35616-4A (PU)

Table 1428 S78 Turn Signal / Multifunction Switch X2

Pin	Size	Color	Circuit	Function	Terminal Type ID
A-B	—	—	—	Not Occupied	—
C	0.35	BK / WH	1851	Signal Ground	I
D	0.35	VT / BU	664	Hazard Switch Right Turn Signal	I
E	0.35	WH / GN	663	Hazard Switch Left Turn Signal	I
F	0.35	BK / WH	1851	Signal Ground	I

Table 1428 S78 Turn Signal / Multifunction Switch X2 (cont.)

Pin	Size	Color	Circuit	Function	Terminal Type ID
G	0.35	GN / WH	111	Hazard Switch Signal	I
H	—	—	—	Not Occupied	—



Connector Part Information

- Harness Type: Driver Door Trim
- Service Connector: Service by Harness
- Description: 12-pin F 0.64 Series, Sealed (BK)

Table 1430 Terminal Part Information

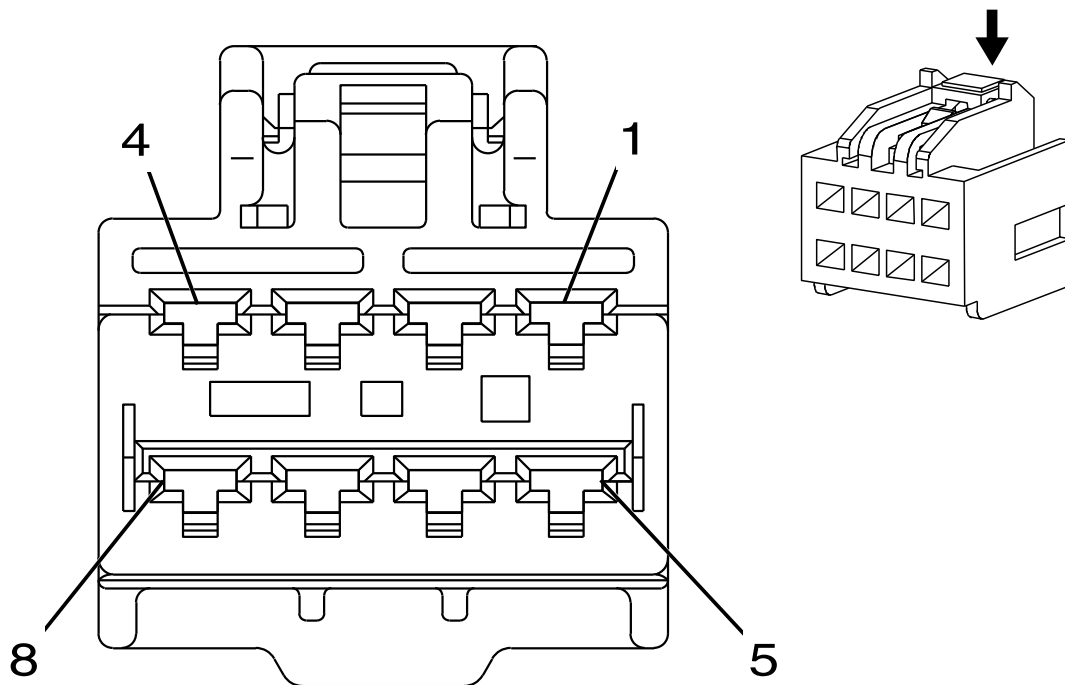
Terminal Type ID	Service Terminal	Diagnostic Test Probe
I	6041997C1	J-35616-64B (LT BU)

Table 1431 S79D Window Switch – Driver (Feature Code: 0016WAK)

Pin	Size	Color	Circuit	Function	Terminal Type ID
1	0.75	BK	1150	Ground 11	I
2	0.35	L-GN / VT	7628	Power Window Motor Left Front Express Control	I
3	0.35	GY	1136	Power Window Master Switch Left Front Down Signal	I
4	0.5	RD / VT	1940	Battery Positive Voltage	I
5	0.5	L-GN / YE	6134	Local Interconnect Network Serial Data Bus 3	I

Table 1431 S79D Window Switch – Driver (Feature Code: 0016WAK) (cont.)

Pin	Size	Color	Circuit	Function	Terminal Type ID
6	0.35	L-GN / WH	1300	Power Window Master Switch Left Front Up Signal	I
7	0.35	WH / VT	3270	Driver Door Lock Motor Status Signal	I
8	0.35	D-BU / VT	1124	Door Lock Key Switch Unlock Signal	I
9	—	—	—	Not Occupied	—
10	0.35	YE / BN	3265	Child Security Lock Switch Signal	I
11	0.35	WH	6816	Indicator Dimming Control	I
12	0.35	GY	5697	Child Lockout Indicator Control	I



Connector Part Information

- Harness Type: Left Rear Door
- Service Connector: Service by Harness
- Description: 8-pin F 2.8 Series (BK)

Table 1433 Terminal Part Information

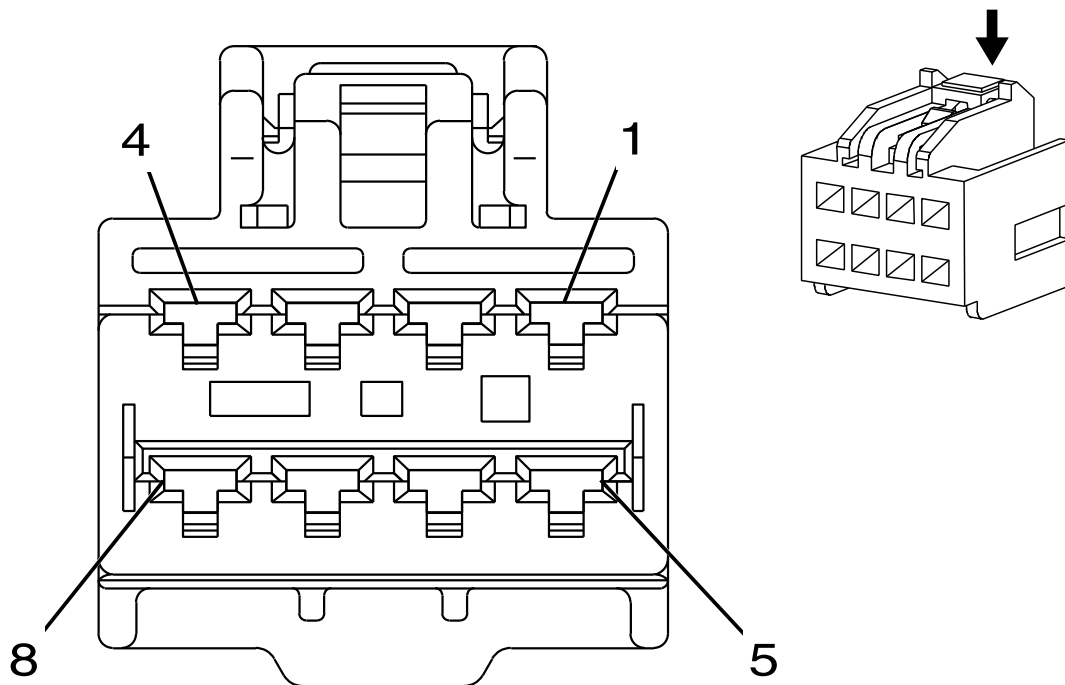
Terminal Type ID	Service Terminal	Diagnostic Test Probe
I	6041885C1	J-35616-35 (VT)

Table 1434 S79LR Window Switch – Left Rear (Crew Cab)

Pin	Size	Color	Circuit	Function	Terminal Type ID
1	0.5	GN / GY	6135	Local Interconnect Network Serial Data Bus 4	I
2	0.35	GY / WH	747	Left Rear Door Ajar Switch Signal	I
3	0.5	BK	1150	Ground	I
4	—	—	—	Not Occupied	—
5	2.5	BK	1150	Ground	I
6	2.5	D-BU / VT	668	Power Window Motor Left Rear Up Control	I

Table 1434 S79LR Window Switch – Left Rear (Crew Cab) (cont.)

Pin	Size	Color	Circuit	Function	Terminal Type ID
7	2.5	YE / D-BU	669	Power Window Motor Left Rear Down Control	I
8	2.5	RD / D-BU	1842	Battery Positive Voltage	I



Connector Part Information

- Harness Type: Passenger Door Trim
- Service Connector: Service by Harness
- Description: 8-pin F 2.8 Series (BK)

Table 1436 Terminal Part Information

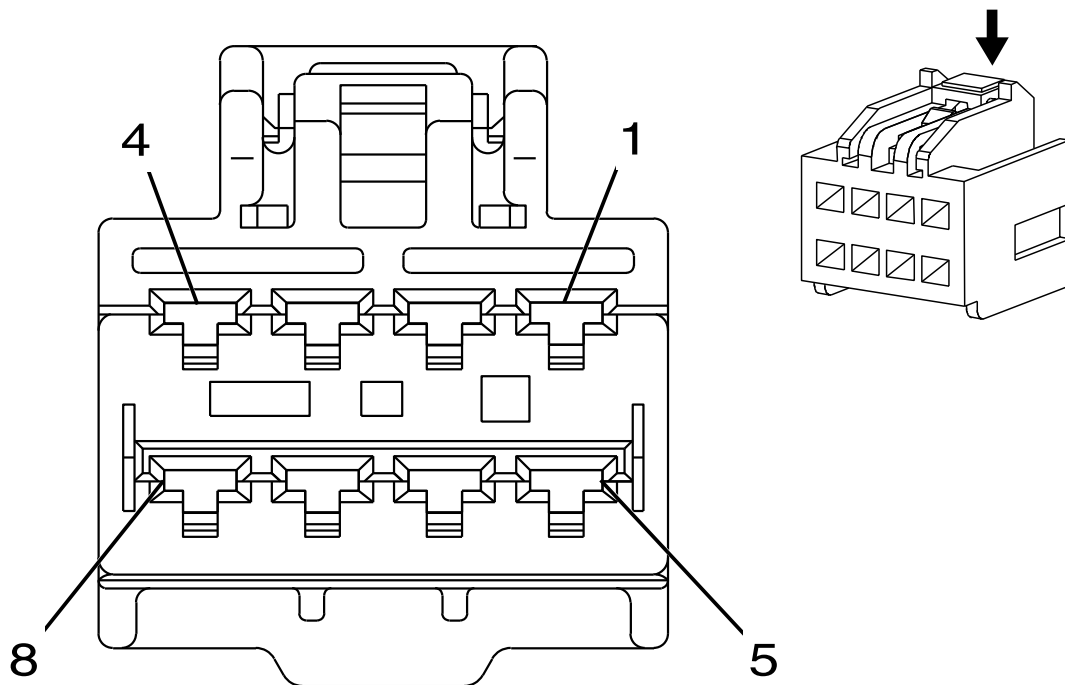
Terminal Type ID	Service Terminal	Diagnostic Test Probe
I	6041885C1	J-35616-35 (VT)

Table 1437 S79P Window Switch – Passenger (Feature Code: 0016WAK)

Pin	Size	Color	Circuit	Function	Terminal Type ID
1	2.5	BK	1250	Ground	I
2	2.5	L-GN / GY	3387	Power Window Motor Passenger Up Control	I
3	2.5	YE / D-BU	3388	Power Window Motor Passenger Down Control	I
4	2.5	RD / WH	1340	Battery Positive Voltage	I
5	0.5	L-GN / YE	6134	Local Interconnect Network Serial Data Bus 3	I

Table 1437 S79P Window Switch – Passenger (Feature Code: 0016WAK) (cont.)

Pin	Size	Color	Circuit	Function	Terminal Type ID
6-7	—	—	—	Not Occupied	—
8	0.35	GY	746	Right Front Door Ajar Switch Signal	I



Connector Part Information

- Harness Type: Right Rear Door
- Service Connector: Service by Harness
- Description: 8-Way F 2.8 Series (BK)

Table 1439 Terminal Part Information

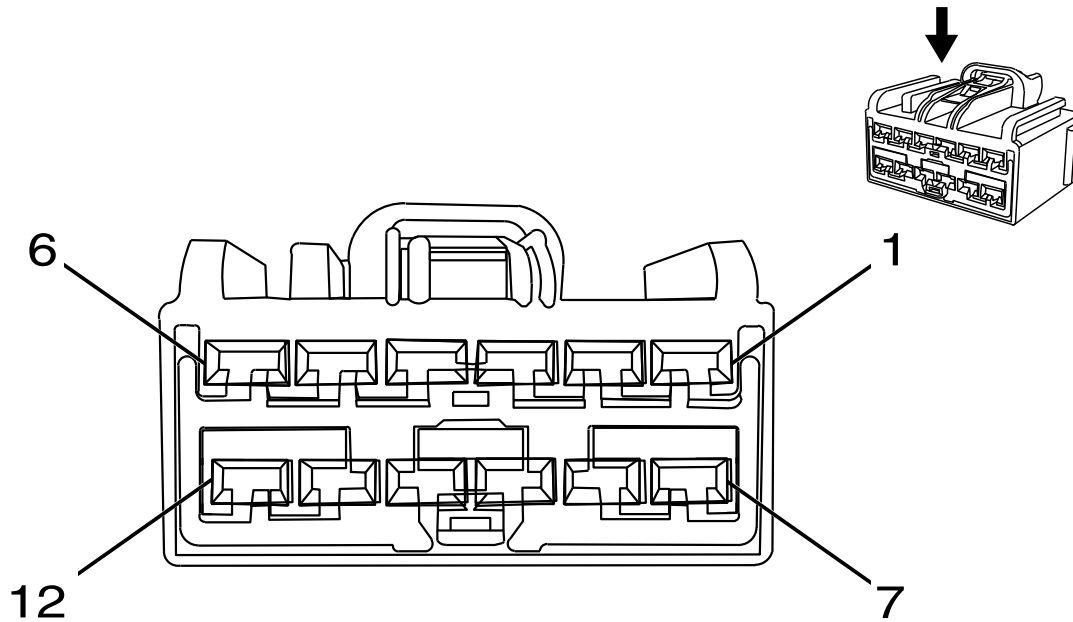
Terminal Type ID	Service Terminal	Diagnostic Test Probe
I	6041885C1	J-35616-35 (VT)

Table 1440 S79RR Window Switch – Right Rear (Crew Cab)

Pin	Size	Color	Circuit	Function	Terminal Type ID
1	0.5	L-GN / GY	6135	Local Interconnect Network Serial Data Bus 4	I
2	0.35	GY / WH	748	Right Rear Door Ajar Switch Signal	I
3-4	—	—	—	Not Occupied	—
5	2.5	BK	1250	Ground	I
6	2.5	D-BU / GY	670	Power Window Motor Right Rear Up Control	I

Table 1440 S79RR Window Switch – Right Rear (Crew Cab) (cont.)

Pin	Size	Color	Circuit	Function	Terminal Type ID
7	2.5	L-GN / BK	671	Power Window Motor Right Rear Down Control	I
8	2.5	RD / WH	1340	Battery Positive Voltage	I



Connector Part Information

- Harness Type: Instrument Panel
- Service Connector: 6040204C1
- Description: 12-pin F 2.8 Kaizen Series (L-GY)

Table 1442 Terminal Part Information

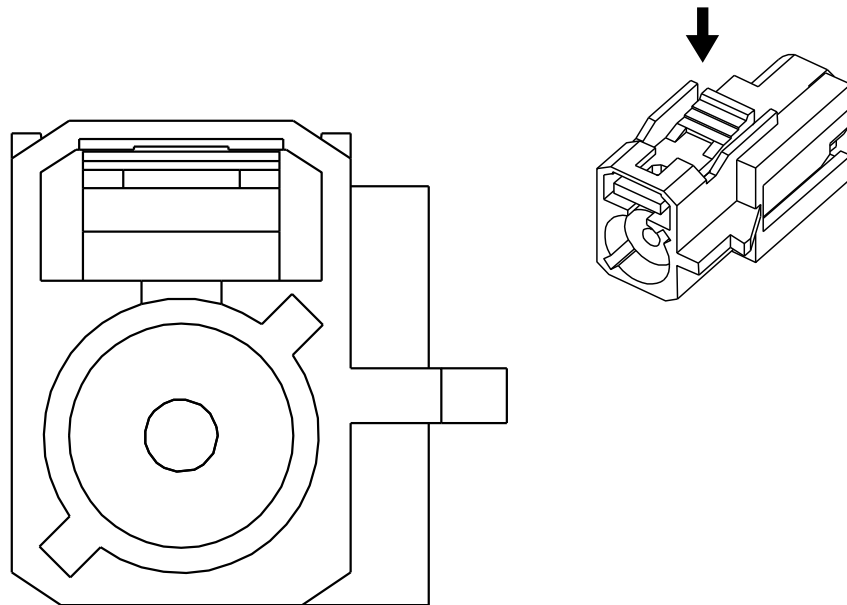
Terminal Type ID	Service Terminal	Diagnostic Test Probe
I	6041989C1	J-35616-35 (VT)
II	6042056C1	J-35616-4A (PU)
III	6042054C1	J-35616-4A (PU)

Table 1443 T1 Accessory DC / AC Power Inverter Module (Feature Code: 0008XJX)

Pin	Size	Color	Circuit	Function	Terminal Type ID
1	—	—	—	Not Occupied	—
2	1.5	BK	5683	120 volt AC Phase A	III
3-5	—	—	—	Not Occupied	—
6	2.5	RD / GY	4140	Secondary Fused Battery Positive Voltage 41	III

Table 1443 T1 Accessory DC / AC Power Inverter Module (Feature Code: 0008XJX) (cont.)

Pin	Size	Color	Circuit	Function	Terminal Type ID
7	1.5	RD	5684	120 volt AC Phase B	III
8-9	—	—	—	Not Occupied	—
10	0.5	BARE	514	Low Reference	I
11	2.5	BK	1050	Ground 10	III
12	0.35	D-BU / BN	6807	DC To AC Inverter Control	II



Connector Part Information

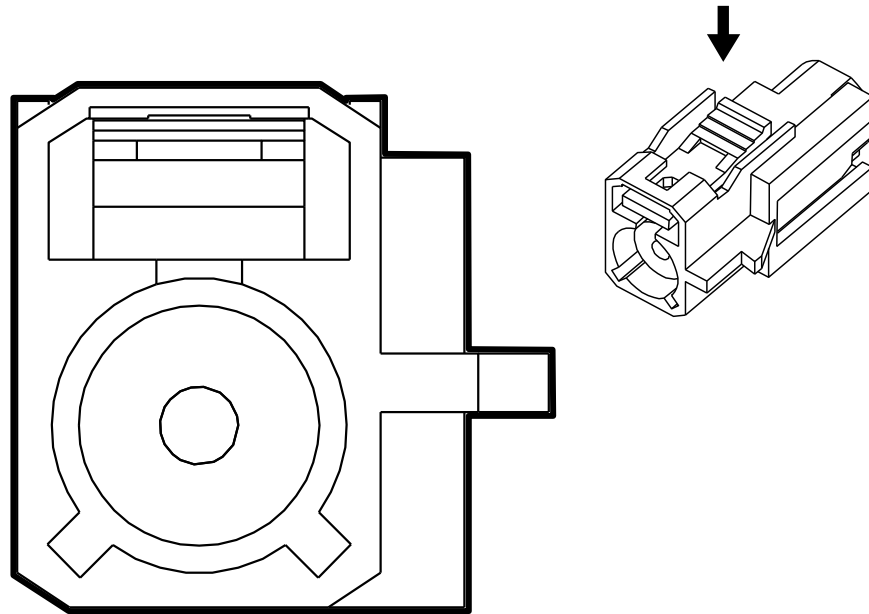
- Harness Type: Instrument Panel
- Service Connector: Service by Cable Assembly
- Description: 1-Way F Coax Type (BU)

Table 1445 Terminal Part Information

Terminal Type ID	Service Terminal	Diagnostic Test Probe
I	Not Available	No Tool Required

Table 1446 T2RF Antenna - Roof Front X3 (IO6-UE1)

Pin	Size	Color	Circuit	Function	Terminal Type ID
—	—	Coax	—	(GPS only) Coaxial Antenna GPS Signal	I



Connector Part Information

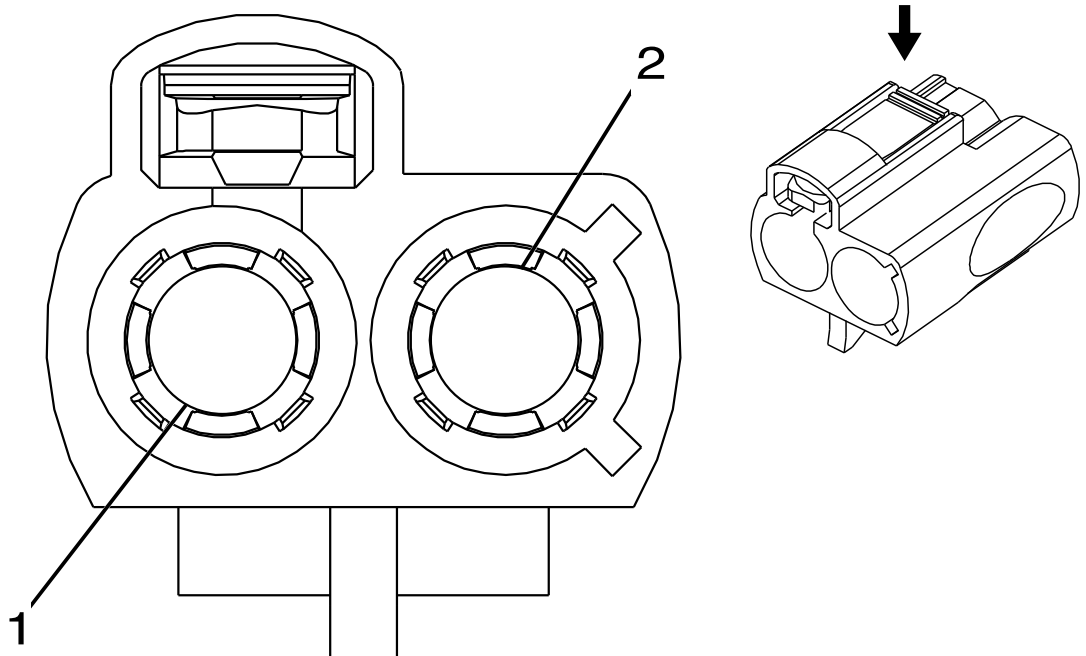
- Harness Type: Instrument Panel
- Service Connector: Service by Cable Assembly
- Description: 1-Way F Coax Type (CU)

Table 1448 Terminal Part Information

Terminal Type ID	Service Terminal
I	Not Available

Table 1449 T2RF Antenna - Roof Front X4 (U2K)

Pin	Size	Color	Circuit	Function	Terminal Type ID
—	—	Coax	—	(XM + / -HD) Coaxial Antenna XM Signal	I



Connector Part Information

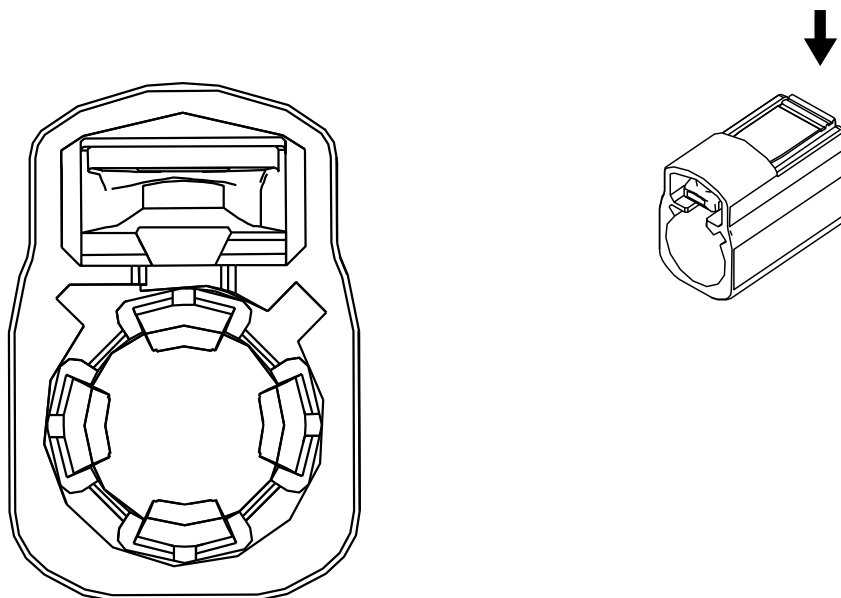
- Harness Type: Instrument Panel
- Service Connector: Service by Cable Assembly
- Description: 2-Way F Coax Type (PU)

Table 1451 Terminal Part Information

Terminal Type ID	Service Terminal	Diagnostic Test Probe
I	Not Available	No Tool Required

Table 1452 T2RF Antenna - Roof Front X5 (UE1)

Pin	Size	Color	Circuit	Function	Terminal Type ID
1	—	—	Coax	(GPS / Cell) Coaxial Antenna Cell / GPS Combined Signal	Coax
2	—	—	Coax	(Cell only) Coaxial Antenna Cell Phone Signal	Coax



Connector Part Information

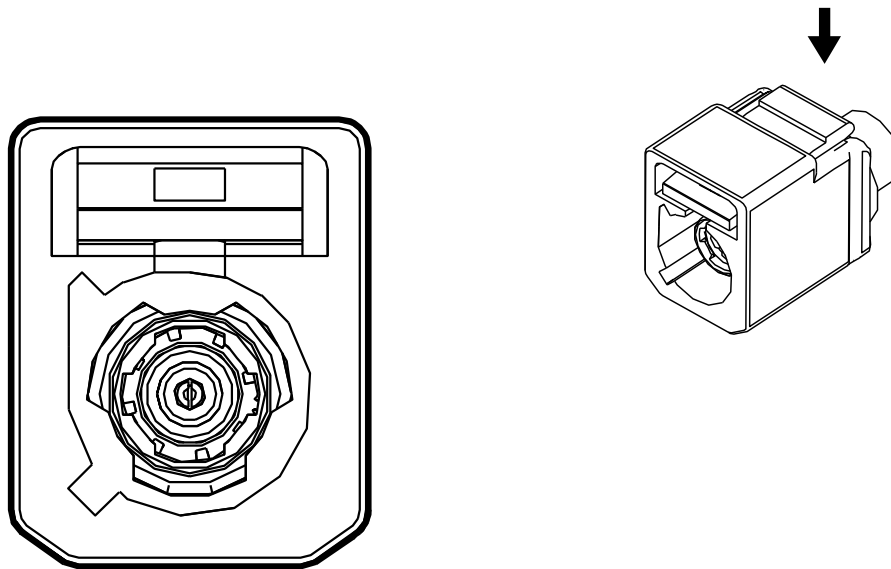
- Harness Type: Radio Antenna Jumper Coax
- Service Connector: Service by Cable Assembly
- Description: 1-Way F Coax Type (BK)

Table 1454 Terminal Part Information

Terminal Type ID	Service Terminal	Diagnostic Test Probe
I	Not Available	No Tool Required

Table 1455 T4M Radio Antenna

Pin	Size	Color	Circuit	Function	Terminal Type ID
Coax	Coax	Coax	Coax	(AM / FM) Antenna RF Signal	Coax



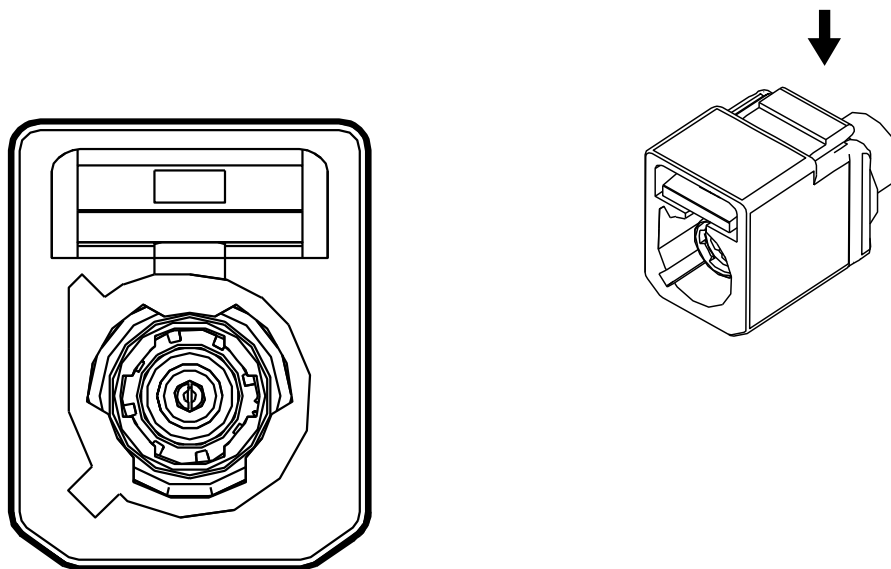
Connector Part Information
<ul style="list-style-type: none"> • Harness Type: Right A-Pillar Coax • Service Connector: Service by Cable Assembly • Description: 1-Way F Coax Type (GY)

Table 1457 Terminal Part Information

Terminal Type ID	Service Terminal	Diagnostic Test Probe
I	Not Available	No Tool Required

Table 1458 T15 Navigation Antenna Signal Splitter X1 (IO6+UE1)

Pin	Size	Color	Circuit	Function	Terminal Type ID
—	—	Coax	—	(GPS / Cell) Coaxial Antenna Cell / GPS combined Signal	I



Connector Part Information

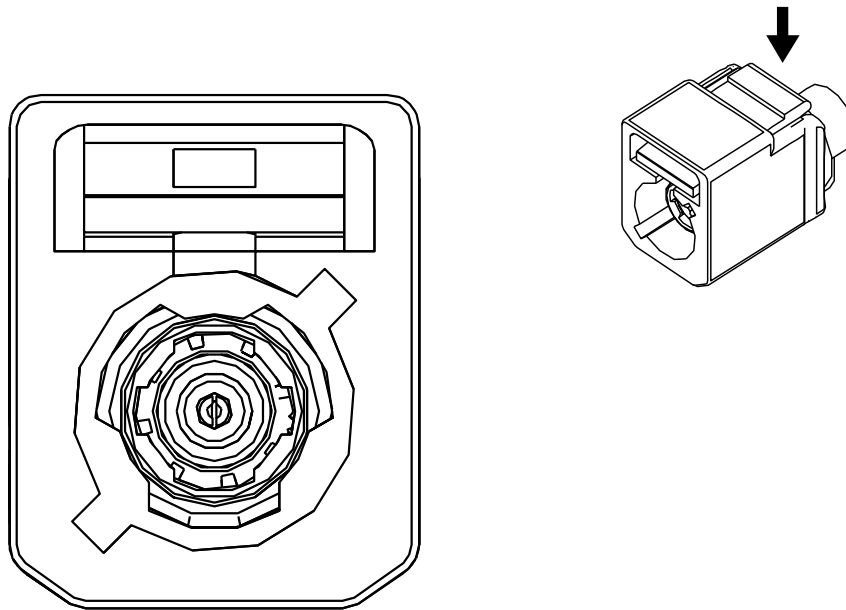
- Harness Type: Instrument Panel Coax
- Service Connector: Service by Cable Assembly
- Description: 1-Way F Coax Type (VT)

Table 1460 Terminal Part Information

Terminal Type ID	Service Terminal	Diagnostic Test Probe
I	Not Available	No Tool Required

Table 1461 T15 Navigation Antenna Signal Splitter X2 (IO6+UE1)

Pin	Size	Color	Circuit	Function	Terminal Type ID
—	—	Coax	—	(GPS / Cell) Coaxial Antenna Cell / GPS combined Signal	—



Connector Part Information

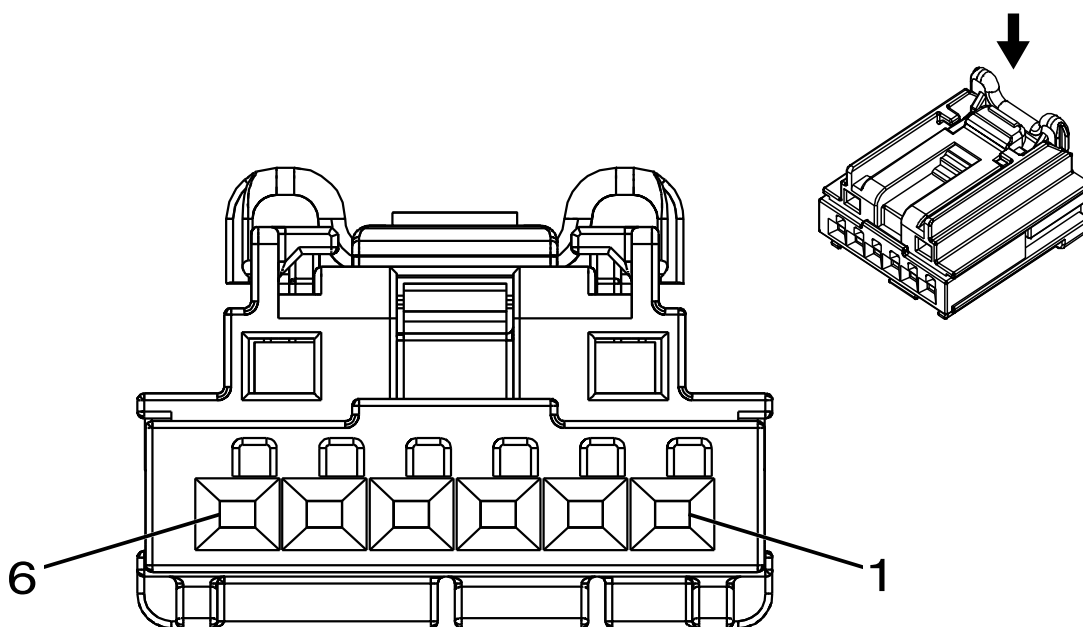
- Harness Type: Instrument Panel
- Service Connector: Service by Cable Assembly
- Description: 1-Way F Coax Type (BU)

Table 1463 Terminal Part Information

Terminal Type ID	Service Terminal	Diagnostic Test Probe
I	Not Available	No Tool Required

Table 1464 T15 Navigation Antenna Signal Splitter X3 (IO6+UE1)

Pin	Size	Color	Circuit	Function	Terminal Type ID
—	—	Coax	—	(GPS only) Coaxial Antenna GPS Signal	Coax



Connector Part Information

- Harness Type: Instrument Panel
- Service Connector: Service by Harness
- Description: 6-Way F 0.64 Generation Y Series (BK)

Table 1466 Terminal Part Information

Terminal Type ID	Service Terminal	Diagnostic Test Probe
I	6042048C1 0.35mm	J-35616-64B (LT BU)
	6042049C1 0.5mm	

Table 1467 T22 Mobile Device Wireless Charger Module (K4C)

Pin	Size	Color	Circuit	Function	Terminal Type ID
1	0.35	VT / YE	43	Accessory Ignition Voltage	I
2	0.75	BK	1050	Ground 10	I
3	0.35	GN	4512	Mobile Device Wireless Charger Charge Indicator Control	I
4-6	—	—	—	Not Occupied	—

W34 Battery Positive Cable Terminal Post - Jump Start (BTN)

Connector Part Information

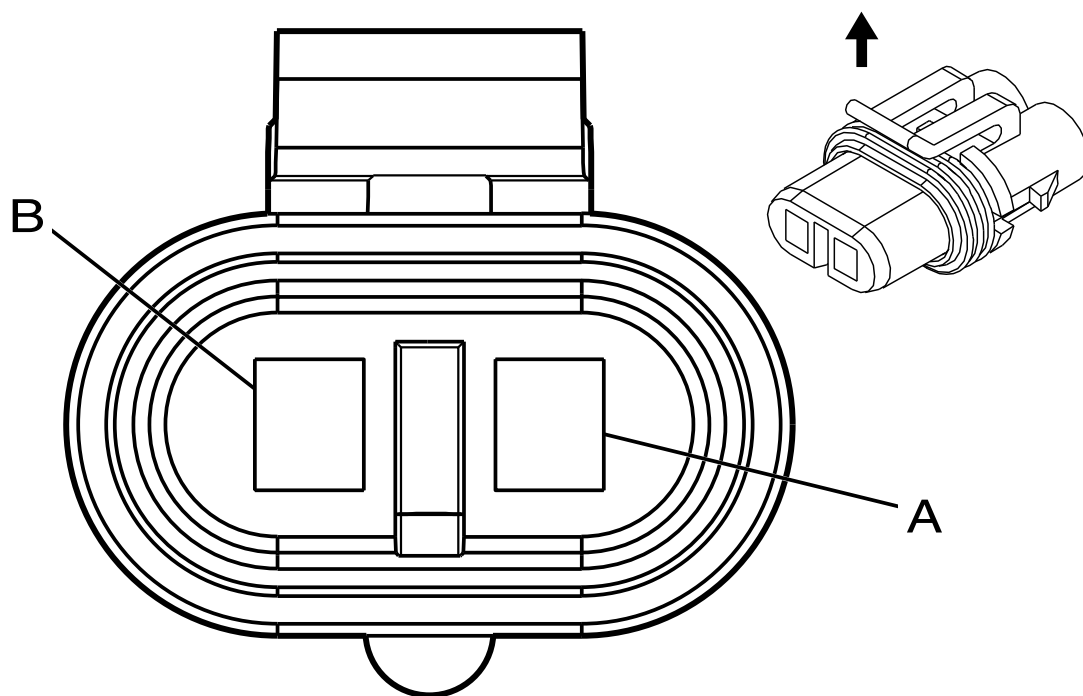
- Harness Type: Instrument Panel
- Service Connector: Service by Harness
- Description: —

Table 1469 Terminal Part Information

Terminal Type ID	Service Terminal	Diagnostic Test Probe
I	Not Available	No Tool Required

Table 1470 W34 Battery Positive Cable Terminal Post - Jump Start (BTN)

Pin	Size	Color	Circuit	Function	Terminal Type ID
1	—	RD	1	Unfused Battery Positive Voltage	I



Connector Part Information

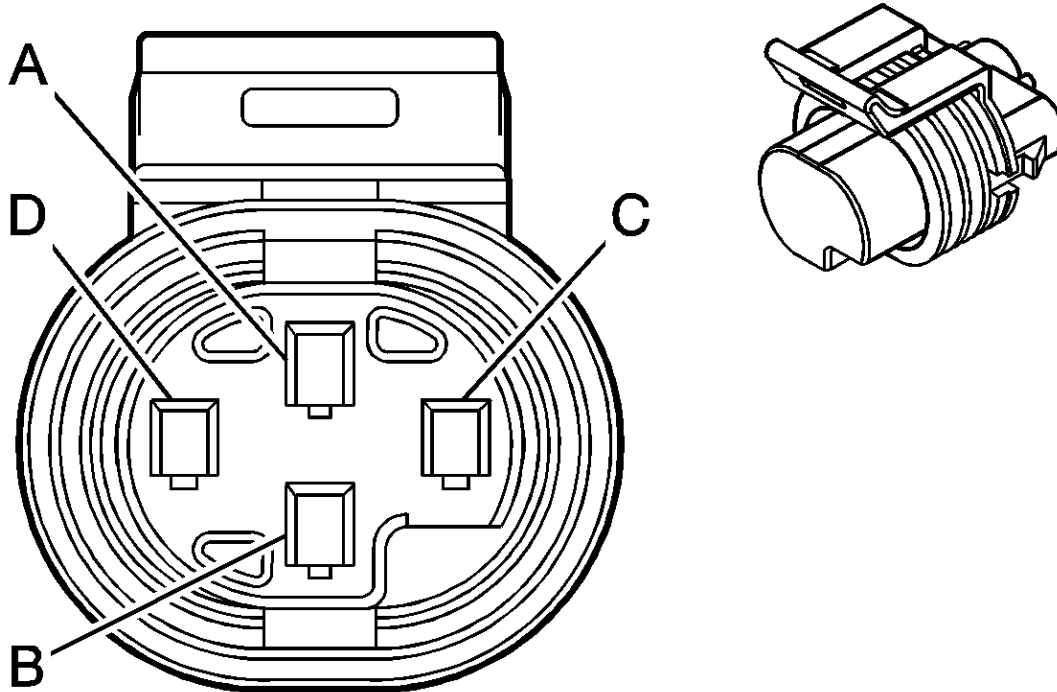
- Harness Type: Forward Lamp
- Service Connector: 1673790C1
- Description: 2-pin F 280 Metri-Pack Series, Sealed (BK)

Table 1472 Terminal Part Information

Terminal Type ID	Service Terminal	Diagnostic Test Probe
I	2033819C1	Not Available

Table 1473 TBD1 Air Dryer (Feature Code: 0004EBD (0004VGA))

Pin	Size	Color	Circuit	Function	Terminal Type ID
A	1	VT / GY	139	Run / Crank Ignition 1 Voltage	I
B	1	BK	139	Run / Crank Ignition 1 Voltage	I



Connector Part Information

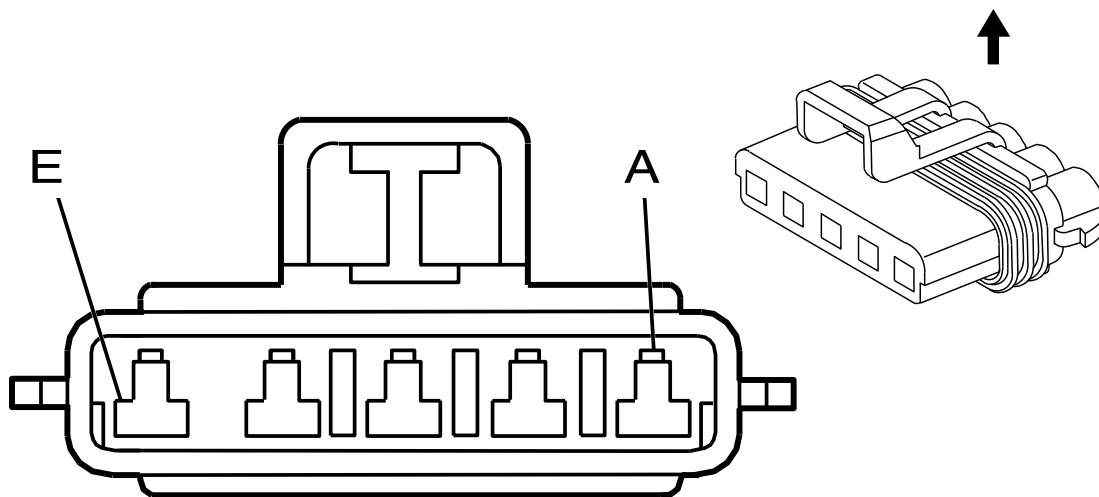
- Harness Type: Forward Lamp
- Service Connector: Service by Harness
- Description: 4-pin F 150 Metri-Pack Series, Sealed (BN)

Table 1475 Terminal Part Information

Terminal Type ID	Service Terminal	Diagnostic Test Probe
I	1661875C1	Not Available

Table 1476 TBD2 Low Air Pressure Warning Switch (Feature Code: 0014TCH / 0014TDG / 0014TDH)

Pin	Size	Color	Circuit	Function	Terminal Type ID
C	1	GY	603	A / C Low Pressure Switch Signal	I
D	1	BK	603	A / C Low Pressure Switch Signal	I



Connector Part Information

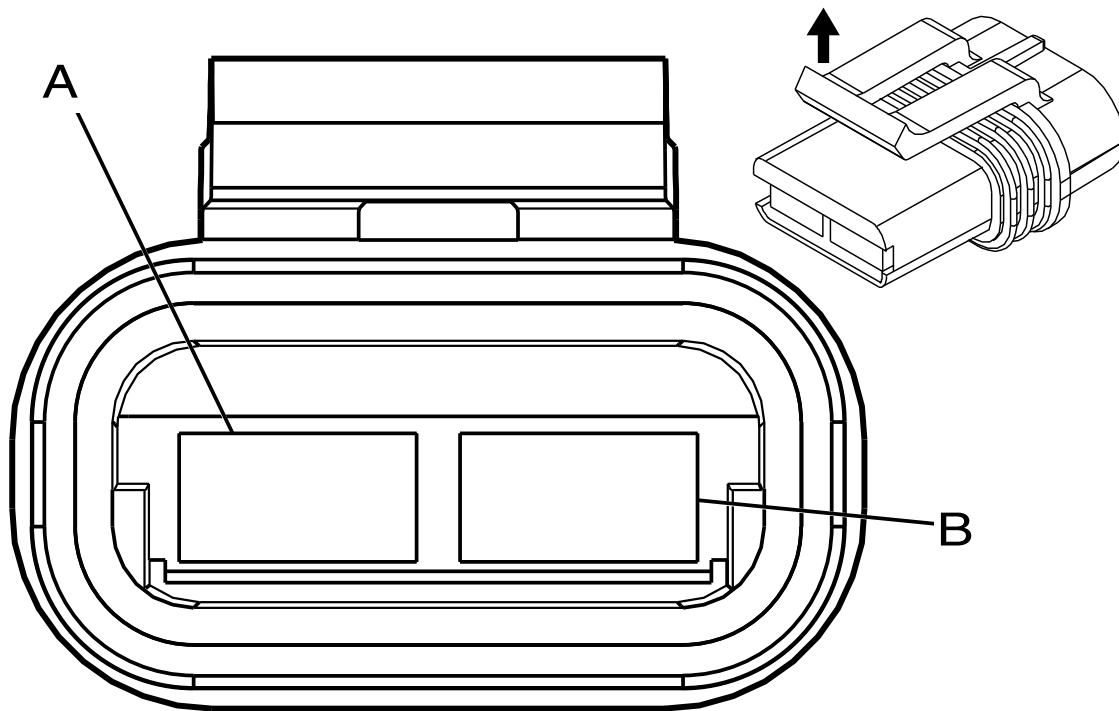
- Harness Type: Chassis
- Service Connector: 1661375C2
- Description: 4-pin F 280 Metri-Pack Series, Sealed

Table 1478 Terminal Part Information

Terminal Type ID	Service Terminal
I	2033819C1

Table 1479 TBD3 Air System Control Solenoid Valve Assembly (Feature Code: 14899)

Pin	Size	Color	Circuit	Function	Terminal Type ID
A	—	—	—	Not Occupied	—
B	0.75	GY	4462	Soft Top Boot Well Sensor Signal Left	I
C	0.75	GY	4461	Soft Top Boot Well Sensor Signal Right	I
D-E	—	—	—	Not Occupied	—



Connector Part Information

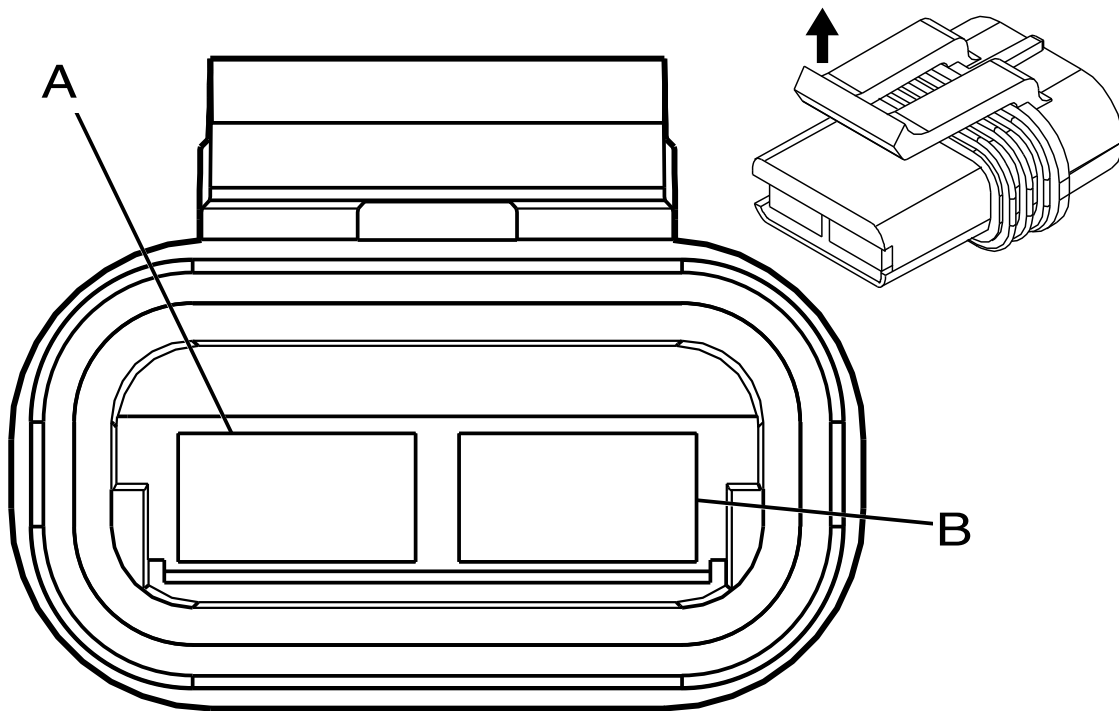
- Harness Type: Center Seat
- Service Connector: 1667639C1
- Description: 2-Way F 630 Metri-Pack Series, Sealed (BK)

Table 1481 Terminal Part Information

Terminal Type ID	Service Terminal	Diagnostic Test Probe
I	1661707C1	J-35616-42 (RD)

Table 1482 X55BA Fuse Holder 1 - Brake Booster

Pin	Size	Color	Circuit	Function	Terminal Type ID
A	2	GY	90DC	Brake Booster Pump Motor Active Signal	I
B	2	GY	90EA	Brake Booster Pump Motor Active Signal	I



Connector Part Information

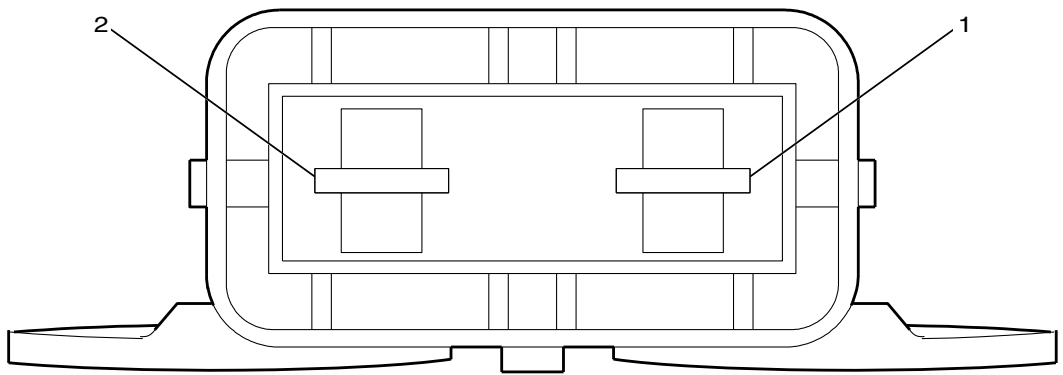
- Harness Type: Center Seat
- Service Connector: 1667639C1
- Description: 2-Way F 630 Metri-Pack Series, Sealed (BK)

Table 1484 Terminal Part Information

Terminal Type ID	Service Terminal	Diagnostic Test Probe
I	1661707C1	J-35616-42 (RD)

Table 1485 X55BB Fuse Holder 1 - Brake Booster

Pin	Size	Color	Circuit	Function	Terminal Type ID
A	2	GY	90H	Brake Booster Pump Motor Active Signal	I
B	2	GY	90HB	Brake Booster Pump Motor Active Signal	I



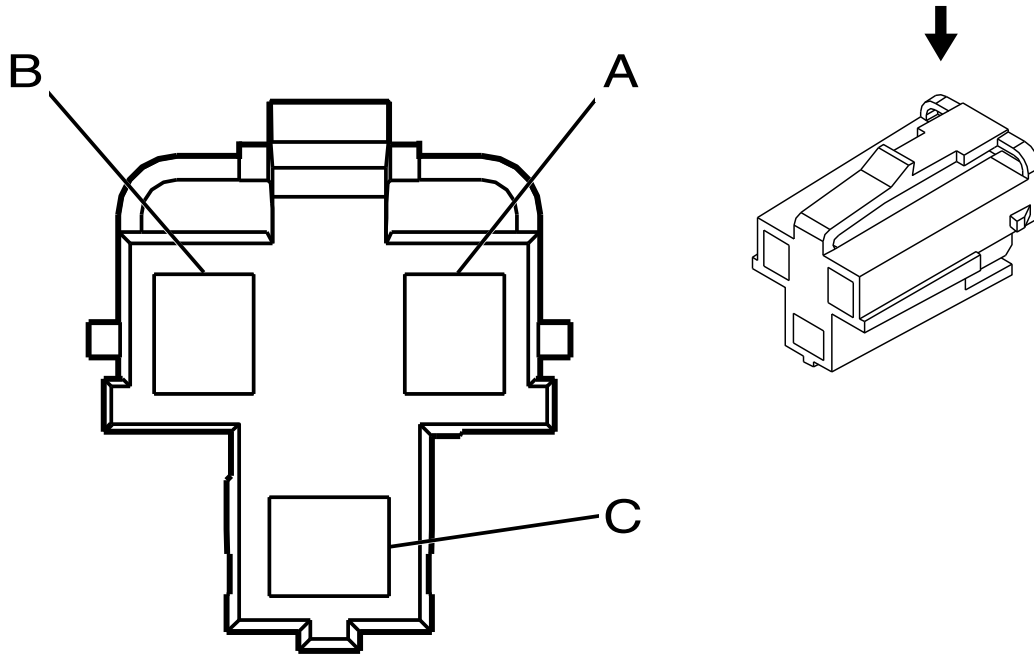
Connector Part Information	
•	Harness Type: Harness Type: Hydraulic Pump Positive Feed / Battery 1-2 Positive
•	Service Connector: Service by Harness
•	Description: 2-Way F Maxi-Fuseholder

Table 1487 Terminal Part Information

Terminal Type ID	Service Terminal	Diagnostic Test Probe
I	Not Available	Not Available

Table 1488 X55BC Fuse Holder 3- Brake Booster

Pin	Size	Color	Circuit	Function	Terminal Type ID
1	—	RD	1	Unfused Battery Positive Voltage	I
2	—	RD	90J	Battery Positive Voltage	I



Connector Part Information

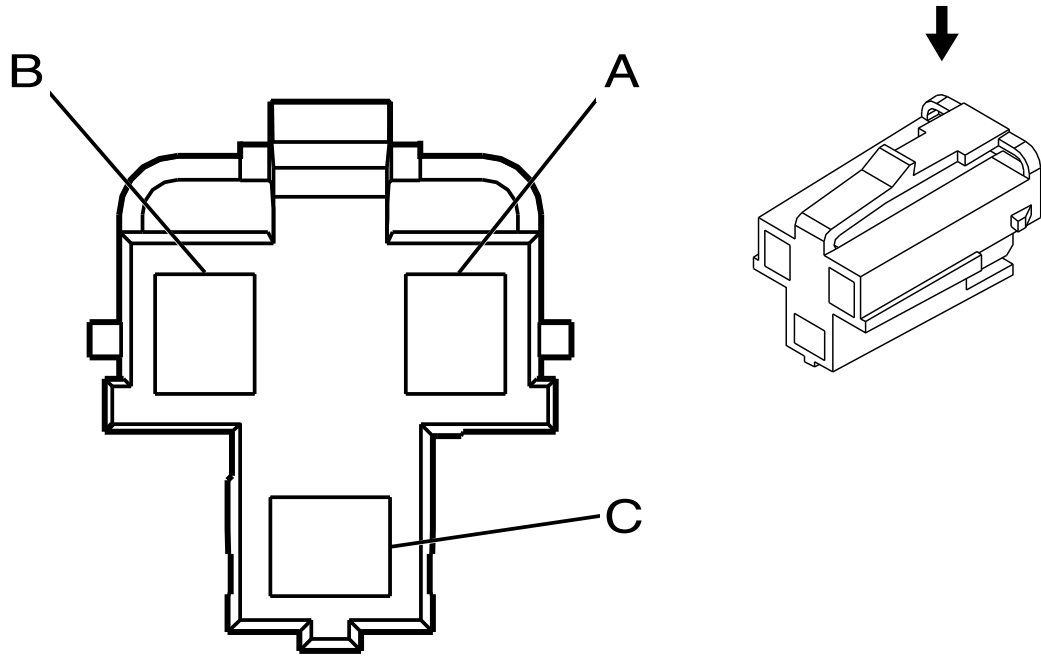
- Harness Type: Center Seat
- Service Connector: Service by Harness
- Description: 3-pin F 280 Metri-Pack Series (GY)

Table 1490 Terminal Part Information

Terminal Type ID	Service Terminal	Diagnostic Test Probe
I	6041914C1	J-35616-4A (PU)

Table 1491 X80D Accessory Power Receptacle – Center Console Compartment (Feature Code: 0016KVS / 0016LVT (0016KVU))

Pin	Size	Color	Circuit	Function	Terminal Type ID
A	1.5	VT / YE	243	Accessory Voltage 2	I
B	—	—	—	Not Occupied	—
C	1.5	BK	1250	Ground 12	I



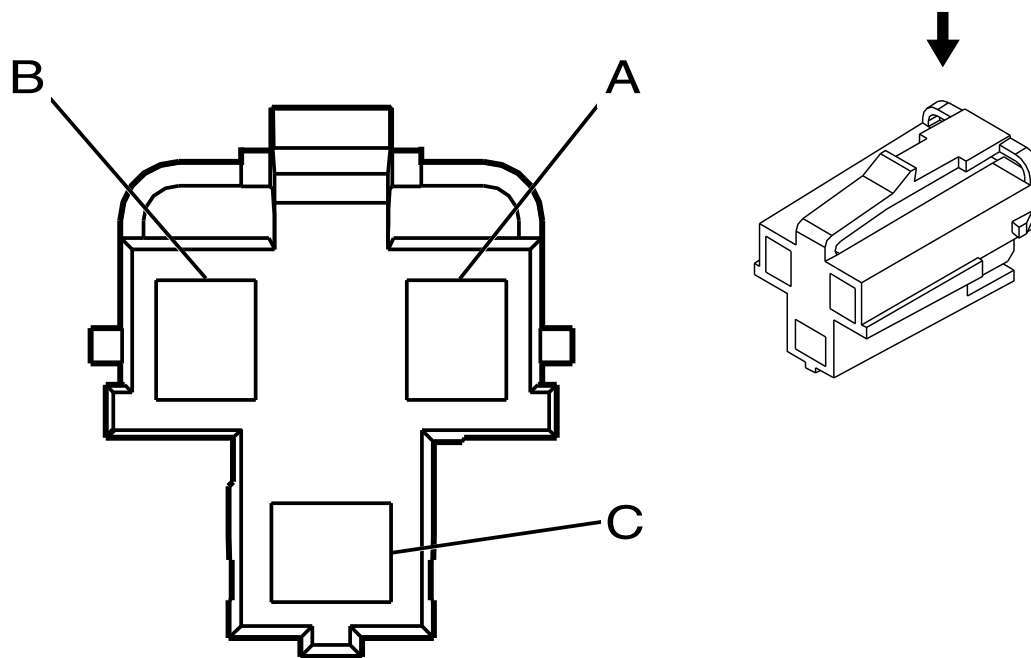
Connector Part Information	
•	Harness Type: Floor Console
•	Service Connector: Service by Harness
•	Description: 3-pin F 280 Metri-Pack Series (GY)

Table 1493 Terminal Part Information

Terminal Type ID	Service Terminal	Diagnostic Test Probe
I	6041914C1	J-35616-4A (PU)

Table 1494 X80D Accessory Power Receptacle – Center Console Compartment (Feature Code: 0016XCN)

Pin	Size	Color	Circuit	Function	Terminal Type ID
A	1.5	VT / YE	143	Accessory Ignition Voltage	I
B	—	—	—	Not Occupied	—
C	1.5	BK	1050	Ground	I



Connector Part Information

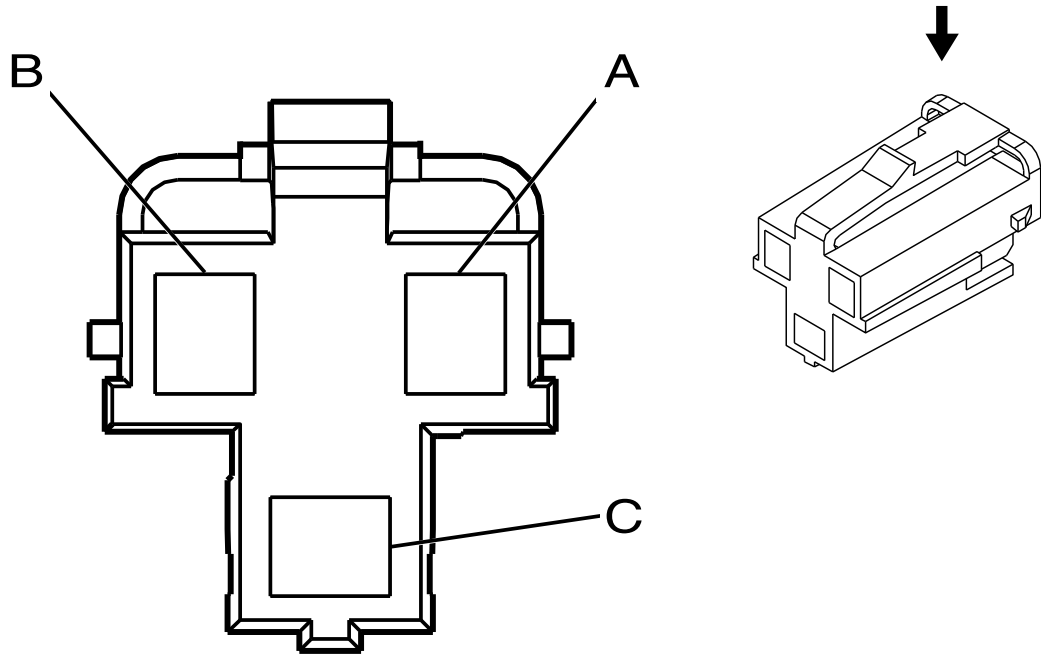
- Harness Type: Center Seat
- Service Connector: Service by Harness
- Description: 3-pin F 280 Metri-Pack Series (GY)

Table 1496 Terminal Part Information

Terminal Type ID	Service Terminal	Diagnostic Test Probe
I	6041914C1	J-35616-4A (PU)

Table 1497 X80E Accessory Power Receptacle – Center Seat (Feature Code: 0016LVT (0016KVU))

Pin	Size	Color	Circuit	Function	Terminal Type ID
A	1.5	VT / YE	143	Accessory Ignition Voltage	I
B	—	—	—	Not Occupied	—
C	1.5	BK	1250	Ground	I



Connector Part Information

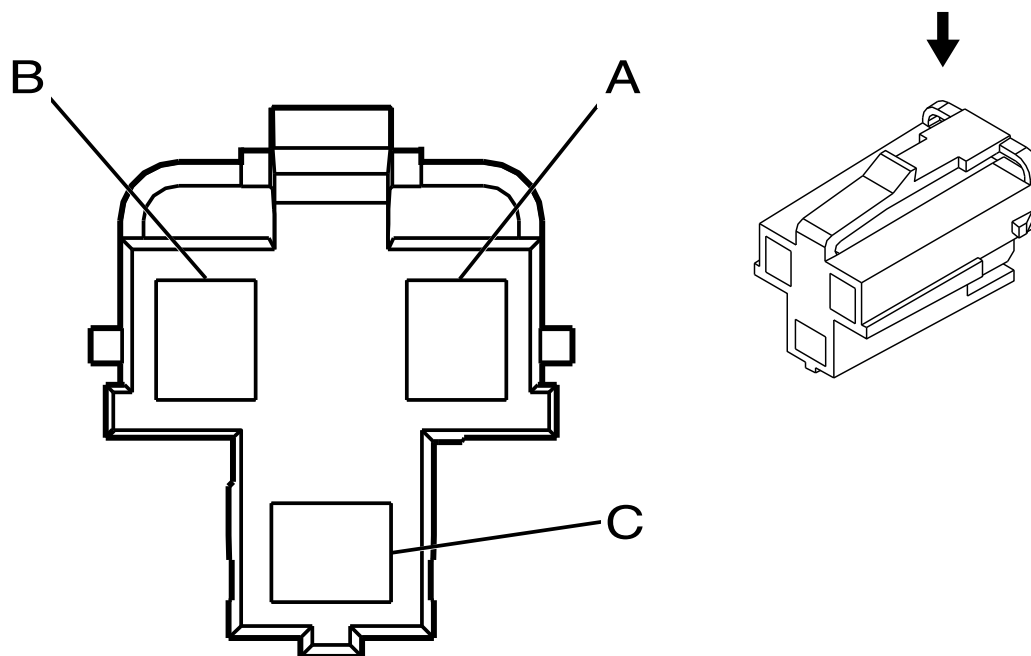
- Harness Type: Instrument Panel
- Service Connector: 6040297C1
- Description: 3-pin F 280 Metri-Pack Series (GY)

Table 1499 Terminal Part Information

Terminal Type ID	Service Terminal	Diagnostic Test Probe
I	6042030C1	J-35616-35 (VT)

Table 1500 X80G Accessory Power Receptacle – Instrument Panel (Without Feature Code: 0016XCN)

Pin	Size	Color	Circuit	Function	Terminal Type ID
A	1.5	RD / BN	4240	Secondary Fused Battery Positive Voltage 42	I
B	—	—	—	Not Occupied	—
C	1.5	BK	1050	Ground 10	I



Connector Part Information

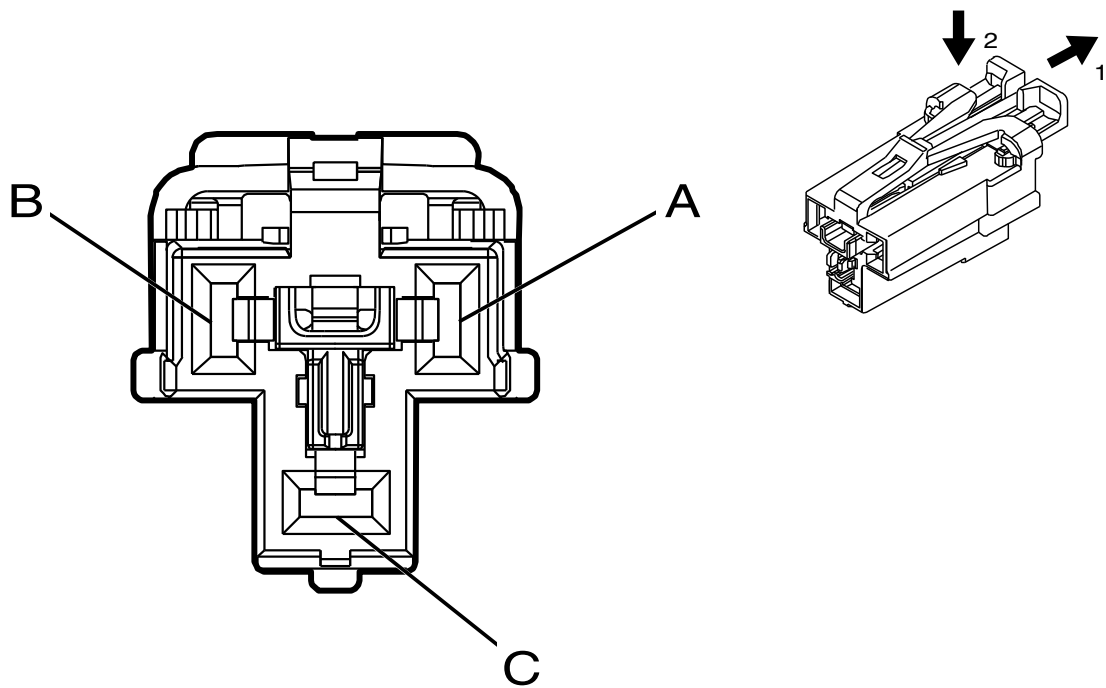
- Harness Type: Instrument Panel
- Service Connector: 6040297C1
- Description: 3-pin F 280 Metri-Pack Series (GY)

Table 1502 Terminal Part Information

Terminal Type ID	Service Terminal	Diagnostic Test Probe
I	6042030C1	J-35616-35 (VT)

Table 1503 X80J Accessory Power Receptacle – Instrument Panel 1 (Feature Code: 0016XCN)

Pin	Size	Color	Circuit	Function	Terminal Type ID
A	1.5	RD / WH	1040	Secondary Fused Battery Positive Voltage 10	I
B	—	—	—	Not Occupied	—
C	1.5	BK	1050	Ground 10	I



Connector Part Information

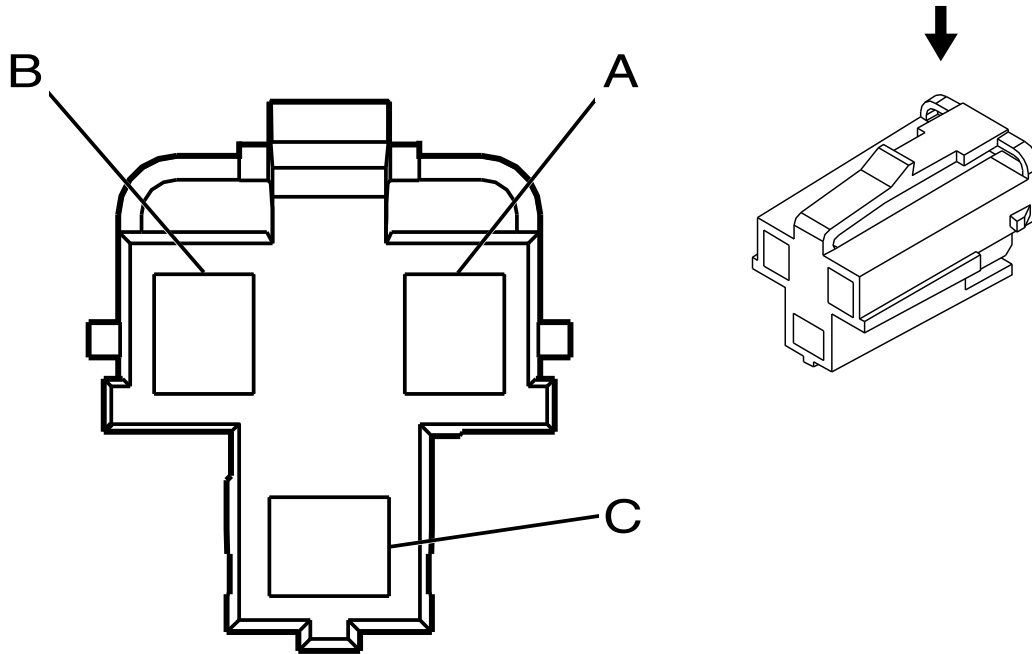
- Harness Type: Instrument Panel
- Service Connector: 6040297C1
- Description: 3-pin F 280 Metri-Pack Series (GY)

Table 1505 Terminal Part Information

Terminal Type ID	Service Terminal	Diagnostic Test Probe
I	6042030C1	J-35616-35 (VT)

Table 1506 X80K Accessory Power Receptacle – Instrument Panel 2 (Feature Code: 0016XCN)

Pin	Size	Color	Circuit	Function	Terminal Type ID
A	1.5	RD / BN	4240	Secondary Fused Battery Positive Voltage 42	I
B	—	—	—	Not Occupied	—
C	1.5	BK	1050	Ground 10	I



Connector Part Information

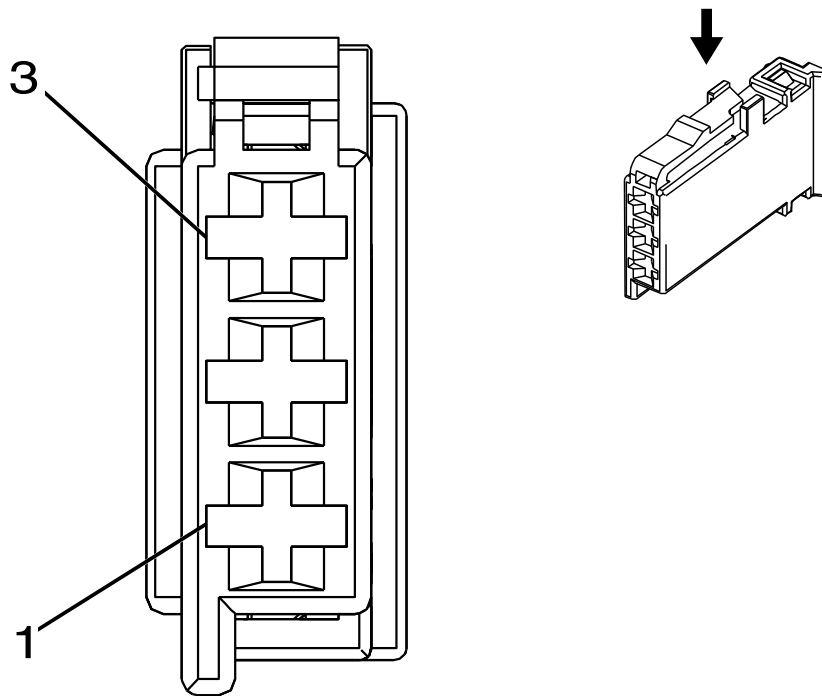
- Harness Type: Floor Console
- Service Connector: Service by Harness
- Description: 3-pin F 280 Metri-Pack Series (GY)

Table 1508 Terminal Part Information

Terminal Type ID	Service Terminal	Diagnostic Test Probe
I	6041937C1	J-35616-4A (PU)

Table 1509 X80L Accessory Power Receptacle – Center Console Rear (Feature Code: 0016XCN)

Pin	Size	Color	Circuit	Function	Terminal Type ID
A	1.5	VT / YE	243	Accessory Voltage 2	I
B	—	—	—	Not Occupied	—
C	1.5	BK	1050	Ground 10	I



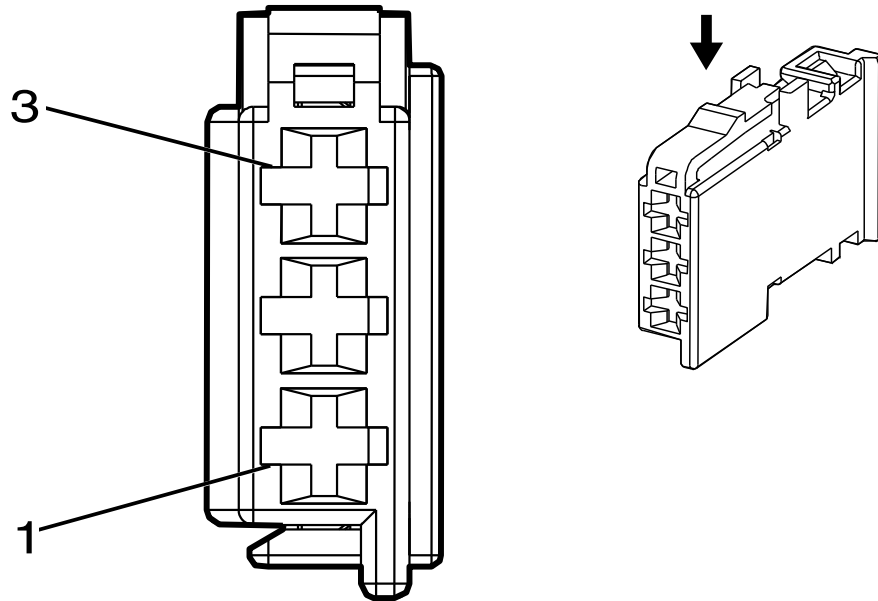
Connector Part Information	
•	Harness Type: Instrument Panel
•	Service Connector: 6041830C1
•	Description: 3-pin F 1.6 Micro-Timer Series (BK)

Table 1511 Terminal Part Information

Terminal Type ID	Service Terminal	Diagnostic Test Probe
I	6041942C1 0.35mm	J-35616-14 (GN)
	6042021C1 1.5mm	

Table 1512 X81 Accessory Power Receptacle – 110 volt AC X1 (Feature Code: 0008XJX and 0016XCN)

Pin	Size	Color	Circuit	Function	Terminal Type ID
1	0.35	VT / BN	300	Run Ignition 3 Voltage	I
2	—	—	—	Not Occupied	—
3	1.5	BK	5683	120 volt AC Phase A	I



Connector Part Information

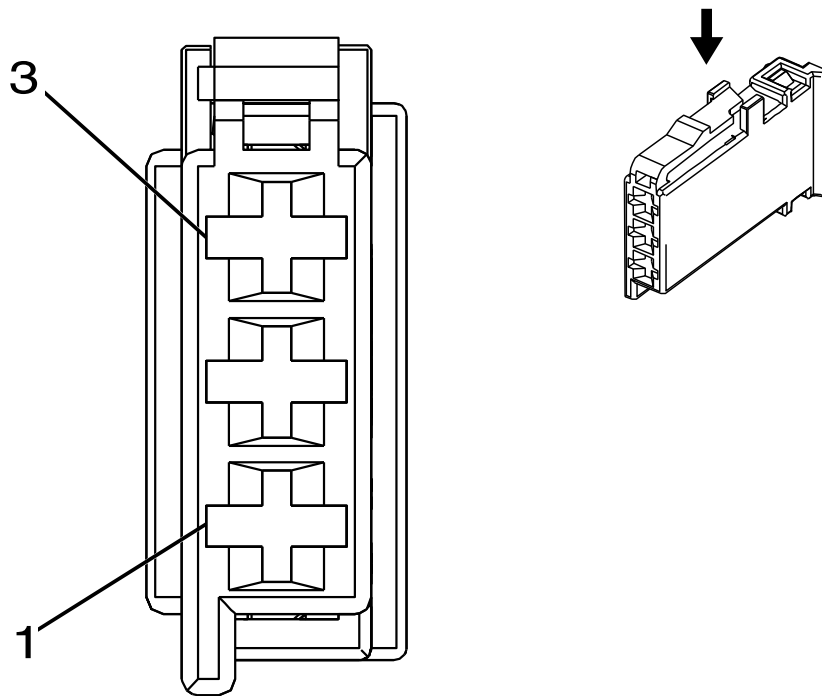
- Harness Type: Instrument Panel
- Service Connector: 6040271C1
- Description: 3-pin F 1.6 Timer Series, Sealed (GY)

Table 1514 Terminal Part Information

Terminal Type ID	Service Terminal	Diagnostic Test Probe
I	6041942C1 0.35mm	J-35616-14 (GN)
	6042021C1 1.5mm	

Table 1515 X81 Accessory Power Receptacle – 110 volt AC X2 (Feature Code: 0008XJX and 0016XCN)

Pin	Size	Color	Circuit	Function	Terminal Type ID
1	0.35	BU / BN	6807	DC To AC Inverter Control	I
2	—	—	—	Not Occupied	—
3	1.5	RD	5684	120 volt AC Phase B	I



Connector Part Information

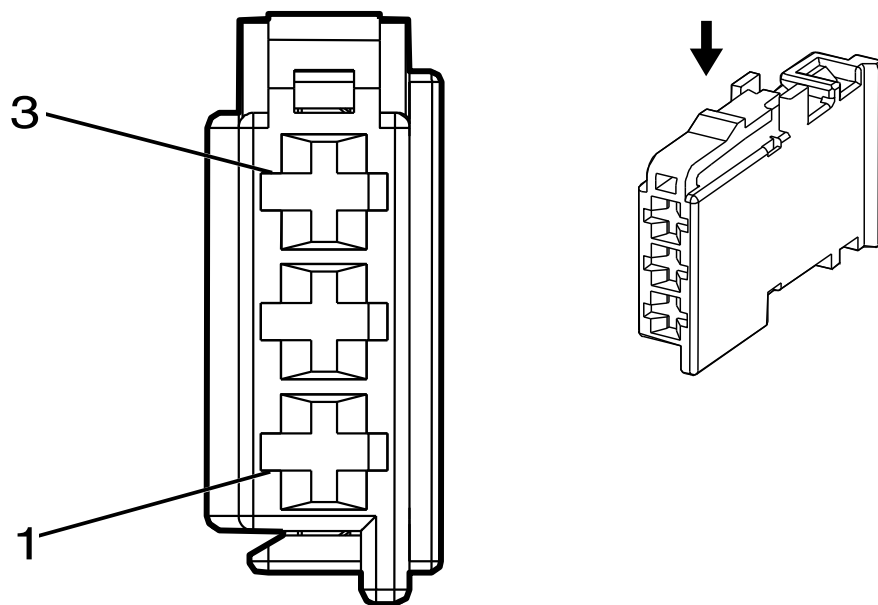
- Harness Type: Instrument Panel
- Service Connector: 6041830C1
- Description: 3-pin F 1.6 Micro-Timer Series (BK)

Table 1517 Terminal Part Information

Terminal Type ID	Service Terminal	Diagnostic Test Probe
I	6042024C1 0.35mm	J-35616-14 (GN)
	6042021C1 1.5mm	

Table 1518 X81 Accessory Power Receptacle – 110 volt AC X1 (Feature Code: 0008XJX without 0016XCN)

Pin	Size	Color	Circuit	Function	Terminal Type ID
1	0.35	VT / BN	300	Run Ignition 3 Voltage	I
2	—	—	—	Not Occupied	—
3	1.5	BK	5683	120 volt AC Phase A	I



Connector Part Information

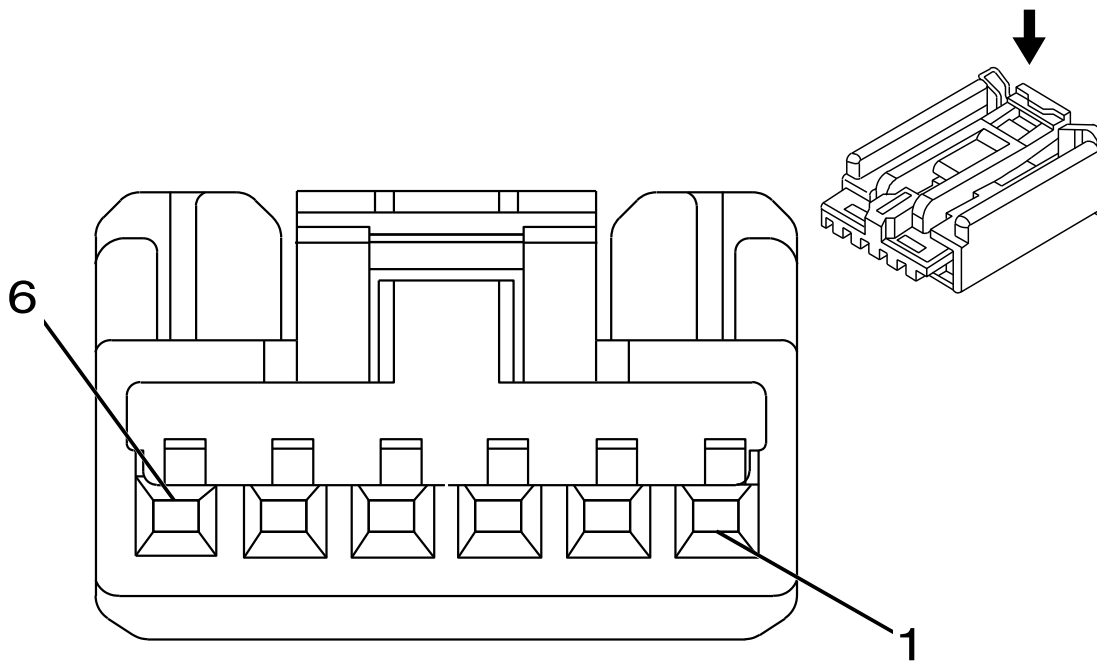
- Harness Type: Instrument Panel
- Service Connector: 6040271C1
- Description: 3-pin F 1.6 Timer Series, Sealed (GY)

Table 1520 Terminal Part Information

Terminal Type ID	Service Terminal	Diagnostic Test Probe
I	6042024C1 0.35mm	J-35616-14 (GN)
	6042021C1 1.5mm	

Table 1521 X81 Accessory Power Receptacle – 110 volt AC X2 (Feature Code: 0008XJX without 0016XCN)

Pin	Size	Color	Circuit	Function	Terminal Type ID
1	0.35	D-BU / BN	6807	DC To AC Inverter Control	I
2	—	—	—	Not Occupied	—
3	1.5	RD	5684	120 volt AC Phase B	I



Connector Part Information

- Harness Type: Floor Console
- Service Connector: Service by Harness
- Description: 6-pin F 0.64 Kaizen Series (BK)

Table 1523 Terminal Part Information

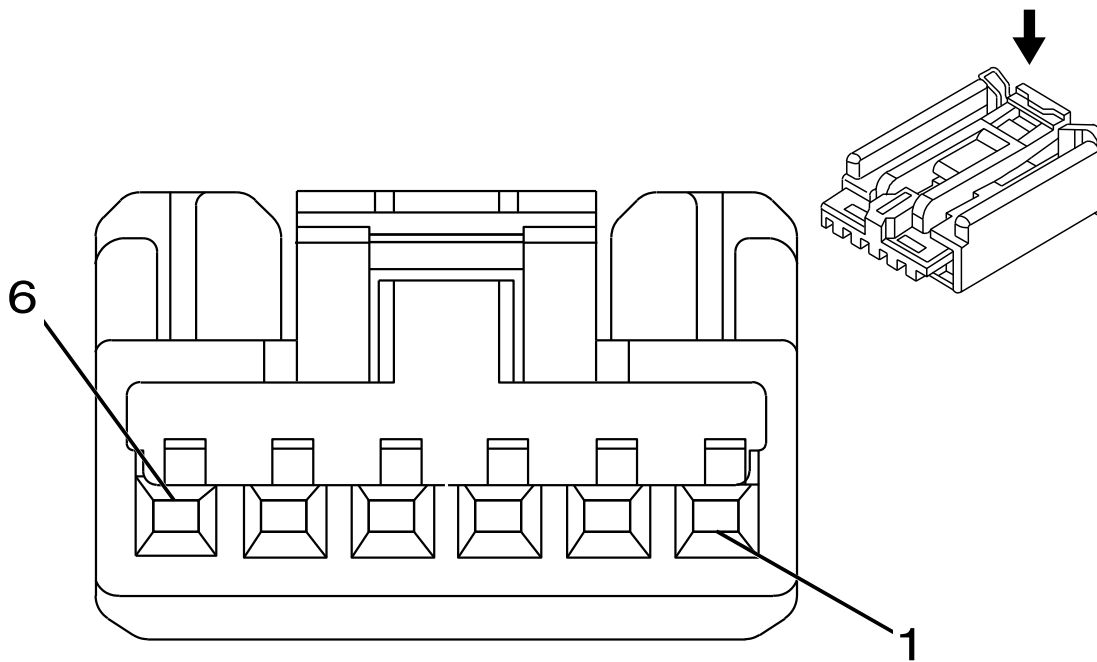
Terminal Type ID	Service Terminal	Diagnostic Test Probe
I	6041998C1 0.35mm 6041997C1 0.75mm	J-35616-64B (LT BU)

Table 1524 X83 Auxiliary Audio Input X1 (Feature Code: 0016XCN)

Pin	Size	Color	Circuit	Function	Terminal Type ID
1	0.35	GY	5839	Left Auxiliary Audio Signal 2	I
2	0.35	L-GN	5841	Right Auxiliary Audio Signal 2	I
3	0.35	VT	5843	Auxiliary Audio Common Signal	I
4	0.75	BK	2550	Ground 25	I

Table 1524 X83 Auxiliary Audio Input X1 (Feature Code: 0016XCN) (cont.)

Pin	Size	Color	Circuit	Function	Terminal Type ID
5	0.35	D-BU	2060	Auxiliary Audio Plug Detection Signal	I
6	0.75	RD / VT	340	Secondary Fused Battery Positive Voltage 3	I



Connector Part Information

- Harness Type: Center Seat
- Service Connector: Service by Harness
- Description: 6-pin F 0.64 Kaizen Series (BK)

Table 1526 Terminal Part Information

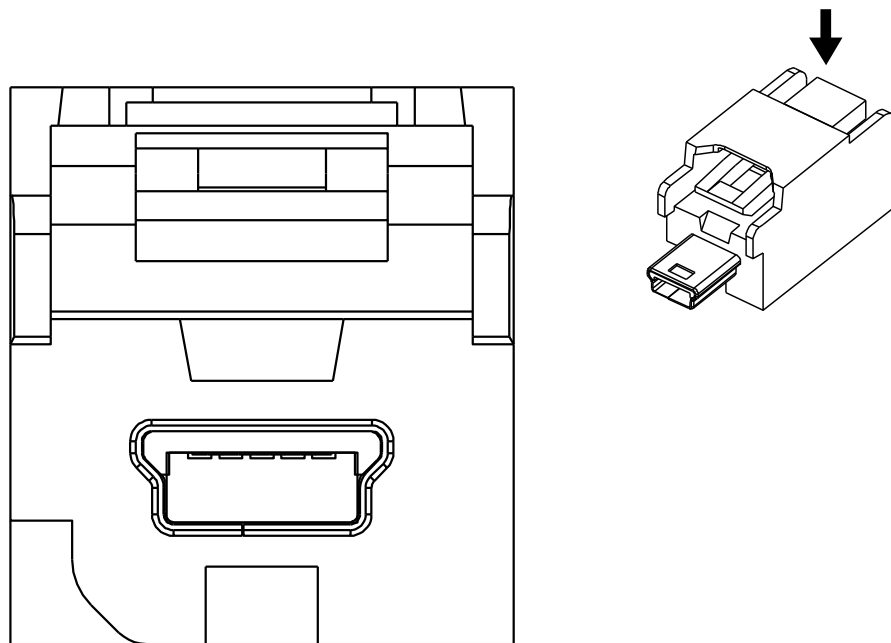
Terminal Type ID	Service Terminal	Diagnostic Test Probe
I	6042072C1 0.35mm 6042073C1 0.75mm	J-35616-64B (LT BU)

Table 1527 X83 Auxiliary Audio Input X1 (Without Feature Code: 0016XCN)

Pin	Size	Color	Circuit	Function	Terminal Type ID
1	0.35	GY	5839	Left Auxiliary Audio Signal 2	I
2	0.35	L-GN	5841	Right Auxiliary Audio Signal 2	I
3	0.35	VT	5843	Auxiliary Audio Common Signal	I

Table 1527 X83 Auxiliary Audio Input X1 (Without Feature Code: 0016XCN) (cont.)

Pin	Size	Color	Circuit	Function	Terminal Type ID
4	0.35	BK	2550	Ground	I
5	0.35	L-BU	2060	Auxiliary Detection Signal	I
6	0.75	RD / VT	340	Battery Positive Voltage	I



Connector Part Information

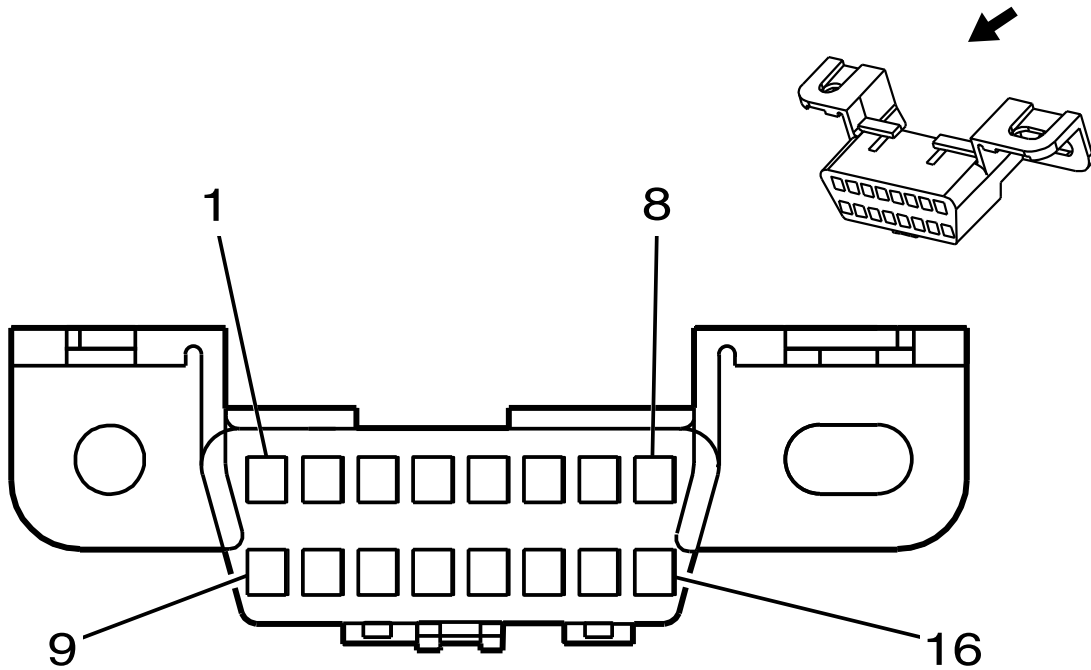
- Harness Type: Floor Console USB
- Service Connector: Service by Harness
- Description: 5-Way M 2.0 Mini-B USB Type (GY)

Table 1529 Terminal Part Information

Terminal Type ID	Service Terminal	Diagnostic Test Probe
I	Not Available	No Tool Required

Table 1530 X83 Auxiliary Audio Input X2 (0016XCN)

Pin	Size	Color	Circuit	Function	Terminal Type ID
—	—	USB	—	USB Serial Data	I



Connector Part Information

- Harness Type: Instrument Panel
- Service Connector: 6040191C1
- Description: 16-Way F 150 Metri-Pack Series (BK)

Table 1532 Terminal Part Information

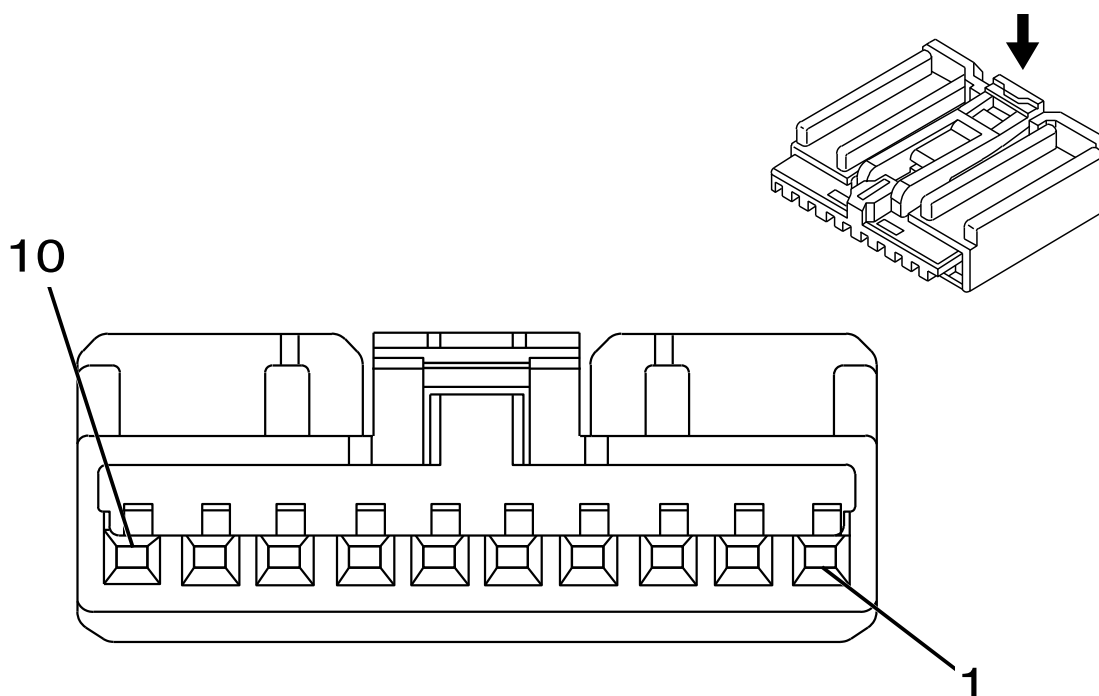
Terminal Type ID	Service Terminal	Diagnostic Test Probe
I	3577860C1	J-35616-14 (GN)
II	3577860C1	J-35616-14 (GN)

Table 1533 X84 Data Link Connector

Pin	Size	Color	Circuit	Function	Terminal Type ID
1	0.5	GN	5060	Low Speed GMLAN Serial Data	II
2-3	—	—	—	Not Occupied	—
4	0.5	BK	1050	Ground	II
5	0.5	BK / WH	1851	Signal Ground	II
6	0.5	BU	2500	High Speed GMLAN Serial Data (+) 1	II

Table 1533 X84 Data Link Connector (cont.)

Pin	Size	Color	Circuit	Function	Terminal Type ID
7-11	—	—	—	Not Occupied	—
12	0.5	BU / YE	6105	High Speed GMLAN Serial Data (+) 2	II
13	0.5	WH	6106	High Speed GMLAN Serial Data (-) 2	II
14	0.5	WH	2501	High Speed GMLAN Serial Data (-) 1	II
15	—	—	—	Not Occupied	—
16	0.35	RD / BU	3240	Battery Positive Voltage	I



Connector Part Information

- Harness Type: Body
- Service Connector: Service by Harness
- Description: 10-Way F 0.64 Kaizen Series (BK)

Table 1535 Terminal Part Information

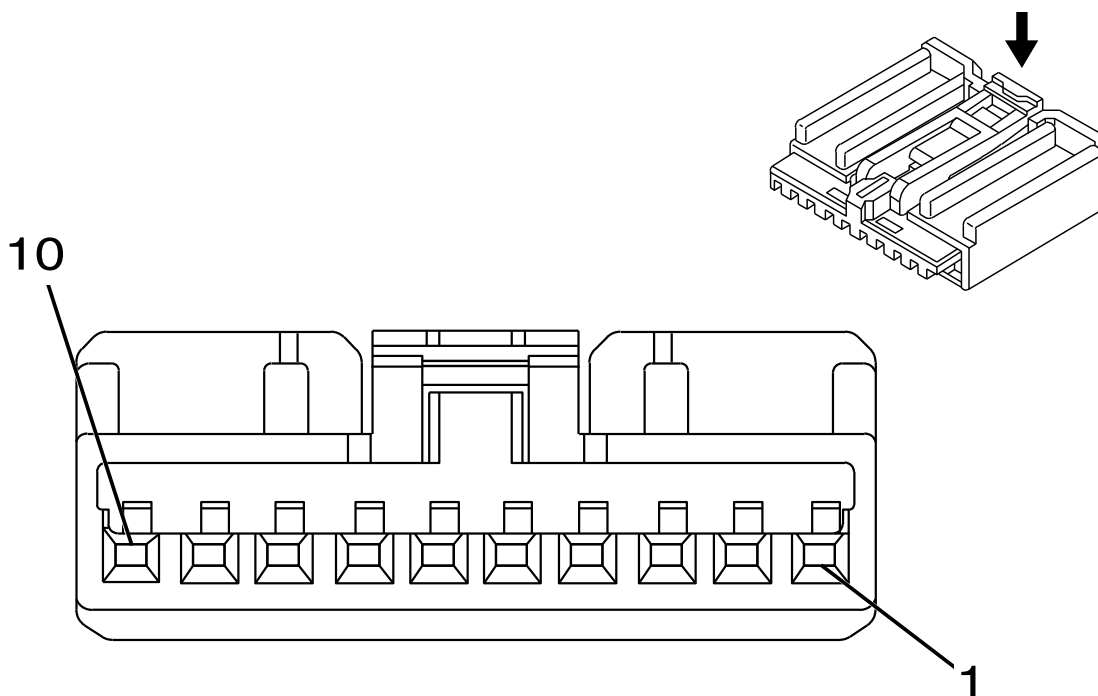
Terminal Type ID	Service Terminal	Diagnostic Test Probe
I	None	J-35616-64B (LT BU)

Table 1536 X85 Steering Wheel Air Bag Coil X1

Pin	Size	Color	Circuit	Function	Terminal Type ID
1	0.35	RD / YE	3040	Battery Positive Voltage	I
2	0.5	GN / BK	3894	Local Interconnect Network Serial Data Bus 12	I
3	—	—	—	Not Occupied	—
4	0.35	GY / GN	5737	Adaptive Cruise Control Gap Up / Down Switch Signal	I
5	0.35	BN	6136	Control	I

Table 1536 X85 Steering Wheel Air Bag Coil X1 (cont.)

Pin	Size	Color	Circuit	Function	Terminal Type ID
6	0.35	WH / RD	1444	12V Reference	I
7	—	—	—	Not Occupied	—
8	0.35	BN / GN	1884	Cruise Control Set / Coast / Resume / Accelerate Switch Signal	I
9	0.35	BK	1050	Ground	I
10	0.35	GN / WH	3287	Horn Switch Signal	I



Connector Part Information

- Harness Type: Body
- Service Connector: Service by Harness
- Description: 10-Way F 0.64 Kaizen Series (BK)

Table 1538 Terminal Part Information

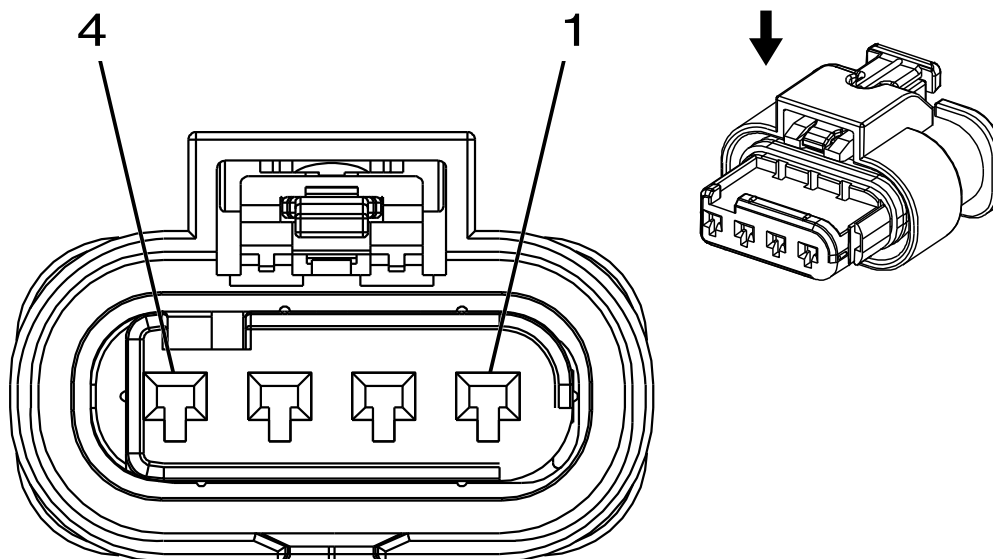
Terminal Type ID	Service Terminal	Diagnostic Test Probe
I	Not Available	J-35616-64B (LT BU)

Table 1539 X85 Steering Wheel Air Bag Coil X2

Pin	Size	Color	Circuit	Function	Terminal Type ID
1	0.35	RD	3287	Horn Switch Signal	I
2	0.35	BK	1050	Ground	I
3	0.35	BN / YE	1884	Cruise Control Set / Coast / Resume / Accelerate Switch Signal	—
4	—	—	—	Not Occupied	I
5	0.35	WH	1444	12V Reference	I

Table 1539 X85 Steering Wheel Air Bag Coil X2 (cont.)

Pin	Size	Color	Circuit	Function	Terminal Type ID
6	0.35	YE	6136	Control	I
7	0.35	GY / OG	5737	Not Used	I
8	—	—	—	Not Occupied	—
9	0.5	GN	3894	Local Interconnect Network Serial Data Bus 12	I
10	0.35	RD / YE	3040	Battery Positive Voltage	I



Connector Part Information

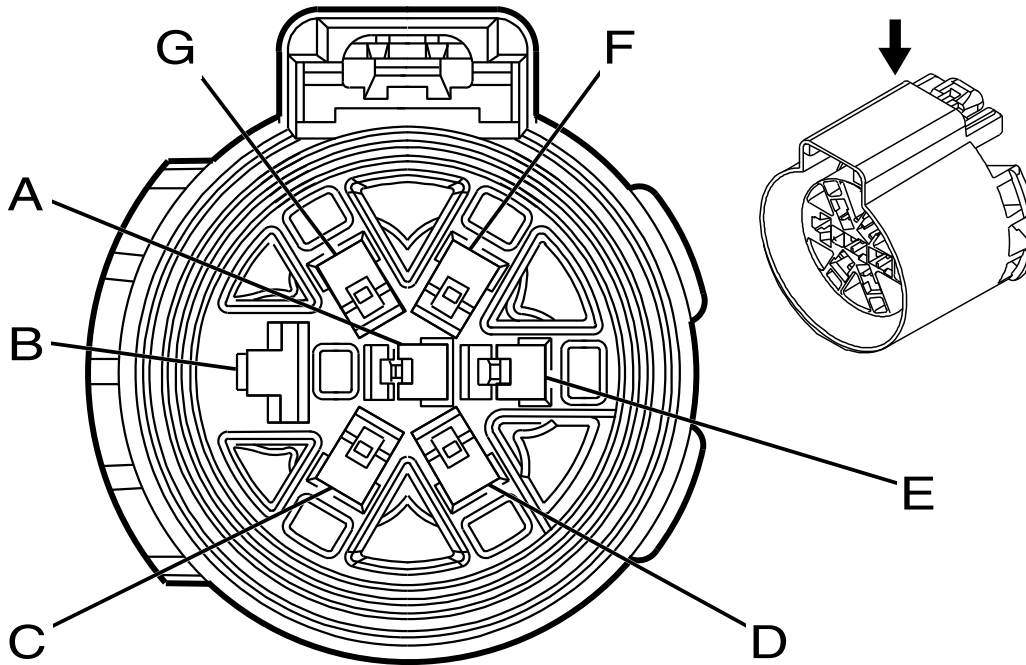
- Harness Type: Body
- Service Connector: 6040212C1
- Description: 4-pin F 1.2 Series, Sealed (YE)

Table 1541 Terminal Part Information

Terminal Type ID	Service Terminal	Diagnostic Test Probe
I	6041956C1	J-35616-16 (LT GN)

Table 1542 X85 Steering Wheel Air Bag Coil X3

Pin	Size	Color	Circuit	Function	Terminal Type ID
1	0.35	OG / VT	3021	Steering Wheel Module Stage 1 High Control	I
2	0.35	BN / OG	3020	Steering Wheel Module Stage 1 Low Control	I
3-4	—	—	—	Not Occupied	—



Connector Part Information

- Harness Type: Chassis Rear Left
- Service Connector: 4088983C1
- Description: 7-pin F 280, 630 Metri-Pack Series, Sealed (BK)

Table 1544 Terminal Part Information

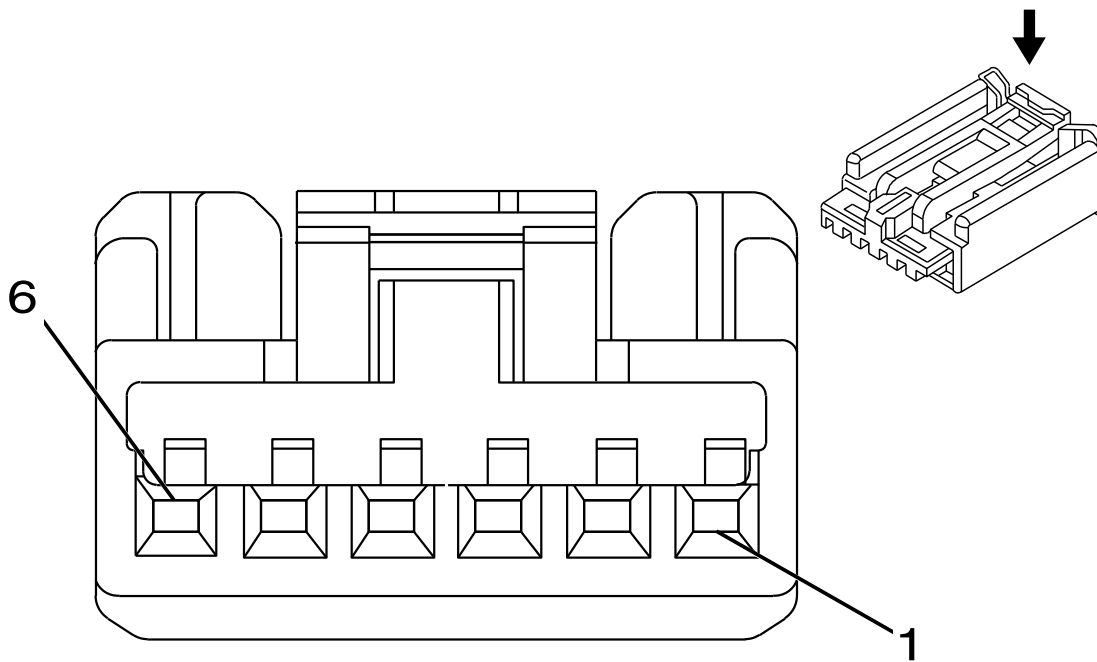
Terminal Type ID	Service Terminal	Diagnostic Test Probe
I	2039313C1 2.5mm 4088987C1 5mm	No Tool Required

Table 1545 X88 Trailer Connector (Feature Code: 0008TRA)

Pin	Size	Color	Circuit	Function	Terminal Type ID
A	2.5	WH / GN	1624	Trailer Backup Lamp Control	I
B	5	BK	22	Trailer Ground	I
C	2.5	BU	47	Trailer Auxiliary Control	I
D	2.5	GN / BN	319	Right Rear Trailer Stop / Turn Lamp Control	I
E	2.5	RD / VT	1242	Primary Fused Battery Positive Voltage 12	I

Table 1545 X88 Trailer Connector (Feature Code: 0008TRA) (cont.)

Pin	Size	Color	Circuit	Function	Terminal Type ID
F	2.5	GY / BN	2109	Trailer Park Lamp Control	I
G	2.5	YE / BU	318	Left Rear Trailer Stop / Turn Lamp Control	I



Connector Part Information

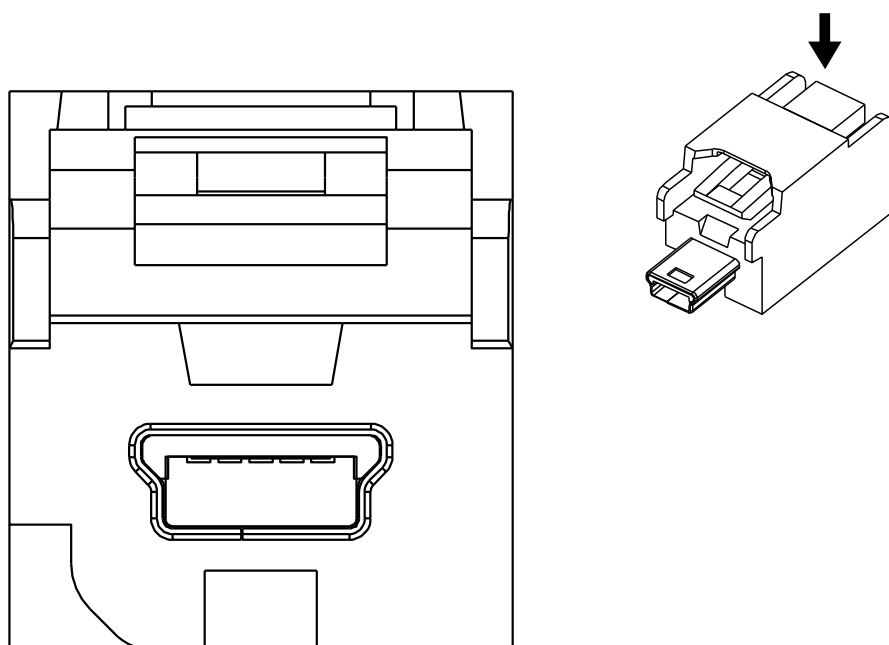
- Harness Type: USB Receptacle USB
- Service Connector: Service by Harness
- Description: 6-Way F 0.64 Kaizen Series (BK)

Table 1547 Terminal Part Information

Terminal Type ID	Service Terminal	Diagnostic Test Probe
I	6042047C1 0.35mm 6041997C1 0.75mm	J-35616-64B (LT BU)

Table 1548 X92 USB Receptacle X1 (Feature Code: 0016XCN)

Pin	Size	Color	Circuit	Function	Terminal Type ID
1-3	—	—	—	Not Occupied	—
4	0.35	BK	2550	Ground 25	I
5	—	—	—	Not Occupied	—
6	0.75	RD / VT	340	Secondary Fused Battery Positive Voltage 3	I



Connector Part Information	
•	Harness Type: Instrument Panel USB
•	Service Connector: Service by Harness
•	Description: 5-Way M 2.0 Mini-B USB Type (GY)

Table 1550 Terminal Part Information

Terminal Type ID	Service Terminal	Diagnostic Test Probe
I	Not Available	No Tool Required

Table 1551 X92 USB Receptacle X2

Pin	Size	Color	Circuit	Function	Terminal Type ID
—	—	USB	—	USB Serial Data	—

APPENDICES

17.1. APPENDIX A: FEATURE CODE TABLE

The following table provides the description of the Feature Codes that are available on the vehicle.

Feature Code	RPO Code	Description
0001ANA	C56043 / C56403	AXLE CONFIGURATION 4x2
0001ANB	K56043 / K56403	AXLE CONFIGURATION 4x4
0001AMM	NZZ	SKID PLATE Steel, Frame Mounted, Protects the Transfer Case from the Ground
0001LEG	VK3	LICENSE PLATE HOLDER Includes Upper & Lower Mounting Plate Hardware, Mounted in Existing Holes in Front Bumper
0001LLK	8H5	BUMPER, FRONT Omit Item
0001LNZ	V46	BUMPER, FRONT Full Width, Aerodynamic, Steel, Chrome Plated
0001LRZ	8E8	BUMPER, FRONT Full Width, Aerodynamic, Steel, Painted Black
0001LSA	5D1	BUMPER, FRONT Full Width, Aerodynamic, Steel, Painted Gray
0001WAC	T3A	BUMPER EXTENSION, FRONT 4.0"
0002AJJ	FTD	AXLE, FRONT NON-DRIVING {Dana Spicer D-800N} I-Beam Type, 6,000-lb Capacity
0002AJK	FTA	AXLE, FRONT NON-DRIVING {Dana Spicer D-800N} I-Beam Type, 7,000-lb Capacity
0002AJL	FTL	AXLE, FRONT NON-DRIVING {Dana Spicer D-800N} I-Beam Type, 8,000-lb Capacity
0002EWA	FTB	AXLE, FRONT DRIVING {Dana Spicer 60-256} Single Reduction, 7,500-lb Capacity, with Hub Piloted Wheel Mounting
0002WLC	FTN	AXLE, FRONT DRIVING, LUBE {EmGard FE-75W-90} Synthetic Oil; 1 thru 29.99 Pints

ELECTRICAL CIRCUIT DIAGRAM MANUAL

Feature Code	RPO Code	Description
0003ADA	FSN	SUSPENSION, FRONT, SPRING Parabolic, Taper Leaf; 8,000-lb Capacity; with Shock Absorbers
0003AGN	FK6	SUSPENSION, FRONT, SPRING Taper Leaf, Shackle Type; 7,000-lb Capacity; with Shock Absorbers
0003AGP	F95	SUSPENSION, FRONT, SPRING Taper Leaf, Shackle Type; 6,000-lb Capacity; with Shock Absorbers
0003AJN	FTV	SUSPENSION, FRONT, SPRING Parabolic, Taper Leaf; 7,500-lb Capacity; with Shock Absorbers
0003WAP	F59	STABILIZER BAR, FRONT
0004198	J48	BRAKE SYSTEM, HYDRAULIC {Bosch} Split System, with Four Channel ABS, Traction Control, Hydromax Brake Booster and Master Cylinder
0004EBD	JPY	AIR DRYER {Wabco System Saver 1200} with Heater
0004GBJ	J69	BRAKE, PARKING {Bosch} DSSA Type, 12" x 3"; for Hydraulic Brake Chassis; Foot Operated in Cab; Differential Mounted
0004SBX	KUT	AIR COMPRESSOR {YOOSUNG} with Clutch, 7.1 CFM Capacity
0005708	N33	STEERING COLUMN Tilting
0005CBG	NK5	STEERING WHEEL 4-Spoke; 15" Dia., Black
0005CBH	NP5	STEERING WHEEL 4-Spoke; 15" Dia., Black, Leather Wrapped
0006901	JG1	PROPSHAFT GUARD
0007WDU	NPK	TAIL PIPE Horizontal, Single Exhaust, Exits Right-Side Ahead of Rear Wheel

ELECTRICAL CIRCUIT DIAGRAM MANUAL

Feature Code	RPO Code	Description
0007WDV	NPJ	TAIL PIPE Horizontal, Single Exhaust, Exits Left-Side Ahead of Rear Wheel
0008541	U05	HORN, ELECTRIC (2) Disc Style
0008AAB	C49	DEFROSTER, REAR WINDOW Electric
0008AAG	VV4	COMMUNICATION EQUIPMENT for Mobile Internet Connectivity
0008GJA	KG4	ALTERNATOR {Denso SC2} Brush Type, 12 Volt 150 Amp. Capacity
0008GJB	KW5	ALTERNATOR {Denso SC6} Brush Type, 12 Volt 220 Amp. Capacity
0008GJC	KHB	ALTERNATOR {Denso SC6} Dual, Brush Type, 12 Volt 150 and 220 Amp. Capacity
0008HBW	JL1	TRAILER BRAKE CONTROL Integrated
0008HXV	5DX	BODY BUILDER WIRING Back of Standard Cab at Left-Side Frame or Under Extended or Crew Cab at Left-Side Frame; Includes One Sealed Connector for Separate Ground / Backup / Left-Side and Right-Side Turn, Left-Side and Right-Side Tail / Stop / Accessory Power and Combined for Left-Side and Right-Side Stop / Turn
0008MVZ	7Y7	BATTERY SYSTEM {VARTA} Maintenance-Free (2) 12-Volt 1100CCA Total
0008MWA	7Y8	BATTERY SYSTEM {VARTA} Maintenance-Free (2) 12-Volt 1300CCA Total
0008MSD	7Y9	BATTERY SYSTEM {VARTA} (3) 12-Volt 2250CCA Total

ELECTRICAL CIRCUIT DIAGRAM MANUAL

Feature Code	RPO Code	Description
0008NAA	JTR	TAIL LIGHT WIRING MODIFIED Includes: Wiring for Standard Lt & Rt Tail Lights; Separate 8.0' of Extra Cable Wiring for Lt & Rt Body Mounted Tail Lights
0008RNN	IO3 U73	RADIO AM / FM Stereo / USB Input / Auxiliary Input / SD Card Slot, with 4.2" Color Touch Panel Display
0008RNM	IOB U2J U73	RADIO AM / FM Stereo / Clock / Bluetooth, Seek / Scan, with 7" Touch Panel Display
0008RNW	IO5 U2K U73	RADIO AM / FM Stereo / Bluetooth / USB Input / Auxiliary Input / SD Card Slot, with 8" Color Touch Panel Display, Voice Activated Technology
0008RNR	IO5 U2K U73	RADIO AM / FM Stereo / Bluetooth / USB Input / Auxiliary Input / SD Card Slot, with 8" Color Touch Panel Display, Voice Activated Technology, Satellite Radio Compatible
0008RNV	IOB U2J U73	RADIO AM / FM Stereo / Clock / Bluetooth, Seek / Scan, with 7" Color Touch Panel Display, Satellite Radio Compatible
0008RNX	IO6 U2J U73	RADIO AM / FM Stereo / Bluetooth / USB Input / Auxiliary Input / SD Card Slot, with 8" Color Touch Panel Display with Navigation, Voice Activated Technology
0008RNP	IO6 U2J U73	RADIO AM / FM Stereo / Bluetooth / USB Input / Auxiliary Input / SD Card Slot, with 8" Color Touch Panel Display with Navigation, Voice Activated Technology, Satellite Radio Compatible
0008RNS	TG5	COMPACT DISC PLAYER with MP3

ELECTRICAL CIRCUIT DIAGRAM MANUAL

Feature Code	RPO Code	Description
0008RNU	UQ3	SPEAKERS (6)
0008RNT	UQ5	SPEAKERS (4)
0008RNY	UVC	CAMERA SYSTEM, REAR VIEW Includes Camera, Mounting, Wiring and Interface to the Monitor, for the Back-up Camera System
0008TUK	UGE	STOP, TURN, TAIL & B / U LIGHTS Multi-Function, Sealed, LED Lights for Stop, Turn and Tail, Incandescent Backup Lights, with Rear Reflex Reflector, Includes LED License Plate Light
0008TUM	UNL	AUXILIARY HARNESS "Y" Harness for Auxiliary Front Head Lights (High / Low Beam), Marker Lights, and Turn Signals for Front Plow Applications
0008TUL	TR1	STOP, TURN, TAIL & B / U LIGHTS Multi-Function, Sealed, Incandescent Stop, Turn and Tail Lights, Backup Lights with Rear Reflex Reflector, Includes License Plate Light
0008TRA	UY7	TRAILER CONNECTION SOCKET Mounted at Rear of Frame, Wired for Turn Signals Combined with Stop, Compatible with Trailers That Use Combined Stop, Tail, Turn Lamps
0008THB	UZF	BACK-UP ALARM Electric, 102 dBA
0008VAY	U04	HORN, ELECTRIC Disc Style
0008WBW	BTN	JUMP START STUD Remote Mounted
0008XJP	9L7	SWITCH, AUXILIARY 1 to 4 Latching Switches with 30-Amp Fuses
0008XKS	TRW	SWITCH, TOGGLE, FOR WORK LIGHT Lighted; in Overhead Console and Wiring Effects for Customer Furnished Roof Mounted Light

ELECTRICAL CIRCUIT DIAGRAM MANUAL

Feature Code	RPO Code	Description
0008XJV	U01	CLEARANCE / MARKER LIGHTS (5) Amber LED Lights, Flush Mounted on Cab
0008XJX	KI4	POWER INVERTER 12 Volt DC to 110 Volt AC
0008XJG	T3U	FOG LIGHTS (2) Clear Lens, Halogen, Rectangular, with White Light Source
0009AAB	6Y5	LOGOS EXTERIOR Badges
0009HBZ	VWX	GRILLE Molded, Dark Gray Color
0009HCG	V22	GRILLE Chrome, with Chrome Headlight Bezels
0009WAC	P0D	BUG SCREEN Mounted Behind Grille
0009WBT	P0E	GRILLE EMBER SCREEN Mounted to Grille and Cowl Tray to Keep Hot Embers out of Engine and HVAC Air Intake System
0010506	V33	TOOL KIT Rim Wrench and Handle Only
0010NBH	WN9	SPECIAL DELIVERY REQUESTED Do not Use for Lead Truck, Must be Towed or Hauled
0010WBS	5H1	KEYS – ALL ALIKE, ADDITIONAL 2 Keys
0010WGH	C5B	SPECIAL RATING, GVWR Limited to 15,000-lb GVWR
0010WGY	C7P	SPECIAL RATING, GVWR Limited to 16,000-lb GVWR
0010WGV	DD4	SPECIAL RATING, GVWR Limited to 17,000-lb GVWR
0010WGT	DD7	SPECIAL RATING, GVWR Limited to 23,500-lb GVWR
0010WGE	GZG	SPECIAL RATING, GVWR Limited to 19,500-lb GVWR
0010WJG	GZJ	SPECIAL RATING, GVWR Limited to 18,000-lb GVWR
0010XAC	C7R	SPECIAL RATING, GVWR Limited to 16,500-lb GVWR

ELECTRICAL CIRCUIT DIAGRAM MANUAL

Feature Code	RPO Code	Description
0010XAE	DD5	SPECIAL RATING, GVWR Limited to 21,000-lb GVWR
0010XAG	GZH	SPECIAL RATING, GVWR Limited to 21,500-lb GVWR
0010XAD	GZX	SPECIAL RATING, GVWR Limited to 17,500-lb GVWR
0010WAS	VTS	LANGUAGE IDENTITY For Spanish
0010WWS	VYU	SNOW PLOW PREP PACKAGE Includes Wiring for Roof Mounted Light
0012TTM	L5D	FAN DRIVE Viscous Screw On Type, Rear Tether, Electronically Controlled
0012VEG	BTV	REMOTE START Keyfob for Engine, Includes Theft Deterrent System
0012VGS	N4C	FEDERAL EMISSIONS {International 6.6 Liter} EPA, OBD and GHG Certified for Calendar Year 2018
0012VGS	N4E	FEDERAL EMISSIONS {International 6.6 Liter} EPA, OBD and GHG Certified for Calendar Year 2018
0012VEG	UTJ	REMOTE START Keyfob for Engine, Includes Theft Deterrent System
0012XBL	K05	BLOCK HEATER, ENGINE 120 Volt / 800 Watt
0013AWL	ME0	TRANSMISSION, AUTOMATIC {Allison 1750 MH} 5th Generation Controls, Close Ratio, 6-Speed with Overdrive, with PTO Provision, Less Retarder, Includes Park Pawl, with 22,000-lb GVW and 30,000-lb GCW Max
0013AWM	MF0	TRANSMISSION, AUTOMATIC {Allison 2700 MH} 5th Generation Controls, Close Ratio, 6-Speed with Overdrive, with PTO Provision, Less Retarder, Includes Park Pawl, with 26,000-lb GVW and 26,001-lb GCW Max

Feature Code	RPO Code	Description
0013AXJ	MG0	TRANSMISSION, AUTOMATIC {Allison 2700 EVS} 5th Generation Controls, Close Ratio, 6-Speed with Double Overdrive, with PTO Provision, Less Retarder, Includes Park Pawl, with 26,000-lb GVW and GCW Max
0013AWZ	MH1	TRANSMISSION, AUTOMATIC {Allison 1700 EVS} 5th Generation Controls, Close Ratio, 6-Speed with Overdrive, with PTO Provision, Less Retarder, Includes Park Pawl, with 19,500-lb GVW and 26,000-lb GCW Max
0013AXD	MHV	TRANSMISSION, AUTOMATIC {Allison 1750 EVS} 5th Generation Controls, Close Ratio, 6-Speed with Overdrive, with PTO Provision, Less Retarder, Includes Park Pawl, with 19,500-lb GVW and 30,000-lb GCW Max
0013AXC	M10	TRANSMISSION, AUTOMATIC {Allison 1750 RDS} 5th Generation Controls, Close Ratio, 6-Speed with Overdrive, with PTO Provision, Less Retarder, Includes Park Pawl, with 19,500-lb GVW and 30,000-lb GCW Max, On / Off Highway
0013AXH	M1A	TRANSMISSION, AUTOMATIC {Allison 2700 RDS} 5th Generation Controls, Close Ratio, 6-Speed with Double Overdrive, with PTO Provision, Less Retarder, Includes Park Pawl, with 26,000-lb GVW and GCW Max, On / Off Highway

ELECTRICAL CIRCUIT DIAGRAM MANUAL

Feature Code	RPO Code	Description
0013AWY	MIU	TRANSMISSION, AUTOMATIC {Allison 1700 RDS} 5th Generation Controls, Close Ratio, 6-Speed with Overdrive, with PTO Provision, Less Retarder, Includes Park Pawl, with 19,500-lb GVW and 26,000-lb GCW Max, On / Off Highway
0013AWK	MIX	TRANSMISSION, AUTOMATIC {Allison 1700 MH} 5th Generation Controls, Close Ratio, 6-Speed with Overdrive, with PTO Provision, Less Retarder, Includes Park Pawl, with 22,000-lb GVW and 26,001-lb GCW Max
0013AXB	MJ0	TRANSMISSION, AUTOMATIC {Allison 1750 HS} 5th Generation Controls, Close Ratio, 6-Speed with Overdrive, Less PTO Provision, Less Retarder, Includes Park Pawl, with 19,500-lb GVW and 30,000-lb GCW Max
0013AWX	MWA	TRANSMISSION, AUTOMATIC {Allison 1700 HS} 5th Generation Controls, Close Ratio, 6-Speed with Overdrive, Less PTO Provision, Less Retarder, Includes Park Pawl, with 19,500-lb GVW and 26,000-lb GCW Max
0013AXG	MWB	TRANSMISSION, AUTOMATIC {Allison 2700 HS} 5th Generation Controls, Close Ratio, 6-Speed with Double Overdrive, Less PTO Provision, Less Retarder, Includes Park Pawl, with 26,000-lb GVW and GCW Max
0013TLP	NQF	TRANSFER CASE LUBE {EmGard 50W} Synthetic; 1 thru 14.99 Pints
0013WYY	KBK	SHIFT CONTROL PARAMETERS Allison 1000 or 2000 Series Transmissions, 5th Generation Controls, Performance Programming

Feature Code	RPO Code	Description
0014888	G86	DIFFERENTIAL, LOCKING {Dana Spicer Truetrac} Torque Proportioning Limited Slip
0014899	JPZ	SUSPENSION AIR CONTROL VALVE Pressure Release Control In Cab
0014ACV	GL4	AXLE, REAR, SINGLE {Dana Spicer S14-110} Single Reduction, 11,000-lb Capacity, 190 Wheel Ends
0014AWH	FN1	AXLE, REAR, SINGLE {Dana Spicer S14-110} Single Reduction, 10,000-lb Capacity, 190 Wheel Ends
0014AWG	HD1	AXLE, REAR, SINGLE {Dana Spicer S16-130} Single Reduction, 15,000-lb Capacity, 190 Wheel Ends
0014ACW	HD2	AXLE, REAR, SINGLE {Dana Spicer S14-110} Single Reduction, 13,500-lb Capacity, 190 Wheel Ends
0014SAE	FU7	SUSPENSION, RR, SPRING, SINGLE Vari-Rate; 15,500-lb Capacity
0014SCG	GR3	SUSPENSION, RR, SPRING, SINGLE Vari-Rate; 11,000-lb Capacity
0014SAC	GR4	SUSPENSION, RR, SPRING, SINGLE Vari-Rate; 13,500-lb Capacity
0014TCH	G40	SUSPENSION, REAR, AIR, SINGLE {International} Ride Optimized Suspension (IROS); 12,000-lb Capacity, 6.0" Ride Height, with Shock Absorbers
0014TDG	GP1	SUSPENSION, REAR, AIR, SINGLE {International} Ride Optimized Suspension (IROS); 13,500-lb Capacity, 6.0" Ride Height, with Shock Absorbers
0014TDH	GP8	SUSPENSION, REAR, AIR, SINGLE {International} Ride Optimized Suspension (IROS); 15,500-lb Capacity, 6.0" Ride Height, with Shock Absorbers

ELECTRICAL CIRCUIT DIAGRAM MANUAL

Feature Code	RPO Code	Description
0014WMN	FTO	AXLE, REAR, LUBE {EmGard FE-75W-90} Synthetic Oil; 1 thru 29.99 Pints
0014WAP	G68	SHOCK ABSORBERS, REAR (2)
0001570	V76	TOW HOOK, FRONT (2) Frame Mounted
0015DSZ	NSQ	FUEL TANK (2) Top Draw, Plastic, Rectangular, 40 US Gal (151L) Mounted Between Frame Rails and Behind Rear Axle; 25 US Gal (95L), Mounted Left-Side Between Frame Rails and Forward of Rear Axle; Total Capacity 65 US Gal (246L) Includes Fuel Filler Assemblies and Auxiliary Draw Ports
0015SZN	N2L	FUEL TANK Top Draw, Plastic, Rectangular, 17" Tank Depth, 40 US Gal (151L), Includes Auxiliary Draw Port and Fuel Filler Assembly, Mounted Between Frame Rails and Behind Rear Axle
0015SZP	NVK	FUEL TANK Top Draw, Plastic, Rectangular, 17" Tank Depth, 25 US Gal (95L), Includes Auxiliary Draw Port and Fuel Filler Assembly, Mounted Between Frame Rails and Forward of Rear Axle
0015WZG	8E4	FUEL Additional 5 U.S. Diesel Gallons, for Transport / Delivery
0015WZH	NXO	Fuel Additional 40 U.S. Diesel Gallons, for Transport / Delivery
0015WZT	NXG	FUEL Additional 20 U.S. Diesel Gallons, for Transport / Delivery
0016000	BG9	FLOOR COVERING Transmission Cover, Floor Mats and Seal DO NOT ORDER-FOR FACTORY USE ONLY
0016400	APL	SEAT, PASSENGER Omit Item

Feature Code	RPO Code	Description
0016615	ATZ	SEAT RR-NONE
0016975	KT0	HEATER HOSES Silicone
0016ACB	DD8	MIRROR, INSIDE REAR VIEW with Tilt
0016BAL	C42	HEATER
0016BBB	AKO	GLASS, ALL WINDOWS Solar Absorbing, Tint
0016BBA	AKP	GLASS, ALL WINDOWS Solar Absorbing, Tint
0016BAN	E20	DOOR HANDLE, EXTERIOR Bright Finish
0016CEN	4AA	COLOR, INTERIOR Jet Black
0016CEM	4D7	COLOR, INTERIOR Dark Ash
0016HCU 0016HLZ	U19	SPEEDOMETER-INST, KILO & MILES, KILO ODOMETER & DISPLAY INSTRUMENT-DRIVER INFO ENHANCED (ONE COLOR GRAPHIC) SPEEDOMETER-INST, KILO & MILES, KILO ODOMETER & DISPLAY INSTRUMENT-DRIVER INFO ENHANCED (MULTI COLOR STANDARD GRAPHIC)
0016HLZ 0016HLY	UDD	GAUGE CLUSTER Metric with English Speedometer, Includes Metric Odometer; Includes 4.2" Color Display with Personalization, Warning Messages and Vehicle Information GAUGE CLUSTER English with Metric Speedometer, Includes English Odometer; Includes 4.2" Color Display with Personalization, Warning Messages and Vehicle Information

ELECTRICAL CIRCUIT DIAGRAM MANUAL

Feature Code	RPO Code	Description
0016HCT	UMN	GAUGE CLUSTER English with Metric Speedometer, Includes English Odometer; Includes 3.5" Monochromatic Display with Personalization, Warning Messages and Vehicle Information
0016KVU	H0U	SEAT, DRIVER Split Bench, High Back with Integral Headrest, 10-Way Power Adjustable, Cloth, Manual Adjust Lumbar
0016KVU	AZ3	SEAT, DRIVER Split Bench, High Back with Integral Headrest, 10-Way Power Adjustable, Cloth, Manual Adjust Lumbar
0016KZC	A68	SEAT, REAR BENCH, Vinyl
0016KVV	A95	SEAT, DRIVER Non-Suspension, High Back with Adjustable Headrest, 10-Way Power Adjustable, Cloth, Power Lumbar
0016KVS	AE7	SEAT, DRIVER High Back with Integral Headrest, with Recline, Vinyl, Fixed Lumbar
0016KVU	AG1	SEAT, DRIVER Split Bench, High Back with Integral Headrest, 10-Way Power Adjustable, Cloth, Manual Adjust Lumbar
0016LVP	H2R	SEAT, TWO-MAN PASSENGER High Back with Integral Headrest in Outboard Position, Center Fold-Down Armrest with Storage, Cloth, with Recline
0016LVT	H2S	SEAT, TWO-MAN PASSENGER High Back with Integral Headrest in Outboard Position, Center Fold-Down Armrest with Storage, Lockable Storage in Seat Cushion, Cloth, with Recline

ELECTRICAL CIRCUIT DIAGRAM MANUAL

Feature Code	RPO Code	Description
0016LVR	H2Q	SEAT, DRIVER Non-Suspension, High Back with Adjustable Headrest, 10-Way Power Adjustable, Cloth, Power Lumbar
0016SPR	DF2	MIRRORS (2) Wide Load, Manual Folding and Extending, Black Head, Mounting Bracket and Arms
0016SPT	DP9	MIRRORS (2) Wide Load, Manual Folding and Extending, Bright Head, Black Mounting Bracket and Arms, Heated Head, Turn Signal Indicator Located in Mirror, Power Operated
0016SPT 0016SPS	DPN	MIRRORS (2) Wide Load, Manual Folding and Extending, Bright Head, Black Mounting Bracket and Arms, Heated Head, Turn Signal Indicator Located in Mirror, Power Operated
0016VKK	1LT	CAB INTERIOR TRIM Diamond, for Crew Cab
0016VKK	YE9	CAB INTERIOR TRIM Diamond, for Day Cab
0016VKB	1WT	CAB INTERIOR TRIM Classic, for Day Cab
0016VCC 0016VCB	379	Seat Belt All Orange; 1 to 3 Seat Belt All Orange; 4 to 6
0016VBZ 0016VCA	3F9	SEAT BELT All Red; 1 to 3 SEAT BELT All Red; 4 to 6
0016WHJ	KUD	HOSE CLAMPS, HEATER HOSE {Breeze} Belleville Washer Type
0016WAK	A31	WINDOW, POWER (2) in Left and Right Doors
0016XCP	AJ3	AIR BAG, DRIVER SIDE
0016XCP	AK5	AIR BAG, DRIVER SIDE

ELECTRICAL CIRCUIT DIAGRAM MANUAL

Feature Code	RPO Code	Description
0016XAL	AQQ	KEYLESS ENTRY SYSTEM REMOTE with Panic Alarm and Horn Beep Lock Confirmation, Includes Two Key Fob Transmitters
0016XZA	C67 C32	AIR CONDITIONER and Heater, Single Zone
0016XCR	C99	AIR BAG, PASSENGER SIDE
0016XCN	D07	CONSOLE, BETWEEN SEATS Floor Mounted, Reconfigurable with Movable Cup Holders, Cell Phone Storage, (1) 12 Volt, Cigar Type Receptacle, (2) USB Ports, and Hanging File Holder Capability
0016XCS	DH6	SUN VISOR, INTERIOR with Illuminated Mirror for Driver and Passenger-Sides
0016XUC 0016XUD	EON	ACCESS, CAB Driver & Passenger-Sides, One Bright Aluminum Step Per Door, for use with Regular & Extended Cabs ACCESS, CAB Driver & Passenger-Sides, One Bright Aluminum Step Per Door, for use with Crew Cab
0016XCN	D07 K4C	CONSOLE, BETWEEN SEATS Floor Mounted, Reconfigurable with Movable Cup Holders, Cell Phone Storage, (1) 12 Volt, Cigar Type Receptacle, (2) USB Ports, and Hanging File Holder Capability
0016XJR	KA1	SEAT HEATER, FRONT for Driver and Passenger Seats
0026DTX	PWY	WHEEL, SPARE, DISC {Accuride 50180} 19.5x6.75 Rims, Powder Coat Steel, 4-Hand Hole, 8-Stud, 275mm BC, Hub-Piloted

Feature Code	RPO Code	Description
0027DTX	PWS PWR PWQ	WHEELS, FRONT {Accuride 50180} DISC; 19.5x6.75 Rims, Powder Coat Steel, 4-Hand Hole, 8-Stud, 275mm BC, Hub-Piloted, Flanged Nut, with Steel Hubs
0028DVE	PWV	WHEELS, REAR {Accuride 29695} DUAL DISC; 19.5" Polished Aluminum Outer Wheel and Steel Inner Wheel, 8-Stud (275MM BC) Hub Piloted, Flanged Nut,
0029ACD	Q91	TIRE VALVE CAP Flo-Thru Design
0029AAU	Q92	TIRE VALVE CAP {Alligaro V2B} Flo-Thru Design
0029SAE	FF3	WHEEL SEALS, FRONT {Chicago Rawhide Nitrile} for Oil Lubricated Wheel Bearings
0029WLK	FG0	WHEEL BEARING, FRONT, LUBE {EmGard FE-75W-90} Synthetic Oil
92AA	X88	GM IP PARAMETERS Market Brand, Chevrolet
0510AAB	VT7	0510AAB
0516005 0516006	E01	ACCESS, CAB Driver & Passenger-Sides, Single Step Per Door, For Use with Regular & Extended Cabs ACCESS, CAB Driver & Passenger-Sides, One Step Per Door, For Use with Crew Cabs
0592CV3	CV3	GM IP PARAMETERS for Mexico
508032	5DY	SPECIAL ROUTING, GROUP 08 for Completion of Electrical Components System, Installed at TSC Springfield
0592K40	K40	GM IP PARAMETERS for Engine Exhaust Brake
0508014	KL6	TAIL LIGHT LOCATION Tail Lights Located on Inside of Frame Rail

ELECTRICAL CIRCUIT DIAGRAM MANUAL

Feature Code	RPO Code	Description
0508015	MTZ	TAIL LIGHT LOCATION Tail Lights Located on Outside of Frame Rail
0507015	N12	TAIL PIPE Horizontal, Straight Type, for Single Exhaust
0507016	NPR	TAIL PIPE Horizontal, Single Exhaust, Exit Right-Side Over the Rear Axle, Behind Rear Wheel
0592PTO	PTO	GM IP PARAMETERS for Engine Control (PTO) Controls
0592U2J	U2J	GM IP PARAMETERS Digital Audio System-None
0592U2K	U2K	GM IP PARAMETERS Digital Audio System, with S-Band
0592U73	U73	GM IP PARAMETERS Fixed Antenna for Radio
0592UDC	UDC	IP PARAMETERS Drivers Instrument Information Display, Enhanced, One Color Graphic
10764	ZY4	PAINT TYPE TSA (Acrylic), 1-2 Tone
10761	ZY2	PAINT TYPE Base Coat / Clear Coat, 1-2 Tone
—	FHX	VEHICLE FUEL-DIESEL B20
—	9D9	MIRROR, INSIDE REAR VIEW with Tilt
—	9L3	TIRE SPARE-NONE
—	AAC	PROVISIONS-ENGINE SHUTDOWN PARTS PKG-SHIPPED LOOSE
—	ACO	IDENTIFICATION-ACCESSORY CATALOG OFFERING
—	AU3	LOCK CONTROL-SIDE DR, ELEC
—	FBC	WB = 243"
—	FNV	WB = 175"
—	FPN	WB = 231"
—	FQT	WB =141"
—	FRP	WB = 235"

ELECTRICAL CIRCUIT DIAGRAM MANUAL

Feature Code	RPO Code	Description
—	G1K	PRIMARY COLOR-EXTERIOR, SACRE BLUE MET (409Y)
—	G2X	PRIMARY COLOR-EXTERIOR, HAVANA MET-1 (439C)
—	G7C	PRIMARY COLOR-EXTERIOR, PULL ME OVER RED SOLID (130X)
—	GAN	PRIMARY COLOR-EXTERIOR, SWITCHBLADE SILVER MET (G) 636R
—	GAZ	PRIMARY COLOR-EXTERIOR, SUMMIT WHITE (G) 8624
—	GBA	PRIMARY COLOR-EXTERIOR, BLACK (G) 8555
—	GH5	MKT = CAN
—	I19	ENGINEERING YEAR-2019
—	ITT	CV51500
—	GPA	PRIMARY COLOR-EXTERIOR, GASOLINE MET-2 (457B)
—	K2N	PROVISIONS-2 WAY RADIO UNIT
—	K34	CRUISE CONTROL-AUTOMATIC, ELECTRONIC
—	SYT	ACCESSORY-SILL PLATES - ALTERNATE FINISH
—	KBG	SHIFT CONTROL-AUTOMATIC TRANSMISSION, FUEL SENSE BASIC
—	UE0	COMMUNICATION SYSTEM-VEHICLE - NONE
—	PD7	WHEEL SPARE-(NONE)
	9L3	
—	NAV	PLT = 002
—	PTX	POWER TAKE OFF-DELETE PTO

ELECTRICAL CIRCUIT DIAGRAM MANUAL

Feature Code	RPO Code	Description
—	UZI	EQUIPMENT-TRUCK TRAILER HD, SIDE TURN LAMPS
—	VTG	ACCESSORY-INTERIOR TRIM KIT
—	WOJ	ACCESSORY-DOOR COVER – PET PROTECTOR – DESIGN 1
—	WMK	VIN MODEL YEAR-2019
—	XL7	FREQUENCIES RATING-315 MHZ, LONG DISTANCE
—	YF2	SALES PACKAGE-AMBULANCE UPFITTER
—	YM8	IDENTIFICATION-LIMITED PERSONALIZATION OPTION (LPO)
—	ZY1	COLOR COMBINATION-SOLID
—	RDI	ACCESSORY-KEYLESS ENTRY
—	RWI	ACCESSORY-BODY SIDE MOLDINGS – CHROME
—	RWK	ACCESSORY-BODY SIDE MOLDINGS – PAINTED
—	RWR	ACCESSORY-CAMERA – REAR VISION
—	RY7	ACCESSORY-DOOR HANDLES – ALTERNATE FINISH 1
—	S0P	ACCESSORY-INSERT – FLOOR CONSOLE
—	S6M	ACCESSORY-RADIO KIT – NAVIGATION
—	S6P	ACCESSORY-REMOTE START KIT
—	S6W	ACCESSORY-SEAT COVER – MUDDER (PROTECTIVE)
—	S6Z	ACCESSORY-SEAT COVER – TAILORED – ALTERNATE MATERIAL
—	SFJ	ACCESSORY-WINDOW SHADES – REFLECTIVE

Feature Code	RPO Code	Description
—	SFV	ACCESSORY-WIRELESS NETWORK INTERFACE MODULE
—	SIF	ACCESSORY-RSE - PORTABLE MEDIA CONNECTIVITY PACKAGE
—	V8C	VEHICLE STATEMENT-VEHICLE LABEL CONTENT - NO CERT STATEMENT (MEXICO)
—	V8D	VEHICLE STATEMENT-VEHICLE LABEL CONTENT - U.S. FMVSS
—	VBJ	ACCESSORY - UNDERSEAT STORAGE
—	VKW	ACCESSORY-ORGANIZER - FRONT CONSOLE
—	VKY	ACCESSORY-DOOR HANDLES - ALTERNATE FINISH - CHROME
—	ZY3	COLOR COMBINATION-TWO TONE, SPECIAL

17.2. APPENDIX B: NAMING CONVENTION AND ACRONYMS TABLE

Table 1553 Naming Convention

Navistar Name	Navistar Acronym	GM Name	GM Acronym
Active Regeneration	—	Normal Regeneration	—
Aftertreatment Control Module	ACM	Reductant Control Module	—
Air Cleaner	—	Air Filter	—
Air Cleaner Housing	—	Air Filter Housing	—
Alternator	—	Generator	—
Ambient Light Sensor	—	Ambient Light / Sunload Sensor	—
Ammonia Slip Catalyst	—	Ammonia Slip Filter	—
CD Player	—	Media Disc Player	—
Clearance Light	—	Roof Clearance Lamp	—
Clockspring	—	Steering Wheel Air Bag Coil	—
Closed Crankcase Ventilation	—	Positive Crankcase Ventilation	—
Deaeration Tank	—	Surge Tank	—
Diesel Exhaust Fluid	DEF	Reductant	—
Diesel Exhaust Fluid Doser	DEFD	Reductant Injector	—
Diesel Exhaust Fluid Head Unit	DEF Head Unit	Reductant Pump and Sensor Assembly	—
Diesel Exhaust Fluid Line Pressure	DEFLP	Reductant Pressure Sensor	—
Diesel Exhaust Fluid Pressure Line	DEFPL	Reductant Line	—
Diesel Exhaust Fluid Pressure Line Heater	DEFPLH	Reductant Line Heater	—
Diesel Exhaust Fluid Quality	DEFQ	Reductant Quality	—
Diesel Exhaust Fluid Supply Pump	DEFSP	Reductant Pump, DEF Pump Module, Reductant Temperature Sensor	—
Diesel Exhaust Fluid Supply Temperature	DEFSP Temperature	Reductant Pump, DEF Pump Module	—
Diesel Exhaust Fluid Tank Heater	DEFTH	Reductant Tank Heater	—
Diesel Exhaust Fluid Tank Level	DEFTL	Reductant Level Sensor 1, Reductant Tank Level	—

Table 1553 Naming Convention (cont.)

Navistar Name	Navistar Acronym	GM Name	GM Acronym
Diesel Exhaust Fluid Tank Level & Temperature Sensor Module	DEFTLT	Reductant Tank Level & Temperature Sensor Module	—
Diesel Exhaust Fluid Tank Temperature	DEFTT	Reductant Tank Temperature	—
Diesel Oxidation Catalyst Intake Temperature	DOCIT	Exhaust Temp Sensor 1	—
Diesel Oxidation Catalyst Outlet Temperature	DOCOT	Exhaust Temp Sensor 2	—
Diesel Particulate Filter	DPF	Diesel Particulate Filter Engine Particulate Filter Exhaust Particulate Filter	—
Diesel Particulate Filter Intake Temperature	DPFIT	Exhaust Temp Sensor 3	—
Diesel Particulate Filter Outlet Temperature	DPFOT	Exhaust Temp Sensor 4	—
Engine Oil Level Gauge (Dipstick)	Engine Oil Dipstick	Engine Oil Level Indicator	—
Engine Throttle Valve	ETV	Intake air valve, throttle body, Intake Air Flow Valve	—
—	—	Exhaust Gas Recirculation	EGR
Exhaust Gas Recirculation Inlet Temperature	EGRIT	Exhaust Gas Recirculation Temperature #1	—
Exhaust Gas Recirculation Outlet Temperature	EGROT	Exhaust Gas Recirculation Temperature #2	—
Exterior Mirrors	—	Outside Rearview Mirror (Right and left)	—
—	—	Failure Type Byte	FTB
Fog Light	—	Fog Lamp	—
Freeze Probe	—	Fog Lamp	—
Front Thermostat	—	Thermostat (Located at Front of Thermostat Housing)	—

ELECTRICAL CIRCUIT DIAGRAM MANUAL

Table 1553 Naming Convention (cont.)

Navistar Name	Navistar Acronym	GM Name	GM Acronym
Fuel Delivery Pressure	FDP	Fuel Pressure Sensor (sensor located just after the fuel filter module)	—
Fuel Sending Unit	—	Fuel Pump Module	—
Fuel Transfer Pump	—	Transfer pump	—
Gauge Cluster	—	Instrument Cluster	—
Headlight	—	Headlamp	—
Headlight Switch	—	Headlamp Switch	—
Hood Switch	—	Engine Hood Switch, Hood Switch, Hood Ajar Switch	—
HVAC Controls	—	User Interface (HVAC Controls)	—
Infotainment	—	Info Display Module, Infotainment	—
Intake Manifold Pressure / Temperature	IMP	Intake Air / Manifold Pressure and Air Temperature Sensor MAP	—
Marker Light	—	Side Marker Lamp	—
Mode Actuator	—	Mode Door Actuator	—
Module Flashing	—	Component programming	—
Multifunction Intake Air Sensor	—	MAF IAT1 IAT2 TIAP - Multifunction Intake Air Sensor	—
Oil Pump Drive Gear	—	Crank Gear	—
Parked Regeneration	—	Service Regeneration	—
Particulate Matter Sensor	PM Sensor	PM Sensor	—
Piston Cooler Jet	—	Piston Cooling Nozzles	—
Power Distribution Module	PDM	Fuse Block, Fuse Block Underhood, UEC	UEC
Power Inverter Module	—	Accessory DC / AC Power Inverter Module	—
Rear Thermostat	—	Thermostat (Located at Rear of Thermostat Housing)	—
Rearview Mirror (interior)	—	Inside Rearview Mirror	—

Table 1553 Naming Convention (cont.)

Navistar Name	Navistar Acronym	GM Name	GM Acronym
Recirculation Actuator	—	Air Inlet Door & Air Inlet Door Actuator	—
Selective Catalyst Reduction Exhaust Temperature Sensor	SECRET	Exhaust Temp Sensor 5	—
Selective Catalyst Reduction Outlet Temperature Sensor	SCROT	SCR Temperature Sensor	—
Starter	—	Starter Motor	—
Switch Pack	—	Multifunction Switch	—
Temperature Actuator	—	Air Temperature Door Actuator	—
Transfer Case Mode Switch	—	Transfer Case Shift Control Switch, Four Wheel Drive Mode Switch, Four Wheel Drive Switch	—
Upper Oil Pan	—	Lower crank case or upper oil pan	—
Variable Geometry Turbocharger Actuator	VGT Actuator	Turbo Charger Vane Position Actuator	—
—	—	Two-Wheel Drive	2WD
—	—	Four-Wheel Drive	4WD
—	—	Air Conditioning	A / C
—	—	Analog to Digital	A / D
—	—	Antilock Braking System	ABS
—	—	Alternating Current	AC
—	—	Amplitude Modulation	AM
—	—	Accelerator Pedal Position	APP
—	—	All-Wheel Drive	AWD
—	—	American Wire Gauge	AWG
—	—	Battery Positive Voltage	B+
—	—	Barometric Pressure	BARO
—	—	Body Control Module	BCM
—	—	Brake Pedal Position	BPP
—	—	Controller Area Network	CAN

Table 1553 Naming Convention (cont.)

Navistar Name	Navistar Acronym	GM Name	GM Acronym
—	—	Chassis Control Module	CCM
—	—	Compact Disc	CD
—	—	Carbon Monoxide	CO
—	—	Carbon Dioxide	CO2
—	—	Connector Position Assurance	CPA
—	—	Constant Velocity	CV
—	—	Drive	D
—	—	Digital Audio Broadcast	DAB
—	—	Direct Current	DC
—	—	Data Link Connector	DLC
—	—	Digital Multimeter	DMM
—	—	Dual Overhead Camshaft	DOHC
—	—	Diesel Particulate Filter	DPF
—	—	Daytime Running Lamps	DRL
—	—	Digital Signal Processor	DSP
—	—	Diagnostic Trouble Code	DTC
—	—	Digital Versatile Disc	DVD
—	—	Electronic Brake Control Module	EBCM
—	—	Engine Control Module	ECM
—	—	Engine Coolant Temperature	ECT
—	—	Electrically Erasable Programmable Read-Only Memory	EEPROM
—	—	Exhaust Gas Recirculation	EGR
—	—	Electromagnetic Interference	EMI
—	—	Electrostatic Discharge	ESD

Table 1553 Naming Convention (cont.)

Navistar Name	Navistar Acronym	GM Name	GM Acronym
—	—	Evaporative Emission	EVAP
—	—	Frequency Modulation	FM
—	—	Front-Wheel Drive	FWD
—	—	General Motors Local Area Network	GMLAN
—	—	Global Positioning System	GPS
—	—	Global System for Mobile Communications	GSM
—	—	Gross Vehicle Weight	GVW
—	—	Heavy Duty	HD
—	—	High Intensity Discharge	HID
—	—	Heated Oxygen Sensor	HO2S
—	—	Heating Ventilation Air Conditioning	HVAC
—	—	Inter-Integrated Circuit	I ² C
—	—	Intake Air Temperature	IAT
—	—	Internal Combustion Engine	ICE
—	—	Identification	ID
—	—	Internet Service Provider	ISP
—	—	Input Shaft Speed	ISS
—	—	Local Area Network	LAN
—	—	Liquid Crystal Display	LCD
—	—	Light Emitting Diode	LED
—	—	Local Interconnect Network	LIN
—	—	Liquefied Petroleum Gas	LPG
—	—	Mass Air Flow	MAF
—	—	Manifold Absolute Pressure	MAP
—	—	Multiple Diagnostics Interface	MDI

Table 1553 Naming Convention (cont.)

Navistar Name	Navistar Acronym	GM Name	GM Acronym
—	—	Malfunction Indicator Lamp	MIL
—	—	Media Oriented Systems Transport	MOST
—	—	Neutral	N
—	—	Nickel Metal Hydride	NiMH
—	—	Nitrogen Oxides	NOx
—	—	Oxygen	O2
—	—	Oxygen Sensor	O2S
—	—	On-Board Diagnostic	OBD
—	—	Original Equipment Manufacturer	OEM
—	—	Output Shaft Speed	OSS
—	—	Park	P
—	—	Printed Circuit Board	PCB
—	—	Powertrain Control Module	PCM
—	—	Personal Computer Memory Card Industry Association	PCMCIA
—	—	Personal Identification Number	PIN
—	—	Personal Protective Equipment	PPE
—	—	Park, Reverse, Neutral, Drive, Low	PRNDL
—	—	Positive Temperature Coefficient	PTC
—	—	Power Take-Off	PTO
—	—	Polyvinyl Chloride	PVC
—	—	Pulse Width Modulation	PWM
—	—	Reverse	R
—	—	Random Access Memory	RAM
—	—	Radiator Coolant Temperature	RCT
—	—	Radio Data System	RDS
—	—	Radio Frequency	RF

Table 1553 Naming Convention (cont.)

Navistar Name	Navistar Acronym	GM Name	GM Acronym
—	—	Read-Only Memory	ROM
—	—	Regular Production Option	RPO
—	—	Rear Seat Audio	RSA
—	—	Rear-Wheel Drive	RWD
—	—	Speed Controlled Volume	SCV
—	—	Sensing and Diagnostic Module	SDM
—	—	Subscriber Identity Module	SIM
—	—	Supplemental Inflatable Restraint	SIR
—	—	Serial Peripheral Interface	SPI
—	—	Service Programming System	SPS
—	—	Sport Utility Vehicle	SUV
—	—	Service Vehicle Soon	SVS
—	—	Traffic Announcement	TA
—	—	Throttle Actuator Control	TAC
—	—	Transmission Adaptive Pressure	TAP
—	—	Torque Converter Clutch	TCC
—	—	Transmission Control Module	TCM
—	—	Top Dead Center	TDC
—	—	Techline Information System	TIS
—	—	Terminal Position Assurance	TPA
—	—	Television	TV
—	—	Universal Serial Bus	USB
—	—	Vehicle Communications Interface	VCI
—	—	Vehicle Identification Number	VIN

Table 1553 Naming Convention (cont.)

Navistar Name	Navistar Acronym	GM Name	GM Acronym
—	—	Vehicle Stability Control Module	VSCM
—	—	Vehicle Speed Sensor	VSS
—	—	Wide Open Throttle	WOT
—	—	Wireless Local Area Network	WLAN
—	—	XM (Satellite Radio)	XM
—	—	Extensible Markup Language	XML