

# **SERVICE MANUAL**

---

## **SERVICE MANUAL SECTION**

**CF 500, CF 600 Models Starting September 1, 2007 — ELECTRICAL  
CIRCUIT DIAGRAMS**

**Model: CF 500  
Start Date: 09/01/2007**

**Model: CF 600  
Start Date: 09/01/2007**

**S08332**

**03/18/2008**



---

## Table of Contents

1. TABLE OF CONTENTS (CHAPTER 1).....	1
2. INSTRUCTIONS AND CHARTS (CHAPTER 2).....	1
2.1. ABBREVIATIONS, P. 1.....	1
2.2. ACRONYMS, P. 2.....	2
2.3. CIRCUIT DIAGRAM INSTRUCTIONS, P. 3.....	3
2.4. CIRCUIT NUMBER IDENTIFICATION AND COLOR, P. 4.....	4
2.5. CIRCUIT NUMBER IDENTIFICATION AND COLOR, P. 5.....	5
2.6. CIRCUIT NUMBER IDENTIFICATION AND COLOR, P. 6.....	6
2.7. LAMP BULB CHART, P. 7.....	7
2.8. RELAY FUNCTION AND WIRING GUIDE, P. 8.....	8
2.9. SCHEMATIC SYMBOL CHART, P. 9.....	9
2.10. SCHEMATIC SYMBOL CHART, P. 10.....	10
2.11. SCHEMATIC SYMBOL CHART, P. 11.....	11
2.12. SCHEMATIC SYMBOL CHART, P. 12.....	12
3. 12 VOLT DISTRIBUTION, GROUNDS, AND DATA LINKS (CHAPTER 3).....	13
3.1. BATTERY FEEDS, POWER DISTRIBUTION BOX, P. 1.....	13
3.2. BATTERY FEEDS, POWER DISTRIBUTION BOX, P. 2.....	14
3.3. BATTERY FEEDS, POWER DISTRIBUTION BOX, P. 3.....	15
3.4. KEY SWITCH, P. 4.....	16
3.5. IGNITION FEEDS (RUN), P. 5.....	17
3.6. IGNITION FEEDS (START), P. 6.....	18
3.7. IGNITION FEEDS (RUN-START), P. 7.....	19
3.8. IGNITION FEEDS (RUN-ACCESSORY), P. 8.....	20
3.9. GROUNDS (MAIN CHASSIS), P. 9.....	21
3.10. GROUNDS (MAIN CHASSIS), P. 10.....	22
3.11. GROUNDS (REAR CHASSIS), P. 11.....	23
3.12. GROUNDS (IP), P. 12.....	24
3.13. GROUNDS (IP), P. 13.....	25
3.14. CAB GROUNDS (ROOF, FLOOR), P. 14.....	26
3.15. J1708 DATA LINK, P. 15.....	27
3.16. J1939 DATA LINK, P. 16.....	28
3.17. J2284 DATA LINK, P. 17.....	29
3.18. DIAGNOSTIC CONNECTORS, P. 18.....	30
4. CAB ACCESSORIES (CHAPTER 4).....	31
4.1. CIGAR LIGHTER, P. 1.....	31
4.2. POWER WINDOWS, P. 2.....	32
4.3. POWER DOORS, P. 3.....	33
4.4. HORN AND COMBINATION SWITCH B, P. 4.....	34
4.5. RADIO, P. 5.....	35
4.6. WINDSHIELD WIPER AND WASHER PUMP, P. 6.....	36
4.7. DOOR AJAR SWITCH AND DOME LIGHT, P. 7.....	37
5. CHARGING AND CRANKING SYSTEM (CHAPTER 5).....	38
5.1. CHARGING AND CRANKING — INTERNATIONAL V6 ENGINE, P. 1.....	38

---

<b>6. ENGINE ACCESSORIES (CHAPTER 6)</b> .....	<b>39</b>
6.1. HFCM MODULE — INTERNATIONAL V6 ENGINE, P. 1.....	39
6.2. FUEL TANKS — DUAL TANK, P. 2.....	40
6.3. FUEL TANKS — LEFT AND AUXILIARY TANK, P. 3.....	41
<b>7. ELECTRONIC ENGINES (CHAPTER 7)</b> .....	<b>42</b>
7.1. INTERNATIONAL V6 POWER AND GROUND SYSTEM, P. 1.....	42
7.2. INTERNATIONAL V6 CRUISE CONTROL, P. 2.....	43
7.3. INTERNATIONAL V6 ACCELERATOR PEDAL, P. 3.....	44
7.4. INTERNATIONAL V6 ENGINE SENSOR, P. 4.....	45
7.5. INTERNATIONAL V6 GLOW PLUG AND ENGINE FAN, P. 5.....	46
7.6. INTERNATIONAL V6 AFTERTREATMENT, P. 6.....	47
7.7. INTERNATIONAL V6 INJECTORS, P. 7.....	48
7.8. INTERNATIONAL V6 INJECTORS, P. 8.....	49
<b>8. CLUSTERS AND WARNING LIGHTS (CHAPTER 8)</b> .....	<b>50</b>
8.1. CLUSTER CONNECTOR A, P. 1.....	50
8.2. CLUSTER CONNECTOR A, P. 2.....	51
8.3. CLUSTER CONNECTOR B, P. 3.....	52
8.4. CLUSTER CONNECTOR B, P. 4.....	53
8.5. MULTIPLEX SWITCH MODULE AND AFTERTREATMENT SYSTEM, P. 5.....	54
<b>9. LIGHT SYSTEMS (CHAPTER 9)</b> .....	<b>55</b>
9.1. COMBINATION SWITCH A, HAZARD SWITCH, P. 1.....	55
9.2. MARKER, FRONT PARK AND TURN LIGHTS, P. 2.....	56
9.3. REAR TAIL, TURN, STOP AND BACKUP LIGHTS, P. 3.....	57
9.4. REAR TAIL, TURN, STOP AND BACKUP LIGHTS, P. 3A.....	58
9.5. FOG LIGHTS, P. 4.....	59
9.6. HEADLIGHTS, P. 5.....	60
9.7. PANEL LIGHTS, P. 6.....	61
<b>10. CHASSIS ACCESSORIES (CHAPTER 10)</b> .....	<b>62</b>
10.1. ANTILOCK BRAKE SYSTEM (ABS), P. 1.....	62
10.2. BODY BUILDER CUSTOMER ACCESS CIRCUITS (BOC), P. 2.....	63
10.3. BODY BUILDER LIGHTING CIRCUITS (BOC), P. 3.....	64
10.4. BODY BUILDER (EOF), P. 4.....	65
10.5. BRAKE SYSTEMS: FLUID, PRESSURE AND PEDAL SWITCH, P. 5.....	66
10.6. BRAKE SYSTEMS: ELECTRIC TRAILER BRAKES, P. 6.....	67
<b>11. TRANSMISSION (CHAPTER 11)</b> .....	<b>68</b>
11.1. TRANSMISSION CONTROL MODULE, P. 1.....	68
11.2. TRANSMISSION CONTROL MODULE, P. 1A.....	69
11.3. TCM TO TRANSMISSION BULKHEAD CONNECTOR, P. 2.....	70
<b>12. CLIMATE CONTROL (CHAPTER 12)</b> .....	<b>71</b>
12.1. HVAC SYSTEM, P. 1.....	71
12.2. A/C CLUTCH, P. 2.....	72
12.3. PUSHER FAN, P. 3.....	73
<b>13. CONNECTOR COMPOSITES (CHAPTER 13)</b> .....	<b>74</b>
13.1. CONNECTOR COMPOSITES (1), (2), (3), P. 1.....	74
13.2. CONNECTOR COMPOSITES (71), (72), (101), (102), P. 2.....	75
13.3. CONNECTOR COMPOSITES (103), (104), (105), (106), P. 3.....	76

---

---

13.4. CONNECTOR COMPOSITES (201), (202A), (202C), P. 4.....	77
13.5. CONNECTOR COMPOSITES (203), (204), (205A), P. 5.....	78
13.6. CONNECTOR COMPOSITES (205B), (206), (207), (208), P. 6.....	79
13.7. CONNECTOR COMPOSITES (211), (212), (213), P. 7.....	80
13.8. CONNECTOR COMPOSITES (214), (215), (217A), (217B), P. 8.....	81
13.9. CONNECTOR COMPOSITES (220), (222), (223), (225), P. 9.....	82
13.10. CONNECTOR COMPOSITES (226), (227), (228), (229), P. 10.....	83
13.11. CONNECTOR COMPOSITES (233), (234), (235), P. 11.....	84
13.12. CONNECTOR COMPOSITES (236A), P. 12.....	85
13.13. CONNECTOR COMPOSITES (236B), (237), (238), P. 13.....	86
13.14. CONNECTOR COMPOSITES (239), (240), (241), (243), P. 14.....	87
13.15. CONNECTOR COMPOSITES (244), (245), (246), (247), (248), P. 15.....	88
13.16. CONNECTOR COMPOSITES (249), (250), (251), P. 16.....	89
13.17. CONNECTOR COMPOSITES (252), (253), (254), P. 17.....	90
13.18. CONNECTOR COMPOSITES (301), (301A), (301B), (301D), (303), P. 18.....	91
13.19. CONNECTOR COMPOSITES (304), P. 19.....	92
13.20. CONNECTOR COMPOSITES (306), P. 20.....	93
13.21. CONNECTOR COMPOSITES (308), (309), (310), (313), P. 21.....	94
13.22. CONNECTOR COMPOSITES (315), P. 22.....	95
13.23. CONNECTOR COMPOSITES (316), (317), (318), (320), P. 23.....	96
13.24. CONNECTOR COMPOSITES (321), (322), (323), (401), P. 24.....	97
13.25. CONNECTOR COMPOSITES (402), (403), (404), (410), P. 25.....	98
13.26. CONNECTOR COMPOSITES (411), (412), (413), P. 26.....	99
13.27. CONNECTOR COMPOSITES (500), (503), P. 27.....	100
13.28. CONNECTOR COMPOSITES (506), (507), (508), P. 28.....	101
13.29. CONNECTOR COMPOSITES (509), (510), (602), P. 29.....	102
13.30. CONNECTOR COMPOSITES (700), P. 30.....	103
13.31. CONNECTOR COMPOSITES (701), P. 31.....	104
13.32. CONNECTOR COMPOSITES (702A), P. 32.....	105
13.33. CONNECTOR COMPOSITES (702B), P. 33.....	106
13.34. CONNECTOR COMPOSITES (702D), P. 34.....	107
13.35. CONNECTOR COMPOSITES (703), (704), P. 35.....	108
13.36. CONNECTOR COMPOSITES (705), P. 36.....	109
13.37. CONNECTOR COMPOSITES (706), P. 37.....	110
13.38. CONNECTOR COMPOSITES (720), (720A), P. 38.....	111
13.39. CONNECTOR COMPOSITES (720), (720A), P. 39.....	112
13.40. CONNECTOR COMPOSITES (720), (720A), (829M), P. 40.....	113

---



1. TABLE OF CONTENTS (CHAPTER 1)

2. INSTRUCTIONS AND CHARTS (CHAPTER 2)

2.1. ABBREVIATIONS, P. 1

INTERNATIONAL TRUCK AND ENGINE CORPORATION		ELECTRICAL CIRCUIT DIAGRAM CHAPTER 2			
THIS PRINT IS PROVIDED ON A RESTRICTED BASIS AND IS NOT TO BE USED IN ANY WAY DETRIMENTAL TO THE INTEREST OF INTERNATIONAL TRUCK AND ENGINE CORPORATION.		ABBREVIATIONS			
ABBREVIATION	DESCRIPTION	ABBREVIATION	DESCRIPTION	ABBREVIATION	DESCRIPTION
ACCESS	ACCESSORY	CRUS	CRUISE	PWR	POWER
ACCUM	ACCUMULATOR	CUR	CURRENT	PRESS	PRESSURE
AC	AIR CONDITIONING	DPNL	DASHBOARD	RAD	RADIO
AIR CLNR	AIR CLEANER	DFTR	DEFLECTOR	RLY	RELAY
ALT	ALTERNATOR	DFR	DEFROSTER	RES	RESISTOR
ACCEL	ACCELERATOR	DEG	DEGREE	REGEN	REGENERATE
AC	ALTERNATING CURRENT	DIAG	DIAGRAM	R	RIGHT
AFTR	AFTERTREATMENT	DSL	DIESEL	RTR	ROTOR
AMM	AMMETER	DIFF	DIFFERENTIAL	SNSR	SENSOR
AMP	AMPERE	DIMR	DIMMER	SHLD	SHIELD
AMP HR	AMPERE HOUR	ELEC	ELECTRICAL	SHFT	SHIFTER
AMPL	AMPLIFIER	ELEX	ELECTRONIC	SLPR	SLEEPER
ARM	ARMATURE	ENG	ENGINE	SLV	SLEEVE
ARSR	ARRESTER	EXH	EXHAUST	SPKR	SPEAKER
ASSY	ASSEMBLY	FL	FLUID	SPR	SPRING
AUX	AUXILIARY	FWD	FORWARD	STD	STANDARD
B/U	BACK-UP	FR	FRONT	STRG	STEERING
BTRY	BATTERY	FREQ	FREQUENCY	STLITE	SATELLITE
BM	BENCHMARKING	GA	GAUGE	SUNSH	SUNSHADE
BLK	BLOCK	GEN	GENERATOR	SW	SWITCH
BOOS	BOOSTER	GND	GROUND	SYS	SYSTEM
BOT	BOTTOM	HARN	HARNESS	TACH	TACHOMETER
BK	BRAKE	HDLP	HEADLAMP	TEMP	TEMPERATURE
BRKR	BREAKER	HTD	HEATED	TERM	TERMINAL
BRTHR	BREATHER	HT TR	HEAT TREAT	THROT	THROTTLE
BRI	BRIGHT	HTR	HEATER	THRU	THROUGH
BUZ	BUZZER	HP	HORSEPOWER	TRAC	TRACTION
CA	CABLE	HYD	HYDRAULIC	TRLR	TRAILER
CD	CANDELA	ID	IDENTIFICATION	XDCR	TRANSDUCER
CP	CANDLEPOWER	IGN	IGNITION	XFER	TRANSFER
CAP	CAPACITOR	ILLUM	ILLUMINATION	XFMR	TRANSFORMER
CAT	CATERPILLAR	IND	INDICATOR	XSTR	TRANSISTOR
CHAS	CHASSIS	INST	INSTRUMENT	XMSN	TRANSMISSION
CH	CHOKE	INT	INTERMITTENT	XMTR	TRANSMITTER
CIRC	CIRCUIT	L	LEFT	TRK	TRUCK
CLK	CLOCK	LT	LIGHT	UPR	UPPER
CW	CLOCKWISE	LTR	LIGHTER	VLV	VALVE
CLSTR	CLUSTER	LWR	LOWER	VERT	VERTICAL
CL	CLUTCH	MAG	MAGNET	VM	VOLTMETER
COL	COLUMN	MOD	MODULATOR	VOL	VOLUME
COMM	COMMUTATOR	MDL	MODULE	WSHR	WASHER
CMPNT	COMPONENT	MOT	MOTOR	WHL	WHEEL
CPRSR	COMPRESSOR	MTD	MOUNTED	WDO	WINDOW
CONN	CONNECTOR	NEG	NEGATIVE	WSHLD	WINDSHIELD
CONT	CONTINUED	N/	NOT WITH	WPR	WIPER
CSL	CONSOLE	NO.	NUMBER	W/	WITH
CONT	CONTACT	PASS	PASSENGER	W/O	WITHOUT
CONT	CONTROL	POSN	POSITION		
CONV	CONVERTER	POS	POSITIVE		
CLR	COOLER	POT	POTENTIOMETER		
CTSY	COURTESY				

CHK	DATE	CHANGE	REV	REFERENCE	DRAWN	NAME
CNA1	06SEP07	REVISED AND REDRAWN	A	60785Z	U00JAH	CIRCUIT DIAGRAM, LCF
					RELEASE NO.	DATE
					59053V	05FEB04
					PART NO.	SHEET
					AE08055410	001

Figure 1 Abbreviations

2.2. ACRONYMS, P. 2

INTERNATIONAL TRUCK AND ENGINE CORPORATION		ELECTRICAL CIRCUIT DIAGRAM CHAPTER 2																																																																																																																																																																													
THIS PRINT IS PROVIDED ON A RESTRICTED BASIS AND IS NOT TO BE USED IN ANY WAY DETRIMENTAL TO THE INTEREST OF INTERNATIONAL TRUCK AND ENGINE CORPORATION.		ACRONYMS																																																																																																																																																																													
<table border="1" style="width: 100%; border-collapse: collapse;"> <thead> <tr> <th style="width: 50%;">DESCRIPTION</th> <th style="width: 25%;">ACRONYM</th> <th style="width: 50%;">DESCRIPTION</th> <th style="width: 25%;">ACRONYM</th> </tr> </thead> <tbody> <tr><td>ANTILOCK BRAKING SYSTEM</td><td>ABS</td><td>HEAVY DUTY DIESEL</td><td>HDD</td></tr> <tr><td>ANTENNA COMMUNICATION UNIT</td><td>ACU</td><td>HIGH PERFORMANCE TRUCK</td><td>HPT</td></tr> <tr><td>ALTERNATING CURRENT</td><td>AC</td><td>HIGH SIDE DRIVER</td><td>HSD</td></tr> <tr><td>AXLE TO BACK OF CAB</td><td>AC</td><td>HEATING, VENTILATION, AND AIR CONDITIONING</td><td>HVAC</td></tr> <tr><td>AXLE TO FRAME</td><td>AF</td><td>INJECTOR DRIVE MODULE</td><td>IDM</td></tr> <tr><td>ACCELERATOR PEDAL MODULE</td><td>APM</td><td>INPUT/OUTPUT</td><td>I/O</td></tr> <tr><td>ACCELERATOR POSITION SENSOR</td><td>APS</td><td>INTEGRATED MOBILE COMMUNICATION TERMINAL</td><td>IMCT</td></tr> <tr><td>AUXILIARY POWER UNIT</td><td>APU</td><td>INSTRUMENT PANEL</td><td>I/P</td></tr> <tr><td>AMERICAN TRUCKING ASSOCIATION</td><td>ATA</td><td>INDEPENDENT POWER TAKE-OFF</td><td>IPTO</td></tr> <tr><td>AUTOMATIC TRACTION CONTROL</td><td>ATC</td><td>INPUT SPEED SENSOR</td><td>ISS</td></tr> <tr><td>AUDIO VIDEO INTERFACE</td><td>AVI</td><td>LIGHT COMMERCIAL TRANSMISSION</td><td>LCT</td></tr> <tr><td>BAROMETRIC ATMOSPHERE PRESSURE</td><td>BAP</td><td>LOW PRESSURE MODULE</td><td>LPM</td></tr> <tr><td>BRAKE HORSEPOWER</td><td>BHP</td><td>LOW SIDE DRIVE</td><td>LSD</td></tr> <tr><td>BACK OF CAB</td><td>BOC</td><td>MEDIUM DUTY</td><td>MD</td></tr> <tr><td>CITIZEN BAND</td><td>CB</td><td>MOMENTARY ENGINE IGNITION INTERRUPT RELAY</td><td>MEIIR</td></tr> <tr><td>COLD CRANKING AMPERES</td><td>CCA</td><td>MALFUNCTION INDICATION LAMP</td><td>MIL</td></tr> <tr><td>CLEAN POWER ELECTRICAL CONNECTOR</td><td>CEC</td><td>MULTIPLX SWITCH MODULE</td><td>MSM</td></tr> <tr><td>CENTRAL PROCESSING UNIT</td><td>CPU</td><td>OUTPUT SPEED SENSOR</td><td>OSS</td></tr> <tr><td>CAB OVER ENGINE</td><td>COE</td><td>PYROMETER AMMETER MODULE</td><td>PAM</td></tr> <tr><td>DIRECT CURRENT</td><td>DC</td><td>POWER DISTRIBUTION CENTER</td><td>PDC</td></tr> <tr><td>DRIVER CONTROL MODULE</td><td>DCM</td><td>PROGRAMMABLE LOGIC CONTROLLER</td><td>PLC</td></tr> <tr><td>DIGITAL DATA LINK</td><td>DDL</td><td>POWER TAKE-OFF</td><td>PTO</td></tr> <tr><td>DIESEL OXIDATION CATALYST INLET TEMPERATURE</td><td>DOCT</td><td>PULSE WIDTH MODULATION</td><td>PWM</td></tr> <tr><td>DIESEL PARTICULATE FILTER</td><td>DPF</td><td>REAR AXLE</td><td>RA</td></tr> <tr><td>DIESEL PARTICULATE FILTER DELTA PRESSURE</td><td>DPFDP</td><td>RADIO FREQUENCY</td><td>RF</td></tr> <tr><td>DIESEL PARTICULATE FILTER TEMPERATURE</td><td>DPFT</td><td>ROLL STABILITY PROGRAM</td><td>RSP</td></tr> <tr><td>DIESEL TURBOCHARGED</td><td>DT</td><td>SEVERE SERVICE</td><td>SS</td></tr> <tr><td>DAY TIME RUNNING LIGHTS</td><td>DTRL</td><td>TRANSMISSION CONTROL MODULE</td><td>TCM</td></tr> <tr><td>ELECTRONIC CONTROL MODULE</td><td>ECM</td><td>TERRESTRIAL COMMUNICATION UNIT</td><td>TCU</td></tr> <tr><td>ELECTRONIC CONTROL UNIT</td><td>ECU</td><td>TERRESTRIAL MOBILE COMMUNICATION TERMINAL</td><td>TMCT</td></tr> <tr><td>EXHAUST GAS RECIRCULATION</td><td>EGR</td><td>THERMAL OVERCRANK PROTECTION</td><td>TOCP</td></tr> <tr><td>EXHAUST GAS TEMPERATURE</td><td>EGT</td><td>THROTTLE POSITION SENSOR</td><td>TPS</td></tr> <tr><td>ELECTRO MAGNETIC INTERFERENCE</td><td>EMI</td><td>TURBINE SPEED SENSOR</td><td>TSS</td></tr> <tr><td>END OF FRAME</td><td>EOF</td><td>VEHICLE SPEED OUTPUT</td><td>VSO</td></tr> <tr><td>ELECTRIC TRAILER BRAKE</td><td>ETB</td><td>VEHICLE SPEED SENSOR</td><td>VSS</td></tr> <tr><td>FRONT AXLE</td><td>FA</td><td>WORLD TRANSMISSION ELECTRONIC CONTROLS</td><td>WTEC</td></tr> <tr><td>FRONT END</td><td>FE</td><td>ZERO VOLT REFERENCE</td><td>ZVR</td></tr> <tr><td>FRONT OF DASH</td><td>FOD</td><td></td><td></td></tr> <tr><td>FULL POWER BRAKE</td><td>FPB</td><td></td><td></td></tr> <tr><td>GLOBAL POSITIONING SYSTEM</td><td>GPS</td><td></td><td></td></tr> <tr><td>HYDRAULIC CONTROL UNIT</td><td>HCU</td><td></td><td></td></tr> <tr><td>HEAVY DUTY</td><td>HD</td><td></td><td></td></tr> </tbody> </table>				DESCRIPTION	ACRONYM	DESCRIPTION	ACRONYM	ANTILOCK BRAKING SYSTEM	ABS	HEAVY DUTY DIESEL	HDD	ANTENNA COMMUNICATION UNIT	ACU	HIGH PERFORMANCE TRUCK	HPT	ALTERNATING CURRENT	AC	HIGH SIDE DRIVER	HSD	AXLE TO BACK OF CAB	AC	HEATING, VENTILATION, AND AIR CONDITIONING	HVAC	AXLE TO FRAME	AF	INJECTOR DRIVE MODULE	IDM	ACCELERATOR PEDAL MODULE	APM	INPUT/OUTPUT	I/O	ACCELERATOR POSITION SENSOR	APS	INTEGRATED MOBILE COMMUNICATION TERMINAL	IMCT	AUXILIARY POWER UNIT	APU	INSTRUMENT PANEL	I/P	AMERICAN TRUCKING ASSOCIATION	ATA	INDEPENDENT POWER TAKE-OFF	IPTO	AUTOMATIC TRACTION CONTROL	ATC	INPUT SPEED SENSOR	ISS	AUDIO VIDEO INTERFACE	AVI	LIGHT COMMERCIAL TRANSMISSION	LCT	BAROMETRIC ATMOSPHERE PRESSURE	BAP	LOW PRESSURE MODULE	LPM	BRAKE HORSEPOWER	BHP	LOW SIDE DRIVE	LSD	BACK OF CAB	BOC	MEDIUM DUTY	MD	CITIZEN BAND	CB	MOMENTARY ENGINE IGNITION INTERRUPT RELAY	MEIIR	COLD CRANKING AMPERES	CCA	MALFUNCTION INDICATION LAMP	MIL	CLEAN POWER ELECTRICAL CONNECTOR	CEC	MULTIPLX SWITCH MODULE	MSM	CENTRAL PROCESSING UNIT	CPU	OUTPUT SPEED SENSOR	OSS	CAB OVER ENGINE	COE	PYROMETER AMMETER MODULE	PAM	DIRECT CURRENT	DC	POWER DISTRIBUTION CENTER	PDC	DRIVER CONTROL MODULE	DCM	PROGRAMMABLE LOGIC CONTROLLER	PLC	DIGITAL DATA LINK	DDL	POWER TAKE-OFF	PTO	DIESEL OXIDATION CATALYST INLET TEMPERATURE	DOCT	PULSE WIDTH MODULATION	PWM	DIESEL PARTICULATE FILTER	DPF	REAR AXLE	RA	DIESEL PARTICULATE FILTER DELTA PRESSURE	DPFDP	RADIO FREQUENCY	RF	DIESEL PARTICULATE FILTER TEMPERATURE	DPFT	ROLL STABILITY PROGRAM	RSP	DIESEL TURBOCHARGED	DT	SEVERE SERVICE	SS	DAY TIME RUNNING LIGHTS	DTRL	TRANSMISSION CONTROL MODULE	TCM	ELECTRONIC CONTROL MODULE	ECM	TERRESTRIAL COMMUNICATION UNIT	TCU	ELECTRONIC CONTROL UNIT	ECU	TERRESTRIAL MOBILE COMMUNICATION TERMINAL	TMCT	EXHAUST GAS RECIRCULATION	EGR	THERMAL OVERCRANK PROTECTION	TOCP	EXHAUST GAS TEMPERATURE	EGT	THROTTLE POSITION SENSOR	TPS	ELECTRO MAGNETIC INTERFERENCE	EMI	TURBINE SPEED SENSOR	TSS	END OF FRAME	EOF	VEHICLE SPEED OUTPUT	VSO	ELECTRIC TRAILER BRAKE	ETB	VEHICLE SPEED SENSOR	VSS	FRONT AXLE	FA	WORLD TRANSMISSION ELECTRONIC CONTROLS	WTEC	FRONT END	FE	ZERO VOLT REFERENCE	ZVR	FRONT OF DASH	FOD			FULL POWER BRAKE	FPB			GLOBAL POSITIONING SYSTEM	GPS			HYDRAULIC CONTROL UNIT	HCU			HEAVY DUTY	HD		
DESCRIPTION	ACRONYM	DESCRIPTION	ACRONYM																																																																																																																																																																												
ANTILOCK BRAKING SYSTEM	ABS	HEAVY DUTY DIESEL	HDD																																																																																																																																																																												
ANTENNA COMMUNICATION UNIT	ACU	HIGH PERFORMANCE TRUCK	HPT																																																																																																																																																																												
ALTERNATING CURRENT	AC	HIGH SIDE DRIVER	HSD																																																																																																																																																																												
AXLE TO BACK OF CAB	AC	HEATING, VENTILATION, AND AIR CONDITIONING	HVAC																																																																																																																																																																												
AXLE TO FRAME	AF	INJECTOR DRIVE MODULE	IDM																																																																																																																																																																												
ACCELERATOR PEDAL MODULE	APM	INPUT/OUTPUT	I/O																																																																																																																																																																												
ACCELERATOR POSITION SENSOR	APS	INTEGRATED MOBILE COMMUNICATION TERMINAL	IMCT																																																																																																																																																																												
AUXILIARY POWER UNIT	APU	INSTRUMENT PANEL	I/P																																																																																																																																																																												
AMERICAN TRUCKING ASSOCIATION	ATA	INDEPENDENT POWER TAKE-OFF	IPTO																																																																																																																																																																												
AUTOMATIC TRACTION CONTROL	ATC	INPUT SPEED SENSOR	ISS																																																																																																																																																																												
AUDIO VIDEO INTERFACE	AVI	LIGHT COMMERCIAL TRANSMISSION	LCT																																																																																																																																																																												
BAROMETRIC ATMOSPHERE PRESSURE	BAP	LOW PRESSURE MODULE	LPM																																																																																																																																																																												
BRAKE HORSEPOWER	BHP	LOW SIDE DRIVE	LSD																																																																																																																																																																												
BACK OF CAB	BOC	MEDIUM DUTY	MD																																																																																																																																																																												
CITIZEN BAND	CB	MOMENTARY ENGINE IGNITION INTERRUPT RELAY	MEIIR																																																																																																																																																																												
COLD CRANKING AMPERES	CCA	MALFUNCTION INDICATION LAMP	MIL																																																																																																																																																																												
CLEAN POWER ELECTRICAL CONNECTOR	CEC	MULTIPLX SWITCH MODULE	MSM																																																																																																																																																																												
CENTRAL PROCESSING UNIT	CPU	OUTPUT SPEED SENSOR	OSS																																																																																																																																																																												
CAB OVER ENGINE	COE	PYROMETER AMMETER MODULE	PAM																																																																																																																																																																												
DIRECT CURRENT	DC	POWER DISTRIBUTION CENTER	PDC																																																																																																																																																																												
DRIVER CONTROL MODULE	DCM	PROGRAMMABLE LOGIC CONTROLLER	PLC																																																																																																																																																																												
DIGITAL DATA LINK	DDL	POWER TAKE-OFF	PTO																																																																																																																																																																												
DIESEL OXIDATION CATALYST INLET TEMPERATURE	DOCT	PULSE WIDTH MODULATION	PWM																																																																																																																																																																												
DIESEL PARTICULATE FILTER	DPF	REAR AXLE	RA																																																																																																																																																																												
DIESEL PARTICULATE FILTER DELTA PRESSURE	DPFDP	RADIO FREQUENCY	RF																																																																																																																																																																												
DIESEL PARTICULATE FILTER TEMPERATURE	DPFT	ROLL STABILITY PROGRAM	RSP																																																																																																																																																																												
DIESEL TURBOCHARGED	DT	SEVERE SERVICE	SS																																																																																																																																																																												
DAY TIME RUNNING LIGHTS	DTRL	TRANSMISSION CONTROL MODULE	TCM																																																																																																																																																																												
ELECTRONIC CONTROL MODULE	ECM	TERRESTRIAL COMMUNICATION UNIT	TCU																																																																																																																																																																												
ELECTRONIC CONTROL UNIT	ECU	TERRESTRIAL MOBILE COMMUNICATION TERMINAL	TMCT																																																																																																																																																																												
EXHAUST GAS RECIRCULATION	EGR	THERMAL OVERCRANK PROTECTION	TOCP																																																																																																																																																																												
EXHAUST GAS TEMPERATURE	EGT	THROTTLE POSITION SENSOR	TPS																																																																																																																																																																												
ELECTRO MAGNETIC INTERFERENCE	EMI	TURBINE SPEED SENSOR	TSS																																																																																																																																																																												
END OF FRAME	EOF	VEHICLE SPEED OUTPUT	VSO																																																																																																																																																																												
ELECTRIC TRAILER BRAKE	ETB	VEHICLE SPEED SENSOR	VSS																																																																																																																																																																												
FRONT AXLE	FA	WORLD TRANSMISSION ELECTRONIC CONTROLS	WTEC																																																																																																																																																																												
FRONT END	FE	ZERO VOLT REFERENCE	ZVR																																																																																																																																																																												
FRONT OF DASH	FOD																																																																																																																																																																														
FULL POWER BRAKE	FPB																																																																																																																																																																														
GLOBAL POSITIONING SYSTEM	GPS																																																																																																																																																																														
HYDRAULIC CONTROL UNIT	HCU																																																																																																																																																																														
HEAVY DUTY	HD																																																																																																																																																																														
CHK	DATE	CHANGE	REV	REFERENCE	DRAWN	NAME																																																																																																																																																																									
CNA1	06SEP07	REVISED AND REDRAWN	A	60785Z	U00JAHF	CIRCUIT DIAGRAM, LCF																																																																																																																																																																									
					RELEASE NO.	DATE	PART NO.																																																																																																																																																																								
					59053V	05FEB04	AE08055410																																																																																																																																																																								
							SHEET 002																																																																																																																																																																								

Figure 2 Acronyms



2.3. CIRCUIT DIAGRAM INSTRUCTIONS, P. 3

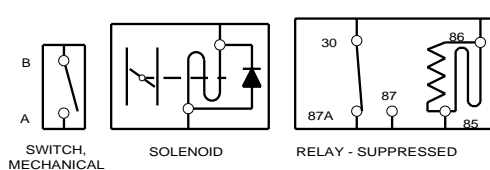
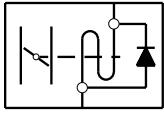
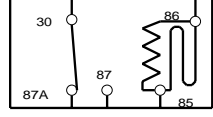
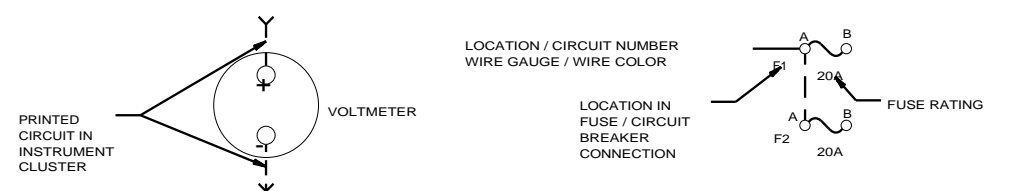
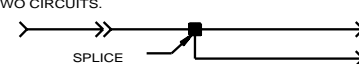
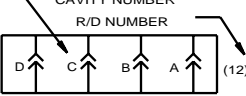

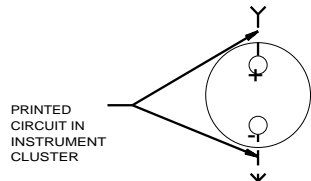

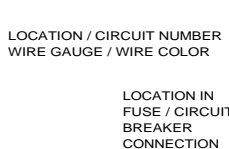
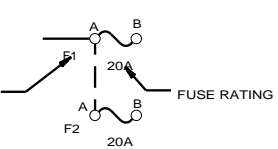
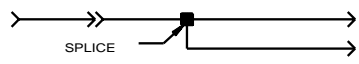
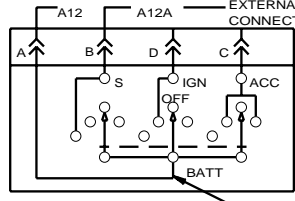

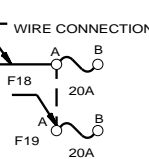
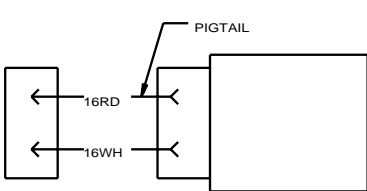
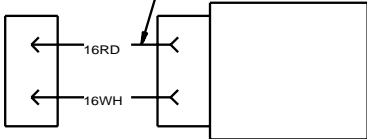

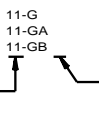

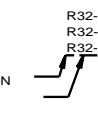
INTERNATIONAL TRUCK AND ENGINE CORPORATION ELECTRICAL CIRCUIT DIAGRAM CHAPTER 2 <small>THIS PRINT IS PROVIDED ON A RESTRICTED BASIS AND IS NOT TO BE USED IN ANY WAY DETRIMENTAL TO THE INTEREST OF INTERNATIONAL TRUCK AND ENGINE CORPORATION.</small>																																																									
CIRCUIT DIAGRAM INSTRUCTIONS																																																									
<p>A - SWITCH AND RELAY POSITIONS AS SHOWN ON CIRCUIT DIAGRAMS INDICATE NORMAL POSITION WITH IGNITION OFF UNLESS OTHERWISE NOTED.</p> <div style="display: flex; justify-content: space-around;"> <div style="text-align: center;">  <p>SWITCH, MECHANICAL</p> </div> <div style="text-align: center;">  <p>SOLENOID</p> </div> <div style="text-align: center;">  <p>RELAY - SUPPRESSED</p> </div> </div>	<p>B - MULTIPLE CONNECTIONS ARE DISPLAYED ON SCHEMATIC AS SHOWN WITH R/D NUMBER &amp; CAVITY NUMBER. REFER TO CONNECTOR COMPOSITE FOR MORE INFORMATION</p> <div style="display: flex; justify-content: space-around;"> <div style="text-align: center;">  <p>R/D NUMBER (12-A)</p> </div> <div style="text-align: center;">  <p>AND/OR</p> </div> <div style="text-align: center;">  <p>CAVITY NUMBER R/D NUMBER D C B A (12)</p> </div> </div> <p>SINGLE IN-LINE CONNECTORS DISPLAYED AS SHOWN BELOW WITHOUT R/D NUMBER</p> <div style="text-align: center;">  </div>																																																								
<p>C - PHANTOM LINES INDICATE PRINTED CIRCUITS OR BUSSED CIRCUITS. THESE CIRCUITS EXIST IN THE INSTRUMENT CLUSTER AND FUSE / CIRCUIT BREAKER CONNECTORS.</p> <div style="display: flex; justify-content: space-around;"> <div style="text-align: center;">  <p>PRINTED CIRCUIT IN INSTRUMENT CLUSTER</p> </div> <div style="text-align: center;">  <p>VOLTMETER</p> </div> <div style="text-align: center;"> <p>LOCATION / CIRCUIT NUMBER WIRE GAUGE / WIRE COLOR</p>  <p>LOCATION IN FUSE / CIRCUIT BREAKER CONNECTION</p> </div> <div style="text-align: center;">  <p>FUSE RATING</p> </div> </div>																																																									
<p>D - MULTIPLE CIRCUIT NUMBERS ON A LINE INDICATE ONE CIRCUIT DISTRIBUTING CURRENT TO TWO CIRCUITS.</p> <div style="text-align: center;">  <p>SPLICE</p> </div>																																																									
<p>E - SWITCHES, RELAYS AND COMPONENTS INDICATE EXTERNAL WIRE CONNECTIONS AND / OR INTERNAL CONNECTIONS OR CONTACTS.</p> <div style="display: flex; justify-content: space-around;"> <div style="text-align: center;">  <p>KEY SWITCH (1101M)</p> </div> <div style="text-align: center;">  <p>BUSSED CONTACT</p> </div> <div style="text-align: center;">  <p>WIRE CONNECTION</p> </div> <div style="text-align: center;">  <p>PIGTAIL</p> </div> </div> <div style="text-align: center; margin-top: 10px;">  <p>BODY CONTROLLER (1602)</p> </div>																																																									
<p>F - CIRCUIT "11" DENOTES ANY COMMON GROUND (MORE THAN ONE CIRCUIT). ANY INDIVIDUAL GROUND CIRCUIT IS IDENTIFIED WITH THAT PARTICULAR CIRCUIT NUMBER. (E.G. CIRCUIT 32 CRUISE CONTROL IS IDENTIFIED AS PER EXAMPLE)</p> <div style="display: flex; justify-content: space-around;"> <div style="text-align: center;">  <p>COMMON GROUND CIRCUIT NUMBER</p> </div> <div style="text-align: center;">  <p>SUFFIX BEGINNING WITH G INDICATES A GROUND CIRCUIT</p> </div> <div style="text-align: center;">  <p>INDIVIDUAL GROUND CIRCUIT NUMBER</p> </div> <div style="text-align: center;">  <p>SUFFIX BEGINNING WITH G INDICATES A GROUND CIRCUIT</p> </div> </div> <p style="text-align: center; font-size: small;">NOTE: FOR CIRCUIT DESCRIPTION OTHER THAN GROUNDS NEITHER THE LETTER "G" NOR THE COLOR WHITE SHALL BE USED</p>																																																									
<table border="1" style="width: 100%; border-collapse: collapse; font-size: x-small;"> <tr> <th>CHK</th> <th>DATE</th> <th>CHANGE</th> <th>REV</th> <th>REFERENCE</th> <th>DRAWN</th> <th>NAME</th> </tr> <tr> <td>CNA1</td> <td>28AUG07</td> <td>REVISED AND REDRAWN</td> <td>A</td> <td>60785Z</td> <td>U00JAHF</td> <td>CIRCUIT DIAGRAM, LCF</td> </tr> <tr> <td></td> <td></td> <td></td> <td></td> <td></td> <td>RELEASE NO.</td> <td>DATE</td> </tr> <tr> <td></td> <td></td> <td></td> <td></td> <td></td> <td>59053V</td> <td>05FEB04</td> </tr> <tr> <td></td> <td></td> <td></td> <td></td> <td></td> <td></td> <td>PART NO.</td> </tr> <tr> <td></td> <td></td> <td></td> <td></td> <td></td> <td></td> <td>AE08055410</td> </tr> <tr> <td></td> <td></td> <td></td> <td></td> <td></td> <td></td> <td>SHEET</td> </tr> <tr> <td></td> <td></td> <td></td> <td></td> <td></td> <td></td> <td>003</td> </tr> </table>		CHK	DATE	CHANGE	REV	REFERENCE	DRAWN	NAME	CNA1	28AUG07	REVISED AND REDRAWN	A	60785Z	U00JAHF	CIRCUIT DIAGRAM, LCF						RELEASE NO.	DATE						59053V	05FEB04							PART NO.							AE08055410							SHEET							003
CHK	DATE	CHANGE	REV	REFERENCE	DRAWN	NAME																																																			
CNA1	28AUG07	REVISED AND REDRAWN	A	60785Z	U00JAHF	CIRCUIT DIAGRAM, LCF																																																			
					RELEASE NO.	DATE																																																			
					59053V	05FEB04																																																			
						PART NO.																																																			
						AE08055410																																																			
						SHEET																																																			
						003																																																			

Figure 3 Circuit Diagram Instructions

2.4. CIRCUIT NUMBER IDENTIFICATION AND COLOR, P. 4

INTERNATIONAL TRUCK AND ENGINE CORPORATION		ELECTRICAL CIRCUIT DIAGRAM CHAPTER 2
THIS PRINT IS PROVIDED ON A RESTRICTED BASIS AND IS NOT TO BE USED IN ANY WAY DETRIMENTAL TO THE INTEREST OF INTERNATIONAL TRUCK AND ENGINE CORPORATION.		CIRCUIT NUMBER IDENTIFICATION AND COLOR

CIRCUIT NUMBER	COLOR	DESCRIPTION
1	LTBL	ALTERNATOR - FIELD
2	RD	ALTERNATOR - CHARGE
3	DKBL	SERIAL / DATA COMMUNICATION J1587 / J1708 (+)
	GY	SERIAL / DATA COMMUNICATION J1587 / J1708 (-)
4	DKBL	SERIAL / DATA COMMUNICATION J1922 (+)
	GY	SERIAL / DATA COMMUNICATION J1922 (-)
5	YL	SERIAL / DATA COMMUNICATION J1939 /11 / J1939/15 (+)
	GN	SERIAL / DATA COMMUNICATION J1939 /11 / J1939/15 (-)
6	GY	LOW VOLTAGE ELECTRONIC FEED (LESS THAN 9 VOLTS)
7	RD	ALTERNATOR - RESISTANCE
8		
9	GY	LOW VOLTAGE ELECTRONIC GROUND
10	WH	CHASSIS / ENGINE GROUND
11	WH	CAB / SLEEPER GROUND
12	LTBL	ACCESSORY FEED
13	PK	IGNITION FEED
	BK	IGNITION FEED (BODY BUILDER CONNECTOR)
14	RD	BATTERY FEED
15	RD	KEY SWITCH FEED
16		
17	PK	STARTER CONTROL
18	PK	GLOW PLUG / PREHEATER
19	GY	ENGINE SHUTDOWN
20	LTGN	REMOTE POWER MODULE
21	TN	COLD START CONTROLS (ETHER)
22	TN	TIRE PRESSURE MONITORING / CONTROL
23	TN	ENGINE FAN / SHUTTERS
24	GY	ENGINE EXHAUST BRAKE
25	TN	PYROMETER
26	TN	AMMETER
27	TN	VOLTMETER
28	TN	INSTRUMENTS AND GAUGES
29	TN	ENGINE WATER TEMPERATURE
30	TN	ENGINE OIL TEMPERATURE
31	TN	TRANSMISSION OIL TEMPERATURE
32	TN	AXLE OIL TEMPERATURE
33	TN	ENGINE OIL LEVEL
34	TN	COOLANT LEVEL
35	TN	ENGINE OIL PRESSURE
36	TN	FUEL LEVEL
37	TN	FUEL PUMP
38	GY	LIFT AXLE
39	GY	AIR DRYER HEATER
40	GY	LOW AIR PRESSURE WARNING
41	TN	AIR TEMPERATURE
42	GY	FRONT AXLE ENGAGED
43	GY	POWER DIVIDER LOCK (PDL) WARNING
44	GY	PARK BRAKE WARNING
45	LTGN	ANTITHEFT WARNING

CHK	DATE	CHANGE	REV	REFERENCE	DRAWN	NAME
CNA1	28AUG07	REVISED AND REDRAWN	A	60785Z	U00JAH	CIRCUIT DIAGRAM, LCF
					RELEASE NO.	DATE
					59053V	05FEB04
						PART NO.
						AE08055410
						SHEET
						004

Figure 4 Circuit Number Identification and Color

2.5. CIRCUIT NUMBER IDENTIFICATION AND COLOR, P. 5

CIRCUIT NUMBER	COLOR	DESCRIPTION
46	GY	POWER TAKE-OFF WARNING
47	GY	SPEEDOMETER
48	GY	TACHOMETER
49	GY	DIFFERENTIAL LOCK WARNING
50	YL	LIGHT SWITCH FEED
51	YL	DIMMER SWITCH FEED
52	YL	HEADLIGHT HI - BEAM
53	YL	HEADLIGHT LO - BEAM
54	BN	PARKING / MARKER LIGHTS
55	OR	TURN SIGNAL - FEED
56	OR	TURN SIGNAL LIGHTS - LEFT
	YL	TURN SIGNAL LIGHTS - LEFT (BODY BUILDER CONNECTION)
57	OR	TURN SIGNAL LIGHTS - RIGHT
	LTGN	TURN SIGNAL LIGHTS - RIGHT (BODY BUILDER CONNECTION)
58	BN	CLEARANCE / IDENTIFICATION LIGHTS
59	GY	SOLENOID
60	OR	HAZARD LIGHTS
61	GY	AIR SUSPENSION
62	DKBL	PANEL LIGHTS
63	DKBL	COURTESY / DOME LIGHTS
64	YL	FOG / DRIVING LIGHTS
65	OR	CAB REAR FLOOD LIGHTS
66	YL	DAYTIME RUNNING LIGHT
67	GY	OBSTACLE AVOIDANCE / REMOTE SENSOR
68	BN	TAIL LIGHTS
69	BN	LICENSE PLATE LIGHT
70	OR	STOP LIGHTS
	RD	STOP LIGHTS (BODY BUILDER CONNECTION)
71	OR	BACK-UP - LIGHTS
	LTBL	BACK-UP - LIGHTS (BODY BUILDER CONNECTION)
72	OR	TRAILER AUXILIARY FEED - BATTERY
73	LTGN	PWM
74	LTGN	HEATER RECIRCULATION MOTOR
75	LTGN	HEATER BLOWER MOTOR
76	LTGN	AUXILIARY FAN
77	LTGN	AIR CONDITIONER
78	LTGN	MIRRORS - HEATED, MOTORIZED
79	GY	SEAT BELTS
80	BK	SLEEPER BOX RELAY - FEED
81	LTGN	POWER DOOR LOCKS
82	GY	WINDSHIELD WIPER
83	LTGN	POWER WINDOWS
84	LTGN	CIGAR LIGHTER
85	GY	HORN

CHK	DATE	CHANGE	REV	REFERENCE	DRAWN	NAME
CNA1	28AUG07	REVISED AND REDRAWN	B	60785Z	U00JAHF	CIRCUIT DIAGRAM, LCF
					RELEASE NO.	DATE
					59053V	05FEB04
						PART NO.
						AE08055410
						SHEET
						005

Figure 5 Circuit Number Identification and Color

2.6. CIRCUIT NUMBER IDENTIFICATION AND COLOR, P. 6

INTERNATIONAL TRUCK AND ENGINE CORPORATION <small>THIS PRINT IS PROVIDED ON A RESTRICTED BASIS AND IS NOT TO BE USED IN ANY WAY DETRIMENTAL TO THE INTEREST OF INTERNATIONAL TRUCK AND ENGINE CORPORATION.</small>		ELECTRICAL CIRCUIT DIAGRAM CHAPTER 2 CIRCUIT NUMBER IDENTIFICATION AND COLOR (CONT)																																																																																																																													
<table border="1" style="width: 100%; border-collapse: collapse;"> <thead> <tr> <th style="width: 15%;">CIRCUIT NUMBER</th> <th style="width: 15%;">COLOR</th> <th style="width: 70%;">DESCRIPTION</th> </tr> </thead> <tbody> <tr><td>86</td><td>LTGN</td><td>RADIO - ENTERTAINMENT / CLOCK</td></tr> <tr><td>87</td><td>GY</td><td>WINDSHIELD WASHER</td></tr> <tr><td>88</td><td>LTGN</td><td>CLOCK / HOURMETER</td></tr> <tr><td>89</td><td>VT</td><td>AIR BAG</td></tr> <tr><td>90</td><td>GY</td><td>HYDRAULIC BRAKE PUMP</td></tr> <tr><td>91</td><td>VT</td><td>INTERCOMMUNICATION</td></tr> <tr><td>92</td><td>TN</td><td>TRANSMISSION CONTROLS - ELECTRONICS</td></tr> <tr><td>93</td><td>TN</td><td>AXLE SHIFT CONTROL</td></tr> <tr><td>94</td><td>GY</td><td>ANTILOCK BRAKE SYSTEM</td></tr> <tr><td>95</td><td>TN</td><td>EXHAUST EMISSION</td></tr> <tr><td>96</td><td>YL</td><td>SNOWPLOW LIGHTS / CRUISE CONTROLS</td></tr> <tr><td>97</td><td>VT</td><td>ENGINE CONTROLS - ELECTRONIC</td></tr> <tr><td>98</td><td>BK</td><td>DATALINK AND DIAGNOSTICS</td></tr> <tr><td>99</td><td>VT</td><td>ACCELERATOR POSITION SENSOR (APS)</td></tr> <tr><td>100</td><td>GY</td><td>AIR HORN (ELECTRIC SOLENOID ACTUATED)</td></tr> <tr><td>101</td><td>TN</td><td>BRAKE APPLICATION AIR</td></tr> <tr><td>102</td><td>YL</td><td>FLASH TO PASS</td></tr> <tr><td>103</td><td>LTGN</td><td>BODY BUILDER AUXILIARY FEED</td></tr> <tr><td>104</td><td>DKBL</td><td>REMOTE START / STOP</td></tr> <tr><td>105</td><td>LTGN</td><td>HEATED SEATS</td></tr> <tr><td>106</td><td>OR</td><td>HIGH VOLTAGE ALTERNATOR AC CHARGE</td></tr> <tr><td>107</td><td>GY</td><td>INSTRUMENT CLUSTER ELECTRONIC FEED (5V)</td></tr> <tr><td>108</td><td>GY</td><td>BRAKE PAD WEAR SENSOR</td></tr> <tr><td>109</td><td>GY</td><td>BRAKE STROKE / SLACK ADJUSTER</td></tr> <tr><td>110</td><td>GY</td><td>INSTRUMENT CLUSTER ELECTRONIC GROUND</td></tr> <tr><td>111</td><td>TN</td><td>FUEL FILTER RESTRICTION TRANSDUCER</td></tr> <tr><td>112</td><td>GY</td><td>LIFT GATE</td></tr> </tbody> </table> <table border="1" style="width: 100%; border-collapse: collapse;"> <thead> <tr> <th style="width: 15%;">PREFIX</th> <th style="width: 85%;">LOCATION</th> </tr> </thead> <tbody> <tr><td>A</td><td>CAB - INSTRUMENT PANEL MODULE</td></tr> <tr><td>B</td><td>CAB - DRIVER CONTROL MODULE</td></tr> <tr><td>C</td><td>CAB - HEADER / CLEARANCE LIGHTS</td></tr> <tr><td>D</td><td>CAB - ROOF / REAR PANEL</td></tr> <tr><td>E</td><td>CAB - LEFT DOOR / DOORS</td></tr> <tr><td>F</td><td>CAB - RIGHT DOOR / DOORS</td></tr> <tr><td>H</td><td>CAB - SLEEPER</td></tr> <tr><td>J</td><td>CAB - DASH (OUTSIDE)</td></tr> <tr><td>K</td><td>ENGINE / RADIATOR</td></tr> <tr><td>L</td><td>TRANSMISSION</td></tr> <tr><td>M</td><td>CHASSIS / FRONT END (CAB DASH PANEL FORWARD)</td></tr> <tr><td>N</td><td>CHASSIS / CENTER SECTION (CAB DASH PANEL TO CAB REAR CROSS MEMBER)</td></tr> <tr><td>P</td><td>CHASSIS / WHEEL BASE SECTION</td></tr> <tr><td>R</td><td>CHASSIS / SUSPENSION / REAR AXLE / AXLES</td></tr> <tr><td>S</td><td>CHASSIS / AF SECTION / STOP / TAIL / TURN LIGHTS</td></tr> <tr><td>T</td><td>TRAVEL DOORS</td></tr> <tr><td>U</td><td>HOOD MTD HEADLIGHTS / MARKER LIGHTS</td></tr> <tr><td>V</td><td>SLEEPER ROOF / BACK PANEL WIRING</td></tr> <tr><td>W</td><td>WARDROBE CABINET WIRING</td></tr> </tbody> </table>				CIRCUIT NUMBER	COLOR	DESCRIPTION	86	LTGN	RADIO - ENTERTAINMENT / CLOCK	87	GY	WINDSHIELD WASHER	88	LTGN	CLOCK / HOURMETER	89	VT	AIR BAG	90	GY	HYDRAULIC BRAKE PUMP	91	VT	INTERCOMMUNICATION	92	TN	TRANSMISSION CONTROLS - ELECTRONICS	93	TN	AXLE SHIFT CONTROL	94	GY	ANTILOCK BRAKE SYSTEM	95	TN	EXHAUST EMISSION	96	YL	SNOWPLOW LIGHTS / CRUISE CONTROLS	97	VT	ENGINE CONTROLS - ELECTRONIC	98	BK	DATALINK AND DIAGNOSTICS	99	VT	ACCELERATOR POSITION SENSOR (APS)	100	GY	AIR HORN (ELECTRIC SOLENOID ACTUATED)	101	TN	BRAKE APPLICATION AIR	102	YL	FLASH TO PASS	103	LTGN	BODY BUILDER AUXILIARY FEED	104	DKBL	REMOTE START / STOP	105	LTGN	HEATED SEATS	106	OR	HIGH VOLTAGE ALTERNATOR AC CHARGE	107	GY	INSTRUMENT CLUSTER ELECTRONIC FEED (5V)	108	GY	BRAKE PAD WEAR SENSOR	109	GY	BRAKE STROKE / SLACK ADJUSTER	110	GY	INSTRUMENT CLUSTER ELECTRONIC GROUND	111	TN	FUEL FILTER RESTRICTION TRANSDUCER	112	GY	LIFT GATE	PREFIX	LOCATION	A	CAB - INSTRUMENT PANEL MODULE	B	CAB - DRIVER CONTROL MODULE	C	CAB - HEADER / CLEARANCE LIGHTS	D	CAB - ROOF / REAR PANEL	E	CAB - LEFT DOOR / DOORS	F	CAB - RIGHT DOOR / DOORS	H	CAB - SLEEPER	J	CAB - DASH (OUTSIDE)	K	ENGINE / RADIATOR	L	TRANSMISSION	M	CHASSIS / FRONT END (CAB DASH PANEL FORWARD)	N	CHASSIS / CENTER SECTION (CAB DASH PANEL TO CAB REAR CROSS MEMBER)	P	CHASSIS / WHEEL BASE SECTION	R	CHASSIS / SUSPENSION / REAR AXLE / AXLES	S	CHASSIS / AF SECTION / STOP / TAIL / TURN LIGHTS	T	TRAVEL DOORS	U	HOOD MTD HEADLIGHTS / MARKER LIGHTS	V	SLEEPER ROOF / BACK PANEL WIRING	W	WARDROBE CABINET WIRING
CIRCUIT NUMBER	COLOR	DESCRIPTION																																																																																																																													
86	LTGN	RADIO - ENTERTAINMENT / CLOCK																																																																																																																													
87	GY	WINDSHIELD WASHER																																																																																																																													
88	LTGN	CLOCK / HOURMETER																																																																																																																													
89	VT	AIR BAG																																																																																																																													
90	GY	HYDRAULIC BRAKE PUMP																																																																																																																													
91	VT	INTERCOMMUNICATION																																																																																																																													
92	TN	TRANSMISSION CONTROLS - ELECTRONICS																																																																																																																													
93	TN	AXLE SHIFT CONTROL																																																																																																																													
94	GY	ANTILOCK BRAKE SYSTEM																																																																																																																													
95	TN	EXHAUST EMISSION																																																																																																																													
96	YL	SNOWPLOW LIGHTS / CRUISE CONTROLS																																																																																																																													
97	VT	ENGINE CONTROLS - ELECTRONIC																																																																																																																													
98	BK	DATALINK AND DIAGNOSTICS																																																																																																																													
99	VT	ACCELERATOR POSITION SENSOR (APS)																																																																																																																													
100	GY	AIR HORN (ELECTRIC SOLENOID ACTUATED)																																																																																																																													
101	TN	BRAKE APPLICATION AIR																																																																																																																													
102	YL	FLASH TO PASS																																																																																																																													
103	LTGN	BODY BUILDER AUXILIARY FEED																																																																																																																													
104	DKBL	REMOTE START / STOP																																																																																																																													
105	LTGN	HEATED SEATS																																																																																																																													
106	OR	HIGH VOLTAGE ALTERNATOR AC CHARGE																																																																																																																													
107	GY	INSTRUMENT CLUSTER ELECTRONIC FEED (5V)																																																																																																																													
108	GY	BRAKE PAD WEAR SENSOR																																																																																																																													
109	GY	BRAKE STROKE / SLACK ADJUSTER																																																																																																																													
110	GY	INSTRUMENT CLUSTER ELECTRONIC GROUND																																																																																																																													
111	TN	FUEL FILTER RESTRICTION TRANSDUCER																																																																																																																													
112	GY	LIFT GATE																																																																																																																													
PREFIX	LOCATION																																																																																																																														
A	CAB - INSTRUMENT PANEL MODULE																																																																																																																														
B	CAB - DRIVER CONTROL MODULE																																																																																																																														
C	CAB - HEADER / CLEARANCE LIGHTS																																																																																																																														
D	CAB - ROOF / REAR PANEL																																																																																																																														
E	CAB - LEFT DOOR / DOORS																																																																																																																														
F	CAB - RIGHT DOOR / DOORS																																																																																																																														
H	CAB - SLEEPER																																																																																																																														
J	CAB - DASH (OUTSIDE)																																																																																																																														
K	ENGINE / RADIATOR																																																																																																																														
L	TRANSMISSION																																																																																																																														
M	CHASSIS / FRONT END (CAB DASH PANEL FORWARD)																																																																																																																														
N	CHASSIS / CENTER SECTION (CAB DASH PANEL TO CAB REAR CROSS MEMBER)																																																																																																																														
P	CHASSIS / WHEEL BASE SECTION																																																																																																																														
R	CHASSIS / SUSPENSION / REAR AXLE / AXLES																																																																																																																														
S	CHASSIS / AF SECTION / STOP / TAIL / TURN LIGHTS																																																																																																																														
T	TRAVEL DOORS																																																																																																																														
U	HOOD MTD HEADLIGHTS / MARKER LIGHTS																																																																																																																														
V	SLEEPER ROOF / BACK PANEL WIRING																																																																																																																														
W	WARDROBE CABINET WIRING																																																																																																																														
<small>CHK</small>	<small>DATE</small>	<small>CHANGE</small>	<small>REV</small>	<small>REFERENCE</small>	<small>DRAWN</small>	<small>NAME</small>																																																																																																																									
CNA1	28AUG07	REVISED AND REDRAWN	A	60785Z	U00JAHP	CIRCUIT DIAGRAM, LCF																																																																																																																									
					<small>RELEASE NO.</small>	<small>DATE</small>	<small>PART NO.</small>																																																																																																																								
					59053V	05FEB04	AE08055410																																																																																																																								
							<small>SHEET</small> 006																																																																																																																								

Figure 6 Circuit Number Identification and Color

2.7. LAMP BULB CHART, P. 7

INTERNATIONAL TRUCK AND ENGINE CORPORATION				ELECTRICAL CIRCUIT DIAGRAM CHAPTER 2																																							
THIS PRINT IS PROVIDED ON A RESTRICTED BASIS AND IS NOT TO BE USED IN ANY WAY DETRIMENTAL TO THE INTEREST OF INTERNATIONAL TRUCK AND ENGINE CORPORATION.				LAMP BULB CHART																																							
<table border="1" style="width: 100%; border-collapse: collapse;"> <thead> <tr> <th style="width: 40%;">BULB APPLICATION</th> <th style="width: 30%;">CANDLEPOWER OR WATTS</th> <th style="width: 30%;">BULB TRADE NUMBER</th> </tr> </thead> <tbody> <tr> <td>ASHTRAY</td> <td>1.4 WATT</td> <td>74T-5</td> </tr> <tr> <td>DOVE</td> <td>15 WATT</td> <td>211-2</td> </tr> <tr> <td>FOG LIGHTS</td> <td>55 WATT</td> <td>64151</td> </tr> <tr> <td>ROOF MARKER LIGHTS</td> <td>5 WATT</td> <td>0194</td> </tr> <tr> <td>HIGH BEAM HEADLIGHT</td> <td>65 WATT</td> <td>9007 LL</td> </tr> <tr> <td>LOW BEAM HEADLIGHT</td> <td>55 WATT</td> <td>9007 LL</td> </tr> <tr> <td>PARK LAMP</td> <td>27 WATT</td> <td>1157NA</td> </tr> <tr> <td>FRONT TURN SIGNAL</td> <td>8 WATT</td> <td>1157NA</td> </tr> <tr> <td>SIDE MARKER LIGHTS</td> <td>5 WATT</td> <td>168</td> </tr> <tr> <td>REVERSE LIGHT</td> <td>32 WATT</td> <td>1156</td> </tr> <tr> <td>STOP / TAIL LIGHTS</td> <td>32 WATT / 3 WATT</td> <td>1157</td> </tr> </tbody> </table>								BULB APPLICATION	CANDLEPOWER OR WATTS	BULB TRADE NUMBER	ASHTRAY	1.4 WATT	74T-5	DOVE	15 WATT	211-2	FOG LIGHTS	55 WATT	64151	ROOF MARKER LIGHTS	5 WATT	0194	HIGH BEAM HEADLIGHT	65 WATT	9007 LL	LOW BEAM HEADLIGHT	55 WATT	9007 LL	PARK LAMP	27 WATT	1157NA	FRONT TURN SIGNAL	8 WATT	1157NA	SIDE MARKER LIGHTS	5 WATT	168	REVERSE LIGHT	32 WATT	1156	STOP / TAIL LIGHTS	32 WATT / 3 WATT	1157
BULB APPLICATION	CANDLEPOWER OR WATTS	BULB TRADE NUMBER																																									
ASHTRAY	1.4 WATT	74T-5																																									
DOVE	15 WATT	211-2																																									
FOG LIGHTS	55 WATT	64151																																									
ROOF MARKER LIGHTS	5 WATT	0194																																									
HIGH BEAM HEADLIGHT	65 WATT	9007 LL																																									
LOW BEAM HEADLIGHT	55 WATT	9007 LL																																									
PARK LAMP	27 WATT	1157NA																																									
FRONT TURN SIGNAL	8 WATT	1157NA																																									
SIDE MARKER LIGHTS	5 WATT	168																																									
REVERSE LIGHT	32 WATT	1156																																									
STOP / TAIL LIGHTS	32 WATT / 3 WATT	1157																																									
CHK	DATE	CHANGE	REV	REFERENCE	DRAWN	NAME																																					
CNA1	28AUG07	REVISED AND REDRAWN	C	60785Z	U00JAHP	CIRCUIT DIAGRAM, LCF																																					
					RELEASE NO.	DATE	PART NO.																																				
					59053V	05FEB04	AE08055410																																				
							SHEET 007																																				

Figure 7 Lamp Bulb Chart

2.8. RELAY FUNCTION AND WIRING GUIDE, P. 8

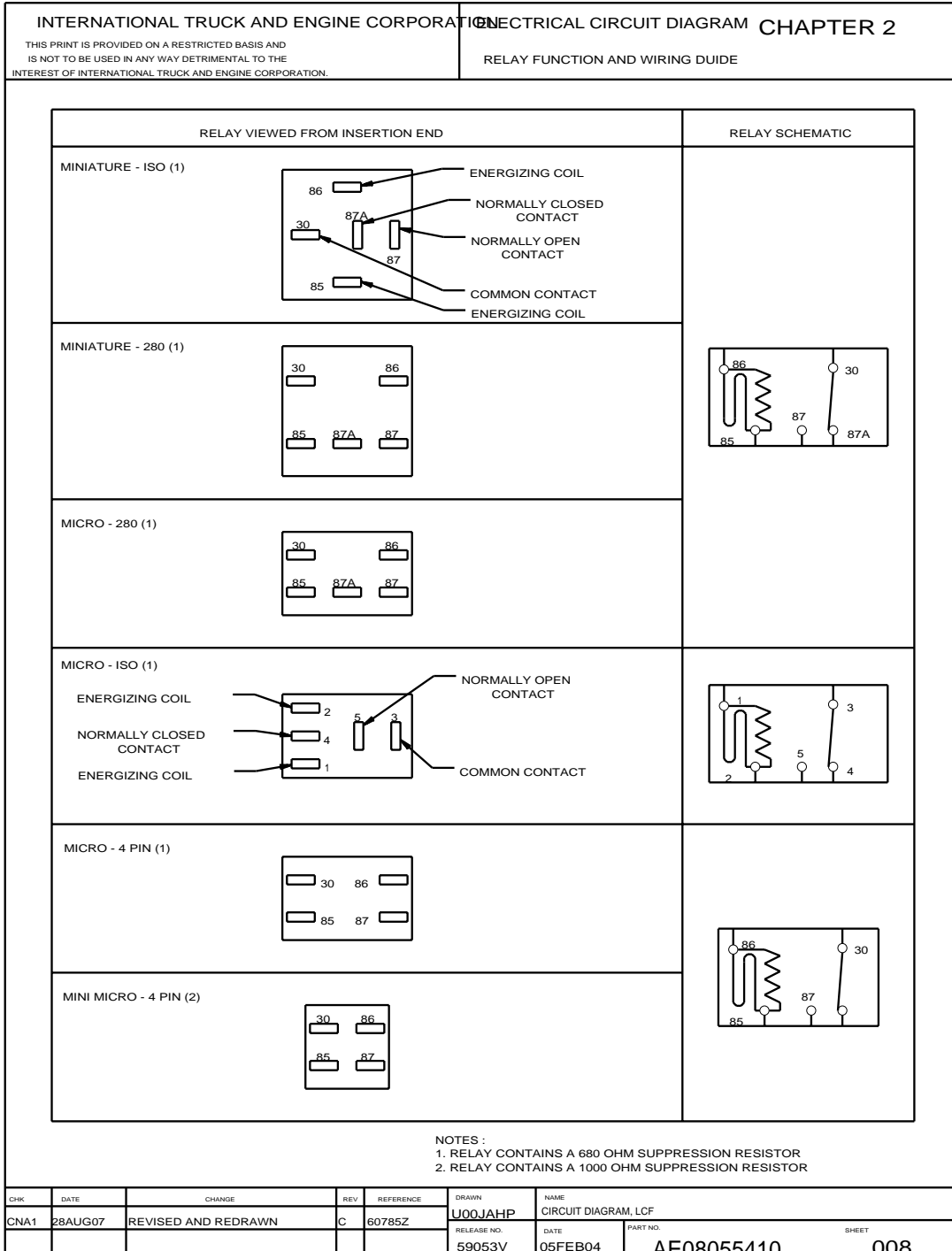
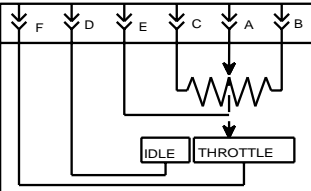
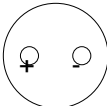
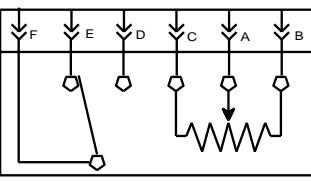
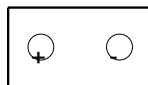
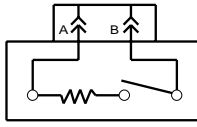
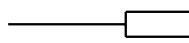
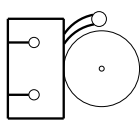
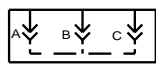
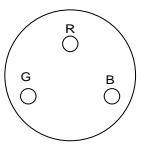
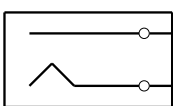
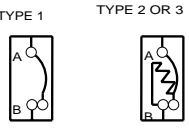



Figure 8 Relay Function and Wiring Guide

2.9. SCHEMATIC SYMBOL CHART, P. 9


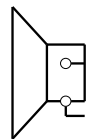
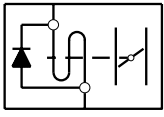
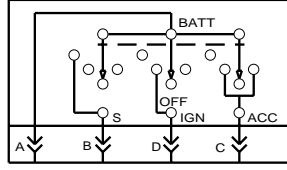
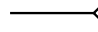
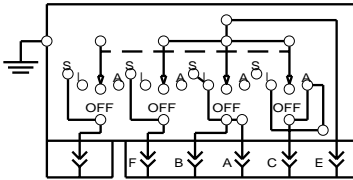

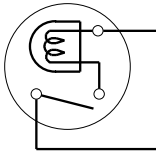

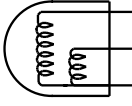
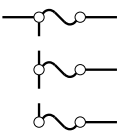
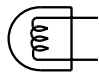

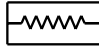
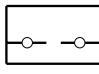
INTERNATIONAL TRUCK AND ENGINE CORPORATION				ELECTRICAL CIRCUIT DIAGRAM CHAPTER 2			
THIS PRINT IS PROVIDED ON A RESTRICTED BASIS AND IS NOT TO BE USED IN ANY WAY DETRIMENTAL TO THE INTEREST OF INTERNATIONAL TRUCK AND ENGINE CORPORATION.				SCHEMATIC SYMBOL CHART			
SYMBOL	DESCRIPTION	SYMBOL	DESCRIPTION				
	ACCEL PEDAL POSN SENSOR		AMMETER				
	ACCEL PEDAL POSN SENSOR		BATTERY				
	AIR DRYER		BLUNT CUT CIRCUIT				
	ALARM		BUSBAR				
	ALTERNATOR		CIGAR LIGHTER				
	CIRCUIT BREAKER		DIODE				

CHK	DATE	CHANGE	REV	REFERENCE	DRAWN	NAME
CNA1	28AUG07	REVISED AND REDRAWN	E	60785Z	U00JAHF	CIRCUIT DIAGRAM, LCF
					RELEASE NO.	DATE
					59053V	05FEB04
						PART NO.
						AE08055410
						SHEET
						009

Figure 9 Schematic Symbol Chart

2.10. SCHEMATIC SYMBOL CHART, P. 10

INTERNATIONAL TRUCK AND ENGINE CORPORATION					ELECTRICAL CIRCUIT DIAGRAM CHAPTER 2				
THIS PRINT IS PROVIDED ON A RESTRICTED BASIS AND IS NOT TO BE USED IN ANY WAY DETRIMENTAL TO THE INTEREST OF INTERNATIONAL TRUCK AND ENGINE CORPORATION.					SCHEMATIC SYMBOL CHART (CONT)				
	DIODE, LIGHT EMITTING		HORN						
	FAN SOLENOID		KEY SWITCH						
	FEMALE TERMINAL		KEY SWITCH, COMPLEX						
	FUSE		LIGHT W/ SWITCH						
	FUSIBLE LINK		LIGHT, DOUBLE FILAMENT						
	FUSES W/ BUSBAR		LIGHT, SINGLE FILAMENT						
	GROUND N/ STUD								
	HEATER								
	HOLDER, FUSE W/ BUSBAR								

CHK	DATE	CHANGE	REV	REFERENCE	DRAWN	NAME
CNA1	28AUG07	INITIAL RELEASE	A	60785Z	300371	CIRCUIT DIAGRAM, LCF
					RELEASE NO.	DATE
					60785Z	10MAY07
						PART NO.
						AE08055410
						SHEET
						010

Figure 10 Schematic Symbol Chart



2.11. SCHEMATIC SYMBOL CHART, P. 11

INTERNATIONAL TRUCK AND ENGINE CORPORATION				ELECTRICAL CIRCUIT DIAGRAM CHAPTER 2			
THIS PRINT IS PROVIDED ON A RESTRICTED BASIS AND IS NOT TO BE USED IN ANY WAY DETRIMENTAL TO THE INTEREST OF INTERNATIONAL TRUCK AND ENGINE CORPORATION.				SCHEMATIC SYMBOL CHART (CONT)			
SYMBOL		DESCRIPTION		SYMBOL		DESCRIPTION	
		MALE TERMINAL				RESISTOR	
		MOTOR				SENDER - FUEL, OIL, TEMP, WATER	
		PASS THRU CONNECTION				SENSOR, PRESSURE. ABS 6	
		PRESSURE SWITCH				SENSOR, MAGNETIC	
		RELAY, FIVE TERMINAL				SENSOR, YAW	
		RELAY, FOUR TERMINAL				SOLENOID	
		RELAY, LATCHING				SOLENOID W/ DIODE	
CHK	DATE	CHANGE	REV	REFERENCE	DRAWN	NAME	
CNA1	28AUG07	INITIAL RELEASE	A	60785Z	300371	CIRCUIT DIAGRAM, LCF	
					RELEASE NO.	DATE	PART NO.
					60785Z	10MAY07	AE08055410
							SHEET 011

Figure 11 Schematic Symbol Chart

2.12. SCHEMATIC SYMBOL CHART, P. 12

INTERNATIONAL TRUCK AND ENGINE CORPORATION				ELECTRICAL CIRCUIT DIAGRAM CHAPTER 2			
THIS PRINT IS PROVIDED ON A RESTRICTED BASIS AND IS NOT TO BE USED IN ANY WAY DETRIMENTAL TO THE INTEREST OF INTERNATIONAL TRUCK AND ENGINE CORPORATION.				SCHEMATIC SYMBOL CHART (CONT)			
SYMBOL		DESCRIPTION		SYMBOL		DESCRIPTION	
		SPEAKER				SWITCH, PUSH BUTTON	
		SPLICE				TERMINATING RESISTOR	
		STUD				THERMISTOR	
		START MOTOR W/ TOCP				THERMOSTAT	
		SWITCH, MECHANICAL (NORMALLY OPEN)				VALVE, ETHER BOTTLE	
		SWITCH, MECHANICAL (NORMALLY CLOSED)				VALVE, MODULATOR	
CHK	DATE	CHANGE	REV	REFERENCE	DRAWN	NAME	
CNA1	28AUG07	INITIAL RELEASE	A	60785Z	300371	CIRCUIT DIAGRAM, LCF	
					RELEASE NO.	DATE	PART NO.
					60785Z	10MAY07	AE08055410
							SHEET 012

Figure 12 Schematic Symbol Chart

### 3. 12 VOLT DISTRIBUTION, GROUNDS, AND DATA LINKS (CHAPTER 3)

#### 3.1. BATTERY FEEDS, POWER DISTRIBUTION BOX, P. 1

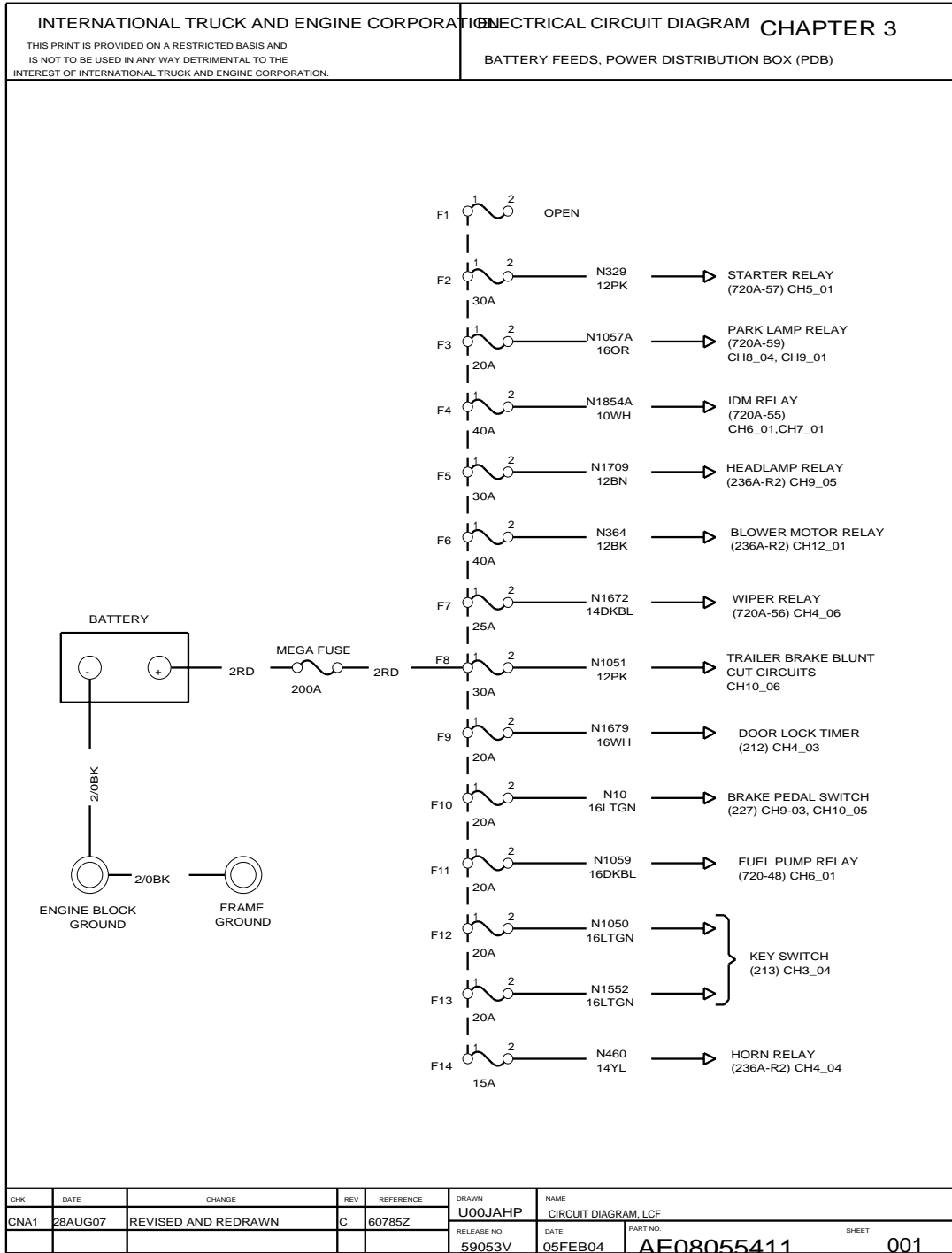


Figure 13 Battery Feeds, Power Distribution Box

3.2. BATTERY FEEDS, POWER DISTRIBUTION BOX, P. 2

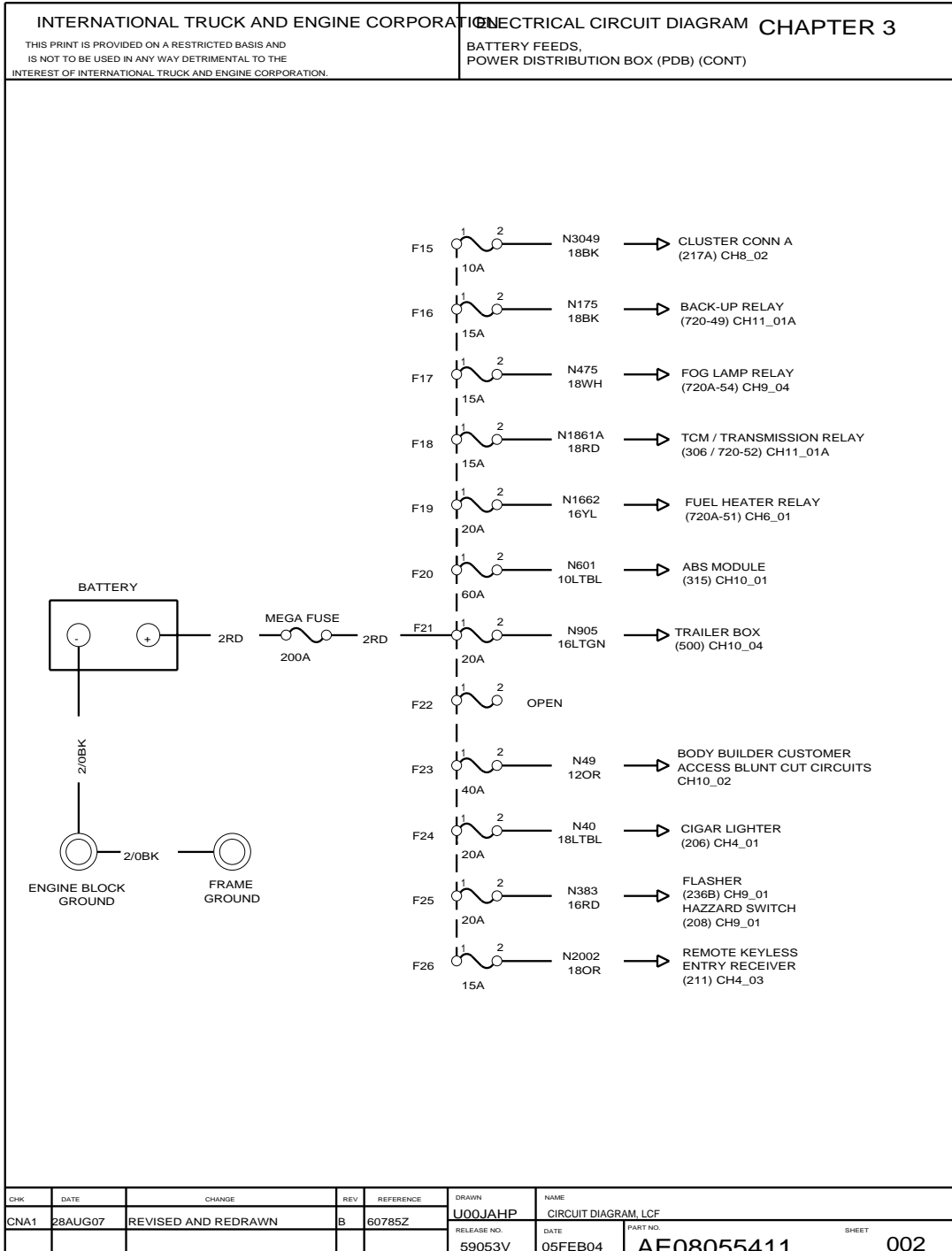


Figure 14 Battery Feeds, Power Distribution Box

3.3. BATTERY FEEDS, POWER DISTRIBUTION BOX, P. 3

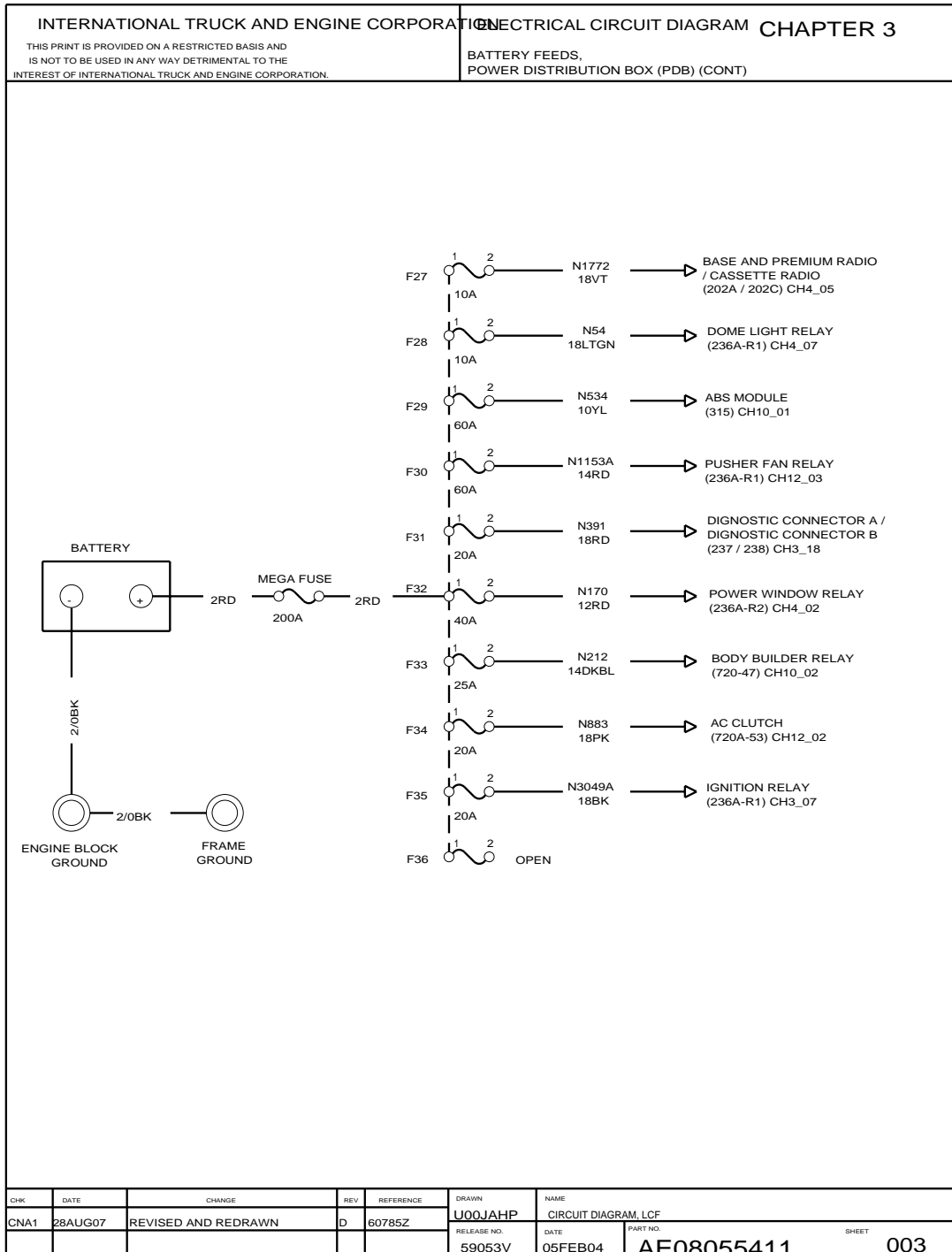


Figure 15 Battery Feeds, Power Distribution Box

3.4. KEY SWITCH, P. 4

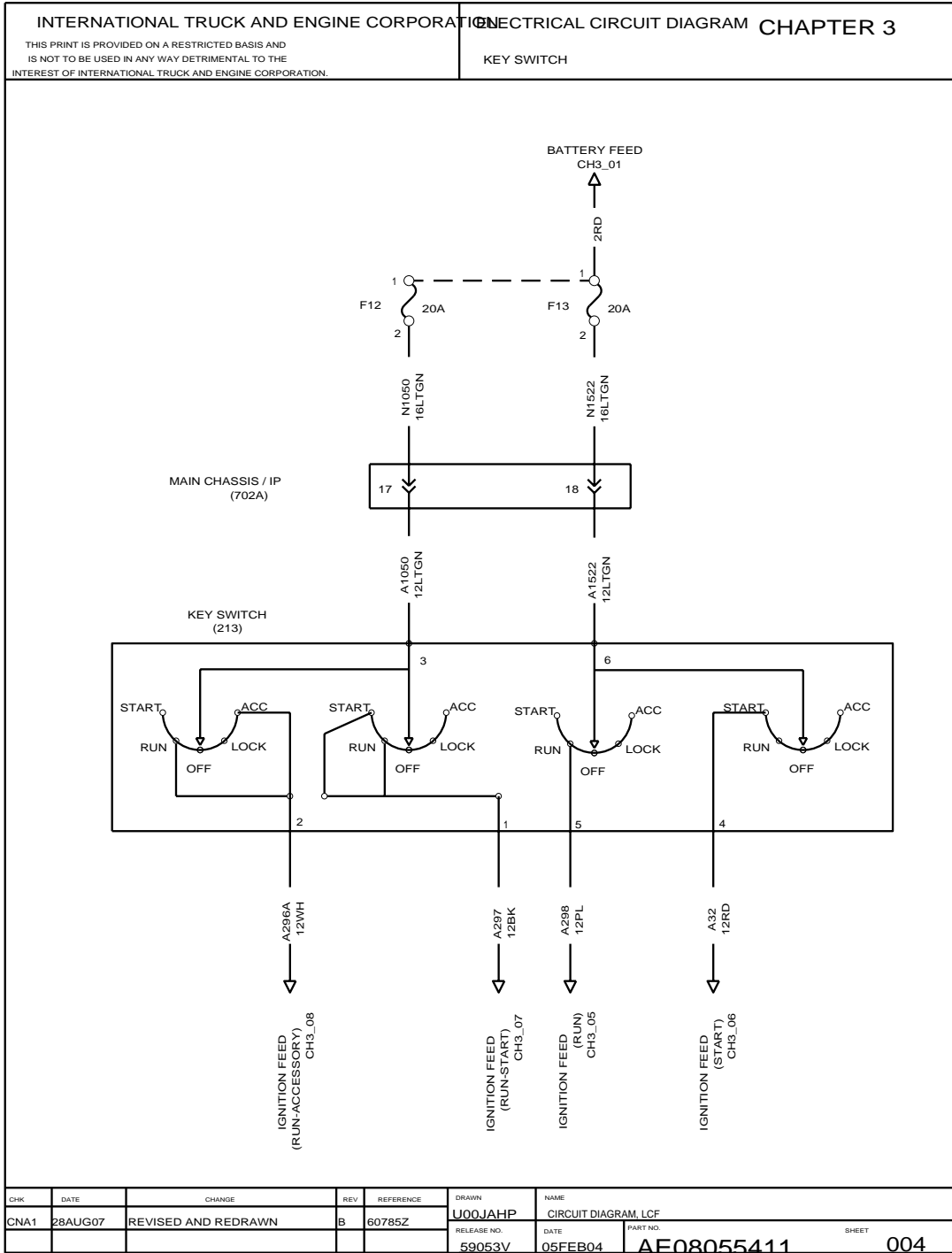


Figure 16 Key Switch

3.5. IGNITION FEEDS (RUN), P. 5

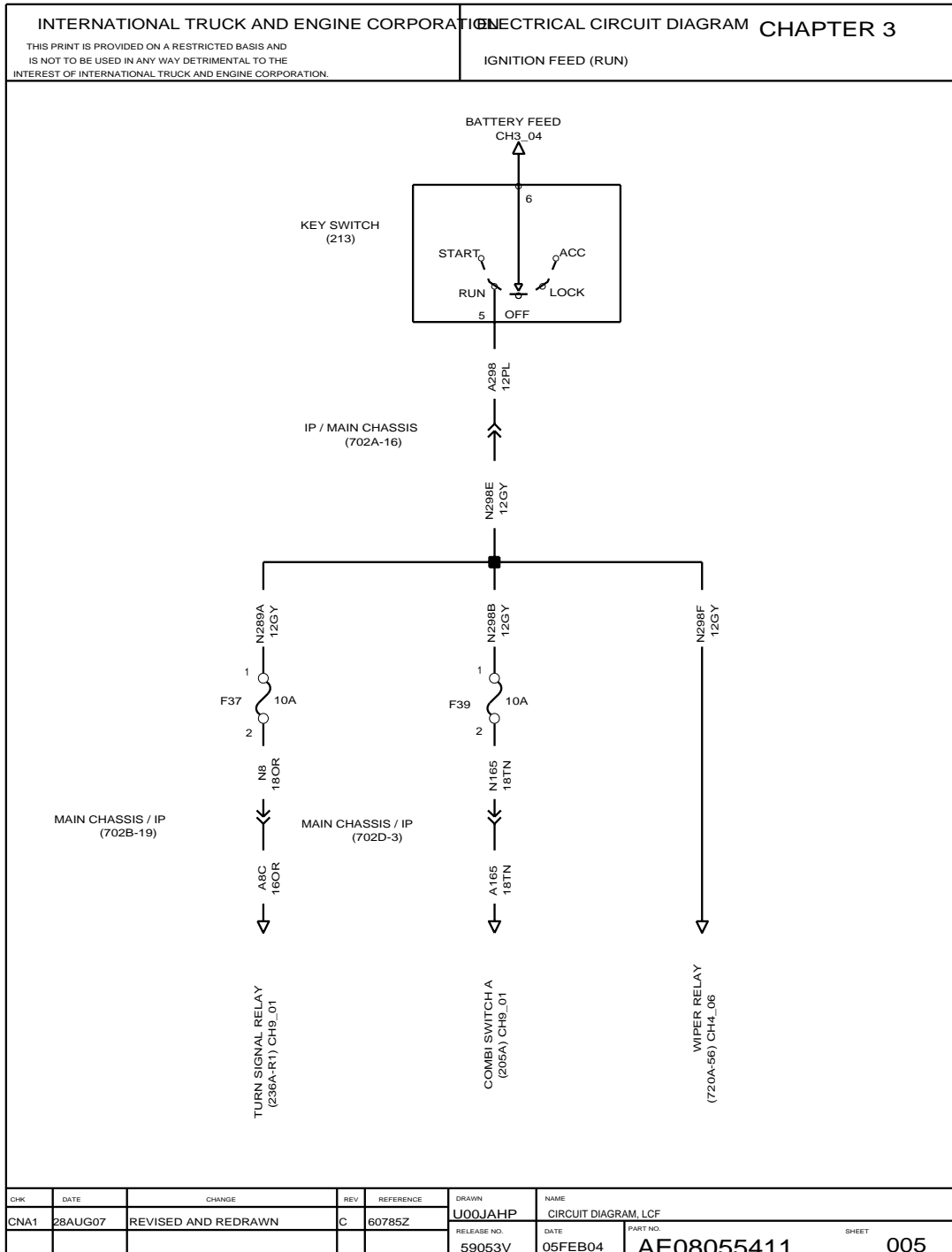


Figure 17 Ignition Feeds (Run)

3.6. IGNITION FEEDS (START), P. 6

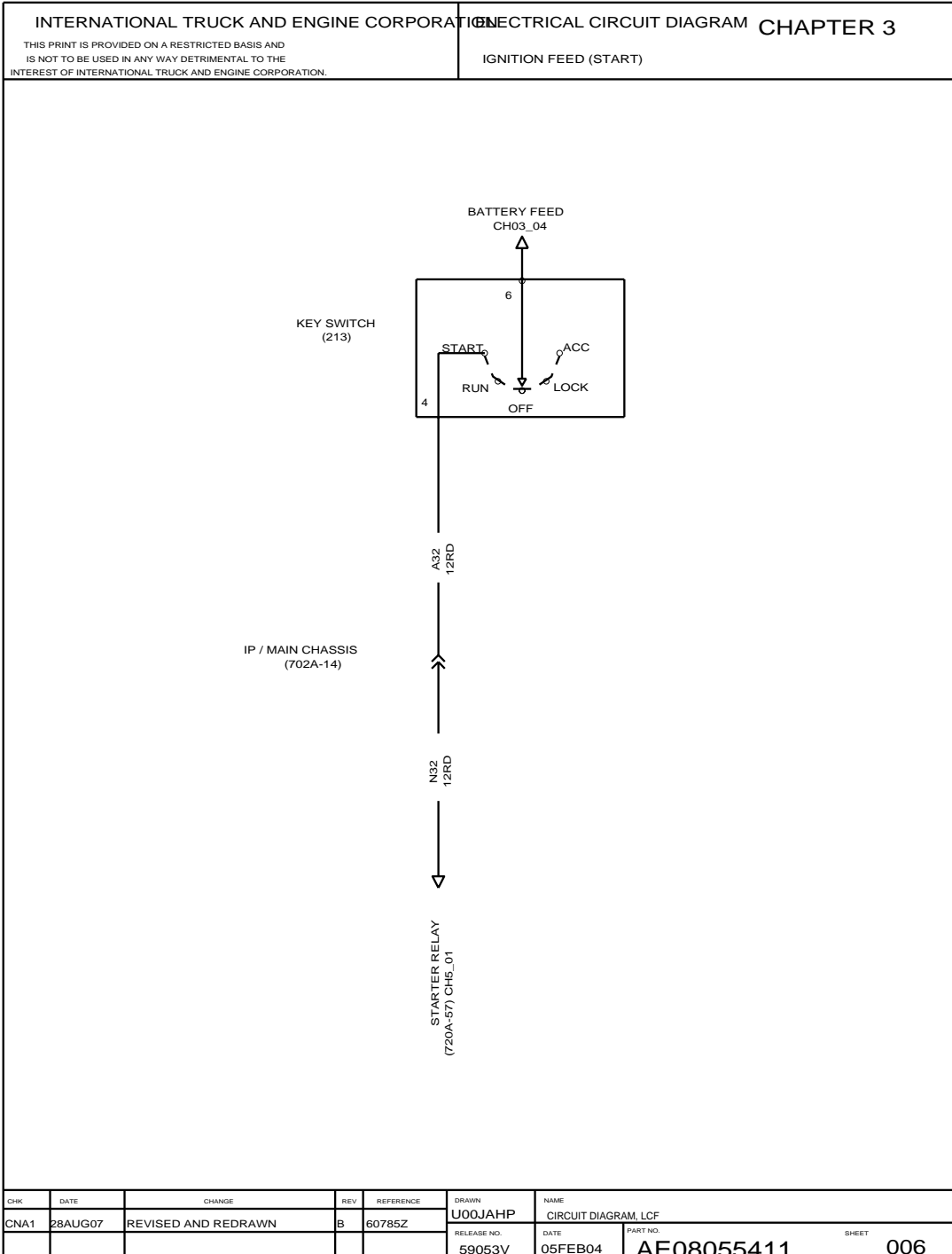


Figure 18 Ignition Feeds (Start)



3.7. IGNITION FEEDS (RUN-START), P. 7

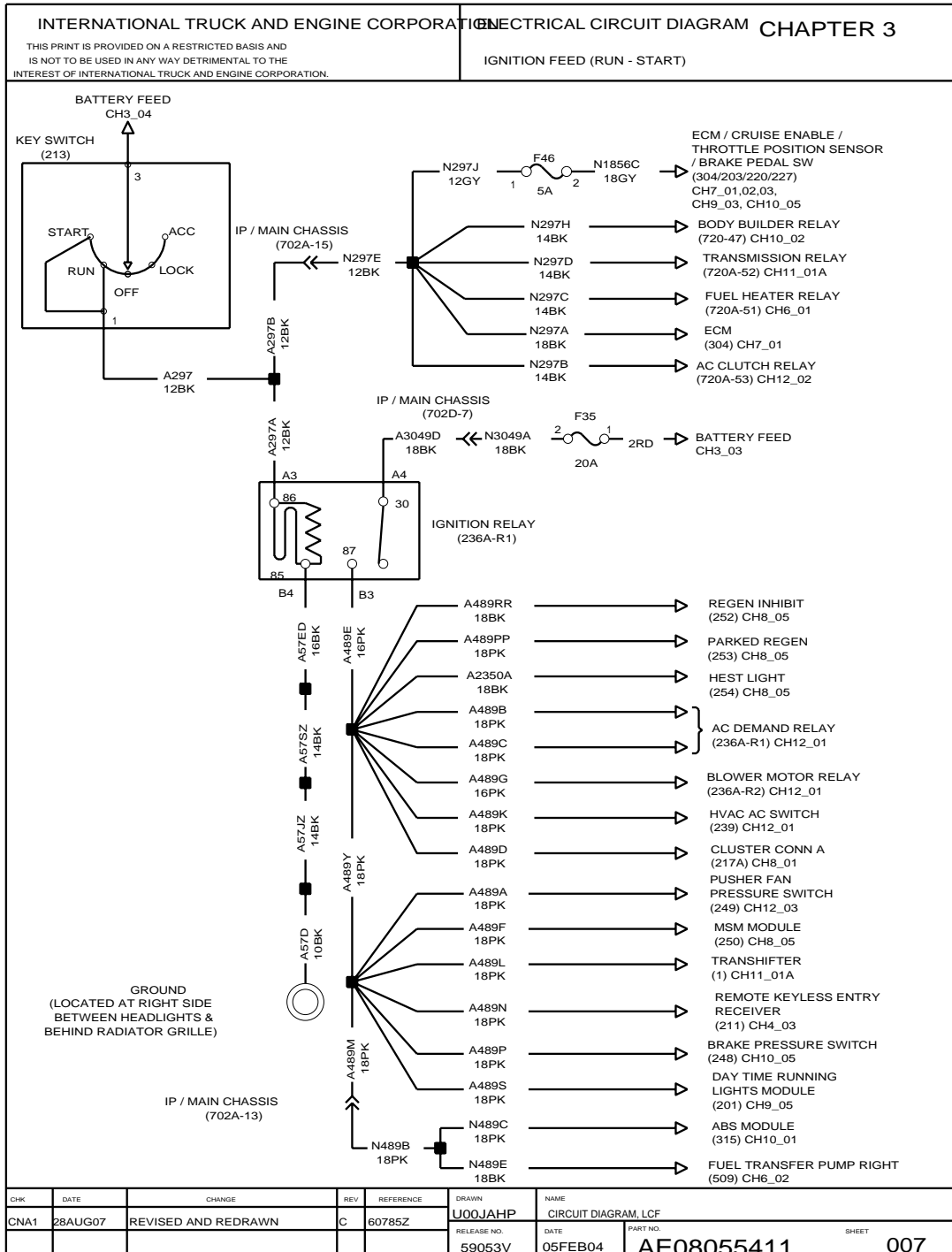


Figure 19 Ignition Feeds (Run-Start)

3.8. IGNITION FEEDS (RUN-ACCESSORY), P. 8

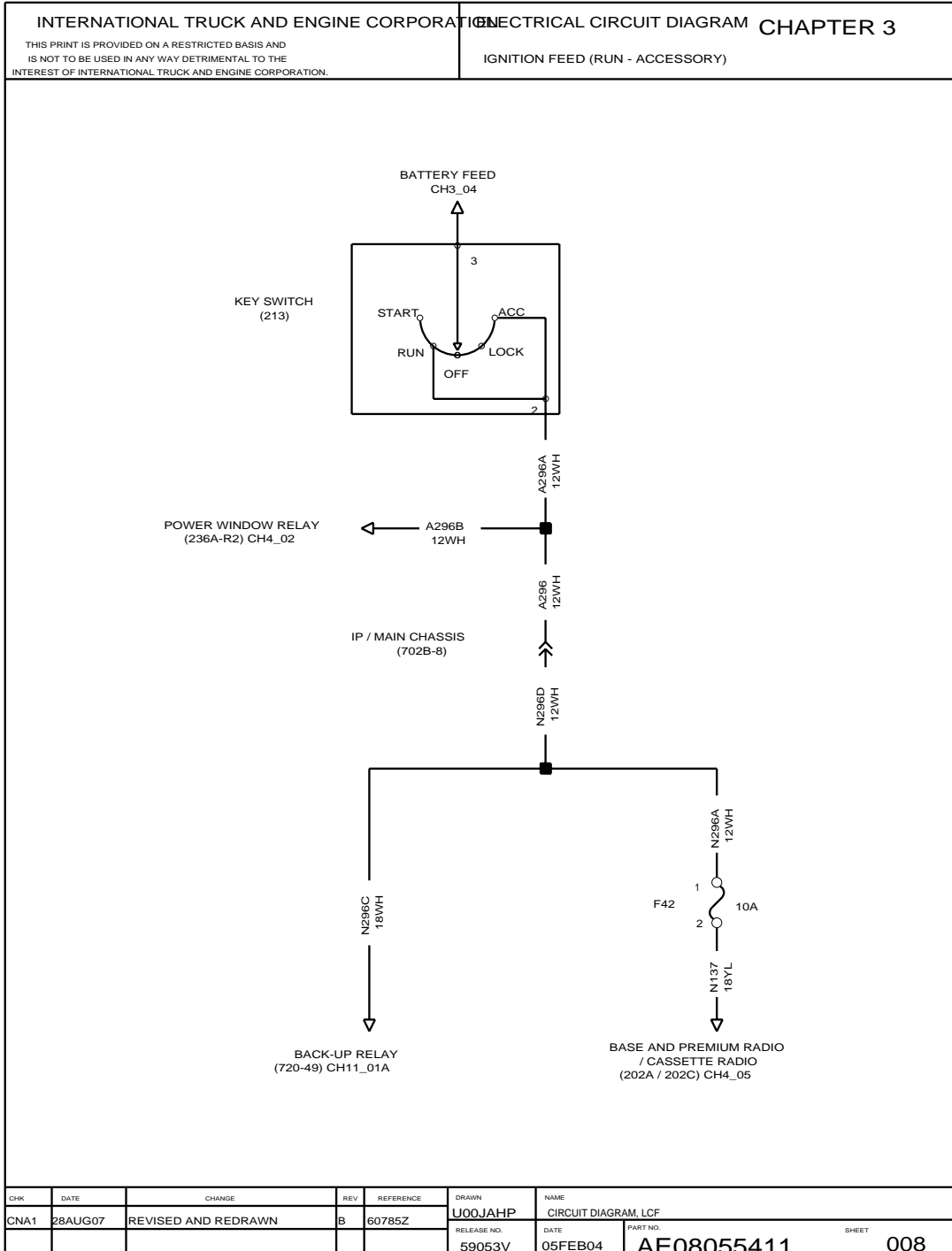


Figure 20 Ignition Feeds (Run-Accessory)

3.9. GROUNDS (MAIN CHASSIS), P. 9

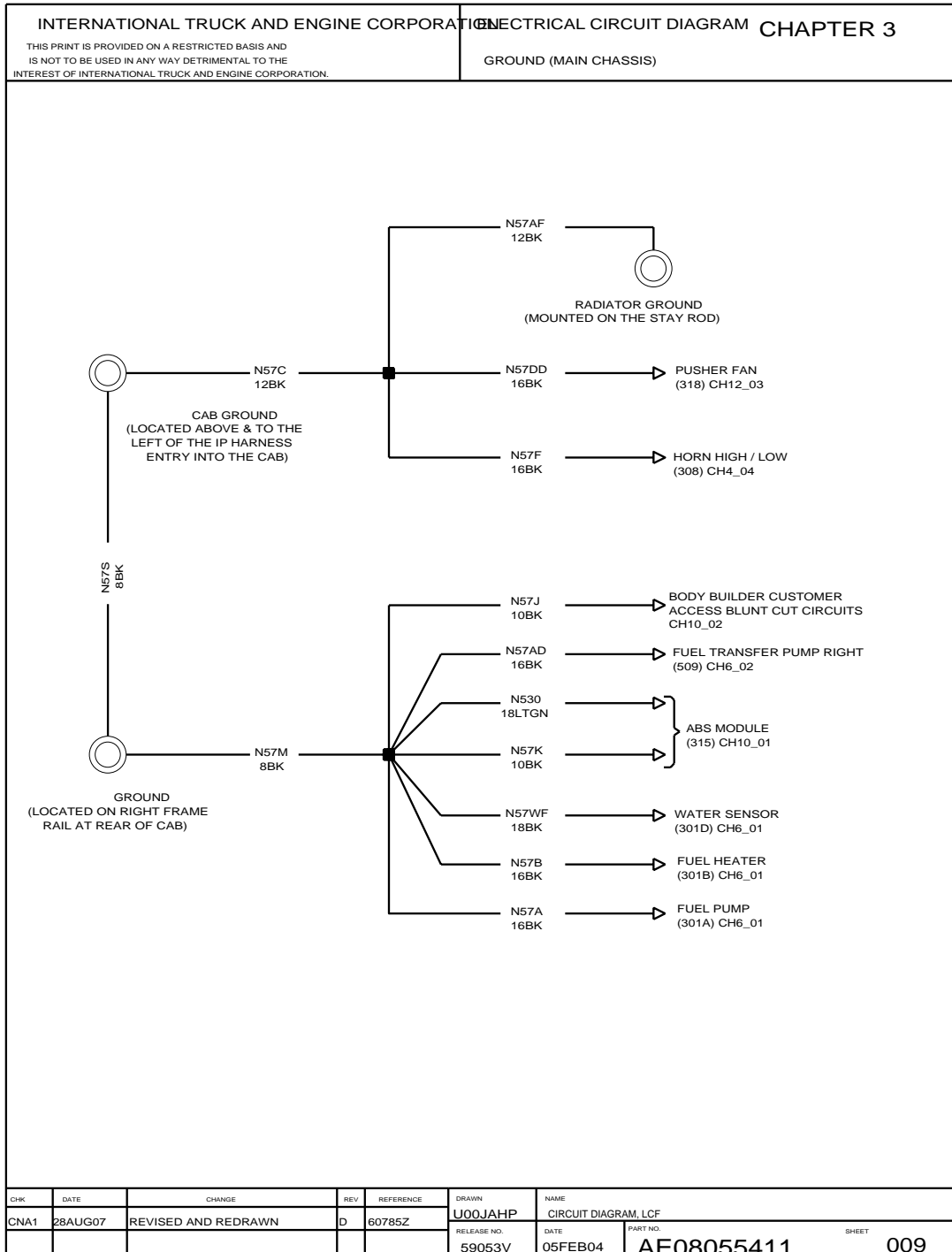


Figure 21 Grounds (Main Chassis)

3.10. GROUNDS (MAIN CHASSIS), P. 10

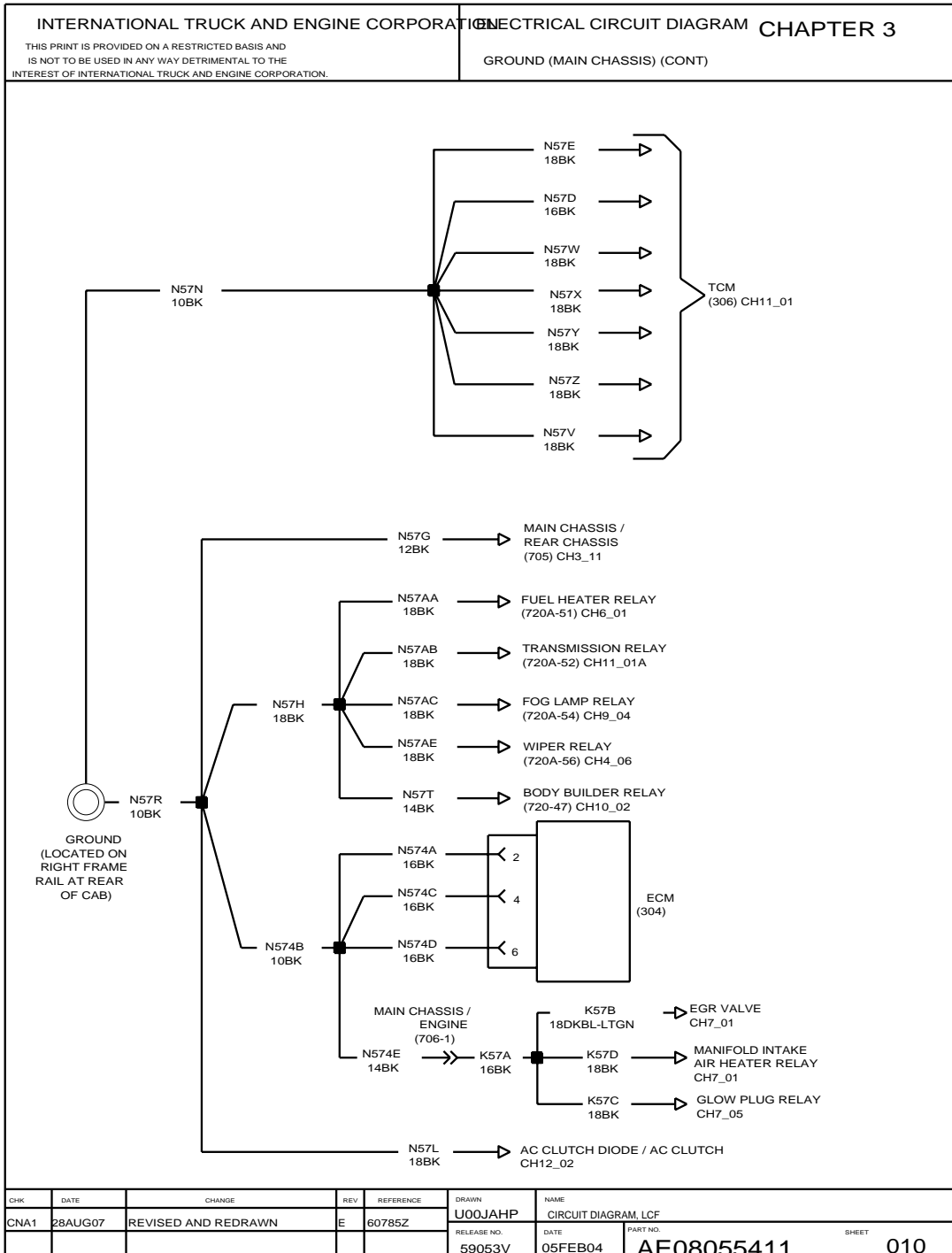


Figure 22 Grounds (Main Chassis)

3.11. GROUNDS (REAR CHASSIS), P. 11

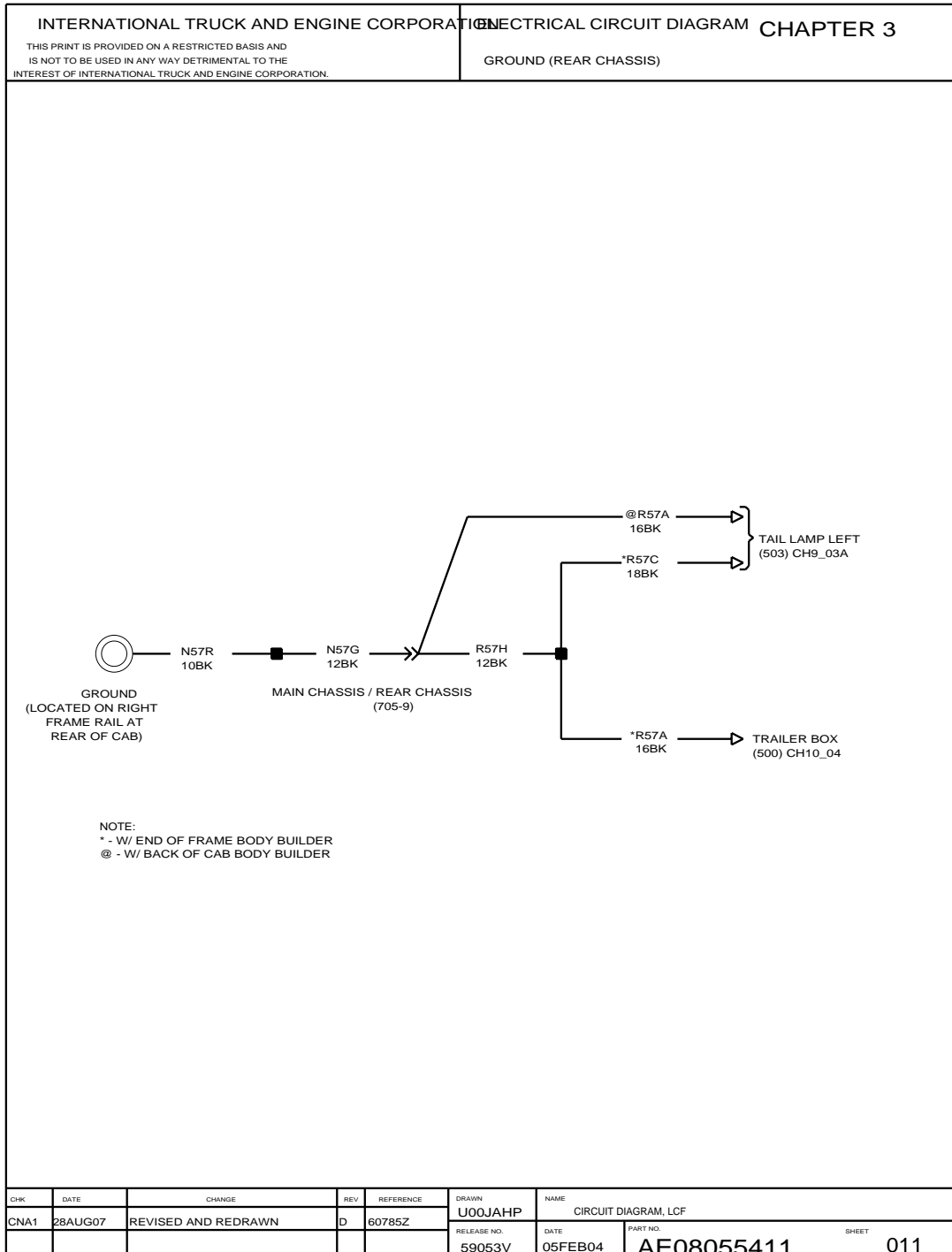


Figure 23 Grounds (Rear Chassis)

3.12. GROUNDS (IP), P. 12

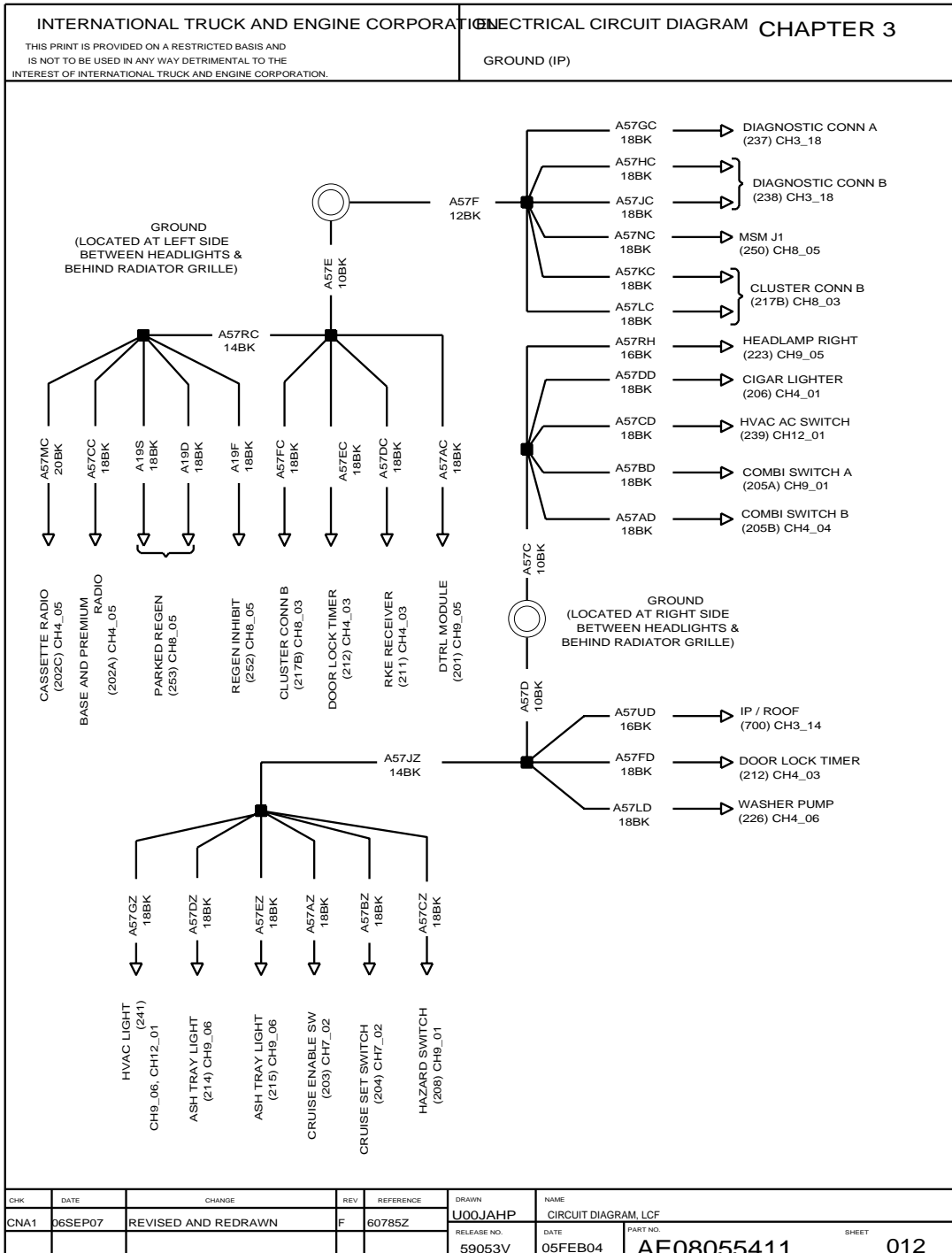


Figure 24 Grounds (IP)

3.13. GROUNDS (IP), P. 13

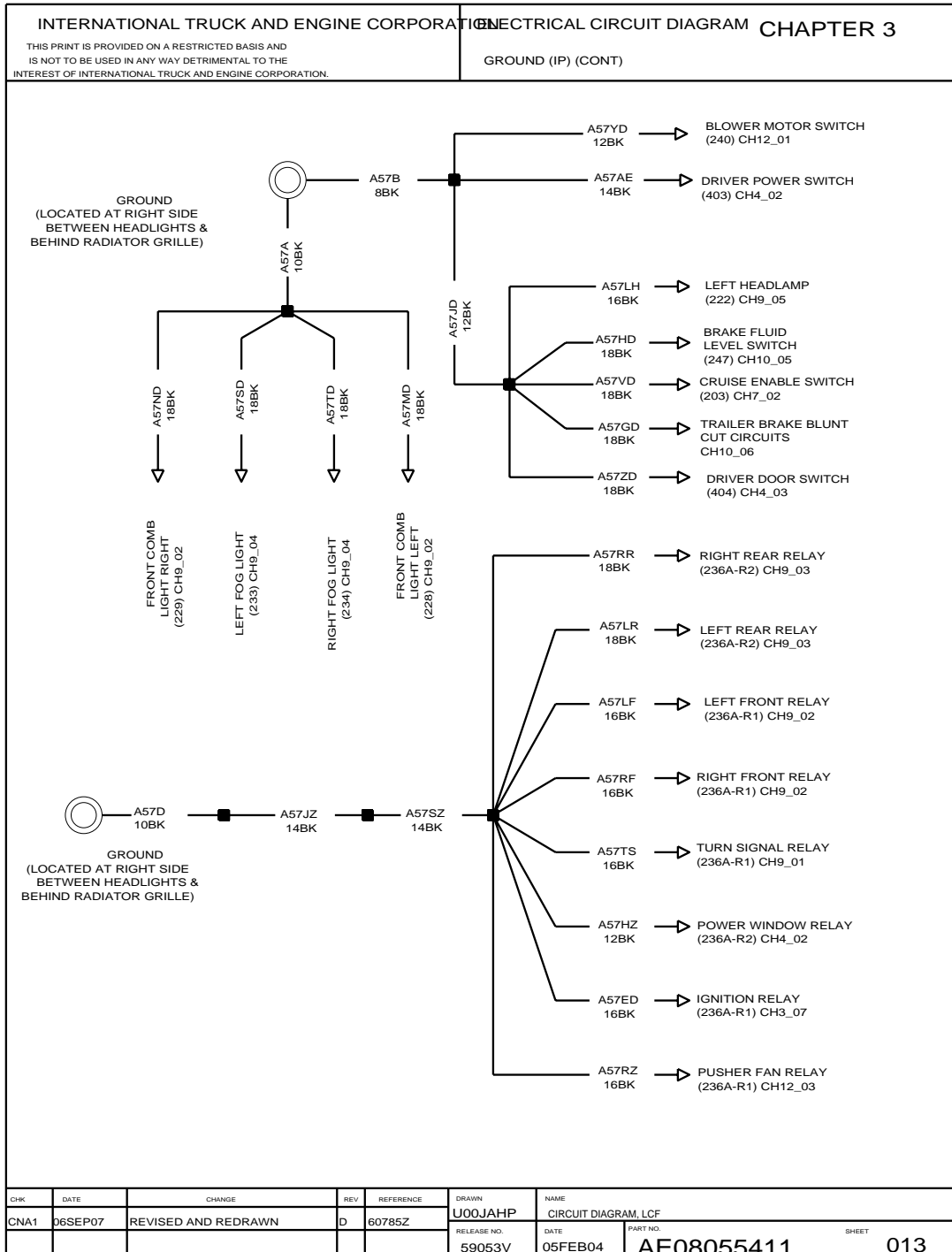


Figure 25 Grounds (IP)

3.14. CAB GROUNDS (ROOF, FLOOR), P. 14

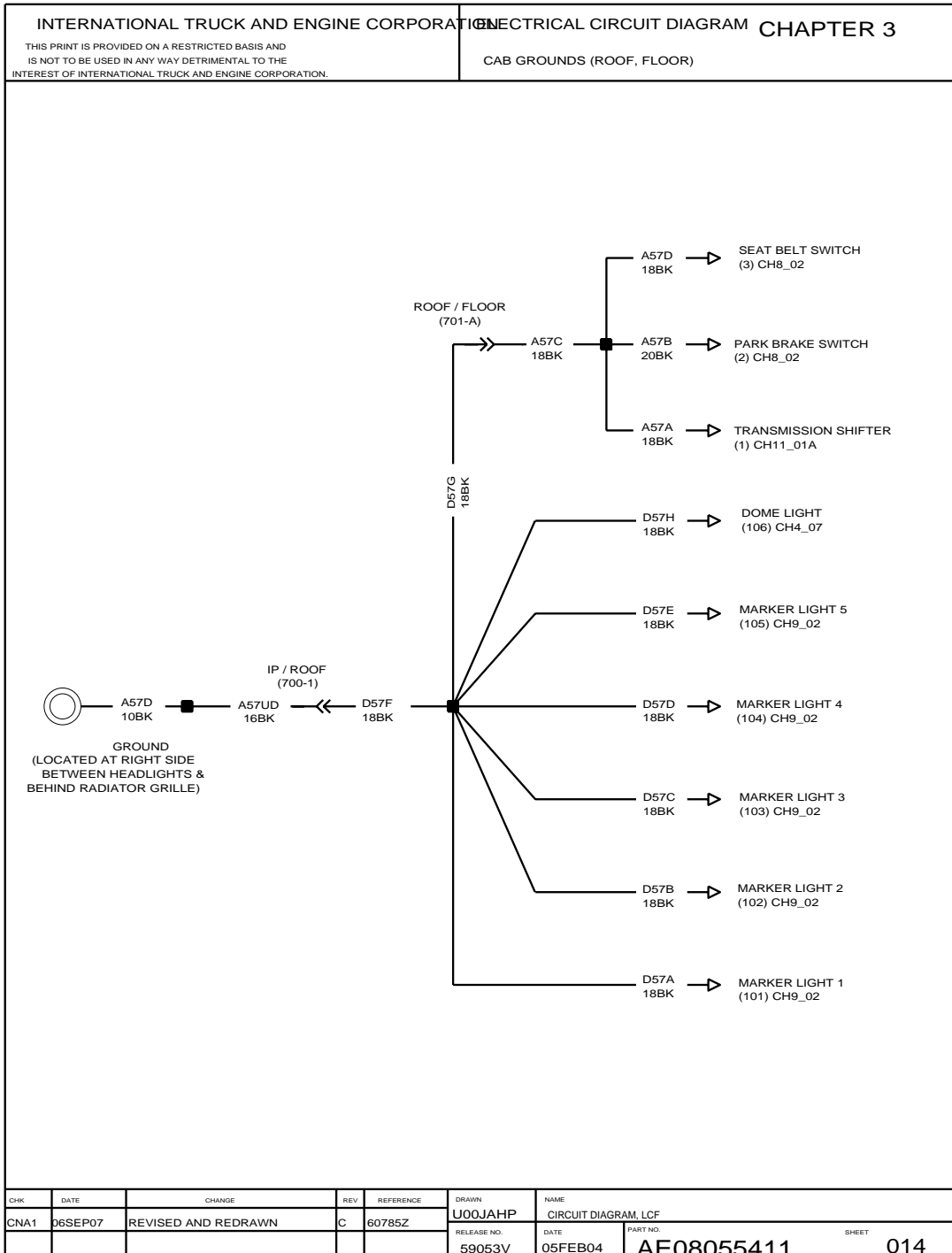


Figure 26 Cab Grounds (Roof, Floor)



3.15. J1708 DATA LINK, P. 15

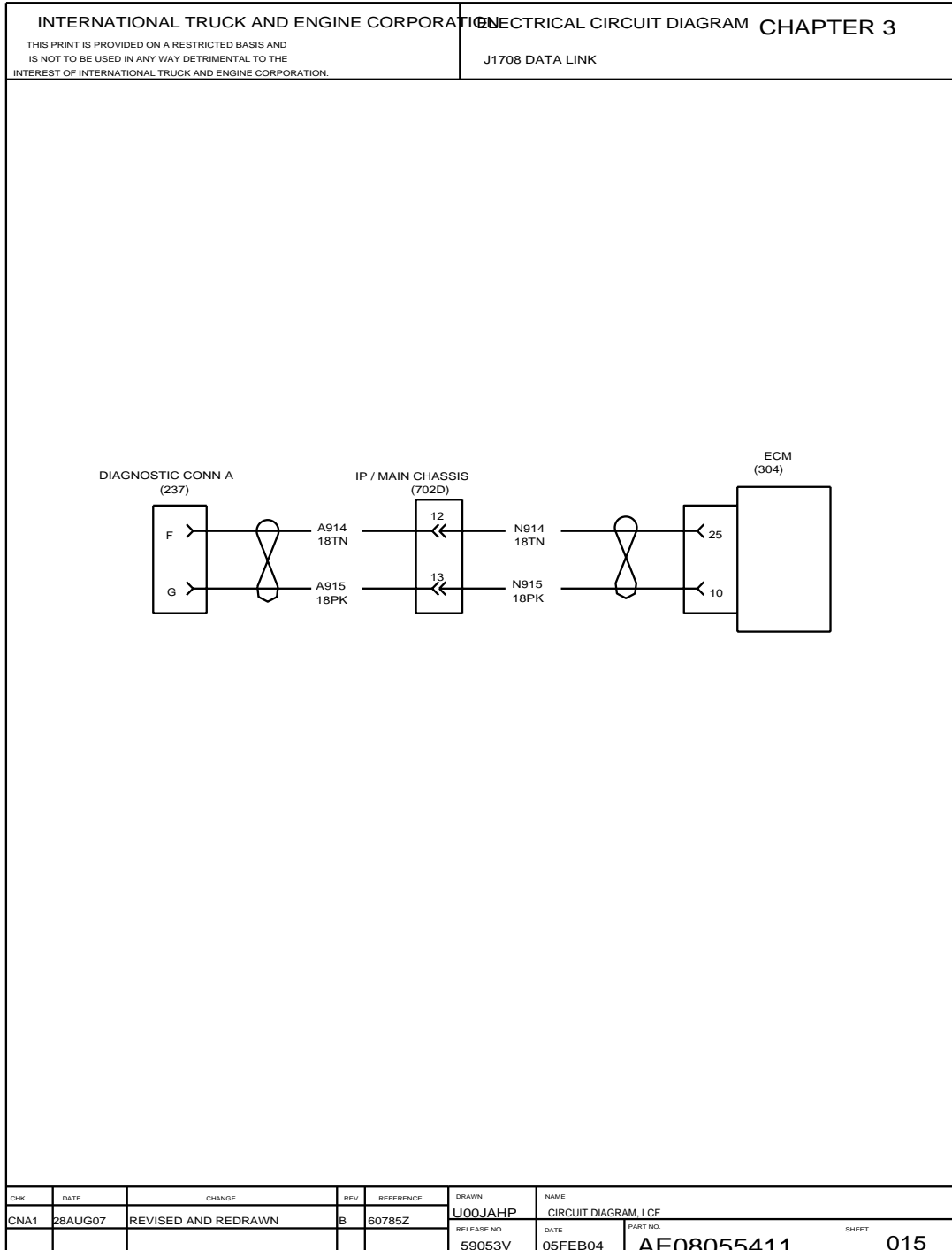


Figure 27 J1708 Data Link

3.16. J1939 DATA LINK, P. 16

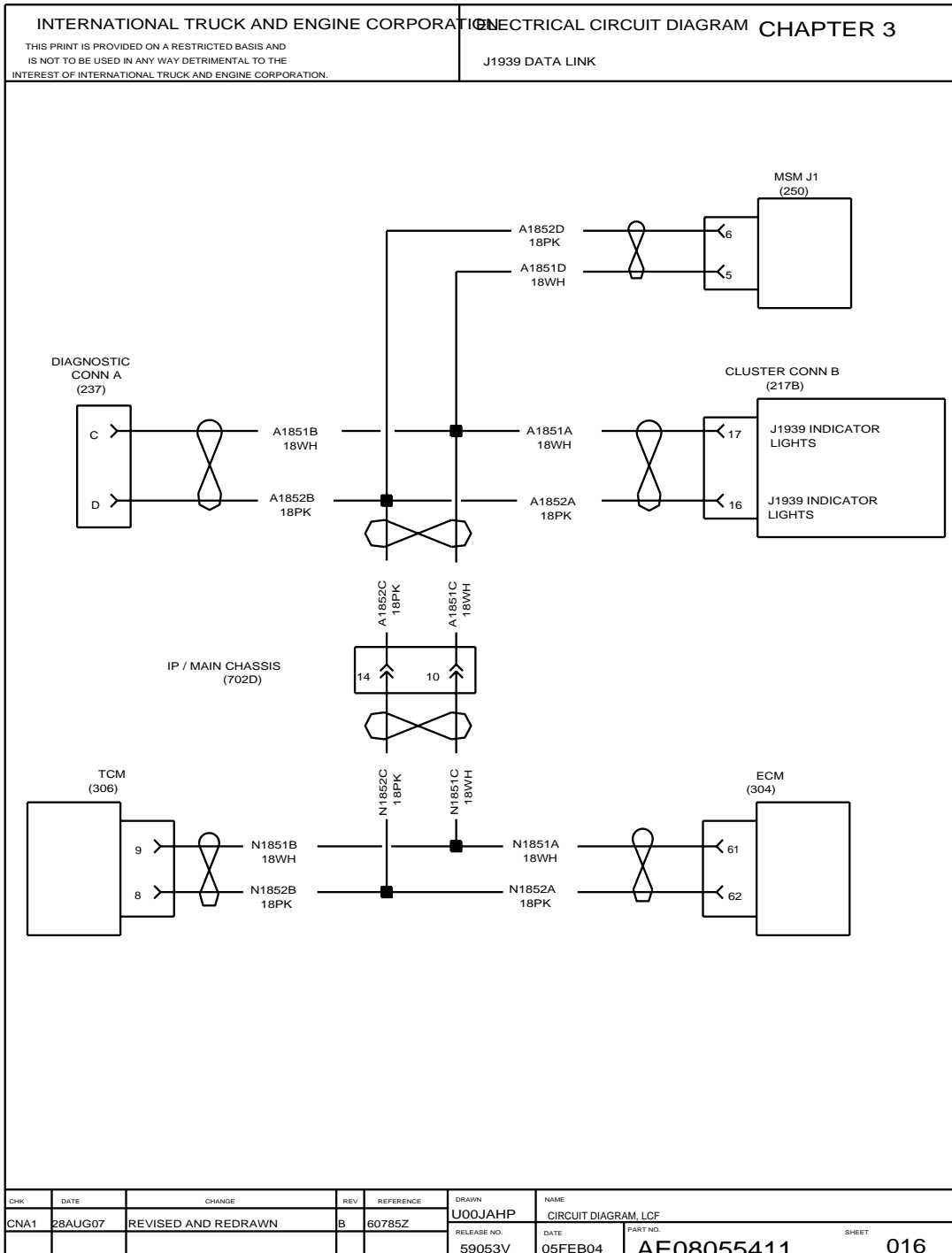


Figure 28 J1939 Data Link

3.17. J2284 DATA LINK, P. 17

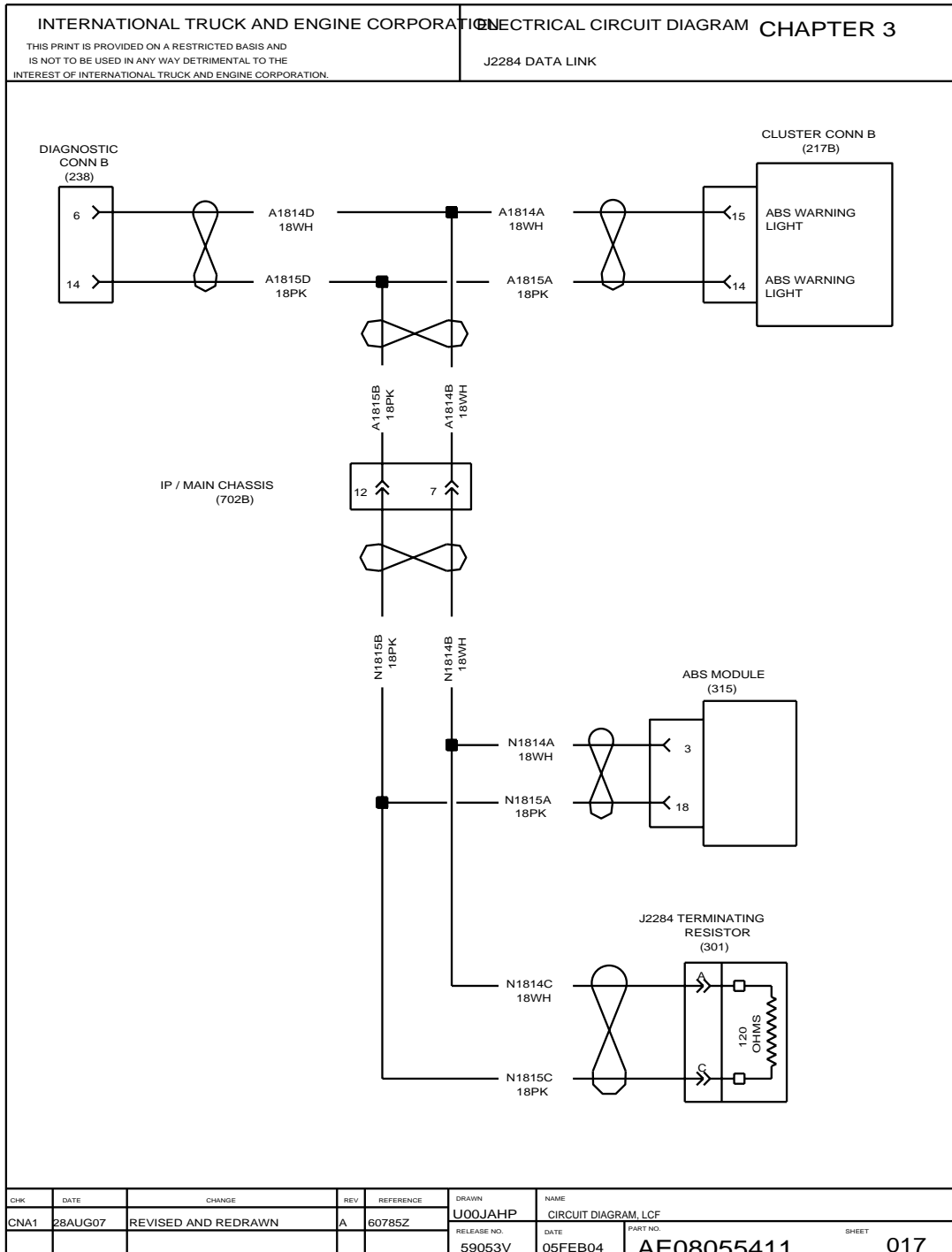


Figure 29 J2284 Data Link

3.18. DIAGNOSTIC CONNECTORS, P. 18

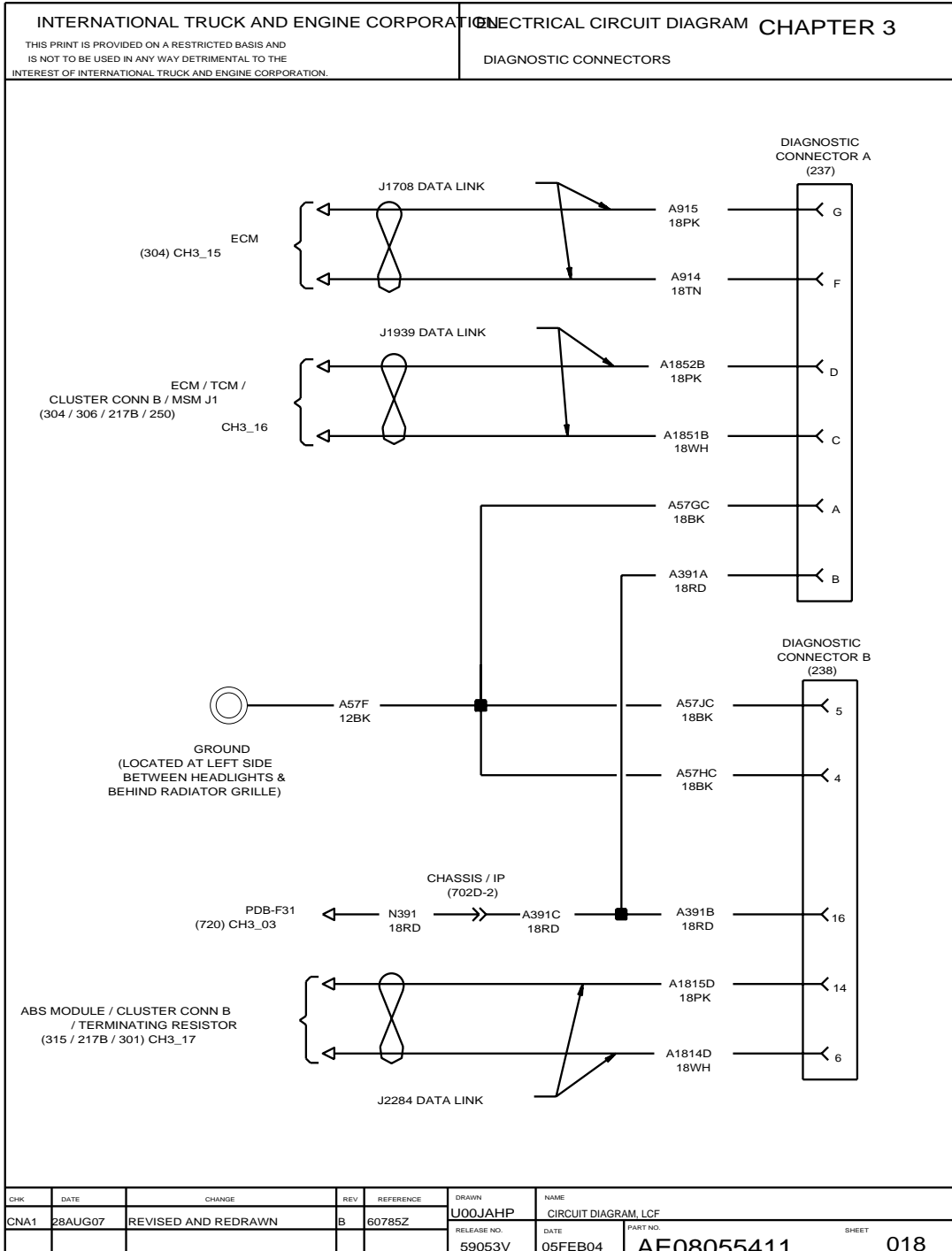


Figure 30 Diagnostic Connectors

## 4. CAB ACCESSORIES (CHAPTER 4)

### 4.1. CIGAR LIGHTER, P. 1

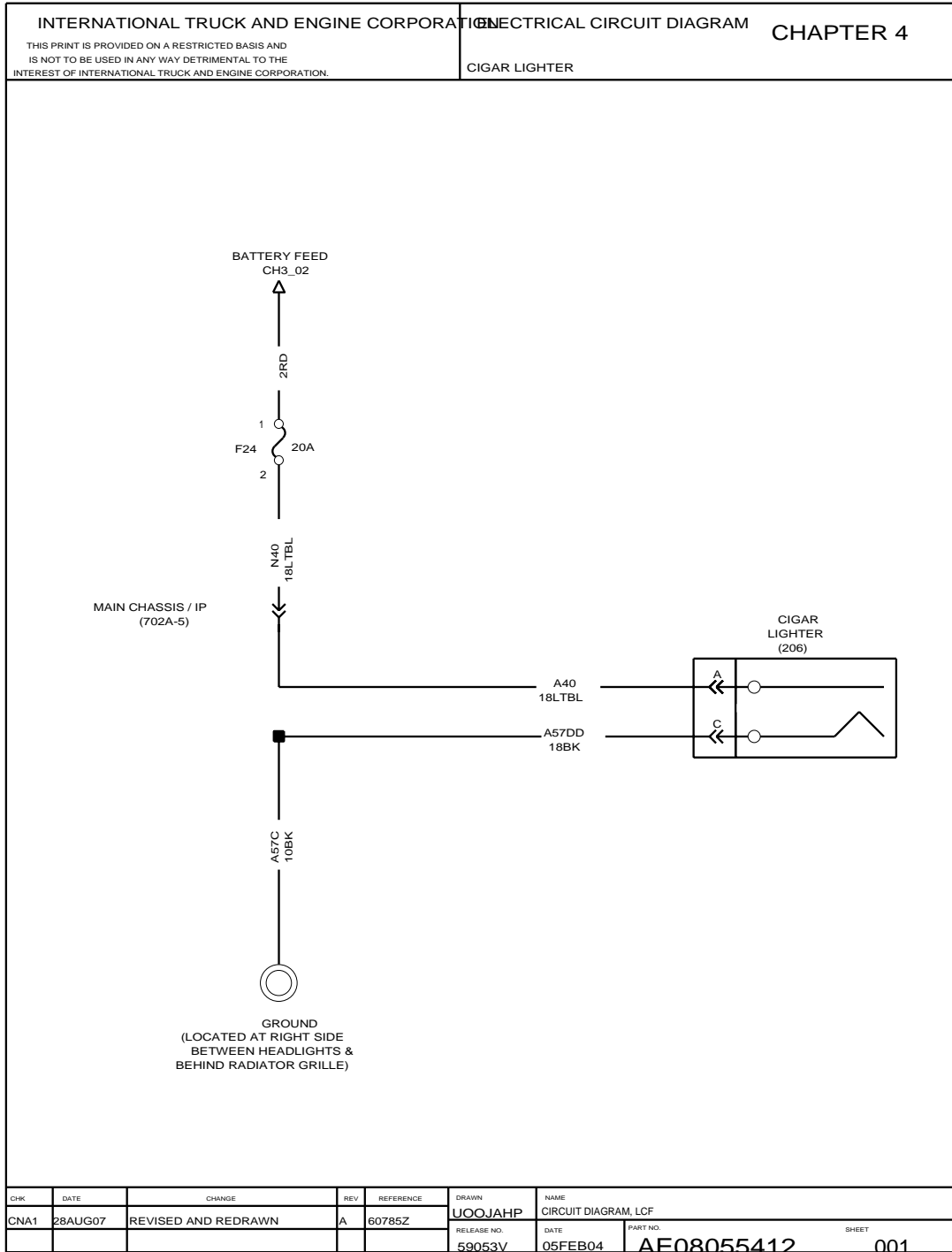


Figure 31 Cigar Lighter

4.2. POWER WINDOWS, P. 2

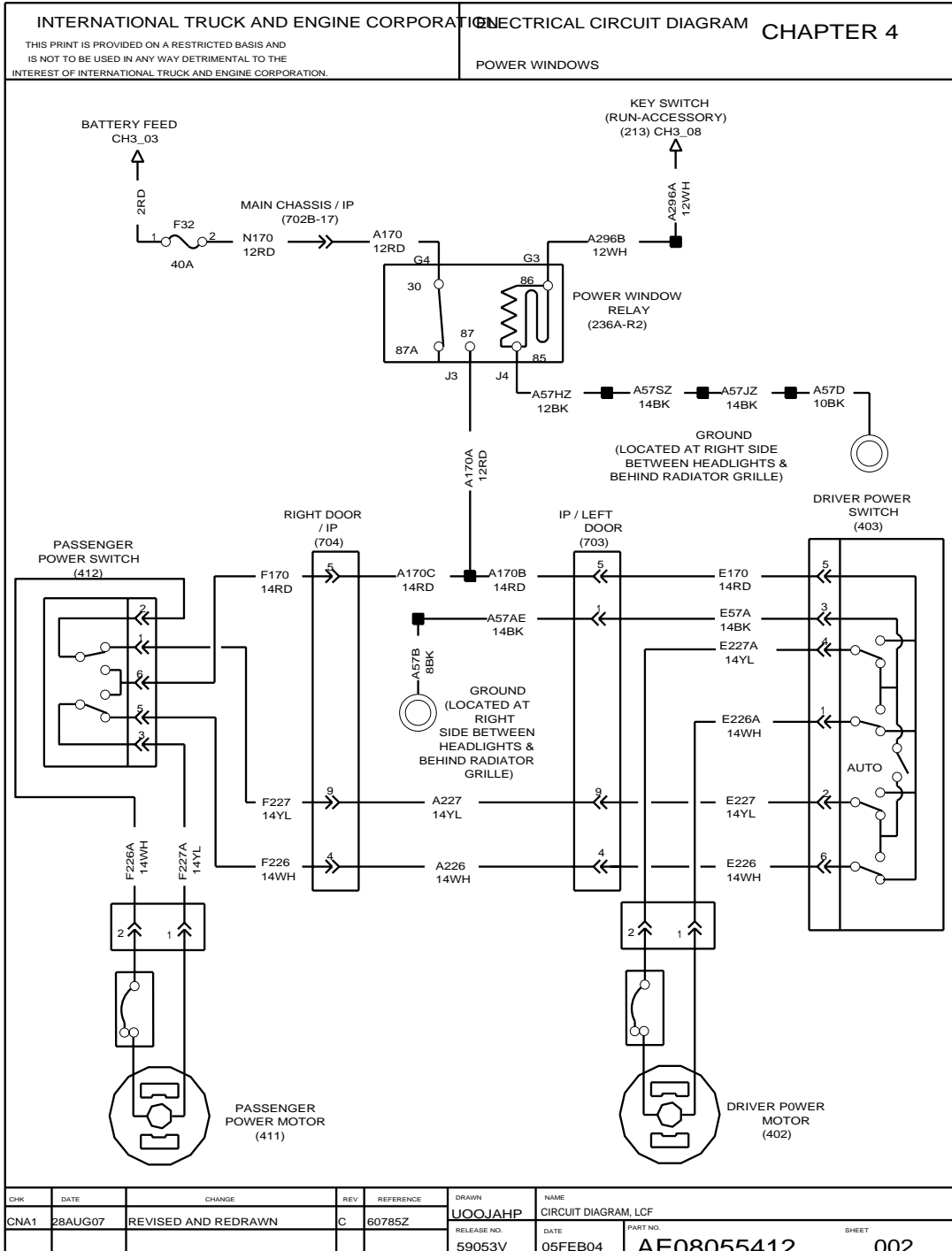


Figure 32 Power Windows

4.3. POWER DOORS, P. 3

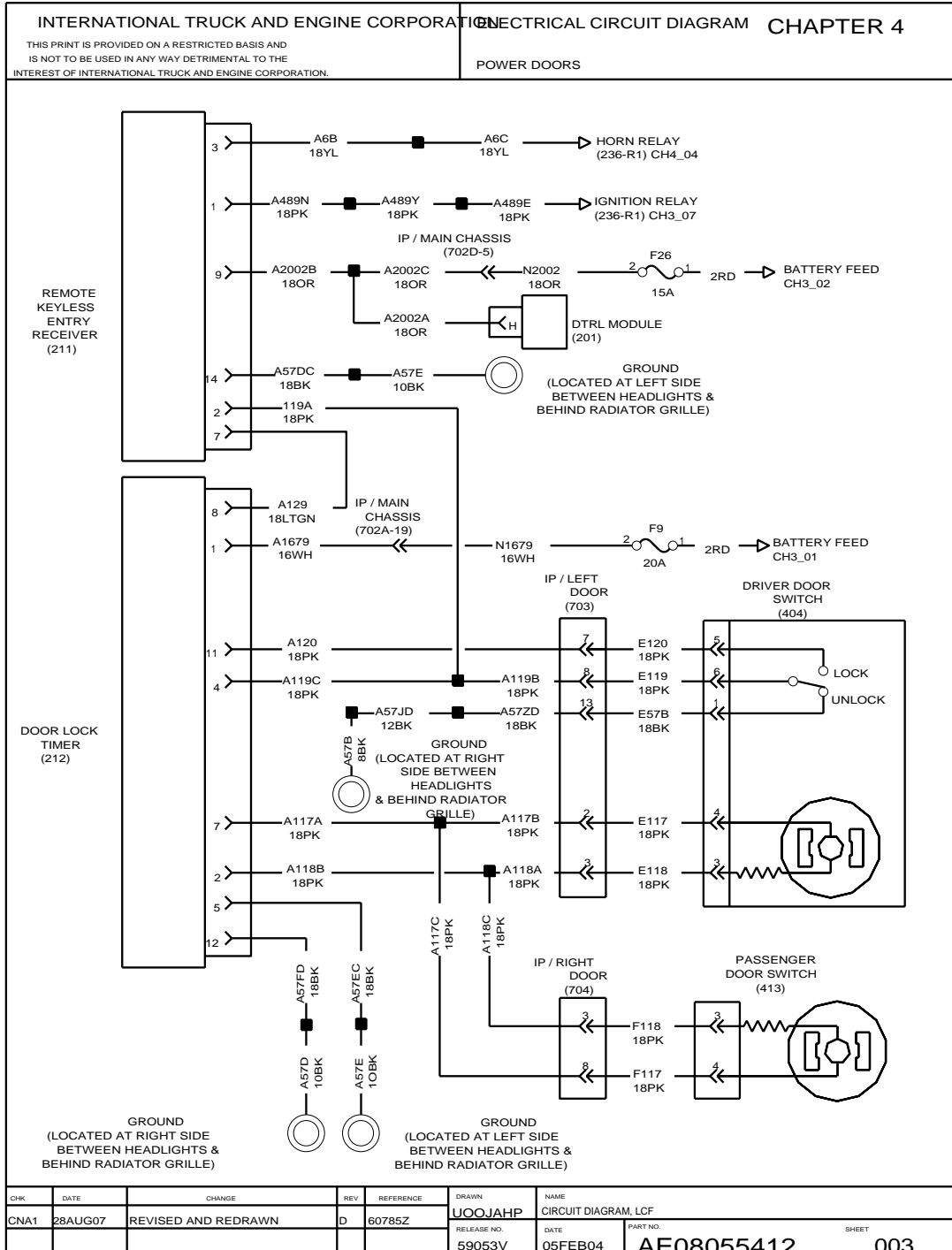


Figure 33 Power Doors

4.4. HORN AND COMBINATION SWITCH B, P. 4

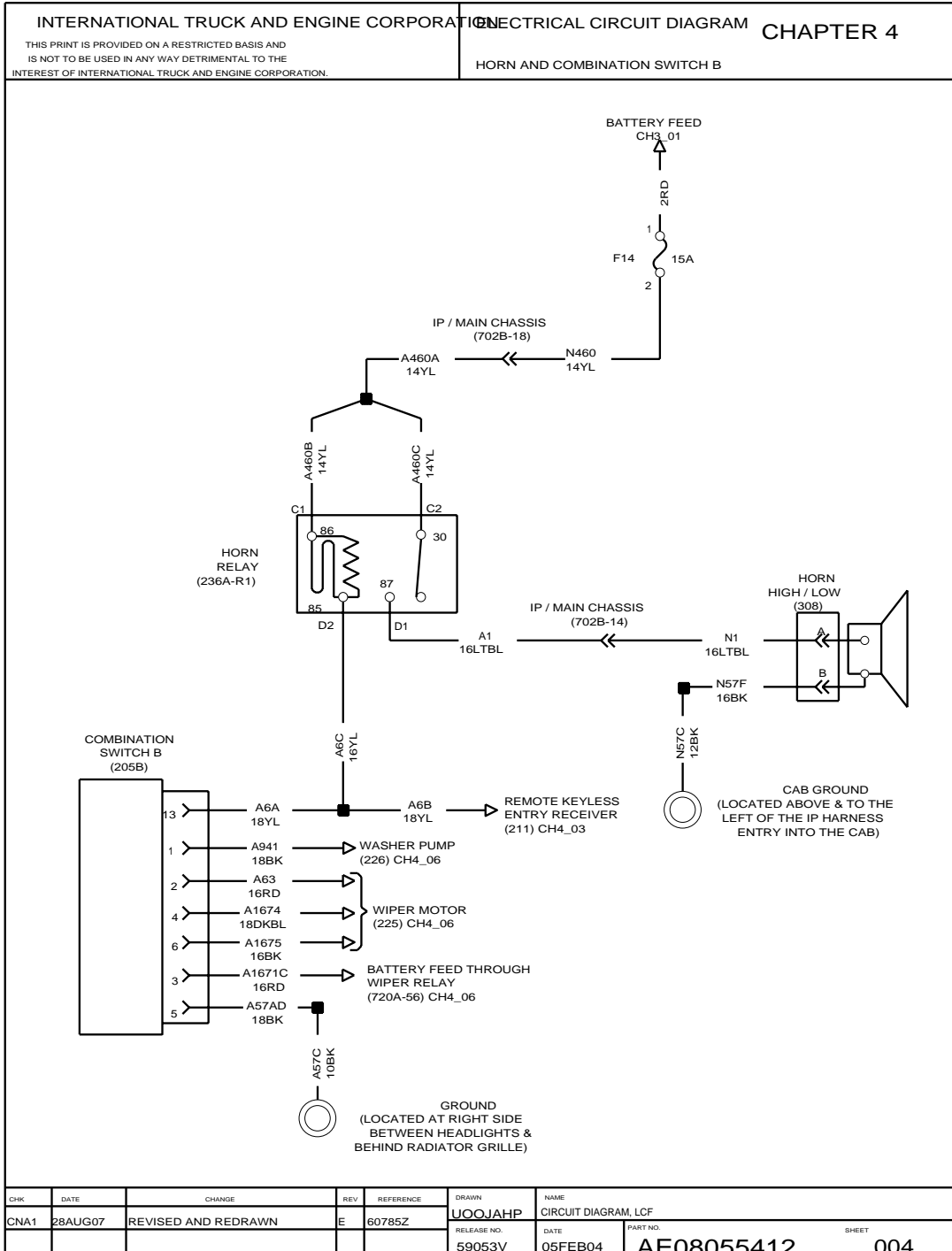


Figure 34 Horn and Combination Switch B



4.5. RADIO, P. 5

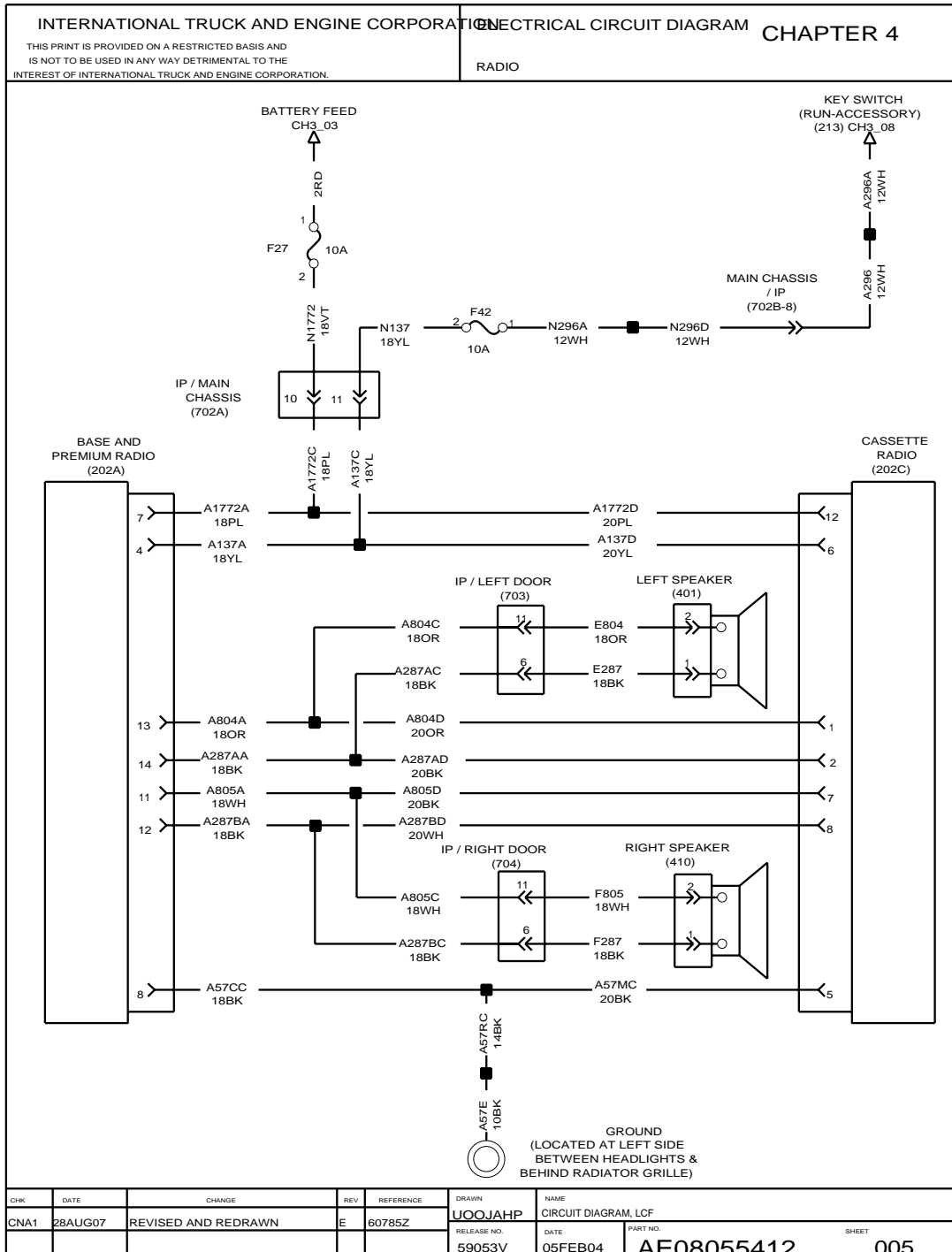


Figure 35 Radio

4.6. WINDSHIELD WIPER AND WASHER PUMP, P. 6

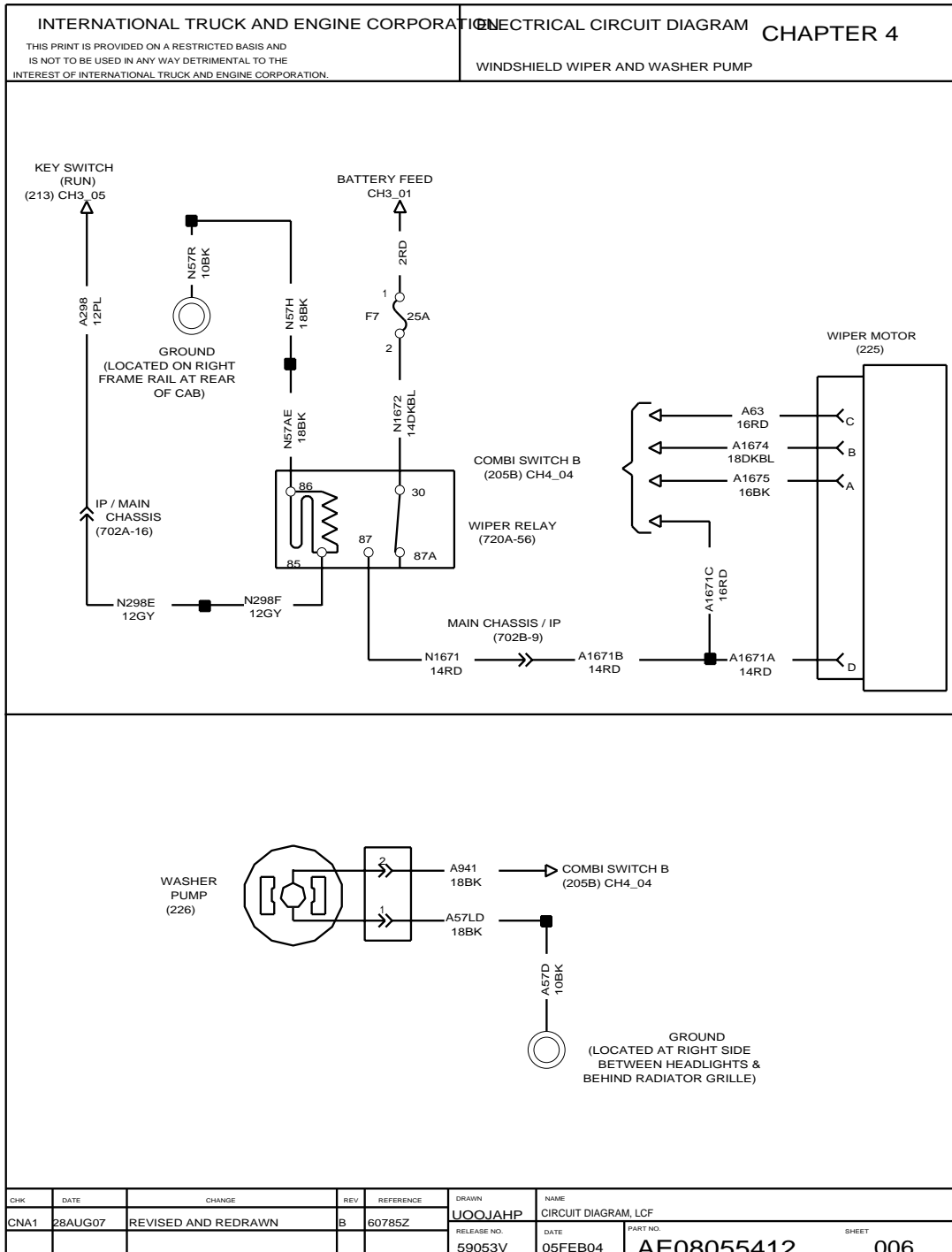


Figure 36 Windshield Wiper and Washer Pump

4.7. DOOR AJAR SWITCH AND DOME LIGHT, P. 7

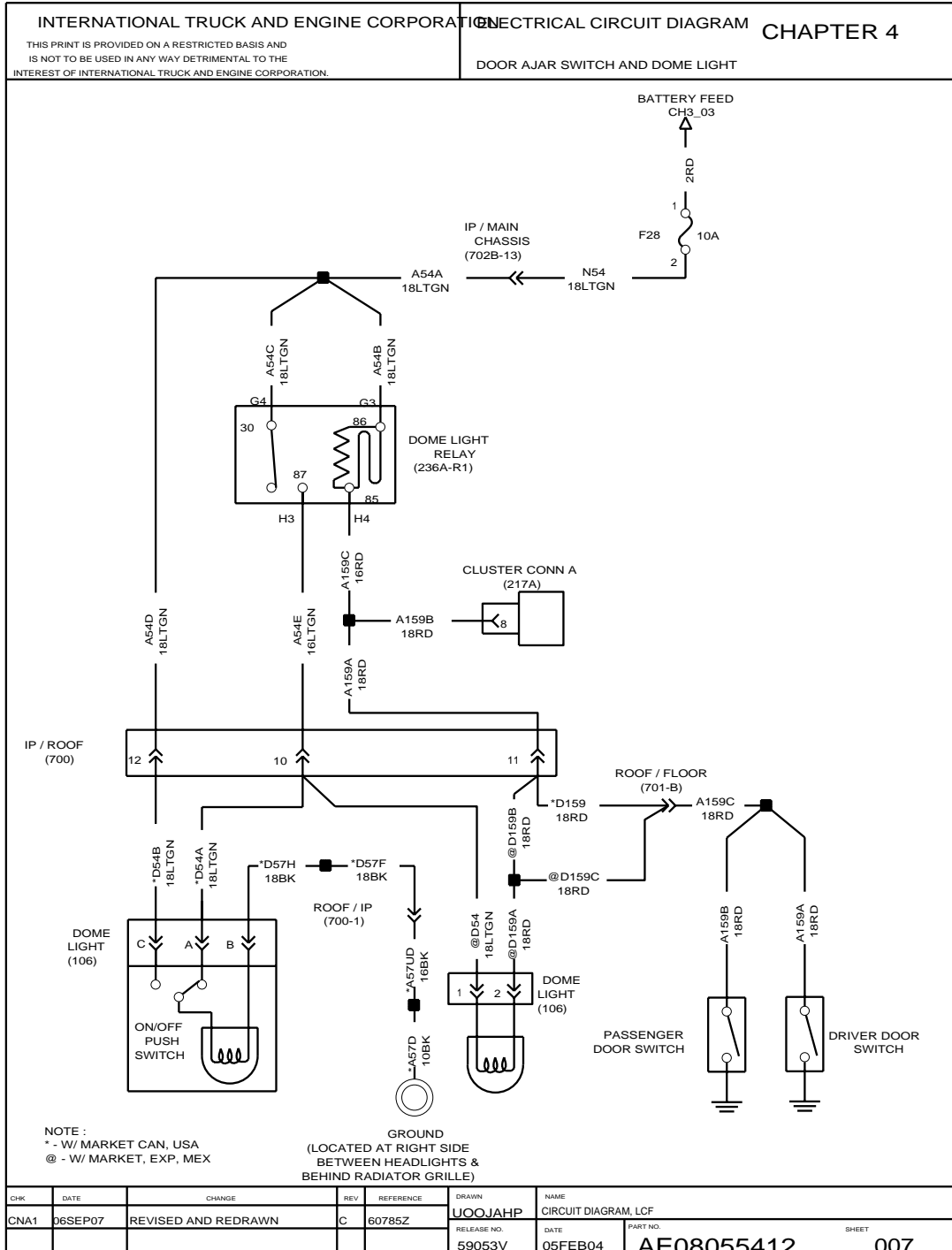


Figure 37 Door Ajar Switch and Dome Light

5. CHARGING AND CRANKING SYSTEM (CHAPTER 5)

5.1. CHARGING AND CRANKING — INTERNATIONAL V6 ENGINE, P. 1

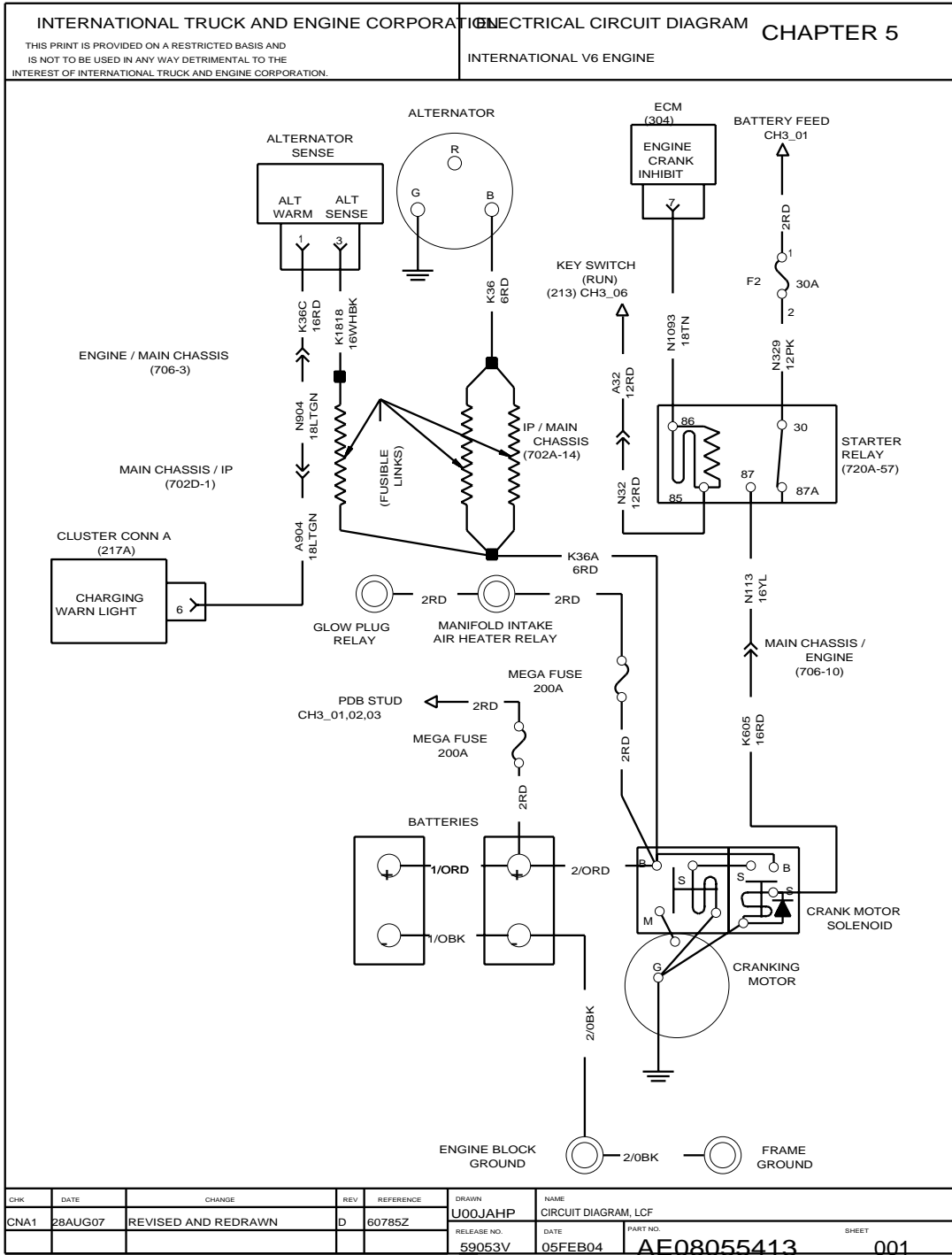


Figure 38 Charging and Cranking — International V6 Engine

## 6. ENGINE ACCESSORIES (CHAPTER 6)

### 6.1. HFCM MODULE — INTERNATIONAL V6 ENGINE, P. 1

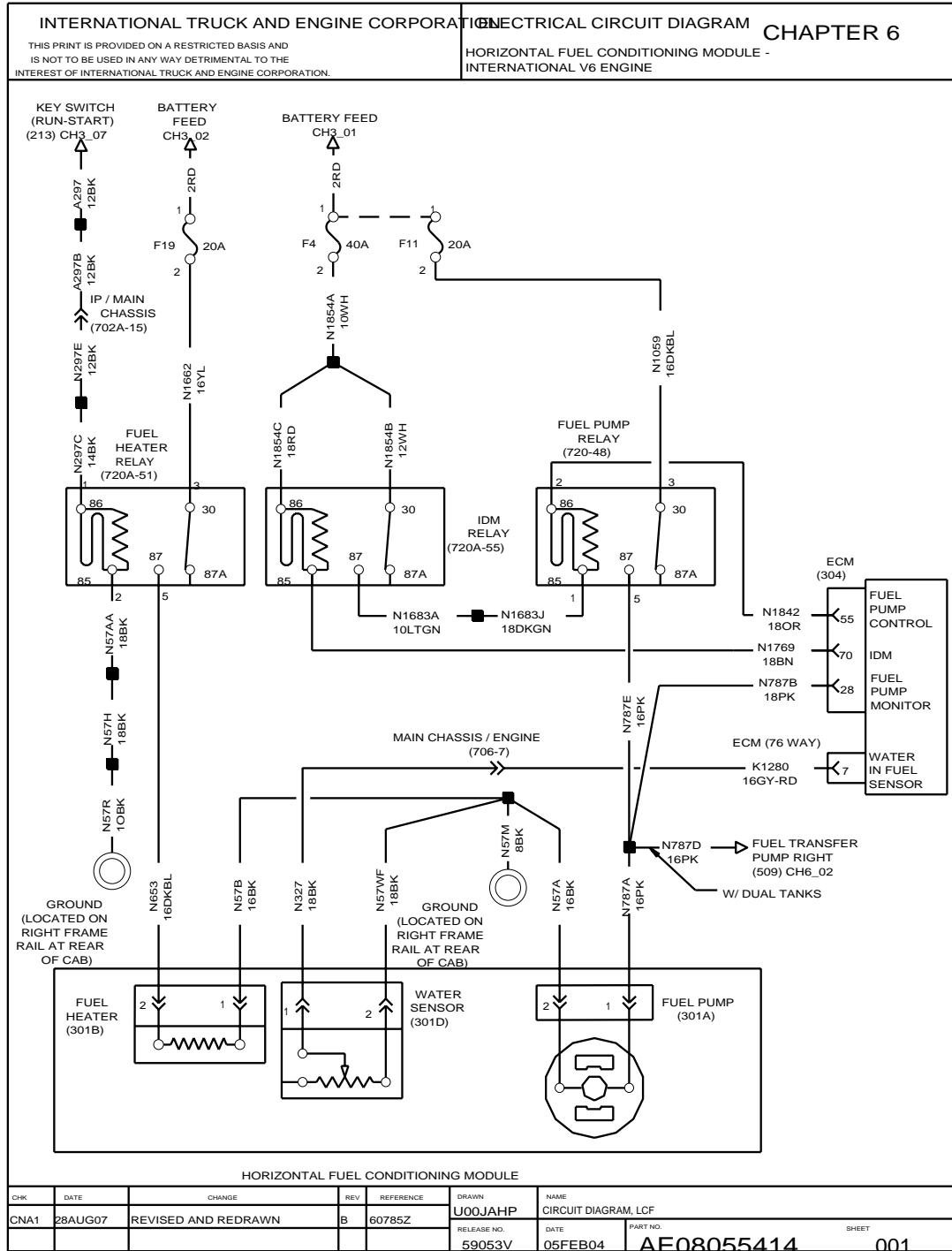


Figure 39 HFCM Module — International V6 Engine

6.2. FUEL TANKS — DUAL TANK, P. 2

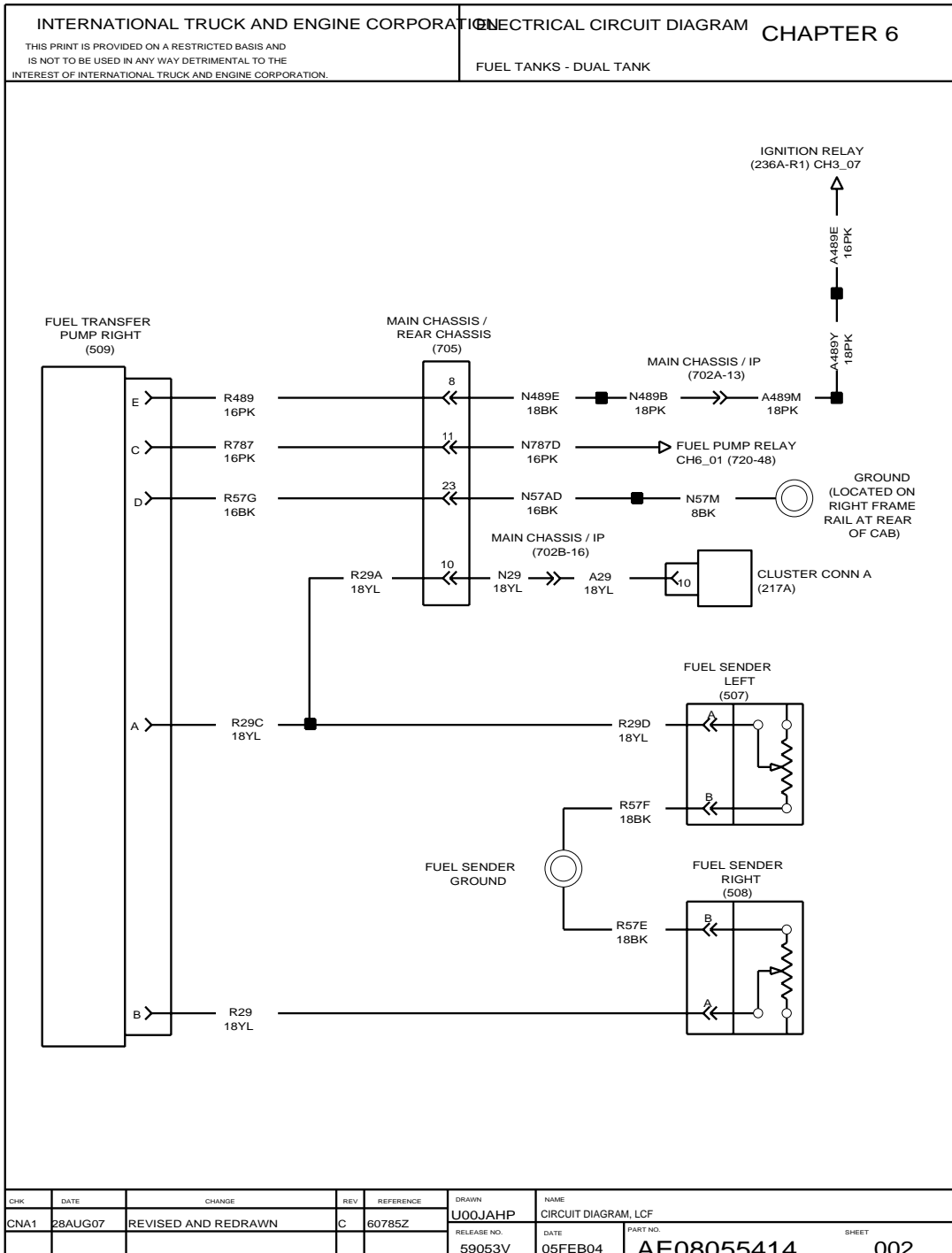


Figure 40 Fuel Tanks — Dual Tank

6.3. FUEL TANKS — LEFT AND AUXILIARY TANK, P. 3

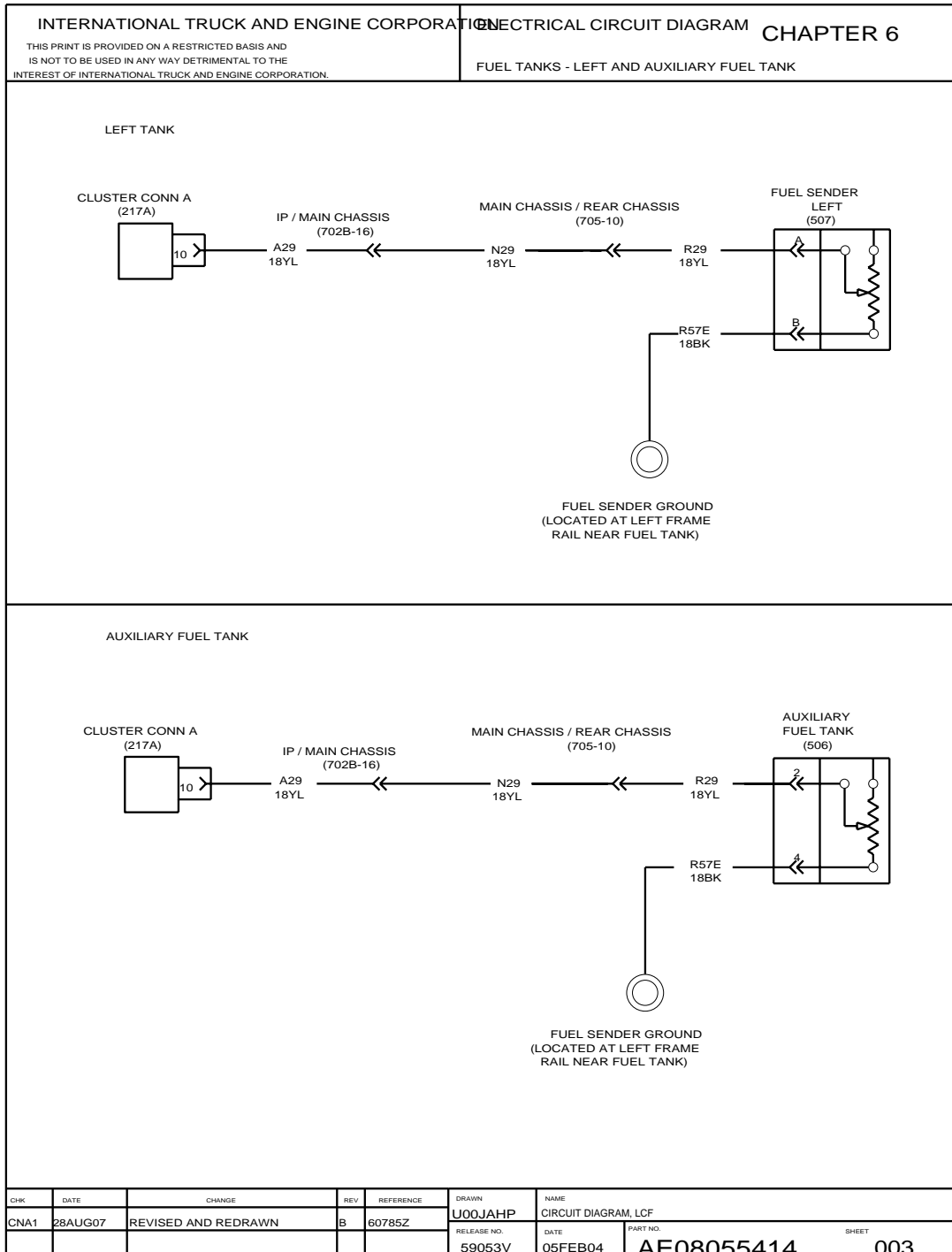
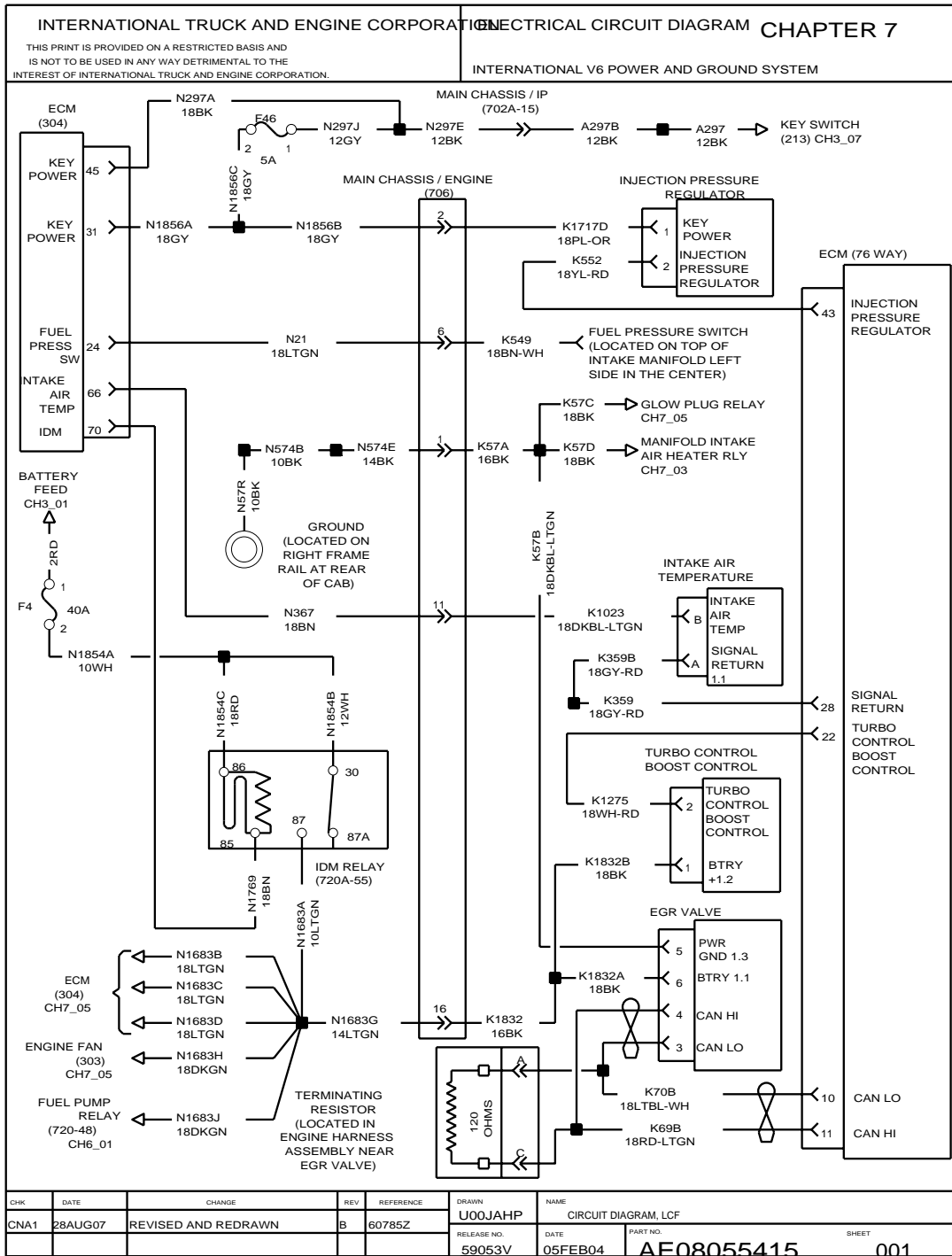


Figure 41 Fuel Tanks — Left and Auxiliary Tank

## 7. ELECTRONIC ENGINES (CHAPTER 7)

### 7.1. INTERNATIONAL V6 POWER AND GROUND SYSTEM, P. 1



**Figure 42 International V6 Power and Ground System**



7.2. INTERNATIONAL V6 CRUISE CONTROL, P. 2

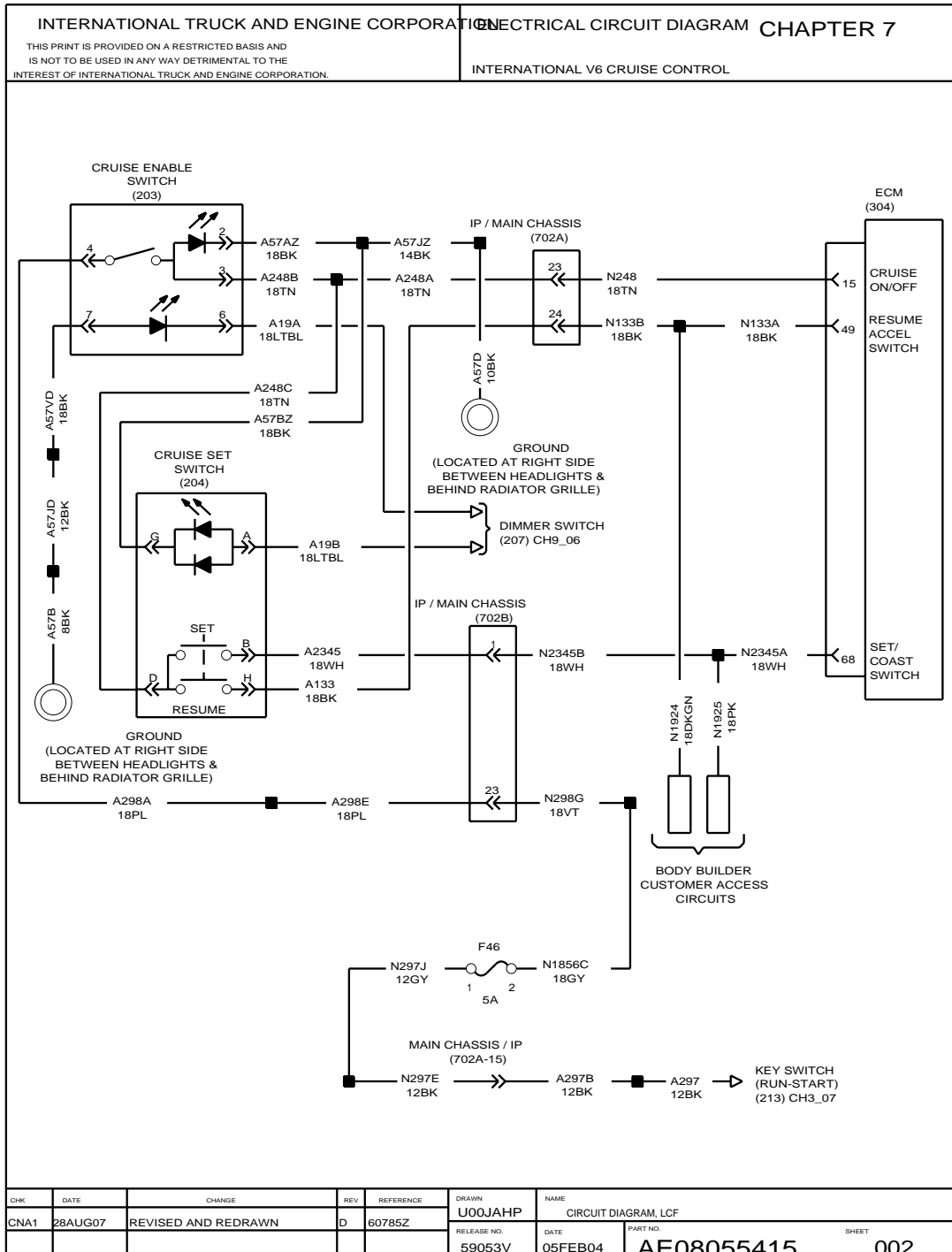


Figure 43 International V6 Cruise Control

7.3. INTERNATIONAL V6 ACCELERATOR PEDAL, P. 3

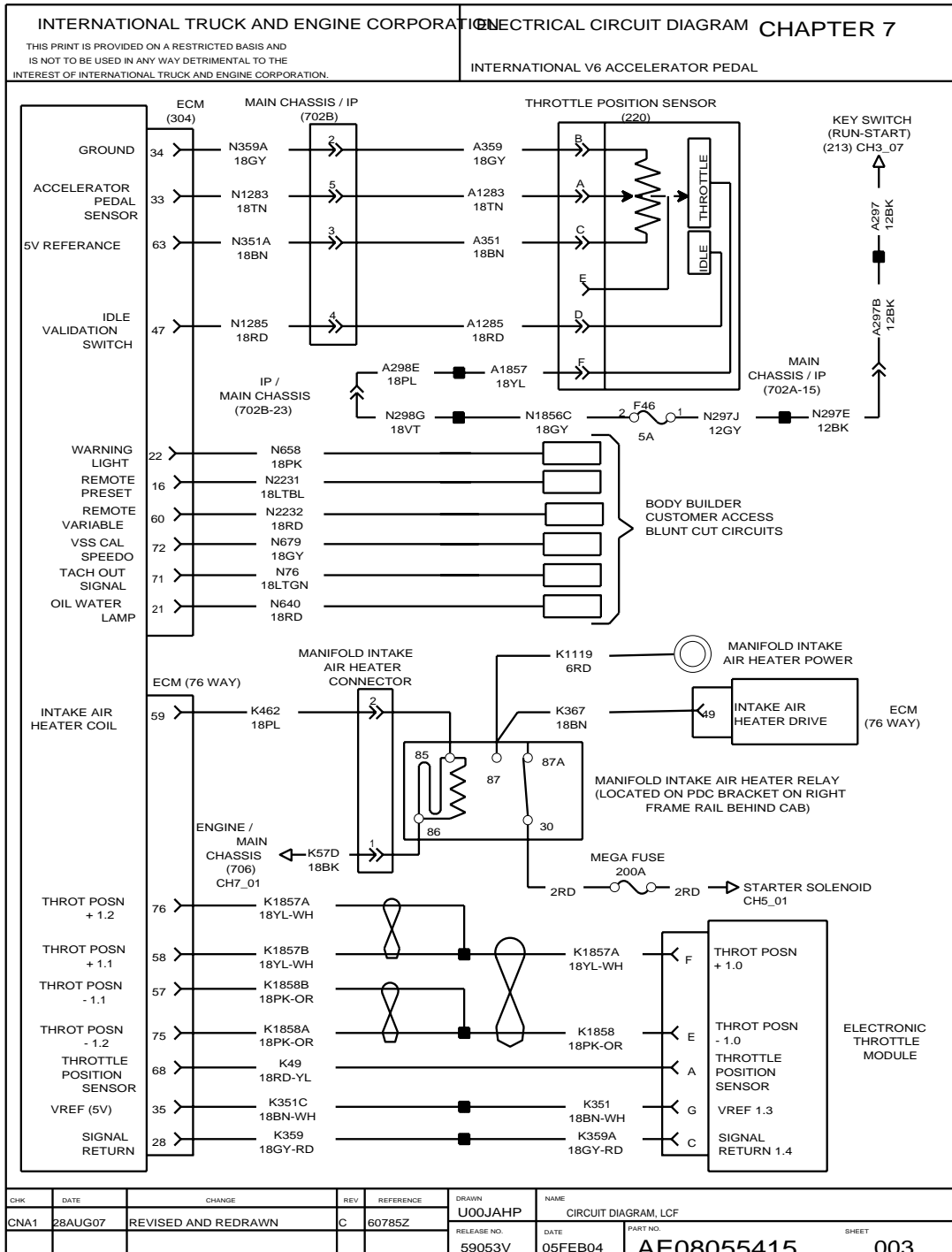


Figure 44 International V6 Accelerator Pedal

7.4. INTERNATIONAL V6 ENGINE SENSOR, P. 4

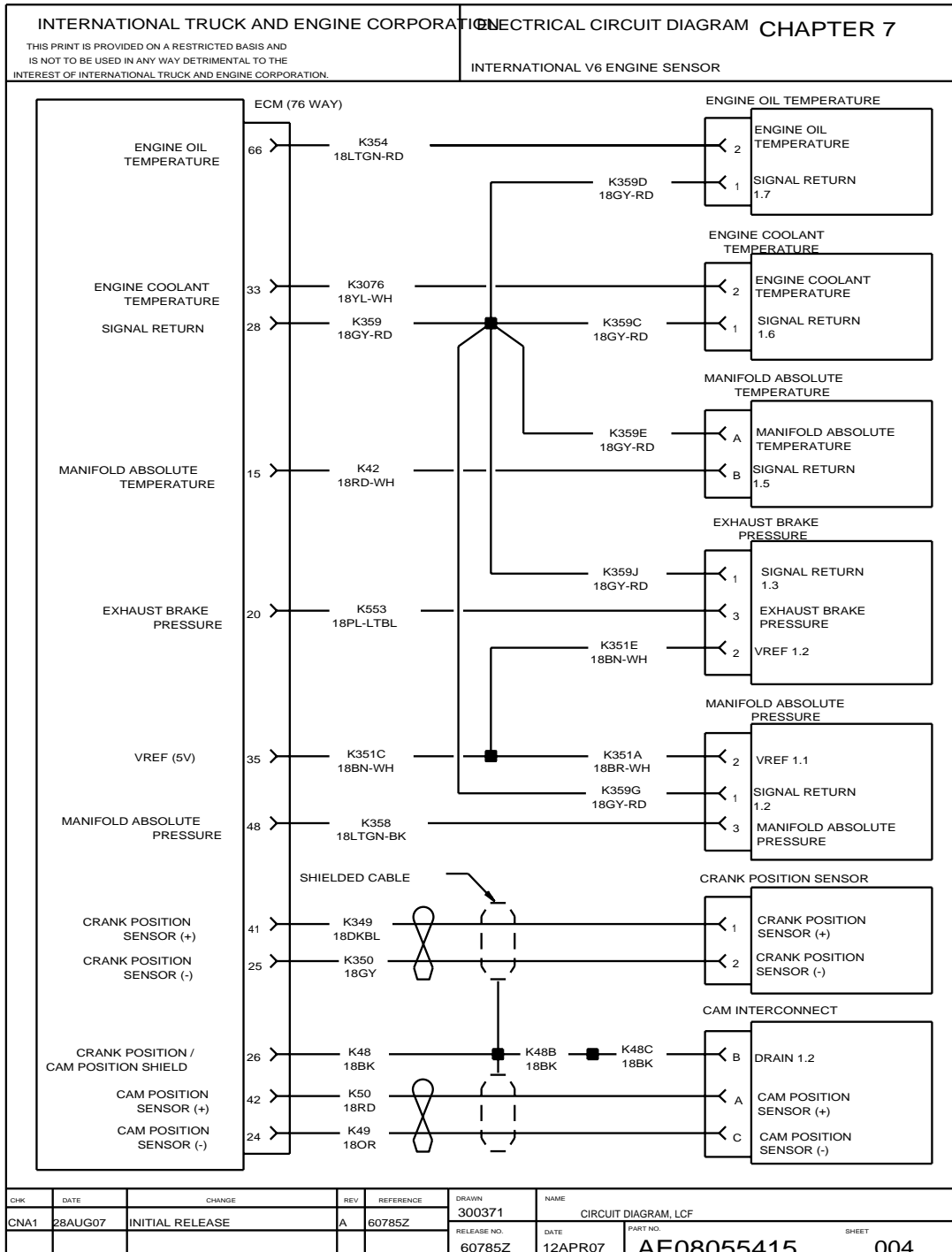


Figure 45 International V6 Engine Sensor

7.5. INTERNATIONAL V6 GLOW PLUG AND ENGINE FAN, P. 5

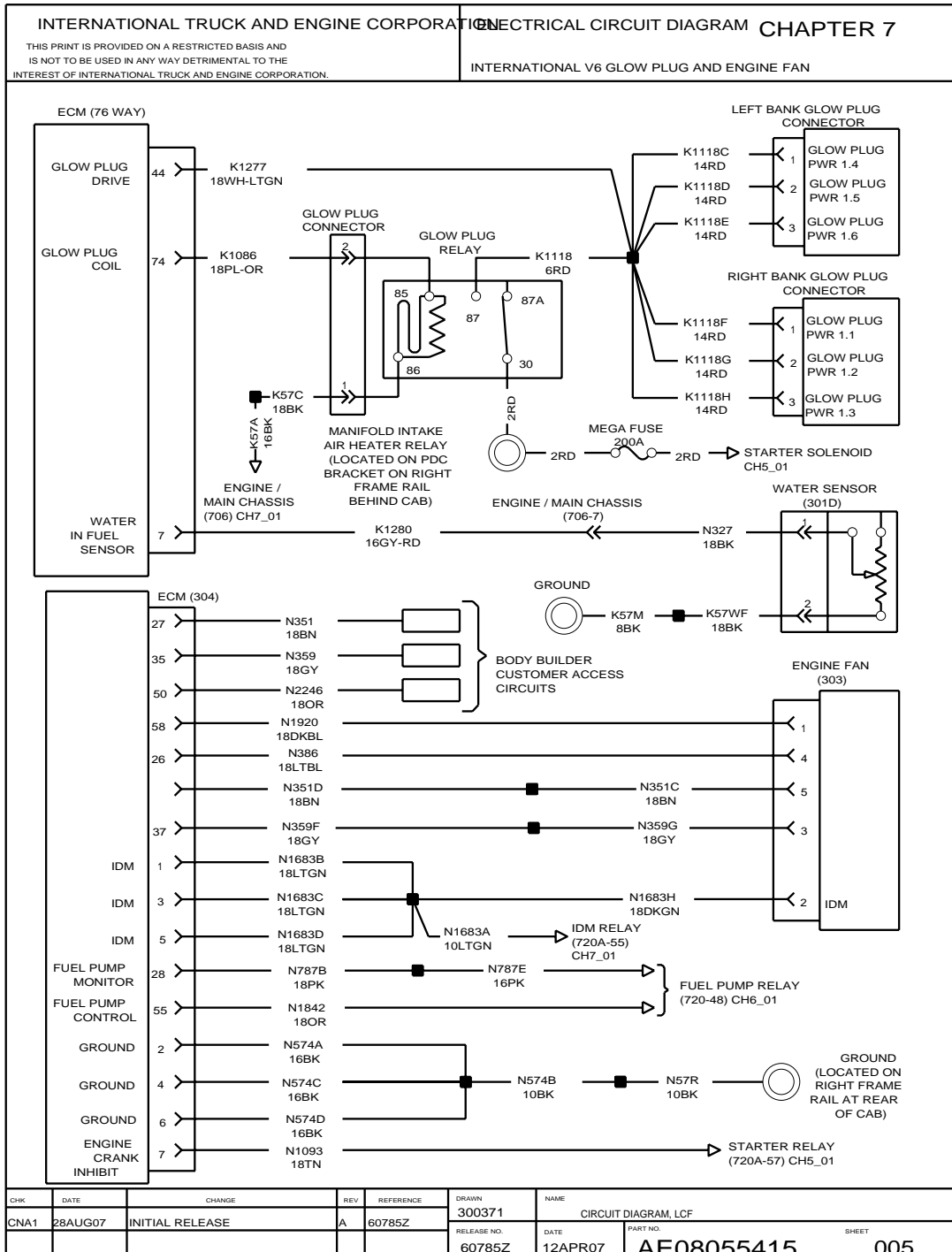


Figure 46 International V6 Glow Plug and Engine Fan

7.6. INTERNATIONAL V6 AFTERTREATMENT, P. 6

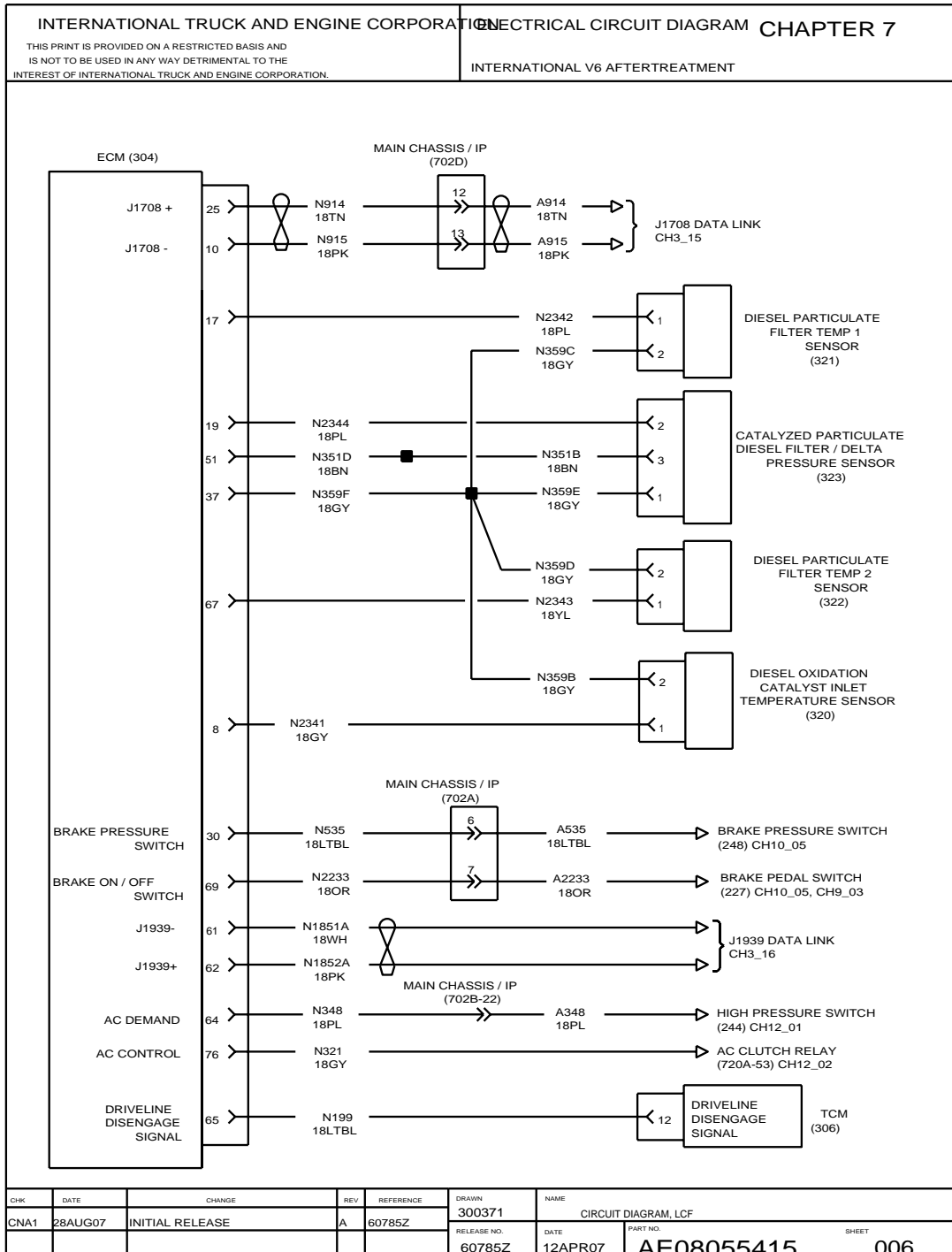


Figure 47 International V6 Aftertreatment

7.7. INTERNATIONAL V6 INJECTORS, P. 7

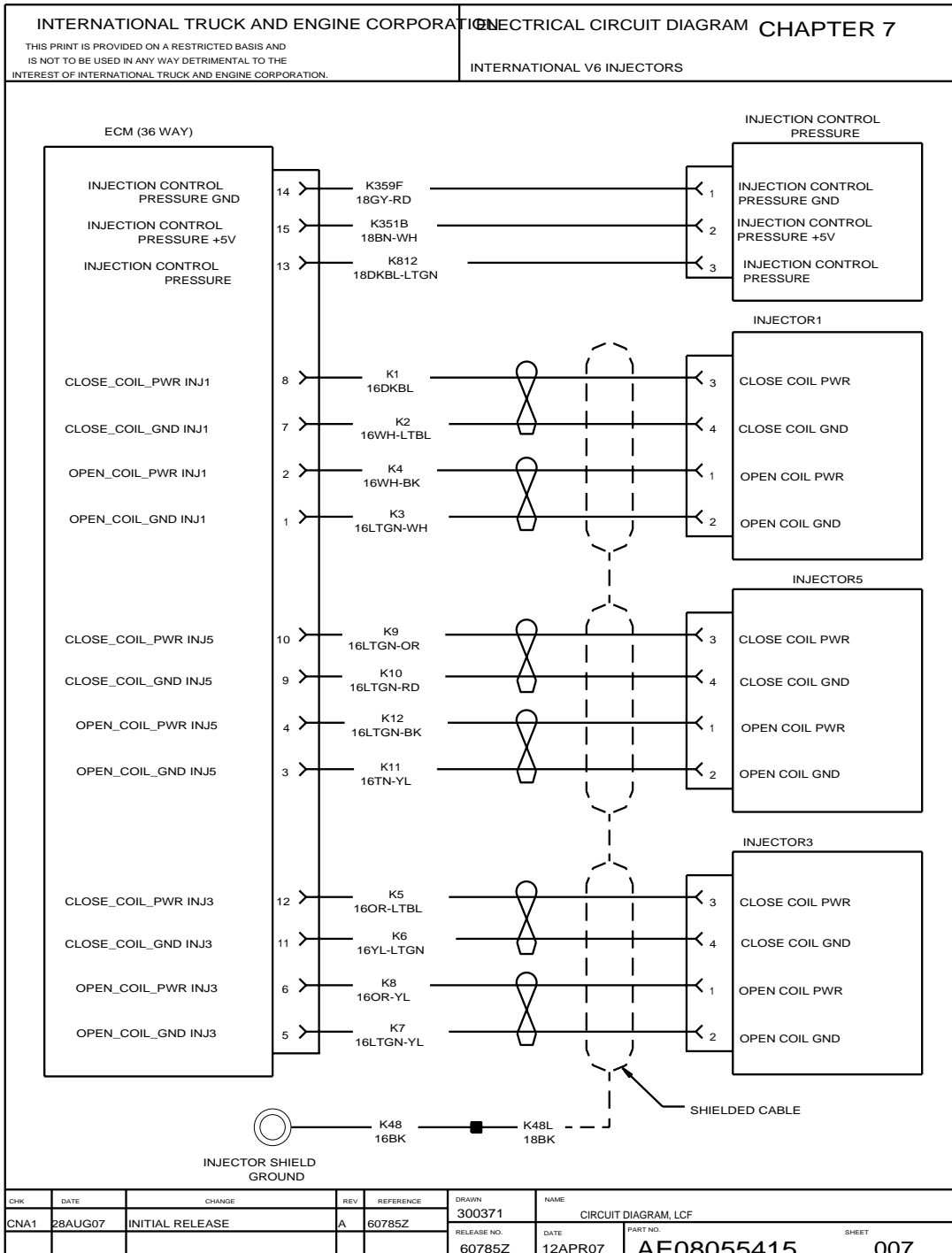


Figure 48 International V6 Injectors

7.8. INTERNATIONAL V6 INJECTORS, P. 8

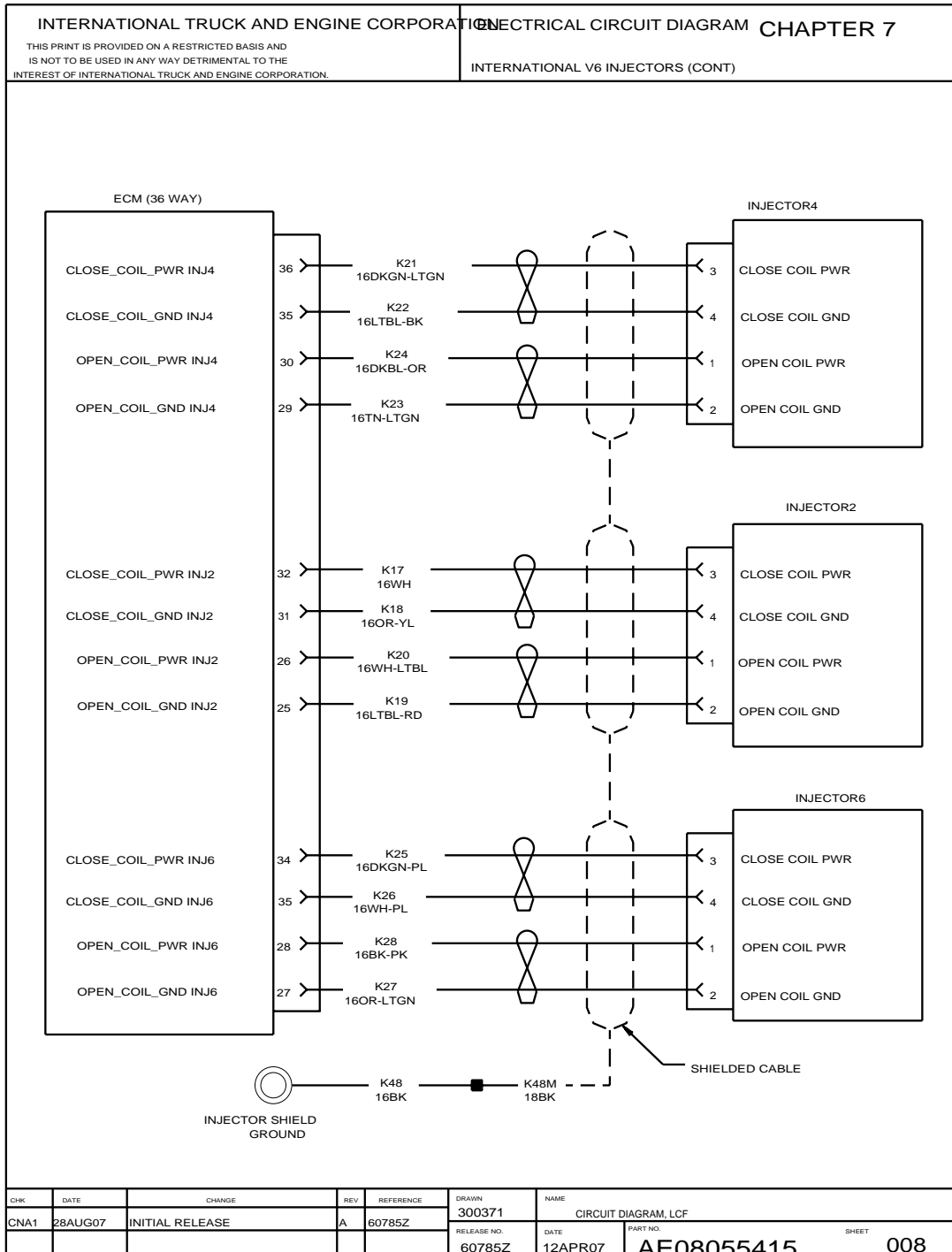


Figure 49 International V6 Injectors

## 8. CLUSTERS AND WARNING LIGHTS (CHAPTER 8)

### 8.1. CLUSTER CONNECTOR A, P. 1

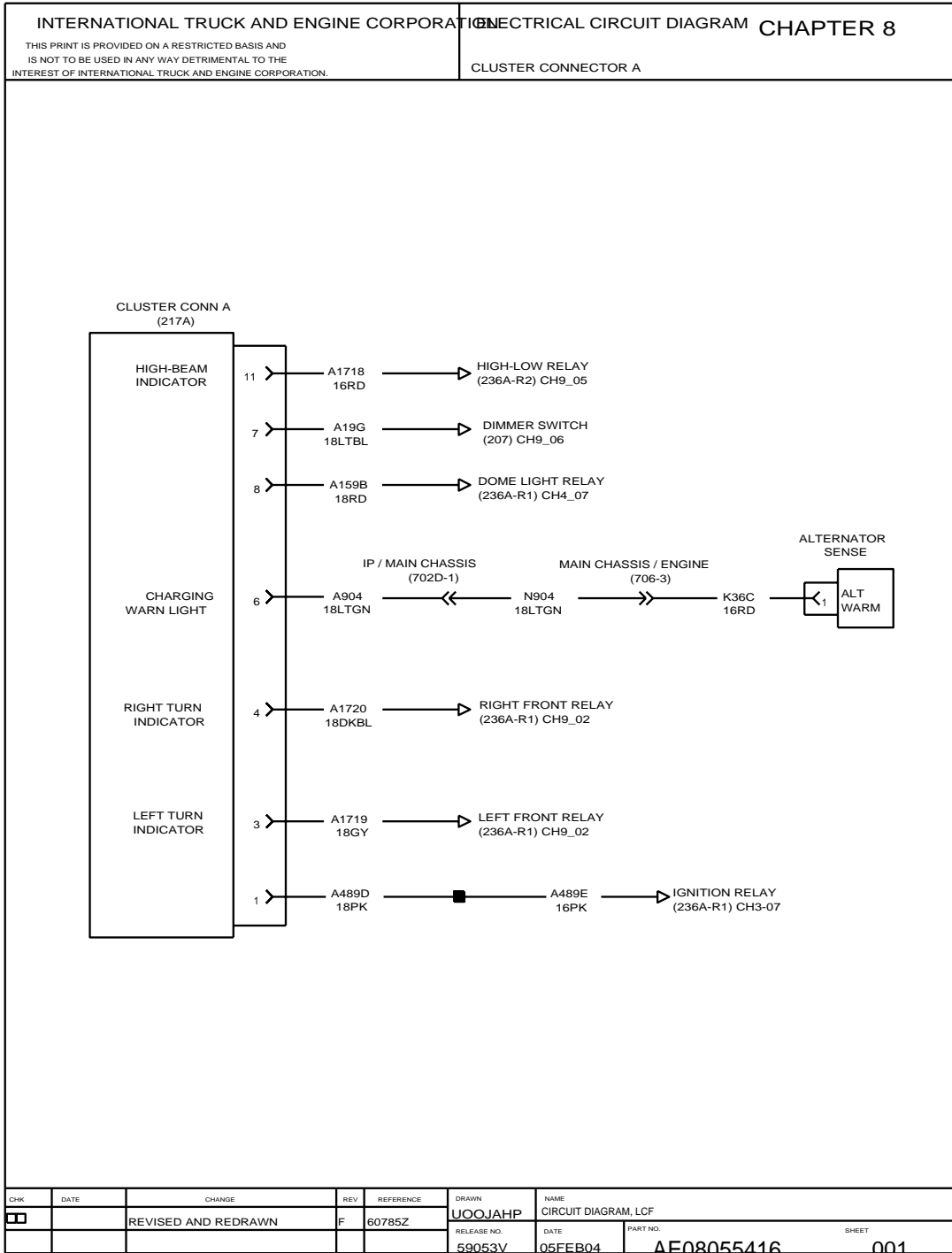


Figure 50 Cluster Connector A



8.2. CLUSTER CONNECTOR A, P. 2

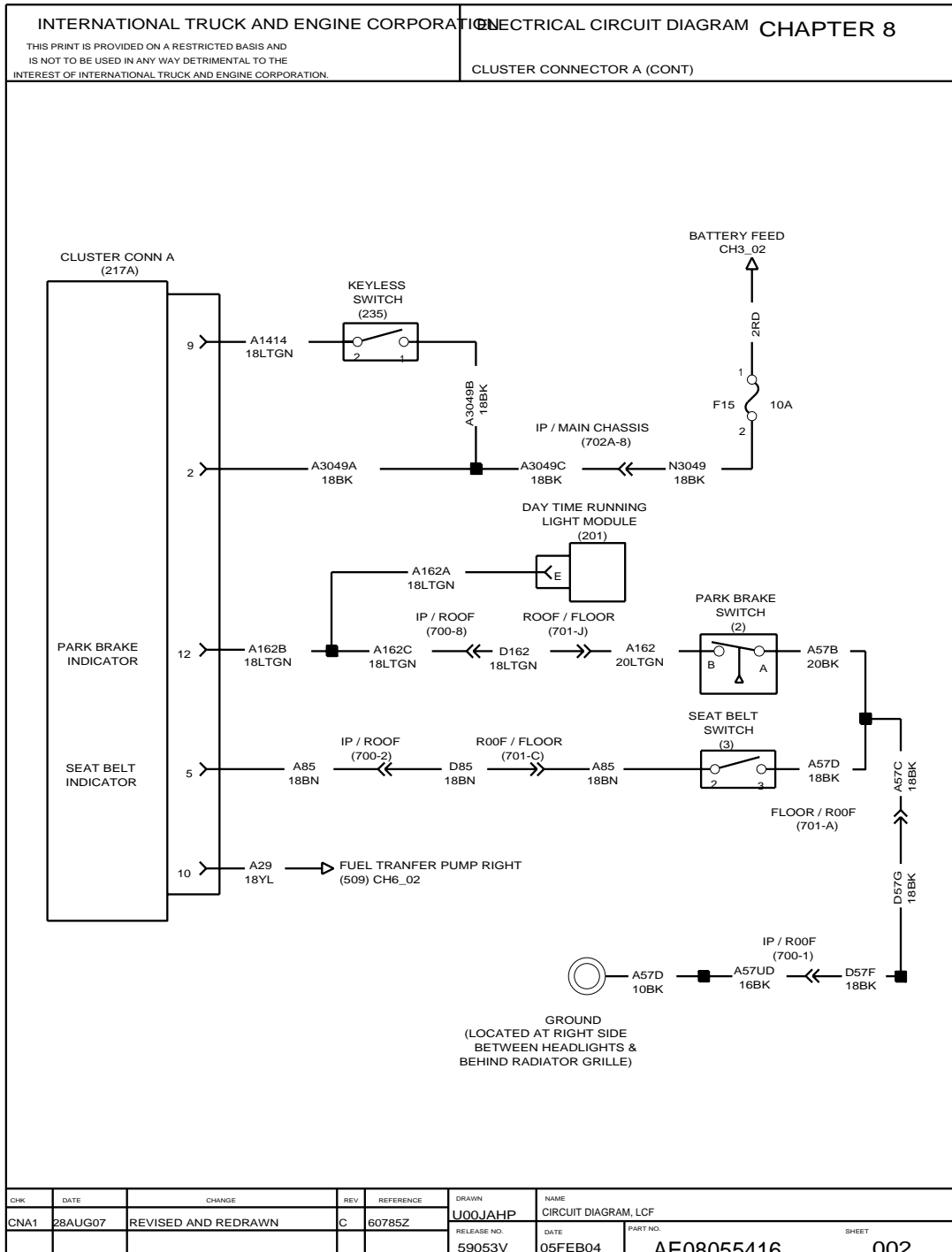


Figure 51 Cluster Connector A

8.3. CLUSTER CONNECTOR B, P. 3

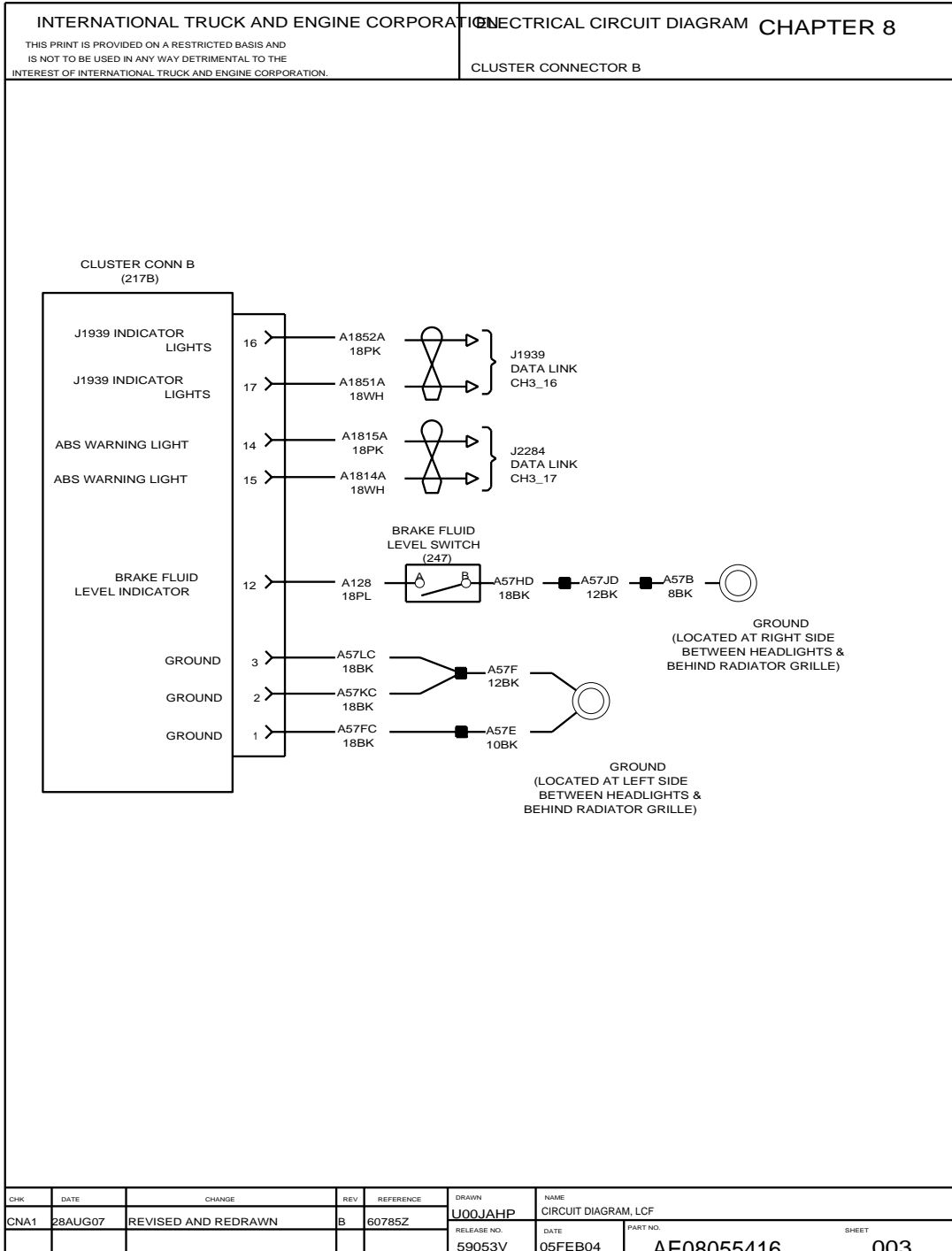


Figure 52 Cluster Connector B

8.4. CLUSTER CONNECTOR B, P. 4

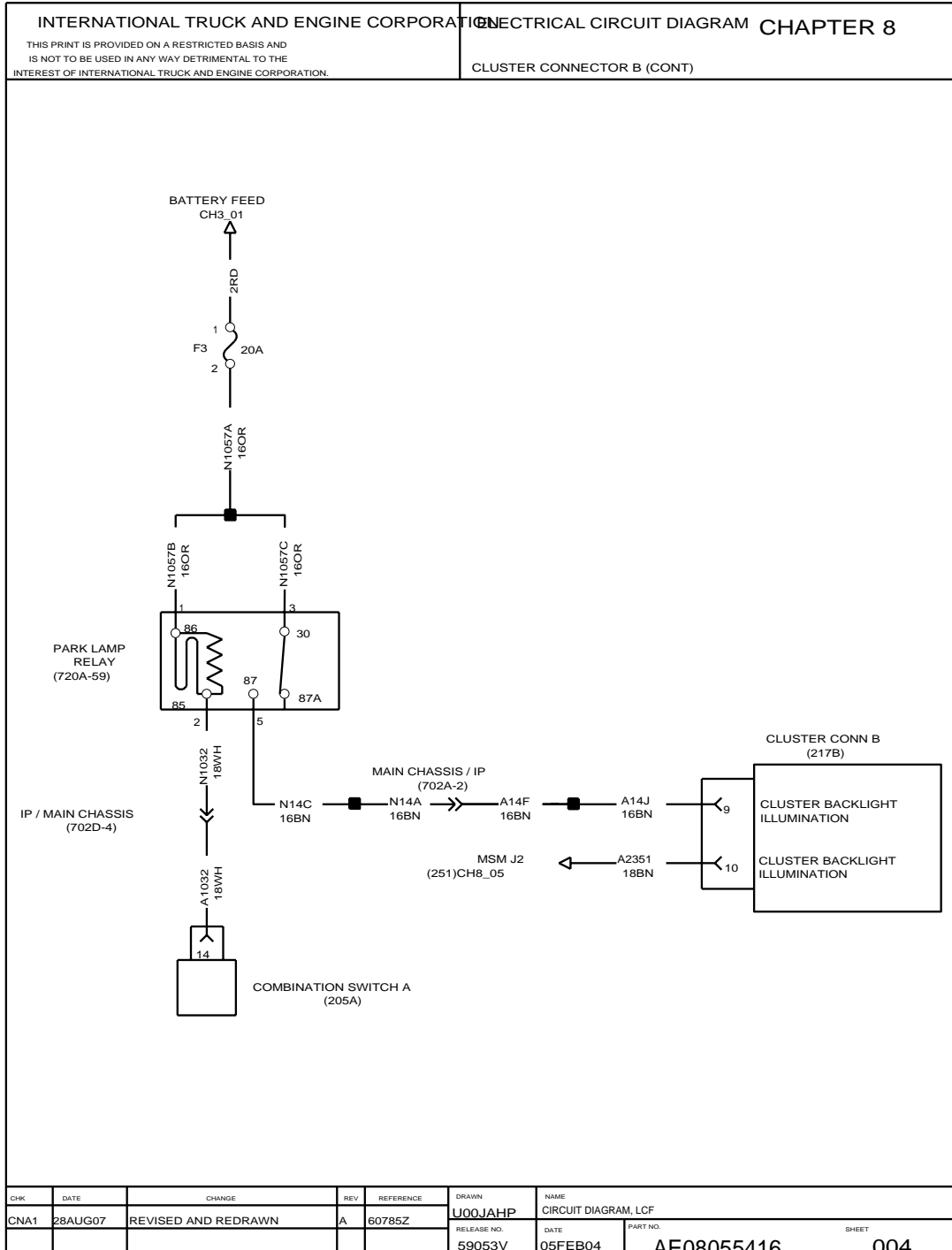


Figure 53 Cluster Connector B

8.5. MULTIPLEX SWITCH MODULE AND AFTERTREATMENT SYSTEM, P. 5

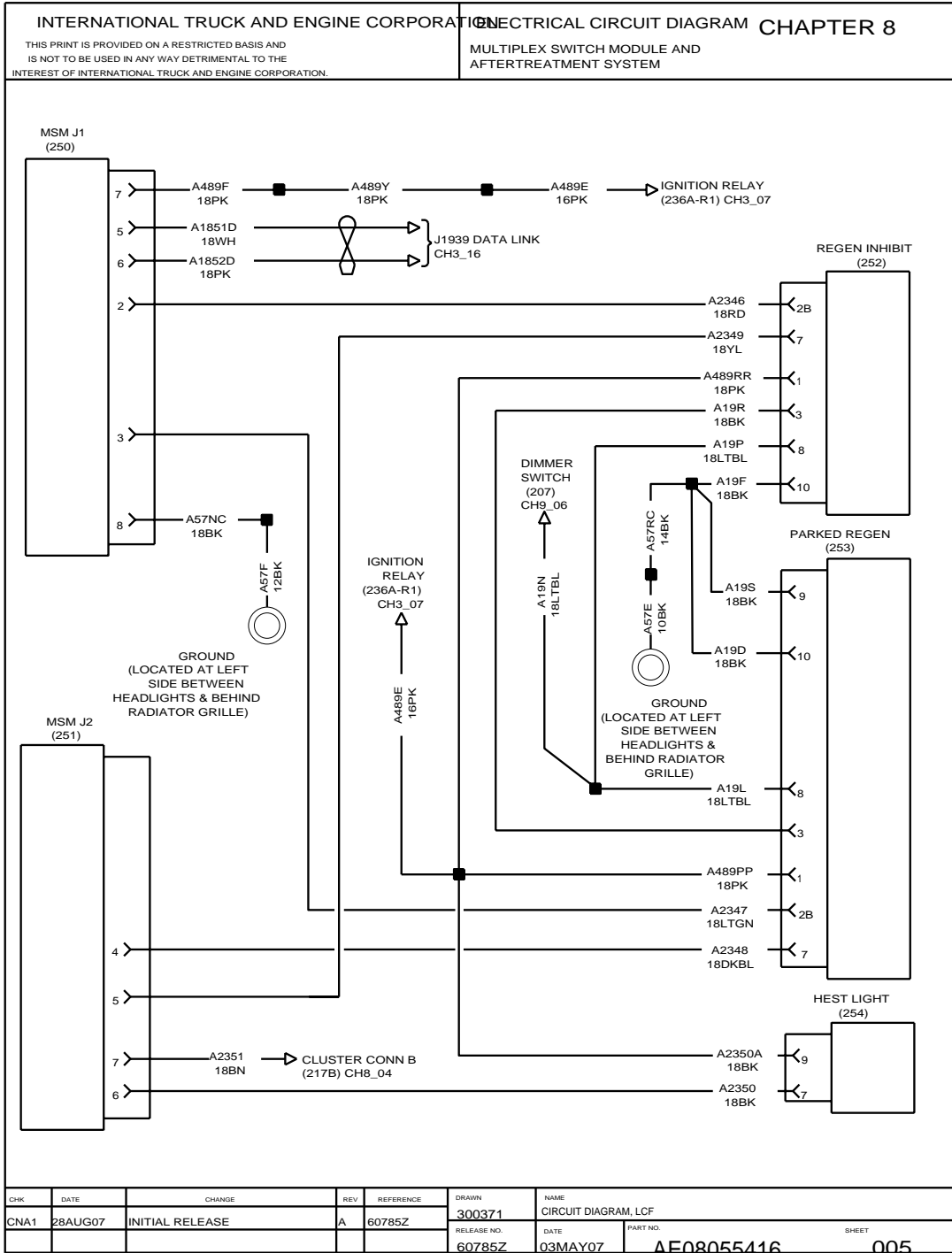


Figure 54 Multiplex Switch Module and Aftertreatment System

## 9. LIGHT SYSTEMS (CHAPTER 9)

### 9.1. COMBINATION SWITCH A, HAZARD SWITCH, P. 1

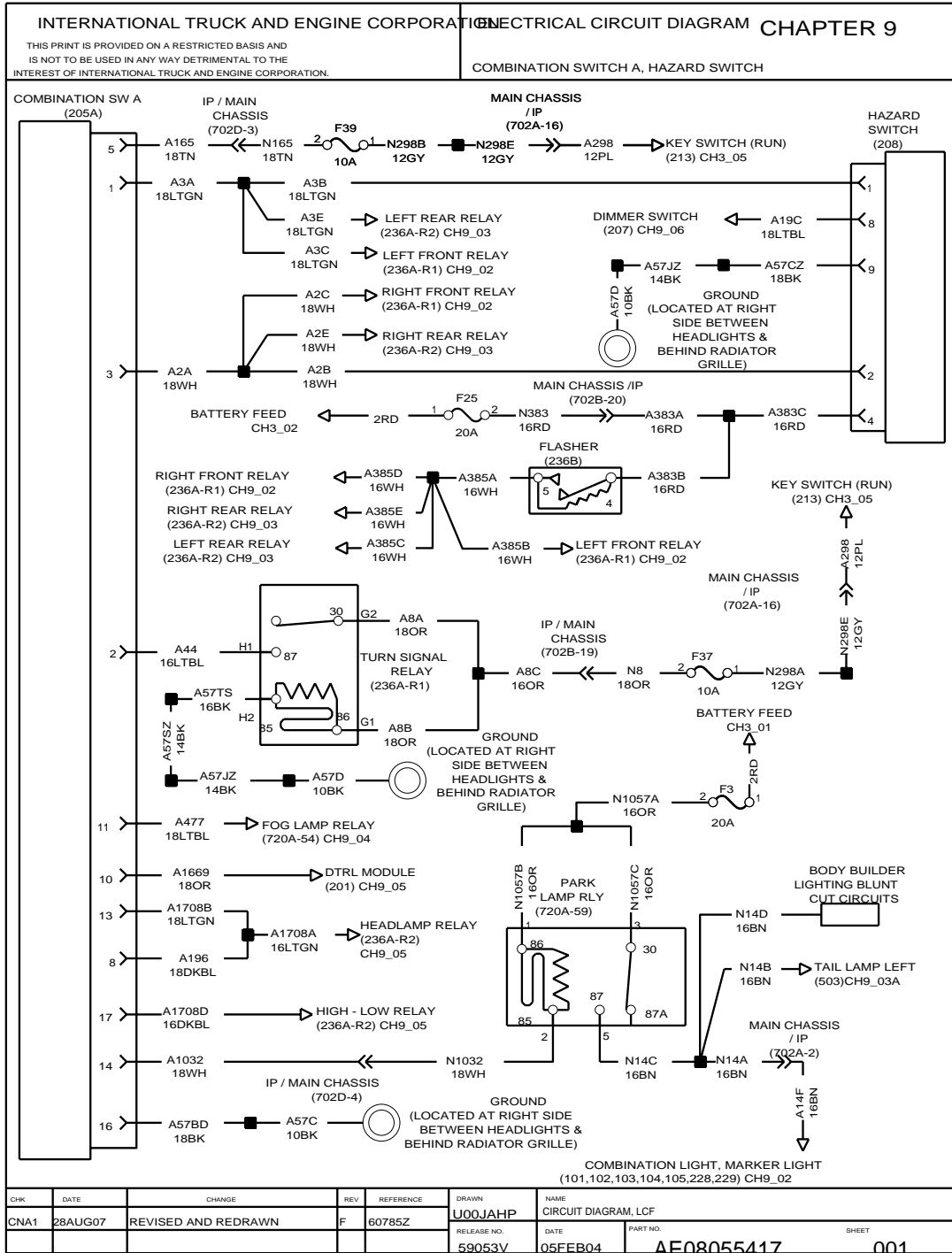


Figure 55 Combination Switch A, Hazard Switch

9.2. MARKER, FRONT PARK AND TURN LIGHTS, P. 2

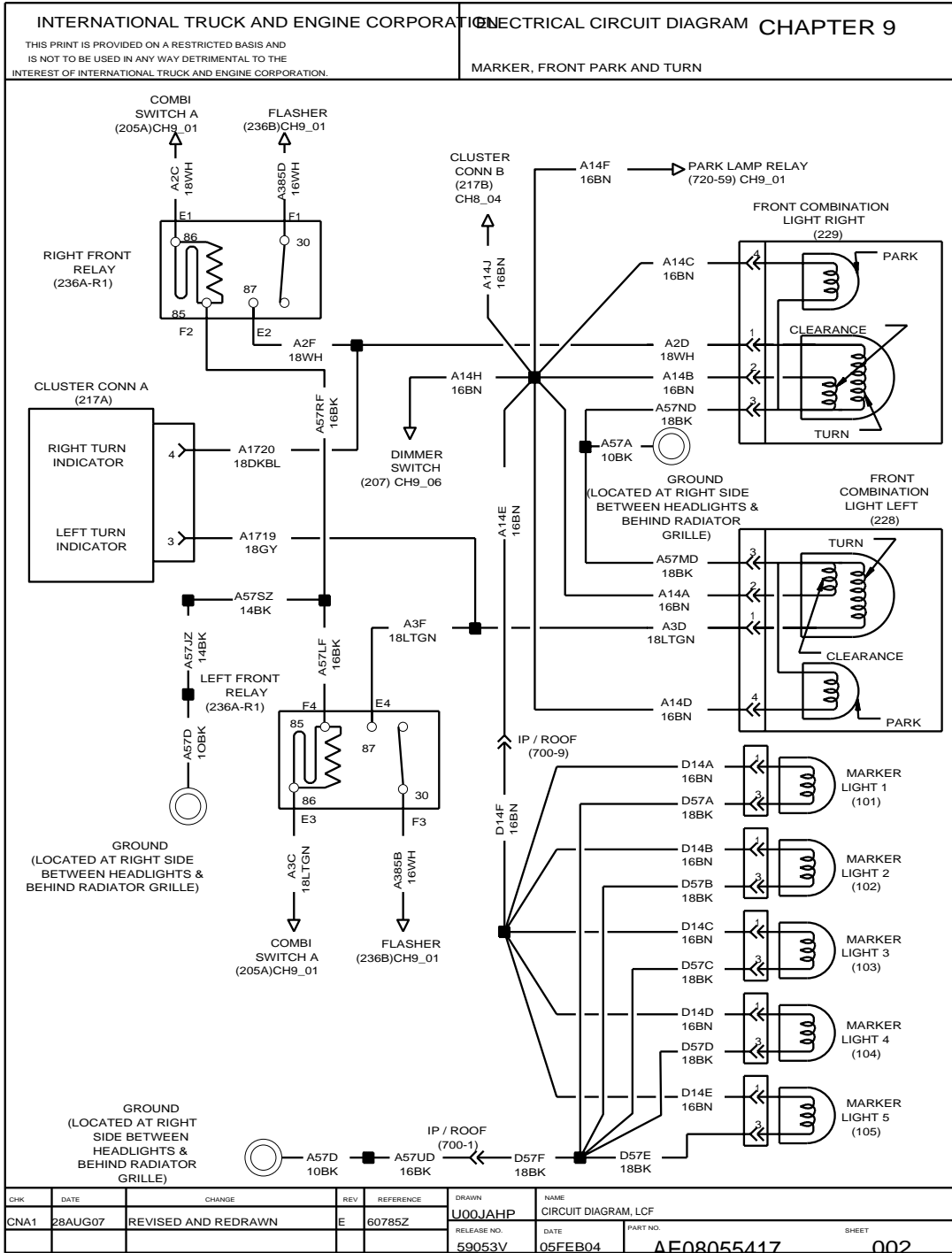


Figure 56 Marker, Front Park and Turn Lights

9.3. REAR TAIL, TURN, STOP AND BACKUP LIGHTS, P. 3

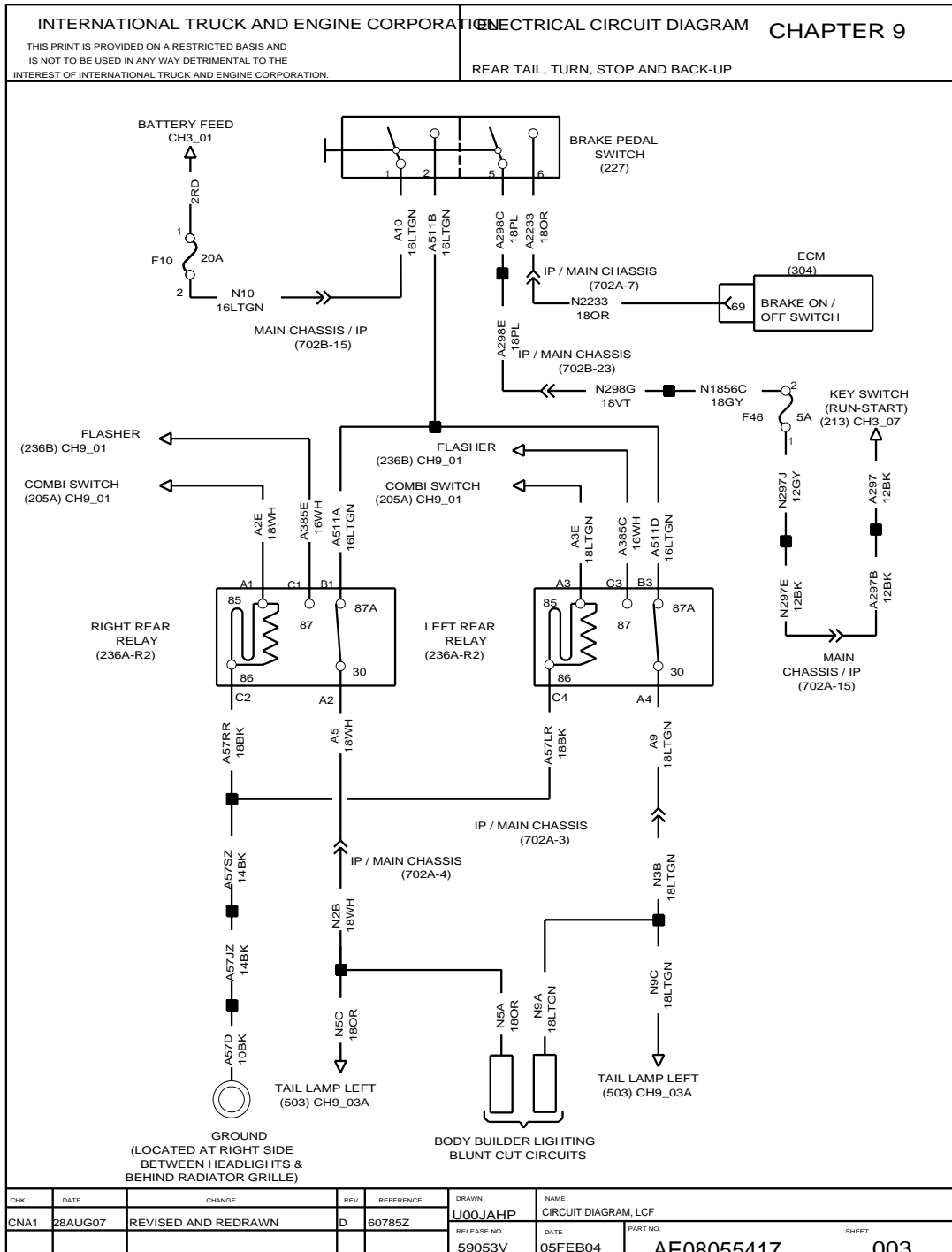


Figure 57 Rear Tail, Turn, Stop and Backup Lights

9.4. REAR TAIL, TURN, STOP AND BACKUP LIGHTS, P. 3A

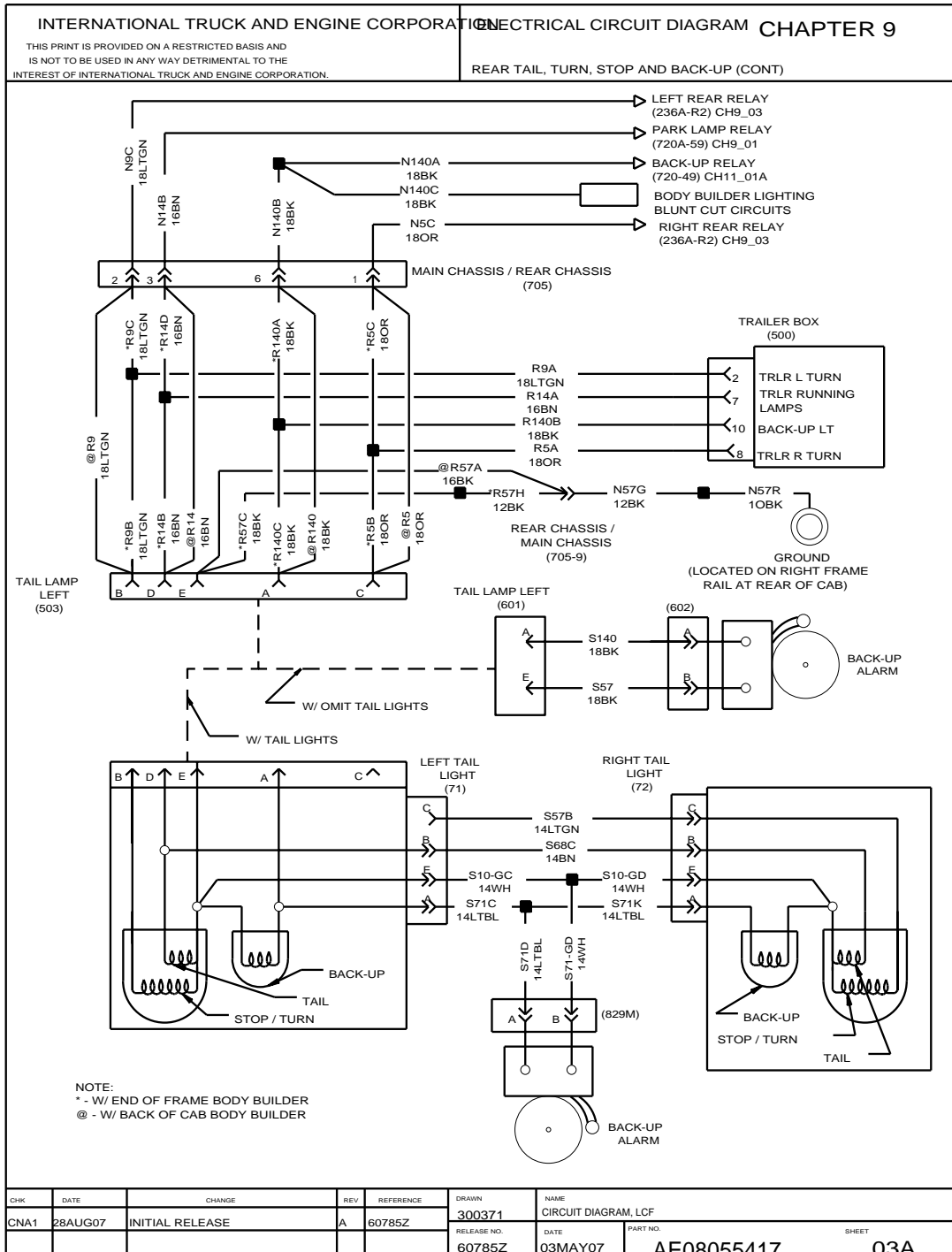


Figure 58 Rear Tail, Turn, Stop and Backup Lights



9.5. FOG LIGHTS, P. 4

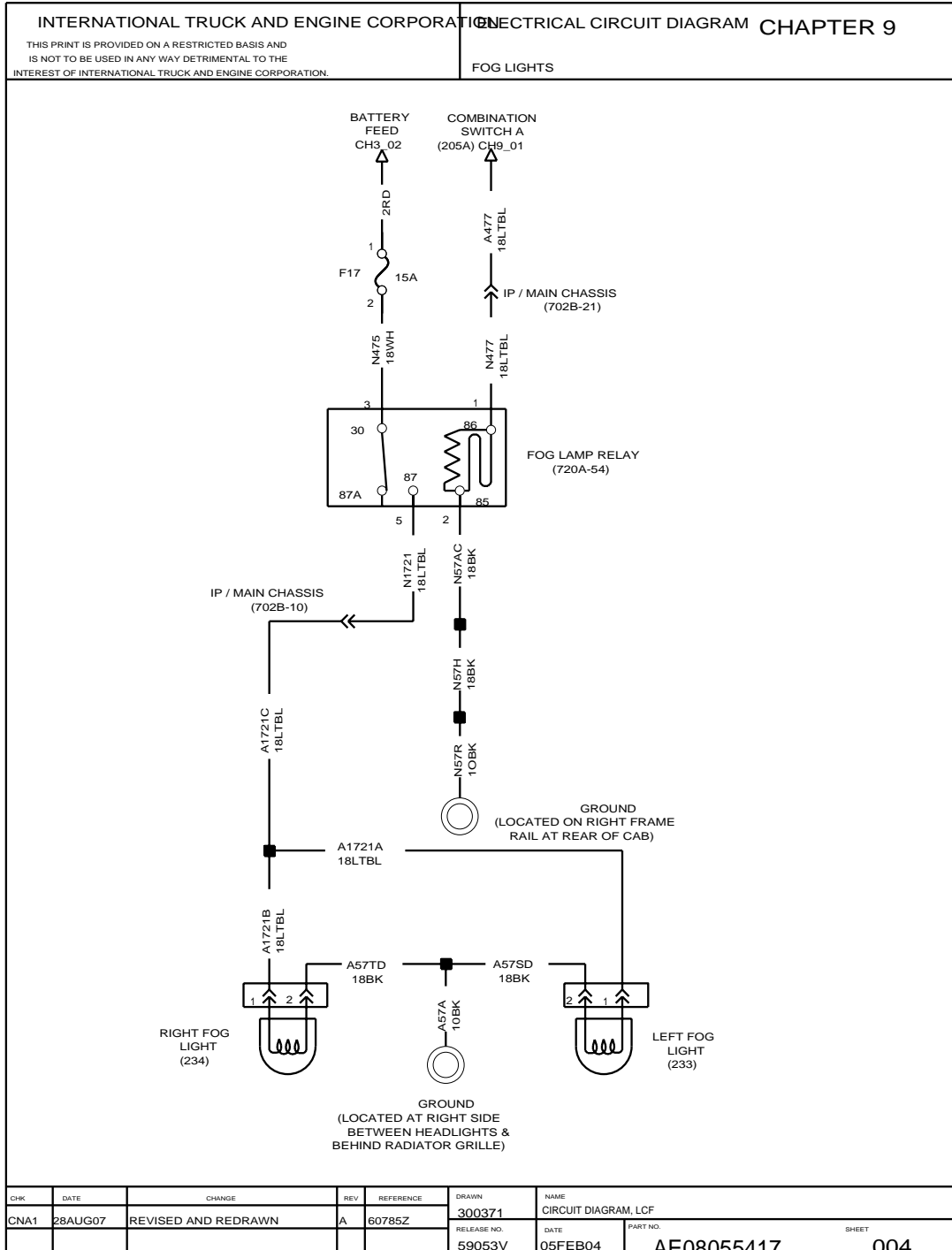


Figure 59 Fog Lights

9.6. HEADLIGHTS, P. 5

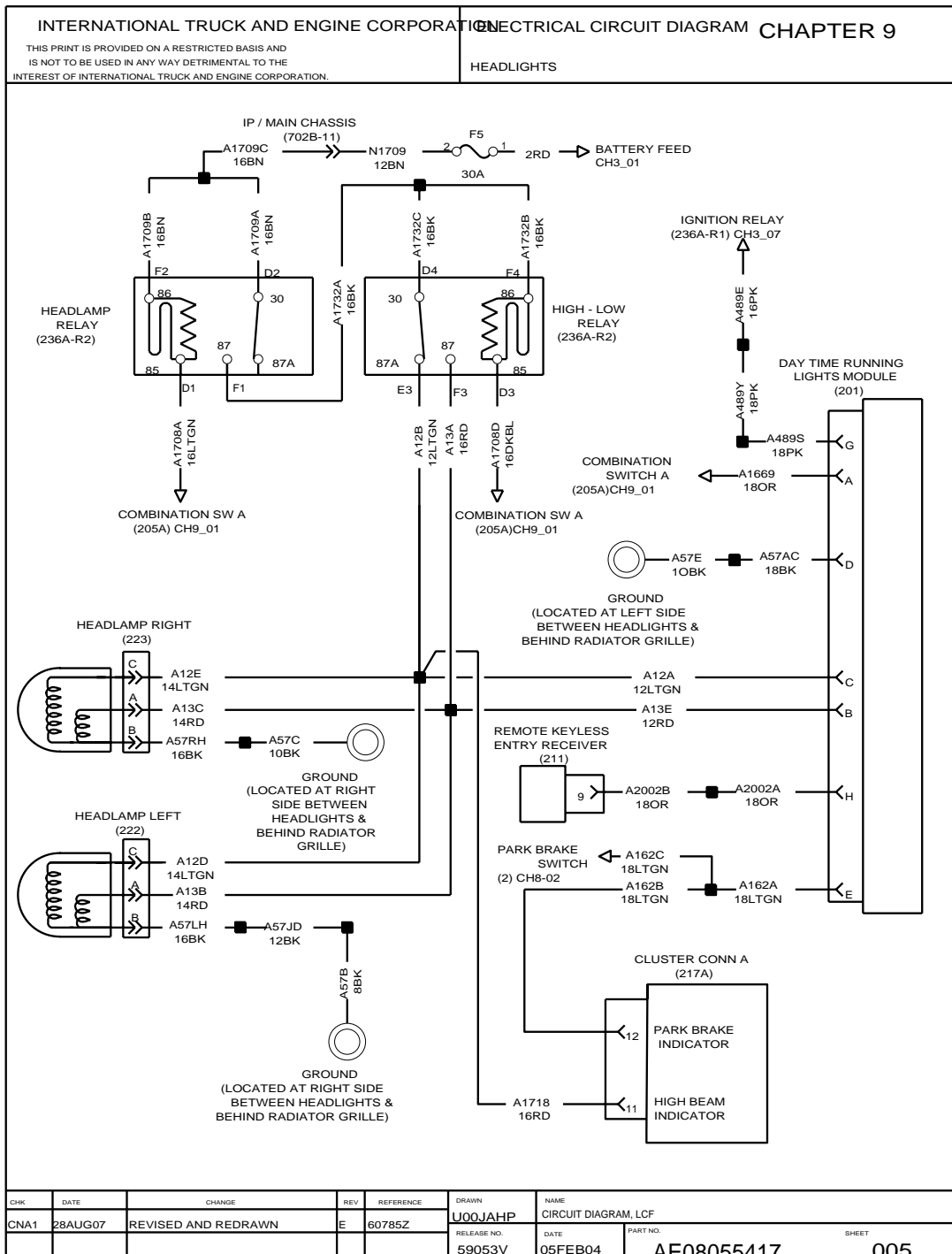


Figure 60 Headlights

9.7. PANEL LIGHTS, P. 6

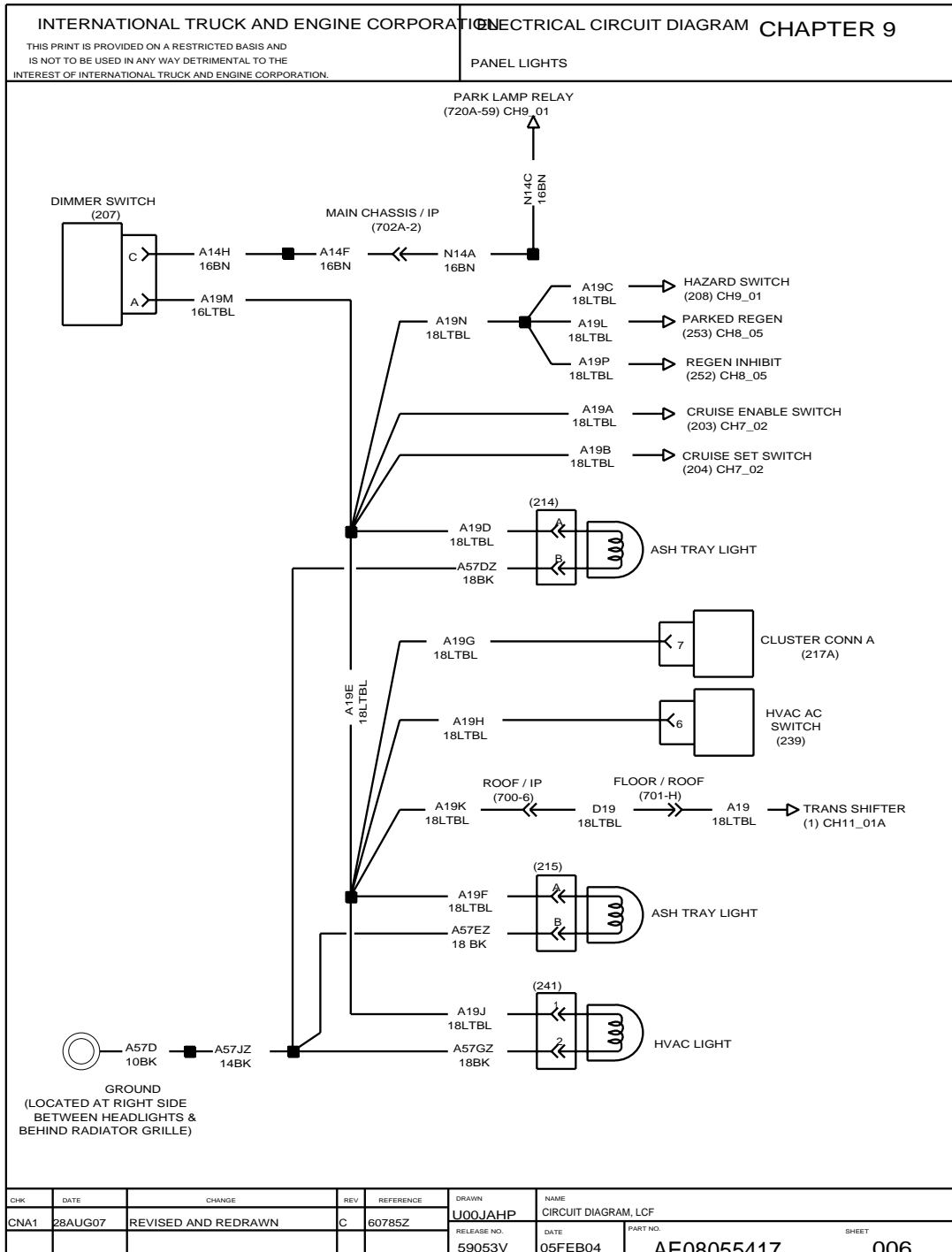


Figure 61 Panel Lights

10. CHASSIS ACCESSORIES (CHAPTER 10)

10.1. ANTILOCK BRAKE SYSTEM (ABS), P. 1

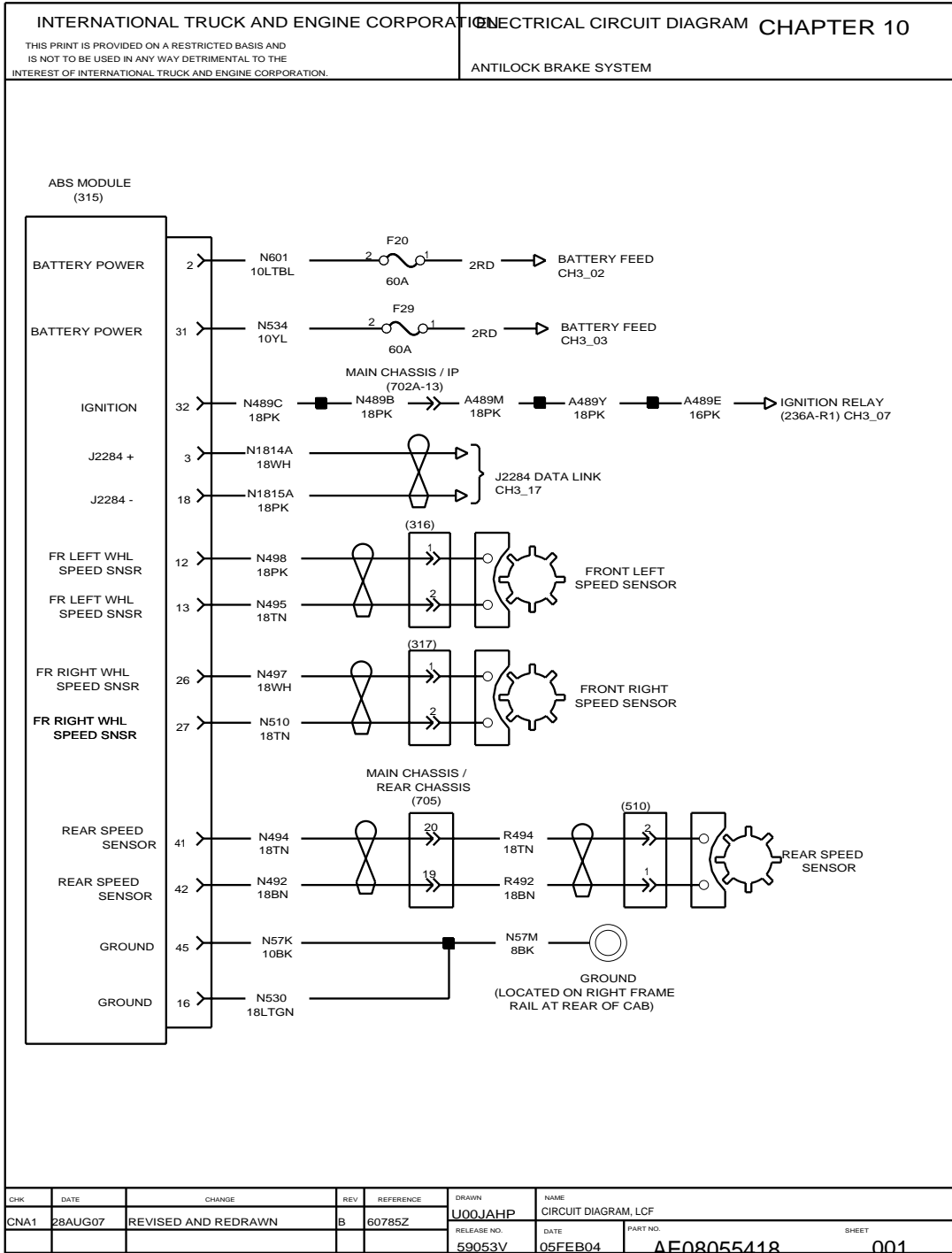


Figure 62 Antilock Brake System (ABS)

CHK	DATE	CHANGE	REV	REFERENCE	DRAWN	NAME
CNA1	28AUG07	REVISED AND REDRAWN	B	60785Z	U00JHP	CIRCUIT DIAGRAM, LCF
					RELEASE NO.	DATE
					59053V	05FEB04
						PART NO.
						AE08055418
						SHEET
						001

10.2. BODY BUILDER CUSTOMER ACCESS CIRCUITS (BOC), P. 2

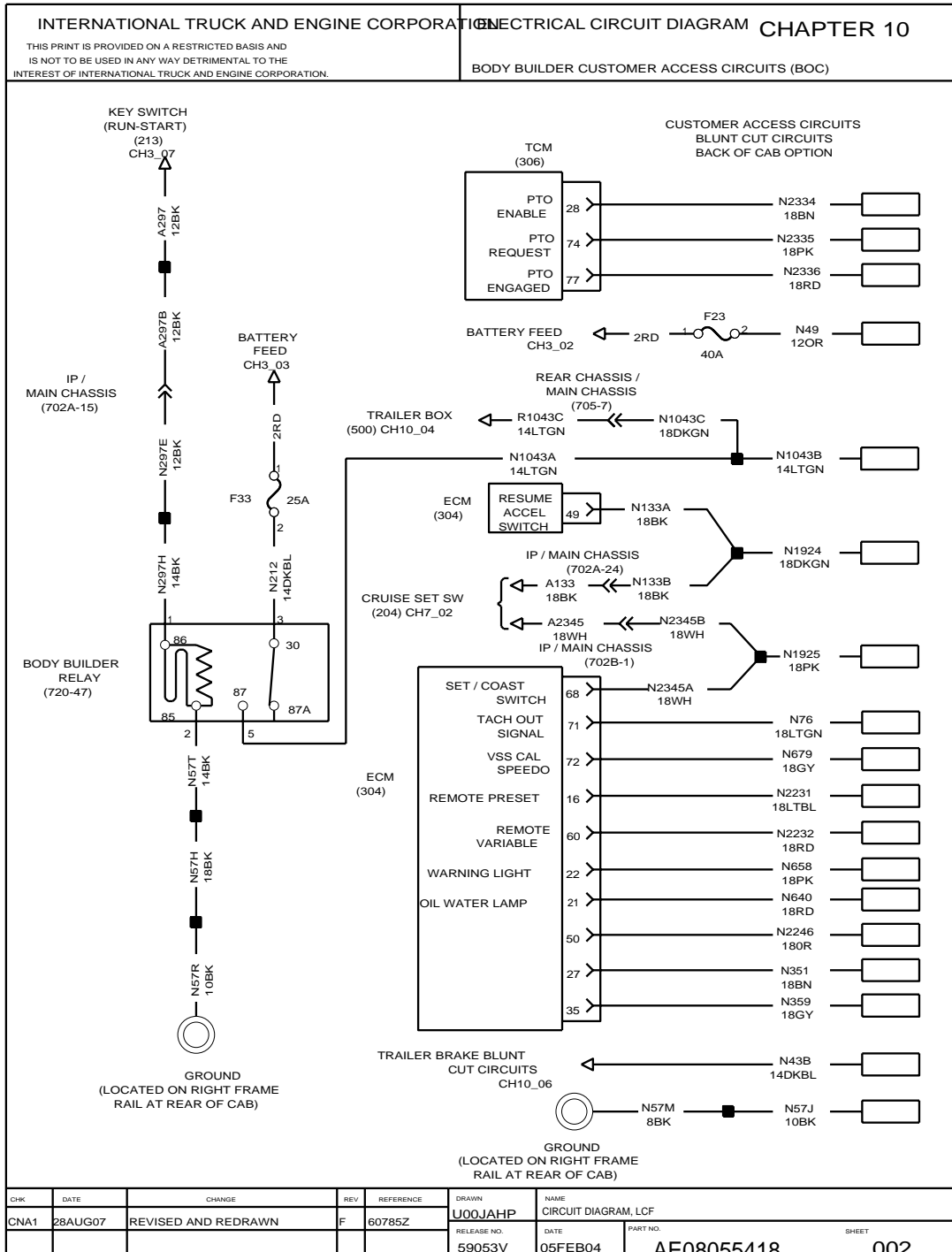


Figure 63 Body Builder Customer Access Circuits (BOC)

10.3. BODY BUILDER LIGHTING CIRCUITS (BOC), P. 3

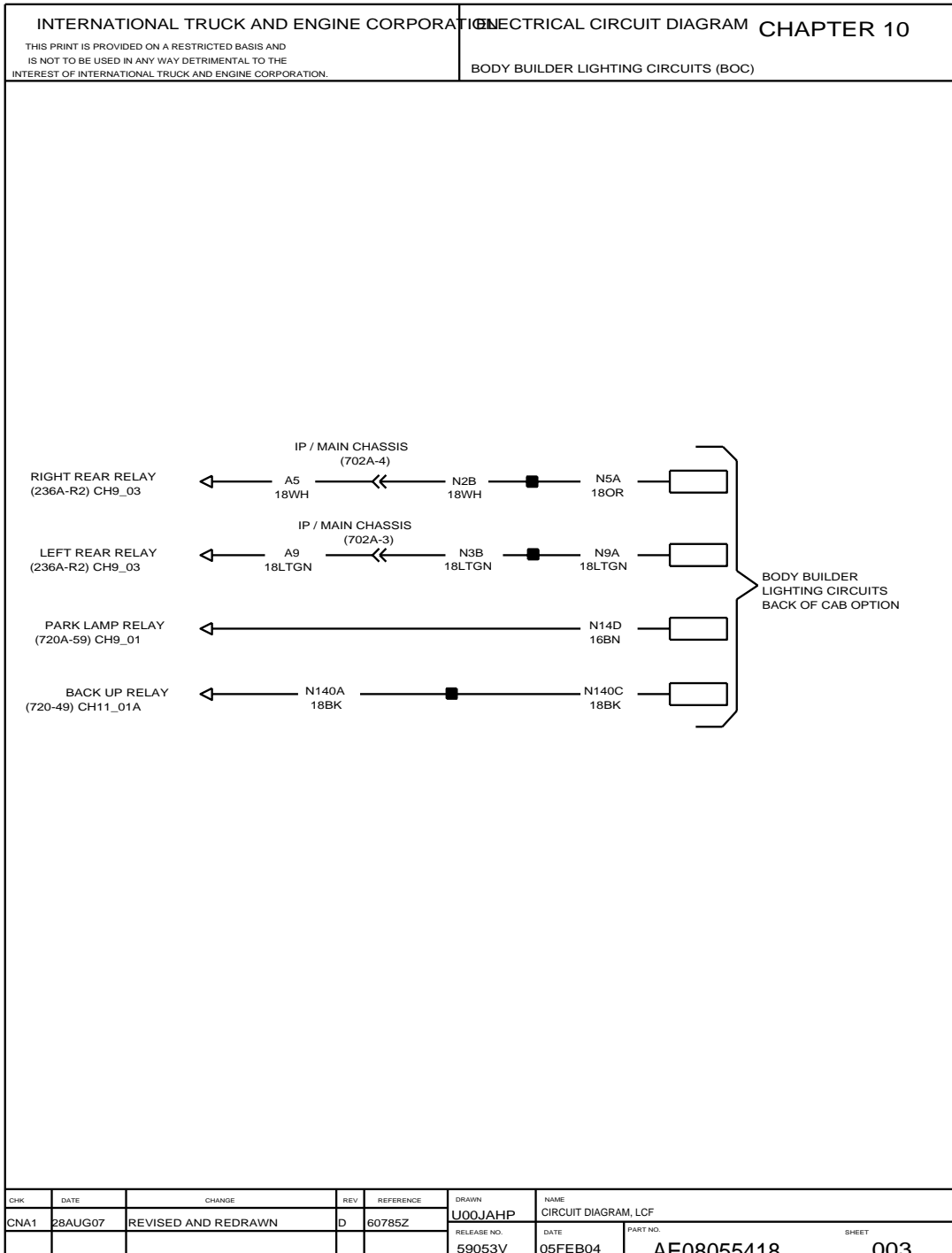


Figure 64 Body Builder Lighting Circuits (BOC)

10.4. BODY BUILDER (EOF), P. 4

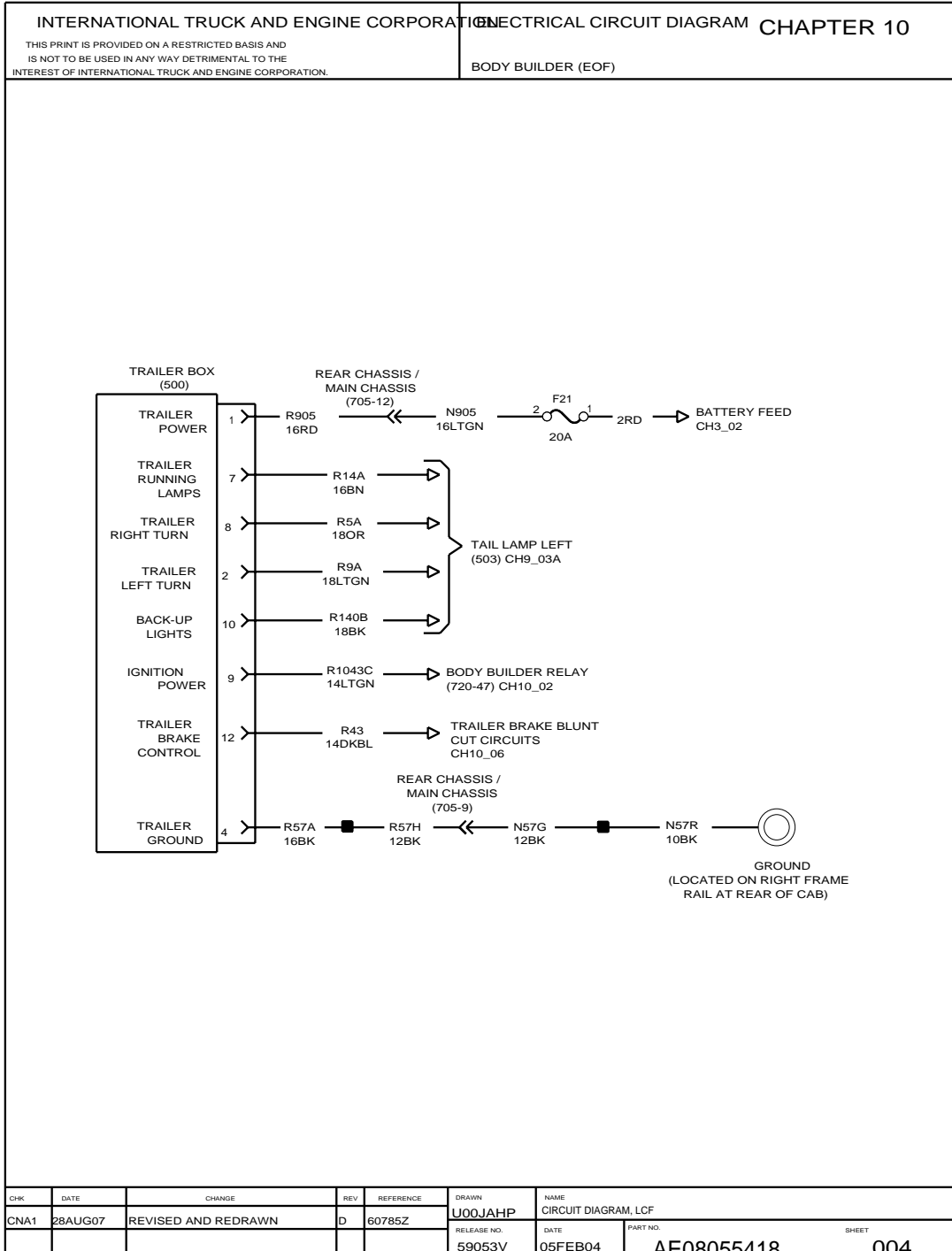


Figure 65 Body Builder (EOF)

10.5. BRAKE SYSTEMS: FLUID, PRESSURE AND PEDAL SWITCH, P. 5

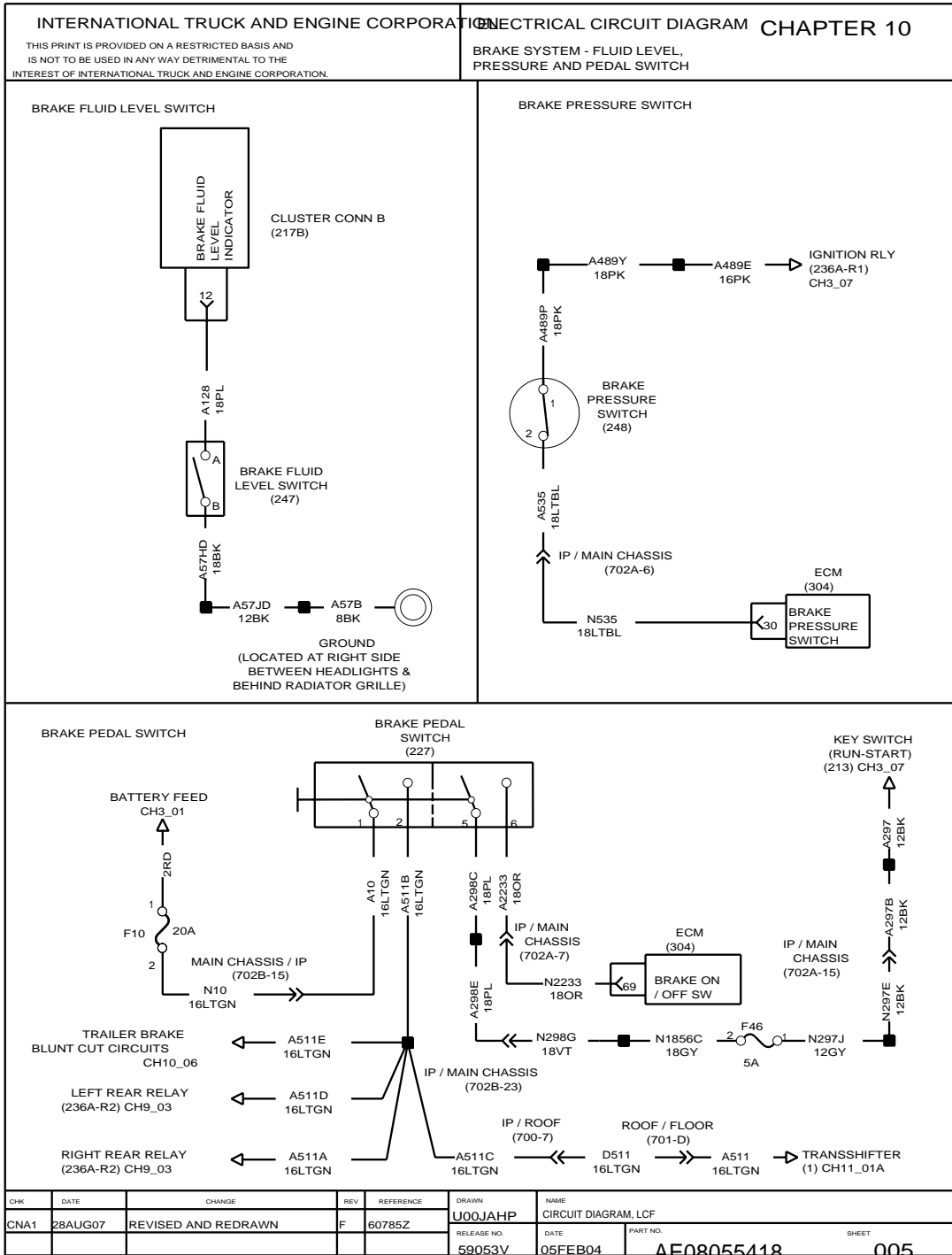


Figure 66 Brake Systems: Fluid, Pressure and Pedal Switch



10.6. BRAKE SYSTEMS: ELECTRIC TRAILER BRAKES, P. 6

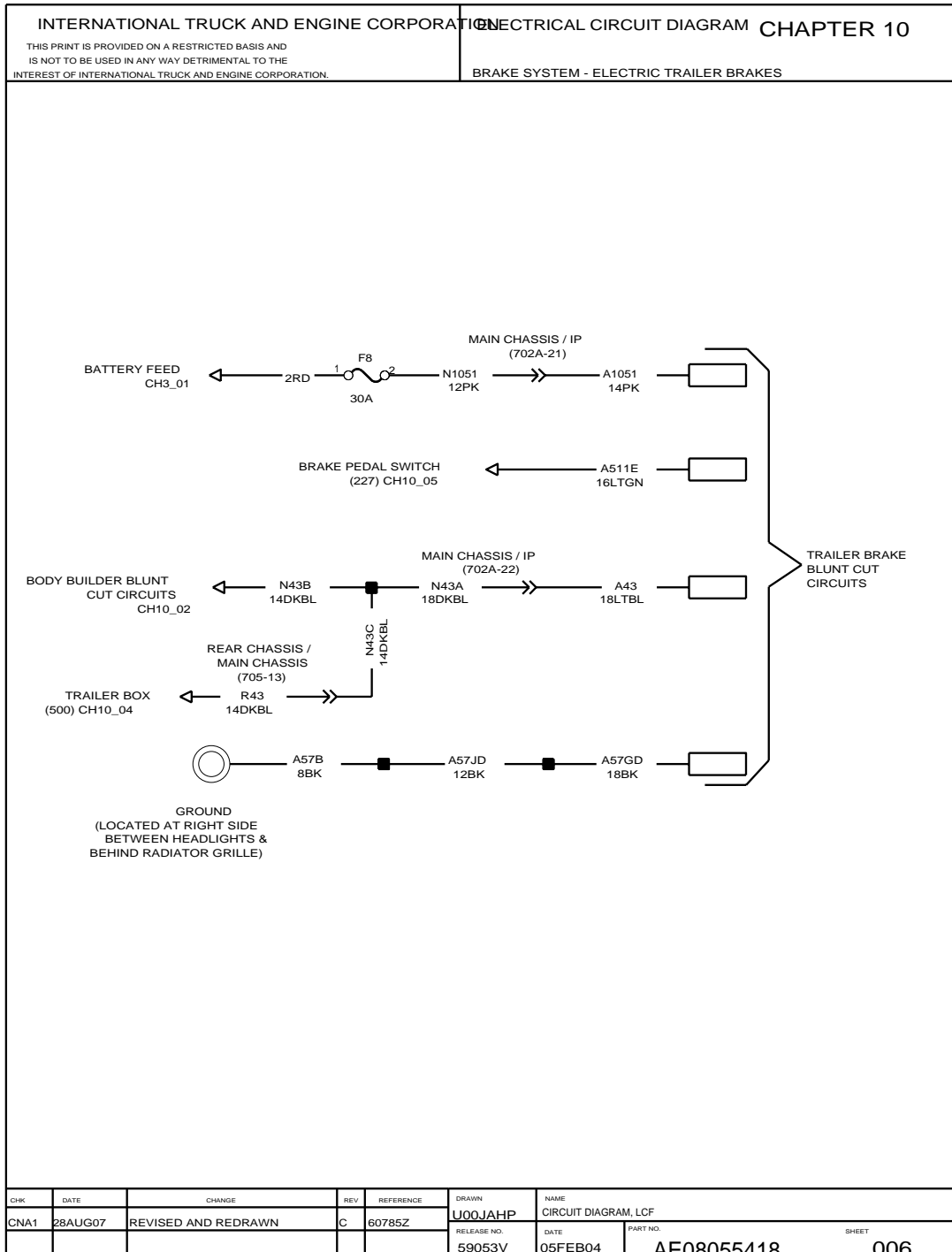


Figure 67 Brake Systems: Electric Trailer Brakes

## 11. TRANSMISSION (CHAPTER 11)

### 11.1. TRANSMISSION CONTROL MODULE, P. 1

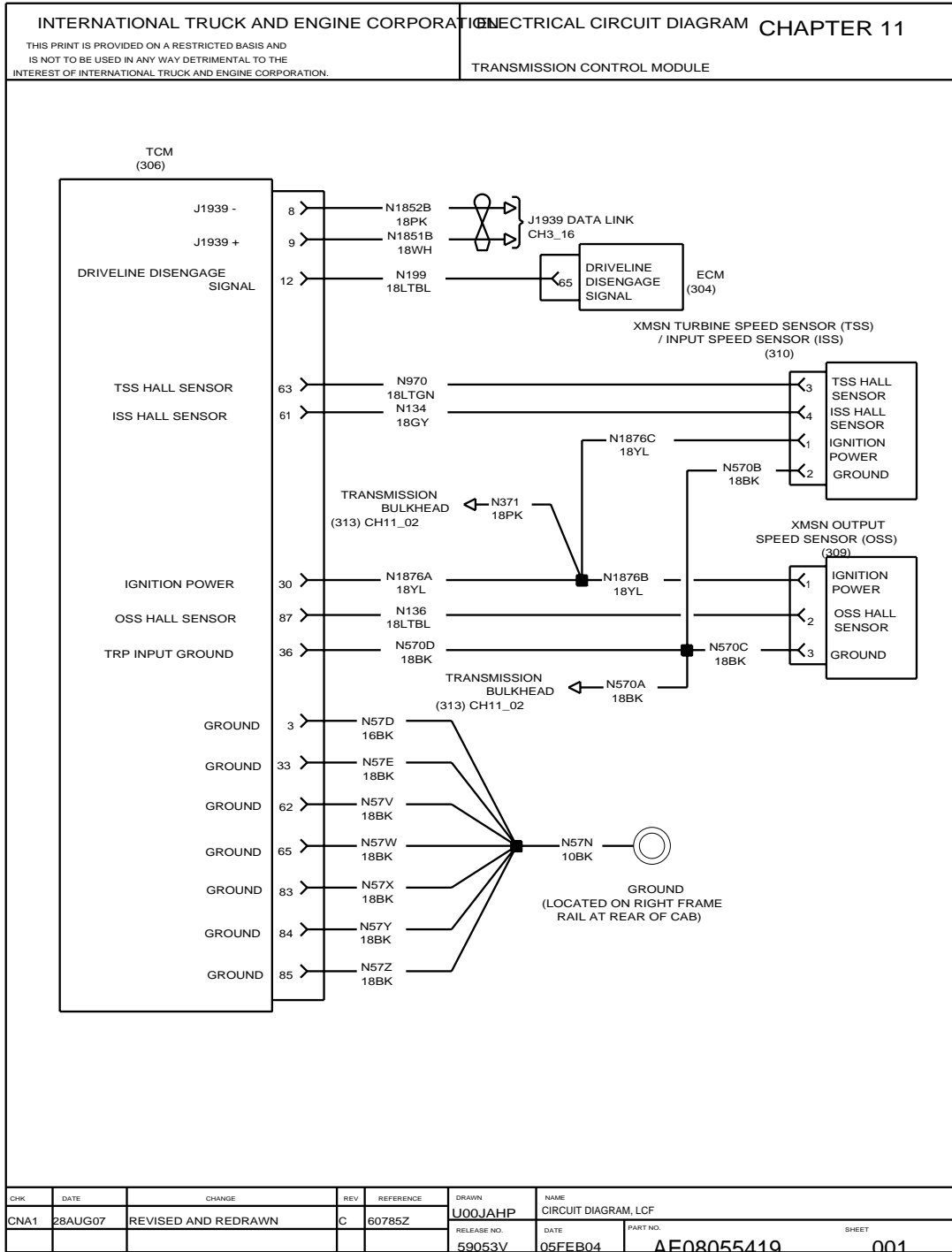


Figure 68 Transmission Control Module



11.3. TCM TO TRANSMISSION BULKHEAD CONNECTOR, P. 2

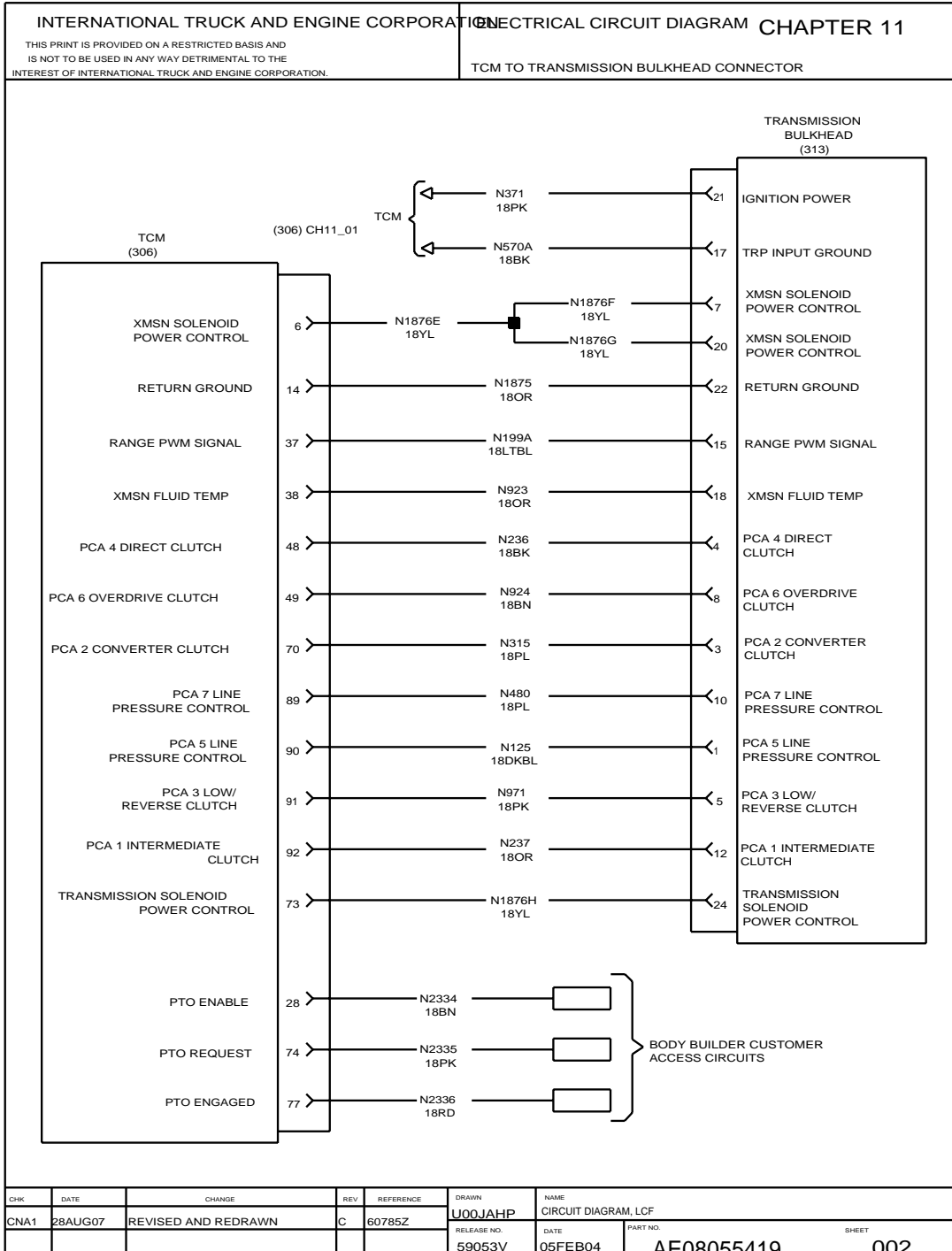


Figure 70 TCM to Transmission Bulkhead Connector

## 12. CLIMATE CONTROL (CHAPTER 12)

### 12.1. HVAC SYSTEM, P. 1

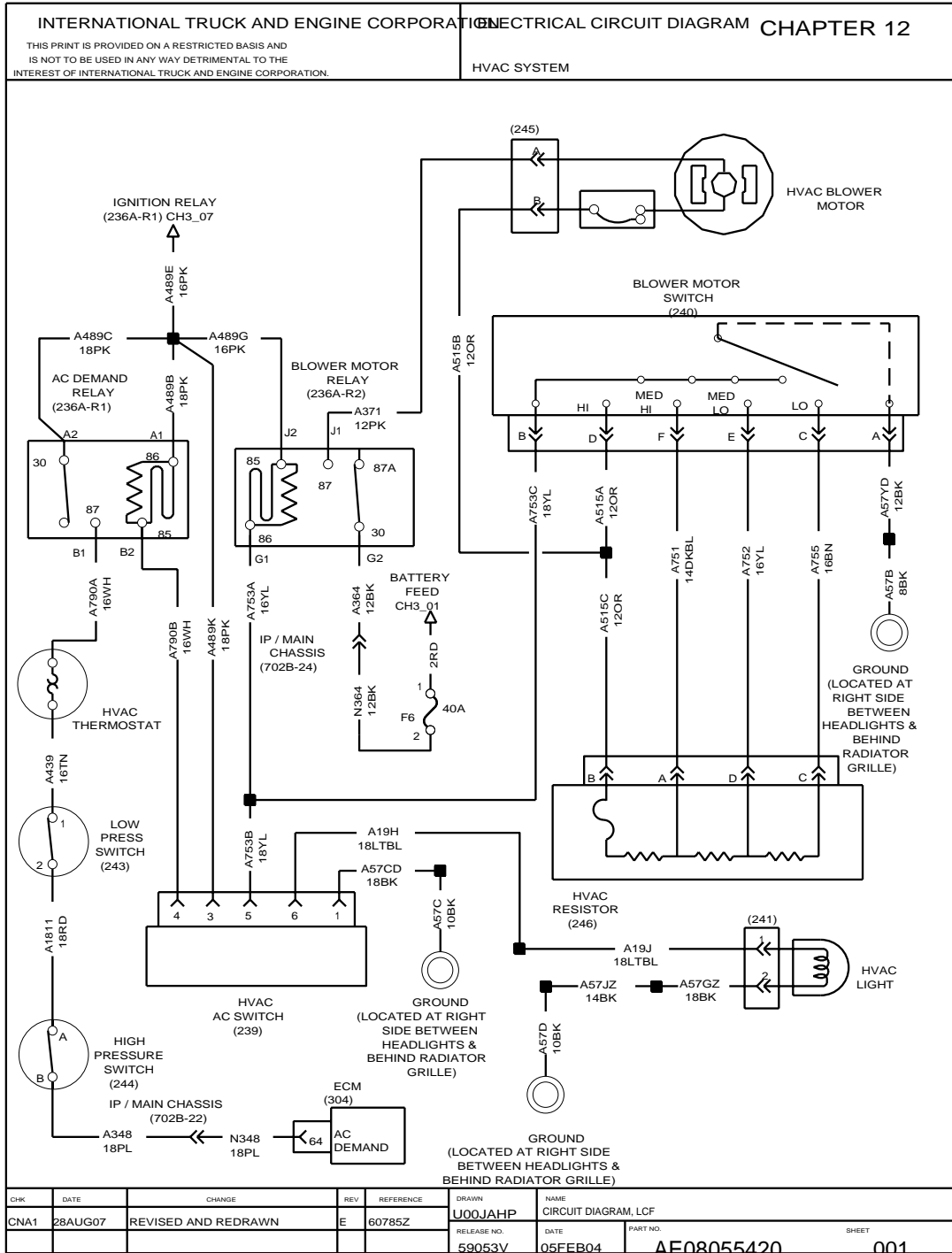


Figure 71 HVAC System

12.2. A/C CLUTCH, P. 2

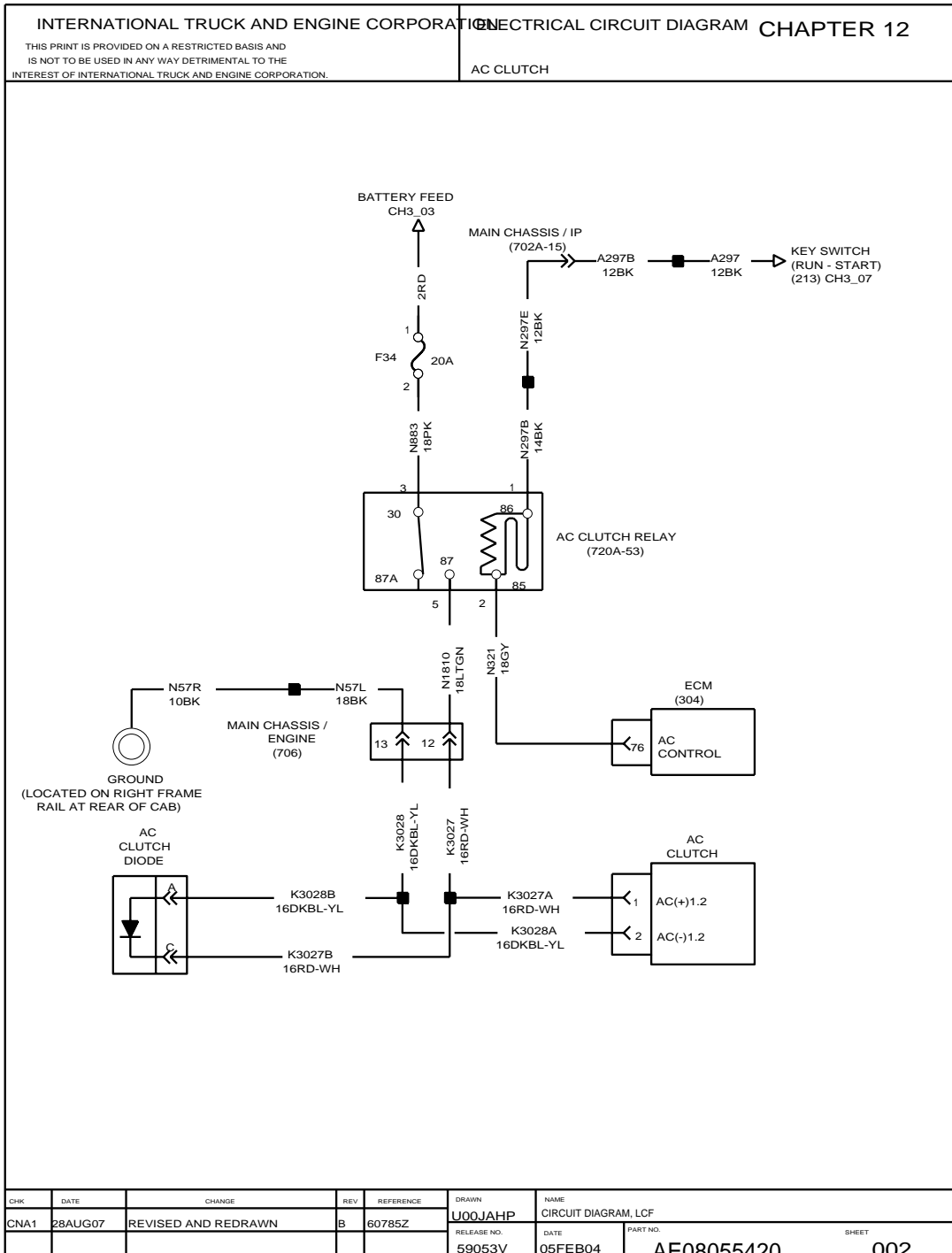


Figure 72 A/C Clutch

12.3. PUSHER FAN, P. 3

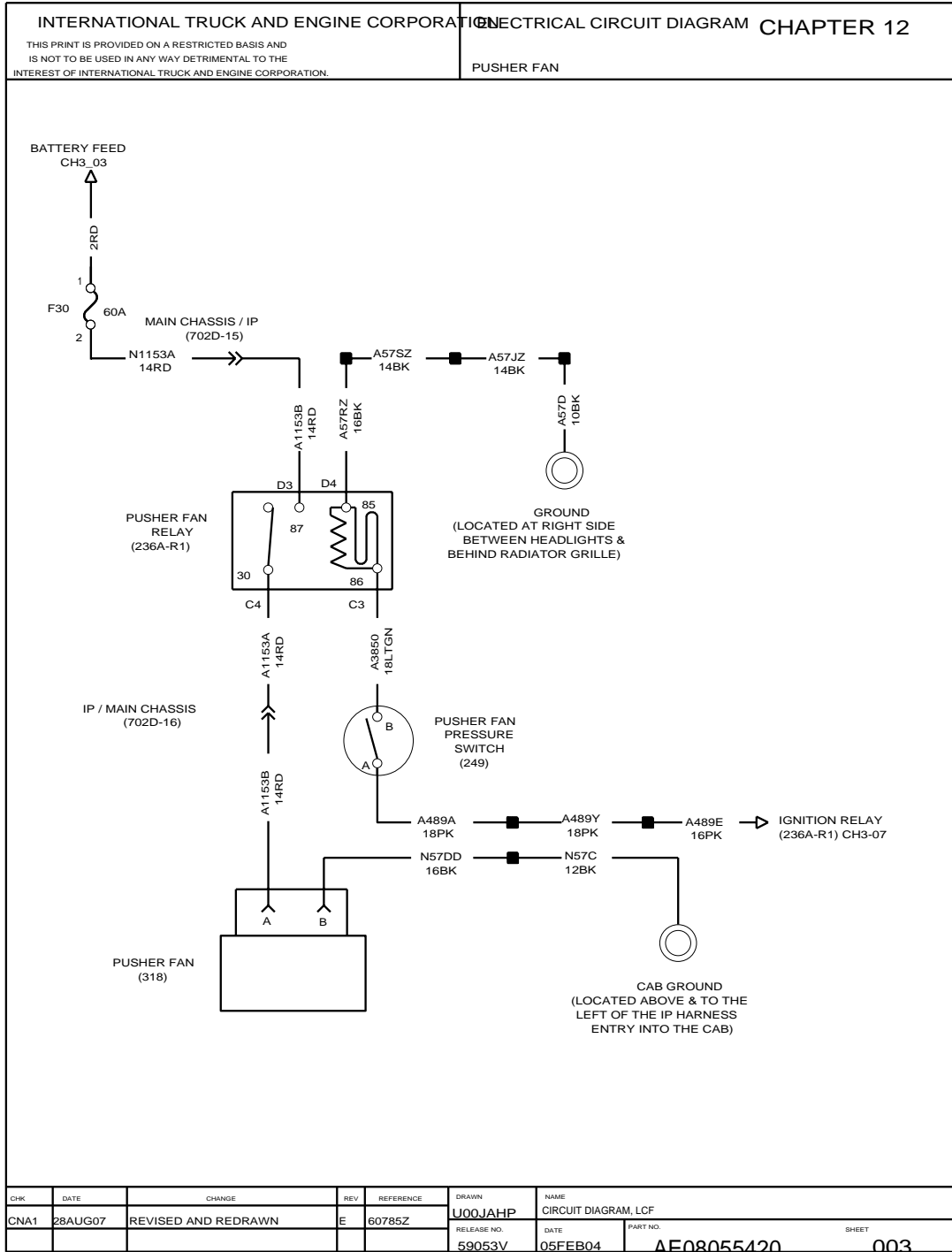


Figure 73 Pusher Fan

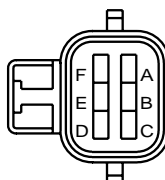
### 13. CONNECTOR COMPOSITES (CHAPTER 13)

#### 13.1. CONNECTOR COMPOSITES (1), (2), (3), P. 1

INTERNATIONAL TRUCK AND ENGINE CORPORATION		ELECTRICAL CIRCUIT DIAGRAM		CHAPTER 13	
THIS PRINT IS PROVIDED ON A RESTRICTED BASIS AND IS NOT TO BE USED IN ANY WAY DETRIMENTAL TO THE INTEREST OF INTERNATIONAL TRUCK AND ENGINE CORPORATION.		CONNECTOR COMPOSITES - MATING VIEW SHOWN			

TRANSSHIFTER  
(1)  
(LOCATED INSIDE SHIFTER HOUSING)

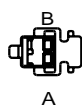


CONNECTOR 2011340C1  
BODY LOCK 2011364C1

CAV	CIRCUIT	GAUGE	COLOR	TERMINAL	SEAL/SLEEVE
A	A511	16	LTGN	1661875C1	1661872C1
B	A22	18	LTBL	1661875C1	3568570C1
C	A489L	18	PK	1661875C1	3568570C1
D	A224	18	TN	1661875C1	3568570C1
E	A19	18	LTBL	1661875C1	3568570C1
F	A57A	18	BK	1661875C1	3568570C1

PARK BRAKE SWITCH  
(2)  
(LOCATED INSIDE PARK BRAKE HANDLE HOUSING)

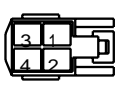


CONNECTOR 3590393C1

CAV	CIRCUIT	GAUGE	COLOR	TERMINAL
A	A57B	20	BK	3535805C1
B	A162	20	LTGN	3535805C1

SEAT BELT SWITCH  
(3)  
(LOCATED ON THE FLOOR BY DRIVER SEAT)



CONNECTOR 3591644C1

CAV	CIRCUIT	GAUGE	COLOR	TERMINAL
1	-	-	-	-
2	A85	18	BN	3591651C1
3	A57D	18	BK	3591651C1
4	-	-	-	-

CHK	DATE	CHANGE	REV	REFERENCE	DRAWN	NAME
-	-	REVISED AND REDRAWN	D	60785Z	U00JHP	CIRCUIT DIAGRAM, LCF
					RELEASE NO.	DATE
					59053V	05FEB04
						PART NO.
						AE08055421
						SHEET
						001

Figure 74 Connector Composites (1), (2), (3)



13.2. CONNECTOR COMPOSITES (71), (72), (101), (102), P. 2

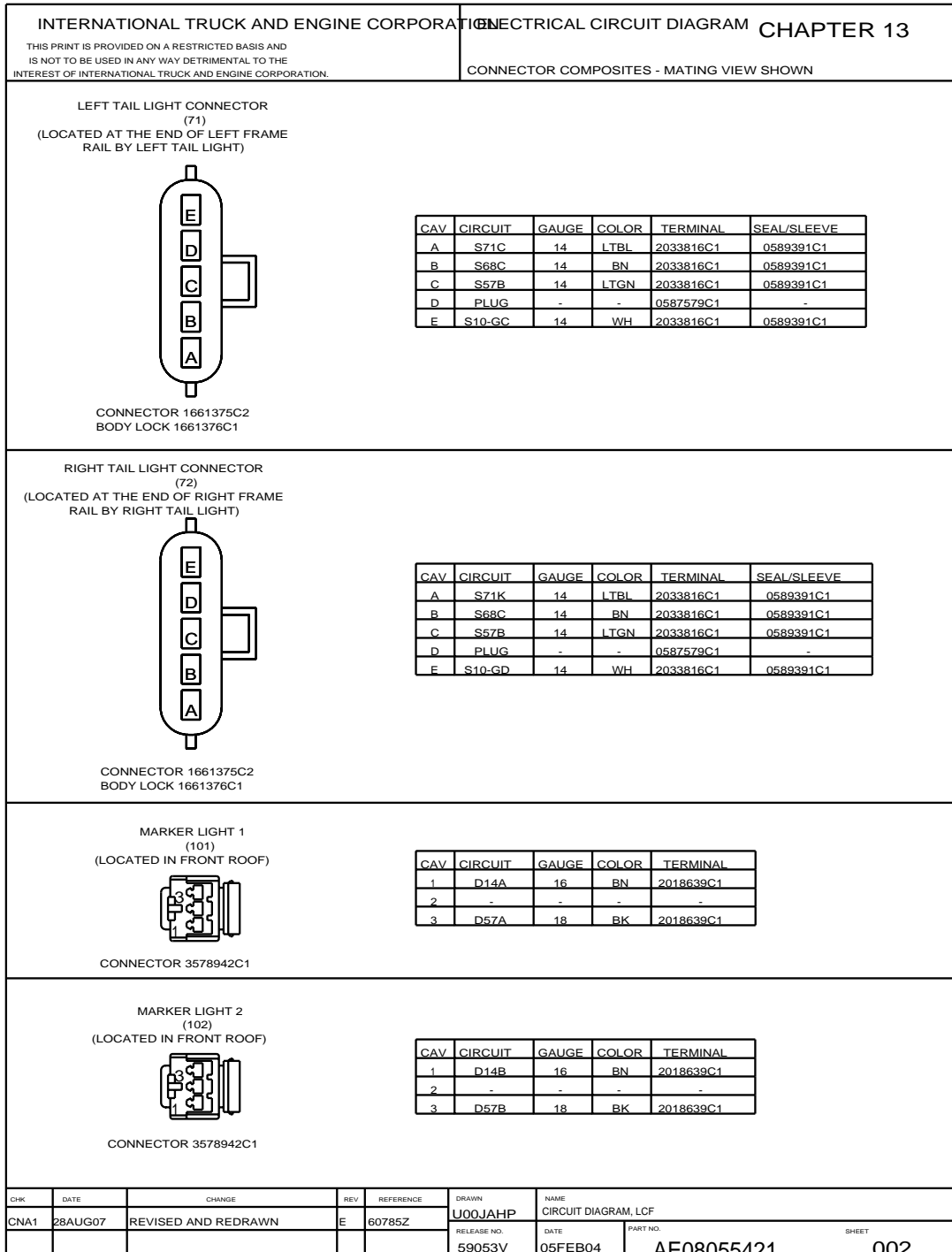


Figure 75 Connector Composites (71), (72), (101), (102)

13.3. CONNECTOR COMPOSITES (103), (104), (105), (106), P. 3

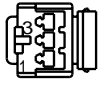
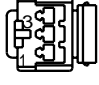
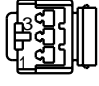
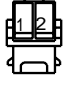

INTERNATIONAL TRUCK AND ENGINE CORPORATION		ELECTRICAL CIRCUIT DIAGRAM CHAPTER 13																					
THIS PRINT IS PROVIDED ON A RESTRICTED BASIS AND IS NOT TO BE USED IN ANY WAY DETRIMENTAL TO THE INTEREST OF INTERNATIONAL TRUCK AND ENGINE CORPORATION.		CONNECTOR COMPOSITES - MATING VIEW SHOWN																					
<p>MARKER LIGHT 3 (103) (LOCATED IN FRONT ROOF)</p>  <p>CONNECTOR 3578942C1</p>	<table border="1" style="width:100%; border-collapse: collapse; font-size: x-small;"> <thead> <tr> <th>CAV</th> <th>CIRCUIT</th> <th>GAUGE</th> <th>COLOR</th> <th>TERMINAL</th> </tr> </thead> <tbody> <tr> <td>1</td> <td>D14C</td> <td>16</td> <td>BN</td> <td>2018639C1</td> </tr> <tr> <td>2</td> <td>-</td> <td>-</td> <td>-</td> <td>-</td> </tr> <tr> <td>3</td> <td>D57C</td> <td>18</td> <td>BK</td> <td>2018639C1</td> </tr> </tbody> </table>	CAV	CIRCUIT	GAUGE	COLOR	TERMINAL	1	D14C	16	BN	2018639C1	2	-	-	-	-	3	D57C	18	BK	2018639C1		
CAV	CIRCUIT	GAUGE	COLOR	TERMINAL																			
1	D14C	16	BN	2018639C1																			
2	-	-	-	-																			
3	D57C	18	BK	2018639C1																			
<p>MARKER LIGHT 4 (104) (LOCATED IN FRONT ROOF)</p>  <p>CONNECTOR 3578942C1</p>	<table border="1" style="width:100%; border-collapse: collapse; font-size: x-small;"> <thead> <tr> <th>CAV</th> <th>CIRCUIT</th> <th>GAUGE</th> <th>COLOR</th> <th>TERMINAL</th> </tr> </thead> <tbody> <tr> <td>1</td> <td>D14D</td> <td>16</td> <td>BN</td> <td>2018639C1</td> </tr> <tr> <td>2</td> <td>-</td> <td>-</td> <td>-</td> <td>-</td> </tr> <tr> <td>3</td> <td>D57D</td> <td>18</td> <td>BK</td> <td>2018639C1</td> </tr> </tbody> </table>	CAV	CIRCUIT	GAUGE	COLOR	TERMINAL	1	D14D	16	BN	2018639C1	2	-	-	-	-	3	D57D	18	BK	2018639C1		
CAV	CIRCUIT	GAUGE	COLOR	TERMINAL																			
1	D14D	16	BN	2018639C1																			
2	-	-	-	-																			
3	D57D	18	BK	2018639C1																			
<p>MARKER LIGHT 5 (105) (LOCATED IN FRONT ROOF)</p>  <p>CONNECTOR 3578942C1</p>	<table border="1" style="width:100%; border-collapse: collapse; font-size: x-small;"> <thead> <tr> <th>CAV</th> <th>CIRCUIT</th> <th>GAUGE</th> <th>COLOR</th> <th>TERMINAL</th> </tr> </thead> <tbody> <tr> <td>1</td> <td>D14E</td> <td>16</td> <td>BN</td> <td>2018639C1</td> </tr> <tr> <td>2</td> <td>-</td> <td>-</td> <td>-</td> <td>-</td> </tr> <tr> <td>3</td> <td>D57E</td> <td>18</td> <td>BK</td> <td>2018639C1</td> </tr> </tbody> </table>	CAV	CIRCUIT	GAUGE	COLOR	TERMINAL	1	D14E	16	BN	2018639C1	2	-	-	-	-	3	D57E	18	BK	2018639C1		
CAV	CIRCUIT	GAUGE	COLOR	TERMINAL																			
1	D14E	16	BN	2018639C1																			
2	-	-	-	-																			
3	D57E	18	BK	2018639C1																			
<p>DOME LIGHT (106) (LOCATED NEAR DOME LIGHT)</p>  <p>CONNECTOR 3592572C1</p>	<table border="1" style="width:100%; border-collapse: collapse; font-size: x-small;"> <thead> <tr> <th>CAV</th> <th>CIRCUIT</th> <th>GAUGE</th> <th>COLOR</th> <th>TERMINAL</th> </tr> </thead> <tbody> <tr> <td>1</td> <td>D159A</td> <td>18</td> <td>RD</td> <td>2018639C1</td> </tr> <tr> <td>2</td> <td>D54</td> <td>18</td> <td>LTGN</td> <td>2018639C1</td> </tr> </tbody> </table>	CAV	CIRCUIT	GAUGE	COLOR	TERMINAL	1	D159A	18	RD	2018639C1	2	D54	18	LTGN	2018639C1							
CAV	CIRCUIT	GAUGE	COLOR	TERMINAL																			
1	D159A	18	RD	2018639C1																			
2	D54	18	LTGN	2018639C1																			
<p>DOME LIGHT (106) (LOCATED NEAR DOME LIGHT)</p>  <p>CONNECTOR 1661889C1 BODY LOCK 1661890C1</p>	<table border="1" style="width:100%; border-collapse: collapse; font-size: x-small;"> <thead> <tr> <th>CAV</th> <th>CIRCUIT</th> <th>GAUGE</th> <th>COLOR</th> <th>TERMINAL</th> </tr> </thead> <tbody> <tr> <td>A</td> <td>D54A</td> <td>18</td> <td>LTGN</td> <td>1661261C1</td> </tr> <tr> <td>B</td> <td>D57H</td> <td>18</td> <td>BK</td> <td>1661261C1</td> </tr> <tr> <td>C</td> <td>D54B</td> <td>18</td> <td>LTGN</td> <td>1661261C1</td> </tr> </tbody> </table>	CAV	CIRCUIT	GAUGE	COLOR	TERMINAL	A	D54A	18	LTGN	1661261C1	B	D57H	18	BK	1661261C1	C	D54B	18	LTGN	1661261C1		
CAV	CIRCUIT	GAUGE	COLOR	TERMINAL																			
A	D54A	18	LTGN	1661261C1																			
B	D57H	18	BK	1661261C1																			
C	D54B	18	LTGN	1661261C1																			
<table border="1" style="width:100%; border-collapse: collapse;"> <thead> <tr> <th>CHK</th> <th>DATE</th> <th>CHANGE</th> <th>REV</th> <th>REFERENCE</th> <th>DRAWN</th> <th>NAME</th> </tr> </thead> <tbody> <tr> <td>CNA1</td> <td>28AUG07</td> <td>REVISED AND REDRAWN</td> <td>D</td> <td>60785Z</td> <td>U00JAHP</td> <td>CIRCUIT DIAGRAM, LCF</td> </tr> </tbody> </table>	CHK	DATE	CHANGE	REV	REFERENCE	DRAWN	NAME	CNA1	28AUG07	REVISED AND REDRAWN	D	60785Z	U00JAHP	CIRCUIT DIAGRAM, LCF	<table border="1" style="width:100%; border-collapse: collapse;"> <thead> <tr> <th>RELEASE NO.</th> <th>DATE</th> <th>PART NO.</th> <th>SHEET</th> </tr> </thead> <tbody> <tr> <td>59053V</td> <td>05FEB04</td> <td>AE08055421</td> <td>003</td> </tr> </tbody> </table>	RELEASE NO.	DATE	PART NO.	SHEET	59053V	05FEB04	AE08055421	003
CHK	DATE	CHANGE	REV	REFERENCE	DRAWN	NAME																	
CNA1	28AUG07	REVISED AND REDRAWN	D	60785Z	U00JAHP	CIRCUIT DIAGRAM, LCF																	
RELEASE NO.	DATE	PART NO.	SHEET																				
59053V	05FEB04	AE08055421	003																				

Figure 76 Connector Composites (103), (104), (105), (106)

13.4. CONNECTOR COMPOSITES (201), (202A), (202C), P. 4

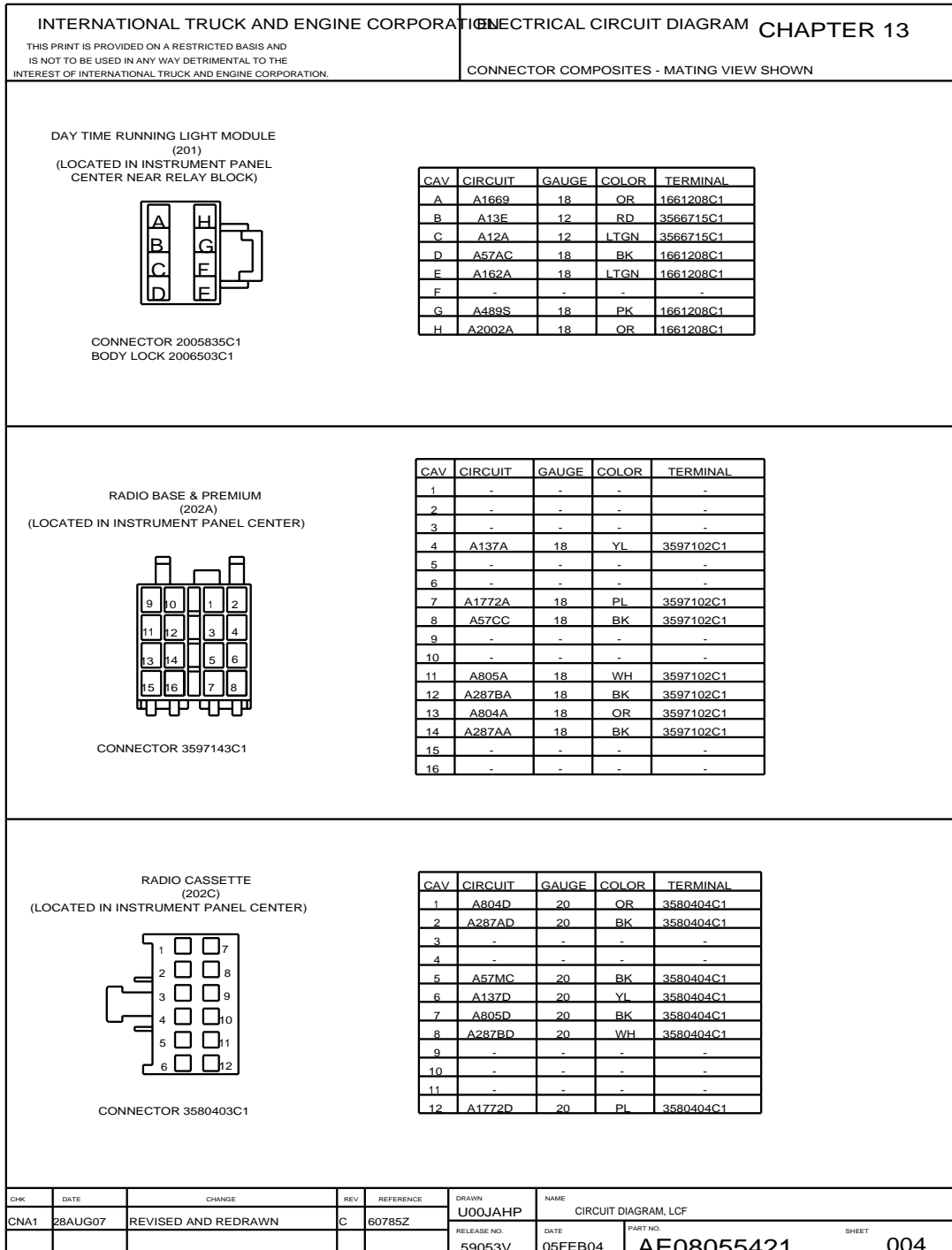


Figure 77 Connector Composites (201), (202A), (202C)

13.5. CONNECTOR COMPOSITES (203), (204), (205A), P. 5

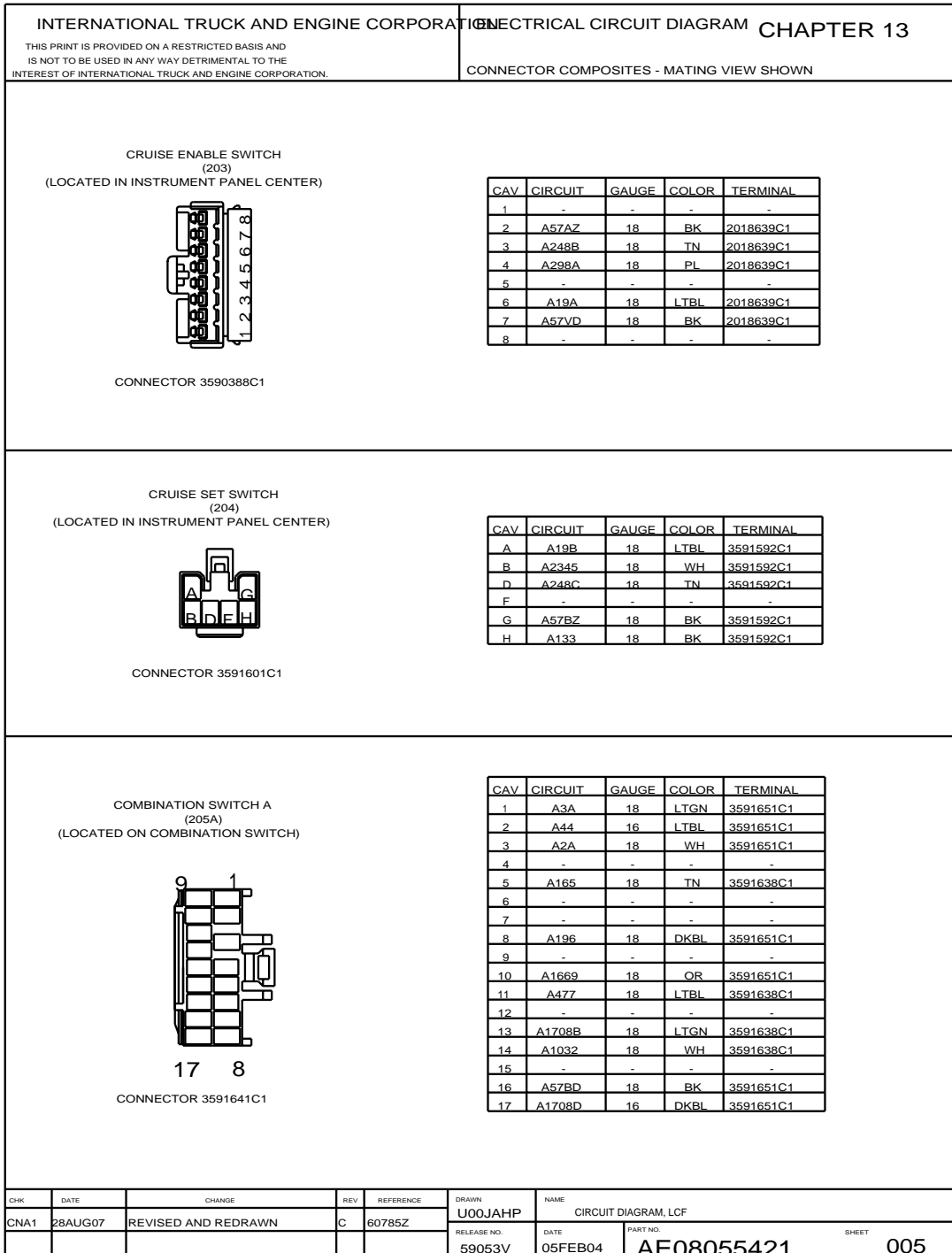


Figure 78 Connector Composites (203), (204), (205A)

13.6. CONNECTOR COMPOSITES (205B), (206), (207), (208), P. 6

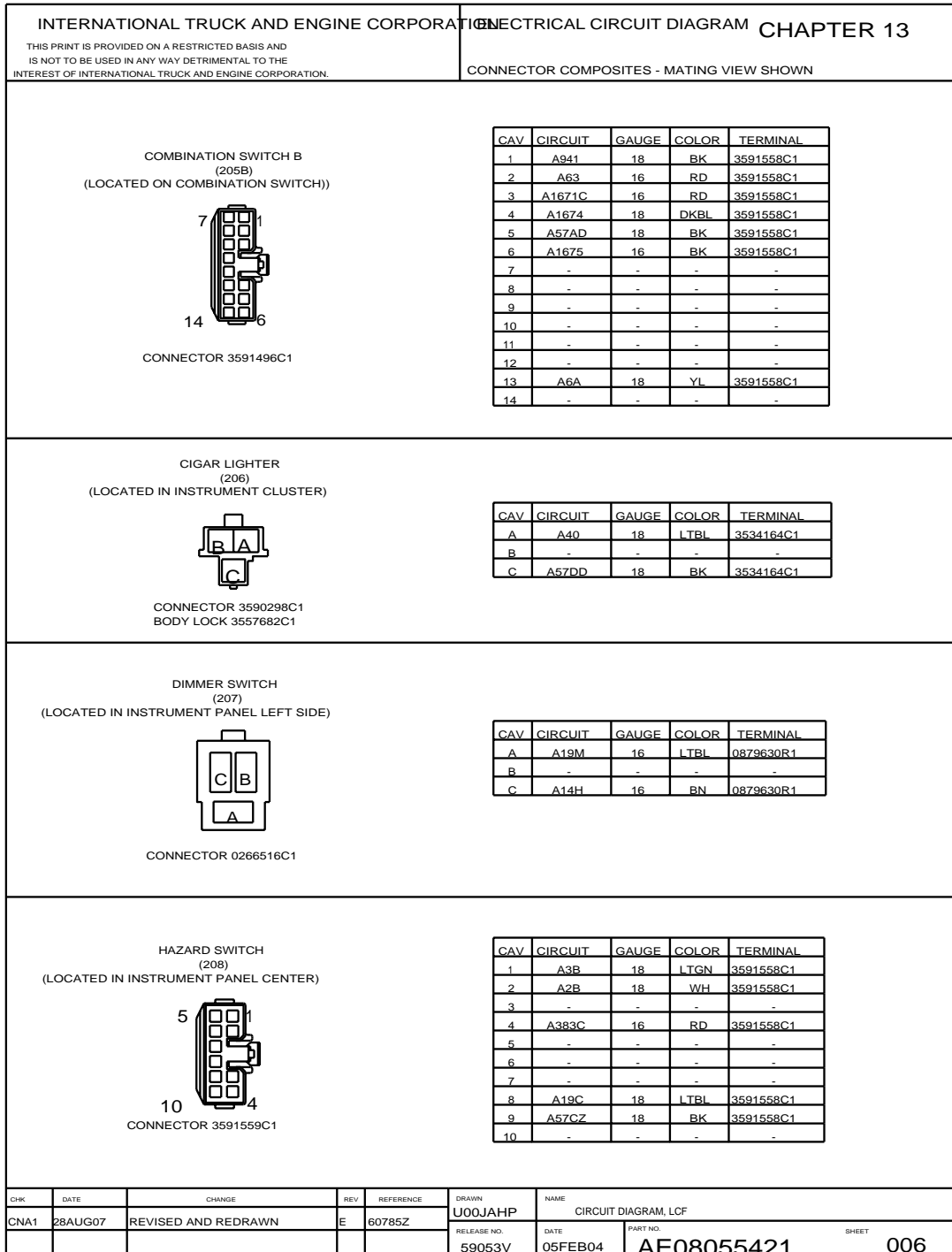


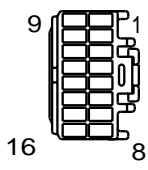
Figure 79 Connector Composites (205B), (206), (207), (208)

13.7. CONNECTOR COMPOSITES (211), (212), (213), P. 7

INTERNATIONAL TRUCK AND ENGINE CORPORATION		ELECTRICAL CIRCUIT DIAGRAM		CHAPTER 13	
THIS PRINT IS PROVIDED ON A RESTRICTED BASIS AND IS NOT TO BE USED IN ANY WAY DETRIMENTAL TO THE INTEREST OF INTERNATIONAL TRUCK AND ENGINE CORPORATION.		CONNECTOR COMPOSITES - MATING VIEW SHOWN			

REMOTE KEYLESS ENTRY RECEIVER  
(211)  
(LOCATED IN INSTRUMENT PANEL RIGHT SIDE)

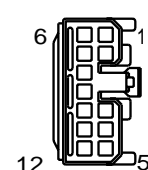


CONNECTOR 3591627C1

CAV	CIRCUIT	GAUGE	COLOR	TERMINAL
1	A489N	18	PK	3591638C1
2	A119A	18	PK	3591638C1
3	A6B	18	YL	3591638C1
4	-	-	-	-
5	-	-	-	-
6	-	-	-	-
7	A129	18	LTGN	3591638C1
8	-	-	-	-
9	A2002B	18	OR	3591638C1
10	-	-	-	-
11	-	-	-	-
12	-	-	-	-
13	-	-	-	-
14	A57DC	18	BK	3591638C1
15	-	-	-	-
16	-	-	-	-

DOOR LOCK TIMER  
(212)  
(LOCATED IN INSTRUMENT PANEL RIGHT SIDE)

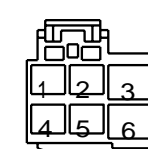


CONNECTOR 3591560C1

CAV	CIRCUIT	GAUGE	COLOR	TERMINAL
1	A1679	16	WH	3591558C1
2	A118B	18	PK	3591558C1
3	-	-	-	-
4	A119C	18	PK	3591558C1
5	A67EC	18	BK	3591558C1
6	-	-	-	-
7	A117A	18	PK	3591558C1
8	A129	18	LTGN	3591558C1
9	-	-	-	-
10	-	-	-	-
11	A120	18	PK	3591558C1
12	A67FD	18	BK	3591558C1

KEY SWITCH  
(213)  
(LOCATED ON STEERING COLUMN)



CONNECTOR 3591967C1

CAV	CIRCUIT	GAUGE	COLOR	TERMINAL
1	A297	12	BK	3591968C1
2	A296A	12	WH	3591968C1
3	A1050	12	LTGN	3591972C1
4	A32	12	RD	3591968C1
5	A298	12	PL	3591968C1
6	A1522	12	LTGN	3591972C1

CHK	DATE	CHANGE	REV	REFERENCE	DRAWN	NAME
CNA1	28AUG07	REVISED AND REDRAWN	C	60785Z	U00JHP	CIRCUIT DIAGRAM, LCF
					RELEASE NO.	DATE
					59053V	05FEB04
						PART NO.
						AE08055421
						SHEET
						007

Figure 80 Connector Composites (211), (212), (213)

13.8. CONNECTOR COMPOSITES (214), (215), (217A), (217B), P. 8

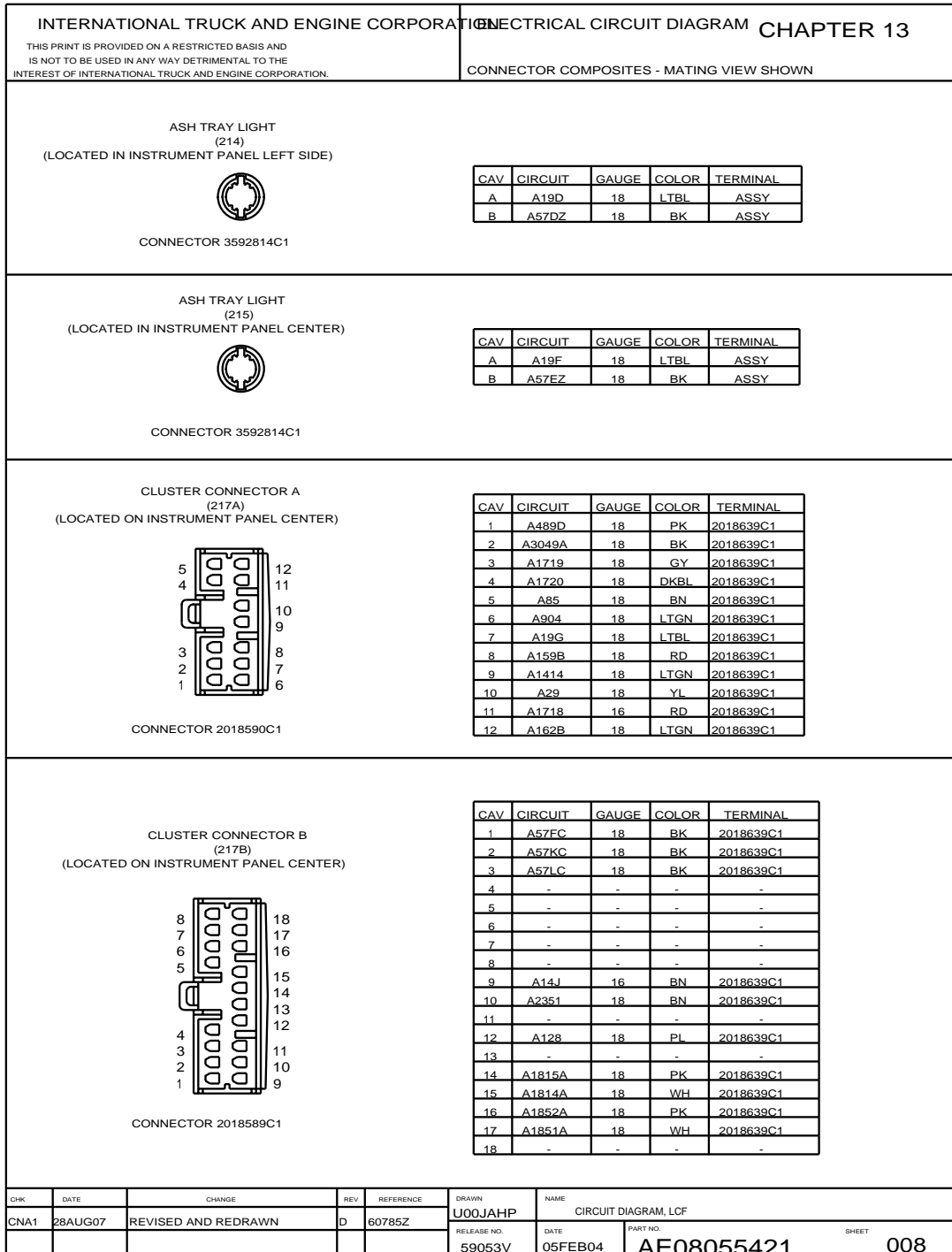


Figure 81 Connector Composites (214), (215), (217A), (217B)

13.9. CONNECTOR COMPOSITES (220), (222), (223), (225), P. 9

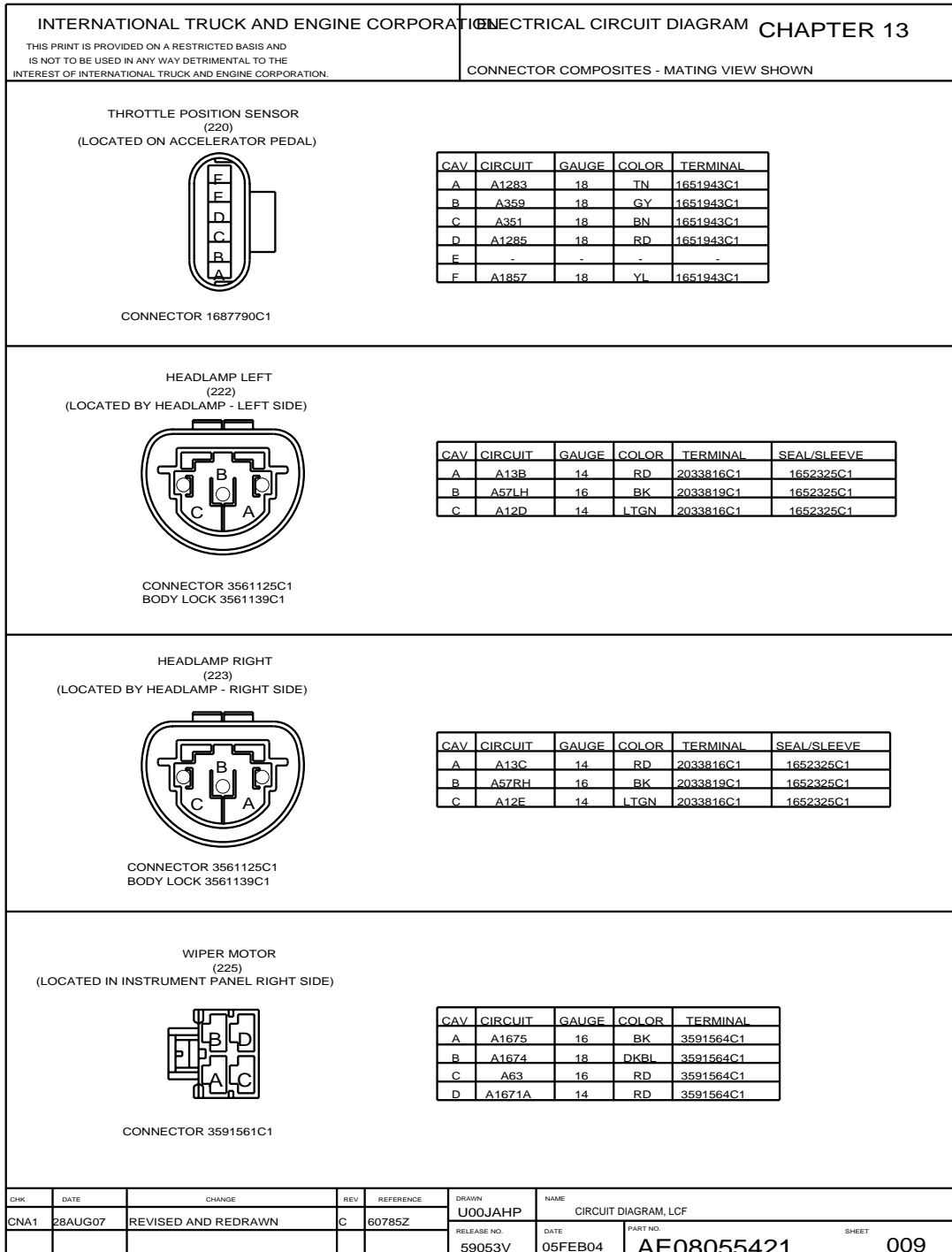


Figure 82 Connector Composites (220), (222), (223), (225)



13.10. CONNECTOR COMPOSITES (226), (227), (228), (229), P. 10

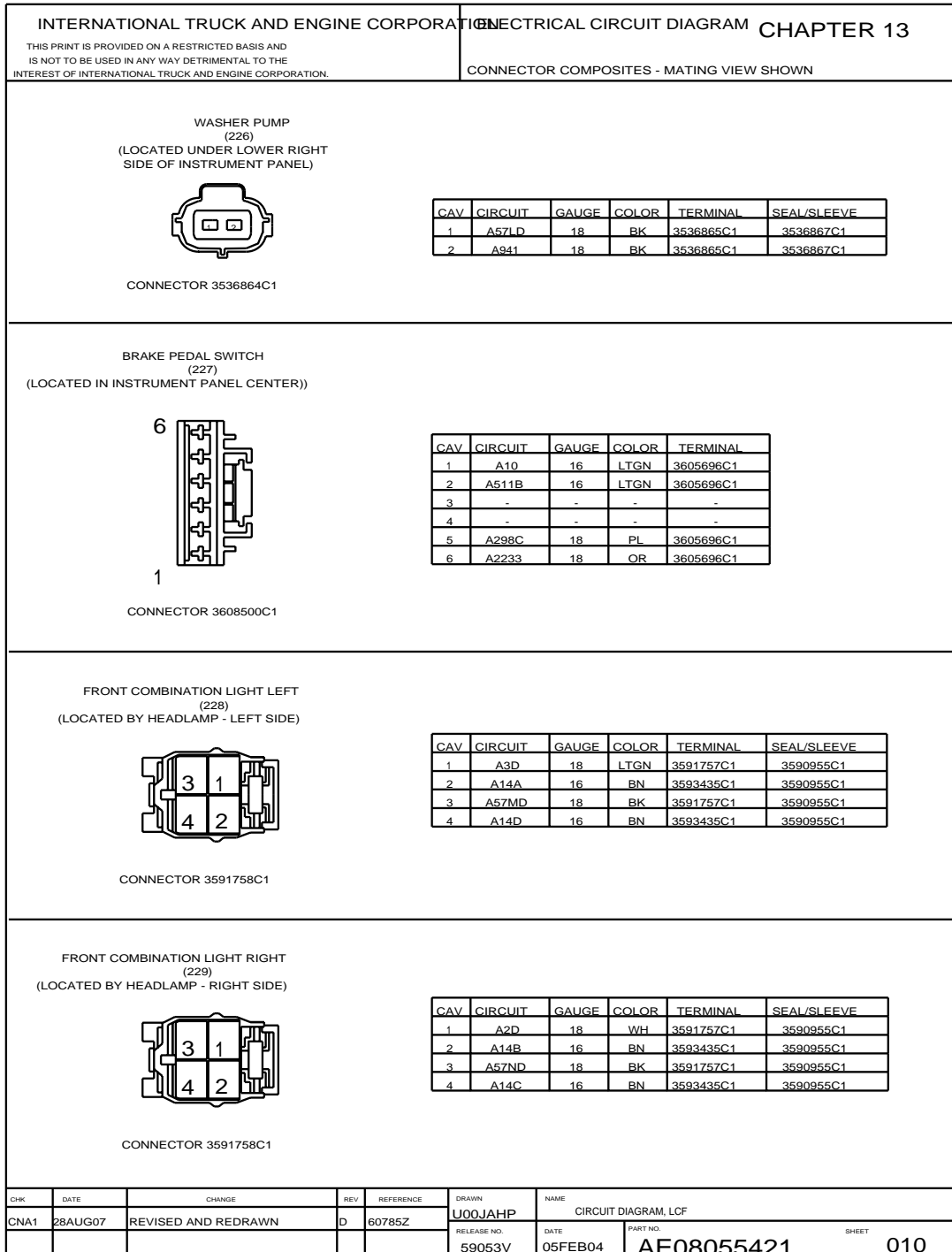


Figure 83 Connector Composites (226), (227), (228), (229)

13.11. CONNECTOR COMPOSITES (233), (234), (235), P. 11

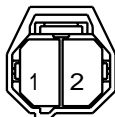
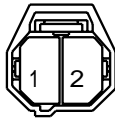

INTERNATIONAL TRUCK AND ENGINE CORPORATION				ELECTRICAL CIRCUIT DIAGRAM CHAPTER 13																					
THIS PRINT IS PROVIDED ON A RESTRICTED BASIS AND IS NOT TO BE USED IN ANY WAY DETRIMENTAL TO THE INTEREST OF INTERNATIONAL TRUCK AND ENGINE CORPORATION.				CONNECTOR COMPOSITES - MATING VIEW SHOWN																					
<div style="display: flex; justify-content: space-between;"> <div style="width: 45%;"> <p style="text-align: center;">LEFT FOG LIGHT (233) (LOCATED AT LEFT SIDE NEAR FRONT BUMPER)</p>  <p style="text-align: center;">CONNECTOR 3591991C1</p> </div> <div style="width: 50%;"> <table border="1" style="width:100%; border-collapse: collapse; font-size: x-small;"> <thead> <tr> <th>CAV</th> <th>CIRCUIT</th> <th>GAUGE</th> <th>COLOR</th> <th>TERMINAL</th> <th>SEAL/SLEEVE</th> </tr> </thead> <tbody> <tr> <td>1</td> <td>A1721A</td> <td>18</td> <td>LTBL</td> <td>3590956C1</td> <td>3591990C1</td> </tr> <tr> <td>2</td> <td>A57SD</td> <td>18</td> <td>BK</td> <td>3590956C1</td> <td>3591990C1</td> </tr> </tbody> </table> </div> </div>								CAV	CIRCUIT	GAUGE	COLOR	TERMINAL	SEAL/SLEEVE	1	A1721A	18	LTBL	3590956C1	3591990C1	2	A57SD	18	BK	3590956C1	3591990C1
CAV	CIRCUIT	GAUGE	COLOR	TERMINAL	SEAL/SLEEVE																				
1	A1721A	18	LTBL	3590956C1	3591990C1																				
2	A57SD	18	BK	3590956C1	3591990C1																				
<div style="display: flex; justify-content: space-between;"> <div style="width: 45%;"> <p style="text-align: center;">RIGHT FOG LIGHT (234) (LOCATED AT RIGHT SIDE NEAR FRONT BUMPER)</p>  <p style="text-align: center;">CONNECTOR 3591991C1</p> </div> <div style="width: 50%;"> <table border="1" style="width:100%; border-collapse: collapse; font-size: x-small;"> <thead> <tr> <th>CAV</th> <th>CIRCUIT</th> <th>GAUGE</th> <th>COLOR</th> <th>TERMINAL</th> <th>SEAL/SLEEVE</th> </tr> </thead> <tbody> <tr> <td>1</td> <td>A1721B</td> <td>18</td> <td>LTBL</td> <td>3590956C1</td> <td>3591990C1</td> </tr> <tr> <td>2</td> <td>A57TD</td> <td>18</td> <td>BK</td> <td>3590956C1</td> <td>3591990C1</td> </tr> </tbody> </table> </div> </div>								CAV	CIRCUIT	GAUGE	COLOR	TERMINAL	SEAL/SLEEVE	1	A1721B	18	LTBL	3590956C1	3591990C1	2	A57TD	18	BK	3590956C1	3591990C1
CAV	CIRCUIT	GAUGE	COLOR	TERMINAL	SEAL/SLEEVE																				
1	A1721B	18	LTBL	3590956C1	3591990C1																				
2	A57TD	18	BK	3590956C1	3591990C1																				
<div style="display: flex; justify-content: space-between;"> <div style="width: 45%;"> <p style="text-align: center;">KEYLESS SWITCH (235) (LOCATED ON STEERING COLUMN)</p>  <p style="text-align: center;">CONNECTOR 3591602C1</p> </div> <div style="width: 50%;"> <table border="1" style="width:100%; border-collapse: collapse; font-size: x-small;"> <thead> <tr> <th>CAV</th> <th>CIRCUIT</th> <th>GAUGE</th> <th>COLOR</th> <th>TERMINAL</th> </tr> </thead> <tbody> <tr> <td>1</td> <td>A3049B</td> <td>18</td> <td>BK</td> <td>3591558C1</td> </tr> <tr> <td>2</td> <td>A1414</td> <td>18</td> <td>LTGN</td> <td>3591558C1</td> </tr> </tbody> </table> </div> </div>								CAV	CIRCUIT	GAUGE	COLOR	TERMINAL	1	A3049B	18	BK	3591558C1	2	A1414	18	LTGN	3591558C1			
CAV	CIRCUIT	GAUGE	COLOR	TERMINAL																					
1	A3049B	18	BK	3591558C1																					
2	A1414	18	LTGN	3591558C1																					
CHK	DATE	CHANGE	REV	REFERENCE	DRAWN	NAME																			
CNA1	28AUG07	REVISED AND REDRAWN	C	60785Z	U00JAH	CIRCUIT DIAGRAM, LCF																			
					RELEASE NO.	DATE	PART NO.																		
					59053V	05FEB04	AE08055421																		
						SHEET	011																		

Figure 84 Connector Composites (233), (234), (235)

13.12. CONNECTOR COMPOSITES (236A), P. 12

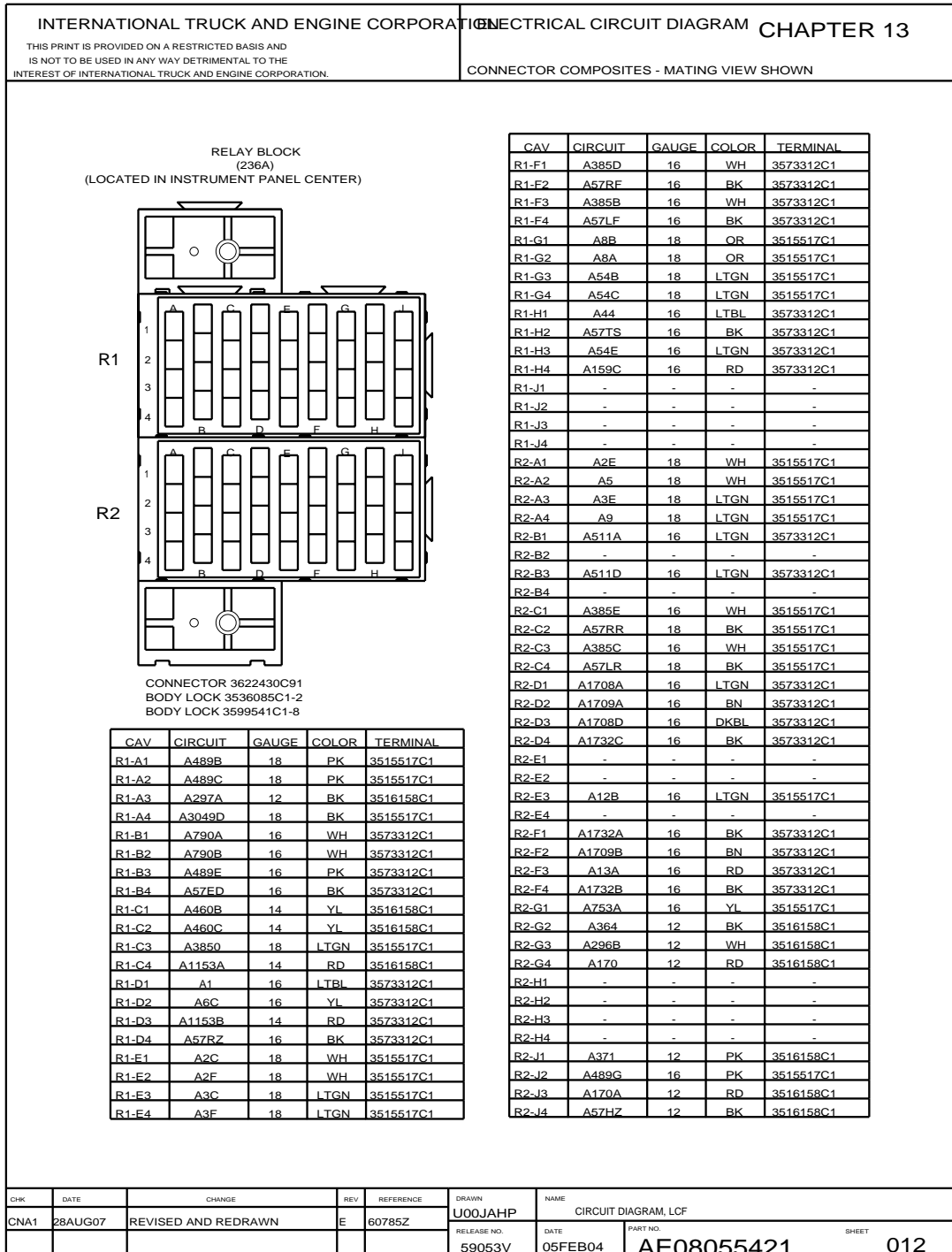


Figure 85 Connector Composites (236A)

13.13. CONNECTOR COMPOSITES (236B), (237), (238), P. 13

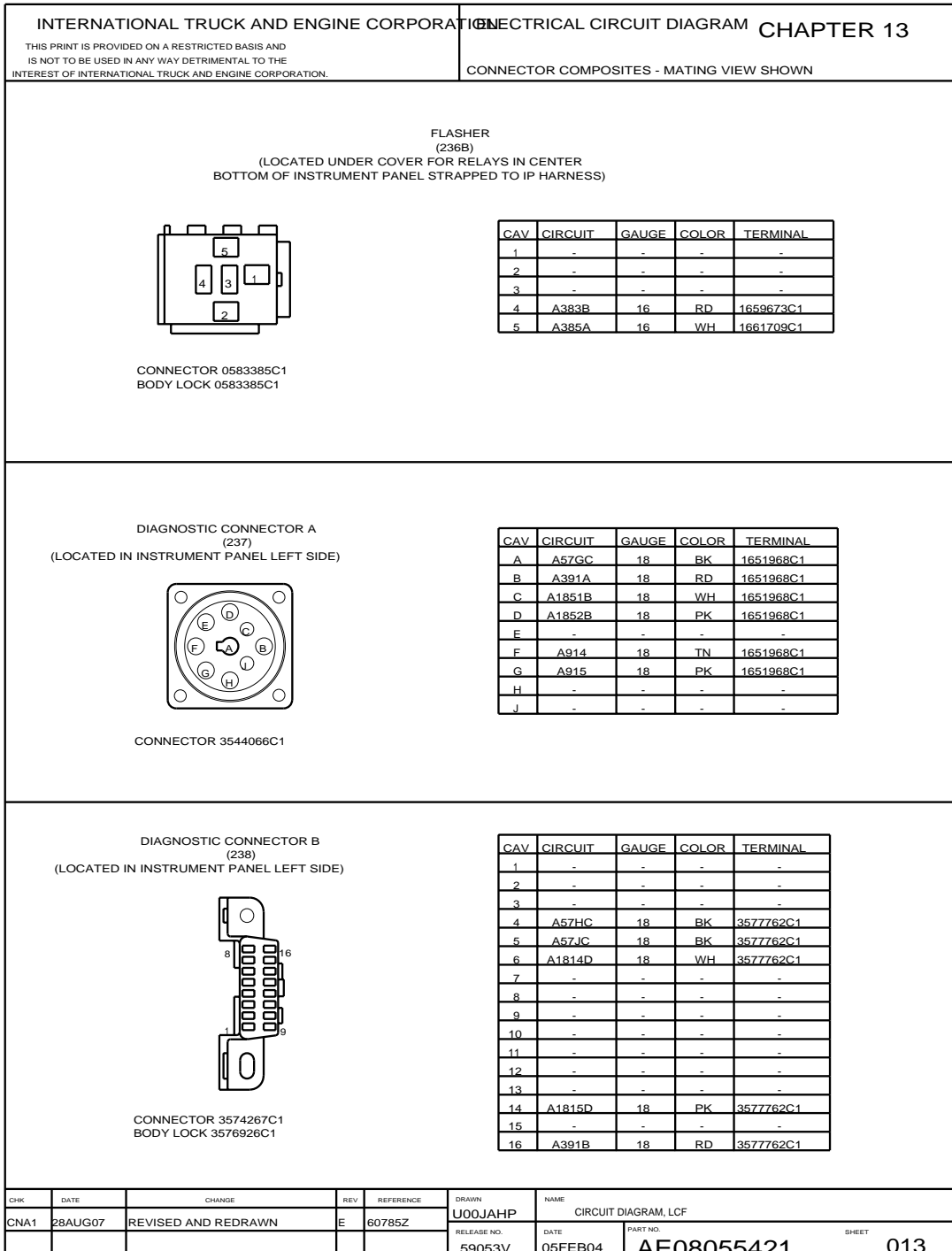


Figure 86 Connector Composites (236B), (237), (238)

13.14. CONNECTOR COMPOSITES (239), (240), (241), (243), P. 14

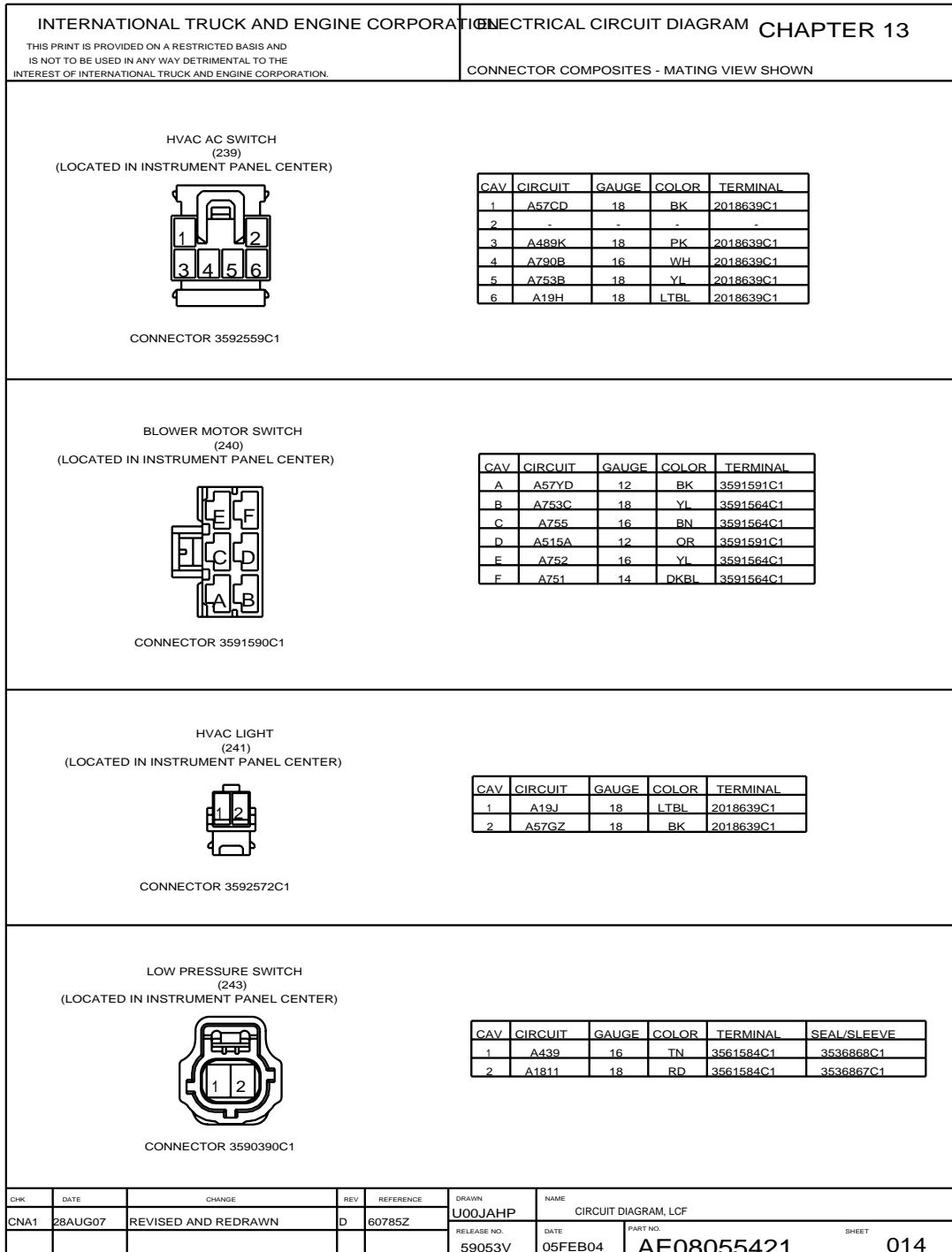
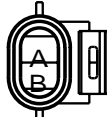
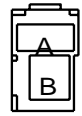
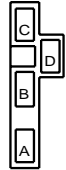
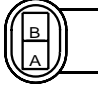



Figure 87 Connector Composites (239), (240), (241), (243)

13.15. CONNECTOR COMPOSITES (244), (245), (246), (247), (248), P. 15

INTERNATIONAL TRUCK AND ENGINE CORPORATION		ELECTRICAL CIRCUIT DIAGRAM		CHAPTER 13	
THIS PRINT IS PROVIDED ON A RESTRICTED BASIS AND IS NOT TO BE USED IN ANY WAY DETRIMENTAL TO THE INTEREST OF INTERNATIONAL TRUCK AND ENGINE CORPORATION.		CONNECTOR COMPOSITES - MATING VIEW SHOWN			

<p style="text-align: center;">HIGH PRESSURE SWITCH (244) (LOCATED IN INSTRUMENT PANEL CENTER)</p>  <p style="text-align: center;">CONNECTOR 3590299C1 BODY LOCK 1661874C1</p>	<table border="1" style="width:100%; border-collapse: collapse; font-size: x-small;"> <thead> <tr> <th>CAV</th> <th>CIRCUIT</th> <th>GAUGE</th> <th>COLOR</th> <th>TERMINAL</th> <th>SEAL/SLEEVE</th> </tr> </thead> <tbody> <tr> <td>A</td> <td>A1811</td> <td>18</td> <td>RD</td> <td>1661875C1</td> <td>3568570C1</td> </tr> <tr> <td>B</td> <td>A348</td> <td>18</td> <td>PL</td> <td>1661875C1</td> <td>3568570C1</td> </tr> </tbody> </table>	CAV	CIRCUIT	GAUGE	COLOR	TERMINAL	SEAL/SLEEVE	A	A1811	18	RD	1661875C1	3568570C1	B	A348	18	PL	1661875C1	3568570C1							
CAV	CIRCUIT	GAUGE	COLOR	TERMINAL	SEAL/SLEEVE																					
A	A1811	18	RD	1661875C1	3568570C1																					
B	A348	18	PL	1661875C1	3568570C1																					
<p style="text-align: center;">HVAC BLOWER MOTOR (245) (LOCATED IN INSTRUMENT PANEL RIGHT SIDE)</p>  <p style="text-align: center;">CONNECTOR 3514683C1</p>	<table border="1" style="width:100%; border-collapse: collapse; font-size: x-small;"> <thead> <tr> <th>CAV</th> <th>CIRCUIT</th> <th>GAUGE</th> <th>COLOR</th> <th>TERMINAL</th> </tr> </thead> <tbody> <tr> <td>A</td> <td>A371</td> <td>12</td> <td>PK</td> <td>0333734C1</td> </tr> <tr> <td>B</td> <td>A515B</td> <td>12</td> <td>OR</td> <td>0333734C1</td> </tr> </tbody> </table>	CAV	CIRCUIT	GAUGE	COLOR	TERMINAL	A	A371	12	PK	0333734C1	B	A515B	12	OR	0333734C1										
CAV	CIRCUIT	GAUGE	COLOR	TERMINAL																						
A	A371	12	PK	0333734C1																						
B	A515B	12	OR	0333734C1																						
<p style="text-align: center;">HVAC RESISTOR (246) (LOCATED IN INSTRUMENT PANEL RIGHT SIDE)</p>  <p style="text-align: center;">CONNECTOR 0471182C1</p>	<table border="1" style="width:100%; border-collapse: collapse; font-size: x-small;"> <thead> <tr> <th>CAV</th> <th>CIRCUIT</th> <th>GAUGE</th> <th>COLOR</th> <th>TERMINAL</th> </tr> </thead> <tbody> <tr> <td>A</td> <td>A751</td> <td>14</td> <td>DKBL</td> <td>0188396R1</td> </tr> <tr> <td>B</td> <td>A515C</td> <td>12</td> <td>OR</td> <td>1660577C1</td> </tr> <tr> <td>C</td> <td>A755</td> <td>16</td> <td>BN</td> <td>0879630R1</td> </tr> <tr> <td>D</td> <td>A752</td> <td>16</td> <td>YL</td> <td>0879630R1</td> </tr> </tbody> </table>	CAV	CIRCUIT	GAUGE	COLOR	TERMINAL	A	A751	14	DKBL	0188396R1	B	A515C	12	OR	1660577C1	C	A755	16	BN	0879630R1	D	A752	16	YL	0879630R1
CAV	CIRCUIT	GAUGE	COLOR	TERMINAL																						
A	A751	14	DKBL	0188396R1																						
B	A515C	12	OR	1660577C1																						
C	A755	16	BN	0879630R1																						
D	A752	16	YL	0879630R1																						
<p style="text-align: center;">BRAKE FLUID LEVEL SWITCH (247) (LOCATED IN INSTRUMENT PANEL LEFT SIDE)</p>  <p style="text-align: center;">CONNECTOR 2036583C1</p>	<table border="1" style="width:100%; border-collapse: collapse; font-size: x-small;"> <thead> <tr> <th>CAV</th> <th>CIRCUIT</th> <th>GAUGE</th> <th>COLOR</th> <th>TERMINAL</th> </tr> </thead> <tbody> <tr> <td>A</td> <td>A128</td> <td>18</td> <td>PL</td> <td>2036586C1</td> </tr> <tr> <td>B</td> <td>A57HD</td> <td>18</td> <td>BK</td> <td>2036586C1</td> </tr> </tbody> </table>	CAV	CIRCUIT	GAUGE	COLOR	TERMINAL	A	A128	18	PL	2036586C1	B	A57HD	18	BK	2036586C1										
CAV	CIRCUIT	GAUGE	COLOR	TERMINAL																						
A	A128	18	PL	2036586C1																						
B	A57HD	18	BK	2036586C1																						
<p style="text-align: center;">BRAKE PRESSURE SWITCH (248) (LOCATED IN INSTRUMENT PANEL LEFT SIDE)</p>  <p style="text-align: center;">CONNECTOR 3574257C1</p>	<table border="1" style="width:100%; border-collapse: collapse; font-size: x-small;"> <thead> <tr> <th>CAV</th> <th>CIRCUIT</th> <th>GAUGE</th> <th>COLOR</th> <th>TERMINAL</th> <th>SEAL/SLEEVE</th> </tr> </thead> <tbody> <tr> <td>1</td> <td>A489P</td> <td>18</td> <td>PK</td> <td>3561584C1</td> <td>3536867C1</td> </tr> <tr> <td>2</td> <td>A535</td> <td>18</td> <td>LTBL</td> <td>3561584C1</td> <td>3536867C1</td> </tr> </tbody> </table>	CAV	CIRCUIT	GAUGE	COLOR	TERMINAL	SEAL/SLEEVE	1	A489P	18	PK	3561584C1	3536867C1	2	A535	18	LTBL	3561584C1	3536867C1							
CAV	CIRCUIT	GAUGE	COLOR	TERMINAL	SEAL/SLEEVE																					
1	A489P	18	PK	3561584C1	3536867C1																					
2	A535	18	LTBL	3561584C1	3536867C1																					

CHK	DATE	CHANGE	REV	REFERENCE	DRAWN	NAME
CNA1	28AUG07	REVISED AND REDRAWN	E	60785Z	U00JAH	CIRCUIT DIAGRAM, LCF
					RELEASE NO.	DATE
					59053V	05FEB04
					PART NO.	SHEET
					AE08055421	015

Figure 88 Connector Composites (244), (245), (246), (247), (248)

13.16. CONNECTOR COMPOSITES (249), (250), (251), P. 16

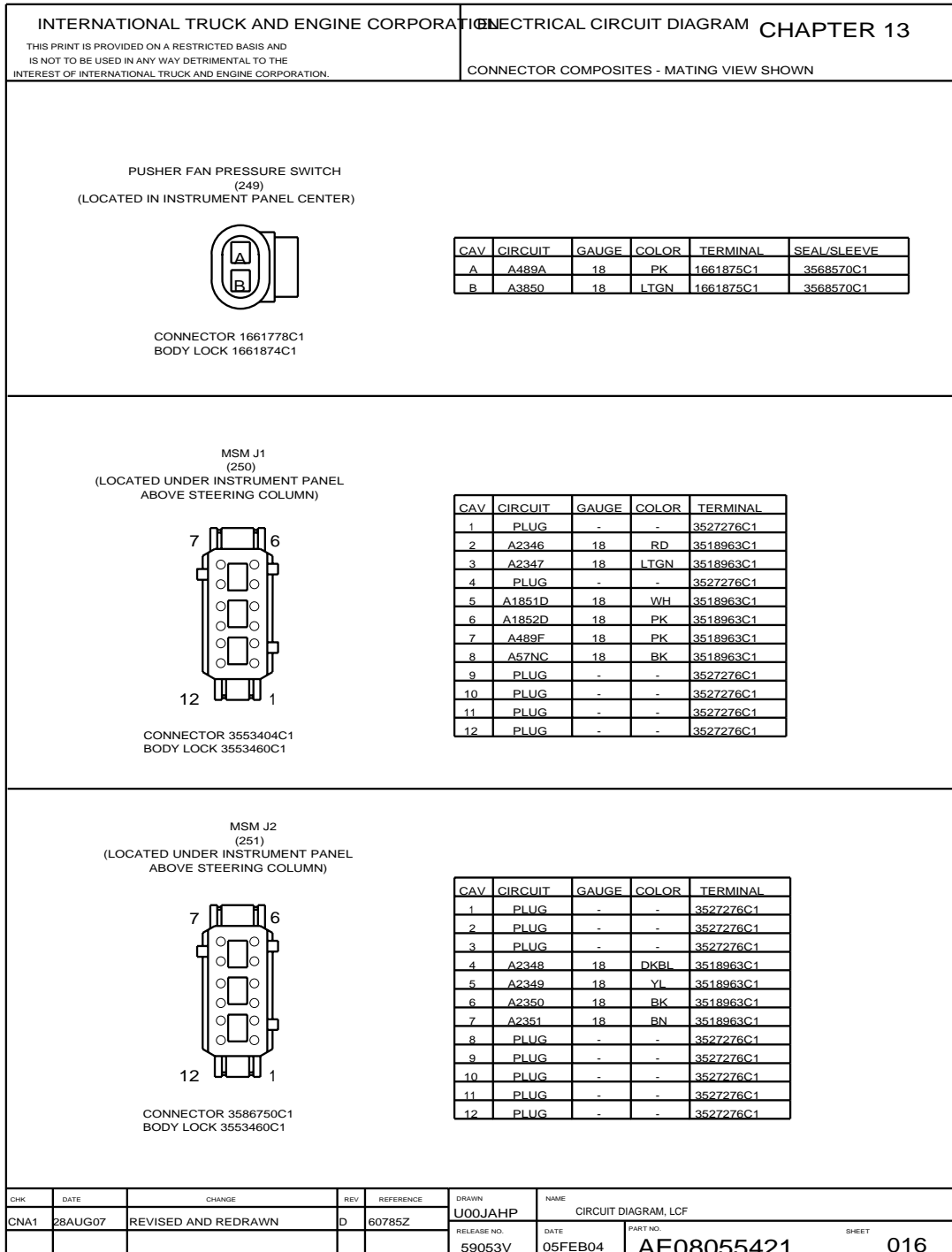


Figure 89 Connector Composites (249), (250), (251)

13.17. CONNECTOR COMPOSITES (252), (253), (254), P. 17

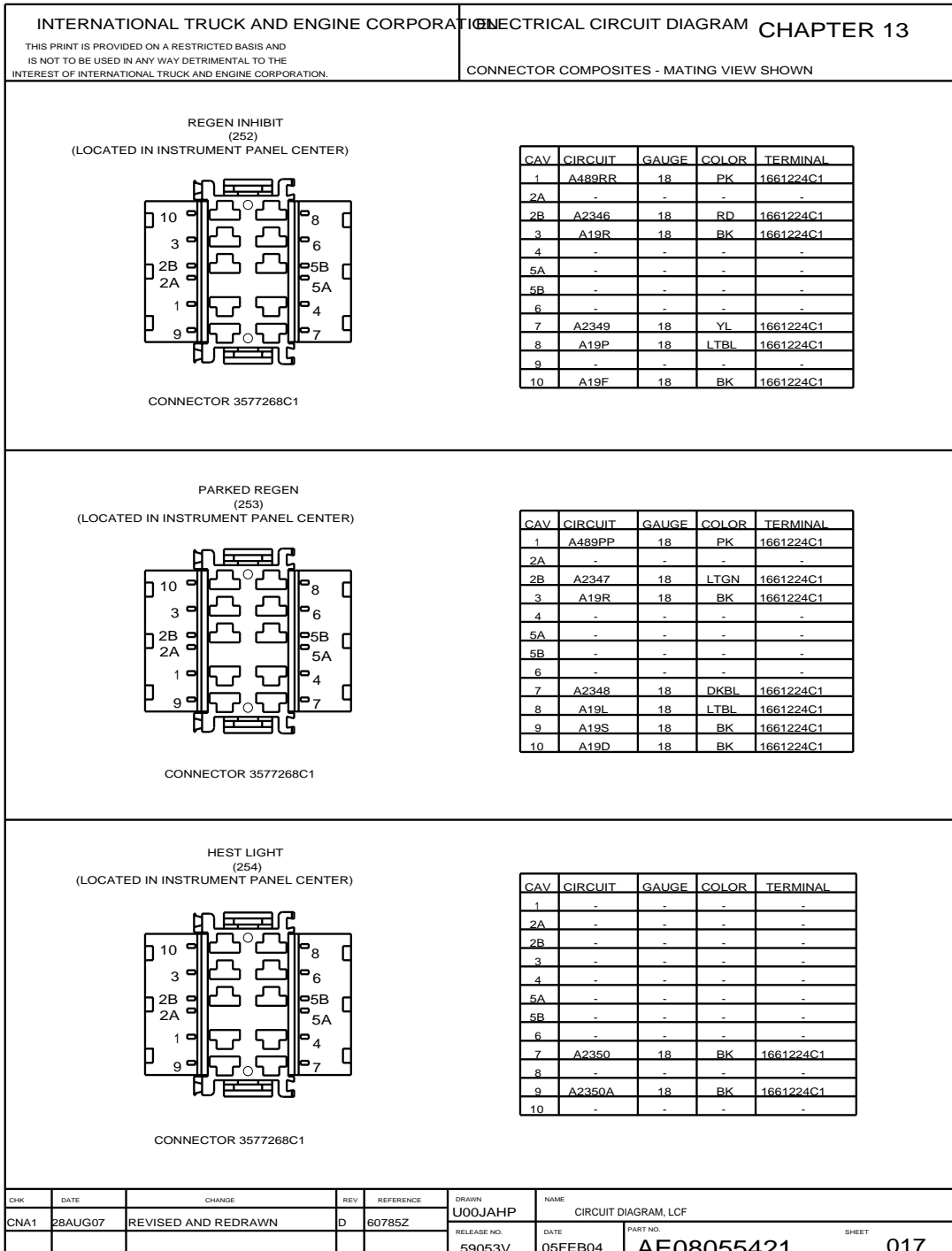


Figure 90 Connector Composites (252), (253), (254)



13.18. CONNECTOR COMPOSITES (301), (301A), (301B), (301D), (303), P. 18

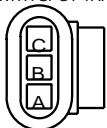



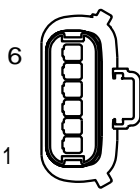
INTERNATIONAL TRUCK AND ENGINE CORPORATION				ELECTRICAL CIRCUIT DIAGRAM CHAPTER 13																																						
THIS PRINT IS PROVIDED ON A RESTRICTED BASIS AND IS NOT TO BE USED IN ANY WAY DETRIMENTAL TO THE INTEREST OF INTERNATIONAL TRUCK AND ENGINE CORPORATION.				CONNECTOR COMPOSITES - MATING VIEW SHOWN																																						
<p>J2284 TERMINATING RESISTOR (301) (LOCATED ON ABS MODULE WIRING BRANCH WITH SPOT TAPE)</p>  <table border="1" style="margin-left: auto; margin-right: auto;"> <thead> <tr> <th>CAV</th> <th>CIRCUIT</th> <th>GAUGE</th> <th>COLOR</th> <th>TERMINAL</th> <th>SEAL/SLEEVE</th> </tr> </thead> <tbody> <tr> <td>A</td> <td>N1814C</td> <td>18</td> <td>WH</td> <td>1661875C1</td> <td>1661872C1</td> </tr> <tr> <td>B</td> <td>PLUG</td> <td>-</td> <td>-</td> <td>2025431C1</td> <td>-</td> </tr> <tr> <td>C</td> <td>N1815C</td> <td>18</td> <td>PK</td> <td>1661875C1</td> <td>1661872C1</td> </tr> </tbody> </table> <p>CONNECTOR 1667741C1 BODY LOCK 166771C1</p>								CAV	CIRCUIT	GAUGE	COLOR	TERMINAL	SEAL/SLEEVE	A	N1814C	18	WH	1661875C1	1661872C1	B	PLUG	-	-	2025431C1	-	C	N1815C	18	PK	1661875C1	1661872C1											
CAV	CIRCUIT	GAUGE	COLOR	TERMINAL	SEAL/SLEEVE																																					
A	N1814C	18	WH	1661875C1	1661872C1																																					
B	PLUG	-	-	2025431C1	-																																					
C	N1815C	18	PK	1661875C1	1661872C1																																					
<p>FUEL PUMP (301A) (LOCATED IN HORIZONTAL FUEL CONDITIONG MODULE INSIDE LEFT FRAME RAIL)</p>  <table border="1" style="margin-left: auto; margin-right: auto;"> <thead> <tr> <th>CAV</th> <th>CIRCUIT</th> <th>GAUGE</th> <th>COLOR</th> <th>TERMINAL</th> <th>SEAL/SLEEVE</th> </tr> </thead> <tbody> <tr> <td>1</td> <td>N787A</td> <td>16</td> <td>PK</td> <td>3579123C1</td> <td>3602410C1</td> </tr> <tr> <td>2</td> <td>N57A</td> <td>16</td> <td>BK</td> <td>3579123C1</td> <td>3602410C1</td> </tr> </tbody> </table> <p>CONNECTOR 3593254C1</p>								CAV	CIRCUIT	GAUGE	COLOR	TERMINAL	SEAL/SLEEVE	1	N787A	16	PK	3579123C1	3602410C1	2	N57A	16	BK	3579123C1	3602410C1																	
CAV	CIRCUIT	GAUGE	COLOR	TERMINAL	SEAL/SLEEVE																																					
1	N787A	16	PK	3579123C1	3602410C1																																					
2	N57A	16	BK	3579123C1	3602410C1																																					
<p>FUEL HEATER (301B) (LOCATED IN HORIZONTAL FUEL CONDITIONG MODULE INSIDE LEFT FRAME RAIL)</p>  <table border="1" style="margin-left: auto; margin-right: auto;"> <thead> <tr> <th>CAV</th> <th>CIRCUIT</th> <th>GAUGE</th> <th>COLOR</th> <th>TERMINAL</th> <th>SEAL/SLEEVE</th> </tr> </thead> <tbody> <tr> <td>1</td> <td>N57B</td> <td>16</td> <td>BK</td> <td>3579123C1</td> <td>3602410C1</td> </tr> <tr> <td>2</td> <td>N653</td> <td>16</td> <td>DKBL</td> <td>3579123C1</td> <td>3602410C1</td> </tr> </tbody> </table> <p>CONNECTOR 3590386C1</p>								CAV	CIRCUIT	GAUGE	COLOR	TERMINAL	SEAL/SLEEVE	1	N57B	16	BK	3579123C1	3602410C1	2	N653	16	DKBL	3579123C1	3602410C1																	
CAV	CIRCUIT	GAUGE	COLOR	TERMINAL	SEAL/SLEEVE																																					
1	N57B	16	BK	3579123C1	3602410C1																																					
2	N653	16	DKBL	3579123C1	3602410C1																																					
<p>WATER SENSOR (301D) (LOCATED IN HORIZONTAL FUEL CONDITIONG MODULE INSIDE LEFT FRAME RAIL)</p>  <table border="1" style="margin-left: auto; margin-right: auto;"> <thead> <tr> <th>CAV</th> <th>CIRCUIT</th> <th>GAUGE</th> <th>COLOR</th> <th>TERMINAL</th> <th>SEAL/SLEEVE</th> </tr> </thead> <tbody> <tr> <td>1</td> <td>N327</td> <td>18</td> <td>BK</td> <td>3579123C1</td> <td>3602410C1</td> </tr> <tr> <td>2</td> <td>N57WF</td> <td>18</td> <td>BK</td> <td>3579123C1</td> <td>3579122C1</td> </tr> </tbody> </table> <p>CONNECTOR 3593255C1</p>								CAV	CIRCUIT	GAUGE	COLOR	TERMINAL	SEAL/SLEEVE	1	N327	18	BK	3579123C1	3602410C1	2	N57WF	18	BK	3579123C1	3579122C1																	
CAV	CIRCUIT	GAUGE	COLOR	TERMINAL	SEAL/SLEEVE																																					
1	N327	18	BK	3579123C1	3602410C1																																					
2	N57WF	18	BK	3579123C1	3579122C1																																					
<p>ENGINE FAN (303) (LOCATED ON CHASSIS HARNESS LEFT FRAME RAIL UNDER RADIATOR)</p>  <table border="1" style="margin-left: auto; margin-right: auto;"> <thead> <tr> <th>CAV</th> <th>CIRCUIT</th> <th>GAUGE</th> <th>COLOR</th> <th>TERMINAL</th> </tr> </thead> <tbody> <tr> <td>1</td> <td>N1920</td> <td>18</td> <td>DKBL</td> <td>3592016C1</td> </tr> <tr> <td>2</td> <td>N1683H</td> <td>18</td> <td>DKGN</td> <td>3592016C1</td> </tr> <tr> <td>3</td> <td>N359G</td> <td>18</td> <td>GY</td> <td>3592016C1</td> </tr> <tr> <td>4</td> <td>N386</td> <td>18</td> <td>LTBL</td> <td>3592016C1</td> </tr> <tr> <td>5</td> <td>N351C</td> <td>18</td> <td>BN</td> <td>3592016C1</td> </tr> <tr> <td>6</td> <td>PLUG</td> <td>-</td> <td>-</td> <td>12345678</td> </tr> </tbody> </table> <p>CONNECTOR 3664874C1</p>								CAV	CIRCUIT	GAUGE	COLOR	TERMINAL	1	N1920	18	DKBL	3592016C1	2	N1683H	18	DKGN	3592016C1	3	N359G	18	GY	3592016C1	4	N386	18	LTBL	3592016C1	5	N351C	18	BN	3592016C1	6	PLUG	-	-	12345678
CAV	CIRCUIT	GAUGE	COLOR	TERMINAL																																						
1	N1920	18	DKBL	3592016C1																																						
2	N1683H	18	DKGN	3592016C1																																						
3	N359G	18	GY	3592016C1																																						
4	N386	18	LTBL	3592016C1																																						
5	N351C	18	BN	3592016C1																																						
6	PLUG	-	-	12345678																																						
CHK	DATE	CHANGE	REV	REFERENCE	DRAWN	NAME																																				
CNA1	28AUG07	REVISED AND REDRAWN	C	60785Z	U00JAHF	CIRCUIT DIAGRAM, LCF																																				
					RELEASE NO.	DATE	PART NO.																																			
					59053V	05FEB04	AE08055421																																			
						SHEET	018																																			

Figure 91 Connector Composites (301), (301A), (301B), (301D), (303)

13.19. CONNECTOR COMPOSITES (304), P. 19

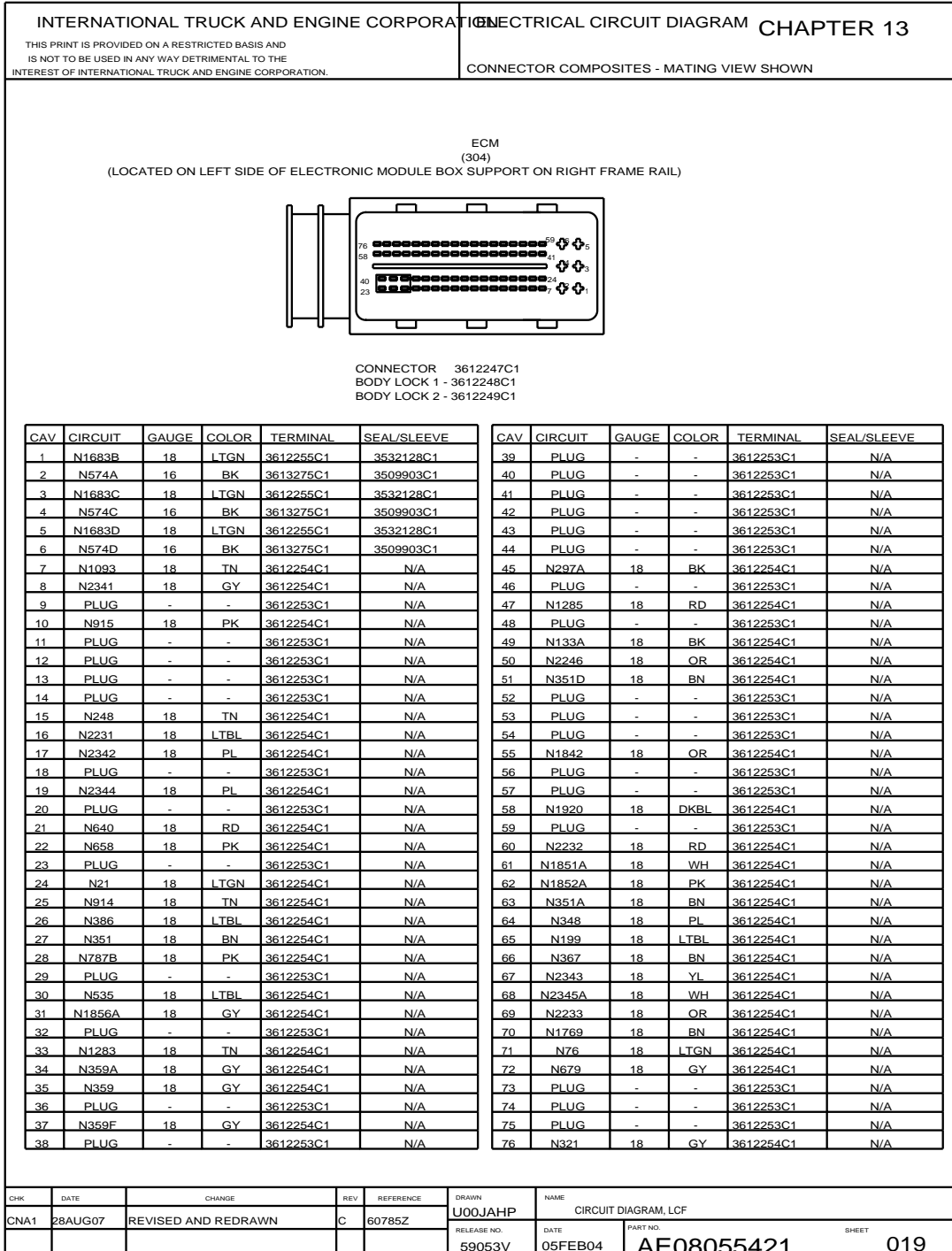


Figure 92 Connector Composites (304)

13.20. CONNECTOR COMPOSITES (306), P. 20

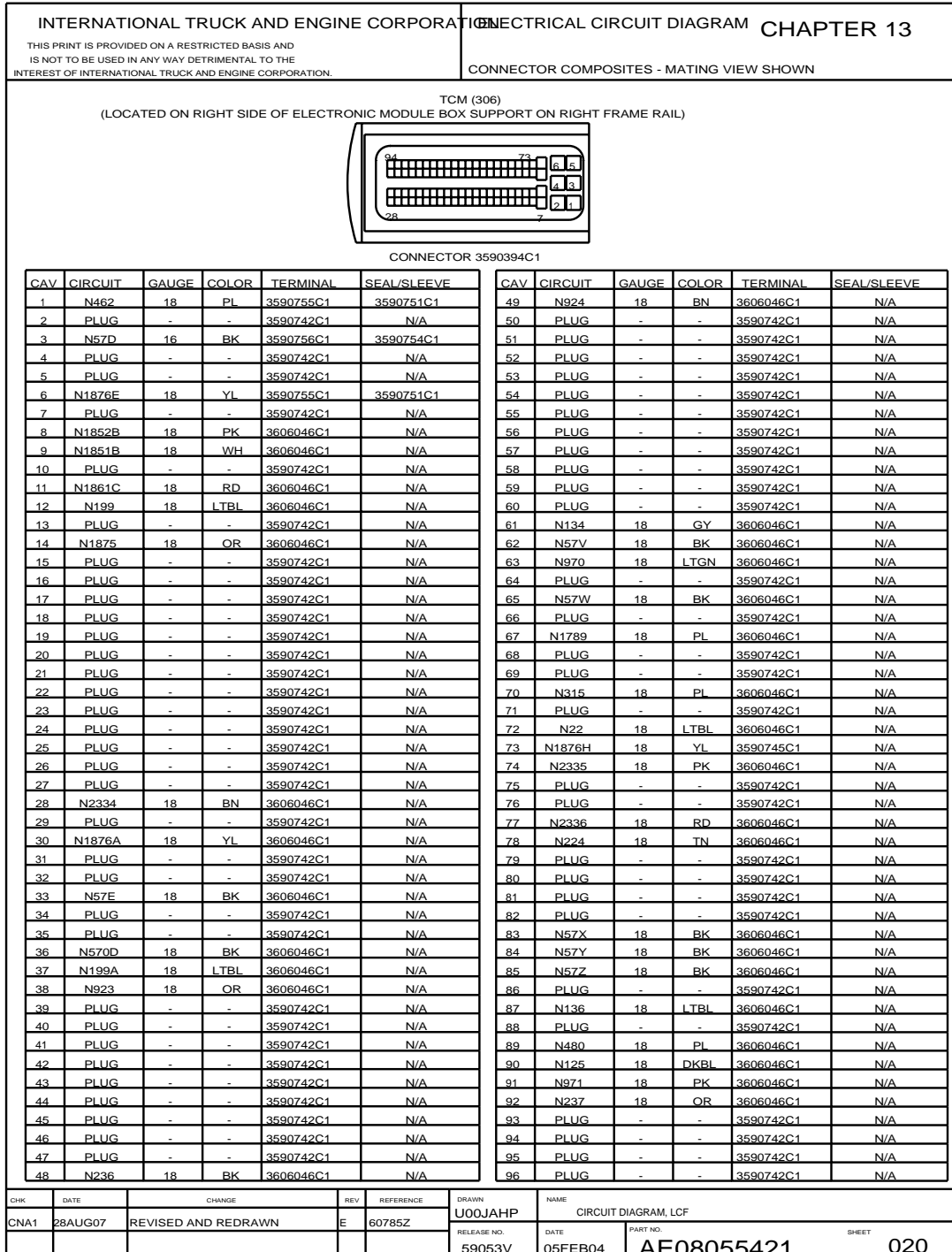


Figure 93 Connector Composites (306)

13.21. CONNECTOR COMPOSITES (308), (309), (310), (313), P. 21

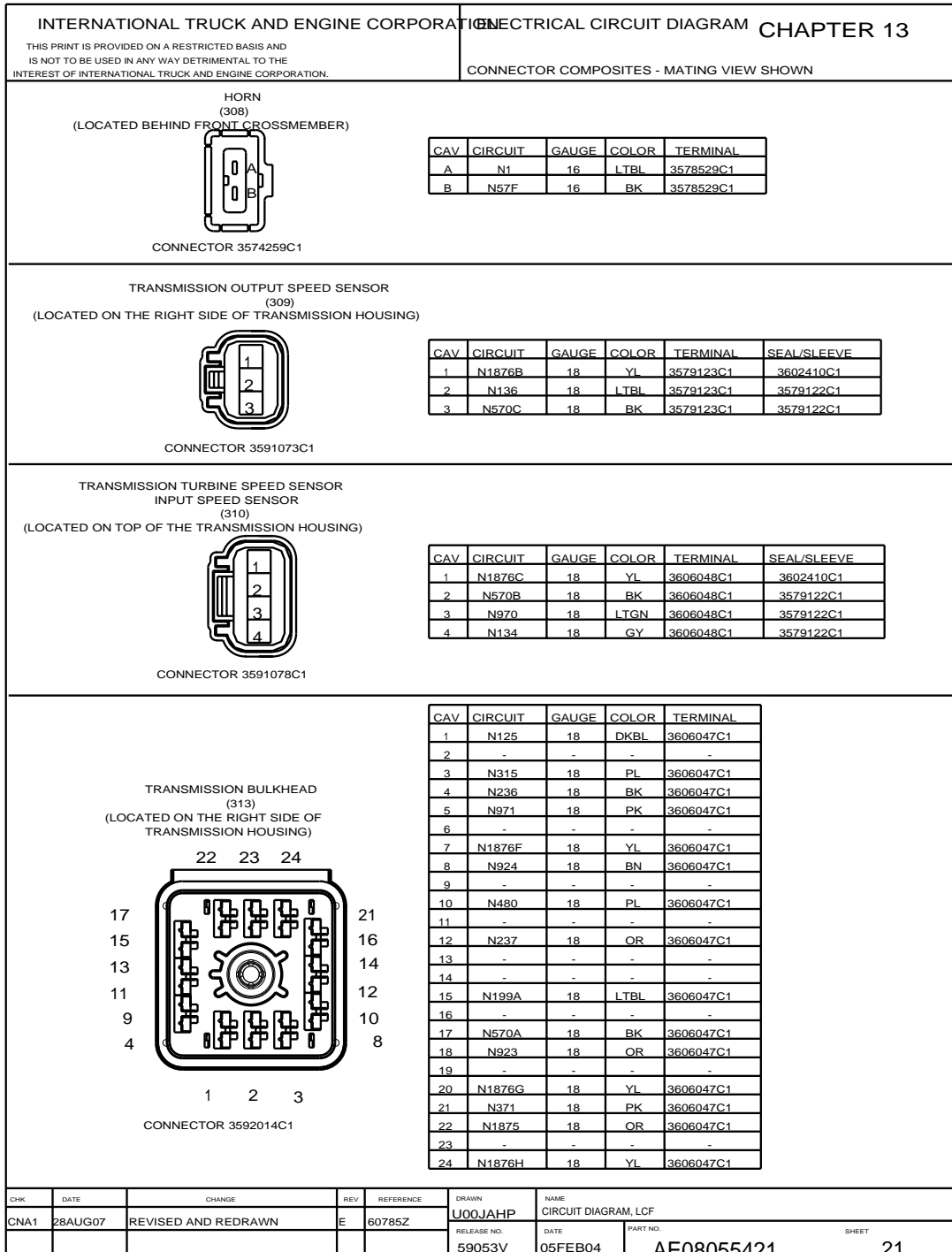


Figure 94 Connector Composites (308), (309), (310), (313)

13.22. CONNECTOR COMPOSITES (315), P. 22

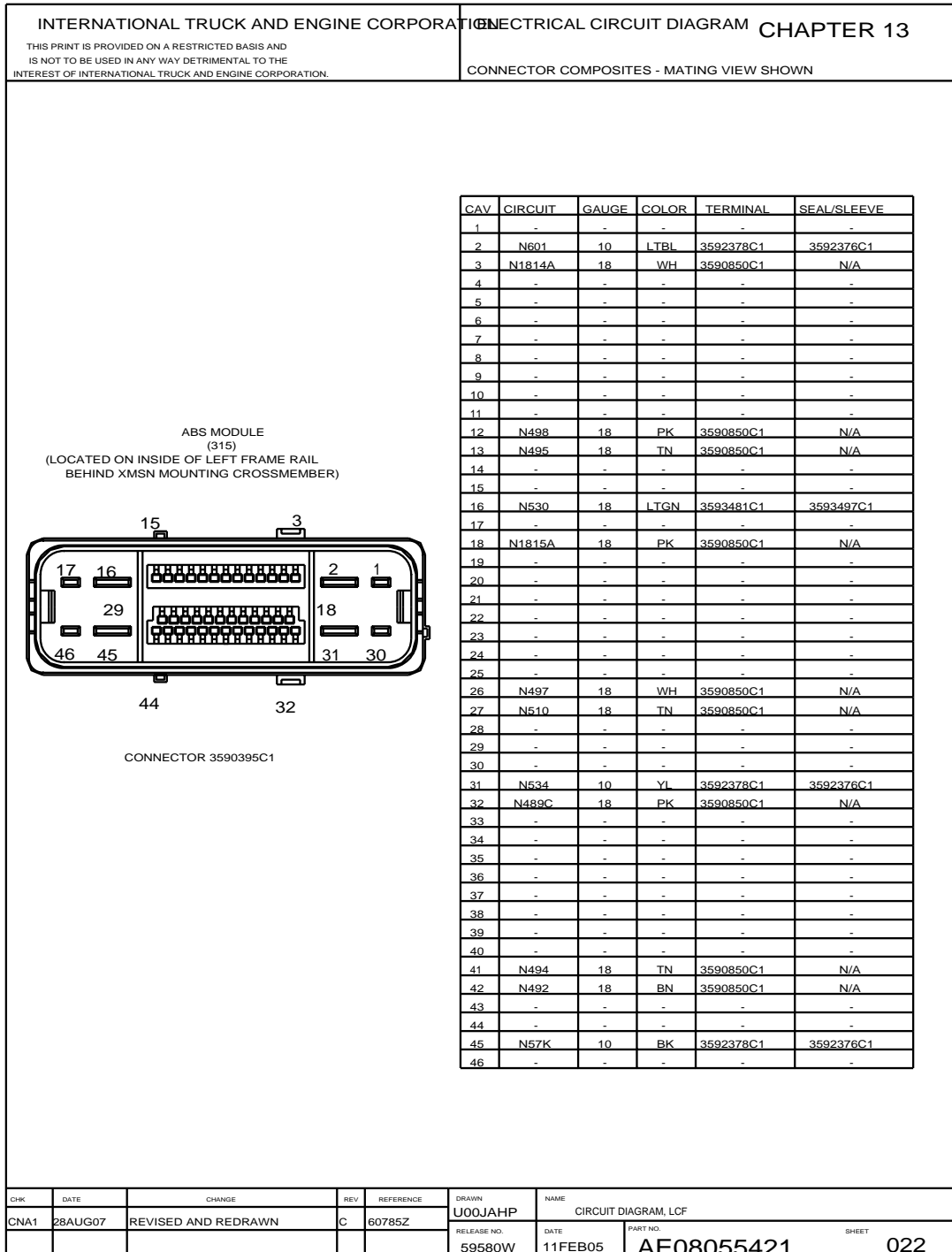


Figure 95 Connector Composites (315)

13.23. CONNECTOR COMPOSITES (316), (317), (318), (320), P. 23

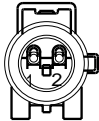
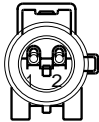
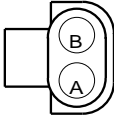
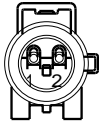
INTERNATIONAL TRUCK AND ENGINE CORPORATION		ELECTRICAL CIRCUIT DIAGRAM		CHAPTER 13																			
THIS PRINT IS PROVIDED ON A RESTRICTED BASIS AND IS NOT TO BE USED IN ANY WAY DETRIMENTAL TO THE INTEREST OF INTERNATIONAL TRUCK AND ENGINE CORPORATION.		CONNECTOR COMPOSITES - MATING VIEW SHOWN																					
<p>FRONT LEFT SPEED SENSOR (316) (LOCATED ON LEFT SIDE FRONT AXLE HOUSING)</p>  <p>CONNECTOR 3592005C1 BODY LOCK 3578632C1</p> <table border="1" style="margin-left: auto; margin-right: auto;"> <thead> <tr> <th>CAV</th> <th>CIRCUIT</th> <th>GAUGE</th> <th>COLOR</th> <th>TERMINAL</th> </tr> </thead> <tbody> <tr> <td>1</td> <td>N498</td> <td>18</td> <td>PK</td> <td>2003343C1</td> </tr> <tr> <td>2</td> <td>N495</td> <td>18</td> <td>TN</td> <td>2003343C1</td> </tr> </tbody> </table>						CAV	CIRCUIT	GAUGE	COLOR	TERMINAL	1	N498	18	PK	2003343C1	2	N495	18	TN	2003343C1			
CAV	CIRCUIT	GAUGE	COLOR	TERMINAL																			
1	N498	18	PK	2003343C1																			
2	N495	18	TN	2003343C1																			
<p>FRONT RIGHT SPEED SENSOR (317) (LOCATED ON RIGHT SIDE FRONT AXLE HOUSING)</p>  <p>CONNECTOR 3592005C1 BODY LOCK 3578632C1</p> <table border="1" style="margin-left: auto; margin-right: auto;"> <thead> <tr> <th>CAV</th> <th>CIRCUIT</th> <th>GAUGE</th> <th>COLOR</th> <th>TERMINAL</th> </tr> </thead> <tbody> <tr> <td>1</td> <td>N497</td> <td>18</td> <td>WH</td> <td>2003343C1</td> </tr> <tr> <td>2</td> <td>N510</td> <td>18</td> <td>TN</td> <td>2003343C1</td> </tr> </tbody> </table>						CAV	CIRCUIT	GAUGE	COLOR	TERMINAL	1	N497	18	WH	2003343C1	2	N510	18	TN	2003343C1			
CAV	CIRCUIT	GAUGE	COLOR	TERMINAL																			
1	N497	18	WH	2003343C1																			
2	N510	18	TN	2003343C1																			
<p>PUSHER FAN (318) (LOCATED ON FAN MOUNTED AT FRONT OF RADIATOR)</p>  <p>CONNECTOR 0587568C1</p> <table border="1" style="margin-left: auto; margin-right: auto;"> <thead> <tr> <th>CAV</th> <th>CIRCUIT</th> <th>GAUGE</th> <th>COLOR</th> <th>TERMINAL</th> <th>SEAL/SLEEVE</th> </tr> </thead> <tbody> <tr> <td>A</td> <td>N1153B</td> <td>14</td> <td>RD</td> <td>0587575C1</td> <td>1652325C1</td> </tr> <tr> <td>B</td> <td>N57DD</td> <td>16</td> <td>BK</td> <td>0587575C1</td> <td>1652325C1</td> </tr> </tbody> </table>						CAV	CIRCUIT	GAUGE	COLOR	TERMINAL	SEAL/SLEEVE	A	N1153B	14	RD	0587575C1	1652325C1	B	N57DD	16	BK	0587575C1	1652325C1
CAV	CIRCUIT	GAUGE	COLOR	TERMINAL	SEAL/SLEEVE																		
A	N1153B	14	RD	0587575C1	1652325C1																		
B	N57DD	16	BK	0587575C1	1652325C1																		
<p>DIESEL OXIDATION CATALIST INLET TEMPERATURE (320) (LOCATED BY RIGHT FRAME RAIL NEAR XMSN AREA)</p>  <p>CONNECTOR 3592005C1 BODY LOCK 3578632C1</p> <table border="1" style="margin-left: auto; margin-right: auto;"> <thead> <tr> <th>CAV</th> <th>CIRCUIT</th> <th>GAUGE</th> <th>COLOR</th> <th>TERMINAL</th> </tr> </thead> <tbody> <tr> <td>1</td> <td>N2341</td> <td>18</td> <td>GY</td> <td>2003343C1</td> </tr> <tr> <td>2</td> <td>N359E</td> <td>18</td> <td>GY</td> <td>2003343C1</td> </tr> </tbody> </table>						CAV	CIRCUIT	GAUGE	COLOR	TERMINAL	1	N2341	18	GY	2003343C1	2	N359E	18	GY	2003343C1			
CAV	CIRCUIT	GAUGE	COLOR	TERMINAL																			
1	N2341	18	GY	2003343C1																			
2	N359E	18	GY	2003343C1																			
CHK	DATE	CHANGE	REV	REFERENCE	DRAWN	NAME																	
CNA1	28AUG07	INITIAL RELEASE	A	60785Z	300371	CIRCUIT DIAGRAM, LCF																	
					RELEASE NO.	DATE																	
					60785Z	26APR07																	
					PART NO.	SHEET																	
					AE08055421	023																	

Figure 96 Connector Composites (316), (317), (318), (320)

13.24. CONNECTOR COMPOSITES (321), (322), (323), (401), P. 24

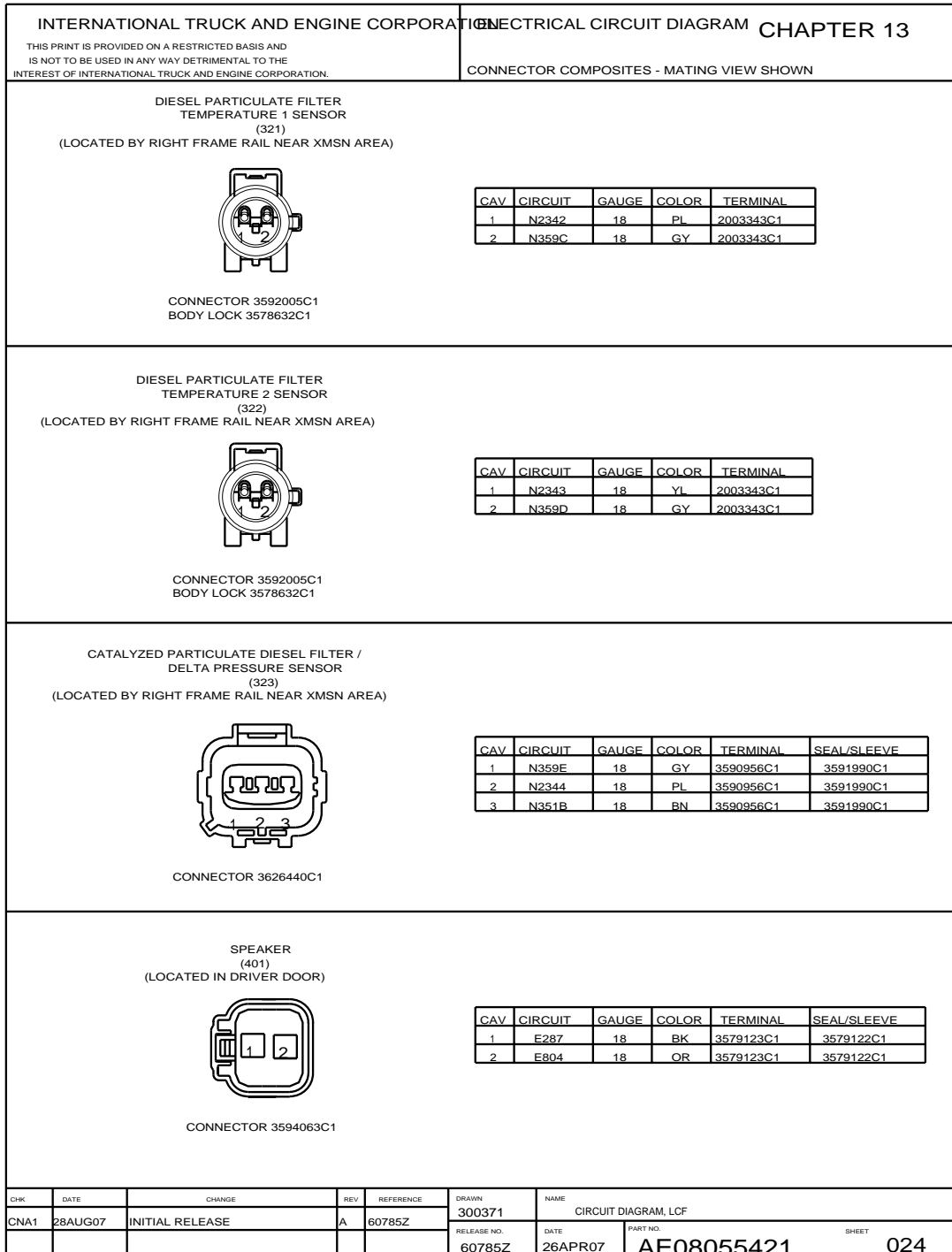


Figure 97 Connector Composites (321), (322), (323), (401)

13.25. CONNECTOR COMPOSITES (402), (403), (404), (410), P. 25



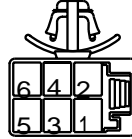

INTERNATIONAL TRUCK AND ENGINE CORPORATION		ELECTRICAL CIRCUIT DIAGRAM		CHAPTER 13																																				
THIS PRINT IS PROVIDED ON A RESTRICTED BASIS AND IS NOT TO BE USED IN ANY WAY DETRIMENTAL TO THE INTEREST OF INTERNATIONAL TRUCK AND ENGINE CORPORATION.		CONNECTOR COMPOSITES - MATING VIEW SHOWN																																						
<p>POWER WINDOW MOTOR (402) (LOCATED IN DRIVER DOOR)</p>  <p>CONNECTOR 3593360C1</p>																																								
<table border="1" style="width:100%; border-collapse: collapse; text-align: center;"> <thead> <tr> <th>CAV</th> <th>CIRCUIT</th> <th>GAUGE</th> <th>COLOR</th> <th>TERMINAL</th> </tr> </thead> <tbody> <tr> <td>1</td> <td>E226A</td> <td>14</td> <td>WH</td> <td>3591604C1</td> </tr> <tr> <td>2</td> <td>E227A</td> <td>14</td> <td>YL</td> <td>3591604C1</td> </tr> </tbody> </table>						CAV	CIRCUIT	GAUGE	COLOR	TERMINAL	1	E226A	14	WH	3591604C1	2	E227A	14	YL	3591604C1																				
CAV	CIRCUIT	GAUGE	COLOR	TERMINAL																																				
1	E226A	14	WH	3591604C1																																				
2	E227A	14	YL	3591604C1																																				
<p>POWER WINDOW SWITCH (403) (LOCATED IN DRIVER DOOR)</p>  <p>CONNECTOR 3593632C1</p>																																								
<table border="1" style="width:100%; border-collapse: collapse; text-align: center;"> <thead> <tr> <th>CAV</th> <th>CIRCUIT</th> <th>GAUGE</th> <th>COLOR</th> <th>TERMINAL</th> </tr> </thead> <tbody> <tr> <td>1</td> <td>E226A</td> <td>14</td> <td>WH</td> <td>3594365C1</td> </tr> <tr> <td>2</td> <td>E227</td> <td>14</td> <td>YL</td> <td>3594365C1</td> </tr> <tr> <td>3</td> <td>E57A</td> <td>14</td> <td>BK</td> <td>3594365C1</td> </tr> <tr> <td>4</td> <td>E227A</td> <td>14</td> <td>YL</td> <td>3594365C1</td> </tr> <tr> <td>5</td> <td>E170</td> <td>14</td> <td>RD</td> <td>3594365C1</td> </tr> <tr> <td>6</td> <td>E226</td> <td>14</td> <td>WH</td> <td>3594365C1</td> </tr> </tbody> </table>						CAV	CIRCUIT	GAUGE	COLOR	TERMINAL	1	E226A	14	WH	3594365C1	2	E227	14	YL	3594365C1	3	E57A	14	BK	3594365C1	4	E227A	14	YL	3594365C1	5	E170	14	RD	3594365C1	6	E226	14	WH	3594365C1
CAV	CIRCUIT	GAUGE	COLOR	TERMINAL																																				
1	E226A	14	WH	3594365C1																																				
2	E227	14	YL	3594365C1																																				
3	E57A	14	BK	3594365C1																																				
4	E227A	14	YL	3594365C1																																				
5	E170	14	RD	3594365C1																																				
6	E226	14	WH	3594365C1																																				
<p>DOOR LOCK SWITCH (404) (LOCATED IN DRIVER DOOR)</p>  <p>CONNECTOR 3593672C1</p>																																								
<table border="1" style="width:100%; border-collapse: collapse; text-align: center;"> <thead> <tr> <th>CAV</th> <th>CIRCUIT</th> <th>GAUGE</th> <th>COLOR</th> <th>TERMINAL</th> </tr> </thead> <tbody> <tr> <td>1</td> <td>E57B</td> <td>18</td> <td>BK</td> <td>3591651C1</td> </tr> <tr> <td>2</td> <td>-</td> <td>-</td> <td>-</td> <td>-</td> </tr> <tr> <td>3</td> <td>E118</td> <td>18</td> <td>PK</td> <td>3591651C1</td> </tr> <tr> <td>4</td> <td>E117</td> <td>18</td> <td>PK</td> <td>3591651C1</td> </tr> <tr> <td>5</td> <td>E120</td> <td>18</td> <td>PK</td> <td>3591651C1</td> </tr> <tr> <td>6</td> <td>E119</td> <td>18</td> <td>PK</td> <td>3591651C1</td> </tr> </tbody> </table>						CAV	CIRCUIT	GAUGE	COLOR	TERMINAL	1	E57B	18	BK	3591651C1	2	-	-	-	-	3	E118	18	PK	3591651C1	4	E117	18	PK	3591651C1	5	E120	18	PK	3591651C1	6	E119	18	PK	3591651C1
CAV	CIRCUIT	GAUGE	COLOR	TERMINAL																																				
1	E57B	18	BK	3591651C1																																				
2	-	-	-	-																																				
3	E118	18	PK	3591651C1																																				
4	E117	18	PK	3591651C1																																				
5	E120	18	PK	3591651C1																																				
6	E119	18	PK	3591651C1																																				
<p>SPEAKER (410) (LOCATED IN PASSENGER DOOR)</p>  <p>CONNECTOR 3594063C1</p>																																								
<table border="1" style="width:100%; border-collapse: collapse; text-align: center;"> <thead> <tr> <th>CAV</th> <th>CIRCUIT</th> <th>GAUGE</th> <th>COLOR</th> <th>TERMINAL</th> <th>SEAL/SLEEVE</th> </tr> </thead> <tbody> <tr> <td>1</td> <td>F287</td> <td>18</td> <td>BK</td> <td>3579123C1</td> <td>3579122C1</td> </tr> <tr> <td>2</td> <td>F805</td> <td>18</td> <td>WH</td> <td>3579123C1</td> <td>3579122C1</td> </tr> </tbody> </table>						CAV	CIRCUIT	GAUGE	COLOR	TERMINAL	SEAL/SLEEVE	1	F287	18	BK	3579123C1	3579122C1	2	F805	18	WH	3579123C1	3579122C1																	
CAV	CIRCUIT	GAUGE	COLOR	TERMINAL	SEAL/SLEEVE																																			
1	F287	18	BK	3579123C1	3579122C1																																			
2	F805	18	WH	3579123C1	3579122C1																																			
CHK	DATE	CHANGE	REV	REFERENCE	DRAWN	NAME																																		
CNA1	28AUG07	INITIAL RELEASE	A	60785Z	300371	CIRCUIT DIAGRAM, LCF																																		
					RELEASE NO.	DATE																																		
					60785Z	26APR07																																		
					PART NO.	SHEET																																		
					AE08055421	025																																		

Figure 98 Connector Composites (402), (403), (404), (410)



13.26. CONNECTOR COMPOSITES (411), (412), (413), P. 26


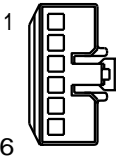
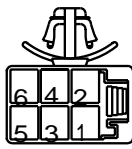
INTERNATIONAL TRUCK AND ENGINE CORPORATION <small>THIS PRINT IS PROVIDED ON A RESTRICTED BASIS AND IS NOT TO BE USED IN ANY WAY DETRIMENTAL TO THE INTEREST OF INTERNATIONAL TRUCK AND ENGINE CORPORATION.</small>	ELECTRICAL CIRCUIT DIAGRAM CHAPTER 13 CONNECTOR COMPOSITES - MATING VIEW SHOWN																																										
<p style="text-align: center;">POWER WINDOW MOTOR (411) (LOCATED IN PASSENGER DOOR)</p>  <p style="text-align: center;">CONNECTOR 3593360C1</p>	<table border="1" style="width: 100%; border-collapse: collapse; text-align: center;"> <thead> <tr> <th>CAV</th> <th>CIRCUIT</th> <th>GAUGE</th> <th>COLOR</th> <th>TERMINAL</th> </tr> </thead> <tbody> <tr> <td>1</td> <td>F227A</td> <td>14</td> <td>YL</td> <td>3591604C1</td> </tr> <tr> <td>2</td> <td>F226A</td> <td>14</td> <td>WH</td> <td>3591604C1</td> </tr> </tbody> </table>	CAV	CIRCUIT	GAUGE	COLOR	TERMINAL	1	F227A	14	YL	3591604C1	2	F226A	14	WH	3591604C1																											
CAV	CIRCUIT	GAUGE	COLOR	TERMINAL																																							
1	F227A	14	YL	3591604C1																																							
2	F226A	14	WH	3591604C1																																							
<p style="text-align: center;">POWER WINDOW SWITCH (412) (LOCATED IN PASSENGER DOOR)</p>  <p style="text-align: center;">CONNECTOR 3594029C1</p>	<table border="1" style="width: 100%; border-collapse: collapse; text-align: center;"> <thead> <tr> <th>CAV</th> <th>CIRCUIT</th> <th>GAUGE</th> <th>COLOR</th> <th>TERMINAL</th> </tr> </thead> <tbody> <tr> <td>1</td> <td>F227</td> <td>14</td> <td>YL</td> <td>3594366C1</td> </tr> <tr> <td>2</td> <td>F226A</td> <td>14</td> <td>WH</td> <td>3594366C1</td> </tr> <tr> <td>3</td> <td>F227A</td> <td>14</td> <td>YL</td> <td>3594366C1</td> </tr> <tr> <td>4</td> <td>-</td> <td>-</td> <td>-</td> <td>-</td> </tr> <tr> <td>5</td> <td>F226</td> <td>14</td> <td>WH</td> <td>3594366C1</td> </tr> <tr> <td>6</td> <td>F170</td> <td>14</td> <td>RD</td> <td>3594366C1</td> </tr> </tbody> </table>	CAV	CIRCUIT	GAUGE	COLOR	TERMINAL	1	F227	14	YL	3594366C1	2	F226A	14	WH	3594366C1	3	F227A	14	YL	3594366C1	4	-	-	-	-	5	F226	14	WH	3594366C1	6	F170	14	RD	3594366C1							
CAV	CIRCUIT	GAUGE	COLOR	TERMINAL																																							
1	F227	14	YL	3594366C1																																							
2	F226A	14	WH	3594366C1																																							
3	F227A	14	YL	3594366C1																																							
4	-	-	-	-																																							
5	F226	14	WH	3594366C1																																							
6	F170	14	RD	3594366C1																																							
<p style="text-align: center;">DOOR LOCK SWITCH (413) (LOCATED IN PASSENGER DOOR)</p>  <p style="text-align: center;">CONNECTOR 3593672C1</p>	<table border="1" style="width: 100%; border-collapse: collapse; text-align: center;"> <thead> <tr> <th>CAV</th> <th>CIRCUIT</th> <th>GAUGE</th> <th>COLOR</th> <th>TERMINAL</th> </tr> </thead> <tbody> <tr> <td>1</td> <td>-</td> <td>-</td> <td>-</td> <td>-</td> </tr> <tr> <td>2</td> <td>-</td> <td>-</td> <td>-</td> <td>-</td> </tr> <tr> <td>3</td> <td>F118</td> <td>18</td> <td>PK</td> <td>3591651C1</td> </tr> <tr> <td>4</td> <td>F117</td> <td>18</td> <td>PK</td> <td>3591651C1</td> </tr> <tr> <td>5</td> <td>-</td> <td>-</td> <td>-</td> <td>-</td> </tr> <tr> <td>6</td> <td>-</td> <td>-</td> <td>-</td> <td>-</td> </tr> </tbody> </table>	CAV	CIRCUIT	GAUGE	COLOR	TERMINAL	1	-	-	-	-	2	-	-	-	-	3	F118	18	PK	3591651C1	4	F117	18	PK	3591651C1	5	-	-	-	-	6	-	-	-	-							
CAV	CIRCUIT	GAUGE	COLOR	TERMINAL																																							
1	-	-	-	-																																							
2	-	-	-	-																																							
3	F118	18	PK	3591651C1																																							
4	F117	18	PK	3591651C1																																							
5	-	-	-	-																																							
6	-	-	-	-																																							
<table border="1" style="width: 100%; border-collapse: collapse; font-size: small;"> <tr> <th>CHK</th> <th>DATE</th> <th>CHANGE</th> <th>REV</th> <th>REFERENCE</th> <th>DRAWN</th> <th>NAME</th> </tr> <tr> <td><input type="checkbox"/></td> <td>28AUG07</td> <td>INITIAL RELEASE</td> <td>A</td> <td>60785Z</td> <td>300371</td> <td>CIRCUIT DIAGRAM, LCF</td> </tr> <tr> <td></td> <td></td> <td></td> <td></td> <td></td> <td>RELEASE NO.</td> <td>DATE</td> </tr> <tr> <td></td> <td></td> <td></td> <td></td> <td></td> <td>60785Z</td> <td>26APR07</td> </tr> <tr> <td></td> <td></td> <td></td> <td></td> <td></td> <td>PART NO.</td> <td>SHEET</td> </tr> <tr> <td></td> <td></td> <td></td> <td></td> <td></td> <td>AE08055421</td> <td>026</td> </tr> </table>		CHK	DATE	CHANGE	REV	REFERENCE	DRAWN	NAME	<input type="checkbox"/>	28AUG07	INITIAL RELEASE	A	60785Z	300371	CIRCUIT DIAGRAM, LCF						RELEASE NO.	DATE						60785Z	26APR07						PART NO.	SHEET						AE08055421	026
CHK	DATE	CHANGE	REV	REFERENCE	DRAWN	NAME																																					
<input type="checkbox"/>	28AUG07	INITIAL RELEASE	A	60785Z	300371	CIRCUIT DIAGRAM, LCF																																					
					RELEASE NO.	DATE																																					
					60785Z	26APR07																																					
					PART NO.	SHEET																																					
					AE08055421	026																																					

Figure 99 Connector Composites (411), (412), (413)

13.27. CONNECTOR COMPOSITES (500), (503), P. 27

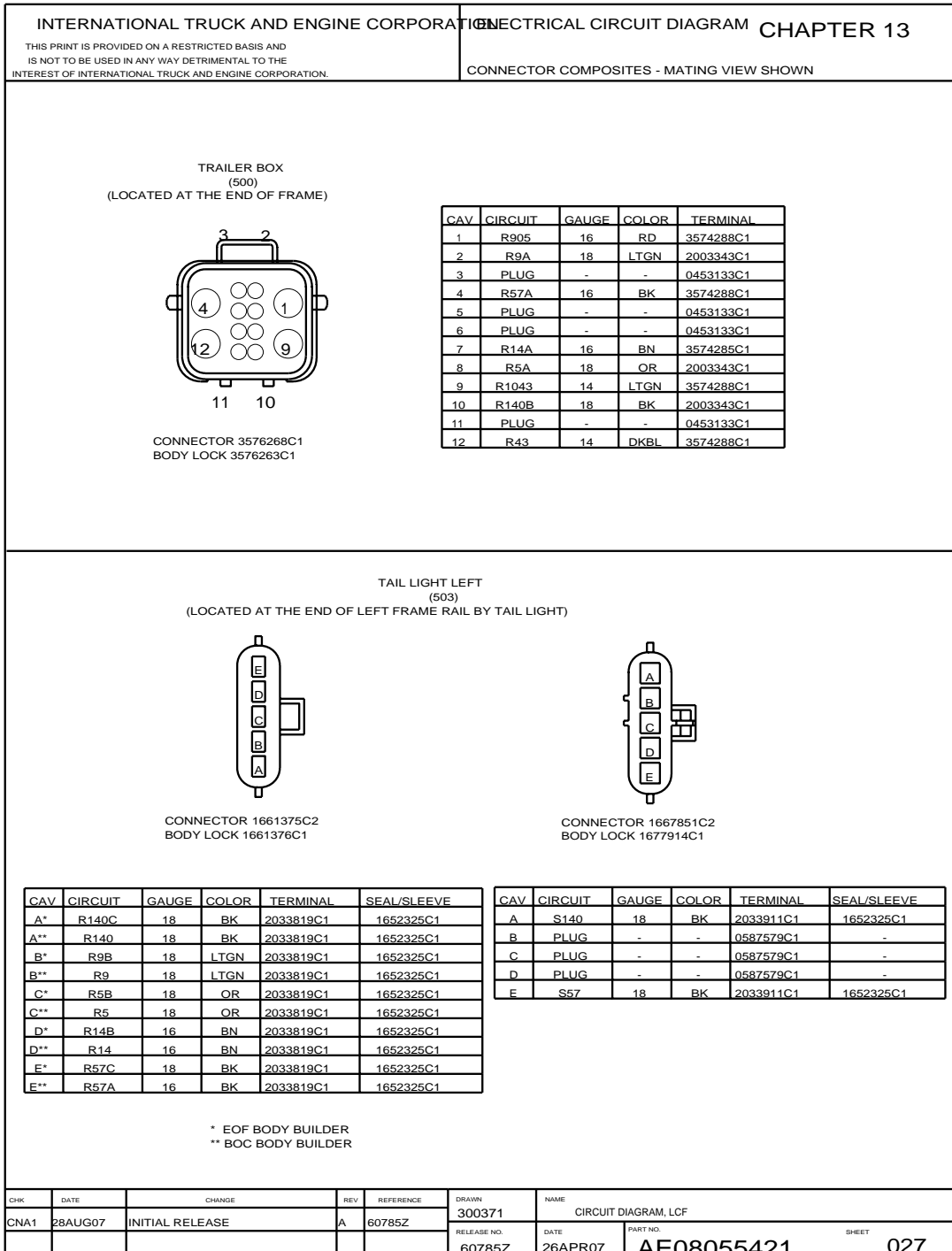


Figure 100 Connector Composites (500), (503)

13.28. CONNECTOR COMPOSITES (506), (507), (508), P. 28

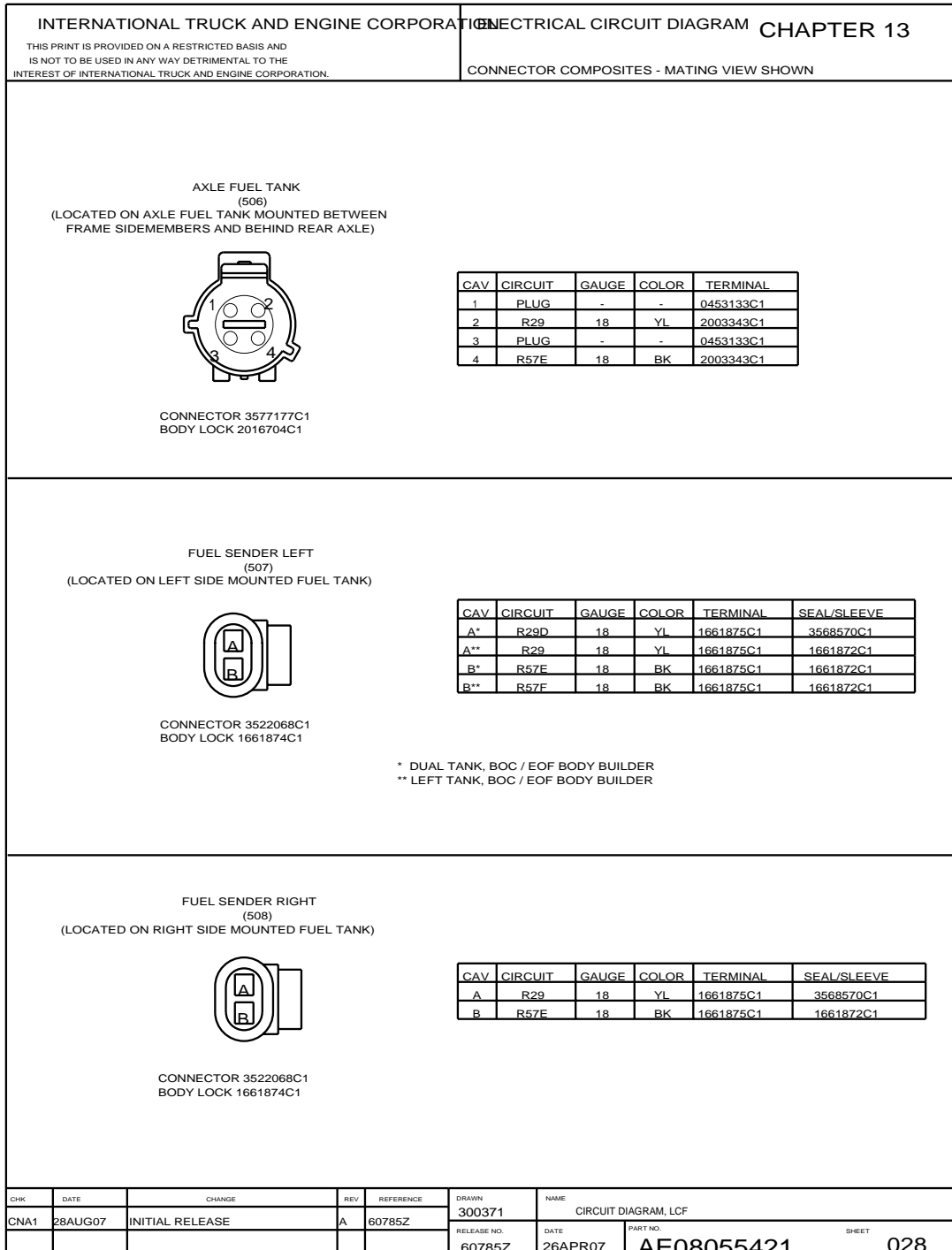


Figure 101 Connector Composites (506), (507), (508)

13.29. CONNECTOR COMPOSITES (509), (510), (602), P. 29

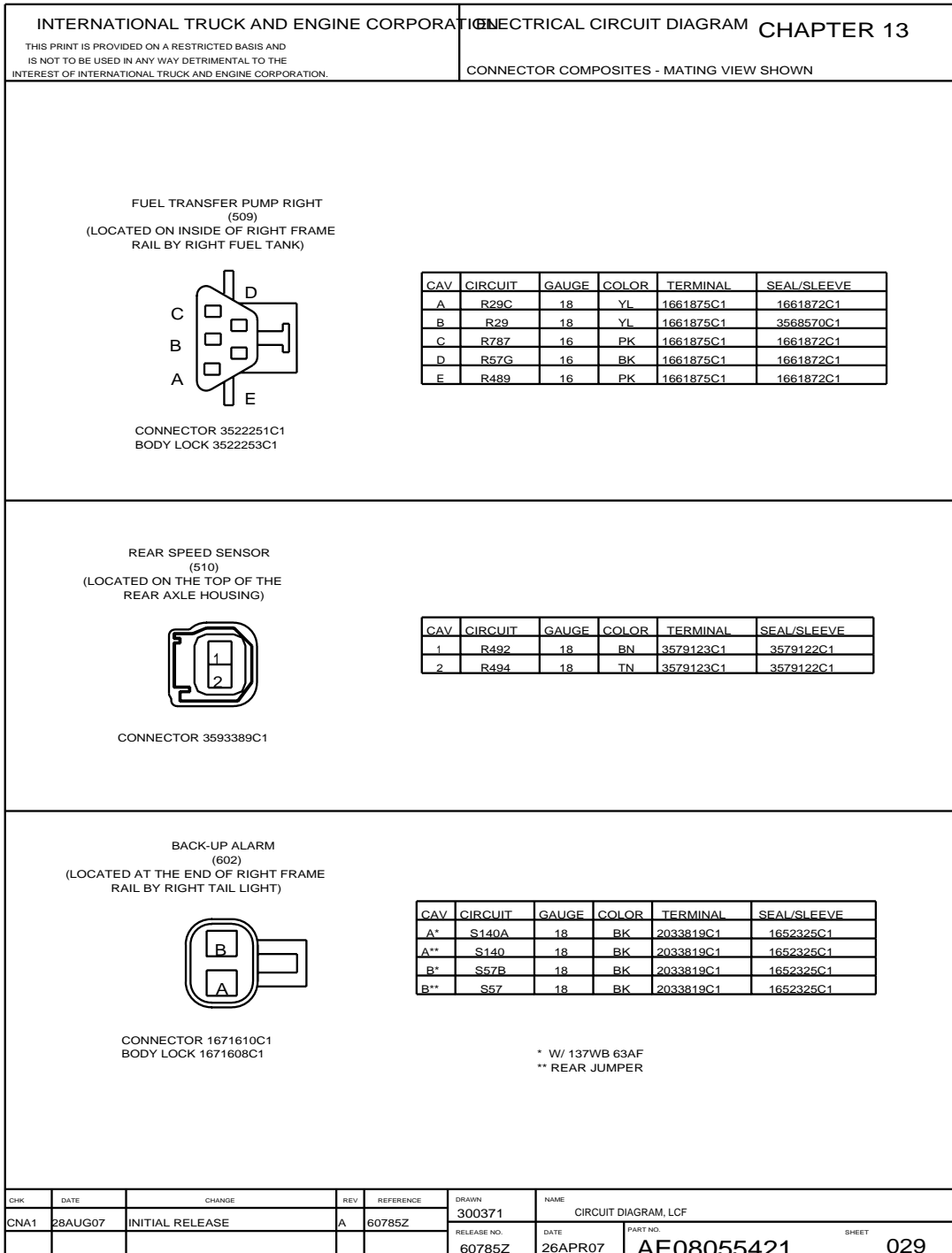


Figure 102 Connector Composites (509), (510), (602)

13.30. CONNECTOR COMPOSITES (700), P. 30

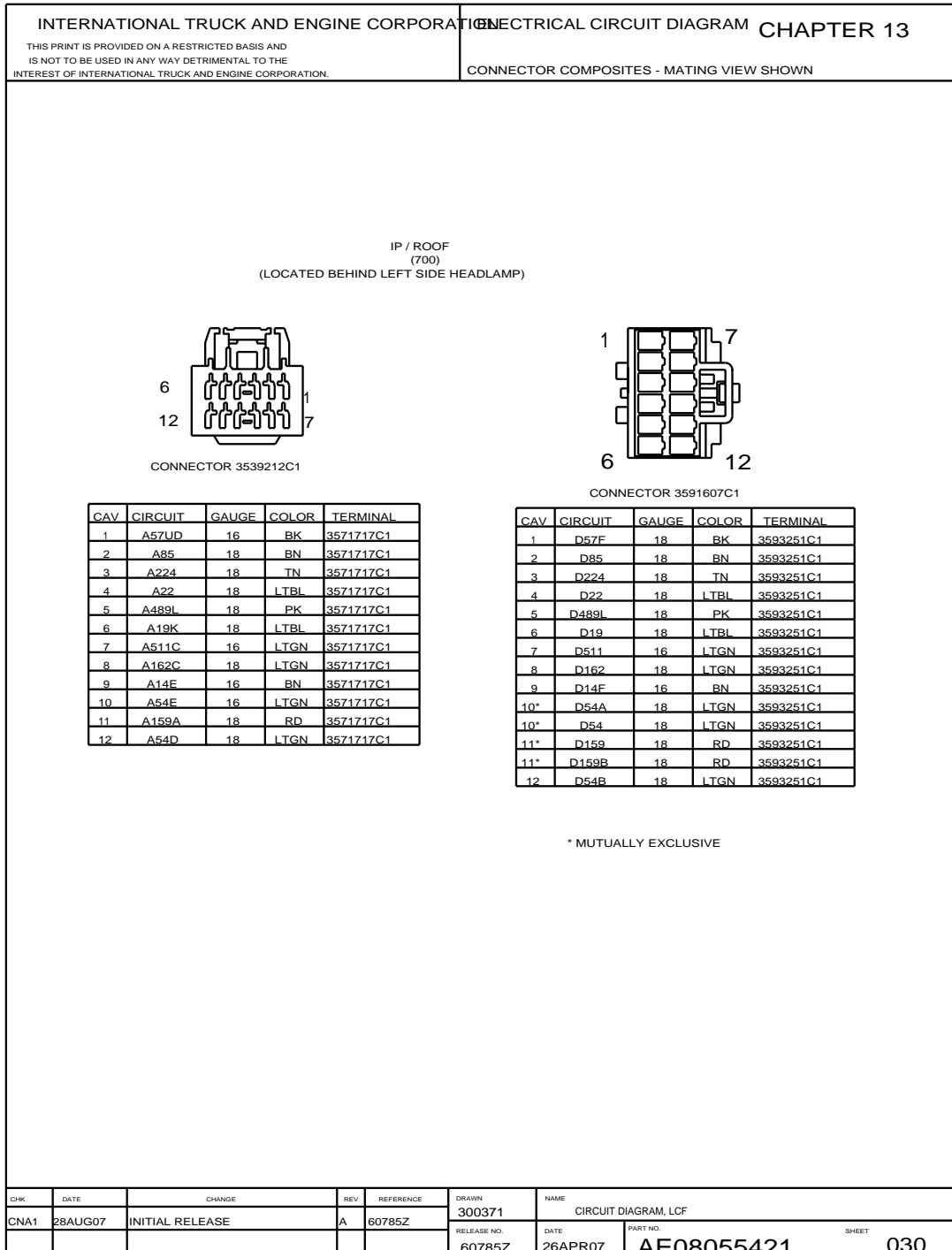


Figure 103 Connector Composites (700)

13.31. CONNECTOR COMPOSITES (701), P. 31

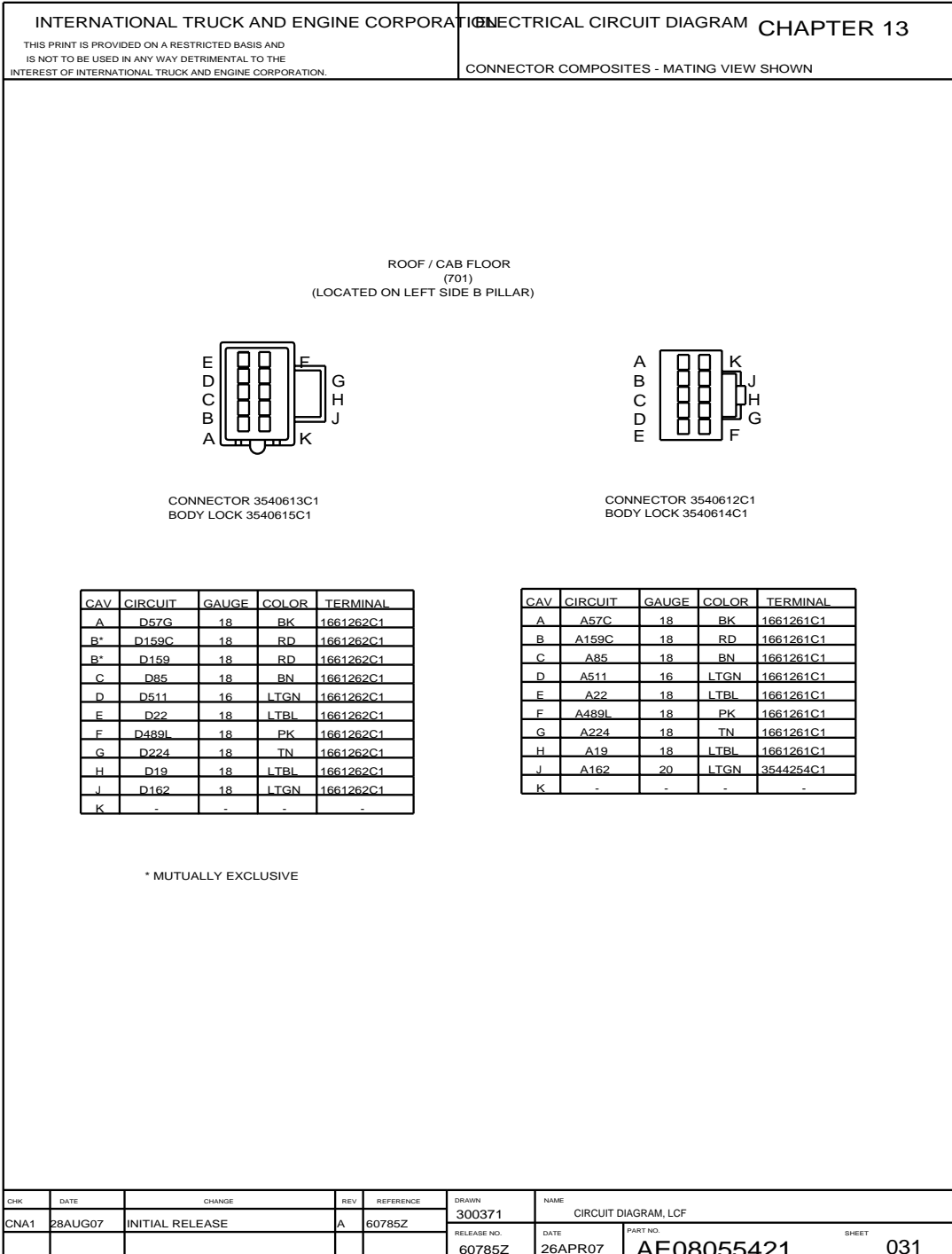


Figure 104 Connector Composites (701)

13.32. CONNECTOR COMPOSITES (702A), P. 32

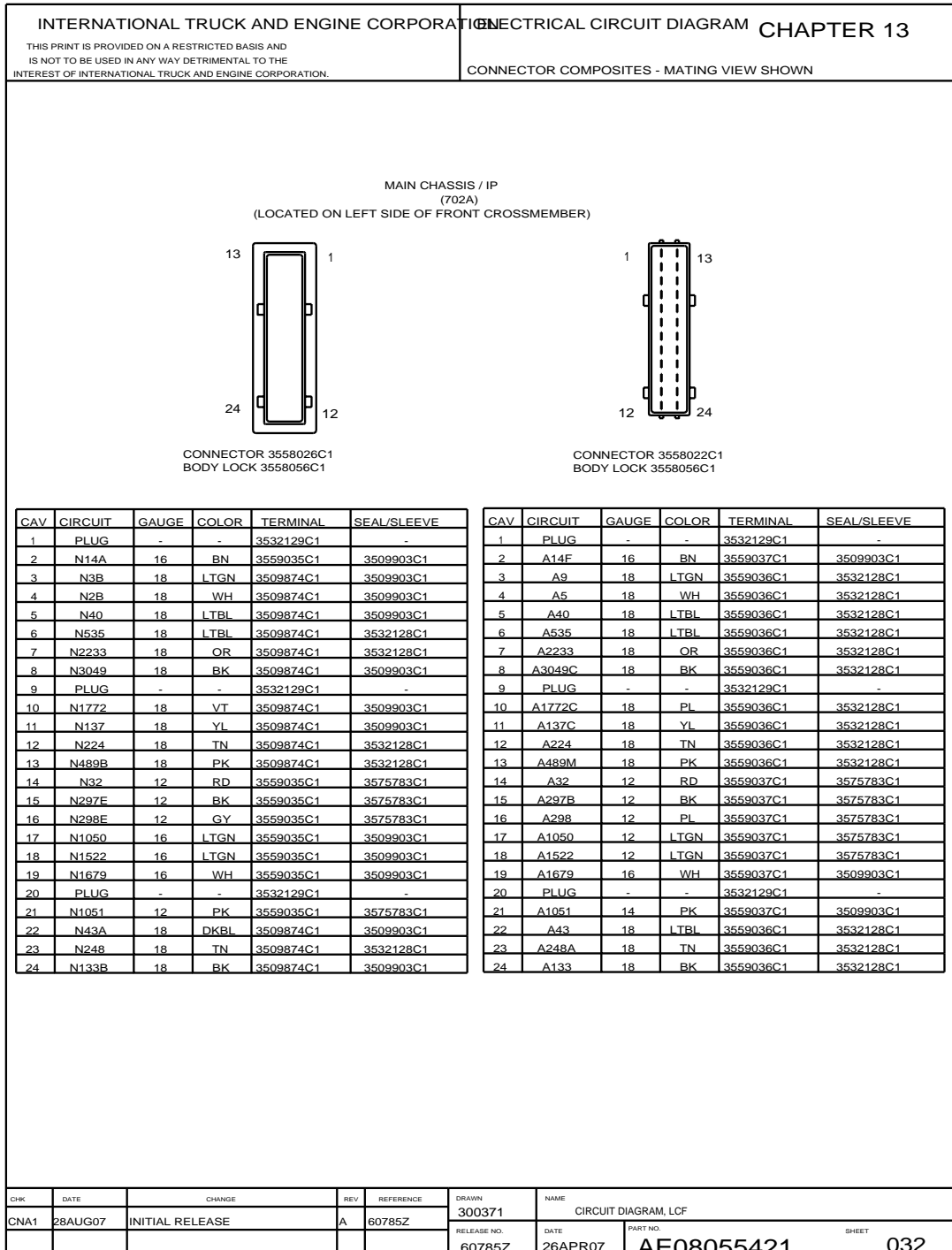


Figure 105 Connector Composites (702A)

13.33. CONNECTOR COMPOSITES (702B), P. 33

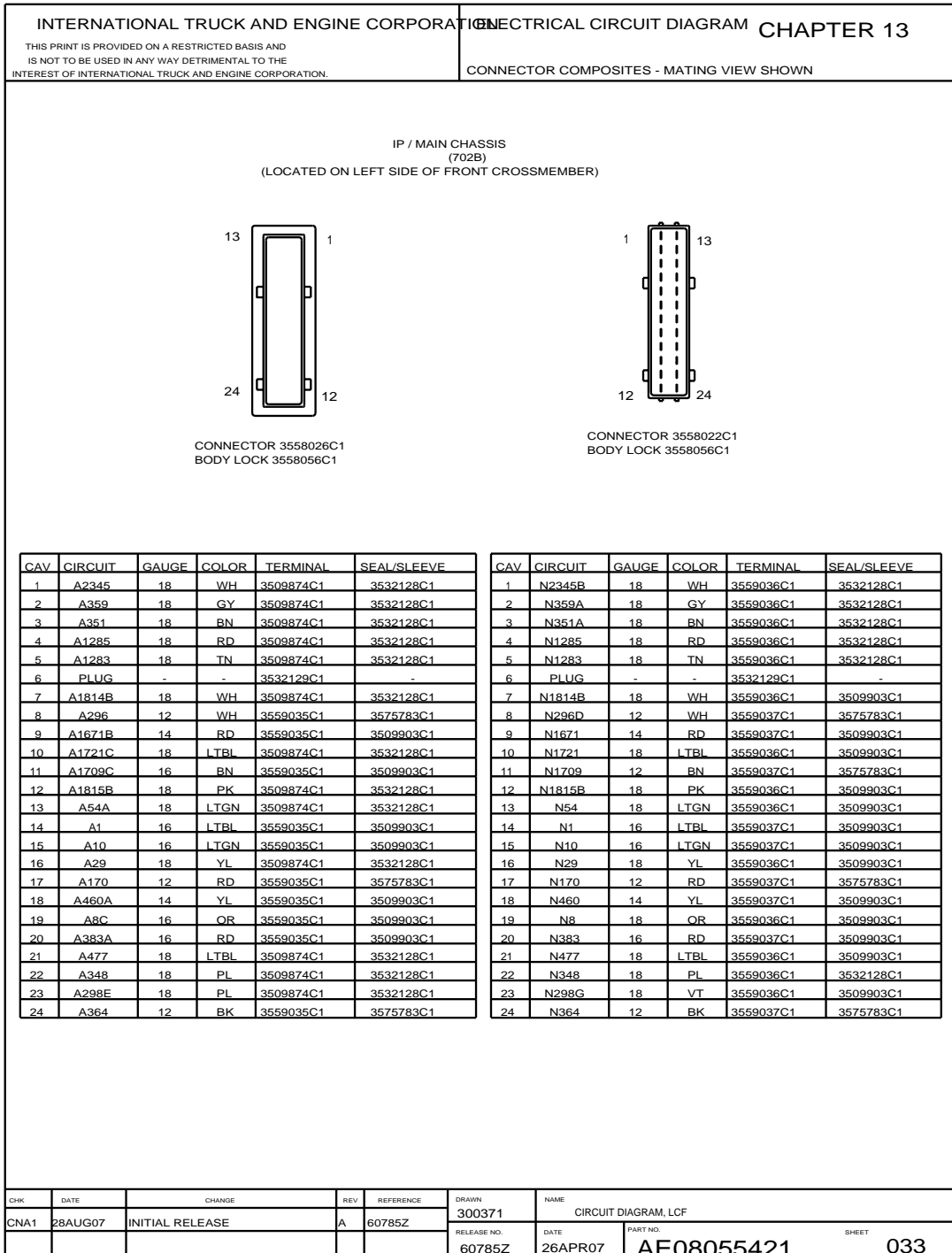


Figure 106 Connector Composites (702B)



13.34. CONNECTOR COMPOSITES (702D), P. 34

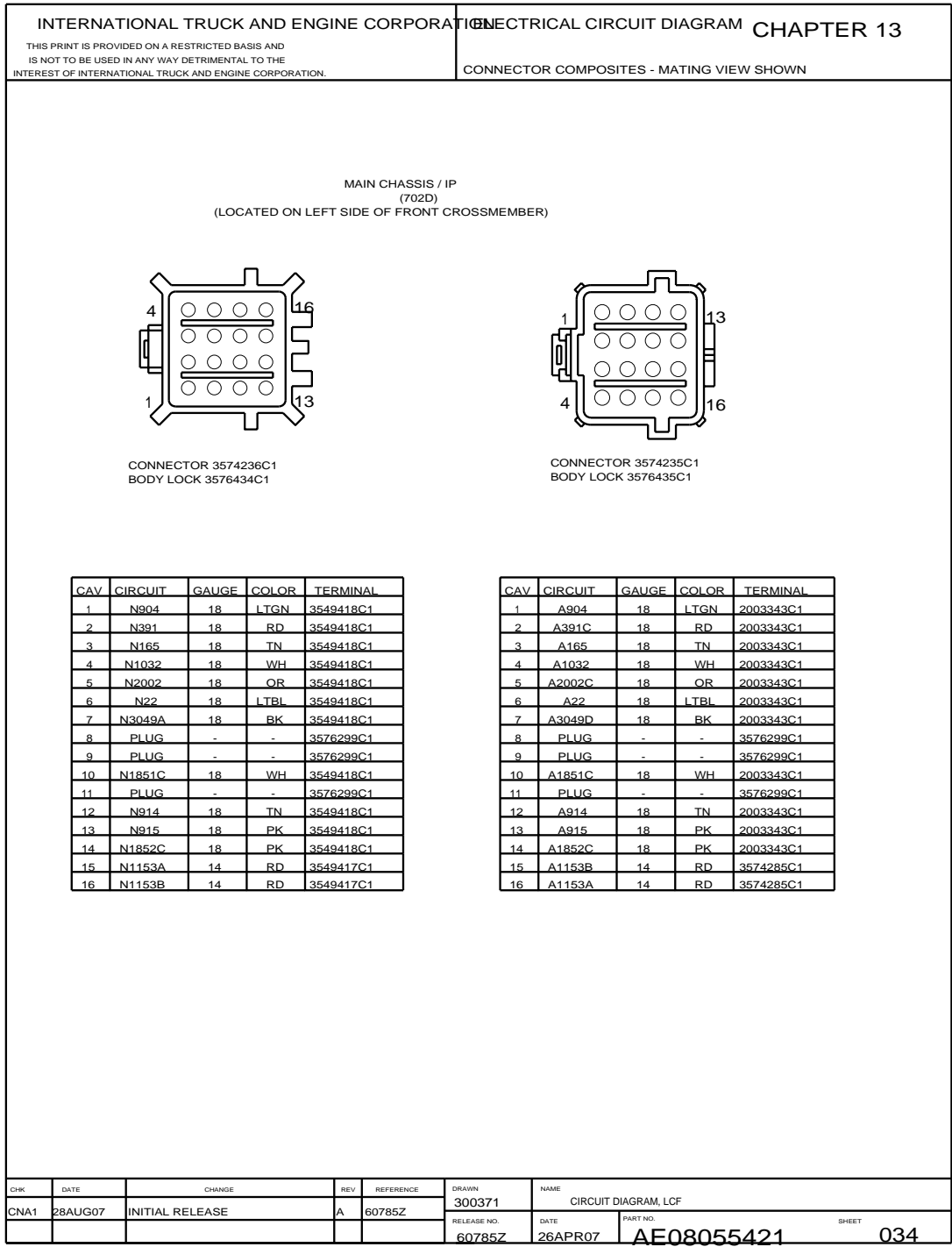


Figure 107 Connector Composites (702D)

13.35. CONNECTOR COMPOSITES (703), (704), P. 35

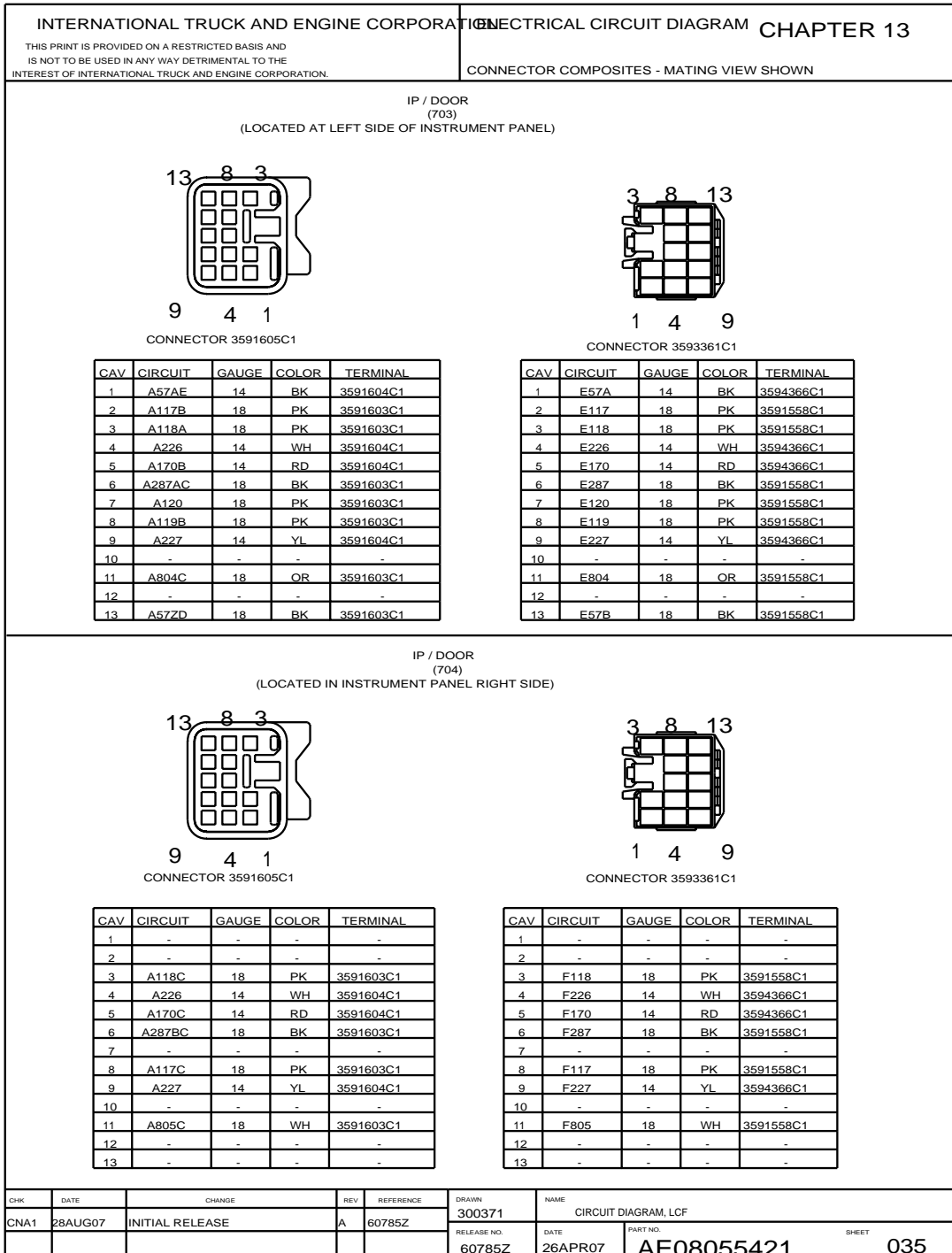


Figure 108 Connector Composites (703), (704)

13.36. CONNECTOR COMPOSITES (705), P. 36

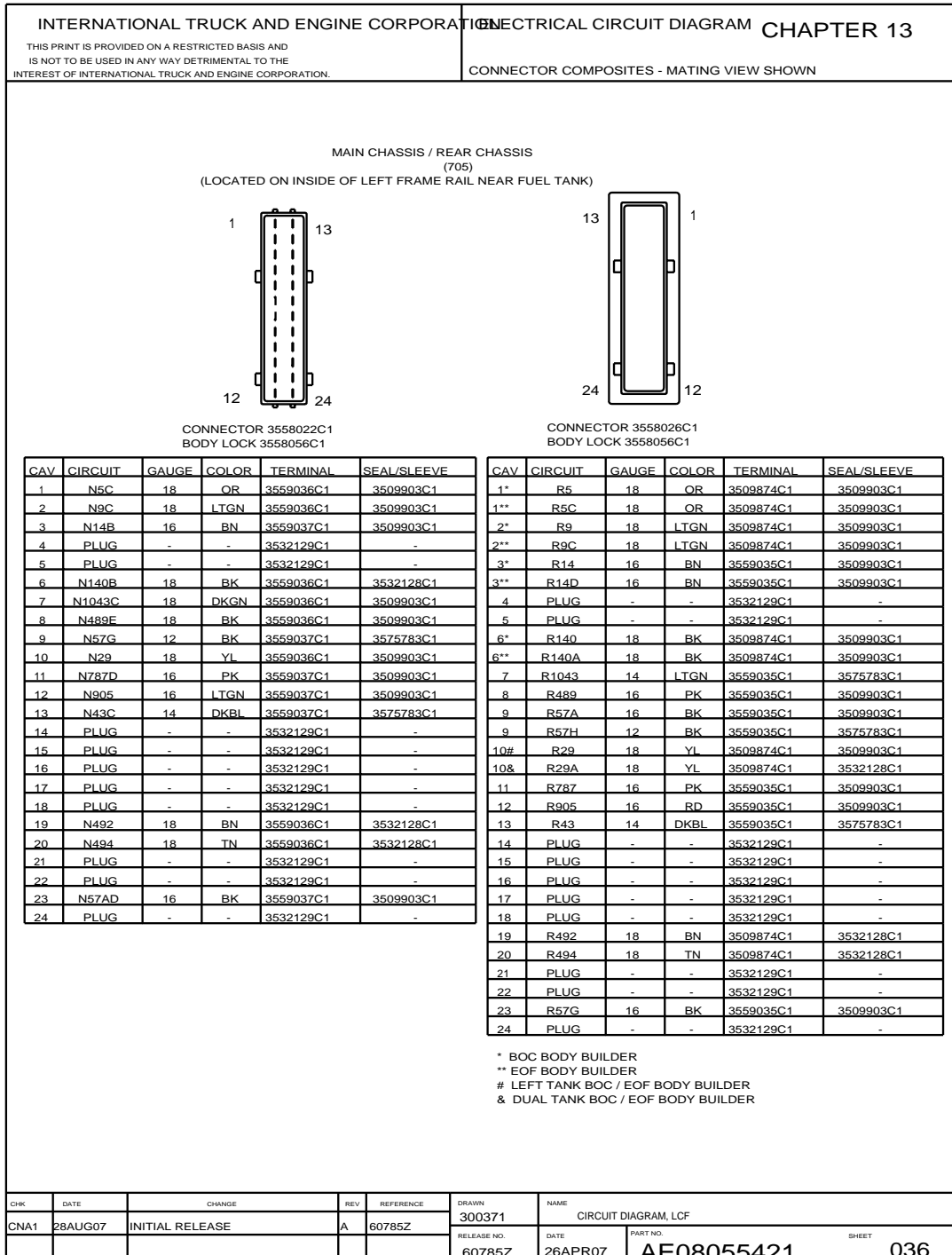


Figure 109 Connector Composites (705)

13.37. CONNECTOR COMPOSITES (706), P. 37

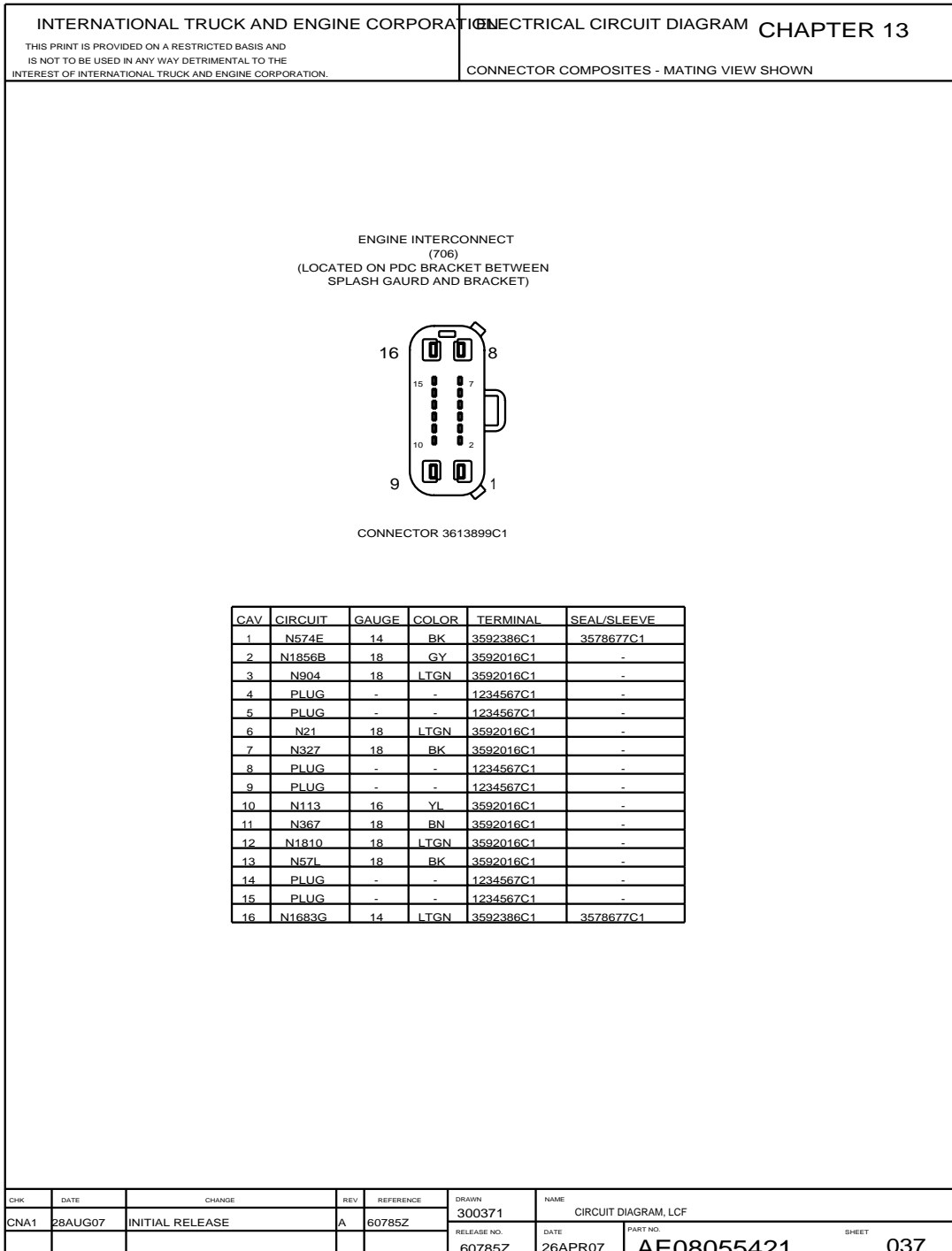


Figure 110 Connector Composites (706)

13.38. CONNECTOR COMPOSITES (720), (720A), P. 38

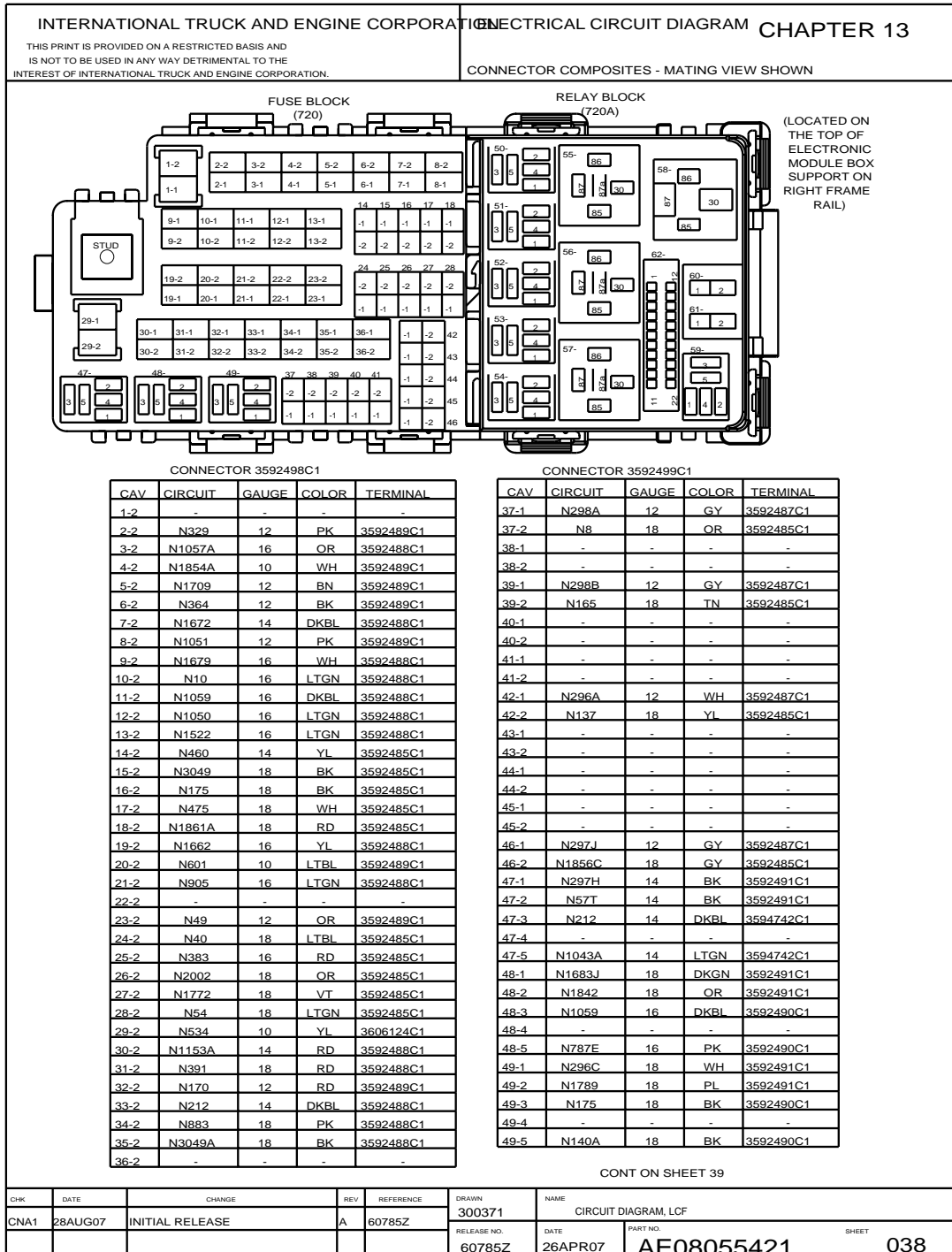


Figure 111 Connector Composites (720), (720A)

13.39. CONNECTOR COMPOSITES (720), (720A), P. 39

INTERNATIONAL TRUCK AND ENGINE CORPORATION				ELECTRICAL CIRCUIT DIAGRAM CHAPTER 13			
THIS PRINT IS PROVIDED ON A RESTRICTED BASIS AND IS NOT TO BE USED IN ANY WAY DETRIMENTAL TO THE INTEREST OF INTERNATIONAL TRUCK AND ENGINE CORPORATION.				CONNECTOR COMPOSITES - MATING VIEW SHOWN			
CONT FROM SHEET 38							
	CAV	CIRCUIT	GAUGE	COLOR	TERMINAL		
	50-1	-	-	-	-		
	50-2	-	-	-	-		
	50-3	-	-	-	-		
	50-4	-	-	-	-		
	50-5	-	-	-	-		
	51-1	N297C	14	BK	3592491C1		
	51-2	N57AA	18	BK	3592491C1		
	51-3	N1662	16	YL	3592490C1		
	51-4	-	-	-	-		
	51-5	N653	16	DKBL	3592490C1		
	52-1	N297F	14	BK	3592491C1		
	52-2	N57AB	18	BK	3592491C1		
	52-3	N1861B	18	RD	3592490C1		
	52-4	-	-	-	-		
	52-5	N462	18	PL	3592490C1		
	53-1	N297B	14	BK	3592491C1		
	53-2	N321	18	GY	3592491C1		
	53-3	N883	18	PK	3592490C1		
	53-4	-	-	-	-		
	53-5	N1810	18	LTGN	3592490C1		
	54-1	N477	18	LTBL	3592491C1		
	54-2	N57AC	18	BK	3592491C1		
	54-3	N475	18	WH	3592490C1		
	54-4	-	-	-	-		
	54-5	N1721	18	LTBL	3592490C1		
	55-30	N1854B	12	WH	3593441C1		
	55-85	N1769	18	BN	3592492C1		
	55-86	N1854C	18	RD	3592492C1		
	55-87	N1683A	10	LTGN	3592493C1		
	55-87A	-	-	-	-		
	56-30	N1672	14	DKBL	3592492C1		
	56-85	N298F	12	GY	3593441C1		
	56-86	N57AF	18	BK	3592492C1		
	56-87	N1671	14	RD	3592492C1		
	56-87A	-	-	-	-		
	57-30	N329	12	PK	3593441C1		
	57-85	N32	12	RD	3593441C1		
	57-86	N1093	18	TN	3592492C1		
	57-87	N113	16	YL	3592492C1		
	57-87A	-	-	-	-		
	58-30	-	-	-	-		
	58-85	-	-	-	-		
	58-86	-	-	-	-		
	58-87	-	-	-	-		
	59-1	N1057B	16	OR	3592491C1		
	59-2	N1032	18	WH	3592491C1		
	59-3	N1057C	16	OR	3592490C1		
	59-4	-	-	-	-		
	59-5	N14C	16	BN	3592490C1		
	60-1	N297D	14	BK	3592494C1		
	60-2	N297F	14	BK	3592494C1		
	61-1	-	-	-	-		
	61-2	-	-	-	-		

	CAV	CIRCUIT	GAUGE	COLOR	TERMINAL		
	62-1	-	-	-	-		
	62-2	-	-	-	-		
	62-3	-	-	-	-		
	62-4	-	-	-	-		
	62-5	-	-	-	-		
	62-6	-	-	-	-		
	62-7	-	-	-	-		
	62-8	-	-	-	-		
	62-9	-	-	-	-		
	62-10	-	-	-	-		
	62-11	-	-	-	-		
	62-12	-	-	-	-		
	62-13	-	-	-	-		
	62-14	-	-	-	-		
	62-15	-	-	-	-		
	62-16	-	-	-	-		
	62-17	-	-	-	-		
	62-18	-	-	-	-		
	62-19	-	-	-	-		
	62-20	-	-	-	-		
	62-21	-	-	-	-		
	62-22	-	-	-	-		

CONT ON SHEET 40

CHK	DATE	CHANGE	REV	REFERENCE	DRAWN	NAME	
CNA1	28AUG07	INITIAL RELEASE	A	60785Z	300371	CIRCUIT DIAGRAM, LCF	
					RELEASE NO.	DATE	PART NO. SHEET
					60785Z	26APR07	AE08055421 039

Figure 112 Connector Composites (720), (720A)

13.40. CONNECTOR COMPOSITES (720), (720A), (829M), P. 40

INTERNATIONAL TRUCK AND ENGINE CORPORATION <small>THIS PRINT IS PROVIDED ON A RESTRICTED BASIS AND IS NOT TO BE USED IN ANY WAY DETRIMENTAL TO THE INTEREST OF INTERNATIONAL TRUCK AND ENGINE CORPORATION.</small>	ELECTRICAL CIRCUIT DIAGRAM CHAPTER 13 CONNECTOR COMPOSITES - MATING VIEW SHOWN																																																																																																																																																																																																
CONT FROM SHEET 39																																																																																																																																																																																																	
<table border="1" style="width:100%; border-collapse: collapse;"> <thead> <tr> <th>FUSE / RELAY NO</th> <th>FUSE RATING</th> <th>DESCRIPTION</th> </tr> </thead> <tbody> <tr><td>1</td><td>-</td><td>BLANK</td></tr> <tr><td>2</td><td>30A</td><td>STARTER</td></tr> <tr><td>3</td><td>20A</td><td>PARK LAMPS</td></tr> <tr><td>4</td><td>40A</td><td>IDM / ECM</td></tr> <tr><td>5</td><td>30A</td><td>HEAD LAMPS</td></tr> <tr><td>6</td><td>40A</td><td>BLOWER MOTOR</td></tr> <tr><td>7</td><td>25A</td><td>WIPER</td></tr> <tr><td>8</td><td>30A</td><td>ELECTRIC BRAKE</td></tr> <tr><td>9</td><td>20A</td><td>DOOR LOCK</td></tr> <tr><td>10</td><td>20A</td><td>STOP LAMPS</td></tr> <tr><td>11</td><td>20A</td><td>FUEL PUMP</td></tr> <tr><td>12</td><td>20A</td><td>RUN / ACCESS FEED</td></tr> <tr><td>13</td><td>20A</td><td>RUN / START FEED</td></tr> <tr><td>14</td><td>15A</td><td>HORN</td></tr> <tr><td>15</td><td>10A</td><td>CLUSTER BATTERY</td></tr> <tr><td>16</td><td>15A</td><td>BACK-UP LAMP</td></tr> <tr><td>17</td><td>15A</td><td>FOG LAMPS</td></tr> <tr><td>18</td><td>15A</td><td>TRANSMISSION</td></tr> <tr><td>19</td><td>20A</td><td>FUEL HEATER</td></tr> <tr><td>20</td><td>60A</td><td>ABS MODULE</td></tr> <tr><td>21</td><td>20A</td><td>TRAILER BOX</td></tr> <tr><td>22</td><td>-</td><td>-</td></tr> <tr><td>23</td><td>40A</td><td>TRAILER BATTERY</td></tr> <tr><td>24</td><td>20A</td><td>CIGAR LIGHTER</td></tr> <tr><td>25</td><td>20A</td><td>HAZARD</td></tr> <tr><td>26</td><td>15A</td><td>KEYLESS</td></tr> <tr><td>27</td><td>10A</td><td>RADIO</td></tr> <tr><td>28</td><td>10A</td><td>DOME</td></tr> <tr><td>29</td><td>60A</td><td>ABS PUMP</td></tr> <tr><td>30</td><td>60A</td><td>PUSHER FAN</td></tr> <tr><td>31</td><td>20A</td><td>DIAGNOSTIC CONNECTOR</td></tr> </tbody> </table>	FUSE / RELAY NO	FUSE RATING	DESCRIPTION	1	-	BLANK	2	30A	STARTER	3	20A	PARK LAMPS	4	40A	IDM / ECM	5	30A	HEAD LAMPS	6	40A	BLOWER MOTOR	7	25A	WIPER	8	30A	ELECTRIC BRAKE	9	20A	DOOR LOCK	10	20A	STOP LAMPS	11	20A	FUEL PUMP	12	20A	RUN / ACCESS FEED	13	20A	RUN / START FEED	14	15A	HORN	15	10A	CLUSTER BATTERY	16	15A	BACK-UP LAMP	17	15A	FOG LAMPS	18	15A	TRANSMISSION	19	20A	FUEL HEATER	20	60A	ABS MODULE	21	20A	TRAILER BOX	22	-	-	23	40A	TRAILER BATTERY	24	20A	CIGAR LIGHTER	25	20A	HAZARD	26	15A	KEYLESS	27	10A	RADIO	28	10A	DOME	29	60A	ABS PUMP	30	60A	PUSHER FAN	31	20A	DIAGNOSTIC CONNECTOR	<table border="1" style="width:100%; border-collapse: collapse;"> <thead> <tr> <th>FUSE / RELAY NO</th> <th>FUSE RATING</th> <th>DESCRIPTION</th> </tr> </thead> <tbody> <tr><td>32</td><td>40A</td><td>POWER WINDOW</td></tr> <tr><td>33</td><td>25A</td><td>BODY BUILDER</td></tr> <tr><td>34</td><td>20A</td><td>AC CLUTCH</td></tr> <tr><td>35</td><td>20A</td><td>CLUSTER</td></tr> <tr><td>36</td><td>-</td><td>BLANK</td></tr> <tr><td>37</td><td>10A</td><td>TURN</td></tr> <tr><td>38</td><td>-</td><td>BLANK</td></tr> <tr><td>39</td><td>10A</td><td>CORNERING LAMPS</td></tr> <tr><td>40</td><td>-</td><td>-</td></tr> <tr><td>41</td><td>-</td><td>-</td></tr> <tr><td>42</td><td>10A</td><td>RADIO</td></tr> <tr><td>43</td><td>-</td><td>BLANK</td></tr> <tr><td>44</td><td>-</td><td>BLANK</td></tr> <tr><td>45</td><td>-</td><td>BLANK</td></tr> <tr><td>46</td><td>5A</td><td>ECM KEY POWER</td></tr> <tr><td>47</td><td>-</td><td>BODY BUILDER</td></tr> <tr><td>48</td><td>-</td><td>FUEL PUMP</td></tr> <tr><td>49</td><td>-</td><td>BACK-UP LAMPS</td></tr> <tr><td>50</td><td>-</td><td>ECM</td></tr> <tr><td>51</td><td>-</td><td>FUEL HEATER</td></tr> <tr><td>52</td><td>-</td><td>TRANSMISSION</td></tr> <tr><td>53</td><td>-</td><td>AC CLUTCH</td></tr> <tr><td>54</td><td>-</td><td>FOG LAMPS</td></tr> <tr><td>55</td><td>-</td><td>IDM</td></tr> <tr><td>56</td><td>-</td><td>WIPER</td></tr> <tr><td>57</td><td>-</td><td>STARTER</td></tr> <tr><td>58</td><td>-</td><td>BLANK</td></tr> <tr><td>59</td><td>-</td><td>PARK LAMPS</td></tr> <tr><td>60</td><td>-</td><td>TRANSMISSION RELAY DIODE</td></tr> <tr><td>61</td><td>-</td><td>BLANK</td></tr> <tr><td>62</td><td>-</td><td>BLANK</td></tr> </tbody> </table>	FUSE / RELAY NO	FUSE RATING	DESCRIPTION	32	40A	POWER WINDOW	33	25A	BODY BUILDER	34	20A	AC CLUTCH	35	20A	CLUSTER	36	-	BLANK	37	10A	TURN	38	-	BLANK	39	10A	CORNERING LAMPS	40	-	-	41	-	-	42	10A	RADIO	43	-	BLANK	44	-	BLANK	45	-	BLANK	46	5A	ECM KEY POWER	47	-	BODY BUILDER	48	-	FUEL PUMP	49	-	BACK-UP LAMPS	50	-	ECM	51	-	FUEL HEATER	52	-	TRANSMISSION	53	-	AC CLUTCH	54	-	FOG LAMPS	55	-	IDM	56	-	WIPER	57	-	STARTER	58	-	BLANK	59	-	PARK LAMPS	60	-	TRANSMISSION RELAY DIODE	61	-	BLANK	62	-	BLANK
FUSE / RELAY NO	FUSE RATING	DESCRIPTION																																																																																																																																																																																															
1	-	BLANK																																																																																																																																																																																															
2	30A	STARTER																																																																																																																																																																																															
3	20A	PARK LAMPS																																																																																																																																																																																															
4	40A	IDM / ECM																																																																																																																																																																																															
5	30A	HEAD LAMPS																																																																																																																																																																																															
6	40A	BLOWER MOTOR																																																																																																																																																																																															
7	25A	WIPER																																																																																																																																																																																															
8	30A	ELECTRIC BRAKE																																																																																																																																																																																															
9	20A	DOOR LOCK																																																																																																																																																																																															
10	20A	STOP LAMPS																																																																																																																																																																																															
11	20A	FUEL PUMP																																																																																																																																																																																															
12	20A	RUN / ACCESS FEED																																																																																																																																																																																															
13	20A	RUN / START FEED																																																																																																																																																																																															
14	15A	HORN																																																																																																																																																																																															
15	10A	CLUSTER BATTERY																																																																																																																																																																																															
16	15A	BACK-UP LAMP																																																																																																																																																																																															
17	15A	FOG LAMPS																																																																																																																																																																																															
18	15A	TRANSMISSION																																																																																																																																																																																															
19	20A	FUEL HEATER																																																																																																																																																																																															
20	60A	ABS MODULE																																																																																																																																																																																															
21	20A	TRAILER BOX																																																																																																																																																																																															
22	-	-																																																																																																																																																																																															
23	40A	TRAILER BATTERY																																																																																																																																																																																															
24	20A	CIGAR LIGHTER																																																																																																																																																																																															
25	20A	HAZARD																																																																																																																																																																																															
26	15A	KEYLESS																																																																																																																																																																																															
27	10A	RADIO																																																																																																																																																																																															
28	10A	DOME																																																																																																																																																																																															
29	60A	ABS PUMP																																																																																																																																																																																															
30	60A	PUSHER FAN																																																																																																																																																																																															
31	20A	DIAGNOSTIC CONNECTOR																																																																																																																																																																																															
FUSE / RELAY NO	FUSE RATING	DESCRIPTION																																																																																																																																																																																															
32	40A	POWER WINDOW																																																																																																																																																																																															
33	25A	BODY BUILDER																																																																																																																																																																																															
34	20A	AC CLUTCH																																																																																																																																																																																															
35	20A	CLUSTER																																																																																																																																																																																															
36	-	BLANK																																																																																																																																																																																															
37	10A	TURN																																																																																																																																																																																															
38	-	BLANK																																																																																																																																																																																															
39	10A	CORNERING LAMPS																																																																																																																																																																																															
40	-	-																																																																																																																																																																																															
41	-	-																																																																																																																																																																																															
42	10A	RADIO																																																																																																																																																																																															
43	-	BLANK																																																																																																																																																																																															
44	-	BLANK																																																																																																																																																																																															
45	-	BLANK																																																																																																																																																																																															
46	5A	ECM KEY POWER																																																																																																																																																																																															
47	-	BODY BUILDER																																																																																																																																																																																															
48	-	FUEL PUMP																																																																																																																																																																																															
49	-	BACK-UP LAMPS																																																																																																																																																																																															
50	-	ECM																																																																																																																																																																																															
51	-	FUEL HEATER																																																																																																																																																																																															
52	-	TRANSMISSION																																																																																																																																																																																															
53	-	AC CLUTCH																																																																																																																																																																																															
54	-	FOG LAMPS																																																																																																																																																																																															
55	-	IDM																																																																																																																																																																																															
56	-	WIPER																																																																																																																																																																																															
57	-	STARTER																																																																																																																																																																																															
58	-	BLANK																																																																																																																																																																																															
59	-	PARK LAMPS																																																																																																																																																																																															
60	-	TRANSMISSION RELAY DIODE																																																																																																																																																																																															
61	-	BLANK																																																																																																																																																																																															
62	-	BLANK																																																																																																																																																																																															
<p style="text-align: center;">BACK-UP ALARM CONNECTOR (829M) (LOCATED AT THE END OF RIGHT FRAME RAIL BY RIGHT TAIL LIGHT)</p> <div style="display: flex; justify-content: space-around; align-items: center;">  <table border="1" style="border-collapse: collapse;"> <thead> <tr> <th>CAV</th> <th>CIRCUIT</th> <th>GAUGE</th> <th>COLOR</th> <th>TERMINAL</th> <th>SEAL/SLEEVE</th> </tr> </thead> <tbody> <tr> <td>A</td> <td>S71D</td> <td>14</td> <td>LTBL</td> <td>2033816C1</td> <td>0589391C1</td> </tr> <tr> <td>B</td> <td>S71-GD</td> <td>14</td> <td>WH</td> <td>2033816C1</td> <td>0589391C1</td> </tr> </tbody> </table> </div> <p style="text-align: center; margin-top: 10px;">CONNECTOR 1671610C1 BODY LOCK 1671608C1</p>		CAV	CIRCUIT	GAUGE	COLOR	TERMINAL	SEAL/SLEEVE	A	S71D	14	LTBL	2033816C1	0589391C1	B	S71-GD	14	WH	2033816C1	0589391C1																																																																																																																																																																														
CAV	CIRCUIT	GAUGE	COLOR	TERMINAL	SEAL/SLEEVE																																																																																																																																																																																												
A	S71D	14	LTBL	2033816C1	0589391C1																																																																																																																																																																																												
B	S71-GD	14	WH	2033816C1	0589391C1																																																																																																																																																																																												
<table style="width:100%; border-collapse: collapse;"> <tr> <td style="width:10%; border: 1px solid black;">CHK</td> <td style="width:10%; border: 1px solid black;">DATE</td> <td style="width:30%; border: 1px solid black;">CHANGE</td> <td style="width:10%; border: 1px solid black;">REV</td> <td style="width:10%; border: 1px solid black;">REFERENCE</td> <td style="width:10%; border: 1px solid black;">DRAWN</td> <td style="width:10%; border: 1px solid black;">NAME</td> </tr> <tr> <td style="border: 1px solid black;">CNA1</td> <td style="border: 1px solid black;">28AUG07</td> <td style="border: 1px solid black;">INITIAL RELEASE</td> <td style="border: 1px solid black;">A</td> <td style="border: 1px solid black;">60785Z</td> <td style="border: 1px solid black;">300371</td> <td style="border: 1px solid black;">CIRCUIT DIAGRAM, LCF</td> </tr> <tr> <td style="border: 1px solid black;"></td> <td style="border: 1px solid black;"></td> <td style="border: 1px solid black;"></td> <td style="border: 1px solid black;"></td> <td style="border: 1px solid black;"></td> <td style="border: 1px solid black;">RELEASE NO.</td> <td style="border: 1px solid black;">DATE</td> </tr> <tr> <td style="border: 1px solid black;"></td> <td style="border: 1px solid black;"></td> <td style="border: 1px solid black;"></td> <td style="border: 1px solid black;"></td> <td style="border: 1px solid black;"></td> <td style="border: 1px solid black;">60785Z</td> <td style="border: 1px solid black;">15MAY07</td> </tr> <tr> <td style="border: 1px solid black;"></td> <td style="border: 1px solid black;"></td> <td style="border: 1px solid black;"></td> <td style="border: 1px solid black;"></td> <td style="border: 1px solid black;"></td> <td style="border: 1px solid black;"></td> <td style="border: 1px solid black;">PART NO.</td> </tr> <tr> <td style="border: 1px solid black;"></td> <td style="border: 1px solid black;"></td> <td style="border: 1px solid black;"></td> <td style="border: 1px solid black;"></td> <td style="border: 1px solid black;"></td> <td style="border: 1px solid black;"></td> <td style="border: 1px solid black;">AE08055421</td> </tr> <tr> <td style="border: 1px solid black;"></td> <td style="border: 1px solid black;"></td> <td style="border: 1px solid black;"></td> <td style="border: 1px solid black;"></td> <td style="border: 1px solid black;"></td> <td style="border: 1px solid black;"></td> <td style="border: 1px solid black;">SHEET</td> </tr> <tr> <td style="border: 1px solid black;"></td> <td style="border: 1px solid black;"></td> <td style="border: 1px solid black;"></td> <td style="border: 1px solid black;"></td> <td style="border: 1px solid black;"></td> <td style="border: 1px solid black;"></td> <td style="border: 1px solid black;">40</td> </tr> </table>		CHK	DATE	CHANGE	REV	REFERENCE	DRAWN	NAME	CNA1	28AUG07	INITIAL RELEASE	A	60785Z	300371	CIRCUIT DIAGRAM, LCF						RELEASE NO.	DATE						60785Z	15MAY07							PART NO.							AE08055421							SHEET							40																																																																																																																																								
CHK	DATE	CHANGE	REV	REFERENCE	DRAWN	NAME																																																																																																																																																																																											
CNA1	28AUG07	INITIAL RELEASE	A	60785Z	300371	CIRCUIT DIAGRAM, LCF																																																																																																																																																																																											
					RELEASE NO.	DATE																																																																																																																																																																																											
					60785Z	15MAY07																																																																																																																																																																																											
						PART NO.																																																																																																																																																																																											
						AE08055421																																																																																																																																																																																											
						SHEET																																																																																																																																																																																											
						40																																																																																																																																																																																											

Figure 113 Connector Composites (720), (720A), (829M)