

HX620

Configuration: Long Hood Set-Back Axle
Application: Truck or Tractor
Engine: Cummins ISX15



- ▶ PLATFORM STAKE
- ▶ HEAVY HAUL TRACTOR
- ▶ CRANE
- ▶ CONSTRUCTION DUMP

The HX620 is purpose-built to tackle your toughest jobs on road or off, with the high maneuverability of a 50" set-back, wide-track front axle and the relentless power of the Cummins® ISX15 with up to 600 HP and 2,050 lb.-ft. of torque. The 3-piece sloped Metton hood offers the driver a clearer view for safer operation, while available features like a 3.5 million RBM 0.5" huck-bolted single rail frame, dual external air cleaners and an all-metal grille with bright surround make this a visibly impressive truck with unmatched strength and endurance.

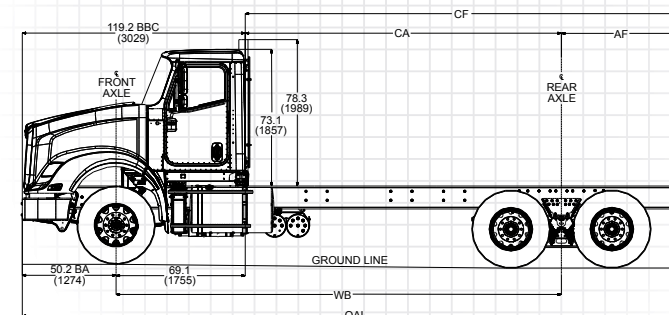




HX620

KEY FEATURES:

- ▶ Cummins ISX15 with up to 600 HP / 2,050 lb.-ft. of torque
- ▶ Available dual external air cleaners deliver heavy duty filtration with long service life and easy maintenance
- ▶ Standard all metal grille with bright surround and available bright grille bars
- ▶ The 3-piece sloped Metton hood provides excellent visibility, superior strength and impressive durability
- ▶ Available, industry-leading 12.5" x 0.5" single frame rail delivers 3.5 million RBM while reducing corrosion
- ▶ Standard Huck-Spin frame and crossmember fasteners deliver superior clamping force that lasts
- ▶ Available 150,000 lb. capacity center tow pin provides assured strength in extreme recovery scenarios



120" BBC SET-FORWARD FRONT AXLE

GVWR

- ▶ 52,000 - 92,000 lbs.

Axle Configurations

- ▶ 6x4
- ▶ 8x6

Frames

- ▶ Yield: 120,000 PSI
- ▶ RBM: 2,037,600 - 4,450,000 in.-lbs.
- ▶ SM: 16.98 - 37.08 cu. in.

Engine

- ▶ Cummins ISX15:
 - HP: 450 - 600
 - Torque: 1,650 - 2,050 lb.-ft.

Transmission

- ▶ Manual: Eaton 8LL - 18-speed
- ▶ Automated: Eaton UltraShift+ VMS, VCS, MXP, VXP
- ▶ Automatic: Allison 4000, 4500, 4700 Series

Front Axles

- ▶ Meritor: 13,200 - 22,000 lbs.
- ▶ Dana: 16,000 - 22,000 lbs.

Front Suspensions

- ▶ Multi-Leaf: 14,000 - 23,000 lbs.
- ▶ Parabolic: 12,000 - 20,000 lbs.
- ▶ Slipper-type: 20,000 - 24,000 lbs.

Rear Axles

- ▶ Dana Tandem:
 - Single Speed: 40,000 - 46,000 lbs.
 - Two Speed: 46,000 lbs.
- ▶ Meritor Tandem: 40,000 - 70,000 lbs.
 - Double Reduction: 58,000 - 70,000 lbs.
- ▶ Tridem: 53,000 - 69,000 lbs.

Rear Suspensions

- ▶ Chalmers: 40,000 - 52,000 lbs.
- ▶ Hendrickson RT: 40,000 - 65,000 lbs, RS: 65,000 lbs, R: 80,000 lbs.
- ▶ Hendrickson HMX: 40,000 - 46,000 lbs.
- ▶ Hendrickson HAS: 40,000 - 46,000 lbs.
- ▶ Hendrickson PRIMAAAX®: 46,000 - 52,000 lbs.
- ▶ Hendrickson PAX Tridem: 69,000 lbs.

Exhaust

- ▶ Switchback After Treatment Device: Single or Dual Vertical Stacks
- ▶ Vertical After Treatment Device: Single Vertical Stack

Electrical

- ▶ Alternator:
 - Bosch: 160 - 200 Amp.
 - Delco Remy: 165 - 300 Amp.
 - Leece-Neville: 210 - 240 Amp.
- ▶ Batteries
 - 1,950 - 3,700 CCAs

Fuel Tanks

- ▶ 60 - 240 Gallons, Single or Dual, Polished or Non-Polished
- ▶ LH Mounted Under Cab or Dual Under Cab or Back of Cab
- ▶ 24" or 26" Diameter

Braking and Control Systems

- ▶ Traction Control
- ▶ Electronic Stability Control (ESP)
- ▶ Bendix® Wingman®*

Available Recovery Devices

- ▶ Center Tow Pin: 150,000 lbs.
- ▶ Tow Hooks: 80,000 lbs.
- ▶ HD Rear Tow Loop: 80,000 lbs.
- ▶ HD Rear Tow Hooks: 80,000 lbs.

*Available via custom engineering

Note: The information and conclusions contained are believed to be correct at time of publication, but do not necessarily apply to similar vehicles with different specifications or with production dates after the production of this publication. Vehicles with different specifications or later dates of production may yield different results. Vehicle specifications are subject to change without notice. TAD16005 02/2016 ©2016 NAVISTAR Inc. All rights reserved. All marks are trademarks of their respective owners.