
Electrical Circuit Diagrams

9900 Series

Navistar, Inc.

2701 Navistar Drive, Lisle, IL 60532 USA

TABLE OF CONTENTS

2. INSTRUCTIONS AND CHARTS (CHAPTER 2)	1
2.1. ABBREVIATIONS, P. 1.....	1
2.2. ACRONYMS, P. 2.....	2
2.3. CIRCUIT DIAGRAM INSTRUCTIONS, P. 3.....	3
2.4. CIRCUIT NUMBER IDENTIFICATION AND COLOR, P. 4.....	4
2.5. CIRCUIT NUMBER IDENTIFICATION AND COLOR (CONT.), P. 5.....	5
2.6. CIRCUIT NUMBER IDENTIFICATION AND COLOR (CONT.), P. 6.....	6
2.7. LAMP BULB CHART, P. 7.....	7
2.8. RELAY FUNCTION AND WIRING GUIDE, P. 8.....	8
2.9. SCHEMATIC SYMBOL CHART, P. 9.....	9
2.10. SCHEMATIC SYMBOL CHART (CONT.), P. 10.....	10
2.11. SCHEMATIC SYMBOL CHART (CONT.), P. 11.....	11
2.12. SCHEMATIC SYMBOL CHART (CONT.), P. 12.....	12
3. 12 VOLT POWER DISTRIBUTION AND DATA LINK (CHAPTER 3)	13
3.1. BATTERY FEED WITH ENGINE BRAKE, P. 1.....	13
3.2. BATTERY FEED WITH ENGINE BRAKE (CONT.), P. 2.....	14
3.3. BATTERY FEED WITH ENGINE BRAKE (CONT.), P. 3.....	15
3.4. BATTERY FEED WITH ENGINE BRAKE (CONT.), P. 4.....	16
3.5. BATTERY FEED WITHOUT ENGINE BRAKE, P. 5.....	17
3.6. BATTERY FEED WITHOUT ENGINE BRAKE (CONT.), P. 6.....	18
3.7. BATTERY FEED WITHOUT ENGINE BRAKE (CONT.), P. 7.....	19
3.8. IGNITION FEED, P. 8.....	20
3.9. IGNITION FEED (CONT.), P. 9.....	21
3.10. IGNITION FEED (CONT.), P. 10.....	22
3.11. POWER FEED, P. 11.....	23
3.12. ACCESSORY FEED, P. 12.....	24
3.13. CAB J1939 DATA LINK, P. 13.....	25
3.14. CAB J1939 DATA LINK (CONT.), P. 14.....	26
3.15. DIAGNOSTIC DATA LINK, P. 15.....	27
3.16. GROUND – IP, P. 16.....	28
3.17. GROUND – IP (CONT.), P. 17.....	29
3.18. GROUND – IP (CONT.), P. 18.....	30
3.19. GROUND – IP (CONT.), P. 19.....	31
3.20. ZERO VOLT REFERENCE, P. 20.....	32
3.21. PANEL LIGHT ADAPTER, P. 21.....	33
3.22. ECA POWER, P. 22.....	34
3.23. START FEED ADAPTER, P. 23.....	35
3.24. GROUND ADAPTER, P. 24.....	36
3.25. 137M DATA LINK, P. 25.....	37
3.26. SART MODULE, P. 26.....	38
3.27. BATTERY DISCHARGE PROTECTION SYSTEM, P. 27.....	39
4. CAB ACCESSORIES (CHAPTER 4)	40
4.1. CIGAR LIGHTER, P. 1.....	40
4.2. ELECTRIC WINDOW – RIGHT AND LEFT, P. 2.....	41
4.3. ELECTRIC WINDOW – RIGHT, P. 3.....	42
4.4. DEFROSTER FAN – SINGLE AND DUAL, P. 4.....	43
4.5. ELECTRIC HORN, P. 5.....	44
4.6. MIRROR LIGHTS AND HEATED MIRRORS, P. 6.....	45
4.7. LEFT AND RIGHT MOTORIZED MIRRORS, P. 7.....	46

TABLE OF CONTENTS (CONT.)

4.8.	DUAL AXIS MOTORIZED MIRRORS, P. 8.....	47
4.9.	POWER SOURCE (CB), P. 9.....	48
4.10.	RADIO – CB COMMUNICATION PACKAGE, P. 10.....	49
4.11.	RADIO – CAB SPEAKERS, P. 11.....	50
4.12.	ELECTRIC LOCK – RIGHT AND LEFT, P. 12.....	51
4.13.	ELECTRIC LOCK – RIGHT AND LEFT (CONT.), P. 13.....	52
4.14.	TEMPERATURE / COMPASS DISPLAY, P. 14.....	53
4.15.	HEATED SEAT – DRIVER, P. 15.....	54
4.16.	HEATED SEAT – PASSENGER, P. 16.....	55
4.17.	ELECTRIC WINDSHIELD WIPER WITH INTERMITTENT WIPE AND WASH, P. 17.....	56
4.18.	TELEGRAPHIC ADAPTER MODULE, P. 18.....	57
4.19.	SPARE SWITCHES, P. 19.....	58
4.20.	SPARE SWITCHES (CONT.), P. 20.....	59
4.21.	SPARE SWITCHES AND AXLE CONTROL SWITCHES, P. 21.....	60
4.22.	THROTTLE EFFECTS, P. 22.....	61
5.	CHARGING AND CRANKING (CHAPTER 5).....	62
5.1.	STARTER INTERLOCK, P. 1.....	62
5.2.	STARTER INTERLOCK (CONT.), P. 2.....	63
5.3.	STARTER INTERLOCK (CONT.), P. 3.....	64
5.4.	ENGINE – CHARGING CIRCUITS, P. 4.....	65
5.5.	ENGINE – CHARGING CIRCUITS (CONT.), P. 5.....	66
6.	FAN WIRING (CHAPTER 6).....	67
6.1.	FAN WIRING – IBB ENGINE, P. 1.....	67
6.2.	FAN WIRING – IBB ENGINE (CONT.), P. 2.....	68
6.3.	FAN WIRING – VARIABLE SPEED FAN DRIVE, P. 3.....	69
6.4.	FAN WIRING – FAN AND ETHER START WITH ISX ENGINE, P. 4.....	70
6.5.	FAN WIRING – FAN DRIVE AND OVERRIDE SWITCH, P. 5.....	71
7.	ENGINE SYSTEM (CHAPTER 7).....	72
7.1.	ELECTRONICS ENGINE CONTROL (ISX ENGINE), P. 1.....	72
7.2.	ELECTRONICS ENGINE CONTROL (ISX ENGINE) (CONT.), P. 2.....	73
7.3.	ELECTRONICS ENGINE CONTROL (ISX ENGINE) (CONT.), P. 3.....	74
7.4.	ELECTRONICS ENGINE CONTROL (ISX ENGINE) (CONT.), P. 4.....	75
7.5.	ISX 2013 DEF AND AFTERTREATMENT, P. 5.....	76
7.6.	ISX 2013 DEF AND AFTERTREATMENT (CONT.), P. 5A.....	77
7.7.	ISX 2013 DEF AND AFTERTREATMENT (CONT.), P. 6.....	78
7.8.	ISX 2013 DEF AND AFTERTREATMENT (CONT.), P. 6A.....	79
7.9.	ISX 2013 DEF AND AFTERTREATMENT (CONT.), P. 7.....	80
7.10.	ISX 2013 DEF AND AFTERTREATMENT (CONT.), P. 8.....	81
7.11.	ISX 2013 DEF AND AFTERTREATMENT (CONT.), P. 8A.....	82
7.12.	15L ISX ENGINE THROTTLE POSITION, P. 9.....	83
7.13.	ELECTRONIC ENGINE CONTROLS (ISX ENGINE) (CONT.), P. 10.....	84
7.14.	ELECTRONIC ENGINE CONTROLS (ISX ENGINE) (CONT.), P. 11.....	85
7.15.	ELECTRONIC ENGINE CONTROLS (2010 IBB ENGINE), P. 12.....	86
7.16.	ELECTRONIC ENGINE CONTROLS (2010 IBB ENGINE) (CONT.), P. 13.....	87
7.17.	ELECTRONIC ENGINE CONTROLS (2010 IBB ENGINE) (CONT.), P. 14.....	88
7.18.	ELECTRONIC ENGINE CONTROLS (2010 IBB ENGINE) (CONT.), P. 15.....	89
7.19.	ELECTRONIC ENGINE CONTROLS (2010 IBB ENGINE) (CONT.), P. 16.....	90
7.20.	ELECTRONIC ENGINE CONTROLS (2010 IBB ENGINE) (CONT.), P. 17.....	91

TABLE OF CONTENTS (CONT.)

7.21.	ELECTRONIC ENGINE CONTROLS (2010 IBB ENGINE) (CONT.), P. 18.....	92
7.22.	ELECTRONIC ENGINE CONTROLS (2010 IBB ENGINE) (CONT.), P. 19.....	93
7.23.	ELECTRONIC ENGINE CONTROLS (2010 IBB ENGINE) (CONT.), P. 20.....	94
7.24.	AFTERTREATMENT CONTROL, P. 21.....	95
7.25.	AFTERTREATMENT CONTROL (CONT.), P. 22.....	96
7.26.	AFTERTREATMENT CONTROL (CONT.), P. 23.....	97
7.27.	AUXILIARY SPEED SENSOR WITH ALLISON TRANSMISSION, P. 24.....	98
7.28.	BODY BUILDER WITH ENGINE CONTROL PTO, P. 25.....	99
7.29.	CABLE ASM ALTERNATIVE REMOTE SENSE, P. 26.....	100
7.30.	ENGINE SHUT DOWN RELAY, P. 27.....	101
7.31.	ELECTRONICS ENGINE CONTROLS CUMMINS ICON, P. 28.....	102
7.32.	ELECTRONICS ENGINE CONTROLS CUMMINS ICON (CONT.), P. 29.....	103
8.	GAUGES AND WARNING LIGHTS (CHAPTER 8).....	104
8.1.	LOW FUEL LEVEL WARNING, LOW AIR PRESSURE LIGHTS, P. 1.....	104
8.2.	ENGINE OIL PRESSURE, ENGINE WATER TEMPERATURE WARNING LIGHTS, P. 2.....	105
8.3.	POWER DIVIDER LOCK (PDL) WARNING LIGHT AND BUZZER, IBB WAIT TO START LIGHT, P. 3.....	106
8.4.	AIR SUSPENSION RELEASE WARNING LIGHT, P. 4.....	107
8.5.	TRANSMISSION OIL TEMPERATURE GAUGE, AXLE FORWARD-REAR, AND REAR-REAR TEMPERATURE GAUGE, P. 5.....	108
8.6.	MANIFOLD PRESSURE GAUGE, P. 6.....	109
8.7.	TURBO BOOST GAUGE, P. 7.....	110
8.8.	VOLTMETER AND FUEL LEVEL GAUGE, P. 8.....	111
8.9.	ENGINE WATER TEMPERATURE ENGINE OIL PRESSURE SPEEDOMETER AND TACHOMETER GAUGE, P. 9.....	112
8.10.	DIFFERENTIAL LOCK WARNING LAMPS AND ABS CLUSTER WARNING LIGHTS, P. 10...	113
8.11.	DIFFERENTIAL LOCK WARNING LAMPS AND ABS CLUSTER WARNING LIGHTS (CONT.), P. 11.....	114
8.12.	FUEL GAUGE CIRCUITRY (DUAL TANK) WITH 115 / 150 GAL., P. 12.....	115
8.13.	AXLE TEMPERATURE GAUGES, P. 13.....	116
8.14.	ENGINE OIL AND TRANSMISSION OIL TEMPERATURE GAUGE, P. 14.....	117
8.15.	IDEAL CONTROL TEMPERATURE SENSOR, P. 15.....	118
8.16.	DEF GAUGE, P. 16.....	119
8.17.	CLUTCH STARTER INTERLOCK, P. 17.....	120
9.	LIGHTING SYSTEM CLUTCH START INTERLOCK (CHAPTER 9).....	121
9.1.	BACK-UP LIGHTS, P. 1.....	121
9.2.	CAB AND TRAILER LIGHT SWITCH AND RELAY, P. 2.....	122
9.3.	CAB CLEARANCE LIGHTS, P. 3.....	123
9.4.	WORK LIGHT WIRING TRAILER HOOK-UP LIGHT, P. 4.....	124
9.5.	CAB DOME, READING, AND COURTESY LIGHTS, P. 5.....	125
9.6.	CAB DOME, READING, AND COURTESY LIGHTS (CONT.), P. 6.....	126
9.7.	DAYTIME RUNNING LIGHTS, P. 7.....	127
9.8.	FOG LIGHTS, P. 8.....	128
9.9.	HEADLIGHT SWITCH AND DIMMER SWITCH, P. 9.....	129
9.10.	HEADLIGHTS – WITH BUMPER MOUNTED MARKER LIGHT, P. 10.....	130
9.11.	HEADLIGHTS – WITHOUT BUMPER MOUNTED MARKER LIGHT, P. 11.....	131
9.12.	PANEL LIGHTS, P. 12.....	132
9.13.	PARK / TURN / SIDE MARKER LIGHTS WITH AUXILIARY HEADLIGHTS, P. 13.....	133
9.14.	STOP, TAIL, TURN AND HAZARD SIGNAL LIGHTS WITH FLASHER, P. 14.....	134

TABLE OF CONTENTS (CONT.)

9.15. LIGHTS – STOP, TAIL, TURN AND BACK-UP (6 X 4), P. 15.....	135
9.16. LIGHTS – STOP, TAIL, TURN AND BACK-UP (6 X 4) (CONT.), P. 16.....	136
9.17. LIGHTS – STOP, TAIL, TURN AND BACK-UP (6 X 4) (CONT.), P. 17.....	137
9.18. LIGHTS – STOP, TAIL, TURN AND BACK-UP (4 X 2), P. 18.....	138
9.19. LIGHTS – STOP, TAIL, TURN AND BACK-UP (4 X 2) (CONT.), P. 19.....	139
9.20. ECE LIGHTS, P. 20.....	140
9.21. BEACON AND TAIL LIGHT, P. 21.....	141
9.22. BEACON AND TAIL LIGHT (CONT.), P. 22.....	142
9.23. DRL PARK BRAKE SWITCHES, P. 23.....	143
9.24. LEFT TURN / RIGHT TURN SIGNAL AND HIGH BEAM INDICATOR , P. 24.....	144
9.25. CUSTOMER FURNISHED WORK LIGHT WITH AUX HEATER WITH SLEEPER BOX WITH 08WHS, P. 25.....	145
9.26. CUSTOMER FURNISHED WORK LIGHT WITH AUX HEATER WITH SLEEPER BOX WITH 808TJW, P. 26.....	146
9.27. FLOOD LIGHT WIRING WITHOUT SLEEPER, DAYCAB (808THA), P. 27.....	147
9.28. FLOOD LIGHT WIRING WITH BACK-UP LIGHTS WITH LOWERED HEATER BOX, P. 28....	148
9.29. WORK LIGHT WIRING WITH 5TH WHEEL, P. 29.....	149
9.30. WORK LIGHT WIRING WITH DUAL (DASH AND B PILLAR) SWITCHED CUSTOMER MOUNTING WITH 08WHS, P. 30.....	150
9.31. WORK LIGHT WIRING WITH DUAL (DASH AND B PILLAR) SWITCHED CUSTOMER MOUNTING WITH 08WHS (CONT.), P. 31.....	151
9.32. WORK LIGHT WIRING WITH DUAL (DASH AND B PILLAR) SWITCHED CUSTOMER MOUNTING WITH 08WHS (CONT.), P. 32.....	152
9.33. WORK LIGHT WIRING WITH 0808TLP, P. 33.....	153
9.34. WORK LIGHT WIRING WITH 118 PRO WITH 0808TJW WITH NO IDLE, P. 34.....	154
9.35. WORK LIGHT WIRING WITH 0808TJW, P. 35.....	155
9.36. WORK LIGHT WIRING WITH 97 AND 72 PRO-SLEEPER WITH LOW HEATER BOX WITH SLEEPER BOX P. 36.....	156
10. CHASSIS ACCESSORIES (CHAPTER 10).....	157
10.1. AIR DRYER, P. 1.....	157
10.2. BENDIX AIR ABS 4CH WITH ATC, P. 2.....	158
10.3. WABCO AIR ABS WITH ATC, P. 3.....	159
10.4. WABCO AIR ABS WITH ATC (CONT.), P. 4.....	160
10.5. WABCO AIR ABS WITH ATC (CONT.), P. 5.....	161
10.6. BENDIX AIR ABS 6CH WITH ATC, P. 6.....	162
10.7. BENDIX AIR ABS 6CH WITH ATC (CONT.), P. 7.....	163
10.8. BENDIX AIR ABS 6CH WITH ATC (CONT.), P. 8.....	164
10.9. BENDIX AIR ABS 6CH WITH ATC (CONT.), P. 9.....	165
10.10. ABS – BENDIX AIR 6S / 6M (6 X 4) P. 10.....	166
10.11. BENDIX AIR ABS WITH ATC, P. 11.....	167
10.12. BENDIX AIR ABS WITH ATC (CONT.), P. 12.....	168
10.13. BENDIX ADVANCE AIR ABS, P. 13.....	169
10.14. BENDIX ADVANCE AIR ABS (CONT.), P. 14.....	170
10.15. BENDIX ADVANCE AIR ABS (CONT.), P. 15.....	171
10.16. BENDIX ADVANCE AIR ABS (CONT.), P. 16.....	172
10.17. TRAILER CONNECTION WITH FOUR WHEEL TRAILER FRAME MOUNTED, P. 17.....	173
10.18. TRAILER CONNECTION WITH TRAILER LIGHTING CABLE 808TGN, P. 18.....	174
10.19. TRAILER CONNECTION WITH 4092 (TRACTOR), P. 19.....	175
10.20. ANTILOCK BRAKE SYSTEM WITH WABCO, P. 20.....	176
10.21. ANTILOCK BRAKE SYSTEM WITH WABCO (CONT.), P. 21.....	177

TABLE OF CONTENTS (CONT.)

10.22. ANTILOCK BRAKE SYSTEM WITH WABCO (CONT.), P. 22.....	178
10.23. ANTILOCK BRAKE SYSTEM WITH WABCO (CONT.), P. 23.....	179
10.24. BRAKE SENSOR – WEAR / STROKE, P. 24.....	180
10.25. TIRE PRESSURE MONITOR / ANTENNA, P. 25.....	181
10.26. AIR SUSPENSION WITH LOAD INDICATOR, P. 26.....	182
10.27. CUSTOMER SUPPLIED LIGHTS, P. 27.....	183
10.28. VEHICLE SENSOR MODULE, P. 28.....	184
10.29. TRAILER AUX SWITCH, P. 29.....	185
10.30. TRAILER SOCKET AUX 7-WAY, P. 30.....	186
10.31. TRAILER SOCKET CONNECTIONS, P. 31.....	187
10.32. TRAILER SOCKET – BOC AND EOF, P. 32.....	188
11. TRANSMISSION CONTROL MODULE (CHAPTER 11).....	189
11.1. EATON AUTOSHIFT AND ULTRASHIFT TRANSMISSION (IBB ENGINE), P. 1.....	189
11.2. EATON AUTOSHIFT AND ULTRASHIFT TRANSMISSION (IBB ENGINE) (CONT.), P. 2.....	190
11.3. ALLISON TRANSMISSION, P. 3.....	191
11.4. ALLISON TRANSMISSION (CONT.), P. 4.....	192
11.5. AUTOSHIFT TRANSMISSION, P. 5.....	193
11.6. ALLISON TRANSMISSION WITH RETARDER, P. 6.....	194
11.7. AUTOSHIFT TRANSMISSION WITHOUT ABS, P. 7.....	195
12. HVAC (CHAPTER 12).....	196
12.1. AIR CONDITIONER – CAB , P. 1.....	196
12.2. HEATER – CAB, P. 2.....	197
12.3. LOWERED HEATER – CAB, P. 3.....	198
13. CONNECTOR COMPOSITE (CHAPTER 13).....	199
13.1. CONNECTOR COMPOSITE (1 / 1F), P. 1.....	199
13.2. CONNECTOR COMPOSITE (1M), P. 2.....	200
13.3. CONNECTOR COMPOSITE (2), P. 3.....	201
13.4. CONNECTOR COMPOSITE (2M), P. 4.....	202
13.5. CONNECTOR COMPOSITE (2M1 / 2M2 / 3F), P. 5.....	203
13.6. CONNECTOR COMPOSITE (3F / 3M), P. 6.....	204
13.7. CONNECTOR COMPOSITE (3M / 4M), P. 7.....	205
13.8. CONNECTOR COMPOSITE (8 / 9F / 9M), P. 8.....	206
13.9. CONNECTOR COMPOSITE (10A / 18F / 18M / 20 / 29), P. 9.....	207
13.10. CONNECTOR COMPOSITE (30 / 40M), P. 10.....	208
13.11. CONNECTOR COMPOSITE (41M / 43M / 45ML / 45 / 66F / 67F), P. 11.....	209
13.12. CONNECTOR COMPOSITE (71 / 72 / 100 / 100M3), P. 12.....	210
13.13. CONNECTOR COMPOSITE (105M), P. 13.....	211
13.14. CONNECTOR COMPOSITE (112 / 113F1 / 113M1), P. 14.....	212
13.15. CONNECTOR COMPOSITE (115 / 116 / 129F / 137M), P. 15.....	213
13.16. CONNECTOR COMPOSITE (141M / 142M / 143M), P. 16.....	214
13.17. CONNECTOR COMPOSITE (144M / 145M / 146M), P. 17.....	215
13.18. CONNECTOR COMPOSITE (147M / 148M / 149M), P. 18.....	216
13.19. CONNECTOR COMPOSITE (152M / 153A / 153M / 161M), P. 19.....	217
13.20. CONNECTOR COMPOSITE (162F / 167M / 170M / 171M), P. 20.....	218
13.21. CONNECTOR COMPOSITE (190), P. 21.....	219
13.22. CONNECTOR COMPOSITE (190M), P. 22.....	220
13.23. CONNECTOR COMPOSITE (198M / 199M), P. 22A.....	221
13.24. CONNECTOR COMPOSITE (200M / 201M), P. 23.....	222

TABLE OF CONTENTS (CONT.)

13.25. CONNECTOR COMPOSITE (201M / 203), P. 23A.....	223
13.26. CONNECTOR COMPOSITE (203G / 212M / 227 / 228), P. 24.....	224
13.27. CONNECTOR COMPOSITE (228F / 228M / 236 / 236F), P. 25.....	225
13.28. CONNECTOR COMPOSITE (241M / 243M / 260M), P. 26.....	226
13.29. CONNECTOR COMPOSITES (267M / 268F / 275 / 294A), P. 27.....	227
13.30. CONNECTOR COMPOSITES (294F / 296M / 303F2 / 303M2), P. 28.....	228
13.31. CONNECTOR COMPOSITES (311 / 312 / 313 / 314M), P. 29.....	229
13.32. CONNECTOR COMPOSITES (316M / 316M1), P. 29A.....	230
13.33. CONNECTOR COMPOSITES (316M2 / 318F / 318F1 / 318F2), P. 30.....	231
13.34. CONNECTOR COMPOSITES (319F / 319F2 / 319F3 / 320M / 328M / 340), P. 31.....	232
13.35. CONNECTOR COMPOSITES (340 / 344 / 345F / 345M), P. 32.....	233
13.36. CONNECTOR COMPOSITES (393 / 404F / 406M), P. 33.....	234
13.37. CONNECTOR COMPOSITES (418M / 420M), P. 34.....	235
13.38. CONNECTOR COMPOSITES (421M / 422M), P. 35.....	236
13.39. CONNECTOR COMPOSITES (423M / 424M), P. 36.....	237
13.40. CONNECTOR COMPOSITES (425M / 426M / 427F), P. 37.....	238
13.41. CONNECTOR COMPOSITES (428 / 428F / 429), P. 38.....	239
13.42. CONNECTOR COMPOSITES (429F / 429O / 429P), P. 39.....	240
13.43. CONNECTOR COMPOSITES (430 / 433M / 434M), P. 40.....	241
13.44. CONNECTOR COMPOSITES (435M / 436M / 437M), P. 41.....	242
13.45. CONNECTOR COMPOSITES (438M / 440M / 441), P. 42.....	243
13.46. CONNECTOR COMPOSITES (442), P. 42A.....	244
13.47. CONNECTOR COMPOSITES (445 / 453 / 453M), P. 43.....	245
13.48. CONNECTOR COMPOSITES (454M / 455M / 456M), P. 44.....	246
13.49. CONNECTOR COMPOSITES (457M / 460F), P. 45.....	247
13.50. CONNECTOR COMPOSITES (462M), P. 46.....	248
13.51. CONNECTOR COMPOSITES (462M), P. 47.....	249
13.52. CONNECTOR COMPOSITES (462M), P. 48.....	250
13.53. CONNECTOR COMPOSITES (462M), P. 49.....	251
13.54. CONNECTOR COMPOSITES (463M), P. 50.....	252
13.55. CONNECTOR COMPOSITES (463M), P. 51.....	253
13.56. CONNECTOR COMPOSITES (464M), P. 52.....	254
13.57. CONNECTOR COMPOSITES (464M), P. 53.....	255
13.58. CONNECTOR COMPOSITES (464M), P. 54.....	256
13.59. CONNECTOR COMPOSITES (464M), P. 55.....	257
13.60. CONNECTOR COMPOSITES (464M), P. 56.....	258
13.61. CONNECTOR COMPOSITES (464M), P. 57.....	259
13.62. CONNECTOR COMPOSITES (465M / 466M / 468F), P. 58.....	260
13.63. CONNECTOR COMPOSITES (469F / 469ML / 469OL / 469PL), P. 59.....	261
13.64. CONNECTOR COMPOSITES (471), P. 60.....	262
13.65. CONNECTOR COMPOSITES (471A), P. 61.....	263
13.66. CONNECTOR COMPOSITES (471AF), P. 62.....	264
13.67. CONNECTOR COMPOSITES (471AM), P. 63.....	265
13.68. CONNECTOR COMPOSITES (471M), P. 64.....	266
13.69. CONNECTOR COMPOSITES (475FL / 475ML / 476M / 478M), P. 65.....	267
13.70. CONNECTOR COMPOSITES (480F / 480M / 481M / 482M), P. 66.....	268
13.71. CONNECTOR COMPOSITES (489 / 489F / 493ML / 493OL), P. 67.....	269
13.72. CONNECTOR COMPOSITES (494M / 495M), P. 68.....	270
13.73. CONNECTOR COMPOSITES (497M / 498M), P. 69.....	271
13.74. CONNECTOR COMPOSITES (499M / 501M), P. 70.....	272
13.75. CONNECTOR COMPOSITES (502 / 503M), P. 71.....	273

TABLE OF CONTENTS (CONT.)

13.76. CONNECTOR COMPOSITES (504M / 506), P. 72.....	274
13.77. CONNECTOR COMPOSITES (506M / 509M), P. 73.....	275
13.78. CONNECTOR COMPOSITES (511M / 512F / 513F), P. 74.....	276
13.79. CONNECTOR COMPOSITES (513M / 514M / 515), P. 75.....	277
13.80. CONNECTOR COMPOSITES (515M / 516M / 517M), P. 76.....	278
13.81. CONNECTOR COMPOSITES (520 / 521 / 522 / 523), P. 77.....	279
13.82. CONNECTOR COMPOSITES (524 / 525F / 525M), P. 78.....	280
13.83. CONNECTOR COMPOSITES (527 / 527B / 528 / 529), P. 79.....	281
13.84. CONNECTOR COMPOSITES (530 / 531 / 559F), P. 80.....	282
13.85. CONNECTOR COMPOSITES (561ML / 571ML / 571OL / 572M), P. 81.....	283
13.86. CONNECTOR COMPOSITES (574 / 575 / 576), P. 82.....	284
13.87. CONNECTOR COMPOSITES (576 / 577), P. 83.....	285
13.88. CONNECTOR COMPOSITES (578 / 579), P. 83A.....	286
13.89. CONNECTOR COMPOSITES (580M / 604 / 653M / 659M), P. 84.....	287
13.90. CONNECTOR COMPOSITES (670 / 670G / 671), P. 85.....	288
13.91. CONNECTOR COMPOSITES (672 / 673 / 674), P. 86.....	289
13.92. CONNECTOR COMPOSITES (674E / 675 / 676), P. 87.....	290
13.93. CONNECTOR COMPOSITES (677 / 677M / 678 / 678M), P. 88.....	291
13.94. CONNECTOR COMPOSITES (679), P. 89.....	292
13.95. CONNECTOR COMPOSITES (679 / 679F), P. 90.....	293
13.96. CONNECTOR COMPOSITES (679F / 679M / 680 / 681), P. 91.....	294
13.97. CONNECTOR COMPOSITES (745 / 800 / 800F / 816F / 823M / 851F), P. 92.....	295
13.98. CONNECTOR COMPOSITES (851M / 887 / 922 / 922F / 922M), P. 93.....	296
13.99. CONNECTOR COMPOSITES (923 / 923F / 923M / 935F), P. 94.....	297
13.100. CONNECTOR COMPOSITES (935 / 935M / 935OL / 935PL), P. 94A.....	298
13.101. CONNECTOR COMPOSITES (946 / 957F / 958F / 958M / 959M), P. 95.....	299
13.102. CONNECTOR COMPOSITES (964F / 964M), P. 95A.....	300
13.103. CONNECTOR COMPOSITES (967M / 968M), P. 95B.....	301
13.104. CONNECTOR COMPOSITES (974F / 974M), P. 96.....	302
13.105. CONNECTOR COMPOSITES (975F / 979F), P. 97.....	303
13.106. CONNECTOR COMPOSITES (980M / 981F / 982M / 990F / 991F), P. 98.....	304
13.107. CONNECTOR COMPOSITES (992M / 993M / 1000), P. 98A.....	305
13.108. CONNECTOR COMPOSITES (1000), P. 99.....	306
13.109. CONNECTOR COMPOSITES (1010 / 1027 / 1033F), P. 100.....	307
13.110. CONNECTOR COMPOSITES (1034F / 1048F / 1049F), P. 101.....	308
13.111. CONNECTOR COMPOSITES (1050M / 1050ML / 1054M), P. 102.....	309
13.112. CONNECTOR COMPOSITES (1054ML / 1056M / 1057M), P. 103.....	310
13.113. CONNECTOR COMPOSITES (1058M / 1059M / 1060M / 1069M), P. 104.....	311
13.114. CONNECTOR COMPOSITES (1076 / 1084M / 1085M / 1090F), P. 105.....	312
13.115. CONNECTOR COMPOSITES (1090M / 1095F / 1097), P. 106.....	313
13.116. CONNECTOR COMPOSITES (1109M / 1116ML / 1116OL / 1129M / 1130M), P. 107.....	314
13.117. CONNECTOR COMPOSITES (1131M / 1132M / 1133M), P. 108.....	315
13.118. CONNECTOR COMPOSITES (1135M / 1137F / 1141), P. 109.....	316
13.119. CONNECTOR COMPOSITES (1157F / 1158M / 1162F), P. 110.....	317
13.120. CONNECTOR COMPOSITES (1164F / 1171M / 1172M), P. 111.....	318
13.121. CONNECTOR COMPOSITES (1173M / 1175M / 1176M / 1178M), P. 112.....	319
13.122. CONNECTOR COMPOSITES (1180F / 1181F / 1182F / 1183F / 1184F / 1185F / 1186M), P. 113.....	320
13.123. CONNECTOR COMPOSITES (1187F / 1187M / 1190 / 1199M / 1209F / 1212M), P. 114.....	321
13.124. CONNECTOR COMPOSITES (1213F / 1214FL / 1214ML / 1215F), P. 115.....	322
13.125. CONNECTOR COMPOSITES (1216F / 1217M / 1218M / 1226M), P. 116.....	323

TABLE OF CONTENTS (CONT.)

13.126.CONNECTOR COMPOSITES (1239 / 1244F), P. 117.....	324
13.127.CONNECTOR COMPOSITES (1245M / 1246F), P. 118.....	325
13.128.CONNECTOR COMPOSITES (1246M / 1247M / 1248M), P. 119.....	326
13.129.CONNECTOR COMPOSITES (1250 / 1251M / 1258F), P. 120.....	327
13.130.CONNECTOR COMPOSITES (1258M / 1262 / 1281F / 1281M), P. 121.....	328
13.131.CONNECTOR COMPOSITES (1282M / 1283 / 1284 / 1285F), P. 122.....	329
13.132.CONNECTOR COMPOSITES (1286F / 1316FL), P. 123.....	330
13.133.CONNECTOR COMPOSITES (1316ML / 1329M / 1331F / 1332F), P. 124.....	331
13.134.CONNECTOR COMPOSITES (1348 / 1349 / 1350), P. 125.....	332
13.135.CONNECTOR COMPOSITES (1350 / 1351), P. 126.....	333
13.136.CONNECTOR COMPOSITES (1360 / 1361 / 1363), P. 127.....	334
13.137.CONNECTOR COMPOSITES (1365 / 1366 / 1369 / 1370), P. 128.....	335
13.138.CONNECTOR COMPOSITES (1378 / 1386 / 1387), P. 129.....	336
13.139.CONNECTOR COMPOSITES (1387M / 1387M1 / 1399M), P. 130.....	337
13.140.CONNECTOR COMPOSITES (1402 / 1402M / 1403), P. 131.....	338
13.141.CONNECTOR COMPOSITES (1404 / 1405 / 1406), P. 132.....	339
13.142.CONNECTOR COMPOSITES (1407 / 1409M / 1410F), P. 133.....	340
13.143.CONNECTOR COMPOSITES (1415 / 1448M / 1449F / 1449M / 1450), P. 134.....	341
13.144.CONNECTOR COMPOSITES (1450 / 1451 / 1455), P. 135.....	342
13.145.CONNECTOR COMPOSITES (1456 / 1610 / 1874B), P. 136.....	343
13.146.CONNECTOR COMPOSITES (1874C / 1874D / 4328 / 4450BF), P. 137.....	344
13.147.CONNECTOR COMPOSITES (4450BM / 4460BF / 4460BM / 4705), P. 138.....	345
13.148.CONNECTOR COMPOSITES (4706 / 5118 / 5200A / 5501), P. 139.....	346
13.149.CONNECTOR COMPOSITES (5899 / 5899A), P. 140.....	347
13.150.CONNECTOR COMPOSITES (5899A / 5899B / 6000), P. 141.....	348
13.151.CONNECTOR COMPOSITES (6000 / 6001), P. 142.....	349
13.152.CONNECTOR COMPOSITES (6018), P. 143.....	350
13.153.CONNECTOR COMPOSITES (6019), P. 144.....	351
13.154.CONNECTOR COMPOSITES (6033 / 6200), P. 145.....	352
13.155.CONNECTOR COMPOSITES (6260VH / 6260VL / 6260VM / 6260VN / 6300), P. 146.....	353
13.156.CONNECTOR COMPOSITES (6400 / 6401 / 6550 / 6565), P. 147.....	354
13.157.CONNECTOR COMPOSITES (6704D / 6715 / 6720), P. 148.....	355
13.158.CONNECTOR COMPOSITES (6720A / 6720B / 6730 / 7100), P. 149.....	356
13.159.CONNECTOR COMPOSITES (7105), P. 150.....	357
13.160.CONNECTOR COMPOSITES (7110 / 7110A / 7250), P. 151.....	358
13.161.CONNECTOR COMPOSITES (7500W / 7501 / 7600), P. 152.....	359
13.162.CONNECTOR COMPOSITES (7603 / 7608 / 7615 / 7700K), P. 153.....	360
13.163.CONNECTOR COMPOSITES (7704 / 8103 / 8104), P. 154.....	361
13.164.CONNECTOR COMPOSITES (8107 / 8303 / 8310 / 8311), P. 155.....	362
13.165.CONNECTOR COMPOSITES (8410 / 8500 / 8501), P. 156.....	363
13.166.CONNECTOR COMPOSITES (8502 / 8503 / 8504 / 8505), P. 157.....	364
13.167.CONNECTOR COMPOSITES (8506 / 8507 / 8803 / 8951), P. 158.....	365
13.168.CONNECTOR COMPOSITES (8953F), P. 159.....	366
13.169.CONNECTOR COMPOSITES (8953M / 8953M1), P. 160.....	367
13.170.CONNECTOR COMPOSITES (8953M2 / 8957F1 / 8962 / 8963), P. 161.....	368
13.171.CONNECTOR COMPOSITES (8964 / 8965 / 8966 / 8967), P. 162.....	369
13.172.CONNECTOR COMPOSITES (8972 / 8973 / 8974 / 8975), P. 163.....	370
13.173.CONNECTOR COMPOSITES (8976 / 8977 / 8981 / 8982), P. 164.....	371
13.174.CONNECTOR COMPOSITES (8983 / 8984 / 9100D / 9100E), P. 165.....	372
13.175.CONNECTOR COMPOSITES (9303 / 9303A / 9303B), P. 166.....	373
13.176.CONNECTOR COMPOSITES (9303C / 9303D / 9303E), P. 167.....	374

TABLE OF CONTENTS (CONT.)

13.177.CONNECTOR COMPOSITES (9303F / 9303G / 9303H), P. 168.....	375
13.178.CONNECTOR COMPOSITES (9303K / 9303L / 9303M), P. 169.....	376
13.179.CONNECTOR COMPOSITES (9303N / 9304A / 9305), P. 170.....	377
13.180.CONNECTOR COMPOSITES (9305A / 9305B / 9305C / 9306), P. 171.....	378
13.181.CONNECTOR COMPOSITES (9331 / 9332 / 9501 / 9501F / 9501D / 9502), P. 172.....	379
13.182.CONNECTOR COMPOSITES (9502A / 9502B / 9502C / 9502D / 9503), P. 173.....	380
13.183.CONNECTOR COMPOSITES (9503D / 9504 / 9504A / 9504B / 9505), P. 174.....	381
13.184.CONNECTOR COMPOSITES (9505A / 9505D / 9506 / 9506D / 9506E), P. 175.....	382
13.185.CONNECTOR COMPOSITES (9506F / 9507 / 9507A / 9507B / 9507C), P. 176.....	383
13.186.CONNECTOR COMPOSITES (9508 / 9508D / 9508E / 9508F / 9509), P. 177.....	384
13.187.CONNECTOR COMPOSITES (9509A / 9509B / 9509C / 9510), P. 178.....	385
13.188.CONNECTOR COMPOSITES (9510A / 9510M / 9511), P. 179.....	386
13.189.CONNECTOR COMPOSITES (9511A / 9512 / 9513), P. 180.....	387
13.190.CONNECTOR COMPOSITES (9514 / 9515 / 9515C / 9516), P. 181.....	388
13.191.CONNECTOR COMPOSITES (9516M / 9517), P. 182.....	389
13.192.CONNECTOR COMPOSITES (9518 / 9519 / 9520 / 9521), P. 183.....	390
13.193.CONNECTOR COMPOSITES (9522 / 9523 / 9524 / 9525), P. 184.....	391
13.194.CONNECTOR COMPOSITES (9526 / 9527 / 9528 / 9529), P. 185.....	392
13.195.CONNECTOR COMPOSITES (9530 / 9531 / 9532 / 9533), P. 186.....	393
13.196.CONNECTOR COMPOSITES (9534 / 9535 / 9536 / 9537), P. 187.....	394
13.197.CONNECTOR COMPOSITES (9538 / 9715F / 9715M), P. 188.....	395
13.198.CONNECTOR COMPOSITES (9716F / 9716M / 9766), P. 189.....	396
13.199.CONNECTOR COMPOSITES (9773 / 9773A / 9773B / 9789F / 9789FA), P. 190.....	397
13.200.CONNECTOR COMPOSITES (9790M / 9790MA), P. 191.....	398
13.201.CONNECTOR COMPOSITES (9800 / 9800F), P. 192.....	399
13.202.CONNECTOR COMPOSITES (9800M), P. 193.....	400
13.203.CONNECTOR COMPOSITES (9801M / 9810 / 9811 / 9812), P. 194.....	401
13.204.CONNECTOR COMPOSITES (9813 / 9814 / 9815 / 9816 / 9830), P. 195.....	402
13.205.CONNECTOR COMPOSITES (9832 / 9865M / 9900 / 9901), P. 196.....	403
13.206.CONNECTOR COMPOSITES (9902 / 9911 / 9912), P. 197.....	404

TABLE OF CONTENTS

INSTRUCTIONS AND CHARTS (CHAPTER 2)

2.1. ABBREVIATIONS, P. 1

NAVISTAR, INC <small>THIS PRINT IS PROVIDED ON A RESTRICTED BASIS AND IS NOT TO BE USED IN ANY WAY DETRIMENTAL TO THE INTEREST OF NAVISTAR, INC.</small>				ELECTRICAL CIRCUIT DIAGRAM CHAPTER 2																																																																																																																																																																																																																																																																																																																			
				ABBREVIATIONS																																																																																																																																																																																																																																																																																																																			
<table border="1" style="width: 100%; border-collapse: collapse;"> <thead> <tr> <th>ABBREVIATION</th> <th>DESCRIPTION</th> <th>ABBREVIATION</th> <th>DESCRIPTION</th> <th>ABBREVIATION</th> <th>DESCRIPTION</th> </tr> </thead> <tbody> <tr><td>ACCESS</td><td>ACCESSORY</td><td>CUR</td><td>CURRENT</td><td>PRESS</td><td>PRESSURE</td></tr> <tr><td>AC</td><td>AIR CONDITIONING</td><td>DPNL</td><td>DASHBOARD</td><td>RAD</td><td>RADIO</td></tr> <tr><td>AIR CLNR</td><td>AIR CLEANER</td><td>DFTR</td><td>DEFLECTOR</td><td>RR</td><td>REAR</td></tr> <tr><td>ALT</td><td>ALTERNATOR</td><td>DFR</td><td>DEFROSTER</td><td>RLY</td><td>RELAY</td></tr> <tr><td>AC</td><td>ALTERNATING CURRENT</td><td>DEG</td><td>DEGREE</td><td>RES</td><td>RESISTOR</td></tr> <tr><td>AFTR</td><td>AFTERTREATMENT</td><td>DIAG</td><td>DIAGRAM</td><td>R</td><td>RIGHT</td></tr> <tr><td>AMM</td><td>AMMETER</td><td>DSL</td><td>DIESEL</td><td>RTR</td><td>ROTOR</td></tr> <tr><td>AMP</td><td>AMPERE</td><td>DIFF</td><td>DIFFERENTIAL</td><td>SNSR</td><td>SENSOR</td></tr> <tr><td>AMP HR</td><td>AMPERE HOUR</td><td>DIMR</td><td>DIMMER</td><td>SHLD</td><td>SHIELD</td></tr> <tr><td>AMPL</td><td>AMPLIFIER</td><td>ELEC</td><td>ELECTRICAL</td><td>SHFT</td><td>SHIFTER</td></tr> <tr><td>ARM</td><td>ARMATURE</td><td>ELEX</td><td>ELECTRONICS</td><td>SLPR</td><td>SLEEPER</td></tr> <tr><td>ARSR</td><td>ARRESTER</td><td>ENG</td><td>ENGINE</td><td>SLV</td><td>SLEEVE</td></tr> <tr><td>ASSY</td><td>ASSEMBLY</td><td>EXH</td><td>EXHAUST</td><td>SPKR</td><td>SPEAKER</td></tr> <tr><td>AUX</td><td>AUXILIARY</td><td>FL</td><td>FLUID</td><td>SPR</td><td>SPRING</td></tr> <tr><td>B/U</td><td>BACK-UP</td><td>FWD</td><td>FORWARD</td><td>STD</td><td>STANDARD</td></tr> <tr><td>BTRY</td><td>BATTERY</td><td>FR</td><td>FRONT</td><td>STRG</td><td>STEERING</td></tr> <tr><td>BM</td><td>BENCHMARKING</td><td>FREQ</td><td>FREQUENCY</td><td>STLITE</td><td>SATELLITE</td></tr> <tr><td>BLK</td><td>BLOCK</td><td>GA</td><td>GAUGE</td><td>SUNSH</td><td>SUNSHADE</td></tr> <tr><td>BOOS</td><td>BOOSTER</td><td>GEN</td><td>GENERATOR</td><td>SW</td><td>SWITCH</td></tr> <tr><td>BOT</td><td>BOTTOM</td><td>GND</td><td>GROUND</td><td>SYS</td><td>SYSTEM</td></tr> <tr><td>BK</td><td>BRAKE</td><td>HARN</td><td>HARNES</td><td>TACH</td><td>TACHOMETER</td></tr> <tr><td>BRKR</td><td>BREAKER</td><td>HDLP</td><td>HEADLAMP</td><td>TEMP</td><td>TEMPERATURE</td></tr> <tr><td>BRTHR</td><td>BREATHER</td><td>HTD</td><td>HEATED</td><td>TERM</td><td>TERMINAL</td></tr> <tr><td>BRJ</td><td>BRIGHT</td><td>HT TR</td><td>HEAT TREAT</td><td>THROT</td><td>THROTTLE</td></tr> <tr><td>BUZ</td><td>BUZZER</td><td>HTR</td><td>HEATER</td><td>THRU</td><td>THROUGH</td></tr> <tr><td>CA</td><td>CABLE</td><td>HP</td><td>HORSEPOWER</td><td>TRLR</td><td>TRAILER</td></tr> <tr><td>CD</td><td>CANDELA</td><td>HYD</td><td>HYDRAULIC</td><td>XDCR</td><td>TRANSDUCER</td></tr> <tr><td>CP</td><td>CANDLEPOWER</td><td>ID</td><td>IDENTIFICATION</td><td>XFER</td><td>TRANSFER</td></tr> <tr><td>CAP</td><td>CAPACITOR</td><td>IGN</td><td>IGNITION</td><td>XFMR</td><td>TRANSFORMER</td></tr> <tr><td>CAT</td><td>CATERPILLAR</td><td>ILLUM</td><td>ILLUMINATION</td><td>XSTR</td><td>TRANSISTOR</td></tr> <tr><td>CHAS</td><td>CHASSIS</td><td>IND</td><td>INDICATOR</td><td>XMSN</td><td>TRANSMISSION</td></tr> <tr><td>CH</td><td>CHOKE</td><td>INST</td><td>INSTRUMENT</td><td>XMTR</td><td>TRANSMITTER</td></tr> <tr><td>CIRC</td><td>CIRCUIT</td><td>INT</td><td>INTERMITTENT</td><td>TRK</td><td>TRUCK</td></tr> <tr><td>CLK</td><td>CLOCK</td><td>L</td><td>LEFT</td><td>UPR</td><td>UPPER</td></tr> <tr><td>CW</td><td>CLOCKWISE</td><td>LT</td><td>LIGHT</td><td>VLV</td><td>VALVE</td></tr> <tr><td>CLSTR</td><td>CLUSTER</td><td>LTR</td><td>LIGHTER</td><td>VERT</td><td>VERTICAL</td></tr> <tr><td>CL</td><td>CLUTCH</td><td>LWR</td><td>LOWER</td><td>VM</td><td>VOLTMETER</td></tr> <tr><td>COL</td><td>COLUMN</td><td>MAG</td><td>MAGNET</td><td>VOL</td><td>VOLUME</td></tr> <tr><td>COMM</td><td>COMMUTATOR</td><td>MOD</td><td>MODULATOR</td><td>WSHR</td><td>WASHER</td></tr> <tr><td>CMPNT</td><td>COMPONENT</td><td>MDL</td><td>MODULE</td><td>WHL</td><td>WHEEL</td></tr> <tr><td>CPRSR</td><td>COMPRESSOR</td><td>MOT</td><td>MOTOR</td><td>WDO</td><td>WINDOW</td></tr> <tr><td>CONN</td><td>CONNECT</td><td>MTD</td><td>MOUNTED</td><td>WSHLD</td><td>WINDSHIELD</td></tr> <tr><td>CONT</td><td>CONTINUED</td><td>NEG</td><td>NEGATIVE</td><td>WPR</td><td>WIPER</td></tr> <tr><td>CSL</td><td>CONSOLE</td><td>N/</td><td>NOT WITH</td><td>W/</td><td>WITH</td></tr> <tr><td>CONT</td><td>CONTACT</td><td>NO.</td><td>NUMBER</td><td>W/O</td><td>WITHOUT</td></tr> <tr><td>CONT</td><td>CONTROL</td><td>PASS</td><td>PASSENGER</td><td></td><td></td></tr> <tr><td>CONV</td><td>CONVERTER</td><td>POSN</td><td>POSITION</td><td></td><td></td></tr> <tr><td>CLR</td><td>COOLER</td><td>POS</td><td>POSITIVE</td><td></td><td></td></tr> <tr><td>CTSY</td><td>COURTESY</td><td>POT</td><td>POTENTIOMETER</td><td></td><td></td></tr> <tr><td>CRUS</td><td>CRUISE</td><td>PWR</td><td>POWER</td><td></td><td></td></tr> </tbody> </table>						ABBREVIATION	DESCRIPTION	ABBREVIATION	DESCRIPTION	ABBREVIATION	DESCRIPTION	ACCESS	ACCESSORY	CUR	CURRENT	PRESS	PRESSURE	AC	AIR CONDITIONING	DPNL	DASHBOARD	RAD	RADIO	AIR CLNR	AIR CLEANER	DFTR	DEFLECTOR	RR	REAR	ALT	ALTERNATOR	DFR	DEFROSTER	RLY	RELAY	AC	ALTERNATING CURRENT	DEG	DEGREE	RES	RESISTOR	AFTR	AFTERTREATMENT	DIAG	DIAGRAM	R	RIGHT	AMM	AMMETER	DSL	DIESEL	RTR	ROTOR	AMP	AMPERE	DIFF	DIFFERENTIAL	SNSR	SENSOR	AMP HR	AMPERE HOUR	DIMR	DIMMER	SHLD	SHIELD	AMPL	AMPLIFIER	ELEC	ELECTRICAL	SHFT	SHIFTER	ARM	ARMATURE	ELEX	ELECTRONICS	SLPR	SLEEPER	ARSR	ARRESTER	ENG	ENGINE	SLV	SLEEVE	ASSY	ASSEMBLY	EXH	EXHAUST	SPKR	SPEAKER	AUX	AUXILIARY	FL	FLUID	SPR	SPRING	B/U	BACK-UP	FWD	FORWARD	STD	STANDARD	BTRY	BATTERY	FR	FRONT	STRG	STEERING	BM	BENCHMARKING	FREQ	FREQUENCY	STLITE	SATELLITE	BLK	BLOCK	GA	GAUGE	SUNSH	SUNSHADE	BOOS	BOOSTER	GEN	GENERATOR	SW	SWITCH	BOT	BOTTOM	GND	GROUND	SYS	SYSTEM	BK	BRAKE	HARN	HARNES	TACH	TACHOMETER	BRKR	BREAKER	HDLP	HEADLAMP	TEMP	TEMPERATURE	BRTHR	BREATHER	HTD	HEATED	TERM	TERMINAL	BRJ	BRIGHT	HT TR	HEAT TREAT	THROT	THROTTLE	BUZ	BUZZER	HTR	HEATER	THRU	THROUGH	CA	CABLE	HP	HORSEPOWER	TRLR	TRAILER	CD	CANDELA	HYD	HYDRAULIC	XDCR	TRANSDUCER	CP	CANDLEPOWER	ID	IDENTIFICATION	XFER	TRANSFER	CAP	CAPACITOR	IGN	IGNITION	XFMR	TRANSFORMER	CAT	CATERPILLAR	ILLUM	ILLUMINATION	XSTR	TRANSISTOR	CHAS	CHASSIS	IND	INDICATOR	XMSN	TRANSMISSION	CH	CHOKE	INST	INSTRUMENT	XMTR	TRANSMITTER	CIRC	CIRCUIT	INT	INTERMITTENT	TRK	TRUCK	CLK	CLOCK	L	LEFT	UPR	UPPER	CW	CLOCKWISE	LT	LIGHT	VLV	VALVE	CLSTR	CLUSTER	LTR	LIGHTER	VERT	VERTICAL	CL	CLUTCH	LWR	LOWER	VM	VOLTMETER	COL	COLUMN	MAG	MAGNET	VOL	VOLUME	COMM	COMMUTATOR	MOD	MODULATOR	WSHR	WASHER	CMPNT	COMPONENT	MDL	MODULE	WHL	WHEEL	CPRSR	COMPRESSOR	MOT	MOTOR	WDO	WINDOW	CONN	CONNECT	MTD	MOUNTED	WSHLD	WINDSHIELD	CONT	CONTINUED	NEG	NEGATIVE	WPR	WIPER	CSL	CONSOLE	N/	NOT WITH	W/	WITH	CONT	CONTACT	NO.	NUMBER	W/O	WITHOUT	CONT	CONTROL	PASS	PASSENGER			CONV	CONVERTER	POSN	POSITION			CLR	COOLER	POS	POSITIVE			CTSY	COURTESY	POT	POTENTIOMETER			CRUS	CRUISE	PWR	POWER		
ABBREVIATION	DESCRIPTION	ABBREVIATION	DESCRIPTION	ABBREVIATION	DESCRIPTION																																																																																																																																																																																																																																																																																																																		
ACCESS	ACCESSORY	CUR	CURRENT	PRESS	PRESSURE																																																																																																																																																																																																																																																																																																																		
AC	AIR CONDITIONING	DPNL	DASHBOARD	RAD	RADIO																																																																																																																																																																																																																																																																																																																		
AIR CLNR	AIR CLEANER	DFTR	DEFLECTOR	RR	REAR																																																																																																																																																																																																																																																																																																																		
ALT	ALTERNATOR	DFR	DEFROSTER	RLY	RELAY																																																																																																																																																																																																																																																																																																																		
AC	ALTERNATING CURRENT	DEG	DEGREE	RES	RESISTOR																																																																																																																																																																																																																																																																																																																		
AFTR	AFTERTREATMENT	DIAG	DIAGRAM	R	RIGHT																																																																																																																																																																																																																																																																																																																		
AMM	AMMETER	DSL	DIESEL	RTR	ROTOR																																																																																																																																																																																																																																																																																																																		
AMP	AMPERE	DIFF	DIFFERENTIAL	SNSR	SENSOR																																																																																																																																																																																																																																																																																																																		
AMP HR	AMPERE HOUR	DIMR	DIMMER	SHLD	SHIELD																																																																																																																																																																																																																																																																																																																		
AMPL	AMPLIFIER	ELEC	ELECTRICAL	SHFT	SHIFTER																																																																																																																																																																																																																																																																																																																		
ARM	ARMATURE	ELEX	ELECTRONICS	SLPR	SLEEPER																																																																																																																																																																																																																																																																																																																		
ARSR	ARRESTER	ENG	ENGINE	SLV	SLEEVE																																																																																																																																																																																																																																																																																																																		
ASSY	ASSEMBLY	EXH	EXHAUST	SPKR	SPEAKER																																																																																																																																																																																																																																																																																																																		
AUX	AUXILIARY	FL	FLUID	SPR	SPRING																																																																																																																																																																																																																																																																																																																		
B/U	BACK-UP	FWD	FORWARD	STD	STANDARD																																																																																																																																																																																																																																																																																																																		
BTRY	BATTERY	FR	FRONT	STRG	STEERING																																																																																																																																																																																																																																																																																																																		
BM	BENCHMARKING	FREQ	FREQUENCY	STLITE	SATELLITE																																																																																																																																																																																																																																																																																																																		
BLK	BLOCK	GA	GAUGE	SUNSH	SUNSHADE																																																																																																																																																																																																																																																																																																																		
BOOS	BOOSTER	GEN	GENERATOR	SW	SWITCH																																																																																																																																																																																																																																																																																																																		
BOT	BOTTOM	GND	GROUND	SYS	SYSTEM																																																																																																																																																																																																																																																																																																																		
BK	BRAKE	HARN	HARNES	TACH	TACHOMETER																																																																																																																																																																																																																																																																																																																		
BRKR	BREAKER	HDLP	HEADLAMP	TEMP	TEMPERATURE																																																																																																																																																																																																																																																																																																																		
BRTHR	BREATHER	HTD	HEATED	TERM	TERMINAL																																																																																																																																																																																																																																																																																																																		
BRJ	BRIGHT	HT TR	HEAT TREAT	THROT	THROTTLE																																																																																																																																																																																																																																																																																																																		
BUZ	BUZZER	HTR	HEATER	THRU	THROUGH																																																																																																																																																																																																																																																																																																																		
CA	CABLE	HP	HORSEPOWER	TRLR	TRAILER																																																																																																																																																																																																																																																																																																																		
CD	CANDELA	HYD	HYDRAULIC	XDCR	TRANSDUCER																																																																																																																																																																																																																																																																																																																		
CP	CANDLEPOWER	ID	IDENTIFICATION	XFER	TRANSFER																																																																																																																																																																																																																																																																																																																		
CAP	CAPACITOR	IGN	IGNITION	XFMR	TRANSFORMER																																																																																																																																																																																																																																																																																																																		
CAT	CATERPILLAR	ILLUM	ILLUMINATION	XSTR	TRANSISTOR																																																																																																																																																																																																																																																																																																																		
CHAS	CHASSIS	IND	INDICATOR	XMSN	TRANSMISSION																																																																																																																																																																																																																																																																																																																		
CH	CHOKE	INST	INSTRUMENT	XMTR	TRANSMITTER																																																																																																																																																																																																																																																																																																																		
CIRC	CIRCUIT	INT	INTERMITTENT	TRK	TRUCK																																																																																																																																																																																																																																																																																																																		
CLK	CLOCK	L	LEFT	UPR	UPPER																																																																																																																																																																																																																																																																																																																		
CW	CLOCKWISE	LT	LIGHT	VLV	VALVE																																																																																																																																																																																																																																																																																																																		
CLSTR	CLUSTER	LTR	LIGHTER	VERT	VERTICAL																																																																																																																																																																																																																																																																																																																		
CL	CLUTCH	LWR	LOWER	VM	VOLTMETER																																																																																																																																																																																																																																																																																																																		
COL	COLUMN	MAG	MAGNET	VOL	VOLUME																																																																																																																																																																																																																																																																																																																		
COMM	COMMUTATOR	MOD	MODULATOR	WSHR	WASHER																																																																																																																																																																																																																																																																																																																		
CMPNT	COMPONENT	MDL	MODULE	WHL	WHEEL																																																																																																																																																																																																																																																																																																																		
CPRSR	COMPRESSOR	MOT	MOTOR	WDO	WINDOW																																																																																																																																																																																																																																																																																																																		
CONN	CONNECT	MTD	MOUNTED	WSHLD	WINDSHIELD																																																																																																																																																																																																																																																																																																																		
CONT	CONTINUED	NEG	NEGATIVE	WPR	WIPER																																																																																																																																																																																																																																																																																																																		
CSL	CONSOLE	N/	NOT WITH	W/	WITH																																																																																																																																																																																																																																																																																																																		
CONT	CONTACT	NO.	NUMBER	W/O	WITHOUT																																																																																																																																																																																																																																																																																																																		
CONT	CONTROL	PASS	PASSENGER																																																																																																																																																																																																																																																																																																																				
CONV	CONVERTER	POSN	POSITION																																																																																																																																																																																																																																																																																																																				
CLR	COOLER	POS	POSITIVE																																																																																																																																																																																																																																																																																																																				
CTSY	COURTESY	POT	POTENTIOMETER																																																																																																																																																																																																																																																																																																																				
CRUS	CRUISE	PWR	POWER																																																																																																																																																																																																																																																																																																																				
CHK	DATE	CHANGE	REV	REFERENCE	DRAWN	NAME																																																																																																																																																																																																																																																																																																																	
-	-	INITIAL RELEASE.	A	92159Y	310615	CIRCUIT DIAGRAM, 9900																																																																																																																																																																																																																																																																																																																	
					RELEASE NO.	DATE																																																																																																																																																																																																																																																																																																																	
					92159Y	06AUG13																																																																																																																																																																																																																																																																																																																	
					PART NO.	SHEET																																																																																																																																																																																																																																																																																																																	
					AE08076113	001																																																																																																																																																																																																																																																																																																																	

Figure 1 Abbreviations.

ELECTRICAL CIRCUIT DIAGRAM MANUAL

2.2. ACRONYMS, P. 2

<p>NAVISTAR, INC THIS PRINT IS PROVIDED ON A RESTRICTED BASIS AND IS NOT TO BE USED IN ANY WAY DETRIMENTAL TO THE INTEREST OF NAVISTAR, INC.</p>				<p>ELECTRICAL CIRCUIT DIAGRAM ACRONYMS</p>		<p>CHAPTER 2</p>																																																																																																																																																																					
<table border="1" style="width: 100%; border-collapse: collapse;"> <thead> <tr> <th style="width: 50%;">DESCRIPTION</th> <th style="width: 50%;">ACRONYM</th> <th style="width: 50%;">DESCRIPTION</th> <th style="width: 50%;">ACRONYM</th> </tr> </thead> <tbody> <tr><td>ANTILOCK BRAKING SYSTEM</td><td>ABS</td><td>INJECTOR DRIVE MODULE</td><td>IDM</td></tr> <tr><td>ANTENNA COMMUNICATION UNIT</td><td>ACU</td><td>INPUT/OUTPUT</td><td>I / O</td></tr> <tr><td>ALTERNATING CURRENT</td><td>AC</td><td>INTEGRATED MOBILE COMMUNICATIONS TERMINAL</td><td>IMCT</td></tr> <tr><td>AXLE TO BACK OF CAB</td><td>AC</td><td>INSTRUMENT PANEL</td><td>I/P</td></tr> <tr><td>AXLE TO FRAME</td><td>AF</td><td>INDEPENDENT POWER TAKE-OFF</td><td>IPTO</td></tr> <tr><td>ACCELERATOR PEDAL MODULE</td><td>APM</td><td>LIGHT COMMERCIAL TRANSMISSION</td><td>LCT</td></tr> <tr><td>ACCELERATOR POSITION SENSOR</td><td>APS</td><td>MEDIUM DUTY</td><td>MD</td></tr> <tr><td>AUXILIARY POWER UNIT</td><td>APU</td><td>MALFUNCTION INDICATION LAMP</td><td>MIL</td></tr> <tr><td>AUTOMATIC TRACTION CONTROL</td><td>ATC</td><td>MULTIPLEX SWITCH MODULE</td><td>MSM</td></tr> <tr><td>AUDIO VIDEO INTERFACE</td><td>AVI</td><td>PYROMETER AMMETER MODULE</td><td>PAM</td></tr> <tr><td>BRAKE HORSEPOWER</td><td>BHP</td><td>PROGRAMMABLE LOGIC CONTROLLER</td><td>PLC</td></tr> <tr><td>BACK OF CAB</td><td>BOC</td><td>POWER TAKE-OFF</td><td>PTO</td></tr> <tr><td>CITIZEN BAND</td><td>CB</td><td>PULSE WIDTH MODULATION</td><td>PWM</td></tr> <tr><td>COLD CRANKING AMPERES</td><td>CCA</td><td>REAR AXLE</td><td>RA</td></tr> <tr><td>CLEAN POWER ELECTRICAL CONNECTOR</td><td>CEC</td><td>RADIO FREQUENCY</td><td>RF</td></tr> <tr><td>CAB OVER ENGINE</td><td>COE</td><td>ROLL STABILITY PROGRAMM</td><td>RSP</td></tr> <tr><td>DIRECT CURRENT</td><td>DC</td><td>SEVERE SERVICE</td><td>SS</td></tr> <tr><td>DRIVER CONTROL MODULE</td><td>DCM</td><td>TRANSMISSION CONTROL MODULE</td><td>TCM</td></tr> <tr><td>DIGITAL DATA LINK</td><td>DDL</td><td>TERRESTRIAL COMMUNICATION UNIT</td><td>TCU</td></tr> <tr><td>DIESEL OXIDATION CATALYST INLET TEMPERATURE</td><td>DOCT</td><td>TERRESTRIAL MOBILE COMMUNICATIONS TERMINAL</td><td>TMCT</td></tr> <tr><td>DIESEL PARTICULATE FILTER</td><td>DPF</td><td>THERMAL OVERCRANK PROTECTION</td><td>TOCP</td></tr> <tr><td>DIESEL TURBOCHARGED</td><td>DT</td><td>THROTTLE POSITION SENSOR</td><td>TPS</td></tr> <tr><td>DAY TIME RUNNING LIGHTS</td><td>DTRL</td><td>VEHICLE INTERFACE MODULE</td><td>VIM</td></tr> <tr><td>ELECTRONIC CONTROL MODULE</td><td>ECM</td><td>ZERO VOLT REFERENCE</td><td>ZVR</td></tr> <tr><td>ELECTRONIC CONTROL UNIT</td><td>ECU</td><td></td><td></td></tr> <tr><td>EXHAUST GAS RECIRCULATION</td><td>EGR</td><td></td><td></td></tr> <tr><td>EXHAUST GAS TEMPERATURE</td><td>EGT</td><td></td><td></td></tr> <tr><td>ELECTRO MAGNETIC INTERFACE</td><td>EMI</td><td></td><td></td></tr> <tr><td>END OF FRAME</td><td>EOF</td><td></td><td></td></tr> <tr><td>ELECTRIC TRAILER BRAKE</td><td>ETB</td><td></td><td></td></tr> <tr><td>FRONT AXLE</td><td>FA</td><td></td><td></td></tr> <tr><td>FRONT END</td><td>FE</td><td></td><td></td></tr> <tr><td>FRONT OF DASH</td><td>FOD</td><td></td><td></td></tr> <tr><td>FULL POWER BRAKE</td><td>FPB</td><td></td><td></td></tr> <tr><td>GLOBAL POSITIONING SYSTEM</td><td>GPS</td><td></td><td></td></tr> <tr><td>HYDRAULIC CONTROL UNIT</td><td>HCU</td><td></td><td></td></tr> <tr><td>HEAVY DUTY</td><td>HD</td><td></td><td></td></tr> <tr><td>HEAVY DUTY DIESEL</td><td>HDD</td><td></td><td></td></tr> <tr><td>HIGH PERFORMANCE TRUCK</td><td>HPT</td><td></td><td></td></tr> <tr><td>HEATING, VENTILATION, AND AIR CONDITIONING</td><td>HVAC</td><td></td><td></td></tr> </tbody> </table>								DESCRIPTION	ACRONYM	DESCRIPTION	ACRONYM	ANTILOCK BRAKING SYSTEM	ABS	INJECTOR DRIVE MODULE	IDM	ANTENNA COMMUNICATION UNIT	ACU	INPUT/OUTPUT	I / O	ALTERNATING CURRENT	AC	INTEGRATED MOBILE COMMUNICATIONS TERMINAL	IMCT	AXLE TO BACK OF CAB	AC	INSTRUMENT PANEL	I/P	AXLE TO FRAME	AF	INDEPENDENT POWER TAKE-OFF	IPTO	ACCELERATOR PEDAL MODULE	APM	LIGHT COMMERCIAL TRANSMISSION	LCT	ACCELERATOR POSITION SENSOR	APS	MEDIUM DUTY	MD	AUXILIARY POWER UNIT	APU	MALFUNCTION INDICATION LAMP	MIL	AUTOMATIC TRACTION CONTROL	ATC	MULTIPLEX SWITCH MODULE	MSM	AUDIO VIDEO INTERFACE	AVI	PYROMETER AMMETER MODULE	PAM	BRAKE HORSEPOWER	BHP	PROGRAMMABLE LOGIC CONTROLLER	PLC	BACK OF CAB	BOC	POWER TAKE-OFF	PTO	CITIZEN BAND	CB	PULSE WIDTH MODULATION	PWM	COLD CRANKING AMPERES	CCA	REAR AXLE	RA	CLEAN POWER ELECTRICAL CONNECTOR	CEC	RADIO FREQUENCY	RF	CAB OVER ENGINE	COE	ROLL STABILITY PROGRAMM	RSP	DIRECT CURRENT	DC	SEVERE SERVICE	SS	DRIVER CONTROL MODULE	DCM	TRANSMISSION CONTROL MODULE	TCM	DIGITAL DATA LINK	DDL	TERRESTRIAL COMMUNICATION UNIT	TCU	DIESEL OXIDATION CATALYST INLET TEMPERATURE	DOCT	TERRESTRIAL MOBILE COMMUNICATIONS TERMINAL	TMCT	DIESEL PARTICULATE FILTER	DPF	THERMAL OVERCRANK PROTECTION	TOCP	DIESEL TURBOCHARGED	DT	THROTTLE POSITION SENSOR	TPS	DAY TIME RUNNING LIGHTS	DTRL	VEHICLE INTERFACE MODULE	VIM	ELECTRONIC CONTROL MODULE	ECM	ZERO VOLT REFERENCE	ZVR	ELECTRONIC CONTROL UNIT	ECU			EXHAUST GAS RECIRCULATION	EGR			EXHAUST GAS TEMPERATURE	EGT			ELECTRO MAGNETIC INTERFACE	EMI			END OF FRAME	EOF			ELECTRIC TRAILER BRAKE	ETB			FRONT AXLE	FA			FRONT END	FE			FRONT OF DASH	FOD			FULL POWER BRAKE	FPB			GLOBAL POSITIONING SYSTEM	GPS			HYDRAULIC CONTROL UNIT	HCU			HEAVY DUTY	HD			HEAVY DUTY DIESEL	HDD			HIGH PERFORMANCE TRUCK	HPT			HEATING, VENTILATION, AND AIR CONDITIONING	HVAC		
DESCRIPTION	ACRONYM	DESCRIPTION	ACRONYM																																																																																																																																																																								
ANTILOCK BRAKING SYSTEM	ABS	INJECTOR DRIVE MODULE	IDM																																																																																																																																																																								
ANTENNA COMMUNICATION UNIT	ACU	INPUT/OUTPUT	I / O																																																																																																																																																																								
ALTERNATING CURRENT	AC	INTEGRATED MOBILE COMMUNICATIONS TERMINAL	IMCT																																																																																																																																																																								
AXLE TO BACK OF CAB	AC	INSTRUMENT PANEL	I/P																																																																																																																																																																								
AXLE TO FRAME	AF	INDEPENDENT POWER TAKE-OFF	IPTO																																																																																																																																																																								
ACCELERATOR PEDAL MODULE	APM	LIGHT COMMERCIAL TRANSMISSION	LCT																																																																																																																																																																								
ACCELERATOR POSITION SENSOR	APS	MEDIUM DUTY	MD																																																																																																																																																																								
AUXILIARY POWER UNIT	APU	MALFUNCTION INDICATION LAMP	MIL																																																																																																																																																																								
AUTOMATIC TRACTION CONTROL	ATC	MULTIPLEX SWITCH MODULE	MSM																																																																																																																																																																								
AUDIO VIDEO INTERFACE	AVI	PYROMETER AMMETER MODULE	PAM																																																																																																																																																																								
BRAKE HORSEPOWER	BHP	PROGRAMMABLE LOGIC CONTROLLER	PLC																																																																																																																																																																								
BACK OF CAB	BOC	POWER TAKE-OFF	PTO																																																																																																																																																																								
CITIZEN BAND	CB	PULSE WIDTH MODULATION	PWM																																																																																																																																																																								
COLD CRANKING AMPERES	CCA	REAR AXLE	RA																																																																																																																																																																								
CLEAN POWER ELECTRICAL CONNECTOR	CEC	RADIO FREQUENCY	RF																																																																																																																																																																								
CAB OVER ENGINE	COE	ROLL STABILITY PROGRAMM	RSP																																																																																																																																																																								
DIRECT CURRENT	DC	SEVERE SERVICE	SS																																																																																																																																																																								
DRIVER CONTROL MODULE	DCM	TRANSMISSION CONTROL MODULE	TCM																																																																																																																																																																								
DIGITAL DATA LINK	DDL	TERRESTRIAL COMMUNICATION UNIT	TCU																																																																																																																																																																								
DIESEL OXIDATION CATALYST INLET TEMPERATURE	DOCT	TERRESTRIAL MOBILE COMMUNICATIONS TERMINAL	TMCT																																																																																																																																																																								
DIESEL PARTICULATE FILTER	DPF	THERMAL OVERCRANK PROTECTION	TOCP																																																																																																																																																																								
DIESEL TURBOCHARGED	DT	THROTTLE POSITION SENSOR	TPS																																																																																																																																																																								
DAY TIME RUNNING LIGHTS	DTRL	VEHICLE INTERFACE MODULE	VIM																																																																																																																																																																								
ELECTRONIC CONTROL MODULE	ECM	ZERO VOLT REFERENCE	ZVR																																																																																																																																																																								
ELECTRONIC CONTROL UNIT	ECU																																																																																																																																																																										
EXHAUST GAS RECIRCULATION	EGR																																																																																																																																																																										
EXHAUST GAS TEMPERATURE	EGT																																																																																																																																																																										
ELECTRO MAGNETIC INTERFACE	EMI																																																																																																																																																																										
END OF FRAME	EOF																																																																																																																																																																										
ELECTRIC TRAILER BRAKE	ETB																																																																																																																																																																										
FRONT AXLE	FA																																																																																																																																																																										
FRONT END	FE																																																																																																																																																																										
FRONT OF DASH	FOD																																																																																																																																																																										
FULL POWER BRAKE	FPB																																																																																																																																																																										
GLOBAL POSITIONING SYSTEM	GPS																																																																																																																																																																										
HYDRAULIC CONTROL UNIT	HCU																																																																																																																																																																										
HEAVY DUTY	HD																																																																																																																																																																										
HEAVY DUTY DIESEL	HDD																																																																																																																																																																										
HIGH PERFORMANCE TRUCK	HPT																																																																																																																																																																										
HEATING, VENTILATION, AND AIR CONDITIONING	HVAC																																																																																																																																																																										
CHK	DATE	CHANGE	REV	REFERENCE	DRAWN	NAME																																																																																																																																																																					
0610	27AUG13	INITIAL RELEASE.	A	92159Y	310615	CIRCUIT DIAGRAM, 9900																																																																																																																																																																					
					RELEASE NO.	DATE	PART NO.																																																																																																																																																																				
					92159Y	06AUG13	AE08076113																																																																																																																																																																				
							SHEET 002																																																																																																																																																																				

Figure 2 Acronyms.

2.3. CIRCUIT DIAGRAM INSTRUCTIONS, P. 3

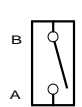
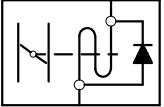
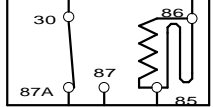
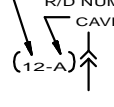
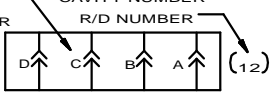
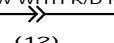
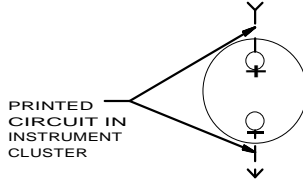

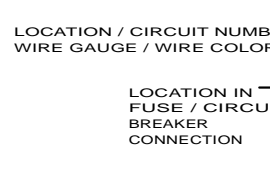
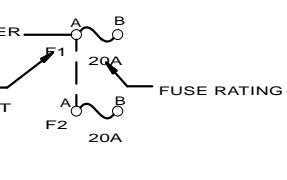
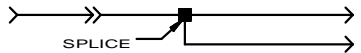
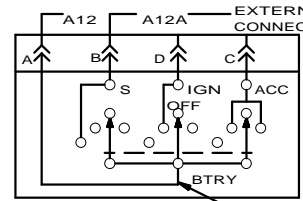
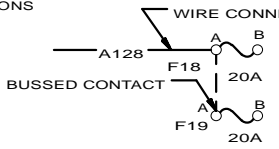
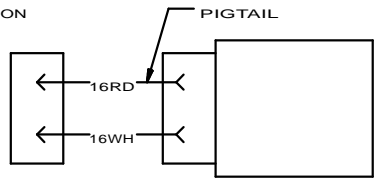

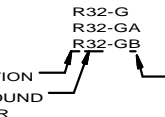
<p>NAVISTAR, INC</p> <p>THIS PRINT IS PROVIDED ON A RESTRICTED BASIS AND IS NOT TO BE USED IN ANY WAY DETRIMENTAL TO THE INTEREST OF NAVISTAR, INC.</p>		<p>ELECTRICAL CIRCUIT DIAGRAM CHAPTER 2</p> <p>CIRCUIT DIAGRAM INSTRUCTIONS</p>				
<p>A - SWITCH AND RELAY POSITIONS AS SHOWN ON CIRCUIT DIAGRAMS INDICATE NORMAL POSITION WITH IGNITION OFF UNLESS OTHERWISE NOTED.</p> <div style="display: flex; justify-content: space-around;"> <div style="text-align: center;">  <p>SWITCH, MECHANICAL</p> </div> <div style="text-align: center;">  <p>SOLENOID</p> </div> <div style="text-align: center;">  <p>RELAY - SUPPRESSED</p> </div> </div>		<p>B - MULTIPLE CONNECTIONS ARE DISPLAYED ON SCHEMATIC AS SHOWN WITH R/D NUMBER & CAVITY NUMBER. REFER TO CONNECTOR COMPOSITE FOR MORE INFORMATION</p> <div style="display: flex; justify-content: space-around;"> <div style="text-align: center;">  <p>R/D NUMBER CAVITY NUMBER (12-A)</p> </div> <div style="text-align: center;">  <p>CAVITY NUMBER R/D NUMBER (12)</p> </div> </div> <p>SINGLE IN-LINE CONNECTORS DISPLAYED AS SHOWN BELOW WITH R/D NUMBER</p> <div style="text-align: center;">  <p>(12)</p> </div>				
<p>C - PHANTOM LINES INDICATE PRINTED CIRCUITS OR BUSSED CIRCUITS. THESE CIRCUITS EXIST IN THE INSTRUMENT CLUSTER AND FUSE / CIRCUIT BREAKER CONNECTORS.</p> <div style="display: flex; justify-content: space-around;"> <div style="text-align: center;">  <p>PRINTED CIRCUIT IN INSTRUMENT CLUSTER</p> </div> <div style="text-align: center;">  <p>VOLTMETER</p> </div> <div style="text-align: center;">  <p>LOCATION / CIRCUIT NUMBER WIRE GAUGE / WIRE COLOR</p> </div> <div style="text-align: center;">  <p>LOCATION IN FUSE / CIRCUIT BREAKER CONNECTION</p> </div> </div>						
<p>D - MULTIPLE CIRCUIT NUMBERS ON A LINE INDICATE ONE CIRCUIT DISTRIBUTING CURRENT TO TWO CIRCUITS.</p> <div style="text-align: center;">  <p>SPLICE</p> </div>						
<p>E - SWITCHES, RELAYS AND COMPONENTS INDICATE EXTERNAL WIRE CONNECTIONS AND / OR INTERNAL CONNECTIONS.</p> <div style="display: flex; justify-content: space-around;"> <div style="text-align: center;">  <p>EXTERNAL WIRE CONNECTIONS</p> <p>KEY SWITCH (1101M)</p> </div> <div style="text-align: center;">  <p>WIRE CONNECTION</p> <p>BUSED CONTACT</p> </div> <div style="text-align: center;">  <p>PIGTAIL</p> <p>BODY CONTROLLER (1602)</p> </div> </div>						
<p>F - CIRCUIT "11" DENOTES ANY COMMON GROUND (MORE THAN ONE CIRCUIT). ANY INDIVIDUAL GROUND CIRCUIT IS IDENTIFIED WITH THAT PARTICULAR CIRCUIT NUMBER. (E.G. CIRCUIT 32 CRUISE CONTROL IS IDENTIFIED AS PER EXAMPLE)</p> <div style="display: flex; justify-content: space-around;"> <div style="text-align: center;">  <p>COMMON GROUND CIRCUIT NUMBER</p> </div> <div style="text-align: center;">  <p>INDIVIDUAL GROUND CIRCUIT NUMBER</p> </div> </div> <p style="text-align: center;">NOTE: FOR CIRCUIT DESCRIPTION OTHER THAN GROUNDS NEITHER THE LETTER "G" NOR THE COLOR WHITE SHALL BE USED</p>						
CHK	DATE	CHANGE	REV	REFERENCE	DRAWN	NAME
		INITIAL RELEASE.	A	92159Y	310615	CIRCUIT DIAGRAM, 9900
					RELEASE NO.	DATE
					92159Y	06AUG13
					PART NO.	SHEET
					AE08076113	003

Figure 3 Circuit Diagram Instructions.

2.4. CIRCUIT NUMBER IDENTIFICATION AND COLOR, P. 4

<p>NAVISTAR, INC <small>THIS PRINT IS PROVIDED ON A RESTRICTED BASIS AND IS NOT TO BE USED IN ANY WAY DETRIMENTAL TO THE INTEREST OF NAVISTAR, INC.</small></p>				<p>ELECTRICAL CIRCUIT DIAGRAM CHAPTER 2 CIRCUIT NUMBER IDENTIFICATION AND COLOR</p>																																																																																																																																				
<table border="1" style="width: 100%; border-collapse: collapse;"> <thead> <tr> <th style="width: 10%;">CIRCUIT NUMBER</th> <th style="width: 10%;">COLOR</th> <th style="width: 80%;">DESCRIPTION</th> </tr> </thead> <tbody> <tr><td>1</td><td>LTBL</td><td>ALTERNATOR - FIELD</td></tr> <tr><td>2</td><td>RD</td><td>ALTERNATOR - CHARGE</td></tr> <tr><td rowspan="2">3</td><td>DKBL</td><td>SERIAL / DATA COMMUNICATION J1587 / J1708 (+)</td></tr> <tr><td>GY</td><td>SERIAL / DATA COMMUNICATION J1587 / J1708 (-)</td></tr> <tr><td rowspan="2">4</td><td>DKBL</td><td>SERIAL / DATA COMMUNICATION J1922 (+)</td></tr> <tr><td>GY</td><td>SERIAL / DATA COMMUNICATION J1922 (-)</td></tr> <tr><td rowspan="2">5</td><td>YL</td><td>SERIAL / DATA COMMUNICATION J1939/11 / J1939/15 (+)</td></tr> <tr><td>GN</td><td>SERIAL / DATA COMMUNICATION J1939/11 / J1939/15 (-)</td></tr> <tr><td>6</td><td>GY</td><td>LOW VOLTAGE ELECTRONIC FEED (LESS THAN 9 VOLTS)</td></tr> <tr><td>7</td><td>RD</td><td>ALTERNATOR - RESISTANCE</td></tr> <tr><td>8</td><td></td><td></td></tr> <tr><td>9</td><td>GY</td><td>LOW VOLTAGE ELECTRONIC GROUND</td></tr> <tr><td>10</td><td>WH</td><td>CHASSIS / ENGINE GROUND</td></tr> <tr><td>11</td><td>WH</td><td>CAB / SLEEPER GROUND</td></tr> <tr><td>12</td><td>LTBL</td><td>ACCESSORY FEED</td></tr> <tr><td rowspan="2">13</td><td>PK</td><td>IGNITION FEED</td></tr> <tr><td>BK</td><td>IGNITION FEED (BODY BUILDER CONNECTOR)</td></tr> <tr><td>14</td><td>RD</td><td>BATTERY FEED</td></tr> <tr><td>15</td><td>RD</td><td>KEY SWITCH FEED</td></tr> <tr><td>16</td><td></td><td></td></tr> <tr><td>17</td><td>PK</td><td>STARTER CONTROL</td></tr> <tr><td>18</td><td>PK</td><td>GLOW PLUG / PREHEATER</td></tr> <tr><td>19</td><td>GY</td><td>ENGINE SHUTDOWN</td></tr> <tr><td>20</td><td>LTGN</td><td>REMOTE POWER MODULE</td></tr> <tr><td>21</td><td>TN</td><td>COLD START CONTROLS (ETHER)</td></tr> <tr><td>22</td><td>TN</td><td>TIRE PRESSURE MONITORING / CONTROL</td></tr> <tr><td>23</td><td>TN</td><td>ENGINE FAN / SHUTTERS</td></tr> <tr><td>24</td><td>GY</td><td>ENGINE EXHAUST BRAKE</td></tr> <tr><td>25</td><td>TN</td><td>PYROMETER</td></tr> <tr><td>26</td><td>TN</td><td>AMMETER</td></tr> <tr><td>27</td><td>TN</td><td>VOLTMETER</td></tr> <tr><td>28</td><td>TN</td><td>INSTRUMENTS AND GAUGES</td></tr> <tr><td>29</td><td>TN</td><td>ENGINE WATER TEMPERATURE</td></tr> <tr><td>30</td><td>TN</td><td>ENGINE OIL TEMPERATURE</td></tr> <tr><td>31</td><td>TN</td><td>TRANSMISSION OIL TEMPERATURE</td></tr> <tr><td>32</td><td>TN</td><td>AXLE OIL TEMPERATURE</td></tr> <tr><td>33</td><td>TN</td><td>ENGINE OIL LEVEL</td></tr> <tr><td>34</td><td>TN</td><td>COOLANT LEVEL</td></tr> <tr><td>35</td><td>TN</td><td>ENGINE OIL PRESSURE</td></tr> <tr><td>36</td><td>TN</td><td>FUEL LEVEL</td></tr> <tr><td>37</td><td>TN</td><td>FUEL PUMP</td></tr> <tr><td>38</td><td>GY</td><td>LIFT AXLE</td></tr> <tr><td>39</td><td>GY</td><td>AIR DRYER HEATER</td></tr> <tr><td>40</td><td>GY</td><td>LOW AIR PRESSURE WARNING</td></tr> </tbody> </table>						CIRCUIT NUMBER	COLOR	DESCRIPTION	1	LTBL	ALTERNATOR - FIELD	2	RD	ALTERNATOR - CHARGE	3	DKBL	SERIAL / DATA COMMUNICATION J1587 / J1708 (+)	GY	SERIAL / DATA COMMUNICATION J1587 / J1708 (-)	4	DKBL	SERIAL / DATA COMMUNICATION J1922 (+)	GY	SERIAL / DATA COMMUNICATION J1922 (-)	5	YL	SERIAL / DATA COMMUNICATION J1939/11 / J1939/15 (+)	GN	SERIAL / DATA COMMUNICATION J1939/11 / J1939/15 (-)	6	GY	LOW VOLTAGE ELECTRONIC FEED (LESS THAN 9 VOLTS)	7	RD	ALTERNATOR - RESISTANCE	8			9	GY	LOW VOLTAGE ELECTRONIC GROUND	10	WH	CHASSIS / ENGINE GROUND	11	WH	CAB / SLEEPER GROUND	12	LTBL	ACCESSORY FEED	13	PK	IGNITION FEED	BK	IGNITION FEED (BODY BUILDER CONNECTOR)	14	RD	BATTERY FEED	15	RD	KEY SWITCH FEED	16			17	PK	STARTER CONTROL	18	PK	GLOW PLUG / PREHEATER	19	GY	ENGINE SHUTDOWN	20	LTGN	REMOTE POWER MODULE	21	TN	COLD START CONTROLS (ETHER)	22	TN	TIRE PRESSURE MONITORING / CONTROL	23	TN	ENGINE FAN / SHUTTERS	24	GY	ENGINE EXHAUST BRAKE	25	TN	PYROMETER	26	TN	AMMETER	27	TN	VOLTMETER	28	TN	INSTRUMENTS AND GAUGES	29	TN	ENGINE WATER TEMPERATURE	30	TN	ENGINE OIL TEMPERATURE	31	TN	TRANSMISSION OIL TEMPERATURE	32	TN	AXLE OIL TEMPERATURE	33	TN	ENGINE OIL LEVEL	34	TN	COOLANT LEVEL	35	TN	ENGINE OIL PRESSURE	36	TN	FUEL LEVEL	37	TN	FUEL PUMP	38	GY	LIFT AXLE	39	GY	AIR DRYER HEATER	40	GY	LOW AIR PRESSURE WARNING
CIRCUIT NUMBER	COLOR	DESCRIPTION																																																																																																																																						
1	LTBL	ALTERNATOR - FIELD																																																																																																																																						
2	RD	ALTERNATOR - CHARGE																																																																																																																																						
3	DKBL	SERIAL / DATA COMMUNICATION J1587 / J1708 (+)																																																																																																																																						
	GY	SERIAL / DATA COMMUNICATION J1587 / J1708 (-)																																																																																																																																						
4	DKBL	SERIAL / DATA COMMUNICATION J1922 (+)																																																																																																																																						
	GY	SERIAL / DATA COMMUNICATION J1922 (-)																																																																																																																																						
5	YL	SERIAL / DATA COMMUNICATION J1939/11 / J1939/15 (+)																																																																																																																																						
	GN	SERIAL / DATA COMMUNICATION J1939/11 / J1939/15 (-)																																																																																																																																						
6	GY	LOW VOLTAGE ELECTRONIC FEED (LESS THAN 9 VOLTS)																																																																																																																																						
7	RD	ALTERNATOR - RESISTANCE																																																																																																																																						
8																																																																																																																																								
9	GY	LOW VOLTAGE ELECTRONIC GROUND																																																																																																																																						
10	WH	CHASSIS / ENGINE GROUND																																																																																																																																						
11	WH	CAB / SLEEPER GROUND																																																																																																																																						
12	LTBL	ACCESSORY FEED																																																																																																																																						
13	PK	IGNITION FEED																																																																																																																																						
	BK	IGNITION FEED (BODY BUILDER CONNECTOR)																																																																																																																																						
14	RD	BATTERY FEED																																																																																																																																						
15	RD	KEY SWITCH FEED																																																																																																																																						
16																																																																																																																																								
17	PK	STARTER CONTROL																																																																																																																																						
18	PK	GLOW PLUG / PREHEATER																																																																																																																																						
19	GY	ENGINE SHUTDOWN																																																																																																																																						
20	LTGN	REMOTE POWER MODULE																																																																																																																																						
21	TN	COLD START CONTROLS (ETHER)																																																																																																																																						
22	TN	TIRE PRESSURE MONITORING / CONTROL																																																																																																																																						
23	TN	ENGINE FAN / SHUTTERS																																																																																																																																						
24	GY	ENGINE EXHAUST BRAKE																																																																																																																																						
25	TN	PYROMETER																																																																																																																																						
26	TN	AMMETER																																																																																																																																						
27	TN	VOLTMETER																																																																																																																																						
28	TN	INSTRUMENTS AND GAUGES																																																																																																																																						
29	TN	ENGINE WATER TEMPERATURE																																																																																																																																						
30	TN	ENGINE OIL TEMPERATURE																																																																																																																																						
31	TN	TRANSMISSION OIL TEMPERATURE																																																																																																																																						
32	TN	AXLE OIL TEMPERATURE																																																																																																																																						
33	TN	ENGINE OIL LEVEL																																																																																																																																						
34	TN	COOLANT LEVEL																																																																																																																																						
35	TN	ENGINE OIL PRESSURE																																																																																																																																						
36	TN	FUEL LEVEL																																																																																																																																						
37	TN	FUEL PUMP																																																																																																																																						
38	GY	LIFT AXLE																																																																																																																																						
39	GY	AIR DRYER HEATER																																																																																																																																						
40	GY	LOW AIR PRESSURE WARNING																																																																																																																																						
CHK	DATE	CHANGE	REV	REFERENCE	DRAWN	NAME																																																																																																																																		
0610	27AUG13	INITIAL RELEASE.	A	92159Y	310615	CIRCUIT DIAGRAM, 9900																																																																																																																																		
					RELEASE NO.	DATE																																																																																																																																		
					92159Y	06AUG13																																																																																																																																		
					PART NO.	SHEET																																																																																																																																		
					AE08076113	004																																																																																																																																		

Figure 4 Circuit Number Identification and Color.

2.5. CIRCUIT NUMBER IDENTIFICATION AND COLOR (CONT.), P. 5

NAVISTAR, INC				ELECTRICAL CIRCUIT DIAGRAM		CHAPTER 2	
THIS PRINT IS PROVIDED ON A RESTRICTED BASIS AND IS NOT TO BE USED IN ANY WAY DETRIMENTAL TO THE INTEREST OF NAVISTAR, INC.				CIRCUIT NUMBER IDENTIFICATION AND COLOR (CONT)			
CIRCUIT NUMBER	COLOR	DESCRIPTION					
41	TN	AIR TEMPERATURE					
42	GY	FRONT AXLE ENGAGED					
43	GY	POWER DIVIDER LOCK (PDL) WARNING					
44	GY	PARK BRAKE WARNING					
45	LTGN	ANTITHEFT WARNING					
46	GY	POWER TAKEOFF WARNING					
47	GY	SPEEDOMETER					
48	GY	TACHOMETER					
49	GY	DIFFERENTIAL LOCK WARNING					
50	YL	LIGHT SWITCH FEED					
51	YL	DIMMER SWITCH FEED					
52	YL	HEADLIGHT HI - BEAM					
53	YL	HEADLIGHT LO - BEAM					
54	BN	PARKING / MARKER LIGHTS					
55	OR	TURN SIGNAL - FEED					
56	OR	TURN SIGNAL LIGHTS - LEFT					
	YL	TURN SIGNAL LIGHTS - LEFT (BODY BUILDER CONNECTION)					
57	OR	TURN SIGNAL LIGHTS - RIGHT					
	LTGN	TURN SIGNAL LIGHTS - RIGHT (BODY BUILDER CONNECTION)					
58	BN	CLEARANCE / IDENTIFICATION LIGHTS					
59	GY	SOLENOID					
60	OR	HAZARD LIGHTS					
61	GY	AIR SUSPENSION					
62	DKBL	PANEL LIGHTS					
63	DKBL	COURTESY / DOME LIGHTS					
64	YL	FOG / DRIVING LIGHTS					
65	OR	CAB REAR FLOOD LIGHTS					
66	YL	DAYTIME RUNNING LIGHT					
67	GY	OBSTACLE AVOIDANCE / REMOTE SENSOR					
68	BN	TAIL LIGHTS					
69	BN	LICENSE PLATE LIGHT					
	OR	STOP LIGHTS					
70	RD	STOP LIGHTS (BODY BUILDER CONNECTION)					
	OR	BACKUP - LIGHTS					
71	LTBL	BACKUP - LIGHTS (BODY BUILDER CONNECTION)					
	OR	TRAILER AUXILIARY FEED - BATTERY					
72	OR	TRAILER AUXILIARY FEED - BATTERY					
73	LTGN	PWM					
74	LTGN	HEATER RECIRC MOTOR					
75	LTGN	HEATER BLOWER MOTOR					
76	LTGN	AUXILIARY FAN					
77	LTGN	AIR CONDITIONER					
78	LTGN	MIRRORS - HEATED, MOTORIZED					
79	GY	SEAT BELTS					
80	BK	SLEEPER BOX RELAY - FEED					

CHK	DATE	CHANGE	REV	REFERENCE	DRAWN	NAME
-	-	INITIAL RELEASE.	A	92159Y	310615	CIRCUIT DIAGRAM, 9900
					RELEASE NO.	DATE
					92159Y	06AUG13
					PART NO.	SHEET
					AE08076113	005

Figure 5 Circuit Number Identification and Color (Cont.)

2.6. CIRCUIT NUMBER IDENTIFICATION AND COLOR (CONT.), P. 6

NAVISTAR, INC <small>THIS PRINT IS PROVIDED ON A RESTRICTED BASIS AND IS NOT TO BE USED IN ANY WAY DETRIMENTAL TO THE INTEREST OF NAVISTAR, INC.</small>				ELECTRICAL CIRCUIT DIAGRAM CHAPTER 2 CIRCUIT NUMBER IDENTIFICATION AND COLOR (CONT)	
CIRCUIT NUMBER	COLOR	DESCRIPTION			
81	LTGN	POWER DOOR LOCKS			
82	GY	WINDSHIELD WIPER			
83	LTGN	POWER WINDOWS			
84	LTGN	CIGAR LIGHTER			
85	GY	HORN			
86	LTGN	RADIO - ENTERTAINMENT / CLOCK			
87	GY	WINDSHIELD WASHER			
88	LTGN	CLOCK / HOURMETER			
89	VT	AIR BAG			
90	GY	HYDRAULIC BRAKE PUMP			
91	VT	INTERCOMMUNICATION			
92	TN	TRANSMISSION CONTROLS - ELECTRONICS			
93	TN	AXLE SHIFT CONTROL			
94	GY	ANTILOCK BRAKE SYSTEM			
95	TN	EXHAUST EMISSION			
96	YL	SNOW PLOW LIGHTS / CRUISE CONTROLS			
97	VT	ENGINE CONTROLS - ELECTRONIC			
98	BK	DATALINK AND DIAGNOSTICS			
99	VT	ACCELERATOR POSITION SENSOR (APS)			
100	GY	AIR HORN (ELECTRIC SOLENOID ACTUATED)			
101	TN	BRAKE APPLICATION AIR			
102	YL	FLASH TO PASS			
103	LTGN	BODY BUILDER AUXILIARY FEED			
104	DKBL	REMOTE START / STOP			
105	LTGN	HEATED SEATS			
106	OR	HIGH VOLTAGE ALTERNATOR AC CHARGE			
107	GY	INSTRUMENT CLUSTER ELECTRONIC FEED (5V)			
108	GY	BRAKE PAD WEAR SENSOR			
109	GY	BRAKE STROKE / SLACK ADJUSTER			
110	GY	INSTRUMENT CLUSTER ELECTRONIC GROUND			
111	TN	FUEL FILTER RESTRICTION TRANSDUCER			
112	GY	LIFT GATE			

PREFIX	LOCATION
A	CAB - INSTRUMENT PANEL MODULE
B	CAB - DRIVER CONTROL MODULE
C	CAB - HEADER / CLEARANCE LIGHTS
D	CAB - ROOF / REAR PANEL
E	CAB - LEFT DOOR / DOORS
F	CAB - RIGHT DOOR / DOORS
H	CAB - SLEEPER
J	CAB - DASH (OUTSIDE)
K	ENGINE / RADIATOR
L	TRANSMISSION
M	CHASSIS / FRONT END (CAB DASH PANEL FORWARD)
N	CHASSIS / CENTER SECTION (CAB DASH PANEL TO CAB REAR XMBR)
P	CHASSIS / WHEEL BASE SECTION
R	CHASSIS / SUSPENSION / REAR AXLE / AXLES
S	CHASSIS / AF SECTION / STOP / TAIL / TURN LIGHTS
T	TRAVEL DOORS
U	HOOD MTD HEADLIGHTS / MARKER LIGHTS
V	SLEEPER ROOF / BACK PANEL WIRING
W	WARDROBE CABINET WIRING

CHK	DATE	CHANGE	REV	REFERENCE	DRAWN	NAME
-	-	INITIAL RELEASE.	A	92159Y	310615	CIRCUIT DIAGRAM, 9900
					RELEASE NO.	DATE
					92159Y	06AUG13
					PART NO.	SHEET
					AE08076113	006

Figure 6 Circuit Number Identification and Color (Cont.)

2.7. LAMP BULB CHART, P. 7

<p>NAVISTAR, INC <small>THIS PRINT IS PROVIDED ON A RESTRICTED BASIS AND IS NOT TO BE USED IN ANY WAY DETRIMENTAL TO THE INTEREST OF NAVISTAR, INC.</small></p>		<p>ELECTRICAL CIRCUIT DIAGRAM LAMP BULB CHART</p>	<p>CHAPTER 2</p>																																																																																																																																										
<table border="1" style="width: 100%; border-collapse: collapse;"> <thead> <tr> <th style="width: 60%;">BULB APPLICATION</th> <th style="width: 20%;">CANDLE POWER OR WATT</th> <th style="width: 20%;">BULB TRADE NUMBER</th> </tr> </thead> <tbody> <tr><td>BACK-UP LIGHT</td><td>32 CP</td><td>GE1156</td></tr> <tr><td>CLEARANCE & IDENTIFICATION</td><td>3 CP</td><td>GE168</td></tr> <tr><td>COURTESY LIGHT</td><td>21 CP</td><td>1142</td></tr> <tr><td>DOVE LIGHTS</td><td>21 CP</td><td>1142</td></tr> <tr><td>FOG LIGHT</td><td>100 WATT</td><td>4921-1</td></tr> <tr><td>LOW BEAMS</td><td>55 WATT</td><td>GE9007</td></tr> <tr><td>HIGH BEAMS</td><td>65 WATT</td><td>GE9007</td></tr> <tr><td>CIGAR LIGHTER</td><td>1 CP</td><td>1455</td></tr> <tr><td>GAUGE BACKLIGHT</td><td>2 CP</td><td>194</td></tr> <tr><td>GAUGE WARNING LED (RED)</td><td>2 CP</td><td>194</td></tr> <tr><td>COLD AMBIENT PROTECTION LED (RED)</td><td>2 CP</td><td>194</td></tr> <tr><td>FUEL FILTER LED (YELLOW)</td><td>2 CP</td><td>194</td></tr> <tr><td>WARN ENGINE LED (YELLOW)</td><td>2 CP</td><td>194</td></tr> <tr><td>STOP ENGINE LED (RED)</td><td>2 CP</td><td>194</td></tr> <tr><td>BRAKE PRESSURE LED</td><td>2 CP</td><td>194</td></tr> <tr><td>CHECK TRANSMISSION LED</td><td>2 CP</td><td>194</td></tr> <tr><td>TRAILER ABS LED</td><td>2 CP</td><td>194</td></tr> <tr><td>LEFT TURN SIGNAL LED (GREEN)</td><td>2 CP</td><td>194</td></tr> <tr><td>TRACTION CONTROL LED (GREEN)</td><td>2 CP</td><td>194</td></tr> <tr><td>WATER IN FUEL LED (YELLOW)</td><td>2 CP</td><td>194</td></tr> <tr><td>PARK FLUID LED (RED)</td><td>2 CP</td><td>194</td></tr> <tr><td>CHECK ELECTRICAL SYSTEM LED (YELLOW)</td><td>2 CP</td><td>194</td></tr> <tr><td>PARK BRAKE LED (RED)</td><td>2 CP</td><td>194</td></tr> <tr><td>CRUISE CONTROL ACTIVE LED (YELLOW)</td><td>2 CP</td><td>194</td></tr> <tr><td>ANTILOCK BRAKING SYSTEM LED (YELLOW)</td><td>2 CP</td><td>194</td></tr> <tr><td>RIGHT TURN LED (GREEN)</td><td>2 CP</td><td>194</td></tr> <tr><td>COOLANT LEVEL LED (RED)</td><td>2 CP</td><td>194</td></tr> <tr><td>SEAT BELT LED (RED)</td><td>2 CP</td><td>194</td></tr> <tr><td>HIGH BEAM ICON LED (BLUE)</td><td>2 CP</td><td>194</td></tr> <tr><td>CHECK AIR CONDITIONER LED (YELLOW)</td><td>2 CP</td><td>82S272109-4</td></tr> <tr><td>MAP LIGHT</td><td>3 CP</td><td>1816</td></tr> <tr><td>SIDE MARKER</td><td>-</td><td>2548</td></tr> <tr><td>STOP & TURN/TAIL & LICENSE PLATE</td><td>32/3 CP</td><td>3157</td></tr> <tr><td>TURN SIGNAL/MARKER (FENDER)</td><td>32/3 CP</td><td>3157</td></tr> <tr><td>TURN SIGNAL & MARKER LIGHT</td><td>-</td><td>2356</td></tr> <tr><td>WORK (TRAILER HOOK)</td><td>35 WATT</td><td>4411</td></tr> <tr><td>BACK-UP LIGHTS-UPPER AND LOWER BUNK READING LIGHT</td><td>15 CP</td><td>1003</td></tr> <tr><td>CABINET / WARDROBE LIGHT</td><td>5 WATT</td><td>7575</td></tr> <tr><td>UNDER BUNK LIGHT</td><td>21 CP / 2 (12CP)</td><td>577 / 211</td></tr> <tr><td>ACCENT LIGHT</td><td>2 (12CP)</td><td>211</td></tr> <tr><td>DOVE LIGHT</td><td>15 WATT</td><td>F15T8-CW</td></tr> <tr><td>SLEEPER FLOOR LIGHT</td><td>4 CP</td><td>W5W</td></tr> <tr><td>HEATER AND AIR CONDITIONER CONTROL</td><td>3 CP</td><td>168</td></tr> <tr><td>LUGGAGE COMPARTMENT LIGHT</td><td>6 CP</td><td>99</td></tr> <tr><td>READING LIGHT</td><td>15 CP</td><td>1003</td></tr> </tbody> </table>				BULB APPLICATION	CANDLE POWER OR WATT	BULB TRADE NUMBER	BACK-UP LIGHT	32 CP	GE1156	CLEARANCE & IDENTIFICATION	3 CP	GE168	COURTESY LIGHT	21 CP	1142	DOVE LIGHTS	21 CP	1142	FOG LIGHT	100 WATT	4921-1	LOW BEAMS	55 WATT	GE9007	HIGH BEAMS	65 WATT	GE9007	CIGAR LIGHTER	1 CP	1455	GAUGE BACKLIGHT	2 CP	194	GAUGE WARNING LED (RED)	2 CP	194	COLD AMBIENT PROTECTION LED (RED)	2 CP	194	FUEL FILTER LED (YELLOW)	2 CP	194	WARN ENGINE LED (YELLOW)	2 CP	194	STOP ENGINE LED (RED)	2 CP	194	BRAKE PRESSURE LED	2 CP	194	CHECK TRANSMISSION LED	2 CP	194	TRAILER ABS LED	2 CP	194	LEFT TURN SIGNAL LED (GREEN)	2 CP	194	TRACTION CONTROL LED (GREEN)	2 CP	194	WATER IN FUEL LED (YELLOW)	2 CP	194	PARK FLUID LED (RED)	2 CP	194	CHECK ELECTRICAL SYSTEM LED (YELLOW)	2 CP	194	PARK BRAKE LED (RED)	2 CP	194	CRUISE CONTROL ACTIVE LED (YELLOW)	2 CP	194	ANTILOCK BRAKING SYSTEM LED (YELLOW)	2 CP	194	RIGHT TURN LED (GREEN)	2 CP	194	COOLANT LEVEL LED (RED)	2 CP	194	SEAT BELT LED (RED)	2 CP	194	HIGH BEAM ICON LED (BLUE)	2 CP	194	CHECK AIR CONDITIONER LED (YELLOW)	2 CP	82S272109-4	MAP LIGHT	3 CP	1816	SIDE MARKER	-	2548	STOP & TURN/TAIL & LICENSE PLATE	32/3 CP	3157	TURN SIGNAL/MARKER (FENDER)	32/3 CP	3157	TURN SIGNAL & MARKER LIGHT	-	2356	WORK (TRAILER HOOK)	35 WATT	4411	BACK-UP LIGHTS-UPPER AND LOWER BUNK READING LIGHT	15 CP	1003	CABINET / WARDROBE LIGHT	5 WATT	7575	UNDER BUNK LIGHT	21 CP / 2 (12CP)	577 / 211	ACCENT LIGHT	2 (12CP)	211	DOVE LIGHT	15 WATT	F15T8-CW	SLEEPER FLOOR LIGHT	4 CP	W5W	HEATER AND AIR CONDITIONER CONTROL	3 CP	168	LUGGAGE COMPARTMENT LIGHT	6 CP	99	READING LIGHT	15 CP	1003
BULB APPLICATION	CANDLE POWER OR WATT	BULB TRADE NUMBER																																																																																																																																											
BACK-UP LIGHT	32 CP	GE1156																																																																																																																																											
CLEARANCE & IDENTIFICATION	3 CP	GE168																																																																																																																																											
COURTESY LIGHT	21 CP	1142																																																																																																																																											
DOVE LIGHTS	21 CP	1142																																																																																																																																											
FOG LIGHT	100 WATT	4921-1																																																																																																																																											
LOW BEAMS	55 WATT	GE9007																																																																																																																																											
HIGH BEAMS	65 WATT	GE9007																																																																																																																																											
CIGAR LIGHTER	1 CP	1455																																																																																																																																											
GAUGE BACKLIGHT	2 CP	194																																																																																																																																											
GAUGE WARNING LED (RED)	2 CP	194																																																																																																																																											
COLD AMBIENT PROTECTION LED (RED)	2 CP	194																																																																																																																																											
FUEL FILTER LED (YELLOW)	2 CP	194																																																																																																																																											
WARN ENGINE LED (YELLOW)	2 CP	194																																																																																																																																											
STOP ENGINE LED (RED)	2 CP	194																																																																																																																																											
BRAKE PRESSURE LED	2 CP	194																																																																																																																																											
CHECK TRANSMISSION LED	2 CP	194																																																																																																																																											
TRAILER ABS LED	2 CP	194																																																																																																																																											
LEFT TURN SIGNAL LED (GREEN)	2 CP	194																																																																																																																																											
TRACTION CONTROL LED (GREEN)	2 CP	194																																																																																																																																											
WATER IN FUEL LED (YELLOW)	2 CP	194																																																																																																																																											
PARK FLUID LED (RED)	2 CP	194																																																																																																																																											
CHECK ELECTRICAL SYSTEM LED (YELLOW)	2 CP	194																																																																																																																																											
PARK BRAKE LED (RED)	2 CP	194																																																																																																																																											
CRUISE CONTROL ACTIVE LED (YELLOW)	2 CP	194																																																																																																																																											
ANTILOCK BRAKING SYSTEM LED (YELLOW)	2 CP	194																																																																																																																																											
RIGHT TURN LED (GREEN)	2 CP	194																																																																																																																																											
COOLANT LEVEL LED (RED)	2 CP	194																																																																																																																																											
SEAT BELT LED (RED)	2 CP	194																																																																																																																																											
HIGH BEAM ICON LED (BLUE)	2 CP	194																																																																																																																																											
CHECK AIR CONDITIONER LED (YELLOW)	2 CP	82S272109-4																																																																																																																																											
MAP LIGHT	3 CP	1816																																																																																																																																											
SIDE MARKER	-	2548																																																																																																																																											
STOP & TURN/TAIL & LICENSE PLATE	32/3 CP	3157																																																																																																																																											
TURN SIGNAL/MARKER (FENDER)	32/3 CP	3157																																																																																																																																											
TURN SIGNAL & MARKER LIGHT	-	2356																																																																																																																																											
WORK (TRAILER HOOK)	35 WATT	4411																																																																																																																																											
BACK-UP LIGHTS-UPPER AND LOWER BUNK READING LIGHT	15 CP	1003																																																																																																																																											
CABINET / WARDROBE LIGHT	5 WATT	7575																																																																																																																																											
UNDER BUNK LIGHT	21 CP / 2 (12CP)	577 / 211																																																																																																																																											
ACCENT LIGHT	2 (12CP)	211																																																																																																																																											
DOVE LIGHT	15 WATT	F15T8-CW																																																																																																																																											
SLEEPER FLOOR LIGHT	4 CP	W5W																																																																																																																																											
HEATER AND AIR CONDITIONER CONTROL	3 CP	168																																																																																																																																											
LUGGAGE COMPARTMENT LIGHT	6 CP	99																																																																																																																																											
READING LIGHT	15 CP	1003																																																																																																																																											
CHK	DATE	CHANGE	REV	REFERENCE	DRAWN	NAME																																																																																																																																							
-	-	INITIAL RELEASE.	A	92159Y	310615	CIRCUIT DIAGRAM, 9900																																																																																																																																							
					RELEASE NO.	DATE	PART NO.																																																																																																																																						
					92159Y	06AUG13	AE08076113																																																																																																																																						
							SHEET 007																																																																																																																																						

Figure 7 Lamp Bulb Chart.

2.8. RELAY FUNCTION AND WIRING GUIDE, P. 8

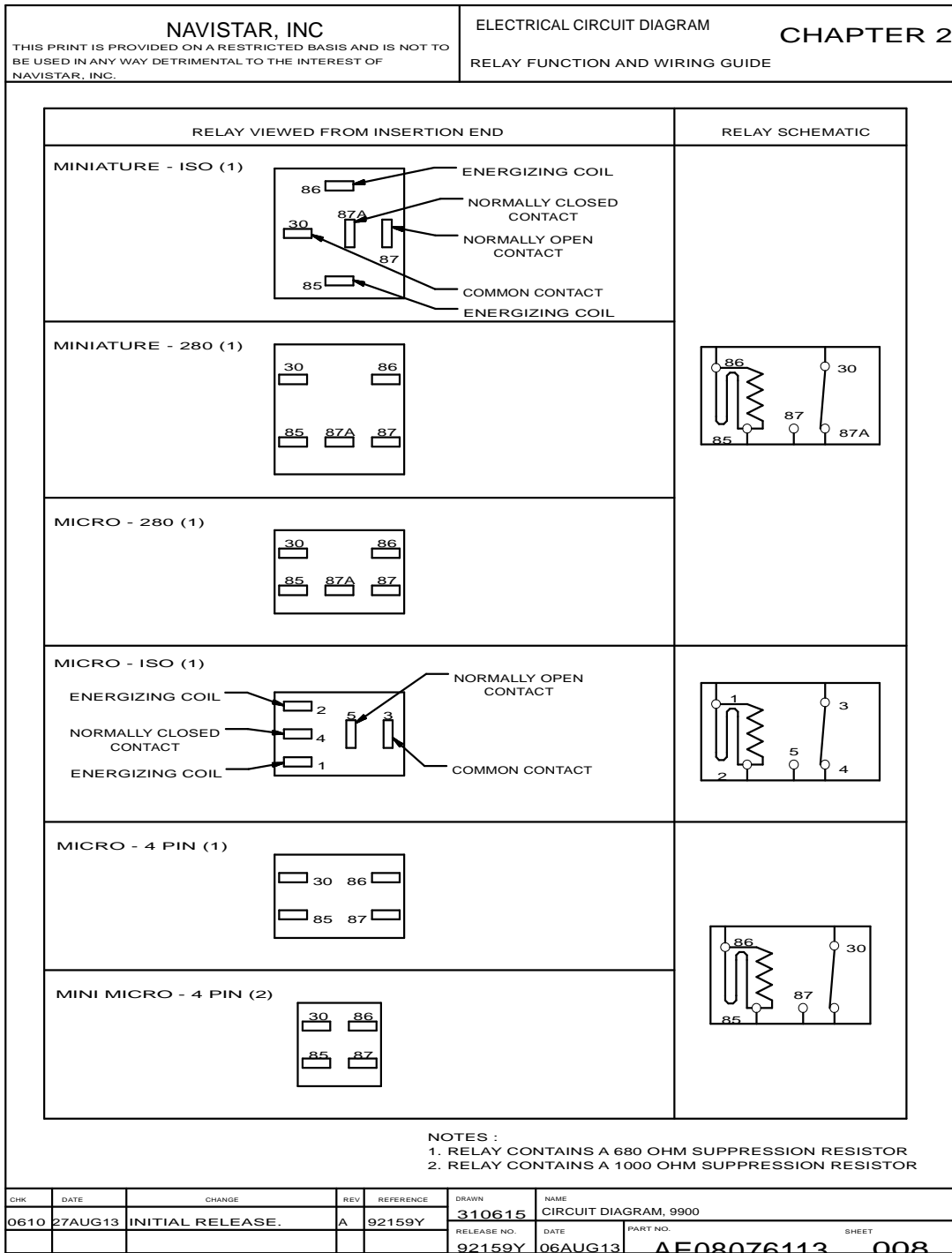


Figure 8 Relay Function and Wiring Guide.

2.9. SCHEMATIC SYMBOL CHART, P. 9

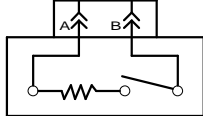
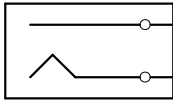
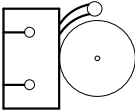
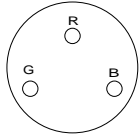

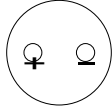

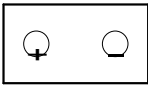
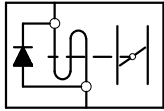
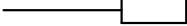

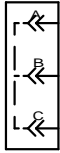

NAVISTAR, INC <small>THIS PRINT IS PROVIDED ON A RESTRICTED BASIS AND IS NOT TO BE USED IN ANY WAY DETRIMENTAL TO THE INTEREST OF NAVISTAR, INC.</small>				ELECTRICAL CIRCUIT DIAGRAM		CHAPTER 2	
				SCHEMATIC SYMBOL CHART			
SYMBOL		DESCRIPTION		SYMBOL		DESCRIPTION	
		AIR DRYER				CIGAR LIGHTER	
		ALARM		TYPE 1 TYPE 2 OR 3		CIRCUIT BREAKER	
		ALTERNATOR				DIODE	
		AMMETER				DIODE, LIGHT EMITTING	
		BATTERY				FAN SOLENOID	
		BLUNT CUT CIRCUIT				FEMALE TERMINAL	
		BUSBAR				FUSE	
CHK	DATE	CHANGE	REV	REFERENCE	DRAWN	NAME	
-	-	INITIAL RELEASE.	A	92159Y	310615	CIRCUIT DIAGRAM, 9900	
					RELEASE NO.	DATE	PART NO.
					92159Y	06AUG13	AE08076113
							SHEET 009

Figure 9 Schematic Symbol Chart.

2.10. SCHEMATIC SYMBOL CHART (CONT.), P. 10

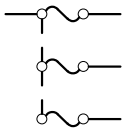
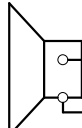

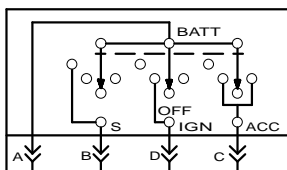
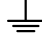
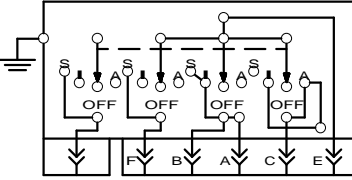

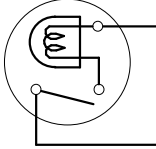
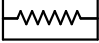
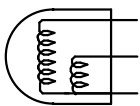
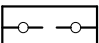
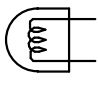
NAVISTAR, INC <small>THIS PRINT IS PROVIDED ON A RESTRICTED BASIS AND IS NOT TO BE USED IN ANY WAY DETRIMENTAL TO THE INTEREST OF NAVISTAR, INC.</small>					ELECTRICAL CIRCUIT DIAGRAM CHAPTER 2 SCHEMATIC SYMBOL CHART (CONT)				
SYMBOL					SYMBOL				
	FUSES W/ BUSBAR					HORN			
	FUSIBLE LINK					KEY SWITCH			
	GROUND N/ STUD					KEY SWITCH, COMPLEX			
	GROUND W/ STUD					LIGHT W/ SWITCH			
	HEATER					LIGHT, DOUBLE FILAMENT			
	HOLDER, FUSE W/ BUSBAR					LIGHT, SINGLE FILAMENT			
CHK	DATE	CHANGE	REV	REFERENCE	DRAWN	NAME			
0610	27AUG13	INITIAL RELEASE.	A	92159Y	310615	CIRCUIT DIAGRAM, 9900			
					RELEASE NO.	DATE	PART NO.	SHEET	
					92159Y	06AUG13	AE08076113	010	

Figure 10 Schematic Symbol Chart (Cont.)

2.11. SCHEMATIC SYMBOL CHART (CONT.), P. 11

NAVISTAR, INC <small>THIS PRINT IS PROVIDED ON A RESTRICTED BASIS AND IS NOT TO BE USED IN ANY WAY DETRIMENTAL TO THE INTEREST OF NAVISTAR, INC.</small>				ELECTRICAL CIRCUIT DIAGRAM CHAPTER 2	
				SCHEMATIC SYMBOL CHART (CONT)	
SYMBOL		DESCRIPTION		SYMBOL	
		MALE TERMINAL			RESISTOR
		MOTOR			SENDER - FUEL, OIL, TEMP, WATER
		PASS THRU CONNECTION			SENSOR, PRESSURE. ABS 6
		PRESSURE SWITCH			SENSOR, MAGNETIC
		RELAY, FIVE TERMINAL			SENSOR, YAW
		RELAY, FOUR TERMINAL			SOLENOID
		RELAY, LATCHING			SOLENOID W/ DIODE

CHK	DATE	CHANGE	REV	REFERENCE	DRAWN	NAME
0610	27AUG13	INITIAL RELEASE.	A	92159Y	310615	CIRCUIT DIAGRAM, 9900
					RELEASE NO.	DATE
					92159Y	06AUG13
					PART NO.	SHEET
					AE08076113	011

Figure 11 Schematic Symbol Chart (Cont.)

2.12. SCHEMATIC SYMBOL CHART (CONT.), P. 12

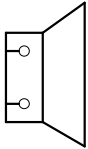
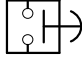

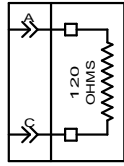

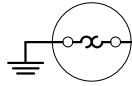
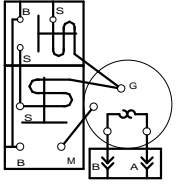
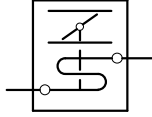
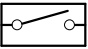
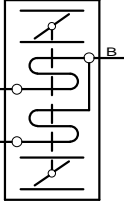
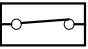

NAVISTAR, INC <small>THIS PRINT IS PROVIDED ON A RESTRICTED BASIS AND IS NOT TO BE USED IN ANY WAY DETRIMENTAL TO THE INTEREST OF NAVISTAR, INC.</small>					ELECTRICAL CIRCUIT DIAGRAM CHAPTER 2 SCHEMATIC SYMBOL CHART (CONT)				
SYMBOL					SYMBOL				
	SPEAKER					SWITCH, PUSH BUTTON			
	SPLICE					TERMINATING RESISTOR			
	STUD					THERMOSTAT			
	START MOTOR W/ TOCP					VALVE, ETHER BOTTLE			
	SWITCH, MECHANICAL (NORMALLY OPEN)					VALVE, MODULATOR			
	SWITCH, MECHANICAL (NORMALLY CLOSED)					THERMISTOR			
CHK	DATE	CHANGE	REV	REFERENCE	DRAWN	NAME			
-	-	INITIAL RELEASE.	A	92159Y	310615	CIRCUIT DIAGRAM, 9900			
					RELEASE NO.	DATE	PART NO.	SHEET	
					92159Y	06AUG13	AE08076113	012	

Figure 12 Schematic Symbol Chart (Cont.)

12 VOLT POWER DISTRIBUTION AND DATA LINK (CHAPTER 3)

3.1. BATTERY FEED WITH ENGINE BRAKE, P. 1

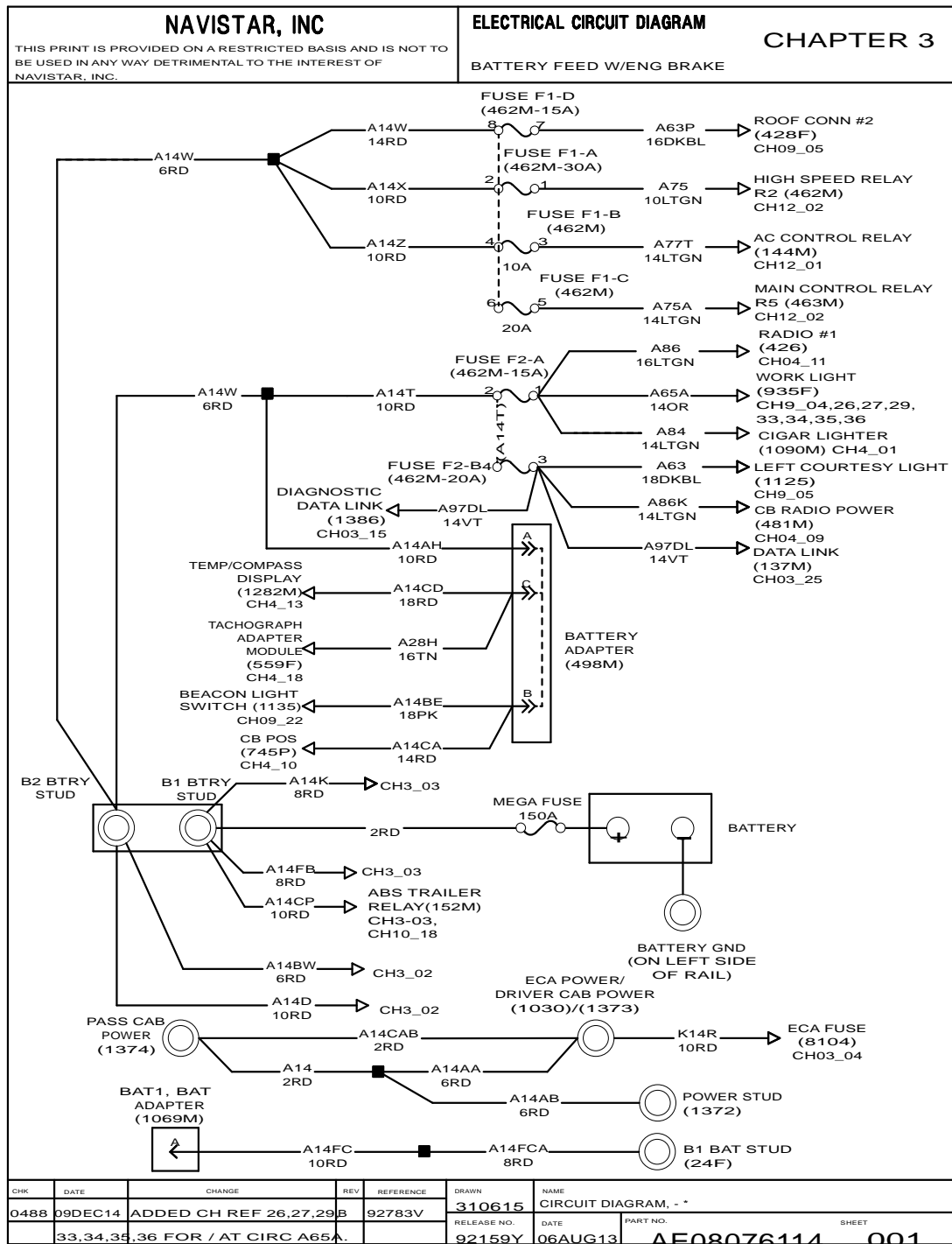


Figure 13 Battery Feed with Engine Brake.

3.2. BATTERY FEED WITH ENGINE BRAKE (CONT.), P. 2

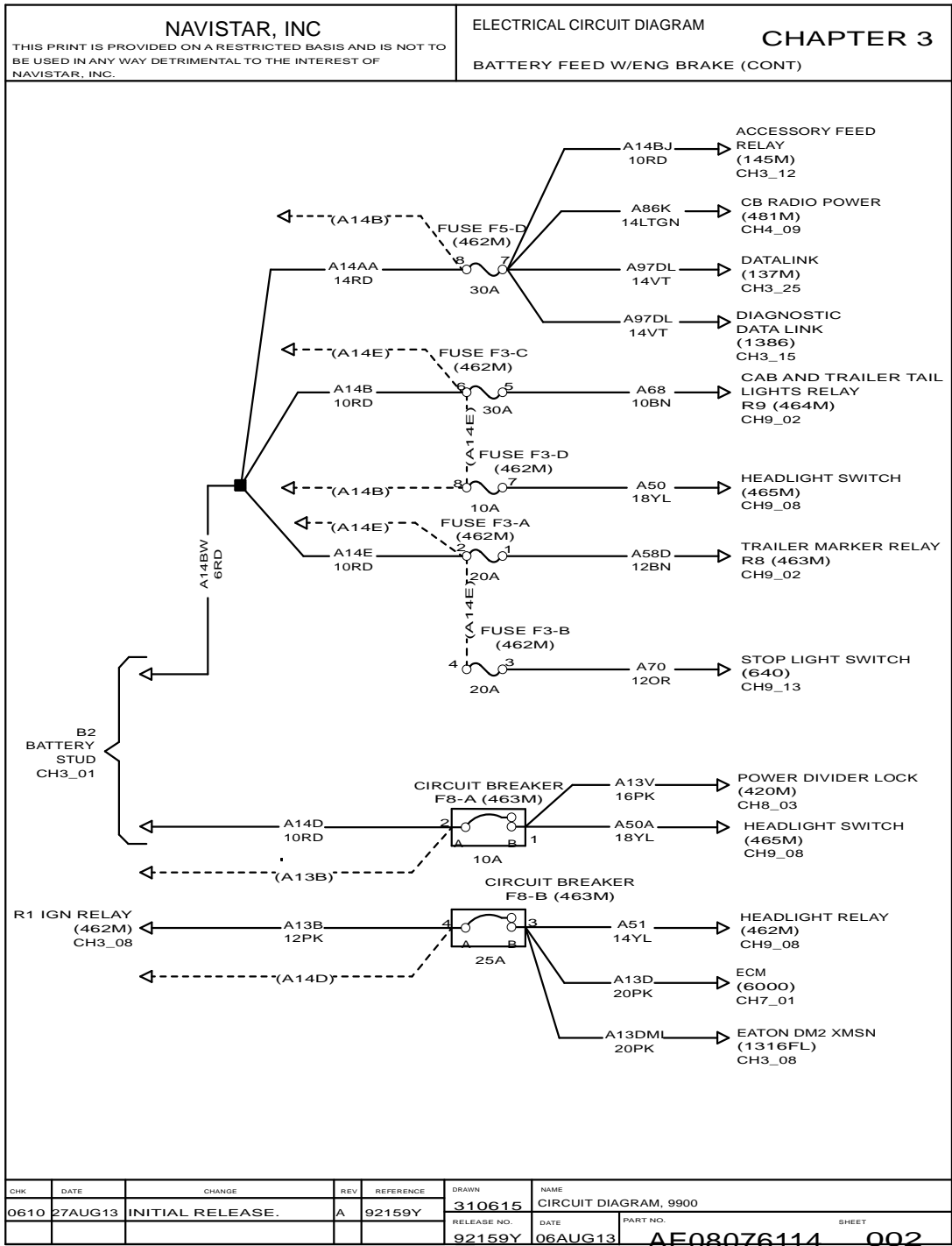


Figure 14 Battery Feed with Engine Brake (Cont.)

3.3. BATTERY FEED WITH ENGINE BRAKE (CONT.), P. 3

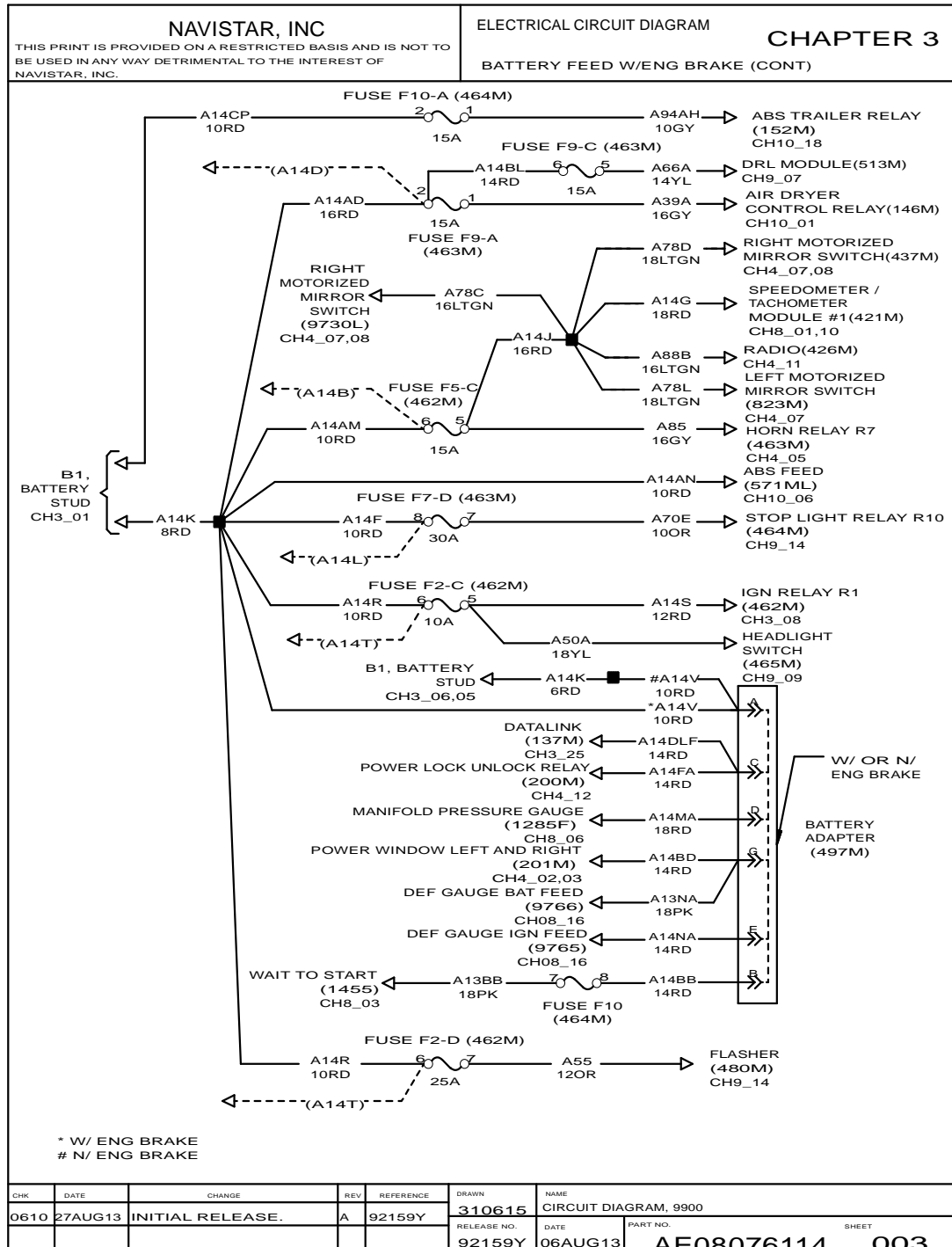


Figure 15 Battery Feed with Engine Brake (Cont.)

3.4. BATTERY FEED WITH ENGINE BRAKE (CONT.), P. 4

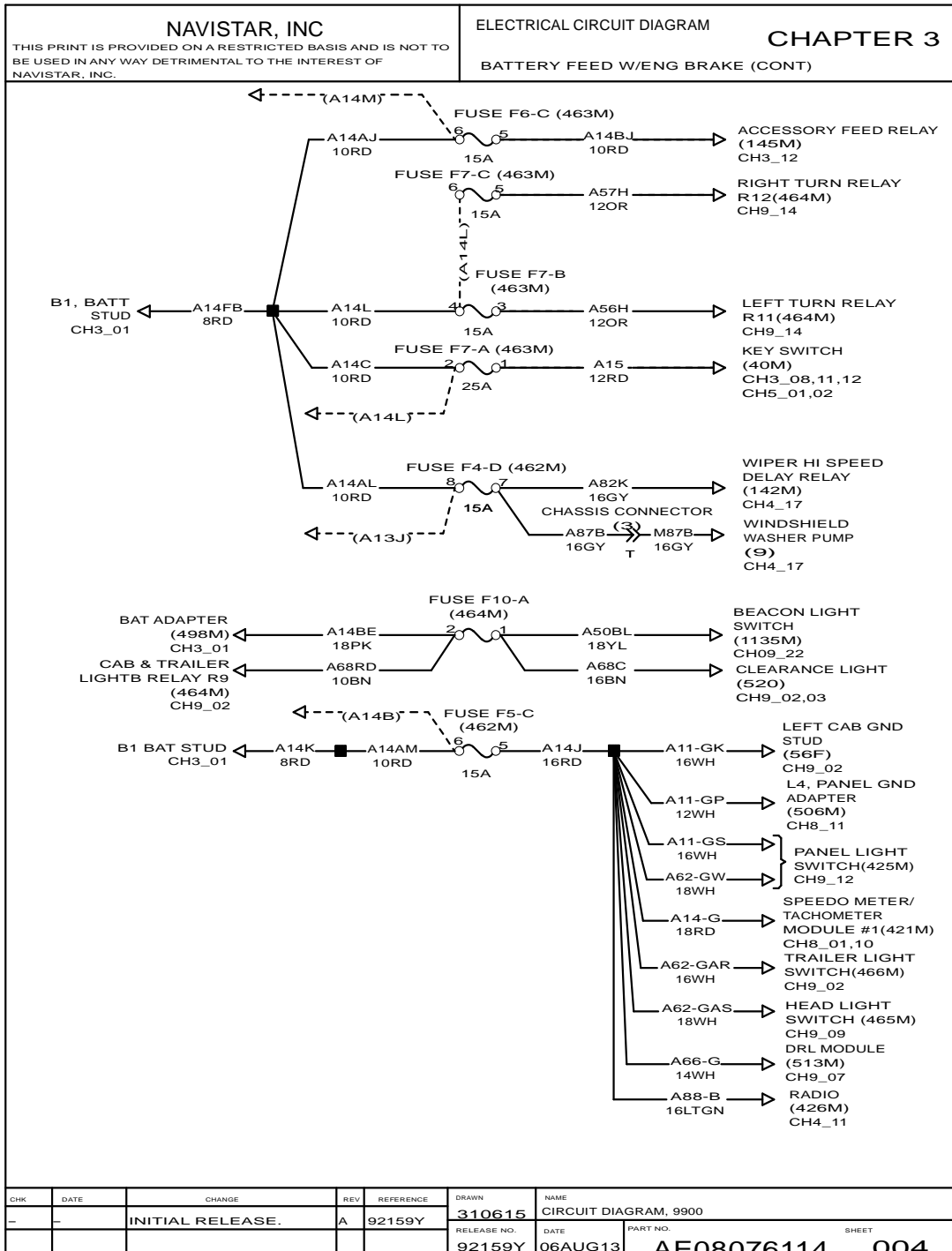


Figure 16 Battery Feed with Engine Brake (Cont.)

3.5. BATTERY FEED WITHOUT ENGINE BRAKE, P. 5

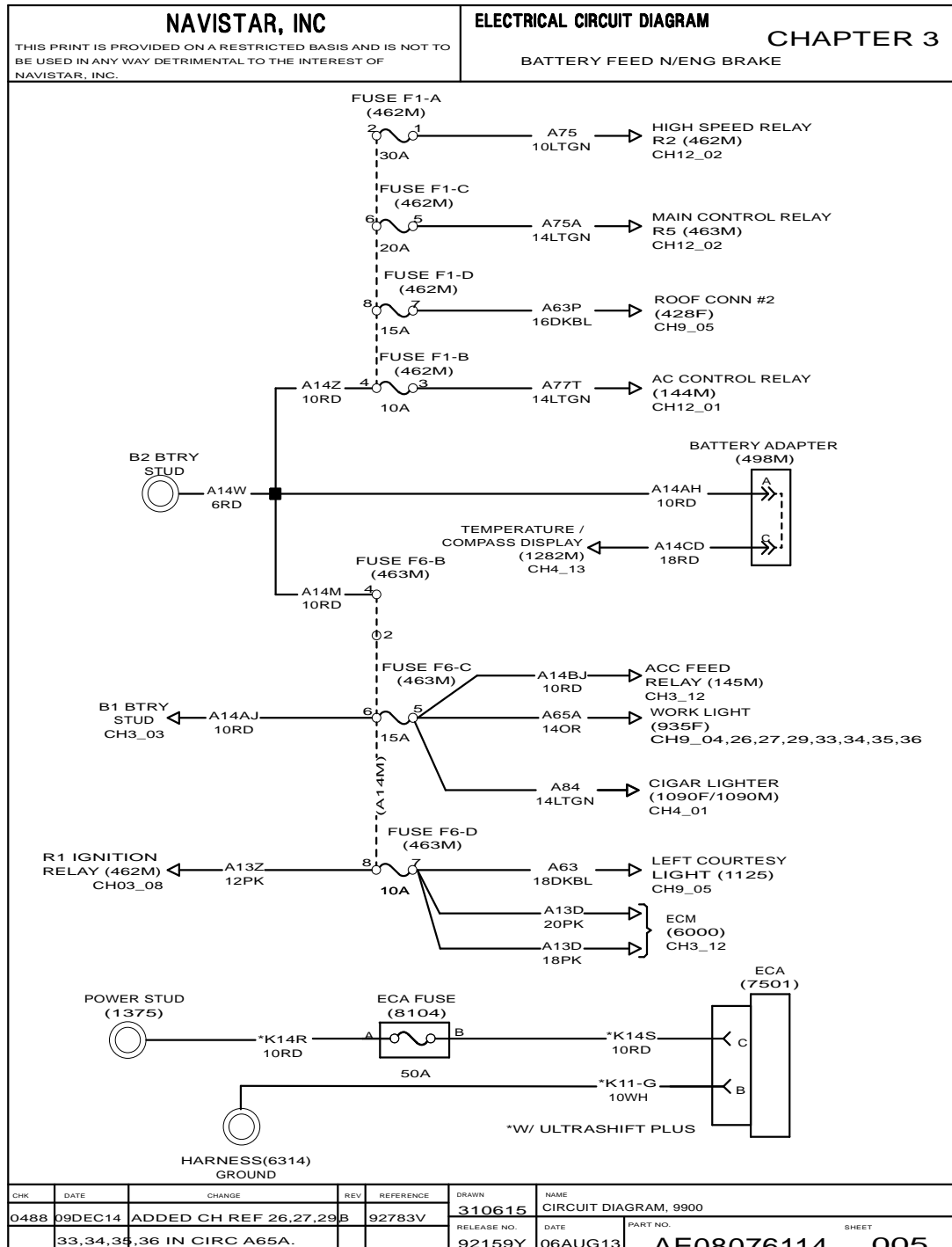


Figure 17 Battery Feed without Engine Brake.

3.6. BATTERY FEED WITHOUT ENGINE BRAKE (CONT.), P. 6

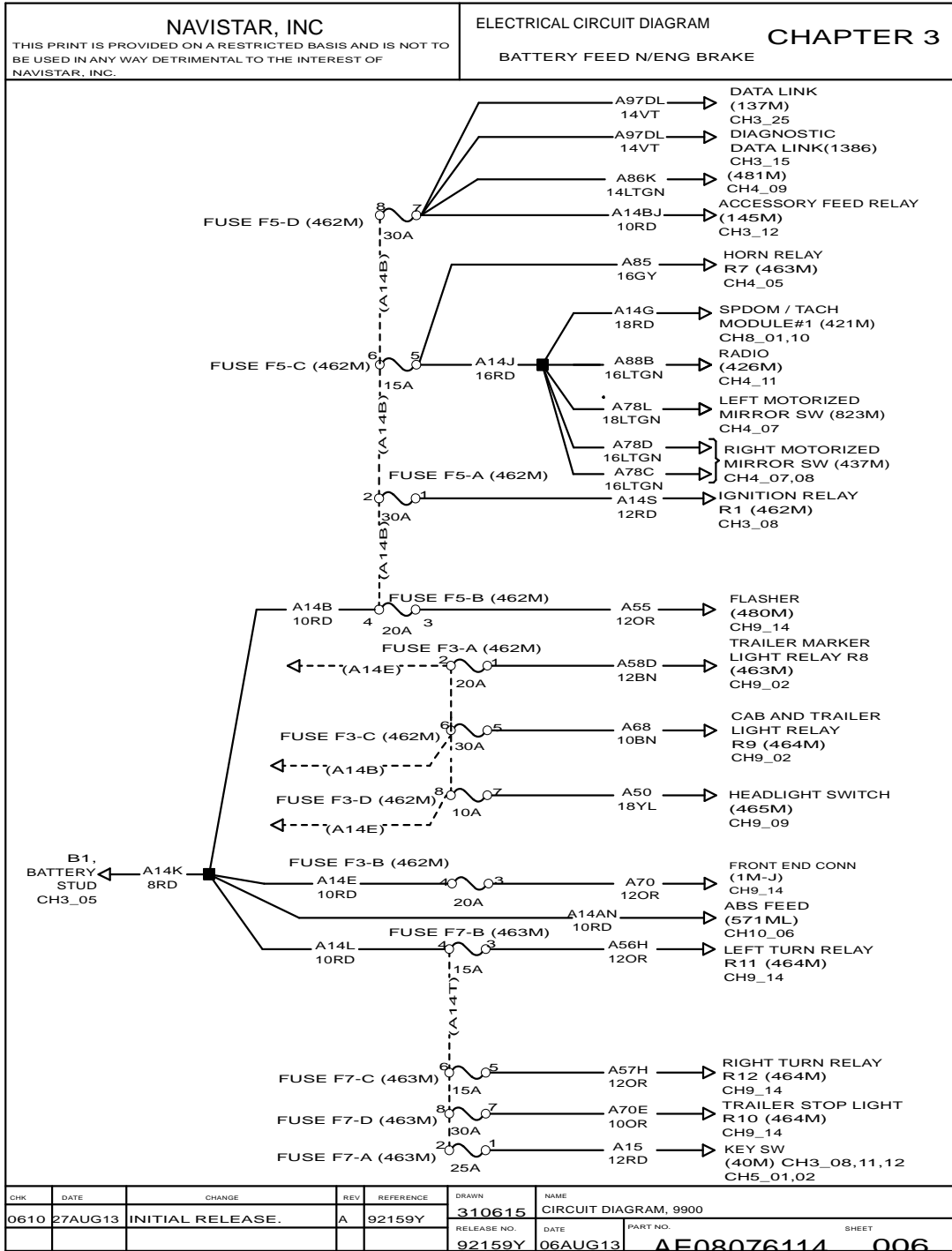


Figure 18 Battery Feed without Engine Brake (Cont.)

3.7. BATTERY FEED WITHOUT ENGINE BRAKE (CONT.), P. 7

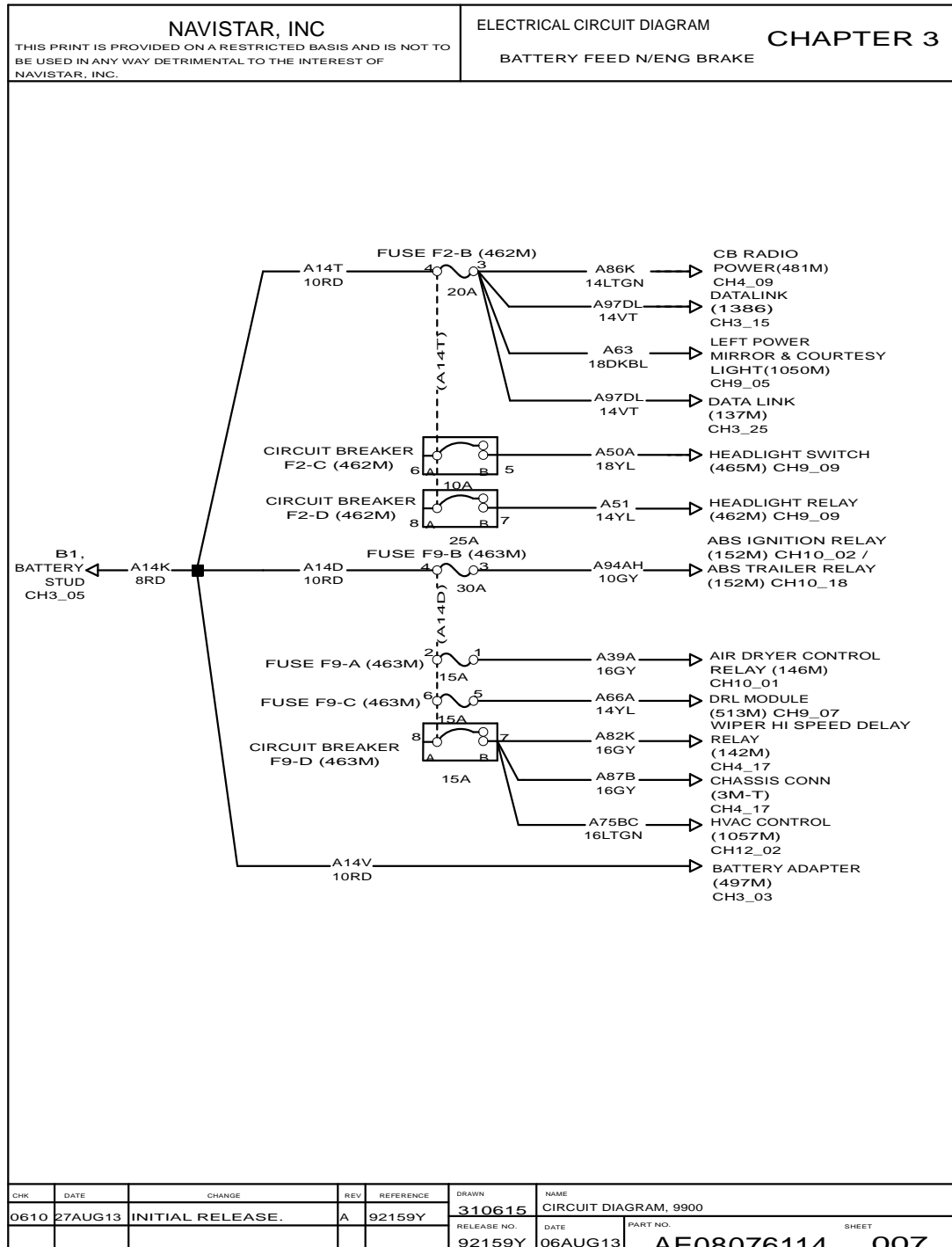


Figure 19 Battery Feed without Engine Brake (Cont.)

3.8. IGNITION FEED, P. 8

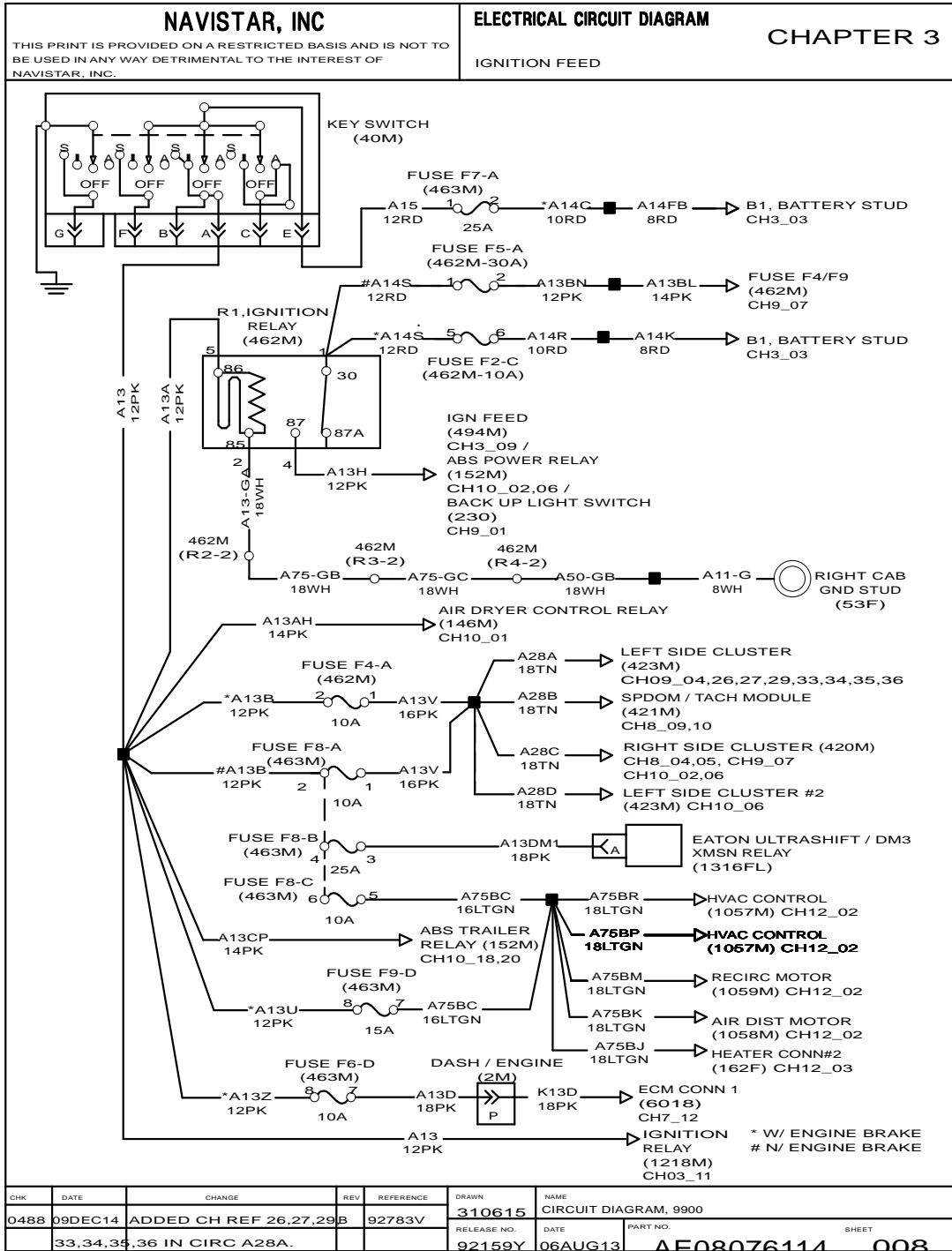


Figure 20 Ignition Feed.

3.10. IGNITION FEED (CONT.), P. 10

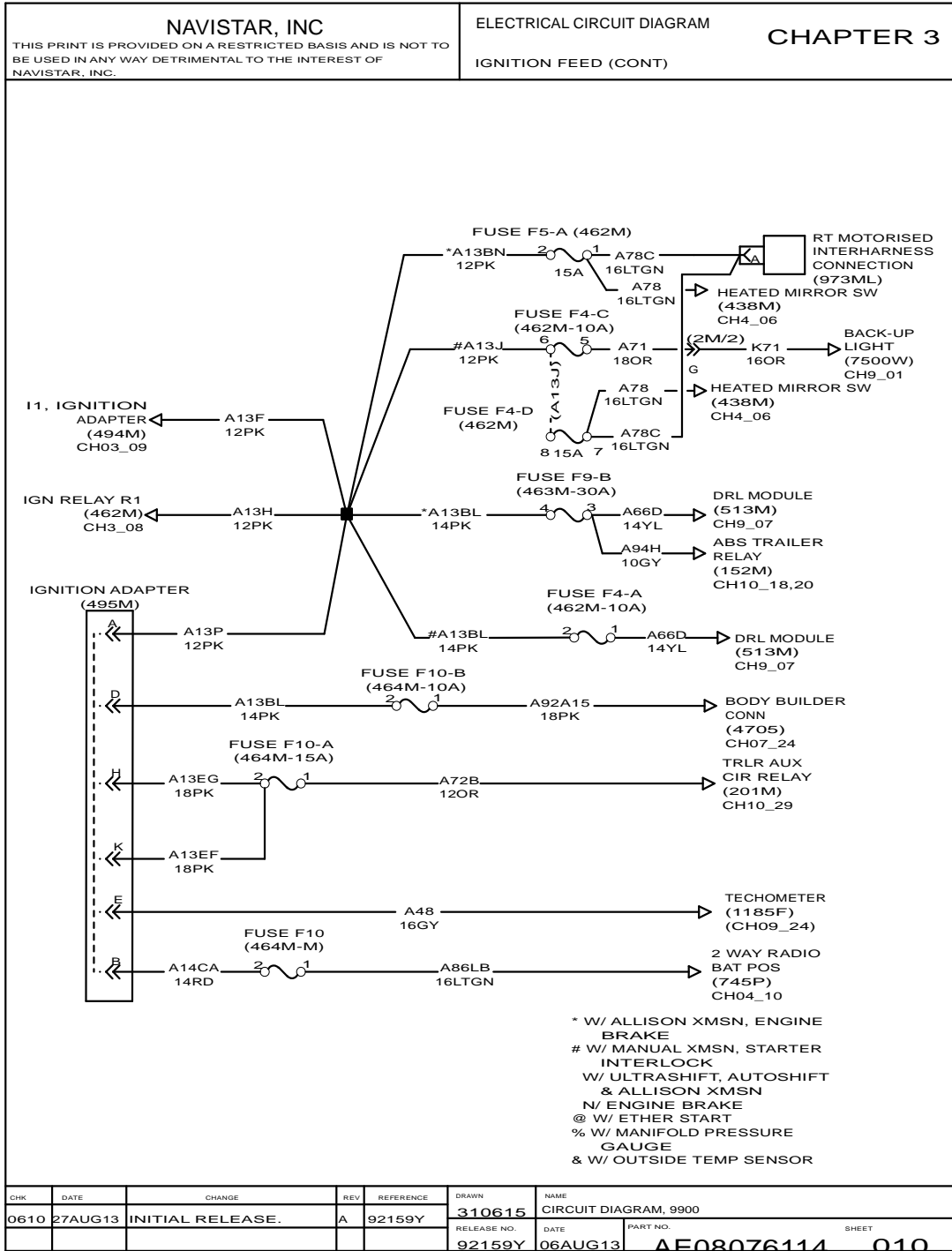


Figure 22 Ignition Feed (Cont.)

3.11. POWER FEED, P. 11

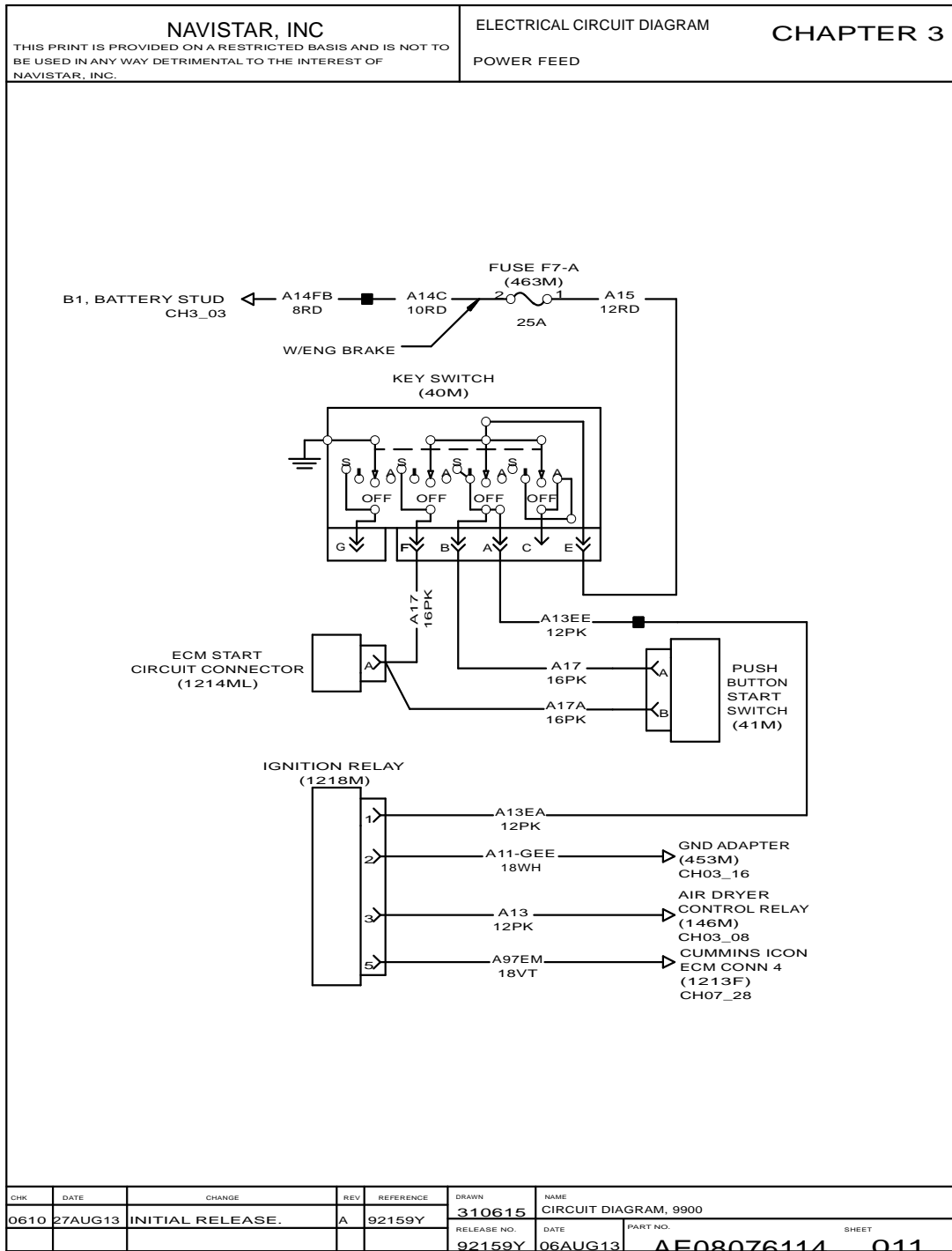


Figure 23 Power Feed.

3.12. ACCESSORY FEED, P. 12

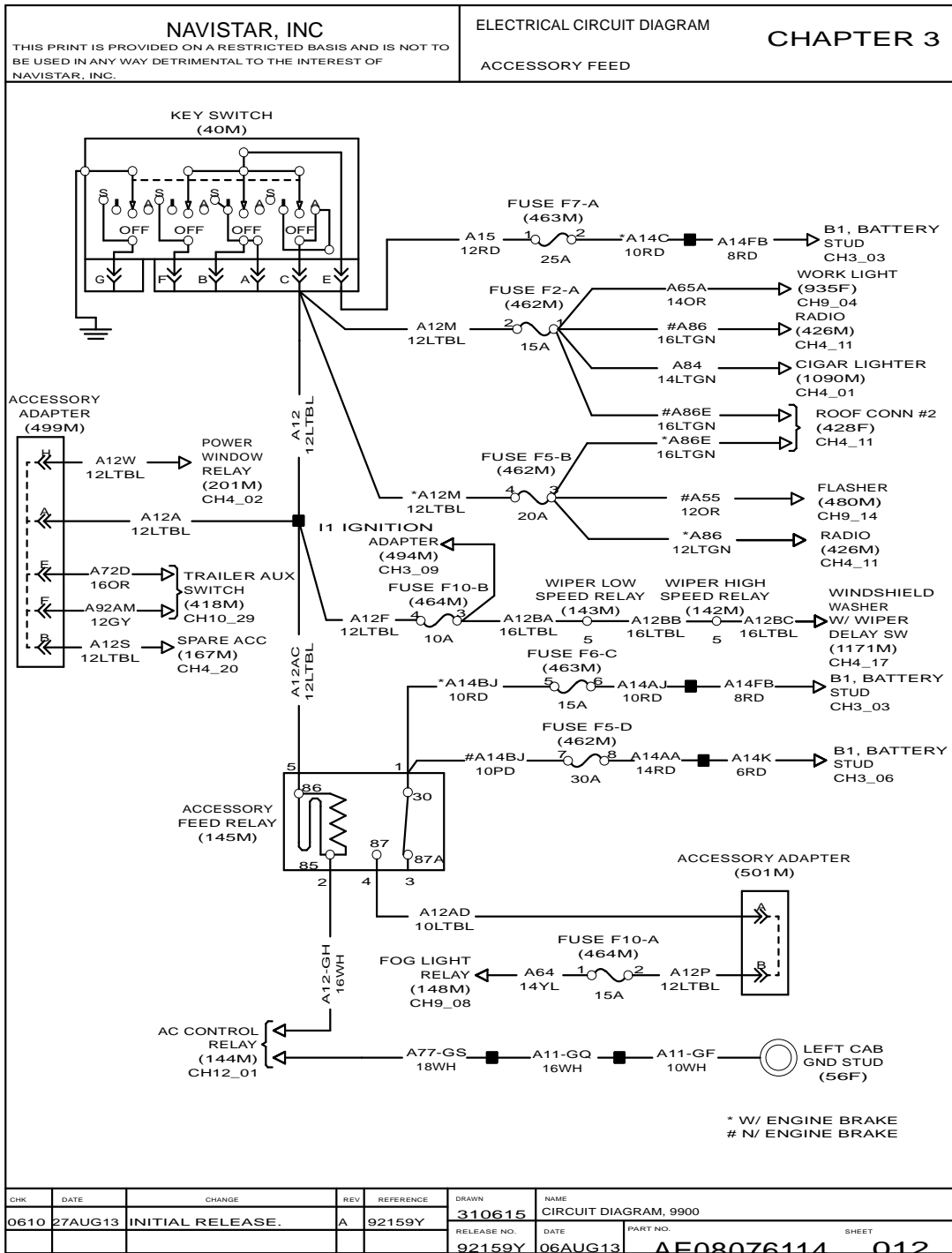


Figure 24 Accessory Feed.

3.13. CAB J1939 DATA LINK, P. 13

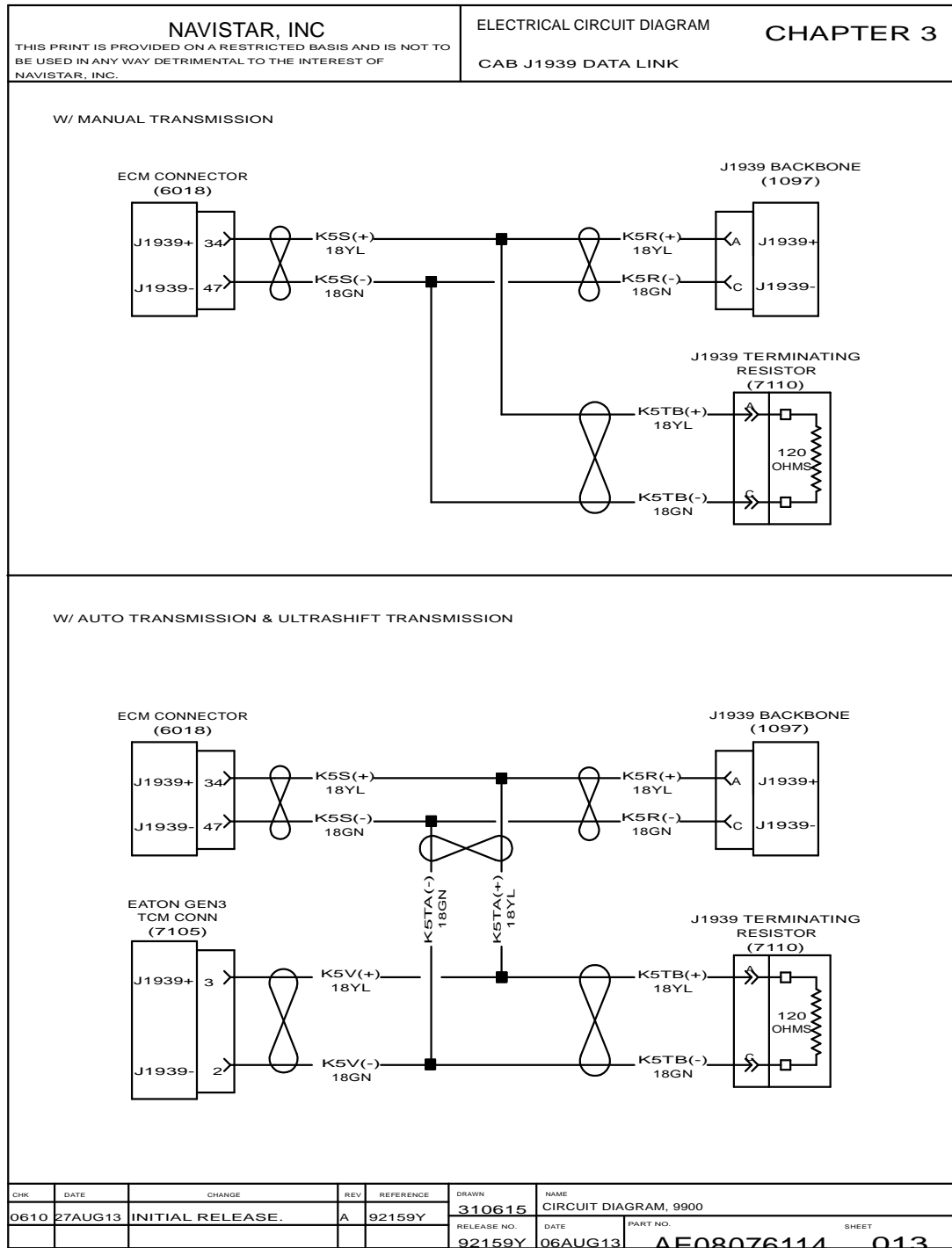


Figure 25 Cab J1939 Data Link.

3.14. CAB J1939 DATA LINK (CONT.), P. 14

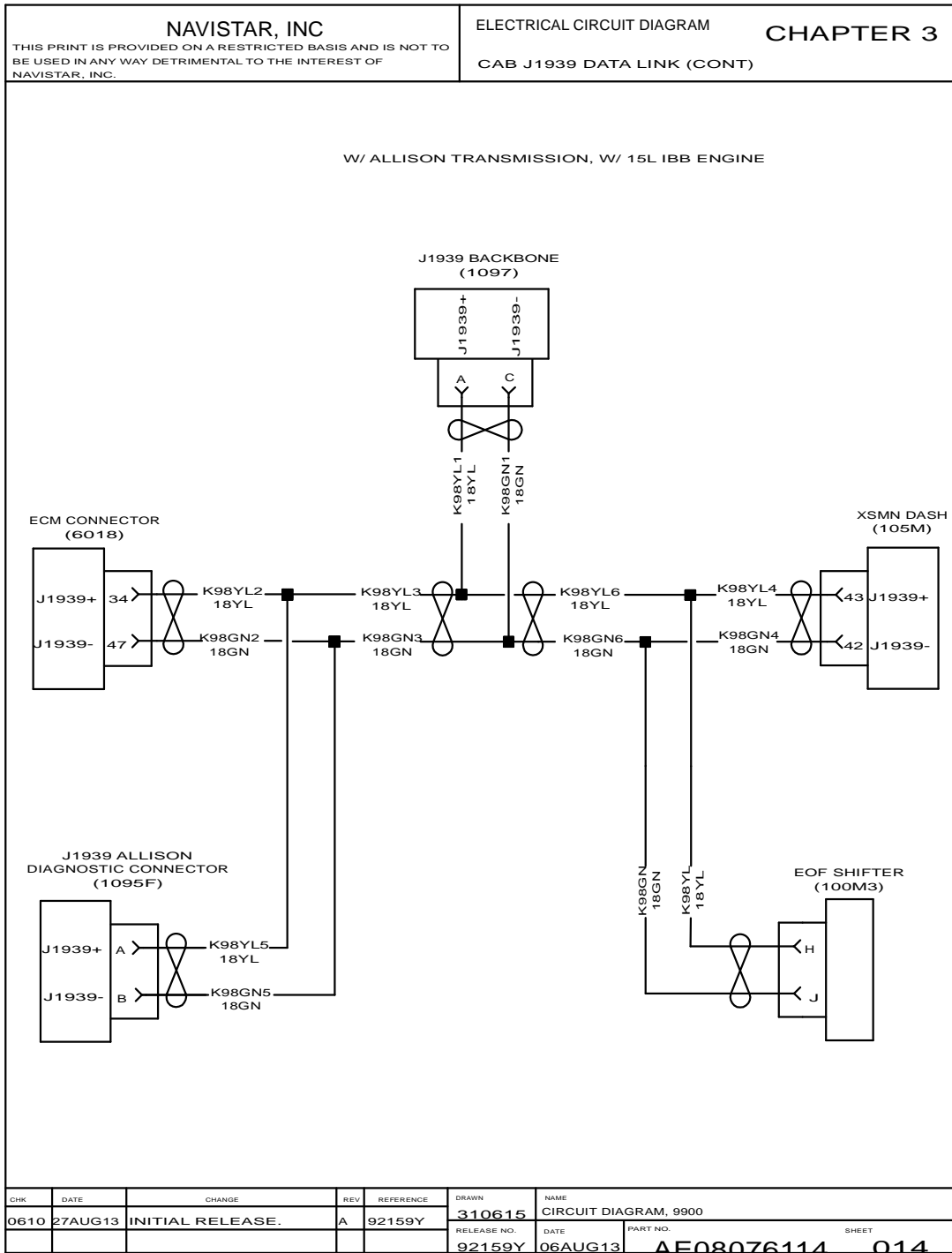


Figure 26 Cab J1939 Data Link (Cont.)

3.15. DIAGNOSTIC DATA LINK, P. 15

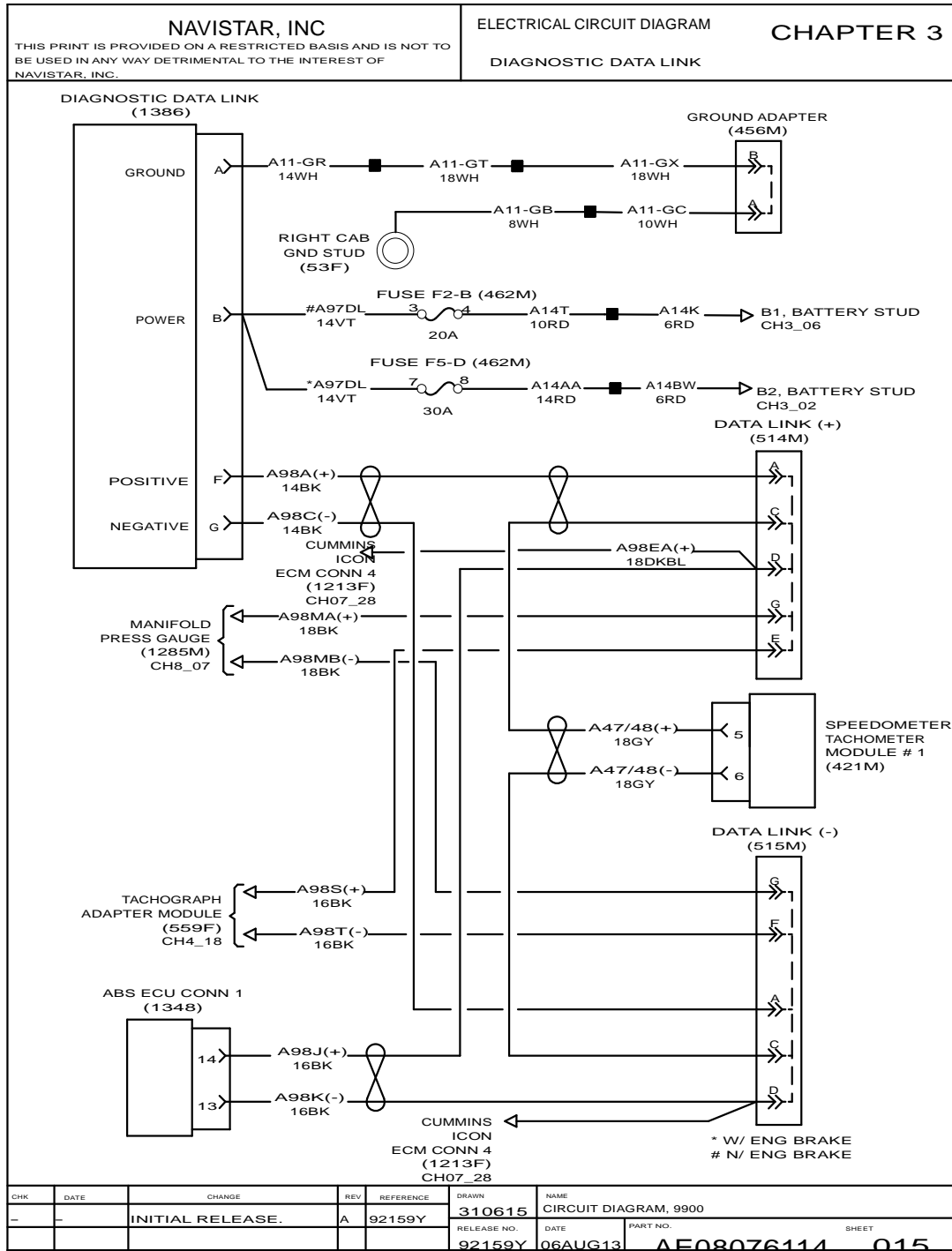


Figure 27 Diagnostic Data Link.

3.16. GROUND – IP, P. 16

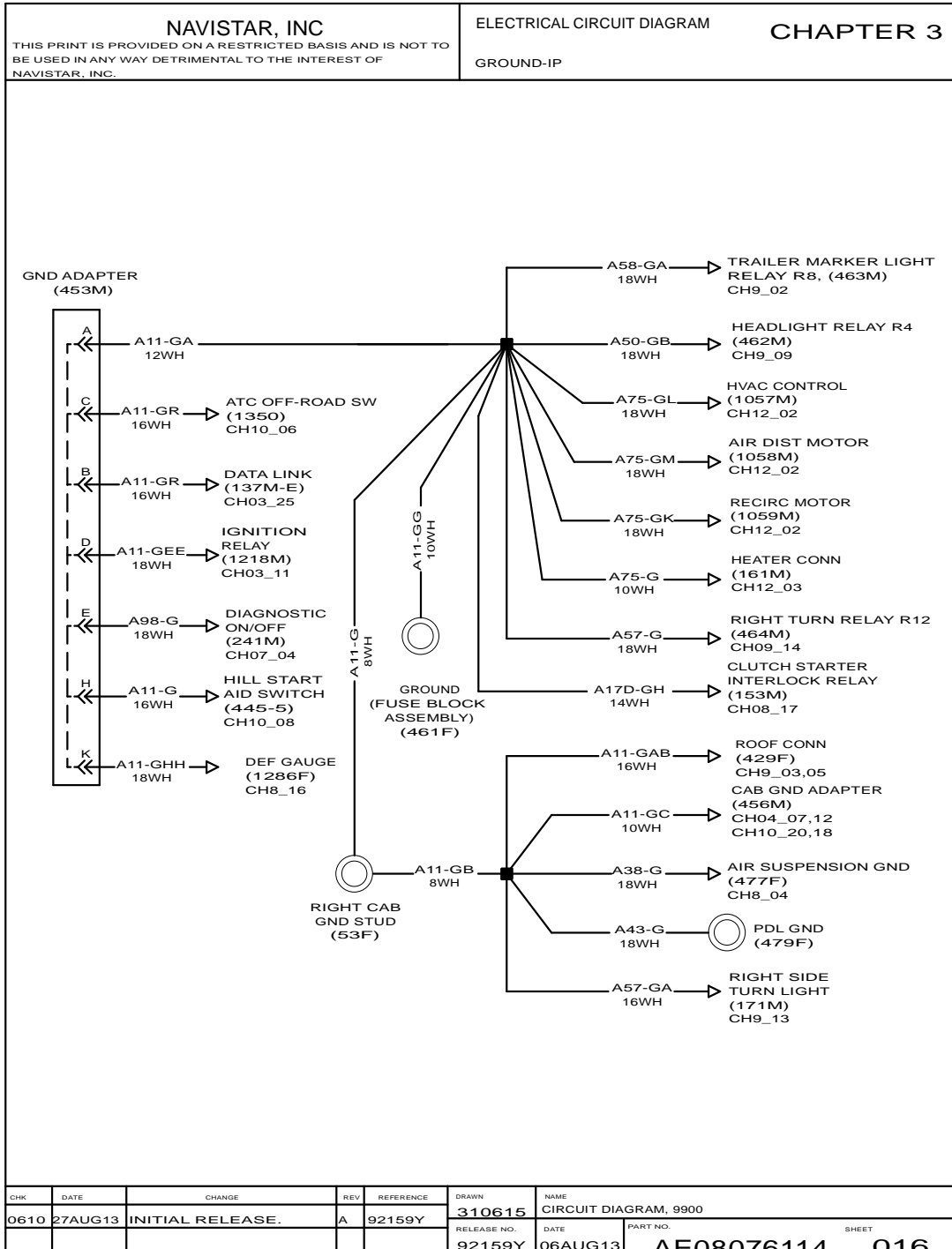


Figure 28 Ground – IP.

3.17. GROUND – IP (CONT.), P. 17

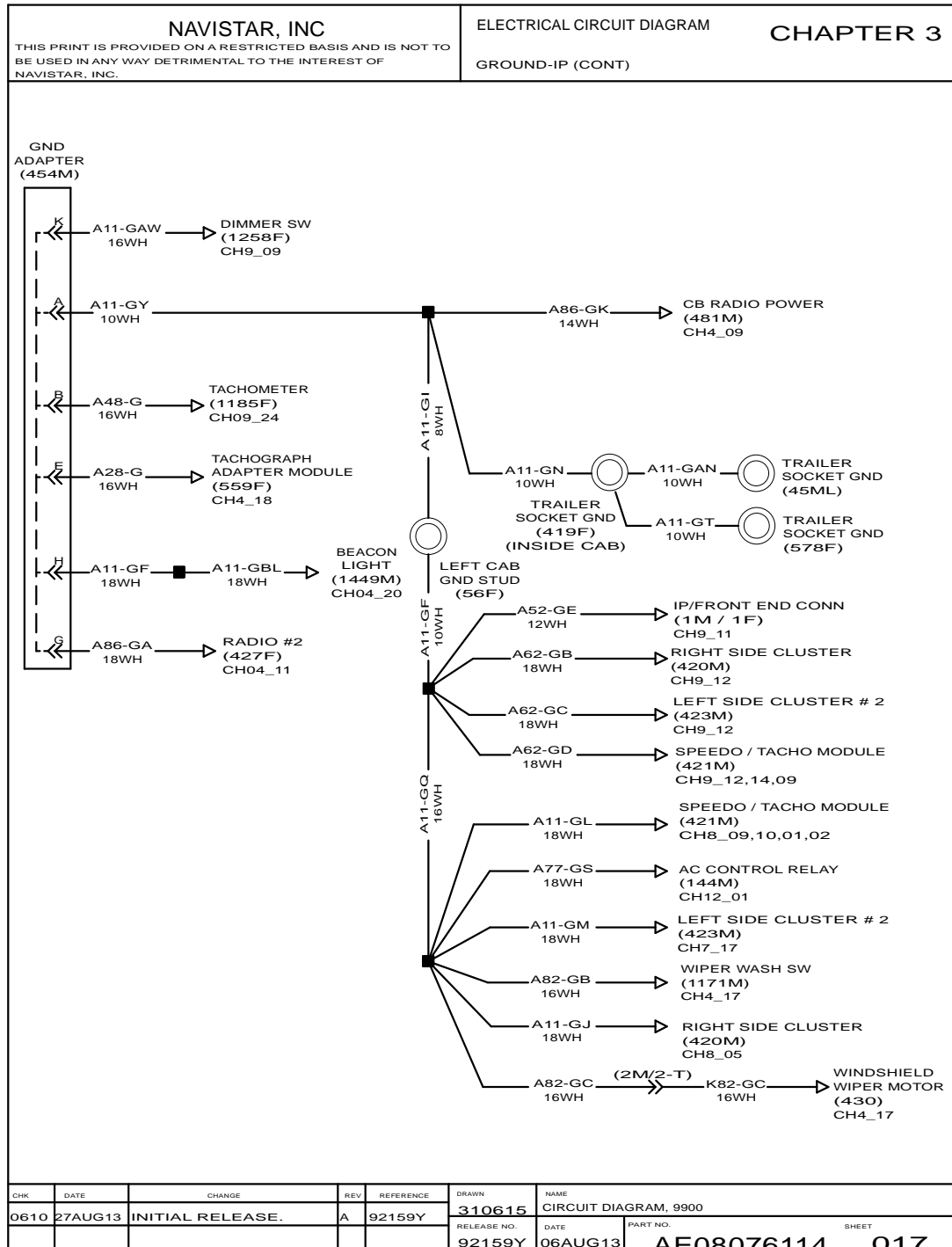


Figure 29 Ground – IP (Cont.)

3.18. GROUND – IP (CONT.), P. 18

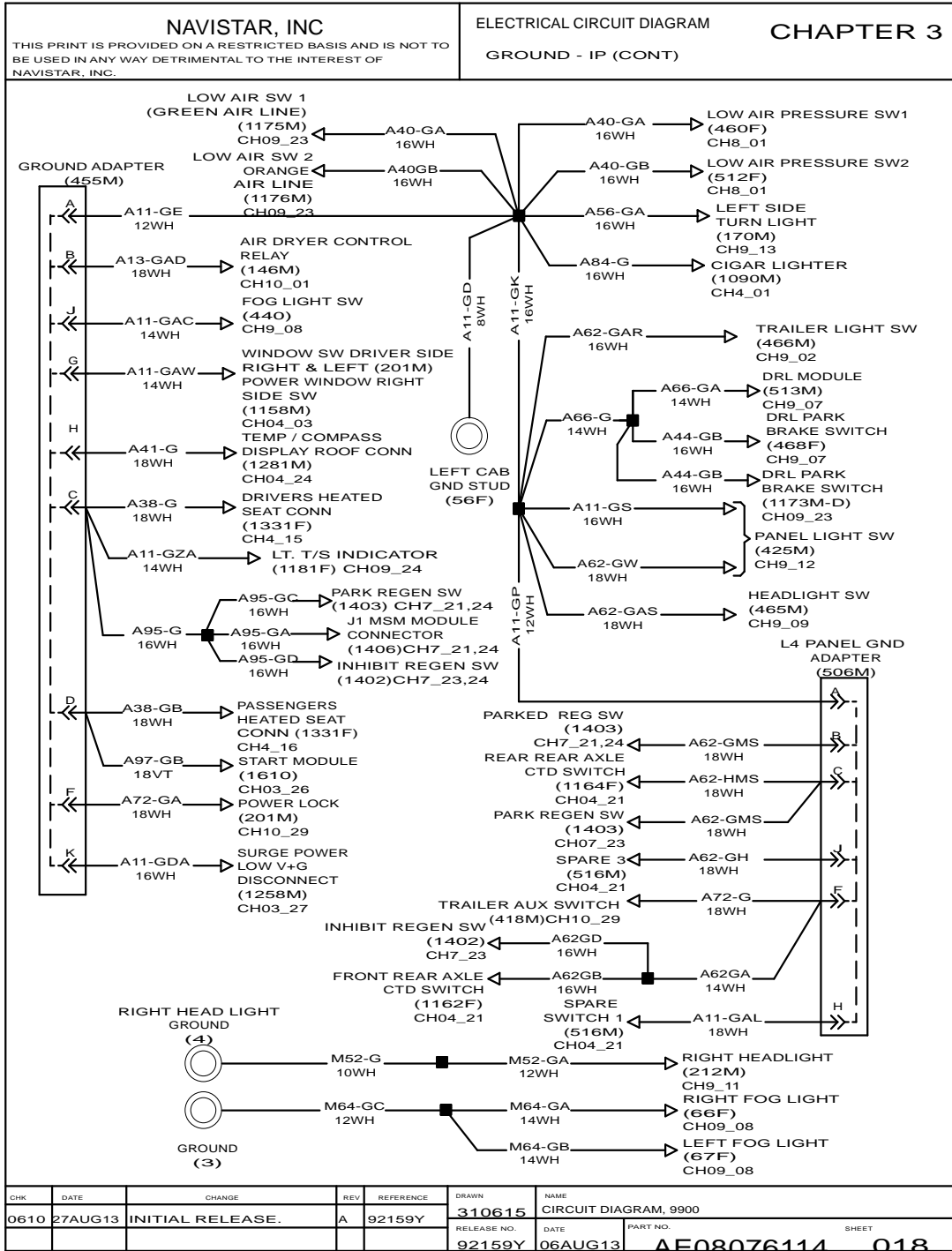


Figure 30 Ground – IP (Cont.)

3.19. GROUND – IP (CONT.), P. 19

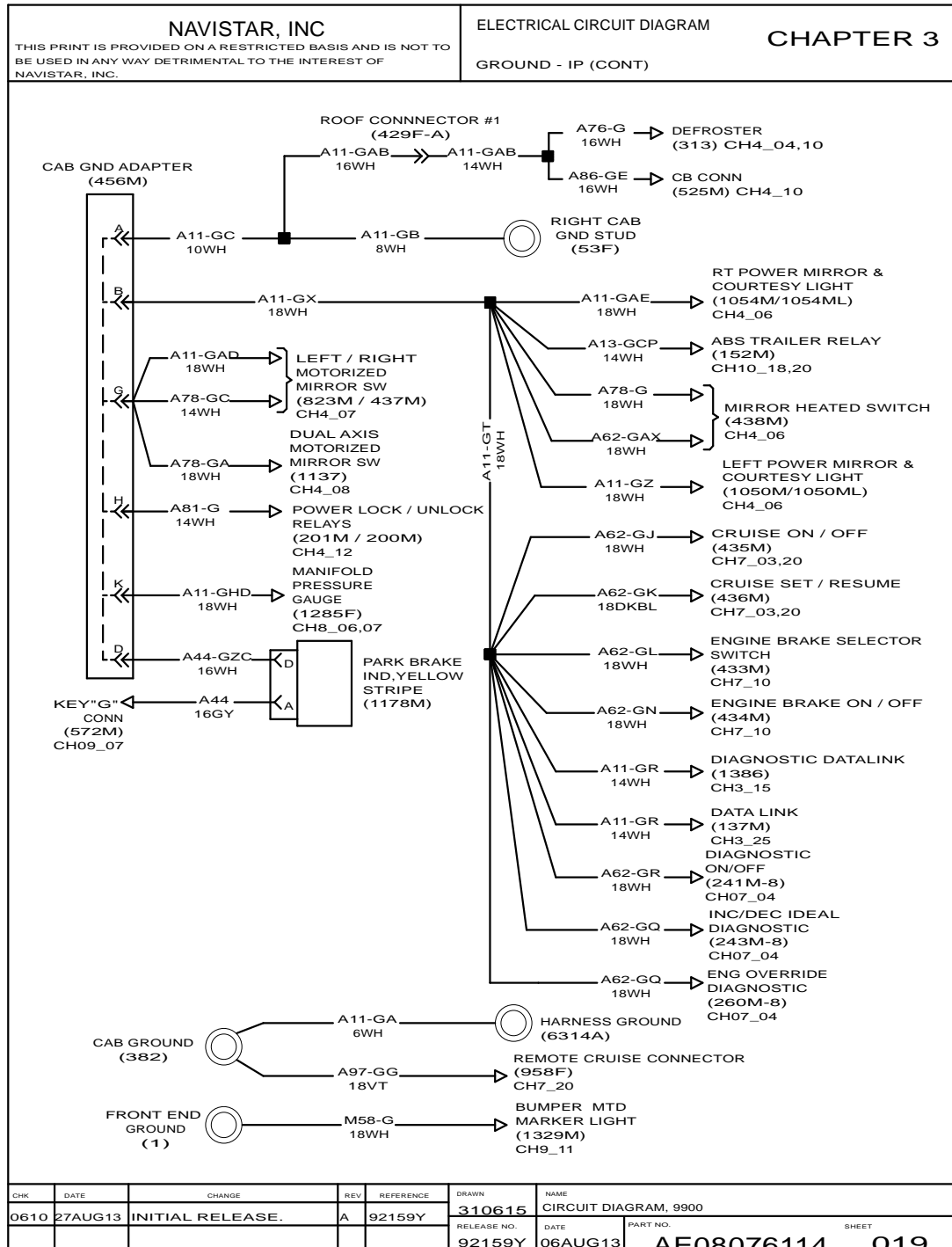


Figure 31 Ground – IP (Cont.)

3.20. ZERO VOLT REFERENCE, P. 20

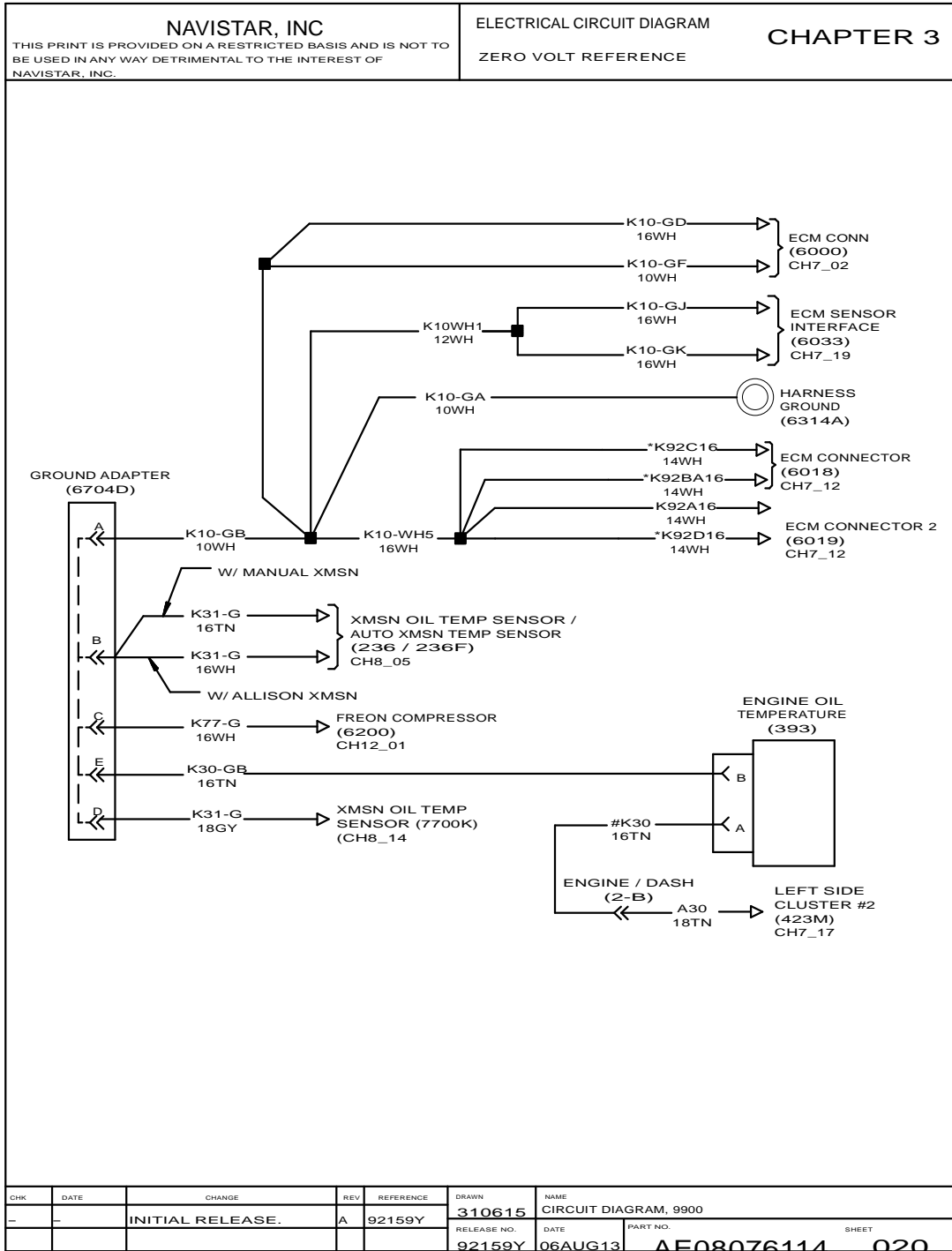


Figure 32 Zero Volt Reference.

3.21. PANEL LIGHT ADAPTER, P. 21

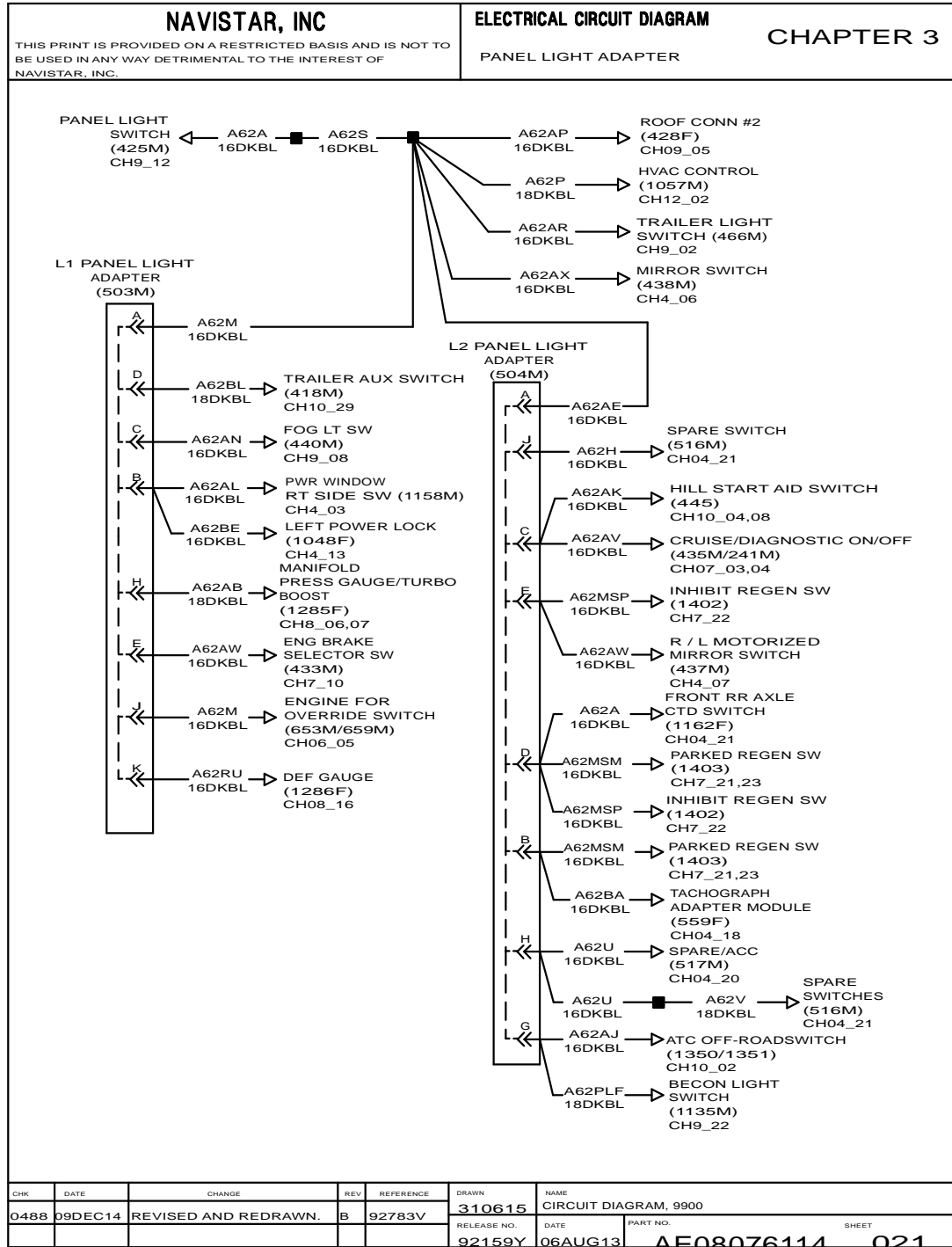


Figure 33 Panel Light Adapter.

3.22. ECA POWER, P. 22

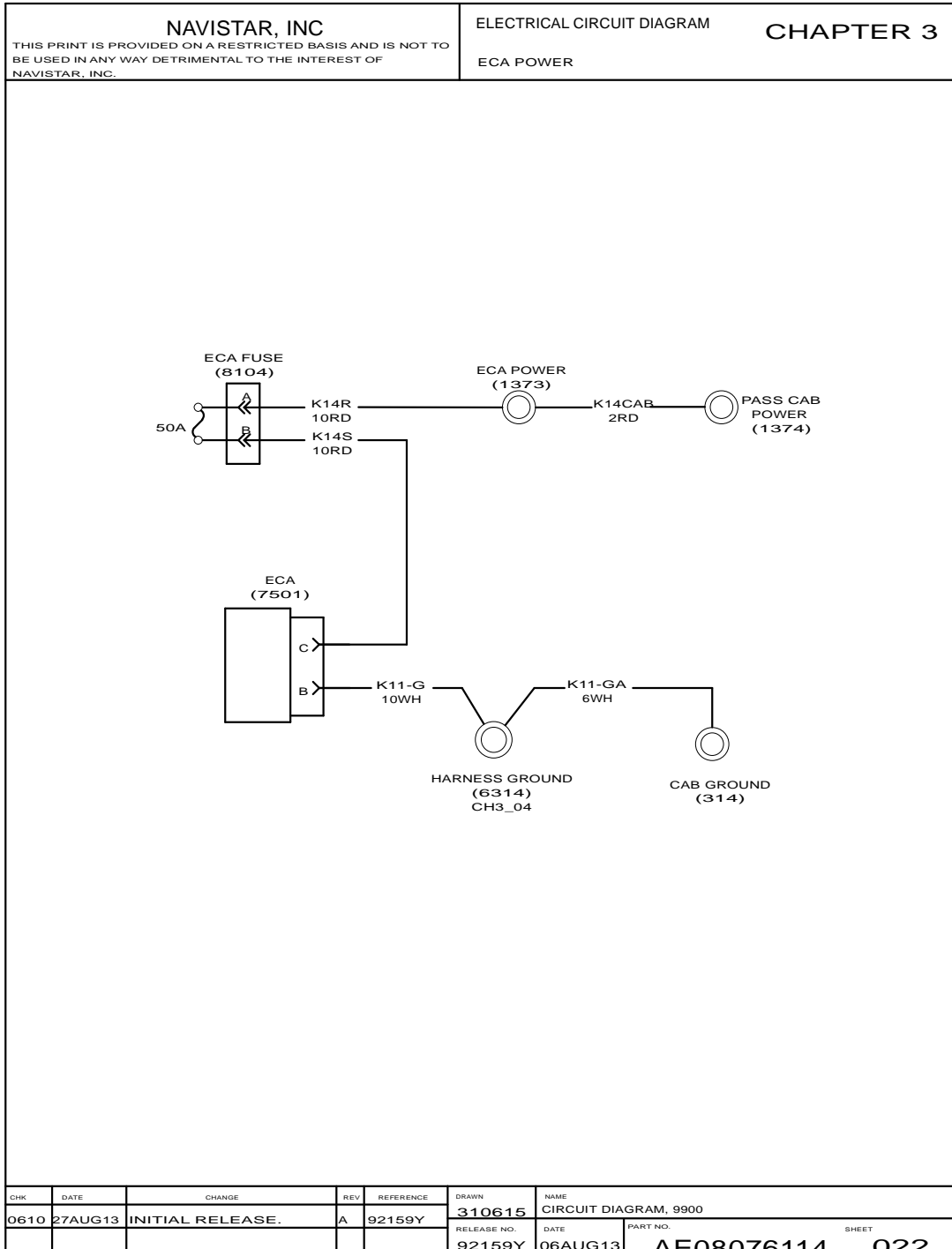


Figure 34 ECA Power.

3.23. START FEED ADAPTER, P. 23

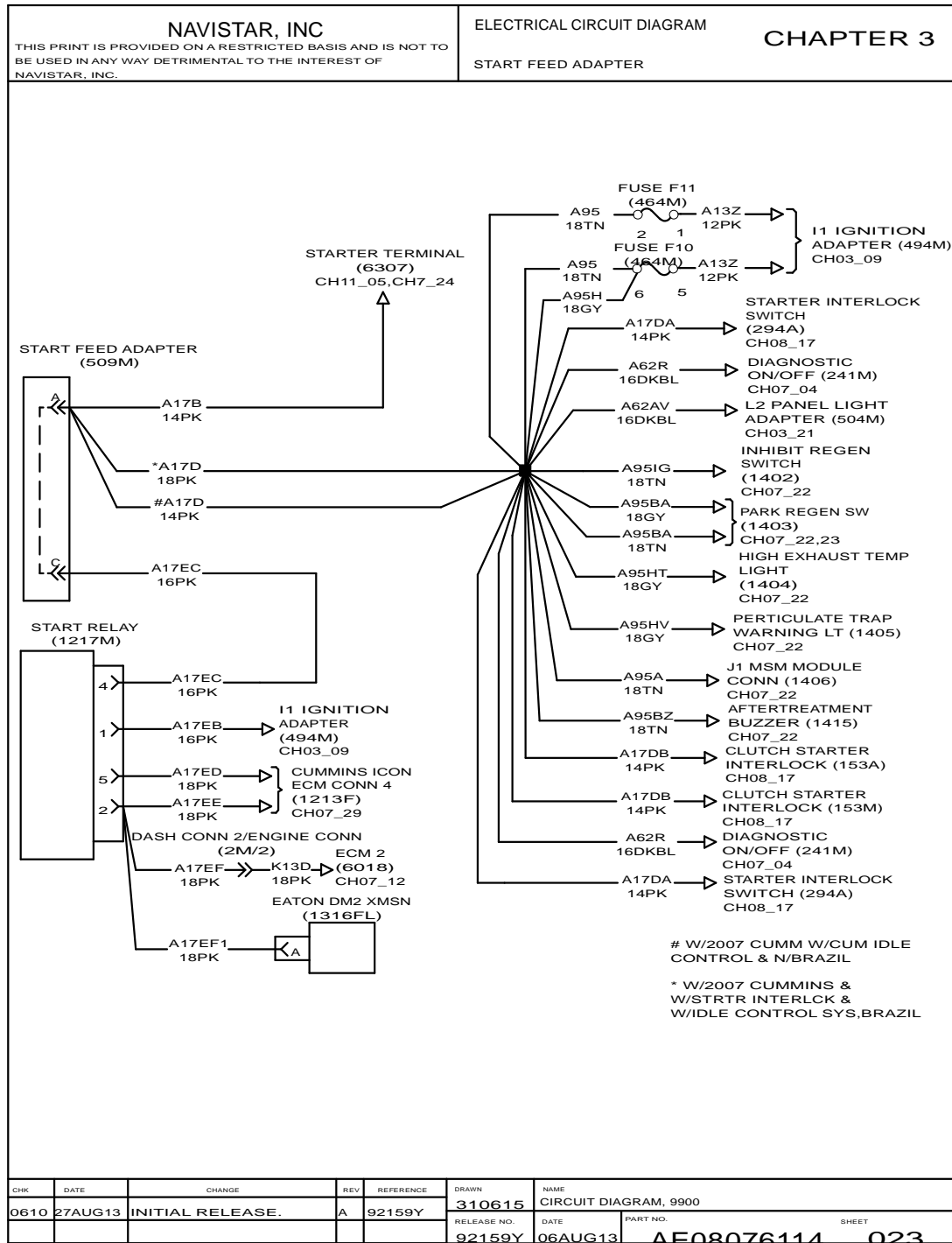


Figure 35 Start Feed Adapter.

3.24. GROUND ADAPTER, P. 24

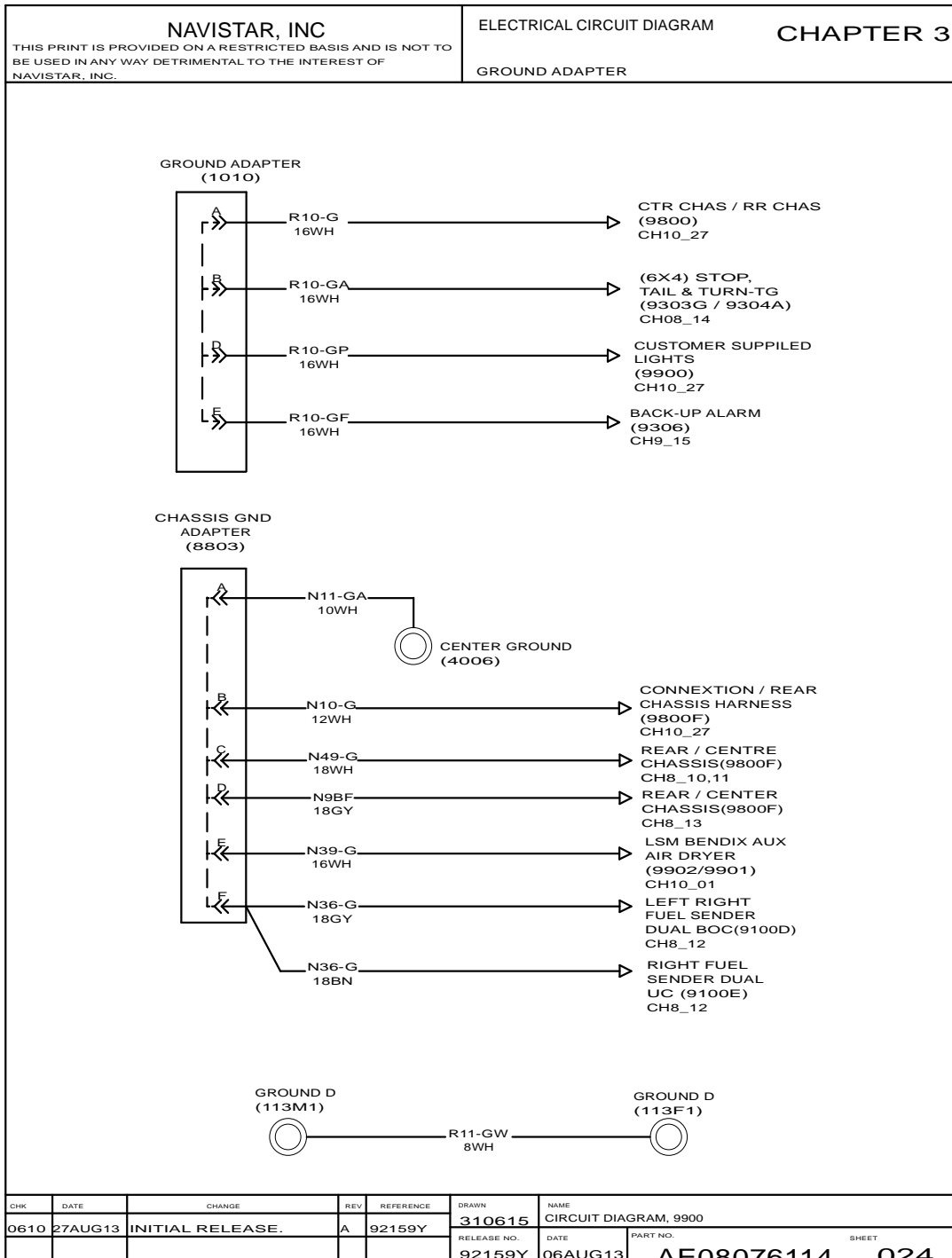


Figure 36 Ground Adapter.

3.25. 137M DATA LINK, P. 25

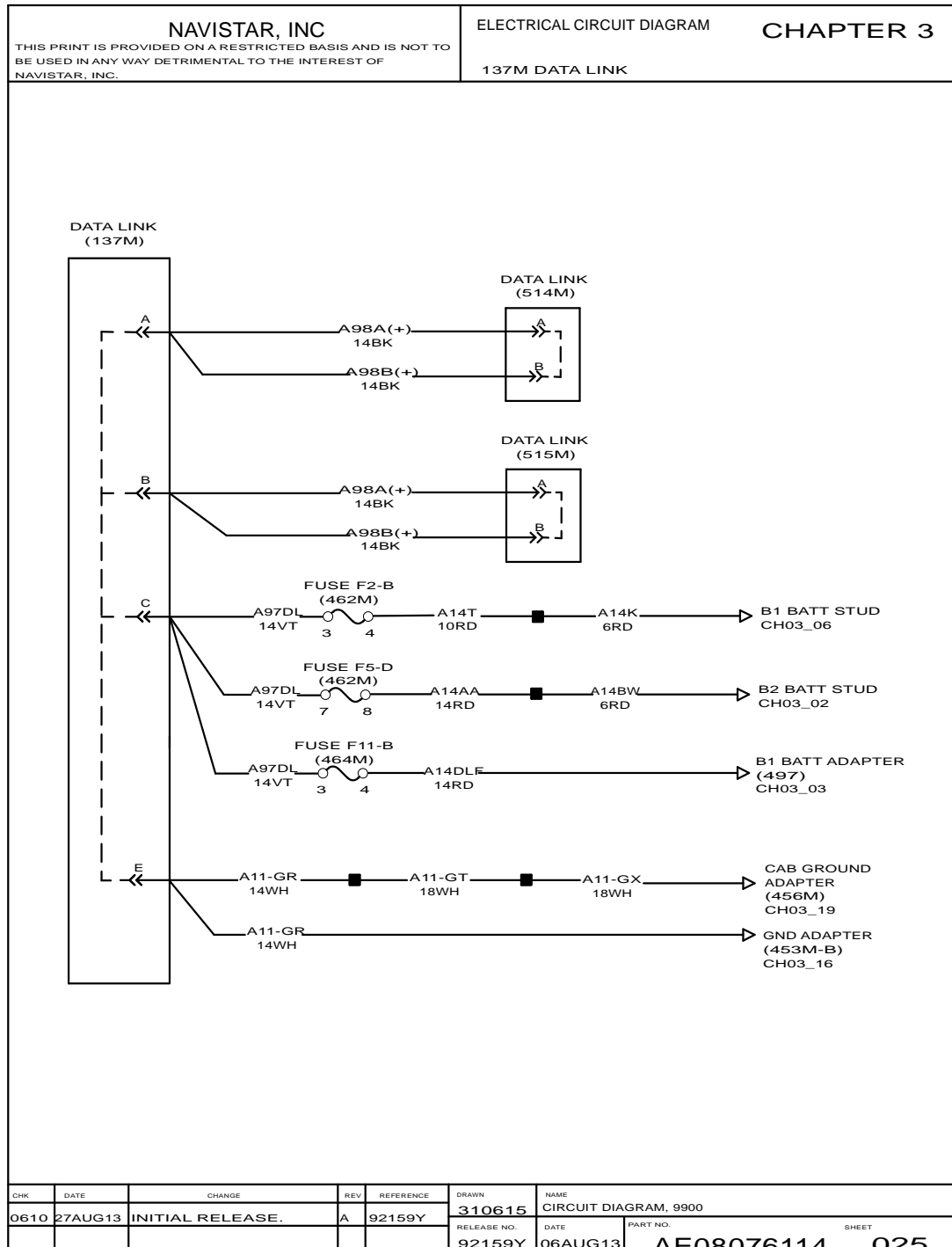


Figure 37 137M Data Link.

3.26. SART MODULE, P. 26

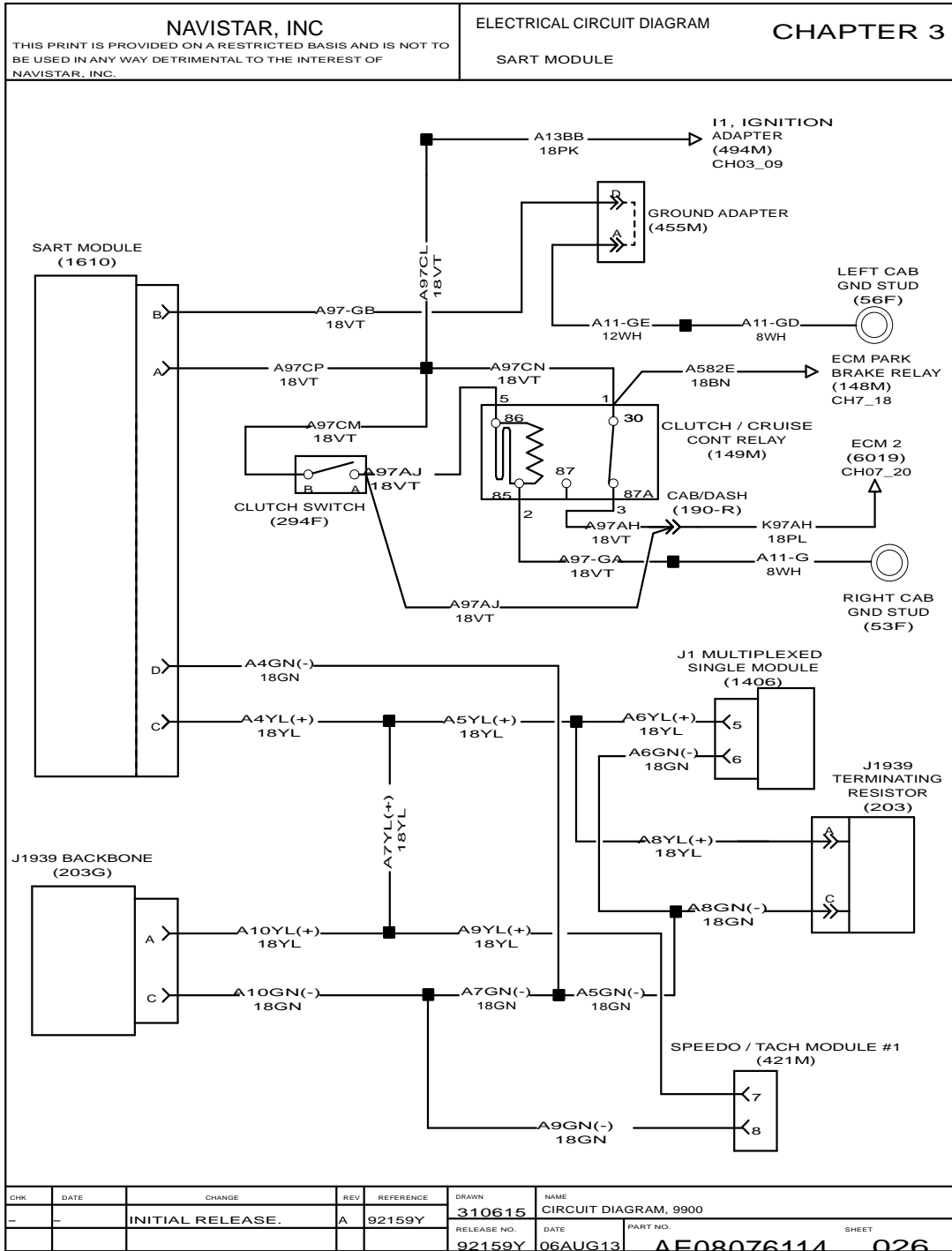


Figure 38 SART Module.

3.27. BATTERY DISCHARGE PROTECTION SYSTEM, P. 27

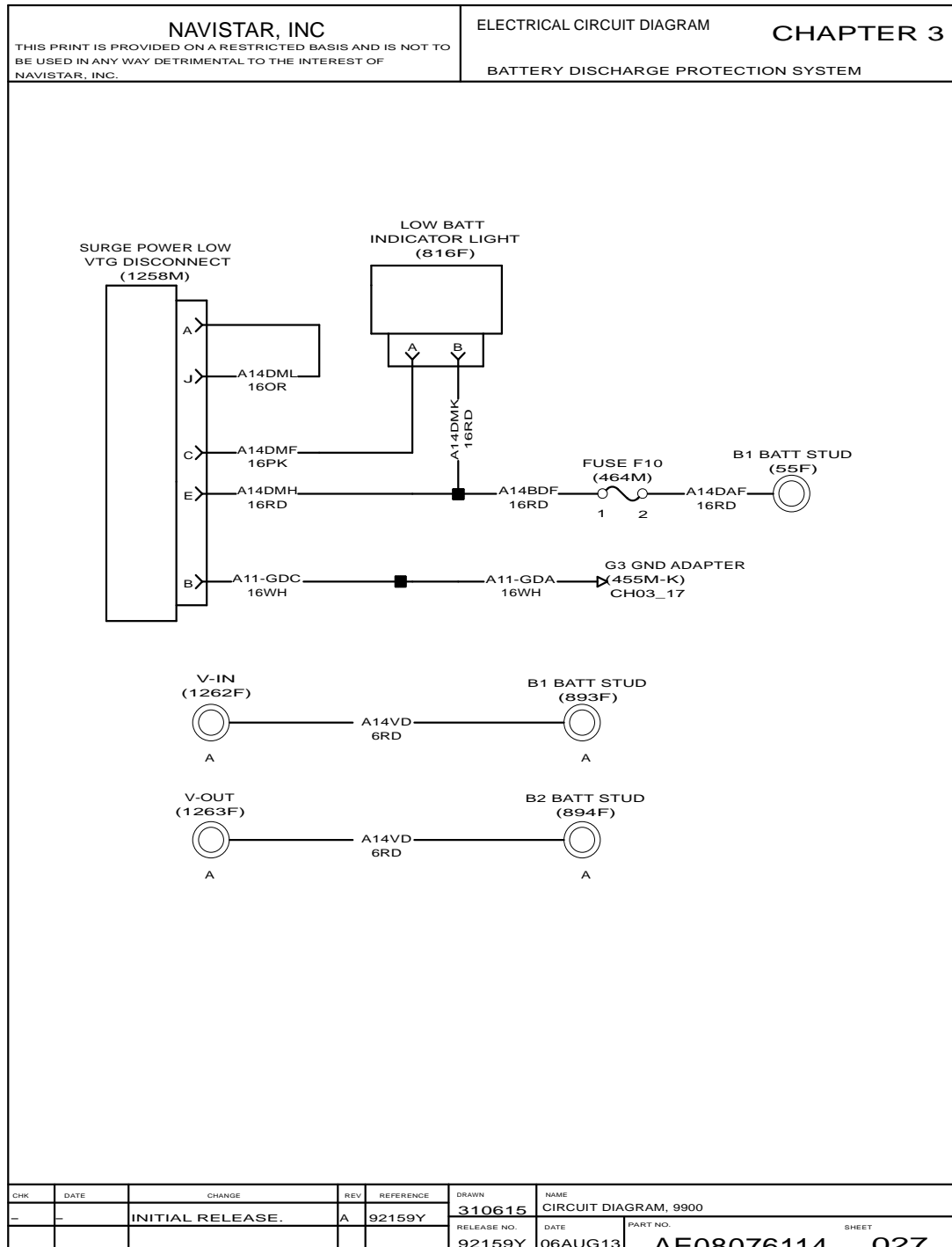


Figure 39 Battery Discharge Protection System.

CHK	DATE	CHANGE	REV	REFERENCE	DRAWN	NAME
-	-	INITIAL RELEASE.	A	92159Y	310615	CIRCUIT DIAGRAM, 9900
					RELEASE NO.	DATE
					92159Y	06AUG13
					PART NO.	SHEET
					AE08076114	027

CAB ACCESSORIES (CHAPTER 4)

4.1. CIGAR LIGHTER, P. 1

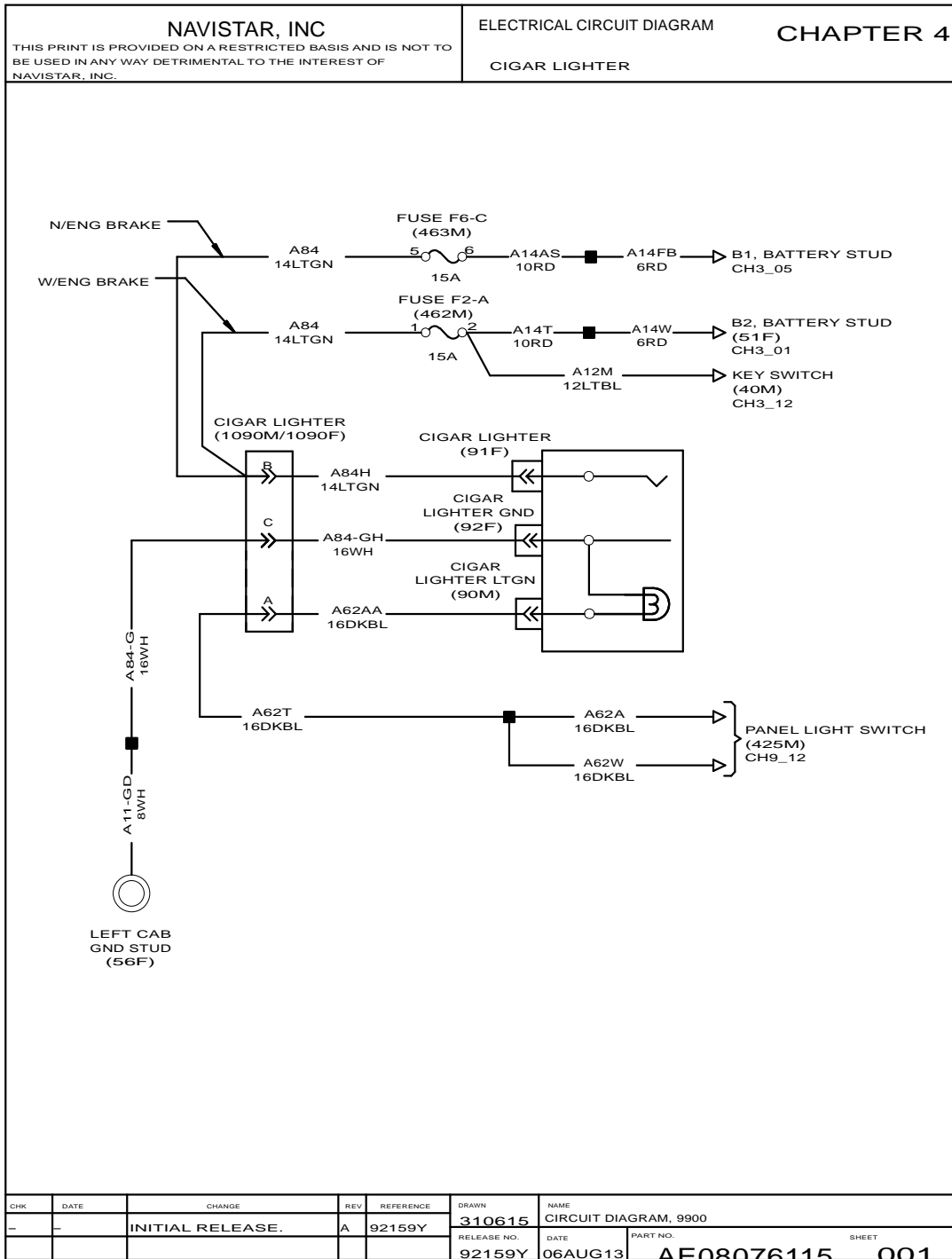


Figure 40 Cigar Lighter.

4.3. ELECTRIC WINDOW – RIGHT, P. 3

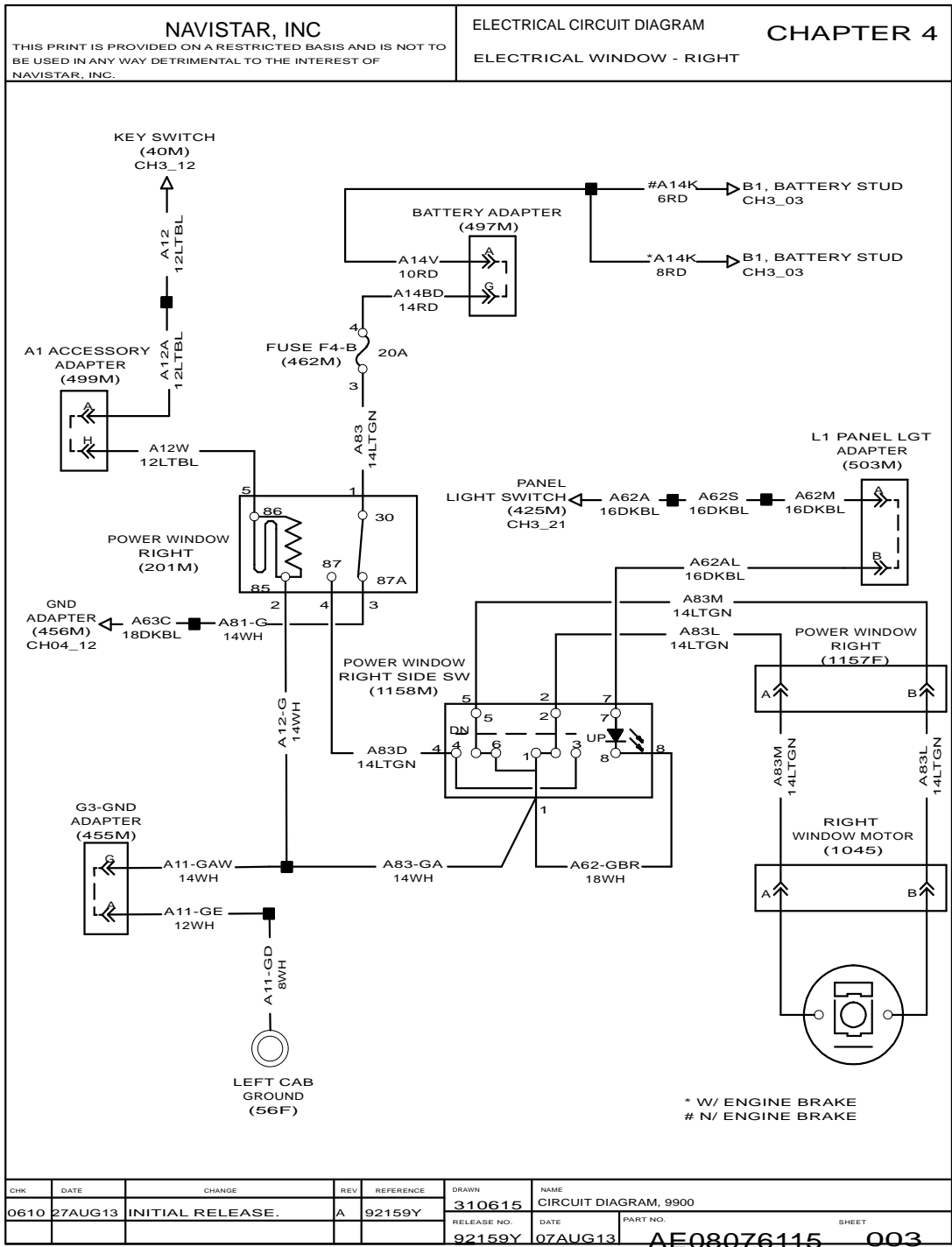


Figure 42 Electric Window – Right.

4.4. DEFROSTER FAN – SINGLE AND DUAL, P. 4

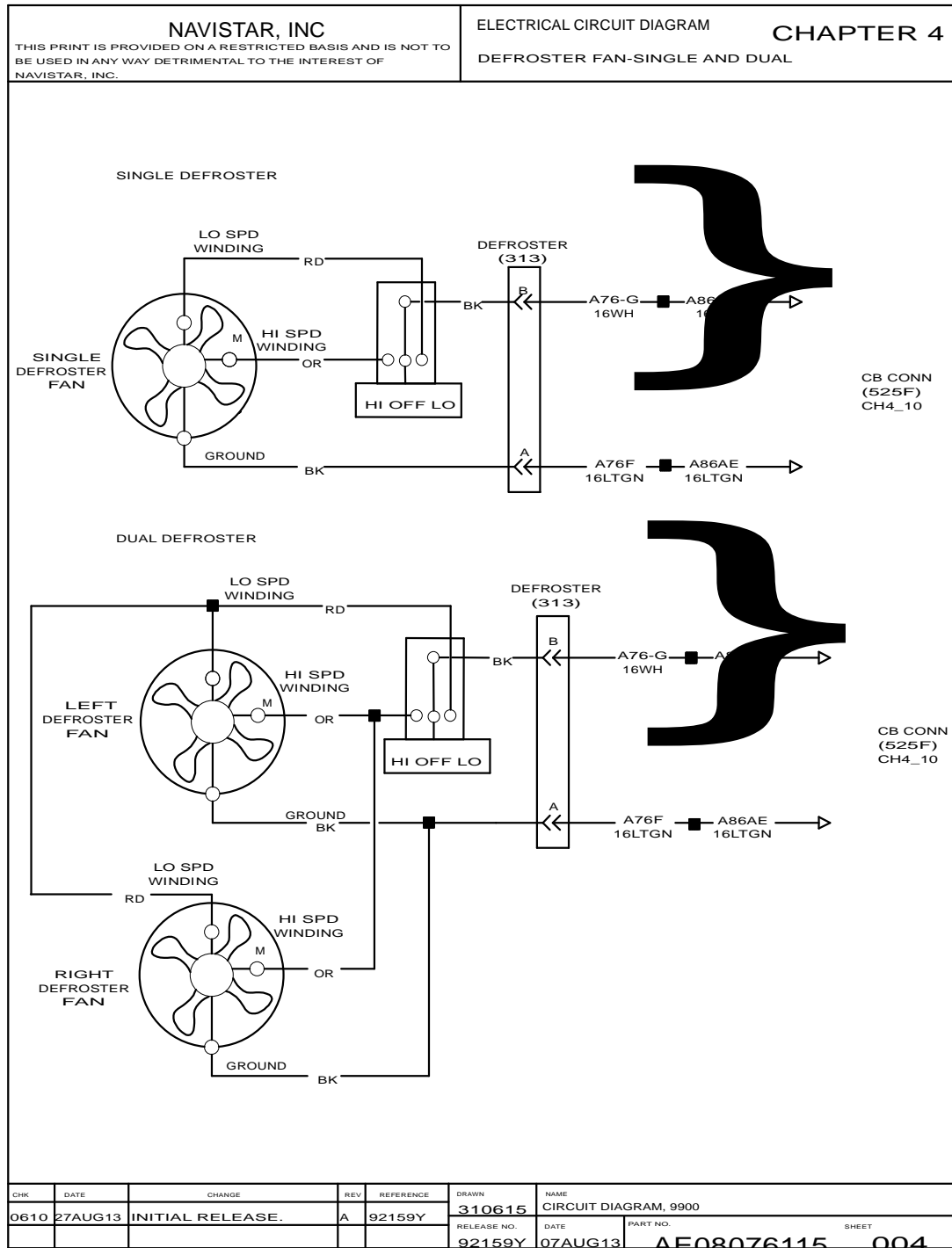


Figure 43 Defroster Fan – Single and Dual.

4.5. ELECTRIC HORN, P. 5

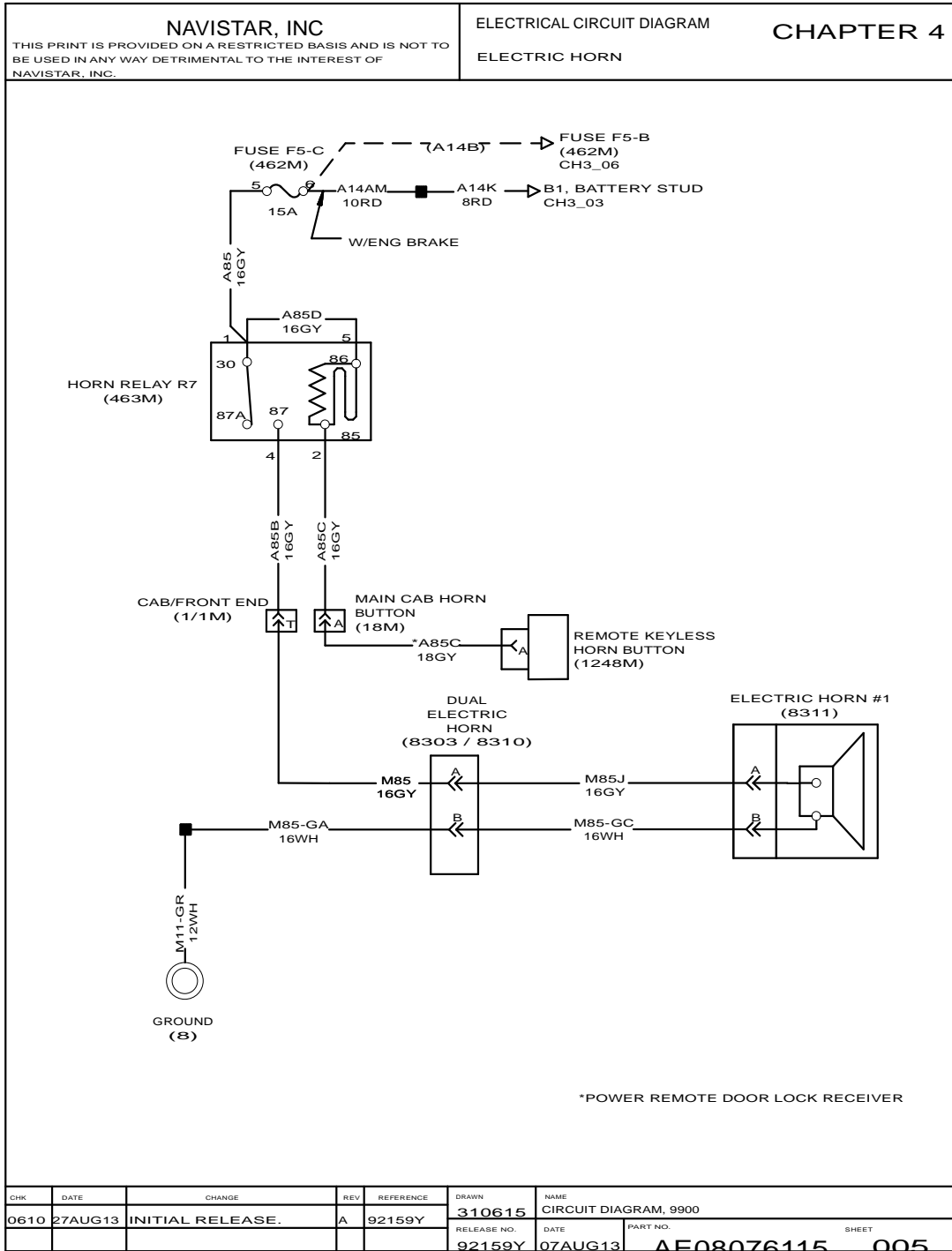


Figure 44 Electric Horn.

4.6. MIRROR LIGHTS AND HEATED MIRRORS, P. 6

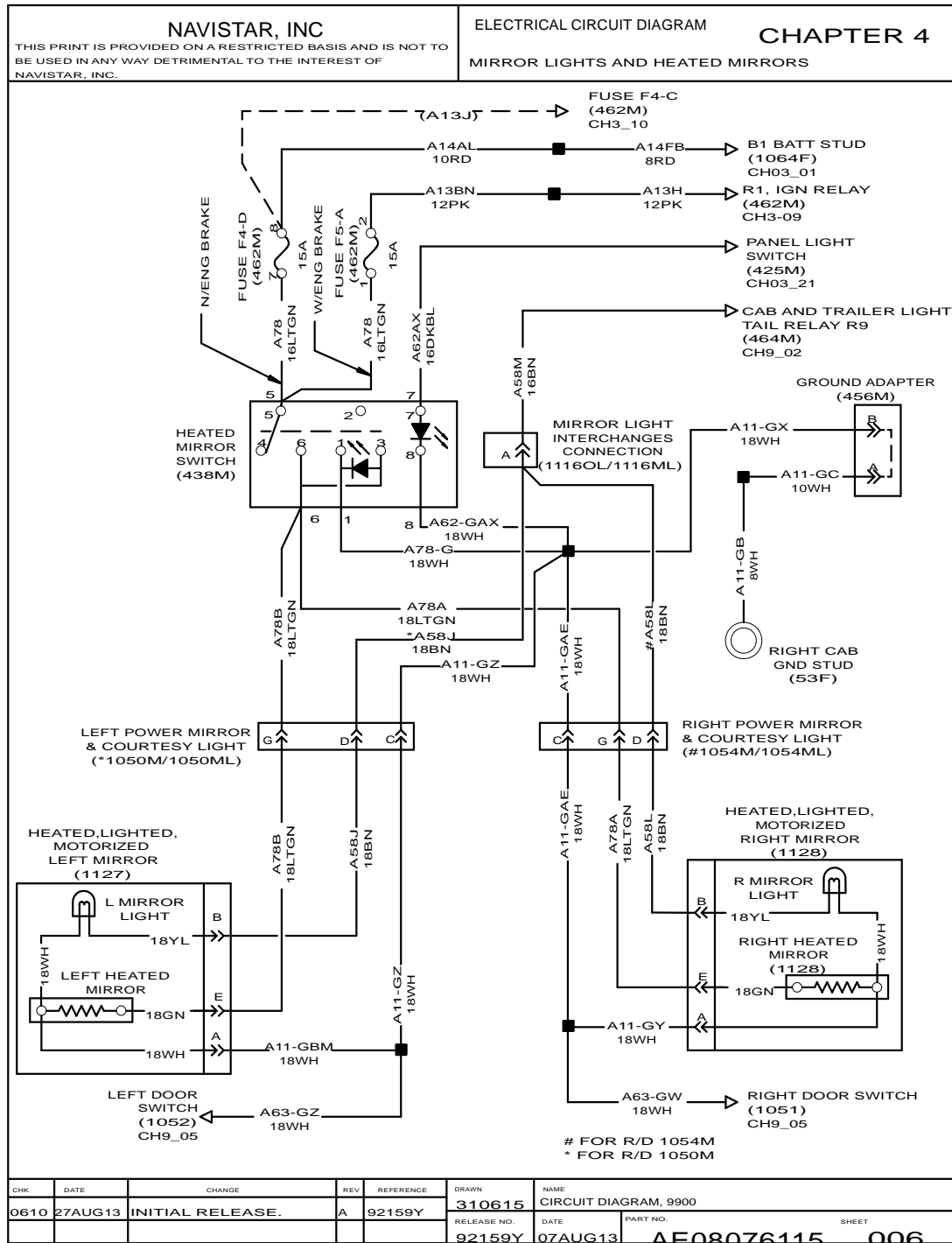


Figure 45 Mirror Lights and Heated Mirrors.

4.7. LEFT AND RIGHT MOTORIZED MIRRORS, P. 7

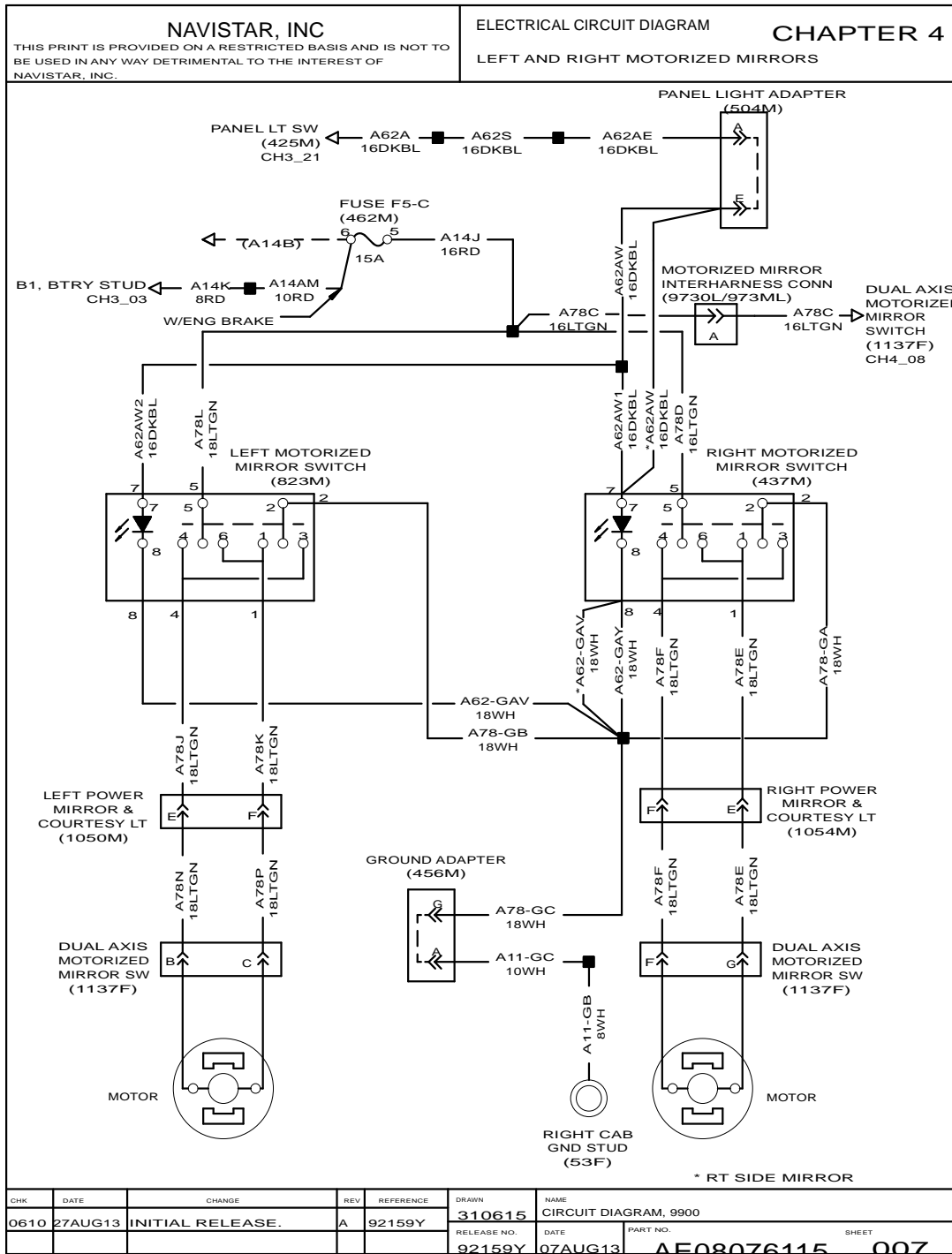


Figure 46 Left and Right Motorized Mirrors.

4.8. DUAL AXIS MOTORIZED MIRRORS, P. 8

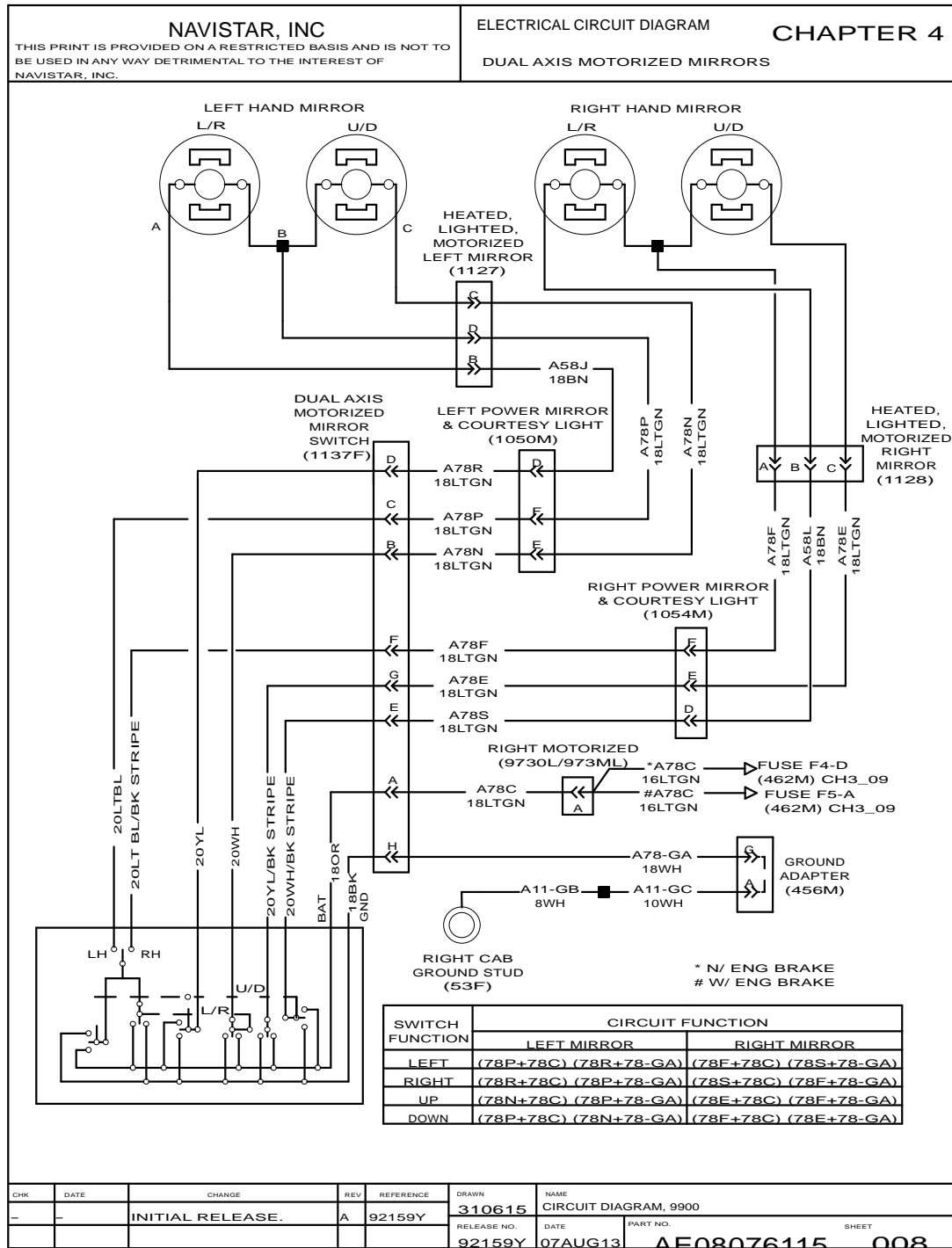


Figure 47 Dual Axis Motorized Mirrors.

4.9. POWER SOURCE (CB), P. 9

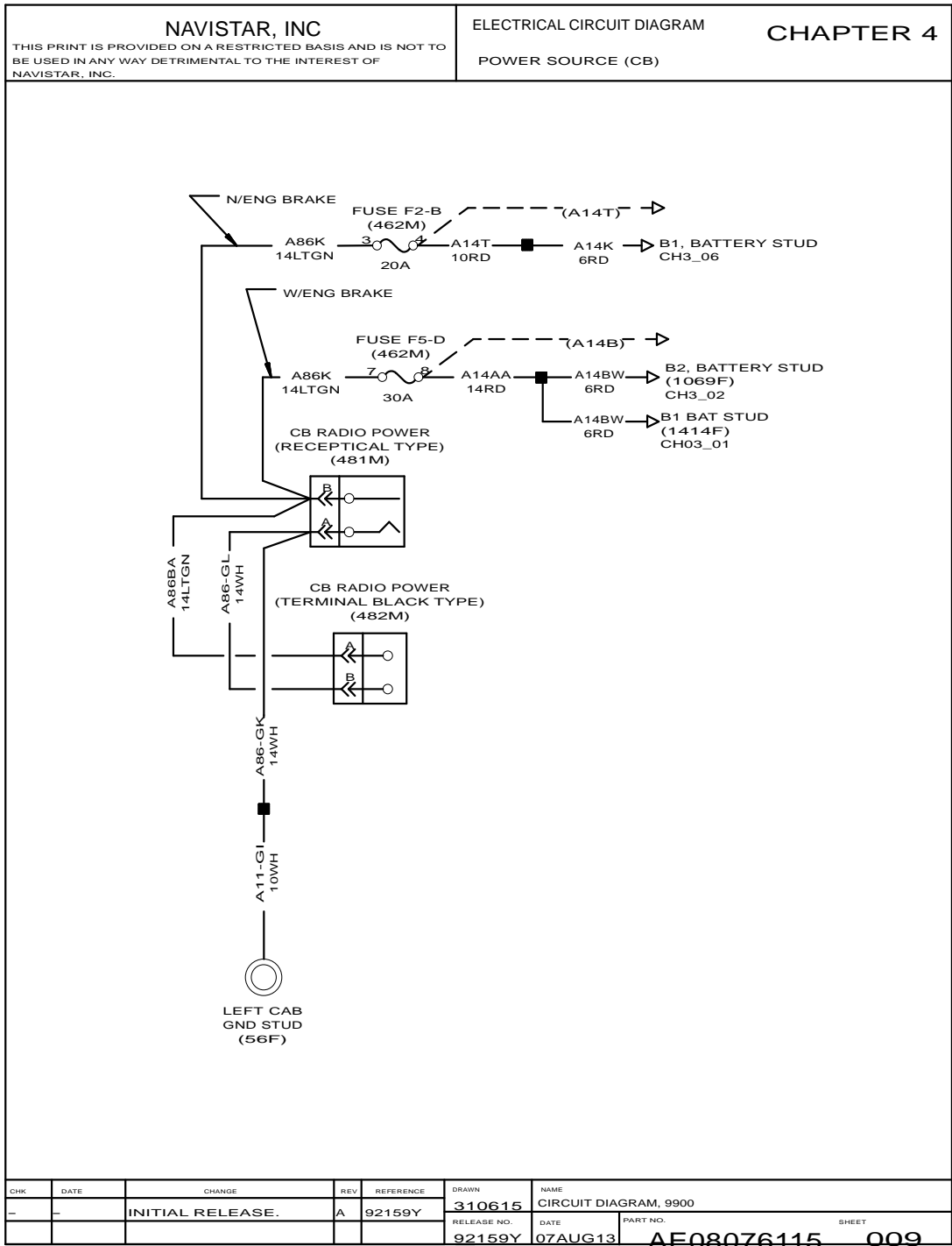


Figure 48 Power Source (CB)

4.10. RADIO – CB COMMUNICATION PACKAGE, P. 10

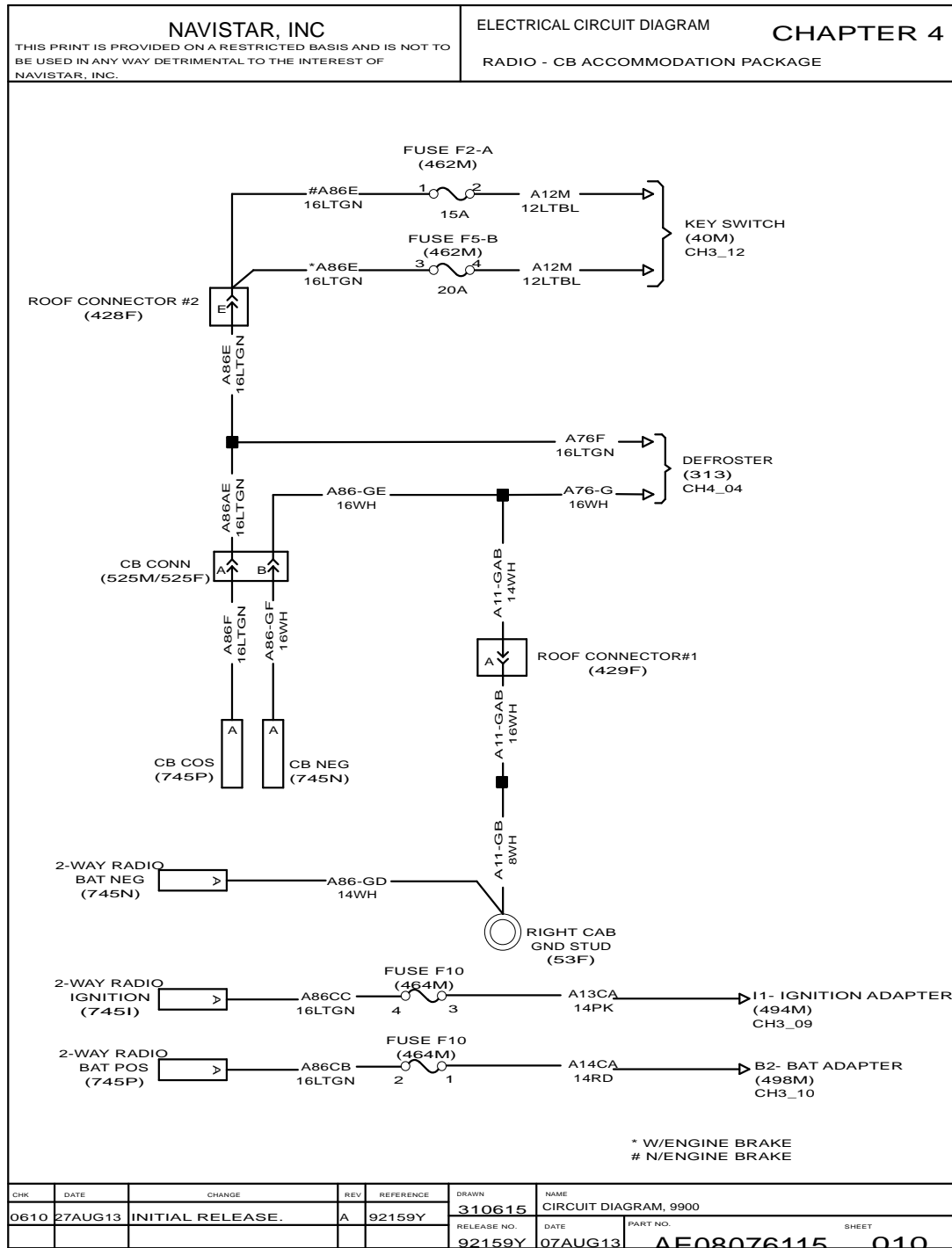


Figure 49 Radio – CB Communication Package.

4.11. RADIO – CAB SPEAKERS, P. 11

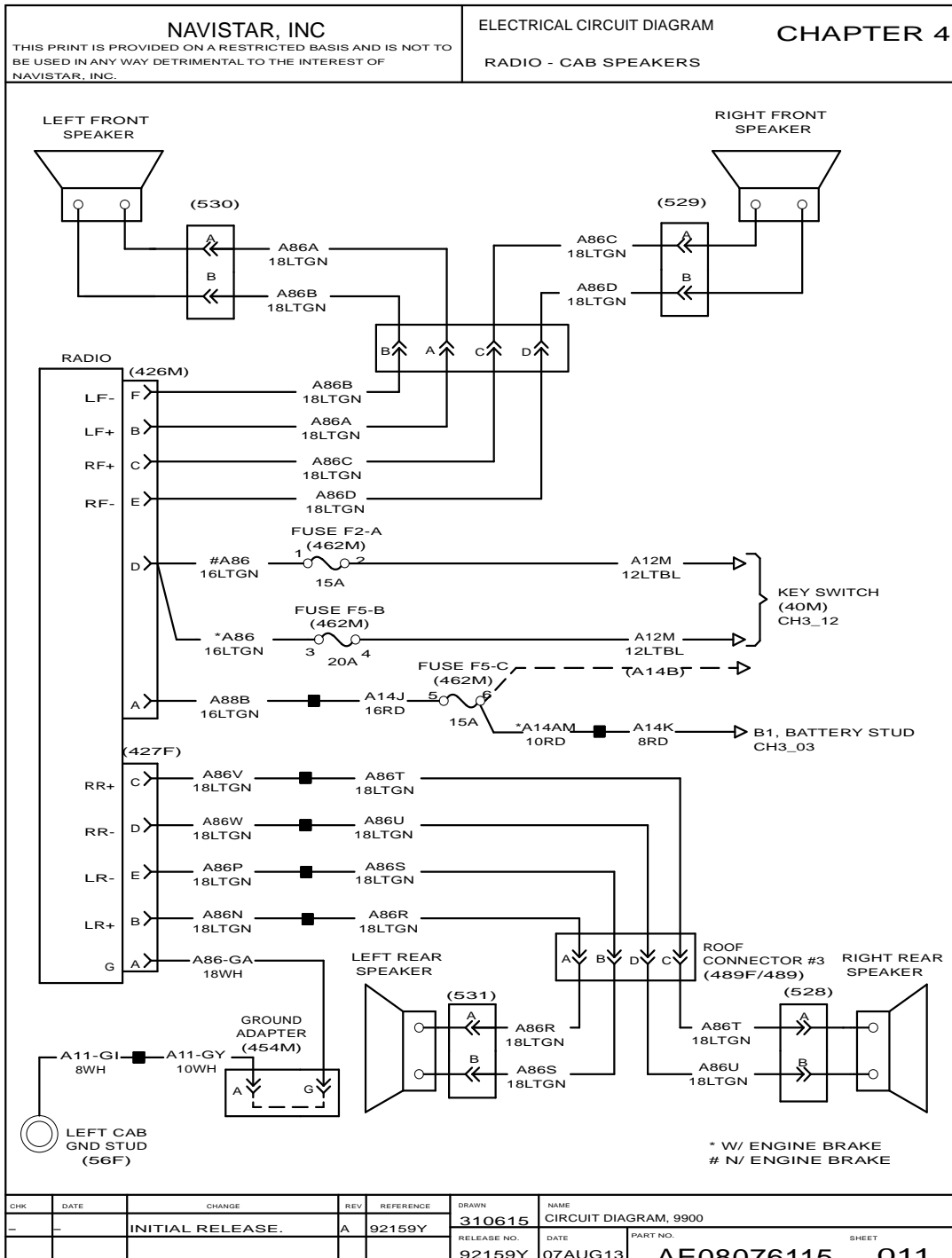


Figure 50 Radio – Cab Speakers.

4.12. ELECTRIC LOCK – RIGHT AND LEFT, P. 12

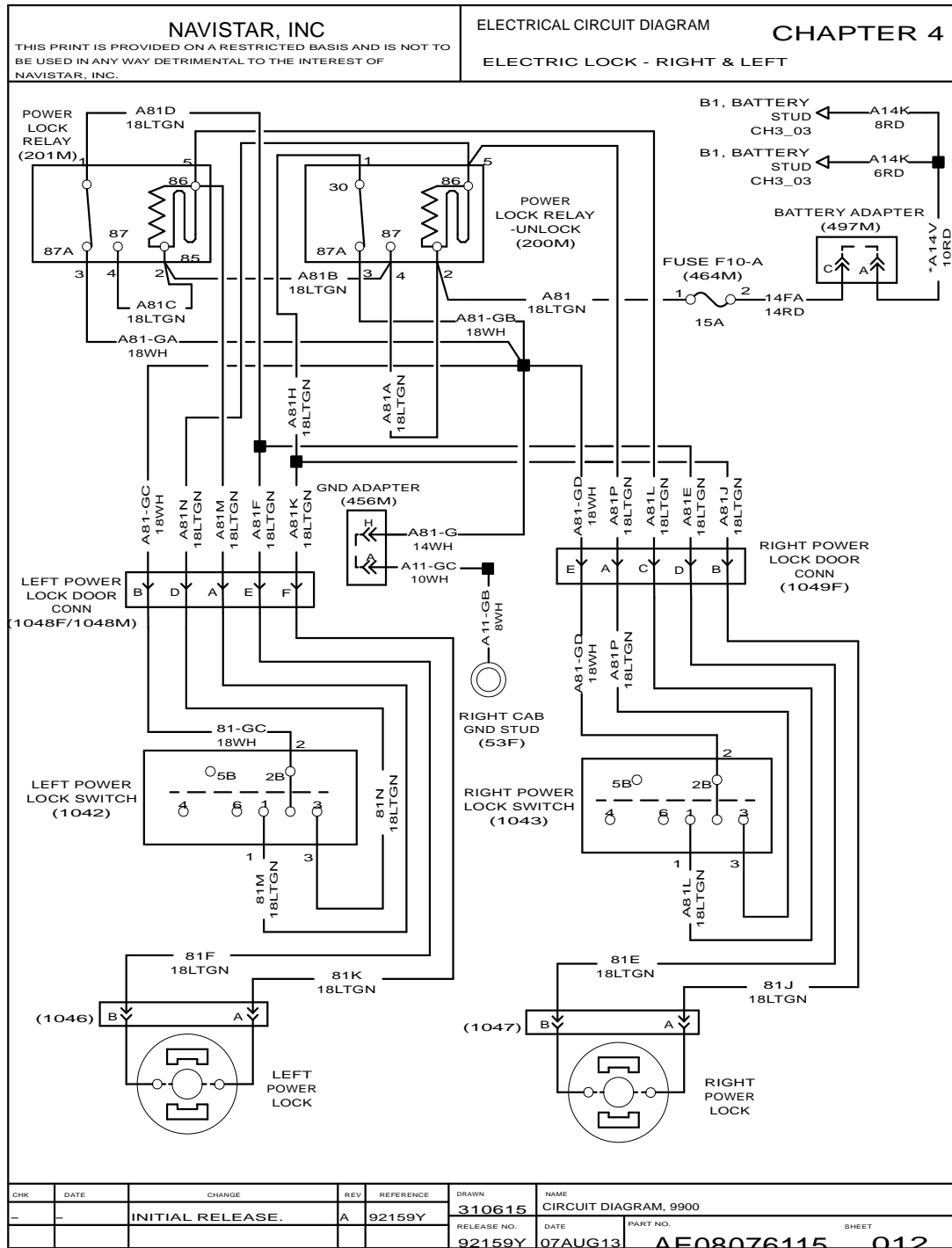


Figure 51 Electric Lock – Right and Left.

4.13. ELECTRIC LOCK – RIGHT AND LEFT (CONT.), P. 13

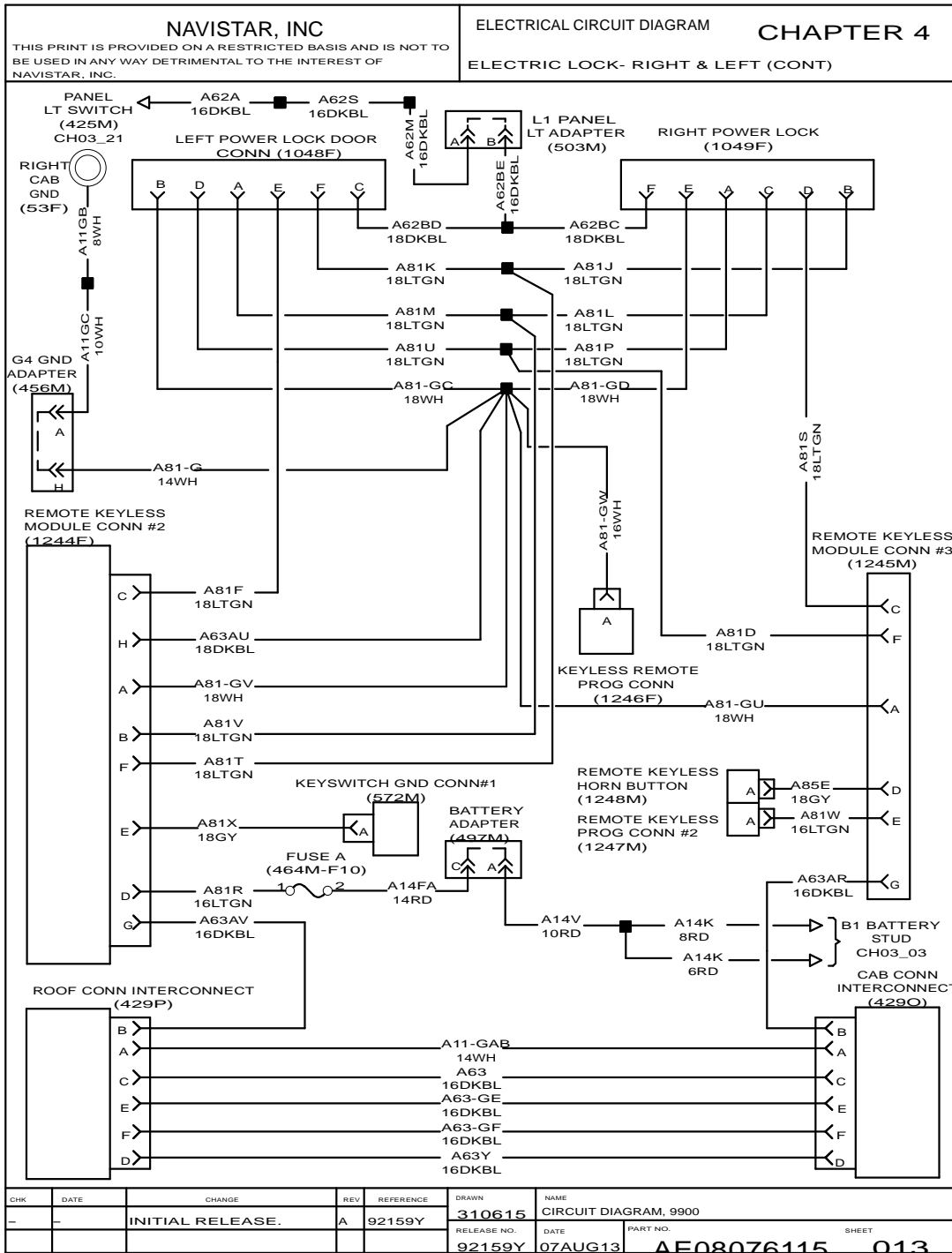


Figure 52 Electric Lock – Right and Left (Cont.)

4.14. TEMPERATURE / COMPASS DISPLAY, P. 14

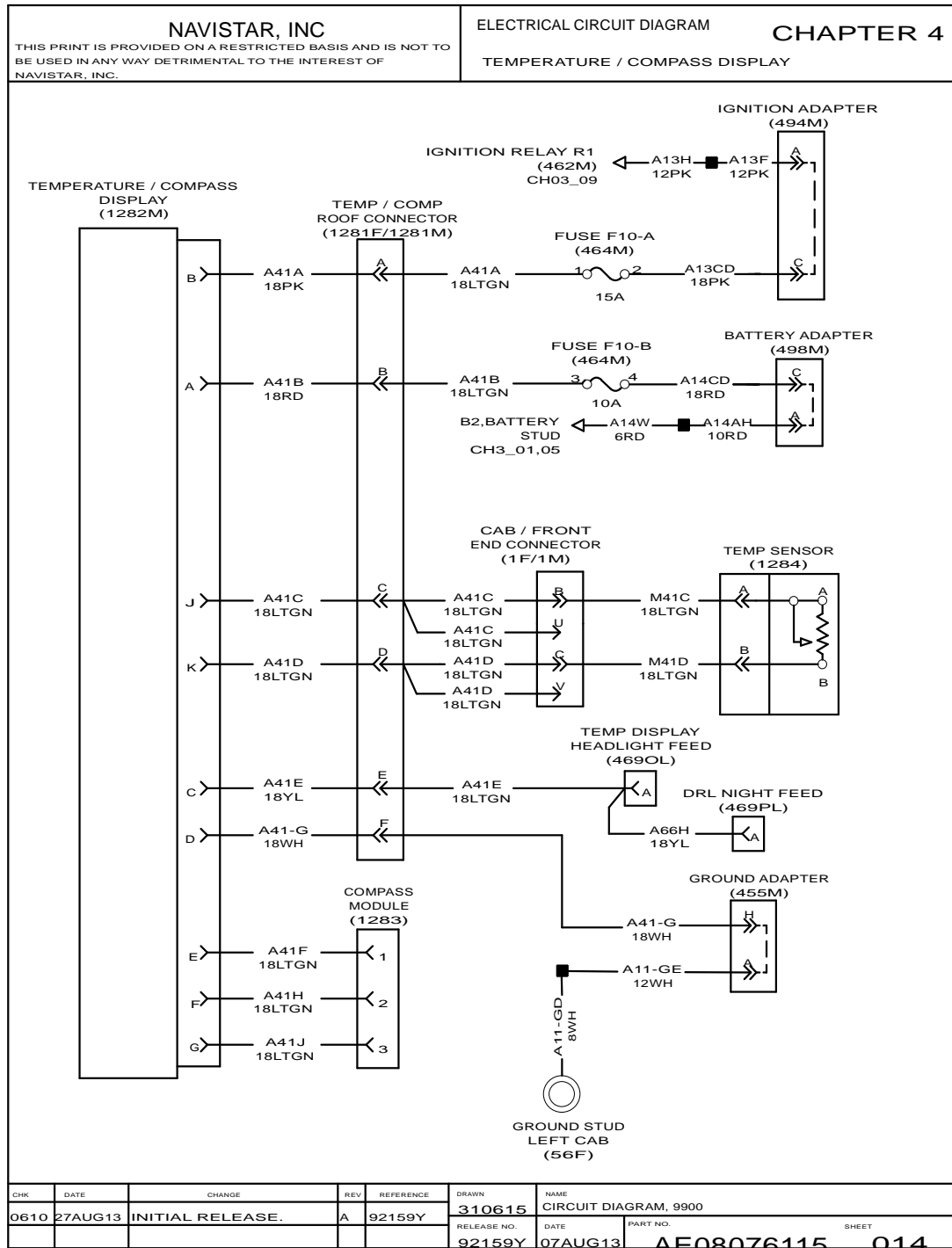


Figure 53 Temperature / Compass Display.

4.15. HEATED SEAT – DRIVER, P. 15

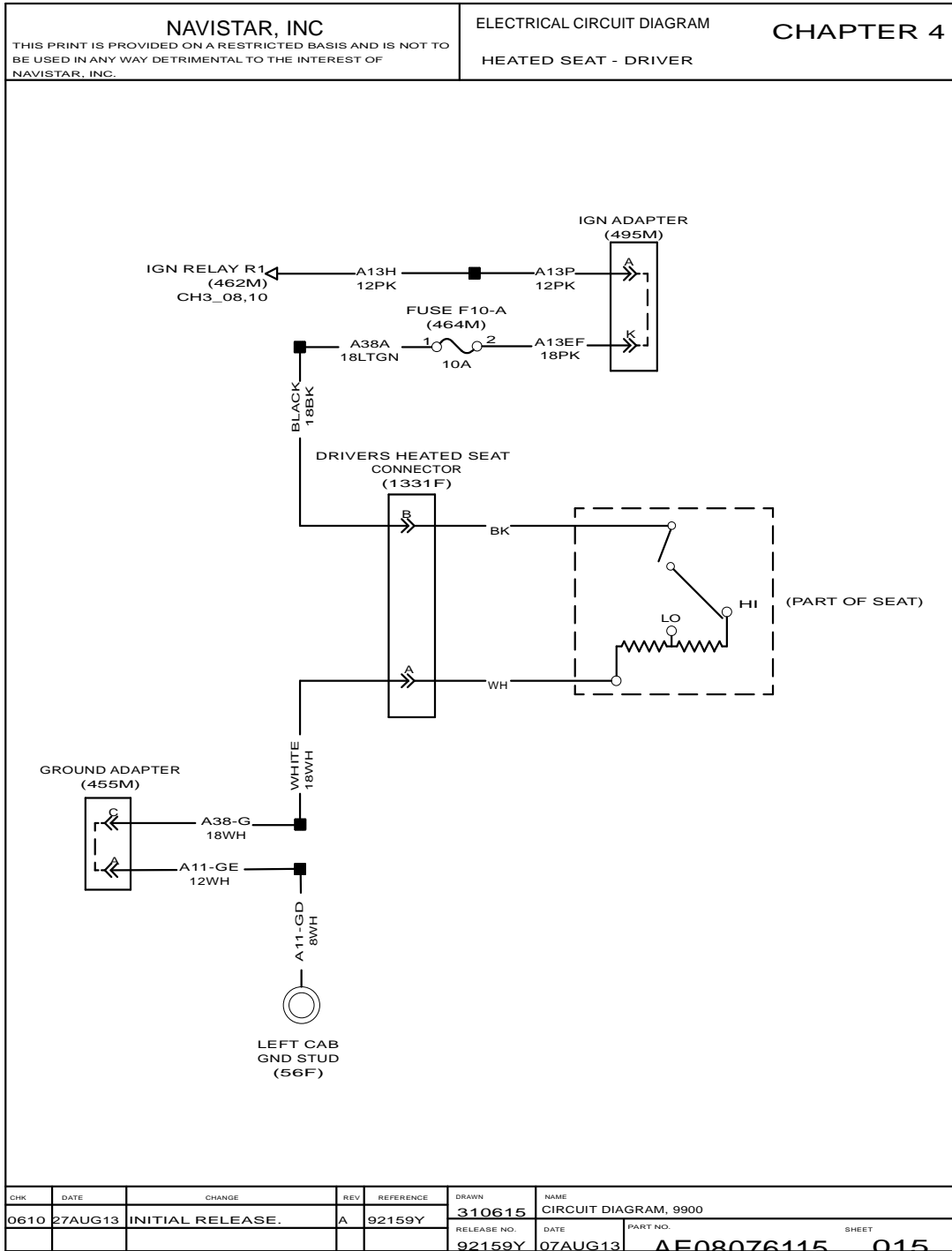


Figure 54 Heated Seat – Driver.

4.16. HEATED SEAT – PASSENGER, P. 16

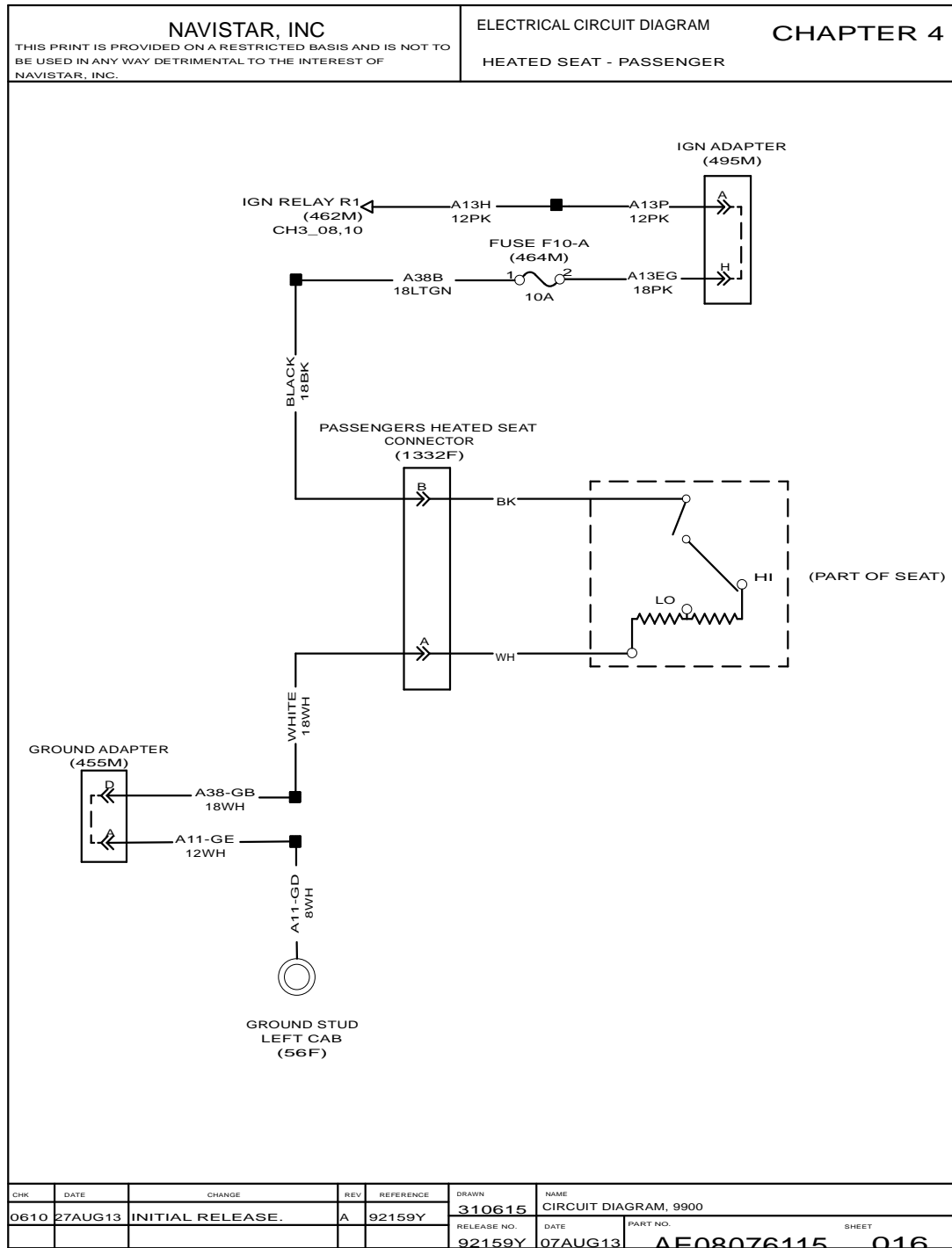


Figure 55 Heated Seat – Passenger.

4.17. ELECTRIC WINDSHIELD WIPER WITH INTERMITTENT WIPE AND WASH, P. 17

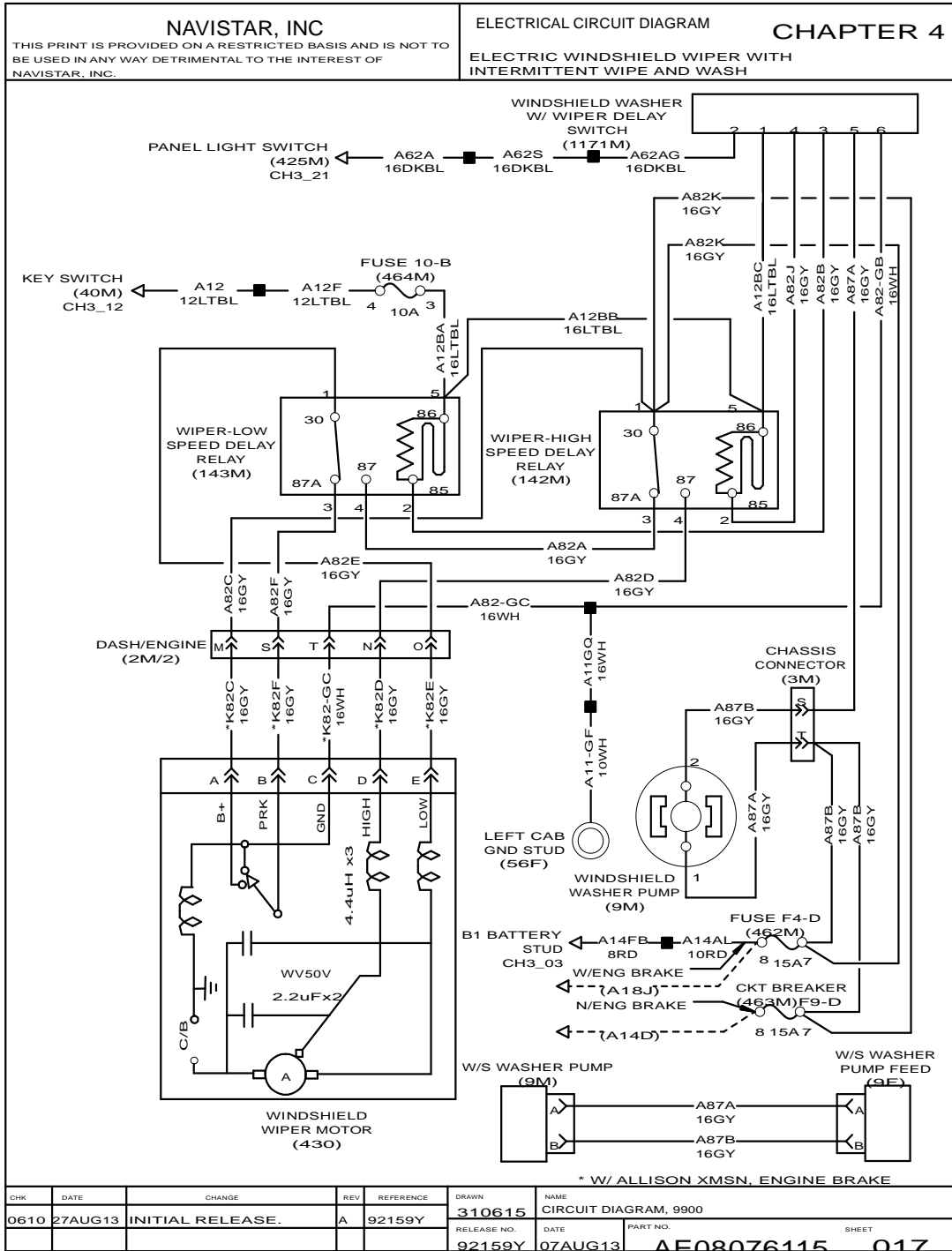


Figure 56 Electric Windshield Wiper with Intermittent Wipe and Wash.

4.18. TELEGRAPHIC ADAPTER MODULE, P. 18

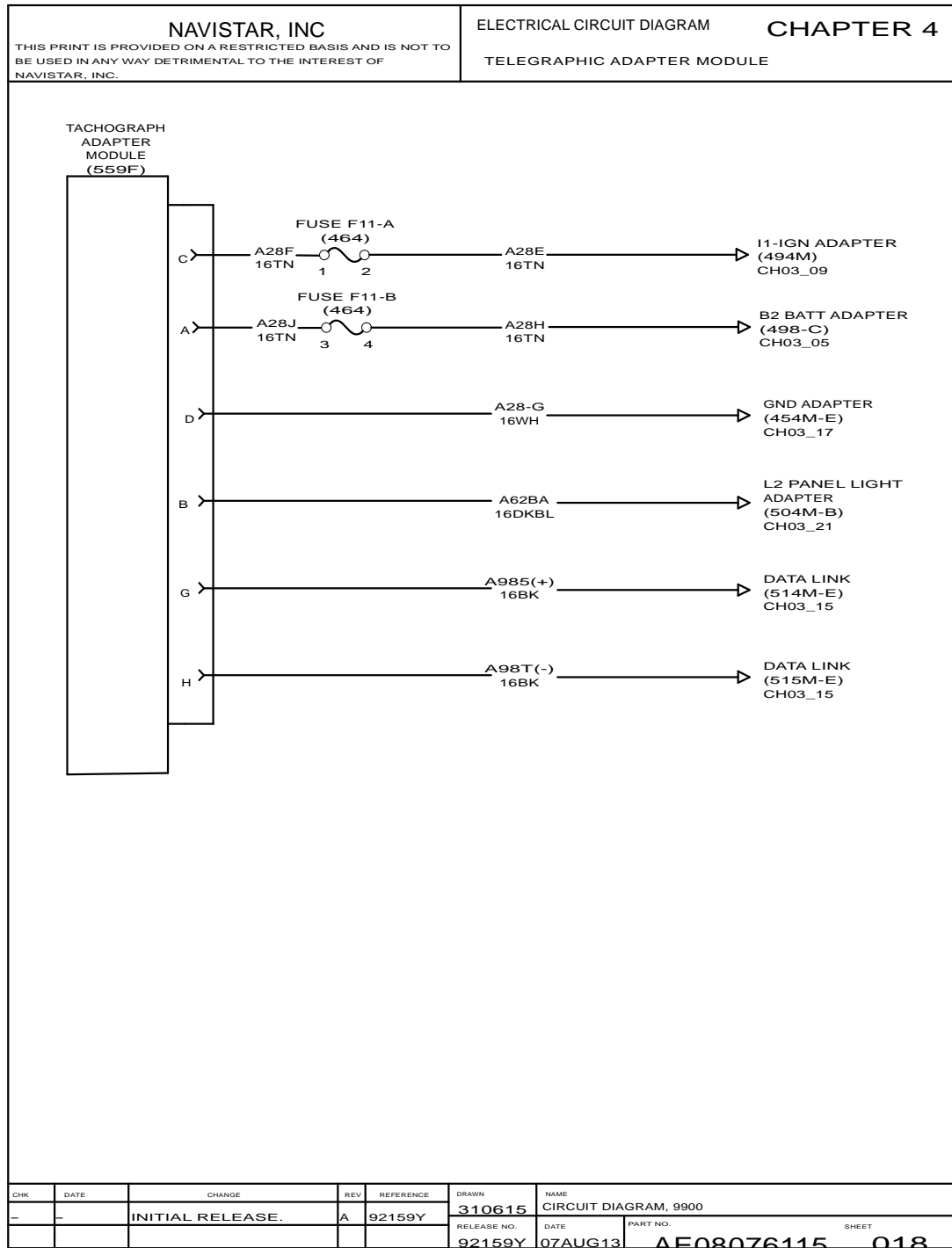


Figure 57 Telegraphic Adapter Module.

4.19. SPARE SWITCHES, P. 19

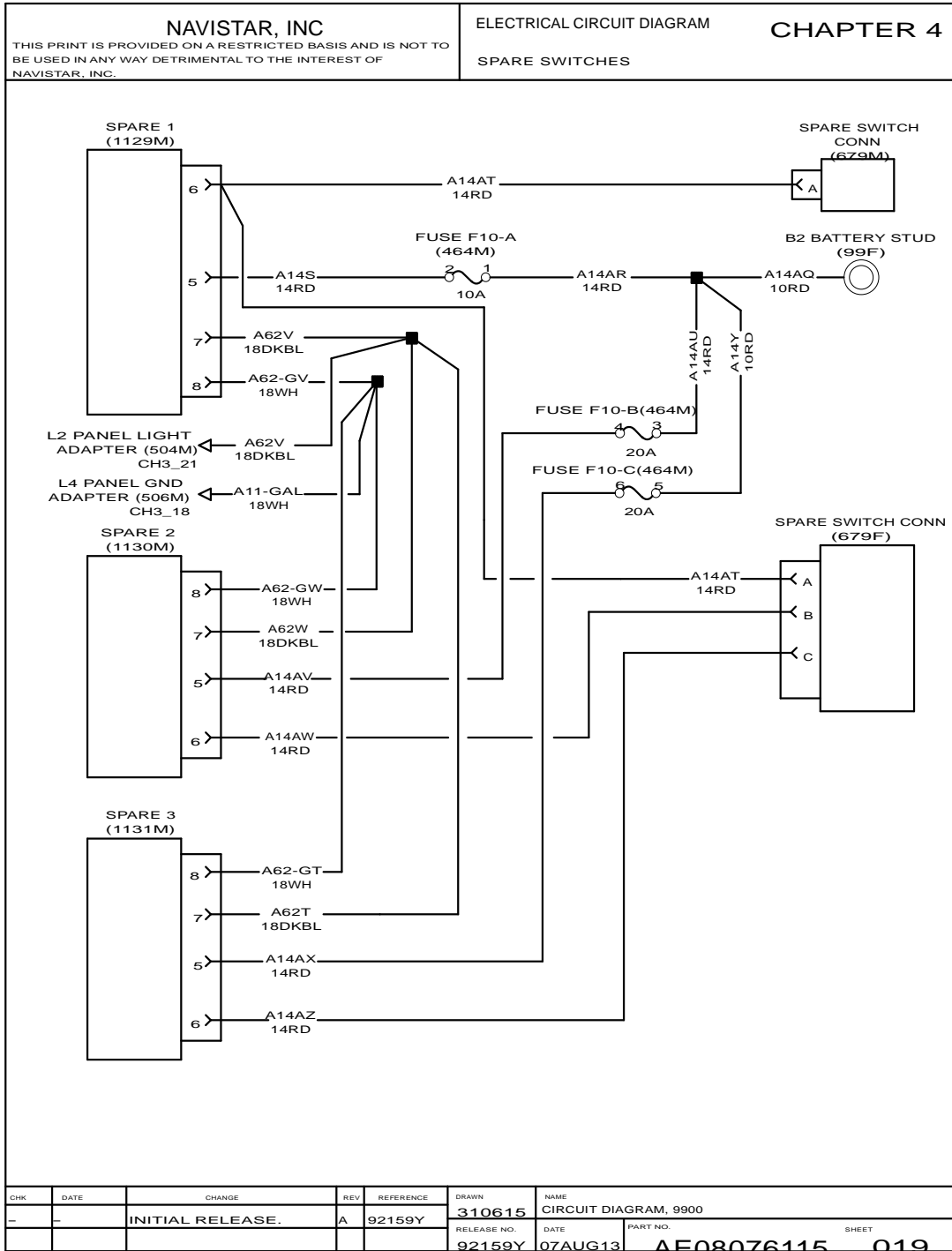


Figure 58 Spare Switches.

4.20. SPARE SWITCHES (CONT.), P. 20

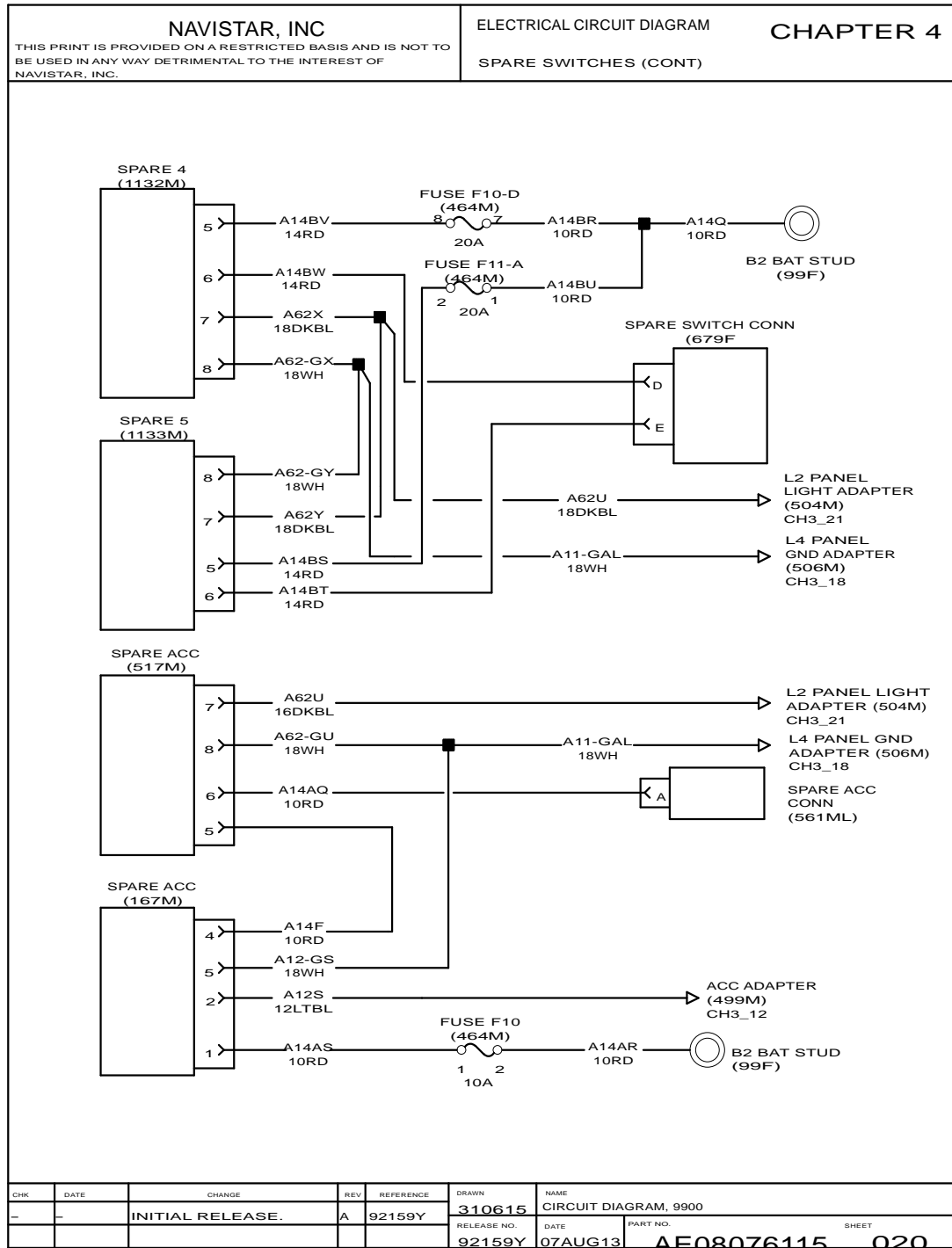


Figure 59 Spare Switches (Cont.)

4.21. SPARE SWITCHES AND AXLE CONTROL SWITCHES, P. 21

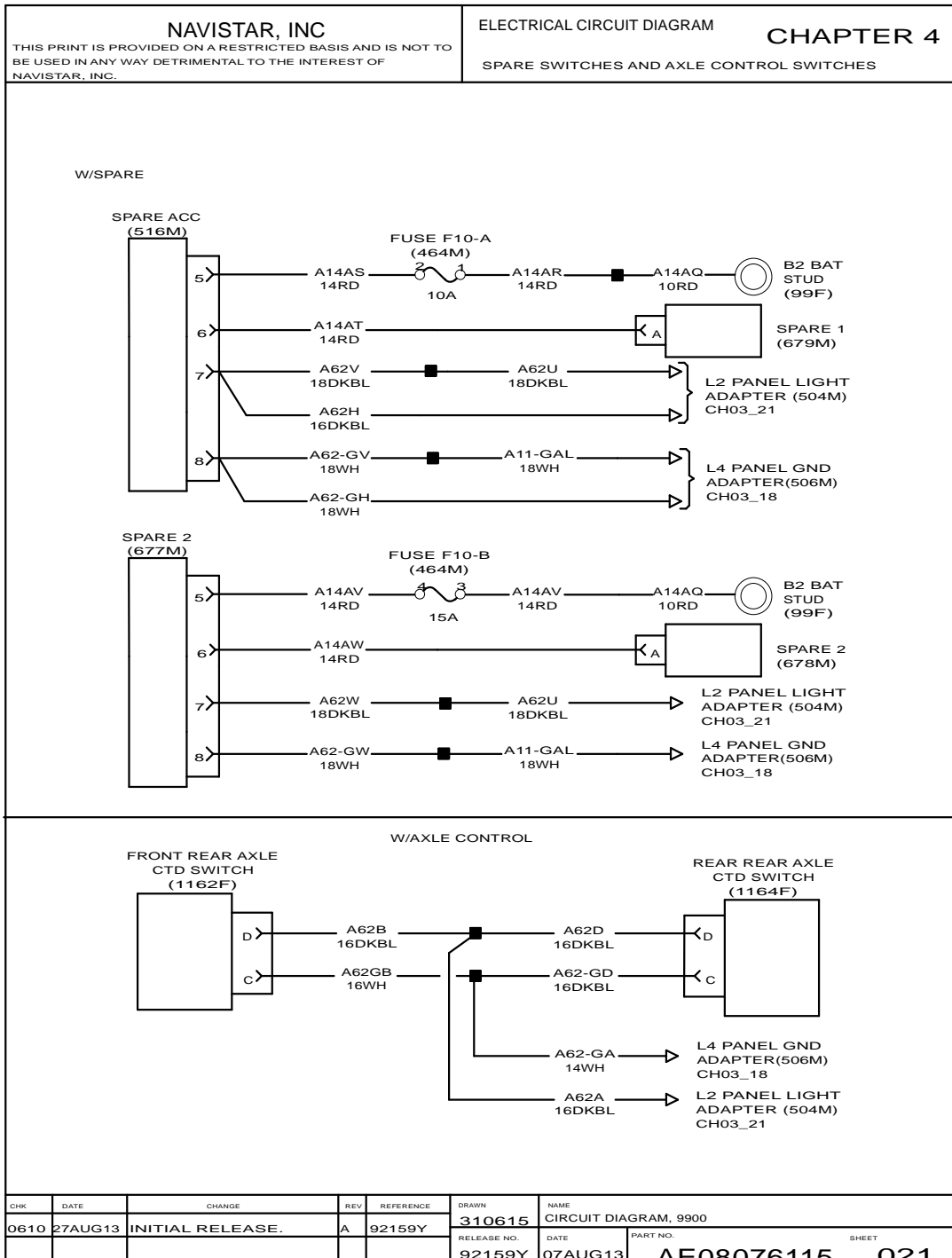


Figure 60 Spare Switches and Axle Control Switches.

4.22. THROTTLE EFFECTS, P. 22

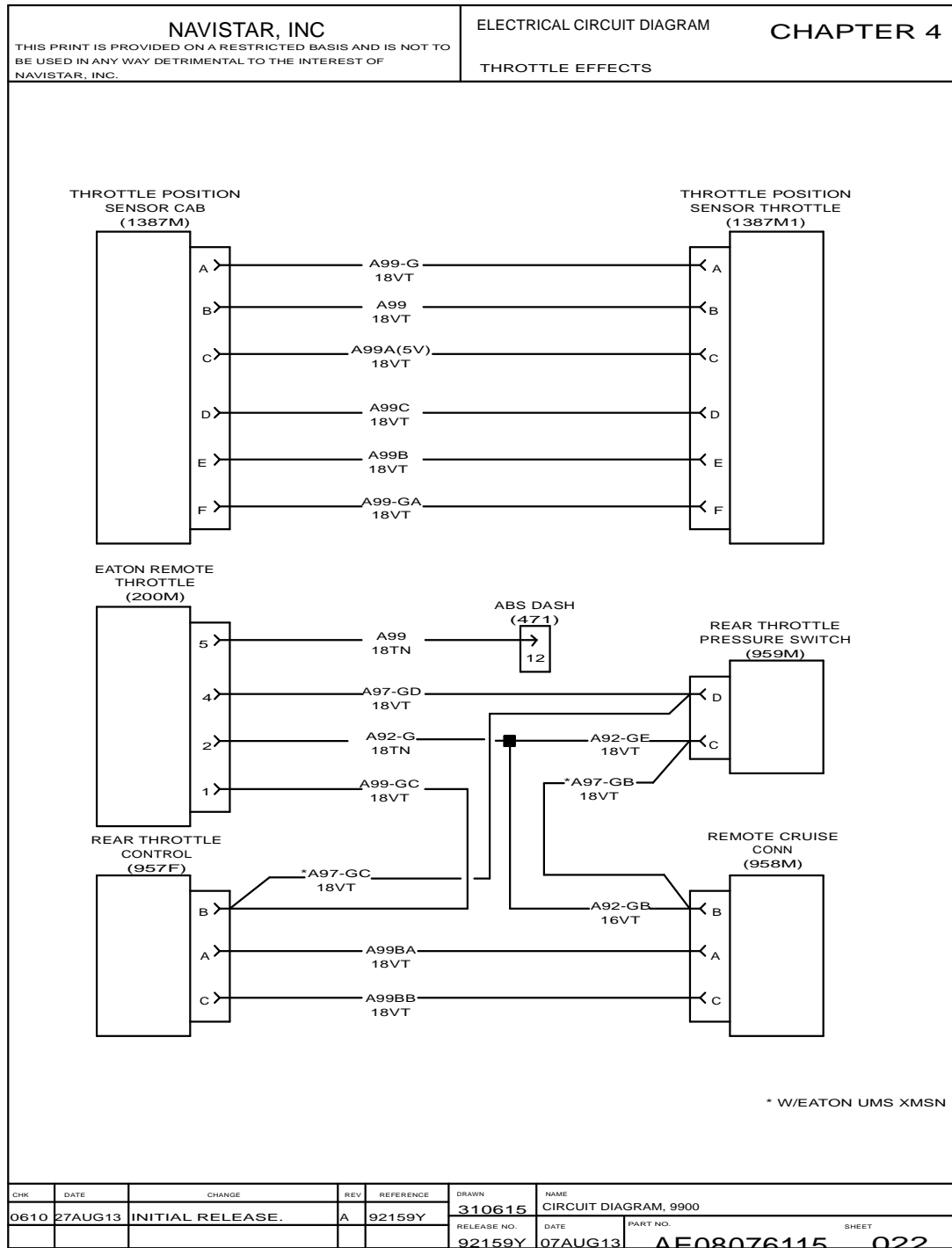


Figure 61 Throttle Effects.

CHARGING AND CRANKING (CHAPTER 5)

5.1. STARTER INTERLOCK, P. 1

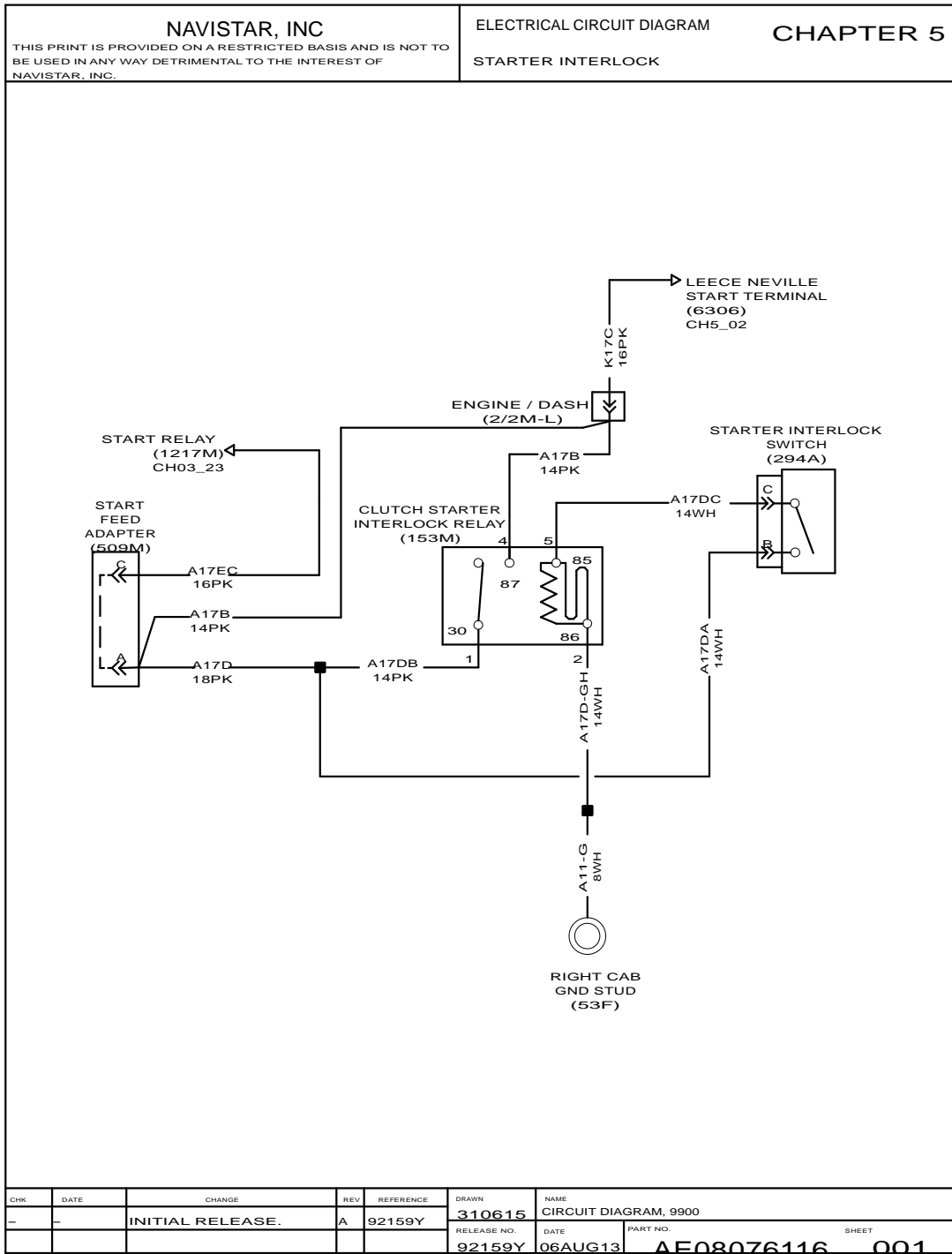


Figure 62 Starter Interlock.

5.2. STARTER INTERLOCK (CONT.), P. 2

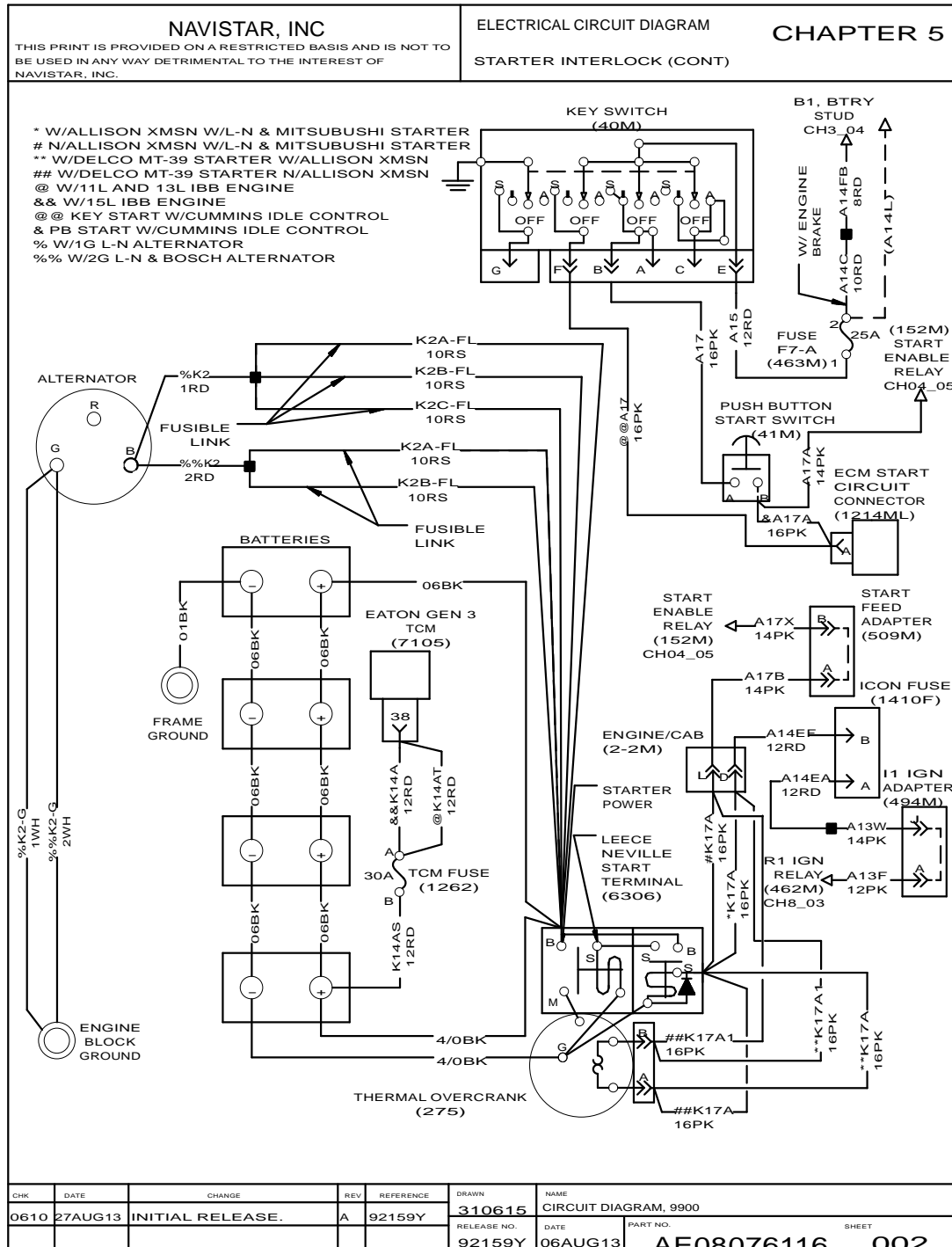


Figure 63 Starter Interlock (Cont.)

5.3. STARTER INTERLOCK (CONT.), P. 3

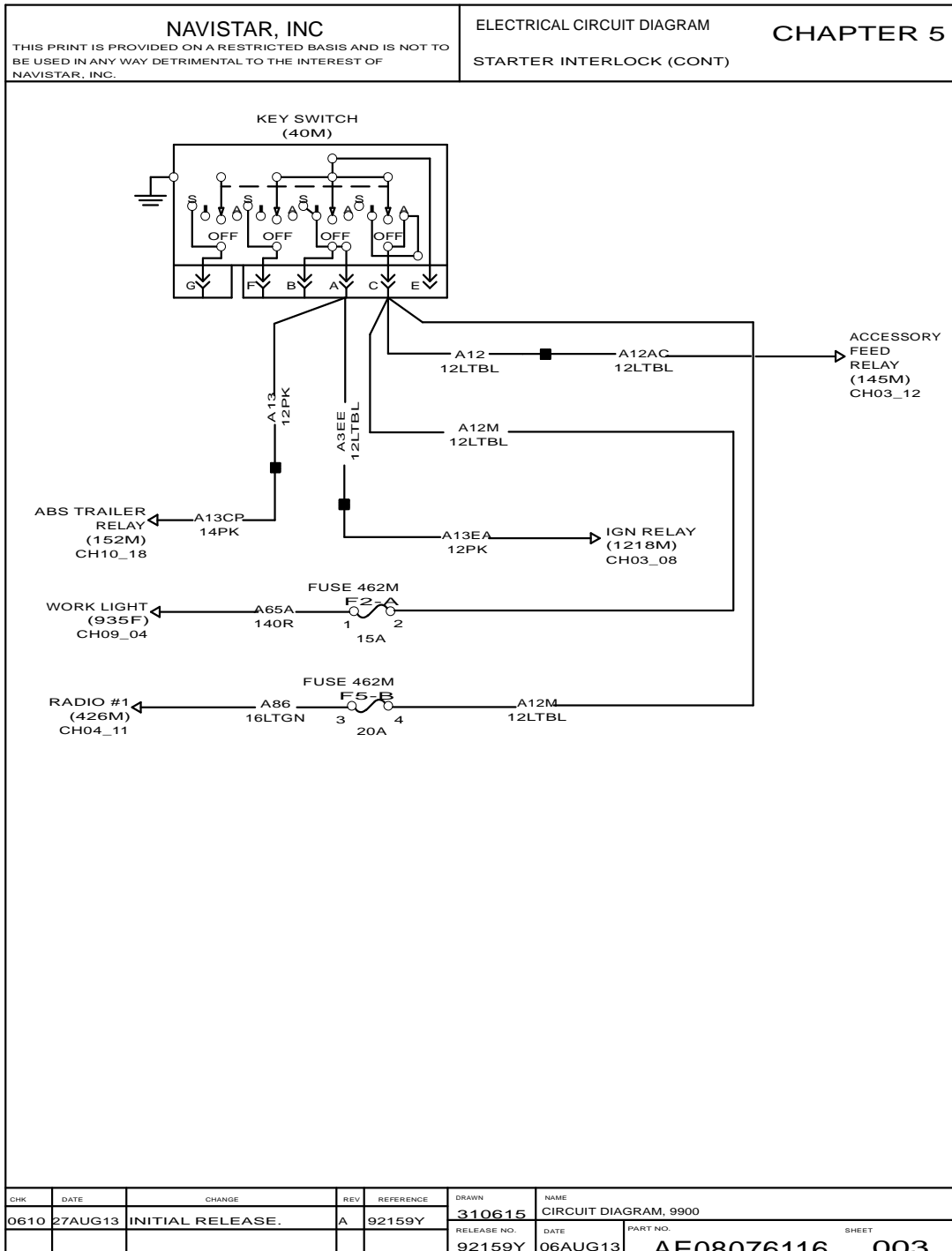


Figure 64 Starter Interlock (Cont.)

5.4. ENGINE – CHARGING CIRCUITS, P. 4

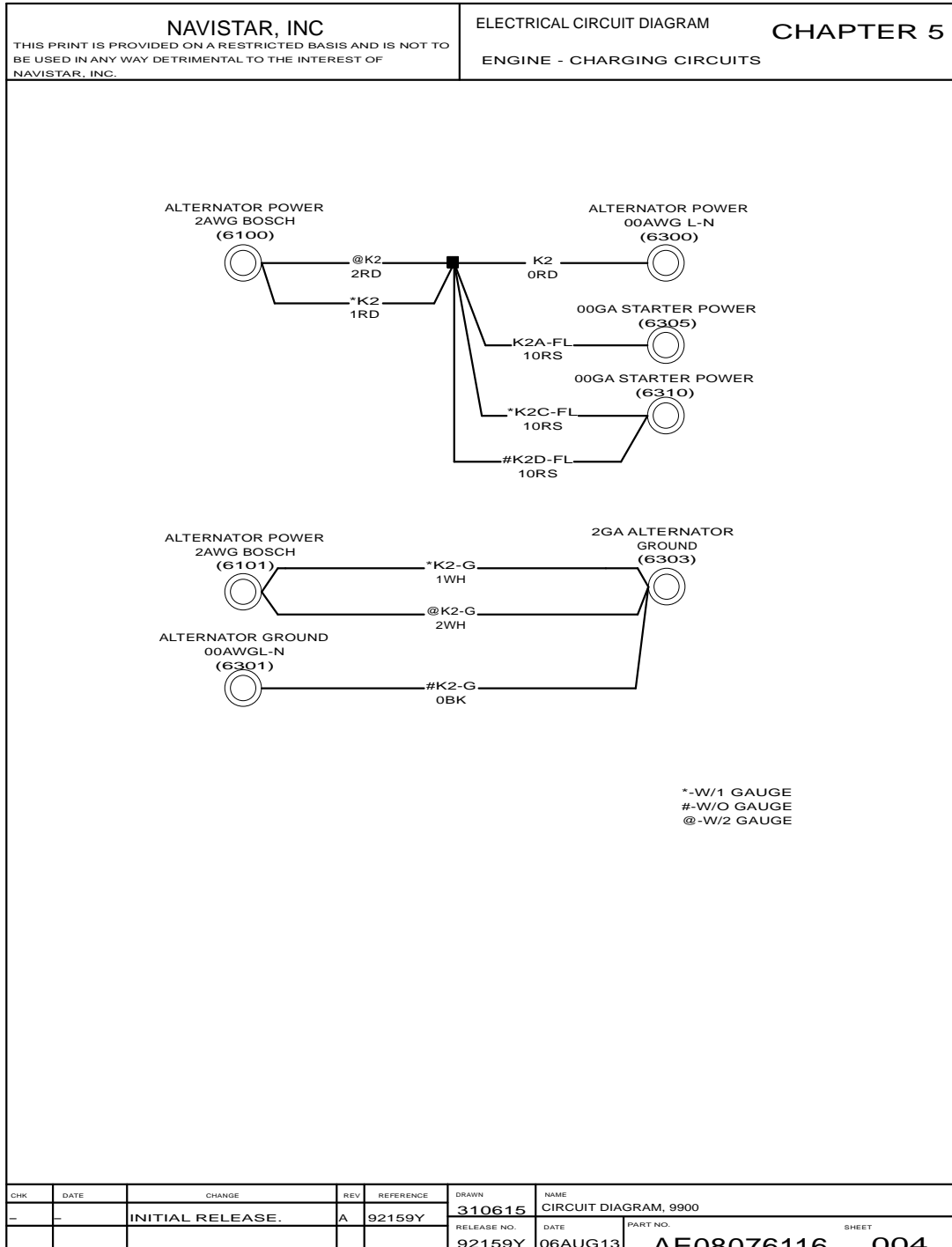


Figure 65 Engine – Charging Circuits.

5.5. ENGINE – CHARGING CIRCUITS (CONT.), P. 5

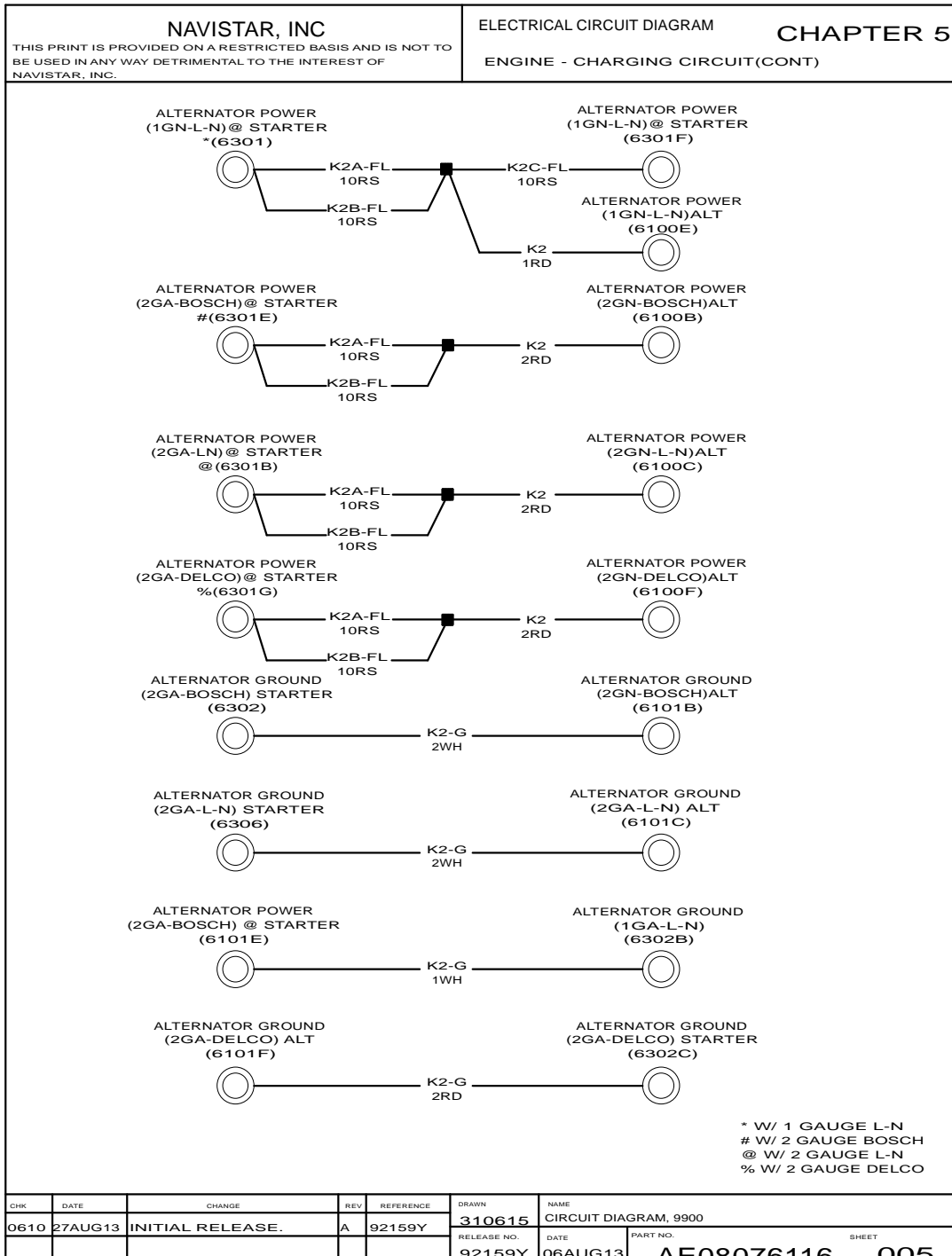


Figure 66 Engine – Charging Circuits (Cont.)

FAN WIRING (CHAPTER 6)

6.1. FAN WIRING – IBB ENGINE, P. 1

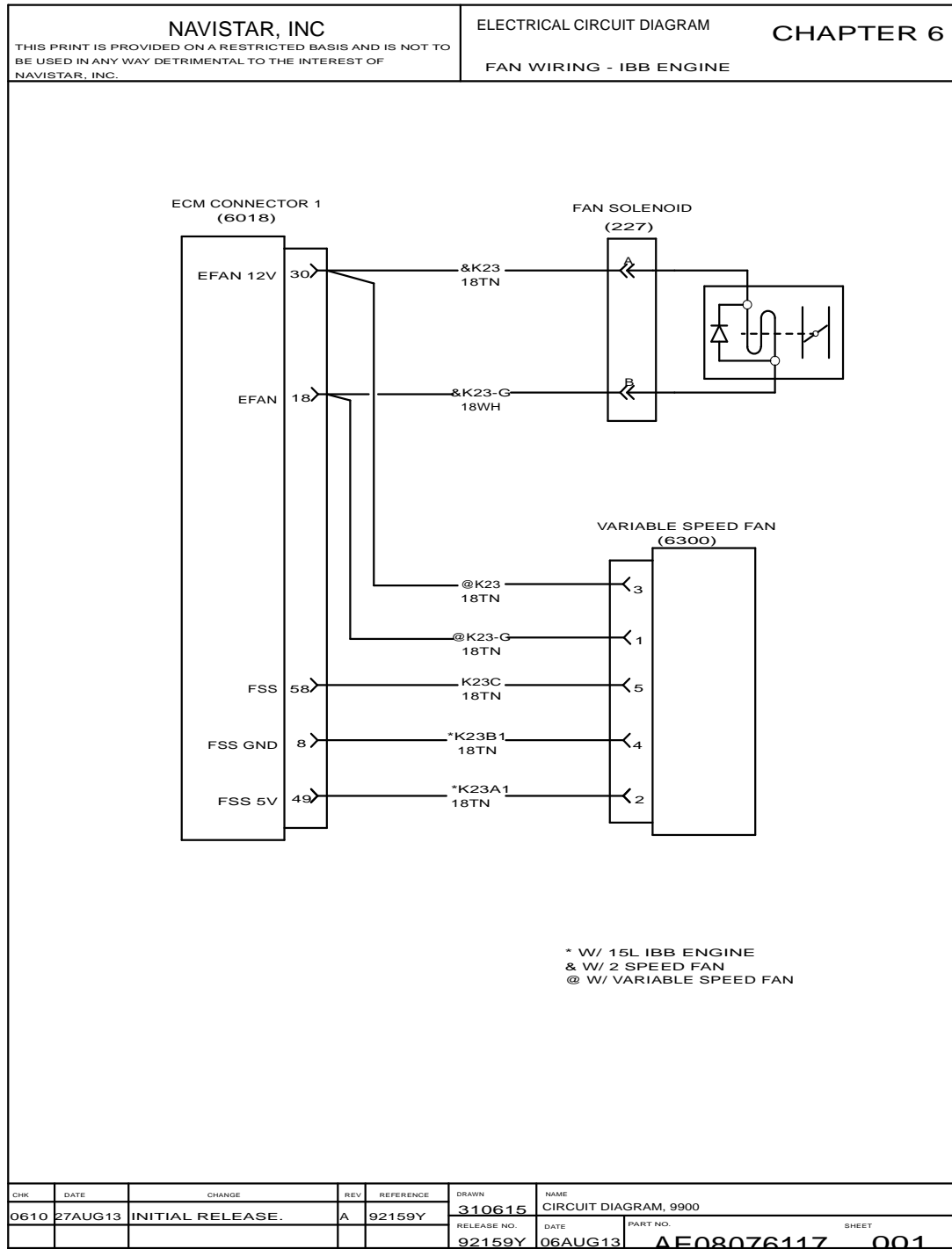


Figure 67 Fan Wiring – IBB Engine.

6.2. FAN WIRING – IBB ENGINE (CONT.), P. 2

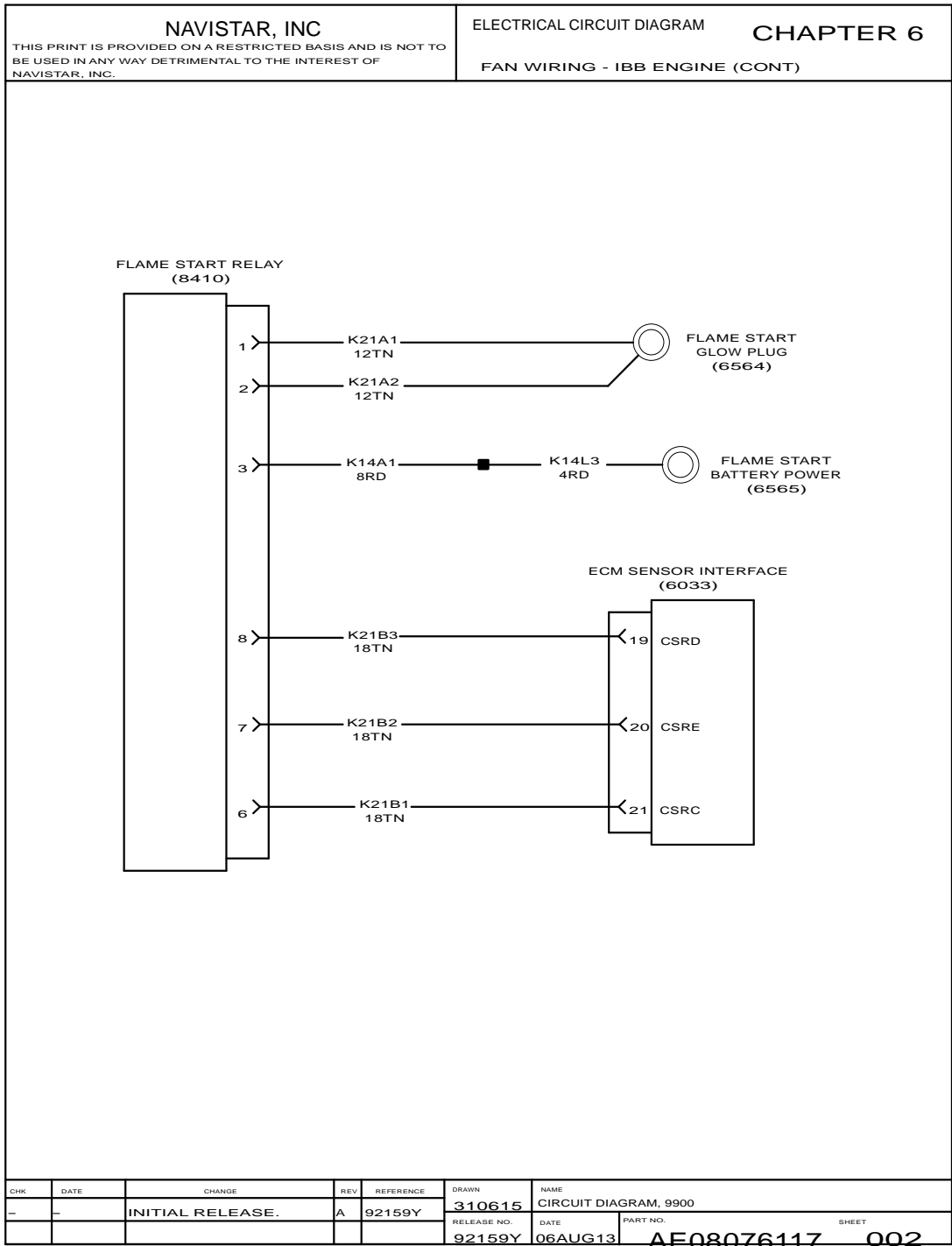


Figure 68 Fan Wiring – IBB Engine (Cont.)

6.3. FAN WIRING – VARIABLE SPEED FAN DRIVE, P. 3

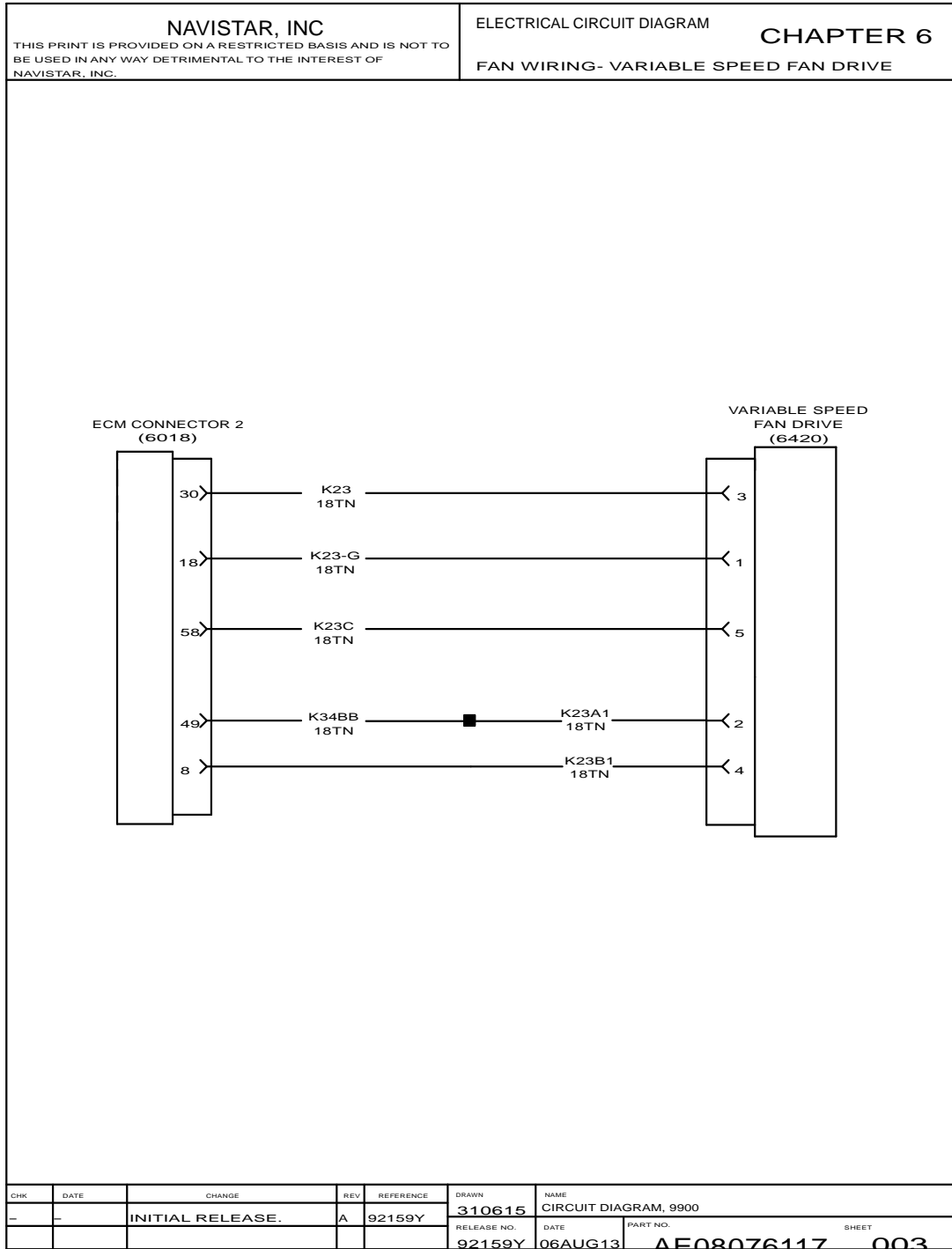


Figure 69 Fan Wiring – Variable Speed Fan Drive.

6.4. FAN WIRING – FAN AND ETHER START WITH ISX ENGINE, P. 4

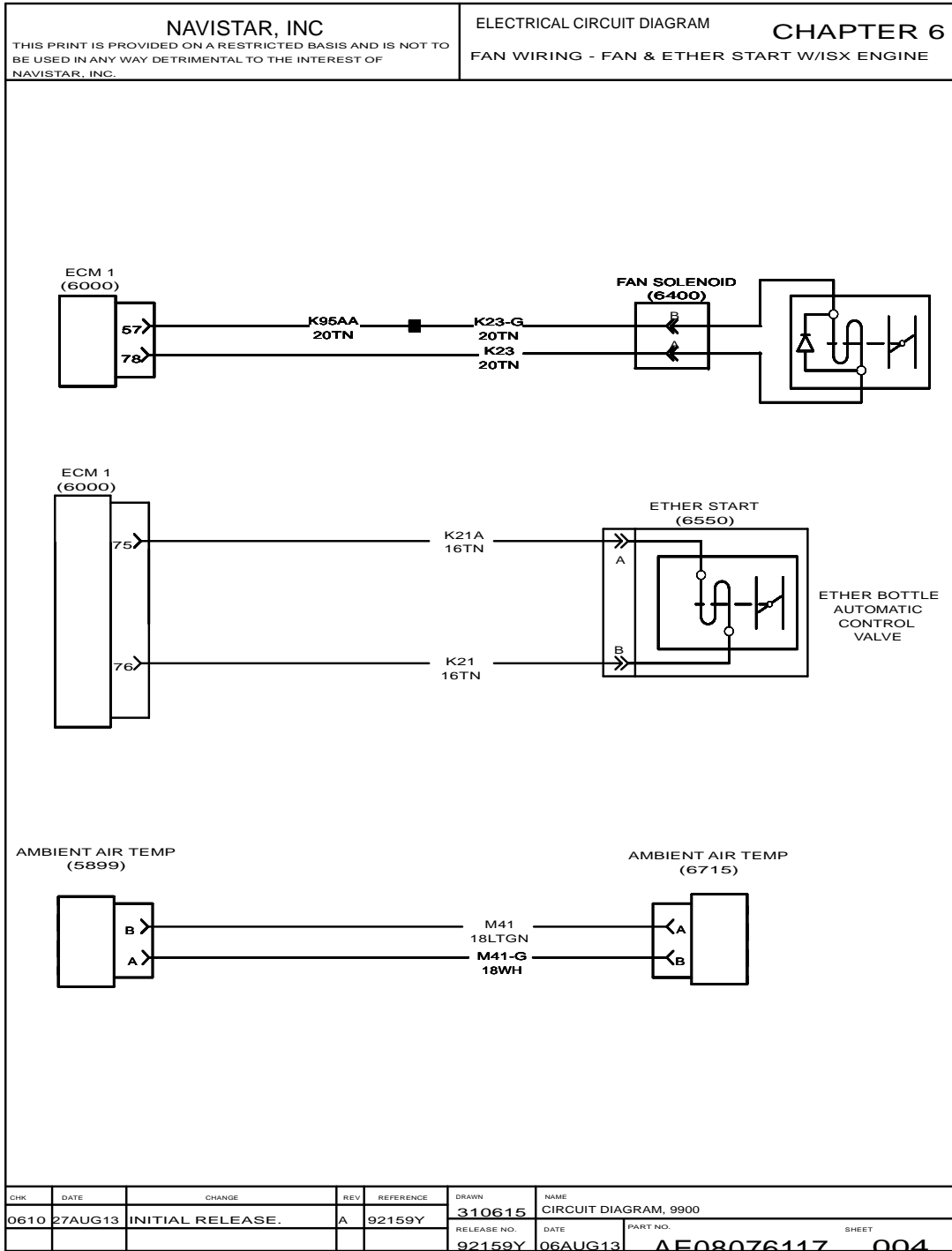


Figure 70 Fan Wiring – Fan and Ether Start with ISX Engine.

6.5. FAN WIRING – FAN DRIVE AND OVERRIDE SWITCH, P. 5

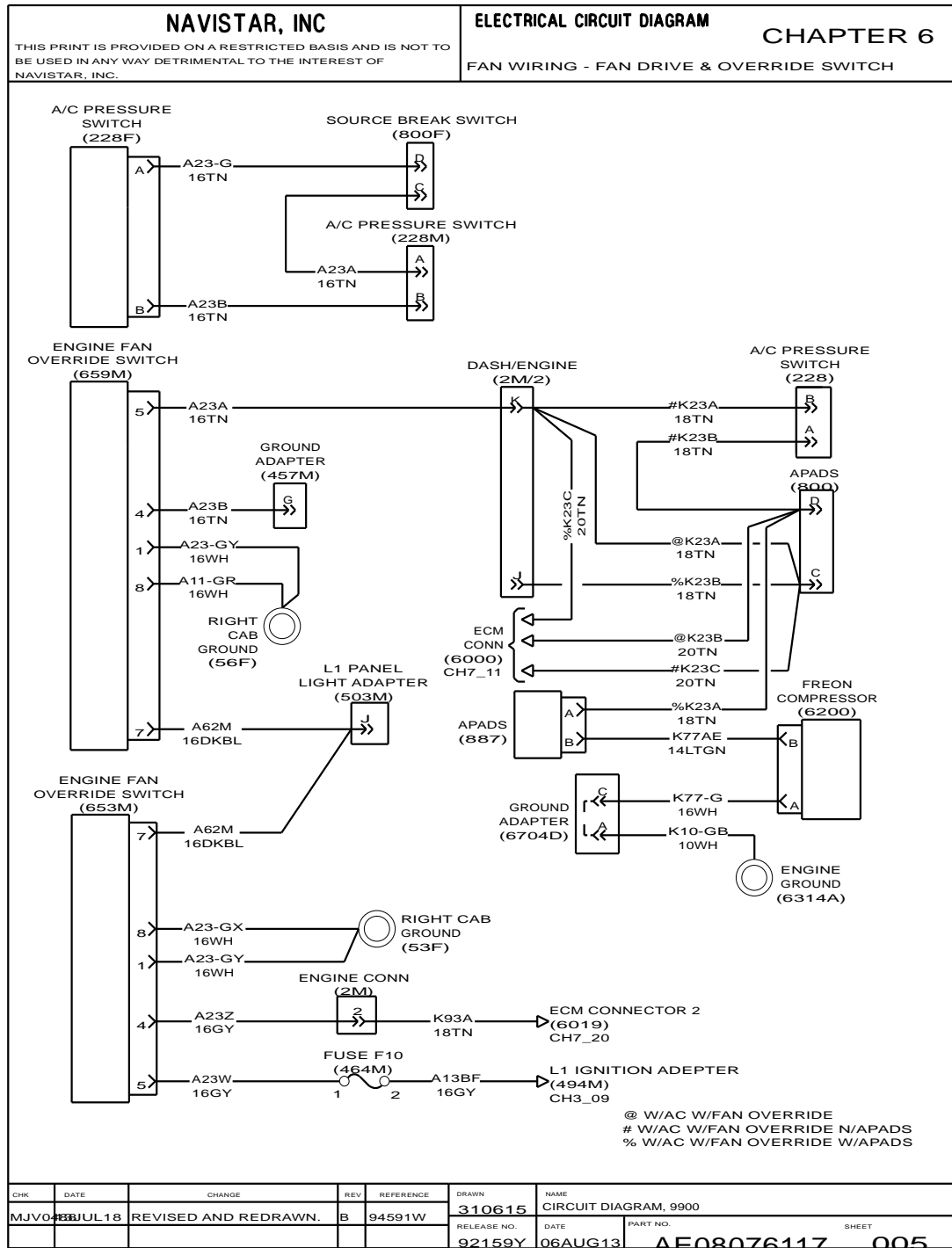


Figure 71 Fan Wiring – Fan Drive and Override Switch.

ENGINE SYSTEM (CHAPTER 7)

7.1. ELECTRONICS ENGINE CONTROL (ISX ENGINE), P. 1

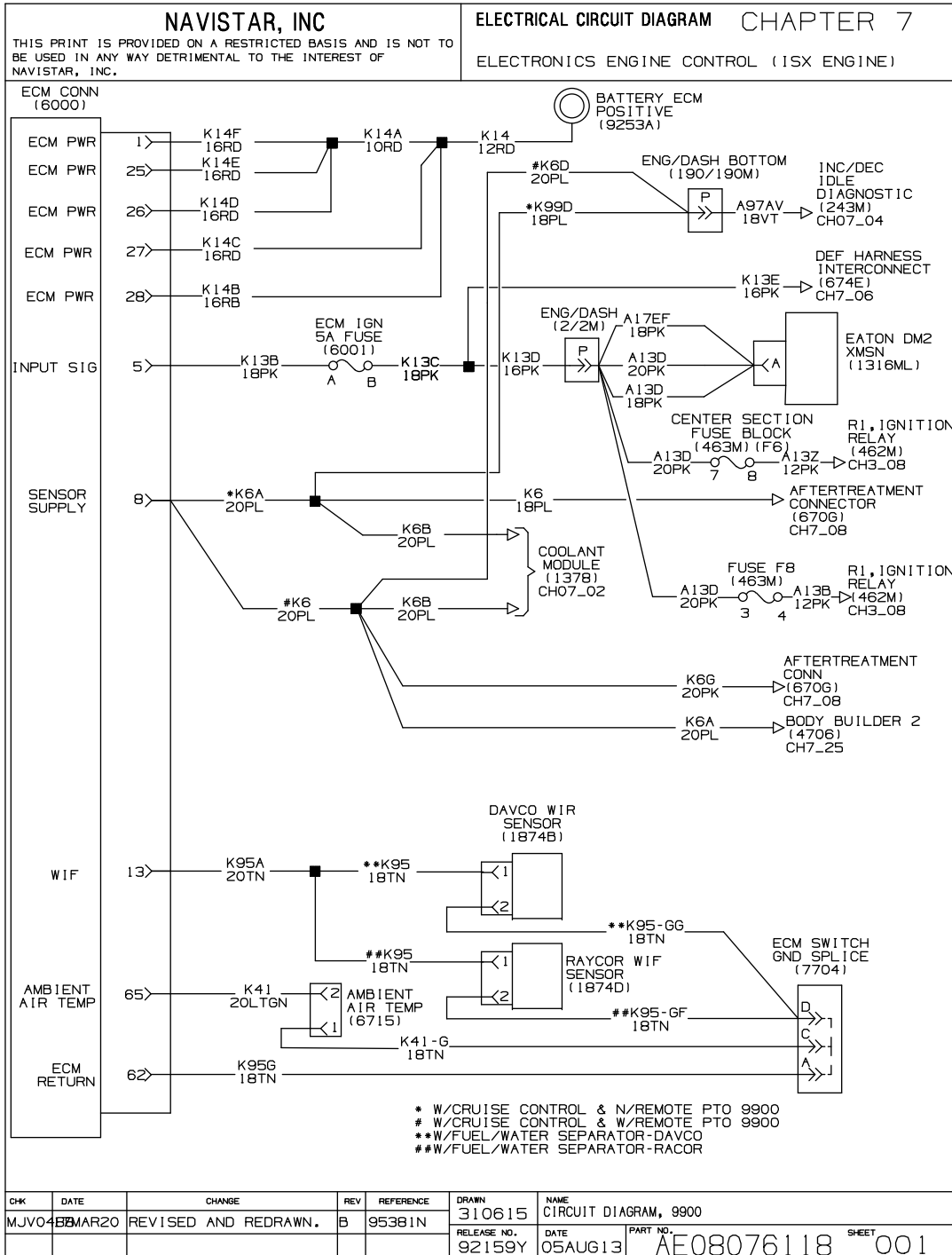


Figure 72 Electronics Engine Control (ISX Engine)

7.2. ELECTRONICS ENGINE CONTROL (ISX ENGINE) (CONT.), P. 2

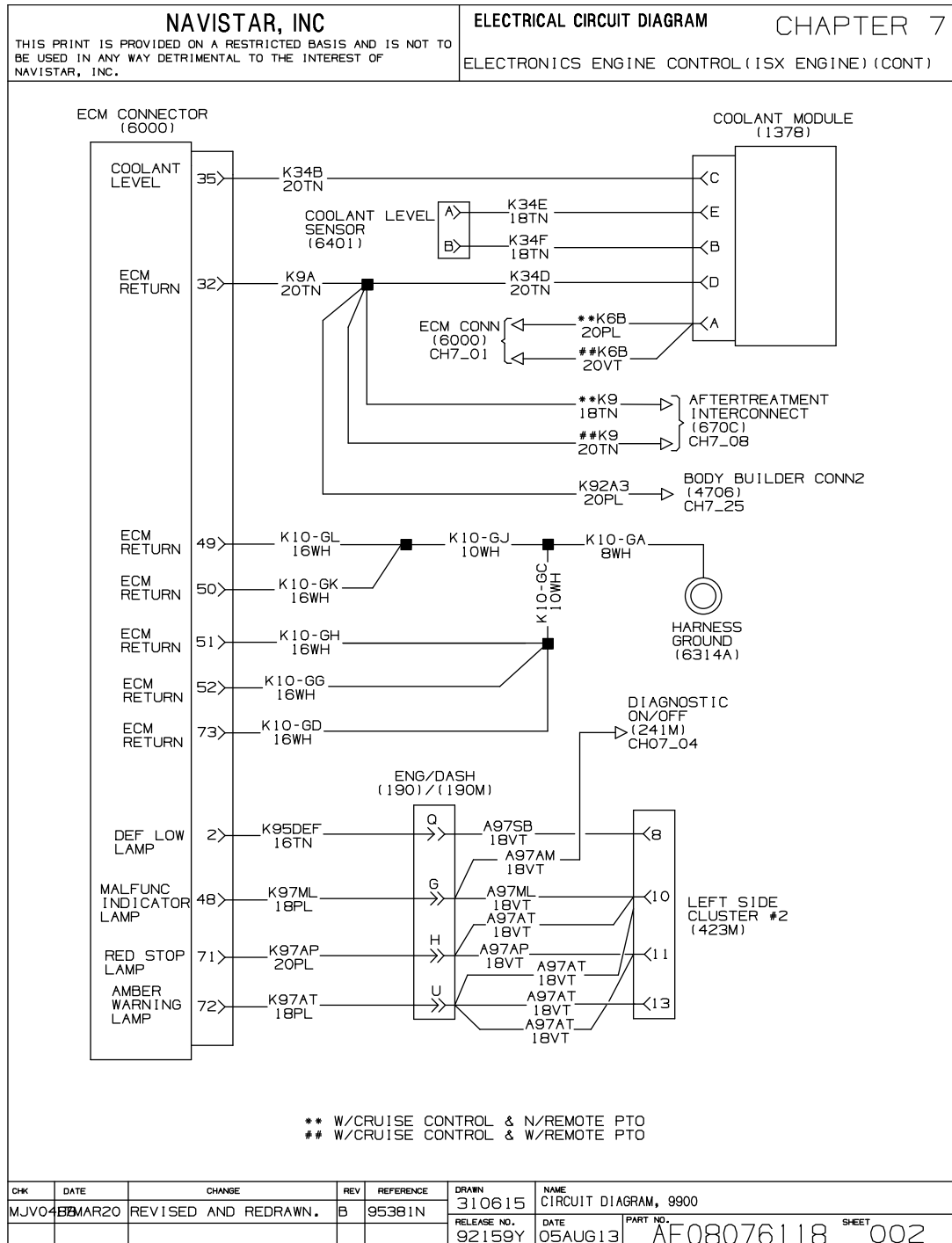


Figure 73 Electronics Engine Control (ISX Engine) (Cont.)

7.3. ELECTRONICS ENGINE CONTROL (ISX ENGINE) (CONT.), P. 3

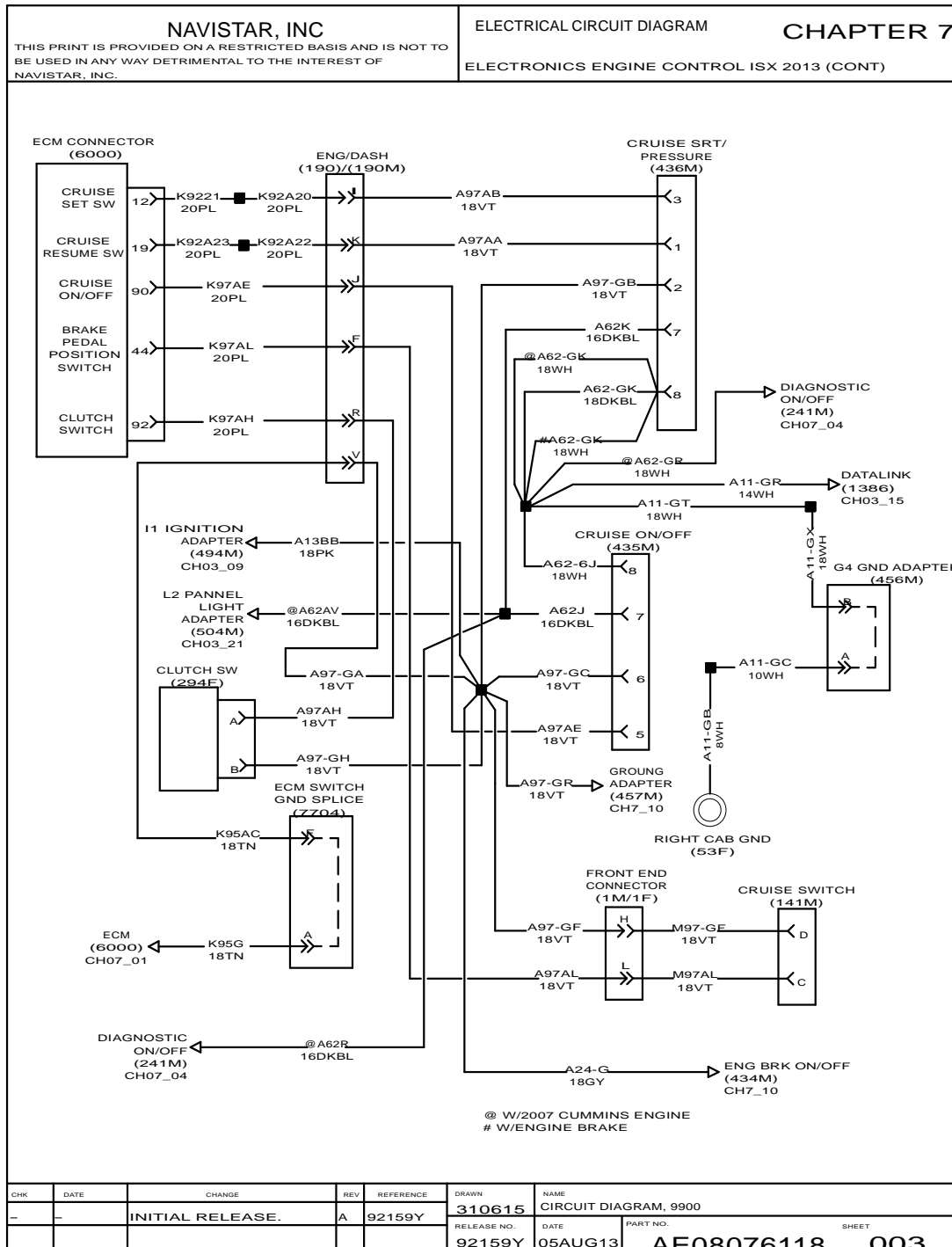


Figure 74 Electronics Engine Control (ISX Engine) (Cont.)

7.4. ELECTRONICS ENGINE CONTROL (ISX ENGINE) (CONT.), P. 4

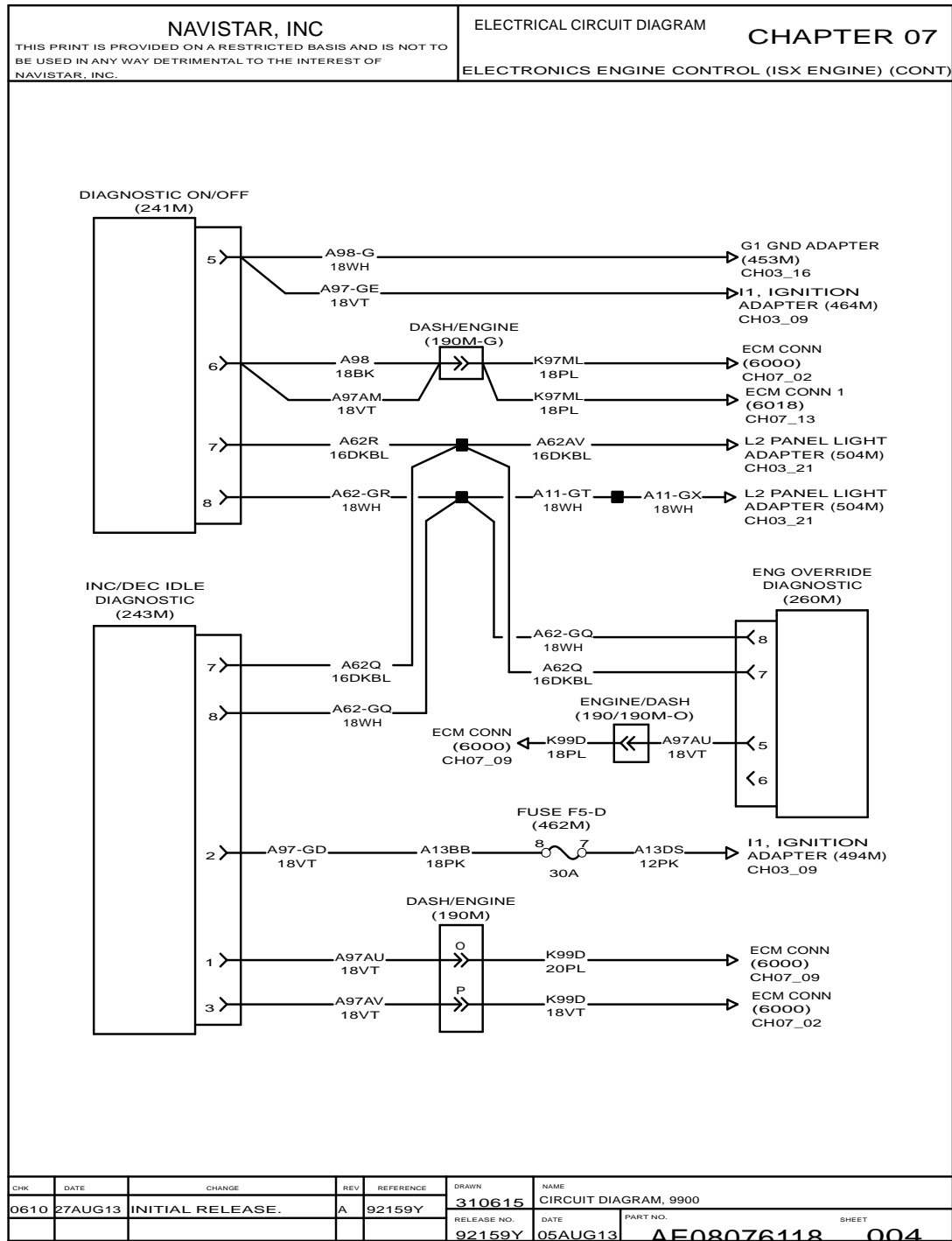


Figure 75 Electronics Engine Control (ISX Engine) (Cont.)

7.5. ISX 2013 DEF AND AFTERTREATMENT, P. 5

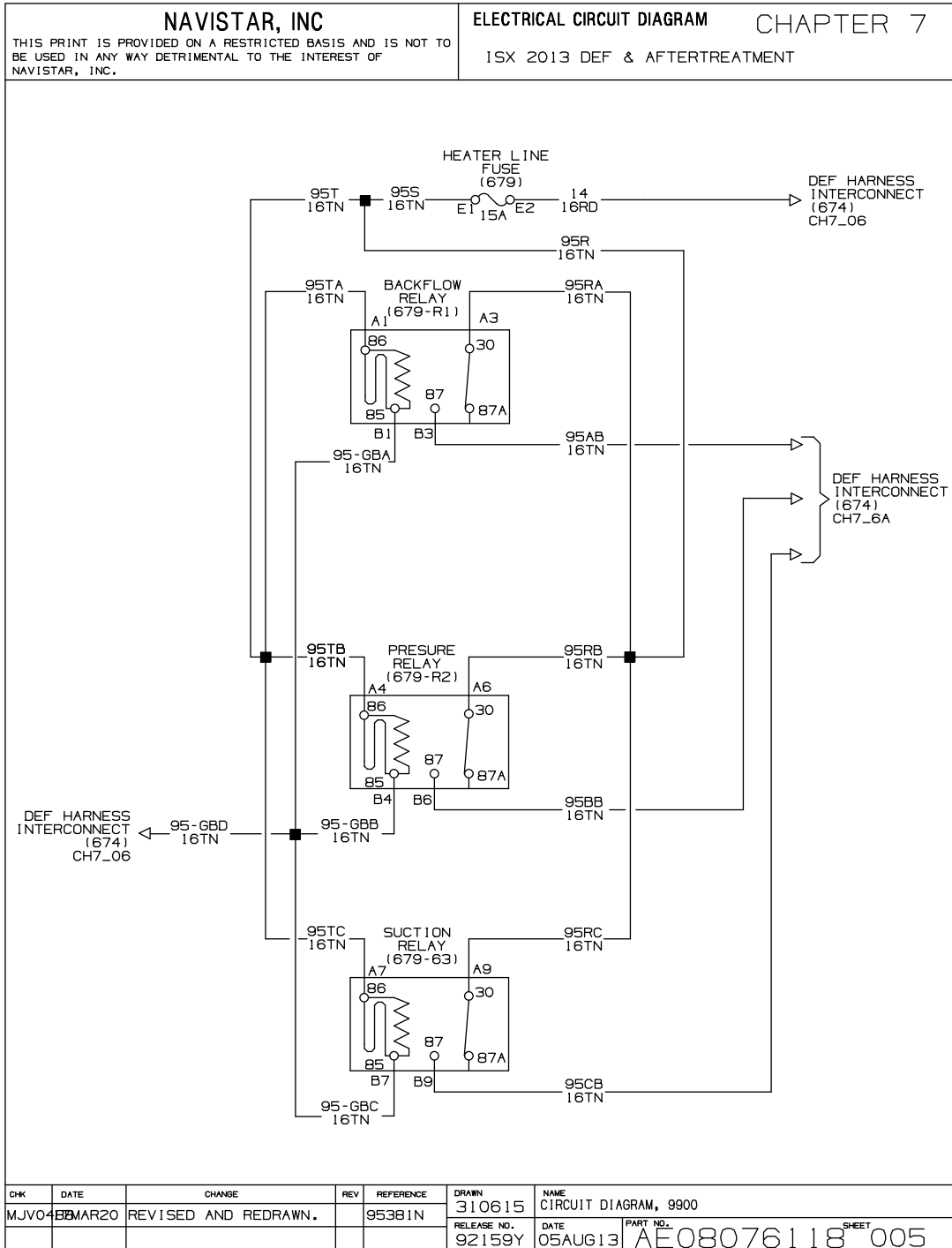


Figure 76 ISX 2013 DEF and Aftertreatment

7.6. ISX 2013 DEF AND AFTERTREATMENT (CONT.), P. 5A

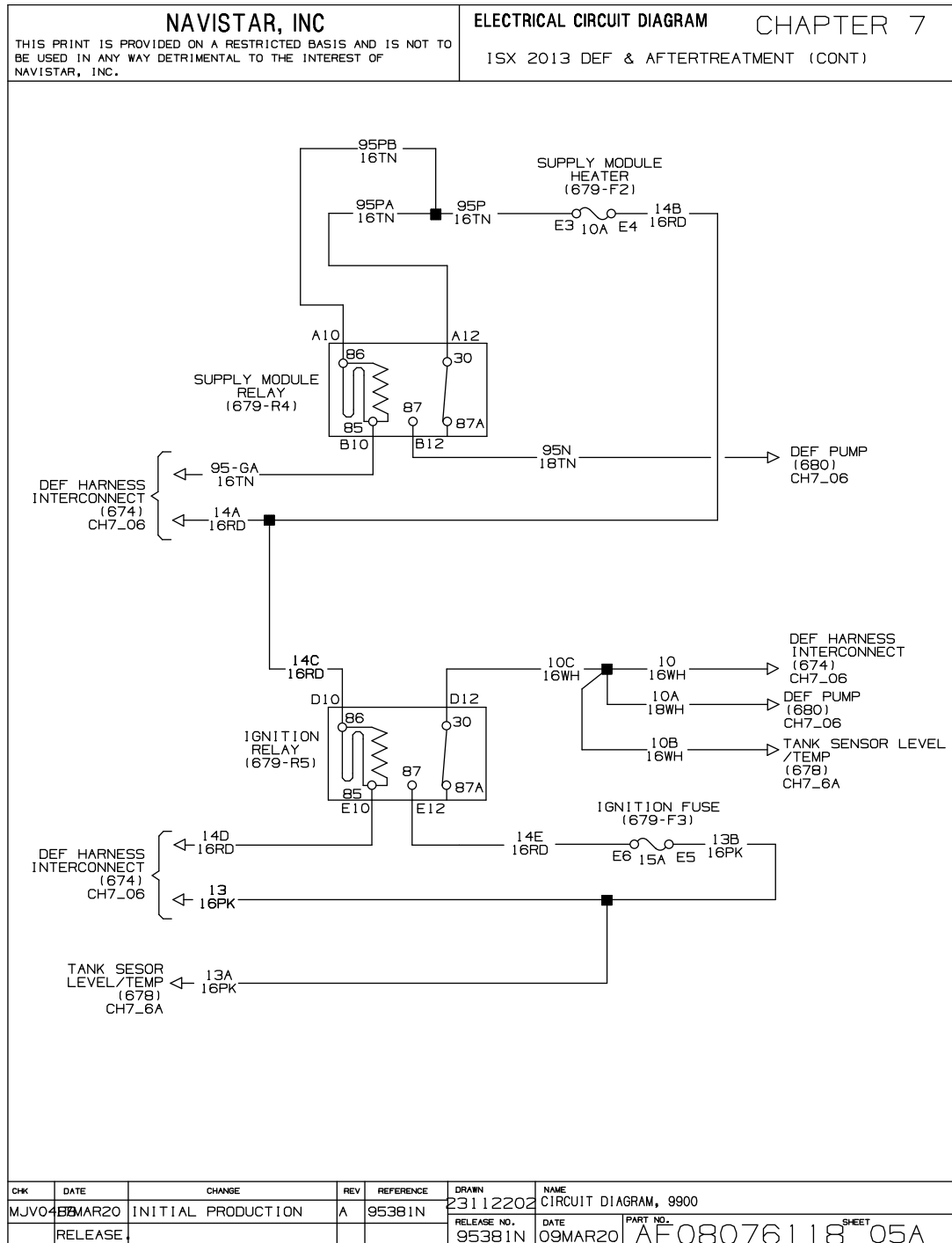


Figure 77 ISX 2013 DEF and Aftertreatment (Cont.)

7.7. ISX 2013 DEF AND AFTERTREATMENT (CONT.), P. 6

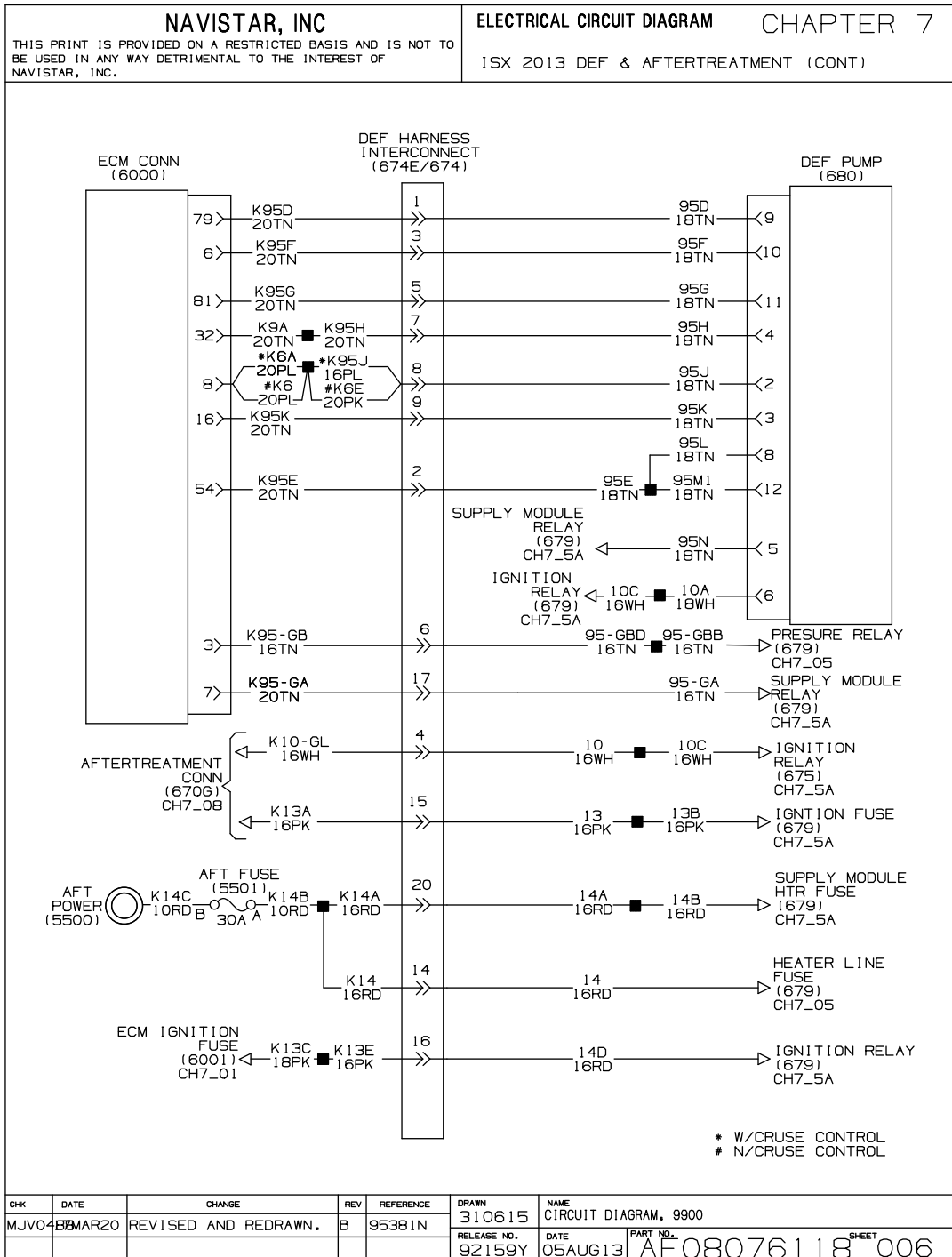


Figure 78 ISX 2013 DEF and Aftertreatment (Cont.)

7.8. ISX 2013 DEF AND AFTERTREATMENT (CONT.), P. 6A

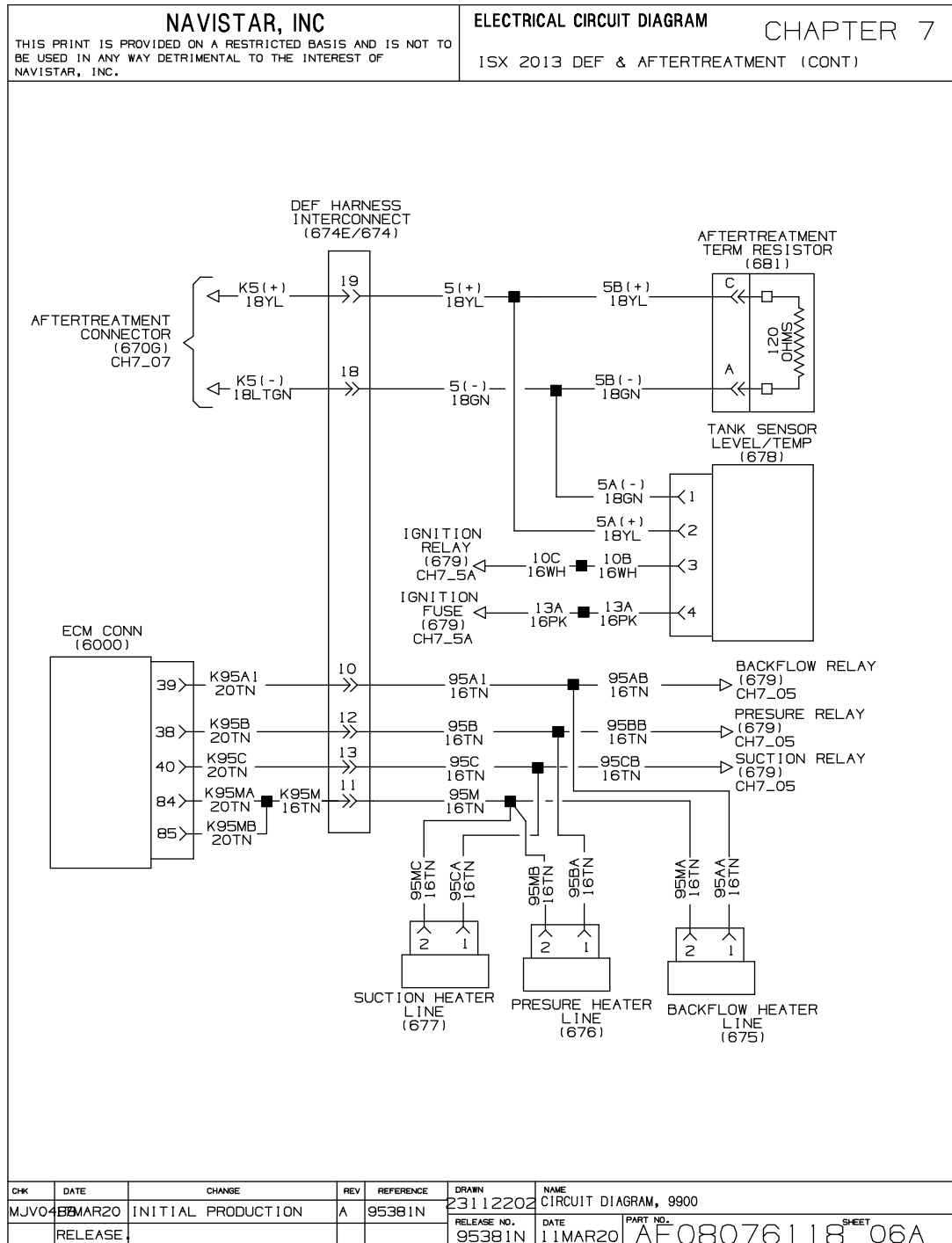


Figure 79 ISX 2013 DEF and Aftertreatment (Cont.)

7.9. ISX 2013 DEF AND AFTERTREATMENT (CONT.), P. 7

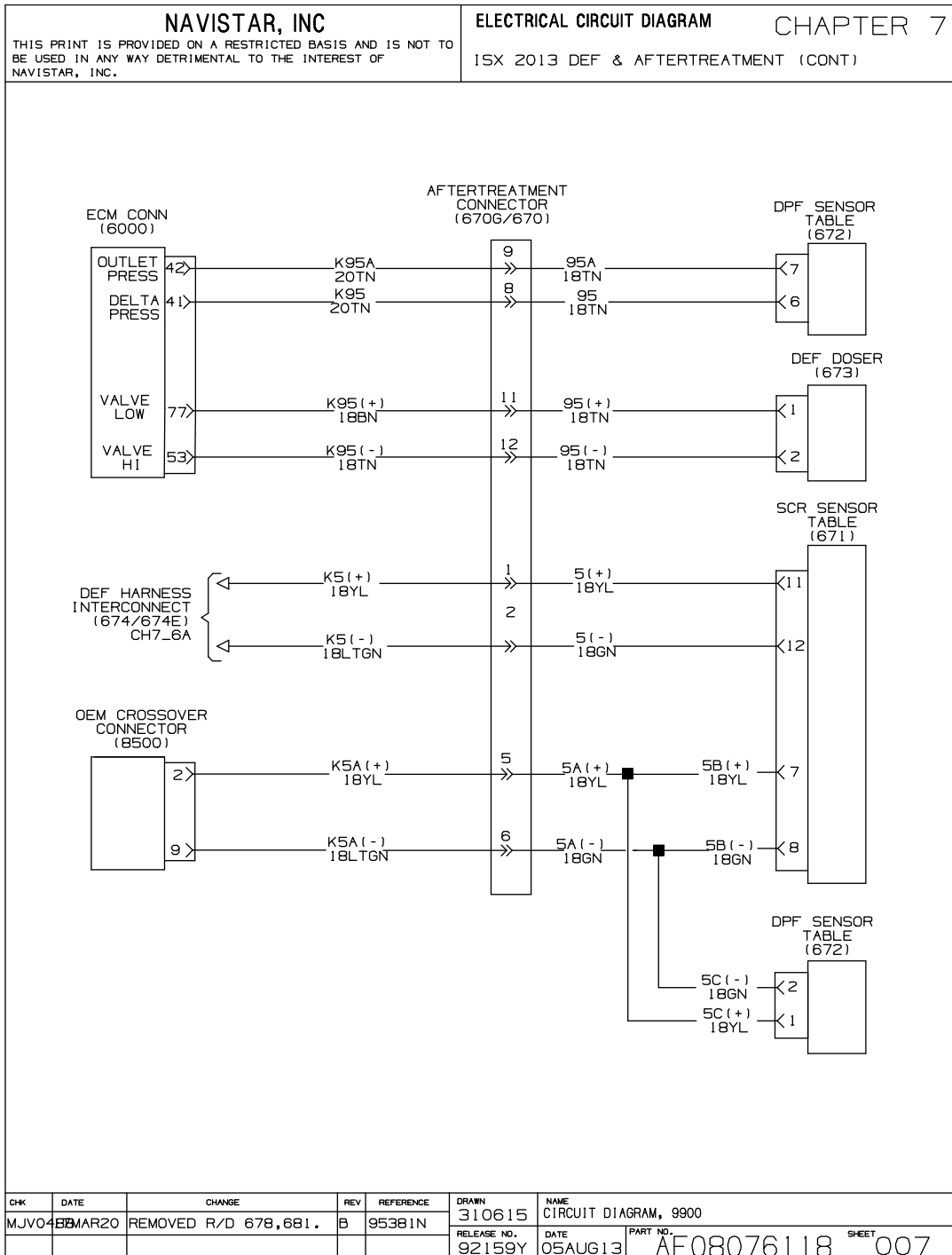


Figure 80 ISX 2013 DEF and Aftertreatment (Cont.)

7.10. ISX 2013 DEF AND AFTERTREATMENT (CONT.), P. 8

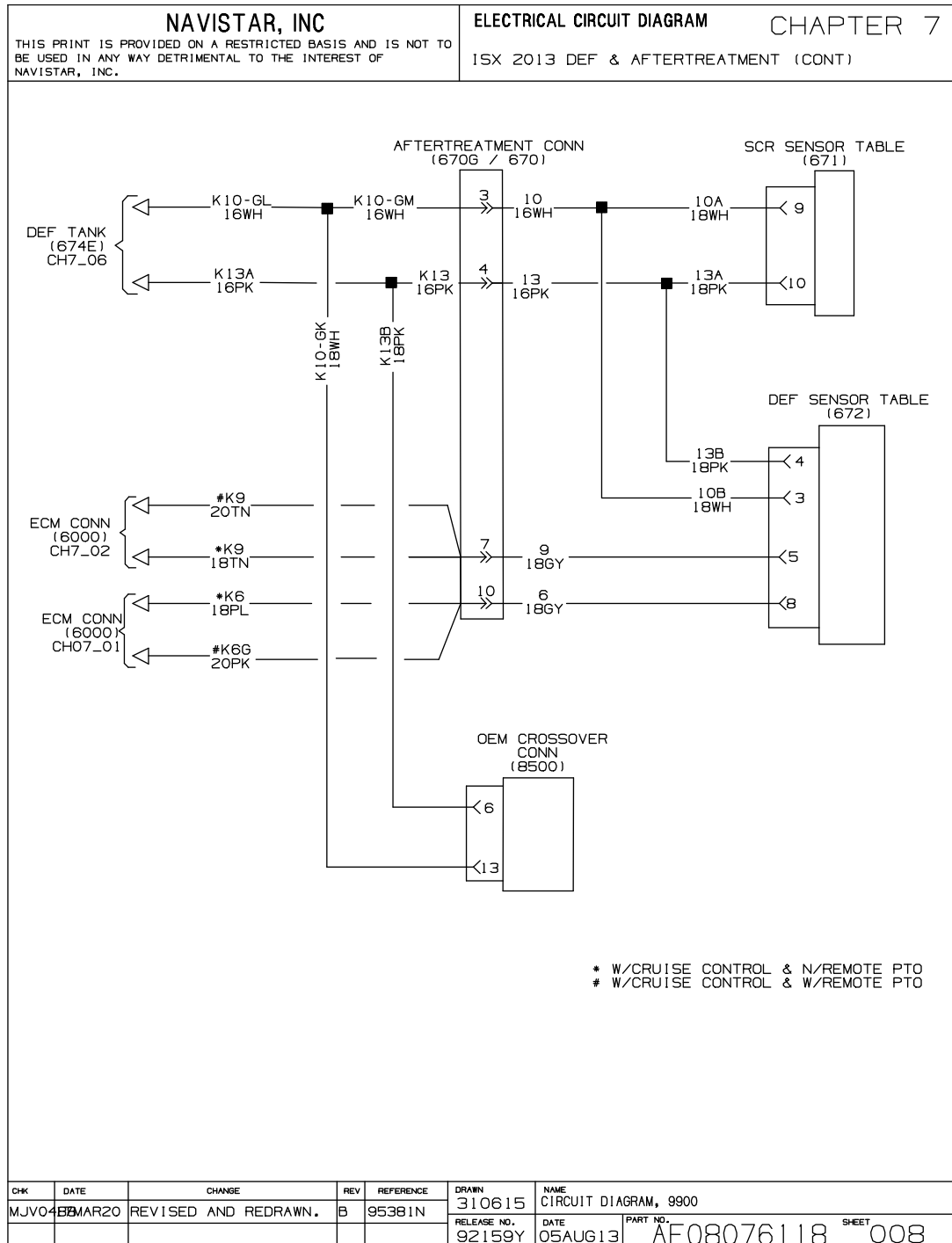


Figure 81 ISX 2013 DEF and Aftertreatment (Cont.)

7.11. ISX 2013 DEF AND AFTERTREATMENT (CONT.), P. 8A

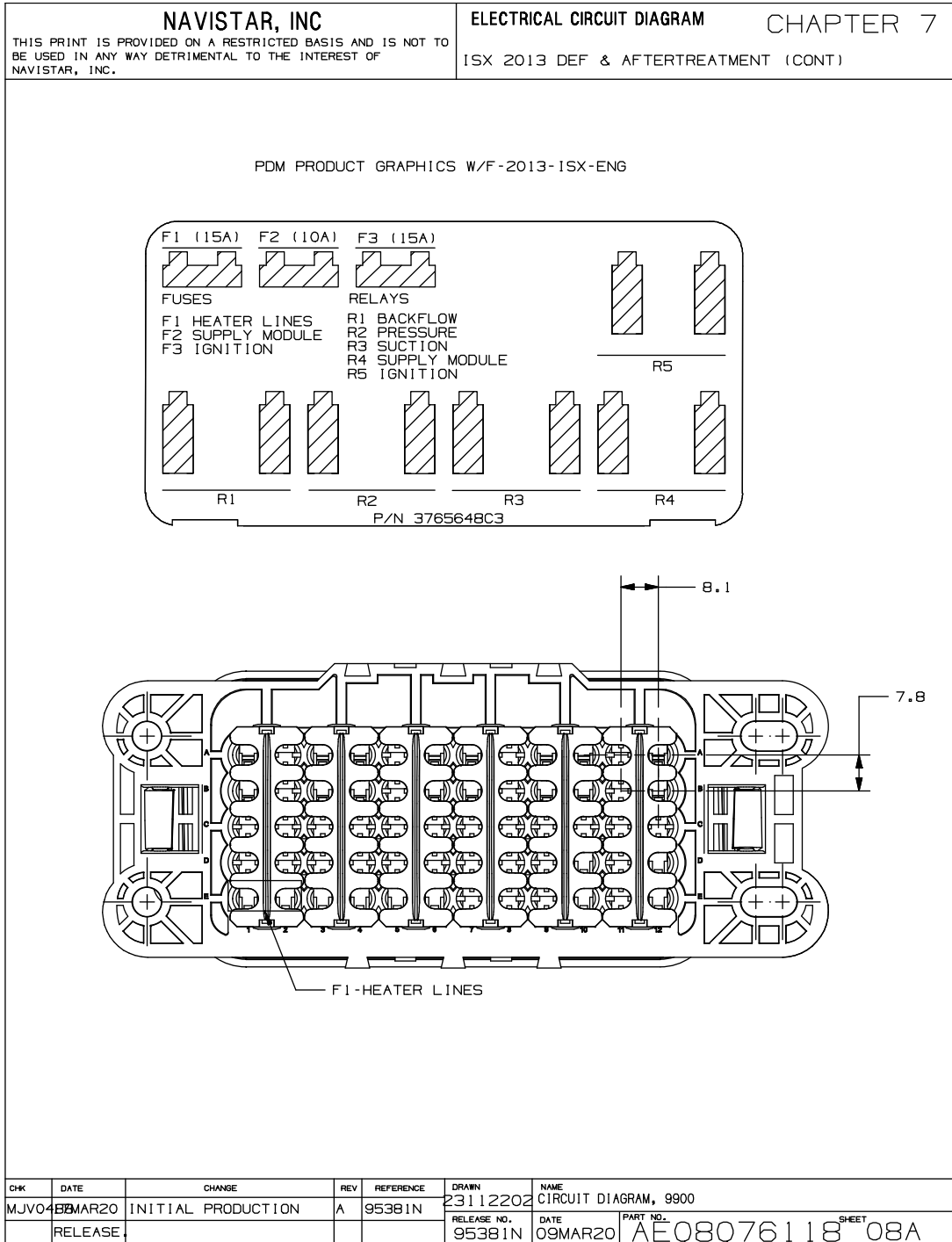


Figure 82 ISX 2013 DEF and Aftertreatment (Cont.)

7.12. 15L ISX ENGINE THROTTLE POSITION, P. 9

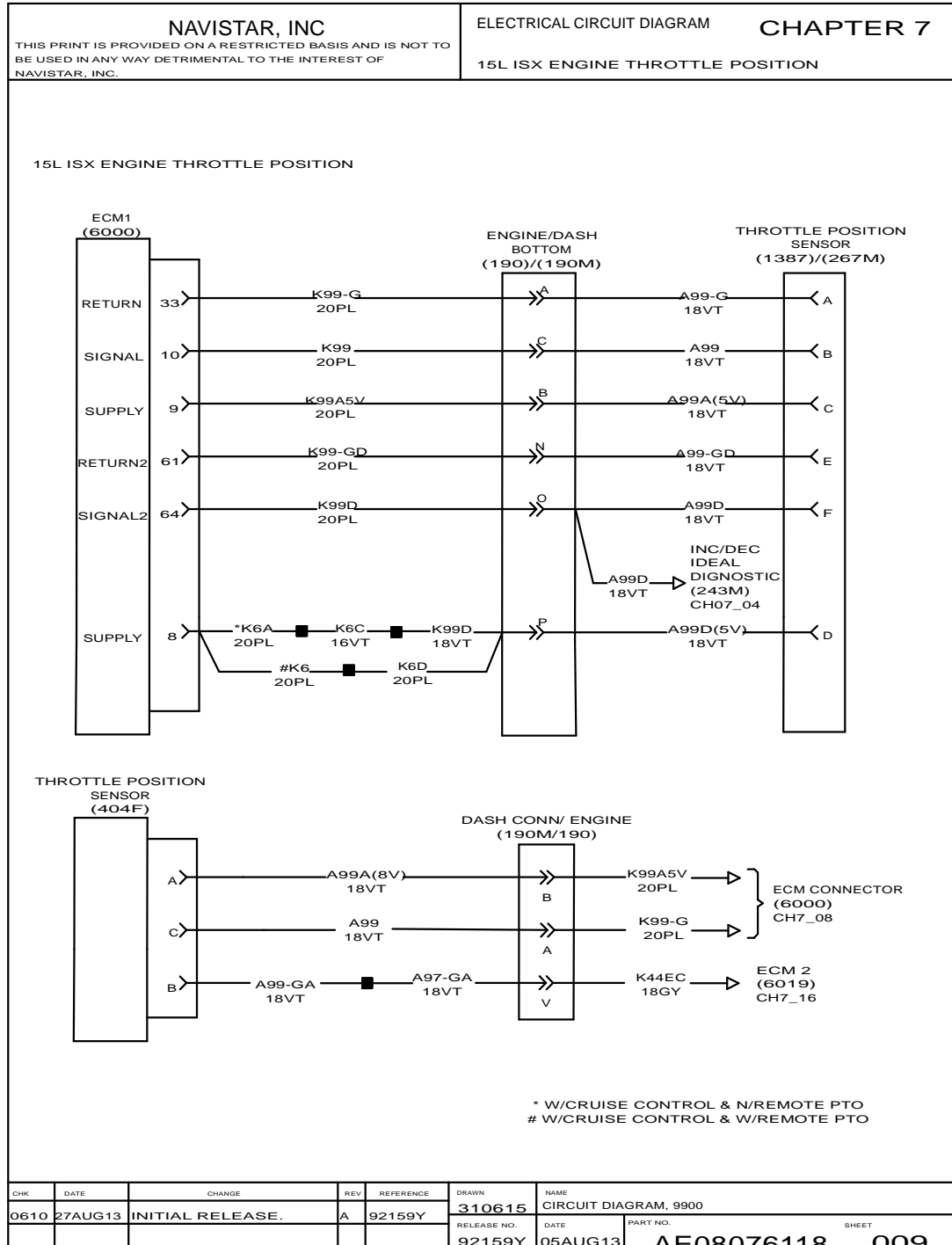


Figure 83 15L ISX Engine Throttle Position.

7.13. ELECTRONIC ENGINE CONTROLS (ISX ENGINE) (CONT.), P. 10

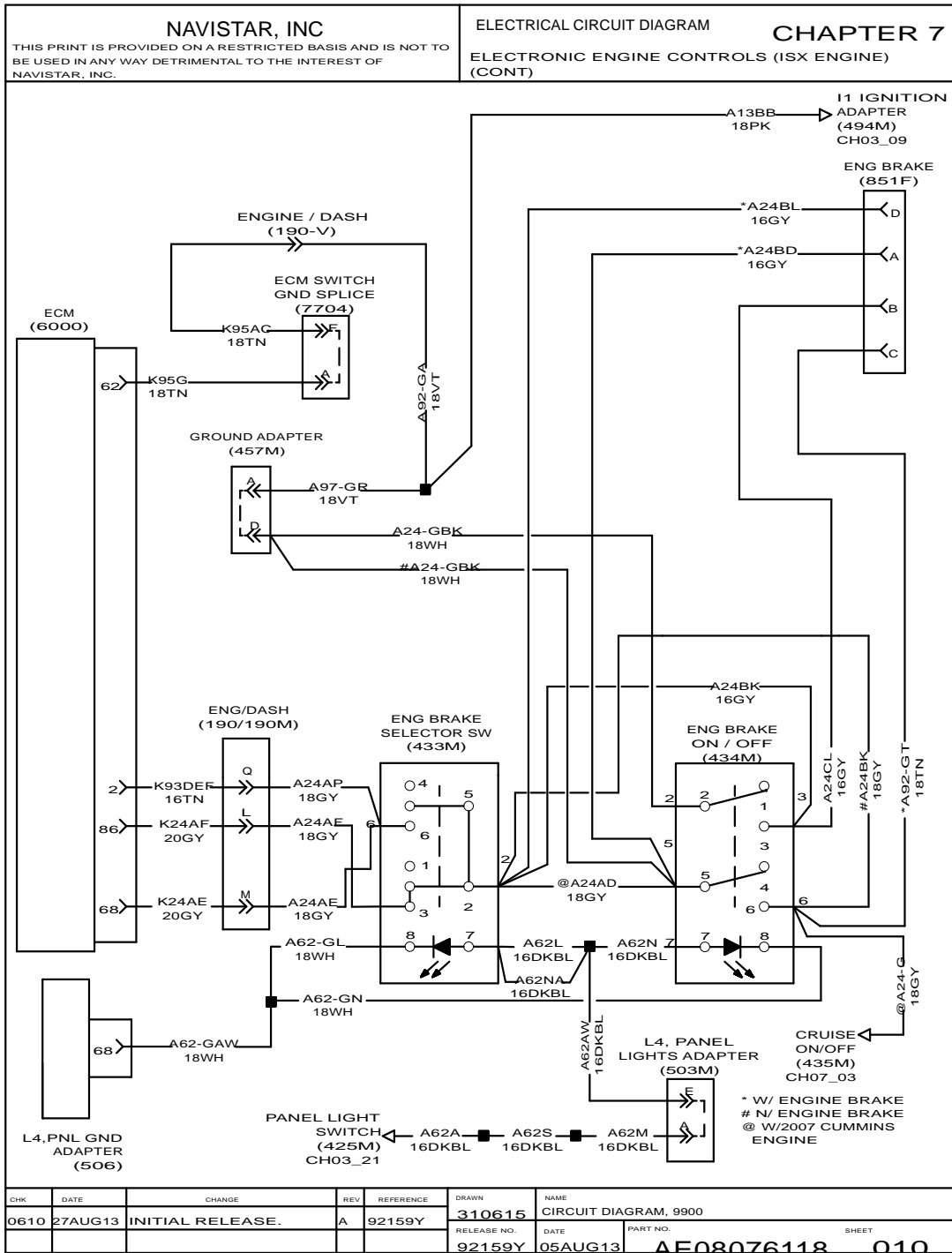


Figure 84 Electronic Engine Controls (ISX Engine) (Cont.)

7.14. ELECTRONIC ENGINE CONTROLS (ISX ENGINE) (CONT.), P. 11

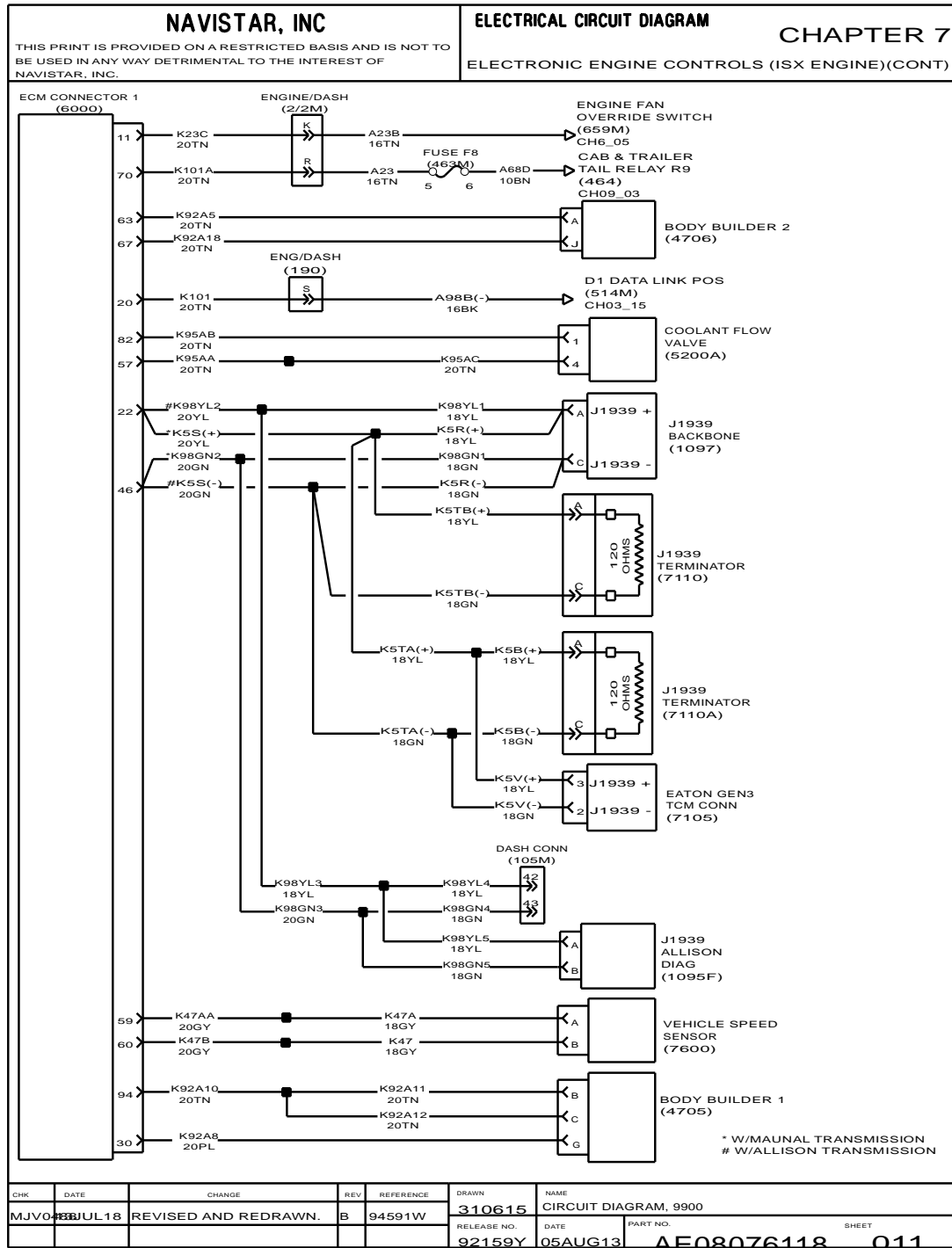


Figure 85 Electronic Engine Controls (ISX Engine) (Cont.)

7.15. ELECTRONIC ENGINE CONTROLS (2010 IBB ENGINE), P. 12

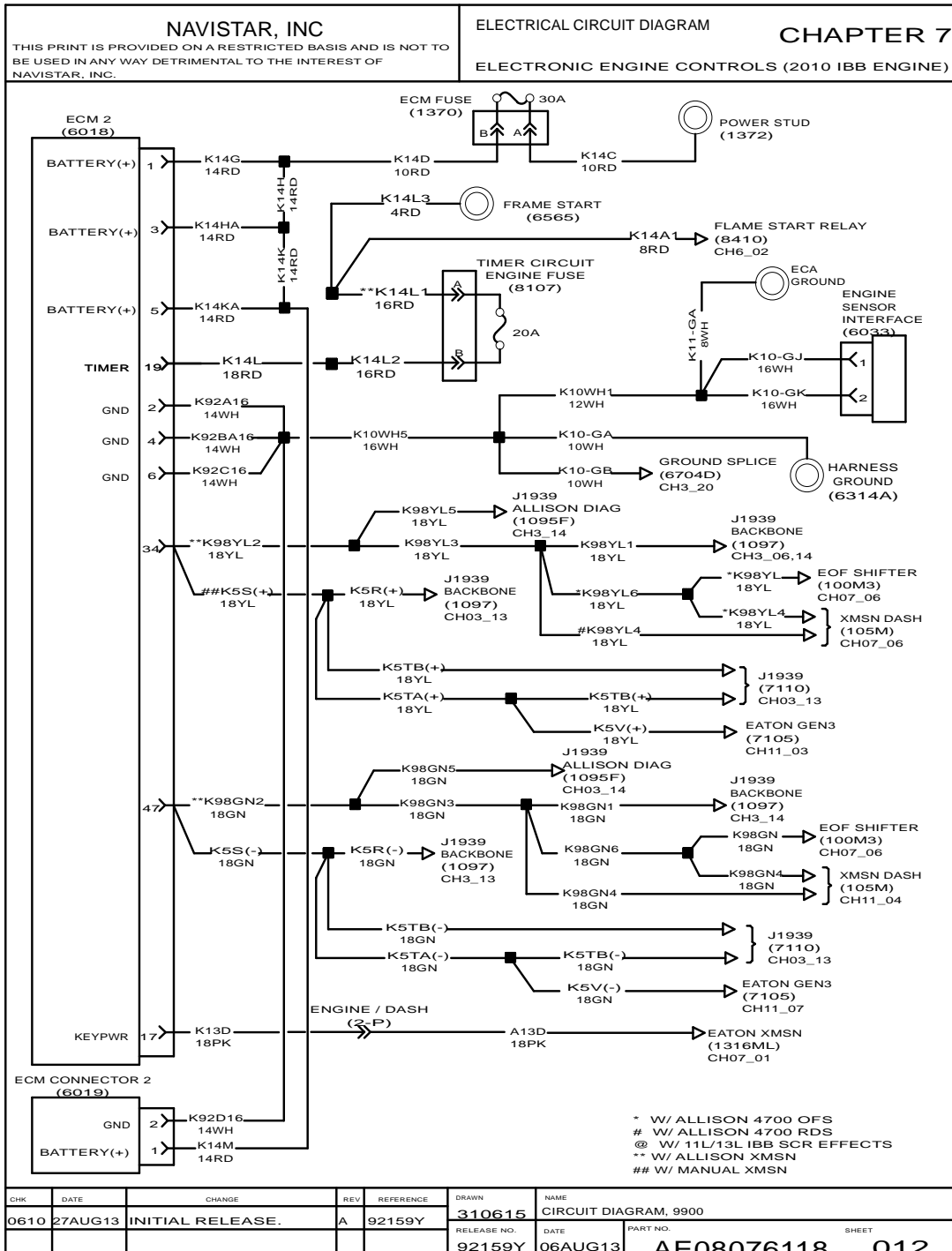


Figure 86 Electronic Engine Controls (2010 IBB Engine)

7.16. ELECTRONIC ENGINE CONTROLS (2010 IBB ENGINE) (CONT.), P. 13

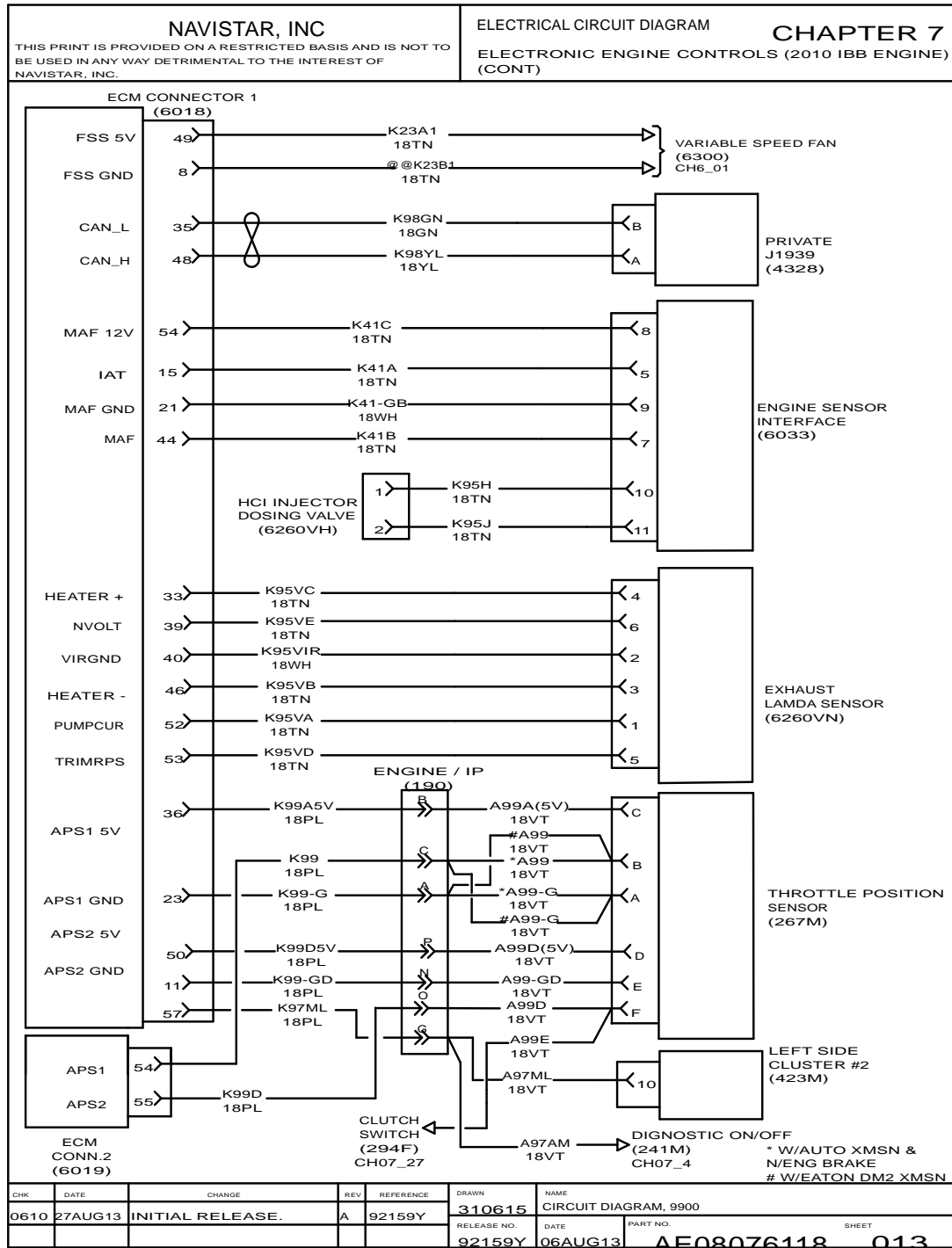


Figure 87 Electronic Engine Controls (2010 IBB Engine) (Cont.)

7.17. ELECTRONIC ENGINE CONTROLS (2010 IBB ENGINE) (CONT.), P. 14

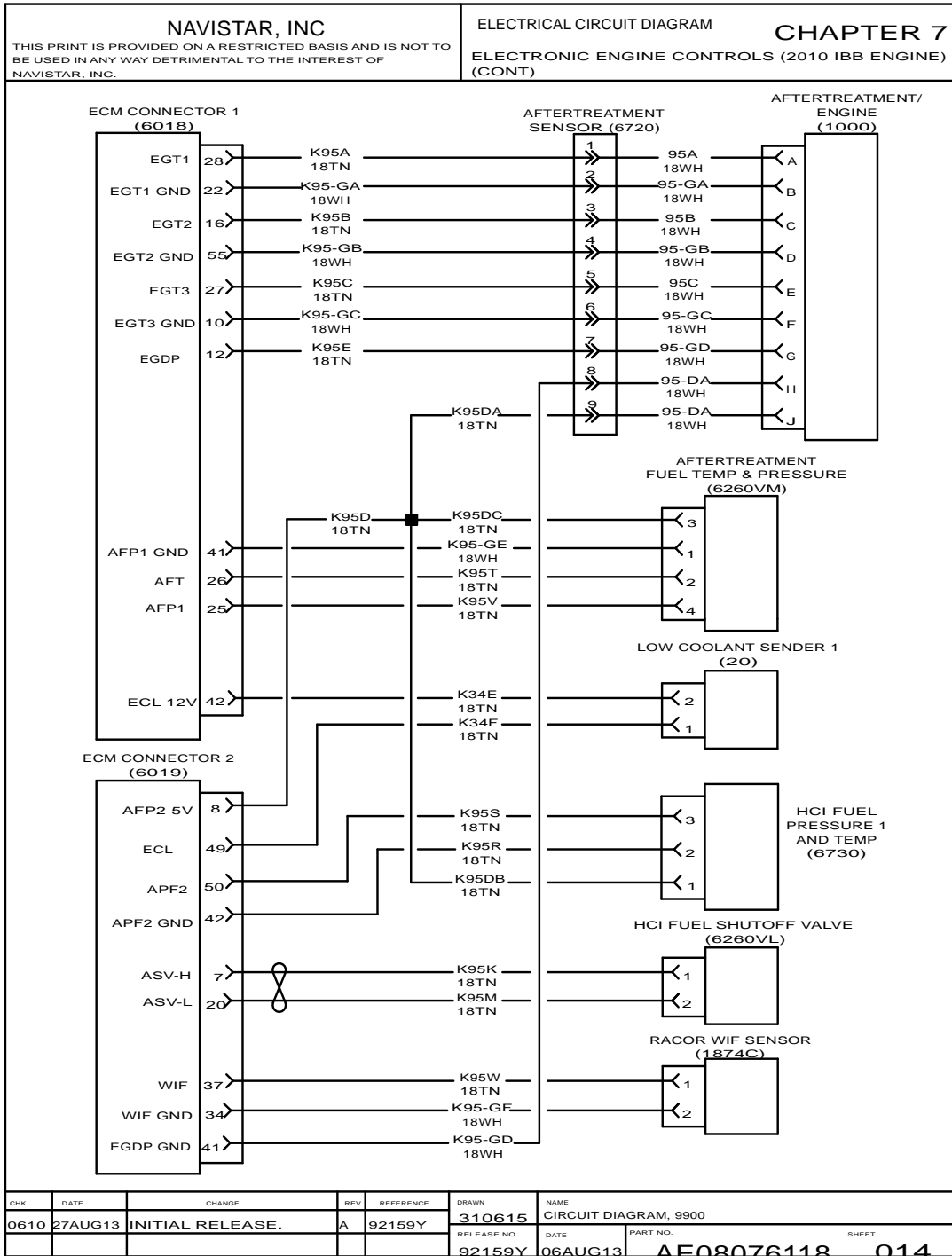


Figure 88 Electronic Engine Controls (2010 IBB Engine) (Cont.)

7.18. ELECTRONIC ENGINE CONTROLS (2010 IBB ENGINE) (CONT.), P. 15

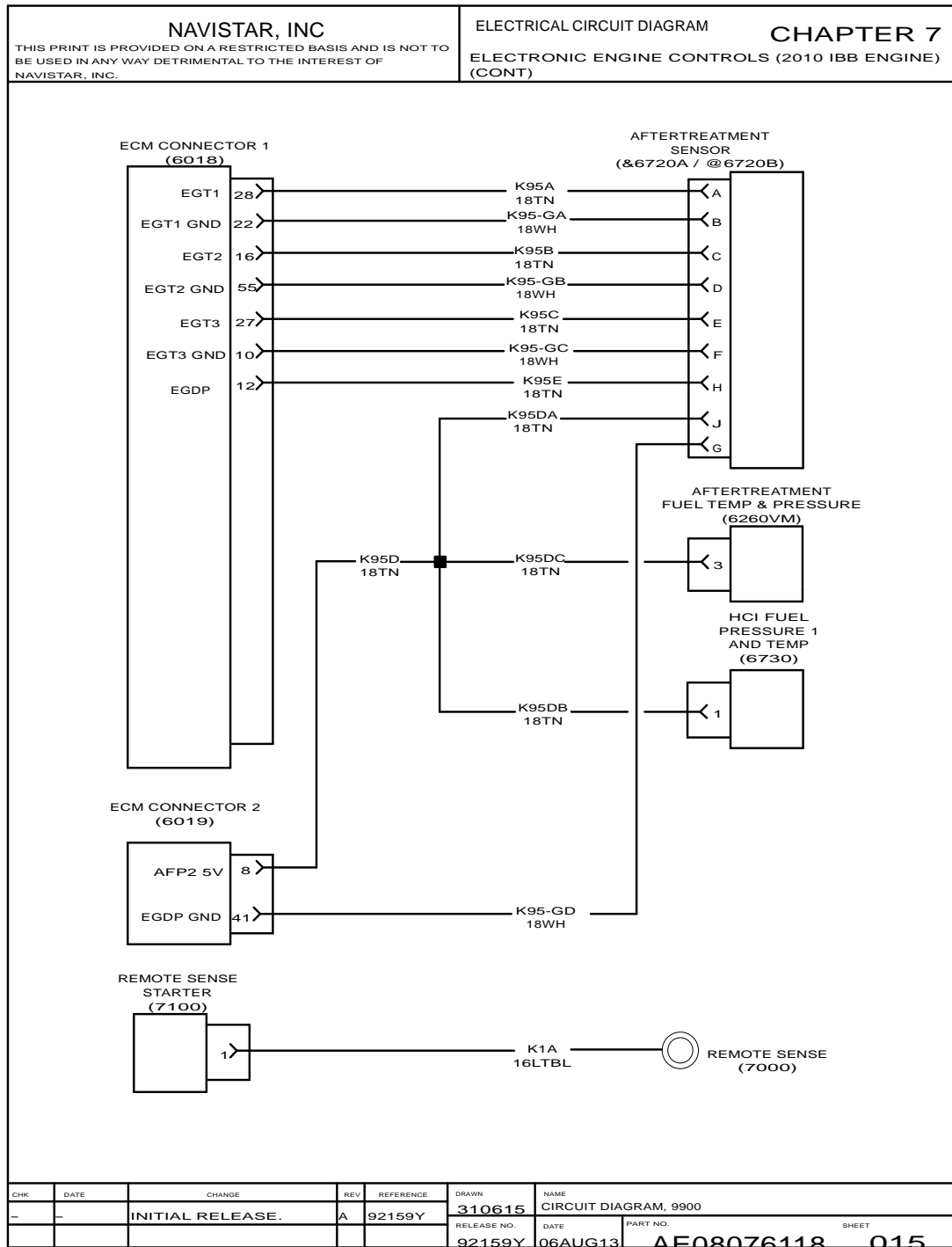


Figure 89 Electronic Engine Controls (2010 IBB Engine) (Cont.)

7.19. ELECTRONIC ENGINE CONTROLS (2010 IBB ENGINE) (CONT.), P. 16

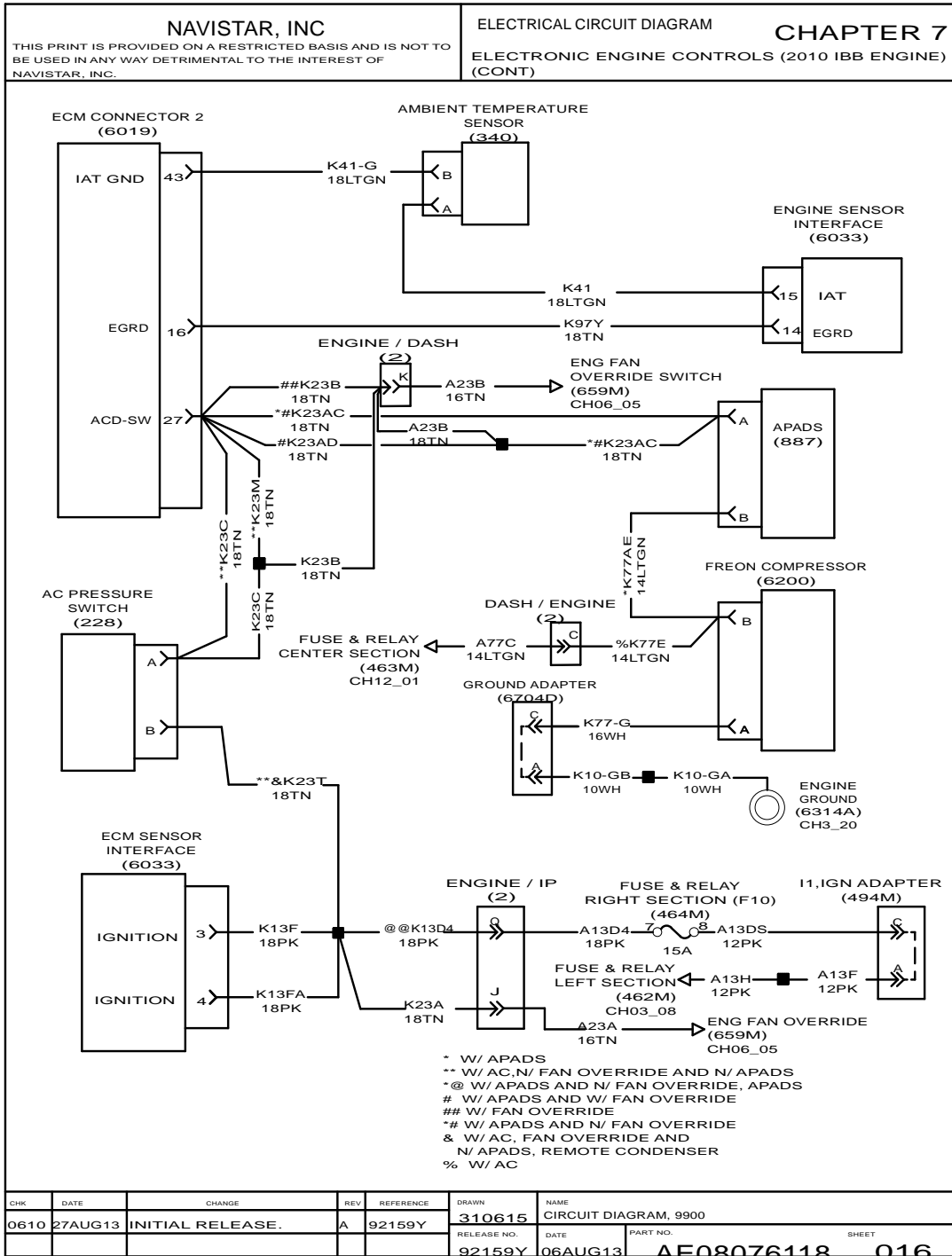


Figure 90 Electronic Engine Controls (2010 IBB Engine) (Cont.)

7.20. ELECTRONIC ENGINE CONTROLS (2010 IBB ENGINE) (CONT.), P. 17

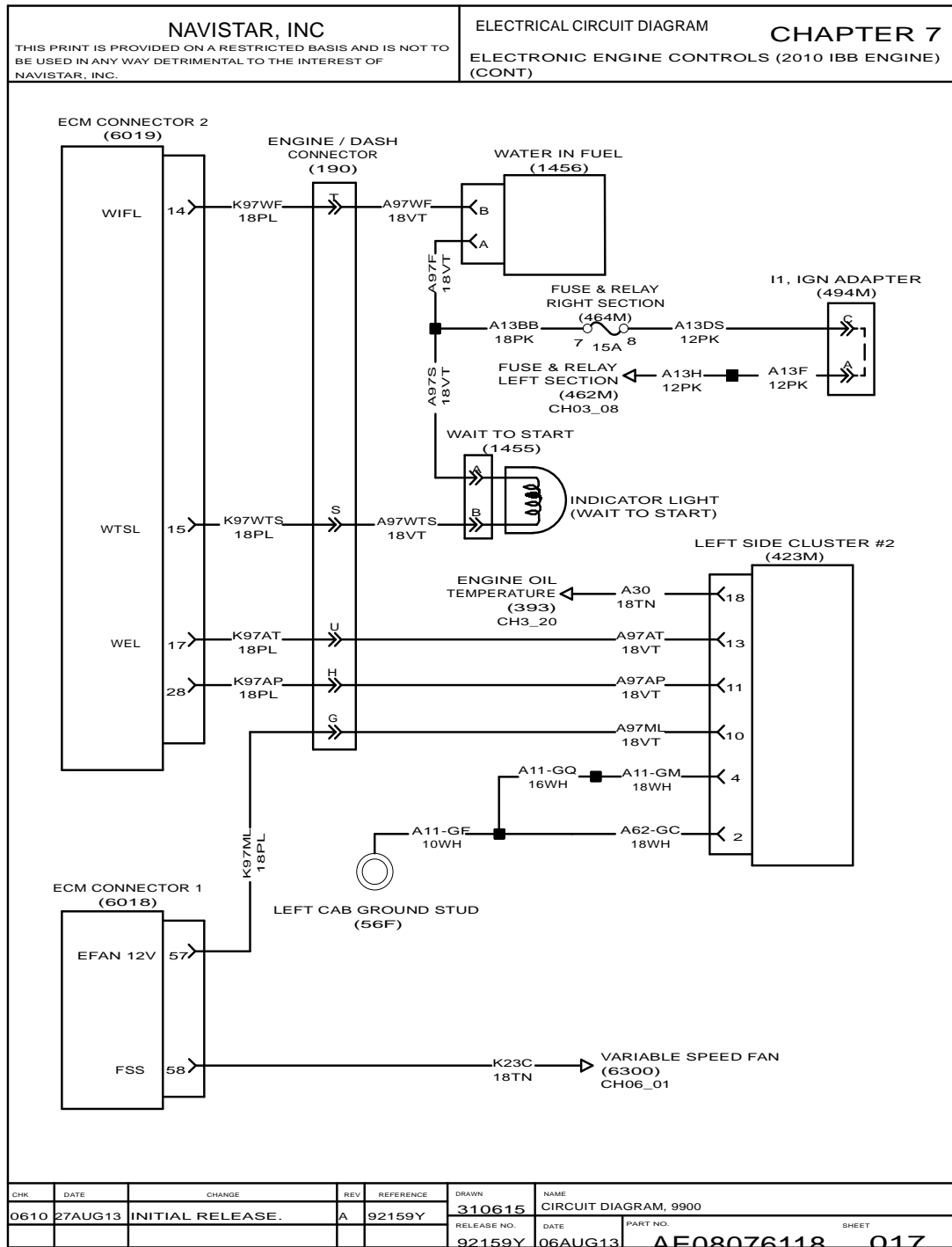


Figure 91 Electronic Engine Controls (2010 IBB Engine) (Cont.)

7.21. ELECTRONIC ENGINE CONTROLS (2010 IBB ENGINE) (CONT.), P. 18

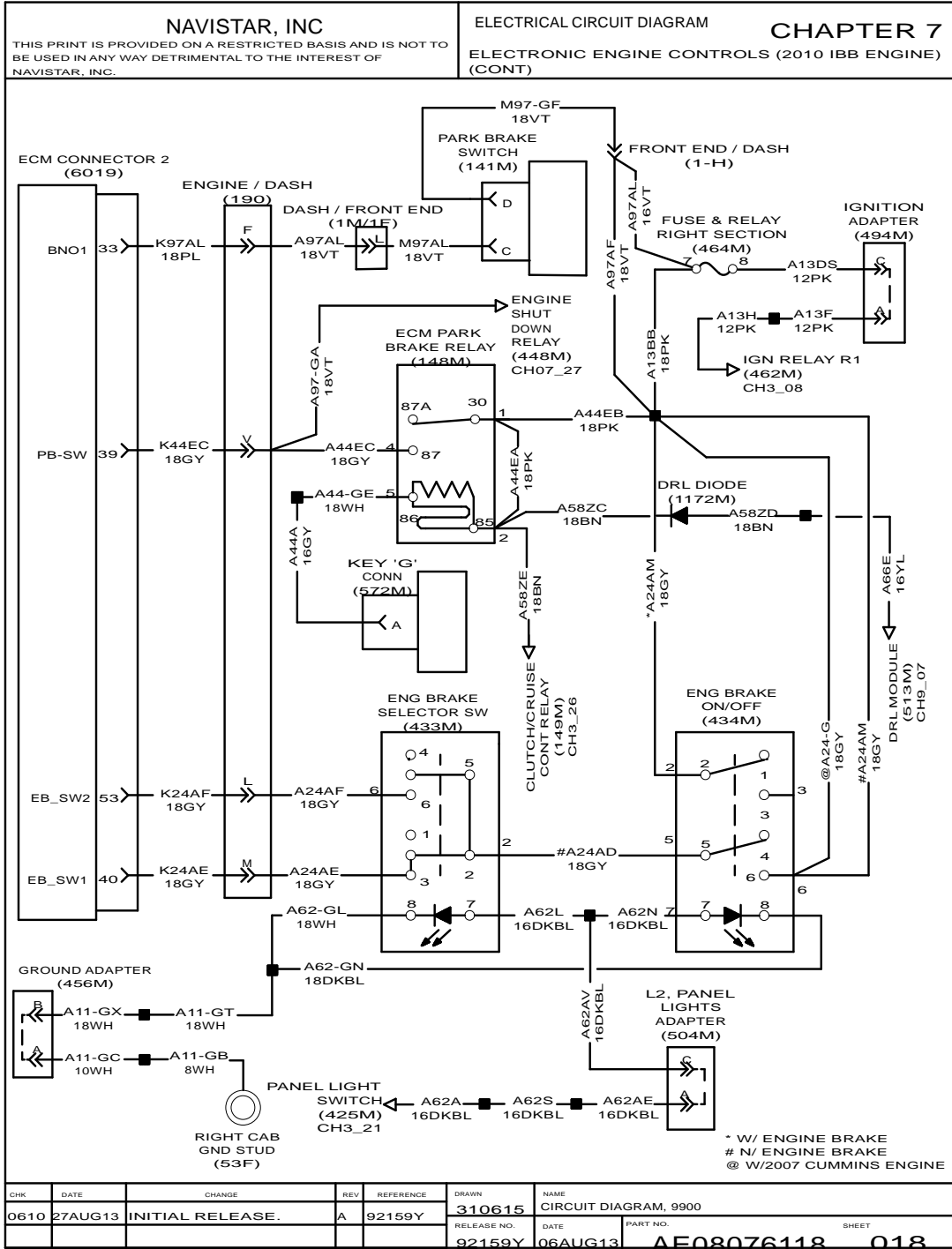


Figure 92 Electronic Engine Controls (2010 IBB Engine) (Cont.)

7.22. ELECTRONIC ENGINE CONTROLS (2010 IBB ENGINE) (CONT.), P. 19

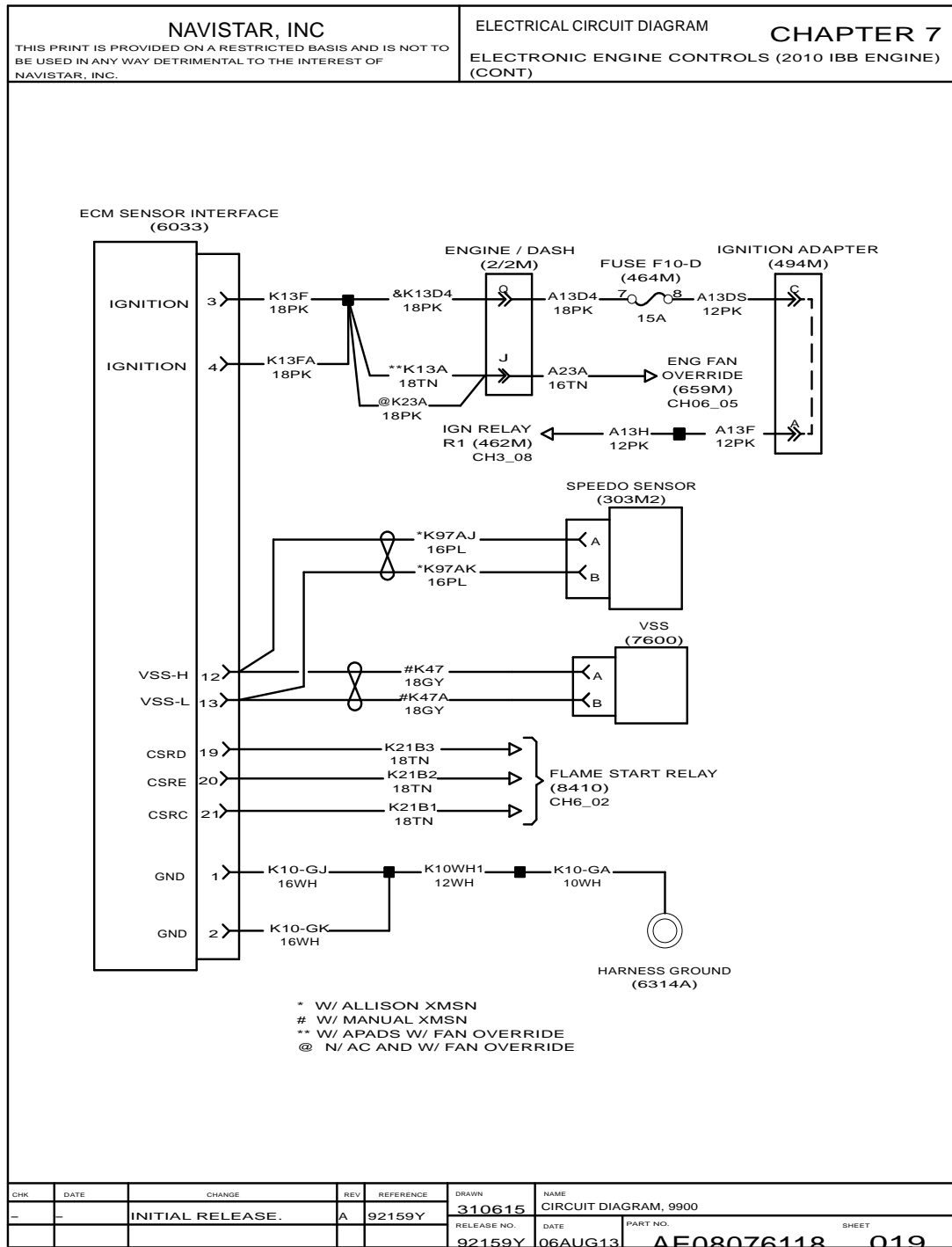


Figure 93 Electronic Engine Controls (2010 IBB Engine) (Cont.)

7.23. ELECTRONIC ENGINE CONTROLS (2010 IBB ENGINE) (CONT.), P. 20

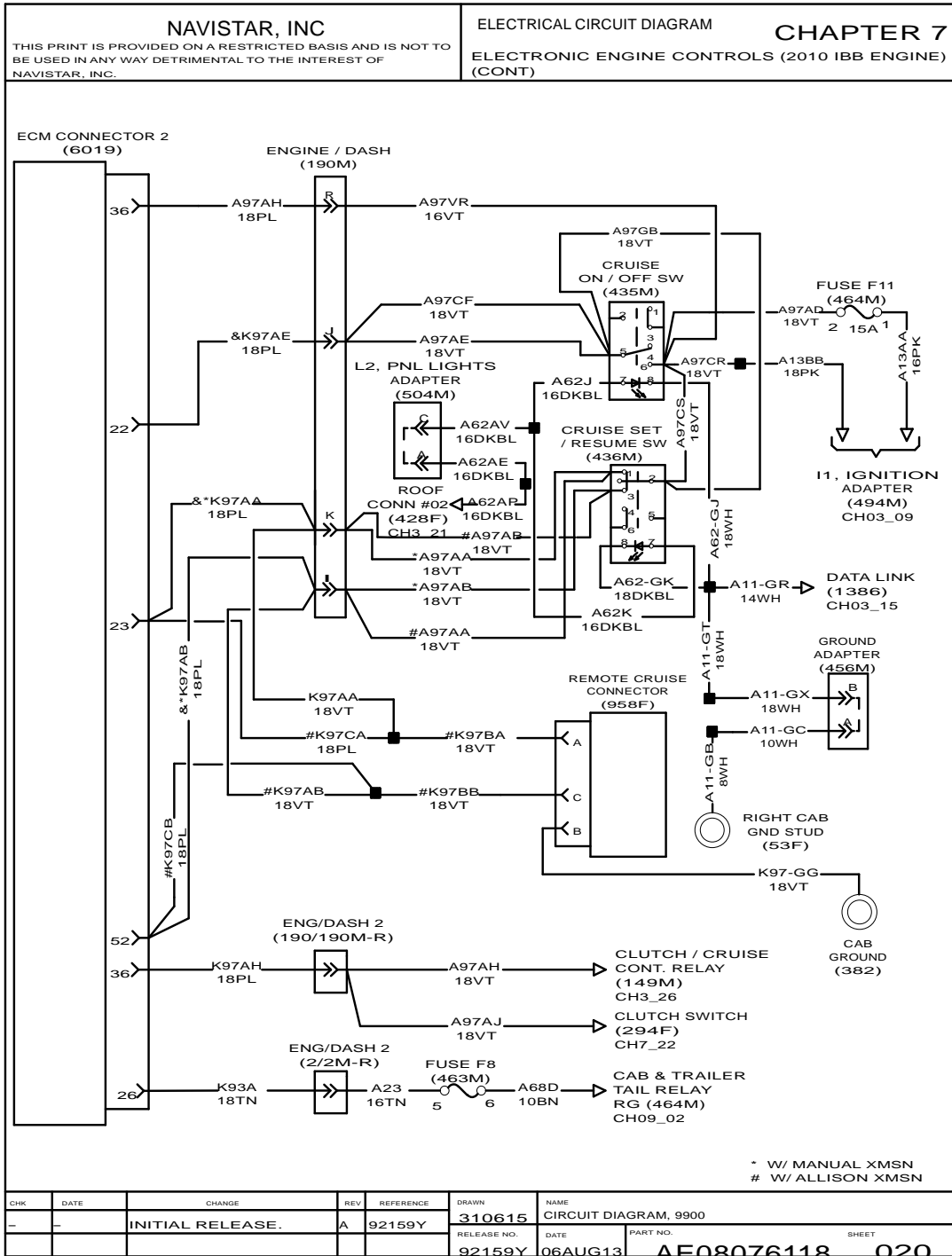


Figure 94 Electronic Engine Controls (2010 IBB Engine) (Cont.)

7.24. AFTERTREATMENT CONTROL, P. 21

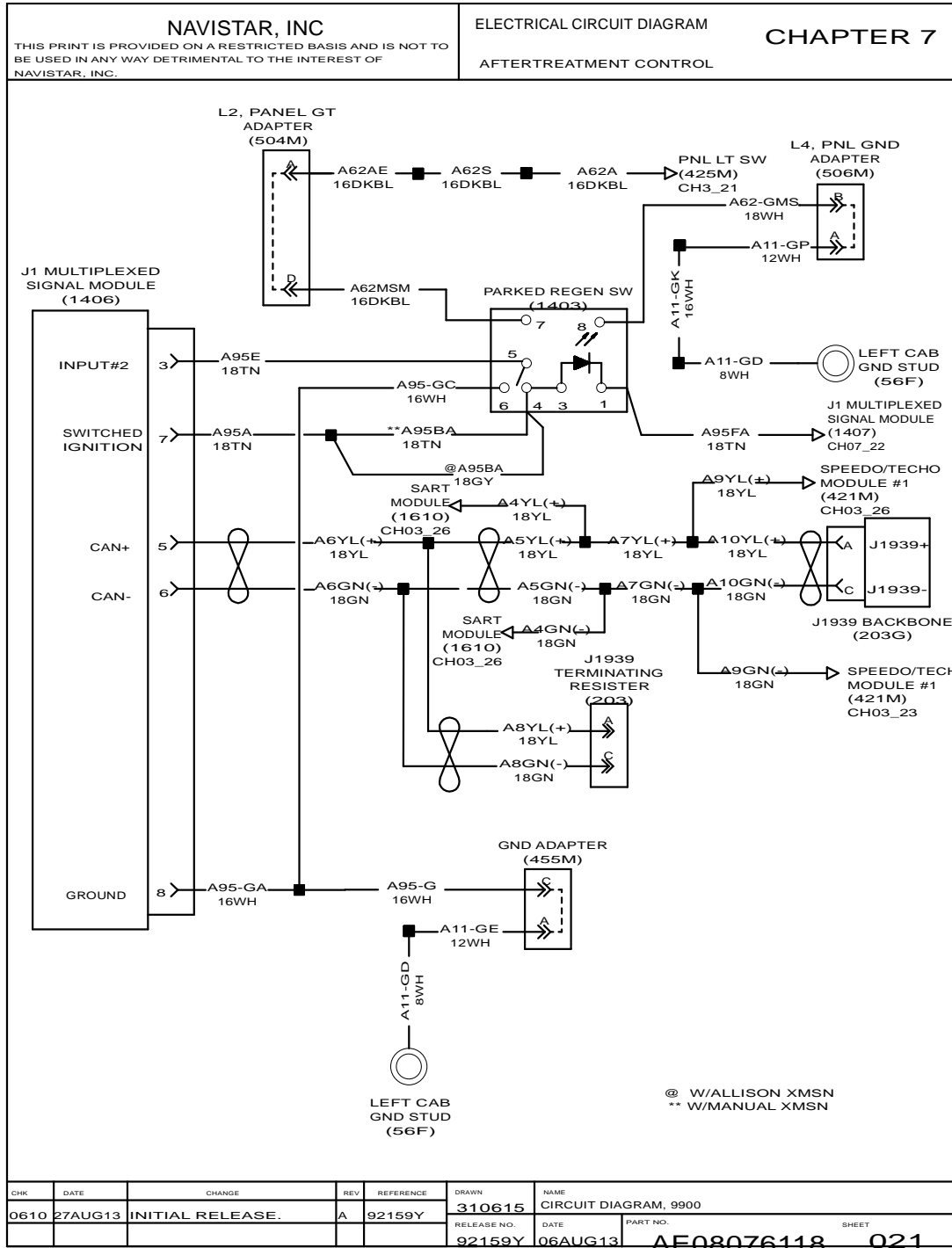


Figure 95 Aftertreatment Control.

7.25. AFTERTREATMENT CONTROL (CONT.), P. 22

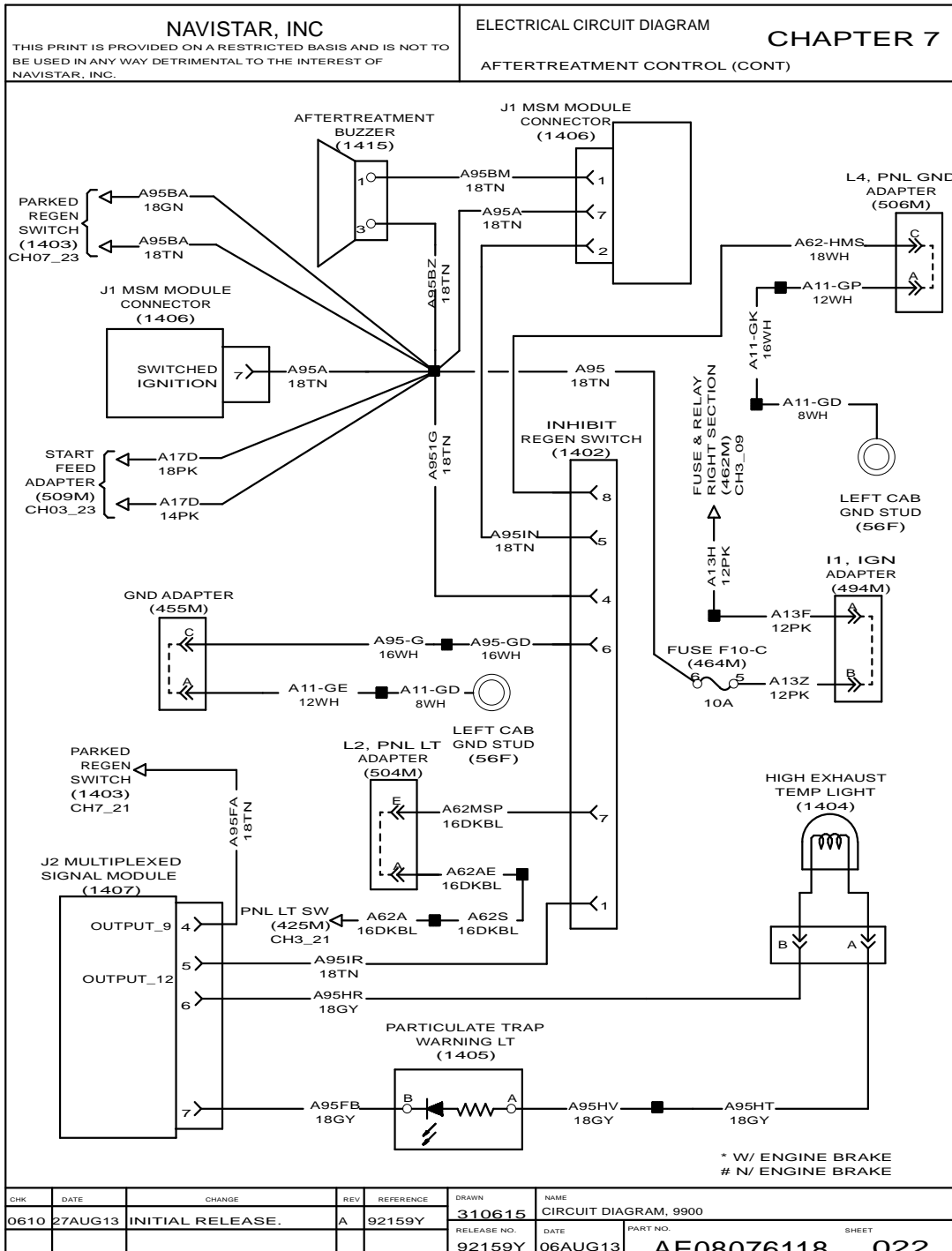


Figure 96 Aftertreatment Control (Cont.)

7.26. AFTERTREATMENT CONTROL (CONT.), P. 23

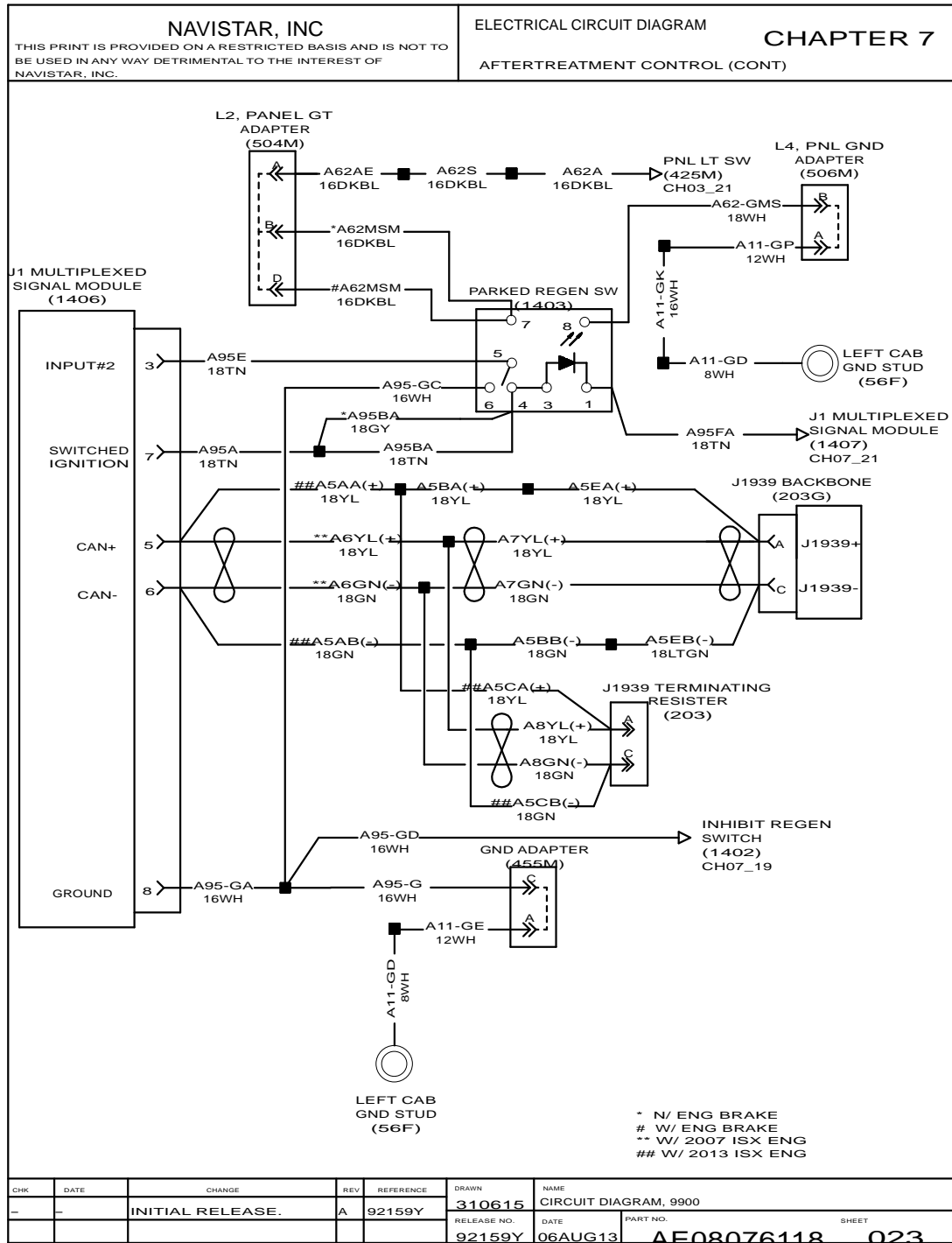


Figure 97 Aftertreatment Control (Cont.)

7.27. AUXILIARY SPEED SENSOR WITH ALLISON TRANSMISSION, P. 24

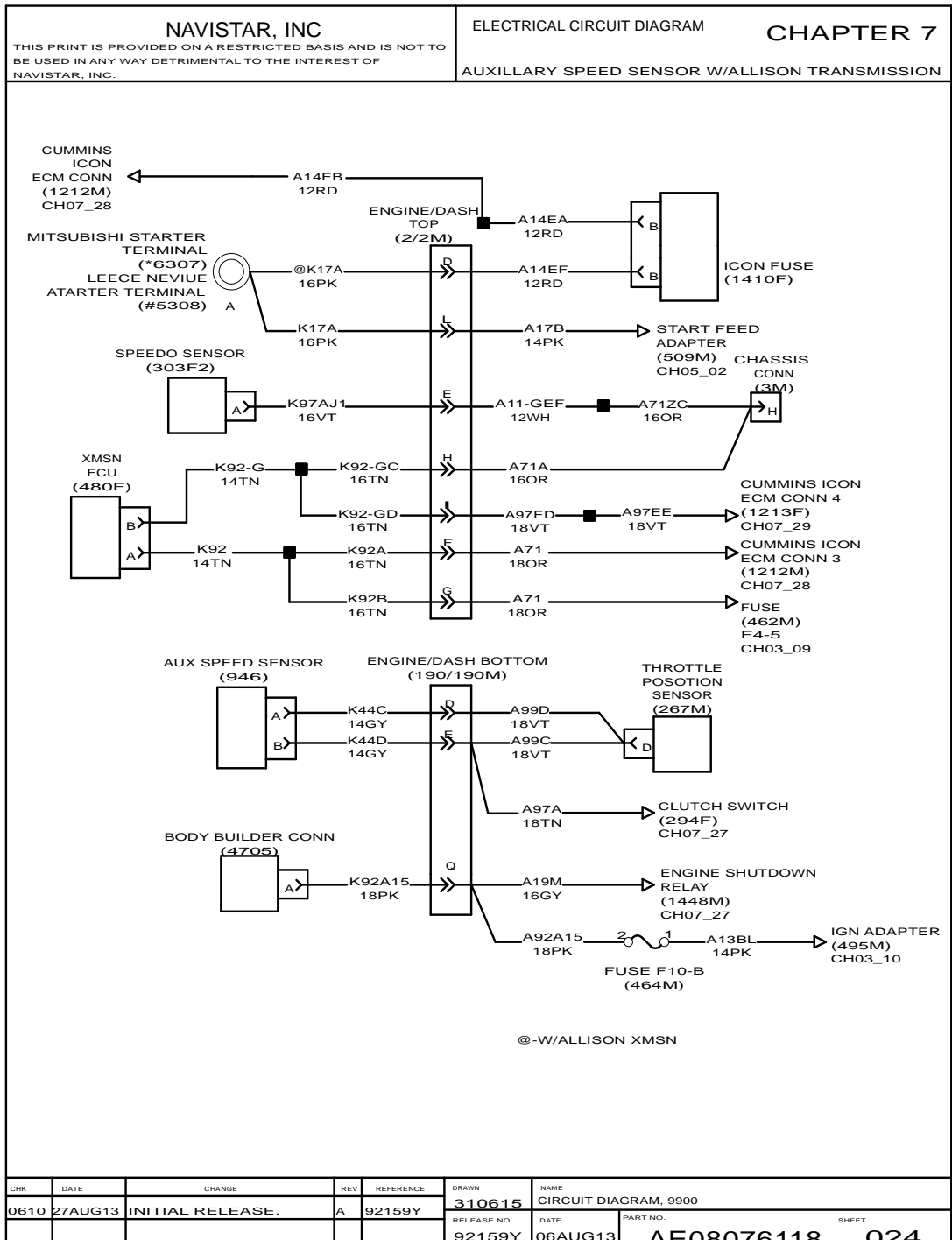


Figure 98 Auxiliary Speed Sensor with Allison Transmission.

7.28. BODY BUILDER WITH ENGINE CONTROL PTO, P. 25

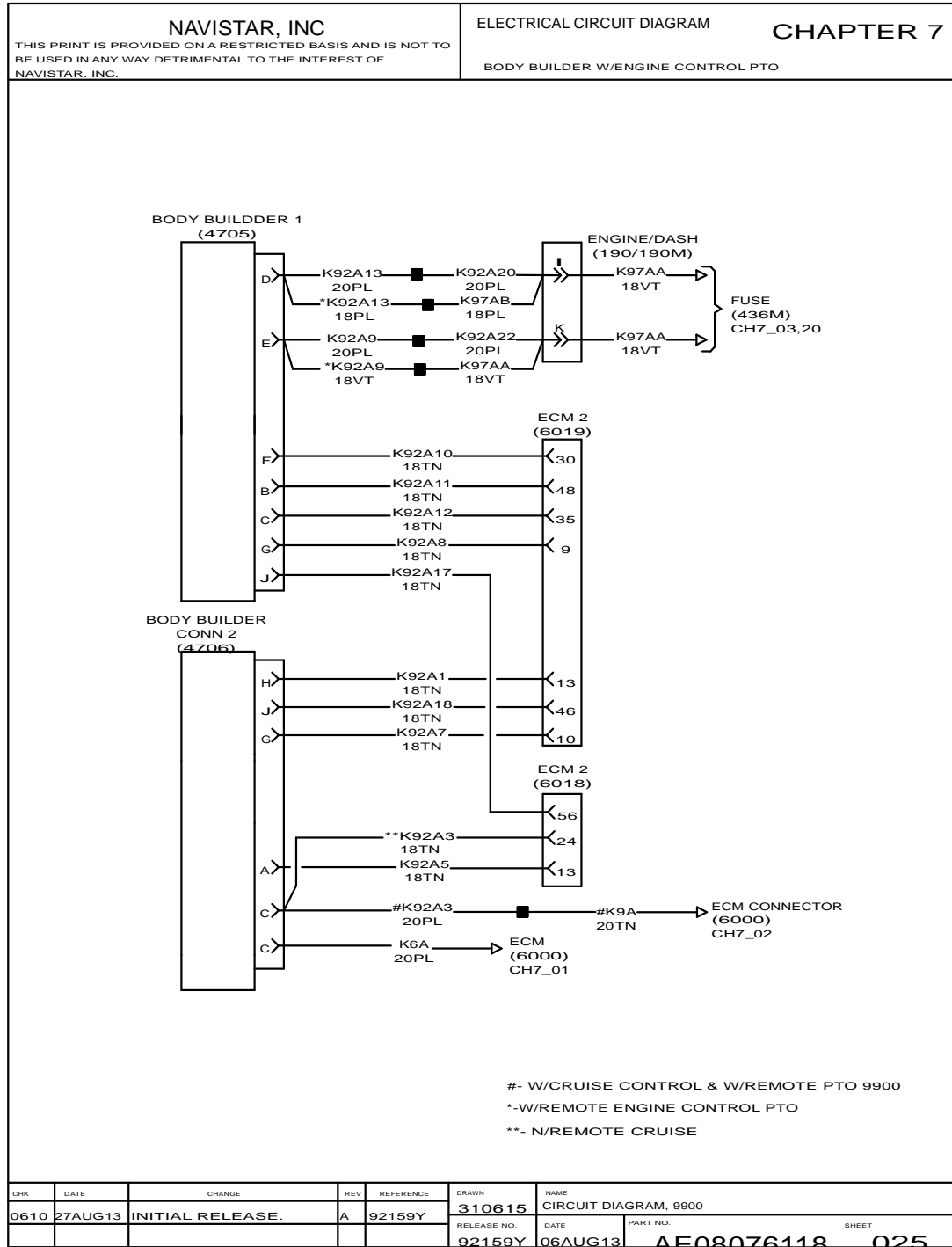


Figure 99 Body Builder with Engine Control PTO.

7.29. CABLE ASM ALTERNATIVE REMOTE SENSE, P. 26

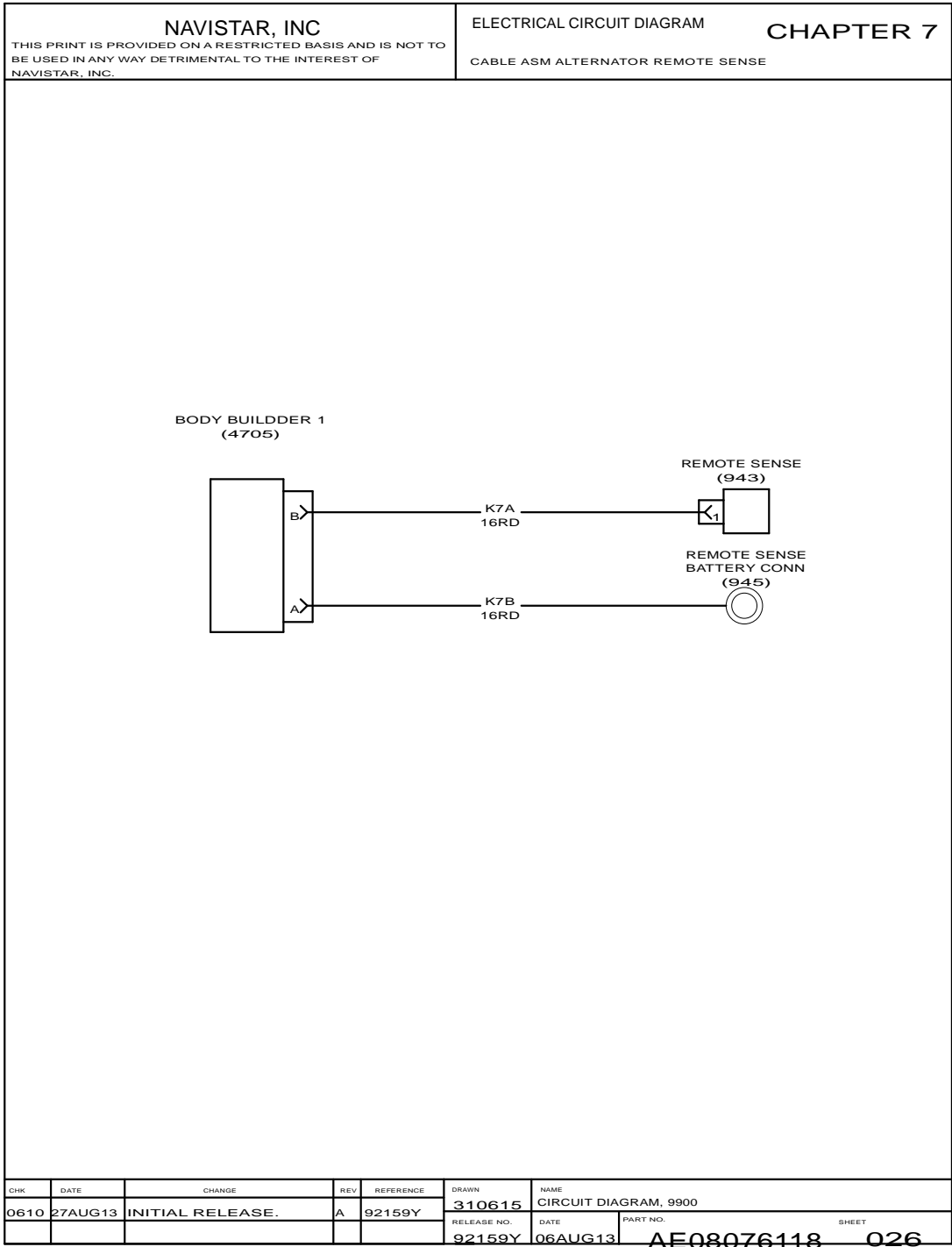


Figure 100 Cable ASM Alternative Remote Sense.

7.30. ENGINE SHUT DOWN RELAY, P. 27

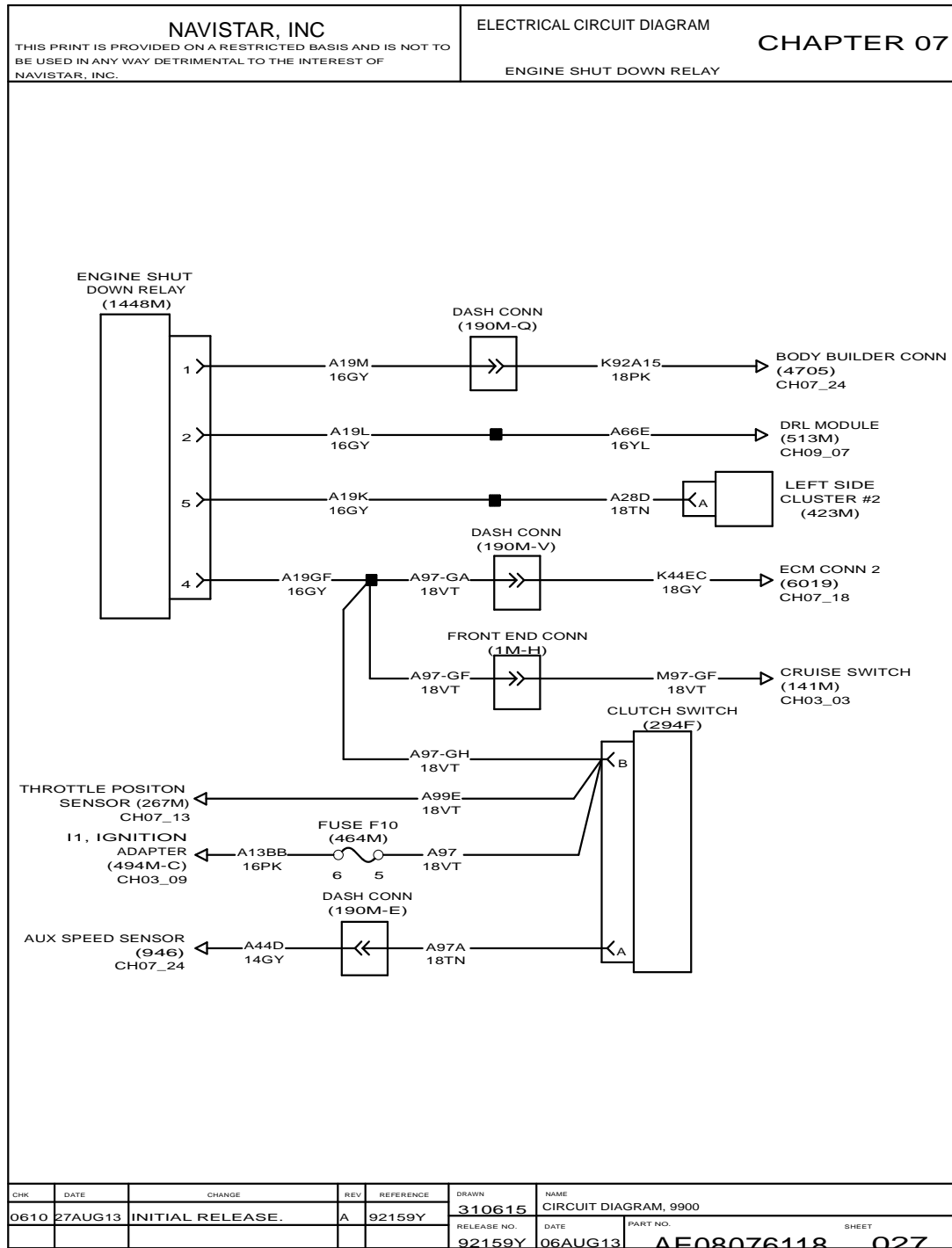


Figure 101 Engine Shut Down Relay.

7.31. ELECTRONICS ENGINE CONTROLS CUMMINS ICON, P. 28

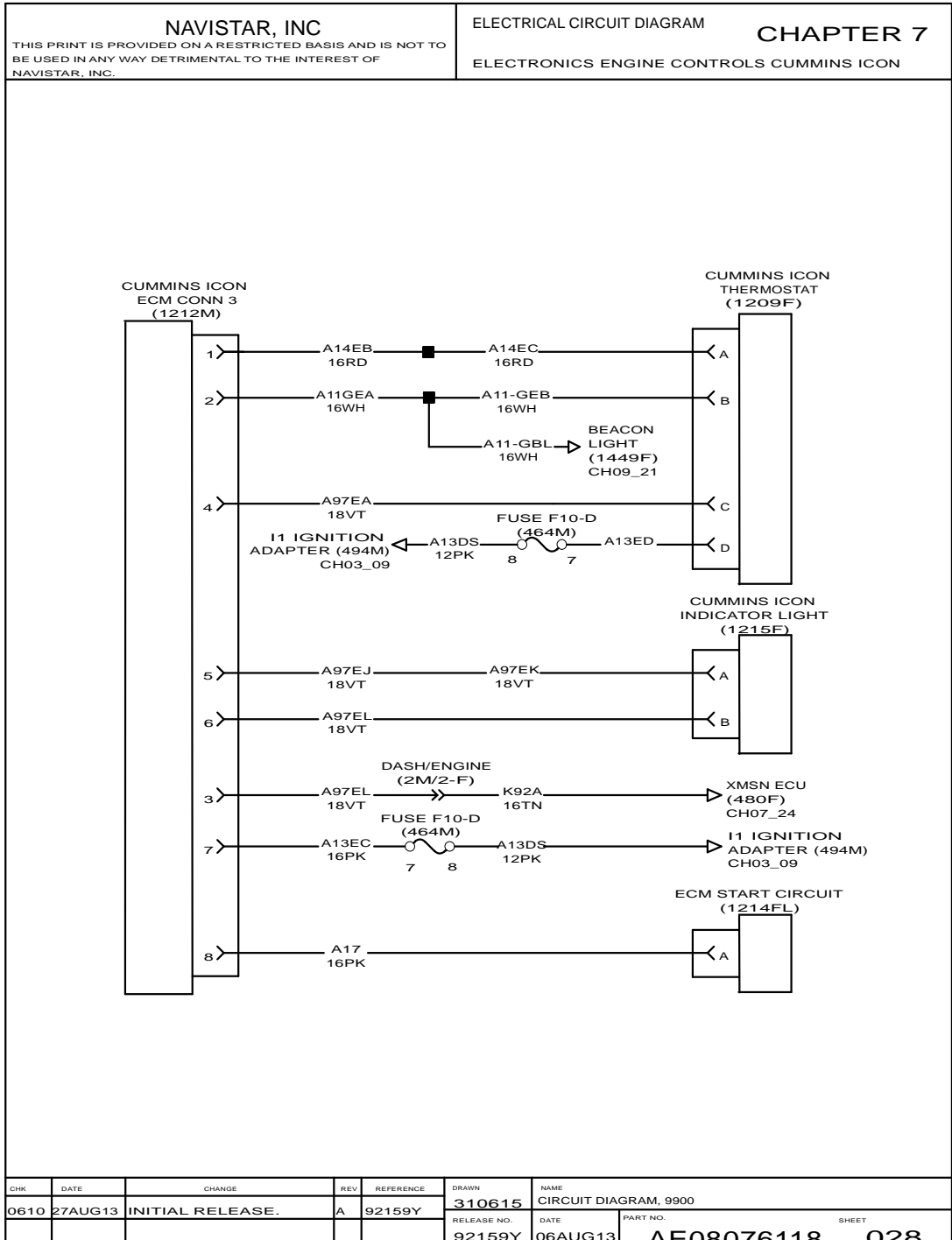


Figure 102 Electronics Engine Controls Cummins Icon.

7.32. ELECTRONICS ENGINE CONTROLS CUMMINS ICON (CONT.), P. 29

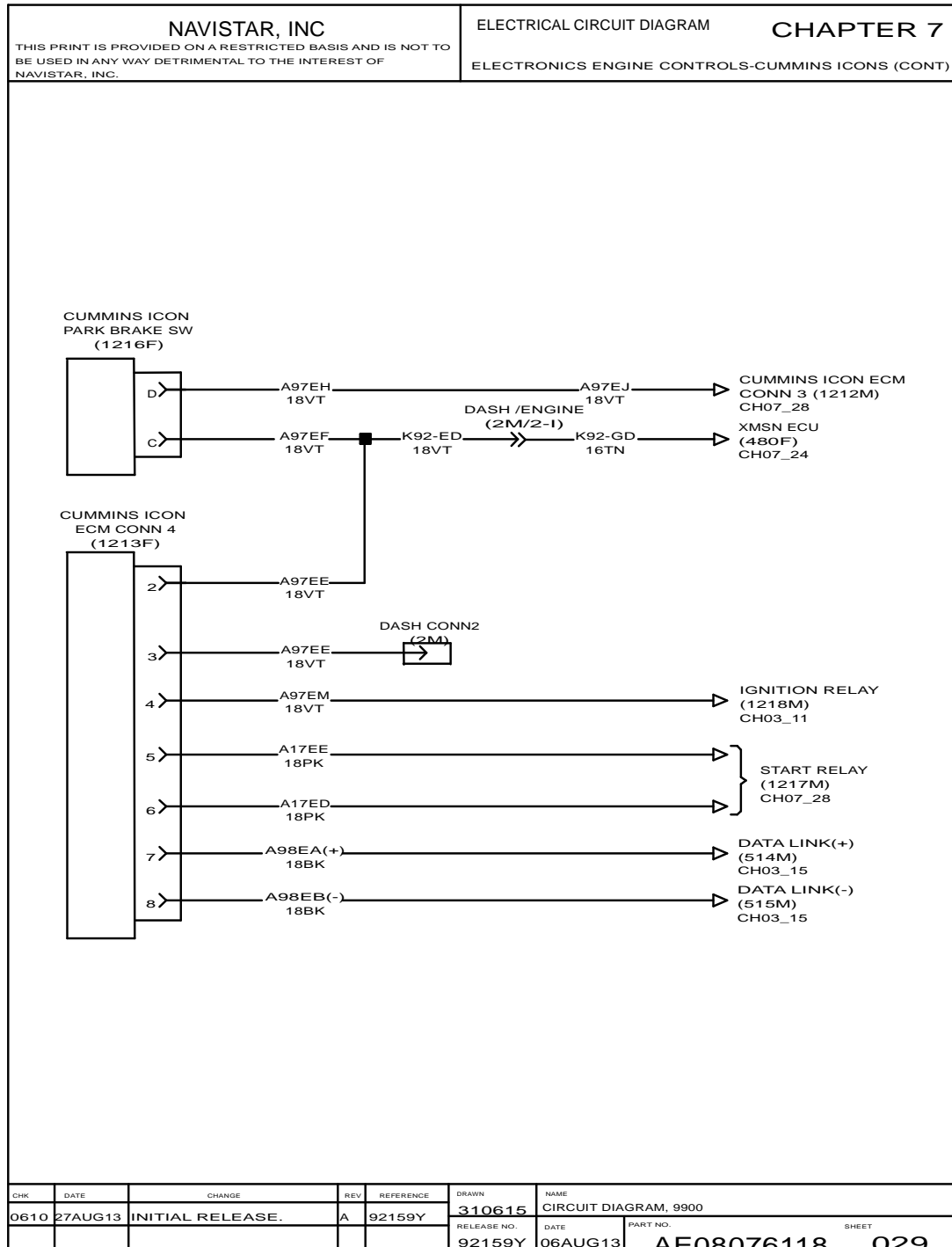


Figure 103 Electronics Engine Controls Cummins Icon (Cont.)

GAUGES AND WARNING LIGHTS (CHAPTER 8)

8.1. LOW FUEL LEVEL WARNING, LOW AIR PRESSURE LIGHTS, P. 1

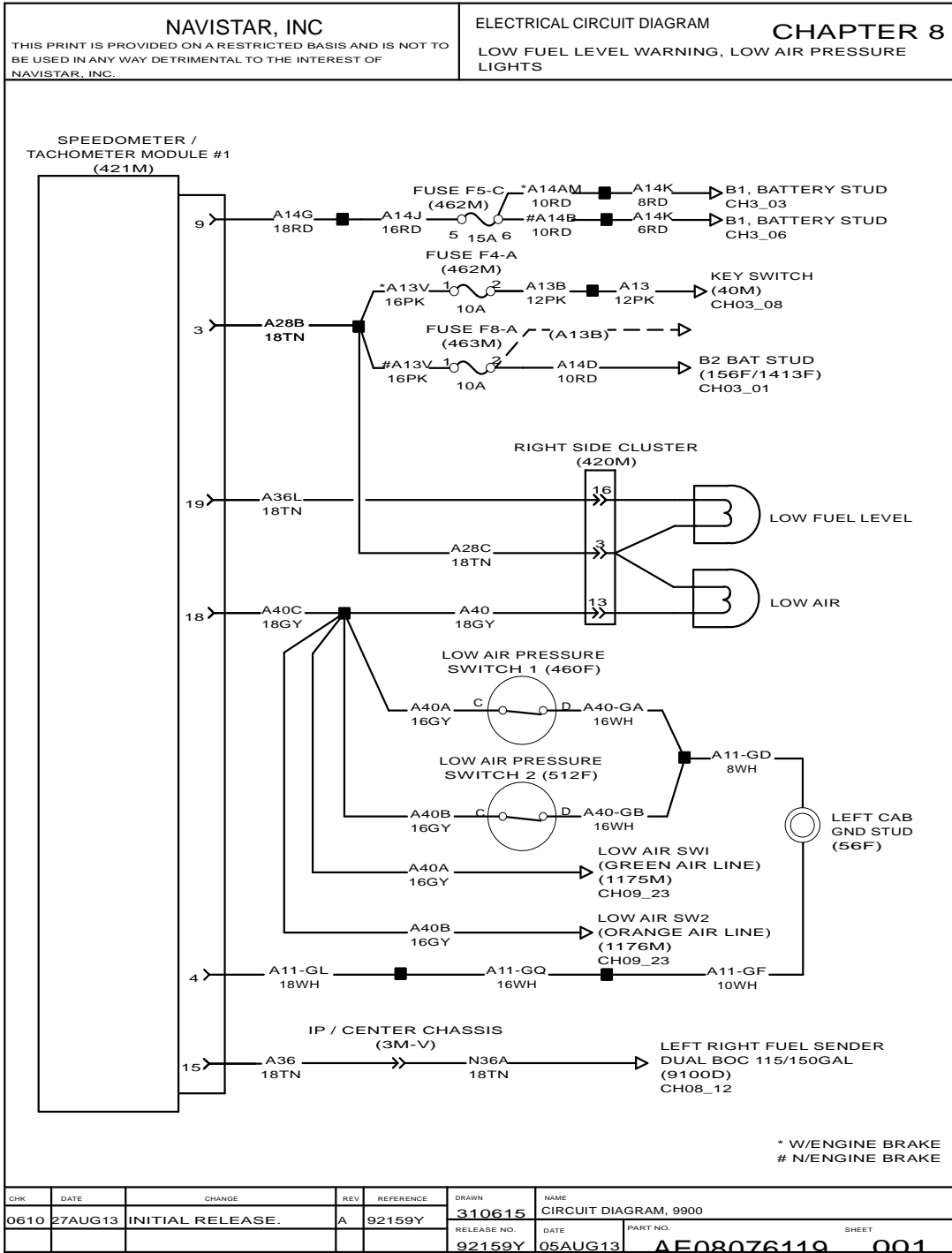


Figure 104 Low Fuel Level Warning, Low Air Pressure Lights.

8.2. ENGINE OIL PRESSURE, ENGINE WATER TEMPERATURE WARNING LIGHTS, P. 2

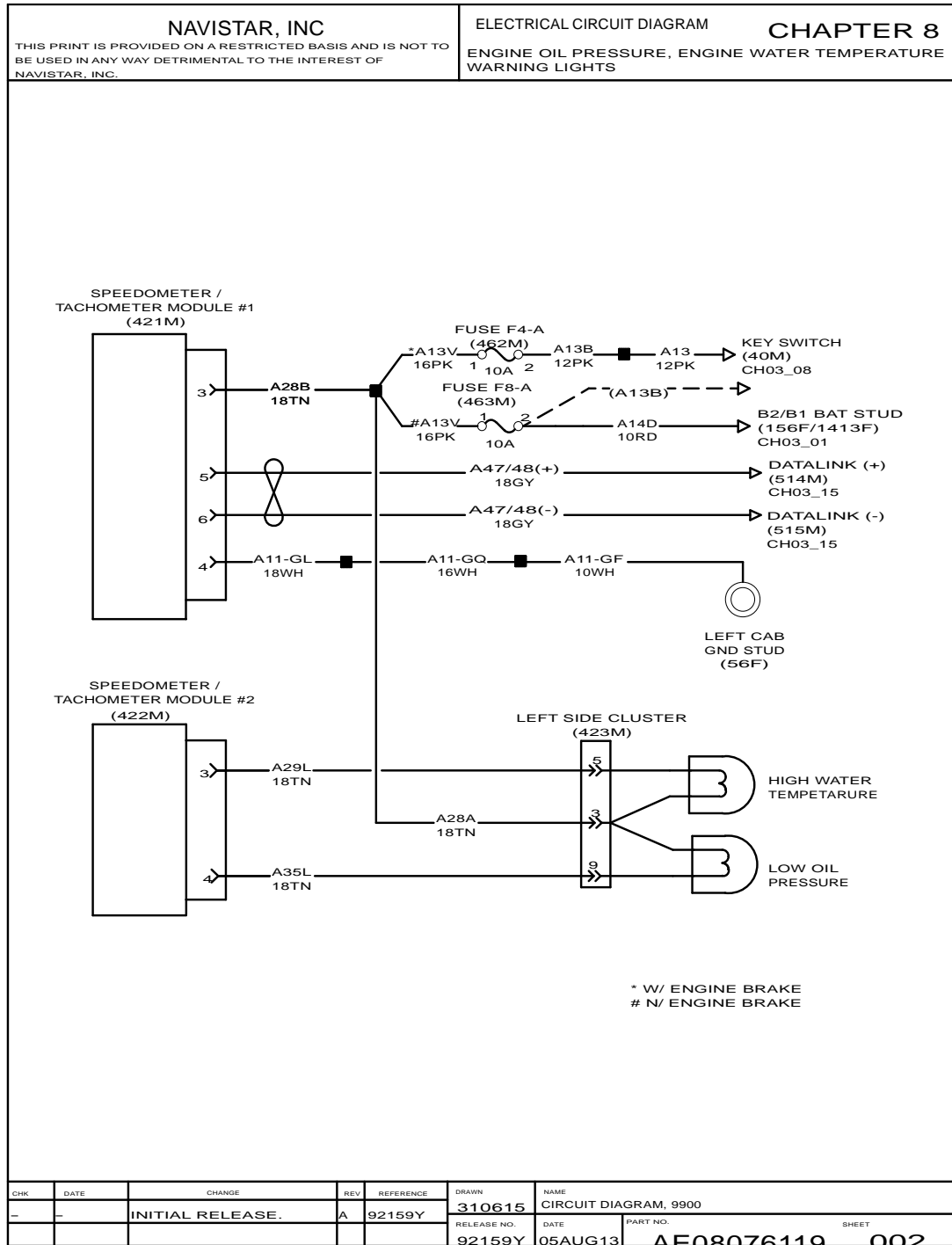


Figure 105 Engine Oil Pressure, Engine Water Temperature Warning Lights.

8.3. POWER DIVIDER LOCK (PDL) WARNING LIGHT AND BUZZER, IBB WAIT TO START LIGHT, P. 3

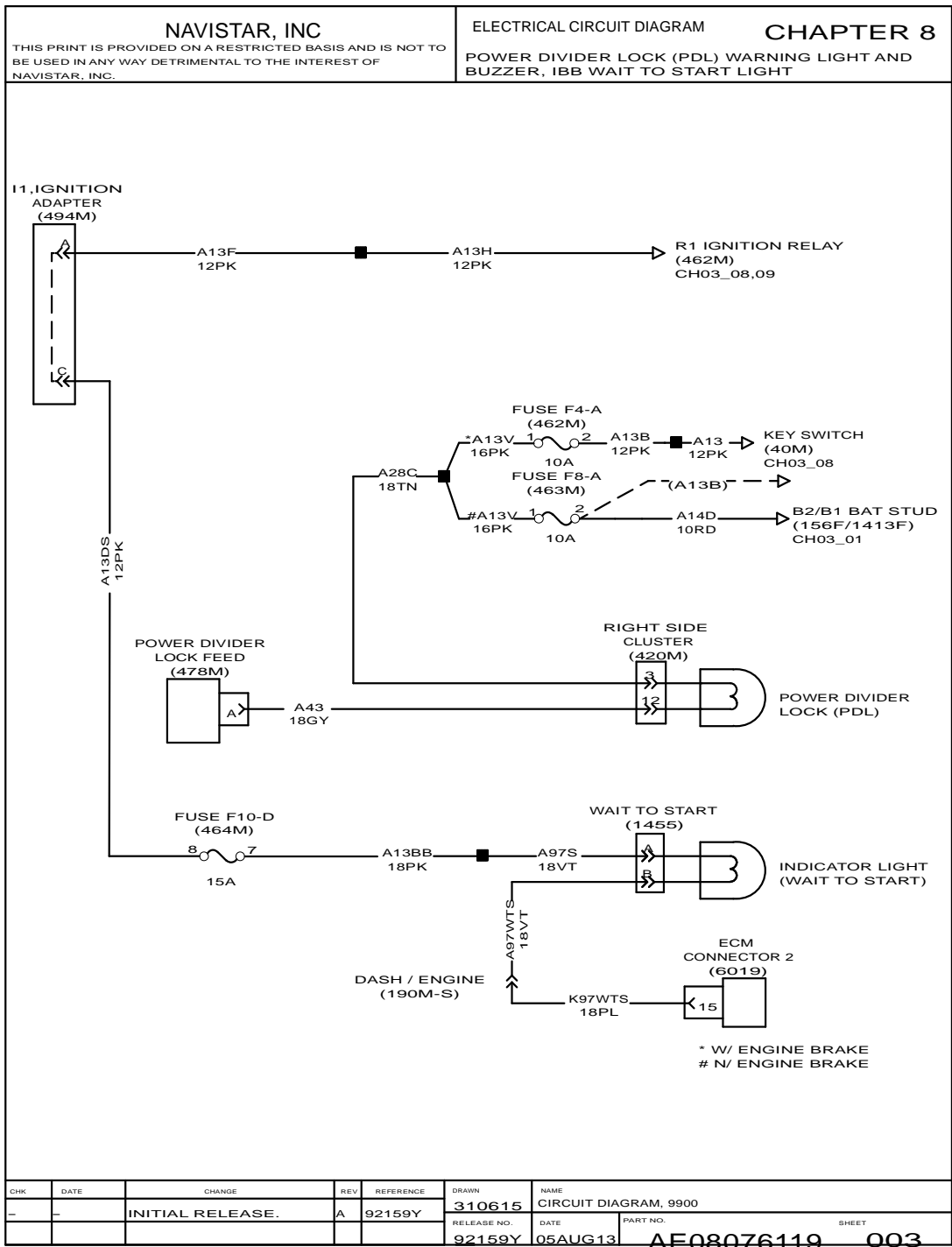


Figure 106 Power Divider Lock (PDL) Warning Light and Buzzer, IBB Wait to Start Light.

8.4. AIR SUSPENSION RELEASE WARNING LIGHT, P. 4

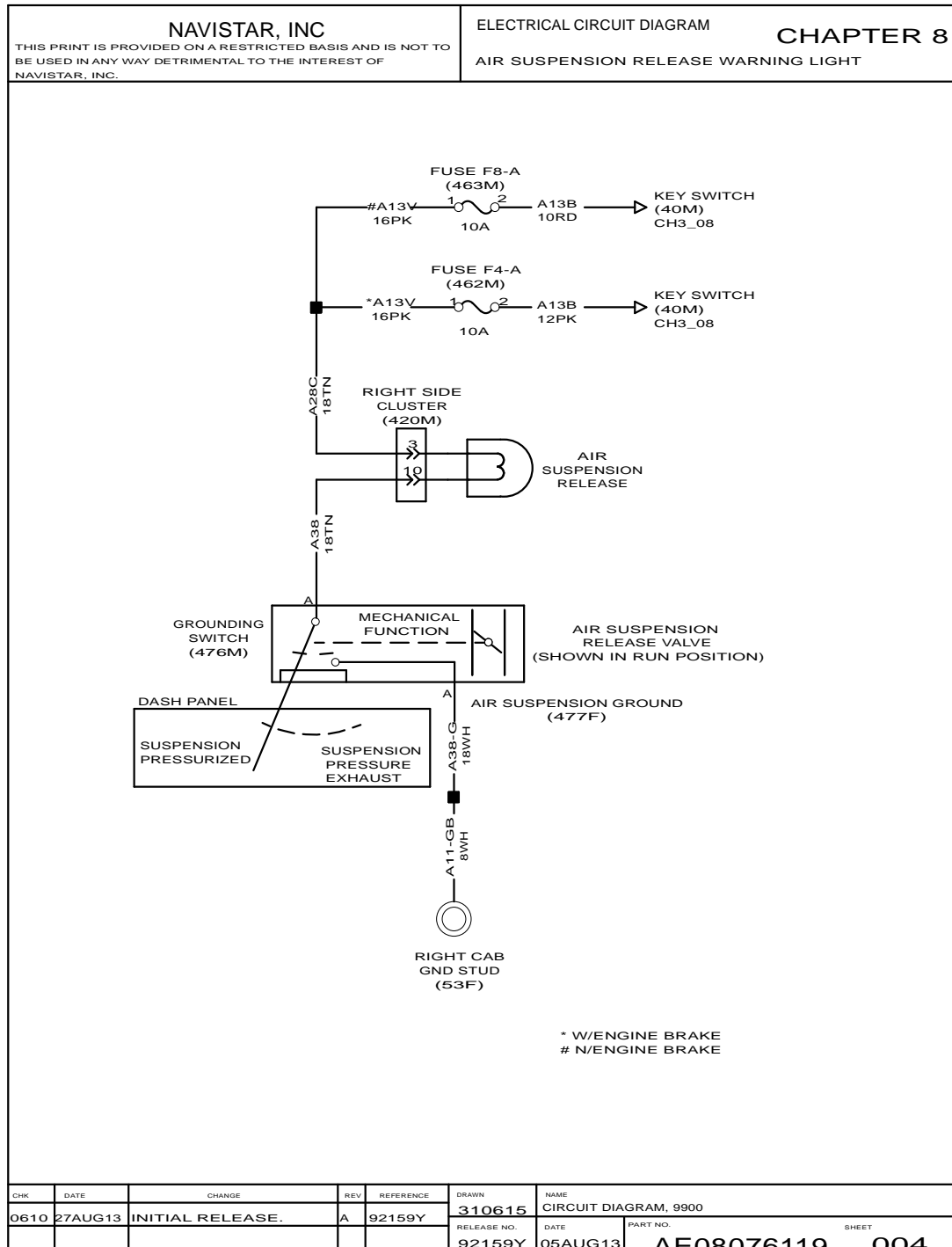


Figure 107 Air Suspension Release Warning Light.

8.5. TRANSMISSION OIL TEMPERATURE GAUGE, AXLE FORWARD-REAR, AND REAR-REAR TEMPERATURE GAUGE, P. 5

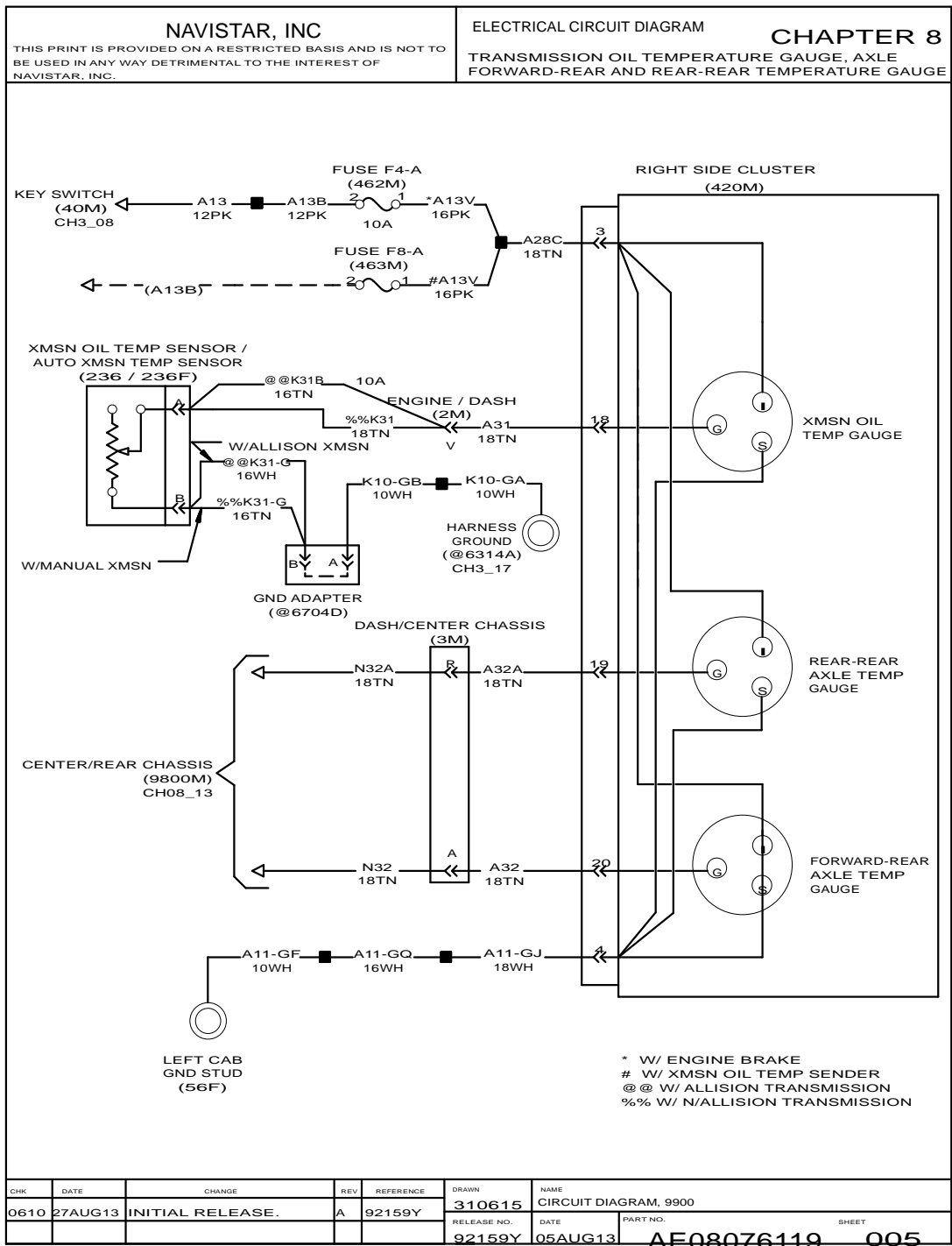


Figure 108 Transmission Oil Temperature Gauge, Axle Forward-Rear, and Rear-Rear Temperature Gauge.

8.6. MANIFOLD PRESSURE GAUGE, P. 6

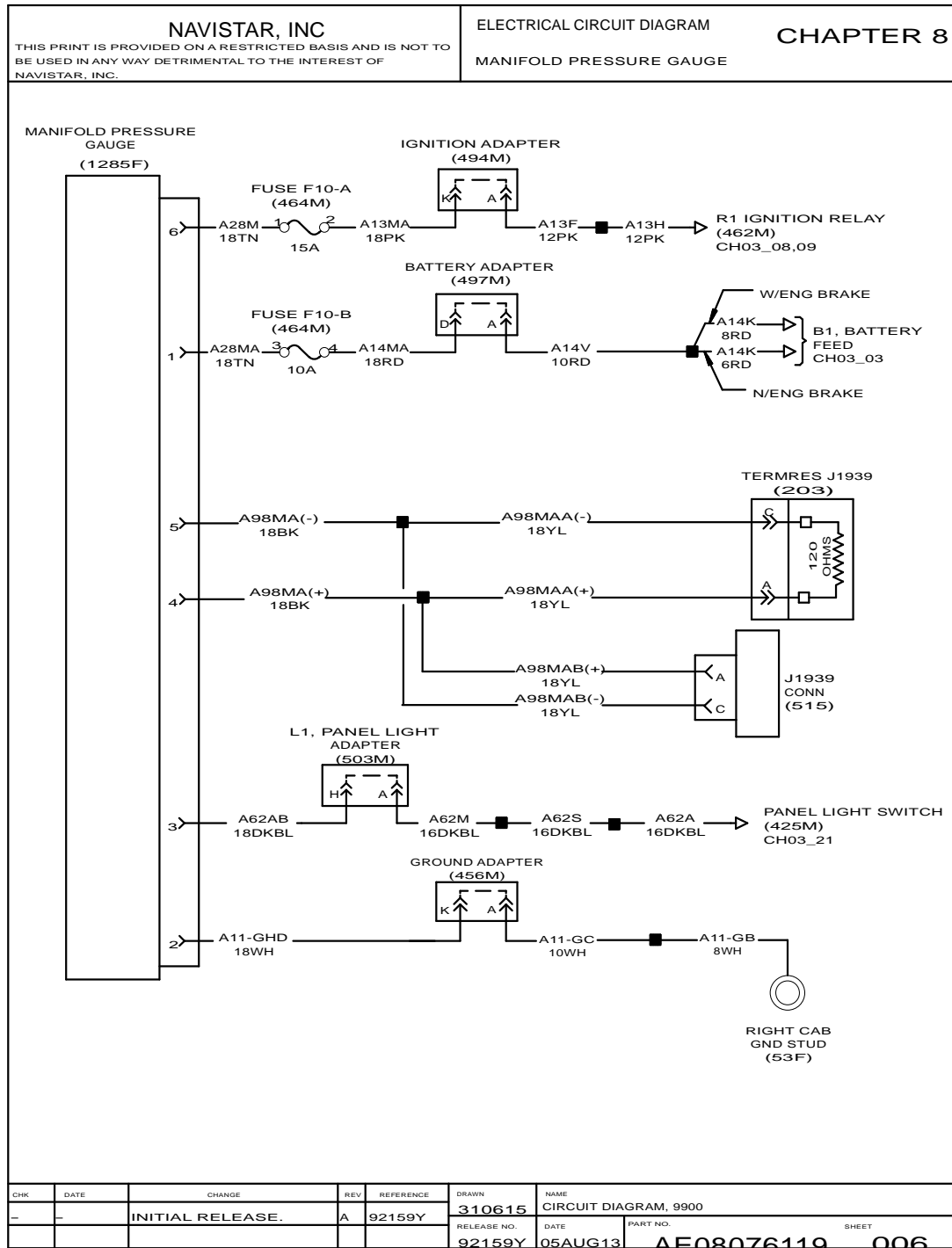


Figure 109 Manifold Pressure Gauge.

8.7. TURBO BOOST GAUGE, P. 7

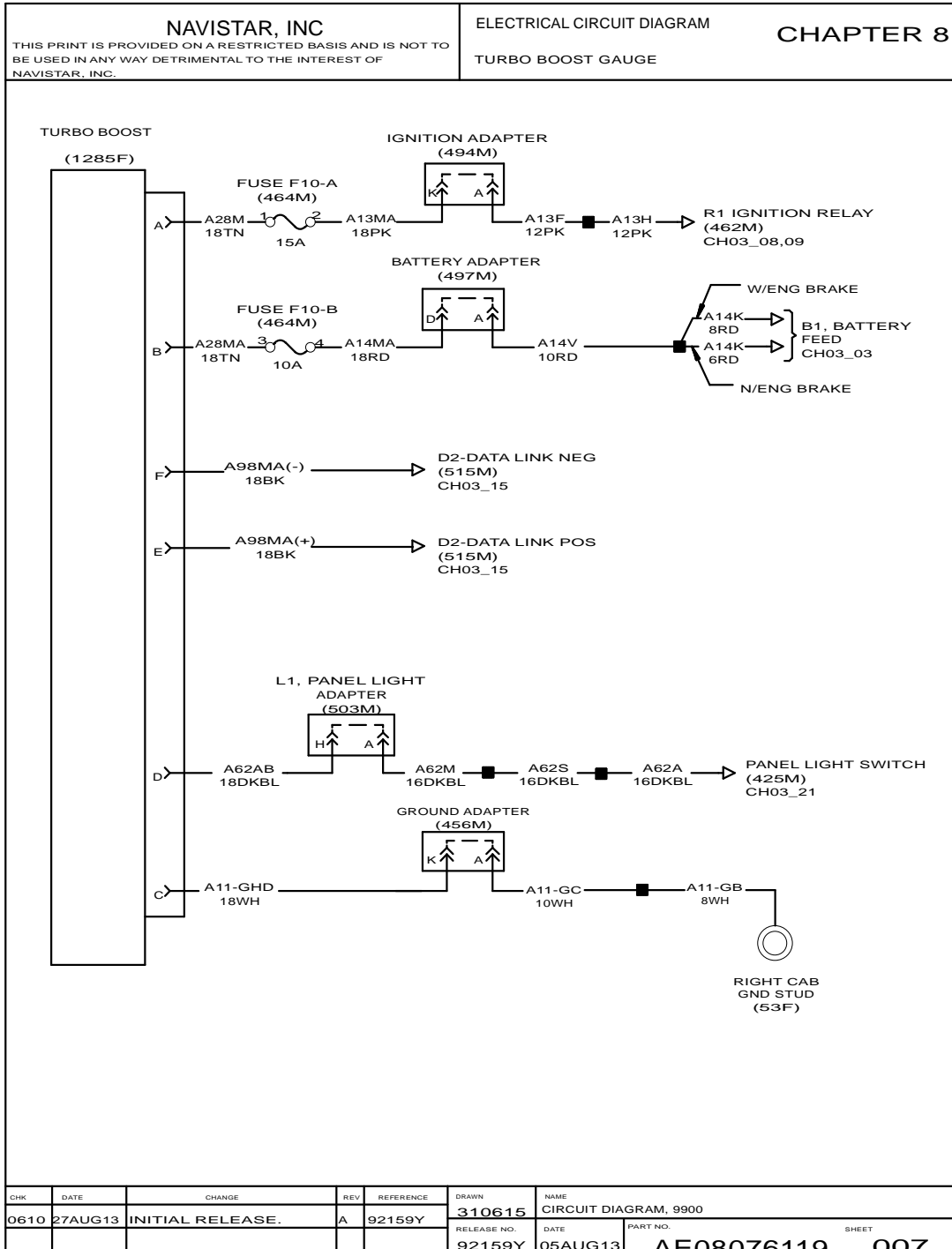


Figure 110 Turbo Boost Gauge.

8.8. VOLTMETER AND FUEL LEVEL GAUGE, P. 8

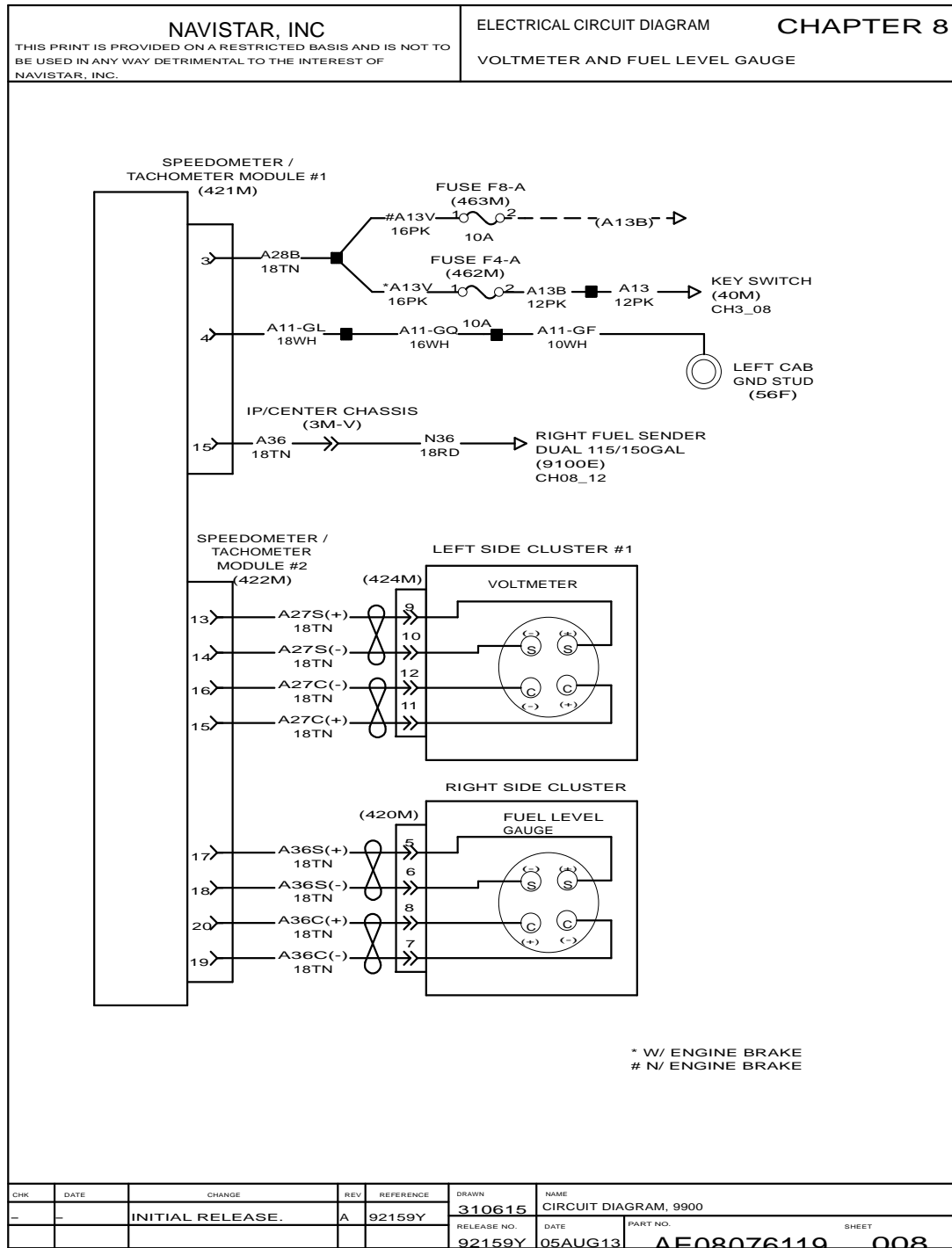


Figure 111 Voltmeter and Fuel Level Gauge.

8.9. ENGINE WATER TEMPERATURE ENGINE OIL PRESSURE SPEEDOMETER AND TACHOMETER GAUGE, P. 9

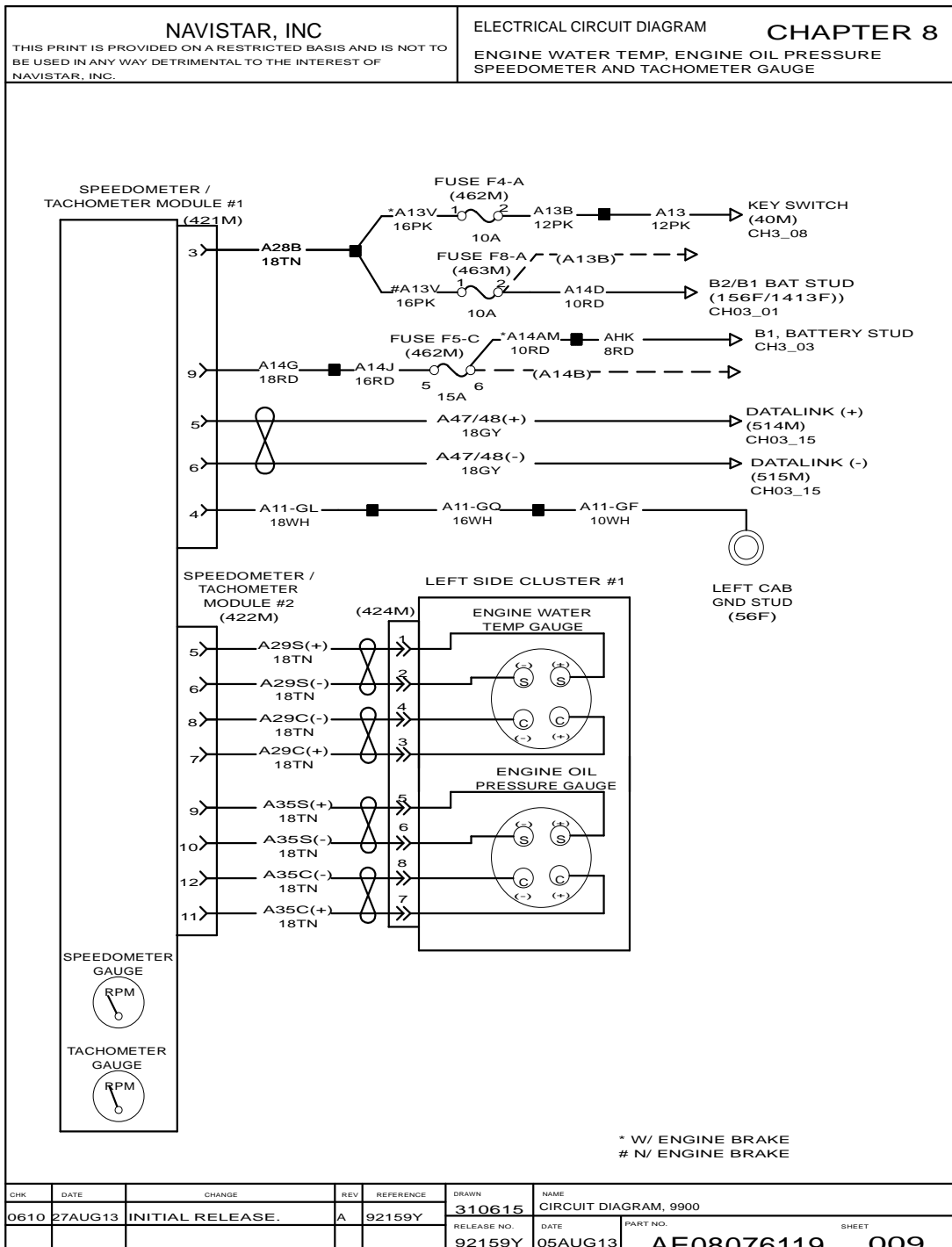


Figure 112 Engine Water Temperature Engine Oil Pressure Speedometer and Tachometer Gauge.

8.10. DIFFERENTIAL LOCK WARNING LAMPS AND ABS CLUSTER WARNING LIGHTS, P. 10

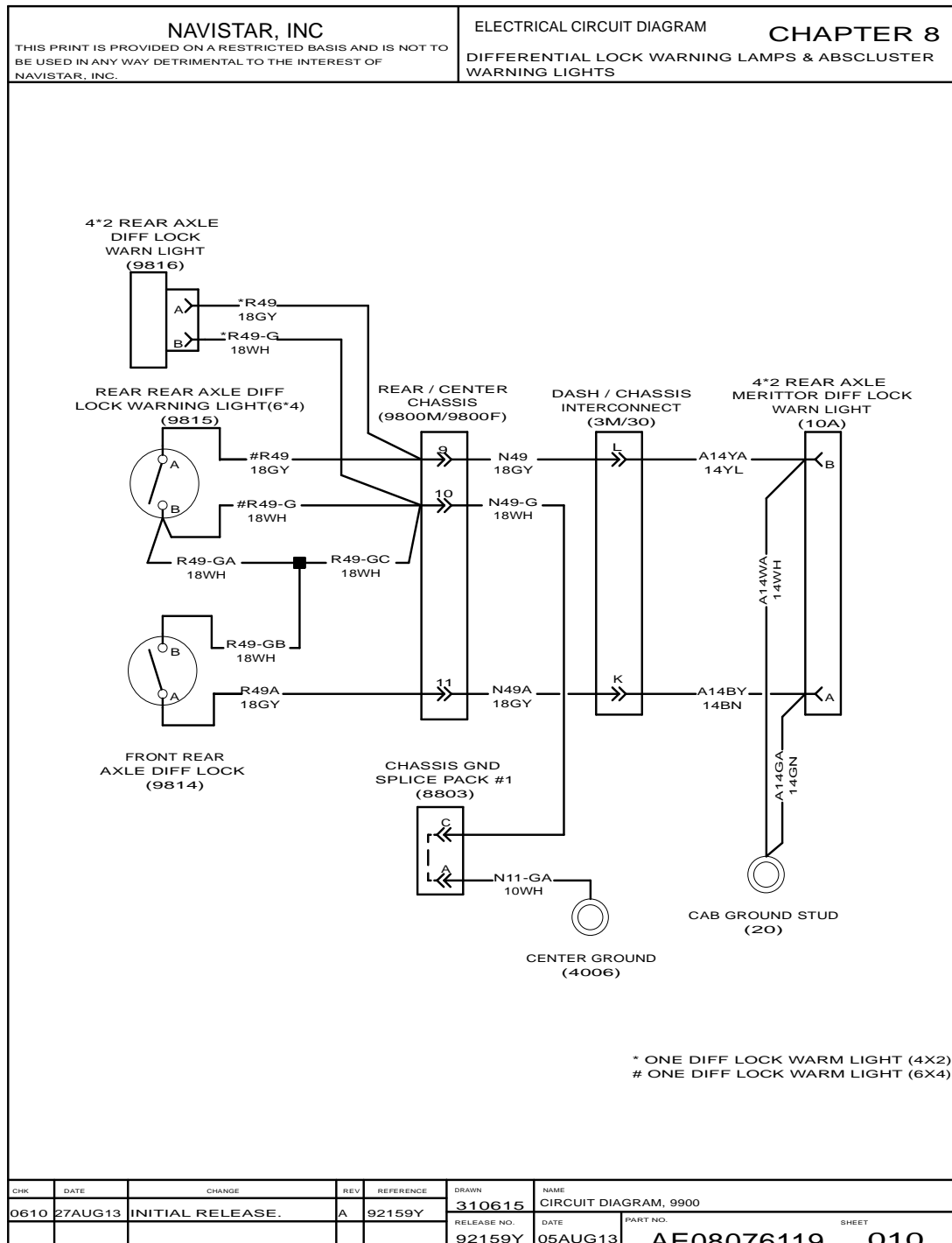


Figure 113 Differential Lock Warning Lamps and ABS Cluster Warning Lights.

8.11. DIFFERENTIAL LOCK WARNING LAMPS AND ABS CLUSTER WARNING LIGHTS (CONT.), P. 11

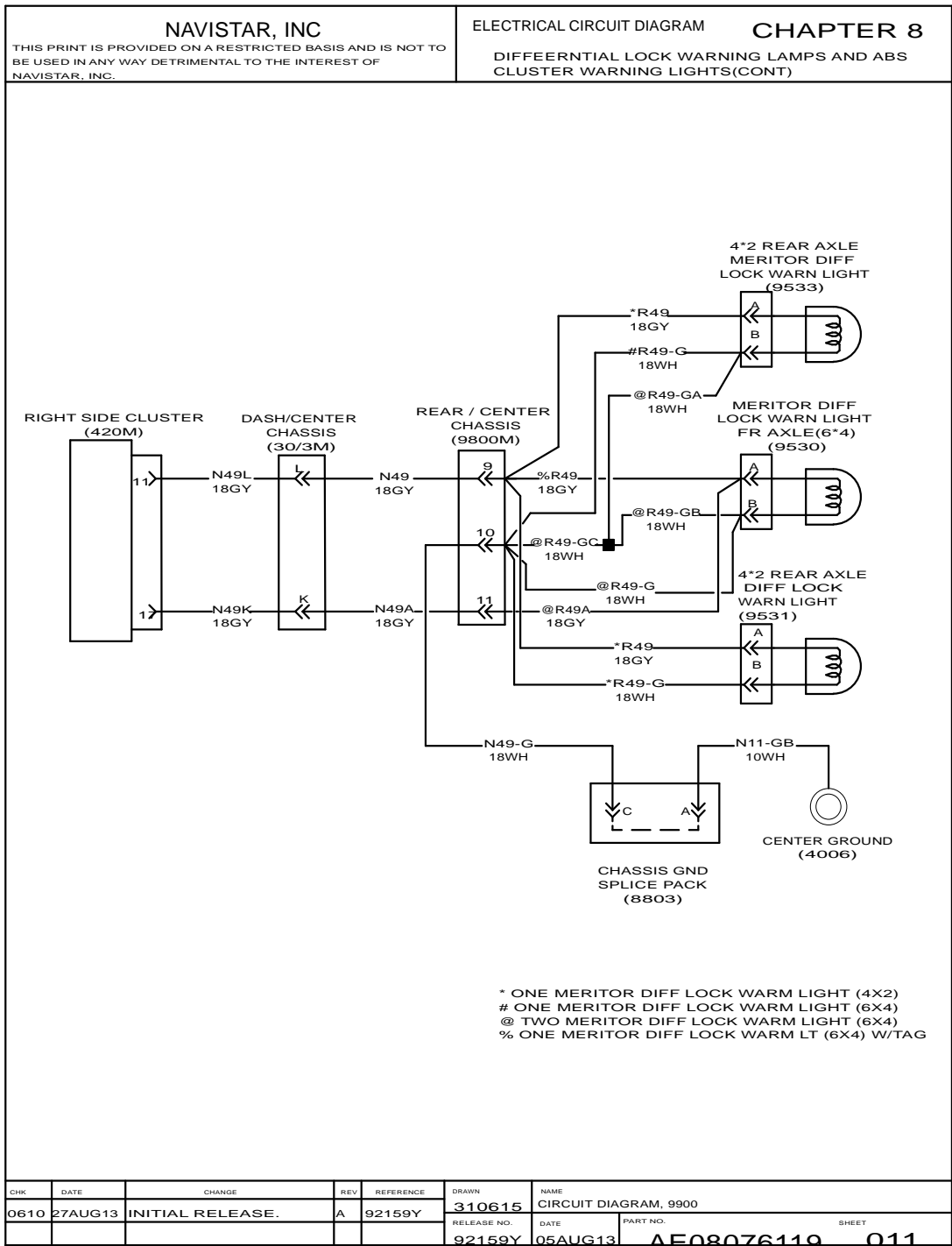


Figure 114 Differential Lock Warning Lamps and ABS Cluster Warning Lights (Cont.)

8.12. FUEL GAUGE CIRCUITRY (DUAL TANK) WITH 115 / 150 GAL., P. 12

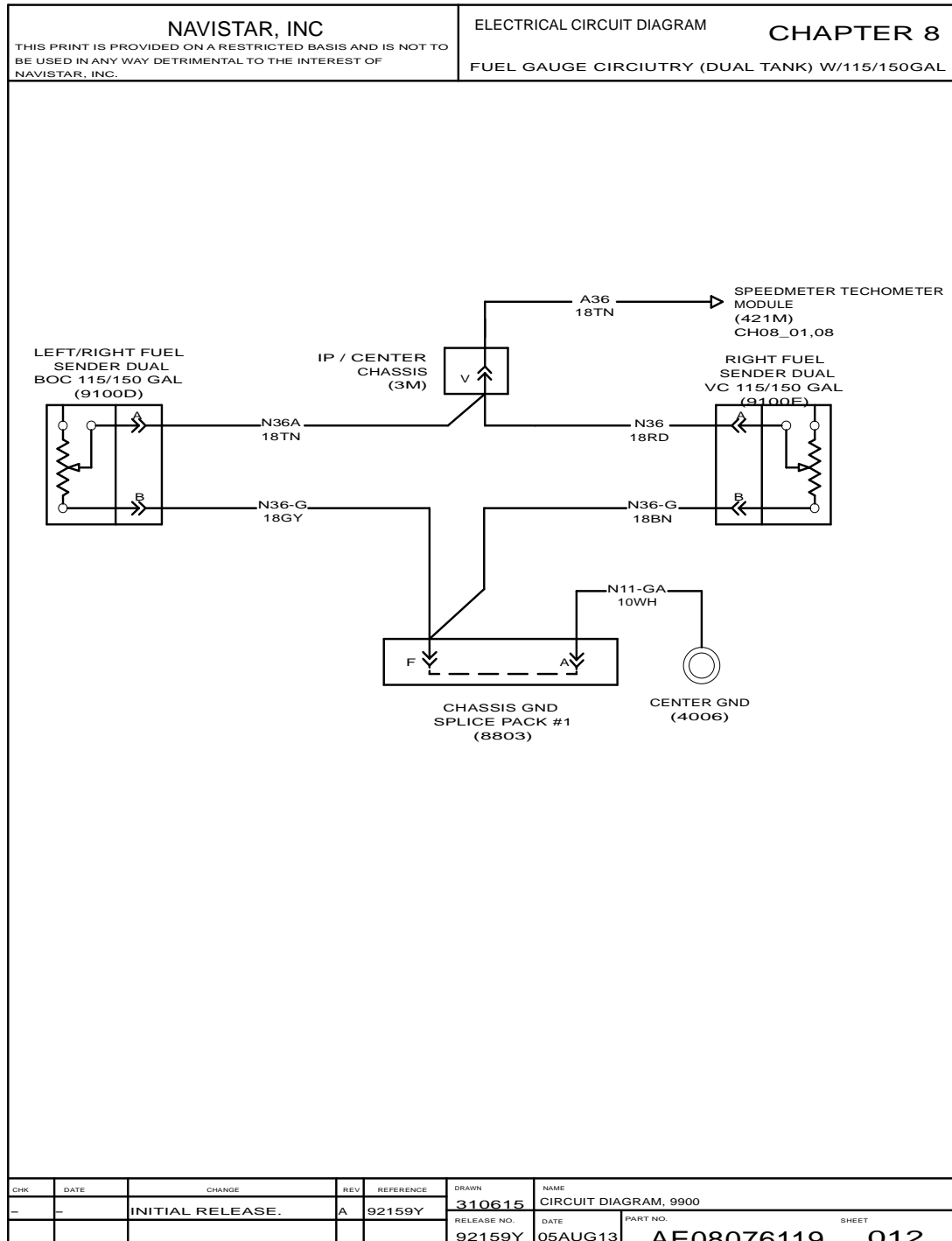


Figure 115 Fuel Gauge Circuitry (Dual Tank) with 115 / 150 Gal..

8.13. AXLE TEMPERATURE GAUGES, P. 13

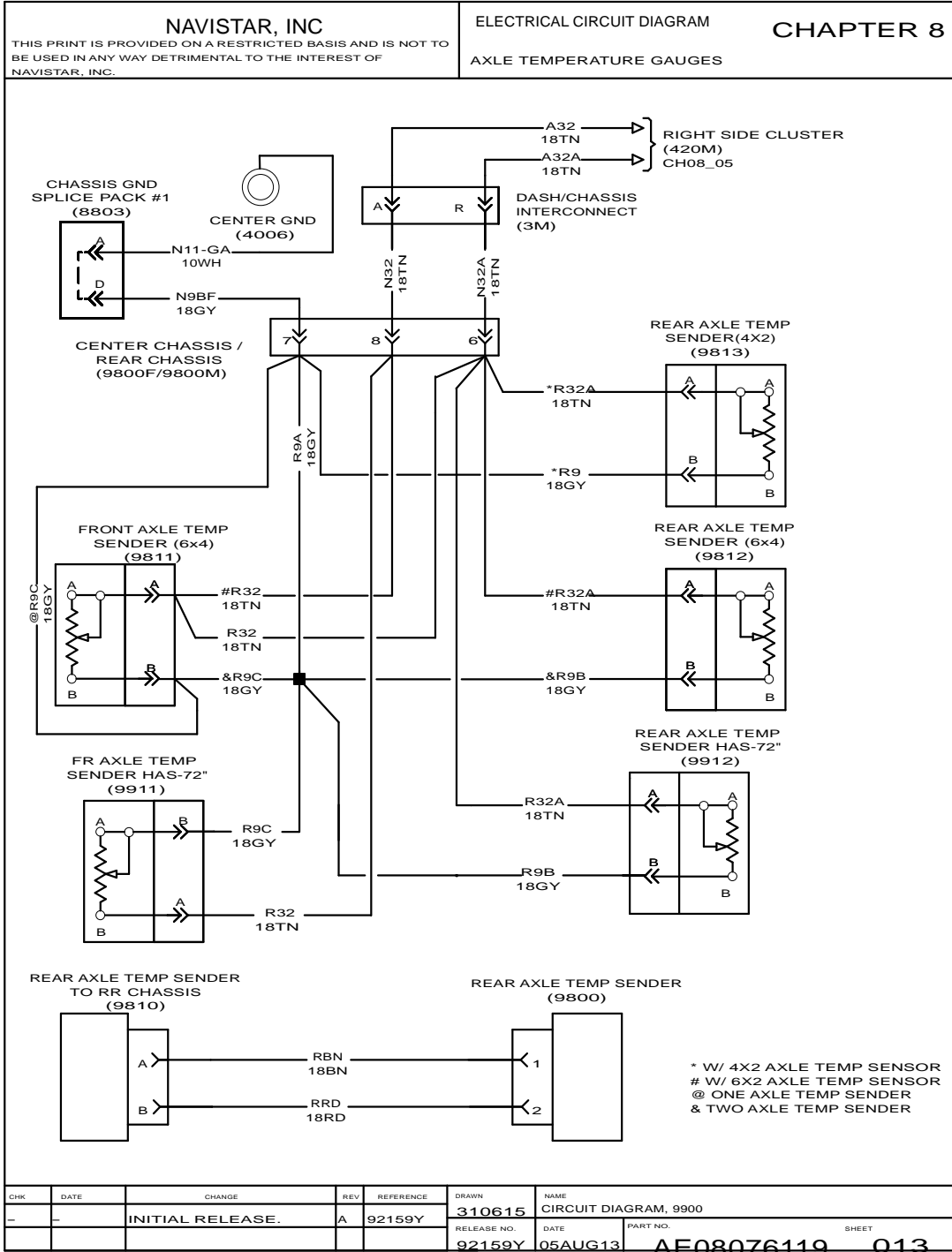


Figure 116 Axle Temperature Gauges.

8.14. ENGINE OIL AND TRANSMISSION OIL TEMPERATURE GAUGE, P. 14

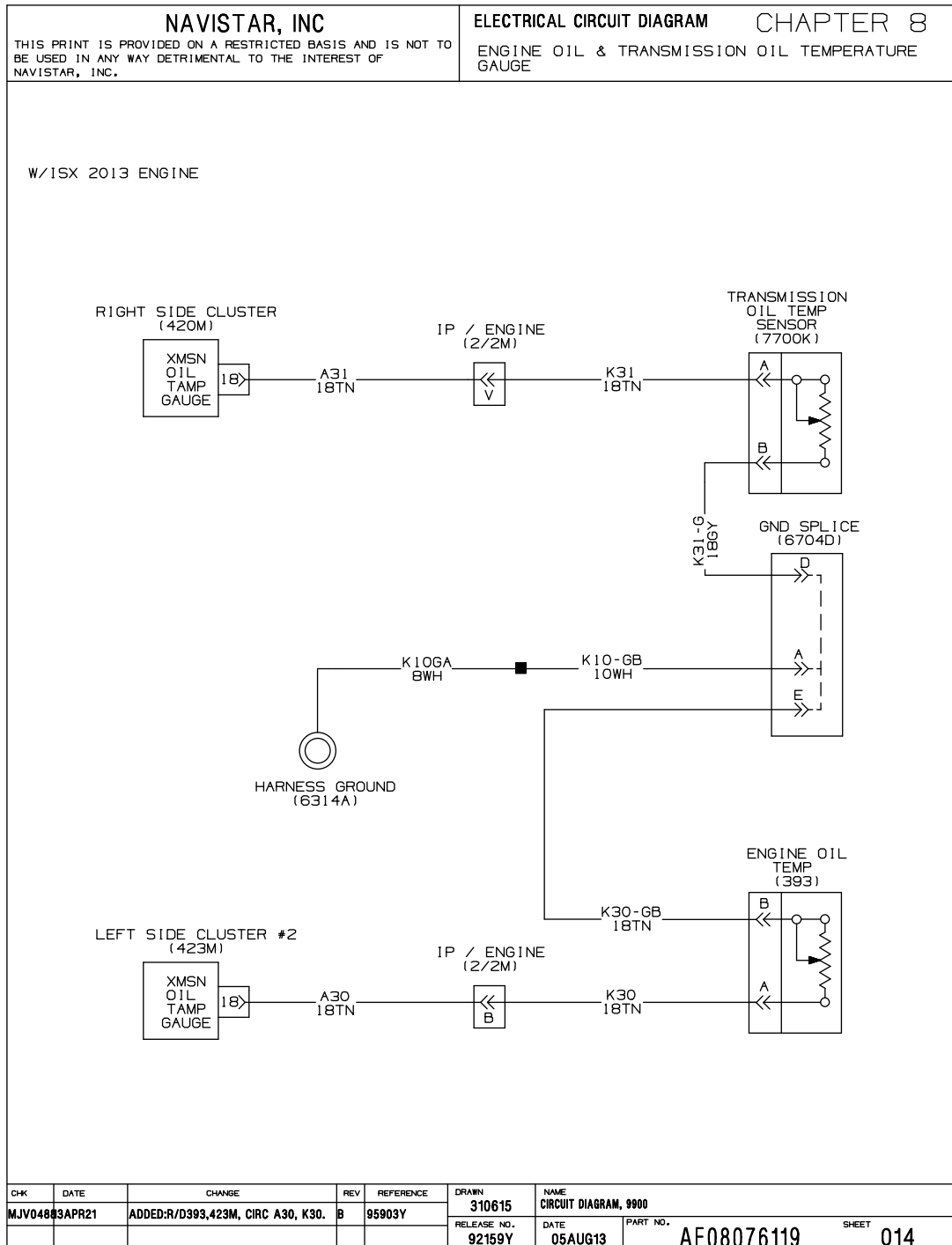


Figure 117 Engine Oil and Transmission Oil Temperature Gauge.

8.15. IDEAL CONTROL TEMPERATURE SENSOR, P. 15

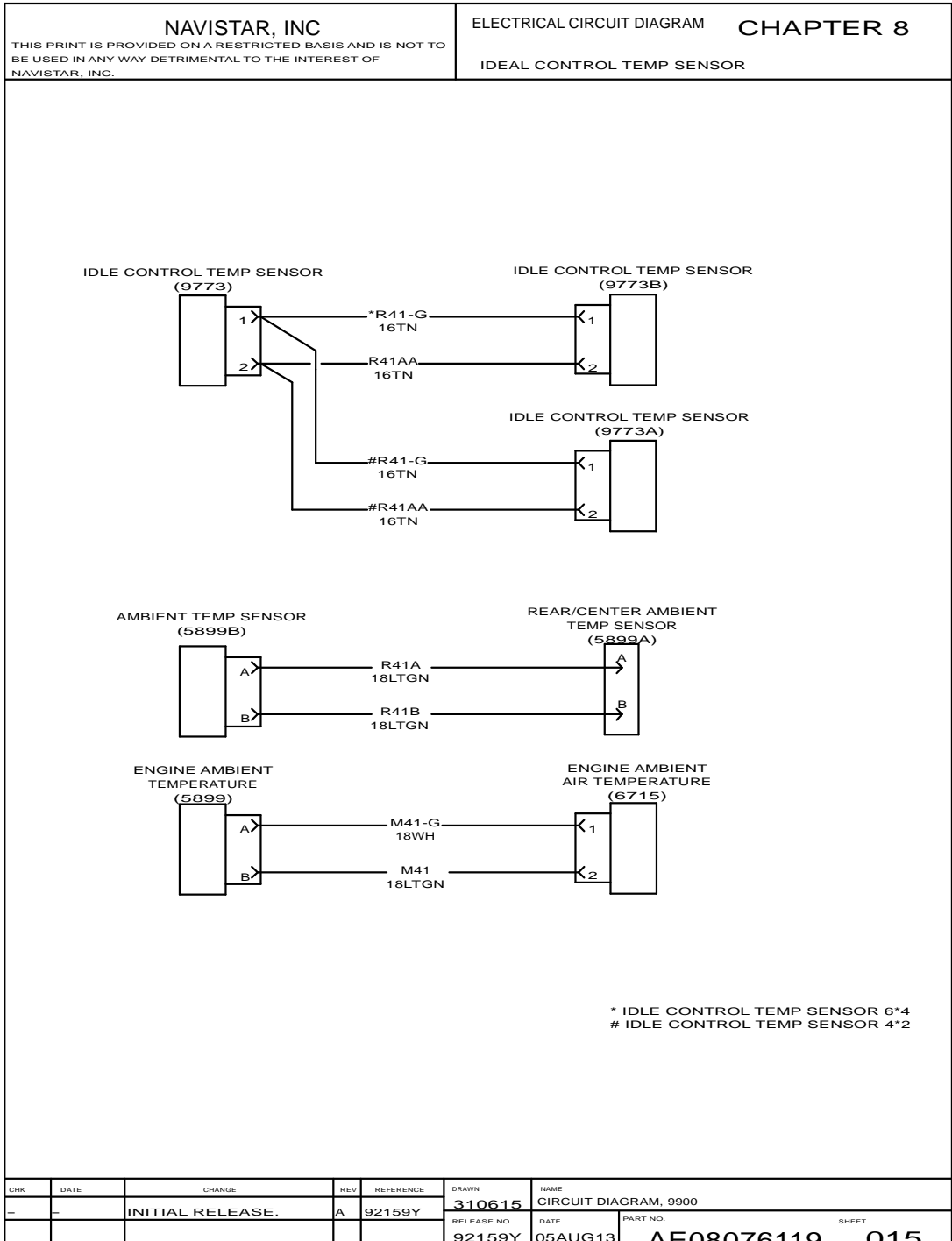


Figure 118 Ideal Control Temperature Sensor.

8.16. DEF GAUGE, P. 16

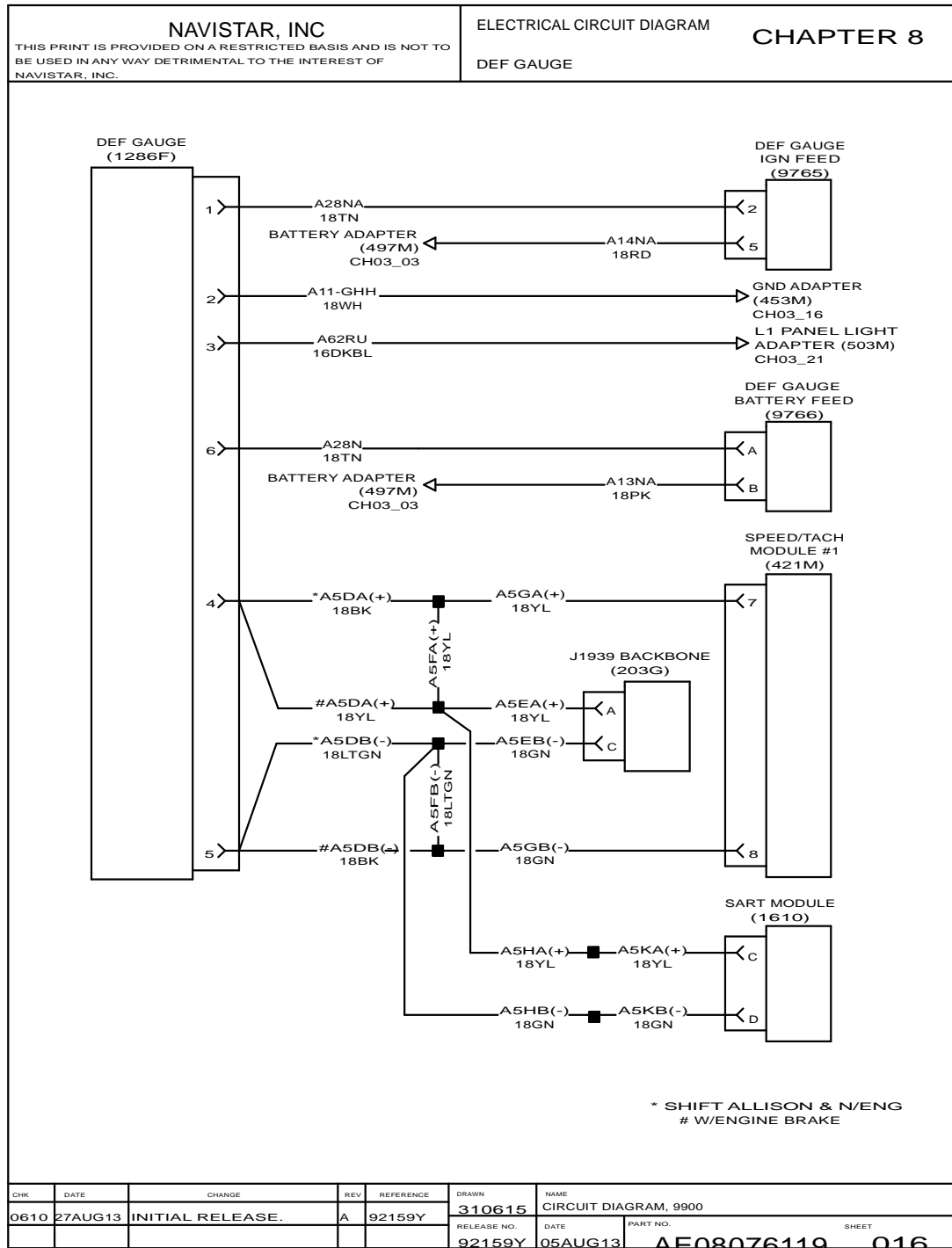


Figure 119 DEF Gauge.

8.17. CLUTCH STARTER INTERLOCK, P. 17

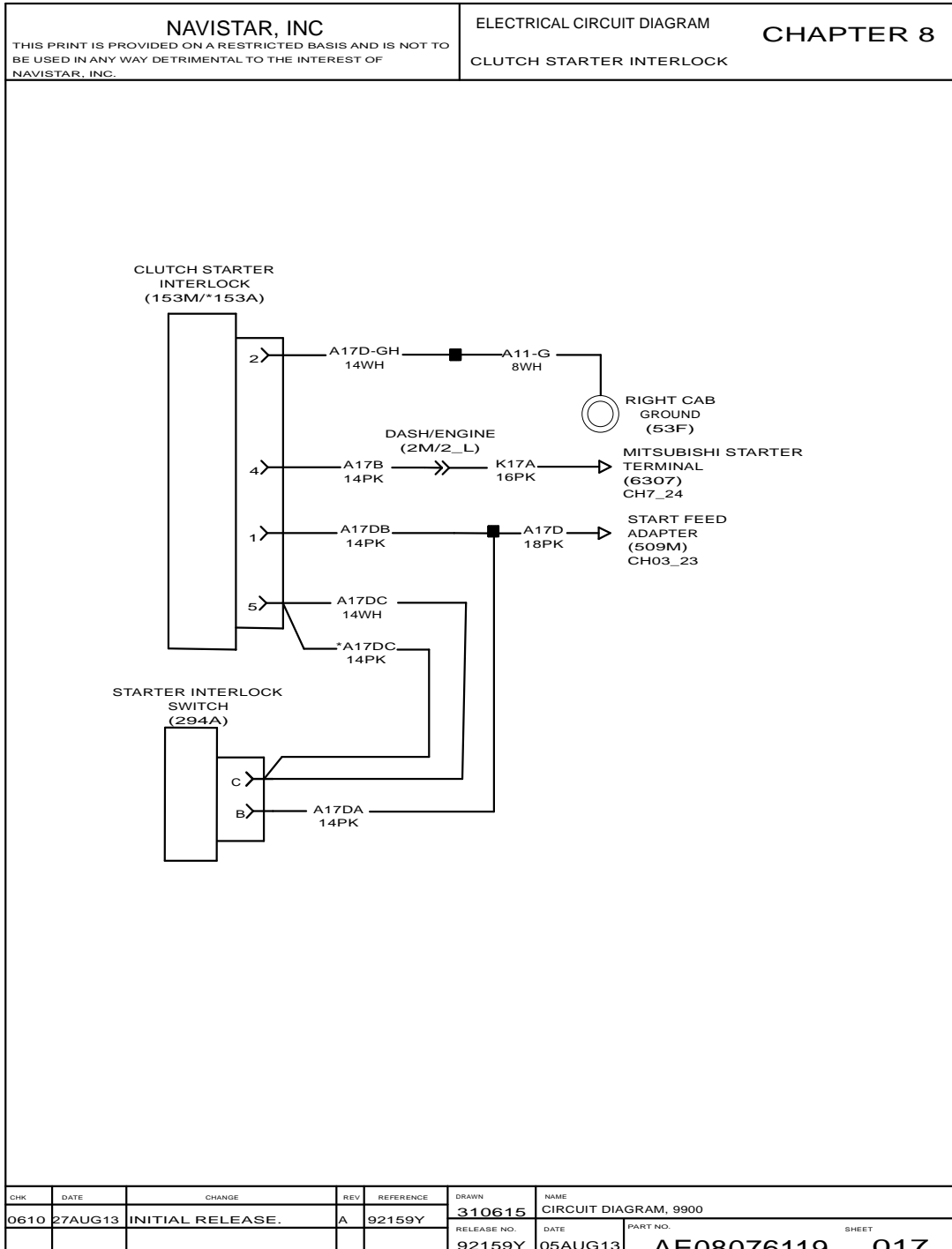


Figure 120 Clutch Starter Interlock.

LIGHTING SYSTEM CLUTCH START INTERLOCK (CHAPTER 9)

9.1. BACK-UP LIGHTS, P. 1

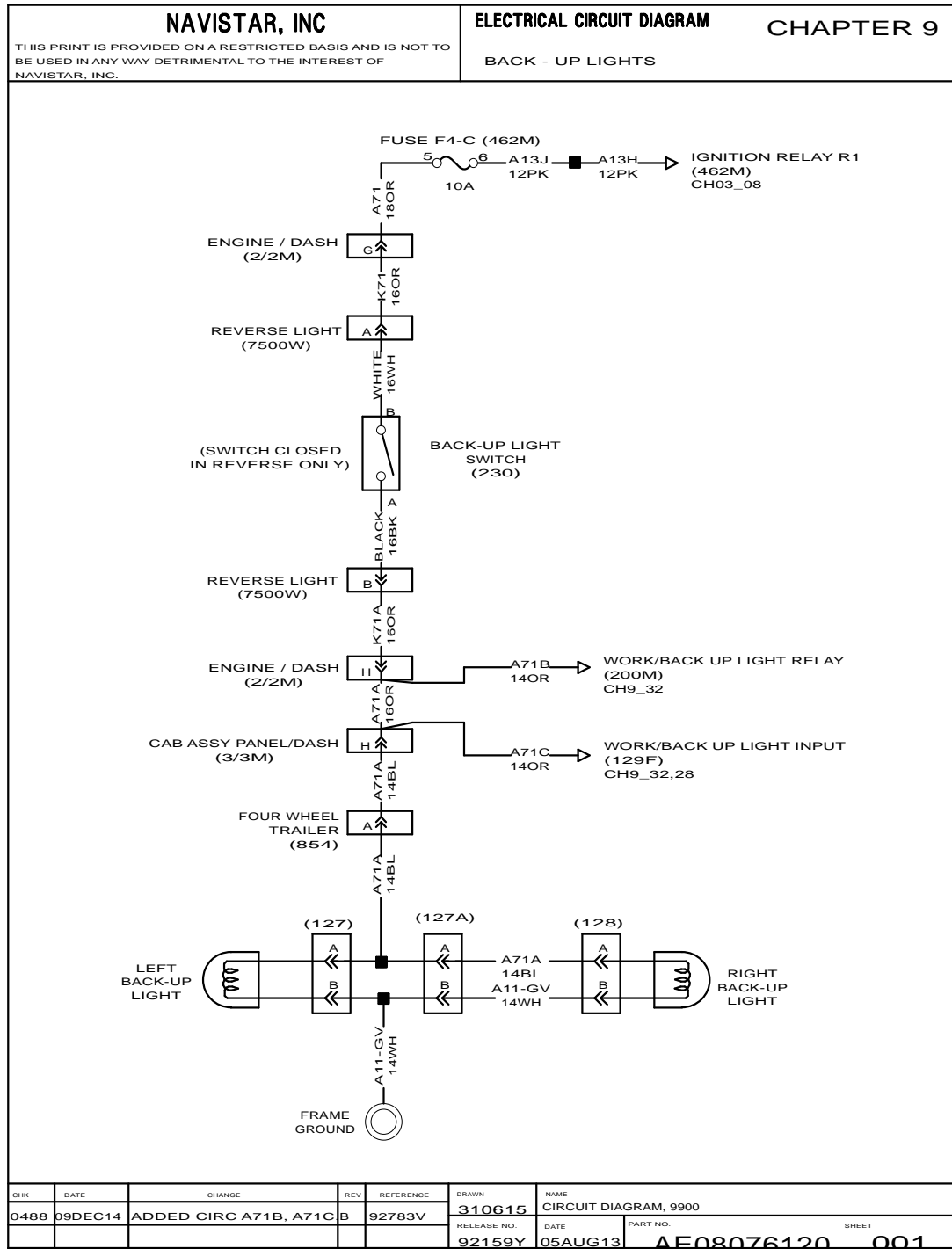


Figure 121 Back-Up Lights.

9.2. CAB AND TRAILER LIGHT SWITCH AND RELAY, P. 2

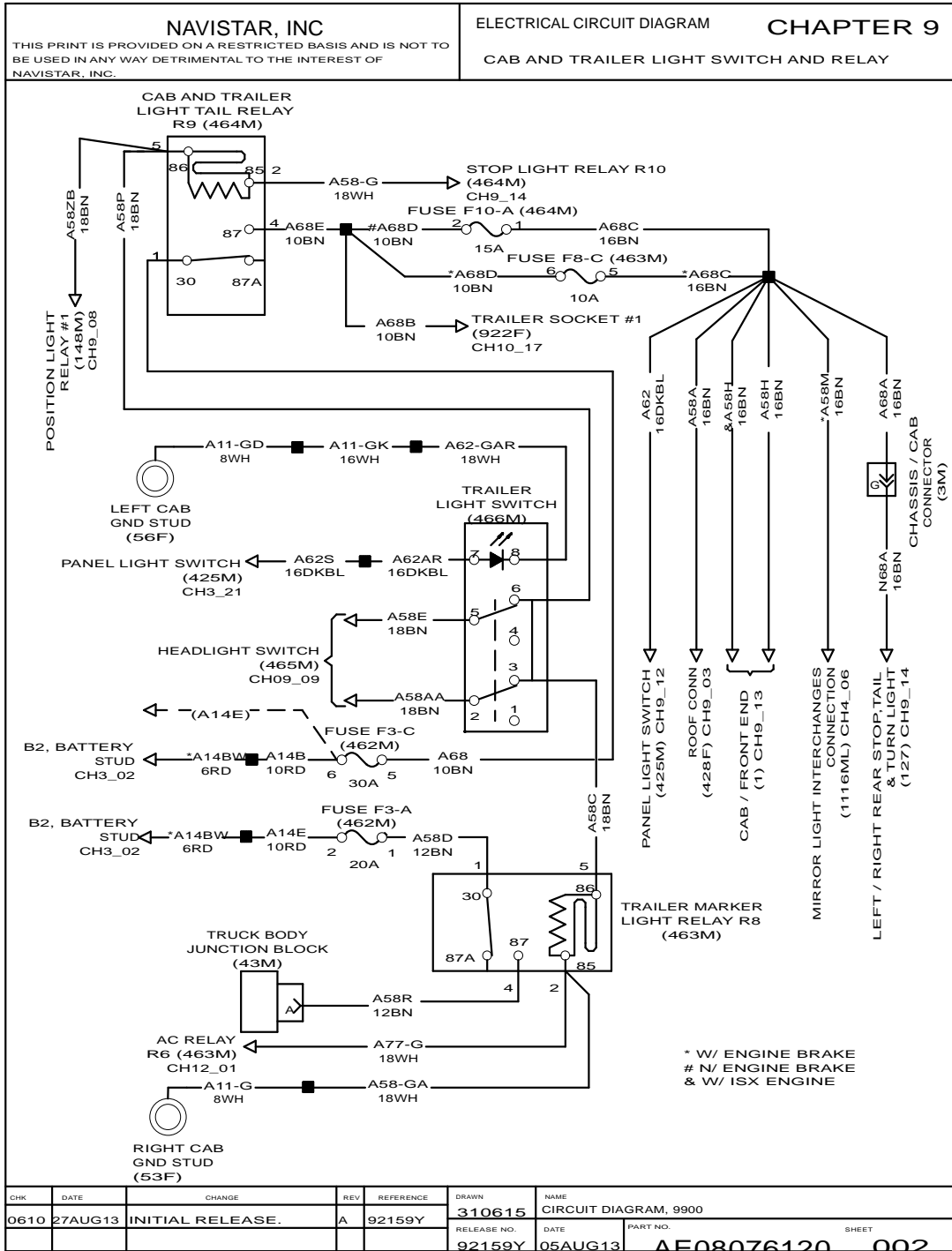


Figure 122 Cab and Trailer Light Switch and Relay.

9.3. CAB CLEARANCE LIGHTS, P. 3

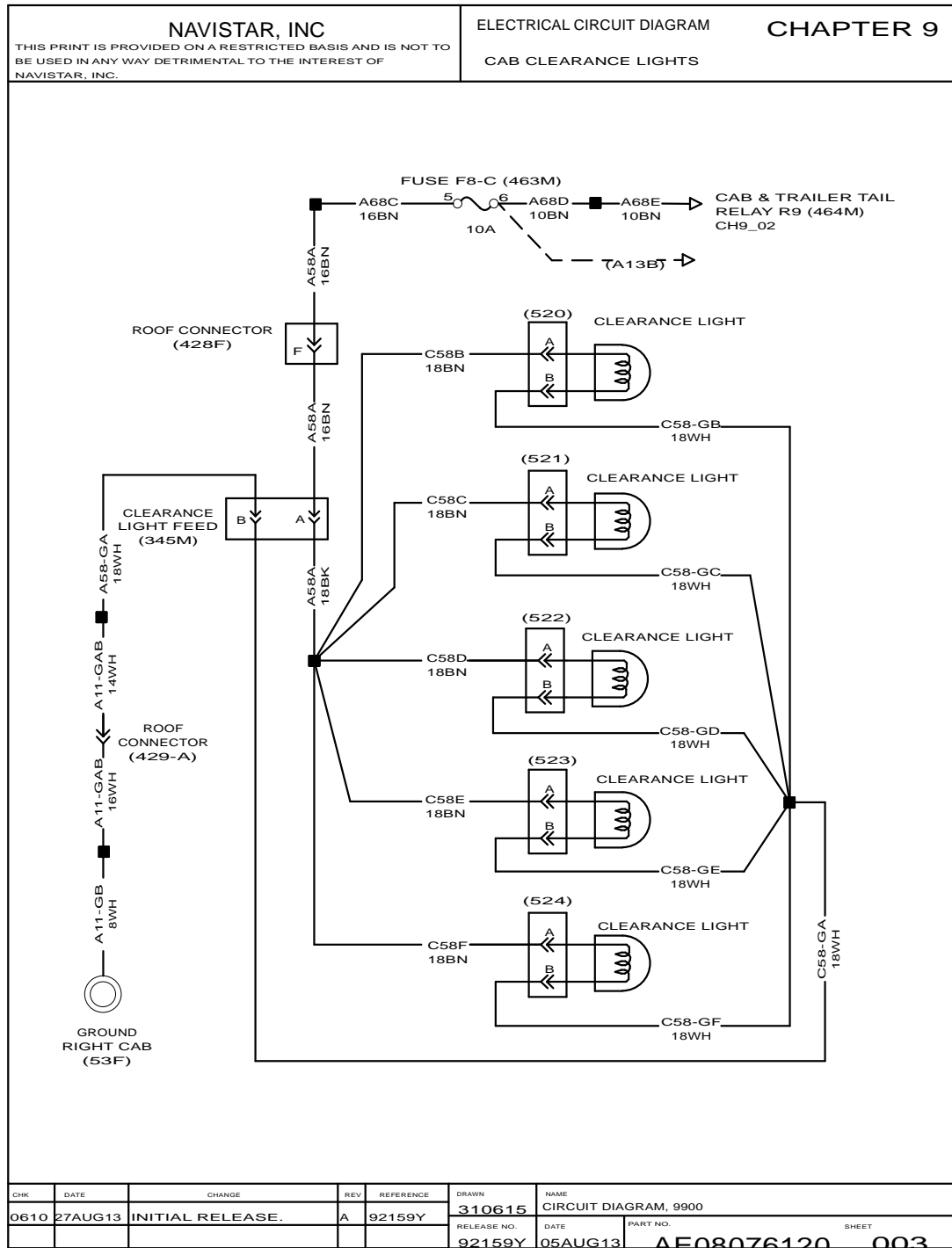


Figure 123 Cab Clearance Lights.

9.4. WORK LIGHT WIRING TRAILER HOOK-UP LIGHT, P. 4

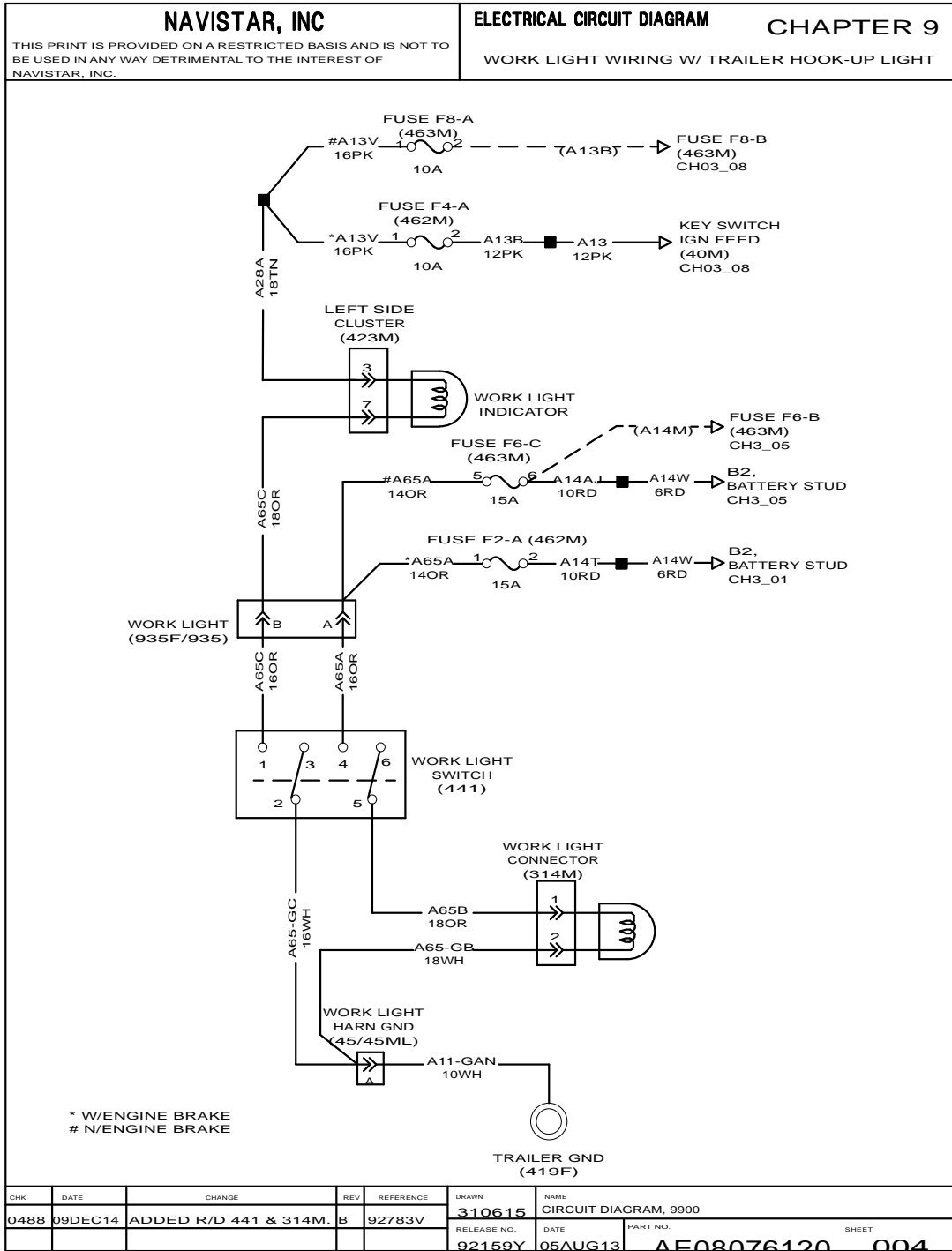


Figure 124 Work Light Wiring Trailer Hook-Up Light.

9.5. CAB DOME, READING, AND COURTESY LIGHTS, P. 5

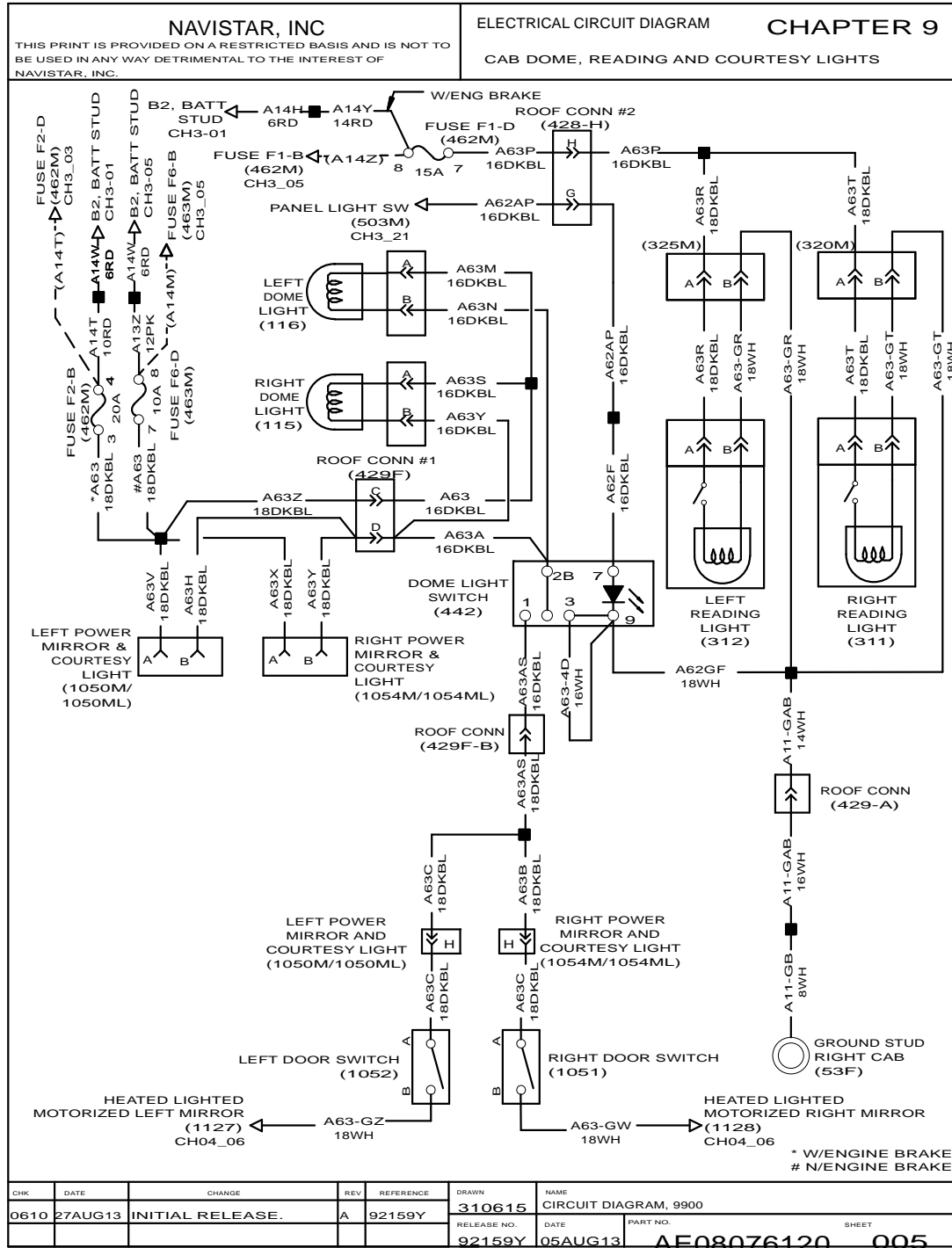


Figure 125 Cab Dome, Reading, and Courtesy Lights.

9.6. CAB DOME, READING, AND COURTESY LIGHTS (CONT.), P. 6

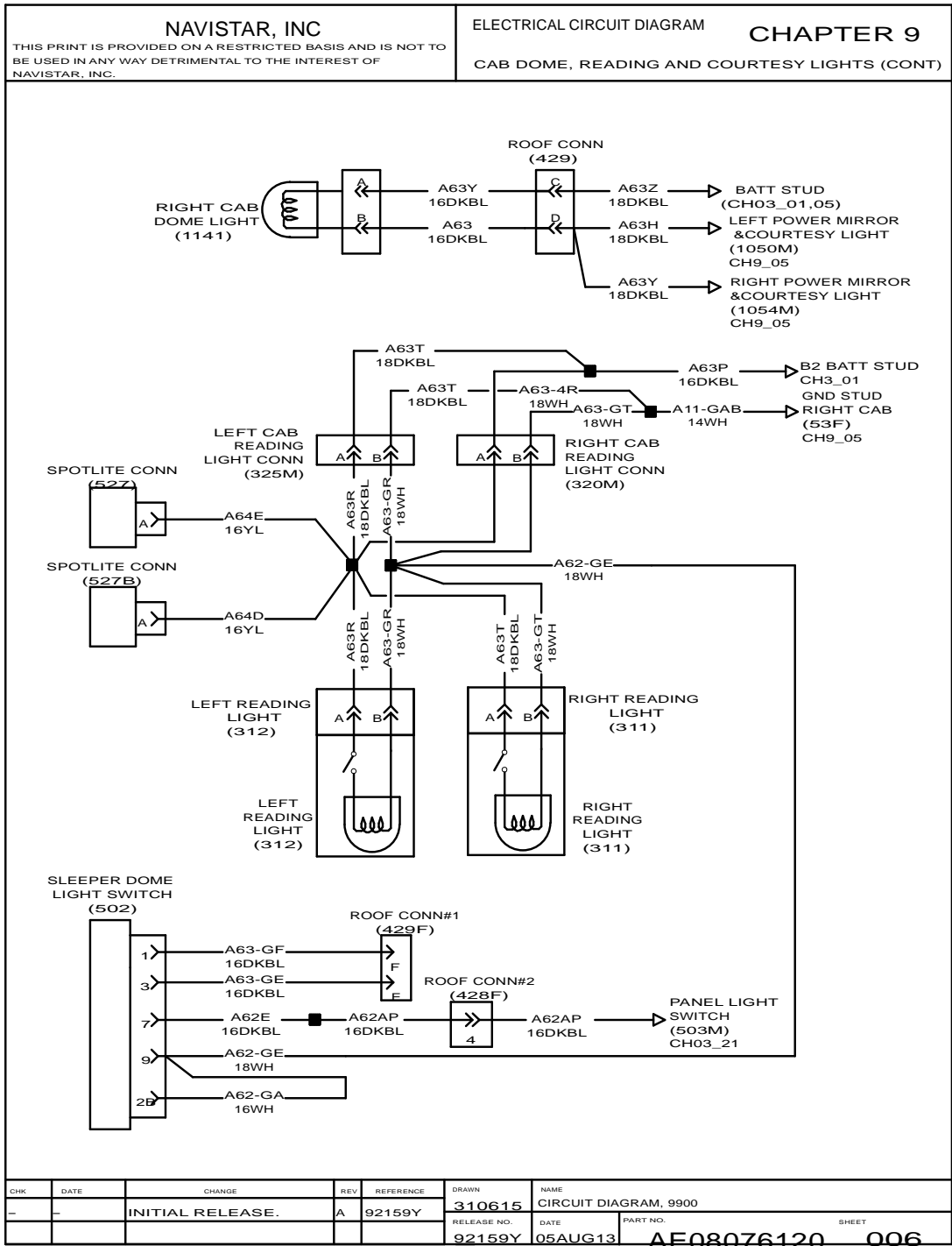


Figure 126 Cab Dome, Reading, and Courtesy Lights (Cont.)

9.7. DAYTIME RUNNING LIGHTS, P. 7

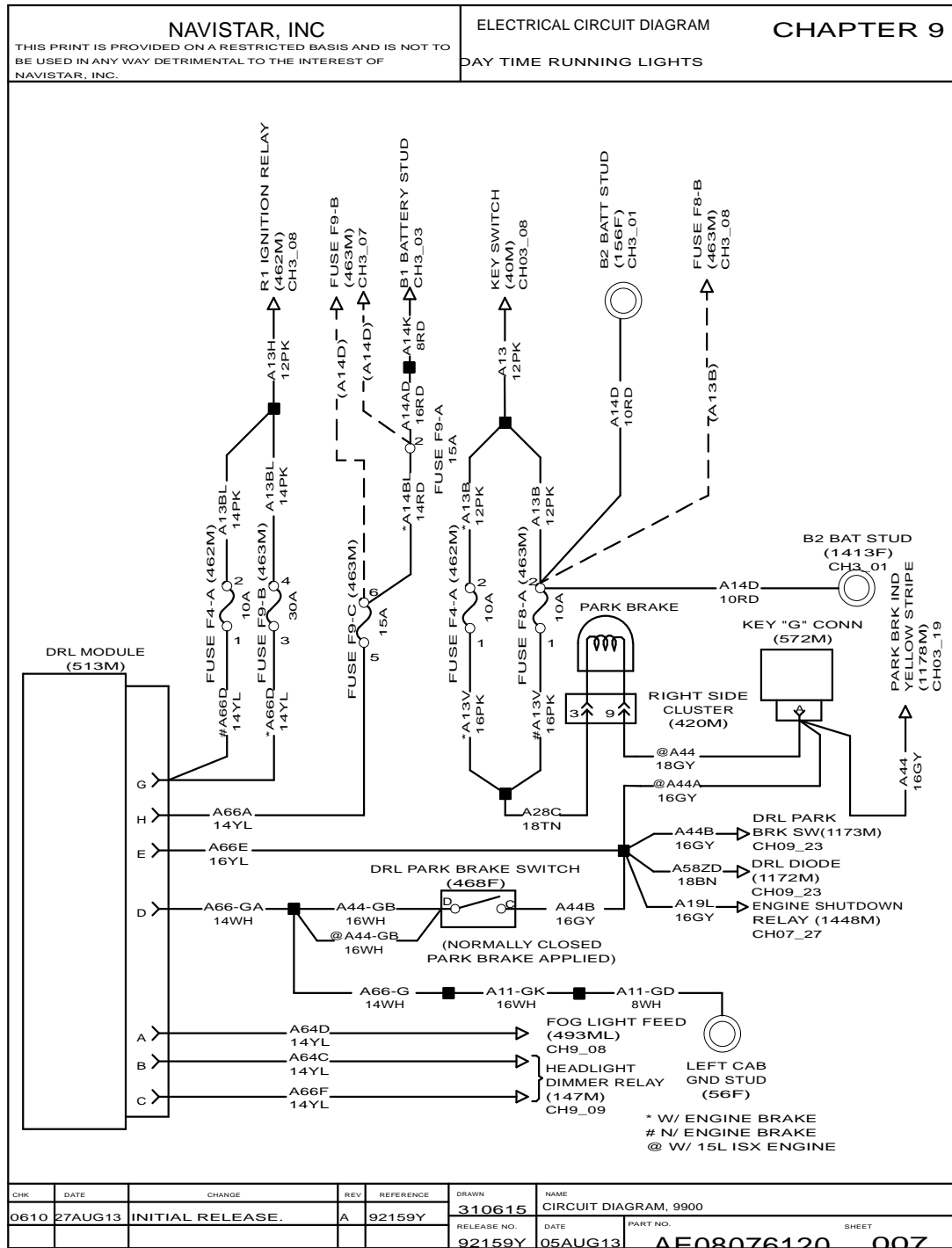


Figure 127 Daytime Running Lights.

9.8. FOG LIGHTS, P. 8

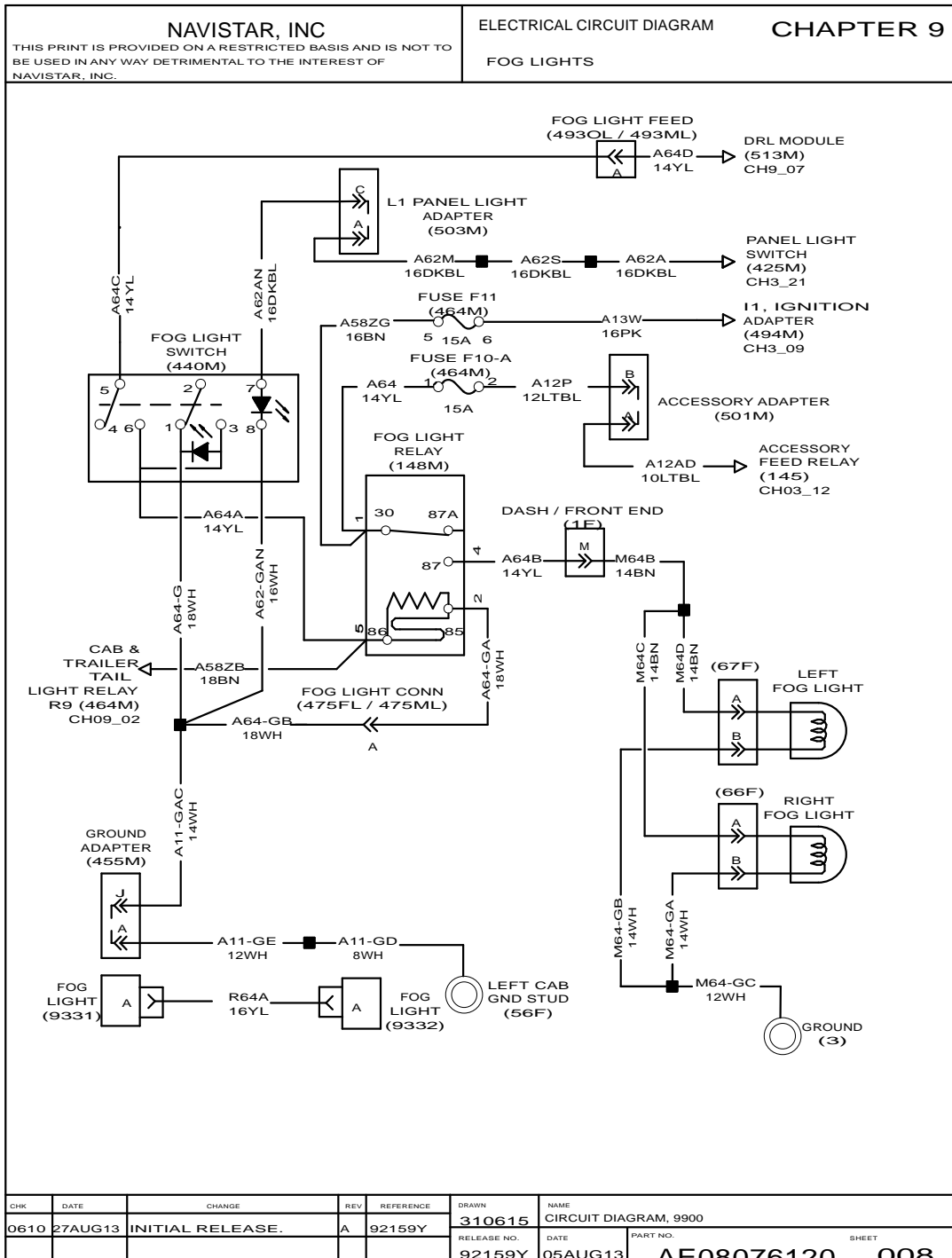


Figure 128 Fog Lights.

9.9. HEADLIGHT SWITCH AND DIMMER SWITCH, P. 9

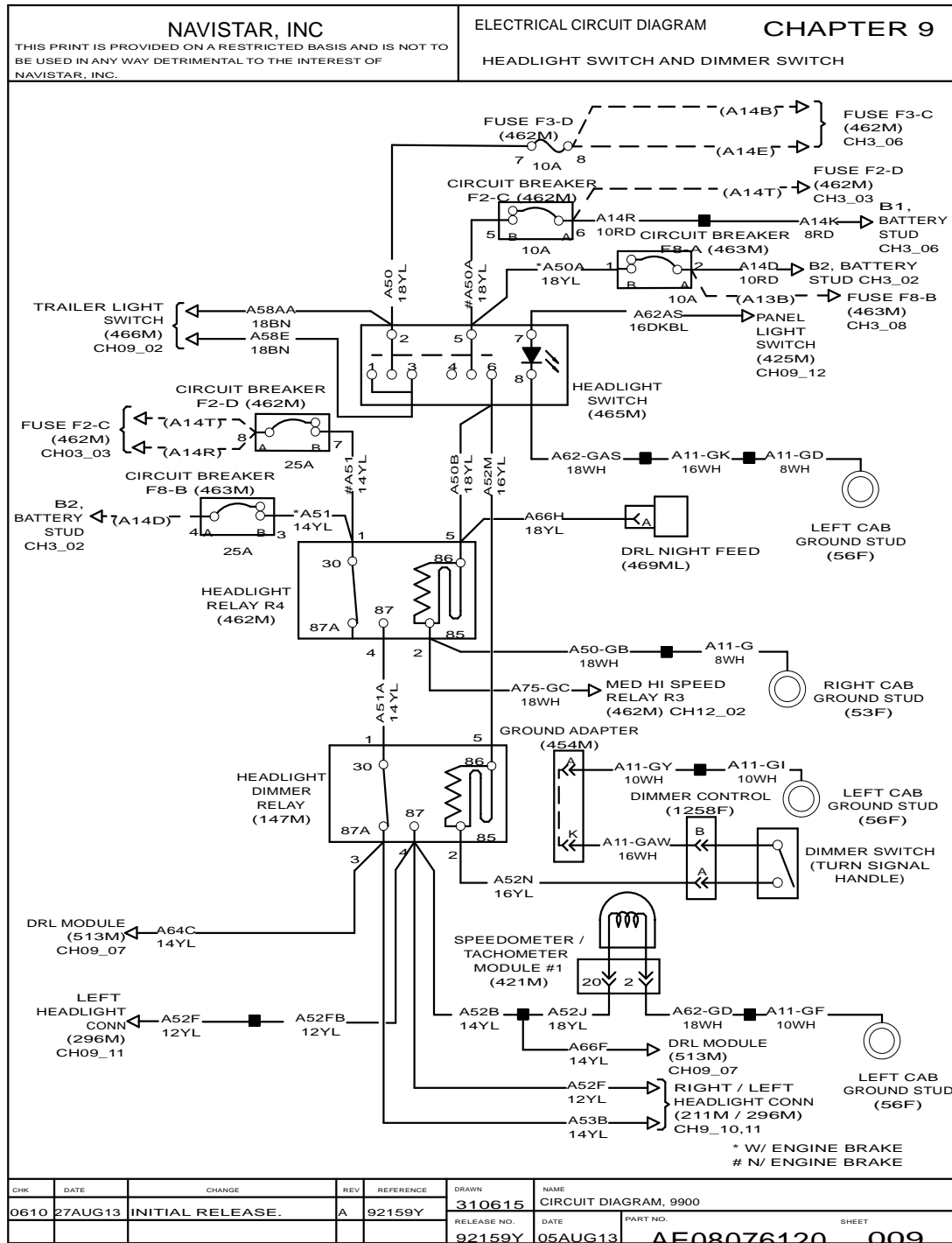


Figure 129 Headlight Switch and Dimmer Switch.

9.10. HEADLIGHTS – WITH BUMPER MOUNTED MARKER LIGHT, P. 10

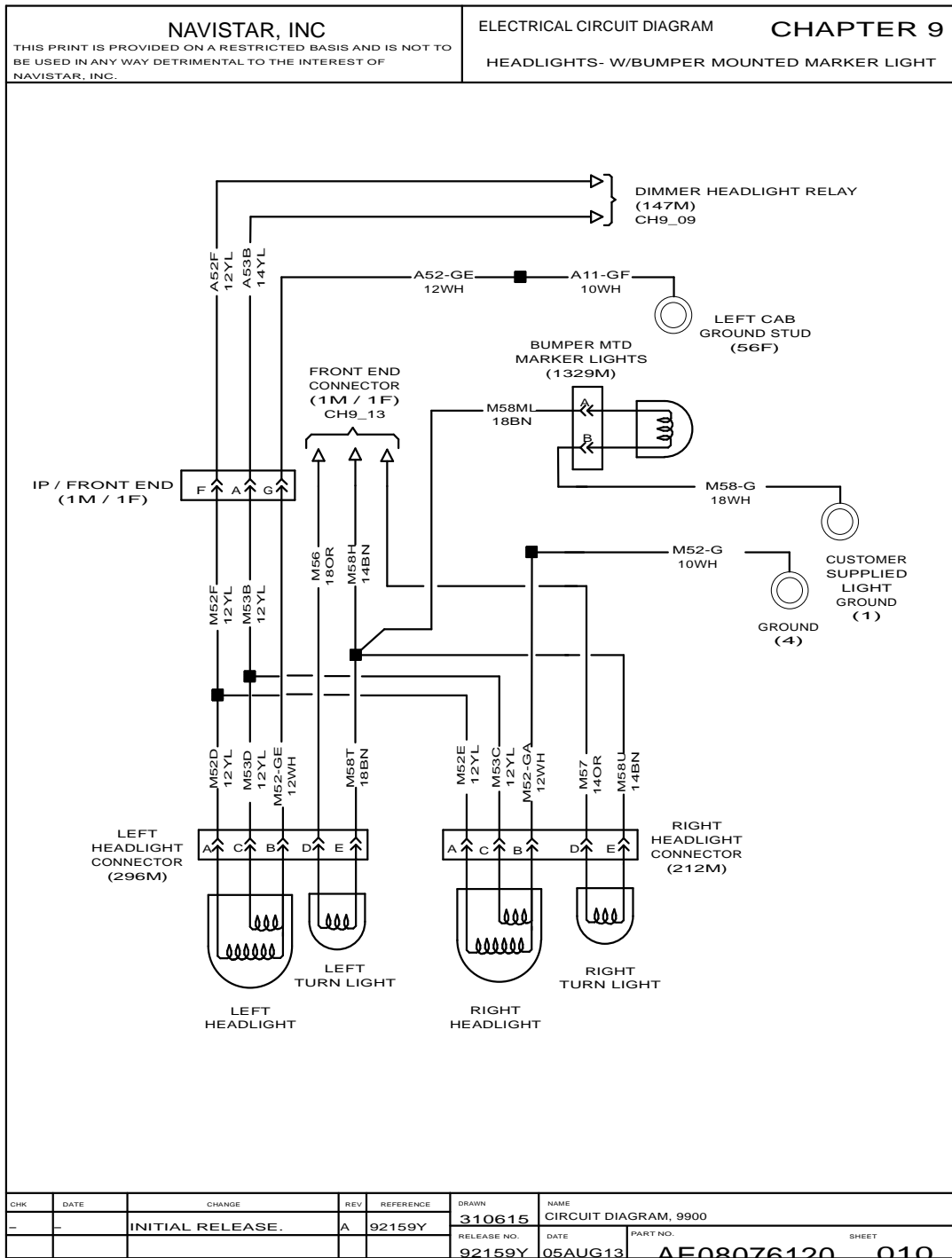


Figure 130 Headlights – with Bumper Mounted Marker Light.

9.11. HEADLIGHTS – WITHOUT BUMPER MOUNTED MARKER LIGHT, P. 11

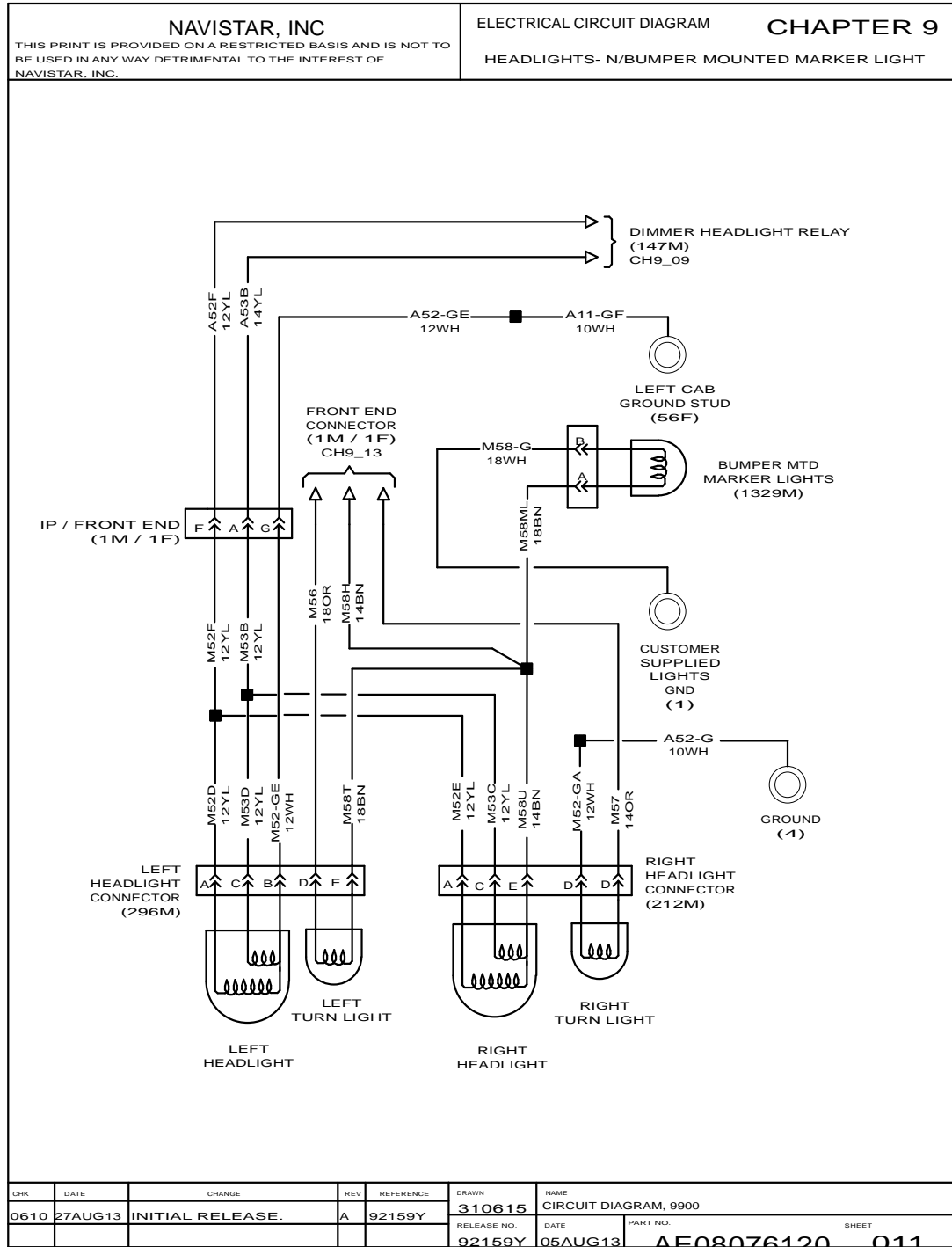


Figure 131 Headlights – without Bumper Mounted Marker Light.

9.12. PANEL LIGHTS, P. 12

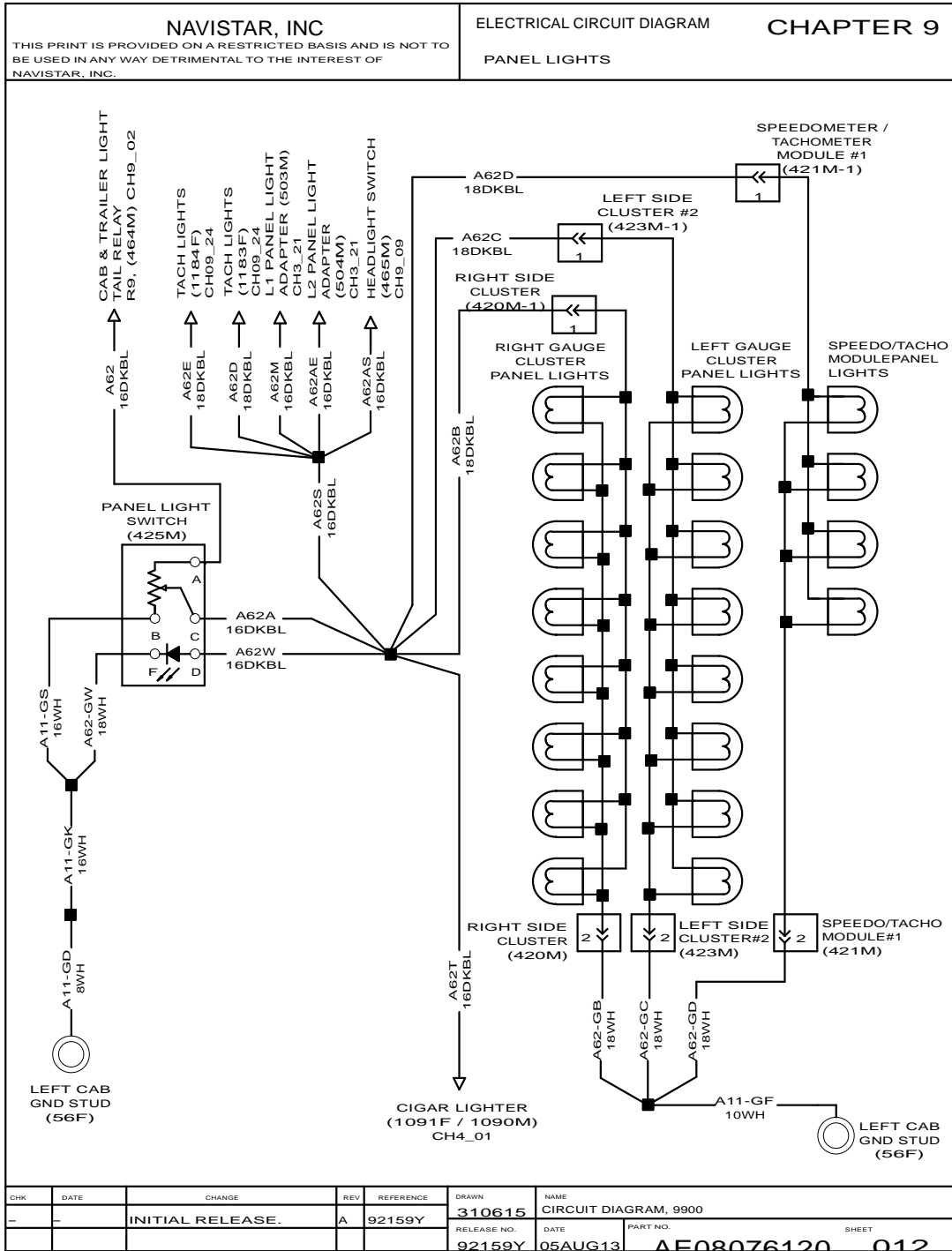


Figure 132 Panel Lights.

9.13. PARK / TURN / SIDE MARKER LIGHTS WITH AUXILIARY HEADLIGHTS, P. 13

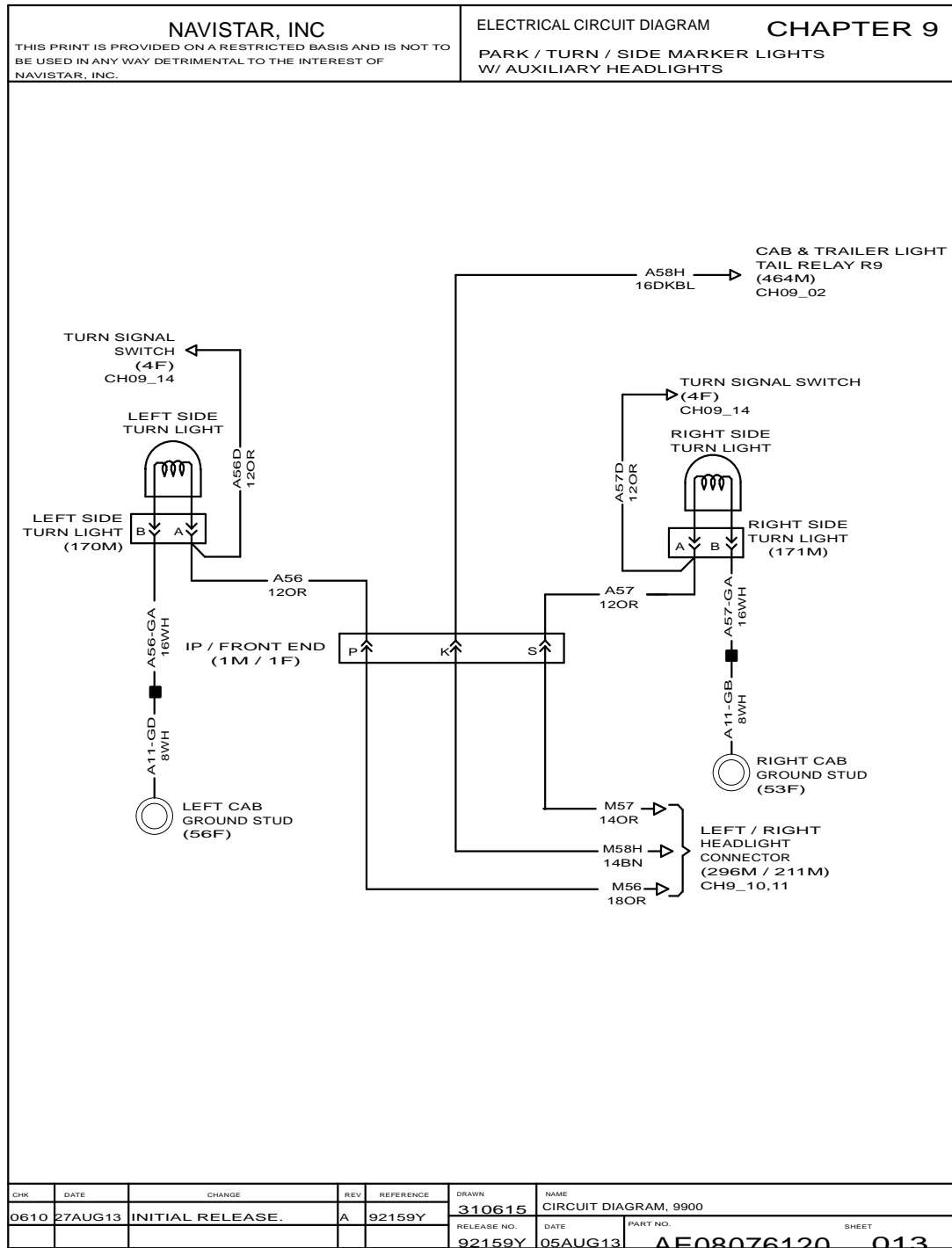


Figure 133 Park / Turn / Side Marker Lights with Auxiliary Headlights.

9.14. STOP, TAIL, TURN AND HAZARD SIGNAL LIGHTS WITH FLASHER, P. 14

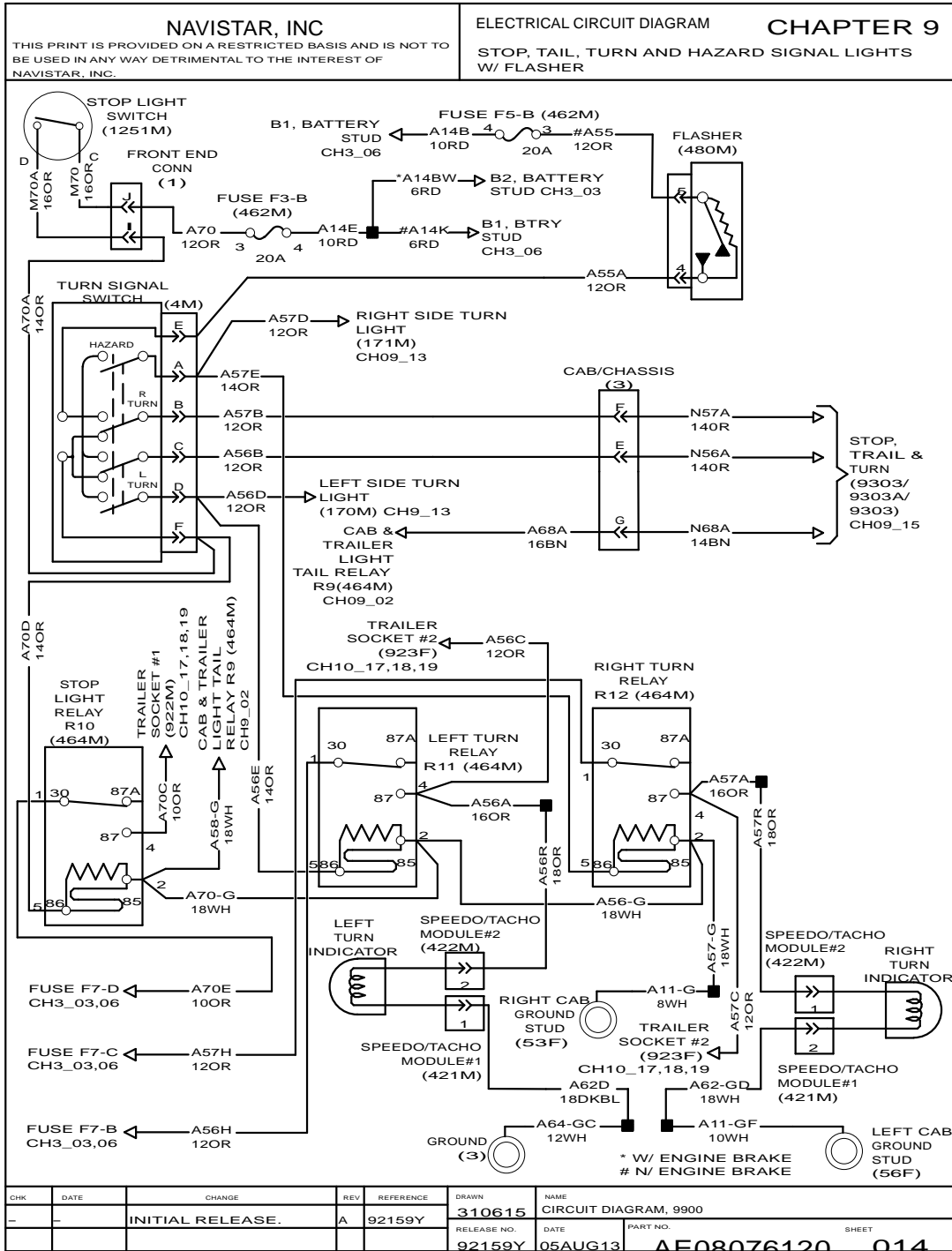


Figure 134 Stop, Tail, Turn and Hazard Signal Lights with Flasher.

9.15. LIGHTS – STOP, TAIL, TURN AND BACK-UP (6 X 4), P. 15

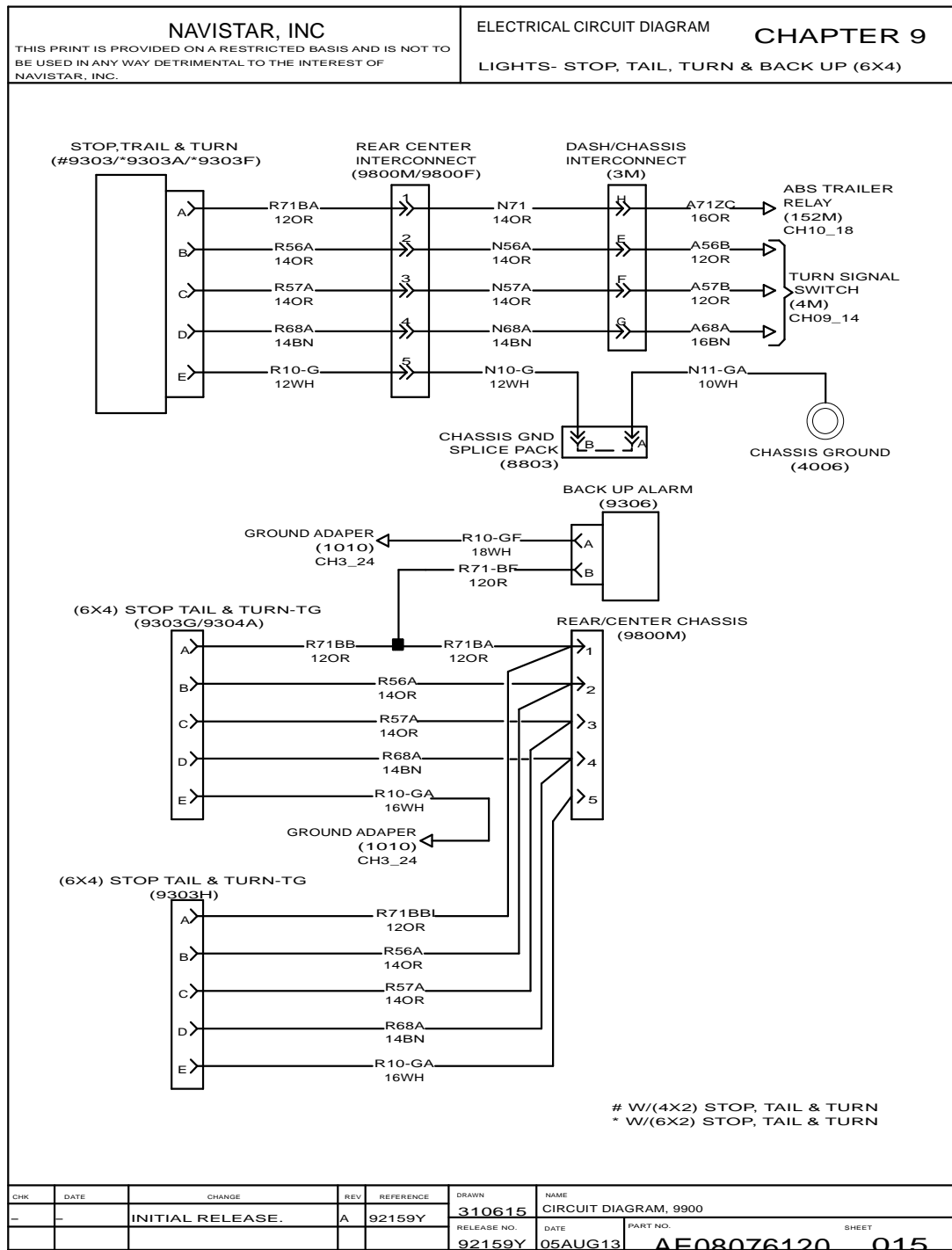


Figure 135 Lights – Stop, Tail, Turn and Back-Up (6 x 4)

9.16. LIGHTS – STOP, TAIL, TURN AND BACK-UP (6 X 4) (CONT.), P. 16

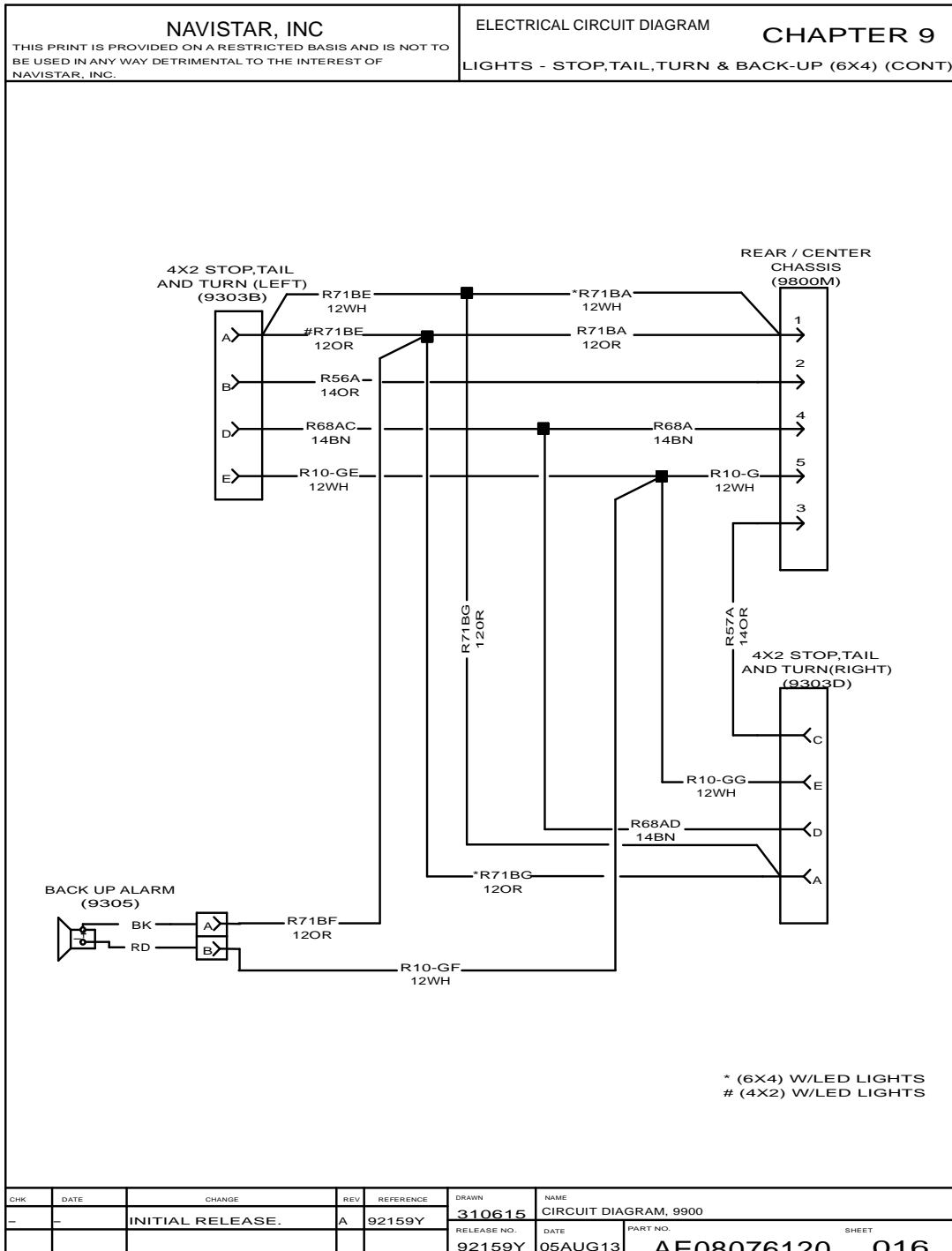


Figure 136 Lights – Stop, Tail, Turn and Back-Up (6 x 4) (Cont.)

9.17. LIGHTS – STOP, TAIL, TURN AND BACK-UP (6 X 4) (CONT.), P. 17

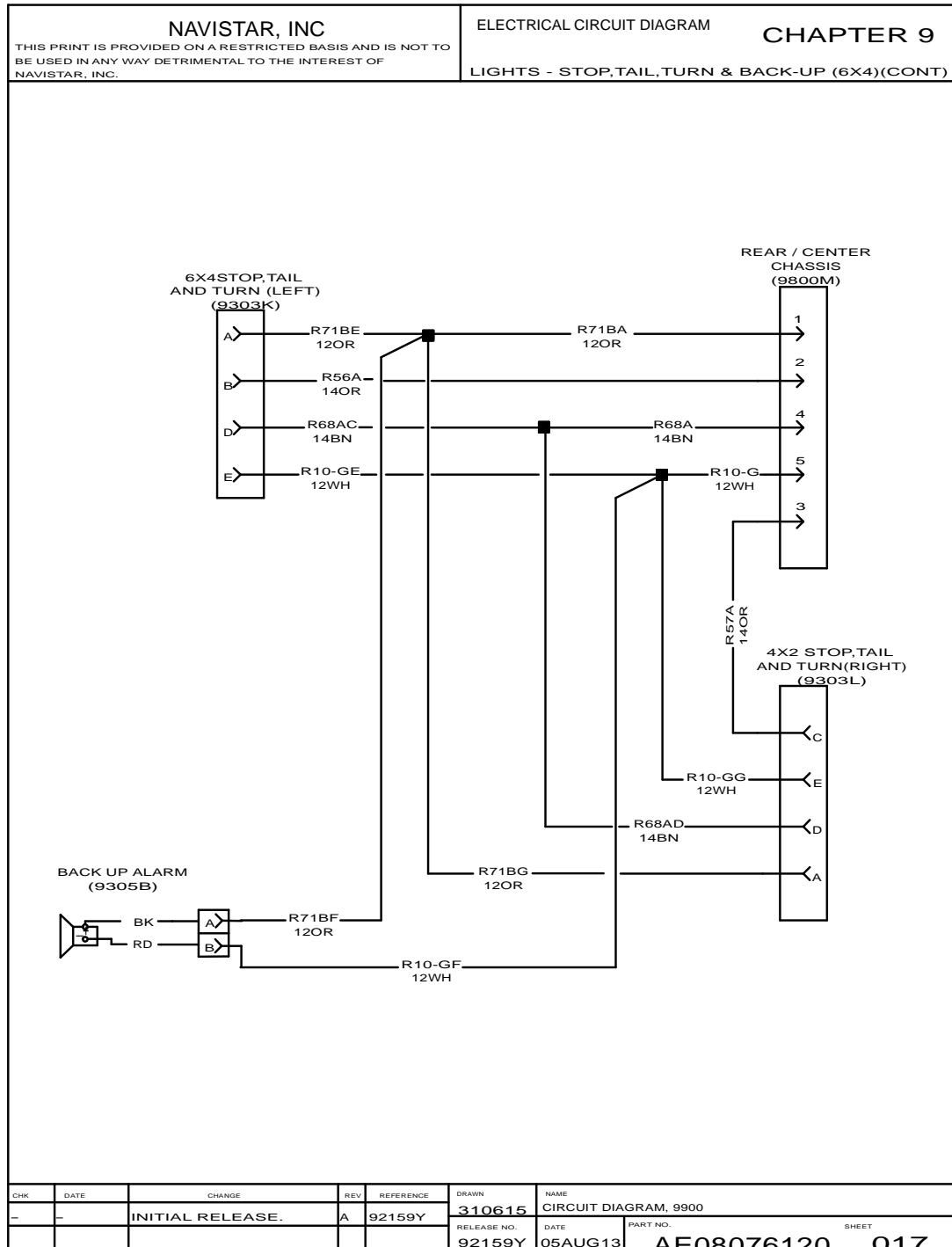


Figure 137 Lights – Stop, Tail, Turn and Back-Up (6 x 4) (Cont.)

9.18. LIGHTS – STOP, TAIL, TURN AND BACK-UP (4 X 2), P. 18

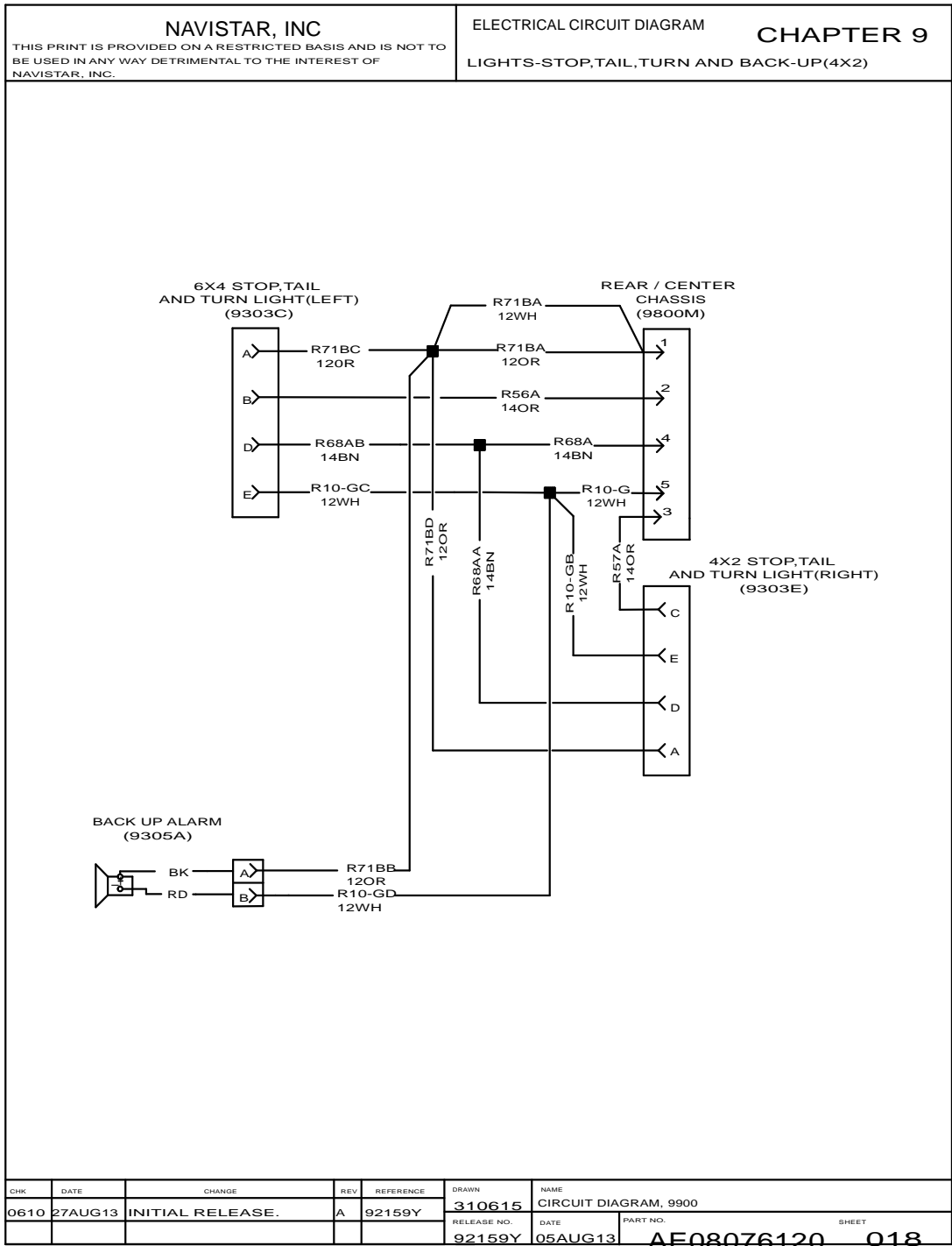


Figure 138 Lights – Stop, Tail, Turn and Back-Up (4 x 2)

9.19. LIGHTS – STOP, TAIL, TURN AND BACK-UP (4 X 2) (CONT.), P. 19

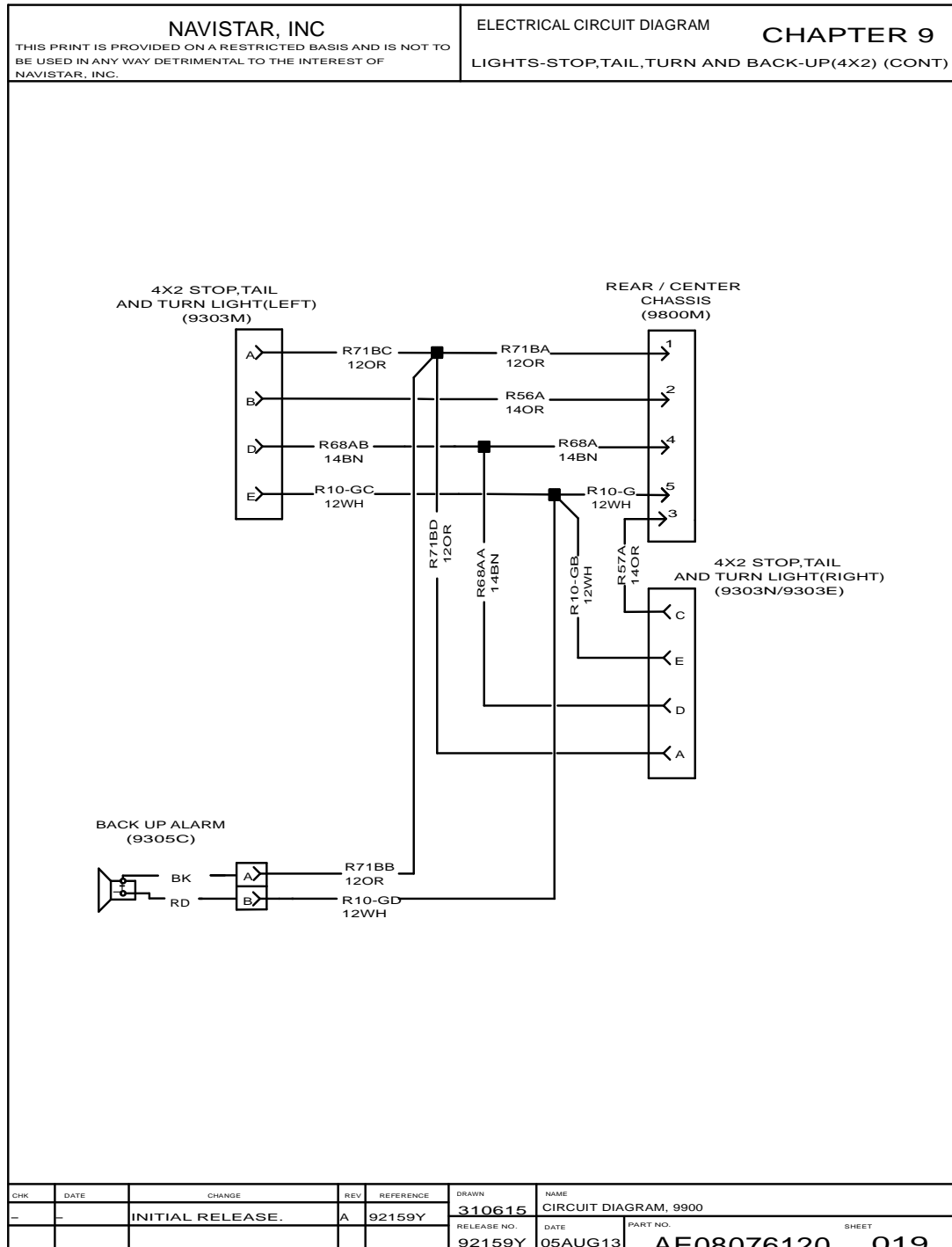


Figure 139 Lights – Stop, Tail, Turn and Back-Up (4 x 2) (Cont.)

9.20. ECE LIGHTS, P. 20

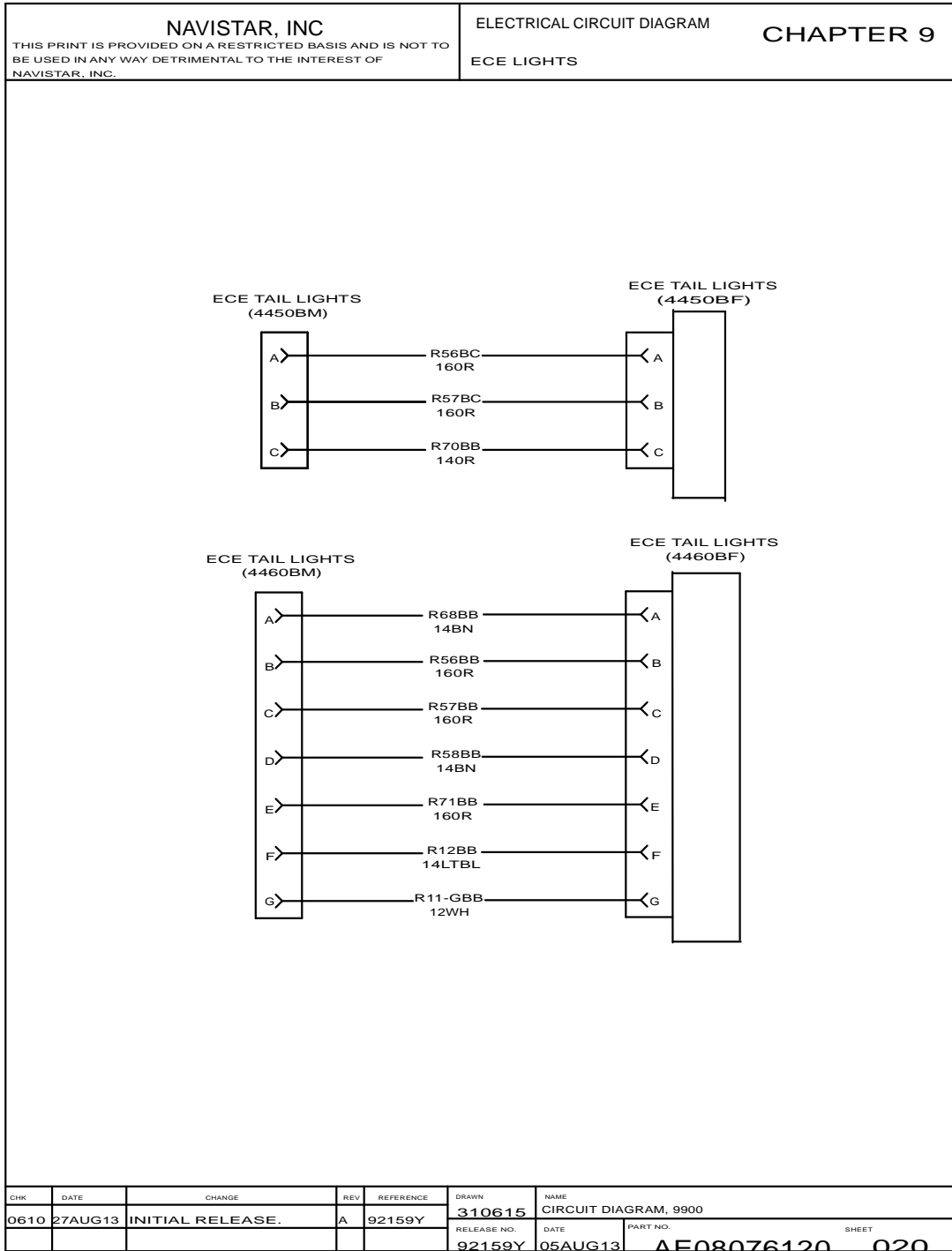


Figure 140 ECE Lights.

9.21. BEACON AND TAIL LIGHT, P. 21

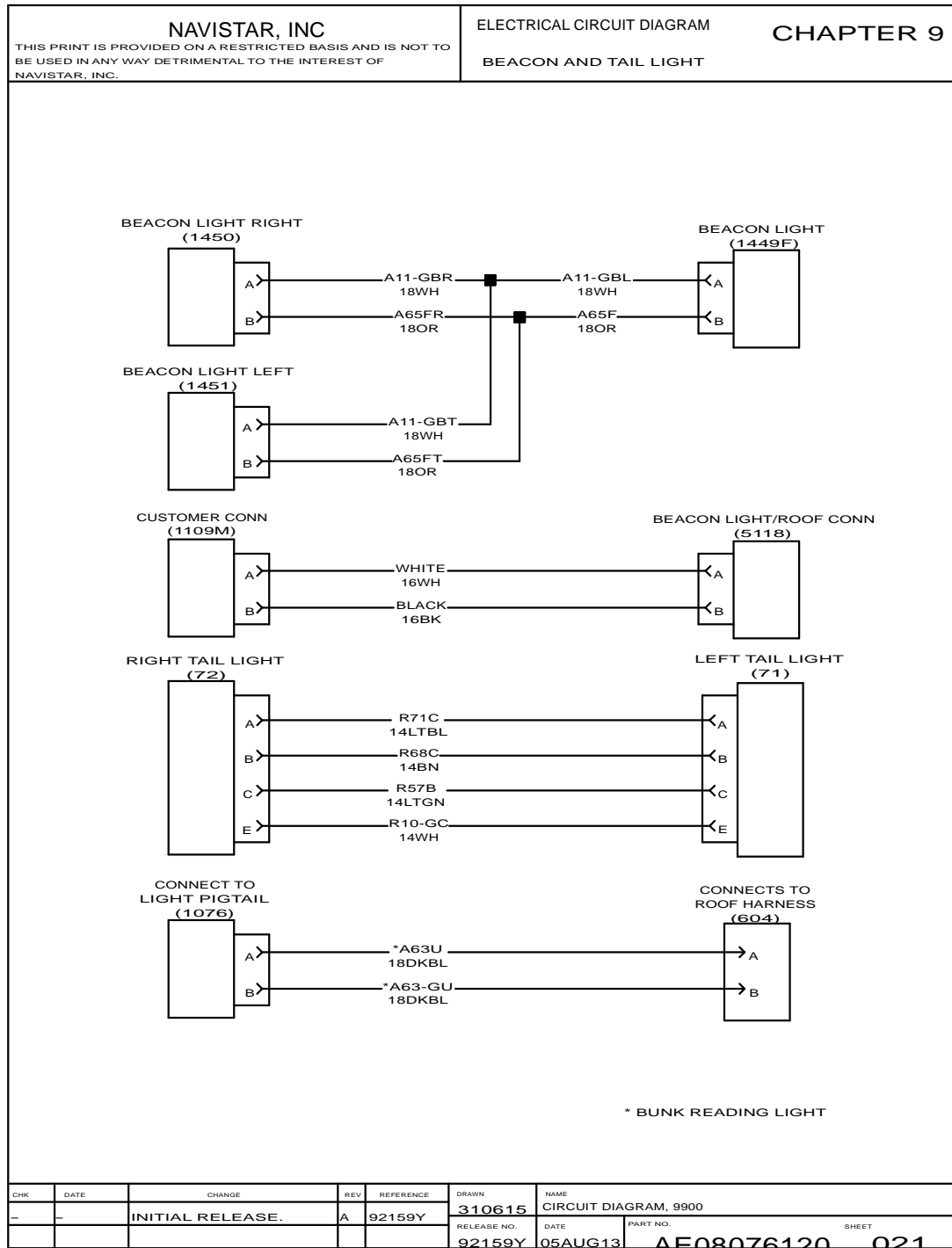


Figure 141 Beacon and Tail Light.

9.22. BEACON AND TAIL LIGHT (CONT.), P. 22

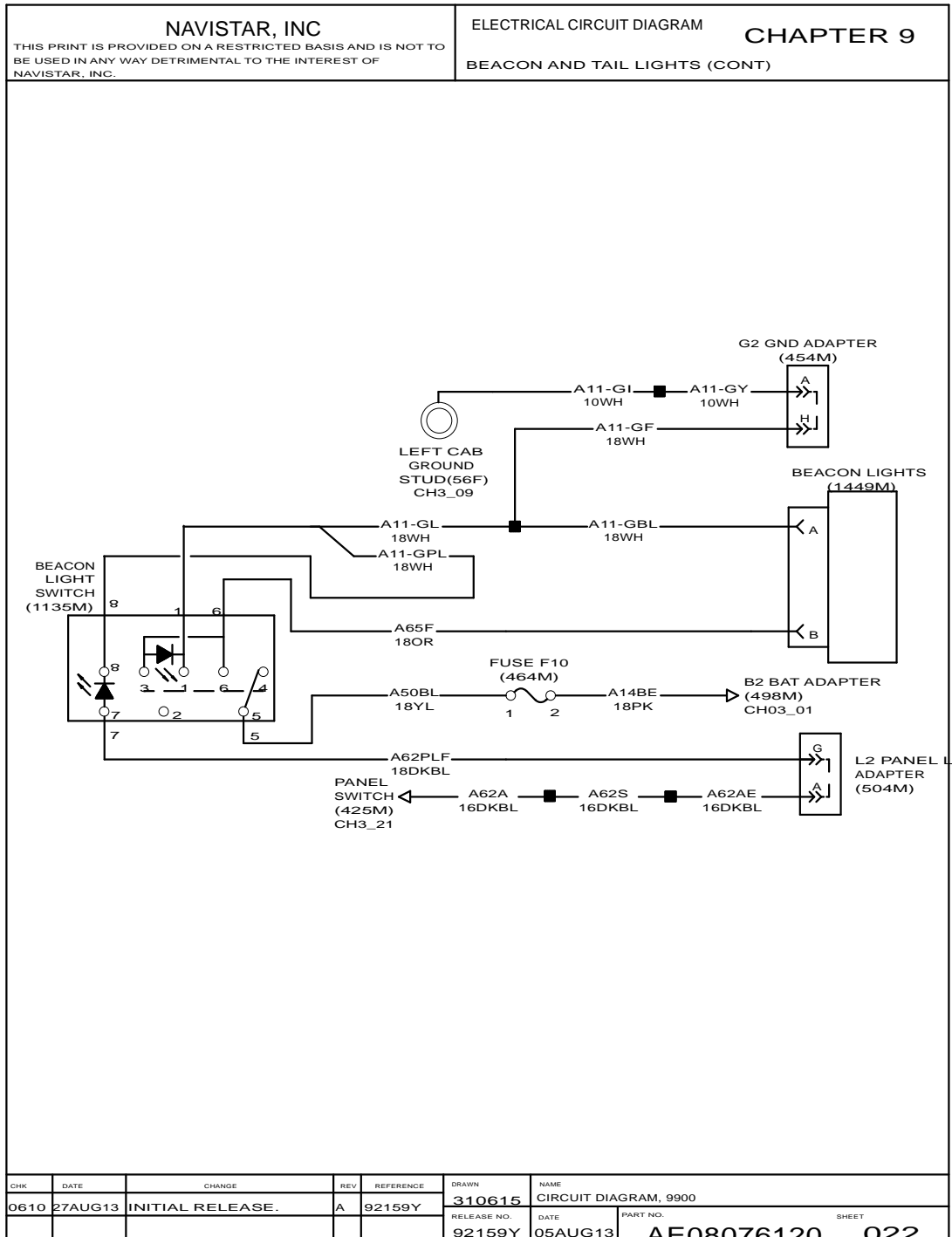


Figure 142 Beacon and Tail Light (Cont.)

9.23. DRL PARK BRAKE SWITCHES, P. 23

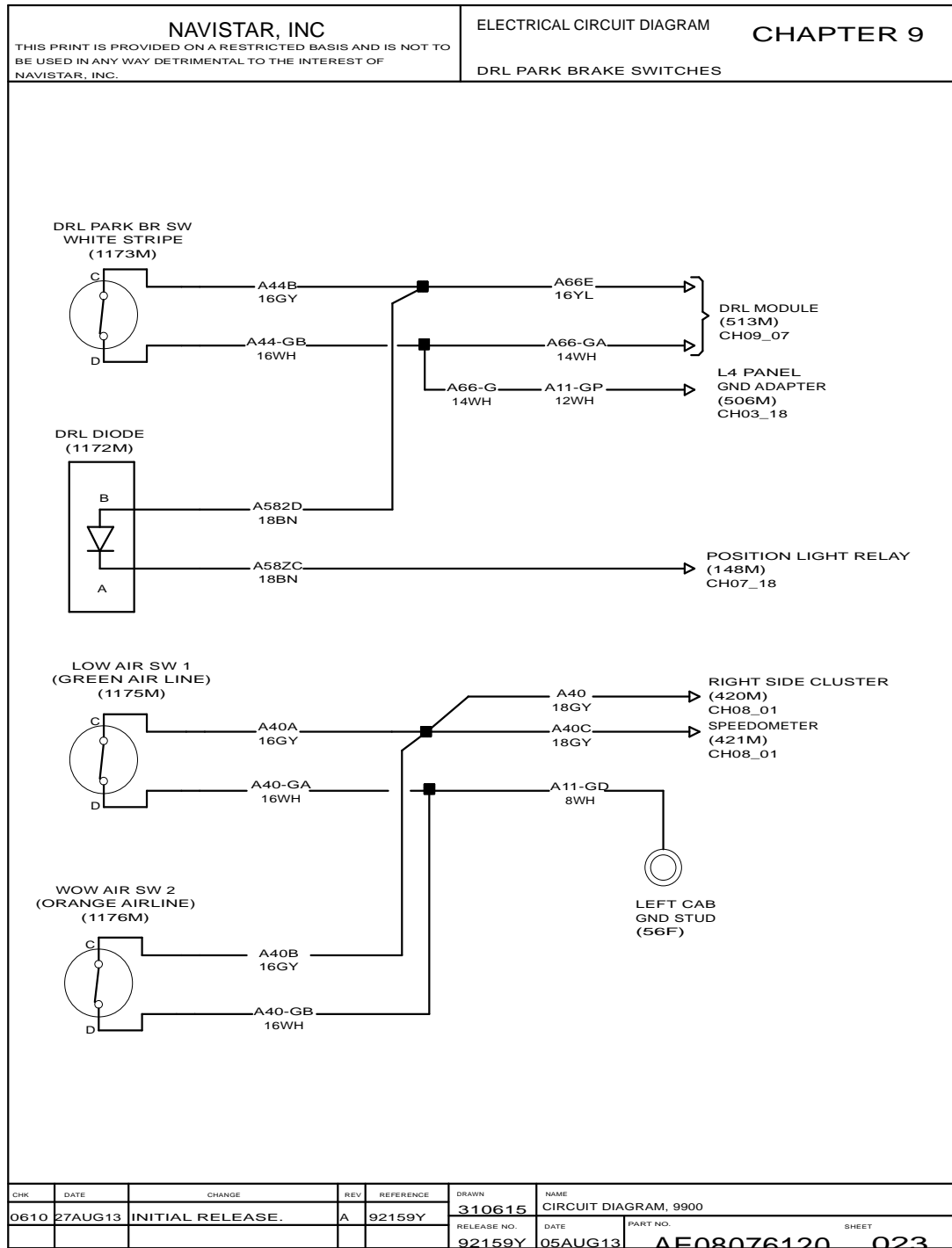


Figure 143 DRL Park Brake Switches.

9.24. LEFT TURN / RIGHT TURN SIGNAL AND HIGH BEAM INDICATOR , P. 24

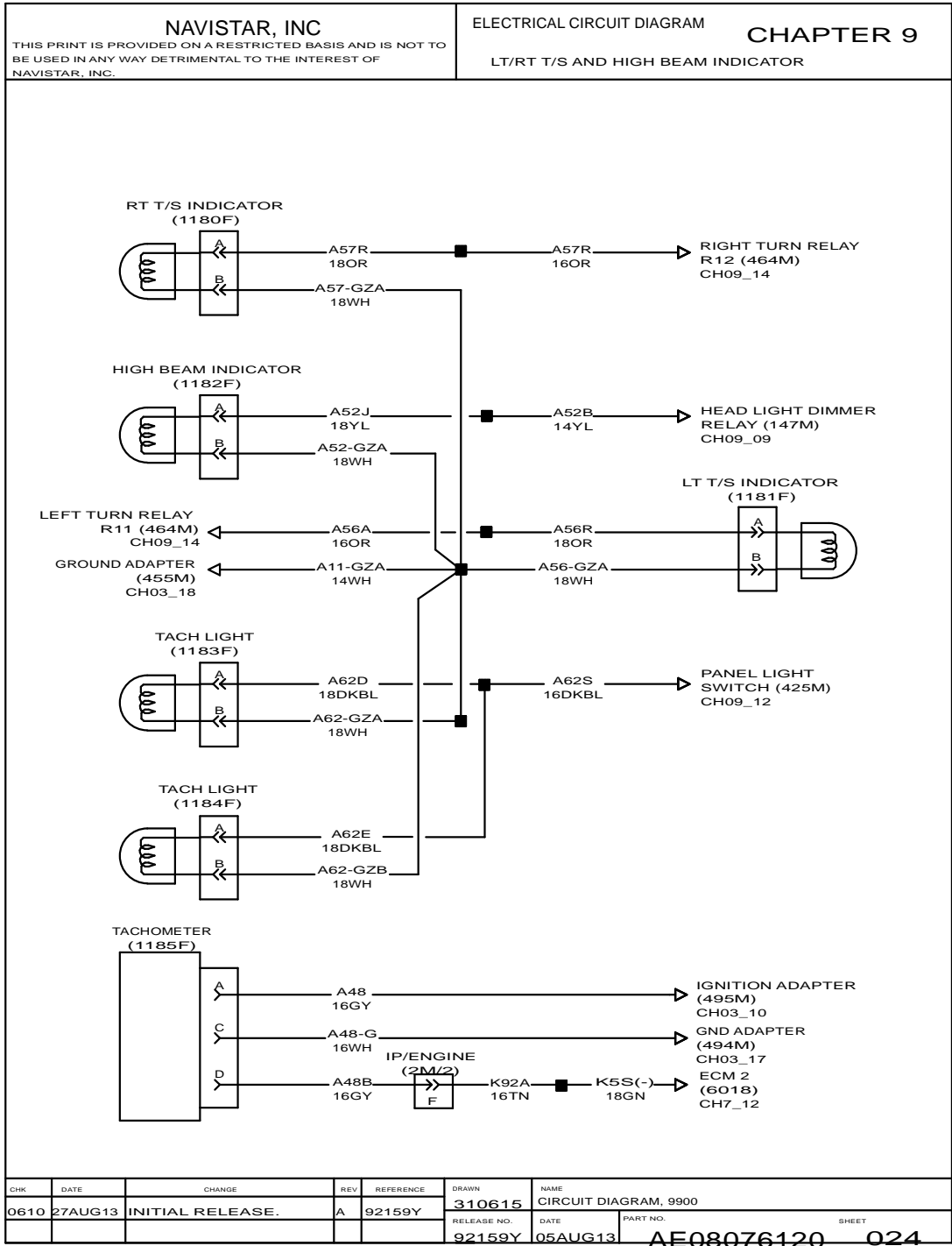


Figure 144 Left Turn / Right Turn Signal and High Beam Indicator.

9.25. CUSTOMER FURNISHED WORK LIGHT WITH AUX HEATER WITH SLEEPER BOX WITH 08WHS, P. 25

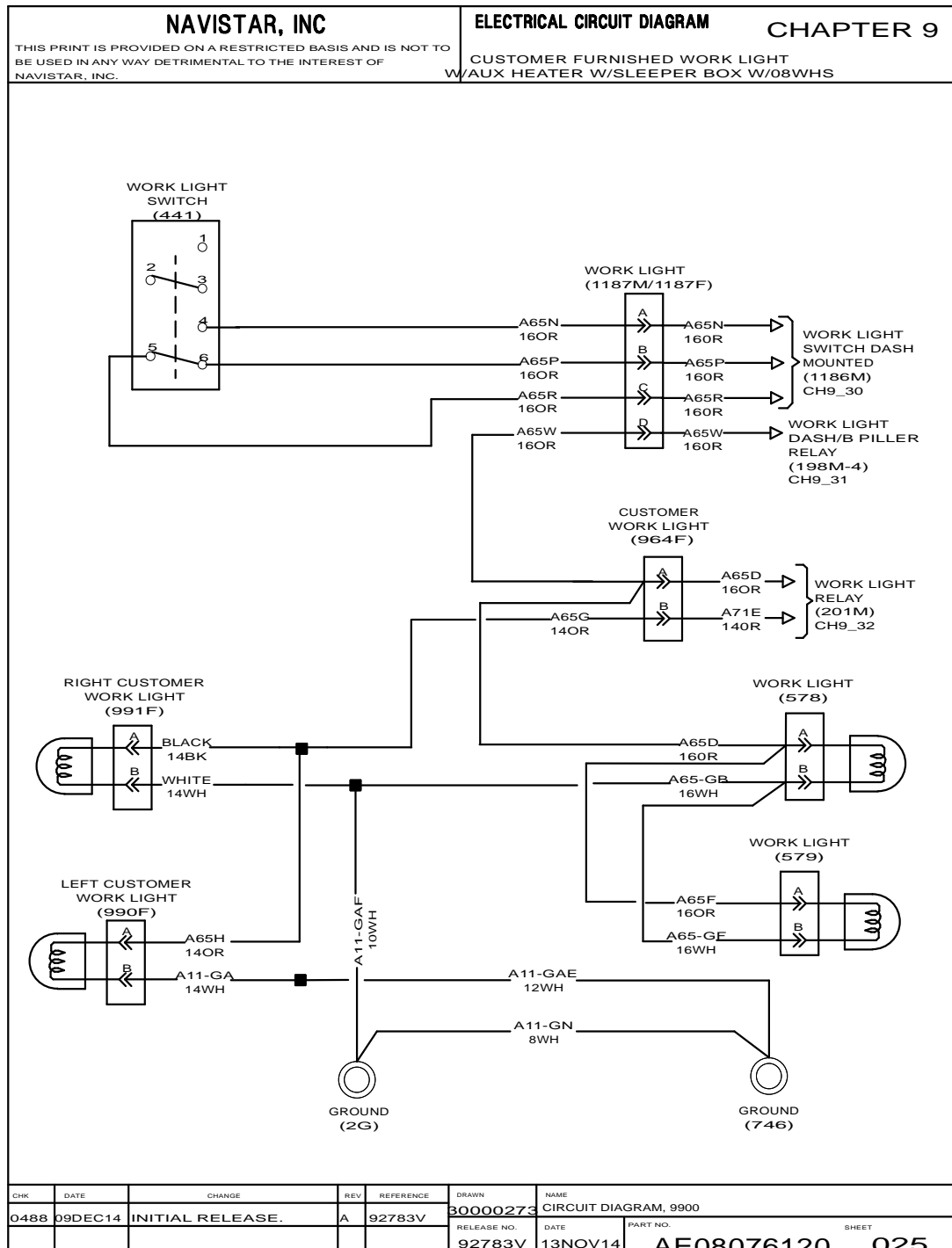


Figure 145 Customer Furnished Work Light with Aux Heater with Sleeper Box with 08WHS.

9.26. CUSTOMER FURNISHED WORK LIGHT WITH AUX HEATER WITH SLEEPER BOX WITH 808TJW, P. 26

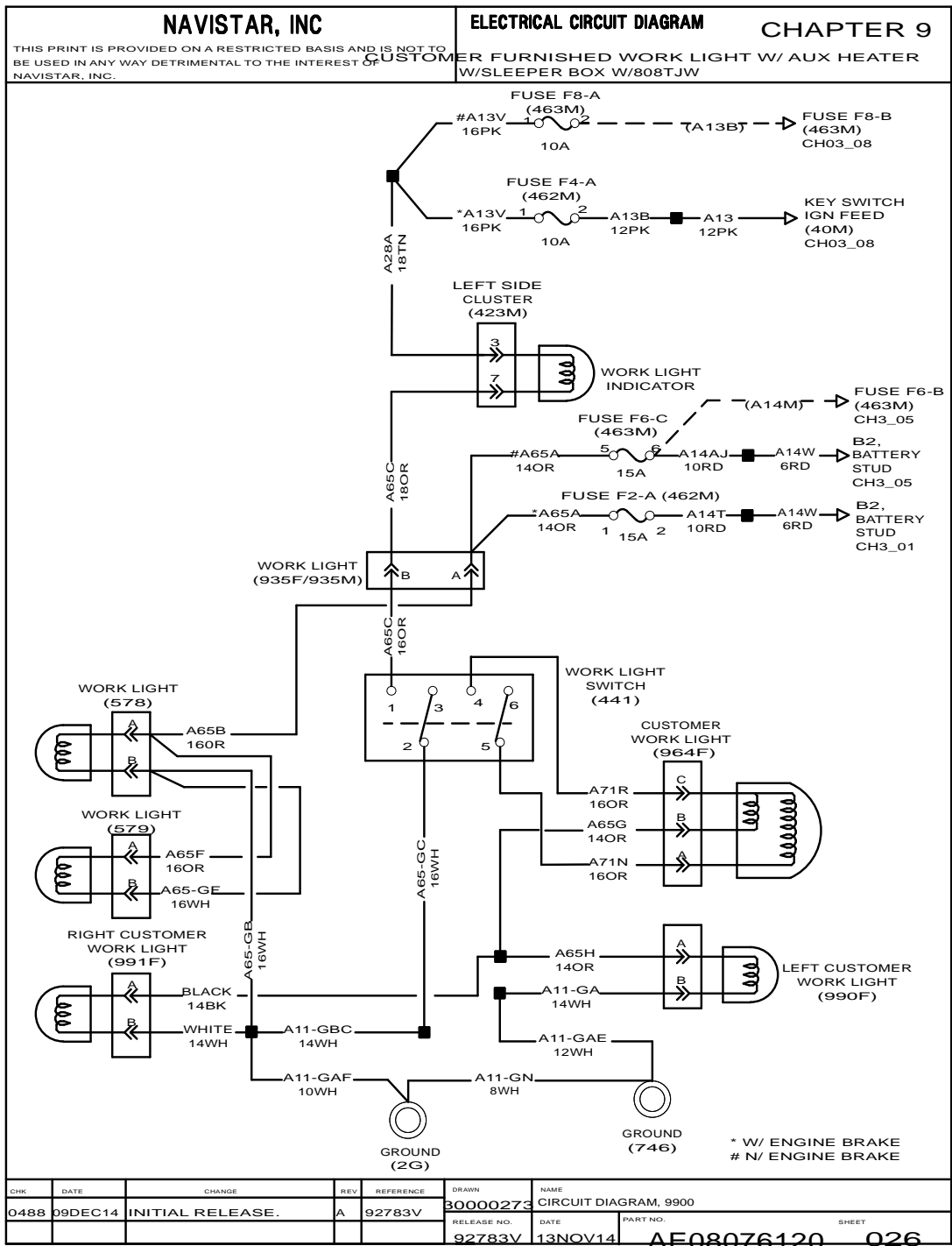


Figure 146 Customer Furnished Work Light with Aux Heater with Sleeper Box with 808TJW

9.27. FLOOD LIGHT WIRING WITHOUT SLEEPER, DAYCAB (808THA), P. 27

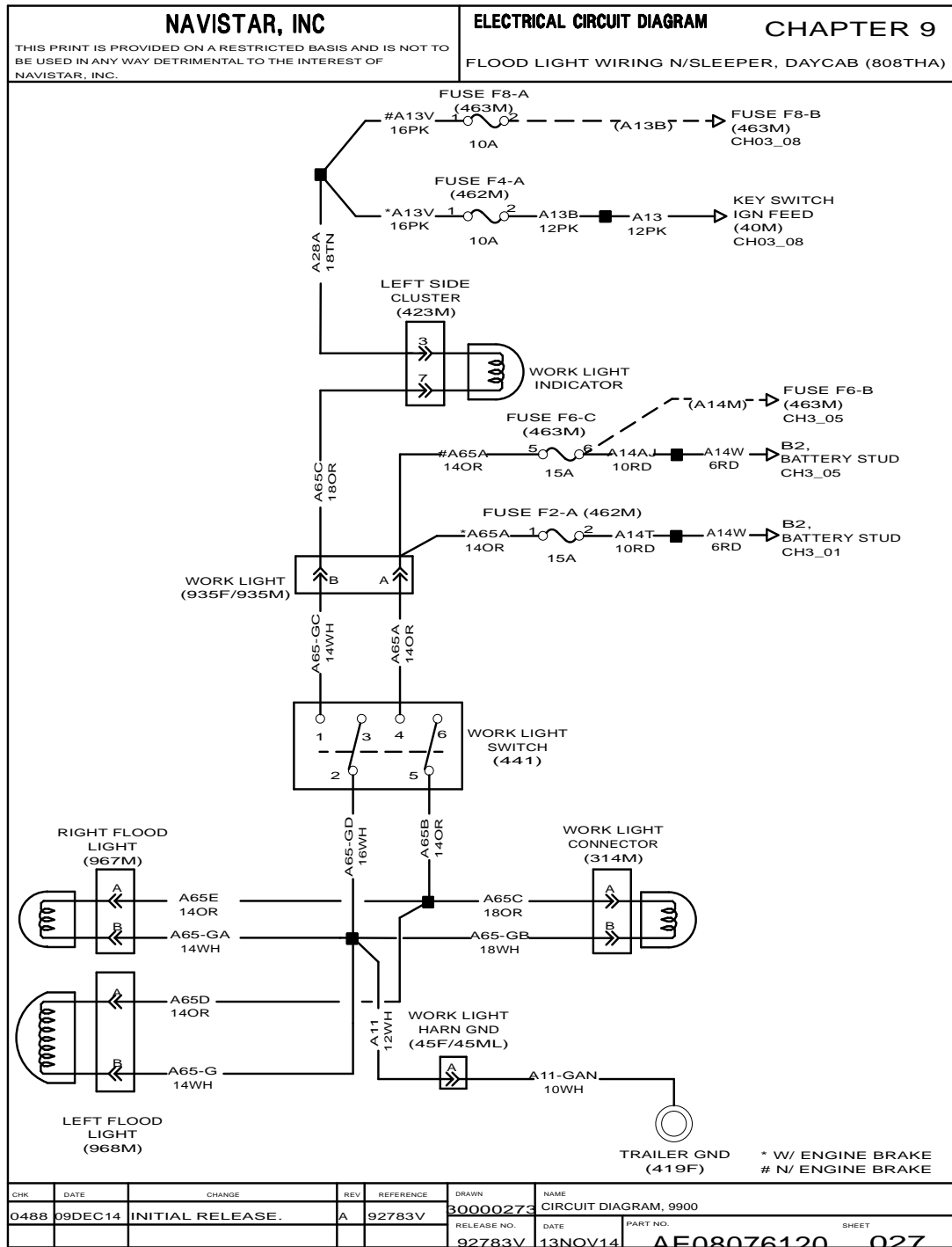


Figure 147 Flood Light Wiring without Sleeper, Daycab (808THA)

9.28. FLOOD LIGHT WIRING WITH BACK-UP LIGHTS WITH LOWERED HEATER BOX, P. 28

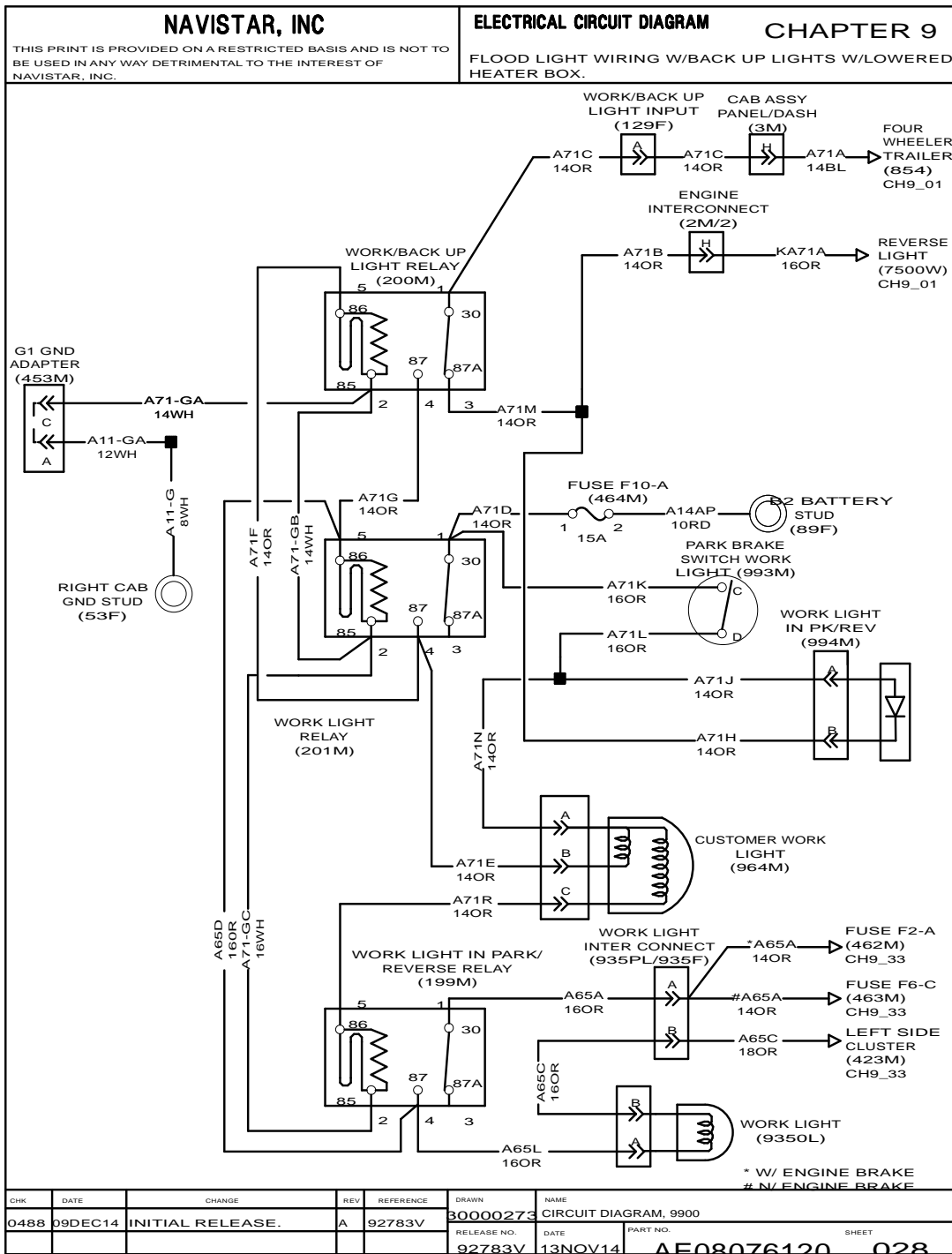


Figure 148 Flood Light Wiring with Back-Up Lights with Lowered Heater Box.

9.29. WORK LIGHT WIRING WITH 5TH WHEEL, P. 29

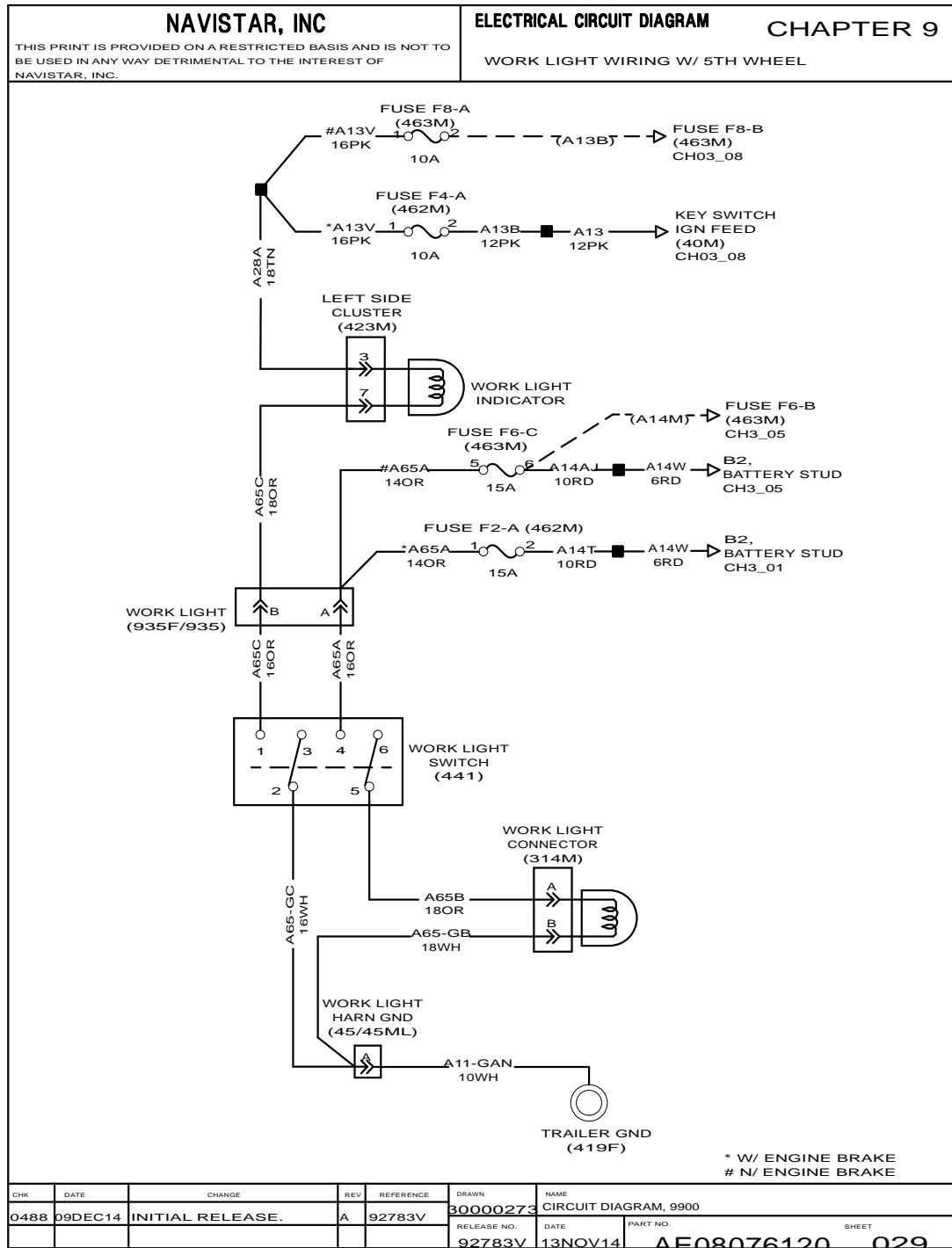


Figure 149 Work Light Wiring with 5th Wheel.

9.30. WORK LIGHT WIRING WITH DUAL (DASH AND B PILLAR) SWITCHED CUSTOMER MOUNTING WITH 08WHS, P. 30

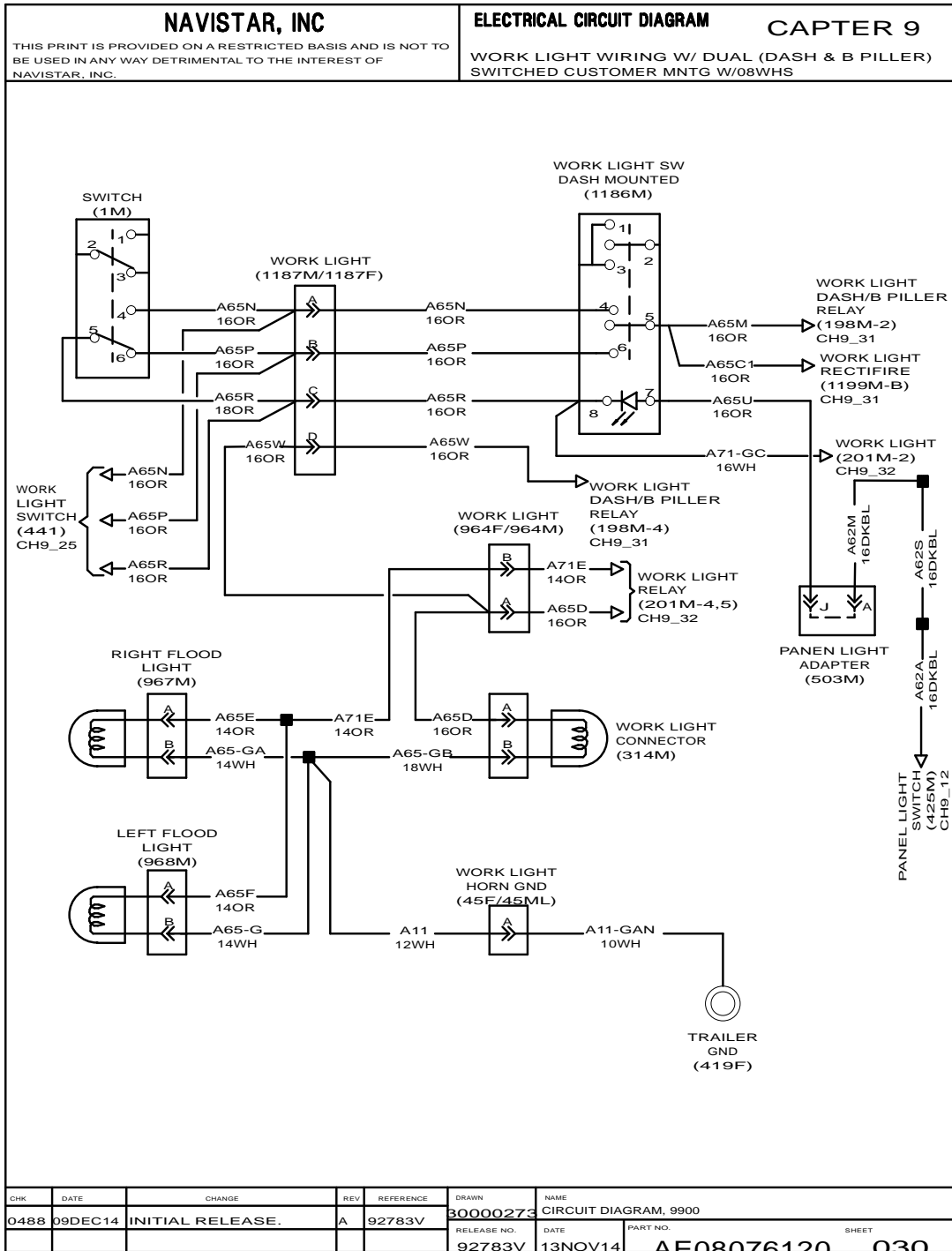


Figure 150 Work Light Wiring with Dual (Dash and B Pillar) Switched Customer Mouting with 08WHS.

9.31. WORK LIGHT WIRING WITH DUAL (DASH AND B PILLAR) SWITCHED CUSTOMER MOUNTING WITH 08WHS (CONT.), P. 31

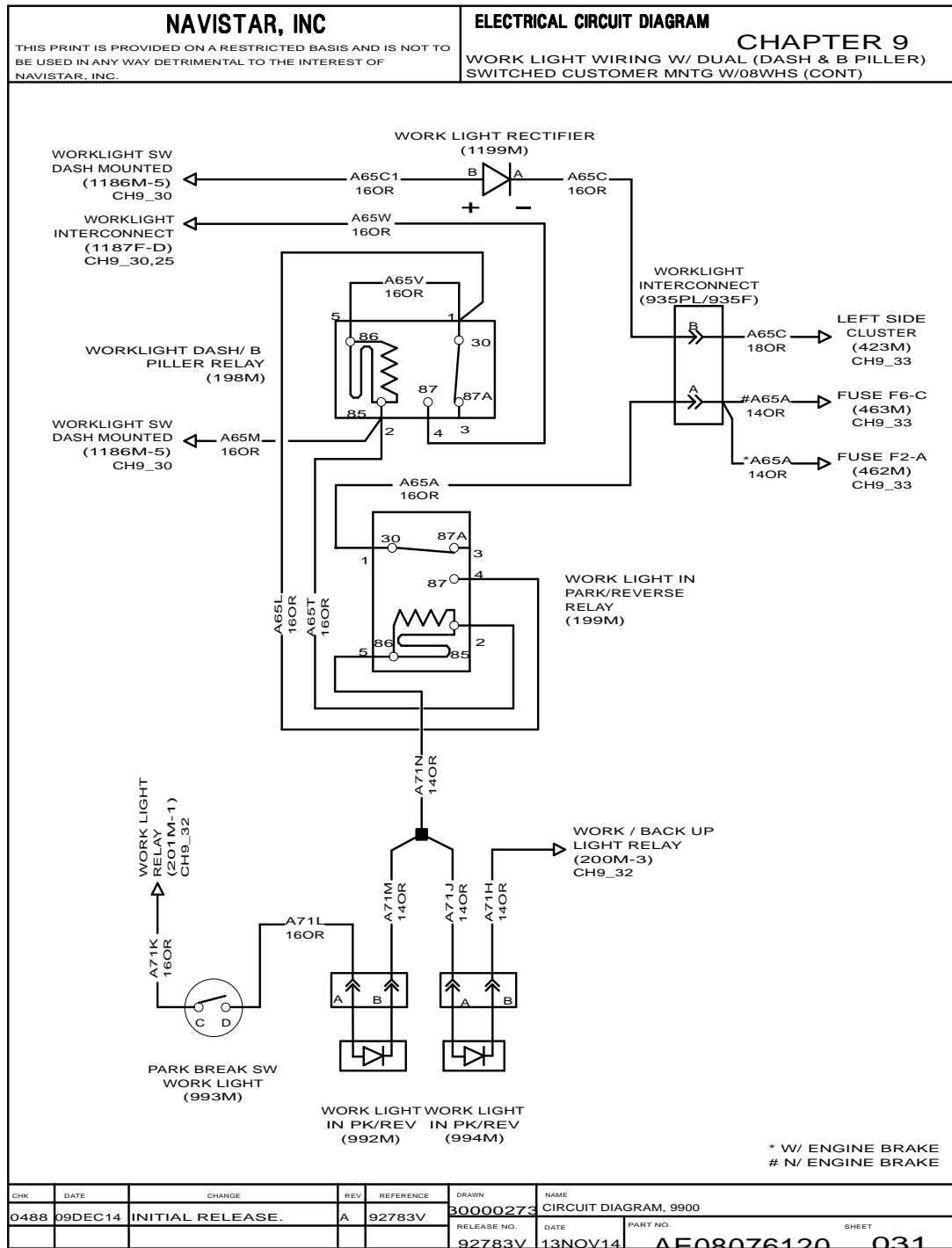


Figure 151 Work Light Wiring with Dual (Dash and B Pillar) Switched Customer Mounting with 08WHS (Cont.)

9.32. WORK LIGHT WIRING WITH DUAL (DASH AND B PILLAR) SWITCHED CUSTOMER MOUNTING WITH 08WHS (CONT.), P. 32

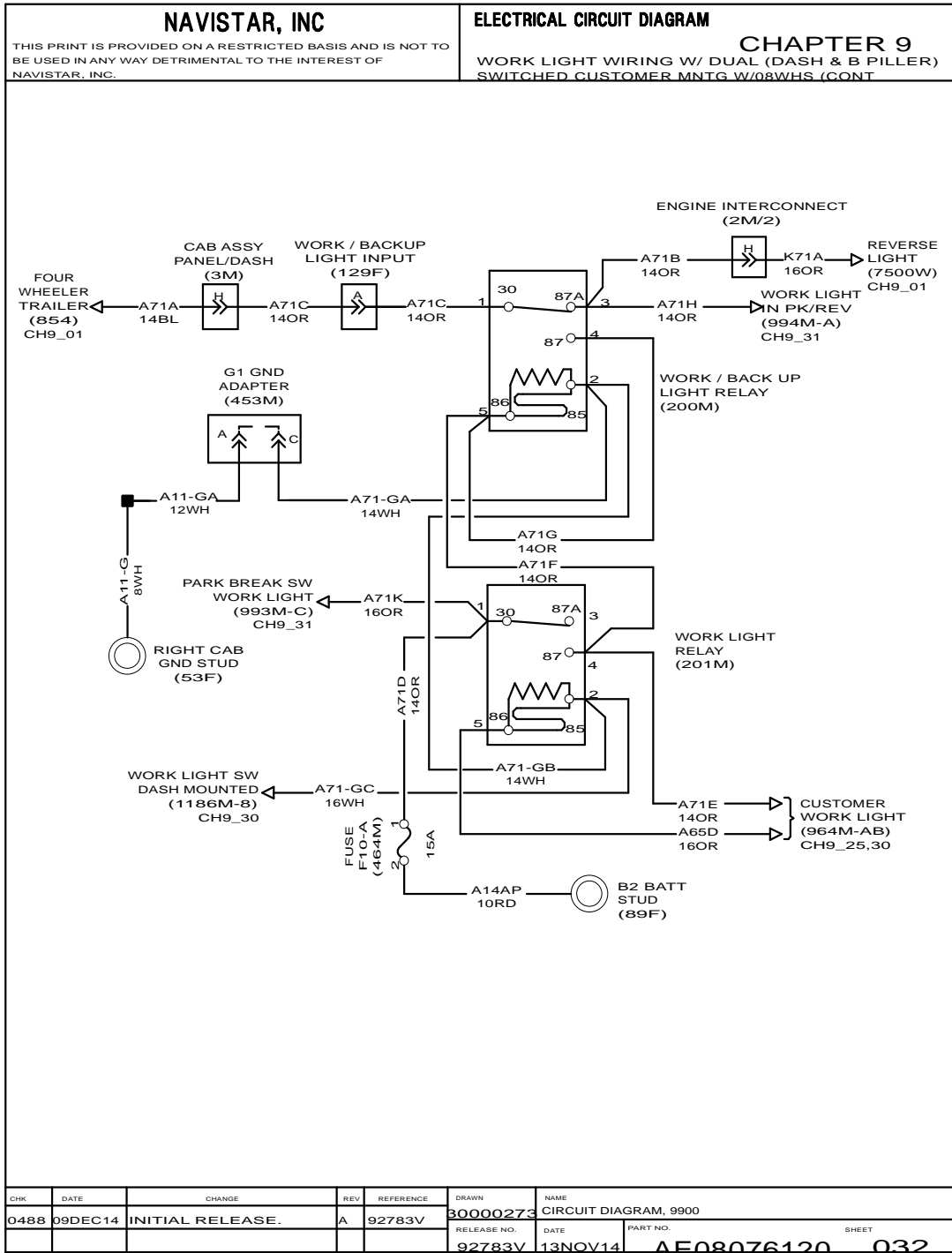


Figure 152 Work Light Wiring with Dual (Dash and B Pillar) Switched Customer Mounting with 08WHS (Cont.)

9.33. WORK LIGHT WIRING WITH 0808TLP, P. 33

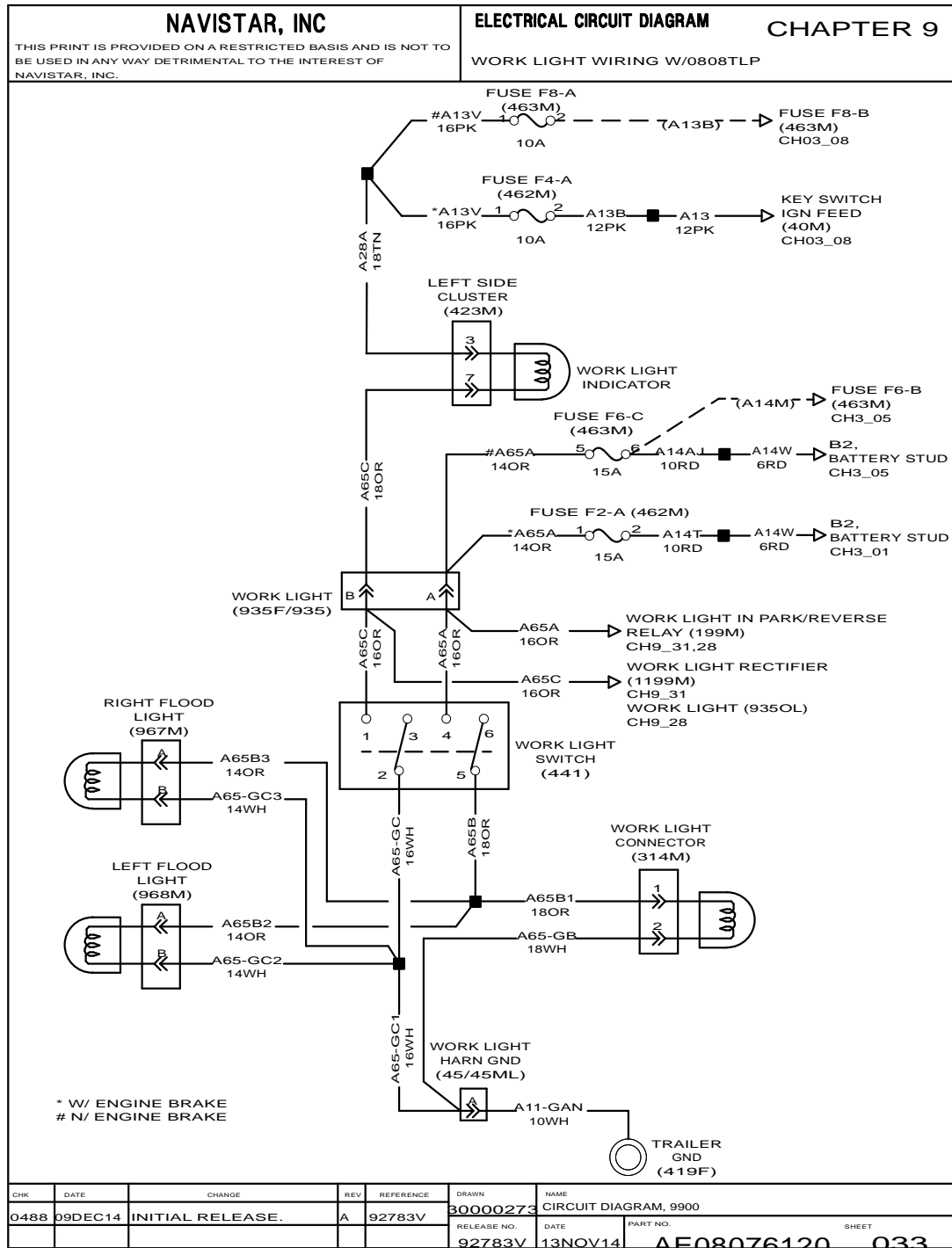


Figure 153 Work Light Wiring with 0808TLP.

9.34. WORK LIGHT WIRING WITH 118 PRO WITH 0808TJW WITH NO IDLE, P. 34

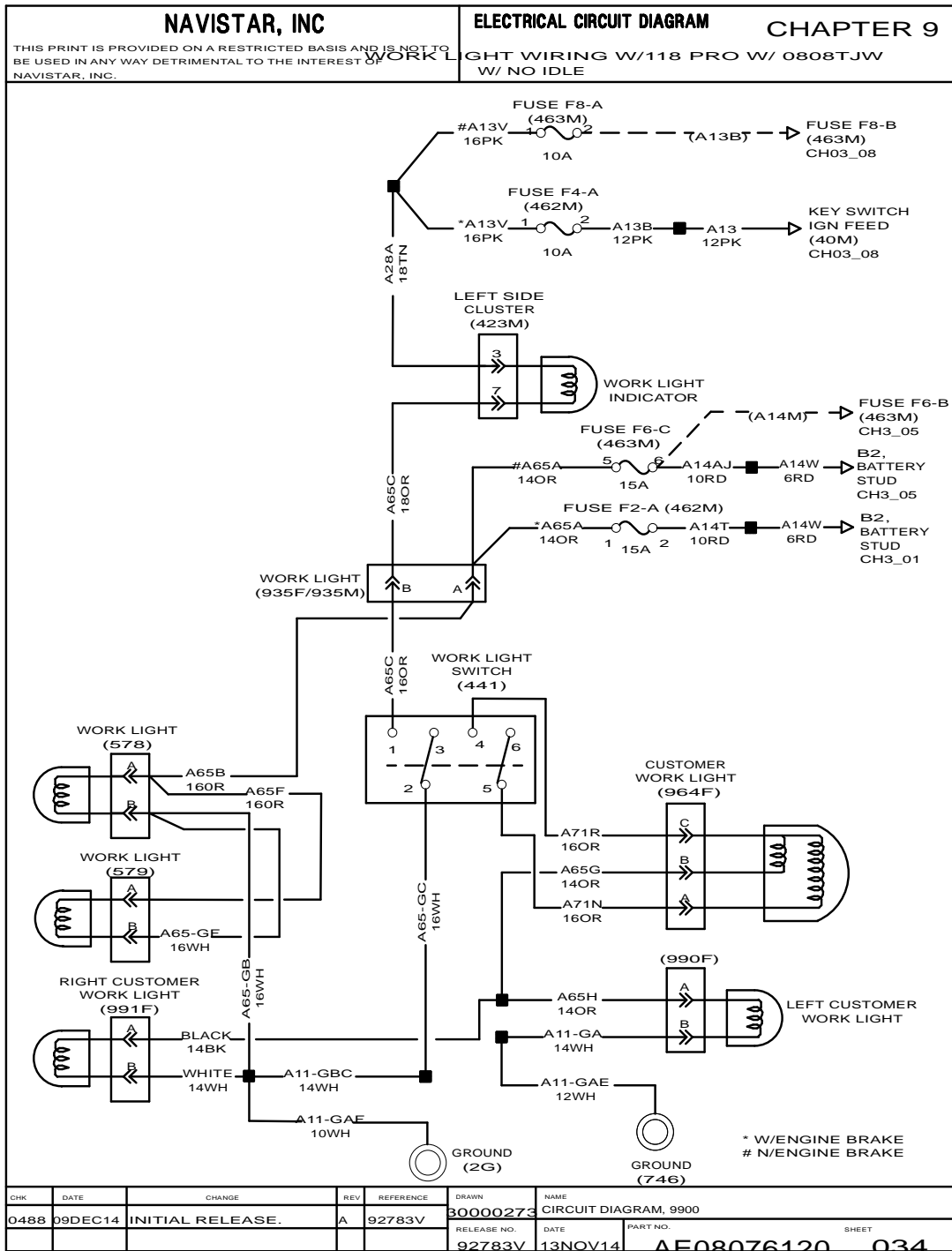


Figure 154 Work Light Wiring with 118 Pro with 0808TJW with No Idle.

9.35. WORK LIGHT WIRING WITH 0808TJW, P. 35

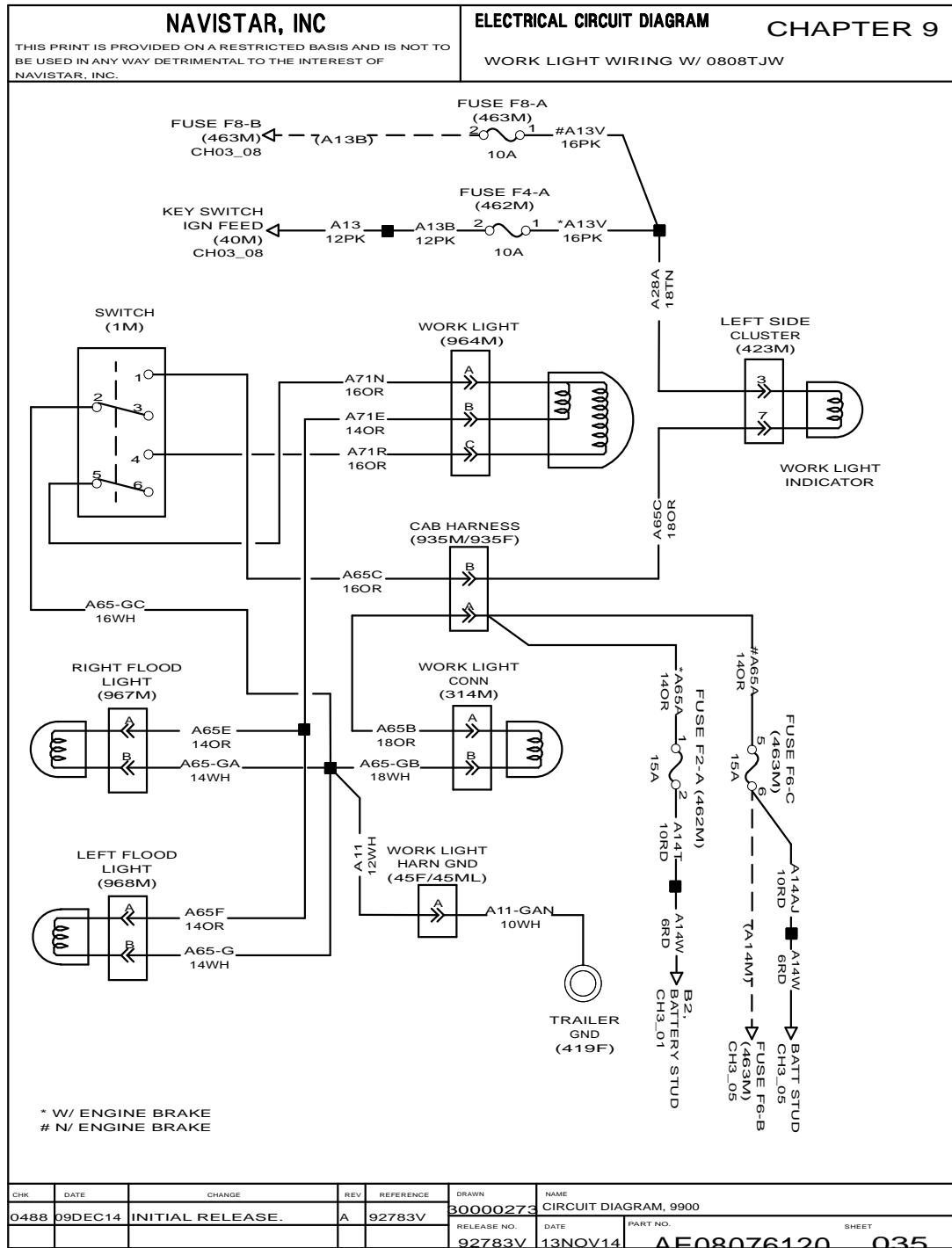


Figure 155 Work Light Wiring with 0808TJW.

9.36. WORK LIGHT WIRING WITH 97 AND 72 PRO-SLEEPER WITH LOW HEATER BOX WITH SLEEPER BOX P. 36

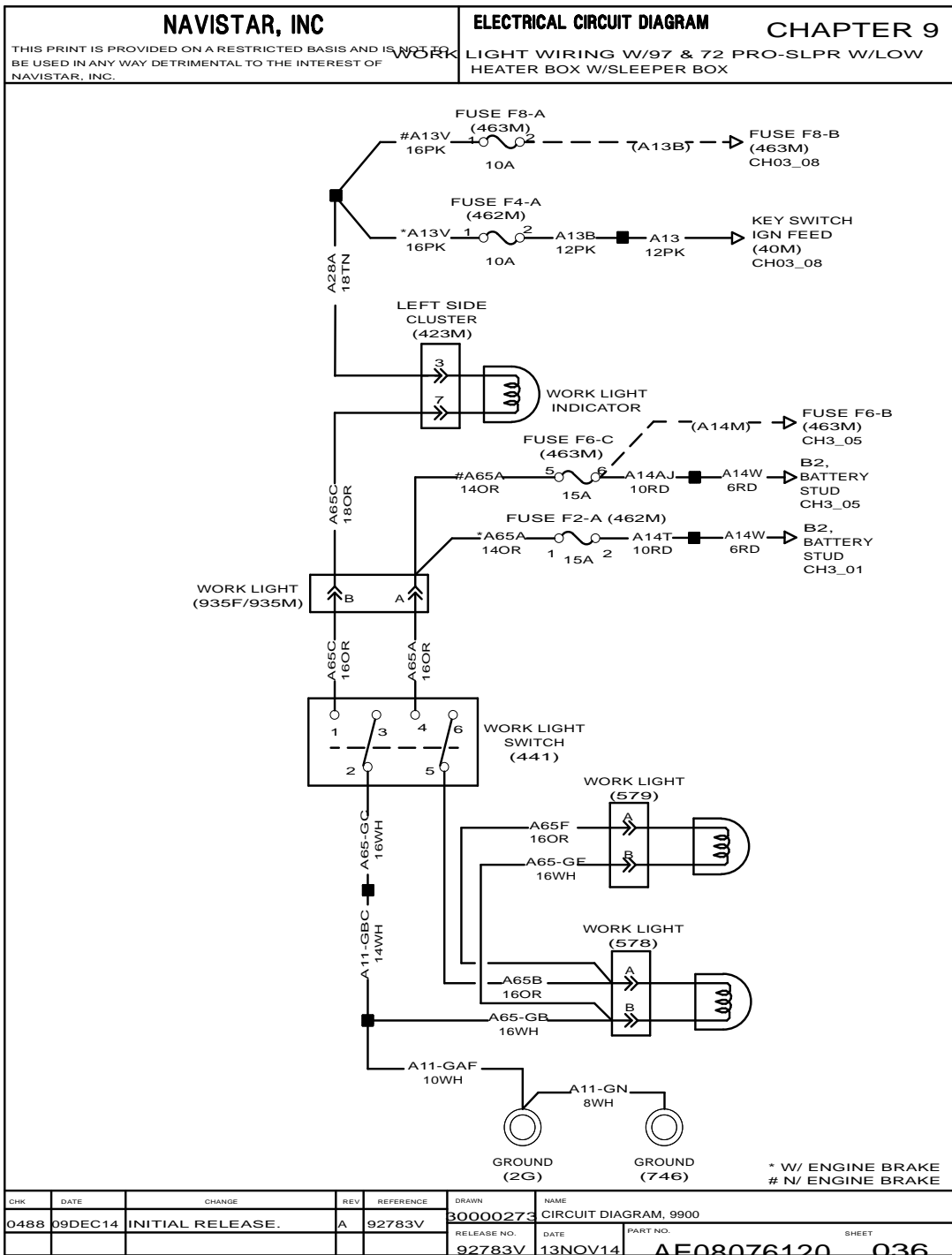


Figure 156 Work Light Wiring with 97 and 72 Pro-Sleeper with Low Heater Box with Sleeper Box.

CHASSIS ACCESSORIES (CHAPTER 10)

10.1. AIR DRYER, P. 1

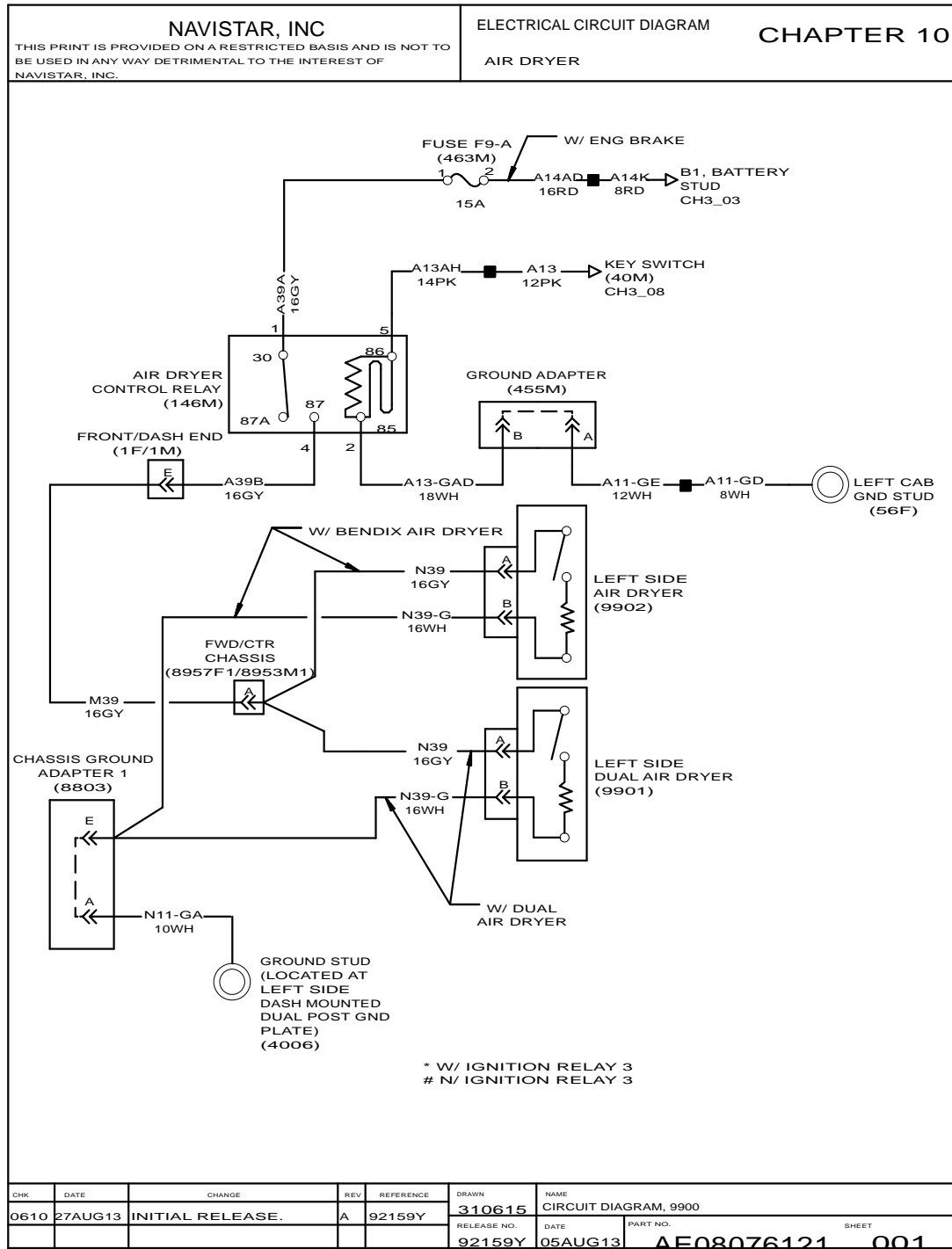


Figure 157 Air Dryer.

10.2. BENDIX AIR ABS 4CH WITH ATC, P. 2

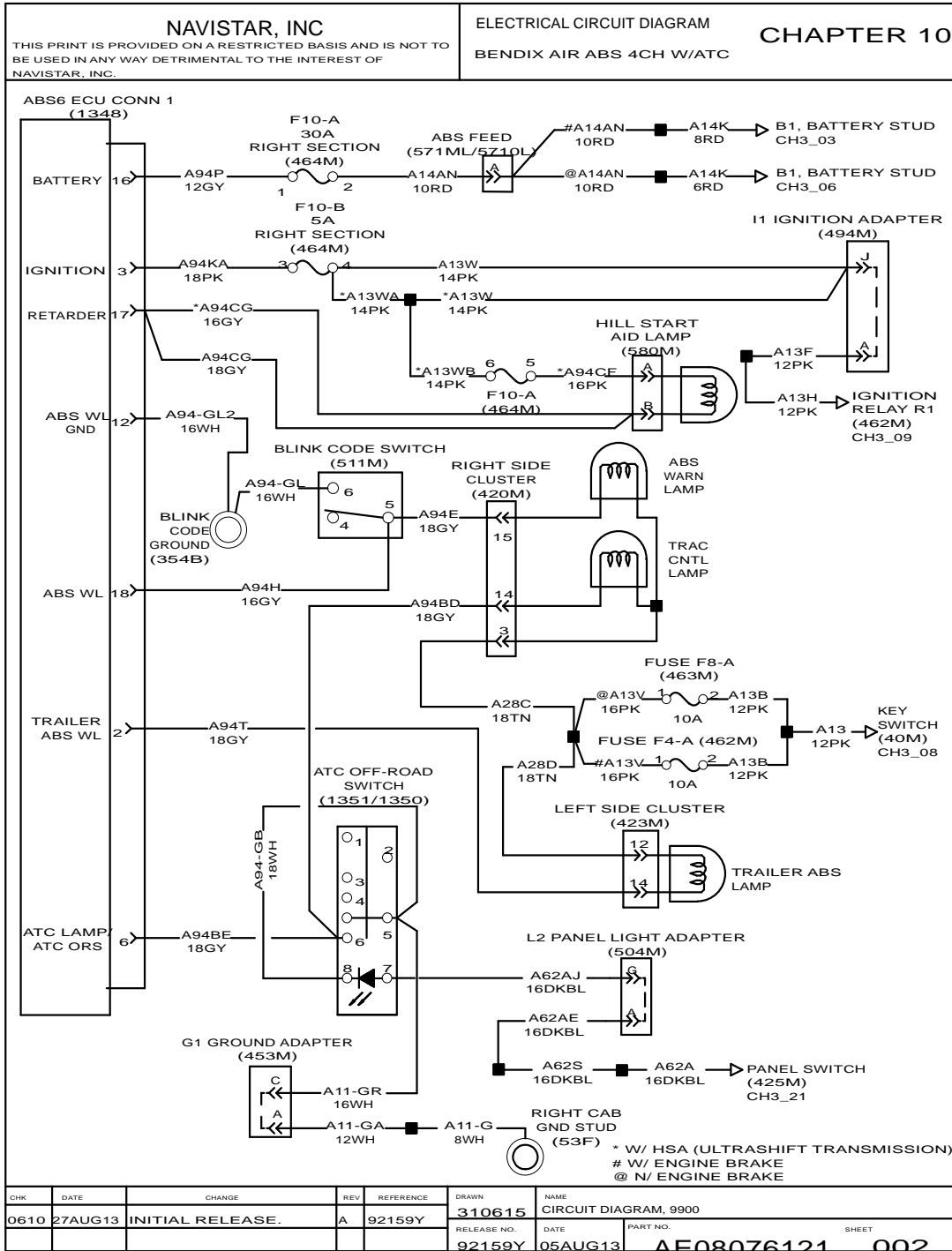


Figure 158 Bendix Air ABS 4CH with ATC.

10.3. WABCO AIR ABS WITH ATC, P. 3

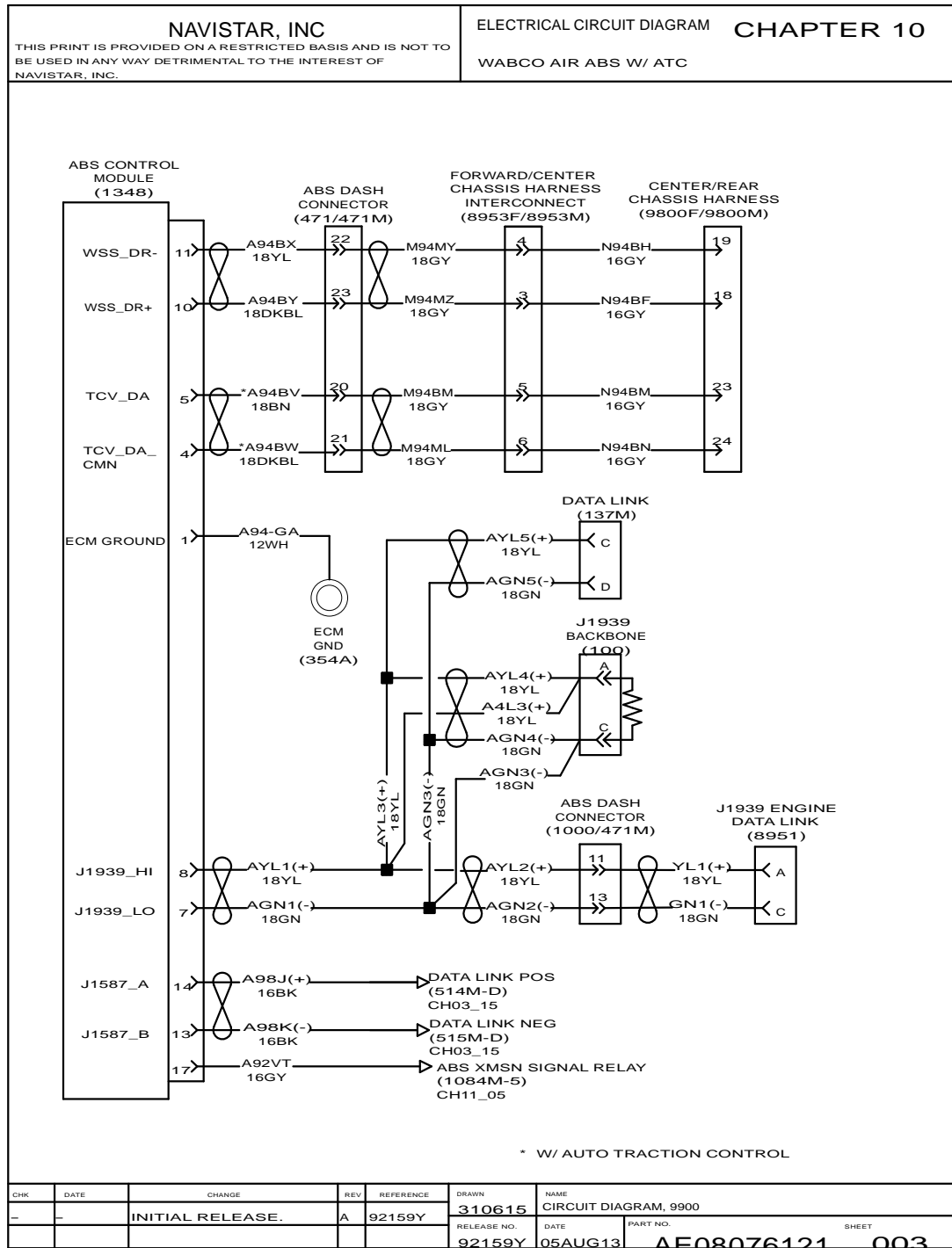


Figure 159 WABCO Air ABS with ATC.

10.4. WABCO AIR ABS WITH ATC (CONT.), P. 4

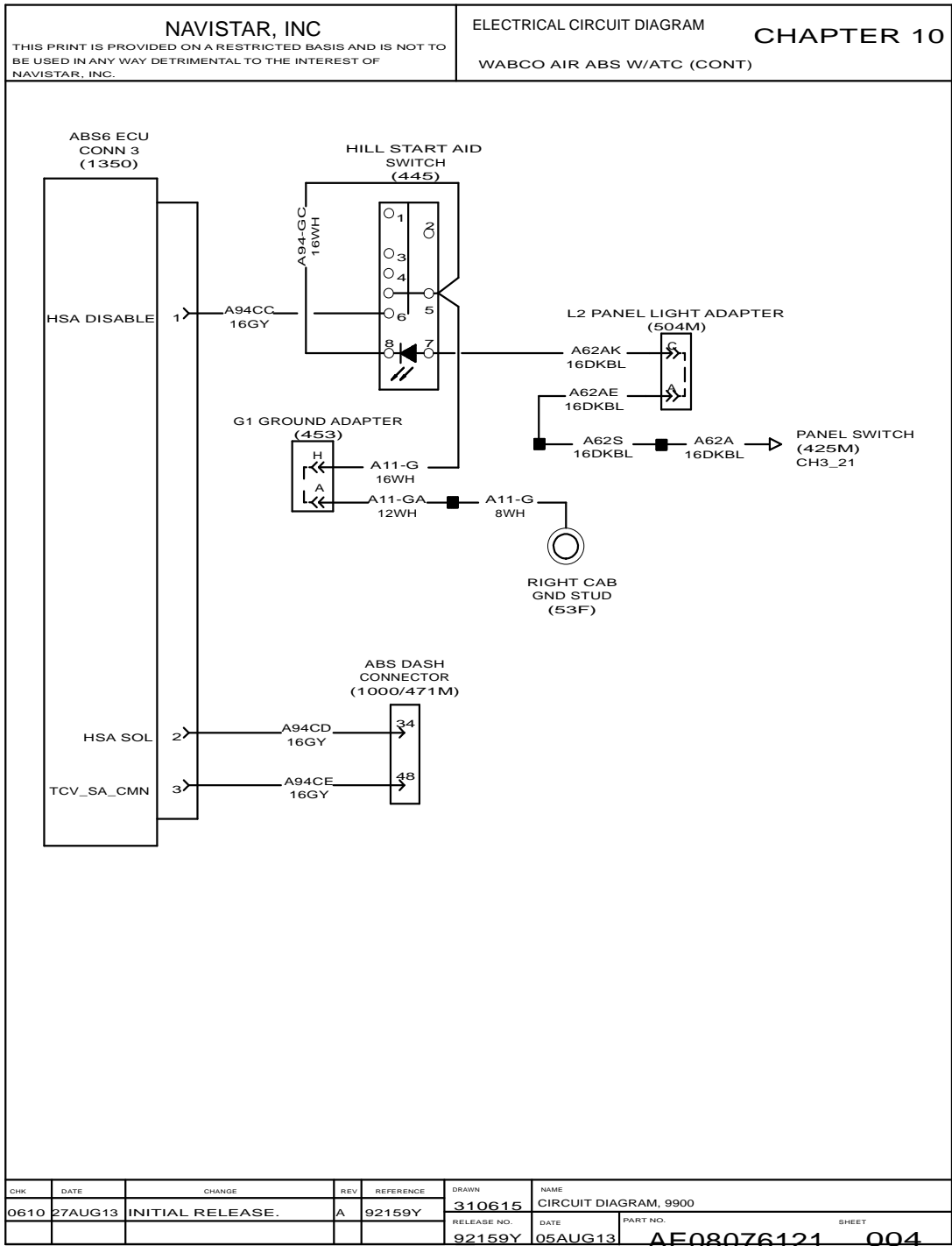


Figure 160 WABCO Air ABS with ATC (Cont.)

10.5. WABCO AIR ABS WITH ATC (CONT.), P. 5

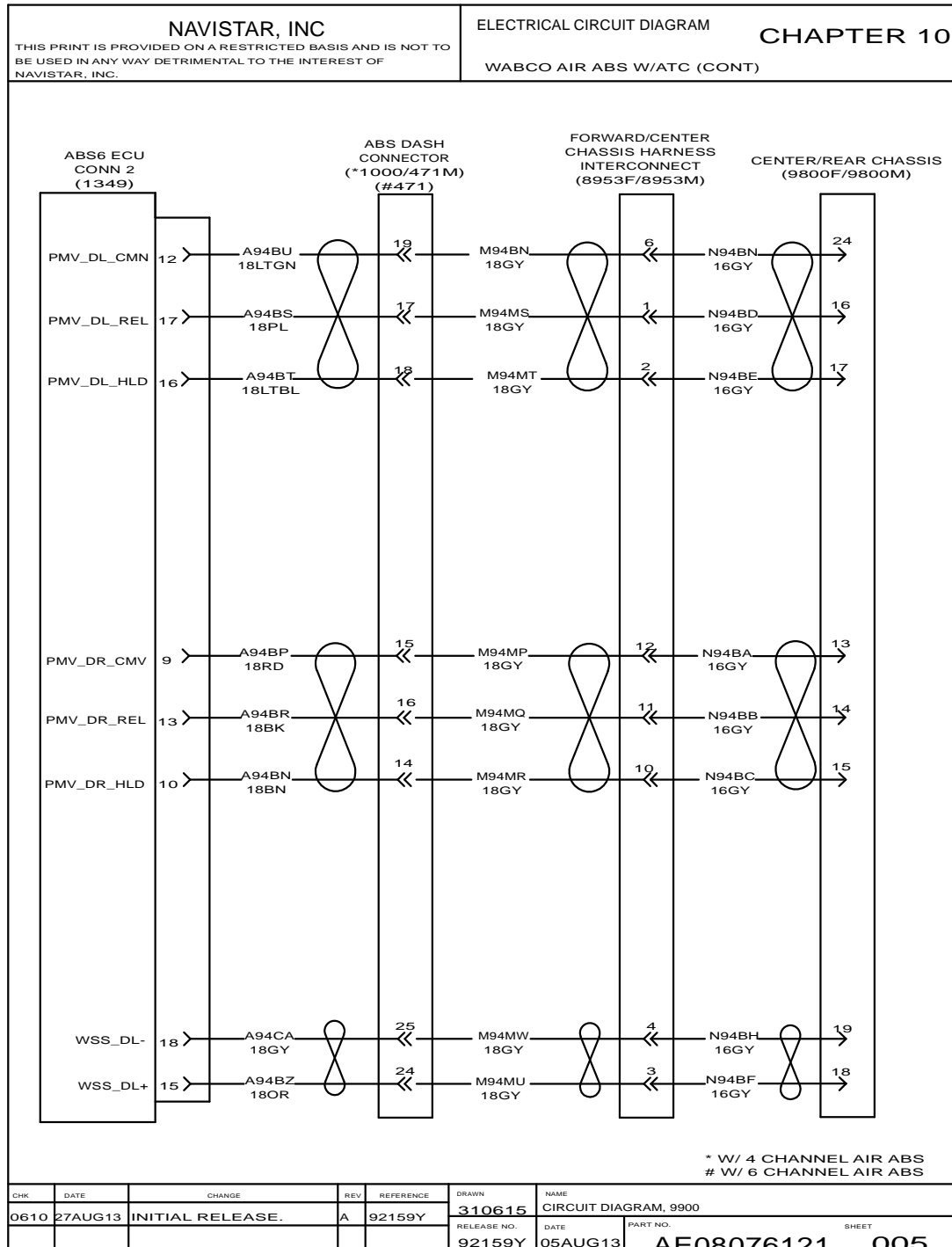


Figure 161 WABCO Air ABS with ATC (Cont.)

10.6. BENDIX AIR ABS 6CH WITH ATC, P. 6

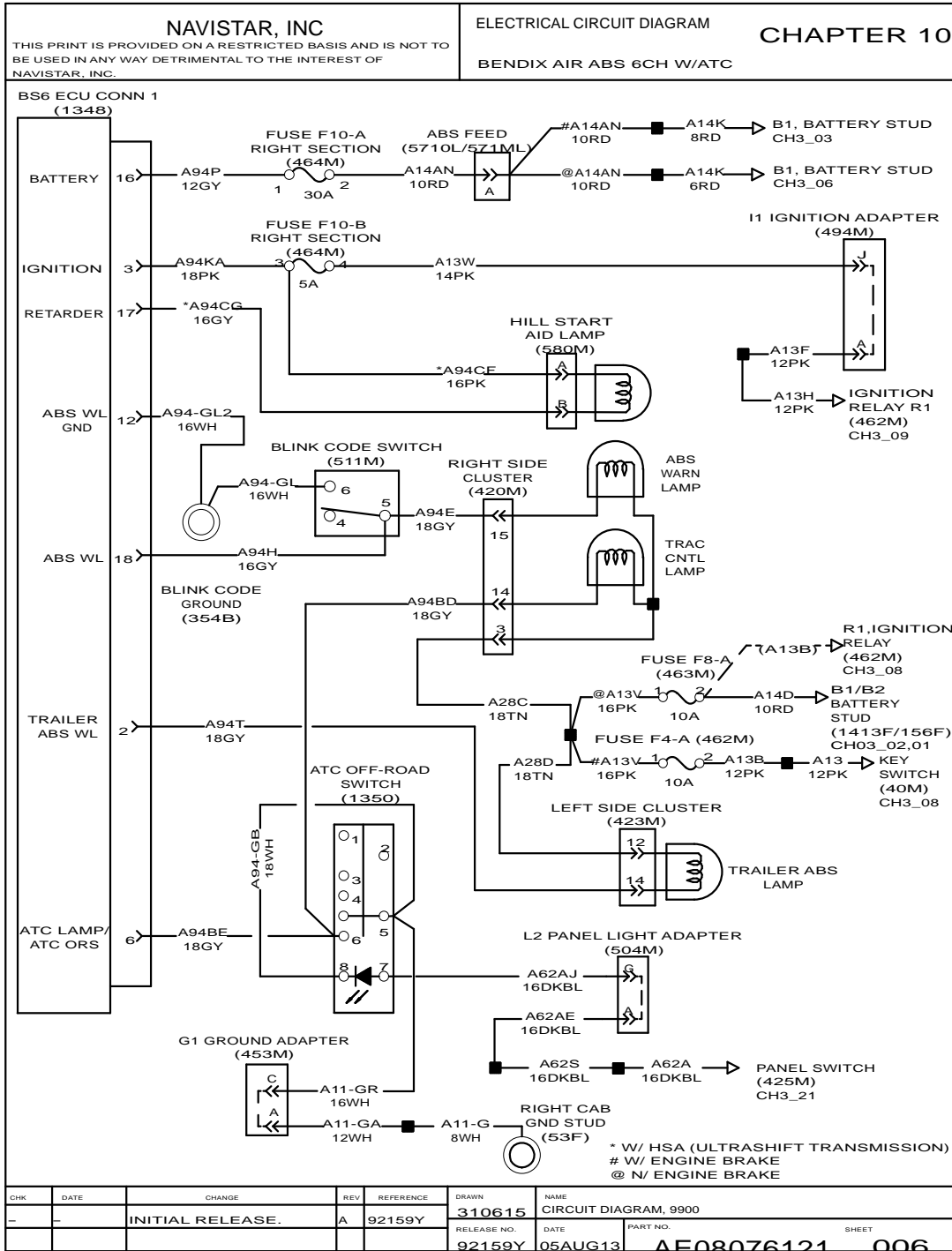


Figure 162 Bendix Air ABS 6CH with ATC.

10.7. BENDIX AIR ABS 6CH WITH ATC (CONT.), P. 7

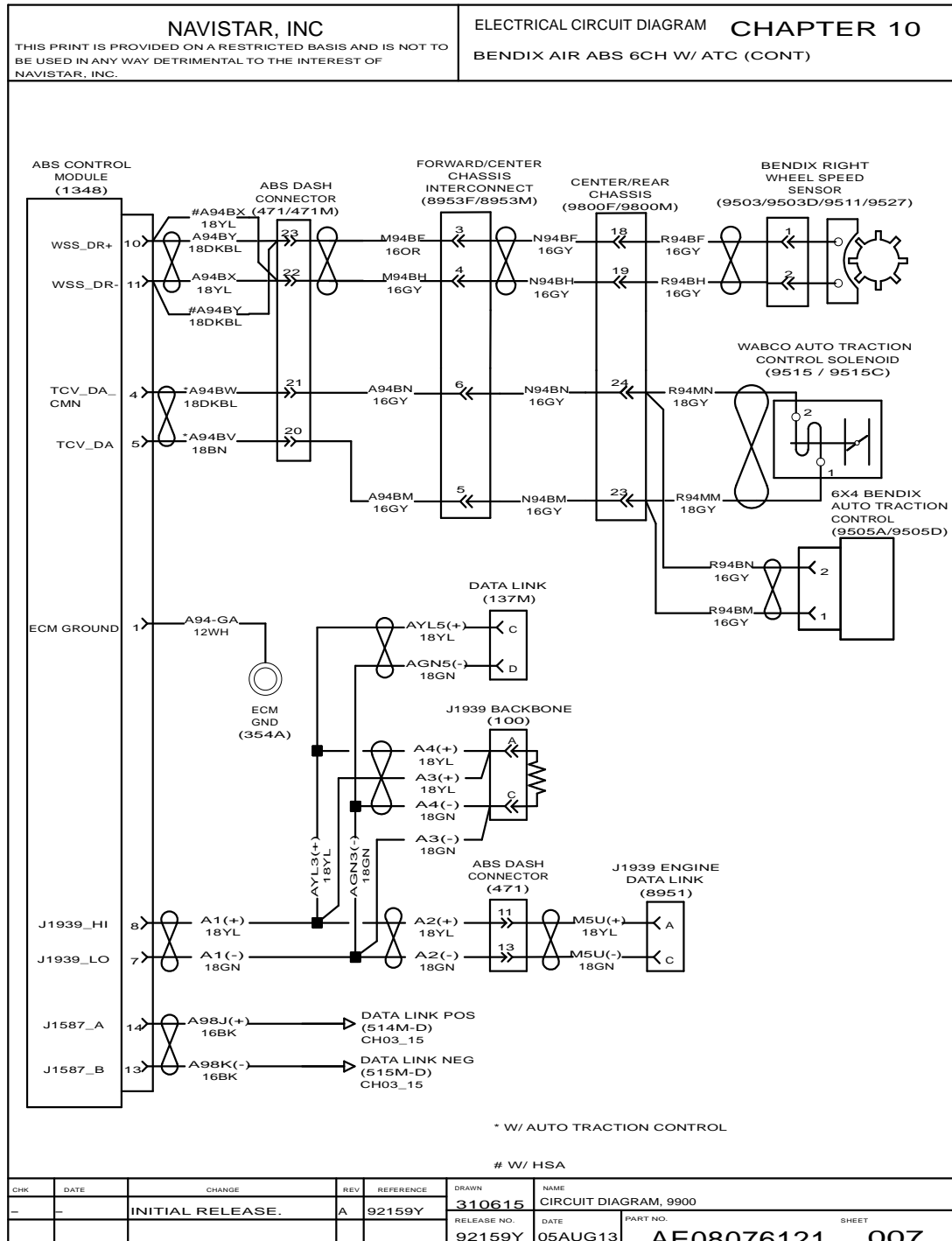


Figure 163 Bendix Air ABS 6CH with ATC (Cont.)

10.8. BENDIX AIR ABS 6CH WITH ATC (CONT.), P. 8

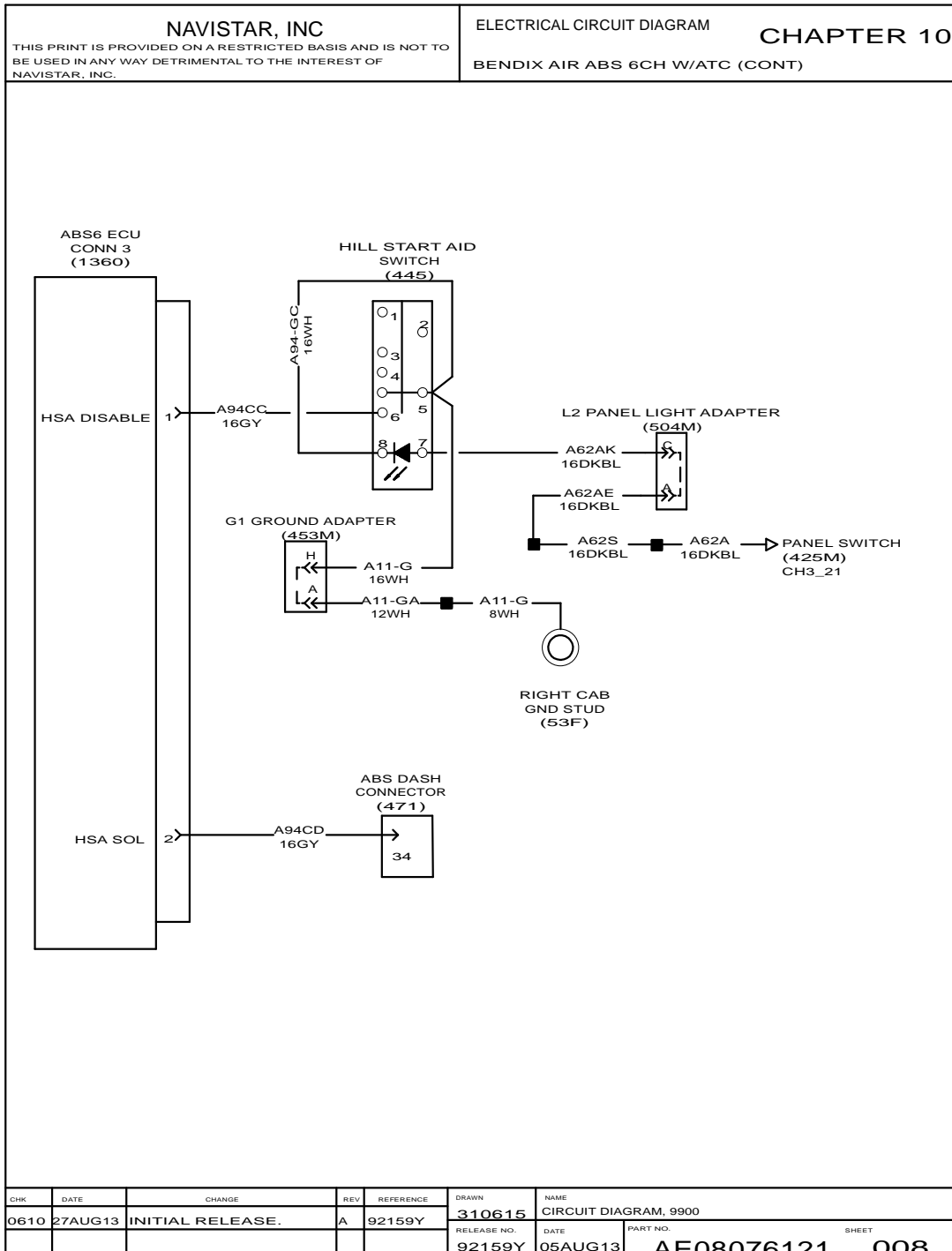


Figure 164 Bendix Air ABS 6CH with ATC (Cont.)

10.9. BENDIX AIR ABS 6CH WITH ATC (CONT.), P. 9

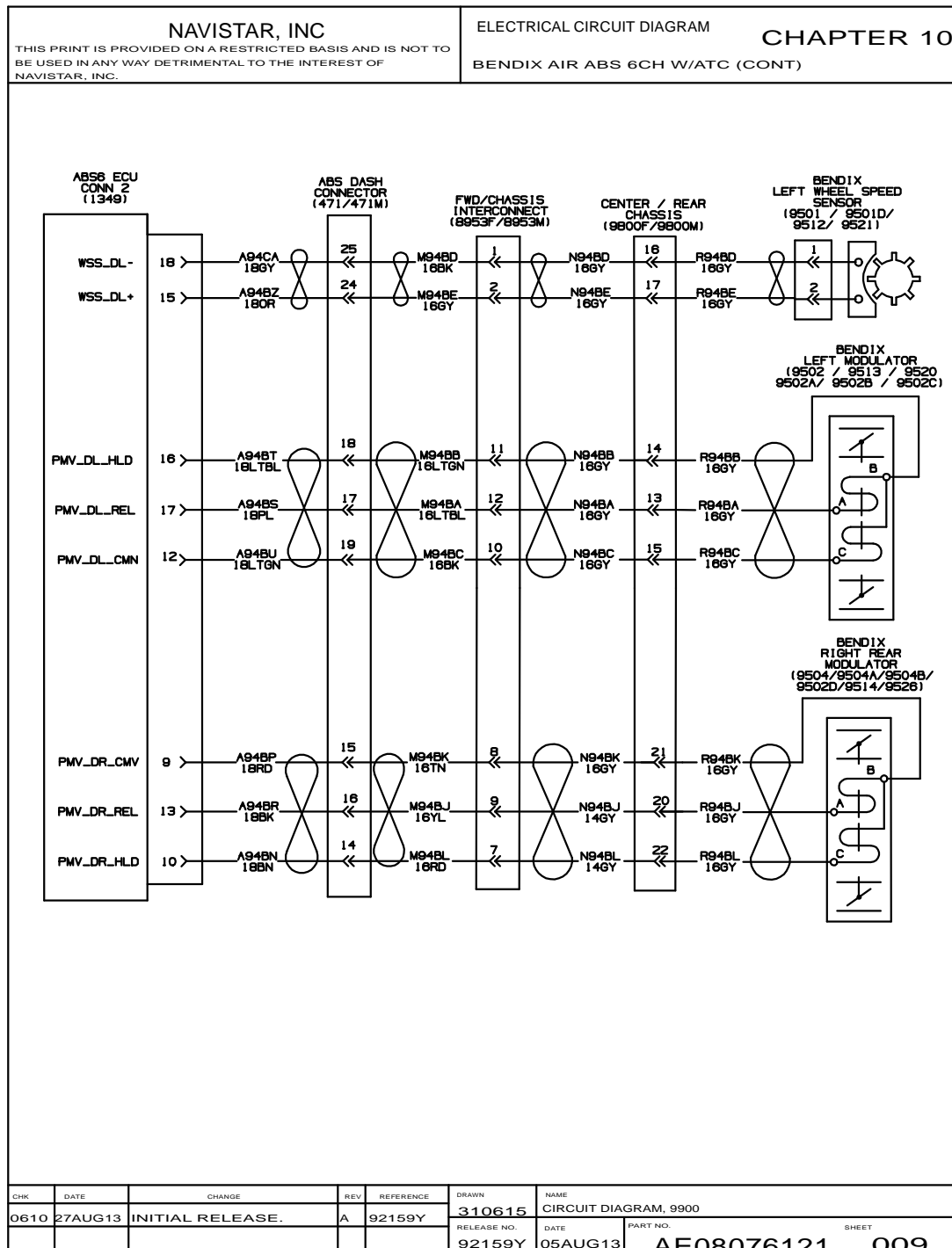


Figure 165 Bendix Air ABS 6CH with ATC (Cont.)

10.10. ABS – BENDIX AIR 6S / 6M (6 X 4) P. 10

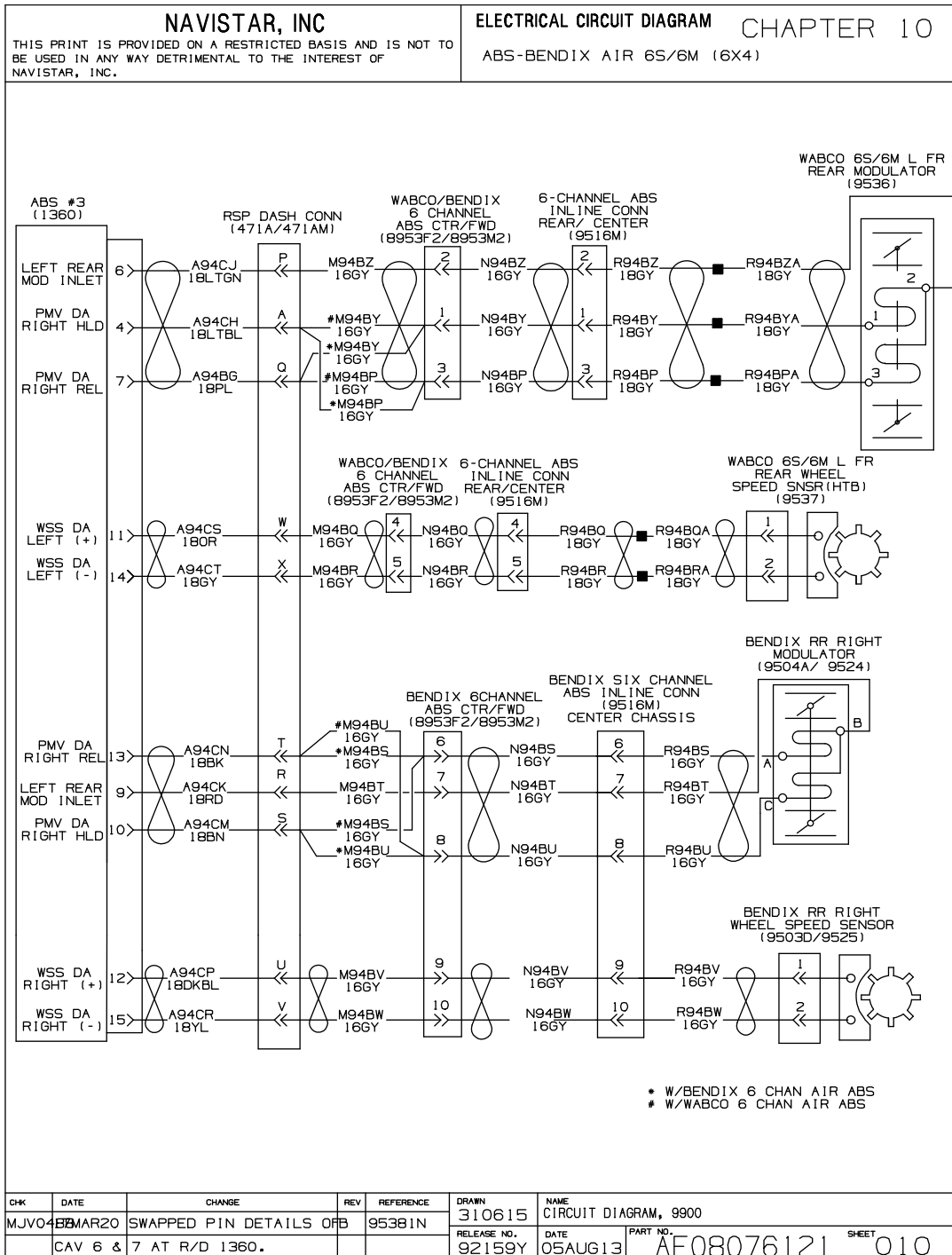


Figure 166 ABS – Bendix Air 6S / 6M (6 x 4)

10.11. BENDIX AIR ABS WITH ATC, P. 11

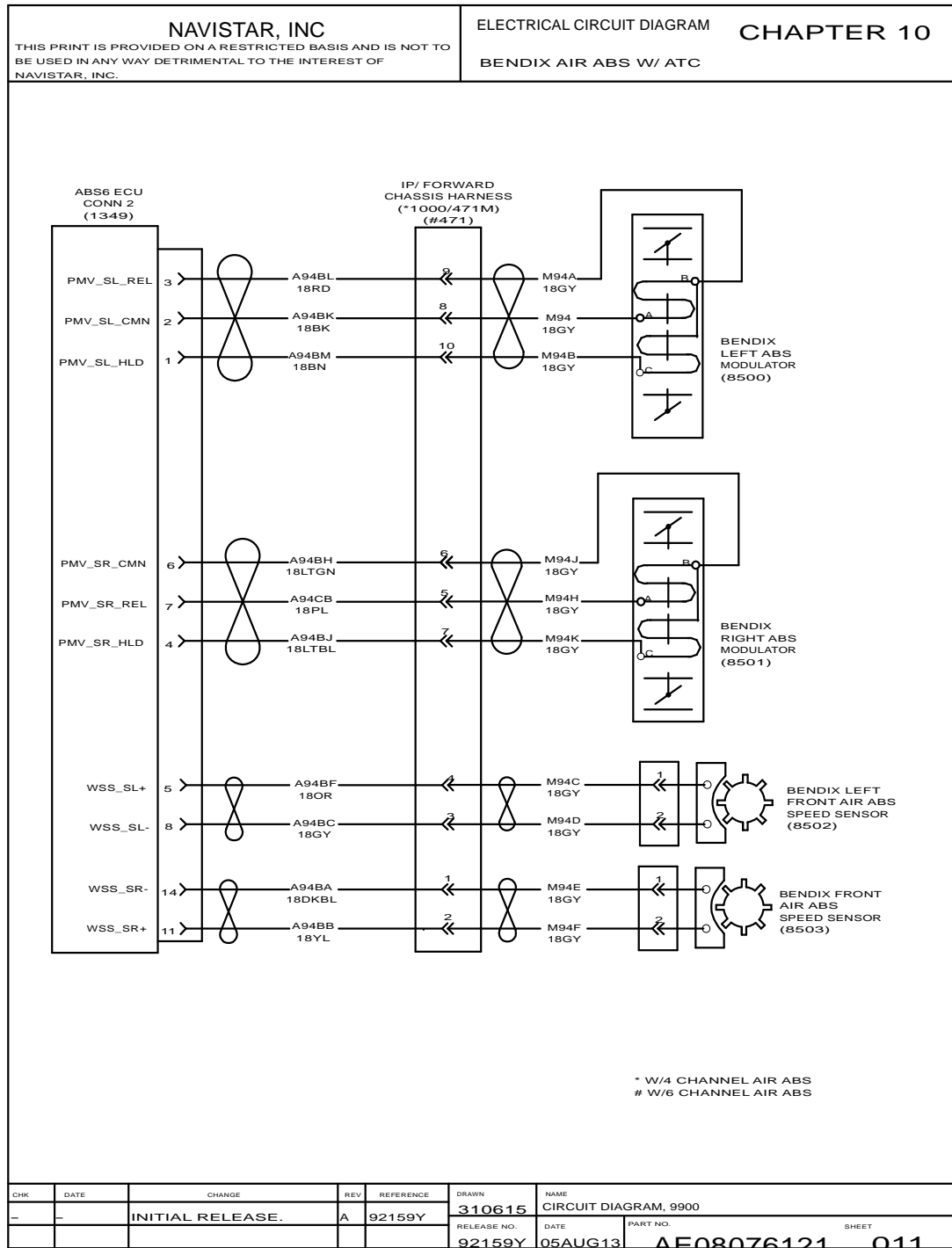


Figure 167 Bendix Air ABS with ATC.

10.12. BENDIX AIR ABS WITH ATC (CONT.), P. 12

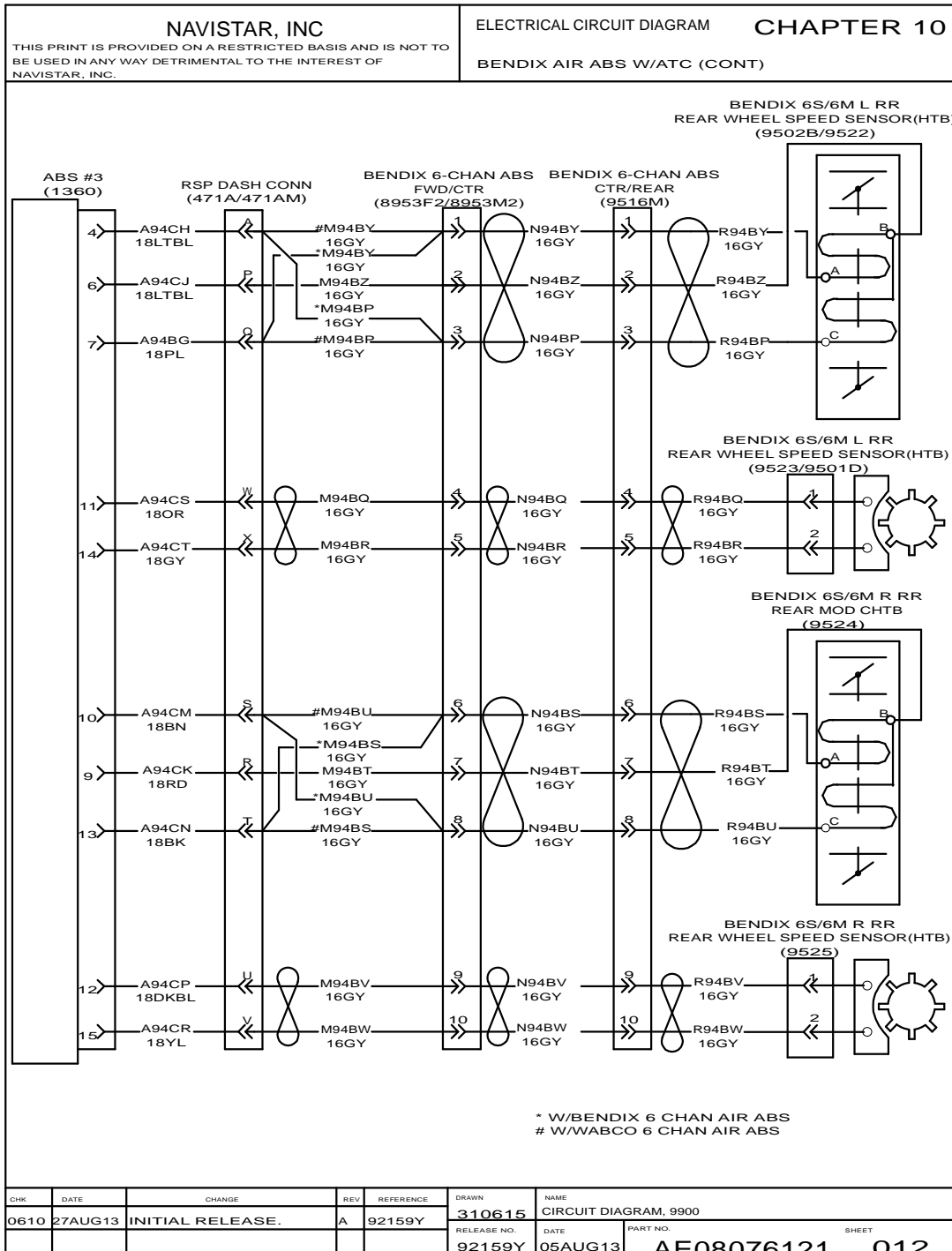


Figure 168 Bendix Air ABS with ATC (Cont.)

10.13. BENDIX ADVANCE AIR ABS, P. 13

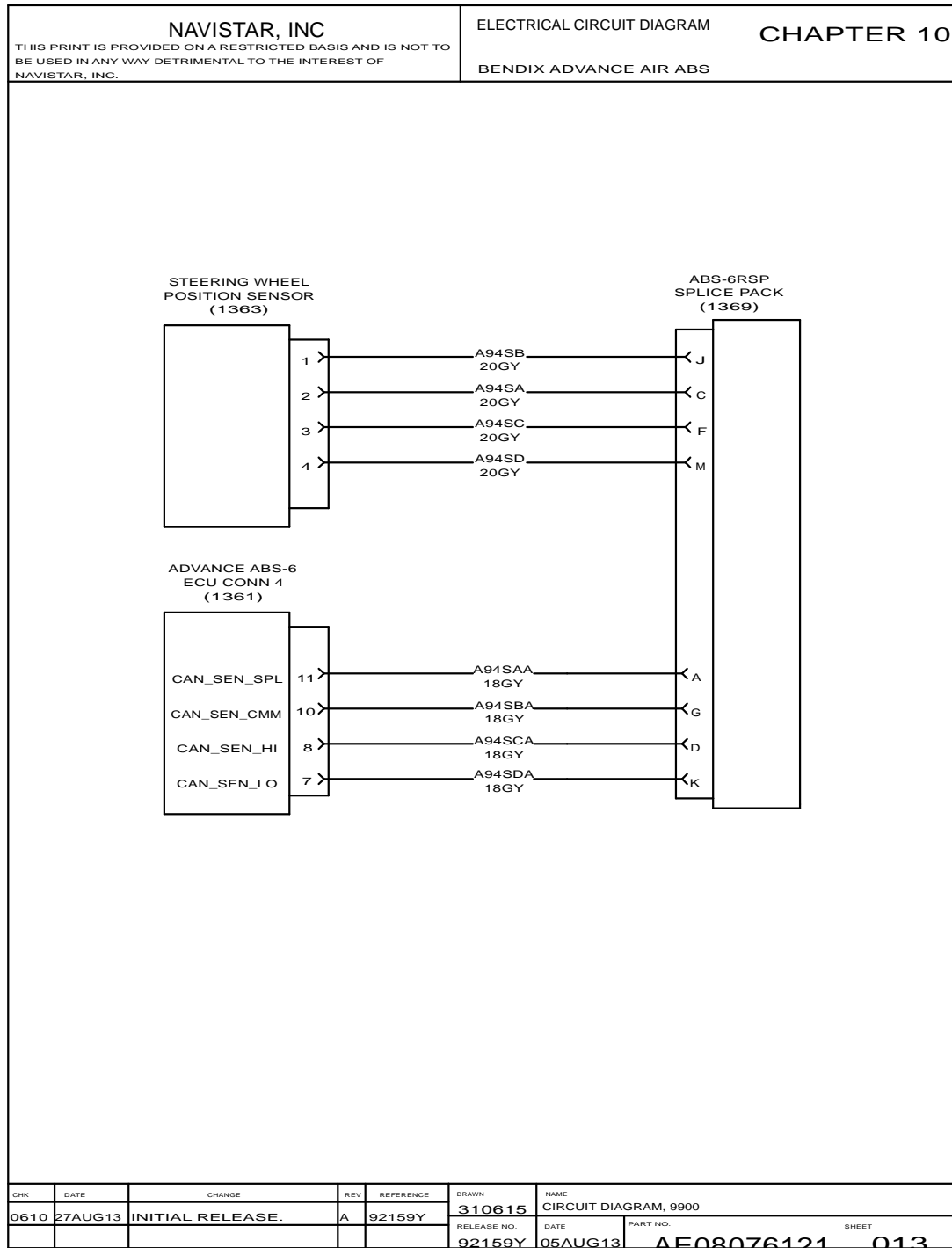


Figure 169 Bendix Advance Air ABS.

10.14. BENDIX ADVANCE AIR ABS (CONT.), P. 14

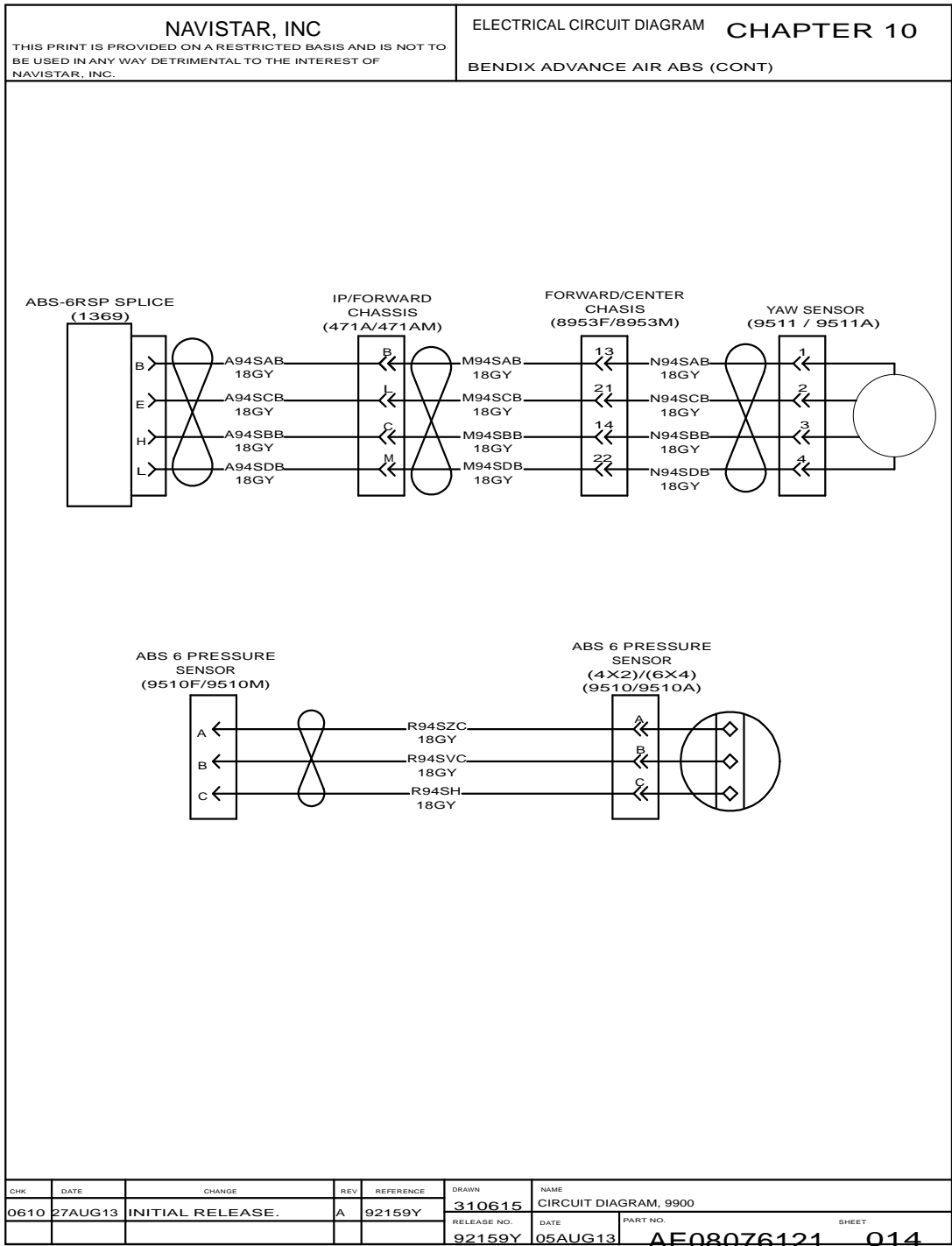


Figure 170 Bendix Advance Air ABS (Cont.)

10.15. BENDIX ADVANCE AIR ABS (CONT.), P. 15

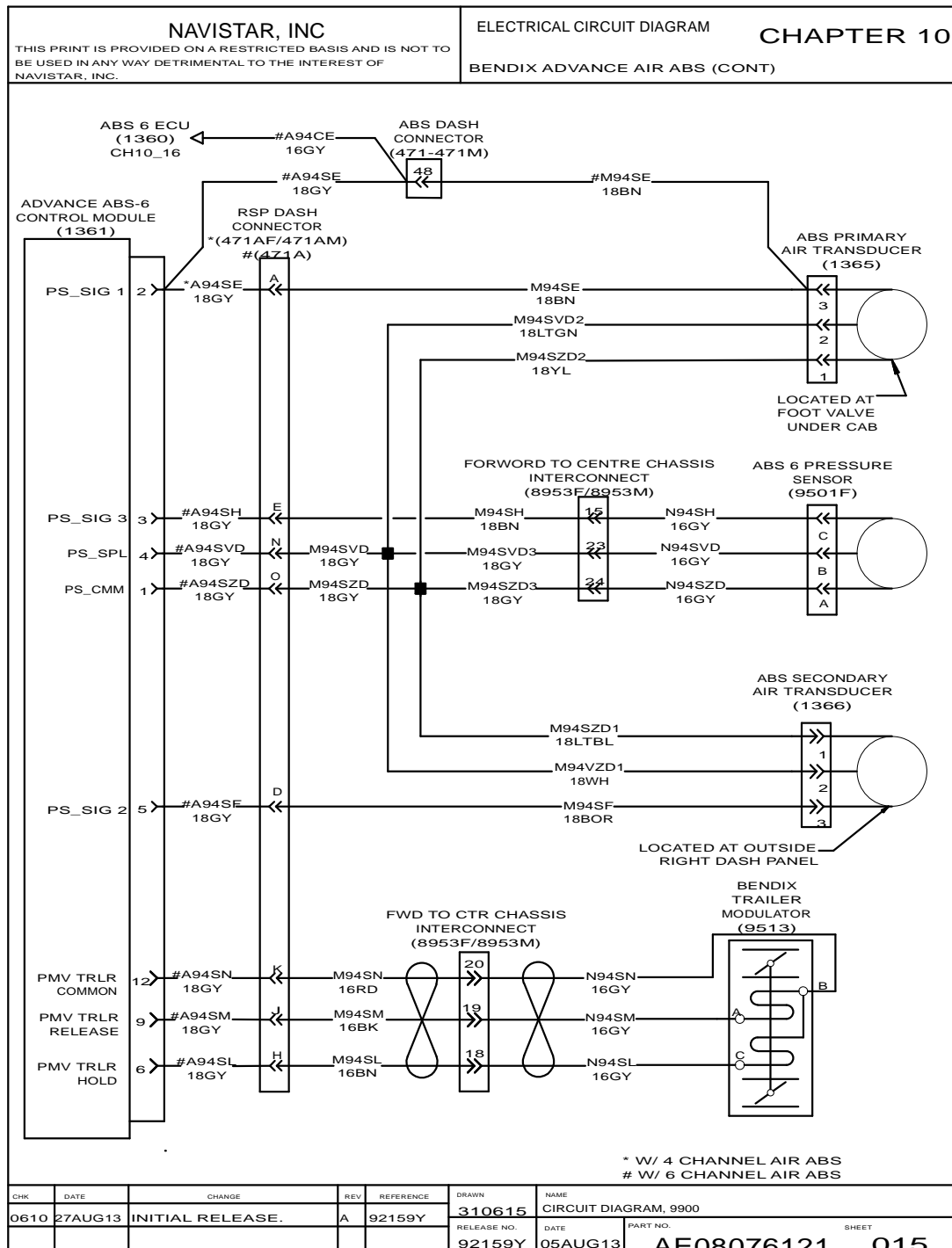


Figure 171 Bendix Advance Air ABS (Cont.)

10.16. BENDIX ADVANCE AIR ABS (CONT.), P. 16

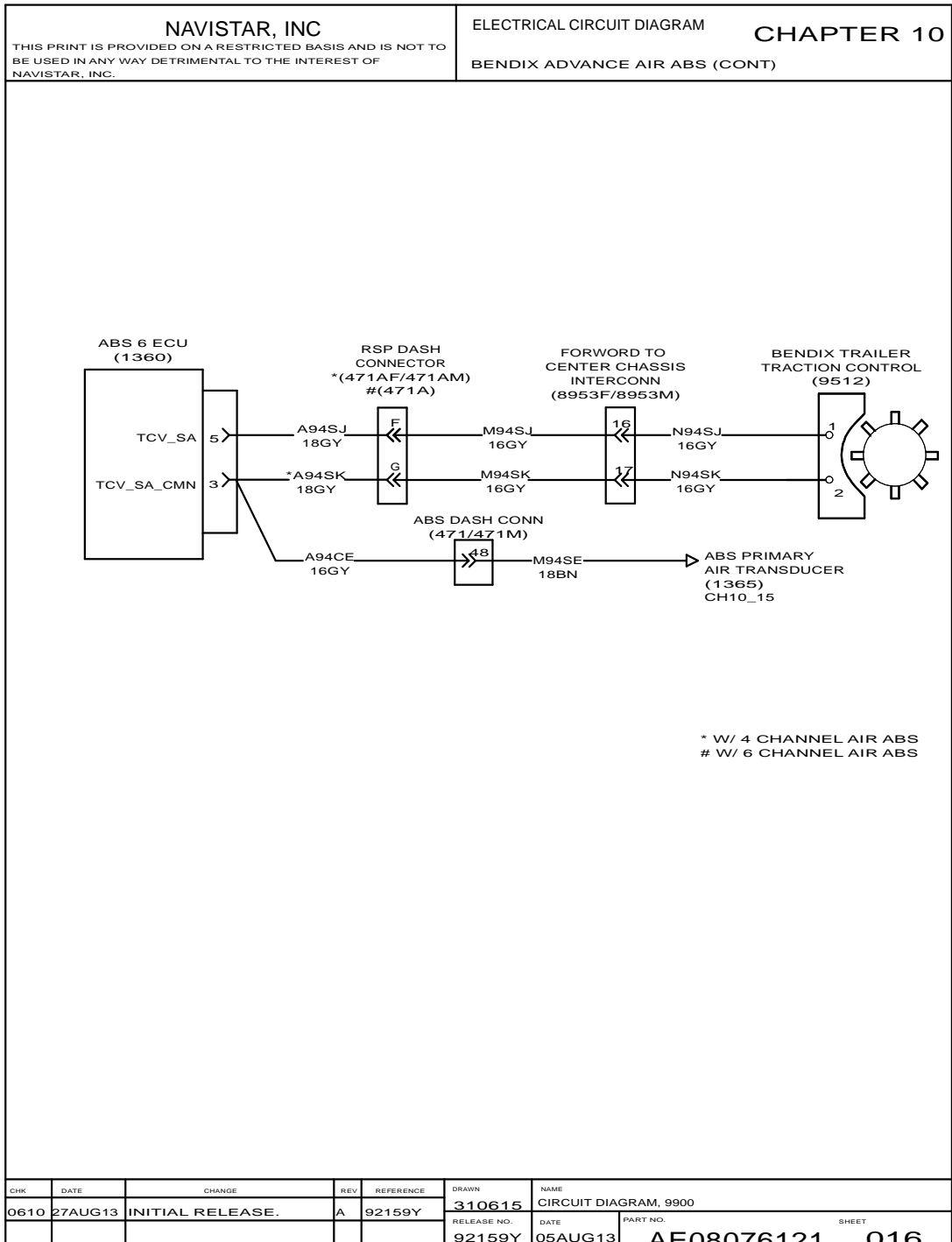


Figure 172 Bendix Advance Air ABS (Cont.)

10.17. TRAILER CONNECTION WITH FOUR WHEEL TRAILER FRAME MOUNTED, P. 17

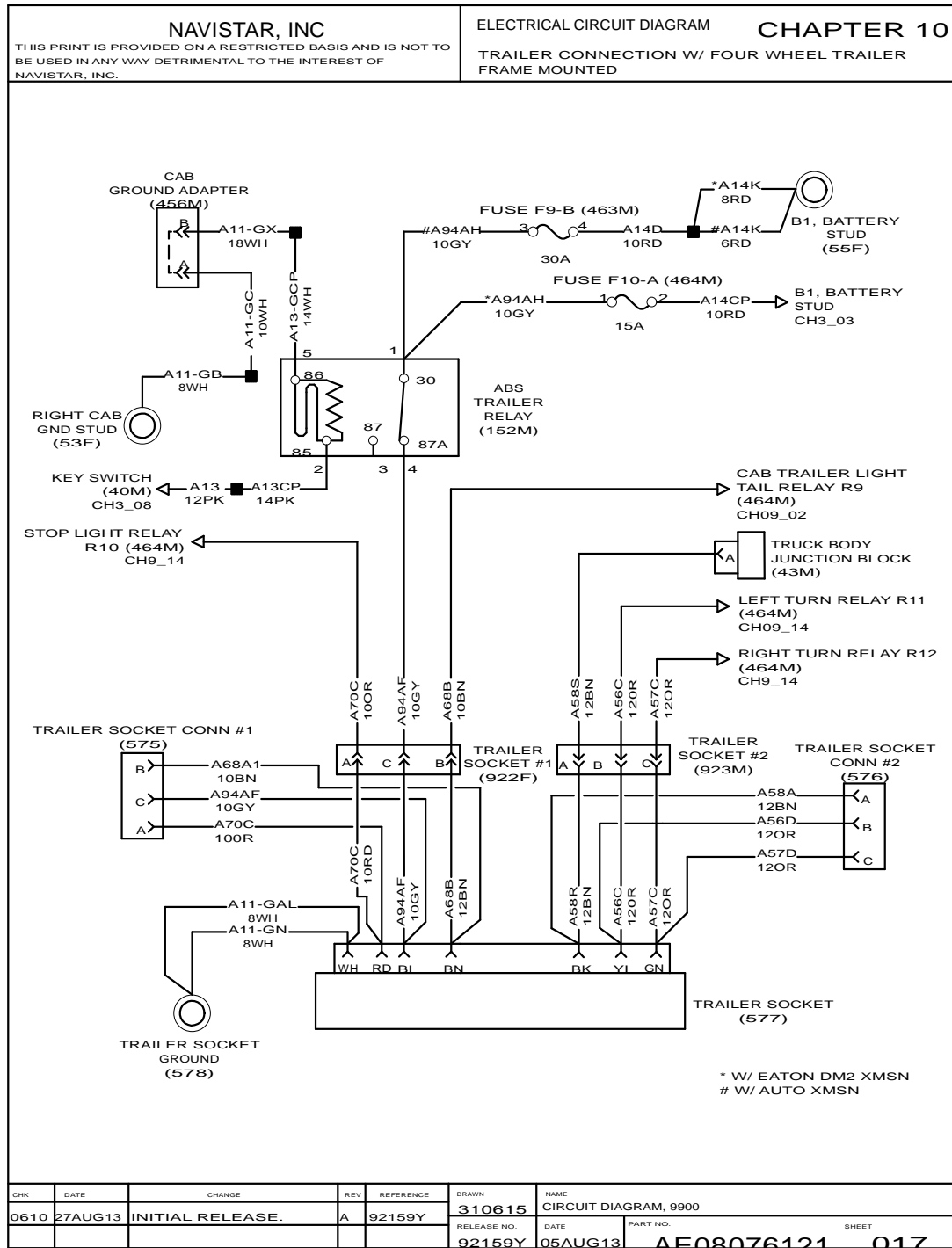


Figure 173 Trailer Connection with Four Wheel Trailer Frame Mounted.

10.18. TRAILER CONNECTION WITH TRAILER LIGHTING CABLE 808TGN, P. 18

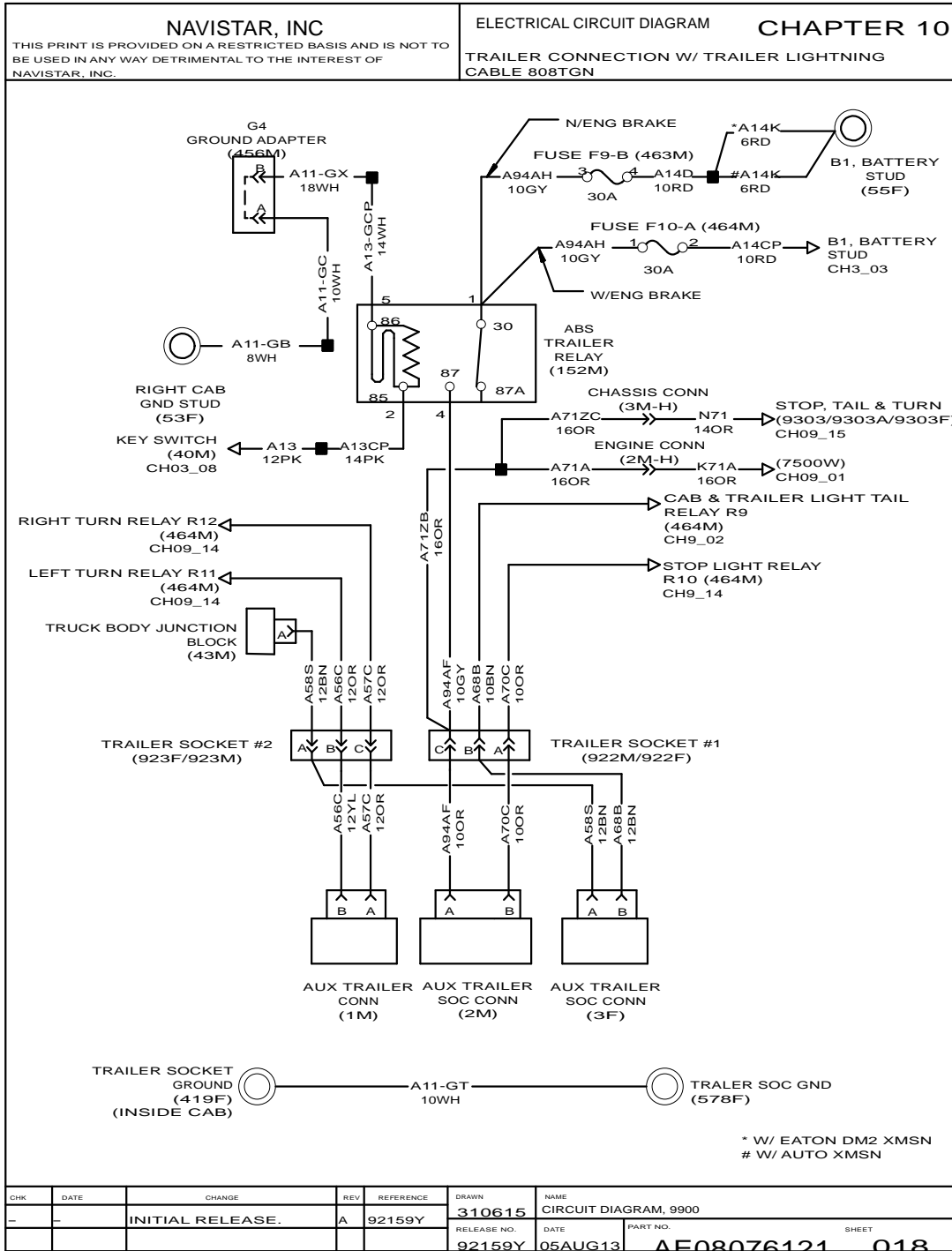


Figure 174 Trailer Connection with Trailer Lighting Cable 808TGN.

10.19. TRAILER CONNECTION WITH 4092 (TRACTOR), P. 19

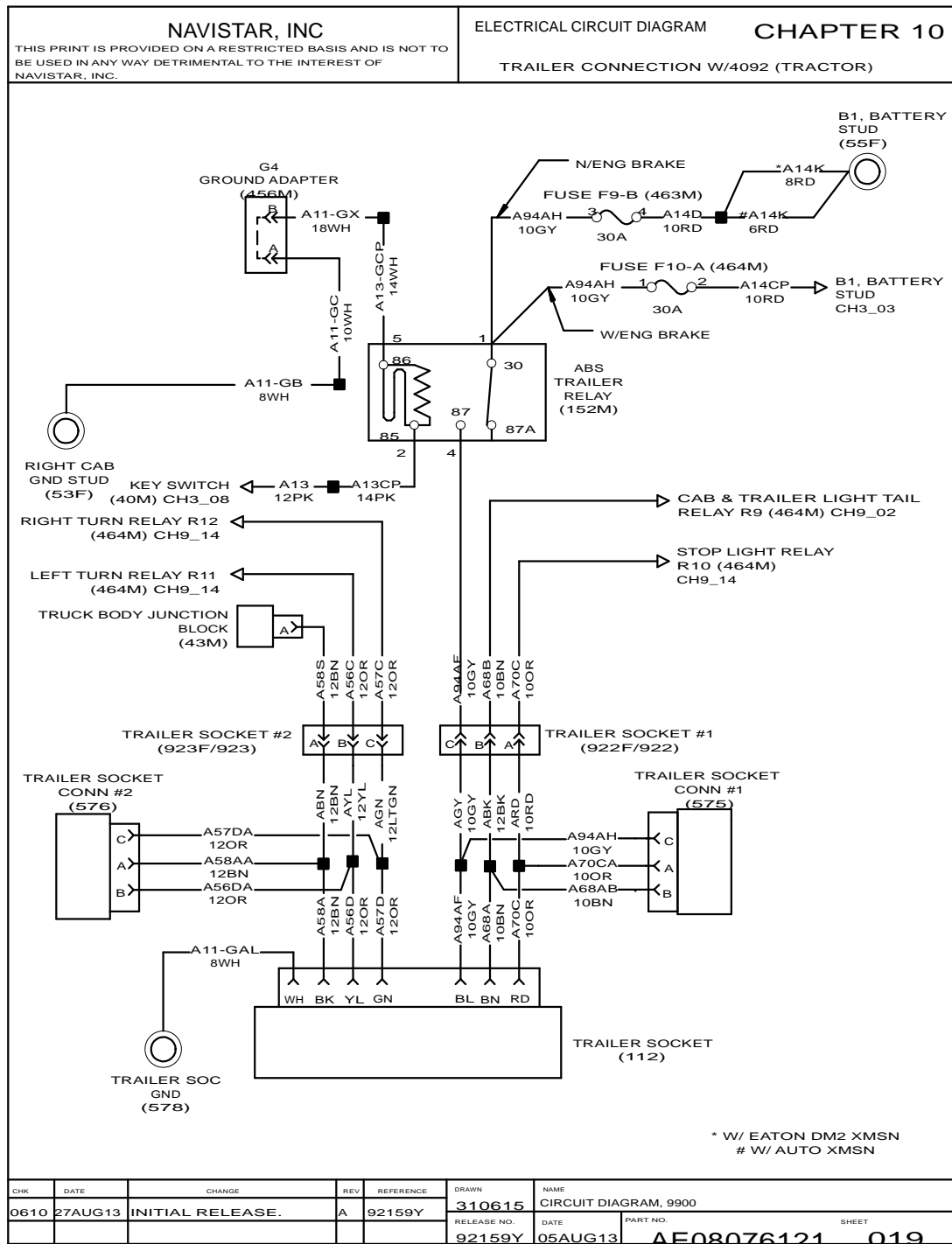


Figure 175 Trailer Connection with 4092 (Tractor)

10.20. ANTILOCK BRAKE SYSTEM WITH WABCO, P. 20

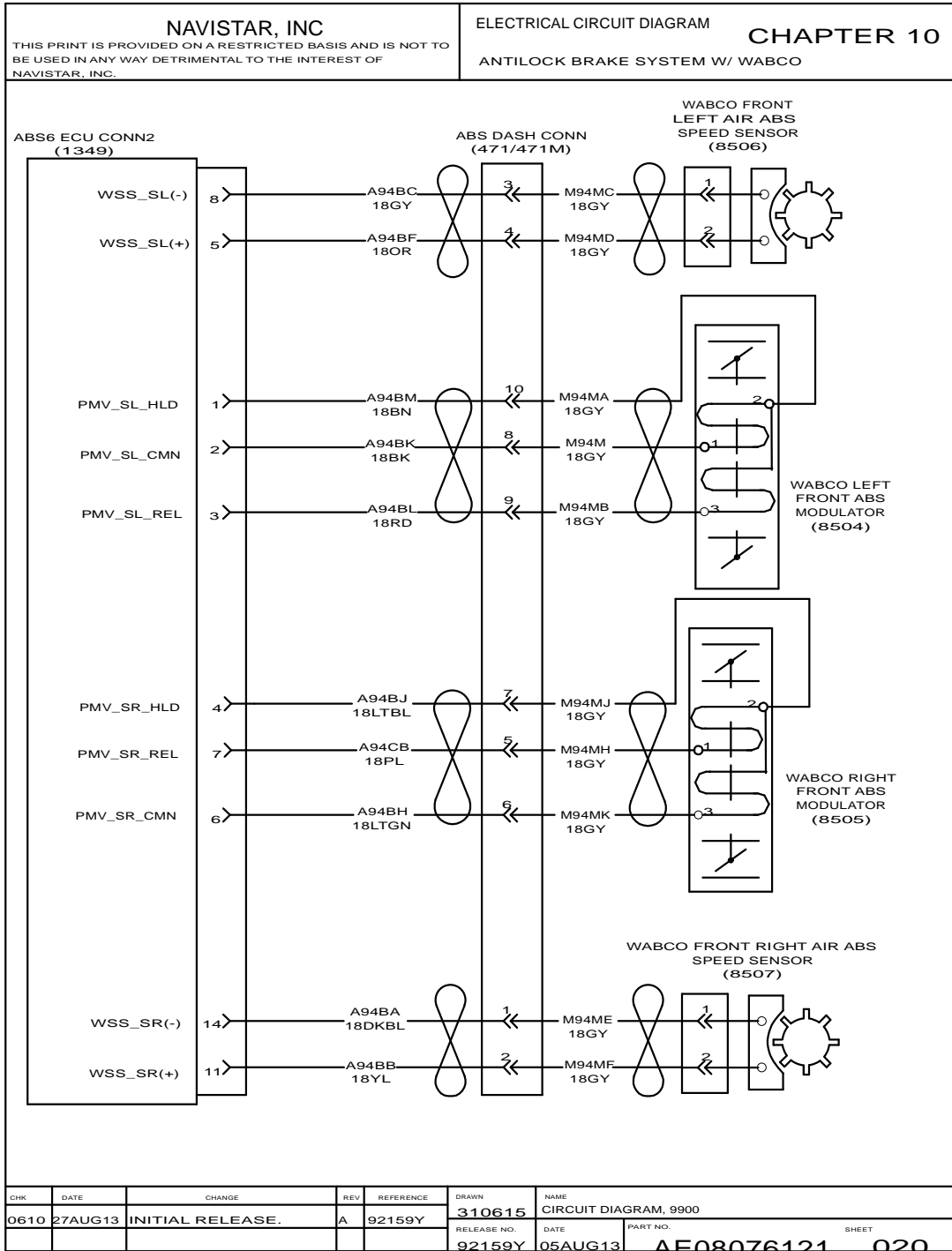


Figure 176 Antilock Brake System with WABCO.

10.21. ANTILOCK BRAKE SYSTEM WITH WABCO (CONT.), P. 21

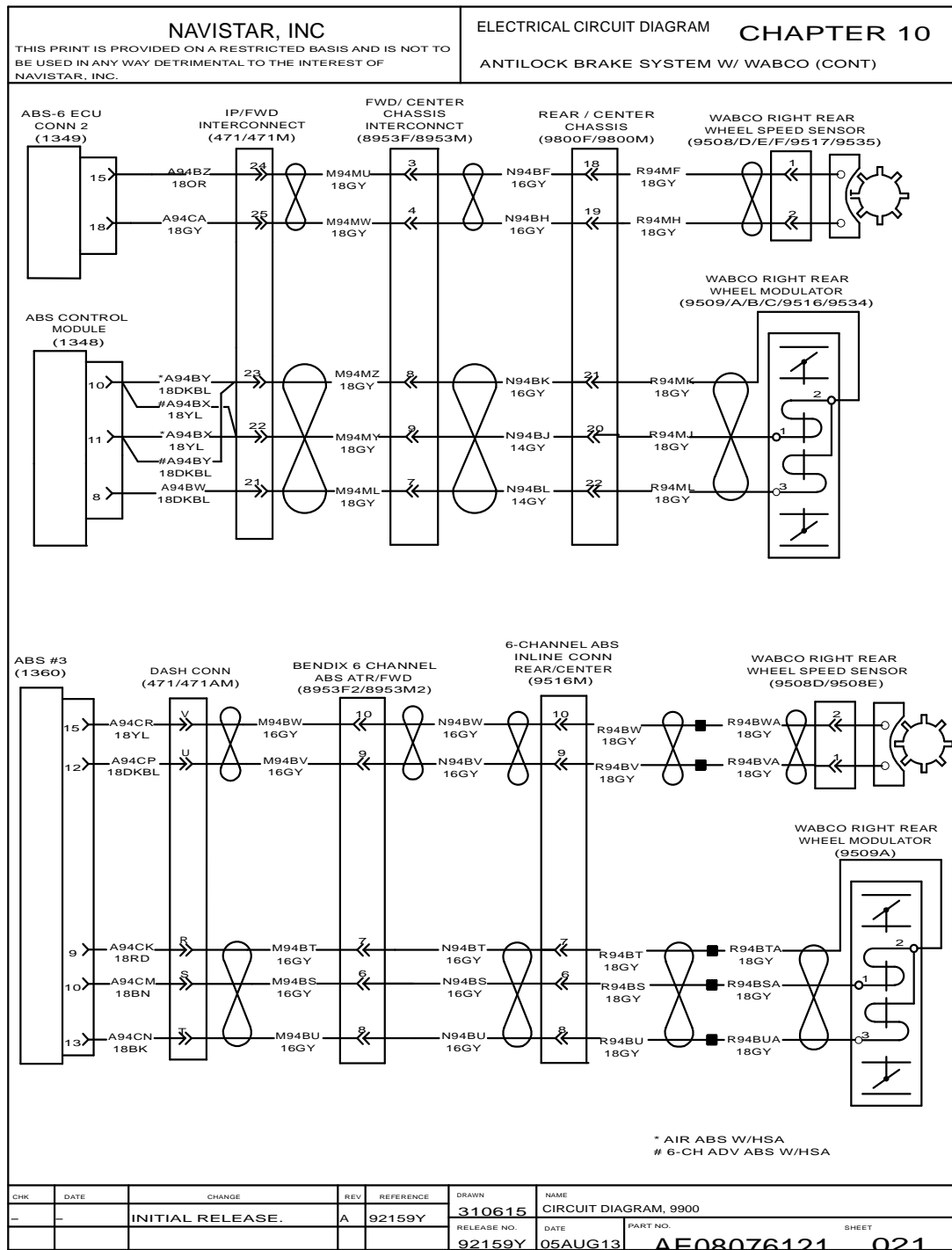


Figure 177 Antilock Brake System with WABCO (Cont.)

10.22. ANTILOCK BRAKE SYSTEM WITH WABCO (CONT.), P. 22

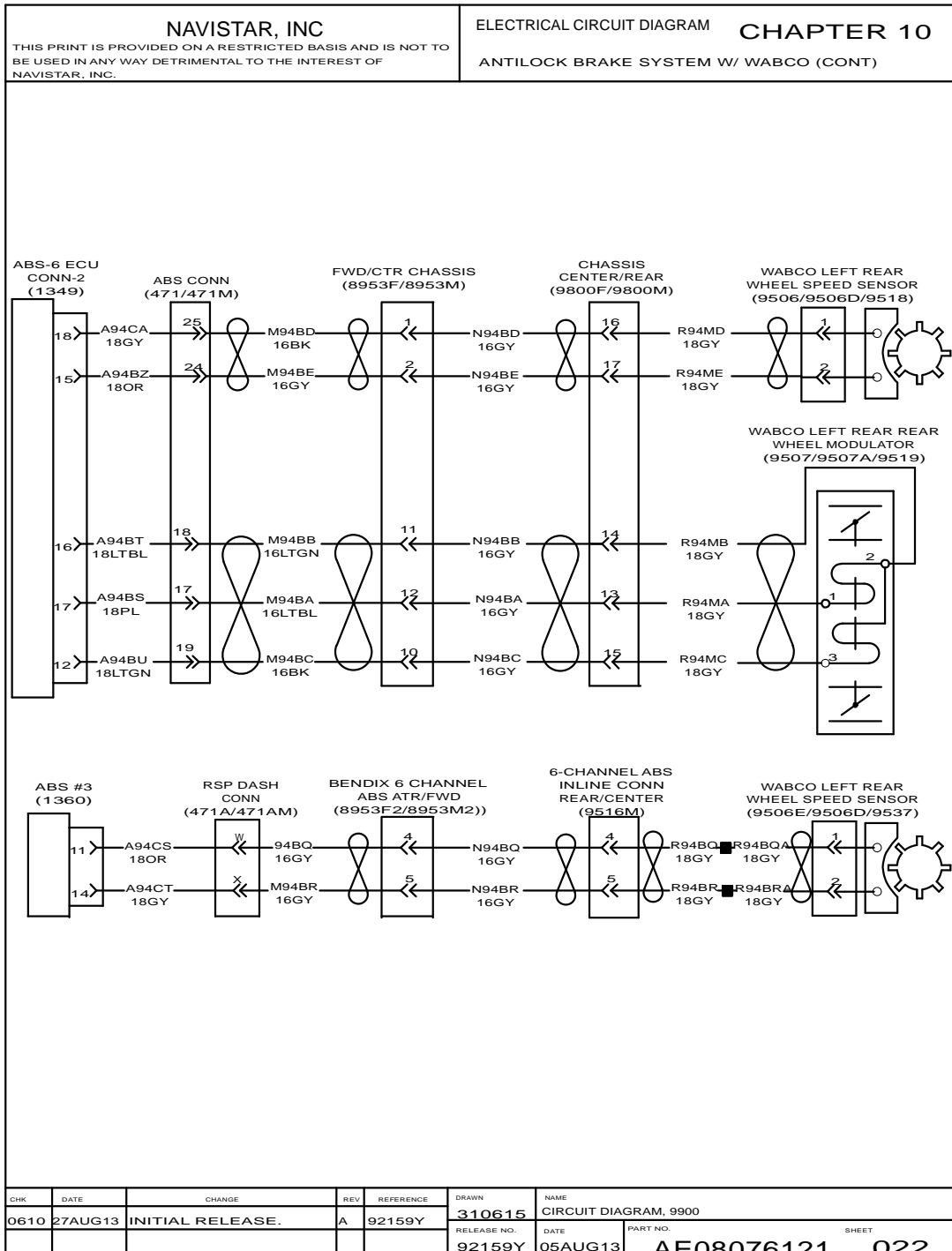


Figure 178 Antilock Brake System with WABCO (Cont.)

10.23. ANTILOCK BRAKE SYSTEM WITH WABCO (CONT.), P. 23

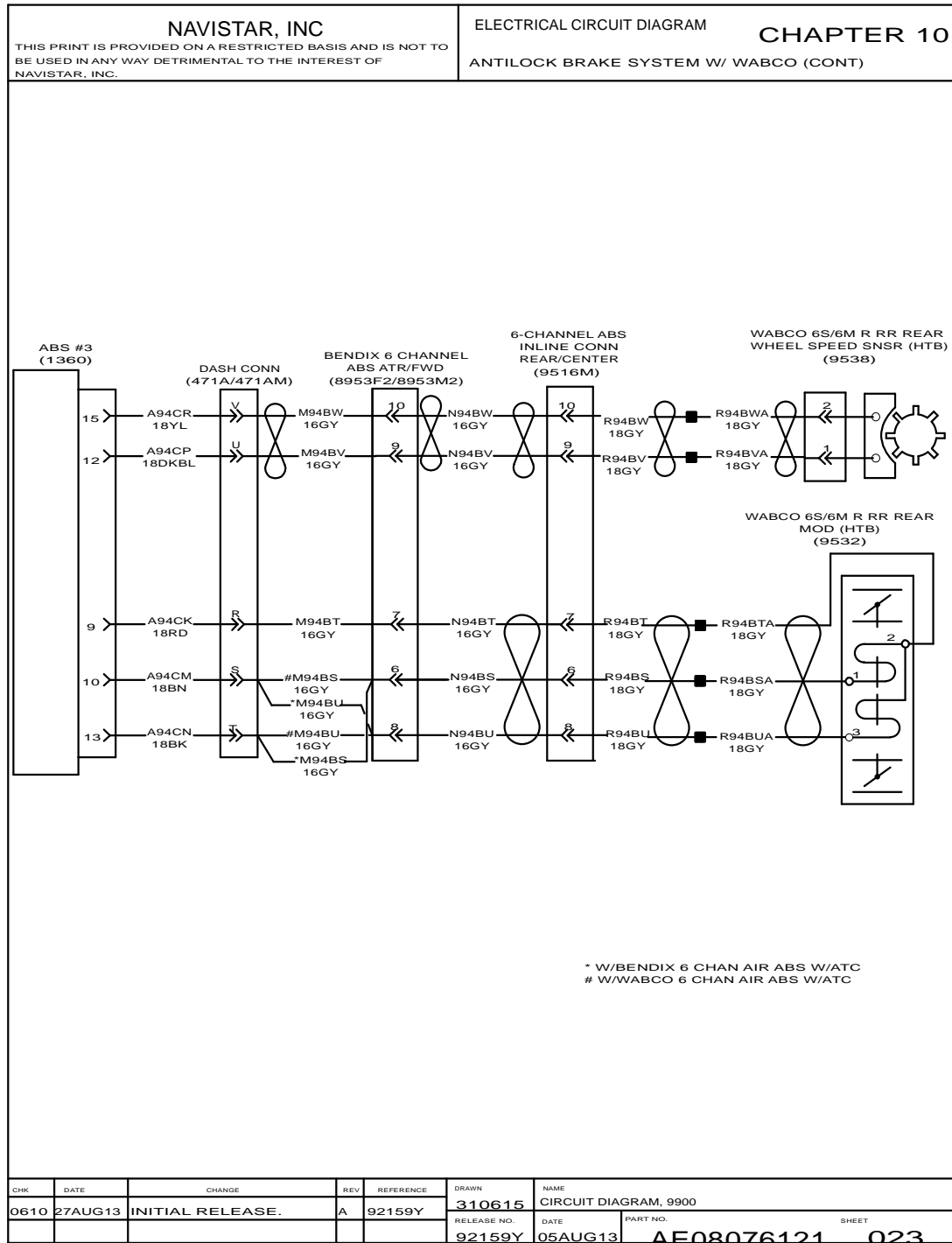


Figure 179 Antilock Brake System with WABCO (Cont.)

10.24. BRAKE SENSOR – WEAR / STROKE, P. 24

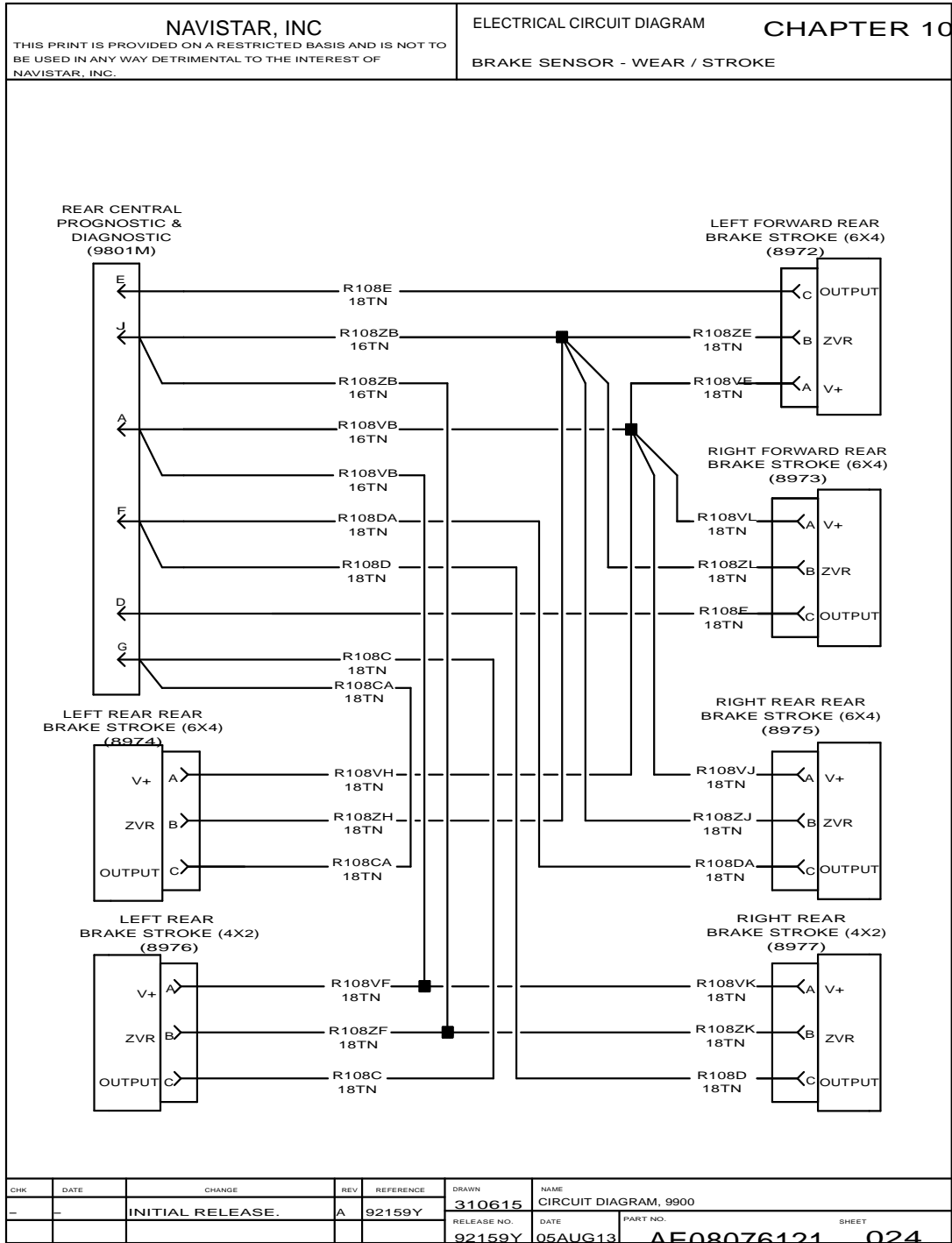


Figure 180 Brake Sensor – Wear / Stroke.

10.25. TIRE PRESSURE MONITOR / ANTENNA, P. 25

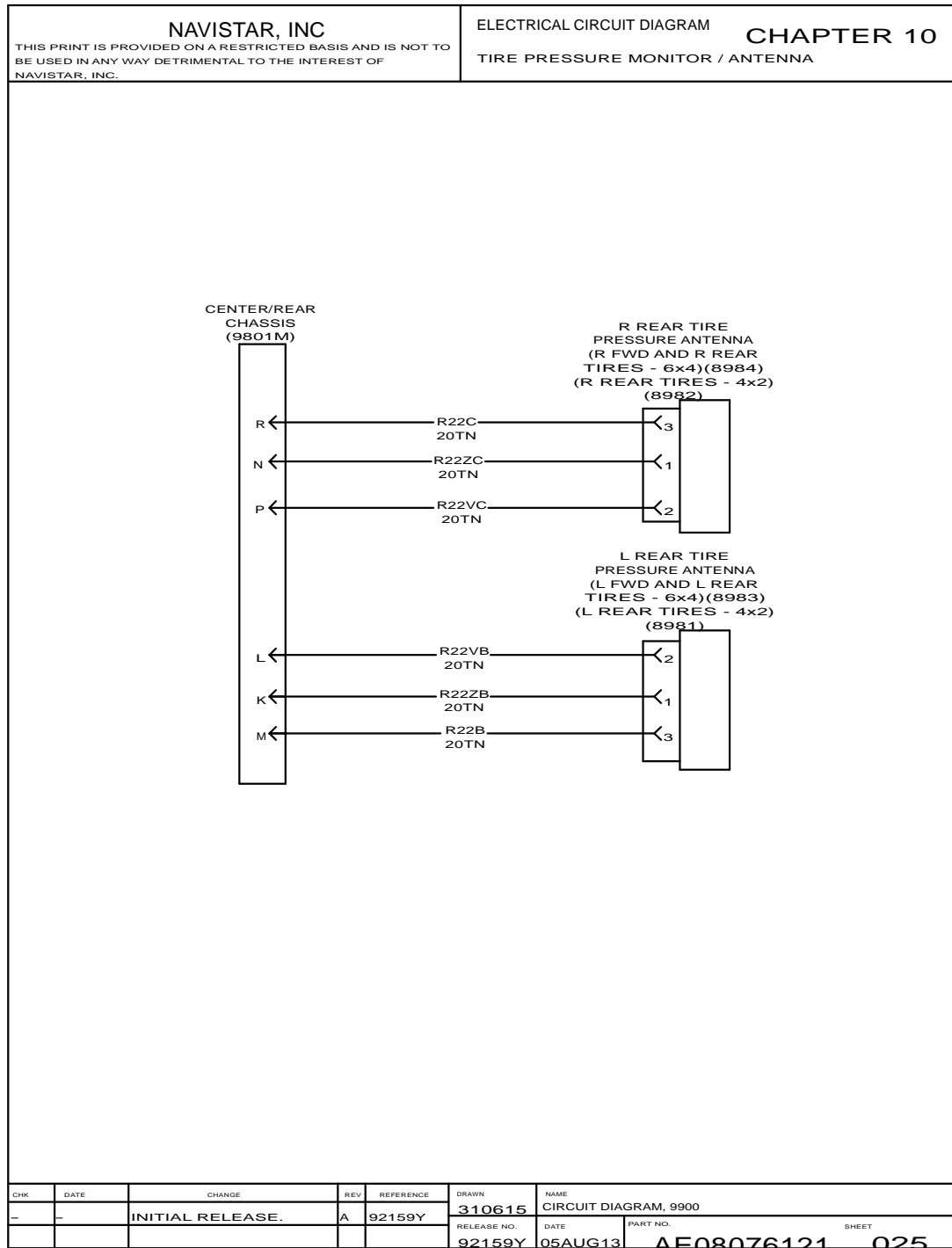


Figure 181 Tire Pressure Monitor / Antenna.

10.26. AIR SUSPENSION WITH LOAD INDICATOR, P. 26

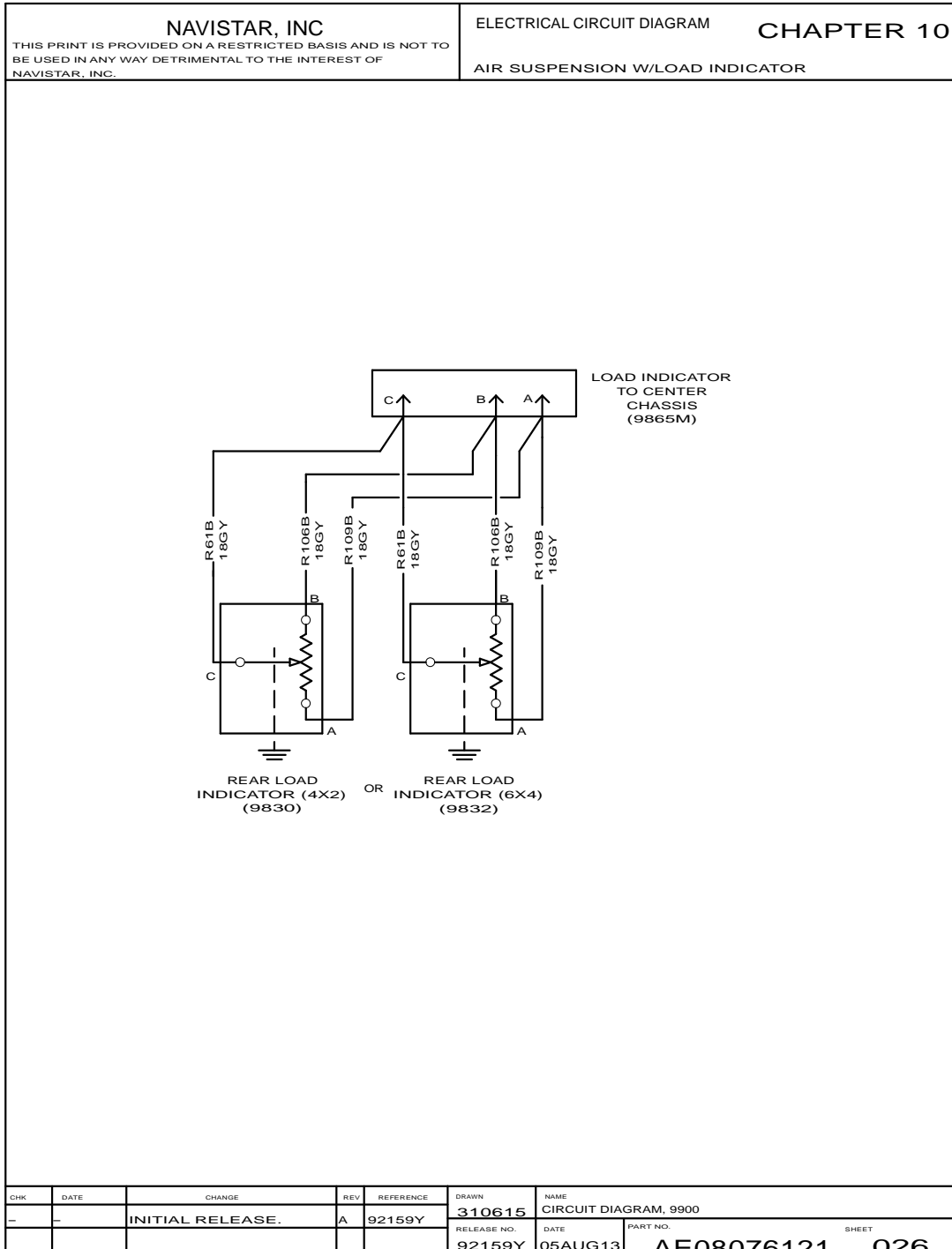


Figure 182 Air Suspension with Load Indicator.

10.27. CUSTOMER SUPPLIED LIGHTS, P. 27

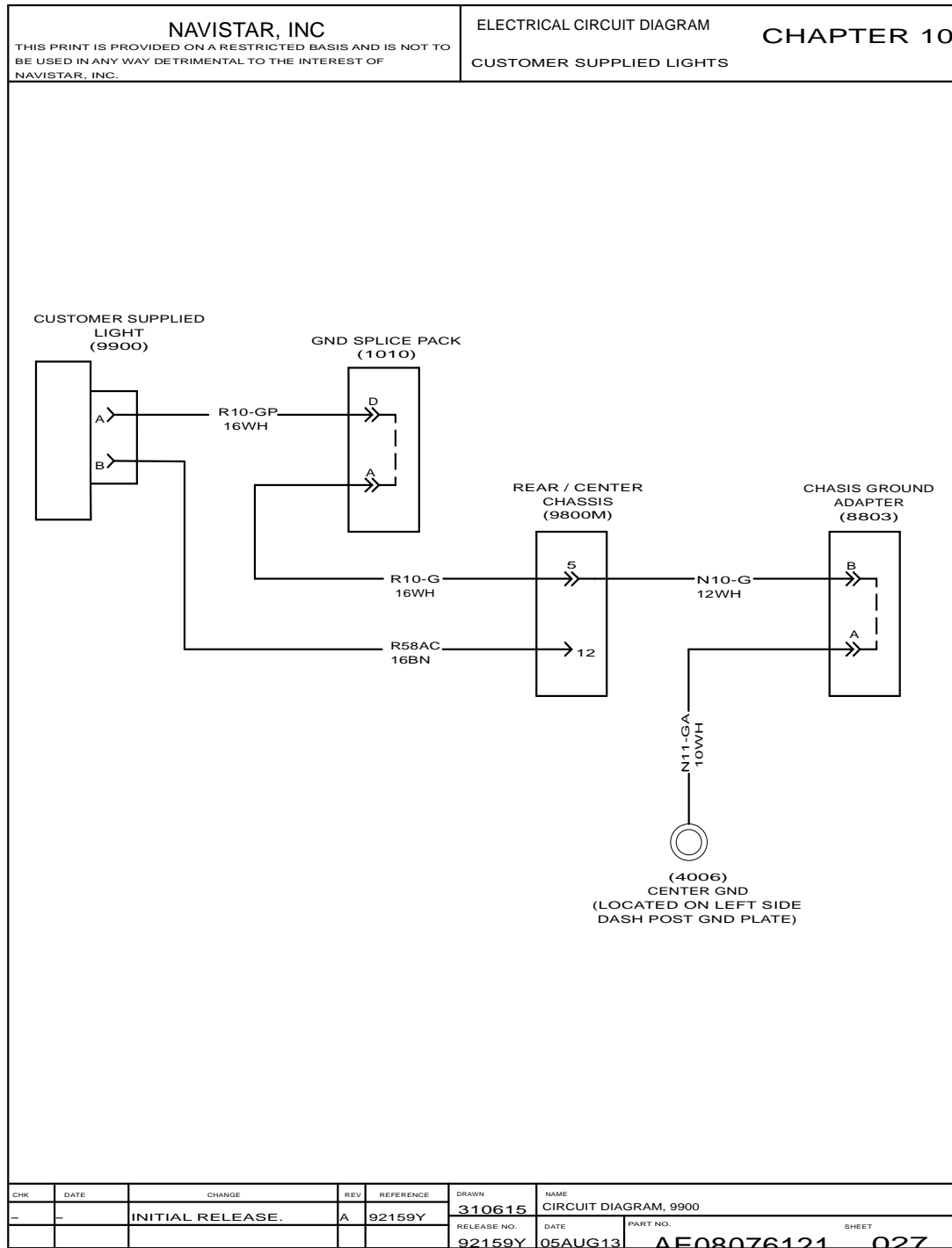


Figure 183 Customer Supplied Lights.

10.28. VEHICLE SENSOR MODULE, P. 28

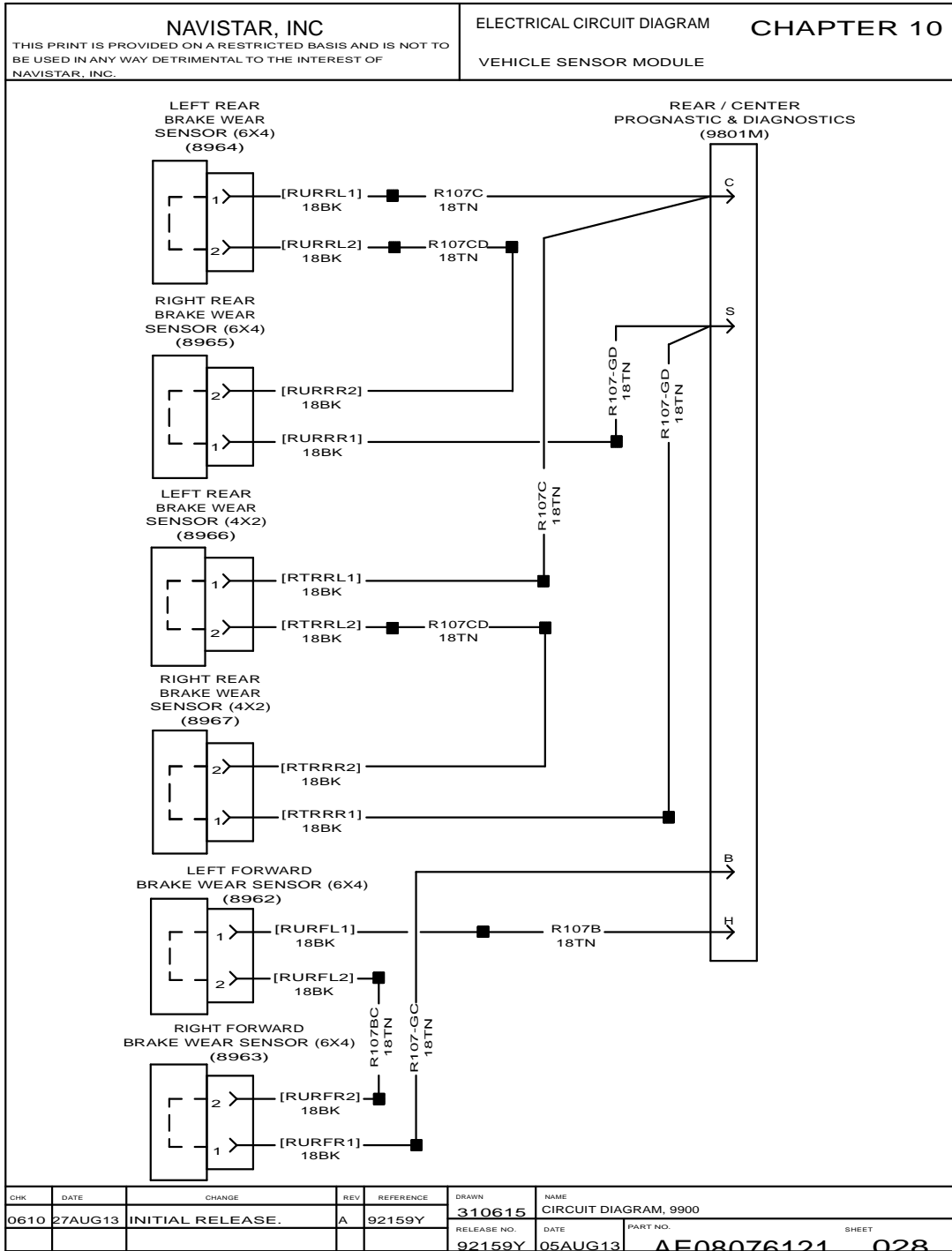


Figure 184 Vehicle Sensor Module.

10.30. TRAILER SOCKET AUX 7-WAY, P. 30

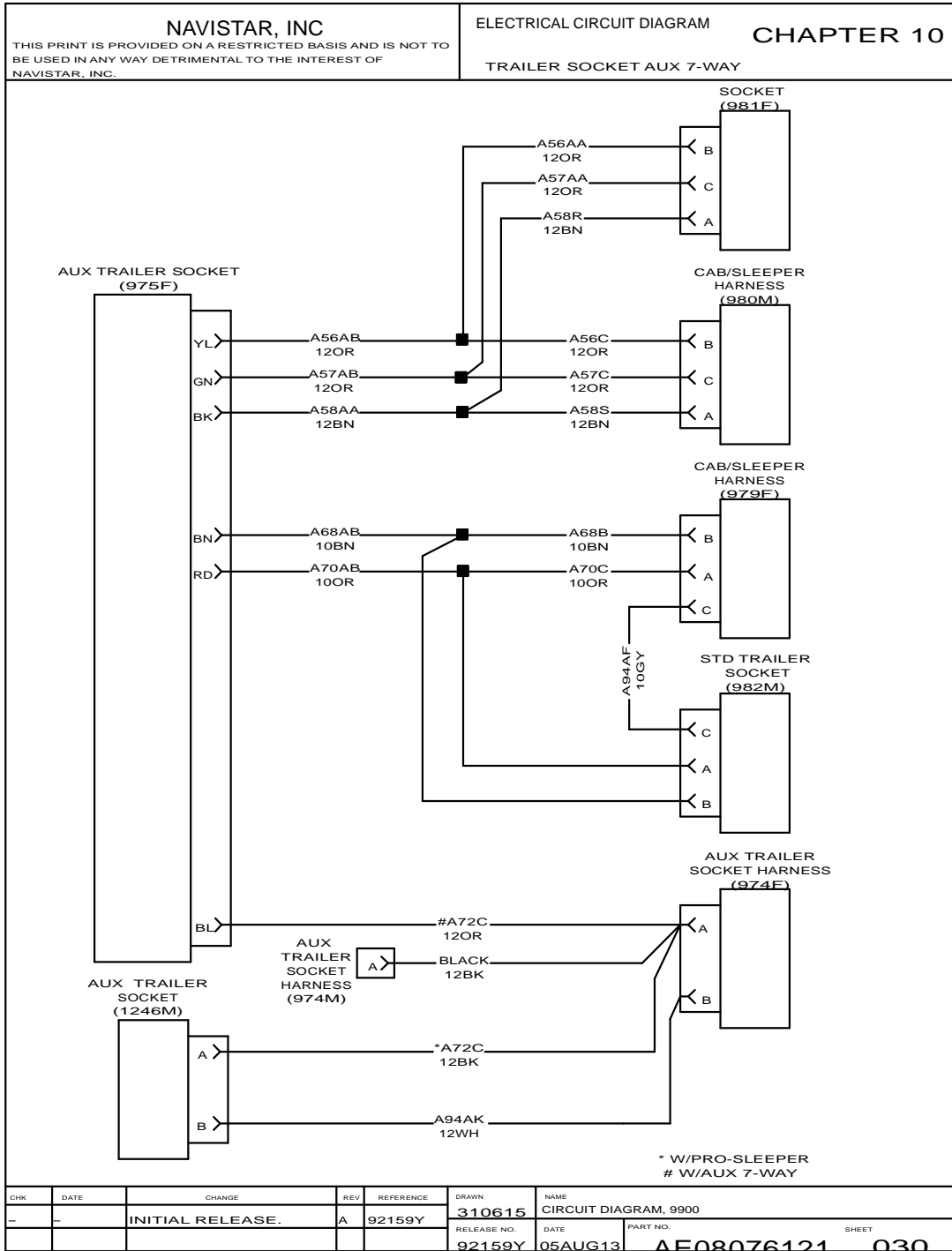


Figure 186 Trailer Socket AUX 7-Way.

10.31. TRAILER SOCKET CONNECTIONS, P. 31

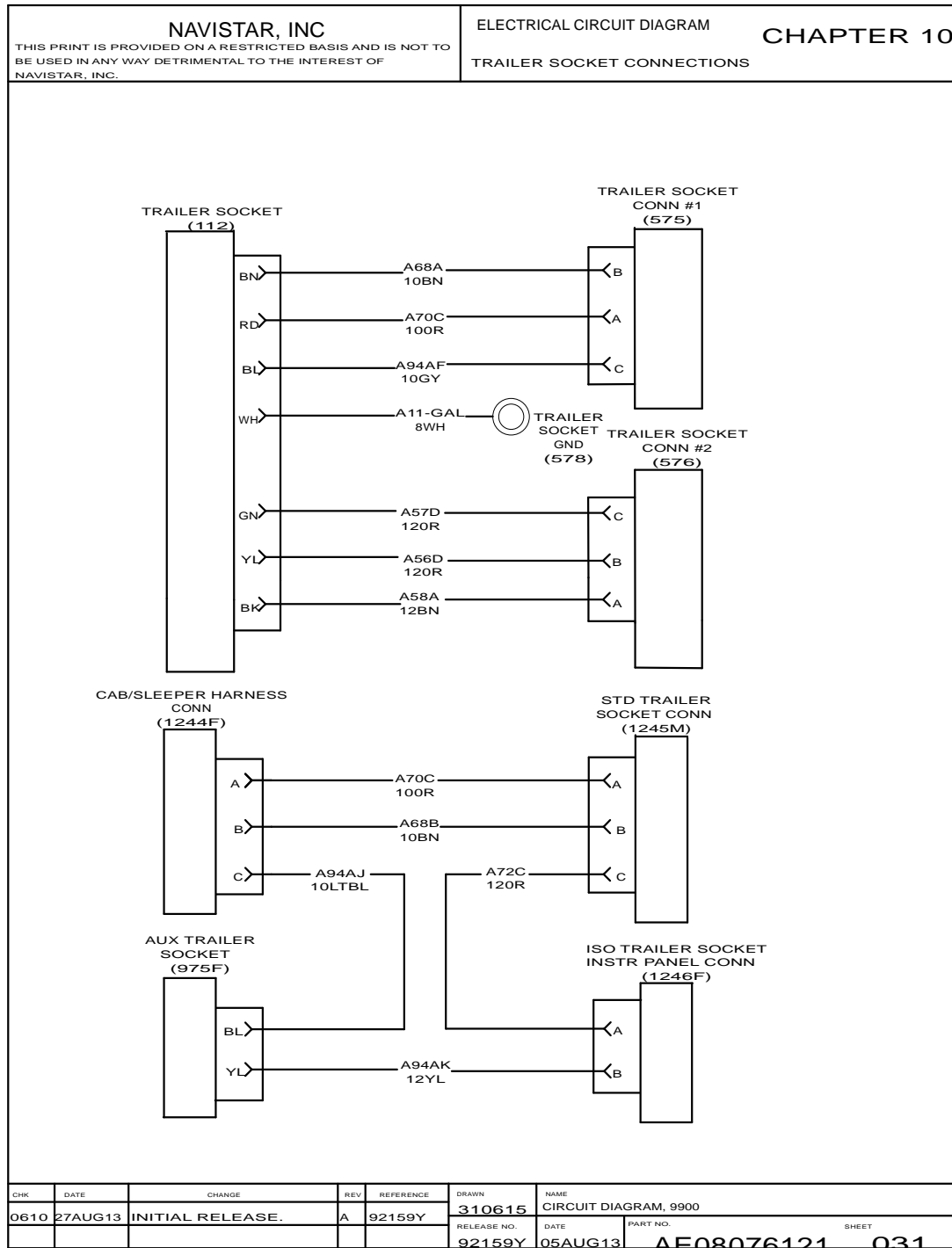


Figure 187 Trailer Socket Connections.

10.32. TRAILER SOCKET – BOC AND EOF, P. 32

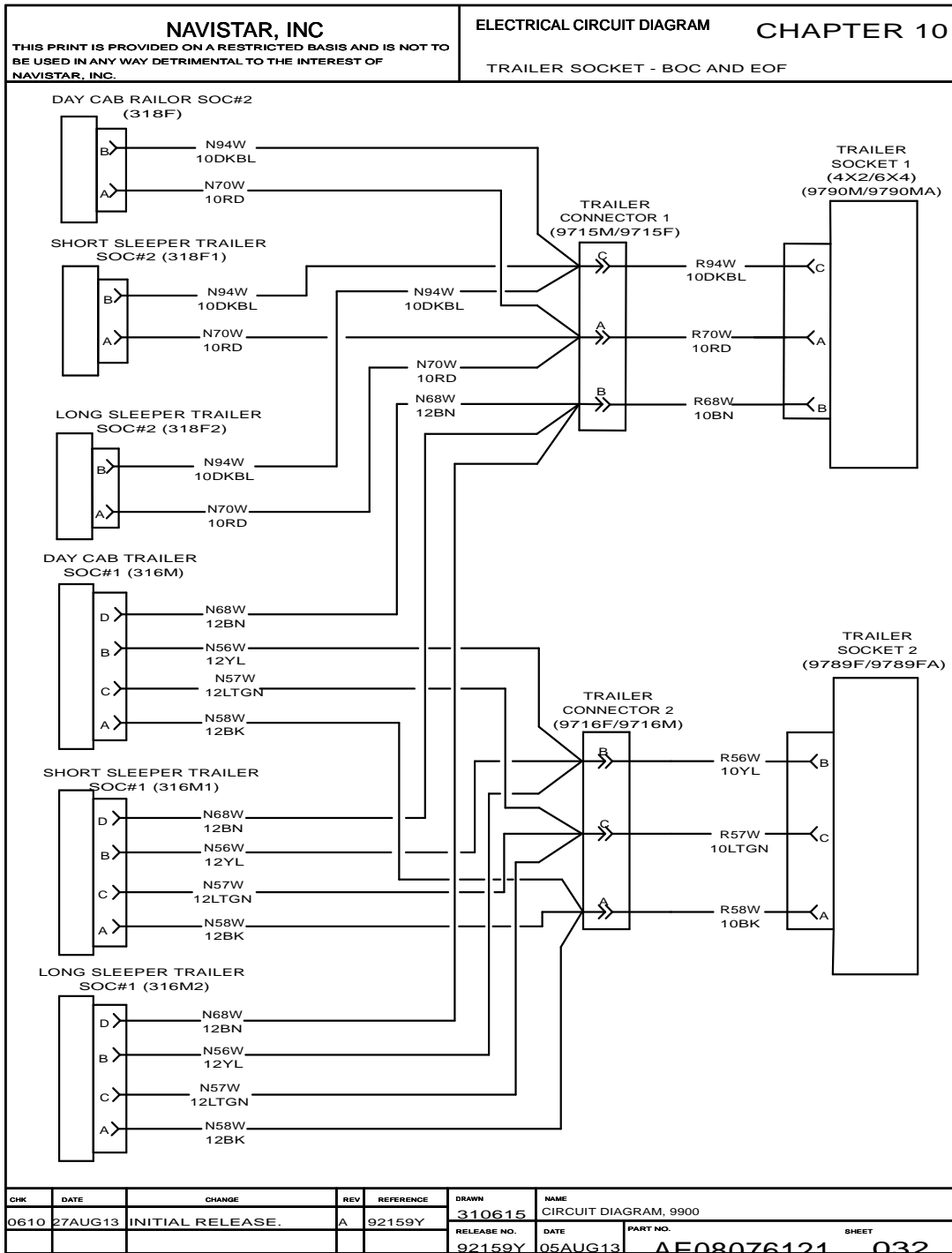


Figure 188 Trailer Socket – BOC and EOF.

TRANSMISSION CONTROL MODULE (CHAPTER 11)

11.1. EATON AUTOSHIFT AND ULTRASHIFT TRANSMISSION (IBB ENGINE), P. 1

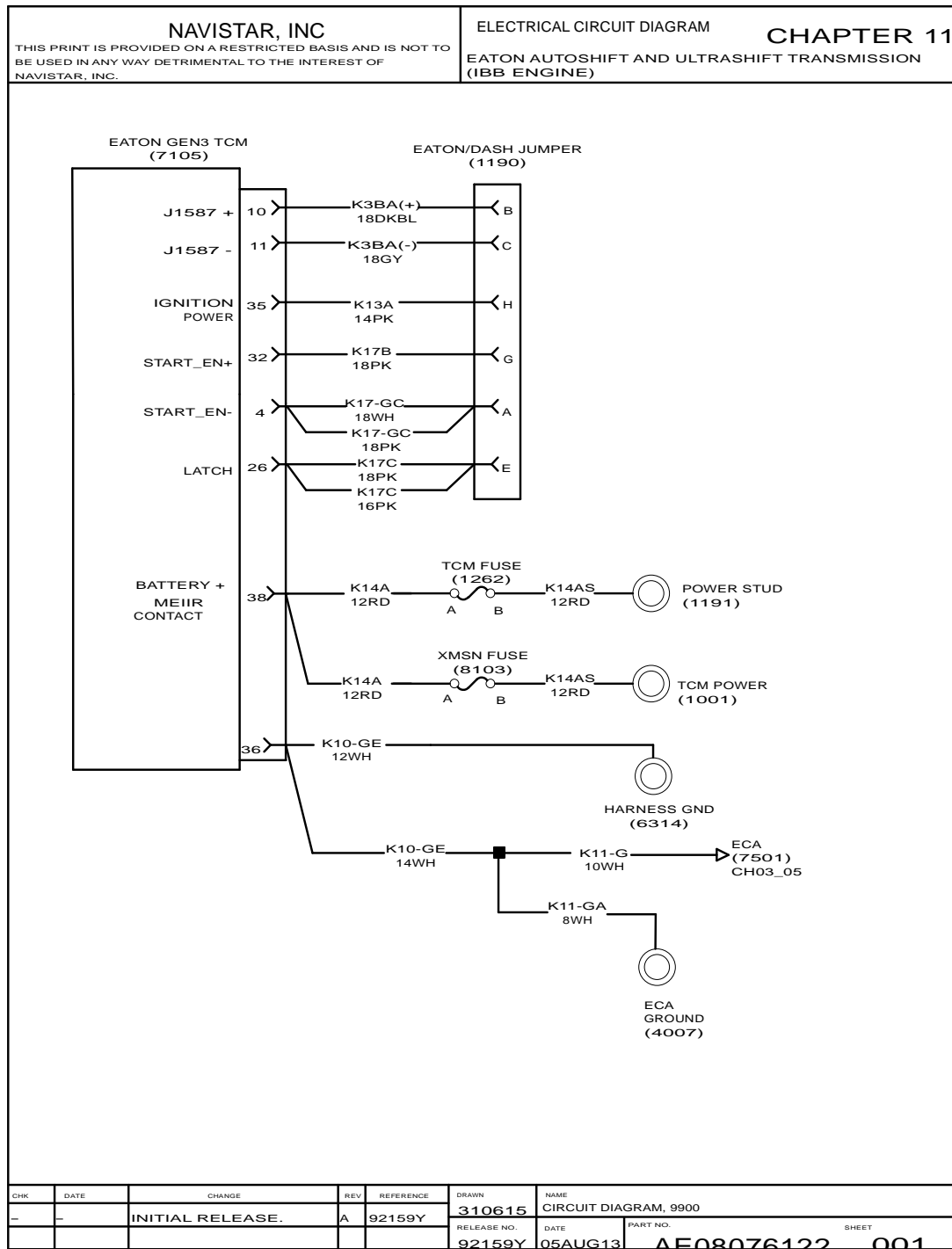


Figure 189 Eaton Autoshift and Ultrashift Transmission (IBB Engine)

11.2. EATON AUTOSHIFT AND ULTRASHIFT TRANSMISSION (IBB ENGINE) (CONT.), P. 2

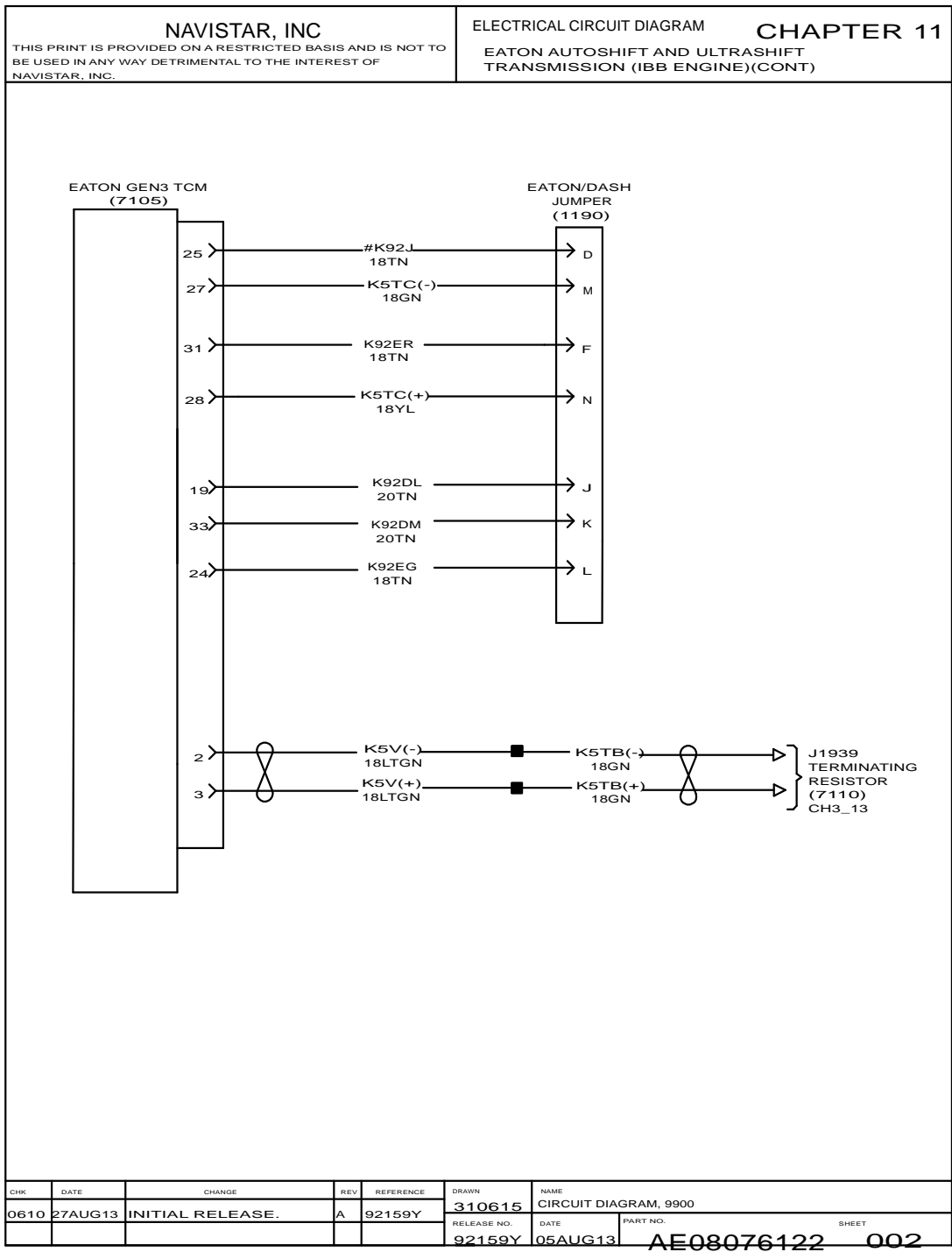


Figure 190 Eaton Autoshift and Ultrashift Transmission (IBB Engine) (Cont.)

11.3. ALLISON TRANSMISSION, P. 3

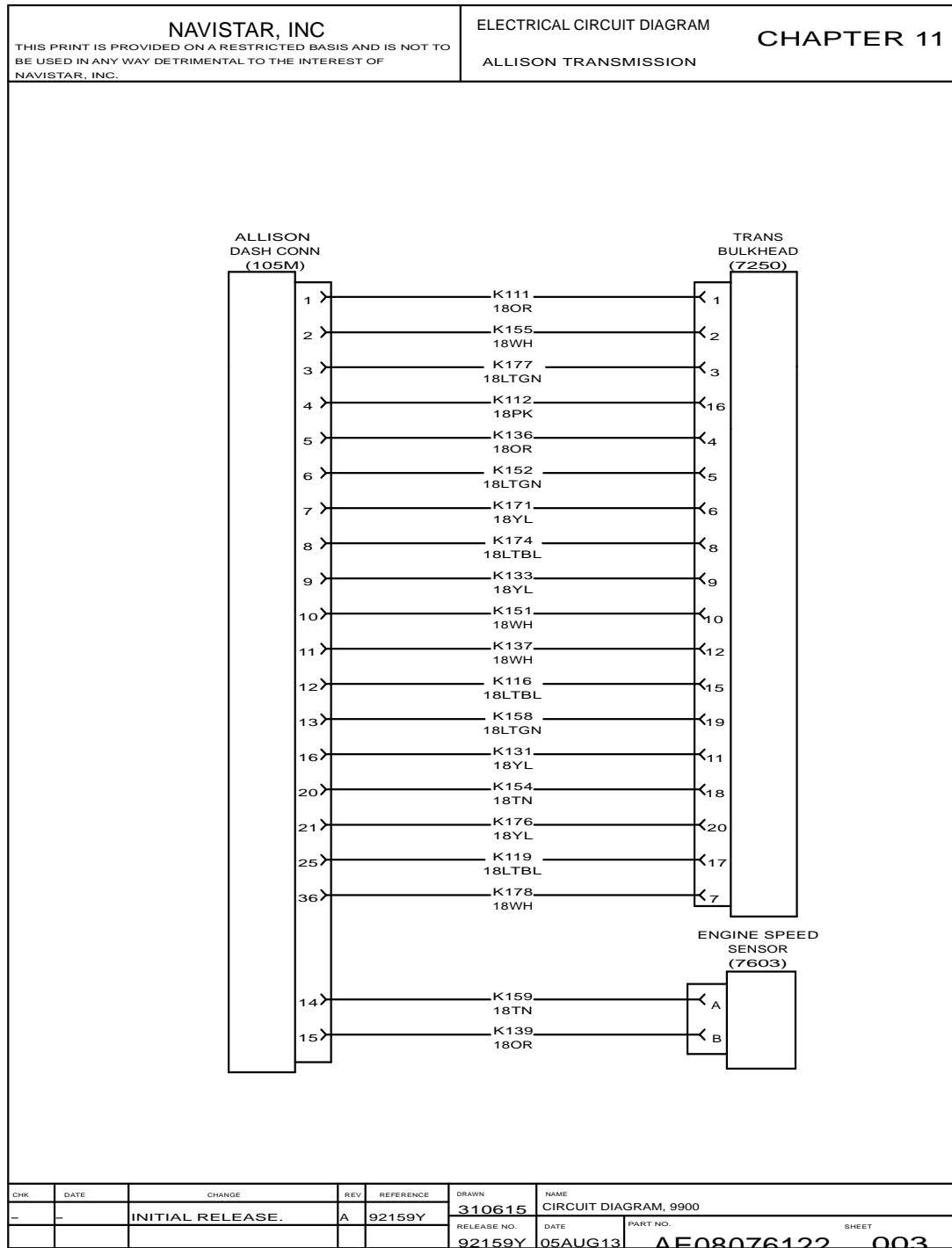


Figure 191 Allison Transmission.

11.4. ALLISON TRANSMISSION (CONT.), P. 4

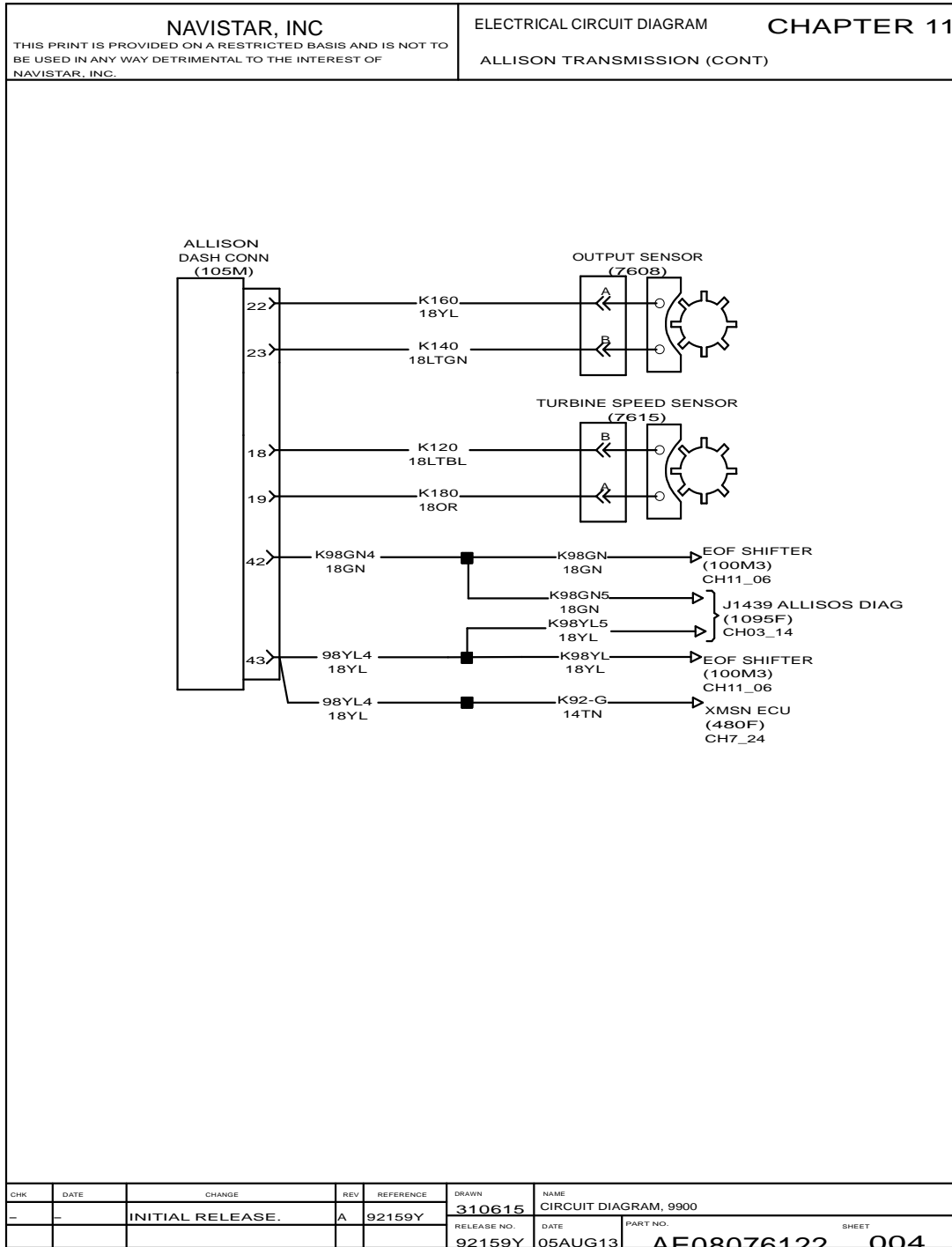


Figure 192 Allison Transmission (Cont.)

11.5. AUTOSHIFT TRANSMISSION, P. 5

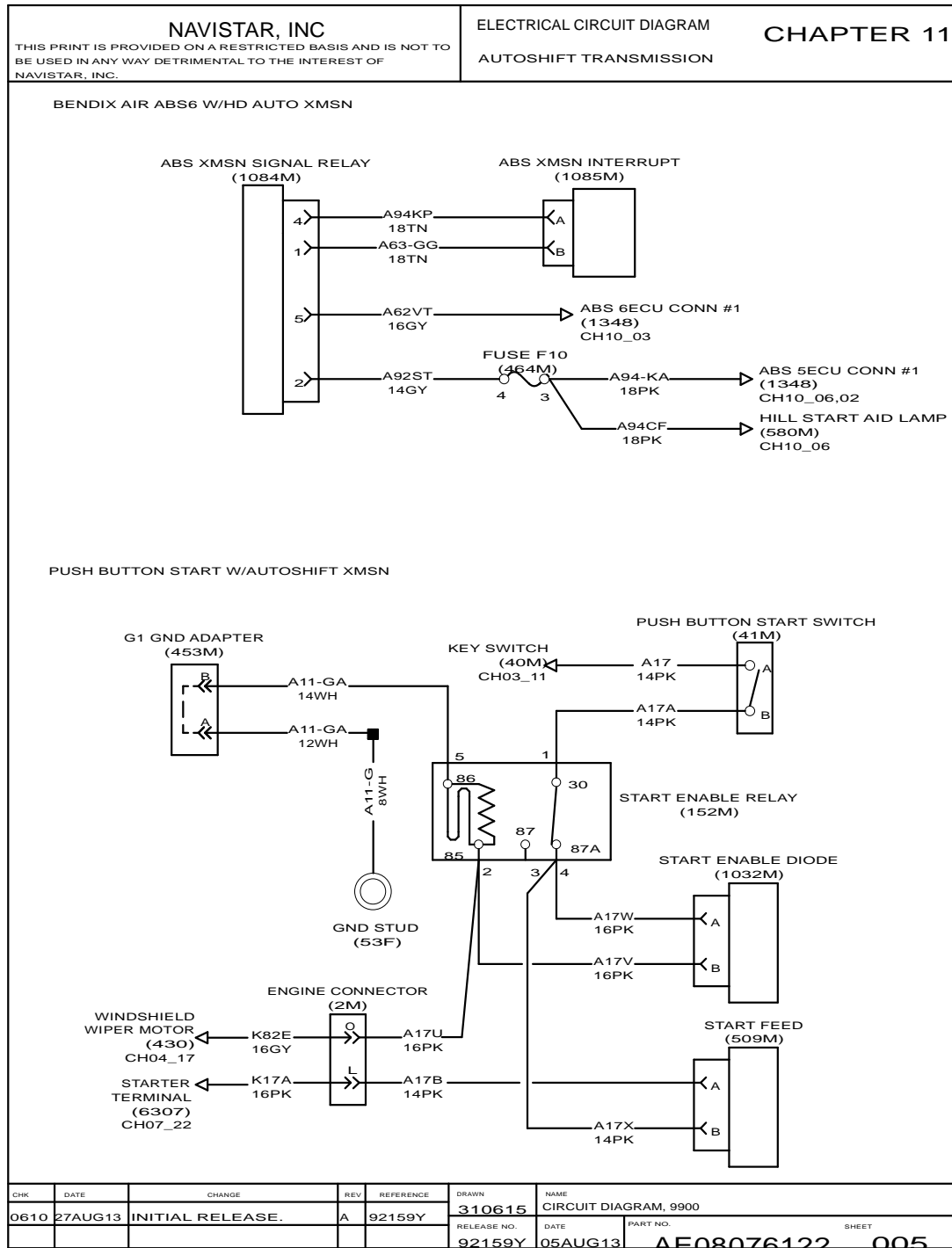


Figure 193 Autoshift Transmission.

11.6. ALLISON TRANSMISSION WITH RETARDER, P. 6

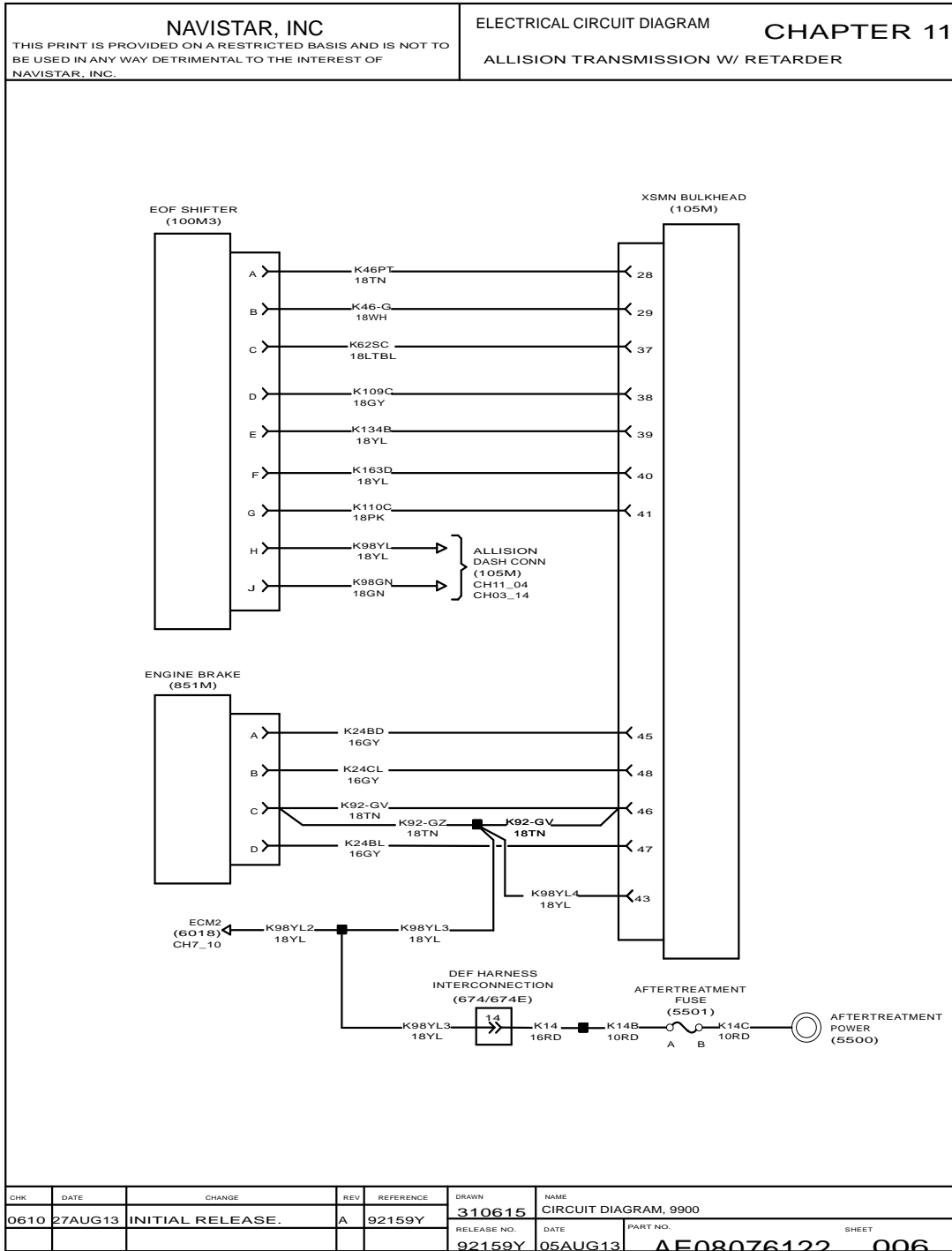


Figure 194 Allison Transmission with Retarder.

11.7. AUTOSHIFT TRANSMISSION WITHOUT ABS, P. 7

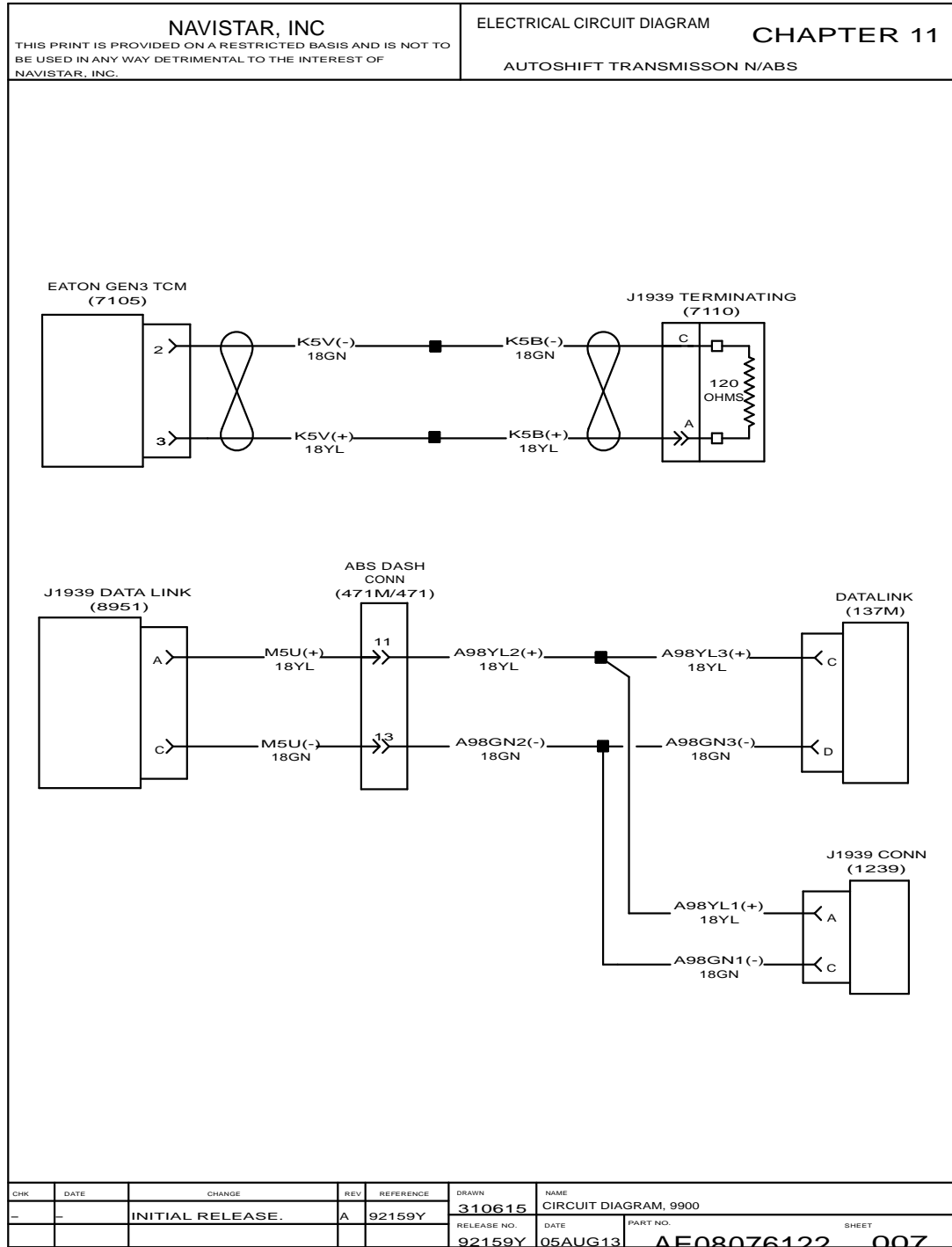


Figure 195 Autoshift Transmission without ABS.

HVAC (CHAPTER 12)

12.1. AIR CONDITIONER – CAB , P. 1

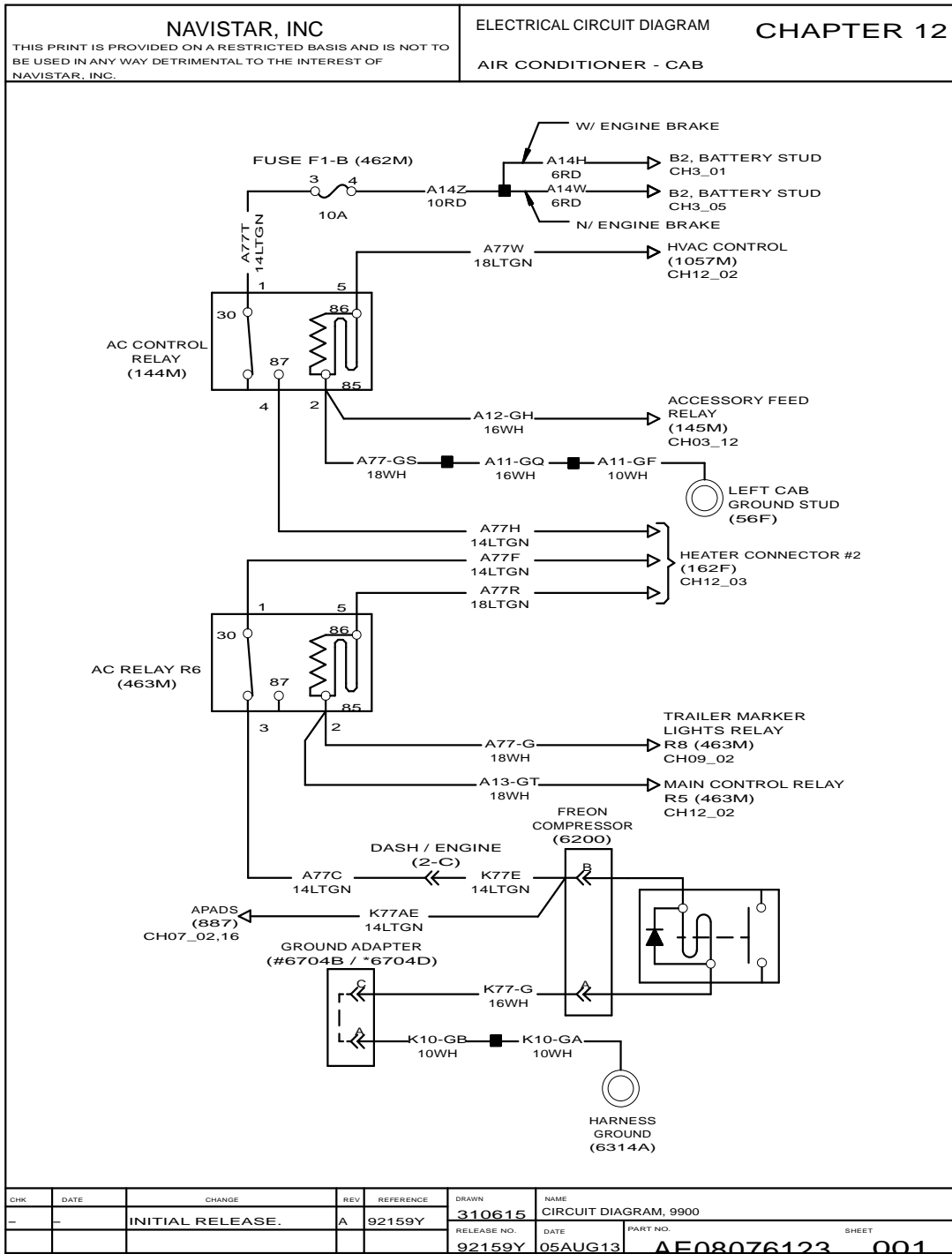


Figure 196 Air Conditioner – Cab.

12.2. HEATER – CAB, P. 2

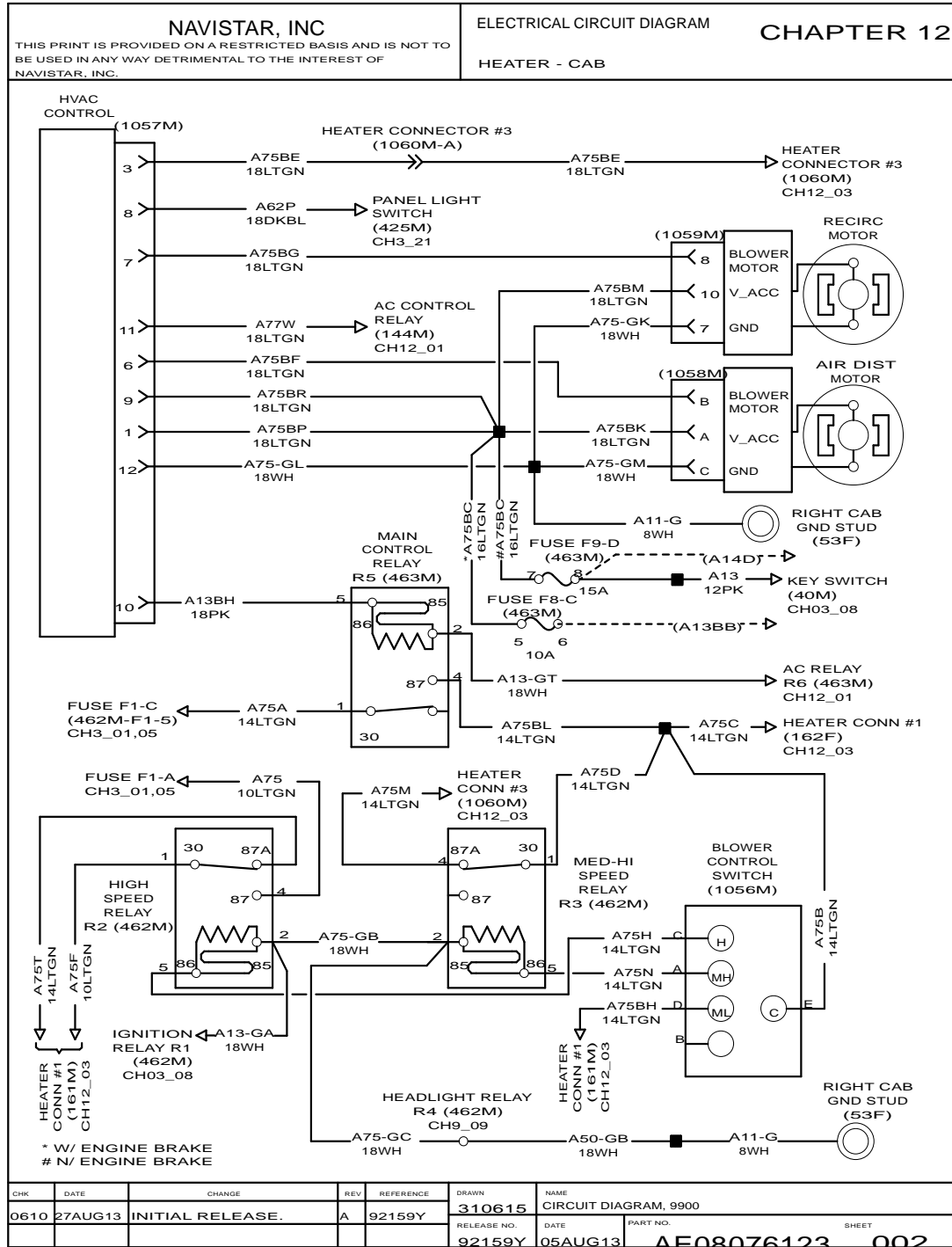


Figure 197 Heater – Cab.

12.3. LOWERED HEATER – CAB, P. 3

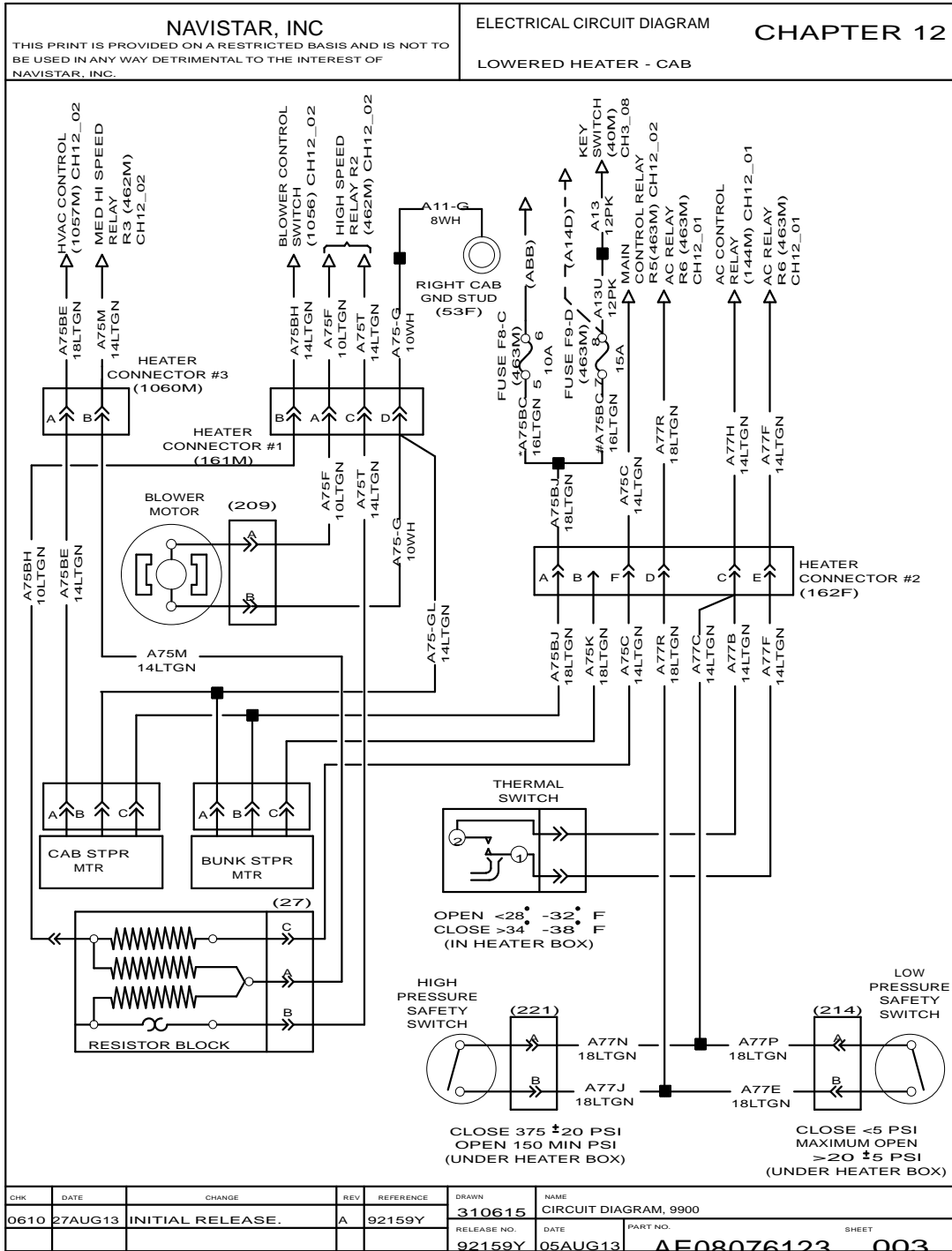


Figure 198 Lowered Heater – Cab.

CONNECTOR COMPOSITE (CHAPTER 13)

13.1. CONNECTOR COMPOSITE (1 / 1F), P. 1

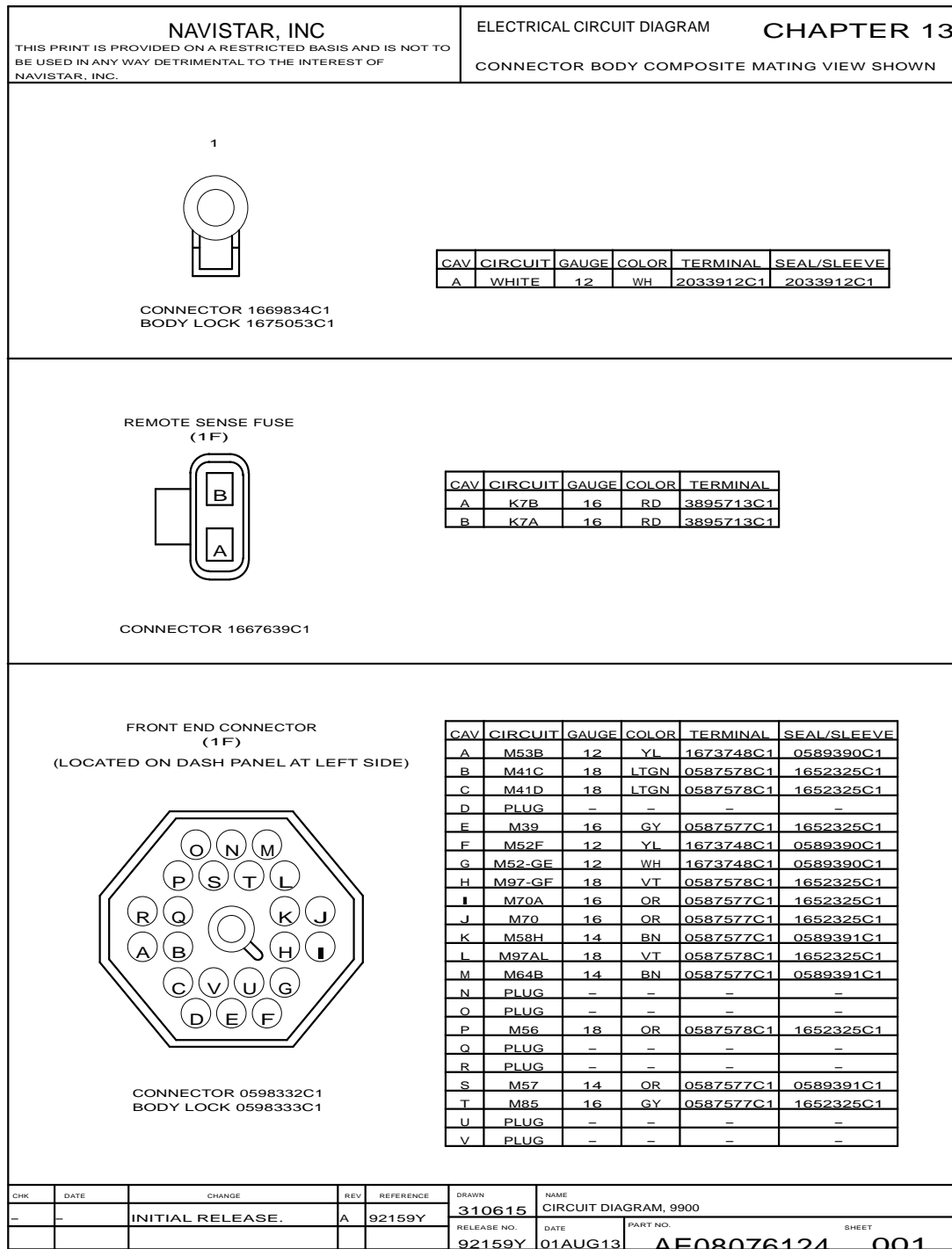


Figure 199 Connector Composite (1 / 1F)

13.2. CONNECTOR COMPOSITE (1M), P. 2


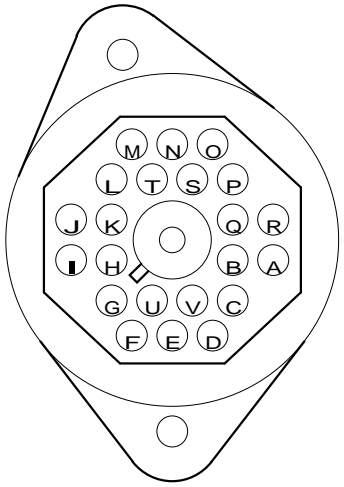
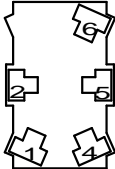
NAVISTAR, INC				ELECTRICAL CIRCUIT DIAGRAM		CHAPTER 13																																																																																																																																																																									
THIS PRINT IS PROVIDED ON A RESTRICTED BASIS AND IS NOT TO BE USED IN ANY WAY DETRIMENTAL TO THE INTEREST OF NAVISTAR, INC.				CONNECTOR BODY COMPOSITE MATING VIEW SHOWN																																																																																																																																																																											
AUX TRLR SOC CONN (1M) 				<table border="1" style="width:100%; border-collapse: collapse; font-size: x-small;"> <thead> <tr> <th>CAV</th> <th>CIRCUIT</th> <th>GAUGE</th> <th>COLOR</th> <th>TERMINAL</th> </tr> </thead> <tbody> <tr> <td>A</td> <td>A57C</td> <td>12</td> <td>OR</td> <td>1661211C1</td> </tr> <tr> <td>B</td> <td>A56C</td> <td>12</td> <td>YL</td> <td>1661211C1</td> </tr> </tbody> </table>				CAV	CIRCUIT	GAUGE	COLOR	TERMINAL	A	A57C	12	OR	1661211C1	B	A56C	12	YL	1661211C1																																																																																																																																																									
CAV	CIRCUIT	GAUGE	COLOR	TERMINAL																																																																																																																																																																											
A	A57C	12	OR	1661211C1																																																																																																																																																																											
B	A56C	12	YL	1661211C1																																																																																																																																																																											
CONNECTOR 1661196C1 BODY LOCK 0598333C1																																																																																																																																																																															
AUX TRLR SOC CONN (1M) 				<table border="1" style="width:100%; border-collapse: collapse; font-size: x-small;"> <thead> <tr> <th>CAV</th> <th>CIRCUIT</th> <th>GAUGE</th> <th>COLOR</th> <th>TERMINAL</th> <th>SEAL/SLEEVE</th> </tr> </thead> <tbody> <tr><td>A</td><td>A53B</td><td>14</td><td>YL</td><td>0587575C1</td><td>0589391C1</td></tr> <tr><td>B</td><td>A41C</td><td>18</td><td>LTGN</td><td>0587576C1</td><td>1652325C1</td></tr> <tr><td>B</td><td>A58ZH</td><td>16</td><td>BN</td><td>0587575C1</td><td>1652325C1</td></tr> <tr><td>C</td><td>A41D</td><td>18</td><td>LTGN</td><td>0587576C1</td><td>1652325C1</td></tr> <tr><td>D</td><td>PLUG</td><td>-</td><td>-</td><td>-</td><td>-</td></tr> <tr><td>E</td><td>A39B</td><td>16</td><td>GY</td><td>0587575C1</td><td>1652325C1</td></tr> <tr><td>F</td><td>A52F</td><td>12</td><td>YL</td><td>1673747C1</td><td>0589390C1</td></tr> <tr><td>F</td><td>A52F</td><td>14</td><td>YL</td><td>0587575C1</td><td>0589391C1</td></tr> <tr><td>G</td><td>A52-GE</td><td>12</td><td>WH</td><td>1673747C1</td><td>0589390C1</td></tr> <tr><td>H*</td><td>A97AF</td><td>18</td><td>VT</td><td>0587576C1</td><td>1652325C1</td></tr> <tr><td>H%</td><td>A97AL</td><td>16</td><td>VT</td><td>0587575C1</td><td>1652325C1</td></tr> <tr><td>H@</td><td>A97-GF</td><td>18</td><td>VT</td><td>0587576C1</td><td>1652325C1</td></tr> <tr><td>I</td><td>A70A</td><td>14</td><td>OR</td><td>0587575C1</td><td>0589391C1</td></tr> <tr><td>J</td><td>A70</td><td>12</td><td>OR</td><td>1673747C1</td><td>0589390C1</td></tr> <tr><td>K</td><td>A58H</td><td>16</td><td>BN</td><td>0587575C1</td><td>1652325C1</td></tr> <tr><td>L*</td><td>A97AL</td><td>18</td><td>VT</td><td>0587576C1</td><td>1652325C1</td></tr> <tr><td>L%</td><td>A97NM</td><td>18</td><td>VT</td><td>0587576C1</td><td>1652325C1</td></tr> <tr><td>M</td><td>A64B</td><td>14</td><td>YL</td><td>0587575C1</td><td>0589391C1</td></tr> <tr><td>N</td><td>PLUG</td><td>-</td><td>-</td><td>-</td><td>-</td></tr> <tr><td>O</td><td>PLUG</td><td>-</td><td>-</td><td>-</td><td>-</td></tr> <tr><td>P</td><td>A56</td><td>12</td><td>OR</td><td>1673747C1</td><td>0589390C1</td></tr> <tr><td>Q</td><td>PLUG</td><td>-</td><td>-</td><td>-</td><td>-</td></tr> <tr><td>R</td><td>PLUG</td><td>-</td><td>-</td><td>-</td><td>-</td></tr> <tr><td>S</td><td>A57</td><td>12</td><td>OR</td><td>1673747C1</td><td>0589390C1</td></tr> <tr><td>T</td><td>A85B</td><td>16</td><td>GY</td><td>0587575C1</td><td>1652325C1</td></tr> <tr><td>U</td><td>A41C</td><td>18</td><td>LTGN</td><td>0587576C1</td><td>1652325C1</td></tr> <tr><td>V</td><td>A41D</td><td>18</td><td>LTGN</td><td>0587576C1</td><td>1652325C1</td></tr> </tbody> </table>				CAV	CIRCUIT	GAUGE	COLOR	TERMINAL	SEAL/SLEEVE	A	A53B	14	YL	0587575C1	0589391C1	B	A41C	18	LTGN	0587576C1	1652325C1	B	A58ZH	16	BN	0587575C1	1652325C1	C	A41D	18	LTGN	0587576C1	1652325C1	D	PLUG	-	-	-	-	E	A39B	16	GY	0587575C1	1652325C1	F	A52F	12	YL	1673747C1	0589390C1	F	A52F	14	YL	0587575C1	0589391C1	G	A52-GE	12	WH	1673747C1	0589390C1	H*	A97AF	18	VT	0587576C1	1652325C1	H%	A97AL	16	VT	0587575C1	1652325C1	H@	A97-GF	18	VT	0587576C1	1652325C1	I	A70A	14	OR	0587575C1	0589391C1	J	A70	12	OR	1673747C1	0589390C1	K	A58H	16	BN	0587575C1	1652325C1	L*	A97AL	18	VT	0587576C1	1652325C1	L%	A97NM	18	VT	0587576C1	1652325C1	M	A64B	14	YL	0587575C1	0589391C1	N	PLUG	-	-	-	-	O	PLUG	-	-	-	-	P	A56	12	OR	1673747C1	0589390C1	Q	PLUG	-	-	-	-	R	PLUG	-	-	-	-	S	A57	12	OR	1673747C1	0589390C1	T	A85B	16	GY	0587575C1	1652325C1	U	A41C	18	LTGN	0587576C1	1652325C1	V	A41D	18	LTGN	0587576C1	1652325C1
CAV	CIRCUIT	GAUGE	COLOR	TERMINAL	SEAL/SLEEVE																																																																																																																																																																										
A	A53B	14	YL	0587575C1	0589391C1																																																																																																																																																																										
B	A41C	18	LTGN	0587576C1	1652325C1																																																																																																																																																																										
B	A58ZH	16	BN	0587575C1	1652325C1																																																																																																																																																																										
C	A41D	18	LTGN	0587576C1	1652325C1																																																																																																																																																																										
D	PLUG	-	-	-	-																																																																																																																																																																										
E	A39B	16	GY	0587575C1	1652325C1																																																																																																																																																																										
F	A52F	12	YL	1673747C1	0589390C1																																																																																																																																																																										
F	A52F	14	YL	0587575C1	0589391C1																																																																																																																																																																										
G	A52-GE	12	WH	1673747C1	0589390C1																																																																																																																																																																										
H*	A97AF	18	VT	0587576C1	1652325C1																																																																																																																																																																										
H%	A97AL	16	VT	0587575C1	1652325C1																																																																																																																																																																										
H@	A97-GF	18	VT	0587576C1	1652325C1																																																																																																																																																																										
I	A70A	14	OR	0587575C1	0589391C1																																																																																																																																																																										
J	A70	12	OR	1673747C1	0589390C1																																																																																																																																																																										
K	A58H	16	BN	0587575C1	1652325C1																																																																																																																																																																										
L*	A97AL	18	VT	0587576C1	1652325C1																																																																																																																																																																										
L%	A97NM	18	VT	0587576C1	1652325C1																																																																																																																																																																										
M	A64B	14	YL	0587575C1	0589391C1																																																																																																																																																																										
N	PLUG	-	-	-	-																																																																																																																																																																										
O	PLUG	-	-	-	-																																																																																																																																																																										
P	A56	12	OR	1673747C1	0589390C1																																																																																																																																																																										
Q	PLUG	-	-	-	-																																																																																																																																																																										
R	PLUG	-	-	-	-																																																																																																																																																																										
S	A57	12	OR	1673747C1	0589390C1																																																																																																																																																																										
T	A85B	16	GY	0587575C1	1652325C1																																																																																																																																																																										
U	A41C	18	LTGN	0587576C1	1652325C1																																																																																																																																																																										
V	A41D	18	LTGN	0587576C1	1652325C1																																																																																																																																																																										
CONNECTOR 0593389C1 BODY LOCK 0598333C1				* W/ 2010 1BB ENG & W/ ALLISION XMSN & W/ ENGINE BRAKE % w/ INTL CEC I-6ENGINES @ W/ EATON DM3 XMSN W/ AUTO CLUTCH W/ CUMMINS W/ ICON																																																																																																																																																																											
SWITCH (1M) (LOCATED AT BEHIND DRIVER SEAT) 				<table border="1" style="width:100%; border-collapse: collapse; font-size: x-small;"> <thead> <tr> <th>CAV</th> <th>CIRCUIT</th> <th>GAUGE</th> <th>COLOR</th> <th>TERMINAL</th> </tr> </thead> <tbody> <tr><td>1</td><td>A65C</td><td>16</td><td>OR</td><td>1661226C1</td></tr> <tr><td>2</td><td>A65-GC</td><td>16</td><td>WH</td><td>1661226C1</td></tr> <tr><td>3</td><td>PLUG</td><td>-</td><td>-</td><td>-</td></tr> <tr><td>4</td><td>A65N</td><td>16</td><td>OR</td><td>1661226C1</td></tr> <tr><td>4</td><td>A71R</td><td>16</td><td>OR</td><td>1661226C1</td></tr> <tr><td>5</td><td>A65R</td><td>18</td><td>OR</td><td>1661224C1</td></tr> <tr><td>5</td><td>A71N</td><td>16</td><td>OR</td><td>1661226C1</td></tr> <tr><td>6</td><td>A65P</td><td>16</td><td>OR</td><td>1661226C1</td></tr> </tbody> </table>				CAV	CIRCUIT	GAUGE	COLOR	TERMINAL	1	A65C	16	OR	1661226C1	2	A65-GC	16	WH	1661226C1	3	PLUG	-	-	-	4	A65N	16	OR	1661226C1	4	A71R	16	OR	1661226C1	5	A65R	18	OR	1661224C1	5	A71N	16	OR	1661226C1	6	A65P	16	OR	1661226C1																																																																																																																											
CAV	CIRCUIT	GAUGE	COLOR	TERMINAL																																																																																																																																																																											
1	A65C	16	OR	1661226C1																																																																																																																																																																											
2	A65-GC	16	WH	1661226C1																																																																																																																																																																											
3	PLUG	-	-	-																																																																																																																																																																											
4	A65N	16	OR	1661226C1																																																																																																																																																																											
4	A71R	16	OR	1661226C1																																																																																																																																																																											
5	A65R	18	OR	1661224C1																																																																																																																																																																											
5	A71N	16	OR	1661226C1																																																																																																																																																																											
6	A65P	16	OR	1661226C1																																																																																																																																																																											
CONNECTOR 1661256C1																																																																																																																																																																															
CHK	DATE	CHANGE	REV	REFERENCE	DRAWN	NAME																																																																																																																																																																									
0488	09DEC14	ADDED CONN 1661256C1.	B	92783V	310615	CIRCUIT DIAGRAM, 9900																																																																																																																																																																									
RELEASE NO.		DATE		PART NO.		SHEET																																																																																																																																																																									
92159Y		01AUG13		AE08076124		002																																																																																																																																																																									

Figure 200 Connector Composite (1M)

13.3. CONNECTOR COMPOSITE (2), P. 3

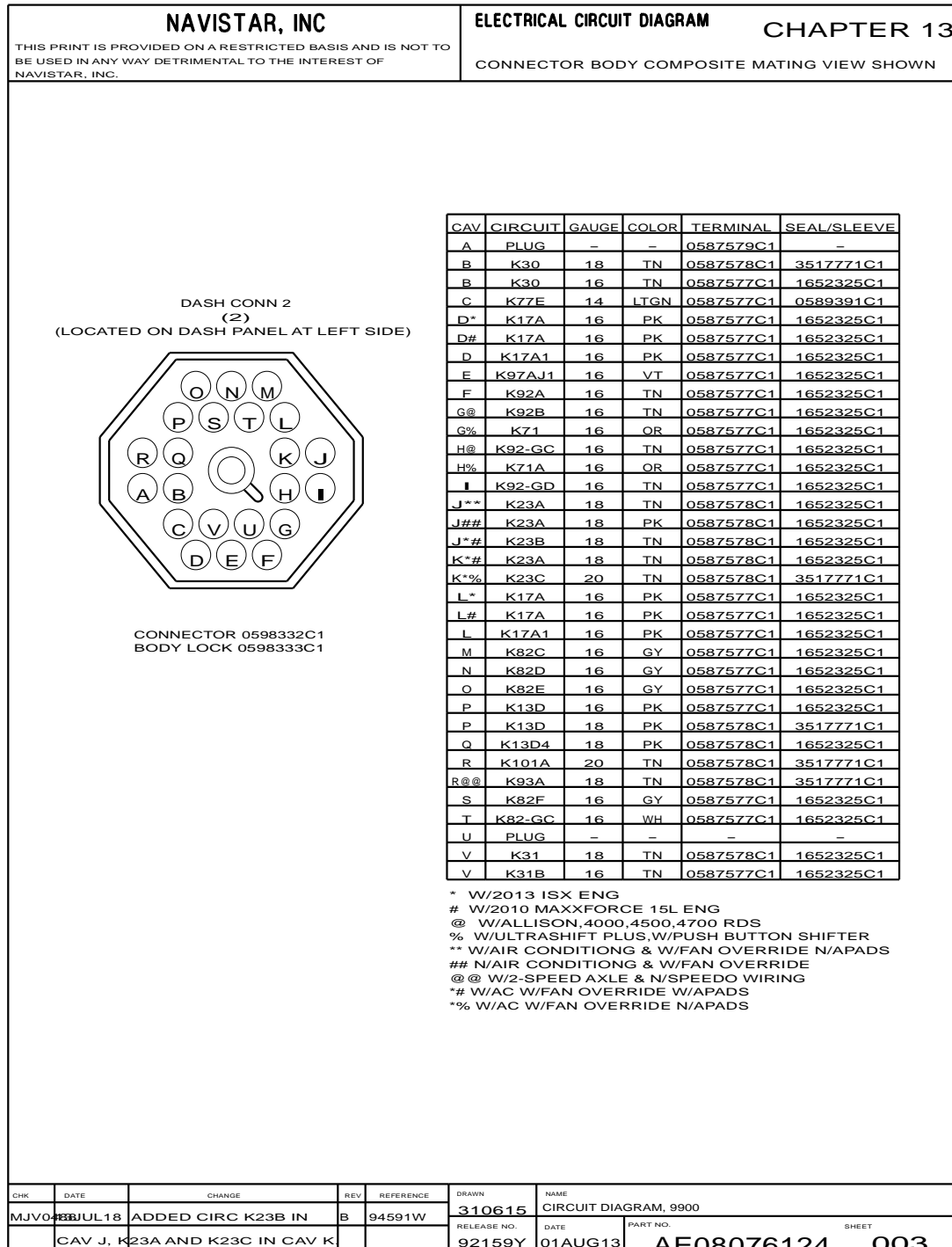


Figure 201 Connector Composite (2)

13.4. CONNECTOR COMPOSITE (2M), P. 4

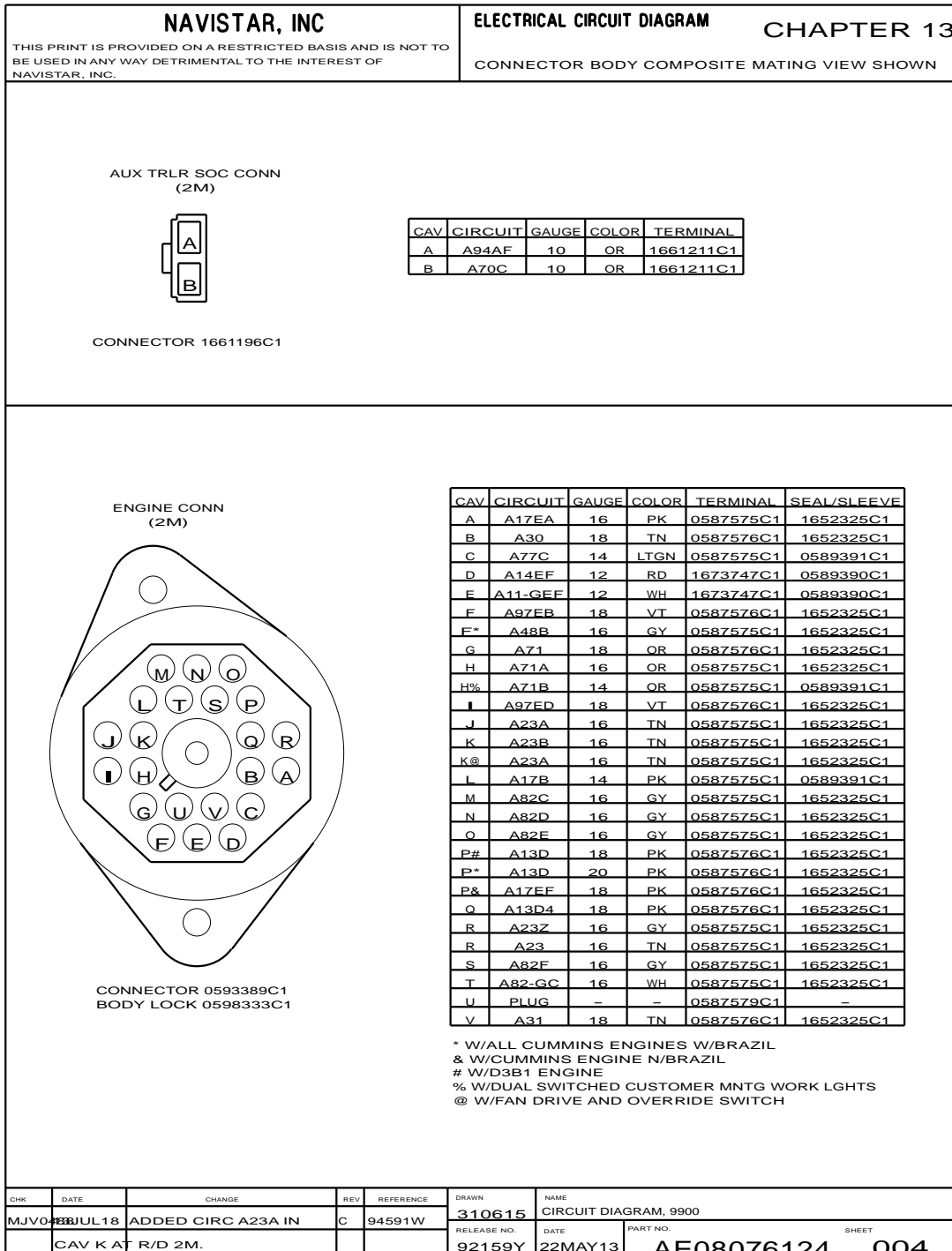


Figure 202 Connector Composite (2M)

13.5. CONNECTOR COMPOSITE (2M1 / 2M2 / 3F), P. 5

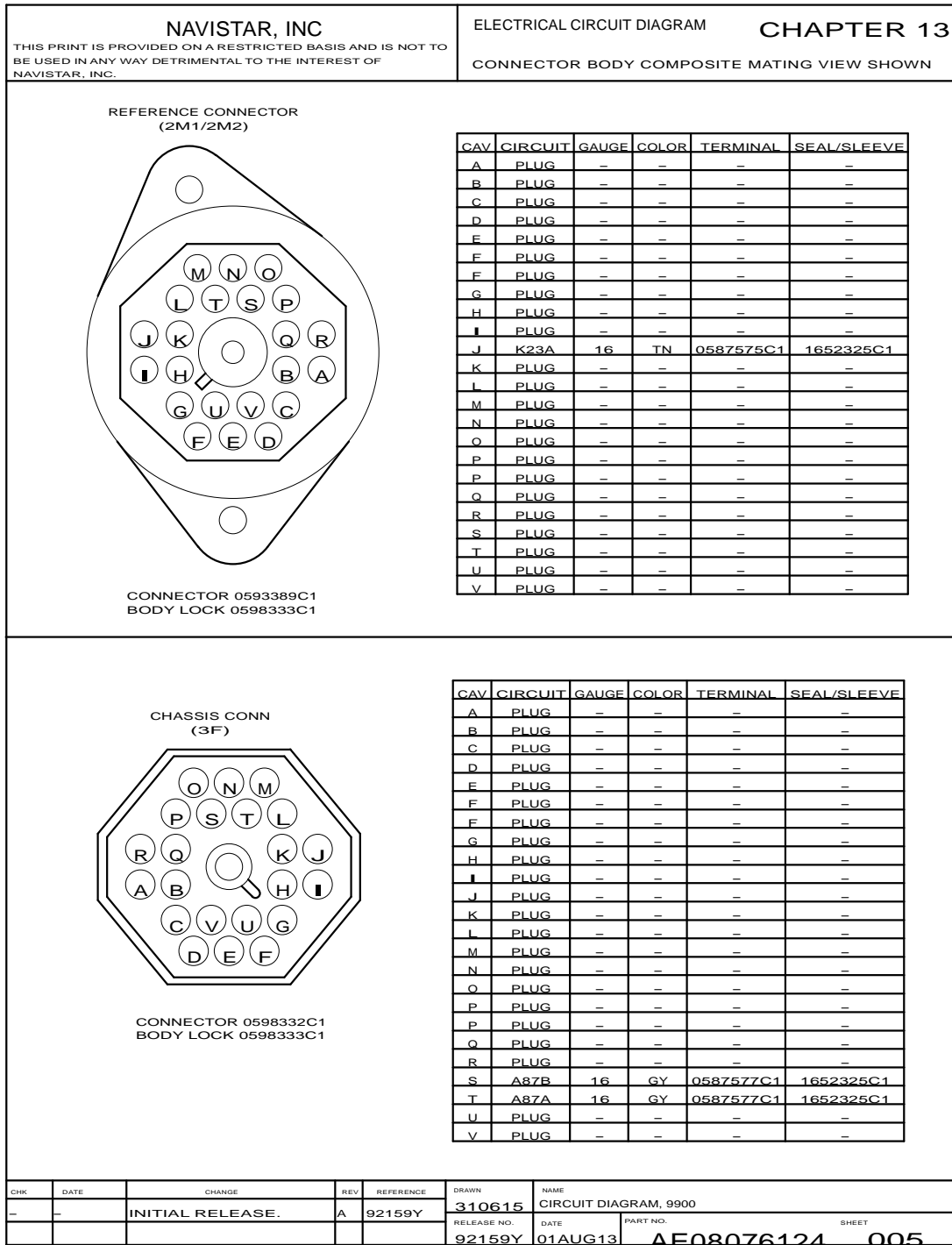


Figure 203 Connector Composite (2M1 / 2M2 / 3F)

13.6. CONNECTOR COMPOSITE (3F / 3M), P. 6

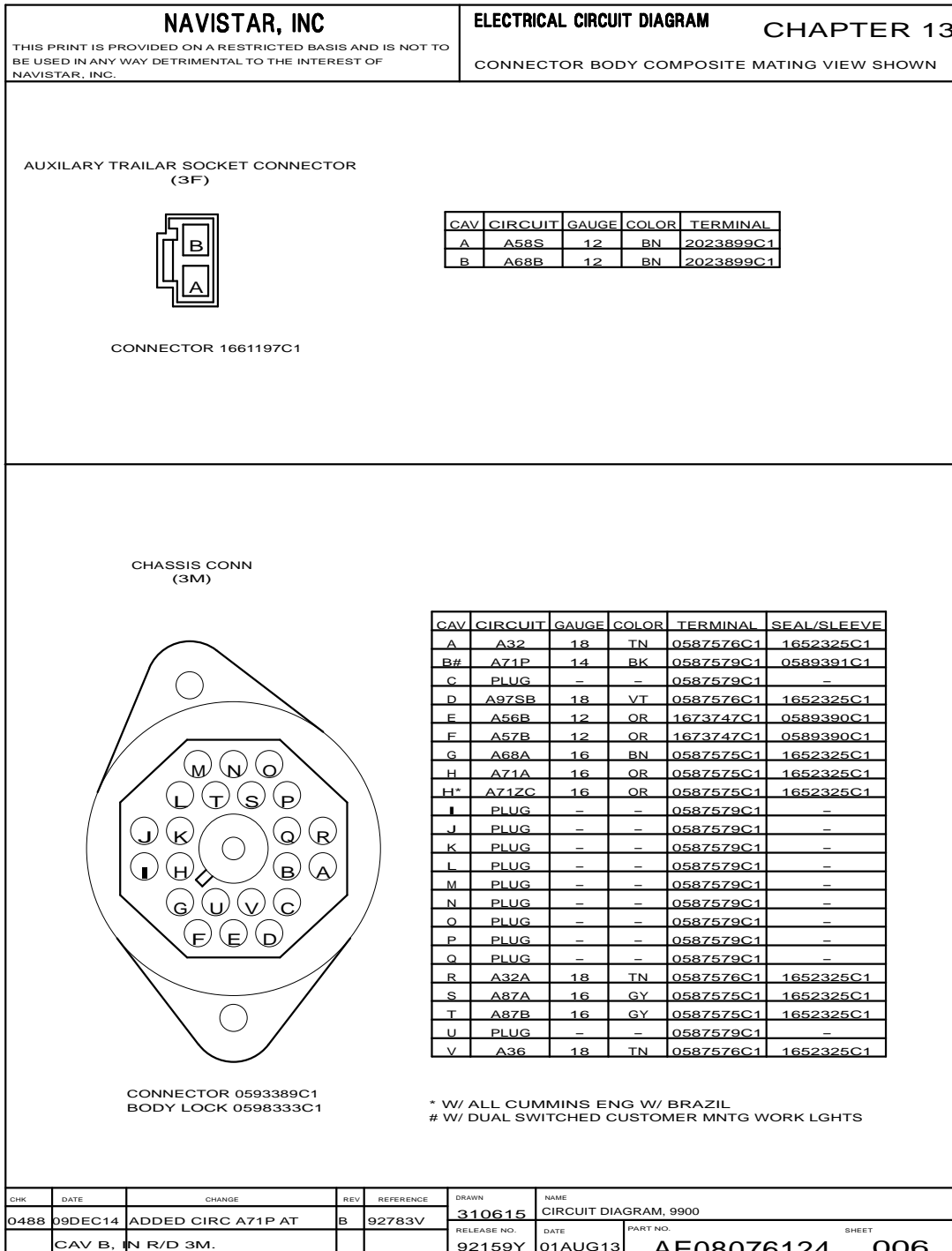


Figure 204 Connector Composite (3F / 3M)

13.7. CONNECTOR COMPOSITE (3M / 4M), P. 7

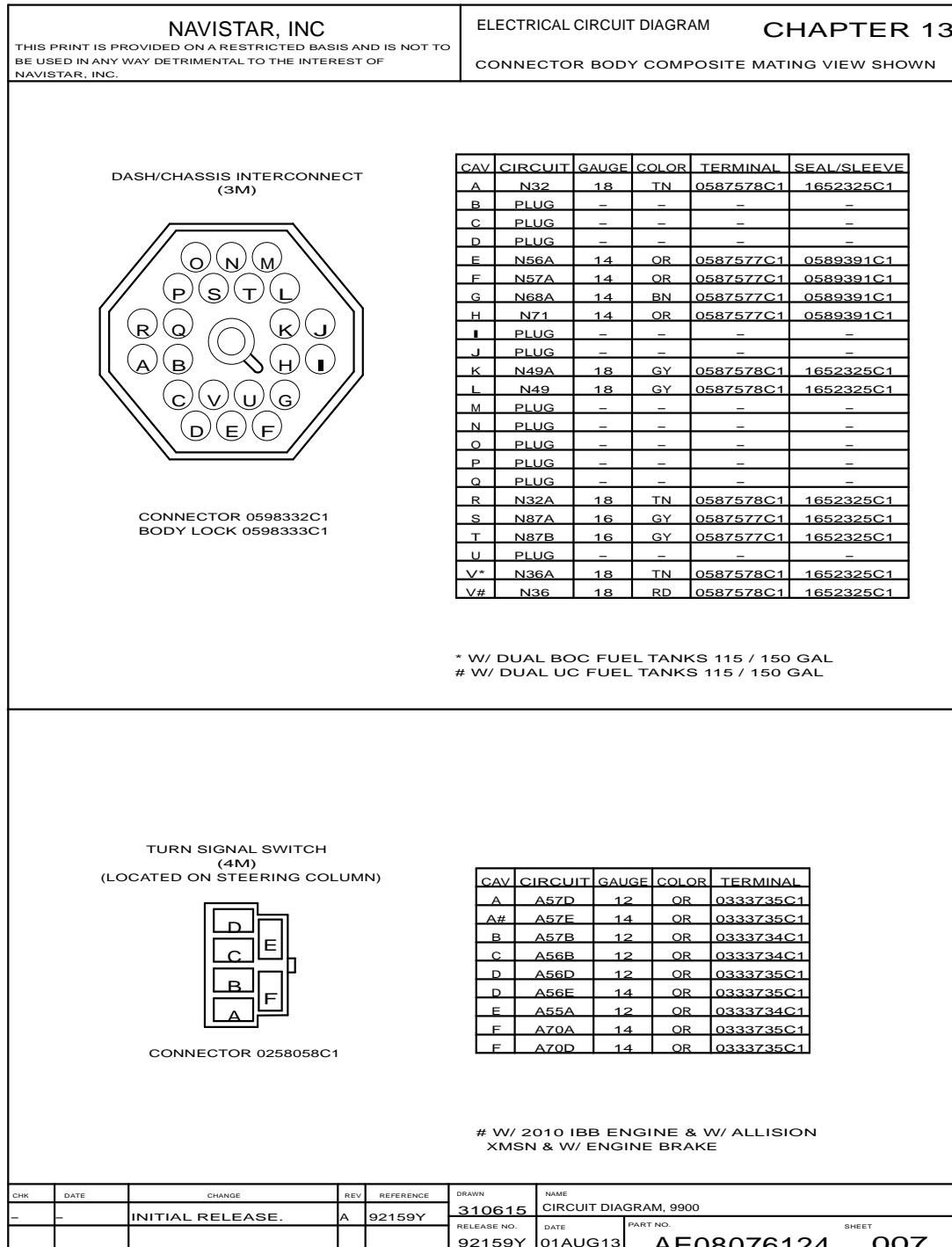


Figure 205 Connector Composite (3M / 4M)

13.8. CONNECTOR COMPOSITE (8 / 9F / 9M), P. 8

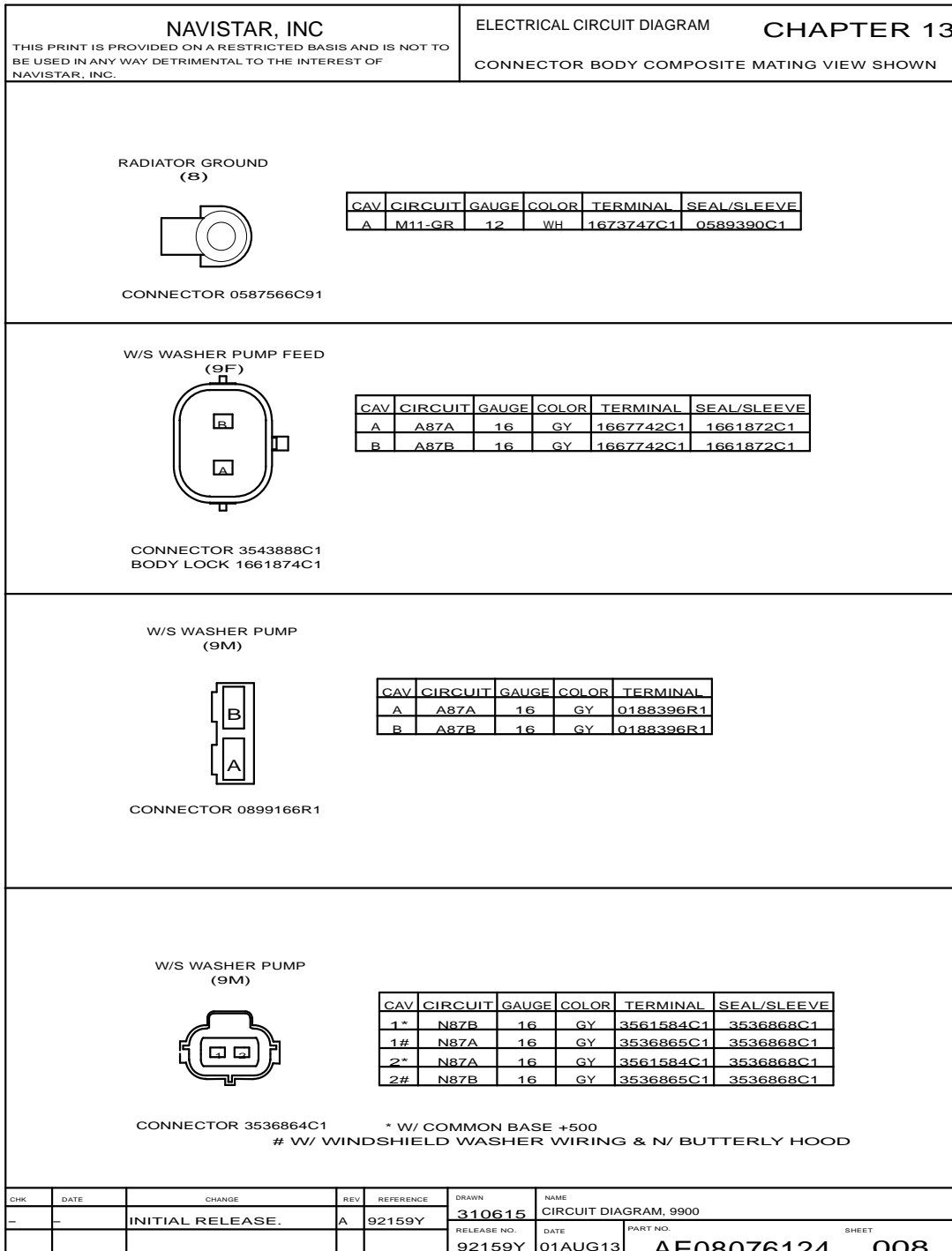


Figure 206 Connector Composite (8 / 9F / 9M)

13.9. CONNECTOR COMPOSITE (10A / 18F / 18M / 20 / 29), P. 9

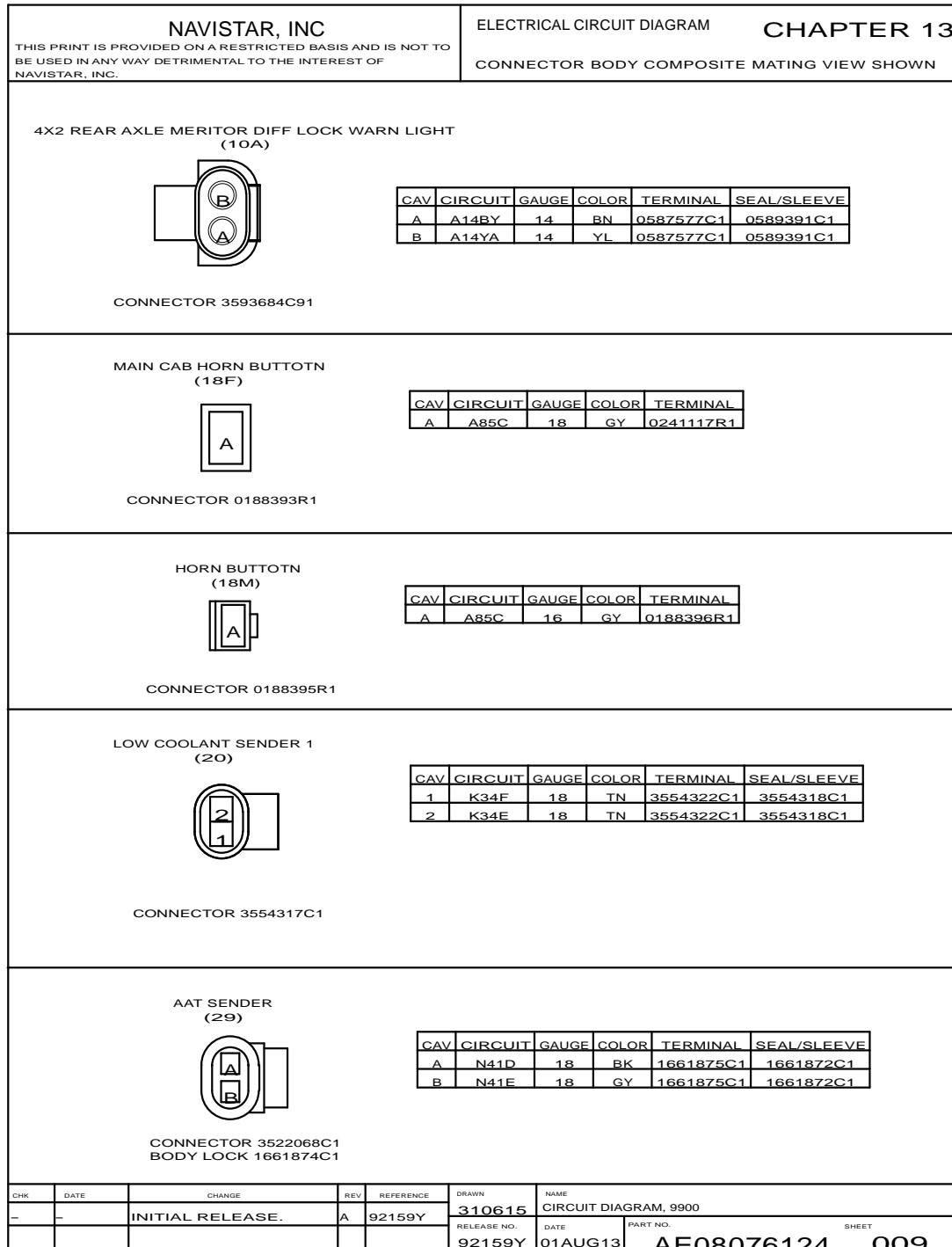


Figure 207 Connector Composite (10A / 18F / 18M / 20 / 29)

13.10. CONNECTOR COMPOSITE (30 / 40M), P. 10

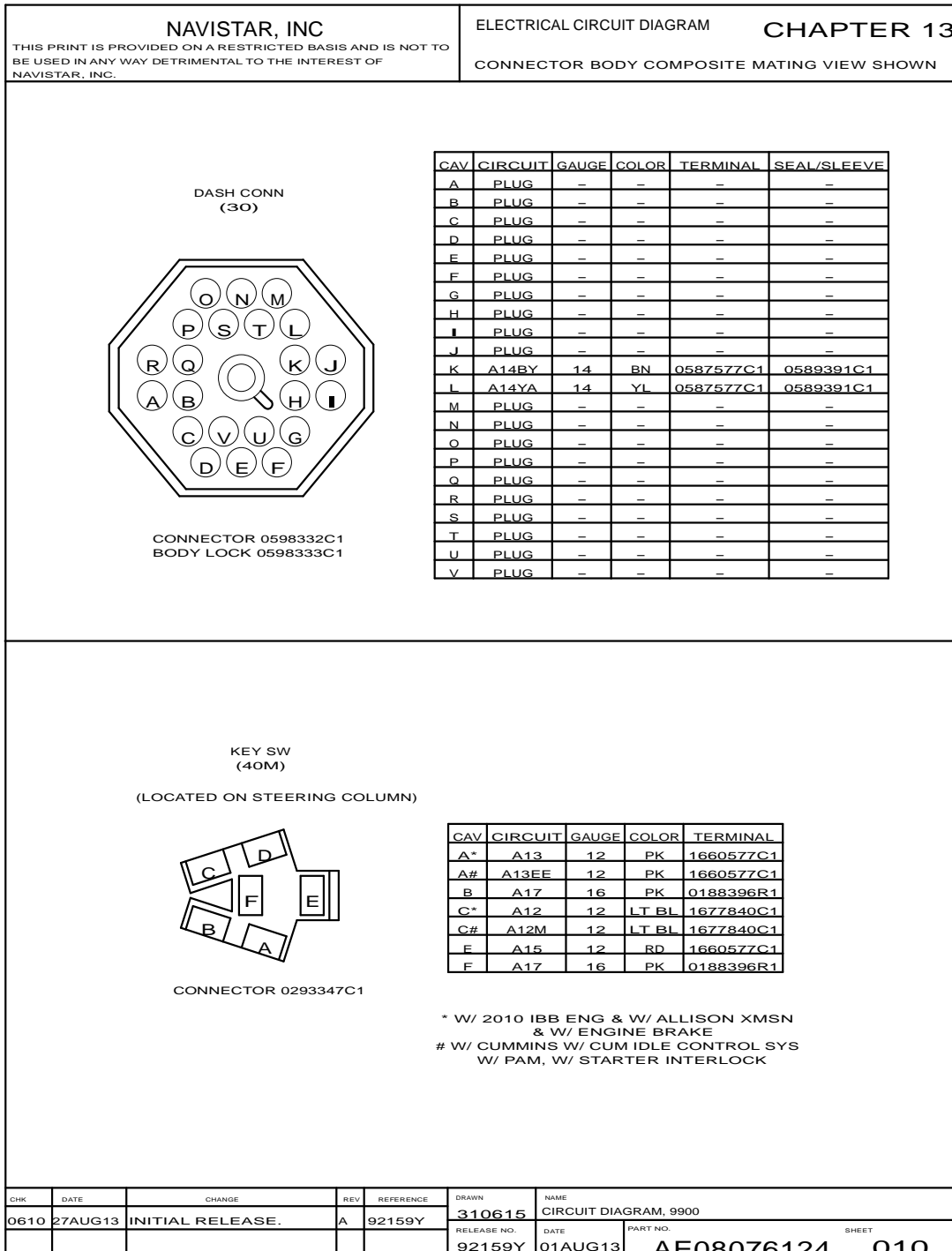


Figure 208 Connector Composite (30 / 40M)

13.11. CONNECTOR COMPOSITE (41M / 43M / 45ML / 45 / 66F / 67F), P. 11

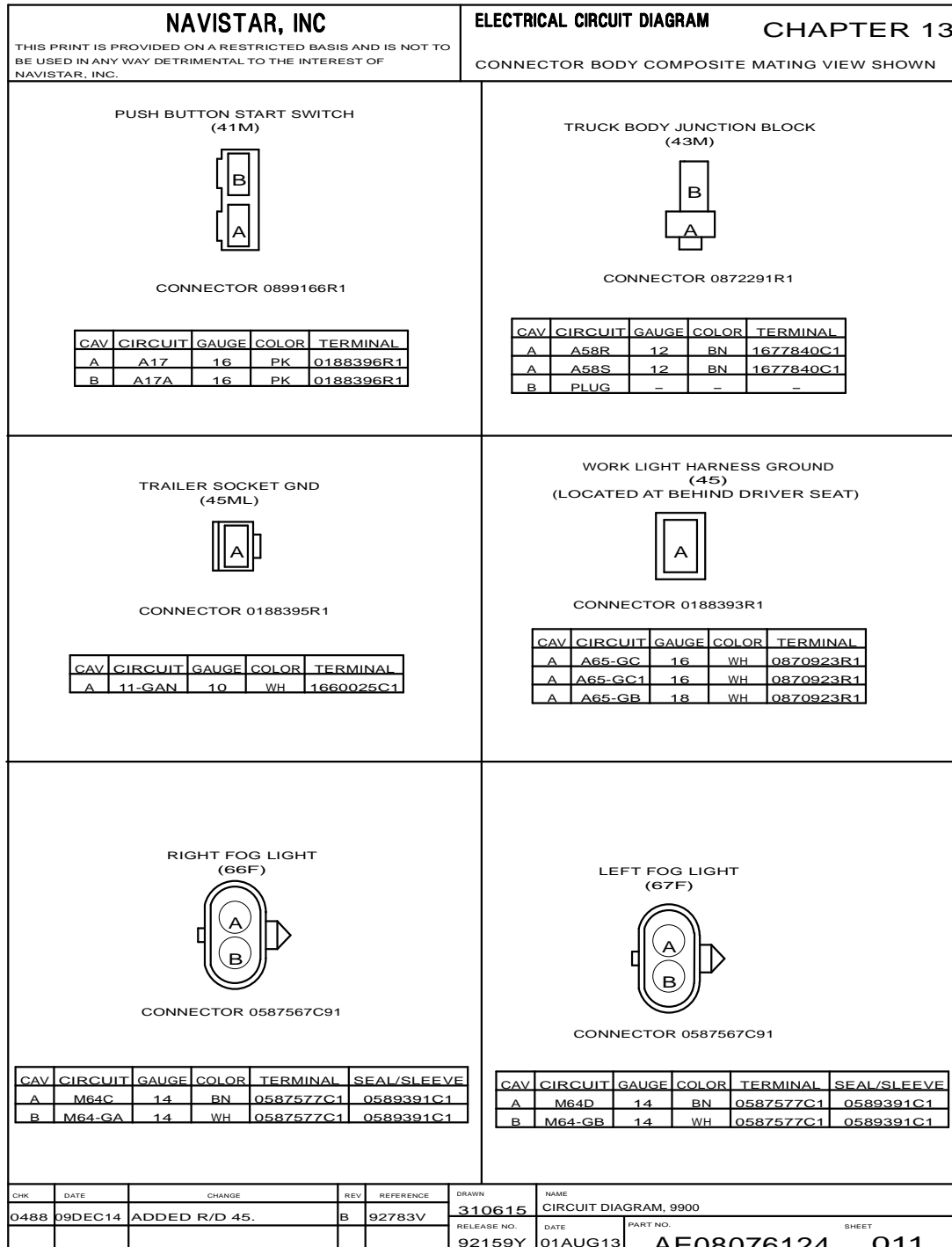


Figure 209 Connector Composite (41M / 43M / 45ML / 45 / 66F / 67F)

13.12. CONNECTOR COMPOSITE (71 / 72 / 100 / 100M3), P. 12

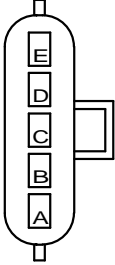
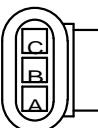
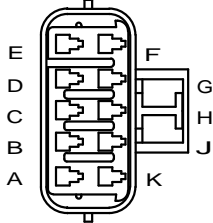
<p style="text-align: center;">NAVISTAR, INC</p> <p style="font-size: small;">THIS PRINT IS PROVIDED ON A RESTRICTED BASIS AND IS NOT TO BE USED IN ANY WAY DETRIMENTAL TO THE INTEREST OF NAVISTAR, INC.</p>	<p style="text-align: center;">ELECTRICAL CIRCUIT DIAGRAM CHAPTER 13</p> <p style="text-align: center;">CONNECTOR BODY COMPOSITE MATING VIEW SHOWN</p>																																																																		
<p style="text-align: center;">LEFT TAIL LIGHT/RIGHT TAIL LIGHT (71/72)</p>  <p style="text-align: center;">CONNECTOR 1661375C2 BODY LOCK 1661376C1</p>	<table border="1" style="width:100%; border-collapse: collapse; font-size: x-small;"> <thead> <tr> <th>CAV</th> <th>CIRCUIT</th> <th>GAUGE</th> <th>COLOR</th> <th>TERMINAL</th> <th>SEAL/SLEEVE</th> </tr> </thead> <tbody> <tr> <td>A</td> <td>R71C</td> <td>14</td> <td>LTBL</td> <td>2033816C1</td> <td>0589391C1</td> </tr> <tr> <td>B</td> <td>R68C</td> <td>14</td> <td>BN</td> <td>2033816C1</td> <td>0589391C1</td> </tr> <tr> <td>C</td> <td>R57B</td> <td>14</td> <td>LTGN</td> <td>2033816C1</td> <td>0589391C1</td> </tr> <tr> <td>D</td> <td>PLUG</td> <td>-</td> <td>-</td> <td>-</td> <td>-</td> </tr> <tr> <td>E</td> <td>R10-GC</td> <td>14</td> <td>WH</td> <td>2033816C1</td> <td>0589391C1</td> </tr> </tbody> </table>	CAV	CIRCUIT	GAUGE	COLOR	TERMINAL	SEAL/SLEEVE	A	R71C	14	LTBL	2033816C1	0589391C1	B	R68C	14	BN	2033816C1	0589391C1	C	R57B	14	LTGN	2033816C1	0589391C1	D	PLUG	-	-	-	-	E	R10-GC	14	WH	2033816C1	0589391C1																														
CAV	CIRCUIT	GAUGE	COLOR	TERMINAL	SEAL/SLEEVE																																																														
A	R71C	14	LTBL	2033816C1	0589391C1																																																														
B	R68C	14	BN	2033816C1	0589391C1																																																														
C	R57B	14	LTGN	2033816C1	0589391C1																																																														
D	PLUG	-	-	-	-																																																														
E	R10-GC	14	WH	2033816C1	0589391C1																																																														
<p style="text-align: center;">J1939 BACKBONE (100) (LOCATED ON INSTRUMENT PANEL)</p>  <p style="text-align: center;">CONNECTOR 1667741C1 BODY LOCK 1667771C1</p>	<table border="1" style="width:100%; border-collapse: collapse; font-size: x-small;"> <thead> <tr> <th>CAV</th> <th>CIRCUIT</th> <th>GAUGE</th> <th>COLOR</th> <th>TERMINAL</th> <th>SEAL/SLEEVE</th> </tr> </thead> <tbody> <tr> <td>A*</td> <td>R3(+)</td> <td>18</td> <td>YL</td> <td>1661875C1</td> <td>3568570C1</td> </tr> <tr> <td>A#</td> <td>R4(+)</td> <td>18</td> <td>YL</td> <td>1661875C1</td> <td>3568570C1</td> </tr> <tr> <td>B</td> <td>PLUG</td> <td>-</td> <td>-</td> <td>-</td> <td>-</td> </tr> <tr> <td>C*</td> <td>R3(-)</td> <td>18</td> <td>GN</td> <td>1661875C1</td> <td>3568570C1</td> </tr> <tr> <td>C#</td> <td>R4(-)</td> <td>18</td> <td>GN</td> <td>1661875C1</td> <td>3568570C1</td> </tr> </tbody> </table> <p style="font-size: x-small;">* N/ 2007 ENGINE & N/ ISX EPA 04 # W/ 2007 ENGINE, N/ ALLISON 4TH GEN 4000 & 4500 SERIES TRANS</p>	CAV	CIRCUIT	GAUGE	COLOR	TERMINAL	SEAL/SLEEVE	A*	R3(+)	18	YL	1661875C1	3568570C1	A#	R4(+)	18	YL	1661875C1	3568570C1	B	PLUG	-	-	-	-	C*	R3(-)	18	GN	1661875C1	3568570C1	C#	R4(-)	18	GN	1661875C1	3568570C1																														
CAV	CIRCUIT	GAUGE	COLOR	TERMINAL	SEAL/SLEEVE																																																														
A*	R3(+)	18	YL	1661875C1	3568570C1																																																														
A#	R4(+)	18	YL	1661875C1	3568570C1																																																														
B	PLUG	-	-	-	-																																																														
C*	R3(-)	18	GN	1661875C1	3568570C1																																																														
C#	R4(-)	18	GN	1661875C1	3568570C1																																																														
<p style="text-align: center;">EOF SHIFTER (100M3) (LOCATED AT END OF FRAME)</p>  <p style="text-align: center;">CONNECTOR 3538635C1 BODY LOCK 3538636C1</p>	<table border="1" style="width:100%; border-collapse: collapse; font-size: x-small;"> <thead> <tr> <th>CAV</th> <th>CIRCUIT</th> <th>GAUGE</th> <th>COLOR</th> <th>TERMINAL</th> <th>SEAL/SLEEVE</th> </tr> </thead> <tbody> <tr> <td>A</td> <td>K46PT</td> <td>18</td> <td>TN</td> <td>1661875C1</td> <td>3568570C1</td> </tr> <tr> <td>B</td> <td>K46-G</td> <td>18</td> <td>WH</td> <td>1661875C1</td> <td>3568570C1</td> </tr> <tr> <td>C</td> <td>K62SC</td> <td>18</td> <td>LTBL</td> <td>1661875C1</td> <td>3568570C1</td> </tr> <tr> <td>D</td> <td>K109C</td> <td>18</td> <td>GY</td> <td>1661875C1</td> <td>1661872C1</td> </tr> <tr> <td>E</td> <td>K134B</td> <td>18</td> <td>YL</td> <td>1661875C1</td> <td>3568570C1</td> </tr> <tr> <td>F</td> <td>K163D</td> <td>18</td> <td>YL</td> <td>1661875C1</td> <td>3568570C1</td> </tr> <tr> <td>G</td> <td>K110C</td> <td>18</td> <td>PK</td> <td>1661875C1</td> <td>3568570C1</td> </tr> <tr> <td>H</td> <td>K98YL</td> <td>18</td> <td>YL</td> <td>1661875C1</td> <td>3568570C1</td> </tr> <tr> <td>J</td> <td>K98GN</td> <td>18</td> <td>GN</td> <td>1661875C1</td> <td>3568570C1</td> </tr> <tr> <td>K</td> <td>PLUG</td> <td>-</td> <td>-</td> <td>-</td> <td>-</td> </tr> </tbody> </table>	CAV	CIRCUIT	GAUGE	COLOR	TERMINAL	SEAL/SLEEVE	A	K46PT	18	TN	1661875C1	3568570C1	B	K46-G	18	WH	1661875C1	3568570C1	C	K62SC	18	LTBL	1661875C1	3568570C1	D	K109C	18	GY	1661875C1	1661872C1	E	K134B	18	YL	1661875C1	3568570C1	F	K163D	18	YL	1661875C1	3568570C1	G	K110C	18	PK	1661875C1	3568570C1	H	K98YL	18	YL	1661875C1	3568570C1	J	K98GN	18	GN	1661875C1	3568570C1	K	PLUG	-	-	-	-
CAV	CIRCUIT	GAUGE	COLOR	TERMINAL	SEAL/SLEEVE																																																														
A	K46PT	18	TN	1661875C1	3568570C1																																																														
B	K46-G	18	WH	1661875C1	3568570C1																																																														
C	K62SC	18	LTBL	1661875C1	3568570C1																																																														
D	K109C	18	GY	1661875C1	1661872C1																																																														
E	K134B	18	YL	1661875C1	3568570C1																																																														
F	K163D	18	YL	1661875C1	3568570C1																																																														
G	K110C	18	PK	1661875C1	3568570C1																																																														
H	K98YL	18	YL	1661875C1	3568570C1																																																														
J	K98GN	18	GN	1661875C1	3568570C1																																																														
K	PLUG	-	-	-	-																																																														
<table border="1" style="width:100%; border-collapse: collapse; font-size: x-small;"> <thead> <tr> <th>CHK</th> <th>DATE</th> <th>CHANGE</th> <th>REV</th> <th>REFERENCE</th> <th>DRAWN</th> <th>NAME</th> </tr> </thead> <tbody> <tr> <td>-</td> <td>-</td> <td>INITIAL RELEASE.</td> <td>A</td> <td>92159Y</td> <td>310615</td> <td>CIRCUIT DIAGRAM, 9900</td> </tr> <tr> <td></td> <td></td> <td></td> <td></td> <td></td> <td>RELEASE NO.</td> <td>DATE</td> </tr> <tr> <td></td> <td></td> <td></td> <td></td> <td></td> <td>92159Y</td> <td>01AUG13</td> </tr> <tr> <td></td> <td></td> <td></td> <td></td> <td></td> <td>PART NO.</td> <td>SHEET</td> </tr> <tr> <td></td> <td></td> <td></td> <td></td> <td></td> <td>AE08076124</td> <td>012</td> </tr> </tbody> </table>						CHK	DATE	CHANGE	REV	REFERENCE	DRAWN	NAME	-	-	INITIAL RELEASE.	A	92159Y	310615	CIRCUIT DIAGRAM, 9900						RELEASE NO.	DATE						92159Y	01AUG13						PART NO.	SHEET						AE08076124	012																				
CHK	DATE	CHANGE	REV	REFERENCE	DRAWN	NAME																																																													
-	-	INITIAL RELEASE.	A	92159Y	310615	CIRCUIT DIAGRAM, 9900																																																													
					RELEASE NO.	DATE																																																													
					92159Y	01AUG13																																																													
					PART NO.	SHEET																																																													
					AE08076124	012																																																													

Figure 210 Connector Composite (71 / 72 / 100 / 100M3)

13.13. CONNECTOR COMPOSITE (105M), P. 13

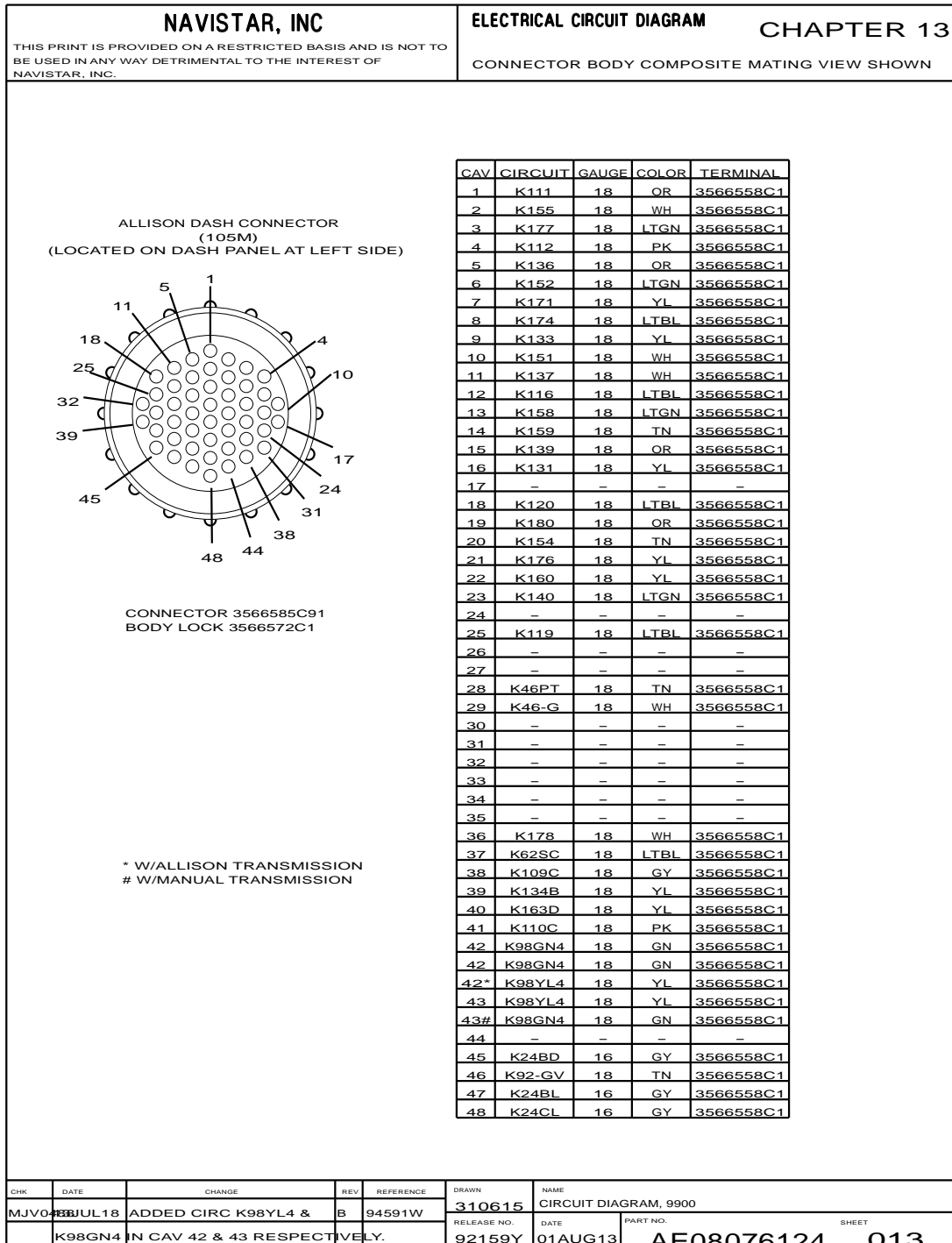


Figure 211 Connector Composite (105M)

13.14. CONNECTOR COMPOSITE (112 / 113F1 / 113M1), P. 14

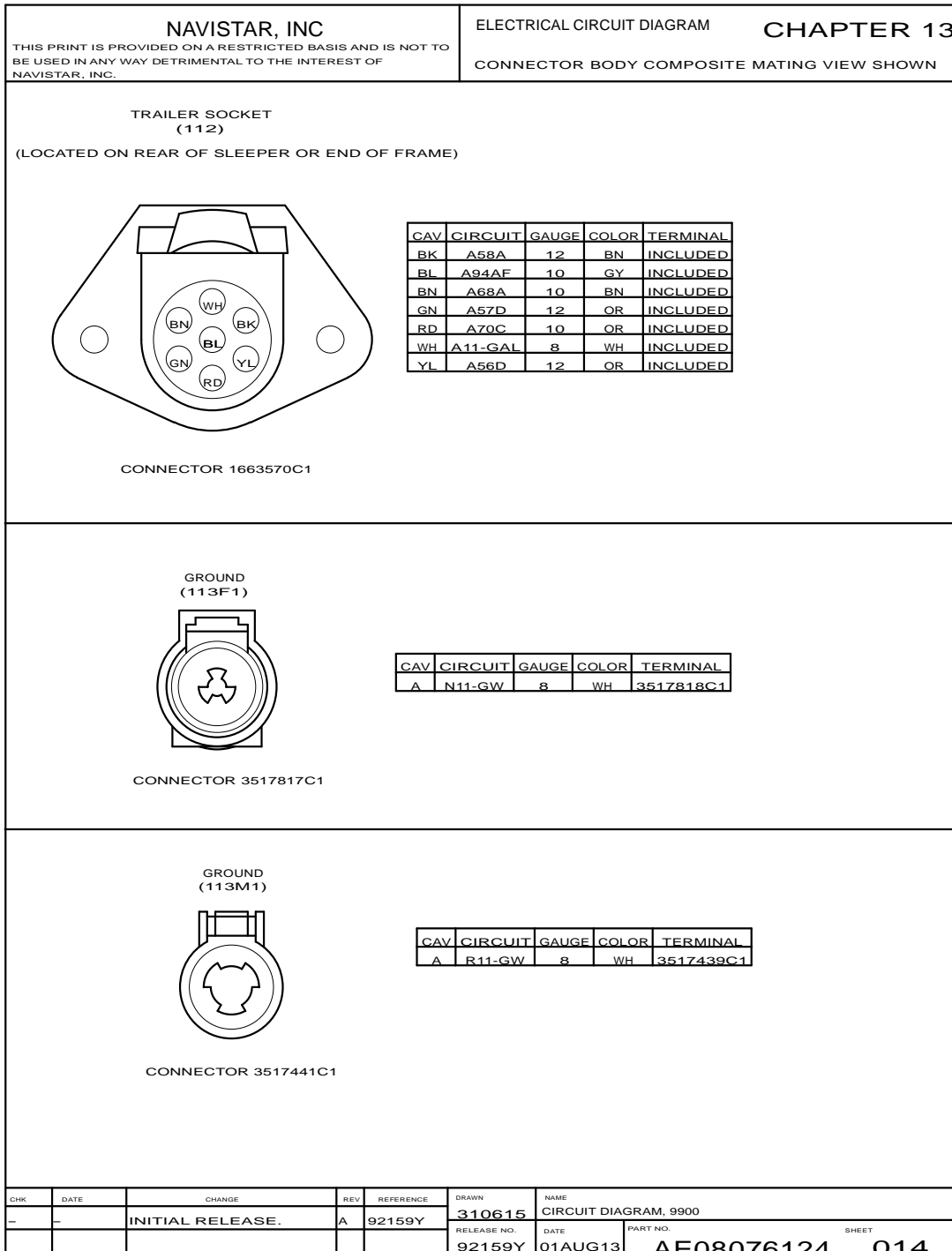


Figure 212 Connector Composite (112 / 113F1 / 113M1)

13.15. CONNECTOR COMPOSITE (115 / 116 / 129F / 137M), P. 15

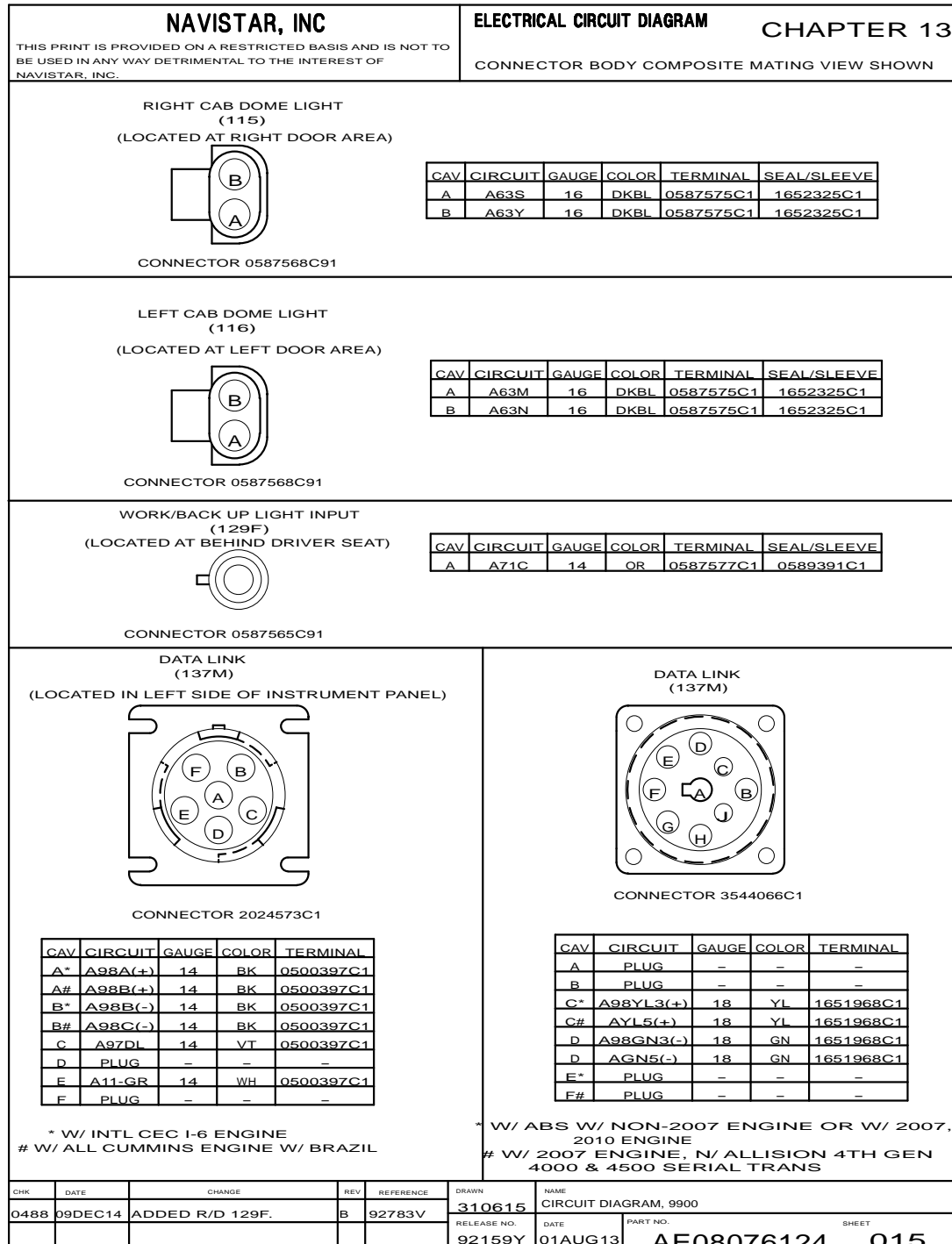


Figure 213 Connector Composite (115 / 116 / 129F / 137M)

13.16. CONNECTOR COMPOSITE (141M / 142M / 143M), P. 16

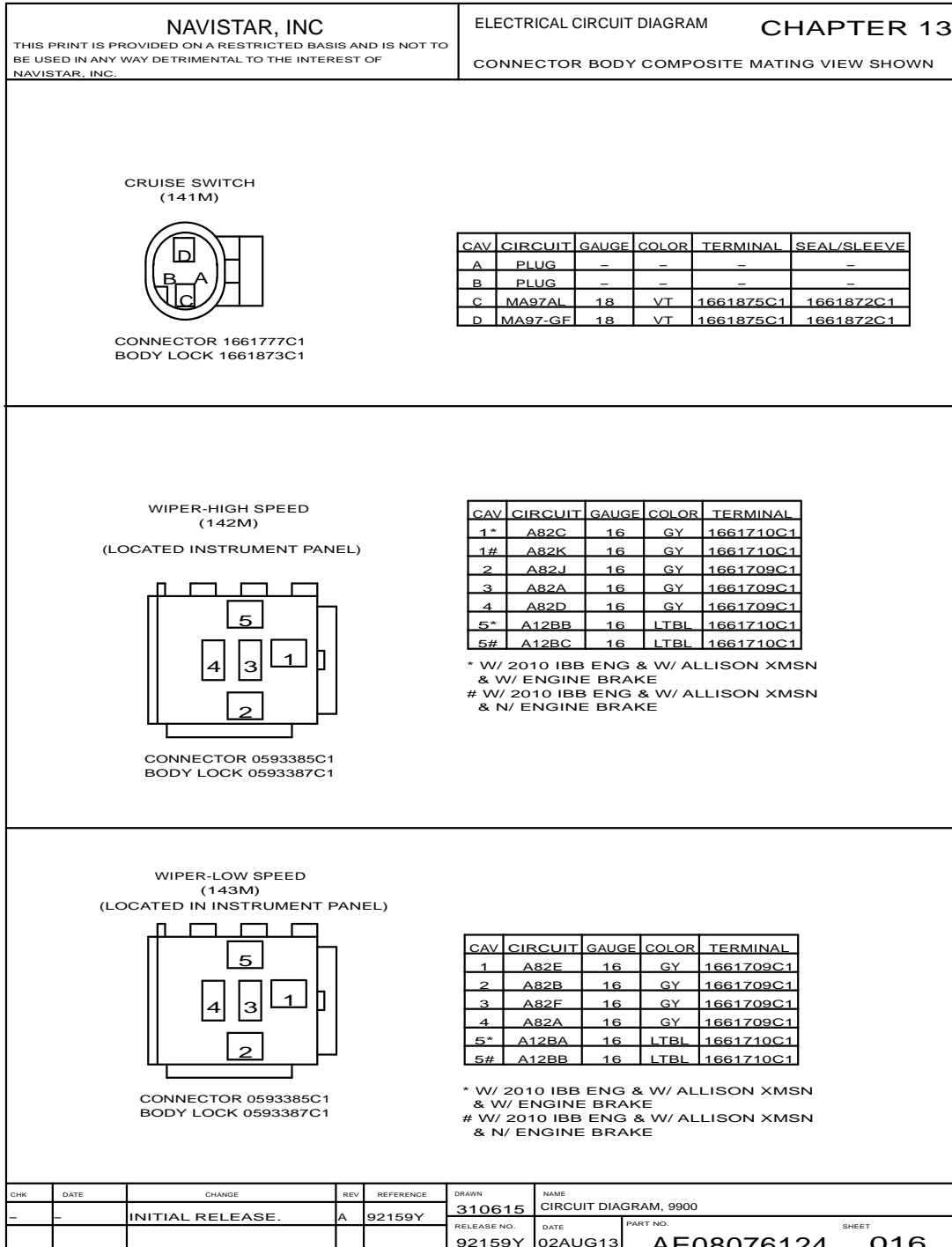


Figure 214 Connector Composite (141M / 142M / 143M)

13.17. CONNECTOR COMPOSITE (144M / 145M / 146M), P. 17

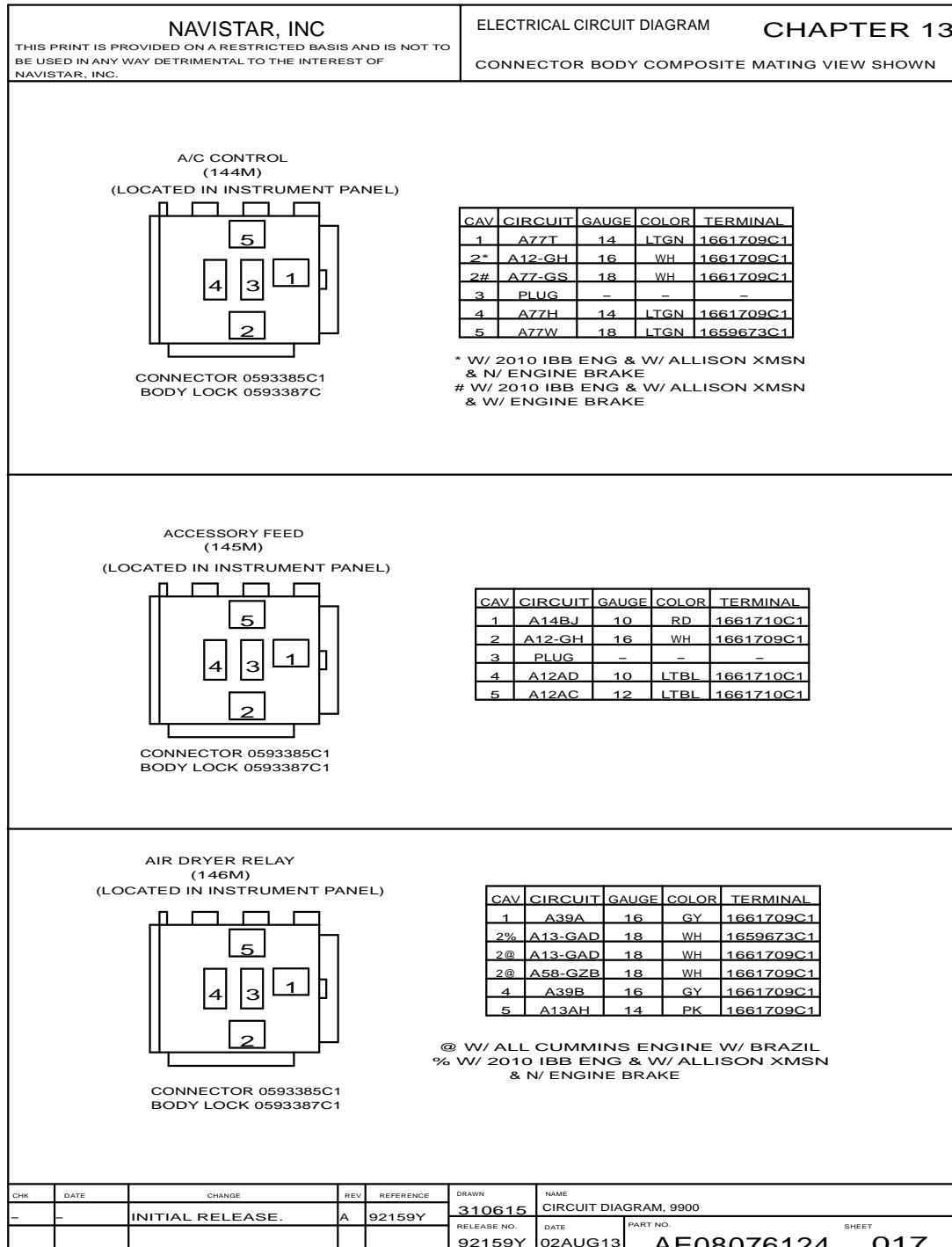


Figure 215 Connector Composite (144M / 145M / 146M)

13.18. CONNECTOR COMPOSITE (147M / 148M / 149M), P. 18

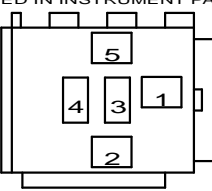
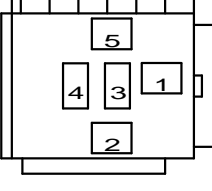
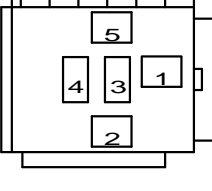
NAVISTAR, INC <small>THIS PRINT IS PROVIDED ON A RESTRICTED BASIS AND IS NOT TO BE USED IN ANY WAY DETRIMENTAL TO THE INTEREST OF NAVISTAR, INC.</small>		ELECTRICAL CIRCUIT DIAGRAM CHAPTER 13 CONNECTOR BODY COMPOSITE MATING VIEW SHOWN																																																																																																					
<p style="text-align: center;">HEADLIGHT DIMMER RELAY (147M) (LOCATED IN INSTRUMENT PANEL)</p>  <p style="text-align: center;">CONNECTOR 0593385C1 BODY LOCK 0593387C1</p>	<table border="1" style="width:100%; border-collapse: collapse;"> <thead> <tr> <th>CAV</th> <th>CIRCUIT</th> <th>GAUGE</th> <th>COLOR</th> <th>TERMINAL</th> </tr> </thead> <tbody> <tr><td>1</td><td>A51A</td><td>14</td><td>YL</td><td>1661709C1</td></tr> <tr><td>2</td><td>A52N</td><td>16</td><td>YL</td><td>1661709C1</td></tr> <tr><td>3</td><td>A53B</td><td>14</td><td>YL</td><td>1661710C1</td></tr> <tr><td>3</td><td>A64C</td><td>14</td><td>YL</td><td>1661710C1</td></tr> <tr><td>4**</td><td>A52F</td><td>14</td><td>YL</td><td>1661710C1</td></tr> <tr><td>4@</td><td>A52FB</td><td>12</td><td>YL</td><td>1661710C1</td></tr> <tr><td>5</td><td>A52M</td><td>16</td><td>YL</td><td>1661709C1</td></tr> </tbody> </table>			CAV	CIRCUIT	GAUGE	COLOR	TERMINAL	1	A51A	14	YL	1661709C1	2	A52N	16	YL	1661709C1	3	A53B	14	YL	1661710C1	3	A64C	14	YL	1661710C1	4**	A52F	14	YL	1661710C1	4@	A52FB	12	YL	1661710C1	5	A52M	16	YL	1661709C1																																																												
CAV	CIRCUIT	GAUGE	COLOR	TERMINAL																																																																																																			
1	A51A	14	YL	1661709C1																																																																																																			
2	A52N	16	YL	1661709C1																																																																																																			
3	A53B	14	YL	1661710C1																																																																																																			
3	A64C	14	YL	1661710C1																																																																																																			
4**	A52F	14	YL	1661710C1																																																																																																			
4@	A52FB	12	YL	1661710C1																																																																																																			
5	A52M	16	YL	1661709C1																																																																																																			
<p style="text-align: center;">MARKER ON/OFF (148M) (LOCATED IN INSTRUMENT PANEL)</p>  <p style="text-align: center;">CONNECTOR 0593385C1 BODY LOCK 0593387C1</p>	<table border="1" style="width:100%; border-collapse: collapse;"> <thead> <tr> <th>CAV</th> <th>CIRCUIT</th> <th>GAUGE</th> <th>COLOR</th> <th>TERMINAL</th> </tr> </thead> <tbody> <tr><td>1%</td><td>A64</td><td>14</td><td>YL</td><td>1661709C1</td></tr> <tr><td>1@</td><td>A44EA</td><td>18</td><td>PK</td><td>1661709C1</td></tr> <tr><td>1**</td><td>A44EB</td><td>18</td><td>PK</td><td>1661709C1</td></tr> <tr><td>1##</td><td>A58A</td><td>16</td><td>BN</td><td>2018946C1</td></tr> <tr><td>1@@</td><td>A58ZG</td><td>16</td><td>BN</td><td>1661709C1</td></tr> <tr><td>2**</td><td>A44EA</td><td>18</td><td>PK</td><td>1659673C1</td></tr> <tr><td>2**</td><td>A58W</td><td>18</td><td>BN</td><td>1659673C1</td></tr> <tr><td>2@@</td><td>A58ZC</td><td>18</td><td>BN</td><td>1661709C1</td></tr> <tr><td>2@@</td><td>A58ZE</td><td>18</td><td>BN</td><td>1661709C1</td></tr> <tr><td>2%</td><td>A64-GA</td><td>18</td><td>WH</td><td>1659673C1</td></tr> <tr><td>3</td><td>PLUG</td><td>-</td><td>-</td><td>-</td></tr> <tr><td>4**</td><td>A44EC</td><td>18</td><td>GY</td><td>1659673C1</td></tr> <tr><td>4##</td><td>A58T</td><td>16</td><td>BN</td><td>2018946C1</td></tr> <tr><td>4@@</td><td>A58ZH</td><td>16</td><td>BN</td><td>1661709C1</td></tr> <tr><td>4%</td><td>A64B</td><td>14</td><td>YL</td><td>1661709C1</td></tr> <tr><td>5**</td><td>A44-GE</td><td>18</td><td>WH</td><td>1659673C1</td></tr> <tr><td>5##</td><td>A58-GB</td><td>18</td><td>WH</td><td>1659673C1</td></tr> <tr><td>5@@</td><td>A58ZB</td><td>18</td><td>BN</td><td>1659673C1</td></tr> <tr><td>5@@</td><td>A64A</td><td>14</td><td>YL</td><td>1661709C1</td></tr> </tbody> </table>			CAV	CIRCUIT	GAUGE	COLOR	TERMINAL	1%	A64	14	YL	1661709C1	1@	A44EA	18	PK	1661709C1	1**	A44EB	18	PK	1661709C1	1##	A58A	16	BN	2018946C1	1@@	A58ZG	16	BN	1661709C1	2**	A44EA	18	PK	1659673C1	2**	A58W	18	BN	1659673C1	2@@	A58ZC	18	BN	1661709C1	2@@	A58ZE	18	BN	1661709C1	2%	A64-GA	18	WH	1659673C1	3	PLUG	-	-	-	4**	A44EC	18	GY	1659673C1	4##	A58T	16	BN	2018946C1	4@@	A58ZH	16	BN	1661709C1	4%	A64B	14	YL	1661709C1	5**	A44-GE	18	WH	1659673C1	5##	A58-GB	18	WH	1659673C1	5@@	A58ZB	18	BN	1659673C1	5@@	A64A	14	YL	1661709C1
CAV	CIRCUIT	GAUGE	COLOR	TERMINAL																																																																																																			
1%	A64	14	YL	1661709C1																																																																																																			
1@	A44EA	18	PK	1661709C1																																																																																																			
1**	A44EB	18	PK	1661709C1																																																																																																			
1##	A58A	16	BN	2018946C1																																																																																																			
1@@	A58ZG	16	BN	1661709C1																																																																																																			
2**	A44EA	18	PK	1659673C1																																																																																																			
2**	A58W	18	BN	1659673C1																																																																																																			
2@@	A58ZC	18	BN	1661709C1																																																																																																			
2@@	A58ZE	18	BN	1661709C1																																																																																																			
2%	A64-GA	18	WH	1659673C1																																																																																																			
3	PLUG	-	-	-																																																																																																			
4**	A44EC	18	GY	1659673C1																																																																																																			
4##	A58T	16	BN	2018946C1																																																																																																			
4@@	A58ZH	16	BN	1661709C1																																																																																																			
4%	A64B	14	YL	1661709C1																																																																																																			
5**	A44-GE	18	WH	1659673C1																																																																																																			
5##	A58-GB	18	WH	1659673C1																																																																																																			
5@@	A58ZB	18	BN	1659673C1																																																																																																			
5@@	A64A	14	YL	1661709C1																																																																																																			
<p style="text-align: center;">POSITION LIGHT RELAY #2 (149M)</p>  <p style="text-align: center;">CONNECTOR 0593385C1 BODY LOCK 0593387C1</p> <p style="text-align: center;"> @ W/ 2010 IBB ENGINE & W/ MANUAL XMSN & W/ STARTER INTERLOCK % W/ HD-2 ** W/ 2010 IBB ENG & W/ ALLISON XMSN & W/ ENGINE BRAKE ## CAB BASE WITH MARKER ON/OFF @@ W/ ALL CAMMINS ENGINES W/ BRAZIL %% W/ 2010 IBB ENG & W/ ALLISON XMSN & N/ ENGINE BRAKE </p>	<table border="1" style="width:100%; border-collapse: collapse;"> <thead> <tr> <th>CAV</th> <th>CIRCUIT</th> <th>GAUGE</th> <th>COLOR</th> <th>TERMINAL</th> </tr> </thead> <tbody> <tr><td>1%%</td><td>A97CN</td><td>18</td><td>VT</td><td>1659673C1</td></tr> <tr><td>1@@</td><td>A58ZE</td><td>18</td><td>BN</td><td>1659673C1</td></tr> <tr><td>2%%</td><td>A97-GA</td><td>18</td><td>VT</td><td>1659673C1</td></tr> <tr><td>2@@</td><td>A58-GZA</td><td>18</td><td>WH</td><td>1659673C1</td></tr> <tr><td>3%%</td><td>A97AH</td><td>18</td><td>VT</td><td>1659673C1</td></tr> <tr><td>3@@</td><td>A58-GZA</td><td>18</td><td>WH</td><td>1661709C1</td></tr> <tr><td>3@@</td><td>A58-GZB</td><td>18</td><td>WH</td><td>1661709C1</td></tr> <tr><td>4</td><td>PLUG</td><td>-</td><td>-</td><td>-</td></tr> <tr><td>5%%</td><td>A97AJ</td><td>18</td><td>VT</td><td>1659673C1</td></tr> <tr><td>5@@</td><td>A13ZB</td><td>14</td><td>PK</td><td>1661709C1</td></tr> </tbody> </table>			CAV	CIRCUIT	GAUGE	COLOR	TERMINAL	1%%	A97CN	18	VT	1659673C1	1@@	A58ZE	18	BN	1659673C1	2%%	A97-GA	18	VT	1659673C1	2@@	A58-GZA	18	WH	1659673C1	3%%	A97AH	18	VT	1659673C1	3@@	A58-GZA	18	WH	1661709C1	3@@	A58-GZB	18	WH	1661709C1	4	PLUG	-	-	-	5%%	A97AJ	18	VT	1659673C1	5@@	A13ZB	14	PK	1661709C1																																													
CAV	CIRCUIT	GAUGE	COLOR	TERMINAL																																																																																																			
1%%	A97CN	18	VT	1659673C1																																																																																																			
1@@	A58ZE	18	BN	1659673C1																																																																																																			
2%%	A97-GA	18	VT	1659673C1																																																																																																			
2@@	A58-GZA	18	WH	1659673C1																																																																																																			
3%%	A97AH	18	VT	1659673C1																																																																																																			
3@@	A58-GZA	18	WH	1661709C1																																																																																																			
3@@	A58-GZB	18	WH	1661709C1																																																																																																			
4	PLUG	-	-	-																																																																																																			
5%%	A97AJ	18	VT	1659673C1																																																																																																			
5@@	A13ZB	14	PK	1661709C1																																																																																																			
<table border="1" style="width:100%; border-collapse: collapse;"> <thead> <tr> <th>CHK</th> <th>DATE</th> <th>CHANGE</th> <th>REV</th> <th>REFERENCE</th> </tr> </thead> <tbody> <tr> <td>-</td> <td>-</td> <td>INITIAL RELEASE.</td> <td>A</td> <td>92159Y</td> </tr> </tbody> </table>	CHK	DATE	CHANGE	REV	REFERENCE	-	-	INITIAL RELEASE.	A	92159Y	<table border="1" style="width:100%; border-collapse: collapse;"> <thead> <tr> <th>DRAWN</th> <th>NAME</th> </tr> </thead> <tbody> <tr> <td>310615</td> <td>CIRCUIT DIAGRAM, 9900</td> </tr> </tbody> </table>	DRAWN	NAME	310615	CIRCUIT DIAGRAM, 9900	<table border="1" style="width:100%; border-collapse: collapse;"> <thead> <tr> <th>RELEASE NO.</th> <th>DATE</th> <th>PART NO.</th> <th>SHEET</th> </tr> </thead> <tbody> <tr> <td>92159Y</td> <td>02AUG13</td> <td>AE08076124</td> <td>018</td> </tr> </tbody> </table>	RELEASE NO.	DATE	PART NO.	SHEET	92159Y	02AUG13	AE08076124	018																																																																															
CHK	DATE	CHANGE	REV	REFERENCE																																																																																																			
-	-	INITIAL RELEASE.	A	92159Y																																																																																																			
DRAWN	NAME																																																																																																						
310615	CIRCUIT DIAGRAM, 9900																																																																																																						
RELEASE NO.	DATE	PART NO.	SHEET																																																																																																				
92159Y	02AUG13	AE08076124	018																																																																																																				

Figure 216 Connector Composite (147M / 148M / 149M)

13.19. CONNECTOR COMPOSITE (152M / 153A / 153M / 161M), P. 19

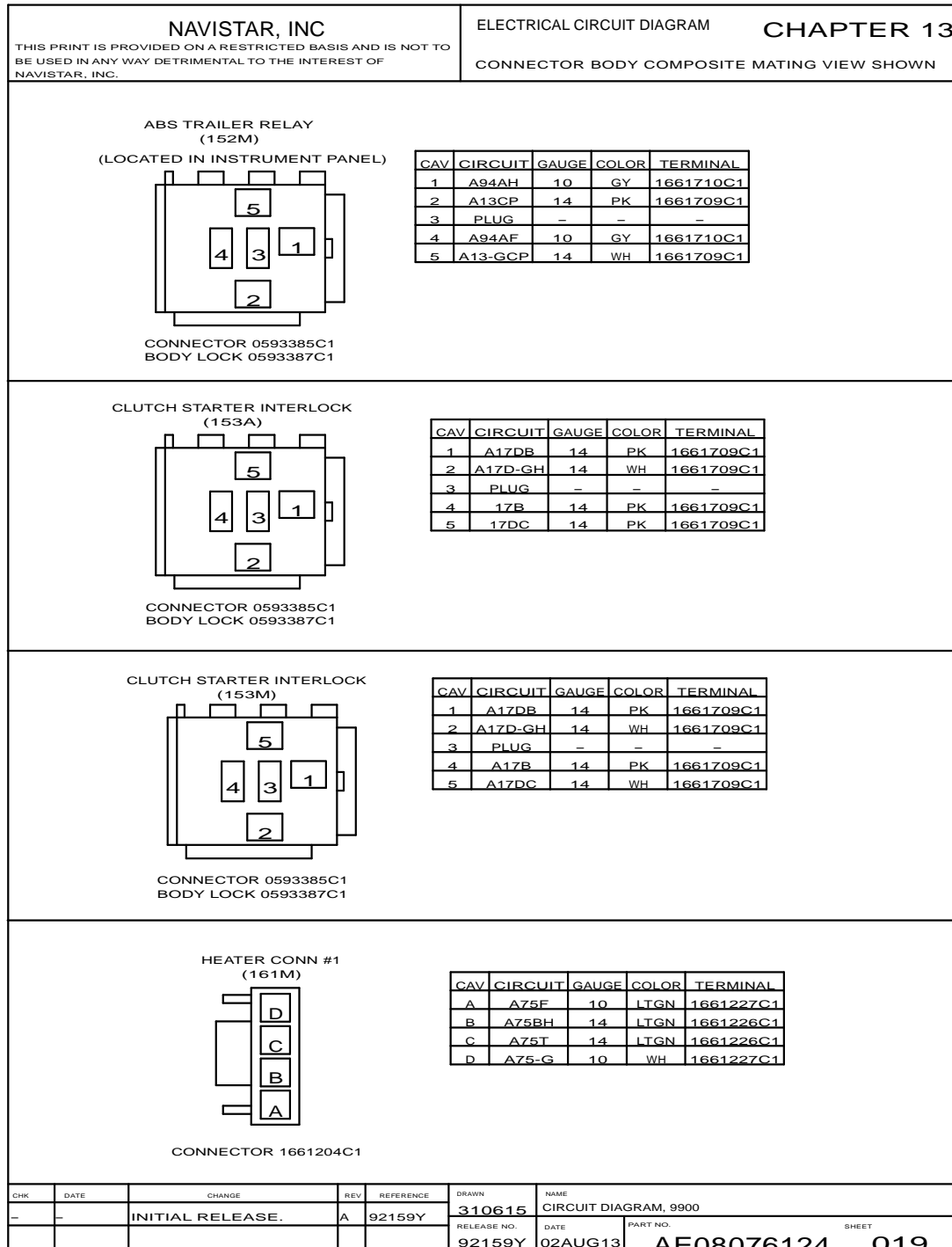


Figure 217 Connector Composite (152M / 153A / 153M / 161M)

13.20. CONNECTOR COMPOSITE (162F / 167M / 170M / 171M), P. 20

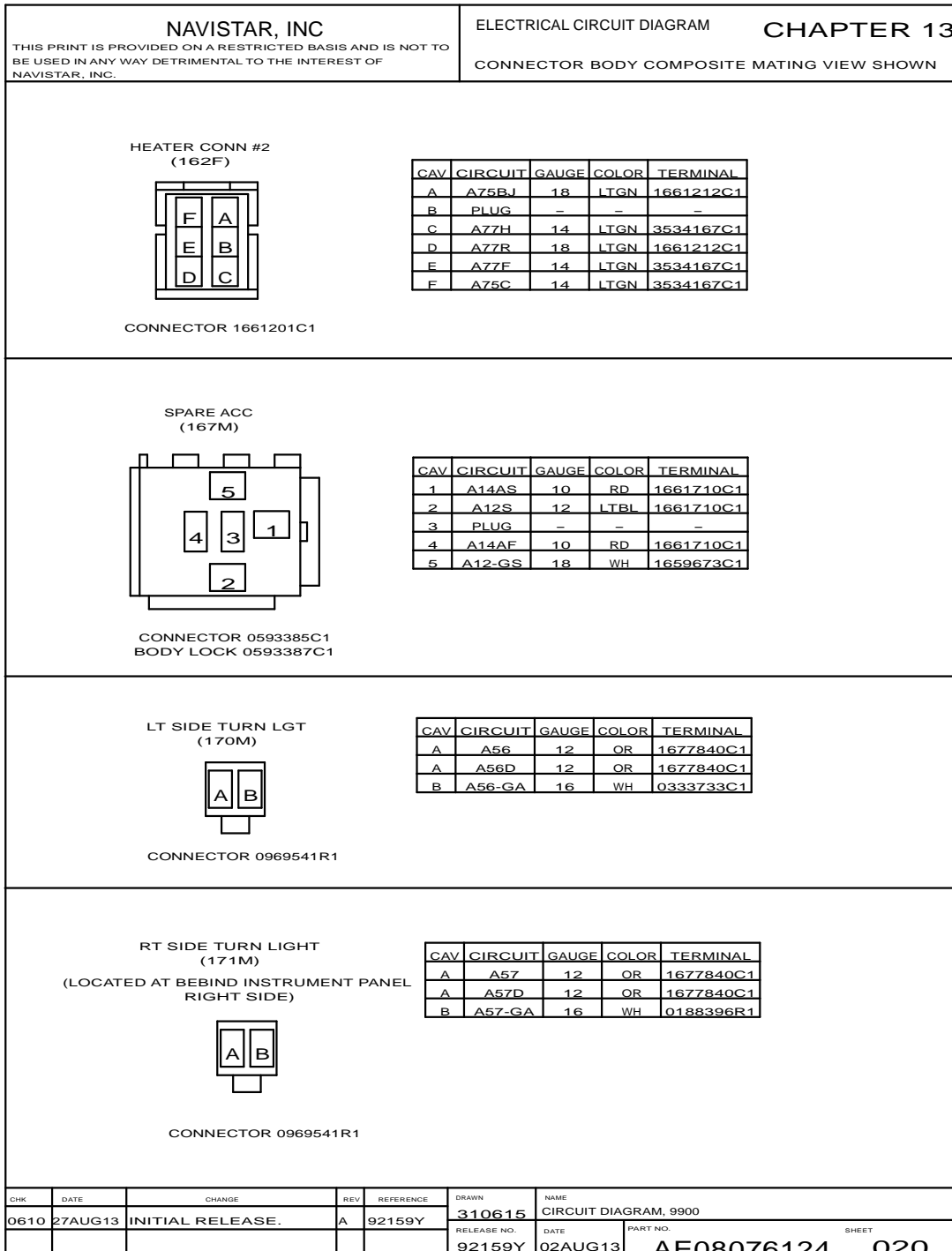


Figure 218 Connector Composite (162F / 167M / 170M / 171M)

13.21. CONNECTOR COMPOSITE (190), P. 21

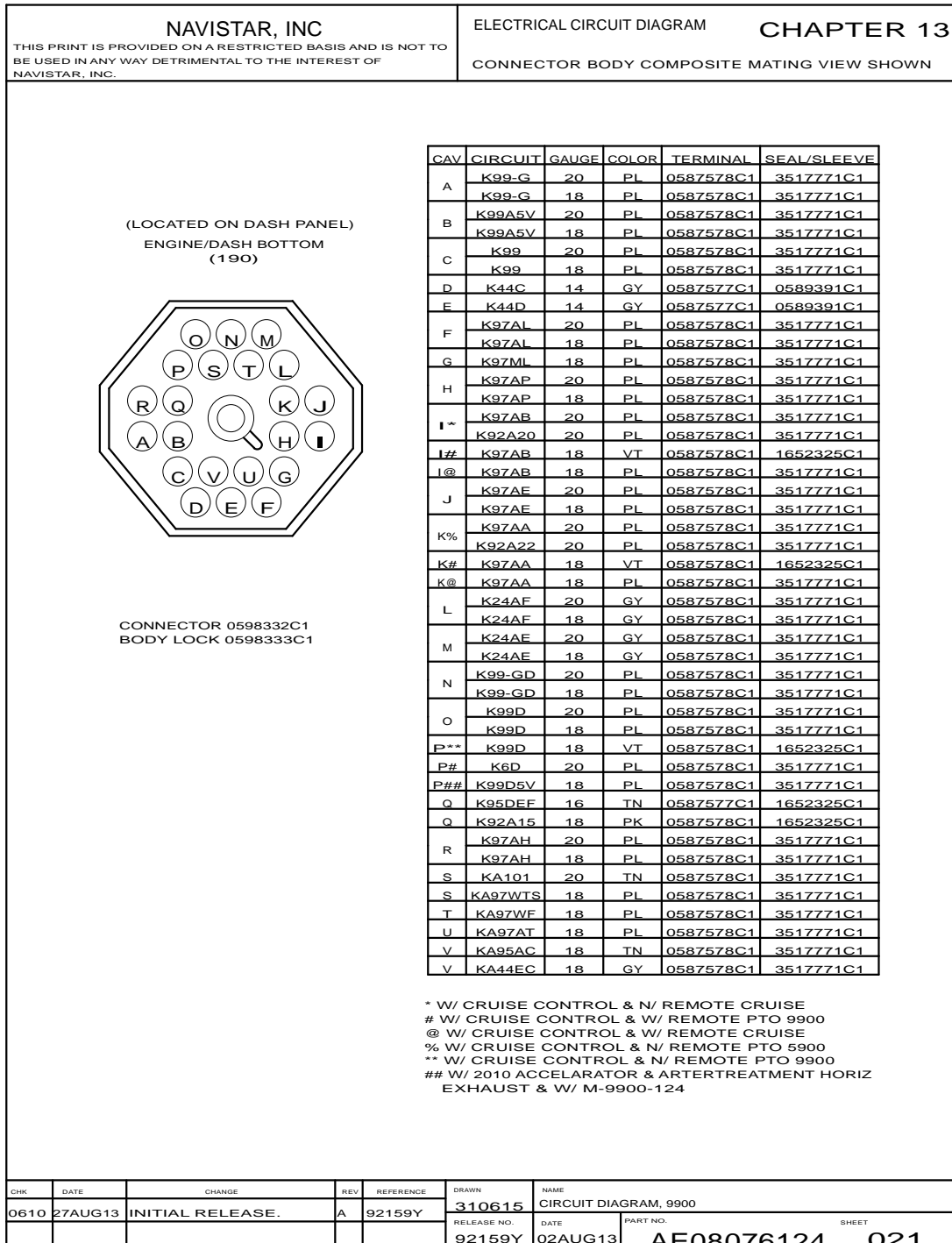


Figure 219 Connector Composite (190)

13.22. CONNECTOR COMPOSITE (190M), P. 22

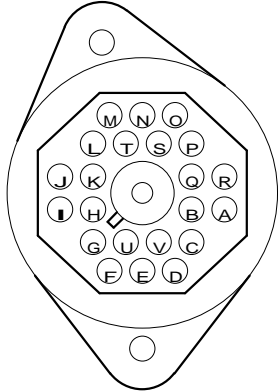
<p>NAVISTAR, INC THIS PRINT IS PROVIDED ON A RESTRICTED BASIS AND IS NOT TO BE USED IN ANY WAY DETRIMENTAL TO THE INTEREST OF NAVISTAR, INC.</p>	<p>ELECTRICAL CIRCUIT DIAGRAM CHAPTER 13 CONNECTOR BODY COMPOSITE MATING VIEW SHOWN</p>																																																																																																																																																																																																																																																																																																																																																																																																												
<p>DASH CONN (190M)</p>  <p>CONNECTOR 0593389C1 BODY LOCK 0598333C1</p>	<table border="1" style="width:100%; border-collapse: collapse;"> <thead> <tr> <th>CAV</th><th>CIRCUIT</th><th>GAUGE</th><th>COLOR</th><th>TERMINAL</th><th>SEAL/SLEEVE</th></tr> </thead> <tbody> <tr><td>K*</td><td>A97AA</td><td>18</td><td>VT</td><td>0587576C1</td><td>1652325C1</td></tr> <tr><td>K%%</td><td>A97AB</td><td>18</td><td>VT</td><td>0587576C1</td><td>1652325C1</td></tr> <tr><td>K**</td><td>A97DJ</td><td>18</td><td>VT</td><td>0587576C1</td><td>1652325C1</td></tr> <tr><td>L</td><td>A24AF</td><td>18</td><td>GY</td><td>0587576C1</td><td>1652325C1</td></tr> <tr><td>M</td><td>A24AE</td><td>18</td><td>GY</td><td>0587576C1</td><td>1652325C1</td></tr> <tr><td>N**</td><td>A97AZ</td><td>18</td><td>VT</td><td>0587576C1</td><td>1652325C1</td></tr> <tr><td>N**</td><td>A97CD</td><td>18</td><td>VT</td><td>0587576C1</td><td>1652325C1</td></tr> <tr><td>N%</td><td>A99-GD</td><td>18</td><td>VT</td><td>0587576C1</td><td>1652325C1</td></tr> <tr><td>O**</td><td>A97AA</td><td>18</td><td>VT</td><td>0587576C1</td><td>1652325C1</td></tr> <tr><td>O##</td><td>A97AU</td><td>18</td><td>VT</td><td>0587576C1</td><td>1652325C1</td></tr> <tr><td>O#</td><td>A99D</td><td>18</td><td>VT</td><td>0587576C1</td><td>1652325C1</td></tr> <tr><td>P##</td><td>A97AV</td><td>18</td><td>VT</td><td>0587576C1</td><td>1652325C1</td></tr> <tr><td>P**</td><td>A97NM</td><td>18</td><td>VT</td><td>0587576C1</td><td>1652325C1</td></tr> <tr><td>P#</td><td>A99D(5V)</td><td>18</td><td>VT</td><td>0587576C1</td><td>1652325C1</td></tr> <tr><td>Q#</td><td>A19M</td><td>16</td><td>GY</td><td>0587575C1</td><td>1652325C1</td></tr> <tr><td>Q@@</td><td>A24AP</td><td>18</td><td>GY</td><td>0587576C1</td><td>1652325C1</td></tr> <tr><td>Q***</td><td>A92A15</td><td>18</td><td>PK</td><td>0587576C1</td><td>1652325C1</td></tr> <tr><td>Q</td><td>A97SB</td><td>18</td><td>VT</td><td>0587576C1</td><td>1652325C1</td></tr> <tr><td>R*</td><td>A97AH</td><td>18</td><td>VT</td><td>0587576C1</td><td>1652325C1</td></tr> <tr><td>R###</td><td>A97AJ</td><td>18</td><td>VT</td><td>0587576C1</td><td>1652325C1</td></tr> <tr><td>R##</td><td>A97CR</td><td>16</td><td>VT</td><td>0587575C1</td><td>1652325C1</td></tr> <tr><td>S</td><td>A44M</td><td>16</td><td>GY</td><td>0587575C1</td><td>1652325C1</td></tr> <tr><td>S#</td><td>A97WTS</td><td>18</td><td>VT</td><td>0587576C1</td><td>1652325C1</td></tr> <tr><td>S%</td><td>A98B(-)</td><td>16</td><td>BK</td><td>0587575C1</td><td>1652325C1</td></tr> <tr><td>S**</td><td>A98C(-)</td><td>14</td><td>BK</td><td>0587575C1</td><td>0589391C1</td></tr> <tr><td>T#</td><td>A97WF</td><td>18</td><td>VT</td><td>0587576C1</td><td>1652325C1</td></tr> <tr><td>T*</td><td>A98(+)</td><td>16</td><td>BK</td><td>0587575C1</td><td>1652325C1</td></tr> <tr><td>T**</td><td>A98A(+)</td><td>14</td><td>BK</td><td>0587575C1</td><td>0589391C1</td></tr> <tr><td>U*</td><td>A97AT</td><td>18</td><td>VT</td><td>0587576C1</td><td>1652325C1</td></tr> <tr><td>U**</td><td>A97T</td><td>18</td><td>VT</td><td>0587576C1</td><td>1652325C1</td></tr> <tr><td>V#</td><td>A44EC</td><td>18</td><td>GY</td><td>0587576C1</td><td>1652325C1</td></tr> <tr><td>V*</td><td>A97-GA</td><td>18</td><td>VT</td><td>0587576C1</td><td>1652325C1</td></tr> </tbody> </table> <table border="1" style="width:100%; border-collapse: collapse;"> <thead> <tr> <th>CAV</th><th>CIRCUIT</th><th>GAUGE</th><th>COLOR</th><th>TERMINAL</th><th>SEAL/SLEEVE</th></tr> </thead> <tbody> <tr><td>A*</td><td>A99</td><td>18</td><td>VT</td><td>0587576C1</td><td>1652325C1</td></tr> <tr><td>A*</td><td>A99B</td><td>18</td><td>VT</td><td>0587576C1</td><td>1652325C1</td></tr> <tr><td>A#</td><td>A99-G</td><td>18</td><td>VT</td><td>0587576C1</td><td>1652325C1</td></tr> <tr><td>B*</td><td>A97U(5V)</td><td>18</td><td>VT</td><td>0587576C1</td><td>1652325C1</td></tr> <tr><td>B#</td><td>A99A(5V)</td><td>18</td><td>VT</td><td>0587576C1</td><td>1652325C1</td></tr> <tr><td>B@</td><td>A99A(8V)</td><td>18</td><td>VT</td><td>0587576C1</td><td>1652325C1</td></tr> <tr><td>C%</td><td>A99</td><td>18</td><td>VT</td><td>0587576C1</td><td>1652325C1</td></tr> <tr><td>C**</td><td>A97W</td><td>18</td><td>VT</td><td>0587576C1</td><td>1652325C1</td></tr> <tr><td>C##</td><td>A99-G</td><td>18</td><td>VT</td><td>0587576C1</td><td>1652325C1</td></tr> <tr><td>D##</td><td>A99B</td><td>18</td><td>VT</td><td>0587576C1</td><td>1652325C1</td></tr> <tr><td>D**</td><td>A99D</td><td>18</td><td>VT</td><td>0587576C1</td><td>1652325C1</td></tr> <tr><td>E**</td><td>A97A</td><td>18</td><td>TN</td><td>0587576C1</td><td>1652325C1</td></tr> <tr><td>F@@</td><td>A99C</td><td>18</td><td>VT</td><td>0587576C1</td><td>1652325C1</td></tr> <tr><td>F*</td><td>A97AL</td><td>18</td><td>VT</td><td>0587576C1</td><td>1652325C1</td></tr> <tr><td>F**</td><td>A97CT</td><td>16</td><td>VT</td><td>0587575C1</td><td>1652325C1</td></tr> <tr><td>G**</td><td>A98</td><td>18</td><td>BK</td><td>0587576C1</td><td>1652325C1</td></tr> <tr><td>G%</td><td>A97AM</td><td>18</td><td>VT</td><td>0587576C1</td><td>1652325C1</td></tr> <tr><td>G#</td><td>A97ML</td><td>18</td><td>VT</td><td>0587576C1</td><td>1652325C1</td></tr> <tr><td>H**</td><td>A97AF</td><td>18</td><td>VT</td><td>0587576C1</td><td>1652325C1</td></tr> <tr><td>H#</td><td>A97AP</td><td>18</td><td>VT</td><td>0587576C1</td><td>1652325C1</td></tr> <tr><td>I%#</td><td>A97AA</td><td>18</td><td>VT</td><td>0587576C1</td><td>1652325C1</td></tr> <tr><td>I#</td><td>A97AB</td><td>18</td><td>VT</td><td>0587576C1</td><td>1652325C1</td></tr> <tr><td>I**</td><td>A97DK</td><td>18</td><td>VT</td><td>0587576C1</td><td>1652325C1</td></tr> <tr><td>J%#</td><td>A97AE</td><td>18</td><td>VT</td><td>0587576C1</td><td>1652325C1</td></tr> <tr><td>J**</td><td>A97CF</td><td>18</td><td>VT</td><td>0587576C1</td><td>1652325C1</td></tr> </tbody> </table> <p>* W/ N98-ELECT CAT N/ ENG BRK N/ STRTR INTERLOCK # W/ 2010 IBB ENG & W/ ALLISON XMSN & W/ ENGINE BRAKE @ W/ 2007 CAT C13/C15 ENG W/ ALLISON XMSN W/ ENG SHUTDOWN % W/ 2007 CUMMINS & W/ STRTR INTRLCK & W/ IDLE CONTROL SYS, BRAZIL ** W/ INTL CEC I-6 ENGINES ## W/ ALL CUMMINS ENGINES W/ BRAZIL @@ W/ CUMMINS W/ CUM IDLE CONTROL N/ PAM W/ STARTER INTERLOCK %% W/ 2010 IBB ENG & W/ ULTRASHIFT.AUTOSHIFT.FREEDOM XMSN,ALLISON & N/ ENG BRAKE *** W/ REMOTE CONTROL FOR ENGINE PTO ### W/ 2010 IBB ENGINE & W/ MANUAL XMSN & W/ STARTER INTERLOCK</p> <table border="1" style="width:100%; border-collapse: collapse;"> <tr> <th>CHK</th><th>DATE</th><th>CHANGE</th><th>REV</th><th>REFERENCE</th><th>DRAWN</th><th>NAME</th></tr> <tr> <td>0610</td><td>27AUG13</td><td>INITIAL RELEASE.</td><td>A</td><td>92159Y</td><td>310615</td><td>CIRCUIT DIAGRAM, 9900</td></tr> <tr> <td></td><td></td><td></td><td></td><td></td><td>RELEASE NO.</td><td>DATE</td></tr> <tr> <td></td><td></td><td></td><td></td><td></td><td>92159Y</td><td>02AUG13</td></tr> <tr> <td></td><td></td><td></td><td></td><td></td><td>PART NO.</td><td>SHEET</td></tr> <tr> <td></td><td></td><td></td><td></td><td></td><td>AE08076124</td><td>022</td></tr> </table>	CAV	CIRCUIT	GAUGE	COLOR	TERMINAL	SEAL/SLEEVE	K*	A97AA	18	VT	0587576C1	1652325C1	K%%	A97AB	18	VT	0587576C1	1652325C1	K**	A97DJ	18	VT	0587576C1	1652325C1	L	A24AF	18	GY	0587576C1	1652325C1	M	A24AE	18	GY	0587576C1	1652325C1	N**	A97AZ	18	VT	0587576C1	1652325C1	N**	A97CD	18	VT	0587576C1	1652325C1	N%	A99-GD	18	VT	0587576C1	1652325C1	O**	A97AA	18	VT	0587576C1	1652325C1	O##	A97AU	18	VT	0587576C1	1652325C1	O#	A99D	18	VT	0587576C1	1652325C1	P##	A97AV	18	VT	0587576C1	1652325C1	P**	A97NM	18	VT	0587576C1	1652325C1	P#	A99D(5V)	18	VT	0587576C1	1652325C1	Q#	A19M	16	GY	0587575C1	1652325C1	Q@@	A24AP	18	GY	0587576C1	1652325C1	Q***	A92A15	18	PK	0587576C1	1652325C1	Q	A97SB	18	VT	0587576C1	1652325C1	R*	A97AH	18	VT	0587576C1	1652325C1	R###	A97AJ	18	VT	0587576C1	1652325C1	R##	A97CR	16	VT	0587575C1	1652325C1	S	A44M	16	GY	0587575C1	1652325C1	S#	A97WTS	18	VT	0587576C1	1652325C1	S%	A98B(-)	16	BK	0587575C1	1652325C1	S**	A98C(-)	14	BK	0587575C1	0589391C1	T#	A97WF	18	VT	0587576C1	1652325C1	T*	A98(+)	16	BK	0587575C1	1652325C1	T**	A98A(+)	14	BK	0587575C1	0589391C1	U*	A97AT	18	VT	0587576C1	1652325C1	U**	A97T	18	VT	0587576C1	1652325C1	V#	A44EC	18	GY	0587576C1	1652325C1	V*	A97-GA	18	VT	0587576C1	1652325C1	CAV	CIRCUIT	GAUGE	COLOR	TERMINAL	SEAL/SLEEVE	A*	A99	18	VT	0587576C1	1652325C1	A*	A99B	18	VT	0587576C1	1652325C1	A#	A99-G	18	VT	0587576C1	1652325C1	B*	A97U(5V)	18	VT	0587576C1	1652325C1	B#	A99A(5V)	18	VT	0587576C1	1652325C1	B@	A99A(8V)	18	VT	0587576C1	1652325C1	C%	A99	18	VT	0587576C1	1652325C1	C**	A97W	18	VT	0587576C1	1652325C1	C##	A99-G	18	VT	0587576C1	1652325C1	D##	A99B	18	VT	0587576C1	1652325C1	D**	A99D	18	VT	0587576C1	1652325C1	E**	A97A	18	TN	0587576C1	1652325C1	F@@	A99C	18	VT	0587576C1	1652325C1	F*	A97AL	18	VT	0587576C1	1652325C1	F**	A97CT	16	VT	0587575C1	1652325C1	G**	A98	18	BK	0587576C1	1652325C1	G%	A97AM	18	VT	0587576C1	1652325C1	G#	A97ML	18	VT	0587576C1	1652325C1	H**	A97AF	18	VT	0587576C1	1652325C1	H#	A97AP	18	VT	0587576C1	1652325C1	I%#	A97AA	18	VT	0587576C1	1652325C1	I#	A97AB	18	VT	0587576C1	1652325C1	I**	A97DK	18	VT	0587576C1	1652325C1	J%#	A97AE	18	VT	0587576C1	1652325C1	J**	A97CF	18	VT	0587576C1	1652325C1	CHK	DATE	CHANGE	REV	REFERENCE	DRAWN	NAME	0610	27AUG13	INITIAL RELEASE.	A	92159Y	310615	CIRCUIT DIAGRAM, 9900						RELEASE NO.	DATE						92159Y	02AUG13						PART NO.	SHEET						AE08076124	022
CAV	CIRCUIT	GAUGE	COLOR	TERMINAL	SEAL/SLEEVE																																																																																																																																																																																																																																																																																																																																																																																																								
K*	A97AA	18	VT	0587576C1	1652325C1																																																																																																																																																																																																																																																																																																																																																																																																								
K%%	A97AB	18	VT	0587576C1	1652325C1																																																																																																																																																																																																																																																																																																																																																																																																								
K**	A97DJ	18	VT	0587576C1	1652325C1																																																																																																																																																																																																																																																																																																																																																																																																								
L	A24AF	18	GY	0587576C1	1652325C1																																																																																																																																																																																																																																																																																																																																																																																																								
M	A24AE	18	GY	0587576C1	1652325C1																																																																																																																																																																																																																																																																																																																																																																																																								
N**	A97AZ	18	VT	0587576C1	1652325C1																																																																																																																																																																																																																																																																																																																																																																																																								
N**	A97CD	18	VT	0587576C1	1652325C1																																																																																																																																																																																																																																																																																																																																																																																																								
N%	A99-GD	18	VT	0587576C1	1652325C1																																																																																																																																																																																																																																																																																																																																																																																																								
O**	A97AA	18	VT	0587576C1	1652325C1																																																																																																																																																																																																																																																																																																																																																																																																								
O##	A97AU	18	VT	0587576C1	1652325C1																																																																																																																																																																																																																																																																																																																																																																																																								
O#	A99D	18	VT	0587576C1	1652325C1																																																																																																																																																																																																																																																																																																																																																																																																								
P##	A97AV	18	VT	0587576C1	1652325C1																																																																																																																																																																																																																																																																																																																																																																																																								
P**	A97NM	18	VT	0587576C1	1652325C1																																																																																																																																																																																																																																																																																																																																																																																																								
P#	A99D(5V)	18	VT	0587576C1	1652325C1																																																																																																																																																																																																																																																																																																																																																																																																								
Q#	A19M	16	GY	0587575C1	1652325C1																																																																																																																																																																																																																																																																																																																																																																																																								
Q@@	A24AP	18	GY	0587576C1	1652325C1																																																																																																																																																																																																																																																																																																																																																																																																								
Q***	A92A15	18	PK	0587576C1	1652325C1																																																																																																																																																																																																																																																																																																																																																																																																								
Q	A97SB	18	VT	0587576C1	1652325C1																																																																																																																																																																																																																																																																																																																																																																																																								
R*	A97AH	18	VT	0587576C1	1652325C1																																																																																																																																																																																																																																																																																																																																																																																																								
R###	A97AJ	18	VT	0587576C1	1652325C1																																																																																																																																																																																																																																																																																																																																																																																																								
R##	A97CR	16	VT	0587575C1	1652325C1																																																																																																																																																																																																																																																																																																																																																																																																								
S	A44M	16	GY	0587575C1	1652325C1																																																																																																																																																																																																																																																																																																																																																																																																								
S#	A97WTS	18	VT	0587576C1	1652325C1																																																																																																																																																																																																																																																																																																																																																																																																								
S%	A98B(-)	16	BK	0587575C1	1652325C1																																																																																																																																																																																																																																																																																																																																																																																																								
S**	A98C(-)	14	BK	0587575C1	0589391C1																																																																																																																																																																																																																																																																																																																																																																																																								
T#	A97WF	18	VT	0587576C1	1652325C1																																																																																																																																																																																																																																																																																																																																																																																																								
T*	A98(+)	16	BK	0587575C1	1652325C1																																																																																																																																																																																																																																																																																																																																																																																																								
T**	A98A(+)	14	BK	0587575C1	0589391C1																																																																																																																																																																																																																																																																																																																																																																																																								
U*	A97AT	18	VT	0587576C1	1652325C1																																																																																																																																																																																																																																																																																																																																																																																																								
U**	A97T	18	VT	0587576C1	1652325C1																																																																																																																																																																																																																																																																																																																																																																																																								
V#	A44EC	18	GY	0587576C1	1652325C1																																																																																																																																																																																																																																																																																																																																																																																																								
V*	A97-GA	18	VT	0587576C1	1652325C1																																																																																																																																																																																																																																																																																																																																																																																																								
CAV	CIRCUIT	GAUGE	COLOR	TERMINAL	SEAL/SLEEVE																																																																																																																																																																																																																																																																																																																																																																																																								
A*	A99	18	VT	0587576C1	1652325C1																																																																																																																																																																																																																																																																																																																																																																																																								
A*	A99B	18	VT	0587576C1	1652325C1																																																																																																																																																																																																																																																																																																																																																																																																								
A#	A99-G	18	VT	0587576C1	1652325C1																																																																																																																																																																																																																																																																																																																																																																																																								
B*	A97U(5V)	18	VT	0587576C1	1652325C1																																																																																																																																																																																																																																																																																																																																																																																																								
B#	A99A(5V)	18	VT	0587576C1	1652325C1																																																																																																																																																																																																																																																																																																																																																																																																								
B@	A99A(8V)	18	VT	0587576C1	1652325C1																																																																																																																																																																																																																																																																																																																																																																																																								
C%	A99	18	VT	0587576C1	1652325C1																																																																																																																																																																																																																																																																																																																																																																																																								
C**	A97W	18	VT	0587576C1	1652325C1																																																																																																																																																																																																																																																																																																																																																																																																								
C##	A99-G	18	VT	0587576C1	1652325C1																																																																																																																																																																																																																																																																																																																																																																																																								
D##	A99B	18	VT	0587576C1	1652325C1																																																																																																																																																																																																																																																																																																																																																																																																								
D**	A99D	18	VT	0587576C1	1652325C1																																																																																																																																																																																																																																																																																																																																																																																																								
E**	A97A	18	TN	0587576C1	1652325C1																																																																																																																																																																																																																																																																																																																																																																																																								
F@@	A99C	18	VT	0587576C1	1652325C1																																																																																																																																																																																																																																																																																																																																																																																																								
F*	A97AL	18	VT	0587576C1	1652325C1																																																																																																																																																																																																																																																																																																																																																																																																								
F**	A97CT	16	VT	0587575C1	1652325C1																																																																																																																																																																																																																																																																																																																																																																																																								
G**	A98	18	BK	0587576C1	1652325C1																																																																																																																																																																																																																																																																																																																																																																																																								
G%	A97AM	18	VT	0587576C1	1652325C1																																																																																																																																																																																																																																																																																																																																																																																																								
G#	A97ML	18	VT	0587576C1	1652325C1																																																																																																																																																																																																																																																																																																																																																																																																								
H**	A97AF	18	VT	0587576C1	1652325C1																																																																																																																																																																																																																																																																																																																																																																																																								
H#	A97AP	18	VT	0587576C1	1652325C1																																																																																																																																																																																																																																																																																																																																																																																																								
I%#	A97AA	18	VT	0587576C1	1652325C1																																																																																																																																																																																																																																																																																																																																																																																																								
I#	A97AB	18	VT	0587576C1	1652325C1																																																																																																																																																																																																																																																																																																																																																																																																								
I**	A97DK	18	VT	0587576C1	1652325C1																																																																																																																																																																																																																																																																																																																																																																																																								
J%#	A97AE	18	VT	0587576C1	1652325C1																																																																																																																																																																																																																																																																																																																																																																																																								
J**	A97CF	18	VT	0587576C1	1652325C1																																																																																																																																																																																																																																																																																																																																																																																																								
CHK	DATE	CHANGE	REV	REFERENCE	DRAWN	NAME																																																																																																																																																																																																																																																																																																																																																																																																							
0610	27AUG13	INITIAL RELEASE.	A	92159Y	310615	CIRCUIT DIAGRAM, 9900																																																																																																																																																																																																																																																																																																																																																																																																							
					RELEASE NO.	DATE																																																																																																																																																																																																																																																																																																																																																																																																							
					92159Y	02AUG13																																																																																																																																																																																																																																																																																																																																																																																																							
					PART NO.	SHEET																																																																																																																																																																																																																																																																																																																																																																																																							
					AE08076124	022																																																																																																																																																																																																																																																																																																																																																																																																							

Figure 220 Connector Composite (190M)

13.23. CONNECTOR COMPOSITE (198M / 199M), P. 22A

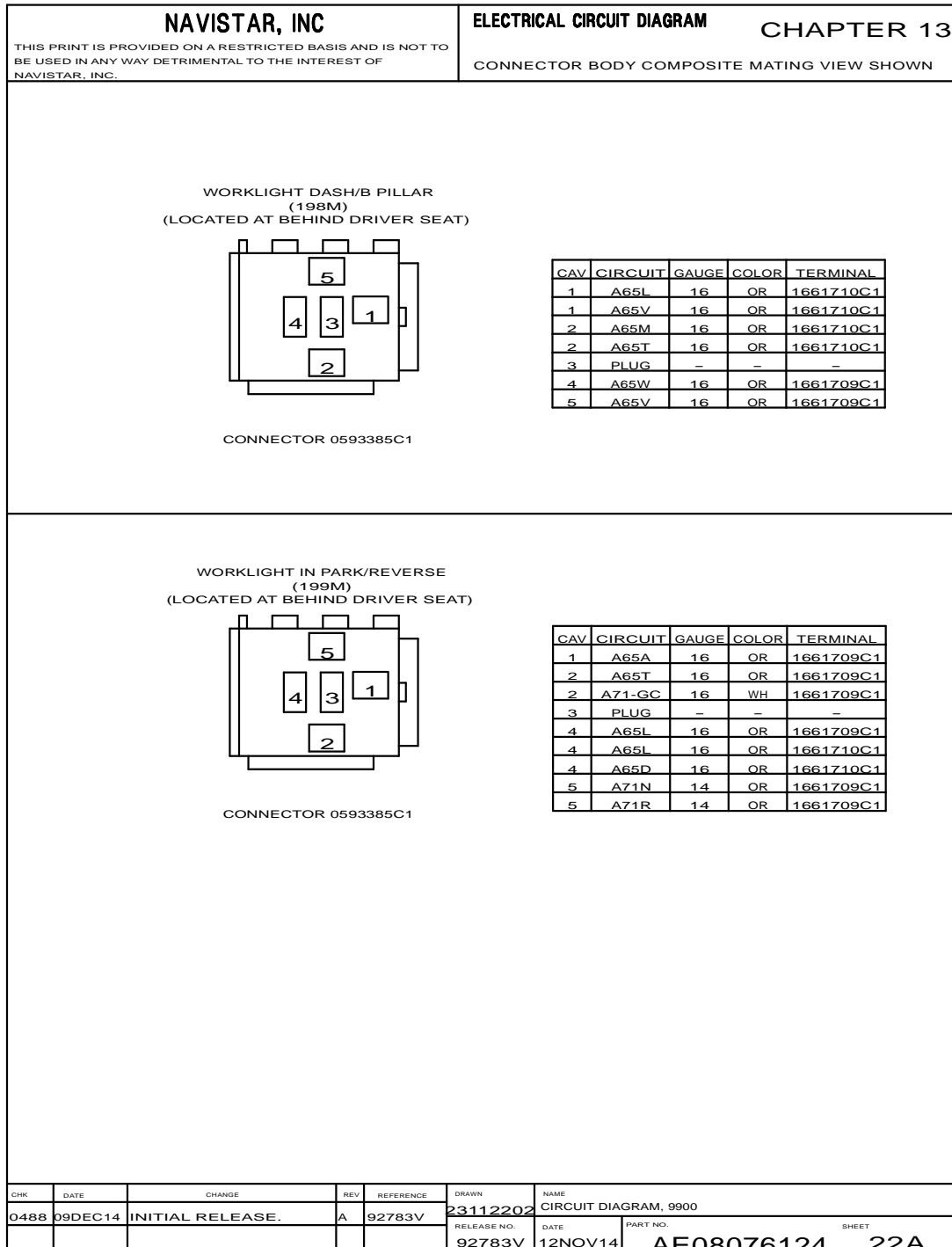


Figure 221 Connector Composite (198M / 199M)

13.24. CONNECTOR COMPOSITE (200M / 201M), P. 23

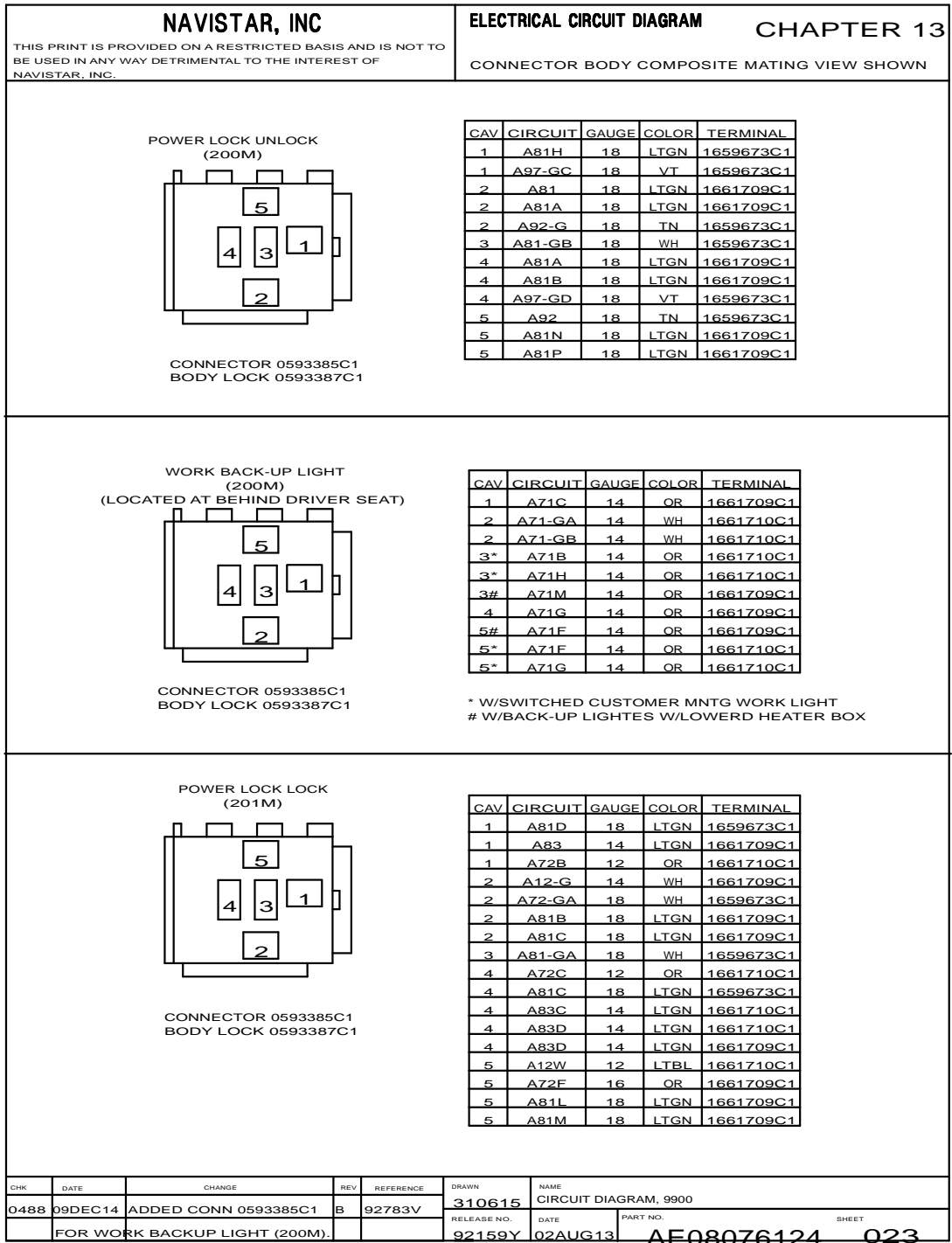


Figure 222 Connector Composite (200M / 201M)

13.25. CONNECTOR COMPOSITE (201M / 203), P. 23A

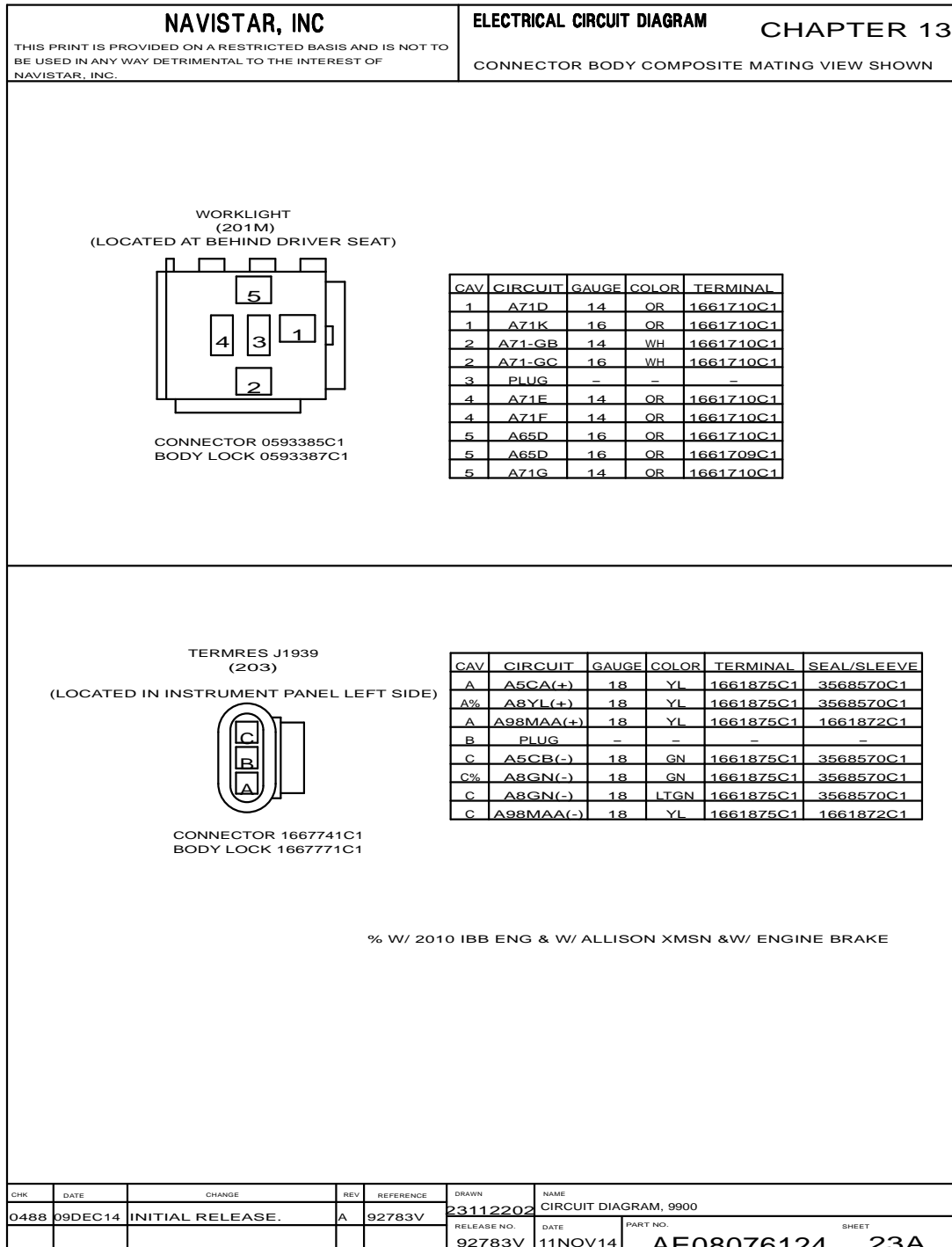
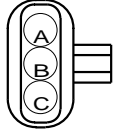
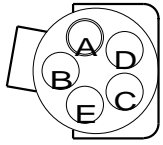


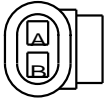
Figure 223 Connector Composite (201M / 203)

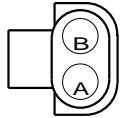
13.26. CONNECTOR COMPOSITE (203G / 212M / 227 / 228), P. 24

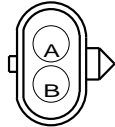
NAVISTAR, INC		ELECTRICAL CIRCUIT DIAGRAM		CHAPTER 13	
THIS PRINT IS PROVIDED ON A RESTRICTED BASIS AND IS NOT TO BE USED IN ANY WAY DETRIMENTAL TO THE INTEREST OF NAVISTAR, INC.		CONNECTOR BODY COMPOSITE MATING VIEW SHOWN			

<p style="text-align: center;">J1939 BACKBONE (203G) (LOCATED IN INSTRUMENT PANEL)</p>  <p style="text-align: center;">CONNECTOR 1667740C1 BODY LOCK 1667771C1</p>	<table border="1" style="width:100%; border-collapse: collapse; font-size: x-small;"> <thead> <tr> <th>CAV</th> <th>CIRCUIT</th> <th>GAUGE</th> <th>COLOR</th> <th>TERMINAL</th> <th>SEAL/SLEEVE</th> </tr> </thead> <tbody> <tr><td>A*</td><td>A10YL(+)</td><td>18</td><td>YL</td><td>1667742C1</td><td>3568570C1</td></tr> <tr><td>A</td><td>A5EA(+)</td><td>18</td><td>YL</td><td>1667742C1</td><td>3568570C1</td></tr> <tr><td>A#</td><td>A7YL(+)</td><td>18</td><td>YL</td><td>1667742C1</td><td>3568570C1</td></tr> <tr><td>B</td><td>PLUG</td><td>-</td><td>-</td><td>2025431C1</td><td>-</td></tr> <tr><td>C</td><td>A10GN(-)</td><td>18</td><td>LT GN</td><td>1667742C1</td><td>3568570C1</td></tr> <tr><td></td><td>A10GN(-)</td><td>18</td><td>GN</td><td>1667742C1</td><td>3568570C1</td></tr> <tr><td>C</td><td>A5EB(-)</td><td>18</td><td>GN</td><td>1667742C1</td><td>3568570C1</td></tr> <tr><td>C</td><td>A5EB(-)</td><td>18</td><td>LT GN</td><td>1667742C1</td><td>3568570C1</td></tr> <tr><td>C@</td><td>A7GN(-)</td><td>18</td><td>GN</td><td>1667742C1</td><td>3568570C1</td></tr> </tbody> </table> <p style="font-size: x-small; text-align: center;">* W/2010 IBB ENG & W/ALLISON XMSN & W/ENGINE BRAKE # W/2010 IBB ENG & W/ALLISON XMSN & N/ENGINE BRAKE @ W/2007 CUMMINS & W/STRTR INTRLK & W/IDLE CONTROL</p>	CAV	CIRCUIT	GAUGE	COLOR	TERMINAL	SEAL/SLEEVE	A*	A10YL(+)	18	YL	1667742C1	3568570C1	A	A5EA(+)	18	YL	1667742C1	3568570C1	A#	A7YL(+)	18	YL	1667742C1	3568570C1	B	PLUG	-	-	2025431C1	-	C	A10GN(-)	18	LT GN	1667742C1	3568570C1		A10GN(-)	18	GN	1667742C1	3568570C1	C	A5EB(-)	18	GN	1667742C1	3568570C1	C	A5EB(-)	18	LT GN	1667742C1	3568570C1	C@	A7GN(-)	18	GN	1667742C1	3568570C1
CAV	CIRCUIT	GAUGE	COLOR	TERMINAL	SEAL/SLEEVE																																																								
A*	A10YL(+)	18	YL	1667742C1	3568570C1																																																								
A	A5EA(+)	18	YL	1667742C1	3568570C1																																																								
A#	A7YL(+)	18	YL	1667742C1	3568570C1																																																								
B	PLUG	-	-	2025431C1	-																																																								
C	A10GN(-)	18	LT GN	1667742C1	3568570C1																																																								
	A10GN(-)	18	GN	1667742C1	3568570C1																																																								
C	A5EB(-)	18	GN	1667742C1	3568570C1																																																								
C	A5EB(-)	18	LT GN	1667742C1	3568570C1																																																								
C@	A7GN(-)	18	GN	1667742C1	3568570C1																																																								

<p style="text-align: center;">RIGHT HEADLIGHT (212M) (LOCATED ON UNDER SIDE OF HOOD BY HEAD LIGHT MODULE RIGHT SIDE)</p>  <p style="text-align: center;">CONNECTOR 1673752C1</p>	<table border="1" style="width:100%; border-collapse: collapse; font-size: x-small;"> <thead> <tr> <th>CAV</th> <th>CIRCUIT</th> <th>GAUGE</th> <th>COLOR</th> <th>TERMINAL</th> <th>SEAL/SLEEVE</th> </tr> </thead> <tbody> <tr><td>A</td><td>M52E</td><td>12</td><td>YL</td><td>1673747C1</td><td>0589390C1</td></tr> <tr><td>B</td><td>M52-GA</td><td>12</td><td>WH</td><td>1673747C1</td><td>0589390C1</td></tr> <tr><td>C</td><td>M53C</td><td>12</td><td>YL</td><td>1673747C1</td><td>0589390C1</td></tr> <tr><td>D</td><td>M57</td><td>14</td><td>OR</td><td>0587575C1</td><td>0589391C1</td></tr> <tr><td>E</td><td>M58U</td><td>14</td><td>BN</td><td>0587575C1</td><td>0589391C1</td></tr> </tbody> </table>	CAV	CIRCUIT	GAUGE	COLOR	TERMINAL	SEAL/SLEEVE	A	M52E	12	YL	1673747C1	0589390C1	B	M52-GA	12	WH	1673747C1	0589390C1	C	M53C	12	YL	1673747C1	0589390C1	D	M57	14	OR	0587575C1	0589391C1	E	M58U	14	BN	0587575C1	0589391C1
CAV	CIRCUIT	GAUGE	COLOR	TERMINAL	SEAL/SLEEVE																																
A	M52E	12	YL	1673747C1	0589390C1																																
B	M52-GA	12	WH	1673747C1	0589390C1																																
C	M53C	12	YL	1673747C1	0589390C1																																
D	M57	14	OR	0587575C1	0589391C1																																
E	M58U	14	BN	0587575C1	0589391C1																																

<p style="text-align: center;">FAN SOLENOID (227) (LOCATED ON ENGINE)</p>  <p style="text-align: center;">CONNECTOR 3522068C1 BODY LOCK 1661874C1</p>	<table border="1" style="width:100%; border-collapse: collapse; font-size: x-small;"> <thead> <tr> <th>CAV</th> <th>CIRCUIT</th> <th>GAUGE</th> <th>COLOR</th> <th>TERMINAL</th> <th>SEAL/SLEEVE</th> </tr> </thead> <tbody> <tr><td>A</td><td>KC23</td><td>18</td><td>TN</td><td>1661875C1</td><td>3568570C1</td></tr> <tr><td>B</td><td>KC23-G</td><td>18</td><td>WH</td><td>1661875C1</td><td>3568570C1</td></tr> </tbody> </table>	CAV	CIRCUIT	GAUGE	COLOR	TERMINAL	SEAL/SLEEVE	A	KC23	18	TN	1661875C1	3568570C1	B	KC23-G	18	WH	1661875C1	3568570C1
CAV	CIRCUIT	GAUGE	COLOR	TERMINAL	SEAL/SLEEVE														
A	KC23	18	TN	1661875C1	3568570C1														
B	KC23-G	18	WH	1661875C1	3568570C1														

<p style="text-align: center;">A/C PRESSURE SWITCH (228) (LOCATED ON ENGINE)</p>  <p style="text-align: center;">CONNECTOR 0587568C91</p>	<table border="1" style="width:100%; border-collapse: collapse; font-size: x-small;"> <thead> <tr> <th>CAV</th> <th>CIRCUIT</th> <th>GAUGE</th> <th>COLOR</th> <th>TERMINAL</th> <th>SEAL/SLEEVE</th> </tr> </thead> <tbody> <tr><td>A</td><td>K23C</td><td>18</td><td>TN</td><td>1661875C1</td><td>3568570C1</td></tr> <tr><td>B</td><td>K23T</td><td>18</td><td>TN</td><td>1661875C1</td><td>3568570C1</td></tr> </tbody> </table>	CAV	CIRCUIT	GAUGE	COLOR	TERMINAL	SEAL/SLEEVE	A	K23C	18	TN	1661875C1	3568570C1	B	K23T	18	TN	1661875C1	3568570C1
CAV	CIRCUIT	GAUGE	COLOR	TERMINAL	SEAL/SLEEVE														
A	K23C	18	TN	1661875C1	3568570C1														
B	K23T	18	TN	1661875C1	3568570C1														

<p style="text-align: center;">A/C PRESSURE SWITCH (228) (LOCATED ON ENGINE)</p>  <p style="text-align: center;">CONNECTOR 0587567C91</p>	<table border="1" style="width:100%; border-collapse: collapse; font-size: x-small;"> <thead> <tr> <th>CAV</th> <th>CIRCUIT</th> <th>GAUGE</th> <th>COLOR</th> <th>TERMINAL</th> <th>SEAL/SLEEVE</th> </tr> </thead> <tbody> <tr><td>A</td><td>K23B</td><td>18</td><td>TN</td><td>0587578C1</td><td>1652325C1</td></tr> <tr><td>B</td><td>K23A</td><td>18</td><td>TN</td><td>0587578C1</td><td>1652325C1</td></tr> </tbody> </table>	CAV	CIRCUIT	GAUGE	COLOR	TERMINAL	SEAL/SLEEVE	A	K23B	18	TN	0587578C1	1652325C1	B	K23A	18	TN	0587578C1	1652325C1
CAV	CIRCUIT	GAUGE	COLOR	TERMINAL	SEAL/SLEEVE														
A	K23B	18	TN	0587578C1	1652325C1														
B	K23A	18	TN	0587578C1	1652325C1														

CHK	DATE	CHANGE	REV	REFERENCE	DRAWN	NAME
MJV0	18JUL18	ADDED R/D 228.	B	94591W	310615	CIRCUIT DIAGRAM, 9900
					RELEASE NO.	DATE
					92159Y	02AUG13
					PART NO.	SHEET
					AE08076124	024

Figure 224 Connector Composite (203G / 212M / 227 / 228)

13.27. CONNECTOR COMPOSITE (228F / 228M / 236 / 236F), P. 25

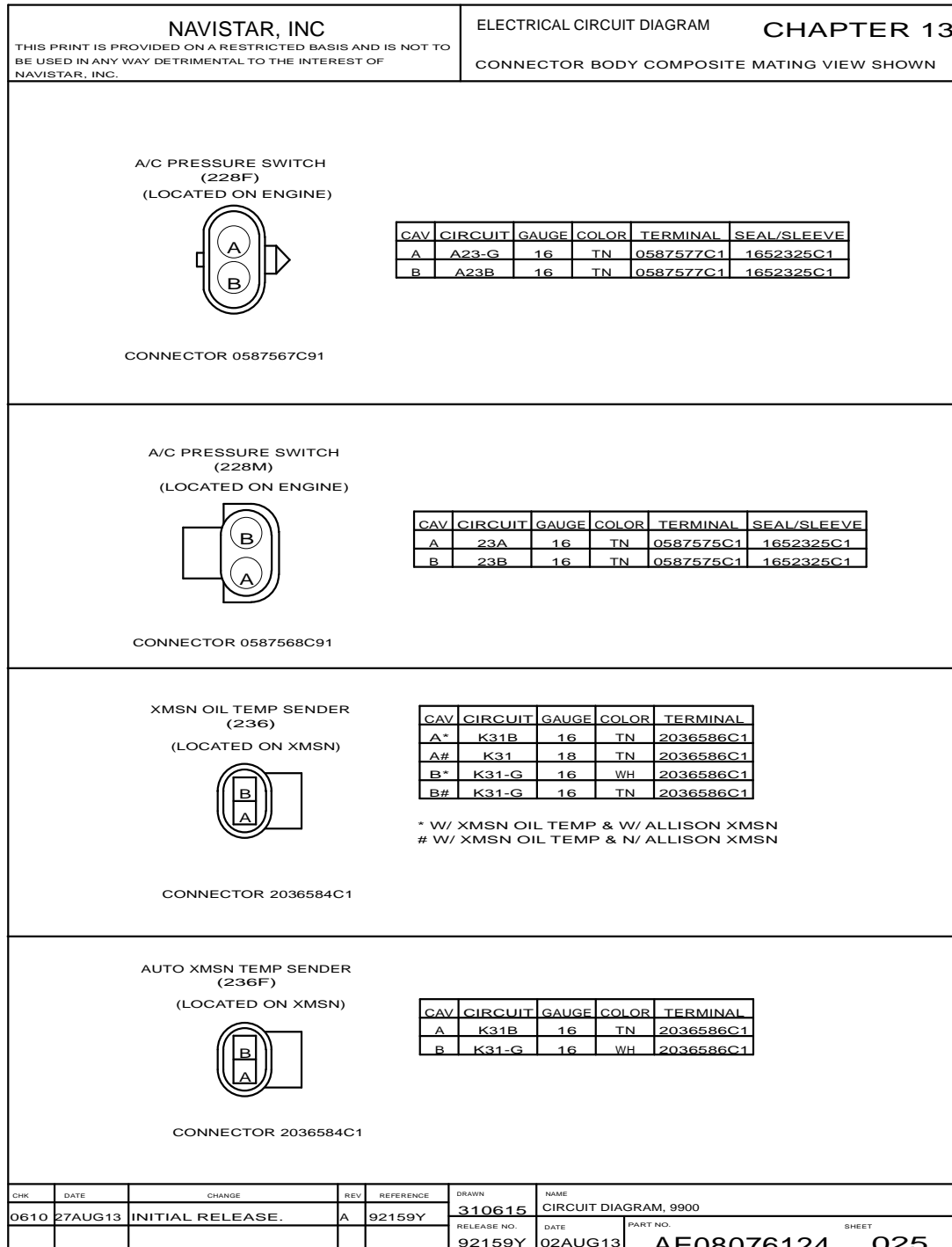


Figure 225 Connector Composite (228F / 228M / 236 / 236F)

13.28. CONNECTOR COMPOSITE (241M / 243M / 260M), P. 26

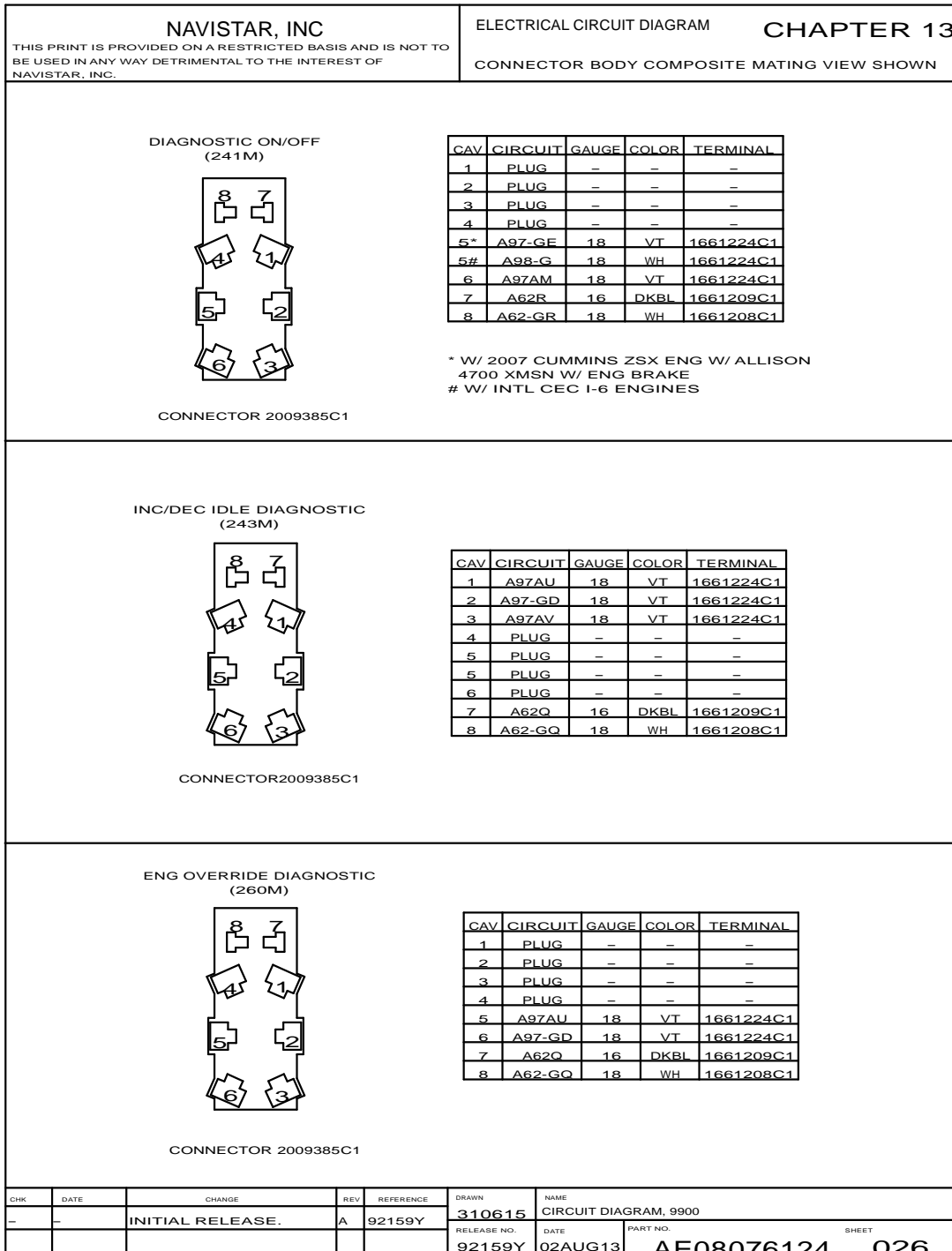


Figure 226 Connector Composite (241M / 243M / 260M)

13.29. CONNECTOR COMPOSITES (267M / 268F / 275 / 294A), P. 27

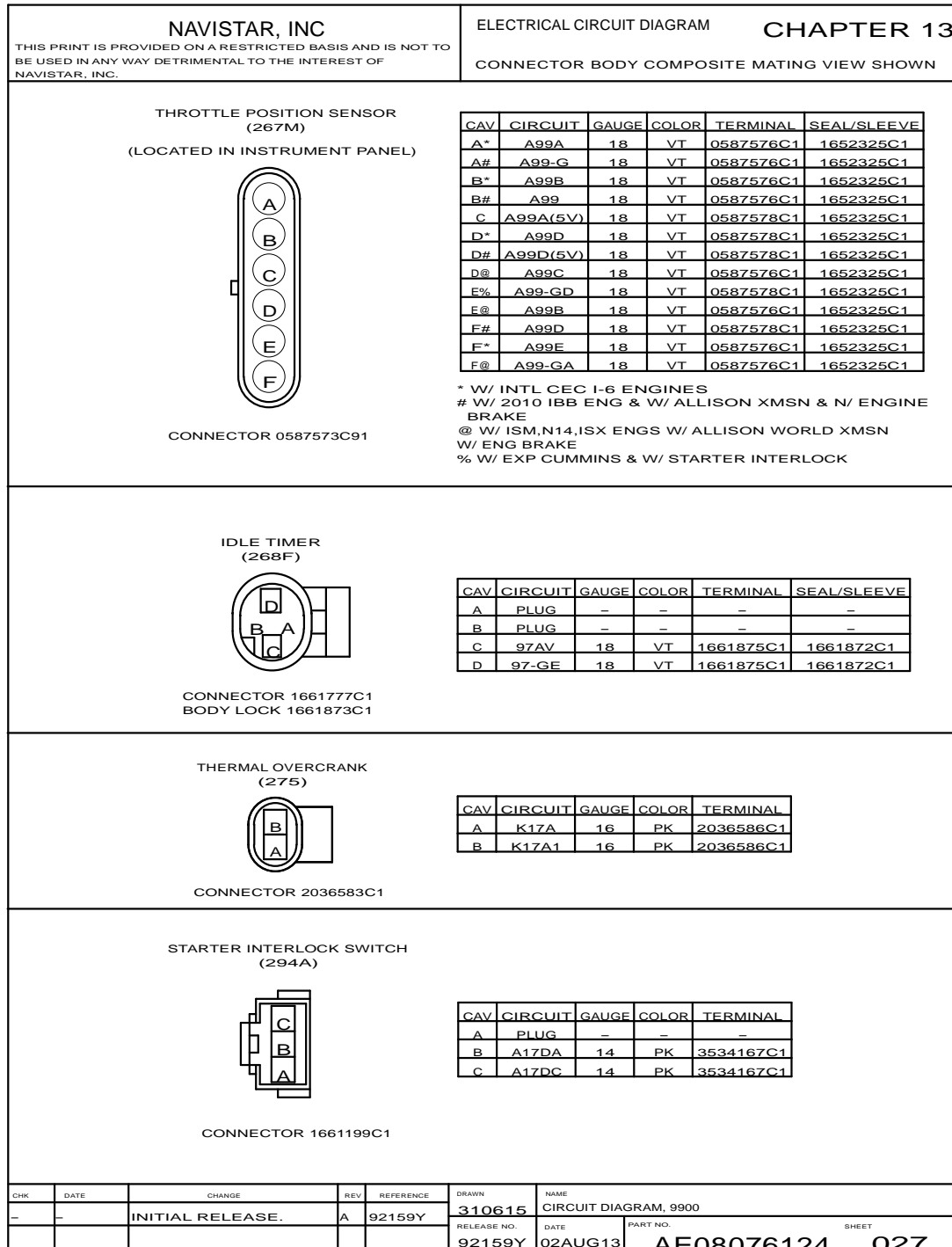


Figure 227 Connector Composites (267M / 268F / 275 / 294A)

13.30. CONNECTOR COMPOSITES (294F / 296M / 303F2 / 303M2), P. 28


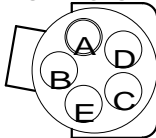
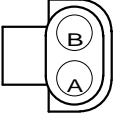
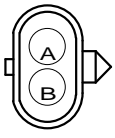
NAVISTAR, INC <small>THIS PRINT IS PROVIDED ON A RESTRICTED BASIS AND IS NOT TO BE USED IN ANY WAY DETRIMENTAL TO THE INTEREST OF NAVISTAR, INC.</small>				ELECTRICAL CIRCUIT DIAGRAM CHAPTER 13 CONNECTOR BODY COMPOSITE MATING VIEW SHOWN																																											
CLUTCH SW (294F) 		<table border="1" style="width:100%; border-collapse: collapse;"> <thead> <tr> <th>CAV</th> <th>CIRCUIT</th> <th>GAUGE</th> <th>COLOR</th> <th>TERMINAL</th> </tr> </thead> <tbody> <tr><td>A*</td><td>97A</td><td>18</td><td>TN</td><td>1661212C1</td></tr> <tr><td>A#</td><td>97AH</td><td>18</td><td>VT</td><td>1661212C1</td></tr> <tr><td>A@</td><td>97AJ</td><td>18</td><td>VT</td><td>1661212C1</td></tr> <tr><td>B*</td><td>97</td><td>18</td><td>VT</td><td>1661213C1</td></tr> <tr><td>B@</td><td>97CM</td><td>18</td><td>VT</td><td>1661212C1</td></tr> <tr><td>B#</td><td>97-GH</td><td>18</td><td>VT</td><td>1661212C1</td></tr> <tr><td>B*</td><td>99E</td><td>18</td><td>VT</td><td>1661213C1</td></tr> </tbody> </table>				CAV	CIRCUIT	GAUGE	COLOR	TERMINAL	A*	97A	18	TN	1661212C1	A#	97AH	18	VT	1661212C1	A@	97AJ	18	VT	1661212C1	B*	97	18	VT	1661213C1	B@	97CM	18	VT	1661212C1	B#	97-GH	18	VT	1661212C1	B*	99E	18	VT	1661213C1	CONNECTOR 1661197C1 * W/ INTL CEC I-6 ENGINES # W/ ISM , N14, ISX ENGS W/ ALLISON WORLD XMSN W/ ENG BRAKE @ W/ 2010 IBB ENG & W/ ALLISON XMSN & W/ ENGINE BRAKE	
CAV	CIRCUIT	GAUGE	COLOR	TERMINAL																																											
A*	97A	18	TN	1661212C1																																											
A#	97AH	18	VT	1661212C1																																											
A@	97AJ	18	VT	1661212C1																																											
B*	97	18	VT	1661213C1																																											
B@	97CM	18	VT	1661212C1																																											
B#	97-GH	18	VT	1661212C1																																											
B*	99E	18	VT	1661213C1																																											
LEFT HEADLIGHT (296M) (LOCATED ON UNDERSIDE OF HOOD BY HEADLIGHT MODULE-LEFT SIDE) 		<table border="1" style="width:100%; border-collapse: collapse;"> <thead> <tr> <th>CAV</th> <th>CIRCUIT</th> <th>GAUGE</th> <th>COLOR</th> <th>TERMINAL</th> <th>SEAL/SLEEVE</th> </tr> </thead> <tbody> <tr><td>A</td><td>MA52D</td><td>12</td><td>YL</td><td>1673747C1</td><td>0589390C1</td></tr> <tr><td>B</td><td>MA52-GE</td><td>12</td><td>WH</td><td>1673747C1</td><td>0589390C1</td></tr> <tr><td>C</td><td>MA53D</td><td>12</td><td>YL</td><td>1673747C1</td><td>0589390C1</td></tr> <tr><td>D</td><td>MA56</td><td>18</td><td>OR</td><td>0587576C1</td><td>1652325C1</td></tr> <tr><td>E</td><td>MF58T</td><td>18</td><td>BN</td><td>0587576C1</td><td>1652325C1</td></tr> </tbody> </table>				CAV	CIRCUIT	GAUGE	COLOR	TERMINAL	SEAL/SLEEVE	A	MA52D	12	YL	1673747C1	0589390C1	B	MA52-GE	12	WH	1673747C1	0589390C1	C	MA53D	12	YL	1673747C1	0589390C1	D	MA56	18	OR	0587576C1	1652325C1	E	MF58T	18	BN	0587576C1	1652325C1	CONNECTOR 1673752C1					
CAV	CIRCUIT	GAUGE	COLOR	TERMINAL	SEAL/SLEEVE																																										
A	MA52D	12	YL	1673747C1	0589390C1																																										
B	MA52-GE	12	WH	1673747C1	0589390C1																																										
C	MA53D	12	YL	1673747C1	0589390C1																																										
D	MA56	18	OR	0587576C1	1652325C1																																										
E	MF58T	18	BN	0587576C1	1652325C1																																										
SPEEDO SENSOR (303F2) 		<table border="1" style="width:100%; border-collapse: collapse;"> <thead> <tr> <th>CAV</th> <th>CIRCUIT</th> <th>GAUGE</th> <th>COLOR</th> <th>TERMINAL</th> <th>SEAL/SLEEVE</th> </tr> </thead> <tbody> <tr><td>A</td><td>K97AJ1</td><td>16</td><td>VT</td><td>0587575C1</td><td>1652325C1</td></tr> <tr><td>B</td><td>PLUG</td><td>-</td><td>-</td><td>-</td><td>-</td></tr> </tbody> </table>				CAV	CIRCUIT	GAUGE	COLOR	TERMINAL	SEAL/SLEEVE	A	K97AJ1	16	VT	0587575C1	1652325C1	B	PLUG	-	-	-	-	CONNECTOR 0587568C91																							
CAV	CIRCUIT	GAUGE	COLOR	TERMINAL	SEAL/SLEEVE																																										
A	K97AJ1	16	VT	0587575C1	1652325C1																																										
B	PLUG	-	-	-	-																																										
SPEEDO SENSOR (303M2) 		<table border="1" style="width:100%; border-collapse: collapse;"> <thead> <tr> <th>CAV</th> <th>CIRCUIT</th> <th>GAUGE</th> <th>COLOR</th> <th>TERMINAL</th> <th>SEAL/SLEEVE</th> </tr> </thead> <tbody> <tr><td>A</td><td>K97AJ</td><td>16</td><td>PL</td><td>0587577C1</td><td>1652325C1</td></tr> <tr><td>B</td><td>K97AK</td><td>16</td><td>PL</td><td>0587577C1</td><td>1652325C1</td></tr> </tbody> </table>				CAV	CIRCUIT	GAUGE	COLOR	TERMINAL	SEAL/SLEEVE	A	K97AJ	16	PL	0587577C1	1652325C1	B	K97AK	16	PL	0587577C1	1652325C1	CONNECTOR 0587567C91																							
CAV	CIRCUIT	GAUGE	COLOR	TERMINAL	SEAL/SLEEVE																																										
A	K97AJ	16	PL	0587577C1	1652325C1																																										
B	K97AK	16	PL	0587577C1	1652325C1																																										
CHK	DATE	CHANGE	REV	REFERENCE	DRAWN	NAME																																									
0610	27AUG13	INITIAL RELEASE.	A	92159Y	310615	CIRCUIT DIAGRAM, 9900																																									
					RELEASE NO.	DATE																																									
					92159Y	02AUG13																																									
					PART NO.	SHEET																																									
					AE08076124	028																																									

Figure 228 Connector Composites (294F / 296M / 303F2 / 303M2)

13.31. CONNECTOR COMPOSITES (311 / 312 / 313 / 314M), P. 29

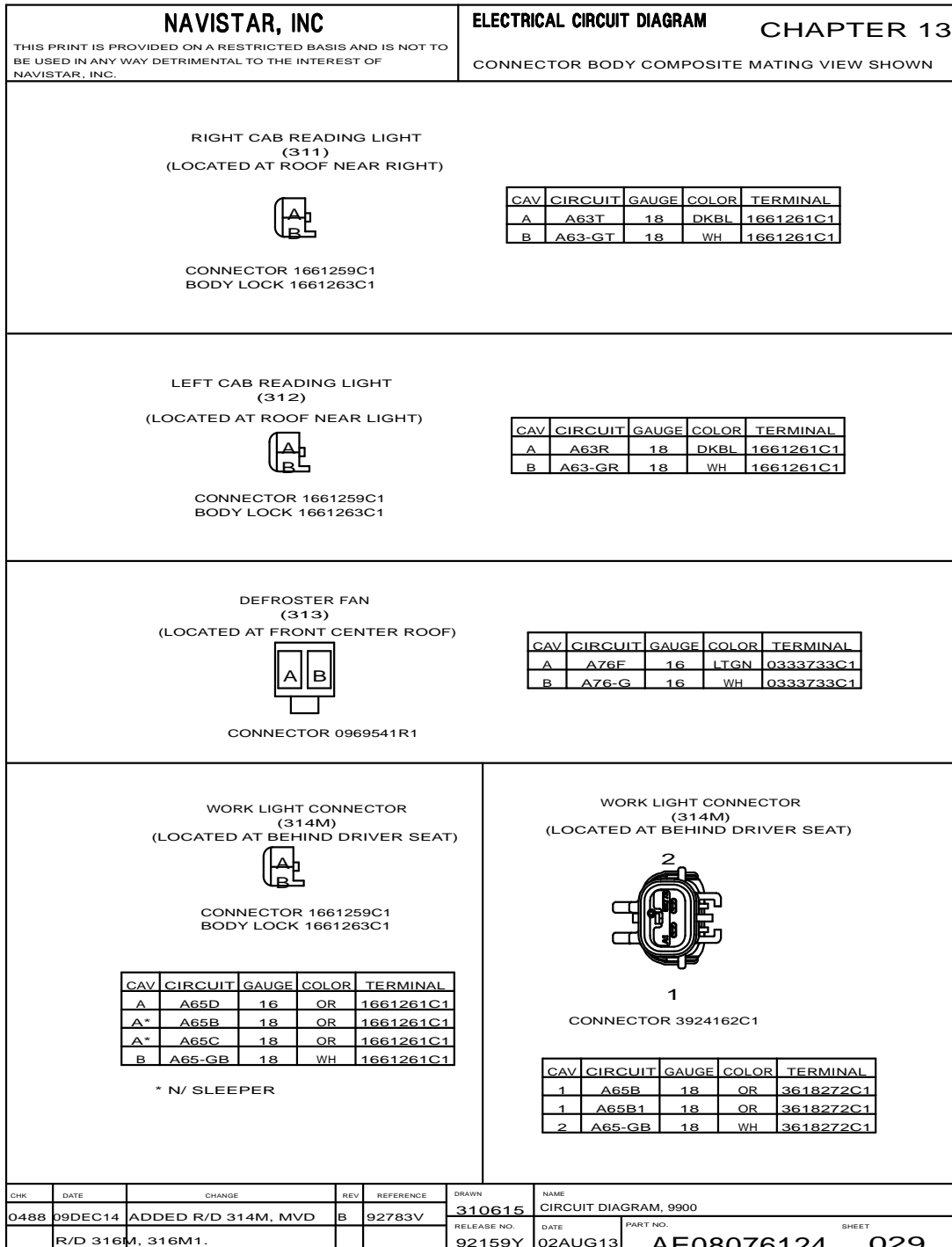


Figure 229 Connector Composites (311 / 312 / 313 / 314M)

13.32. CONNECTOR COMPOSITES (316M / 316M1), P. 29A

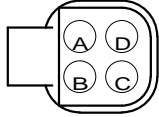
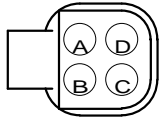
NAVISTAR, INC				ELECTRICAL CIRCUIT DIAGRAM		CHAPTER 13																															
THIS PRINT IS PROVIDED ON A RESTRICTED BASIS AND IS NOT TO BE USED IN ANY WAY DETRIMENTAL TO THE INTEREST OF NAVISTAR, INC.				CONNECTOR BODY COMPOSITE MATING VIEW SHOWN																																	
<div style="display: flex; justify-content: space-between;"> <div style="width: 45%;"> <p style="text-align: center;">DAYCAB TRAILER SOCKET #1 (316M)</p>  <p style="text-align: center;">CONNECTOR 1661497C91</p> </div> <div style="width: 50%;"> <table border="1" style="width: 100%; border-collapse: collapse; font-size: x-small;"> <thead> <tr> <th>CAV</th> <th>CIRCUIT</th> <th>GAUGE</th> <th>COLOR</th> <th>TERMINAL</th> <th>SEAL/SLEEVE</th> </tr> </thead> <tbody> <tr> <td>A</td> <td>N58W</td> <td>12</td> <td>BK</td> <td>1673747C1</td> <td>0589390C1</td> </tr> <tr> <td>B</td> <td>N56W</td> <td>12</td> <td>YL</td> <td>1673747C1</td> <td>0589390C1</td> </tr> <tr> <td>C</td> <td>N57W</td> <td>12</td> <td>LTGN</td> <td>1673747C1</td> <td>0589390C1</td> </tr> <tr> <td>D</td> <td>N68W</td> <td>12</td> <td>BN</td> <td>1673747C1</td> <td>0589390C1</td> </tr> </tbody> </table> </div> </div>								CAV	CIRCUIT	GAUGE	COLOR	TERMINAL	SEAL/SLEEVE	A	N58W	12	BK	1673747C1	0589390C1	B	N56W	12	YL	1673747C1	0589390C1	C	N57W	12	LTGN	1673747C1	0589390C1	D	N68W	12	BN	1673747C1	0589390C1
CAV	CIRCUIT	GAUGE	COLOR	TERMINAL	SEAL/SLEEVE																																
A	N58W	12	BK	1673747C1	0589390C1																																
B	N56W	12	YL	1673747C1	0589390C1																																
C	N57W	12	LTGN	1673747C1	0589390C1																																
D	N68W	12	BN	1673747C1	0589390C1																																
<div style="display: flex; justify-content: space-between;"> <div style="width: 45%;"> <p style="text-align: center;">SHORT SLEEPER TRAILER SOCKET #1 (316M1)</p>  <p style="text-align: center;">CONNECTOR 1661497C91</p> </div> <div style="width: 50%;"> <table border="1" style="width: 100%; border-collapse: collapse; font-size: x-small;"> <thead> <tr> <th>CAV</th> <th>CIRCUIT</th> <th>GAUGE</th> <th>COLOR</th> <th>TERMINAL</th> <th>SEAL/SLEEVE</th> </tr> </thead> <tbody> <tr> <td>A</td> <td>N58W</td> <td>12</td> <td>BK</td> <td>1673747C1</td> <td>0589390C1</td> </tr> <tr> <td>B</td> <td>N56W</td> <td>12</td> <td>YL</td> <td>1673747C1</td> <td>0589390C1</td> </tr> <tr> <td>C</td> <td>N57W</td> <td>12</td> <td>LTGN</td> <td>1673747C1</td> <td>0589390C1</td> </tr> <tr> <td>D</td> <td>N68W</td> <td>12</td> <td>BN</td> <td>1673747C1</td> <td>0589390C1</td> </tr> </tbody> </table> </div> </div>								CAV	CIRCUIT	GAUGE	COLOR	TERMINAL	SEAL/SLEEVE	A	N58W	12	BK	1673747C1	0589390C1	B	N56W	12	YL	1673747C1	0589390C1	C	N57W	12	LTGN	1673747C1	0589390C1	D	N68W	12	BN	1673747C1	0589390C1
CAV	CIRCUIT	GAUGE	COLOR	TERMINAL	SEAL/SLEEVE																																
A	N58W	12	BK	1673747C1	0589390C1																																
B	N56W	12	YL	1673747C1	0589390C1																																
C	N57W	12	LTGN	1673747C1	0589390C1																																
D	N68W	12	BN	1673747C1	0589390C1																																
CHK	DATE	CHANGE	REV	REFERENCE	DRAWN	NAME																															
0488	09DEC14	INITIAL RELEASE.	A	92783V	23112202	CIRCUIT DIAGRAM, 9900																															
RELEASE NO.		DATE		PART NO.		SHEET																															
92783V		11NOV14		AE08076124		29A																															

Figure 230 Connector Composites (316M / 316M1)

13.33. CONNECTOR COMPOSITES (316M2 / 318F / 318F1 / 318F2), P. 30

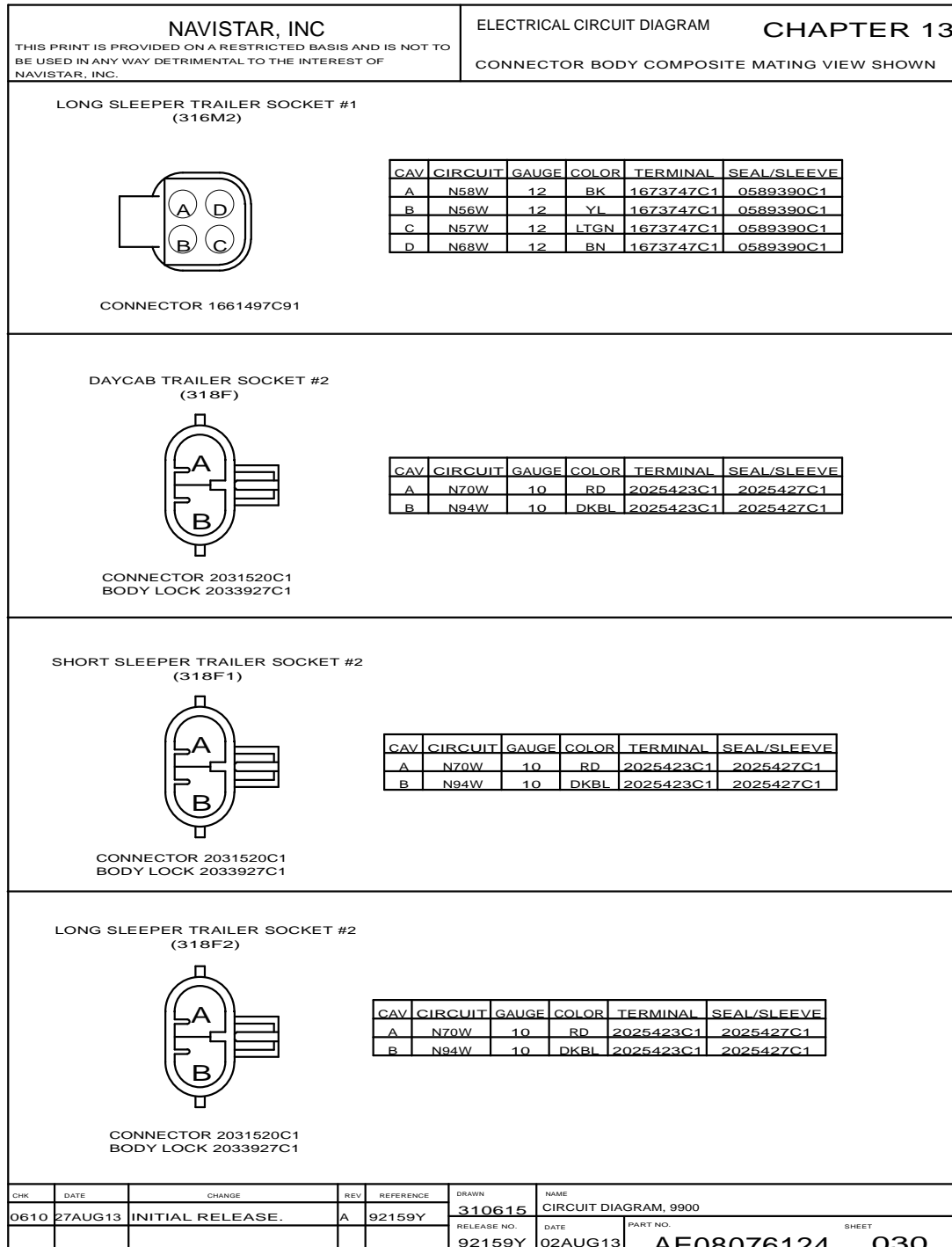


Figure 231 Connector Composites (316M2 / 318F / 318F1 / 318F2)

13.34. CONNECTOR COMPOSITES (319F / 319F2 / 319F3 / 320M / 328M / 340), P. 31

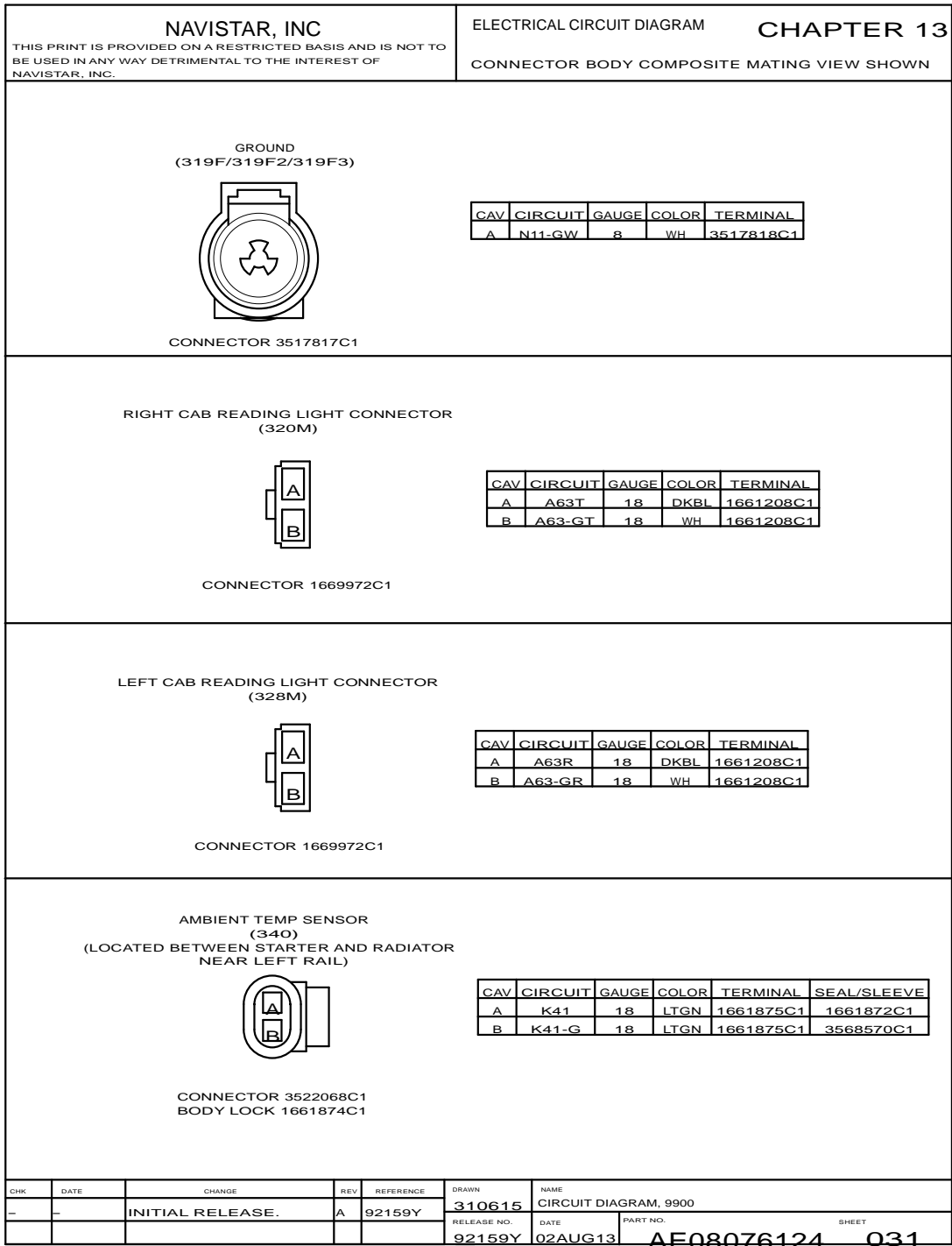


Figure 232 Connector Composites (319F / 319F2 / 319F3 / 320M / 328M / 340)

13.35. CONNECTOR COMPOSITES (340 / 344 / 345F / 345M), P. 32

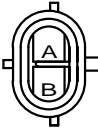

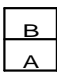

NAVISTAR, INC <small>THIS PRINT IS PROVIDED ON A RESTRICTED BASIS AND IS NOT TO BE USED IN ANY WAY DETRIMENTAL TO THE INTEREST OF NAVISTAR, INC.</small>				ELECTRICAL CIRCUIT DIAGRAM CHAPTER 13 CONNECTOR BODY COMPOSITE MATING VIEW SHOWN																					
<p>AMBIENT TEMP SENSOR (340) (LOCATED NEAR RIGHT SIDE OF FUEL TANK)</p>  <p>CONNECTOR 3582941C1 BODY LOCK 1661874C1</p>				<table border="1" style="width: 100%; border-collapse: collapse;"> <thead> <tr> <th>CAV</th> <th>CIRCUIT</th> <th>GAUGE</th> <th>COLOR</th> <th>TERMINAL</th> <th>SEAL/SLEEVE</th> </tr> </thead> <tbody> <tr> <td>A</td> <td>N41D</td> <td>18</td> <td>BK</td> <td>1667742C1</td> <td>1661872C1</td> </tr> <tr> <td>B</td> <td>NA1E</td> <td>18</td> <td>GY</td> <td>1667742C1</td> <td>1661872C1</td> </tr> </tbody> </table>				CAV	CIRCUIT	GAUGE	COLOR	TERMINAL	SEAL/SLEEVE	A	N41D	18	BK	1667742C1	1661872C1	B	NA1E	18	GY	1667742C1	1661872C1
CAV	CIRCUIT	GAUGE	COLOR	TERMINAL	SEAL/SLEEVE																				
A	N41D	18	BK	1667742C1	1661872C1																				
B	NA1E	18	GY	1667742C1	1661872C1																				
<p>CB SPKR CABLE ASSY (344) (LOCATED IN CAB ROOF)</p>  <p>CONNECTOR 1661197C1</p>				<table border="1" style="width: 100%; border-collapse: collapse;"> <thead> <tr> <th>CAV</th> <th>CIRCUIT</th> <th>GAUGE</th> <th>COLOR</th> <th>TERMINAL</th> </tr> </thead> <tbody> <tr> <td>A</td> <td>[GREEN]</td> <td>16</td> <td>GN</td> <td>ASSY</td> </tr> <tr> <td>B</td> <td>[YELLOW]</td> <td>16</td> <td>YL</td> <td>ASSY</td> </tr> </tbody> </table>				CAV	CIRCUIT	GAUGE	COLOR	TERMINAL	A	[GREEN]	16	GN	ASSY	B	[YELLOW]	16	YL	ASSY			
CAV	CIRCUIT	GAUGE	COLOR	TERMINAL																					
A	[GREEN]	16	GN	ASSY																					
B	[YELLOW]	16	YL	ASSY																					
<p>CLEARANCE LIGHT (345F) (LOCATED IN SUNSHADE)</p>  <p>CONNECTOR 1661260C1</p>				<table border="1" style="width: 100%; border-collapse: collapse;"> <thead> <tr> <th>CAV</th> <th>CIRCUIT</th> <th>GAUGE</th> <th>COLOR</th> <th>TERMINAL</th> </tr> </thead> <tbody> <tr> <td>A</td> <td>A58A</td> <td>18</td> <td>BN</td> <td>1661262C1</td> </tr> <tr> <td>B</td> <td>A58-GA</td> <td>18</td> <td>WH</td> <td>1661262C1</td> </tr> </tbody> </table>				CAV	CIRCUIT	GAUGE	COLOR	TERMINAL	A	A58A	18	BN	1661262C1	B	A58-GA	18	WH	1661262C1			
CAV	CIRCUIT	GAUGE	COLOR	TERMINAL																					
A	A58A	18	BN	1661262C1																					
B	A58-GA	18	WH	1661262C1																					
<p>CONNECTOR BODY LOCK/CLEARANCE LIGHT FEED (345M) (LOCATED IN SUNSHADE)</p>  <p>CONNECTOR 1661259C1 BODY LOCK 1661263C1</p>				<table border="1" style="width: 100%; border-collapse: collapse;"> <thead> <tr> <th>CAV</th> <th>CIRCUIT</th> <th>GAUGE</th> <th>COLOR</th> <th>TERMINAL</th> </tr> </thead> <tbody> <tr> <td>A</td> <td>A58A</td> <td>18</td> <td>BK</td> <td>1661261C1</td> </tr> <tr> <td>B</td> <td>A58-GA</td> <td>18</td> <td>WH</td> <td>1661261C1</td> </tr> </tbody> </table>				CAV	CIRCUIT	GAUGE	COLOR	TERMINAL	A	A58A	18	BK	1661261C1	B	A58-GA	18	WH	1661261C1			
CAV	CIRCUIT	GAUGE	COLOR	TERMINAL																					
A	A58A	18	BK	1661261C1																					
B	A58-GA	18	WH	1661261C1																					
CHK	DATE	CHANGE	REV	REFERENCE	DRAWN	NAME																			
0610	27AUG13	INITIAL RELEASE.	A	92159Y	310615	CIRCUIT DIAGRAM, 9900																			
					RELEASE NO.	DATE																			
					92159Y	02AUG13																			
					PART NO.	SHEET																			
					AE08076124	032																			

Figure 233 Connector Composites (340 / 344 / 345F / 345M)

13.36. CONNECTOR COMPOSITES (393 / 404F / 406M), P. 33

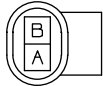
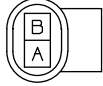
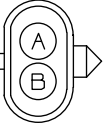
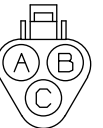
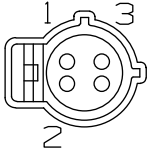
NAVISTAR, INC <small>THIS PRINT IS PROVIDED ON A RESTRICTED BASIS AND IS NOT TO BE USED IN ANY WAY DETRIMENTAL TO THE INTEREST OF NAVISTAR, INC.</small>				ELECTRICAL CIRCUIT DIAGRAM CHAPTER 13 CONNECTOR BODY COMPOSITE MATING VIEW SHOWN																							
ENGINE OIL TEMP Ⓢ (393) 				<table border="1" style="width:100%; border-collapse: collapse;"> <thead> <tr> <th>CAV</th> <th>CIRCUIT</th> <th>GAUGE</th> <th>COLOR</th> <th>TERMINAL</th> </tr> </thead> <tbody> <tr> <td>A</td> <td>K30</td> <td>16</td> <td>TN</td> <td>2036586C1</td> </tr> <tr> <td>B</td> <td>K30-GB</td> <td>16</td> <td>TN</td> <td>2036586C1</td> </tr> </tbody> </table>		CAV	CIRCUIT	GAUGE	COLOR	TERMINAL	A	K30	16	TN	2036586C1	B	K30-GB	16	TN	2036586C1	Ⓢ W/F-2010-MXF-15L-ENG CONNECTOR 2036584C1						
CAV	CIRCUIT	GAUGE	COLOR	TERMINAL																							
A	K30	16	TN	2036586C1																							
B	K30-GB	16	TN	2036586C1																							
ENGINE OIL TEMP Ⓢ (393) 				<table border="1" style="width:100%; border-collapse: collapse;"> <thead> <tr> <th>CAV</th> <th>CIRCUIT</th> <th>GAUGE</th> <th>COLOR</th> <th>TERMINAL</th> <th>SEAL/SLEEVE</th> </tr> </thead> <tbody> <tr> <td>A</td> <td>K30</td> <td>18</td> <td>TN</td> <td>3554322C1</td> <td>3554318C1</td> </tr> <tr> <td>B</td> <td>K30-GB</td> <td>18</td> <td>TN</td> <td>3554322C1</td> <td>3554318C1</td> </tr> </tbody> </table>		CAV	CIRCUIT	GAUGE	COLOR	TERMINAL	SEAL/SLEEVE	A	K30	18	TN	3554322C1	3554318C1	B	K30-GB	18	TN	3554322C1	3554318C1	Ⓢ W/2010 1BB ENGINE CONNECTOR 2036584C1			
CAV	CIRCUIT	GAUGE	COLOR	TERMINAL	SEAL/SLEEVE																						
A	K30	18	TN	3554322C1	3554318C1																						
B	K30-GB	18	TN	3554322C1	3554318C1																						
ENGINE OIL TEMP Ⓢ (393) 				<table border="1" style="width:100%; border-collapse: collapse;"> <thead> <tr> <th>CAV</th> <th>CIRCUIT</th> <th>GAUGE</th> <th>COLOR</th> <th>TERMINAL</th> <th>SEAL/SLEEVE</th> </tr> </thead> <tbody> <tr> <td>A</td> <td>K30</td> <td>18</td> <td>TN</td> <td>0587578C1</td> <td>3517771C1</td> </tr> <tr> <td>B</td> <td>K30-GB</td> <td>18</td> <td>TN</td> <td>0587578C1</td> <td>3517771C1</td> </tr> </tbody> </table>		CAV	CIRCUIT	GAUGE	COLOR	TERMINAL	SEAL/SLEEVE	A	K30	18	TN	0587578C1	3517771C1	B	K30-GB	18	TN	0587578C1	3517771C1	Ⓢ W/F-2013-1SX-ENG CONNECTOR 0587567C91			
CAV	CIRCUIT	GAUGE	COLOR	TERMINAL	SEAL/SLEEVE																						
A	K30	18	TN	0587578C1	3517771C1																						
B	K30-GB	18	TN	0587578C1	3517771C1																						
THROTTLE POSITION SENSOR (404F) 				<table border="1" style="width:100%; border-collapse: collapse;"> <thead> <tr> <th>CAV</th> <th>CIRCUIT</th> <th>GAUGE</th> <th>COLOR</th> <th>TERMINAL</th> </tr> </thead> <tbody> <tr> <td>A</td> <td>A99A (BV)</td> <td>18</td> <td>VT</td> <td>1680205C1</td> </tr> <tr> <td>B</td> <td>A99-GA</td> <td>18</td> <td>VT</td> <td>1680205C1</td> </tr> <tr> <td>C</td> <td>A99</td> <td>18</td> <td>VT</td> <td>1680205C1</td> </tr> </tbody> </table>		CAV	CIRCUIT	GAUGE	COLOR	TERMINAL	A	A99A (BV)	18	VT	1680205C1	B	A99-GA	18	VT	1680205C1	C	A99	18	VT	1680205C1	CONNECTOR 1655702C1 BODY LOCK 1655704C1	
CAV	CIRCUIT	GAUGE	COLOR	TERMINAL																							
A	A99A (BV)	18	VT	1680205C1																							
B	A99-GA	18	VT	1680205C1																							
C	A99	18	VT	1680205C1																							
BAP SENSOR (406M) 				<table border="1" style="width:100%; border-collapse: collapse;"> <thead> <tr> <th>CAV</th> <th>CIRCUIT</th> <th>GAUGE</th> <th>COLOR</th> <th>TERMINAL</th> </tr> </thead> <tbody> <tr> <td>1</td> <td>A97Z</td> <td>18</td> <td>VT</td> <td>2003343C1</td> </tr> <tr> <td>2</td> <td>A97BL (5V)</td> <td>18</td> <td>VT</td> <td>2003343C1</td> </tr> <tr> <td>3</td> <td>A97CD</td> <td>18</td> <td>VT</td> <td>2003343C1</td> </tr> </tbody> </table>		CAV	CIRCUIT	GAUGE	COLOR	TERMINAL	1	A97Z	18	VT	2003343C1	2	A97BL (5V)	18	VT	2003343C1	3	A97CD	18	VT	2003343C1	CONNECTOR 2016703C1 BODY LOCK 2016704C1	
CAV	CIRCUIT	GAUGE	COLOR	TERMINAL																							
1	A97Z	18	VT	2003343C1																							
2	A97BL (5V)	18	VT	2003343C1																							
3	A97CD	18	VT	2003343C1																							
CHK	DATE	CHANGE	REV	REFERENCE	DRAWN	NAME																					
MJV04	21APR21	ADDED: CONN 0587567C91	B	95903Y	310615	CIRCUIT DIAGRAM, 9900																					
	R/D 393	CIRC K30, K30-GB.			RELEASE NO.	DATE																					
					92159Y	02AUG13																					
					PART NO.	SHEET																					
					AE08076124	033																					

Figure 234 Connector Composites (393 / 404F / 406M)

13.37. CONNECTOR COMPOSITES (418M / 420M), P. 34

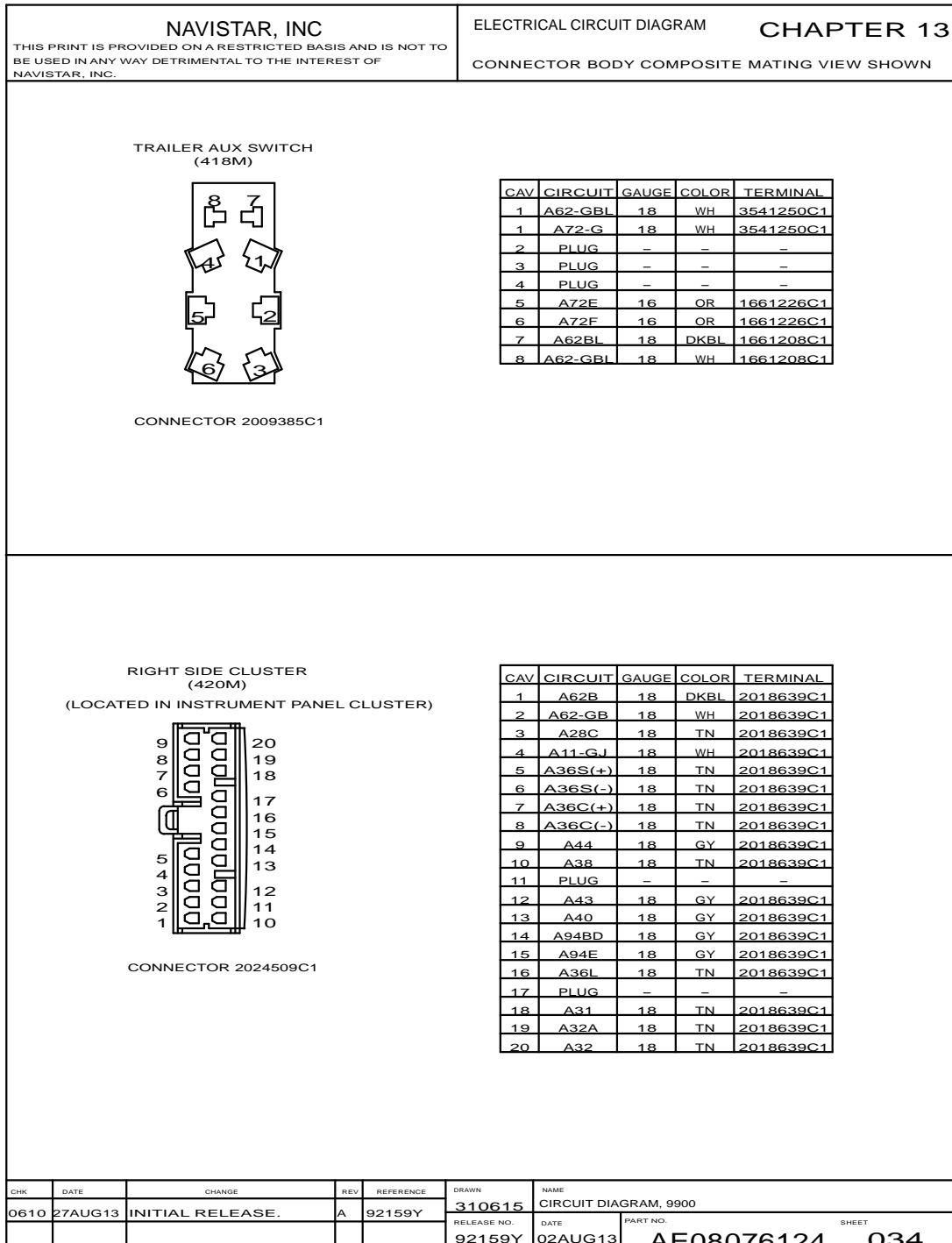


Figure 235 Connector Composites (418M / 420M)

13.38. CONNECTOR COMPOSITES (421M / 422M), P. 35

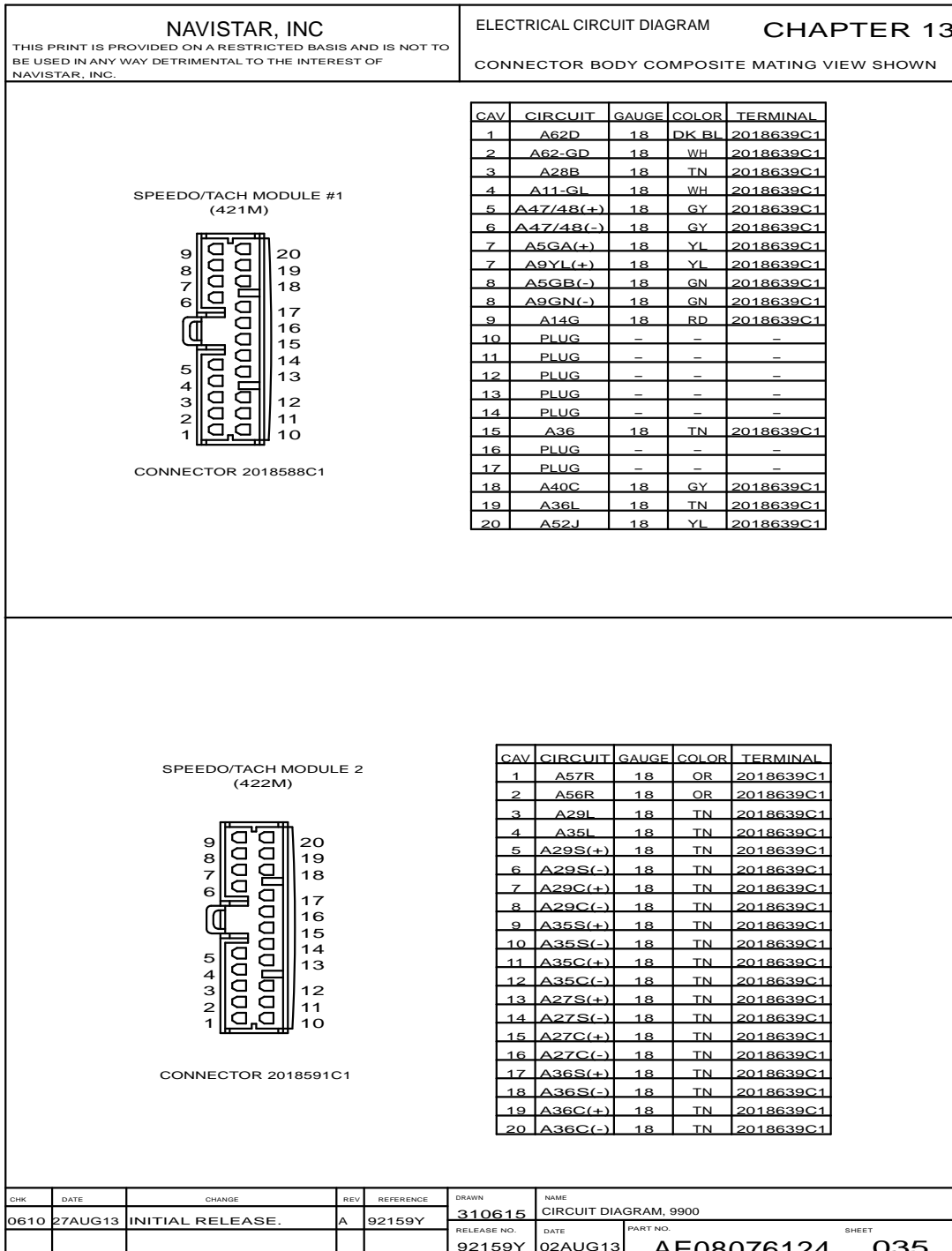


Figure 236 Connector Composites (421M / 422M)

13.39. CONNECTOR COMPOSITES (423M / 424M), P. 36

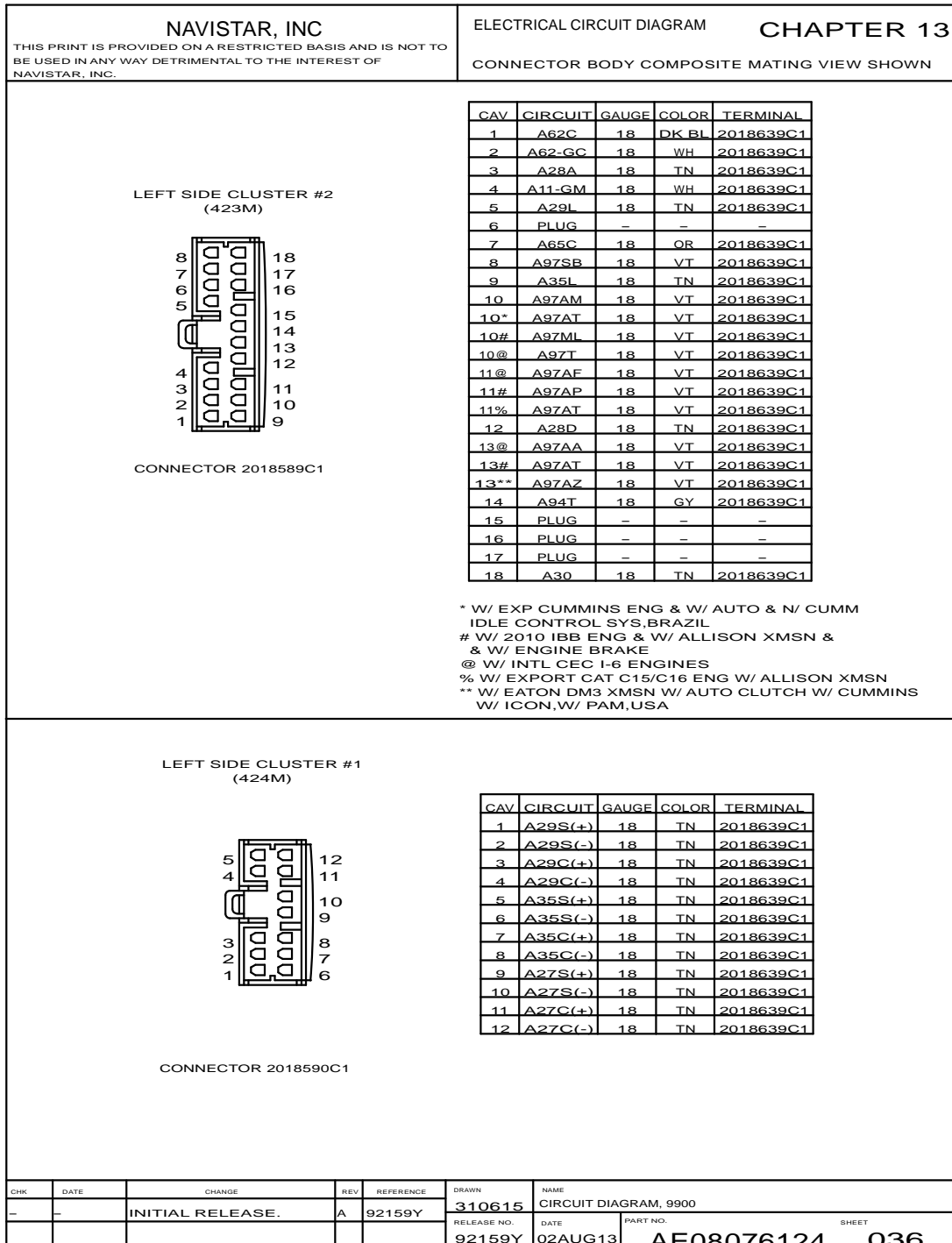


Figure 237 Connector Composites (423M / 424M)

13.40. CONNECTOR COMPOSITES (425M / 426M / 427F), P. 37

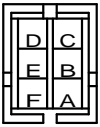
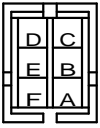
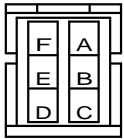
NAVISTAR, INC <small>THIS PRINT IS PROVIDED ON A RESTRICTED BASIS AND IS NOT TO BE USED IN ANY WAY DETRIMENTAL TO THE INTEREST OF NAVISTAR, INC.</small>				ELECTRICAL CIRCUIT DIAGRAM CHAPTER 13 CONNECTOR BODY COMPOSITE MATING VIEW SHOWN																																				
PANEL LIGHT SWITCH (425M)  CONNECTOR 1661200C1		<table border="1" style="width:100%; border-collapse: collapse;"> <thead> <tr> <th>CAV</th> <th>CIRCUIT</th> <th>GAUGE</th> <th>COLOR</th> <th>TERMINAL</th> </tr> </thead> <tbody> <tr><td>A</td><td>A62</td><td>16</td><td>DKBL</td><td>1661209C1</td></tr> <tr><td>B</td><td>A11-GS</td><td>16</td><td>WH</td><td>1661209C1</td></tr> <tr><td>C</td><td>A62A</td><td>16</td><td>DKBL</td><td>1661209C1</td></tr> <tr><td>D</td><td>A62W</td><td>16</td><td>DKBL</td><td>1661209C1</td></tr> <tr><td>E</td><td>PLUG</td><td>-</td><td>-</td><td>-</td></tr> <tr><td>F</td><td>A62-GW</td><td>18</td><td>WH</td><td>1661208C1</td></tr> </tbody> </table>				CAV	CIRCUIT	GAUGE	COLOR	TERMINAL	A	A62	16	DKBL	1661209C1	B	A11-GS	16	WH	1661209C1	C	A62A	16	DKBL	1661209C1	D	A62W	16	DKBL	1661209C1	E	PLUG	-	-	-	F	A62-GW	18	WH	1661208C1
CAV	CIRCUIT	GAUGE	COLOR	TERMINAL																																				
A	A62	16	DKBL	1661209C1																																				
B	A11-GS	16	WH	1661209C1																																				
C	A62A	16	DKBL	1661209C1																																				
D	A62W	16	DKBL	1661209C1																																				
E	PLUG	-	-	-																																				
F	A62-GW	18	WH	1661208C1																																				
RADIO #1 (426M) (LOCATED IN INSTRUMENT PANEL)  CONNECTOR 1661200C1		<table border="1" style="width:100%; border-collapse: collapse;"> <thead> <tr> <th>CAV</th> <th>CIRCUIT</th> <th>GAUGE</th> <th>COLOR</th> <th>TERMINAL</th> </tr> </thead> <tbody> <tr><td>A</td><td>A88B</td><td>16</td><td>LTGN</td><td>1661209C1</td></tr> <tr><td>B</td><td>A86A</td><td>18</td><td>LTGN</td><td>1661208C1</td></tr> <tr><td>C</td><td>A86C</td><td>18</td><td>LTGN</td><td>1661208C1</td></tr> <tr><td>D</td><td>A86</td><td>16</td><td>LTGN</td><td>1661209C1</td></tr> <tr><td>E</td><td>A86D</td><td>18</td><td>LTGN</td><td>1661208C1</td></tr> <tr><td>F</td><td>A86E</td><td>18</td><td>LTGN</td><td>1661208C1</td></tr> </tbody> </table>				CAV	CIRCUIT	GAUGE	COLOR	TERMINAL	A	A88B	16	LTGN	1661209C1	B	A86A	18	LTGN	1661208C1	C	A86C	18	LTGN	1661208C1	D	A86	16	LTGN	1661209C1	E	A86D	18	LTGN	1661208C1	F	A86E	18	LTGN	1661208C1
CAV	CIRCUIT	GAUGE	COLOR	TERMINAL																																				
A	A88B	16	LTGN	1661209C1																																				
B	A86A	18	LTGN	1661208C1																																				
C	A86C	18	LTGN	1661208C1																																				
D	A86	16	LTGN	1661209C1																																				
E	A86D	18	LTGN	1661208C1																																				
F	A86E	18	LTGN	1661208C1																																				
RADIO #2 (427F) (LOCATED IN INSTRUMENT PANEL)  CONNECTOR 1661201C1		<table border="1" style="width:100%; border-collapse: collapse;"> <thead> <tr> <th>CAV</th> <th>CIRCUIT</th> <th>GAUGE</th> <th>COLOR</th> <th>TERMINAL</th> </tr> </thead> <tbody> <tr><td>A</td><td>A86-GA</td><td>18</td><td>WH</td><td>1661212C1</td></tr> <tr><td>B</td><td>A86R</td><td>18</td><td>LTGN</td><td>1661212C1</td></tr> <tr><td>C</td><td>A86T</td><td>18</td><td>LTGN</td><td>1661212C1</td></tr> <tr><td>D</td><td>A86U</td><td>18</td><td>LTGN</td><td>1661212C1</td></tr> <tr><td>E</td><td>A86S</td><td>18</td><td>LTGN</td><td>1661212C1</td></tr> <tr><td>F</td><td>PLUG</td><td>-</td><td>-</td><td>-</td></tr> </tbody> </table>				CAV	CIRCUIT	GAUGE	COLOR	TERMINAL	A	A86-GA	18	WH	1661212C1	B	A86R	18	LTGN	1661212C1	C	A86T	18	LTGN	1661212C1	D	A86U	18	LTGN	1661212C1	E	A86S	18	LTGN	1661212C1	F	PLUG	-	-	-
CAV	CIRCUIT	GAUGE	COLOR	TERMINAL																																				
A	A86-GA	18	WH	1661212C1																																				
B	A86R	18	LTGN	1661212C1																																				
C	A86T	18	LTGN	1661212C1																																				
D	A86U	18	LTGN	1661212C1																																				
E	A86S	18	LTGN	1661212C1																																				
F	PLUG	-	-	-																																				
CHK	DATE	CHANGE	REV	REFERENCE	DRAWN	NAME																																		
0610	27AUG13	INITIAL RELEASE.	A	92159Y	310615	CIRCUIT DIAGRAM, 9900																																		
					RELEASE NO.	DATE																																		
					92159Y	02AUG13																																		
					PART NO.	SHEET																																		
					AE08076124	037																																		

Figure 238 Connector Composites (425M / 426M / 427F)

13.41. CONNECTOR COMPOSITES (428 / 428F / 429), P. 38

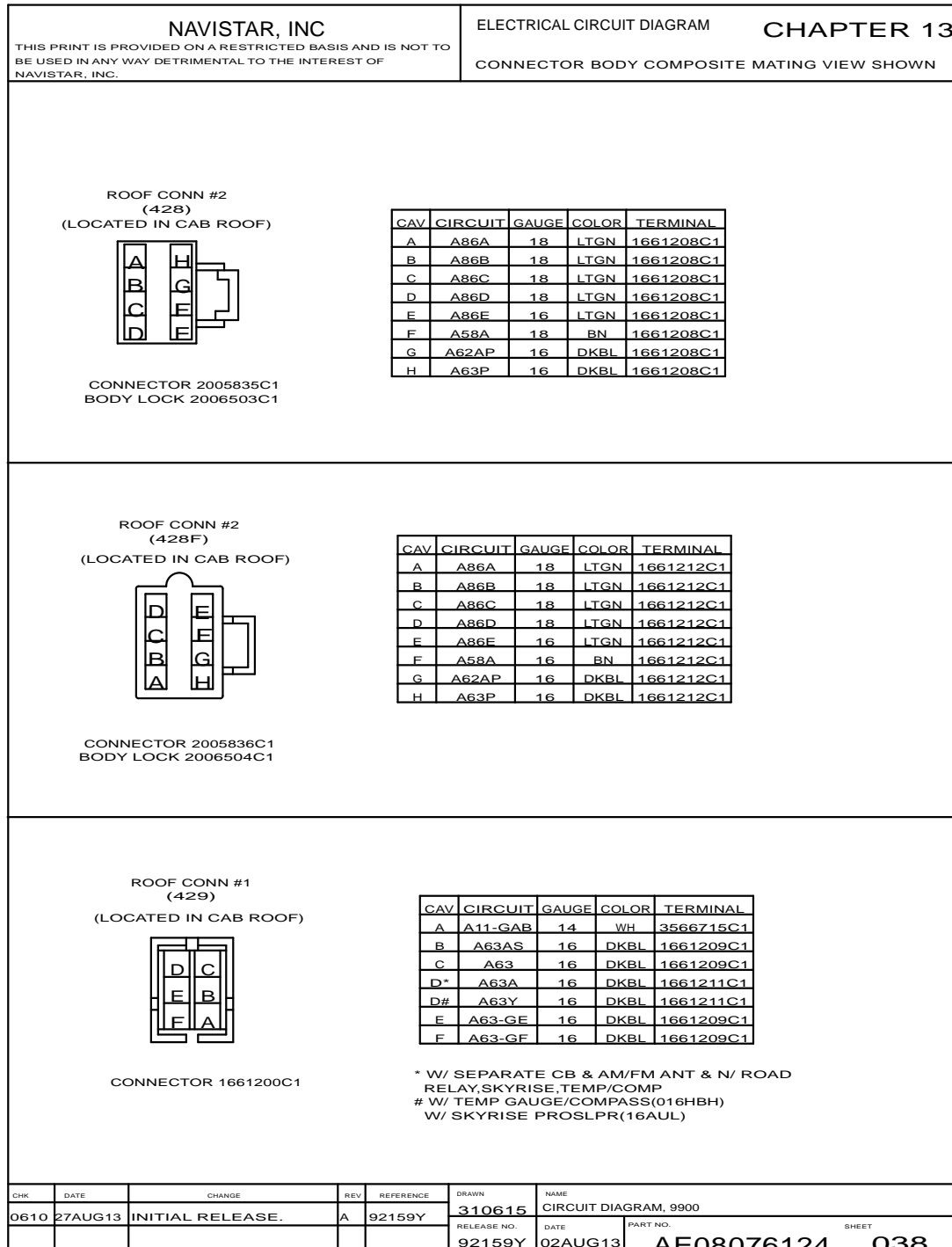


Figure 239 Connector Composites (428 / 428F / 429)

13.42. CONNECTOR COMPOSITES (429F / 429O / 429P), P. 39

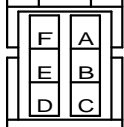
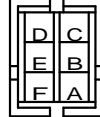
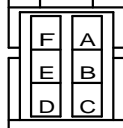
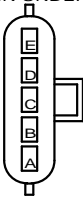
NAVISTAR, INC <small>THIS PRINT IS PROVIDED ON A RESTRICTED BASIS AND IS NOT TO BE USED IN ANY WAY DETRIMENTAL TO THE INTEREST OF NAVISTAR, INC.</small>				ELECTRICAL CIRCUIT DIAGRAM CHAPTER 13 CONNECTOR BODY COMPOSITE MATING VIEW SHOWN																																				
<div style="display: flex; justify-content: space-between;"> <div style="width: 30%;"> <p style="text-align: center;">ROOF CONN #1 (429F) (LOCATED IN CAB ROOF)</p>  <p style="text-align: center;">CONNECTOR 1661201C1</p> </div> <div style="width: 65%;"> <table border="1" style="width:100%; border-collapse: collapse; font-size: 8px;"> <thead> <tr> <th>CAV</th> <th>CIRCUIT</th> <th>GAUGE</th> <th>COLOR</th> <th>TERMINAL</th> </tr> </thead> <tbody> <tr><td>A</td><td>A11-GAB</td><td>16</td><td>WH</td><td>1661212C1</td></tr> <tr><td>B</td><td>A63AS</td><td>18</td><td>DKBL</td><td>1661212C1</td></tr> <tr><td>C</td><td>A63Z</td><td>18</td><td>DKBL</td><td>1661212C1</td></tr> <tr><td>D</td><td>A63H</td><td>18</td><td>DKBL</td><td>1661213C1</td></tr> <tr><td>E</td><td>A63Y</td><td>18</td><td>DKBL</td><td>1661213C1</td></tr> <tr><td>F</td><td>PLUG</td><td>-</td><td>-</td><td>-</td></tr> </tbody> </table> <p style="font-size: 8px;">* W/ 2010 IBB ENG & W/ ALLISON XMSN & W/ ENGINE BRAKE # W/ 2010 IBB ENG & W/ ALLISON XMSN & N/ ENGINE BRAKE</p> </div> </div>						CAV	CIRCUIT	GAUGE	COLOR	TERMINAL	A	A11-GAB	16	WH	1661212C1	B	A63AS	18	DKBL	1661212C1	C	A63Z	18	DKBL	1661212C1	D	A63H	18	DKBL	1661213C1	E	A63Y	18	DKBL	1661213C1	F	PLUG	-	-	-
CAV	CIRCUIT	GAUGE	COLOR	TERMINAL																																				
A	A11-GAB	16	WH	1661212C1																																				
B	A63AS	18	DKBL	1661212C1																																				
C	A63Z	18	DKBL	1661212C1																																				
D	A63H	18	DKBL	1661213C1																																				
E	A63Y	18	DKBL	1661213C1																																				
F	PLUG	-	-	-																																				
<div style="display: flex; justify-content: space-between;"> <div style="width: 30%;"> <p style="text-align: center;">CAB CONNECTOR INTERCONNECT (429O)</p>  <p style="text-align: center;">CONNECTOR 1661200C1</p> </div> <div style="width: 65%;"> <table border="1" style="width:100%; border-collapse: collapse; font-size: 8px;"> <thead> <tr> <th>CAV</th> <th>CIRCUIT</th> <th>GAUGE</th> <th>COLOR</th> <th>TERMINAL</th> </tr> </thead> <tbody> <tr><td>A</td><td>A11-GAB</td><td>14</td><td>WH</td><td>3566715C1</td></tr> <tr><td>B</td><td>A63AR</td><td>16</td><td>DKBL</td><td>1661209C1</td></tr> <tr><td>C</td><td>A63</td><td>16</td><td>DKBL</td><td>1661209C1</td></tr> <tr><td>D</td><td>A63Y</td><td>16</td><td>DKBL</td><td>1661209C1</td></tr> <tr><td>E</td><td>A63-GE</td><td>16</td><td>DKBL</td><td>1661209C1</td></tr> <tr><td>F</td><td>A63-GF</td><td>16</td><td>DKBL</td><td>1661209C1</td></tr> </tbody> </table> </div> </div>						CAV	CIRCUIT	GAUGE	COLOR	TERMINAL	A	A11-GAB	14	WH	3566715C1	B	A63AR	16	DKBL	1661209C1	C	A63	16	DKBL	1661209C1	D	A63Y	16	DKBL	1661209C1	E	A63-GE	16	DKBL	1661209C1	F	A63-GF	16	DKBL	1661209C1
CAV	CIRCUIT	GAUGE	COLOR	TERMINAL																																				
A	A11-GAB	14	WH	3566715C1																																				
B	A63AR	16	DKBL	1661209C1																																				
C	A63	16	DKBL	1661209C1																																				
D	A63Y	16	DKBL	1661209C1																																				
E	A63-GE	16	DKBL	1661209C1																																				
F	A63-GF	16	DKBL	1661209C1																																				
<div style="display: flex; justify-content: space-between;"> <div style="width: 30%;"> <p style="text-align: center;">ROOF CONNECTOR INTERCONNECT (429P)</p>  <p style="text-align: center;">CONNECTOR 1661201C1</p> </div> <div style="width: 65%;"> <table border="1" style="width:100%; border-collapse: collapse; font-size: 8px;"> <thead> <tr> <th>CAV</th> <th>CIRCUIT</th> <th>GAUGE</th> <th>COLOR</th> <th>TERMINAL</th> </tr> </thead> <tbody> <tr><td>A</td><td>A11-GAB</td><td>14</td><td>WH</td><td>3534167C1</td></tr> <tr><td>B</td><td>A63AV</td><td>16</td><td>DKBL</td><td>1661212C1</td></tr> <tr><td>C</td><td>A63</td><td>16</td><td>DKBL</td><td>1661212C1</td></tr> <tr><td>D</td><td>A63Y</td><td>16</td><td>DKBL</td><td>1661212C1</td></tr> <tr><td>E</td><td>A63-GE</td><td>16</td><td>DKBL</td><td>1661212C1</td></tr> <tr><td>F</td><td>A63-GF</td><td>16</td><td>DKBL</td><td>1661212C1</td></tr> </tbody> </table> </div> </div>						CAV	CIRCUIT	GAUGE	COLOR	TERMINAL	A	A11-GAB	14	WH	3534167C1	B	A63AV	16	DKBL	1661212C1	C	A63	16	DKBL	1661212C1	D	A63Y	16	DKBL	1661212C1	E	A63-GE	16	DKBL	1661212C1	F	A63-GF	16	DKBL	1661212C1
CAV	CIRCUIT	GAUGE	COLOR	TERMINAL																																				
A	A11-GAB	14	WH	3534167C1																																				
B	A63AV	16	DKBL	1661212C1																																				
C	A63	16	DKBL	1661212C1																																				
D	A63Y	16	DKBL	1661212C1																																				
E	A63-GE	16	DKBL	1661212C1																																				
F	A63-GF	16	DKBL	1661212C1																																				
<table border="1" style="width:100%; border-collapse: collapse;"> <thead> <tr> <th>CHR</th> <th>DATE</th> <th>CHANGE</th> <th>REV</th> <th>REFERENCE</th> <th>DRAWN</th> <th>NAME</th> </tr> </thead> <tbody> <tr> <td>0610</td> <td>27AUG13</td> <td>INITIAL RELEASE.</td> <td>A</td> <td>92159Y</td> <td>310615</td> <td>CIRCUIT DIAGRAM, 9900</td> </tr> <tr> <td></td> <td></td> <td></td> <td></td> <td></td> <td>RELEASE NO.</td> <td>DATE</td> </tr> <tr> <td></td> <td></td> <td></td> <td></td> <td></td> <td>92159Y</td> <td>02AUG13</td> </tr> </tbody> </table>	CHR	DATE	CHANGE	REV	REFERENCE	DRAWN	NAME	0610	27AUG13	INITIAL RELEASE.	A	92159Y	310615	CIRCUIT DIAGRAM, 9900						RELEASE NO.	DATE						92159Y	02AUG13	<table border="1" style="width:100%; border-collapse: collapse;"> <thead> <tr> <th>PART NO.</th> <th>SHEET</th> </tr> </thead> <tbody> <tr> <td>AE08076124</td> <td>039</td> </tr> </tbody> </table>	PART NO.	SHEET	AE08076124	039							
CHR	DATE	CHANGE	REV	REFERENCE	DRAWN	NAME																																		
0610	27AUG13	INITIAL RELEASE.	A	92159Y	310615	CIRCUIT DIAGRAM, 9900																																		
					RELEASE NO.	DATE																																		
					92159Y	02AUG13																																		
PART NO.	SHEET																																							
AE08076124	039																																							

Figure 240 Connector Composites (429F / 429O / 429P)

13.43. CONNECTOR COMPOSITES (430 / 433M / 434M), P. 40

NAVISTAR, INC <small>THIS PRINT IS PROVIDED ON A RESTRICTED BASIS AND IS NOT TO BE USED IN ANY WAY DETRIMENTAL TO THE INTEREST OF NAVISTAR, INC.</small>				ELECTRICAL CIRCUIT DIAGRAM CHAPTER 13 CONNECTOR BODY COMPOSITE MATING VIEW SHOWN	
--	--	--	--	---	--

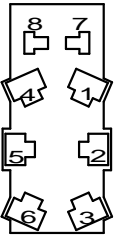
WINDSHIELD WIPER MOTOR (430)
(LOCATED IN UNDER HOOD)



CONNECTOR 1661375C2
BODY LOCK 1661376C1

CAV	CIRCUIT	GAUGE	COLOR	TERMINAL	SEAL/SLEEVE
A	K82C	16	GY	2033819C1	1652325C1
B	K82F	16	GY	2033819C1	1652325C1
C	K82-GC	16	WH	2033819C1	1652325C1
D	K82D	16	GY	2033819C1	1652325C1
E	K82E	16	GY	2033819C1	1652325C1

ENG BRK SELECT (433M)

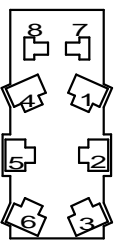


CONNECTOR 2009385C1

CAV	CIRCUIT	GAUGE	COLOR	TERMINAL
1	PLUG	-	-	-
2*	A24AD	18	GY	1661224C1
2#	A24BK	18	GY	1661224C1
2*	A24BL	16	GY	1661227C1
3*	A24AE	18	GY	1661224C1
3@	A24AF	18	GY	1661224C1
4	PLUG	-	-	-
5	PLUG	-	-	-
6@	A24AE	18	GY	1661224C1
6*	A24AF	18	GY	1661224C1
6%	A24AP	18	GY	3541250C1
7*	62L	16	DKBL	1661209C1
7#	A62NA	16	DKBL	1661209C1
8	A62-GL	18	WH	1661208C1

* W/ 2010 IBB ENG & W/ ALLISON XMSN & N/ ENGINE BRAKE
 # W/ EXHAUST BRAKE WIRING & W/ ALLISON XMSN
 @ W/ ISM, N14, ISX ENGS W/ ALLISON WORLD XMSN W/ ENG BRAKE
 % W/ EATON DM3 XMSN W/ AUTOCLUTCH W/ CUMMINS W/ ICON N/ PAM,USA
 ** W/ 2010 IBB ENG & W/ ALLISON XMSN & W/ ENGINE BRAKE
 ## EXHAUST BRAKE WIRING & N/ ALLISON XMSN

ENG BRK ON/OFF (434M)



CONNECTOR 2009385C1

CAV	CIRCUIT	GAUGE	COLOR	TERMINAL
1	PLUG	-	-	-
2*	A24AM	18	GY	1661224C1
2**	A24-G	18	GY	1661224C1
2#	A24-GBK	18	WH	1661224C1
3#	A24BK	16	GY	1661227C1
3*	A24CL	16	GY	1661227C1
4	PLUG	-	-	-
5**	A24AD	18	GY	1661224C1
5*	A24BD	16	GY	1661226C1
5#	A24-GBK	18	WH	1661224C1
6*	A24AM	18	GY	1661224C1
6##	A24BK	18	GY	1661224C1
6@	A24-G	18	GY	1661224C1
6*	A92-GT	18	TN	1661224C1
7	A62N	16	DK BL	1661209C1
8	A62-GN	18	WH	1661208C1

CHK	DATE	CHANGE	REV	REFERENCE	DRAWN	NAME
-	-	INITIAL RELEASE.	A	92159Y	310615	CIRCUIT DIAGRAM, 9900
					RELEASE NO.	DATE
					92159Y	02AUG13
					PART NO.	SHEET
					AE08076124	040

Figure 241 Connector Composites (430 / 433M / 434M)

13.44. CONNECTOR COMPOSITES (435M / 436M / 437M), P. 41

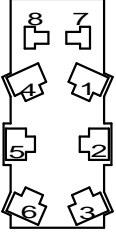
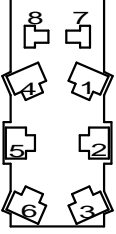
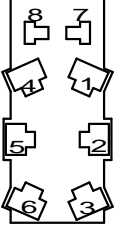
NAVISTAR, INC <small>THIS PRINT IS PROVIDED ON A RESTRICTED BASIS AND IS NOT TO BE USED IN ANY WAY DETRIMENTAL TO THE INTEREST OF NAVISTAR, INC.</small>				ELECTRICAL CIRCUIT DIAGRAM CHAPTER 13 CONNECTOR BODY COMPOSITE MATING VIEW SHOWN																																																																							
<p style="text-align: center;">CRUISE ON/OFF (435M)</p>  <p style="text-align: center;">CONNECTOR 2009385C1</p>	<table border="1" style="width: 100%; border-collapse: collapse;"> <thead> <tr> <th>CAV</th> <th>CIRCUIT</th> <th>GAUGE</th> <th>COLOR</th> <th>TERMINAL</th> </tr> </thead> <tbody> <tr><td>1</td><td>PLUG</td><td>-</td><td>-</td><td>-</td></tr> <tr><td>2</td><td>PLUG</td><td>-</td><td>-</td><td>-</td></tr> <tr><td>3</td><td>PLUG</td><td>-</td><td>-</td><td>-</td></tr> <tr><td>4</td><td>PLUG</td><td>-</td><td>-</td><td>-</td></tr> <tr><td>5*</td><td>A97AE</td><td>18</td><td>VT</td><td>1661224C1</td></tr> <tr><td>5#</td><td>A97CF</td><td>18</td><td>VT</td><td>3541250C1</td></tr> <tr><td>5*</td><td>A97GB</td><td>18</td><td>VT</td><td>3541250C1</td></tr> <tr><td>6#</td><td>A97AD</td><td>18</td><td>VT</td><td>1661226C1</td></tr> <tr><td>6@</td><td>A97CR</td><td>18</td><td>VT</td><td>3541250C1</td></tr> <tr><td>6%</td><td>A97CS</td><td>18</td><td>VT</td><td>3541250C1</td></tr> <tr><td>6**</td><td>A97-GC</td><td>18</td><td>VT</td><td>1661224C1</td></tr> <tr><td>7</td><td>A62J</td><td>16</td><td>DKBL</td><td>1661209C1</td></tr> <tr><td>8</td><td>A62-GJ</td><td>18</td><td>WH</td><td>1661208C1</td></tr> </tbody> </table>					CAV	CIRCUIT	GAUGE	COLOR	TERMINAL	1	PLUG	-	-	-	2	PLUG	-	-	-	3	PLUG	-	-	-	4	PLUG	-	-	-	5*	A97AE	18	VT	1661224C1	5#	A97CF	18	VT	3541250C1	5*	A97GB	18	VT	3541250C1	6#	A97AD	18	VT	1661226C1	6@	A97CR	18	VT	3541250C1	6%	A97CS	18	VT	3541250C1	6**	A97-GC	18	VT	1661224C1	7	A62J	16	DKBL	1661209C1	8	A62-GJ	18	WH	1661208C1
CAV	CIRCUIT	GAUGE	COLOR	TERMINAL																																																																							
1	PLUG	-	-	-																																																																							
2	PLUG	-	-	-																																																																							
3	PLUG	-	-	-																																																																							
4	PLUG	-	-	-																																																																							
5*	A97AE	18	VT	1661224C1																																																																							
5#	A97CF	18	VT	3541250C1																																																																							
5*	A97GB	18	VT	3541250C1																																																																							
6#	A97AD	18	VT	1661226C1																																																																							
6@	A97CR	18	VT	3541250C1																																																																							
6%	A97CS	18	VT	3541250C1																																																																							
6**	A97-GC	18	VT	1661224C1																																																																							
7	A62J	16	DKBL	1661209C1																																																																							
8	A62-GJ	18	WH	1661208C1																																																																							
<p style="text-align: center;">CRUISE SET/RESUME (436M)</p>  <p style="text-align: center;">CONNECTOR 2009385C1</p>	<table border="1" style="width: 100%; border-collapse: collapse;"> <thead> <tr> <th>CAV</th> <th>CIRCUIT</th> <th>GAUGE</th> <th>COLOR</th> <th>TERMINAL</th> </tr> </thead> <tbody> <tr><td>1*</td><td>A97AA</td><td>18</td><td>VT</td><td>1661224C1</td></tr> <tr><td>1#</td><td>A97DK</td><td>18</td><td>VT</td><td>1661224C1</td></tr> <tr><td>2@</td><td>A97CS</td><td>18</td><td>VT</td><td>1661224C1</td></tr> <tr><td>2#</td><td>A97GB</td><td>18</td><td>VT</td><td>1661224C1</td></tr> <tr><td>2**</td><td>A97-GB</td><td>18</td><td>VT</td><td>1661224C1</td></tr> <tr><td>3**</td><td>A97AB</td><td>18</td><td>VT</td><td>1661224C1</td></tr> <tr><td>3*</td><td>A97DJ</td><td>18</td><td>VT</td><td>1661224C1</td></tr> <tr><td>4</td><td>PLUG</td><td>-</td><td>-</td><td>-</td></tr> <tr><td>5</td><td>PLUG</td><td>-</td><td>-</td><td>-</td></tr> <tr><td>6</td><td>PLUG</td><td>-</td><td>-</td><td>-</td></tr> <tr><td>7</td><td>A62K</td><td>16</td><td>DKBL</td><td>1661209C1</td></tr> <tr><td>8</td><td>A62-GK</td><td>18</td><td>WH</td><td>1661208C1</td></tr> </tbody> </table> <p style="font-size: small;"> * W/ 2010 IBB ENG & W/ ULTRASHIFT,AUTOSHIFT,FREEDOMXNSN ALLISON & N/ ENG BRAKE # W/ INTL CEC I-6 ENGINES ** W/ 2010 IBB ENG & W/ ALLISON XMSN & N/ ENG BRAKE @ W/ 2010 IBB ENG & W/ ALLISON XMSN & W/ ENG BRAKE </p>					CAV	CIRCUIT	GAUGE	COLOR	TERMINAL	1*	A97AA	18	VT	1661224C1	1#	A97DK	18	VT	1661224C1	2@	A97CS	18	VT	1661224C1	2#	A97GB	18	VT	1661224C1	2**	A97-GB	18	VT	1661224C1	3**	A97AB	18	VT	1661224C1	3*	A97DJ	18	VT	1661224C1	4	PLUG	-	-	-	5	PLUG	-	-	-	6	PLUG	-	-	-	7	A62K	16	DKBL	1661209C1	8	A62-GK	18	WH	1661208C1					
CAV	CIRCUIT	GAUGE	COLOR	TERMINAL																																																																							
1*	A97AA	18	VT	1661224C1																																																																							
1#	A97DK	18	VT	1661224C1																																																																							
2@	A97CS	18	VT	1661224C1																																																																							
2#	A97GB	18	VT	1661224C1																																																																							
2**	A97-GB	18	VT	1661224C1																																																																							
3**	A97AB	18	VT	1661224C1																																																																							
3*	A97DJ	18	VT	1661224C1																																																																							
4	PLUG	-	-	-																																																																							
5	PLUG	-	-	-																																																																							
6	PLUG	-	-	-																																																																							
7	A62K	16	DKBL	1661209C1																																																																							
8	A62-GK	18	WH	1661208C1																																																																							
<p style="text-align: center;">RIGHT MOTORIZED MIRROR SWITCH (437M)</p>  <p style="text-align: center;">CONNECTOR 2009385C1</p>	<table border="1" style="width: 100%; border-collapse: collapse;"> <thead> <tr> <th>CAV</th> <th>CIRCUIT</th> <th>GAUGE</th> <th>COLOR</th> <th>TERMINAL</th> </tr> </thead> <tbody> <tr><td>1</td><td>A78E</td><td>18</td><td>LTGN</td><td>1661224C1</td></tr> <tr><td>2</td><td>A78-GA</td><td>18</td><td>WH</td><td>1661224C1</td></tr> <tr><td>3</td><td>PLUG</td><td>-</td><td>-</td><td>-</td></tr> <tr><td>4</td><td>A78F</td><td>18</td><td>LTGN</td><td>1661224C1</td></tr> <tr><td>5*</td><td>A78C</td><td>16</td><td>LTGN</td><td>1661226C1</td></tr> <tr><td>5#</td><td>A78D</td><td>16</td><td>LTGN</td><td>1661226C1</td></tr> <tr><td>6</td><td>PLUG</td><td>-</td><td>-</td><td>-</td></tr> <tr><td>7*</td><td>A62AW</td><td>16</td><td>DKBL</td><td>1661209C1</td></tr> <tr><td>7#</td><td>A62AW1</td><td>16</td><td>DKBL</td><td>1661209C1</td></tr> <tr><td>8</td><td>A62-GAV</td><td>18</td><td>WH</td><td>1661208C1</td></tr> </tbody> </table> <p style="font-size: small;"> * W/ MIRROR WIRING,POWER,RIGHT SIGNAL AXIS # W/ MIRROE WIRING,POWER,LT & RT SIGNAL AXIS </p>					CAV	CIRCUIT	GAUGE	COLOR	TERMINAL	1	A78E	18	LTGN	1661224C1	2	A78-GA	18	WH	1661224C1	3	PLUG	-	-	-	4	A78F	18	LTGN	1661224C1	5*	A78C	16	LTGN	1661226C1	5#	A78D	16	LTGN	1661226C1	6	PLUG	-	-	-	7*	A62AW	16	DKBL	1661209C1	7#	A62AW1	16	DKBL	1661209C1	8	A62-GAV	18	WH	1661208C1															
CAV	CIRCUIT	GAUGE	COLOR	TERMINAL																																																																							
1	A78E	18	LTGN	1661224C1																																																																							
2	A78-GA	18	WH	1661224C1																																																																							
3	PLUG	-	-	-																																																																							
4	A78F	18	LTGN	1661224C1																																																																							
5*	A78C	16	LTGN	1661226C1																																																																							
5#	A78D	16	LTGN	1661226C1																																																																							
6	PLUG	-	-	-																																																																							
7*	A62AW	16	DKBL	1661209C1																																																																							
7#	A62AW1	16	DKBL	1661209C1																																																																							
8	A62-GAV	18	WH	1661208C1																																																																							
<table border="1" style="width: 100%; border-collapse: collapse;"> <tr> <th>CHK</th> <th>DATE</th> <th>CHANGE</th> <th>REV</th> <th>REFERENCE</th> <th>DRAWN</th> <th>NAME</th> </tr> <tr> <td>-</td> <td>-</td> <td>INITIAL RELEASE.</td> <td>A</td> <td>92159Y</td> <td>310615</td> <td>CIRCUIT DIAGRAM, 9900</td> </tr> <tr> <td></td> <td></td> <td></td> <td></td> <td></td> <td>RELEASE NO.</td> <td>DATE</td> </tr> <tr> <td></td> <td></td> <td></td> <td></td> <td></td> <td>92159Y</td> <td>02AUG13</td> </tr> <tr> <td></td> <td></td> <td></td> <td></td> <td></td> <td>PART NO.</td> <td>SHEET</td> </tr> <tr> <td></td> <td></td> <td></td> <td></td> <td></td> <td>AE08076124</td> <td>041</td> </tr> </table>						CHK	DATE	CHANGE	REV	REFERENCE	DRAWN	NAME	-	-	INITIAL RELEASE.	A	92159Y	310615	CIRCUIT DIAGRAM, 9900						RELEASE NO.	DATE						92159Y	02AUG13						PART NO.	SHEET						AE08076124	041																												
CHK	DATE	CHANGE	REV	REFERENCE	DRAWN	NAME																																																																					
-	-	INITIAL RELEASE.	A	92159Y	310615	CIRCUIT DIAGRAM, 9900																																																																					
					RELEASE NO.	DATE																																																																					
					92159Y	02AUG13																																																																					
					PART NO.	SHEET																																																																					
					AE08076124	041																																																																					

Figure 242 Connector Composites (435M / 436M / 437M)

13.45. CONNECTOR COMPOSITES (438M / 440M / 441), P. 42

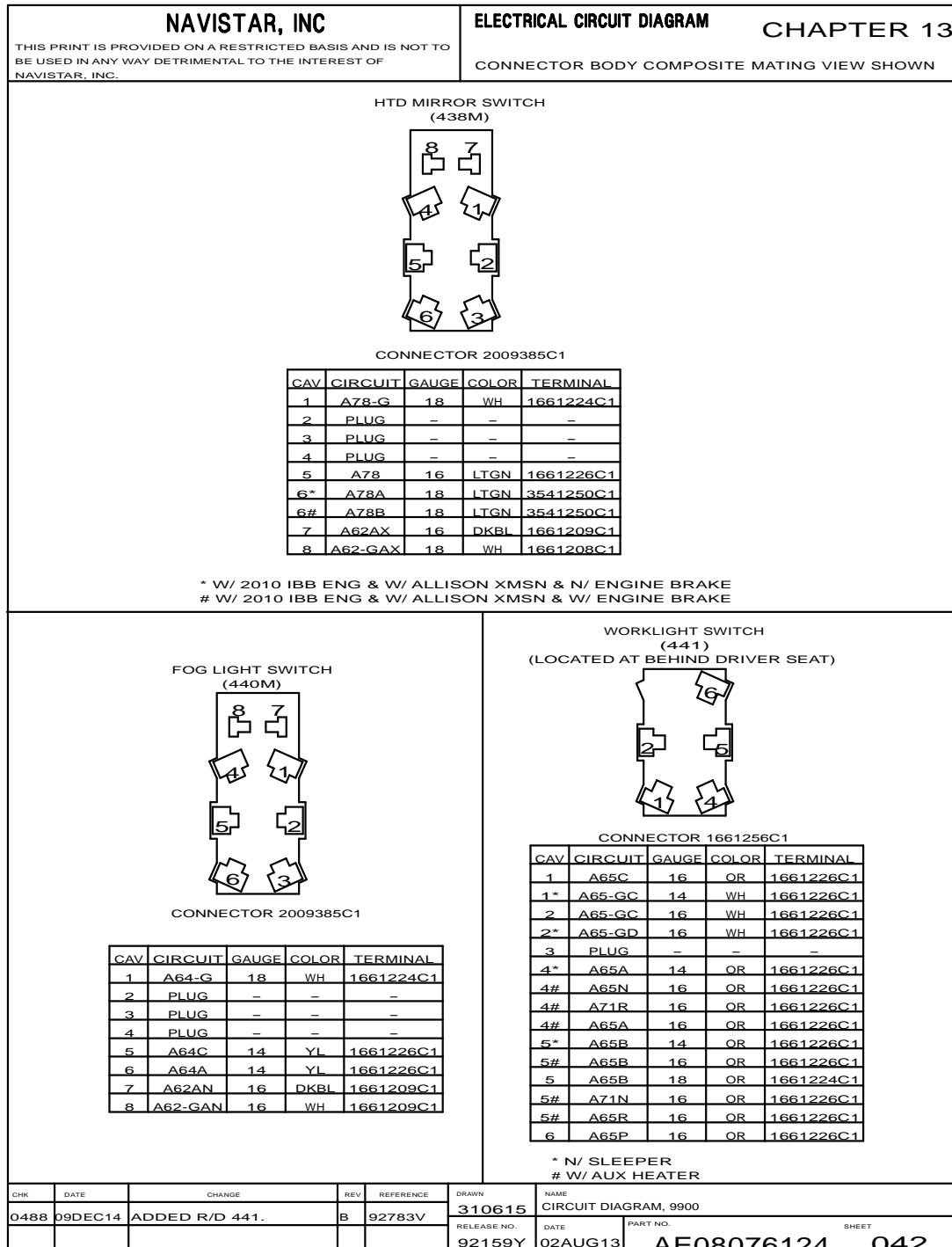


Figure 243 Connector Composites (438M / 440M / 441)

13.46. CONNECTOR COMPOSITES (442), P. 42A

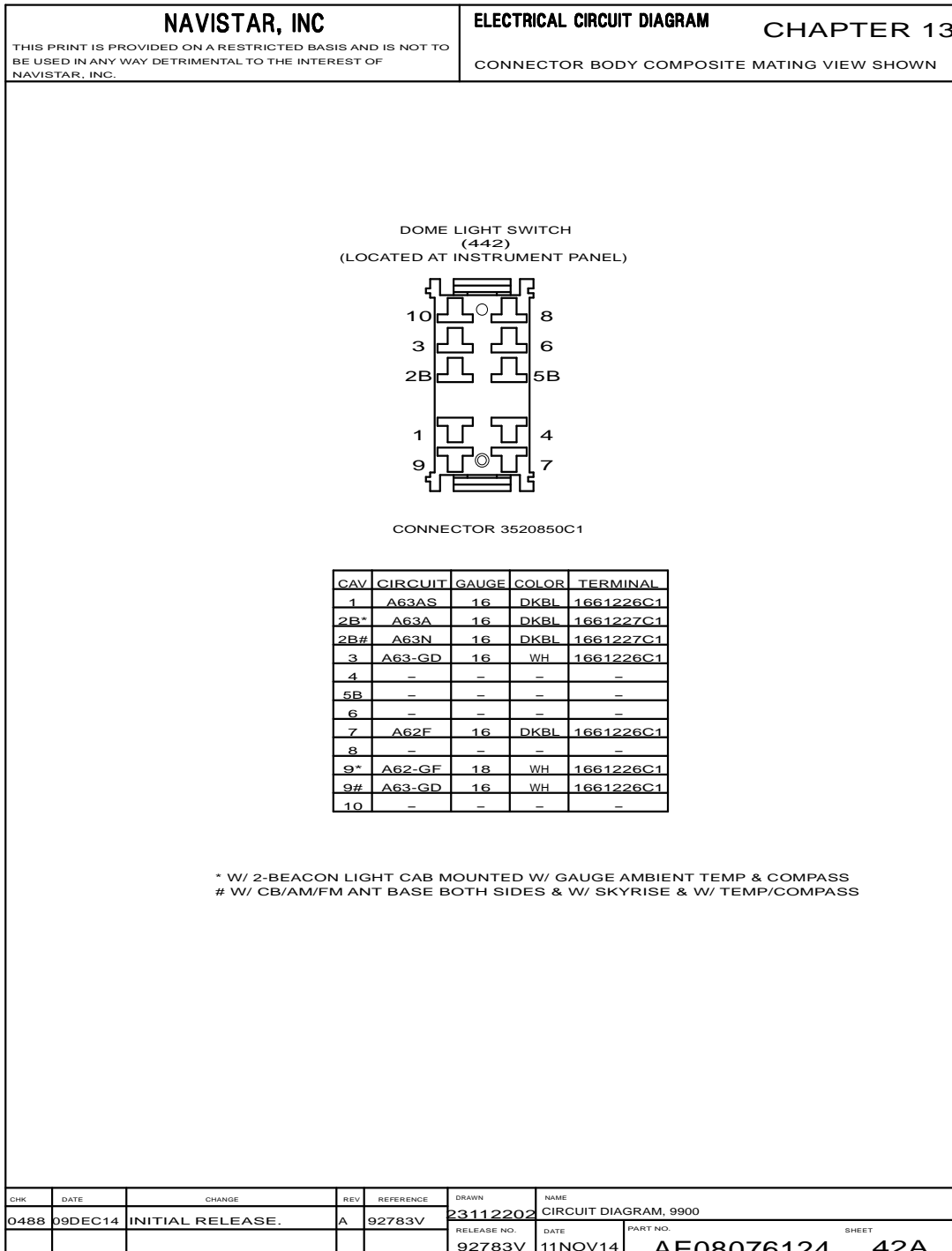


Figure 244 Connector Composites (442)

13.47. CONNECTOR COMPOSITES (445 / 453 / 453M), P. 43

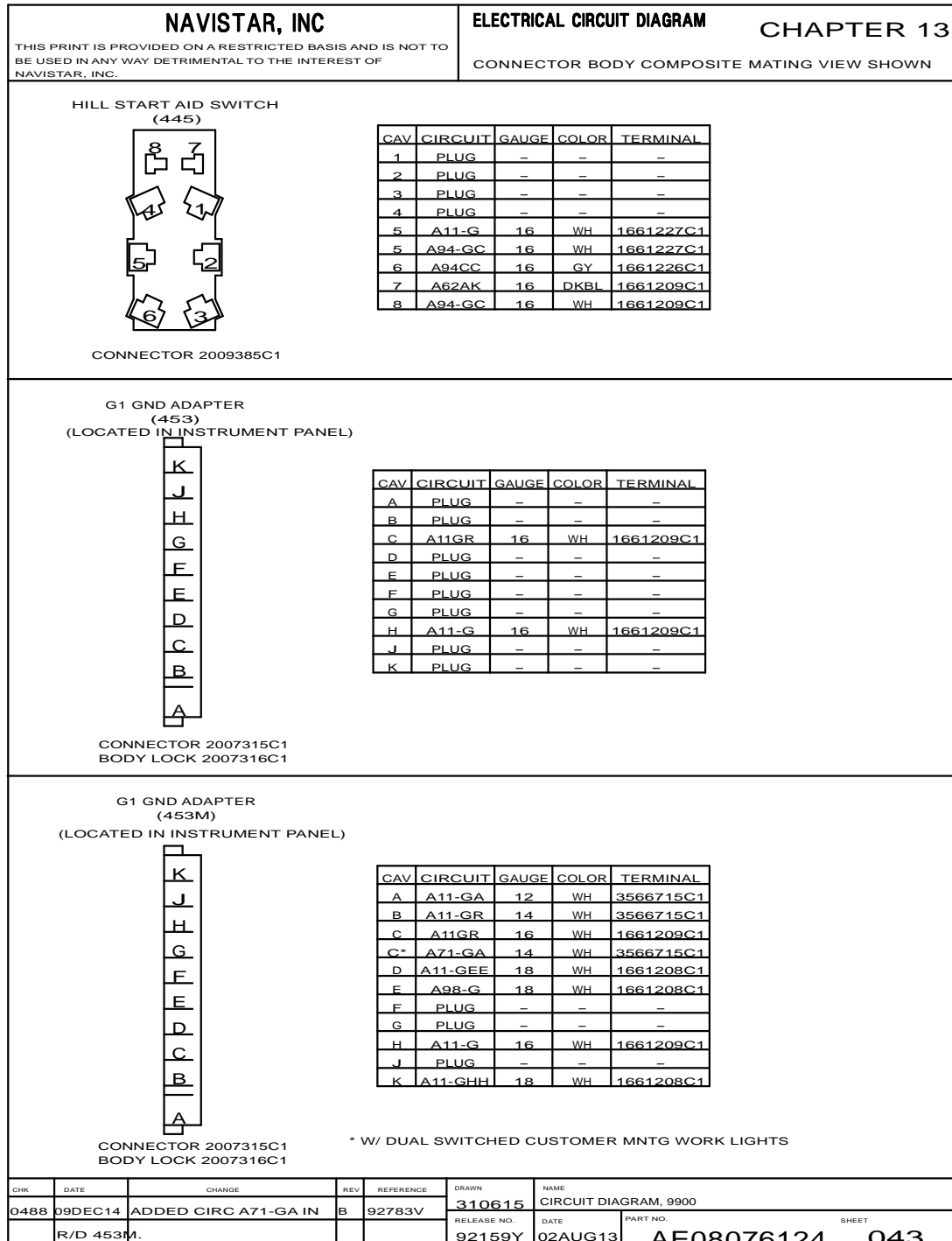


Figure 245 Connector Composites (445 / 453 / 453M)

13.48. CONNECTOR COMPOSITES (454M / 455M / 456M), P. 44

NAVISTAR, INC <small>THIS PRINT IS PROVIDED ON A RESTRICTED BASIS AND IS NOT TO BE USED IN ANY WAY DETRIMENTAL TO THE INTEREST OF NAVISTAR, INC.</small>		ELECTRICAL CIRCUIT DIAGRAM CHAPTER 13 CONNECTOR BODY COMPOSITE MATING VIEW SHOWN
--	--	--

G2 GND ADAPTER
(454M)
(LOCATED IN INSTRUMENT PANEL)

CONNECTOR 2007315C1
BODY LOCK 2007316C1

CAV	CIRCUIT	GAUGE	COLOR	TERMINAL
A	A11-GY	10	WH	1661211C1
B	A48-G	16	WH	1661209C1
C	PLUG	-	-	-
D	PLUG	-	-	-
E	A28-G	16	WH	1661209C1
F	PLUG	-	-	-
G	A86-GA	18	WH	1661208C1
H	A11-GF	18	WH	1661208C1
J	PLUG	-	-	-
K	A11-GAW	16	WH	1661209C1

G3 GND ADAPTER
(455M)
(LOCATED IN INSTRUMENT PANEL)

CONNECTOR 2007315C1
BODY LOCK 2007316C1

CAV	CIRCUIT	GAUGE	COLOR	TERMINAL
A	A11-GE	12	WH	3566715C1
B	A13-GAD	18	WH	1661208C1
C*	A11-GZA	14	WH	3566715C1
C#	A38-G	18	WH	1661208C1
C@	A95-G	16	WH	1661209C1
D%	A38-GB	18	WH	1661208C1
D**	A97-GB	18	VT	1661208C1
E	PLUG	-	-	-
F	A72-GA	18	WH	1661208C1
G	A11-GAW	14	WH	3566715C1
H	A41-G	18	WH	1661208C1
J	A11-GAC	14	WH	3566715C1
K	A11-GDA	16	WH	1661209C1

* W/ TRUCK, GLIDERS, TRIM
 # W/ HEATED DRIVERS SEAT
 @ W/ 2010 IBB ENG & W/ ULTRASHIFT, FREEDOM XMSN, ALLISON & N/ ENG BRAKE
 % W/ HEATED PASSANGER SEAT
 ** W/ 2010 IBB ENG & W/ ALLISON XMSN & W/ ENGINE BRAKE

G4 GND ADAPTER
(456M)
(LOCATED IN INSTRUMENT PANEL)

CONNECTOR 2007315C1
BODY LOCK 2007316C1

CAV	CIRCUIT	GAUGE	COLOR	TERMINAL
A	A11-GC	10	WH	1661211C1
B	A11-GX	18	WH	1661208C1
C	PLUG	-	-	-
D	A44-GZC	16	WH	1661209C1
E	PLUG	-	-	-
F	PLUG	-	-	-
G##	A11-GAD	18	WH	1661208C1
G@@	A78-GC	18	WH	1661208C1
G%%	A78-GA	18	WH	1661208C1
H	A81-G	14	WH	3566715C1
J	PLUG	-	-	-
K	A11-GHD	18	WH	1661208C1

W/ MIRROR WIRING, POWER, RIGHT SIGNAL AXIS
 @@ W/ MIRROR WIRING, POWER, LT & RT SIGNAL AXIS
 %% W/ MIRROR WIRING, POWER, RT & LT DUAL AXIS

CHK	DATE	CHANGE	REV	REFERENCE	DRAWN	NAME
0610	27AUG13	INITIAL RELEASE.	A	92159Y	310615	CIRCUIT DIAGRAM, 9900
					RELEASE NO.	DATE
					92159Y	02AUG13
					PART NO.	SHEET
					AE08076124	044

Figure 246 Connector Composites (454M / 455M / 456M)

13.49. CONNECTOR COMPOSITES (457M / 460F), P. 45

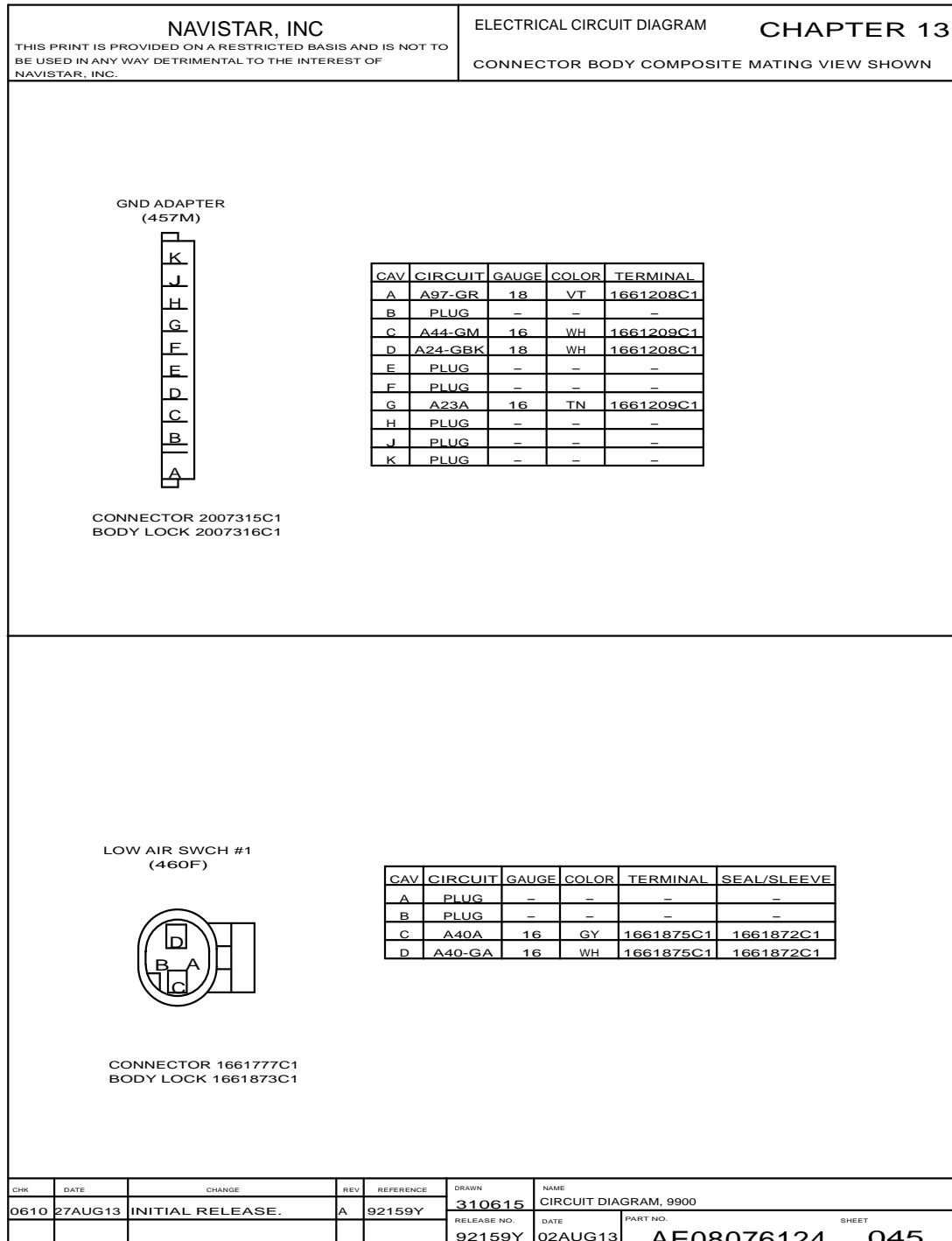


Figure 247 Connector Composites (457M / 460F)

13.50. CONNECTOR COMPOSITES (462M), P. 46

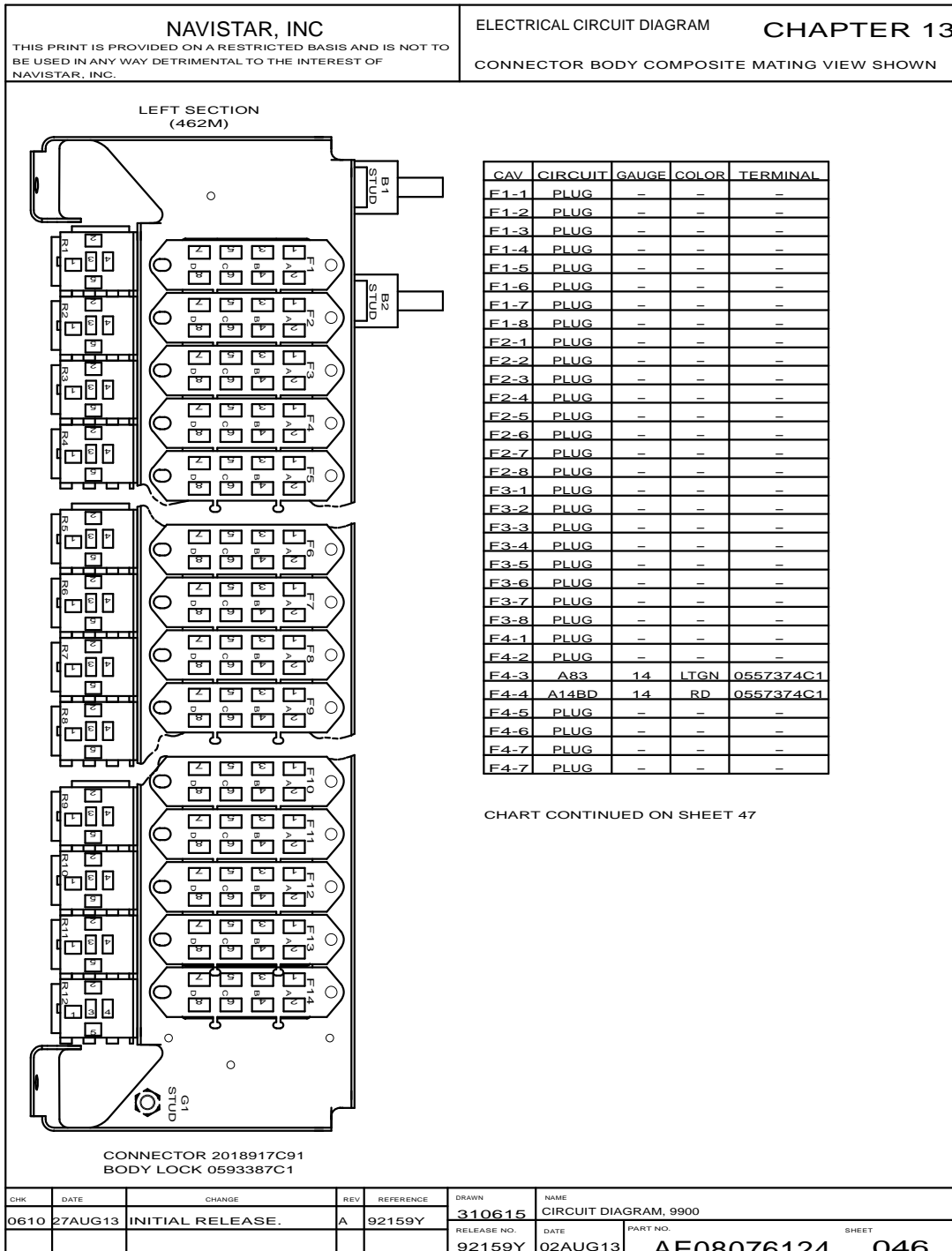


Figure 248 Connector Composites (462M)

13.51. CONNECTOR COMPOSITES (462M), P. 47

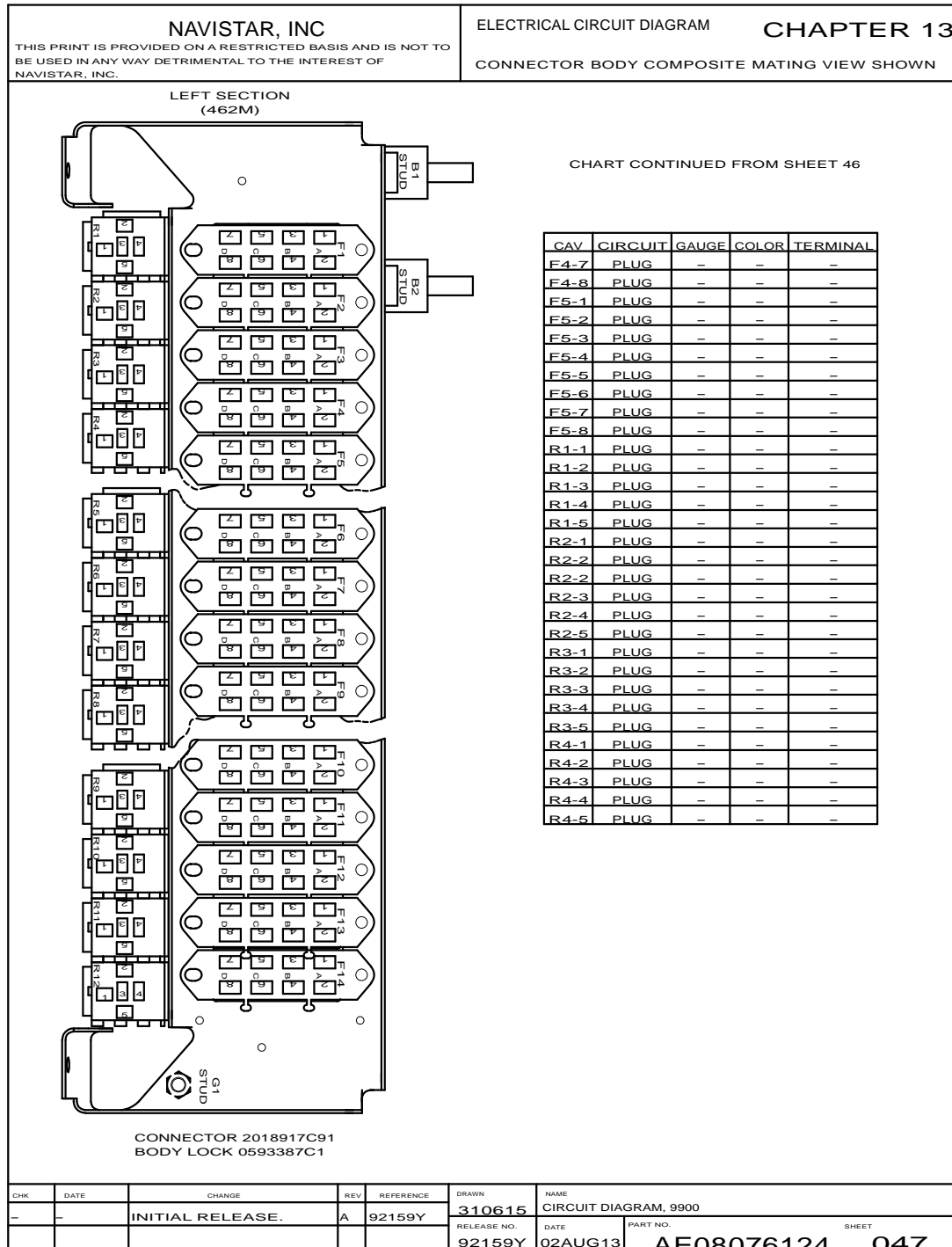


Figure 249 Connector Composites (462M)

13.52. CONNECTOR COMPOSITES (462M), P. 48

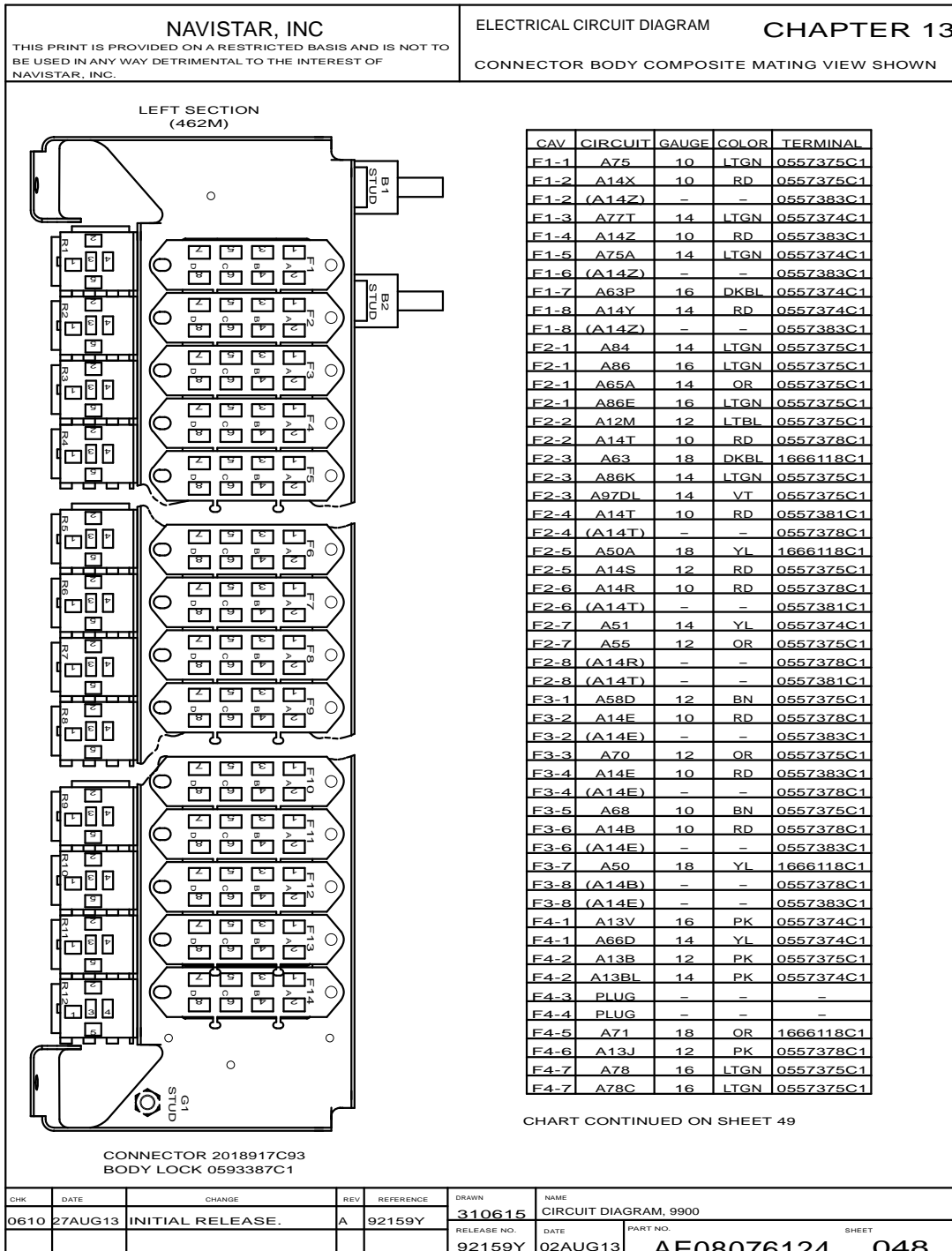


Figure 250 Connector Composites (462M)

13.53. CONNECTOR COMPOSITES (462M), P. 49

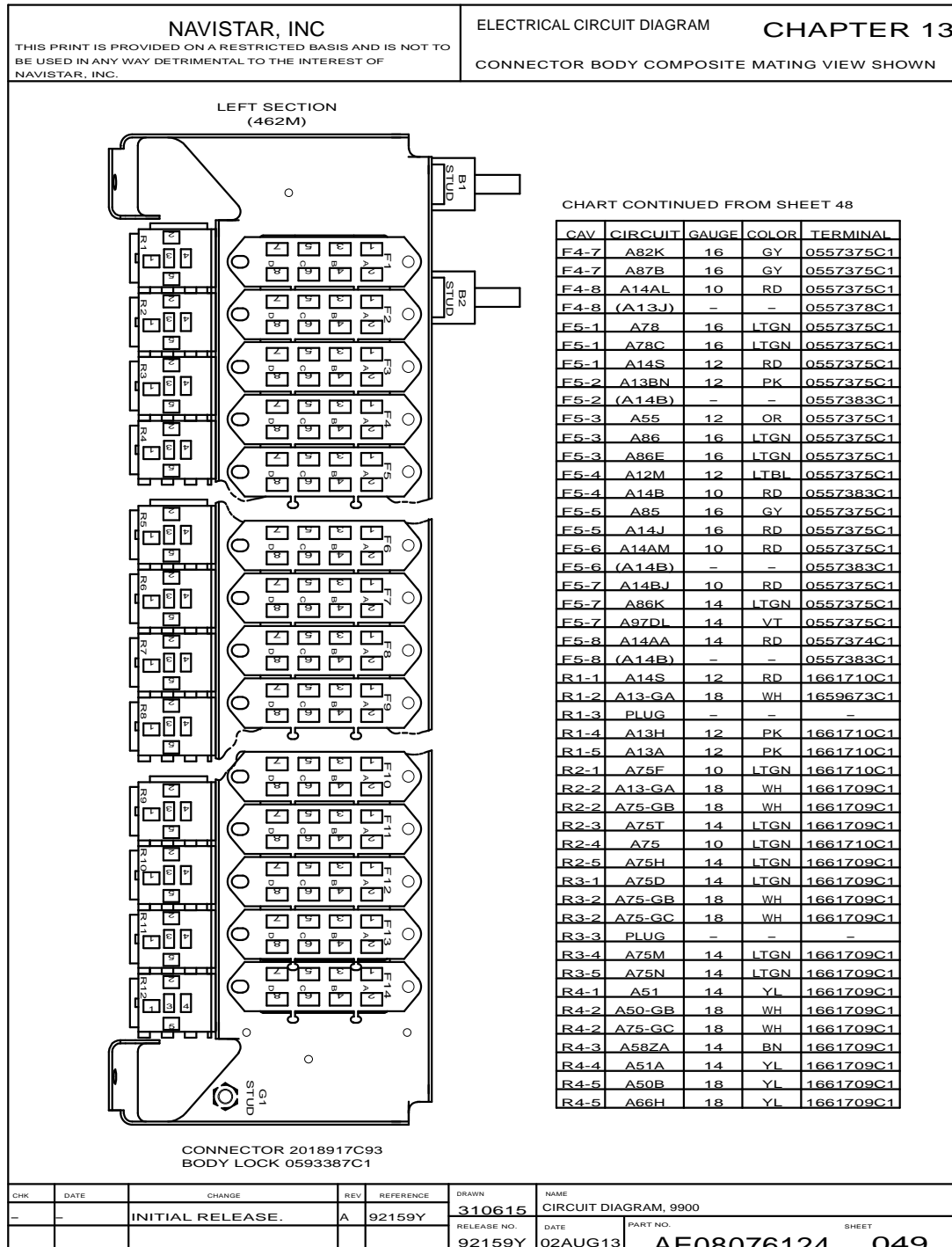


Figure 251 Connector Composites (462M)

13.54. CONNECTOR COMPOSITES (463M), P. 50

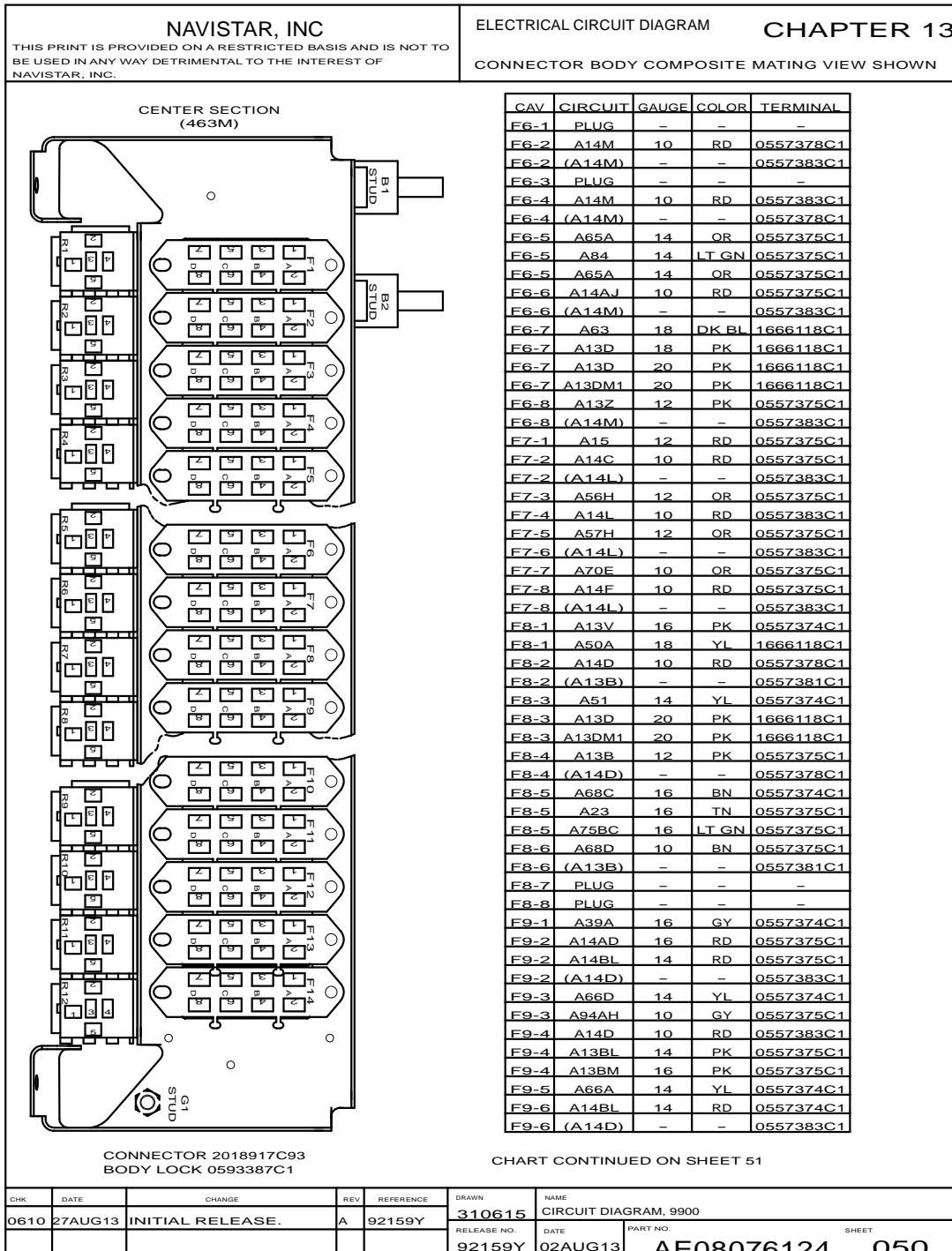


Figure 252 Connector Composites (463M)

13.55. CONNECTOR COMPOSITES (463M), P. 51

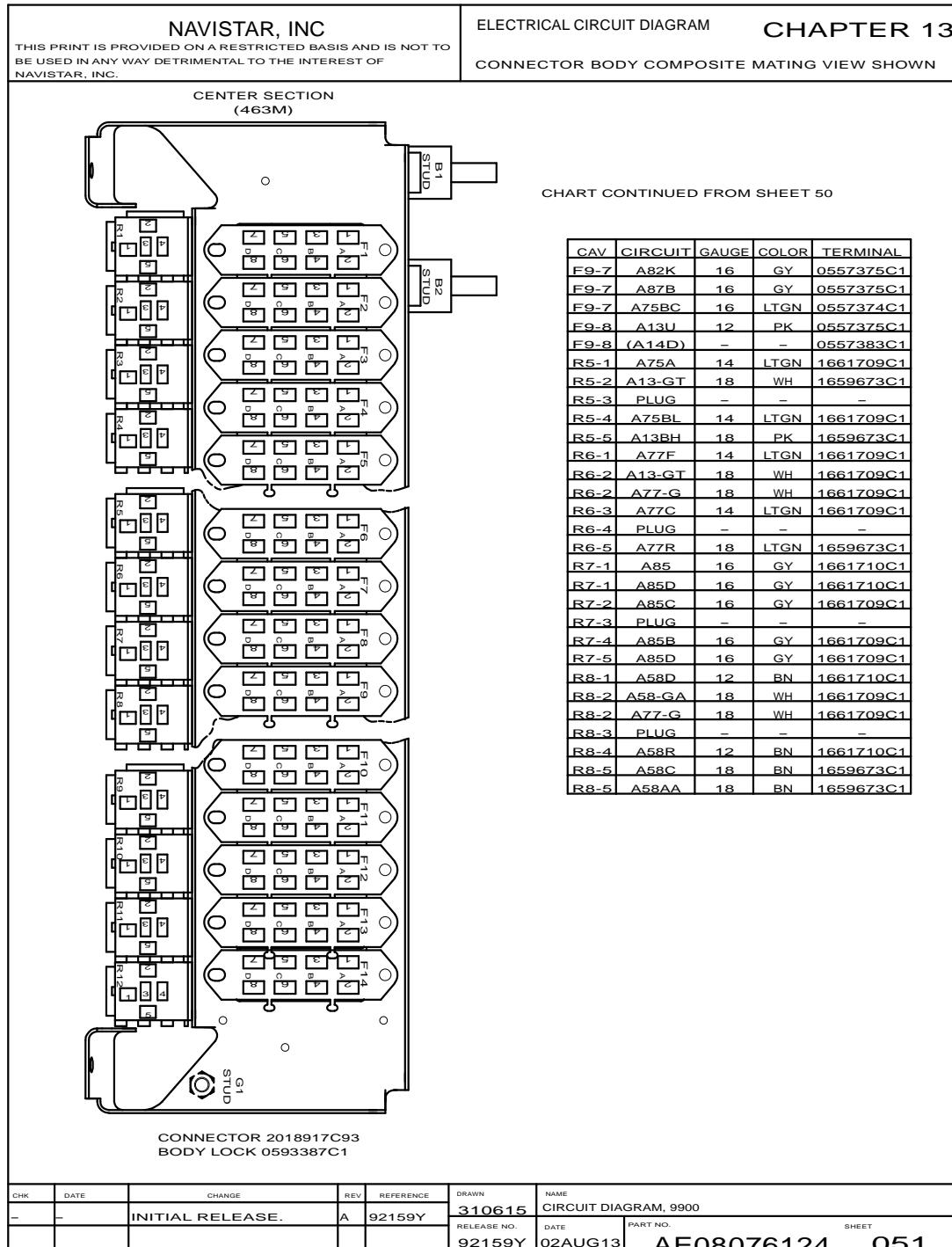


Figure 253 Connector Composites (463M)

13.56. CONNECTOR COMPOSITES (464M), P. 52

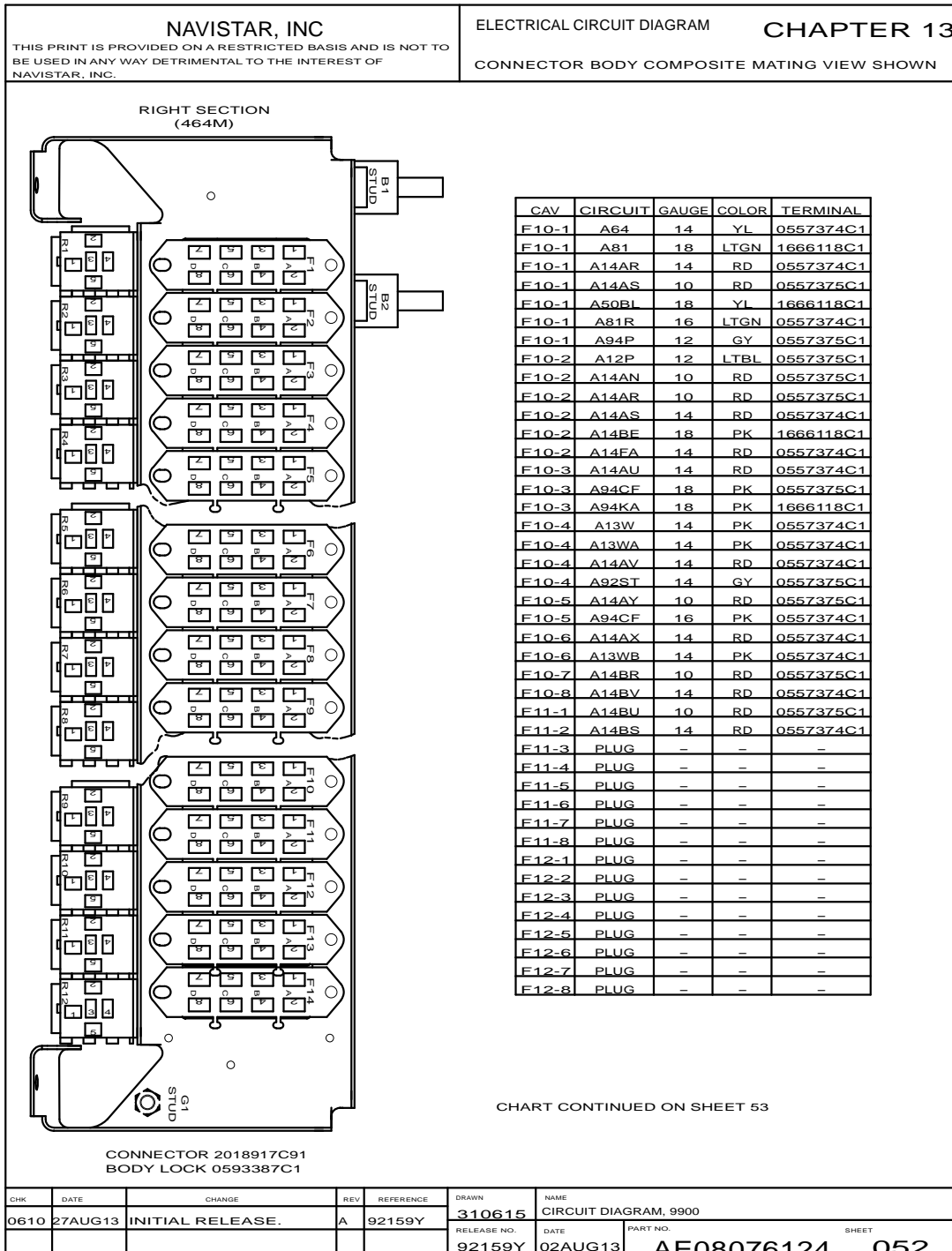


Figure 254 Connector Composites (464M)

13.57. CONNECTOR COMPOSITES (464M), P. 53

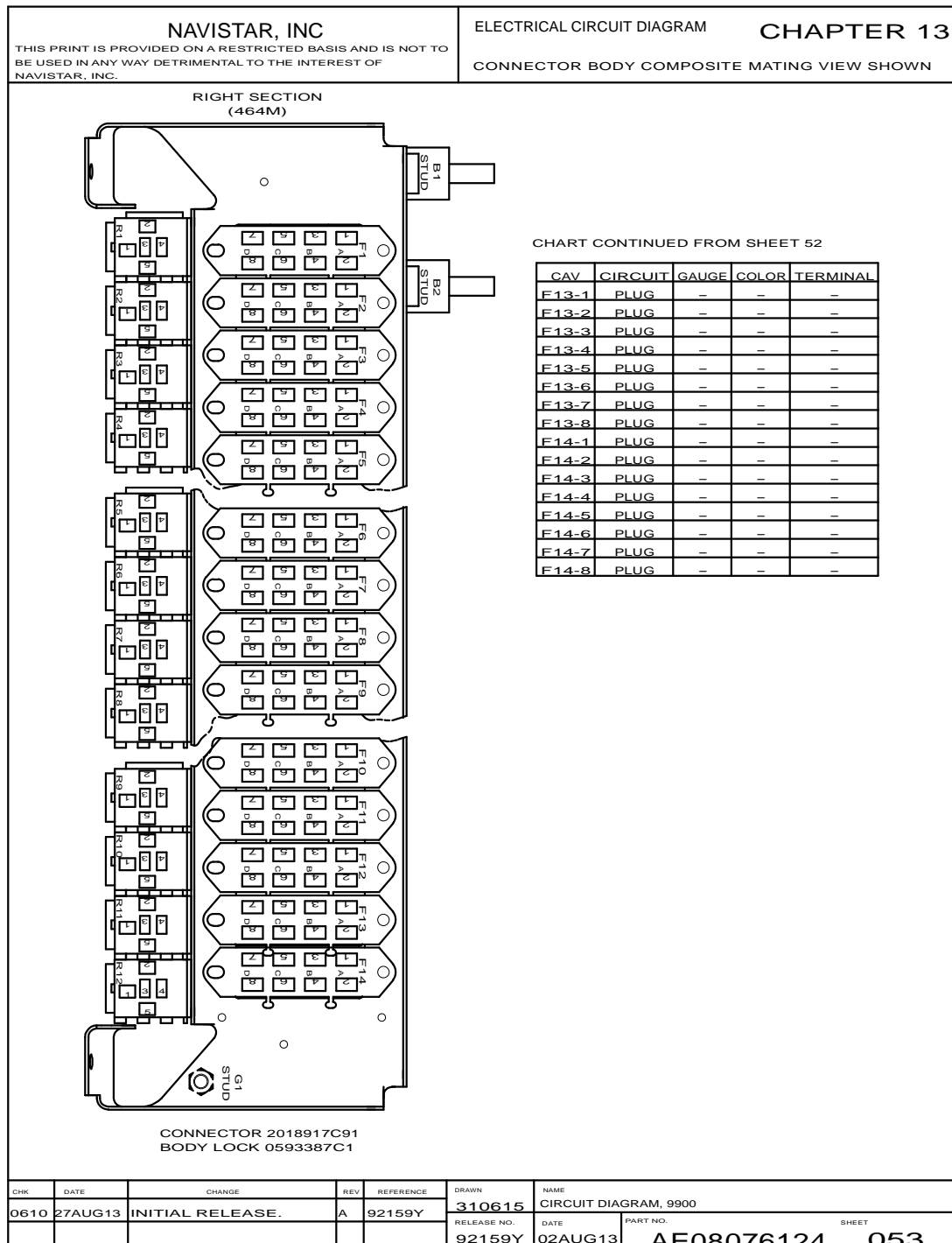


Figure 255 Connector Composites (464M)

13.58. CONNECTOR COMPOSITES (464M), P. 54

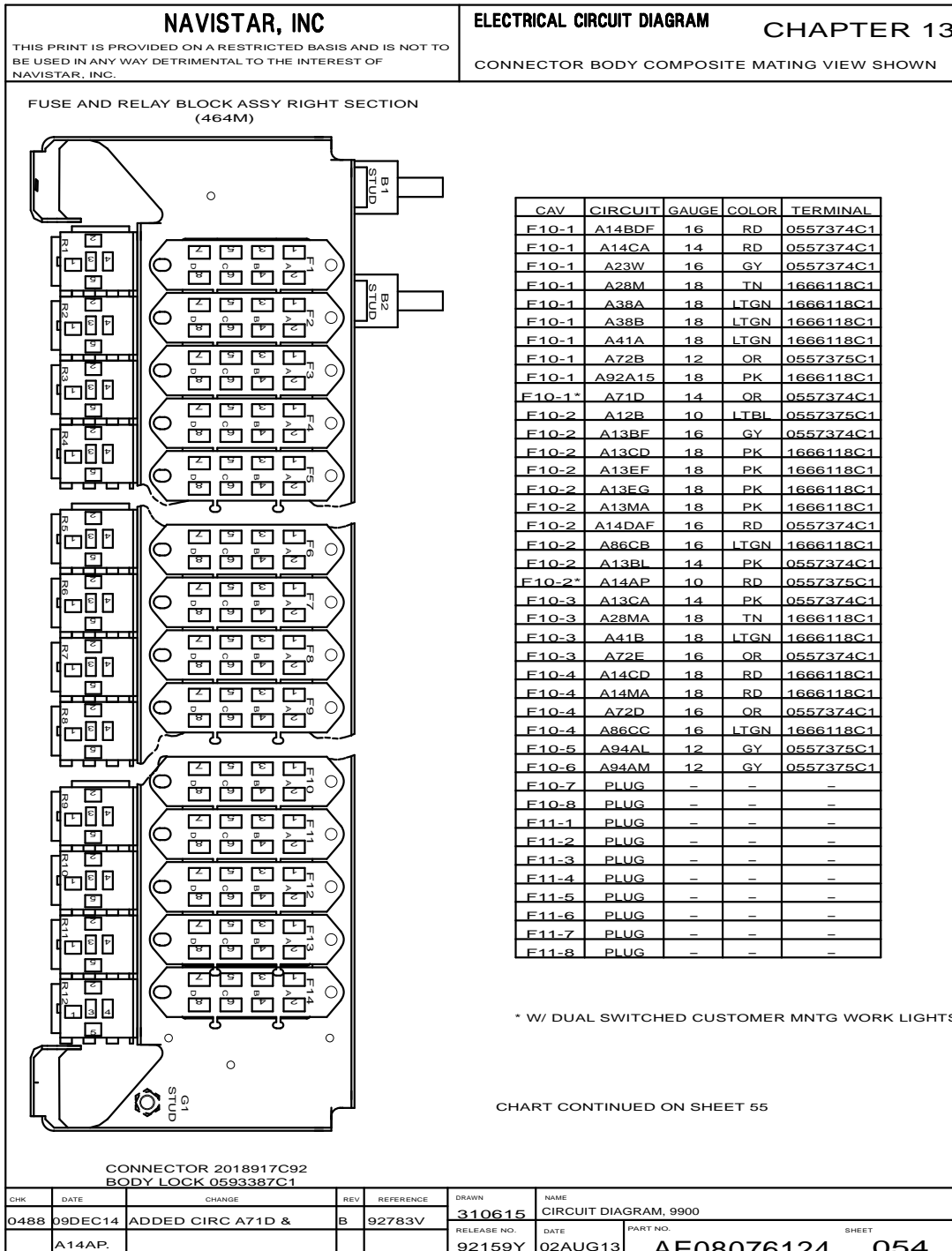


Figure 256 Connector Composites (464M)

13.59. CONNECTOR COMPOSITES (464M), P. 55

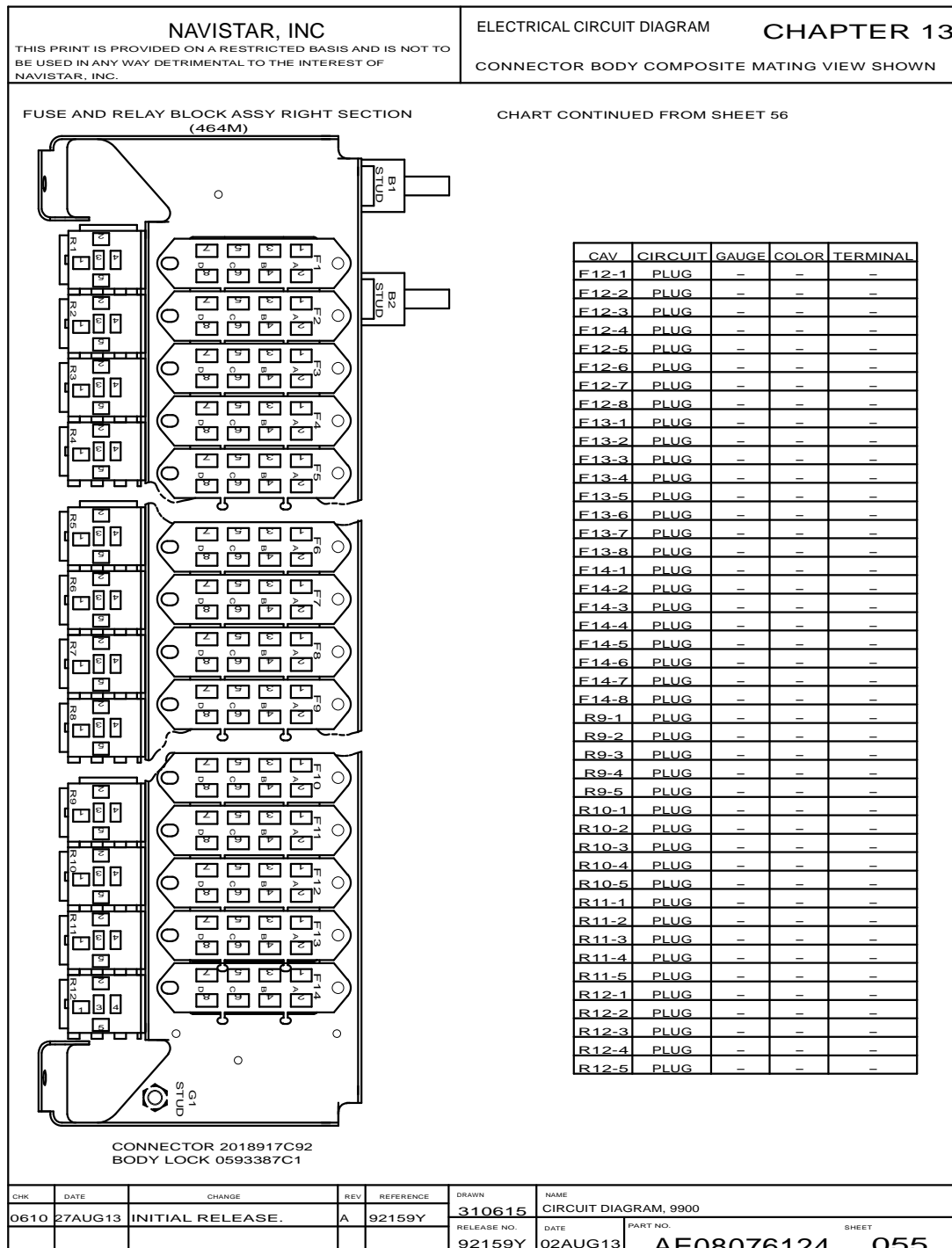


Figure 257 Connector Composites (464M)

13.60. CONNECTOR COMPOSITES (464M), P. 56

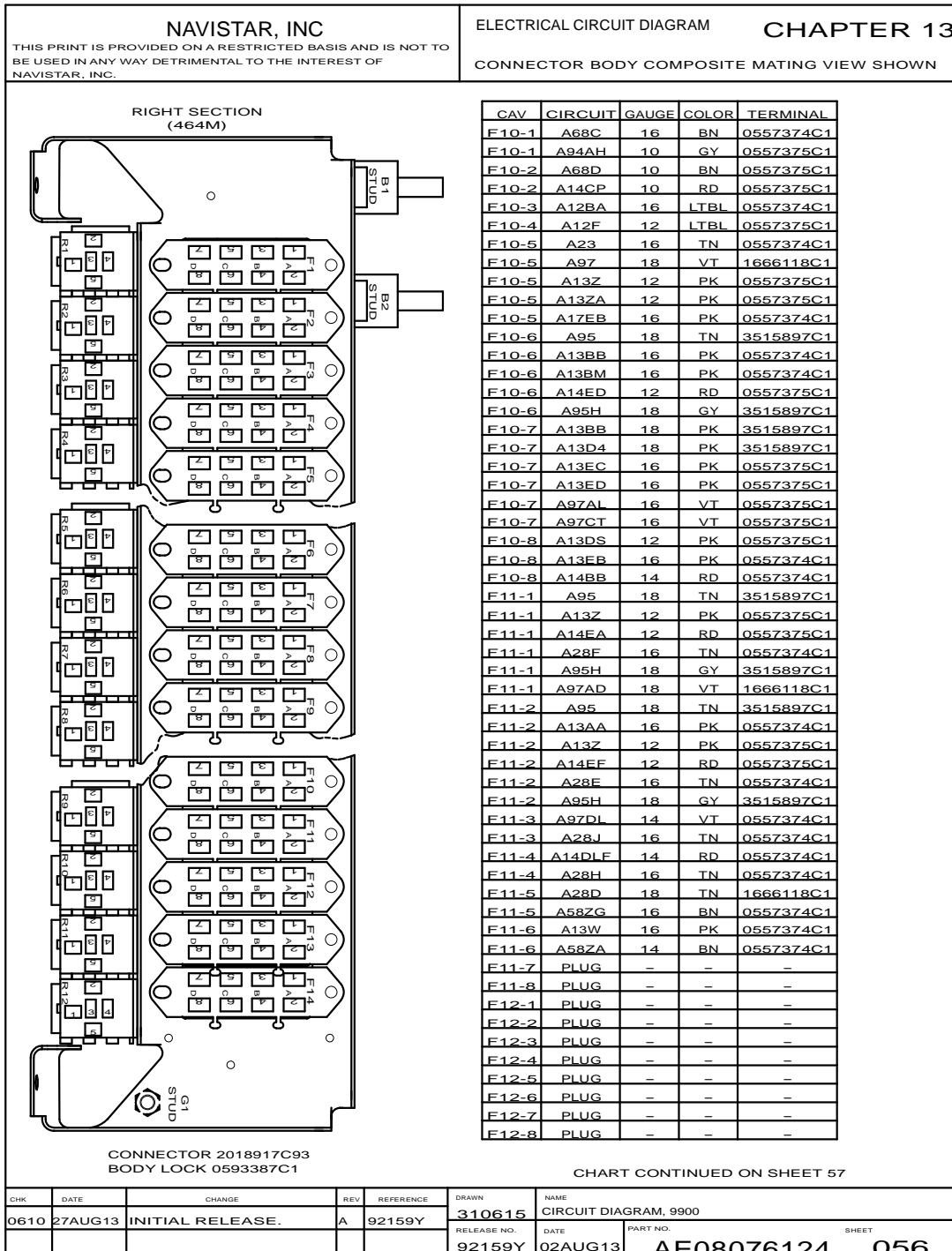


Figure 258 Connector Composites (464M)

13.61. CONNECTOR COMPOSITES (464M), P. 57

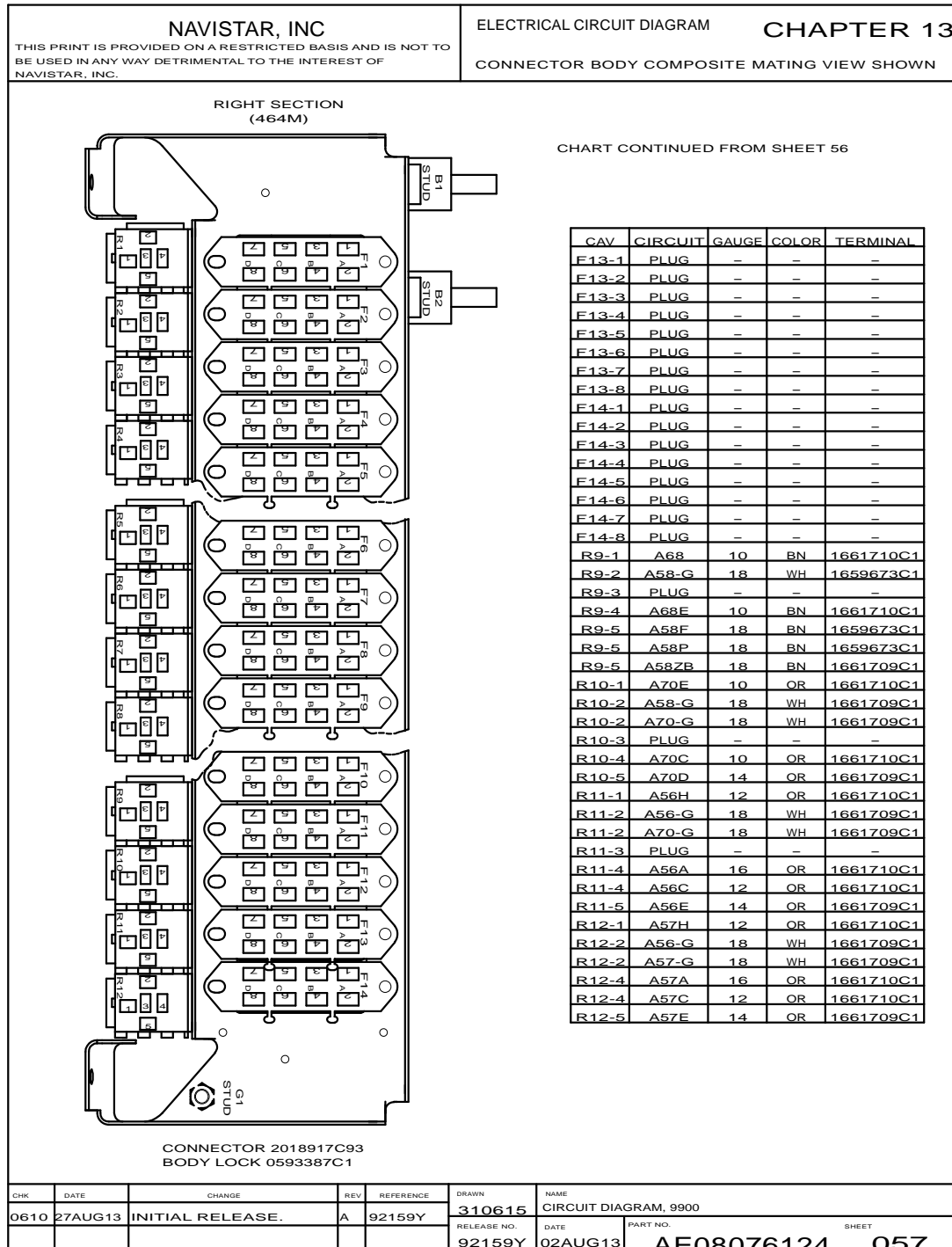


Figure 259 Connector Composites (464M)

13.62. CONNECTOR COMPOSITES (465M / 466M / 468F), P. 58

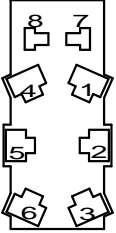
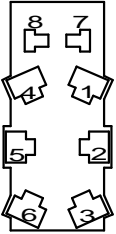
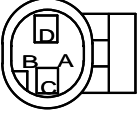
NAVISTAR, INC <small>THIS PRINT IS PROVIDED ON A RESTRICTED BASIS AND IS NOT TO BE USED IN ANY WAY DETRIMENTAL TO THE INTEREST OF NAVISTAR, INC.</small>				ELECTRICAL CIRCUIT DIAGRAM CHAPTER 13 CONNECTOR BODY COMPOSITE MATING VIEW SHOWN																																																								
HEADLIGHT SWITCH (465M) (LOCATED IN INSTRUMENT PANEL)																																																												
		<table border="1" style="width:100%; border-collapse: collapse;"> <thead> <tr> <th>CAV</th> <th>CIRCUIT</th> <th>GAUGE</th> <th>COLOR</th> <th>TERMINAL</th> </tr> </thead> <tbody> <tr><td>1</td><td>PLUG</td><td>-</td><td>-</td><td>-</td></tr> <tr><td>2*</td><td>A50</td><td>18</td><td>YL</td><td>3541250C1</td></tr> <tr><td>2#</td><td>A58AA</td><td>18</td><td>BN</td><td>3541250C1</td></tr> <tr><td>3</td><td>A58E</td><td>18</td><td>BN</td><td>1661224C1</td></tr> <tr><td>4</td><td>PLUG</td><td>-</td><td>-</td><td>-</td></tr> <tr><td>5</td><td>A50A</td><td>18</td><td>YL</td><td>1661224C1</td></tr> <tr><td>6%</td><td>A52M</td><td>16</td><td>YL</td><td>1661226C1</td></tr> <tr><td>6#</td><td>A50B</td><td>18</td><td>YL</td><td>1661226C1</td></tr> <tr><td>7</td><td>A62AS</td><td>16</td><td>DKBL</td><td>1661209C1</td></tr> <tr><td>8</td><td>A62-GAS</td><td>18</td><td>WH</td><td>1661208C1</td></tr> </tbody> </table>				CAV	CIRCUIT	GAUGE	COLOR	TERMINAL	1	PLUG	-	-	-	2*	A50	18	YL	3541250C1	2#	A58AA	18	BN	3541250C1	3	A58E	18	BN	1661224C1	4	PLUG	-	-	-	5	A50A	18	YL	1661224C1	6%	A52M	16	YL	1661226C1	6#	A50B	18	YL	1661226C1	7	A62AS	16	DKBL	1661209C1	8	A62-GAS	18	WH	1661208C1
CAV	CIRCUIT	GAUGE	COLOR	TERMINAL																																																								
1	PLUG	-	-	-																																																								
2*	A50	18	YL	3541250C1																																																								
2#	A58AA	18	BN	3541250C1																																																								
3	A58E	18	BN	1661224C1																																																								
4	PLUG	-	-	-																																																								
5	A50A	18	YL	1661224C1																																																								
6%	A52M	16	YL	1661226C1																																																								
6#	A50B	18	YL	1661226C1																																																								
7	A62AS	16	DKBL	1661209C1																																																								
8	A62-GAS	18	WH	1661208C1																																																								
CONNECTOR 2009385C1 BODY LOCK 0593387C1		<small>* W/ 2010 IBB ENGINE & W/ ALLISON XMSN N/ ENGINE BRAKE # W/ 2010 IBB ENGINE & W/ ALLISON XMSN W/ ENGINE BRAKE % W/ 2007 CUMMINS ISX ENGINE W/ ALLISON 4700 XMSN W/ ENGINE BRAKE</small>																																																										
TRAILER LIGHTS SWITCH (466M) (LOCATED IN INSTRUMENT PANEL)																																																												
		<table border="1" style="width:100%; border-collapse: collapse;"> <thead> <tr> <th>CAV</th> <th>CIRCUIT</th> <th>GAUGE</th> <th>COLOR</th> <th>TERMINAL</th> </tr> </thead> <tbody> <tr><td>1</td><td>PLUG</td><td>-</td><td>-</td><td>-</td></tr> <tr><td>2</td><td>A58AA</td><td>18</td><td>BN</td><td>1661224C1</td></tr> <tr><td>3</td><td>A58C</td><td>18</td><td>BN</td><td>1661224C1</td></tr> <tr><td>4</td><td>PLUG</td><td>-</td><td>-</td><td>-</td></tr> <tr><td>5</td><td>A58E</td><td>18</td><td>BN</td><td>1661224C1</td></tr> <tr><td>6</td><td>A58P</td><td>18</td><td>BN</td><td>1661224C1</td></tr> <tr><td>7</td><td>A62AR</td><td>16</td><td>DKBL</td><td>1661209C1</td></tr> <tr><td>8</td><td>A62-GAR</td><td>16</td><td>WH</td><td>1661209C1</td></tr> </tbody> </table>				CAV	CIRCUIT	GAUGE	COLOR	TERMINAL	1	PLUG	-	-	-	2	A58AA	18	BN	1661224C1	3	A58C	18	BN	1661224C1	4	PLUG	-	-	-	5	A58E	18	BN	1661224C1	6	A58P	18	BN	1661224C1	7	A62AR	16	DKBL	1661209C1	8	A62-GAR	16	WH	1661209C1										
CAV	CIRCUIT	GAUGE	COLOR	TERMINAL																																																								
1	PLUG	-	-	-																																																								
2	A58AA	18	BN	1661224C1																																																								
3	A58C	18	BN	1661224C1																																																								
4	PLUG	-	-	-																																																								
5	A58E	18	BN	1661224C1																																																								
6	A58P	18	BN	1661224C1																																																								
7	A62AR	16	DKBL	1661209C1																																																								
8	A62-GAR	16	WH	1661209C1																																																								
CONNECTOR 2009385C1 BODY LOCK 0593387C1																																																												
DRL BRAKE SW (468F) (LOCATED IN INSTRUMENT PANEL)																																																												
		<table border="1" style="width:100%; border-collapse: collapse;"> <thead> <tr> <th>CAV</th> <th>CIRCUIT</th> <th>GAUGE</th> <th>COLOR</th> <th>TERMINAL</th> <th>SEAL/SLEEVE</th> </tr> </thead> <tbody> <tr><td>A</td><td>PLUG</td><td>-</td><td>-</td><td>-</td><td>-</td></tr> <tr><td>B</td><td>PLUG</td><td>-</td><td>-</td><td>-</td><td>-</td></tr> <tr><td>C</td><td>A44B</td><td>16</td><td>GY</td><td>1661875C1</td><td>1661872C1</td></tr> <tr><td>D</td><td>A44-GB</td><td>16</td><td>WH</td><td>1661875C1</td><td>1661872C1</td></tr> </tbody> </table>				CAV	CIRCUIT	GAUGE	COLOR	TERMINAL	SEAL/SLEEVE	A	PLUG	-	-	-	-	B	PLUG	-	-	-	-	C	A44B	16	GY	1661875C1	1661872C1	D	A44-GB	16	WH	1661875C1	1661872C1																									
CAV	CIRCUIT	GAUGE	COLOR	TERMINAL	SEAL/SLEEVE																																																							
A	PLUG	-	-	-	-																																																							
B	PLUG	-	-	-	-																																																							
C	A44B	16	GY	1661875C1	1661872C1																																																							
D	A44-GB	16	WH	1661875C1	1661872C1																																																							
CONNECTOR 1661777C1 BODY LOCK 1661873C1																																																												
CHK	DATE	CHANGE	REV	REFERENCE	DRAWN	NAME																																																						
0610	27AUG13	INITIAL RELEASE.	A	92159Y	310615	CIRCUIT DIAGRAM, 9900																																																						
					RELEASE NO.	DATE																																																						
					92159Y	02AUG13																																																						
					PART NO.	SHEET																																																						
					AE08076124	058																																																						

Figure 260 Connector Composites (465M / 466M / 468F)

13.63. CONNECTOR COMPOSITES (469F / 469ML / 469OL / 469PL), P. 59

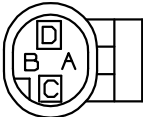
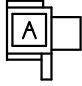
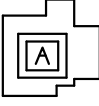

NAVISTAR, INC <small>THIS PRINT IS PROVIDED ON A RESTRICTED BASIS AND IS NOT TO BE USED IN ANY WAY DETRIMENTAL TO THE INTEREST OF NAVISTAR, INC.</small>				ELECTRICAL CIRCUIT DIAGRAM CHAPTER 13 CONNECTOR BODY COMPOSITE MATING VIEW SHOWN																																		
PARL BRAKE CONN (469F)  CONNECTOR 1661777C1 BODYLOCK 1661873C1				<table border="1" style="width: 100%; border-collapse: collapse;"> <thead> <tr> <th>CAV</th> <th>CIRCUIT</th> <th>GAUGE</th> <th>COLOR</th> <th>TERMINAL</th> <th>SEAL/SLEEVE</th> </tr> </thead> <tbody> <tr> <td>A</td> <td>PLUG</td> <td>-</td> <td>-</td> <td>-</td> <td>-</td> </tr> <tr> <td>B</td> <td>PLUG</td> <td>-</td> <td>-</td> <td>-</td> <td>-</td> </tr> <tr> <td>C</td> <td>A44M</td> <td>16</td> <td>GY</td> <td>1661875C1</td> <td>1661872C1</td> </tr> <tr> <td>D</td> <td>A44-GM</td> <td>16</td> <td>WH</td> <td>1661875C1</td> <td>1661872C1</td> </tr> </tbody> </table>			CAV	CIRCUIT	GAUGE	COLOR	TERMINAL	SEAL/SLEEVE	A	PLUG	-	-	-	-	B	PLUG	-	-	-	-	C	A44M	16	GY	1661875C1	1661872C1	D	A44-GM	16	WH	1661875C1	1661872C1		
CAV	CIRCUIT	GAUGE	COLOR	TERMINAL	SEAL/SLEEVE																																	
A	PLUG	-	-	-	-																																	
B	PLUG	-	-	-	-																																	
C	A44M	16	GY	1661875C1	1661872C1																																	
D	A44-GM	16	WH	1661875C1	1661872C1																																	
DRL NIGHT FD (469ML)  CONNECTOR 1661202C1				<table border="1" style="width: 100%; border-collapse: collapse;"> <thead> <tr> <th>CAV</th> <th>CIRCUIT</th> <th>GAUGE</th> <th>COLOR</th> <th>TERMINAL</th> </tr> </thead> <tbody> <tr> <td>A</td> <td>A66H</td> <td>18</td> <td>YL</td> <td>1661215C1</td> </tr> </tbody> </table>			CAV	CIRCUIT	GAUGE	COLOR	TERMINAL	A	A66H	18	YL	1661215C1																						
CAV	CIRCUIT	GAUGE	COLOR	TERMINAL																																		
A	A66H	18	YL	1661215C1																																		
TEMP DISPLY HEADLIGHT FEED (469OL)  CONNECTOR 1661203C1				<table border="1" style="width: 100%; border-collapse: collapse;"> <thead> <tr> <th>CAV</th> <th>CIRCUIT</th> <th>GAUGE</th> <th>COLOR</th> <th>TERMINAL</th> </tr> </thead> <tbody> <tr> <td>A*</td> <td>A41E</td> <td>18</td> <td>LTGN</td> <td>1661222C1</td> </tr> <tr> <td>A#</td> <td>A66H</td> <td>18</td> <td>YL</td> <td>1661222C1</td> </tr> </tbody> </table> <p style="font-size: small;"> * GAUGE, ELECTRIC TEMP COMPASS DISPLAY N/ EATON VORAD # GAUGE, ELEC WIRING TEMP/COMPASS DISPLAY W/ VORAD N/ 12V HTD FWS </p>			CAV	CIRCUIT	GAUGE	COLOR	TERMINAL	A*	A41E	18	LTGN	1661222C1	A#	A66H	18	YL	1661222C1																	
CAV	CIRCUIT	GAUGE	COLOR	TERMINAL																																		
A*	A41E	18	LTGN	1661222C1																																		
A#	A66H	18	YL	1661222C1																																		
DRL NIGHT FEED (469PL)  CONNECTOR 1661202C1				<table border="1" style="width: 100%; border-collapse: collapse;"> <thead> <tr> <th>CAV</th> <th>CIRCUIT</th> <th>GAUGE</th> <th>COLOR</th> <th>TERMINAL</th> </tr> </thead> <tbody> <tr> <td>A</td> <td>A66H</td> <td>18</td> <td>YL</td> <td>1661215C1</td> </tr> </tbody> </table>			CAV	CIRCUIT	GAUGE	COLOR	TERMINAL	A	A66H	18	YL	1661215C1																						
CAV	CIRCUIT	GAUGE	COLOR	TERMINAL																																		
A	A66H	18	YL	1661215C1																																		
CHK	DATE	CHANGE	REV	REFERENCE	DRAWN	NAME																																
-	-	INITIAL RELEASE.	A	92159Y	310615	CIRCUIT DIAGRAM, 9900																																
					RELEASE NO.	DATE																																
					92159Y	02AUG13																																
					PART NO.	SHEET																																
					AE08076124	059																																

Figure 261 Connector Composites (469F / 469ML / 469OL / 469PL)

13.64. CONNECTOR COMPOSITES (471), P. 60

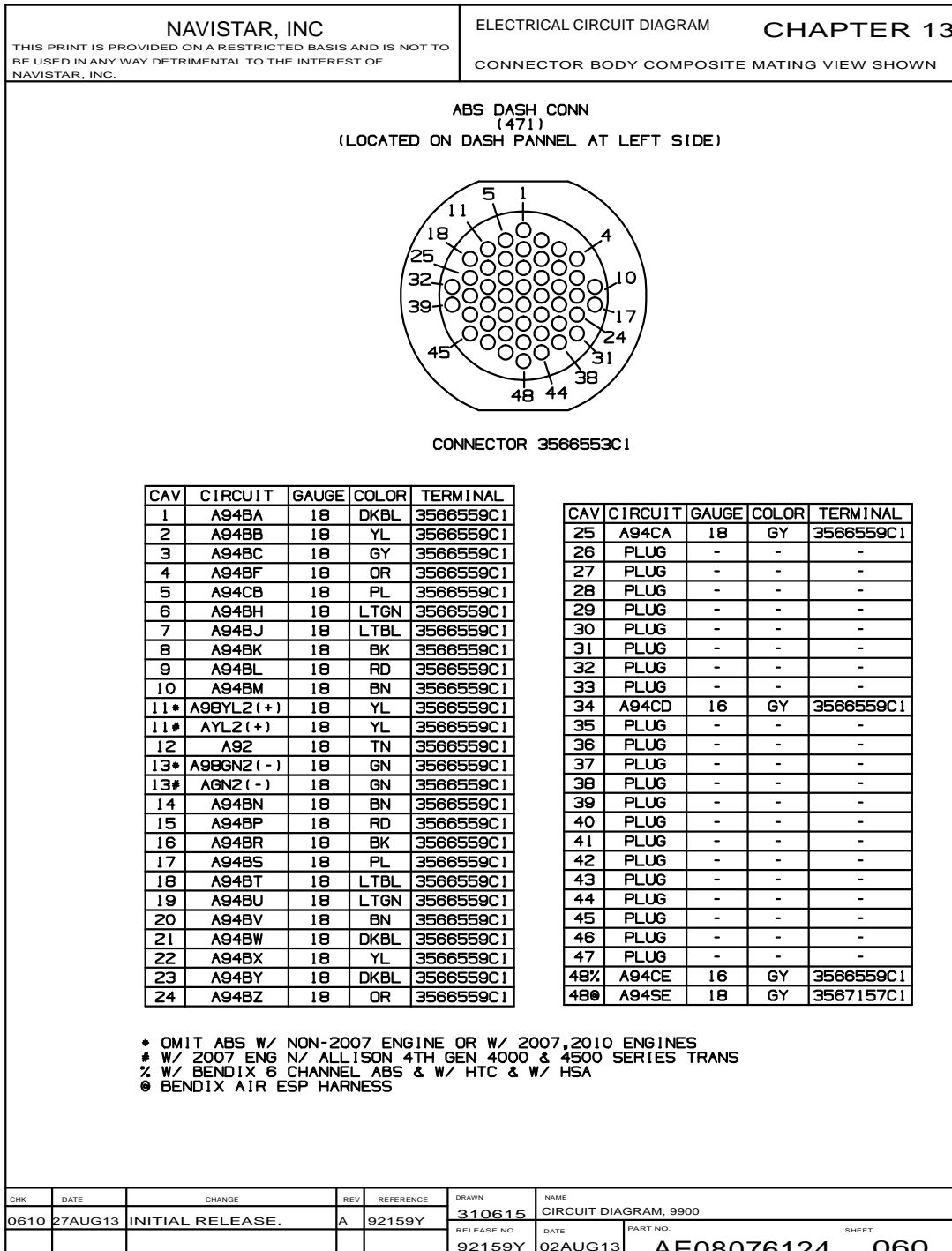


Figure 262 Connector Composites (471)

13.65. CONNECTOR COMPOSITES (471A), P. 61

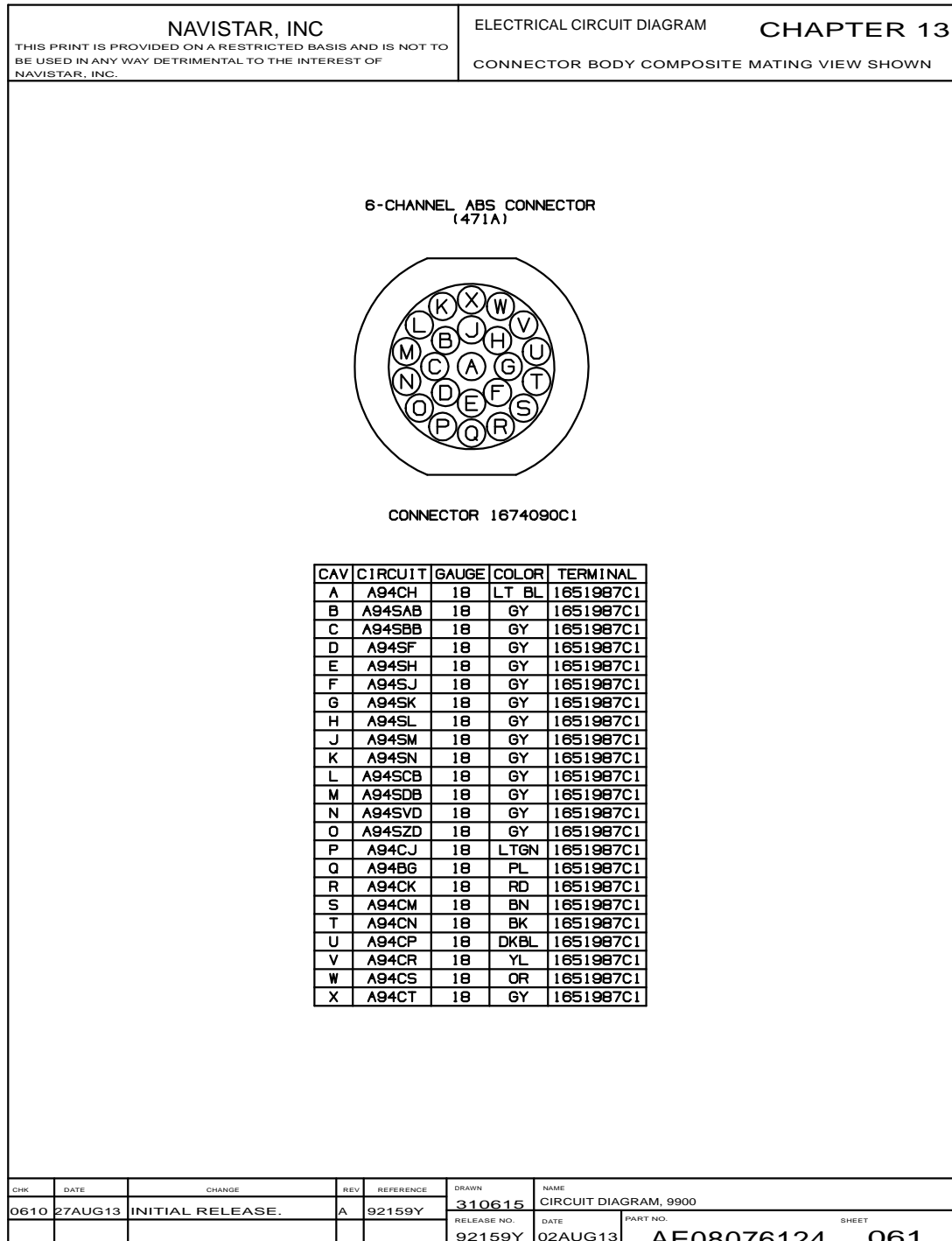


Figure 263 Connector Composites (471A)

13.66. CONNECTOR COMPOSITES (471AF), P. 62

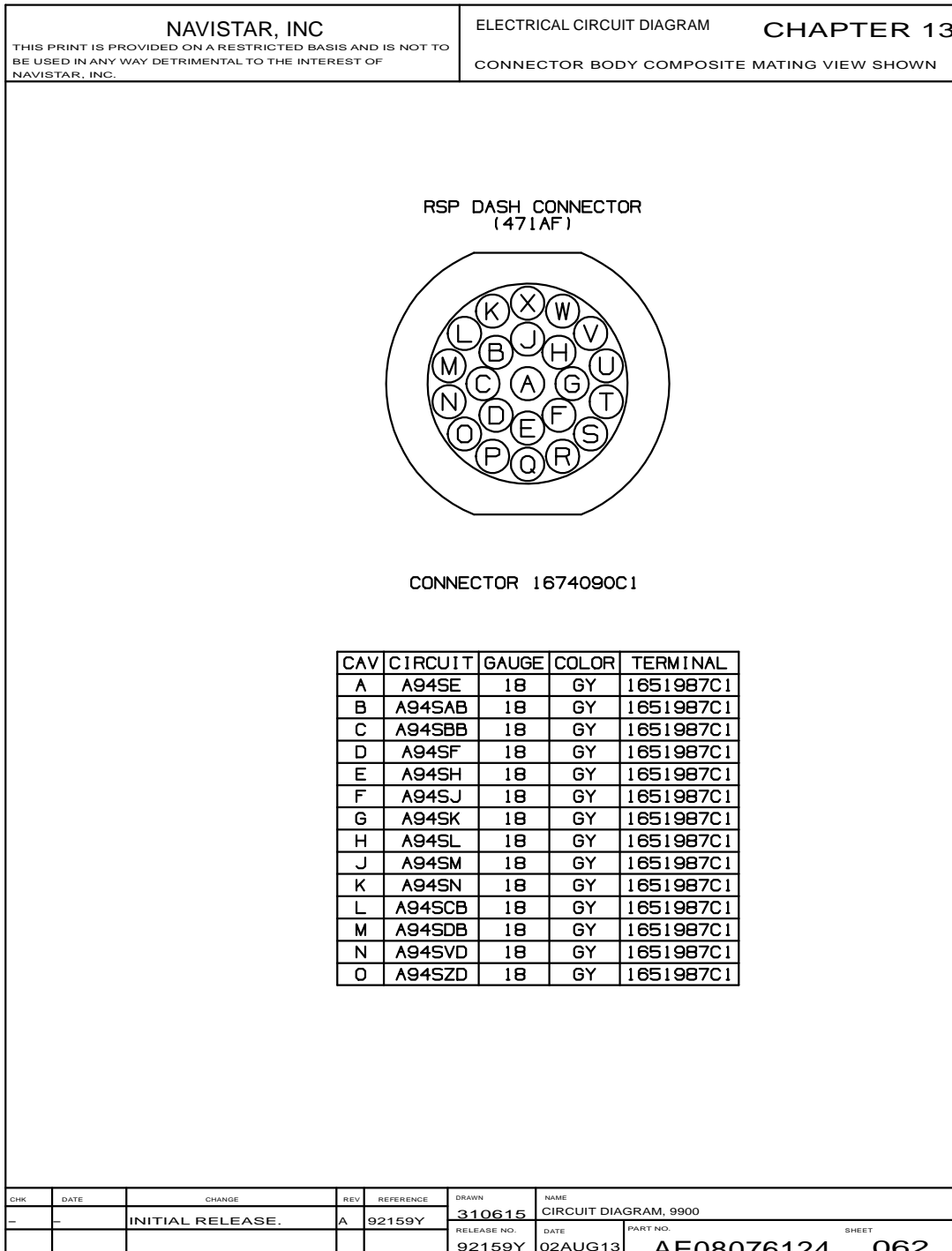


Figure 264 Connector Composites (471AF)

13.67. CONNECTOR COMPOSITES (471AM), P. 63

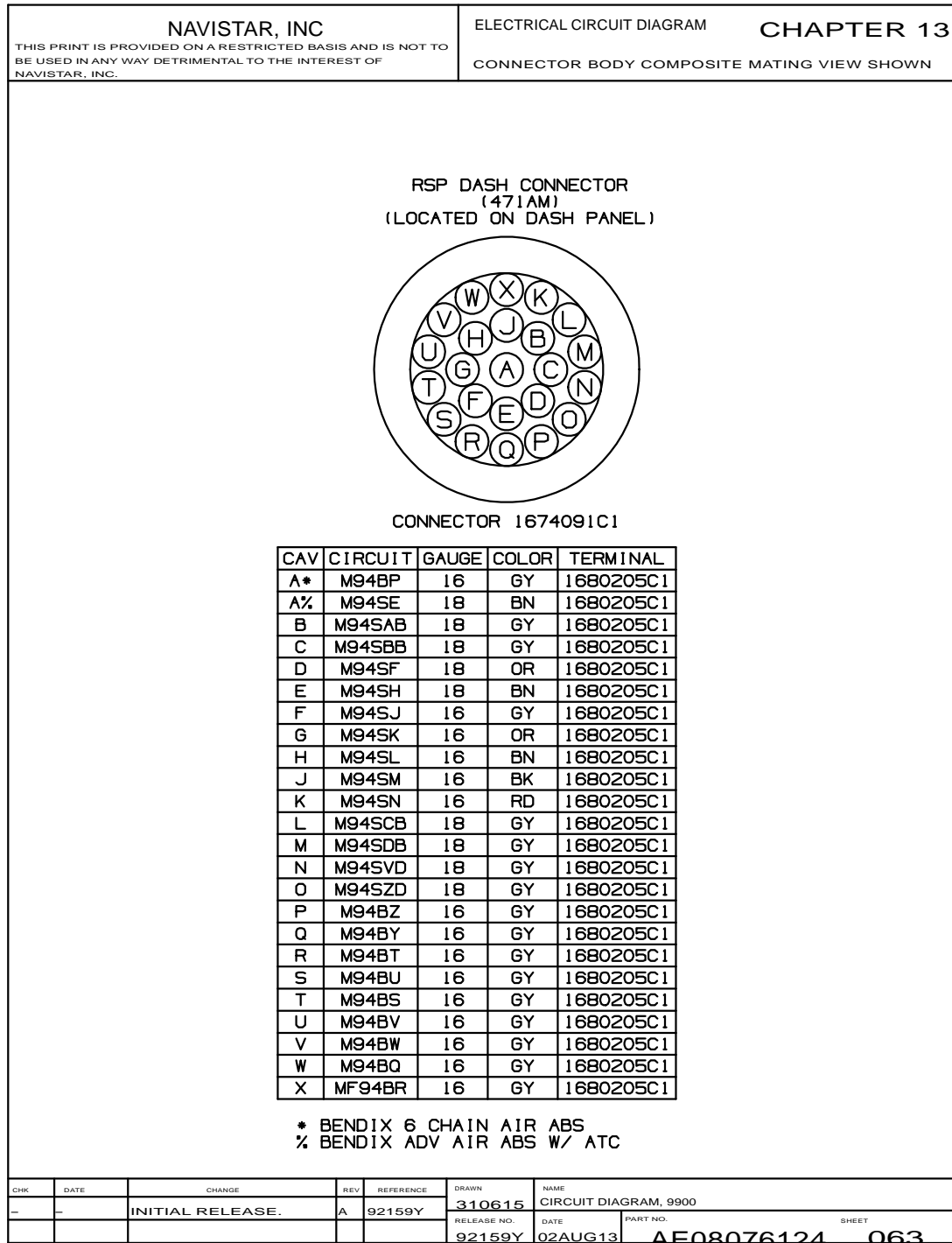


Figure 265 Connector Composites (471AM)

13.68. CONNECTOR COMPOSITES (471M), P. 64

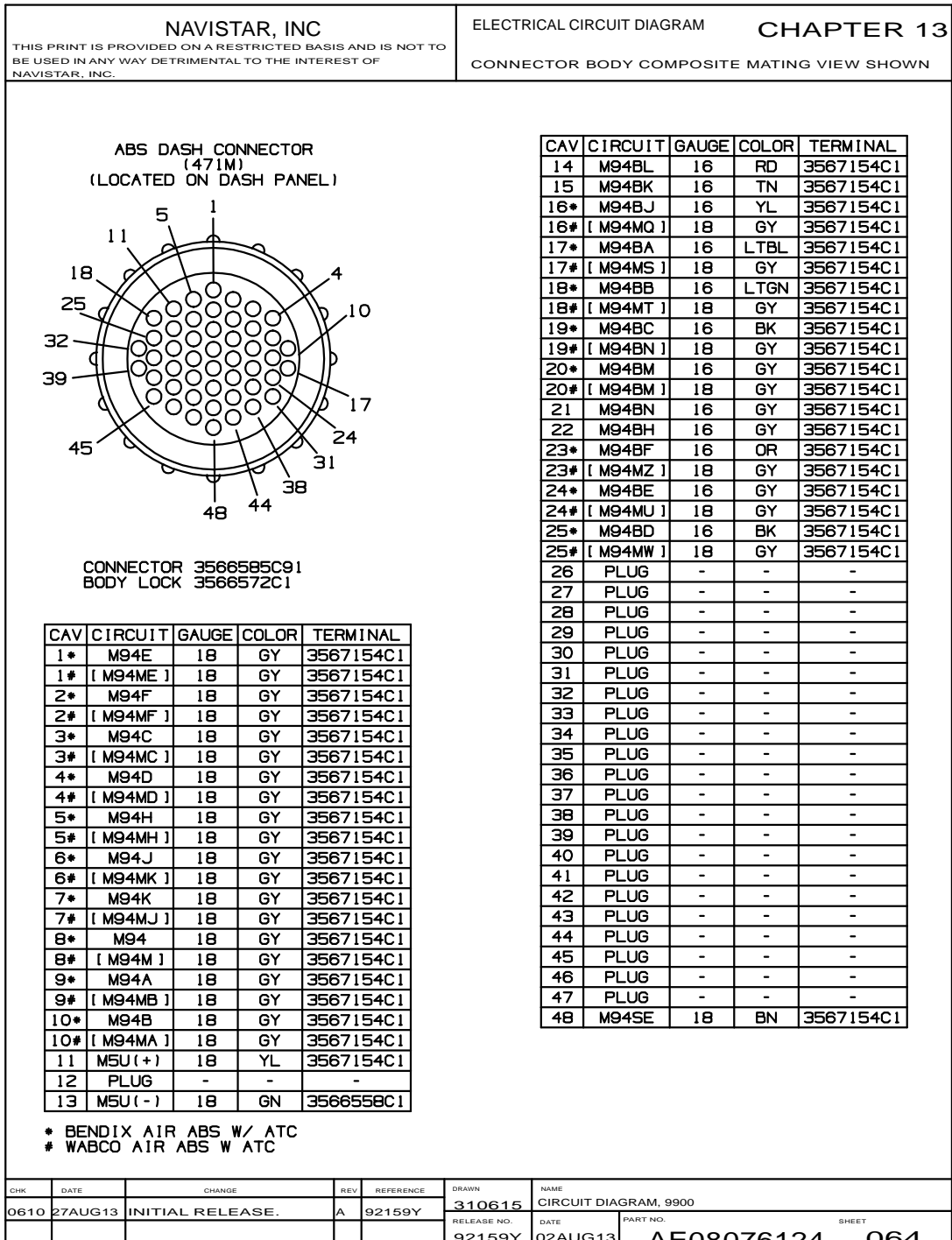


Figure 266 Connector Composites (471M)

13.69. CONNECTOR COMPOSITES (475FL / 475ML / 476M / 478M), P. 65

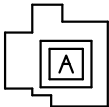
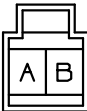
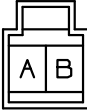
NAVISTAR, INC <small>THIS PRINT IS PROVIDED ON A RESTRICTED BASIS AND IS NOT TO BE USED IN ANY WAY DETRIMENTAL TO THE INTEREST OF NAVISTAR, INC.</small>				ELECTRICAL CIRCUIT DIAGRAM CHAPTER 13 CONNECTOR BODY COMPOSITE MATING VIEW SHOWN																	
<div style="display: flex; justify-content: space-between;"> <div style="width: 30%;"> <p>FOG LIGHT RELAY (475FL)</p>  <p>CONNECTOR 1661203C1</p> </div> <div style="width: 65%;"> <table border="1" style="width: 100%; border-collapse: collapse; text-align: center;"> <thead> <tr> <th>CAV</th> <th>CIRCUIT</th> <th>GAUGE</th> <th>COLOR</th> <th>TERMINAL</th> </tr> </thead> <tbody> <tr> <td>A</td> <td>A64-GB</td> <td>18</td> <td>WH</td> <td>1661220C1</td> </tr> </tbody> </table> </div> </div>							CAV	CIRCUIT	GAUGE	COLOR	TERMINAL	A	A64-GB	18	WH	1661220C1					
CAV	CIRCUIT	GAUGE	COLOR	TERMINAL																	
A	A64-GB	18	WH	1661220C1																	
<div style="display: flex; justify-content: space-between;"> <div style="width: 30%;"> <p>FOG LIGHT RELAY (475ML)</p>  <p>CONNECTOR 1661202C1</p> </div> <div style="width: 65%;"> <table border="1" style="width: 100%; border-collapse: collapse; text-align: center;"> <thead> <tr> <th>CAV</th> <th>CIRCUIT</th> <th>GAUGE</th> <th>COLOR</th> <th>TERMINAL</th> </tr> </thead> <tbody> <tr> <td>A</td> <td>A64-GA</td> <td>18</td> <td>WH</td> <td>1661215C1</td> </tr> </tbody> </table> </div> </div>							CAV	CIRCUIT	GAUGE	COLOR	TERMINAL	A	A64-GA	18	WH	1661215C1					
CAV	CIRCUIT	GAUGE	COLOR	TERMINAL																	
A	A64-GA	18	WH	1661215C1																	
<div style="display: flex; justify-content: space-between;"> <div style="width: 30%;"> <p>AIR SUSP FEED (476M)</p>  <p>CONNECTOR 0188395R1</p> </div> <div style="width: 65%;"> <table border="1" style="width: 100%; border-collapse: collapse; text-align: center;"> <thead> <tr> <th>CAV</th> <th>CIRCUIT</th> <th>GAUGE</th> <th>COLOR</th> <th>TERMINAL</th> </tr> </thead> <tbody> <tr> <td>A</td> <td>A3B</td> <td>18</td> <td>TN</td> <td>0879630R1</td> </tr> <tr> <td>B</td> <td>PLUG</td> <td>-</td> <td>-</td> <td>-</td> </tr> </tbody> </table> </div> </div>							CAV	CIRCUIT	GAUGE	COLOR	TERMINAL	A	A3B	18	TN	0879630R1	B	PLUG	-	-	-
CAV	CIRCUIT	GAUGE	COLOR	TERMINAL																	
A	A3B	18	TN	0879630R1																	
B	PLUG	-	-	-																	
<div style="display: flex; justify-content: space-between;"> <div style="width: 30%;"> <p>PDL FEED (478M)</p>  <p>CONNECTOR 0188395R1</p> </div> <div style="width: 65%;"> <table border="1" style="width: 100%; border-collapse: collapse; text-align: center;"> <thead> <tr> <th>CAV</th> <th>CIRCUIT</th> <th>GAUGE</th> <th>COLOR</th> <th>TERMINAL</th> </tr> </thead> <tbody> <tr> <td>A</td> <td>A43</td> <td>18</td> <td>GY</td> <td>0879630R1</td> </tr> <tr> <td>B</td> <td>PLUG</td> <td>-</td> <td>-</td> <td>-</td> </tr> </tbody> </table> </div> </div>							CAV	CIRCUIT	GAUGE	COLOR	TERMINAL	A	A43	18	GY	0879630R1	B	PLUG	-	-	-
CAV	CIRCUIT	GAUGE	COLOR	TERMINAL																	
A	A43	18	GY	0879630R1																	
B	PLUG	-	-	-																	
CHK	DATE	CHANGE	REV	REFERENCE	DRAWN	NAME															
-	-	INITIAL RELEASE.	A	92159Y	310615	CIRCUIT DIAGRAM, 9900															
					RELEASE NO.	DATE															
					92159Y	02AUG13															
					PART NO.	SHEET															
					AE08076124	065															

Figure 267 Connector Composites (475FL / 475ML / 476M / 478M)

13.70. CONNECTOR COMPOSITES (480F / 480M / 481M / 482M), P. 66

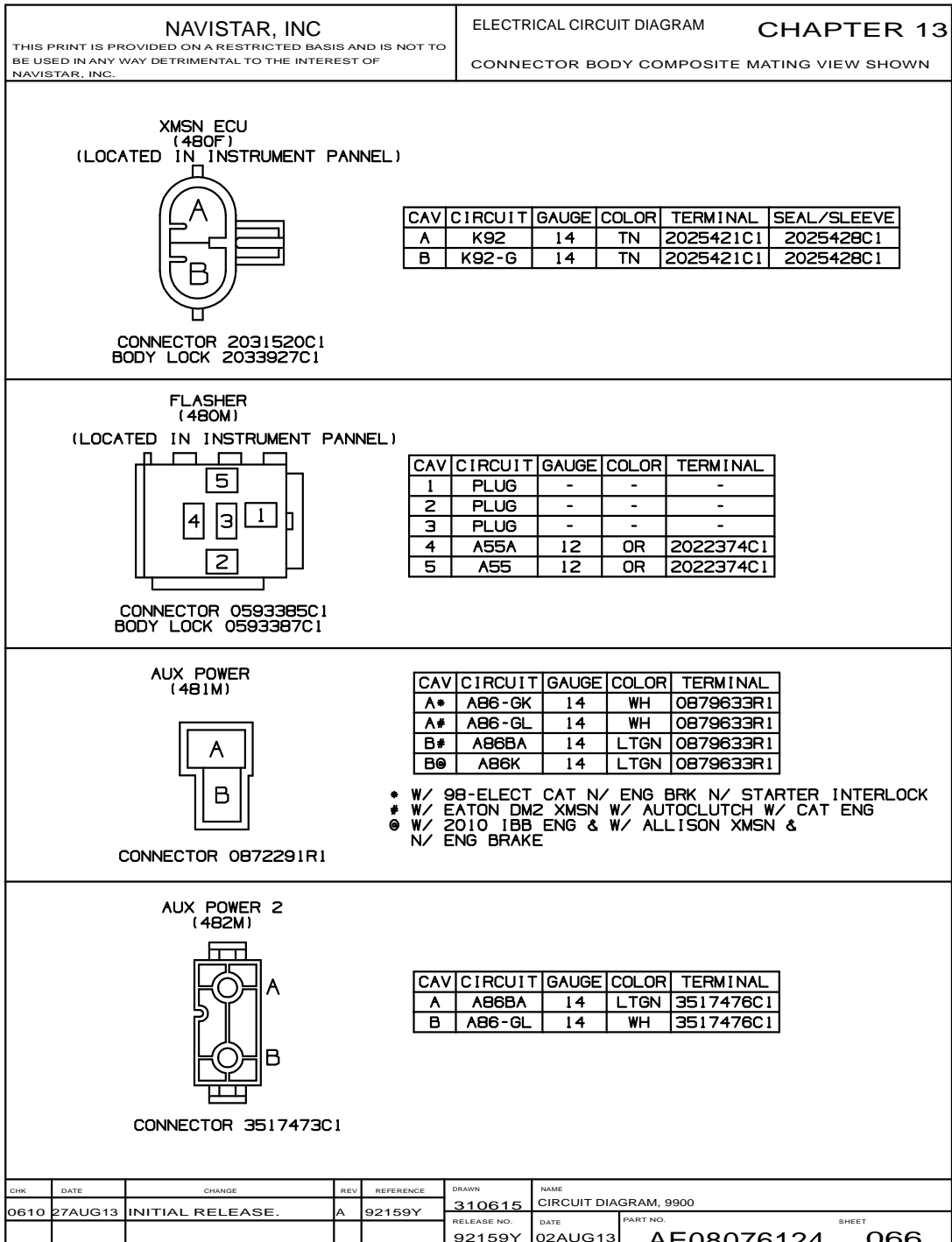


Figure 268 Connector Composites (480F / 480M / 481M / 482M)

13.71. CONNECTOR COMPOSITES (489 / 489F / 493ML / 493OL), P. 67

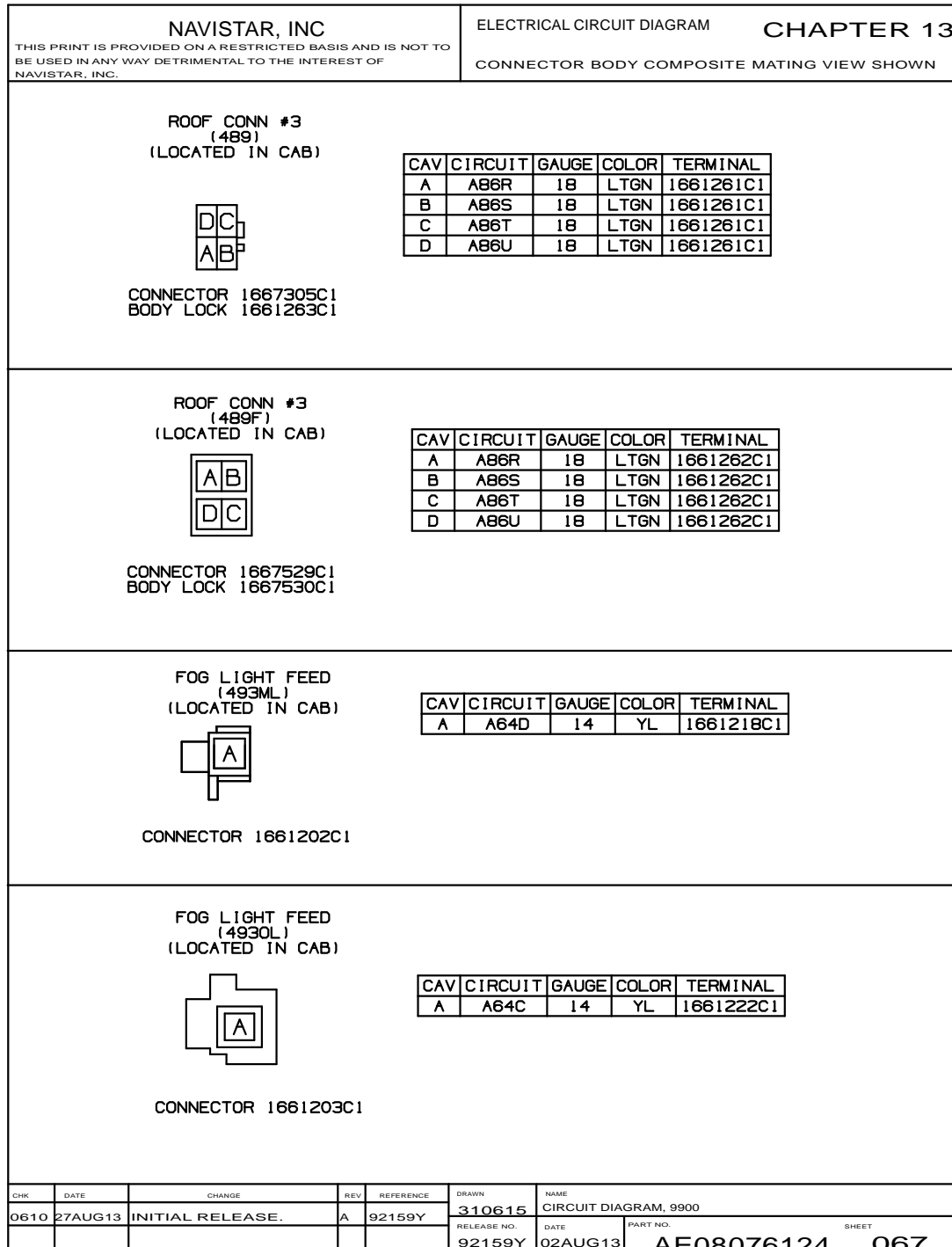


Figure 269 Connector Composites (489 / 489F / 493ML / 493OL)

13.72. CONNECTOR COMPOSITES (494M / 495M), P. 68

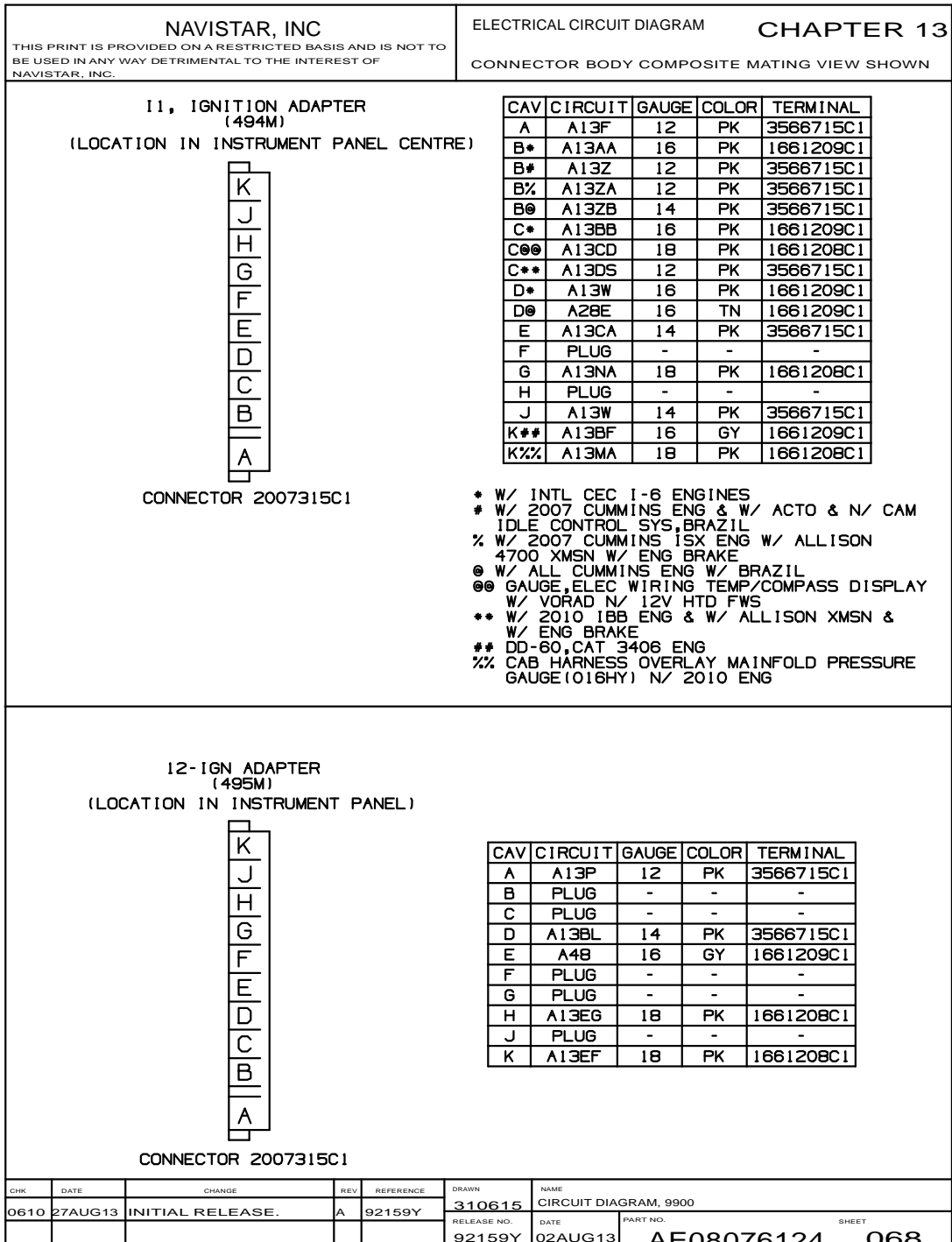


Figure 270 Connector Composites (494M / 495M)

13.73. CONNECTOR COMPOSITES (497M / 498M), P. 69

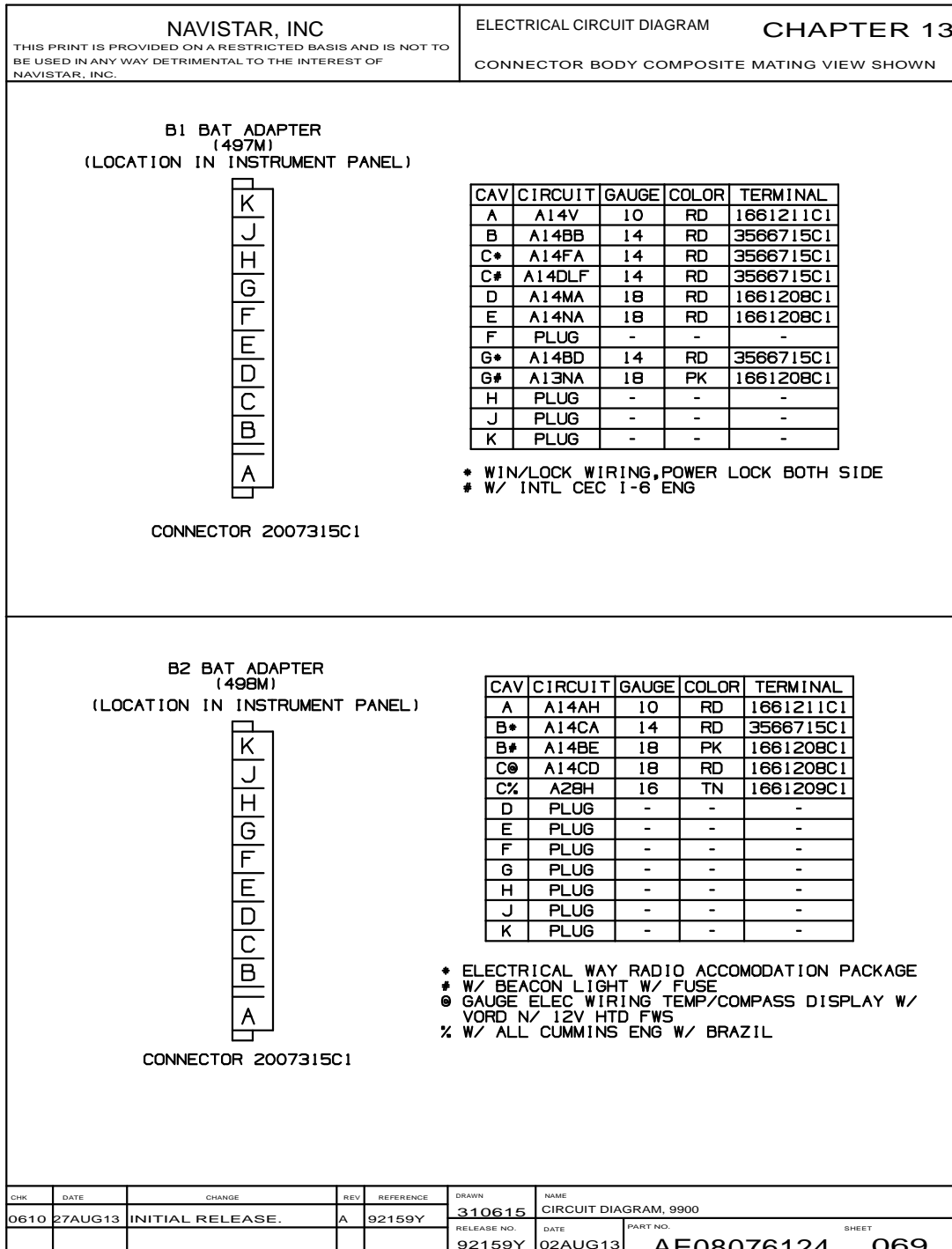


Figure 271 Connector Composites (497M / 498M)

13.74. CONNECTOR COMPOSITES (499M / 501M), P. 70

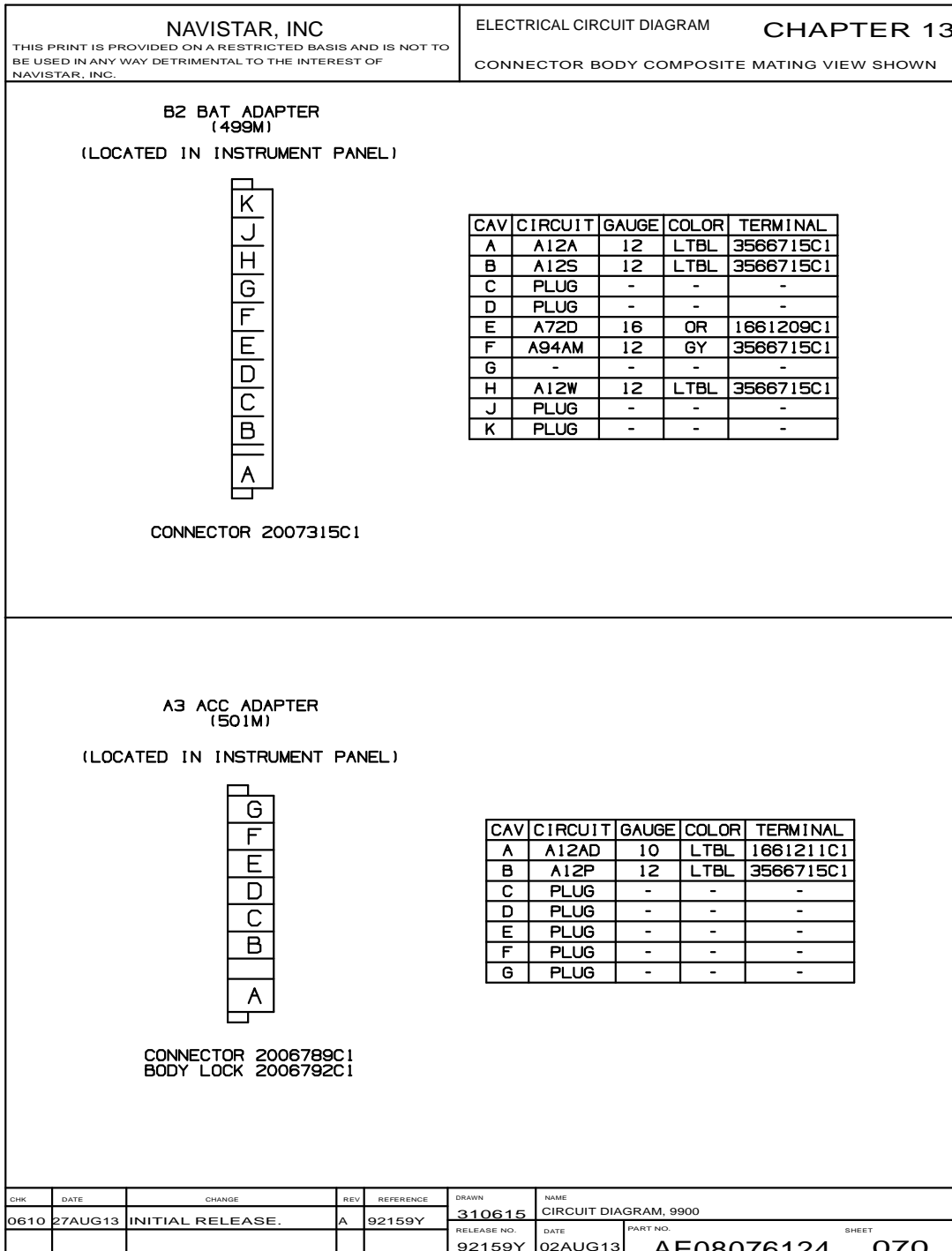


Figure 272 Connector Composites (499M / 501M)

13.75. CONNECTOR COMPOSITES (502 / 503M), P. 71

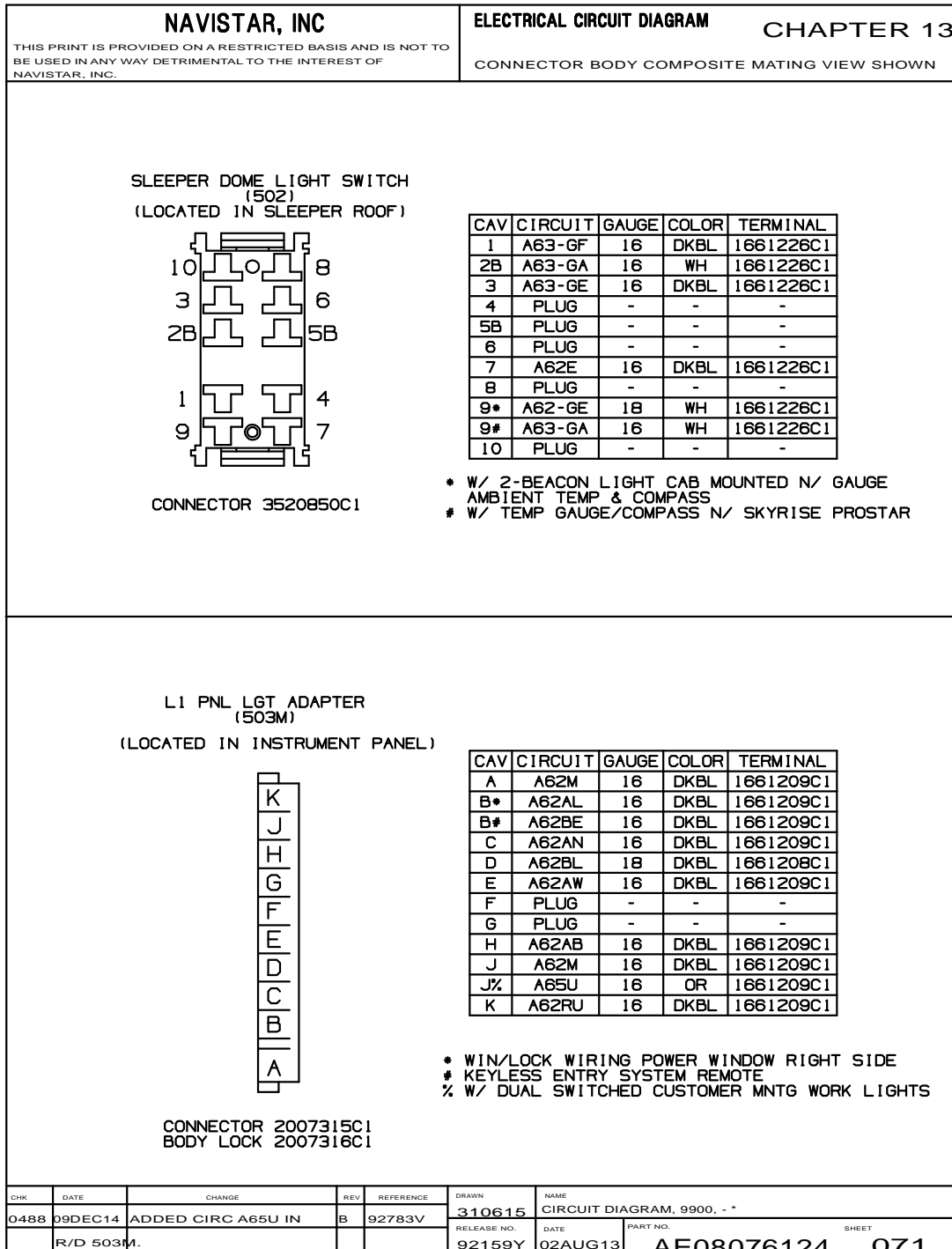


Figure 273 Connector Composites (502 / 503M)

13.76. CONNECTOR COMPOSITES (504M / 506), P. 72

<p style="text-align: center;">NAVISTAR, INC</p> <p style="font-size: small;">THIS PRINT IS PROVIDED ON A RESTRICTED BASIS AND IS NOT TO BE USED IN ANY WAY DETRIMENTAL TO THE INTEREST OF NAVISTAR, INC.</p>	<p style="text-align: center;">ELECTRICAL CIRCUIT DIAGRAM CHAPTER 13</p> <p style="text-align: center;">CONNECTOR BODY COMPOSITE MATING VIEW SHOWN</p>
--	--

**L2 PNL LGT ADAPTER
(504M)**
(LOCATED IN INSTRUMENT PANEL)

CONNECTOR 2007315C1
BODY LOCK 2007316C1

CAV	CIRCUIT	GAUGE	COLOR	TERMINAL
A	A62AE	16	DKBL	1661209C1
B*	A62MSM	16	DKBL	1661209C1
B#	A62BA	16	DKBL	1661209C1
C%	A62AV	16	DKBL	1661209C1
C@	A62AK	16	DKBL	1661209C1
D**	A62A	16	DKBL	1661209C1
D##	A62MSM	16	DKBL	1661209C1
D%%	A62MSP	16	DKBL	1661209C1
E@@	A62AW	16	DKBL	1661209C1
E%%	A62MSP	16	DKBL	1661209C1
F	PLUG	-	-	-
G**	A62AJ	16	DKBL	1661209C1
G*@	A62PLF	18	DKBL	1661208C1
H	A62U	18	DKBL	1661208C1
J	A62H	16	DKBL	1661209C1
K	PLUG	-	-	-

* W/ 2007 CUMMINS ISX W/ ALLISON 4700 XMSN W/ ENG BRAKE
 # W/ ALL CUMMINS ENGINE W/ BRAZIL
 % W/ V98-ELCT CAT N/ ENG BRK W/ STARTER INTERLOCK
 W/ MANUAL
 ** W/ 2007 CUMMINS ENG W/ AUTO & N/ CUM IDLE CONTROL SYS BRAZIL
 %% W/ 2007 CAT C13/C15 ENG N/ ENG SHUTDOWN
 @ W/ BENDIX 6 CHANNEL ABS & W/ ATC & WHSA
 * W/ TWO INDEPENDENT DIFF SWITCH CONTROL
 ** N/ 2007 ENGINE & N/ ISX EPA 04
 @@ MIRROR WIRING, POWER, LT & RT SINGLE AXLE
 *@ W/ BEACON LIGHT W/ FUSE

**L4 PNL GND ADAPTER
(506)**
(LOCATED IN INSTRUMENT PANEL)

CONNECTOR 2007315C1
BODY LOCK 2007316C1

CAV	CIRCUIT	GAUGE	COLOR	TERMINAL
A	PLUG	-	-	-
B	PLUG	-	-	-
C	PLUG	-	-	-
D	PLUG	-	-	-
E	PLUG	-	-	-
F	A62-GAW	18	WH	1661208C1
G	PLUG	-	-	-
H	PLUG	-	-	-
I	PLUG	-	-	-
J	PLUG	-	-	-
K	PLUG	-	-	-

CHK	DATE	CHANGE	REV	REFERENCE	DRAWN	NAME
-	-	INITIAL RELEASE.	A	92159Y	310615	CIRCUIT DIAGRAM, 9900
					RELEASE NO.	DATE
					92159Y	02AUG13
					PART NO.	SHEET
					AE08076124	072

Figure 274 Connector Composites (504M / 506)

13.77. CONNECTOR COMPOSITES (506M / 509M), P. 73

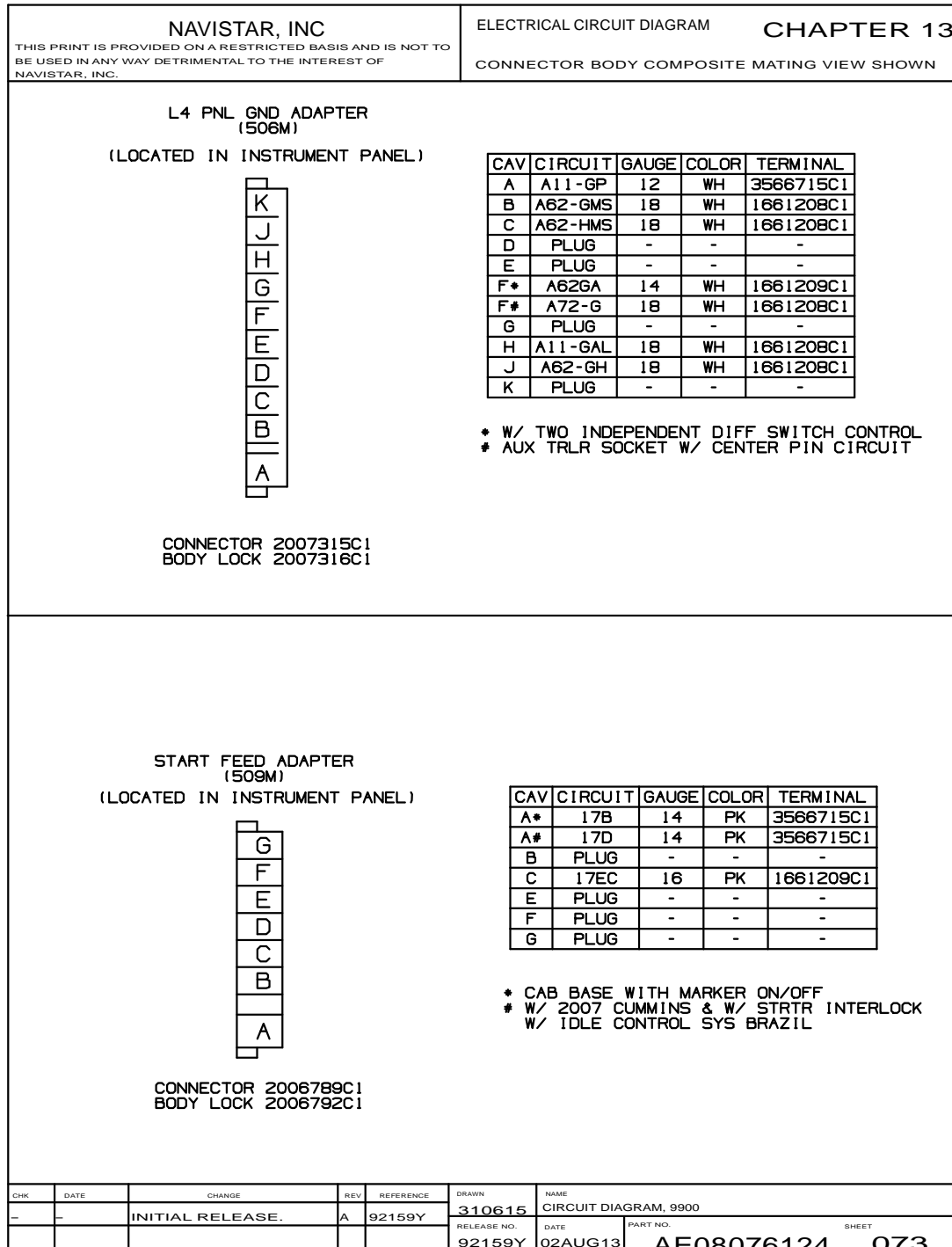


Figure 275 Connector Composites (506M / 509M)

13.78. CONNECTOR COMPOSITES (511M / 512F / 513F), P. 74

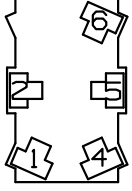
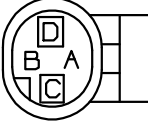
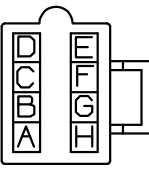
NAVISTAR, INC <small>THIS PRINT IS PROVIDED ON A RESTRICTED BASIS AND IS NOT TO BE USED IN ANY WAY DETRIMENTAL TO THE INTEREST OF NAVISTAR, INC.</small>				ELECTRICAL CIRCUIT DIAGRAM CHAPTER 13 CONNECTOR BODY COMPOSITE MATING VIEW SHOWN																																																
BLINK CODE SWITCH (511M)  CONNECTOR 1661256C1				<table border="1" style="width: 100%; border-collapse: collapse;"> <thead> <tr> <th>CAV</th> <th>CIRCUIT</th> <th>GAUGE</th> <th>COLOR</th> <th>TERMINAL</th> </tr> </thead> <tbody> <tr><td>1</td><td>PLUG</td><td>-</td><td>-</td><td>-</td></tr> <tr><td>2</td><td>PLUG</td><td>-</td><td>-</td><td>-</td></tr> <tr><td>3</td><td>PLUG</td><td>-</td><td>-</td><td>-</td></tr> <tr><td>4</td><td>PLUG</td><td>-</td><td>-</td><td>-</td></tr> <tr><td>5*</td><td>A94E</td><td>18</td><td>GY</td><td>1661226C1</td></tr> <tr><td>5#</td><td>A94H</td><td>16</td><td>GY</td><td>1661226C1</td></tr> <tr><td>6</td><td>A94-GL</td><td>16</td><td>WH</td><td>1661226C1</td></tr> </tbody> </table> * BENDIX AIR RSP HARNESS # N/ 2007 ENGINE & N/ 15X EPA 04		CAV	CIRCUIT	GAUGE	COLOR	TERMINAL	1	PLUG	-	-	-	2	PLUG	-	-	-	3	PLUG	-	-	-	4	PLUG	-	-	-	5*	A94E	18	GY	1661226C1	5#	A94H	16	GY	1661226C1	6	A94-GL	16	WH	1661226C1							
CAV	CIRCUIT	GAUGE	COLOR	TERMINAL																																																
1	PLUG	-	-	-																																																
2	PLUG	-	-	-																																																
3	PLUG	-	-	-																																																
4	PLUG	-	-	-																																																
5*	A94E	18	GY	1661226C1																																																
5#	A94H	16	GY	1661226C1																																																
6	A94-GL	16	WH	1661226C1																																																
LOW AIR SWITCH #2 (512F)  CONNECTOR 1661777C1 BODY LOCK 1661873C1				<table border="1" style="width: 100%; border-collapse: collapse;"> <thead> <tr> <th>CAV</th> <th>CIRCUIT</th> <th>GAUGE</th> <th>COLOR</th> <th>TERMINAL</th> <th>SEAL/SLEEVE</th> </tr> </thead> <tbody> <tr><td>A</td><td>PLUG</td><td>-</td><td>-</td><td>-</td><td>-</td></tr> <tr><td>B</td><td>PLUG</td><td>-</td><td>-</td><td>-</td><td>-</td></tr> <tr><td>C</td><td>A40B</td><td>16</td><td>GY</td><td>1661875C1</td><td>1661872C1</td></tr> <tr><td>D</td><td>A40-GB</td><td>16</td><td>WH</td><td>1661875C1</td><td>1661872C1</td></tr> </tbody> </table>		CAV	CIRCUIT	GAUGE	COLOR	TERMINAL	SEAL/SLEEVE	A	PLUG	-	-	-	-	B	PLUG	-	-	-	-	C	A40B	16	GY	1661875C1	1661872C1	D	A40-GB	16	WH	1661875C1	1661872C1																	
CAV	CIRCUIT	GAUGE	COLOR	TERMINAL	SEAL/SLEEVE																																															
A	PLUG	-	-	-	-																																															
B	PLUG	-	-	-	-																																															
C	A40B	16	GY	1661875C1	1661872C1																																															
D	A40-GB	16	WH	1661875C1	1661872C1																																															
DRL JUMPER (513F)  CONNECTOR 2005836C1 BODY LOCK 2006504C1				<table border="1" style="width: 100%; border-collapse: collapse;"> <thead> <tr> <th>CAV</th> <th>CIRCUIT</th> <th>GAUGE</th> <th>COLOR</th> <th>TERMINAL</th> </tr> </thead> <tbody> <tr><td>A</td><td>F64E</td><td>14</td><td>YL</td><td>1661213C1</td></tr> <tr><td>B</td><td>F64E</td><td>14</td><td>YL</td><td>1661213C1</td></tr> <tr><td>C</td><td>PLUG</td><td>-</td><td>-</td><td>-</td></tr> <tr><td>D</td><td>PLUG</td><td>-</td><td>-</td><td>-</td></tr> <tr><td>E</td><td>PLUG</td><td>-</td><td>-</td><td>-</td></tr> <tr><td>F</td><td>PLUG</td><td>-</td><td>-</td><td>-</td></tr> <tr><td>G</td><td>PLUG</td><td>-</td><td>-</td><td>-</td></tr> <tr><td>H</td><td>PLUG</td><td>-</td><td>-</td><td>-</td></tr> </tbody> </table>		CAV	CIRCUIT	GAUGE	COLOR	TERMINAL	A	F64E	14	YL	1661213C1	B	F64E	14	YL	1661213C1	C	PLUG	-	-	-	D	PLUG	-	-	-	E	PLUG	-	-	-	F	PLUG	-	-	-	G	PLUG	-	-	-	H	PLUG	-	-	-		
CAV	CIRCUIT	GAUGE	COLOR	TERMINAL																																																
A	F64E	14	YL	1661213C1																																																
B	F64E	14	YL	1661213C1																																																
C	PLUG	-	-	-																																																
D	PLUG	-	-	-																																																
E	PLUG	-	-	-																																																
F	PLUG	-	-	-																																																
G	PLUG	-	-	-																																																
H	PLUG	-	-	-																																																
CHK	DATE	CHANGE	REV	REFERENCE	DRAWN	NAME																																														
-	-	INITIAL RELEASE.	A	92159Y	310615	CIRCUIT DIAGRAM, 9900																																														
					RELEASE NO.	DATE																																														
					92159Y	02AUG13																																														
					PART NO.	SHEET																																														
					AE08076124	074																																														

Figure 276 Connector Composites (511M / 512F / 513F)

13.79. CONNECTOR COMPOSITES (513M / 514M / 515), P. 75

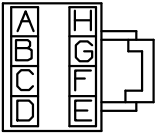

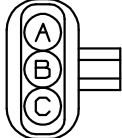
NAVISTAR, INC <small>THIS PRINT IS PROVIDED ON A RESTRICTED BASIS AND IS NOT TO BE USED IN ANY WAY DETRIMENTAL TO THE INTEREST OF NAVISTAR, INC.</small>				ELECTRICAL CIRCUIT DIAGRAM CHAPTER 13 CONNECTOR BODY COMPOSITE MATING VIEW SHOWN																																																			
<div style="display: flex; justify-content: space-between;"> <div style="width: 45%;"> <p>DRL MODULE-USA (513M) (LOCATED IN INSTRUMENT PANEL)</p>  <p>CONNECTOR 2005835C1 BODY LOCK 2006503C1</p> </div> <div style="width: 50%;"> <table border="1" style="width: 100%; border-collapse: collapse; text-align: center;"> <thead> <tr> <th>CAV</th><th>CIRCUIT</th><th>GAUGE</th><th>COLOR</th><th>TERMINAL</th></tr> </thead> <tbody> <tr><td>A</td><td>A64D</td><td>14</td><td>YL</td><td>3566715C1</td></tr> <tr><td>B</td><td>A64C</td><td>14</td><td>YL</td><td>3566715C1</td></tr> <tr><td>C</td><td>A66F</td><td>14</td><td>YL</td><td>3566715C1</td></tr> <tr><td>D</td><td>A66-GA</td><td>14</td><td>WH</td><td>3566715C1</td></tr> <tr><td>E</td><td>A66E</td><td>16</td><td>YL</td><td>1661209C1</td></tr> <tr><td>F</td><td>PLUG</td><td>-</td><td>-</td><td>-</td></tr> <tr><td>G</td><td>A66D</td><td>14</td><td>YL</td><td>3566715C1</td></tr> <tr><td>H</td><td>A66A</td><td>14</td><td>YL</td><td>3566715C1</td></tr> </tbody> </table> </div> </div>						CAV	CIRCUIT	GAUGE	COLOR	TERMINAL	A	A64D	14	YL	3566715C1	B	A64C	14	YL	3566715C1	C	A66F	14	YL	3566715C1	D	A66-GA	14	WH	3566715C1	E	A66E	16	YL	1661209C1	F	PLUG	-	-	-	G	A66D	14	YL	3566715C1	H	A66A	14	YL	3566715C1					
CAV	CIRCUIT	GAUGE	COLOR	TERMINAL																																																			
A	A64D	14	YL	3566715C1																																																			
B	A64C	14	YL	3566715C1																																																			
C	A66F	14	YL	3566715C1																																																			
D	A66-GA	14	WH	3566715C1																																																			
E	A66E	16	YL	1661209C1																																																			
F	PLUG	-	-	-																																																			
G	A66D	14	YL	3566715C1																																																			
H	A66A	14	YL	3566715C1																																																			
<div style="display: flex; justify-content: space-between;"> <div style="width: 45%;"> <p>D1-DATA LINK POS (514M) (LOCATED IN INSTRUMENT PANEL)</p>  <p>CONNECTOR 2006789C1 BODY LOCK 2006792C1</p> </div> <div style="width: 50%;"> <table border="1" style="width: 100%; border-collapse: collapse; text-align: center;"> <thead> <tr> <th>CAV</th><th>CIRCUIT</th><th>GAUGE</th><th>COLOR</th><th>TERMINAL</th></tr> </thead> <tbody> <tr><td>A</td><td>A98A(+)</td><td>14</td><td>BK</td><td>3566715C1</td></tr> <tr><td>B</td><td>A98(+)</td><td>16</td><td>BK</td><td>1661209C1</td></tr> <tr><td>C</td><td>A47/48(+)</td><td>18</td><td>GY</td><td>1661208C1</td></tr> <tr><td>D*</td><td>A98EA(+)</td><td>18</td><td>BK</td><td>1661208C1</td></tr> <tr><td>D#</td><td>A98J(+)</td><td>16</td><td>BK</td><td>1661209C1</td></tr> <tr><td>E</td><td>A98S(+)</td><td>16</td><td>BK</td><td>1661209C1</td></tr> <tr><td>F</td><td>PLUG</td><td>-</td><td>-</td><td>-</td></tr> <tr><td>G</td><td>A98MA(+)</td><td>18</td><td>BK</td><td>1661208C1</td></tr> <tr><td>H</td><td>PLUG</td><td>-</td><td>-</td><td>-</td></tr> </tbody> </table> <p style="font-size: small;">* W/ 2007 CUMMINS ENG W/ CUM IDLE CONTROL SYS # BENDIX AIR RSP HARNESS</p> </div> </div>						CAV	CIRCUIT	GAUGE	COLOR	TERMINAL	A	A98A(+)	14	BK	3566715C1	B	A98(+)	16	BK	1661209C1	C	A47/48(+)	18	GY	1661208C1	D*	A98EA(+)	18	BK	1661208C1	D#	A98J(+)	16	BK	1661209C1	E	A98S(+)	16	BK	1661209C1	F	PLUG	-	-	-	G	A98MA(+)	18	BK	1661208C1	H	PLUG	-	-	-
CAV	CIRCUIT	GAUGE	COLOR	TERMINAL																																																			
A	A98A(+)	14	BK	3566715C1																																																			
B	A98(+)	16	BK	1661209C1																																																			
C	A47/48(+)	18	GY	1661208C1																																																			
D*	A98EA(+)	18	BK	1661208C1																																																			
D#	A98J(+)	16	BK	1661209C1																																																			
E	A98S(+)	16	BK	1661209C1																																																			
F	PLUG	-	-	-																																																			
G	A98MA(+)	18	BK	1661208C1																																																			
H	PLUG	-	-	-																																																			
<div style="display: flex; justify-content: space-between;"> <div style="width: 45%;"> <p>J1939 CONN (515) (LOCATED IN INSTRUMENT PANEL)</p>  <p>CONNECTOR 1667740C1 BODY LOCK 1667771C1</p> </div> <div style="width: 50%;"> <table border="1" style="width: 100%; border-collapse: collapse; text-align: center;"> <thead> <tr> <th>CAV</th><th>CIRCUIT</th><th>GAUGE</th><th>COLOR</th><th>TERMINAL</th><th>SEAL/SLEEVE</th></tr> </thead> <tbody> <tr><td>A</td><td>A98MAB(+)</td><td>18</td><td>YL</td><td>1667742C1</td><td>1661872C1</td></tr> <tr><td>B</td><td>PLUG</td><td>-</td><td>-</td><td>-</td><td>-</td></tr> <tr><td>C</td><td>A98MAB(-)</td><td>18</td><td>YL</td><td>1667742C1</td><td>1661872C1</td></tr> </tbody> </table> </div> </div>						CAV	CIRCUIT	GAUGE	COLOR	TERMINAL	SEAL/SLEEVE	A	A98MAB(+)	18	YL	1667742C1	1661872C1	B	PLUG	-	-	-	-	C	A98MAB(-)	18	YL	1667742C1	1661872C1																										
CAV	CIRCUIT	GAUGE	COLOR	TERMINAL	SEAL/SLEEVE																																																		
A	A98MAB(+)	18	YL	1667742C1	1661872C1																																																		
B	PLUG	-	-	-	-																																																		
C	A98MAB(-)	18	YL	1667742C1	1661872C1																																																		
CHK	DATE	CHANGE	REV	REFERENCE	DRAWN	NAME																																																	
0610	27AUG13	INITIAL RELEASE.	A	92159Y	310615	CIRCUIT DIAGRAM, 9900																																																	
					RELEASE NO.	DATE																																																	
					92159Y	02AUG13																																																	
					PART NO.	SHEET																																																	
					AE08076124	075																																																	

Figure 277 Connector Composites (513M / 514M / 515)

13.80. CONNECTOR COMPOSITES (515M / 516M / 517M), P. 76

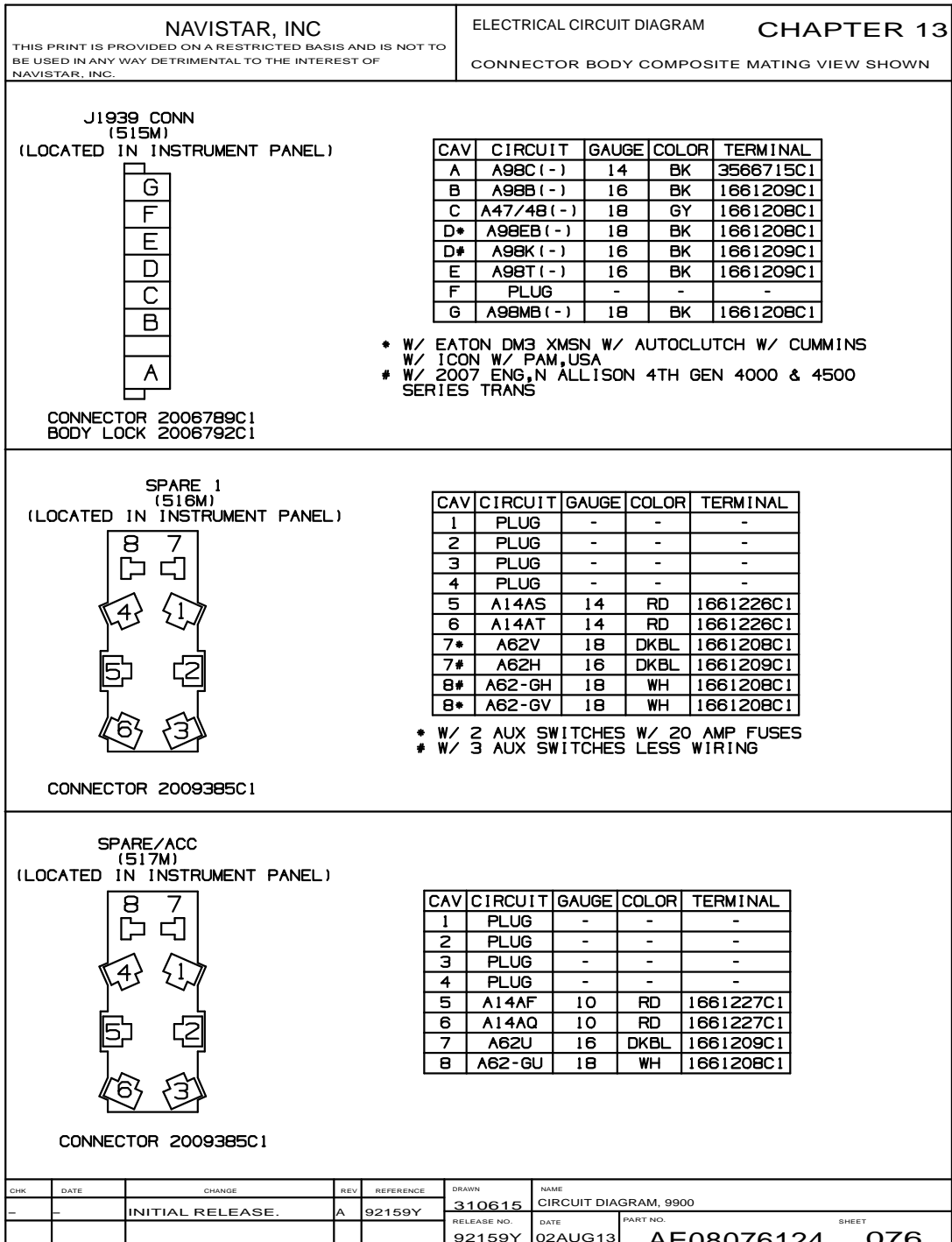


Figure 278 Connector Composites (515M / 516M / 517M)

13.81. CONNECTOR COMPOSITES (520 / 521 / 522 / 523), P. 77






NAVISTAR, INC <small>THIS PRINT IS PROVIDED ON A RESTRICTED BASIS AND IS NOT TO BE USED IN ANY WAY DETRIMENTAL TO THE INTEREST OF NAVISTAR, INC.</small>				ELECTRICAL CIRCUIT DIAGRAM CHAPTER 13 CONNECTOR BODY COMPOSITE MATING VIEW SHOWN																	
<div style="display: flex; justify-content: space-between;"> <div style="width: 30%;"> <p>CLEARANCE LIGHT (520) (LOCATED IN SUNSHADE)</p>  <p>CONNECTOR 1661259C1 BODY LOCK 1661263C1</p> </div> <div style="width: 35%; text-align: center;"> <table border="1" style="font-size: 8px; border-collapse: collapse;"> <thead> <tr> <th>CAV</th> <th>CIRCUIT</th> <th>GAUGE</th> <th>COLOR</th> <th>TERMINAL</th> </tr> </thead> <tbody> <tr> <td>A</td> <td>C58B</td> <td>18</td> <td>BN</td> <td>1661261C1</td> </tr> <tr> <td>B</td> <td>C58-GB</td> <td>18</td> <td>WH</td> <td>1661261C1</td> </tr> </tbody> </table> </div> </div>							CAV	CIRCUIT	GAUGE	COLOR	TERMINAL	A	C58B	18	BN	1661261C1	B	C58-GB	18	WH	1661261C1
CAV	CIRCUIT	GAUGE	COLOR	TERMINAL																	
A	C58B	18	BN	1661261C1																	
B	C58-GB	18	WH	1661261C1																	
<div style="display: flex; justify-content: space-between;"> <div style="width: 30%;"> <p>CLEARANCE LIGHT (521) (LOCATED IN SUNSHADE)</p>  <p>CONNECTOR 1661259C1 BODY LOCK 1661263C1</p> </div> <div style="width: 35%; text-align: center;"> <table border="1" style="font-size: 8px; border-collapse: collapse;"> <thead> <tr> <th>CAV</th> <th>CIRCUIT</th> <th>GAUGE</th> <th>COLOR</th> <th>TERMINAL</th> </tr> </thead> <tbody> <tr> <td>A</td> <td>C58C</td> <td>18</td> <td>BN</td> <td>1661261C1</td> </tr> <tr> <td>B</td> <td>C58-GC</td> <td>18</td> <td>WH</td> <td>1661261C1</td> </tr> </tbody> </table> </div> </div>							CAV	CIRCUIT	GAUGE	COLOR	TERMINAL	A	C58C	18	BN	1661261C1	B	C58-GC	18	WH	1661261C1
CAV	CIRCUIT	GAUGE	COLOR	TERMINAL																	
A	C58C	18	BN	1661261C1																	
B	C58-GC	18	WH	1661261C1																	
<div style="display: flex; justify-content: space-between;"> <div style="width: 30%;"> <p>CLEARANCE LIGHT (522) (LOCATED IN SUNSHADE)</p>  <p>CONNECTOR 1661259C1 BODY LOCK 1661263C1</p> </div> <div style="width: 35%; text-align: center;"> <table border="1" style="font-size: 8px; border-collapse: collapse;"> <thead> <tr> <th>CAV</th> <th>CIRCUIT</th> <th>GAUGE</th> <th>COLOR</th> <th>TERMINAL</th> </tr> </thead> <tbody> <tr> <td>A</td> <td>C58D</td> <td>18</td> <td>BN</td> <td>1661261C1</td> </tr> <tr> <td>B</td> <td>C58-GD</td> <td>18</td> <td>WH</td> <td>1661261C1</td> </tr> </tbody> </table> </div> </div>							CAV	CIRCUIT	GAUGE	COLOR	TERMINAL	A	C58D	18	BN	1661261C1	B	C58-GD	18	WH	1661261C1
CAV	CIRCUIT	GAUGE	COLOR	TERMINAL																	
A	C58D	18	BN	1661261C1																	
B	C58-GD	18	WH	1661261C1																	
<div style="display: flex; justify-content: space-between;"> <div style="width: 30%;"> <p>CLEARANCE LIGHT (523) (LOCATED IN SUNSHADE)</p>  <p>CONNECTOR 1661259C1 BODY LOCK 1661263C1</p> </div> <div style="width: 35%; text-align: center;"> <table border="1" style="font-size: 8px; border-collapse: collapse;"> <thead> <tr> <th>CAV</th> <th>CIRCUIT</th> <th>GAUGE</th> <th>COLOR</th> <th>TERMINAL</th> </tr> </thead> <tbody> <tr> <td>A</td> <td>C58E</td> <td>18</td> <td>BN</td> <td>1661261C1</td> </tr> <tr> <td>B</td> <td>C58-GE</td> <td>18</td> <td>WH</td> <td>1661261C1</td> </tr> </tbody> </table> </div> </div>							CAV	CIRCUIT	GAUGE	COLOR	TERMINAL	A	C58E	18	BN	1661261C1	B	C58-GE	18	WH	1661261C1
CAV	CIRCUIT	GAUGE	COLOR	TERMINAL																	
A	C58E	18	BN	1661261C1																	
B	C58-GE	18	WH	1661261C1																	
CHK	DATE	CHANGE	REV	REFERENCE	DRAWN	NAME															
0610	27AUG13	INITIAL RELEASE.	A	92159Y	310615	CIRCUIT DIAGRAM, 9900															
					RELEASE NO.	DATE	PART NO.	SHEET													
					92159Y	02AUG13	AE08076124	077													

Figure 279 Connector Composites (520 / 521 / 522 / 523)

13.82. CONNECTOR COMPOSITES (524 / 525F / 525M), P. 78

<p style="text-align: center;">NAVISTAR, INC</p> <p style="font-size: small;">THIS PRINT IS PROVIDED ON A RESTRICTED BASIS AND IS NOT TO BE USED IN ANY WAY DETRIMENTAL TO THE INTEREST OF NAVISTAR, INC.</p>	<p style="text-align: right;">ELECTRICAL CIRCUIT DIAGRAM CHAPTER 13</p> <p style="text-align: center;">CONNECTOR BODY COMPOSITE MATING VIEW SHOWN</p>
--	---

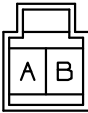
CLEARANCE LIGHT
(524)
(LOCATED IN SUNSHADE)



CAV	CIRCUIT	GAUGE	COLOR	TERMINAL
A	C58F	18	BN	1661261C1
B	C58-GF	18	WH	1661261C1

CONNECTOR 1661259C1
BODY LOCK 1661263C1

CB CONN
(525F)
(LOCATED IN INSTRUMENT PANEL)

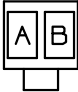


CAV	CIRCUIT	GAUGE	COLOR	TERMINAL
A#	A86F	16	LT GN	0239807R1
A*	A1A	16	LT GN	3546047C91
B#	A86-GF	16	WH	0239807R1
B*	A1G	16	WH	3546047C91

CONNECTOR 0481140C1

* CB ACCOMODATION PACKAGE
W/ 2-BEACON LIGHT CAB MOUNTED W/ GAUGE AMBIENT TEMP & COMPASS

CB CONN
(525M)
(LOCATED IN INSTRUMENT PANEL)



CAV	CIRCUIT	GAUGE	COLOR	TERMINAL
A#	A86AE	16	LT GN	0333733C1
A*	A2A	16	LT GN	3546047C91
B#	A86-GE	16	WH	0333733C1
B*	A2G	16	WH	0333733C1

CONNECTOR 0969541R1

* CB ACCOMODATION PACKAGE
W/ 2-BEACON LIGHT CAB MOUNTED W/ GAUGE AMBIENT TEMP & COMPASS

CHK	DATE	CHANGE	REV	REFERENCE	DRAWN	NAME
0610	27AUG13	INITIAL RELEASE.	A	92159Y	310615	CIRCUIT DIAGRAM, 9900
					RELEASE NO.	DATE
					92159Y	02AUG13
					PART NO.	SHEET
					AE08076124	078

Figure 280 Connector Composites (524 / 525F / 525M)

13.83. CONNECTOR COMPOSITES (527 / 527B / 528 / 529), P. 79





NAVISTAR, INC <small>THIS PRINT IS PROVIDED ON A RESTRICTED BASIS AND IS NOT TO BE USED IN ANY WAY DETRIMENTAL TO THE INTEREST OF NAVISTAR, INC.</small>				ELECTRICAL CIRCUIT DIAGRAM CHAPTER 13 CONNECTOR BODY COMPOSITE MATING VIEW SHOWN																	
<p>SPOTLIGHT CONNECTOR (527)</p> <div style="display: flex; justify-content: space-around; align-items: center;">  <table border="1" style="border-collapse: collapse; text-align: center;"> <thead> <tr> <th>CAV</th> <th>CIRCUIT</th> <th>GAUGE</th> <th>COLOR</th> <th>TERMINAL</th> </tr> </thead> <tbody> <tr> <td>A</td> <td>A64E</td> <td>16</td> <td>YL</td> <td>0188396R1</td> </tr> </tbody> </table> </div> <p>CONNECTOR 0188395R1</p>							CAV	CIRCUIT	GAUGE	COLOR	TERMINAL	A	A64E	16	YL	0188396R1					
CAV	CIRCUIT	GAUGE	COLOR	TERMINAL																	
A	A64E	16	YL	0188396R1																	
<p>SPOTLIGHT CONNECTOR (527B)</p> <div style="display: flex; justify-content: space-around; align-items: center;">  <table border="1" style="border-collapse: collapse; text-align: center;"> <thead> <tr> <th>CAV</th> <th>CIRCUIT</th> <th>GAUGE</th> <th>COLOR</th> <th>TERMINAL</th> </tr> </thead> <tbody> <tr> <td>A</td> <td>A64D</td> <td>16</td> <td>YL</td> <td>0188396R1</td> </tr> </tbody> </table> </div> <p>CONNECTOR 0188395R1</p>							CAV	CIRCUIT	GAUGE	COLOR	TERMINAL	A	A64D	16	YL	0188396R1					
CAV	CIRCUIT	GAUGE	COLOR	TERMINAL																	
A	A64D	16	YL	0188396R1																	
<p>RIGHT REAR SPEAKER (528) (LOCATED IN RIGHT)</p> <div style="display: flex; justify-content: space-around; align-items: center;">  <table border="1" style="border-collapse: collapse; text-align: center;"> <thead> <tr> <th>CAV</th> <th>CIRCUIT</th> <th>GAUGE</th> <th>COLOR</th> <th>TERMINAL</th> </tr> </thead> <tbody> <tr> <td>A</td> <td>A86T</td> <td>18</td> <td>LT GN</td> <td>1661212C1</td> </tr> <tr> <td>B</td> <td>A86U</td> <td>18</td> <td>LT GN</td> <td>1661212C1</td> </tr> </tbody> </table> </div> <p>CONNECTOR 1661197C1</p>							CAV	CIRCUIT	GAUGE	COLOR	TERMINAL	A	A86T	18	LT GN	1661212C1	B	A86U	18	LT GN	1661212C1
CAV	CIRCUIT	GAUGE	COLOR	TERMINAL																	
A	A86T	18	LT GN	1661212C1																	
B	A86U	18	LT GN	1661212C1																	
<p>RIGHT FRONT RADIO SPEAKER (529)</p> <div style="display: flex; justify-content: space-around; align-items: center;">  <table border="1" style="border-collapse: collapse; text-align: center;"> <thead> <tr> <th>CAV</th> <th>CIRCUIT</th> <th>GAUGE</th> <th>COLOR</th> <th>TERMINAL</th> </tr> </thead> <tbody> <tr> <td>A</td> <td>A86C</td> <td>18</td> <td>LT GN</td> <td>1661212C1</td> </tr> <tr> <td>B</td> <td>A86D</td> <td>18</td> <td>LT GN</td> <td>1661212C1</td> </tr> </tbody> </table> </div> <p>CONNECTOR 1661197C1</p>							CAV	CIRCUIT	GAUGE	COLOR	TERMINAL	A	A86C	18	LT GN	1661212C1	B	A86D	18	LT GN	1661212C1
CAV	CIRCUIT	GAUGE	COLOR	TERMINAL																	
A	A86C	18	LT GN	1661212C1																	
B	A86D	18	LT GN	1661212C1																	
CHK	DATE	CHANGE	REV	REFERENCE	DRAWN	NAME															
-	-	INITIAL RELEASE.	A	92159Y	310615	CIRCUIT DIAGRAM, 9900															
					RELEASE NO.	DATE															
					92159Y	02AUG13															
					PART NO.	SHEET															
					AE08076124 079																

Figure 281 Connector Composites (527 / 527B / 528 / 529)

13.84. CONNECTOR COMPOSITES (530 / 531 / 559F), P. 80

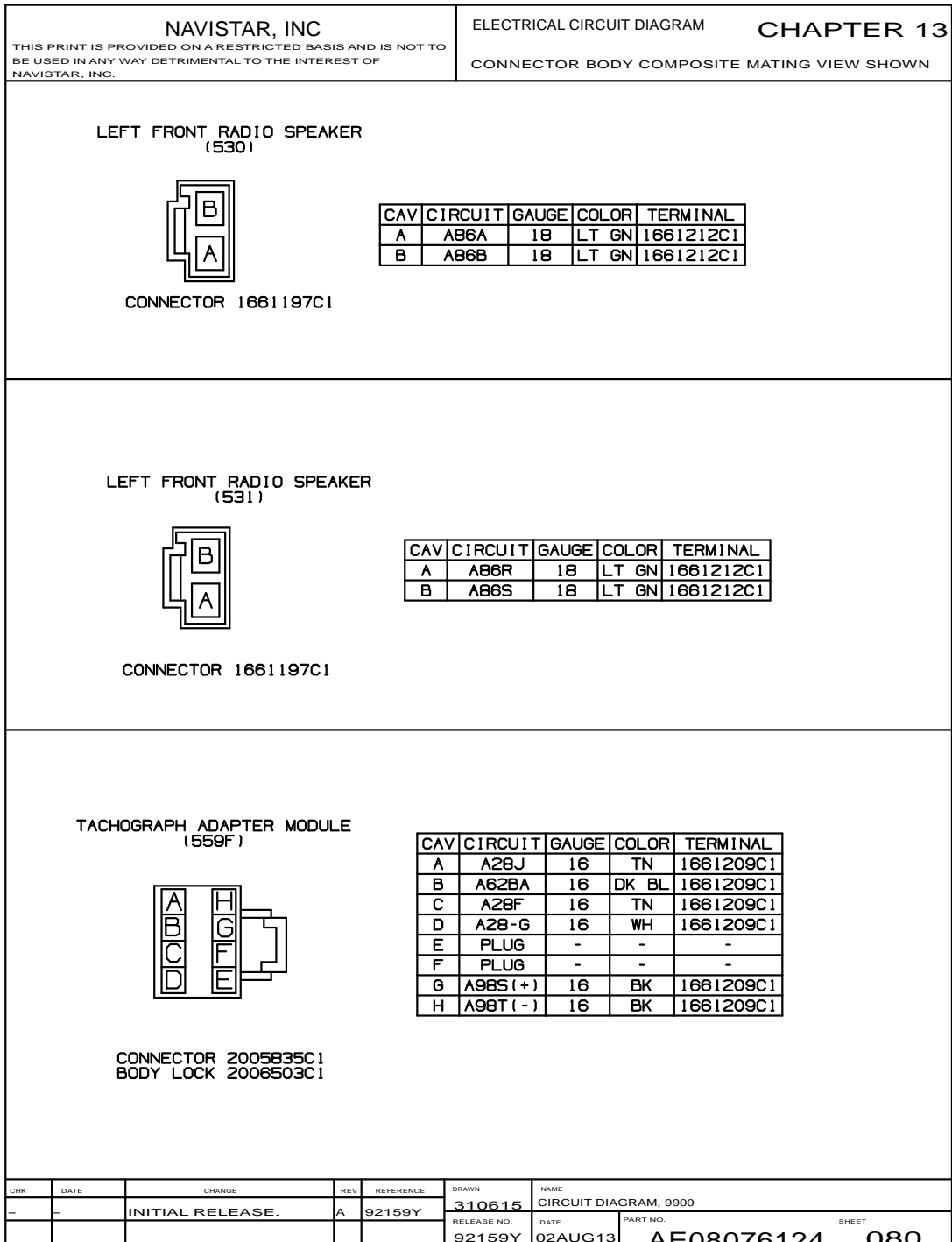


Figure 282 Connector Composites (530 / 531 / 559F)

13.85. CONNECTOR COMPOSITES (561ML / 571ML / 571OL / 572M), P. 81

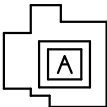
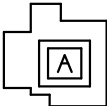
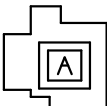

NAVISTAR, INC <small>THIS PRINT IS PROVIDED ON A RESTRICTED BASIS AND IS NOT TO BE USED IN ANY WAY DETRIMENTAL TO THE INTEREST OF NAVISTAR, INC.</small>				ELECTRICAL CIRCUIT DIAGRAM CHAPTER 13 CONNECTOR BODY COMPOSITE MATING VIEW SHOWN																						
<div style="display: flex; justify-content: space-between; align-items: flex-start;"> <div style="text-align: center;"> <p>SPARE/ACC (561ML)</p>  <p>CONNECTOR 1661202C1</p> </div> <table border="1" style="margin-left: auto; margin-right: auto;"> <thead> <tr> <th>CAV</th> <th>CIRCUIT</th> <th>GAUGE</th> <th>COLOR</th> <th>TERMINAL</th> </tr> </thead> <tbody> <tr> <td>A</td> <td>A14AQ</td> <td>10</td> <td>RD</td> <td>166121C1</td> </tr> </tbody> </table> </div>							CAV	CIRCUIT	GAUGE	COLOR	TERMINAL	A	A14AQ	10	RD	166121C1										
CAV	CIRCUIT	GAUGE	COLOR	TERMINAL																						
A	A14AQ	10	RD	166121C1																						
<div style="display: flex; justify-content: space-between; align-items: flex-start;"> <div style="text-align: center;"> <p>ABS FEED (571ML)</p>  <p>CONNECTOR 1661202C1</p> </div> <table border="1" style="margin-left: auto; margin-right: auto;"> <thead> <tr> <th>CAV</th> <th>CIRCUIT</th> <th>GAUGE</th> <th>COLOR</th> <th>TERMINAL</th> </tr> </thead> <tbody> <tr> <td>A</td> <td>A14AN</td> <td>10</td> <td>RD</td> <td>1661219C1</td> </tr> </tbody> </table> </div>							CAV	CIRCUIT	GAUGE	COLOR	TERMINAL	A	A14AN	10	RD	1661219C1										
CAV	CIRCUIT	GAUGE	COLOR	TERMINAL																						
A	A14AN	10	RD	1661219C1																						
<div style="display: flex; justify-content: space-between; align-items: flex-start;"> <div style="text-align: center;"> <p>ABS FEED (571OL)</p>  <p>CONNECTOR 1661203C1</p> </div> <table border="1" style="margin-left: auto; margin-right: auto;"> <thead> <tr> <th>CAV</th> <th>CIRCUIT</th> <th>GAUGE</th> <th>COLOR</th> <th>TERMINAL</th> </tr> </thead> <tbody> <tr> <td>A</td> <td>A14AN</td> <td>10</td> <td>RD</td> <td>1661627C1</td> </tr> </tbody> </table> </div>							CAV	CIRCUIT	GAUGE	COLOR	TERMINAL	A	A14AN	10	RD	1661627C1										
CAV	CIRCUIT	GAUGE	COLOR	TERMINAL																						
A	A14AN	10	RD	1661627C1																						
<div style="display: flex; justify-content: space-between; align-items: flex-start;"> <div style="text-align: center;"> <p>KAY "G" CONN (572M)</p>  <p>CONNECTOR 0188395R1</p> </div> <table border="1" style="margin-left: auto; margin-right: auto;"> <thead> <tr> <th>CAV</th> <th>CIRCUIT</th> <th>GAUGE</th> <th>COLOR</th> <th>TERMINAL</th> </tr> </thead> <tbody> <tr> <td>A*</td> <td>A44</td> <td>18</td> <td>GY</td> <td>0879633R1</td> </tr> <tr> <td>A#</td> <td>A44A</td> <td>16</td> <td>GY</td> <td>0879633R1</td> </tr> <tr> <td>A%</td> <td>A81X</td> <td>18</td> <td>GY</td> <td>0879630R1</td> </tr> </tbody> </table> <p style="font-size: small; margin-top: 5px;"> * W/ V98-ELECT CAT N/ ENG BRK N/ STARTER INTERLOCK # W/ EATON DM2 XMSN W/ AUTOCLUTCH W/ CAT ENG % KEYLESS ENTRY SYSTEM REMOTE </p> </div>							CAV	CIRCUIT	GAUGE	COLOR	TERMINAL	A*	A44	18	GY	0879633R1	A#	A44A	16	GY	0879633R1	A%	A81X	18	GY	0879630R1
CAV	CIRCUIT	GAUGE	COLOR	TERMINAL																						
A*	A44	18	GY	0879633R1																						
A#	A44A	16	GY	0879633R1																						
A%	A81X	18	GY	0879630R1																						
CHK	DATE	CHANGE	REV	REFERENCE	DRAWN	NAME																				
0610	27AUG13	INITIAL RELEASE.	A	92159Y	310615	CIRCUIT DIAGRAM, 9900																				
					RELEASE NO.	DATE																				
					92159Y	02AUG13																				
					PART NO.	SHEET																				
					AE08076124 081																					

Figure 283 Connector Composites (561ML / 571ML / 571OL / 572M)

13.86. CONNECTOR COMPOSITES (574 / 575 / 576), P. 82


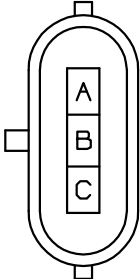
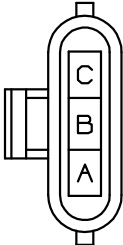
NAVISTAR, INC <small>THIS PRINT IS PROVIDED ON A RESTRICTED BASIS AND IS NOT TO BE USED IN ANY WAY DETRIMENTAL TO THE INTEREST OF NAVISTAR, INC.</small>				ELECTRICAL CIRCUIT DIAGRAM CHAPTER 13 CONNECTOR BODY COMPOSITE MATING VIEW SHOWN																																											
<div style="display: flex; justify-content: space-between;"> <div style="width: 30%;"> <p>SOCKET #2 (574)</p>  <p>CONNECTOR 0481140C1</p> </div> <div style="width: 65%;"> <table border="1" style="width:100%; border-collapse: collapse; font-size: 8px;"> <thead> <tr> <th>CAV</th> <th>CIRCUIT</th> <th>GAUGE</th> <th>COLOR</th> <th>TERMINAL</th> </tr> </thead> <tbody> <tr> <td>A</td> <td>A65-GB</td> <td>14</td> <td>WH</td> <td>0239807R1</td> </tr> <tr> <td>B</td> <td>A65F</td> <td>14</td> <td>OR</td> <td>0239807R1</td> </tr> </tbody> </table> </div> </div>						CAV	CIRCUIT	GAUGE	COLOR	TERMINAL	A	A65-GB	14	WH	0239807R1	B	A65F	14	OR	0239807R1																											
CAV	CIRCUIT	GAUGE	COLOR	TERMINAL																																											
A	A65-GB	14	WH	0239807R1																																											
B	A65F	14	OR	0239807R1																																											
<div style="display: flex; justify-content: space-between;"> <div style="width: 30%;"> <p>TRAILER SOCKET CONN #1 (575)</p>  <p>CONNECTOR 1667732C1 BODY LOCK 1667734C1</p> </div> <div style="width: 65%;"> <table border="1" style="width:100%; border-collapse: collapse; font-size: 8px;"> <thead> <tr> <th>CAV</th> <th>CIRCUIT</th> <th>GAUGE</th> <th>COLOR</th> <th>TERMINAL</th> <th>SEAL/SLEEVE</th> </tr> </thead> <tbody> <tr> <td>A*</td> <td>A70CA</td> <td>10</td> <td>OR</td> <td>2025425C1</td> <td>1667735C1</td> </tr> <tr> <td>A#</td> <td>A70C</td> <td>10</td> <td>OR</td> <td>2025425C1</td> <td>1667735C1</td> </tr> <tr> <td>B*</td> <td>A68AB</td> <td>10</td> <td>BN</td> <td>2025425C1</td> <td>1667735C1</td> </tr> <tr> <td>B#</td> <td>A68A</td> <td>10</td> <td>BN</td> <td>2025425C1</td> <td>1667735C1</td> </tr> <tr> <td>C*</td> <td>A94AH</td> <td>10</td> <td>GY</td> <td>2025425C1</td> <td>1667735C1</td> </tr> <tr> <td>C#</td> <td>A94AF</td> <td>10</td> <td>GY</td> <td>2025425C1</td> <td>1667735C1</td> </tr> </tbody> </table> <p style="font-size: 8px;">* TRACTOR (4092) W/ DAY CAB W/ REAR TRLR SOC(8554) N/ ABS(4A2G) * MANUAL SHIFTER WITH BOC & AUX TRAILER SOCKET</p> </div> </div>						CAV	CIRCUIT	GAUGE	COLOR	TERMINAL	SEAL/SLEEVE	A*	A70CA	10	OR	2025425C1	1667735C1	A#	A70C	10	OR	2025425C1	1667735C1	B*	A68AB	10	BN	2025425C1	1667735C1	B#	A68A	10	BN	2025425C1	1667735C1	C*	A94AH	10	GY	2025425C1	1667735C1	C#	A94AF	10	GY	2025425C1	1667735C1
CAV	CIRCUIT	GAUGE	COLOR	TERMINAL	SEAL/SLEEVE																																										
A*	A70CA	10	OR	2025425C1	1667735C1																																										
A#	A70C	10	OR	2025425C1	1667735C1																																										
B*	A68AB	10	BN	2025425C1	1667735C1																																										
B#	A68A	10	BN	2025425C1	1667735C1																																										
C*	A94AH	10	GY	2025425C1	1667735C1																																										
C#	A94AF	10	GY	2025425C1	1667735C1																																										
<div style="display: flex; justify-content: space-between;"> <div style="width: 30%;"> <p>TRAILER SOCKET CONN #2 (576)</p>  <p>CONNECTOR 1667733C1 BODY LOCK 1667734C1</p> </div> <div style="width: 65%;"> <table border="1" style="width:100%; border-collapse: collapse; font-size: 8px;"> <thead> <tr> <th>CAV</th> <th>CIRCUIT</th> <th>GAUGE</th> <th>COLOR</th> <th>TERMINAL</th> <th>SEAL/SLEEVE</th> </tr> </thead> <tbody> <tr> <td>A*</td> <td>A58AA</td> <td>12</td> <td>BN</td> <td>1667737C1</td> <td>1671603C1</td> </tr> <tr> <td>A#</td> <td>A58A</td> <td>12</td> <td>BN</td> <td>1667737C1</td> <td>1671603C1</td> </tr> <tr> <td>B*</td> <td>A56DA</td> <td>12</td> <td>OR</td> <td>1667737C1</td> <td>1671603C1</td> </tr> <tr> <td>B#</td> <td>A56D</td> <td>12</td> <td>OR</td> <td>1667737C1</td> <td>1671603C1</td> </tr> <tr> <td>C*</td> <td>A57DA</td> <td>12</td> <td>OR</td> <td>1667737C1</td> <td>1671603C1</td> </tr> <tr> <td>C#</td> <td>A57D</td> <td>12</td> <td>OR</td> <td>1667737C1</td> <td>1671603C1</td> </tr> </tbody> </table> <p style="font-size: 8px;">* TRACTOR (4092) W/ DAY CAB W/ REAR TRLR SOC(8554) N/ ABS(4A2G) * MANUAL SHIFTER WITH BOC & AUX TRAILER SOCKET</p> </div> </div>						CAV	CIRCUIT	GAUGE	COLOR	TERMINAL	SEAL/SLEEVE	A*	A58AA	12	BN	1667737C1	1671603C1	A#	A58A	12	BN	1667737C1	1671603C1	B*	A56DA	12	OR	1667737C1	1671603C1	B#	A56D	12	OR	1667737C1	1671603C1	C*	A57DA	12	OR	1667737C1	1671603C1	C#	A57D	12	OR	1667737C1	1671603C1
CAV	CIRCUIT	GAUGE	COLOR	TERMINAL	SEAL/SLEEVE																																										
A*	A58AA	12	BN	1667737C1	1671603C1																																										
A#	A58A	12	BN	1667737C1	1671603C1																																										
B*	A56DA	12	OR	1667737C1	1671603C1																																										
B#	A56D	12	OR	1667737C1	1671603C1																																										
C*	A57DA	12	OR	1667737C1	1671603C1																																										
C#	A57D	12	OR	1667737C1	1671603C1																																										
CHK	DATE	CHANGE	REV	REFERENCE	DRAWN	NAME																																									
0610	27AUG13	INITIAL RELEASE.	A	92159Y	310615	CIRCUIT DIAGRAM, 9900																																									
RELEASE NO.		DATE		PART NO.		SHEET																																									
92159Y		02AUG13		AE08076124		082																																									

Figure 284 Connector Composites (574 / 575 / 576)

13.87. CONNECTOR COMPOSITES (576 / 577), P. 83

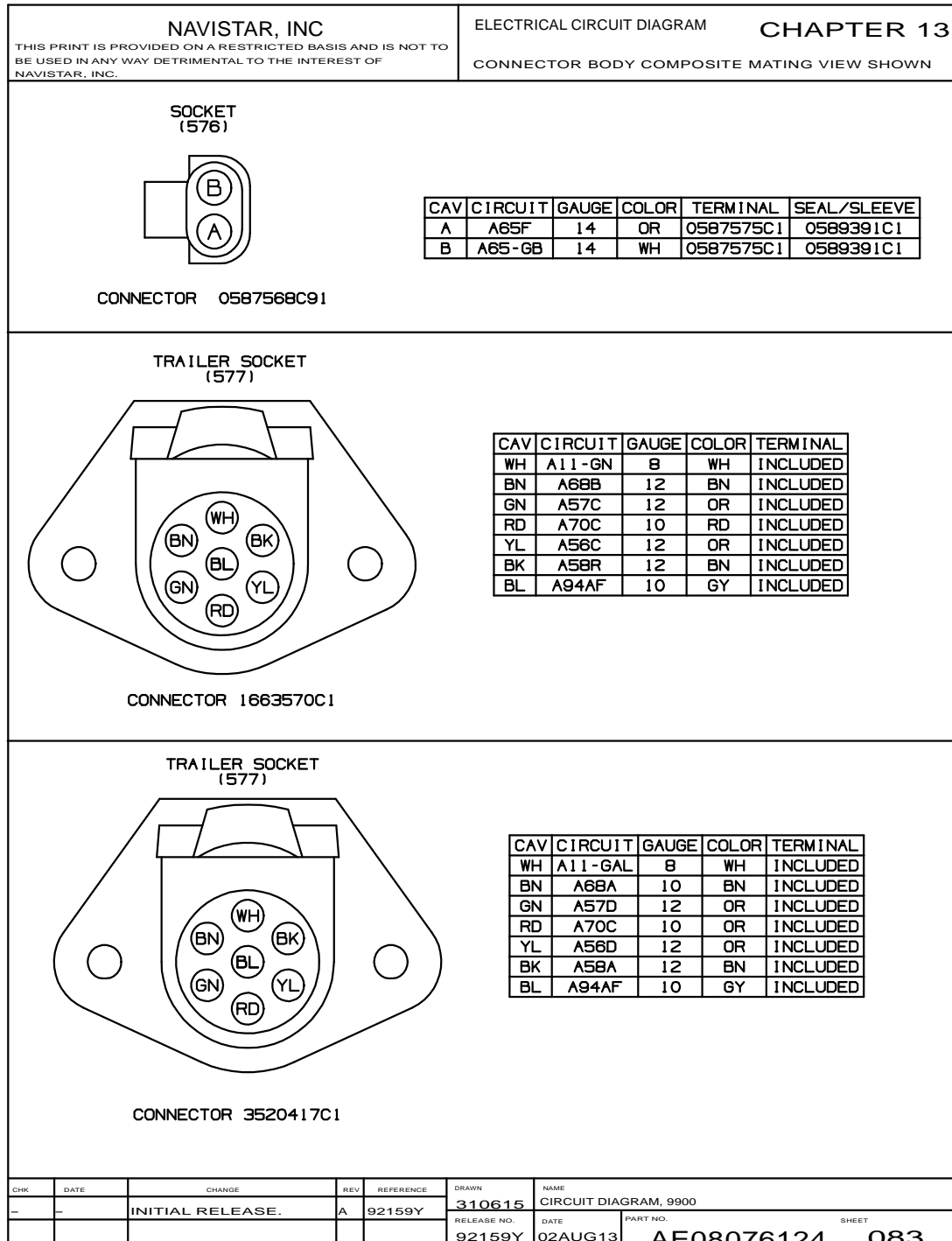


Figure 285 Connector Composites (576 / 577)

13.88. CONNECTOR COMPOSITES (578 / 579), P. 83A

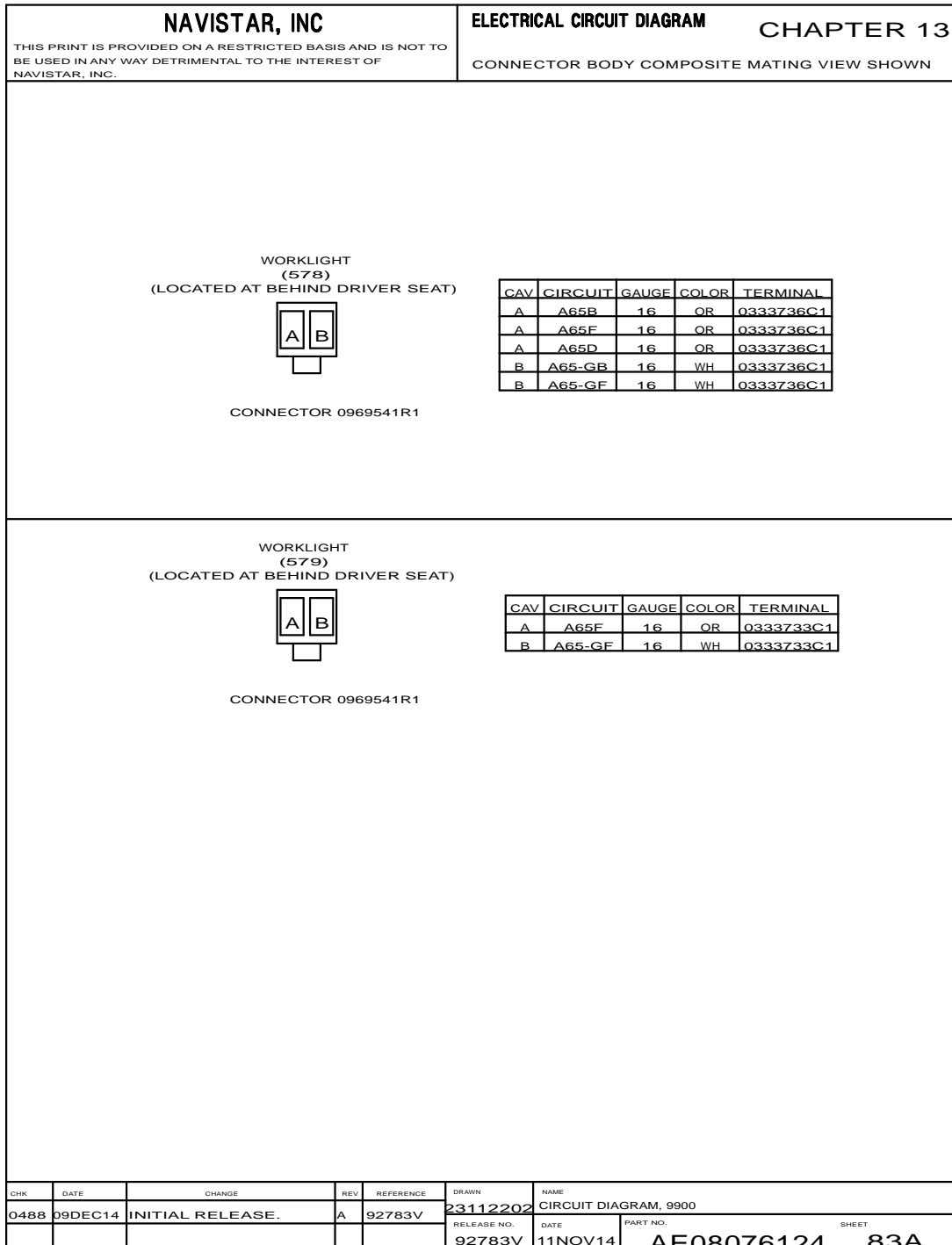


Figure 286 Connector Composites (578 / 579)

13.89. CONNECTOR COMPOSITES (580M / 604 / 653M / 659M), P. 84

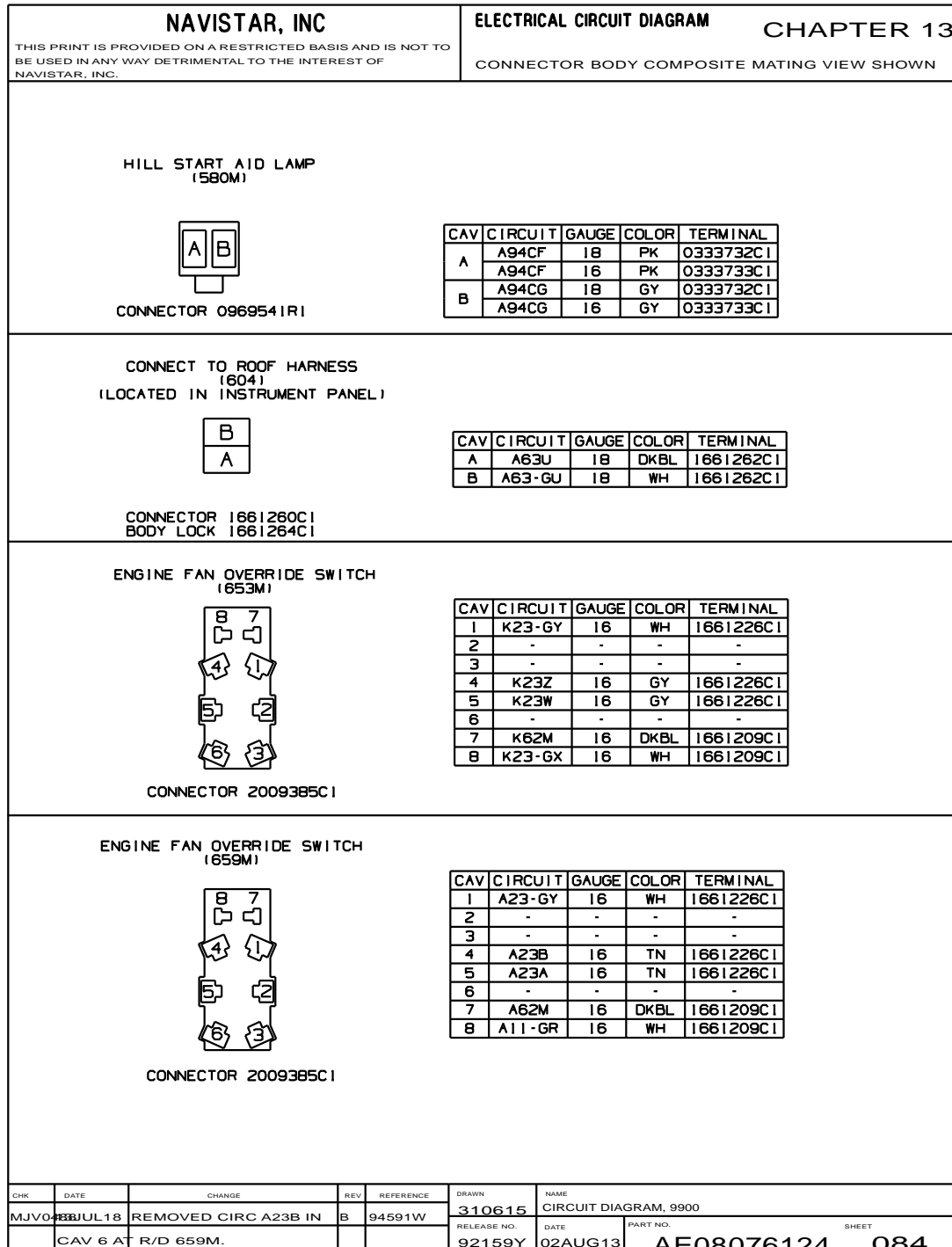


Figure 287 Connector Composites (580M / 604 / 653M / 659M)

13.90. CONNECTOR COMPOSITES (670 / 670G / 671), P. 85

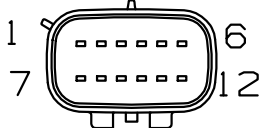
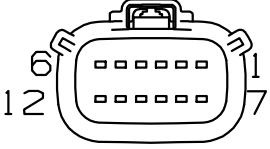
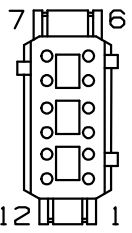
NAVISTAR, INC <small>THIS PRINT IS PROVIDED ON A RESTRICTED BASIS AND IS NOT TO BE USED IN ANY WAY DETRIMENTAL TO THE INTEREST OF NAVISTAR, INC.</small>				ELECTRICAL CIRCUIT DIAGRAM CHAPTER 13 CONNECTOR BODY COMPOSITE MATING VIEW SHOWN																																																																														
AFTERTREATMENT HARNESS INTERCONNECT (670) (LOCATED IN ENGINE)  CONNECTOR 3957650C1				<table border="1" style="width:100%; border-collapse: collapse;"> <thead> <tr> <th>CAV</th><th>CIRCUIT</th><th>GAUGE</th><th>COLOR</th><th>TERMINAL</th></tr> </thead> <tbody> <tr><td>1</td><td>5(+)</td><td>18</td><td>YL</td><td>3709927C1</td></tr> <tr><td>2</td><td>5(-)</td><td>18</td><td>GN</td><td>3709927C1</td></tr> <tr><td>3</td><td>10</td><td>16</td><td>WH</td><td>3709927C1</td></tr> <tr><td>4</td><td>13</td><td>16</td><td>PK</td><td>3709927C1</td></tr> <tr><td>5</td><td>5A(+)</td><td>18</td><td>YL</td><td>3709927C1</td></tr> <tr><td>6</td><td>5A(-)</td><td>18</td><td>GN</td><td>3709927C1</td></tr> <tr><td>7</td><td>9</td><td>18</td><td>GY</td><td>3709927C1</td></tr> <tr><td>8</td><td>95</td><td>18</td><td>TN</td><td>3709927C1</td></tr> <tr><td>9</td><td>95A</td><td>18</td><td>TN</td><td>3709927C1</td></tr> <tr><td>10</td><td>6</td><td>18</td><td>GY</td><td>3709927C1</td></tr> <tr><td>11</td><td>95(+)</td><td>18</td><td>TN</td><td>3709927C1</td></tr> <tr><td>12</td><td>95(-)</td><td>18</td><td>TN</td><td>3709927C1</td></tr> </tbody> </table>				CAV	CIRCUIT	GAUGE	COLOR	TERMINAL	1	5(+)	18	YL	3709927C1	2	5(-)	18	GN	3709927C1	3	10	16	WH	3709927C1	4	13	16	PK	3709927C1	5	5A(+)	18	YL	3709927C1	6	5A(-)	18	GN	3709927C1	7	9	18	GY	3709927C1	8	95	18	TN	3709927C1	9	95A	18	TN	3709927C1	10	6	18	GY	3709927C1	11	95(+)	18	TN	3709927C1	12	95(-)	18	TN	3709927C1										
CAV	CIRCUIT	GAUGE	COLOR	TERMINAL																																																																														
1	5(+)	18	YL	3709927C1																																																																														
2	5(-)	18	GN	3709927C1																																																																														
3	10	16	WH	3709927C1																																																																														
4	13	16	PK	3709927C1																																																																														
5	5A(+)	18	YL	3709927C1																																																																														
6	5A(-)	18	GN	3709927C1																																																																														
7	9	18	GY	3709927C1																																																																														
8	95	18	TN	3709927C1																																																																														
9	95A	18	TN	3709927C1																																																																														
10	6	18	GY	3709927C1																																																																														
11	95(+)	18	TN	3709927C1																																																																														
12	95(-)	18	TN	3709927C1																																																																														
AFTERTREATMENT CONNECTOR (670G) (LOCATED IN ENGINE)  CONNECTOR 3959006C1				<table border="1" style="width:100%; border-collapse: collapse;"> <thead> <tr> <th>CAV</th><th>CIRCUIT</th><th>GAUGE</th><th>COLOR</th><th>TERMINAL</th></tr> </thead> <tbody> <tr><td>1</td><td>K5(+)</td><td>18</td><td>YL</td><td>3686943C1</td></tr> <tr><td>2</td><td>K5(-)</td><td>18</td><td>LT GN</td><td>3686943C1</td></tr> <tr><td>3</td><td>K10-GM</td><td>16</td><td>WH</td><td>3686944C1</td></tr> <tr><td>4</td><td>K13</td><td>16</td><td>PK</td><td>3686944C1</td></tr> <tr><td>5</td><td>K5A(+)</td><td>18</td><td>YL</td><td>3686943C1</td></tr> <tr><td>6</td><td>K5A(-)</td><td>18</td><td>LT GN</td><td>3686943C1</td></tr> <tr><td>7*</td><td>K9</td><td>18</td><td>TN</td><td>3686943C1</td></tr> <tr><td>7#</td><td>K9</td><td>20</td><td>TN</td><td>3686943C1</td></tr> <tr><td>8</td><td>K95</td><td>20</td><td>TN</td><td>3686943C1</td></tr> <tr><td>9</td><td>K95A</td><td>20</td><td>TN</td><td>3686943C1</td></tr> <tr><td>10*</td><td>K6</td><td>18</td><td>VT</td><td>3686943C1</td></tr> <tr><td>10#</td><td>K6G</td><td>20</td><td>PK</td><td>3686943C1</td></tr> <tr><td>11</td><td>K95(+)</td><td>18</td><td>BN</td><td>3686943C1</td></tr> <tr><td>12</td><td>K95(-)</td><td>18</td><td>TN</td><td>3686943C1</td></tr> </tbody> </table> <p style="margin-top: 10px;">* W/ CRUISE CONTROL & N/ REMOTE PT09900 # W/ CRUISE CONTROL & W/ REMOTE PT09900</p>				CAV	CIRCUIT	GAUGE	COLOR	TERMINAL	1	K5(+)	18	YL	3686943C1	2	K5(-)	18	LT GN	3686943C1	3	K10-GM	16	WH	3686944C1	4	K13	16	PK	3686944C1	5	K5A(+)	18	YL	3686943C1	6	K5A(-)	18	LT GN	3686943C1	7*	K9	18	TN	3686943C1	7#	K9	20	TN	3686943C1	8	K95	20	TN	3686943C1	9	K95A	20	TN	3686943C1	10*	K6	18	VT	3686943C1	10#	K6G	20	PK	3686943C1	11	K95(+)	18	BN	3686943C1	12	K95(-)	18	TN	3686943C1
CAV	CIRCUIT	GAUGE	COLOR	TERMINAL																																																																														
1	K5(+)	18	YL	3686943C1																																																																														
2	K5(-)	18	LT GN	3686943C1																																																																														
3	K10-GM	16	WH	3686944C1																																																																														
4	K13	16	PK	3686944C1																																																																														
5	K5A(+)	18	YL	3686943C1																																																																														
6	K5A(-)	18	LT GN	3686943C1																																																																														
7*	K9	18	TN	3686943C1																																																																														
7#	K9	20	TN	3686943C1																																																																														
8	K95	20	TN	3686943C1																																																																														
9	K95A	20	TN	3686943C1																																																																														
10*	K6	18	VT	3686943C1																																																																														
10#	K6G	20	PK	3686943C1																																																																														
11	K95(+)	18	BN	3686943C1																																																																														
12	K95(-)	18	TN	3686943C1																																																																														
SCR SENSOR TABLE (671) (LOCATED IN ENGINE)  CONNECTOR 3989896C1 BODY LOCK 3553460C1				<table border="1" style="width:100%; border-collapse: collapse;"> <thead> <tr> <th>CAV</th><th>CIRCUIT</th><th>GAUGE</th><th>COLOR</th><th>TERMINAL</th></tr> </thead> <tbody> <tr><td>1</td><td>PLUG</td><td>-</td><td>-</td><td>-</td></tr> <tr><td>2</td><td>PLUG</td><td>-</td><td>-</td><td>-</td></tr> <tr><td>3</td><td>PLUG</td><td>-</td><td>-</td><td>-</td></tr> <tr><td>4</td><td>PLUG</td><td>-</td><td>-</td><td>-</td></tr> <tr><td>5</td><td>PLUG</td><td>-</td><td>-</td><td>-</td></tr> <tr><td>6</td><td>PLUG</td><td>-</td><td>-</td><td>-</td></tr> <tr><td>7</td><td>5B(+)</td><td>18</td><td>YL</td><td>3989895C1</td></tr> <tr><td>8</td><td>5B(-)</td><td>18</td><td>GN</td><td>3989895C1</td></tr> <tr><td>9</td><td>10A</td><td>18</td><td>WH</td><td>3989895C1</td></tr> <tr><td>10</td><td>13A</td><td>18</td><td>PK</td><td>3989895C1</td></tr> <tr><td>11</td><td>5(+)</td><td>18</td><td>YL</td><td>3989895C1</td></tr> <tr><td>12</td><td>5(-)</td><td>18</td><td>GN</td><td>3989895C1</td></tr> </tbody> </table>				CAV	CIRCUIT	GAUGE	COLOR	TERMINAL	1	PLUG	-	-	-	2	PLUG	-	-	-	3	PLUG	-	-	-	4	PLUG	-	-	-	5	PLUG	-	-	-	6	PLUG	-	-	-	7	5B(+)	18	YL	3989895C1	8	5B(-)	18	GN	3989895C1	9	10A	18	WH	3989895C1	10	13A	18	PK	3989895C1	11	5(+)	18	YL	3989895C1	12	5(-)	18	GN	3989895C1										
CAV	CIRCUIT	GAUGE	COLOR	TERMINAL																																																																														
1	PLUG	-	-	-																																																																														
2	PLUG	-	-	-																																																																														
3	PLUG	-	-	-																																																																														
4	PLUG	-	-	-																																																																														
5	PLUG	-	-	-																																																																														
6	PLUG	-	-	-																																																																														
7	5B(+)	18	YL	3989895C1																																																																														
8	5B(-)	18	GN	3989895C1																																																																														
9	10A	18	WH	3989895C1																																																																														
10	13A	18	PK	3989895C1																																																																														
11	5(+)	18	YL	3989895C1																																																																														
12	5(-)	18	GN	3989895C1																																																																														
CHK	DATE	CHANGE	REV	REFERENCE	DRAWN	NAME																																																																												
0610	27AUG13	INITIAL RELEASE.	A	92159Y	310615	CIRCUIT DIAGRAM, 9900																																																																												
					RELEASE NO.	DATE																																																																												
					92159Y	02AUG13																																																																												
					PART NO.	SHEET																																																																												
					AE08076124	085																																																																												

Figure 288 Connector Composites (670 / 670G / 671)

13.91. CONNECTOR COMPOSITES (672 / 673 / 674), P. 86

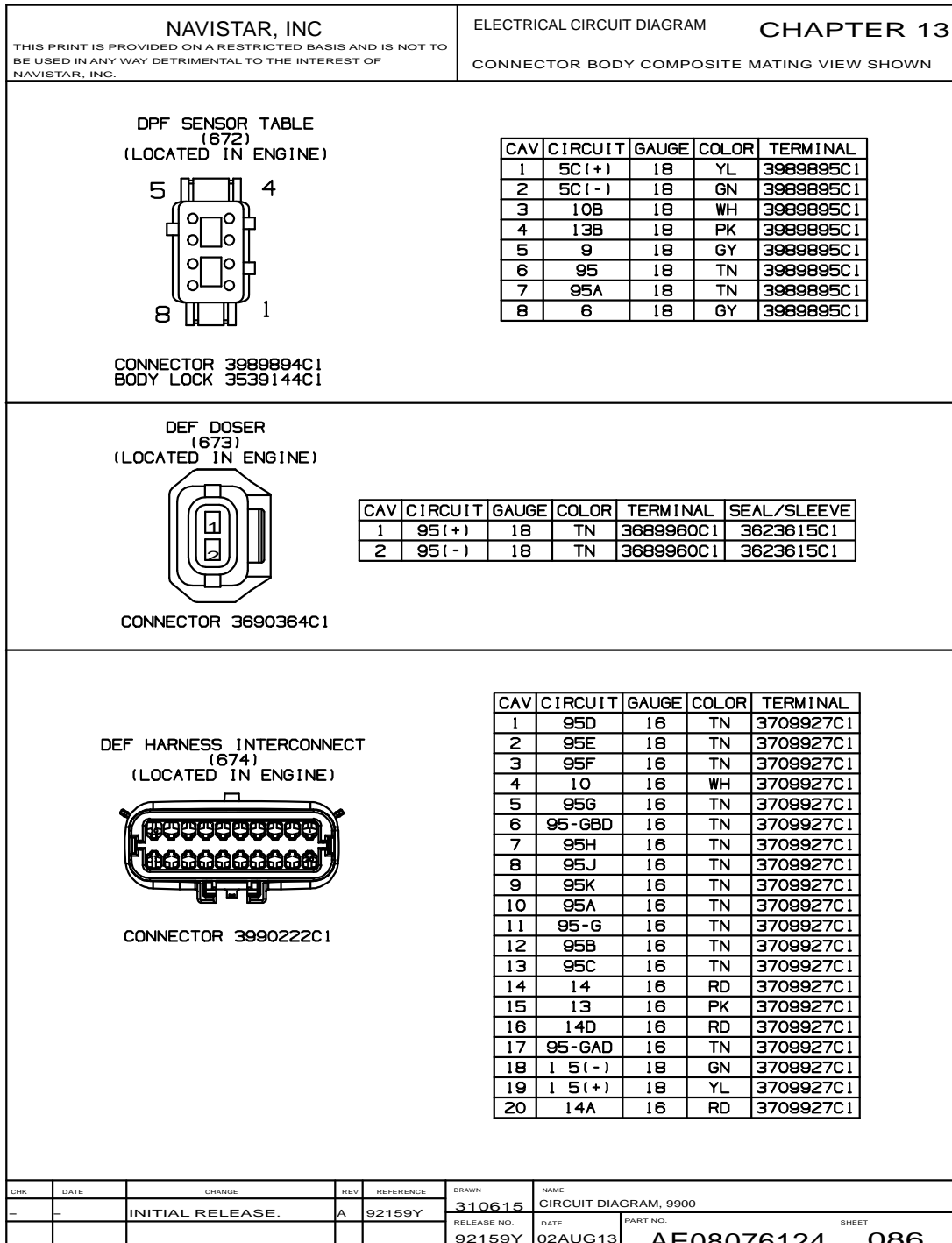


Figure 289 Connector Composites (672 / 673 / 674)

13.92. CONNECTOR COMPOSITES (674E / 675 / 676), P. 87

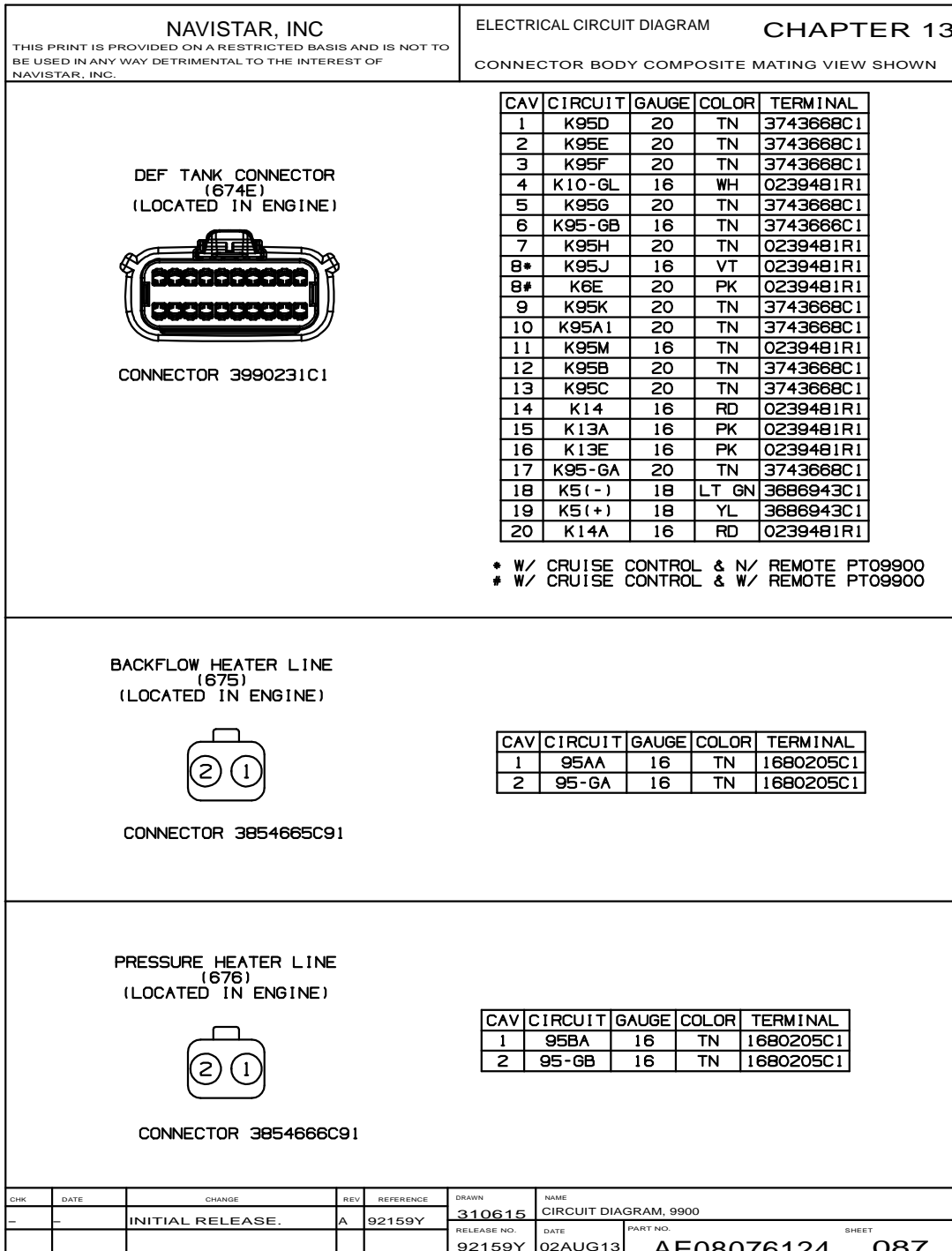


Figure 290 Connector Composites (674E / 675 / 676)

13.93. CONNECTOR COMPOSITES (677 / 677M / 678 / 678M), P. 88

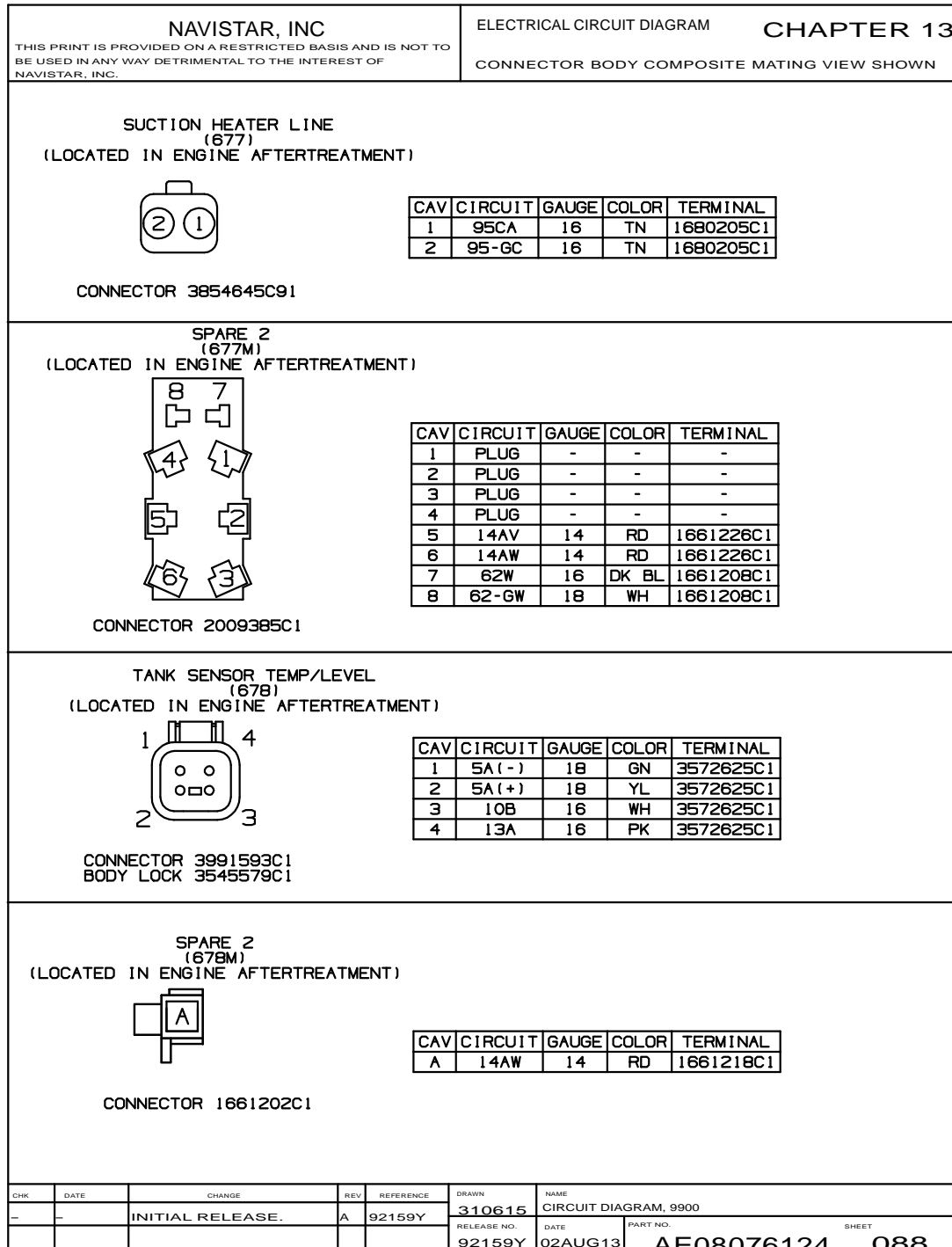


Figure 291 Connector Composites (677 / 677M / 678 / 678M)

13.94. CONNECTOR COMPOSITES (679), P. 89

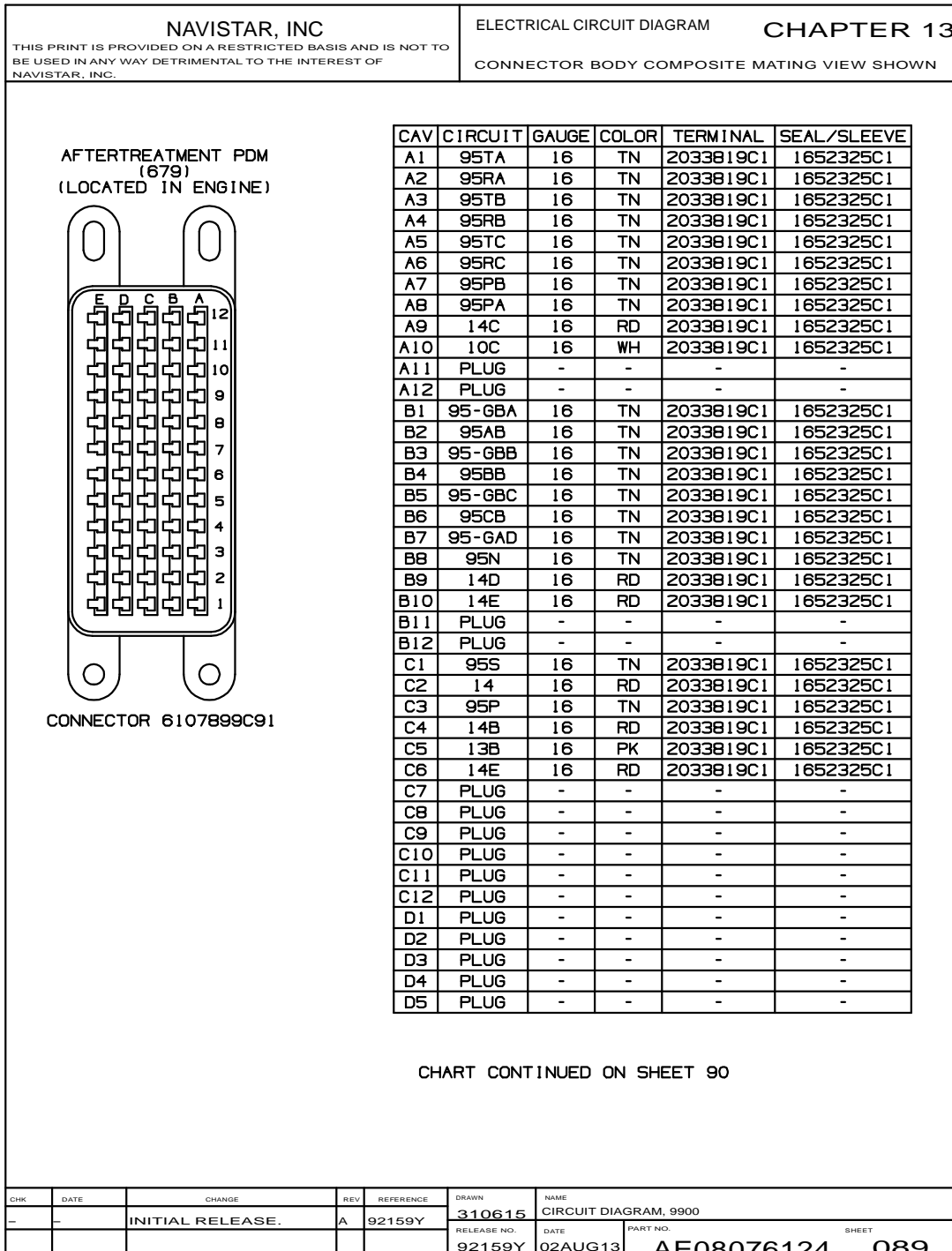


Figure 292 Connector Composites (679)

13.95. CONNECTOR COMPOSITES (679 / 679F), P. 90

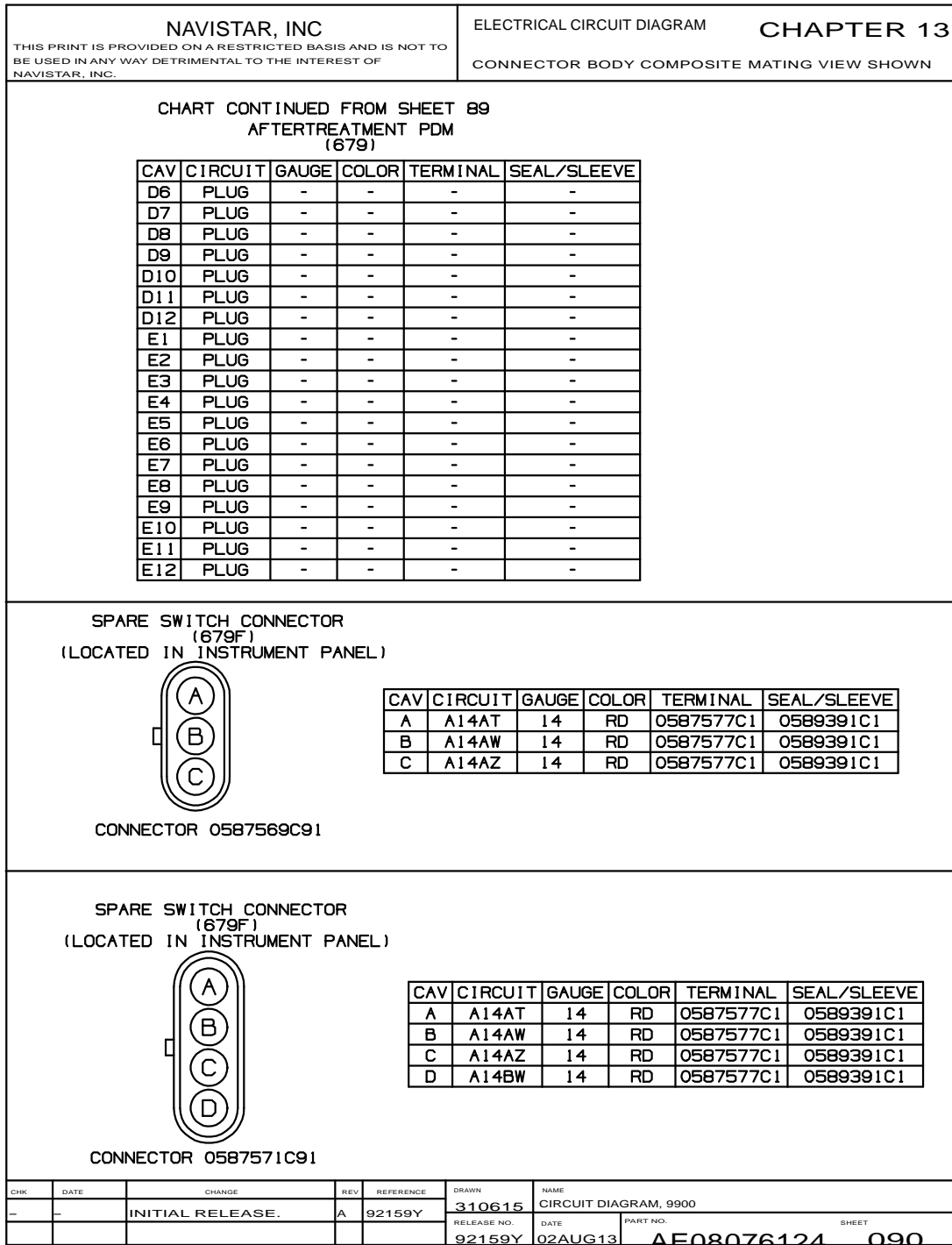


Figure 293 Connector Composites (679 / 679F)

13.96. CONNECTOR COMPOSITES (679F / 679M / 680 / 681), P. 91

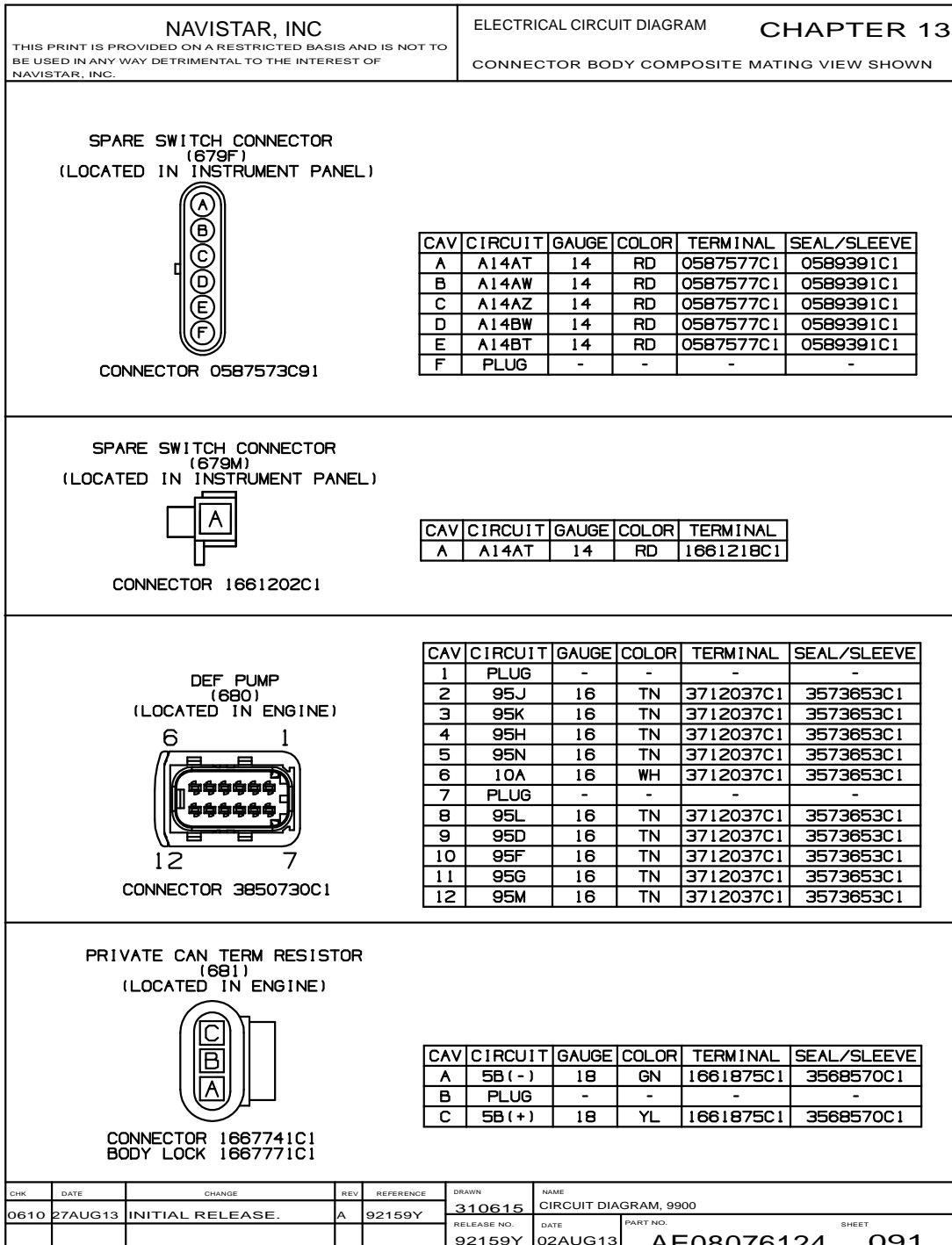


Figure 294 Connector Composites (679F / 679M / 680 / 681)

13.97. CONNECTOR COMPOSITES (745 / 800/ 800F / 816F / 823M / 851F), P. 92

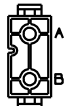
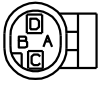
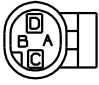

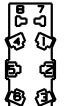

NAVISTAR, INC				ELECTRICAL CIRCUIT DIAGRAM		CHAPTER 13																																																																									
THIS PRINT IS PROVIDED ON A RESTRICTED BASIS AND IS NOT TO BE USED IN ANY WAY DETRIMENTAL TO THE INTEREST OF NAVISTAR, INC.				CONNECTOR BODY COMPOSITE MATING VIEW SHOWN																																																																											
AUX POWER TERMINAL (745) 				<table border="1" style="width:100%; border-collapse: collapse; font-size: x-small;"> <thead> <tr> <th>CAV</th> <th>CIRCUIT</th> <th>GAUGE</th> <th>COLOR</th> <th>TERMINAL</th> </tr> </thead> <tbody> <tr> <td>A</td> <td>A3A</td> <td>16</td> <td>RD</td> <td>3517475C1</td> </tr> <tr> <td>B</td> <td>A3G</td> <td>16</td> <td>BK</td> <td>3517475C1</td> </tr> </tbody> </table>				CAV	CIRCUIT	GAUGE	COLOR	TERMINAL	A	A3A	16	RD	3517475C1	B	A3G	16	BK	3517475C1																																																									
CAV	CIRCUIT	GAUGE	COLOR	TERMINAL																																																																											
A	A3A	16	RD	3517475C1																																																																											
B	A3G	16	BK	3517475C1																																																																											
CONNECTOR 3517473C1																																																																															
FAN PROTECTION SWITCH (800) 				<table border="1" style="width:100%; border-collapse: collapse; font-size: x-small;"> <thead> <tr> <th>CAV</th> <th>CIRCUIT</th> <th>GA</th> <th>COLOR</th> <th>TERMINAL</th> <th>SEAL/SLV</th> </tr> </thead> <tbody> <tr> <td>A</td> <td>PLUG</td> <td>-</td> <td>-</td> <td>2025431C1</td> <td>-</td> </tr> <tr> <td>B</td> <td>PLUG</td> <td>-</td> <td>-</td> <td>2025431C1</td> <td>-</td> </tr> <tr> <td>C*</td> <td>K23B</td> <td>18</td> <td>TN</td> <td>1661875C1</td> <td>1661872C1</td> </tr> <tr> <td>C#</td> <td>K23A</td> <td>18</td> <td>TN</td> <td>1661875C1</td> <td>1661872C1</td> </tr> <tr> <td>C%</td> <td>K23B</td> <td>20</td> <td>TN</td> <td>1661875C1</td> <td>3568570C1</td> </tr> <tr> <td>C@</td> <td>K23A</td> <td>20</td> <td>TN</td> <td>1661875C1</td> <td>3568570C1</td> </tr> <tr> <td>C**</td> <td>K23C</td> <td>20</td> <td>TN</td> <td>1661875C1</td> <td>3568570C1</td> </tr> <tr> <td>D*</td> <td>K23A</td> <td>18</td> <td>TN</td> <td>1661875C1</td> <td>1661872C1</td> </tr> <tr> <td>D**</td> <td>K23B</td> <td>18</td> <td>TN</td> <td>1661875C1</td> <td>1661872C1</td> </tr> <tr> <td>D@</td> <td>K23-G</td> <td>18</td> <td>TN</td> <td>1661875C1</td> <td>1661872C1</td> </tr> <tr> <td>D#</td> <td>K23B</td> <td>20</td> <td>TN</td> <td>1661875C1</td> <td>3568570C1</td> </tr> </tbody> </table>				CAV	CIRCUIT	GA	COLOR	TERMINAL	SEAL/SLV	A	PLUG	-	-	2025431C1	-	B	PLUG	-	-	2025431C1	-	C*	K23B	18	TN	1661875C1	1661872C1	C#	K23A	18	TN	1661875C1	1661872C1	C%	K23B	20	TN	1661875C1	3568570C1	C@	K23A	20	TN	1661875C1	3568570C1	C**	K23C	20	TN	1661875C1	3568570C1	D*	K23A	18	TN	1661875C1	1661872C1	D**	K23B	18	TN	1661875C1	1661872C1	D@	K23-G	18	TN	1661875C1	1661872C1	D#	K23B	20	TN	1661875C1	3568570C1
CAV	CIRCUIT	GA	COLOR	TERMINAL	SEAL/SLV																																																																										
A	PLUG	-	-	2025431C1	-																																																																										
B	PLUG	-	-	2025431C1	-																																																																										
C*	K23B	18	TN	1661875C1	1661872C1																																																																										
C#	K23A	18	TN	1661875C1	1661872C1																																																																										
C%	K23B	20	TN	1661875C1	3568570C1																																																																										
C@	K23A	20	TN	1661875C1	3568570C1																																																																										
C**	K23C	20	TN	1661875C1	3568570C1																																																																										
D*	K23A	18	TN	1661875C1	1661872C1																																																																										
D**	K23B	18	TN	1661875C1	1661872C1																																																																										
D@	K23-G	18	TN	1661875C1	1661872C1																																																																										
D#	K23B	20	TN	1661875C1	3568570C1																																																																										
CONNECTOR 1661777C1 BODY LOCK 1661873C1				<ul style="list-style-type: none"> • W/AIR CONDITIONING & W/FAN OVERRIDE W/APADS # N/AIR CONDITIONING & W/FAN OVERRIDE % W/AIR CONDITIONING & N/FAN OVERRIDE & W/APADS @ N/AIR CONDITIONING & N/FAN OVERRIDE ** W/AIR CONDITIONING & N/FAN OVERRIDE & N/APADS 																																																																											
SOURCE BRAKE SWITCH (800F) 				<table border="1" style="width:100%; border-collapse: collapse; font-size: x-small;"> <thead> <tr> <th>CAV</th> <th>CIRCUIT</th> <th>GAUGE</th> <th>COLOR</th> <th>TERMINAL</th> <th>SEAL/SLEEVE</th> </tr> </thead> <tbody> <tr> <td>A</td> <td>PLUG</td> <td>-</td> <td>-</td> <td>2025431C1</td> <td>-</td> </tr> <tr> <td>B</td> <td>PLUG</td> <td>-</td> <td>-</td> <td>2025431C1</td> <td>-</td> </tr> <tr> <td>C</td> <td>A23A</td> <td>16</td> <td>TN</td> <td>1661875C1</td> <td>1661872C1</td> </tr> <tr> <td>D</td> <td>A23-G</td> <td>16</td> <td>TN</td> <td>1661875C1</td> <td>1661872C1</td> </tr> </tbody> </table>				CAV	CIRCUIT	GAUGE	COLOR	TERMINAL	SEAL/SLEEVE	A	PLUG	-	-	2025431C1	-	B	PLUG	-	-	2025431C1	-	C	A23A	16	TN	1661875C1	1661872C1	D	A23-G	16	TN	1661875C1	1661872C1																																										
CAV	CIRCUIT	GAUGE	COLOR	TERMINAL	SEAL/SLEEVE																																																																										
A	PLUG	-	-	2025431C1	-																																																																										
B	PLUG	-	-	2025431C1	-																																																																										
C	A23A	16	TN	1661875C1	1661872C1																																																																										
D	A23-G	16	TN	1661875C1	1661872C1																																																																										
CONNECTOR 1661777C1 BODY LOCK 1661873C1																																																																															
LOW BATTERY INDICATOR LIGHT (816F) 				<table border="1" style="width:100%; border-collapse: collapse; font-size: x-small;"> <thead> <tr> <th>CAV</th> <th>CIRCUIT</th> <th>GAUGE</th> <th>COLOR</th> <th>TERMINAL</th> </tr> </thead> <tbody> <tr> <td>A</td> <td>A14DMF</td> <td>16</td> <td>PK</td> <td>0239807R1</td> </tr> <tr> <td>B</td> <td>A14DMK</td> <td>16</td> <td>RD</td> <td>0239807R1</td> </tr> </tbody> </table>				CAV	CIRCUIT	GAUGE	COLOR	TERMINAL	A	A14DMF	16	PK	0239807R1	B	A14DMK	16	RD	0239807R1																																																									
CAV	CIRCUIT	GAUGE	COLOR	TERMINAL																																																																											
A	A14DMF	16	PK	0239807R1																																																																											
B	A14DMK	16	RD	0239807R1																																																																											
CONNECTOR 0481140C1																																																																															
LEFT MOTORIZED MIRROR SWITCH (823M) 				<table border="1" style="width:100%; border-collapse: collapse; font-size: x-small;"> <thead> <tr> <th>CAV</th> <th>CIRCUIT</th> <th>GAUGE</th> <th>COLOR</th> <th>TERMINAL</th> </tr> </thead> <tbody> <tr> <td>1</td> <td>A78J</td> <td>18</td> <td>LTGN</td> <td>1661224C1</td> </tr> <tr> <td>2</td> <td>A78-GB</td> <td>18</td> <td>WH</td> <td>1661224C1</td> </tr> <tr> <td>3</td> <td>PLUG</td> <td>-</td> <td>-</td> <td>-</td> </tr> <tr> <td>4</td> <td>A78K</td> <td>18</td> <td>LTGN</td> <td>1661224C1</td> </tr> <tr> <td>5</td> <td>A78L</td> <td>18</td> <td>LTGN</td> <td>1661224C1</td> </tr> <tr> <td>7</td> <td>A62AW2</td> <td>16</td> <td>DKBL</td> <td>1661209C1</td> </tr> <tr> <td>8</td> <td>A62-GAV</td> <td>18</td> <td>WH</td> <td>1661208C1</td> </tr> </tbody> </table>				CAV	CIRCUIT	GAUGE	COLOR	TERMINAL	1	A78J	18	LTGN	1661224C1	2	A78-GB	18	WH	1661224C1	3	PLUG	-	-	-	4	A78K	18	LTGN	1661224C1	5	A78L	18	LTGN	1661224C1	7	A62AW2	16	DKBL	1661209C1	8	A62-GAV	18	WH	1661208C1																																
CAV	CIRCUIT	GAUGE	COLOR	TERMINAL																																																																											
1	A78J	18	LTGN	1661224C1																																																																											
2	A78-GB	18	WH	1661224C1																																																																											
3	PLUG	-	-	-																																																																											
4	A78K	18	LTGN	1661224C1																																																																											
5	A78L	18	LTGN	1661224C1																																																																											
7	A62AW2	16	DKBL	1661209C1																																																																											
8	A62-GAV	18	WH	1661208C1																																																																											
CONNECTOR 2009385C1																																																																															
ENG BRK INTERRUPT (851F) 				<table border="1" style="width:100%; border-collapse: collapse; font-size: x-small;"> <thead> <tr> <th>CAV</th> <th>CIRCUIT</th> <th>GAUGE</th> <th>COLOR</th> <th>TERMINAL</th> <th>SEAL/SLEEVE</th> </tr> </thead> <tbody> <tr> <td>A</td> <td>A24BD</td> <td>16</td> <td>GY</td> <td>0587577C1</td> <td>1652325C1</td> </tr> <tr> <td>B</td> <td>A24CL</td> <td>16</td> <td>GY</td> <td>0587577C1</td> <td>1652325C1</td> </tr> <tr> <td>C</td> <td>A92-GT</td> <td>16</td> <td>TN</td> <td>0587577C1</td> <td>1652325C1</td> </tr> <tr> <td>D</td> <td>A24BL</td> <td>16</td> <td>GY</td> <td>0587577C1</td> <td>1652325C1</td> </tr> </tbody> </table>				CAV	CIRCUIT	GAUGE	COLOR	TERMINAL	SEAL/SLEEVE	A	A24BD	16	GY	0587577C1	1652325C1	B	A24CL	16	GY	0587577C1	1652325C1	C	A92-GT	16	TN	0587577C1	1652325C1	D	A24BL	16	GY	0587577C1	1652325C1																																										
CAV	CIRCUIT	GAUGE	COLOR	TERMINAL	SEAL/SLEEVE																																																																										
A	A24BD	16	GY	0587577C1	1652325C1																																																																										
B	A24CL	16	GY	0587577C1	1652325C1																																																																										
C	A92-GT	16	TN	0587577C1	1652325C1																																																																										
D	A24BL	16	GY	0587577C1	1652325C1																																																																										
CONNECTOR 1661496C91																																																																															
CHK	DATE	CHANGE	REV	REFERENCE	DRAWN	NAME																																																																									
MJVO	18JUL18	ADDED R/D 800.	B	94591W	310615	CIRCUIT DIAGRAM, 9900																																																																									
					RELEASE NO.	DATE	PART NO.																																																																								
					92159Y	02AUG13	AE08076124 092																																																																								

Figure 295 Connector Composites (745 / 800 / 800F / 816F / 823M / 851F)

13.98. CONNECTOR COMPOSITES (851M / 887 / 922 / 922F / 922M), P. 93

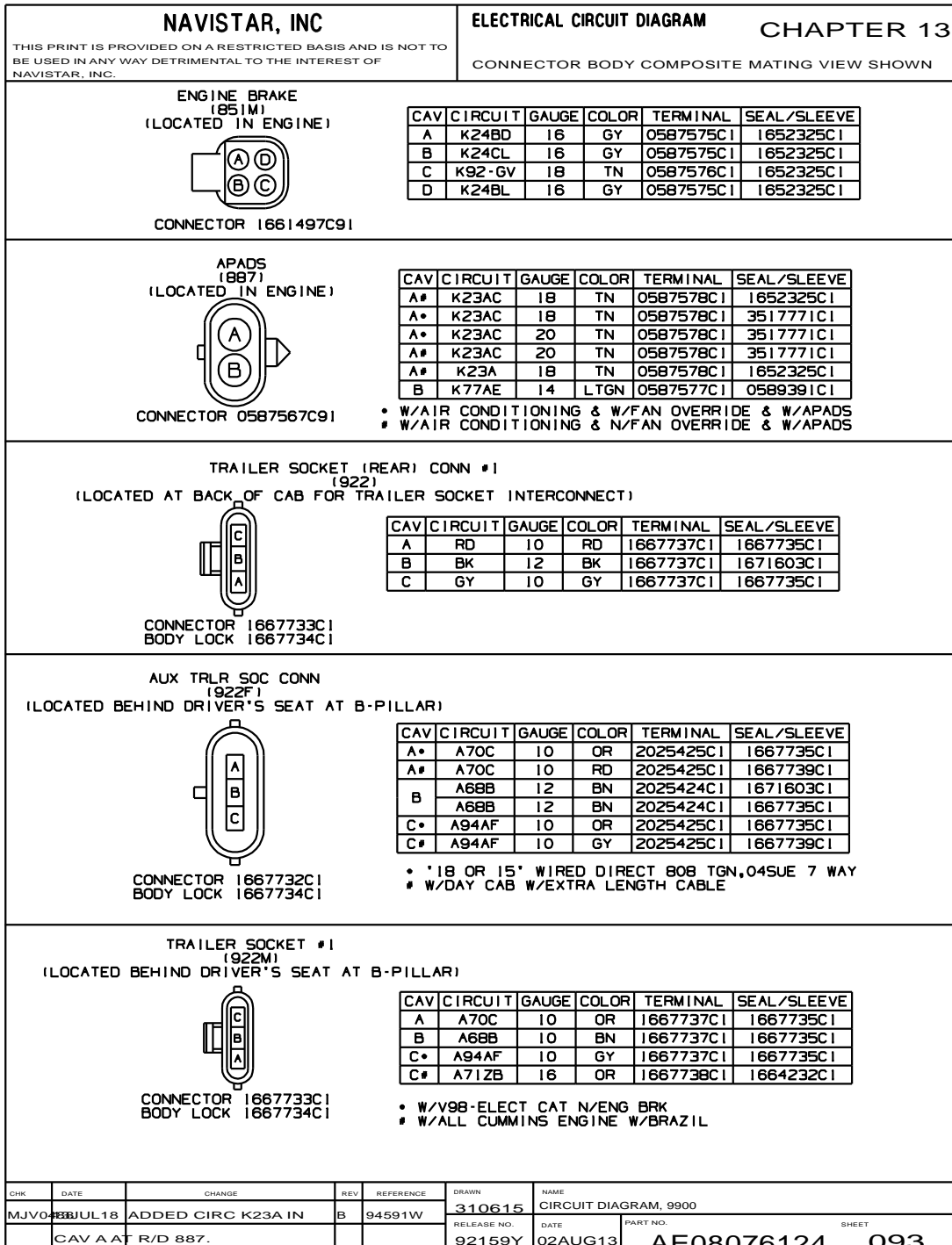


Figure 296 Connector Composites (851M / 887 / 922 / 922F / 922M)

13.99. CONNECTOR COMPOSITES (923 / 923F / 923M / 935F), P. 94

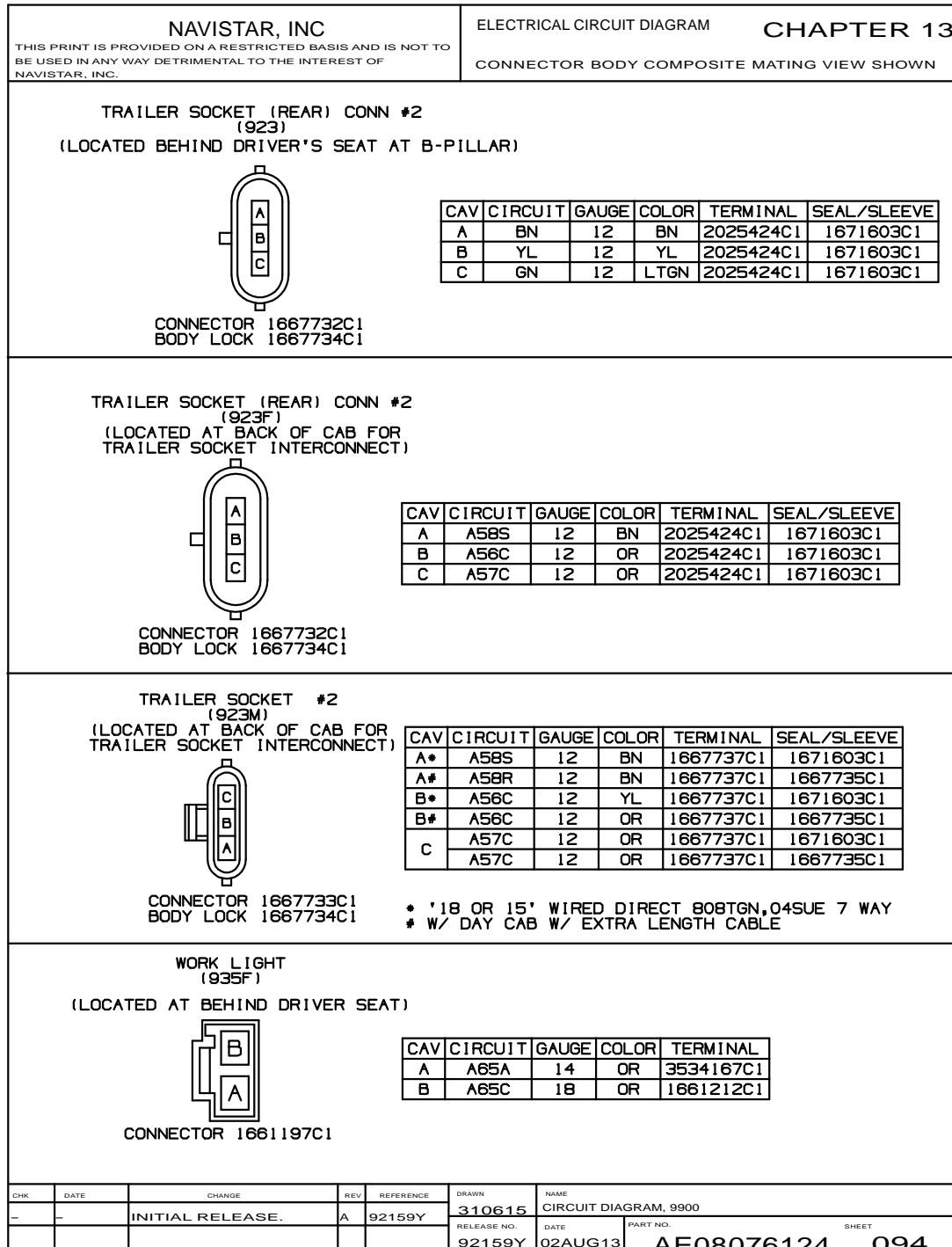


Figure 297 Connector Composites (923 / 923F / 923M / 935F)

13.100. CONNECTOR COMPOSITES (935 / 935M / 935OL / 935PL), P. 94A

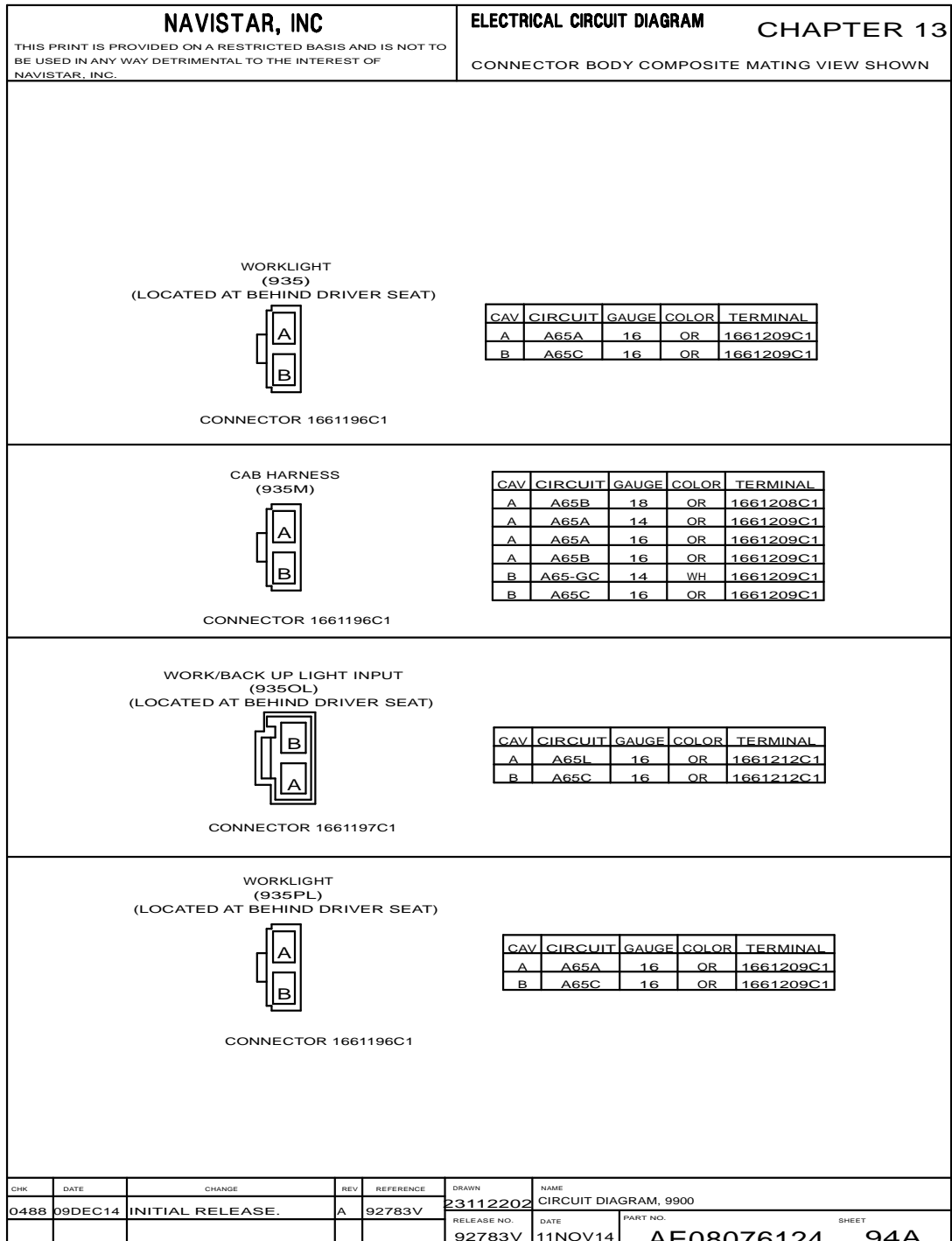


Figure 298 Connector Composites Connector Composites (935 / 935M / 935OL / 935PL)

13.101. CONNECTOR COMPOSITES (946 / 957F / 958F / 958M / 959M), P. 95

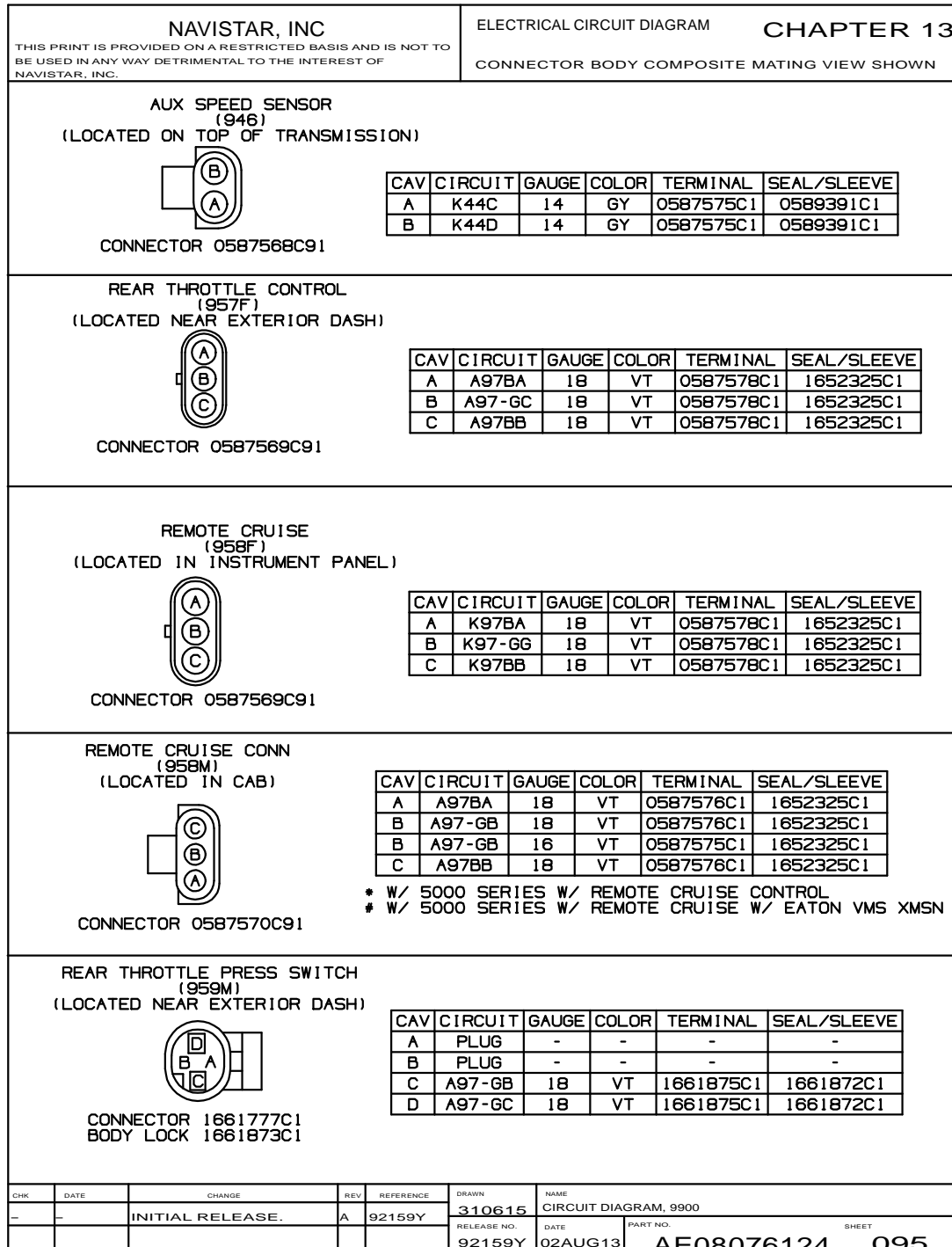


Figure 299 Connector Composites (946 / 957F / 958F / 958M / 959M)

13.102. CONNECTOR COMPOSITES (964F / 964M), P. 95A

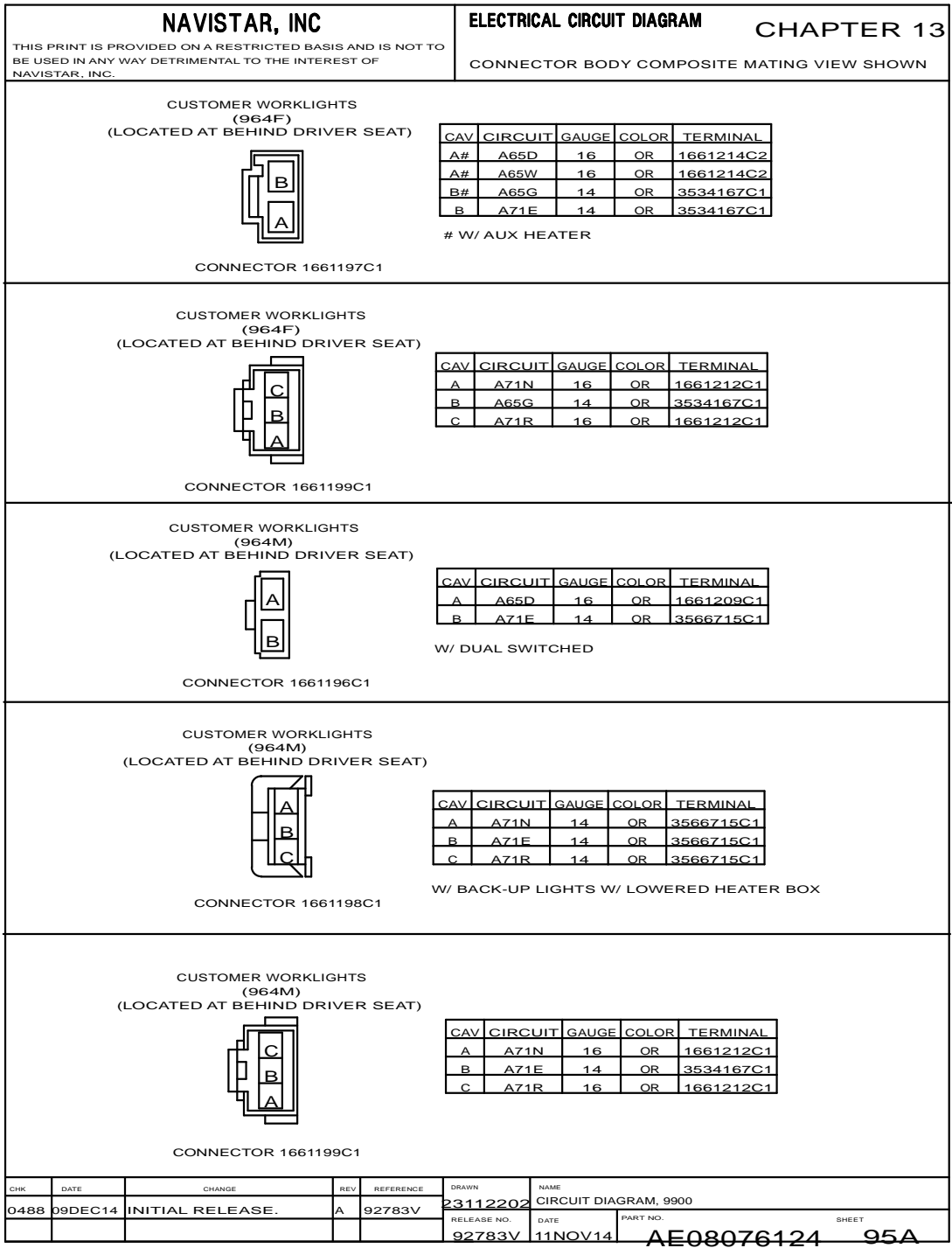


Figure 300 Connector Composites (964F / 964M)

13.103. CONNECTOR COMPOSITES (967M / 968M), P. 95B

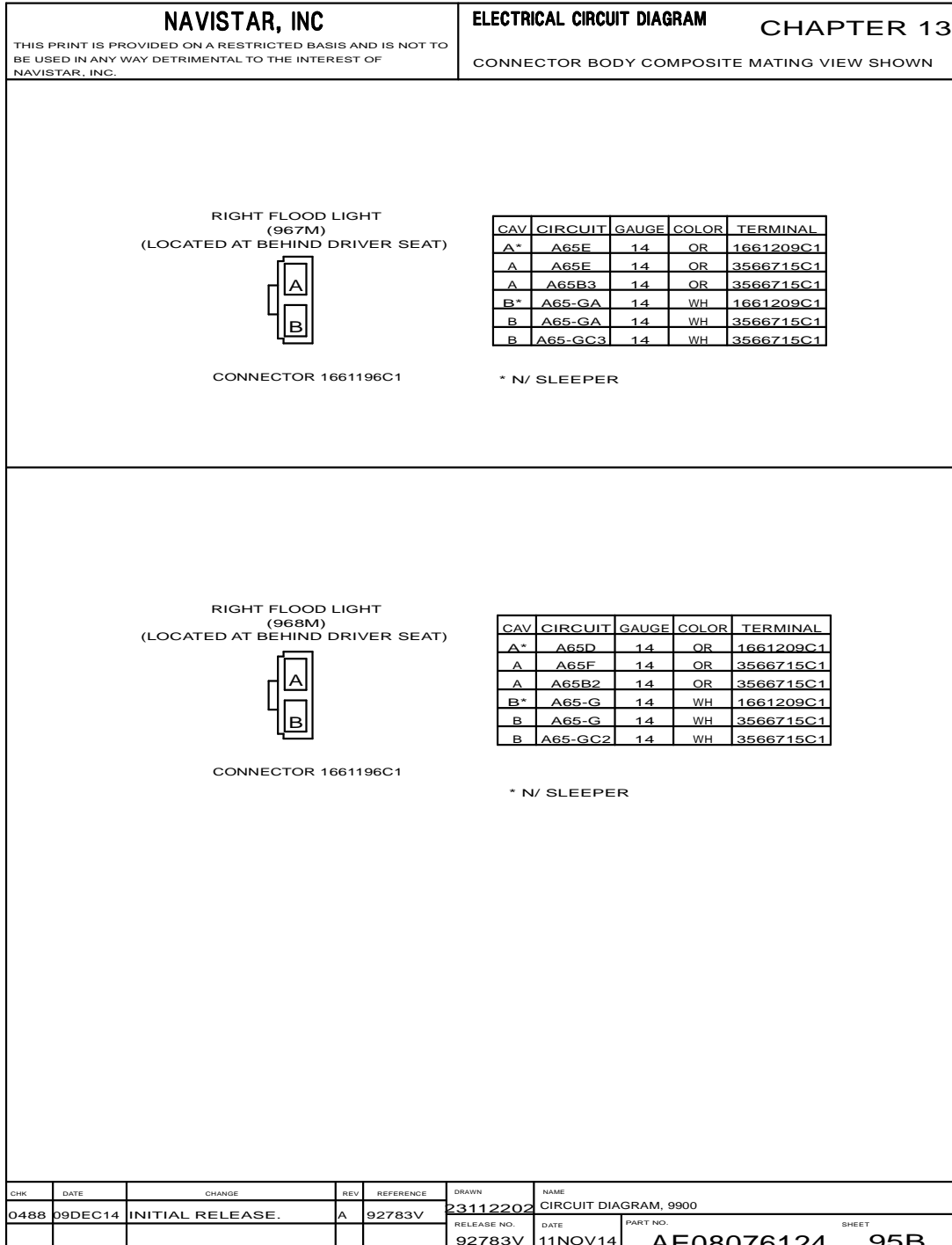


Figure 301 Connector Composites (967M / 968M)

13.104. CONNECTOR COMPOSITES (974F / 974M), P. 96

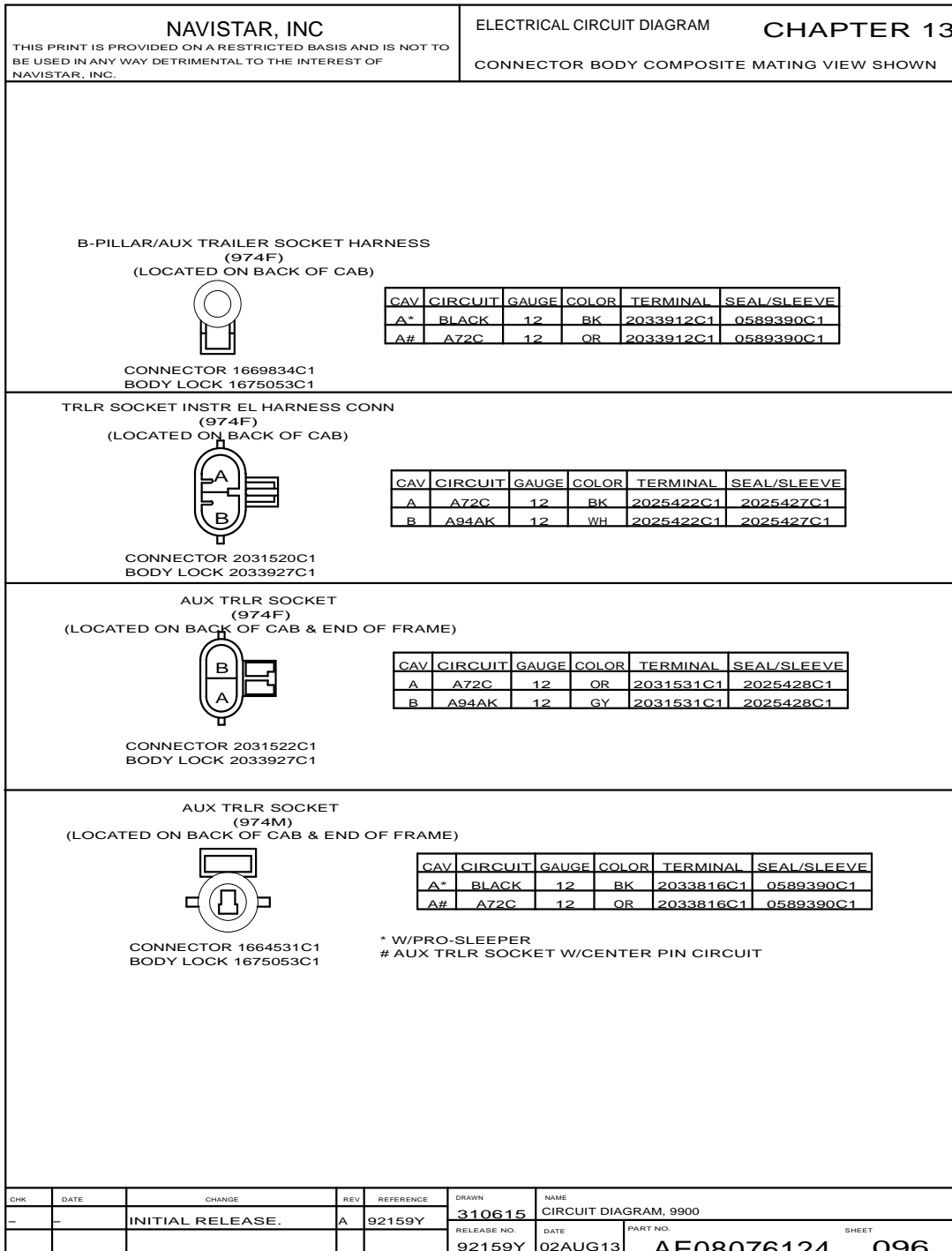


Figure 302 Connector Composites (974F / 974M)

13.105. CONNECTOR COMPOSITES (975F / 979F), P. 97

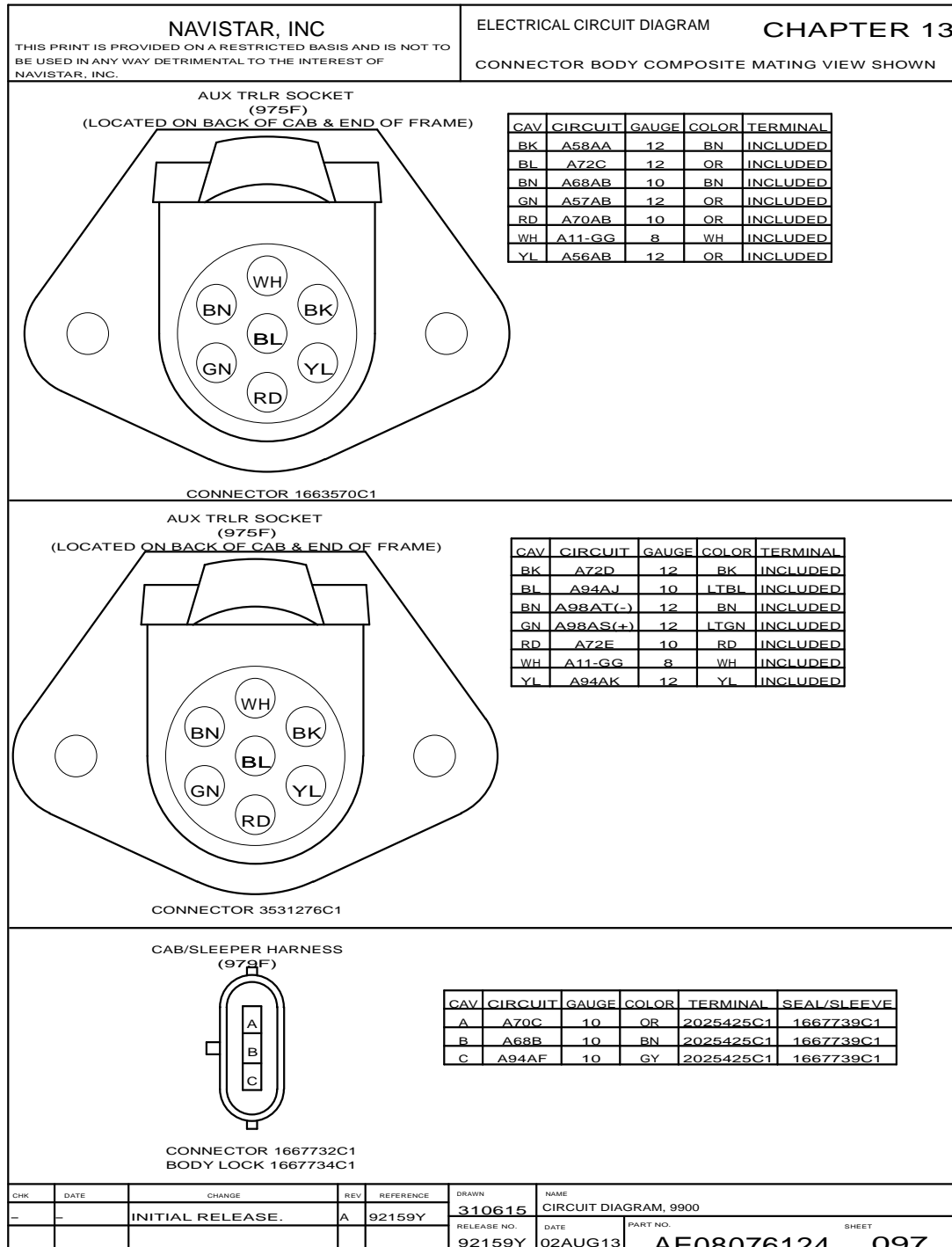


Figure 303 Connector Composites (975F / 979F)

13.106. CONNECTOR COMPOSITES (980M / 981F / 982M / 990F / 991F), P. 98

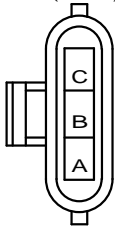
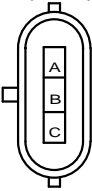
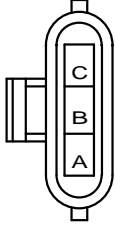


NAVISTAR, INC				ELECTRICAL CIRCUIT DIAGRAM				CHAPTER 13																																	
THIS PRINT IS PROVIDED ON A RESTRICTED BASIS AND IS NOT TO BE USED IN ANY WAY DETRIMENTAL TO THE INTEREST OF NAVISTAR, INC.								CONNECTOR BODY COMPOSITE MATING VIEW SHOWN																																	
<p>CAB/SLEEPER HARNESS (980M)</p> 																																									
<table border="1" style="width:100%; border-collapse: collapse;"> <thead> <tr> <th>CAV</th> <th>CIRCUIT</th> <th>GAUGE</th> <th>COLOR</th> <th>TERMINAL</th> <th>SEAL/SLEEVE</th> </tr> </thead> <tbody> <tr> <td>A</td> <td>A58S</td> <td>12</td> <td>BN</td> <td>1667737C1</td> <td>1667735C1</td> </tr> <tr> <td>B</td> <td>A56C</td> <td>12</td> <td>OR</td> <td>1667737C1</td> <td>1667735C1</td> </tr> <tr> <td>C</td> <td>A57C</td> <td>12</td> <td>OR</td> <td>1667737C1</td> <td>1667735C1</td> </tr> </tbody> </table>												CAV	CIRCUIT	GAUGE	COLOR	TERMINAL	SEAL/SLEEVE	A	A58S	12	BN	1667737C1	1667735C1	B	A56C	12	OR	1667737C1	1667735C1	C	A57C	12	OR	1667737C1	1667735C1						
CAV	CIRCUIT	GAUGE	COLOR	TERMINAL	SEAL/SLEEVE																																				
A	A58S	12	BN	1667737C1	1667735C1																																				
B	A56C	12	OR	1667737C1	1667735C1																																				
C	A57C	12	OR	1667737C1	1667735C1																																				
<p>CONNECTOR 1667733C1 BODY LOCK 1667734C1</p>																																									
<p>STD TRLR SOCKET (981F)</p> 																																									
<table border="1" style="width:100%; border-collapse: collapse;"> <thead> <tr> <th>CAV</th> <th>CIRCUIT</th> <th>GAUGE</th> <th>COLOR</th> <th>TERMINAL</th> <th>SEAL/SLEEVE</th> </tr> </thead> <tbody> <tr> <td>A</td> <td>A58R</td> <td>12</td> <td>BN</td> <td>2025424C1</td> <td>1667735C1</td> </tr> <tr> <td>B</td> <td>A56AA</td> <td>12</td> <td>OR</td> <td>2025424C1</td> <td>1667735C1</td> </tr> <tr> <td>C</td> <td>A57AA</td> <td>12</td> <td>OR</td> <td>2025424C1</td> <td>1667735C1</td> </tr> </tbody> </table>												CAV	CIRCUIT	GAUGE	COLOR	TERMINAL	SEAL/SLEEVE	A	A58R	12	BN	2025424C1	1667735C1	B	A56AA	12	OR	2025424C1	1667735C1	C	A57AA	12	OR	2025424C1	1667735C1						
CAV	CIRCUIT	GAUGE	COLOR	TERMINAL	SEAL/SLEEVE																																				
A	A58R	12	BN	2025424C1	1667735C1																																				
B	A56AA	12	OR	2025424C1	1667735C1																																				
C	A57AA	12	OR	2025424C1	1667735C1																																				
<p>CONNECTOR 1667732C1 BODY LOCK 1667734C1</p>																																									
<p>STD TRLR SOCKET (982M)</p> 																																									
<table border="1" style="width:100%; border-collapse: collapse;"> <thead> <tr> <th>CAV</th> <th>CIRCUIT</th> <th>GAUGE</th> <th>COLOR</th> <th>TERMINAL</th> <th>SEAL/SLEEVE</th> </tr> </thead> <tbody> <tr> <td>A</td> <td>A70AA</td> <td>10</td> <td>OR</td> <td>1667737C1</td> <td>1667739C1</td> </tr> <tr> <td>B</td> <td>A68AA</td> <td>10</td> <td>BN</td> <td>1667737C1</td> <td>1667739C1</td> </tr> <tr> <td>C</td> <td>A94AF</td> <td>10</td> <td>GY</td> <td>1667737C1</td> <td>1667739C1</td> </tr> </tbody> </table>												CAV	CIRCUIT	GAUGE	COLOR	TERMINAL	SEAL/SLEEVE	A	A70AA	10	OR	1667737C1	1667739C1	B	A68AA	10	BN	1667737C1	1667739C1	C	A94AF	10	GY	1667737C1	1667739C1						
CAV	CIRCUIT	GAUGE	COLOR	TERMINAL	SEAL/SLEEVE																																				
A	A70AA	10	OR	1667737C1	1667739C1																																				
B	A68AA	10	BN	1667737C1	1667739C1																																				
C	A94AF	10	GY	1667737C1	1667739C1																																				
<p>CONNECTOR 1667733C1 BODY LOCK 1667734C1</p>																																									
<p>LEFT CUSTOMER WORKLIGHTS (990F) (LOCATED AT BEHIND DRIVER SEAT)</p> 						<p>RT CUSTOMER WORKLIGHTS (991F) (LOCATED AT BEHIND DRIVER SEAT)</p> 																																			
<p>CONNECTOR 1661197C1</p> <table border="1" style="width:100%; border-collapse: collapse;"> <thead> <tr> <th>CAV</th> <th>CIRCUIT</th> <th>GAUGE</th> <th>COLOR</th> <th>TERMINAL</th> </tr> </thead> <tbody> <tr> <td>A</td> <td>A65H</td> <td>14</td> <td>OR</td> <td>3534167C1</td> </tr> <tr> <td>B</td> <td>A11-GA</td> <td>14</td> <td>WH</td> <td>3534167C1</td> </tr> </tbody> </table>						CAV	CIRCUIT	GAUGE	COLOR	TERMINAL	A	A65H	14	OR	3534167C1	B	A11-GA	14	WH	3534167C1	<p>CONNECTOR 1661197C1</p> <table border="1" style="width:100%; border-collapse: collapse;"> <thead> <tr> <th>CAV</th> <th>CIRCUIT</th> <th>GAUGE</th> <th>COLOR</th> <th>TERMINAL</th> </tr> </thead> <tbody> <tr> <td>A</td> <td>BLACK</td> <td>14</td> <td>BK</td> <td>3534167C1</td> </tr> <tr> <td>B</td> <td>WHITE</td> <td>14</td> <td>WH</td> <td>3534167C1</td> </tr> </tbody> </table>						CAV	CIRCUIT	GAUGE	COLOR	TERMINAL	A	BLACK	14	BK	3534167C1	B	WHITE	14	WH	3534167C1
CAV	CIRCUIT	GAUGE	COLOR	TERMINAL																																					
A	A65H	14	OR	3534167C1																																					
B	A11-GA	14	WH	3534167C1																																					
CAV	CIRCUIT	GAUGE	COLOR	TERMINAL																																					
A	BLACK	14	BK	3534167C1																																					
B	WHITE	14	WH	3534167C1																																					
CHK	DATE	CHANGE	REV	REFERENCE	DRAWN	NAME																																			
0488	09DEC14	ADDED R/D 990F & 991F	B	92783V	310615	CIRCUIT DIAGRAM, 9900																																			
					RELEASE NO.	DATE	PART NO.	SHEET																																	
					92159Y	02AUG13	AE08076124	098																																	

Figure 304 Connector Composites (980M / 981F / 982M / 990F / 991F)

13.107. CONNECTOR COMPOSITES (992M / 993M / 1000), P. 98A

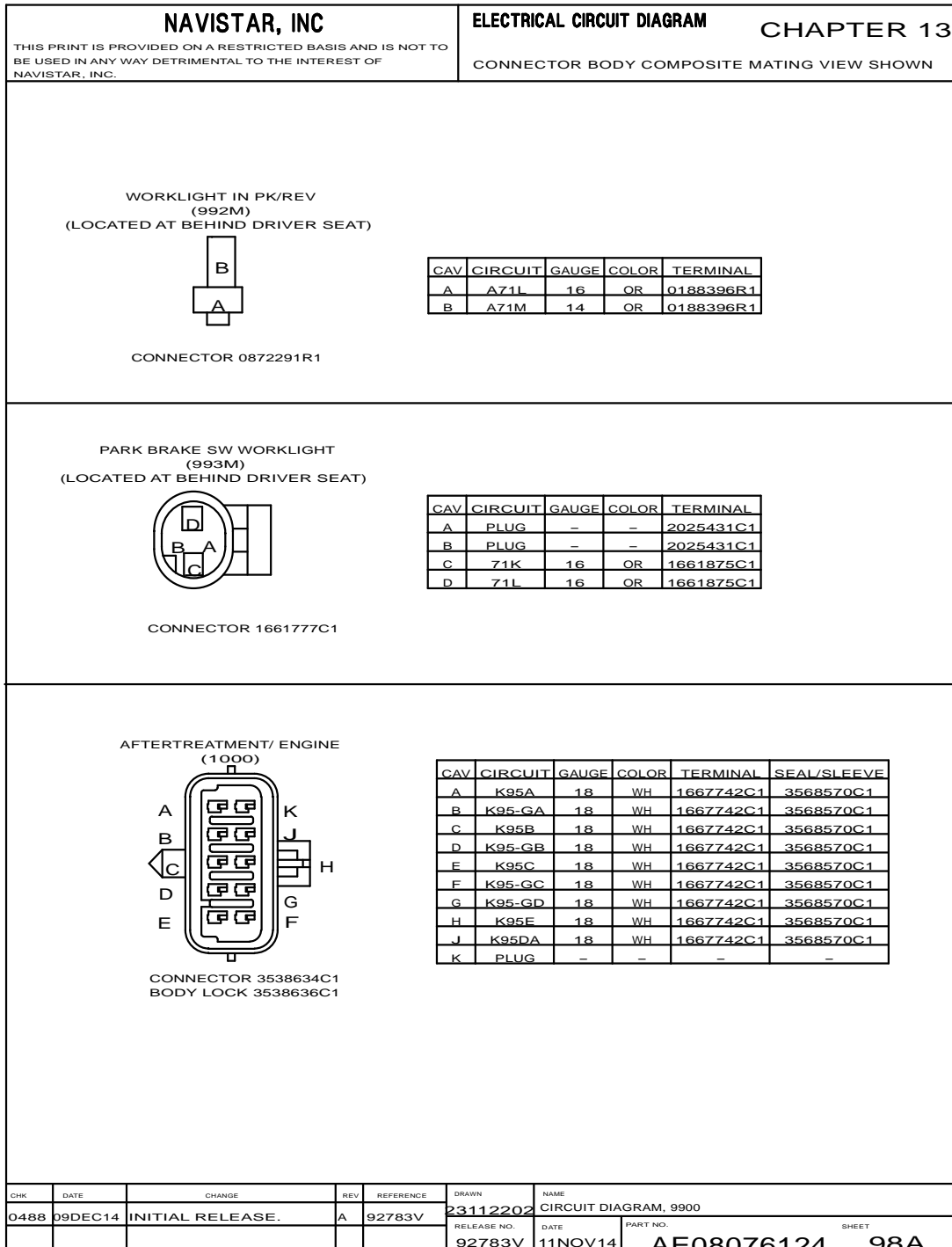


Figure 305 Connector Composites (992M / 993M / 1000)

13.108. CONNECTOR COMPOSITES (1000), P. 99

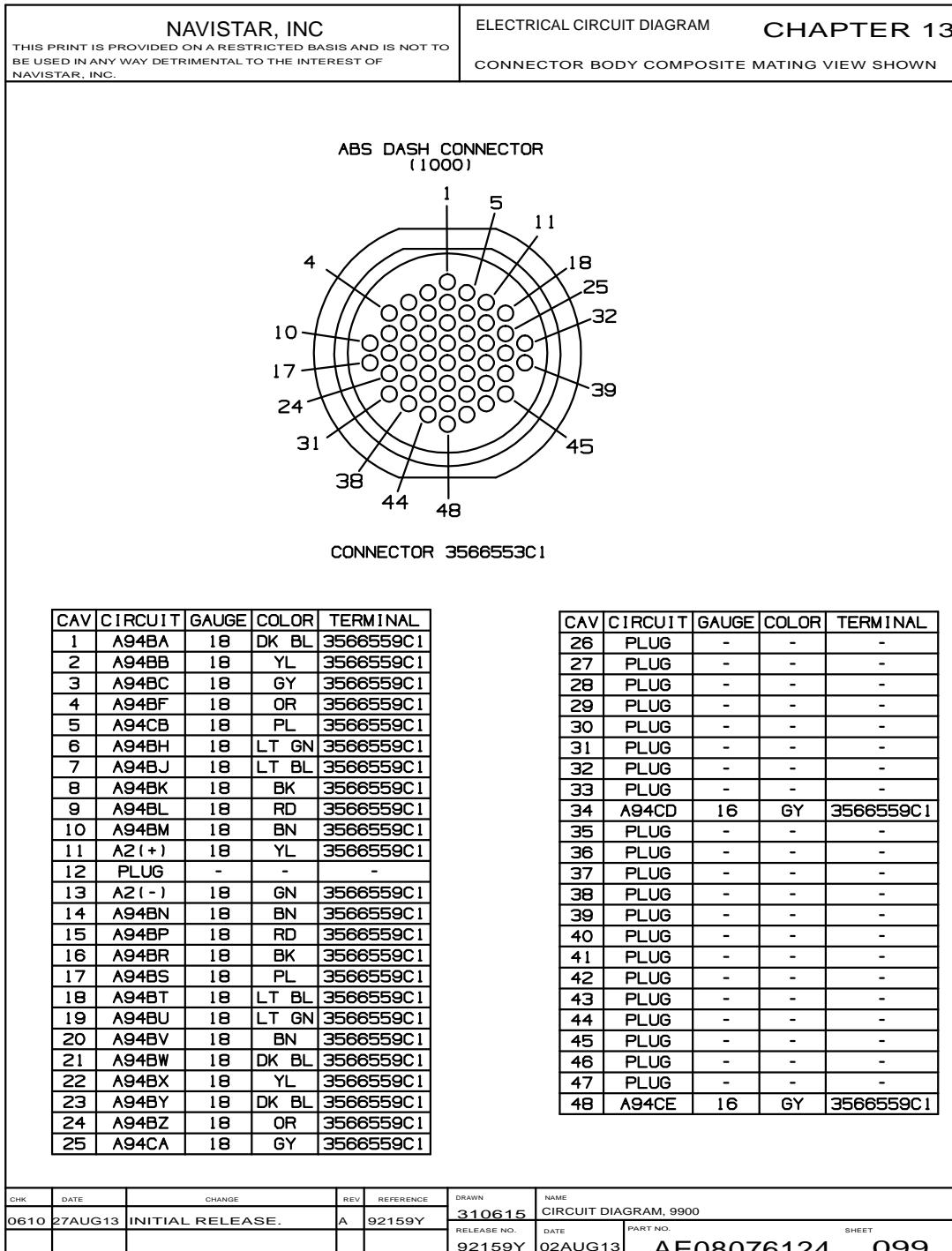


Figure 306 Connector Composites (1000)

13.109. CONNECTOR COMPOSITES (1010 / 1027 / 1033F), P. 100

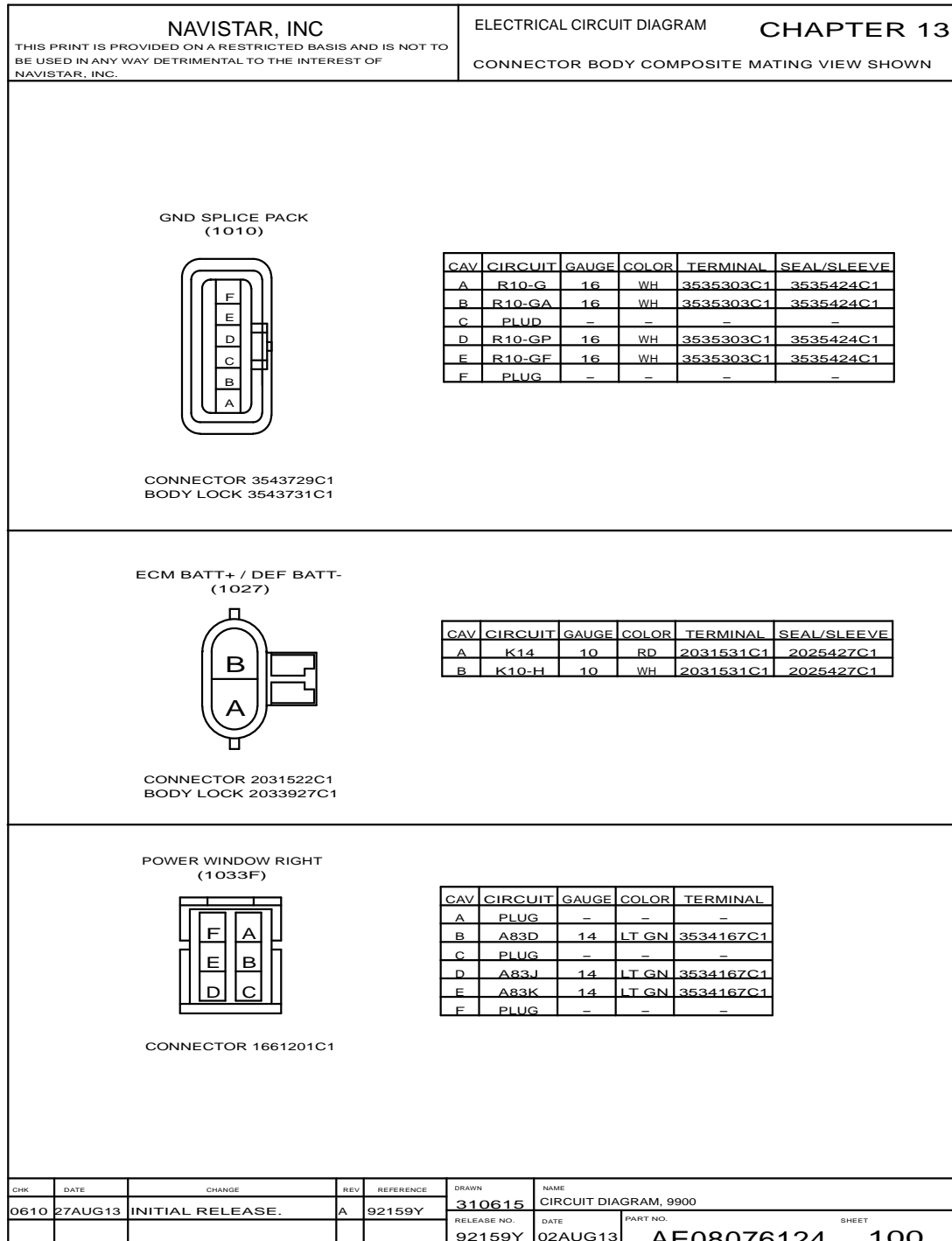


Figure 307 Connector Composites (1010 / 1027 / 1033F)

13.110. CONNECTOR COMPOSITES (1034F / 1048F / 1049F), P. 101

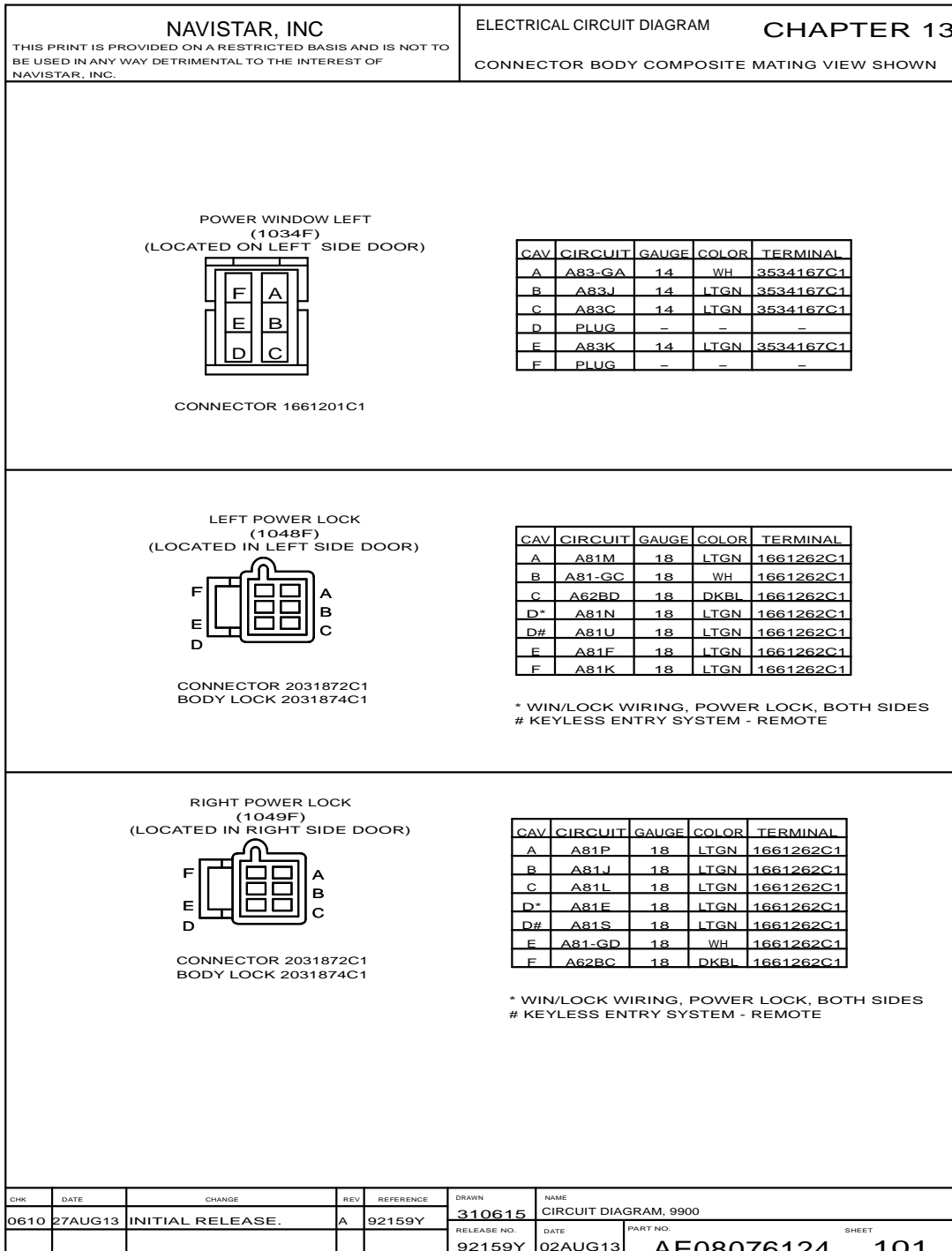


Figure 308 Connector Composites (1034F / 1048F / 1049F)

13.111. CONNECTOR COMPOSITES (1050M / 1050ML / 1054M), P. 102

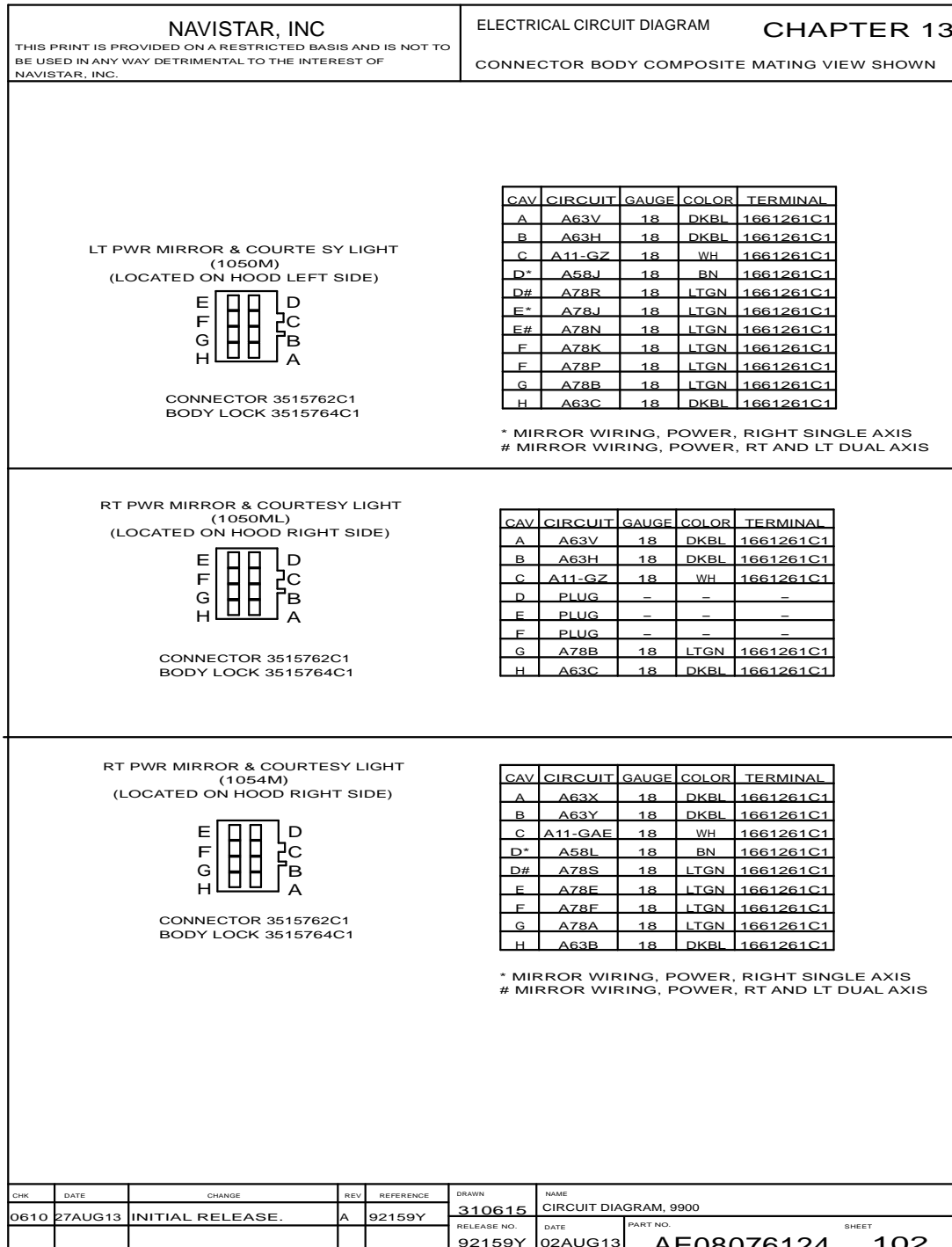


Figure 309 Connector Composites (1050M / 1050ML / 1054M)

13.112. CONNECTOR COMPOSITES (1054ML / 1056M / 1057M), P. 103

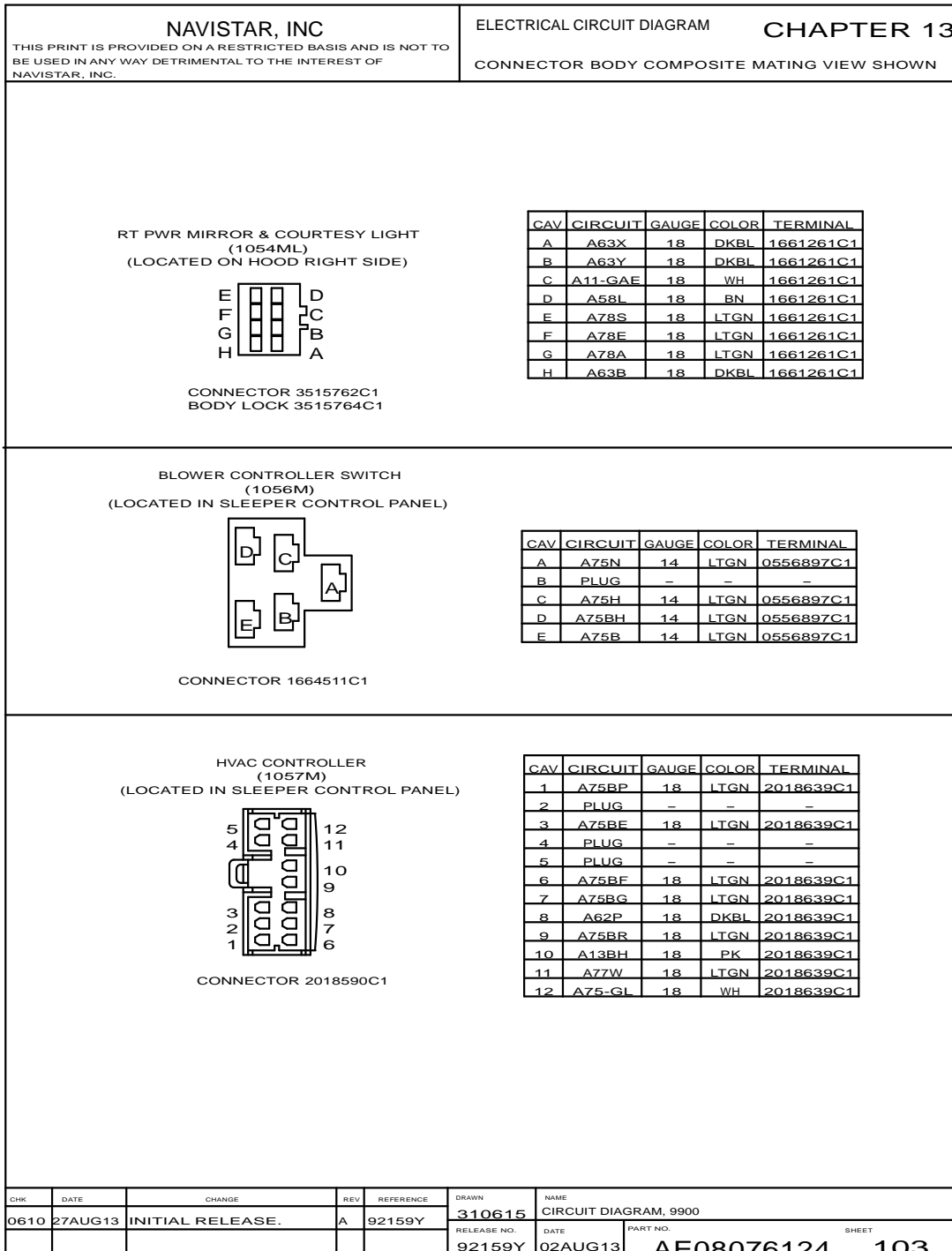


Figure 310 Connector Composites (1054ML / 1056M / 1057M)

13.113. CONNECTOR COMPOSITES (1058M / 1059M / 1060M / 1069M), P. 104

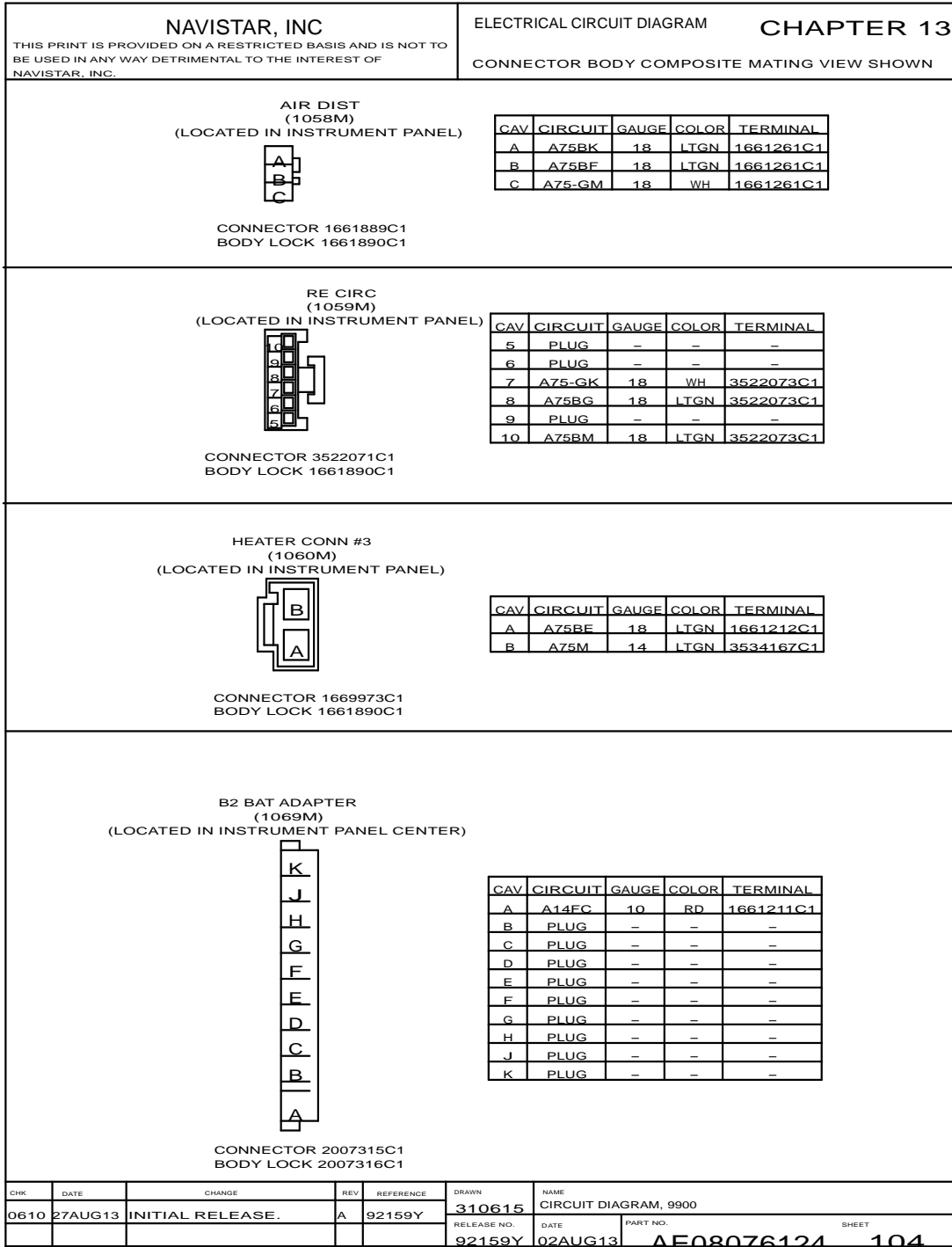


Figure 311 Connector Composites (1058M / 1059M / 1060M / 1069M)

13.114. CONNECTOR COMPOSITES (1076 / 1084M / 1085M / 1090F), P. 105

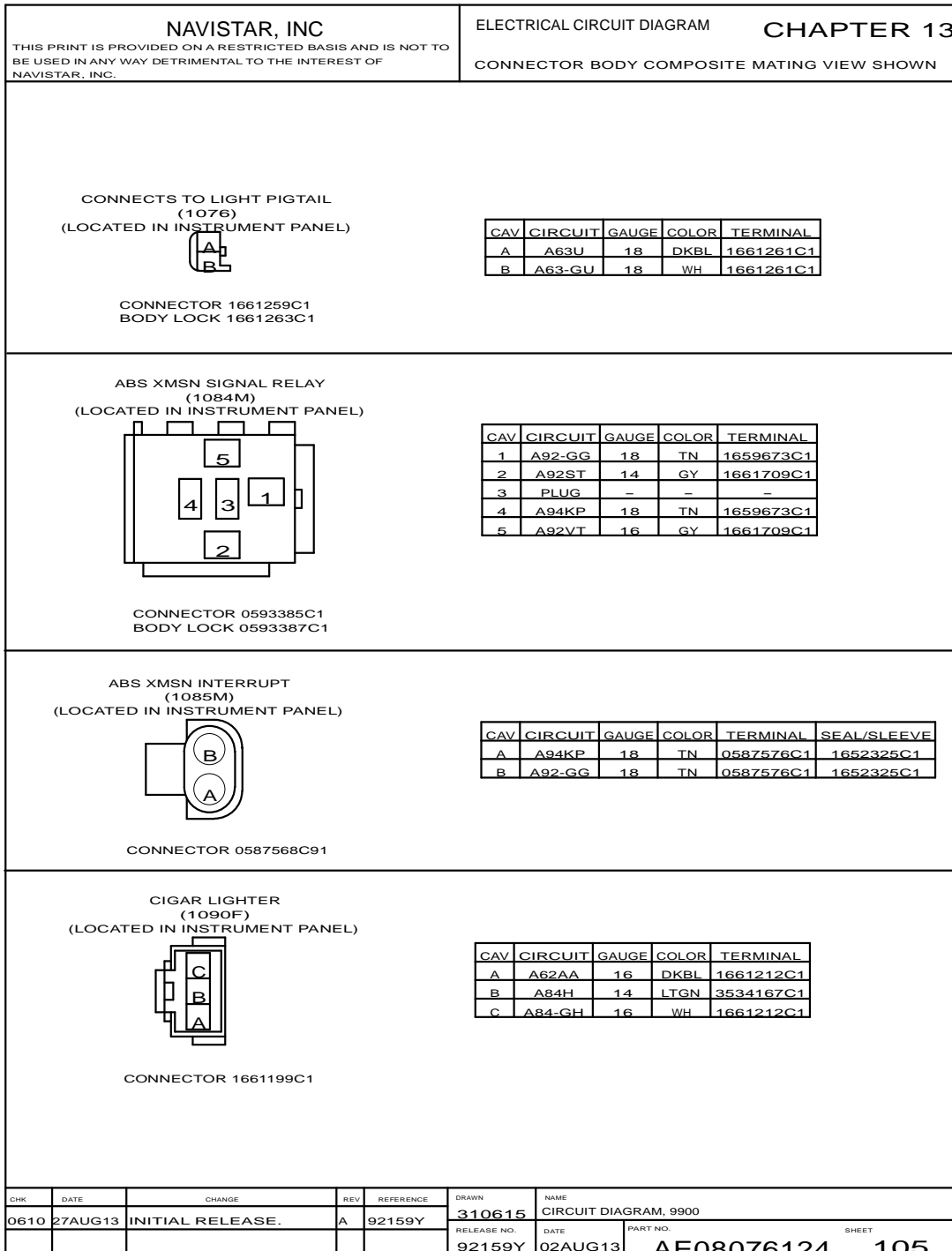


Figure 312 Connector Composites (1076 / 1084M / 1085M / 1090F)

13.115. CONNECTOR COMPOSITES (1090M / 1095F / 1097), P. 106


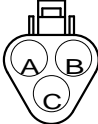
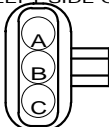

NAVISTAR, INC <small>THIS PRINT IS PROVIDED ON A RESTRICTED BASIS AND IS NOT TO BE USED IN ANY WAY DETRIMENTAL TO THE INTEREST OF NAVISTAR, INC.</small>				ELECTRICAL CIRCUIT DIAGRAM CHAPTER 13 CONNECTOR BODY COMPOSITE MATING VIEW SHOWN																																						
<p>CIGAR LIGHTER (1090M) (LOCATED IN INSTRUMENT PANEL)</p>  <table border="1" style="margin-left: auto; margin-right: auto;"> <thead> <tr> <th>CAV</th> <th>CIRCUIT</th> <th>GAUGE</th> <th>COLOR</th> <th>TERMINAL</th> </tr> </thead> <tbody> <tr> <td>A</td> <td>A62T</td> <td>16</td> <td>DKBL</td> <td>1661209C1</td> </tr> <tr> <td>B</td> <td>A84</td> <td>14</td> <td>LTGN</td> <td>3566715C1</td> </tr> <tr> <td>C</td> <td>A84-G</td> <td>16</td> <td>WH</td> <td>1661209C1</td> </tr> </tbody> </table> <p>CONNECTOR 1661198C1</p>							CAV	CIRCUIT	GAUGE	COLOR	TERMINAL	A	A62T	16	DKBL	1661209C1	B	A84	14	LTGN	3566715C1	C	A84-G	16	WH	1661209C1																
CAV	CIRCUIT	GAUGE	COLOR	TERMINAL																																						
A	A62T	16	DKBL	1661209C1																																						
B	A84	14	LTGN	3566715C1																																						
C	A84-G	16	WH	1661209C1																																						
<p>J1939 ALLISON DIAG (1095F) (LOCATED AT LEFT SIDE OF ENGINE)</p>  <table border="1" style="margin-left: auto; margin-right: auto;"> <thead> <tr> <th>CAV</th> <th>CIRCUIT</th> <th>GAUGE</th> <th>COLOR</th> <th>TERMINAL</th> </tr> </thead> <tbody> <tr> <td>A</td> <td>K98YL5</td> <td>18</td> <td>YL</td> <td>1680205C1</td> </tr> <tr> <td>B</td> <td>K98GN5</td> <td>18</td> <td>GN</td> <td>1680205C1</td> </tr> <tr> <td>C</td> <td>PLUG</td> <td>-</td> <td>-</td> <td>-</td> </tr> </tbody> </table> <p>W/ 2010 MAXFORCE 15L ENG</p> <p>CONNECTOR 3601919C1 BODY LOCK 3601921C1</p>							CAV	CIRCUIT	GAUGE	COLOR	TERMINAL	A	K98YL5	18	YL	1680205C1	B	K98GN5	18	GN	1680205C1	C	PLUG	-	-	-																
CAV	CIRCUIT	GAUGE	COLOR	TERMINAL																																						
A	K98YL5	18	YL	1680205C1																																						
B	K98GN5	18	GN	1680205C1																																						
C	PLUG	-	-	-																																						
<p>J1939 ALLISON DIAG (1095F) (LOCATED AT LEFT SIDE OF ENGINE)</p>  <table border="1" style="margin-left: auto; margin-right: auto;"> <thead> <tr> <th>CAV</th> <th>CIRCUIT</th> <th>GAUGE</th> <th>COLOR</th> <th>TERMINAL</th> <th>SEAL/SLEEVE</th> </tr> </thead> <tbody> <tr> <td>A</td> <td>K98YL5</td> <td>18</td> <td>YL</td> <td>1667742C1</td> <td>3568570C1</td> </tr> <tr> <td>B</td> <td>K98GN5</td> <td>18</td> <td>GN</td> <td>1667742C1</td> <td>3568570C1</td> </tr> <tr> <td>C</td> <td>PLUG</td> <td>-</td> <td>-</td> <td>-</td> <td>-</td> </tr> </tbody> </table> <p>W/ 2013 ISX ENG</p> <p>CONNECTOR 1667740C1 BODY LOCK 1667771C1</p>							CAV	CIRCUIT	GAUGE	COLOR	TERMINAL	SEAL/SLEEVE	A	K98YL5	18	YL	1667742C1	3568570C1	B	K98GN5	18	GN	1667742C1	3568570C1	C	PLUG	-	-	-	-												
CAV	CIRCUIT	GAUGE	COLOR	TERMINAL	SEAL/SLEEVE																																					
A	K98YL5	18	YL	1667742C1	3568570C1																																					
B	K98GN5	18	GN	1667742C1	3568570C1																																					
C	PLUG	-	-	-	-																																					
<p>J1939 BACKBONE (1097) (LOCATED ON TRANSMISSION HARNESS)</p>  <table border="1" style="margin-left: auto; margin-right: auto;"> <thead> <tr> <th>CAV</th> <th>CIRCUIT</th> <th>GAUGE</th> <th>COLOR</th> <th>TERMINAL</th> <th>SEAL/SLEEVE</th> </tr> </thead> <tbody> <tr> <td>A*</td> <td>K98YL1</td> <td>18</td> <td>YL</td> <td>1661875C1</td> <td>3568570C1</td> </tr> <tr> <td>A#</td> <td>K5R(+)</td> <td>18</td> <td>YL</td> <td>1661875C1</td> <td>3568570C1</td> </tr> <tr> <td>B</td> <td>PLUG</td> <td>-</td> <td>-</td> <td>-</td> <td>-</td> </tr> <tr> <td>C*</td> <td>K98GN1</td> <td>18</td> <td>GN</td> <td>1661875C1</td> <td>3568570C1</td> </tr> <tr> <td>C#</td> <td>K5R(-)</td> <td>18</td> <td>GN</td> <td>1661875C1</td> <td>3568570C1</td> </tr> </tbody> </table> <p>* W/ ALLISION 4700 OFS W/EOF SHIFTER # W/ MANUAL TRANSMISSION</p> <p>CONNECTOR 1667741C1 BODY LOCK 1667771C1</p>							CAV	CIRCUIT	GAUGE	COLOR	TERMINAL	SEAL/SLEEVE	A*	K98YL1	18	YL	1661875C1	3568570C1	A#	K5R(+)	18	YL	1661875C1	3568570C1	B	PLUG	-	-	-	-	C*	K98GN1	18	GN	1661875C1	3568570C1	C#	K5R(-)	18	GN	1661875C1	3568570C1
CAV	CIRCUIT	GAUGE	COLOR	TERMINAL	SEAL/SLEEVE																																					
A*	K98YL1	18	YL	1661875C1	3568570C1																																					
A#	K5R(+)	18	YL	1661875C1	3568570C1																																					
B	PLUG	-	-	-	-																																					
C*	K98GN1	18	GN	1661875C1	3568570C1																																					
C#	K5R(-)	18	GN	1661875C1	3568570C1																																					
CHK	DATE	CHANGE	REV	REFERENCE	DRAWN	NAME																																				
0610	27AUG13	INITIAL RELEASE.	A	92159Y	310615	CIRCUIT DIAGRAM, 9900																																				
					RELEASE NO.	DATE																																				
					92159Y	02AUG13																																				
					PART NO.	SHEET																																				
					AE08076124	106																																				

Figure 313 Connector Composites (1090M / 1095F / 1097)

13.116. CONNECTOR COMPOSITES (1109M / 1116ML / 1116OL / 1129M / 1130M), P. 107

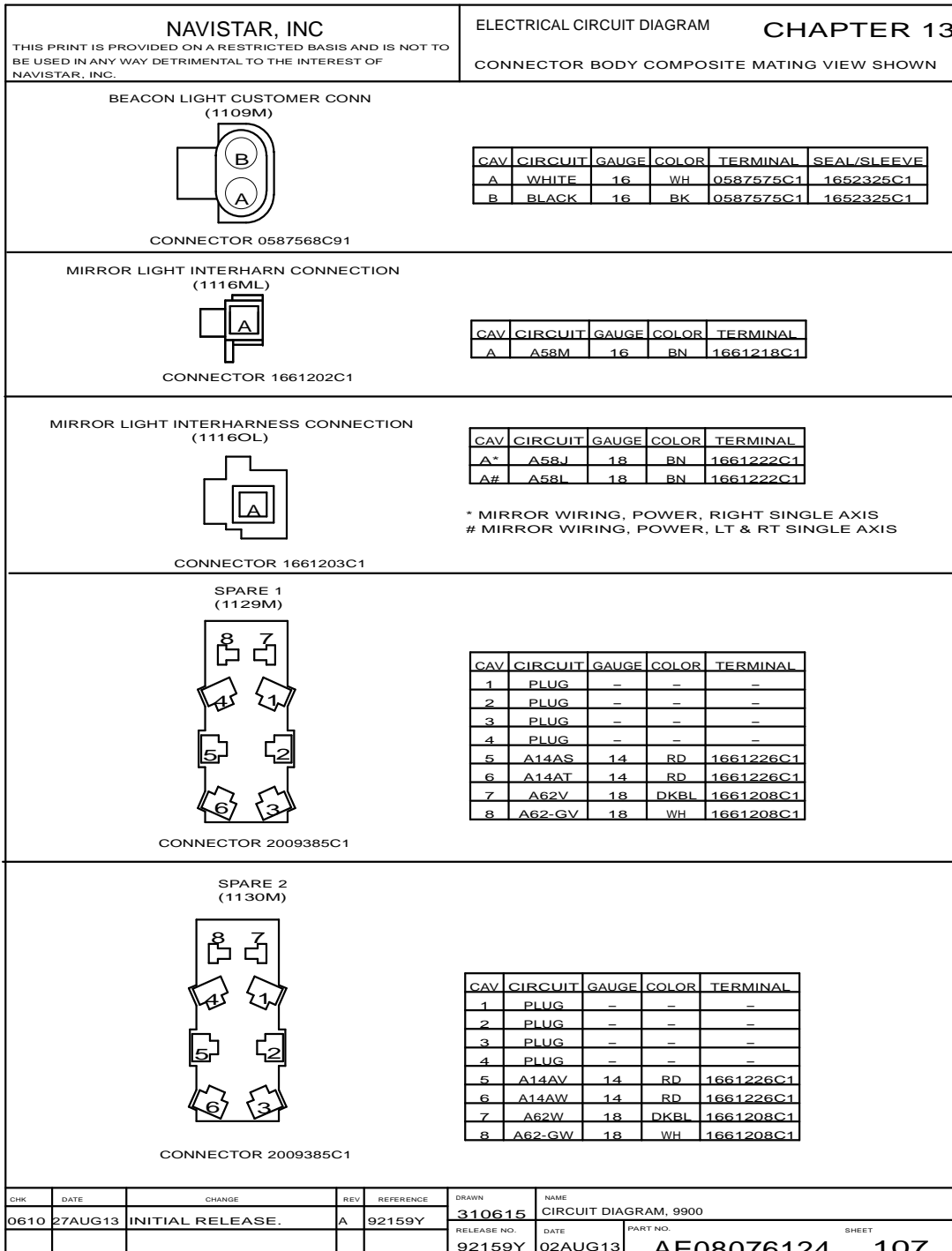


Figure 314 Connector Composites (1109M / 1116ML / 1116OL / 1129M / 1130M)

13.117. CONNECTOR COMPOSITES (1131M / 1132M / 1133M), P. 108

NAVISTAR, INC <small>THIS PRINT IS PROVIDED ON A RESTRICTED BASIS AND IS NOT TO BE USED IN ANY WAY DETRIMENTAL TO THE INTEREST OF NAVISTAR, INC.</small>				ELECTRICAL CIRCUIT DIAGRAM CHAPTER 13 CONNECTOR BODY COMPOSITE MATING VIEW SHOWN																																														
SPARE 3 (1131M) (LOCATED IN INSTRUMENT PANEL CENTER)																																																		
			<table border="1" style="width:100%; border-collapse: collapse;"> <thead> <tr> <th>CAV</th> <th>CIRCUIT</th> <th>GAUGE</th> <th>COLOR</th> <th>TERMINAL</th> </tr> </thead> <tbody> <tr><td>1</td><td>PLUG</td><td>-</td><td>-</td><td>-</td></tr> <tr><td>2</td><td>PLUG</td><td>-</td><td>-</td><td>-</td></tr> <tr><td>3</td><td>PLUG</td><td>-</td><td>-</td><td>-</td></tr> <tr><td>4</td><td>PLUG</td><td>-</td><td>-</td><td>-</td></tr> <tr><td>5</td><td>A14AX</td><td>14</td><td>RD</td><td>1661226C1</td></tr> <tr><td>6</td><td>A14AZ</td><td>14</td><td>RD</td><td>1661226C1</td></tr> <tr><td>7</td><td>A62T</td><td>18</td><td>DKBL</td><td>1661208C1</td></tr> <tr><td>8</td><td>A62-GT</td><td>18</td><td>WH</td><td>1661208C1</td></tr> </tbody> </table>			CAV	CIRCUIT	GAUGE	COLOR	TERMINAL	1	PLUG	-	-	-	2	PLUG	-	-	-	3	PLUG	-	-	-	4	PLUG	-	-	-	5	A14AX	14	RD	1661226C1	6	A14AZ	14	RD	1661226C1	7	A62T	18	DKBL	1661208C1	8	A62-GT	18	WH	1661208C1
CAV	CIRCUIT	GAUGE	COLOR	TERMINAL																																														
1	PLUG	-	-	-																																														
2	PLUG	-	-	-																																														
3	PLUG	-	-	-																																														
4	PLUG	-	-	-																																														
5	A14AX	14	RD	1661226C1																																														
6	A14AZ	14	RD	1661226C1																																														
7	A62T	18	DKBL	1661208C1																																														
8	A62-GT	18	WH	1661208C1																																														
CONNECTOR 2009385C1																																																		
SPARE 4 (1132M) (LOCATED IN INSTRUMENT PANEL CENTER)																																																		
			<table border="1" style="width:100%; border-collapse: collapse;"> <thead> <tr> <th>CAV</th> <th>CIRCUIT</th> <th>GAUGE</th> <th>COLOR</th> <th>TERMINAL</th> </tr> </thead> <tbody> <tr><td>1</td><td>PLUG</td><td>-</td><td>-</td><td>-</td></tr> <tr><td>2</td><td>PLUG</td><td>-</td><td>-</td><td>-</td></tr> <tr><td>3</td><td>PLUG</td><td>-</td><td>-</td><td>-</td></tr> <tr><td>4</td><td>PLUG</td><td>-</td><td>-</td><td>-</td></tr> <tr><td>5</td><td>A14BV</td><td>14</td><td>RD</td><td>1661226C1</td></tr> <tr><td>6</td><td>A14BW</td><td>14</td><td>RD</td><td>1661226C1</td></tr> <tr><td>7</td><td>A62X</td><td>18</td><td>DKBL</td><td>1661208C1</td></tr> <tr><td>8</td><td>A62-GX</td><td>18</td><td>WH</td><td>1661208C1</td></tr> </tbody> </table>			CAV	CIRCUIT	GAUGE	COLOR	TERMINAL	1	PLUG	-	-	-	2	PLUG	-	-	-	3	PLUG	-	-	-	4	PLUG	-	-	-	5	A14BV	14	RD	1661226C1	6	A14BW	14	RD	1661226C1	7	A62X	18	DKBL	1661208C1	8	A62-GX	18	WH	1661208C1
CAV	CIRCUIT	GAUGE	COLOR	TERMINAL																																														
1	PLUG	-	-	-																																														
2	PLUG	-	-	-																																														
3	PLUG	-	-	-																																														
4	PLUG	-	-	-																																														
5	A14BV	14	RD	1661226C1																																														
6	A14BW	14	RD	1661226C1																																														
7	A62X	18	DKBL	1661208C1																																														
8	A62-GX	18	WH	1661208C1																																														
CONNECTOR 2009385C1																																																		
SPARE 5 (1133M) (LOCATED IN INSTRUMENT PANEL CENTER)																																																		
			<table border="1" style="width:100%; border-collapse: collapse;"> <thead> <tr> <th>CAV</th> <th>CIRCUIT</th> <th>GAUGE</th> <th>COLOR</th> <th>TERMINAL</th> </tr> </thead> <tbody> <tr><td>1</td><td>PLUG</td><td>-</td><td>-</td><td>-</td></tr> <tr><td>2</td><td>PLUG</td><td>-</td><td>-</td><td>-</td></tr> <tr><td>3</td><td>PLUG</td><td>-</td><td>-</td><td>-</td></tr> <tr><td>4</td><td>PLUG</td><td>-</td><td>-</td><td>-</td></tr> <tr><td>5</td><td>A14BS</td><td>14</td><td>RD</td><td>1661226C1</td></tr> <tr><td>6</td><td>A14BT</td><td>14</td><td>RD</td><td>1661226C1</td></tr> <tr><td>7</td><td>A62Y</td><td>18</td><td>DKBL</td><td>1661208C1</td></tr> <tr><td>8</td><td>A62-GY</td><td>18</td><td>WH</td><td>1661208C1</td></tr> </tbody> </table>			CAV	CIRCUIT	GAUGE	COLOR	TERMINAL	1	PLUG	-	-	-	2	PLUG	-	-	-	3	PLUG	-	-	-	4	PLUG	-	-	-	5	A14BS	14	RD	1661226C1	6	A14BT	14	RD	1661226C1	7	A62Y	18	DKBL	1661208C1	8	A62-GY	18	WH	1661208C1
CAV	CIRCUIT	GAUGE	COLOR	TERMINAL																																														
1	PLUG	-	-	-																																														
2	PLUG	-	-	-																																														
3	PLUG	-	-	-																																														
4	PLUG	-	-	-																																														
5	A14BS	14	RD	1661226C1																																														
6	A14BT	14	RD	1661226C1																																														
7	A62Y	18	DKBL	1661208C1																																														
8	A62-GY	18	WH	1661208C1																																														
CONNECTOR 2009385C1																																																		
CHK	DATE	CHANGE	REV	REFERENCE	DRAWN	NAME																																												
0610	27AUG13	INITIAL RELEASE.	A	92159Y	310615	CIRCUIT DIAGRAM, 9900																																												
					RELEASE NO.	DATE																																												
					92159Y	02AUG13																																												
						PART NO.																																												
						AE08076124																																												
						SHEET																																												
						108																																												

Figure 315 Connector Composites (1131M / 1132M / 1133M)

13.118. CONNECTOR COMPOSITES (1135M / 1137F / 1141), P. 109

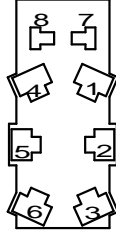
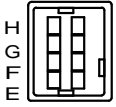
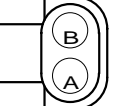
NAVISTAR, INC <small>THIS PRINT IS PROVIDED ON A RESTRICTED BASIS AND IS NOT TO BE USED IN ANY WAY DETRIMENTAL TO THE INTEREST OF NAVISTAR, INC.</small>				ELECTRICAL CIRCUIT DIAGRAM CHAPTER 13 CONNECTOR BODY COMPOSITE MATING VIEW SHOWN																																																			
<div style="display: flex; justify-content: space-between;"> <div style="width: 45%;"> <p style="text-align: center;">BEACON LIGHT SWITCH (1135M)</p>  <p style="text-align: center;">CONNECTOR 2009385C1</p> </div> <div style="width: 50%;"> <table border="1" style="width:100%; border-collapse: collapse; font-size: 8px;"> <thead> <tr> <th>CAV</th> <th>CIRCUIT</th> <th>GAUGE</th> <th>COLOR</th> <th>TERMINAL</th> </tr> </thead> <tbody> <tr><td>1</td><td>A11-GL</td><td>18</td><td>WH</td><td>3541250C1</td></tr> <tr><td>1</td><td>A11-GPI</td><td>18</td><td>WH</td><td>3541250C1</td></tr> <tr><td>2</td><td>PLUG</td><td>-</td><td>-</td><td>-</td></tr> <tr><td>3</td><td>PLUG</td><td>-</td><td>-</td><td>-</td></tr> <tr><td>4</td><td>A14BS</td><td>14</td><td>RD</td><td>1661226C1</td></tr> <tr><td>5</td><td>A50BL</td><td>18</td><td>YL</td><td>1661224C1</td></tr> <tr><td>6</td><td>A65F</td><td>18</td><td>OR</td><td>1661224C1</td></tr> <tr><td>7</td><td>A62PLF</td><td>18</td><td>DKBL</td><td>1661208C1</td></tr> <tr><td>8</td><td>A11-GPL</td><td>18</td><td>WH</td><td>1661208C1</td></tr> </tbody> </table> </div> </div>						CAV	CIRCUIT	GAUGE	COLOR	TERMINAL	1	A11-GL	18	WH	3541250C1	1	A11-GPI	18	WH	3541250C1	2	PLUG	-	-	-	3	PLUG	-	-	-	4	A14BS	14	RD	1661226C1	5	A50BL	18	YL	1661224C1	6	A65F	18	OR	1661224C1	7	A62PLF	18	DKBL	1661208C1	8	A11-GPL	18	WH	1661208C1
CAV	CIRCUIT	GAUGE	COLOR	TERMINAL																																																			
1	A11-GL	18	WH	3541250C1																																																			
1	A11-GPI	18	WH	3541250C1																																																			
2	PLUG	-	-	-																																																			
3	PLUG	-	-	-																																																			
4	A14BS	14	RD	1661226C1																																																			
5	A50BL	18	YL	1661224C1																																																			
6	A65F	18	OR	1661224C1																																																			
7	A62PLF	18	DKBL	1661208C1																																																			
8	A11-GPL	18	WH	1661208C1																																																			
<div style="display: flex; justify-content: space-between;"> <div style="width: 45%;"> <p style="text-align: center;">DUAL AXIS MOTORIZED MIRROR SWITCH (1137F)</p>  <p style="text-align: center;">CONNECTOR 3515763C1 BODY LOCK 3515765C1</p> </div> <div style="width: 50%;"> <table border="1" style="width:100%; border-collapse: collapse; font-size: 8px;"> <thead> <tr> <th>CAV</th> <th>CIRCUIT</th> <th>GAUGE</th> <th>COLOR</th> <th>TERMINAL</th> </tr> </thead> <tbody> <tr><td>A</td><td>A78C</td><td>18</td><td>LTGN</td><td>1661262C1</td></tr> <tr><td>B</td><td>A78N</td><td>18</td><td>LTGN</td><td>1661262C1</td></tr> <tr><td>C</td><td>A78P</td><td>18</td><td>LTGN</td><td>1661262C1</td></tr> <tr><td>D</td><td>A78R</td><td>18</td><td>LTGN</td><td>1661262C1</td></tr> <tr><td>E</td><td>A78S</td><td>18</td><td>LTGN</td><td>1661262C1</td></tr> <tr><td>F</td><td>A78F</td><td>18</td><td>LTGN</td><td>1661262C1</td></tr> <tr><td>G</td><td>A78E</td><td>18</td><td>LTGN</td><td>1661262C1</td></tr> <tr><td>H</td><td>A78-GA</td><td>18</td><td>WH</td><td>1661262C1</td></tr> </tbody> </table> </div> </div>						CAV	CIRCUIT	GAUGE	COLOR	TERMINAL	A	A78C	18	LTGN	1661262C1	B	A78N	18	LTGN	1661262C1	C	A78P	18	LTGN	1661262C1	D	A78R	18	LTGN	1661262C1	E	A78S	18	LTGN	1661262C1	F	A78F	18	LTGN	1661262C1	G	A78E	18	LTGN	1661262C1	H	A78-GA	18	WH	1661262C1					
CAV	CIRCUIT	GAUGE	COLOR	TERMINAL																																																			
A	A78C	18	LTGN	1661262C1																																																			
B	A78N	18	LTGN	1661262C1																																																			
C	A78P	18	LTGN	1661262C1																																																			
D	A78R	18	LTGN	1661262C1																																																			
E	A78S	18	LTGN	1661262C1																																																			
F	A78F	18	LTGN	1661262C1																																																			
G	A78E	18	LTGN	1661262C1																																																			
H	A78-GA	18	WH	1661262C1																																																			
<div style="display: flex; justify-content: space-between;"> <div style="width: 45%;"> <p style="text-align: center;">RIGHT CAB DOME LIGHT (1141)</p>  <p style="text-align: center;">CONNECTOR 0587568C91</p> </div> <div style="width: 50%;"> <table border="1" style="width:100%; border-collapse: collapse; font-size: 8px;"> <thead> <tr> <th>CAV</th> <th>CIRCUIT</th> <th>GAUGE</th> <th>COLOR</th> <th>TERMINAL</th> <th>SEAL/SLEEVE</th> </tr> </thead> <tbody> <tr><td>A</td><td>A63</td><td>16</td><td>DKBL</td><td>0587575C1</td><td>1652325C1</td></tr> <tr><td>B</td><td>A63Y</td><td>16</td><td>DKBL</td><td>0587575C1</td><td>1652325C1</td></tr> </tbody> </table> </div> </div>						CAV	CIRCUIT	GAUGE	COLOR	TERMINAL	SEAL/SLEEVE	A	A63	16	DKBL	0587575C1	1652325C1	B	A63Y	16	DKBL	0587575C1	1652325C1																																
CAV	CIRCUIT	GAUGE	COLOR	TERMINAL	SEAL/SLEEVE																																																		
A	A63	16	DKBL	0587575C1	1652325C1																																																		
B	A63Y	16	DKBL	0587575C1	1652325C1																																																		
<table border="1" style="width:100%; border-collapse: collapse;"> <tr> <th>CHK</th> <th>DATE</th> <th>CHANGE</th> <th>REV</th> <th>REFERENCE</th> <th>DRAWN</th> <th>NAME</th> </tr> <tr> <td>-</td> <td>-</td> <td>INITIAL RELEASE.</td> <td>A</td> <td>92159Y</td> <td>310615</td> <td>CIRCUIT DIAGRAM, 9900</td> </tr> <tr> <td colspan="2"></td> <td></td> <td></td> <td></td> <td>RELEASE NO.</td> <td>DATE</td> <td>PART NO.</td> <td>SHEET</td> </tr> <tr> <td colspan="2"></td> <td></td> <td></td> <td></td> <td>92159Y</td> <td>02AUG13</td> <td>AE08076124</td> <td>109</td> </tr> </table>						CHK	DATE	CHANGE	REV	REFERENCE	DRAWN	NAME	-	-	INITIAL RELEASE.	A	92159Y	310615	CIRCUIT DIAGRAM, 9900						RELEASE NO.	DATE	PART NO.	SHEET						92159Y	02AUG13	AE08076124	109																		
CHK	DATE	CHANGE	REV	REFERENCE	DRAWN	NAME																																																	
-	-	INITIAL RELEASE.	A	92159Y	310615	CIRCUIT DIAGRAM, 9900																																																	
					RELEASE NO.	DATE	PART NO.	SHEET																																															
					92159Y	02AUG13	AE08076124	109																																															

Figure 316 Connector Composites (1135M / 1137F / 1141)

13.119. CONNECTOR COMPOSITES (1157F / 1158M / 1162F), P. 110

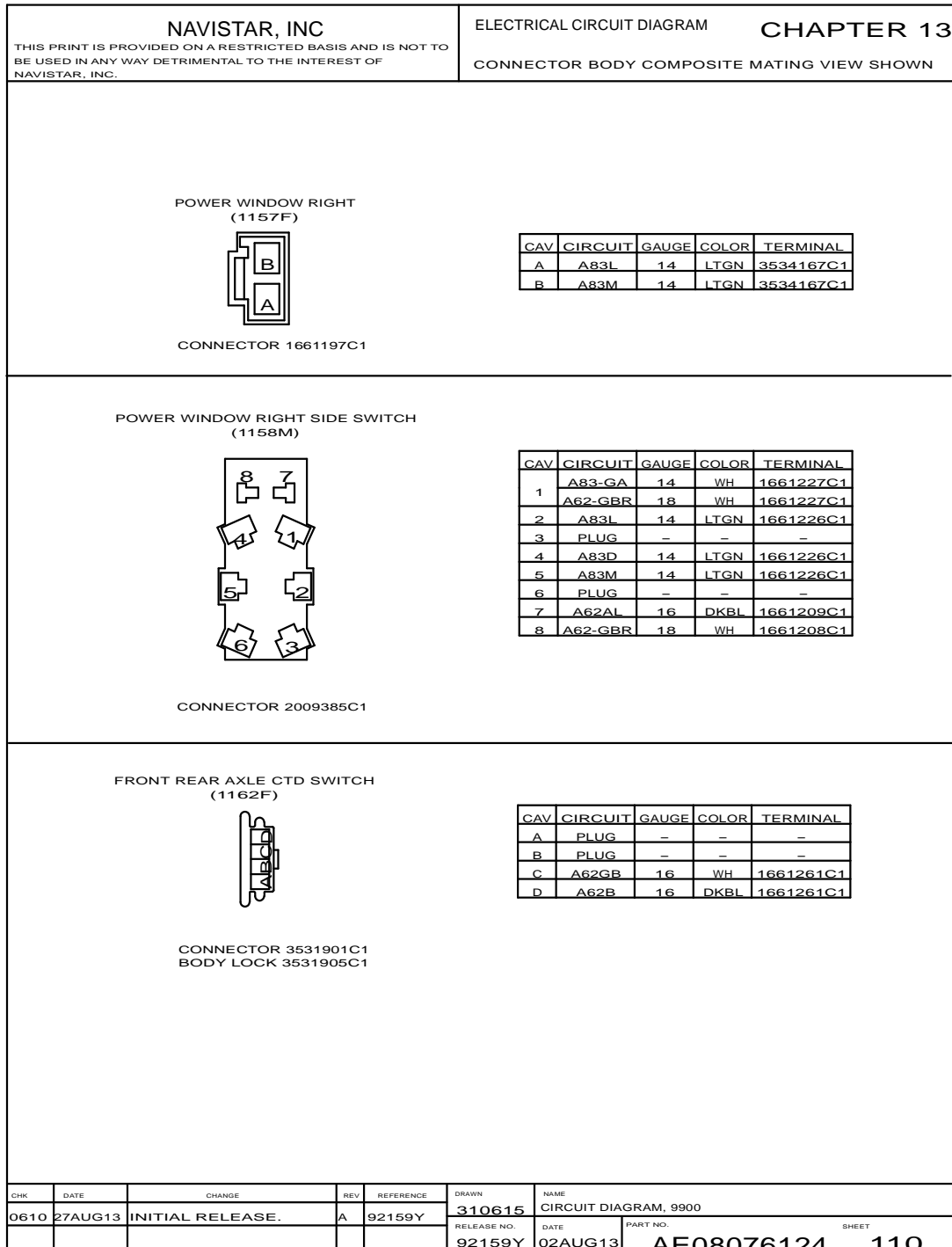


Figure 317 Connector Composites (1157F / 1158M / 1162F)

13.120. CONNECTOR COMPOSITES (1164F / 1171M / 1172M), P. 111


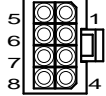

NAVISTAR, INC <small>THIS PRINT IS PROVIDED ON A RESTRICTED BASIS AND IS NOT TO BE USED IN ANY WAY DETRIMENTAL TO THE INTEREST OF NAVISTAR, INC.</small>				ELECTRICAL CIRCUIT DIAGRAM CHAPTER 13 CONNECTOR BODY COMPOSITE MATING VIEW SHOWN																																														
<p>REAR REAR AXLE CTD SWITCH (1164F) (LOCATED IN INSTRUMENT PANEL)</p>  <p>CONNECTOR 3531901C1 BODY LOCK 3531905C1</p>																																																		
<table border="1" style="border-collapse: collapse;"> <thead> <tr> <th>CAV</th> <th>CIRCUIT</th> <th>GAUGE</th> <th>COLOR</th> <th>TERMINAL</th> </tr> </thead> <tbody> <tr> <td>A</td> <td>PLUG</td> <td>-</td> <td>-</td> <td>-</td> </tr> <tr> <td>B</td> <td>PLUG</td> <td>-</td> <td>-</td> <td>-</td> </tr> <tr> <td>C</td> <td>A62GD</td> <td>16</td> <td>WH</td> <td>1661261C1</td> </tr> <tr> <td>D</td> <td>A62D</td> <td>16</td> <td>DKBL</td> <td>1661261C1</td> </tr> </tbody> </table>						CAV	CIRCUIT	GAUGE	COLOR	TERMINAL	A	PLUG	-	-	-	B	PLUG	-	-	-	C	A62GD	16	WH	1661261C1	D	A62D	16	DKBL	1661261C1																				
CAV	CIRCUIT	GAUGE	COLOR	TERMINAL																																														
A	PLUG	-	-	-																																														
B	PLUG	-	-	-																																														
C	A62GD	16	WH	1661261C1																																														
D	A62D	16	DKBL	1661261C1																																														
<p>WIPER/WASHER SWITCH (1171M) (LOCATED IN INSTRUMENT PANEL)</p>  <p>CONNECTOR 3534177C1</p>																																																		
<table border="1" style="border-collapse: collapse;"> <thead> <tr> <th>CAV</th> <th>CIRCUIT</th> <th>GAUGE</th> <th>COLOR</th> <th>TERMINAL</th> </tr> </thead> <tbody> <tr> <td>1</td> <td>A12BC</td> <td>16</td> <td>LTBL</td> <td>3534193C1</td> </tr> <tr> <td>2</td> <td>A62AG</td> <td>16</td> <td>DKBL</td> <td>3534193C1</td> </tr> <tr> <td>3</td> <td>A82B</td> <td>16</td> <td>GY</td> <td>3534193C1</td> </tr> <tr> <td>4</td> <td>A82J</td> <td>16</td> <td>GY</td> <td>3534193C1</td> </tr> <tr> <td>5</td> <td>A87A</td> <td>16</td> <td>GY</td> <td>3534193C1</td> </tr> <tr> <td>6</td> <td>A82-GB</td> <td>16</td> <td>WH</td> <td>3534193C1</td> </tr> <tr> <td>7</td> <td>PLUG</td> <td>-</td> <td>-</td> <td>-</td> </tr> <tr> <td>8</td> <td>PLUG</td> <td>-</td> <td>-</td> <td>-</td> </tr> </tbody> </table>						CAV	CIRCUIT	GAUGE	COLOR	TERMINAL	1	A12BC	16	LTBL	3534193C1	2	A62AG	16	DKBL	3534193C1	3	A82B	16	GY	3534193C1	4	A82J	16	GY	3534193C1	5	A87A	16	GY	3534193C1	6	A82-GB	16	WH	3534193C1	7	PLUG	-	-	-	8	PLUG	-	-	-
CAV	CIRCUIT	GAUGE	COLOR	TERMINAL																																														
1	A12BC	16	LTBL	3534193C1																																														
2	A62AG	16	DKBL	3534193C1																																														
3	A82B	16	GY	3534193C1																																														
4	A82J	16	GY	3534193C1																																														
5	A87A	16	GY	3534193C1																																														
6	A82-GB	16	WH	3534193C1																																														
7	PLUG	-	-	-																																														
8	PLUG	-	-	-																																														
<p>DRL DIODE (1172M) (LOCATED IN INSTRUMENT PANEL)</p>  <p>CONNECTOR 0872291R1</p>																																																		
<table border="1" style="border-collapse: collapse;"> <thead> <tr> <th>CAV</th> <th>CIRCUIT</th> <th>GAUGE</th> <th>COLOR</th> <th>TERMINAL</th> </tr> </thead> <tbody> <tr> <td>A</td> <td>A58ZC</td> <td>18</td> <td>BN</td> <td>0879630R1</td> </tr> <tr> <td>B</td> <td>A58ZD</td> <td>18</td> <td>BN</td> <td>0879630R1</td> </tr> </tbody> </table>						CAV	CIRCUIT	GAUGE	COLOR	TERMINAL	A	A58ZC	18	BN	0879630R1	B	A58ZD	18	BN	0879630R1																														
CAV	CIRCUIT	GAUGE	COLOR	TERMINAL																																														
A	A58ZC	18	BN	0879630R1																																														
B	A58ZD	18	BN	0879630R1																																														
CHK	DATE	CHANGE	REV	REFERENCE	DRAWN	NAME																																												
0610	27AUG13	INITIAL RELEASE.	A	92159Y	310615	CIRCUIT DIAGRAM, 9900																																												
					RELEASE NO.	DATE																																												
					92159Y	02AUG13																																												
					PART NO.	SHEET																																												
					AE08076124	111																																												

Figure 318 Connector Composites (1164F / 1171M / 1172M)

13.121. CONNECTOR COMPOSITES (1173M / 1175M / 1176M / 1178M), P. 112

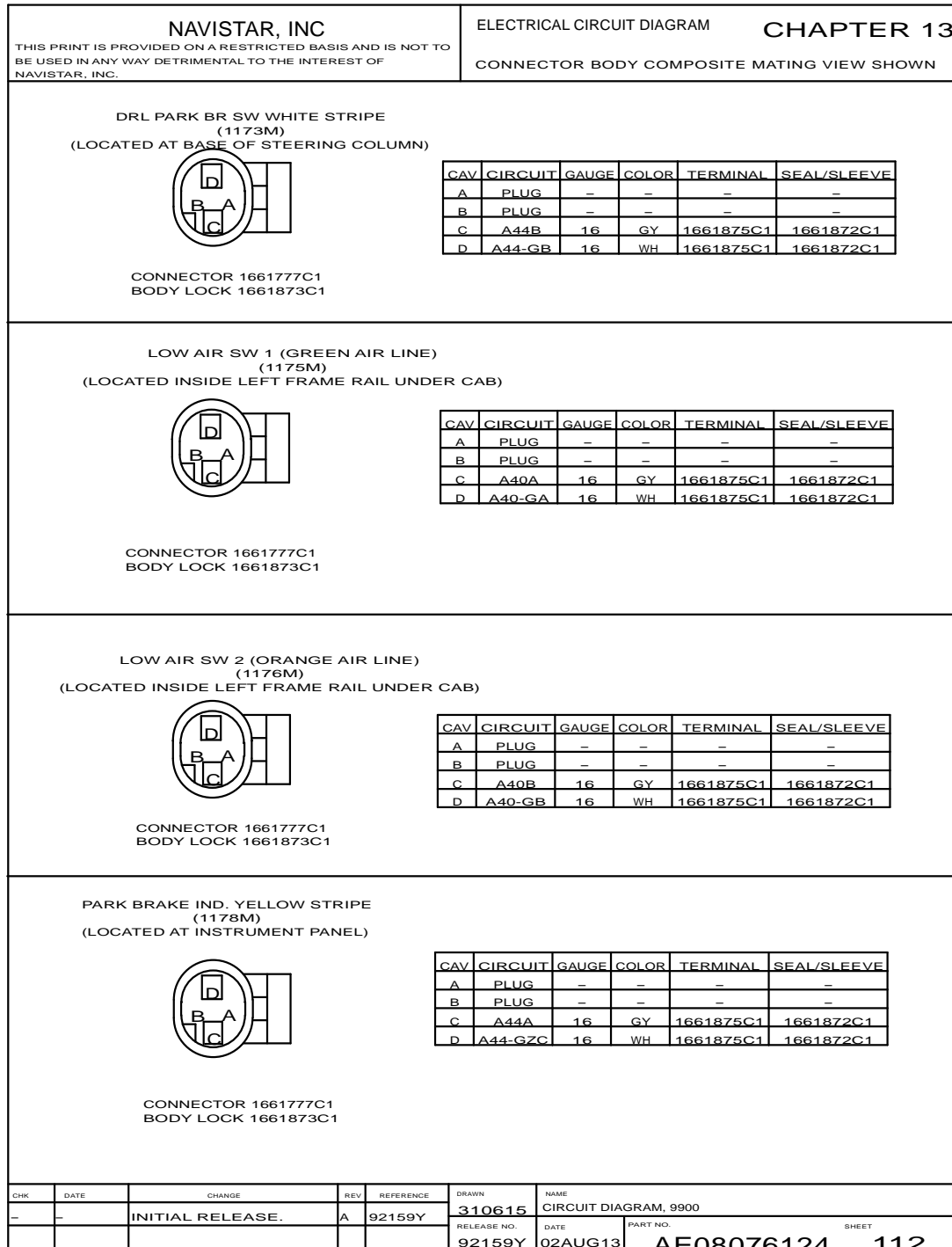


Figure 319 Connector Composites (1173M / 1175M / 1176M / 1178M)

13.122. CONNECTOR COMPOSITES (1180F / 1181F / 1182F / 1183F / 1184F / 1185F / 1186M), P. 113

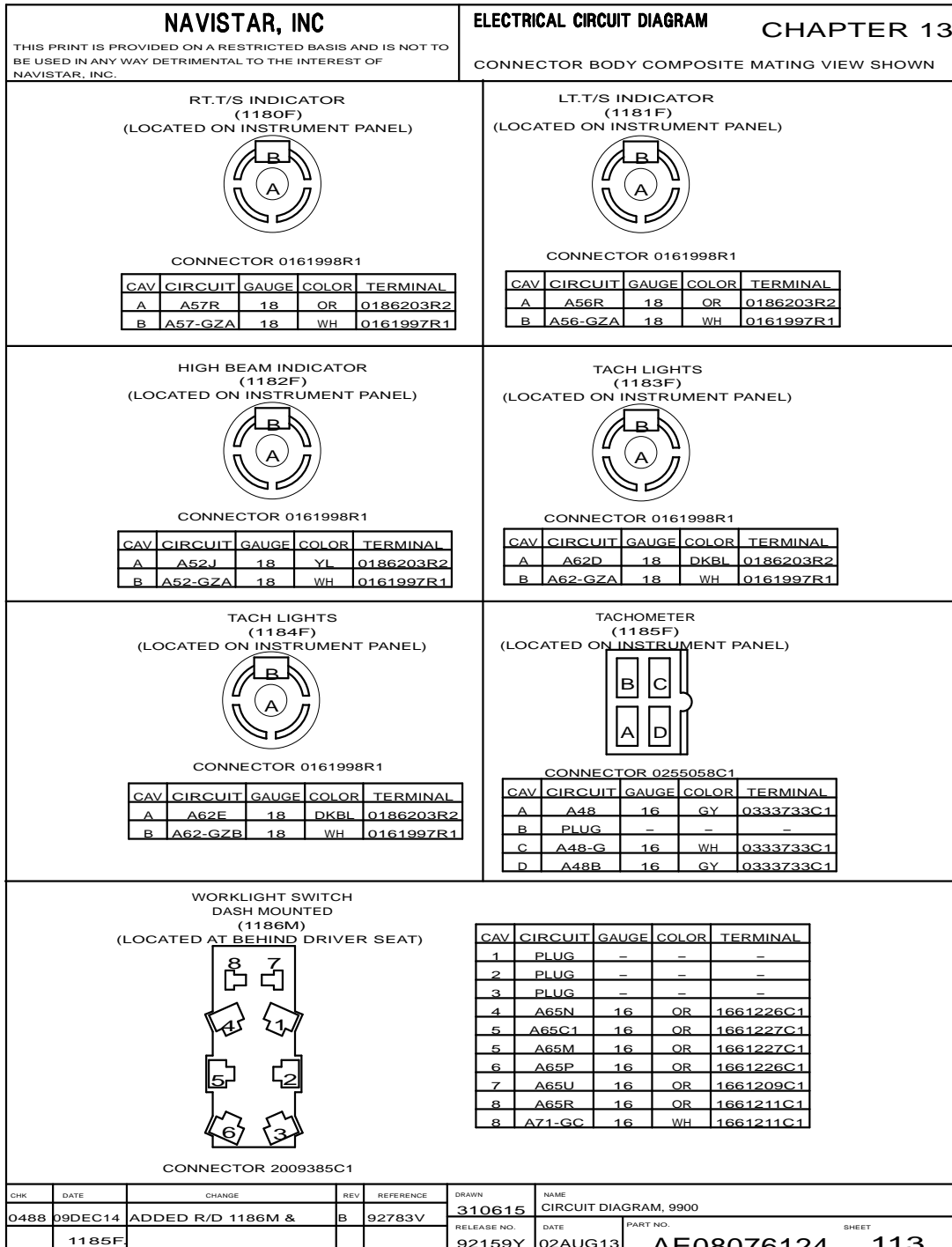


Figure 320 Connector Composites (1180F / 1181F / 1182F / 1183F / 1184F / 1185F / 1186M)

13.123. CONNECTOR COMPOSITES (1187F / 1187M / 1190 / 1199M / 1209F / 1212M), P. 114

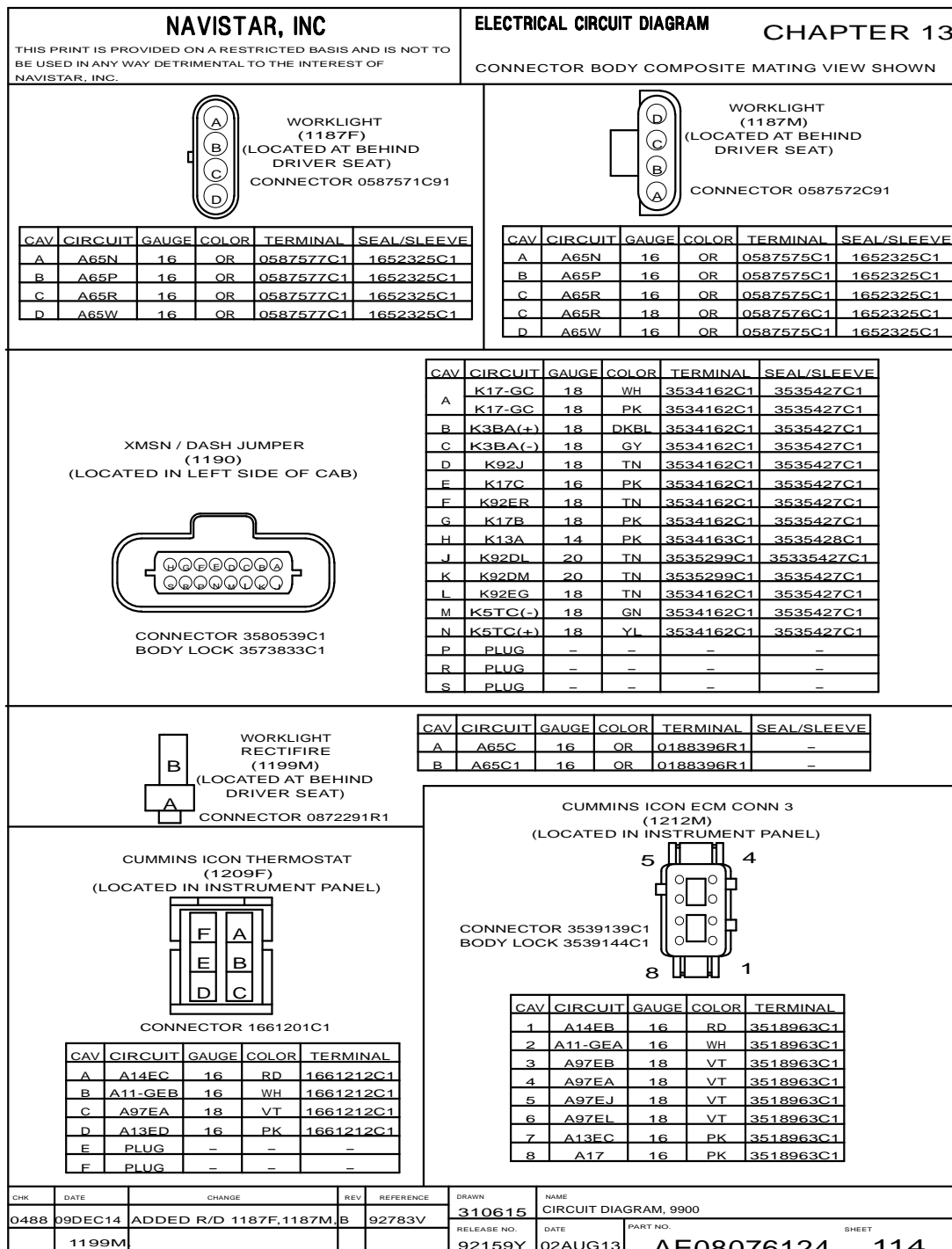


Figure 321 Connector Composites (1187F / 1187M / 1190 / 1199M / 1209F / 1212M)

13.124. CONNECTOR COMPOSITES (1213F / 1214FL / 1214ML / 1215F), P. 115

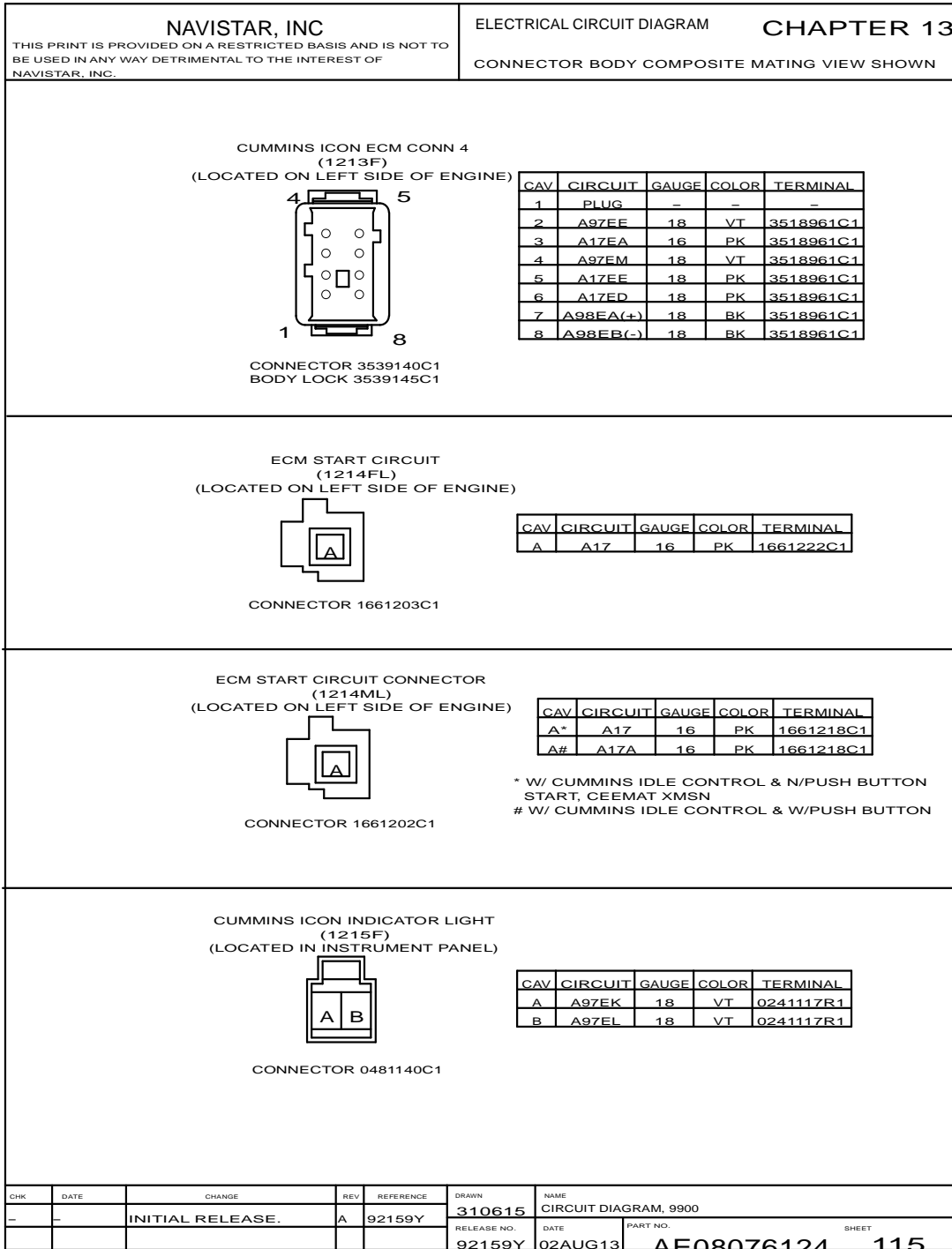


Figure 322 Connector Composites (1213F / 1214FL / 1214ML / 1215F)

13.125. CONNECTOR COMPOSITES (1216F / 1217M / 1218M / 1226M), P. 116

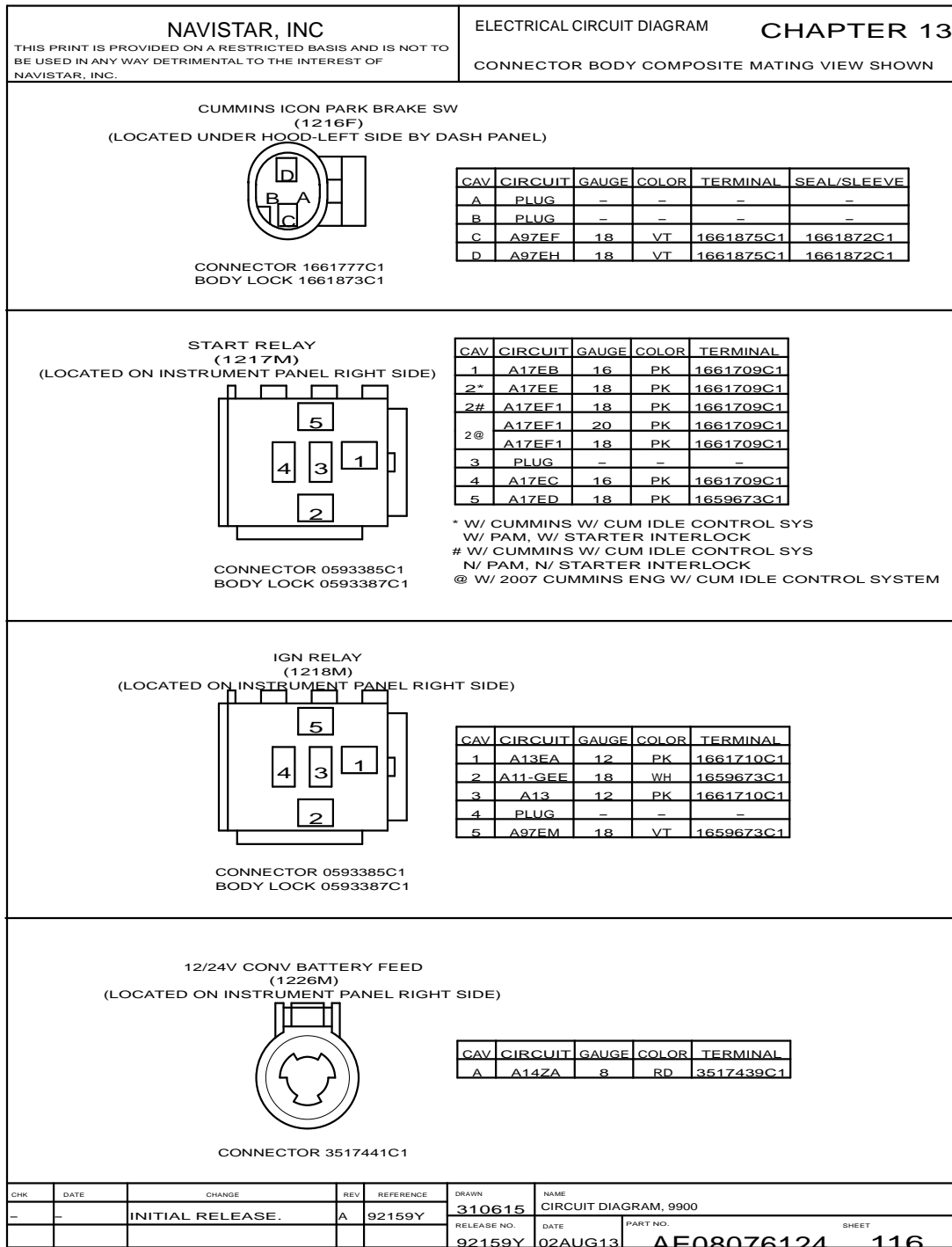


Figure 323 Connector Composites (1216F / 1217M / 1218M / 1226M)

13.126. CONNECTOR COMPOSITES (1239 / 1244F), P. 117

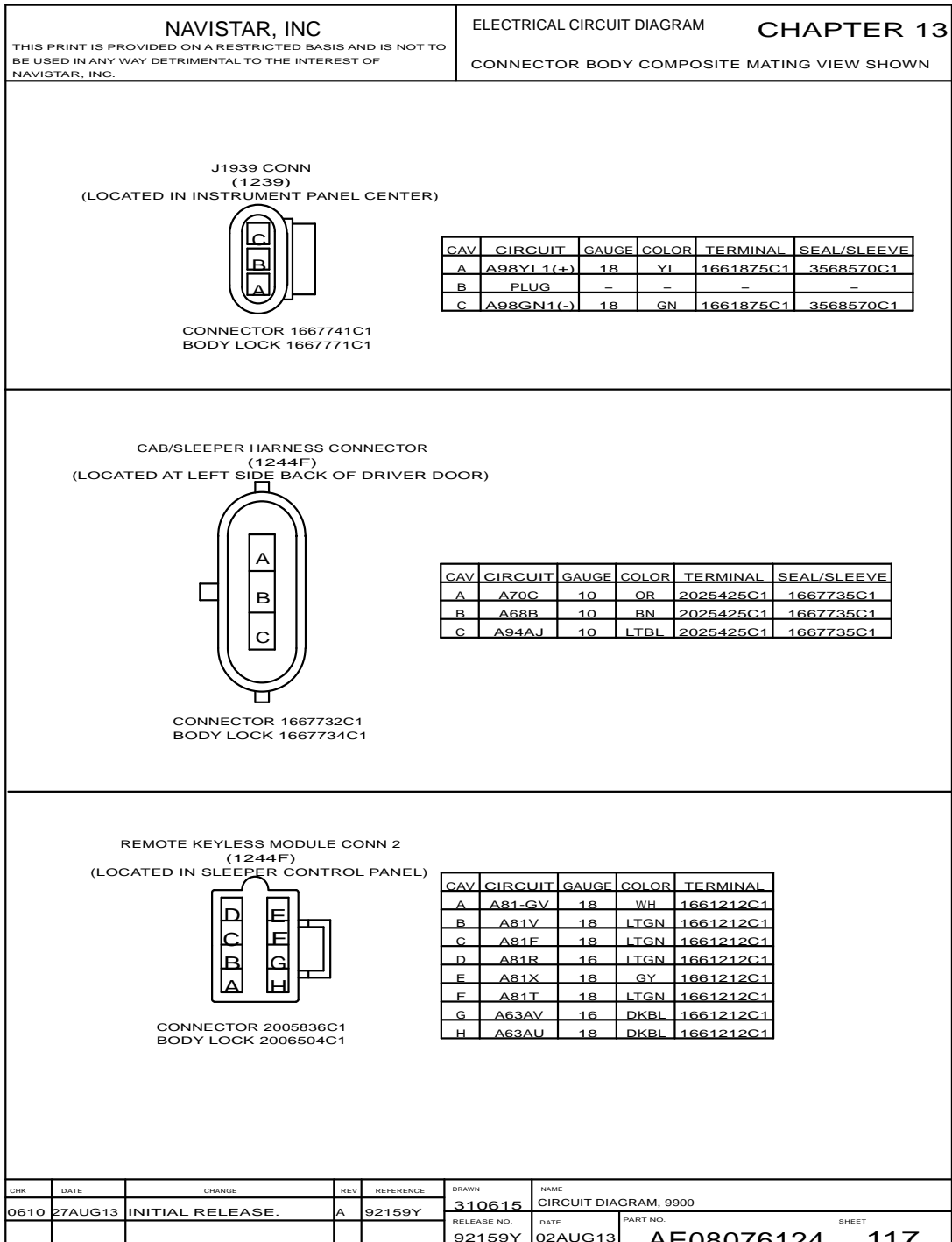


Figure 324 Connector Composites (1239 / 1244F)

13.127. CONNECTOR COMPOSITES (1245M / 1246F), P. 118

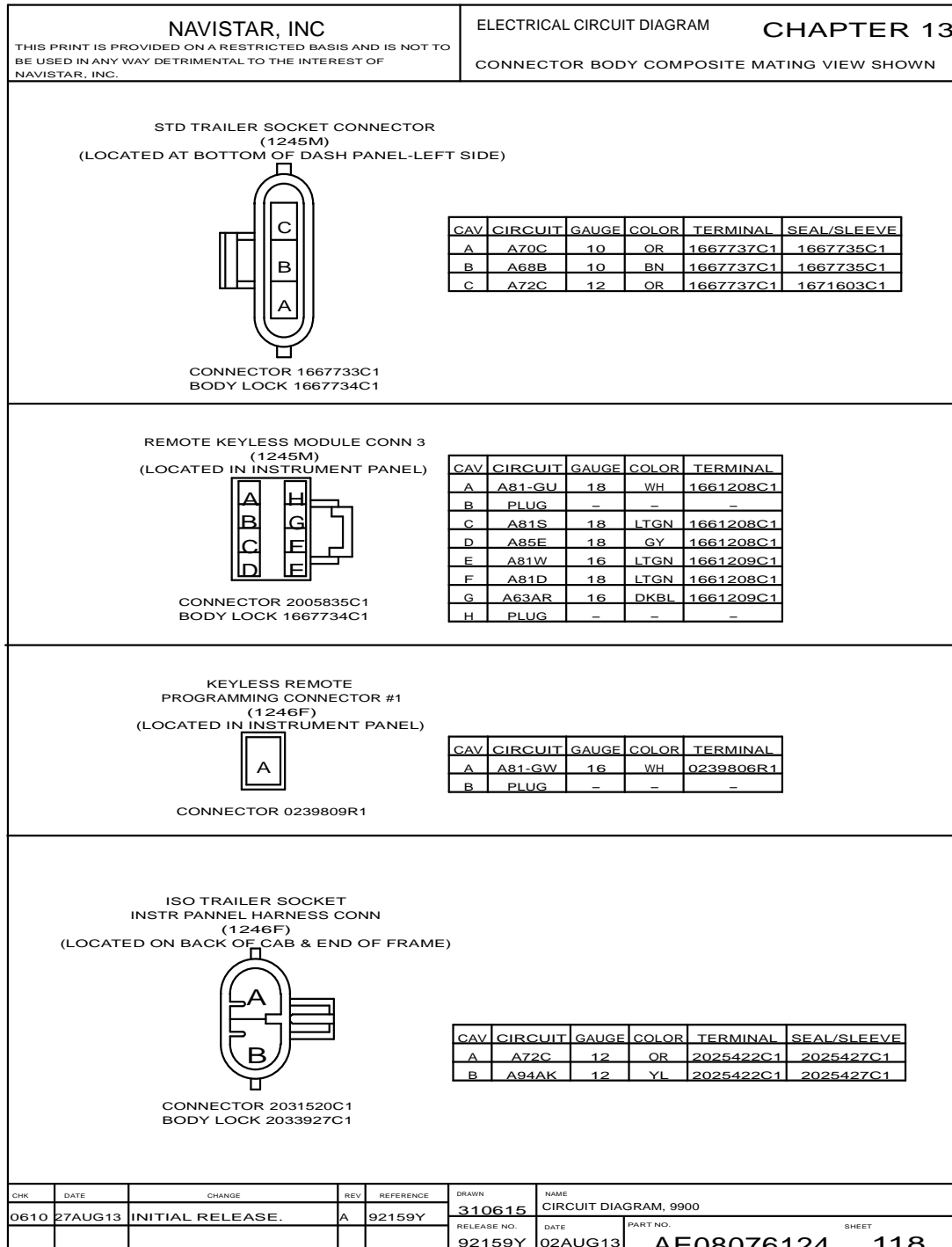


Figure 325 Connector Composites (1245M / 1246F)

13.128. CONNECTOR COMPOSITES (1246M / 1247M / 1248M), P. 119

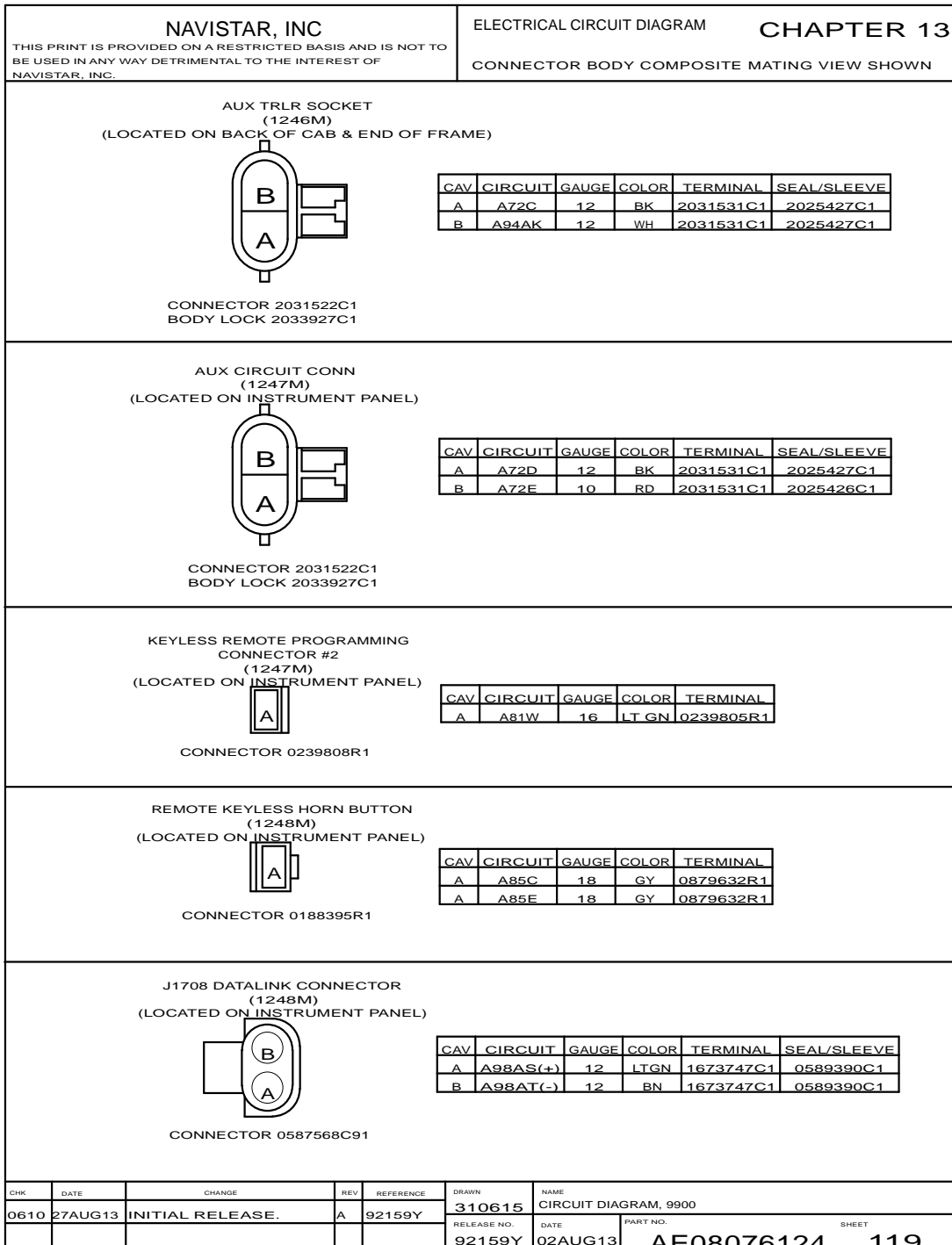


Figure 326 Connector Composites (1246M / 1247M / 1248M)

13.129. CONNECTOR COMPOSITES (1250 / 1251M / 1258F), P. 120

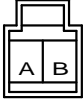
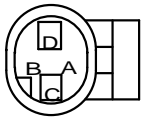
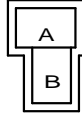
NAVISTAR, INC <small>THIS PRINT IS PROVIDED ON A RESTRICTED BASIS AND IS NOT TO BE USED IN ANY WAY DETRIMENTAL TO THE INTEREST OF NAVISTAR, INC.</small>				ELECTRICAL CIRCUIT DIAGRAM CHAPTER 13 CONNECTOR BODY COMPOSITE MATING VIEW SHOWN																																
<p>TRAILER ABS WARNING LIGHT (1250)</p>  <table border="1" style="margin-left: auto; margin-right: auto;"> <thead> <tr> <th>CAV</th> <th>CIRCUIT</th> <th>GAUGE</th> <th>COLOR</th> <th>TERMINAL</th> </tr> </thead> <tbody> <tr> <td>A</td> <td>A94AK</td> <td>12</td> <td>GY</td> <td>0188392R2</td> </tr> <tr> <td>B</td> <td>A94AL</td> <td>12</td> <td>GY</td> <td>0188392R2</td> </tr> </tbody> </table> <p>CONNECTOR 0481140C1</p>							CAV	CIRCUIT	GAUGE	COLOR	TERMINAL	A	A94AK	12	GY	0188392R2	B	A94AL	12	GY	0188392R2															
CAV	CIRCUIT	GAUGE	COLOR	TERMINAL																																
A	A94AK	12	GY	0188392R2																																
B	A94AL	12	GY	0188392R2																																
<p>STOP LIGHT SWITCH (1251M)</p>  <table border="1" style="margin-left: auto; margin-right: auto;"> <thead> <tr> <th>CAV</th> <th>CIRCUIT</th> <th>GAUGE</th> <th>COLOR</th> <th>TERMINAL</th> <th>SEAL/SLEEVE</th> </tr> </thead> <tbody> <tr> <td>A</td> <td>PLUG</td> <td>-</td> <td>-</td> <td>-</td> <td>-</td> </tr> <tr> <td>B</td> <td>PLUG</td> <td>-</td> <td>-</td> <td>-</td> <td>-</td> </tr> <tr> <td>C</td> <td>M70</td> <td>16</td> <td>OR</td> <td>1661875C1</td> <td>1661872C1</td> </tr> <tr> <td>D</td> <td>M70A</td> <td>16</td> <td>OR</td> <td>1661875C1</td> <td>1661872C1</td> </tr> </tbody> </table> <p>CONNECTOR 1661777C1 BODY LOCK 1661873C1</p>							CAV	CIRCUIT	GAUGE	COLOR	TERMINAL	SEAL/SLEEVE	A	PLUG	-	-	-	-	B	PLUG	-	-	-	-	C	M70	16	OR	1661875C1	1661872C1	D	M70A	16	OR	1661875C1	1661872C1
CAV	CIRCUIT	GAUGE	COLOR	TERMINAL	SEAL/SLEEVE																															
A	PLUG	-	-	-	-																															
B	PLUG	-	-	-	-																															
C	M70	16	OR	1661875C1	1661872C1																															
D	M70A	16	OR	1661875C1	1661872C1																															
<p>DIMMER SWITCH (1258F)</p>  <table border="1" style="margin-left: auto; margin-right: auto;"> <thead> <tr> <th>CAV</th> <th>CIRCUIT</th> <th>GAUGE</th> <th>COLOR</th> <th>TERMINAL</th> </tr> </thead> <tbody> <tr> <td>A</td> <td>A52N</td> <td>16</td> <td>YL</td> <td>0239807R1</td> </tr> <tr> <td>B</td> <td>A11-GAW</td> <td>16</td> <td>WH</td> <td>0239807R1</td> </tr> </tbody> </table> <p>CONNECTOR 0872290R1</p>							CAV	CIRCUIT	GAUGE	COLOR	TERMINAL	A	A52N	16	YL	0239807R1	B	A11-GAW	16	WH	0239807R1															
CAV	CIRCUIT	GAUGE	COLOR	TERMINAL																																
A	A52N	16	YL	0239807R1																																
B	A11-GAW	16	WH	0239807R1																																
CHK	DATE	CHANGE	REV	REFERENCE	DRAWN	NAME																														
0610	27AUG13	INITIAL RELEASE.	A	92159Y	310615	CIRCUIT DIAGRAM, 9900																														
					RELEASE NO.	DATE																														
					92159Y	02AUG13																														
					PART NO.	SHEET																														
					AE08076124	120																														

Figure 327 Connector Composites (1250 / 1251M / 1258F)

13.130. CONNECTOR COMPOSITES (1258M / 1262 / 1281F / 1281M), P. 121

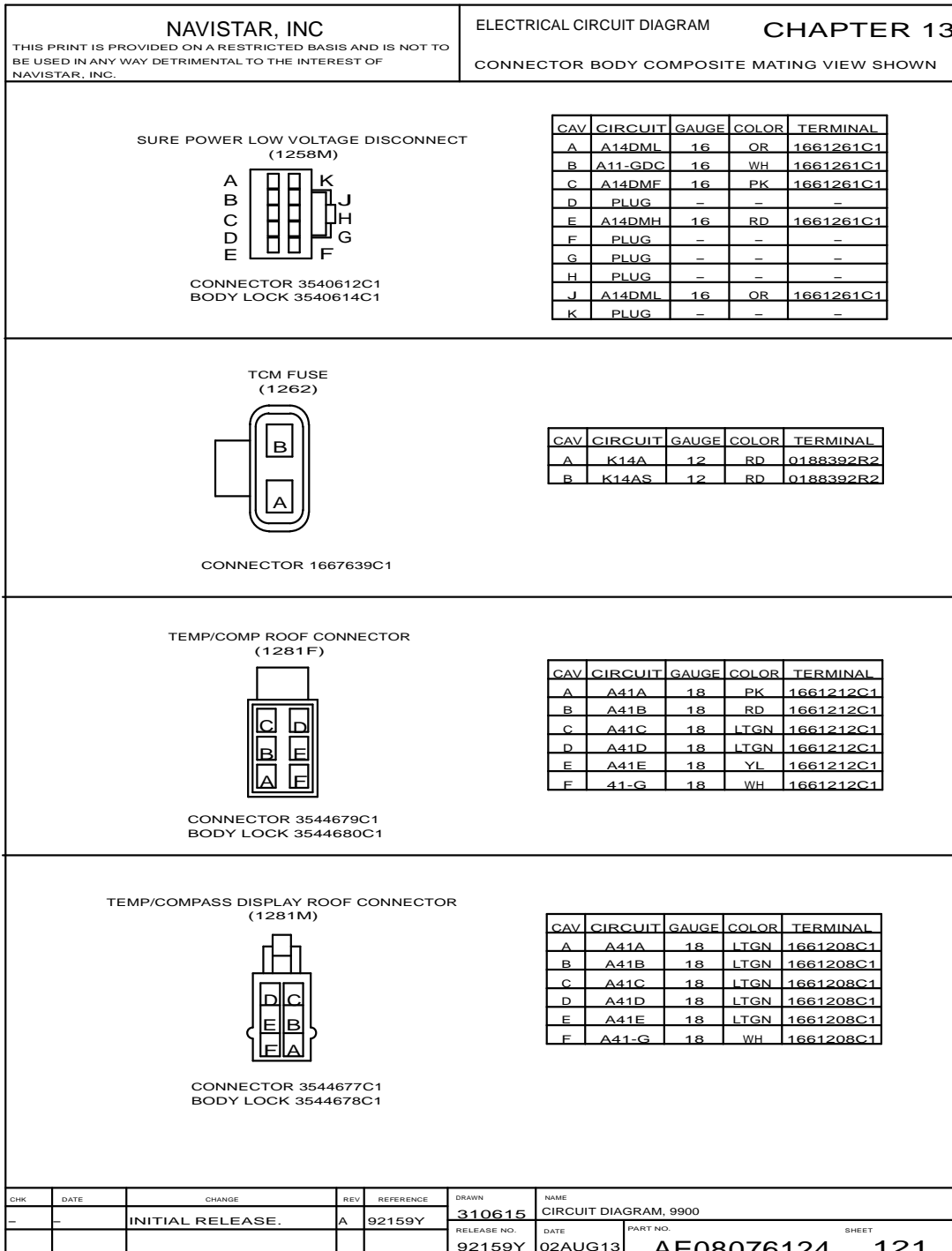


Figure 328 Connector Composites (1258M / 1262 / 1281F / 1281M)

13.131. CONNECTOR COMPOSITES (1282M / 1283 / 1284 / 1285F), P. 122

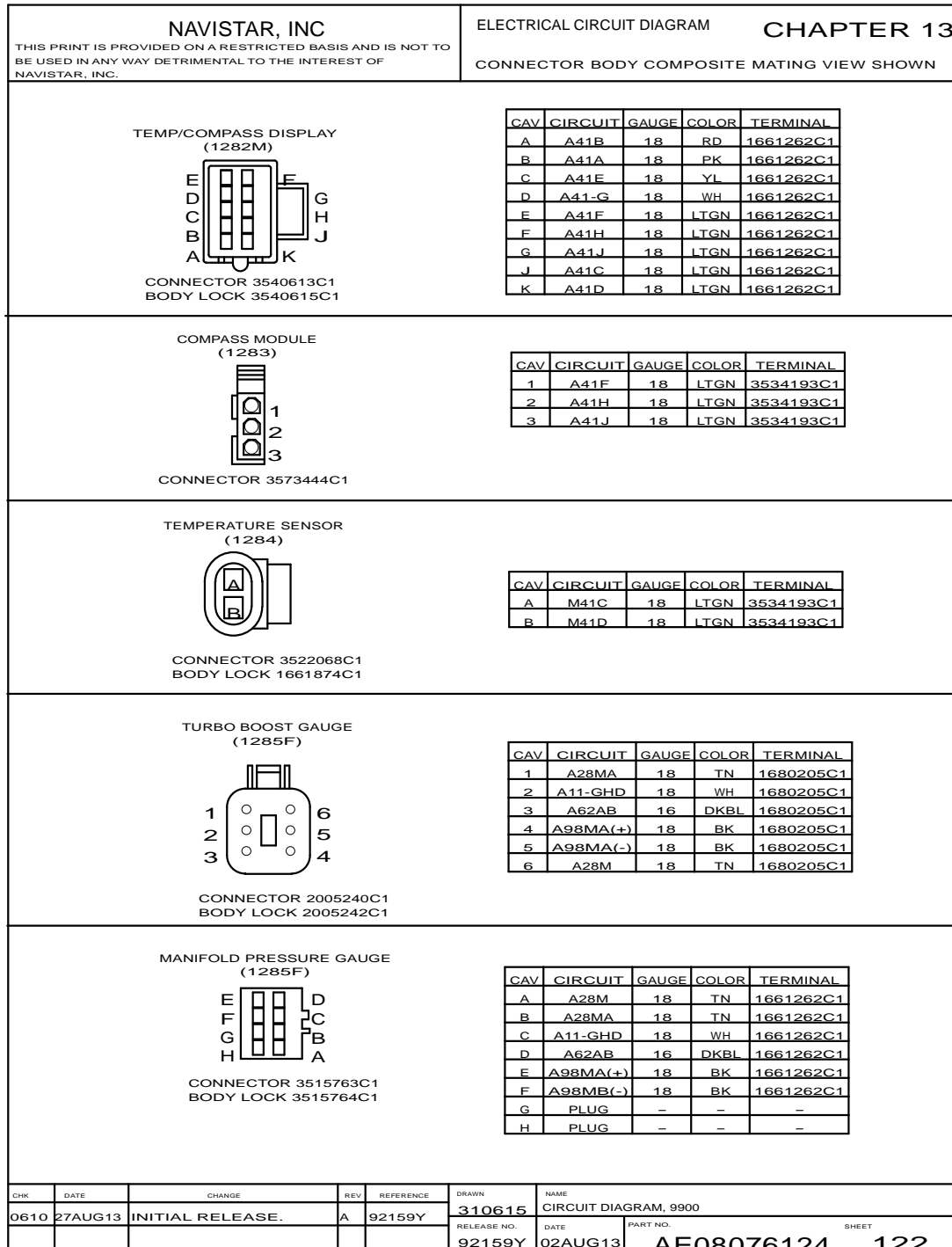


Figure 329 Connector Composites (1282M / 1283 / 1284 / 1285F)

13.132. CONNECTOR COMPOSITES (1286F / 1316FL), P. 123

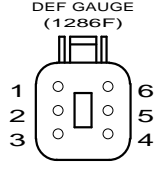
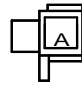
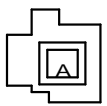
NAVISTAR, INC <small>THIS PRINT IS PROVIDED ON A RESTRICTED BASIS AND IS NOT TO BE USED IN ANY WAY DETRIMENTAL TO THE INTEREST OF NAVISTAR, INC.</small>				ELECTRICAL CIRCUIT DIAGRAM CHAPTER 13 CONNECTOR BODY COMPOSITE MATING VIEW SHOWN																																											
<p>DEF GAUGE (1286F)</p>  <p>CONNECTOR 2005240C1 BODY LOCK 2005242C1</p>				<table border="1" style="width:100%; border-collapse: collapse;"> <thead> <tr> <th>CAV</th> <th>CIRCUIT</th> <th>GAUGE</th> <th>COLOR</th> <th>TERMINAL</th> </tr> </thead> <tbody> <tr><td>1</td><td>A28NA</td><td>18</td><td>TN</td><td>1680205C1</td></tr> <tr><td>2</td><td>A11-GHH</td><td>18</td><td>WH</td><td>1680205C1</td></tr> <tr><td>*3</td><td>A62RU</td><td>18</td><td>DKBL</td><td>1680205C1</td></tr> <tr><td>&3</td><td>A62RU</td><td>18</td><td>DKBL</td><td>1680205C1</td></tr> <tr><td>4</td><td>A5DA(+)</td><td>18</td><td>BK</td><td>1680205C1</td></tr> <tr><td>5</td><td>A5DB(-)</td><td>18</td><td>BK</td><td>1680205C1</td></tr> <tr><td>6</td><td>A28N</td><td>18</td><td>TN</td><td>1680205C1</td></tr> </tbody> </table> <p style="text-align: center; font-size: small;">* W/ AUOTO ULTRASHIFT, FREEDOM & W/ SHIFT ALLISON & N/ENG</p>				CAV	CIRCUIT	GAUGE	COLOR	TERMINAL	1	A28NA	18	TN	1680205C1	2	A11-GHH	18	WH	1680205C1	*3	A62RU	18	DKBL	1680205C1	&3	A62RU	18	DKBL	1680205C1	4	A5DA(+)	18	BK	1680205C1	5	A5DB(-)	18	BK	1680205C1	6	A28N	18	TN	1680205C1
CAV	CIRCUIT	GAUGE	COLOR	TERMINAL																																											
1	A28NA	18	TN	1680205C1																																											
2	A11-GHH	18	WH	1680205C1																																											
*3	A62RU	18	DKBL	1680205C1																																											
&3	A62RU	18	DKBL	1680205C1																																											
4	A5DA(+)	18	BK	1680205C1																																											
5	A5DB(-)	18	BK	1680205C1																																											
6	A28N	18	TN	1680205C1																																											
<p>ULTRASHIFT / DM2 (1316FL)</p>  <p>CONNECTOR 1661202C1</p>				<table border="1" style="width:100%; border-collapse: collapse;"> <thead> <tr> <th>CAV</th> <th>CIRCUIT</th> <th>GAUGE</th> <th>COLOR</th> <th>TERMINAL</th> </tr> </thead> <tbody> <tr> <td>A</td> <td>A13DM1</td> <td>20</td> <td>PK</td> <td>1661215C1</td> </tr> </tbody> </table>				CAV	CIRCUIT	GAUGE	COLOR	TERMINAL	A	A13DM1	20	PK	1661215C1																														
CAV	CIRCUIT	GAUGE	COLOR	TERMINAL																																											
A	A13DM1	20	PK	1661215C1																																											
<p>EATON DM2 XMSN (1316FL)</p>  <p>CONNECTOR 1661203C1</p>				<table border="1" style="width:100%; border-collapse: collapse;"> <thead> <tr> <th>CAV</th> <th>CIRCUIT</th> <th>GAUGE</th> <th>COLOR</th> <th>TERMINAL</th> </tr> </thead> <tbody> <tr><td>A*</td><td>A13DM1</td><td>20</td><td>PK</td><td>1661220C1</td></tr> <tr><td>A#</td><td>A13DM1</td><td>18</td><td>PK</td><td>1661220C1</td></tr> <tr><td>A@</td><td>A17EF1</td><td>20</td><td>PK</td><td>1661220C1</td></tr> <tr><td>A%</td><td>A17EF1</td><td>18</td><td>PK</td><td>1661220C1</td></tr> </tbody> </table> <p style="text-align: center; font-size: small;">* W/ EATON DM2 XMSN W/ AUTOCLUCH W/ CAT ENG # W/ 2010 IBB ENG & W/ ALLISION XMSN & N/ ENGINE BRAKE @ W/ EATON DM3 XMSN W/ AUTOCLUCH W/ CUMMINS W/ ICON W/ PAM, USA % W/ 2007 CUMM W/ CUM IDEL CONTROL & N/ BRAZIL W/ STARTER INTERLOCK</p>				CAV	CIRCUIT	GAUGE	COLOR	TERMINAL	A*	A13DM1	20	PK	1661220C1	A#	A13DM1	18	PK	1661220C1	A@	A17EF1	20	PK	1661220C1	A%	A17EF1	18	PK	1661220C1															
CAV	CIRCUIT	GAUGE	COLOR	TERMINAL																																											
A*	A13DM1	20	PK	1661220C1																																											
A#	A13DM1	18	PK	1661220C1																																											
A@	A17EF1	20	PK	1661220C1																																											
A%	A17EF1	18	PK	1661220C1																																											
CHK	DATE	CHANGE	REV	REFERENCE	DRAWN	NAME																																									
-	-	INITIAL RELEASE.	A	92159Y	310615	CIRCUIT DIAGRAM, 9900																																									
					RELEASE NO.	DATE																																									
					92159Y	02AUG13																																									
					PART NO.	SHEET																																									
					AE08076124	123																																									

Figure 330 Connector Composites (1286F / 1316FL)

13.133. CONNECTOR COMPOSITES (1316ML / 1329M / 1331F / 1332F), P. 124

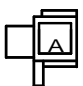

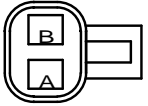
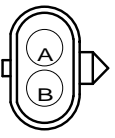
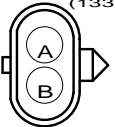
NAVISTAR, INC <small>THIS PRINT IS PROVIDED ON A RESTRICTED BASIS AND IS NOT TO BE USED IN ANY WAY DETRIMENTAL TO THE INTEREST OF NAVISTAR, INC.</small>				ELECTRICAL CIRCUIT DIAGRAM CHAPTER 13 CONNECTOR BODY COMPOSITE MATING VIEW SHOWN																					
EATON DM2 XMSN (1316ML)  CONNECTOR 1661202C1		<small>* W/2010 IBB ENG & W/MANUAL XMSN & W/STARTER INTERLOCK & W/2007 CUMM W/CUM IDLE CONTROL & N/BRAZIL W/STARTER INTERLOCK</small> <table border="1" style="width:100%; border-collapse: collapse; margin-top: 10px;"> <thead> <tr> <th>CAV</th> <th>CIRCUIT</th> <th>GAUGE</th> <th>COLOR</th> <th>TERMINAL</th> </tr> </thead> <tbody> <tr> <td>A</td> <td>A13D</td> <td>20</td> <td>PK</td> <td>1661215C1</td> </tr> <tr> <td>*A</td> <td>A13D</td> <td>18</td> <td>PK</td> <td>1661215C1</td> </tr> <tr> <td>&A</td> <td>A17EF</td> <td>18</td> <td>PK</td> <td>1661215C1</td> </tr> </tbody> </table>				CAV	CIRCUIT	GAUGE	COLOR	TERMINAL	A	A13D	20	PK	1661215C1	*A	A13D	18	PK	1661215C1	&A	A17EF	18	PK	1661215C1
CAV	CIRCUIT	GAUGE	COLOR	TERMINAL																					
A	A13D	20	PK	1661215C1																					
*A	A13D	18	PK	1661215C1																					
&A	A17EF	18	PK	1661215C1																					
ULTRASHIFT / DM2 (1316ML)  CONNECTOR 1661203C1		<table border="1" style="width:100%; border-collapse: collapse; margin-top: 10px;"> <thead> <tr> <th>CAV</th> <th>CIRCUIT</th> <th>GAUGE</th> <th>COLOR</th> <th>TERMINAL</th> </tr> </thead> <tbody> <tr> <td>A</td> <td>A13D</td> <td>20</td> <td>PK</td> <td>1661220C1</td> </tr> </tbody> </table>				CAV	CIRCUIT	GAUGE	COLOR	TERMINAL	A	A13D	20	PK	1661220C1										
CAV	CIRCUIT	GAUGE	COLOR	TERMINAL																					
A	A13D	20	PK	1661220C1																					
BUMPER MTD MARKER LIGHT (1329M)  CONNECTOR 1671610C1 BODY LOCK 1671608C1		<table border="1" style="width:100%; border-collapse: collapse; margin-top: 10px;"> <thead> <tr> <th>CAV</th> <th>CIRCUIT</th> <th>GAUGE</th> <th>COLOR</th> <th>TERMINAL</th> <th>SEAL/SLEEVE</th> </tr> </thead> <tbody> <tr> <td>A</td> <td>M58ML</td> <td>18</td> <td>BN</td> <td>2033819C1</td> <td>1652325C1</td> </tr> <tr> <td>B</td> <td>M58-G</td> <td>18</td> <td>WH</td> <td>2033819C1</td> <td>1652325C1</td> </tr> </tbody> </table>				CAV	CIRCUIT	GAUGE	COLOR	TERMINAL	SEAL/SLEEVE	A	M58ML	18	BN	2033819C1	1652325C1	B	M58-G	18	WH	2033819C1	1652325C1		
CAV	CIRCUIT	GAUGE	COLOR	TERMINAL	SEAL/SLEEVE																				
A	M58ML	18	BN	2033819C1	1652325C1																				
B	M58-G	18	WH	2033819C1	1652325C1																				
DRIVER'S HEATED SEAT CONNECTOR (1331F)  CONNECTOR 0587567C91		<table border="1" style="width:100%; border-collapse: collapse; margin-top: 10px;"> <thead> <tr> <th>CAV</th> <th>CIRCUIT</th> <th>GAUGE</th> <th>COLOR</th> <th>TERMINAL</th> <th>SEAL/SLEEVE</th> </tr> </thead> <tbody> <tr> <td>A</td> <td>WHITE</td> <td>18</td> <td>WH</td> <td>0587578C1</td> <td>1652325C1</td> </tr> <tr> <td>B</td> <td>BLACK</td> <td>18</td> <td>BK</td> <td>0587578C1</td> <td>1652325C1</td> </tr> </tbody> </table>				CAV	CIRCUIT	GAUGE	COLOR	TERMINAL	SEAL/SLEEVE	A	WHITE	18	WH	0587578C1	1652325C1	B	BLACK	18	BK	0587578C1	1652325C1		
CAV	CIRCUIT	GAUGE	COLOR	TERMINAL	SEAL/SLEEVE																				
A	WHITE	18	WH	0587578C1	1652325C1																				
B	BLACK	18	BK	0587578C1	1652325C1																				
HEATED PASSANGER SEAT CONNECTOR (1332F)  CONNECTOR 0587567C91		<table border="1" style="width:100%; border-collapse: collapse; margin-top: 10px;"> <thead> <tr> <th>CAV</th> <th>CIRCUIT</th> <th>GAUGE</th> <th>COLOR</th> <th>TERMINAL</th> <th>SEAL/SLEEVE</th> </tr> </thead> <tbody> <tr> <td>A</td> <td>WHITE</td> <td>18</td> <td>WH</td> <td>0587578C1</td> <td>1652325C1</td> </tr> <tr> <td>B</td> <td>BLACK</td> <td>18</td> <td>BK</td> <td>0587578C1</td> <td>1652325C1</td> </tr> </tbody> </table>				CAV	CIRCUIT	GAUGE	COLOR	TERMINAL	SEAL/SLEEVE	A	WHITE	18	WH	0587578C1	1652325C1	B	BLACK	18	BK	0587578C1	1652325C1		
CAV	CIRCUIT	GAUGE	COLOR	TERMINAL	SEAL/SLEEVE																				
A	WHITE	18	WH	0587578C1	1652325C1																				
B	BLACK	18	BK	0587578C1	1652325C1																				
CHK	DATE	CHANGE	REV	REFERENCE	DRAWN	NAME																			
0610	27AUG13	INITIAL RELEASE.	A	92159Y	310615	CIRCUIT DIAGRAM, 9900																			
					RELEASE NO.	DATE																			
					92159Y	02AUG13																			
					PART NO.	SHEET																			
					AE08076124	124																			

Figure 331 Connector Composites (1316ML / 1329M / 1331F / 1332F)

13.134. CONNECTOR COMPOSITES (1348 / 1349 / 1350), P. 125

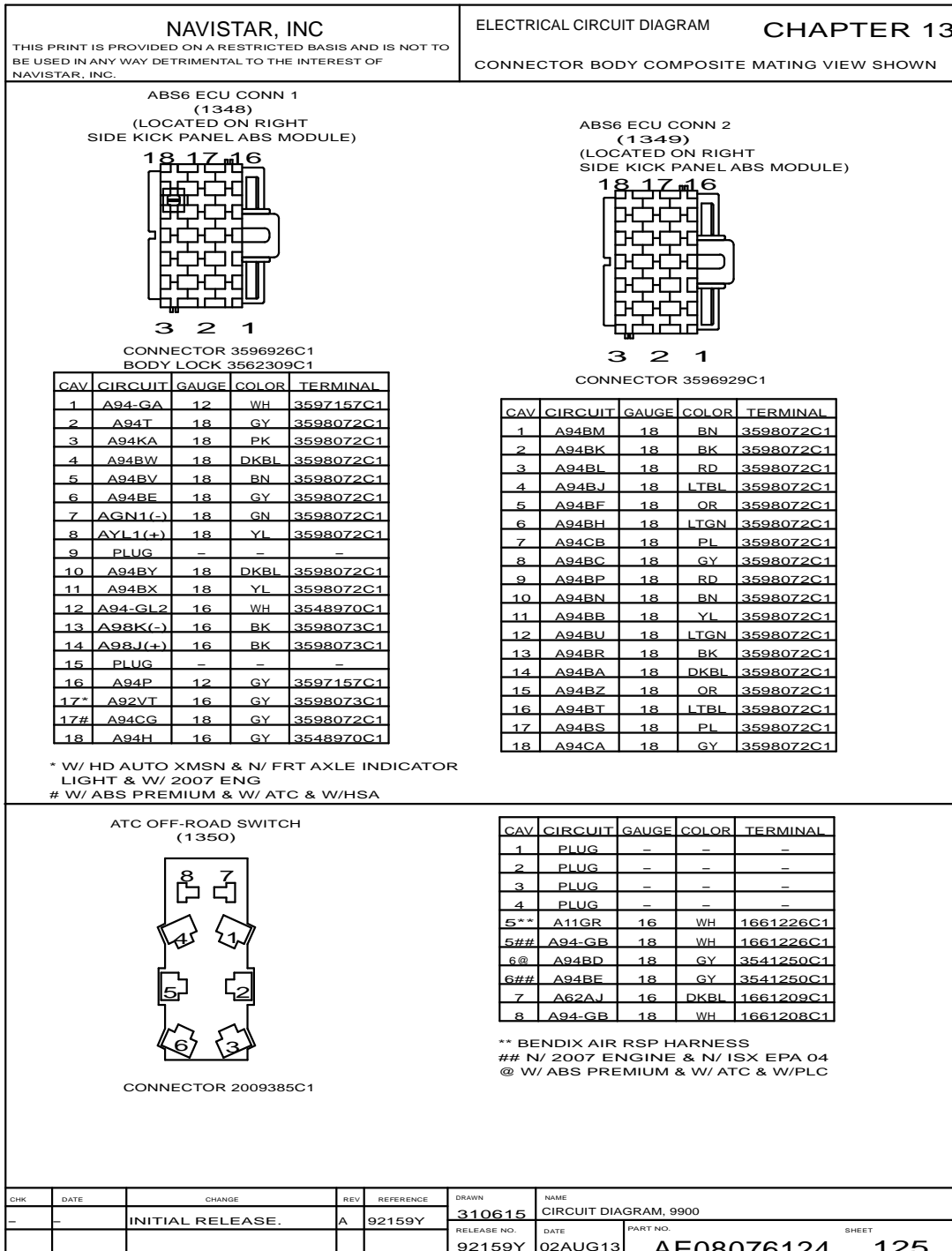


Figure 332 Connector Composites (1348 / 1349 / 1350)

13.135. CONNECTOR COMPOSITES (1350 / 1351), P. 126

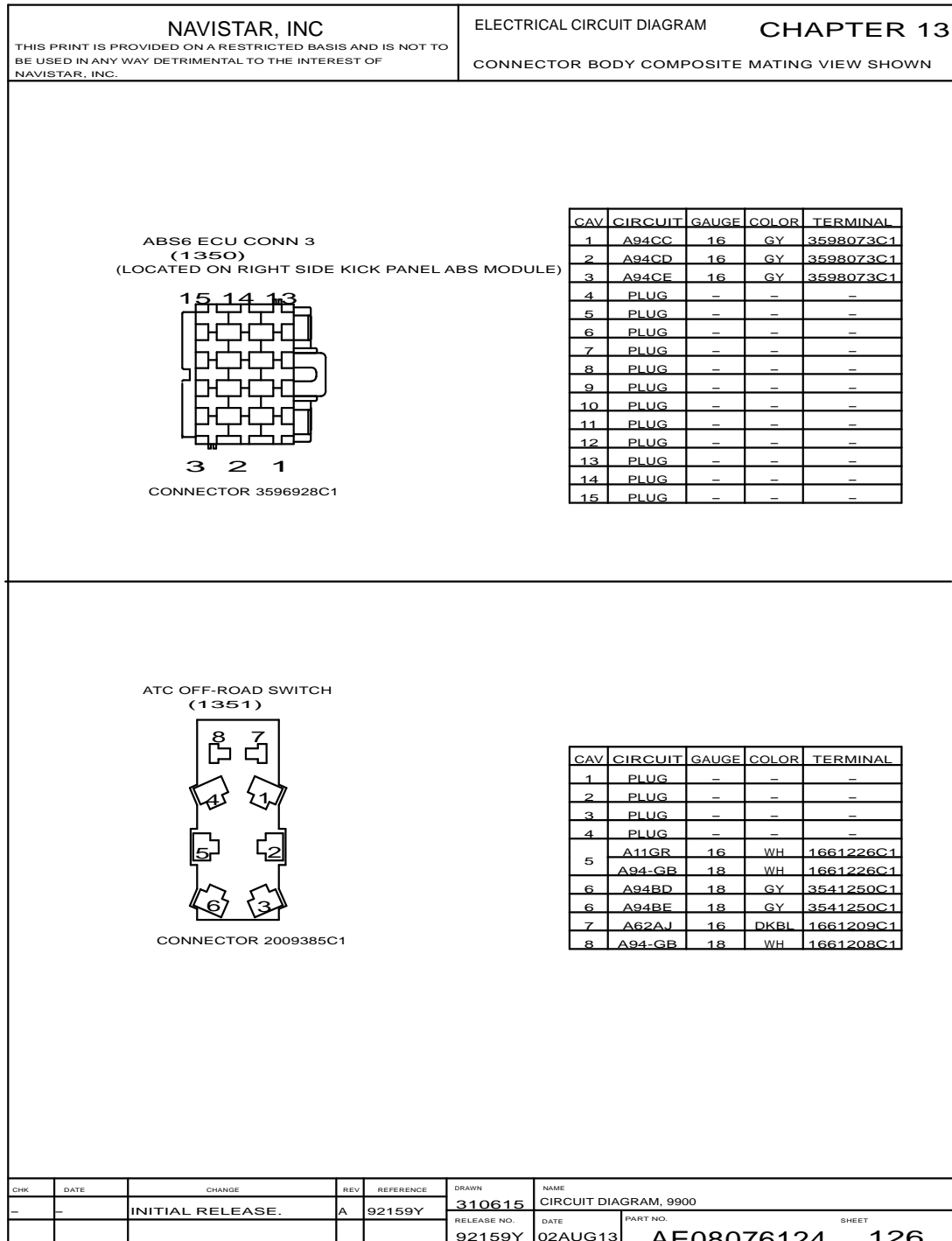
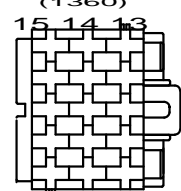


Figure 333 Connector Composites (1350 / 1351)

13.136. CONNECTOR COMPOSITES (1360 / 1361 / 1363), P. 127

NAVISTAR, INC <small>THIS PRINT IS PROVIDED ON A RESTRICTED BASIS AND IS NOT TO BE USED IN ANY WAY DETRIMENTAL TO THE INTEREST OF NAVISTAR, INC.</small>				ELECTRICAL CIRCUIT DIAGRAM CHAPTER 13 CONNECTOR BODY COMPOSITE MATING VIEW SHOWN	
--	--	--	--	--	--

ABS-6 ADVANCED ECU CONN #3
(1360)

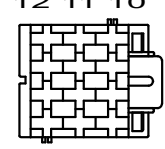


3 2 1
CONNECTOR 3596928C1

CAV	CIRCUIT	GAUGE	COLOR	TERMINAL
1	A94CC	16	GY	3598073C1
2	A94CD	16	GY	3598073C1
*3	A94CE	16	GY	3598073C1
@3	A94SK	18	GY	3598072C1
4	A94CH	18	LTBL	3598072C1
5	A94SJ	18	GY	3598072C1
6	A94CJ	18	LTGN	3598072C1
7	A94BG	18	PL	3598072C1
8	PLUG	-	-	-
9	A94CK	18	RD	3598072C1
10	A94CM	18	BN	3598072C1
11	A94CS	18	OR	3598072C1
12	A94CP	18	DKBL	3598072C1
13	A94CN	18	BK	3598072C1
14	A94CT	18	GY	3598072C1
@15	A94CR	18	YL	3598072C1
%15	A94CR	16	YL	3598073C1

% W/BENDIX AIR ABS W/HSA
 @ W/BENDIX 6 CH ADVANCED ABS W/HSA
 * W/BENDIX W/6 CHANNEL W/ATC W/ULTRASHIFT

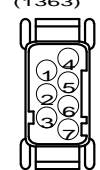
ABS-6 ADVANCED ECU CONN 4
(1361)



3 2 1
CONNECTOR 3596927C1

CAV	CIRCUIT	GAUGE	COLOR	TERMINAL
1	A94SZD	18	GY	3598072C1
2	A94SE	18	GY	3598072C1
3	A94SH	18	GY	3598072C1
4	A94SVD	18	GY	3598072C1
5	A94SF	18	GY	3598072C1
6	A94SL	18	GY	3598072C1
7	A94SDA	18	GY	3598072C1
8	A94SCA	18	GY	3598072C1
9	A94SM	18	GY	3598072C1
10	A94SBA	18	GY	3598072C1
11	A94SAA	18	GY	3598072C1
12	A94SN	18	GY	3598072C1

STEERING WHEEL POSITION SENSOR
(1363)



CONNECTOR 3601800C1

CAV	CIRCUIT	GAUGE	COLOR	TERMINAL
1	A94SB	20	GY	3601801C1
2	A94SA	20	GY	3601801C1
3	A94SC	20	GY	3601801C1
4	A94SD	20	GY	3601801C1
5	PLUG	-	-	-
6	PLUG	-	-	-
7	PLUG	-	-	-

CHK	DATE	CHANGE	REV	REFERENCE	DRAWN	NAME
0610	27AUG13	INITIAL RELEASE.	A	92159Y	310615	CIRCUIT DIAGRAM, 9900
					RELEASE NO.	DATE
					92159Y	02AUG13
					PART NO.	SHEET
					AE08076124	127

Figure 334 Connector Composites (1360 / 1361 / 1363)

13.137. CONNECTOR COMPOSITES (1365 / 1366 / 1369 / 1370), P. 128

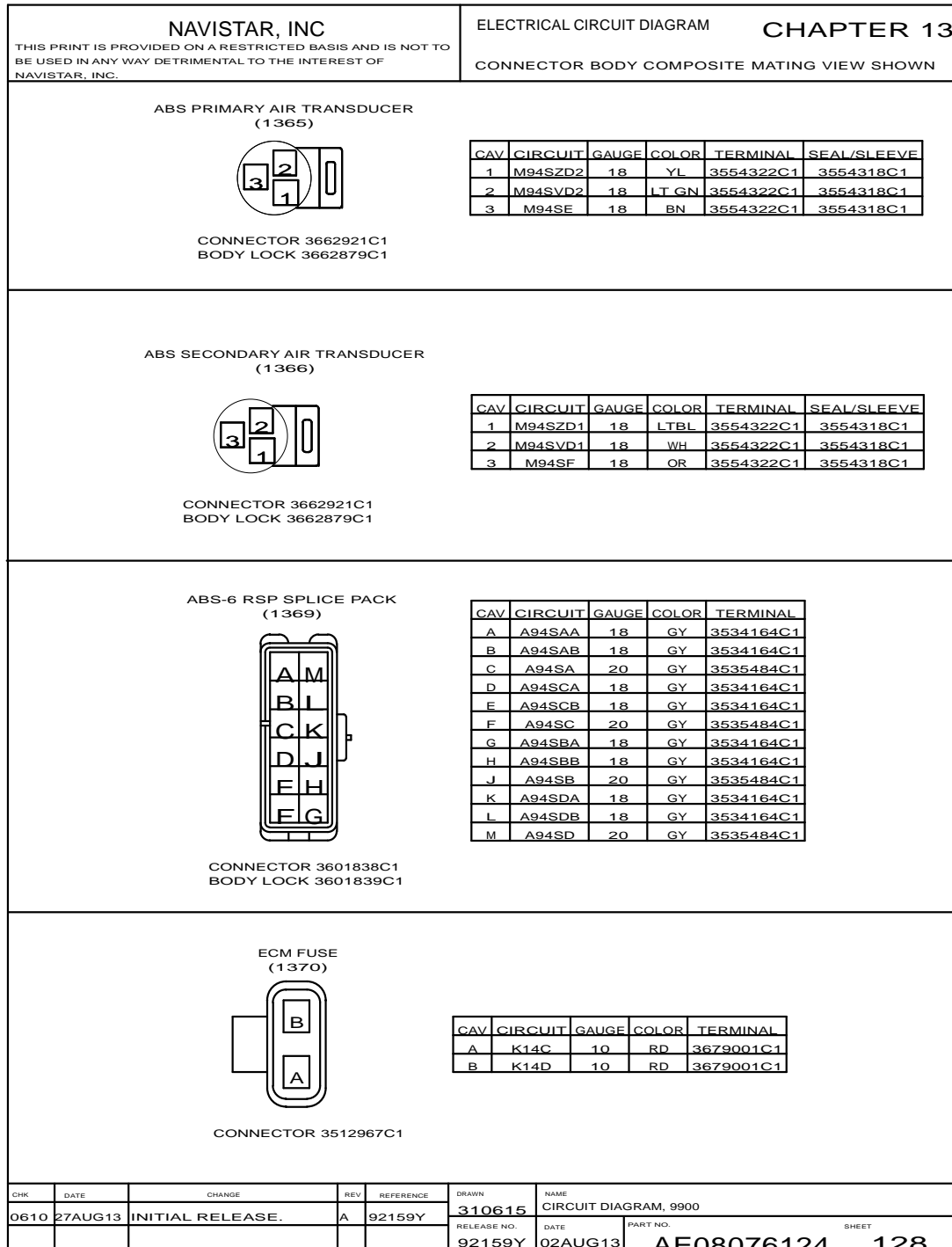


Figure 335 Connector Composites (1365 / 1366 / 1369 / 1370)

13.138. CONNECTOR COMPOSITES (1378 / 1386 / 1387), P. 129

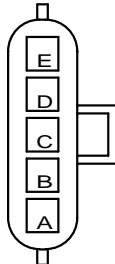
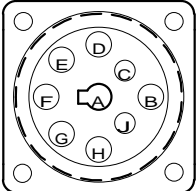
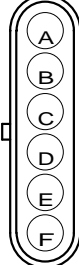
NAVISTAR, INC <small>THIS PRINT IS PROVIDED ON A RESTRICTED BASIS AND IS NOT TO BE USED IN ANY WAY DETRIMENTAL TO THE INTEREST OF NAVISTAR, INC.</small>				ELECTRICAL CIRCUIT DIAGRAM CHAPTER 13 CONNECTOR BODY COMPOSITE MATING VIEW SHOWN																																																			
<p>COOLANT MODULE (1378)</p>  <p>CONNECTOR 1687789C1 BODY LOCK 1661376C1</p>		<table border="1" style="width: 100%; border-collapse: collapse;"> <thead> <tr> <th>CAV</th> <th>CIRCUIT</th> <th>GAUGE</th> <th>COLOR</th> <th>TERMINAL</th> <th>SEAL/SLEEVE</th> </tr> </thead> <tbody> <tr> <td>A*</td> <td>K6B</td> <td>20</td> <td>VT</td> <td>2033819C1</td> <td>1652325C1</td> </tr> <tr> <td>A#</td> <td>K6B</td> <td>20</td> <td>PL</td> <td>2033819C1</td> <td>3517771C1</td> </tr> <tr> <td>B</td> <td>K34F</td> <td>18</td> <td>TN</td> <td>2033819C1</td> <td>3517771C1</td> </tr> <tr> <td>C</td> <td>K34B</td> <td>20</td> <td>TN</td> <td>2033819C1</td> <td>3517771C1</td> </tr> <tr> <td>D</td> <td>K34D</td> <td>20</td> <td>TN</td> <td>2033819C1</td> <td>3517771C1</td> </tr> <tr> <td>E</td> <td>K34E</td> <td>18</td> <td>TN</td> <td>2033819C1</td> <td>3517771C1</td> </tr> </tbody> </table> <p>* W/ CRUISE CONTROL & N/ REMOTE PTO 9900 # W/ CRUISE CONTROL & W/ REMOTE PTO 9900</p>				CAV	CIRCUIT	GAUGE	COLOR	TERMINAL	SEAL/SLEEVE	A*	K6B	20	VT	2033819C1	1652325C1	A#	K6B	20	PL	2033819C1	3517771C1	B	K34F	18	TN	2033819C1	3517771C1	C	K34B	20	TN	2033819C1	3517771C1	D	K34D	20	TN	2033819C1	3517771C1	E	K34E	18	TN	2033819C1	3517771C1								
CAV	CIRCUIT	GAUGE	COLOR	TERMINAL	SEAL/SLEEVE																																																		
A*	K6B	20	VT	2033819C1	1652325C1																																																		
A#	K6B	20	PL	2033819C1	3517771C1																																																		
B	K34F	18	TN	2033819C1	3517771C1																																																		
C	K34B	20	TN	2033819C1	3517771C1																																																		
D	K34D	20	TN	2033819C1	3517771C1																																																		
E	K34E	18	TN	2033819C1	3517771C1																																																		
<p>DATA LINK (1386)</p>  <p>CONNECTOR 3544066C1</p>		<table border="1" style="width: 100%; border-collapse: collapse;"> <thead> <tr> <th>CAV</th> <th>CIRCUIT</th> <th>GAUGE</th> <th>COLOR</th> <th>TERMINAL</th> </tr> </thead> <tbody> <tr> <td>A</td> <td>A11-GR</td> <td>14</td> <td>WH</td> <td>1659750C1</td> </tr> <tr> <td>B</td> <td>A97DL</td> <td>14</td> <td>VT</td> <td>1659750C1</td> </tr> <tr> <td>C</td> <td>PLUG</td> <td>-</td> <td>-</td> <td>-</td> </tr> <tr> <td>D</td> <td>PLUG</td> <td>-</td> <td>-</td> <td>-</td> </tr> <tr> <td>E</td> <td>PLUG</td> <td>-</td> <td>-</td> <td>-</td> </tr> <tr> <td>F</td> <td>A98A(+)</td> <td>14</td> <td>BK</td> <td>1659750C1</td> </tr> <tr> <td>G</td> <td>A98C(-)</td> <td>14</td> <td>BK</td> <td>1659750C1</td> </tr> <tr> <td>H</td> <td>PLUG</td> <td>-</td> <td>-</td> <td>-</td> </tr> <tr> <td>J</td> <td>PLUG</td> <td>-</td> <td>-</td> <td>-</td> </tr> </tbody> </table>				CAV	CIRCUIT	GAUGE	COLOR	TERMINAL	A	A11-GR	14	WH	1659750C1	B	A97DL	14	VT	1659750C1	C	PLUG	-	-	-	D	PLUG	-	-	-	E	PLUG	-	-	-	F	A98A(+)	14	BK	1659750C1	G	A98C(-)	14	BK	1659750C1	H	PLUG	-	-	-	J	PLUG	-	-	-
CAV	CIRCUIT	GAUGE	COLOR	TERMINAL																																																			
A	A11-GR	14	WH	1659750C1																																																			
B	A97DL	14	VT	1659750C1																																																			
C	PLUG	-	-	-																																																			
D	PLUG	-	-	-																																																			
E	PLUG	-	-	-																																																			
F	A98A(+)	14	BK	1659750C1																																																			
G	A98C(-)	14	BK	1659750C1																																																			
H	PLUG	-	-	-																																																			
J	PLUG	-	-	-																																																			
<p>THROTTLE POSITION SENSOR (1387)</p>  <p>CONNECTOR 0587573C91</p>		<table border="1" style="width: 100%; border-collapse: collapse;"> <thead> <tr> <th>CAV</th> <th>CIRCUIT</th> <th>GAUGE</th> <th>COLOR</th> <th>TERMINAL</th> <th>SEAL/SLEEVE</th> </tr> </thead> <tbody> <tr> <td>A</td> <td>A99-G</td> <td>18</td> <td>VT</td> <td>0587578C1</td> <td>1652325C1</td> </tr> <tr> <td>B</td> <td>A99</td> <td>18</td> <td>VT</td> <td>0587578C1</td> <td>1652325C1</td> </tr> <tr> <td>C</td> <td>A99A(5V)</td> <td>18</td> <td>VT</td> <td>0587578C1</td> <td>1652325C1</td> </tr> <tr> <td>D</td> <td>A99D(5V)</td> <td>18</td> <td>VT</td> <td>0587578C1</td> <td>1652325C1</td> </tr> <tr> <td>E</td> <td>A99-GD</td> <td>18</td> <td>VT</td> <td>0587578C1</td> <td>1652325C1</td> </tr> <tr> <td>F</td> <td>A99D</td> <td>18</td> <td>VT</td> <td>0587578C1</td> <td>1652325C1</td> </tr> </tbody> </table>				CAV	CIRCUIT	GAUGE	COLOR	TERMINAL	SEAL/SLEEVE	A	A99-G	18	VT	0587578C1	1652325C1	B	A99	18	VT	0587578C1	1652325C1	C	A99A(5V)	18	VT	0587578C1	1652325C1	D	A99D(5V)	18	VT	0587578C1	1652325C1	E	A99-GD	18	VT	0587578C1	1652325C1	F	A99D	18	VT	0587578C1	1652325C1								
CAV	CIRCUIT	GAUGE	COLOR	TERMINAL	SEAL/SLEEVE																																																		
A	A99-G	18	VT	0587578C1	1652325C1																																																		
B	A99	18	VT	0587578C1	1652325C1																																																		
C	A99A(5V)	18	VT	0587578C1	1652325C1																																																		
D	A99D(5V)	18	VT	0587578C1	1652325C1																																																		
E	A99-GD	18	VT	0587578C1	1652325C1																																																		
F	A99D	18	VT	0587578C1	1652325C1																																																		
<table border="1" style="width: 100%; border-collapse: collapse;"> <tr> <th>CHK</th> <th>DATE</th> <th>CHANGE</th> <th>REV</th> <th>REFERENCE</th> <th>DRAWN</th> <th>NAME</th> </tr> <tr> <td>0610</td> <td>27AUG13</td> <td>INITIAL RELEASE.</td> <td>A</td> <td>92159Y</td> <td>310615</td> <td>CIRCUIT DIAGRAM, 9900</td> </tr> <tr> <td></td> <td></td> <td></td> <td></td> <td></td> <td>RELEASE NO.</td> <td>DATE</td> </tr> <tr> <td></td> <td></td> <td></td> <td></td> <td></td> <td>92159Y</td> <td>02AUG13</td> </tr> <tr> <td></td> <td></td> <td></td> <td></td> <td></td> <td>PART NO.</td> <td>SHEET</td> </tr> <tr> <td></td> <td></td> <td></td> <td></td> <td></td> <td>AE08076124</td> <td>129</td> </tr> </table>						CHK	DATE	CHANGE	REV	REFERENCE	DRAWN	NAME	0610	27AUG13	INITIAL RELEASE.	A	92159Y	310615	CIRCUIT DIAGRAM, 9900						RELEASE NO.	DATE						92159Y	02AUG13						PART NO.	SHEET						AE08076124	129								
CHK	DATE	CHANGE	REV	REFERENCE	DRAWN	NAME																																																	
0610	27AUG13	INITIAL RELEASE.	A	92159Y	310615	CIRCUIT DIAGRAM, 9900																																																	
					RELEASE NO.	DATE																																																	
					92159Y	02AUG13																																																	
					PART NO.	SHEET																																																	
					AE08076124	129																																																	

Figure 336 Connector Composites (1378 / 1386 / 1387)

13.139. CONNECTOR COMPOSITES (1387M / 1387M1 / 1399M), P. 130

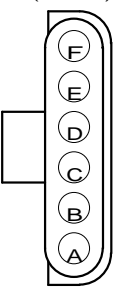
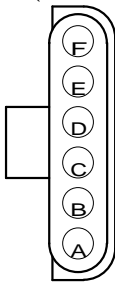
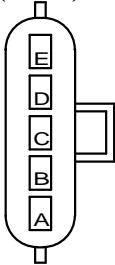
NAVISTAR, INC <small>THIS PRINT IS PROVIDED ON A RESTRICTED BASIS AND IS NOT TO BE USED IN ANY WAY DETRIMENTAL TO THE INTEREST OF NAVISTAR, INC.</small>				ELECTRICAL CIRCUIT DIAGRAM CHAPTER 13 CONNECTOR BODY COMPOSITE MATING VIEW SHOWN																																											
THROTTLE POSITION SENSOR CAB (1387M)																																															
			<table border="1" style="width: 100%; border-collapse: collapse;"> <thead> <tr> <th>CAV</th> <th>CIRCUIT</th> <th>GAUGE</th> <th>COLOR</th> <th>TERMINAL</th> <th>SEAL/SLEEVE</th> </tr> </thead> <tbody> <tr><td>A</td><td>A99-G</td><td>18</td><td>VT</td><td>0587576C1</td><td>1652325C1</td></tr> <tr><td>B</td><td>A99</td><td>18</td><td>VT</td><td>0587576C1</td><td>1652325C1</td></tr> <tr><td>C</td><td>A99A(5V)</td><td>18</td><td>VT</td><td>0587576C1</td><td>1652325C1</td></tr> <tr><td>D</td><td>A99C</td><td>18</td><td>VT</td><td>0587576C1</td><td>1652325C1</td></tr> <tr><td>E</td><td>A99B</td><td>18</td><td>VT</td><td>0587576C1</td><td>1652325C1</td></tr> <tr><td>F</td><td>A99-GA</td><td>18</td><td>VT</td><td>0587576C1</td><td>1652325C1</td></tr> </tbody> </table>			CAV	CIRCUIT	GAUGE	COLOR	TERMINAL	SEAL/SLEEVE	A	A99-G	18	VT	0587576C1	1652325C1	B	A99	18	VT	0587576C1	1652325C1	C	A99A(5V)	18	VT	0587576C1	1652325C1	D	A99C	18	VT	0587576C1	1652325C1	E	A99B	18	VT	0587576C1	1652325C1	F	A99-GA	18	VT	0587576C1	1652325C1
CAV	CIRCUIT	GAUGE	COLOR	TERMINAL	SEAL/SLEEVE																																										
A	A99-G	18	VT	0587576C1	1652325C1																																										
B	A99	18	VT	0587576C1	1652325C1																																										
C	A99A(5V)	18	VT	0587576C1	1652325C1																																										
D	A99C	18	VT	0587576C1	1652325C1																																										
E	A99B	18	VT	0587576C1	1652325C1																																										
F	A99-GA	18	VT	0587576C1	1652325C1																																										
CONNECTOR 0587574C91																																															
THROTTLE POSITION SENSOR -THROTTLE (1387M1)																																															
			<table border="1" style="width: 100%; border-collapse: collapse;"> <thead> <tr> <th>CAV</th> <th>CIRCUIT</th> <th>GAUGE</th> <th>COLOR</th> <th>TERMINAL</th> <th>SEAL/SLEEVE</th> </tr> </thead> <tbody> <tr><td>A</td><td>A99-G</td><td>18</td><td>VT</td><td>0587576C1</td><td>1652325C1</td></tr> <tr><td>B</td><td>A99</td><td>18</td><td>VT</td><td>0587576C1</td><td>1652325C1</td></tr> <tr><td>C</td><td>A99A(5V)</td><td>18</td><td>VT</td><td>0587576C1</td><td>1652325C1</td></tr> <tr><td>D</td><td>A99C</td><td>18</td><td>VT</td><td>0587576C1</td><td>1652325C1</td></tr> <tr><td>E</td><td>A99B</td><td>18</td><td>VT</td><td>0587576C1</td><td>1652325C1</td></tr> <tr><td>F</td><td>A99-GA</td><td>18</td><td>VT</td><td>0587576C1</td><td>1652325C1</td></tr> </tbody> </table>			CAV	CIRCUIT	GAUGE	COLOR	TERMINAL	SEAL/SLEEVE	A	A99-G	18	VT	0587576C1	1652325C1	B	A99	18	VT	0587576C1	1652325C1	C	A99A(5V)	18	VT	0587576C1	1652325C1	D	A99C	18	VT	0587576C1	1652325C1	E	A99B	18	VT	0587576C1	1652325C1	F	A99-GA	18	VT	0587576C1	1652325C1
CAV	CIRCUIT	GAUGE	COLOR	TERMINAL	SEAL/SLEEVE																																										
A	A99-G	18	VT	0587576C1	1652325C1																																										
B	A99	18	VT	0587576C1	1652325C1																																										
C	A99A(5V)	18	VT	0587576C1	1652325C1																																										
D	A99C	18	VT	0587576C1	1652325C1																																										
E	A99B	18	VT	0587576C1	1652325C1																																										
F	A99-GA	18	VT	0587576C1	1652325C1																																										
CONNECTOR 0587574C91																																															
WIPER MOTOR INSIDE (1399M)																																															
			<table border="1" style="width: 100%; border-collapse: collapse;"> <thead> <tr> <th>CAV</th> <th>CIRCUIT</th> <th>GAUGE</th> <th>COLOR</th> <th>TERMINAL</th> <th>SEAL/SLEEVE</th> </tr> </thead> <tbody> <tr><td>A</td><td>A82C</td><td>16</td><td>GY</td><td>2033819C1</td><td>1652325C1</td></tr> <tr><td>B</td><td>A82-GC</td><td>16</td><td>WH</td><td>2033819C1</td><td>1652325C1</td></tr> <tr><td>C</td><td>A82F</td><td>16</td><td>GY</td><td>2033819C1</td><td>1652325C1</td></tr> <tr><td>D</td><td>A82E</td><td>16</td><td>GY</td><td>2033819C1</td><td>1652325C1</td></tr> <tr><td>E</td><td>A82D</td><td>16</td><td>GY</td><td>2033819C1</td><td>1652325C1</td></tr> </tbody> </table>			CAV	CIRCUIT	GAUGE	COLOR	TERMINAL	SEAL/SLEEVE	A	A82C	16	GY	2033819C1	1652325C1	B	A82-GC	16	WH	2033819C1	1652325C1	C	A82F	16	GY	2033819C1	1652325C1	D	A82E	16	GY	2033819C1	1652325C1	E	A82D	16	GY	2033819C1	1652325C1						
CAV	CIRCUIT	GAUGE	COLOR	TERMINAL	SEAL/SLEEVE																																										
A	A82C	16	GY	2033819C1	1652325C1																																										
B	A82-GC	16	WH	2033819C1	1652325C1																																										
C	A82F	16	GY	2033819C1	1652325C1																																										
D	A82E	16	GY	2033819C1	1652325C1																																										
E	A82D	16	GY	2033819C1	1652325C1																																										
CONNECTOR 1661375C2 BODY LOCK 1661376C1																																															
CHK	DATE	CHANGE	REV	REFERENCE	DRAWN	NAME																																									
-	-	INITIAL RELEASE.	A	92159Y	310615	CIRCUIT DIAGRAM, 9900																																									
					RELEASE NO.	DATE																																									
					92159Y	02AUG13																																									
					PART NO.	SHEET																																									
					AE08076124	130																																									

Figure 337 Connector Composites (1387M / 1387M1 / 1399M)

13.140. CONNECTOR COMPOSITES (1402 / 1402M / 1403), P. 131

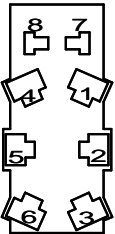
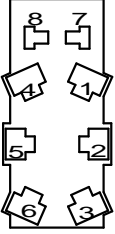
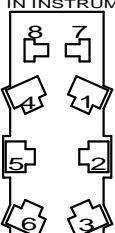
NAVISTAR, INC <small>THIS PRINT IS PROVIDED ON A RESTRICTED BASIS AND IS NOT TO BE USED IN ANY WAY DETRIMENTAL TO THE INTEREST OF NAVISTAR, INC.</small>				ELECTRICAL CIRCUIT DIAGRAM CHAPTER 13 CONNECTOR BODY COMPOSITE MATING VIEW SHOWN																																																			
<p>INHIBIT REGEN SWITCH (1402) (LOCATED IN INSTRUMENT PANEL)</p>  <table border="1" style="margin-left: auto; margin-right: auto; border-collapse: collapse;"> <thead> <tr> <th>CAV</th> <th>CIRCUIT</th> <th>GAUGE</th> <th>COLOR</th> <th>TERMINAL</th> </tr> </thead> <tbody> <tr><td>1</td><td>A95IR</td><td>18</td><td>TN</td><td>1661224C1</td></tr> <tr><td>2</td><td>PLUG</td><td>-</td><td>-</td><td>-</td></tr> <tr><td>3</td><td>PLUG</td><td>-</td><td>-</td><td>-</td></tr> <tr><td>4</td><td>A95IG</td><td>18</td><td>TN</td><td>1661224C1</td></tr> <tr><td>5</td><td>A95IN</td><td>18</td><td>TN</td><td>1661224C1</td></tr> <tr><td>6</td><td>A95-GD</td><td>16</td><td>WH</td><td>1661226C1</td></tr> <tr><td>7</td><td>A62MSP</td><td>16</td><td>DKBL</td><td>1661209C1</td></tr> <tr><td>8</td><td>A62-HMS</td><td>18</td><td>WH</td><td>1661208C1</td></tr> </tbody> </table> <p style="text-align: center;">CONNECTOR 2009385C1</p>						CAV	CIRCUIT	GAUGE	COLOR	TERMINAL	1	A95IR	18	TN	1661224C1	2	PLUG	-	-	-	3	PLUG	-	-	-	4	A95IG	18	TN	1661224C1	5	A95IN	18	TN	1661224C1	6	A95-GD	16	WH	1661226C1	7	A62MSP	16	DKBL	1661209C1	8	A62-HMS	18	WH	1661208C1					
CAV	CIRCUIT	GAUGE	COLOR	TERMINAL																																																			
1	A95IR	18	TN	1661224C1																																																			
2	PLUG	-	-	-																																																			
3	PLUG	-	-	-																																																			
4	A95IG	18	TN	1661224C1																																																			
5	A95IN	18	TN	1661224C1																																																			
6	A95-GD	16	WH	1661226C1																																																			
7	A62MSP	16	DKBL	1661209C1																																																			
8	A62-HMS	18	WH	1661208C1																																																			
<p>CAB CLR ID LTS SWITCH (1402M)</p>  <table border="1" style="margin-left: auto; margin-right: auto; border-collapse: collapse;"> <thead> <tr> <th>CAV</th> <th>CIRCUIT</th> <th>GAUGE</th> <th>COLOR</th> <th>TERMINAL</th> </tr> </thead> <tbody> <tr><td>1</td><td>A62-GAV</td><td>18</td><td>WH</td><td>1661224C1</td></tr> <tr><td>2</td><td>PLUG</td><td>-</td><td>-</td><td>-</td></tr> <tr><td>3</td><td>PLUG</td><td>-</td><td>-</td><td>-</td></tr> <tr><td>4</td><td>PLUG</td><td>-</td><td>-</td><td>-</td></tr> <tr><td>5</td><td>A58G</td><td>18</td><td>BN</td><td>1661224C1</td></tr> <tr><td>6</td><td>A58W</td><td>18</td><td>BN</td><td>3541250C1</td></tr> <tr><td>6</td><td>A58AA</td><td>18</td><td>BN</td><td>3541250C1</td></tr> <tr><td>7</td><td>A62AR</td><td>16</td><td>DKBL</td><td>1661209C1</td></tr> <tr><td>8</td><td>A62-GAR</td><td>16</td><td>WH</td><td>1661209C1</td></tr> </tbody> </table> <p style="text-align: center;">CONNECTOR 2009385C1</p>						CAV	CIRCUIT	GAUGE	COLOR	TERMINAL	1	A62-GAV	18	WH	1661224C1	2	PLUG	-	-	-	3	PLUG	-	-	-	4	PLUG	-	-	-	5	A58G	18	BN	1661224C1	6	A58W	18	BN	3541250C1	6	A58AA	18	BN	3541250C1	7	A62AR	16	DKBL	1661209C1	8	A62-GAR	16	WH	1661209C1
CAV	CIRCUIT	GAUGE	COLOR	TERMINAL																																																			
1	A62-GAV	18	WH	1661224C1																																																			
2	PLUG	-	-	-																																																			
3	PLUG	-	-	-																																																			
4	PLUG	-	-	-																																																			
5	A58G	18	BN	1661224C1																																																			
6	A58W	18	BN	3541250C1																																																			
6	A58AA	18	BN	3541250C1																																																			
7	A62AR	16	DKBL	1661209C1																																																			
8	A62-GAR	16	WH	1661209C1																																																			
<p>PARKED REGEN SWITCH (1403) (LOCATED IN INSTRUMENT PANEL)</p>  <table border="1" style="margin-left: auto; margin-right: auto; border-collapse: collapse;"> <thead> <tr> <th>CAV</th> <th>CIRCUIT</th> <th>GAUGE</th> <th>COLOR</th> <th>TERMINAL</th> </tr> </thead> <tbody> <tr><td>1</td><td>A95FA</td><td>18</td><td>TN</td><td>1661224C1</td></tr> <tr><td>2</td><td>PLUG</td><td>-</td><td>-</td><td>-</td></tr> <tr><td>3</td><td>PLUG</td><td>-</td><td>-</td><td>-</td></tr> <tr><td>4</td><td>A95BA</td><td>18</td><td>GY</td><td>1661224C1</td></tr> <tr><td>5</td><td>A95E</td><td>18</td><td>TN</td><td>1661224C1</td></tr> <tr><td>6</td><td>A95-GC</td><td>16</td><td>WH</td><td>1661226C1</td></tr> <tr><td>7</td><td>A62MSM</td><td>16</td><td>DKBL</td><td>1661209C1</td></tr> <tr><td>8</td><td>A62-GMS</td><td>18</td><td>WH</td><td>1661208C1</td></tr> </tbody> </table> <p style="text-align: center;">CONNECTOR 2009385C1</p>						CAV	CIRCUIT	GAUGE	COLOR	TERMINAL	1	A95FA	18	TN	1661224C1	2	PLUG	-	-	-	3	PLUG	-	-	-	4	A95BA	18	GY	1661224C1	5	A95E	18	TN	1661224C1	6	A95-GC	16	WH	1661226C1	7	A62MSM	16	DKBL	1661209C1	8	A62-GMS	18	WH	1661208C1					
CAV	CIRCUIT	GAUGE	COLOR	TERMINAL																																																			
1	A95FA	18	TN	1661224C1																																																			
2	PLUG	-	-	-																																																			
3	PLUG	-	-	-																																																			
4	A95BA	18	GY	1661224C1																																																			
5	A95E	18	TN	1661224C1																																																			
6	A95-GC	16	WH	1661226C1																																																			
7	A62MSM	16	DKBL	1661209C1																																																			
8	A62-GMS	18	WH	1661208C1																																																			
CHK	DATE	CHANGE	REV	REFERENCE	DRAWN	NAME																																																	
0610	27AUG13	INITIAL RELEASE.	A	92159Y	310615	CIRCUIT DIAGRAM, 9900																																																	
					RELEASE NO.	DATE																																																	
					92159Y	02AUG13																																																	
					PART NO.	SHEET																																																	
					AE08076124	131																																																	

Figure 338 Connector Composites (1402 / 1402M / 1403)

13.141. CONNECTOR COMPOSITES (1404 / 1405 / 1406), P. 132



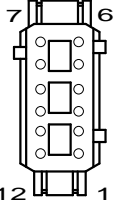
<p style="text-align: center;">NAVISTAR, INC THIS PRINT IS PROVIDED ON A RESTRICTED BASIS AND IS NOT TO BE USED IN ANY WAY DETRIMENTAL TO THE INTEREST OF NAVISTAR, INC.</p>	<p style="text-align: right;">ELECTRICAL CIRCUIT DIAGRAM CHAPTER 13</p> <p style="text-align: center;">CONNECTOR BODY COMPOSITE MATING VIEW SHOWN</p>																																																																																										
<p style="text-align: center;">HIGH EXHAUST TEMP LIGHT (1404) (LOCATED IN INSTRUMENT PANEL)</p> <div style="text-align: center;">  </div> <p style="text-align: center;">CONNECTOR 0969541R1</p>	<p style="text-align: right;">* W/AUTO XMSN & N/ENG BRAKE & W/AUTO XMSN & W/ENG BRAKE</p> <table border="1" style="width:100%; border-collapse: collapse;"> <thead> <tr> <th>CAV</th> <th>CIRCUIT</th> <th>GAUGE</th> <th>COLOR</th> <th>TERMINAL</th> </tr> </thead> <tbody> <tr> <td>*A</td> <td>A95HT</td> <td>18</td> <td>GY</td> <td>0879630R1</td> </tr> <tr> <td>&A</td> <td>A95HT</td> <td>18</td> <td>GY</td> <td>0333732C1</td> </tr> <tr> <td>*B</td> <td>A95HR</td> <td>18</td> <td>GY</td> <td>0879630R1</td> </tr> <tr> <td>&B</td> <td>A95HR</td> <td>18</td> <td>GY</td> <td>0333732C1</td> </tr> </tbody> </table>	CAV	CIRCUIT	GAUGE	COLOR	TERMINAL	*A	A95HT	18	GY	0879630R1	&A	A95HT	18	GY	0333732C1	*B	A95HR	18	GY	0879630R1	&B	A95HR	18	GY	0333732C1																																																																	
CAV	CIRCUIT	GAUGE	COLOR	TERMINAL																																																																																							
*A	A95HT	18	GY	0879630R1																																																																																							
&A	A95HT	18	GY	0333732C1																																																																																							
*B	A95HR	18	GY	0879630R1																																																																																							
&B	A95HR	18	GY	0333732C1																																																																																							
<p style="text-align: center;">PARTICULATE TRAP WARNING LIGHT (1405) (LOCATED IN INSTRUMENT PANEL)</p> <div style="text-align: center;">  </div> <p style="text-align: center;">CONNECTOR 0481140C1</p>	<table border="1" style="width:100%; border-collapse: collapse;"> <thead> <tr> <th>CAV</th> <th>CIRCUIT</th> <th>GAUGE</th> <th>COLOR</th> <th>TERMINAL</th> </tr> </thead> <tbody> <tr> <td>A</td> <td>A95HV</td> <td>18</td> <td>GY</td> <td>0241117R1</td> </tr> <tr> <td>B</td> <td>A95FB</td> <td>18</td> <td>GY</td> <td>0241117R1</td> </tr> </tbody> </table>	CAV	CIRCUIT	GAUGE	COLOR	TERMINAL	A	A95HV	18	GY	0241117R1	B	A95FB	18	GY	0241117R1																																																																											
CAV	CIRCUIT	GAUGE	COLOR	TERMINAL																																																																																							
A	A95HV	18	GY	0241117R1																																																																																							
B	A95FB	18	GY	0241117R1																																																																																							
<p style="text-align: center;">J1 MULTIPLEXED SIGNAL MODULE (1406) (LOCATED IN INSTRUMENT PANEL)</p> <div style="text-align: center;">  </div> <p style="text-align: center;">CONNECTOR 3553404C1 BODY LOCK 3553460C1</p>	<table border="1" style="width:100%; border-collapse: collapse;"> <thead> <tr> <th>CAV</th> <th>CIRCUIT</th> <th>GAUGE</th> <th>COLOR</th> <th>TERMINAL</th> </tr> </thead> <tbody> <tr><td>1</td><td>A95BM</td><td>18</td><td>TN</td><td>3518963C1</td></tr> <tr><td>2</td><td>A95IN</td><td>18</td><td>TN</td><td>3518963C1</td></tr> <tr><td>3</td><td>A95E</td><td>18</td><td>TN</td><td>3518963C1</td></tr> <tr><td>4</td><td>PLUG</td><td>-</td><td>-</td><td>-</td></tr> <tr><td>5</td><td>A5AA(+)</td><td>18</td><td>YL</td><td>3518963C1</td></tr> <tr><td></td><td>A5AA(+)</td><td>18</td><td>YL</td><td>3555249C1</td></tr> <tr><td>5*</td><td>A6YL(+)</td><td>18</td><td>YL</td><td>3518963C1</td></tr> <tr><td></td><td>A5AB(-)</td><td>18</td><td>GN</td><td>3518963C1</td></tr> <tr><td>6</td><td>A5AB(-)</td><td>18</td><td>GN</td><td>3555249C1</td></tr> <tr><td></td><td>A5AB(-)</td><td>18</td><td>GN</td><td>1666118C1</td></tr> <tr><td>6#</td><td>A6GN(-)</td><td>18</td><td>GN</td><td>3518963C1</td></tr> <tr><td>7</td><td>A95A</td><td>18</td><td>TN</td><td>3518963C1</td></tr> <tr><td>8</td><td>A95-GA</td><td>16</td><td>WH</td><td>3518963C1</td></tr> <tr><td>9</td><td>PLUG</td><td>-</td><td>-</td><td>-</td></tr> <tr><td>10</td><td>PLUG</td><td>-</td><td>-</td><td>-</td></tr> <tr><td>11</td><td>PLUG</td><td>-</td><td>-</td><td>-</td></tr> <tr><td>12</td><td>PLUG</td><td>-</td><td>-</td><td>-</td></tr> </tbody> </table> <p style="font-size: small;">* W/ 2007 CAT C13/ C15 ENG W/ ALLISION XMSN W/ ENG SHUTDOWN # W/ 2010 IBB ENGINE & W/ ALLISION XMSN & N/ ENGINE BRAKE</p>	CAV	CIRCUIT	GAUGE	COLOR	TERMINAL	1	A95BM	18	TN	3518963C1	2	A95IN	18	TN	3518963C1	3	A95E	18	TN	3518963C1	4	PLUG	-	-	-	5	A5AA(+)	18	YL	3518963C1		A5AA(+)	18	YL	3555249C1	5*	A6YL(+)	18	YL	3518963C1		A5AB(-)	18	GN	3518963C1	6	A5AB(-)	18	GN	3555249C1		A5AB(-)	18	GN	1666118C1	6#	A6GN(-)	18	GN	3518963C1	7	A95A	18	TN	3518963C1	8	A95-GA	16	WH	3518963C1	9	PLUG	-	-	-	10	PLUG	-	-	-	11	PLUG	-	-	-	12	PLUG	-	-	-
CAV	CIRCUIT	GAUGE	COLOR	TERMINAL																																																																																							
1	A95BM	18	TN	3518963C1																																																																																							
2	A95IN	18	TN	3518963C1																																																																																							
3	A95E	18	TN	3518963C1																																																																																							
4	PLUG	-	-	-																																																																																							
5	A5AA(+)	18	YL	3518963C1																																																																																							
	A5AA(+)	18	YL	3555249C1																																																																																							
5*	A6YL(+)	18	YL	3518963C1																																																																																							
	A5AB(-)	18	GN	3518963C1																																																																																							
6	A5AB(-)	18	GN	3555249C1																																																																																							
	A5AB(-)	18	GN	1666118C1																																																																																							
6#	A6GN(-)	18	GN	3518963C1																																																																																							
7	A95A	18	TN	3518963C1																																																																																							
8	A95-GA	16	WH	3518963C1																																																																																							
9	PLUG	-	-	-																																																																																							
10	PLUG	-	-	-																																																																																							
11	PLUG	-	-	-																																																																																							
12	PLUG	-	-	-																																																																																							
<table border="1" style="width:100%; border-collapse: collapse;"> <tr> <th>CHK</th> <th>DATE</th> <th>CHANGE</th> <th>REV</th> <th>REFERENCE</th> <th>DRAWN</th> <th>NAME</th> </tr> <tr> <td>0610</td> <td>27AUG13</td> <td>INITIAL RELEASE.</td> <td>A</td> <td>92159Y</td> <td>310615</td> <td>CIRCUIT DIAGRAM, 9900</td> </tr> <tr> <td></td> <td></td> <td></td> <td></td> <td></td> <td>RELEASE NO.</td> <td>DATE</td> </tr> <tr> <td></td> <td></td> <td></td> <td></td> <td></td> <td>92159Y</td> <td>02AUG13</td> </tr> <tr> <td></td> <td></td> <td></td> <td></td> <td></td> <td></td> <td>PART NO.</td> </tr> <tr> <td></td> <td></td> <td></td> <td></td> <td></td> <td></td> <td>AE08076124</td> </tr> <tr> <td></td> <td></td> <td></td> <td></td> <td></td> <td></td> <td>SHEET</td> </tr> <tr> <td></td> <td></td> <td></td> <td></td> <td></td> <td></td> <td>132</td> </tr> </table>		CHK	DATE	CHANGE	REV	REFERENCE	DRAWN	NAME	0610	27AUG13	INITIAL RELEASE.	A	92159Y	310615	CIRCUIT DIAGRAM, 9900						RELEASE NO.	DATE						92159Y	02AUG13							PART NO.							AE08076124							SHEET							132																																		
CHK	DATE	CHANGE	REV	REFERENCE	DRAWN	NAME																																																																																					
0610	27AUG13	INITIAL RELEASE.	A	92159Y	310615	CIRCUIT DIAGRAM, 9900																																																																																					
					RELEASE NO.	DATE																																																																																					
					92159Y	02AUG13																																																																																					
						PART NO.																																																																																					
						AE08076124																																																																																					
						SHEET																																																																																					
						132																																																																																					

Figure 339 Connector Composites (1404 / 1405 / 1406)

13.142. CONNECTOR COMPOSITES (1407 / 1409M / 1410F), P. 133

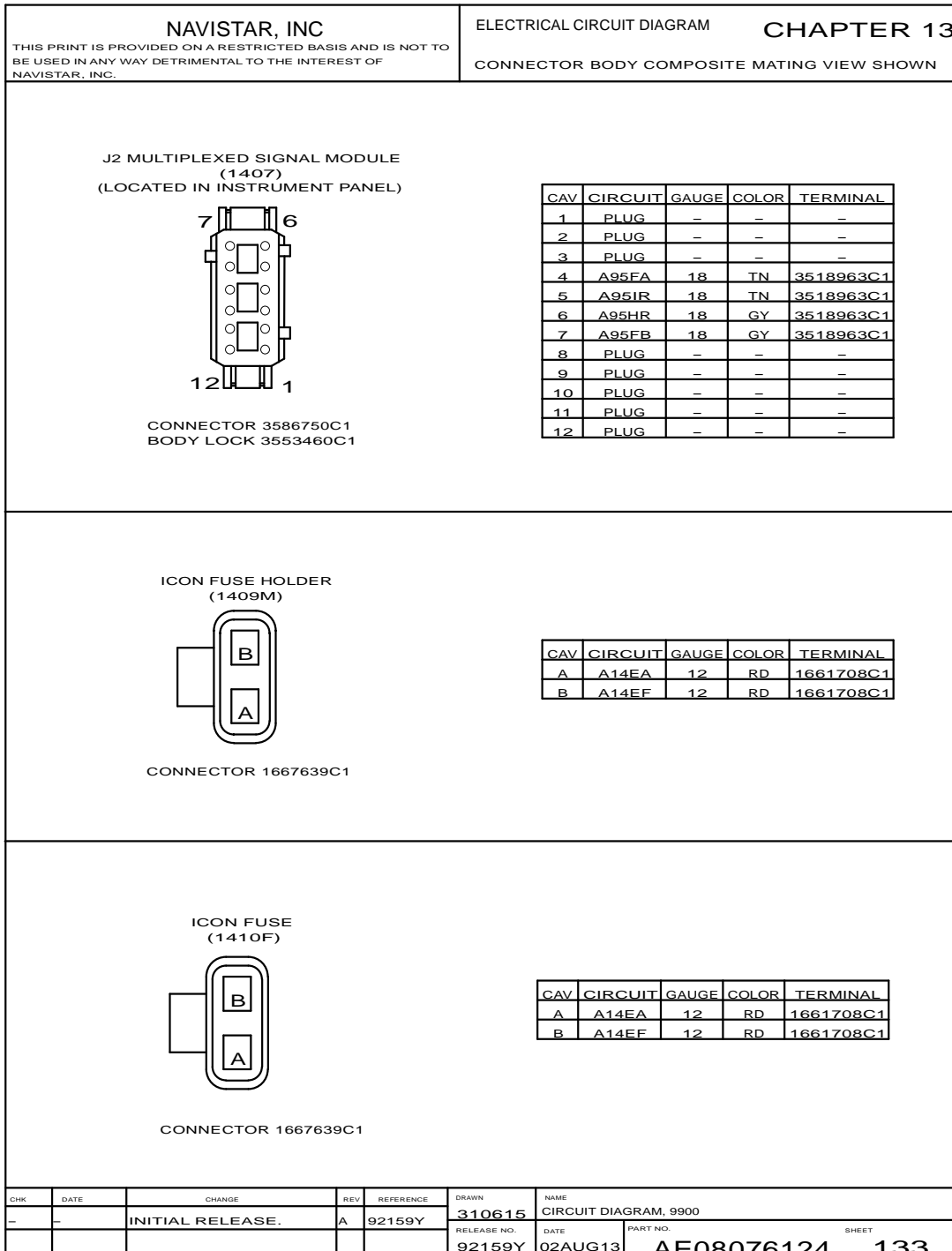


Figure 340 Connector Composites (1407 / 1409M / 1410F)

13.143. CONNECTOR COMPOSITES (1415 / 1448M / 1449F / 1449M / 1450), P. 134

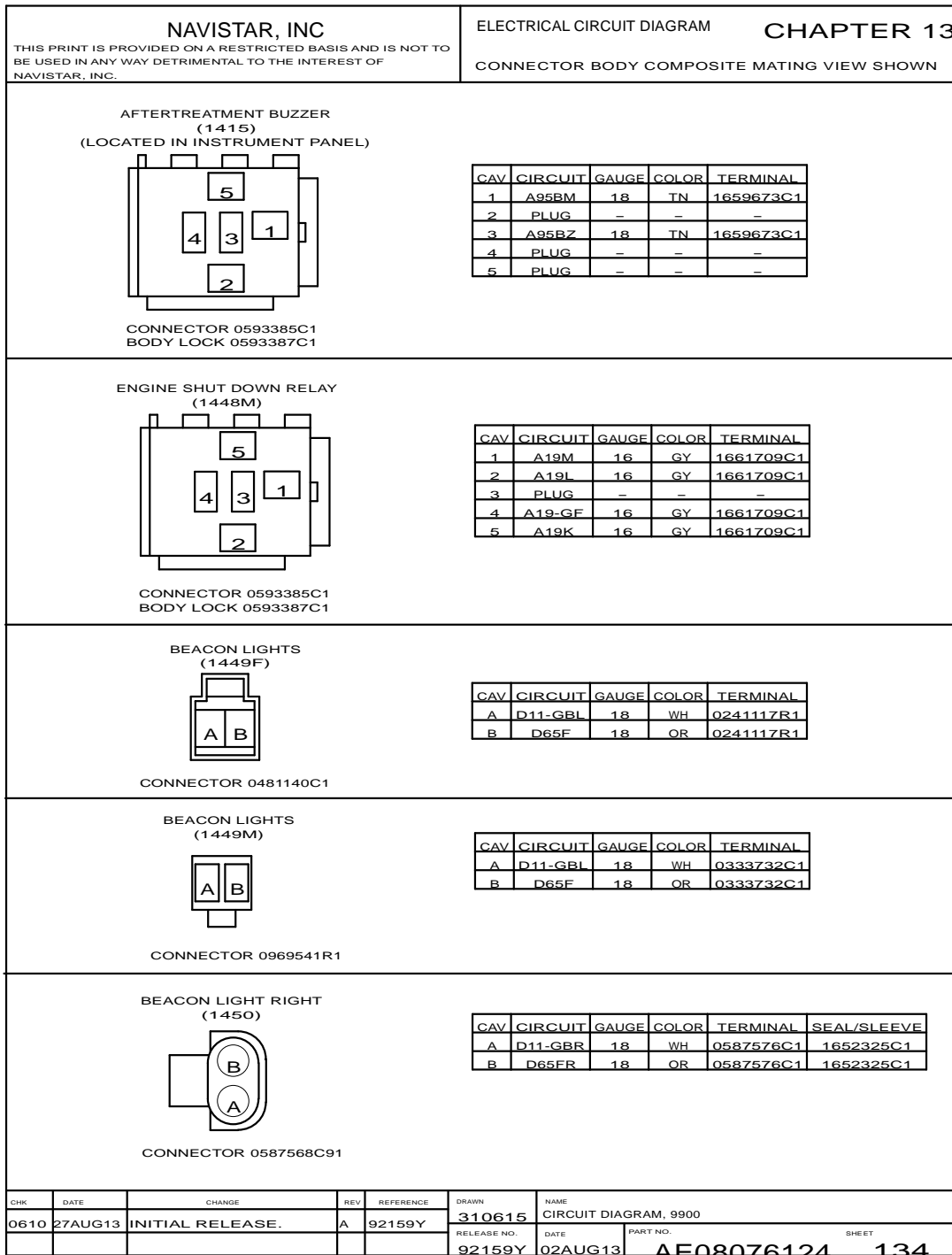


Figure 341 Connector Composites (1415 / 1448M / 1449F / 1449M / 1450)

13.144. CONNECTOR COMPOSITES (1450 / 1451 / 1455), P. 135


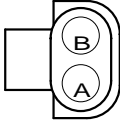

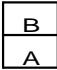
NAVISTAR, INC <small>THIS PRINT IS PROVIDED ON A RESTRICTED BASIS AND IS NOT TO BE USED IN ANY WAY DETRIMENTAL TO THE INTEREST OF NAVISTAR, INC.</small>				ELECTRICAL CIRCUIT DIAGRAM CHAPTER 13 CONNECTOR BODY COMPOSITE MATING VIEW SHOWN																				
<p>BEACON LIGHT RIGHT (1450)</p>  <table border="1" style="margin-left: auto; margin-right: auto;"> <thead> <tr> <th>CAV</th> <th>CIRCUIT</th> <th>GAUGE</th> <th>COLOR</th> <th>TERMINAL</th> </tr> </thead> <tbody> <tr> <td>A</td> <td>A11-GBR</td> <td>18</td> <td>WH</td> <td>1661261C1</td> </tr> <tr> <td>B</td> <td>A65FR</td> <td>18</td> <td>OR</td> <td>1661261C1</td> </tr> </tbody> </table> <p>CONNECTOR 1661259C1 BODY LOCK 1661263C1</p>							CAV	CIRCUIT	GAUGE	COLOR	TERMINAL	A	A11-GBR	18	WH	1661261C1	B	A65FR	18	OR	1661261C1			
CAV	CIRCUIT	GAUGE	COLOR	TERMINAL																				
A	A11-GBR	18	WH	1661261C1																				
B	A65FR	18	OR	1661261C1																				
<p>BEACON LIGHT LEFT (1451)</p>  <table border="1" style="margin-left: auto; margin-right: auto;"> <thead> <tr> <th>CAV</th> <th>CIRCUIT</th> <th>GAUGE</th> <th>COLOR</th> <th>TERMINAL</th> <th>SEAL/SLEEVE</th> </tr> </thead> <tbody> <tr> <td>A</td> <td>A11-GBT</td> <td>18</td> <td>WH</td> <td>0587576C1</td> <td>1652325C1</td> </tr> <tr> <td>B</td> <td>A65FT</td> <td>18</td> <td>OR</td> <td>0587576C1</td> <td>1652325C1</td> </tr> </tbody> </table> <p>CONNECTOR 0587568C91</p>							CAV	CIRCUIT	GAUGE	COLOR	TERMINAL	SEAL/SLEEVE	A	A11-GBT	18	WH	0587576C1	1652325C1	B	A65FT	18	OR	0587576C1	1652325C1
CAV	CIRCUIT	GAUGE	COLOR	TERMINAL	SEAL/SLEEVE																			
A	A11-GBT	18	WH	0587576C1	1652325C1																			
B	A65FT	18	OR	0587576C1	1652325C1																			
<p>BEACON LIGHT LEFT (1451)</p>  <table border="1" style="margin-left: auto; margin-right: auto;"> <thead> <tr> <th>CAV</th> <th>CIRCUIT</th> <th>GAUGE</th> <th>COLOR</th> <th>TERMINAL</th> </tr> </thead> <tbody> <tr> <td>A</td> <td>A11-GBT</td> <td>18</td> <td>WH</td> <td>1661261C1</td> </tr> <tr> <td>B</td> <td>A65FT</td> <td>18</td> <td>OR</td> <td>1661261C1</td> </tr> </tbody> </table> <p>CONNECTOR 1661259C1 BODY LOCK 1661263C1</p>							CAV	CIRCUIT	GAUGE	COLOR	TERMINAL	A	A11-GBT	18	WH	1661261C1	B	A65FT	18	OR	1661261C1			
CAV	CIRCUIT	GAUGE	COLOR	TERMINAL																				
A	A11-GBT	18	WH	1661261C1																				
B	A65FT	18	OR	1661261C1																				
<p>WAIT TO START (1455)</p>  <table border="1" style="margin-left: auto; margin-right: auto;"> <thead> <tr> <th>CAV</th> <th>CIRCUIT</th> <th>GAUGE</th> <th>COLOR</th> <th>TERMINAL</th> </tr> </thead> <tbody> <tr> <td>A</td> <td>A97S</td> <td>18</td> <td>VT</td> <td>1661262C1</td> </tr> <tr> <td>B</td> <td>A97WTS</td> <td>18</td> <td>VT</td> <td>1661262C1</td> </tr> </tbody> </table> <p>CONNECTOR 1661260C1 BODY LOCK 1661264C1</p>							CAV	CIRCUIT	GAUGE	COLOR	TERMINAL	A	A97S	18	VT	1661262C1	B	A97WTS	18	VT	1661262C1			
CAV	CIRCUIT	GAUGE	COLOR	TERMINAL																				
A	A97S	18	VT	1661262C1																				
B	A97WTS	18	VT	1661262C1																				
CHK	DATE	CHANGE	REV	REFERENCE	DRAWN	NAME																		
-	-	INITIAL RELEASE.	A	92159Y	310615	CIRCUIT DIAGRAM, 9900																		
					RELEASE NO.	DATE																		
					92159Y	02AUG13																		
					PART NO.	SHEET																		
					AE08076124	135																		

Figure 342 Connector Composites (1450 / 1451 / 1455)

13.145. CONNECTOR COMPOSITES (1456 / 1610 / 1874B), P. 136

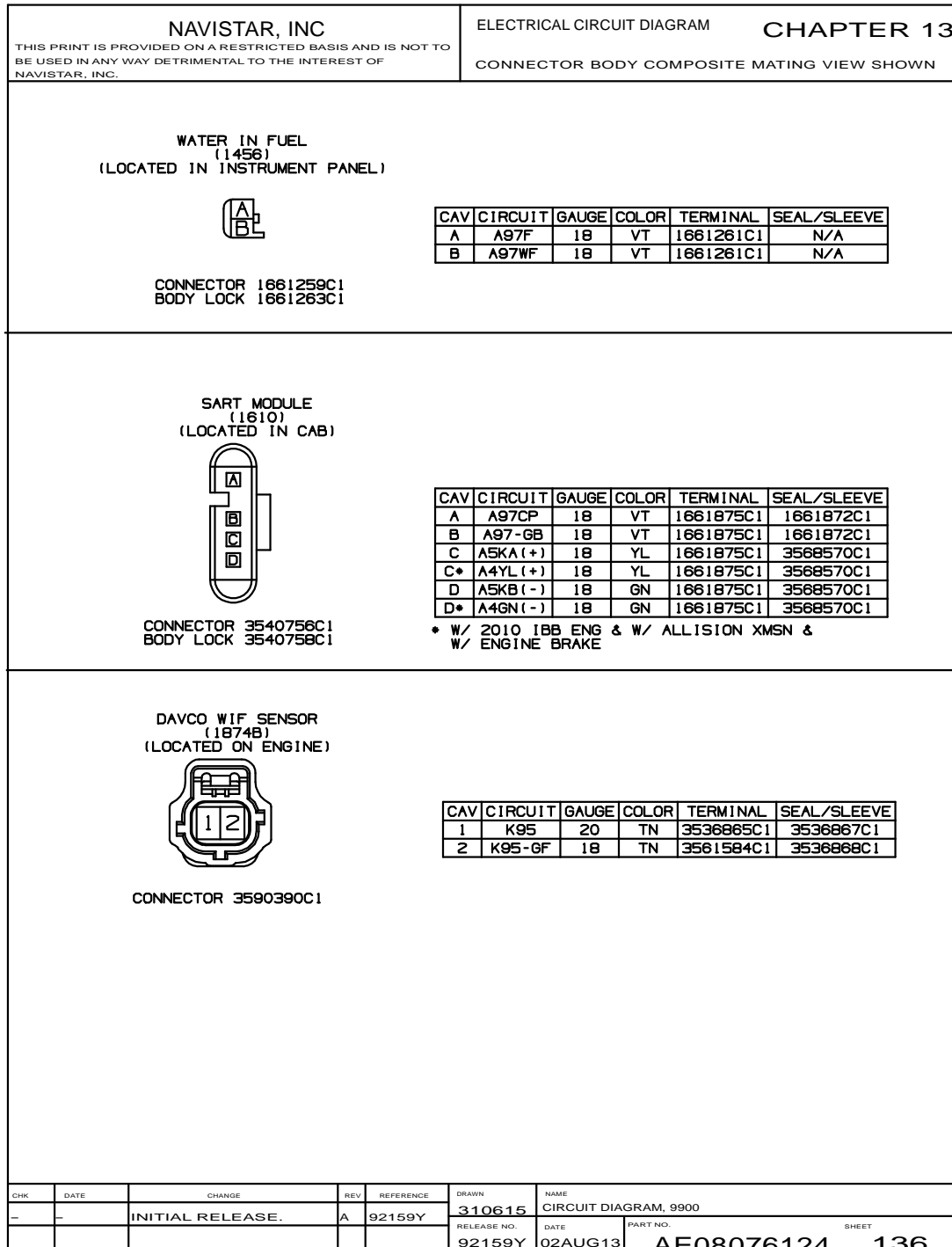


Figure 343 Connector Composites (1456 / 1610 / 1874B)

13.146. CONNECTOR COMPOSITES (1874C / 1874D / 4328 / 4450BF), P. 137




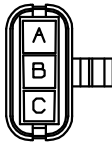
NAVISTAR, INC <small>THIS PRINT IS PROVIDED ON A RESTRICTED BASIS AND IS NOT TO BE USED IN ANY WAY DETRIMENTAL TO THE INTEREST OF NAVISTAR, INC.</small>				ELECTRICAL CIRCUIT DIAGRAM CHAPTER 13 CONNECTOR BODY COMPOSITE MATING VIEW SHOWN																										
WIF SENSOR (1874C)																														
			<table border="1" style="width:100%; border-collapse: collapse;"> <thead> <tr> <th>CAV</th> <th>CIRCUIT</th> <th>GAUGE</th> <th>COLOR</th> <th>TERMINAL</th> <th>SEAL/SLEEVE</th> </tr> </thead> <tbody> <tr> <td>1</td> <td>K95W</td> <td>18</td> <td>TN</td> <td>3561584C1</td> <td>3538867C1</td> </tr> <tr> <td>2</td> <td>K95-GF</td> <td>18</td> <td>WH</td> <td>3561584C1</td> <td>3538867C1</td> </tr> </tbody> </table>				CAV	CIRCUIT	GAUGE	COLOR	TERMINAL	SEAL/SLEEVE	1	K95W	18	TN	3561584C1	3538867C1	2	K95-GF	18	WH	3561584C1	3538867C1						
CAV	CIRCUIT	GAUGE	COLOR	TERMINAL	SEAL/SLEEVE																									
1	K95W	18	TN	3561584C1	3538867C1																									
2	K95-GF	18	WH	3561584C1	3538867C1																									
CONNECTOR 3590390C1																														
RAYCOR WIF SENSOR (1874D)																														
			<table border="1" style="width:100%; border-collapse: collapse;"> <thead> <tr> <th>CAV</th> <th>CIRCUIT</th> <th>GAUGE</th> <th>COLOR</th> <th>TERMINAL</th> <th>SEAL/SLEEVE</th> </tr> </thead> <tbody> <tr> <td>1</td> <td>K95</td> <td>18</td> <td>TN</td> <td>3526966C1</td> <td>N/A</td> </tr> <tr> <td>2</td> <td>K95-GG</td> <td>18</td> <td>TN</td> <td>3526966C1</td> <td>N/A</td> </tr> </tbody> </table>				CAV	CIRCUIT	GAUGE	COLOR	TERMINAL	SEAL/SLEEVE	1	K95	18	TN	3526966C1	N/A	2	K95-GG	18	TN	3526966C1	N/A						
CAV	CIRCUIT	GAUGE	COLOR	TERMINAL	SEAL/SLEEVE																									
1	K95	18	TN	3526966C1	N/A																									
2	K95-GG	18	TN	3526966C1	N/A																									
CONNECTOR 3977821C1																														
ECA GROUND (4328)																														
			<table border="1" style="width:100%; border-collapse: collapse;"> <thead> <tr> <th>CAV</th> <th>CIRCUIT</th> <th>GAUGE</th> <th>COLOR</th> <th>TERMINAL</th> <th>SEAL/SLEEVE</th> </tr> </thead> <tbody> <tr> <td>A</td> <td>K9BYL</td> <td>18</td> <td>YL</td> <td>1680206C1</td> <td></td> </tr> <tr> <td>B</td> <td>K98GN</td> <td>18</td> <td>GN</td> <td>1680206C1</td> <td></td> </tr> <tr> <td>C</td> <td>PLUG</td> <td>-</td> <td>-</td> <td>-</td> <td></td> </tr> </tbody> </table>				CAV	CIRCUIT	GAUGE	COLOR	TERMINAL	SEAL/SLEEVE	A	K9BYL	18	YL	1680206C1		B	K98GN	18	GN	1680206C1		C	PLUG	-	-	-	
CAV	CIRCUIT	GAUGE	COLOR	TERMINAL	SEAL/SLEEVE																									
A	K9BYL	18	YL	1680206C1																										
B	K98GN	18	GN	1680206C1																										
C	PLUG	-	-	-																										
CONNECTOR 3602454C1 BODY LOCK 1655705C1																														
ECE TAIL LIGHTS (4450BF)																														
			<table border="1" style="width:100%; border-collapse: collapse;"> <thead> <tr> <th>CAV</th> <th>CIRCUIT</th> <th>GAUGE</th> <th>COLOR</th> <th>TERMINAL</th> <th>SEAL/SLEEVE</th> </tr> </thead> <tbody> <tr> <td>A</td> <td>R58BC</td> <td>16</td> <td>OR</td> <td>2033911C1</td> <td>1652325C1</td> </tr> <tr> <td>B</td> <td>R57BC</td> <td>16</td> <td>OR</td> <td>2033911C1</td> <td>1652325C1</td> </tr> <tr> <td>C</td> <td>R70BB</td> <td>14</td> <td>OR</td> <td>2033912C1</td> <td>0589391C1</td> </tr> </tbody> </table>				CAV	CIRCUIT	GAUGE	COLOR	TERMINAL	SEAL/SLEEVE	A	R58BC	16	OR	2033911C1	1652325C1	B	R57BC	16	OR	2033911C1	1652325C1	C	R70BB	14	OR	2033912C1	0589391C1
CAV	CIRCUIT	GAUGE	COLOR	TERMINAL	SEAL/SLEEVE																									
A	R58BC	16	OR	2033911C1	1652325C1																									
B	R57BC	16	OR	2033911C1	1652325C1																									
C	R70BB	14	OR	2033912C1	0589391C1																									
CONNECTOR 3553961C1 BODY LOCK 3554019C1																														
CHK	DATE	CHANGE	REV	REFERENCE	DRAWN	NAME																								
0610	27AUG13	INITIAL RELEASE.	A	92159Y	310615	CIRCUIT DIAGRAM, 9900																								
					RELEASE NO.	DATE																								
					92159Y	02AUG13																								
					PART NO.	SHEET																								
					AE08076124	137																								

Figure 344 Connector Composites (1874C / 1874D / 4328 / 4450BF)

13.147. CONNECTOR COMPOSITES (4450BM / 4460BF / 4460BM / 4705), P. 138

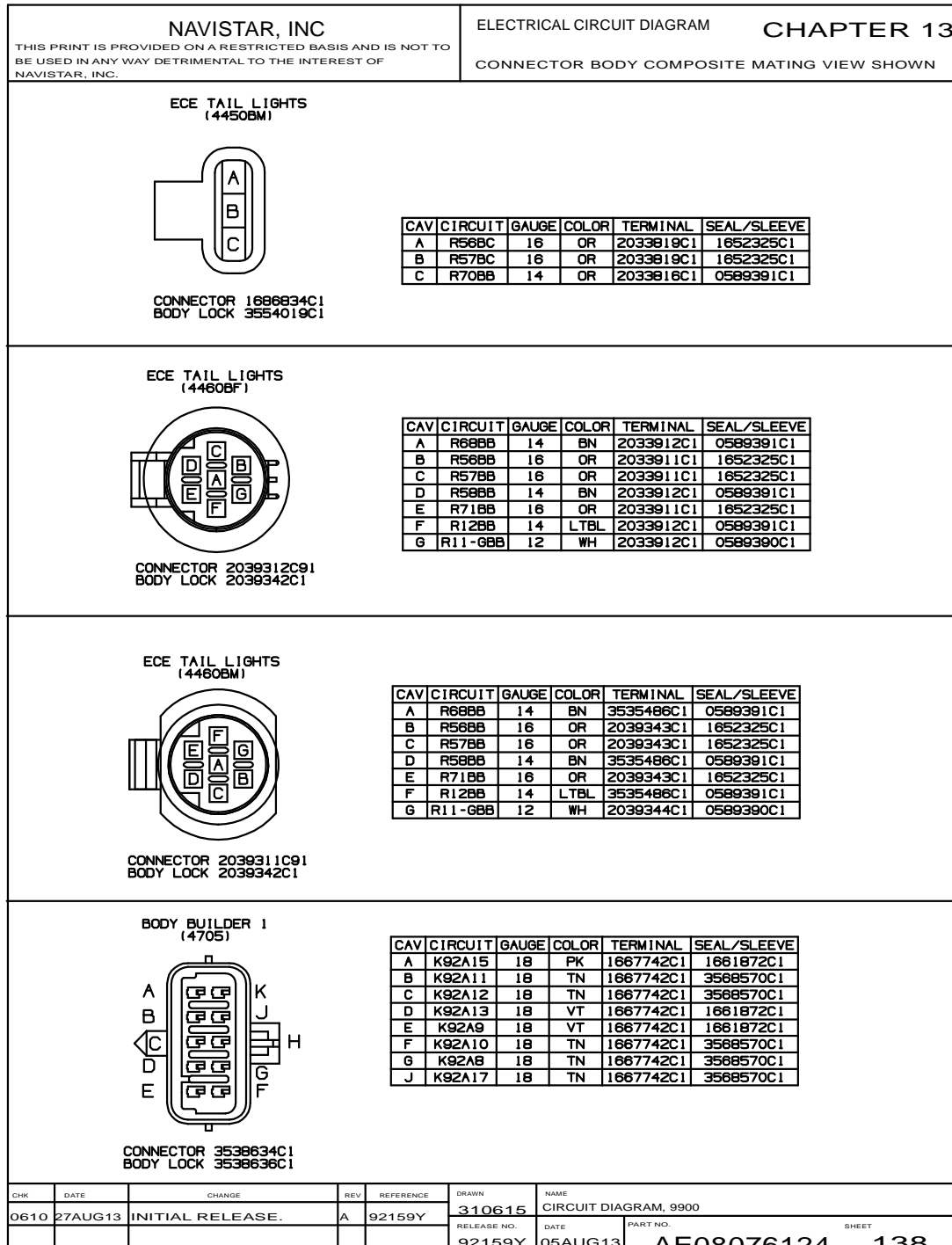


Figure 345 Connector Composites (4450BM / 4460BF / 4460BM / 4705)

13.148. CONNECTOR COMPOSITES (4706 / 5118 / 5200A / 5501), P. 139

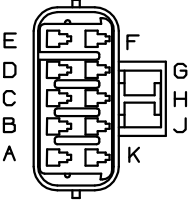
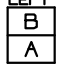

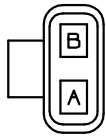
NAVISTAR, INC <small>THIS PRINT IS PROVIDED ON A RESTRICTED BASIS AND IS NOT TO BE USED IN ANY WAY DETRIMENTAL TO THE INTEREST OF NAVISTAR, INC.</small>				ELECTRICAL CIRCUIT DIAGRAM CHAPTER 13 CONNECTOR BODY COMPOSITE MATING VIEW SHOWN																																																																																							
BODY BUILDER 2 (4706)  CONNECTOR 3538635C1 BODY LOCK 3538636C1				• W/2010 MAXFORCE 15L ENG ● W/2013 ISX ENG <table border="1" style="width:100%; border-collapse: collapse;"> <thead> <tr> <th>CAV</th> <th>CIRCUIT</th> <th>GAUGE</th> <th>COLOR</th> <th>TERMINAL</th> <th>SEAL/SLEEVE</th> </tr> </thead> <tbody> <tr><td>*A</td><td>K92A5</td><td>18</td><td>TN</td><td>1661875C1</td><td>3568570C1</td></tr> <tr><td>●A</td><td>K92A5</td><td>20</td><td>TN</td><td>1667742C1</td><td>3568570C1</td></tr> <tr><td>B</td><td>K6A</td><td>20</td><td>PL</td><td>1667742C1</td><td>3568570C1</td></tr> <tr><td>*C</td><td>K92A3</td><td>18</td><td>TN</td><td>1661875C1</td><td>3568570C1</td></tr> <tr><td>●C</td><td>K92A3</td><td>20</td><td>PL</td><td>1667742C1</td><td>3568570C1</td></tr> <tr><td>D</td><td>PLUG</td><td>-</td><td>-</td><td>-</td><td>-</td></tr> <tr><td>E</td><td>PLUG</td><td>-</td><td>-</td><td>-</td><td>-</td></tr> <tr><td>F</td><td>PLUG</td><td>-</td><td>-</td><td>-</td><td>-</td></tr> <tr><td>G</td><td>K92A7</td><td>18</td><td>TN</td><td>1661875C1</td><td>3568570C1</td></tr> <tr><td>H</td><td>K92A1</td><td>18</td><td>TN</td><td>1661875C1</td><td>3568570C1</td></tr> <tr><td>*J</td><td>K92A18</td><td>18</td><td>TN</td><td>1661875C1</td><td>3568570C1</td></tr> <tr><td>●J</td><td>K92A18</td><td>20</td><td>TN</td><td>1667742C1</td><td>3568570C1</td></tr> <tr><td>K</td><td>PLUG</td><td>-</td><td>-</td><td>-</td><td>-</td></tr> </tbody> </table>				CAV	CIRCUIT	GAUGE	COLOR	TERMINAL	SEAL/SLEEVE	*A	K92A5	18	TN	1661875C1	3568570C1	●A	K92A5	20	TN	1667742C1	3568570C1	B	K6A	20	PL	1667742C1	3568570C1	*C	K92A3	18	TN	1661875C1	3568570C1	●C	K92A3	20	PL	1667742C1	3568570C1	D	PLUG	-	-	-	-	E	PLUG	-	-	-	-	F	PLUG	-	-	-	-	G	K92A7	18	TN	1661875C1	3568570C1	H	K92A1	18	TN	1661875C1	3568570C1	*J	K92A18	18	TN	1661875C1	3568570C1	●J	K92A18	20	TN	1667742C1	3568570C1	K	PLUG	-	-	-	-
CAV	CIRCUIT	GAUGE	COLOR	TERMINAL	SEAL/SLEEVE																																																																																						
*A	K92A5	18	TN	1661875C1	3568570C1																																																																																						
●A	K92A5	20	TN	1667742C1	3568570C1																																																																																						
B	K6A	20	PL	1667742C1	3568570C1																																																																																						
*C	K92A3	18	TN	1661875C1	3568570C1																																																																																						
●C	K92A3	20	PL	1667742C1	3568570C1																																																																																						
D	PLUG	-	-	-	-																																																																																						
E	PLUG	-	-	-	-																																																																																						
F	PLUG	-	-	-	-																																																																																						
G	K92A7	18	TN	1661875C1	3568570C1																																																																																						
H	K92A1	18	TN	1661875C1	3568570C1																																																																																						
*J	K92A18	18	TN	1661875C1	3568570C1																																																																																						
●J	K92A18	20	TN	1667742C1	3568570C1																																																																																						
K	PLUG	-	-	-	-																																																																																						
BEACON LIGHT/ROOF CONN (5118) (LOCATED ON LEFT SIDE WALL OF SLEEPER)  CONNECTOR 1661260C1				<table border="1" style="width:100%; border-collapse: collapse;"> <thead> <tr> <th>CAV</th> <th>CIRCUIT</th> <th>GAUGE</th> <th>COLOR</th> <th>TERMINAL</th> <th>SEAL/SLEEVE</th> </tr> </thead> <tbody> <tr><td>A</td><td>WHITE</td><td>16</td><td>WH</td><td>1661262C1</td><td>N/A</td></tr> <tr><td>B</td><td>BLACK</td><td>16</td><td>BK</td><td>1661262C1</td><td>N/A</td></tr> </tbody> </table>				CAV	CIRCUIT	GAUGE	COLOR	TERMINAL	SEAL/SLEEVE	A	WHITE	16	WH	1661262C1	N/A	B	BLACK	16	BK	1661262C1	N/A																																																																		
CAV	CIRCUIT	GAUGE	COLOR	TERMINAL	SEAL/SLEEVE																																																																																						
A	WHITE	16	WH	1661262C1	N/A																																																																																						
B	BLACK	16	BK	1661262C1	N/A																																																																																						
COOLANT FLOW VALVE (5200A)  CONNECTOR 3714731C1				<table border="1" style="width:100%; border-collapse: collapse;"> <thead> <tr> <th>CAV</th> <th>CIRCUIT</th> <th>GAUGE</th> <th>COLOR</th> <th>TERMINAL</th> <th>SEAL/SLEEVE</th> </tr> </thead> <tbody> <tr><td>1</td><td>K95AB</td><td>20</td><td>TN</td><td>3601686C1</td><td>3733609C1</td></tr> <tr><td>2</td><td>PLUG</td><td>-</td><td>-</td><td>-</td><td>-</td></tr> <tr><td>3</td><td>PLUG</td><td>-</td><td>-</td><td>-</td><td>-</td></tr> <tr><td>4</td><td>K95AC</td><td>20</td><td>TN</td><td>3601686C1</td><td>3733609C1</td></tr> </tbody> </table>				CAV	CIRCUIT	GAUGE	COLOR	TERMINAL	SEAL/SLEEVE	1	K95AB	20	TN	3601686C1	3733609C1	2	PLUG	-	-	-	-	3	PLUG	-	-	-	-	4	K95AC	20	TN	3601686C1	3733609C1																																																						
CAV	CIRCUIT	GAUGE	COLOR	TERMINAL	SEAL/SLEEVE																																																																																						
1	K95AB	20	TN	3601686C1	3733609C1																																																																																						
2	PLUG	-	-	-	-																																																																																						
3	PLUG	-	-	-	-																																																																																						
4	K95AC	20	TN	3601686C1	3733609C1																																																																																						
AFTERTREATMENT FUSE (5501)  CONNECTOR 3512967C1				<table border="1" style="width:100%; border-collapse: collapse;"> <thead> <tr> <th>CAV</th> <th>CIRCUIT</th> <th>GAUGE</th> <th>COLOR</th> <th>TERMINAL</th> <th>SEAL/SLEEVE</th> </tr> </thead> <tbody> <tr><td>A</td><td>K14B</td><td>10</td><td>RD</td><td>3679001C1</td><td>N/A</td></tr> <tr><td>B</td><td>K14C</td><td>10</td><td>RD</td><td>3679001C1</td><td>N/A</td></tr> </tbody> </table>				CAV	CIRCUIT	GAUGE	COLOR	TERMINAL	SEAL/SLEEVE	A	K14B	10	RD	3679001C1	N/A	B	K14C	10	RD	3679001C1	N/A																																																																		
CAV	CIRCUIT	GAUGE	COLOR	TERMINAL	SEAL/SLEEVE																																																																																						
A	K14B	10	RD	3679001C1	N/A																																																																																						
B	K14C	10	RD	3679001C1	N/A																																																																																						
CHK	DATE	CHANGE	REV	REFERENCE	DRAWN	NAME																																																																																					
0610	27AUG13	INITIAL RELEASE.	A	92159Y	310615	CIRCUIT DIAGRAM, 9900																																																																																					
					RELEASE NO.	DATE																																																																																					
					92159Y	05AUG13																																																																																					
					PART NO.	SHEET																																																																																					
					AE08076124	139																																																																																					

Figure 346 Connector Composites (4706 / 5118 / 5200A / 5501)

13.149. CONNECTOR COMPOSITES (5899 / 5899A), P. 140

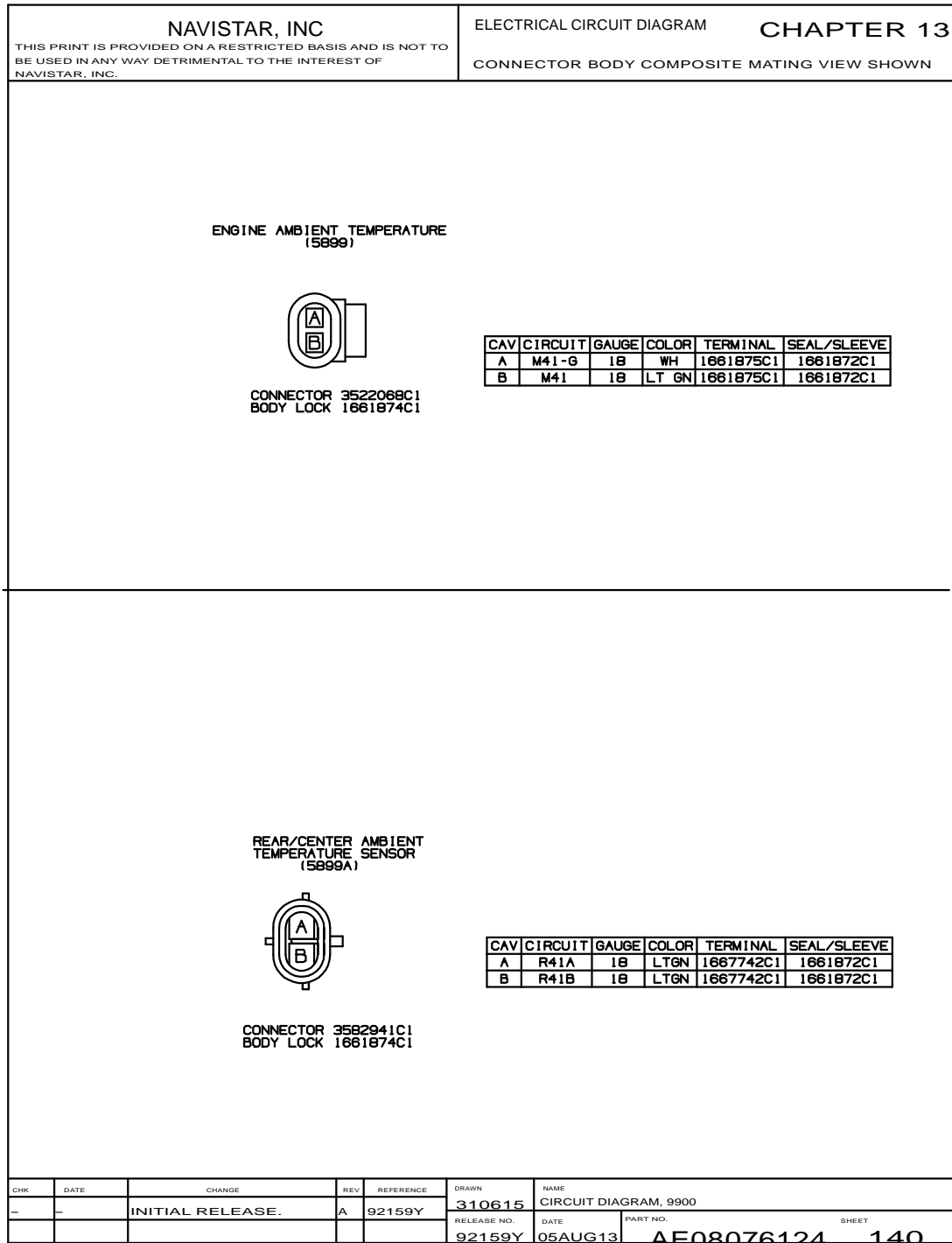


Figure 347 Connector Composites (5899 / 5899A)

13.150. CONNECTOR COMPOSITES (5899A / 5899B / 6000), P. 141

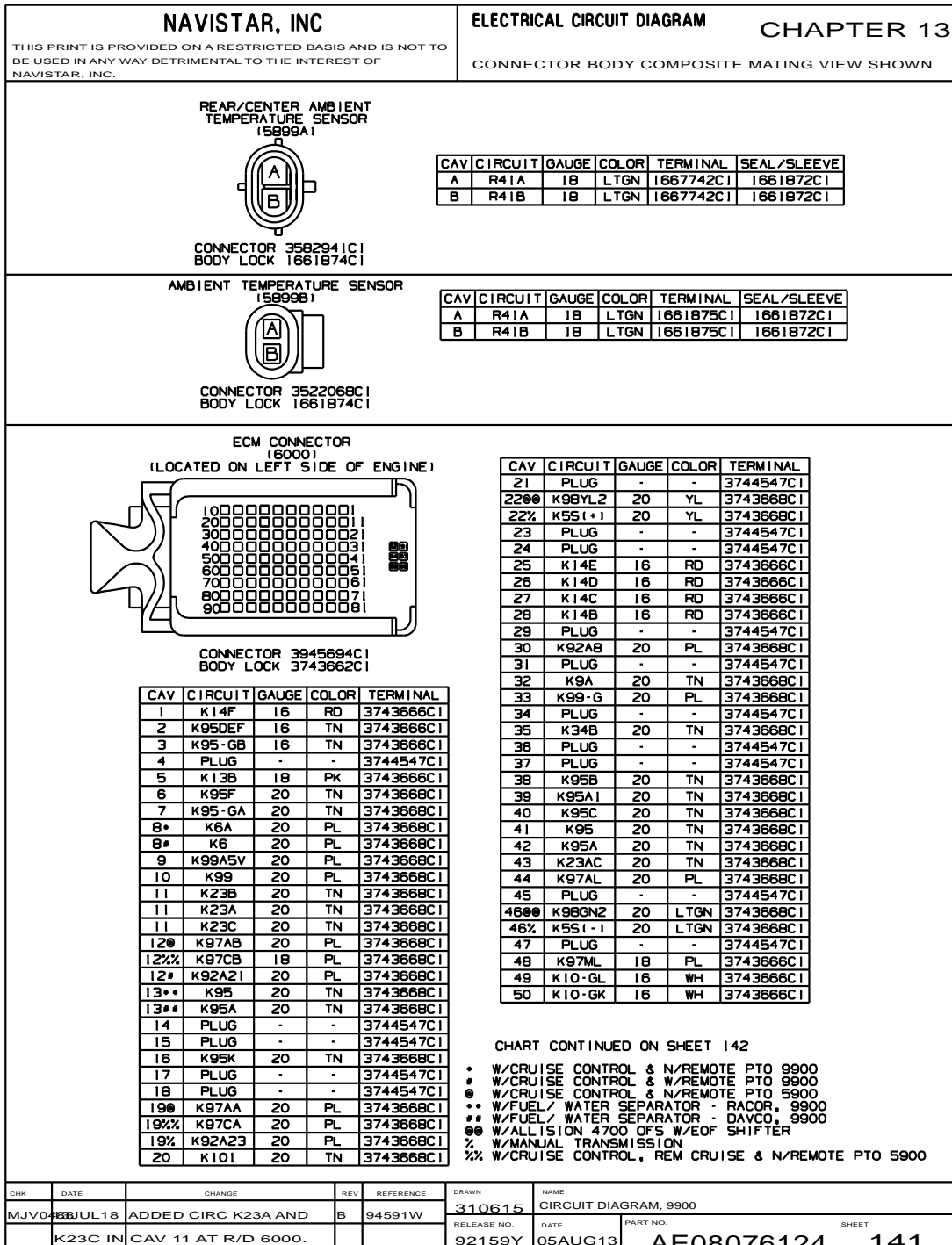


Figure 348 Connector Composites (5899A / 5899B / 6000)

13.151. CONNECTOR COMPOSITES (6000 / 6001), P. 142

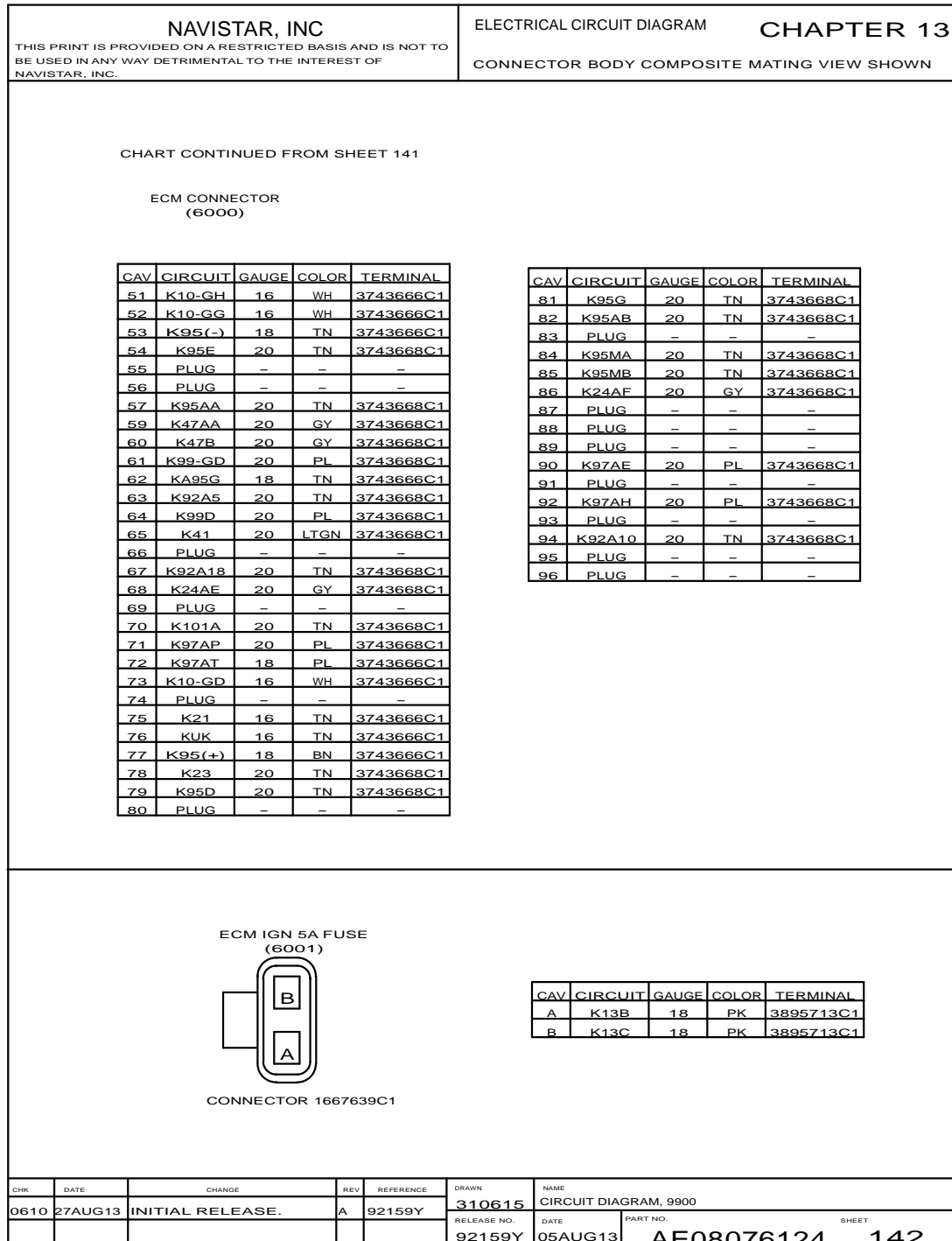


Figure 349 Connector Composites (6000 / 6001)

13.152. CONNECTOR COMPOSITES (6018), P. 143

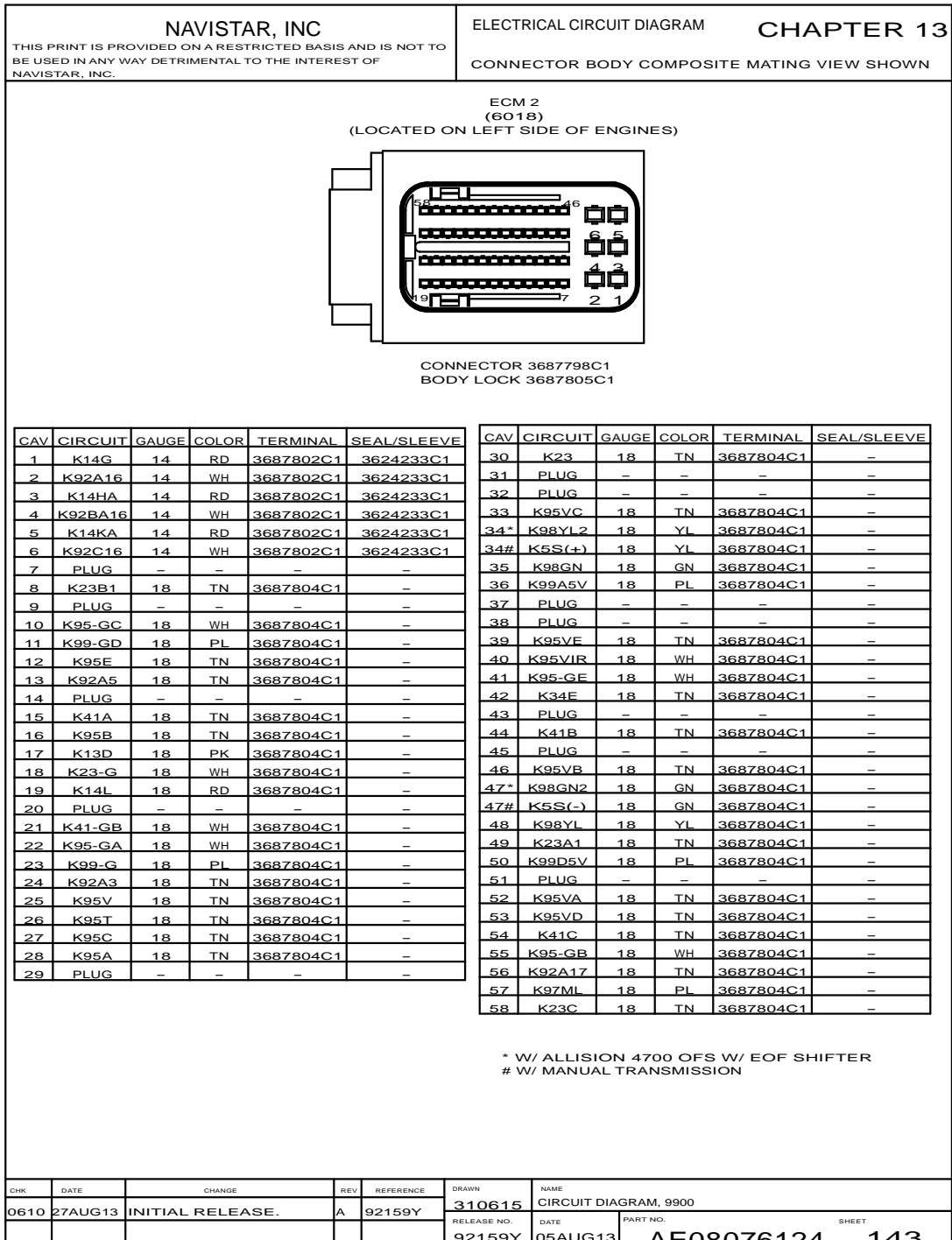


Figure 350 Connector Composites (6018)

13.153. CONNECTOR COMPOSITES (6019), P. 144

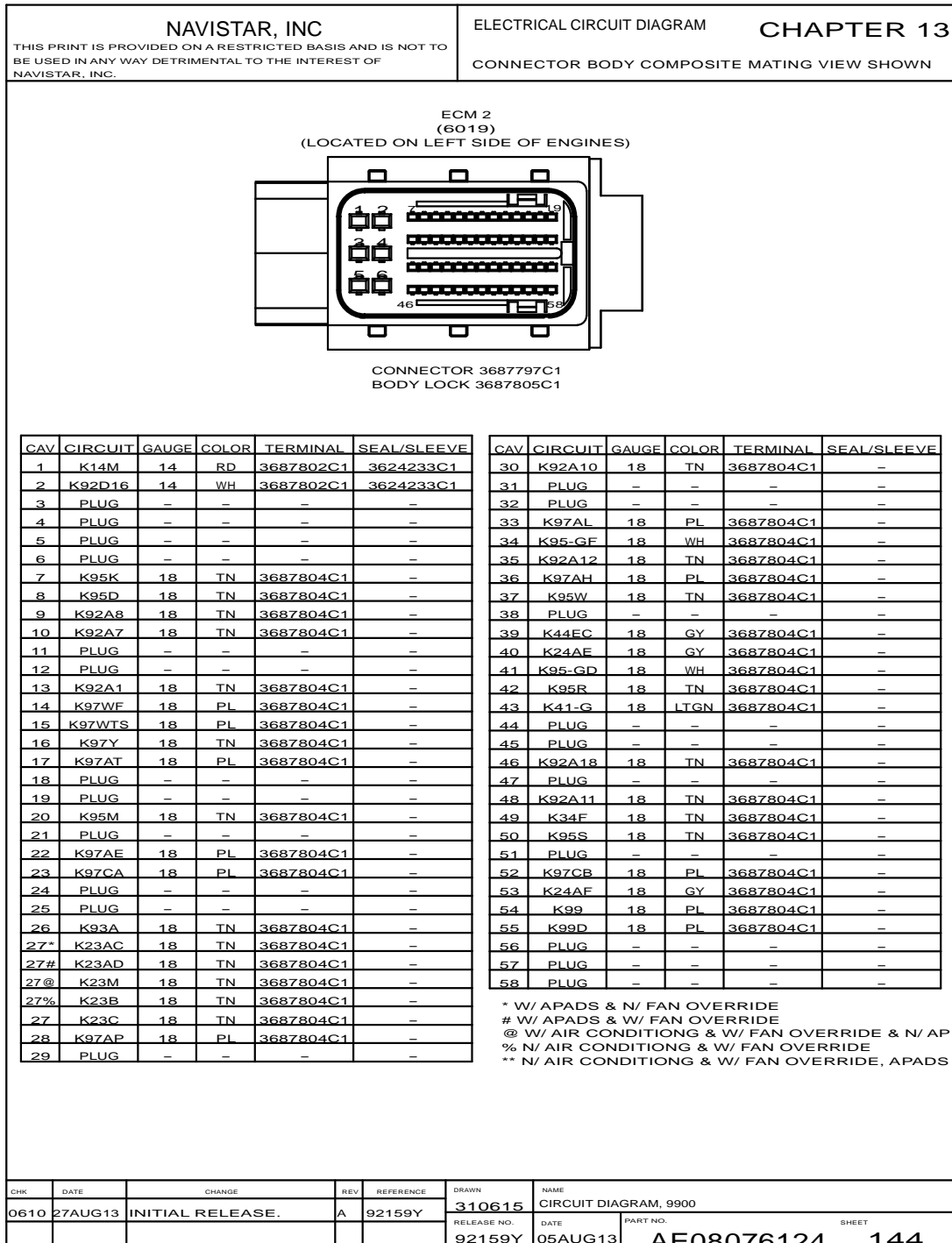


Figure 351 Connector Composites (6019)

13.154. CONNECTOR COMPOSITES (6033 / 6200), P. 145

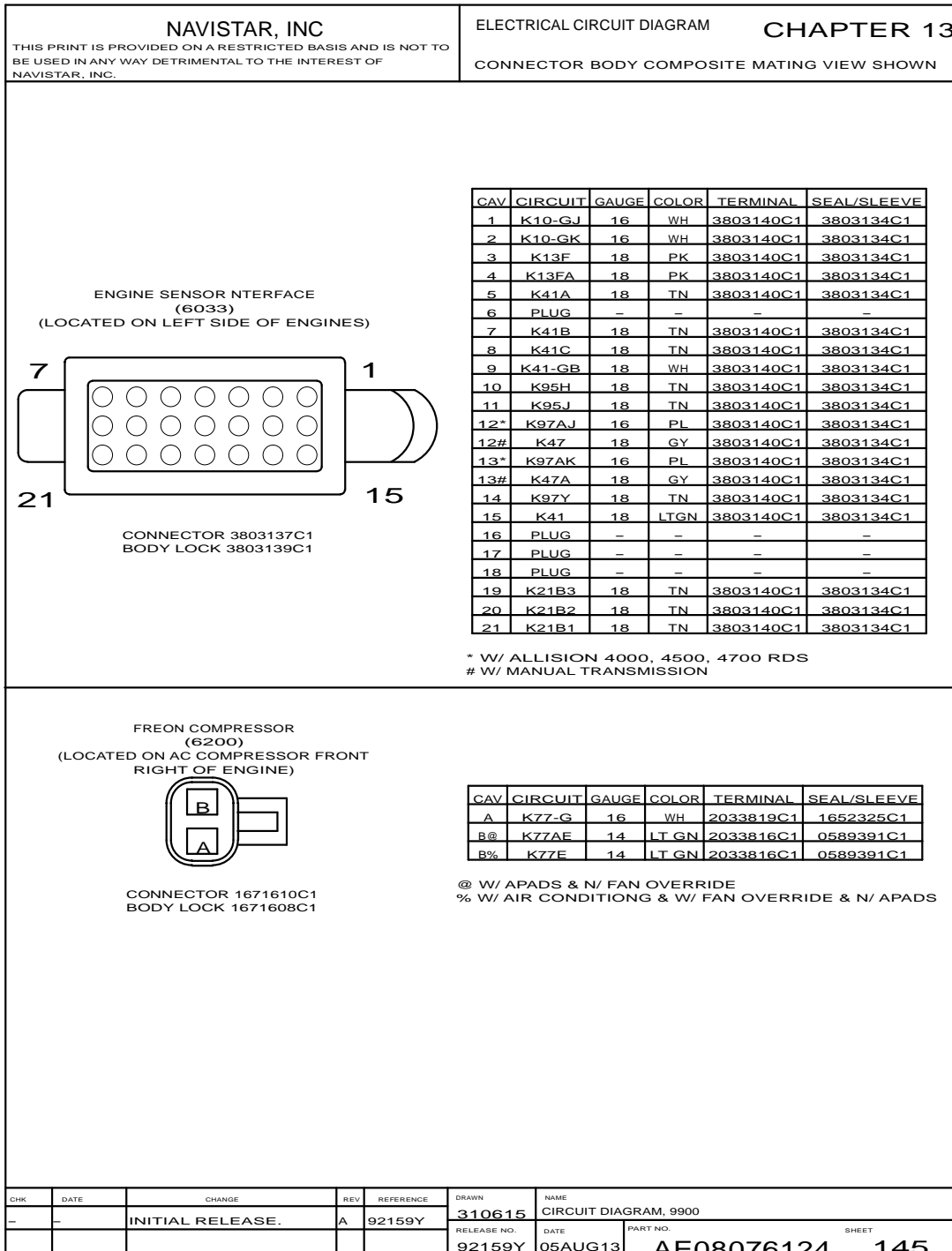


Figure 352 Connector Composites (6033 / 6200)

13.155. CONNECTOR COMPOSITES (6260VH / 6260VL / 6260VM / 6260VN / 6300), P. 146



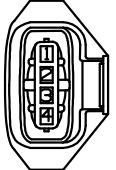

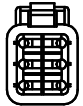
NAVISTAR, INC <small>THIS PRINT IS PROVIDED ON A RESTRICTED BASIS AND IS NOT TO BE USED IN ANY WAY DETRIMENTAL TO THE INTEREST OF NAVISTAR, INC.</small>				ELECTRICAL CIRCUIT DIAGRAM CHAPTER 13 CONNECTOR BODY COMPOSITE MATING VIEW SHOWN																																												
HCI INJECTOR DOSING VALVE (6260VH) (LOCATED ON LEFT SIDE OF ENGINE)																																																
				<table border="1" style="width:100%; border-collapse: collapse;"> <thead> <tr> <th>CAV</th> <th>CIRCUIT</th> <th>GAUGE</th> <th>COLOR</th> <th>TERMINAL</th> <th>SEAL/SLEEVE</th> </tr> </thead> <tbody> <tr> <td>1</td> <td>K95H</td> <td>18</td> <td>TN</td> <td>3689960C1</td> <td>3623615C1</td> </tr> <tr> <td>2</td> <td>K95J</td> <td>18</td> <td>TN</td> <td>3689960C1</td> <td>3623615C1</td> </tr> </tbody> </table>			CAV	CIRCUIT	GAUGE	COLOR	TERMINAL	SEAL/SLEEVE	1	K95H	18	TN	3689960C1	3623615C1	2	K95J	18	TN	3689960C1	3623615C1																								
CAV	CIRCUIT	GAUGE	COLOR	TERMINAL	SEAL/SLEEVE																																											
1	K95H	18	TN	3689960C1	3623615C1																																											
2	K95J	18	TN	3689960C1	3623615C1																																											
CONNECTOR 3690364C1																																																
HCI FUEL SHUT OFF VALVE (6260VL) (LOCATED ON LEFT SIDE OF ENGINE)																																																
				<table border="1" style="width:100%; border-collapse: collapse;"> <thead> <tr> <th>CAV</th> <th>CIRCUIT</th> <th>GAUGE</th> <th>COLOR</th> <th>TERMINAL</th> <th>SEAL/SLEEVE</th> </tr> </thead> <tbody> <tr> <td>1</td> <td>K95K</td> <td>18</td> <td>TN</td> <td>3689960C1</td> <td>3623615C1</td> </tr> <tr> <td>2</td> <td>K95M</td> <td>18</td> <td>TN</td> <td>3689960C1</td> <td>3623615C1</td> </tr> </tbody> </table>			CAV	CIRCUIT	GAUGE	COLOR	TERMINAL	SEAL/SLEEVE	1	K95K	18	TN	3689960C1	3623615C1	2	K95M	18	TN	3689960C1	3623615C1																								
CAV	CIRCUIT	GAUGE	COLOR	TERMINAL	SEAL/SLEEVE																																											
1	K95K	18	TN	3689960C1	3623615C1																																											
2	K95M	18	TN	3689960C1	3623615C1																																											
CONNECTOR 3689957C1																																																
AFTERTREATMENT FUEL TEMP AND PRESSURE (6260VM) (LOCATED ON LEFT SIDE OF ENGINE)																																																
				<table border="1" style="width:100%; border-collapse: collapse;"> <thead> <tr> <th>CAV</th> <th>CIRCUIT</th> <th>GAUGE</th> <th>COLOR</th> <th>TERMINAL</th> <th>SEAL/SLEEVE</th> </tr> </thead> <tbody> <tr> <td>1</td> <td>K95-GE</td> <td>18</td> <td>WH</td> <td>3689959C1</td> <td>3623615C1</td> </tr> <tr> <td>2</td> <td>K95T</td> <td>18</td> <td>TN</td> <td>3689959C1</td> <td>3623615C1</td> </tr> <tr> <td>3</td> <td>K95DC</td> <td>18</td> <td>TN</td> <td>3689959C1</td> <td>3623615C1</td> </tr> <tr> <td>4</td> <td>K95V</td> <td>18</td> <td>TN</td> <td>3689959C1</td> <td>3623615C1</td> </tr> </tbody> </table>			CAV	CIRCUIT	GAUGE	COLOR	TERMINAL	SEAL/SLEEVE	1	K95-GE	18	WH	3689959C1	3623615C1	2	K95T	18	TN	3689959C1	3623615C1	3	K95DC	18	TN	3689959C1	3623615C1	4	K95V	18	TN	3689959C1	3623615C1												
CAV	CIRCUIT	GAUGE	COLOR	TERMINAL	SEAL/SLEEVE																																											
1	K95-GE	18	WH	3689959C1	3623615C1																																											
2	K95T	18	TN	3689959C1	3623615C1																																											
3	K95DC	18	TN	3689959C1	3623615C1																																											
4	K95V	18	TN	3689959C1	3623615C1																																											
CONNECTOR 3689956C1																																																
EXHAUST LAMBDA SENSOR (6260VN) (LOCATED ON LEFT SIDE OF ENGINE)																																																
				<table border="1" style="width:100%; border-collapse: collapse;"> <thead> <tr> <th>CAV</th> <th>CIRCUIT</th> <th>GAUGE</th> <th>COLOR</th> <th>TERMINAL</th> <th>SEAL/SLEEVE</th> </tr> </thead> <tbody> <tr> <td>1</td> <td>K95VA</td> <td>18</td> <td>TN</td> <td>3693147C1</td> <td>3573653C1</td> </tr> <tr> <td>2</td> <td>K95VIR</td> <td>18</td> <td>WH</td> <td>3693147C1</td> <td>3573653C1</td> </tr> <tr> <td>3</td> <td>K95VB</td> <td>18</td> <td>TN</td> <td>3693147C1</td> <td>3573653C1</td> </tr> <tr> <td>4</td> <td>K95VC</td> <td>18</td> <td>TN</td> <td>3693147C1</td> <td>3573653C1</td> </tr> <tr> <td>5</td> <td>K95VD</td> <td>18</td> <td>TN</td> <td>3693147C1</td> <td>3573653C1</td> </tr> <tr> <td>6</td> <td>K95VE</td> <td>18</td> <td>TN</td> <td>3693147C1</td> <td>3573653C1</td> </tr> </tbody> </table>			CAV	CIRCUIT	GAUGE	COLOR	TERMINAL	SEAL/SLEEVE	1	K95VA	18	TN	3693147C1	3573653C1	2	K95VIR	18	WH	3693147C1	3573653C1	3	K95VB	18	TN	3693147C1	3573653C1	4	K95VC	18	TN	3693147C1	3573653C1	5	K95VD	18	TN	3693147C1	3573653C1	6	K95VE	18	TN	3693147C1	3573653C1
CAV	CIRCUIT	GAUGE	COLOR	TERMINAL	SEAL/SLEEVE																																											
1	K95VA	18	TN	3693147C1	3573653C1																																											
2	K95VIR	18	WH	3693147C1	3573653C1																																											
3	K95VB	18	TN	3693147C1	3573653C1																																											
4	K95VC	18	TN	3693147C1	3573653C1																																											
5	K95VD	18	TN	3693147C1	3573653C1																																											
6	K95VE	18	TN	3693147C1	3573653C1																																											
CONNECTOR 3691136C1																																																
VARIABLE SPEED FAN (6300) (LOCATED ON FRONT OF RADIATOR)																																																
				<table border="1" style="width:100%; border-collapse: collapse;"> <thead> <tr> <th>CAV</th> <th>CIRCUIT</th> <th>GAUGE</th> <th>COLOR</th> <th>TERMINAL</th> </tr> </thead> <tbody> <tr> <td>1</td> <td>K23-6</td> <td>18</td> <td>TN</td> <td>3555249C1</td> </tr> <tr> <td>2</td> <td>K23A1</td> <td>18</td> <td>TN</td> <td>3555249C1</td> </tr> <tr> <td>3</td> <td>K23</td> <td>18</td> <td>TN</td> <td>3555249C1</td> </tr> <tr> <td>4</td> <td>K23B1</td> <td>18</td> <td>TN</td> <td>3555249C1</td> </tr> <tr> <td>5</td> <td>K23C</td> <td>18</td> <td>TN</td> <td>3555249C1</td> </tr> <tr> <td>6</td> <td>PLUG</td> <td>-</td> <td>-</td> <td>-</td> </tr> </tbody> </table>			CAV	CIRCUIT	GAUGE	COLOR	TERMINAL	1	K23-6	18	TN	3555249C1	2	K23A1	18	TN	3555249C1	3	K23	18	TN	3555249C1	4	K23B1	18	TN	3555249C1	5	K23C	18	TN	3555249C1	6	PLUG	-	-	-							
CAV	CIRCUIT	GAUGE	COLOR	TERMINAL																																												
1	K23-6	18	TN	3555249C1																																												
2	K23A1	18	TN	3555249C1																																												
3	K23	18	TN	3555249C1																																												
4	K23B1	18	TN	3555249C1																																												
5	K23C	18	TN	3555249C1																																												
6	PLUG	-	-	-																																												
CONNECTOR 3579124c1 BODY LOCK 3579126c1																																																
CHK	DATE	CHANGE	REV	REFERENCE	DRAWN	NAME																																										
0610	27AUG13	INITIAL RELEASE.	A	92159Y	310615	CIRCUIT DIAGRAM, 9900																																										
					RELEASE NO.	DATE																																										
					92159Y	05AUG13																																										
					PART NO.	SHEET																																										
					AE08076124	146																																										

Figure 353 Connector Composites (6260VH / 6260VL / 6260VM / 6260VN / 6300)

13.156. CONNECTOR COMPOSITES (6400 / 6401 / 6550 / 6565), P. 147

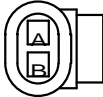
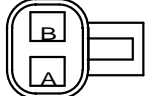
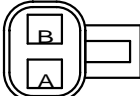

NAVISTAR, INC <small>THIS PRINT IS PROVIDED ON A RESTRICTED BASIS AND IS NOT TO BE USED IN ANY WAY DETRIMENTAL TO THE INTEREST OF NAVISTAR, INC.</small>				ELECTRICAL CIRCUIT DIAGRAM CHAPTER 13 CONNECTOR BODY COMPOSITE MATING VIEW SHOWN																				
FAN SOLENOID (6400) (LOCATED ON LEFT REAR OF ENGINE)																								
			<table border="1" style="width: 100%; border-collapse: collapse;"> <thead> <tr> <th>CAV</th> <th>CIRCUIT</th> <th>GAUGE</th> <th>COLOR</th> <th>TERMINAL</th> <th>SEAL/SLEEVE</th> </tr> </thead> <tbody> <tr> <td>A</td> <td>K23</td> <td>20</td> <td>TN</td> <td>1661875C1</td> <td>3568570C1</td> </tr> <tr> <td>B</td> <td>K23-G</td> <td>20</td> <td>TN</td> <td>1661875C1</td> <td>3568570C1</td> </tr> </tbody> </table>				CAV	CIRCUIT	GAUGE	COLOR	TERMINAL	SEAL/SLEEVE	A	K23	20	TN	1661875C1	3568570C1	B	K23-G	20	TN	1661875C1	3568570C1
CAV	CIRCUIT	GAUGE	COLOR	TERMINAL	SEAL/SLEEVE																			
A	K23	20	TN	1661875C1	3568570C1																			
B	K23-G	20	TN	1661875C1	3568570C1																			
CONNECTOR 3522068C1 BODY LOCK 1661874C1																								
COOLANT LEVEL SENSOR (6401) (LOCATED ON COOLANT RESERVOIR)																								
			<table border="1" style="width: 100%; border-collapse: collapse;"> <thead> <tr> <th>CAV</th> <th>CIRCUIT</th> <th>GAUGE</th> <th>COLOR</th> <th>TERMINAL</th> <th>SEAL/SLEEVE</th> </tr> </thead> <tbody> <tr> <td>A</td> <td>K34F</td> <td>18</td> <td>TN</td> <td>2033819C1</td> <td>3517771C1</td> </tr> <tr> <td>B</td> <td>K34E</td> <td>18</td> <td>TN</td> <td>2033819C1</td> <td>3517771C1</td> </tr> </tbody> </table>				CAV	CIRCUIT	GAUGE	COLOR	TERMINAL	SEAL/SLEEVE	A	K34F	18	TN	2033819C1	3517771C1	B	K34E	18	TN	2033819C1	3517771C1
CAV	CIRCUIT	GAUGE	COLOR	TERMINAL	SEAL/SLEEVE																			
A	K34F	18	TN	2033819C1	3517771C1																			
B	K34E	18	TN	2033819C1	3517771C1																			
CONNECTOR 1671610C1 BODY LOCK 1671608C1																								
ETHER START (6550) (LOCATED ON ETHER - FRONT LEFT RAIL)																								
			<table border="1" style="width: 100%; border-collapse: collapse;"> <thead> <tr> <th>CAV</th> <th>CIRCUIT</th> <th>GAUGE</th> <th>COLOR</th> <th>TERMINAL</th> <th>SEAL/SLEEVE</th> </tr> </thead> <tbody> <tr> <td>A</td> <td>K21</td> <td>16</td> <td>TN</td> <td>2033819C1</td> <td>1652325C1</td> </tr> <tr> <td>B</td> <td>K21A</td> <td>16</td> <td>TN</td> <td>2033819C1</td> <td>1652325C1</td> </tr> </tbody> </table>				CAV	CIRCUIT	GAUGE	COLOR	TERMINAL	SEAL/SLEEVE	A	K21	16	TN	2033819C1	1652325C1	B	K21A	16	TN	2033819C1	1652325C1
CAV	CIRCUIT	GAUGE	COLOR	TERMINAL	SEAL/SLEEVE																			
A	K21	16	TN	2033819C1	1652325C1																			
B	K21A	16	TN	2033819C1	1652325C1																			
CONNECTOR 1671610C1 BODY LOCK 1671608C1																								
FLAME START (6565) (LOCATED ON ETHER - FRONT LEFT RAIL)																								
			<table border="1" style="width: 100%; border-collapse: collapse;"> <thead> <tr> <th>CAV</th> <th>CIRCUIT</th> <th>GAUGE</th> <th>COLOR</th> <th>TERMINAL</th> </tr> </thead> <tbody> <tr> <td>A</td> <td>K14L3</td> <td>4</td> <td>RD</td> <td>3517758C1</td> </tr> </tbody> </table>				CAV	CIRCUIT	GAUGE	COLOR	TERMINAL	A	K14L3	4	RD	3517758C1								
CAV	CIRCUIT	GAUGE	COLOR	TERMINAL																				
A	K14L3	4	RD	3517758C1																				
CONNECTOR 3517759C1																								
CHK	DATE	CHANGE	REV	REFERENCE	DRAWN	NAME																		
0610	27AUG13	INITIAL RELEASE.	A	92159Y	310615	CIRCUIT DIAGRAM, 9900																		
					RELEASE NO.	DATE																		
					92159Y	05AUG13																		
					PART NO.	SHEET																		
					AE08076124	147																		

Figure 354 Connector Composites (6400 / 6401 / 6550 / 6565)

13.157. CONNECTOR COMPOSITES (6704D / 6715 / 6720), P. 148

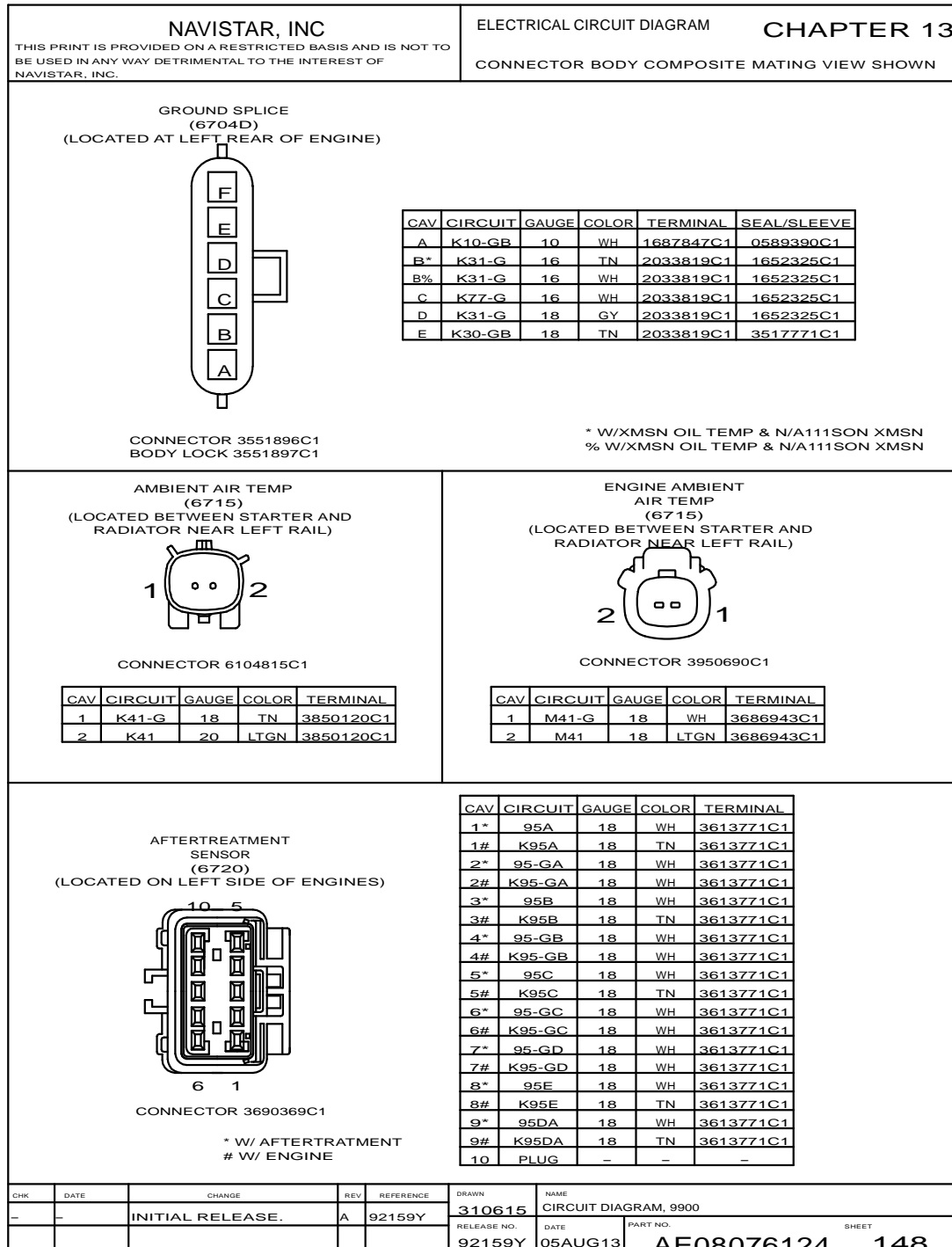


Figure 355 Connector Composites (6704D / 6715 / 6720)

13.158. CONNECTOR COMPOSITES (6720A / 6720B / 6730 / 7100), P. 149

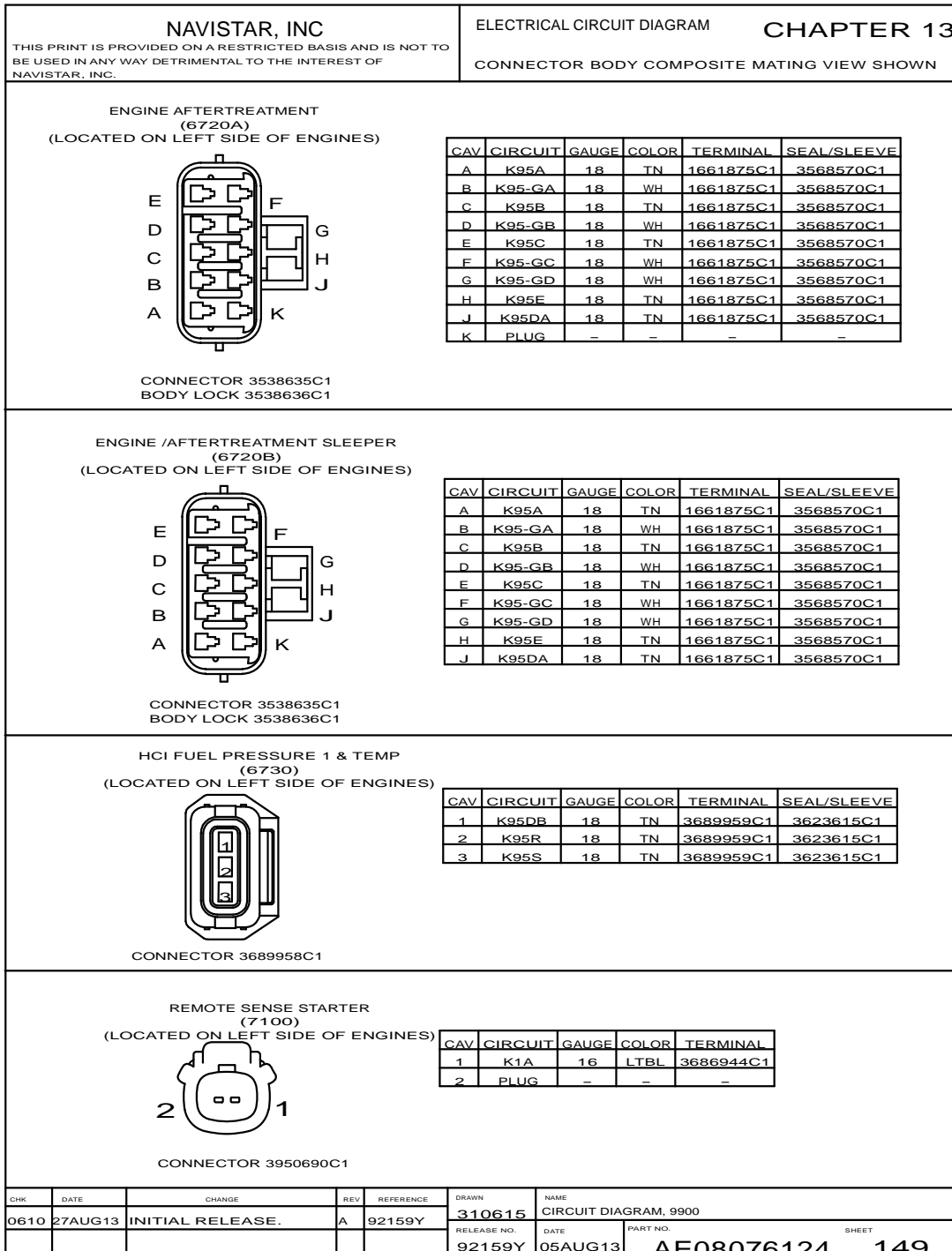


Figure 356 Connector Composites (6720A / 6720B / 6730 / 7100)

13.159. CONNECTOR COMPOSITES (7105), P. 150

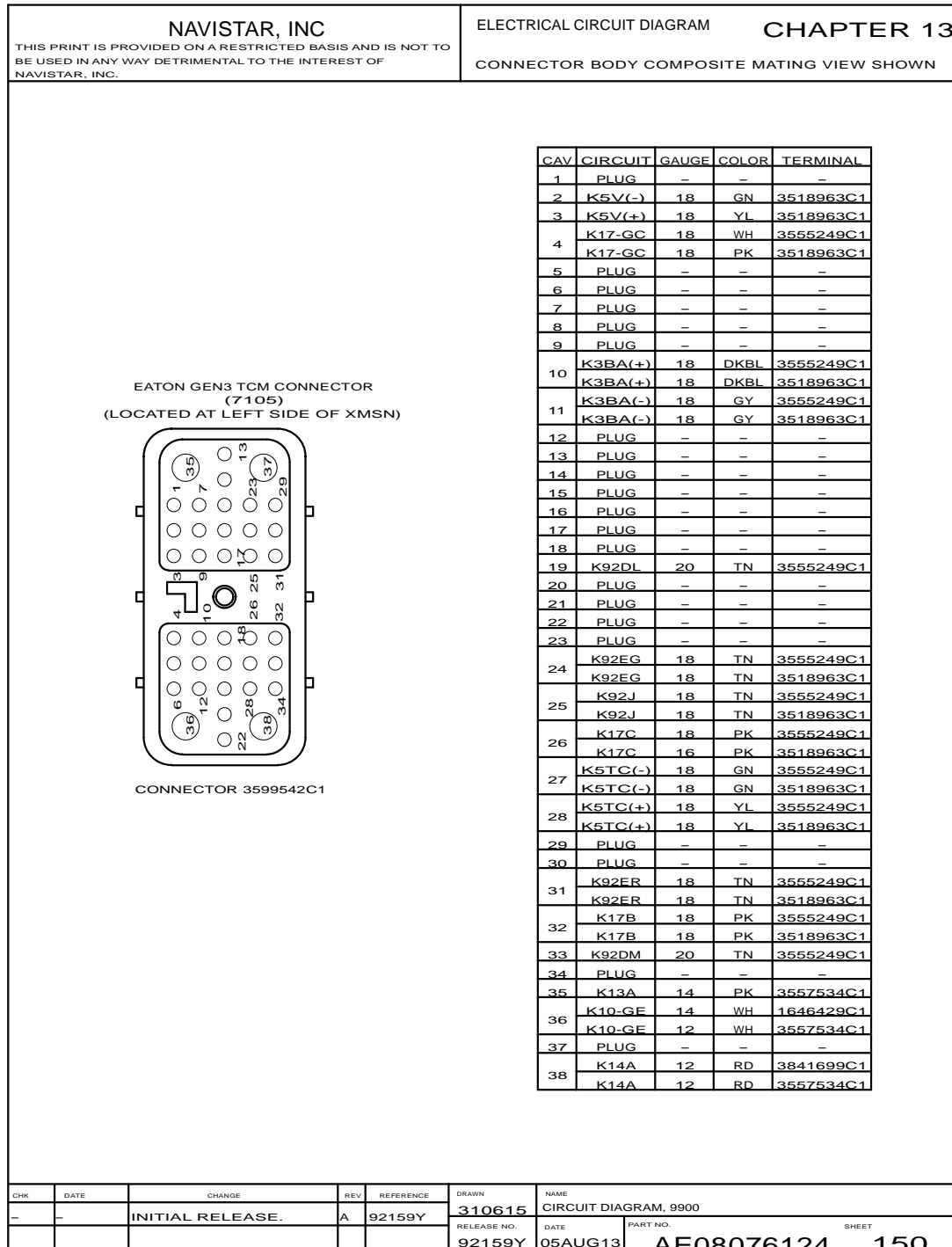


Figure 357 Connector Composites (7105)

13.160. CONNECTOR COMPOSITES (7110 / 7110A / 7250), P. 151

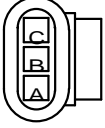
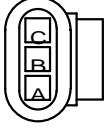
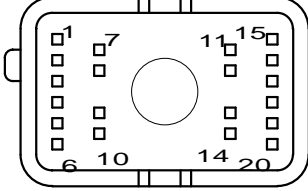
NAVISTAR, INC <small>THIS PRINT IS PROVIDED ON A RESTRICTED BASIS AND IS NOT TO BE USED IN ANY WAY DETRIMENTAL TO THE INTEREST OF NAVISTAR, INC.</small>				ELECTRICAL CIRCUIT DIAGRAM CHAPTER 13 CONNECTOR BODY COMPOSITE MATING VIEW SHOWN																																																																																																										
J1939 TERMINATOR (7110) (LOCATED ON TRANSMISSION) 		<table border="1" style="width:100%; border-collapse: collapse;"> <thead> <tr> <th>CAV</th> <th>CIRCUIT</th> <th>GAUGE</th> <th>COLOR</th> <th>TERMINAL</th> <th>SEAL/SLEEVE</th> </tr> </thead> <tbody> <tr> <td>A</td> <td>K5TB(+)</td> <td>18</td> <td>YL</td> <td>1661875C1</td> <td>3568570C1</td> </tr> <tr> <td>B</td> <td>PLUG</td> <td>-</td> <td>-</td> <td>-</td> <td>-</td> </tr> <tr> <td>C</td> <td>K5TB(-)</td> <td>18</td> <td>GN</td> <td>1661875C1</td> <td>3568570C1</td> </tr> </tbody> </table>				CAV	CIRCUIT	GAUGE	COLOR	TERMINAL	SEAL/SLEEVE	A	K5TB(+)	18	YL	1661875C1	3568570C1	B	PLUG	-	-	-	-	C	K5TB(-)	18	GN	1661875C1	3568570C1																																																																																	
CAV	CIRCUIT	GAUGE	COLOR	TERMINAL	SEAL/SLEEVE																																																																																																									
A	K5TB(+)	18	YL	1661875C1	3568570C1																																																																																																									
B	PLUG	-	-	-	-																																																																																																									
C	K5TB(-)	18	GN	1661875C1	3568570C1																																																																																																									
CONNECTOR 1667741C1 BODY LOCK 1667771C1																																																																																																														
J1939 TERMINATOR (7110A) (LOCATED ON LEFT SIDE OF TRANSMISSION) 		<table border="1" style="width:100%; border-collapse: collapse;"> <thead> <tr> <th>CAV</th> <th>CIRCUIT</th> <th>GAUGE</th> <th>COLOR</th> <th>TERMINAL</th> <th>SEAL/SLEEVE</th> </tr> </thead> <tbody> <tr> <td>A</td> <td>K5B(+)</td> <td>18</td> <td>YL</td> <td>1661875C1</td> <td>3568570C1</td> </tr> <tr> <td>B</td> <td>PLUG</td> <td>-</td> <td>-</td> <td>-</td> <td>-</td> </tr> <tr> <td>C</td> <td>K5B(-)</td> <td>18</td> <td>GN</td> <td>1661875C1</td> <td>3568570C1</td> </tr> </tbody> </table>				CAV	CIRCUIT	GAUGE	COLOR	TERMINAL	SEAL/SLEEVE	A	K5B(+)	18	YL	1661875C1	3568570C1	B	PLUG	-	-	-	-	C	K5B(-)	18	GN	1661875C1	3568570C1																																																																																	
CAV	CIRCUIT	GAUGE	COLOR	TERMINAL	SEAL/SLEEVE																																																																																																									
A	K5B(+)	18	YL	1661875C1	3568570C1																																																																																																									
B	PLUG	-	-	-	-																																																																																																									
C	K5B(-)	18	GN	1661875C1	3568570C1																																																																																																									
CONNECTOR 1667741C1 BODY LOCK 1667771C1																																																																																																														
TRANS BULKHEAD (7250) (LOCATED ON REAR RIGHT OF TRANSMISSION) 		<table border="1" style="width:100%; border-collapse: collapse;"> <thead> <tr> <th>CAV</th> <th>CIRCUIT</th> <th>GAUGE</th> <th>COLOR</th> <th>TERMINAL</th> </tr> </thead> <tbody> <tr><td>1</td><td>K111</td><td>18</td><td>OR</td><td>3686945C1</td></tr> <tr><td>2</td><td>K155</td><td>18</td><td>WH</td><td>3686945C1</td></tr> <tr><td>3</td><td>K177</td><td>18</td><td>LTGN</td><td>3686945C1</td></tr> <tr><td>4</td><td>K136</td><td>18</td><td>OR</td><td>3686945C1</td></tr> <tr><td>5</td><td>K152</td><td>18</td><td>LTGN</td><td>3686945C1</td></tr> <tr><td>6</td><td>K171</td><td>18</td><td>YL</td><td>3686945C1</td></tr> <tr><td>7</td><td>K178</td><td>18</td><td>WH</td><td>3686945C1</td></tr> <tr><td>8</td><td>K174</td><td>18</td><td>LTBL</td><td>3686945C1</td></tr> <tr><td>9</td><td>K133</td><td>18</td><td>YL</td><td>3686945C1</td></tr> <tr><td>10</td><td>K151</td><td>18</td><td>WH</td><td>3686945C1</td></tr> <tr><td>11</td><td>K131</td><td>18</td><td>YL</td><td>3686945C1</td></tr> <tr><td>12</td><td>K137</td><td>18</td><td>WH</td><td>3686945C1</td></tr> <tr><td>13</td><td>PLUG</td><td>-</td><td>-</td><td>-</td></tr> <tr><td>14</td><td>PLUG</td><td>-</td><td>-</td><td>-</td></tr> <tr><td>15</td><td>K116</td><td>18</td><td>LTBL</td><td>3686945C1</td></tr> <tr><td>16</td><td>K112</td><td>18</td><td>PK</td><td>3686945C1</td></tr> <tr><td>17</td><td>K119</td><td>18</td><td>LTBL</td><td>3686945C1</td></tr> <tr><td>18</td><td>K154</td><td>18</td><td>TN</td><td>3686945C1</td></tr> <tr><td>19</td><td>K158</td><td>18</td><td>LTGN</td><td>3686945C1</td></tr> <tr><td>20</td><td>K176</td><td>18</td><td>YL</td><td>3686945C1</td></tr> </tbody> </table>				CAV	CIRCUIT	GAUGE	COLOR	TERMINAL	1	K111	18	OR	3686945C1	2	K155	18	WH	3686945C1	3	K177	18	LTGN	3686945C1	4	K136	18	OR	3686945C1	5	K152	18	LTGN	3686945C1	6	K171	18	YL	3686945C1	7	K178	18	WH	3686945C1	8	K174	18	LTBL	3686945C1	9	K133	18	YL	3686945C1	10	K151	18	WH	3686945C1	11	K131	18	YL	3686945C1	12	K137	18	WH	3686945C1	13	PLUG	-	-	-	14	PLUG	-	-	-	15	K116	18	LTBL	3686945C1	16	K112	18	PK	3686945C1	17	K119	18	LTBL	3686945C1	18	K154	18	TN	3686945C1	19	K158	18	LTGN	3686945C1	20	K176	18	YL	3686945C1
CAV	CIRCUIT	GAUGE	COLOR	TERMINAL																																																																																																										
1	K111	18	OR	3686945C1																																																																																																										
2	K155	18	WH	3686945C1																																																																																																										
3	K177	18	LTGN	3686945C1																																																																																																										
4	K136	18	OR	3686945C1																																																																																																										
5	K152	18	LTGN	3686945C1																																																																																																										
6	K171	18	YL	3686945C1																																																																																																										
7	K178	18	WH	3686945C1																																																																																																										
8	K174	18	LTBL	3686945C1																																																																																																										
9	K133	18	YL	3686945C1																																																																																																										
10	K151	18	WH	3686945C1																																																																																																										
11	K131	18	YL	3686945C1																																																																																																										
12	K137	18	WH	3686945C1																																																																																																										
13	PLUG	-	-	-																																																																																																										
14	PLUG	-	-	-																																																																																																										
15	K116	18	LTBL	3686945C1																																																																																																										
16	K112	18	PK	3686945C1																																																																																																										
17	K119	18	LTBL	3686945C1																																																																																																										
18	K154	18	TN	3686945C1																																																																																																										
19	K158	18	LTGN	3686945C1																																																																																																										
20	K176	18	YL	3686945C1																																																																																																										
CONNECTOR 3605715C1 BODY LOCK 3606532C1																																																																																																														
CHK	DATE	CHANGE	REV	REFERENCE	DRAWN	NAME																																																																																																								
-	-	INITIAL RELEASE.	A	92159Y	310615	CIRCUIT DIAGRAM, 9900																																																																																																								
					RELEASE NO.	DATE																																																																																																								
					92159Y	02AUG13																																																																																																								
					PART NO.	SHEET																																																																																																								
					AE08076124	151																																																																																																								

Figure 358 Connector Composites (7110 / 7110A / 7250)

13.161. CONNECTOR COMPOSITES (7500W / 7501 / 7600), P. 152

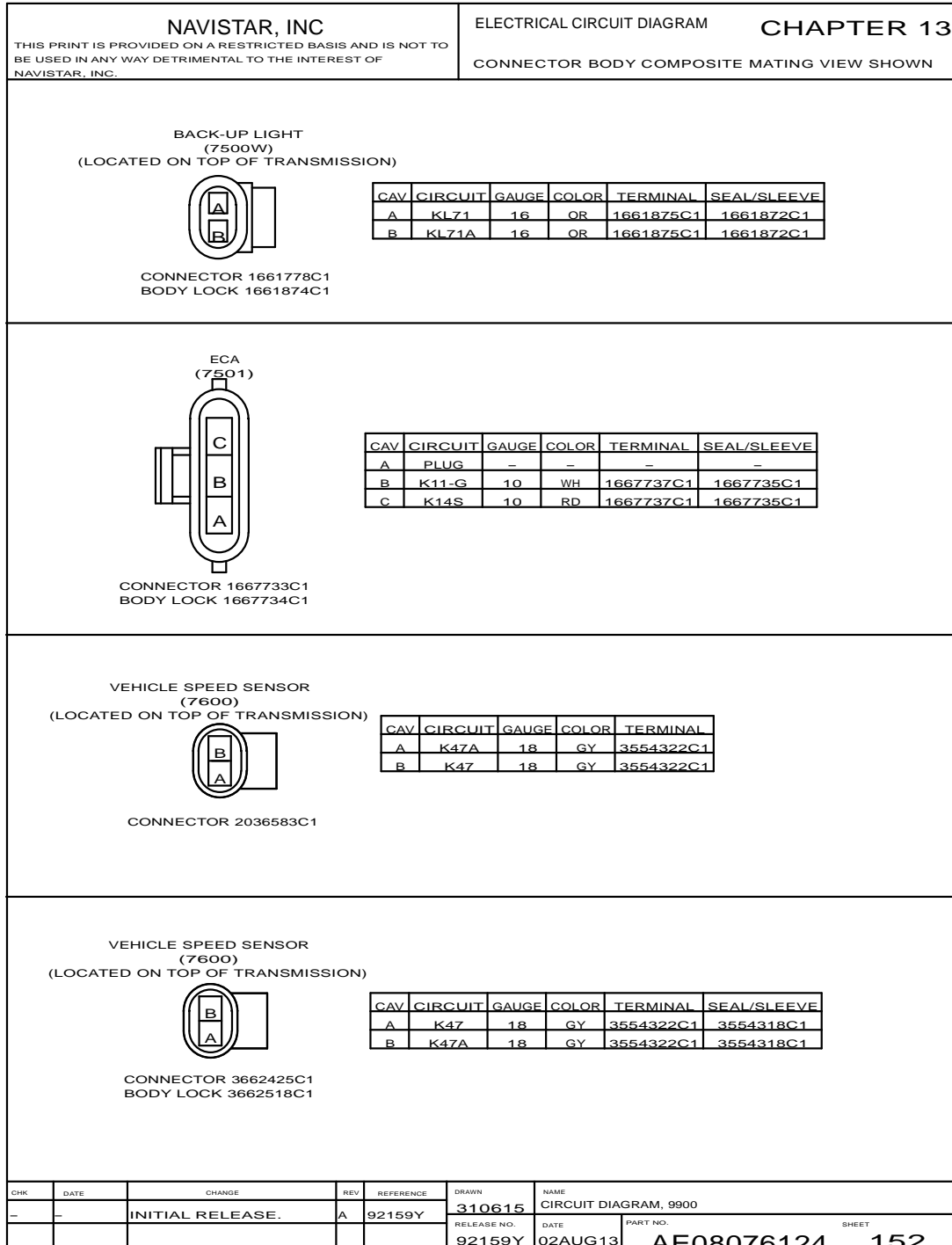


Figure 359 Connector Composites (7500W / 7501 / 7600)

13.162. CONNECTOR COMPOSITES (7603 / 7608 / 7615 / 7700K), P. 153

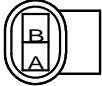
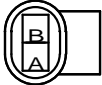
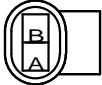
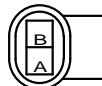
NAVISTAR, INC <small>THIS PRINT IS PROVIDED ON A RESTRICTED BASIS AND IS NOT TO BE USED IN ANY WAY DETRIMENTAL TO THE INTEREST OF NAVISTAR, INC.</small>				ELECTRICAL CIRCUIT DIAGRAM CHAPTER 13 CONNECTOR BODY COMPOSITE MATING VIEW SHOWN																				
<p>ENGINE SPEED SENSOR (7603) (LOCATED IN ENGINE)</p>  <p>CONNECTOR 3610533C1 BODY LOCK 3610532C1</p> <table border="1" style="margin-left: auto; margin-right: auto;"> <thead> <tr> <th>CAV</th> <th>CIRCUIT</th> <th>GAUGE</th> <th>COLOR</th> <th>TERMINAL</th> <th>SEAL/SLEEVE</th> </tr> </thead> <tbody> <tr> <td>A</td> <td>K159</td> <td>18</td> <td>TN</td> <td>3554322C1</td> <td>3554318C1</td> </tr> <tr> <td>B</td> <td>K139</td> <td>18</td> <td>OR</td> <td>3554322C1</td> <td>3554318C1</td> </tr> </tbody> </table>							CAV	CIRCUIT	GAUGE	COLOR	TERMINAL	SEAL/SLEEVE	A	K159	18	TN	3554322C1	3554318C1	B	K139	18	OR	3554322C1	3554318C1
CAV	CIRCUIT	GAUGE	COLOR	TERMINAL	SEAL/SLEEVE																			
A	K159	18	TN	3554322C1	3554318C1																			
B	K139	18	OR	3554322C1	3554318C1																			
<p>OTUPUT SENSOR (7608) (LOCATED IN ENGINE)</p>  <p>CONNECTOR 3610533C1 BODY LOCK 3610532C1</p> <table border="1" style="margin-left: auto; margin-right: auto;"> <thead> <tr> <th>CAV</th> <th>CIRCUIT</th> <th>GAUGE</th> <th>COLOR</th> <th>TERMINAL</th> <th>SEAL/SLEEVE</th> </tr> </thead> <tbody> <tr> <td>A</td> <td>K160</td> <td>18</td> <td>YL</td> <td>3554322C1</td> <td>3554318C1</td> </tr> <tr> <td>B</td> <td>K140</td> <td>18</td> <td>LTGN</td> <td>3554322C1</td> <td>3554318C1</td> </tr> </tbody> </table>							CAV	CIRCUIT	GAUGE	COLOR	TERMINAL	SEAL/SLEEVE	A	K160	18	YL	3554322C1	3554318C1	B	K140	18	LTGN	3554322C1	3554318C1
CAV	CIRCUIT	GAUGE	COLOR	TERMINAL	SEAL/SLEEVE																			
A	K160	18	YL	3554322C1	3554318C1																			
B	K140	18	LTGN	3554322C1	3554318C1																			
<p>TURBINE SPEED SENSOR (7615) (LOCATED IN ENGINE)</p>  <p>CONNECTOR 3610533C1 BODY LOCK 3610532C1</p> <table border="1" style="margin-left: auto; margin-right: auto;"> <thead> <tr> <th>CAV</th> <th>CIRCUIT</th> <th>GAUGE</th> <th>COLOR</th> <th>TERMINAL</th> <th>SEAL/SLEEVE</th> </tr> </thead> <tbody> <tr> <td>A</td> <td>K180</td> <td>18</td> <td>OR</td> <td>3554322C1</td> <td>3554318C1</td> </tr> <tr> <td>B</td> <td>K120</td> <td>18</td> <td>LTBL</td> <td>3554322C1</td> <td>3554318C1</td> </tr> </tbody> </table>							CAV	CIRCUIT	GAUGE	COLOR	TERMINAL	SEAL/SLEEVE	A	K180	18	OR	3554322C1	3554318C1	B	K120	18	LTBL	3554322C1	3554318C1
CAV	CIRCUIT	GAUGE	COLOR	TERMINAL	SEAL/SLEEVE																			
A	K180	18	OR	3554322C1	3554318C1																			
B	K120	18	LTBL	3554322C1	3554318C1																			
<p>TRANS OIL TEMPERATURE (7700K) (LOCATED IN UNDERSIDE OF TRANSMISSION)</p>  <p>CONNECTOR 2036584C1</p> <table border="1" style="margin-left: auto; margin-right: auto;"> <thead> <tr> <th>CAV</th> <th>CIRCUIT</th> <th>GAUGE</th> <th>COLOR</th> <th>TERMINAL</th> </tr> </thead> <tbody> <tr> <td>A</td> <td>K31</td> <td>18</td> <td>TN</td> <td>2036586C1</td> </tr> <tr> <td>B</td> <td>K31-G</td> <td>18</td> <td>GY</td> <td>2036586C1</td> </tr> </tbody> </table>							CAV	CIRCUIT	GAUGE	COLOR	TERMINAL	A	K31	18	TN	2036586C1	B	K31-G	18	GY	2036586C1			
CAV	CIRCUIT	GAUGE	COLOR	TERMINAL																				
A	K31	18	TN	2036586C1																				
B	K31-G	18	GY	2036586C1																				
CHK	DATE	CHANGE	REV	REFERENCE	DRAWN	NAME																		
-	-	INITIAL RELEASE.	A	92159Y	310615	CIRCUIT DIAGRAM, 9900																		
					RELEASE NO.	DATE																		
					92159Y	02AUG13																		
					PART NO.	SHEET																		
					AE08076124	153																		

Figure 360 Connector Composites (7603 / 7608 / 7615 / 7700K)

13.163. CONNECTOR COMPOSITES (7704 / 8103 / 8104), P. 154

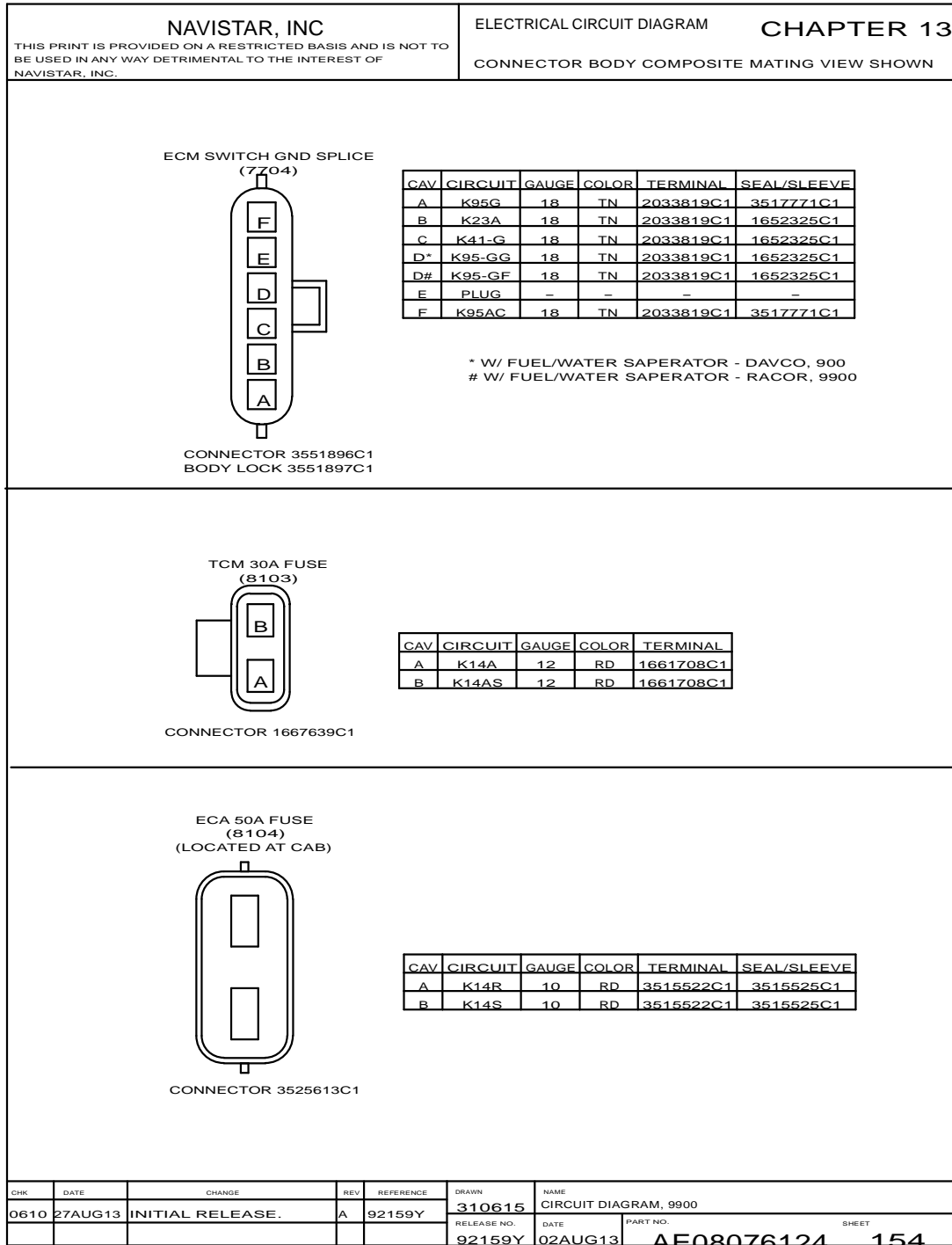


Figure 361 Connector Composites (7704 / 8103 / 8104)

13.164. CONNECTOR COMPOSITES (8107 / 8303 / 8310 / 8311), P. 155

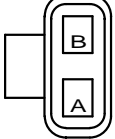
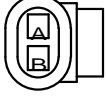
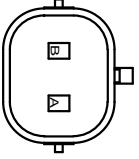
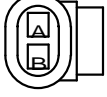
NAVISTAR, INC <small>THIS PRINT IS PROVIDED ON A RESTRICTED BASIS AND IS NOT TO BE USED IN ANY WAY DETRIMENTAL TO THE INTEREST OF NAVISTAR, INC.</small>				ELECTRICAL CIRCUIT DIAGRAM CHAPTER 13 CONNECTOR BODY COMPOSITE MATING VIEW SHOWN																				
<p>TIMER CIRCUIT ENGINE FUSE (8107) (LOCATED AT CAB)</p>  <p>CONNECTOR 1667639C1</p> <table border="1" style="margin-left: auto; margin-right: auto;"> <thead> <tr> <th>CAV</th> <th>CIRCUIT</th> <th>GAUGE</th> <th>COLOR</th> <th>TERMINAL</th> </tr> </thead> <tbody> <tr> <td>A</td> <td>K14L1</td> <td>16</td> <td>RD</td> <td>1661707C1</td> </tr> <tr> <td>B</td> <td>K14L2</td> <td>16</td> <td>RD</td> <td>1661707C1</td> </tr> </tbody> </table>							CAV	CIRCUIT	GAUGE	COLOR	TERMINAL	A	K14L1	16	RD	1661707C1	B	K14L2	16	RD	1661707C1			
CAV	CIRCUIT	GAUGE	COLOR	TERMINAL																				
A	K14L1	16	RD	1661707C1																				
B	K14L2	16	RD	1661707C1																				
<p>ELECTRIC HORN (8303) (LOCATED ON LEFT FRAME RAIL UNDER ENGINE CROSSMEMBER)</p>  <p>CONNECTOR 1661778C1 BODY LOCK 1661874C1</p> <table border="1" style="margin-left: auto; margin-right: auto;"> <thead> <tr> <th>CAV</th> <th>CIRCUIT</th> <th>GAUGE</th> <th>COLOR</th> <th>TERMINAL</th> <th>SEAL/SLEEVE</th> </tr> </thead> <tbody> <tr> <td>A</td> <td>M85</td> <td>16</td> <td>GY</td> <td>1661875C1</td> <td>1661872C1</td> </tr> <tr> <td>B</td> <td>M85-GA</td> <td>16</td> <td>WH</td> <td>1661875C1</td> <td>1661872C1</td> </tr> </tbody> </table>							CAV	CIRCUIT	GAUGE	COLOR	TERMINAL	SEAL/SLEEVE	A	M85	16	GY	1661875C1	1661872C1	B	M85-GA	16	WH	1661875C1	1661872C1
CAV	CIRCUIT	GAUGE	COLOR	TERMINAL	SEAL/SLEEVE																			
A	M85	16	GY	1661875C1	1661872C1																			
B	M85-GA	16	WH	1661875C1	1661872C1																			
<p>DUAL ELECTRIC HORNS (8310) (LOCATED ON LEFT FRAME RAIL UNDER ENGINE CROSSMEMBER)</p>  <p>CONNECTOR 3543888C1 BODY LOCK 1661874C1</p> <table border="1" style="margin-left: auto; margin-right: auto;"> <thead> <tr> <th>CAV</th> <th>CIRCUIT</th> <th>GAUGE</th> <th>COLOR</th> <th>TERMINAL</th> <th>SEAL/SLEEVE</th> </tr> </thead> <tbody> <tr> <td>A</td> <td>M85J</td> <td>16</td> <td>GY</td> <td>1667742C1</td> <td>1661872C1</td> </tr> <tr> <td>B</td> <td>M85-GC</td> <td>16</td> <td>WH</td> <td>1667742C1</td> <td>1661872C1</td> </tr> </tbody> </table>							CAV	CIRCUIT	GAUGE	COLOR	TERMINAL	SEAL/SLEEVE	A	M85J	16	GY	1667742C1	1661872C1	B	M85-GC	16	WH	1667742C1	1661872C1
CAV	CIRCUIT	GAUGE	COLOR	TERMINAL	SEAL/SLEEVE																			
A	M85J	16	GY	1667742C1	1661872C1																			
B	M85-GC	16	WH	1667742C1	1661872C1																			
<p>ELECTRIC HORN #1 (8311) (LOCATED UNDER ENGINE CROSSMEMBER)</p>  <p>CONNECTOR 1661778C1 BODY LOCK 1661874C1</p> <table border="1" style="margin-left: auto; margin-right: auto;"> <thead> <tr> <th>CAV</th> <th>CIRCUIT</th> <th>GAUGE</th> <th>COLOR</th> <th>TERMINAL</th> <th>SEAL/SLEEVE</th> </tr> </thead> <tbody> <tr> <td>A</td> <td>M85J</td> <td>16</td> <td>GY</td> <td>1661875C1</td> <td>1661872C1</td> </tr> <tr> <td>B</td> <td>M85-GC</td> <td>16</td> <td>WH</td> <td>1661875C1</td> <td>1661872C1</td> </tr> </tbody> </table>							CAV	CIRCUIT	GAUGE	COLOR	TERMINAL	SEAL/SLEEVE	A	M85J	16	GY	1661875C1	1661872C1	B	M85-GC	16	WH	1661875C1	1661872C1
CAV	CIRCUIT	GAUGE	COLOR	TERMINAL	SEAL/SLEEVE																			
A	M85J	16	GY	1661875C1	1661872C1																			
B	M85-GC	16	WH	1661875C1	1661872C1																			
CHK	DATE	CHANGE	REV	REFERENCE	DRAWN	NAME																		
-	-	INITIAL RELEASE.	A	92159Y	310615	CIRCUIT DIAGRAM, 9900																		
					RELEASE NO.	DATE																		
					92159Y	02AUG13																		
					PART NO.	SHEET																		
					AE08076124	155																		

Figure 362 Connector Composites (8107 / 8303 / 8310 / 8311)

13.165. CONNECTOR COMPOSITES (8410 / 8500 / 8501), P. 156

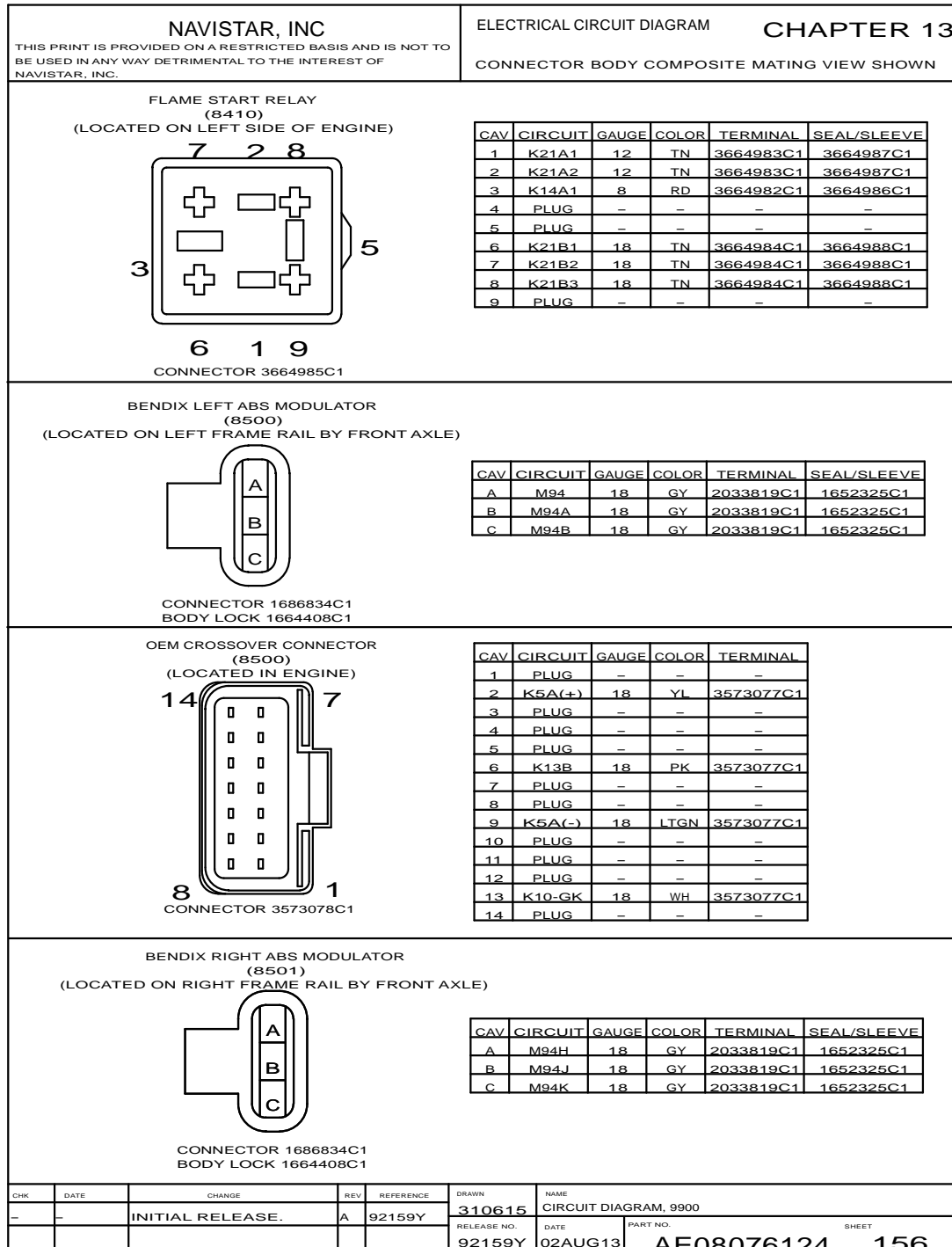


Figure 363 Connector Composites (8410 / 8500 / 8501)

13.166. CONNECTOR COMPOSITES (8502 / 8503 / 8504 / 8505), P. 157

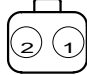
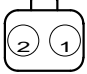
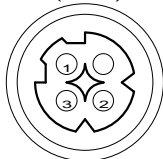
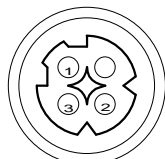
NAVISTAR, INC <small>THIS PRINT IS PROVIDED ON A RESTRICTED BASIS AND IS NOT TO BE USED IN ANY WAY DETRIMENTAL TO THE INTEREST OF NAVISTAR, INC.</small>				ELECTRICAL CIRCUIT DIAGRAM CHAPTER 13 CONNECTOR BODY COMPOSITE MATING VIEW SHOWN																							
BENDIX LEFT AIR ABS SPEED SENSOR (8502) (LOCATED ON LEFT FRAME RAIL BY FRONT AXLE)  CONNECTOR 1684261C1 BODY LOCK 1684263C1				<table border="1" style="width: 100%; border-collapse: collapse;"> <thead> <tr> <th>CAV</th> <th>CIRCUIT</th> <th>GAUGE</th> <th>COLOR</th> <th>TERMINAL</th> </tr> </thead> <tbody> <tr> <td>1</td> <td>M94C</td> <td>18</td> <td>GY</td> <td>1680205C1</td> </tr> <tr> <td>2</td> <td>M94D</td> <td>18</td> <td>GY</td> <td>3572625C1</td> </tr> <tr> <td></td> <td>M94D</td> <td>18</td> <td>GY</td> <td>1680205C1</td> </tr> </tbody> </table>		CAV	CIRCUIT	GAUGE	COLOR	TERMINAL	1	M94C	18	GY	1680205C1	2	M94D	18	GY	3572625C1		M94D	18	GY	1680205C1		
CAV	CIRCUIT	GAUGE	COLOR	TERMINAL																							
1	M94C	18	GY	1680205C1																							
2	M94D	18	GY	3572625C1																							
	M94D	18	GY	1680205C1																							
BENDIX RIGHT AIR ABS SPEED SENSOR (8503) (LOCATED ON RIGHT FRAME RAIL BY FRONT AXLE)  CONNECTOR 1684261C1 BODY LOCK 1684263C1				<table border="1" style="width: 100%; border-collapse: collapse;"> <thead> <tr> <th>CAV</th> <th>CIRCUIT</th> <th>GAUGE</th> <th>COLOR</th> <th>TERMINAL</th> </tr> </thead> <tbody> <tr> <td>1</td> <td>M94E</td> <td>18</td> <td>GY</td> <td>1680205C1</td> </tr> <tr> <td>2</td> <td>M94F</td> <td>18</td> <td>GY</td> <td>1680205C1</td> </tr> </tbody> </table>		CAV	CIRCUIT	GAUGE	COLOR	TERMINAL	1	M94E	18	GY	1680205C1	2	M94F	18	GY	1680205C1							
CAV	CIRCUIT	GAUGE	COLOR	TERMINAL																							
1	M94E	18	GY	1680205C1																							
2	M94F	18	GY	1680205C1																							
WABCO LEFT ABS MODULATOR (8504)  CONNECTOR 3919376C1				<table border="1" style="width: 100%; border-collapse: collapse;"> <thead> <tr> <th>CAV</th> <th>CIRCUIT</th> <th>GAUGE</th> <th>COLOR</th> <th>TERMINAL</th> </tr> </thead> <tbody> <tr> <td>1</td> <td>[MX94MI]</td> <td>18</td> <td>GY</td> <td>3601686C1</td> </tr> <tr> <td>2</td> <td>[MX94MA]</td> <td>18</td> <td>GY</td> <td>3601686C1</td> </tr> <tr> <td>3</td> <td>[MX94MB]</td> <td>18</td> <td>GY</td> <td>3601686C1</td> </tr> </tbody> </table>		CAV	CIRCUIT	GAUGE	COLOR	TERMINAL	1	[MX94MI]	18	GY	3601686C1	2	[MX94MA]	18	GY	3601686C1	3	[MX94MB]	18	GY	3601686C1		
CAV	CIRCUIT	GAUGE	COLOR	TERMINAL																							
1	[MX94MI]	18	GY	3601686C1																							
2	[MX94MA]	18	GY	3601686C1																							
3	[MX94MB]	18	GY	3601686C1																							
WABCO RIGHT ABS MODULATOR (8505)  CONNECTOR 3913976C1				<table border="1" style="width: 100%; border-collapse: collapse;"> <thead> <tr> <th>CAV</th> <th>CIRCUIT</th> <th>GAUGE</th> <th>COLOR</th> <th>TERMINAL</th> </tr> </thead> <tbody> <tr> <td>1</td> <td>[MX94MH]</td> <td>18</td> <td>GY</td> <td>3601686C1</td> </tr> <tr> <td>2</td> <td>[MX94MJ]</td> <td>18</td> <td>GY</td> <td>3601686C1</td> </tr> <tr> <td>3</td> <td>[MX94MK]</td> <td>18</td> <td>GY</td> <td>3601686C1</td> </tr> </tbody> </table>		CAV	CIRCUIT	GAUGE	COLOR	TERMINAL	1	[MX94MH]	18	GY	3601686C1	2	[MX94MJ]	18	GY	3601686C1	3	[MX94MK]	18	GY	3601686C1		
CAV	CIRCUIT	GAUGE	COLOR	TERMINAL																							
1	[MX94MH]	18	GY	3601686C1																							
2	[MX94MJ]	18	GY	3601686C1																							
3	[MX94MK]	18	GY	3601686C1																							
CHK	DATE	CHANGE	REV	REFERENCE	DRAWN	NAME																					
—	—	INITIAL RELEASE.	A	92159Y	310615	CIRCUIT DIAGRAM, 9900																					
					RELEASE NO.	DATE																					
					92159Y	02AUG13																					
					PART NO.	SHEET																					
					AE08076124	157																					

Figure 364 Connector Composites (8502 / 8503 / 8504 / 8505)

13.167. CONNECTOR COMPOSITES (8506 / 8507 / 8803 / 8951), P. 158

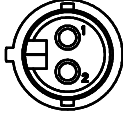
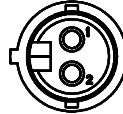
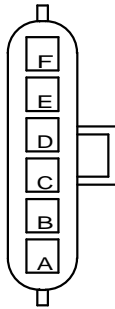
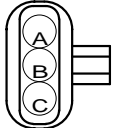
NAVISTAR, INC <small>THIS PRINT IS PROVIDED ON A RESTRICTED BASIS AND IS NOT TO BE USED IN ANY WAY DETRIMENTAL TO THE INTEREST OF NAVISTAR, INC.</small>				ELECTRICAL CIRCUIT DIAGRAM CHAPTER 13 CONNECTOR BODY COMPOSITE MATING VIEW SHOWN																																																	
WABCO LEFT ABS SPEED SENSOR (8506)																																																					
		<table border="1" style="width: 100%; border-collapse: collapse;"> <thead> <tr> <th>CAV</th> <th>CIRCUIT</th> <th>GAUGE</th> <th>COLOR</th> <th>TERMINAL</th> </tr> </thead> <tbody> <tr> <td>1</td> <td>INC94MC1</td> <td>18</td> <td>GY</td> <td>6111842C1</td> </tr> <tr> <td>2</td> <td>INC94MD1</td> <td>18</td> <td>GY</td> <td>6111842C1</td> </tr> </tbody> </table>				CAV	CIRCUIT	GAUGE	COLOR	TERMINAL	1	INC94MC1	18	GY	6111842C1	2	INC94MD1	18	GY	6111842C1																																	
CAV	CIRCUIT	GAUGE	COLOR	TERMINAL																																																	
1	INC94MC1	18	GY	6111842C1																																																	
2	INC94MD1	18	GY	6111842C1																																																	
CONNECTOR 6111844C1																																																					
WABCO RIGHT ABS SPEED SENSOR (8507)																																																					
		<table border="1" style="width: 100%; border-collapse: collapse;"> <thead> <tr> <th>CAV</th> <th>CIRCUIT</th> <th>GAUGE</th> <th>COLOR</th> <th>TERMINAL</th> </tr> </thead> <tbody> <tr> <td>1</td> <td>INC94ME1</td> <td>18</td> <td>GY</td> <td>6111842C1</td> </tr> <tr> <td>2</td> <td>INC94MF1</td> <td>18</td> <td>GY</td> <td>6111842C1</td> </tr> </tbody> </table>				CAV	CIRCUIT	GAUGE	COLOR	TERMINAL	1	INC94ME1	18	GY	6111842C1	2	INC94MF1	18	GY	6111842C1																																	
CAV	CIRCUIT	GAUGE	COLOR	TERMINAL																																																	
1	INC94ME1	18	GY	6111842C1																																																	
2	INC94MF1	18	GY	6111842C1																																																	
CONNECTOR 6111844C1																																																					
CHASSIS GND SPLICE PACK #1 (8803) (LOCATED ON LEFT FRAME RAIL UNDER CAB)																																																					
		<table border="1" style="width: 100%; border-collapse: collapse;"> <thead> <tr> <th>CAV</th> <th>CIRCUIT</th> <th>GAUGE</th> <th>COLOR</th> <th>TERMINAL</th> <th>SEAL/SLEEVE</th> </tr> </thead> <tbody> <tr> <td>A</td> <td>N11-GA</td> <td>10</td> <td>WH</td> <td>1687847C1</td> <td>0589390C1</td> </tr> <tr> <td>B</td> <td>N10-G</td> <td>12</td> <td>WH</td> <td>2033816C1</td> <td>0589391C1</td> </tr> <tr> <td>C</td> <td>N49-G</td> <td>18</td> <td>WH</td> <td>2033819C1</td> <td>1652325C1</td> </tr> <tr> <td>D</td> <td>N9BF</td> <td>18</td> <td>GY</td> <td>2033819C1</td> <td>1652325C1</td> </tr> <tr> <td>E</td> <td>N39-G</td> <td>16</td> <td>WH</td> <td>2033819C1</td> <td>1652325C1</td> </tr> <tr> <td>F*</td> <td>N36-G</td> <td>18</td> <td>GY</td> <td>2033819C1</td> <td>1652325C1</td> </tr> <tr> <td>F#</td> <td>N36-G</td> <td>18</td> <td>BN</td> <td>2033819C1</td> <td>1652325C1</td> </tr> </tbody> </table> <p style="font-size: small;">* W/ DUAL BOC FUEL TANKS 115 / 150 GAL # W/ DUAL UC FUEL TANKS 115 / 150 GAL</p>				CAV	CIRCUIT	GAUGE	COLOR	TERMINAL	SEAL/SLEEVE	A	N11-GA	10	WH	1687847C1	0589390C1	B	N10-G	12	WH	2033816C1	0589391C1	C	N49-G	18	WH	2033819C1	1652325C1	D	N9BF	18	GY	2033819C1	1652325C1	E	N39-G	16	WH	2033819C1	1652325C1	F*	N36-G	18	GY	2033819C1	1652325C1	F#	N36-G	18	BN	2033819C1	1652325C1
CAV	CIRCUIT	GAUGE	COLOR	TERMINAL	SEAL/SLEEVE																																																
A	N11-GA	10	WH	1687847C1	0589390C1																																																
B	N10-G	12	WH	2033816C1	0589391C1																																																
C	N49-G	18	WH	2033819C1	1652325C1																																																
D	N9BF	18	GY	2033819C1	1652325C1																																																
E	N39-G	16	WH	2033819C1	1652325C1																																																
F*	N36-G	18	GY	2033819C1	1652325C1																																																
F#	N36-G	18	BN	2033819C1	1652325C1																																																
CONNECTOR 3551896C1 BODY LOCK 3551897C1																																																					
J1939 ENGINE DATALINK (8951)																																																					
		<table border="1" style="width: 100%; border-collapse: collapse;"> <thead> <tr> <th>CAV</th> <th>CIRCUIT</th> <th>GAUGE</th> <th>COLOR</th> <th>TERMINAL</th> <th>SEAL/SLEEVE</th> </tr> </thead> <tbody> <tr> <td>A</td> <td>M5U(+)</td> <td>18</td> <td>YL</td> <td>1667742C1</td> <td>3568570C1</td> </tr> <tr> <td>B</td> <td>PLUG</td> <td>-</td> <td>-</td> <td>-</td> <td>-</td> </tr> <tr> <td>C</td> <td>M5U(-)</td> <td>18</td> <td>GN</td> <td>1667742C1</td> <td>3568570C1</td> </tr> </tbody> </table>				CAV	CIRCUIT	GAUGE	COLOR	TERMINAL	SEAL/SLEEVE	A	M5U(+)	18	YL	1667742C1	3568570C1	B	PLUG	-	-	-	-	C	M5U(-)	18	GN	1667742C1	3568570C1																								
CAV	CIRCUIT	GAUGE	COLOR	TERMINAL	SEAL/SLEEVE																																																
A	M5U(+)	18	YL	1667742C1	3568570C1																																																
B	PLUG	-	-	-	-																																																
C	M5U(-)	18	GN	1667742C1	3568570C1																																																
CONNECTOR 1667740C1 BODY LOCK 1667771C1																																																					
CHK	DATE	CHANGE	REV	REFERENCE	DRAWN	NAME																																															
0610	27AUG13	INITIAL RELEASE.	A	92159Y	310615	CIRCUIT DIAGRAM, 9900																																															
					RELEASE NO.	DATE																																															
					92159Y	02AUG13																																															
					PART NO.	SHEET																																															
					AE08076124	158																																															

Figure 365 Connector Composites (8506 / 8507 / 8803 / 8951)

13.168. CONNECTOR COMPOSITES (8953F), P. 159

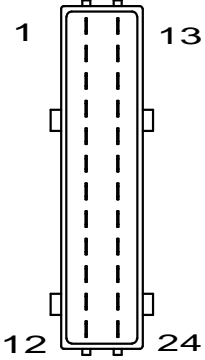
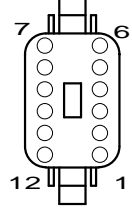
NAVISTAR, INC <small>THIS PRINT IS PROVIDED ON A RESTRICTED BASIS AND IS NOT TO BE USED IN ANY WAY DETRIMENTAL TO THE INTEREST OF NAVISTAR, INC.</small>				ELECTRICAL CIRCUIT DIAGRAM CHAPTER 13 CONNECTOR BODY COMPOSITE MATING VIEW SHOWN																																																																																																																																																																																																																															
<p>FORWARD/CENTER CHASSIS INTERCONNECT (8953F)</p>  <p>CONNECTOR 3558022C1 BODY LOCK 3558056C1</p>		<table border="1" style="width:100%; border-collapse: collapse; font-size: 8px;"> <thead> <tr> <th>CAV</th> <th>CIRCUIT</th> <th>GAUGE</th> <th>COLOR</th> <th>TERMINAL</th> <th>SEAL/SLEEVE</th> </tr> </thead> <tbody> <tr><td>1*</td><td>M94BD</td><td>16</td><td>BK</td><td>3559037C1</td><td>3509903C1</td></tr> <tr><td>1#</td><td>[M94MS]</td><td>18</td><td>GY</td><td>3559036C1</td><td>3509903C1</td></tr> <tr><td>2*</td><td>M94BE</td><td>16</td><td>GY</td><td>3559037C1</td><td>3509903C1</td></tr> <tr><td>2#</td><td>[M94MT]</td><td>18</td><td>GY</td><td>3559036C1</td><td>3509903C1</td></tr> <tr><td>3*</td><td>M94BF</td><td>16</td><td>OR</td><td>3559037C1</td><td>3509903C1</td></tr> <tr><td>3#</td><td>[M94MU]</td><td>18</td><td>GY</td><td>3559036C1</td><td>3509903C1</td></tr> <tr><td>4*</td><td>M94BH</td><td>16</td><td>GY</td><td>3559037C1</td><td>3509903C1</td></tr> <tr><td>4#</td><td>[M94MW]</td><td>18</td><td>GY</td><td>3559036C1</td><td>3509903C1</td></tr> <tr><td>5@</td><td>M94BM</td><td>16</td><td>GY</td><td>3559037C1</td><td>3509903C1</td></tr> <tr><td>5%</td><td>[M94BM]</td><td>18</td><td>GY</td><td>3559036C1</td><td>3509903C1</td></tr> <tr><td>6@</td><td>M94BN</td><td>16</td><td>GY</td><td>3559037C1</td><td>3509903C1</td></tr> <tr><td>6%</td><td>[M94BN]</td><td>18</td><td>GY</td><td>3559036C1</td><td>3509903C1</td></tr> <tr><td>7*</td><td>M94BL</td><td>16</td><td>RD</td><td>3559037C1</td><td>3509903C1</td></tr> <tr><td>7#</td><td>[M94ML]</td><td>18</td><td>GY</td><td>3559036C1</td><td>3509903C1</td></tr> <tr><td>8*</td><td>M94BK</td><td>16</td><td>TN</td><td>3559037C1</td><td>3509903C1</td></tr> <tr><td>8#</td><td>[M94MZ]</td><td>18</td><td>GY</td><td>3559036C1</td><td>3509903C1</td></tr> <tr><td>9*</td><td>M94BJ</td><td>16</td><td>YL</td><td>3559037C1</td><td>3509903C1</td></tr> <tr><td>9#</td><td>[M94MY]</td><td>18</td><td>GY</td><td>3559036C1</td><td>3509903C1</td></tr> <tr><td>10*</td><td>M94BC</td><td>16</td><td>BK</td><td>3559037C1</td><td>3509903C1</td></tr> <tr><td>10#</td><td>[M94MR]</td><td>18</td><td>GY</td><td>3559036C1</td><td>3509903C1</td></tr> <tr><td>11*</td><td>M94BB</td><td>16</td><td>LTGN</td><td>3559037C1</td><td>3509903C1</td></tr> <tr><td>11#</td><td>[M94MQ]</td><td>18</td><td>GY</td><td>3559036C1</td><td>3509903C1</td></tr> <tr><td>12*</td><td>M94BA</td><td>16</td><td>LTBL</td><td>3559037C1</td><td>3509903C1</td></tr> <tr><td>12#</td><td>[M94MP]</td><td>18</td><td>GY</td><td>3559036C1</td><td>3509903C1</td></tr> <tr><td>13</td><td>M94SAB</td><td>18</td><td>GY</td><td>3559036C1</td><td>3509903C1</td></tr> <tr><td>14</td><td>M94SBB</td><td>18</td><td>GY</td><td>3559036C1</td><td>3509903C1</td></tr> <tr><td>15</td><td>M94SH</td><td>18</td><td>BN</td><td>3559036C1</td><td>3509903C1</td></tr> <tr><td>16</td><td>M94SJ</td><td>16</td><td>GY</td><td>3559037C1</td><td>3509903C1</td></tr> <tr><td>17</td><td>M94SK</td><td>16</td><td>OR</td><td>3559037C1</td><td>3509903C1</td></tr> <tr><td>18</td><td>M94SL</td><td>16</td><td>BN</td><td>3559037C1</td><td>3509903C1</td></tr> <tr><td>19</td><td>M94SM</td><td>16</td><td>BK</td><td>3559037C1</td><td>3509903C1</td></tr> <tr><td>20</td><td>M94SN</td><td>16</td><td>RD</td><td>3559037C1</td><td>3509903C1</td></tr> <tr><td>21</td><td>M94SCB</td><td>18</td><td>GY</td><td>3559036C1</td><td>3509903C1</td></tr> <tr><td>22</td><td>M94SDB</td><td>18</td><td>GY</td><td>3559036C1</td><td>3509903C1</td></tr> <tr><td>23</td><td>M94SVD3</td><td>18</td><td>GY</td><td>3559036C1</td><td>3532128C1</td></tr> <tr><td>24</td><td>M94SZD3</td><td>18</td><td>GY</td><td>3559036C1</td><td>3532128C1</td></tr> </tbody> </table>				CAV	CIRCUIT	GAUGE	COLOR	TERMINAL	SEAL/SLEEVE	1*	M94BD	16	BK	3559037C1	3509903C1	1#	[M94MS]	18	GY	3559036C1	3509903C1	2*	M94BE	16	GY	3559037C1	3509903C1	2#	[M94MT]	18	GY	3559036C1	3509903C1	3*	M94BF	16	OR	3559037C1	3509903C1	3#	[M94MU]	18	GY	3559036C1	3509903C1	4*	M94BH	16	GY	3559037C1	3509903C1	4#	[M94MW]	18	GY	3559036C1	3509903C1	5@	M94BM	16	GY	3559037C1	3509903C1	5%	[M94BM]	18	GY	3559036C1	3509903C1	6@	M94BN	16	GY	3559037C1	3509903C1	6%	[M94BN]	18	GY	3559036C1	3509903C1	7*	M94BL	16	RD	3559037C1	3509903C1	7#	[M94ML]	18	GY	3559036C1	3509903C1	8*	M94BK	16	TN	3559037C1	3509903C1	8#	[M94MZ]	18	GY	3559036C1	3509903C1	9*	M94BJ	16	YL	3559037C1	3509903C1	9#	[M94MY]	18	GY	3559036C1	3509903C1	10*	M94BC	16	BK	3559037C1	3509903C1	10#	[M94MR]	18	GY	3559036C1	3509903C1	11*	M94BB	16	LTGN	3559037C1	3509903C1	11#	[M94MQ]	18	GY	3559036C1	3509903C1	12*	M94BA	16	LTBL	3559037C1	3509903C1	12#	[M94MP]	18	GY	3559036C1	3509903C1	13	M94SAB	18	GY	3559036C1	3509903C1	14	M94SBB	18	GY	3559036C1	3509903C1	15	M94SH	18	BN	3559036C1	3509903C1	16	M94SJ	16	GY	3559037C1	3509903C1	17	M94SK	16	OR	3559037C1	3509903C1	18	M94SL	16	BN	3559037C1	3509903C1	19	M94SM	16	BK	3559037C1	3509903C1	20	M94SN	16	RD	3559037C1	3509903C1	21	M94SCB	18	GY	3559036C1	3509903C1	22	M94SDB	18	GY	3559036C1	3509903C1	23	M94SVD3	18	GY	3559036C1	3532128C1	24	M94SZD3	18	GY	3559036C1	3532128C1
CAV	CIRCUIT	GAUGE	COLOR	TERMINAL	SEAL/SLEEVE																																																																																																																																																																																																																														
1*	M94BD	16	BK	3559037C1	3509903C1																																																																																																																																																																																																																														
1#	[M94MS]	18	GY	3559036C1	3509903C1																																																																																																																																																																																																																														
2*	M94BE	16	GY	3559037C1	3509903C1																																																																																																																																																																																																																														
2#	[M94MT]	18	GY	3559036C1	3509903C1																																																																																																																																																																																																																														
3*	M94BF	16	OR	3559037C1	3509903C1																																																																																																																																																																																																																														
3#	[M94MU]	18	GY	3559036C1	3509903C1																																																																																																																																																																																																																														
4*	M94BH	16	GY	3559037C1	3509903C1																																																																																																																																																																																																																														
4#	[M94MW]	18	GY	3559036C1	3509903C1																																																																																																																																																																																																																														
5@	M94BM	16	GY	3559037C1	3509903C1																																																																																																																																																																																																																														
5%	[M94BM]	18	GY	3559036C1	3509903C1																																																																																																																																																																																																																														
6@	M94BN	16	GY	3559037C1	3509903C1																																																																																																																																																																																																																														
6%	[M94BN]	18	GY	3559036C1	3509903C1																																																																																																																																																																																																																														
7*	M94BL	16	RD	3559037C1	3509903C1																																																																																																																																																																																																																														
7#	[M94ML]	18	GY	3559036C1	3509903C1																																																																																																																																																																																																																														
8*	M94BK	16	TN	3559037C1	3509903C1																																																																																																																																																																																																																														
8#	[M94MZ]	18	GY	3559036C1	3509903C1																																																																																																																																																																																																																														
9*	M94BJ	16	YL	3559037C1	3509903C1																																																																																																																																																																																																																														
9#	[M94MY]	18	GY	3559036C1	3509903C1																																																																																																																																																																																																																														
10*	M94BC	16	BK	3559037C1	3509903C1																																																																																																																																																																																																																														
10#	[M94MR]	18	GY	3559036C1	3509903C1																																																																																																																																																																																																																														
11*	M94BB	16	LTGN	3559037C1	3509903C1																																																																																																																																																																																																																														
11#	[M94MQ]	18	GY	3559036C1	3509903C1																																																																																																																																																																																																																														
12*	M94BA	16	LTBL	3559037C1	3509903C1																																																																																																																																																																																																																														
12#	[M94MP]	18	GY	3559036C1	3509903C1																																																																																																																																																																																																																														
13	M94SAB	18	GY	3559036C1	3509903C1																																																																																																																																																																																																																														
14	M94SBB	18	GY	3559036C1	3509903C1																																																																																																																																																																																																																														
15	M94SH	18	BN	3559036C1	3509903C1																																																																																																																																																																																																																														
16	M94SJ	16	GY	3559037C1	3509903C1																																																																																																																																																																																																																														
17	M94SK	16	OR	3559037C1	3509903C1																																																																																																																																																																																																																														
18	M94SL	16	BN	3559037C1	3509903C1																																																																																																																																																																																																																														
19	M94SM	16	BK	3559037C1	3509903C1																																																																																																																																																																																																																														
20	M94SN	16	RD	3559037C1	3509903C1																																																																																																																																																																																																																														
21	M94SCB	18	GY	3559036C1	3509903C1																																																																																																																																																																																																																														
22	M94SDB	18	GY	3559036C1	3509903C1																																																																																																																																																																																																																														
23	M94SVD3	18	GY	3559036C1	3532128C1																																																																																																																																																																																																																														
24	M94SZD3	18	GY	3559036C1	3532128C1																																																																																																																																																																																																																														
* MB - BENDIX AIR ABS # W/ WABCO AIR ABS @ BENDIX AIR ABS W/ ATC % W/ WABCO AIR ABS W/ ATC																																																																																																																																																																																																																																			
<p>BENDIX 6-CHANNEL ABS FWD/CENTR (8953F)</p>  <p>CONNECTOR 3602757C1 BODY LOCK 3601925C1</p>		<table border="1" style="width:100%; border-collapse: collapse; font-size: 8px;"> <thead> <tr> <th>CAV</th> <th>CIRCUIT</th> <th>GAUGE</th> <th>COLOR</th> <th>TERMINAL</th> </tr> </thead> <tbody> <tr><td>1</td><td>M94BY</td><td>16</td><td>GY</td><td>1680205C1</td></tr> <tr><td>2</td><td>M94BZ</td><td>16</td><td>GY</td><td>1680205C1</td></tr> <tr><td>3</td><td>M94BP</td><td>16</td><td>GY</td><td>1680205C1</td></tr> <tr><td>4</td><td>M94BQ</td><td>16</td><td>GY</td><td>1680205C1</td></tr> <tr><td>5</td><td>M94BR</td><td>16</td><td>GY</td><td>1680205C1</td></tr> <tr><td>6</td><td>M94BS</td><td>16</td><td>GY</td><td>1680205C1</td></tr> <tr><td>7</td><td>M94BT</td><td>16</td><td>GY</td><td>1680205C1</td></tr> <tr><td>8</td><td>M94BU</td><td>16</td><td>GY</td><td>1680205C1</td></tr> <tr><td>9</td><td>M94BV</td><td>16</td><td>GY</td><td>1680205C1</td></tr> <tr><td>10</td><td>M94BW</td><td>16</td><td>GY</td><td>1680205C1</td></tr> </tbody> </table>				CAV	CIRCUIT	GAUGE	COLOR	TERMINAL	1	M94BY	16	GY	1680205C1	2	M94BZ	16	GY	1680205C1	3	M94BP	16	GY	1680205C1	4	M94BQ	16	GY	1680205C1	5	M94BR	16	GY	1680205C1	6	M94BS	16	GY	1680205C1	7	M94BT	16	GY	1680205C1	8	M94BU	16	GY	1680205C1	9	M94BV	16	GY	1680205C1	10	M94BW	16	GY	1680205C1																																																																																																																																																																							
CAV	CIRCUIT	GAUGE	COLOR	TERMINAL																																																																																																																																																																																																																															
1	M94BY	16	GY	1680205C1																																																																																																																																																																																																																															
2	M94BZ	16	GY	1680205C1																																																																																																																																																																																																																															
3	M94BP	16	GY	1680205C1																																																																																																																																																																																																																															
4	M94BQ	16	GY	1680205C1																																																																																																																																																																																																																															
5	M94BR	16	GY	1680205C1																																																																																																																																																																																																																															
6	M94BS	16	GY	1680205C1																																																																																																																																																																																																																															
7	M94BT	16	GY	1680205C1																																																																																																																																																																																																																															
8	M94BU	16	GY	1680205C1																																																																																																																																																																																																																															
9	M94BV	16	GY	1680205C1																																																																																																																																																																																																																															
10	M94BW	16	GY	1680205C1																																																																																																																																																																																																																															
CHK	DATE	CHANGE	REV	REFERENCE	DRAWN	NAME																																																																																																																																																																																																																													
-	-	INITIAL RELEASE.	A	92159Y	310615	CIRCUIT DIAGRAM, 9900																																																																																																																																																																																																																													
					RELEASE NO.	DATE																																																																																																																																																																																																																													
					92159Y	02AUG13																																																																																																																																																																																																																													
					PART NO.	SHEET																																																																																																																																																																																																																													
					AE08076124	159																																																																																																																																																																																																																													

Figure 366 Connector Composites (8953F)

13.169. CONNECTOR COMPOSITES (8953M / 8953M1), P. 160

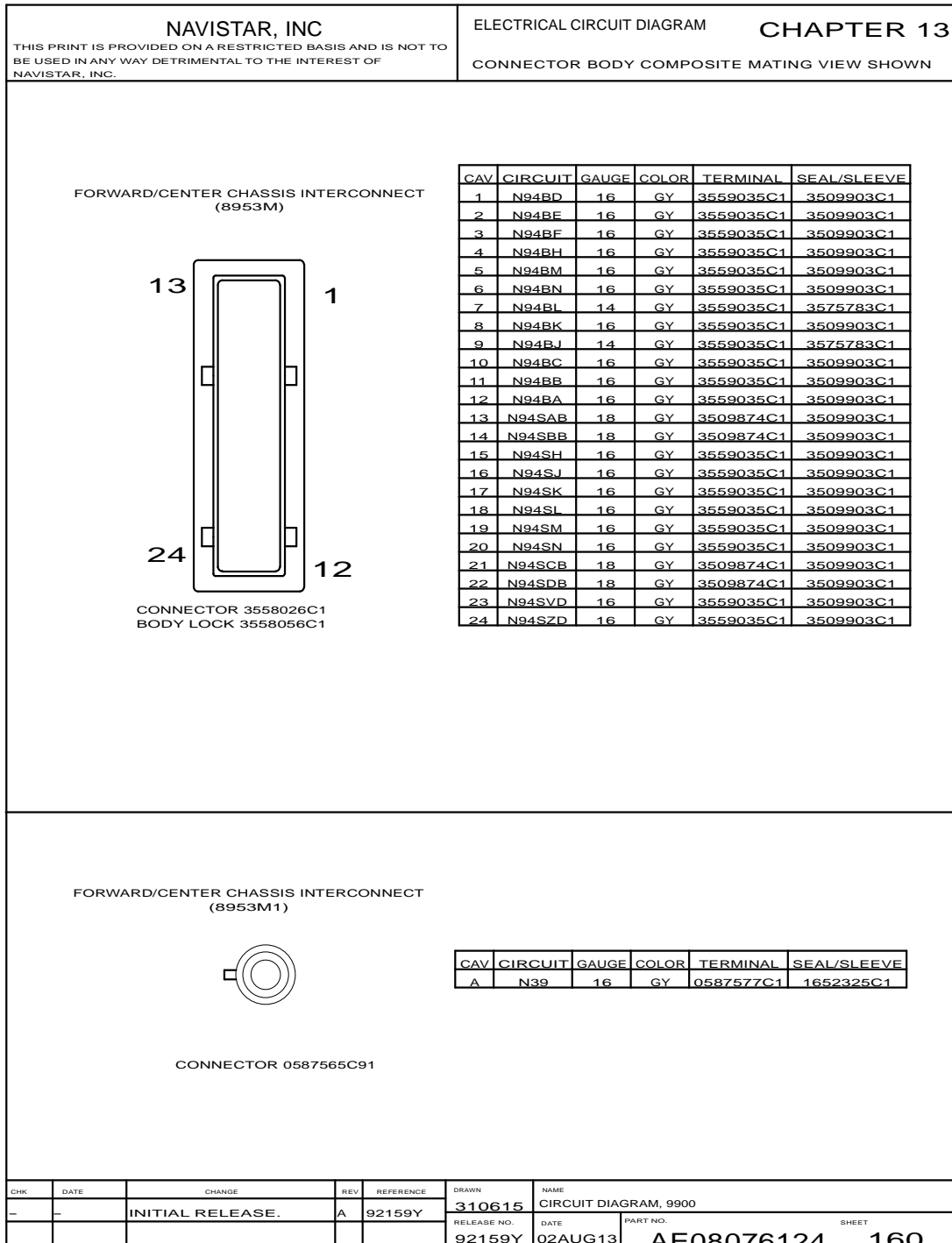


Figure 367 Connector Composites (8953M / 8953M1)

13.170. CONNECTOR COMPOSITES (8953M2 / 8957F1 / 8962 / 8963), P. 161

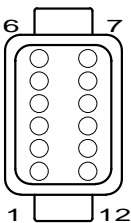
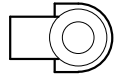
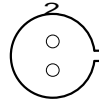
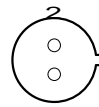
<p style="text-align: center;">NAVISTAR, INC</p> <p style="font-size: small;">THIS PRINT IS PROVIDED ON A RESTRICTED BASIS AND IS NOT TO BE USED IN ANY WAY DETRIMENTAL TO THE INTEREST OF NAVISTAR, INC.</p>	<p style="text-align: right;">ELECTRICAL CIRCUIT DIAGRAM CHAPTER 13</p> <p style="text-align: center;">CONNECTOR BODY COMPOSITE MATING VIEW SHOWN</p>																																																							
<p style="text-align: center;">BENDIX 6-CHANNEL ABS FWD/CENTR (8953M2) (LOCATED ON LEFT FRAME RAIL BEHIND CAB)</p> <div style="text-align: center;">  </div> <p style="text-align: center;">CONNECTOR 1689499C1 BODY LOCK 1689501C1</p>	<table border="1" style="width: 100%; border-collapse: collapse; font-size: x-small;"> <thead> <tr> <th>CAV</th> <th>CIRCUIT</th> <th>GAUGE</th> <th>COLOR</th> <th>TERMINAL</th> </tr> </thead> <tbody> <tr><td>1</td><td>N94BY</td><td>16</td><td>GY</td><td>1680206C1</td></tr> <tr><td>2</td><td>N94BZ</td><td>16</td><td>GY</td><td>1680206C1</td></tr> <tr><td>3</td><td>N94BP</td><td>16</td><td>GY</td><td>1680206C1</td></tr> <tr><td>4</td><td>N94BQ</td><td>16</td><td>GY</td><td>1680206C1</td></tr> <tr><td>5</td><td>N94BR</td><td>16</td><td>GY</td><td>1680206C1</td></tr> <tr><td>6</td><td>N94BS</td><td>16</td><td>GY</td><td>1680206C1</td></tr> <tr><td>7</td><td>N94BT</td><td>16</td><td>GY</td><td>1680206C1</td></tr> <tr><td>8</td><td>N94BU</td><td>16</td><td>GY</td><td>1680206C1</td></tr> <tr><td>9</td><td>N94BV</td><td>16</td><td>GY</td><td>1680206C1</td></tr> <tr><td>10</td><td>N94BW</td><td>16</td><td>GY</td><td>1680206C1</td></tr> </tbody> </table>	CAV	CIRCUIT	GAUGE	COLOR	TERMINAL	1	N94BY	16	GY	1680206C1	2	N94BZ	16	GY	1680206C1	3	N94BP	16	GY	1680206C1	4	N94BQ	16	GY	1680206C1	5	N94BR	16	GY	1680206C1	6	N94BS	16	GY	1680206C1	7	N94BT	16	GY	1680206C1	8	N94BU	16	GY	1680206C1	9	N94BV	16	GY	1680206C1	10	N94BW	16	GY	1680206C1
CAV	CIRCUIT	GAUGE	COLOR	TERMINAL																																																				
1	N94BY	16	GY	1680206C1																																																				
2	N94BZ	16	GY	1680206C1																																																				
3	N94BP	16	GY	1680206C1																																																				
4	N94BQ	16	GY	1680206C1																																																				
5	N94BR	16	GY	1680206C1																																																				
6	N94BS	16	GY	1680206C1																																																				
7	N94BT	16	GY	1680206C1																																																				
8	N94BU	16	GY	1680206C1																																																				
9	N94BV	16	GY	1680206C1																																																				
10	N94BW	16	GY	1680206C1																																																				
<p style="text-align: center;">FORWARD/CENTER CHASSIS INTERCONNECT (8957F1)</p> <div style="text-align: center;">  </div> <p style="text-align: center;">CONNECTOR 0587566C91</p>	<table border="1" style="width: 100%; border-collapse: collapse; font-size: x-small;"> <thead> <tr> <th>CAV</th> <th>CIRCUIT</th> <th>GAUGE</th> <th>COLOR</th> <th>TERMINAL</th> <th>SEAL/SLEEVE</th> </tr> </thead> <tbody> <tr> <td>A</td> <td>M39</td> <td>16</td> <td>GY</td> <td>0587575C1</td> <td>1652325C1</td> </tr> </tbody> </table>	CAV	CIRCUIT	GAUGE	COLOR	TERMINAL	SEAL/SLEEVE	A	M39	16	GY	0587575C1	1652325C1																																											
CAV	CIRCUIT	GAUGE	COLOR	TERMINAL	SEAL/SLEEVE																																																			
A	M39	16	GY	0587575C1	1652325C1																																																			
<p style="text-align: center;">LEFT FR BRAKE WEAR SENSOR (6X4) (8962) (LOCATED ON LEFT FRAME RAIL BY FRONT FORWARD REAR AXLE)</p> <div style="text-align: center;">  </div> <p style="text-align: center;">CONNECTOR 3600334C1</p>	<table border="1" style="width: 100%; border-collapse: collapse; font-size: x-small;"> <thead> <tr> <th>CAV</th> <th>CIRCUIT</th> <th>GAUGE</th> <th>COLOR</th> <th>TERMINAL</th> </tr> </thead> <tbody> <tr><td>1</td><td>IRURFL1</td><td>18</td><td>BK</td><td>ASSY</td></tr> <tr><td>2</td><td>IRURFL2</td><td>18</td><td>BK</td><td>ASSY</td></tr> </tbody> </table>	CAV	CIRCUIT	GAUGE	COLOR	TERMINAL	1	IRURFL1	18	BK	ASSY	2	IRURFL2	18	BK	ASSY																																								
CAV	CIRCUIT	GAUGE	COLOR	TERMINAL																																																				
1	IRURFL1	18	BK	ASSY																																																				
2	IRURFL2	18	BK	ASSY																																																				
<p style="text-align: center;">RIGHT FR BRAKE WEAR SENSOR (6X4) (8963) (LOCATED ON RIGHT FRAME RAIL BY FRONT FORWARD REAR AXLE)</p> <div style="text-align: center;">  </div> <p style="text-align: center;">CONNECTOR 3600334C1</p>	<table border="1" style="width: 100%; border-collapse: collapse; font-size: x-small;"> <thead> <tr> <th>CAV</th> <th>CIRCUIT</th> <th>GAUGE</th> <th>COLOR</th> <th>TERMINAL</th> </tr> </thead> <tbody> <tr><td>1</td><td>IRURFR1</td><td>18</td><td>BK</td><td>ASSY</td></tr> <tr><td>2</td><td>IRURFR2</td><td>18</td><td>BK</td><td>ASSY</td></tr> </tbody> </table>	CAV	CIRCUIT	GAUGE	COLOR	TERMINAL	1	IRURFR1	18	BK	ASSY	2	IRURFR2	18	BK	ASSY																																								
CAV	CIRCUIT	GAUGE	COLOR	TERMINAL																																																				
1	IRURFR1	18	BK	ASSY																																																				
2	IRURFR2	18	BK	ASSY																																																				
<table border="1" style="width: 100%; border-collapse: collapse; font-size: x-small;"> <tr> <th>CHK</th> <th>DATE</th> <th>CHANGE</th> <th>REV</th> <th>REFERENCE</th> <th>DRAWN</th> <th>NAME</th> </tr> <tr> <td>-</td> <td>-</td> <td>INITIAL RELEASE.</td> <td>A</td> <td>92159Y</td> <td>310615</td> <td>CIRCUIT DIAGRAM, 9900</td> </tr> <tr> <td></td> <td></td> <td></td> <td></td> <td></td> <td>RELEASE NO.</td> <td>DATE</td> </tr> <tr> <td></td> <td></td> <td></td> <td></td> <td></td> <td>92159Y</td> <td>02AUG13</td> </tr> <tr> <td></td> <td></td> <td></td> <td></td> <td></td> <td>PART NO.</td> <td>SHEET</td> </tr> <tr> <td></td> <td></td> <td></td> <td></td> <td></td> <td>AE08076124</td> <td>161</td> </tr> </table>		CHK	DATE	CHANGE	REV	REFERENCE	DRAWN	NAME	-	-	INITIAL RELEASE.	A	92159Y	310615	CIRCUIT DIAGRAM, 9900						RELEASE NO.	DATE						92159Y	02AUG13						PART NO.	SHEET						AE08076124	161													
CHK	DATE	CHANGE	REV	REFERENCE	DRAWN	NAME																																																		
-	-	INITIAL RELEASE.	A	92159Y	310615	CIRCUIT DIAGRAM, 9900																																																		
					RELEASE NO.	DATE																																																		
					92159Y	02AUG13																																																		
					PART NO.	SHEET																																																		
					AE08076124	161																																																		

Figure 368 Connector Composites (8953M2 / 8957F1 / 8962 / 8963)

13.171. CONNECTOR COMPOSITES (8964 / 8965 / 8966 / 8967), P. 162

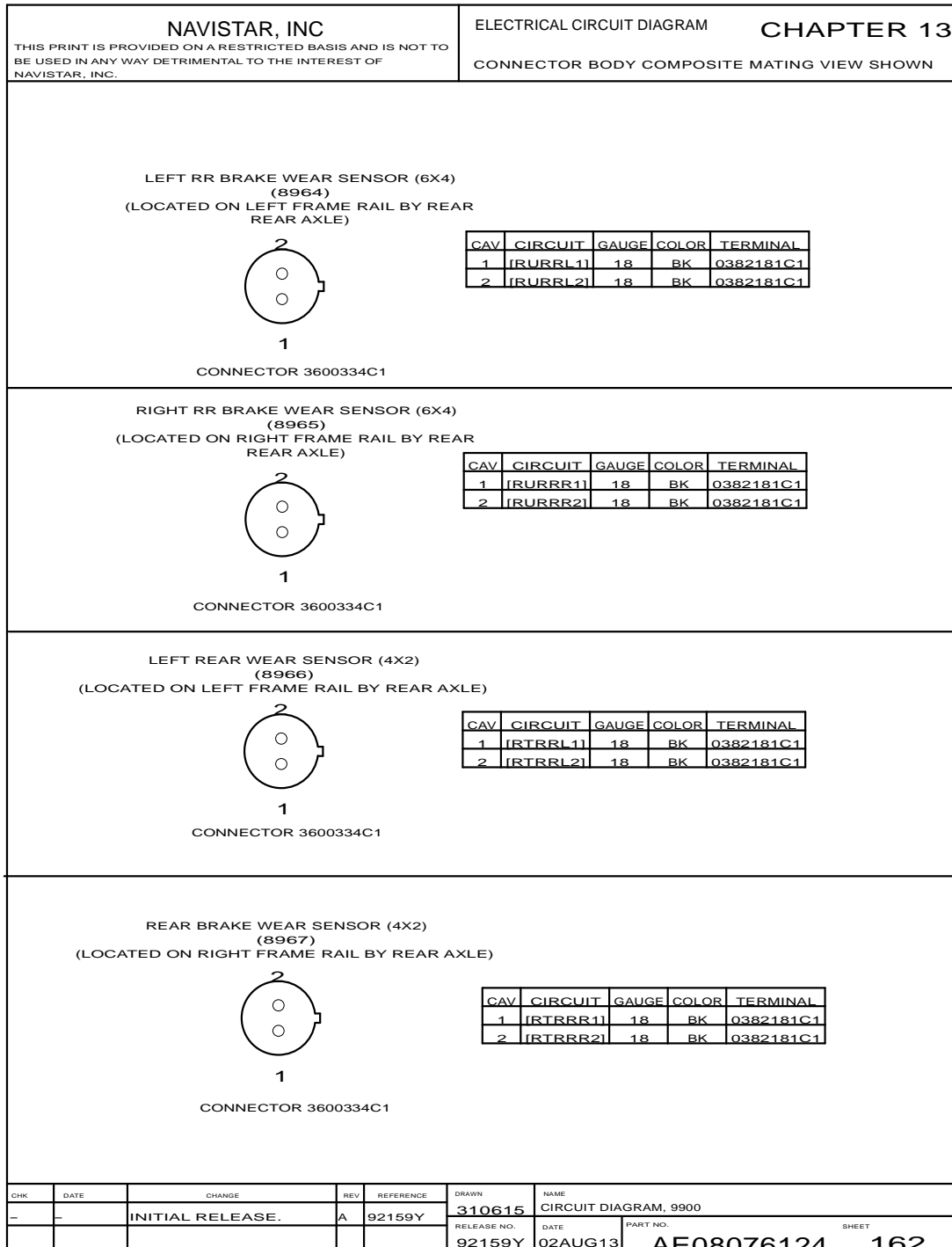


Figure 369 Connector Composites (8964 / 8965 / 8966 / 8967)

13.172. CONNECTOR COMPOSITES (8972 / 8973 / 8974 / 8975), P. 163

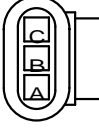
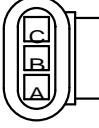
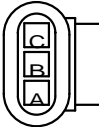
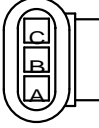
NAVISTAR, INC <small>THIS PRINT IS PROVIDED ON A RESTRICTED BASIS AND IS NOT TO BE USED IN ANY WAY DETRIMENTAL TO THE INTEREST OF NAVISTAR, INC.</small>				ELECTRICAL CIRCUIT DIAGRAM CHAPTER 13 CONNECTOR BODY COMPOSITE MATING VIEW SHOWN			
<p>LEFT FR BRAKE STROKE (6X4) (8972) (LOCATED ON LEFT FRAME RAIL BY FORWARD REAR AXLE)</p>  <p>CONNECTOR 1667741C1 BODY LOCK 1667771C1</p>							
CAV	CIRCUIT	GAUGE	COLOR	TERMINAL	SEAL/SLEEVE		
A	R108VE	18	TN	1661875C1	1661872C1		
B	R108ZE	18	TN	1661875C1	1661872C1		
C	R108E	18	TN	1661875C1	1661872C1		
<p>RIGHT FR BRAKE STROKE (6X4) (8973) (LOCATED ON RIGHT FRAME RAIL BY FORWARD REAR AXLE)</p>  <p>CONNECTOR 1667741C1 BODY LOCK 1667771C1</p>							
CAV	CIRCUIT	GAUGE	COLOR	TERMINAL	SEAL/SLEEVE		
A	R108VL	18	TN	1661875C1	1661872C1		
B	R108ZL	18	TN	1661875C1	1661872C1		
C	R108F	18	TN	1661875C1	1661872C1		
<p>LEFT RR BRAKE STROKE (6X4) (8974) (LOCATED ON LEFT FRAME RAIL BY REAR REAR AXLE)</p>  <p>CONNECTOR 1667741C1 BODY LOCK 1667771C1</p>							
CAV	CIRCUIT	GAUGE	COLOR	TERMINAL	SEAL/SLEEVE		
A	R108VH	18	TN	1661875C1	1661872C1		
B	R108ZH	18	TN	1661875C1	1661872C1		
C	R108CA	18	TN	1661875C1	1661872C1		
<p>RIGHT RR BRAKE STROKE (6X4) (8975) (LOCATED ON RIGHT FRAME RAIL BY REAR REAR AXLE)</p>  <p>CONNECTOR 1667741C1 BODY LOCK 1667771C1</p>							
CAV	CIRCUIT	GAUGE	COLOR	TERMINAL	SEAL/SLEEVE		
A	R108VJ	18	TN	1661875C1	1661872C1		
B	R108ZJ	18	TN	1661875C1	1661872C1		
C	R108DA	18	TN	1661875C1	1661872C1		
CHK	DATE	CHANGE	REV	REFERENCE	DRAWN	NAME	
0610	27AUG13	INITIAL RELEASE.	A	92159Y	310615	CIRCUIT DIAGRAM, 9900	
					RELEASE NO.	DATE	
					92159Y	02AUG13	
					PART NO.	SHEET	
					AE08076124	163	

Figure 370 Connector Composites (8972 / 8973 / 8974 / 8975)

13.173. CONNECTOR COMPOSITES (8976 / 8977 / 8981 / 8982), P. 164

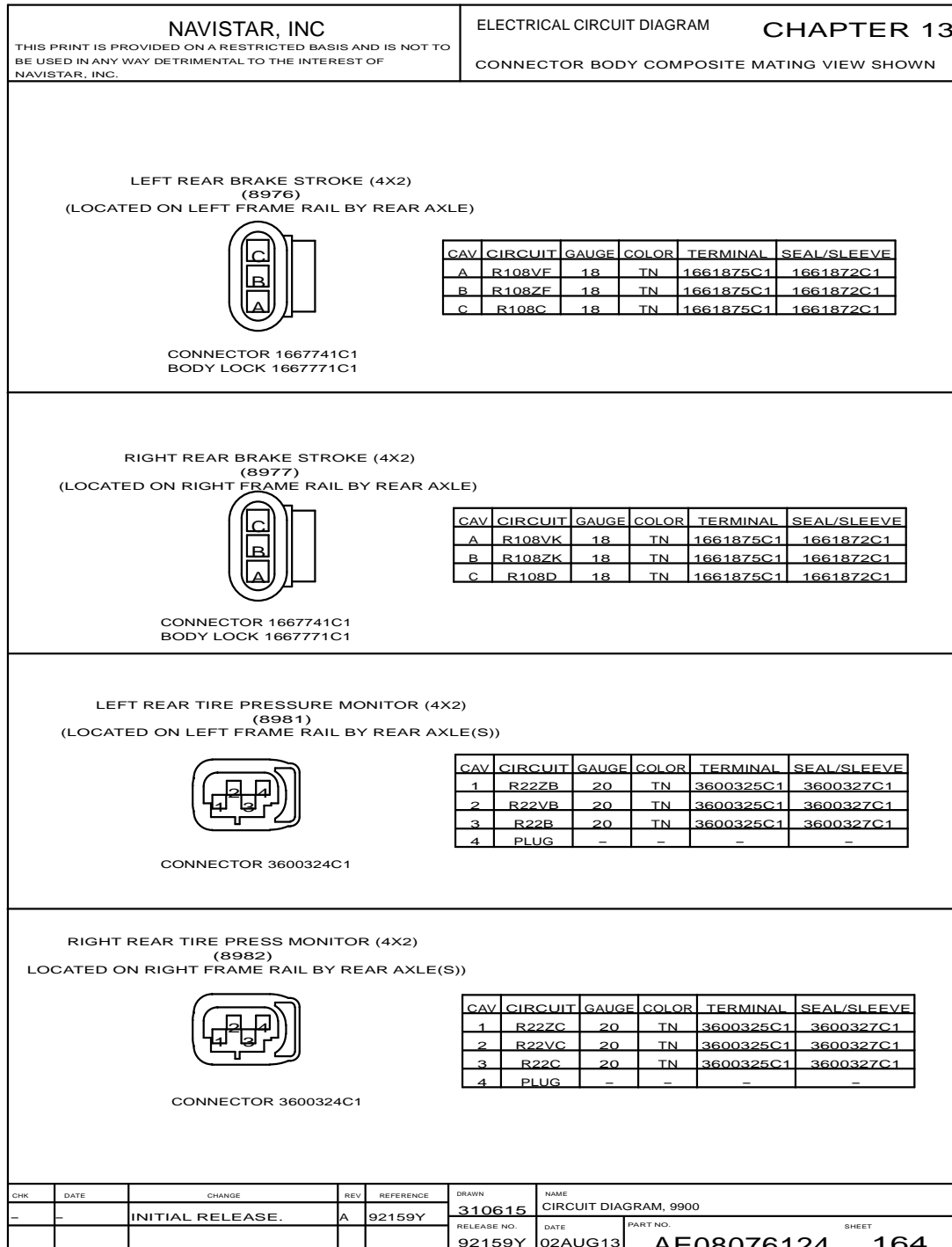


Figure 371 Connector Composites (8976 / 8977 / 8981 / 8982)

13.174. CONNECTOR COMPOSITES (8983 / 8984 / 9100D / 9100E), P. 165

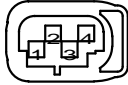
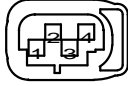
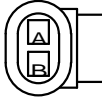
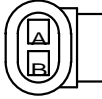
NAVISTAR, INC <small>THIS PRINT IS PROVIDED ON A RESTRICTED BASIS AND IS NOT TO BE USED IN ANY WAY DETRIMENTAL TO THE INTEREST OF NAVISTAR, INC.</small>				ELECTRICAL CIRCUIT DIAGRAM CHAPTER 13 CONNECTOR BODY COMPOSITE MATING VIEW SHOWN																																
<p>LEFT REAR TIRE PRESS MONITOR (6X4) (8983)</p>  <p style="text-align: center;">CONNECTOR 3600324C1</p> <table border="1" style="margin-left: auto; margin-right: auto; border-collapse: collapse;"> <thead> <tr> <th>CAV</th> <th>CIRCUIT</th> <th>GAUGE</th> <th>COLOR</th> <th>TERMINAL</th> <th>SEAL/SLEEVE</th> </tr> </thead> <tbody> <tr> <td>1</td> <td>R22ZB</td> <td>20</td> <td>TN</td> <td>3600325C1</td> <td>3600327C1</td> </tr> <tr> <td>2</td> <td>R22VB</td> <td>20</td> <td>TN</td> <td>3600325C1</td> <td>3600327C1</td> </tr> <tr> <td>3</td> <td>R22B</td> <td>20</td> <td>TN</td> <td>3600325C1</td> <td>3600327C1</td> </tr> <tr> <td>4</td> <td>PLUG</td> <td>-</td> <td>-</td> <td>-</td> <td>-</td> </tr> </tbody> </table>							CAV	CIRCUIT	GAUGE	COLOR	TERMINAL	SEAL/SLEEVE	1	R22ZB	20	TN	3600325C1	3600327C1	2	R22VB	20	TN	3600325C1	3600327C1	3	R22B	20	TN	3600325C1	3600327C1	4	PLUG	-	-	-	-
CAV	CIRCUIT	GAUGE	COLOR	TERMINAL	SEAL/SLEEVE																															
1	R22ZB	20	TN	3600325C1	3600327C1																															
2	R22VB	20	TN	3600325C1	3600327C1																															
3	R22B	20	TN	3600325C1	3600327C1																															
4	PLUG	-	-	-	-																															
<p>RIGHT REAR TIRE PRESS MONITOR (6X4) (8984)</p>  <p style="text-align: center;">CONNECTOR 3600324C1</p> <table border="1" style="margin-left: auto; margin-right: auto; border-collapse: collapse;"> <thead> <tr> <th>CAV</th> <th>CIRCUIT</th> <th>GAUGE</th> <th>COLOR</th> <th>TERMINAL</th> <th>SEAL/SLEEVE</th> </tr> </thead> <tbody> <tr> <td>1</td> <td>R22ZC</td> <td>20</td> <td>TN</td> <td>3600325C1</td> <td>3600327C1</td> </tr> <tr> <td>2</td> <td>R22VC</td> <td>20</td> <td>TN</td> <td>3600325C1</td> <td>3600327C1</td> </tr> <tr> <td>3</td> <td>R22C</td> <td>20</td> <td>TN</td> <td>3600325C1</td> <td>3600327C1</td> </tr> <tr> <td>4</td> <td>PLUG</td> <td>-</td> <td>-</td> <td>-</td> <td>-</td> </tr> </tbody> </table>							CAV	CIRCUIT	GAUGE	COLOR	TERMINAL	SEAL/SLEEVE	1	R22ZC	20	TN	3600325C1	3600327C1	2	R22VC	20	TN	3600325C1	3600327C1	3	R22C	20	TN	3600325C1	3600327C1	4	PLUG	-	-	-	-
CAV	CIRCUIT	GAUGE	COLOR	TERMINAL	SEAL/SLEEVE																															
1	R22ZC	20	TN	3600325C1	3600327C1																															
2	R22VC	20	TN	3600325C1	3600327C1																															
3	R22C	20	TN	3600325C1	3600327C1																															
4	PLUG	-	-	-	-																															
<p>LEFT FUEL SENDER DUAL BOC 115/150 GAL (9100D)</p>  <p style="text-align: center;">CONNECTOR 1661778C1 BODY LOCK 1661874C1</p> <table border="1" style="margin-left: auto; margin-right: auto; border-collapse: collapse;"> <thead> <tr> <th>CAV</th> <th>CIRCUIT</th> <th>GAUGE</th> <th>COLOR</th> <th>TERMINAL</th> <th>SEAL/SLEEVE</th> </tr> </thead> <tbody> <tr> <td>A</td> <td>N36A</td> <td>18</td> <td>TN</td> <td>1661875C1</td> <td>1661872C1</td> </tr> <tr> <td>B</td> <td>N36-G</td> <td>18</td> <td>GY</td> <td>1661875C1</td> <td>1661872C1</td> </tr> </tbody> </table>							CAV	CIRCUIT	GAUGE	COLOR	TERMINAL	SEAL/SLEEVE	A	N36A	18	TN	1661875C1	1661872C1	B	N36-G	18	GY	1661875C1	1661872C1												
CAV	CIRCUIT	GAUGE	COLOR	TERMINAL	SEAL/SLEEVE																															
A	N36A	18	TN	1661875C1	1661872C1																															
B	N36-G	18	GY	1661875C1	1661872C1																															
<p>RIGHT FUEL SENDER DUAL OC 115/150 GAL (9100E)</p>  <p style="text-align: center;">CONNECTOR 1661778C1 BODY LOCK 1661874C1</p> <table border="1" style="margin-left: auto; margin-right: auto; border-collapse: collapse;"> <thead> <tr> <th>CAV</th> <th>CIRCUIT</th> <th>GAUGE</th> <th>COLOR</th> <th>TERMINAL</th> <th>SEAL/SLEEVE</th> </tr> </thead> <tbody> <tr> <td>A</td> <td>N36</td> <td>18</td> <td>RD</td> <td>1661875C1</td> <td>1661872C1</td> </tr> <tr> <td>B</td> <td>N36-G</td> <td>18</td> <td>BN</td> <td>1661875C1</td> <td>1661872C1</td> </tr> </tbody> </table>							CAV	CIRCUIT	GAUGE	COLOR	TERMINAL	SEAL/SLEEVE	A	N36	18	RD	1661875C1	1661872C1	B	N36-G	18	BN	1661875C1	1661872C1												
CAV	CIRCUIT	GAUGE	COLOR	TERMINAL	SEAL/SLEEVE																															
A	N36	18	RD	1661875C1	1661872C1																															
B	N36-G	18	BN	1661875C1	1661872C1																															
CHK	DATE	CHANGE	REV	REFERENCE	DRAWN	NAME																														
0610	27AUG13	INITIAL RELEASE.	A	92159Y	310615	CIRCUIT DIAGRAM, 9900																														
					RELEASE NO.	DATE																														
					92159Y	02AUG13																														
					PART NO.	SHEET																														
					AE08076124	165																														

Figure 372 Connector Composites (8983 / 8984 / 9100D / 9100E)

13.175. CONNECTOR COMPOSITES (9303 / 9303A / 9303B), P. 166

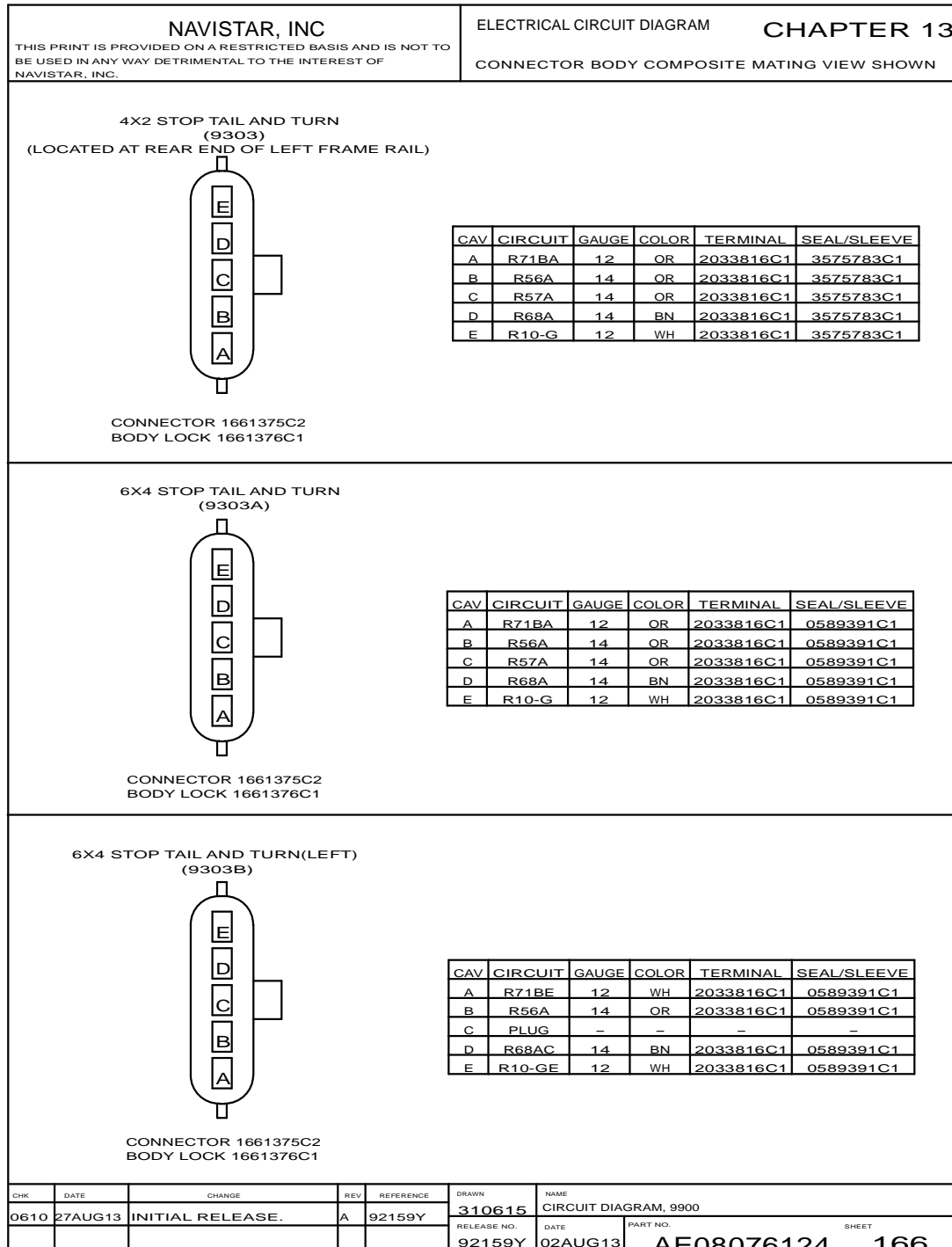


Figure 373 Connector Composites (9303 / 9303A / 9303B)

13.176. CONNECTOR COMPOSITES (9303C / 9303D / 9303E), P. 167

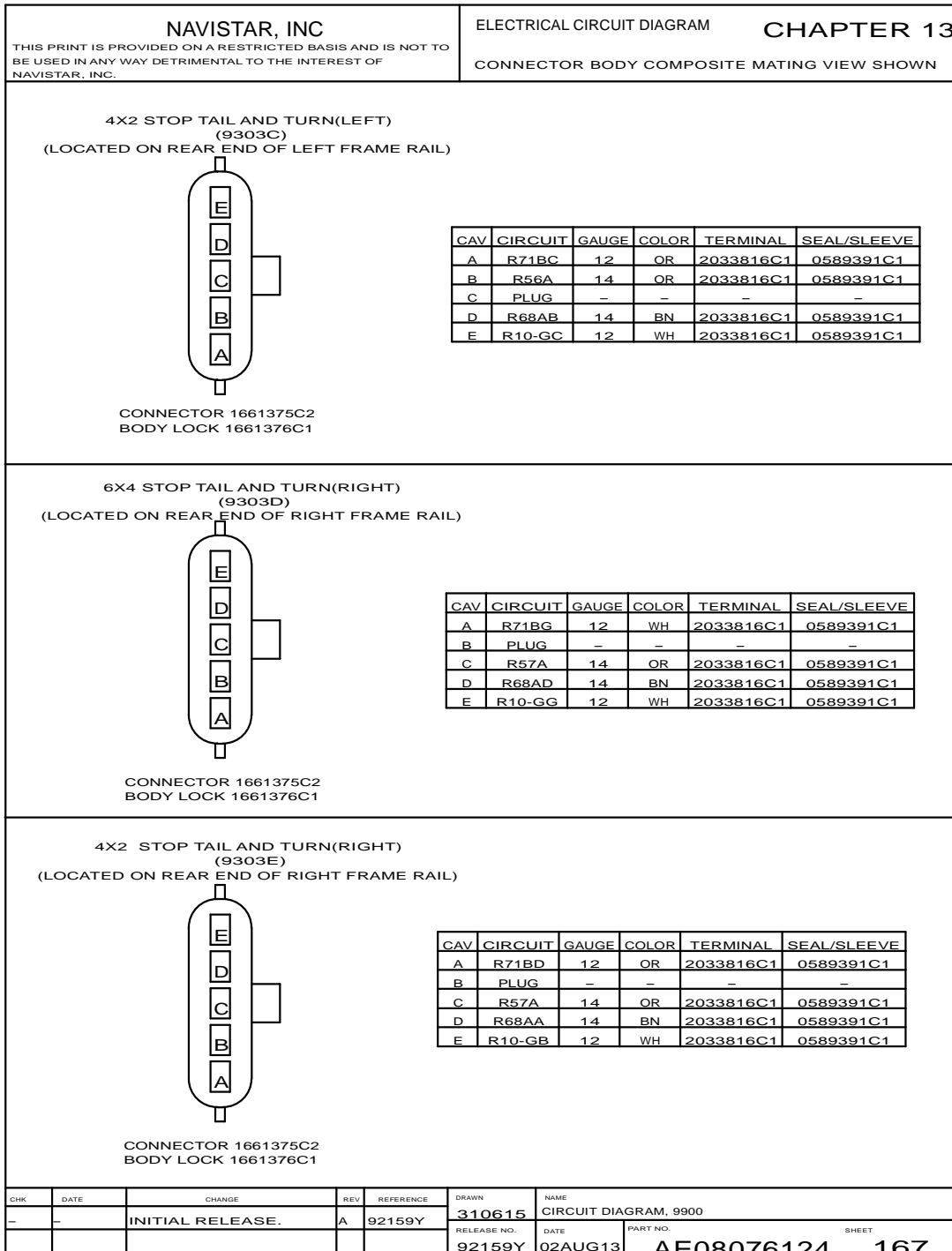


Figure 374 Connector Composites (9303C / 9303D / 9303E)

13.177. CONNECTOR COMPOSITES (9303F / 9303G / 9303H), P. 168

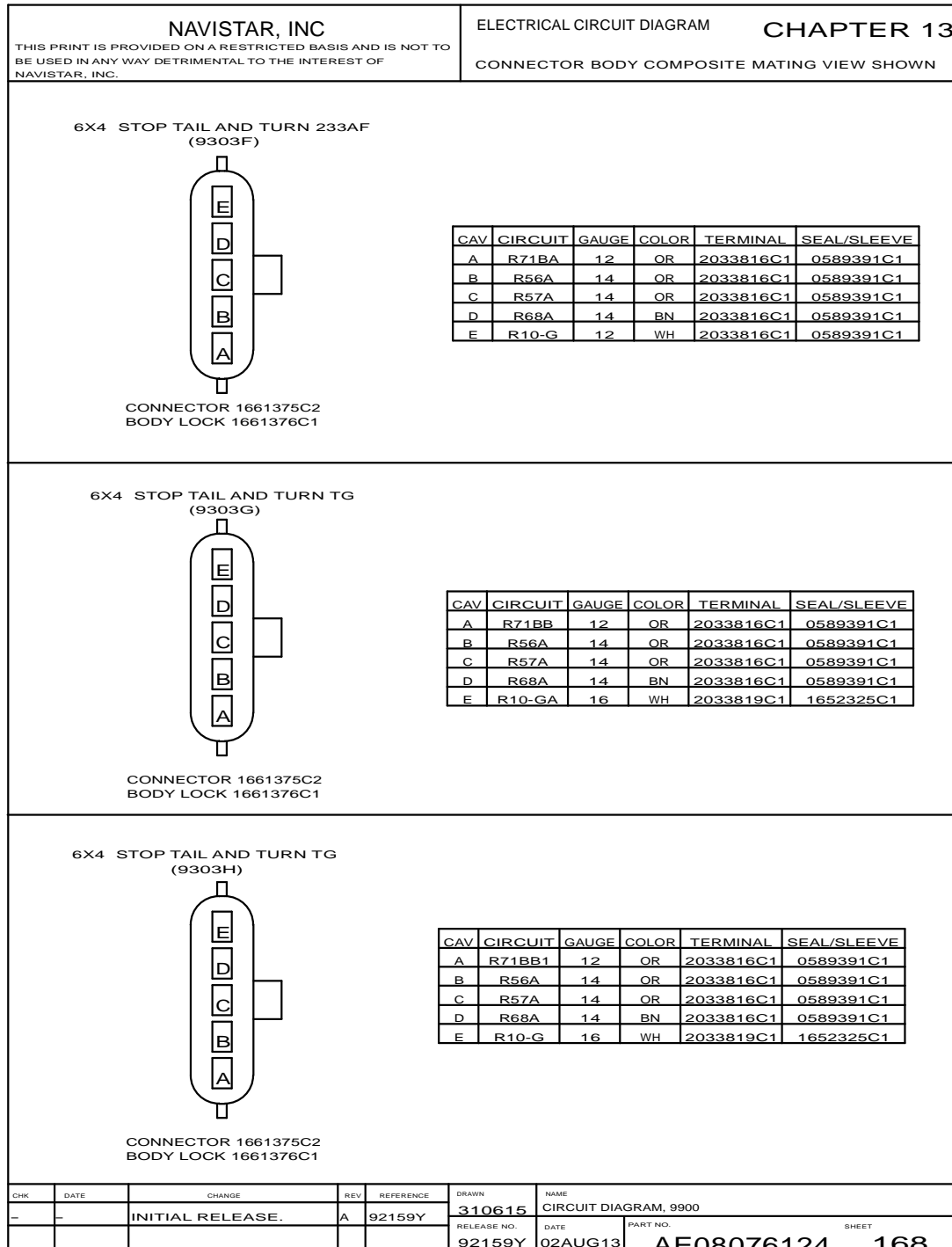


Figure 375 Connector Composites (9303F / 9303G / 9303H)

13.178. CONNECTOR COMPOSITES (9303K / 9303L / 9303M), P. 169

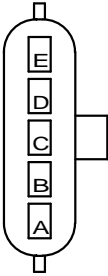
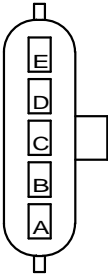
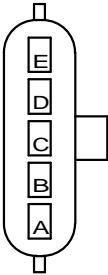
NAVISTAR, INC <small>THIS PRINT IS PROVIDED ON A RESTRICTED BASIS AND IS NOT TO BE USED IN ANY WAY DETRIMENTAL TO THE INTEREST OF NAVISTAR, INC.</small>				ELECTRICAL CIRCUIT DIAGRAM CHAPTER 13 CONNECTOR BODY COMPOSITE MATING VIEW SHOWN																																					
6X4 STOP TAIL AND TURN LEFT (9303K)																																									
			<table border="1" style="width: 100%; border-collapse: collapse;"> <thead> <tr> <th>CAV</th> <th>CIRCUIT</th> <th>GAUGE</th> <th>COLOR</th> <th>TERMINAL</th> <th>SEAL/SLEEVE</th> </tr> </thead> <tbody> <tr> <td>A</td> <td>R71BE</td> <td>12</td> <td>OR</td> <td>2033816C1</td> <td>0589391C1</td> </tr> <tr> <td>B</td> <td>R56A</td> <td>14</td> <td>OR</td> <td>2033816C1</td> <td>0589391C1</td> </tr> <tr> <td>C</td> <td>PLUG</td> <td>-</td> <td>-</td> <td>-</td> <td>-</td> </tr> <tr> <td>D</td> <td>R68AC</td> <td>14</td> <td>BN</td> <td>2033816C1</td> <td>0589391C1</td> </tr> <tr> <td>E</td> <td>R10-GE</td> <td>12</td> <td>WH</td> <td>2033816C1</td> <td>0589391C1</td> </tr> </tbody> </table>			CAV	CIRCUIT	GAUGE	COLOR	TERMINAL	SEAL/SLEEVE	A	R71BE	12	OR	2033816C1	0589391C1	B	R56A	14	OR	2033816C1	0589391C1	C	PLUG	-	-	-	-	D	R68AC	14	BN	2033816C1	0589391C1	E	R10-GE	12	WH	2033816C1	0589391C1
CAV	CIRCUIT	GAUGE	COLOR	TERMINAL	SEAL/SLEEVE																																				
A	R71BE	12	OR	2033816C1	0589391C1																																				
B	R56A	14	OR	2033816C1	0589391C1																																				
C	PLUG	-	-	-	-																																				
D	R68AC	14	BN	2033816C1	0589391C1																																				
E	R10-GE	12	WH	2033816C1	0589391C1																																				
CONNECTOR 1661375C2 BODY LOCK 1661376C1																																									
6X4 STOP TAIL AND TURN RIGHT (9303L)																																									
			<table border="1" style="width: 100%; border-collapse: collapse;"> <thead> <tr> <th>CAV</th> <th>CIRCUIT</th> <th>GAUGE</th> <th>COLOR</th> <th>TERMINAL</th> <th>SEAL/SLEEVE</th> </tr> </thead> <tbody> <tr> <td>A</td> <td>R71BG</td> <td>12</td> <td>OR</td> <td>2033816C1</td> <td>0589391C1</td> </tr> <tr> <td>B</td> <td>PLUG</td> <td>-</td> <td>-</td> <td>-</td> <td>-</td> </tr> <tr> <td>C</td> <td>R57A</td> <td>14</td> <td>OR</td> <td>2033816C1</td> <td>0589391C1</td> </tr> <tr> <td>D</td> <td>R68AD</td> <td>14</td> <td>BN</td> <td>2033816C1</td> <td>0589391C1</td> </tr> <tr> <td>E</td> <td>R10-GG</td> <td>12</td> <td>WH</td> <td>2033816C1</td> <td>0589391C1</td> </tr> </tbody> </table>			CAV	CIRCUIT	GAUGE	COLOR	TERMINAL	SEAL/SLEEVE	A	R71BG	12	OR	2033816C1	0589391C1	B	PLUG	-	-	-	-	C	R57A	14	OR	2033816C1	0589391C1	D	R68AD	14	BN	2033816C1	0589391C1	E	R10-GG	12	WH	2033816C1	0589391C1
CAV	CIRCUIT	GAUGE	COLOR	TERMINAL	SEAL/SLEEVE																																				
A	R71BG	12	OR	2033816C1	0589391C1																																				
B	PLUG	-	-	-	-																																				
C	R57A	14	OR	2033816C1	0589391C1																																				
D	R68AD	14	BN	2033816C1	0589391C1																																				
E	R10-GG	12	WH	2033816C1	0589391C1																																				
CONNECTOR 1661375C2 BODY LOCK 1661376C1																																									
4X2 STOP TAIL AND TURN LEFT (9303M)																																									
			<table border="1" style="width: 100%; border-collapse: collapse;"> <thead> <tr> <th>CAV</th> <th>CIRCUIT</th> <th>GAUGE</th> <th>COLOR</th> <th>TERMINAL</th> <th>SEAL/SLEEVE</th> </tr> </thead> <tbody> <tr> <td>A</td> <td>R71BC</td> <td>12</td> <td>OR</td> <td>2033816C1</td> <td>0589391C1</td> </tr> <tr> <td>C</td> <td>PLUG</td> <td>-</td> <td>-</td> <td>-</td> <td>-</td> </tr> <tr> <td>B</td> <td>R56A</td> <td>14</td> <td>OR</td> <td>2033816C1</td> <td>0589391C1</td> </tr> <tr> <td>D</td> <td>R68AB</td> <td>14</td> <td>BN</td> <td>2033816C1</td> <td>0589391C1</td> </tr> <tr> <td>E</td> <td>R10-GC</td> <td>12</td> <td>WH</td> <td>2033816C1</td> <td>0589391C1</td> </tr> </tbody> </table>			CAV	CIRCUIT	GAUGE	COLOR	TERMINAL	SEAL/SLEEVE	A	R71BC	12	OR	2033816C1	0589391C1	C	PLUG	-	-	-	-	B	R56A	14	OR	2033816C1	0589391C1	D	R68AB	14	BN	2033816C1	0589391C1	E	R10-GC	12	WH	2033816C1	0589391C1
CAV	CIRCUIT	GAUGE	COLOR	TERMINAL	SEAL/SLEEVE																																				
A	R71BC	12	OR	2033816C1	0589391C1																																				
C	PLUG	-	-	-	-																																				
B	R56A	14	OR	2033816C1	0589391C1																																				
D	R68AB	14	BN	2033816C1	0589391C1																																				
E	R10-GC	12	WH	2033816C1	0589391C1																																				
CONNECTOR 1661375C2 BODY LOCK 1661376C1																																									
CHK	DATE	CHANGE	REV	REFERENCE	DRAWN	NAME																																			
0610	27AUG13	INITIAL RELEASE.	A	92159Y	310615	CIRCUIT DIAGRAM, 9900																																			
					RELEASE NO.	DATE																																			
					92159Y	02AUG13																																			
					PART NO.	SHEET																																			
					AE08076124	169																																			

Figure 376 Connector Composites (9303K / 9303L / 9303M)

13.179. CONNECTOR COMPOSITES (9303N / 9304A / 9305), P. 170

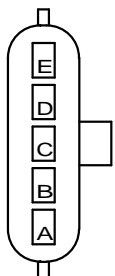
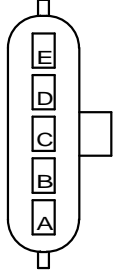
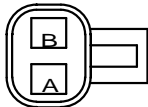
NAVISTAR, INC <small>THIS PRINT IS PROVIDED ON A RESTRICTED BASIS AND IS NOT TO BE USED IN ANY WAY DETRIMENTAL TO THE INTEREST OF NAVISTAR, INC.</small>				ELECTRICAL CIRCUIT DIAGRAM CHAPTER 13 CONNECTOR BODY COMPOSITE MATING VIEW SHOWN																																					
4X2 STOP TAIL AND TURN RIGHT (9303N)																																									
			<table border="1" style="width: 100%; border-collapse: collapse;"> <thead> <tr> <th>CAV</th> <th>CIRCUIT</th> <th>GAUGE</th> <th>COLOR</th> <th>TERMINAL</th> <th>SEAL/SLEEVE</th> </tr> </thead> <tbody> <tr> <td>A</td> <td>R71BE</td> <td>12</td> <td>OR</td> <td>2033816C1</td> <td>0589391C1</td> </tr> <tr> <td>B</td> <td>R56A</td> <td>14</td> <td>OR</td> <td>2033816C1</td> <td>0589391C1</td> </tr> <tr> <td>C</td> <td>PLUG</td> <td>-</td> <td>-</td> <td>-</td> <td>-</td> </tr> <tr> <td>D</td> <td>R68AC</td> <td>14</td> <td>BN</td> <td>2033816C1</td> <td>0589391C1</td> </tr> <tr> <td>E</td> <td>R10-GE</td> <td>12</td> <td>WH</td> <td>2033816C1</td> <td>0589391C1</td> </tr> </tbody> </table>			CAV	CIRCUIT	GAUGE	COLOR	TERMINAL	SEAL/SLEEVE	A	R71BE	12	OR	2033816C1	0589391C1	B	R56A	14	OR	2033816C1	0589391C1	C	PLUG	-	-	-	-	D	R68AC	14	BN	2033816C1	0589391C1	E	R10-GE	12	WH	2033816C1	0589391C1
CAV	CIRCUIT	GAUGE	COLOR	TERMINAL	SEAL/SLEEVE																																				
A	R71BE	12	OR	2033816C1	0589391C1																																				
B	R56A	14	OR	2033816C1	0589391C1																																				
C	PLUG	-	-	-	-																																				
D	R68AC	14	BN	2033816C1	0589391C1																																				
E	R10-GE	12	WH	2033816C1	0589391C1																																				
CONNECTOR 1661375C2 BODY LOCK 1661376C1																																									
6X4 STOP TAIL AND TURN - TG (9304A)																																									
			<table border="1" style="width: 100%; border-collapse: collapse;"> <thead> <tr> <th>CAV</th> <th>CIRCUIT</th> <th>GAUGE</th> <th>COLOR</th> <th>TERMINAL</th> <th>SEAL/SLEEVE</th> </tr> </thead> <tbody> <tr> <td>A</td> <td>R71BG</td> <td>12</td> <td>OR</td> <td>2033816C1</td> <td>0589391C1</td> </tr> <tr> <td>B</td> <td>PLUG</td> <td>-</td> <td>-</td> <td>-</td> <td>-</td> </tr> <tr> <td>C</td> <td>R57A</td> <td>14</td> <td>OR</td> <td>2033816C1</td> <td>0589391C1</td> </tr> <tr> <td>D</td> <td>R68AD</td> <td>14</td> <td>BN</td> <td>2033816C1</td> <td>0589391C1</td> </tr> <tr> <td>E</td> <td>R10-GG</td> <td>12</td> <td>WH</td> <td>2033816C1</td> <td>0589391C1</td> </tr> </tbody> </table>			CAV	CIRCUIT	GAUGE	COLOR	TERMINAL	SEAL/SLEEVE	A	R71BG	12	OR	2033816C1	0589391C1	B	PLUG	-	-	-	-	C	R57A	14	OR	2033816C1	0589391C1	D	R68AD	14	BN	2033816C1	0589391C1	E	R10-GG	12	WH	2033816C1	0589391C1
CAV	CIRCUIT	GAUGE	COLOR	TERMINAL	SEAL/SLEEVE																																				
A	R71BG	12	OR	2033816C1	0589391C1																																				
B	PLUG	-	-	-	-																																				
C	R57A	14	OR	2033816C1	0589391C1																																				
D	R68AD	14	BN	2033816C1	0589391C1																																				
E	R10-GG	12	WH	2033816C1	0589391C1																																				
CONNECTOR 1661375C2 BODY LOCK 1661376C1																																									
BACK-UP ALARM (9305)																																									
			<table border="1" style="width: 100%; border-collapse: collapse;"> <thead> <tr> <th>CAV</th> <th>CIRCUIT</th> <th>GAUGE</th> <th>COLOR</th> <th>TERMINAL</th> <th>SEAL/SLEEVE</th> </tr> </thead> <tbody> <tr> <td>A</td> <td>R71BF</td> <td>12</td> <td>OR</td> <td>2033816C1</td> <td>0589391C1</td> </tr> <tr> <td>B</td> <td>R10-GF</td> <td>12</td> <td>WH</td> <td>2033816C1</td> <td>0589390C1</td> </tr> </tbody> </table>			CAV	CIRCUIT	GAUGE	COLOR	TERMINAL	SEAL/SLEEVE	A	R71BF	12	OR	2033816C1	0589391C1	B	R10-GF	12	WH	2033816C1	0589390C1																		
CAV	CIRCUIT	GAUGE	COLOR	TERMINAL	SEAL/SLEEVE																																				
A	R71BF	12	OR	2033816C1	0589391C1																																				
B	R10-GF	12	WH	2033816C1	0589390C1																																				
CONNECTOR 1671610C1 BODY LOCK 1671608C1																																									
CHK	DATE	CHANGE	REV	REFERENCE	DRAWN	NAME																																			
-	-	INITIAL RELEASE.	A	92159Y	310615	CIRCUIT DIAGRAM, 9900																																			
					RELEASE NO.	DATE																																			
					92159Y	02AUG13																																			
					PART NO.	SHEET																																			
					AE08076124	170																																			

Figure 377 Connector Composites (9303N / 9304A / 9305)

13.180. CONNECTOR COMPOSITES (9305A / 9305B / 9305C / 9306), P. 171

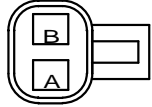
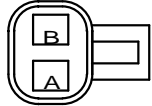
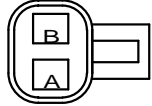
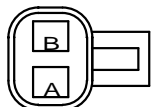
NAVISTAR, INC <small>THIS PRINT IS PROVIDED ON A RESTRICTED BASIS AND IS NOT TO BE USED IN ANY WAY DETRIMENTAL TO THE INTEREST OF NAVISTAR, INC.</small>				ELECTRICAL CIRCUIT DIAGRAM CHAPTER 13 CONNECTOR BODY COMPOSITE MATING VIEW SHOWN																			
BACK-UP ALARM (9305A) (LOCATED AT TRANSMISSION)				<table border="1" style="width: 100%; border-collapse: collapse;"> <thead> <tr> <th>CAV</th> <th>CIRCUIT</th> <th>GAUGE</th> <th>COLOR</th> <th>TERMINAL</th> <th>SEAL/SLEEVE</th> </tr> </thead> <tbody> <tr> <td>A</td> <td>R71BB</td> <td>12</td> <td>OR</td> <td>2033816C1</td> <td>0589391C1</td> </tr> <tr> <td>B</td> <td>R10-GD</td> <td>12</td> <td>WH</td> <td>2033816C1</td> <td>0589390C1</td> </tr> </tbody> </table>		CAV	CIRCUIT	GAUGE	COLOR	TERMINAL	SEAL/SLEEVE	A	R71BB	12	OR	2033816C1	0589391C1	B	R10-GD	12	WH	2033816C1	0589390C1
CAV	CIRCUIT	GAUGE	COLOR	TERMINAL	SEAL/SLEEVE																		
A	R71BB	12	OR	2033816C1	0589391C1																		
B	R10-GD	12	WH	2033816C1	0589390C1																		
																							
CONNECTOR 1671610C1 BODY LOCK 1671608C1																							
BACK-UP ALARM (9305B) (LOCATED AT TRANSMISSION)				<table border="1" style="width: 100%; border-collapse: collapse;"> <thead> <tr> <th>CAV</th> <th>CIRCUIT</th> <th>GAUGE</th> <th>COLOR</th> <th>TERMINAL</th> <th>SEAL/SLEEVE</th> </tr> </thead> <tbody> <tr> <td>A</td> <td>R71BF</td> <td>12</td> <td>OR</td> <td>2033816C1</td> <td>0589390C1</td> </tr> <tr> <td>B</td> <td>R10-GF</td> <td>12</td> <td>WH</td> <td>2033816C1</td> <td>0589391C1</td> </tr> </tbody> </table>		CAV	CIRCUIT	GAUGE	COLOR	TERMINAL	SEAL/SLEEVE	A	R71BF	12	OR	2033816C1	0589390C1	B	R10-GF	12	WH	2033816C1	0589391C1
CAV	CIRCUIT	GAUGE	COLOR	TERMINAL	SEAL/SLEEVE																		
A	R71BF	12	OR	2033816C1	0589390C1																		
B	R10-GF	12	WH	2033816C1	0589391C1																		
																							
CONNECTOR 1671610C1 BODY LOCK 1671608C1																							
BACK-UP ALARM (9305C) (LOCATED AT TRANSMISSION)				<table border="1" style="width: 100%; border-collapse: collapse;"> <thead> <tr> <th>CAV</th> <th>CIRCUIT</th> <th>GAUGE</th> <th>COLOR</th> <th>TERMINAL</th> <th>SEAL/SLEEVE</th> </tr> </thead> <tbody> <tr> <td>A</td> <td>R71BB</td> <td>12</td> <td>OR</td> <td>2033816C1</td> <td>0589391C1</td> </tr> <tr> <td>B</td> <td>R10-GD</td> <td>12</td> <td>WH</td> <td>2033816C1</td> <td>0589391C1</td> </tr> </tbody> </table>		CAV	CIRCUIT	GAUGE	COLOR	TERMINAL	SEAL/SLEEVE	A	R71BB	12	OR	2033816C1	0589391C1	B	R10-GD	12	WH	2033816C1	0589391C1
CAV	CIRCUIT	GAUGE	COLOR	TERMINAL	SEAL/SLEEVE																		
A	R71BB	12	OR	2033816C1	0589391C1																		
B	R10-GD	12	WH	2033816C1	0589391C1																		
																							
CONNECTOR 1671610C1 BODY LOCK 1671608C1																							
BACK-UP ALARM (9306) (LOCATED AT TRANSMISSION)				<table border="1" style="width: 100%; border-collapse: collapse;"> <thead> <tr> <th>CAV</th> <th>CIRCUIT</th> <th>GAUGE</th> <th>COLOR</th> <th>TERMINAL</th> <th>SEAL/SLEEVE</th> </tr> </thead> <tbody> <tr> <td>A</td> <td>R71BF</td> <td>12</td> <td>OR</td> <td>2033816C1</td> <td>0589390C1</td> </tr> <tr> <td>B</td> <td>R10-GF</td> <td>16</td> <td>WH</td> <td>2033816C1</td> <td>1652325C1</td> </tr> </tbody> </table>		CAV	CIRCUIT	GAUGE	COLOR	TERMINAL	SEAL/SLEEVE	A	R71BF	12	OR	2033816C1	0589390C1	B	R10-GF	16	WH	2033816C1	1652325C1
CAV	CIRCUIT	GAUGE	COLOR	TERMINAL	SEAL/SLEEVE																		
A	R71BF	12	OR	2033816C1	0589390C1																		
B	R10-GF	16	WH	2033816C1	1652325C1																		
																							
CONNECTOR 1671610C1 BODY LOCK 1671608C1																							
CHK	DATE	CHANGE	REV	REFERENCE	DRAWN	NAME																	
-	-	INITIAL RELEASE.	A	92159Y	310615	CIRCUIT DIAGRAM, 9900																	
					RELEASE NO.	DATE																	
					92159Y	02AUG13																	
					PART NO.	SHEET																	
					AE08076124	171																	

Figure 378 Connector Composites (9305A / 9305B / 9305C / 9306)

13.181. CONNECTOR COMPOSITES (9331 / 9332 / 9501 / 9501F / 9501D / 9502), P. 172

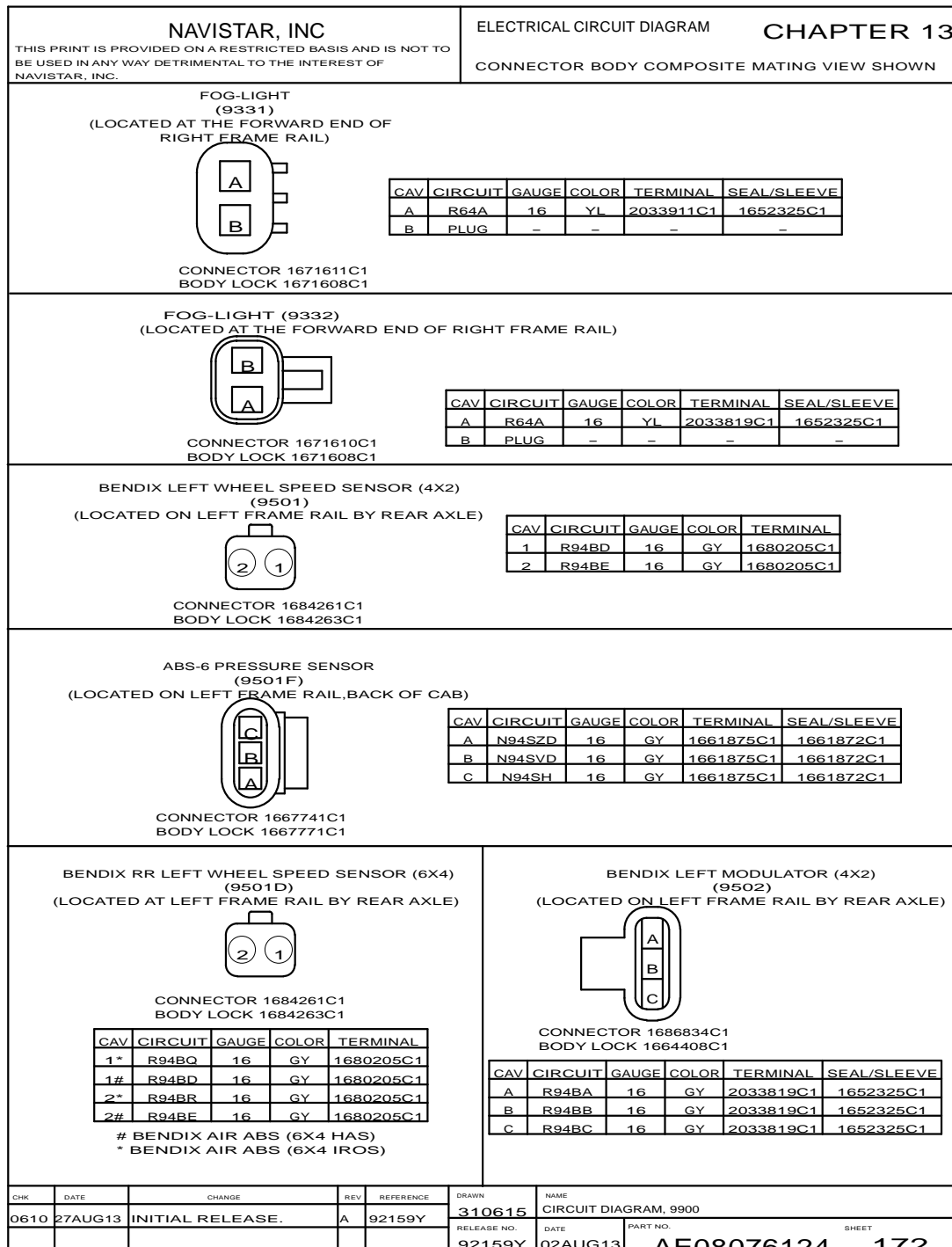


Figure 379 Connector Composites (9331 / 9332 / 9501 / 9501F / 9501D / 9502)

13.182. CONNECTOR COMPOSITES (9502A / 9502B / 9502C / 9502D / 9503), P. 173

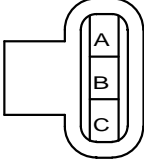
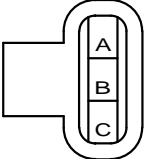
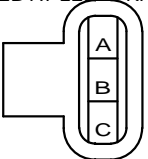
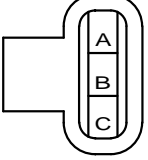
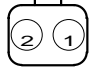
NAVISTAR, INC <small>THIS PRINT IS PROVIDED ON A RESTRICTED BASIS AND IS NOT TO BE USED IN ANY WAY DETRIMENTAL TO THE INTEREST OF NAVISTAR, INC.</small>		ELECTRICAL CIRCUIT DIAGRAM CHAPTER 13 CONNECTOR BODY COMPOSITE MATING VIEW SHOWN																																											
BENDIX LEFT MODULATOR (6X4 HAS) (9502A) (LOCATED AT LEFT FRAME RAIL BY REAR AXLE)																																													
		<table border="1" style="width:100%; border-collapse: collapse;"> <thead> <tr> <th>CAV</th> <th>CIRCUIT</th> <th>GAUGE</th> <th>COLOR</th> <th>TERMINAL</th> <th>SEAL/SLEEVE</th> </tr> </thead> <tbody> <tr> <td>A</td> <td>R94BA</td> <td>16</td> <td>GY</td> <td>2033819C1</td> <td>1652325C1</td> </tr> <tr> <td>B</td> <td>R94BB</td> <td>16</td> <td>GY</td> <td>2033819C1</td> <td>1652325C1</td> </tr> <tr> <td>C</td> <td>R94BC</td> <td>16</td> <td>GY</td> <td>2033819C1</td> <td>1652325C1</td> </tr> </tbody> </table>		CAV	CIRCUIT	GAUGE	COLOR	TERMINAL	SEAL/SLEEVE	A	R94BA	16	GY	2033819C1	1652325C1	B	R94BB	16	GY	2033819C1	1652325C1	C	R94BC	16	GY	2033819C1	1652325C1																		
CAV	CIRCUIT	GAUGE	COLOR	TERMINAL	SEAL/SLEEVE																																								
A	R94BA	16	GY	2033819C1	1652325C1																																								
B	R94BB	16	GY	2033819C1	1652325C1																																								
C	R94BC	16	GY	2033819C1	1652325C1																																								
CONNECTOR 1686834C1 BODY LOCK 1664408C1																																													
BENDIX LEFT REAR MODULATOR (6X4 IROS) (9502B) (LOCATED AT LEFT FRAME RAIL BY REAR AXLE)																																													
		<table border="1" style="width:100%; border-collapse: collapse;"> <thead> <tr> <th>CAV</th> <th>CIRCUIT</th> <th>GAUGE</th> <th>COLOR</th> <th>TERMINAL</th> <th>SEAL/SLEEVE</th> </tr> </thead> <tbody> <tr> <td>A*</td> <td>R94BA</td> <td>16</td> <td>GY</td> <td>2033819C1</td> <td>1652325C1</td> </tr> <tr> <td>A#</td> <td>R94BY</td> <td>16</td> <td>GY</td> <td>2033819C1</td> <td>1652325C1</td> </tr> <tr> <td>B*</td> <td>R94BB</td> <td>16</td> <td>GY</td> <td>2033819C1</td> <td>1652325C1</td> </tr> <tr> <td>B#</td> <td>R94BZ</td> <td>16</td> <td>GY</td> <td>2033819C1</td> <td>1652325C1</td> </tr> <tr> <td>C*</td> <td>R94BC</td> <td>16</td> <td>GY</td> <td>2033819C1</td> <td>1652325C1</td> </tr> <tr> <td>C#</td> <td>R94BP</td> <td>16</td> <td>GY</td> <td>2033819C1</td> <td>1652325C1</td> </tr> </tbody> </table>		CAV	CIRCUIT	GAUGE	COLOR	TERMINAL	SEAL/SLEEVE	A*	R94BA	16	GY	2033819C1	1652325C1	A#	R94BY	16	GY	2033819C1	1652325C1	B*	R94BB	16	GY	2033819C1	1652325C1	B#	R94BZ	16	GY	2033819C1	1652325C1	C*	R94BC	16	GY	2033819C1	1652325C1	C#	R94BP	16	GY	2033819C1	1652325C1
CAV	CIRCUIT	GAUGE	COLOR	TERMINAL	SEAL/SLEEVE																																								
A*	R94BA	16	GY	2033819C1	1652325C1																																								
A#	R94BY	16	GY	2033819C1	1652325C1																																								
B*	R94BB	16	GY	2033819C1	1652325C1																																								
B#	R94BZ	16	GY	2033819C1	1652325C1																																								
C*	R94BC	16	GY	2033819C1	1652325C1																																								
C#	R94BP	16	GY	2033819C1	1652325C1																																								
CONNECTOR 1686834C1 BODY LOCK 1664408C1		* BX ADV AIR ABS W/6X4 IROS-TAG # BENDIX 6 CH ABS,6X4,IROS																																											
BENDIX ECE LEFT MODULATOR (9502C) (LOCATED AT LEFT FRAME RAIL BY REAR AXLE)																																													
		<table border="1" style="width:100%; border-collapse: collapse;"> <thead> <tr> <th>CAV</th> <th>CIRCUIT</th> <th>GAUGE</th> <th>COLOR</th> <th>TERMINAL</th> <th>SEAL/SLEEVE</th> </tr> </thead> <tbody> <tr> <td>A</td> <td>R94BA</td> <td>16</td> <td>GY</td> <td>2033819C1</td> <td>1652325C1</td> </tr> <tr> <td>B</td> <td>R94BB</td> <td>16</td> <td>GY</td> <td>2033819C1</td> <td>1652325C1</td> </tr> <tr> <td>C</td> <td>R94BC</td> <td>16</td> <td>GY</td> <td>2033819C1</td> <td>1652325C1</td> </tr> </tbody> </table>		CAV	CIRCUIT	GAUGE	COLOR	TERMINAL	SEAL/SLEEVE	A	R94BA	16	GY	2033819C1	1652325C1	B	R94BB	16	GY	2033819C1	1652325C1	C	R94BC	16	GY	2033819C1	1652325C1																		
CAV	CIRCUIT	GAUGE	COLOR	TERMINAL	SEAL/SLEEVE																																								
A	R94BA	16	GY	2033819C1	1652325C1																																								
B	R94BB	16	GY	2033819C1	1652325C1																																								
C	R94BC	16	GY	2033819C1	1652325C1																																								
CONNECTOR 1686834C1 BODY LOCK 1664408C1																																													
BENDIX ECE RIGHT MODULATOR (9502D) (LOCATED AT RIGHT FRAME RAIL BY REAR AXLE)																																													
		<table border="1" style="width:100%; border-collapse: collapse;"> <thead> <tr> <th>CAV</th> <th>CIRCUIT</th> <th>GAUGE</th> <th>COLOR</th> <th>TERMINAL</th> <th>SEAL/SLEEVE</th> </tr> </thead> <tbody> <tr> <td>A</td> <td>R94BJ</td> <td>16</td> <td>GY</td> <td>2033819C1</td> <td>1652325C1</td> </tr> <tr> <td>B</td> <td>R94BK</td> <td>16</td> <td>GY</td> <td>2033819C1</td> <td>1652325C1</td> </tr> <tr> <td>C</td> <td>R94BL</td> <td>16</td> <td>GY</td> <td>2033819C1</td> <td>1652325C1</td> </tr> </tbody> </table>		CAV	CIRCUIT	GAUGE	COLOR	TERMINAL	SEAL/SLEEVE	A	R94BJ	16	GY	2033819C1	1652325C1	B	R94BK	16	GY	2033819C1	1652325C1	C	R94BL	16	GY	2033819C1	1652325C1																		
CAV	CIRCUIT	GAUGE	COLOR	TERMINAL	SEAL/SLEEVE																																								
A	R94BJ	16	GY	2033819C1	1652325C1																																								
B	R94BK	16	GY	2033819C1	1652325C1																																								
C	R94BL	16	GY	2033819C1	1652325C1																																								
CONNECTOR 1686834C1 BODY LOCK 1664408C1																																													
BENDIX RIGHT WHEEL SPEED SENSOR (4X2) (9503) (LOCATED ON RIGHT FRAME RAIL BY REAR AXLE)																																													
		<table border="1" style="width:100%; border-collapse: collapse;"> <thead> <tr> <th>CAV</th> <th>CIRCUIT</th> <th>GAUGE</th> <th>COLOR</th> <th>TERMINAL</th> </tr> </thead> <tbody> <tr> <td>1</td> <td>R94BF</td> <td>16</td> <td>GY</td> <td>1680205C1</td> </tr> <tr> <td>2</td> <td>R94BH</td> <td>16</td> <td>GY</td> <td>1680205C1</td> </tr> </tbody> </table>		CAV	CIRCUIT	GAUGE	COLOR	TERMINAL	1	R94BF	16	GY	1680205C1	2	R94BH	16	GY	1680205C1																											
CAV	CIRCUIT	GAUGE	COLOR	TERMINAL																																									
1	R94BF	16	GY	1680205C1																																									
2	R94BH	16	GY	1680205C1																																									
CONNECTOR 1684261C1 BODY LOCK 1684263C1																																													
CHK	DATE	CHANGE	REV	REFERENCE	DRAWN	NAME																																							
-	-	INITIAL RELEASE.	A	92159Y	310615	CIRCUIT DIAGRAM, 9900																																							
					RELEASE NO.	DATE																																							
					92159Y	02AUG13																																							
					PART NO.	SHEET																																							
					AE08076124	173																																							

Figure 380 Connector Composites (9502A / 9502B / 9502C / 9502D / 9503)

13.183. CONNECTOR COMPOSITES (9503D / 9504 / 9504A / 9504B / 9505), P. 174

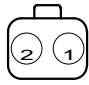
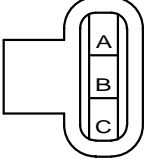
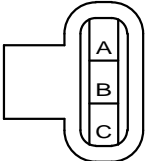
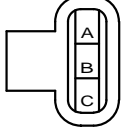

NAVISTAR, INC <small>THIS PRINT IS PROVIDED ON A RESTRICTED BASIS AND IS NOT TO BE USED IN ANY WAY DETRIMENTAL TO THE INTEREST OF NAVISTAR, INC.</small>		ELECTRICAL CIRCUIT DIAGRAM CHAPTER 13 CONNECTOR BODY COMPOSITE MATING VIEW SHOWN																																											
BENDIX RR REAR RIGHT WHEEL SPEED SENSOR (6X4 HAS) (9503D) (LOCATED RIGHT FRAME RAIL BY REAR AXLE)																																													
		<table border="1" style="width:100%; border-collapse: collapse;"> <thead> <tr> <th>CAV</th> <th>CIRCUIT</th> <th>GAUGE</th> <th>COLOR</th> <th>TERMINAL</th> </tr> </thead> <tbody> <tr> <td>1*</td> <td>R94BV</td> <td>16</td> <td>GY</td> <td>1680205C1</td> </tr> <tr> <td>1#</td> <td>R94BF</td> <td>16</td> <td>GY</td> <td>1680205C1</td> </tr> <tr> <td>2*</td> <td>R94BW</td> <td>16</td> <td>GY</td> <td>1680205C1</td> </tr> <tr> <td>2#</td> <td>R94BH</td> <td>16</td> <td>GY</td> <td>1680205C1</td> </tr> </tbody> </table>		CAV	CIRCUIT	GAUGE	COLOR	TERMINAL	1*	R94BV	16	GY	1680205C1	1#	R94BF	16	GY	1680205C1	2*	R94BW	16	GY	1680205C1	2#	R94BH	16	GY	1680205C1																	
CAV	CIRCUIT	GAUGE	COLOR	TERMINAL																																									
1*	R94BV	16	GY	1680205C1																																									
1#	R94BF	16	GY	1680205C1																																									
2*	R94BW	16	GY	1680205C1																																									
2#	R94BH	16	GY	1680205C1																																									
CONNECTOR 1684261C1 BODY LOCK 1684263C1		* BENDIX AIR ABS (6X4 IROS) # BENDIX AIR ABS (6X4 HAS)																																											
BENDIX RIGHT MODULATOR(4X2) (9504) (LOCATED ON RIGHT FRAME RAIL BY REAR AXLE)																																													
		<table border="1" style="width:100%; border-collapse: collapse;"> <thead> <tr> <th>CAV</th> <th>CIRCUIT</th> <th>GAUGE</th> <th>COLOR</th> <th>TERMINAL</th> <th>SEAL/SLEEVE</th> </tr> </thead> <tbody> <tr> <td>A</td> <td>R94BJ</td> <td>16</td> <td>GY</td> <td>2033819C1</td> <td>1652325C1</td> </tr> <tr> <td>B</td> <td>R94BK</td> <td>16</td> <td>GY</td> <td>2033819C1</td> <td>1652325C1</td> </tr> <tr> <td>C</td> <td>R94BL</td> <td>16</td> <td>GY</td> <td>2033819C1</td> <td>1652325C1</td> </tr> </tbody> </table>		CAV	CIRCUIT	GAUGE	COLOR	TERMINAL	SEAL/SLEEVE	A	R94BJ	16	GY	2033819C1	1652325C1	B	R94BK	16	GY	2033819C1	1652325C1	C	R94BL	16	GY	2033819C1	1652325C1																		
CAV	CIRCUIT	GAUGE	COLOR	TERMINAL	SEAL/SLEEVE																																								
A	R94BJ	16	GY	2033819C1	1652325C1																																								
B	R94BK	16	GY	2033819C1	1652325C1																																								
C	R94BL	16	GY	2033819C1	1652325C1																																								
CONNECTOR 1686834C1 BODY LOCK 1664408C1																																													
BENDIX RR REAR RIGHT MODULATOR (6X4 IROS) (9504A) (LOCATED ON RIGHT FRAME RAIL BY REAR AXLE)																																													
		<table border="1" style="width:100%; border-collapse: collapse;"> <thead> <tr> <th>CAV</th> <th>CIRCUIT</th> <th>GAUGE</th> <th>COLOR</th> <th>TERMINAL</th> <th>SEAL/SLEEVE</th> </tr> </thead> <tbody> <tr> <td>A@</td> <td>R94BJ</td> <td>16</td> <td>GY</td> <td>2033819C1</td> <td>1652325C1</td> </tr> <tr> <td>A%</td> <td>R94BS</td> <td>16</td> <td>GY</td> <td>2033819C1</td> <td>1652325C1</td> </tr> <tr> <td>B@</td> <td>R94BK</td> <td>16</td> <td>GY</td> <td>2033819C1</td> <td>1652325C1</td> </tr> <tr> <td>B%</td> <td>R94BT</td> <td>16</td> <td>GY</td> <td>2033819C1</td> <td>1652325C1</td> </tr> <tr> <td>C@</td> <td>R94BL</td> <td>16</td> <td>GY</td> <td>2033819C1</td> <td>1652325C1</td> </tr> <tr> <td>C%</td> <td>R94BU</td> <td>16</td> <td>GY</td> <td>2033819C1</td> <td>1652325C1</td> </tr> </tbody> </table>		CAV	CIRCUIT	GAUGE	COLOR	TERMINAL	SEAL/SLEEVE	A@	R94BJ	16	GY	2033819C1	1652325C1	A%	R94BS	16	GY	2033819C1	1652325C1	B@	R94BK	16	GY	2033819C1	1652325C1	B%	R94BT	16	GY	2033819C1	1652325C1	C@	R94BL	16	GY	2033819C1	1652325C1	C%	R94BU	16	GY	2033819C1	1652325C1
CAV	CIRCUIT	GAUGE	COLOR	TERMINAL	SEAL/SLEEVE																																								
A@	R94BJ	16	GY	2033819C1	1652325C1																																								
A%	R94BS	16	GY	2033819C1	1652325C1																																								
B@	R94BK	16	GY	2033819C1	1652325C1																																								
B%	R94BT	16	GY	2033819C1	1652325C1																																								
C@	R94BL	16	GY	2033819C1	1652325C1																																								
C%	R94BU	16	GY	2033819C1	1652325C1																																								
CONNECTOR 1686834C1 BODY LOCK 1664408C1		@ BX ADV AIR ABS W/ IROS - TAG % BENDIX 6 CH ABS, 6X4, HEAD																																											
BENDIX FR REAR RIGHT MODULATOR(6X4 HAS) (9504B) (LOCATED ON RIGHT FRAME RAIL BY REAR AXLE)																																													
		<table border="1" style="width:100%; border-collapse: collapse;"> <thead> <tr> <th>CAV</th> <th>CIRCUIT</th> <th>GAUGE</th> <th>COLOR</th> <th>TERMINAL</th> <th>SEAL/SLEEVE</th> </tr> </thead> <tbody> <tr> <td>A</td> <td>R94BJ</td> <td>16</td> <td>GY</td> <td>2033819C1</td> <td>1652325C1</td> </tr> <tr> <td>B</td> <td>R94BK</td> <td>16</td> <td>GY</td> <td>2033819C1</td> <td>1652325C1</td> </tr> <tr> <td>C</td> <td>R94BL</td> <td>16</td> <td>GY</td> <td>2033819C1</td> <td>1652325C1</td> </tr> </tbody> </table>		CAV	CIRCUIT	GAUGE	COLOR	TERMINAL	SEAL/SLEEVE	A	R94BJ	16	GY	2033819C1	1652325C1	B	R94BK	16	GY	2033819C1	1652325C1	C	R94BL	16	GY	2033819C1	1652325C1																		
CAV	CIRCUIT	GAUGE	COLOR	TERMINAL	SEAL/SLEEVE																																								
A	R94BJ	16	GY	2033819C1	1652325C1																																								
B	R94BK	16	GY	2033819C1	1652325C1																																								
C	R94BL	16	GY	2033819C1	1652325C1																																								
CONNECTOR 1686834C1 BODY LOCK 1664408C1																																													
(4X2) BENDIX AUTO TRACTION CONTROL (9505) (LOCATED ON CROSSMEMBER AT REAR AXLE (S))																																													
		<table border="1" style="width:100%; border-collapse: collapse;"> <thead> <tr> <th>CAV</th> <th>CIRCUIT</th> <th>GAUGE</th> <th>COLOR</th> <th>TERMINAL</th> <th>SEAL/SLEEVE</th> </tr> </thead> <tbody> <tr> <td>1</td> <td>R94BM</td> <td>16</td> <td>GY</td> <td>3679224C1</td> <td>3601687C1</td> </tr> <tr> <td>2</td> <td>R94BN</td> <td>16</td> <td>GY</td> <td>3679224C1</td> <td>3601687C1</td> </tr> </tbody> </table>		CAV	CIRCUIT	GAUGE	COLOR	TERMINAL	SEAL/SLEEVE	1	R94BM	16	GY	3679224C1	3601687C1	2	R94BN	16	GY	3679224C1	3601687C1																								
CAV	CIRCUIT	GAUGE	COLOR	TERMINAL	SEAL/SLEEVE																																								
1	R94BM	16	GY	3679224C1	3601687C1																																								
2	R94BN	16	GY	3679224C1	3601687C1																																								
CONNECTOR 3678796C1																																													
CHK	DATE	CHANGE	REV	REFERENCE	DRAWN	NAME																																							
0610	27AUG13	INITIAL RELEASE.	A	92159Y	310615	CIRCUIT DIAGRAM, 9900																																							
					RELEASE NO.	DATE	PART NO.	SHEET																																					
					92159Y	02AUG13	AE08076124	174																																					

Figure 381 Connector Composites (9503D / 9504 / 9504A / 9504B / 9505)

13.184. CONNECTOR COMPOSITES (9505A / 9505D / 9506 / 9506D / 9506E), P. 175






NAVISTAR, INC <small>THIS PRINT IS PROVIDED ON A RESTRICTED BASIS AND IS NOT TO BE USED IN ANY WAY DETRIMENTAL TO THE INTEREST OF NAVISTAR, INC.</small>				ELECTRICAL CIRCUIT DIAGRAM CHAPTER 13 CONNECTOR BODY COMPOSITE MATING VIEW SHOWN																															
(6X4) BENDIX AUTO TRACTION CONTROL (9505A) (LOCATED ON CROSSMEMBER AT REAR AXLE(S))																																			
			<table border="1" style="width:100%; border-collapse: collapse;"> <thead> <tr> <th>CAV</th> <th>CIRCUIT</th> <th>GAUGE</th> <th>COLOR</th> <th>TERMINAL</th> <th>SEAL/SLEEVE</th> </tr> </thead> <tbody> <tr> <td>1</td> <td>R94BM</td> <td>16</td> <td>GY</td> <td>3679224C1</td> <td>3601687C1</td> </tr> <tr> <td>2</td> <td>R94BN</td> <td>16</td> <td>GY</td> <td>3679224C1</td> <td>3601687C1</td> </tr> </tbody> </table>			CAV	CIRCUIT	GAUGE	COLOR	TERMINAL	SEAL/SLEEVE	1	R94BM	16	GY	3679224C1	3601687C1	2	R94BN	16	GY	3679224C1	3601687C1												
CAV	CIRCUIT	GAUGE	COLOR	TERMINAL	SEAL/SLEEVE																														
1	R94BM	16	GY	3679224C1	3601687C1																														
2	R94BN	16	GY	3679224C1	3601687C1																														
CONNECTOR 3678796C1																																			
(6X4) BENDIX AUTO TRACTION CONTROL (9505D) (LOCATED ON CROSSMEMBER AT REAR AXLE(S))																																			
			<table border="1" style="width:100%; border-collapse: collapse;"> <thead> <tr> <th>CAV</th> <th>CIRCUIT</th> <th>GAUGE</th> <th>COLOR</th> <th>TERMINAL</th> <th>SEAL/SLEEVE</th> </tr> </thead> <tbody> <tr> <td>1</td> <td>R94BM</td> <td>16</td> <td>GY</td> <td>3679224C1</td> <td>3601687C1</td> </tr> <tr> <td>2</td> <td>R94BN</td> <td>16</td> <td>GY</td> <td>3679224C1</td> <td>3601687C1</td> </tr> </tbody> </table>			CAV	CIRCUIT	GAUGE	COLOR	TERMINAL	SEAL/SLEEVE	1	R94BM	16	GY	3679224C1	3601687C1	2	R94BN	16	GY	3679224C1	3601687C1												
CAV	CIRCUIT	GAUGE	COLOR	TERMINAL	SEAL/SLEEVE																														
1	R94BM	16	GY	3679224C1	3601687C1																														
2	R94BN	16	GY	3679224C1	3601687C1																														
CONNECTOR 3678796C1																																			
WABCO LEFT WHEEL SPEED SENSOR (4X2) (9506) (LOCATED ON LEFT FRAME RAIL BY REAR AXLE)																																			
			<table border="1" style="width:100%; border-collapse: collapse;"> <thead> <tr> <th>CAV</th> <th>CIRCUIT</th> <th>GAUGE</th> <th>COLOR</th> <th>TERMINAL</th> <th>SEAL/SLEEVE</th> </tr> </thead> <tbody> <tr> <td>1</td> <td>R94MD</td> <td>18</td> <td>GY</td> <td>6111842C1</td> <td>6111843C1</td> </tr> <tr> <td>2</td> <td>R94ME</td> <td>18</td> <td>GY</td> <td>6111842C1</td> <td>6111843C1</td> </tr> </tbody> </table>			CAV	CIRCUIT	GAUGE	COLOR	TERMINAL	SEAL/SLEEVE	1	R94MD	18	GY	6111842C1	6111843C1	2	R94ME	18	GY	6111842C1	6111843C1												
CAV	CIRCUIT	GAUGE	COLOR	TERMINAL	SEAL/SLEEVE																														
1	R94MD	18	GY	6111842C1	6111843C1																														
2	R94ME	18	GY	6111842C1	6111843C1																														
CONNECTOR 6111844C1																																			
WABCO RR LEFT WHEEL SPEED SENSOR (6X4 HAS) (9506D) (LOCATED ON RIGHT FRAME RAIL BY REAR AXLE)																																			
			<table border="1" style="width:100%; border-collapse: collapse;"> <thead> <tr> <th>CAV</th> <th>CIRCUIT</th> <th>GAUGE</th> <th>COLOR</th> <th>TERMINAL</th> <th>SEAL/SLEEVE</th> </tr> </thead> <tbody> <tr> <td>1*</td> <td>R94MD</td> <td>18</td> <td>GY</td> <td>6111842C1</td> <td>6111843C1</td> </tr> <tr> <td>1#</td> <td>R94BQA</td> <td>18</td> <td>GY</td> <td>6111842C1</td> <td>6111843C1</td> </tr> <tr> <td>2*</td> <td>R94ME</td> <td>18</td> <td>GY</td> <td>6111842C1</td> <td>6111843C1</td> </tr> <tr> <td>2#</td> <td>R94BRA</td> <td>18</td> <td>GY</td> <td>6111842C1</td> <td>6111843C1</td> </tr> </tbody> </table>			CAV	CIRCUIT	GAUGE	COLOR	TERMINAL	SEAL/SLEEVE	1*	R94MD	18	GY	6111842C1	6111843C1	1#	R94BQA	18	GY	6111842C1	6111843C1	2*	R94ME	18	GY	6111842C1	6111843C1	2#	R94BRA	18	GY	6111842C1	6111843C1
CAV	CIRCUIT	GAUGE	COLOR	TERMINAL	SEAL/SLEEVE																														
1*	R94MD	18	GY	6111842C1	6111843C1																														
1#	R94BQA	18	GY	6111842C1	6111843C1																														
2*	R94ME	18	GY	6111842C1	6111843C1																														
2#	R94BRA	18	GY	6111842C1	6111843C1																														
CONNECTOR 6111844C1																																			
* WABCO AIR ABS (6X4 HAS) # BENDIX AIR ABS (6X4 HAS)																																			
WABCO RR LEFT WHEEL SPEED SENSOR (6X4 IROS/HTB) (9506E) (LOCATED ON LEFT FRAME RAIL BY REAR AXLE)																																			
			<table border="1" style="width:100%; border-collapse: collapse;"> <thead> <tr> <th>CAV</th> <th>CIRCUIT</th> <th>GAUGE</th> <th>COLOR</th> <th>TERMINAL</th> <th>SEAL/SLEEVE</th> </tr> </thead> <tbody> <tr> <td>1%</td> <td>R94MD</td> <td>18</td> <td>GY</td> <td>6111842C1</td> <td>6111843C1</td> </tr> <tr> <td>1@</td> <td>R94BQA</td> <td>18</td> <td>GY</td> <td>6111842C1</td> <td>6111843C1</td> </tr> <tr> <td>2%</td> <td>R94ME</td> <td>18</td> <td>GY</td> <td>6111842C1</td> <td>6111843C1</td> </tr> <tr> <td>2@</td> <td>R94BRA</td> <td>18</td> <td>GY</td> <td>6111842C1</td> <td>6111843C1</td> </tr> </tbody> </table>			CAV	CIRCUIT	GAUGE	COLOR	TERMINAL	SEAL/SLEEVE	1%	R94MD	18	GY	6111842C1	6111843C1	1@	R94BQA	18	GY	6111842C1	6111843C1	2%	R94ME	18	GY	6111842C1	6111843C1	2@	R94BRA	18	GY	6111842C1	6111843C1
CAV	CIRCUIT	GAUGE	COLOR	TERMINAL	SEAL/SLEEVE																														
1%	R94MD	18	GY	6111842C1	6111843C1																														
1@	R94BQA	18	GY	6111842C1	6111843C1																														
2%	R94ME	18	GY	6111842C1	6111843C1																														
2@	R94BRA	18	GY	6111842C1	6111843C1																														
CONNECTOR 6111844C1																																			
% WABCO AIR ABS (6X4 IROS) @ WABCO 6 CHAN ABS 6X4, IROS																																			
CHK	DATE	CHANGE	REV	REFERENCE	DRAWN	NAME																													
0610	27AUG13	INITIAL RELEASE.	A	92159Y	310615	CIRCUIT DIAGRAM, 9900																													
					RELEASE NO.	DATE																													
					92159Y	02AUG13																													
					PART NO.	SHEET																													
					AE08076124	175																													

Figure 382 Connector Composites (9505A / 9505D / 9506 / 9506D / 9506E)

13.185. CONNECTOR COMPOSITES (9506F / 9507 / 9507A / 9507B / 9507C), P. 176

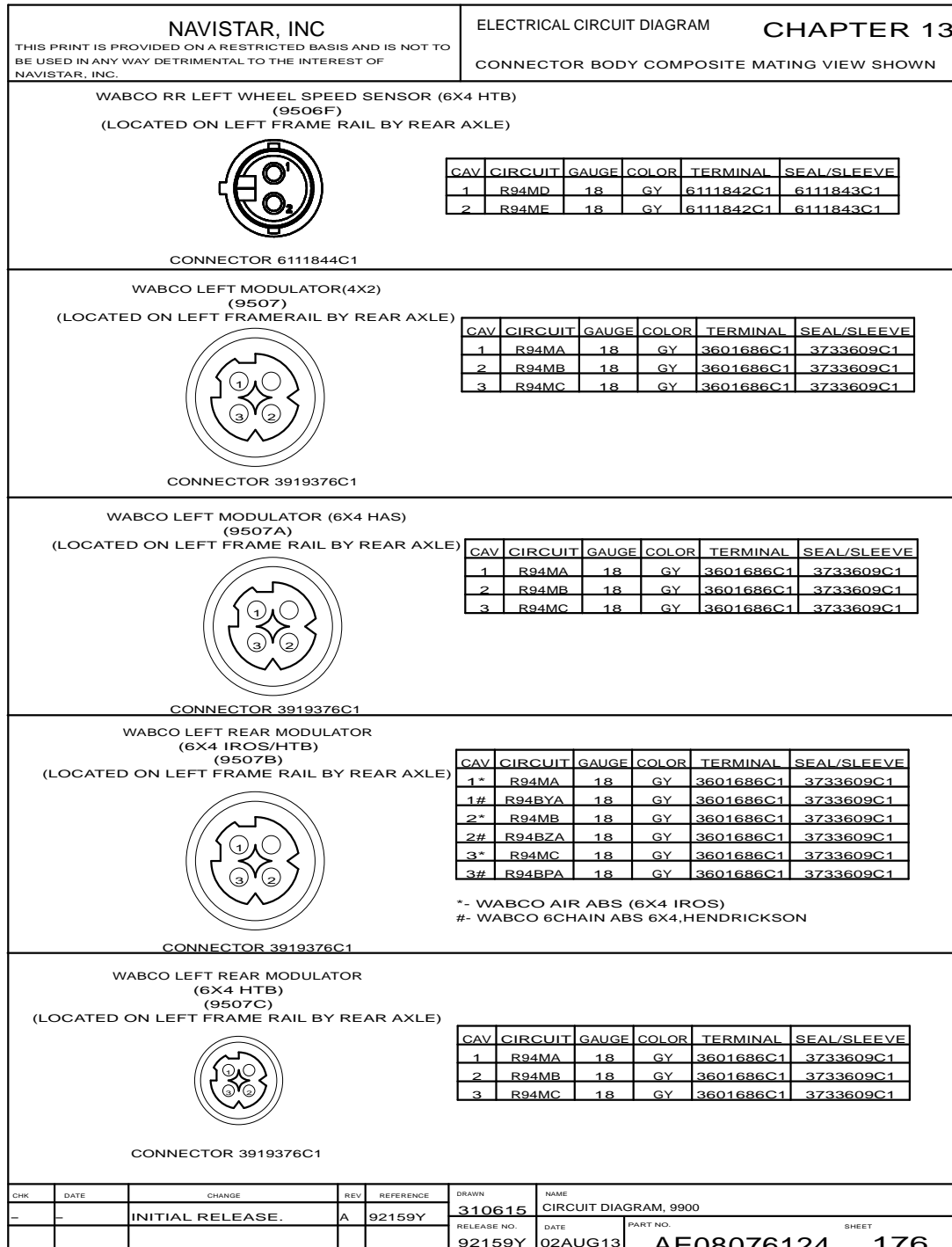


Figure 383 Connector Composites (9506F / 9507 / 9507A / 9507B / 9507C)

13.186. CONNECTOR COMPOSITES (9508 / 9508D / 9508E / 9508F / 9509), P. 177





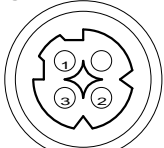
NAVISTAR, INC <small>THIS PRINT IS PROVIDED ON A RESTRICTED BASIS AND IS NOT TO BE USED IN ANY WAY DETRIMENTAL TO THE INTEREST OF NAVISTAR, INC.</small>				ELECTRICAL CIRCUIT DIAGRAM CHAPTER 13 CONNECTOR BODY COMPOSITE MATING VIEW SHOWN																																
WABCO RIGHT WHEEL SPEED SENSOR (4X2) (9508) (LOCATED ON RIGHT FRAME RAIL BY REAR AXLE)																																				
			<table border="1" style="width:100%; border-collapse: collapse;"> <thead> <tr> <th>CAV</th> <th>CIRCUIT</th> <th>GAUGE</th> <th>COLOR</th> <th>TERMINAL</th> <th>SEAL/SLEEVE</th> </tr> </thead> <tbody> <tr> <td>1</td> <td>R94MF</td> <td>18</td> <td>GY</td> <td>6111842C1</td> <td>6111843C1</td> </tr> <tr> <td>2</td> <td>R94MH</td> <td>18</td> <td>GY</td> <td>6111842C1</td> <td>6111843C1</td> </tr> </tbody> </table>				CAV	CIRCUIT	GAUGE	COLOR	TERMINAL	SEAL/SLEEVE	1	R94MF	18	GY	6111842C1	6111843C1	2	R94MH	18	GY	6111842C1	6111843C1												
CAV	CIRCUIT	GAUGE	COLOR	TERMINAL	SEAL/SLEEVE																															
1	R94MF	18	GY	6111842C1	6111843C1																															
2	R94MH	18	GY	6111842C1	6111843C1																															
CONNECTOR 6111844C1																																				
WABCO RR REAR RIGHT WHEEL SPEED SENSOR (6X4 HAS) (9508D) (LOCATED ON RIGHT FRAME RAIL BY REAR AXLE)																																				
			<table border="1" style="width:100%; border-collapse: collapse;"> <thead> <tr> <th>CAV</th> <th>CIRCUIT</th> <th>GAUGE</th> <th>COLOR</th> <th>TERMINAL</th> <th>SEAL/SLEEVE</th> </tr> </thead> <tbody> <tr> <td>1*</td> <td>R94MF</td> <td>18</td> <td>GY</td> <td>6111842C1</td> <td>6111843C1</td> </tr> <tr> <td>1#</td> <td>R94BVA</td> <td>18</td> <td>GY</td> <td>6111842C1</td> <td>6111843C1</td> </tr> <tr> <td>2*</td> <td>R94MH</td> <td>18</td> <td>GY</td> <td>6111842C1</td> <td>6111843C1</td> </tr> <tr> <td>2#</td> <td>R94BWA</td> <td>18</td> <td>GY</td> <td>6111842C1</td> <td>6111843C1</td> </tr> </tbody> </table>				CAV	CIRCUIT	GAUGE	COLOR	TERMINAL	SEAL/SLEEVE	1*	R94MF	18	GY	6111842C1	6111843C1	1#	R94BVA	18	GY	6111842C1	6111843C1	2*	R94MH	18	GY	6111842C1	6111843C1	2#	R94BWA	18	GY	6111842C1	6111843C1
CAV	CIRCUIT	GAUGE	COLOR	TERMINAL	SEAL/SLEEVE																															
1*	R94MF	18	GY	6111842C1	6111843C1																															
1#	R94BVA	18	GY	6111842C1	6111843C1																															
2*	R94MH	18	GY	6111842C1	6111843C1																															
2#	R94BWA	18	GY	6111842C1	6111843C1																															
*- SR-WABCO AIR ABS(6X4 HAS) #- US-WABCO 6CHAIN ABS 6X4, HENDRICKSON																																				
CONNECTOR 6111844C1																																				
WABCO RR REAR RIGHT WHEEL SPEED SENSOR (6X4 IROS/HTB) (9508E) (LOCATED ON RIGHT FRAME RAIL BY REAR AXLE)																																				
			<table border="1" style="width:100%; border-collapse: collapse;"> <thead> <tr> <th>CAV</th> <th>CIRCUIT</th> <th>GAUGE</th> <th>COLOR</th> <th>TERMINAL</th> <th>SEAL/SLEEVE</th> </tr> </thead> <tbody> <tr> <td>1@</td> <td>R94MF</td> <td>18</td> <td>GY</td> <td>6111842C1</td> <td>6111843C1</td> </tr> <tr> <td>1%-</td> <td>R94BVA</td> <td>18</td> <td>GY</td> <td>6111842C1</td> <td>6111843C1</td> </tr> <tr> <td>2@</td> <td>R94MH</td> <td>18</td> <td>GY</td> <td>6111842C1</td> <td>6111843C1</td> </tr> <tr> <td>2%-</td> <td>R94BWA</td> <td>18</td> <td>GY</td> <td>6111842C1</td> <td>6111843C1</td> </tr> </tbody> </table>				CAV	CIRCUIT	GAUGE	COLOR	TERMINAL	SEAL/SLEEVE	1@	R94MF	18	GY	6111842C1	6111843C1	1%-	R94BVA	18	GY	6111842C1	6111843C1	2@	R94MH	18	GY	6111842C1	6111843C1	2%-	R94BWA	18	GY	6111842C1	6111843C1
CAV	CIRCUIT	GAUGE	COLOR	TERMINAL	SEAL/SLEEVE																															
1@	R94MF	18	GY	6111842C1	6111843C1																															
1%-	R94BVA	18	GY	6111842C1	6111843C1																															
2@	R94MH	18	GY	6111842C1	6111843C1																															
2%-	R94BWA	18	GY	6111842C1	6111843C1																															
@- SS-WABCO AIR ABS(6X4 2POS) %- VS-BENDIX 6CH ABS, 6X4, HEND W/ATC/RSP/ESP																																				
CONNECTOR 6111844C1																																				
WABCO RR RIGHT WHEEL SPEED SENSOR (6X4 HTB) (9508F) (LOCATED ON RIGHT FRAME RAIL BY REAR AXLE)																																				
			<table border="1" style="width:100%; border-collapse: collapse;"> <thead> <tr> <th>CAV</th> <th>CIRCUIT</th> <th>GAUGE</th> <th>COLOR</th> <th>TERMINAL</th> <th>SEAL/SLEEVE</th> </tr> </thead> <tbody> <tr> <td>1</td> <td>R94MF</td> <td>18</td> <td>GY</td> <td>6111842C1</td> <td>6111843C1</td> </tr> <tr> <td>2</td> <td>R94MH</td> <td>18</td> <td>GY</td> <td>6111842C1</td> <td>6111843C1</td> </tr> </tbody> </table>				CAV	CIRCUIT	GAUGE	COLOR	TERMINAL	SEAL/SLEEVE	1	R94MF	18	GY	6111842C1	6111843C1	2	R94MH	18	GY	6111842C1	6111843C1												
CAV	CIRCUIT	GAUGE	COLOR	TERMINAL	SEAL/SLEEVE																															
1	R94MF	18	GY	6111842C1	6111843C1																															
2	R94MH	18	GY	6111842C1	6111843C1																															
CONNECTOR 6111844C1																																				
WABCO RIGHT WHEEL MODULATOR (4X2) (9509) (LOCATED ON RIGHT FRAME RAIL BY REAR AXLE)																																				
			<table border="1" style="width:100%; border-collapse: collapse;"> <thead> <tr> <th>CAV</th> <th>CIRCUIT</th> <th>GAUGE</th> <th>COLOR</th> <th>TERMINAL</th> <th>SEAL/SLEEVE</th> </tr> </thead> <tbody> <tr> <td>1</td> <td>R94MJ</td> <td>18</td> <td>GY</td> <td>3601686C1</td> <td>3733609C1</td> </tr> <tr> <td>2</td> <td>R94MK</td> <td>18</td> <td>GY</td> <td>3601686C1</td> <td>3733609C1</td> </tr> <tr> <td>3</td> <td>R94ML</td> <td>18</td> <td>GY</td> <td>3601686C1</td> <td>3733609C1</td> </tr> </tbody> </table>				CAV	CIRCUIT	GAUGE	COLOR	TERMINAL	SEAL/SLEEVE	1	R94MJ	18	GY	3601686C1	3733609C1	2	R94MK	18	GY	3601686C1	3733609C1	3	R94ML	18	GY	3601686C1	3733609C1						
CAV	CIRCUIT	GAUGE	COLOR	TERMINAL	SEAL/SLEEVE																															
1	R94MJ	18	GY	3601686C1	3733609C1																															
2	R94MK	18	GY	3601686C1	3733609C1																															
3	R94ML	18	GY	3601686C1	3733609C1																															
CONNECTOR 3919376C1																																				
CHK	DATE	CHANGE	REV	REFERENCE	DRAWN	NAME																														
0610	27AUG13	INITIAL RELEASE.	A	92159Y	310615	CIRCUIT DIAGRAM, 9900																														
					RELEASE NO.	DATE																														
					92159Y	02AUG13																														
					PART NO.	SHEET																														
					AE08076124	177																														

Figure 384 Connector Composites (9508 / 9508D / 9508E / 9508F / 9509)

13.187. CONNECTOR COMPOSITES (9509A / 9509B / 9509C / 9510), P. 178

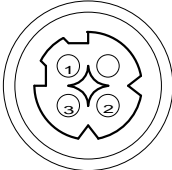
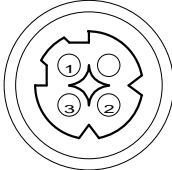
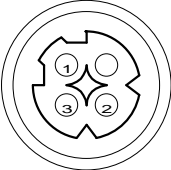
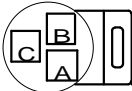
NAVISTAR, INC <small>THIS PRINT IS PROVIDED ON A RESTRICTED BASIS AND IS NOT TO BE USED IN ANY WAY DETRIMENTAL TO THE INTEREST OF NAVISTAR, INC.</small>				ELECTRICAL CIRCUIT DIAGRAM CHAPTER 13 CONNECTOR BODY COMPOSITE MATING VIEW SHOWN																																											
<p style="text-align: center;"> WABCO RR REAR RIGHT MODULATOR (6X4 IROS/HTB) (9509A) (LOCATED ON RIGHT FRAME RAIL BY REAR AXLE) </p>																																															
	<table border="1" style="width:100%; border-collapse: collapse; font-size: 8px;"> <thead> <tr> <th>CAV</th> <th>CIRCUIT</th> <th>GAUGE</th> <th>COLOR</th> <th>TERMINAL</th> <th>SEAL/SLEEVE</th> </tr> </thead> <tbody> <tr><td>1</td><td>R94MJ</td><td>18</td><td>GY</td><td>3601686C1</td><td>3733609C1</td></tr> <tr><td>1</td><td>R94BSA</td><td>18</td><td>GY</td><td>3601686C1</td><td>3733609C1</td></tr> <tr><td>2*</td><td>R94MK</td><td>18</td><td>GY</td><td>3601686C1</td><td>3733609C1</td></tr> <tr><td>2#</td><td>R94BTA</td><td>18</td><td>GY</td><td>3601686C1</td><td>3733609C1</td></tr> <tr><td>3</td><td>R94ML</td><td>18</td><td>GY</td><td>3601686C1</td><td>3733609C1</td></tr> <tr><td>3</td><td>R94BUA</td><td>18</td><td>GY</td><td>3601686C1</td><td>3733609C1</td></tr> </tbody> </table>					CAV	CIRCUIT	GAUGE	COLOR	TERMINAL	SEAL/SLEEVE	1	R94MJ	18	GY	3601686C1	3733609C1	1	R94BSA	18	GY	3601686C1	3733609C1	2*	R94MK	18	GY	3601686C1	3733609C1	2#	R94BTA	18	GY	3601686C1	3733609C1	3	R94ML	18	GY	3601686C1	3733609C1	3	R94BUA	18	GY	3601686C1	3733609C1
CAV	CIRCUIT	GAUGE	COLOR	TERMINAL	SEAL/SLEEVE																																										
1	R94MJ	18	GY	3601686C1	3733609C1																																										
1	R94BSA	18	GY	3601686C1	3733609C1																																										
2*	R94MK	18	GY	3601686C1	3733609C1																																										
2#	R94BTA	18	GY	3601686C1	3733609C1																																										
3	R94ML	18	GY	3601686C1	3733609C1																																										
3	R94BUA	18	GY	3601686C1	3733609C1																																										
<p style="text-align: center;">CONNECTOR 3919376C1</p> <p style="font-size: 8px;">* WABCO AIR ABS(6*4 IROS) W/ ATC # WABCO 6 CHAN ABS 6*4,HENDRICKSON</p>																																															
<p style="text-align: center;"> WABCO FR RIGHT MODULATOR (6X4 HAS) (9509B) (LOCATED ON RIGHT FRAME RAIL BY REAR AXLE) </p>																																															
	<table border="1" style="width:100%; border-collapse: collapse; font-size: 8px;"> <thead> <tr> <th>CAV</th> <th>CIRCUIT</th> <th>GAUGE</th> <th>COLOR</th> <th>TERMINAL</th> <th>SEAL/SLEEVE</th> </tr> </thead> <tbody> <tr><td>1</td><td>R94MJ</td><td>18</td><td>GY</td><td>3601686C1</td><td>3733609C1</td></tr> <tr><td>2</td><td>R94MK</td><td>18</td><td>GY</td><td>3601686C1</td><td>3733609C1</td></tr> <tr><td>3</td><td>R94ML</td><td>18</td><td>GY</td><td>3601686C1</td><td>3733609C1</td></tr> </tbody> </table>					CAV	CIRCUIT	GAUGE	COLOR	TERMINAL	SEAL/SLEEVE	1	R94MJ	18	GY	3601686C1	3733609C1	2	R94MK	18	GY	3601686C1	3733609C1	3	R94ML	18	GY	3601686C1	3733609C1																		
CAV	CIRCUIT	GAUGE	COLOR	TERMINAL	SEAL/SLEEVE																																										
1	R94MJ	18	GY	3601686C1	3733609C1																																										
2	R94MK	18	GY	3601686C1	3733609C1																																										
3	R94ML	18	GY	3601686C1	3733609C1																																										
<p style="text-align: center;">CONNECTOR 3919376C1</p>																																															
<p style="text-align: center;"> WABCO RR RIGHT MODULATOR (6X4 HTB) (9509C) (LOCATED ON RIGHT FRAME RAIL BY REAR AXLE) </p>																																															
	<table border="1" style="width:100%; border-collapse: collapse; font-size: 8px;"> <thead> <tr> <th>CAV</th> <th>CIRCUIT</th> <th>GAUGE</th> <th>COLOR</th> <th>TERMINAL</th> <th>SEAL/SLEEVE</th> </tr> </thead> <tbody> <tr><td>1</td><td>R94MJ</td><td>18</td><td>GY</td><td>3601686C1</td><td>3733609C1</td></tr> <tr><td>2</td><td>R94MK</td><td>18</td><td>GY</td><td>3601686C1</td><td>3733609C1</td></tr> <tr><td>3</td><td>R94ML</td><td>18</td><td>GY</td><td>3601686C1</td><td>3733609C1</td></tr> </tbody> </table>					CAV	CIRCUIT	GAUGE	COLOR	TERMINAL	SEAL/SLEEVE	1	R94MJ	18	GY	3601686C1	3733609C1	2	R94MK	18	GY	3601686C1	3733609C1	3	R94ML	18	GY	3601686C1	3733609C1																		
CAV	CIRCUIT	GAUGE	COLOR	TERMINAL	SEAL/SLEEVE																																										
1	R94MJ	18	GY	3601686C1	3733609C1																																										
2	R94MK	18	GY	3601686C1	3733609C1																																										
3	R94ML	18	GY	3601686C1	3733609C1																																										
<p style="text-align: center;">CONNECTOR 3919376C1</p>																																															
<p style="text-align: center;"> ABS-6 PRESSURE SENSOR (4X2) (9510) (LOCATED ON RIGHT FRAME RAIL BY REAR AXLE) </p>																																															
	<table border="1" style="width:100%; border-collapse: collapse; font-size: 8px;"> <thead> <tr> <th>CAV</th> <th>CIRCUIT</th> <th>GAUGE</th> <th>COLOR</th> <th>TERMINAL</th> </tr> </thead> <tbody> <tr><td>A</td><td>R94SZC</td><td>18</td><td>GY</td><td>1651943C1</td></tr> <tr><td>B</td><td>R94SVC</td><td>18</td><td>GY</td><td>1651943C1</td></tr> <tr><td>C</td><td>R94SH</td><td>18</td><td>GY</td><td>1651943C1</td></tr> </tbody> </table>					CAV	CIRCUIT	GAUGE	COLOR	TERMINAL	A	R94SZC	18	GY	1651943C1	B	R94SVC	18	GY	1651943C1	C	R94SH	18	GY	1651943C1																						
CAV	CIRCUIT	GAUGE	COLOR	TERMINAL																																											
A	R94SZC	18	GY	1651943C1																																											
B	R94SVC	18	GY	1651943C1																																											
C	R94SH	18	GY	1651943C1																																											
<p style="text-align: center;">CONNECTOR 1678137C1</p>																																															
CHK	DATE	CHANGE	REV	REFERENCE	DRAWN	NAME																																									
0610	27AUG13	INITIAL RELEASE.	A	92159Y	310615	CIRCUIT DIAGRAM, 9900																																									
RELEASE NO.		DATE		PART NO.		SHEET																																									
92159Y		02AUG13		AE08076124		178																																									

Figure 385 Connector Composites (9509A / 9509B / 9509C / 9510)

13.188. CONNECTOR COMPOSITES (9510A / 9510M / 9511), P. 179


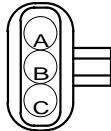

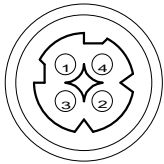
NAVISTAR, INC <small>THIS PRINT IS PROVIDED ON A RESTRICTED BASIS AND IS NOT TO BE USED IN ANY WAY DETRIMENTAL TO THE INTEREST OF NAVISTAR, INC.</small>				ELECTRICAL CIRCUIT DIAGRAM CHAPTER 13 CONNECTOR BODY COMPOSITE MATING VIEW SHOWN																																
ABS-6 PRESSURE SENSOR (6X4) (9510A) (LOCATED ON REAR SUSPENSION AIR BAG-RIGHT SIDE)																																				
			<table border="1" style="width: 100%; border-collapse: collapse;"> <thead> <tr> <th>CAV</th> <th>CIRCUIT</th> <th>GAUGE</th> <th>COLOR</th> <th>TERMINAL</th> </tr> </thead> <tbody> <tr> <td>A</td> <td>R94SZC</td> <td>18</td> <td>GY</td> <td>1651943C1</td> </tr> <tr> <td>B</td> <td>R94SVC</td> <td>18</td> <td>GY</td> <td>1651943C1</td> </tr> <tr> <td>C</td> <td>R94SH</td> <td>18</td> <td>GY</td> <td>1651943C1</td> </tr> </tbody> </table>				CAV	CIRCUIT	GAUGE	COLOR	TERMINAL	A	R94SZC	18	GY	1651943C1	B	R94SVC	18	GY	1651943C1	C	R94SH	18	GY	1651943C1										
CAV	CIRCUIT	GAUGE	COLOR	TERMINAL																																
A	R94SZC	18	GY	1651943C1																																
B	R94SVC	18	GY	1651943C1																																
C	R94SH	18	GY	1651943C1																																
CONNECTOR 1678137C1																																				
ABS-6 PRESSURE SENSOR (9510M) (LOCATED ON LEFT FRAME RAIL BEHIND CAB)																																				
			<table border="1" style="width: 100%; border-collapse: collapse;"> <thead> <tr> <th>CAV</th> <th>CIRCUIT</th> <th>GAUGE</th> <th>COLOR</th> <th>TERMINAL</th> <th>SEAL/SLEEVE</th> </tr> </thead> <tbody> <tr> <td>A</td> <td>R94SZC</td> <td>18</td> <td>GY</td> <td>1667742C1</td> <td>1661872C1</td> </tr> <tr> <td>B</td> <td>R94SVC</td> <td>18</td> <td>GY</td> <td>1667742C1</td> <td>1661872C1</td> </tr> <tr> <td>C</td> <td>R94SH</td> <td>18</td> <td>GY</td> <td>1667742C1</td> <td>1661872C1</td> </tr> </tbody> </table>				CAV	CIRCUIT	GAUGE	COLOR	TERMINAL	SEAL/SLEEVE	A	R94SZC	18	GY	1667742C1	1661872C1	B	R94SVC	18	GY	1667742C1	1661872C1	C	R94SH	18	GY	1667742C1	1661872C1						
CAV	CIRCUIT	GAUGE	COLOR	TERMINAL	SEAL/SLEEVE																															
A	R94SZC	18	GY	1667742C1	1661872C1																															
B	R94SVC	18	GY	1667742C1	1661872C1																															
C	R94SH	18	GY	1667742C1	1661872C1																															
CONNECTOR 1667740C1 BODY LOCK 1667771C1																																				
BENDIX FR RIGHT WHEEL SPEED (9511) (LOCATED ON LEFT FRAME RAIL BEHIND CAB)																																				
			<table border="1" style="width: 100%; border-collapse: collapse;"> <thead> <tr> <th>CAV</th> <th>CIRCUIT</th> <th>GAUGE</th> <th>COLOR</th> <th>TERMINAL</th> </tr> </thead> <tbody> <tr> <td>1</td> <td>R94BF</td> <td>16</td> <td>GY</td> <td>1680205C1</td> </tr> <tr> <td>2</td> <td>R94BH</td> <td>16</td> <td>GY</td> <td>1680205C1</td> </tr> </tbody> </table>				CAV	CIRCUIT	GAUGE	COLOR	TERMINAL	1	R94BF	16	GY	1680205C1	2	R94BH	16	GY	1680205C1															
CAV	CIRCUIT	GAUGE	COLOR	TERMINAL																																
1	R94BF	16	GY	1680205C1																																
2	R94BH	16	GY	1680205C1																																
CONNECTOR 1684261C1 BODY LOCK 1684263C1																																				
YAW RATE SENSOR (9511) (LOCATED NEAR LEFT FRAME RAIL BACK OF CAB)																																				
			<table border="1" style="width: 100%; border-collapse: collapse;"> <thead> <tr> <th>CAV</th> <th>CIRCUIT</th> <th>GAUGE</th> <th>COLOR</th> <th>TERMINAL</th> <th>SEAL/SLEEVE</th> </tr> </thead> <tbody> <tr> <td>1</td> <td>N94SAB</td> <td>18</td> <td>GY</td> <td>3601686C1</td> <td>3601687C1</td> </tr> <tr> <td>2</td> <td>N94SCB</td> <td>18</td> <td>GY</td> <td>3601686C1</td> <td>3601687C1</td> </tr> <tr> <td>3</td> <td>N94SBB</td> <td>18</td> <td>GY</td> <td>3601686C1</td> <td>3601687C1</td> </tr> <tr> <td>4</td> <td>N94SDB</td> <td>18</td> <td>GY</td> <td>3601686C1</td> <td>3601687C1</td> </tr> </tbody> </table>				CAV	CIRCUIT	GAUGE	COLOR	TERMINAL	SEAL/SLEEVE	1	N94SAB	18	GY	3601686C1	3601687C1	2	N94SCB	18	GY	3601686C1	3601687C1	3	N94SBB	18	GY	3601686C1	3601687C1	4	N94SDB	18	GY	3601686C1	3601687C1
CAV	CIRCUIT	GAUGE	COLOR	TERMINAL	SEAL/SLEEVE																															
1	N94SAB	18	GY	3601686C1	3601687C1																															
2	N94SCB	18	GY	3601686C1	3601687C1																															
3	N94SBB	18	GY	3601686C1	3601687C1																															
4	N94SDB	18	GY	3601686C1	3601687C1																															
CONNECTOR 3601685C1																																				
CHK	DATE	CHANGE	REV	REFERENCE	DRAWN	NAME																														
0610	27AUG13	INITIAL RELEASE.	A	92159Y	310615	CIRCUIT DIAGRAM, 9900																														
					RELEASE NO.	DATE																														
					92159Y	02AUG13																														
					PART NO.	SHEET																														
					AE08076124	179																														

Figure 386 Connector Composites (9510A / 9510M / 9511)

13.189. CONNECTOR COMPOSITES (9511A / 9512 / 9513), P. 180

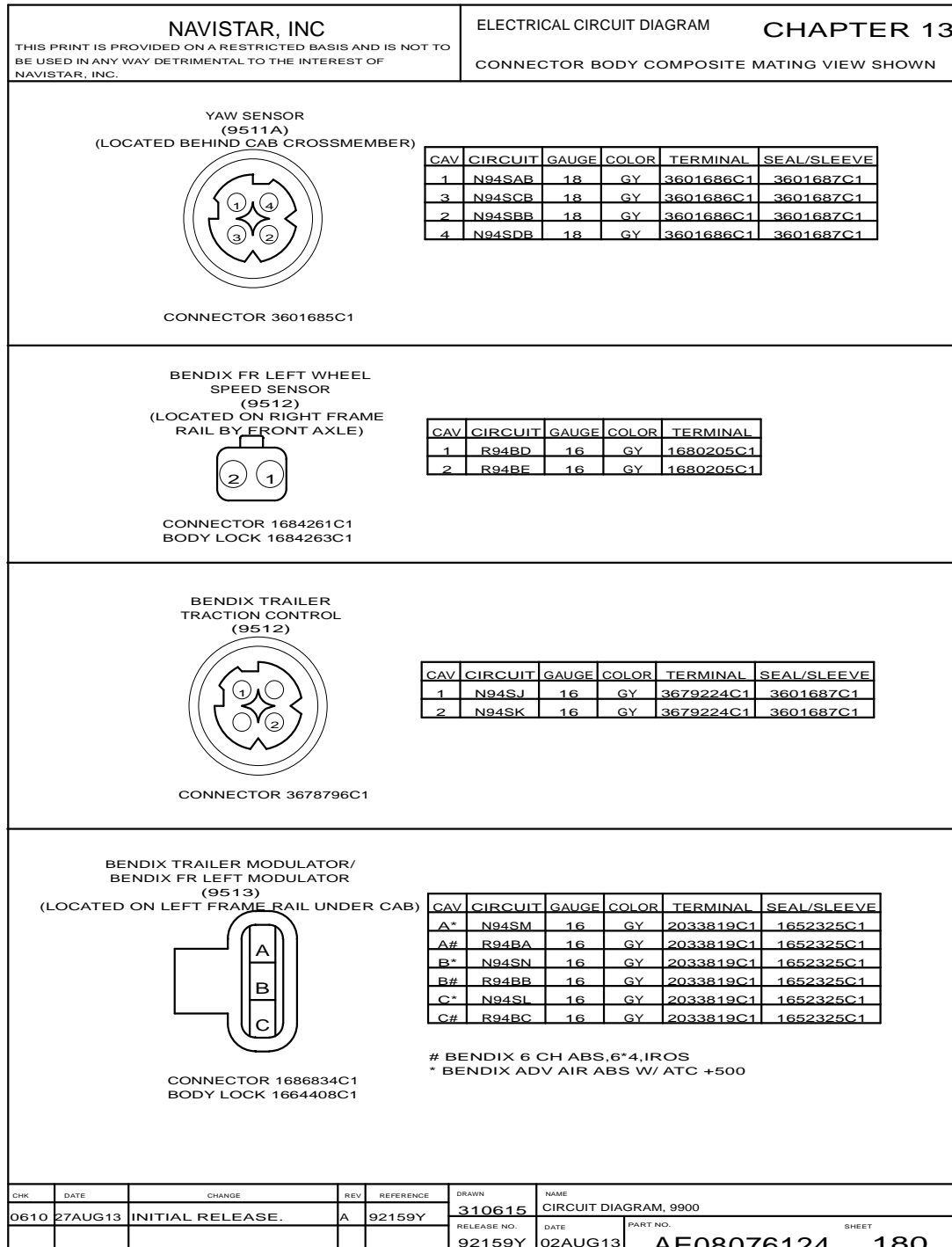


Figure 387 Connector Composites (9511A / 9512 / 9513)

13.190. CONNECTOR COMPOSITES (9514 / 9515 / 9515C / 9516), P. 181

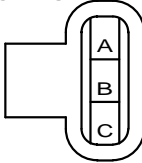
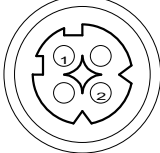
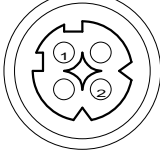

NAVISTAR, INC <small>THIS PRINT IS PROVIDED ON A RESTRICTED BASIS AND IS NOT TO BE USED IN ANY WAY DETRIMENTAL TO THE INTEREST OF NAVISTAR, INC.</small>				ELECTRICAL CIRCUIT DIAGRAM CHAPTER 13 CONNECTOR BODY COMPOSITE MATING VIEW SHOWN																									
<p>BENDIX FR RIGHT MODULATOR (9514) (LOCATED ON RIGHT FRAME RAIL BY REAR AXLE)</p>  <table border="1" style="margin-left: auto; margin-right: auto;"> <thead> <tr> <th>CAV</th> <th>CIRCUIT</th> <th>GAUGE</th> <th>COLOR</th> <th>TERMINAL</th> <th>SEAL/SLEEVE</th> </tr> </thead> <tbody> <tr> <td>A</td> <td>R94BJ</td> <td>16</td> <td>GY</td> <td>2033819C1</td> <td>1652325C1</td> </tr> <tr> <td>B</td> <td>R94BK</td> <td>16</td> <td>GY</td> <td>2033819C1</td> <td>1652325C1</td> </tr> <tr> <td>C</td> <td>R94BL</td> <td>16</td> <td>GY</td> <td>2033819C1</td> <td>1652325C1</td> </tr> </tbody> </table> <p>CONNECTOR 1686834C1 BODY LOCK 1664408C1</p>						CAV	CIRCUIT	GAUGE	COLOR	TERMINAL	SEAL/SLEEVE	A	R94BJ	16	GY	2033819C1	1652325C1	B	R94BK	16	GY	2033819C1	1652325C1	C	R94BL	16	GY	2033819C1	1652325C1
CAV	CIRCUIT	GAUGE	COLOR	TERMINAL	SEAL/SLEEVE																								
A	R94BJ	16	GY	2033819C1	1652325C1																								
B	R94BK	16	GY	2033819C1	1652325C1																								
C	R94BL	16	GY	2033819C1	1652325C1																								
<p>4X2 WABCO AUTO TRACTION CONTROL (9515) (LOCATED ON CROSSMEMBER AT REAR AXLE(S))</p>  <table border="1" style="margin-left: auto; margin-right: auto;"> <thead> <tr> <th>CAV</th> <th>CIRCUIT</th> <th>GAUGE</th> <th>COLOR</th> <th>TERMINAL</th> </tr> </thead> <tbody> <tr> <td>1</td> <td>ISU94MMI</td> <td>18</td> <td>GY</td> <td>ASSY</td> </tr> <tr> <td>2</td> <td>PLUG</td> <td>-</td> <td>-</td> <td>-</td> </tr> </tbody> </table> <p>CONNECTOR 3710092C1</p>						CAV	CIRCUIT	GAUGE	COLOR	TERMINAL	1	ISU94MMI	18	GY	ASSY	2	PLUG	-	-	-									
CAV	CIRCUIT	GAUGE	COLOR	TERMINAL																									
1	ISU94MMI	18	GY	ASSY																									
2	PLUG	-	-	-																									
<p>WABCO AUTO TRACTION CONTROL (6X4 HTB) (9515C) (LOCATED ON CROSSMEMBER AT REAR AXLE(S))</p>  <table border="1" style="margin-left: auto; margin-right: auto;"> <thead> <tr> <th>CAV</th> <th>CIRCUIT</th> <th>GAUGE</th> <th>COLOR</th> <th>TERMINAL</th> </tr> </thead> <tbody> <tr> <td>1</td> <td>IR94MMI</td> <td>18</td> <td>GY</td> <td>ASSY</td> </tr> <tr> <td>2</td> <td>IR94MNI</td> <td>18</td> <td>GY</td> <td>ASSY</td> </tr> </tbody> </table> <p>CONNECTOR 3710092C1</p>						CAV	CIRCUIT	GAUGE	COLOR	TERMINAL	1	IR94MMI	18	GY	ASSY	2	IR94MNI	18	GY	ASSY									
CAV	CIRCUIT	GAUGE	COLOR	TERMINAL																									
1	IR94MMI	18	GY	ASSY																									
2	IR94MNI	18	GY	ASSY																									
<p>WABCO FR RIGHT MODULATOR (9516) (LOCATED ON RIGHT FRAME RAIL BY REAR AXLE)</p>  <table border="1" style="margin-left: auto; margin-right: auto;"> <thead> <tr> <th>CAV</th> <th>CIRCUIT</th> <th>GAUGE</th> <th>COLOR</th> <th>TERMINAL</th> <th>SEAL/SLEEVE</th> </tr> </thead> <tbody> <tr> <td>1</td> <td>R94MJ</td> <td>18</td> <td>GY</td> <td>3601686C1</td> <td>3733609C1</td> </tr> <tr> <td>2</td> <td>R94MK</td> <td>18</td> <td>GY</td> <td>3601686C1</td> <td>3733609C1</td> </tr> <tr> <td>3</td> <td>R94ML</td> <td>18</td> <td>GY</td> <td>3601686C1</td> <td>3733609C1</td> </tr> </tbody> </table> <p>CONNECTOR 3919376C1</p>						CAV	CIRCUIT	GAUGE	COLOR	TERMINAL	SEAL/SLEEVE	1	R94MJ	18	GY	3601686C1	3733609C1	2	R94MK	18	GY	3601686C1	3733609C1	3	R94ML	18	GY	3601686C1	3733609C1
CAV	CIRCUIT	GAUGE	COLOR	TERMINAL	SEAL/SLEEVE																								
1	R94MJ	18	GY	3601686C1	3733609C1																								
2	R94MK	18	GY	3601686C1	3733609C1																								
3	R94ML	18	GY	3601686C1	3733609C1																								
CHK	DATE	CHANGE	REV	REFERENCE	DRAWN	NAME																							
0610	27AUG13	INITIAL RELEASE.	A	92159Y	310615	CIRCUIT DIAGRAM, 9900																							
					RELEASE NO.	DATE																							
					92159Y	02AUG13																							
					PART NO.	SHEET																							
					AE08076124	181																							

Figure 388 Connector Composites (9514 / 9515 / 9515C / 9516)

13.191. CONNECTOR COMPOSITES (9516M / 9517), P. 182

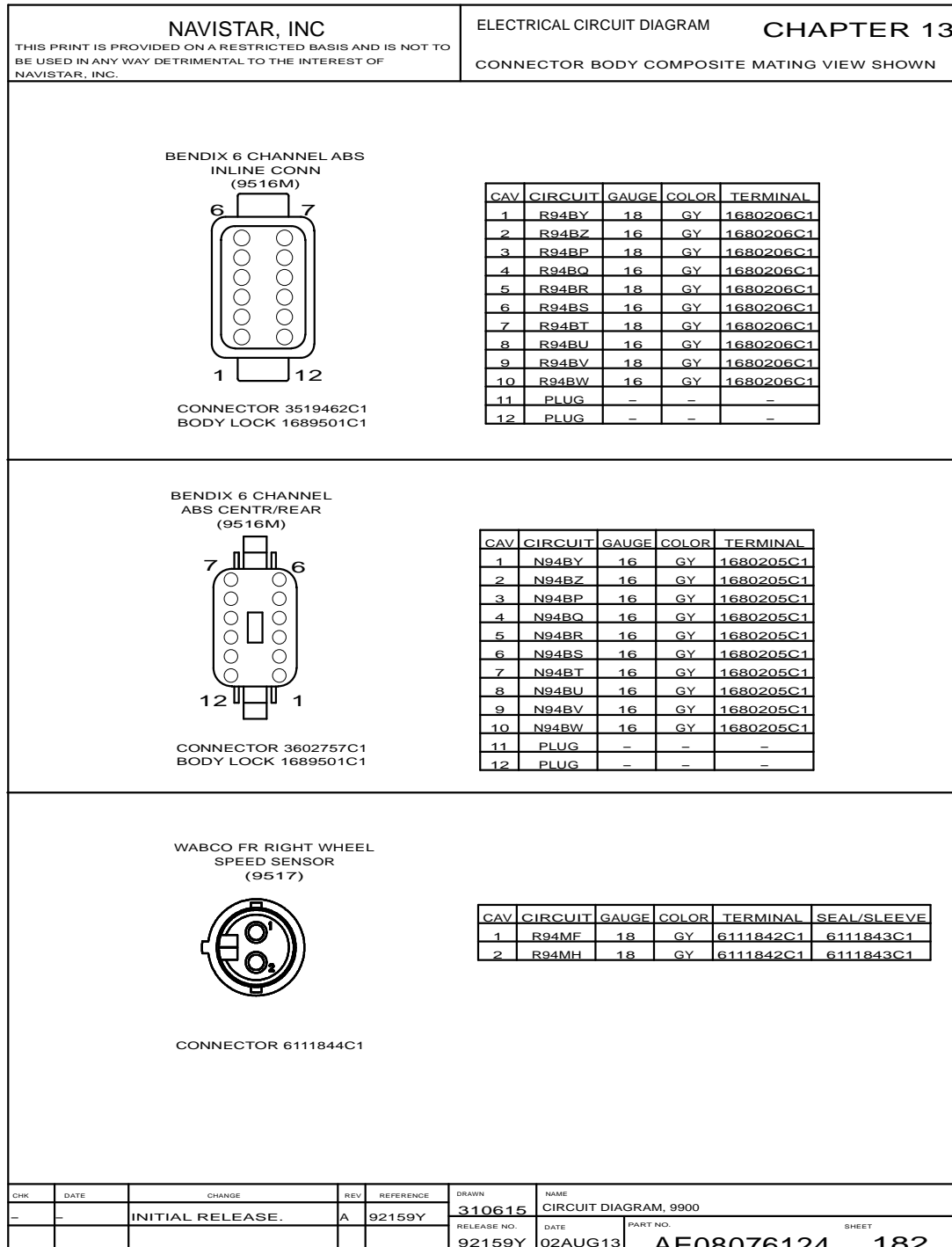


Figure 389 Connector Composites (9516M / 9517)

13.192. CONNECTOR COMPOSITES (9518 / 9519 / 9520 / 9521), P. 183



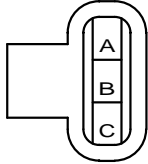

NAVISTAR, INC <small>THIS PRINT IS PROVIDED ON A RESTRICTED BASIS AND IS NOT TO BE USED IN ANY WAY DETRIMENTAL TO THE INTEREST OF NAVISTAR, INC.</small>				ELECTRICAL CIRCUIT DIAGRAM CHAPTER 13 CONNECTOR BODY COMPOSITE MATING VIEW SHOWN																										
WABCO FR LEFT WHEEL SPEED SENSOR (9518) (LOCATED ON LEFT FRAME RAIL BY REAR AXLE)																														
				<table border="1" style="width:100%; border-collapse: collapse;"> <thead> <tr> <th>CAV</th> <th>CIRCUIT</th> <th>GAUGE</th> <th>COLOR</th> <th>TERMINAL</th> <th>SEAL/SLEEVE</th> </tr> </thead> <tbody> <tr> <td>1</td> <td>R94MD</td> <td>18</td> <td>GY</td> <td>6111842C1</td> <td>6111843C1</td> </tr> <tr> <td>2</td> <td>R94ME</td> <td>18</td> <td>GY</td> <td>6111842C1</td> <td>6111843C1</td> </tr> </tbody> </table>			CAV	CIRCUIT	GAUGE	COLOR	TERMINAL	SEAL/SLEEVE	1	R94MD	18	GY	6111842C1	6111843C1	2	R94ME	18	GY	6111842C1	6111843C1						
CAV	CIRCUIT	GAUGE	COLOR	TERMINAL	SEAL/SLEEVE																									
1	R94MD	18	GY	6111842C1	6111843C1																									
2	R94ME	18	GY	6111842C1	6111843C1																									
CONNECTOR 6111844C1																														
WABCO FR LEFT MODULATOR (9519) (LOCATED ON LEFT FRAME RAIL BY REAR AXLE)																														
				<table border="1" style="width:100%; border-collapse: collapse;"> <thead> <tr> <th>CAV</th> <th>CIRCUIT</th> <th>GAUGE</th> <th>COLOR</th> <th>TERMINAL</th> <th>SEAL/SLEEVE</th> </tr> </thead> <tbody> <tr> <td>1</td> <td>R94MA</td> <td>18</td> <td>GY</td> <td>3601686C1</td> <td>3733609C1</td> </tr> <tr> <td>2</td> <td>R94MB</td> <td>18</td> <td>GY</td> <td>3601686C1</td> <td>3733609C1</td> </tr> <tr> <td>3</td> <td>R94MC</td> <td>18</td> <td>GY</td> <td>3601686C1</td> <td>3733609C1</td> </tr> </tbody> </table>			CAV	CIRCUIT	GAUGE	COLOR	TERMINAL	SEAL/SLEEVE	1	R94MA	18	GY	3601686C1	3733609C1	2	R94MB	18	GY	3601686C1	3733609C1	3	R94MC	18	GY	3601686C1	3733609C1
CAV	CIRCUIT	GAUGE	COLOR	TERMINAL	SEAL/SLEEVE																									
1	R94MA	18	GY	3601686C1	3733609C1																									
2	R94MB	18	GY	3601686C1	3733609C1																									
3	R94MC	18	GY	3601686C1	3733609C1																									
CONNECTOR 6111844C1																														
BENDIX 6S/6M L FR REAR MOD (HTB) (9520) (LOCATED ON LEFT FRAME RAIL BY REAR AXLE)																														
				<table border="1" style="width:100%; border-collapse: collapse;"> <thead> <tr> <th>CAV</th> <th>CIRCUIT</th> <th>GAUGE</th> <th>COLOR</th> <th>TERMINAL</th> <th>SEAL/SLEEVE</th> </tr> </thead> <tbody> <tr> <td>A</td> <td>R94BA</td> <td>16</td> <td>GY</td> <td>2033819C1</td> <td>1652325C1</td> </tr> <tr> <td>B</td> <td>R94BB</td> <td>16</td> <td>GY</td> <td>2033819C1</td> <td>1652325C1</td> </tr> <tr> <td>C</td> <td>R94BC</td> <td>16</td> <td>GY</td> <td>2033819C1</td> <td>1652325C1</td> </tr> </tbody> </table>			CAV	CIRCUIT	GAUGE	COLOR	TERMINAL	SEAL/SLEEVE	A	R94BA	16	GY	2033819C1	1652325C1	B	R94BB	16	GY	2033819C1	1652325C1	C	R94BC	16	GY	2033819C1	1652325C1
CAV	CIRCUIT	GAUGE	COLOR	TERMINAL	SEAL/SLEEVE																									
A	R94BA	16	GY	2033819C1	1652325C1																									
B	R94BB	16	GY	2033819C1	1652325C1																									
C	R94BC	16	GY	2033819C1	1652325C1																									
CONNECTOR 1686834C1 BODY LOCK 1664408C1																														
BENDIX 6S/6M L FR REAR WHL SPEED SNSR (HTB) (9521) (LOCATED ON RIGHT FRAME RAIL BY REAR AXLE)																														
				<table border="1" style="width:100%; border-collapse: collapse;"> <thead> <tr> <th>CAV</th> <th>CIRCUIT</th> <th>GAUGE</th> <th>COLOR</th> <th>TERMINAL</th> </tr> </thead> <tbody> <tr> <td>1</td> <td>R94BD</td> <td>16</td> <td>GY</td> <td>1680205C1</td> </tr> <tr> <td>2</td> <td>R94BE</td> <td>16</td> <td>GY</td> <td>1680205C1</td> </tr> </tbody> </table>			CAV	CIRCUIT	GAUGE	COLOR	TERMINAL	1	R94BD	16	GY	1680205C1	2	R94BE	16	GY	1680205C1									
CAV	CIRCUIT	GAUGE	COLOR	TERMINAL																										
1	R94BD	16	GY	1680205C1																										
2	R94BE	16	GY	1680205C1																										
CONNECTOR 1684261C1 BODY LOCK 1684263C1																														
CHK	DATE	CHANGE	REV	REFERENCE	DRAWN	NAME																								
0610	27AUG13	INITIAL RELEASE.	A	92159Y	310615	CIRCUIT DIAGRAM, 9900																								
					RELEASE NO.	DATE																								
					92159Y	02AUG13																								
					PART NO.	SHEET																								
					AE08076124	183																								

Figure 390 Connector Composites (9518 / 9519 / 9520 / 9521)

13.193. CONNECTOR COMPOSITES (9522 / 9523 / 9524 / 9525), P. 184

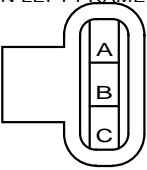
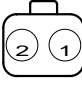
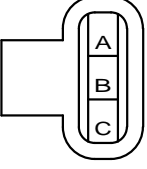
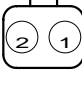
NAVISTAR, INC <small>THIS PRINT IS PROVIDED ON A RESTRICTED BASIS AND IS NOT TO BE USED IN ANY WAY DETRIMENTAL TO THE INTEREST OF NAVISTAR, INC.</small>				ELECTRICAL CIRCUIT DIAGRAM CHAPTER 13 CONNECTOR BODY COMPOSITE MATING VIEW SHOWN																										
BENDIX 6M/6S L RR REAR MOD (HTB) (9522) (LOCATED ON LEFT FRAME RAIL BY REAR AXLE)																														
			<table border="1" style="width:100%; border-collapse: collapse;"> <thead> <tr> <th>CAV</th> <th>CIRCUIT</th> <th>GAUGE</th> <th>COLOR</th> <th>TERMINAL</th> <th>SEAL/SLEEVE</th> </tr> </thead> <tbody> <tr> <td>A</td> <td>R94BY</td> <td>16</td> <td>GY</td> <td>2033819C1</td> <td>1652325C1</td> </tr> <tr> <td>B</td> <td>R94BZ</td> <td>16</td> <td>GY</td> <td>2033819C1</td> <td>1652325C1</td> </tr> <tr> <td>C</td> <td>R94BP</td> <td>16</td> <td>GY</td> <td>2033819C1</td> <td>1652325C1</td> </tr> </tbody> </table>				CAV	CIRCUIT	GAUGE	COLOR	TERMINAL	SEAL/SLEEVE	A	R94BY	16	GY	2033819C1	1652325C1	B	R94BZ	16	GY	2033819C1	1652325C1	C	R94BP	16	GY	2033819C1	1652325C1
CAV	CIRCUIT	GAUGE	COLOR	TERMINAL	SEAL/SLEEVE																									
A	R94BY	16	GY	2033819C1	1652325C1																									
B	R94BZ	16	GY	2033819C1	1652325C1																									
C	R94BP	16	GY	2033819C1	1652325C1																									
CONNECTOR 1686834C1 BODY LOCK 1664408C1																														
BENDIX 6S/6M L RR REAR WHL SPEED SNSR (HTB) (9523) (LOCATED ON LEFT FRAME RAIL BY REAR AXLE)																														
			<table border="1" style="width:100%; border-collapse: collapse;"> <thead> <tr> <th>CAV</th> <th>CIRCUIT</th> <th>GAUGE</th> <th>COLOR</th> <th>TERMINAL</th> </tr> </thead> <tbody> <tr> <td>1</td> <td>R94BQ</td> <td>16</td> <td>GY</td> <td>1680205C1</td> </tr> <tr> <td>2</td> <td>R94BR</td> <td>16</td> <td>GY</td> <td>1680205C1</td> </tr> </tbody> </table>				CAV	CIRCUIT	GAUGE	COLOR	TERMINAL	1	R94BQ	16	GY	1680205C1	2	R94BR	16	GY	1680205C1									
CAV	CIRCUIT	GAUGE	COLOR	TERMINAL																										
1	R94BQ	16	GY	1680205C1																										
2	R94BR	16	GY	1680205C1																										
CONNECTOR 1684261C1 BODY LOCK 1684263C1																														
BENDIX 6S/6M R RR REAR MOD (HTB) (9524) (LOCATED ON RIGHT FRAME RAIL BY REAR AXLE)																														
			<table border="1" style="width:100%; border-collapse: collapse;"> <thead> <tr> <th>CAV</th> <th>CIRCUIT</th> <th>GAUGE</th> <th>COLOR</th> <th>TERMINAL</th> <th>SEAL/SLEEVE</th> </tr> </thead> <tbody> <tr> <td>A</td> <td>R94BS</td> <td>16</td> <td>GY</td> <td>2033819C1</td> <td>1652325C1</td> </tr> <tr> <td>B</td> <td>R94BT</td> <td>16</td> <td>GY</td> <td>2033819C1</td> <td>1652325C1</td> </tr> <tr> <td>C</td> <td>R94BU</td> <td>16</td> <td>GY</td> <td>2033819C1</td> <td>1652325C1</td> </tr> </tbody> </table>				CAV	CIRCUIT	GAUGE	COLOR	TERMINAL	SEAL/SLEEVE	A	R94BS	16	GY	2033819C1	1652325C1	B	R94BT	16	GY	2033819C1	1652325C1	C	R94BU	16	GY	2033819C1	1652325C1
CAV	CIRCUIT	GAUGE	COLOR	TERMINAL	SEAL/SLEEVE																									
A	R94BS	16	GY	2033819C1	1652325C1																									
B	R94BT	16	GY	2033819C1	1652325C1																									
C	R94BU	16	GY	2033819C1	1652325C1																									
CONNECTOR 1686834C1 BODY LOCK 1664408C1																														
BENDIX 6S/6M R RR REAR WHL SPEED SNSR (HTB) (9525) (LOCATED ON RIGHT FRAME RAIL BY REAR AXLE)																														
			<table border="1" style="width:100%; border-collapse: collapse;"> <thead> <tr> <th>CAV</th> <th>CIRCUIT</th> <th>GAUGE</th> <th>COLOR</th> <th>TERMINAL</th> </tr> </thead> <tbody> <tr> <td>1</td> <td>R94BV</td> <td>16</td> <td>GY</td> <td>1680205C1</td> </tr> <tr> <td>2</td> <td>R94BW</td> <td>16</td> <td>GY</td> <td>1680205C1</td> </tr> </tbody> </table>				CAV	CIRCUIT	GAUGE	COLOR	TERMINAL	1	R94BV	16	GY	1680205C1	2	R94BW	16	GY	1680205C1									
CAV	CIRCUIT	GAUGE	COLOR	TERMINAL																										
1	R94BV	16	GY	1680205C1																										
2	R94BW	16	GY	1680205C1																										
CONNECTOR 1684261C1 BODY LOCK 1684263C1																														
CHK	DATE	CHANGE	REV	REFERENCE	DRAWN	NAME																								
0610	27AUG13	INITIAL RELEASE.	A	92159Y	310615	CIRCUIT DIAGRAM, 9900																								
					RELEASE NO.	DATE																								
					92159Y	02AUG13																								
					PART NO.	SHEET																								
					AE08076124	184																								

Figure 391 Connector Composites (9522 / 9523 / 9524 / 9525)

13.194. CONNECTOR COMPOSITES (9526 / 9527 / 9528 / 9529), P. 185

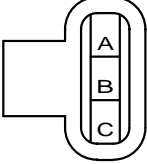

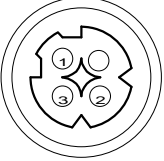
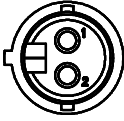
NAVISTAR, INC <small>THIS PRINT IS PROVIDED ON A RESTRICTED BASIS AND IS NOT TO BE USED IN ANY WAY DETRIMENTAL TO THE INTEREST OF NAVISTAR, INC.</small>				ELECTRICAL CIRCUIT DIAGRAM CHAPTER 13 CONNECTOR BODY COMPOSITE MATING VIEW SHOWN																										
BENDIX 6S/6M R FR REAR MOD (HTB) (9526) (LOCATED ON RIGHT FRAME RAIL BY REAR AXLE)																														
			<table border="1" style="width:100%; border-collapse: collapse;"> <thead> <tr> <th>CAV</th> <th>CIRCUIT</th> <th>GAUGE</th> <th>COLOR</th> <th>TERMINAL</th> <th>SEAL/SLEEVE</th> </tr> </thead> <tbody> <tr> <td>A</td> <td>R94BJ</td> <td>16</td> <td>GY</td> <td>2033819C1</td> <td>1652325C1</td> </tr> <tr> <td>B</td> <td>R94BK</td> <td>16</td> <td>GY</td> <td>2033819C1</td> <td>1652325C1</td> </tr> <tr> <td>C</td> <td>R94BL</td> <td>16</td> <td>GY</td> <td>2033819C1</td> <td>1652325C1</td> </tr> </tbody> </table>				CAV	CIRCUIT	GAUGE	COLOR	TERMINAL	SEAL/SLEEVE	A	R94BJ	16	GY	2033819C1	1652325C1	B	R94BK	16	GY	2033819C1	1652325C1	C	R94BL	16	GY	2033819C1	1652325C1
CAV	CIRCUIT	GAUGE	COLOR	TERMINAL	SEAL/SLEEVE																									
A	R94BJ	16	GY	2033819C1	1652325C1																									
B	R94BK	16	GY	2033819C1	1652325C1																									
C	R94BL	16	GY	2033819C1	1652325C1																									
CONNECTOR 1686834C1 BODY LOCK 1664408C1																														
BENDIX 6S/6M R FR REAR WHL SPEED SNSR (HTB) (9527) (LOCATED ON RIGHT FRAME RAIL BY REAR AXLE)																														
			<table border="1" style="width:100%; border-collapse: collapse;"> <thead> <tr> <th>CAV</th> <th>CIRCUIT</th> <th>GAUGE</th> <th>COLOR</th> <th>TERMINAL</th> </tr> </thead> <tbody> <tr> <td>1</td> <td>R94BF</td> <td>16</td> <td>GY</td> <td>1680205C1</td> </tr> <tr> <td>2</td> <td>R94BH</td> <td>16</td> <td>GY</td> <td>1680205C1</td> </tr> </tbody> </table>				CAV	CIRCUIT	GAUGE	COLOR	TERMINAL	1	R94BF	16	GY	1680205C1	2	R94BH	16	GY	1680205C1									
CAV	CIRCUIT	GAUGE	COLOR	TERMINAL																										
1	R94BF	16	GY	1680205C1																										
2	R94BH	16	GY	1680205C1																										
CONNECTOR 1684261C1 BODY LOCK 1684263C1																														
WABCO 6S/6M L FR REAR MOD (HTB) (9528) (LOCATED ON LEFT FRAME RAIL BY REAR AXLE)																														
			<table border="1" style="width:100%; border-collapse: collapse;"> <thead> <tr> <th>CAV</th> <th>CIRCUIT</th> <th>GAUGE</th> <th>COLOR</th> <th>TERMINAL</th> <th>SEAL/SLEEVE</th> </tr> </thead> <tbody> <tr> <td>1</td> <td>R94MA</td> <td>18</td> <td>GY</td> <td>3601686C1</td> <td>3733609C1</td> </tr> <tr> <td>2</td> <td>R94MB</td> <td>18</td> <td>GY</td> <td>3601686C1</td> <td>3733609C1</td> </tr> <tr> <td>3</td> <td>R94MC</td> <td>18</td> <td>GY</td> <td>3601686C1</td> <td>3733609C1</td> </tr> </tbody> </table>				CAV	CIRCUIT	GAUGE	COLOR	TERMINAL	SEAL/SLEEVE	1	R94MA	18	GY	3601686C1	3733609C1	2	R94MB	18	GY	3601686C1	3733609C1	3	R94MC	18	GY	3601686C1	3733609C1
CAV	CIRCUIT	GAUGE	COLOR	TERMINAL	SEAL/SLEEVE																									
1	R94MA	18	GY	3601686C1	3733609C1																									
2	R94MB	18	GY	3601686C1	3733609C1																									
3	R94MC	18	GY	3601686C1	3733609C1																									
CONNECTOR 3919376C1																														
WABCO 6S/6M L FR REAR WHL SPEED SNSR (HTB) (9529) (LOCATED ON LEFT FRAME RAIL BY REAR AXLE)																														
			<table border="1" style="width:100%; border-collapse: collapse;"> <thead> <tr> <th>CAV</th> <th>CIRCUIT</th> <th>GAUGE</th> <th>COLOR</th> <th>TERMINAL</th> <th>SEAL/SLEEVE</th> </tr> </thead> <tbody> <tr> <td>1</td> <td>R94MD</td> <td>18</td> <td>GY</td> <td>6111842C1</td> <td>6111843C1</td> </tr> <tr> <td>2</td> <td>R94ME</td> <td>18</td> <td>GY</td> <td>6111842C1</td> <td>6111843C1</td> </tr> </tbody> </table>				CAV	CIRCUIT	GAUGE	COLOR	TERMINAL	SEAL/SLEEVE	1	R94MD	18	GY	6111842C1	6111843C1	2	R94ME	18	GY	6111842C1	6111843C1						
CAV	CIRCUIT	GAUGE	COLOR	TERMINAL	SEAL/SLEEVE																									
1	R94MD	18	GY	6111842C1	6111843C1																									
2	R94ME	18	GY	6111842C1	6111843C1																									
CONNECTOR 6111844C1																														
CHK	DATE	CHANGE	REV	REFERENCE	DRAWN	NAME																								
0610	27AUG13	INITIAL RELEASE.	A	92159Y	310615	CIRCUIT DIAGRAM, 9900																								
					RELEASE NO.	DATE																								
					92159Y	02AUG13																								
					PART NO.	SHEET																								
					AE08076124	185																								

Figure 392 Connector Composites (9526 / 9527 / 9528 / 9529)

13.195. CONNECTOR COMPOSITES (9530 / 9531 / 9532 / 9533), P. 186

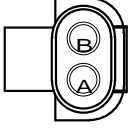
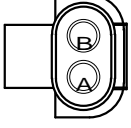
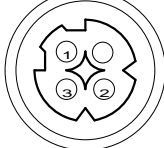
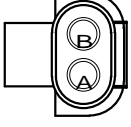
NAVISTAR, INC <small>THIS PRINT IS PROVIDED ON A RESTRICTED BASIS AND IS NOT TO BE USED IN ANY WAY DETRIMENTAL TO THE INTEREST OF NAVISTAR, INC.</small>				ELECTRICAL CIRCUIT DIAGRAM CHAPTER 13 CONNECTOR BODY COMPOSITE MATING VIEW SHOWN																															
MERITOR DIFF LOCK WARN LIGHT FR AXLE (6X4) (9530) (LOCATED ON FRONT OF REAR AXLE)																																			
			<table border="1" style="width:100%; border-collapse: collapse;"> <thead> <tr> <th>CAV</th> <th>CIRCUIT</th> <th>GAUGE</th> <th>COLOR</th> <th>TERMINAL</th> <th>SEAL/SLEEVE</th> </tr> </thead> <tbody> <tr> <td>A*</td> <td>R49</td> <td>18</td> <td>GY</td> <td>0587578C1</td> <td>1652325C1</td> </tr> <tr> <td>A#</td> <td>R49A</td> <td>18</td> <td>GY</td> <td>0587578C1</td> <td>1652325C1</td> </tr> <tr> <td>B*</td> <td>R49-G</td> <td>18</td> <td>WH</td> <td>0587578C1</td> <td>1652325C1</td> </tr> <tr> <td>B#</td> <td>R49-GB</td> <td>18</td> <td>WH</td> <td>0587578C1</td> <td>1652325C1</td> </tr> </tbody> </table>			CAV	CIRCUIT	GAUGE	COLOR	TERMINAL	SEAL/SLEEVE	A*	R49	18	GY	0587578C1	1652325C1	A#	R49A	18	GY	0587578C1	1652325C1	B*	R49-G	18	WH	0587578C1	1652325C1	B#	R49-GB	18	WH	0587578C1	1652325C1
CAV	CIRCUIT	GAUGE	COLOR	TERMINAL	SEAL/SLEEVE																														
A*	R49	18	GY	0587578C1	1652325C1																														
A#	R49A	18	GY	0587578C1	1652325C1																														
B*	R49-G	18	WH	0587578C1	1652325C1																														
B#	R49-GB	18	WH	0587578C1	1652325C1																														
CONNECTOR 3593684C91 <small>* ONE MERITOR DIFF LOCK WARN LT(6*4) W/ TAG # TWO MERITOR DIFF LOCK WARN LIGHT(6*4)</small>																																			
4X2 REAR AXLE MERITOR DIFF LOCK WARN LIGHT (9531) (LOCATED ON FRONT OF REAR AXLE)																																			
			<table border="1" style="width:100%; border-collapse: collapse;"> <thead> <tr> <th>CAV</th> <th>CIRCUIT</th> <th>GAUGE</th> <th>COLOR</th> <th>TERMINAL</th> <th>SEAL/SLEEVE</th> </tr> </thead> <tbody> <tr> <td>A</td> <td>R49</td> <td>18</td> <td>GY</td> <td>0587578C1</td> <td>1652325C1</td> </tr> <tr> <td>B</td> <td>R49-G</td> <td>18</td> <td>WH</td> <td>0587578C1</td> <td>1652325C1</td> </tr> </tbody> </table>			CAV	CIRCUIT	GAUGE	COLOR	TERMINAL	SEAL/SLEEVE	A	R49	18	GY	0587578C1	1652325C1	B	R49-G	18	WH	0587578C1	1652325C1												
CAV	CIRCUIT	GAUGE	COLOR	TERMINAL	SEAL/SLEEVE																														
A	R49	18	GY	0587578C1	1652325C1																														
B	R49-G	18	WH	0587578C1	1652325C1																														
CONNECTOR 3593684C91																																			
WABCO 6S/6M R RR REAR MOD (HTB) (9532) (LOCATED AT RIGHT FRAME RAIL NEAR REAR AXLE)																																			
			<table border="1" style="width:100%; border-collapse: collapse;"> <thead> <tr> <th>CAV</th> <th>CIRCUIT</th> <th>GAUGE</th> <th>COLOR</th> <th>TERMINAL</th> <th>SEAL/SLEEVE</th> </tr> </thead> <tbody> <tr> <td>1</td> <td>R94BSA</td> <td>18</td> <td>GY</td> <td>3601686C1</td> <td>3733609C1</td> </tr> <tr> <td>2</td> <td>R94BTA</td> <td>18</td> <td>GY</td> <td>3601686C1</td> <td>3733609C1</td> </tr> <tr> <td>3</td> <td>R94BUA</td> <td>18</td> <td>GY</td> <td>3601686C1</td> <td>3733609C1</td> </tr> </tbody> </table>			CAV	CIRCUIT	GAUGE	COLOR	TERMINAL	SEAL/SLEEVE	1	R94BSA	18	GY	3601686C1	3733609C1	2	R94BTA	18	GY	3601686C1	3733609C1	3	R94BUA	18	GY	3601686C1	3733609C1						
CAV	CIRCUIT	GAUGE	COLOR	TERMINAL	SEAL/SLEEVE																														
1	R94BSA	18	GY	3601686C1	3733609C1																														
2	R94BTA	18	GY	3601686C1	3733609C1																														
3	R94BUA	18	GY	3601686C1	3733609C1																														
CONNECTOR 3919376C1																																			
4X2 REAR AXLE MERITOR DIFF LOCK WARN LT (9533) (LOCATED ON FRONT OF REAR AXLE)																																			
			<table border="1" style="width:100%; border-collapse: collapse;"> <thead> <tr> <th>CAV</th> <th>CIRCUIT</th> <th>GAUGE</th> <th>COLOR</th> <th>TERMINAL</th> <th>SEAL/SLEEVE</th> </tr> </thead> <tbody> <tr> <td>A</td> <td>R49</td> <td>18</td> <td>GY</td> <td>0587578C1</td> <td>1652325C1</td> </tr> <tr> <td>B*</td> <td>R49-G</td> <td>18</td> <td>WH</td> <td>0587578C1</td> <td>1652325C1</td> </tr> <tr> <td>B#</td> <td>R49-GA</td> <td>18</td> <td>WH</td> <td>0587578C1</td> <td>1652325C1</td> </tr> </tbody> </table>			CAV	CIRCUIT	GAUGE	COLOR	TERMINAL	SEAL/SLEEVE	A	R49	18	GY	0587578C1	1652325C1	B*	R49-G	18	WH	0587578C1	1652325C1	B#	R49-GA	18	WH	0587578C1	1652325C1						
CAV	CIRCUIT	GAUGE	COLOR	TERMINAL	SEAL/SLEEVE																														
A	R49	18	GY	0587578C1	1652325C1																														
B*	R49-G	18	WH	0587578C1	1652325C1																														
B#	R49-GA	18	WH	0587578C1	1652325C1																														
CONNECTOR 3593684C91 <small>* ONE MERITOR DIFF LOCK WARN LIGHT(6*4) # TWO MERITOR DIFF LOCK WARN LIGHT(6*4)</small>																																			
CHK	DATE	CHANGE	REV	REFERENCE	DRAWN	NAME																													
0610	27AUG13	INITIAL RELEASE.	A	92159Y	310615	CIRCUIT DIAGRAM, 9900																													
					RELEASE NO.	DATE																													
					92159Y	02AUG13																													
					PART NO.	SHEET																													
					AE08076124	186																													

Figure 393 Connector Composites (9530 / 9531 / 9532 / 9533)

13.196. CONNECTOR COMPOSITES (9534 / 9535 / 9536 / 9537), P. 187




NAVISTAR, INC <small>THIS PRINT IS PROVIDED ON A RESTRICTED BASIS AND IS NOT TO BE USED IN ANY WAY DETRIMENTAL TO THE INTEREST OF NAVISTAR, INC.</small>				ELECTRICAL CIRCUIT DIAGRAM CHAPTER 13 CONNECTOR BODY COMPOSITE MATING VIEW SHOWN																									
WABCO 6S/6M R FR REAR MOD (HTB) (9534) (LOCATED ON RIGHT FRAME RAIL)																													
			<table border="1" style="width:100%; border-collapse: collapse;"> <thead> <tr> <th>CAV</th> <th>CIRCUIT</th> <th>GAUGE</th> <th>COLOR</th> <th>TERMINAL</th> <th>SEAL/SLEEVE</th> </tr> </thead> <tbody> <tr> <td>1</td> <td>R94MJ</td> <td>18</td> <td>GY</td> <td>3601686C1</td> <td>3733609C1</td> </tr> <tr> <td>2</td> <td>R94MK</td> <td>18</td> <td>GY</td> <td>3601686C1</td> <td>3733609C1</td> </tr> <tr> <td>3</td> <td>R94ML</td> <td>18</td> <td>GY</td> <td>3601686C1</td> <td>3733609C1</td> </tr> </tbody> </table>			CAV	CIRCUIT	GAUGE	COLOR	TERMINAL	SEAL/SLEEVE	1	R94MJ	18	GY	3601686C1	3733609C1	2	R94MK	18	GY	3601686C1	3733609C1	3	R94ML	18	GY	3601686C1	3733609C1
CAV	CIRCUIT	GAUGE	COLOR	TERMINAL	SEAL/SLEEVE																								
1	R94MJ	18	GY	3601686C1	3733609C1																								
2	R94MK	18	GY	3601686C1	3733609C1																								
3	R94ML	18	GY	3601686C1	3733609C1																								
CONNECTOR 3919376C1																													
WABCO 6S/6M R FR REAR WHL SPEED SNSR (HTB) (9535) (LOCATED ON RIGHT FRAME RAIL)																													
			<table border="1" style="width:100%; border-collapse: collapse;"> <thead> <tr> <th>CAV</th> <th>CIRCUIT</th> <th>GAUGE</th> <th>COLOR</th> <th>TERMINAL</th> <th>SEAL/SLEEVE</th> </tr> </thead> <tbody> <tr> <td>1</td> <td>R94MF</td> <td>18</td> <td>GY</td> <td>6111842C1</td> <td>6111843C1</td> </tr> <tr> <td>2</td> <td>R94MH</td> <td>18</td> <td>GY</td> <td>6111842C1</td> <td>6111843C1</td> </tr> </tbody> </table>			CAV	CIRCUIT	GAUGE	COLOR	TERMINAL	SEAL/SLEEVE	1	R94MF	18	GY	6111842C1	6111843C1	2	R94MH	18	GY	6111842C1	6111843C1						
CAV	CIRCUIT	GAUGE	COLOR	TERMINAL	SEAL/SLEEVE																								
1	R94MF	18	GY	6111842C1	6111843C1																								
2	R94MH	18	GY	6111842C1	6111843C1																								
CONNECTOR 6111844C1																													
WABCO 6S/6M L RR REAR MOD (HTB) (9536) (LOCATED ON LEFT FRAME RAIL)																													
			<table border="1" style="width:100%; border-collapse: collapse;"> <thead> <tr> <th>CAV</th> <th>CIRCUIT</th> <th>GAUGE</th> <th>COLOR</th> <th>TERMINAL</th> <th>SEAL/SLEEVE</th> </tr> </thead> <tbody> <tr> <td>1</td> <td>R94BYA</td> <td>18</td> <td>GY</td> <td>3601686C1</td> <td>3733609C1</td> </tr> <tr> <td>2</td> <td>R94BZA</td> <td>18</td> <td>GY</td> <td>3601686C1</td> <td>3733609C1</td> </tr> <tr> <td>3</td> <td>R94BPA</td> <td>18</td> <td>GY</td> <td>3601686C1</td> <td>3733609C1</td> </tr> </tbody> </table>			CAV	CIRCUIT	GAUGE	COLOR	TERMINAL	SEAL/SLEEVE	1	R94BYA	18	GY	3601686C1	3733609C1	2	R94BZA	18	GY	3601686C1	3733609C1	3	R94BPA	18	GY	3601686C1	3733609C1
CAV	CIRCUIT	GAUGE	COLOR	TERMINAL	SEAL/SLEEVE																								
1	R94BYA	18	GY	3601686C1	3733609C1																								
2	R94BZA	18	GY	3601686C1	3733609C1																								
3	R94BPA	18	GY	3601686C1	3733609C1																								
CONNECTOR 3919376C1																													
WABCO 6S/6M L RR REAR WHL SPEED SNSR (HTB) (9537) (LOCATED ON LEFT FRAME RAIL)																													
			<table border="1" style="width:100%; border-collapse: collapse;"> <thead> <tr> <th>CAV</th> <th>CIRCUIT</th> <th>GAUGE</th> <th>COLOR</th> <th>TERMINAL</th> <th>SEAL/SLEEVE</th> </tr> </thead> <tbody> <tr> <td>1</td> <td>R94BQA</td> <td>18</td> <td>GY</td> <td>6111842C1</td> <td>6111843C1</td> </tr> <tr> <td>2</td> <td>R94BRA</td> <td>18</td> <td>GY</td> <td>6111842C1</td> <td>6111843C1</td> </tr> </tbody> </table>			CAV	CIRCUIT	GAUGE	COLOR	TERMINAL	SEAL/SLEEVE	1	R94BQA	18	GY	6111842C1	6111843C1	2	R94BRA	18	GY	6111842C1	6111843C1						
CAV	CIRCUIT	GAUGE	COLOR	TERMINAL	SEAL/SLEEVE																								
1	R94BQA	18	GY	6111842C1	6111843C1																								
2	R94BRA	18	GY	6111842C1	6111843C1																								
CONNECTOR 6111844C1																													
CHK	DATE	CHANGE	REV	REFERENCE	DRAWN	NAME																							
0610	27AUG13	INITIAL RELEASE.	A	92159Y	310615	CIRCUIT DIAGRAM, 9900																							
					RELEASE NO.	DATE																							
					92159Y	02AUG13																							
					PART NO.	SHEET																							
					AE08076124	187																							

Figure 394 Connector Composites (9534 / 9535 / 9536 / 9537)

13.197. CONNECTOR COMPOSITES (9538 / 9715F / 9715M), P. 188

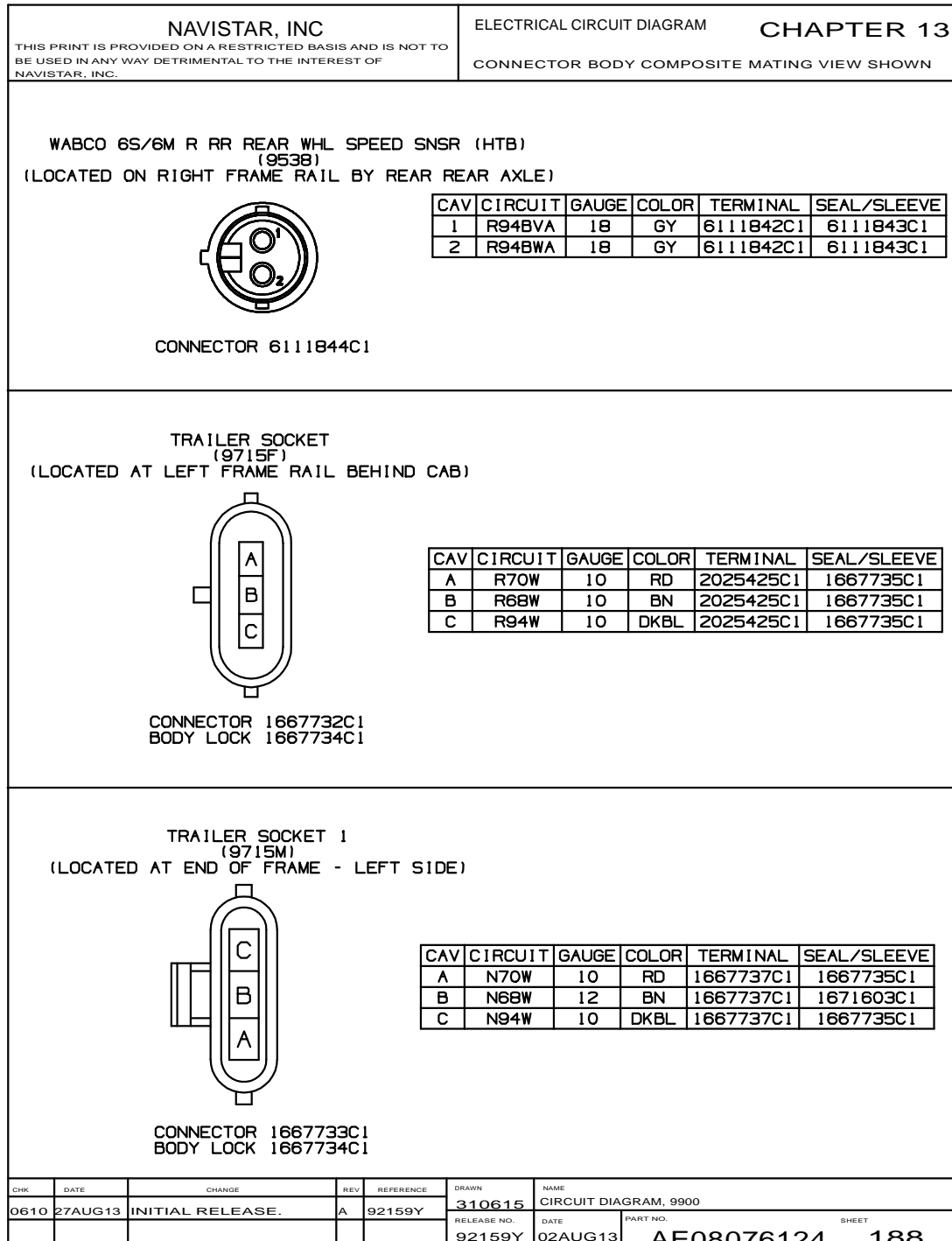


Figure 395 Connector Composites (9538 / 9715F / 9715M)

13.198. CONNECTOR COMPOSITES (9716F / 9716M / 9766), P. 189

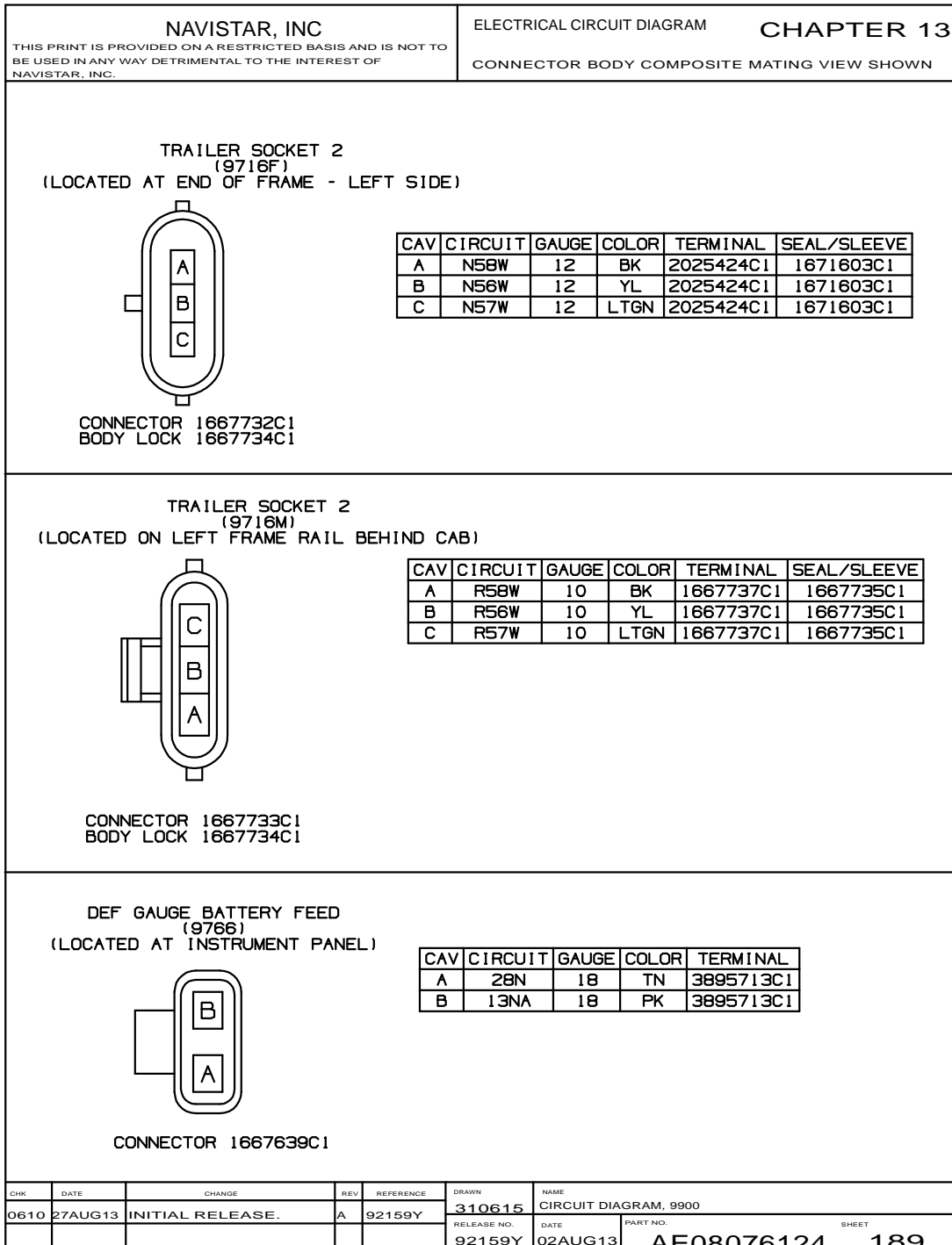


Figure 396 Connector Composites (9716F / 9716M / 9766)

13.199. CONNECTOR COMPOSITES (9773 / 9773A / 9773B / 9789F / 9789FA), P. 190

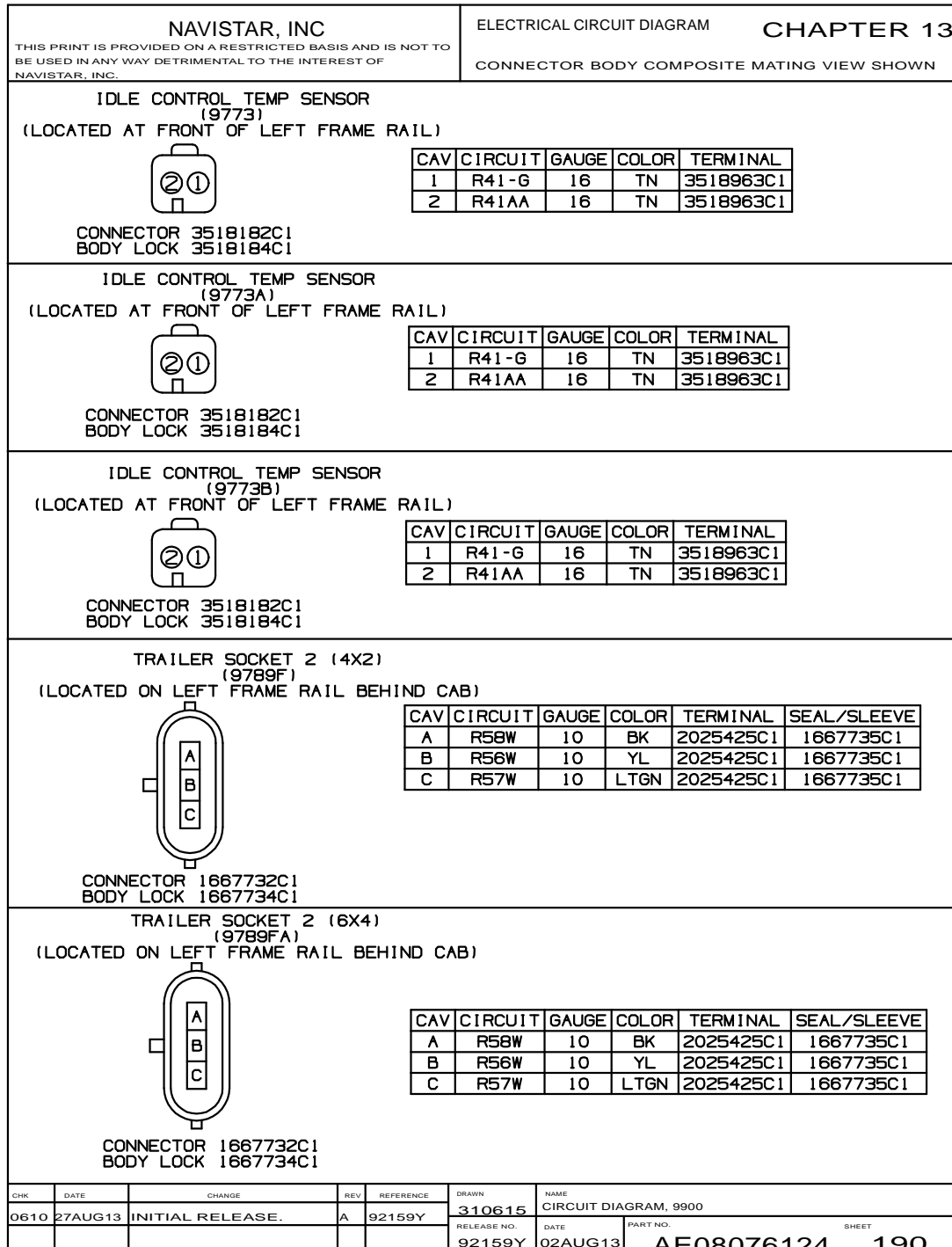


Figure 397 Connector Composites (9773 / 9773A / 9773B / 9789F / 9789FA)

13.200. CONNECTOR COMPOSITES (9790M / 9790MA), P. 191

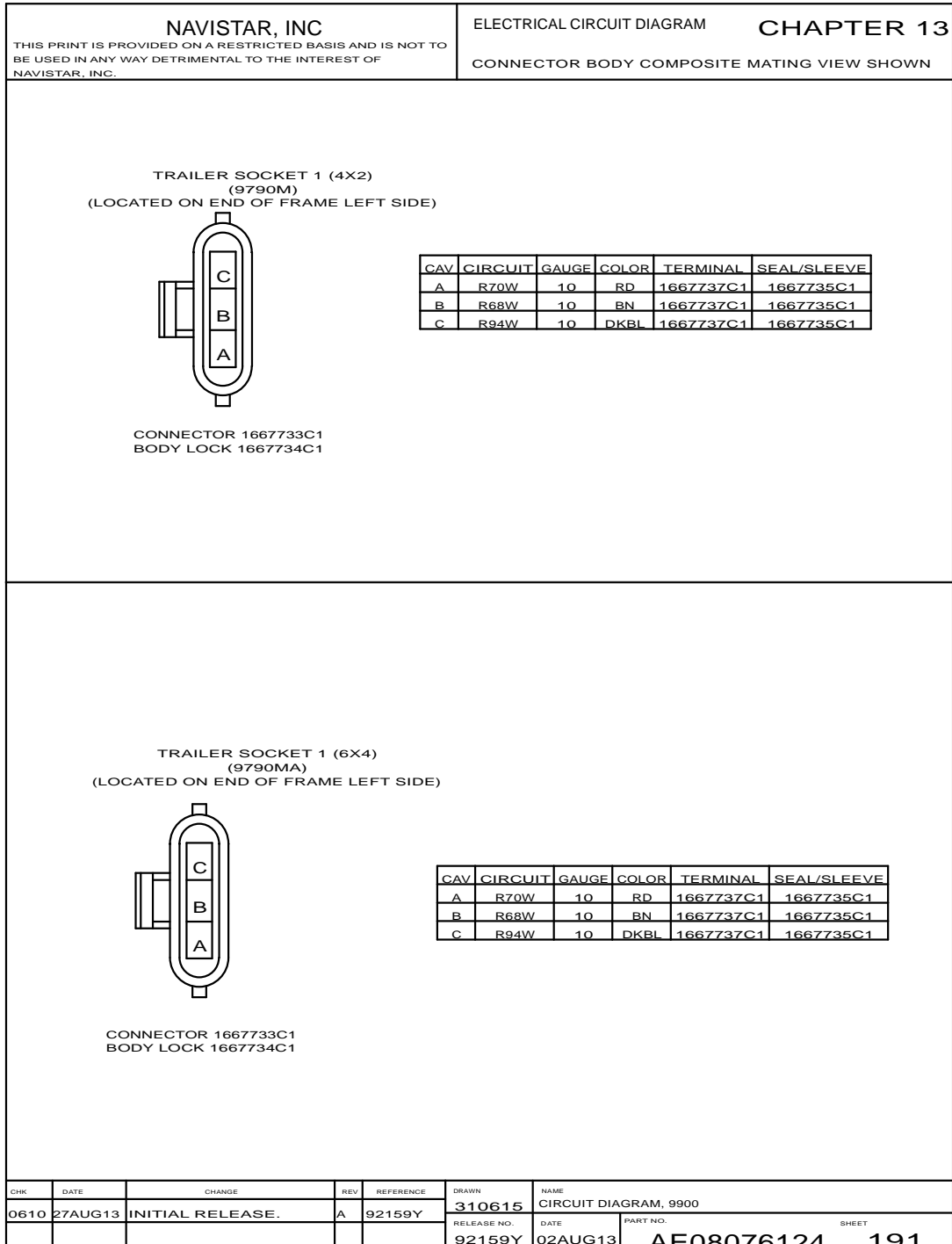


Figure 398 Connector Composites (9790M / 9790MA)

13.201. CONNECTOR COMPOSITES (9800 / 9800F), P. 192

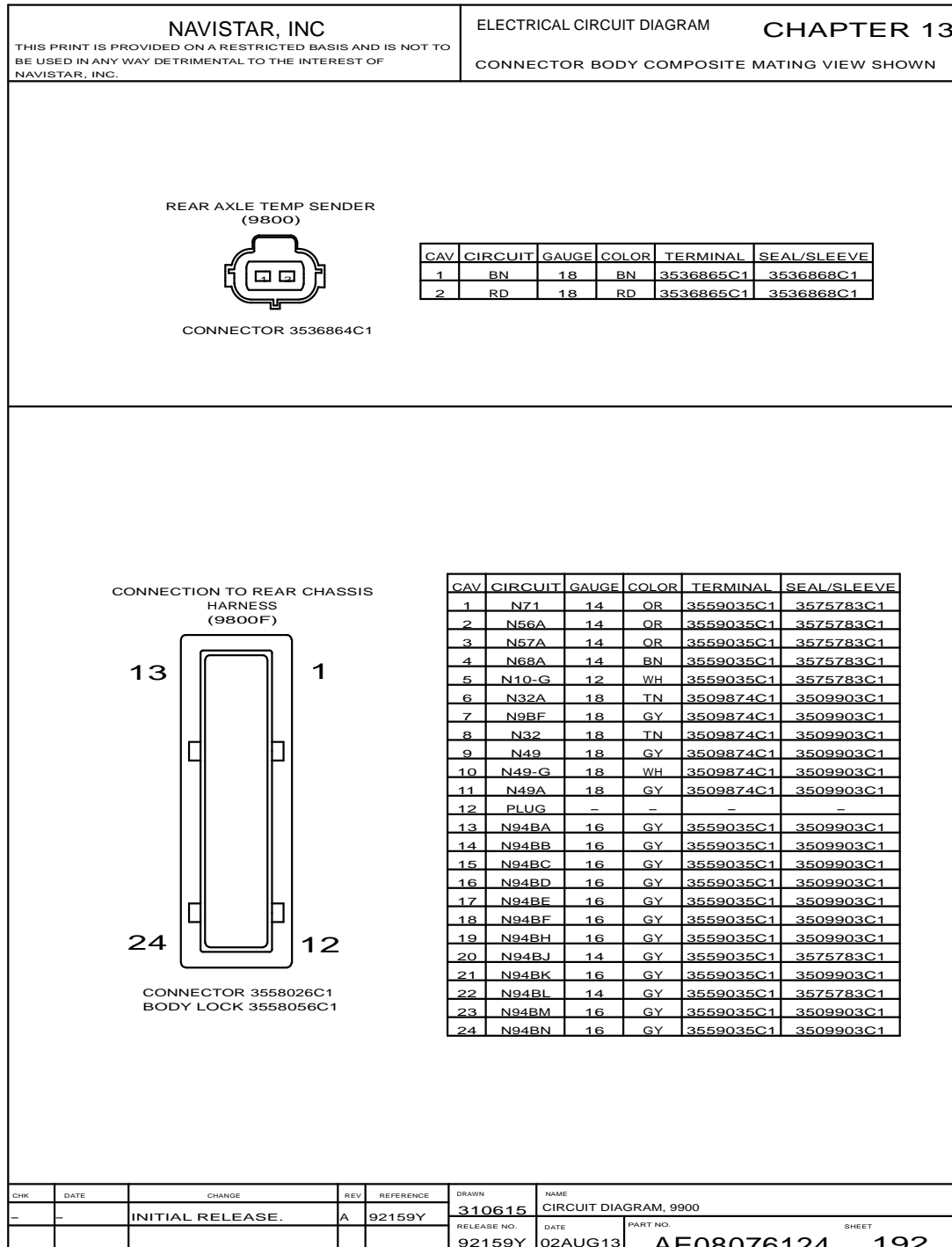


Figure 399 Connector Composites (9800 / 9800F)

13.202. CONNECTOR COMPOSITES (9800M), P. 193

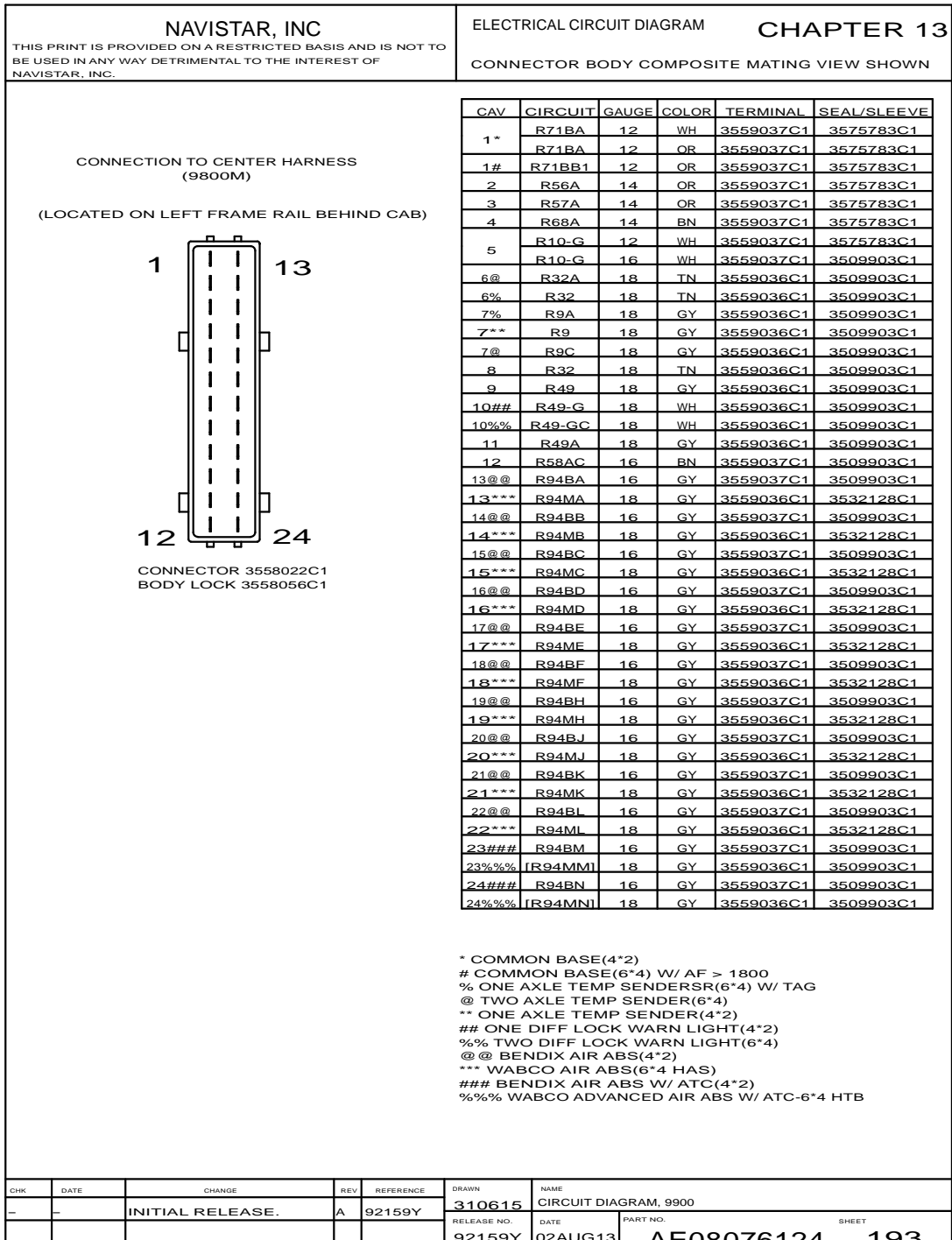


Figure 400 Connector Composites (9800M)

13.203. CONNECTOR COMPOSITES (9801M / 9810 / 9811 / 9812), P. 194

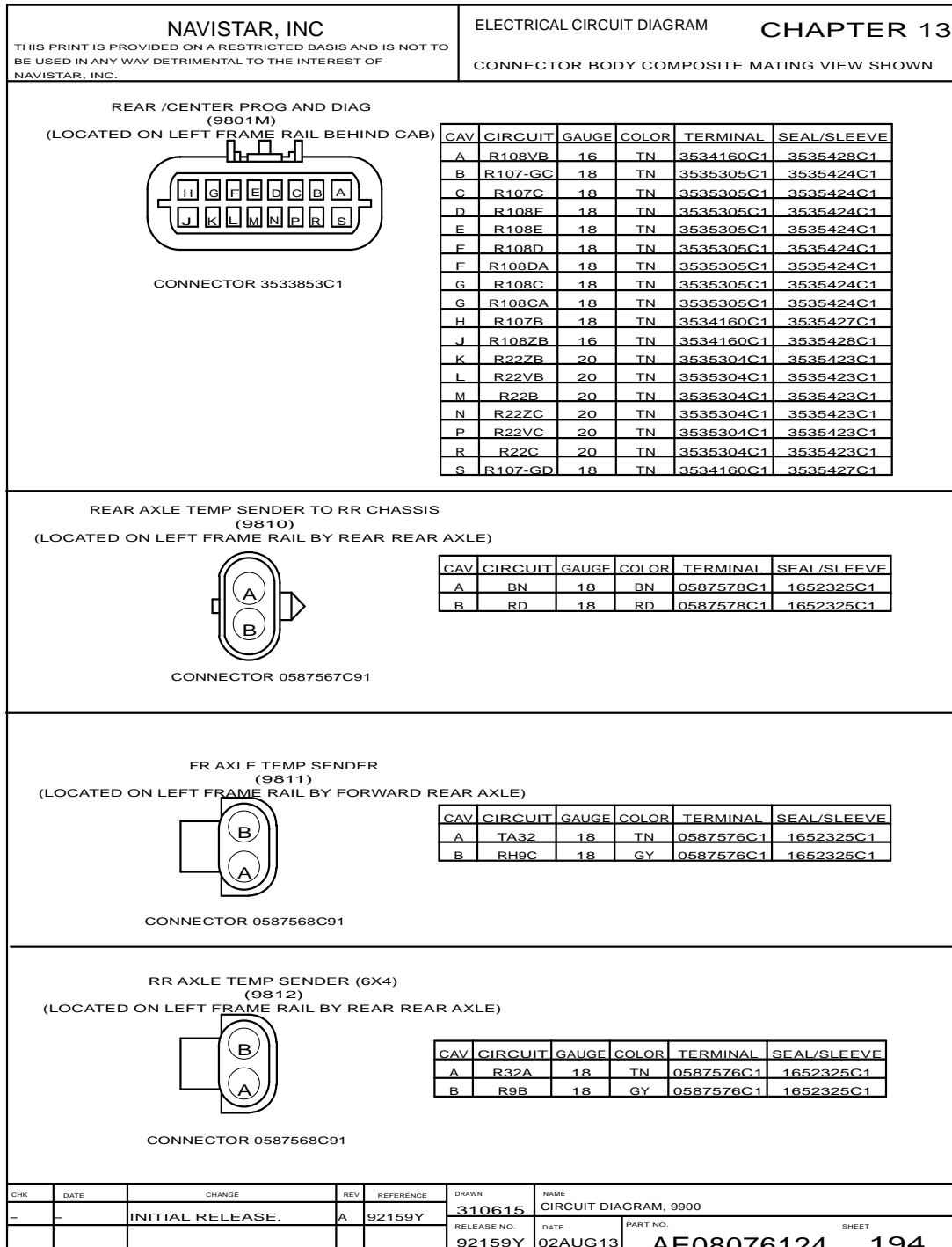


Figure 401 Connector Composites (9801M / 9810 / 9811 / 9812)

13.204. CONNECTOR COMPOSITES (9813 / 9814 / 9815 / 9816 / 9830), P. 195

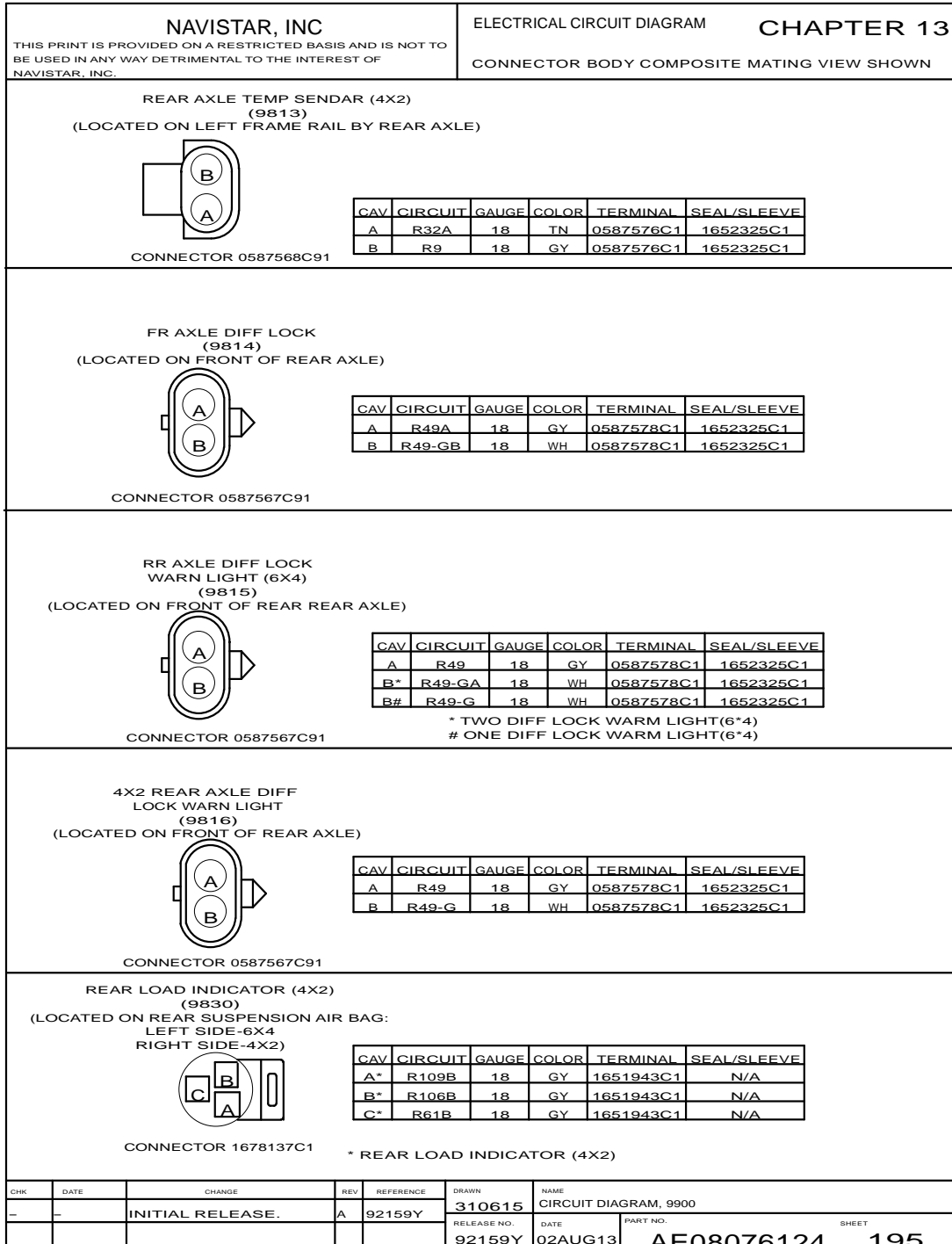


Figure 402 Connector Composites (9813 / 9814 / 9815 / 9816 / 9830)

13.205. CONNECTOR COMPOSITES (9832 / 9865M / 9900 / 9901), P. 196

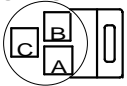

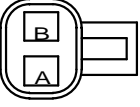
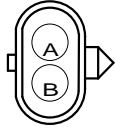
NAVISTAR, INC <small>THIS PRINT IS PROVIDED ON A RESTRICTED BASIS AND IS NOT TO BE USED IN ANY WAY DETRIMENTAL TO THE INTEREST OF NAVISTAR, INC.</small>				ELECTRICAL CIRCUIT DIAGRAM CHAPTER 13 CONNECTOR BODY COMPOSITE MATING VIEW SHOWN																											
REAR LOAD INDICATOR (6X4) (9832) (LOCATED ON REAR SUSPENSION AIR BAG: LEFT SIDE-6X4 RIGHT SIDE-4X2)						<table border="1" style="font-size: small;"> <thead> <tr> <th>CAV</th> <th>CIRCUIT</th> <th>GAUGE</th> <th>COLOR</th> <th>TERMINAL</th> </tr> </thead> <tbody> <tr> <td>B#</td> <td>R106B</td> <td>18</td> <td>GY</td> <td>1651943C1</td> </tr> <tr> <td>A#</td> <td>R109B</td> <td>18</td> <td>GY</td> <td>1651943C1</td> </tr> <tr> <td>C#</td> <td>R61B</td> <td>18</td> <td>GY</td> <td>1651943C1</td> </tr> </tbody> </table>		CAV	CIRCUIT	GAUGE	COLOR	TERMINAL	B#	R106B	18	GY	1651943C1	A#	R109B	18	GY	1651943C1	C#	R61B	18	GY	1651943C1				
CAV	CIRCUIT	GAUGE	COLOR	TERMINAL																											
B#	R106B	18	GY	1651943C1																											
A#	R109B	18	GY	1651943C1																											
C#	R61B	18	GY	1651943C1																											
CONNECTOR 1678137C1				# REAR LOAD INDICATOR (6X4)																											
LOAD INDICATOR TO CENTER CHASSIS (9865M) (LOCATED ON LEFT FRAME RAIL BEHIND CAB)						<table border="1" style="font-size: small;"> <thead> <tr> <th>CAV</th> <th>CIRCUIT</th> <th>GAUGE</th> <th>COLOR</th> <th>TERMINAL</th> <th>SEAL/SLEEVE</th> </tr> </thead> <tbody> <tr> <td>A</td> <td>R109B</td> <td>18</td> <td>GY</td> <td>1661875C1</td> <td>1661872C1</td> </tr> <tr> <td>B</td> <td>R106B</td> <td>18</td> <td>GY</td> <td>1661875C1</td> <td>1661872C1</td> </tr> <tr> <td>C</td> <td>R61B</td> <td>18</td> <td>GY</td> <td>1661875C1</td> <td>1661872C1</td> </tr> </tbody> </table>		CAV	CIRCUIT	GAUGE	COLOR	TERMINAL	SEAL/SLEEVE	A	R109B	18	GY	1661875C1	1661872C1	B	R106B	18	GY	1661875C1	1661872C1	C	R61B	18	GY	1661875C1	1661872C1
CAV	CIRCUIT	GAUGE	COLOR	TERMINAL	SEAL/SLEEVE																										
A	R109B	18	GY	1661875C1	1661872C1																										
B	R106B	18	GY	1661875C1	1661872C1																										
C	R61B	18	GY	1661875C1	1661872C1																										
CONNECTOR 1667741C1 BODY LOCK 1667771C1																															
CUSTOMER SUPPLIED LIGHTS (9900) (LOCATED IN BACKPANEL (DAYCAB))						<table border="1" style="font-size: small;"> <thead> <tr> <th>CAV</th> <th>CIRCUIT</th> <th>GAUGE</th> <th>COLOR</th> <th>TERMINAL</th> <th>SEAL/SLEEVE</th> </tr> </thead> <tbody> <tr> <td>A</td> <td>R10-GP</td> <td>16</td> <td>WH</td> <td>2033819C1</td> <td>1652325C1</td> </tr> <tr> <td>B</td> <td>R58AC</td> <td>16</td> <td>BN</td> <td>2033819C1</td> <td>1652325C1</td> </tr> </tbody> </table>		CAV	CIRCUIT	GAUGE	COLOR	TERMINAL	SEAL/SLEEVE	A	R10-GP	16	WH	2033819C1	1652325C1	B	R58AC	16	BN	2033819C1	1652325C1						
CAV	CIRCUIT	GAUGE	COLOR	TERMINAL	SEAL/SLEEVE																										
A	R10-GP	16	WH	2033819C1	1652325C1																										
B	R58AC	16	BN	2033819C1	1652325C1																										
CONNECTOR 1671610C1 BODY LOCK 1671608C1																															
LSM BENDIX W/ AUX AIR DRYER (9901) (LOCATED ON LEFT FRAME RAIL BEHIND CAB UNDER SLEEPER)						<table border="1" style="font-size: small;"> <thead> <tr> <th>CAV</th> <th>CIRCUIT</th> <th>GAUGE</th> <th>COLOR</th> <th>TERMINAL</th> <th>SEAL/SLEEVE</th> </tr> </thead> <tbody> <tr> <td>A</td> <td>N39</td> <td>16</td> <td>GY</td> <td>0587577C1</td> <td>1652325C1</td> </tr> <tr> <td>B</td> <td>NZ9-G</td> <td>16</td> <td>WH</td> <td>0587577C1</td> <td>1652325C1</td> </tr> </tbody> </table>		CAV	CIRCUIT	GAUGE	COLOR	TERMINAL	SEAL/SLEEVE	A	N39	16	GY	0587577C1	1652325C1	B	NZ9-G	16	WH	0587577C1	1652325C1						
CAV	CIRCUIT	GAUGE	COLOR	TERMINAL	SEAL/SLEEVE																										
A	N39	16	GY	0587577C1	1652325C1																										
B	NZ9-G	16	WH	0587577C1	1652325C1																										
CONNECTOR 0587567C91																															
CHK	DATE	CHANGE	REV	REFERENCE	DRAWN	NAME																									
-	-	INITIAL RELEASE.	A	92159Y	310615	CIRCUIT DIAGRAM, 9900																									
					RELEASE NO.	DATE	PART NO.																								
					92159Y	02AUG13	AE08076124																								
						SHEET	196																								

Figure 403 Connector Composites (9832 / 9865M / 9900 / 9901)

13.206. CONNECTOR COMPOSITES (9902 / 9911 / 9912), P. 197

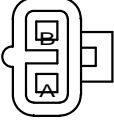
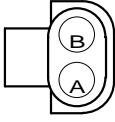
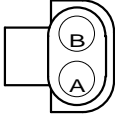
NAVISTAR, INC <small>THIS PRINT IS PROVIDED ON A RESTRICTED BASIS AND IS NOT TO BE USED IN ANY WAY DETRIMENTAL TO THE INTEREST OF NAVISTAR, INC.</small>				ELECTRICAL CIRCUIT DIAGRAM CHAPTER 13 CONNECTOR BODY COMPOSITE MATING VIEW SHOWN																			
<p>LSM BENDIX AIR DRYER (9902) (LOCATED IN LEFT FRAME RAIL BY AIR DRYER)</p>  <table border="1" style="margin-left: auto; margin-right: auto; border-collapse: collapse;"> <thead> <tr> <th>CAV</th> <th>CIRCUIT</th> <th>GAUGE</th> <th>COLOR</th> <th>TERMINAL</th> <th>SEAL/SLEEVE</th> </tr> </thead> <tbody> <tr> <td>A</td> <td>RD39</td> <td>16</td> <td>GY</td> <td>2033819C1</td> <td>1652325C1</td> </tr> <tr> <td>B</td> <td>RD39-G</td> <td>16</td> <td>WH</td> <td>2033819C1</td> <td>1652325C1</td> </tr> </tbody> </table> <p>CONNECTOR 1673790C1 BODY LOCK 1673791C1</p>						CAV	CIRCUIT	GAUGE	COLOR	TERMINAL	SEAL/SLEEVE	A	RD39	16	GY	2033819C1	1652325C1	B	RD39-G	16	WH	2033819C1	1652325C1
CAV	CIRCUIT	GAUGE	COLOR	TERMINAL	SEAL/SLEEVE																		
A	RD39	16	GY	2033819C1	1652325C1																		
B	RD39-G	16	WH	2033819C1	1652325C1																		
<p>FR AXLE TEMP SENDER HAS-72 (9911) (LOCATED ON LEFT FRAME RAIL BY FORWARD REAR AXLE)</p>  <table border="1" style="margin-left: auto; margin-right: auto; border-collapse: collapse;"> <thead> <tr> <th>CAV</th> <th>CIRCUIT</th> <th>GAUGE</th> <th>COLOR</th> <th>TERMINAL</th> <th>SEAL/SLEEVE</th> </tr> </thead> <tbody> <tr> <td>A</td> <td>R32</td> <td>18</td> <td>TN</td> <td>0587576C1</td> <td>1652325C1</td> </tr> <tr> <td>B</td> <td>RC9C</td> <td>18</td> <td>GY</td> <td>0587576C1</td> <td>1652325C1</td> </tr> </tbody> </table> <p>CONNECTOR 0587568C91 BODY LOCK 1673791C1</p>						CAV	CIRCUIT	GAUGE	COLOR	TERMINAL	SEAL/SLEEVE	A	R32	18	TN	0587576C1	1652325C1	B	RC9C	18	GY	0587576C1	1652325C1
CAV	CIRCUIT	GAUGE	COLOR	TERMINAL	SEAL/SLEEVE																		
A	R32	18	TN	0587576C1	1652325C1																		
B	RC9C	18	GY	0587576C1	1652325C1																		
<p>RR AXLE TEMP SENDER HAS-72 (9912) (LOCATED ON LEFT FRAME RAIL BY REAR REAR AXLE)</p>  <table border="1" style="margin-left: auto; margin-right: auto; border-collapse: collapse;"> <thead> <tr> <th>CAV</th> <th>CIRCUIT</th> <th>GAUGE</th> <th>COLOR</th> <th>TERMINAL</th> <th>SEAL/SLEEVE</th> </tr> </thead> <tbody> <tr> <td>A</td> <td>R32A</td> <td>18</td> <td>TN</td> <td>0587576C1</td> <td>1652325C1</td> </tr> <tr> <td>B</td> <td>R9B</td> <td>18</td> <td>GY</td> <td>0587576C1</td> <td>1652325C1</td> </tr> </tbody> </table> <p>CONNECTOR 0587568C91 BODY LOCK 1673791C1</p>						CAV	CIRCUIT	GAUGE	COLOR	TERMINAL	SEAL/SLEEVE	A	R32A	18	TN	0587576C1	1652325C1	B	R9B	18	GY	0587576C1	1652325C1
CAV	CIRCUIT	GAUGE	COLOR	TERMINAL	SEAL/SLEEVE																		
A	R32A	18	TN	0587576C1	1652325C1																		
B	R9B	18	GY	0587576C1	1652325C1																		
CHK	DATE	CHANGE	REV	REFERENCE	DRAWN	NAME																	
—	—	INITIAL RELEASE.	A	92159Y	310615	CIRCUIT DIAGRAM, 9900																	
					RELEASE NO.	DATE																	
					92159Y	02AUG13																	
					PART NO.	SHEET																	
					AE08076124	197																	

Figure 404 Connector Composites (9902 / 9911 / 9912)